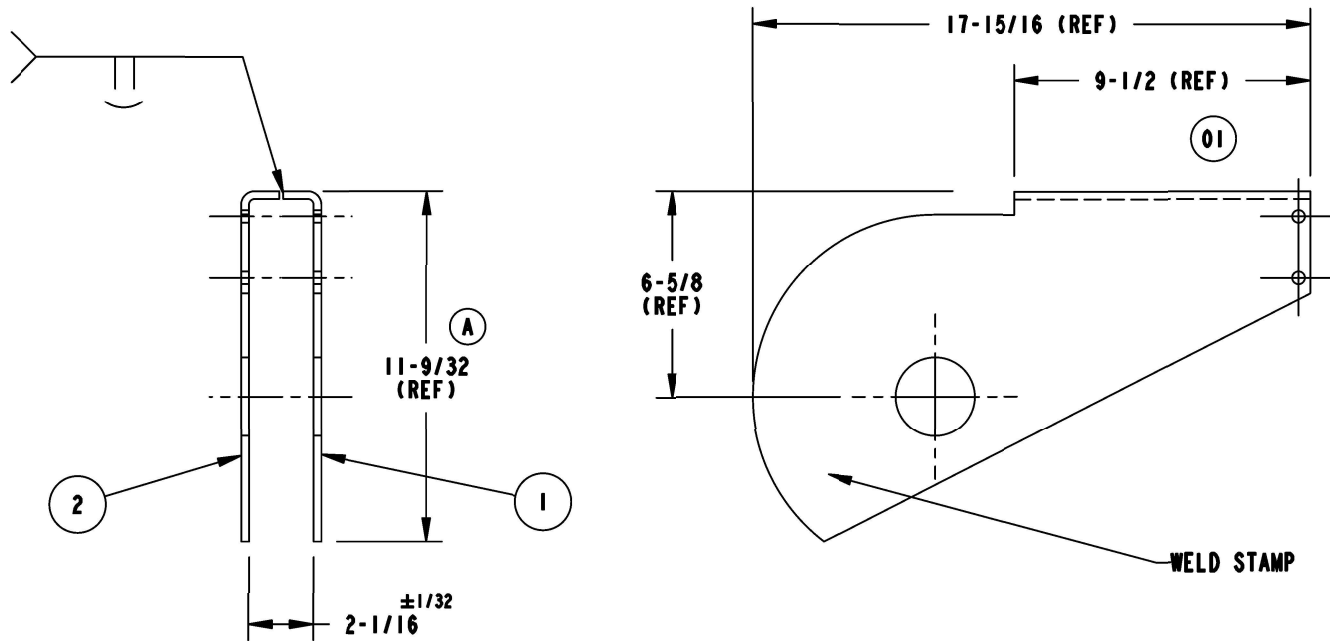


BILL OF MATERIAL				
ITEM NO	SIZE	PART NO	DESCRIPTION	QTY
1		0706487	PLATE, CABLE GUIDE LT	1
2		0706488	PLATE, CABLE GUIDE RT	1



Miller
INDUSTRIES
TOWING EQUIPMENT INC.

MAT'L SIZE: WELDMENT
MAT'L SPEC:

CORPORATE ENGINEERING
8503 HILLTOP DR. COOLTEWAH, TN 37363
(423) 238-4171

02	ECN	REVISED 0706487 AND 0706488	MCR	03/15/18
01	10442	REVISED DIM TO REFLECT CHANGE IN PART; REDRAWN PRO/E	HS	05/30/06
A	04934	11-9/32 WAS 11-1/8	TED	04/01/93

TOLERANCES (UNLESS OTHERWISE SPECIFIED)		DESCRIPTION:	
ONE PLACE	.X = ±.06	CABLE GUIDE WELDMENT	
TWO PLACES	.XX = ±.03		
THREE PLACES	.XXX = ±.010		
FRACTIONAL TOLERANCE	= ±1/16		
BREAK ALL SHARP EDGES .010 X 45°			

REV.	E.C.N.	DESCRIPTION	INIT.	DATE	DRAWN BY: REM	CHK BY:	WEIGHT: [,]	DWG SIZE: B	DWG NO: 080207	REV. 02
------	--------	-------------	-------	------	---------------	---------	---------------	-------------	----------------	---------

THIS PRINT CONTAINS CONFIDENTIAL INFORMATION THAT IS THE SOLE PROPERTY OF MILLER INDUSTRIES TOWING EQUIPMENT INC. AND IS NOT TO BE REPRODUCED OR DISTRIBUTED WITHOUT THE EXPRESS WRITTEN PERMISSION OF MILLER INDUSTRIES TOWING EQUIPMENT INC.

DATE: 27-Jul-90	SCALE: 0,250	SHEET: 1 OF 1
-----------------	--------------	---------------