

Spreader Bar Owner's Manual



Contents

Safety Information	2
Assembly Instructions	3
Width Adjustments	3
Load Ratings	4
Parts Information	5
Inspections and Record Keeping	5
Inspection Record	6

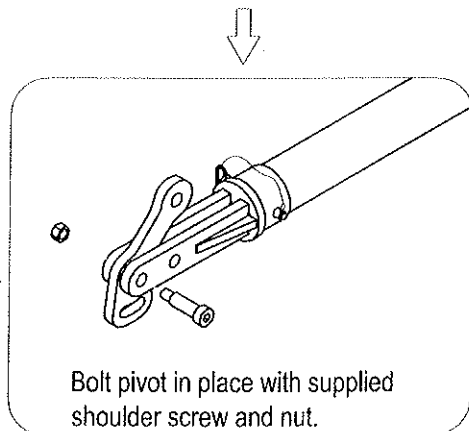
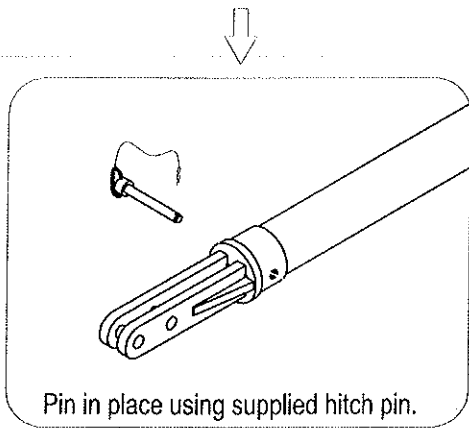
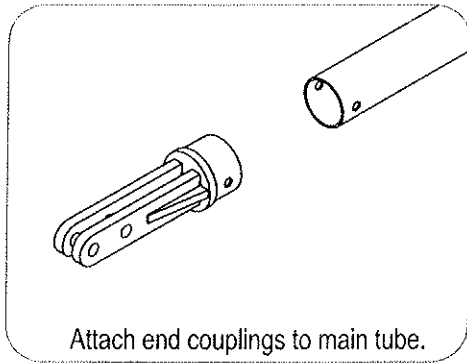
Safety Information

! DANGER

- Do not exceed the rated load, or lift loads not specified in the operating manual
- Do not operate a damaged or malfunctioning unit, or a unit with missing parts
- Do not lift people
- Do not lift suspended loads over people
- Do not leave suspended loads unattended
- Do not remove or obscure any warning labels
- Do not operate without having read and understood the operating manual
- Stay clear of suspended loads
- Do not lift loads higher than necessary
- Do not make alterations or modifications to the lifter

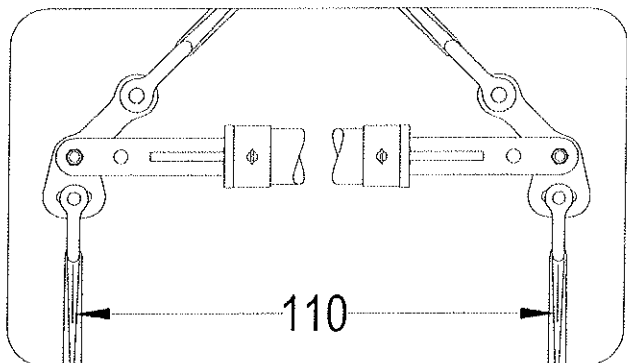
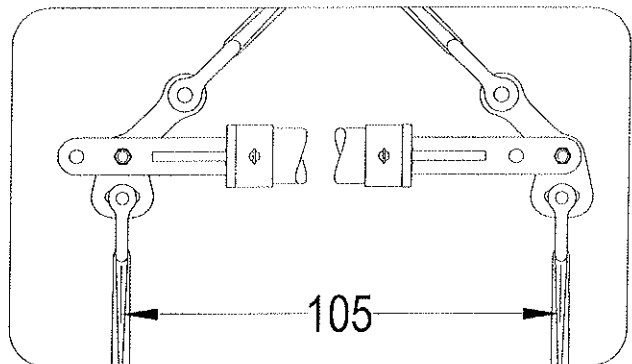
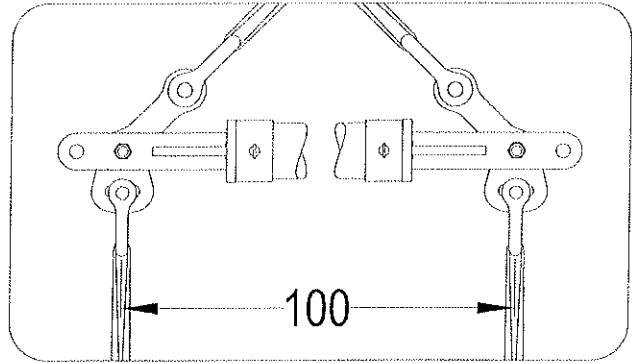
Assembly Instructions

This spreader bar can be stored broken down, completely assembled, or any stage between. This is the individual user's preference. See below for assembly instructions starting completely dis-assembled.



Width Adjustments

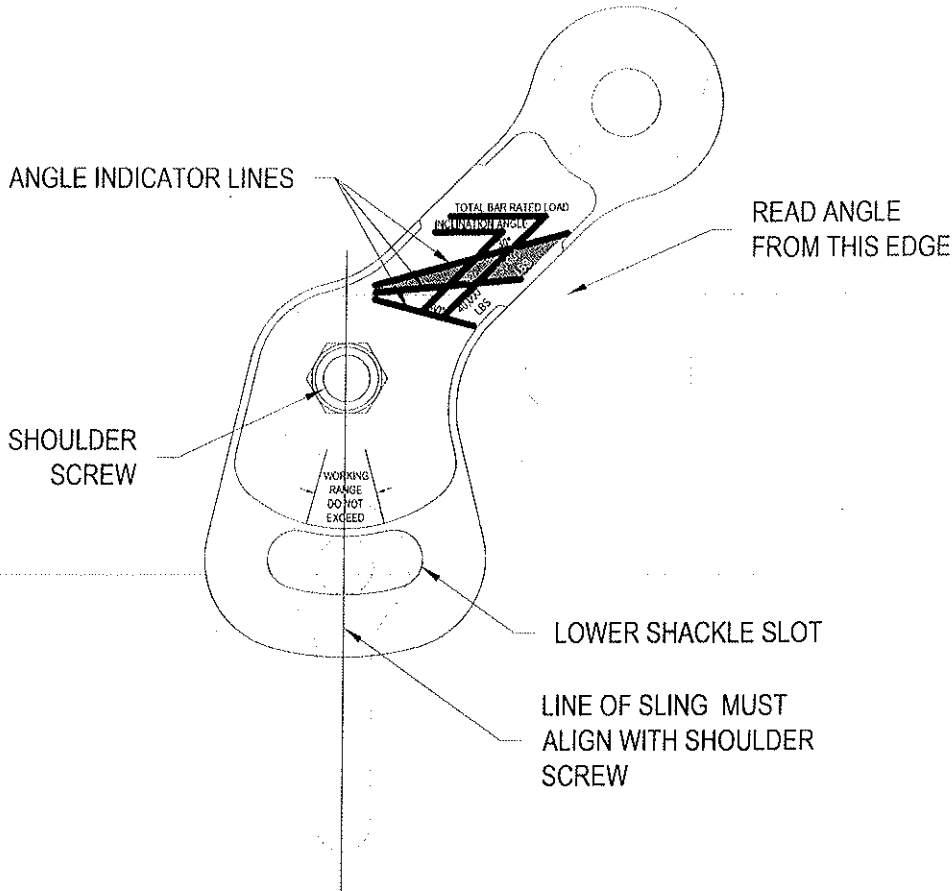
Spreader width may need to be adjusted to accommodate different sizes and shapes of lifted loads. Adjust bar width by moving pivot plates between holes on end couplings. The (3) width adjustment options are shown below.



Note:

Always attach rigging (slings, chains, cables, etc...) to pivot plates using proper high quality shackles. NEVER loop slings, chains or hooks directly through the pivot holes. Each upper shackle must have a Ø1.63" pin and a 15 ton minimum lift rating. Each lower shackle must have a Ø1.38" pin and a 10 ton minimum lift rating. Use slings or chains with ratings to match or surpass these shackles. Upper slings must be equal length to avoid over-loading or an unstable load. See Load Ratings page for details on lift rating and sling angles.

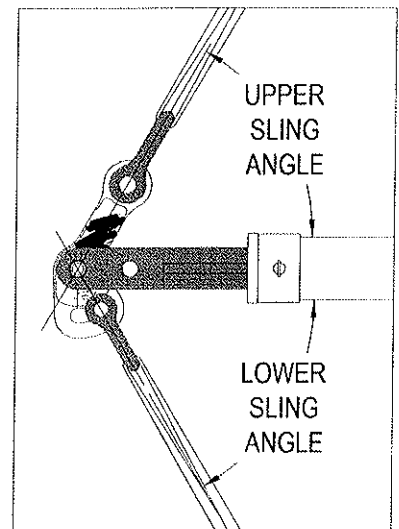
Load Ratings



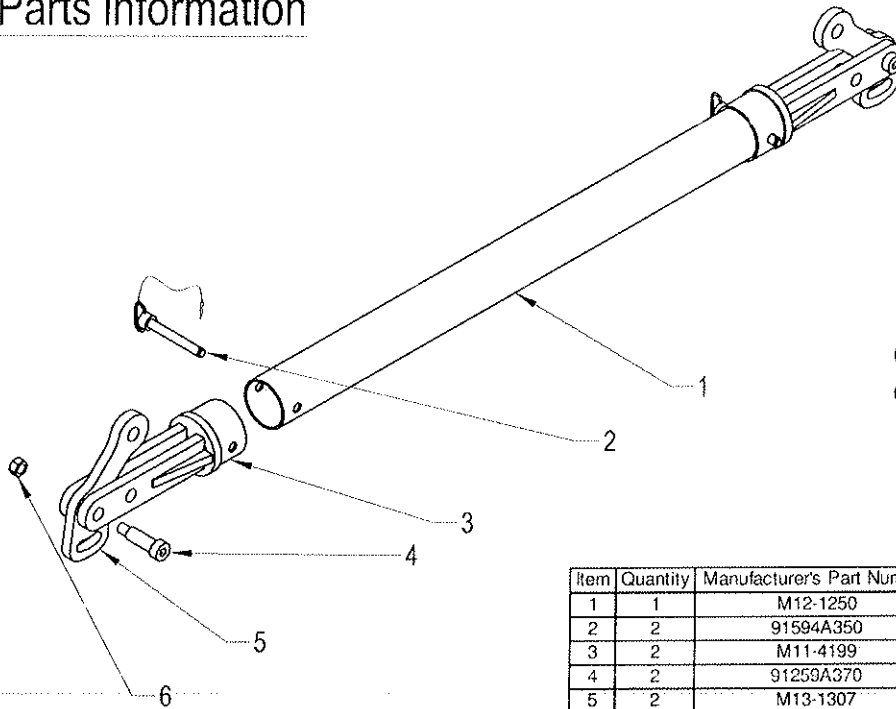
Using the Angle indicator:

The angles of the slings determine the lifting capacity of the spreader. The angle indicator lines shown on the pivot label are provided as a quick reference showing the approximate angle of the upper slings. The load ratings listed on the bar assume vertical lower slings. If the size and/or shape of the lifted load prohibits vertical lower slings, use the following table to determine the resulting load rating. DO NOT exceed the working range of the lower shackle slot.

		Upper Sling Angle (deg)							Resultant Load Rating (lbs) (for angled lower slings)
		30	35	40	45	50	55	60	
Lower Sling Angle (deg)	60							34641	
	65						36252	36252	
	70					37588	37588	37588	
	75				38637	38637	38637	38637	
	80			29544	39392	39392	39392	39392	
	85		29886	29886	39848	39848	39848	39848	
	90	30000	30000	30000	40000	40000	40000	40000	
	95	29886	29886	29886	39848	39848	39848		
	100	29544	29544	29544	39392	39392			
	105	28978	28978	28978	38637				
	110	28191	28191	28191					
	115	27189	27189						
120	25981								
		30000	30000	30000	40000	40000	40000	40000	
		Base Load Rating (lbs)							



Parts information



Contact your Miller Industries distributor for service parts

Item	Quantity	Manufacturer's Part Number	Miller Part Number	Description
1	1	M12-1250	0311122	Main Tube
2	2	91594A350	0311124	Hitch Pin
3	2	M11-4199	0311123	End Coupling
4	2	91259A370	0311125	Shoulder Screw
5	2	M13-1307	0311121	Pivot Plate
6	2	90473A039	0311126	Nut

Inspections and Record Keeping

Inspections		Normal Service	Heavy Service	Severe Service
		Every lift	Every lift	Every lift
Every lift Inspection	Operator shall visually examine before and during each lift for any indication of damage. Check for loose fasteners.			
Frequent Inspection	Operator or qualified person shall check for cracks, dents, excessive wear, or missing parts. A qualified person shall determine whether any indications of damage constitute a hazard or will require more frequent inspection.	monthly	weekly to monthly	daily to weekly
Periodic Inspection	Qualified person shall completely disassemble and inspect spreader. Check for cracks, dents, or excessive wear, missing parts. Record findings and report whether they constitute a hazard.	yearly	semiannually	quarterly

Definitions	
Normal Service	Routine lifts of loads less than 65% of rated load
Heavy Service	Routine lifts of loads between 65% and 100% of rated load
Severe Service	Abnormal loading (normal or heavy) i.e. use outside of towing and recovery, or lower sling angles other than 90
Operator	The person performing the lifting operation
Qualified person	A person who, by extensive knowledge, training and experience, has successfully demonstrated the ability to solve or resolve problems relating to the subject matter and work