



PRODUCT DATA SHEET

P/N: **1001**
HOOKKLOK



FEATURES

SOLD IN PAIRS

- Hook feature provides additional support when mounting tools vertically
- Rugged injection molded components made from high quality materials
- Weather, UV resistant
- Non-conductive
- Can be mounted horizontally or vertically
- Stainless Steel Fasteners provided
- Mounts to PAC tool boards and other flat surfaces

TYPICAL SPECIFICATION

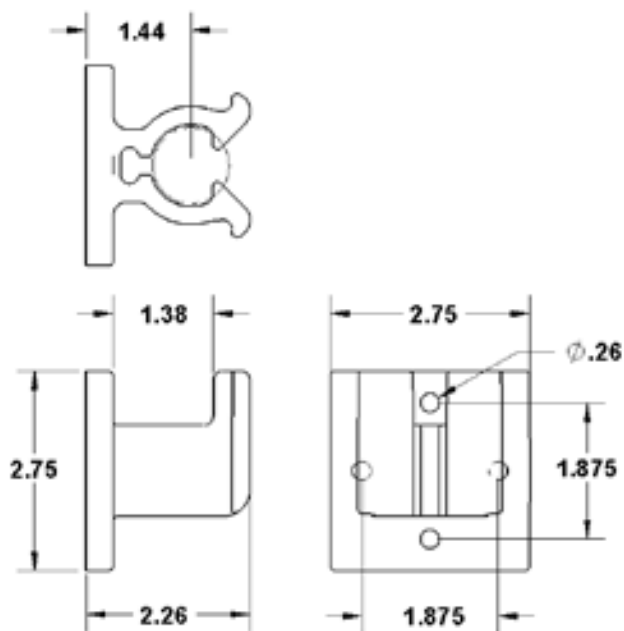
Mounting Bracket shall be PAC PN 1001.

Bracket shall be single piece construction; made from tough, corrosion free material. Hardware shall be stainless steel.

Firefighters shall be protected from conductivity.

SPECIFICATIONS

P/N	WT.	MAX LOAD	GRIP RANGE	HANGER RANGE	FLAME TOXICITY CHEMICAL
1001	.4lbs/pair	N/A	1-1.25"	Up to 1.3" diam.	N/A



Dimensions: 2.75" L x 2.75" W x 2.26" H

Performance Advantage Company

Lancaster, New York

www.pactoolmounts.com

888-514-0083

REFERENCE	QTY	REMARKS	PROJECT
			LOCATION
			BUYER
			DEALER
			BUILDER
			SUBMITTED BY: DATE:



SOLD IN PAIRS – The HOOKLOK BRACKET is a versatile and easy to use friction lock product providing secure mounting for a wide variety of tools and equipment.

- Hook feature provides additional support when mounted vertically
- Rugged injection molded components made from high quality materials
- Weather, UV resistant
- Non-conductive
- Can be mounted horizontally or vertically

