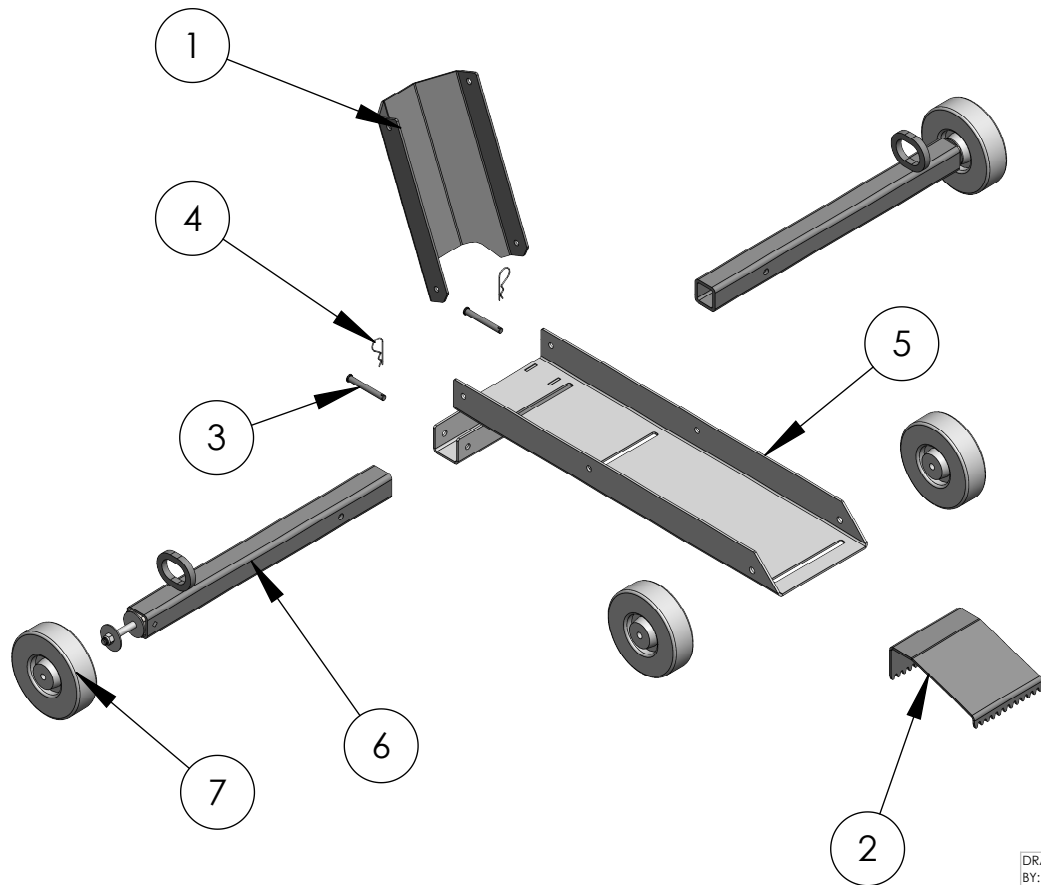


ITEM NO.	PART NUMBER	DESCRIPTION	Material Thickness	FINISH	QTY.
1	ITD1416	Cycle Caddy Backstop	Mtrl Thk: 10 GA.	Black Paint	1
2	ITD1414	Cycle Caddy Ramp	Mtrl Thk: 10 GA.	Black Paint	1
3	ITD1494	5/16"x2 1/2" Zinc Clevis Pin	Mtrl Thk: N/A	N/A	2
4	ITD1493	.093x1 5/8 Hairpin Cotter Pin	Mtrl Thk: N/A	N/A	2
5	ITD1429	Cycle Caddy Base Assembly	N/A	Black Paint	1
6	ITD1421	Cycle Caddy Axle Assembly	N/A	Black Paint	2
7	ITD1422	5" Poly Wheel	N/A	N/A	4



DRAWN BY: JL DRAWN DATE: 10/22/13 UNLESS OTHERWISE SPECIFIED: DIMENSIONS ARE IN INCHES TOLERANCES: FRACTIONAL $\pm 1/16"$ ANGULAR: MACH $\pm 0.25^\circ$ BEND $\pm 1.5^\circ$ TWO PLACE DECIMAL $\pm 0.020"$ THREE PLACE DECIMAL $\pm 0.005"$ MATERIAL: See BOM DO NOT SCALE DRAWING	<b>Inventive LLC</b> In The Ditch Towing Products PART NAME <b>Cycle Caddy</b> SIZE PART NO. <b>A</b> ITD1412 SHEET SCALE 1:20	SHEET 2 of 3
--	--	--------------