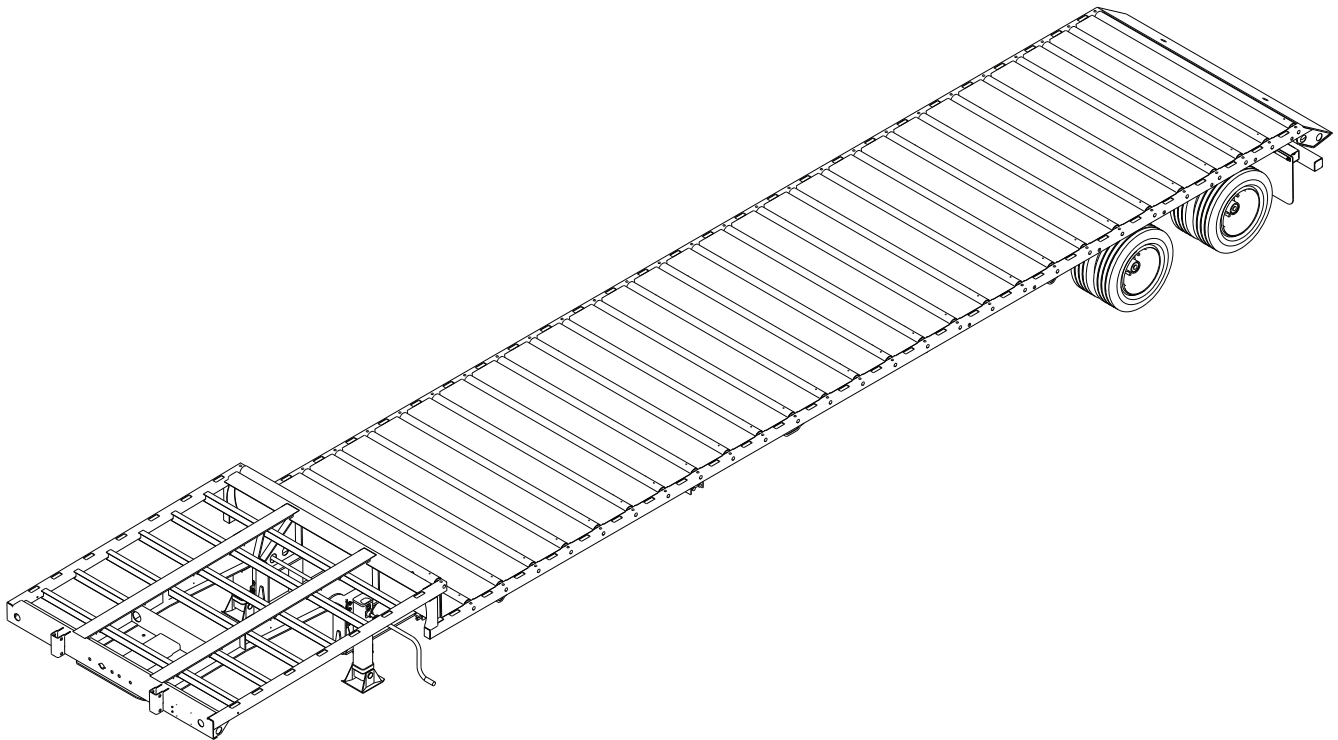




**Model 135  
Roller Deck Trailer  
Parts Manual**



**LANDOLL CORPORATION**

1900 North Street

Marysville, Kansas 66508

(785) 562-5381

800-428-5655 ~ [WWW.LANDOLL.COM](http://WWW.LANDOLL.COM)

**Manuals for the PRODUCT**

MANUAL NUMBER	MANUAL NAME
F-805-0315	135 Roller Deck Trailer Operator's Manual
F-804-0715	135 Roller Deck Parts Manual

# Table of Contents

---

## 1 Illustrated Parts List

<b>Instructions For Ordering Parts</b> .....	<b>1-1</b>
<b>Decals</b> .....	<b>1-2</b>
Decal Arrangement and Locations .....	1-2
<b>Frame Assembly</b> .....	<b>1-6</b>
General Frame Assembly .....	1-6
Frame Electrical System .....	1-10
Air System .....	1-12
Air Booster Valve Assembly .....	1-14
<b>Undercarriage</b> .....	<b>1-16</b>
Spring Ride Undercarriage .....	1-16
Spring Ride Suspension .....	1-20
Axle and Brake Assembly - Dexter (12-1/4" X 7-1/2") .....	1-22
Outboard Pilot Mount Hub and Drum Assembly .....	1-24
Air Brake System .....	1-26
Rockwell ABS Kit .....	1-28
<b>Options</b> .....	<b>1-30</b>
Bulkhead Assembly .....	1-30
Pullout Roller .....	1-31
2 Speed Landing Gear .....	1-32
2 Speed Jost Landing Gear .....	1-34
Ratchet Installation .....	1-36



# Illustrated Parts List

## Instructions For Ordering Parts

**ORDER PARTS FROM LANDOLL PARTS DISTRIBUTION CENTER**

**\*\* Repair parts must be ordered through an Authorized Dealer \*\***

**PHONE NO: 1-800-423-4320 OR 1-785-562-5381**

**FAX NO: 888-527-3909**

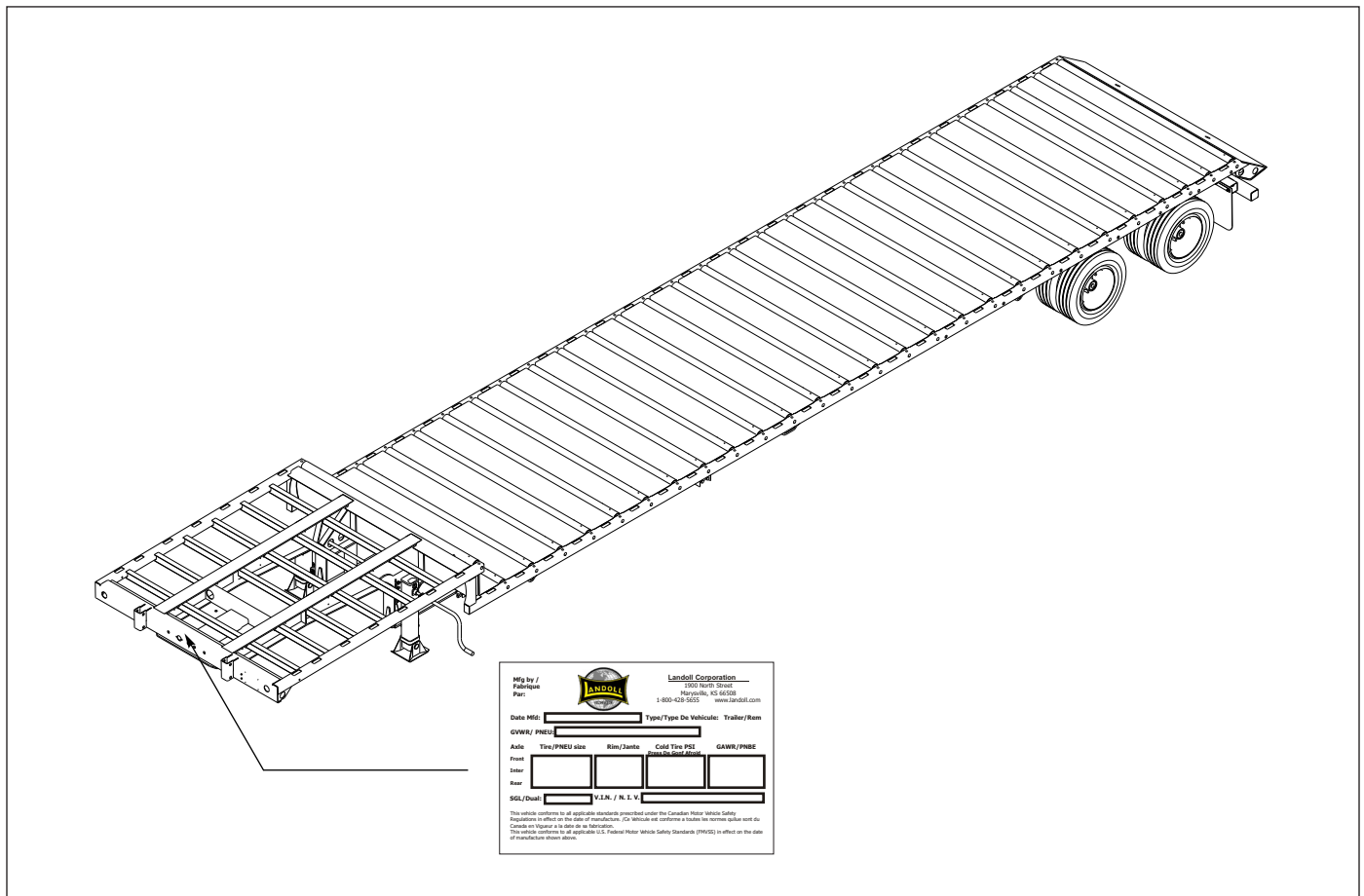
**ORDER ONLINE: Dealer.landoll.com**

### IDENTIFICATION PLATE

The identification plate, which lists the model number and serial number, is located on the front of the frame (*See Figure 1-1*)

### SERIAL NUMBER NOMENCLATURE

The serial number for the Model 135 Roller Deck Semitrailer is located on the identification plate.



**Figure 1-1: Identification Plate and Location**

Decals

3

4

5

6

7

8

9

10

11

12

Figure 1-2: Decal Arrangement & Locations (1 of 2)

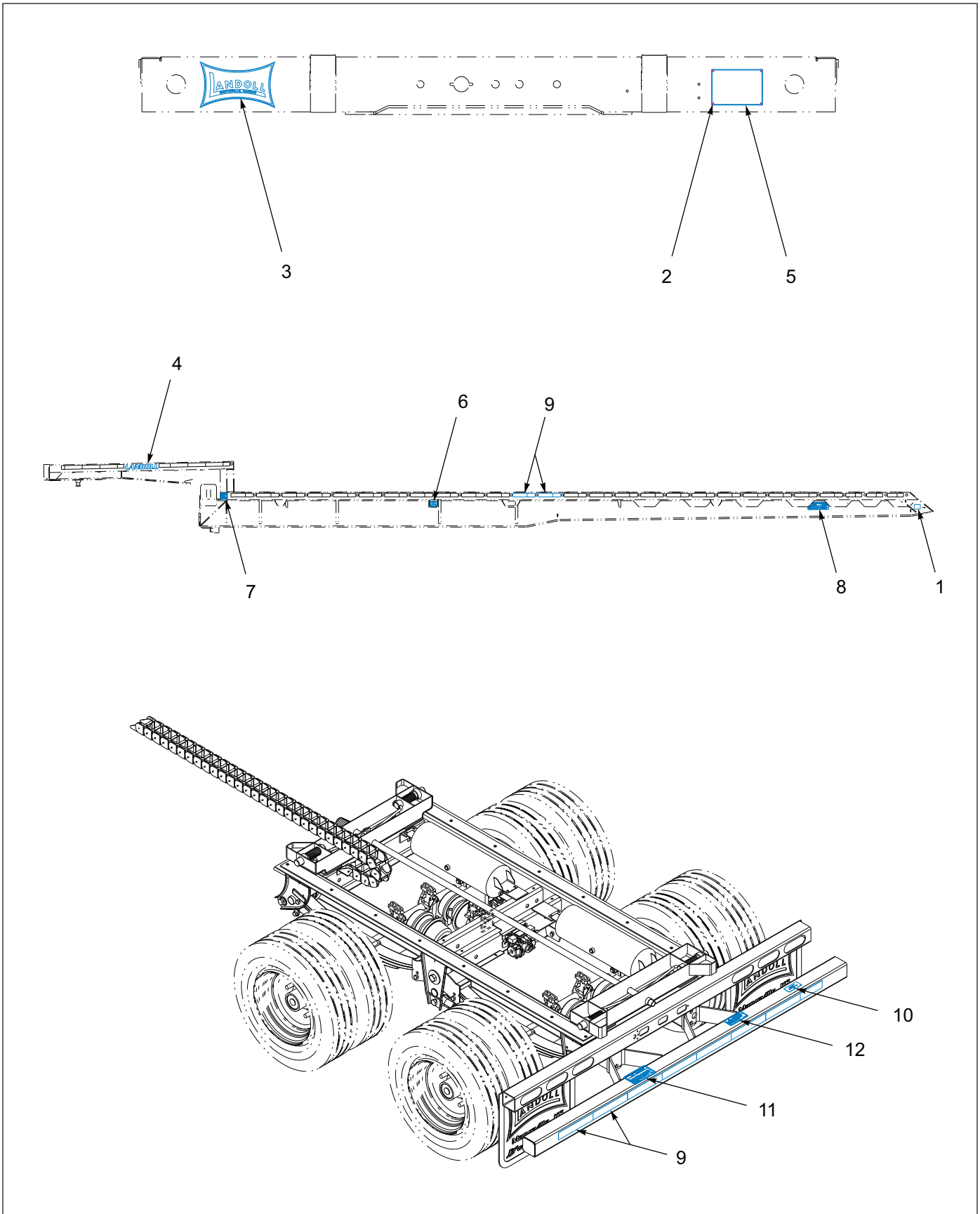


Figure 1-3: Decal Arrangement & Locations (2 of 2)

## Decal Arrangement & Locations

ITEM	PART NO.	DESCRIPTION	QTY.
1	101855	WARNING LAMP LABEL, ABS	1
2	12420301-017	RIVET, BLIND .156 X 1/4 GRIP	4
3	153754	DECAL, BOW-TIE, 6" (WHITE) REFLECTIVE	1
4	153795	DECAL, LANDOLL, 2-1/2" REFLECTIVE	2
5	155780	INFORMATION FOR TRL VIN	1
6	191577	DECAL, PULL TO RELEASE	1
7	3-573-010086	DECAL, CONCENTRATED LOAD, 20,000#	2
8	3-573-010210	DECAL, TORQUE SPEC, 8-10 STUD HUB	1
9	3-573-010377	DECAL, 2" REFLEXITE TAPE, RED/WHITE	960"
10	103055	DECAL, ENERGY BUMPER CERTIFICATION	1
11	103056	DECAL, ENERGY WARNING BUMPER	1
12	3-573-010031	DECAL, BUMPER	1
13	202578	REFLEXITE WHITE 3IN. LENGTH ( <b>NOT SHOWN</b> )	2





# Frame Assembly

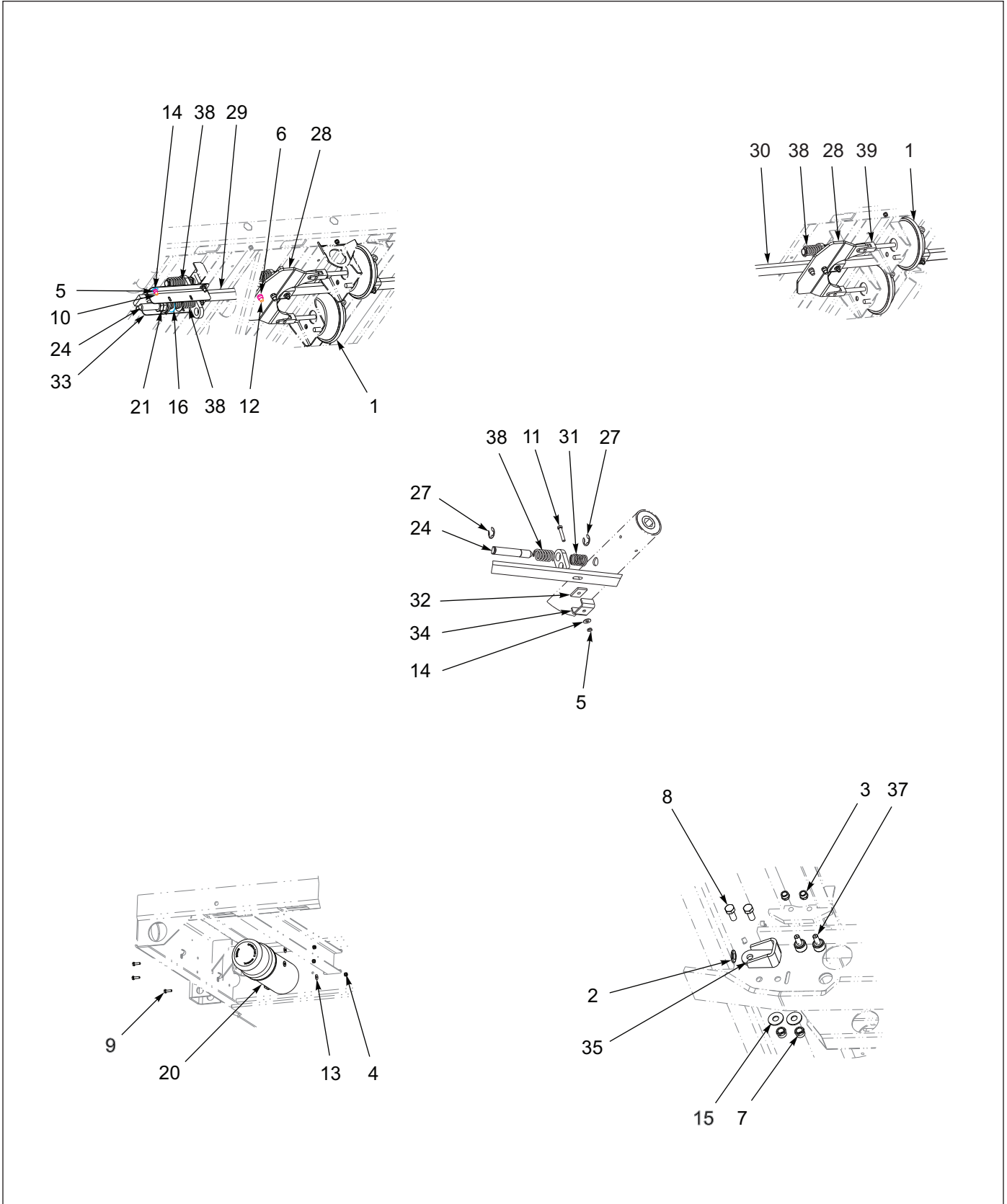


Figure 1-4: General Frame Assembly (1 of 2)

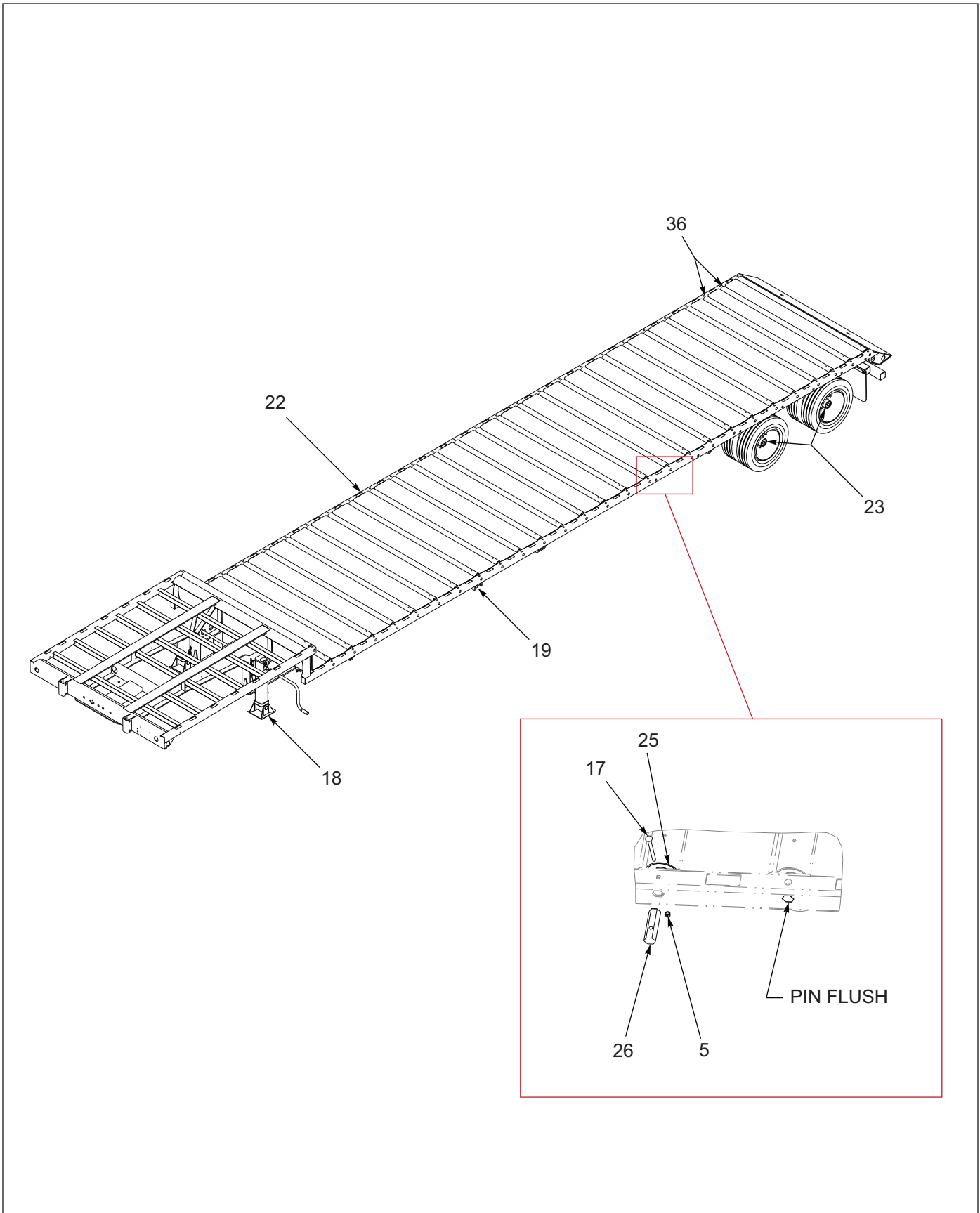


Figure 1-5: General Frame Assembly (2 of 2)

## General Frame Assembly

ITEM	PART NO.	DESCRIPTION	QTY.
1	034-057-01	AIR CHAMBER, DEXTER TYPE 30	4
2	1-343-010006	GROMMET	1
3	1-512-010002-14	NUT, HEX, SLFLKG 5/8-18, GRC	16
4	1-512-010005-01	NUT, HEX, SLFLKG 1/4-20, GRB	3
5	1-512-010005-05	NUT, HEX, SLFLKG 3/8-16, GRB	101
6	1-512-010005-09	NUT, HEX, SLFLKG 1/2-13, GRB	4
7	1-512-010005-15	NUT, HEX, SLFLKG 3/4-10, GRB	4
8	1-654-010032-4	SCREW, HEX CAP, 3/4-10 UNC X 1-3/4, GR8	4
9	1-654-010047-05	SCREW, HEX CAP, 1/4-20 UNC X 7/8, GR5	3
10	1-654-010051-06	SCREW, HEX CAP, 3/8-16 UNC X 1-1/4, GR5	8
11	1-654-010051-09	SCREW, HEX CAP, 3/8-16 UNC X 2, GR5	37
12	1-654-010055-05	SCREW, HEX CAP, 1/2-13 UNC X 2, GR5	4
13	1-861-010032-07	WASHER, FLAT ZP/CD, 1/4 W	3
14	1-861-010032-11	WASHER, FLAT ZP/CD, 3/8 W	53
15	1-861-010032-21	WASHER, FLAT ZP/CD, 3/4 W	4
16	1-861-010032-24	WASHER FLAT ZP/CD, 1 IN	6
17	112013	SCREW, RDHD SQNK, 3/8-16 UNC X 4-1/2	56
18	118169	LANDING GEAR, 2SP 370 (SEE PAGE 1-32)	REF
19	134657	VALVE, AIR 3WAY/2POS, 1/4 NPT	REF
20	150076	MANUAL HOLDER, 4-1/4" ID	20
21	163111	NUT, HEX JAM, 1-8	4
22	184290	FRAME WELDMENT, 135-46	1
23	184304	UNDERCARRIAGE ASSEMBLY, SLIDER S/R 135 (SEE PAGE 1-16)	REF
24	184324	PIN, ROLLER LOCK	27
25	184388	ROLLER ASSEMBLY, HOMERUN	24
26	184389	SHAFT, HEX 1-1/4	56
27	185047	RING, RETAINING EXTERNAL, E	54
28	185077	ANCHOR, PUSH RELEASE	2
29	185082	RELEASE, WELDMENT FRONT	1
30	185083	RELEASE, WELDMENT REAR	1
31	185084	SPRING, COMP 1.460 X 2	27
32	185085	WASHER, PLASTIC 1/4 X1-1/2 X1-7/8	27
33	185086	ANCHOR, WELMENT SPRING	2
34	187818	CLAMP SLIDE, RELEASE BAR	27
35	187820	STOP WELDMENT, U/C TRAVEL	2
36	191223	ROLLER ASSEMBLY, HOMERUN HD	4
37	3-076-010006	CAM FOLLOWER, 1-1/2" DIA	16
38	9-720-010050	SPRING, COMP 2-1/2 X 1-1/2 OD	33
39	191541	YOKE ASSEMBLY, 5/8-18, 1/2" PIN	4



ILLUSTRATED PARTS LIST

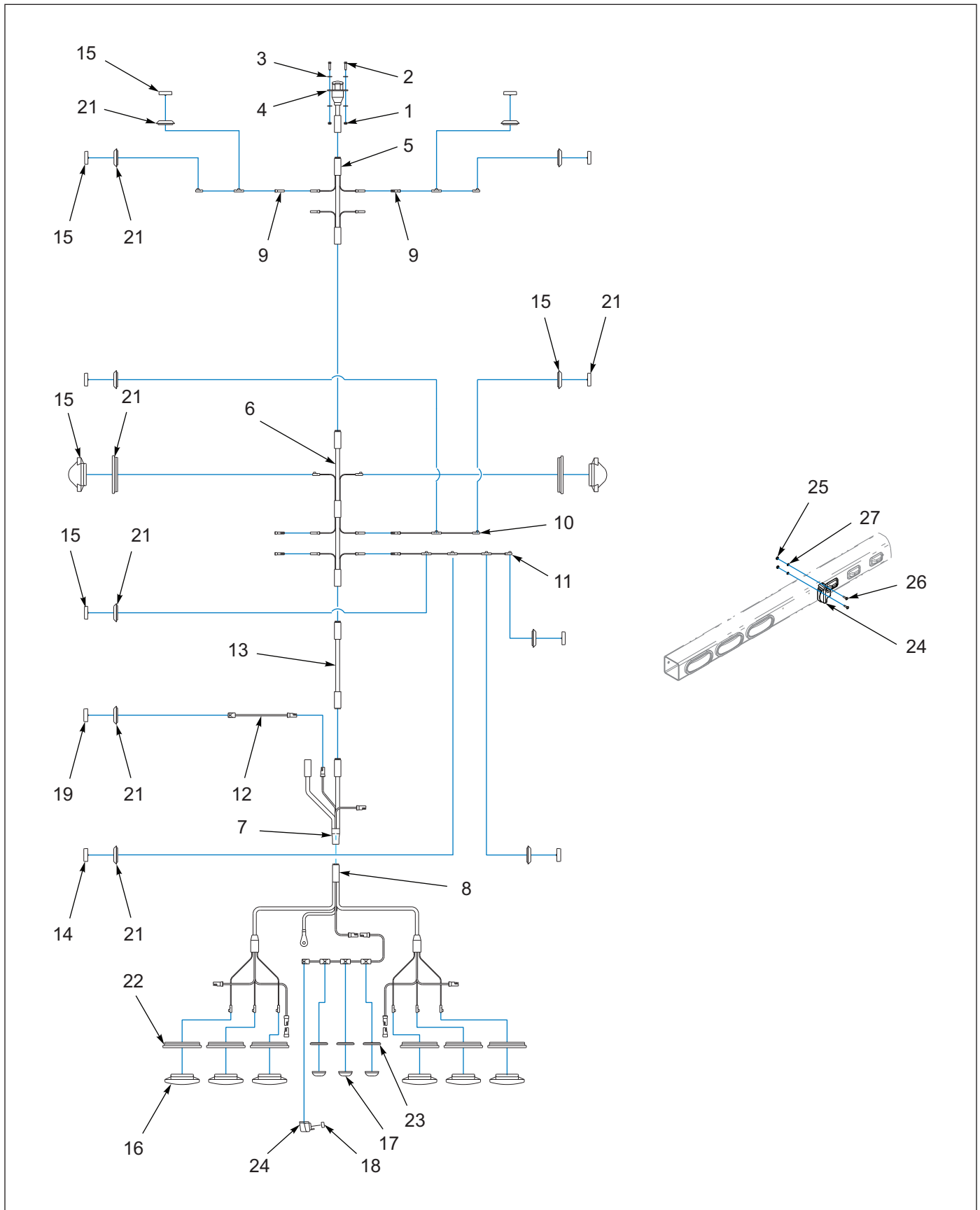


Figure 1-6: Frame Electrical System

## Frame Electrical System

ITEM	PART NO.	DESCRIPTION	QTY.
1	1-512-010005-03	NUT, HEX, SLFLKG, 5/16-18 UNC, GRB	2
2	1-654-010049-06	SCREW, HEX, 5/16-18 UNC X 1-1/4 GR5	2
3	1-861-010032-09	WASHER, FLAT, ZP/CD, 5/16 W	4
4	143100	HARNESS, 7-WAY RECP, GROTE	1
5	143101	HARNESS, FRONT MAIN GROTE	1
6	143102	HARNESS, BED MAIN GROTE	1
7	143103	HARNESS, E-CHAIN GROTE	1
8	143104	HARNESS, BUMPER GROTE	4
9	143105	HARNESS, MARKER, FRONT CORNER GROTE	2
10	143106	HARNESS, MARKER, FRONT BED GROTE	1
11	143107	HARNESS, MARKER, REAR BED GRROTE	1
12	143120	HARNESS, ABS LAMP GROTE	1
13	143166	HARNESS, EXT, 48" GROTE	1
14	143108	LIGHT, RED LED, 2.5 CL/MKR	2
15	143109	LIGHT, YELLOW LED, 2.5 CL/MKR	8
16	143113	LIGHT, RED LED, OVAL STT GROTE	6
17	143115	LIGHT, RED LED, RECT CL GROTE	3
18	143117	LIGHT, CLEAR LED, LICENSE GROTE	1
19	143119	LIGHT, YELLOW LED, ABS GROTE	1
20	169410	LIGHT, YELLOW, MID TURN GROTE	2
21	143110	GROMMET MOUNT	11
22	143114	GROMMET, OVAL GROTE	8
23	143116	GROMMET, RECT GROTE	3
24	143118	BRACKET, LIGHT LICENSE GROTE	1
25	1-512-010007-03	NUTE, HEX, #10-24 UNC, GR2	2
26	1-656-010003051	SCREW, ROUNDHEAD MACHINED, #10-24 X 3/4	2
27	1-861-010034-07	WASHER, LKG, HLCL SPR, #10	2

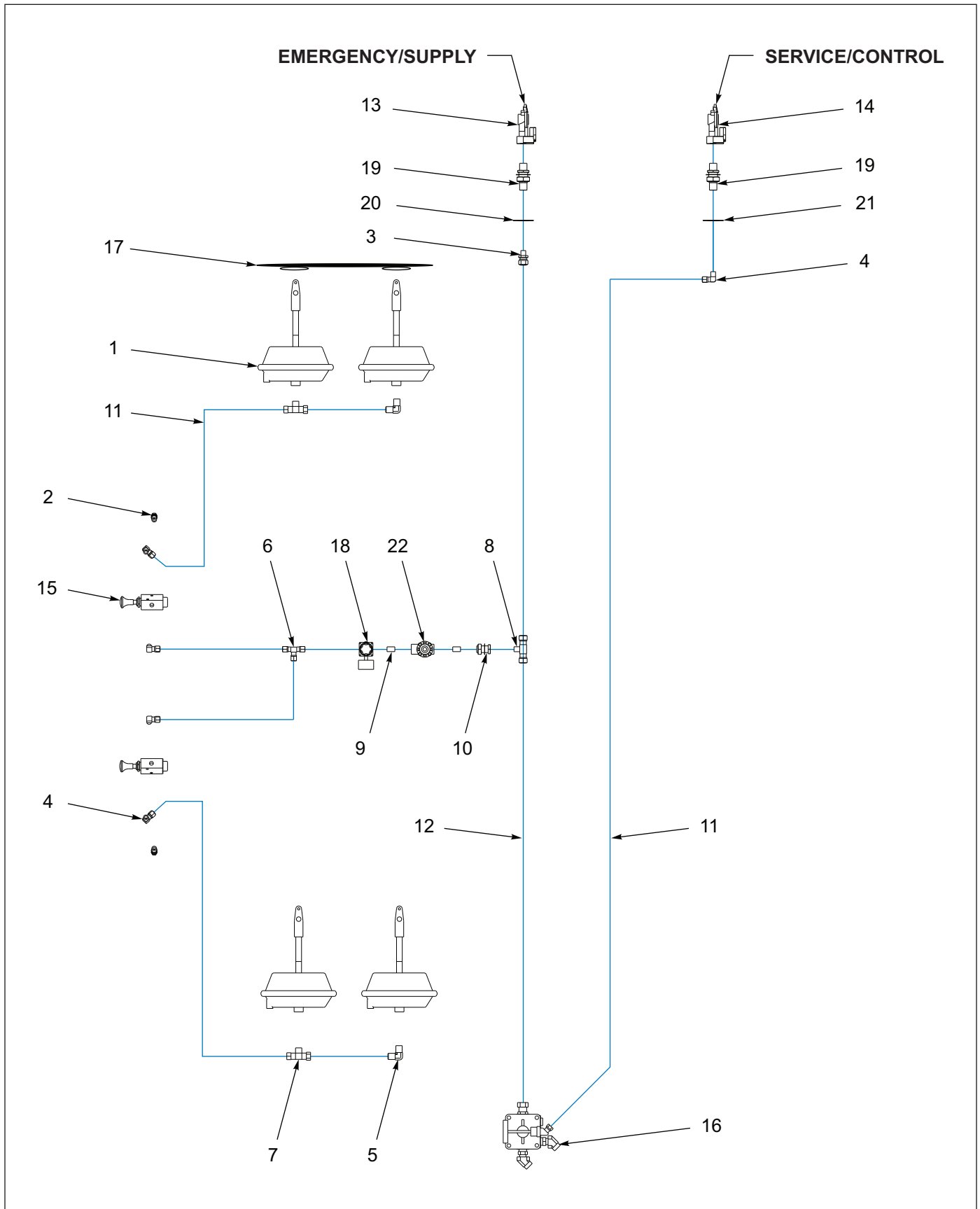


Figure 1-7: Air System



## Air System

ITEM	PART NO.	DESCRIPTION	QTY.
1	034-057-01	AIR CHAMBER, DEXTER TYPE 30	4
2	1-297-010007-05	FITTING, AIR, 1/4 TUBE X 1/3 NPT	2
3	1-297-010007-14	FITTING, AIR, 1/2 TUBE X 1/3 NPT	1
4	1-297-010008-18	FITTING, AIR 90, 3/8 TUBE X 1/4 NPT	5
5	1-297-010008-20	FITTING, AIR 90, 3/8 TUBE X 3/8 NPT	2
6	1-297-010011-04	FITTING, AIR, M/RUN TEE, 3/8-1/4B	1
7	1-297-010015-07	FITTING, AIR BR TEE, 3/8 T - 3/8 P	1
8	1-297-010015-09	FITTING, AIR BR TEE, 1/2 T - 1/4 P	1
9	1-297-010020-02	FITTING, BRS PIPE, CL NIP, 1/4	2
10	1-297-010022-02	FITTING, AIR ANCHOR, CPLG, 1/4 NPT	1
11	1-833-010002	TUBING, NYLON 3/8 OD	58 FT.
12	1-833-010003	TUBING, NYLON 1/2 OD	32 FT.
13	108801	GLAD HAND, RED AIR	1
14	108802	GLAD HAND, BLUE AIR	1
15	134657	VALVE AIR, 3WAY/2POS, 1/4 NPT <b>(SEE PAGE 1-14)</b>	2
16	141607	VALVE ASSY, AIR BOOSTER	1
17	187809	PLATE, MTG, 2 BRAKE CHAMBERS	1
18	3-626-010004	VALVE, REGULATING W/ GUAGE	1
19	55B61	FRAME UNION	2
20	55B61-6	TAG, EMERGENCY LINE, VELVAC 035025	1
21	55B61-7	TAG, SERVICE LINE, VELVAC 035026	1
22	905-54-107	BRAKE PROTECTION VALVE	1

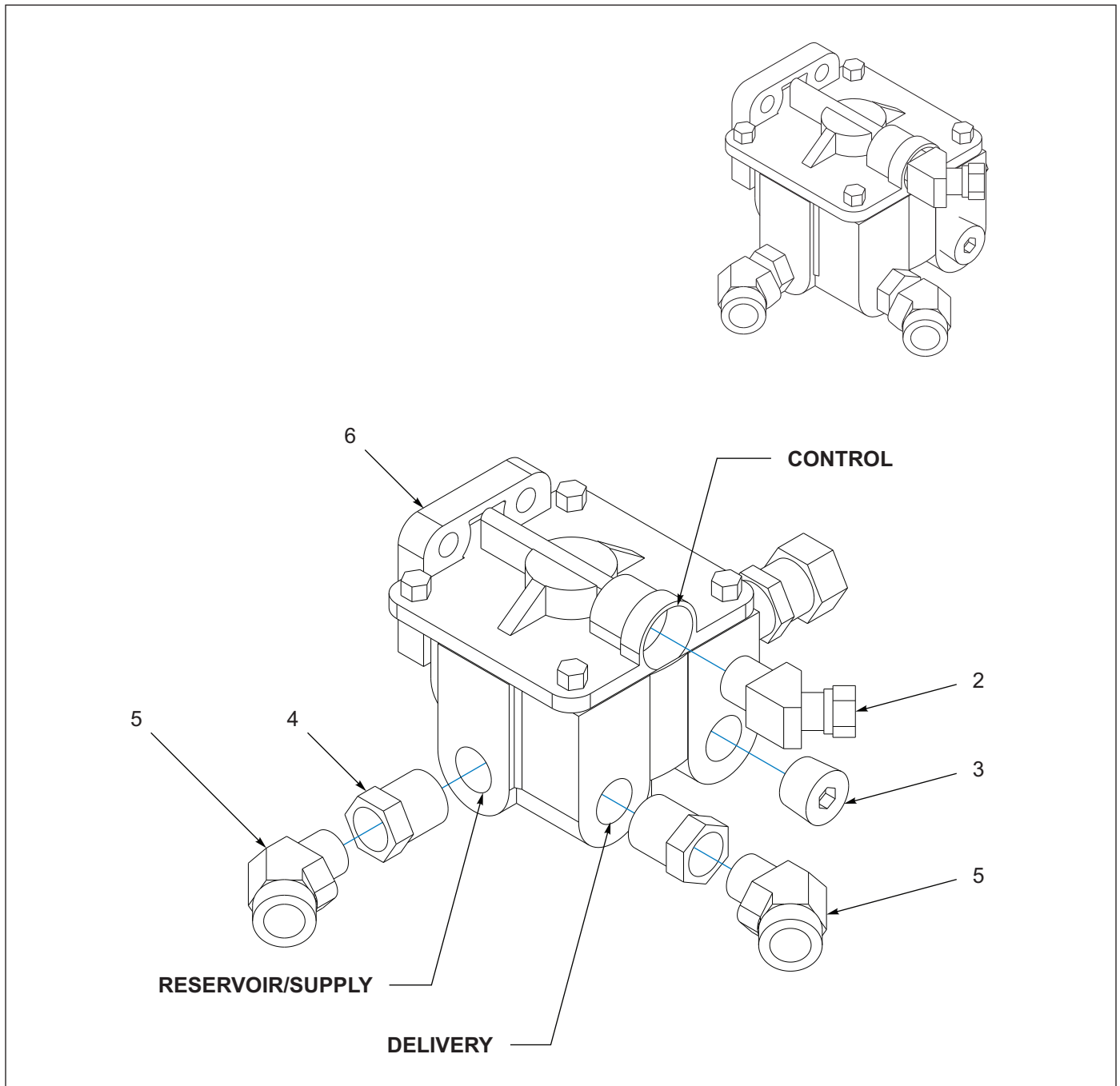


Figure 1-8: Air Booster Valve Assembly

### Air Booster Valve Assembly

ITEM	PART NO.	DESCRIPTION	QTY.
	141607	VALVE ASSEMBLY - AIR BOOSTER	
1	1-297-010007-06	FITTING, AIR 1/2 TUBE X Q/2 NPT	1
2	1-297-010013-12	FITTING, AIR 45 M/ELB, 3/8T - 3/8P	1
3	1-560-010002-04	PLUG, PIPE 1/2 NPT	1
4	2081-8-6S	REDUCER, 1/2 NPT X 3/8 NPT	2
5	2088-6-6S	ADAPTER, 45, 3/8 MPT X 3/8 FPT	2
6	3-843-010038	VALVE, AIR RELAY-FAST AIR BALANCE	1



# Undercarriage

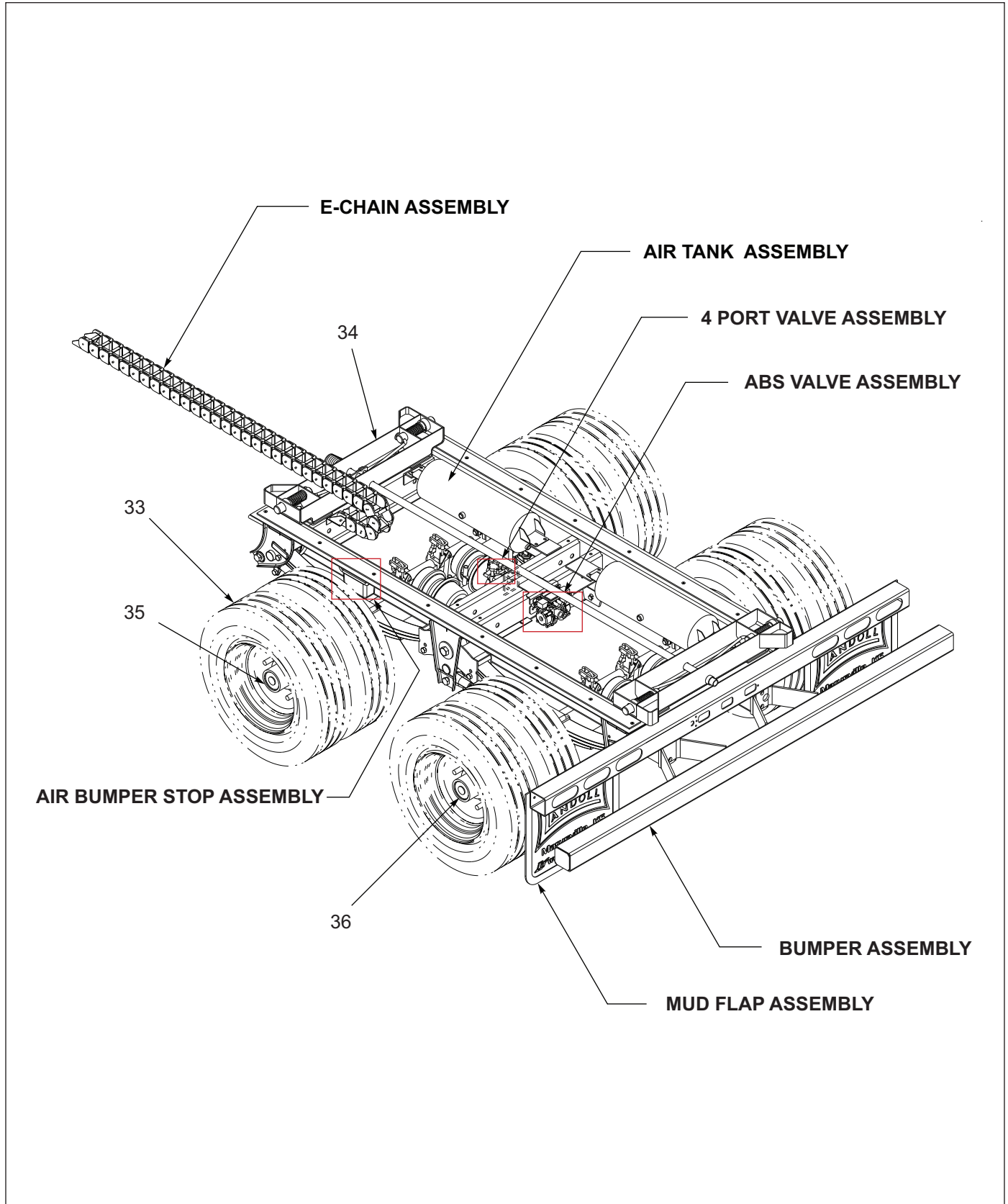
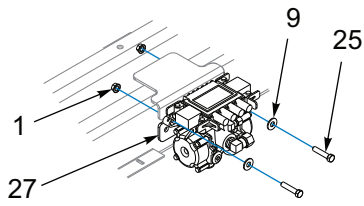
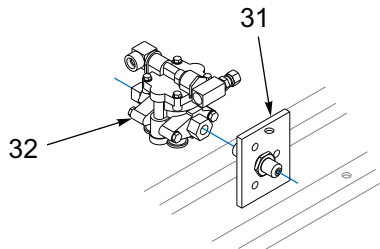


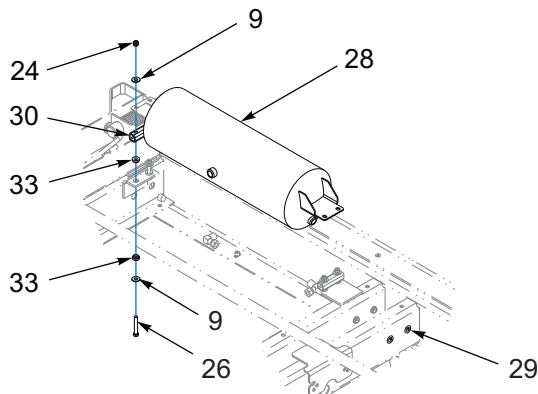
Figure 1-9: Undercarriage Assembly - Spring Ride (1 of 2)



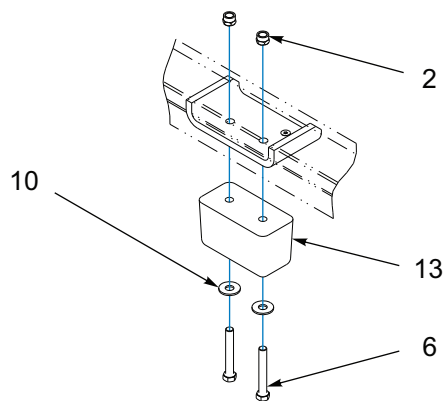
**ABS VALVE ASSEMBLY**



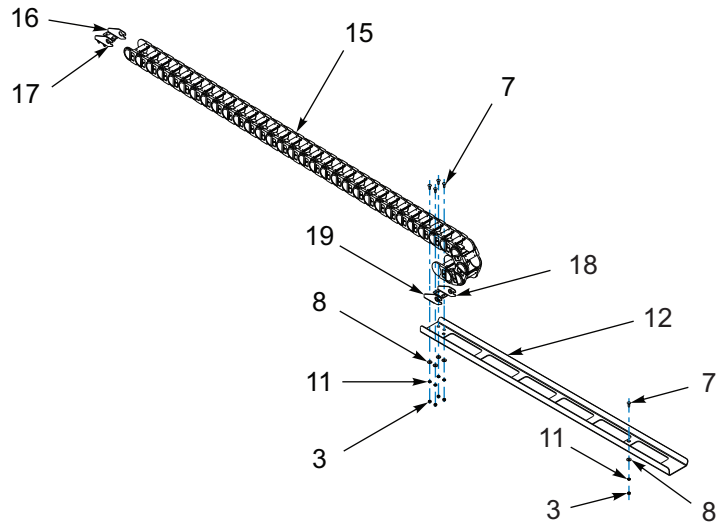
**4 PORT VALVE ASSEMBLY**



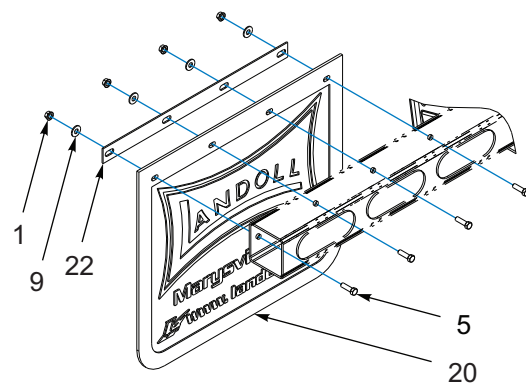
**AIR TANK ASSEMBLY**



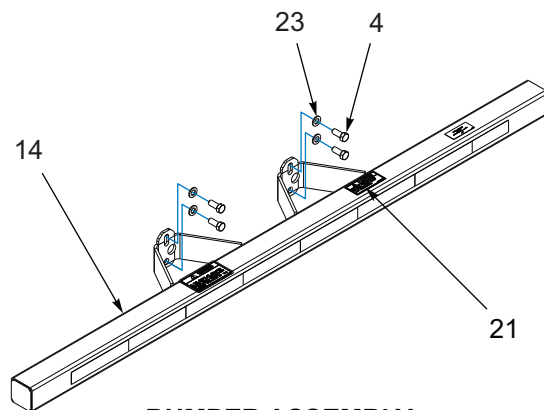
**AXLE BUMPER STOP ASSEMBLY**



**E-CHAIN ASSEMBLY**



**MUDFLAP ASSEMBLY**



**BUMPER ASSEMBLY**

**Figure 1-10: Undercarriage Assembly - Spring Ride (2 of 2)**

## Spring Ride Undercarriage

ITEM	PART NO.	DESCRIPTION	QTY.
	184304	UNDERCARRIAGE ASSEMBLY, SLIDER SPRING RIDE	
1	1-510-010001	NUT, FLANG HD, SERR, 3/8-16 UNC	10
2	1-512-010005-09	NUT, HEX, SLFLKG, 1/2-13 UNC, GRB	8
3	1-512-010007-05	NUT, HEX, 1/4-20 UNC, GR2	9
4	1-654-010032-4	SCREW, HEX, 3/4-10 UNC X 1-3/4 GR8	4
5	1-654-010051-06	SCREW, HEX, 3/8-16 UNC X 1-1/4 GR5	8
6	1-654-010055-11	SCREW, HEX, 1/2-13 UNC X 3-1/2 GR5	8
7	1-654-010158-1	SCREW, RDH, SQ NCK, 1/4-20 X 3/4	9
8	1-861-010032-07	WASHER, FLAT, ZP/CD, 1/4 W	9
9	1-861-010032-11	WASHER, FLAT, ZP/CD, 3/8 W	26
10	1-861-010032-15	WASHER, FLAT, ZP/CD, 1/2W	8
11	1-861-010034-09	WASHER, LKG, HLCL SPR, 1/4	9
12	118897	TRAY, E-CHAIN 425	1
13	128874	BUMPER, RUBBER, 6 X 3 X 3-1/2	4
14	158341	BUMPER WELDMENT, CM	1
15	189316	SUPPORT, E-CHAIN, 34 LINKS, 3838	1
16	190700ZP	BRACKET, E-CHAIN LH	1
17	190705ZP	BRACKET, E-CHAIN RH	1
18	190701	BRACKET WLDMT, E-CHAIN LH	1
19	190706	BRACKET WLDMT, E-CHAIN RH	1
20	3-485-010001	MUD FLAP, 21"	2
21	3-573-010031	DECAL, BUMPER (SEE PAGE 1-2)	REF
22	3-762-010017	CLAMP, MUD FLAP	2
23	622-3511-008	WASHER, FLAT, 3/4 MIL-CARB FL SAE	4
24	1-512-010005-05	NUT, HEX, SLFLKG, 3/8-16 UNC, GRB	8
25	1-654-010051-08	SCREW, HEX, 3/8-16 UNC X 1-3/4 GR5	2
26	1-654-010051-11	SCREW, HEX, 3/8-16 UNC X 2-1/2 GR5	8
27	114584	ABS KIT WABCO, 4S/2M (SEE PAGE 1-28)	1
28	167583	TANK, AIR 8 X 32,.5 NPT PORTS	2
29	178444	BUSHING, NYLON INSERT, 9/16 ID	4
30	191542	SPACER, AIR TANK	4
31	55B61	FRAME UNION	1
32	758-181	VALVE, TASK 4 PORT	1
33	147485	TIRE ASSY, 235/75R17.5, DC STL PLT	8
34	184307	U/C MOD WELDMENT SLIDER, S/R 135	1
35	184308	SUSPENSION, FRONT ASSY, S/R 135 (SEE PAGE 1-21)	1
36	184309	SUSPENSION, REAR ASSY, S/R 135 (SEE PAGE 1-21)	1



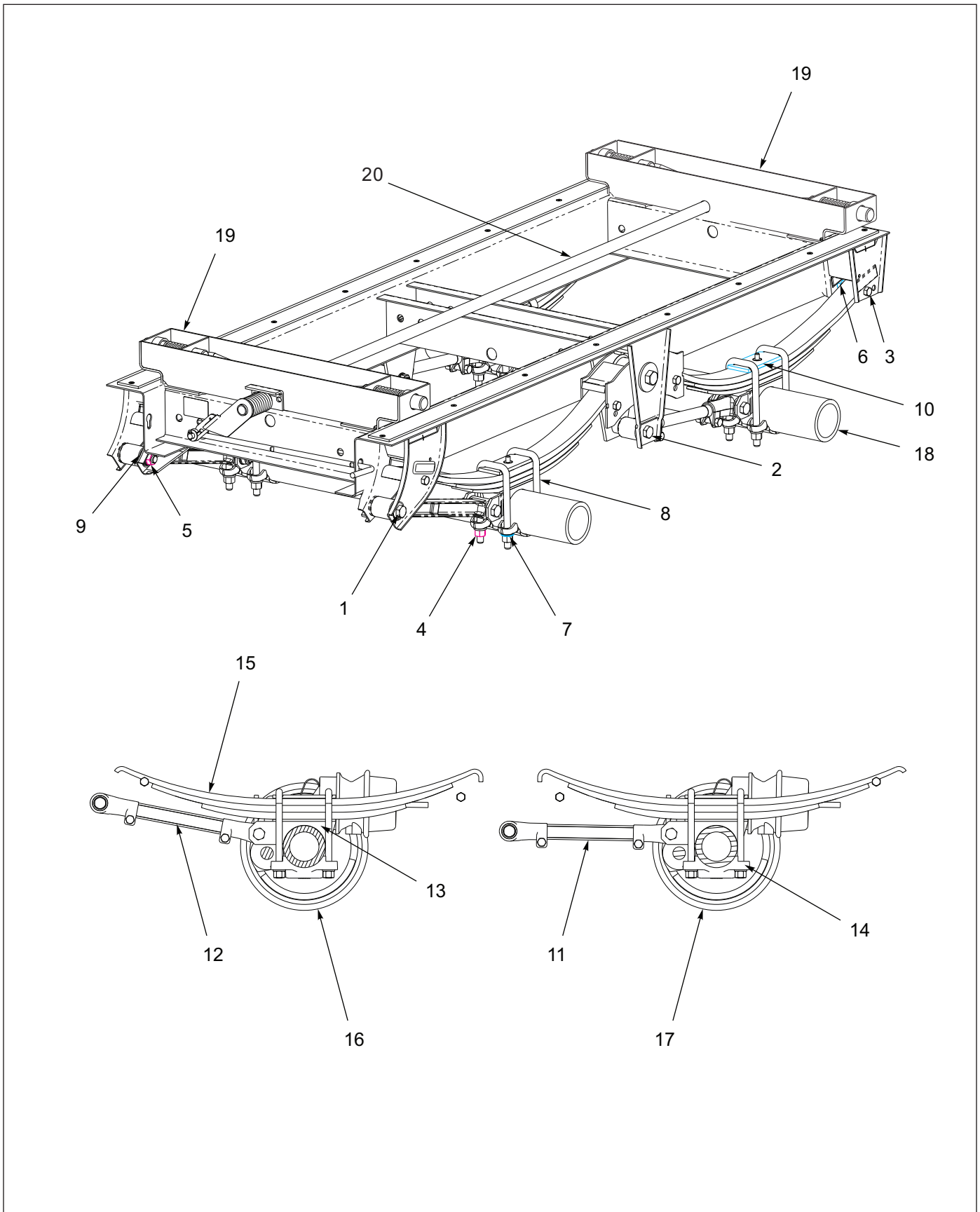
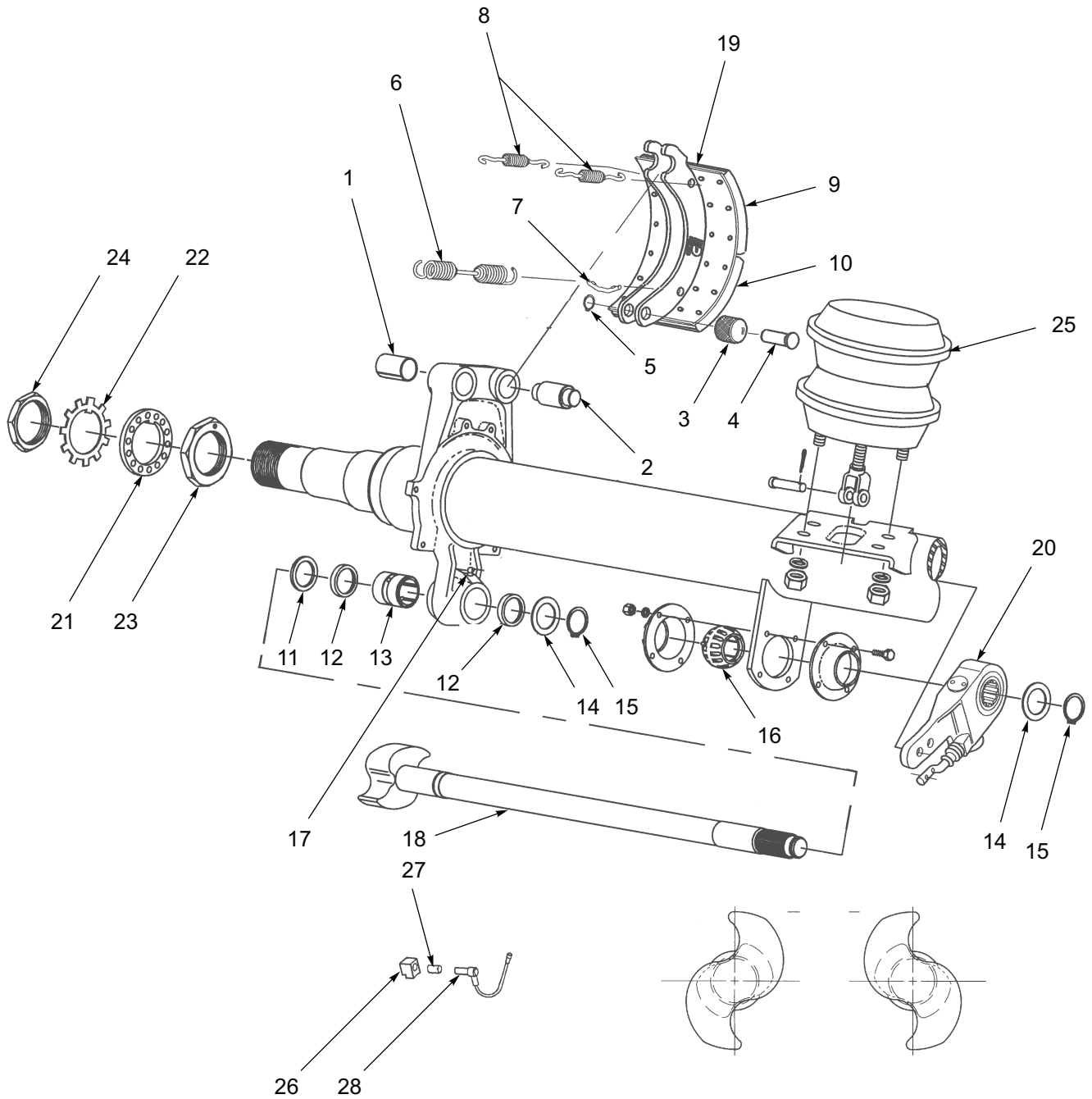


Figure 1-11: Spring Ride Suspension



## Spring Ride Suspension

ITEM	PART NO.	DESCRIPTION	QTY.
1	----	SCREW, HEX CAP, 7/8-14 X 4.81 GR5, CL 2A PLN	6
2	----	SCREW, HEX CAP, 7/8-14 X 5.75 GR5, CL 2A	2
3	----	SCREW, HEX CAP, 5/8-14 X 4.5, PLN	8
4	----	NUT, HEX, 3/4-16 GR8, CL 2B SAEJ995, PHS&OL	16
5	----	NUT, PREV TORQ, 7/8-14 GRF, CL 2B PHS&OL	8
6	----	NUT, PREV TORQ, 5/8-11 GRB, PLN & WAX	8
7	----	WASHER, FLAT 3/4	16
8	----	U-BOLT, 3/4 X 10-7/8	8
9	----	SLEEVE, SPACER	8
10	----	PLATE, TOP AXLE, SPRING CLAMP	5
11	----	TORQUE ARM ASSY, ADJ	2
12	----	TORQUE ARM ASSY, FIXED	2
13	----	RISER, SPRING SEAT, 3/4	4
14	187848	BOTTOM PLATE CAST	4
15	185093	SPRING, 3 LEAF, LOW ARCH	4
16	184308	SUSPENSION, FRONT ASSY, S/R 135	1
17	184309	SUSPENSION, REAR ASSY, S/R 135	1
18	115703	AXLE, 70.5 12.25 X 7.5 SPRING BRAKE 25 (SEE PAGE 1-23)	2
19	194728	PIN CAGE ASSEMBLY - PAIR	2
20	225329	TUBE, RELEASE, MECH SLIDER	1
21	185094	SUSPENSION HARDWARE KIT (ITEMS 1-13, NOT SHOWN)	REF



**NOTE: RH DOES NOT NECESSARILY CORRESPOND W/ RH SIDE OF TRAILER**

**NOTE: WHEN ORDERING THE BEAM W/ SPINDLE, SPIDER, AND BRACKETS ATTACHED, YOU WILL NEED THE BEAM NUMBER, TRACK LENGTH, BRAKE SIZE, & CAMSHAFT LENGTH.**

**Figure 1-12: Axle and Brake Assembly - Dexter (12-1/4" X 7-1/2")**

## Axle and Brake Assembly - Dexter (12-1/4" X 7-1/2")

ITEM	PART NO.	DESCRIPTION	QTY.
	168560	AXLE 70-1/2", 12-1/4" X 7-1/2 SPG BRK - 25K	
	K71-460-00	BRAKE SHOE HARDWARE KIT (ITEMS 1-8)	
	----	BRAKE BLOCK KIT (ITEMS 9 & 10)	
	K71-101-00	CAMSHAFT REPAIR KIT (ITEMS 11-17)	
1	----	BUSHING, SPIDER ANCHOR PIN	4
2	----	ANCHOR PIN	4
3	----	ROLLER	4
4	----	RETAINER, ROLLER PIN	8
5	----	RETAINER, RING	8
6	----	SPRING, SHOE RETRACTOR	2
7	056-018-00	RETAINER PIN, RETRACTOR SPRING	4
8	046-097-00	SPRING, KEEPER	4
9	----	LINING, BRAKE BLOCK ANCHOR	2
10	----	LINING, BRAKE BLOCK CAM	2
11	005-074-00	D" WASHER, CAMSHAFT	2
12	010-052-00	SEAL, GREASE	4
13	----	BUSHING, CAMSHAFT SPIDER	2
14	----	WASHER, CAMSHAFT END	2
15	069-078-00	RETAINER, CAMSHAFT END	2
16	----	BUSHING, CAMSHAFT SUPPORT	2
17	----	FITTING, GREASE 45°	2
18	034-188-03	CAMSHAFT, 22-5/16" LH	1
18	034-189-03	CAMSHAFT, 22-5/16" RH	1
18	171963	CAMSHAFT, 26-1/2" LH	1
18	171964	CAMSHAFT, 26-1/2" RH	1
19	040-320-01	SHOE AND LINING ASSEMBLY	4
20	156655	SLACK ADJUSTER, AUTOMATIC	2
21	005-098-00	WASHER, SPINDLE LOCK	2
22	005-099-00	WASHER, TABBED SPINDLE LOCK	2
23	006-114-00	NUT, INNER SPINDLE	2
24	006-115-00	NUT, OUTER SPINDLE	2
25	034-057-07	AIR CHAMBER, SERVICE BRAKE	2
25	034-058-07	AIR CHAMBER, SPRING BRAKE	2
26	103805	SENSOR BLOCK	2
27	144979	RETAINER CLIP	2
28	139287	ABS SENSOR, 90	2

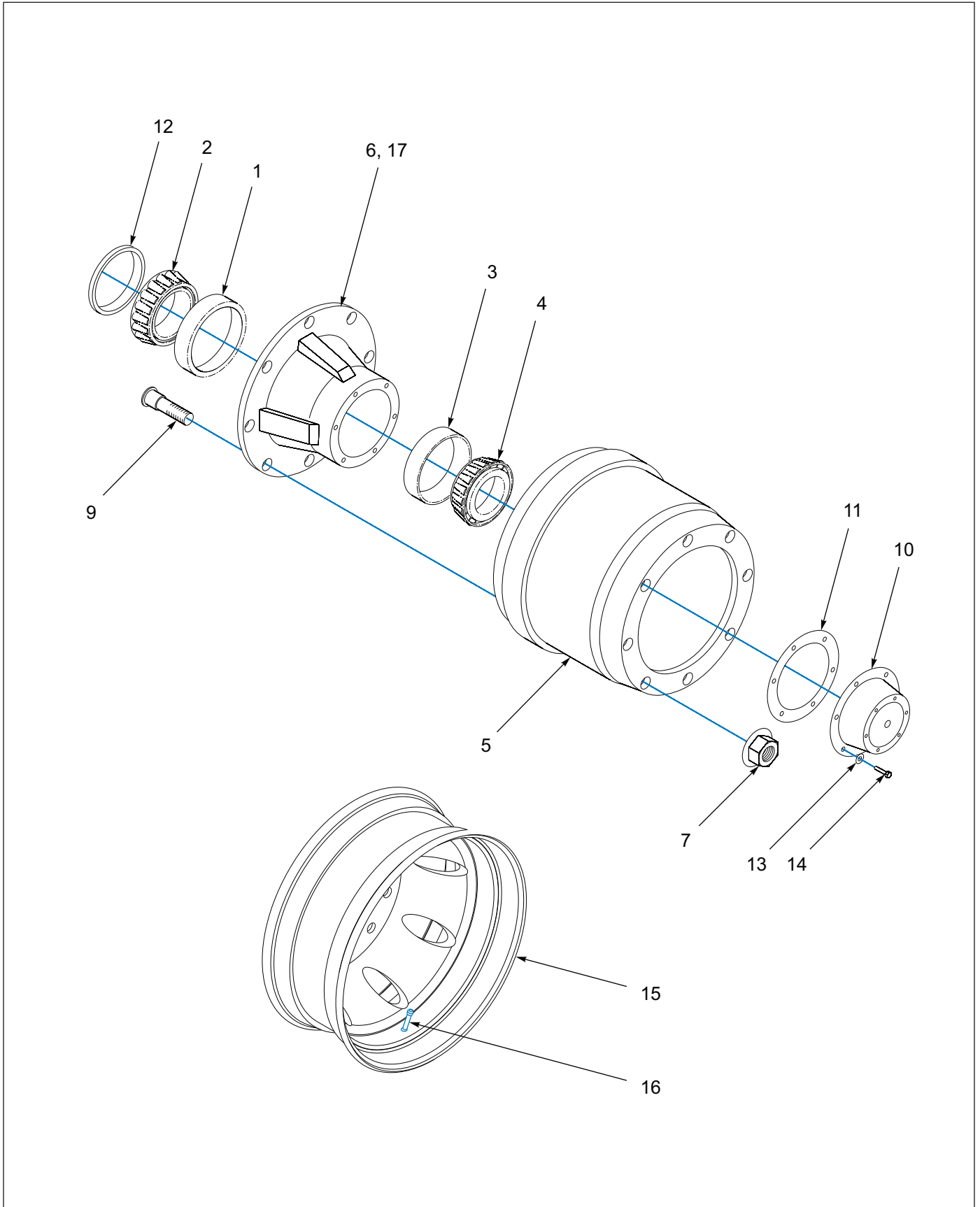


Figure 1-13: Outboard Pilot Mount Hub and Drum

## Outboard Pilot Mount Hub and Drum Assembly

ITEM	PART NO.	DESCRIPTION	QTY.
1	HM218210	INNER BEARING CUP	1
2	HM218248	INNER BEARING CONE	1
3	HM212011	OUTER BEARING CUP	1
4	HM212049	OUTER BEARING CONE	1
5	63680	OUTBOARD MOUNTED BRAKE DRUM, 12-1/4" X 7-1/2"	1
6	110975	HUB W/ STUDS	1
7	179933	NUT FLANGE MM22 X 1.5	10
9	113536	STUD, R.H. 22MM 3.5 STANDOUT	10
10	4009	CAP, HUB	1
11	3067	GASKET, OIL CAP	1
12	3-659-010012	SEAL	1
13	1-861-010034-10	WASHER, SPLIT LOCK 5/16	6
14	1-654-010049-03	SCREW, HEX HEAD CAP, 5/16-18 GR5	6
15	3-870-010097	WHEEL, DISC PILOT MOUNT, 17.5 X 6.75	1
16	TR573	VALVE STEM	1
17	----	ABS TONE RING (NOT SOLD SEPARATELY; REF ONLY)	1

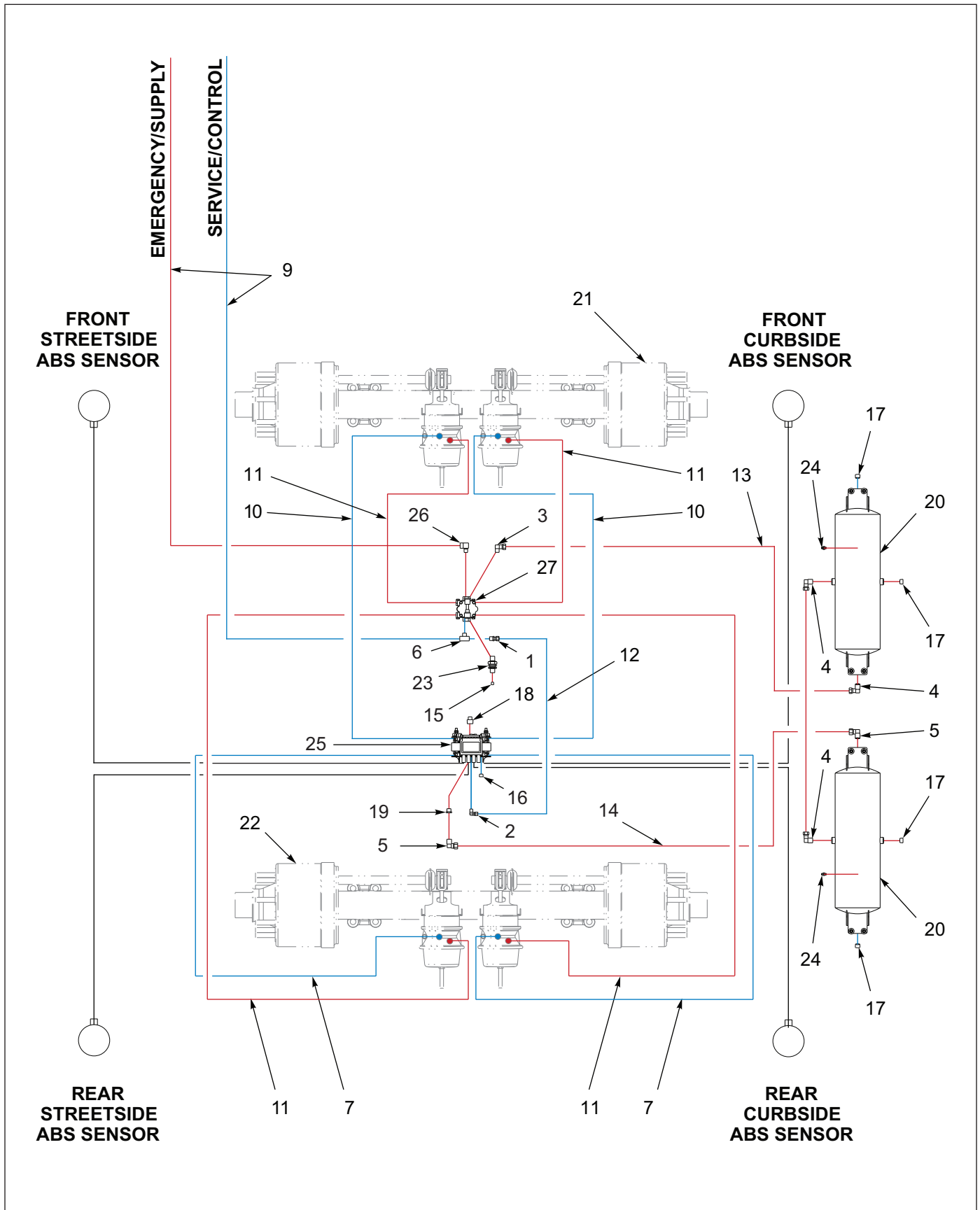
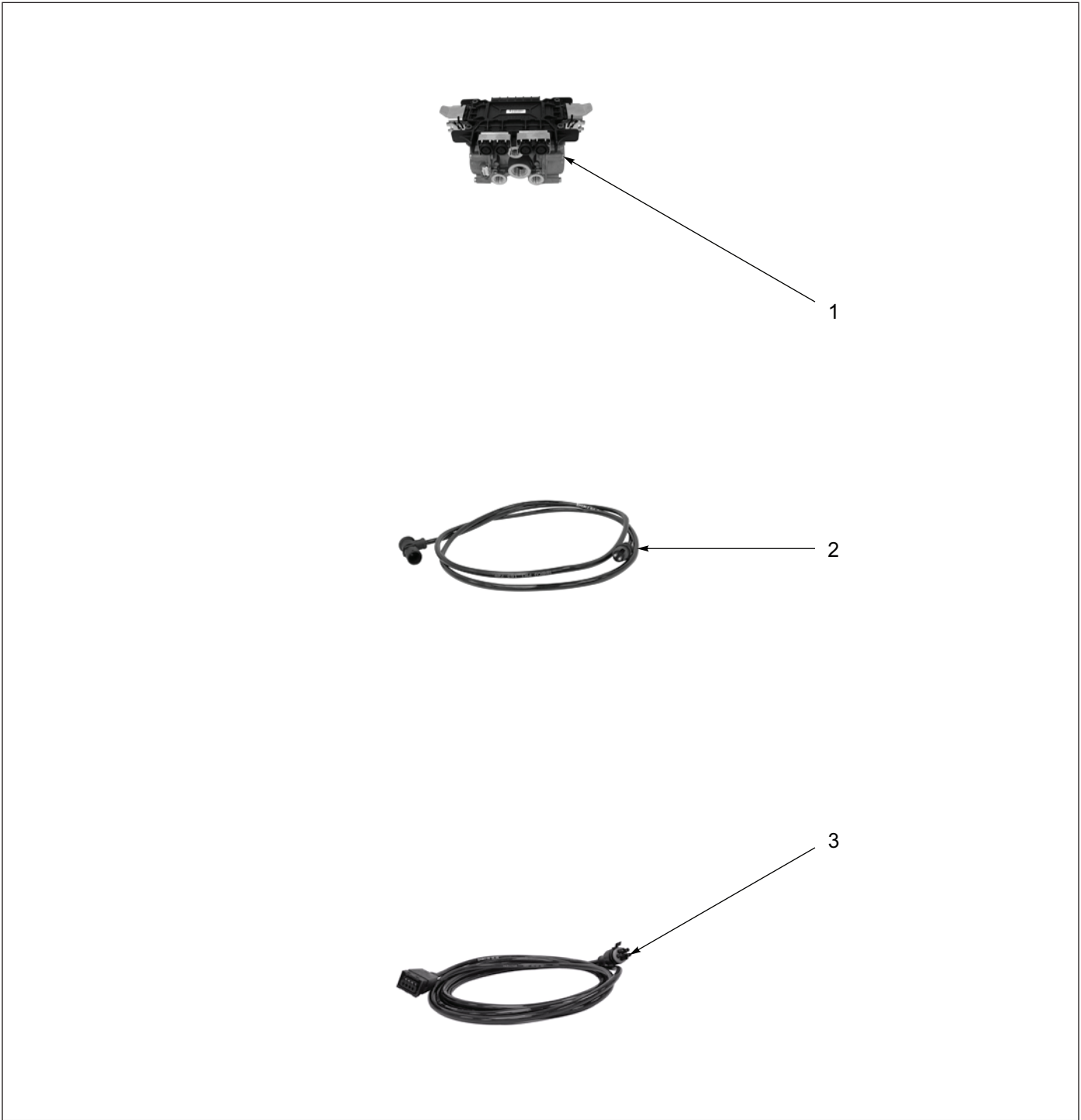


Figure 1-14: 135 Roller Deck Air Brake System

## Air Brake System

ITEM	PART NO.	DESCRIPTION	QTY.
1	1-297-010007-12	FITTING, AIR, 3/8 TUBE TO 3/8 NPT	1
2	1-297-010008-18	FITTING, AIR 90, 3/8 TUBE X 1/4 NPT	1
3	1-297-010008-23	FITTING, AIR 90, 1/2 TUBE TO 3/8 NPT	1
4	1-297-010008-24	FITTING, AIR 90, 1/2 TUBE TO 1/2 NPT	3
5	1-297-010008-26	FITTING, AIR 90, 5/8 TUBE TO 1/2 NPT	2
6	1-297-010017-03	FITTING, AIR, PIPE M/BR TEE, 3/8	1
7	1-384-010038056	HOSE, AIR 56", 3/8 WITH 3/8 ENDS	2
8	1-394-010001	HOSE, ABRASION SLEEVE X 2 <b>(NOT SHOWN)</b>	2
9	112819	HOSE, AIR, 3/8 X 156 W/ 3/8 ENDS	2
10	3-384-010020	HOSE, AIR, 3/8 X 32,.38 NPT ENDS	2
11	3-384-010031	HOSE, AIR, 3/8 X 42,.38 NPT ENDS	4
12	1-833-010002	TUBING, NYLON 3/8 OD	7'
13	1-833-010003	TUBING, NYLON 1/2 OD	14'
14	117304	TUBING, NYLON 5/8 OD	7'
15	1-560-010002-02	PLUG, PIPE, 1/4 NPT	1
16	1-560-010002-03	PLUG, PIPE, 3/8 NPTF	2
17	1-560-010002-04	PLUG, PIPE, 1/2 NPT	4
18	1-560-010002-05	PLUG, PIPE, 3/4-14 NPTF	1
19	118-2659-9	BUSHING, 1/2 NPT X 3/4 NPT STL	1
20	167853	TANK, AIR, 8 X 32, .5 NPT PORTS	2
21	184308	SUSPENSION, FRONT ASSY, S/R 135 <b>(SEE PAGE 1-21)</b>	1
22	184309	SUSPENSION, REAR ASSY, S/R 135 <b>(SEE PAGE 1-21)</b>	1
23	55B61	FRAME UNION	2
24	56D4	COCK, DRAIN, AIR TANK VEL036019	2
25	114584	ABS KIT WABCO 4S/2M <b>(SEE PAGE 1-28)</b>	1
26	2089-6-6S	ADAPTER 90, 3/8 MPT X 3/8 FPT	1
27	758-181	VALVE, TASK 4 PORT	1



**Figure 1-15: Rockwell ABS Kit**

**Rockwell ABS Kit**

ITEM	PART NO.	DESCRIPTION	QTY.
	114584	ABS BRAKE KIT, WABCO 4S/2M	
1	114588	ECU/VALVE ASSEMBLY	1
2	101848	SENSOR EXTENSION CABLE, 6 FT	4
3	147464	POWER/DIAGNOSTIC CABLE, 4.0M	1





# Options

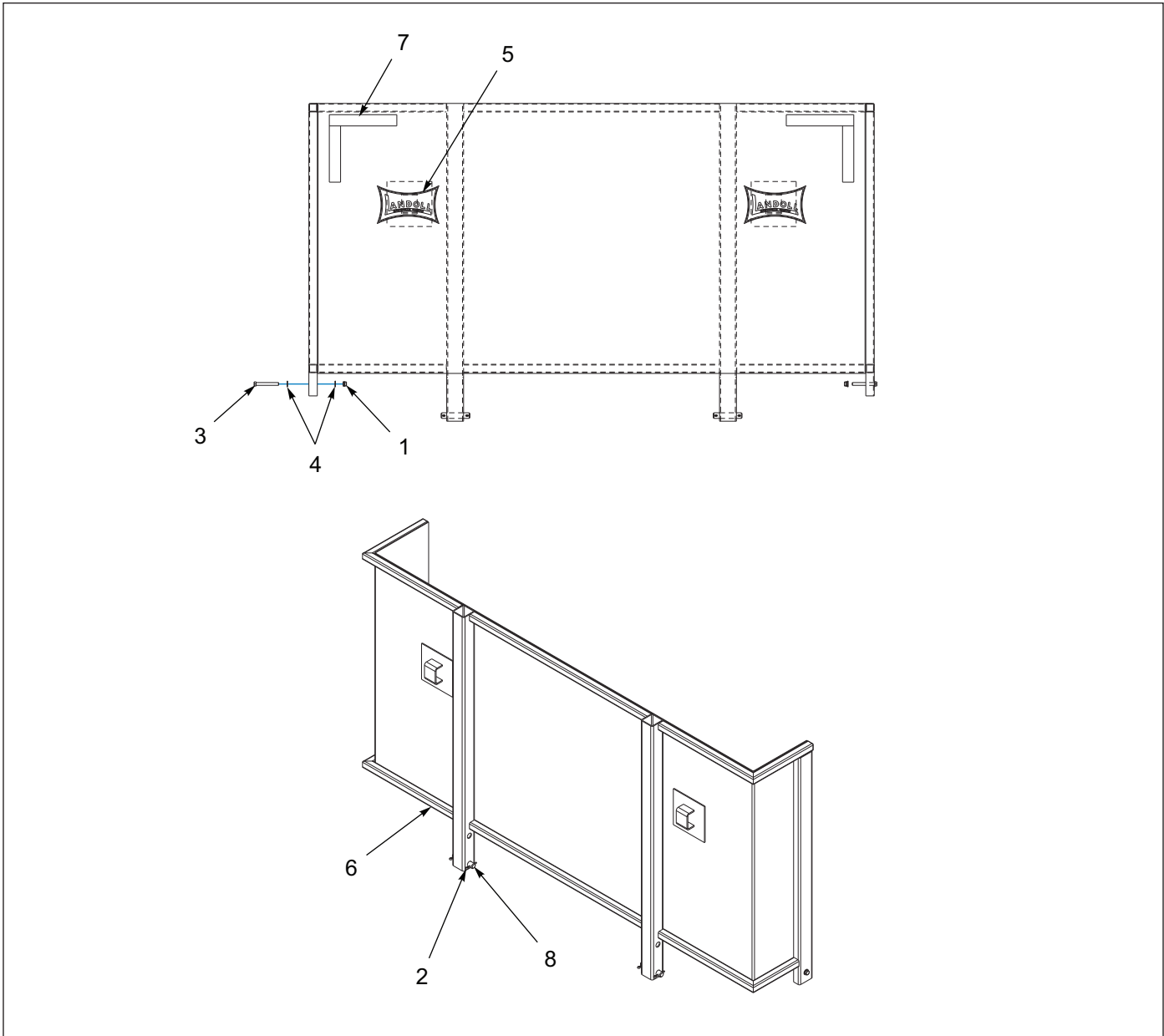


Figure 1-16: Bulkhead Assembly

## Bulkhead Assembly

ITEM	PART NO.	DESCRIPTION	QTY.
	191236	BULKHEAD ASSY, 48 X 102 W/ POCKET	
1	1-512-010005-09	NUT, HEX, SLFLKG, 1/2-13 UNC, GRB	2
2	1-557-010362-63	PIN, COTTER, 1/4 X 2	4
3	1-654-010055-13	SCREW, HEX, 1/2-13X4 GR5	2
4	1-861-010032-14	WASHER, FLAT, ZP/CD, 1/2N	4
5	153754	DECAL, BOW-TIE 6 IN (WHITE) REFLECTIVE	2
6	191235	BULKHEAD WLDMT 48X102 W/POCKET	1
7	3-573-010378	DECAL, 2X112 REFLEXITE WHITE	44IN
8	6-557-010163	PIN HITCH LEVELING LINK	2

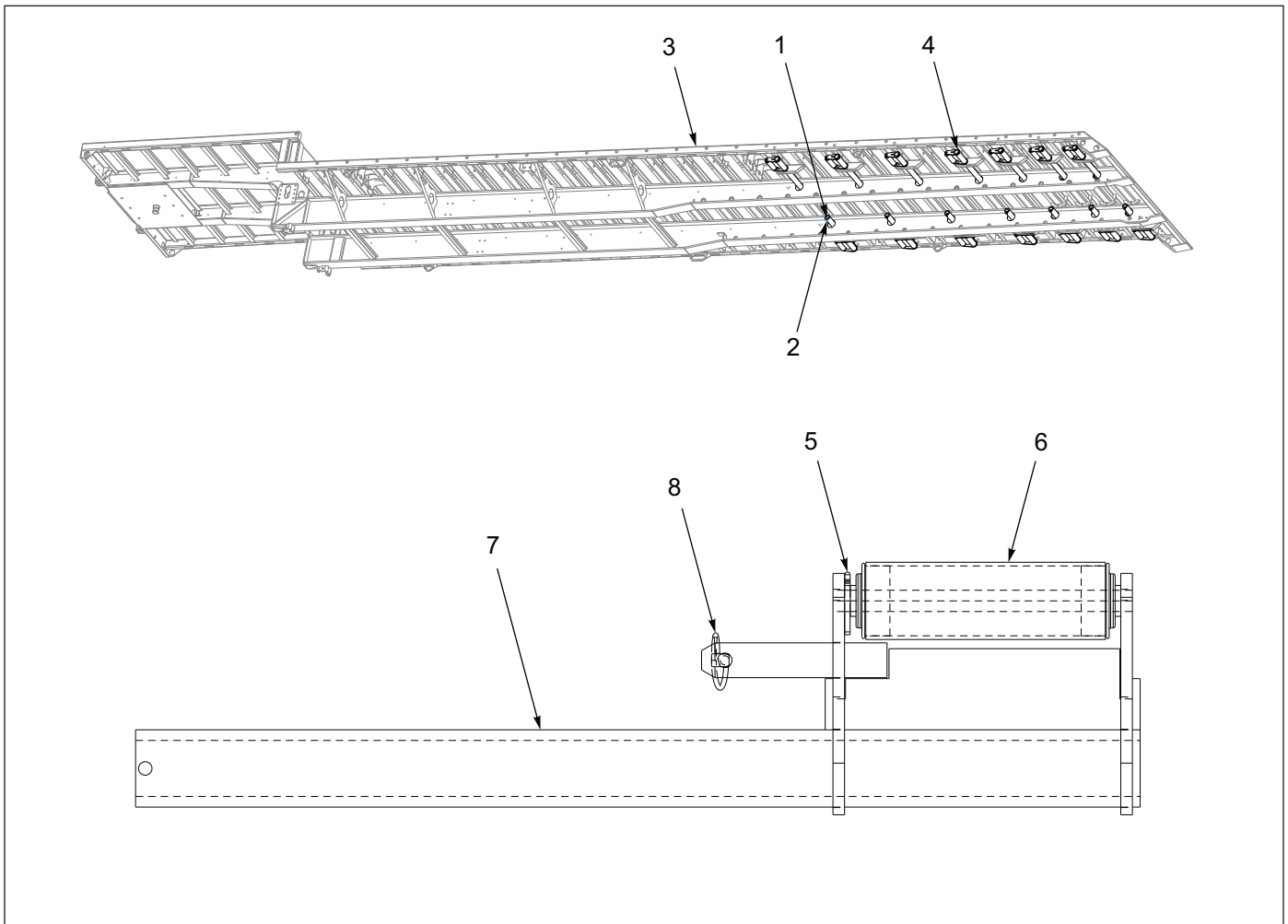


Figure 1-17: Pullout Roller

### Pullout Roller

ITEM	PART NO.	DESCRIPTION	QTY.
	187847	P/O ROLLER INSTALLATION, (14) 7 PER SIDE	
1	1-512-010005-05	NUT, HEX, SLFLKG, 3/8-16 UNC GRB	14
2	1-654-010051-05	SCREW, HEX, 3/8-16 UNC X 1 GR5	14
3	184290	FRAME WELDMENT, 135-46	REF
4	191561	P/O ROLLER, SUB-ASSY	14
5	1-557-010362-51	PIN, COTTER, 3/16 X 1-1/2	1
6	189513	ROLLER ASSY, 8-3/4 LG	1
7	191562	BRACKET WELDMENT ROLLER	1
8	2-557-010009	LYNCH PIN	1

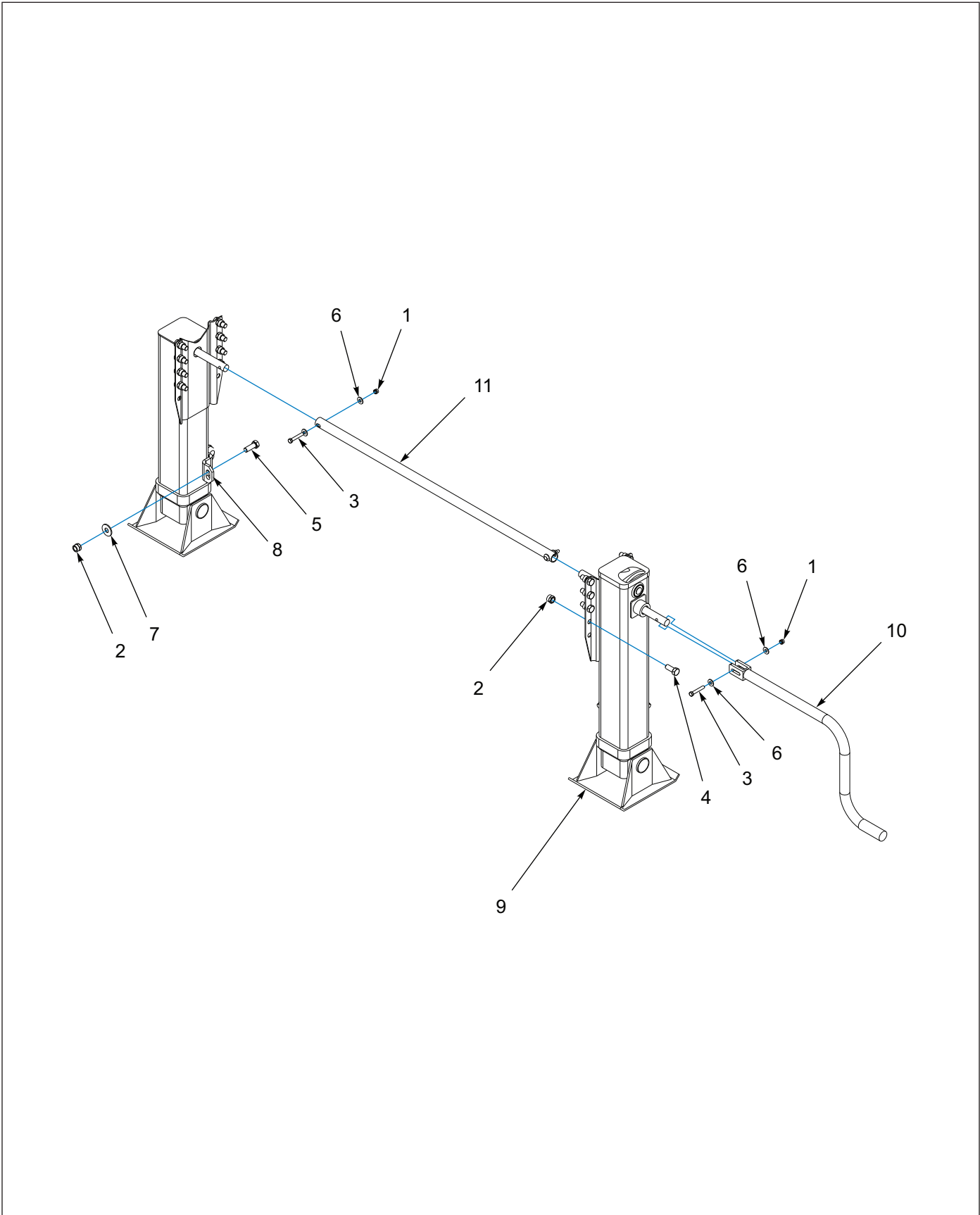


Figure 1-18: 2 Speed Landing Gear

## 2 Speed Landing Gear

ITEM	PART NO.	DESCRIPTION	QTY.
	118169	LANDING GEAR, 2SP 370	
1	1-512-010005-05	NUT, HEX SLFLKG, 3/8-16 GRB	3
2	1-512-010005-13	NUT, HEX SLFLKG, 5/8-11 GRB	20
3	1-654-010051-10	SCREW, HEX, 3/8-16 UNC X 2-1/4 GR5	3
4	1-654-010059-03	SCREW, HEX, 5/8-11 UNC X 1-1/2 GR5	16
5	1-654-010059-04	SCREW, HEX, 5/8-11 UNC X 1-3/4 GR5	4
6	1-861-010032-11	WASHER, FLAT ZP/CD, 3/8 W	6
7	1-861-010032-19	WASHER, FLAT ZP/CD, 5/8 W	4
8	104238	ANCHOR, LOWER BOLT-ON PARK STAND	2
9	109709	LANDING GEAR, 2-SPEED JOST (SEE PAGE1-35)	1
10	109710	CRANK, LANDING GEAR	1
11	118246	CROSS-SHAFT, LANDING GEAR 370	1

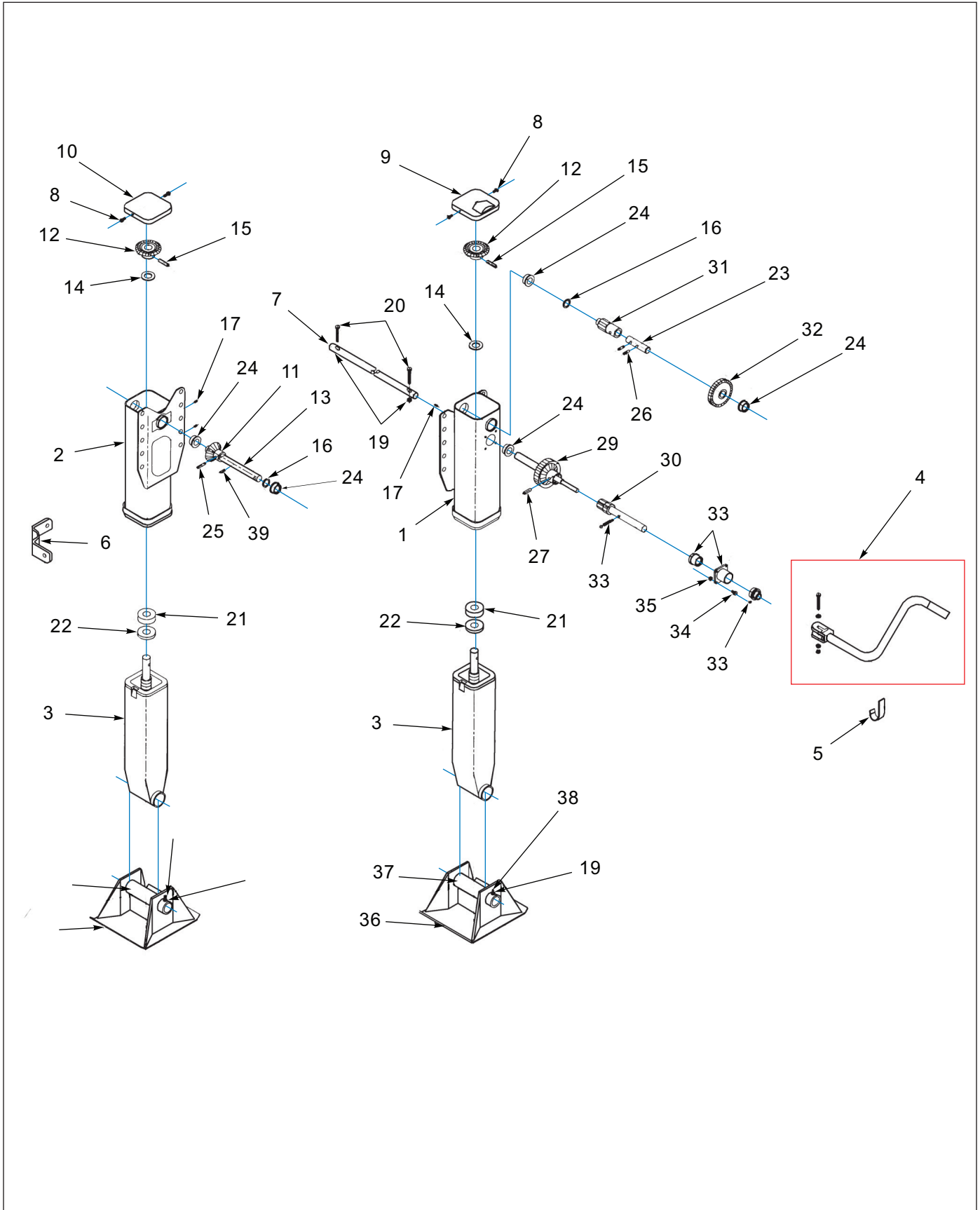


Figure 1-19: 2 Speed Jost Landing Gear

## 2 Speed Jost Landing Gear

ITEM	PART NO.	DESCRIPTION	QTY.
	109709	LANDING GEAR	
1	----	OUTER HOUSING, 2 SPEED	1
2	----	OUTER HOUSING, 1 SPEED	1
3	----	INNER LEG ASSEMBLY, STANDARD	2
4	109161	CRANK 930 MODIFICATION	1
5	109711	CRANK HANGER	1
6	109712	BRACE LUG, W	2
7	----	INTERMEDIATE CROSS SHAFT	1
8	----	COVER SCREW	4
9	----	COVER, 2 SPEED	1
10	----	COVER, SPEED	1
11	----	PINION GEAR	1
12	----	BEVEL GEAR	2
13	----	PINION SHAFT, 1 SPEED	1
14	----	THRUST WASHER	2
15	----	GROOVED PIN	2
16	----	SPACER WASHER	2
17	----	GREASE FITTING	4
18	----	STRUT BRACE <b>(NOT SHOWN)</b>	4
19	----	SELF LOCKING NUT	2
20	----	CROSS SHAFT BOLT, 3/8 X 2 GR5	2
21	----	THRUST BEARING	2
22	----	COLLAR	2
23	----	OUTPUT SHAFT	1
24	----	BUSHING	5
25	----	ROLL PIN 3/8 X 1-1/2	1
26	----	SPIRAL PIN	2
27	----	ROLL PIN, 3/8 X 1-3/4	1
28	----	OUTPUT CLUSTER SHAFT <b>(NOT SHOWN)</b>	1
29	----	OUTPUT CLUSTER GEAR	1
30	214441	INPUT GEAR SHAFT	1
31	----	OUTPUT SPUR GEAR	1
32	----	INPUT SPUR GEAR	1
33	163502	SHIFT HOUSING SERVICE KIT	1
34	----	SHIFT HOUSING BOLT	4
35	----	SELF LOCKING NUT	4
36	----	SHOE, 10 X 10 X 4-1/2	2
37	114983	SHOE AXLE	2
38	----	HEX HEAD BOLT	2
39	----	ROLL PIN, 1/4 X 1-1/4	1

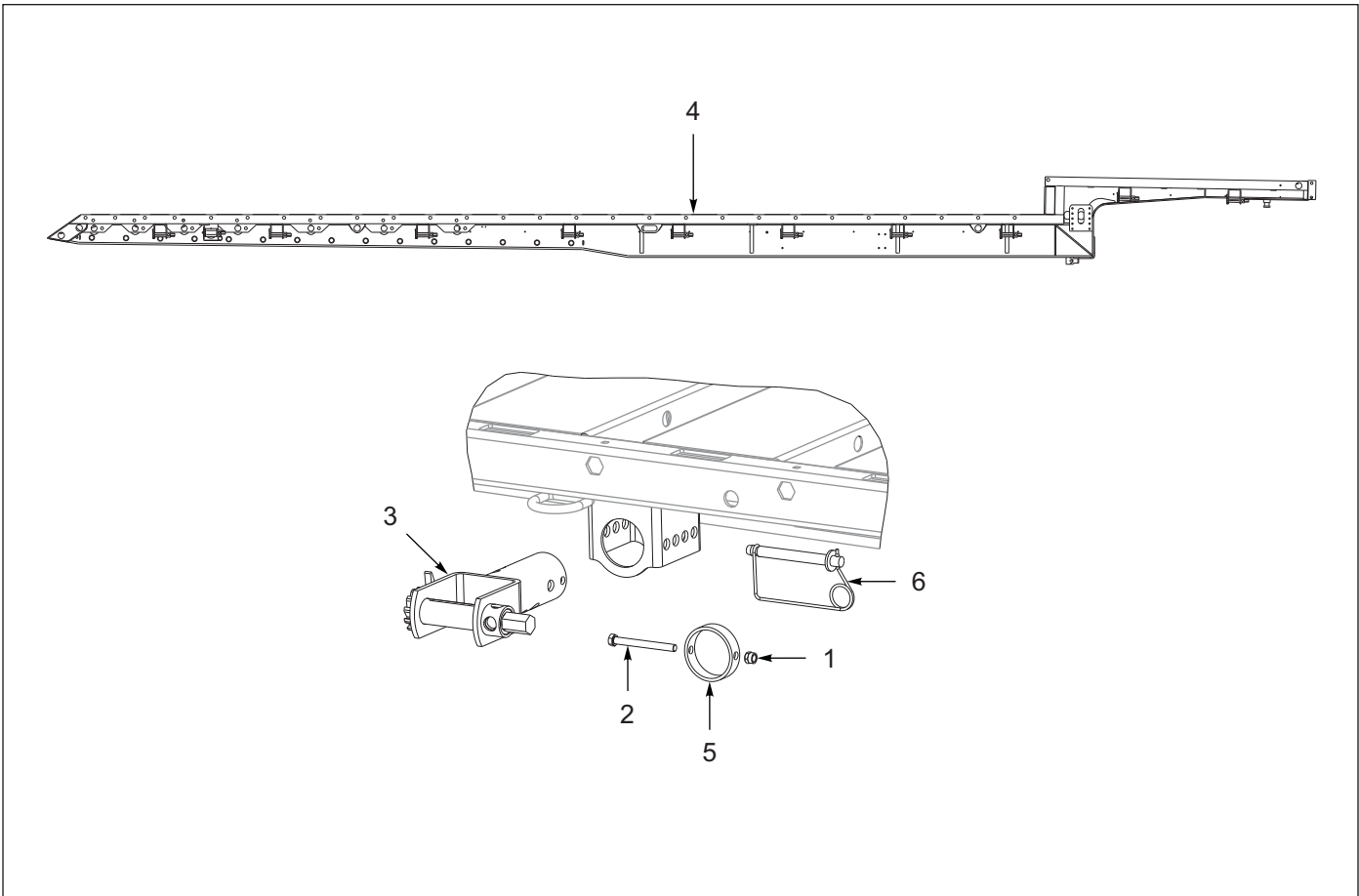


Figure 1-20: Ratchet Installation

### Ratchet Installation

ITEM	PART NO.	DESCRIPTION	QTY.
	185090	RATCHET INSTL (11) 135-46	--
1	1-512-010005-09	NUT,HEX,SLFLKG, 1/2-13 GRB	1
2	1-654-010055-15	SCR, HX CP, 1/2-13UNCX5 GR5	1
3	187824	RATCHET WLDMT PIVOTING ADJ	1
4	187826	RATCHET INSTL 135-46	1
5	187829	COLLAR RETAINING PVT STRAP RAT	1
6	346SL	LOCK HITCH PIN	1



**Numerics**

005-074-00 .....	1-23	114588 .....	1-28
005-098-00 .....	1-23	114983 .....	1-35
005-099-00 .....	1-23	115703 .....	1-21
006-114-00 .....	1-23	117304 .....	1-27
006-115-00 .....	1-23	118169 .....	1-8, 1-33
010-052-00 .....	1-23	118246 .....	1-33
034-057-01 .....	1-8, 1-13	118-2659-9 .....	1-27
034-057-07 .....	1-23	118897 .....	1-18
034-058-07 .....	1-23	12420301-017 .....	1-4
034-188-03 .....	1-23	128874 .....	1-18
034-189-03 .....	1-23	1-297-010007-05 .....	1-13
040-320-01 .....	1-23	1-297-010007-06 .....	1-14
046-097-00 .....	1-23	1-297-010007-12 .....	1-27
056-018-00 .....	1-23	1-297-010007-14 .....	1-13
069-078-00 .....	1-23	1-297-010008-18 .....	1-13, 1-27
101848 .....	1-28	1-297-010008-20 .....	1-13
101855 .....	1-4	1-297-010008-23 .....	1-27
103055 .....	1-4	1-297-010008-24 .....	1-27
103056 .....	1-4	1-297-010008-26 .....	1-27
103805 .....	1-23	1-297-010011-04 .....	1-13
104238 .....	1-33	1-297-010013-12 .....	1-14
108801 .....	1-13	1-297-010015-07 .....	1-13
108802 .....	1-13	1-297-010015-09 .....	1-13
109161 .....	1-35	1-297-010017-03 .....	1-27
109709 .....	1-33, 1-35	1-297-010020-02 .....	1-13
109710 .....	1-33	1-297-010022-02 .....	1-13
109711 .....	1-35	1-343-010006 .....	1-8
109712 .....	1-35	134657 .....	1-8, 1-13
110975 .....	1-25	1-384-010038056 .....	1-27
112013 .....	1-8	139287 .....	1-23
112819 .....	1-27	1-394-010001 .....	1-27
113536 .....	1-25	141607 .....	1-13, 1-14
114584 .....	1-18, 1-27, 1-28	143100 .....	1-11
		143101 .....	1-11
		143102 .....	1-11

---

143103	1-11	1-560-010002-04	1-14, 1-27
143104	1-11	1-560-010002-05	1-27
143105	1-11	156655	1-23
143106	1-11	158341	1-18
143107	1-11	163111	1-8
143108	1-11	163502	1-35
143109	1-11	1-654-010032-4	1-8, 1-18
143110	1-11	1-654-010047-05	1-8
143113	1-11	1-654-010049-03	1-25
143114	1-11	1-654-010049-06	1-11
143115	1-11	1-654-010051-05	1-31
143116	1-11	1-654-010051-06	1-8, 1-18
143117	1-11	1-654-010051-08	1-18
143118	1-11	1-654-010051-09	1-8
143119	1-11	1-654-010051-10	1-33
143120	1-11	1-654-010051-11	1-18
143166	1-11	1-654-010055-05	1-8
144979	1-23	1-654-010055-11	1-18
147464	1-28	1-654-010055-13	1-30
147485	1-18	1-654-010055-15	1-36
150076	1-8	1-654-010059-03	1-33
1-510-010001	1-18	1-654-010059-04	1-33
1-512-010002-14	1-8	1-654-010158-1	1-18
1-512-010005-01	1-8	1-656-010003051	1-11
1-512-010005-03	1-11	167583	1-18
1-512-010005-05	1-8, 1-18, 1-31, 1-33	167853	1-27
1-512-010005-09	1-8, 1-18, 1-30, 1-36	168560	1-23
1-512-010005-13	1-33	169410	1-11
1-512-010005-15	1-8	171963	1-23
1-512-010007-03	1-11	171964	1-23
1-512-010007-05	1-18	178444	1-18
153754	1-4, 1-30	179933	1-25
153795	1-4	1-833-010002	1-13, 1-27
1-557-010362-51	1-31	1-833-010003	1-13, 1-27
1-557-010362-63	1-30	184290	1-8, 1-31
155780	1-4	184304	1-8, 1-18
1-560-010002-02	1-27	184307	1-18
1-560-010002-03	1-27	184308	1-18, 1-21, 1-27

---

184309	1-18, 1-21, 1-27	190706	1-18
184324	1-8	191223	1-8
184388	1-8	191235	1-30
184389	1-8	191236	1-30
185047	1-8	191541	1-8
185077	1-8	191542	1-18
185082	1-8	191561	1-31
185083	1-8	191562	1-31
185084	1-8	191577	1-4
185085	1-8	194728	1-21
185086	1-8	202578	1-4
185090	1-36	2081-8-6S	1-14
185093	1-21	2088-6-6S	1-14
185094	1-21	2089-6-6S	1-27
1-861-010032-07	1-8, 1-18	214441	1-35
1-861-010032-09	1-11	2-557-010009	1-31
1-861-010032-11	1-8, 1-18, 1-33	3067	1-25
1-861-010032-14	1-30	3-076-010006	1-8
1-861-010032-15	1-18	3-384-010020	1-27
1-861-010032-19	1-33	3-384-010031	1-27
1-861-010032-21	1-8	346SL	1-36
1-861-010032-24	1-8	3-485-010001	1-18
1-861-010034-07	1-11	3-573-010031	1-4, 1-18
1-861-010034-09	1-18	3-573-010086	1-4
1-861-010034-10	1-25	3-573-010210	1-4
187809	1-13	3-573-010377	1-4
187818	1-8	3-573-010378	1-30
187820	1-8	3-626-010004	1-13
187824	1-36	3-659-010012	1-25
187826	1-36	3-762-010017	1-18
187829	1-36	3-843-010038	1-14
187847	1-31	3-870-010097	1-25
187848	1-21	4009	1-25
189316	1-18	55B61	1-13, 1-18, 1-27
189513	1-31	55B61-6	1-13
190700ZP	1-18	55B61-7	1-13
190701	1-18	56D4	1-27
190705ZP	1-18	622-3511-008	1-18

---

---

63680 .....	1-25
6-557-010163 .....	1-30
758-181 .....	1-18, 1-27
905-54-107 .....	1-13
9-720-010050 .....	1-8

**H**

---

HM212011 .....	1-25
HM212049 .....	1-25
HM218210 .....	1-25
HM218248 .....	1-25

**K**

---

K71-101-00 .....	1-23
K71-460-00 .....	1-23

**T**

---

TR573 .....	1-25
-------------	------

**Document Control Revision Log:**

<b>Date</b>	<b>Form #</b>	<b>Improvement(s): Description and Comments</b>
10/2019	F-804	Update manual to the new Landoll design format



---

**Intertek**

Equipment from Landoll Corporation is built to exacting standards ensured by ISO 9001 registration at all Landoll manufacturing facilities.

# **135 Roller Deck Trailer Parts Manual**

Re-Order Part Number F-804-0715

**LANDOLL CORPORATION**

1900 North Street

Marysville, Kansas 66508

(785) 562-5381

**800-428-5655 ~ WWW.LANDOLL.COM**



Copyright 2020. Landoll Corporation

“All rights reserved, including the right to reproduce this material or portions thereof in any form.”