



# 317E/318E Semitrailer Parts Manual



## LANDOLL CORPORATION

1900 North Street

Marysville, Kansas 66508

(785) 562-5381

800-428-5655 ~ [WWW.LANDOLL.COM](http://WWW.LANDOLL.COM)

<b>Manuals for the 317/318E Semi Trailer</b>	
--	--

<b>MANUAL NUMBER</b>	<b>MANUAL NAME</b>
F-486-1011	317D/318D Operator's Manual
F-1026-0319	317E/318E Parts Manual

# Table of Contents

## 1 Illustrated Parts List

<b>Instructions For Ordering Parts</b> .....	<b>1-1</b>
<b>Decals</b> .....	<b>1-3</b>
Decal Arrangement .....	1-3
<b>Fifth Wheel and Upper Deck</b> .....	<b>1-7</b>
Fifth Wheel Assembly .....	1-7
Upper Deck Items .....	1-9
<b>Hydraulic Electric Air</b> .....	<b>1-11</b>
General Assembly .....	1-11
Hitch Hydraulics .....	1-15
Tilt Cylinder Hydraulics - 317E .....	1-18
Tilt Cylinder Hydraulics - 318E .....	1-19
Cylinder Assembly - Low Load Angle .....	1-21
Connectors - Front Sub Assembly .....	1-23
Valve Assembly - Air Booster .....	1-24
Valve Assembly - Three Spool .....	1-25
Three Spool Solenoid Valve .....	1-27
Electrical System .....	1-29
Remote .....	1-32
Air .....	1-33
<b>Undercarriage</b> .....	<b>1-35</b>
General Assembly .....	1-35
Mud Flap, E-Chain, Rollers and Bumper - 317E .....	1-39
Mud Flap, E-Chain, Rollers and Bumper - 318E .....	1-43
<b>Suspension</b> .....	<b>1-45</b>
Air Ride Suspension - 317E .....	1-45
Air Ride Suspension - 318E .....	1-47
Air Control Kit - Neway .....	1-49
Air Tank .....	1-50
Suspension Hanger - RLU-228 .....	1-51
<b>Axles and Brakes</b> .....	<b>1-53</b>
Dexter 12-1/4 X 7-1/2 .....	1-53
Dexter 16-1/2 X 7 .....	1-55
Outboard Pilot Mount Hub and Drum Assembly .....	1-57
<b>Air Brake System</b> .....	<b>1-59</b>
Air Brakes - 317E .....	1-59
Air Brakes - 318E .....	1-61
ABS Kit .....	1-65
<b>Tire Inflation System</b> .....	<b>1-67</b>
Thermalert Tire Inflation System - 317E .....	1-67
Thermalert Tire Inflation System - 318E .....	1-69
<b>Grease</b> .....	<b>1-73</b>
Grease System - 317E .....	1-73
Grease System - 318E .....	1-75

<b>Winches</b> .....	<b>1-79</b>
Winch Installation - 12K/20K Spring Tension (Braden) .....	1-79
Winch Items - 12,000 Lb. (Braden) .....	1-81
20K Air Tension/Release (Braden) .....	1-85
Winch Items - 20,000 Lb. (Braden) .....	1-91
Winch - Air Shift Cylinder .....	1-94
30K 2 Speed (Warn) .....	1-95
Winch Items - 30K 2 Speed (Warn) .....	1-97
<b>Landing Gear</b> .....	<b>1-98</b>
Landing Gear Installation - Bolt On Park Stand .....	1-98
Landing Gear Installation - Jost 317 .....	1-99
Hydraulic Landing Gear .....	1-101
<b>Dock Levelers</b> .....	<b>1-107</b>
Dock Level Installation - 317E .....	1-108
Dock Level Installation - 318E .....	1-109
Dock Leveler Assembly - 124K .....	1-111
<b>Air Digital Scale - Options</b> .....	<b>1-113</b>
Air Digital Scale - Loadmaxx System .....	1-113
<b>Engine Option</b> .....	<b>1-115</b>
Engine - 25 HP EFI .....	1-115
Upper Deck Stand Assembly .....	1-121
<b>Options</b> .....	<b>1-123</b>
Bulkhead - Fixed Position .....	1-123
Bulkhead - 2 Position .....	1-125
Bulkhead - Propane Rack .....	1-127
Bulkhead - Work Ligh Installation .....	1-129
<b>Hydraulic, Electric, Air - Options</b> .....	<b>1-131</b>
Hydraulic Wet Kit Items - 30 Gallon .....	1-131
Hydraulic Conversion Kit - Ball to Flat .....	1-133
Swingout Light Installation .....	1-134
Bumper Strobe Installation .....	1-135
7-Way Electrical Installation .....	1-136
Air Raise and Lower .....	1-138
Upper Deck Lights .....	1-140
<b>Options</b> .....	<b>1-142</b>
Bulkhead Tire Rack .....	1-142
Under Deck Tire Rack .....	1-144
Retractable Steps .....	1-145
Pullout Extensions .....	1-146



# Illustrated Parts List

## Instructions For Ordering Parts

**ORDER PARTS FROM LANDOLL PARTS DISTRIBUTION CENTER**

**\*\* Repair parts must be ordered through an Authorized Dealer \*\***

PHONE NO: 1-800-423-4320 OR 1-785-562-5381  
 ORDER ONLINE: [Dealer.landoll.com](http://Dealer.landoll.com)

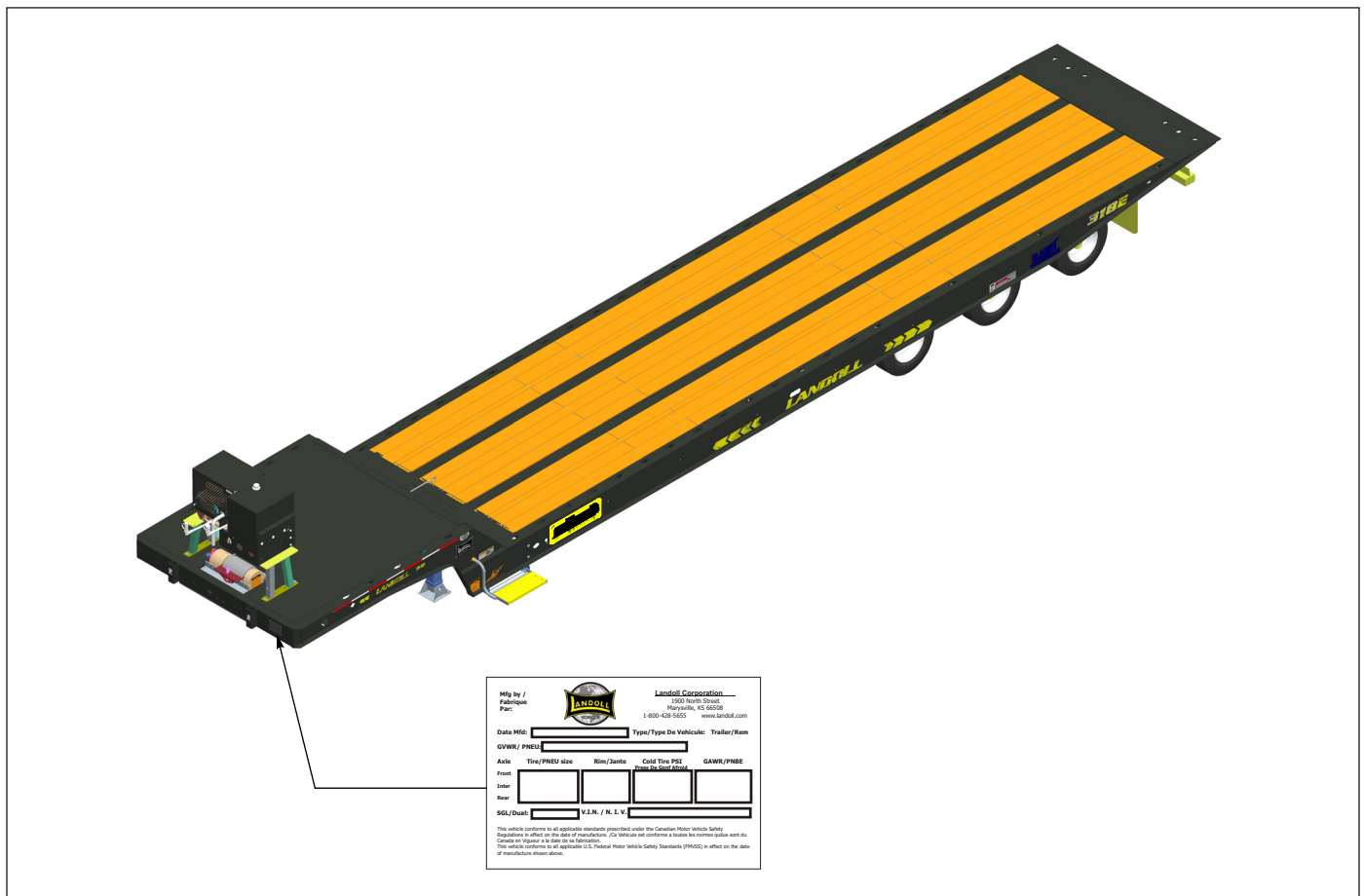
FAX NO: 888-527-3909

### IDENTIFICATION PLATE

The identification plate, which lists the model number and serial number, is located on the front of the frame (*See Figure 1-1.*)

### SERIAL NUMBER NOMENCLATURE

The serial number for the Model 317E/318E Series Semitrailer is located on the identification plate.



**Figure 1-1: Identification Plate and Location**



# Decals

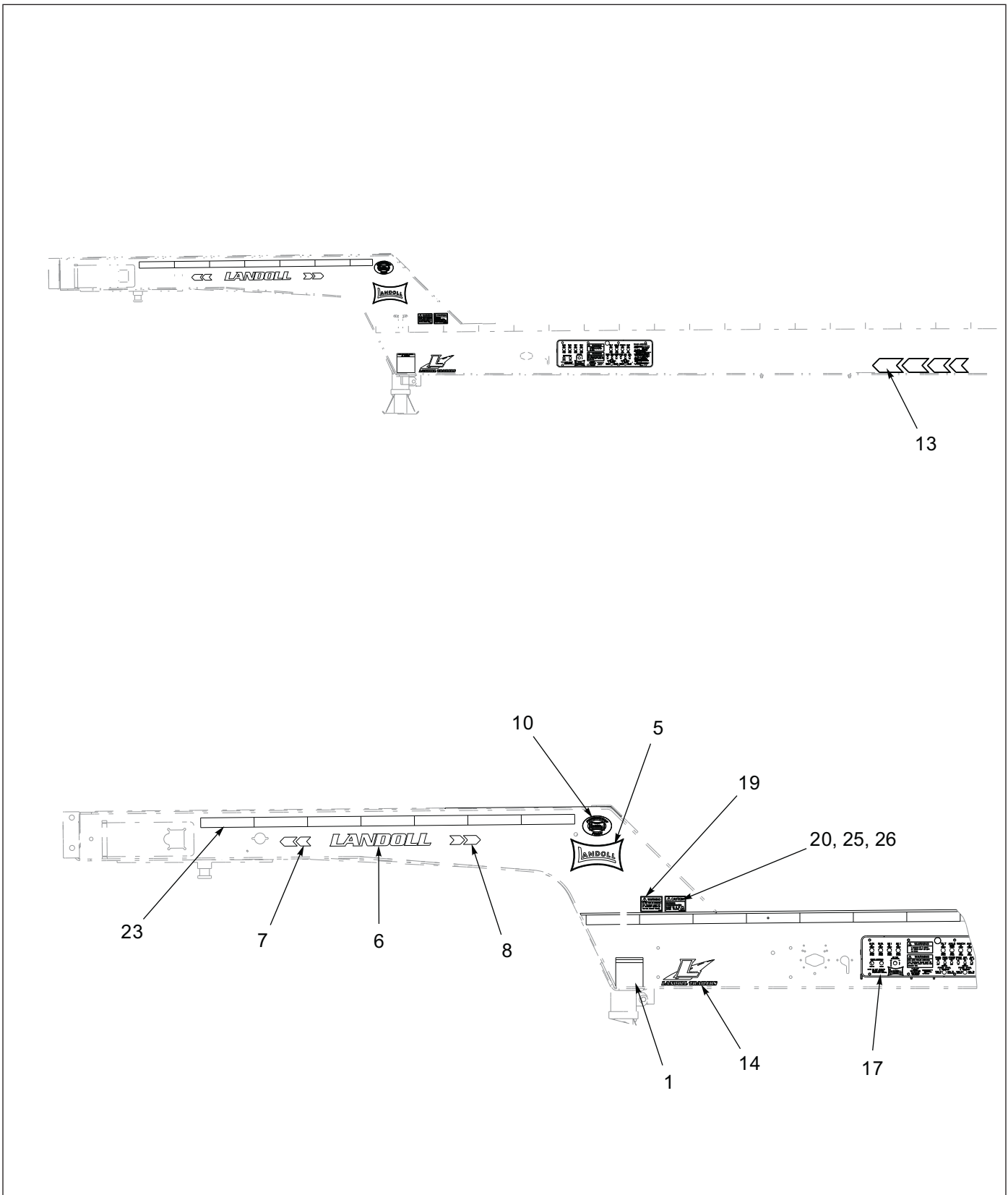


Figure 1-2: Decal Arrangement (1 of 3)

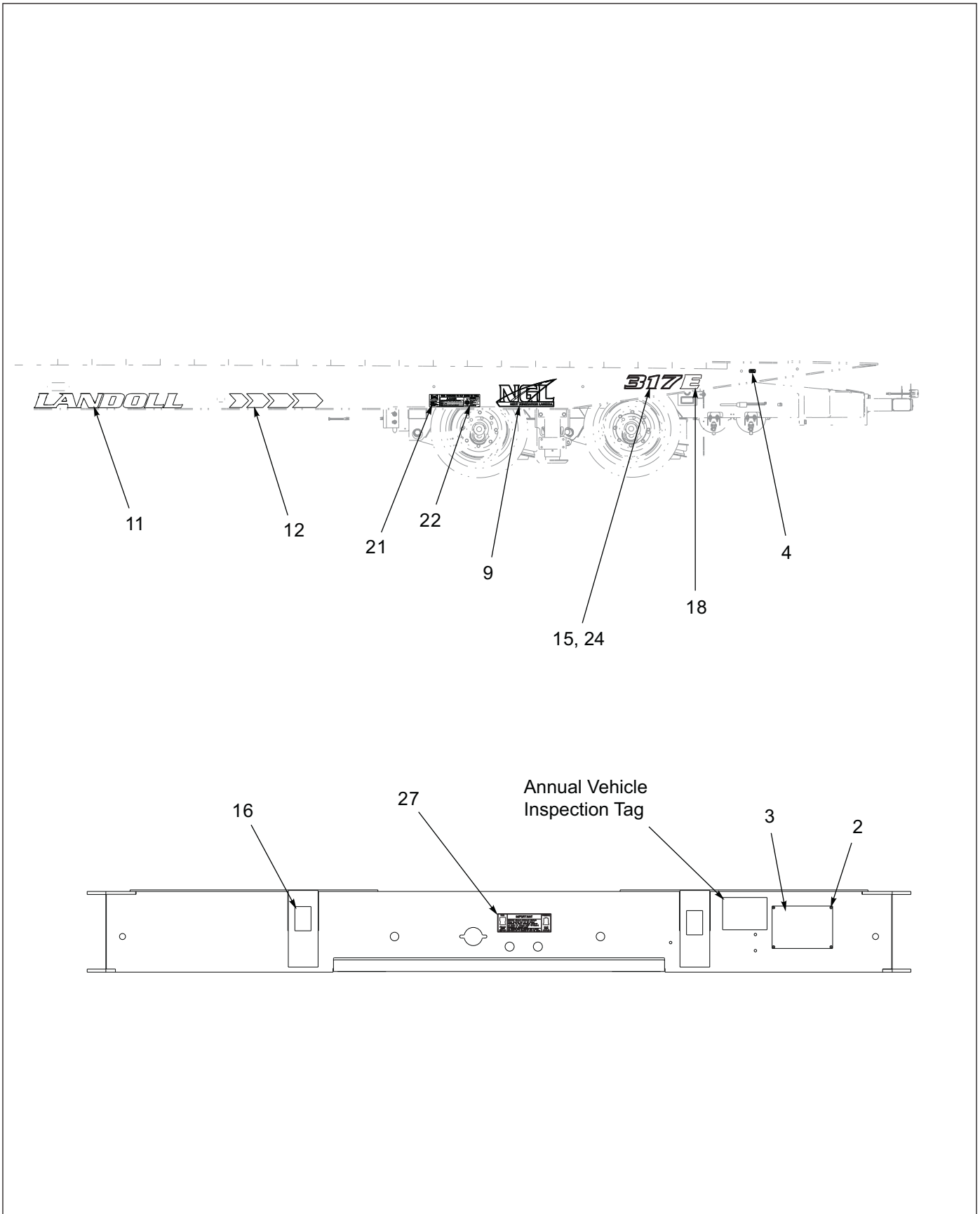
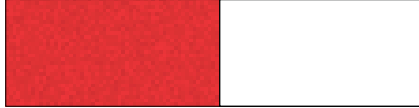


Figure 1-3: Decal Arrangement (2 of 3)

# LANDOLL



23

6, 11

**WARNING**

DO NOT TURN OR MANEUVER WITH TRAVELING AXLES OUT OF TRANSPORT POSITION OR THIS WILL DAMAGE TRAILER

217E5

**CAUTION**

MAXIMUM CONCENTRATED LOAD IN A 10 FT. AREA 50,000 LBS.

3-573-00094

17

19

26

**CAUTION**

MAXIMUM CONCENTRATED LOAD IN A 10 FT. AREA 70,000 LBS.

3-573-00085

**CAUTION**

MAXIMUM CONCENTRATED LOAD IN A 10 FT. AREA 40,000 LBS.

3-573-01027

20

25



12



13

Mfg by / Fabrique: Landoll Corporation, 1900 North Street, Nanyville, KS 65508, 1-800-428-5655, www.landoll.com

Date Mfd: [ ] Type/Type De Vehicule: Trailer/Rem

GVWR/ PNEU: [ ]

Axle	Tire/PNEU size	Rim/Jante	Cold Tire PSI Press De Good Afloat	GAWR/ PNBE
Front	[ ]	[ ]	[ ]	[ ]
Inter	[ ]	[ ]	[ ]	[ ]
Rear	[ ]	[ ]	[ ]	[ ]

SGL/Dual: [ ] V.I.N. / N. I. V. [ ]

This vehicle conforms to all applicable standards prescribed under the Canadian Motor Vehicle Safety Regulations in effect on the date of manufacture. / Ce Vehicule est conforme a toutes les normes qu'elles sont du Canada en vigueur a la date de sa fabrication. This vehicle conforms to all applicable U.S. Federal Motor Vehicle Safety Standards (FMVSS) in effect on the date of manufacture shown above.

3



5



15



9



4



24



14

**TANK IMPORTANT PRESSURE**

CONNECT FEMALE HYDRAULIC COUPLER FROM TRACTOR WET KIT OR ENGINE PACKAGE TO MALE HYDRAULIC COUPLER AT FRONT OF TRAILER FIRST TO RELIEVE PRESSURE IN TRAILER LINES.

TRACTOR MUST BE EQUIPPED WITH A RELIEF VALVE SET AT MAXIMUM OF 2500 PSI. 105622

FEMALE QUICK COUPLER

MALE QUICK COUPLER

27

**TORQUE SPECIFICATIONS FOR PILOT MOUNTED DISC WHEELS**

**DANGER**

Read and understand the installation, service and safety instructions manual before installing or servicing the brake. Failure to do so may result in personal injury or death and may void the warranty.

Use a torque wrench to assure proper torque. Failure to do so will compromise your product's service life. The use of other tools, such as sockets and open-end wrenches, can cause thread and/or nut damage, and may result in a loss of air.

Retighten torque after the first 50 to 100 miles of service. Parks may seat safely, leaving the torque to drop. Proper torque is essential for the service, life and safety of this product.

3 AND 10 STUD HUBS Applies to M22 X 1.5 studs/two piece flange nut.

All threads are right hand metric. First Tighten Flange Nuts to 100. In. Using sequence shown.

Check Disc/Hub for proper Clearance/Hub for proper seating against flange.

Then Tighten Flange Nuts to recommended torque using sequence shown.

RECOMMENDED TORQUE: 400-500FT. LBS. 3-573-01029

22

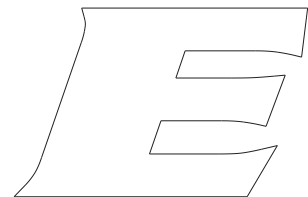
**LANDOLL**

TIRE CHANGING PROCEDURE

1. SET TRACTOR BRAKES.
2. PULL TRAILER UNDERCARRIAGE FORWARD 18".
3. SET TRAILER BRAKES.
4. PLACE JACK UNDER TRAILER FRAME AND LIFT UNTIL TIRE CLEARS GROUND.

3-573-010189

21



18



10

7



8

Figure 1-4: Decal Arrangement (3 of 3)

## Decal Arrangement

ITEM	PART NO.	DESCRIPTION	QTY.		
	205072	DECAL INST,317E	*		
	211463	DECAL INST 317E 40K		*	
	206873	DECAL INST,318E			*
1	100600	DECAL WARNING BRADEN WINCH	REF	REF	REF
2	12420301-017	RIVET,BLIND .156 X 1/4 GRIP	REF	REF	REF
3	155780	TRAILER VIN PLATE B	1	1	1
4	189292	DECAL, ABS, WHITE	1	1	1
5	192208	DECAL BOWTIE 6-3/4 X 11	2	2	2
6	196167	DECAL LANDOLL SMALL	2	2	2
7	196168	DECAL ARROW SMALL 2LH	2	2	2
8	196169	DECAL ARROW SMALL 2RH	2	2	2
9	196171	DECAL NEXT GENERATION	2	2	2
10	196173	DECAL POWDERCOAT SMALL	1	1	1
11	196174	DECAL LANDOLL LARGE	2	2	2
12	196175	DECAL ARROW LARGE 4RH	2	2	2
13	196176	DECAL ARROW LARGE 4LH	2	2	2
14	196177	DECAL HIGHWAY L LARGE	2	2	2
15	199197	DECAL 318 TRAILER	--	--	2
16	202578	REFLEXITE WHITE 3" LENGTH	2	2	2
17	205007	PLACARD CONTROL PANEL 317E	1	1	1
18	205071	DECAL, LETTER E 4-1/2"	2	2	2
19	217155	DECAL WARNING TRAVELING AXLE	1	1	1
20	3-573-010085	DECAL, CONC LOAD 70000 LBS	--	--	1
21	3-573-010189	DECAL, TIRE CHANGING PROCED	1	1	1
22	3-573-010210	DECAL TORQUE SPEC 8-10STU HUB	1	1	1
23	3-573-010377	DECAL,2"REFLEXITE TAPE,RD/WHT	1200	1200	1200
24	199196	DECAL 317 TRAILER	2	2	--
25	3-573-010297	DECAL, CAUTION CONC LOAD	--	2	--
26	3-573-010349	DECAL, CAUTION 50M#/10 FT	2	--	--
27	105822	DECAL, HYD COUPLER	1	1	1

# Fifth Wheel and Upper Deck

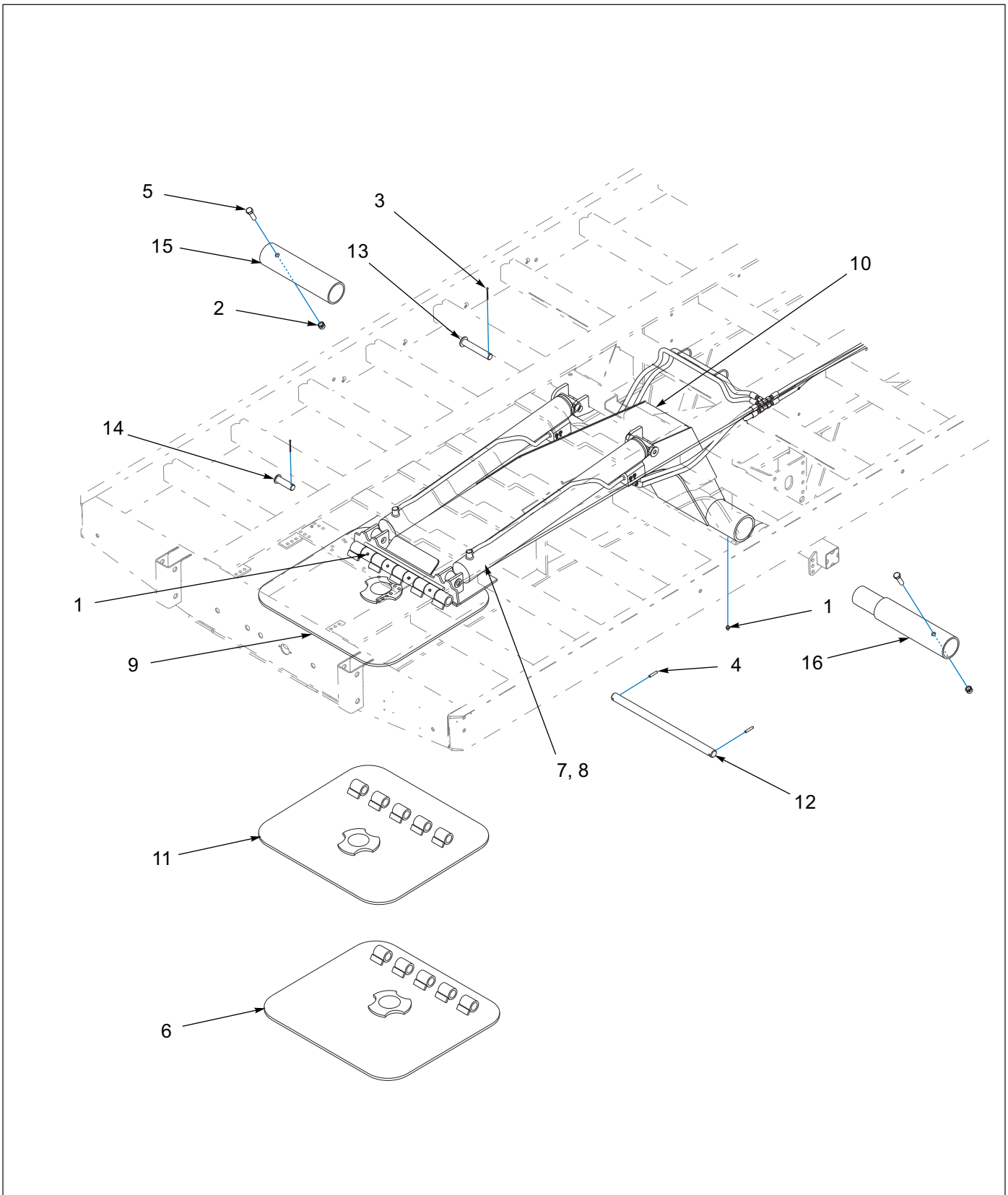


Figure 1-5: Fifth Wheel Assembly

## **Fifth Wheel Assembly**

<b>ITEM</b>	<b>PART NO.</b>	<b>DESCRIPTION</b>	<b>QTY.</b>			
	201068	HITCH INSTL 18KP 317E-CA/318E	*			
	201069	HITCH INSTL,20KP-317E/26KP318E		*		
	201071	HITCH INSTL, 18 PIN, 317E TRL			*	
	201072	HITCH INSTL24KP-317E/30KP-318				*
1	1-298-010001-1	ZERK FITTING 1/4 SAE	6	6	6	6
2	1-512-010005-15	NUT,HEX,SLFLKG GRB 3/4-10	2	2	2	2
3	1-557-010362-54	PIN, COTTER 3/16X2-1/4	4	4	4	4
4	1-647-010004255	PIN, SPRING, SLOTTED 3/8X2	2	2	2	2
5	1-654-010061-07	SCREW,HX CP 3/4-10UNCX2-1/2G5	2	2	2	2
6	104248	HITCH WLDMT 20KP-317A/26KP318	--	1	--	--
7	200497	CYLINDER 4X42 W/CB	--	2	2	2
8	206862	CYLINDER 4X42 W/ 5" STOP	2	--	--	--
9	3-375-010250	HITCH,PLT,24KP-317A/30KP-318	1	--	--	1
10	3-375-010337	FIFTH WHEEL HITCH WLDMT TANDEM	1	1	1	1
11	3-375-010349	HITCH, PLATE, 18" KING PIN	--	--	1	--
12	3-557-010030	HINGE PIN FIFTHWHEEL	1	1	1	1
13	3-557-010033	PIN CYL BUTT END	2	2	2	2
14	3-557-010059	PIN CYL ROD END	2	2	2	2
15	3-826-010014	TUBE,INNER,HINGE FIFTH WHEEL	1	1	1	1
16	3-826-010015	TUBE WLDMT INNER FIFTH WHEEL	1	1	1	1



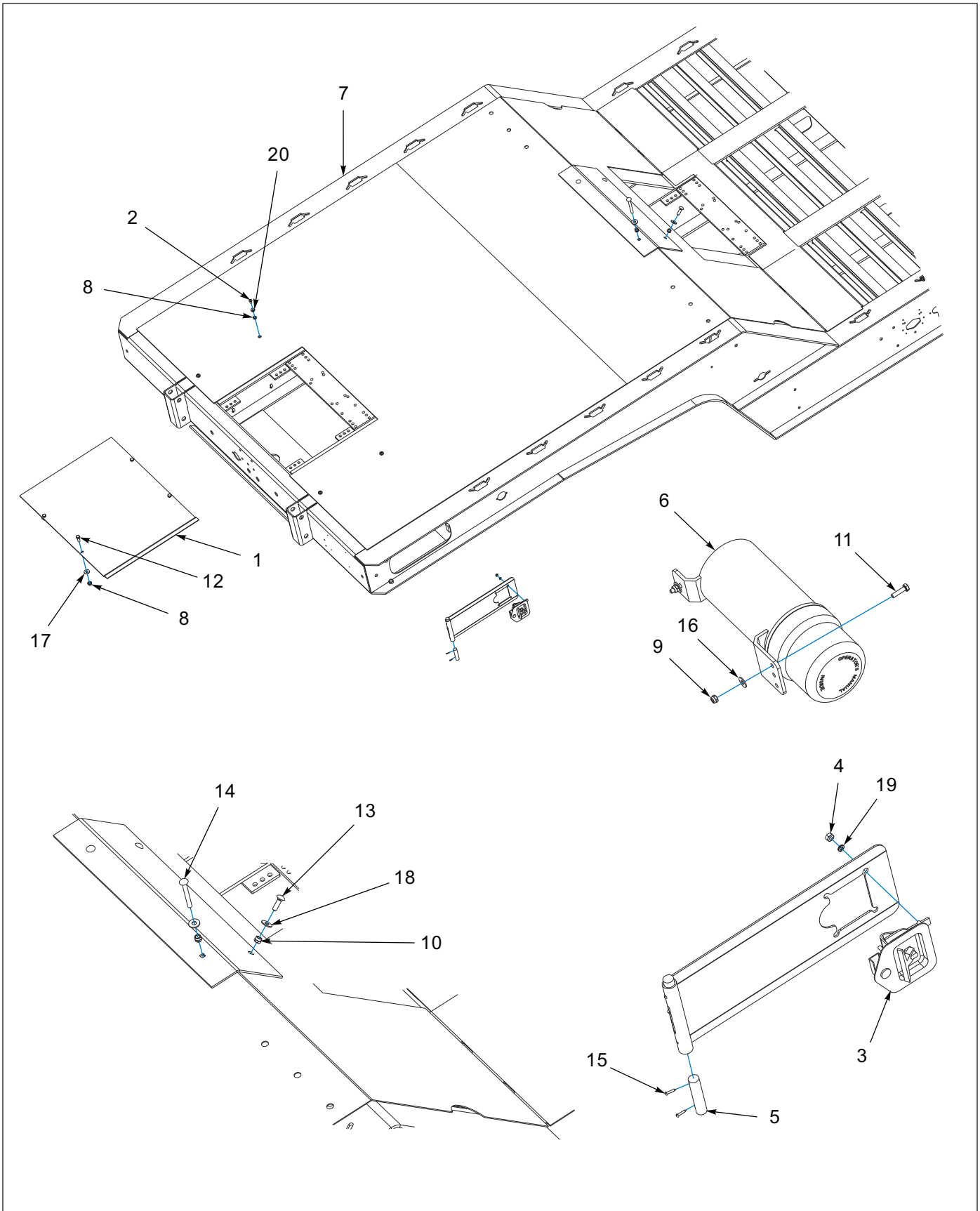


Figure 1-6: Upper Deck Items

## Upper Deck Items

ITEM	PART NO.	DESCRIPTION	QTY.
	208104	DOOR LATCH & TOOLBOX BTM ASSY	*
1	111689	PLATE, TOOLBOX BOTTOM, 660	2
2	111899	SCREW, BHSC 3/8-16UNCX3/4	4
3	114814	LATCH FOLDING T LOCKABLE	2
4	115877	NUT HVY HEX 1/4-20 GR5	8
5	135181	BUSHING NYLATRON TOOLBOX	4
6	150076	MANUAL TUBE (4-1/4" ID)	1
7	204993	FRAME WLDMT, 317E-102-48	REF
8	1-510-010001	NUT, 3/8-16 UNC FLANGE LOCK	12
9	1-512-010005-01	NUT, HEX, SLFLKG GRB 1/4-20	5
10	1-512-010005-09	NUT, HEX, SLFLKG, 1/2-13 GRB	4
11	1-654-010047-06	SCREW, HX CP 1/4-20UNCX1 GR5	3
12	1-654-010051-05	SCREW, HEX CAP 3/8-16UNCX1 GR5	8
13	1-654-010070-04	SCREW RDHD SQNK 1/2-13X1-3/4	2
14	1-654-010070-14	SCREW 1/2-13X4-1/2RDHD SQNCK	2
15	1-654-010147-06	SCREW RDHD SLF/TPG #6-20X3/4	8
16	1-861-010032-07	WASHER, FLAT 1/4 ZP	3
17	1-861-010032-11	WASHER, FLAT 3/8 W ZP/CD	8
18	1-861-010032-15	WASHER, FLAT 1/2 W ZP/CD	4
19	1-861-010034-09	WASHER, LKG HLCL SPR, 1/4	8
20	805-2	BUSHINGS, STEP	4
21	3-222-010079	COVER, UPPER DECK WINCH <b>(NOT SHOWN)</b>	REF
22	3-222-010083	COVER, WINCH, SLOPE <b>(NOT SHOWN)</b>	REF
23	3-222-010195	COVER, WINCH, 90 DROP DECK <b>(NOT SHOWN)</b>	REF
24	3-222-010195	COVER, WINCH, 90 DROP DECK <b>(NOT SHOWN)</b>	REF

# Hydraulic Electric Air

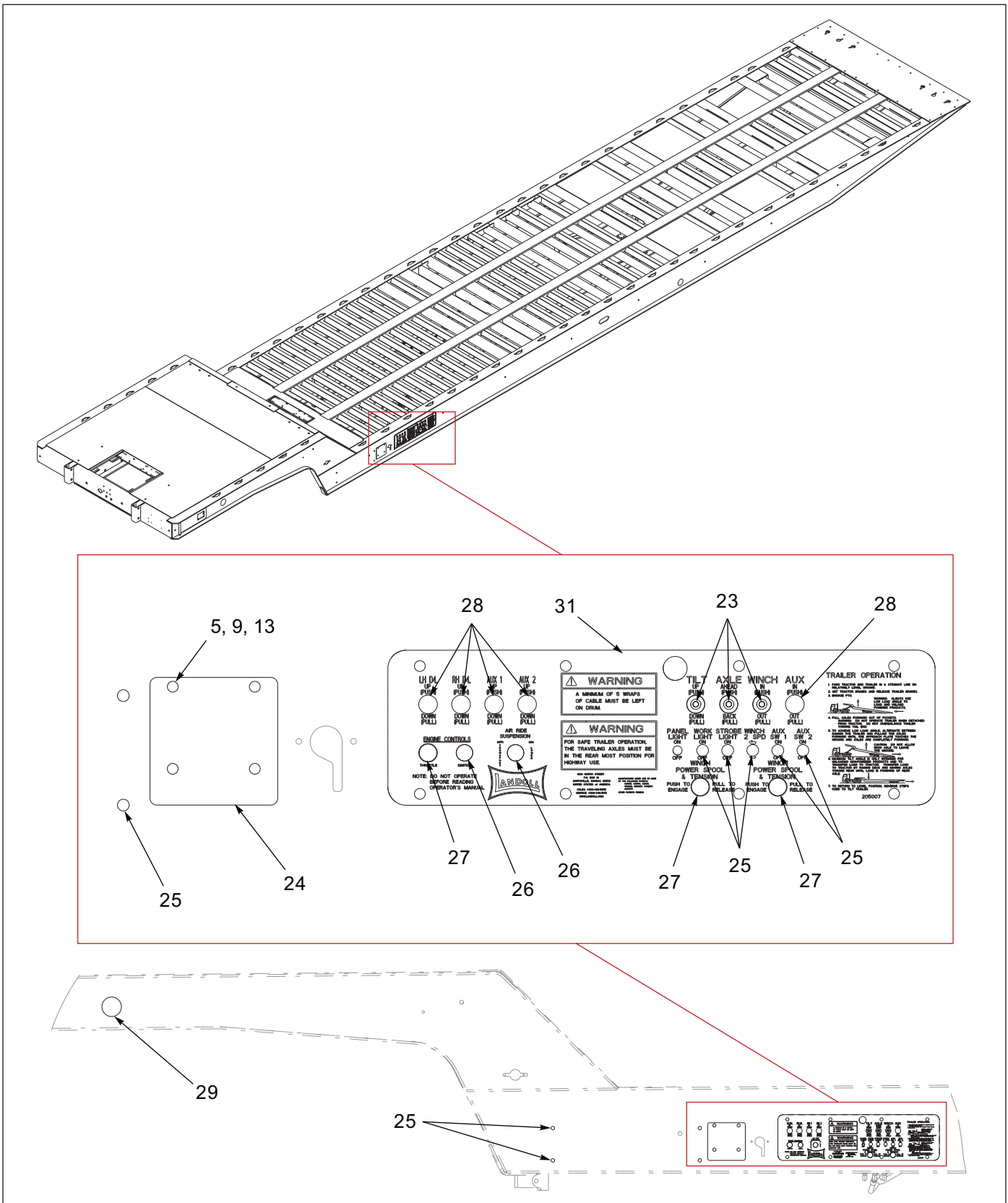


Figure 1-7: General Assembly (1 of 2)

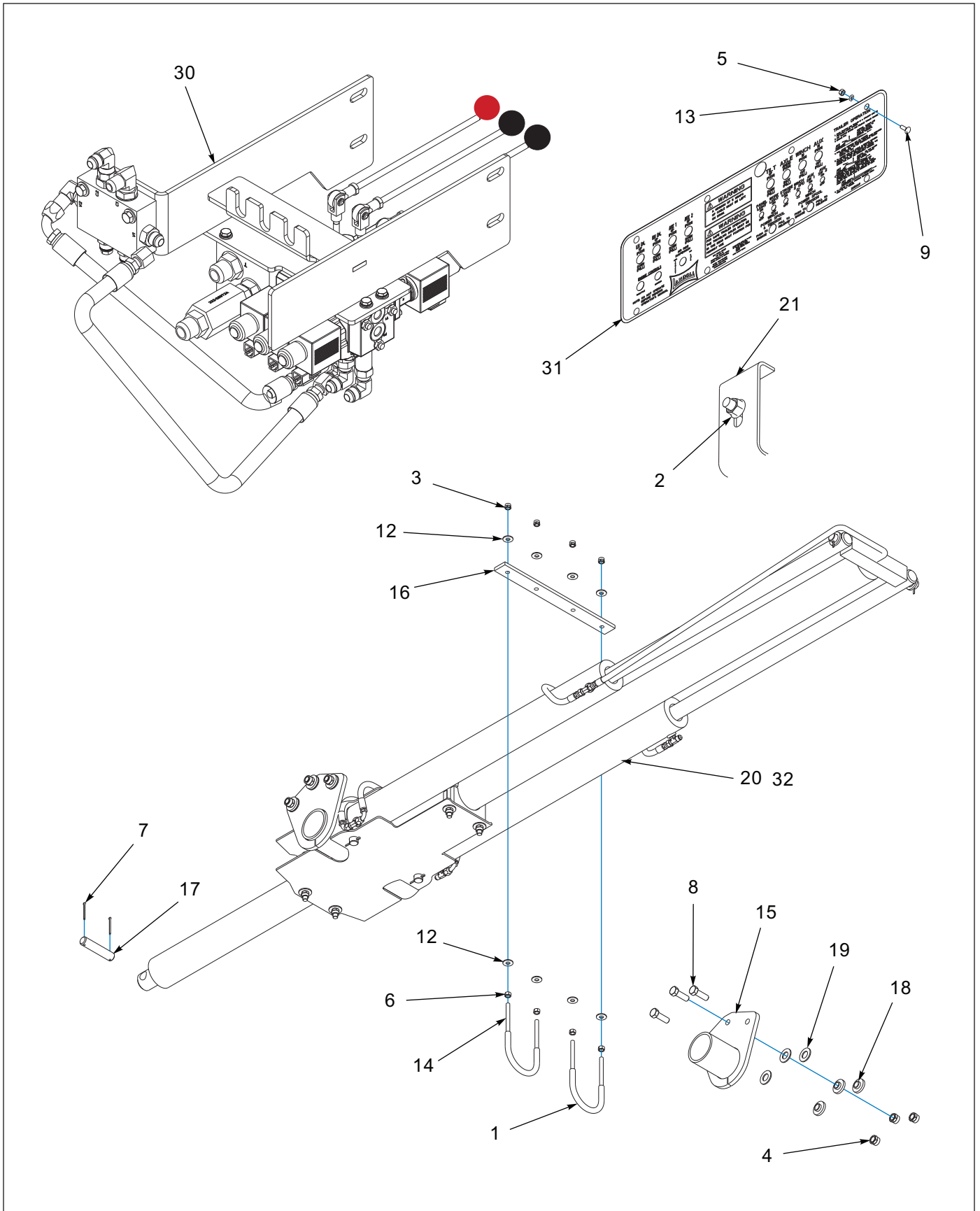


Figure 1-8: General Assembly (2 of 2)

## General Assembly

ITEM	PART NO.	DESCRIPTION	QTY.					
	205750	HYD ELECT AIR 317E-48 RMT (REF. ONLY)	*					
	206875	HYD ELECT AIR 318E-48 RMT (REF. ONLY)		*				
	206876	HYD ELECT AIR 318E-50 RMT (REF. ONLY)			*			
	206877	HYD ELECT AIR 318E-53 RMT (REF. ONLY)				*		
	206882	HYD ELECT AIR 318E-50CA NO RMT (REF. ONLY)					*	
1	1-397-010010016	HOSE, HYDRAULIC 1/2", CUT 16"	2	2	2	2	2	2
2	1-510-010001	NUT, 3/8-16 UNC FLANGE LOCK	10	13	15	16	13	
3	1-512-010005-09	NUT, HEX, SLFLKG, 1/2-13 GRB	4	4	4	4	4	4
4	1-512-010005-15	NUT, HEX, SLFLKG GRB 3/4-10	6	6	6	6	6	6
5	1-512-010007-05	NUT, HEX 1/4-20 GR2 ZP	12	12	12	12	12	12
6	1-512-010007-09	NUT, HEX 1/2-13 GR2 ZP	4	4	4	4	4	4
7	1-557-010362-54	PIN, COTTER 3/16X2-1/4	2	2	2	2	2	2
8	1-654-010061-06	SCREW, HXCP, 3/4-10UNCX2-1/4GR5	6	6	6	6	6	6
9	1-654-010158-1	SCREW, RHD, SQ NCK, 1/4-20UNCX3/4	12	12	12	12	12	12
10	1-796-010003-02	TIE, STRAP, PLASTIC .18X14.0	4	4	4	4	4	4
11	1-822-010001	TRIM 1350 3/8BLK FINE PEBBLE (FEET)	1	1.5	1.5	1.5	1.5	1.5
12	1-861-010032-15	WASHER, FLAT 1/2 W ZP/CD	8	8	8	8	8	8
13	1-861-010034-09	WASHER, LKG HLCL SPR, 1/4	12	12	12	12	12	12
14	3-102-010022	U BOLT CYL SUPPORT	2	2	2	2	2	2
15	3-125-010244	BRACKET WLDMT CYL TRUN 317	2	2	2	2	2	2
16	3-146-010001	RUBBER BUMPER CYLINDER	1	1	1	1	1	1
17	3-557-010120	PIN UNDERCARRIAGE CYL	1	1	1	1	1	1
18	3-861-010038	WASHER, STEP	6	6	6	6	6	6
19	110-7389	1 IN SAE FLAT WASHER ZP	6	6	6	6	6	6
20	103743	CYL ASSY LOW LOAD ANGLE 317-3	--	1	1	1	1	1
21	103817	CLAMP, HOSE 660 U/C	10	11	13	14	11	
22	141607	VALVE ASSY AIR BOOSTER	1	1	1	1	1	1
23	178444	BUSHING NYLON INSERT 9/16ID	3	3	3	3	3	3
24	189253	PLATE, COVER, WEIGHT SCALE	1	1	1	1	1	1
25	189278	PLUG, PLASTIC PANEL 1/2 & 9/16	13	13	13	13	13	13
26	189280	PLUG, PLASTIC PANEL 3/4	2	3	3	3	3	3
27	189281	PLUG, PLASTIC PANEL 13/16	3	3	3	3	3	3
28	189282	PLUG, PLASTIC PANEL 7/8	5	5	5	5	5	5
29	204158	HOLE PLUG 2-1/4" ID X 3-5/8" OD	4	4	4	4	4	4
30	205001	VALVE ASSY, 317E	1	1	1	1	1	1
31	205007	PLACARD CONTROL PANEL 317E	1	1	1	1	1	1
32	3-242-010152	CYL ASSY LOW LOAD ANGLE 317	1	--	--	--	--	--



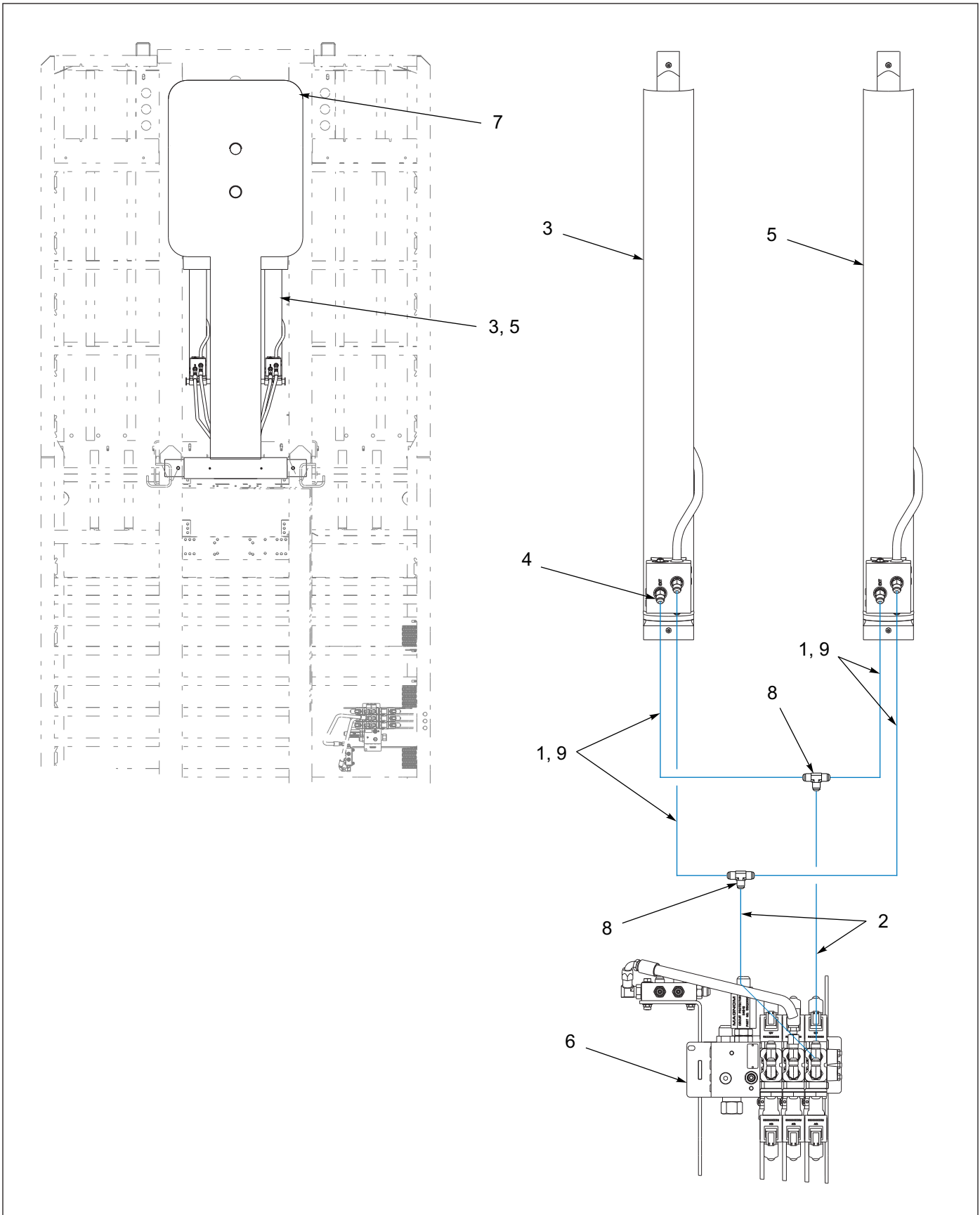


Figure 1-9: Hitch Hydraulics

## Hitch Hydraulics

ITEM	PART NO.	DESCRIPTION	QTY.	
	201071	HITCH INSTL, 18 PIN, 317E TRL (REF. ONLY)	*	
	201068	HITCH INSTL 18KP 317E-CA/318E (REF. ONLY)		*
1	1410119	HOSE ASSY 1/2X50 SAE37 STR	4	--
2	173519	HOSE ASSY 1/2X124 SAE37 STR90	2	2
3	200497	CYLINDER 4X42 W/CB	2	--
4	2061-8-8S	ADAPTER, 45, #8 O-RING-TUBE	4	4
5	206862	CYLINDER 4X42 W/ 5" STOP	--	2
6	205001	VALVE ASSY, 317E	1	1
7	3-375-010250	HITCH,PLT,24KP-317A/30KP-318	REF	REF
8	2033-8-8S	ADAPTER, TEE, #8 TUBE	2	2
9	1-397-010301024	HOSE ASSY1/2X24 SAE37,STR-STR	--	4



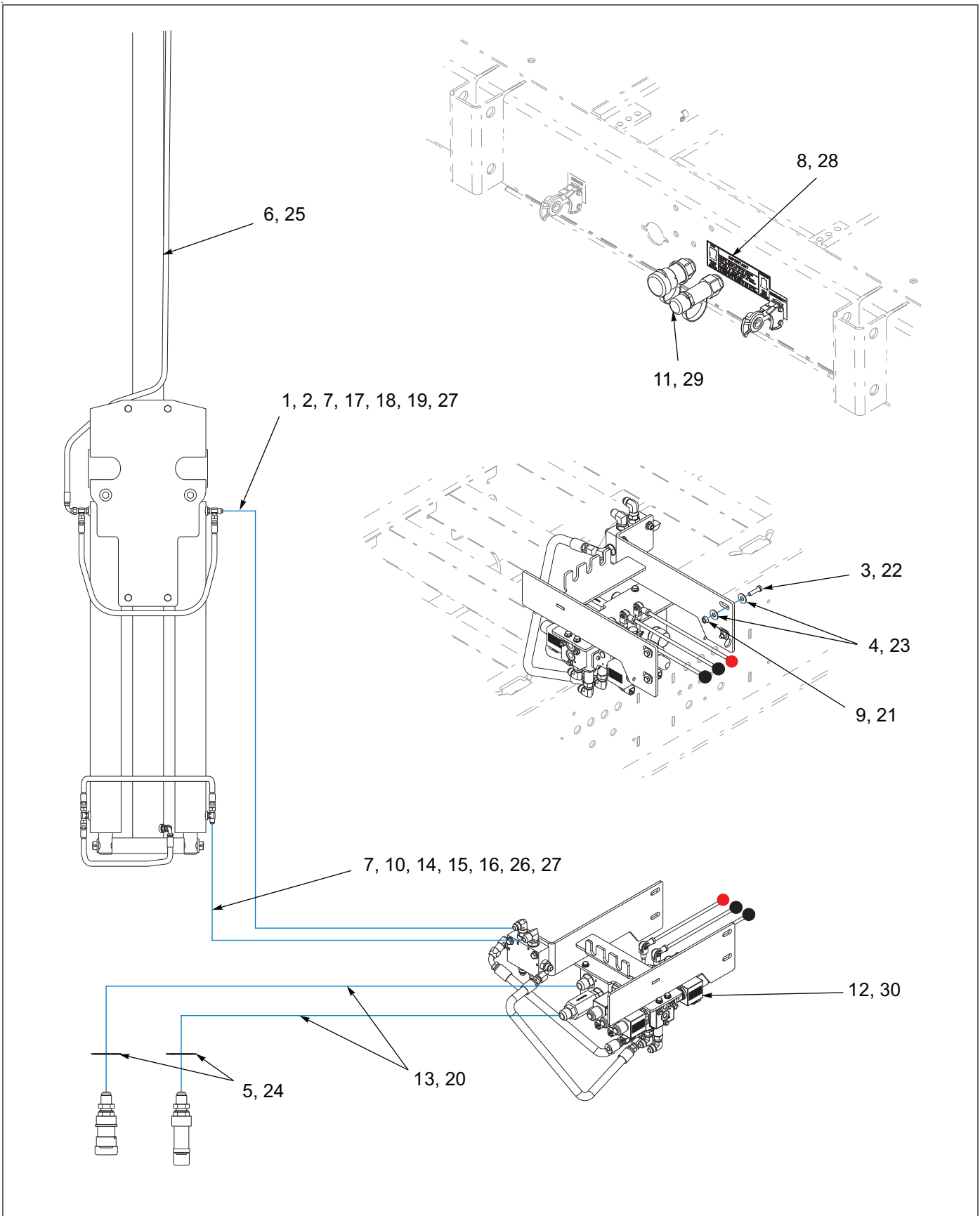


Figure 1-10: Tilt Cylinder Hydraulics - 317E/318E

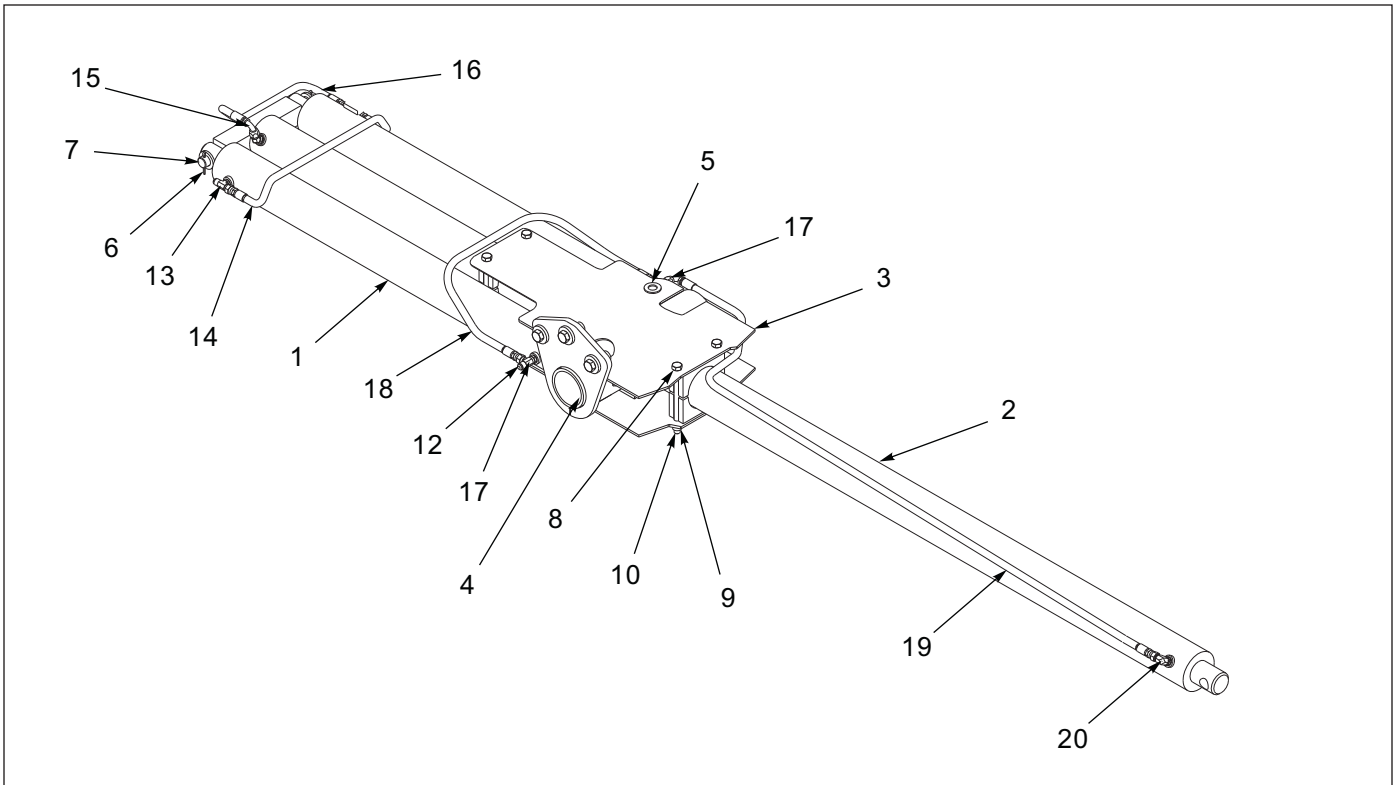
**Tilt Cylinder Hydraulics - 317E**

ITEM	PART NO.	DESCRIPTION	QTY.		
	205750	HYD ELECT AIR 317E-48 RMT	*		
	205751	HYD ELECT AIR 317E-50 RMT		*	
	205753	HYD ELECT AIR 317E-53 RMT			*
1	1-397-010302102	HOSE 1/2X102,SAE 37,STR-90	1	--	--
2	1-397-010302172	HOSE ASSY,1/2X172,SAE37,STR90	--	--	1
3	1-654-010051-06	SCREW,HEX CAP 3/8-16UNCX1-1/4	4	4	4
4	1-861-010032-11	WASHER, FLAT 3/8 W ZP/CD	8	2	8
5	1-861-010059-21	WASHER,LKG,INTL TOOTH 1-1/8	2	8	2
6	3-242-010152	CYL ASSY LOW LOAD ANGLE 317	1	1	1
7	104370	HOSE ASSY 1/2X126,SAE37,STR90	--	1	--
8	105822	DECAL, HYD COUPLER	1	1	1
9	107470	NUT, SPIRALOCK 3/8-16HX	4	4	4
10	124133	CSVP-R HOSE HYD 1/2X101	--	--	1
11	143163	CONNECTORS FRONT SUB ASSY	1	1	1
12	205001	VALVE ASSY, 317E	1	1	1
13	213165	HOSE ASSY 3/4X240 SAE37 STR 90	2	2	2
14	1403982	HOSE ASSY 1/2X38,SAE37,STR-STR	1	--	--
15	1406044	HOSE ASSY 1/2X60SAE37STR-STR	--	1	--

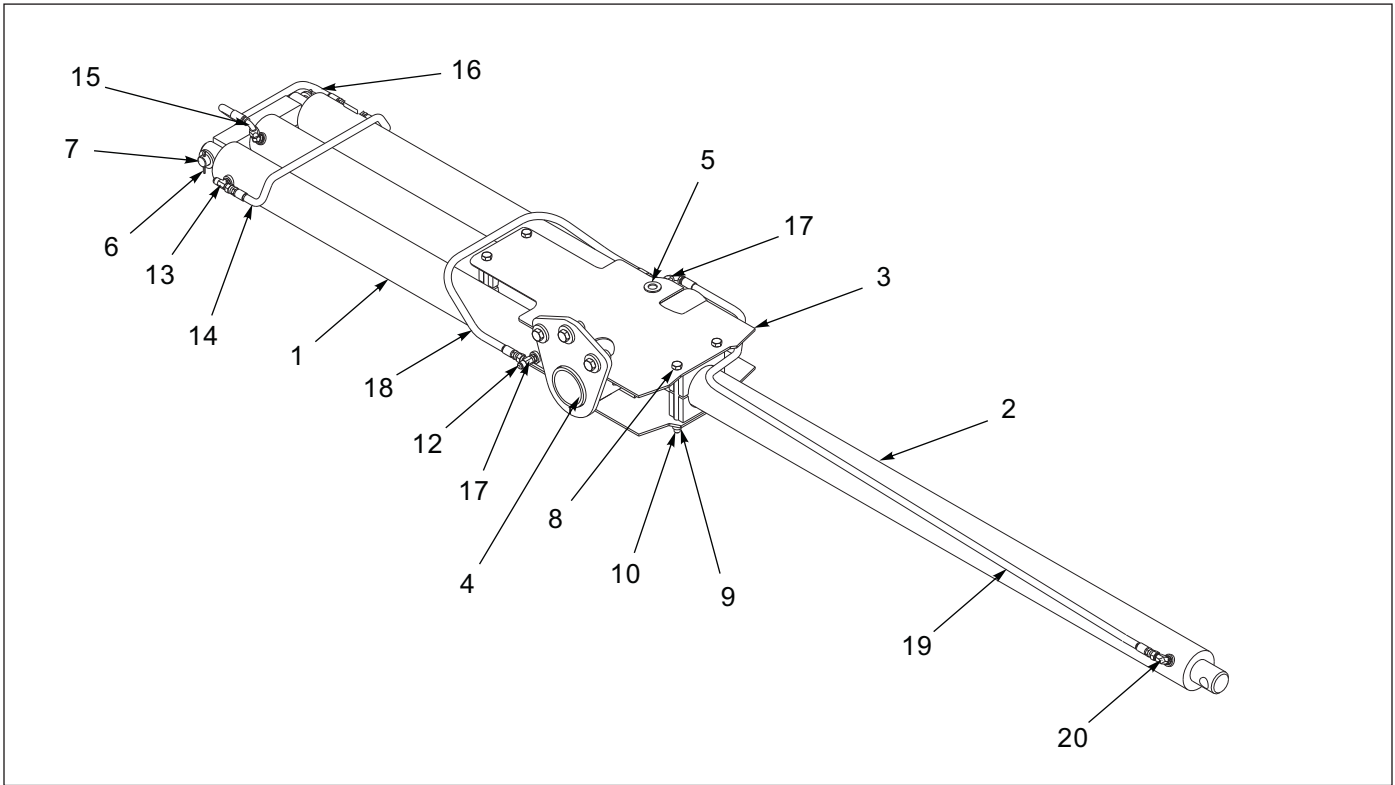
## Tilt Cylinder Hydraulics - 318E

ITEM	PART NO.	DESCRIPTION	QTY.		
	206875	HYD ELECT AIR 318E-48 RMT	*		
	206876	HYD ELECT AIR 318E-50 RMT		*	
	206877	HYD ELECT AIR 318E-53 RMT			*
16	1-397-010302078	HOSE ASSY,1/2X78,SAE 37STR-90	1	--	--
17	1-397-010302136	HOSE ASSY,1/2X136,SAE37,STR90	1	--	--
18	1-397-010302160	HOSE ASSY,1/2X160,SAE37,STR90	--	1	--
19	1-397-010302192	HOSE ASSY 1/2X192,SAE37,STR90	--	--	1
20	1-397-010305228	HOSE ASSY,3/4X228,SAE37,STR90	2	2	2
21	107470	NUT, SPIRALOCK 3/8-16HX	4	4	4
22	1-654-010051-06	SCREW,H/CAP,3/8-16UNCX1-1/4	4	4	4
23	1-861-010032-11	WASHER, FLAT, ZP/CD, 3/8W	8	8	8
24	1-861-010059-21	WASHER, 1-1/8 LKG, INTERNAL TOOTH	2	2	2
25	103743	CYL ASSY LOW LOAD ANGLE 317-3	REF	REF	REF
26	104369	HOSE ASSY 1/2X96,SAE37,STR-90	--	1	--
27	104370	HOSE ASSY 1/2X126,SAE37,STR90	--	--	1
28	105822	DECAL, HYD COUPLER	1	1	1
29	143163	HYD INSTL 435-48 PRINCE KTRMT	1	1	1
30	205001	VALVE ASSY, 317E	1	1	1





**Figure 1-11: Cylinder Assembly - Low Load Angle (317)**



**Figure 1-12: Cylinder Assembly - Low Load Angle (318)**

## Cylinder Assembly - Low Load Angle

ITEM	PART NO.	DESCRIPTION	QTY.	
	3-242-010152-02	CYL ASSY LOW LOAD ANGLE (317)	*	
	103743	CYLINDER ASSY LOW LOAD ANGLE (318)	*	
1	3-242-010099	CYLINDER 4X42 317 TILT	2	--
2	3-242-010103	CYLINDER HYDR 4X126ORB W/PIN	1	1
3	3-120-010125	CYLINDER TRUNNION ASSY	1	1
4	3-120-010117	NYLATRON BEARING	4	4
5	3-557-010031	PIN CYLINDER BUTT END	2	2
6	1-557-010362-54	PIN, COTTER 3/16X2-1/4	4	4
7	3-150-010223	BUSHING 2X1-1/4X.25 ZP	2	2
8	1-654-010059-21	SCREW,HEX CAP,5/8-11UNCX8 GR5	4	4
9	1-861-010032-19	WASHER, FLAT 5/8 W ZP/CD	4	4
10	1-512-010005-13	NUT,HEX SLFLKG GRB 5/8-11	4	4
11	1-298-010001-1	ZERK FITTING 1/4 SAE	2	2
12	1-161-010033-04	CAP,PLASTIC,TAPERED 1/2MPT	2	2
13	203003-8-8S	ADAPTER,TEE,#8 O-RING-TUBE	2	4
14	1-397-010301039	HOSE ASSY,1/2X39,SAE37,STR-ST	1	1
15	2061-8-8S	ADAPTER, 45, #8 O-RING-TUBE	1	1
16	1-397-010302070	HOSE ASSY,1/2,SAE37,STR-90R	1	1
17	203005-8-8S	ADAPTER,TEE,#8 O-RING-TUBE	2	--
18	1-397-010301042	HOSE ASSY 1/2X42,SAE 37,STR	1	--
19	107486	HOSE 1/2X90,SAE 37, STR-90	1	--
20	2062-8-8S	ADAPTER, 90, #8 O-RING-TUBE	1	1
21	103744	CYLINDER 4X42 45 MT STREETSIDE	--	1
22	103745	CYLINDER 4X42 45 MT CURBSIDE	--	1
23	104279	HOSE ASSY	--	1
24	1-397-010302102	HOSE ASSY, 1/2 SAE37, STR-90, 102	--	1

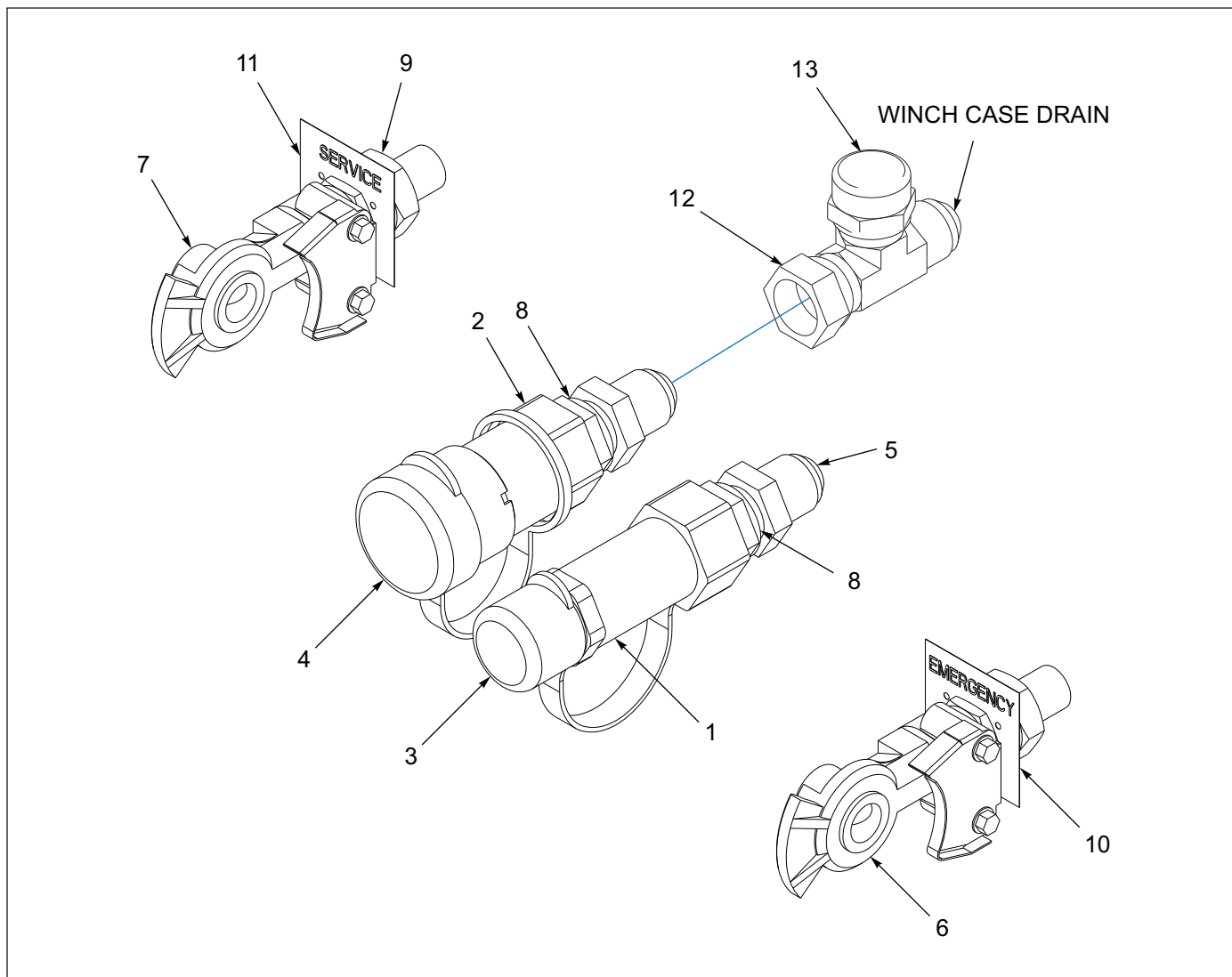


Figure 1-13: Connectors - Front Sub Assembly

### Connectors - Front Sub Assembly

ITEM	PART NO.	DESCRIPTION	QTY.
	143163	CONNECTOR ASSY, FRONT SUB (REF. ONLY)	*
1	105479	COUPLER, FLAT FACE MALE	1
2	105480	COUPLER, FLAT FACE FEMALE	1
3	105481	COUPLER, DUST CAP MALE	1
4	105482	COUPLER, DUST CAP FEMALE	1
5	105483	ADAPTER, BULKHEAD 12JIC-12ORING	2
6	108801	GLADHAND, RED AIR	1
7	108802	GLADHAND, BLUE AIR	1
8	169365	SPACER, HYDRAULIC COUPLER	2
9	55B61	FRAME UNION	2
10	55B61-6	TAG EMERGENCY LINE	1
11	55B61-7	TAG SERVICE LINE	1
12	203102-12-12S	ADAPTER, TEE, #12, SAE 37, SWIVL	1
13	210292-12S	HYD FITTING CAPNUT, .75	1

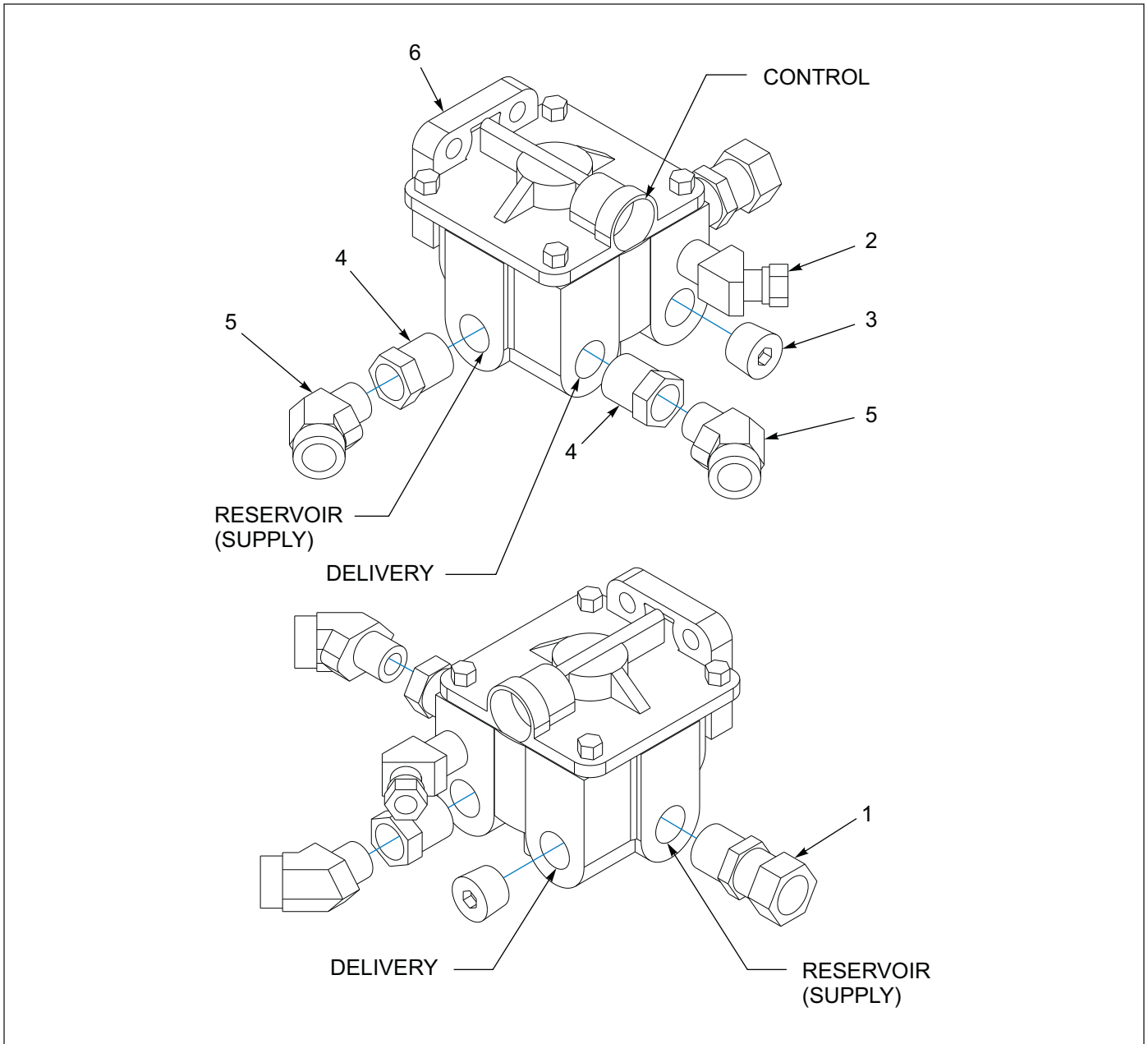


Figure 1-14: Valve Assembly - Air Booster

### Valve Assembly - Air Booster

ITEM	PART NO.	DESCRIPTION	QTY.
	141607	VALVE ASSEMBLY, AIR BOOSTER	*
1	1-297-010007-16	FITTING, AIR	1
2	1-297-010013-12	FITTING, AIR 45	1
3	1-560-010002-04	PLUG, PIPE, 1/2	1
4	2081-8-6S	REDUCER	2
5	2088-6-6S	ADAPTER, 45	2
6	3-843-010038	VALVE, AIR RELAY-FAST AIR BALANCE	1



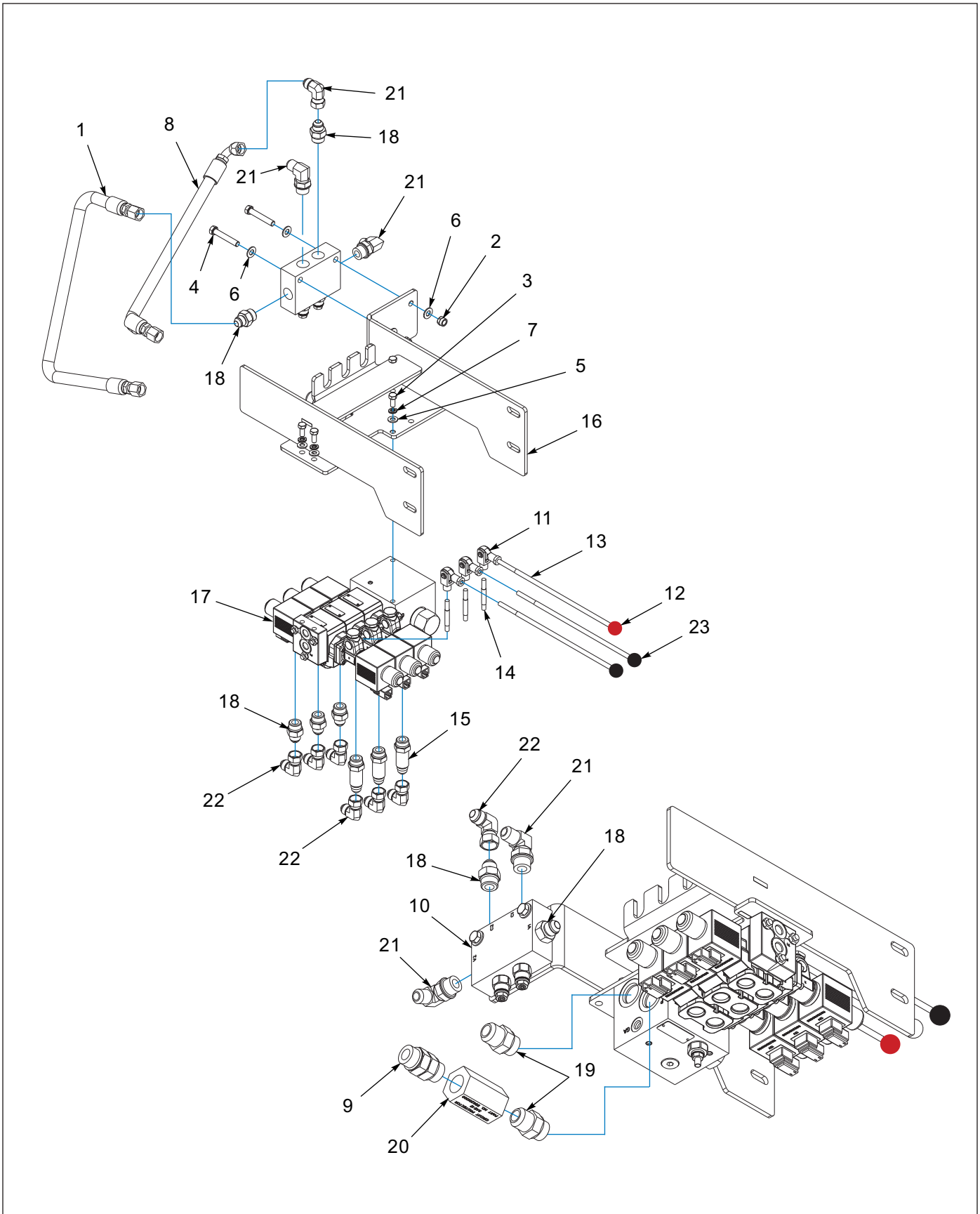


Figure 1-15: Valve Assembly

## Valve Assembly - Three Spool

ITEM	PART NO.	DESCRIPTION	QTY.
	205001	VALVE ASSY, 317E	*
1	1-397-010301024	HOSE ASSY1/2X24 SAE37,STR-STR	1
2	1-512-010005-05	NUT, HEX, SLFLKG GRB 3/8-16	2
3	1-654-010049-03	SCREW HX CP 5/16-18UNCX3/4GR5	4
4	1-654-010051-10	SCREW,HX CP3/8-16X2-1/4 GR5	2
5	1-861-010032-08	WASHER,FLAT 5/16 N ZP	4
6	1-861-010032-10	WASHER, FLAT 3/8" N ZP/CD	4
7	1-861-010034-10	WASHER,LKG 5/16	4
8	107756	HOSE ASSY,1/2X24,SAE37,STR-90	1
9	158581	ADAPTER STR #12 ORB - #12 ORB	1
10	184585	VALVE,DUAL COUNTER BALANCE,30G	1
11	186875	CLEVIS JOINT,ROD ENDS M8.1.25	3
12	186877	KNOB BLACK 1" ROUND M8X1.25THD	3
13	191849	HANDLE,RED,12",M8-125 THREAD	1
14	186902	STUD M8X1.25X65MM,DBL THD	3
15	189285	ADAPTER STR LONG #10 ORB#8MJIC	3
16	202394	MOUNT WLDMT CONTROL VALVE	1
17	202430	VALVE 3 SPOOL 35 GPM W/ORIF	1
18	202702-10-8S	ADAPTER, #10 O-RING #8 TUBE	5
19	202702-12-12S	ADAPTER,#12 O-RING X #12 TUBE	2
20	204124	FILTER HYD IN-LINE MAGNETIC	1
21	2062-10-8S	ADAPTER,90, #10 O-RING-TUBE	2
22	2071-8-8S	ADAPTER90 #8 FLR SWIVEL #8JIC	7
23	191850	HANDLE,BLACK,12",M8-125 THREAD	2
24	216601	SEAL KIT ( <b>NOT SHOWN</b> )	REF

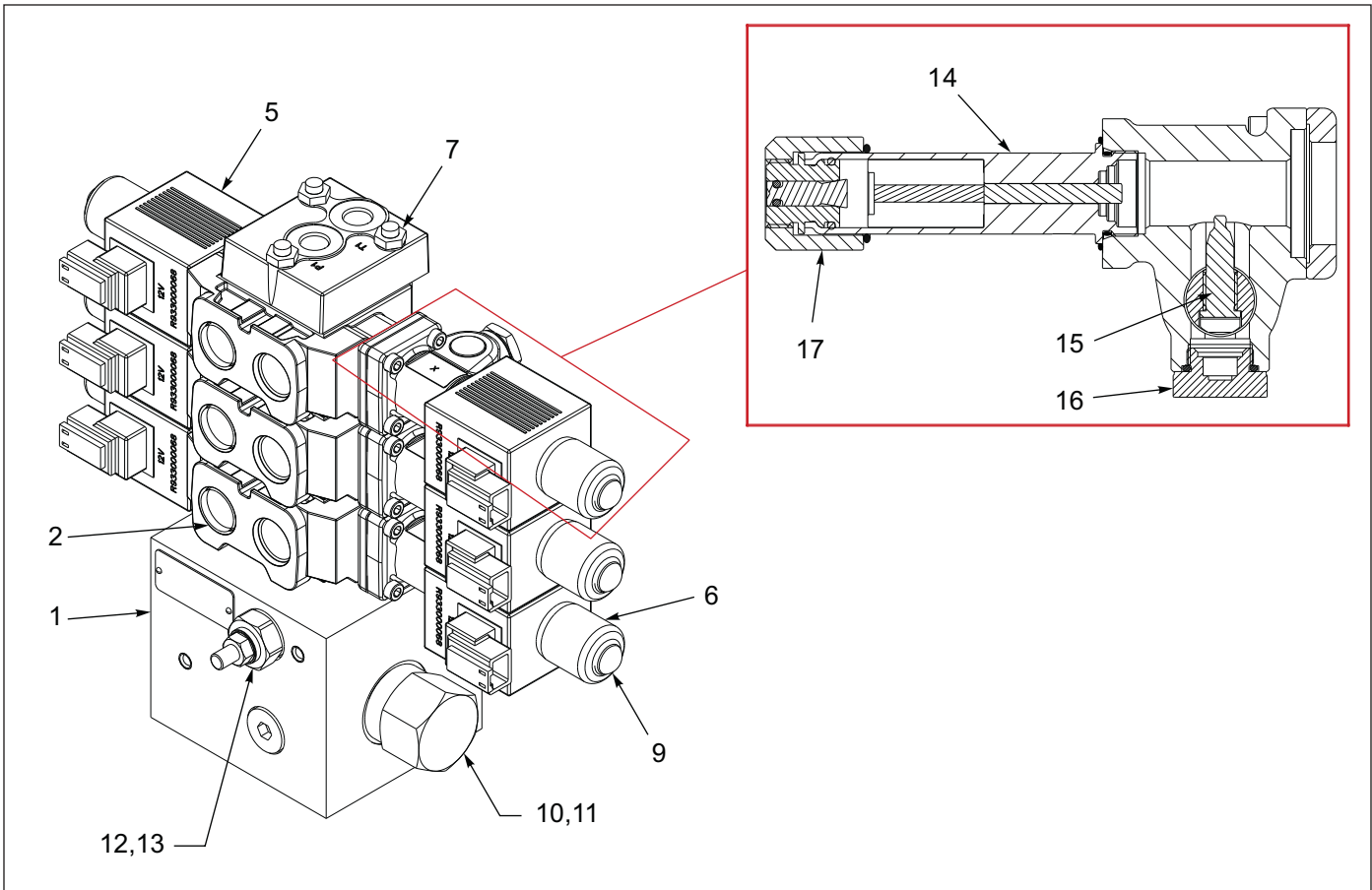


Figure 1-16: Three Spool Solenoid Valve

### Three Spool Solenoid Valve

ITEM	PART NO.	DESCRIPTION	QTY.
	202430	VALVE, 3 SPOOL, SOLENOID, 35 GPM	*
1	191847	INLET SECTION KIT	1
2	191848	VALVE SECTION KIT	3
3	191849	HANDLE ASSY (NOT SHOWN)	1
4	191850	HANDLE ASSY (NOT SHOWN)	2
5	193400	COIL	6
6	193401	RUBBER BOOT	6
7	193402	BOLT KIT	1
8	193442	VALVE SECTION SEAL KIT (NOT SHOWN)	4
9	193443	COIL NUT SEAL KIT	1
10	193444	BY-PASS COMENSATOR	1
11	193445	SEAL KIT FOR COMPENSATOR	1
12	193446	LOAD SENSE RELIEF	1
13	193447	LOAD SENSE RELIEF SEAL KIT	1
14	208390	KIT COMPLETE LEVER BOX, K-22144	1
15	204189	SET SCREW HANDLE ACTUATOR BALL	6
16	208391	PLUG	6
17	208392	COIL NUT LEVER BOX	6
18	216601	SEAL KIT (NOT SHOWN)	REF



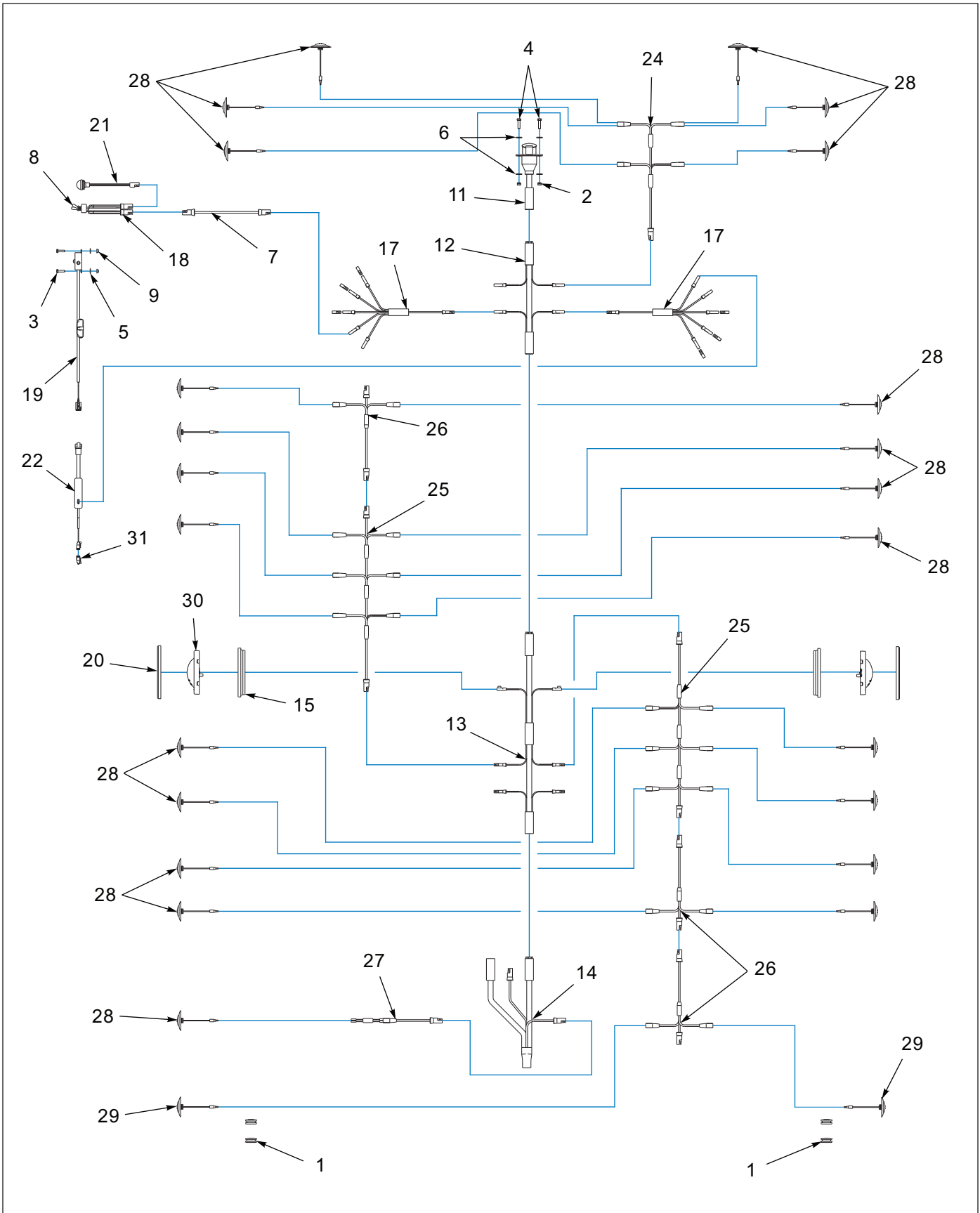


Figure 1-17: Electrical System (1 of 2)

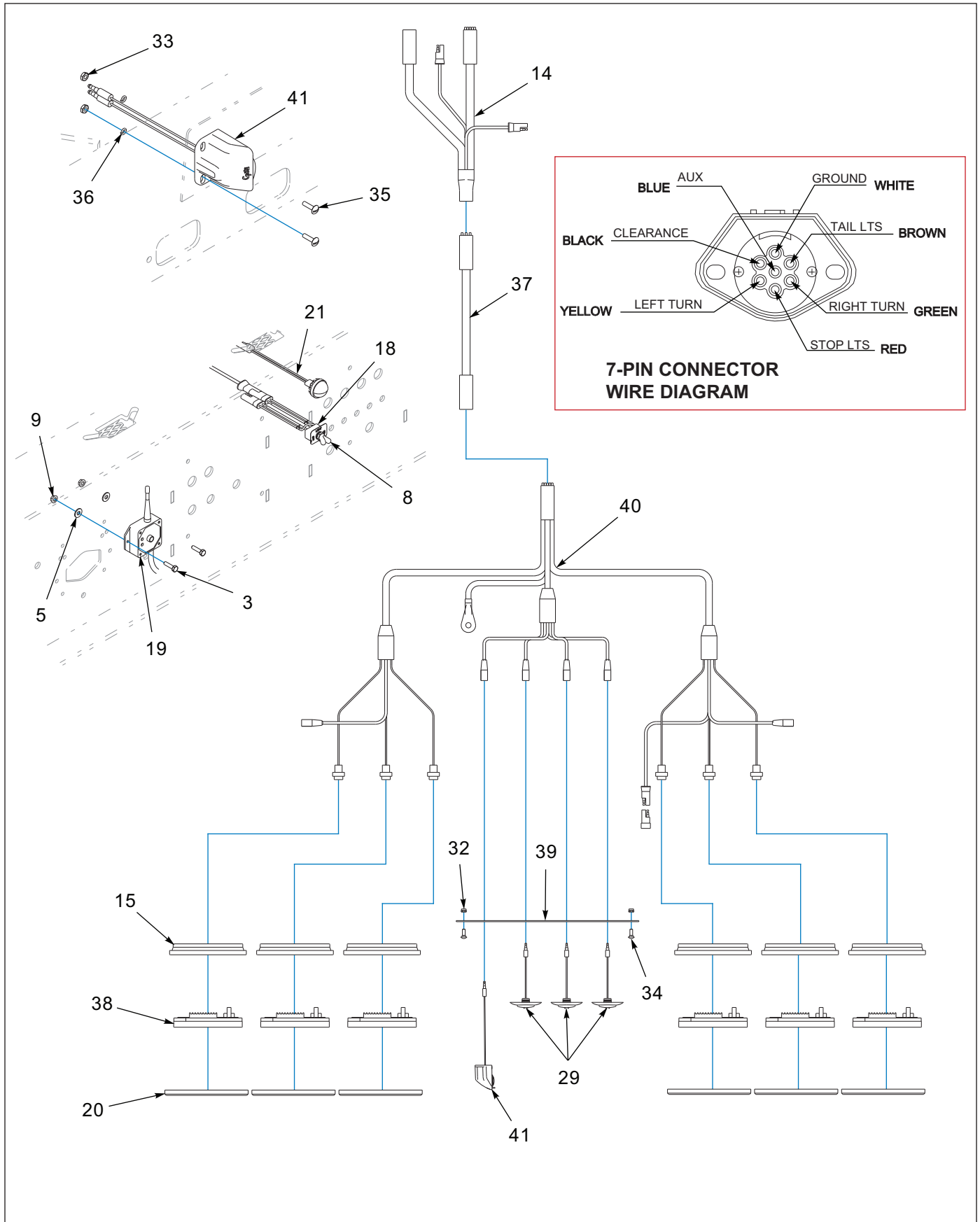


Figure 1-18: Electrical System (2 of 2)

## Electrical System

ITEM	PART NO.	DESCRIPTION	QTY
	206869	HYD ELECT AIR 318E-48 RMT	*
	206875	HYD ELECT AIR 317E-48 RMT	*
1	1-343-010006	GROMMET	4
2	1-512-010005-03	NUT HEX SLFLKG GRB 5/16-18	2
3	1-654-010047-06	SCREW,HX CP 1/4-20UNCX1 GR5	2
4	1-654-010049-06	SCREW,H/CAP,5/16-18UNCX1-1/4	2
5	1-861-010032-07	WASHER,FLAT 1/4 ZP	2
6	1-861-010032-09	WASHER, FLAT 5/16 W ZP/CD	4
7	3-368-010252	HARNESS ASSY BKHD LIGHT EXT	1
8	81264	RUBBER BOOT FOR ELECT SWITCH	1
9	108417	NUT SPIRAL 1/4-20HX FG	2
10	130116	DECAL, ON/OFF LIGHT <b>(NOT SHOWN)</b>	REF
11	143100	HARNESS 7WAY RECP GROTE	1
12	143101	HARNESS FRONT MAIN GROTE	1
13	143102	HARNESS BED MAIN GROTE	1
14	143103	HARNESS ECHAIN GROTE	REF
15	143114	GROMMET OVAL GROTE <b>(BEFORE JAN. 2, 2020; OBSOLETE AFTER)</b>	8
16	143123	GREASE DIELECTRIC 4 OZ TUBE <b>(NOT SHOWN)</b>	REF
17	150093	HARNESS 5 AUX BRANCHES GROTE	2
18	150117	SWITCH ASSY LIGHT GROTE	1
19	168648	RECEIVER/TRANS MACRO KAR SL AX	1
20	180570	COVER CHROME OBLONG GROMMET <b>(P/N 213296 AFTER JAN. 2, 2020)</b>	8
21	185059	LIGHT,LED COURTESY, GROTE	1
22	186882	HARNESS,CONTROL VALVE,DUETSCH	1
23	187833	CLIP HARNESS, CROSS-MEMBER <b>(NOT SHOWN)</b>	REF
24	187855	HARNESS MARKER UPR DECK	1
25	187856	HARNESS MARKER MID DECK	2
26	187857	HARNESS MARKER ADDITION	3
27	187858	HARNESS ABS LAMP MICRONOVA	1
28	187863	LIGHT YEL LED.75CL/MK CLEAR CB	REF
29	187864	LIGHT RED LED.75CL/MK CLEAR CB <b>(P/N 213298 AFTER JAN. 2, 2020)</b>	2
30	187868	LIGHT MID-TURN LED CLEAR LENS	2
31	194407	PLUG ASSY DUMMY DEUTSCH 2 PIN <b>(USED W/O REMOTE OPTION)</b>	REF
32	1-512-010005-01	NUT,HEX,SLFLKG GRB 1/4-20	2
33	1-512-010007-03	NUT, HEX 10-24 GR2 ZP	2
34	1-654-010158-1	SCREW,RHD,SQ NCK,1/4-20UNCX3/4	2
35	1-656-010003051	SCREW,RH HD MACH 10-24X3/4	2
36	1-861-010034-07	WASHER,LKG,HLCL SPR, NO 10	2
37	143166	HARNESS EXT 48IN GROTE <b>(USED ON CA-MODEL TRAILERS)</b>	REF
38	179902	LIGHT S/T/T RED CLEAR LENS GRT <b>(P/N 213295 AFTER JAN. 2, 2020)</b>	6
39	179906	PLATE MTG MICRO ID LIGHTS	1
40	187859	HARNESS BUMPER MICRONOVA GROTE	1
41	187860	LIGHT ASSY LICENSE LED GROTE	3
42	43029	HOSE WRAP AEROQUIP 1/4 <b>(NOT SHOWN)</b>	REF

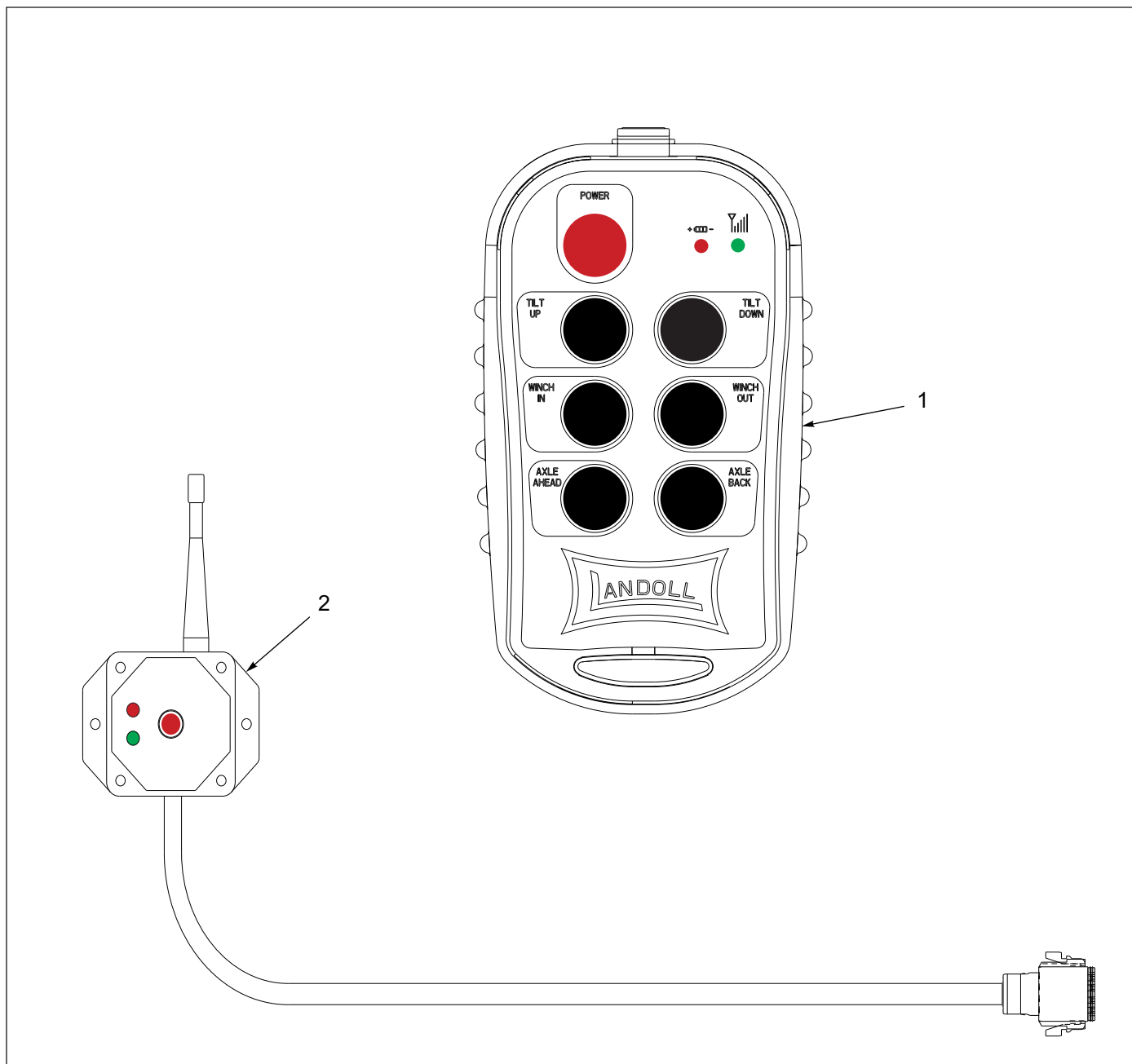


Figure 1-19: Remote

## Remote

ITEM	PART NO.	DESCRIPTION	QTY.
	168974	REMOTE KAR-TECH SLIDE AX	*
1	168975	TRANSMITTER (100)	REF
2	143126	RECEIVER 6FUNCT FOR 138151	REF



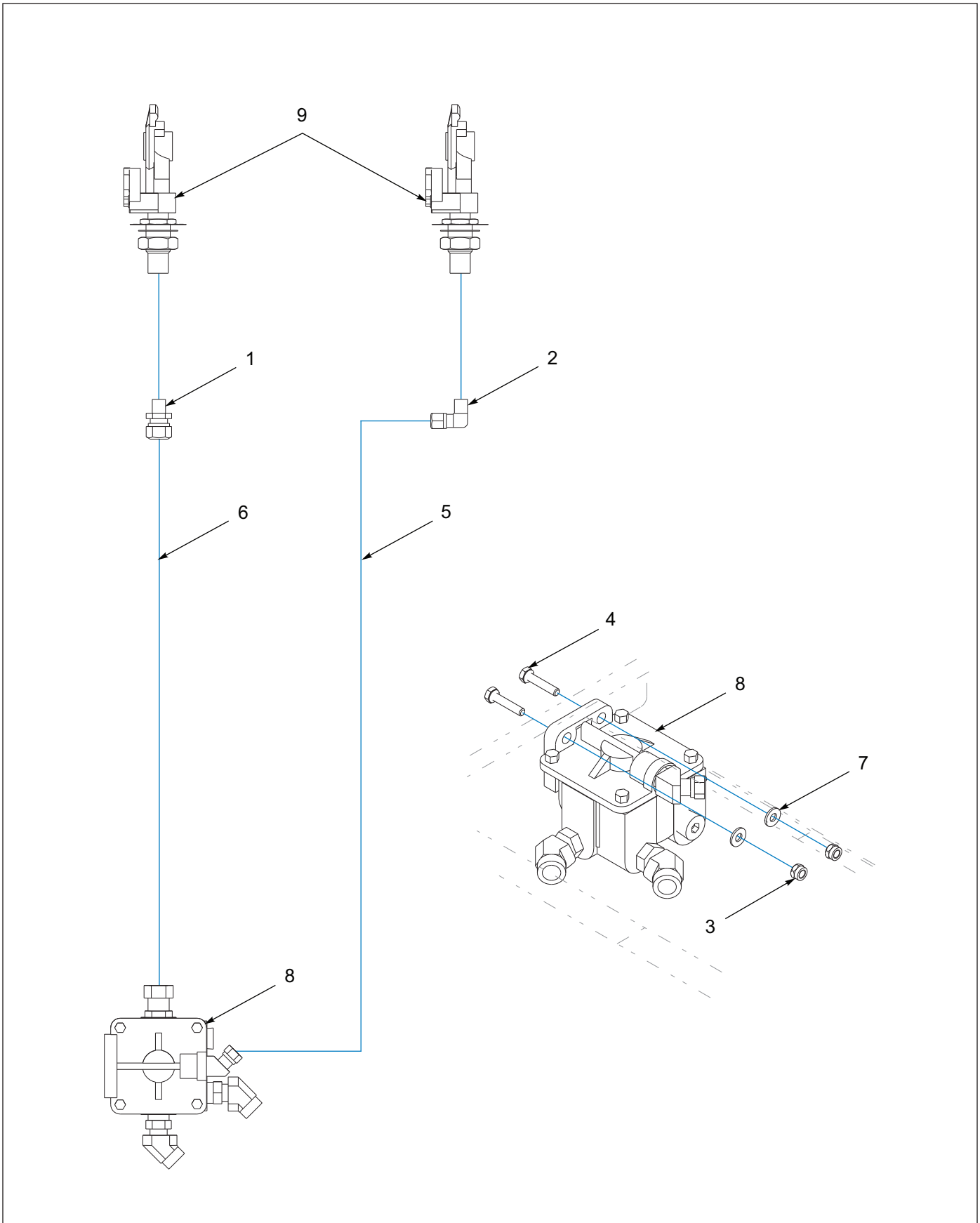


Figure 1-20: Air

**Air**

---

ITEM	PART NO.	DESCRIPTION	QTY.
1	1-297-010007-14	FITTING AIR 1/2TUBE X 1/4NPT	1
2	1-297-010008-18	FITTING,AIR 90 3/8TUBEX1/4NPT	1
3	1-512-010005-01	NUT,HEX,SLFLKG GRB 1/4-20	2
4	1-654-010027-7	SCREW HX CP 1/4-20UNCX1-1/4	2
5	1-833-010002	TUBING NYLON 3/8 OD	REF
6	1-833-010003	TUBING NYLON 1/2 OD	REF
7	1-861-010032-06	WASHER, FLAT 1/4 N ZP/CD	2
8	141607	VALVE ASSY AIR BOOSTER	1
9	143163	CONNECTORS FRONT SUB ASSY	REF

# Undercarriage

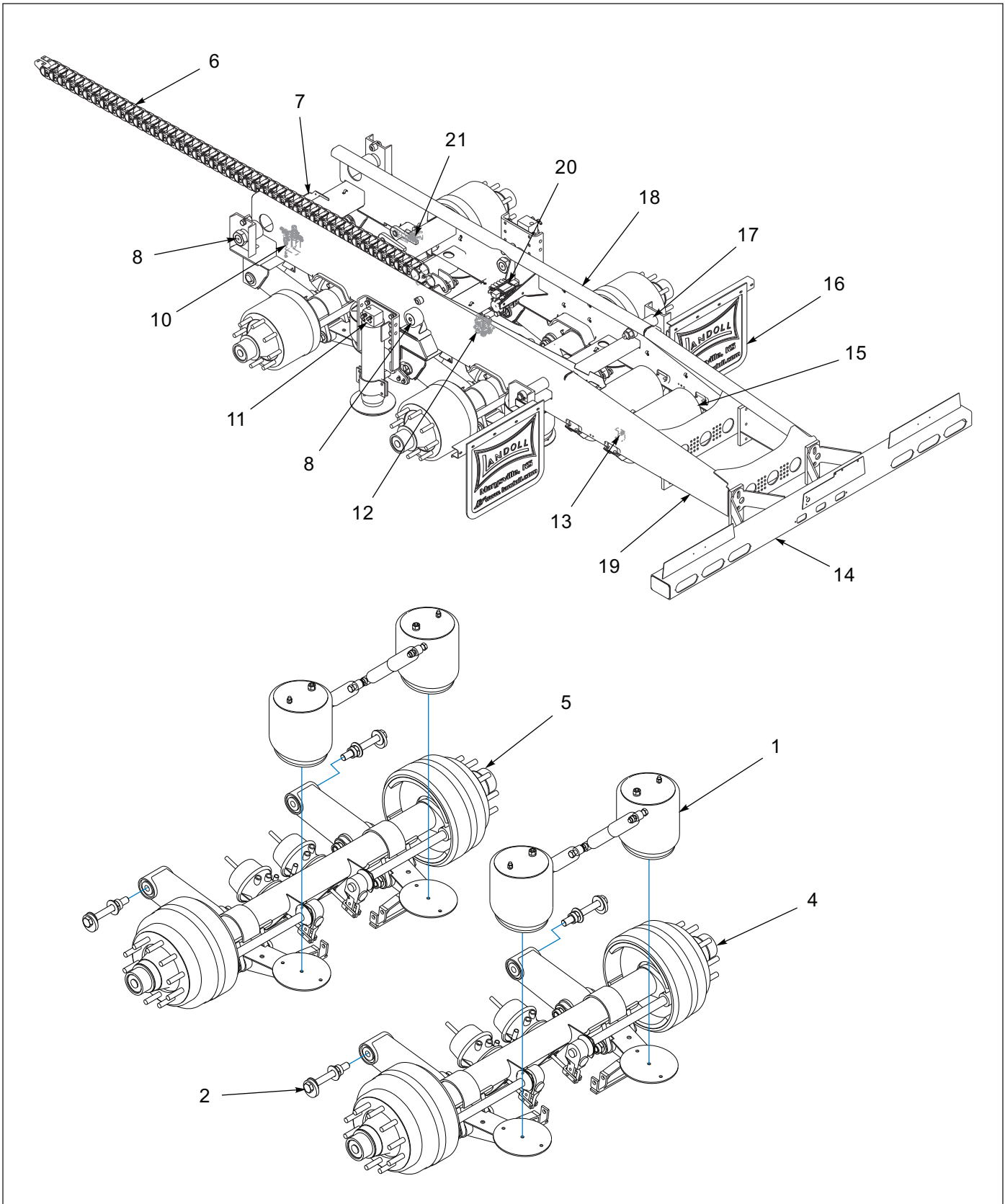


Figure 1-21: General Assembly (1 of 2)

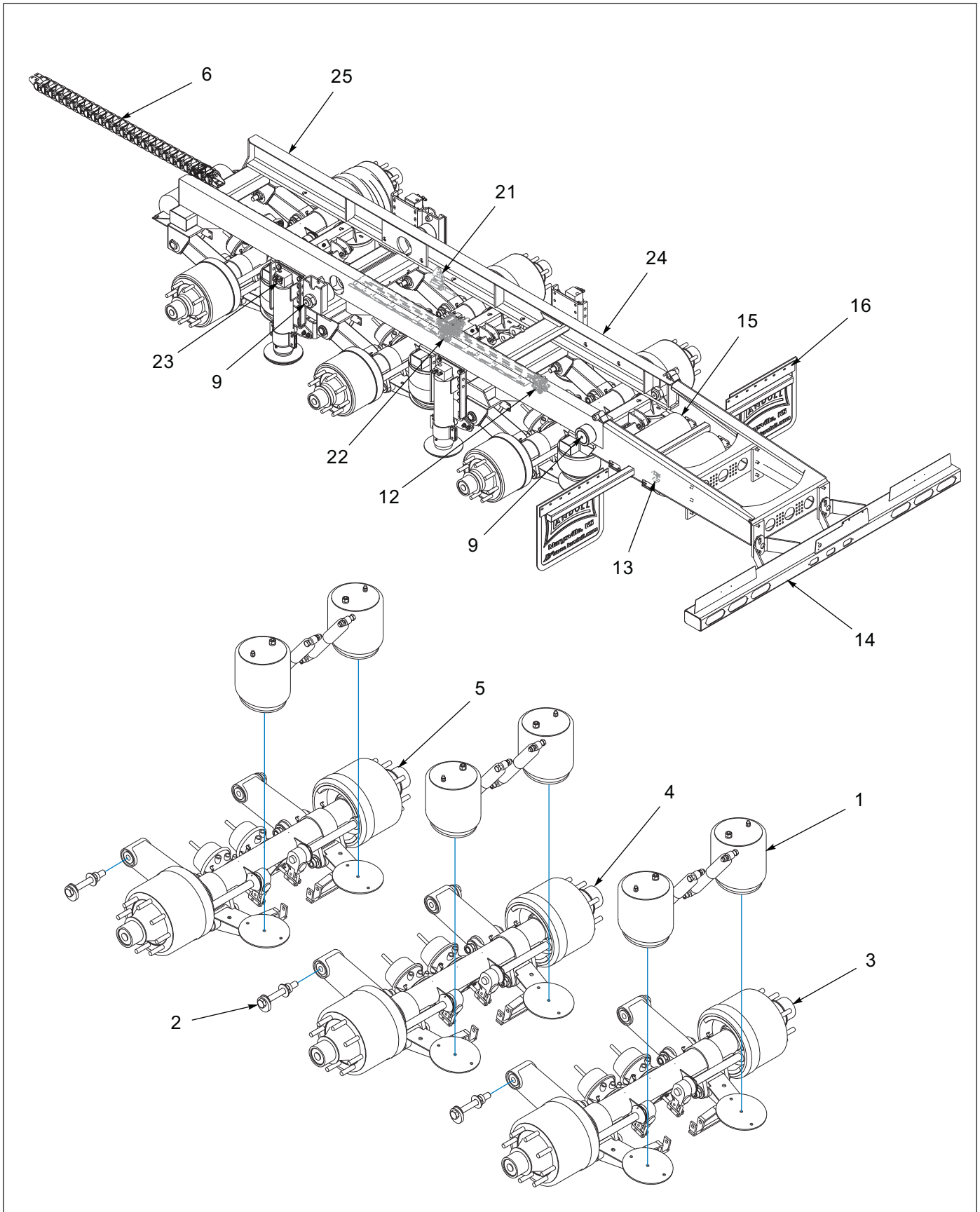


Figure 1-22: General Assembly (2 of 2)

## General Assembly

ITEM	PART NO.	DESCRIPTION	QTY.	
	204989	SUSP ASSY 317E GROTE <b>(REF. ONLY)</b>	*	
	206821	SUSP ASSY 318E GROTE <b>(REF. ONLY)</b>	*	
1	102363	SUSPENSION,ADJ RLU-228-3.5	REF	REF
2	102364	SUSPENSION,ADJ RLU-228-5.5	REF	REF
3	212376	AXLE 64.5 12.25 SPG 25K TIS	--	REF
4	212378	AXLE 70.5 12.25SPG 25K TIS	REF	REF
5	212418	AXLE 69 16.5SPG 25K TIS	REF	REF
6	189314	SUPPORT, E-CHAIN,48 LINKS,3838	REF	REF
7	168593	THERMALERT TIS 2 AXLE	REF	--
8	3-076-010005	CAM FOLLOWER 4 IN DIA	REF	--
9	3-076-010015	5IN DIA CAM FOLLOWER	--	REF
10	157702	TIRE INFLATION SYSTEM 2AX	REF	--
11	205714	DOCK LEVEL ASSY 317E 62K	REF	--
12	758-181	VALVE TASK 4 PORT	REF	REF
13	2-181-010001	HOSE CLAMP	REF	REF
14	119580	BUMPER WLDMT 660 TUBE W/EP	REF	REF
15	3-780-010002	TANK AIR 9.5X22.5 .5NPT PORTS	REF	REF
16	3-485-010001	FLAP, MUD 21 IN	REF	REF
17	3-557-010396	PIN,REAR ROLLER, U/C, 317	REF	--
18	131701	SUSP WLDMT 317 A/R CAM FOLLOW	REF	--
19	205713	SUSP WLDMT 317 A/R CALIFORNIA	REF	--
20	114584	ABS KIT WABCO 4S/2M TAB	REF	--
21	900 54 007	HEIGHT CONTROL VALVE	REF	REF
22	114586	ABS KIT WABCO 4S/2MTRI/SPREAD	--	REF
23	205728	DOCK LVL ASSY 318E-124K	--	REF
24	112574	SUSP WLDMT 318 A/R	--	REF
25	206871	SUSP WLDMT 318E CA A/R	--	REF



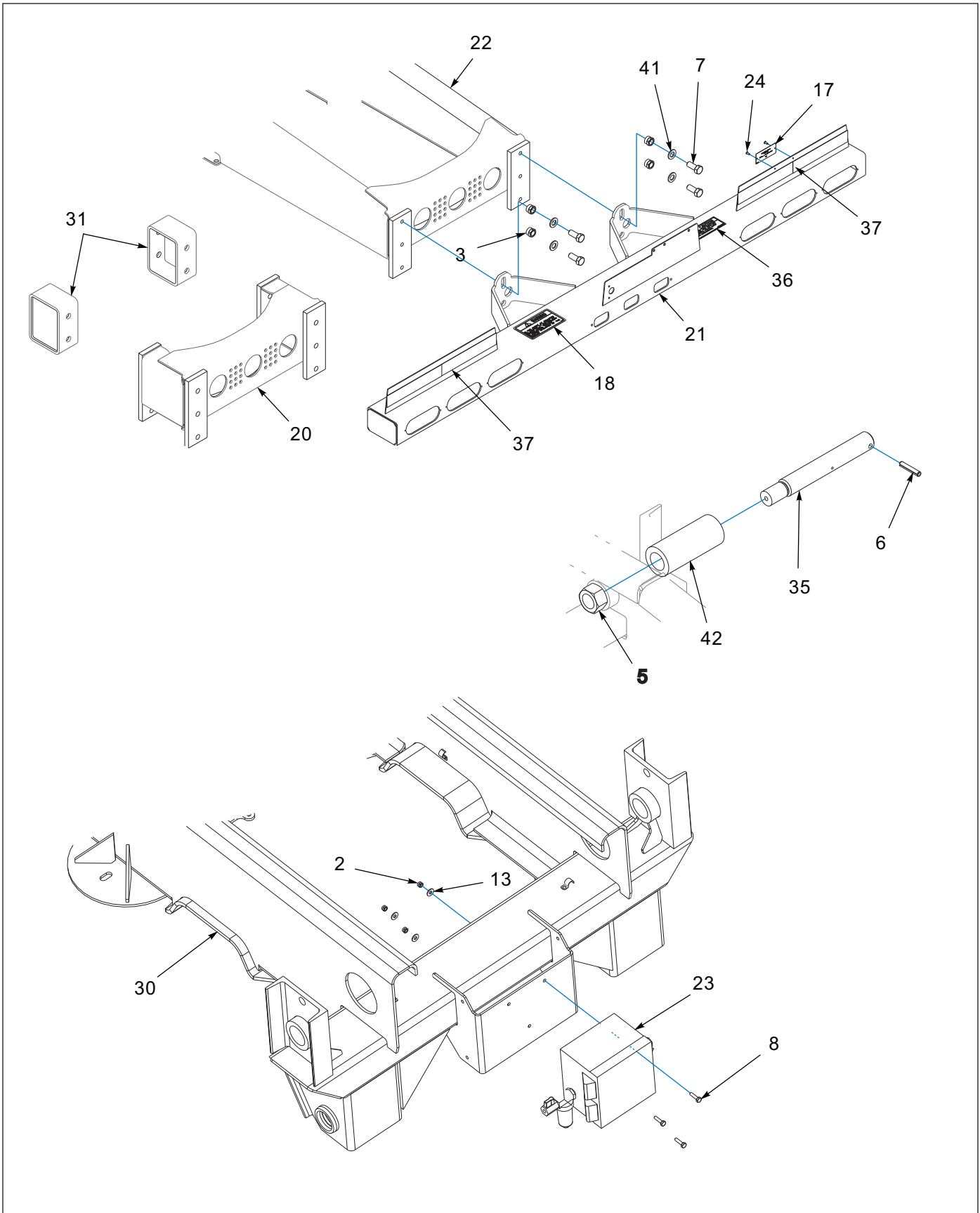


Figure 1-23: Mud Flap, E-Chain, Rollers and Bumper - 317E (1 of 2)

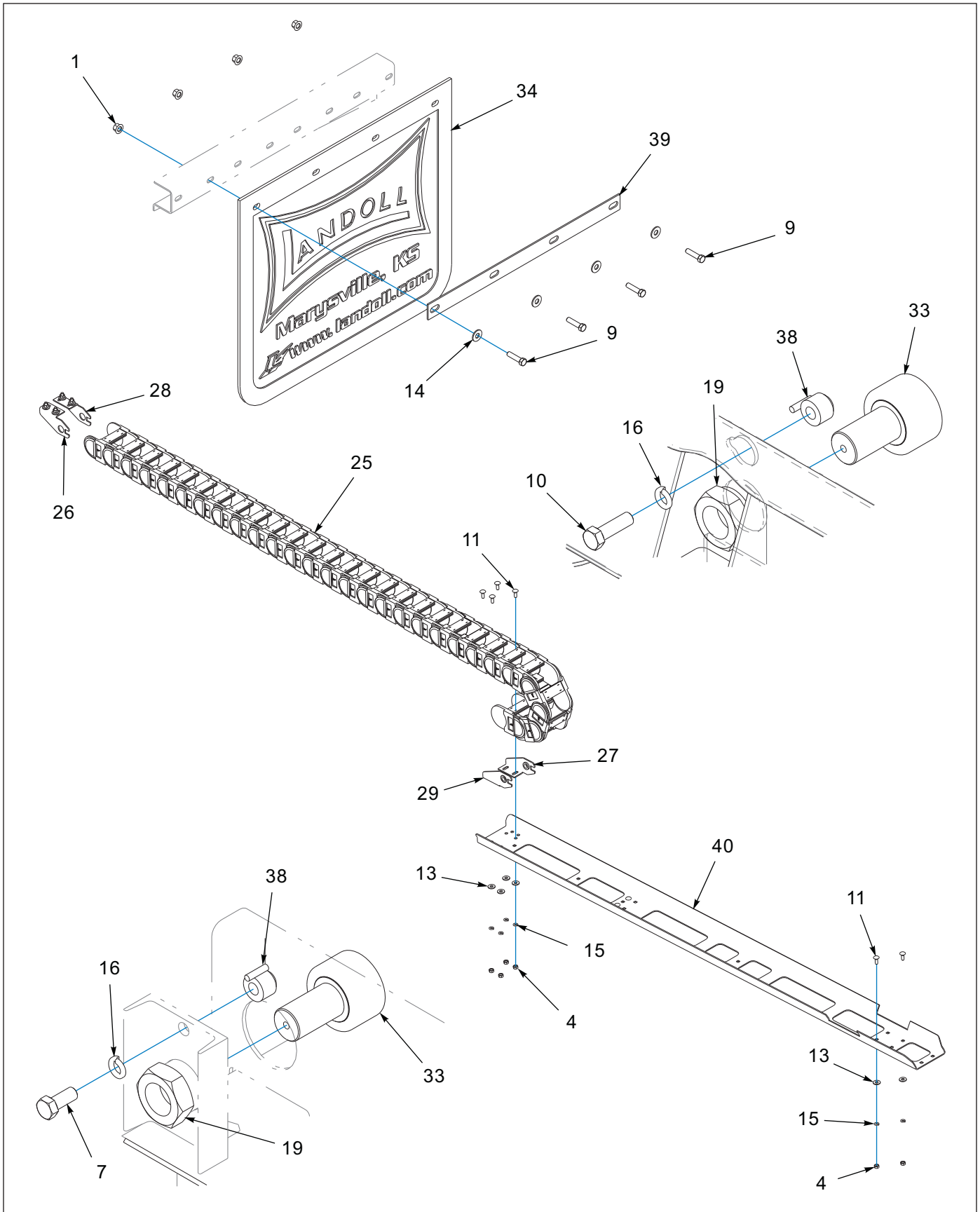


Figure 1-24: Mud Flap, E-Chain, Rollers and Bumper - 317E (2 of 2)



## Mud Flap, E-Chain, Rollers and Bumper - 317E

ITEM	PART NO.	DESCRIPTION	QTY.			
	205055	SUSP 317E 2512-70.5 GROTE (REF. ONLY)	*			
	205059	SUSP 317E-CA 2512-70.5 GROTE (REF. ONLY)		*		
	209056	SUSP ASSY 317E-CONT MTIS GROTE			*	
	205070	SUSP ASSY 317A EAGLE GROTE GREASE				*
1	1-510-010001	NUT, 3/8-16 UNC FLANGE LOCK	8	8	8	8
2	1-512-010005-01	NUT,HEX,SLFLKG GRB 1/4-20	--	--	3	--
3	1-512-010005-15	NUT,HEX,SLFLKG GRB 3/4-10	--	--	4	--
4	1-512-010007-05	NUT, HEX 1/4-20 GR2 ZP	12	12	12	12
5	1-512-010007-16	NUT,HEX 1-1/4-7 GR2 ZP	2	2	2	2
6	1-647-010004255	PIN, SPRING, SLOTTED 3/8X2	2	2	2	2
7	1-654-010032-4	SCREW 3/4-10X1-3/4 HX CP ZPG8	6	10	10	10
8	1-654-010047-06	SCREW,HX CP 1/4-20UNCX1 GR5	--	--	3	--
9	1-654-010051-07	SCREW,HEX CAP,3/8-16UNCX1-1/2	8	8	8	8
10	1-654-010061-07	SCREW,HX CP 3/4-10UNCX2-1/2G5	2	2	2	2
11	1-654-010158-1	SCREW,RHD,SQ NCK,1/4-20UNCX3/4	12	12	12	12
12	1-796-010004-02	TIE, STRAP,PLASTIC .301X13.38	15	15	15	15
13	1-861-010032-07	WASHER,FLAT 1/4 ZP	12	12	15	12
14	1-861-010032-11	WASHER, FLAT 3/8 W ZP/CD	8	8	8	8
15	1-861-010034-09	WASHER, LKG HLCL SPR, 1/4	12	12	12	12
16	1-861-010034-17	WASHER,LKG,HLCL SPR,3/4	4	4	4	4
17	103055	PLACARD, ENERGY BUMPER CERT	1	1	1	1
18	103056	DECAL, ENERGY BUMPER WARNING	1	1	1	1
19	104034	NUT, HEX 2-12UN, GRB, ZP	4	4	4	4
20	111812	EXTENSION WLDMT BUMPER 317-10 (EAGLE)	--	--	--	1
21	119580	BUMPER WLDMT 660 TUBE W/EP	REF	REF	REF	REF
22	131701	SUSP WLDMT 317 A/R CAM FOLLOW	1	--	--	1
23	168593	THERMALERT TIS 2 AXLE	--	--	REF	--
24	184138	RIVET, BLIND .187 X 3/16 GRIP	2	2	2	2
25	189314	SUPPORT, E-CHAIN,48 LINKS,3838	1	1	1	1
26	190700ZP	ZINC PLATE BRACKET E-CHAIN LH	1	1	1	1
27	190701	BRACKET WLDMT E-CHAIN LH	1	1	1	1
28	190705ZP	ZINC PLATE BRACKET E-CHAIN RH	1	1	1	1
29	190706	BRACKET WLDMT E-CHAIN RH	1	1	1	1
30	205713	SUSP WLDMT 317 A/R CALIFORNIA	--	1	1	--
31	209052	EXTENSION WLDMT BUMPER 317-6"	--	--	1	--
32	#242 LOCKTITE	LOCKTITE 242 BLUE REMOVABLE	.02	.02	.02	.02
33	3-076-010005	CAM FOLLOWER 4 IN DIA	4	4	4	4
34	3-485-010001	FLAP, MUD 21 IN	2	2	2	2
35	3-557-010396	PIN,REAR ROLLER, U/C, 317	2	2	2	2
36	3-573-010031	DECAL TRAILER BUMPER	1	1	1	1
37	3-573-010377	DECAL,2"REFLEXITE TAPE,RD/WHT	84	84	84	84
38	3-762-010016	HOLD DOWN UNDERCARRIAGE WLDMT	4	4	4	4
39	3-762-010017	CLAMP MUD FLAP	2	2	2	2
40	3-821-010005	TRAY, CAT-TRACK	1	1	1	1
41	622-3511-008	WASHER, FLAT 3/4 MIL-CARB SAE	4	8	8	8
42	RRT114X6	TUBE RD 2-1/2X1-1/2X6 CDS	2	2	2	2



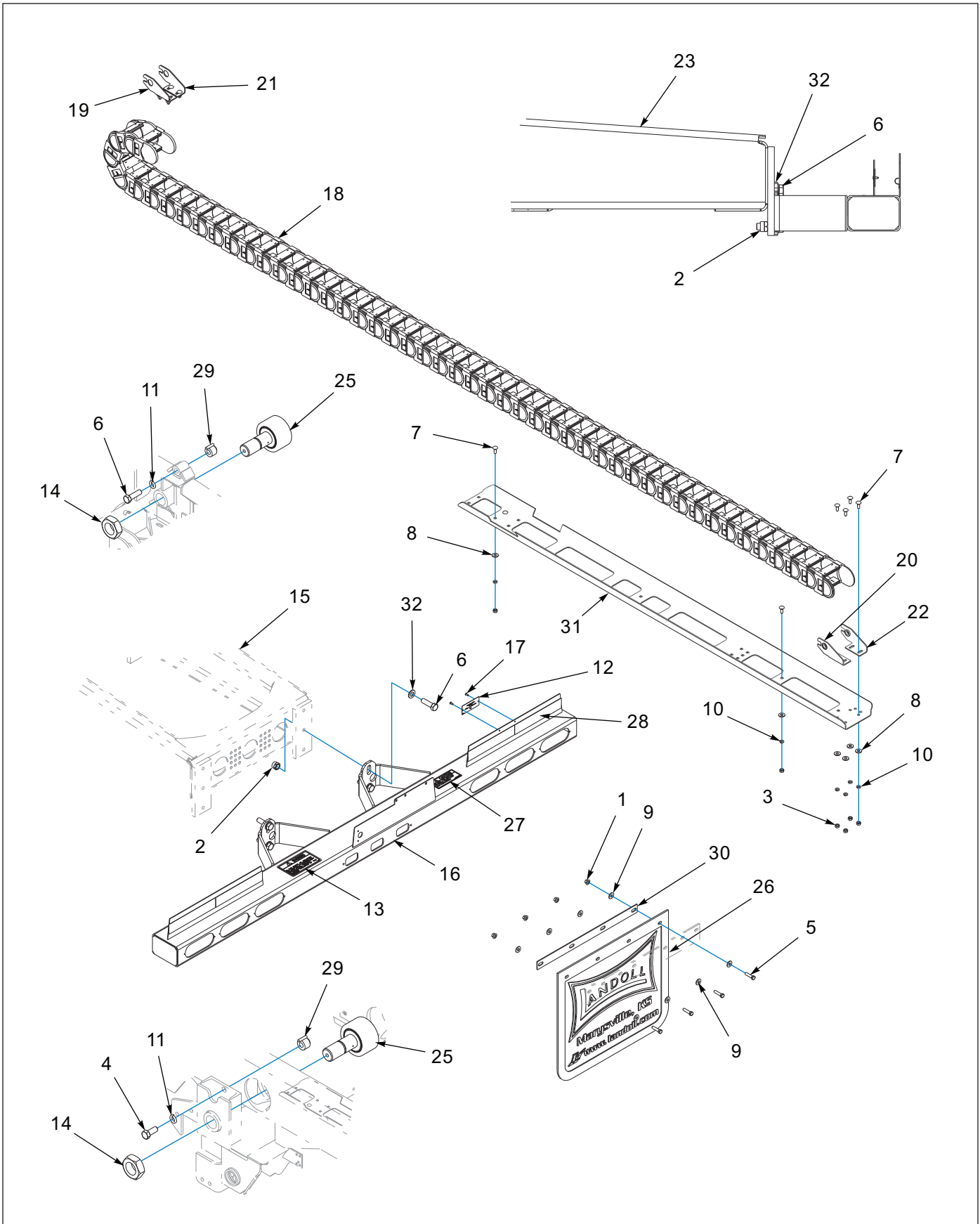


Figure 1-25: Mud Flap, E-Chain, Rollers and Bumper - 318E

## Mud Flap, E-Chain, Rollers and Bumper - 318E

ITEM	PART NO.	DESCRIPTION	QTY.		
	206823	SUSP 318E A/R 2512-70 GROTE (REF ONLY)	*		
	206829	SUSP 318E-CA 2516-69 GROTE (REF ONLY)		*	
	206867	SUSP 318E 2512-64.5 GROTE (REF ONLY)			*
1	1-510-010001	NUT, 3/8-16 UNC FLANGE LOCK	8	8	8
2	1-512-010005-15	NUT,HEX,SLFLKG GRB 3/4-10	4	4	4
3	1-512-010007-05	NUT, HEX 1/4-20 GR2 ZP	11	11	11
4	1-654-010032-4	SCREW 3/4-10X1-3/4 HX CP ZPG8	6	2	6
5	1-654-010051-07	SCREW,HEX CAP,3/8-16UNCX1-1/2	8	8	8
6	1-654-010061-07	SCREW,HX CP 3/4-10UNCX2-1/2G5	6	6	6
7	1-654-010158-1	SCREW,RHD,SQ NCK,1/4-20UNCX3/4	11	11	11
8	1-861-010032-07	WASHER,FLAT 1/4 ZP	11	11	11
9	1-861-010032-11	WASHER, FLAT 3/8 W ZP/CD	16	16	16
10	1-861-010034-09	WASHER, LKG HLCL SPR, 1/4	11	11	11
11	1-861-010034-17	WASHER,LKG,HLCL SPR,3/4	4	4	4
12	103055	PLACARD, ENERGY BUMPER CERT	1	1	1
13	103056	DECAL, ENERGY BUMPER WARNING	1	1	1
14	104034	NUT, HEX 2-12UN, GRB, ZP	4	4	4
15	112574	SUSP WLDMT 318 A/R	1	--	1
16	119580	BUMPER WLDMT 660 TUBE W/EP	REF	REF	REF
17	184138	RIVET, BLIND .187 X 3/16 GRIP	2	2	2
18	189314	SUPPORT, E-CHAIN,48 LINKS,3838	1	1	1
19	190700ZP	ZINC PLATE BRACKET E-CHAIN LH	1	1	1
20	190701	BRACKET WLDMT E-CHAIN LH	1	1	1
21	190705ZP	ZINC PLATE BRACKET E-CHAIN RH	1	1	1
22	190706	BRACKET WLDMT E-CHAIN RH	1	1	1
23	206871	SUSP WLDMT 318E CA A/R	--	1	--
24	#242 LOCKTITE	LOCKTITE 242 BLUE REMOVABLE	0.25	0.25	0.25
25	3-076-010015	5IN DIA CAM FOLLOWER	4	4	4
26	3-485-010001	FLAP, MUD 21 IN	2	2	2
27	3-573-010031	DECAL TRAILER BUMPER	1	1	1
28	3-573-010377	DECAL,2"REFLEXITE TAPE,RD/WHT	84	84	84
29	3-762-010016	HOLD DOWN UNDERCARRIAGE WLDMT	4	4	4
30	3-762-010017	CLAMP MUD FLAP	2	2	2
31	3-821-010005	TRAY, CAT-TRACK	1	1	1
32	622-3511-008	WASHER, FLAT 3/4 MIL-CARB SAE	4	4	4

# Suspension

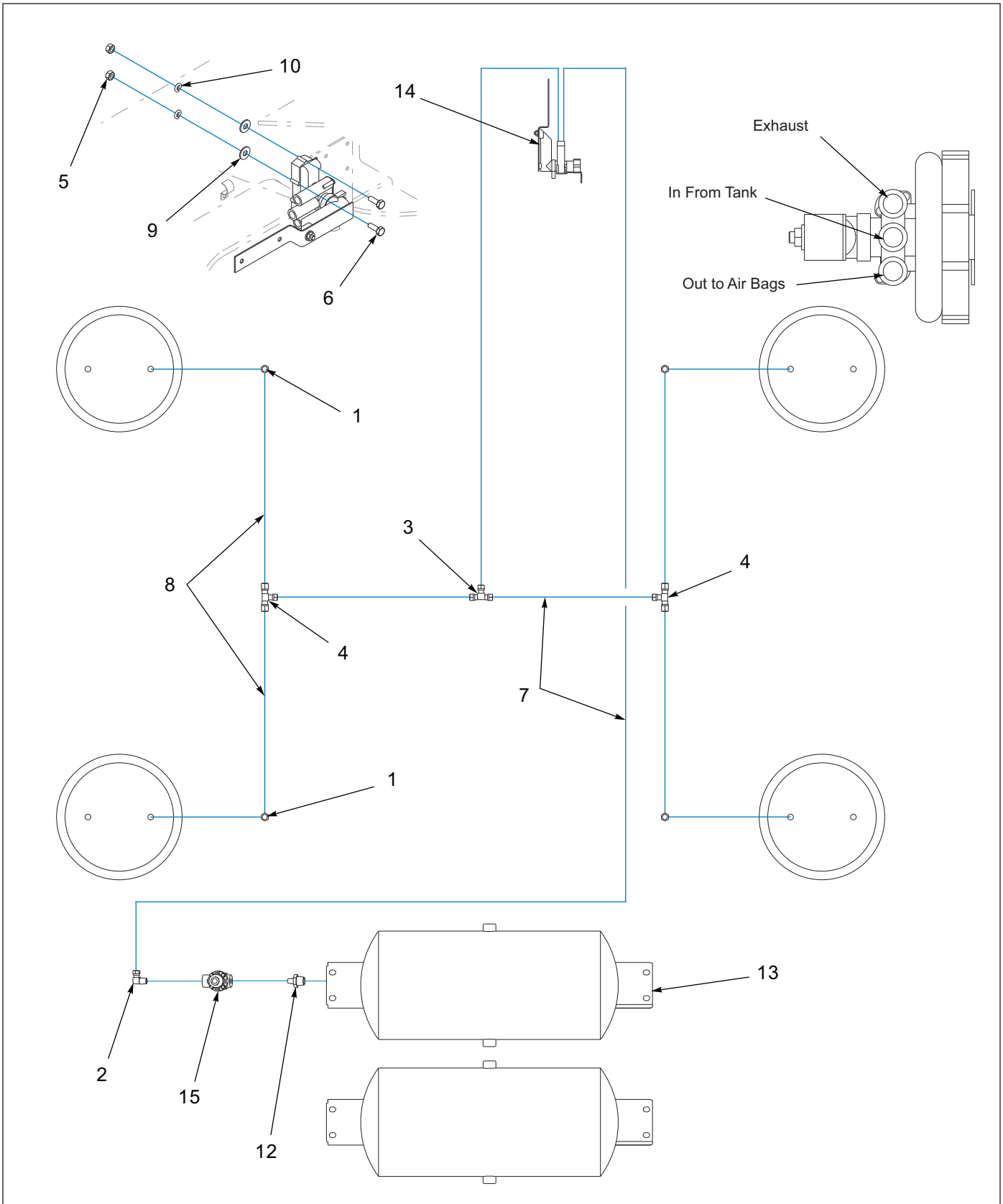


Figure 1-26: Air Ride Suspension - 317E

## Air Ride Suspension - 317E

ITEM	PART NO.	DESCRIPTION	QTY.
1	1-297-010007-11	FITTING,AIR,3/8TUBE TO 1/4NPT	4
2	1-297-010008-07	FITTING AIR 90 1/4TUBEX1/4NPT	1
3	1-297-010010-01	FITTING,AIR,UNION TEE 1/4	1
4	1-297-010010-04	FITTING,AIR,UN/TEE3/8X3/8X1/4	2
5	1-512-010007-05	NUT, HEX 1/4-20 GR2 ZP	2
6	1-654-010047-04	SCREW,HEX CAP,1/4-20X3/4 GR5	2
7	1-833-010001	TUBING NYLON 1/4 OD	18
8	1-833-010002	TUBING NYLON 3/8 OD	11
9	1-861-010032-07	WASHER,FLAT 1/4 ZP	2
10	1-861-010034-09	WASHER, LKG HLCL SPR, 1/4	2
11	102732	AIR CONTROL KIT <b>(NOT SHOWN)</b>	1
12	2083-8-4S	NIPPLE HEX 1/2PIPE - 1/4PIPE	1
13	3-780-010002	TANK AIR 9.5X22.5 .5NPT PORTS	REF
14	900 54 007	HEIGHT CONTROL VALVE	REF
15	905-54-107	BRAKE PROTECTION VALVE	REF

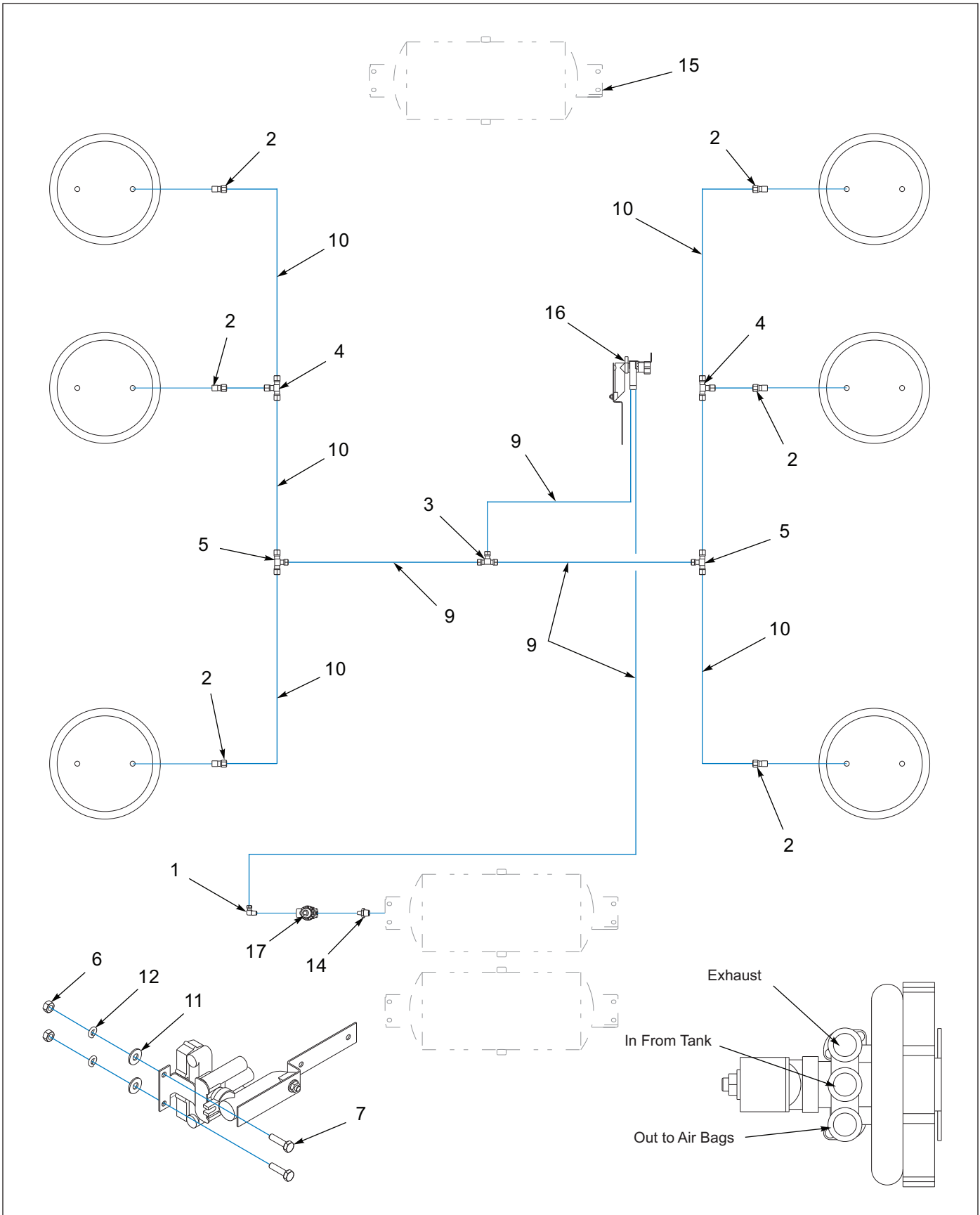


Figure 1-27: Air Ride Suspension - 318E

## **Air Ride Suspension - 318E**

<b>ITEM</b>	<b>PART NO.</b>	<b>DESCRIPTION</b>	<b>QTY.</b>
1	1-297-010008-07	FITTING AIR 90 1/4TUBEX1/4NPT	1
2	1-297-010008-18	FITTING,AIR 90 3/8TUBEX1/4NPT	6
3	1-297-010010-01	FITTING,AIR,UNION TEE 1/4	1
4	1-297-010010-03	FITTING,AIR, UNION TEE 3/8	2
5	1-297-010010-04	FITTING,AIR,UN/TEE3/8X3/8X1/4	2
6	1-512-010007-05	NUT, HEX 1/4-20 GR2 ZP	2
7	1-654-010047-06	SCREW,HX CP 1/4-20UNCX1 GR5	2
8	1-796-010004-02	TIE, STRAP,PLASTIC .301X13.38	15
9	1-833-010001	TUBING NYLON 1/4 OD	18
10	1-833-010002	TUBING NYLON 3/8 OD	16
11	1-861-010032-07	WASHER,FLAT 1/4 ZP	2
12	1-861-010034-09	WASHER, LKG HLCL SPR, 1/4	2
13	102732	AIR CONTROL KIT	1
14	2083-8-4S	NIPPLE HEX 1/2PIPE - 1/4PIPE	1
15	3-780-010002	TANK AIR 9.5X22.5 .5NPT PORTS	REF
16	900 54 007	HEIGHT CONTROL VALVE	REF
17	905-54-107	BRAKE PROTECTION VALVE	REF



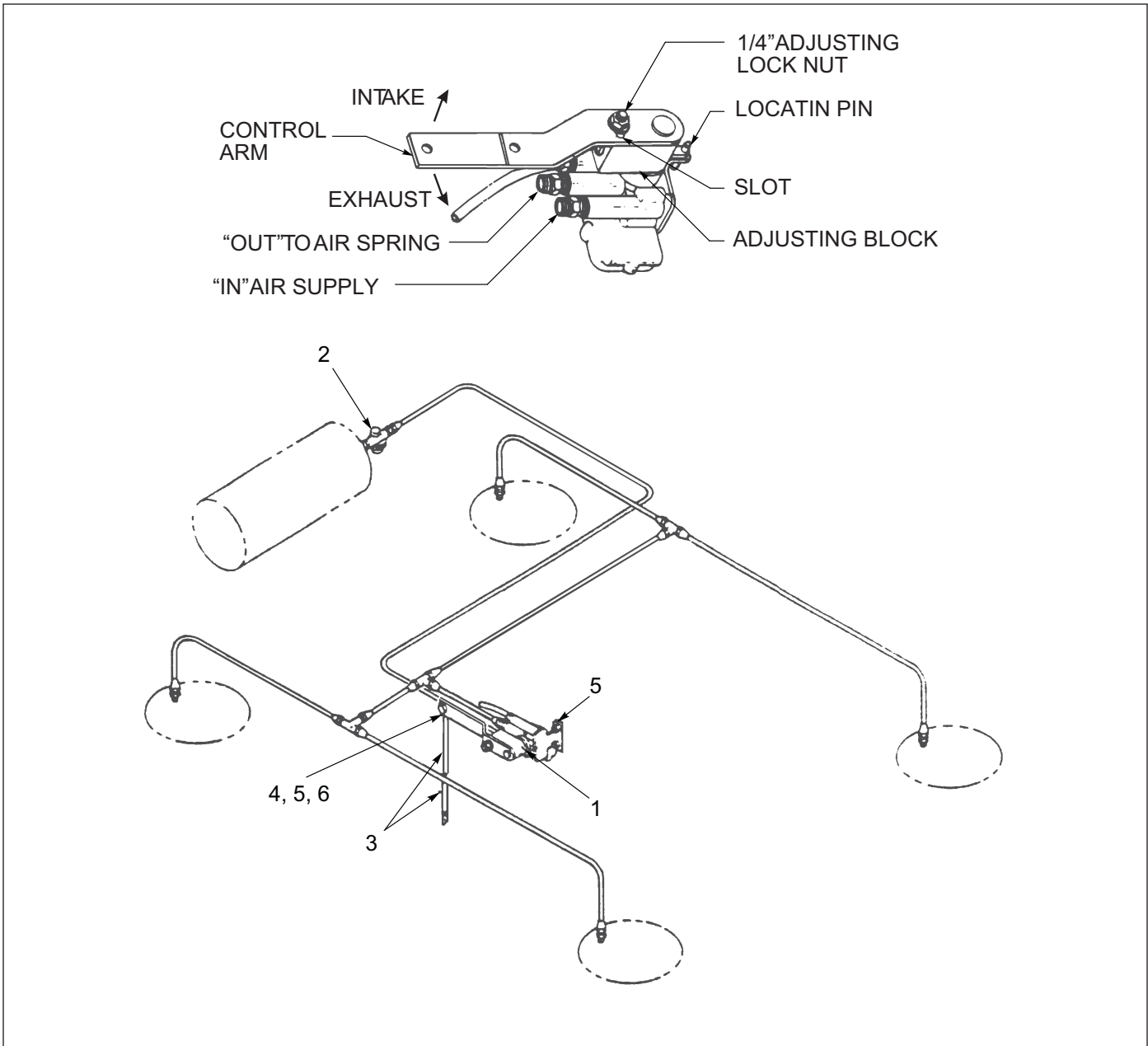


Figure 1-28: Air Control Kit - Neway

### Air Control Kit - Neway

ITEM	PART NO.	DESCRIPTION	QTY.
	102732	AIR CONTROL KIT NEWAY	*
1	900 54 007	HEIGHT CONTROL VALVE (BEFORE 3-04-2016)	1
1	905-54-186	HEIGHT CONTROL VALVE (AFTER 3-04-2016)	1
2	905-54-107	AIR PRESSURE PROTECTION VALVE & FILTER	1
3	111021	SRK - 167 KIT - ADJ. LINK ASSEMBLY	1
4	1-654-010047-04	SCREW, HEX HEAD CAP 1/4-20 X 3/4 GR5	2
5	1-512-010005-01	LOCK NUT 1/4-20	2
6	-----	DECAL - OPERATING	1

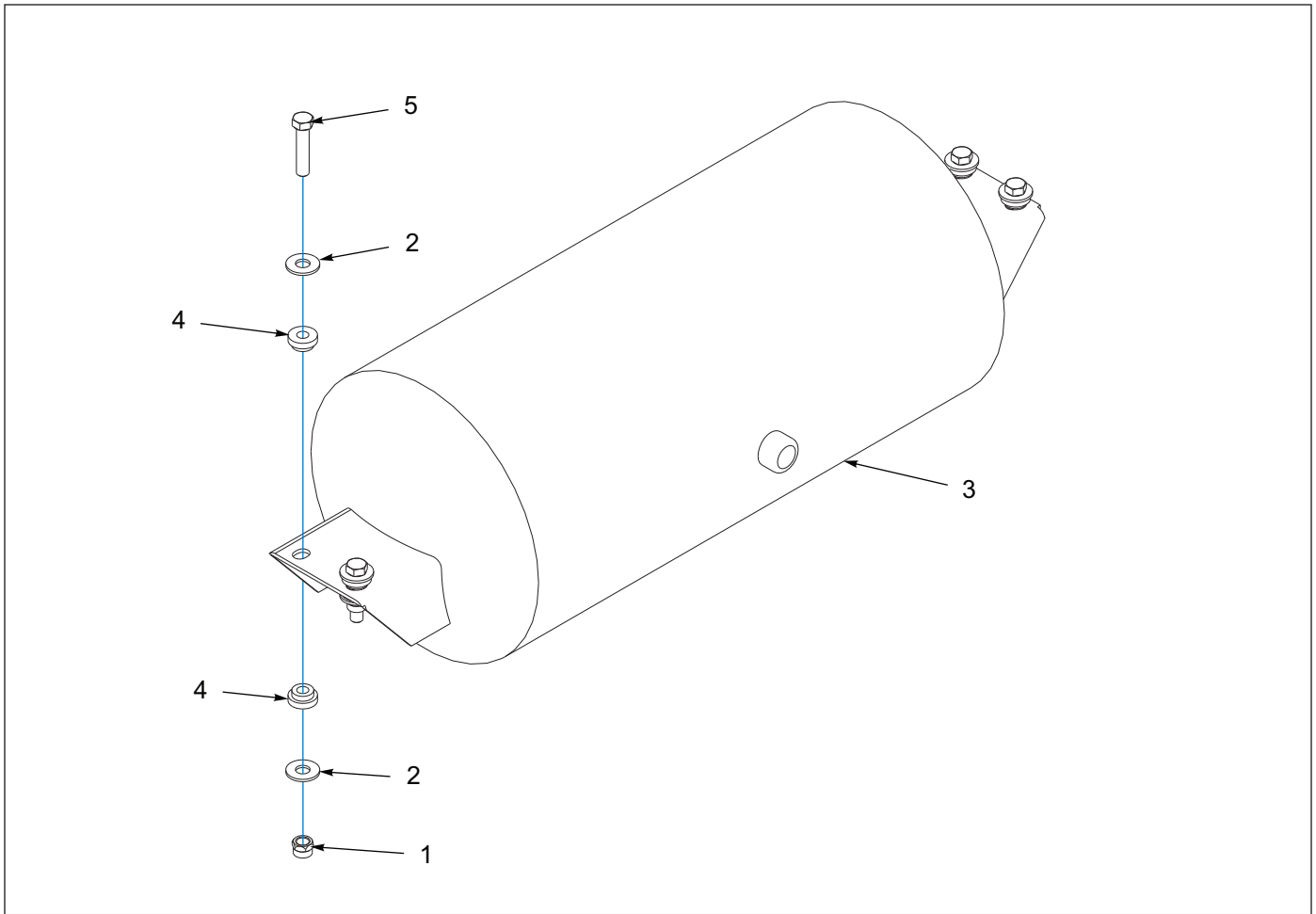


Figure 1-29: Air Tank

## Air Tank

ITEM	PART NO.	DESCRIPTION	QTY.
1	1-512-010005-05	NUT, HEX, SLFLKG GRB 3/8-16	4
2	1-861-010032-11	WASHER, FLAT 3/8 W ZP/CD	8
3	3-780-010002	TANK AIR 9.5X22.5 .5NPT PORTS	REF
4	805-2	BUSHINGS, STEP	8
5	1-654-010051-08	SCREW, HEX, 3/8-16 UNC, GRB	8

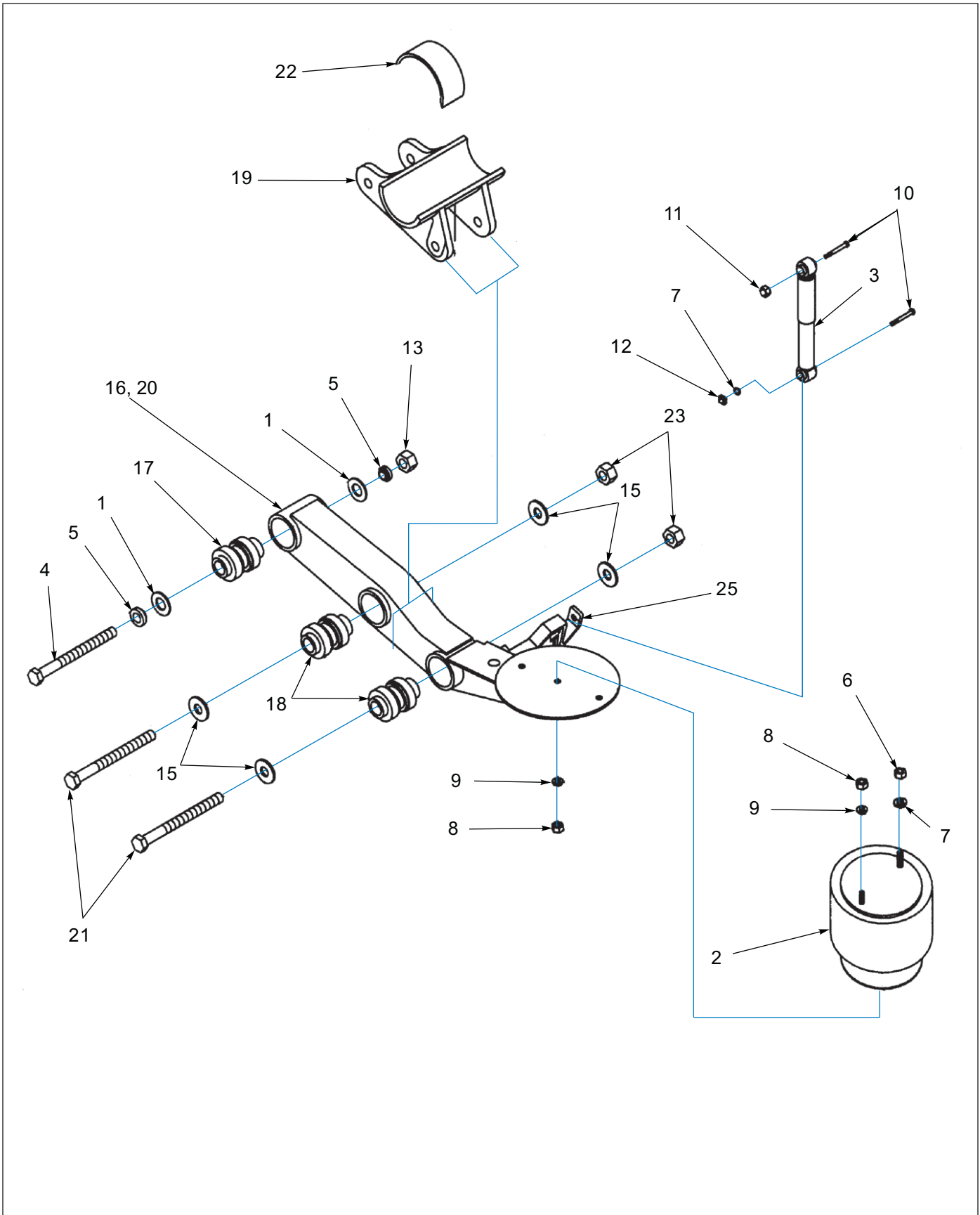


Figure 1-30: Suspension Hanger - RLU-228

## Suspension Hanger - RLU-228

ITEM	PART NO.	DESCRIPTION	QTY
	102363	SUSPENSION, ADJ. RLU-228-3.5 (ITEMS 1-19)	*
	102364	SUSPENSION, ADJ. RLU-228-5.5 (ITEMS 1-19)	*
	102361	SUSPENSION, BEAM. RLU-228 (ITEMS 20-28)	*
1	111010	FLAT WASHER	2
2	905-57-129	AIR SPRING ASSEMBLY - 102363	REF
2	111016	AIR SPRING ASSEMBLY - 102364	REF
3	900 45 040	SHOCK - 102363	REF
3	111017	SHOCK - 102364	REF
4	90508009	ALIGN BUSH ASSEMBLY	2
5	129006	ALIGN BLOCK, NON WELD	2
6	934 00 149	3/4-16 HEX NUT GRB	2
7	936 00 077	LOCK WASHER, 3/4 IN.	4
8	1-512-010007-09	HEX NUT, 1/2-13	4
9	1-861-010034-13	LOCK WASHER, 1/2 IN.	4
10	105408	HEX HEAD CAP SCREW 3/4-10 X 3-1/2	4
11	934-00-492	LOCK NUT, 3/4-10	2
12	111022	3/4-10 SQUARE NUT	2
13	111008	LOCK NUT 1-1/8-7	2
14	111018	ANCHOR, RIDE HEIGHT CONTROL VALVE (NOT SHOWN)	1
15	111010	FLAT WASHER	8
16	111013	EQUALIZING BEAM ASSEMBLY LH	1
17	900-08-139	RUBBER BUSHING - FRONT PIVOT	2
18	111011	RUBBER BUSHING - AXLE CONNECTION	4
19	111012	AXLE ADAPTER ASSEMBLY	2
20	111014	EQUALIZING BEAM ASSEMBLY RH	1
21	111023	HEX HEAD CAP SCREW 1-1/8-7 X 8-1/2	4
22	111015	SAFETY STRAP	2
23	934-00-506	LOCK NUT 1-1/8-7	4
24	109533	ALIGNMENT BLOCK KIT (NOT SHOWN)	1
25	126900	BRACKET BOTTOM SHOCK - RLU-228	1
26	141708	WIRE ROPE STRAP KIT RLU 228-3.5 (NOT SHOWN)	1
27	127708	WIRE ROPE STRAP KIT RLU 228-5.5 (NOT SHOWN)	1
28	111019	FASTENER KIT (ITEMS 1, 4-11, 13 & 15)	1

# Axle and Brakes

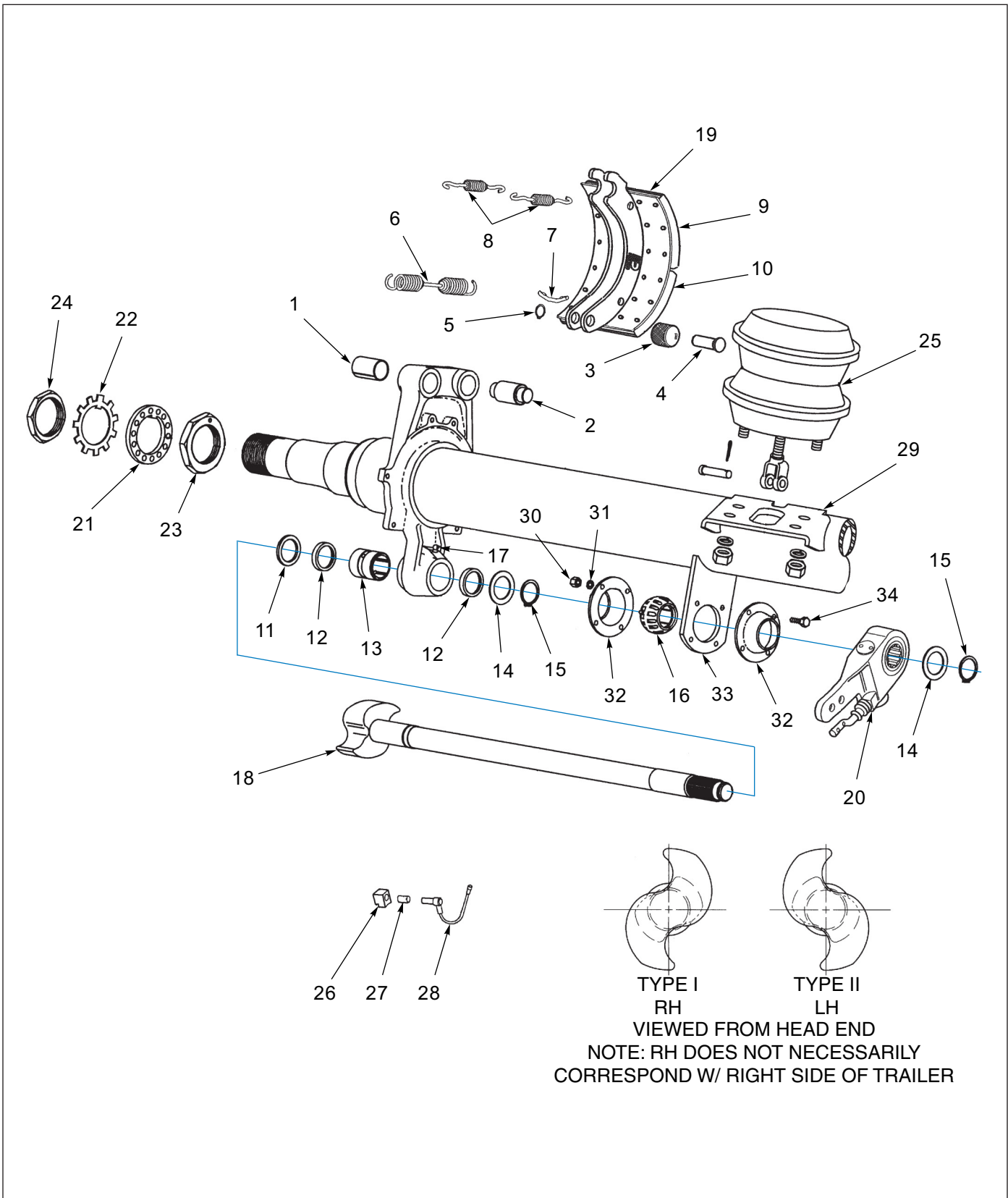


Figure 1-31: Dexter 12-1/4 X 7-1/2

## Dexter 12-1/4 X 7-1/2

ITEM	PART NO.	DESCRIPTION	QTY.
	212376	AXLE 64.5 12.25 SPG 25K TIS	*
	212378	AXLE 70.5 12.25SPG 25K TIS	*
	K71-460-00	BRAKE SHOE HARDWARE KIT <b>(ITEMS 1-8)</b>	--
	K71-101-00	CAMSHAFT REPAIR KIT <b>(ITEMS 11-17)</b>	--
1	-----	BUSHING, SPIDER ANCHOR PIN	4
2	-----	ANCHOR PIN	4
3	-----	ROLLER	4
4	-----	RETAINER, ROLLER PIN	8
5	-----	RETAINER, RING	8
6	-----	SPRING, SHOE RETRACTOR	2
7	056-018-00	RETAINER PIN, RETRACTOR SPRING	4
8	046-097-00	SPRING, KEEPER	4
9	-----	LINING, BRAKE BLOCK ANCHOR	2
10	-----	LINING, BRAKE BLOCK CAM	2
11	005-074-00	D" WASHER, CAMSHAFT	2
12	010-052-00	SEAL, GREASE	4
13	-----	BUSHING, CAMSHAFT SPIDER	2
14	-----	WASHER, CAMSHAFT END	2
15	069-078-00	RETAINER, CAMSHAFT END	2
16	-----	BUSHING, CAMSHAFT SUPPORT	2
17	-----	FITTING, GREASE 45°	2
18	034-188-03	CAMSHAFT, 22-5/16" LH <b>(USED W/ 212378)</b>	1
18	034-189-03	CAMSHAFT, 22-5/16" RH <b>(USED W/ 212378)</b>	1
18	034-189-08	CAMSHAFT RH 28SPLINE 22-5/16 N <b>(USED ON 212376)</b>	1
18	034-188-08	CAMSHAFT LG 28SPLINE 22-5/16 N <b>(USED ON 212376)</b>	1
19	040-320-01	SHOE AND LINING ASSEMBLY	4
20	156655	SLACK ADJUSTER, AUTOMATIC	2
21	005-098-00	WASHER, SPINDLE LOCK	2
22	005-099-00	WASHER, TABBED SPINDLE LOCK	2
23	006-114-00	NUT, INNER SPINDLE	2
24	006-115-00	NUT, OUTER SPINDLE	2
25	034-057-07	AIR CHAMBER, SERVICE BRAKE	2
25	034-058-07	AIR CHAMBER, SPRING BRAKE	2
26	103805	SENSOR BLOCK	2
27	144979	RETAINER CLIP	2
28	101847	ABS SENSOR CABLE-4M 90° (1FT)	2
29	034-048-00	AIR CHAMBER BRACKET	2
30	006-099-00	RETAINER NUT, CAM BUSH	8
31	005-079-00	LOCK WASHER	8
32	034-032-00	PLATE, BUSHING RETAINER (EACH HALF SOLD SEPERATELY)	4
33	034-031-00	PLATE, CAMSHAFT SUPPORT BRACKET	4
34	007-139-00	BOLT, RETAINER PLATE	8

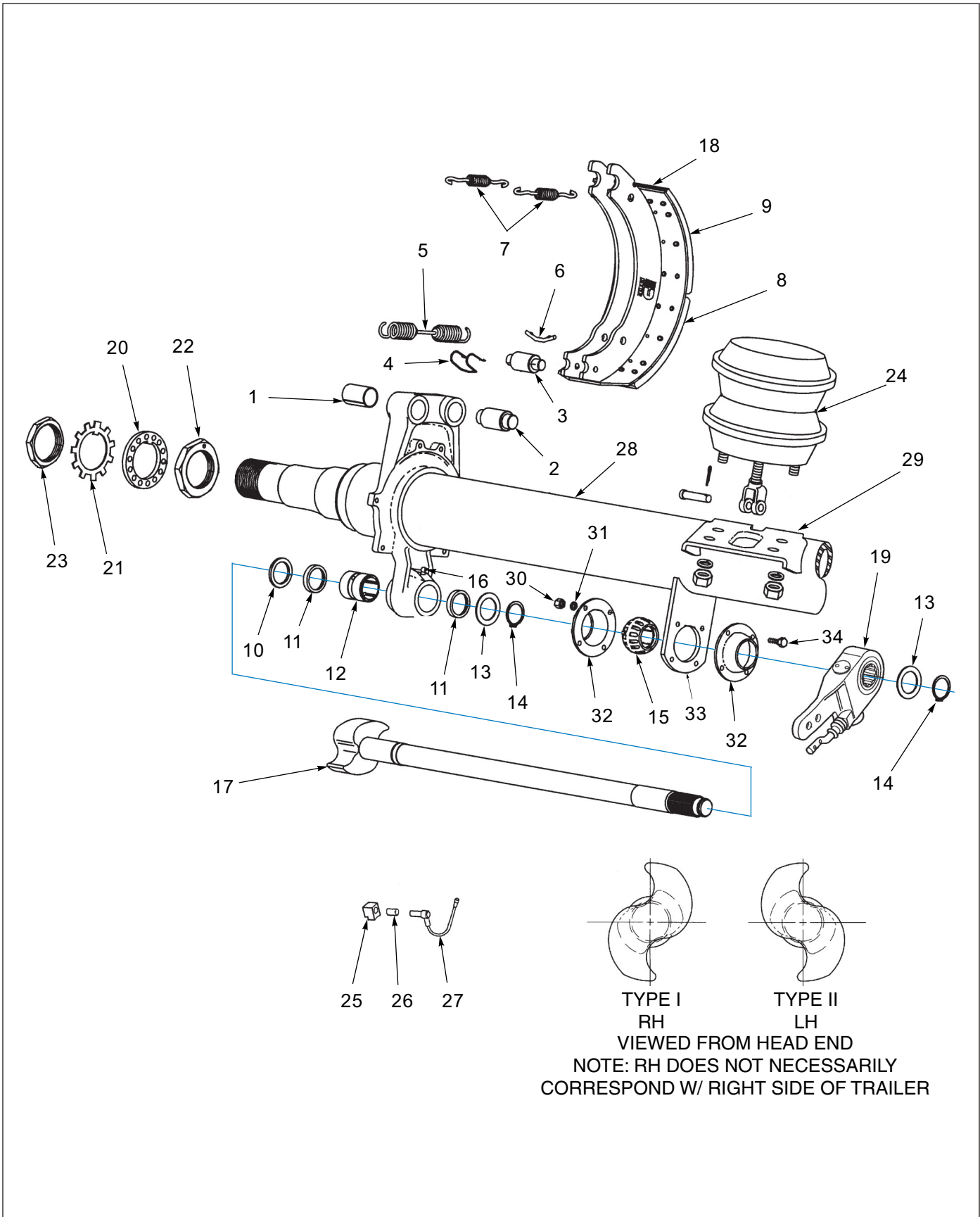


Figure 1-32: Dexter 16-1/2 X 7

## Dexter 16-1/2 X 7

ITEM	PART NO.	DESCRIPTION	QTY.
	212418	AXLE 69, 16.5SPG 25K TIS	*
	K71-136-00	BRAKE SHOE HARDWARE KIT <b>(ITEMS 1-7)</b>	*
	----	BRAKE BLOCK KIT <b>(ITEMS 8 &amp; 9)</b>	--
	K71-101-00	CAMSHAFT REPAIR KIT <b>(ITEMS 10-16)</b>	--
1	----	BUSHING, SPIDER ANCHOR PIN	4
2	----	ANCHOR PIN	4
3	014-065-00	ROLLER	4
4	071-122-00	RETAINER, ROLLER	4
5	046-096-00	SPRING, SHOE RETRACTOR	2
6	056-018-00	RETAINER PIN, RETRACTOR SPRING	4
7	046-097-00	SPRING, KEEPER	4
8	----	LINING, BRAKE BLOCK CAM	2
9	----	LINING, BRAKE BLOCK ANCHOR	4
10	005-096-00	D" WASHER, CAMSHAFT	2
11	010-052-00	SEAL, GREASE	4
12	----	BUSHING, CAMSHAFT SPIDER	2
13	----	WASHER, CAMSHAFT END	2
14	069-078-00	RETAINER, CAMSHAFT END	2
15	----	BUSHING, CAMSHAFT SUPPORT	2
16	----	FITTING, GREASE 45°	2
17	034-192-05	CAMSHAFT, 22-5/8" LH	1
17	034-193-05	CAMSHAFT, 22-5/8" RH	1
18	040-180-00	SHOE AND LINING ASSEMBLY	4
19	139383	SLACK ADJUSTER, AUTOMATIC	2
20	005-098-00	WASHER, SPINDLE LOCK	2
21	005-099-00	WASHER, TABBED SPINDLE LOCK	2
22	006-114-00	NUT, INNER SPINDLE	2
23	006-115-00	NUT, OUTER SPINDLE	2
24	034-057-01	AIR CHAMBER, SERVICE BRAKE	2
24	034-058-01	AIR CHAMBER, SPRING BRAKE	4
25	103805	SENSOR BLOCK	2
26	144979	RETAINER CLIP	2
27	101847	ABS SENSOR CABLE-4M 90°, 1 FT	2
28	----	BEAM W/ BRACKETS	1
29	034-048-00	AIR CHAMBER BRACKET	2
30	006-099-00	RETAINER NUT, CAM BUSH	8
31	005-079-00	LOCK WASHER	8
32	034-032-00	PLATE, BUSHING RETAINER (EACH HALF SOLD SEPERATELY)	4
33	034-031-00	PLATE, CAMSHAFT SUPPORT BRACKET	4
34	007-139-00	BOLT, RETAINER PLATE	8



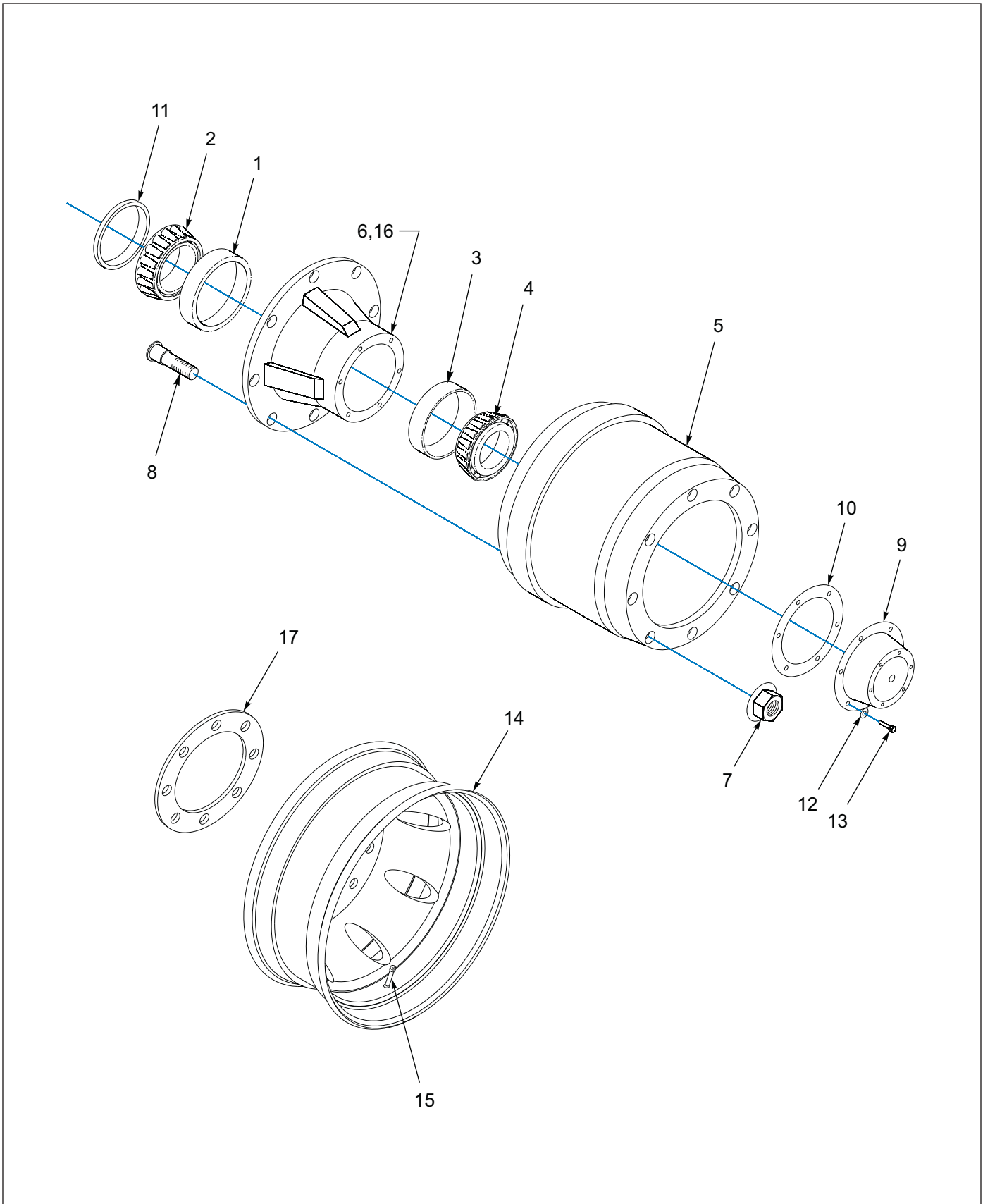


Figure 1-33: Outboard Pilot Mount Hub and Drum Assembly

## **Outboard Pilot Mount Hub and Drum Assembly**

<b>ITEM</b>	<b>PART NO.</b>	<b>DESCRIPTION</b>	<b>QTY.</b>
1	HM218210	INNER BEARING CUP	1
2	HM218248	INNER BEARING CONE	1
3	HM212011	OUTER BEARING CUP	1
4	HM212049	OUTER BEARING CONE	1
5	63680	OUTBOARD MOUNTED BRAKE DRUM - 8 BOLT	1
6	112492	HUB/DRUM, 8 BOLT, 12-1/4 PILOT ABS	1
7	179933	NUT, HEX M22 X 1.5	8
8	113536	STUD, 22MM 3.5 STANDOUT	8
9	4009	CAP, HUB	1
10	3067	GASKET, OIL CAP	1
11	3-659-010012	SEAL	1
12	1-861-010034-10	WASHER, SPLIT LOCK 5/16	6
13	1-654-010049-03	SCREW, HEX HEAD CAP, 5/16-18 X 3/4 GR5	6
14	100402	WHEEL, ALUM PILOT MT 17.5 X 6.75, POLISHED - 8 BOLT	1
14	3-870-010097	WHEEL, DISC PILOT MT 17.5 X 6.75 - 8 BOLT	1
14	112047	WHEEL, ALUM PILOT, 17.5 X 6.75 MACH	1
15	TR573	VALVE STEM - STEEL WHEEL	1
15	100401	VALVE STEM TR543C	1
15	1-843-010014	VALVE EXSTENSION STEM 3"	1
16	-----	ABS TONE RING	1
17	115669	WHEEL GUARD INSTL 8HOLE TAN	REF
17	120055	WHEEL GUARD INSTL 10 HOLE TAN	REF
17	120056	WHEEL GUARD INSTL 10 HOLE 3AX	REF
17	123883	WHEEL SPACER .375X10HOLE TAN	REF
17	133442	WHEEL SPACER .375X10HOLE 3AX	REF
17	109214	SPACER,WHEEL 17.5 HUB PILOT	REF
18	142549	HUBODOMETER W/ BRACKET, 10R17.5 TIRE	REF
18	142551	HUBODOMETER W/ BRACKET, 215/75R17.5 TIRE	REF
18	142550	HUBODOMETER W/ BRACKET, 235/75R17.5 TIRE	REF
18	137108	HUBODOMETER W/ BRACKET, 255/70R22.5 TIRE	REF

# Air Brake System

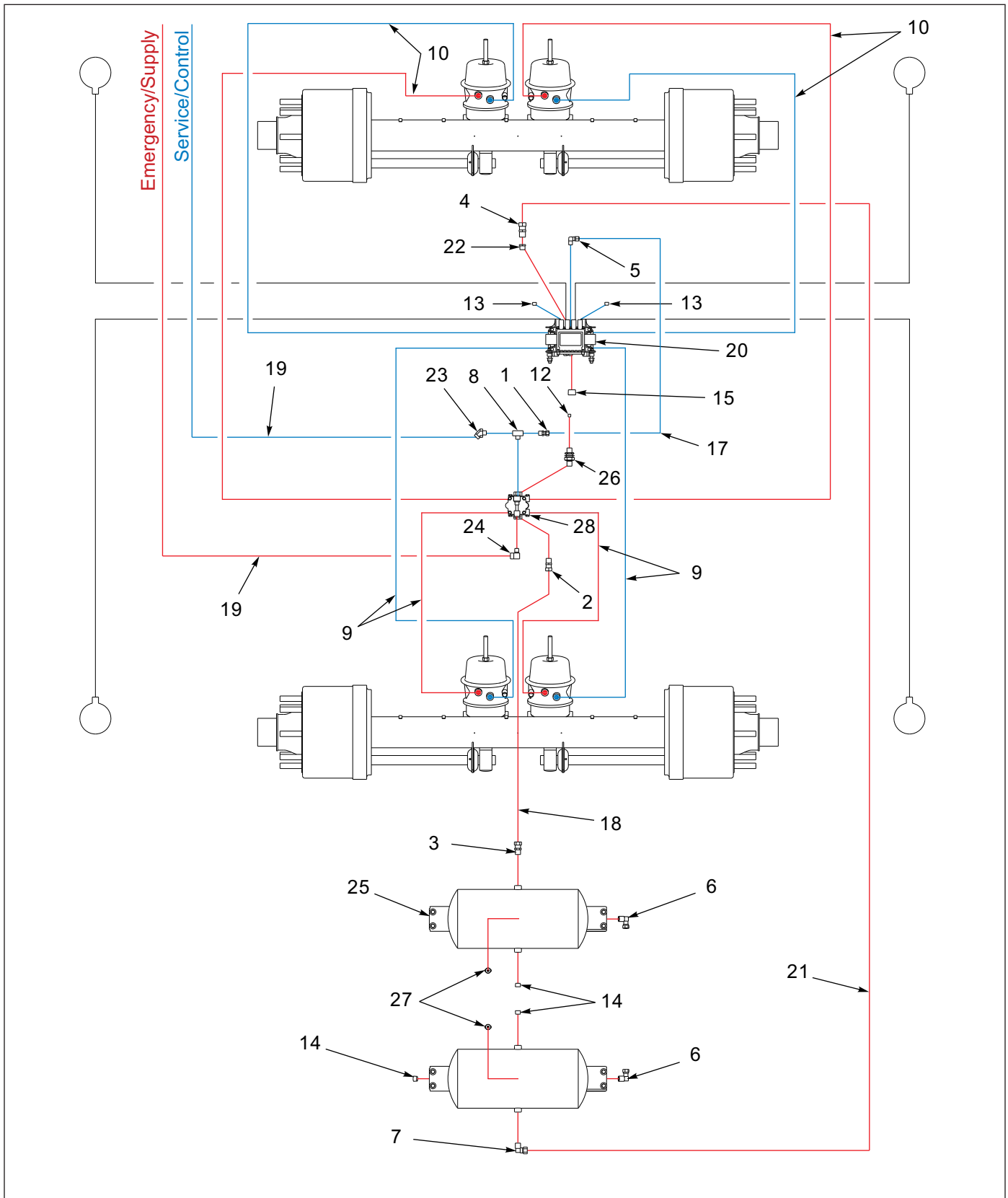


Figure 1-34: Air Brakes - 317E

## Air Brakes - 317E

ITEM	PART NO.	DESCRIPTION	QTY.	
	205055	SUSP 317E 2512-70.5 GROTE <b>(REF. ONLY)</b>	*	
	205056	SUSP 317E 2512-70.5 GROTE TIS <b>(REF. ONLY)</b>		*
1	1-297-010007-12	FITTING AIR 3/8TUBE X 3/8NPT	1	1
2	1-297-010007-15	FITTING AIR 1/2 TUBE X 3/8NPT	1	1
3	1-297-010007-16	FITTING AIR 1/2TUBEX1/2 NPT	1	1
4	1-297-010007-18	FITTING AIR 5/8TUBE X1/2NPT	1	1
5	1-297-010008-18	FITTING,AIR 90 3/8TUBEX1/4NPT	1	1
6	1-297-010008-24	FITTING,AIR 90 1/2TUBEX1/2NPT	2	2
7	1-297-010008-26	FITTING AIR 5/8TUBE X1/2NPT90	1	1
8	1-297-010017-03	FITTING,BRS PIPE M/BR TEE 3/8	1	1
9	1-384-010038024	HOSE ASM AIR 3/8X24,W/3/8 END	4	4
10	1-384-010038060	HOSE ASM AIR 3/8X60,W/3/8 END	4	4
11	1-394-010001	HOSE ABRASION SLEEVE X2 <b>(NOT SHOWN)</b>	2	2
12	1-560-010002-02	PLUG, PIPE, 1/4NPT	1	1
13	1-560-010002-03	PLUG, PIPE, 3/8NPTF	2	2
14	1-560-010002-04	PLUG, PIPE, 1/2NPT	3	2
15	1-560-010002-05	PLUG,PIPE, 3/4-14NPTF	1	1
16	1-796-010003-02	TIE, STRAP, PLASTIC .18X14.0 <b>(NOT SHOWN)</b>	10	10
17	1-833-010002	TUBING NYLON 3/8 OD	8	8
18	1-833-010003	TUBING NYLON 1/2 OD	15	15
19	100949	HOSE ASM AIR 3/8X222 W/3/8 END	2	2
20	114584	ABS KIT WABCO 4S/2M TAB	1	1
21	117304	TUBING NYLON 5/8	7	7
22	118-2659-9	BUSHING 1/2NPTX3/4NPT STL	1	1
23	2088-6-6S	ADAPTER 45 3/8MPTX3/8FPT	1	1
24	2089-6-6S	ADAPTER 90 3/8MPTX3/8FPT	1	1
25	3-780-010002	TANK AIR 9.5X22.5 .5NPT PORTS	2	2
26	55B61	FRAME UNION	1	1
27	56D4	COCK,DRAIN AIR TANK VEL036019	2	2
28	758-181	VALVE TASK 4 PORT	1	1

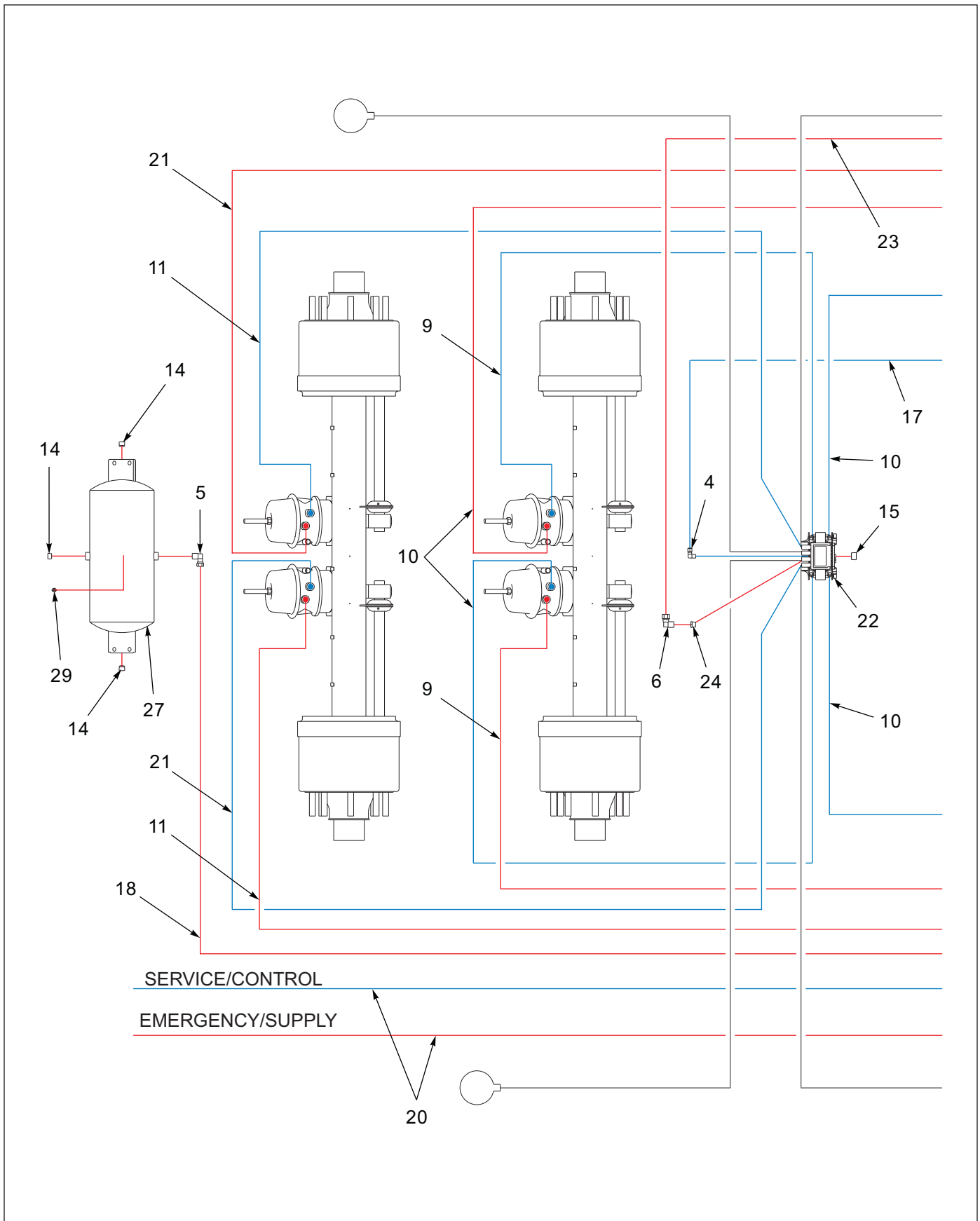


Figure 1-35: Air Brakes - 318E (1 of 2)

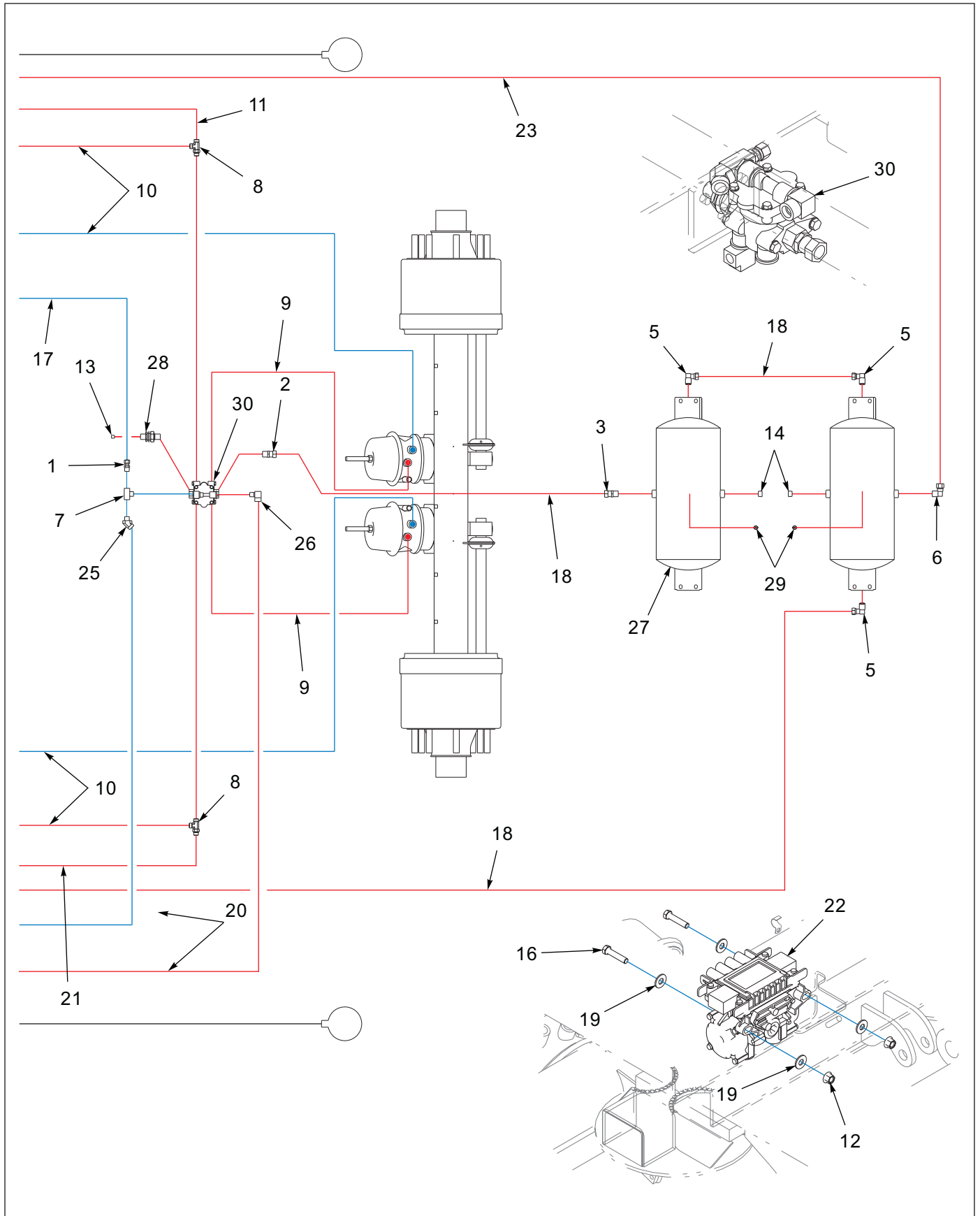


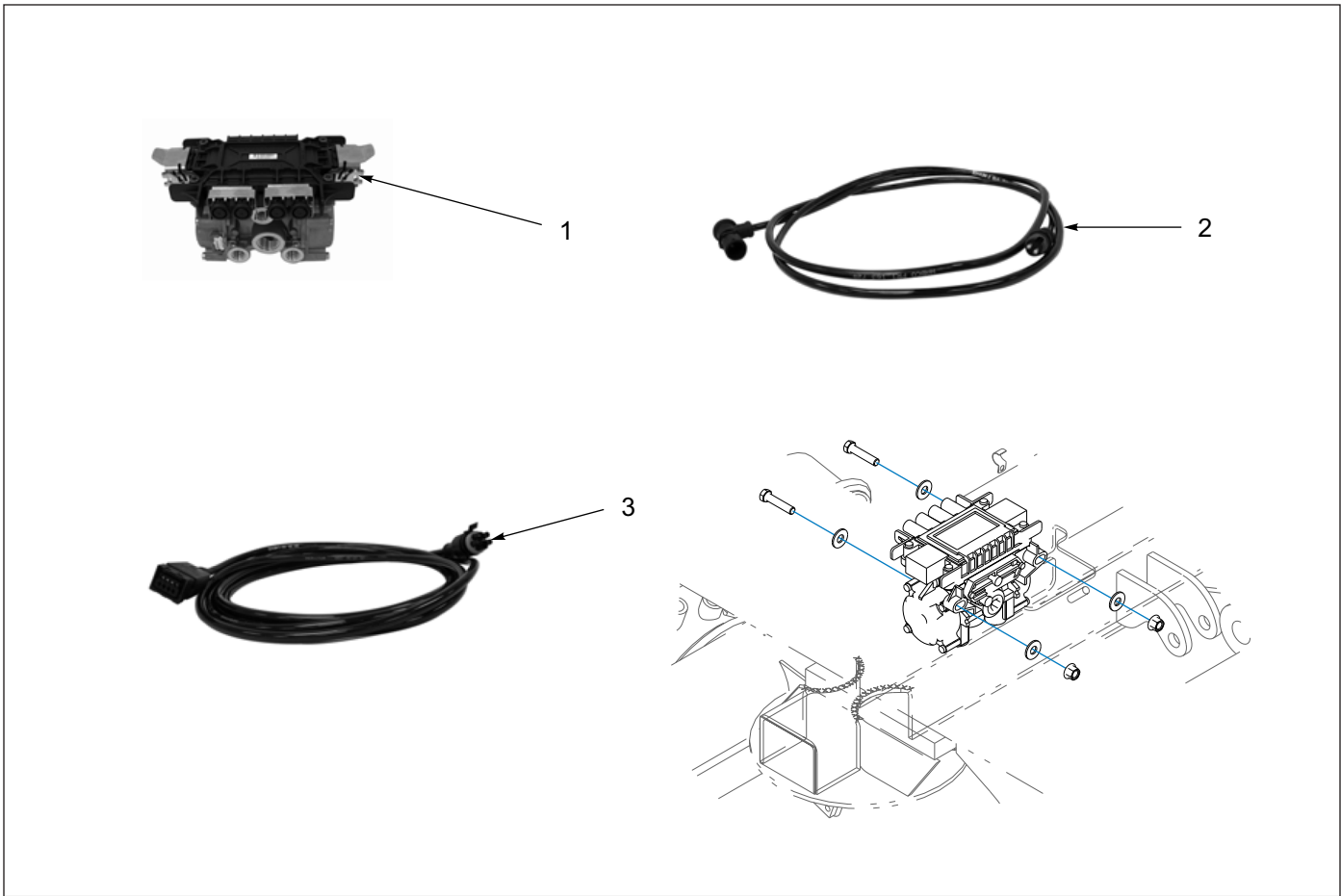
Figure 1-36: Air Brakes - 318E (2 of 2)

## Air Brakes - 318E

ITEM	PART NO.	DESCRIPTION	QTY.	
	206823	SUSP 318E A/R 2512-70 GROTE <b>(REF. ONLY)</b>	*	
	206824	SUSP 318E 2512-70 GROTE TIS <b>(REF. ONLY)</b>		*
1	1-297-010007-12	FITTING AIR 3/8TUBE X 3/8NPT	1	1
2	1-297-010007-15	FITTING AIR 1/2 TUBE X 3/8NPT	1	1
3	1-297-010007-16	FITTING AIR 1/2TUBEX1/2 NPT	1	1
4	1-297-010008-18	FITTING,AIR 90 3/8TUBEX1/4NPT	1	1
5	1-297-010008-24	FITTING,AIR 90 1/2TUBEX1/2NPT	4	4
6	1-297-010008-26	FITTING AIR 5/8TUBE X1/2NPT90	2	2
7	1-297-010017-03	FITTING,BRS PIPE M/BR TEE 3/8	1	1
8	1-297-010018-03	FITTING,3/8 BRASS PIPE,ST TEE	2	2
9	1-384-010038024	HOSE ASM AIR 3/8X24,W/3/8 END	4	4
10	1-384-010038060	HOSE ASM AIR 3/8X60,W/3/8 END	4	4
11	1-384-010038084	HOSE ASM AIR 3/8X84,W/3/8 END	2	2
12	1-510-010001	NUT, 3/8-16 UNC FLANGE LOCK	2	2
13	1-560-010002-02	PLUG, PIPE, 1/4NPT	1	1
14	1-560-010002-04	PLUG, PIPE, 1/2NPT	5	4
15	1-560-010002-05	PLUG,PIPE, 3/4-14NPTF	1	1
16	1-654-010051-08	SCREW,HEX CAP,3/8-16X1-3/4 G	2	2
17	1-833-010002	TUBING NYLON 3/8 OD	4	4
18	1-833-010003	TUBING NYLON 1/2 OD	38	38
19	1-861-010032-11	WASHER, FLAT 3/8 W ZP/CD	4	4
20	100948	HOSE ASM AIR 3/8X174 W/3/8 END	2	2
21	107956	HOSE ASM AIR 3/8X136,W/3/8 END	2	2
22	114584	ABS KIT WABCO 4S/2MTRI/SPREAD	1	1
23	117304	TUBING NYLON 5/8	15	15
24	118-2659-9	BUSHING 1/2NPTX3/4NPT STL	1	1
25	2088-6-6S	ADAPTER 45 3/8MPTX3/8FPT	1	1
26	2089-6-6S	ADAPTER 90 3/8MPTX3/8FPT	1	1
27	3-780-010002	TANK AIR 9.5X22.5 .5NPT PORTS	3	3
28	55B61	FRAME UNION	1	1
29	56D4	COCK,DRAIN AIR TANK VEL036019	3	3
30	758-181	VALVE TASK 4 PORT	1	1
31	1-394-010001	HOSE ABRASION SLEEVE X 2 <b>(NOT SHOWN)</b>	2	2
32	1-796-010003-02	TIE, STRAP, PLASTIC .18X14.0 <b>(NOT SHOWN)</b>	10	10







**Figure 1-37: ABS Brake Kit**

**ABS Kit**

ITEM	PART NO.	DESCRIPTION	QTY.
	114584	ABS BRAKE KIT 4S/2M	
	114586	ABS BRAKE KIT 4S/2M-TRI/SPRD	
1	114588	ECU/VALV E ASSEMBLY	1
2	101848	SENSOR EXTENSION CABLE - 6 FT <b>(USED W/ 114584)</b>	4
2	103861	SENSOR EXTENSION CABLE - 10 FT <b>(USED W/ 114586)</b>	4
3	147464	POWER/DIAGNOSTIC CABLE 4.0M/3.0M	1
----	101847	ABS SENSOR CABLE-4M 90°, 1 FT. <b>(NOT SHOWN)</b>	2



# Tire Inflation System

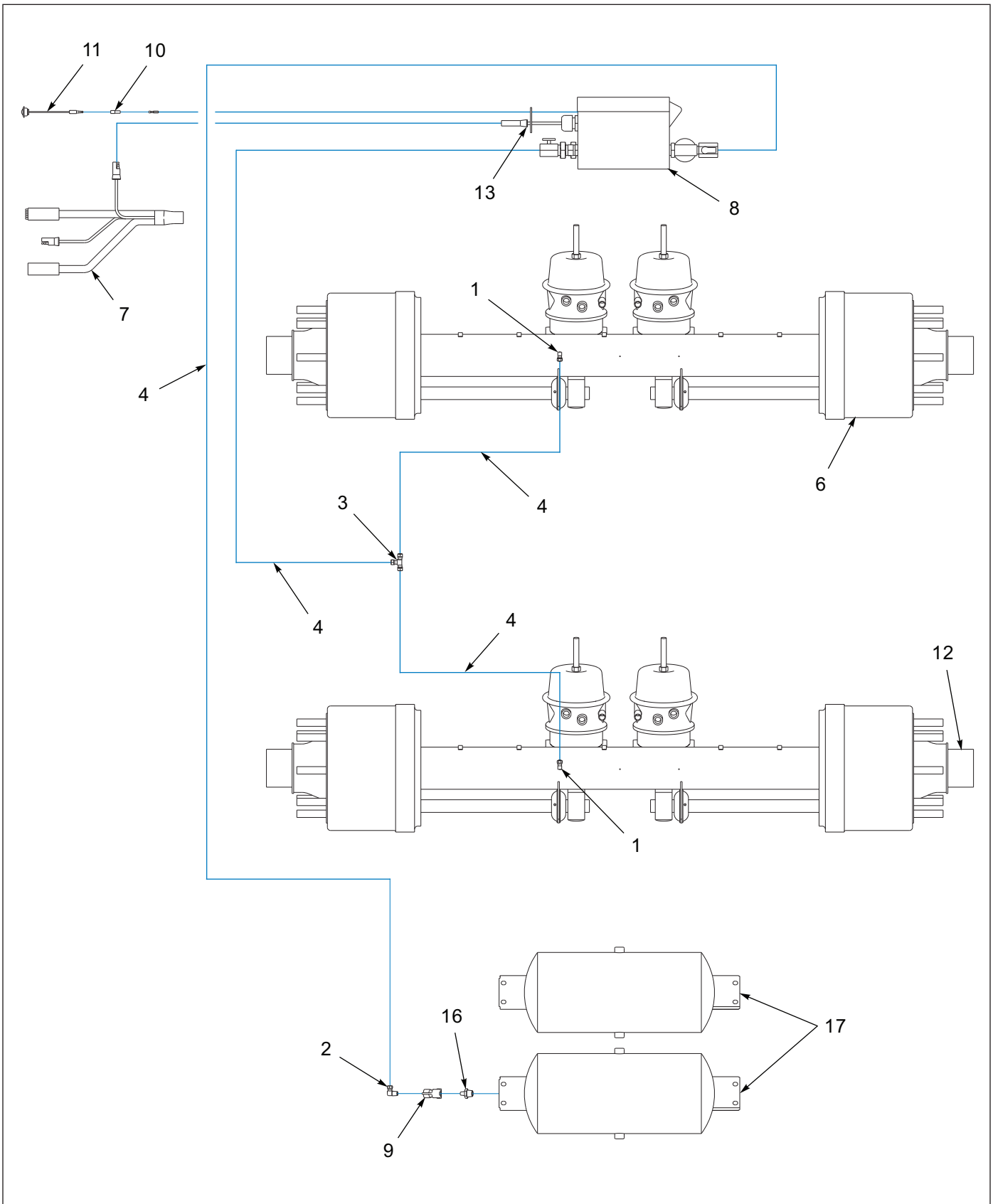


Figure 1-38: Thermalert Tire Inflation System - 317E

## Thermalert Tire Inflation System - 317E

ITEM	PART NO.	DESCRIPTION	QTY.
	168593	THERMALERT TIS 2 AXLE	*
1	1-297-010008-05	FITTING,AIR 90 1/4TUBEX1/8NPT	2
2	1-297-010008-07	FITTING AIR 90 1/4TUBEX1/4NPT	1
3	1-297-010010-01	FITTING,AIR,UNION TEE 1/4	1
4	1-833-010001	TUBING NYLON 1/4 OD	REF
5	115629	LOCKTITE 592 250ML TUBE <b>(NOT SHOWN)</b>	REF
6	115732	AXLE WLDMT 2512SPG 70.5X31 TIS	REF
7	143103	HARNESS ECHAIN GROTE	REF
8	168610	THERMALERT PRESS PROT VALVE	1
9	168613	THERMALERT WIRING HARNESS	1
10	183413	LIGHT,WHT LED .75 CL/MK GROTE	1
11	197613	HUB CAP MTIS OIL AXLE	4
12	202207	HARNESS ASSY MOD MTIS POWER	1
13	205836	ORANGE WARNING DECAL MTIS <b>(NOT SHOWN)</b>	1
14	205837	YELLOW WARNING DECAL MTIS <b>(NOT SHOWN)</b>	2
15	2083-8-4S	NIPPLE HEX 1/2PIPE - 1/4PIPE	1
16	3-780-010002	TANK AIR 9.5X22.5 .5NPT PORTS	2

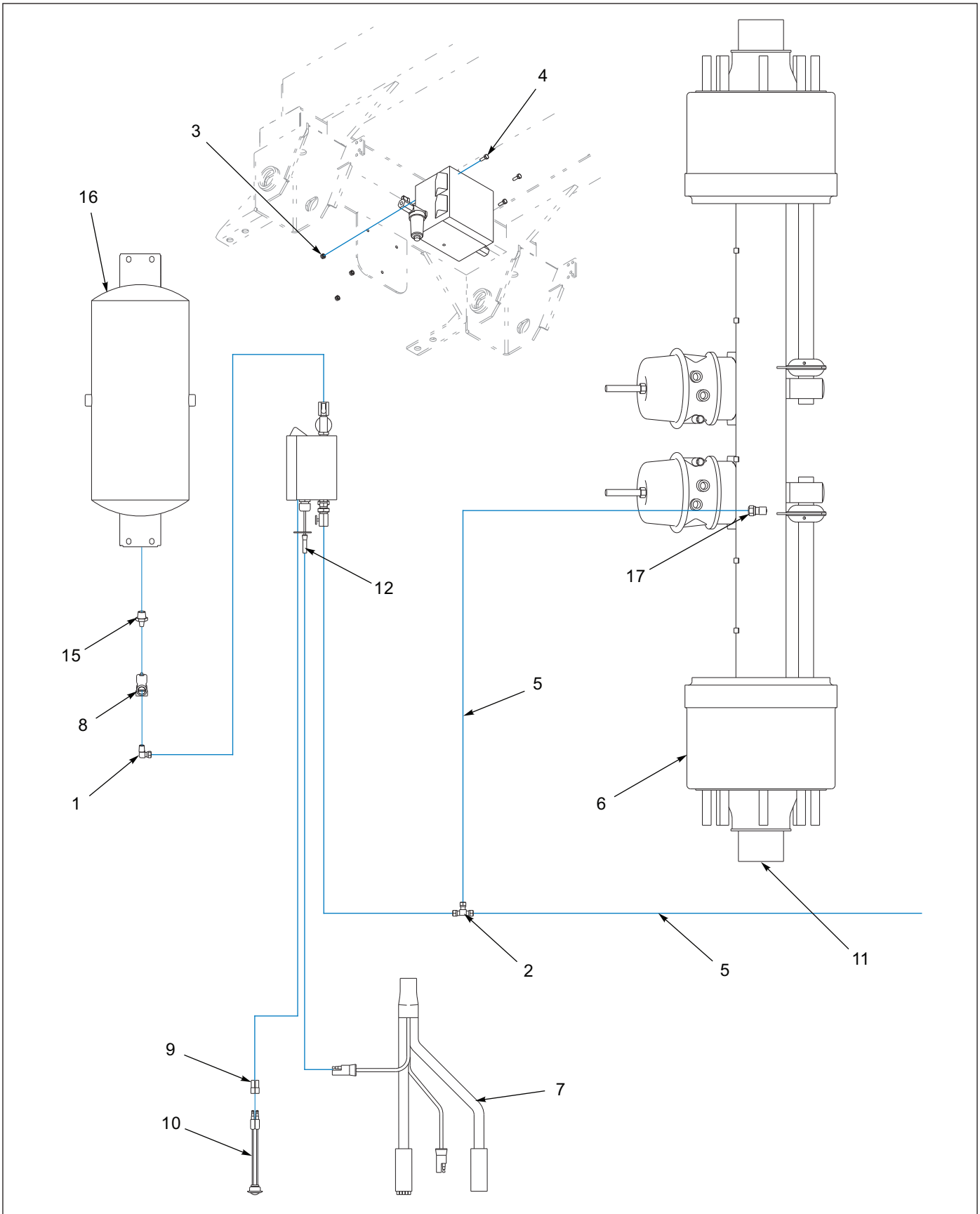


Figure 1-39: Thermalert Tire Inflation System - 318E (1 of 2)

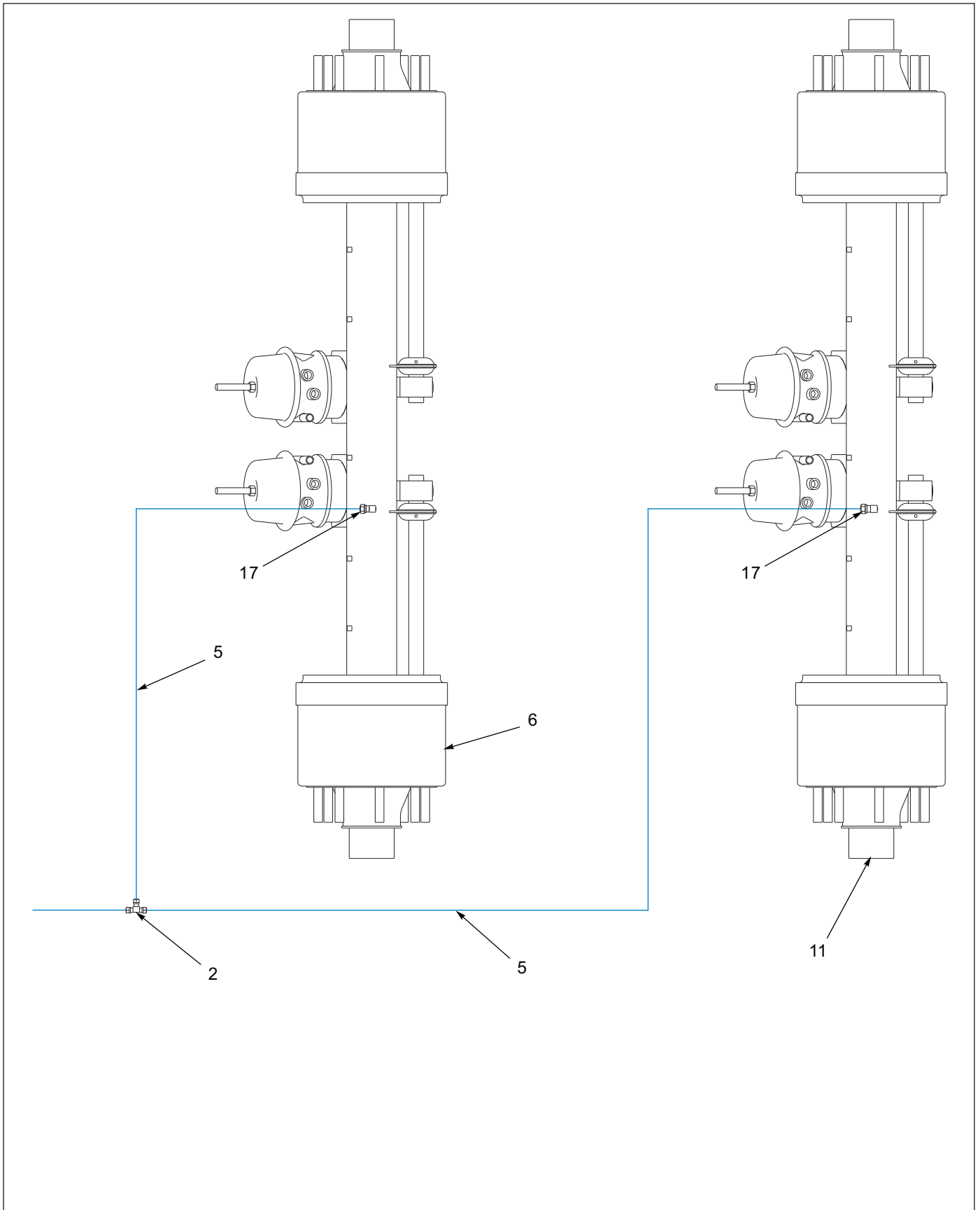


Figure 1-40: Thermalert Tire Inflation System - 318E (2 of 2)

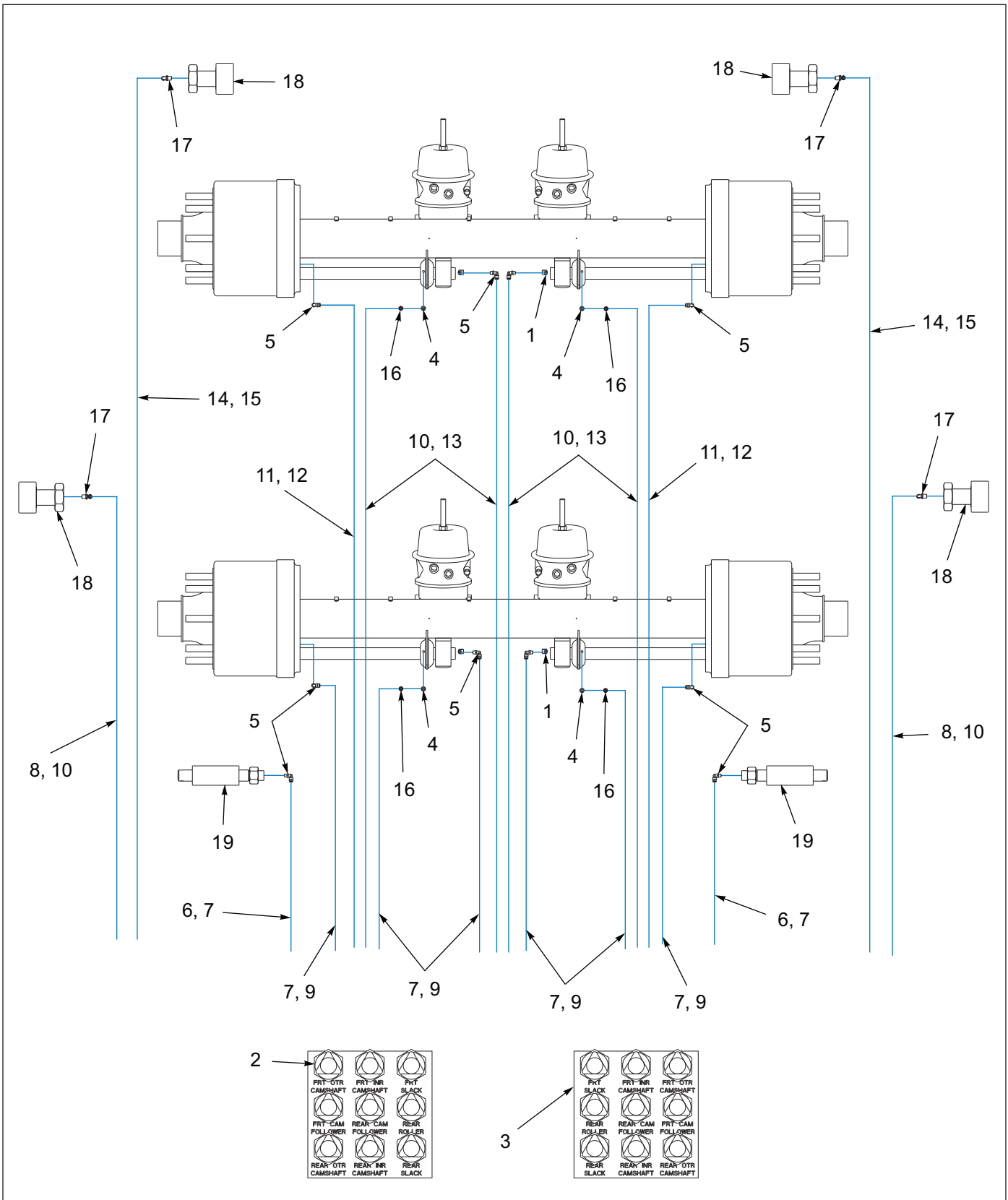
## Thermalert Tire Inflation System - 318E

ITEM	PART NO.	DESCRIPTION	QTY.
	195395	THERMALERT TIS 3 AXLE	
1	1-297-010008-07	FITTING AIR 90 1/4TUBEX1/4NPT	1
2	1-297-010010-01	FITTING,AIR,UNION TEE 1/4	2
3	1-512-010005-01	NUT,HEX,SLFLKG GRB 1/4-20	3
4	1-654-010047-04	SCREW,HEX CAP,1/4-20X3/4 GR5	3
5	1-833-010001	TUBING NYLON 1/4 OD	REF
6	115732	AXLE WLDMT 2512SPG 70.5X31 TIS	3
7	143103	HARNESS ECHAIN GROTE	REF
8	168610	THERMALERT PRESS PROT VALVE	1
9	168613	THERMALERT WIRING HARNESS	1
10	183413	LIGHT,WHT LED .75 CL/MK GROTE	1
11	197613	HUB CAP MTIS OIL AXLE	6
12	202207	HARNESS ASSY MOD MTIS POWER	1
13	205836	ORANGE WARNING DECAL MTIS <b>(NOT SHOWN)</b>	REF
14	205837	YELLOW WARNING DECAL MTIS <b>(NOT SHOWN)</b>	REF
15	2083-8-4S	NIPPLE HEX 1/2PIPE - 1/4PIPE	1
16	3-780-010002	TANK AIR 9.5X22.5 .5NPT PORTS	3
17	1-297-010008-05	FITTING, AIR 90, 1/4TUBEX1/8NPT	3





# Grease



## Grease System - 317E

ITEM	PART NO.	DESCRIPTION	QTY	
	205055	SUSP 317E 2512-70.5 GROTE TIS	*	
	205059	SUSP 317E-CA 2512-70.5 GRT TIS		*
1	101528	ELBOW,BRASS PIPE STREET	4	4
2	142545	NUT 7/16 FOR BULKHEAD	18	18
3	142553	DECAL, GREASE TRL U/C	2	2
4	22094	ADAPTER 5/16--18X1/8NPT(F)	4	4
5	202099	FITTING GREASE 90 SWIV PTC 1/8	10	10
6	202103	HOSE ASSY GREASE 1/8 X 45	2	--
7	202106	HOSE ASSY GREASE 1/8 X 72	6	2
8	202107	HOSE ASSY GREASE 1/8 X 83	2	--
9	202111	HOSE ASSY GREASE 1/8 X 102	--	6
10	202112	HOSE ASSY GREASE 1/8 X 118	4	2
11	202113	HOSE ASSY GREASE 1/8 X 126	2	--
12	202114	HOSE ASSY GREASE 1/8 X 133	--	2
13	202116	HOSE ASSY GREASE 1/8 X 144	--	4
14	202118	HOSE ASSY GREASE 1/8 X 156	2	--
15	202121	HOSE ASSY GREASE 1/8 X 172	--	2
16	216599	FITTING,GREASE 1/4 TUBE X 1/8	4	4
17	216600	FITTING GREAST 90SWIV P-T-C1/4	4	4
18	3-076-010005	CAM FOLLOWER 4 IN DIA	REF	REF
19	RRT114X6	TUBE RD 2-1/2X1-1/2X6 CDS	REF	REF

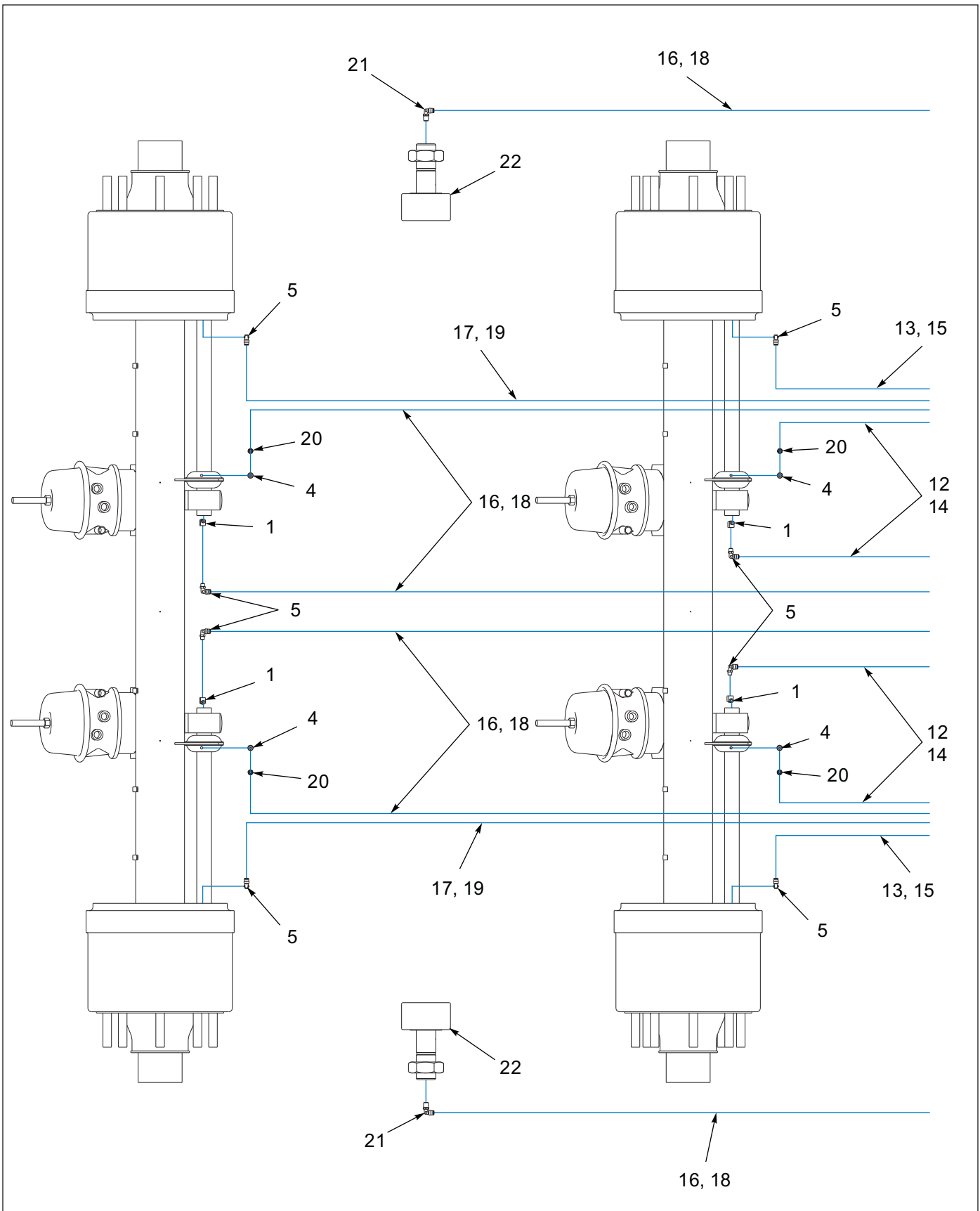


Figure 1-42: Grease System - 318E (1 of 2)

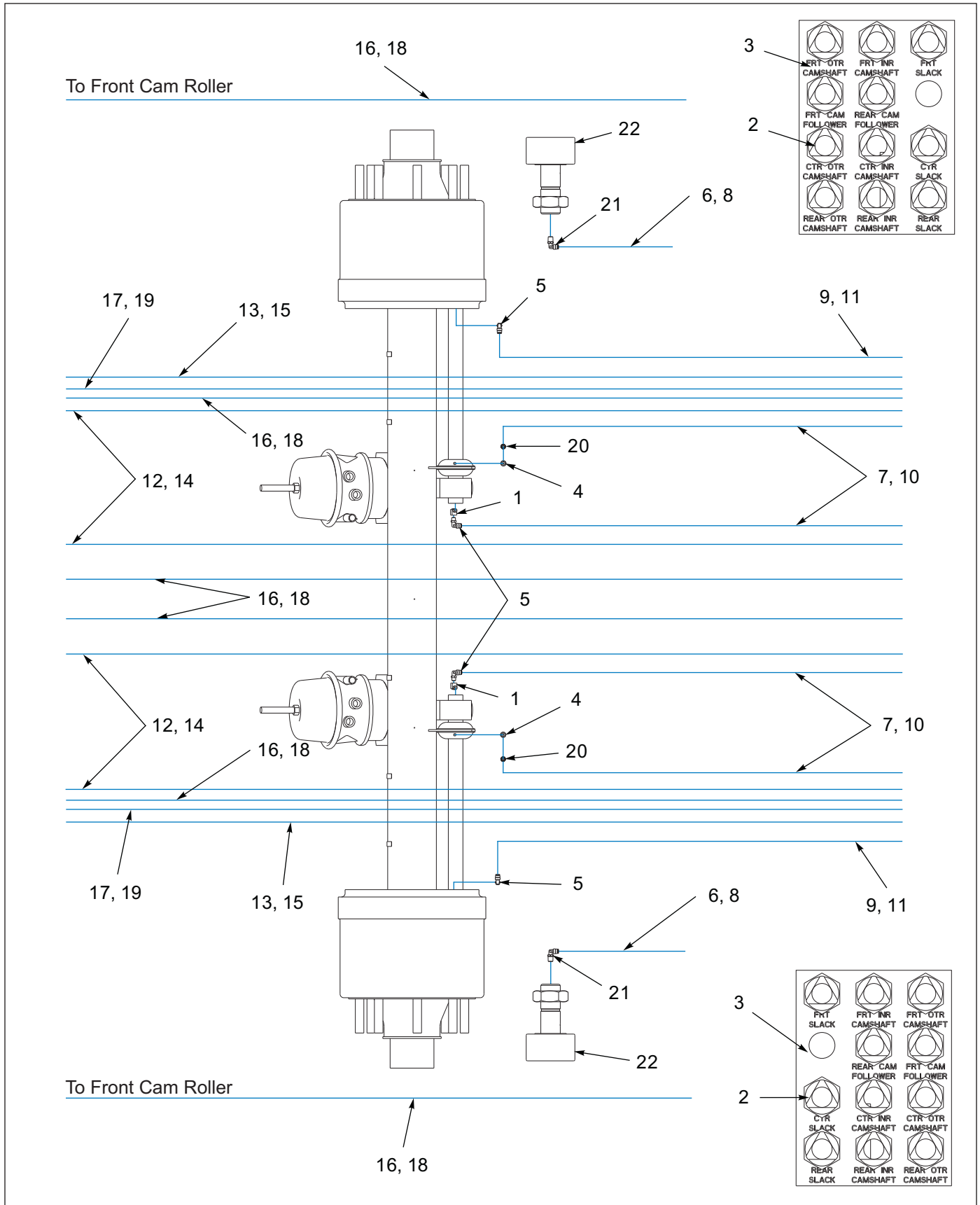


Figure 1-43: Grease System - 318E (2 of 2)

## Grease System - 318E

ITEM	PART NO.	DESCRIPTION	QTY	
	206824	SUSP 318E 2512-70 GROTE TIS <b>(REF. ONLY)</b>	*	
	206830	SUSP 318E-CA 2516-69 GROTE TIS <b>(REF. ONLY)</b>		*
1	101528	ELBOW,BRASS PIPE STREET	6	6
2	142545	NUT 7/16 FOR BULKHEAD	22	22
3	142553	DECAL, GREASE TRL U/C	2	2
4	202094	ADAPTER 5/16--18X1/8NPT(F)	6	6
5	202099	FITTING GREASE 90 SWIV PTC 1/8	12	12
6	202103	HOSE ASSY GREASE 1/8 X 45	2	--
7	202104	HOSE ASSY GREASE 1/8 X 60	4	--
8	202105	HOSE ASSY GREASE 1/8 X 67	--	2
9	202106	HOSE ASSY GREASE 1/8 X 72	2	--
10	202107	HOSE ASSY GREASE 1/8 X 83	--	4
11	202109	HOSE ASSY GREASE 1/8 X 94	--	2
12	202112	HOSE ASSY GREASE 1/8 X 118	4	--
13	202113	HOSE ASSY GREASE 1/8 X 126	2	--
14	202116	HOSE ASSY GREASE 1/8 X 144	--	4
15	202118	HOSE ASSY GREASE 1/8 X 156	--	2
16	202121	HOSE ASSY GREASE 1/8 X 172	6	--
17	202122	HOSE ASSY GREASE 1/8 X 180	2	--
18	204223	HOSE ASSY GREASE 1/8 X 200	--	6
19	204224	HOSE ASSY GREASE 1/8 X 217	--	2
20	216599	FITTING,GREASE 1/4 TUBE X 1/8	6	6
21	216600	FITTING GREAST 90SWIV P-T-C1/4	4	4
22	3-076-010015	5IN DIA CAM FOLLOWER	REF	REF



# Winches

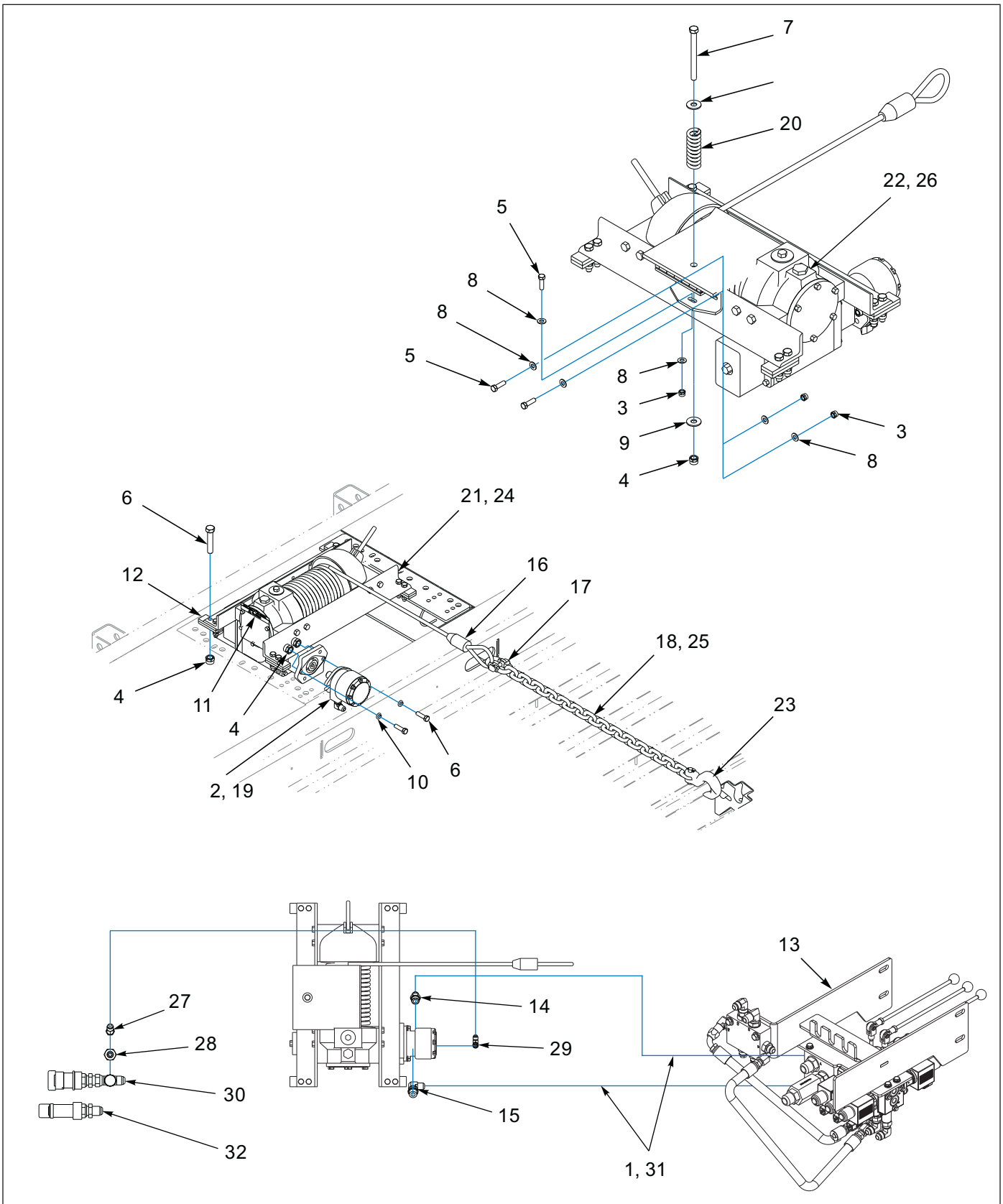


Figure 1-44: Winch Installation - 12K/20K (Braden)

## Winch Installation - 12K/20K Spring Tension (Braden)

ITEM	PART NO.	DESCRIPTION	QTY			
	3-873-010131-2	WINCH INSTL,12K UPR DK,PARKER	*			
	3-873-010130-2	WINCH INSTL,20K UPR DK,PARKER		*		
	3-873-010127-2	WINCH INSTL,12K,SLOPE,PARKER			*	
	3-873-010128-2	WINCH INSTL,20K SLOPE, PARKER				*
1	1-397-010302102	HOSE 1/2X102,SAE 37,STR-90	--	--	--	2
2	3-481-010007	MOTOR HYD 12.9CU IN/REV,SAE B	--	1	--	1
3	1-512-010005-05	NUT, HEX, SLFLKG GRB 3/8-16	3	3	3	3
4	1-512-010005-09	NUT,HEX,SLFLKG, 1/2-13 GRB	11	9	11	9
5	1-654-010051-06	SCREW,HEX CAP 3/8-16UNCX1-1/4	3	3	3	3
6	1-654-010055-04	SCREW,HEX CAP,1/2-13UNCX1-3/4	--	4	--	4
7	1-654-010055-16	SCREW HEX CAP 1/2-13X5-1/2GR5	1	1	1	1
8	1-861-010032-10	WASHER, FLAT 3/8 N ZP/CD	6	6	6	6
9	1-861-010032-15	WASHER, FLAT 1/2 W ZP/CD	--	4	--	4
10	1-861-010034-13	WASHER, LKG HLCL SPR, 1/2	2	2	2	2
11	100600	DECAL WARNING BRADEN WINCH	1	1	1	1
12	3-711-010028	SPACER, WINCH COVER	--	2	--	2
13	205001	VALVE ASSY, 317E	1	1	1	1
14	202702-10-8S	ADAPTER, #10 O-RING #8 TUBE	1	1	1	1
15	2062-10-8S	ADAPTER,90, #10 O-RING-TUBE	1	1	1	1
16	3-155-010017-4	CABLE 1/2 W/LOOP 85FT	REF	REF	REF	REF
17	3-174-010038	CHAIN LINK CONNECTING 1/2	REF	REF	REF	REF
18	3-174-010039036	CHAIN 1/2X36 GRD 7 21LINKS	REF	REF	REF	REF
19	3-481-010006	MOTOR,HYD 7.1 CU IN/REV,SAE A	1	--	1	--
20	3-720-010010	SPRING COMP LEVEL WIND	1	1	1	1
21	3-873-010122	WINCH, WORM GEAR 12,000 LB	1	--	1	--
22	3-873-010124	WINCH TENSIONER WLDMT 12K	1	--	1	--
23	7HCGHT500	HOOK CLEVIS GRAB 1/2 GR70	1	1	1	1
24	3-873-010123	WINCH,WORM GEAR,20,000LB BRADN	--	1	--	1
25	3-155-010018-6	CABLE 5/8 W/LOOP 85FT	REF	REF	REF	REF
26	102186	WINCH TENS 20K BRADEN SPRG WLD	--	1	--	1
27	121031	FITTING,45EL #8M X #8F 37SWVL	1	1	1	1
28	102-1112	REDUCER 12X8 JIC	1	1	1	1
29	102-1238	ADAPTER,90-#4 O-RING/#6 JIC	1	1	1	1
30	203102-12-12S	ADAPTER,TEE, #12, SAE37 SWIVL	1	1	1	1
31	1-397-010302216	HOSE ASSY,1/2X216,SAE37,STR90	--	2	--	--
32	143163	CONNECTORS FRONT SUB ASSEMBLY	REF	REF	REF	REF



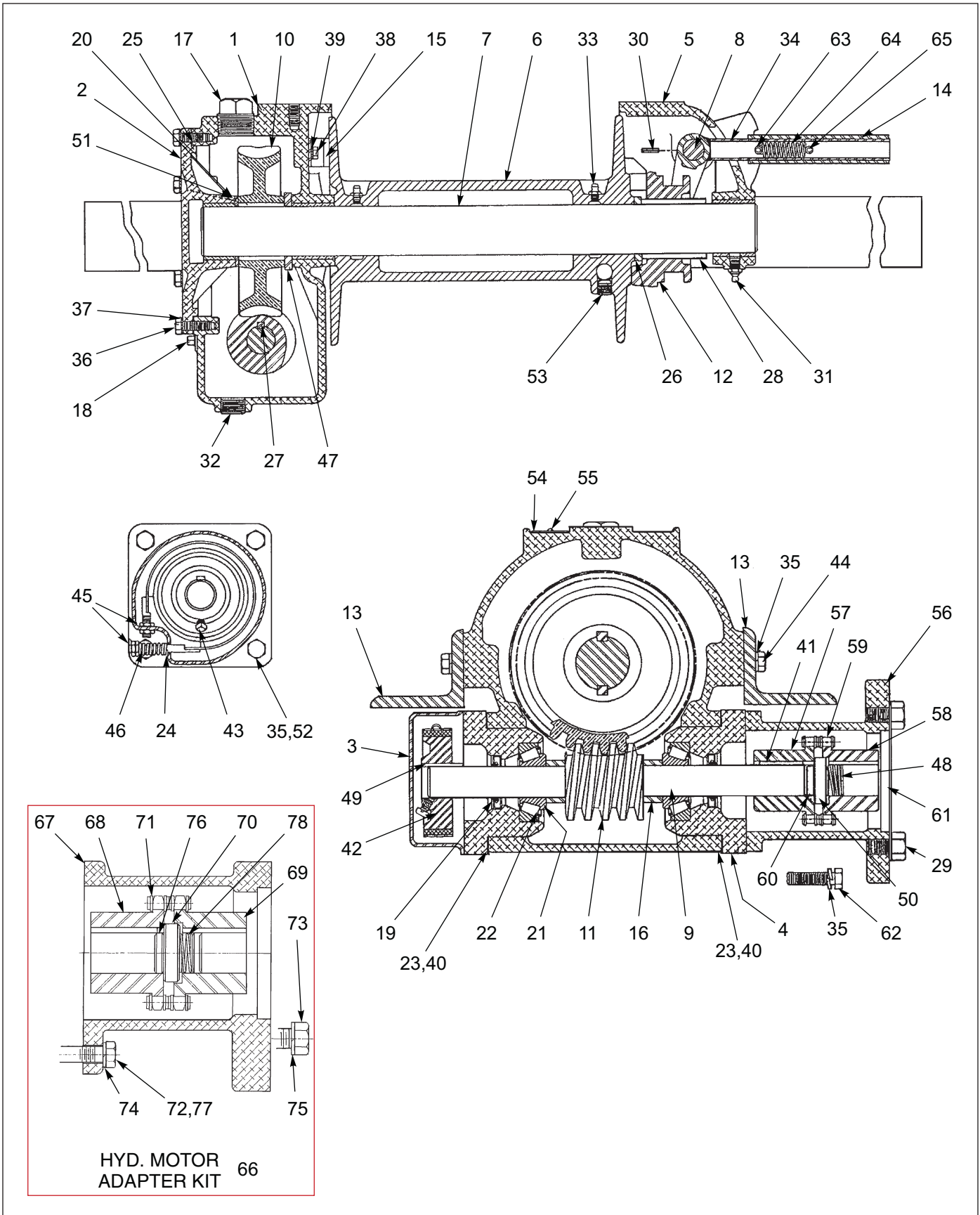


Figure 1-45: Winch Items - 12,000 Lb. (Braden)

## Winch Items - 12,000 Lb. (Braden)

ITEM	PART NO.	DESCRIPTION	QTY.
	3-873-010122	WINCH ASSEMBLY 12K - BRADEN	
1	81006	WORM HOUSING ASSEMBLY	1
1	18078	BUSHING	1
2	81009	COVER ASSEMBLY WORM HOUSING	1
2	11368	BUSHING	1
3	18032	HOUSING SAFETY BRAKE	1
4	23303	CONTAINER BEARING	2
5	81530	LEG ASSEMBLY BEARING	1
6	11128	DRUM CABLE	1
7	11129	DRUM SHAFT CABLE	1
8	11130	SHIFTER SHAFT	1
9	23470	SHAFT WORM	1
10	11144	GEAR WORM LEFT HAND	1
11	11142	WORM LEFT HAND	1
12	18039	SLIDING CLUTCH	1
13	22752	ANGLE BASE	2
14	12817	SHIFTER HANDLE	1
15	81025	BRAKE DRAG	1
16	11308	SPACER WORM	2
17	-----	PLUG PIPE	1
18	18009	PLUG PIPE	1
19	18026	SEAL GREASE	2
20	11117	KEY WORM GEAR	2
21	18015	CONE BEARING	2
22	18016	CUP BEARING	2
23	18027	GASKET	3
24	21925	BAND BRAKE	1
25	11133	WORM HOUSING COVER GASKET	3
26	18019	RETAINER RING	1
27	18030	KEY WORM	1
28	18020	KEY CLUTCH	2
29	-----	CAPSCREW	2
30	11837	ROLLPIN	2
31	18047	FITTING GREASE	1
32	19045	PLUG PIPE	1
33	-----	FITTING GREASE	2
34	13839	SHIFTER FORK	1
35	-----	WASHER LOCK	16
36	-----	CAPSCREW	6
37	-----	WASHER LOCK	6
38	13005	CAPSCREW	2
39	-----	WASHER LOCK	2
40	18024	BEARING CONTAINER GASKET	3
41	18044	KEY	1
42	18028	DRUM BRAKE	1
43	12075	SETSCREW	1
44	-----	CAPSCREW	12
45	13468	JAM NUT	4

## Winch Items - 12,000 Lb. (Braden)

ITEM	PART NO.	DESCRIPTION	QTY.
46	18029	BRAKE BAND SPRING	1
47	11240	RETAINER RING	1
48	-----	SPRING	1
49	10078	KEY	1
50	23078	SPACER	1
51	13680	THRUST RING	1
52	-----	CAPSCREW	4
53	218058	SETSCREW	1
54	-----	WARNING PLATE	1
55	-----	DRIVE SCREW	2
56	23079	MOTOR ADAPTER	1
57	23081	COUPLING HALF - WORM SHAFT	1
58	23083	COUPLING HALF - MOTOR SHAFT	1
59	13424	ROLLER CHAIN	1
60	23085	SPACER	1
61	-----	SHIPPING COVER	1
62	-----	CAPSCREW	4
63	13028	ROLLPIN	1
64	18002	SPRING	1
65	18056	ROLLPIN	1
66	61333	HYD. MOTOR ADAPTER KIT, 12,000# WINCH <b>(ITEMS 67- 78)</b>	1
67	23079	ADAPTER, MOTOR	1
68	23081	COUPLING HALF, WINCH	1
69	23083	COUPLING HALF, MOTOR	1
70	23078	SPACER, CONSTANT	1
71	13424	CHAIN ROLLER	1
72	-----	CAPSCREW	4
73	-----	CAPSCREW	4
74	-----	LOCKWASHER	4
75	-----	LOCKWASHER	4
76	-----	SPACER	1
77	-----	CAPSCREW	4
78	110452	SPRING SPACER	1



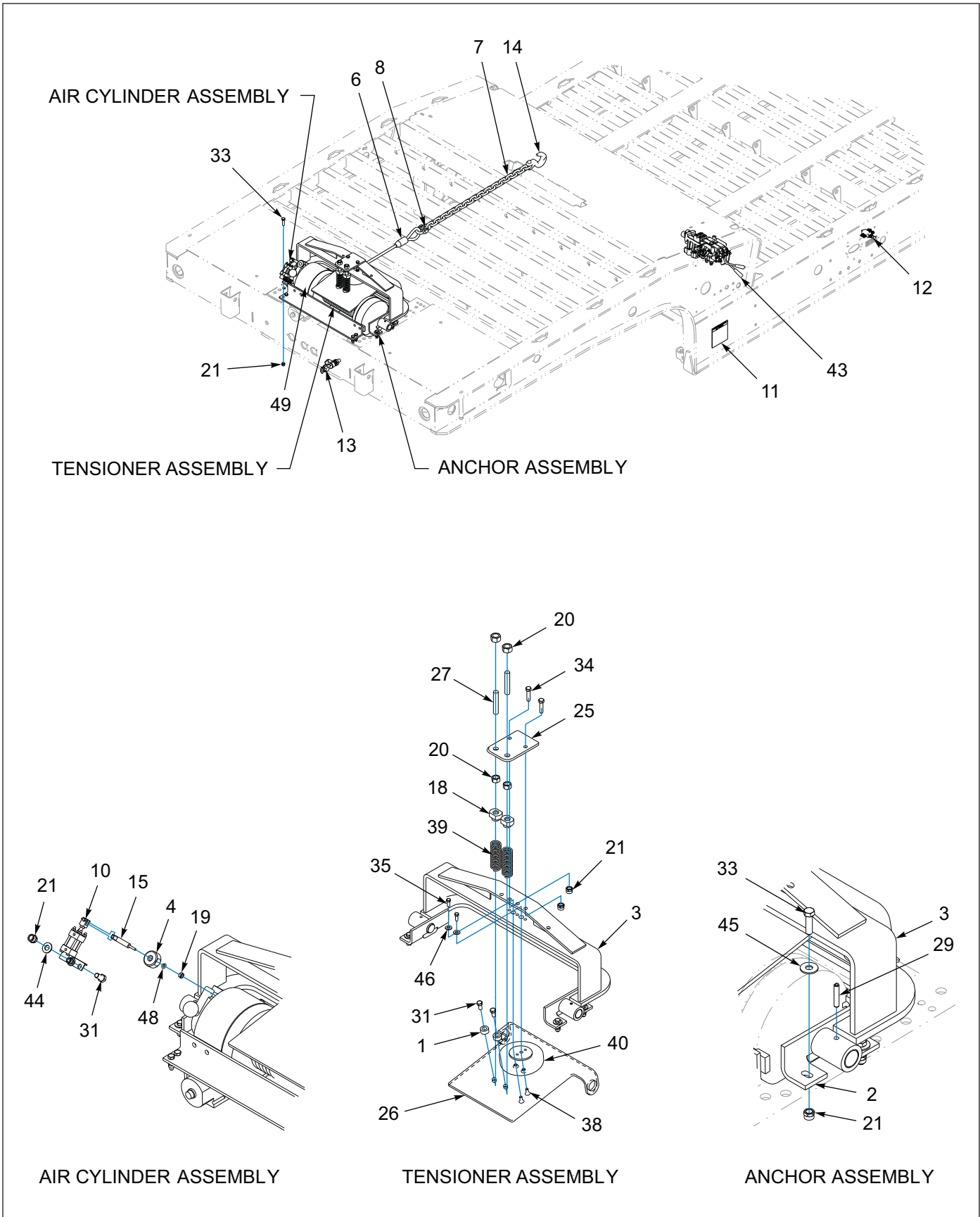


Figure 1-46: 20K Air Tension/Release (Braden) (1 of 3)

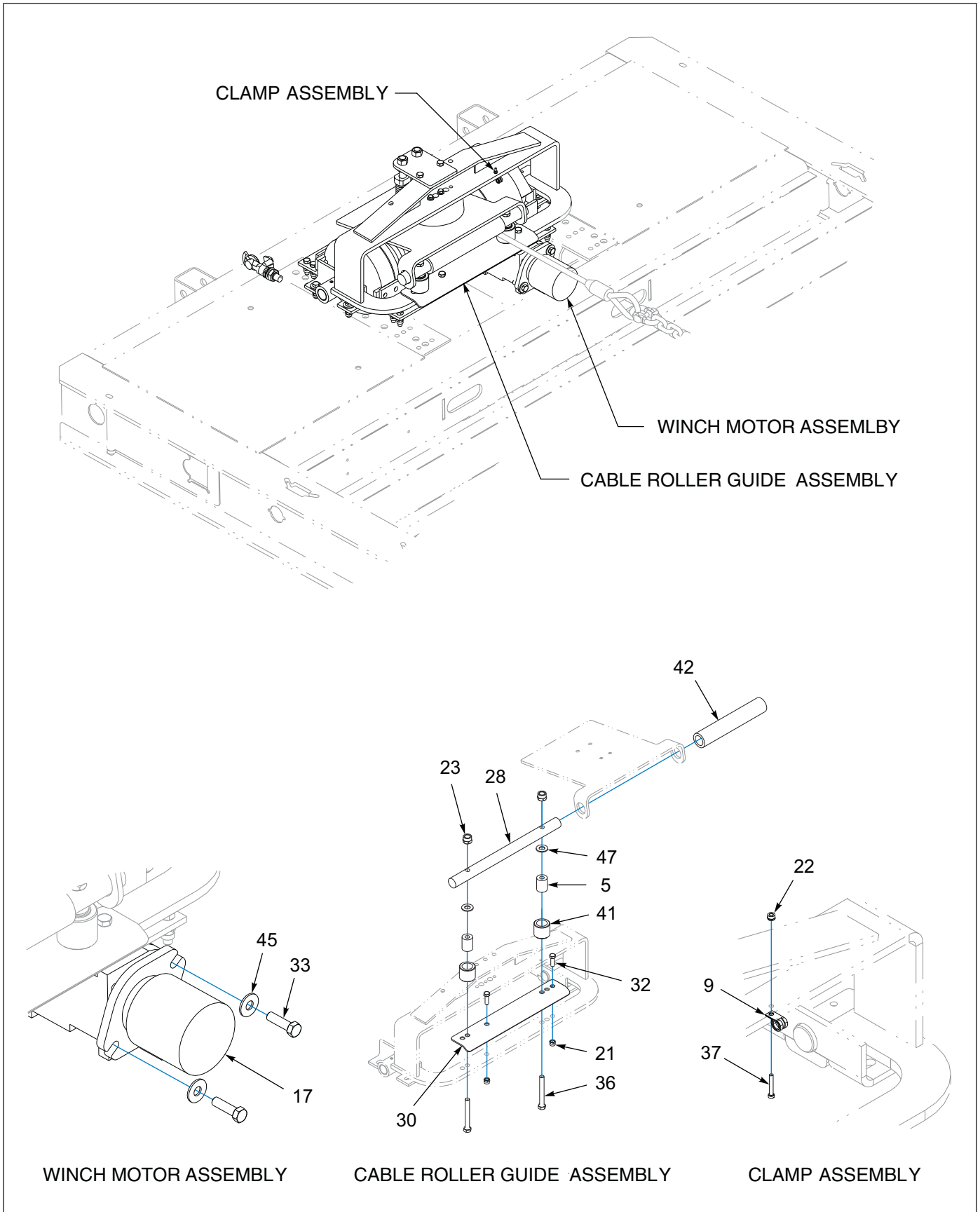


Figure 1-47: 20K Air Tension/Release (Braden) (2 of 3)

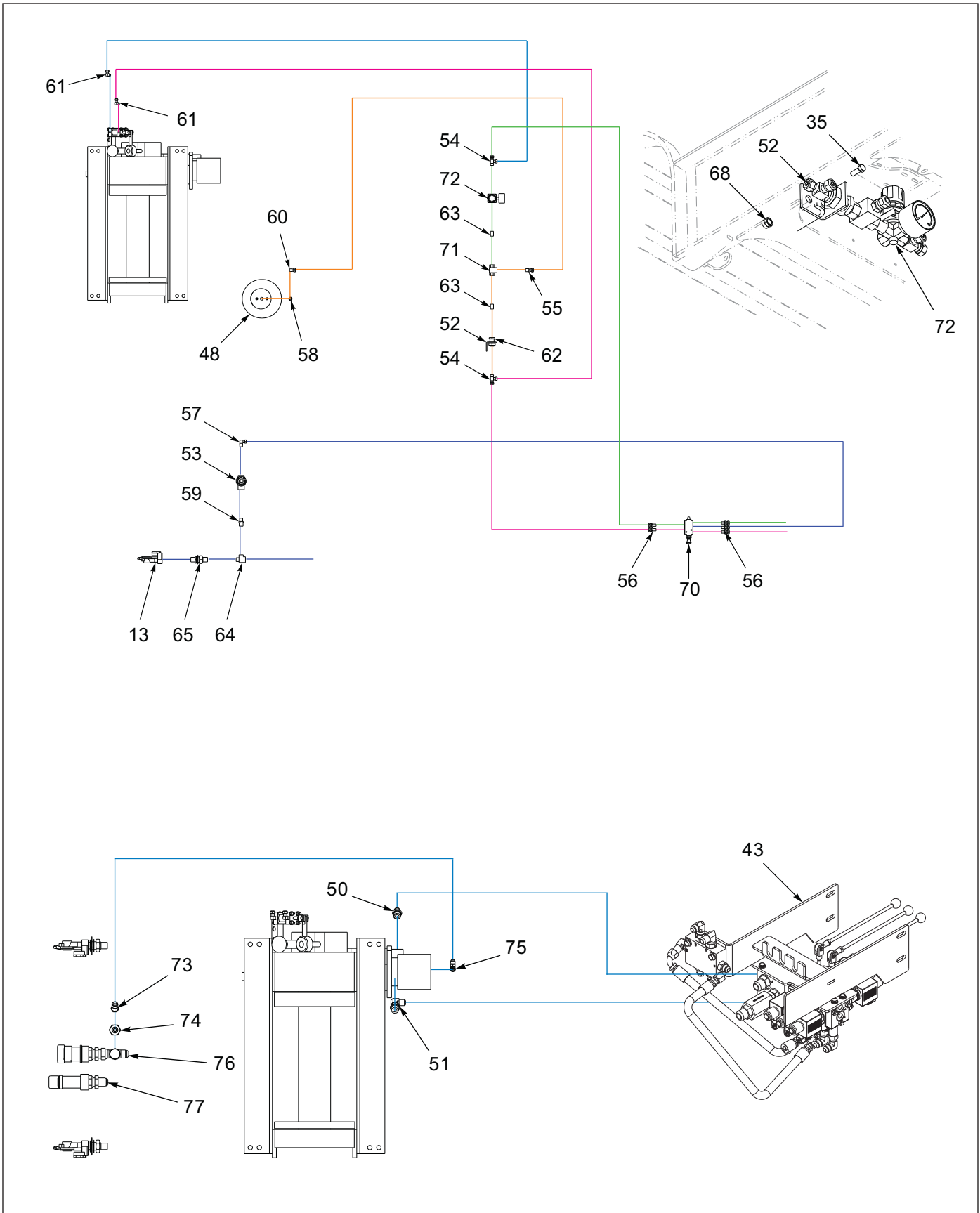


Figure 1-48: 20K Air Tension/Release (Braden) (3 of 3)

## 20K Air Tension/Release (BRADEN)

ITEM	PART NO.	DESCRIPTION	QTY.
	162415	WINCH INSTALLATION, 20K GUIDE AIR TENSION/RELEASE - STD	
1	3-014-010255	ANCHOR-BUSH F/W SPR TMSN-600	2
2	119621	ANCHOR CABLE GUIDE WINCH BLK	2
3	3-125-010465	BRACKET WLDMT WINCH TENSIONER	1
4	3-150-010186	BUSHING, WINCH REMOTE LEVER	1
5	3-150-010196	BUSHING,WINCH ROLLER-SIDE-600	2
6	3-155-010018-6	CABLE 5/8 W/LOOP 85FT	REF
7	3-174-010039036	CHAIN 1/2X36" GRD 7 21LINK	1
8	3-174-010038	CHAIN LINK CONNECTING 1/2	1
9	125892	CLAMP, CABLE 3/8 SST	1
10	107368	CYLINDER AIR W/BRKT WNCH R/SP	REF
11	100600	DECAL WARNING BRADEN WINCH	1
12	135184	DECAL, WINCH FREE SPOOL	1
13	108801	GLAD HAND-RED-AIR	REF
14	7HCGHT500	HOOK CLEVIS GRAB 1/2 GR70	1
15	107369	LEVER WINCH FREE-SPOOL	1
16	#242 LOCKTITE	LOCKTITE 242 BLUE REMOVABLE	REF
17	3-481-010007	MOTOR HYD 12.9CU IN/REV,SAE B	1
18	3-522-010017	NUT,F/W SPR TENS 10N-600	2
19	1-512-010007-05	NUT, HEX 1/4-20 GR2 ZP	1
20	1-512-010007-12	NUT, HEX 3/4-10 GR2 ZP	4
21	1-512-010005-09	NUT,HEX,SLFLKG, 1/2-13 GRB	18
22	1-512-010004-03	NUT,HEX,SLFLK 10-24UNC, GRA	1
23	1-512-010005-13	NUT,HEX SLFLKG GRB 5/8-11	2
24	119622	PIN, PIVOT, WINCH ROLLER 410	2
25	3-565-011688	PLATE,F/W SPRING TNSN 600MFT	1
26	102187	PLATE,WINCH,TENSIONER 20K AIR	1
27	RTR7999X4ZP	ROD THRD 3/4-10X4NC ZINC PLT	2
28	102188	ROD,PIVOTING GUIDE, 20K WINCH	1
29	1-647-010004255	PIN, SPRING, SLOTTED 3/8X2	2
30	143246	RUB BAR CABLE GUIDE WINCH	1
31	1-654-010055-01	SCR,HX CP 1/2-13UNCX1 GR5	4
32	1-654-010055-03	SCREW,HEX CAP,1/2-13UNCX1-1/2	2
33	1-654-010055-04	SCREW,HEX CAP,1/2-13UNCX1-3/4	14
34	1-654-010055-05	SCREW,HEX CAP,1/2-13UNCX2 GR5	2
35	1-654-010036-05	SCREW,HX CP 3/8-16UNCX1 GR8	2
36	1-654-010059-15	SCREW,HEX CAP,5/8-11UNCX5 GR5	2
37	1-654-010024055	SCREW,MACH,FLSTR,#10-24X1-1/4	1
38	1-654-010141-04	SCREW,SKT HX CTSK 3/8-16X1 G8	2
39	3-720-010035	SPRING	2
40	3-720-010042	SPRING AIR 6-1/2	1
41	3-831-010172	TUBE,WINCH ROLLER-SIDE 600	2
42	3-831-010182	TUBE,ROLLER TOP-600 20K	1
43	205001	VALVE ASSY, 317E	1
44	1-861-010032-14	WASHER, FLAT 1/2" N ZP/CD	2
45	1-861-010032-15	WASHER, FLAT 1/2 W ZP/CD	6
46	1-861-010032-10	WASHER, FLAT 3/8" N ZP/CD	2
47	1-861-010032-18	WASHER, FLAT 5/8 N ZP/CD	2



## 20K Air Tension/Release (BRADEN)

ITEM	PART NO.	DESCRIPTION	QTY.
48	1-861-010034-09	WASHER, LKG HLCL SPR, 1/4	1
49	3-873-010123	WINCH,WORM GEAR,20,000LB BRADN	1
50	202702-10-8S	ADAPTER, #10 O-RING #8 TUBE	1
51	2062-10-8S	ADAPTER,90, #10 O-RING-TUBE	1
52	3-120-010445	BRACKET,PRESSURE REGULATOR660	1
53	905-54-107	BRAKE PROTECTION VALVE	1
54	1-297-010011-02	FITTING AIR M/RUN TEE 1/4X1/4	2
55	1-297-010007-05	FITTING, AIR, 1/4TUBEX1/4NPT	1
56	1-297-010007-04	FITTING, AIR, 1/4TUBEX1/8NPT	1
57	1-297-010008-07	FITTING AIR 90 1/4TUBEX1/4NPT	1
58	1-297-010031-02	FITTING,BRS PIPE,1/4NPTX1-1/2	1
59	1-297-010019-05	FITTING,BRS PIPE,HX 3/8X1/4	1
60	1-297-010032-03	FITTING AIR 90 1/4FP TO 1/4T	1
61	1-297-010008-05	FITTING,AIR 90 1/4TUBEX1/8NPT	2
62	1-297-010022-02	FITTING,AIR ANCHR CPLG,1/4NPT	1
63	1-297-010020-02	FITTING,BRS PIPE,CL NIP 1/4	2
64	1-297-010018-03	FITTING,3/8 BRASS PIPE,ST TEE	1
65	55B61	FRAME UNION	REF
66	1-397-010301170	HOSE ASY,1/2X170SAE37,STR-STR	1
67	1-397-010302172	HOSE ASSY,1/2X172,SAE37,STR90	1
68	1-512-010005-05	NUT, HEX, SLFLKG GRB 3/8-16	1
69	1-833-010001	TUBING NYLON 1/4 OD	REF
70	139552	VALVE AIR 5WAY/2POS 1/8NPT	1
71	3-843-010039-02	VALVE-AIR SHUTTLE, 1/4NPT	1
72	3-626-010004	REGULATOR, AIR PRESSURE	1
73	121031	FITTING,45EL #8M X #8F 37SWVL	1
74	102-1112	REDUCER 12X8 JIC	1
75	102-1238	ADAPTER,90-#4 O-RING/#6 JIC	1
76	203102-12-12S	ADAPTER,TEE, #12, SAE37 SWIVL	1
77	143163	CONNECTORS FRONT SUB ASSY	REF





## Winch Items - 20,000Lb. (Braden)

ITEM	PART NO.	DESCRIPTION	QTY.
	3-873-010123	WINCH 20,000# W/BOLT-ON ANGLES	
1	81078	WORM HOUSING ASSEMBLY	1
2	106956	COVER ASSEMBLY WORM HOUSING	1
3	----	DRUM CABLE	1
4	81077	LEG ASSEMBLY BEARING	1
5	11434	WORM, GEAR RIGHT	1
6	11421	CLUTCH, SLIDING	1
7	11419	DRIVE, CLUTCH	1
8	154166	WORM RIGHT	1
9	----	SHAFT, WORM	1
10	139479	SHAFT, CABLE DRUM	1
11	11440	FORK SHIFTER	1
12	11441	SHAFT SHIFTER	1
13	26976	HANDLE SHIFTER	1
14	124549	CONTAINER BEARING	2
15	----	COVER WORM BRAKE	1
16	18035	BUSHING	2
17	11425	BUSHING	1
18	11420	RING, RETAINING	2
19	163472	DRUM, KEY CABLE	4
20	11402	KEY, WORM	1
21	11407	SPACER, WORM	2
22	23367	KEY, SPROCKET	1
23	10078	KEY, ROTOR	1
27	81080	ROTOR ASSEMBLY, BRAKE	1
28	11599	ADJUSTING NUT, WORM BRAKE	1
29	12465	O-RING	1
30	----	PLUG, FILLER	1
32	----	WASHER, LOCK	10
34	81081	SPRING ASSEMBLY, SAFETY BRAKE	1
36	11431	PLATE, PRESSURE	1
37	18022	KNOB, SHIFTER	1
38	11429	GASKET	4
39	11446	GASKET	2
40	18033	BEARING CONE	2
41	18034	BEARING CUP	2
42	12073	SEAL GREASE	1
43	12783	BRACKET SHIFTER	1
44	11411	COVER GASKET HOUSING	1
45	19045	PLUG DRAIN	1
46	18047	FITTING GREASE	1
48	----	PLUG VENT	1
49	----	PLUG LEVEL	1
50	11430	GASKET	4
51	11310	SPRING SHIFTER KNOB	1
52	11309	STEM SHIFTER KNOB	1
54	----	ANGLE FRONT BASE	1
55	----	ANGLE REAR BASE (NOT SHOWN)	1

## Winch Items - 20,000Lb. (Braden)

ITEM	PART NO.	DESCRIPTION	QTY.
56	----	CAPSCREW	16
57	----	WASHER, LOCK	8
58	----	CAPSCREW	4
59	----	WASHER, LOCK	3
60	----	CAPSCREW	4
61	----	CAPSCREW	6
62	12146	PLUG, EXPANSION	A/R
63	13028	ROLLPIN	A/R
64	11398	SCREW, ADJUSTING	1
65	88005	SHOE ASSEMBLY DRAG BRAKE	1
68	18002	SHOE ASSEMBLY DRAG BRAKE	1
72	11426	DISC, FRICTION	2
73	11791	NUT, JAM	1
75	12767	PLUG, EXPANSION	A/R
76	----	CAPSCREW	2
77	----	SAE PLATE-AMU7-16F (NOT SHOWN)	1
78	----	PLATE, WARNING (NOT SHOWN)	1
79	----	SCREW, DRIVE (NOT SHOWN)	4
80	139478	SCREW, SET	1
90	----	INSERT THREAD	8
91	----	LOCKWASHER	1
92	----	CAPSCREW (NOT SHOWN)	5
93	23144	ADAPTER - MOTOR	1
94	23081	COUPLING HALF-WINCH	1
95	----	COUPLING HALF-MOTOR	1
96	23078	SPACER - CONSTANT	1
97	13424	ROLLER, CHAIN	1
98	----	CAPSCREW	4
99	----	CAPSCREW (NOT SHOWN)	4
100	----	LOCKWASHER	4
101	----	LOCKWASHER (NOT SHOWN)	4
102	----	SPACER - VARIABLE	2
103	----	CAPSCREW	4
104	----	SPRING - SPACER	1
105	----	HYD. MOTOR ADAPTER KIT, 20,000# WINCH	1
		<b>(ITEMS 106-117)</b>	
106	23144	ADAPTER, MOTOR	1
107	23081	COUPLING HALF, WINCH	1
108	110448	COUPLING HALF, MOTOR	1
109	23078	SPACER, CONSTANT	1
110	13424	CHAIN ROLLER	1
111	----	CAPSCREW	4
112	----	CAPSCREW	4
113	----	LOCKWASHER	4
114	----	LOCKWASHER	4
115	110451	SPACER	1
116	----	CAPSCREW	4
117	110452	SPRING SPACER	1

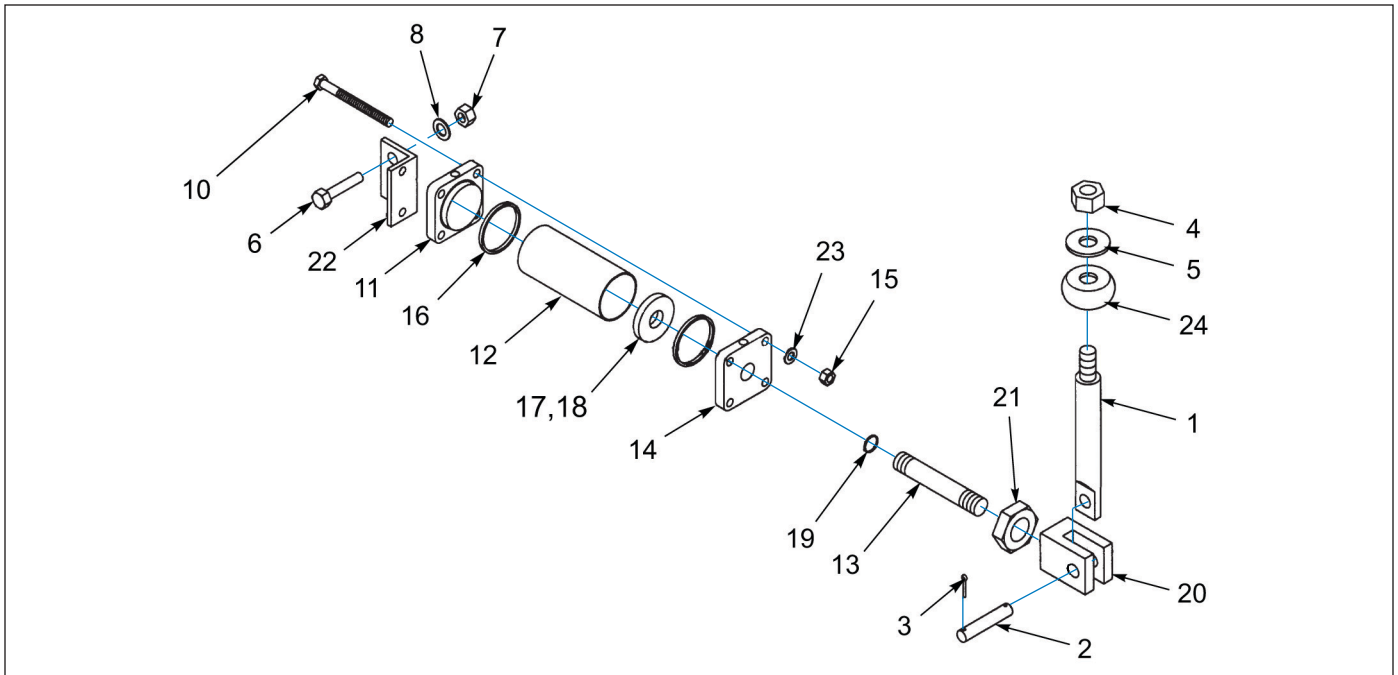


Figure 1-50: Winch - Air Shift Cylinder

### Winch - Air Shift Cylinder

ITEM	PART NO.	DESCRIPTION	QTY.
	107368	CYLINDER, AIR W/ BRACKET <b>(ITEMS 2, 3 &amp; 6-23)</b>	
1	107369	LEVER WINCH FREE SPOOL	1
2	-----	PIN	1
3	-----	COTTER PIN	1
4	1-512-010007-05	NUT, HEX 1/4-20 GRB	1
5	1-861-010034-09	WASHER, SPLIT LOCK 1/4	1
6	1-654-010055-01	SCREW, HEX HEAD CAP 1/2-13 X 1 GR5	2
7	1-512-010005-09	NUT, HEX LOCK 1/2-13 GRB	2
8	1-861-010032-14	WASHER, FLAT 1/2	2
9	C2001	CYLINDER <b>(ITEMS 10-23)</b>	1
10	-----	CAPSCREW	4
11	-----	REAR COVER PLATE	1
12	-----	TUBE	1
13	-----	PISTON ROD	1
14	-----	FRONT COVER PLATE	1
15	-----	NUT	4
16	-----	BACK-UP-RING	2
17	-----	O-RING	1
18	-----	PISTON	1
19	-----	O-RING	1
20	1974	CLEVIS	1
21	-----	NUT	1
22	2389	BRACKET	1
23	-----	LOCKWASHER	4
24	3-150-010186	BUSHING WINCH REMOTE LEVER	1
	-----	O-RING KIT FOR CYLINDER	

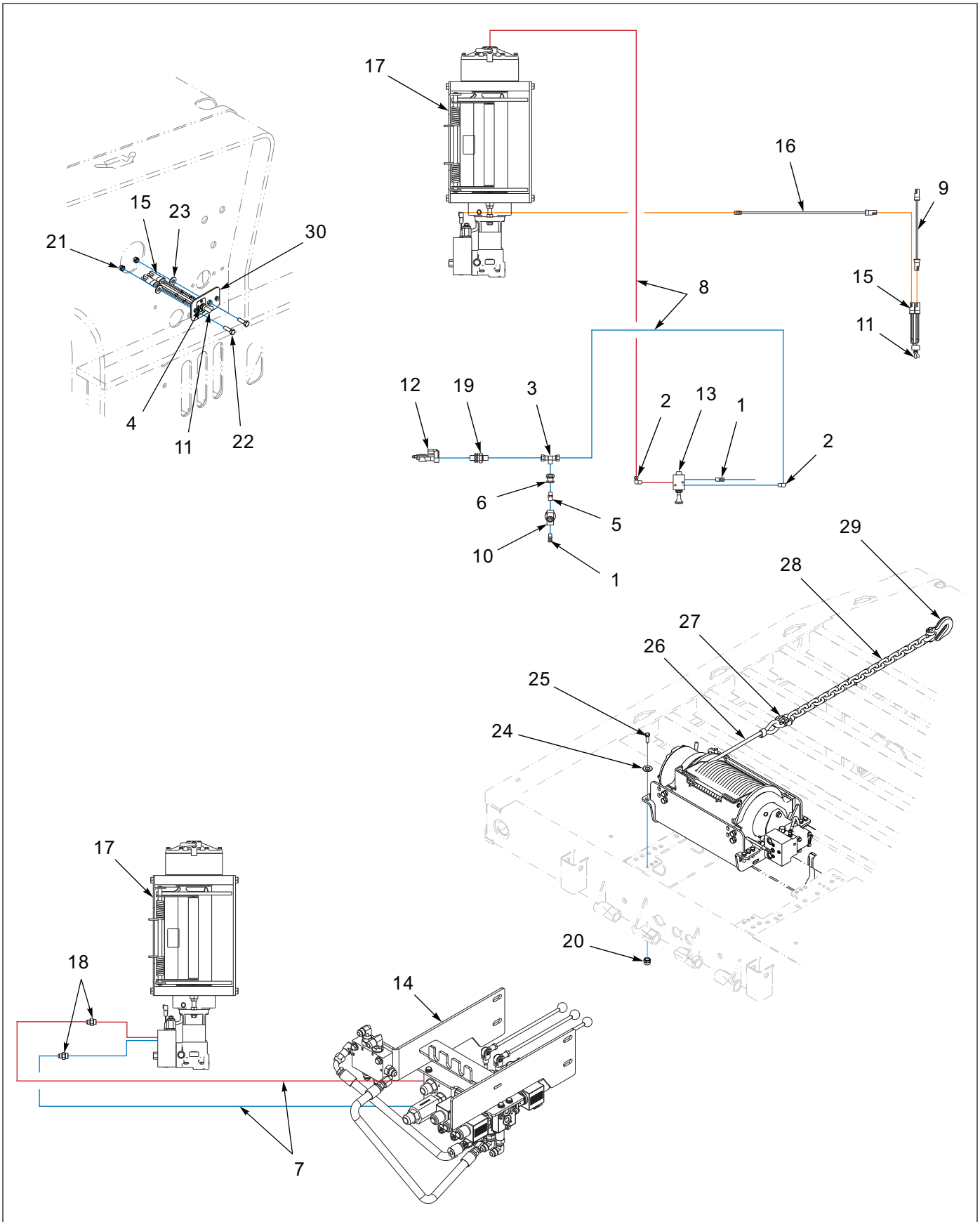


Figure 1-51: 30K 2 Speed (Warn)

### 30K 2 Speed (Warn)

ITEM	PART NO.	DESCRIPTION	QTY.
	208688	WINCH INSTL 30K WARN 317/318	*
1	1-297-010007-05	FITTING, AIR, 1/4TUBEX1/4NPT	2
2	1-297-010008-07	FITTING AIR 90 1/4TUBEX1/4NPT	2
3	1-297-010015-10	FITTING,AIR,BR TEE 1/2T-3/8P	1
4	174043	DECAL, WINCH, HI/LO	1
5	1-297-010019-05	FITTING,BRS PIPE,HX 3/8X1/4	1
6	1-297-010022-03	FITTING,AIR ANCHR CPLG, 3/8NPT	1
7	1-397-010302240	HOSE ASSY 1/2 SAE37 STR90 240	2
8	1-833-010001	TUBING NYLON 1/4 OD	47
9	3-368-010252	HARNESS ASSY BKHD LIGHT EXT	3
10	905-54-107	BRAKE PROTECTION VALVE	1
11	81264	RUBBER BOOT FOR ELECT SWITCH	1
12	108801	GLAD HAND-RED-AIR	REF
13	134657	VALVE AIR 3WAY/2POS 1/4NPT	1
14	139525	VALVE ASSY 3-SPOOL 400	REF
15	150117	SWITCH ASSY LIGHT GROTE	1
16	164053	HARNESS,102"BRANCH,WORK LIGHT	1
17	174552	WINCH ASSY WARN 30K	REF
18	202702-10-8S	ADAPTER, #10 O-RING #8 TUBE	2
19	55B61	FRAME UNION	REF
20	1-512-010002-09	NUT,HEX SLFLKG,1/2-13,GR C,ZP	12
21	1-512-010005-03	NUT HEX SLFLKG GRB 5/16-18	2
22	1-654-010049-05	SCREW HX CP 5/16-18UNCX1 GR5	2
23	1-861-010032-09	WASHER, FLAT 5/16 W ZP/CD	2
24	1-861-010032-14	WASHER, FLAT 1/2" N ZP/CD	12
25	108439	SCREW HX CP 1/2-13UNCX1-1/2G8	12
26	132833	CABLE ASSY 5/8X85FLEX-X9	REF
27	3-174-010059	CHAIN LINK CONNECTING 5/8	1
28	3-174-010060036	CHAIN, 5/8 X 36 GRADE 80	1
29	1-382-010035-06	HOOK,CLEVIS GRAB 5/8 GRD80	1
30	137987	MOUNT ELECTRIC SWITCH 410	1



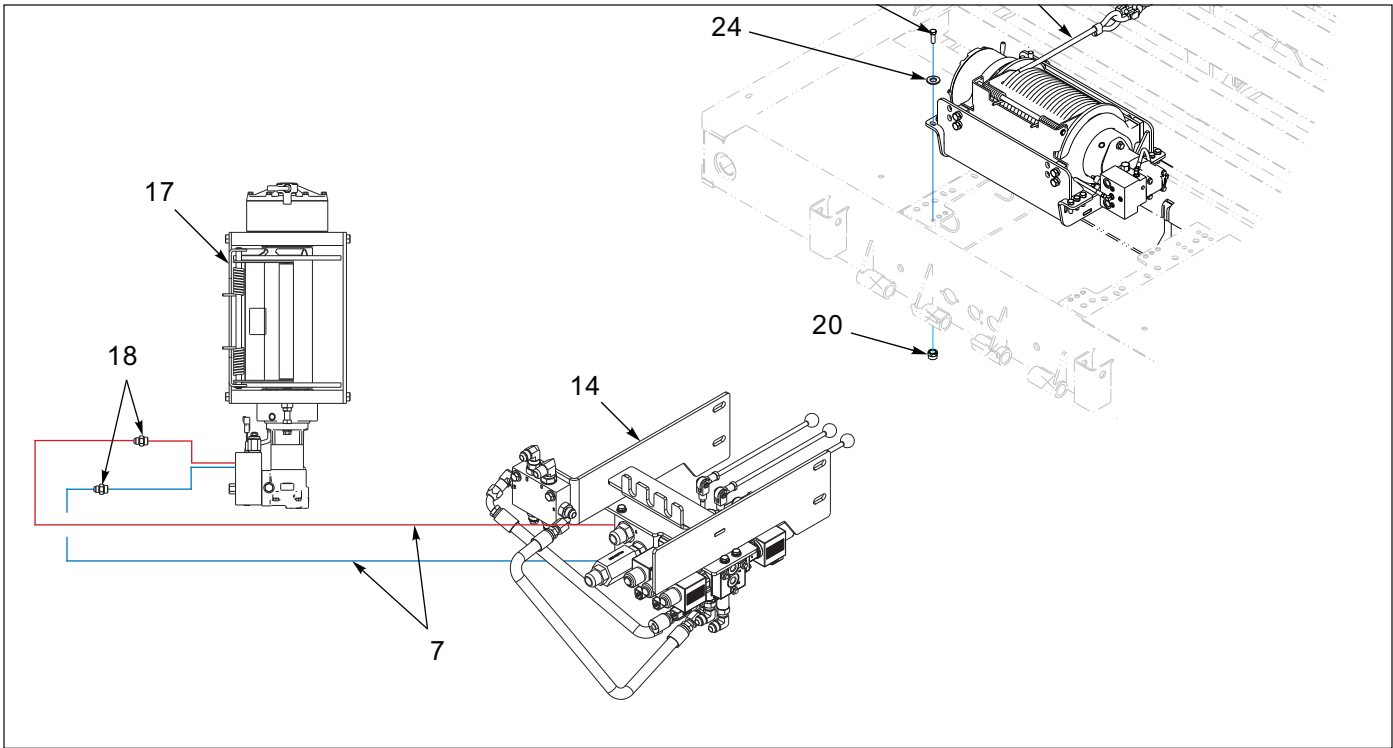


Figure 1-52: Winch Items - 30K 2 Speed (Warn)

### Winch Items - 30K 2 Speed (Warn)

ITEM	PART NO.	DESCRIPTION	QTY.
	172877	WINCH, 30K WARN AIR KICKOUT	
1	178714	SERVICE KIT - MOTOR HYDRAULIC 14.9CI	1
2	178715	SERVICE KIT - MANIFOLD HYDRAULIC	1
3	162207	SERVICE KIT - BRAKE ASSEMBLY	1
4	178716	SERVICE KIT - DRUM SUPPORT, MOTOR END RETARDER	1
5	162210	SERVICE KIT - DRUM SUPPORT, GEAR END	1
6	162211	SERVICE KIT - DRIVE SHAFT, LONG	1
7	162941	SERVICE KIT - END HSG ASSY AIR	1
8	162215	SERVICE KIT - RING GEAR	1
9	162216	SERVICE KIT - TENSIONER LONG	1
10	162217	SERVICE KIT - HARDWARE SEAL	1
11	162218	SERVICE KIT - HOSE HYDRAULIC	1
12	162219	SERVICE KIT - TIE PLATE LONG	1
13	162942	SERVICE KIT - DRUM ASSEMBLY 30K LONG	1
14	162943	SERVICE KIT - CARRIER, STAGE 2 6.0-6.0	1
15	162944	SERVICE KIT - CARRIER, STAGE 1 6.0-6.0	1
16	178717	SERVICE KIT - EXPANSION PLUG 1" RUBBER	1
17	162945	WIRE ROPE ASSEMBLY 5/8 EIPS X 245 FT <b>(NOT SHOWN)</b>	1
18	199104	SOLENOID FOR 2SP WARN, 20K-30K	1
19	201642	SOLENOID COIL	1
20	201643	OVERCENTER VALVE	1
21	201644	O-RING	2
22	201645	O-RING	2
23	201650	SET SCREW	2

# Landing Gear

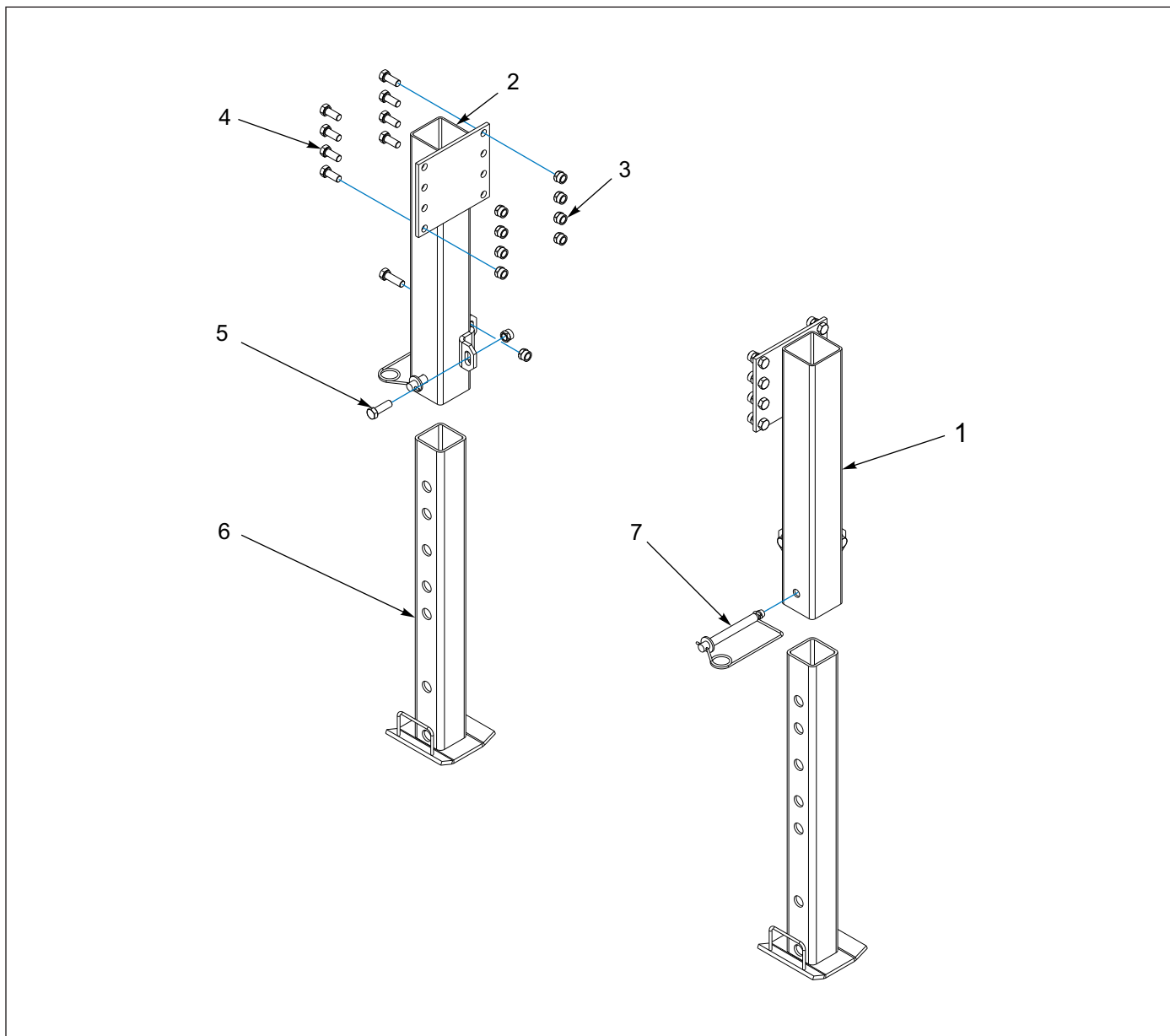


Figure 1-53: Landing Gear Installation - Bolt-On Park Stand

## Landing Gear Installation - Bolt On Park Stand

ITEM	PART NO.	DESCRIPTION	QTY.
	104243	PARK STAND INSTALLATION, BOLT-ON	
1	112678	PARK STAND WELDMENT, LH FRONT PIN	1
2	112679	PARK STAND WELDMENT, RH FRONT PIN	1
3	1-512-010005-13	NUT, HEX LOCK 5/8-11 GRB	20
4	1-654-010059-03	SCREW, HEX HEAD CAP 5/8-11 X 1-1/2 GR5	16
5	1-654-010059-05	SCREW, HEX HEAD CAP 5/8-11 X 2 GR5	4
6	3-725-010058	STAND, PARK INSIDE WELDMENT	2
7	346SL	LOCK HITCH PIN	2

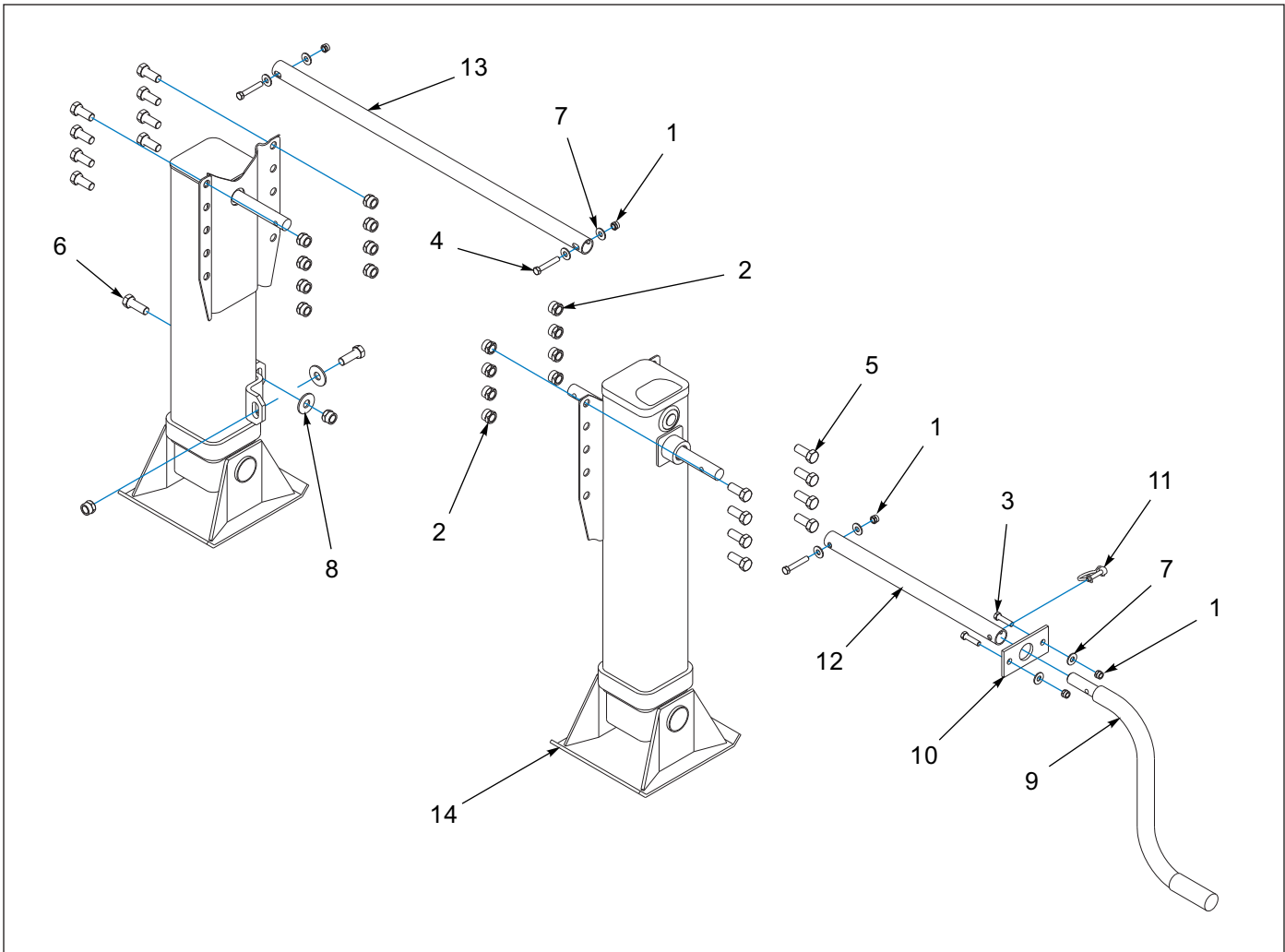


Figure 1-54: Landing Gear Installation - Jost 317

## Landing Gear Installation - Jost 317

ITEM	PART NO.	DESCRIPTION	QTY.
	112567	LANDING GEAR INSTL JOST 317	
1	1-512-010005-05	NUT, HEX, SLFLKG GRB 3/8-16	
2	1-512-010005-13	NUT,HEX SLFLKG GRB 5/8-11	
3	1-654-010051-07	SCREW,HEX CAP,3/8-16UNCX1-1/2	
4	1-654-010051-10	SCREW,HX CP3/8-16X2-1/4 GR5	
5	1-654-010059-03	SCREW 5/8-11UNCX1-1/2 HXCP G5	
6	1-654-010059-04	SCREW,HEX CAP 5/8-11X1-3/4 G5	
7	1-861-010032-11	WASHER, FLAT 3/8 W ZP/CD	
8	1-861-010032-19	WASHER, FLAT 5/8 W ZP/CD	
9	109161	HANDLE WLDMT CRANK MOD	
10	111695	GUIDE,HANDLE,JUST GEAR,660	
11	111859	PIN, 5/16X1-1/2,RD LOCKING	
12	113877	TUBE,RD,EXTENSION 317	
13	113878	CROSS-SHAFT LANDING GEAR 317	
14	194880	LANDING GEAR WLDMT 2SP 317	



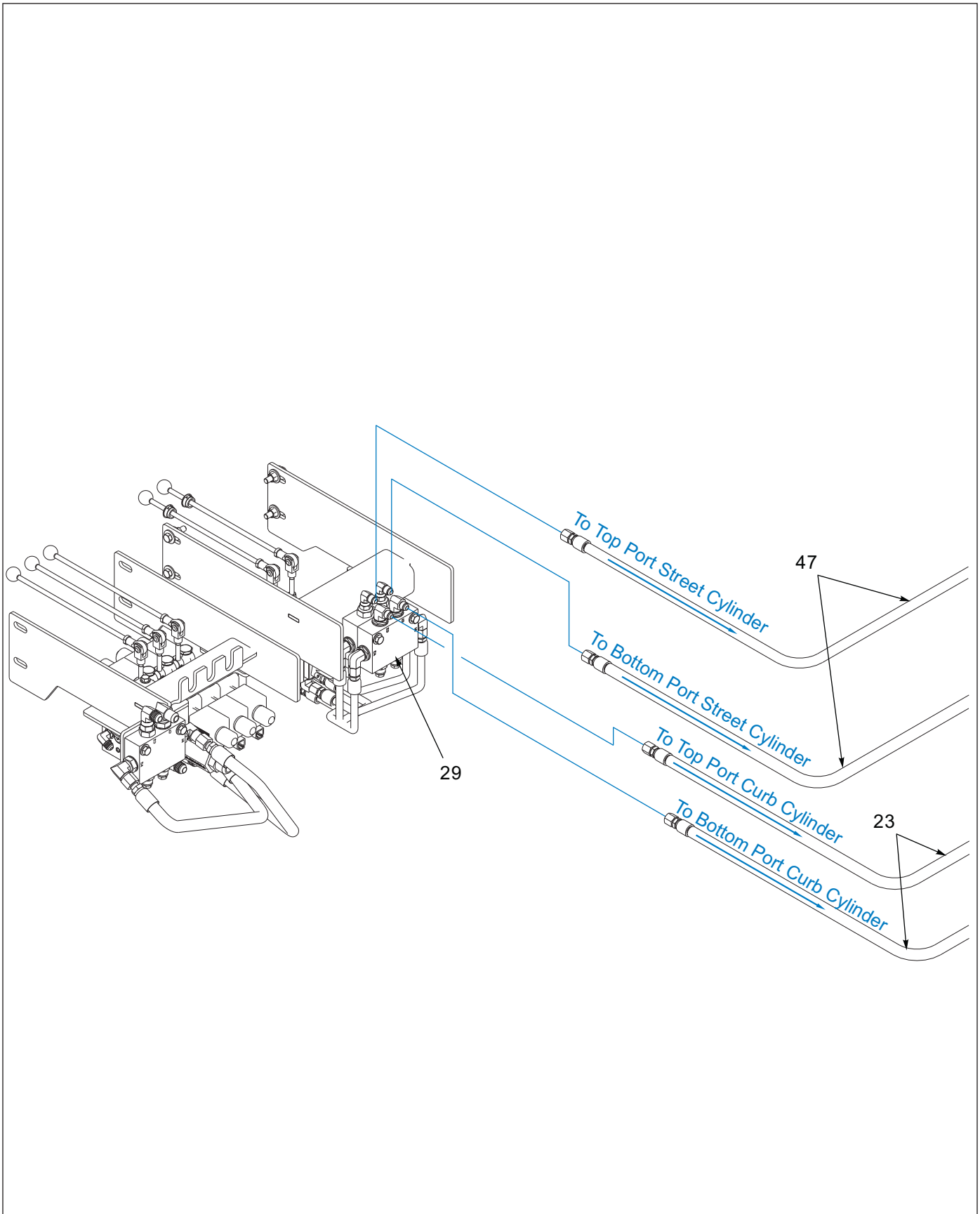


Figure 1-55: Hydraulic Landing Gear (1 of 5)

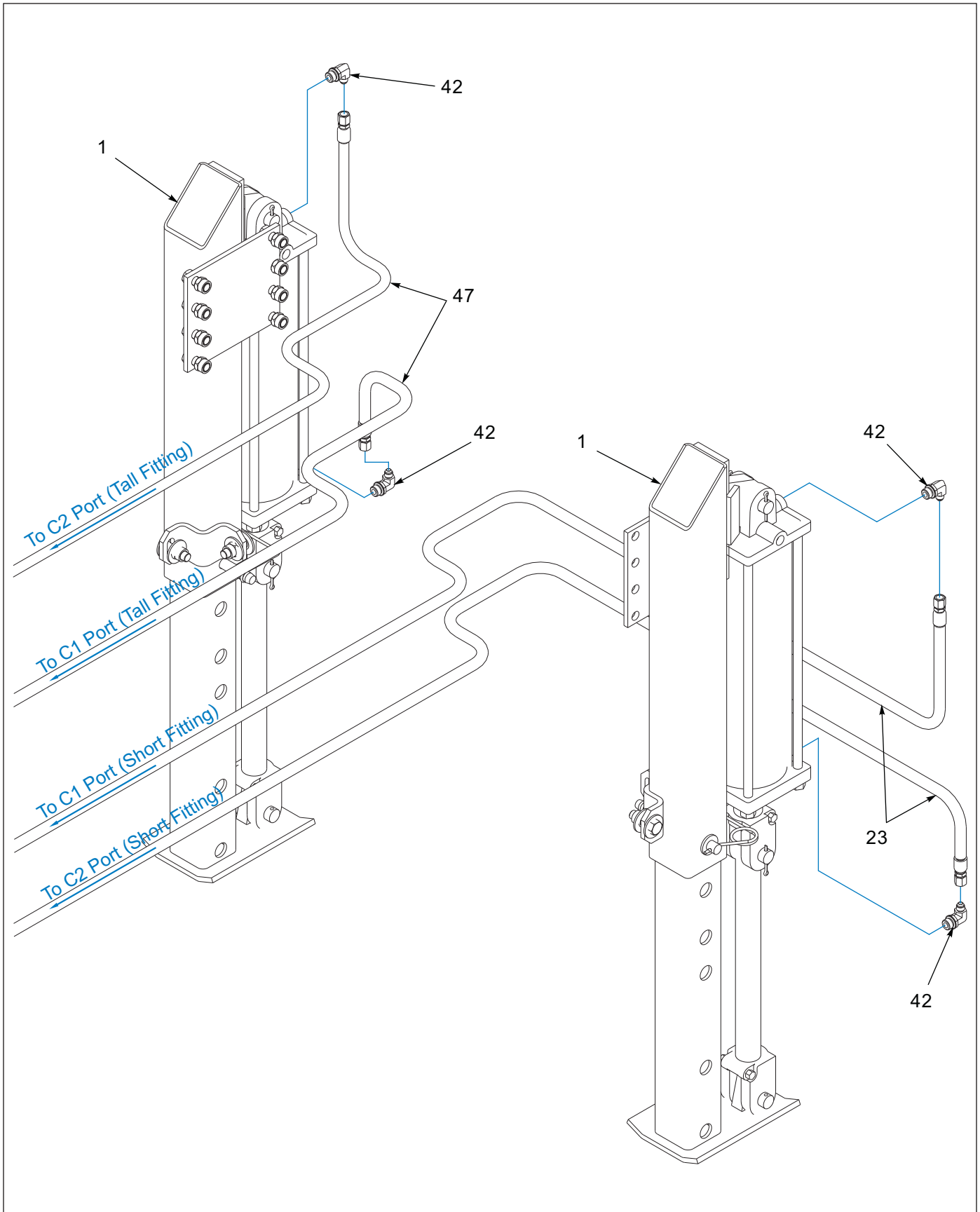


Figure 1-56: Hydraulic Landing Gear (2 of 5)

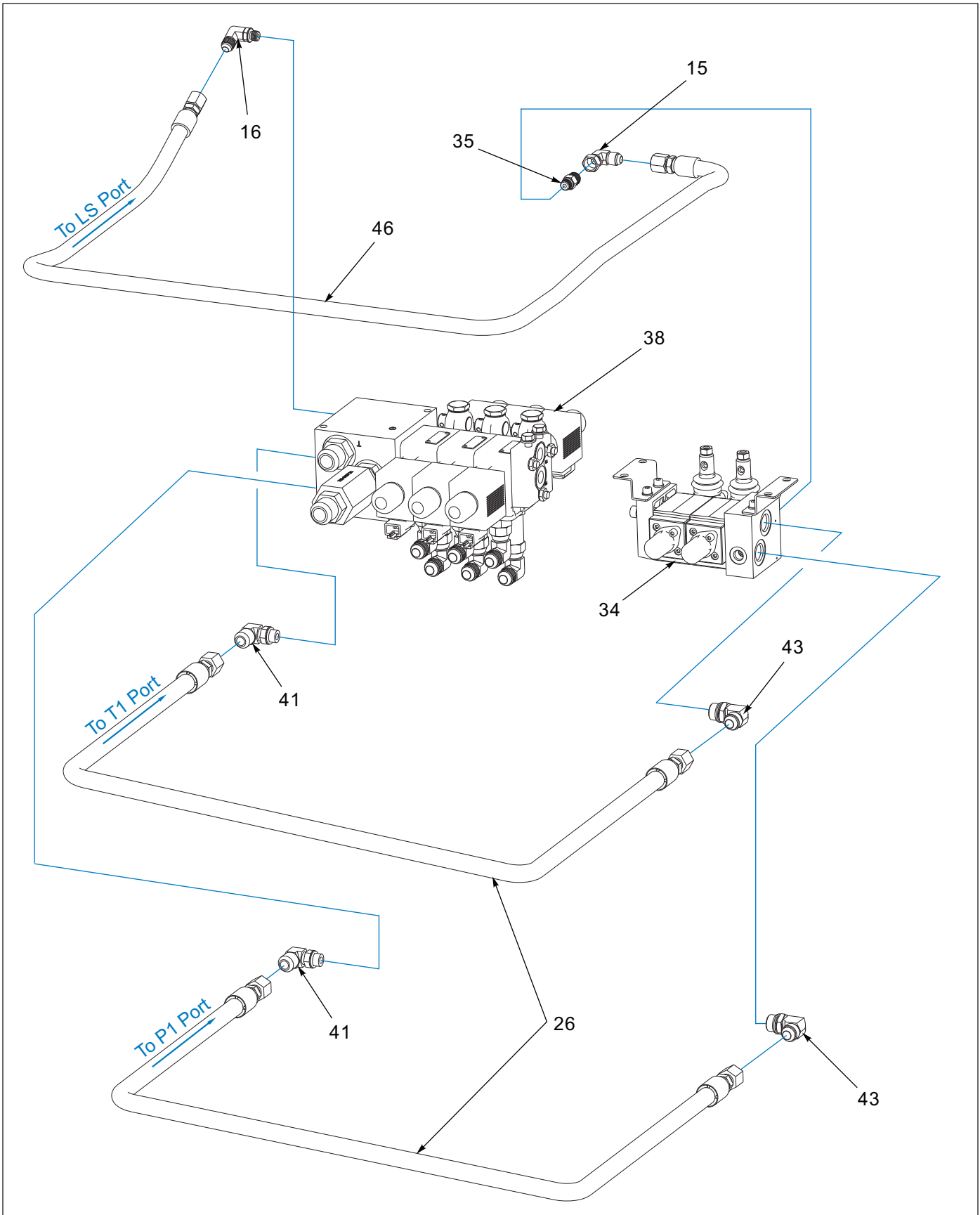


Figure 1-57: Hydraulic Landing Gear (3 of 5)

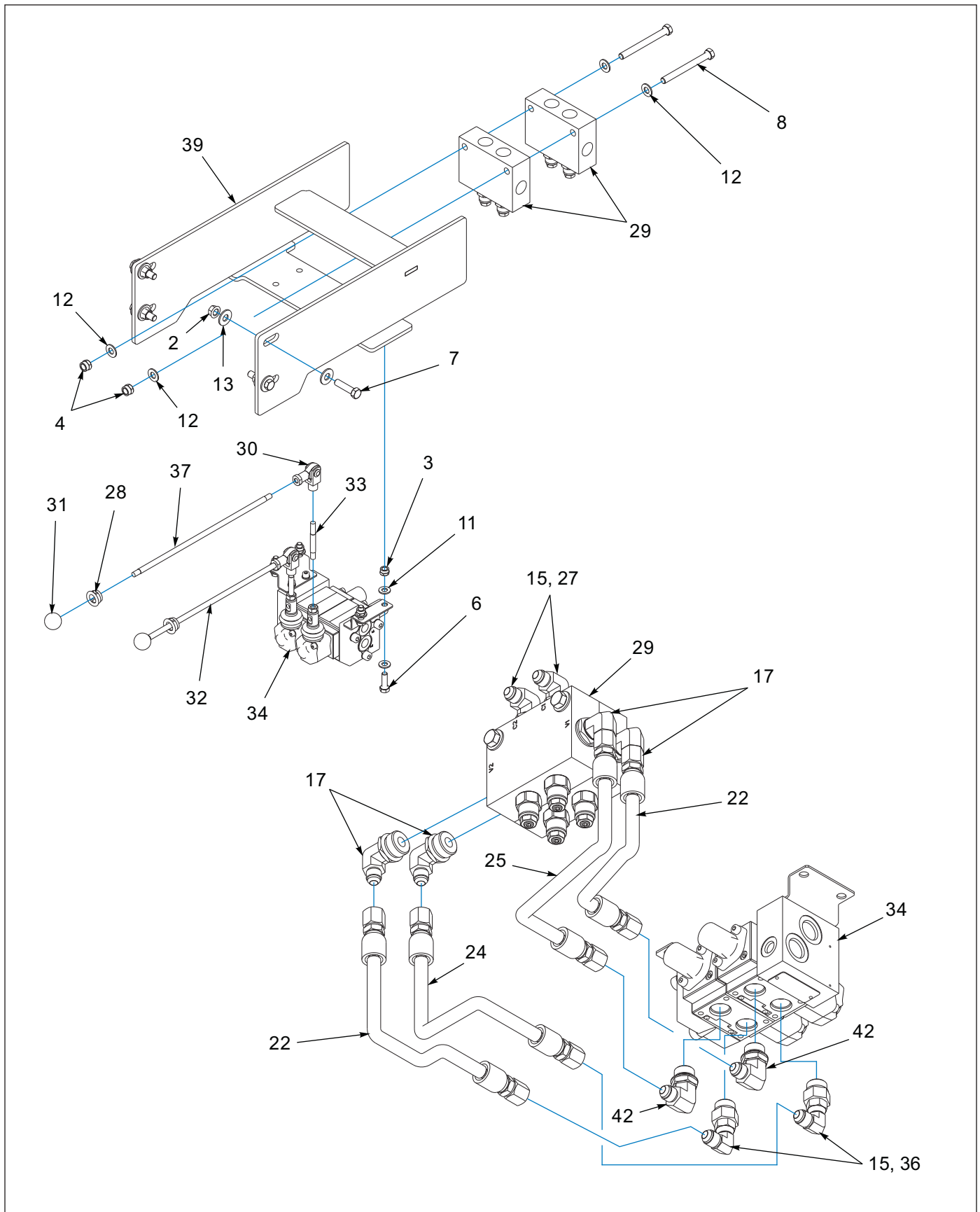


Figure 1-58: Hydraulic Landing Gear (4 of 5)



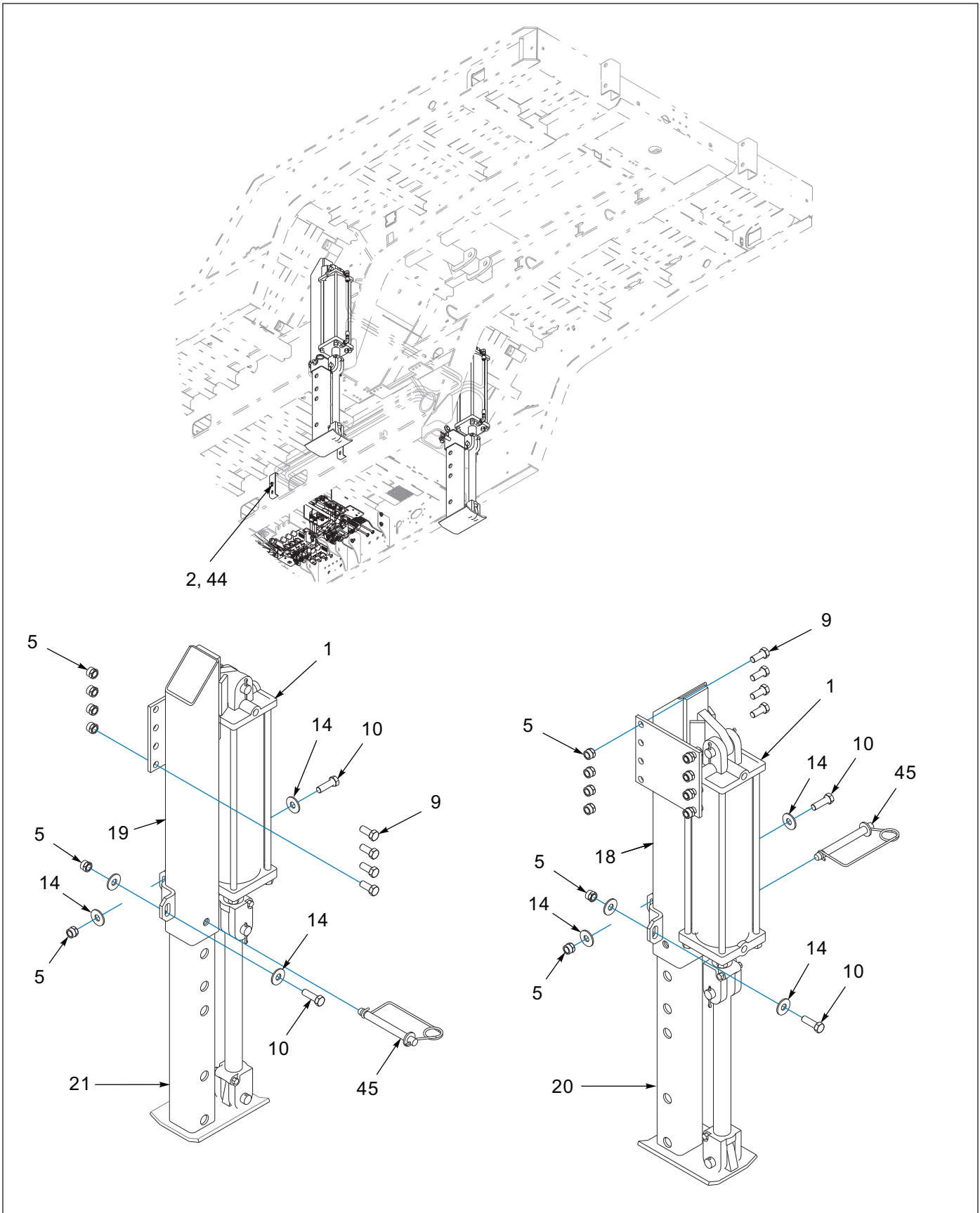


Figure 1-59: Hydraulic Landing Gear (5 of 5)

## Hydraulic Landing Gear

ITEM	PART NO.	DESCRIPTION	QTY.
	205074	PARK STAND INSTL, HYD	
1	1-242-010180-2	CYLINDER, HYD 3-1/2X20 3000PSI	2
2	1-510-010001	NUT, 3/8-16 UNC FLANGE LOCK	6
3	1-512-010005-03	NUT HEX SLFLKG GRB 5/16-18	4
4	1-512-010005-05	NUT, HEX, SLFLKG GRB 3/8-16	2
5	1-512-010005-13	NUT, HEX SLFLKG GRB 5/8-11	20
6	1-654-010049-05	SCREW HX CP 5/16-18UNCX1 GR5	4
7	1-654-010051-07	SCREW, HEX CAP, 3/8-16UNCX1-1/2	4
8	1-654-010051-16	SCREW HX CP 3/8-16UNCX3-3/4G5	2
9	1-654-010059-03	SCREW 5/8-11UNCX1-1/2 HXCP G5	16
10	1-654-010059-05	SCREW, HEX CAP, 5/8-11UNCX2 GR5	4
11	1-861-010032-08	WASHER, FLAT 5/16 N ZP	8
12	1-861-010032-10	WASHER, FLAT 3/8" N ZP/CD	4
13	1-861-010032-11	WASHER, FLAT 3/8 W ZP/CD	8
14	1-861-010032-19	WASHER, FLAT 5/8 W ZP/CD	8
15	102-0031	ADAPTER, 90 JIC SWIVEL #6	5
16	102-1238	ADAPTER, 90-#4 O-RING/#6 JIC	1
17	102-1333	FTG, 90EL 06SAEM X 10 O'RINGM	6
18	104239	PARK STAND WLDT, HYD LH BOLTON	1
19	104240	PARK STAND WLDT, HYD RH BOLTON	1
20	104241	PARK STAND WLDMT, HYD LH LEG	1
21	104242	PARK STAND WLDMT, HYD RH LEG	1
22	113356	HOSE ASSY, 3/8X13, SAE37, STRSTR	2
23	116488	HOSE ASSY 3/8X136SAE37, STR-STR	2
24	130644	HOSE ASSY 3/8X16, 9/16JIC ST	1
25	1406053	HOSE ASSY 3/8X17SAE37 STR-STR	1
26	1417038	HOSE ASSY 1/2X62.63 SAE37 STR	2
27	146707	ADAPTER, #10 O-RING #6 TUBE	2
28	178444	BUSHING NYLON INSERT 9/16ID	2
29	184585	VALVE, DUAL COUNTER BALANCE, 30G	2
30	186875	CLEVIS JOINT, ROD ENDS M8.1.25	REF
31	186877	KNOB BLACK 1" ROUND, M8X1.25 THD	REF
32	191850	HANDLE, BLACK, 12", M8-125 THREAD	REF
33	186902	STUD M8X1.25X65MM, DBL THD	REF
34	189260	VALVE, 2 SPOOL, MOTOR, MANUAL	1
35	202702-4-6S	ADAPTER, #4 O-RING TO #6 JIC	1
36	202702-8-6S	ADAPTER #8 O-RING TO #6 TUBE	2
37	186878	ROD HANDLE, M8X1.25 ENDS	REF
38	205001	VALVE ASSY, 317E	REF
39	205002	MOUNT WLDMT AUX CONTROL VALVE	1
40	205007	PLACARD CONTROL PANEL 317E	REF
41	2062-6-8S	ADAPTER 90" 562 O-RING-.75JIC	2
42	2062-8-6S	ELBOW, 90, #8 SAE X #6 JIC	6
43	2062-8-8S	ADAPTER, 90, #8 O-RING-TUBE	2
44	3-181-010006	HOSE CLAMP 350	2
45	346SL	LOCK HITCH PIN	2
46	51031-14	HOSE ASSY 3/8X70 SAE37 STR	1
47	51031-19	HOSE ASSY 3/8X102-7/8SAE37STR	2

# Dock Levelers

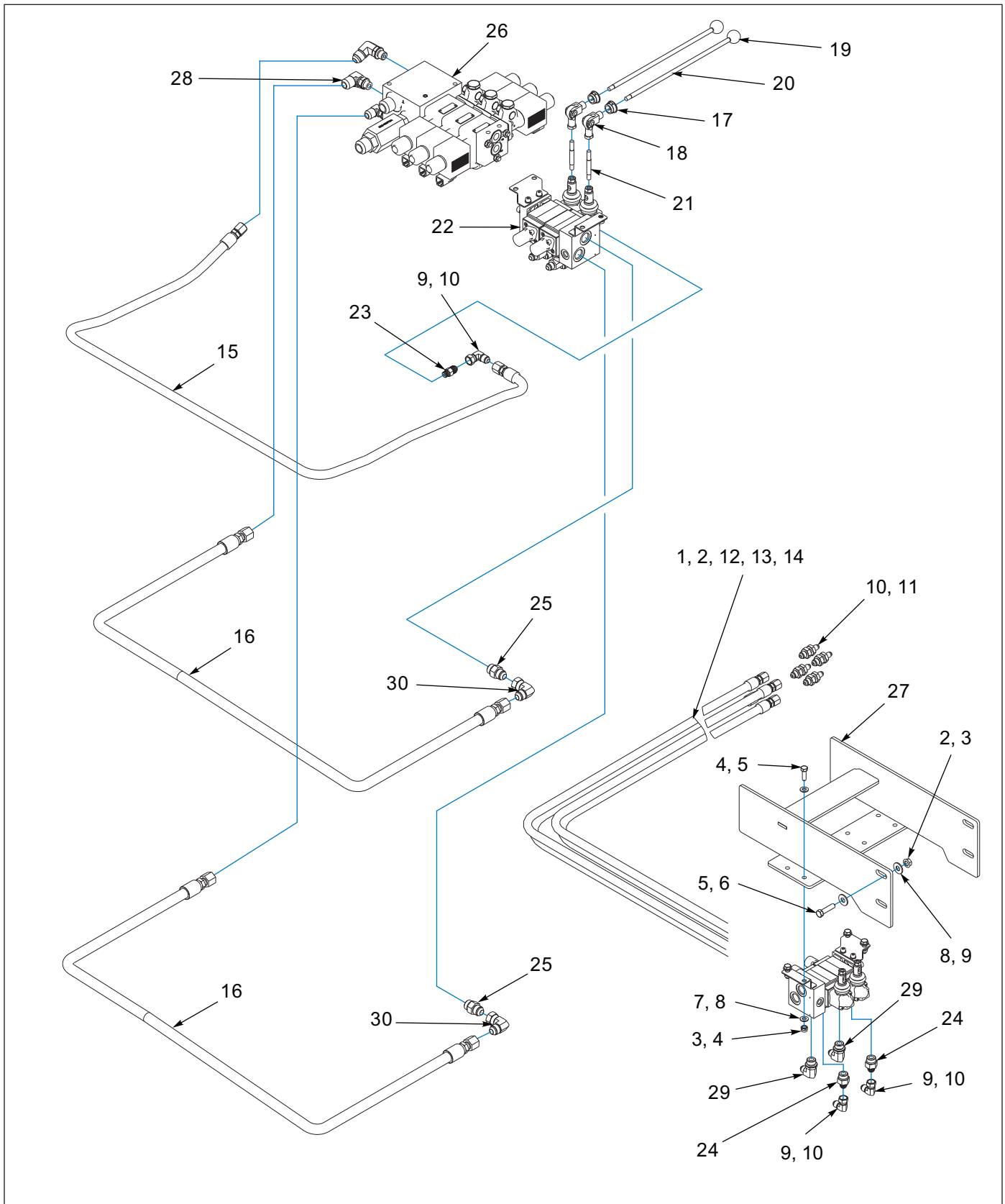


Figure 1-60: Dock Level Installation 317E/318E

## Dock Level Installation - 317E

ITEM	PART NO.	DESCRIPTION	QTY.			
	205720	HYD D/L 317E-48-102	*			
	205721	HYD D/L 317E-50CA-102		*		
	205722	HYD D/L 317E-53-102			*	
	205723	HYD D/L 317E-50STD-102				*
1	1-397-010307234	HOSE ASSY,3/8X234,SAE37,STR	4	--	--	--
2	1-397-010307296	HOSE 3/8X296 SAE37,STR-STR	--	--	4	--
3	1-510-010001	NUT, 3/8-16 UNC FLANGE LOCK	4	4	4	4
4	1-512-010005-03	NUT HEX SLFLKG GRB 5/16-18	4	4	4	4
5	1-654-010049-05	SCREW HX CP 5/16-18UNCX1 GR5	4	4	4	4
6	1-654-010051-07	SCREW,HEX CAP,3/8-16UNCX1-1/2	4	4	4	4
7	1-796-010003-02	TIE, STRAP, PLASTIC .18X14.0	14	14	14	14
8	1-861-010032-08	WASHER,FLAT 5/16 N ZP	8	8	8	8
9	1-861-010032-11	WASHER, FLAT 3/8 W ZP/CD	8	8	8	8
10	102-0031	ADAPTER,90 JIC SWIVEL #6	3	3	3	3
11	102-1097	37 FLARE BULKHEAD/37 FLARE	4	4	4	4
12	102-1238	ADAPTER,90-#4 O-RING/#6 JIC	1	1	1	1
13	119652	HOSE ASSY 3/8X265 SAE37, STR	--	--	--	4
14	142732	HOSE ASSY,3/8X240,SAE37,STR	--	4	--	--
15	142736	HOSE ASSY,3/8X77, SAE37,STR	1	1	1	1
16	168521	HOSE ASSY 1/2X67 SAE37 STR-STR	2	2	2	2
17	178444	BUSHING NYLON INSERT 9/16ID	2	2	2	2
18	186875	CLEVIS JOINT,ROD ENDS M8.1.25	2	2	2	2
19	186877	KNOB BLACK 1" ROUND M8X1.25THD	REF	REF	REF	REF
20	191850	HANDLE,BLACK,12",M8-125 THREAD	REF	REF	REF	REF
21	186902	STUD M8X1.25X65MM,DBL THD	REF	REF	REF	REF
22	189260	VALVE, 2 SPOOL, MOTOR, MANUAL	1	1	1	1
23	202702-4-6S	ADAPTER, #4 O-RING TO #6 JIC	1	1	1	1
24	202702-8-6S	ADAPTER #8 O-RING TO #6 TUBE	2	2	2	2
25	202702-8-8S	ADAPTER #8 O-RING TO #8 TUBE	2	2	2	2
26	205001	VALVE ASSY, 317E	REF	REF	REF	REF
27	205002	MOUNT WLDMT AUX CONTROL VALVE	1	1	1	1
28	2062-6-8S	ADAPTER 90" 562 O-RING-.75JIC	2	2	2	2
29	2062-8-6S	ELBOW,90,#8 SAE X #6 JIC	2	2	2	2
30	2071-8-8S	ADAPTER90 #8 FLR SWIVEL #8JIC	2	2	2	2
31	3-201-010002	CONDUIT 3/8 PLASTIC FLEX	3	3	3	3

## Dock Level Installation - 318E

ITEM	PART NO.	DESCRIPTION	QTY.			
	205724	HYD D/L 318E-48-102	*			
	205725	HYD D/L 318E-50CA-102		*		
	205726	HYD D/L 318E-53-102			*	
	205727	HYD D/L 318E-50STD-102				*
1	1-397-010307270	HOSE ASSY,3/8X270,SAE37,STR	4	--	--	--
2	1-510-010001	NUT, 3/8-16 UNC FLANGE LOCK	4	4	4	4
3	1-512-010005-03	NUT HEX SLFLKG GRB 5/16-18	4	4	4	4
4	1-654-010049-05	SCREW HX CP 5/16-18UNCX1 GR5	4	4	4	4
5	1-654-010051-07	SCREW,HEX CAP,3/8-16UNCX1-1/2	4	4	4	4
6	1-796-010003-02	TIE, STRAP, PLASTIC .18X14.0	14	14	14	14
7	1-861-010032-08	WASHER,FLAT 5/16 N ZP	8	8	8	8
8	1-861-010032-11	WASHER, FLAT 3/8 W ZP/CD	8	8	8	8
9	102-0031	ADAPTER,90 JIC SWIVEL #6	3	3	3	3
10	102-1097	37 FLARE BULKHEAD/37 FLARE	4	4	4	4
11	102-1238	ADAPTER,90-#4 O-RING/#6 JIC	1	1	1	1
12	104331	HOSE ASSY,3/8X276,SAE37,STR	--	4	--	--
13	104332	HOSE ASSY,3/8X312,SAE37,STR	--	--	4	--
14	122813	HOSE ASSY 3/8X332,SAE37,STR	--	--	--	4
15	142736	HOSE ASSY,3/8X77, SAE37,STR	1	1	1	1
16	168521	HOSE ASSY 1/2X67 SAE37 STR-STR	2	2	2	2
17	178444	BUSHING NYLON INSERT 9/16ID	2	2	2	2
18	186875	CLEVIS JOINT,ROD ENDS M8.1.25	2	2	2	2
19	186877	KNOB BLACK 1" ROUND M8X1.25THD	REF	REF	REF	REF
20	191850	HANDLE,BLACK,12",M8-125 THREAD	REF	REF	REF	REF
21	186902	STUD M8X1.25X65MM,DBL THD	REF	REF	REF	REF
22	189260	VALVE, 2 SPOOL, MOTOR, MANUAL	1	1	1	1
23	202702-4-6S	ADAPTER, #4 O-RING TO #6 JIC	1	1	1	1
24	202702-8-6S	ADAPTER #8 O-RING TO #6 TUBE	2	2	2	2
25	202702-8-8S	ADAPTER #8 O-RING TO #8 TUBE	2	2	2	2
26	205001	VALVE ASSY, 317E	REF	REF	REF	REF
27	205002	MOUNT WLDMT AUX CONTROL VALVE	1	1	1	1
28	2062-6-8S	ADAPTER 90" 562 O-RING-.75JIC	2	2	2	2
29	2062-8-6S	ELBOW,90,#8 SAE X #6 JIC	2	2	2	2
30	2071-8-8S	ADAPTER90 #8 FLR SWIVEL #8JIC	2	2	2	2
31	3-201-010002	CONDUIT 3/8 PLASTIC FLEX	3	3	3	3



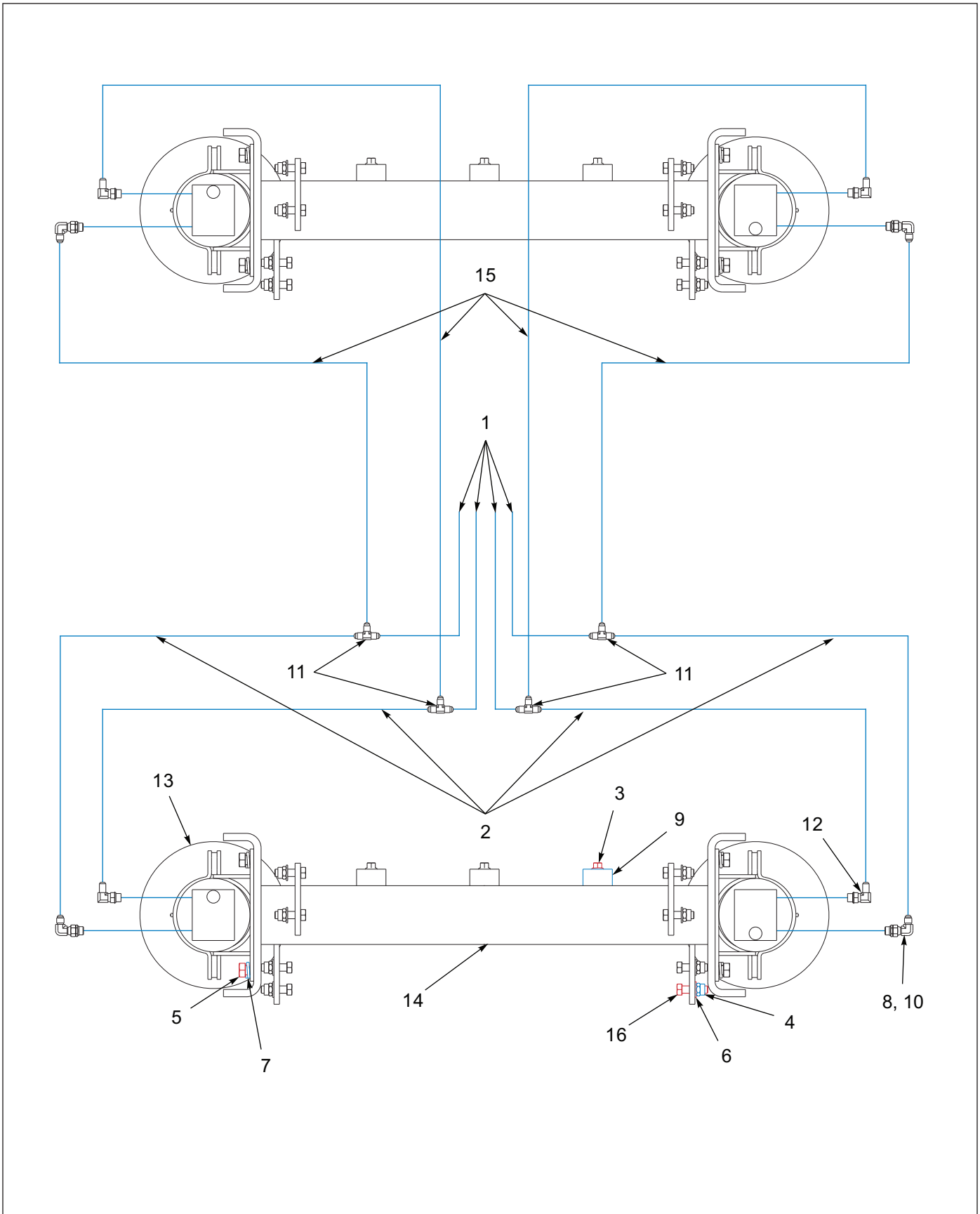


Figure 1-61: Dock Leveler Assembly - 124K

## Dock Leveler Assembly - 124K

ITEM	PART NO.	DESCRIPTION	QTY.
	205728	DOCK LVL ASSY 318E-124K	*
1	1-397-010262-5	HOSE ASSY,1/4 JIC 37 ENDS 220	4
2	1-397-010262048	HOSE ASSY 1/4X48,1/4JIC 37END	4
3	1-510-010001	NUT, 3/8-16 UNC FLANGE LOCK	6
4	1-512-010005-09	NUT,HEX,SLFLKG, 1/2-13 GRB	16
5	1-654-010059-01	SCREW,HX CP,5/8-11UNCX1 GR5	40
6	1-861-010032-14	WASHER, FLAT 1/2" N ZP/CD	16
7	1-861-010034-15	WASHER,LKG,HLCL SPR,5/8	40
8	138155	ADAPTER 90 #4 JIC	4
9	2-181-010001	HOSE CLAMP	6
10	202702-6-4S	ADAPTER,STR,#6 O-RING X #4JIC	4
11	2033-4-4S	ADAPTER TEE JIC #4	4
12	2062-6-4S	ADAPTER, 90, #6SAE X #4 JIC	4
13	3-242-010205	CYLINDER,HYD,DK LVLR, 4X15	4
14	3-482-010472	MOUNT WLDMT,DOCK LEVEL660-60K	2
15	51087-01	HOSE ASSY,1/4X106.75,1/4JIC 37	1
16	B1821BH050C175N	SCREW HX CP1/2-13X1-3/4GR8 ZP	16







# Engine Option

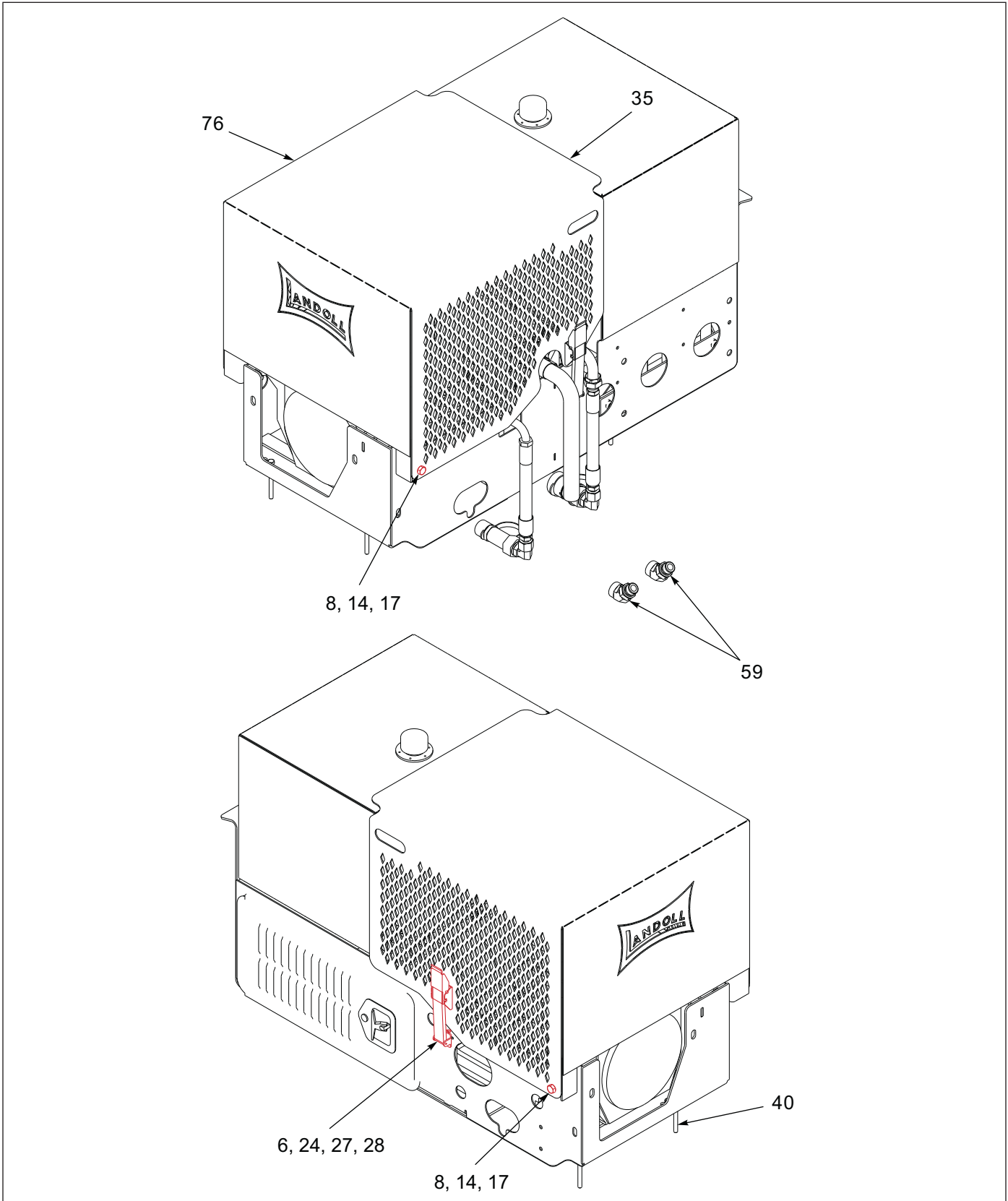


Figure 1-63: Engine - 25 HP EFI (1 of 4)

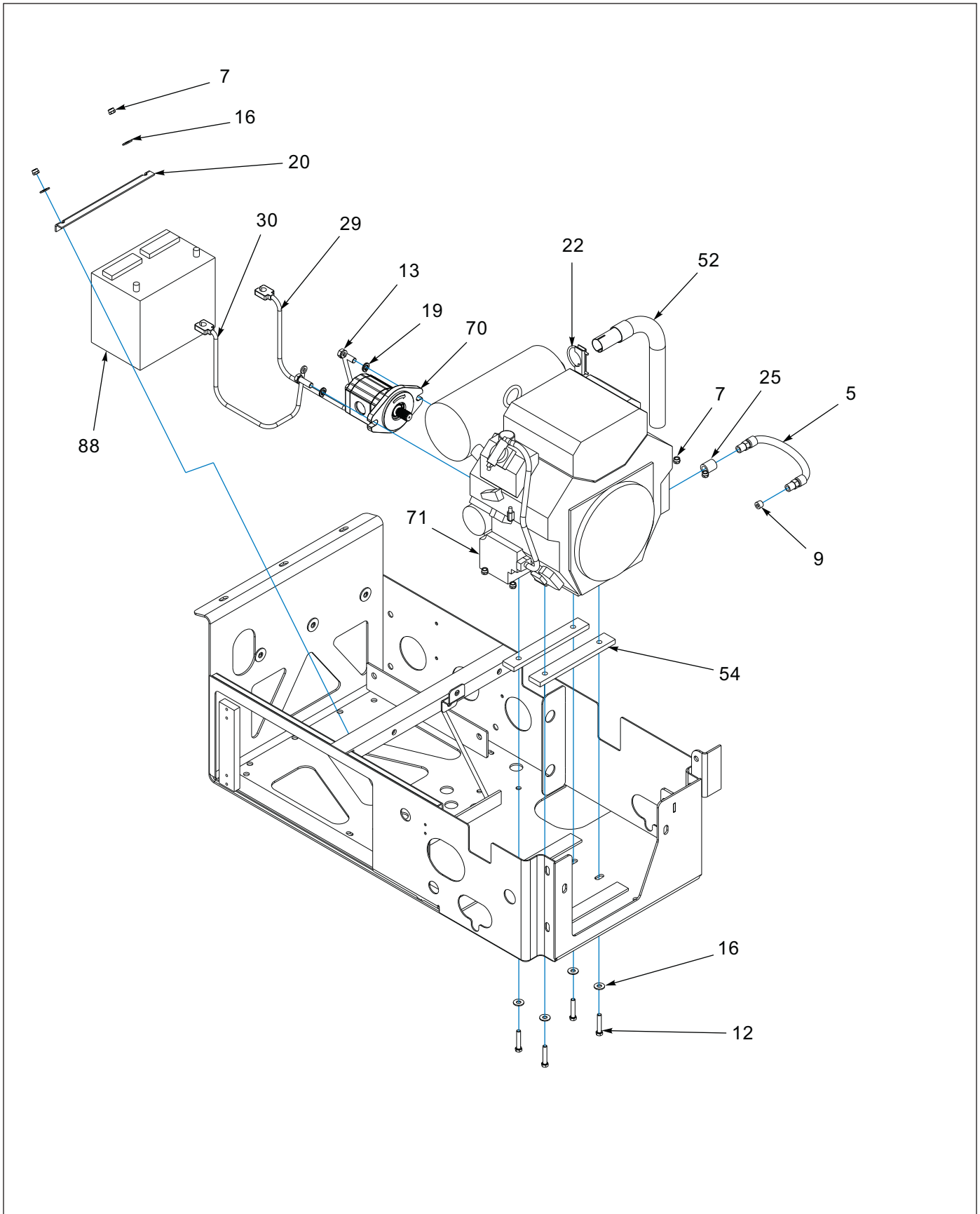


Figure 1-64: Engine - 25 HP EFI (2 of 4)

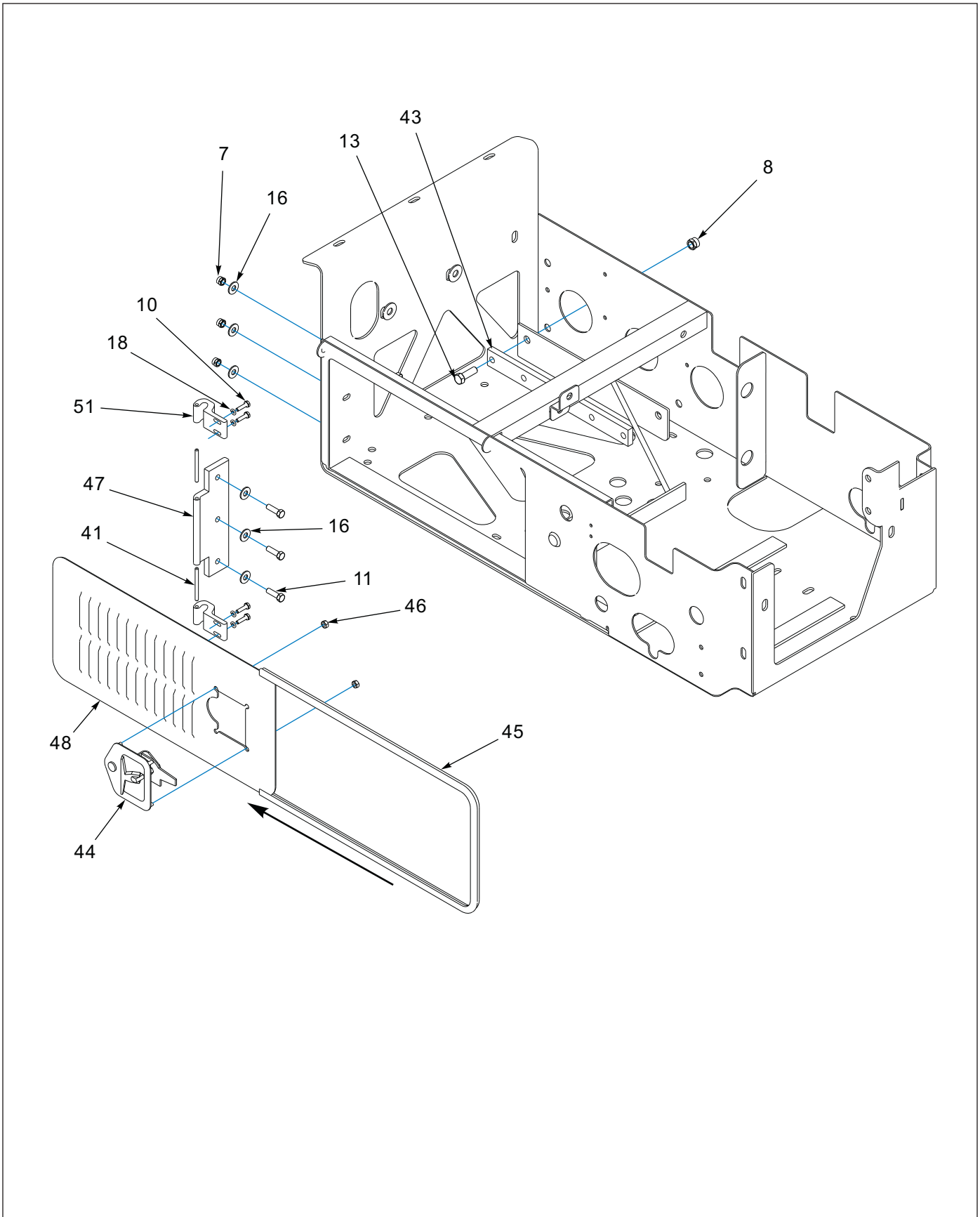


Figure 1-65: Engine - 25 HP EFI (3 of 4)

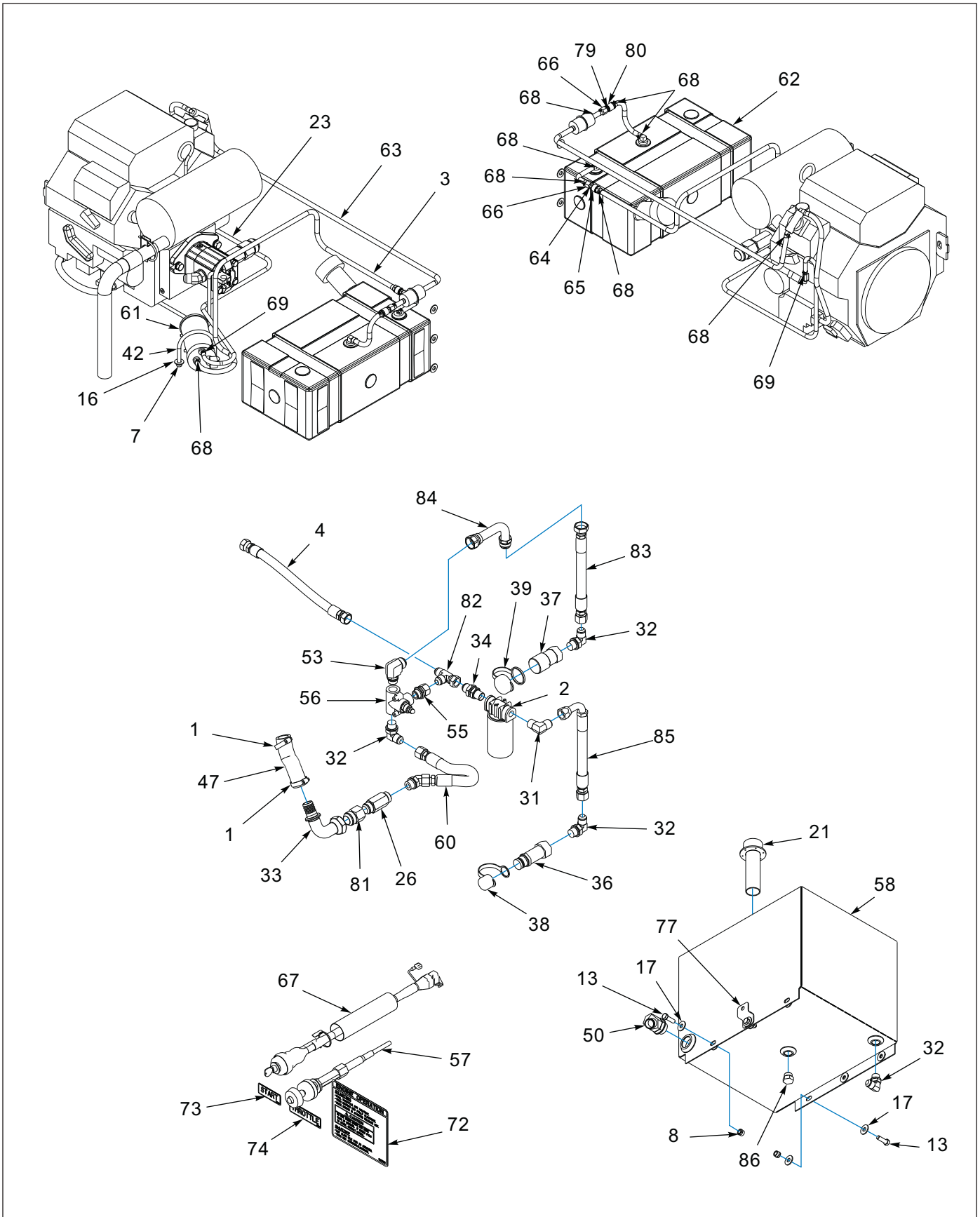


Figure 1-66: Engine - 25 HP EFI (4 of 4)

## Engine - 25 HP EFI

ITEM	PART NO.	DESCRIPTION	QTY.
	189360	ENG PKG 25HP GAS EFI	*
1	1-181-010046-7	CLAMP,HOSE 1-1/16 TO 2DIA #24	2
2	1-295-010001	FILTER, RETURN LINE	1
3	1-316-010013	HOSE,1/4 LOW PRESSURE FUEL	5
4	1-397-010304018	HOSE ASSY,3/4X18,SAE37,STR-ST	1
5	1-397-010312032	HOSE ASSY,3/8X32,3/8 MPT ENDS	1
6	1-512-010004-03	NUT,HEX,SLFLK 10-24UNC, GRA	8
7	1-512-010005-05	NUT, HEX, SLFLKG GRB 3/8-16	15
8	1-512-010005-09	NUT,HEX,SLFLKG, 1/2-13 GRB	10
9	1-560-010002-03	PLUG, PIPE, 3/8NPTF	1
10	1-654-010047-06	SCREW,HX CP 1/4-20UNCX1 GR5	4
11	1-654-010051-06	SCREW,HEX CAP 3/8-16UNCX1-1/4	3
12	1-654-010051-09	SCREW,HEX CAP,3/8-16UNCX2 GR5	6
13	1-654-010055-03	SCREW,HEX CAP,1/2-13UNCX1-1/2	10
14	1-654-010055-13	SCREW,HEX CAP,1/2-13UNCX4 GR5	2
15	1-822-010002	TRIM-LOK 3/16	6
16	1-861-010032-11	WASHER, FLAT 3/8 W ZP/CD	22
17	1-861-010032-15	WASHER, FLAT 1/2 W ZP/CD	20
18	1-861-010034-09	WASHER, LKG HLCL SPR, 1/4	4
19	1-861-010034-13	WASHER, LKG HLCL SPR, 1/2	2
20	3-120-010124	BATTERY CLAMP BRKT	1
21	3-162-010001	FILLER BREATHER STRAINER ASSY	1
22	3-182-010028	CLAMP MUFFLER	1
23	3-316-010008	3/16 ID FUEL HOSE	3
24	3-443-010018	LATCH,FLEX DRAW,LEVER ASSIST	2
25	3/8P COUPL	BLK PIPE COUPLING	1
26	40-0667-02	ELBOW,45,,ST-37 12-12	1
27	110-0116	SCREW RD HD CAP 10-24X3/4	8
28	110-0253	WASHER,FLAT 3/16 STD	8
29	514-9045-30	CABLE ASSY BATTERY	1
30	514-9073-30	CABLE ASSY BATTERY	1
31	2024-12-12S	ADAPTER 90 3/4MPT X3/4M JIC	1
32	2062-12-12S	ADAPTER,90,#12 O-RINGX#12TUBE	5
33	2215-16-20S	ADAPTER-16JIC-20JIC STR	1
34	2240-12-12S	ADAPTER,BLKHD,3/4NPT-3/4TBE	1
35	10030	SEAL,BAR STOCK-NEOPRENE SPNG	2
36	105479	COUPLER FLAT FACE MALE NOSE	1
37	105480	COUPLER FLAT FACE FEMALE BODY	1
38	105481	COUPLER DUST CAP MALE	1
39	105482	COUPLER DUST CAP FEMALE	1
40	108295	SCREW,HX CP 3/8-16UNCX4 GR5	2
41	108601	PIN, DOOR HINGE	2
42	110578	U-BOLT, 3/8-16 x 3-1/8 x 4-1/8	1
43	113856	MOUNT,ENG ISOLATOR,KOHLERCH25	1
44	114814	LATCH FOLDING T LOCKABLE	1
45	114815	SEAL, SPONGE RUBBER TRIM	5
46	115877	NUT HVY HEX 1/4-20 GR5	4
47	116326	HINGE,BASE MNT, COM ENG PKG	1

## Engine - 25 HP EFI

ITEM	PART NO.	DESCRIPTION	QTY.
48	116328	MOUNT,DOOR WLDMT,COM ENG PKG	1
49	116330	FITTING 1.25F 37-1.25 BARB 90	1
50	117873	FITTING,1.63-12 SAE-1 25H/B45	1
51	119206	HINGE, DOOR ENG DRV, 25HP	2
52	119445	EXHAUST EXT WLDMT 25HP E/P	1
53	120384	ADAPTER,#16JICX#12ORB,90ELB	1
54	120659	ISOLATOR, KOHLER 25HP MOUNT	2
55	120660	ADAPTER #12-O/RFEM-12#FL M	1
56	120661	VALVE,HYD PRES,#12SAE,2500P	1
57	128774	CABLE, THROTTLE 40'	1
58	129264	HYD TANK WLDMT, 30G E/P	1
59	138209	ADAPTER HYD 45#12 MALE-FEMORB	2
60	143850	HOSE ASSY 3/4X35OAL #12F JIC	1
61	166766	CARBON CANISTER,FUEL TANK,GAS	1
62	169531	TANK,FUEL PLSTC,6 GAL,LOW PERM	1
63	169532	HOSE, FUEL,1/4 LOW PERM, CARB	5
64	170109	FITTING,1/4MPT TO MALE QD,FORC	1
65	170110	FITTING,5/16BARB TO FE QD,FORC	1
66	173860	FITTING,1/4 HOSE BARBX1/4 FNPT	2
67	178428	SWITCH/HARNESS ASSY KOHLER UD	1
68	178638	SPRING CLAMP, 1/2"OD FUEL HOSE	8
69	179090	SPRING CLAMP,7/16"OD FUEL HOSE	2
70	186811	PUMP HYDRAULIC GEAR 0.77CID	1
71	189308	ENGINE,KOHLER,25HP,EFI,PUMP	1
72	189309	DECAL,EFI ENG PKG INSTR	1
73	189310	DECAL, START, ENG PKG	1
74	189311	DECAL, THROTTLE, ENG PKG	1
75	189361	WLDMT,ENG PKG MT, 25HP EFI	1
76	189364	WLDMT,HOOD,ENG PKG,25HP EFI	1
77	189369	PLATE,FUEL HOSE CLAMP	1
78	193904	HOSE, 1-1/4 X 7-1/2, SUCTION	1
79	170111	FITTING,1/4MPT TO MALE QD,SUZU	1
79	202225	FITTING 1/4 MNPT/MALE QD	1
80	170112	FITTING,5/16BARB TO FE QD,SUZU	1
80	202226	FITTING5/16 HOSEBARB/FEMALE QD	1
81	202713-16-16S	ADAPTER-160-RING-16JIC STR	1
82	203102-12-12S	ADAPTER,TEE, #12, SAE37 SWIVL	1
83	1-397-010304060	HOSE ASSY,3/4X60,SAE37,STR-ST	1
84	205710	ADAPTER, 37-37 JIC, 90, 16S	1
85	205712	HOSE ASSY 3/4 X 60,#12 SAE 37	1
86	900598-12S	PLUG, O-RING BOSS #12	1
87	1410792	OIL, ENGINE 10W-30	0.5
88	2481X	BATTERY 12 VOLT	1
89	2481X DRY	BATTERY 2481X NO ACID	1
90	199105	FUEL FILTER KOHLER 25-050-42-S	1
91	210377	FUEL PUMP KOHLER ECH740 ENG	1
92	10109	DECAL, HYDRAULIC FLUID ONLY	REF
93	218046	DECAL GASOLINE ONLY	REF



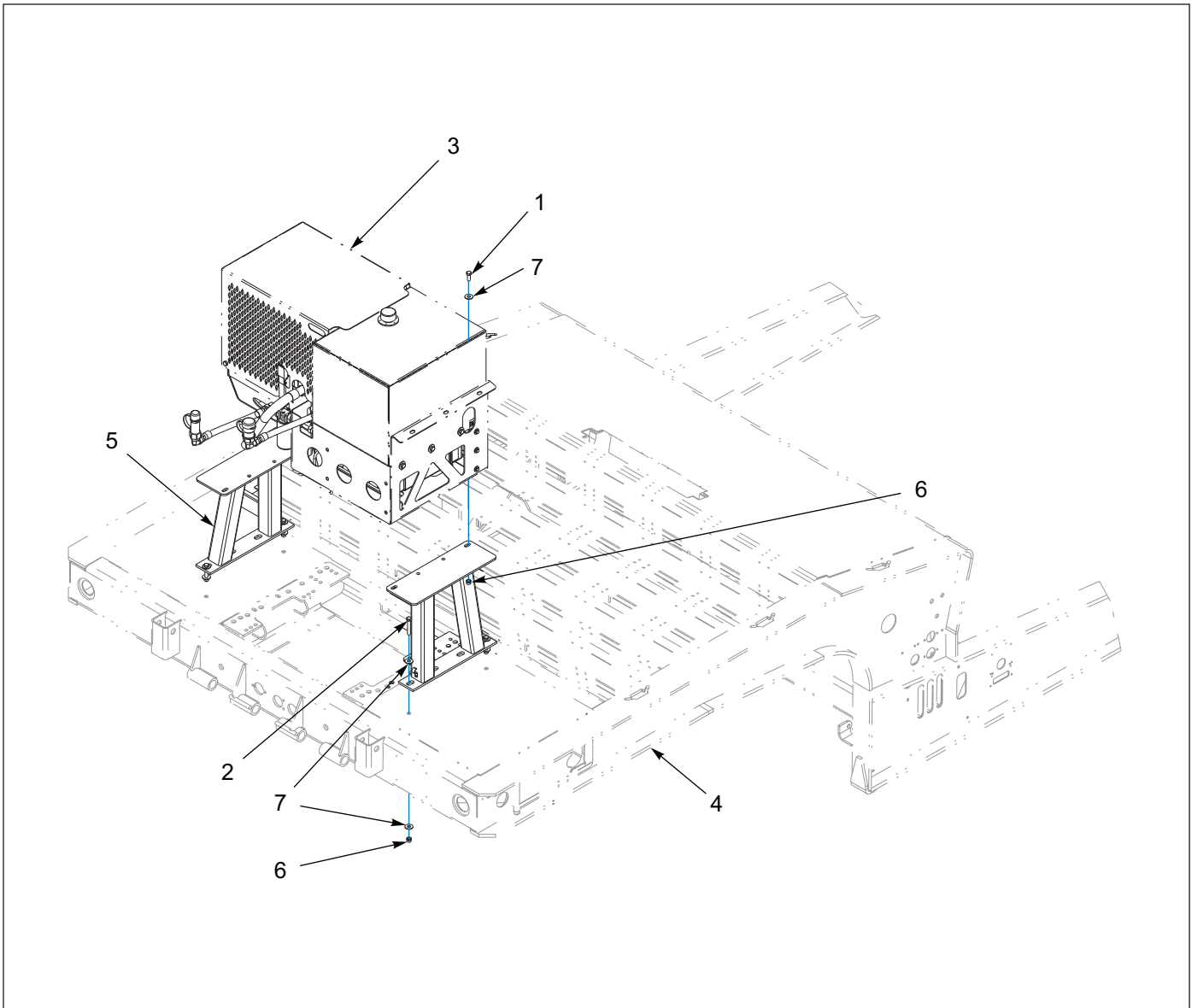


Figure 1-67: Upper Deck Stand Assembly

## Upper Deck Stand Assembly

ITEM	PART NO.	DESCRIPTION	QTY.
	136578	UPPER DECK STAND INSTALLATION	*
1	1-654-010055-02	SCREW, HEX HEAD CAP 1/2-13 X 1-1/4 GR5	4
2	1-654-010055-09	SCREW, HEX HEAD CAP 1/2-13 X 3 GR5	4
3	123166	ENGINE PACKAGE, 25 HP GAS	REF
4	----	UPPER DECK FRAME WELDMENT	REF
5	134857	MOUNT WELDMENT, ENGINE PACKAGE	2
6	1-512-010005-09	NUT, HEX LOCK 1/2-13 GRB	8
7	1-861-010032-15	WASHER, FLAT 1/2W	16



# Options

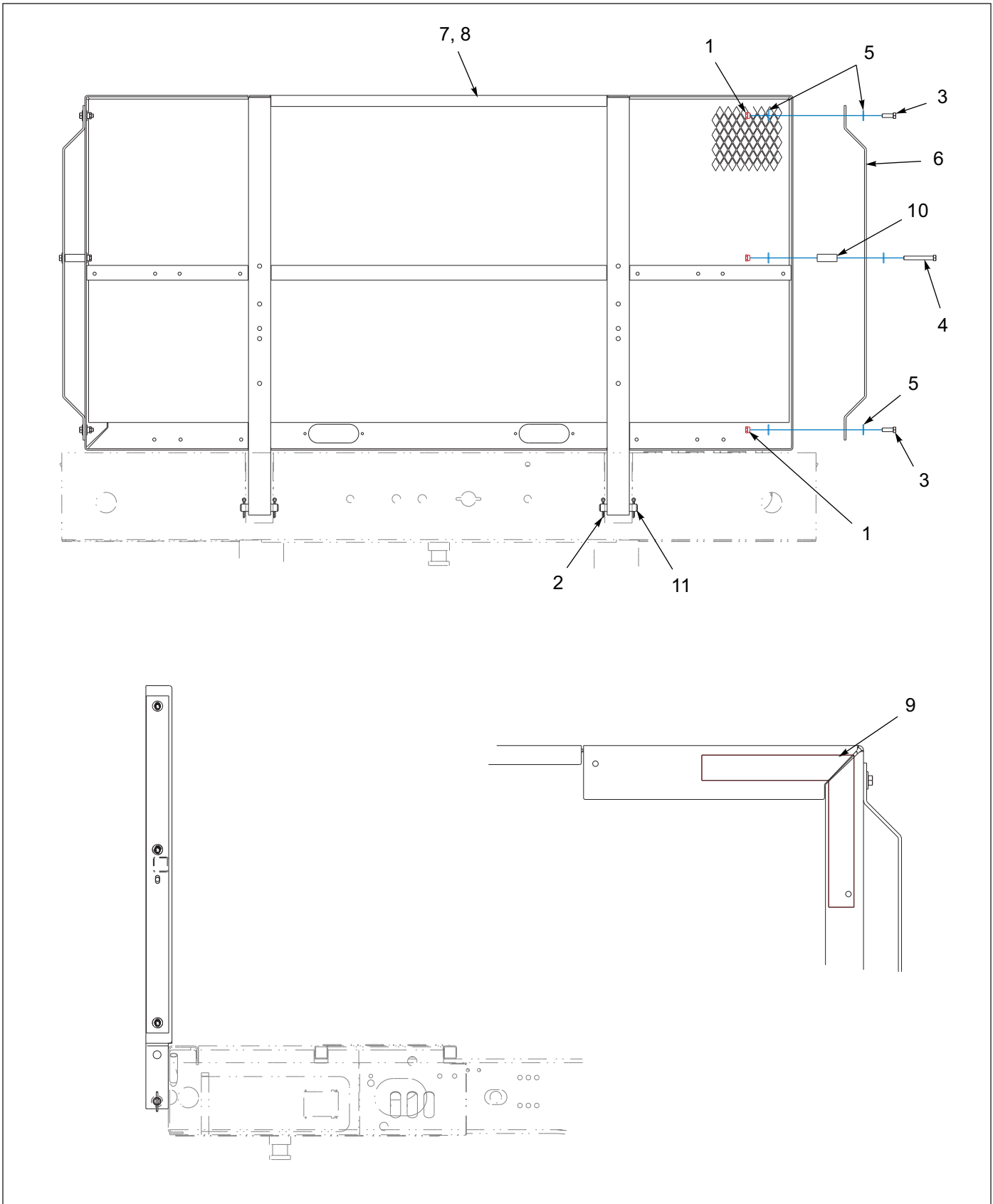


Figure 1-68: Bulkhead - Fixed Position

**Bulkhead - Fixed Position**

ITEM	PART NO.	DESCRIPTION	QTY.		
	3-141-010121-1	BULKHEAD INSTL, 96 TRAILER	*		
	3-141-010121-2	BULKHEAD INSTL, 102 TRAILER		*	
	3-141-010121-3	BULKHEAD INSTL, 16X102 RIGID			*
1	1-512-010005-09	NUT,HEX,SLFLKG, 1/2-13 GRB	--	6	--
2	1-557-010362-63	PIN,COTTER 1/4X2 ZP	4	4	4
3	1-654-010055-03	SCREW,HEX CAP,1/2-13UNCX1-1/2	--	4	--
4	1-654-010055-13	SCREW,HEX CAP,1/2-13UNCX4 GR5	--	2	--
5	1-861-010032-15	WASHER, FLAT 1/2 W ZP/CD	--	12	--
6	3-054-010101	BAR,SIDE,48",BULKHEAD,102"EXT	--	2	--
7	3-141-010152	BULKHEAD WLDMT 16X102 RIGID	--	--	1
8	3-141-010155	BULKHEAD WLDMT 48X96 ENG PKG	1	1	--
9	3-573-010378	DECAL,2"REFLEXITE TAPE,WHITE	49	49	49
10	3-711-010025	SPACER, 48" BULKHEAD, 1 DIA	--	2	--
11	6-557-010163	PIN HITCH LEVELING LINK	2	2	2

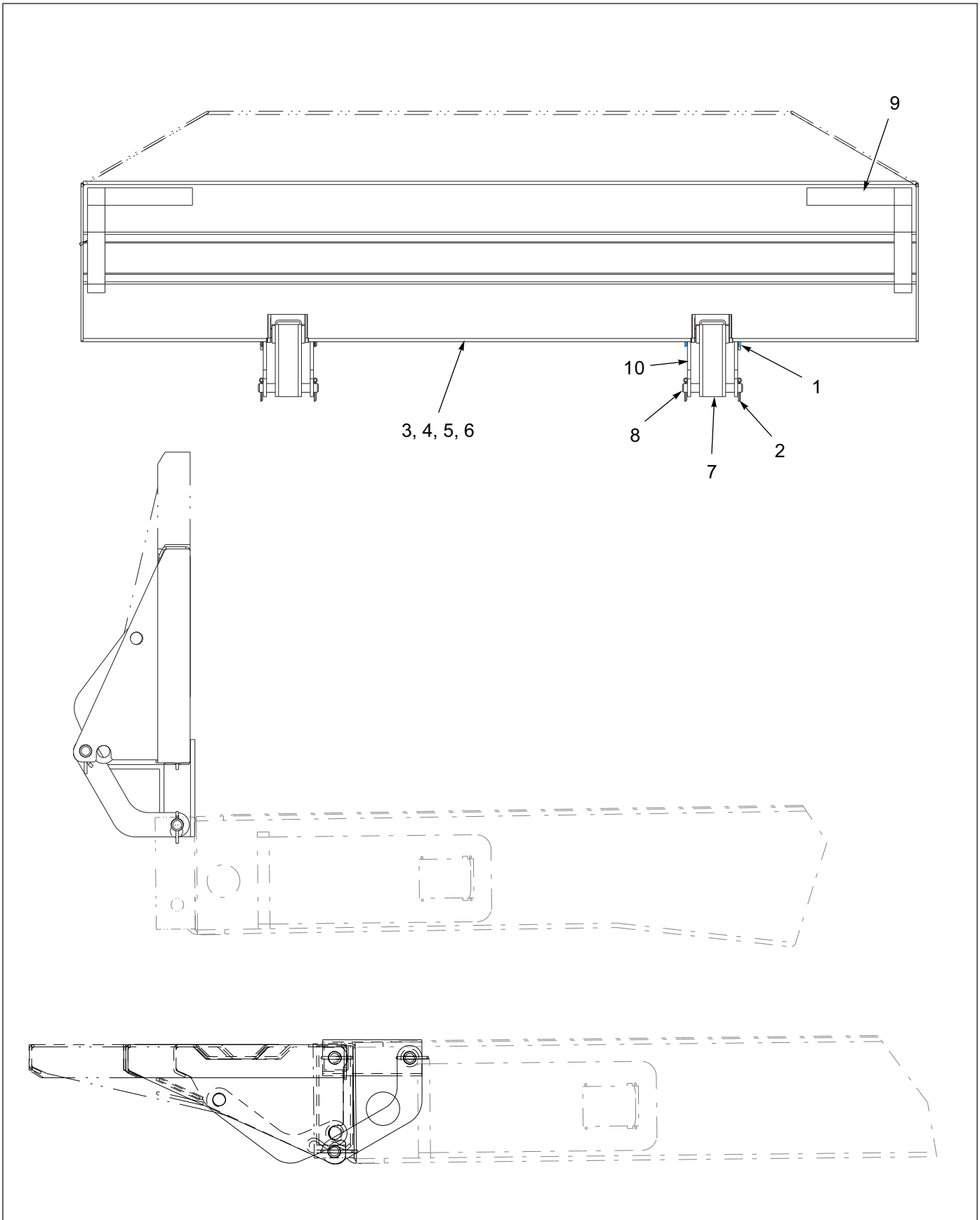


Figure 1-69: Bulkhead - 2 Position

## Bulkhead - 2 Position

ITEM	PART NO.	DESCRIPTION	QTY.			
	3-141-010123-1	BULKHEAD INSTL 16X96/2 POSN	*			
	3-141-010123-2	BULKHEAD INSTL 16X102/2 POSN		*		
	3-141-010123-3	BULKHEAD INSTL 16/24X96 2POS			*	
	3-141-010123-4	BULKHEAD INSTL 16X24 2POSN				*
1	1-557-010014	PIN, HAIR 1/4 DIA	2	2	2	2
2	1-557-010362-63	PIN,COTTER 1/4X2 ZP	10	10	10	10
3	3-141-010118	BULKHEAD WLDMT 16X96	1	--	--	--
4	3-141-010119	BULKHEAD WLDMT 16X102	--	1	--	--
5	3-141-010147	BULKHEAD WLDMT 16/24X102 2POS	--	--	--	1
6	3-141-010151	BULKHEAD WLDMT 16/24X96 2POSN	--	--	1	--
7	3-482-010249	MOUNT, WLDMT, BULKHEAD	REF	REF	REF	REF
8	3-557-010380	PIN, SUPPORT BULKHEAD	6	6	6	6
9	3-573-010378	DECAL,2"REFLEXITE TAPE,WHITE	4	4	4	4
10	3-755-010080	SUPPORT WLDMT, BULKHEAD	2	2	2	2

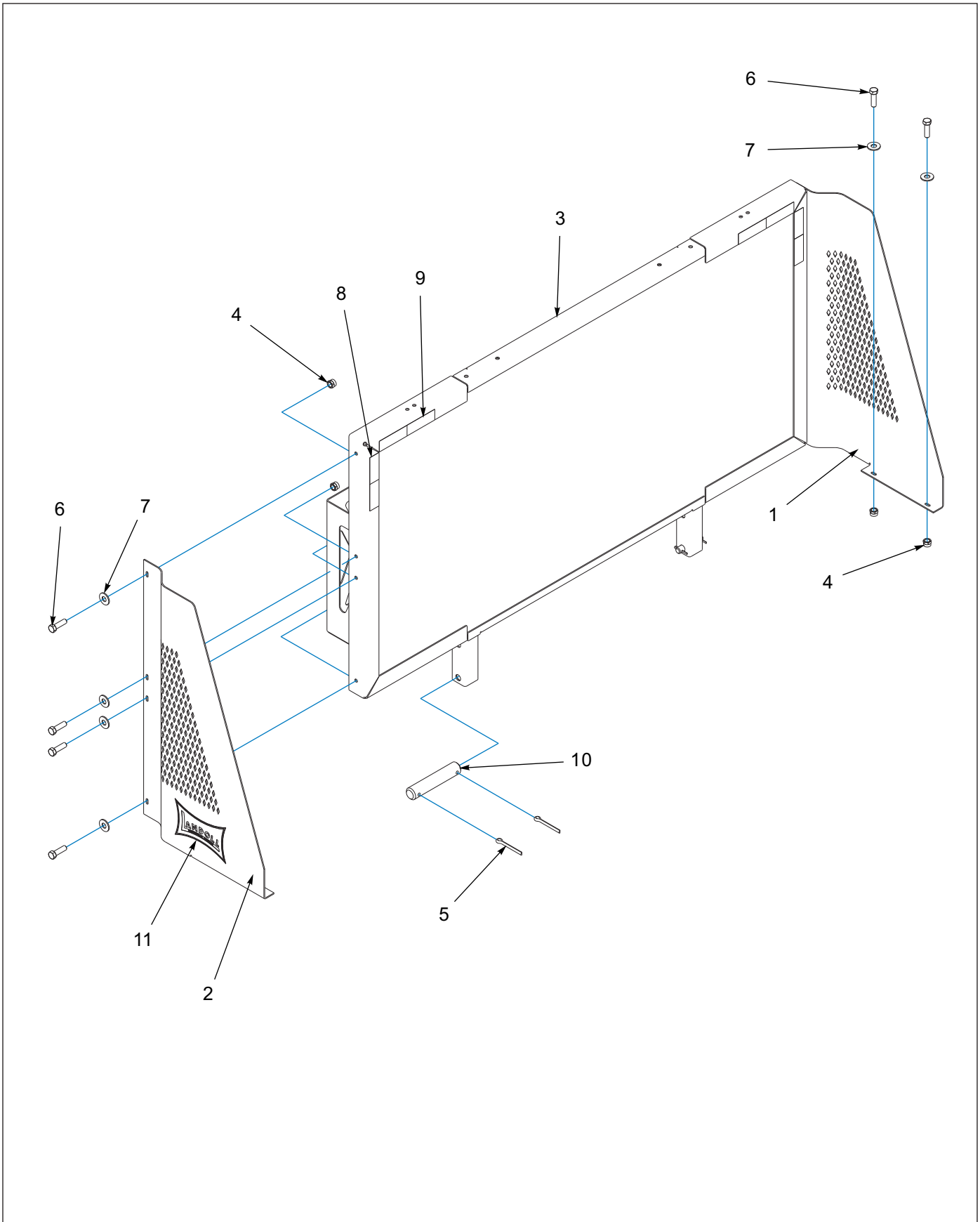


Figure 1-70: Bulkhead - Propane Rack

## Bulkhead - Propane Rack

ITEM	PART NO.	DESCRIPTION	QTY.
	130895	BULKHEAD INSTL 317C SPECIAL	*
1	128137	EXTENSION ALUM LH BULKHEAD	1
2	128138	EXTENSION ALUM RH BULKHEAD	1
3	130896	BULKHEAD WLDMT 317 SPECIAL	1
4	1-512-010005-05	NUT, HEX, SLFLKG GRB 3/8-16	12
5	1-557-010362-63	PIN,COTTER 1/4X2 ZP	4
6	1-654-010051-06	SCREW,HEX CAP 3/8-16UNCX1-1/4	12
7	1-861-010032-11	WASHER, FLAT 3/8 W ZP/CD	12
8	-----	REFLEXITE TAPE	REF
9	-----	REFLEXITE TAPE	REF
10	6-557-010163	PIN HITCH LEVELING LINK	2
11	153755	DECAL,BOW-TIE (BLACK/LT)RFLCT	2



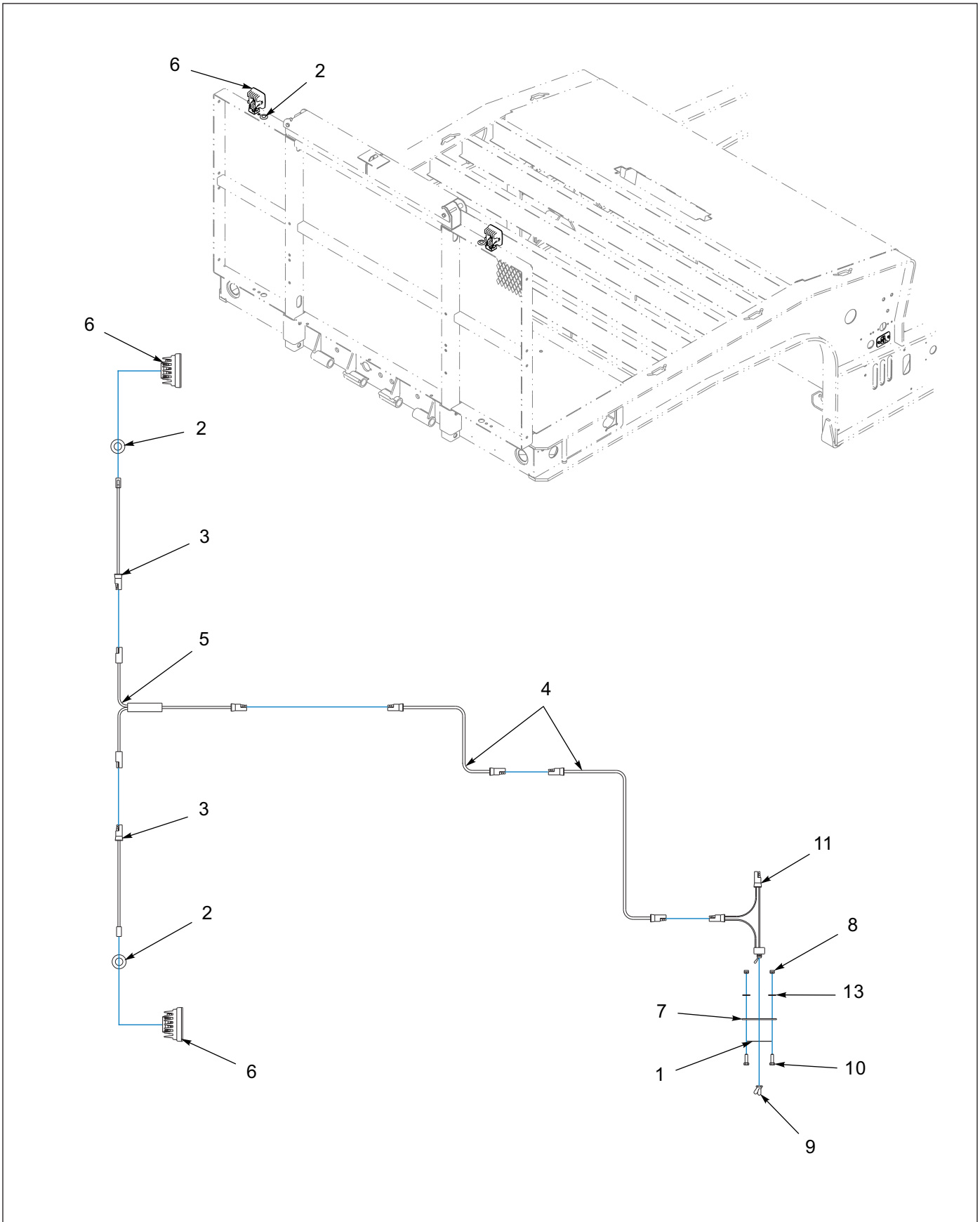


Figure 1-71: Bulkhead - Work Light Installation

---

## Bulkhead - Work Light Installation

---

ITEM	PART NO.	DESCRIPTION	QTY.
	156510	LIGHT INSTL WORK BULKHEAD	*
1	130116	DECAL, ON/OFF LIGHT	1
2	1-343-010006	GROMMET	2
3	164052	HARNESS,60"BRANCH,WORK LIGHT	2
4	3-368-010252	HARNESS ASSY BKHD LIGHT EXT	2
5	169853	HARNESS T PWR BRANCH	1
6	163996	LIGHT,12V SQUARE LED FLOOD	2
7	137987	MOUNT ELECTRIC SWITCH 410	1
8	1-512-010005-03	NUT HEX SLFLKG GRB 5/16-18	2
9	81264	RUBBER BOOT FOR ELECT SWITCH	1
10	1-654-010049-05	SCREW HX CP 5/16-18UNCX1 GR5	2
11	150117	SWITCH ASSY LIGHT GROTE	1
12	1-822-010002	TRIM-LOK 3/16	4
13	1-861-010032-09	WASHER, FLAT 5/16 W ZP/CD	2

# Hydraulic, Electric, Air - Options

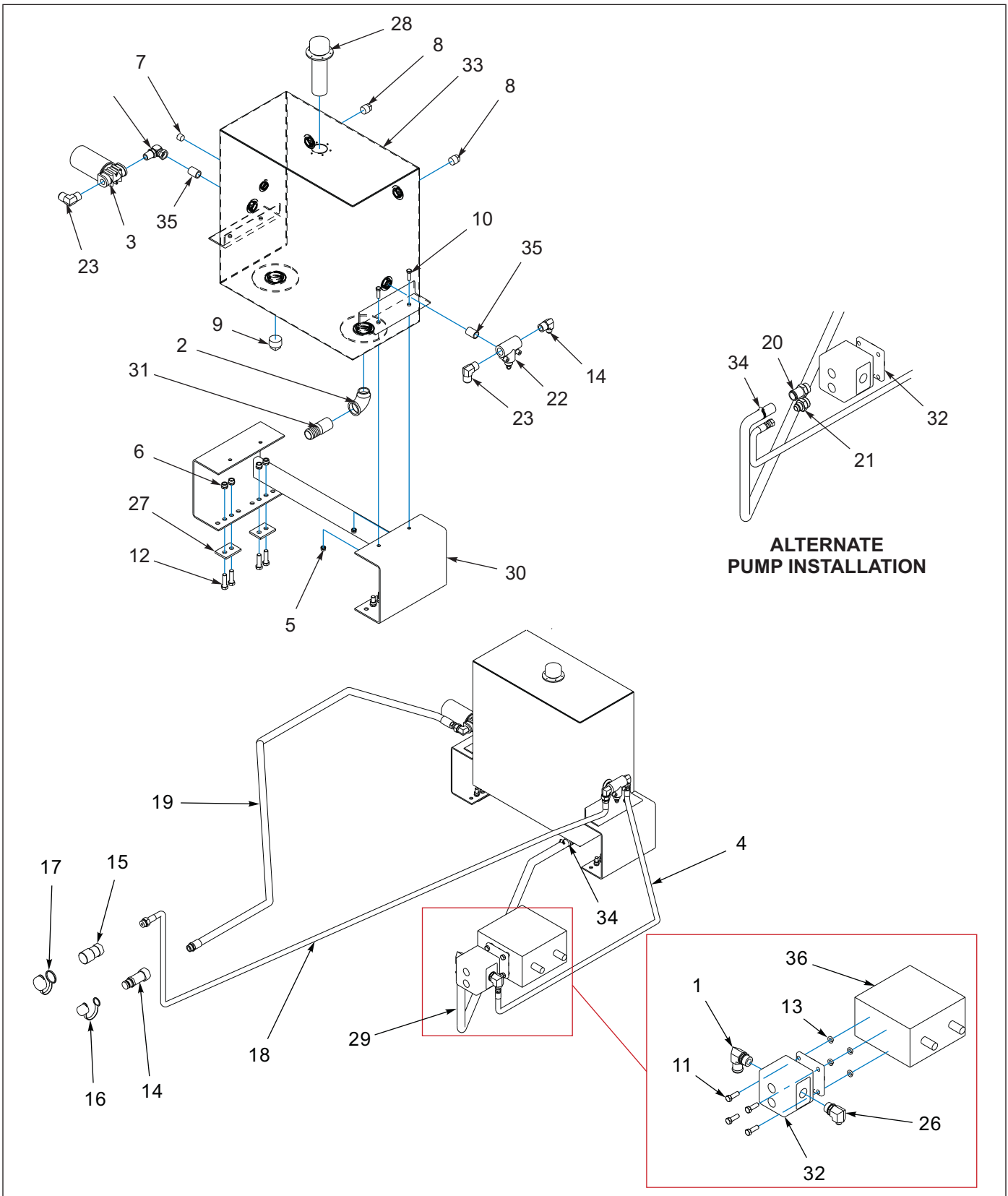


Figure 1-72: Hydraulic Wet Kit Items - 30 Gallon

## Hydraulic Wet Kit Items - 30 Gallon

ITEM	PART NO.	DESCRIPTION	QTY.
	107498	HYDRAULIC WET KIT W/ PTO INSTALLED	
	107499	HYDRAULIC WET KIT W/ PTO NOT INSTALLED	
	107500	HYDRAULIC WET KIT W/O PTO NOT INSTALLED	
1	1-007-010006	ELBOW 90, 1-5/16 O-RING 1-1/4 HOSE	1
2	1-1/4ST ELL	BLACK PIPE ELBOW 90 ST	1
3	1-295-010001	FILTER, RETURN	1
3	1-295-010002	FILTER ELEMENT	1
4	1-397-010301100	HOSE ASSEMBLY 1/2 X 100	1
5	1-512-010005-05	NUT, HEX LOCK 3/8-16 GRB	4
6	1-512-010005-09	NUT, HEX LOCK 1/2-13 GRB	8
7	1-560-010002-04	PIPE PLUG 1/2	1
8	1-560-010002-05	PIPE PLUG 3/4	2
9	1-560-010002-07	PLUG, BLACK PIPE 1-1/4 SQ HEAD	1
10	1-654-010051-06	SCREW, HEX HEAD CAP 3/8-16 X 1-1/4 GR5	4
11	1-654-010055-03	SCREW, HEX HEAD CAP 1/2-13 X 1-1/2 GR5	4
12	1-654-010055-04	SCREW, HEX HEAD CAP 1/2-13 X 1-3/4 GR5	8
13	1-861-010034-13	WASHER, SPLIT LOCK 1/2	4
14	105479	COUPLER, FLAT FACE MALE NOSE	1
15	105480	COUPLER, FLAT FACE FEMALE BODY	1
16	105481	COUPLER, DUST CAP MALE	1
17	105482	COUPLER, DUST CAP FEMALE	1
18	106759	HOSE ASSEMBLY 1/2 X 164	1
19	106760	HOSE ASSEMBLY 3/4 X 164	1
20	107513	ADAPTER	1
21	12-16 070120	ADAPTER	1
22	125130	RD12D HYD BY PASS SRDD	1
23	2024-12-12S	ADAPTER 90	2
24	2024-12-8S	ADAPTER, 90	1
25	2047-12-12S	ELBOW, 90 SWIVEL	1
26	2062-16-8S	ADAPTER, 90	1
27	3-120-010461	BRACKET, HYD TANK MOUNT SUPPORT	4
28	3-162-010001	FILLER-BREATH-ER-STRAINER ASSEMBLY	1
29	3-399-010001	HOSE, 1-1/4 SUCTION	8'
30	3-482-010503	TANK MOUNT	1
31	3-561-010001	HOSE BARB 1-1/4	1
32	3-591-010001	HYDRAULIC GEAR PUMP	1
33	3-786-010043	TANK, HYDRAULIC	1
34	6828	IDEAL HOSE CLAMP	2
35	C3069X12	NIPPLE, HEX	2
36	PTO	POWER TAKE OFF	REF

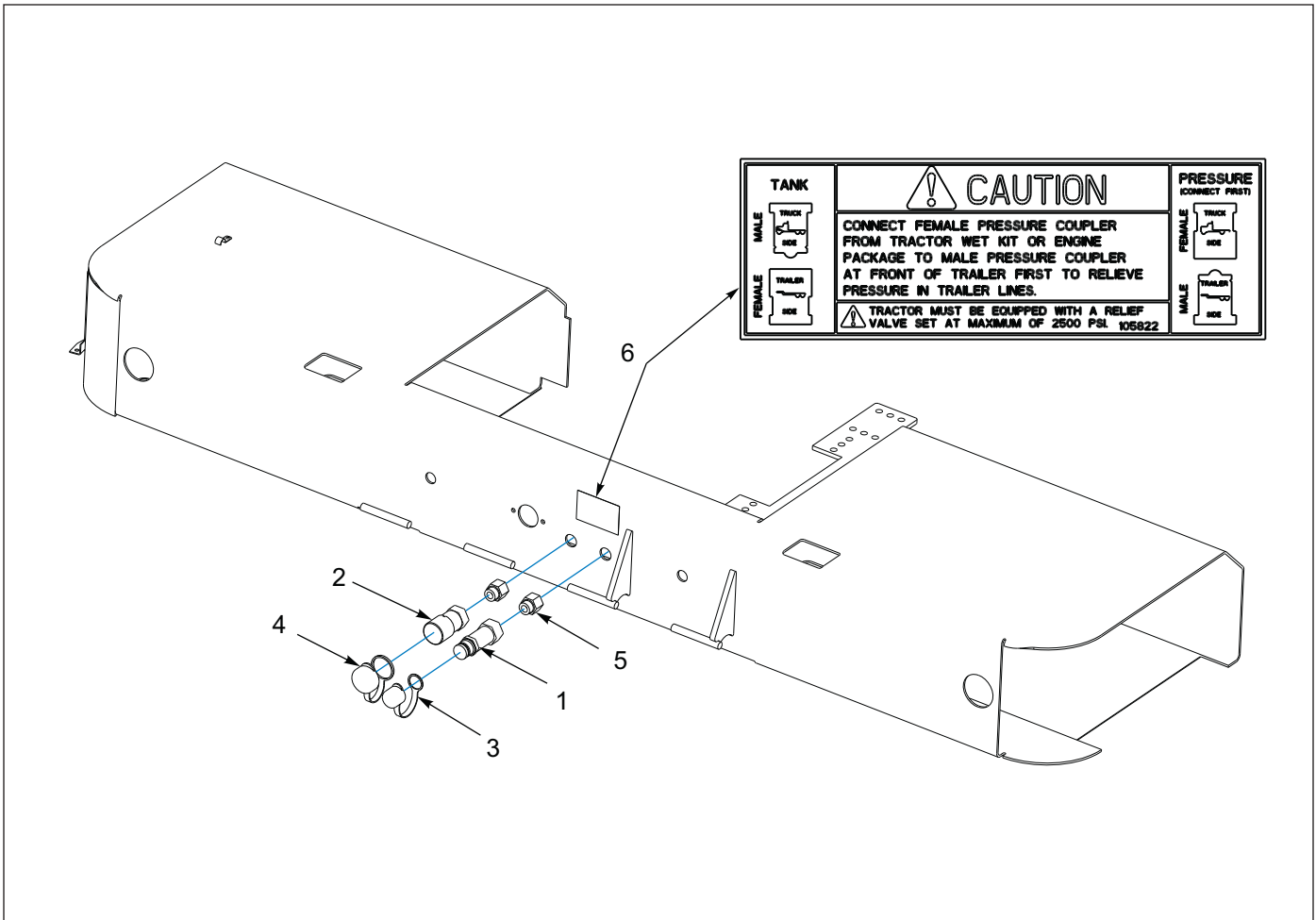


Figure 1-73: Hydraulic Conversion Kit - Ball to Flat

### Hydraulic Conversion Kit - Ball to Flat

ITEM	PART NO.	DESCRIPTION	QTY.
	105902	HYDRAULIC CONVERSION KIT, BALL TO FLAT	
1	105479	COUPLER, FLAT FACE MALE NOSE	1
2	105480	COUPLER, FLAT FACE FEMALE BODY	1
3	105481	COUPLER, DUST CAP MALE	1
4	105482	COUPLER, DUST CAP FEMALE	1
5	2216-12-12S	INTERNAL PIPE O-RING BOSS	2
6	105822	DECAL, HYD COUPLER	1

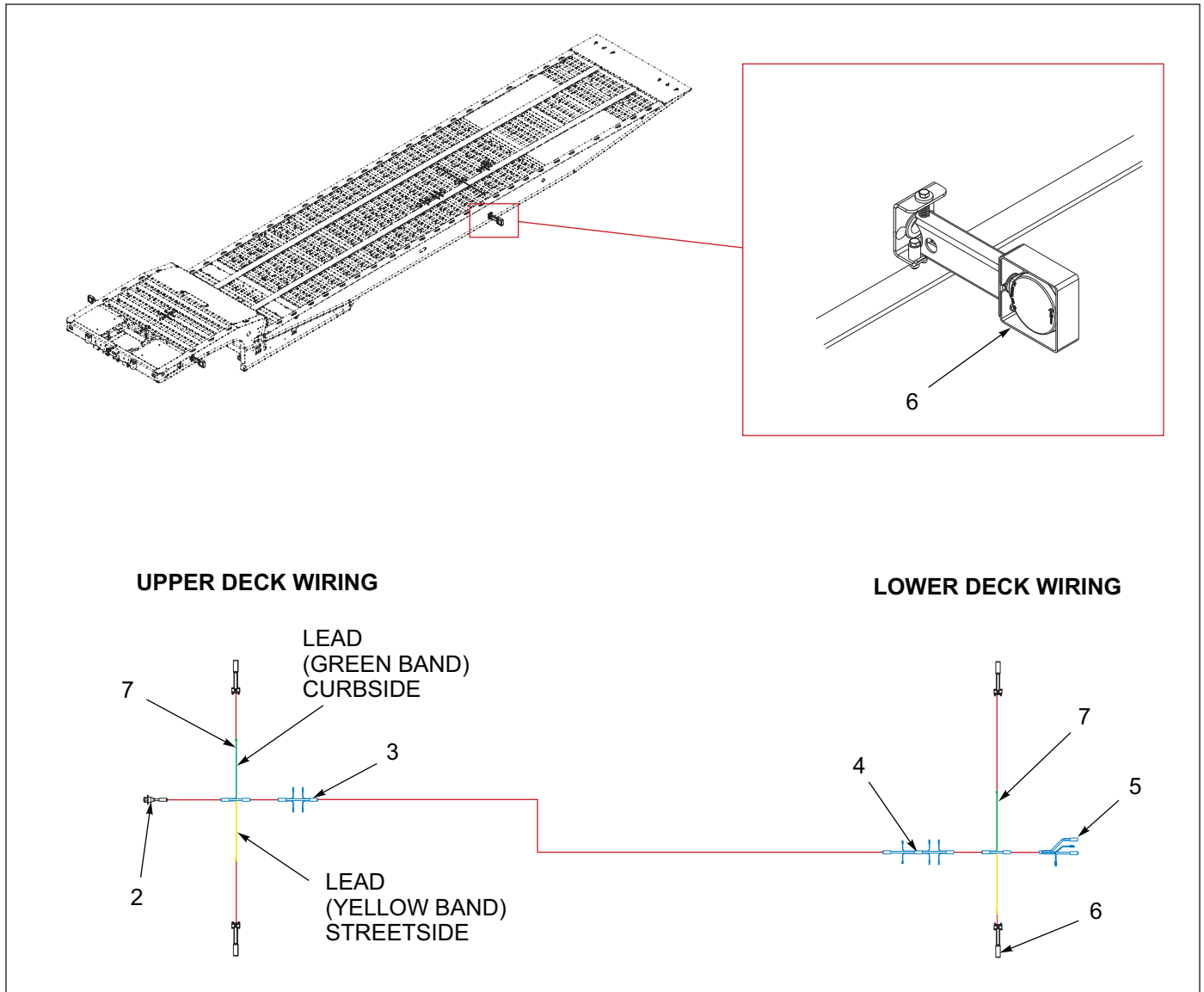


Figure 1-74: Swingout Light Installation

## Swingout Light Installation

ITEM	PART NO.	DESCRIPTION	QTY.		
	179085	INSTL, SWING-OUT LTS UPR&LWR DK	*		
	179088	INSTL, SWING-OUT LTS, UPR DK	*		
	179089	INSTL, SWING-OUT LTS, LWR DK	*		
1	1-796-010003-02	TIE, STRAP, PLASTIC .18X14.0 (NOT SHOWN)	12	12	24
2	143100	HARNESS 7WAY RECP GROTE	REF	REF	REF
3	143101	HARNESS FRONT MAIN GROTE	REF	REF	REF
4	143102	HARNESS BED MAIN GROTE	REF	REF	REF
5	143103	HARNESS ECHAIN GROTE	REF	REF	REF
6	176420	LIGHT ASSY SWING-ARM	2	2	4
7	176432	HARNESS, JUMPER, EMERGENCY FLA	1	1	2
8	187833	CLIP HARNESS, CROSS-MEMBER (NOT SHOWN)	22	22	44

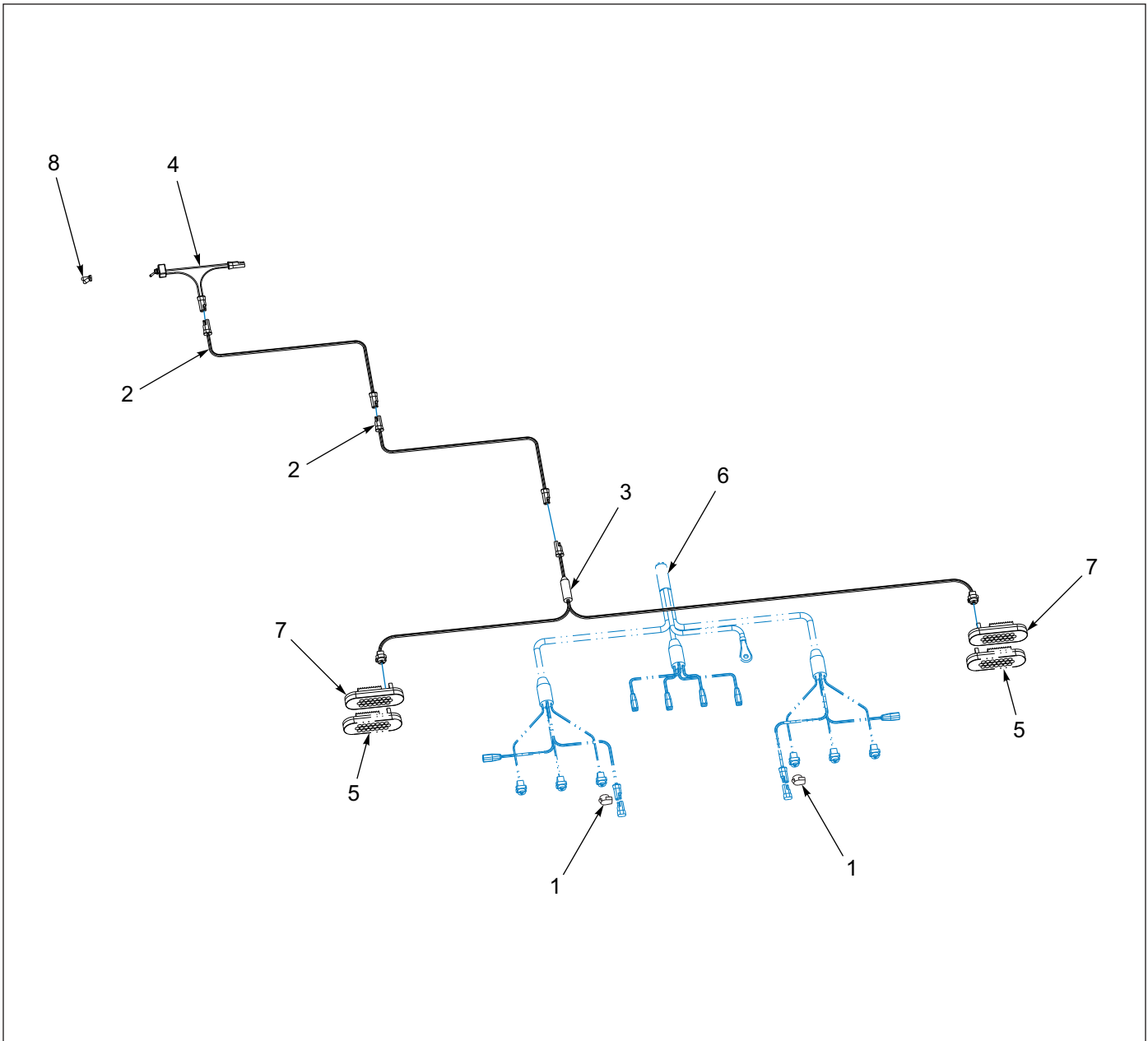


Figure 1-75: Bumper Strobe Installation

### Bumper Strobe Installation

ITEM	PART NO.	DESCRIPTION	QTY.
	191834	STROBE INSTL BUMPER GROTE	
1	144608	DUMMY PLUG FOR FEMALE PLUG	2
2	150111	HARNESS 300 IN MALE.FEMALE	2
3	150114	HARNESS BUMPER STROBE GROTE	1
4	150117	SWITCH ASSY LIGHT GROTE	1
5	179902	LIGHT S/T/T RED CLEAR LENS GRT	2
6	187859	HARNESS BUMPER MICRONOVA GROTE	REF
7	187869	LIGHT STROBE YEL CLEAR LENS GR	2
8	81264	RUBBER BOOT FOR ELECT SWITCH	1
9	191835	STROBE INSTALLATION KIT ( <b>NOT SHOWN</b> )	REF

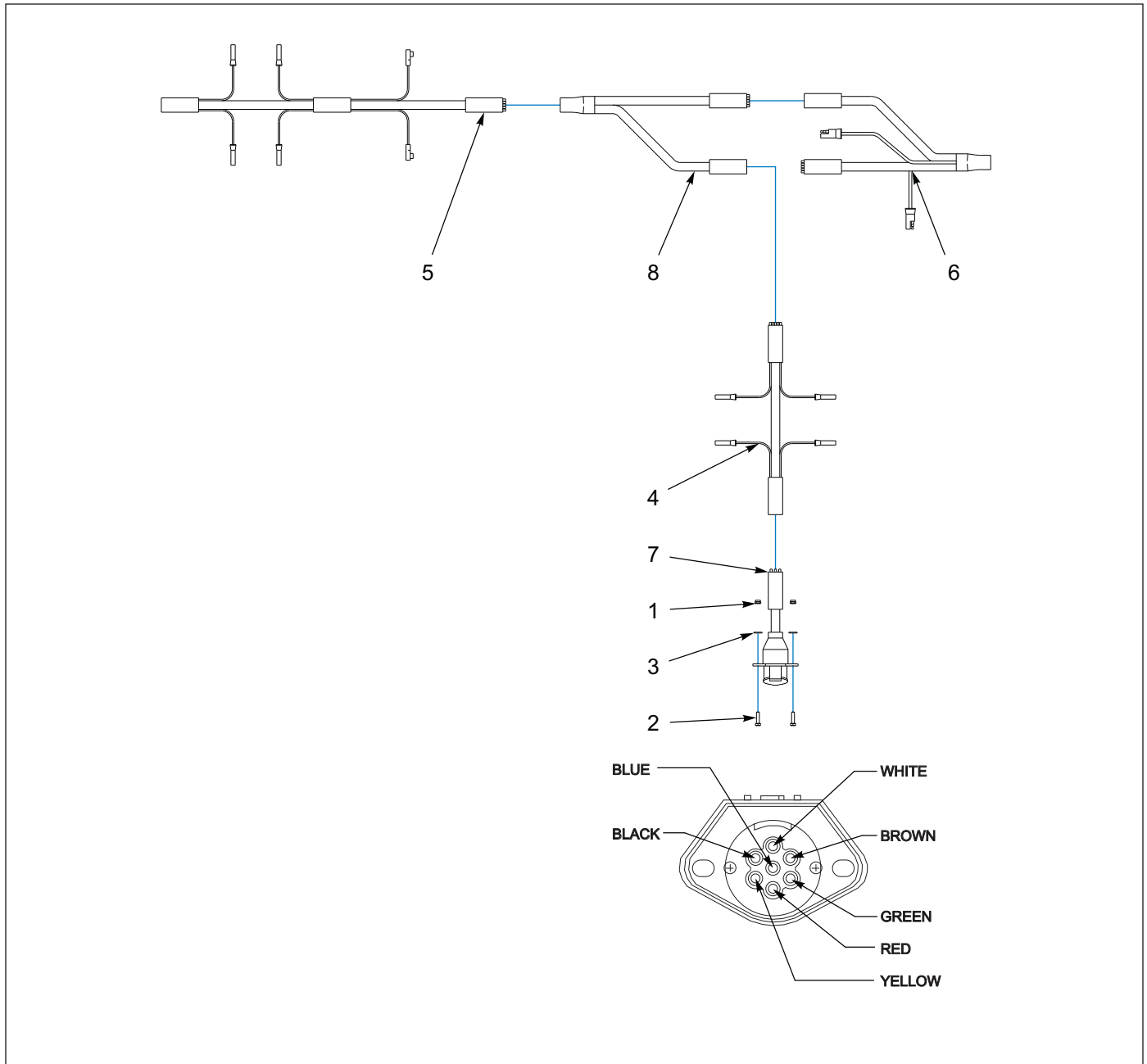


Figure 1-76: 7-Way Electrical Installation

## 7-Way Electrical Installation

ITEM	PART NO.	DESCRIPTION	QTY.
	148585	7-WAY ELECTRICAL INSTALLATION	
1	1-512-010005-01	NUT, HEX LOCK 1/4-20 GRB	2
2	1-654-010047-06	SCREW, HEX HEAD CAP 1/4-20 X 1 GR5	2
3	1-861-010032-07	WASHER, FLAT 1/4W	2
4	143101	HARNESS, FRONT MAIN	1
5	143102	HARNESS, BED MAIN	REF
6	143103	HARNESS, E-CHAIN	REF
7	146897	HARNESS, 7-WAY RECEPTACLE MAIN	1
8	146929	HARNESS, Y SPLITTER	1





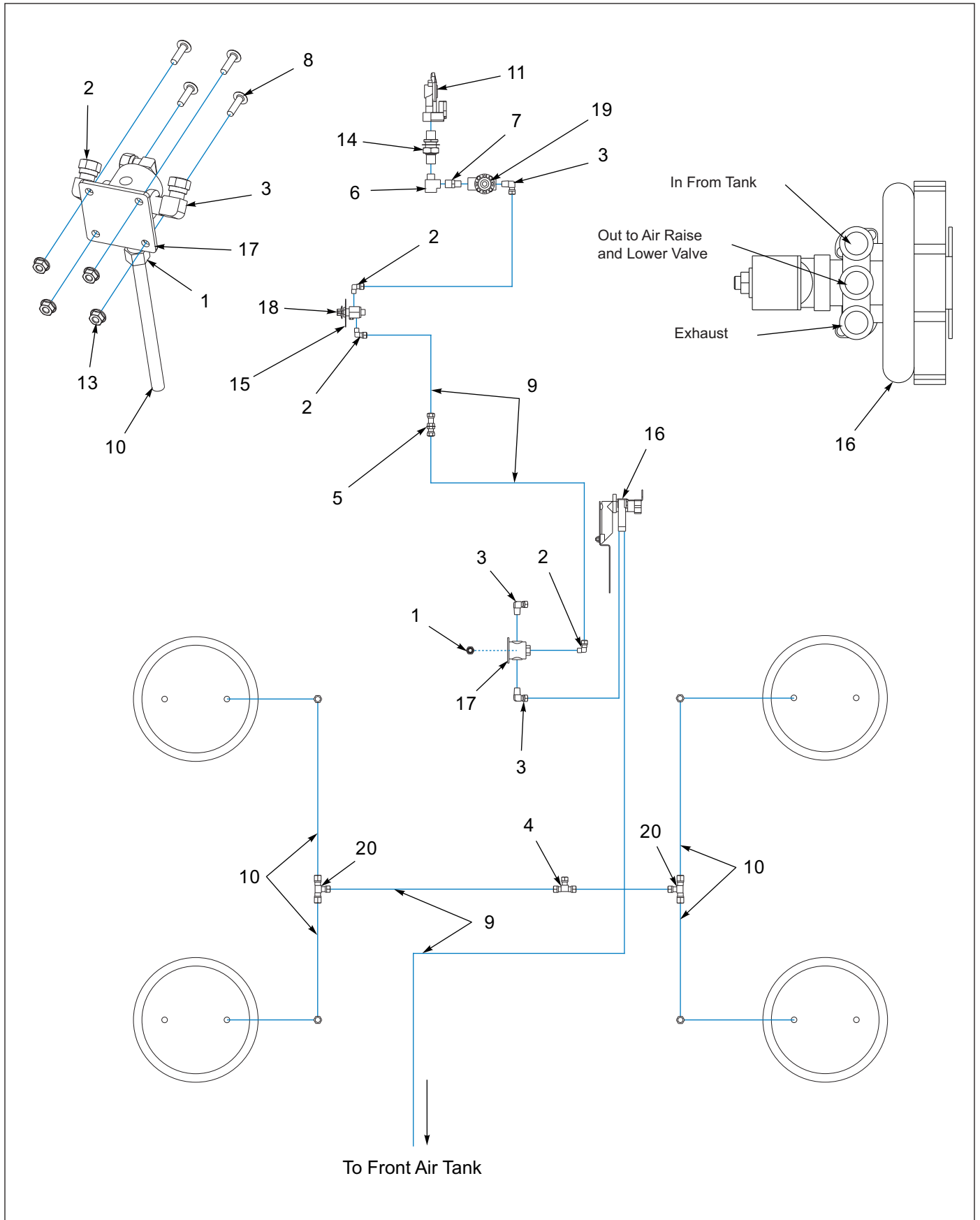


Figure 1-77: Air Raise and Lower

## Air Raise and Lower

ITEM	PART NO.	DESCRIPTION	QTY.
	128590	AIR DUMP VALVE INSTL 410	*
1	1-297-010007-11	FITTING,AIR,3/8TUBE TO 1/4NPT	5
2	1-297-010008-05	FITTING,AIR 90 1/4TUBEX1/8NPT	3
3	1-297-010008-07	FITTING AIR 90 1/4TUBEX1/4NPT	3
4	1-297-010010-01	FITTING,AIR,UNION TEE 1/4	REF
5	1-297-010014-02	FITTING,AIR,BLKHD UNION 1/4	1
6	1-297-010018-03	FITTING,3/8 BRASS PIPE,ST TEE	1
7	1-297-010019-05	FITTING, BRS PIPE, HX 3/8X1/4	1
8	1-656-010003051	SCREW,RH HD MACH 10-24X3/4	4
9	1-833-010001	TUBING NYLON 1/4 OD	125
10	1-833-010002	TUBING NYLON 3/8 OD	1
11	108801	GLAD HAND-RED-AIR	REF
12	109177	CONTROL KIT AIR SUSP LOWER	1
13	212074	NUT 10-24 FLANGE HD SERRATED	4
14	55B61	FRAME UNION	REF
15	900-44-207	DECAL	REF
16	900 54 007	HEIGHT CONTROL VALVE	REF
17	900-54-079	PILOT VALVE	REF
18	900-54-088	VALVE, MANUAL OPERATED	REF
19	905-54-107	BRAKE PROTECTION VALVE	1
20	1-297-010010-04	FITTING,AIR,UN/TEE3/8X3/8X1/4	2

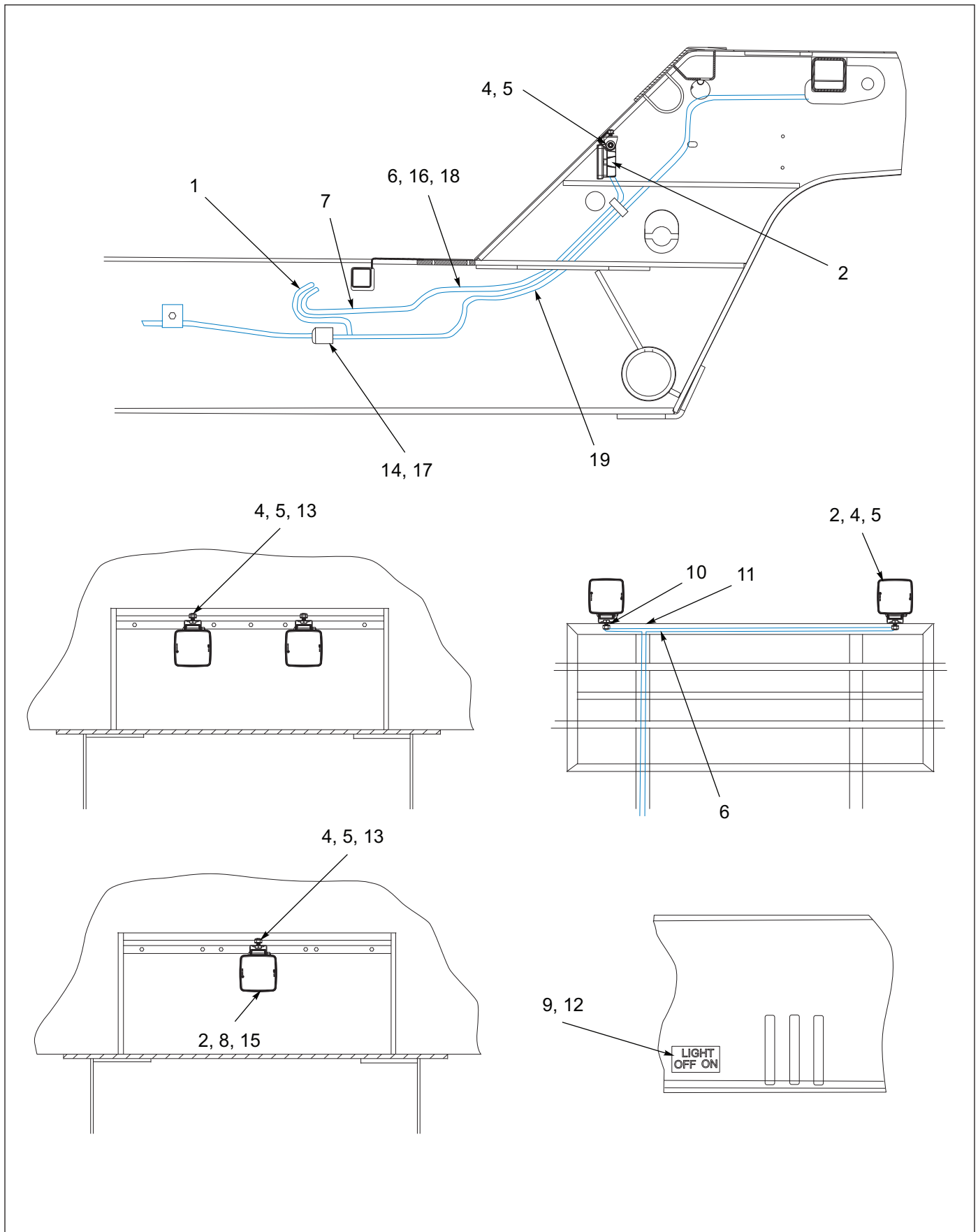


Figure 1-78: Upper Deck Lights

## Upper Deck Lights

ITEM	PART NO.	DESCRIPTION	QTY.		
	104878	ELECTRICAL INSTL,SGL WN LIGHT	*		
	175752	WORK LT INST, LED, 317 SLOPE		*	
	212316	WORK LT INST 2LED 318 SLOPE			*
1	101381	HARNESS,LIGHT,WORK & COURTESY	1	--	--
2	64181	RECT QUARTZ HALOGEN LAMP	1	--	--
3	1-796-010003-02	TIE, STRAP, PLASTIC .18X14.0	6	6	10
4	1-654-010051-05	SCREW,HEX CAP 3/8-16UNCX1 GR5	1	--	--
5	1-512-010005-05	NUT, HEX, SLFLKG GRB 3/8-16	1	--	--
6	3-368-010250	HARNESS/BULKHD LIGHS-600/317	1	--	--
7	3-368-010252	HARNESS ASSY BKHD LIGHT EXT	1	1	1
8	STP-147	TERMINAL-BULLET ELECTRICAL	1	--	--
9	3-573-010437	DECAL LIGHT VALVE SUPPORT	1	--	--
10	1-343-010010	GROMMET 9/16ID	--	--	--
11	1-343-010007	GROMMET	--	--	--
12	130116	DECAL, ON/OFF LIGHT	--	1	1
13	1-343-010011	GROMMET 3/8	--	1	2
14	150117	SWITCH ASSY LIGHT GROTE	--	1	1
15	163996	LIGHT,12V SQUARE LED FLOOD	--	1	2
16	164052	HARNESS,60"BRANCH,WORK LIGHT	--	1	-
17	81264	RUBBER BOOT FOR ELECT SWITCH	--	1	1
18	160072	HARNESS LED WORK LIGHT	--	--	1

# Options

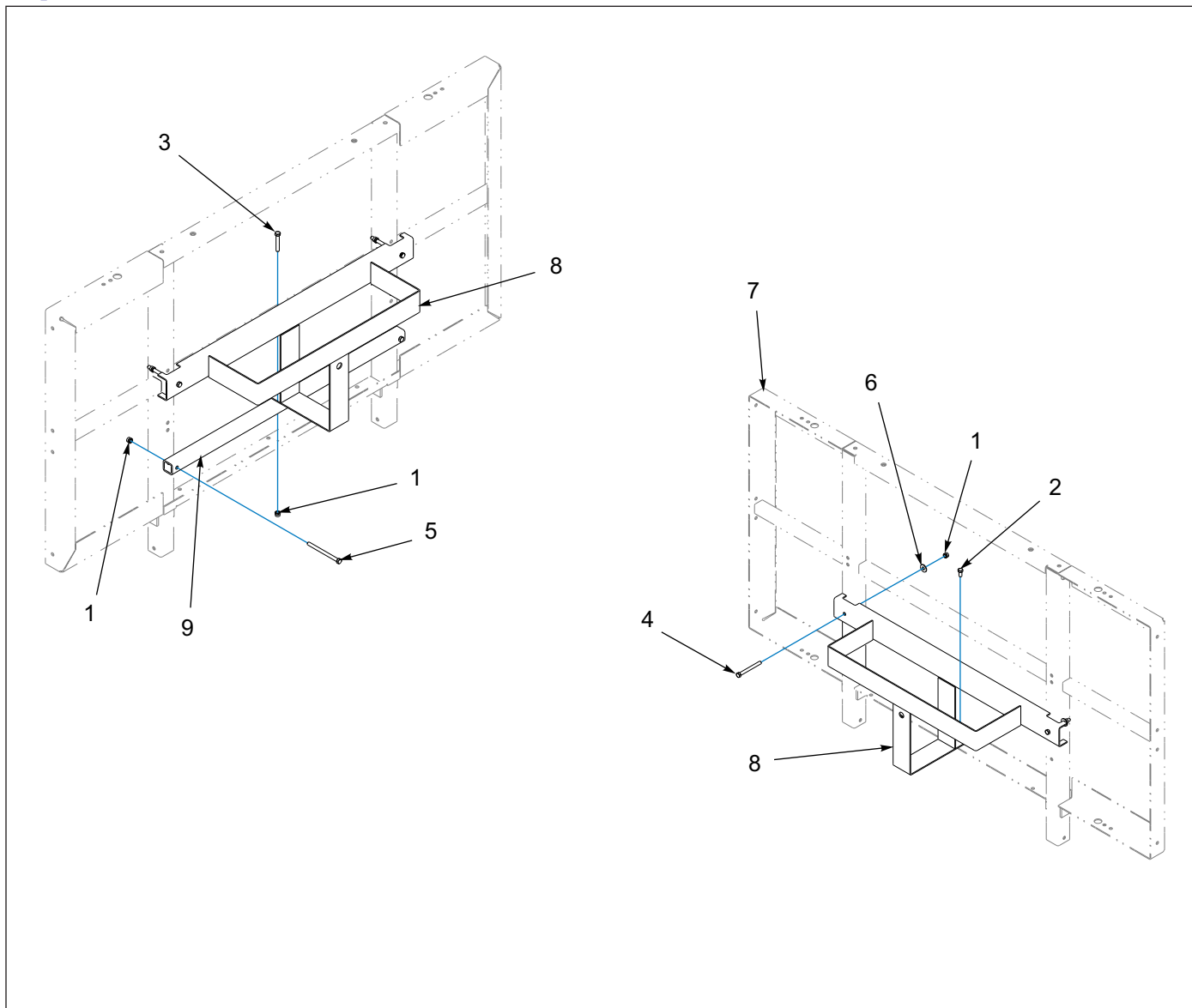


Figure 1-79: Bulkhead Tire Rack

## Bulkhead Tire Rack

ITEM	PART NO.	DESCRIPTION	QTY.	
	3-612-010015-1	RACK INSTL,BHD, FT MT 10R17.5	*	
	3-612-010015-2	RACK INSTL,BHD,RR MT 10R17.5	*	
1	1-512-010005-09	NUT,HEX,SLFLKG, 1/2-13 GRB	3	5
2	1-654-010055-01	SCR,HX CP 1/2-13UNCX1 GR5	1	--
3	1-654-010055-09	SCREW,HX CP,1/2-13UNCX3 GR5	--	1
4	1-654-010055-15	SCR, HX CP, 1/2-13UNCX5 GR5	2	--
5	1-654-010055-18	SCREW HX CP,1/2-13UNCX6-1/2G5	--	4
6	1-861-010032-15	WASHER, FLAT 1/2 W ZP/CD	2	--
7	3-141-010120	BULKHEAD WLDMT 48X96	REF	REF
8	3-612-010016	RACK WLDMT,BLKHD MT/10R17.5	1	1
9	3-829-010337	TUBE W/TAB MT BLKHD SPARE RCK	--	1



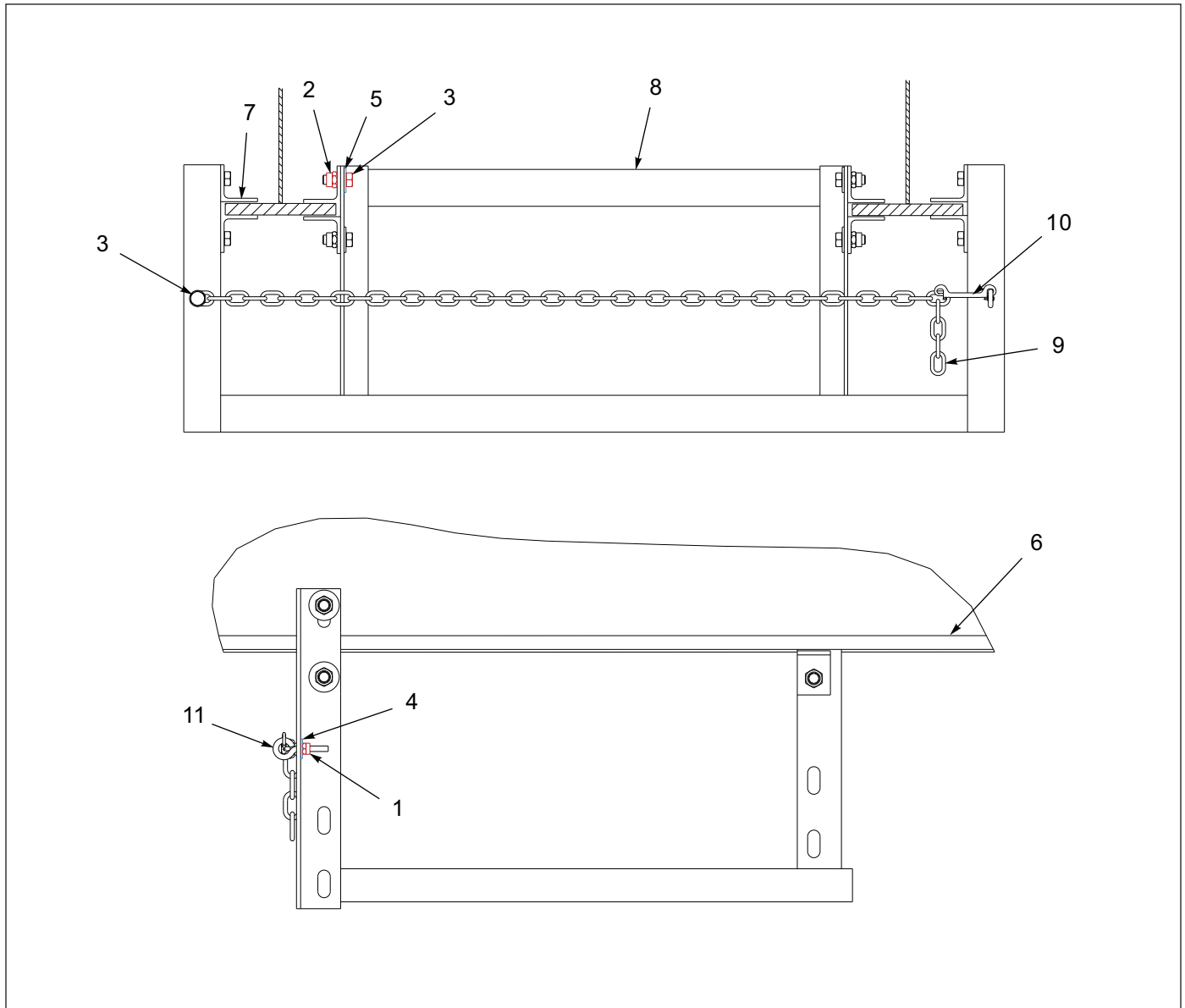


Figure 1-80: Under Deck Tire Rack

## Under Deck Tire Rack

ITEM	PART NO.	DESCRIPTION	QTY.
	142428	CARRIER INSTL SPARE TIRE 317	*
1	1-512-010005-03	NUT HEX SLFLKG GRB 5/16-18	2
2	1-512-010005-09	NUT,HEX,SLFLKG, 1/2-13 GRB	8
3	1-654-010055-02	SCREW 1/2-13UNCX1-1/4 CP GR5	9
4	1-861-010032-09	WASHER, FLAT 5/16 W ZP/CD	3
5	1-861-010032-15	WASHER, FLAT 1/2 W ZP/CD	8
6	131804	FRAME WLDMT 317-50CA GOTCHAS	REF
7	134156	HOLD-DOWN SPARE TIRE	9
8	142423	CARRIER, SPARE TIRE 317	1
9	2116-544-04	CHAIN 3/16 PROOF 10"	4FT
10	3-707-010001	SNAP, DOUBLE END	1
11	5/16-18X1-1/2EB	EYE BOLT 5/16-18X1-1/2	1



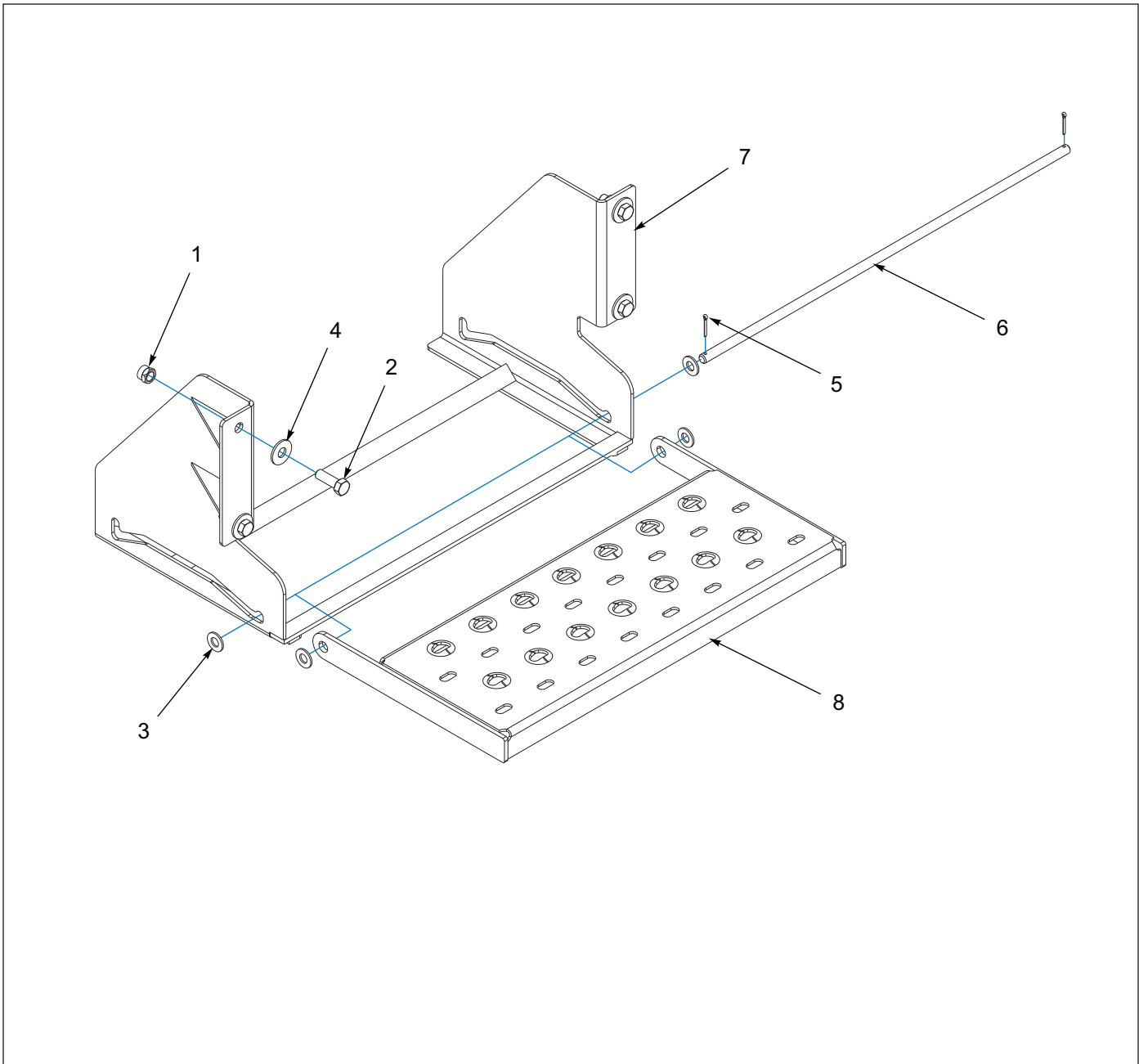


Figure 1-81: Retractable Steps

## Retractable Steps

ITEM	PART NO.	DESCRIPTION	QTY.
	175632	STEP ASSY, RETRACTABLE	*
1	1-512-010005-09	NUT,HEX,SLFLKG, 1/2-13 GRB	4
2	1-654-010055-03	SCREW,HEX CAP,1/2-13UNCX1-1/2	4
3	1-861-010032-14	WASHER, FLAT 1/2" N ZP/CD	4
4	1-861-010032-15	WASHER, FLAT 1/2 W ZP/CD	4
5	101386	PIN, COTTER, 1/8X1	2
6	107625	BLOCK WLDMT MT CAM FOLLOWER RH	1
7	175633	STEP MOUNT, RETRACTABLE	1
8	175638	STEP WLDMT RETRACTABLE	1

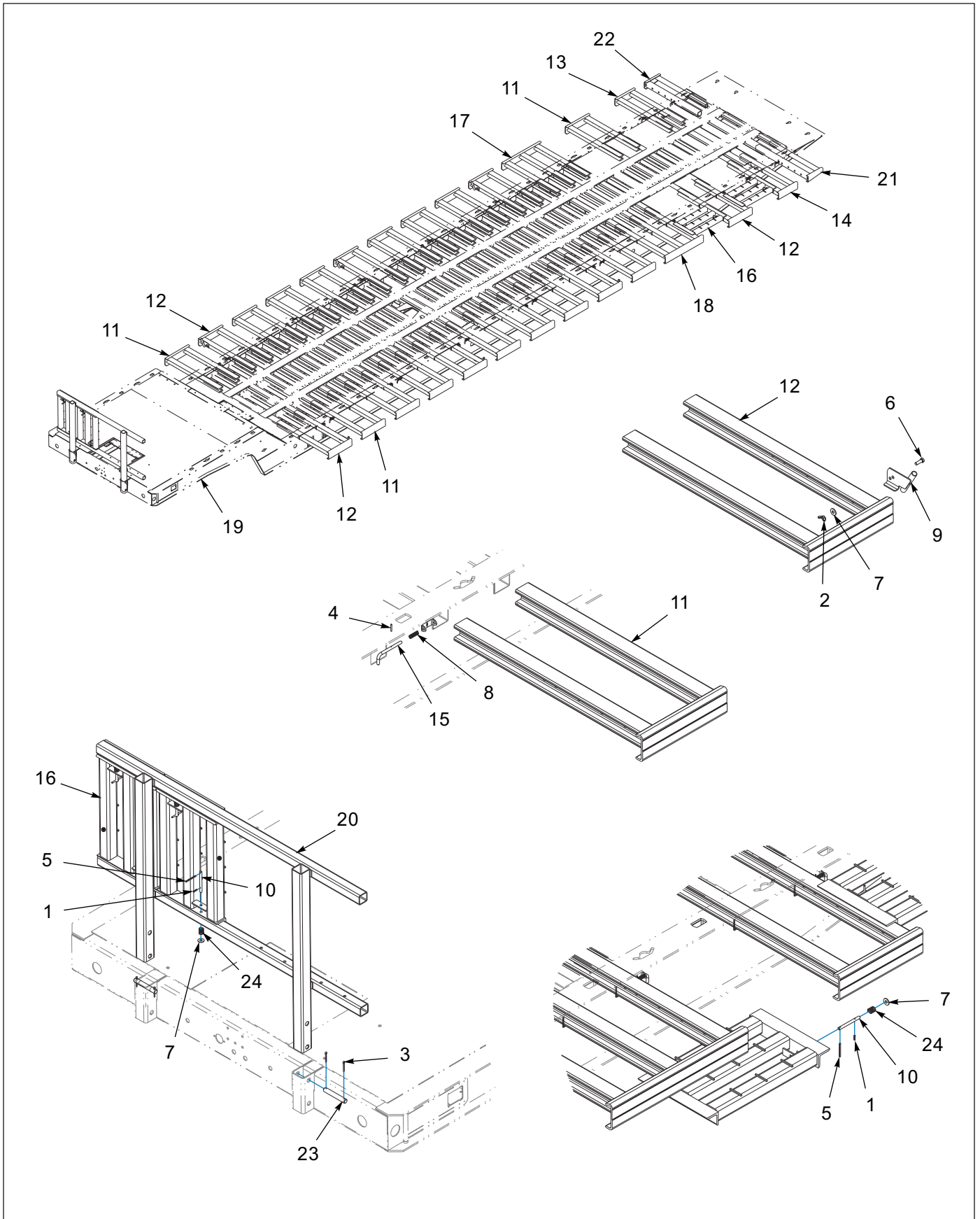


Figure 1-82: Pullout Extensions

## Pullout Extensions

ITEM	PART NO.	DESCRIPTION	QTY.
	150129	EXTENSION INSTL 317-53 P/O AL	*
1	0600-250-01000	1/4X1 ROLL PIN ZP	8
2	1-533-010001	1/2-13 WING NUT 20 TYPE A	6
3	1-557-010362-63	PIN,COTTER 1/4X2 ZP	4
4	1-647-010004177	PIN,SPRING,SLTD 3/16X1-1/2	28
5	1-647-010004225	SPRING PIN,SLOT TYPE 1/4X3	8
6	1-654-010055-03	SCREW,HEX CAP,1/2-13UNCX1-1/2	6
7	1-861-010032-15	WASHER, FLAT 1/2 W ZP/CD	14
8	104253	SPRING,COMPRESSION P/OEXTLOCK	18
9	108859	WLDMT, BRACKET, FLAG HOLDER	6
10	118723	PIN, SLIDE LOCK EXT	8
11	118929	PULLOUT WLDMT, LH 435/410	11
12	118930	PULLOUT WLDMT, RH 435/410	11
13	120376	PULLOUT WLDMT, 18 RH 425	1
14	120377	PULLOUT WLDMT, 18 LH 425	1
15	120457	PIN P/O EXT LOCK 425	28
16	120491	EXT. WLDMT FRT WHL WELL	4
17	130583	PULLOUT WLDMT AL LH 36/14&14	1
18	130584	PULLOUT WLDMT AL RH 36/14&14	1
19	150120	FRAME WLDMT 317-53 P/O ALUM	REF
20	150130	RACK WLDMT STOR EXT BRIDGES	1
21	150131	PULLOUT WLDMT REAR LH 317	1
22	150132	PULLOUT WLDMT REAR RH 317	1
23	2-557-010006	PIN RADIUS ROD LOWER	2
24	CO-975-74-2000	SPRING COMPRESSION	8



## TABLE OF CONTENTS

# Index

### Symbols

#242 LOCKTITE ..... 1-41, 1-44, 1-88

### Numerics

005-074-00 ..... 1-54  
005-079-00 ..... 1-54, 1-56  
005-096-00 ..... 1-56  
005-098-00 ..... 1-54, 1-56  
005-099-00 ..... 1-54, 1-56  
006-099-00 ..... 1-54, 1-56  
006-114-00 ..... 1-54, 1-56  
006-115-00 ..... 1-54, 1-56  
007-139-00 ..... 1-54, 1-56  
010-052-00 ..... 1-54, 1-56  
014-065-00 ..... 1-56  
034-031-00 ..... 1-54, 1-56  
034-032-00 ..... 1-54, 1-56  
034-048-00 ..... 1-54, 1-56  
034-057-01 ..... 1-56  
034-057-07 ..... 1-54  
034-058-01 ..... 1-56  
034-058-07 ..... 1-54  
034-188-03 ..... 1-54  
034-188-08 ..... 1-54  
034-189-03 ..... 1-54  
034-189-08 ..... 1-54  
034-192-05 ..... 1-56  
034-193-05 ..... 1-56  
040-180-00 ..... 1-56  
040-320-01 ..... 1-54  
046-096-00 ..... 1-56  
046-097-00 ..... 1-54, 1-56  
056-018-00 ..... 1-54, 1-56  
0600-250-01000 ..... 1-147

069-078-00 ..... 1-54, 1-56  
071-122-00 ..... 1-56  
10030 ..... 1-119  
100401 ..... 1-58  
100402 ..... 1-58  
100600 ..... 1-6, 1-80, 1-88  
1-007-010006 ..... 1-132  
10078 ..... 1-83, 1-92  
100948 ..... 1-63  
100949 ..... 1-60  
10109 ..... 1-120  
101381 ..... 1-141  
101386 ..... 1-145  
101528 ..... 1-74, 1-77  
101847 ..... 1-54, 1-56, 1-65  
101848 ..... 1-65  
102-0031 ..... 1-106, 1-108, 1-109  
102-1097 ..... 1-108, 1-109  
102-1112 ..... 1-80, 1-89  
102-1238 ..... 1-80, 1-89, 1-106, 1-108, 1-109  
102-1333 ..... 1-106  
102186 ..... 1-80  
102187 ..... 1-88  
102188 ..... 1-88  
102361 ..... 1-52  
102363 ..... 1-37, 1-52  
102364 ..... 1-37, 1-52  
102732 ..... 1-46, 1-48, 1-49, 1-113  
103055 ..... 1-41, 1-44  
103056 ..... 1-41, 1-44  
103743 ..... 1-13, 1-19, 1-22  
103744 ..... 1-22  
103745 ..... 1-22  
103805 ..... 1-54, 1-56  
103817 ..... 1-13

103861 .....	1-65	108417 .....	1-31
104034 .....	1-41, 1-44	108439 .....	1-96
104239 .....	1-106	108601 .....	1-119
104240 .....	1-106	108801 .....	1-23, 1-88, 1-96, 1-139
104241 .....	1-106	108802 .....	1-23
104242 .....	1-106	108859 .....	1-147
104243 .....	1-98	109161 .....	1-99
104248 .....	1-8	109177 .....	1-139
104253 .....	1-147	109214 .....	1-58
104279 .....	1-22	109533 .....	1-52
104331 .....	1-109	1-1/4ST ELL .....	1-132
104332 .....	1-109	110-0116 .....	1-119
104369 .....	1-19	110-0253 .....	1-119
104370 .....	1-18, 1-19	110448 .....	1-93
104878 .....	1-141	110451 .....	1-93
105408 .....	1-52	110452 .....	1-83, 1-93
105479 .....	1-23, 1-119, 1-132, 1-133	110578 .....	1-119
105480 .....	1-23, 1-119, 1-132, 1-133	110-7389 .....	1-13
105481 .....	1-23, 1-119, 1-132, 1-133	111008 .....	1-52
105482 .....	1-23, 1-119, 1-132, 1-133	111010 .....	1-52
105483 .....	1-23	111011 .....	1-52
105822 .....	1-6, 1-18, 1-19, 1-133	111012 .....	1-52
105902 .....	1-133	111013 .....	1-52
106759 .....	1-132	111014 .....	1-52
106760 .....	1-132	111015 .....	1-52
106956 .....	1-92	111016 .....	1-52
107368 .....	1-88, 1-94	111017 .....	1-52
107369 .....	1-88, 1-94	111018 .....	1-52
107470 .....	1-18, 1-19	111019 .....	1-52
107486 .....	1-22	111021 .....	1-49
107498 .....	1-132	111022 .....	1-52
107499 .....	1-132	111023 .....	1-52
107500 .....	1-132	11117 .....	1-82
107513 .....	1-132	11128 .....	1-82
107625 .....	1-145	11129 .....	1-82
107756 .....	1-26	11130 .....	1-82
107956 .....	1-63	11133 .....	1-82
108295 .....	1-119	11142 .....	1-82

11144	1-82	114584	1-37, 1-60, 1-63, 1-65
111689	1-10	114586	1-37, 1-65
111695	1-99	114588	1-65
111812	1-41	114814	1-10, 1-119
111859	1-99	114815	1-119
111899	1-10	115629	1-68
112047	1-58	115669	1-58
11240	1-83	115732	1-68, 1-71
112492	1-58	115877	1-10, 1-119
112567	1-99	11599	1-92
112574	1-37, 1-44	1-161-010033-04	1-22
112678	1-98	116326	1-119
112679	1-98	116328	1-120
11308	1-82	116330	1-120
11309	1-92	116488	1-106
11310	1-92	117304	1-60, 1-63
113356	1-106	117873	1-120
113536	1-58	11791	1-93
11368	1-82	1-181-010046-7	1-119
113856	1-119	118-2659-9	1-60, 1-63
113877	1-99	11837	1-82
113878	1-99	118723	1-147
11398	1-93	118929	1-147
11402	1-92	118930	1-147
11407	1-92	119206	1-120
11411	1-92	119445	1-120
11419	1-92	119580	1-37, 1-41, 1-44
11420	1-92	119621	1-88
11421	1-92	119622	1-88
11425	1-92	119652	1-108
11426	1-93	120055	1-58
11429	1-92	120056	1-58
11430	1-92	120376	1-147
11431	1-92	120377	1-147
11434	1-92	120384	1-120
11440	1-92	120457	1-147
11441	1-92	120491	1-147
11446	1-92	120659	1-120

120660 .....	1-120	1-297-010008-05 .....	1-68, 1-71, 1-89, 1-139
120661 .....	1-120	1-297-010008-07 .	1-46, 1-48, 1-68, 1-71, 1-89, 1-96, 1-139
12073 .....	1-92	1-297-010008-18 .....	1-34, 1-48, 1-60, 1-63
12075 .....	1-82	1-297-010008-24 .....	1-60, 1-63
121031 .....	1-80, 1-89	1-297-010008-26 .....	1-60, 1-63
12146 .....	1-93	1-297-010009-02 .....	1-113
12-16 070120 .....	1-132	1-297-010010-01 .....	1-46, 1-48, 1-68, 1-71, 1-139
122813 .....	1-109	1-297-010010-03 .....	1-48
123166 .....	1-121	1-297-010010-04 .....	1-46, 1-48, 1-113, 1-139
123883 .....	1-58	1-297-010011-02 .....	1-89
124133 .....	1-18	1-297-010013-12 .....	1-24
1-242-010180-2 .....	1-106	1-297-010014-02 .....	1-139
12420301-017 .....	1-6	1-297-010015-10 .....	1-96
124549 .....	1-92	1-297-010017-03 .....	1-60, 1-63
12465 .....	1-92	1-297-010018-03 .....	1-63, 1-89, 1-139
125130 .....	1-132	1-297-010019-05 .....	1-89, 1-96, 1-139
125892 .....	1-88	1-297-010020-02 .....	1-89
126900 .....	1-52	1-297-010022-02 .....	1-89
12767 .....	1-93	1-297-010022-03 .....	1-96
127708 .....	1-52	1-297-010031-02 .....	1-89
12783 .....	1-92	1-297-010032-03 .....	1-89
128137 .....	1-128	1-298-010001-1 .....	1-8, 1-22
128138 .....	1-128	13005 .....	1-82
12817 .....	1-82	130116 .....	1-31, 1-130, 1-141
128590 .....	1-139	13028 .....	1-83, 1-93
128774 .....	1-120	130583 .....	1-147
129006 .....	1-52	130584 .....	1-147
129264 .....	1-120	130644 .....	1-106
1-295-010001 .....	1-119, 1-132	130895 .....	1-128
1-295-010002 .....	1-132	130896 .....	1-128
1-297-010007-04 .....	1-89	1-316-010013 .....	1-119
1-297-010007-05 .....	1-89, 1-96	131701 .....	1-37, 1-41
1-297-010007-11 .....	1-46, 1-113, 1-139	131804 .....	1-144
1-297-010007-12 .....	1-60, 1-63	132833 .....	1-96
1-297-010007-14 .....	1-34	133442 .....	1-58
1-297-010007-15 .....	1-60, 1-63	134156 .....	1-144
1-297-010007-16 .....	1-24, 1-60, 1-63	13424 .....	1-83, 1-93
1-297-010007-18 .....	1-60		



---

1-343-010006 .....	1-31, 1-130	1-397-010302160 .....	1-19
1-343-010007 .....	1-141	1-397-010302172 .....	1-18, 1-89
1-343-010010 .....	1-141	1-397-010302192 .....	1-19
1-343-010011 .....	1-141	1-397-010302216 .....	1-80
134657 .....	1-96	1-397-010302240 .....	1-96
13468 .....	1-82	1-397-010304018 .....	1-119
134857 .....	1-121	1-397-010304060 .....	1-120
135181 .....	1-10	1-397-010305228 .....	1-19
135184 .....	1-88	1-397-010307234 .....	1-108
136578 .....	1-121	1-397-010307270 .....	1-109
13680 .....	1-83	1-397-010307296 .....	1-108
137108 .....	1-58	1-397-010312032 .....	1-119
137987 .....	1-96, 1-130	1403982 .....	1-18
138155 .....	1-112	1406044 .....	1-18
1-382-010035-06 .....	1-96	1406053 .....	1-106
138209 .....	1-120	1410119 .....	1-16
13839 .....	1-82	1410792 .....	1-120
1-384-010038024 .....	1-60, 1-63	141607 .....	1-13, 1-24, 1-34, 1-113
1-384-010038060 .....	1-60, 1-63	1417038 .....	1-106
1-384-010038084 .....	1-63	141708 .....	1-52
139383 .....	1-56	142423 .....	1-144
1-394-010001 .....	1-60, 1-63	142428 .....	1-144
139478 .....	1-93	142545 .....	1-74, 1-77
139479 .....	1-92	142549 .....	1-58
139525 .....	1-96	142550 .....	1-58
139552 .....	1-89	142551 .....	1-58
1-397-010010016 .....	1-13	142553 .....	1-74, 1-77
1-397-010262048 .....	1-112	142732 .....	1-108
1-397-010262-5 .....	1-112	142736 .....	1-108, 1-109
1-397-010301024 .....	1-16, 1-26	143100 .....	1-31, 1-113, 1-134
1-397-010301039 .....	1-22	143101 .....	1-31, 1-113, 1-134, 1-136
1-397-010301042 .....	1-22	143102 .....	1-31, 1-134, 1-136
1-397-010301100 .....	1-132	143103 .....	1-31, 1-68, 1-71, 1-134, 1-136
1-397-010301170 .....	1-89	143114 .....	1-31
1-397-010302070 .....	1-22	143123 .....	1-31
1-397-010302078 .....	1-19	143126 .....	1-32
1-397-010302102 .....	1-18, 1-22, 1-80	143163 .....	1-18, 1-19, 1-23, 1-34, 1-80, 1-89
1-397-010302136 .....	1-19	143166 .....	1-31

---

143246 .....	1-88	153755 .....	1-128
143850 .....	1-120	154166 .....	1-92
144608 .....	1-135	1-557-010014 .....	1-126
144979 .....	1-54, 1-56	1-557-010362-54 .....	1-8, 1-13, 1-22
146707 .....	1-106	1-557-010362-63 .....	1-124, 1-126, 1-128, 1-147
146897 .....	1-136	155780 .....	1-6
146929 .....	1-136	1-560-010002-02 .....	1-60, 1-63
147464 .....	1-65	1-560-010002-03 .....	1-60, 1-119
148585 .....	1-136	1-560-010002-04 .....	1-24, 1-60, 1-63, 1-132
150076 .....	1-10	1-560-010002-05 .....	1-60, 1-63, 1-132
150093 .....	1-31, 1-113	1-560-010002-07 .....	1-132
150111 .....	1-135	156510 .....	1-130
150114 .....	1-135	156655 .....	1-54
150117 .....	1-31, 1-96, 1-130, 1-135, 1-141	157702 .....	1-37
150120 .....	1-147	158581 .....	1-26
150129 .....	1-147	160072 .....	1-141
150130 .....	1-147	162207 .....	1-97
150131 .....	1-147	162210 .....	1-97
150132 .....	1-147	162211 .....	1-97
1-510-010001 ..	1-10, 1-13, 1-41, 1-44, 1-63, 1-106, 1-108, 1-109, 1-112	162215 .....	1-97
1-512-010002-09 .....	1-96	162216 .....	1-97
1-512-010004-03 .....	1-88, 1-119	162217 .....	1-97
1-512-010005-01 ..	1-10, 1-31, 1-34, 1-41, 1-49, 1-71, 1-113, 1-136	162218 .....	1-97
1-512-010005-03 ..	1-31, 1-96, 1-106, 1-108, 1-109, 1-130, 1-144	162219 .....	1-97
1-512-010005-05 ..	1-26, 1-50, 1-80, 1-89, 1-99, 1-106, 1-119, 1-128, 1-132, 1-141	162415 .....	1-88
1-512-010005-09 ..	1-10, 1-13, 1-80, 1-88, 1-94, 1-112, 1-119, 1-121, 1-124, 1-132, 1-142, 1-144, 1-145	162941 .....	1-97
1-512-010005-13 .....	1-22, 1-88, 1-98, 1-99, 1-106	162942 .....	1-97
1-512-010005-15 .....	1-8, 1-13, 1-41, 1-44	162943 .....	1-97
1-512-010007-03 .....	1-31	162944 .....	1-97
1-512-010007-05 ..	1-13, 1-41, 1-44, 1-46, 1-48, 1-88, 1-94	162945 .....	1-97
1-512-010007-09 .....	1-13, 1-52	163472 .....	1-92
1-512-010007-12 .....	1-88	163996 .....	1-130, 1-141
1-512-010007-16 .....	1-41	164052 .....	1-130, 1-141
1-533-010001 .....	1-147	164053 .....	1-96
		1-647-010004177 .....	1-147
		1-647-010004225 .....	1-147
		1-647-010004255 .....	1-8, 1-41, 1-88
		1-654-010024055 .....	1-88

---

1-654-010027-7	1-34	1-654-010141-04	1-88
1-654-010032-4	1-41, 1-44	1-654-010147-06	1-10
1-654-010036-05	1-88	1-654-010158-1	1-13, 1-31, 1-41, 1-44
1-654-010047-04	1-46, 1-49, 1-71	1-656-010003051	1-31, 1-139
1-654-010047-06	1-10, 1-31, 1-41, 1-48, 1-119, 1-136	166766	1-120
1-654-010047-07	1-113	168521	1-108, 1-109
1-654-010049-03	1-26, 1-58	168593	1-37, 1-41, 1-68
1-654-010049-05	1-96, 1-106, 1-108, 1-109, 1-130	168610	1-68, 1-71
1-654-010049-06	1-31	168613	1-68, 1-71
1-654-010051-05	1-10, 1-141	168648	1-31
1-654-010051-06	1-18, 1-19, 1-80, 1-119, 1-128, 1-132	168974	1-32
1-654-010051-07	1-41, 1-44, 1-99, 1-106, 1-108, 1-109	168975	1-32
1-654-010051-08	1-50, 1-63	169365	1-23
1-654-010051-09	1-119	169531	1-120
1-654-010051-10	1-26, 1-99	169532	1-120
1-654-010051-16	1-106	169853	1-130
1-654-010055-01	1-88, 1-94, 1-142	170109	1-120
1-654-010055-02	1-121, 1-144	170110	1-120
1-654-010055-03	1-88, 1-119, 1-124, 1-132, 1-145, 1-147	170111	1-120
1-654-010055-04	1-80, 1-88, 1-132	170112	1-120
1-654-010055-05	1-88	172877	1-97
1-654-010055-09	1-121, 1-142	173519	1-16
1-654-010055-13	1-119, 1-124	173860	1-120
1-654-010055-15	1-142	174043	1-96
1-654-010055-16	1-80	174552	1-96
1-654-010055-18	1-142	175358	1-113
1-654-010059-01	1-112	175359	1-113
1-654-010059-03	1-98, 1-99, 1-106	175360	1-113
1-654-010059-04	1-99	175363	1-113
1-654-010059-05	1-98, 1-106	175365	1-113
1-654-010059-15	1-88	175632	1-145
1-654-010059-21	1-22	175633	1-145
1-654-010061-06	1-13	175638	1-145
1-654-010061-07	1-8, 1-41, 1-44	175752	1-141
1-654-010070-04	1-10	176420	1-134
1-654-010070-14	1-10	176432	1-134
		178428	1-120
		178444	1-13, 1-106, 1-108, 1-109

---

178638 .....	1-120	18078 .....	1-82
178714 .....	1-97	1-822-010001 .....	1-13
178715 .....	1-97	1-822-010002 .....	1-119, 1-130
178716 .....	1-97	1-833-010001 ...	1-46, 1-48, 1-68, 1-71, 1-89, 1-96, 1-139
178717 .....	1-97	1-833-010002 ..	1-34, 1-46, 1-48, 1-60, 1-63, 1-139
179085 .....	1-134	1-833-010003 .....	1-34, 1-60, 1-63
179088 .....	1-134	183413 .....	1-68, 1-71
179089 .....	1-134	184138 .....	1-41, 1-44
179090 .....	1-120	1-843-010014 .....	1-58
1-796-010003-02 ...	1-13, 1-60, 1-63, 1-108, 1-109, 1-134, 1-141	184392 .....	1-113
1-796-010004-02 .....	1-41, 1-48	184585 .....	1-26, 1-106
179902 .....	1-31, 1-135	185059 .....	1-31
179906 .....	1-31	1-861-010032-06 .....	1-34
179933 .....	1-58	1-861-010032-07 .	1-10, 1-31, 1-41, 1-44, 1-46, 1-48, 1-113, 1-136
18002 .....	1-83, 1-93	1-861-010032-08 .....	1-26, 1-106, 1-108, 1-109
18009 .....	1-82	1-861-010032-09 .....	1-31, 1-96, 1-130, 1-144
18015 .....	1-82	1-861-010032-10 .....	1-26, 1-80, 1-88, 1-106
18016 .....	1-82	1-861-010032-11 .	1-10, 1-18, 1-19, 1-41, 1-44, 1-50, 1-63, 1-99, 1-106, 1-108, 1-109, 1-119, 1-128
18019 .....	1-82	1-861-010032-14 ....	1-88, 1-94, 1-96, 1-112, 1-145
18020 .....	1-82	1-861-010032-15 ....	1-10, 1-13, 1-80, 1-88, 1-119, 1-121, 1-124, 1-142, 1-144, 1-145, 1-147
18022 .....	1-92	1-861-010032-18 .....	1-88
180221 .....	1-113	1-861-010032-19 .....	1-22, 1-99, 1-106
18024 .....	1-82	1-861-010034-07 .....	1-31
18026 .....	1-82	1-861-010034-09 .	1-10, 1-13, 1-41, 1-44, 1-46, 1-48, 1-89, 1-94, 1-119
18027 .....	1-82	1-861-010034-10 .....	1-26, 1-58
18028 .....	1-82	1-861-010034-13 .....	1-52, 1-80, 1-119, 1-132
18029 .....	1-83	1-861-010034-15 .....	1-112
18030 .....	1-82	1-861-010034-17 .....	1-41, 1-44
18032 .....	1-82	1-861-010059-21 .....	1-18, 1-19
18033 .....	1-92	186811 .....	1-120
18034 .....	1-92	186875 .....	1-26, 1-106, 1-108, 1-109
18035 .....	1-92	186877 .....	1-26, 1-106, 1-108, 1-109
18039 .....	1-82	186878 .....	1-106
18044 .....	1-82	186882 .....	1-31
18047 .....	1-82, 1-92		
18056 .....	1-83		
180570 .....	1-31		

---

186902	1-26, 1-106, 1-108, 1-109	191849	1-26, 1-27
187833	1-31, 1-134	191850	1-26, 1-27, 1-106, 1-108, 1-109
187855	1-31	192208	1-6
187856	1-31	193400	1-27
187857	1-31	193401	1-27
187858	1-31	193402	1-27
187859	1-31, 1-135	193442	1-27
187860	1-31	193443	1-27
187863	1-31	193444	1-27
187864	1-31	193445	1-27
187868	1-31	193446	1-27
187869	1-135	193447	1-27
189253	1-13	193904	1-120
189260	1-106, 1-108, 1-109	194407	1-31
189278	1-13	194880	1-99
189280	1-13	195395	1-71
189281	1-13	196167	1-6
189282	1-13	196168	1-6
189285	1-26	196169	1-6
189292	1-6	196171	1-6
189308	1-120	196173	1-6
189309	1-120	196174	1-6
189310	1-120	196175	1-6
189311	1-120	196176	1-6
189314	1-37, 1-41, 1-44	196177	1-6
189360	1-119	1974	1-94
189361	1-120	197613	1-68, 1-71
189364	1-120	199104	1-97
189369	1-120	199105	1-120
19045	1-82, 1-92	199196	1-6
190700ZP	1-41, 1-44	199197	1-6
190701	1-41, 1-44	200497	1-8, 1-16
190705ZP	1-41, 1-44	201068	1-8, 1-16
190706	1-41, 1-44	201069	1-8
191834	1-135	201071	1-8, 1-16
191835	1-135	201072	1-8
191847	1-27	201642	1-97
191848	1-27	201643	1-97

---

201644 .....	1-97	2033-8-8S .....	1-16
201645 .....	1-97	204124 .....	1-26
201650 .....	1-97	204158 .....	1-13
202094 .....	1-77	204189 .....	1-27
202099 .....	1-74, 1-77	204223 .....	1-77
202103 .....	1-74, 1-77	204224 .....	1-77
202104 .....	1-77	2047-12-12S .....	1-132
202105 .....	1-77	204989 .....	1-37
202106 .....	1-74, 1-77	204993 .....	1-10
202107 .....	1-74, 1-77	205001 . . . .	1-13, 1-16, 1-18, 1-19, 1-26, 1-80, 1-88, 1-106, 1-108, 1-109
202109 .....	1-77	205002 .....	1-106, 1-108, 1-109
202111 .....	1-74	205007 .....	1-6, 1-13, 1-106
202112 .....	1-74, 1-77	205055 .....	1-41, 1-60, 1-74
202113 .....	1-74, 1-77	205056 .....	1-60
202114 .....	1-74	205059 .....	1-41, 1-74
202116 .....	1-74, 1-77	205070 .....	1-41
202118 .....	1-74, 1-77	205071 .....	1-6
202121 .....	1-74, 1-77	205072 .....	1-6
202122 .....	1-77	205074 .....	1-106
202207 .....	1-68, 1-71	205710 .....	1-120
202225 .....	1-120	205712 .....	1-120
202226 .....	1-120	205713 .....	1-37, 1-41
202394 .....	1-26	205714 .....	1-37
2024-12-12S .....	1-119, 1-132	205720 .....	1-108
2024-12-8S .....	1-132	205721 .....	1-108
202430 .....	1-26, 1-27	205722 .....	1-108
202578 .....	1-6	205723 .....	1-108
202702-10-8S .....	1-26, 1-80, 1-89, 1-96	205724 .....	1-109
202702-12-12S .....	1-26	205725 .....	1-109
202702-4-6S .....	1-106, 1-108, 1-109	205726 .....	1-109
202702-6-4S .....	1-112	205727 .....	1-109
202702-8-6S .....	1-106, 1-108, 1-109	205728 .....	1-37, 1-112
202702-8-8S .....	1-108, 1-109	205750 .....	1-13, 1-18
202713-16-16S .....	1-120	205751 .....	1-18
203003-8-8S .....	1-22	205753 .....	1-18
203005-8-8S .....	1-22	205836 .....	1-68, 1-71
203102-12-12S .....	1-23, 1-80, 1-89, 1-120	205837 .....	1-68, 1-71
2033-4-4S .....	1-112		

---

2061-8-8S	1-16, 1-22	212074	1-139
2062-10-8S	1-26, 1-80, 1-89	212316	1-141
2062-12-12S	1-119	212376	1-37, 1-54
2062-16-8S	1-132	212378	1-37, 1-54
2062-6-4S	1-112	212418	1-37, 1-56
2062-6-8S	1-106, 1-108, 1-109	213165	1-18
2062-8-6S	1-106, 1-108, 1-109	216599	1-74, 1-77
2062-8-8S	1-22, 1-106	216600	1-74, 1-77
206821	1-37	216601	1-26, 1-27
206823	1-44, 1-63	217155	1-6
206824	1-63, 1-77	218046	1-120
206829	1-44	218058	1-83
206830	1-77	2-181-010001	1-37, 1-112
206862	1-8, 1-16	21925	1-82
206867	1-44	22094	1-74
206869	1-31	2215-16-20S	1-119
206871	1-37, 1-44	2216-12-12S	1-133
206873	1-6	2240-12-12S	1-119
206875	1-13, 1-19, 1-31	22752	1-82
206876	1-13, 1-19	23078	1-83, 1-93
206877	1-13, 1-19	23079	1-83
206882	1-13	23081	1-83, 1-93
2071-8-8S	1-26, 1-108, 1-109	23083	1-83
208104	1-10	23085	1-83
2081-8-6S	1-24	23144	1-93
2083-8-4S	1-46, 1-48, 1-68, 1-71	23303	1-82
208390	1-27	23367	1-92
208391	1-27	23470	1-82
208392	1-27	2389	1-94
208688	1-96	2481X	1-120
2088-6-6S	1-24, 1-60, 1-63	2481X DRY	1-120
2089-6-6S	1-60, 1-63	2-557-010006	1-147
209052	1-41	26976	1-92
209056	1-41	3/8P COUPL	1-119
210292-12S	1-23	3-014-010255	1-88
210377	1-120	3-054-010101	1-124
211463	1-6	3067	1-58
2116-544-04	1-144	3-076-010005	1-37, 1-41, 1-74

---

3-076-010015	1-37, 1-44, 1-77	3-222-010083	1-10
3-102-010022	1-13	3-222-010195	1-10
3-120-010117	1-22	3-242-010099	1-22
3-120-010124	1-119	3-242-010103	1-22
3-120-010125	1-22	3-242-010152	1-13, 1-18
3-120-010445	1-89	3-242-010152-02	1-22
3-120-010461	1-132	3-242-010205	1-112
3-125-010244	1-13	3-316-010008	1-119
3-125-010465	1-88	3-368-010250	1-141
3-141-010118	1-126	3-368-010252	1-31, 1-96, 1-130, 1-141
3-141-010119	1-126	3-375-010250	1-8, 1-16
3-141-010120	1-142	3-375-010337	1-8
3-141-010121-1	1-124	3-375-010349	1-8
3-141-010121-2	1-124	3-399-010001	1-132
3-141-010121-3	1-124	3-443-010018	1-119
3-141-010123-1	1-126	346SL	1-98, 1-106
3-141-010123-2	1-126	3-481-010006	1-80
3-141-010123-3	1-126	3-481-010007	1-80, 1-88
3-141-010123-4	1-126	3-482-010249	1-126
3-141-010147	1-126	3-482-010472	1-112
3-141-010151	1-126	3-482-010503	1-132
3-141-010152	1-124	3-485-010001	1-37, 1-41, 1-44
3-141-010155	1-124	3-522-010017	1-88
3-146-010001	1-13	3-557-010030	1-8
3-150-010186	1-88, 1-94	3-557-010031	1-22
3-150-010196	1-88	3-557-010033	1-8
3-150-010223	1-22	3-557-010059	1-8
3-155-010017-4	1-80	3-557-010120	1-13
3-155-010018-6	1-80, 1-88	3-557-010380	1-126
3-162-010001	1-119, 1-132	3-557-010396	1-37, 1-41
3-174-010038	1-80, 1-88	3-561-010001	1-132
3-174-010039036	1-80, 1-88	3-565-011688	1-88
3-174-010059	1-96	3-573-010031	1-41, 1-44
3-174-010060036	1-96	3-573-010085	1-6
3-181-010006	1-106	3-573-010189	1-6
3-182-010028	1-119	3-573-010210	1-6
3-201-010002	1-108, 1-109	3-573-010297	1-6
3-222-010079	1-10	3-573-010349	1-6



---

3-573-010377	1-6, 1-41, 1-44	3-873-010131-2	1-80
3-573-010378	1-124, 1-126	40-0667-02	1-119
3-573-010437	1-141	4009	1-58
3-591-010001	1-132	43029	1-31
3-612-010015-1	1-142	5/16-18X1-1/2EB	1-144
3-612-010015-2	1-142	51031-14	1-106
3-612-010016	1-142	51031-19	1-106
3-626-010004	1-89	51087-01	1-112
3-659-010012	1-58	514-9045-30	1-119
3-707-010001	1-144	514-9073-30	1-119
3-711-010025	1-124	55B61	1-23, 1-60, 1-63, 1-89, 1-96, 1-139
3-711-010028	1-80	55B61-6	1-23
3-720-010010	1-80	55B61-7	1-23
3-720-010035	1-88	56D4	1-60, 1-63
3-720-010042	1-88	61333	1-83
3-725-010058	1-98	622-3511-008	1-41, 1-44
3-755-010080	1-126	63680	1-58
3-762-010016	1-41, 1-44	64181	1-141
3-762-010017	1-41, 1-44	6-557-010163	1-124, 1-128
3-780-010002	1-37, 1-46, 1-48, 1-50, 1-60, 1-63, 1-68, 1-71	6828	1-132
3-786-010043	1-132	758-181	1-37, 1-60, 1-63
3-821-010005	1-41, 1-44	7HCGHT500	1-80, 1-88
3-826-010014	1-8	805-2	1-10, 1-50
3-826-010015	1-8	81006	1-82
3-829-010337	1-142	81009	1-82
3-831-010172	1-88	81025	1-82
3-831-010182	1-88	81077	1-92
3-843-010038	1-24	81078	1-92
3-843-010039-02	1-89	81080	1-92
3-861-010038	1-13	81081	1-92
3-870-010097	1-58	81264	1-31, 1-96, 1-130, 1-135, 1-141
3-873-010122	1-80, 1-82	81530	1-82
3-873-010123	1-80, 1-89, 1-92	88005	1-93
3-873-010124	1-80	900-08-139	1-52
3-873-010127-2	1-80	900-44-207	1-139
3-873-010128-2	1-80	900 45 040	1-52
3-873-010130-2	1-80	900 54 007	1-37, 1-46, 1-48, 1-49, 1-139
		900-54-079	1-139

---

---

900-54-088 .....	1-139
900598-12S .....	1-120
90508009 .....	1-52
905-54-107 .....	1-46, 1-48, 1-49, 1-89, 1-96, 1-139
905-54-186 .....	1-49
905-57-129 .....	1-52
934 00 149 .....	1-52
934-00-492 .....	1-52
934-00-506 .....	1-52
936 00 077 .....	1-52

**B**

---

B1821BH050C175N .....	1-112
-----------------------	-------

**C**

---

C2001 .....	1-94
C3069X12 .....	1-132
CO-975-74-2000 .....	1-147

**H**

---

HM212011 .....	1-58
HM212049 .....	1-58
HM218210 .....	1-58
HM218248 .....	1-58

**K**

---

K71-101-00 .....	1-54, 1-56
K71-136-00 .....	1-56
K71-460-00 .....	1-54

**P**

---

PTO .....	1-132
-----------	-------

**R**

---

RRT114X6 .....	1-41, 1-74
RTR7999X4ZP .....	1-88

**S**

---

STP-147 .....	1-141
---------------	-------

**T**

---

TR573 .....	1-58
-------------	------

**Document Control Revision Log:**

<b>Date</b>	<b>Form #</b>	<b>New/Updated</b>	<b>Improvement(s): Description and Comments</b>
03-2019	F-1026	New	New Release of 317E/318E Parts Manual



---

# Intertek

Equipment from Landoll Corporation is built to exacting standards ensured by ISO 9001 registration at all Landoll manufacturing facilities.

## 317/318E Parts Manual

Re-Order Part Number F-1026-0319

### LANDOLL CORPORATION

1900 North Street

Marysville, Kansas 66508

(785) 562-5381

800-428-5655 ~ [WWW.LANDOLL.COM](http://WWW.LANDOLL.COM)



Copyright 2020. Landoll Corporation

“All rights reserved, including the right to reproduce this material or portions thereof in any form.”

Scan to go to [www.landoll.com](http://www.landoll.com)

