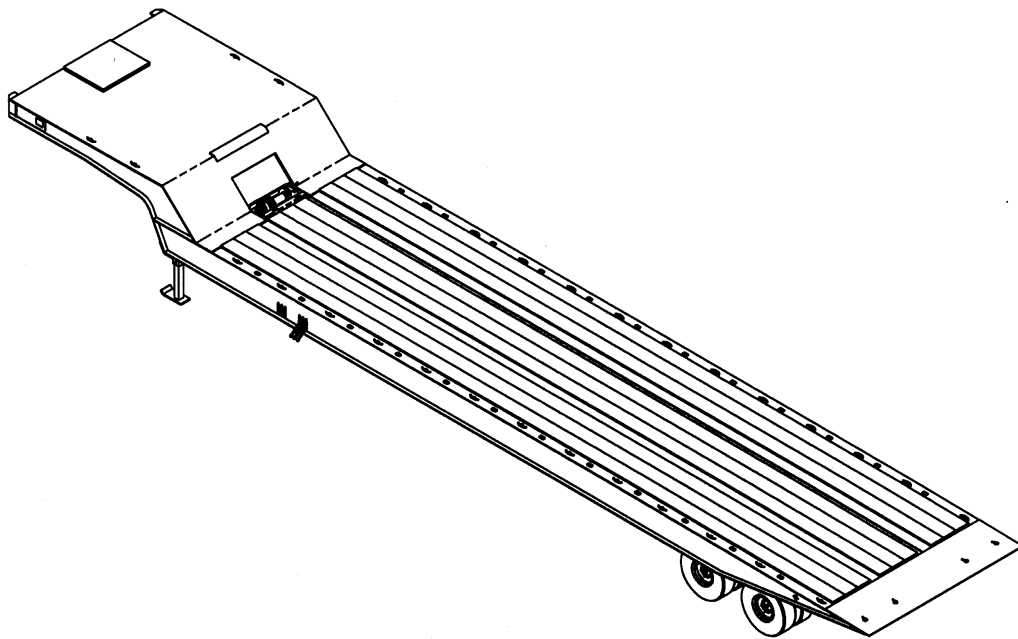




**MODEL 317B/318/319 SERIES
PARTS LIST**



**1900 NORTH STREET
MARYSVILLE, KANSAS 66508
(785) 562-5381**

ILLUSTRATED PARTS LIST

1

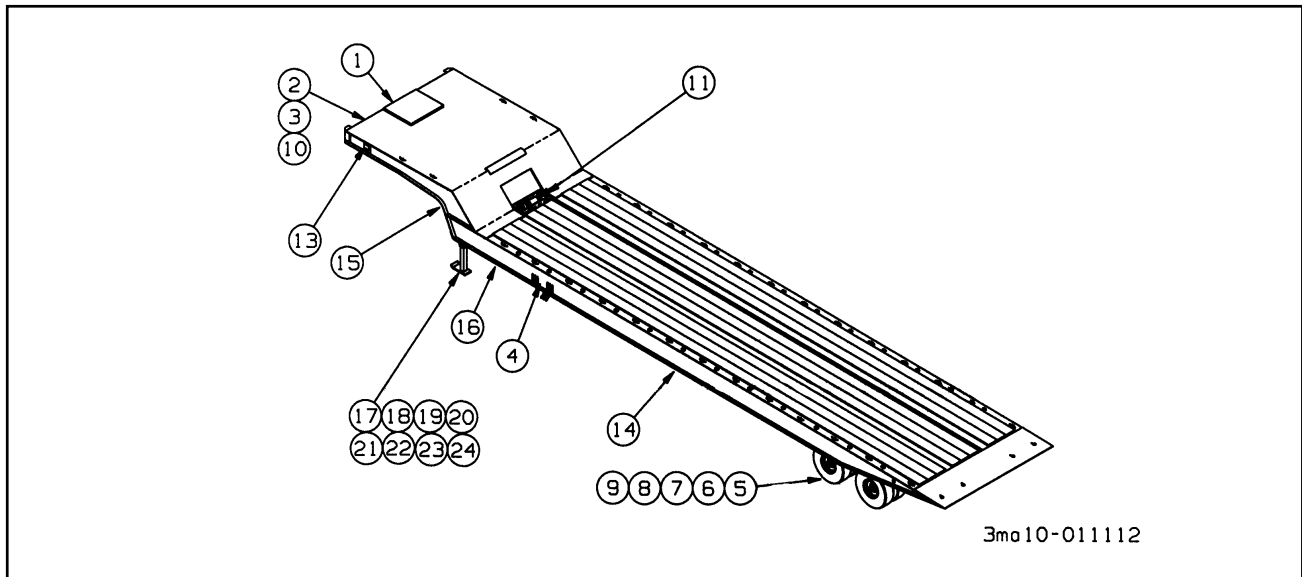
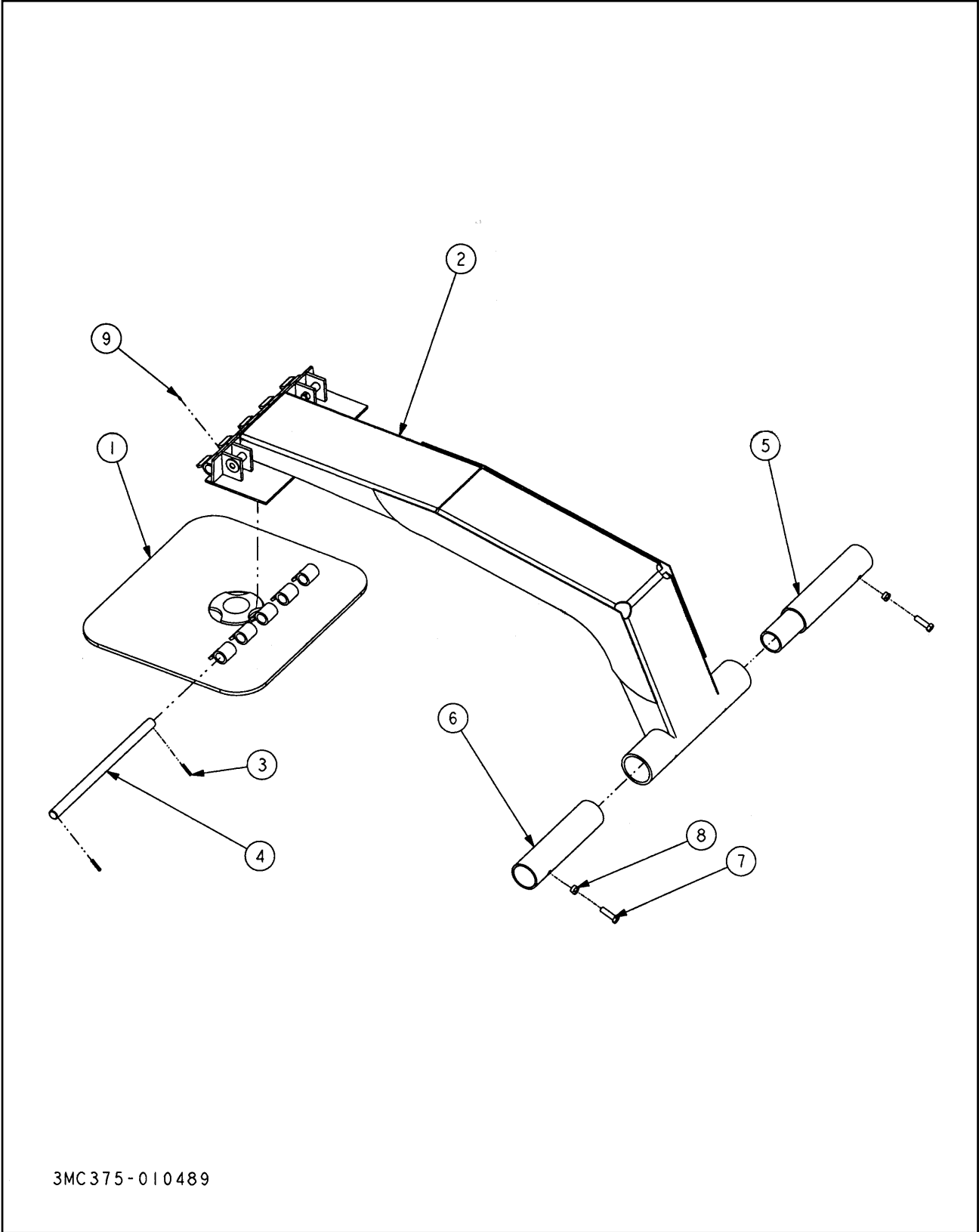


Figure 1-1 General Assembly

GENERAL ASSEMBLY

ITEM	PART NO./PAGE NO.	DESCRIPTION	QTY.
1	1-2 - 1-3	FIFTH WHEEL ASSEMBLY	1
2	1-4 - 1-23	HYDRAULIC ASSEMBLIES	1
3	1-24 - 1-27	ELECTRICAL ASSEMBLIES	1
4	1-28 - 1-35	REMOTE CONTROL	1
5	1-36 - 1-49	UNDERCARRIAGE AND SUSPENSION - AIR RIDE	1
6	1-50 - 1-53	UNDERCARRIAGE AND SUSPENSION - SPRING RIDE	1
7	1-54 - 1-59	AIR BRAKE SYSTEMS	1
8	1-60 - 1-63	AXLE AND BRAKE ASSEMBLIES	1
9	1-64 - 1-69	HUB AND DRUM ASSEMBLIES	AR
10	1-70 - 1-71	MAIN AIR SYSTEM	1
11	1-72 - 1-95	WINCH ASSEMBLIES	1
12	1-96 - 1-109	DOCK LEVELER ASSEMBLIES	1
13	1-110 - 1-111	DOOR LATCH INSTALLATION	1
14	1-112 - 1-114	DECAL INSTALLATION	1
15	1-115 - 1-129	ENGINE DRIVE ASSEMBLIES	1
16	1-130 - 1-155	OPTIONAL EQUIPMENT	1
17	3-311-010145	PARK STAND	2
18	346SL	PIN	2
19	104235	PARK STAND WLDMT LH BOLT ON	1
20	1-654-010059-03	SCREW, HEX HEAD CAP 5/8-11 X 1-1/2 GR5	16
21	1-512-010005-13	NUT, HEX LOCK 5/8-11 GRB	20
22	104236	PARK STAND WLDMT RH BOLT ON	1
23	1-654-010059-05	SCREW, HEX HEAD CAP 5/8-11 X 2 GR5	4
24	3-725-010058	LANDING GEAR, PIN DROP	2

NOTE: STD PIN DROP PARK STAND (317B) INCLUDES ITEMS 18 AND 24. STD PARK STAND INST. BOLT - ON P/N 104243 (318B/319B) INCLUDES ITEMS 17-23.



3MC375-010489

Figure 1-2 Fifth Wheel Assembly

FIFTH WHEEL ASSEMBLY

ITEM	PART NO.	DESCRIPTION	QTY.
	3-375-010489-1	HITCH INSTL., 24 KP 317B,319B, 30 KP 318B	
	3-375-010489-2	HITCH INSTL., 18 KP 317B,319B	
	104249	HITCH INSTL., 26 KP 318B	
	104466	HITCH INSTL., 18 KP 317B-CA MODEL	
1	3-375-010250	PLATE HITCH (24KP-317B,319B/ 18KP-317B-CA / 30KP-318)	1
	3-375-010349	PLATE HITCH (18KP-317B,319B)	1
	104248	HITCH WELDMENT (26KP-318B)	1
2	3-375-010337	FIFTH WHEEL HITCH (317B HD TANDEM)	1
3	1-647-010004255	SPRING PIN SLOTTED	2
4	3-557-010030	PIN FIFTH WHEEL HINGE	1
5	3-826-010015	TUBE WELDMENT INNER FIFTH WHEEL	1
6	3-826-010014	TUBE INNER HINGE FIFTH WHEEL	1
7	1-654-010061-07	SCREW HEX HEAD CAP 3/4-10 X 2-1/2 GR5	2
8	1-512-010005-15	NUT HEX LOCK 3/4-10 GRB	2
9	1-298-010001-1	FITTING GREASE 1/4-28 SHORT	6

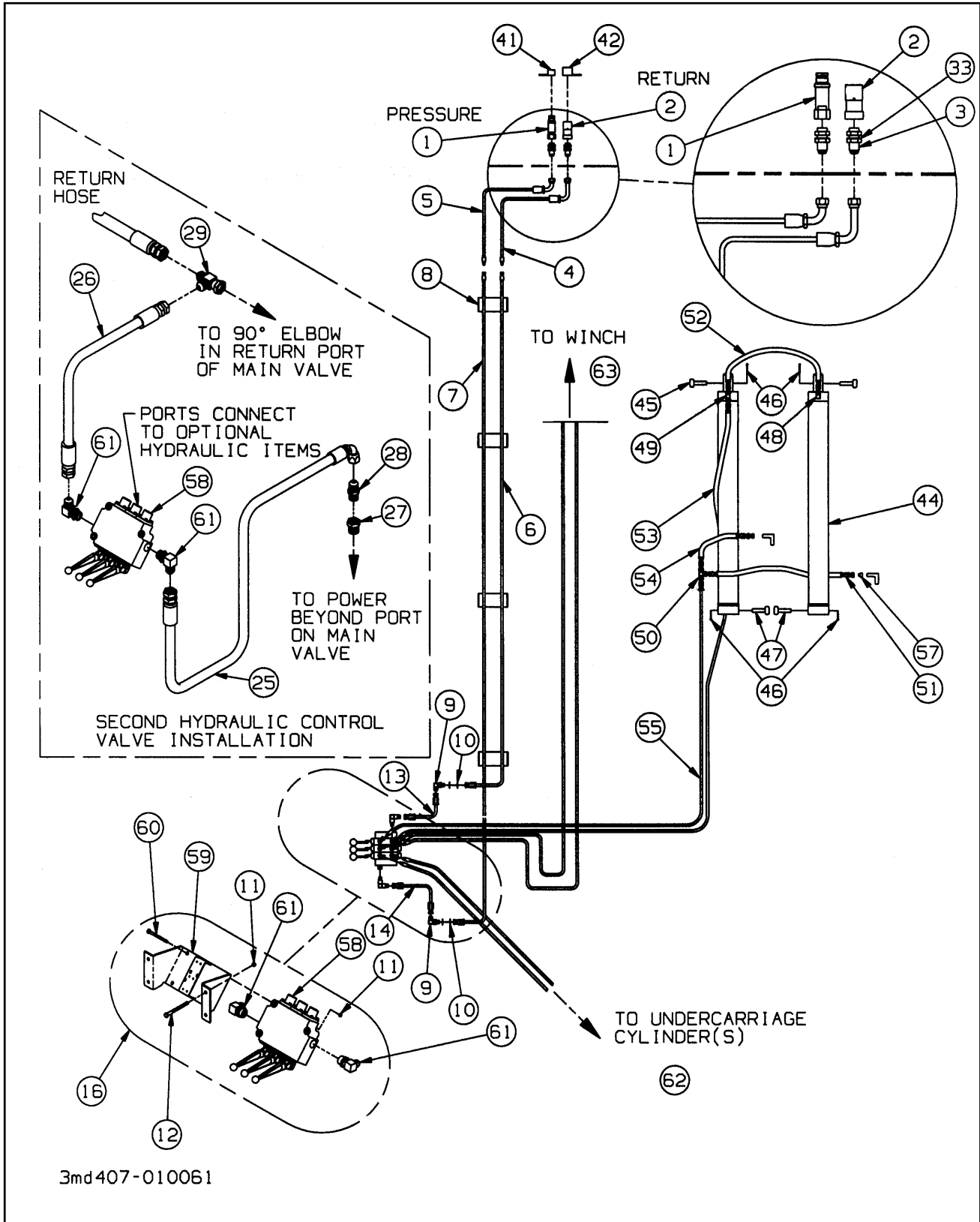


Figure 1-3 Hydraulic System (317B)

HYDRAULIC SYSTEM (317B)

ITEM	PART NO.	DESCRIPTION	QTY.
	3-407-010062	HYDRAULIC INSTL. CONTROLS (ITEMS 1-43)	
	3-375-010489	HITCH INSTALLATION (ITEMS 44-56)	
1	105479	COUPLER FLAT FACE MALE	1
2	105480	COUPLER FLAT FACE FEMALE	1
3	105483	ADAPTER BULKHEAD	2
4	3-832-010300	TUBE ASSEMBLY	1
	3-832-010304	TUBE ASSEMBLY (317B-CA ONLY)	1
5	3-832-010302	TUBE ASSEMBLY	1
	3-832-010305	TUBE ASSEMBLY (317B-CA ONLY)	1
6	3-832-010301	TUBE ASSEMBLY	1
7	3-832-010303	TUBE ASSEMBLY	1
8	9-181-010021-3	CLAMP TUBE CHANNEL MOUNT	8
9	2043-12-12S	ADAPTER 90 BULKHEAD	2
10	110-7389	FLAT WASHER 1' SAE	4
11	1-510-010001	NUT FLANGE LOCK 3/8-16	A/R
12	1-654-010051-07	SCREW HEX HEAD CAP 3/8-16 GR5	4
13	1-397-010304029	HOSE ASSEMBLY 29	1
14	1-397-010304031	HOSE ASSEMBLY 31	1
15	1-822-010001018	TRIM LOK (NOT SHOWN)	1
16	*	VALVE ASSEMBLY OPTIONS (SEE PAGES 1-17, 1-18, & 1-21)	1
25	1-397-010389018	HOSE ASSEMBLY 18	1
26	1-397-010304022	HOSE ASSEMBLY 22	1
27	1V0208	POWER BEYOND REMOTE	1
28	2021-12-8S	ADAPTER	1
29	23102-12-12S	ADAPTER TEE	1
33	1-861-010059-21	WASHER LOCKING INTERNAL TOOTH	2
34	3-765-010001	SWITCH RMT CTRL ASSY (NOT SHOWN) (SEE PAGE 1-31)	1
35	*	REMOTE OPTIONS (NOT SHOWN) (SEE PAGE 1-31)	1
41	105481	COUPLER DUST CAP MALE	1
42	105482	COUPLER DUST CAP FEMALE	1
43	105822	DECAL HYD COUPLER (NOT SHOWN) (SEE PAGE 1-114)	1
44	3-242-010099	CYLINDER HYDRAULIC 4 X 42 (SEE PAGE 1-14)	2
45	3-557-010059	PIN CYLINDER ROD END	2
46	1-557-010362-54	PIN COTTER	4
47	3-557-010033	PIN CYLINDER BUTT END	2
48	2062-8-8S	ADAPTER 90	3
49	203003-8-8S	ADAPTER TEE	1
50	2033-8-8S	ADAPTER TEE	1
51	1-397-010301042	HOSE ASSEMBLY 42	1
52	107756	HOSE ASSEMBLY 24	1
53	1-397-010301157	HOSE ASSEMBLY 157	1
54	1-397-010301040	HOSE ASSEMBLY 40	1
55	1-397-010301127	HOSE ASSEMBLY 127	1
56	104464	STOP TILT CYLINDER (317B-CA ONLY)	2
57	3-846-010156	VALVE RESTRICTOR - ONE WAY	2
58	3-846-010008	VALVE 3-SPOOL (SEE PAGE 1-23)	REF
59	3-482-010575	MOUNT WELDMENT VALVE	REF
60	1-654-010051-09	SCREW HEX HEAD CAP 3/8-16 X 2 GR5	REF
61	2062-12-12S	ADAPTER 90	REF
62	*	CYLINDER ASSEMBLY (SEE PAGES 1-11 & 1-13)	
63	*	WINCH INSTALLATION (SEE PAGE 1-73)	

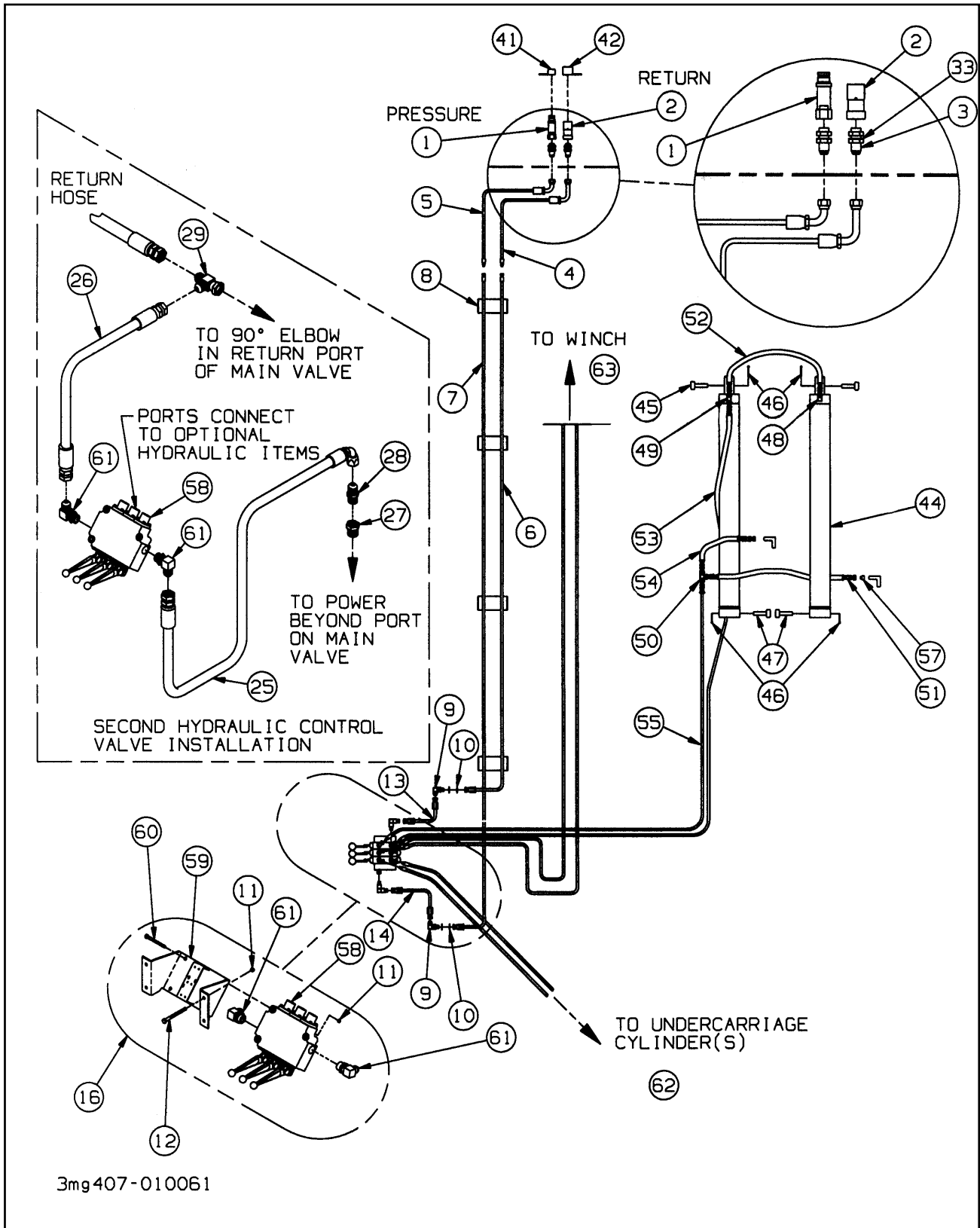


Figure 1-4 Hydraulic System (318B)

HYDRAULIC SYSTEM (318B)

ITEM	PART NO.	DESCRIPTION	QTY.
	3-407-010062	HYDRAULIC INSTL. CONTROLS (ITEMS 1-43)	
	3-375-010489	HITCH INSTALLATION (ITEMS 44-56)	
1	105479	COUPLER FLAT FACE MALE	1
2	105780	COUPLER FLAT FACE FEMALE	1
3	105483	ADAPTER BULKHEAD	2
4	103986	TUBE ASSEMBLY	1
5	103987	TUBE ASSEMBLY	1
6	3-832-010301	TUBE ASSEMBLY	1
7	3-832-010303	TUBE ASSEMBLY	1
8	9-181-010021-3	CLAMP TUBE CHANNEL MOUNT	8
9	2043-12-12S	ADAPTER 90 BULKHEAD	2
10	110-7389	FLAT WASHER 1" SAE	4
11	1-510-010001	NUT FLANGE LOCK 3/8-16	A/R
12	1-654-010051-07	SCREW HEX HEAD CAP 3/8-16 GR5	4
13	104385	HOSE ASSEMBLY 36	1
14	1-397-010304031	HOSE ASSEMBLY 31	1
15	1-822-010001018	TRIM LOK (NOT SHOWN)	1
16	*	VALVE ASSEMBLY OPTIONS (SEE PAGES 1-17, 1-18, & 1-21)	
25	1-397-010389018	HOSE ASSEMBLY 18	1
26	1-397-010304022	HOSE ASSEMBLY 22	1
27	1V0208	POWER BEYOND REMOTE	1
28	2021-12-8S	ADAPTER	1
29	23102-12-12S	ADAPTER TEE	1
33	1-861-010059-21	WASHER LOCKING INTERNAL TOOTH	2
34	3-765-010001	SWITCH, RMT CTRL ASSY (NOT SHOWN) (SEE PAGE 1-31)	1
35	*	REMOTE OPTIONS (NOT SHOWN) (SEE PAGE 1-31)	
41	105481	COUPLER DUST CAP MALE	1
42	105482	COUPLER DUST CAP FEMALE	1
43	105822	DECAL HYD COUPLER (NOT SHOWN) (SEE PAGE 1-114)	1
44	3-242-010099	CYLINDER HYDRAULIC 4 X 42 (SEE PAGE 1-14)	2
45	3-557-010059	PIN CYLINDER ROD END	2
46	1-557-010362-54	PIN COTTER	4
47	3-557-010033	PIN CYLINDER BUTT END	2
48	2062-8-8S	ADAPTER 90	3
49	203003-8-8S	ADAPTER TEE	1
50	2033-8-8S	ADAPTER TEE	
51	1-397-010301042	HOSE ASSEMBLY 42	1
52	107756	HOSE ASSEMBLY 24	1
53	1-397-010301157	HOSE ASSEMBLY 157	1
54	1-397-010301040	HOSE ASSEMBLY 40	1
55	1-397-010301127	HOSE ASSEMBLY 127	1
57	3-846-010156	VALVE RESTRICTOR - ONE WAY	2
58	3-846-010008	VALVE 3-SPOOL (SEE PAGE 1-23)	REF
59	3-482-010575	MOUNT WELDMENT VALVE	REF
60	1-654-010051-09	SCREW HEX HEAD CAP 3/8-16 X 2 GR5	REF
61	2062-12-12S	ADAPTER 90	REF
62	*	CYLINDER ASSEMBLY (SEE PAGES 1-11 & 1-13)	
63	*	WINCH INSTALLATION (SEE PAGE 1-73)	

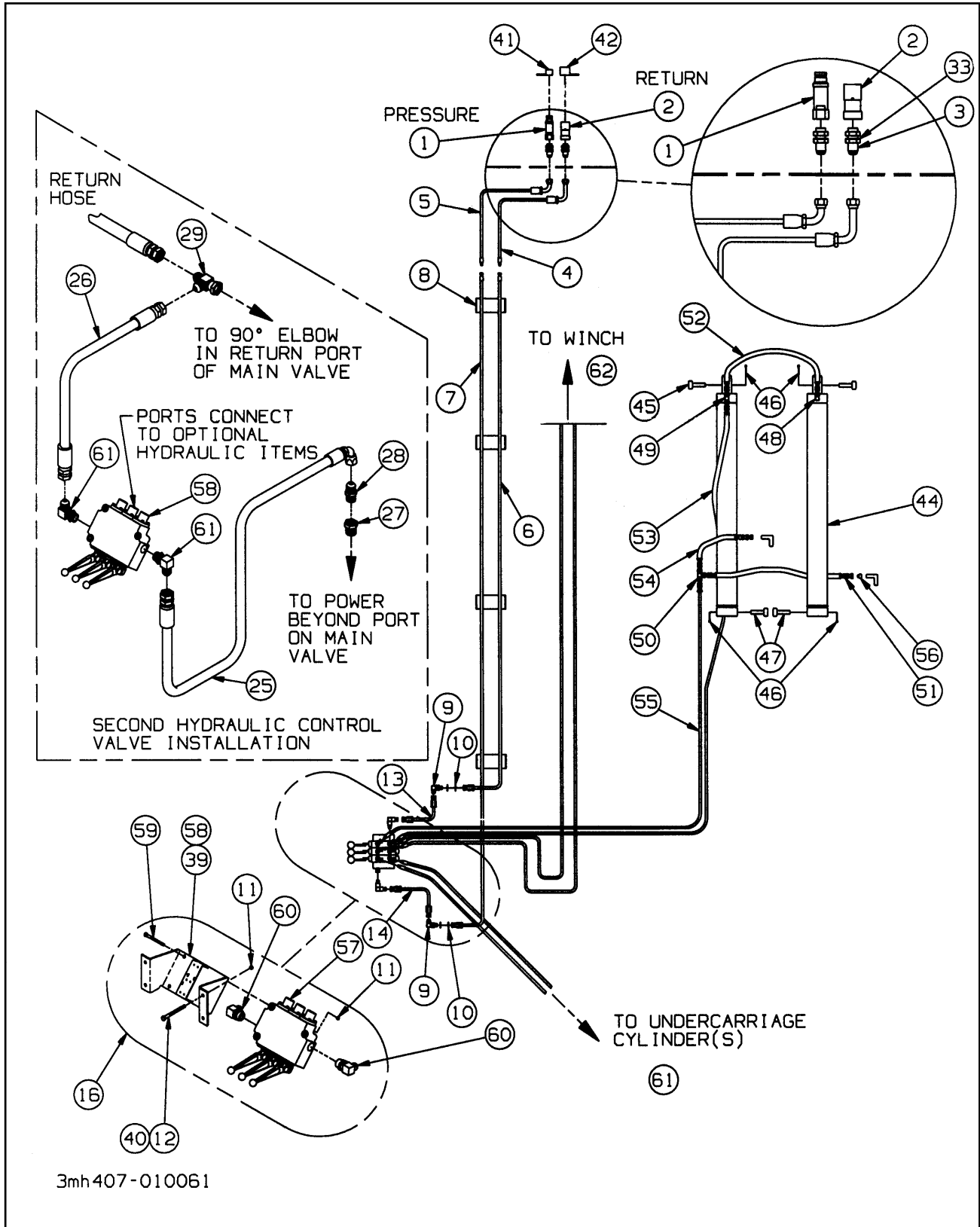
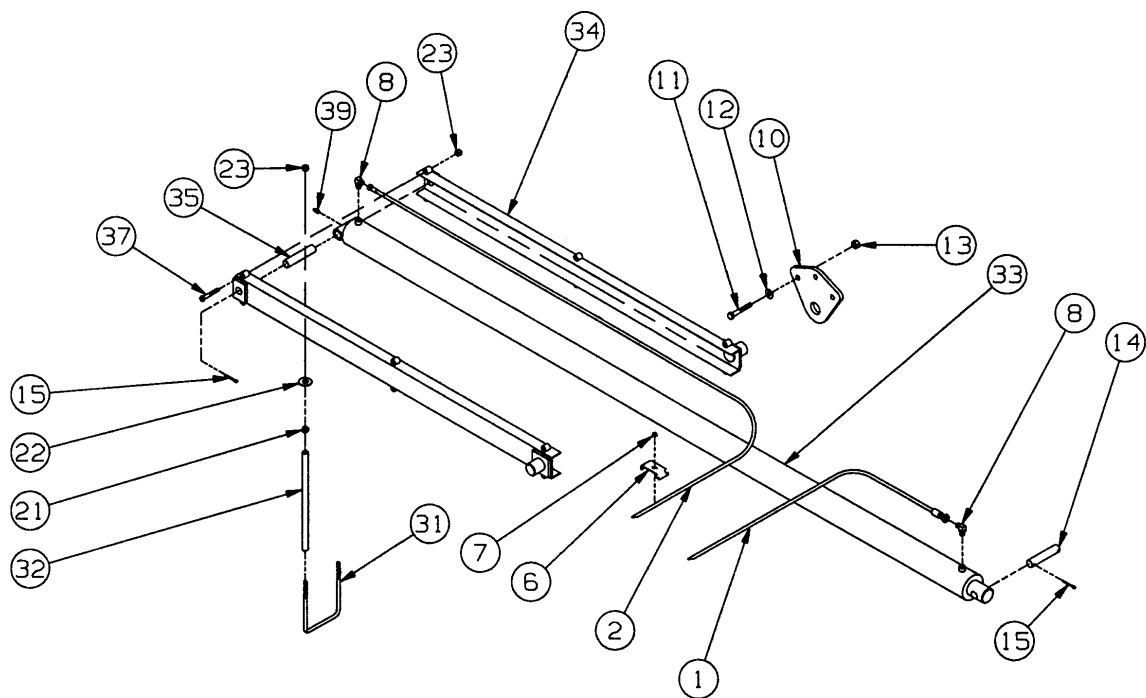


Figure 1-5 Hydraulic System (319B)

HYDRAULIC SYSTEM (319B)

ITEM	PART NO.	DESCRIPTION	QTY.
	3-407-010062	HYDRAULIC INSTL. CONTROLS (ITEMS 1-43)	
	3-375-010489	HITCH INSTALLATION (ITEMS 44-56)	
1	105479	COUPLER FLAT FACE FLAT	1
2	105479	COUPLER FLAT FACE FEMALE BODY	1
3	105483	ADAPTER BULKHEAD	2
4	3-832-010300	TUBE ASSEMBLY	1
5	3-832-010302	TUBE ASSEMBLY	1
6	3-832-010301	TUBE ASSEMBLY	1
7	3-832-010303	TUBE ASSEMBLY	1
8	9-181-010021-3	CLAMP TUBE CHANNEL MOUNT	8
9	2043-12-12S	ADAPTER 90 BULKHEAD	2
10	110-7389	FLAT WASHER 1" SAE	4
11	1-510-010001	NUT FLANGE LOCK 3/8-16	4
12	1-654-010051-07	SCREW HEX HEAD CAP 3/8-16 X 1-1/2 GR5	4
13	104385	HOSE ASSEMBLY 36	1
14	1-397-010304031	HOSE ASSEMBLY 31	1
15	1-822-010001018	TRIM-LOK (NOT SHOWN)	1
16	*	VALVE ASSEMBLY OPTIONS (SEE PAGES 1-17, 1-18, & 1-21)	1
25	1-397-010389018	HOSE ASSEMBLY 18	1
26	1-397-010304022	HOSE ASSEMBLY 22	1
27	1V0208	POWER BEYOND REMOTE	1
28	2021-12-8S	ADAPTER	1
29	203102-12-12S	ADAPTER TEE	1
33	1-861-010059-21	WASHER LOCKING INTERNAL TOOTH	2
34	3-765-010001	SWITCH, RMT CTRL ASSY (NOT SHOWN) (SEE PAGE 1-31)	1
35	*	REMOTE OPTIONS (NOT SHOWN) (SEE PAGE 1-31)	1
39	104892	SHIELD CONTROL VALVE	1
40	1-654-010051-05	SCREW HEX HEAD CAP 3/8-16 X 1 GR5	4
41	105481	COUPLER DUST CAP MALE	1
42	105482	COUPLER DUST CAP FEMALE	1
43	105822	DECAL HYD COUPLER (NOT SHOWN) (SEE PAGE 1-114)	1
44	3-242-010099	CYLINDER HYDRAULIC 4 X 42 (SEE PAGE 1-14)	2
45	3-557-010059	PIN CYLINDER ROD END	2
46	1-557-010362-54	PIN COTTER	4
47	3-557-010033	PIN CYLINDER BUTT END	2
48	2062-8-8S	ADAPTER 90	3
49	203003-8-8S	ADAPTER TEE	1
50	2033-8-8S	ADAPTER TEE	1
51	1-397-010301042	HOSE ASSEMBLY 42	1
52	107756	HOSE ASSEMBLY 24	1
53	1-397-010301157	HOSE ASSEMBLY 157	1
54	1-397-010301040	HOSE ASSEMBLY 40	1
55	1-397-010301127	HOSE ASSEMBLY 127	1
56	3-846-010156	VALVE RESTRICTOR - ONE WAY	2
57	3-846-010008	VALVE 3-SPOOL (SEE PAGE 1-23)	REF
58	3-482-010575	MOUNT WELDMENT VALVE	REF
59	1-654-010051-09	SCREW HEX HEAD CAP 3/8-16 X 2 GR5	REF
60	2062-8-8S	ADAPTER 90	REF
61	*	CYLINDER ASSEMBLY (SEE PAGES 1-11 & 1-13)	
62	*	WINCH INSTALLATION (SEE PAGE 1-73)	

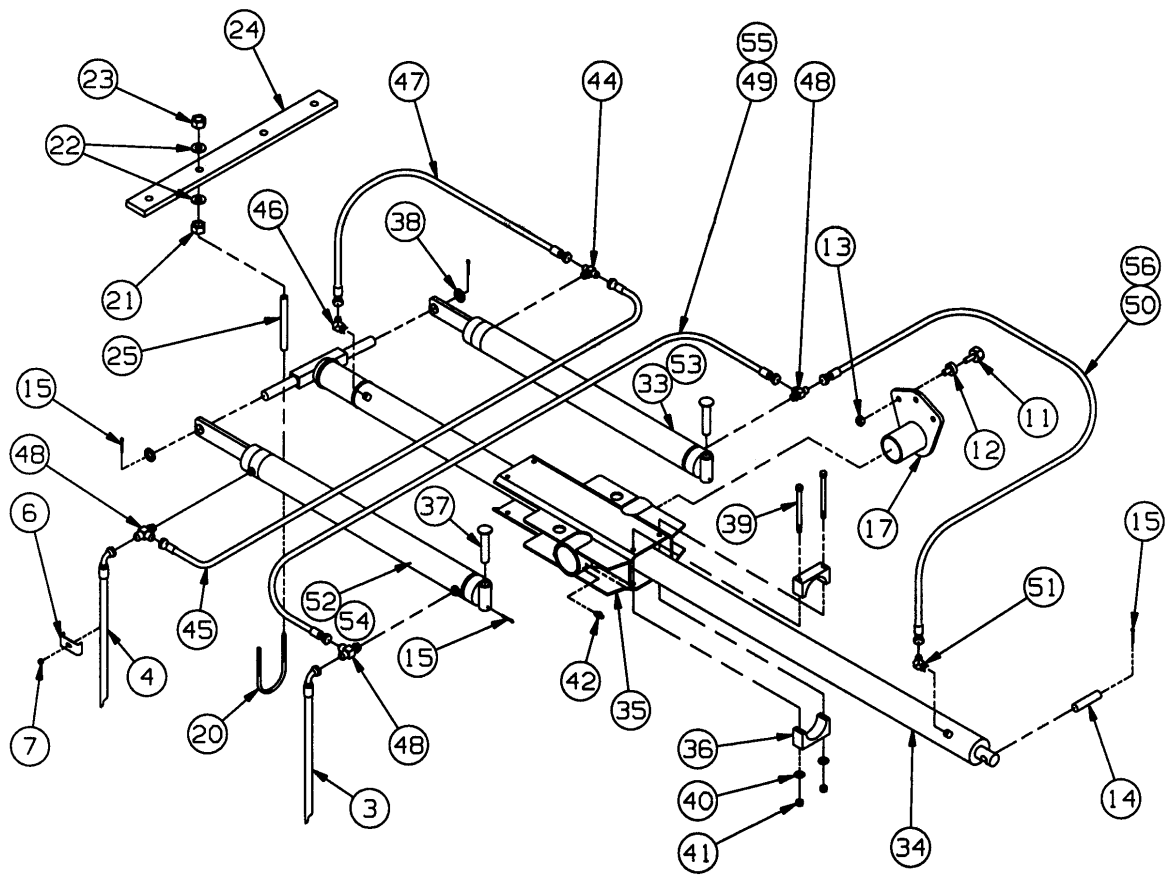


3me407-010061

Figure 1-6 Hydraulic System - Std Load Angle

HYDRAULIC SYSTEM - STD LOAD ANGLE

ITEM	PART NO.	DESCRIPTION	QTY.
	3-407-010038	HYDRAULIC INSTALLATION U/C SLIDE	
1	1-397-010301148	HOSE ASSEMBLY 148	1
	1-397-010301184	HOSE ASSEMBLY 184	1
	1-397-010301220	HOSE ASSEMBLY 220	1
	1-397-010301244	HOSE ASSEMBLY 244	1
2	1-397-010301051	HOSE ASSEMBLY 51	1
	1-397-010301054	HOSE ASSEMBLY 54	1
	1-397-010301090	HOSE ASSEMBLY 90	1
	1-397-010301114	HOSE ASSEMBLY 114	1
	1-397-010301130	HOSE ASSEMBLY 130	1
5	3-242-010153	CYL. ASSY (NOT SHOWN)(INCL 15, 23, 33-37)	1
6	2-181-010001	HOSE CLAMP	2
7	1-510-010001	NUT FLANGE LOCK 3/8-16	2
8	2062-8-8S	ADAPTER 90	2
9	TY244MX	TY-WRAP (NOT SHOWN)	6
10	3-125-010241	BRACKET CYLINDER MOUNT	2
11	1-654-010061-06	SCREW HEX HEAD CAP 3/4-10 X 2-1/4 GR5	6
12	3-861-010038	WASHER STEP	6
13	1-512-010005-15	NUT HEX LOCK 3/4-10 GRB	6
14	3-557-010120	PIN UNDERCARRIAGE CYLINDER	1
15	1-557-010362-54	PIN COTTER 3/16 X 2-1/4	3
21	1-512-010007-09	NUT HEX 1/2-13 GRB	2
22	1-861-010032-15	WASHER FLAT 1/2W	4
23	1-512-010005-09	NUT HEX LOCK 1/2-13 GRB	8
31	3-102-010048	U-BOLT 7-5/8 X 10	1
32	2750-8	HOSE, 1/2 AIR BRAKE X 20	1.666
33	3-242-010102	CYLINDER HYDRAULIC 4 X 126 (SEE PAGE 1-15)	1
34	3-120-010073	BRACKET ASSEMBLY CYLINDER TRUNNION	2
35	3-557-010033	PIN CYLINDER BUTT END	1
37	1-654-010055-17	SCREW HEX HEAD CAP 1/2-13 X 6 GR5	6
39	1-298-010001-1	FITTING GREASE 1/4-28	1



3mf 407-010061

Figure 1-7 Hydraulic System - Low Load Angle

HYDRAULIC SYSTEM - LOW LOAD ANGLE

ITEM	PART NO.	DESCRIPTION	QTY.
	3-407-010038	HYDRAULIC INSTALLATION U/C SLIDE	
3	1-397-010302064	HOSE ASSEMBLY 64	1
	1-397-010302112	HOSE ASSEMBLY 112	1
	1-397-010302136	HOSE ASSEMBLY 136	1
	1-397-010302160	HOSE ASSEMBLY 160	1
	1-397-010302192	HOSE ASSEMBLY 192	1
4	1-397-010301048	HOSE ASSEMBLY 48	1
	1-397-010301084	HOSE ASSEMBLY 84	1
	1-397-010301108	HOSE ASSEMBLY 108	1
	1-397-010302042	HOSE ASSEMBLY 42	1
	1-397-010302078	HOSE ASSEMBLY 78	1
	104369	HOSE ASSEMBLY 96	1
	104370	HOSE ASSEMBLY 126	1
6	2-181-010001	HOSE CLAMP	2
7	1-510-010001	NUT FLANGE LOCK 3/8-16	2
9	1-796-010003-02	TIE STRAP PLASTIC (NOT SHOWN)	6
11	1-654-010061-06	SCREW HEX HEAD CAP 3/4-10 X 2-1/4 GR5	6
12	3-861-010038	WASHER STEP	6
13	1-512-010005-15	NUT HEX LOCK 3/4-10 GRB	6
14	3-557-010120	PIN UNDERCARRIAGE CYLINDER	1
15	1-557-010362-54	PIN COTTER	6
16	3-242-010152	CYL. ASSY (INCL 9, 15, 33-56) (NOT SHOWN)	1
	3-242-010152-03	CYL. ASSY (INCL 9, 15, 33-56) (NOT SHOWN)	1
	103743	CYL. ASSY (INCL 9, 15, 33-56) (NOT SHOWN)	1
17	3-125-010244	BRACKET WELDMENT CYLINDER TRUNNION	2
20	3-102-010022	U-BOLT, SUPPORT	2
21	1-512-010007-09	NUT HEX 1/2-13 GRB	2
22	1-861-010032-15	WASHER FLAT 1/2W	4
23	1-512-010005-09	NUT HEX LOCK 1/2-13 GRB	2
24	3-146-010001	RUBBER BUMPER CYLINDER	1
25	1-397-010010016	HOSE HYDRAULIC	2
33	3-242-010099	CYLINDER HYDRAULIC (SEE PAGE 1-14)	2
34	3-242-010103	CYLINDER HYDRAULIC 4 X 126 (SEE PAGE 1-15)	1
35	3-120-010125	CYLINDER TRUNNION ASSEMBLY	1
36	3-120-010117	NYLATRON BEARING	4
37	3-557-010031	PIN CYLINDER BUTT END	2
38	3-150-010223	BUSHING	2
39	1-654-010059-21	SCREW HEX HEAD CAP 5/8-11 X 8 GR5	4
40	1-861-010032-19	WASHER FLAT 5/8W	4
41	1-512-010005-13	NUT HEX LOCK 5/8-11 GRB	4
42	1-298-010001-1	FITTING, GREASE 1/4-28	2
43	1-161-010033-04	CAP, PLASTIC TAPERED (NOT SHOWN)	2
44	203003-8-8S	ADAPTER TEE	A/R
45	1-397-010301039	HOSE ASSEMBLY 39	1
46	2061-8-8S	ADAPTER 45	1
47	1-397-010302070	HOSE ASSEMBLY 70	1
48	203005-8-8S	ADAPTER TEE	A/R
49	1-397-010301042	HOSE ASSEMBLY 42 (317B, 319B)	1
50	107486	HOSE ASSEMBLY 90 (317B, 319B)	1
51	2062-8-8S	ADAPTER 90	1
52	3-311-010499	TUBE CYLINDER STOP (317B-45)	1
53	103744	CYL 4 X 42 (CURB) (318B)(SEE PAGE 1-14)	1
54	103745	CYL 4 X 42 (STREET) (318B)(SEE PAGE 1-14)	1
55	104279	HOSE ASSEMBLY 30 (318B)	1
56	1-397-010302102	HOSE ASSEMBLY 102 (318B)	1

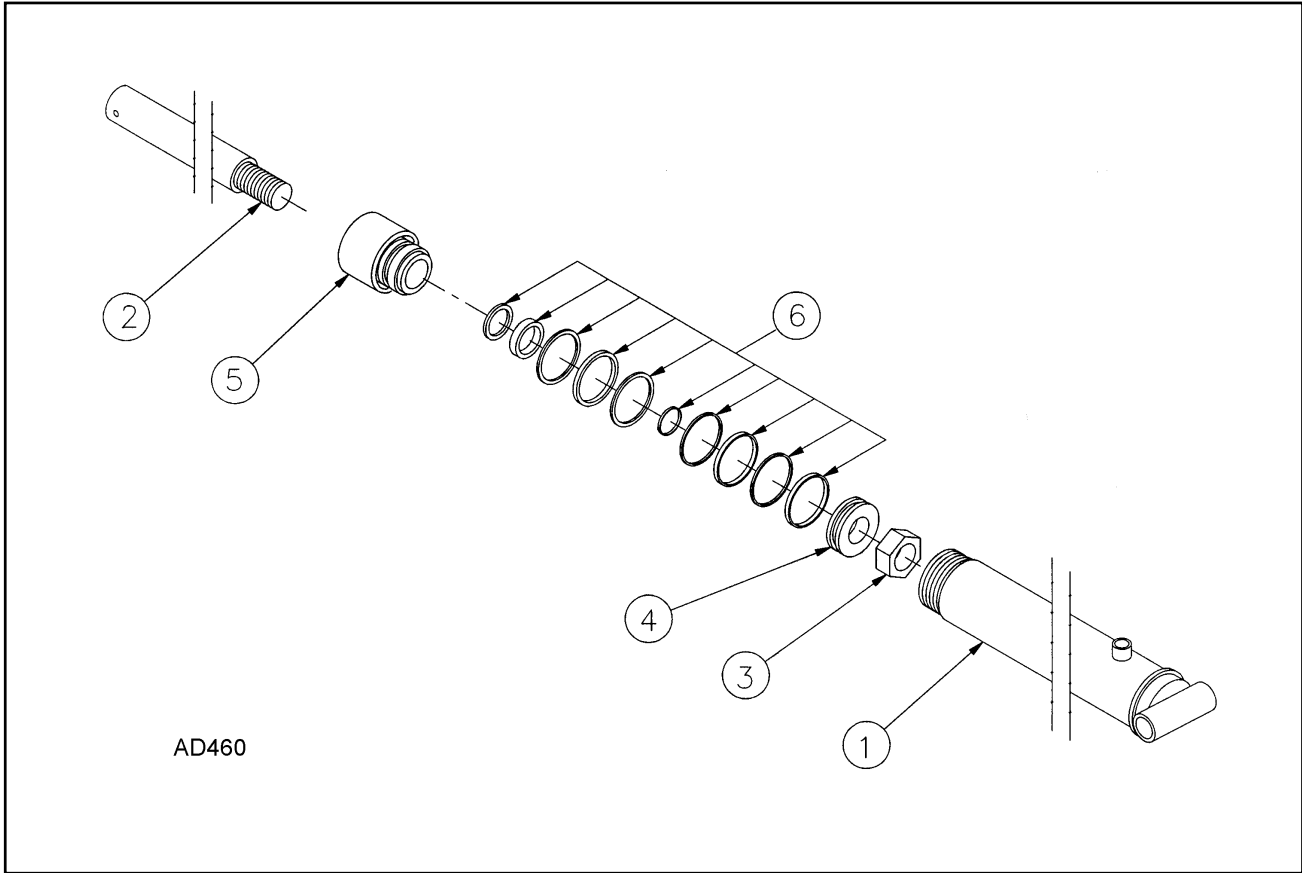


Figure 1-8 Cylinder 4" X 42"

CYLINDER 4" X 42"

ITEM	PART NO.	DESCRIPTION	QTY.
	3-242-010099	CYLINDER HYDRAULIC 4 X 42 (TILT CYLINDER)	
	3-242-010065	CYLINDER 4 X 42	
	103744	CYLINDER 4 X 42	
	103745	CYLINDER 4 X 42	
1	*	BUTT AND TUBE ASSEMBLY	1
2	011100550	PISTON ROD	1
3	220000212	LOCKNUT (1-1/4 - 12)	1
4	071900048	PISTON	1
5	081900295	GLAND	1
6	PMCK-AD-460	PACKING KIT (CONTAINS ALL NECESSARY SEALS AND O-RINGS)	1

* PART NOT SOLD SEPARATELY. REQUIRES PURCHASE OF ENTIRE ASSEMBLY.

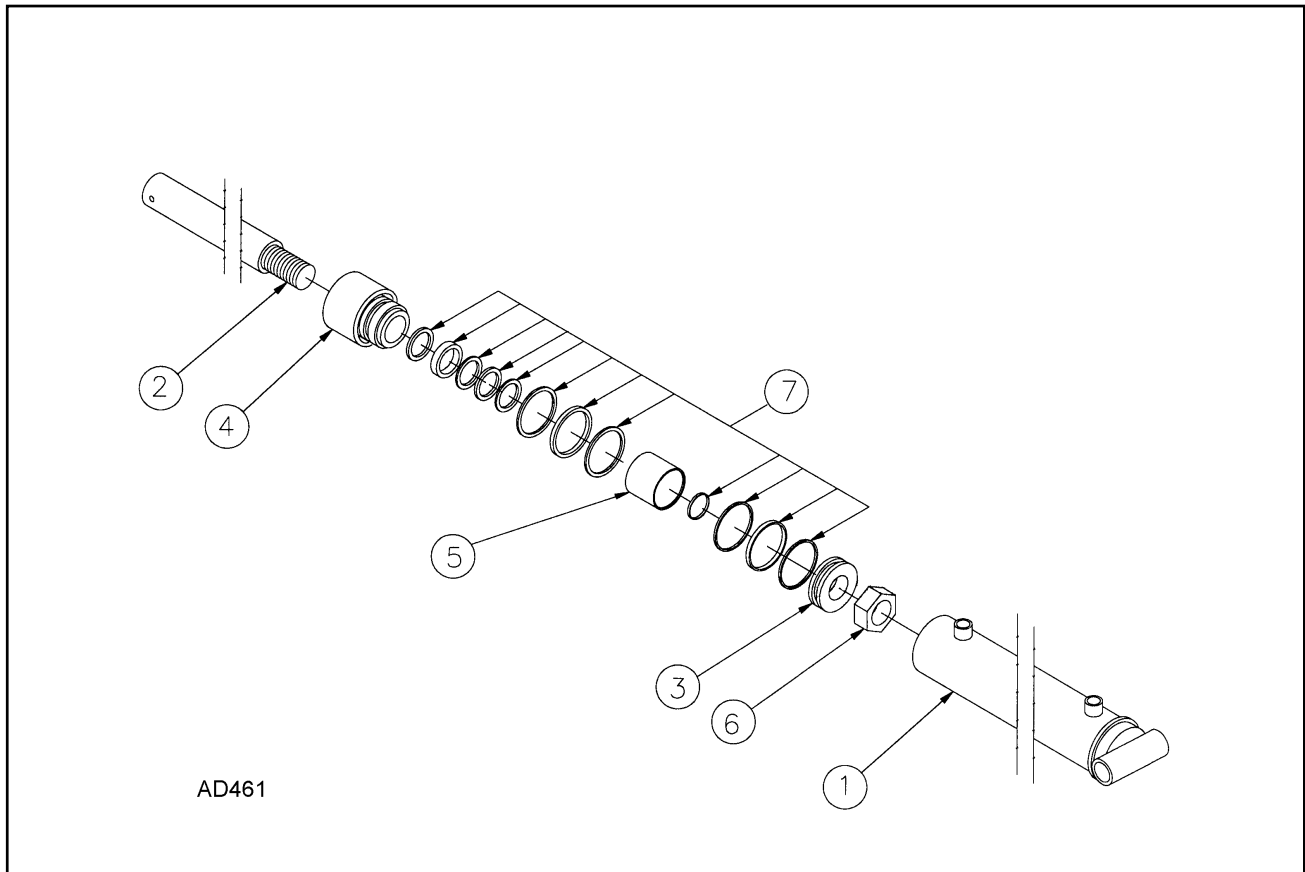
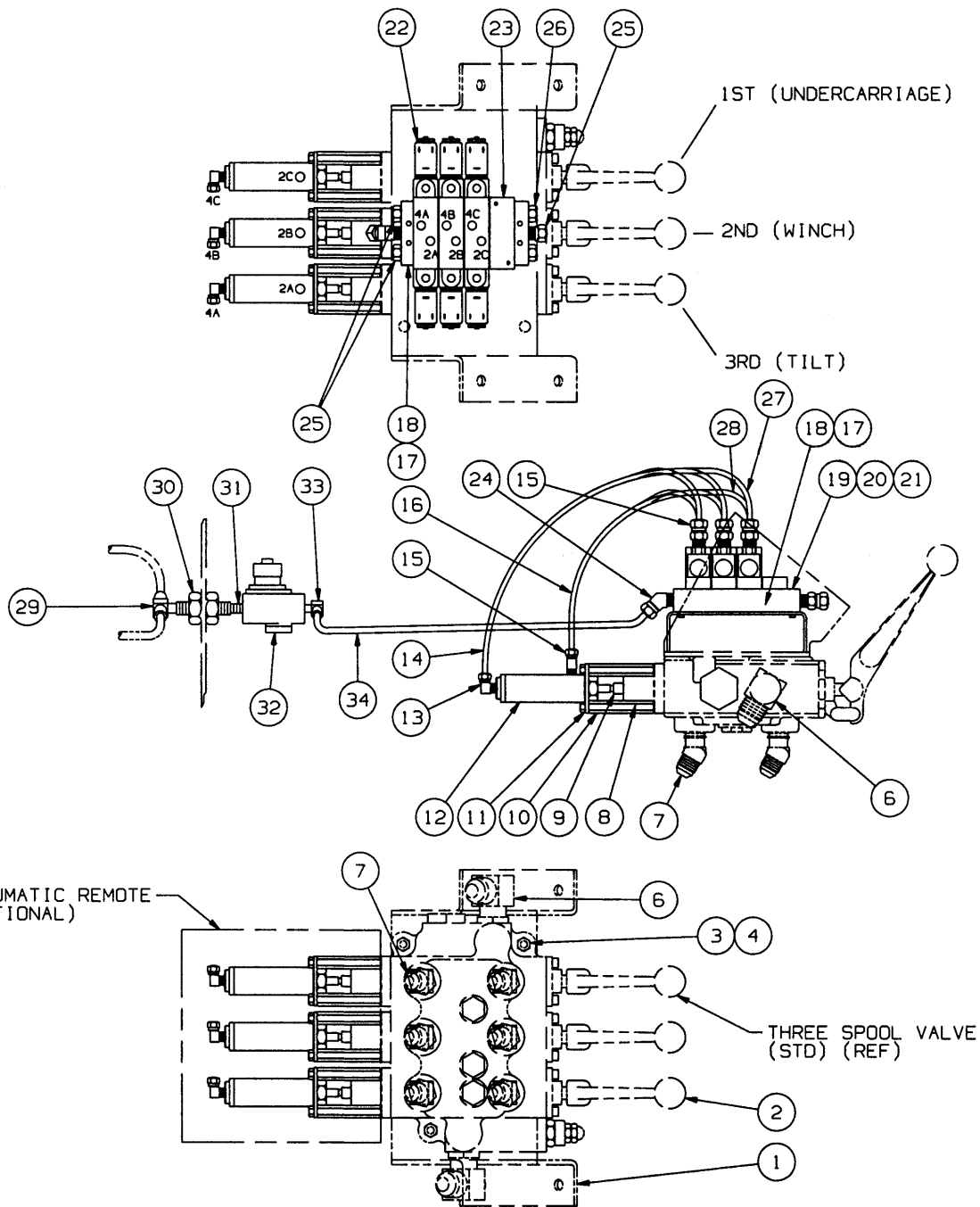


Figure 1-9 Cylinder 4" X 126"

CYLINDER 4" X 126"

ITEM	PART NO.	DESCRIPTION	QTY.
	3-242-010102	CYLINDER HYDRAULIC 4 X 126 (SLA)	
	3-242-010103	CYLINDER HYDRAULIC 4 X 126 (LLA)	
	3-242-010066	CYLINDER 4 X 126	
1	*	BUTT AND TUBE ASSEMBLY	1
2	011300179	PISTON ROD	1
3	071900195	PISTON	1
4	081900277	GLAND	1
5	211300024	SPACER	1
6	220000212	LOCKNUT (1-1/4 - 12)	1
7	PMCK-AD-461	PACKING KIT (CONTAINS ALL NECESSARY SEALS AND O-RINGS)	1

*PART NOT SOLD SEPARATELY. REQUIRES PURCHASE OF ENTIRE ASSEMBLY.



3mg846-010152

Figure 1-10 Valve Assembly, Three Spool

VALVE ASSEMBLY THREE SPOOL

ITEM	PART NO.	DESCRIPTION	QTY					
			-01	-02	-03	-05	-08	
	3-846-010152-01	VALVE ASSEMBLY 3-SPOOL STANDARD - NO REMOTES	*					
	3-846-010152-02	VALVE ASSEMBLY 3-SPOOL PLUG 1ST SPOOL		*				
	3-846-010152-03	VALVE ASSEMBLY 3-SPOOL PLUG 2ND/3RD SPOOL			*			
	3-846-010152-05	VALVE ASSEMBLY 3-SPOOL REMOTE 2ND SPOOL - SINGLE REMOTE WINCH				*		
	3-846-010152-08	VALVE ASSEMBLY 3-SPOOL REMOTE 2ND/3RD SPOOL-DUAL REM. WINCH/TILT						*
1	3-482-010575	MOUNT WELDMENT VALVE	1	1	1	1	1	1
2	3-846-010008	VALVE 3-SPL 2500 PSI (SEE PAGE 1-23)	1	1	1	1	1	1
3	1-654-010051-09	SCREW HEX HEAD CAP 3/8-16 X 2 GR5	3	3	3	3	3	3
4	1-510-010001	NUT FLANGE LOCK 3/8-16	3	3	3	3	3	3
5	1-007-010025	PLUG (NOT SHOWN - REPLACES #7)	-	2	4	-	-	-
6	2062-12-12S	ADAPTER 90	2	2	2	2	2	2
7	2061-8-8S	ADAPTER 45	6	4	2	6	6	6
8	3-161-010034	CAP MODIFIED VALVE SPOOL	-	-	-	1	2	2
9	3-007-010039	ADAPTER AIR CYLINDER	-	-	-	1	2	2
10	3-711-010055	SPACER MALE-FEMALE	-	-	-	4	8	8
11	3-482-010288	MOUNT AIR CYLINDER VALVE	-	-	-	1	2	2
12	3-238-010001	CYLINDER AIR	-	-	-	1	2	2
13	1-297-010008-01	FITTING AIR 90	-	-	-	1	2	2
14	NB-2-016	TUBING NYLON FLEX 1/8	-	-	-	1	2	2
15	68CA-2-2	CONNECTOR	-	-	-	3	6	6
16	NB-2-016	TUBING NYLON FLEX 1/8	-	-	-	1	2	2
17	3-843-010023	VALVE PNEU MANF- 2 STATION (NO PARTS BREAKDOWN)	-	-	-	1	1	1
18	3-843-010025	VALVE PNEU MANF- 4 STATION (NO PARTS BREAKDOWN)	-	-	-	4	-	-
19	1-654-010024014	SCREW MACH FLSTR 6-32X1-1/2	-	-	-	4	4	4
20	1-861-010032-01	WASHER FLAT #6	-	-	-	4	4	4
21	1-512-010003-02	NUT HEX LOCK W/NYLON #6-32	-	-	-	4	4	4
22	3-843-010015	VALVE PNEU 4-WAY, 3-POS (SEE PAGE 1-19)	-	-	-	1	2	2
23	3-843-010024	VALVE BLANK STATION COVER	-	-	-	1	-	-
24	1-297-010013-05	FITTING AIR	-	-	-	1	1	1
25	1-297-010033-02	FITTING BRASS PLUG HEX	-	-	-	3	3	3
26	3-136-010001-02	BREATHER PNEUMATIC EXHAUST	-	-	-	2	2	2
27	NB-2-016	TUBING NYLON FLEX 31	-	-	-	-	-	-
28	NB-2-016	TUBING NYLON FLEX 27	-	-	-	-	-	-
29	1-297-010015-09	FITTING AIR BRASS	1	1	1	1	1	1
30	1-297-010022-02	FITTING AIR ANCHOR COUPLING	1	1	1	1	1	1
31	1-297-010020-02	FITTING BRASS PIPE	1	1	1	1	1	1
32	905-54-107	VALVE & FILTER PRESSURE	1	1	1	1	1	1
33	1-297-010008-07	FITTING AIR 90	1	1	1	1	1	1
34	1-833-010001	NYLON TUBING 1/4	3'	3'	3'	3'	3'	3'

VALVE ASSEMBLY THREE SPOOL

ITEM	PART NO.	DESCRIPTION	QTY					
			-10	-11	-12	-13	-14	
	3-846-010152-10	VALVE ASSEMBLY 3-SPOOL REMOTE - TRIPLE REMOTE WINCH/TILT/AXLE						
	3-846-010152-11	VALVE ASSEMBLY 3-SPOOL REMOTE 2ND WINCH						
	3-846-010152-12	VALVE ASSEMBLY 3-SPOOL REMOTE 2 WINCHES						
	3-846-010152-13	VALVE ASSEMBLY 3-SPOOL REMOTE 2 WINCHES/TILT						
	3-846-010152-14	VALVE ASSEMBLY 3-SPOOL REMOTE 2 WINCHES/TILT/AXLE (FOR VALVE ASSEMBLY DRAWING SEE FIGURE 1-10)						
1	3-482-010575	MOUNT WELDMENT VALVE	1	1	1	1	1	1
2	3-846-010008	VALVE 3-SPL 2500 PSI (SEE PAGE 1-23)	1	1	1	1	1	1
3	1-654-010051-09	SCREW HEX HEAD CAP 3/8-16 X 2 GR5	3	3	3	3	3	3
4	1-510-010001	NUT FLANGE LOCK 3/8-16	3	3	3	3	3	3
5	1-007-010025	PLUG	-	4	-	-	-	-
6	2062-12-12S	ADAPTER 90	2	2	2	2	2	2
7	2061-8-8S	ADAPTER 45	6	2	6	6	6	6
8	3-161-010034	CAP MODIFIED VALVE SPOOL	3	1	1	2	3	
9	3-007-010039	ADAPTER AIR CYLINDER	3	1	1	2	3	
10	3-711-010055	SPACER MALE-FEMALE	12	4	4	8	12	
11	3-482-010288	MOUNT AIR CYLINDER VALVE	3	1	1	2	3	
12	3-238-010001	CYLINDER AIR	3	1	1	2	3	
13	1-297-010008-01	FITTING AIR 90	3	1	1	2	3	
14	NB-2-016	TUBING NYLON FLEX	3	-	1	2	3	
15	68CA-2-2	CONNECTOR	9	-	2	5	8	
16	NB-2-016	TUBING NYLON FLEX	3	-	1	2	3	
17	3-843-010023	VALVE PNEU MANF- 2 STATION (NO PARTS BREAKDOWN)	-	-	1	-	-	
18	3-843-010025	VALVE PNEU MANF- 4 STATION (NO PARTS BREAKDOWN)	1	-	-	1	1	
19	1-654-010024014	SCREW MACH FLSTR 6-32 X 1-1/2	4	-	4	4	4	
20	1-861-010032-01	WASHER FLAT #6	4	-	4	4	4	
21	1-512-010003-02	NUT HEX LOCK W/NYLON #6-32	4	-	4	4	4	
22	3-843-010015	VALVE PNEU 4-WAY, 3-POS (SEE PAGE 1-19)	3	-	2	3	4	
23	3-843-010024	VALVE BLANK STATION COVER	1	-	-	1	-	
24	1-297-010013-05	FITTING AIR	1	-	1	1	1	
25	1-297-010033-02	FITTING BRASS PLUG HEX	3	-	3	3	3	
26	3-136-010001-02	BREATHER PNEUMATIC EXHAUST	2	-	2	2	2	
27	NB-2-016	TUBING NYLON FLEX 31	-	-	1	1	1	
28	NB-2-016	TUBING NYLON FLEX 27	-	-	1	1	1	
29	1-297-010015-09	FITTING AIR BRASS	1	1	1	1	1	
30	1-297-010022-02	FITTING AIR ANCHOR COUPLING	1	1	1	1	1	
31	1-297-010020-02	FITTING BRASS PIPE	1	1	1	1	1	
32	905-54-107	VALVE & FILTER PRESSURE	1	1	1	1	1	
33	1-297-010008-07	FITTING AIR 90	1	1	1	1	1	
34	1-833-010001	NYLON TUBING 1/4	3'	3'	3'	3'	3'	

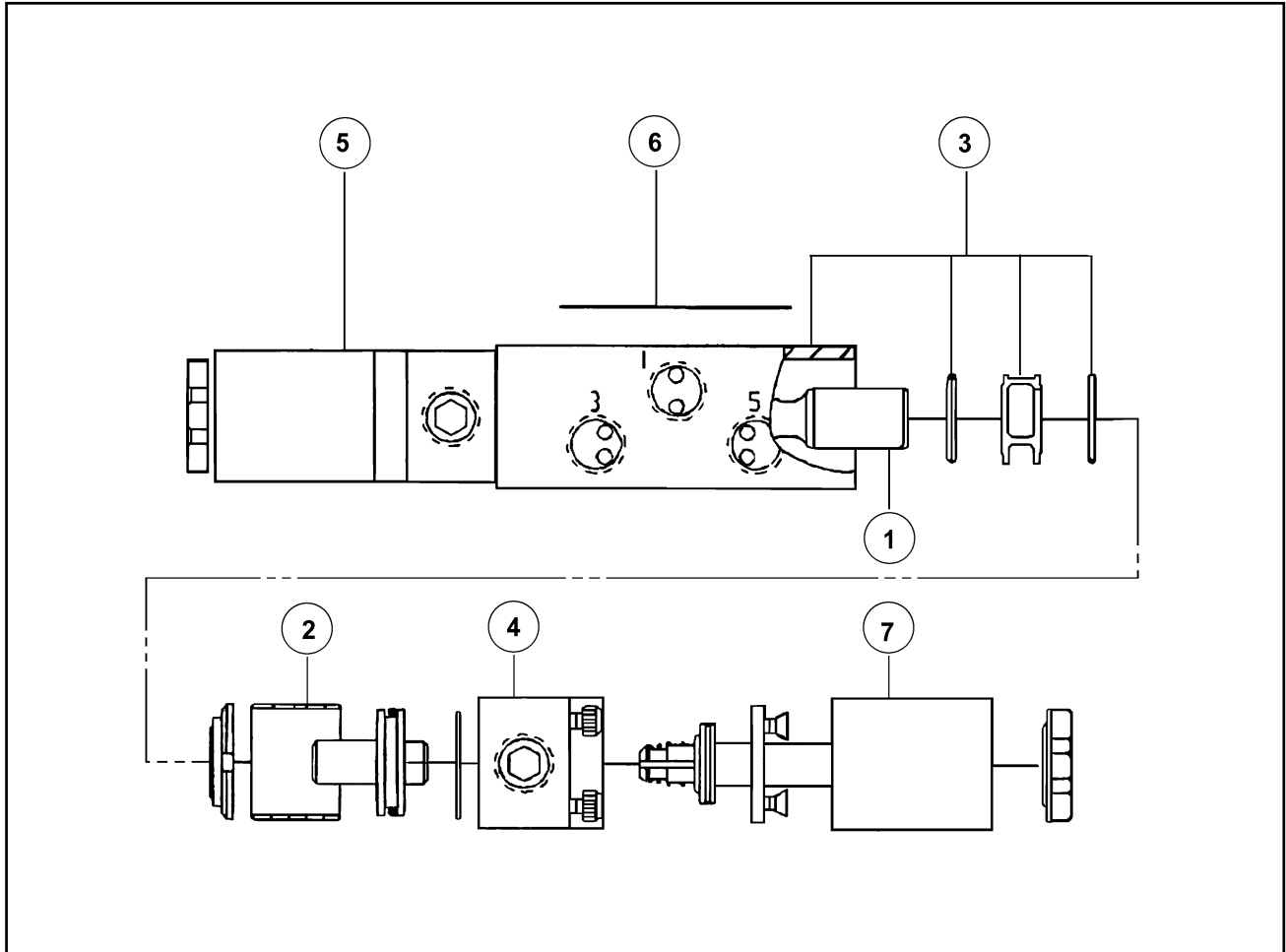


Figure 1-11 Pneumatic Valve

PNEUMATIC VALVE

ITEM	PART NO.	DESCRIPTION	QTY.
	3-843-010015	VALVE PNEUMATIC 4-WAY 3 POSITIONS	3
1	6964-312	SPOOL	1
2	A7106-430	OPERATOR	1
3	A7106-350	BODY	1
4	AB022-567	CAP	2
5	7019-9XX	COIL	2
6	6582	LABEL MODEL NUMBER	2
7	A7106-392	SERVICE KIT(CONTAINS ALL NECESSARY TEE SEALS, O-RINGS, SPRING AND PLUNGER AND GASKET)	

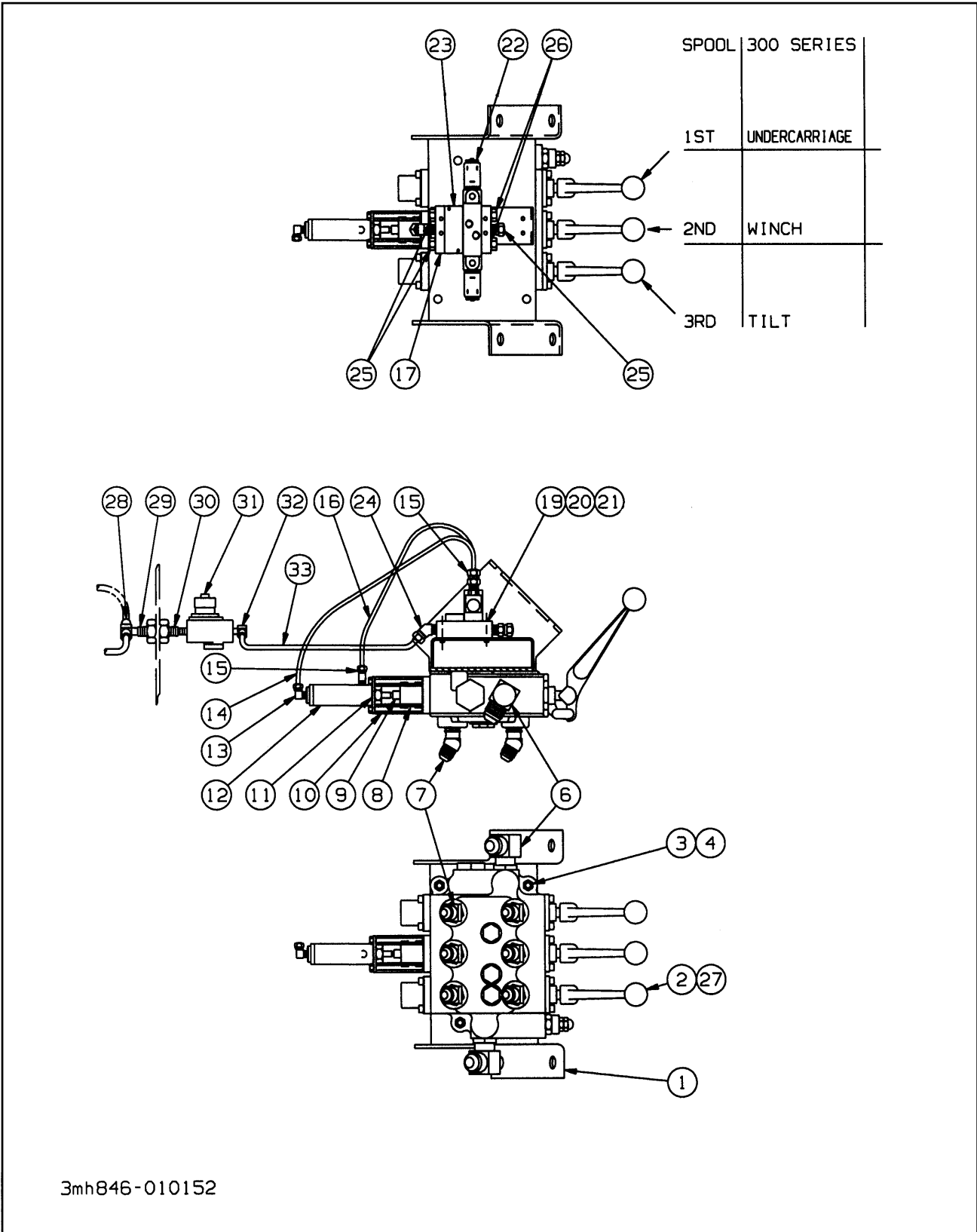


Figure 1-12 Valve Assembly, Motor Spool

VALVE ASSEMBLY MOTOR SPOOL

ITEM	PART NO.	DESCRIPTION	
	105973	VALVE ASSEMBLY MOTOR SPOOL CENTER	
	105974	VALVE ASSEMBLY MOTOR SPOOL CENTER REMOTE	
1	3-482-010575	MOUNT WELDMENT VALVE	1
3	1-654-010051-09	SCREW HEX HEAD CAP 3/8-16 X 2 GR5	3
4	1-510-010001	NUT FLANGE LOCK 3/8-16	3
6	2062-12-12S	ADAPTER 90	2
7	2061-8-8S	ADAPTER 45	6
8	3-161-010034	CAP MODIFIED VALVE SPOOL	1
9	3-007-010039	ADAPTER AIR CYLINDER	1
10	3-711-010055	SPACER MALE - FEMALE	4
11	3-482-010288	MOUNT AIR CYLINDER VALVE	1
12	3-238-010001	CYLINDER AIR	1
13	1-297-010008-01	FITTING AIR 90	1
14	NB-2-016	TUBING NYLON FLEX 1/8	1
15	68CA-2-2	CONNECTOR	3
16	NB-2-016	TUBING NYLON FLEX 1/8	1
17	3-843-010025	VALVE PNEU MANF - 2 STATION (NO PARTS BREAKDOWN)	1
19	1-654-010024014	SCREW MACH FLSTR 6-32X1-1/2	4
20	1-861-010032-01	WASHER FLAT #6	4
21	1-512-010003-02	NUT HEX LOCK W/ NYLON #6-32	4
22	3-843-010015	VALVE PNEUMATIC 4-WAY, 3 POSITION (SEE PAGE 1-19)	1
23	3-843-010024	VALVE BLANK STATION COVER	1
24	1-297-010013-05	FITTING AIR	1
25	1-297-010033-02	FITTING BRASS PLUG	3
26	3-136-010001-02	BREATHER PNEUMATIC EXHAUST	2
27	3-846-010147	VALVE ASSEMBLY 3 SPOOL MOTOR CENTER	1
	3-846-010149	VALVE ASSEMBLY 3 SPOOL MOTOR 2ND/3RD	1
28	1-297-010015-09	FITTING AIR BRASS	1
29	1-297-010022-02	FITTING AIR ANCHOR COUPLING	1
30	1-297-010020-02	FITTING BRASS PIPE	1
31	905-54-107	VALVE & FILTER PRESSURE	1
32	1-297-010008-07	FITTING AIR 90	1
33	1-833-010001	NYLON TUBING 1/4	3'

NOTE: MOTOR SPOOL VALVES ARE USED IN CONJUNCTION WITH DP PLANETARY WINCHES.

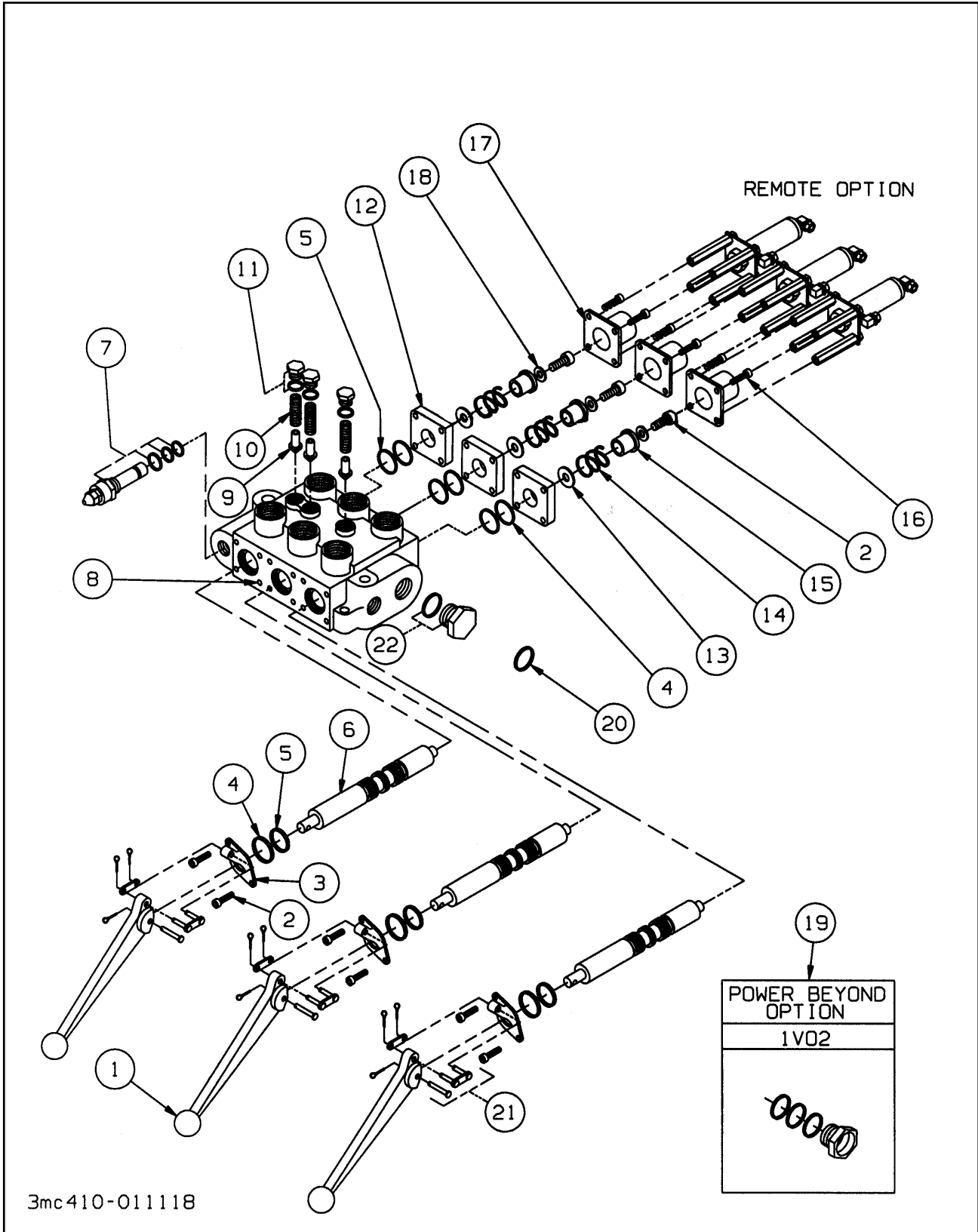


Figure 1-13 Three Spool Valve

THREE SPOOL VALVE

ITEM	PART NO.	DESCRIPTION	QTY.
	3-846-010008	VALVE 3 SPOOL	
	3-846-010147	VALVE ASSEMBLY 3 SPOOL MOTOR CENTER	
	3-846-010149	VALVE ASSEMBLY 3 SPOOL MOTOR 2ND/3RD	
1	1V1703	VALVE HANDLE	3
2	2A0079-404	CAP SCREW (TIGHTEN TO 7-11 FT - LBS)	9
3	4Z4306	BRACKET HANDLE	3
4	1A0711	WASHER O-RING SPOOL	6
5	2A0283-7214	SEAL SPOOL	6
6	*	SPOOL 4-WAY	3
	*	SPOOL MOTORING 4-WAY	E
7	1R0017	RELIEF ASSEMBLY (1500-3000 PSI)(PRESET @2500 PSI)	1
8	*	HOUSING VALVE	1
9	1V0081	POPPET LOAD CHECK	3
10	1A0757	SPRING LOAD CHECK	3
11	1V1725	PLUG LOAD CHECK	3
12	1A0709	SPACER END	3
13	1A0291	WASHER STOP	3
14	1A0744	SPRING CENTERING	3
15	1A0292	COLLAR STOP	3
16	2A0079-406	CAP SCREW (TIGHTEN TO 7-11 FT - LBS)	12
17	1A0294	CAP END	3
18	1A0290	WASHER CENTERING SPRING	3
19	1V0208	ADAPTER ASSEMBLY REMOTE POWER BEYOND (CONTAINS ALL NECESSARY O-RINGS)	1
20	2A0283-7214	GROMMET RUBBER (BOTTOM OUTLET)	1
21	1V1701	PIN KIT	3
22	2A0354-121	PLUG CONVERSION	1
	2V0010	SEAL KIT	1

* SOLD AS A MATCHED SET ONLY.

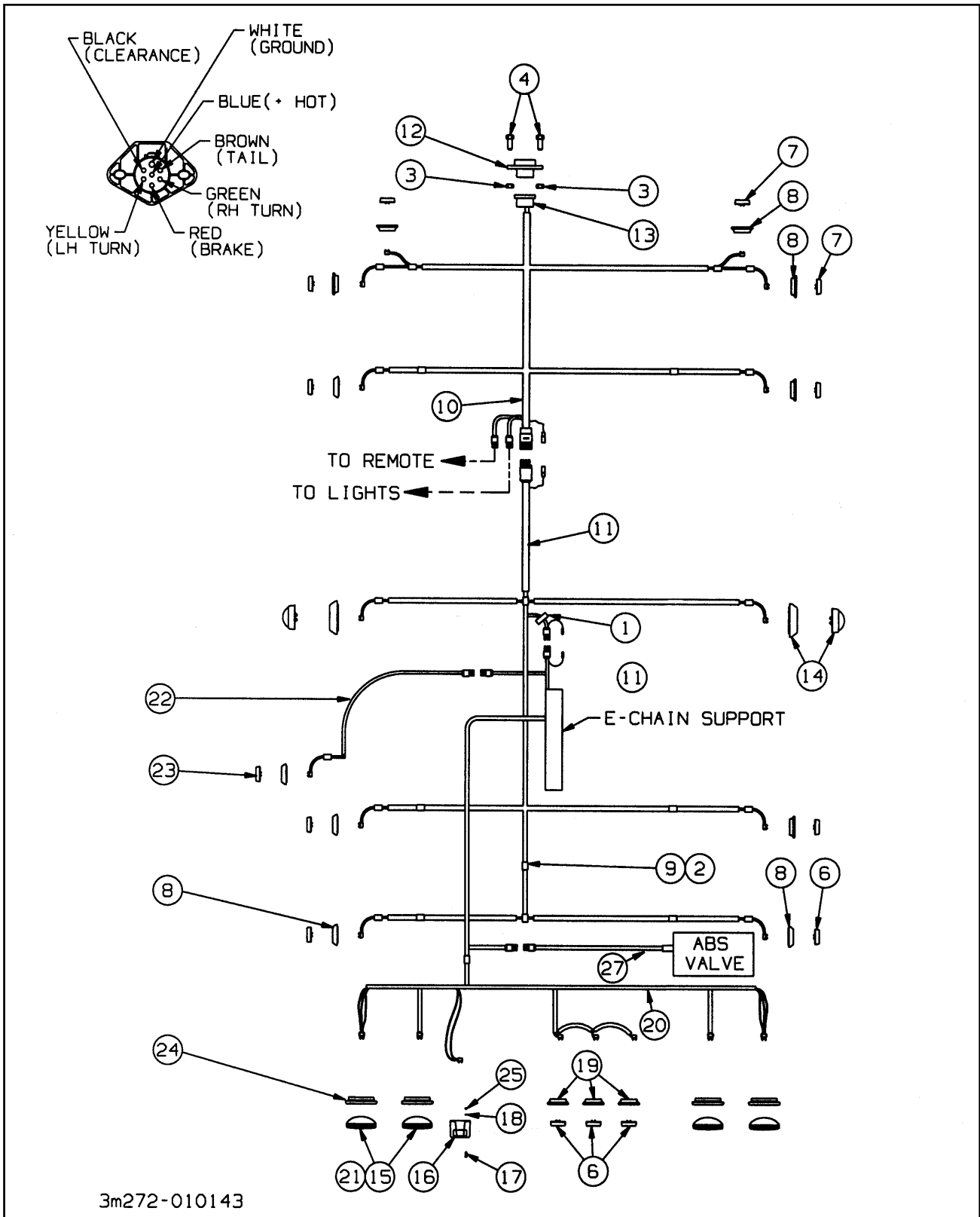


Figure 1-14 Electrical System

ELECTRICAL ASSEMBLY

ITEM	PART NO.	DESCRIPTION	QTY.
	3-272-010143-01	ELECTRICAL SYSTEM INSTL. 45' - 48' (ITEMS 1-14)	
	3-272-010143-02	ELECTRICAL SYSTEM INSTL. 51' - 53' (ITEMS 1-14)	
	102778	SUSP. ASSY AIR RIDE RLU-228 W/E-CHAIN (ITEMS 15-25)	
	103535	SUSP. ASSY AIR RIDE RLU-228 ABS (ITEMS 15-25)	
	104789	SUSPENSION ASSY SPRING RIDE ABS (ITEMS 15-25)	
	104209	SUSPENSION ASSY 3AX AR-45 (ITEMS 15-25)	
1	1-343-010007	GROMMET	1
2	1-510-010001	NUT FLANGE LOCK 3/8-16	15
3	1-512-010005-03	NUT HEX LOCK 5/16-18	2
4	1-654-010049-06	SCREW HEX HEAD CAP 5/16-18 X 1-1/4 GR5	2
5	1-796-010003-02	TIE STRAP PLASTIC (NOT SHOWN)	1
6	10205R	REFLECTOR LAMP RED	2
7	10205Y	REFLECTOR LAMP YELLOW	8
8	10403	GROMMET MOUNT	11
9	2-181-010001	HOSE CLAMP	15
10	3-368-010243-02	HARNESS ASSY, FRONT MAIN	1
11	3-368-010247	HARNESS ASSY, BED (45'-48')	1
	3-368-010248	HARNESS ASSY, BED (50'-53')	1
12	59S-7	RECEPTACLE 7 PIN	1
13	59W-2-3	RUBBER BOOT	1
14	60015Y	LIGHT TURN AND CLEARANCE	2
15	40002R	LIGHT STOP/TURN/TAIL	4
16	15009	LICENSE LAMP	1
17	1-656-010003051	SCREW ROUND HEAD MACH 10-24 X 3/4	2
18	1-861-010034-07	WASHER SPLIT LOCK #10	2
19	10404	GROMMET MOUNT 3 IN.	3
20	3-368-010175	WIRING HARNESS U/C 660 REAR	1
21	104159	LAMP RED STOP/TURN/TAIL RECTANGULAR (96")	4
22	3-368-010294	HARNESS TAN ABS LAMP	1
23	3-446-010046	LIGHT ABS LAMP AMBER	1
24	104160	GROMMET, RECTANGULAR LAMP (96")	4
25	1-512-010007-03	NUT, HEX #10-24	2
26	102836	HARNESS E-CHAIN	1
27	101853	POWER CABLE 4 COND.	1

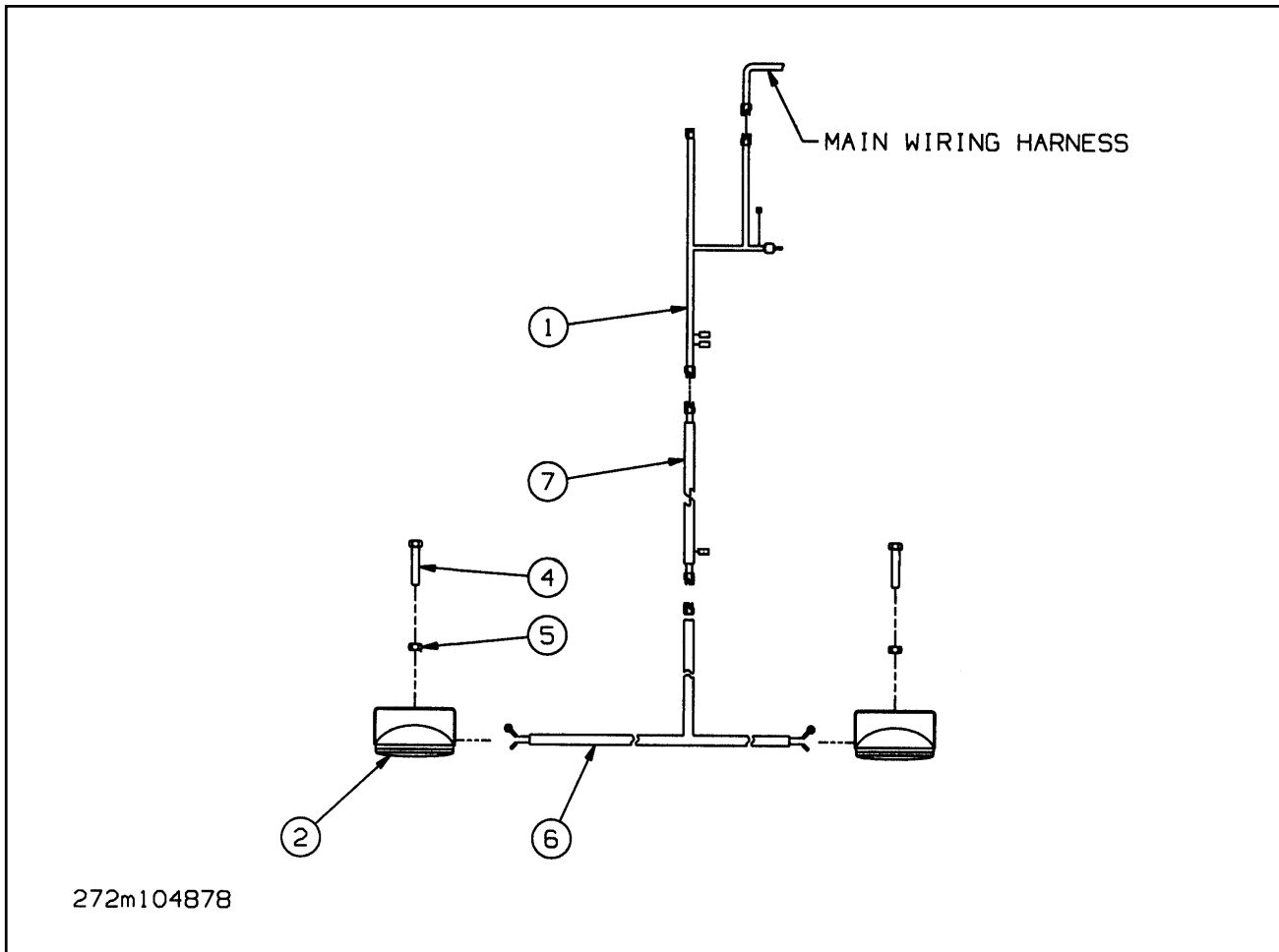


Figure 1-15 Winch Light Assembly (Optional)

WINCH LIGHT ASSEMBLY (OPTIONAL)

ITEM	PART NO.	DESCRIPTION	QTY.
	104878	ELECTRICAL INSTAL., SINGLE WINCH LIGHT	
	104879	ELECTRICAL INSTAL., DUAL WINCH LIGHT	
1	101381	HARNESS LIGHT WORK COURTESY	1
2	64181	RECTANGULAR QUARTZ HALOGEN LAMP	1,2*
3	1-796-010003-02	TIE STRAP PLASTIC (NOT SHOWN)	6
4	1-654-010051-05	SCREW HEX HEAD CAP 3/8-16 X 1 GR5	1,2*
5	1-512-010005-05	NUT HEX LOCK 3/8-16 GRB	1,2*
6	3-368-010250	HARNESS BULKHEAD LIGHTS	1
7	3-368-010252	HARNESS BULKHEAD LIGHTS	1
8	STP-147	CONNECTOR BULLET MALE	1,2*
9	3-573-010437	DECAL LIGHT(FOR LOCATION, SEE PAGE 1-114)	1

*THE FIRST QUANTITY IS FOR THE SINGLE WINCH LIGHT, SECOND QUANTITY IS FOR THE DUAL WINCH LIGHT.

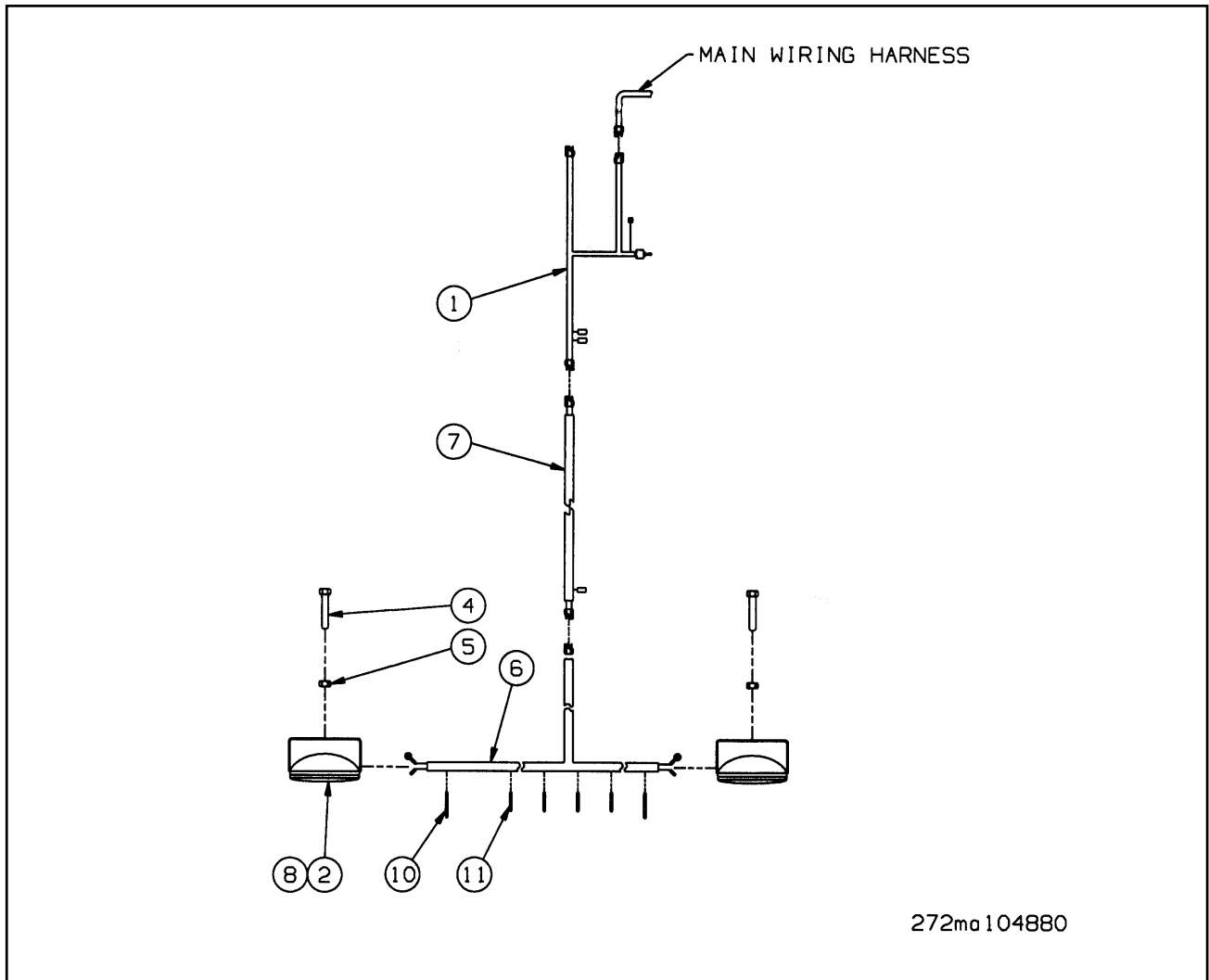


Figure 1-16 Bulkhead Light Assembly (Optional)

BULKHEAD LIGHT ASSEMBLY (OPTIONAL)

ITEM	PART NO.	DESCRIPTION	QTY.
	104880	ELECTRICAL INSTAL., DUAL BULKHEAD LIGHT	
1	101381	HARNESS LIGHT WORK COURTESY	1
2	64181	RECTANGULAR QUARTZ HALOGEN LAMP	1,2*
3	1-796-010003-02	TIE STRAP PLASTIC (NOT SHOWN)	6
4	1-654-010051-05	SCREW HEX HEAD CAP 3/8-16 X 1 GR5	1,2*
5	1-512-010005-05	NUT HEX LOCK 3/8-16 GRB	1,2*
6	3-368-010250	HARNESS BULKHEAD LIGHTS	1
7	3-368-010252	HARNESS BULKHEAD LIGHTS	1
8	STP-147	CONNECTOR BULLET MALE	1,2*
9	3-573-010437	DECAL LIGHT	1
10	1-343-010010	GROMMET 9/16" ID	2
11	1-343-010007	GROMMET	4

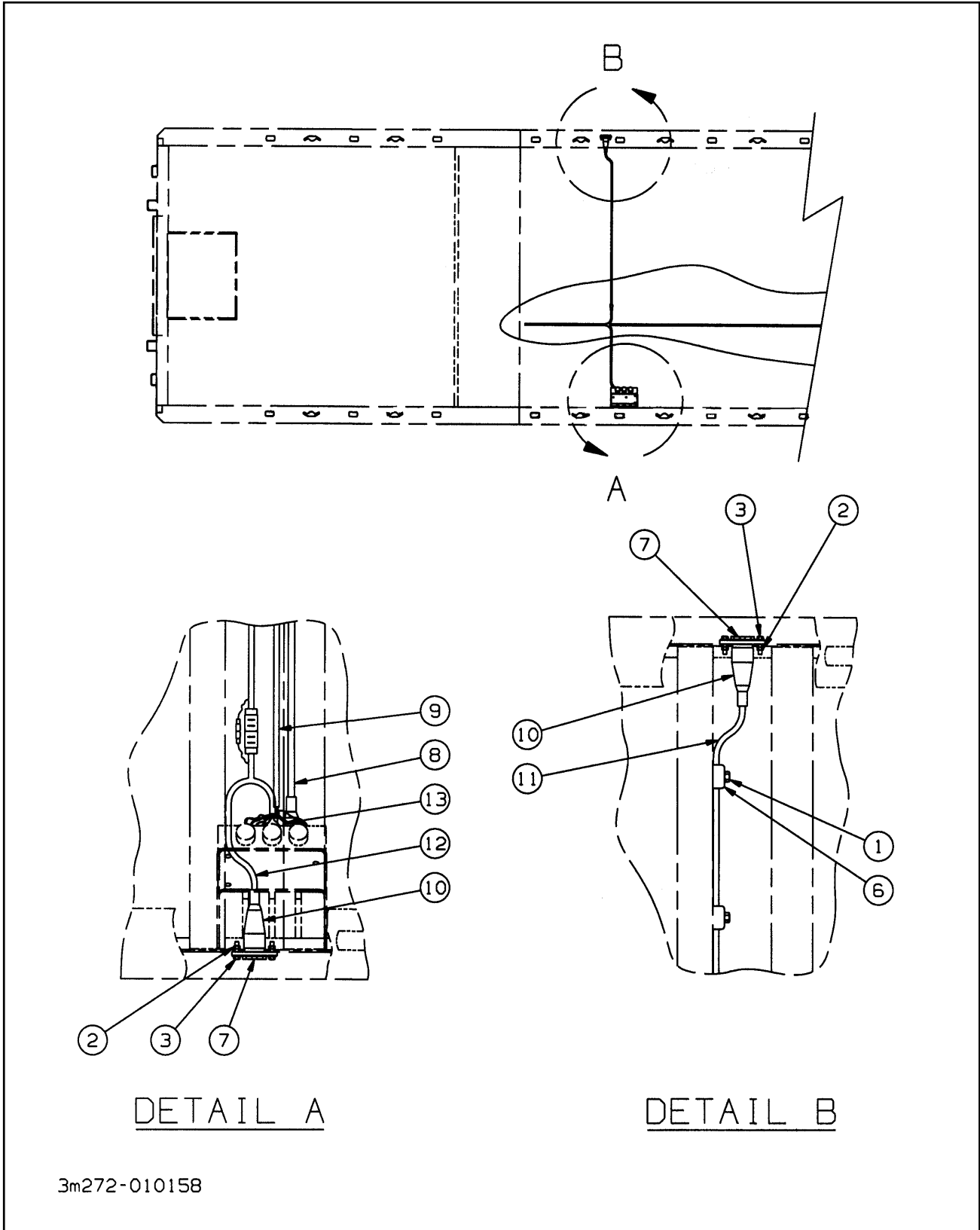
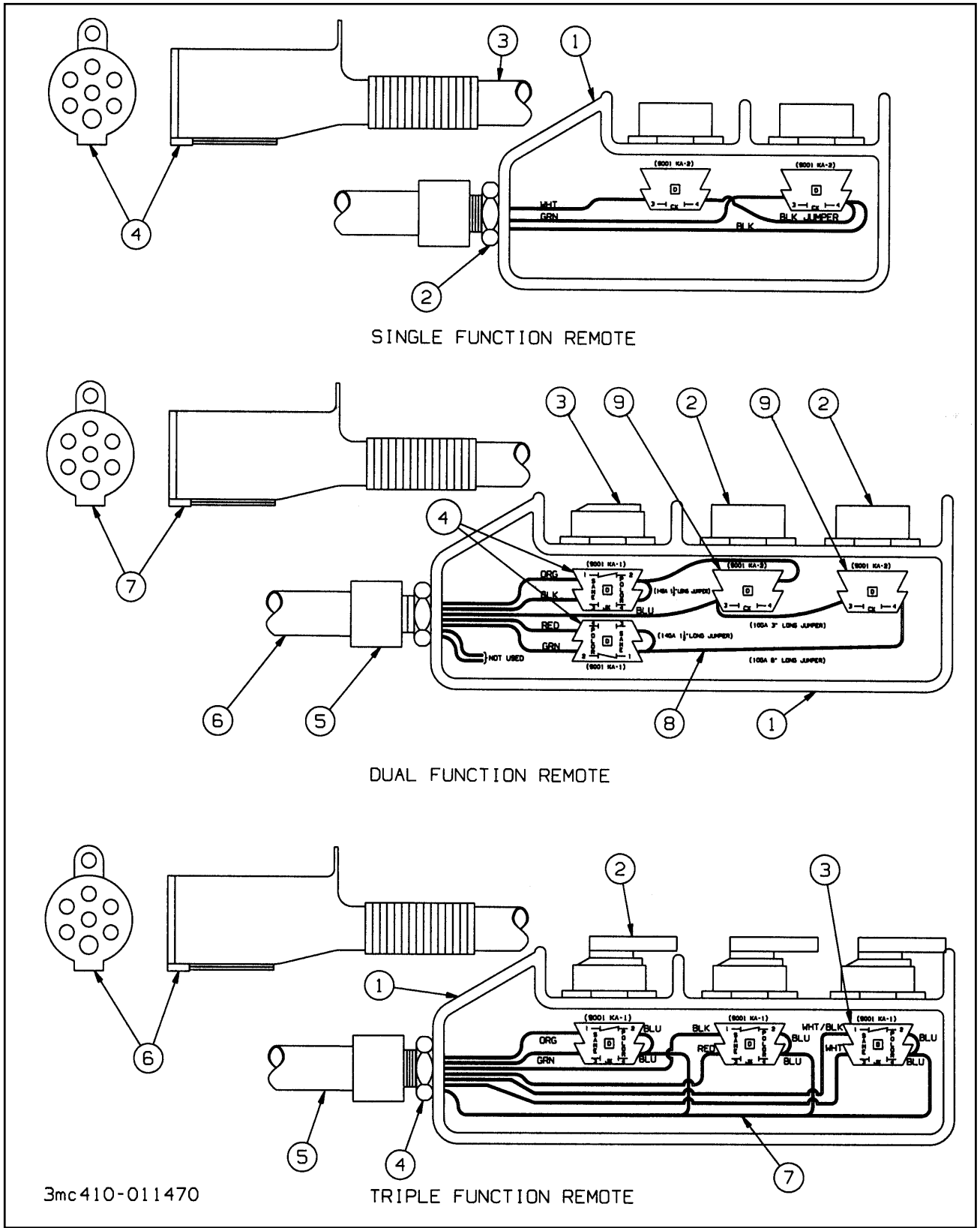


Figure 1-17 Elect. Instl.-Remote Control (Optional)

ELECTRICAL INSTL. - REMOTE CONTROL (OPTIONAL)

ITEM	PART NO.	DESCRIPTION	QTY.
	3-272-010149-07	ELEC. RMT FUNCT FOR 45' - 48', STREET AND CURB	
	3-272-010149-08	ELEC. RMT FUNCT FOR 51' - 53', STREET AND CURB	
	3-272-010158-01	FRONT REMOTE OUTLET STREET SIDE	
	3-272-010158-02	FRONT REMOTE OUTLET STREET AND CURB SIDE	
1	1-510-010001	NUT FLANGE LOCK 3/8-16	2,5*
2	1-512-010005-03	NUT HEX LOCK 5/16-18	2,4*
3	1-654-010049-06	SCREW HEX HEAD CAP 5/16-18 X 1-1/4 GR5	2,4*
4	1-660-010006	SEALANT ELECTRICAL DOW CORNING	A/R
5	1-796-010003-02	TIE STRAP PLASTIC	2,5*
6	2-181-010001	HOSE CLAMP	2
7	3-272-010125	RECEPTACLE 7-POLE	1,2*
8	3-368-010245	HARNESS POWER JUMPER	1
9	3-368-010249-01	HARNESS REAR REMOTE 45' OR 48'	1
	3-368-010249-02	HARNESS REAR REMOTE 50' OR 53'	
10	59W-2-3	RUBBER BOOT	1,2*
11	3-368-010191	HARNESS REAR CURB SIDE 660	1
12	3-368-010246	HARNESS FRONT REMOTE	1
13	3-272-010157	ELECTRICAL ADAPTER CHAIR 1/4 PUSH-ON	6

*FIRST QUANTITY IS FOR THE STREET SIDE REMOTE, SECOND QUANTITY IS FOR THE STREET AND CURB SIDE REMOTE.



3mc410-011470

Figure 1-18 Wired Remote Control

WIRED REMOTE CONTROL, SINGLE

ITEM	PART NO.	DESCRIPTION	QTY.
	3-765-010001	SWITCH REMOTE CONTROL ASSEMBLY	
1	3-209-010003	PUSH BUTTON STATION	1
	106069	SHORT RING NUT FOR BUTTON	1
A	9001-BW70YU	CONTROL STATION SQD(CONTACT BLKS INCL)	1
B	9001-B256	REVERSE LEGEND	1
C	9001-B255	FORWARD LEGEND	1
2	DB-10	STRAIN RELIEF CORD CONN	1
3	3-156-010007	THREE CONDUCTOR WIRE	50
4	59P8	TRAILER CONN PLUG	1

WIRED REMOTE CONTROL, DUAL

ITEM	PART NO.	DESCRIPTION	QTY.
	3-209-010004-01	CONTROL REMOTE WINCH/TILT	
	3-209-010004-05	CONTROL REMOTE WINCH/WINCH	
1	3-279-010037	ENCLOSURE DUAL REMOTE	1
2	3-272-010080	ELECTRICAL PUSH BUTTON UNITS	2
	106069	SHORT RING NUT FOR BUTTON	1
3	3-272-010079	ELECTRICAL CONTACT OPERATOR	1
4	3-272-010078	ELECTRICAL CONTACT BLOCK	2
5	106-0079	CONNECTOR	1
6	3-156-010043	CABLE	50
7	59P8	TRAILER CONN PLUG	1
8	1-879-010011	WIRE BLACK	2
9	3-272-010095	ELECTRICAL CONTACT BLOCK	2
10	3-573-010296	DECAL, WINCH TILT	1
	3-573-010391	DECAL, REMOTE WINCH TILT	1
	3-573-010392	DECAL, REMOTE WINCH UNDERCARRIAGE	1
	3-573-010393	DECAL, REMOTE TILT UNDERCARRIAGE	1
	100290	DECAL, REMOTE WINCH WINCH (DECALS NOT SHOWN) (SEE PAGE 1-114)	1

WIRED REMOTE CONTROL, TRIPLE

ITEM	PART NO.	DESCRIPTION	QTY.
	3-209-010006-01	CONTROL REMOTE WINCH/TILT UNDERCARRIAGE	
	3-209-010006-03	CONTROL REMOTE WINCH/WINCH/TILT	
1	3-279-010037	ENCLOSURE DUAL REMOTE	1
2	3-272-010121	ELECTRICAL CONTACT OPERATOR 3 WAY	3
	106068	TALL RING NUT FOR BUTTON	2
3	3-272-010078	ELECTRICAL CONTACT BLOCK	3
4	106-0079	CONNECTOR	1
5	3-156-010043	CABLE	50
6	59P8	TRAILER CONN PLUG	1
7	1-879-010008	WIRE BLUE	2
8	3-573-010394	DECAL, TILT/WINCH/UNDERCARRIAGE	1
	3-573-010395	DECAL, TILT/WINCH/UNDERCARRIAGE	1
	100289	DECAL, WINCH/WINCH/TILT (DECALS NOT SHOWN) (SEE PAGE 1-114)	1

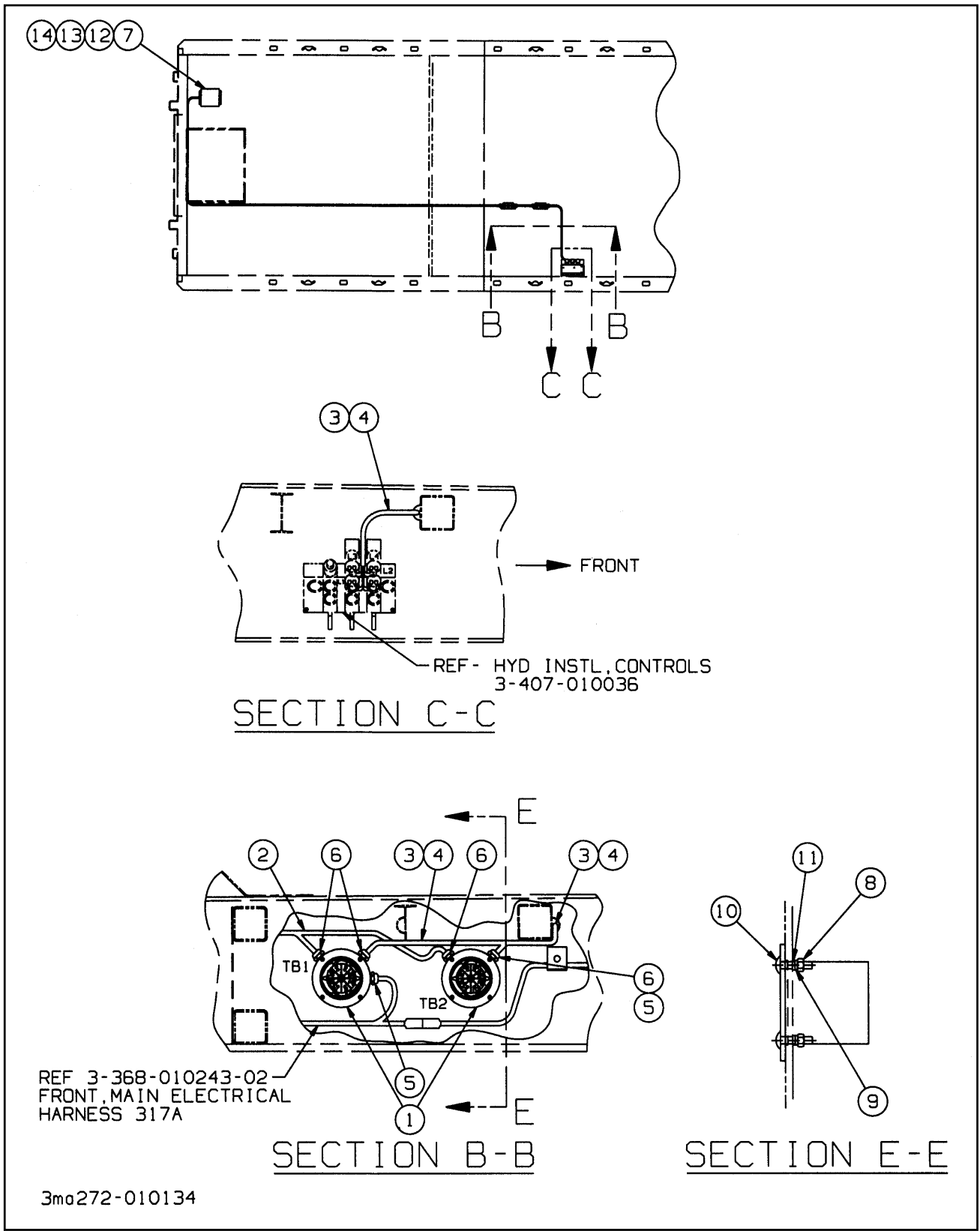


Figure 1-19 Elect. Instl.-Radio Remote (Optional)

ELECTRICAL INSTL. - RADIO REMOTE (OPTIONAL)

ITEM	PART NO.	DESCRIPTION	QTY.
	3-272-010134-01	ELECT INSTL. 4-FUNCT. WINCH/WINCH/TILT/AXLE	
	3-272-010134-03	ELECT INSTL. 3-FUNCT. WINCH/TILT/AXLE	
1	3-113-010003	ELECTRICAL BOX FLANGE MOUNT	2
2	3-153-010014	CABLE ASSEMBLY REMOTE CONTROL	1
3	3-368-010129	HARNESS ASSEMBLY SINGLE REMOTE	1
4	3-368-010125	HARNESS ASSEMBLY DUAL REMOTE	1
5	3-296-010001-1	FITTING ELECTRICAL CORD 3/8 ID	1,2*
6	3-296-010001-2	FITTING ELECTRICAL CORD 1/2 ID	4,3*
7	3-208-010067-03	CONTROL RADIO REMOTE 4 FUNCTION	1
	3-208-010061	CONTROL RADIO REMOTE 3 FUNCTION	1
8	1-512-010007-03	NUT HEX 10-24	8
9	1-861-010034-07	WASHER SPLIT LOCK #10	8
10	1-656-010003051	SCREW ROUND HEAD MACH 10-24 X 3/4	8
11	1-861-010032-04	NUT HEX LOCK 10-24 GRA	8
12	1-656-010003051	SCREW ROUND HEAD MACH 10-24 X 3/4	4
13	1-512-010004-03	NUT HEX LOCK 10-24	8,4*
14	1-861-010032-03	WASHER FLAT #10	4
15	3-272-010023	ELECTRICAL RING #10 W/SEAL 16-14	2

1ST QUANTITY IS FOR THE 4-FUNCTION REMOTE, 2ND QUANTITY IS FOR THE 3-FUNCTION REMOTE.

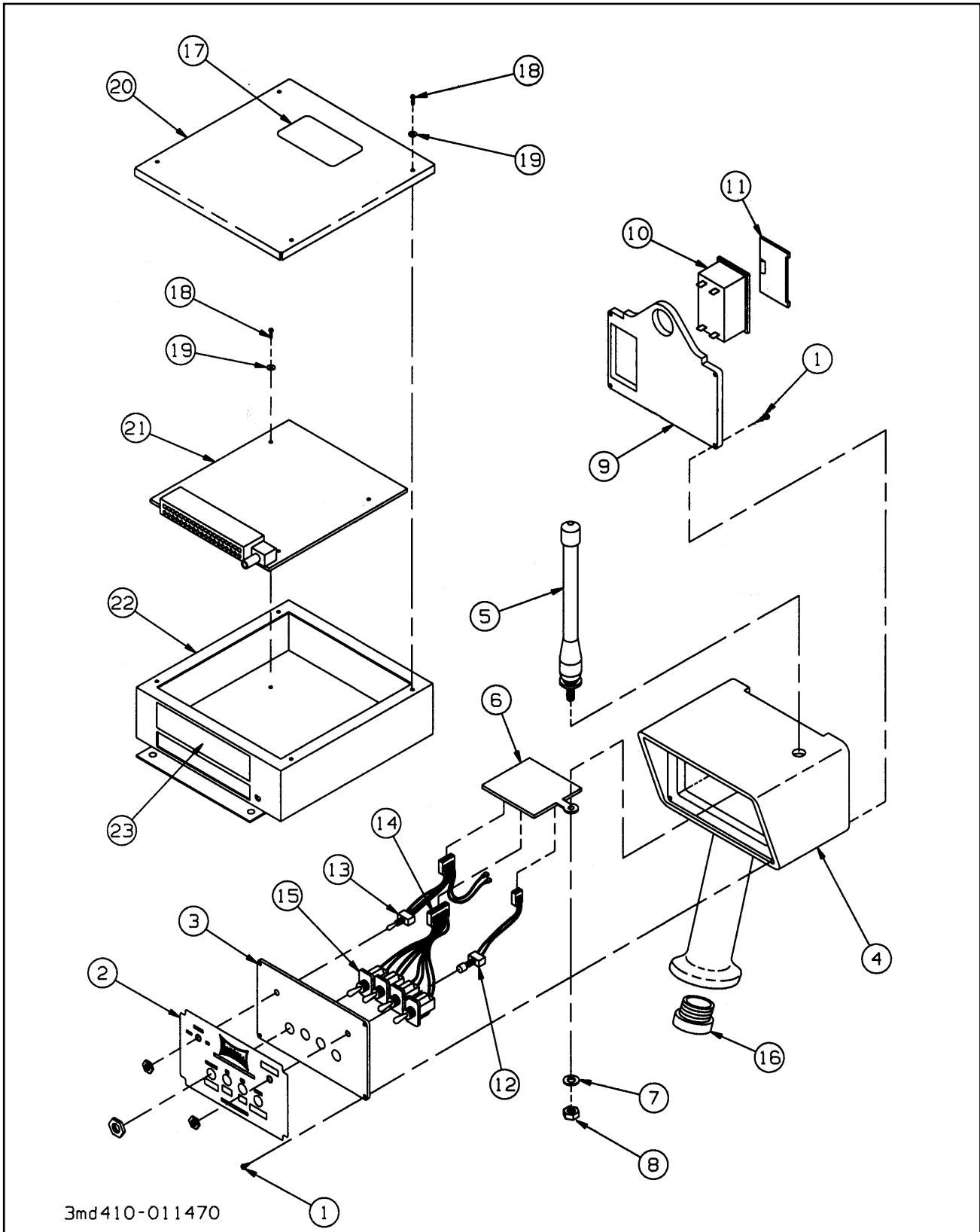


Figure 1-20 Wireless Radio Remote Control

WIRELESS RADIO REMOTE CONTROL

ITEM	PART NO.	DESCRIPTION	QTY.
	3-208-010055	CONTROL (MICROTRONICS # *P-MT-STD-DF)	
	T*P*MT-STD-DF	TRANSMITTER (ITEMS 1 - 16)	1
1	H068	SCREW #6 X 1/2" SHEET METAL	8
2	**	DECAL, FACEPLACE	1
3	P003	METAL PLATE	1
4	E007	PISTOL GRIP HOUSING	1
5	A001	ANTENNA	2
6	**	TRANSMITTER PC BOARD	1
7	H048	PLASTIC WASHER	1
8	H046	NUT, 1/4" - 28 BRASS	1
9	E007	BACK PLATE, PISTOL GRIP	1
10	E002	BATTERY COMPARTMENT	1
11	H015	BATTERY DOOR	1
12	AY102	EMERGENCY STOP SWITCH W/ HARNESS	1
13	AY103	POWER SWITCH W/ HARNESS	1
14	AY109	TOGGLE WIRING HARNESS (SWITCHES TO PC BOARD)	AR
15	S005	TOGGLE SWITCH	AR
16	H018	PISTOL GRIP END CAP	1
	R*P-MT-STD-DF	RECEIVER (ITEMS 17 - 23)	1
17	LB004	FCC LABEL	1
18	H038	SCREW, #6	8
19	H039	WASHER #6 STAR	8
20	E001	LID, RECEIVER	1
21	**	RECEIVER PC BOARD	1
22	E001	HOUSING, RECEIVER	1
23	LB005	OUTPUT LABEL, RECEIVER	1

* 4 FOR DUAL REMOTE
 6 FOR TRIPLE REMOTE
 8 FOR QUAD REMOTE

** GIVE SERIAL NUMBER OF REMOTE CONTROL UNIT WHEN ORDERING REPLACEMENT PC BOARDS OR FACEPLATE DECAL.

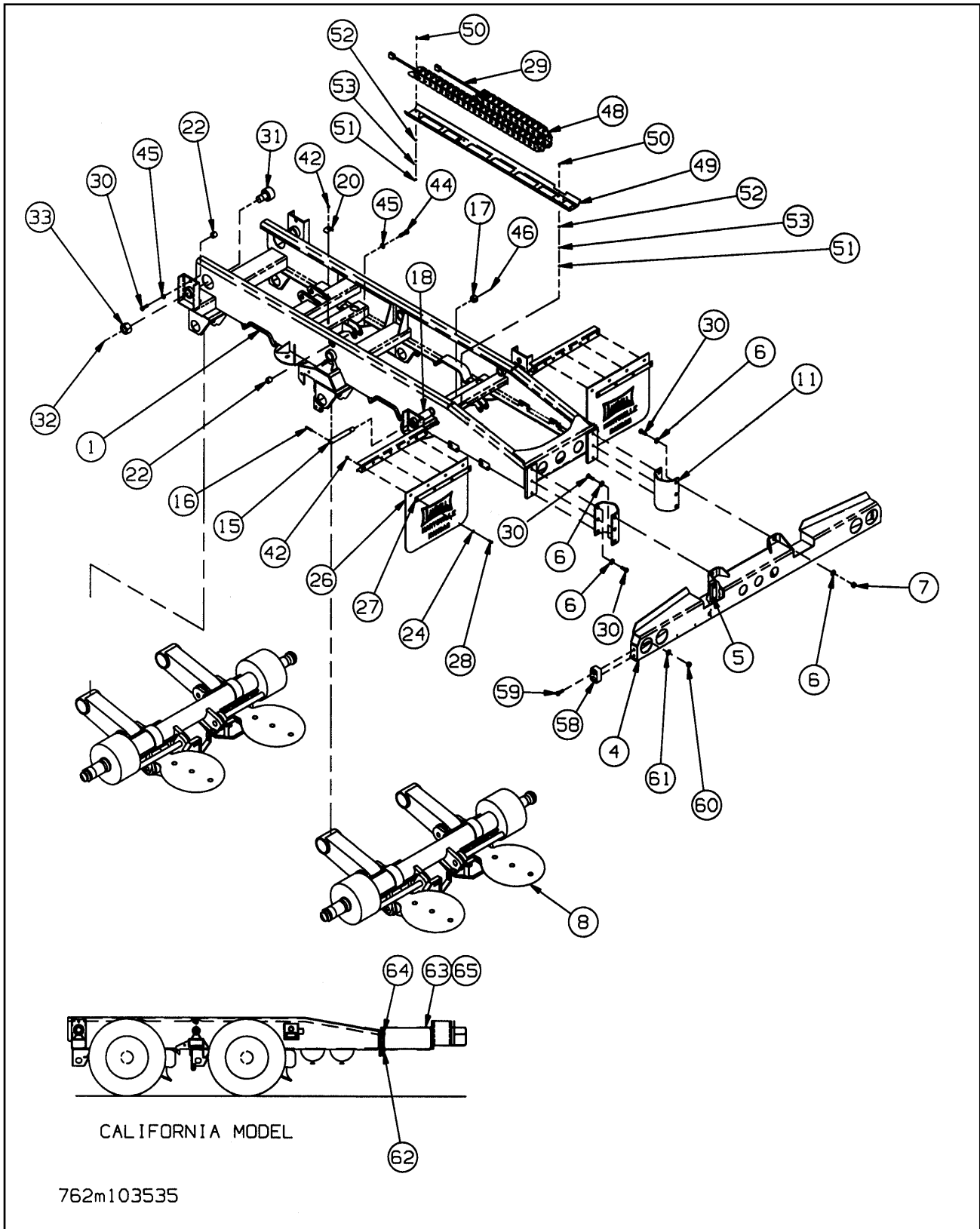
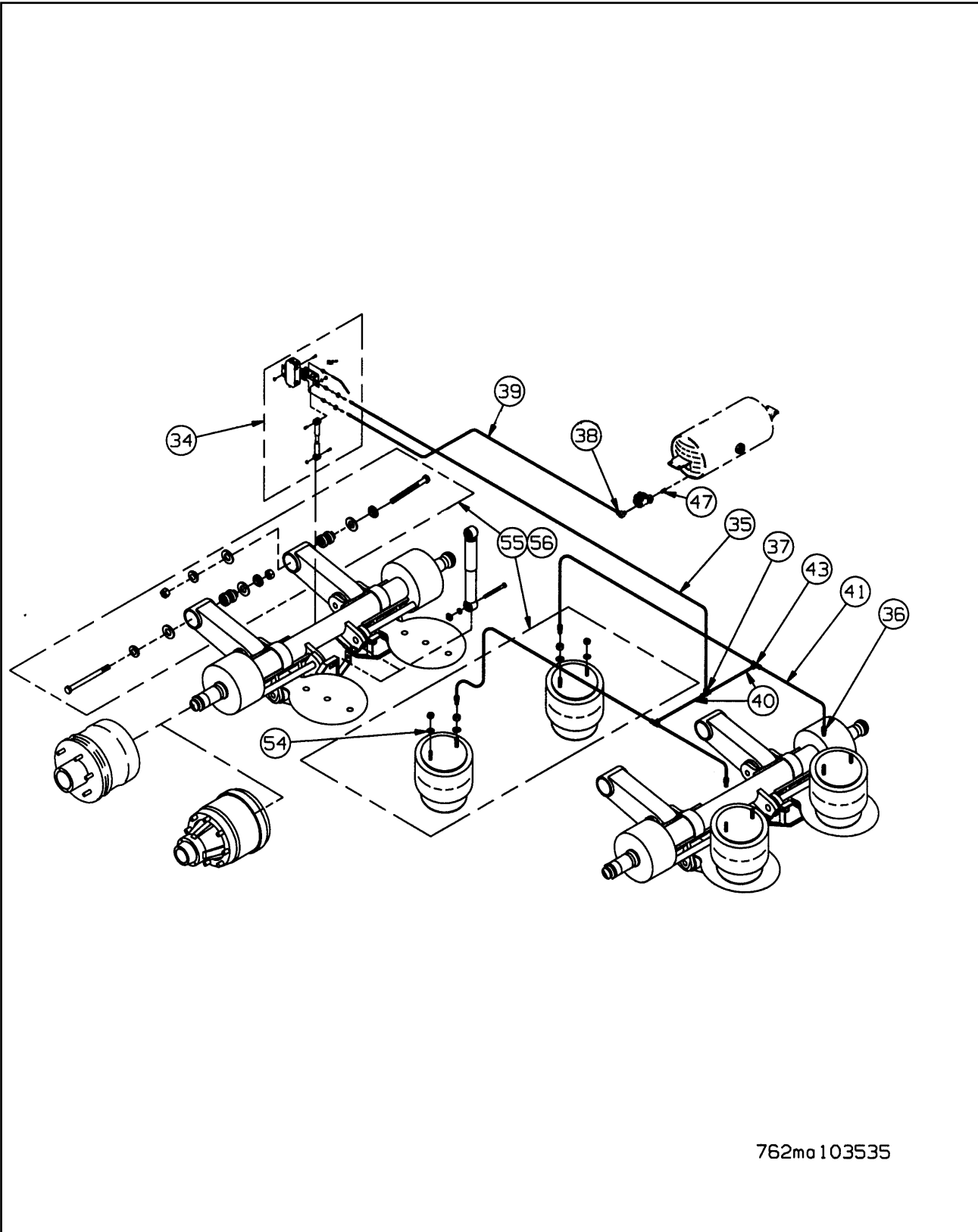


Figure 1-21 Undercarriage Suspension Air Ride
(317B & 319B) (1 of 2)



762mo 103535

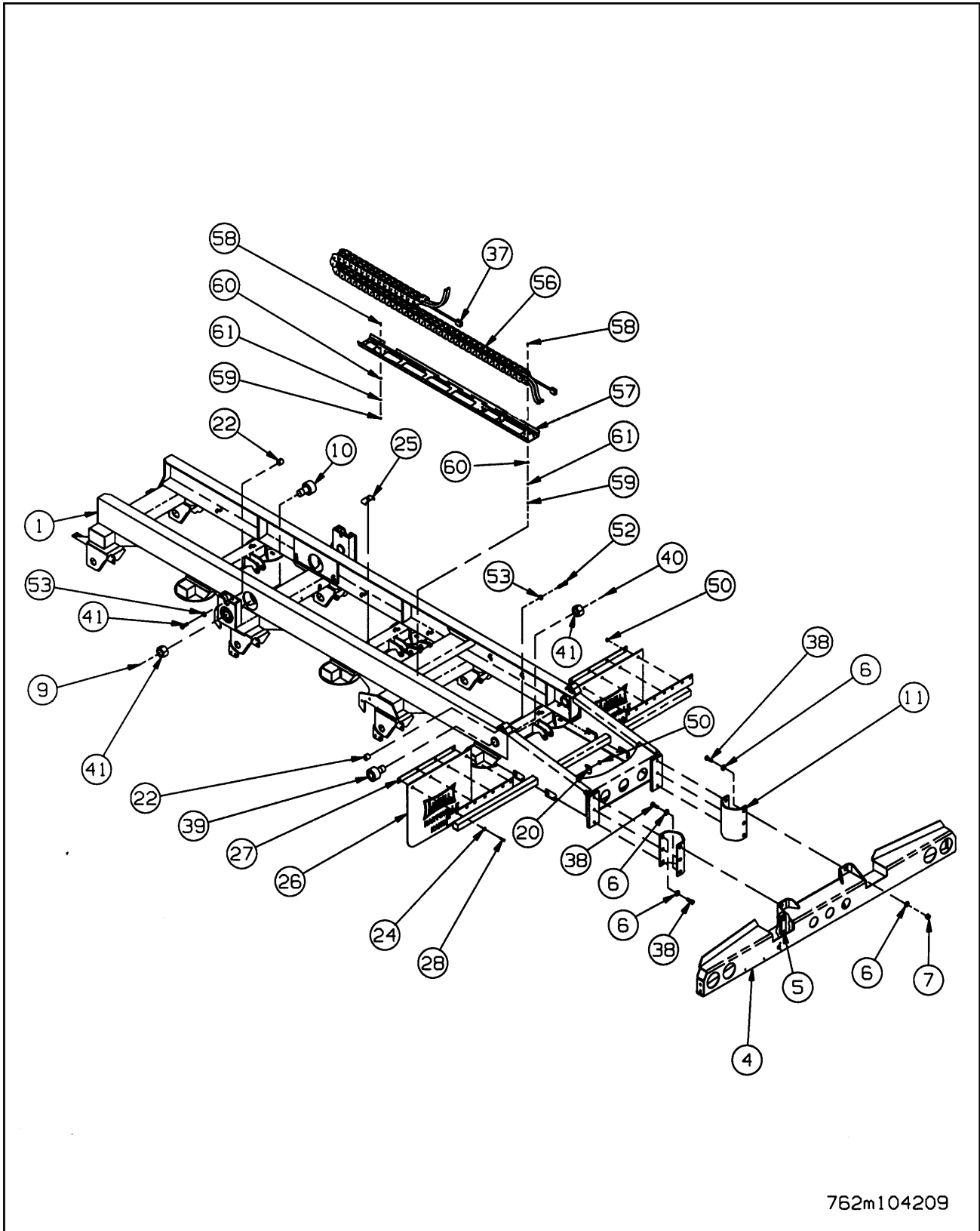
Figure 1-22 Undercarriage Suspension Air Ride
(317B & 319B) (2 of 2)

UNDERCARRIAGE ASSEMBLY AIR RIDE (317B & 319B)

ITEM	PART NO.	DESCRIPTION	QTY.
	102778	SUSPENSION ASSY AIR RIDE W/E-CHAIN	
	103535	SUSPENSION ASSY AIR RIDE RLU-228 W/ABS	
1	102382	SUSPENSION WELDMENT RLU-228	1
2	3-256-010006-01	DOCK LEVEL ASSY 40K (NOT SHOWN)(SEE PAGE 1-97)	1
3	3-256-010006-02	DOCK LEVEL ASSY 60K (NOT SHOWN)(SEE PAGE 1-97)	1
4	101712	BUMPER WELDMENT (102")	1
	104157	BUMPER WELDMENT (96")	
5	102283	BAR BUMPER	2
6	622-3511-008	WASHER 3/4 MIL-CARB FL SAE	14
7	1-512-010002-15	NUT HEX LOCK 3/4-10 GRC	2
8	102666	AXLE WELDMENT D2212-SPG-64.5 X 31	2
	102667	AXLE WELDMENT D2212-SPG-70.5 X 31	2
	102702	AXLE WELDMENT D2216-SPG-69 X 31	2
	102703	AXLE WELDMENT D-2512-SPG-70.5 X 31	2
	102705	AXLE WELDMENT D-2512-SPG-78 X 31	2
	102707	AXLE WELDMENT D2516-SPG-69X31	2
	102709	AXLE WELDMENT D2516-SPG-76X31	2
		(FOR AXLE WELDMENT BREAKDOWNS, SEE PAGE 1-61)	
11	101143	MOUNT BUMPER ENERGY PAK	2
15	3-557-010396	PIN REAR ROLLER	2
16	1-647-010004255	PIN SPRING SLOTTED	2
17	1-512-010007-16	NUT HEX 1-1/4-7	2
18	RRT114X6	TUBE ROUND TYPE 5	2
20	2-181-010001	HOSE CLAMP	1
21	1-796-010004-02	TIE STRAP PLASTIC (NOT SHOWN)	10
22	3-762-010016	HOLDDOWN CARRIAGE	4
24	1-861-010032-11	WASHER FLAT 3/8W	8
26	3-485-010001	FLAP MUD	2
27	3-762-010017	CLAMP MUD FLAP	2
28	1-654-010051-07	SCREW HEX HEAD CAP 3/8-16 X 1-1/2 GR5	8
29	102836	HARNESS, E-CHAIN ABS	1
30	1-654-010032-4	SCREW HEX HEAD CAP 3/4-10 X 1-3/4 GR8	14
31	3-076-010005	BEARING 4 IN CAMFOLLOWER	4
32	5029	ZERK FITTING	14
33	104034	NUT HEX 2-12 GRB	11
34	102732	AIR CONTROL KIT NEWAY (SEE PAGE 1-44)	1
35	1-833-010001	TUBING NYLON 1/4 X 72	1
36	11-297-010007-11	FITTING AIR	4
37	1-297-010010-07	FITTING AIR UNION TEE	1
38	1-297-010008-07	FITTING AIR 90	1
39	1-833-010001	TUBING NYLON 1/4 X 96	1
40	1-833-010001	TUBING NYLON 1/4 X 24	2
41	1-833-010002-3	TUBING NYLON 3/8 X 32	4
42	1-510-010001	NUT FLANGE LOCK 3/8-16	10
43	1-297-010010-04	FITTING AIR UNION TEE	2
44	1-654-010061-07	SCREW HEX HEAD CAP 3/4-10 X 2-1/2 GR5	2
45	1-861-010034-17	WASHER SPLIT LOCK 3/4W	4
46	5000	ZERK FITTING	2
47	2083-8-4S	NIPPLE HEX 1/2PIPE - 1/4PIPE	1
48	3-755-010189	SUPPORT E-CHAIN	1

UNDERCARRIAGE ASSEMBLY AIR RIDE (317B & 319B)

ITEM	PART NO.	DESCRIPTION	QTY.
	3-755-010189-1	E-CHAIN LINK ASSEMBLY (38-06-075-0)	A/R
	385-06	E-CHAIN CROSSBAR	A/R
	38-01-075	E-CHAIN SIDE PIECE - LH	A/R
	38-02-075	E-CHAIN SIDE PIECE - RH	A/R
49	3-821-010005	TRAY CAT TRACK	1
50	1-654-010158-1	SCREW RD HEAD SQ NECK 1/4-20 X 3/4	11
51	1-512-010007-05	NUT HEX 1/4-20	11
52	1-861-010032-07	WASHER FLAT 1/4W	11
53	1-861-010034-09	WASHER SPLIT LOCK 1/4	11
54	1-861-010032-15	WASHER FLAT 1/2W	4
55	102363	SUSPENSION ADJ RLU-228-3.5 (SEE PAGE 1-47)	2
56	102364	SUSPENSION ADJ RLU-228-5.5 (SEE PAGE 1-47)	2
57	103815	AIR SYS ASSY ABS (NOT SHOWN) (SEE PAGE 1-55)	1
	3-011-010006-02	AIR SYS ASSY SPG BRAKE (NOT SHOWN) (SEE PAGE 1-57)	1
58	104045	EXTENSION CANADIAN BUMPER	2
59	1-654-010055-05	SCREW HEX HEAD 1/2-13 X 2 GR5	4
60	1-512-010005-09	NUT HEX LOCK 1/2-13 GRB	4
61	1-861-010032-15	WASHER FLAT 1/2W	4
62	100941	SCREW HEX HEAD CAP 3/4-10 GR8	2
63	104463	EXTENSION WELDMENT BUMPER (CALIFORNIA MODEL ONLY)	1
64	104483	SCREW HEX HEAD CAP 3/4-10X2-1/2 GR8	4
65	3-368-010067	WIRE HARNESS EXTENSION BVRTL	1



762m104209

Figure 1-23 Undercarriage Suspension Air Ride (318B)
(1 of 2)

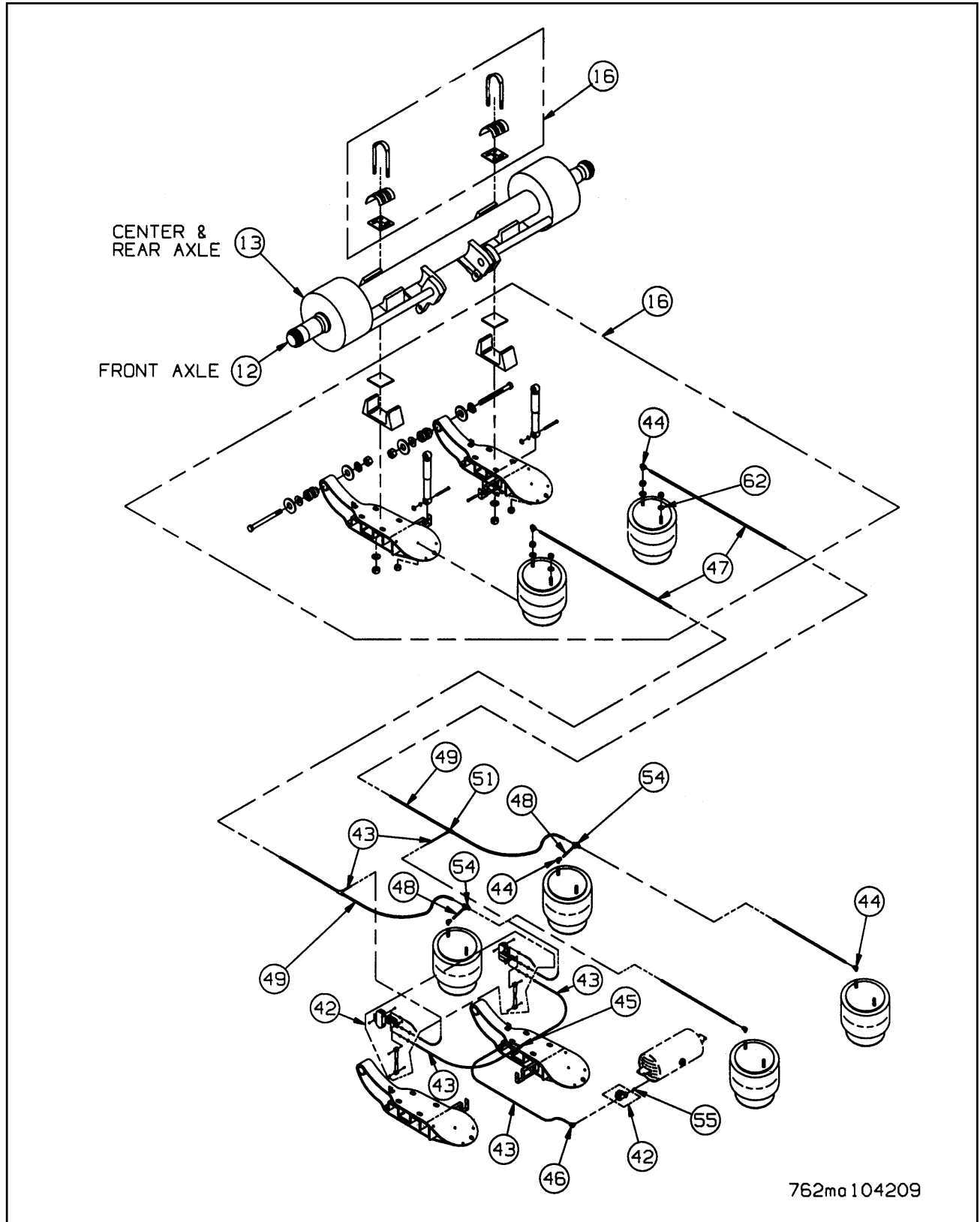


Figure 1-24 Undercarriage Suspension Air Ride (318B)
(2 of 2)

UNDERCARRIAGE ASSEMBLY AIR RIDE (318B)

ITEM	PART NO.	DESCRIPTION	QTY.
	104209	SUSPENSION ASSEMBLY 317A-3AX AR-45	
	104222	SUSPENSION ASSEMBLY 317A-3AX RLU-228	
1	104200	SUSPENSION WELDMENT AR-45 (BEFORE 10/98)	1
	104218	SUSPENSION WELDMENT RLU-228 (AFTER 10/98)	1
2	3-256-010003-02	DOCK LEVEL ASSEMBLY 660 HD A/R (NOT SHOWN)(SEE PAGE 1-101)	1
	104433	DOCK LEVEL ASSEMBLY 2-60K (NOT SHOWN)(SEE PAGE 1-99)	1
4	101712	BUMPER WELDMENT (102')	1
	104157	BUMPER WELDMENT (96")	1
5	102283	BAR BUMPER	2
6	622-3511-008	WASHER 3/4-10 MIL-CARB FL	14
7	1-512-010002-15	NUT HEX 3/4-10 MIL-CARB	2
9	110-4950	ZERK FITTING	4
10	3-076-010015	CAM FOLLOWER	2
11	101143	MOUNT BUMPER ENERGY PAK	2
12	3-042-010114-03	AXLE WELDMENT A/R-45 SER 64.5 (96")	1
	3-042-010114-01	AXLE WELDMENT A/R-45 SER 70.5 (102')	1
	3-042-010151-01	AXLE WELDMENT A/R-45 X 16.5 SER (102')	1
	104220	AXLE WELDMENT D2512-SER-64.5 X 31 (96")	1
	102704	AXLE WELDMENT D2512-SER-70.5 X 31 (102")	1
	102708	AXLE WELDMENT D2516-SER-69 X 31 (102") (FOR AXLE WELDMENT BREAKDOWNS, SEE PAGE 1-61)	1
13	3-042-010114-04	AXLE WELDMENT A/R-45 SPG 64.5 (96")	2
	3-042-010114-02	AXLE WELDMENT A/R-45 SPG 70.5 (102')	2
	3-042-010151-02	AXLE WELDMENT A/R-45 X 16.5 SPG (102')	2
	104219	AXLE WELDMENT D2512-SPG-64.5 X 31 (96")	2
	102703	AXLE WELDMENT D2512-SPG-70.5 X 31 (102")	2
	102707	AXLE WELDMENT D2516-SPG-69 X 31 (102") (FOR AXLE WELDMENT BREAKDOWNS, SEE PAGE 1-61)	2
16	3-762-010554	SUSPENSION HANGER ASSEMBLY (SEE PAGE 1-49)	3
	102363	SUSP. ADJ. RLU-228-3.5 (16.5 BRAKES)(SEE PAGE 1-47)	
	102364	SUSP. ADJ. RLU-228-5.5 (12.25 BRAKES)(SEE PAGE 1-47)	
20	2-181-010001	HOSE CLAMP	1
21	1-796-010004-02	TIE STRAP PLASTIC (NOT SHOWN)	10
22	3-762-010016	HOLDDOWN UNDERCARRIAGE	4
24	1-861-010032-11	WASHER FLAT 3/8W	8
25	103817	HOSE CLAMP	2
26	3-485-010001	MUD FLAP	2
27	3-762-010017	CLAMP MUD FLAP	2
28	1-654-010051-07	SCREW HEX HEAD CAP 3/8-16 X 1-1/2 GR5	8
37	102836	HARNESS ASSEMBLY E-CHAIN	1
38	1-654-010032-4	SCREW HEX HEAD CAP 3/4-10 X 1-3/4 GR8	14
39	3-076-010005	BEARING CAMFOLLOWER	2
40	5029	ZERK FITTING	2
41	104034	NUT HEX 2-12 GRB	4
42	AC-6400	AIR CONTROL KIT NEWAY (SEE PAGE 1-45)	1
	102732	AIR CONTROL KIT NEWAY (SEE PAGE 1-44)	1
43	1-833-010001	TUBING NYLON	A/R
44	1-297-010008-18	FITTING AIR 90	6

UNDERCARRIAGE ASSEMBLY AIR RIDE (318B)

ITEM	PART NO.	DESCRIPTION	QTY.
45	1-297-010010-01	FITTING AIR UNION TEE	1
46	1-297-010008-07	FITTING AIR 90	1
47	1-833-010002	TUBING NYLON 3/8 X 66	2,1*
48	1-833-010002	TUBING NYLON 3/8 X 6	2
49	1-833-010002-3	TUBING NYLON	4
50	1-510-010001	NUT FLANGE LOCK 3/8-16	10,9*
51	1-297-010010-04	FITTING AIR UN/TEE	2
52	1-654-010061-07	SCREW HEX HEAD CAP 3/4-10 X 2-1/2 GR5	2
53	1-861-010034-17	WASHER SPLIT LOCK	4
54	1-297-010010-03	FITTING AIR UN/TEE	2
55	2083-8-4S	NIPPLE HEX 1/2PIPE - 1/4PIPE	1
56	3-755-010189	SUPPORT E-CHAIN	1
	3-755-010189-1	E-CHAIN LINK ASSEMBLY (38-06-075-0)	A/R
	385-06	E-CHAIN CROSSBAR	A/R
	38-01-075	E-CHAIN SIDE PIECE - LH	A/R
	38-02-075	E-CHAIN SIDE PIECE - RH	A/R
57	3-821-010005	TRAY CAT TRACK	1
58	1-654-010158-1	SCREW ROUND HEAD SQUARE NECK 1/4-20 X 3/4 GR5	11
59	1-512-010007-05	NUT HEX 1/4-20 GRB	11
60	1-861-010032-07	WASHER FLAT 1/4	11
61	1-861-010034-09	WASHER SPLIT LOCK 1/4	11
62	1-861-010032-15	WASHER FLAT 1/2W	6
66	104472	AIR SYSTEM ASSEMBLY ABS (NOT SHOWN) (SEE PAGE 1-59)	1

* 1ST QUANTITY IS FOR P/N 104209; 2ND QUANTITY IS FOR P/N 104222.

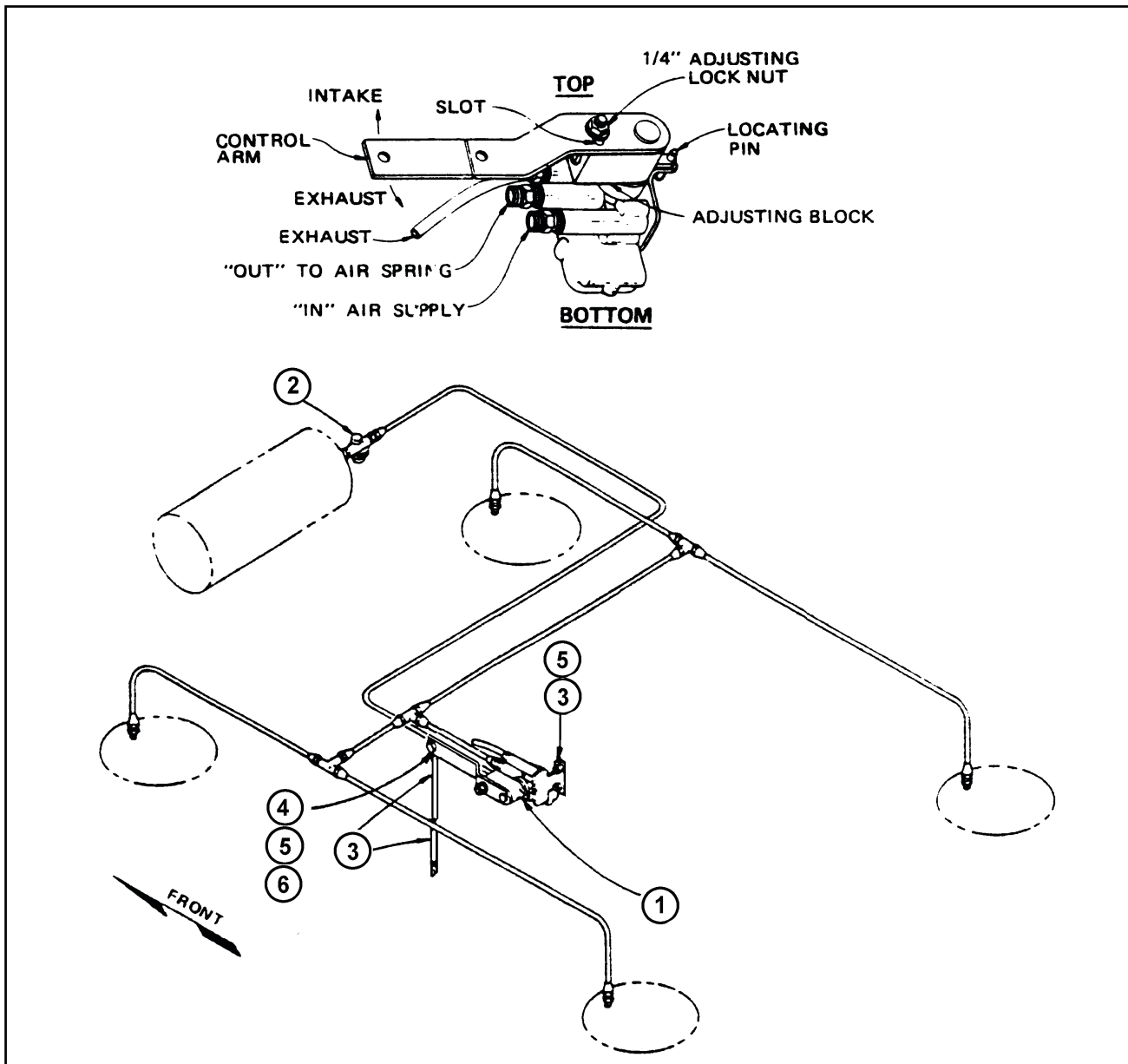


Figure 1-25 Air Control Kit, RLU-228

AIR CONTROL KIT RLU-228

ITEM	PART NO.	DESCRIPTION	QTY.
	102732	AIR CONTROL KIT NEWAY	
1	900 54 007	HEIGHT CONTROL VALVE (INCLUDES HARDWARE BAG)	1
	900-54-186	HEIGHT CONTROL VALVE (VALVE ONLY)	1
2	905 54 107	AIR PRESSURE PROTECTION VALVE & FILTER	1
3	111021	SRK - 167 KIT (ADJ. LINK ASSY)	1
4	1-654-010047-04	CAP SCREW 1/4-20 X 3/4	2
5	1-512-010005-01	LOCK NUT 1/4-20	2
6	941 00 119	DECAL (OPERATING)	1
7	941 00 466	HEIGHT CONTROL VALVE INSTRUCTIONS (NOT SHOWN)	1

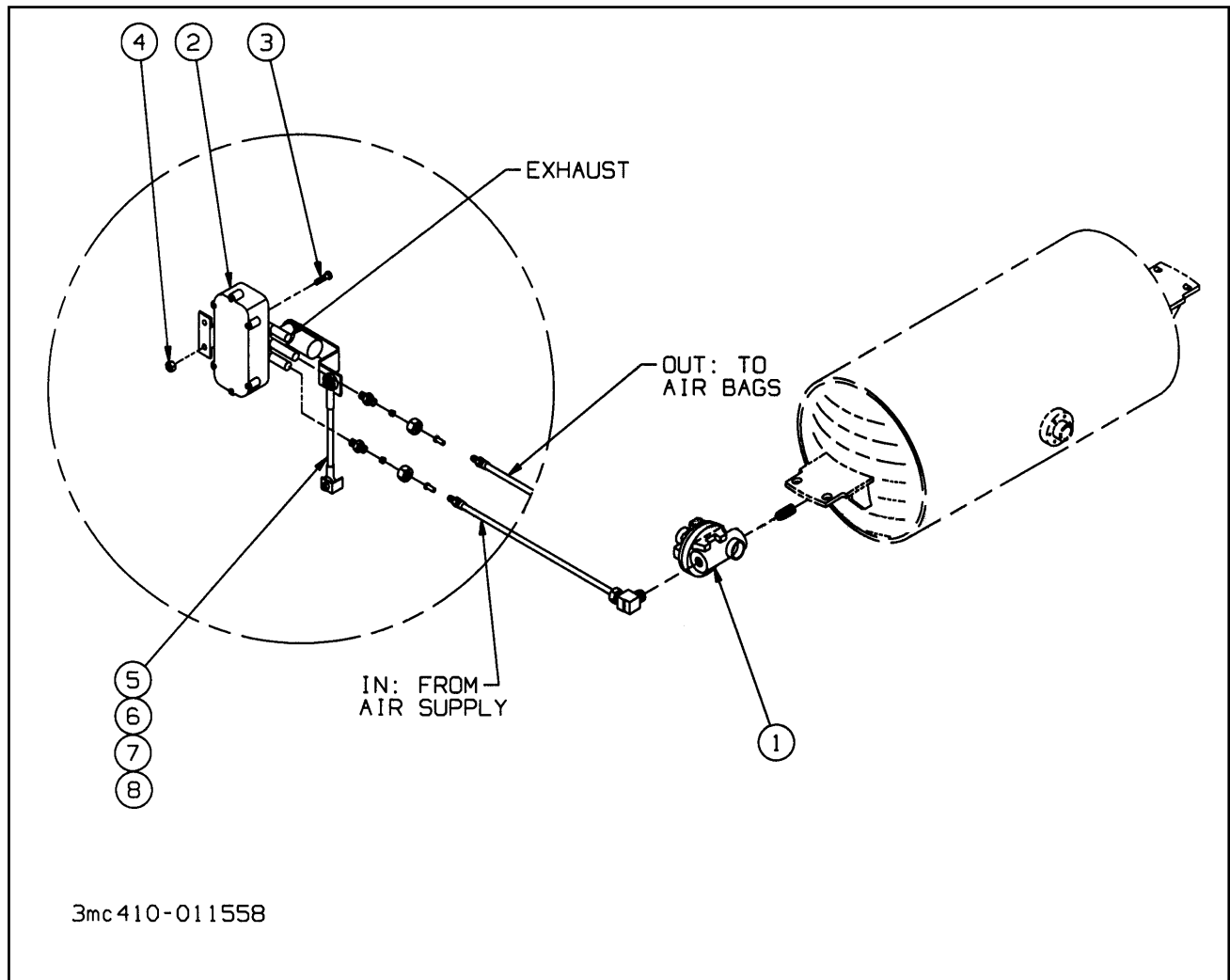


Figure 1-26 Air Control Kit, AR-45

AIR CONTROL KIT AR-45

ITEM	PART NO.	DESCRIPTION	QTY.
	AC-6400	AIR CONTROL KIT NEWAY	
1	900-54-107	PRESSURE PROTECTION VALVE AND FILTER	1
2	900-54-113	HEIGHT CONTROL VALVE (CAN BE ORDERED AS P/N 3-843-010034)	2
3	930-02-349	CAP SCREW 1/4-20 X 3/4	4
4	934-00-060	NUT LOCKING	8
5	*905-54-125	LINK ROD ASSEMBLY - 5-1/4"	2
6	939-00-224	CAP SCREW, SHOULDER	4
7	939-00-119	WASHER 1/4	4
8	936-00-118	WASHER 5/16	4
9	941-00-463	INSTRUCTION - LINK ASSEMBLY SHEET(NOT SHOWN)	1

* NOTE: A COMPLETE LINK KIT P/N SRK-167 CAN BE ORDERED, BUT REQUIRES CUTTING 13-1/2" LINK ROD TO 5-1/4" LONG.

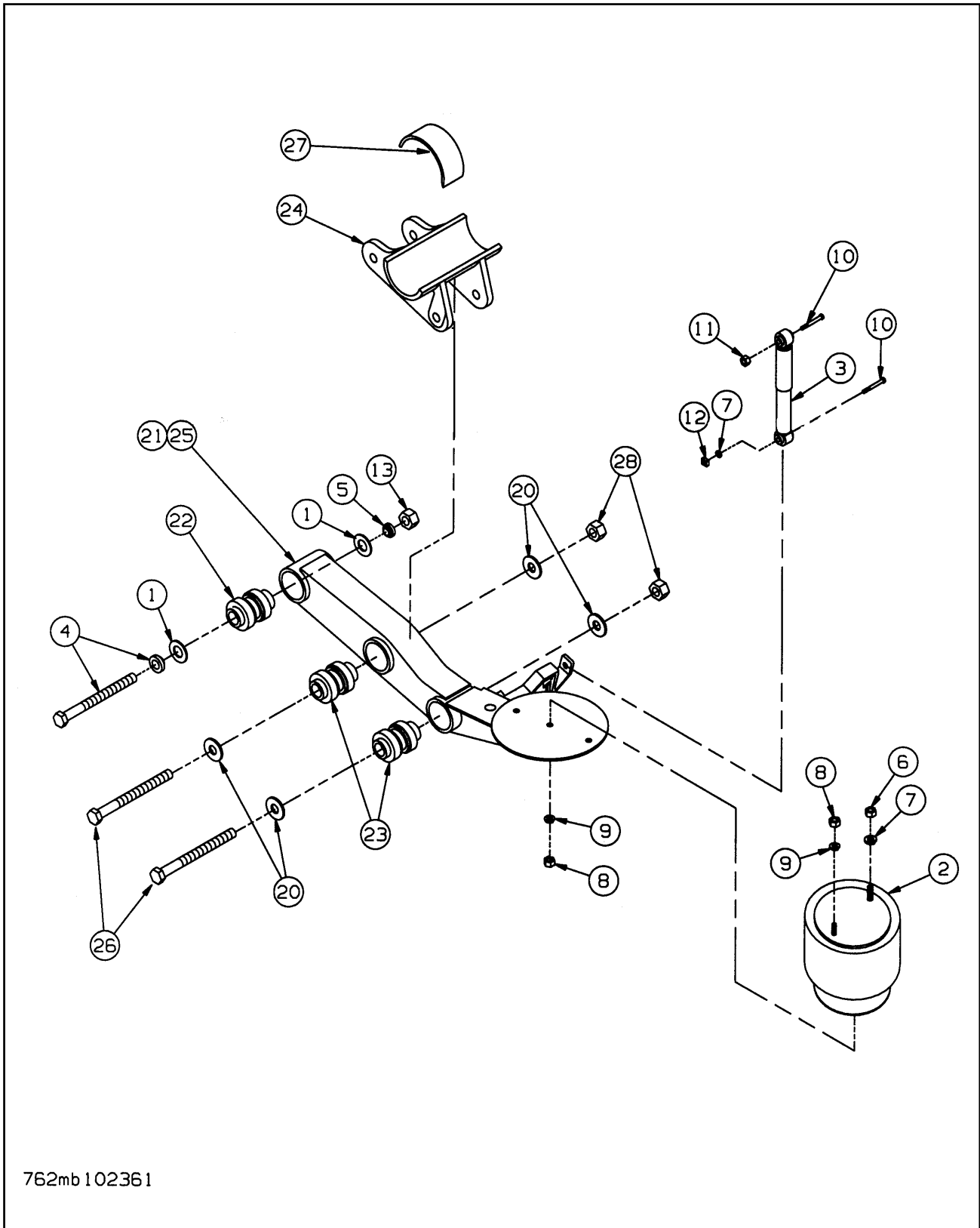
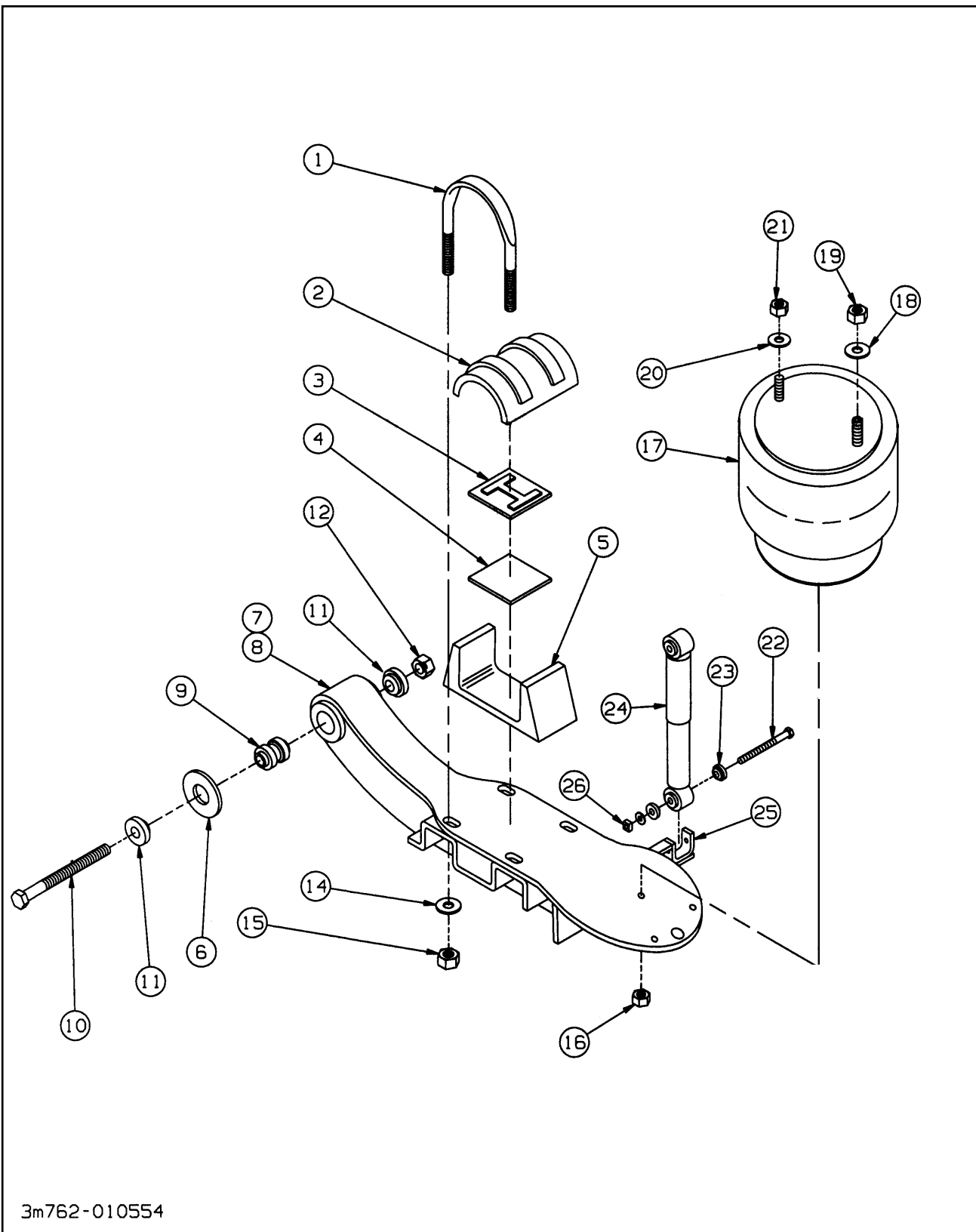


Figure 1-27 Suspension Hanger Assembly RLU-228

SUSPENSION HANGER RLU-228

ITEM	PART NO.	DESCRIPTION	QTY.
	102363	SUSPENSION ADJ. RLU-228-3.5	
	102364	SUSPENSION ADJ. RLU-228-5.5	
	102361	SUSPENSION BEAM RLU-228 (INCLUDES ITEMS 20-28)	
1*	90036117	FLAT WASHER	4
2	90557129	AIR SPRING ASSEMBLY	2
3	90075040	SHOCK	2
4*	90508009	ALIGNMENT BUSHING ASSEMBLY (CONSISTS OF:)	2
	93201057	ROD BOLT	1
	90008184	ALIGN BLOCK	1
5*	90008186	ALIGNMENT BLOCK	2
6*	93400149	3/4-16 HEX NUT GR8	2
7*	93600077	3/4 LOCK WASHER	4
8*	93400136	1/2-13 HEX NUT	4
9*	93600072	1/2 LOCK WASHER	4
10*	93003597	3/4-10 X 3-1/2 CAP SCREW	4
11*	93400367	3/4-10 LOCK NUT	2
12	93400367	3/4-10 SQUARE NUT	2
13*	93454038	1-1/8 - 7 LOCK NUT	2
14	90054038	ANCHOR, RIDE HEIGHT CONTROL VALVE (NOT SHOWN)	1
15*	94100787	LITERATURE INSTRUCTIONS (NOT SHOWN)	1
16	94100685	LITERATURE SPEC (NOT SHOWN)	1
17	94100648	LITERATURE FORM 864 (NOT SHOWN)	1
18	94100590	LITERATURE LABEL (NOT SHOWN)	1
19	94100790	LITERATURE LABEL (NOT SHOWN)	1
	11005053	FASTENER KIT (INCLUDES 1,4-11,13,15)	
20	90036177	FLAT WASHER	8
21	90516600	EQUALIZING BEAM ASSEMBLY LH	1
22	90008139	RUBBER BUSHING (FRONT PIVOT)	2
23	90008149	RUBBER BUSHING (AXLE CONNECTION)	4
24	90001200	AXLE ADAPTER ASSEMBLY	2
25	90516601	EQUALIZING BEAM ASSEMBLY RH	1
26	93201051	HEX HEAD SCREW 1-1/8-7 X 8-1/2	4
27	90025288	SAFETY STRAP	2
28	93400506	LOCK NUT 1-1/8-7	4

*PARTS ARE IN KIT FASTENER P/N 11005053.



3m762-010554

Figure 1-28 Air Ride Suspension AR-45

AIR RIDE SUSPENSION AR-45

ITEM	PART NO.	DESCRIPTION	QTY.
	3-762-010554	SUSPENSION HANGER ASSEMBLY AR-45	
1	900 41 878	U- BOLT 1" - 8 X 9	4
2	905 10 032	AXLE CAP 5"	2
3	900 28 047	RUBBER WRAPPER 5" RD	2
4	900 28 075	STEEL/RUBBER PAD	2
5	900 01 078	BEAM SEAT	2
6	900 36 140	SPACER WASHER	4
7	905 15 857	EQUALIZING BEAM ASSEMBLY, LH	1
8	905 15 858	EQUALIZING BEAM ASSEMBLY, RH	1
9	900 08 139	BUSHING	2
10	932 01 046	CAP SCREW 1-1/2" - 7	2
11	900 08 141	ALIGNMENT BUSHING	2
12	939 00 165	SMART NUT ASSEMBLY, 1-1/8 - 7	2
13	939 00 164	RING (MUST BE USED WITH ITEM 11)	2
14	939 00 027	FLAT WASHER, 1"	8
15	934 00 502	LOCK NUT, 1" - 8	8
16	934 00 492	LOCK NUT, 3/4" - 8	4
17	905 57 023	AIR SPRING ASSEMBLY	2
18	936 00 077	LOCK WASHER, 1"	4
19	934 00 149	HEX NUT, 3/4"	2
20	936 00 072	LOCK WASHER, 1/2"	2
21	934 00 136	HEX NUT, 1/2" - 13	2
22	930 03 599	CAP SCREW, 3/4" - 10 X 3-1/2"	4
23	905 08 004	REPLACEMENT BUSHING (4 PER SHOCK ABSORBER)	8
24	900 44 162	SHOCK ABSORBER	2
25	905 19 425	LOWER SHOCK BRACKET	2
26	934 00 367	SQUARE NUT, 3/4" - 10	2

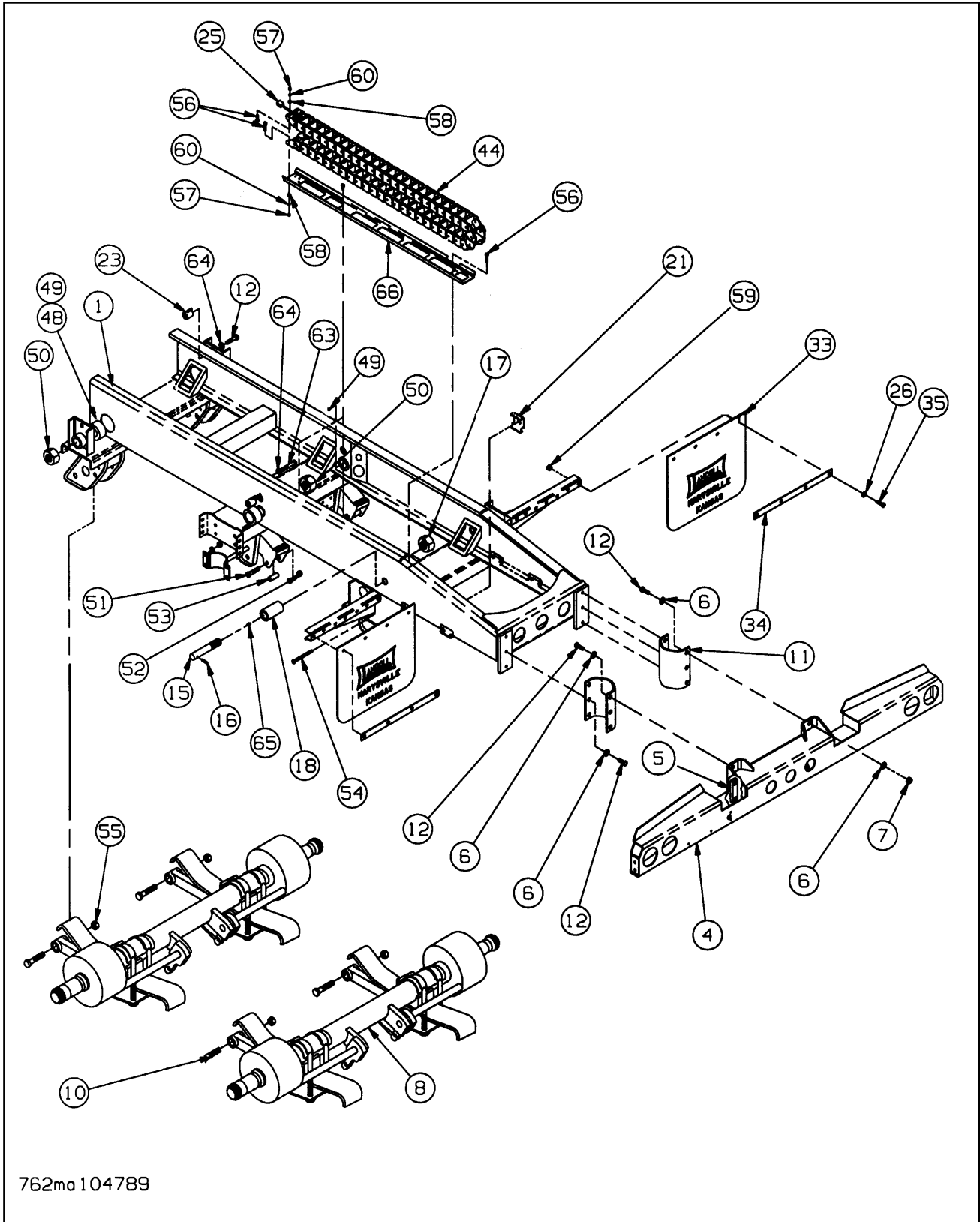


Figure 1-29 Undercarriage Assembly Spring Ride
(317B & 319B)

UNDERCARRIAGE ASSY SPRING RIDE (317B & 319B)

ITEM	PART NO.	DESCRIPTION	QTY.
	104789	SUSPENSION ASSEMBLY SPRING RIDE ABS	
1	104788	SUSPENSION WELDMENT	1
2	3-256-010006-04	DOCK LEVELER ASSEMBLY 40K (NOT SHOWN) (SEE PAGE 1-103)	1
4	101712	BUMPER WELDMENT 102	1
	104157	BUMPER WELDMENT 96	1
5	102283	BAR BUMPER E/P TAPPED	2
6	622-3511-008	WASHER - 3/4 MIL-CARB FL SAE	14
7	1-512-010002-15	NUT HEX LOCK 3/4-10 GRC	2
8	3-762-010563-3	SUSPENSION ASSEMBLY 70-1/2 (SEE PAGE 1-53)	2
	3-762-010563-4	SUSPENSION ASSEMBLY 64-1/2 (SEE PAGE 1-53)	2
9	103815	AIR SYSTEM ABS (NOT SHOWN) (SEE PAGE 1-55)	1
10	0001-08	TORQUE ARM BOLT 7/8-14 X 5-1/4 GR5	4
11	101143	MOUNT BUMPER ENERGY PAK	2
12	1-654-010032-4	SCREW HEX HEAD CAP 3/4-10 X 1-3/4 GR8	14
15	3-557-010396	PIN REAR ROLLER	2
16	1-647-010004255	PIN SPRING SLOTTED	2
17	1-512-010007-16	NUT HEX 1-1/4-7	2
18	RRT114X6	TUBE ROUND	2
20	10403	GROMMET MOUNT	1
21	2-181-010001	HOSE CLAMP	1
22	1-796-010004-02	TIE STRAP PLASTIC (NOT SHOWN)	6
23	3-762-010016	HOLD DOWN UNDERCARRIAGE	4
25	102836	HARNESS ASSEMBLY E-CHAIN ABS	1
26	1-861-010032-11	WASHER FLAT 3/8W	8
33	3-485-010001	MUD FLAP	2
34	3-762-010017	CLAMP MUD FLAP	2
35	1-654-010051-07	SCREW HEX HEAD CAP 3/8-16 X 1-1/2 GR5	8
44	3-755-010189	SUPPORT E-CHAIN	1
	3-755-010189-1	E-CHAIN LINK ASSEMBLY (38-06-075-0)	A/R
	385-06	E-CHAIN CROSSBAR	A/R
	38-01-075	E-CHAIN SIDE PIECE - LH	A/R
	38-02-075	E-CHAIN SIDE PIECE - RH	A/R
48	3-076-010005	CAM FOLLOWER	4
49	5029	ZERK FITTING	4
50	104034	NUT HEX 2-12 GRB	4
51	0001-04	HEX HEAD CAP SCREW 5/8-18 X 4-1/2	4
52	0002-07	LOCKNUT 5/8-18	6
53	0741-01	SPRING ROLLER	6
54	0001-02	HEX HEAD CAP SCREW 5/8-18 X 5-1/8	4
55	0002-12	FLANGED LOCKNUT 7/8-14	4
56	1-654-010158-1	SCREW RD HD SQ NCK 1/4-20 X 3/4 GR5	11
57	1-515-010007-05	NUT HEX 1/4-20	11
58	1-861-010032-07	WASHER FLAT 1/4	11
59	1-510-010001	NUT FLANGE LOCK 7/8-14	10
60	1-861-010034-09	WASHER SPLIT LOCK 1/4	11
63	1-654-010061-07	SCREW HEX HEAD CAP 3/4-10 X 2-1/2 GR5	2
64	1-861-010034-17	WASHER SPLIT LOCK 3/4	4
65	5000	ZERK FITTING 1/8	2
66	3-821-010005	TRAY CAT TRACK	1

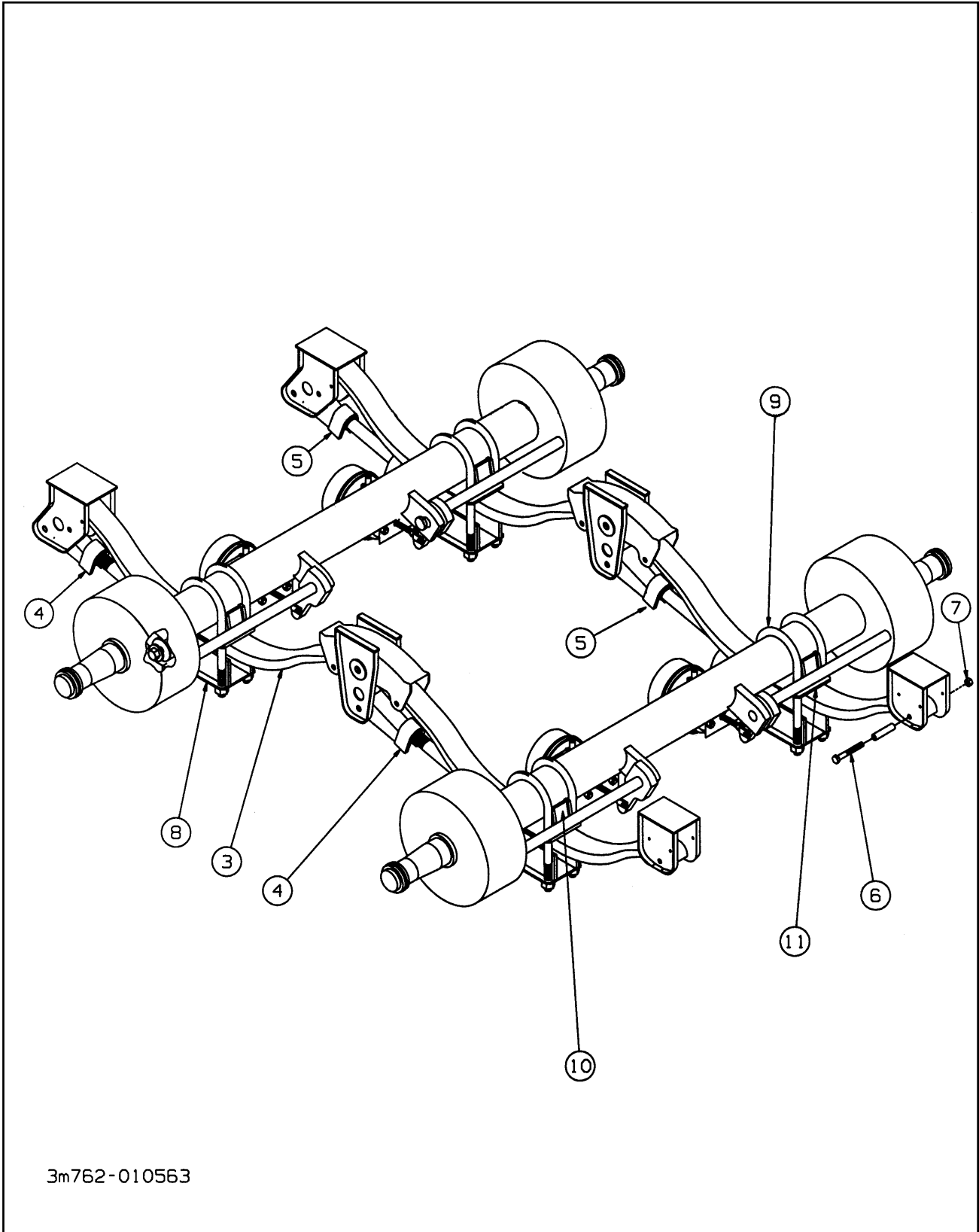


Figure 1-30 Spring Ride Suspension

SPRING RIDE SUSPENSION

ITEM	PART NO.	DESCRIPTION	QTY.
	3-762-010563	SUSPENSION ASSEMBLY SPRING RIDE	
3*	3-720-010030	SPRING MONO LEAF HI ARCH	2
4*	1035-20	ADJUSTABLE TORQUE ARM	1
5*	0075-20	RIGID TORQUE ARM	1
6*	0001-08	BOLT 7/8-14 X 5-1/4 GR5	2
7*	0002-12	LOCKNUT 7/8-14	10
8*	0508-00	BOTTOM PLATE SINGLE LEAF	2
9*	0102-13	U-BOLT 13" LENGTH	4
10*	0647-01	AXLE SEAT 1" HIGH SINGLE LEAF	2
11	0375-00	DELRIN LINER SINGLE LEAF	2
13	3-042-010130-01	AXLE 64-1/2 12-14 X 7-1/2 BRAKE SPG BRAKE 22.5K (SEE PAGE 1-61)	1
14	3-042-010130-02	AXLE 70-1/2 12-14 X 7-1/2 BRAKE SPG BRAKE 22.5K (SEE PAGE 1-61)	1

*THESE ARE PARTS OF KIT NO. 3-432-010006.

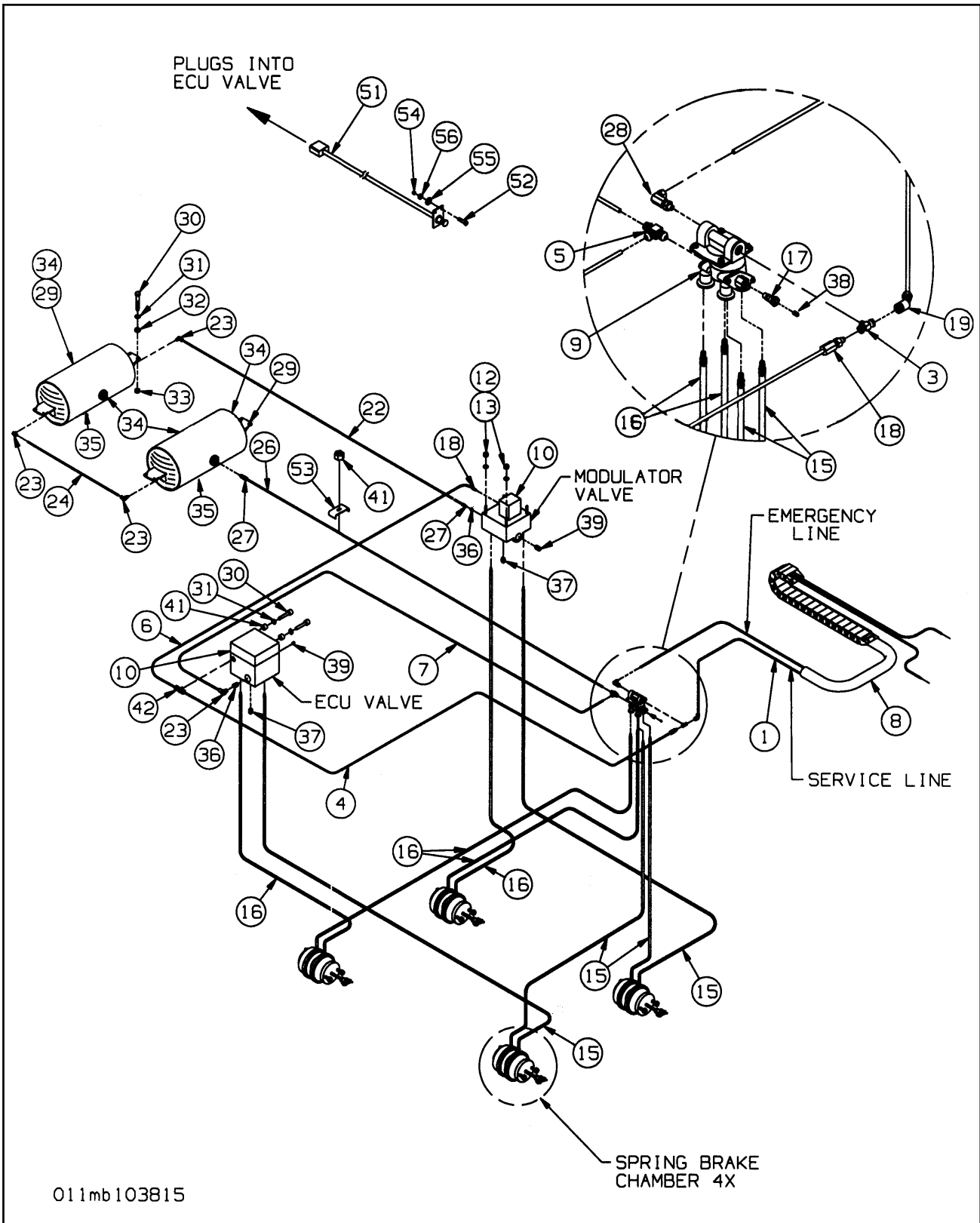


Figure 1-31 Air Brake System w/ ABS (Tandem Axle)

AIR BRAKE SYSTEM W/ ABS (TANDEM AXLE)

ITEM	PART NO.	DESCRIPTION	QTY.
	103815	AIR SYSTEM ABS, TANDEM	
1	100949	HOSE AIR 222	2
3	1-297-010017-03	FITTING AIR BR TEE	1
4	1-833-010002024	TUBING NYLON 24	1
5	1-297-010011-06	FITTING AIR M/ RUN TEE	1
6	1-833-010002060	TUBING NYLON 60	1
7	1-833-010003008	TUBING NYLON 8	1
8	1-394-010001	HOSE ABRASION SLEEVE X 2	4
9	758-181	VALVE RELAY EMERGENCY	1
10	101420	BRAKE KIT ROCKWELL ABS 4S/2M (SEE PAGE 1-63)	1
12	1-861-010032-09	WASHER FLAT 5/16W	2
13	1-512-010005-03	NUT HEX LOCK 5/16-18 GRB	2
15	1-384-010038060	HOSE AIR 60	4
16	1-384-010038024	HOSE AIR 24	4
17	55B61	FRAME UNION	1
18	1-297-010007-12	FITTING AIR	2
19	2088-6-6S	ADAPTER 45	1
22	1-833-010003060	TUBING NYLON 60	2
23	1-297-010008-24	FITTING AIR	4
24	1-833-010003010	TUBING NYLON 10	1
26	1-833-010003032	TUBING NYLON 32	1
27	1-297-010007-16	FITTING AIR	2
28	2089-6-6S	ADAPTER 90	1
29	3-780-010002	TANK AIR	2
30	1-654-010051-08	SCREW HEX HEAD CAP 3/8-16 X 1-3/4 GR5	10
31	1-861-010032-11	WASHER FLAT 3/8W	18
32	805-2	STEP BUSHING	16
33	1-512-010005-05	NUT HEX LOCK 3/8-16 GR8	8
34	1-560-010002-04	PLUG PIPE	4
35	56D4	AIR TANK DRAIN COCK	2
36	118-2659-9	BUSHING	2
37	1-560-010002-03	PLUG PIPE	4
38	1-560-010002-02	PLUG PIPE	1
39	1-560-010002-05	PLUG PIPE	2
41	1-510-010001	NUT FLANGE LOCK 3/8-16	3
42	1-297-010015-06	FITTING AIR BR TEE	1
51	101852	DIAGNOSTIC CABLE W/ SWITCH ABS	1
52	1-654-010047-06	SCREW HEX HEAD CAP 1/4-20 X 1 GR5	2
53	103817	CLAMP HOSE	1
54	1-512-010007-05	NUT HEX LOCK 1/4-20	2
55	1-861-010032-07	WASHER FLAT 1/4	2
56	1-861-010034-09	WASHER SPLIT LOCK 1/4	2

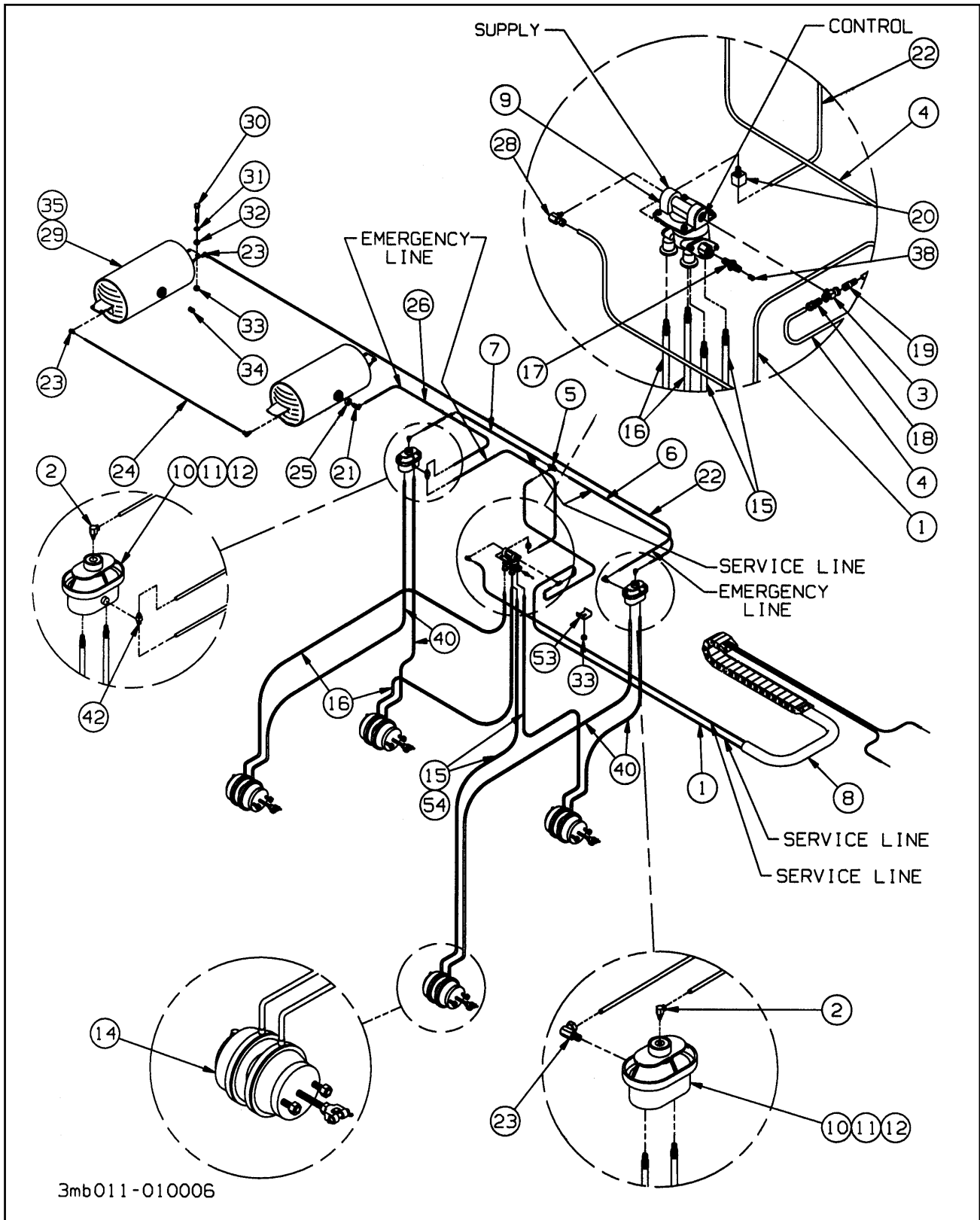


Figure 1-32 Air Brake System w/o ABS (Tandem Axle)

AIR BRAKE SYSTEM W/O ABS (TANDEM AXLE)

ITEM	PART NO.	DESCRIPTION	QTY.
	3-011-010006-02	AIR SYSTEM ASSEMBLY	
1	100949	HOSE AIR 222	2
2	1-297-010008-20	FITTING AIR 90	2
3	1-297-010017-03	FITTING AIR M/ BR TEE	1
4	1-833-010002024	TUBING NYLON 24	1
5	1-297-010010-03	FITTING AIR UNION TEE	1
6	1-833-010002048	TUBING NYLON 48	1
7	1-833-010002036	TUBING NYLON 36	1
8	1-394-010001	HOSE ABRASION SLEEVE X 2	4
9	758-181	VALVE RELAY EMERGENCY	1
10	3-843-010005	VALVE RELAY PORT	2
11	1-861-010034-10	WASHER SPLIT LOCK 5/16	4
12	1-512-010007-06	NUT HEX LOCK 5/16-18 GRB	4
14	3-128-010002	SPRING BRAKE DOUBLE DIAPHRAGM	REF
15	1-384-010038060	HOSE AIR 60	2
16	1-384-010038024	HOSE AIR 24	2
17	55B61	FRAME UNION	1
18	1-297-010007-12	FITTING AIR	1
19	2088-6-6S	ADAPTER 45	1
20	1-297-010007-15	FITTING AIR	1
21	1-297-010008-23	FITTING AIR 90	1
22	1-833-010003044	TUBING NYLON 44	2
23	1-297-010008-24	FITTING AIR 90	4
24	1-8336-010003010	TUBING NYLON 44	1
25	1/2X3/8 BUSH	BUSHING	1
26	1-833-010003021	TUBING NYLON 21	1
28	2089-6-6S	ADAPTER 90	1
29	3-780-010002	TANK AIR	2
30	1-654-010051-08	SCREW HEX HEAD CAP 3/8-16 X 1-3/4 GR5	8
31	1-861-010032-11	WASHER FLAT 3/8W	16
32	805-2	STEP BUSHING	16
33	1-512-010005-05	NUT HEX LOCK 3/8-16 GRB	9
34	1-560-010002-04	PLUG PIPE	4
35	56D4	AIR TANK DRAIN COCK	2
38	1-560-010002-02	PLUG PIPE	1
40	3-384-010020	HOSE AIR 32	4
42	1-297-010015-11	FITTING AIR BRANCH TEE	1
53	2-181-010001	CLAMP HOSE	1

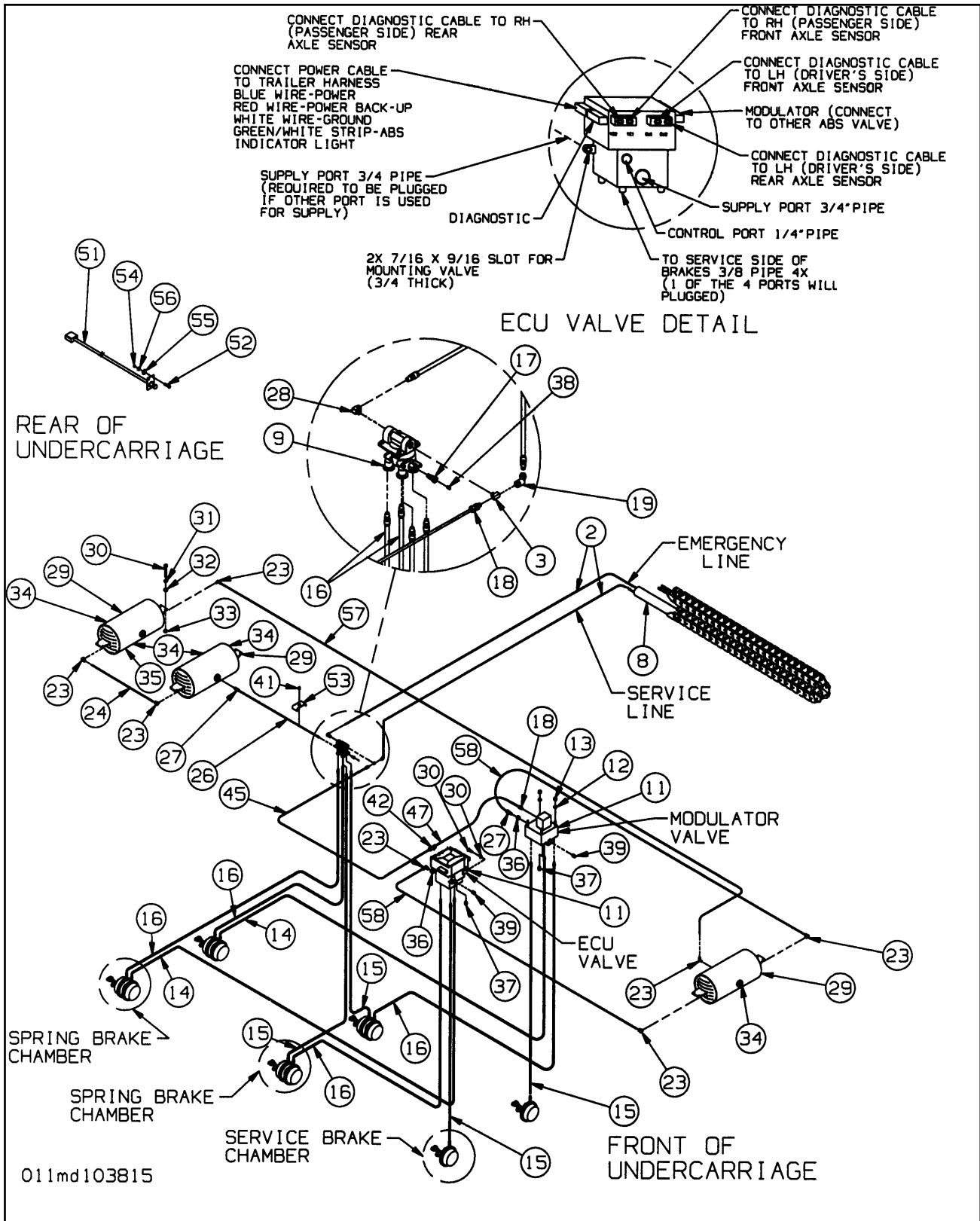


Figure 1-33 Air Brake System w/ ABS (Triple Axle)

AIR BRAKE SYSTEM W/ ABS (TRIPLE AXLE)

ITEM	PART NO.	DESCRIPTION	QTY.
	104472	AIR SYSTEM ABS, TRIPLE AXLE	
2	100948	HOSE AIR 174	2
3	1-297-010017-03	FITTING AIR M/ BRASS TEE	1
8	1-394-010001	HOSE ABRASION SLEEVE X 2	4
9	758-181	VALVE RELAY EMERGENCY	1
11	103860	BRAKE KIT ROCKWELL ANS 4S/2M-610 (SEE PAGE 1-63)	1
12	1-861-010032-09	WASHER FLAT 5/16W	2
13	1-512-010005-03	NUT HEX LOCK 5/16-18	2
14	1-384-010038084	HOSE AIR 84	2
15	1-384-010038060	HOSE AIR 60	4
16	1-384-010038024	HOSE AIR 24	4
17	55B61	FRAME UNION	1
18	1-297-010007-12	FITTING AIR	2
19	2088-6-6S	ADAPTER 45	1
23	1-297-010008-24	FITTING AIR 90	7
24	1-833-010003010	TUBING NYLON 10	1
26	1-833-010003032	TUBING NYLON 32	1
27	1-297-010007-16	FITTING AIR	2
28	2089-6-6S	ADAPTER 90	1
29	3-780-010002	TANK AIR	3
30	1-654-010051-08	SCREW HEX HEAD CAP 3/8-16 X1-3/4 GR5	14
31	1-861-010032-11	WASHER FLAT 3/8W	26
32	805-2	STEP BUSHING	24
33	1-512-010005-05	NUT HEX LOCK 3/8-16 GRB	12
34	1-560-010002-04	PLUG PIPE	4
35	56D4	AIR TANK DRAIN COCK	3
36	118-2659-9	BUSHING	2
37	1-560-010002-03	PLUG PIPE	2
38	1-560-010002-02	PLUG PIPE	1
39	1-560-010002-05	PLUG PIPE	2
41	1-510-010001	NUT FLANGE LOCK 3/8-16	2
42	1-297-010015-06	FITTING AIR BRASS TEE	1
45	1-833-010002076	TUBING NYLON 76	1
47	1-833-010002030	TUBING NYLON 30	1
51	101852	DIAGNOSTIC CABLE W/ SWITCH	1
52	1-654-010047-06	SCREW HEX HEAD CAP 1/4-20 X 1 GR5	2
53	103817	CLAMP HOSE	2
54	1-512-010007-05	NUT HEX LOCK 1/4-20 GRB	2
55	1-861-010032-07	WASHER FLAT 1/4W	2
56	1-861-010034-09	WASHER SPLIT LOCK 1/4	2
57	1-833-010003192	TUBING NYLON 192	1
58	1-833-010003096	TUBING NYLON 96	2

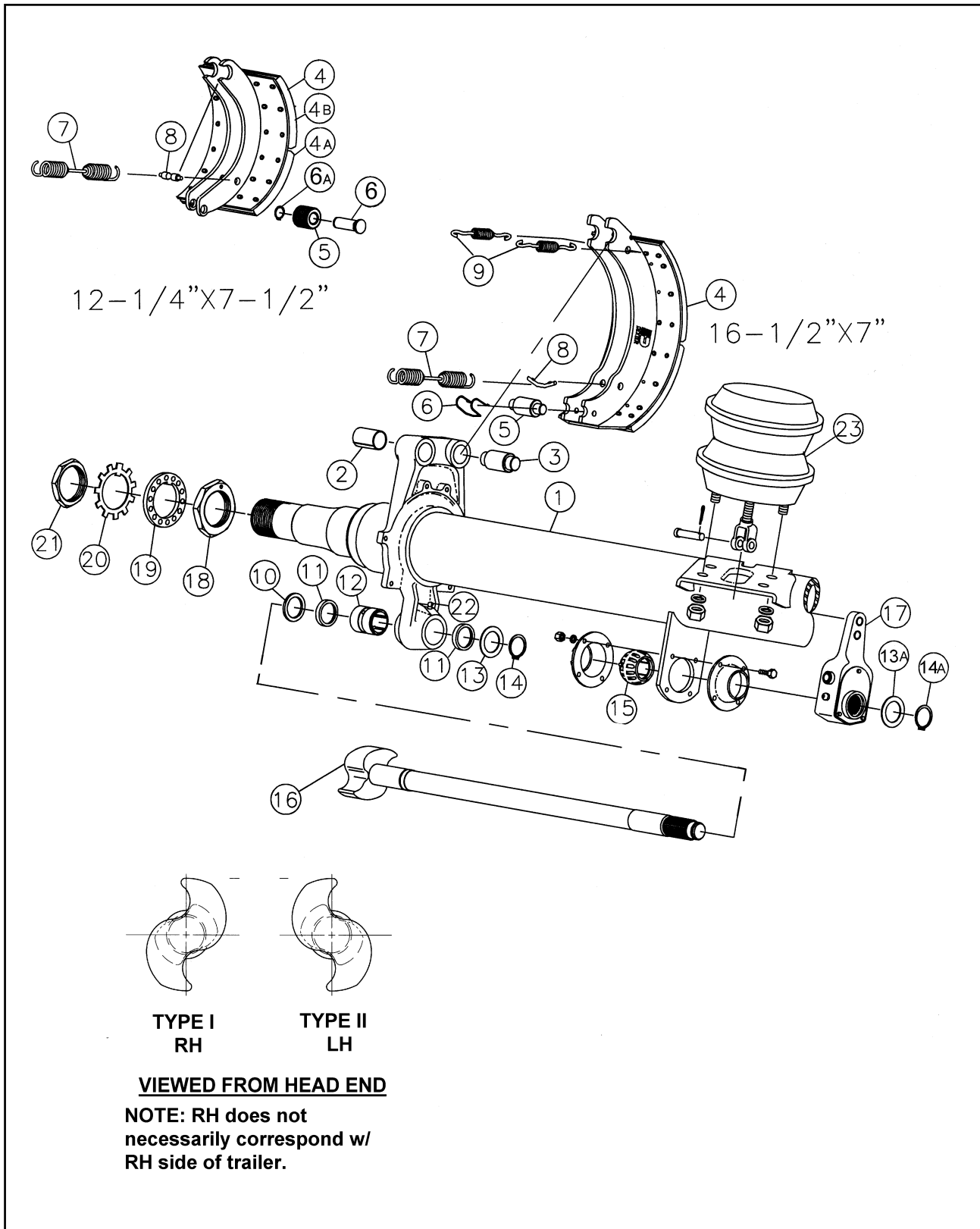


Figure 1-34 Axle and Brake Items (Dexter)

AXLE AND BRAKE ITEMS (DEXTER)

ITEM	PART NO.	DESCRIPTION	QTY.
	3-042-010130-01	AXLE 64-1/2, 12-1/4 X 7-1/2 SPG BK (22.5K)	
	3-042-010130-02	AXLE 70-1/2, 12-1/4 X 7-1/2 SPG BK (22.5K)	
	3-042-010132-01	AXLE 64-1/2, 12-1/4 X 7-1/2 SPG BK (25K)	
	3-042-010132-02	AXLE 70-1/2, 12-1/4 X 7-1/2 SPG BK (25K)	
	3-042-010133-01	AXLE 64-1/2, 12-1/4 X 7-1/2 SER BK (25K)	
	3-042-010133-02	AXLE 70-1/2, 12-1/4 X 7-1/2 SER BK (25K)	
	3-042-010141-01	AXLE 70-1/2, 16-1/2 X 7 SPG BK (22.5K)	
	3-042-010141-03	AXLE 67-1/2, 16-1/2 X 7 SPG BK (22.5K)	
	3-042-010142-01	AXLE 69 16-1/2 X 7 SER BK (25K)	
	101702	AXLE 78, 12-1/4 X 7-1/2 SER BK (25K)	
1*	D-2212-70.5	BEAM W/ BRACKETS (12.25 X 7.5 BRAKE)	1
	D-2212-64.5	BEAM W/ BRACKETS (12.25 X 7.5 BRAKE)	1
	D-2512-64.5	BEAM W/ BRACKETS (12.25 X 7.5 BRAKE)	1
	D-2512-70.5	BEAM W/ BRACKETS (12.25 X 7.5 BRAKE)	1
	D-2516-69	BEAM W/ BRACKETS (16.5 X 7 BRAKE)	1
	D-2516-67.5	BEAM W/ BRACKETS (16.5 X 7 BRAKE)	1
	D-2516-69	BEAM W/ BRACKETS (16.5 X 7 BRAKE)	1
	**K71-098-00	BRAKE SHOE HDWR KIT(12.25X7.5) (ITEMS 2, 3, 5, 6, 7, 8, & 9)	
	**K71-136-00	BRAKE SHOE HDWR KIT (16.5 X 7) (ITEMS 2, 3, 5, 6, 7, 8, & 9)	
2**	014-068-00	BUSHING, ANCHOR PIN (12.25 X 7 BRAKE)	4
	014-068-00	BUSHING, ANCHOR PIN (16.5 X 7 BRAKE)	4
3**	056-011-00	PIN, ANCHOR (12.25 X 7.5 BRAKE)	4
	056-017-00	PIN, ANCHOR (16.5 X 7 BRAKE)	4
4	040-320-01	BRAKE SHOE AND LINING (12.25 X 7.5 BRAKE)	4
4A	041-060-01	BRAKE SHOE, LINING, & ROLLER, LH (12.25 X 7.5 BRAKE)	2
	041-058-01	BRAKE SHOE, LINING, & ROLLER, RH (12.25 X 7.5 BRAKE)	2
4B	041-057-01	BRAKE SHOE AND LINING (16.5 X 7 BRAKE)	4
	041-059-01	BRAKE SHOE, LINING, ROLLER & RETAINER (16.5X7 BRK)	4
	K71-133-00	BRAKE BLOCK KIT -LINING & RIVETS (12.25 X 7.5 BRAKE)	4
	K71-138-00	BRAKE BLOCK KIT -LINING AND RIVETS (16.5 X 7 BRAKE)	4
5**	014-057-00	ROLLER, KNURLED (12.25 X 7.5 BRAKE)	4
	014-065-00	ROLLER, KNURLED (16.5 X 7.5 BRAKE)	4
6**	056-010-00	WASHER, ANCHOR PIN (12.25 X 7.5 BRAKE)	8
	071-122-00	RETAINER, ROLLER (16.5 X 7 BRAKE)	4
6A**	069-018-00	RETAINER, ANCHOR PIN (12.25 X 7.5 BRAKE ONLY)	8
7**	046-092-00	SPRING, SHOE RETURN (12.25 X 7.5 BRAKE)	2
	046-096-00	SPRING, SHOE (16.5 X 7 BRAKE)	2
8**	056-018-00	RETAINER, PIN SHOE RETURN SPRG(12.25 X 7.5 BRAKE)	4
	056-018-00	RETAINER, RETRACTOR SPRING (16.5 X 7 BRAKE)	4
9**	046-097-00	SPRING, SHOE KEEPER	4
	***K71-101-00	CAMSHAFT REPAIR KIT (12.25 X 7.5) (ITEMS 10-15, & 22)	
	***K71-135-00	CAMSHAFT REPAIR KIT (16.5 X 7) (ITEMS 10-15, & 22)	
10***	005-074-00	D" WASHER (12.25 X 7.5 BRAKE)	2
	005-096-00	WASHER CAMSHAFT (16.5 X 7 BRAKE)	2
11***	010-052-00	SEAL GREASE	4
12***	014-056-00	BUSHING CAMSHAFT SPIDER	2

AXLE AND BRAKE ITEMS (DEXTER)

ITEM	PART NO.	DESCRIPTION	QTY.
13***	005-075-00	WASHER CAMSHAFT(12.25 X 7.5 BRAKE)	4
	005-097-00	WASHER CAMSHAFT(16.5 X 7 BRAKE)	4
13A***	005-134-00	WASHER CAMSHAFT END	2
14***	069-020-00	RETAINER, CAMSHAFT	2
14A***	069-078-00	RETAINER, CAMSHAFT END	2
15***	014-058-00	BUSHING CAMSHAFT SUPPORT	2
16	034-188-03	CAMSHAFT, 22-5/16" LH(12.25 X 7.5 BRK, 70.5 TRK)	1
	034-189-03	CAMSHAFT, 22-5/16" RH(12.25 X 7.5 BRK, 70.5 TRK)	1
	034-188-08	CAMSHAFT, 19-1/2" LH(12.25 X 7.5 BRAKE, 64.5 TRK)	1
	034-189-08	CAMSHAFT, 19-1/2" RH(12.25 X 7.5 BRAKE, 64.5 TRK)	1
	034-192-05	CAMSHAFT, 22-5/8" LH (16.5 X 7 BRAKE, 69 TRK)	1
	034-193-05	CAMSHAFT, 22-5/8" RH (16.5 X 7 BRAKE, 69 TRK)	1
	034-192-01	CAMSHAFT, 20-3/8" LH (16.5 X 7 BRAKE, 76 TRK)	1
	034-193-01	CAMSHAFT, 20-3/8" RH (16.5 X 7 BRAKE, 76 TRK)	1
17	3-128-010029	SLACK ADJUSTER, AUTOMATIC (12.25 X 7.5 BRAKE)	2
	3-128-010030	SLACK ADJUSTER, AUTOMATIC (16.5 X 7 BRAKE)	2
18	006-114-00	NUT, INNER SPINDLE	2
19	005-098-00	WASHER, SPINDLE LOCK	2
20	005-099-00	WASHER, TABBED SPINDLE LOCK	2
21	006-115-00	NUT, OUTER SPINDLE	2
22***	061-006-00	FITTING, GREASE 45°	2
23	034-058-07	CHAMBER, SPRING BRAKE (12.25 X 7.5 BRAKE)	2
	034-058-01	CHAMBER, SPRING BRAKE (16.5 X 7 BRAKE)	4
	034-057-07	CHAMBER, SERVICE BRAKE (12.25 X 7.5 BRAKE)	2
	034-057-01	CHAMBER, SERVICE BRAKE (16.5 X 7 BRAKE)	2

* WHEN ORDERING THE BEAM WITH SPINDLE, SPIDER, AND BRACKETS ATTACHED, YOU WILL NEED THE BEAM NUMBER, TRACK LENGTH, BRAKE SIZE, AND CAMSHAFT LENGTH.

** THESE PARTS ARE AVAILABLE AS PART OF THE BRAKE SHOE REPAIR KIT LISTED.

*** THESE PARTS ARE AVAILABLE AS PART OF THE CAMSHAFT REPAIR KIT LISTED.

NOTE: FOR HUB AND DRUM INFORMATION, SEE PAGES 1-64 TO 1-67

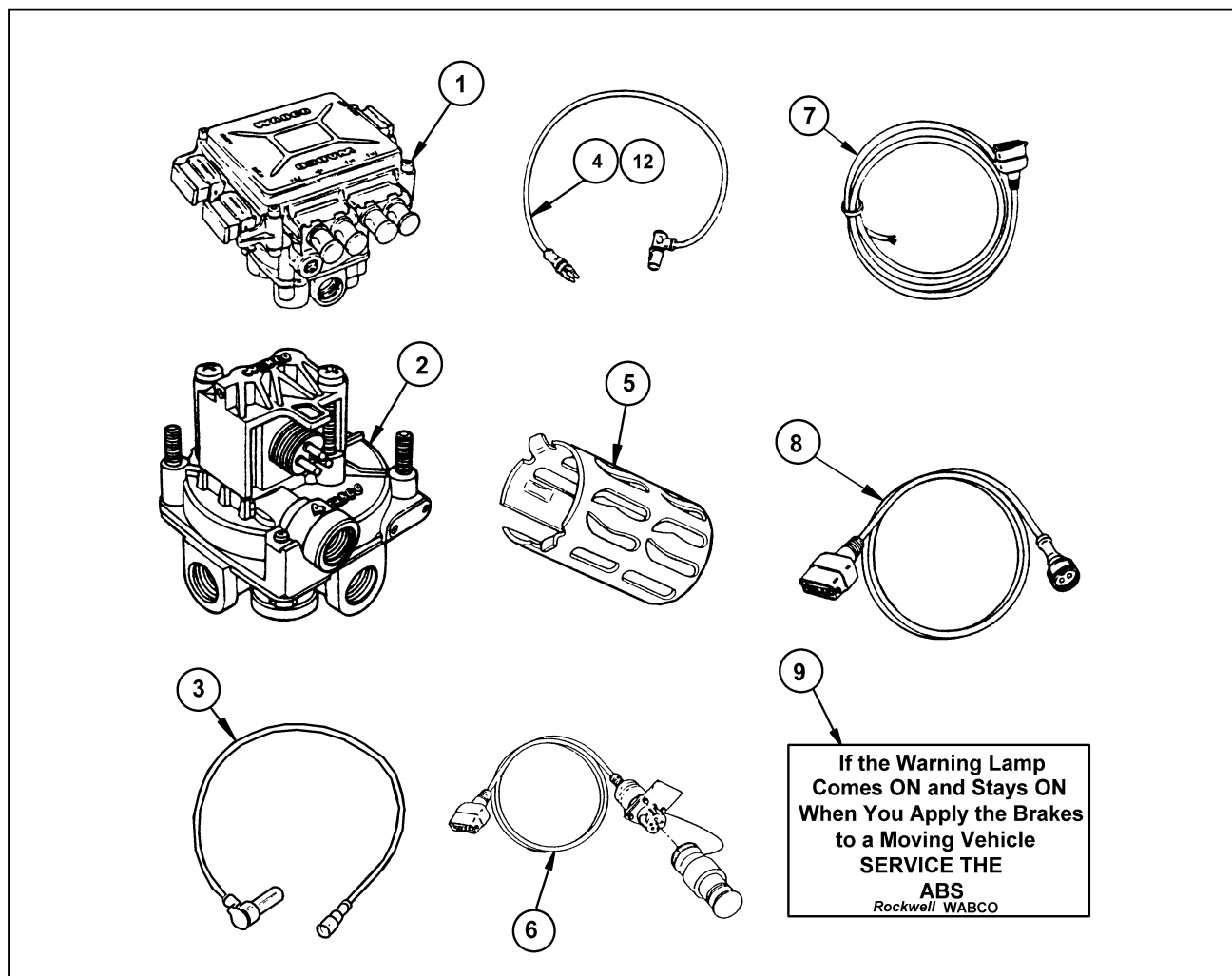


Figure 1-35 Brake Kit, Meritor WABCO (Rockwell) ABS

BRAKE KIT, MERITOR WABCO (ROCKWELL) ABS

ITEM	PART NO.	DESCRIPTION	QTY.
	101420	BRAKE KIT, ROCKWELL ABS 4S/2M	
	103860	BRAKE KIT ROCKWELL 4S/2M-610	
1	101845	ECU/VALVE ASSEMBLY	1
2	101846	ABS RELAY VALVE	1
3	101847	ABS SENSOR CABLE	4
4	101848	SENSOR EXTENSION CABLE	4,2*
5	101849	ABS SENSOR SPRING CLIP	4
6	101852	DIAGNOSTIC CABLE W/ SWITCH	1
7	101853	POWER CABLE 4 COND	1
8	101854	CONNECTION CABLE FOR ABS RELAY	1
9	101855	WARNING LAMP LABEL	1
10	—	INSTALLATION GUIDE (NOT SHOWN)	1
11	104551	ABS MAINTENANCE MANUAL NO.33 (NOT SHOWN)	1
12	103861	SENSOR EXTENSION CABLE	2

* 1ST QUANTITY LISTED IS FOR P/N 101420; 2ND QUANTITY LISTED IS FOR P/N 103860.

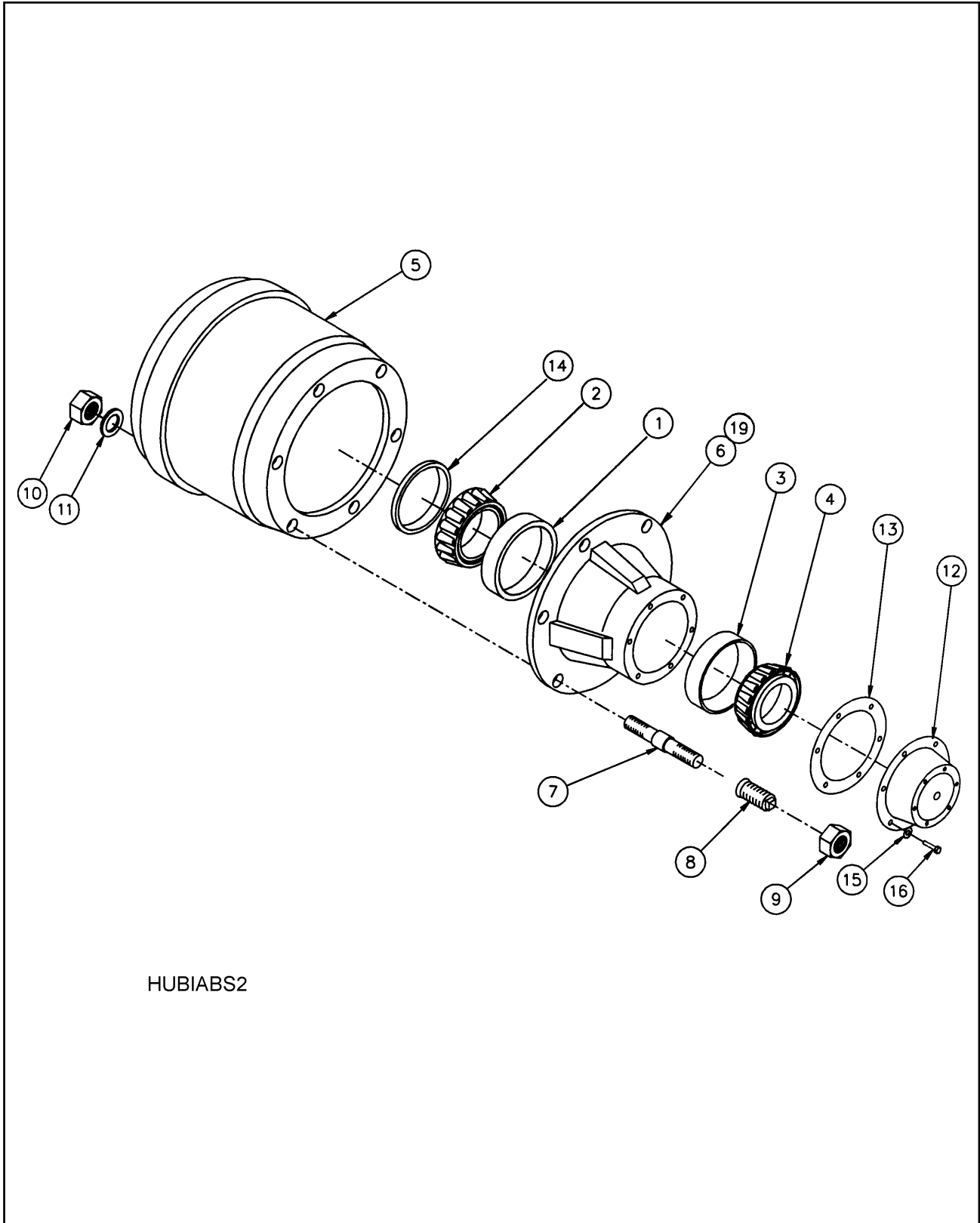


Figure 1-36 Inboard Ball Seat Mount Hub and Drum

INBOARD BALL SEAT MOUNT HUB AND DRUM

ITEM	PART NO.	DESCRIPTION	QTY.
	103245	HUB/DRUM 6 BOLT 12-1/4 BSN LH ABS	
	103246	HUB/DRUM 6 BOLT 12-1/4 BSN RH ABS	
1	HM218210	INNER BEARING CUP	1
2	HM218248	INNER BEARING CONE	1
3	HM212011	OUTER BEARING CUP	1
4	HM212049	OUTER BEARING CONE	1
5	63635	INBOARD MOUNTED BRAKE DRUM (6 BOLT)	1
6	1056	HUB (6 BOLT)	1
7	139913	STUD LH (6 BOLT)	6
	139902	STUD RH (6 BOLT)	6
8	107083	CAPNUT INNER LH (6 BOLT)	6
	107082	CAPNUT INNER RH (6 BOLT)	6
9	178921	CAPNUT OUTER LH (6 BOLT)	6
	178910	CAPNUT OUTER RH (6 BOLT)	6
10	75716	NUT HEX LOCK 3/4-16	6
11	257	FLAT WASHER	6
12	021-038-01 (4009)	CAP HUB	1
13	071-124-00 (3067)	GASKET OIL CAP	1
14	3-569-010012	SEAL	1
15	1-861-010034-10	WASHER SPLIT LOCK 5/16	6
16	1-654-010049-03	SCREW HEX HEAD CAP 5/16-18X3/4	6
17	3-870-010012	WHEEL DISC 6.75 X 17	1
18	TR573	VALVE STEM	1
19	*	ABS TONE RING	1

* THIS PART SHOULD BE REPLACED IN CONJUNCTION WITH HUB. IT SHOULD NEVER BE SOLD SEPARATELY.

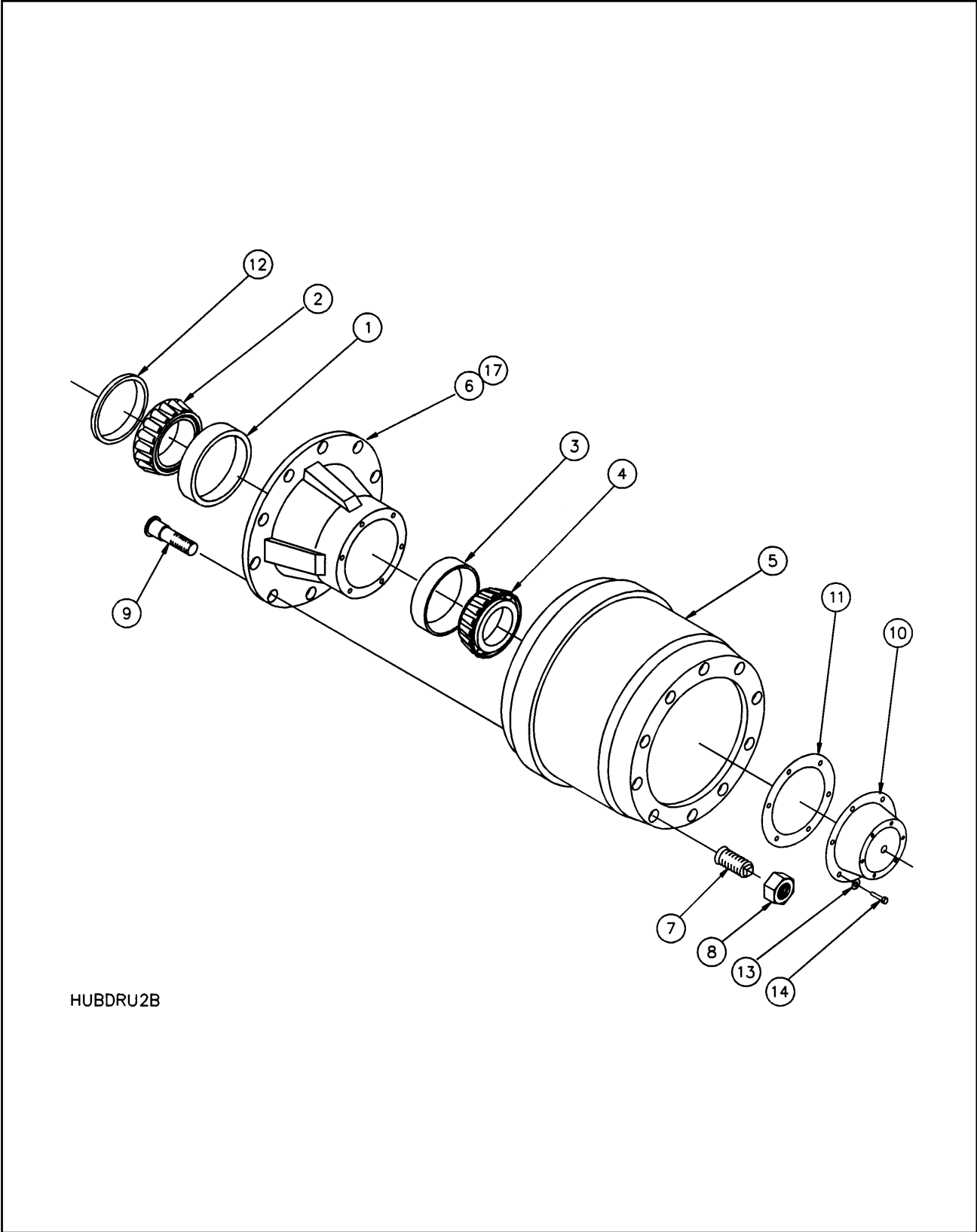
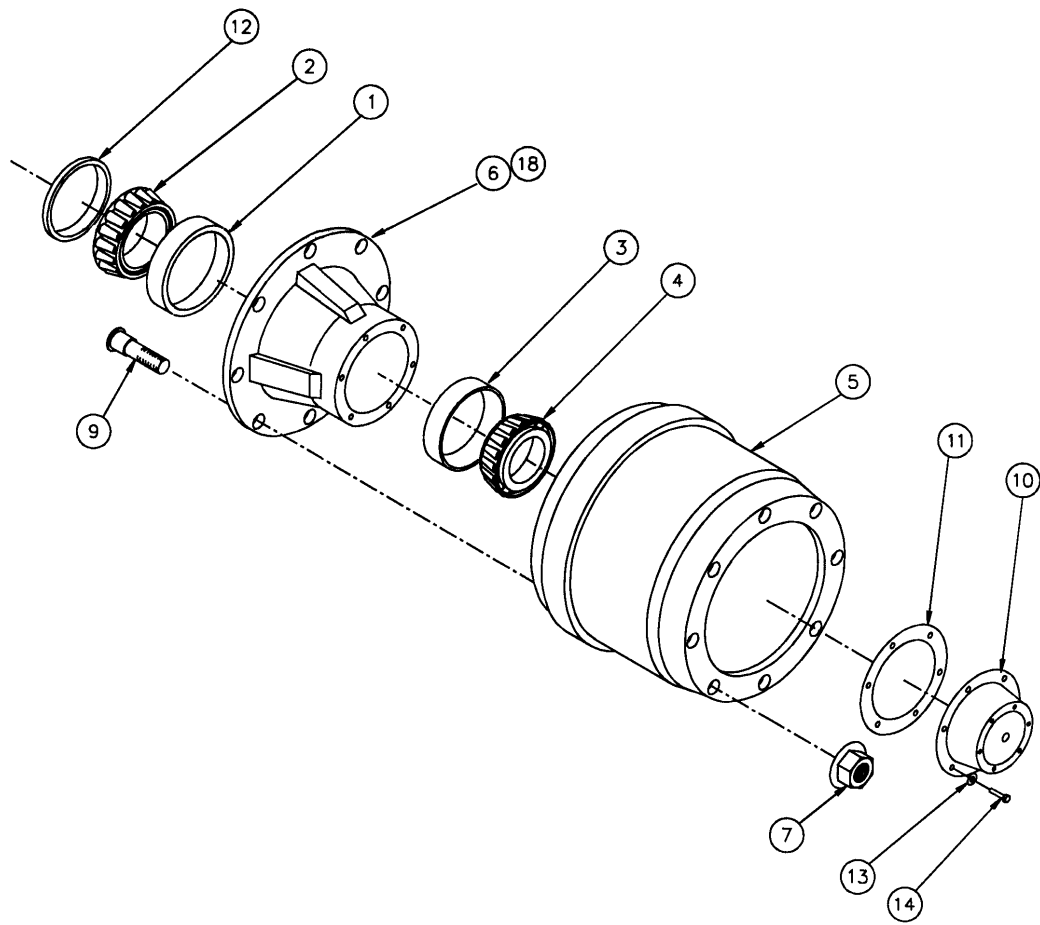


Figure 1-37 Outboard Ball Seat Mount Hub and Drum

OUTBOARD BALL SEAT MOUNT HUB AND DRUM

ITEM	PART NO.	DESCRIPTION	QTY.
	103779	HUB/DRUM 10 BOLT 16-1/2 BSN-LH ABS	
	103780	HUB/DRUM 10 BOLT 16-1/2 BSN-RH ABS	
1	HM218210	INNER BEARING CUP	1
2	HM218248	INNER BEARING CONE	1
3	HM212011	OUTER BEARING CUP	1
4	HM212049	OUTER BEARING CONE	1
5	66893	BRAKE DRUM	1
6	1020	HUB IRON (10 BOLT)	1
7	107083	CAPNUT, INNER LH (10 BOLT)	10
	107082	CAPNUT, INNER RH (10 BOLT)	10
8	178921	CAPNUT, OUTER LH (10 BOLT)	10
	178910	CAPNUT, OUTER RH (10 BOLT)	10
9	159183	STUD, LH	10
	159184	STUD, RH	10
10	021-038-01 (4009)	CAP, HUB	1
11	071-124-00 (3067)	GASKET, OIL CAP	1
12	3-659-010012	SEAL	1
13	1-861-010034-10	WASHER SPLIT LOCK 5/16	6
14	1-654-010049-03	SCREW HEX HEAD CAP 5/16-18 x 3/4	6
15	3-870-010014	WHEEL 7.5 X 22.5 BALL SEAT MOUNT DISC	1
16	TR573	VALVE STEM	1
17	*	ABS TONE RING	1

*THIS PART SHOULD BE REPLACED IN CONJUNCTION WITH THE HUB. IT SHOULD NEVER BE REPLACED SEPARATELY.



HUBOABS2

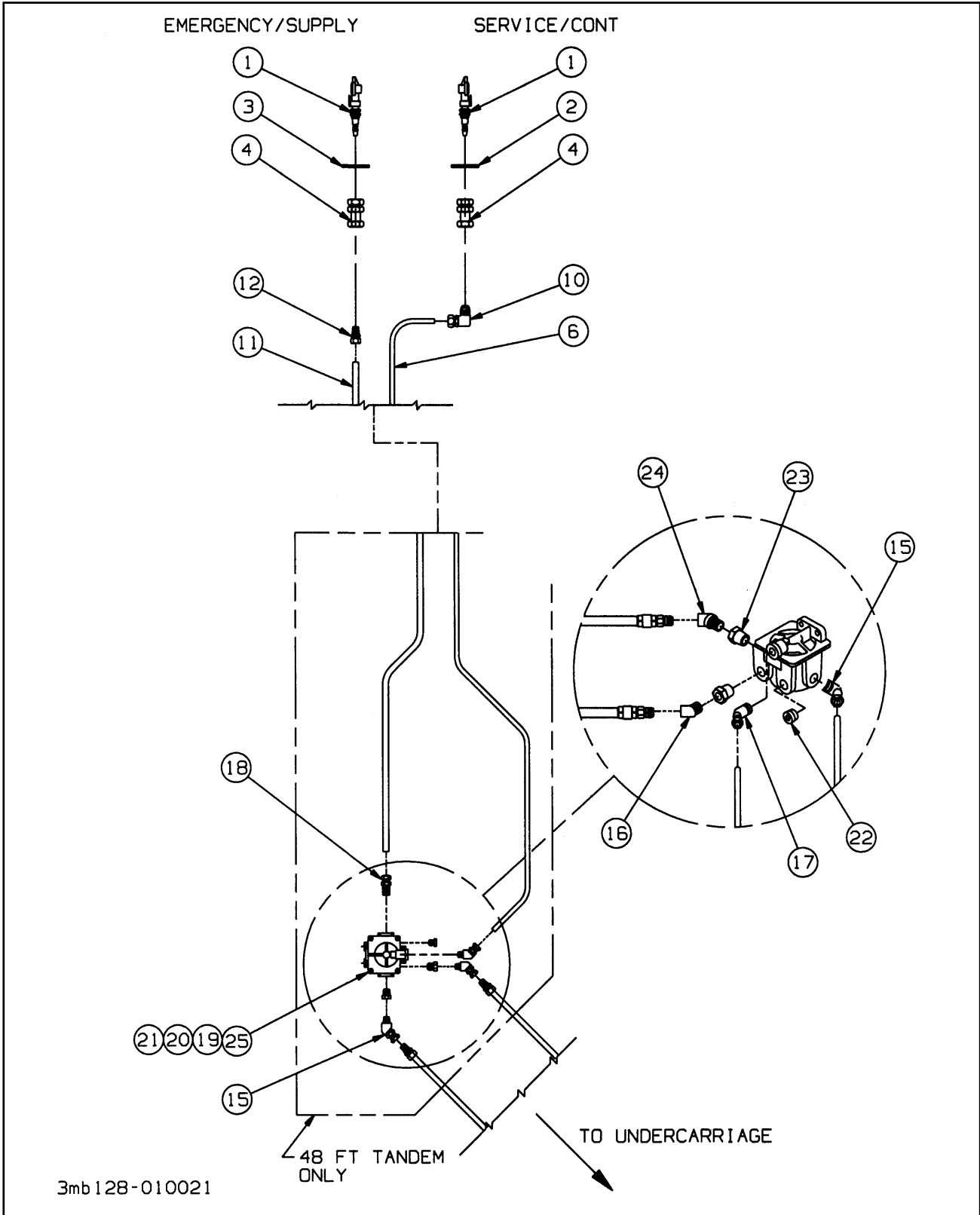
Figure 1-38 Outboard Pilot Mount Hub and Drum

OUTBOARD PILOT MOUNT HUB AND DRUM

ITEM	PART NO.	DESCRIPTION	QTY.
	3-406-010076	HUB/DRUM 8 BOLT 12-1/4 PILOT (BEFORE 6/23/99)	
	108540	HUB/DRUM 8 BOLT 12-1/4 PILOT, ABS (AFTER 6/23/99)	
	103781	HUB/DRUM 10 BOLT 16-1/2 PILOT ABS	
	103782	HUB ALUM/ CENTRIFUSE DRUM 16-1/2 PILOT ABS	
	103783	HUB/DRUM 10 BOLT 16-1/2 PILOT ABS LONG STUD	
1	HM218210	INNER BEARING CUP	1
2	HM218248	INNER BEARING CONE	1
3	HM212011	OUTER BEARING CUP	1
4	HM212049	OUTER BEARING CONE	1
5	66884	OUTBOARD MOUNTED BRAKE DRUM (10 BOLT)	1
	63680	OUTBOARD MOUNTED BRAKE DRUM (8 BOLT)	1
	69996 B	OUTBOARD MOUNTED CENTRIFUSE BRAKE DRUM	1
6	2023	HUB IRON (10 BOLT)	1
	112492(2027----T)	HUB IRON (8 BOLT)100 TH TONER RING(AFTER 6/23/99)	1
	112493(2027----T80)	HUB IRON (8 BOLT) 80 TH TONER RING(BEFORE 6/23/99)	1
	2091	HUB ALUMINUM (10 BOLT)	1
7	179933	FLANGE NUT (10 BOLT)	10
	179955	FLANGE NUT (8 BOLT)	8
9	101162	STUD (USED WITH 3-406-010076 & 103781)	**8,10
	102190	STUD (USED WITH 103782)	10
	101160	STUD (USED WITH 103783)	10
10	021-038-01 (4009)	CAP HUB	1
11	071-124-00 (3067)	GASKET OIL CAP	1
12	3-659-010012	SEAL	1
13	1-861-010034-10	WASHER SPLIT LOCK 5/16	6
14	1-654-010049-03	SCREW HEX HEAD CAP 5/16-18X3/4 GR5	6
15	100402	WHEEL ALUM PILOT MOUNT 17.5 X 6.75 (8 BOLT)	1
	3-870-010097	WHEEL DISC PILOT MOUNT 17.5 X 6.75 (8 BOLT)	1
	3-870-010104	WHEEL DISC PILOT MOUNT 22.5 X 7.50 (10 BOLT)	1
16	TR573	VALVE STEM - STEEL WHEEL (NOT SHOWN)	1
	100401	VALVE STEM TR543C - ALUMINUM WHEEL (NOT SHOWN)	1
18	*	ABS TONE RING	1

* THIS PART SHOULD BE REPLACED IN CONJUNCTION WITH THE HUB. IT SHOULD NEVER BE SOLD SEPARATELY.

** THE FIRST QUANTITY IS FOR THE 8 BOLT WHEEL, AND THE SECOND QUANTITY IS FOR THE 10 BOLT WHEEL.



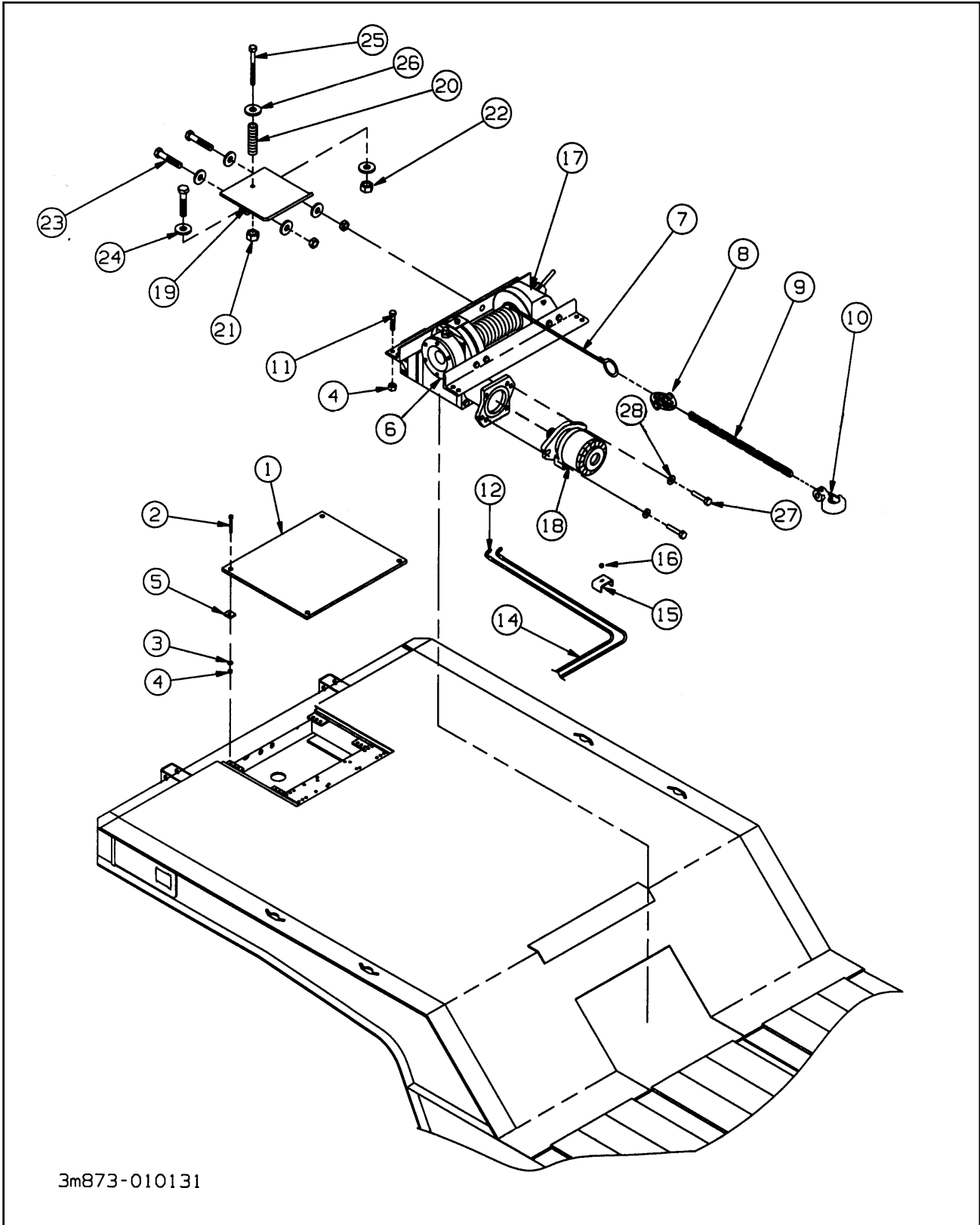
3mb128-010021

Figure 1-39 Air System, Main

AIR SYSTEM, MAIN

ITEM	PART NO.	DESCRIPTION	QTY.
	3-128-010021	AIR SYSTEM	
1	55B11	GLADHAND (PRIOR 03/00)	2
	108801	GLADHAND RED AIR (AFTER 03/00)	1
	108802	GLADHAND BLUE AIR (AFTER 03/00)	1
2	55B61-7	TAG SERVICE LINE	1
3	55B61-6	TAG EMERGENCY LINE	1
4	55B61	FRAME UNION	2
6	1-833-010002	NYLON TUBING 3/8OD	A/R
10	1-297-010008-18	FITTING AIR 90 3/8TUBE X 1/4NPT	1
11	1-833-010003	TUBING NYLON 1/2OD	A/R
12	1-297-010007-14	FITTING AIR 1/2TUBE X 1/4NPT	1
15	1-297-010013-16	FITTING AIR 45 1/2TUBE X 1/2NPT	1
16	1-297-010013-13	FITTING AIR 45 3/8TUBE X 3/8NPT (TANDEM AXLE ONLY)	1
17	1-297-010013-12	FITTING AIR 45 3/8TUBE X 3/8NPT	1
18	1-297-010007-16	FITTING AIR 45 3/8TUBE X 3/8NPT (TANDEM AXLE ONLY)	1
19	3-843-010038	VALVE AIR RELAY-FAST AIR BALANCE	1
20	1-861-010032-06	WASHER FLAT 1/4N	2
21	1-512-010005-01	NUT HEX LOCK 1/4-20	2
22	1-560-010002-04	PLUG PIPE	1
23	2081-8-6S	REDUCER	2
24	2088-6-6S	FITTING AIR 45 3/8MPT X 3/8FNP	*2,1
25	1-654-010027-7	SCREW HEX HEAD CAP 1/4-23 X 1-1/4 (TRI. AXLE ONLY)	2

* 1ST QUANTITY LISTED IS FOR TANDEM AXLE; 2ND QUANTITY LISTED IS FOR TRIPLE AXLE.



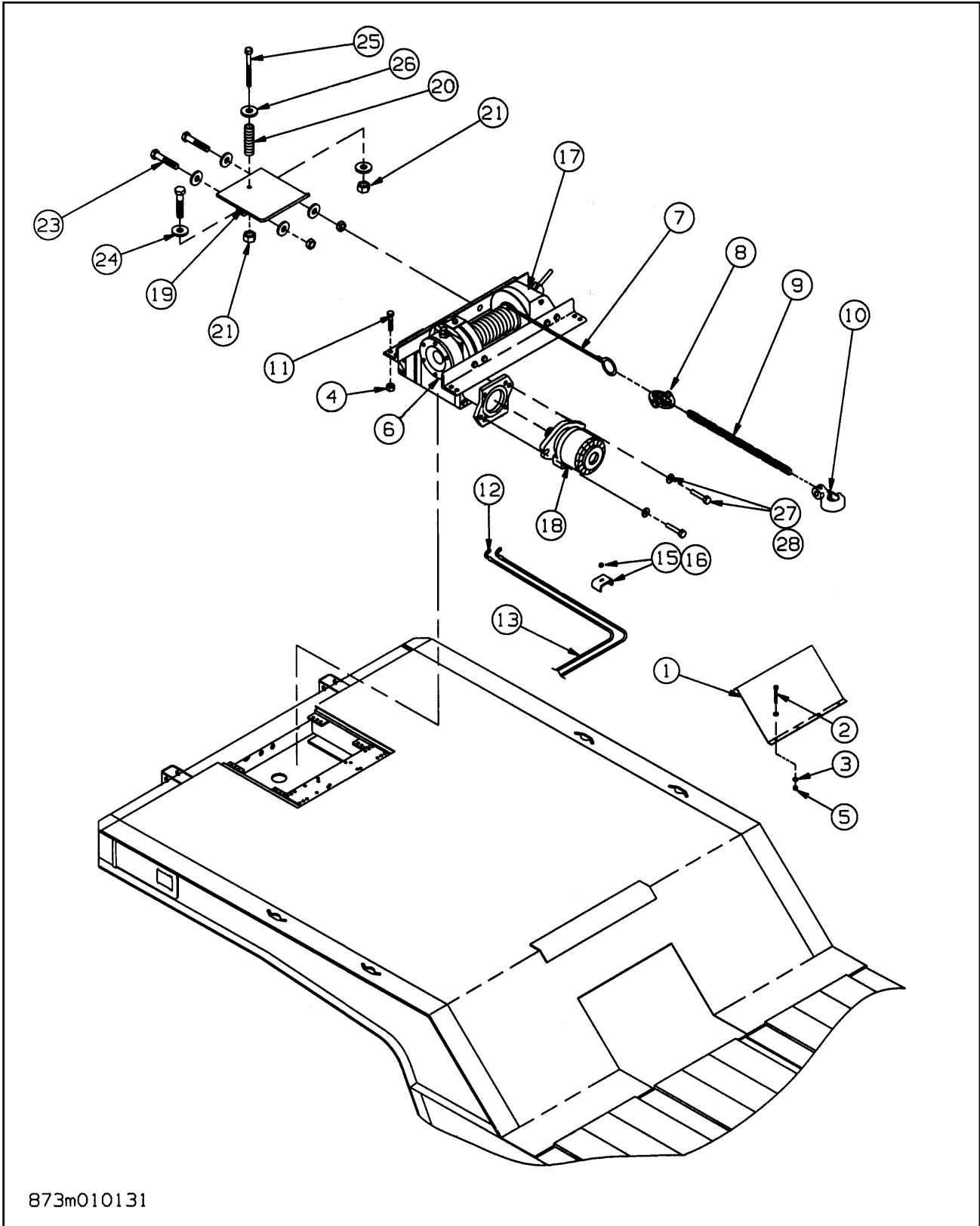
3m873-010131

Figure 1-40 Winch Installation, Slope

WINCH INSTALLATION, SLOPE

ITEM	PART NO.	DESCRIPTION	QTY.
	3-873-010127	WINCH INSTALLATION 12K SLOPE	
	3-873-010128	WINCH INSTALLATION 20K SLOPE	
1	3-222-010079	COVER UPPER DECK WINCH	REF
2	1-654-010055-05	SCREW HEX HEAD CAP 1/2-13 X 2 GR5	4
3	1-861-010032-15	WASHER FLAT 1/2W GRA	4
4	1-512-010005-09	NUT HEX LOCK 1/2-13 GRC	12,8*
5	3-711-010028	SPACER WINCH COVER	2
6	3-873-010126-2	WINCH ASSY 12,000LB PARKER (SEE ITEMS 17-28)	1
	3-873-010129-2	WINCH ASSY 20,000LB PARKER (SEE ITEMS 17-28)	1
7	3-155-010017-1	CABLE 1/2 W/LOOP, 60FT	REF
	3-155-010017-4	CABLE 1/2 W/LOOP, 85FT	REF
	3-155-010018-1	CABLE 5/8 W/LOOP, 60FT	REF
	3-155-010018-4	CABLE 5/8 W/LOOP, 85FT	REF
8	1-174-010038	CHAIN LINK CONNECTING	1
9	1-174-010039036	CHAIN	1
10	7HCGHT500	CLEVIS GRAB HOOK	1
11	1-654-010055-03	SCREW HEX HEAD CAP 1/2-13X1-1/2 GR5	8
12	202702-10-8S	ADAPTER	2
14	1-397-0103025078	HOSE ASSEMBLY	2
15	2-181-010001	HOSE CLAMP	REF
16	1-510-010001	NUT FLANGED LOCK 3/8-16 GRB	REF
17	3-873-010122	WINCH WORM GEAR 12,000LB (SEE PAGE 1-83)	1
	3-873-010123	WINCH WORM GEAR 20,000LB (SEE PAGE 1-86)	1
18	3-481-010006	MOTOR HYDRAULIC 12,000LB (SEE PAGE 1-91)	1
	3-481-010007	MOTOR HYDRAULIC 20,000LB (SEE PAGE 1-91)	1
19	3-873-010124	WINCH TENSIONER WLDMT 12K	1
	3-873-010125	WINCH TENSIONER 20K BRADEN SPG (BEFORE 10/97)	1
	102186	WINCH TENSIONER 20K BRADEN SPG (AFTER 10/97)	1
20	3-720-010010	SPRING COMP LEVEL WIND	1
21	1-512-010005-09	NUT HEX LOCK 1/2-13 GRB	1
22	1-512-010005-05	NUT HEX LOCK 3/8-16 GRB	3
23	1-654-010051-06	SCREW HEX HEAD CAP 3/8-16 X 1-1/4 GR5	3
24	1-861-010032-10	WASHER FLAT 3/8N GRA	6
25	1-654-010055-17	SCREW HEX HEAD CAP 1/2-13 X6 GR5	1
26	1-861-010032-15	WASHER FLAT 1/2W GRA	1
27	1-654-010055-04	SCREW HEX HEAD CAP 1/2-13 X 1-3/4 GR5	2
28	1-861-010034-13	WASHER SPLIT LOCK 1/2	2

* 1ST QUANTITY OF ITEM 4 IS USED WITH ITEMS 1-28; 2ND QUANTITY OF ITEM 4 IS USED WITH ITEMS 5-28 ONLY.



873m010131

Figure 1-41 Winch Installation, Upperdeck

WINCH INSTALLATION UPPERDECK

ITEM	PART NO.	DESCRIPTION	QTY.
	3-873-010131	WINCH INSTALLATION 12K UPPERDECK	
	3-873-010130	WINCH INSTALLATION 20K UPPERDECK	
1	3-222-010083	COVER WINCH SLOPE	REF
2	1-654-010051-07	SCREW HEX HEAD CAP 3/8-16 X 1-1/2 GR5	8
3	1-861-010032-11	WASHER FLAT 3/8W	12
4	1-512-010005-09	NUT HEX LOCK 1/2-13 GRB	8
5	1-512-010005-05	NUT HEX LOCK 3/8-16 GRB	8
6	3-873-010126-2	WINCH ASSY 12,000LB PARKER (SEE ITEMS 17-28)	1
	3-873-010129-2	WINCH ASSY 12,000LB PARKER (SEE ITEMS 17-28)	1
7	3-155-010017-1	CABLE 1/2 W/LOOP 60FT	REF
	3-155-010017-4	CABLE 1/2 W/LOOP 85FT	REF
	3-155-010018-1	CABLE 5/8 W/LOOP 60FT	REF
	3-155-010018-4	CABLE 5/8 W/LOOP 85FT	REF
8	3-174-010038	CHAIN LINK CONNECTING	1
9	3-174-010039036	CHAIN	1
10	7HCGHT500	CLEVIS GRAB HOOK	1
11	1-654-010055-03	SCREW HEX HEAD CAP 1/2-13 X 1-1/2 GR5	8
12	202702-10-8S	ADAPTER	2
13	1-397-010302216	HOSE ASSY	2
15	2-181-010001	HOSE CLAMP	REF
16	1-510-010001	NUT FLANGE LOCK 3/8-16	REF
17	3-873-010122	WINCH WORM GEAR 12,000LB PARKER (SEE PAGE 1-83)	1
	3-873-010123	WINCH WORM GEAR 20,000LB PARKER (SEE PAGE 1-86)	1
18	3-481-010006	MOTOR HYDRAULIC 12,000LB (SEE PAGE 1-91)	1
	3-481-010007	MOTOR HYDRAULIC 20,000LB (SEE PAGE 1-91)	1
19	3-873-010124	WINCH TENSIONER (12K)	1
	3-873-010125	WINCH TENSIONER 20K BRADEN SPG (BEFORE 10/97)	1
	102186	WINCH TENSIONER BRADEN (20K)	1
20	3-720-010010	SPRING COMP LEVEL WIND	1
21	1-512-010005-09	NUT HEX LOCK 1/2-13 GRB	1
22	1-512-010005-05	NUT HEX LOCK 3/8-16 GRB	3
23	1-654-010051-06	SCREW HEX HEAD CAP 3/8-16 X 1-1/4 GR5	3
24	1-861-010032-10	WASHER FLAT 3/8N GRA	6
25	1-654-010055-16	SCREW HEX HEAD CAP 1/2-13 X 5-1/2 GR5 (12K)	1
	1-654-010055-17	SCREW HEX HEAD CAP 1/2-13 X 6 GR5 (20K)	1
26	1-861-010032-15	WASHER FLAT 1/2W GRA	1
27	1-654-010055-04	SCREW HEX HEAD CAP 1/2-13X1-3/4 GR5	2
28	1-861-010034-13	WASHER SPLIT LOCK 1/2	2

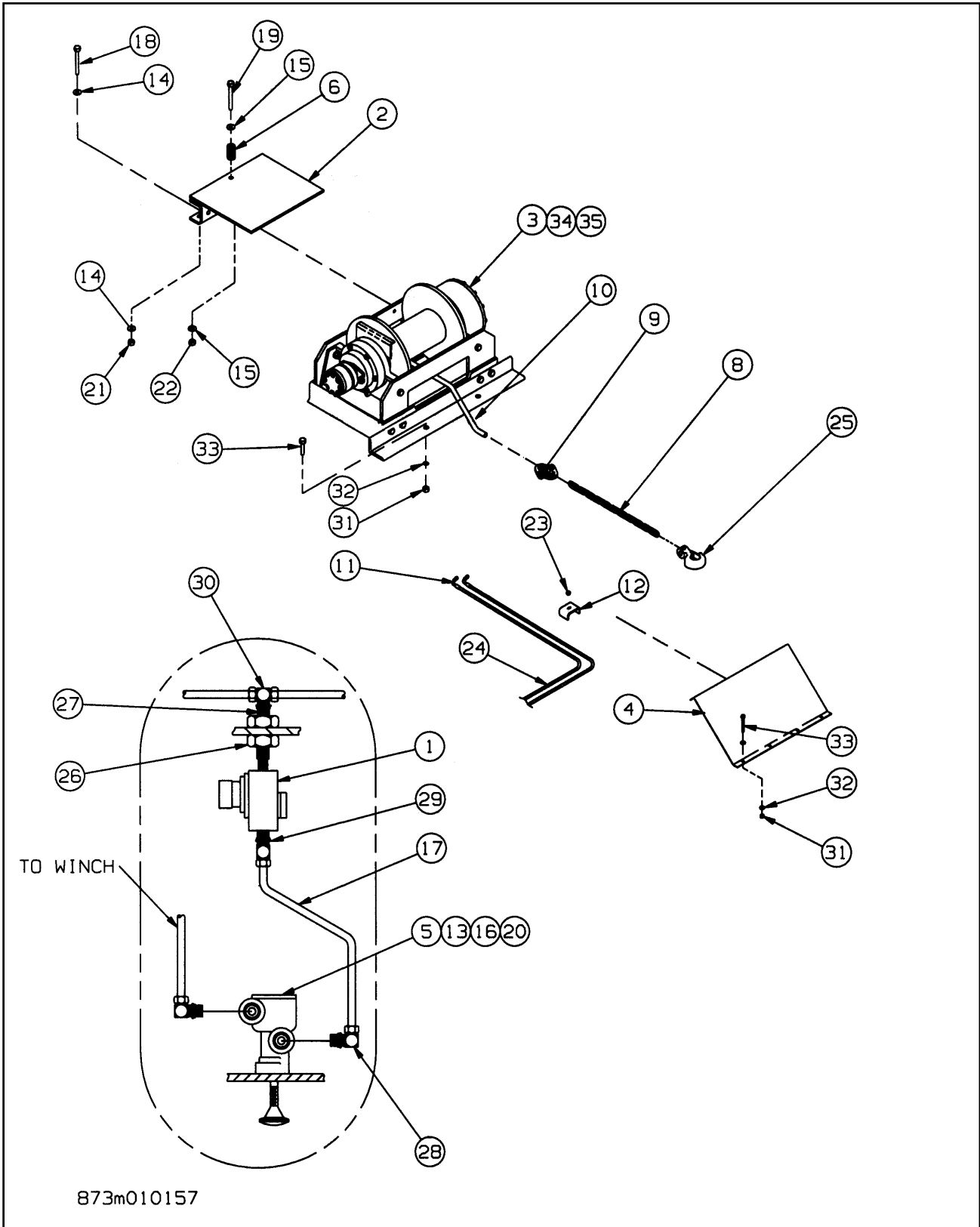


Figure 1-42 Winch Installation 30K

WINCH INSTALLATION 30K

ITEM	PART NO.	DESCRIPTION	QTY.
	3-873-010157-01	WINCH INSTALLATION 30K W/ HARDWARE	
	3-873-010157-02	WINCH INSTALLATION 30K W/O HARDWARE	
1	905-54-107	BRAKE PROTECTION VALVE	1
2	3-876-010017	WINCH TENSIONER WELDMENT	1
3	3-873-010155	WINCH MODIFICATION (ITEMS 34 & 35)	1
4	3-222-010083	COVER WINCH SLOPE	REF*
5	3-843-010008	VALVE AIR 3WAY, 2POS, PUSH-PULL (NO PARTS BREAKDOWN)	1
6	3-720-010010	SPRING COMP LEVEL WIND	1
8	3-174-010060036	CHAIN GR80	1
9	3-174-010059	CHAIN LINK CONNECTING 5/8	1
10	3-153-010016	CABLE ASSEMBLY 3/4 W/LOOP	REF
11	202702-8-8S	ADAPTER	2
12	2-181-010001	HOSE CLAMP	1
13	1-861-010034-07	WASHER SPLIT LOCK #10	2
14	1-861-010032-18	WASHER FLAT 5/8N	4
15	1-861-010032-15	WASHER FLAT 1/2W	2
16	1-861-010032-03	WASHER FLAT #10	2
17	1-833-010001	TUBING NYLON 1/4OD	25
18	1-654-010059-05	SCREW HEX HEAD CAP 5/8-11 X 2 GR5	2
19	1-654-010055-17	SCREW HEX HEAD CAP 1/2-13 X 6 GR5	1
20	1-654-010024079	SCREW MACH FLSTR HD #10-32 X 3/4	2
21	1-512-010005-13	NUT HEX LOCK 5/8-11 GRB	2
22	1-512-010005-09	NUT HEX LOCK 1/2-13 GRB	1
23	1-510-010001	NUT FLANGE LOCK 3/8-6	1
24	1-397-010302192	HOSE ASSEMBLY	2
25	1-382-010035-06	HOOK CLEVIS GRAB	1
26	1-297-010022-02	FITTING AIR ANCHOR COUPLING	1
27	1-297-010020-02	FITTING BRASS PIPE	1
28	1-297-010008-07	FITTING AIR 90 1/4TUBE TO 1/4NPT	2
29	1-297-010007-05	FITTING AIR 1/4PIPE TO 1/4TUBE	1
30	1-297-010015-09	FITTING AIR BRANCH TEE	1
31	1-512-010005-05	NUT HEX LOCK 3/8-16 GRB	8*
32	1-861-010032-11	WASHER FLAT 3/8W	8*
33	1-654-010051-07	SCREW HEX HEAD CAP 3/8-16X1-1/2 GR5	8*
34	3-873-010154	WINCH 30,000LB DP (SEE PAGE 1-89)	1
35	1-297-010008-07	FITTING AIR 90 1/4PIPE X 1/4NPT	2

* THESE ITEMS ARE USED WITH P/N 3-873-010157-01.

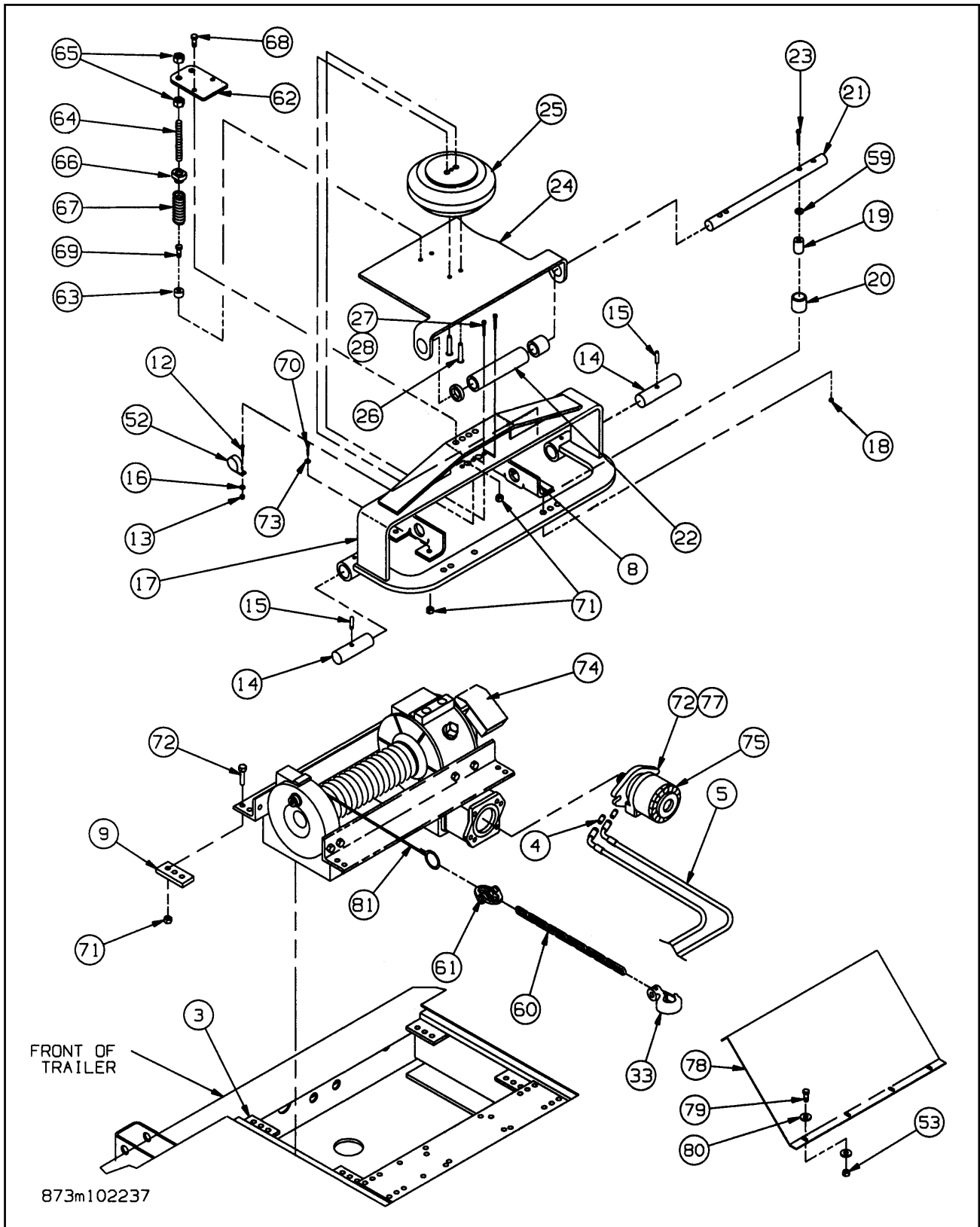


Figure 1-43 Winch Air Tension Instl. U/D 20K (1 of 2)

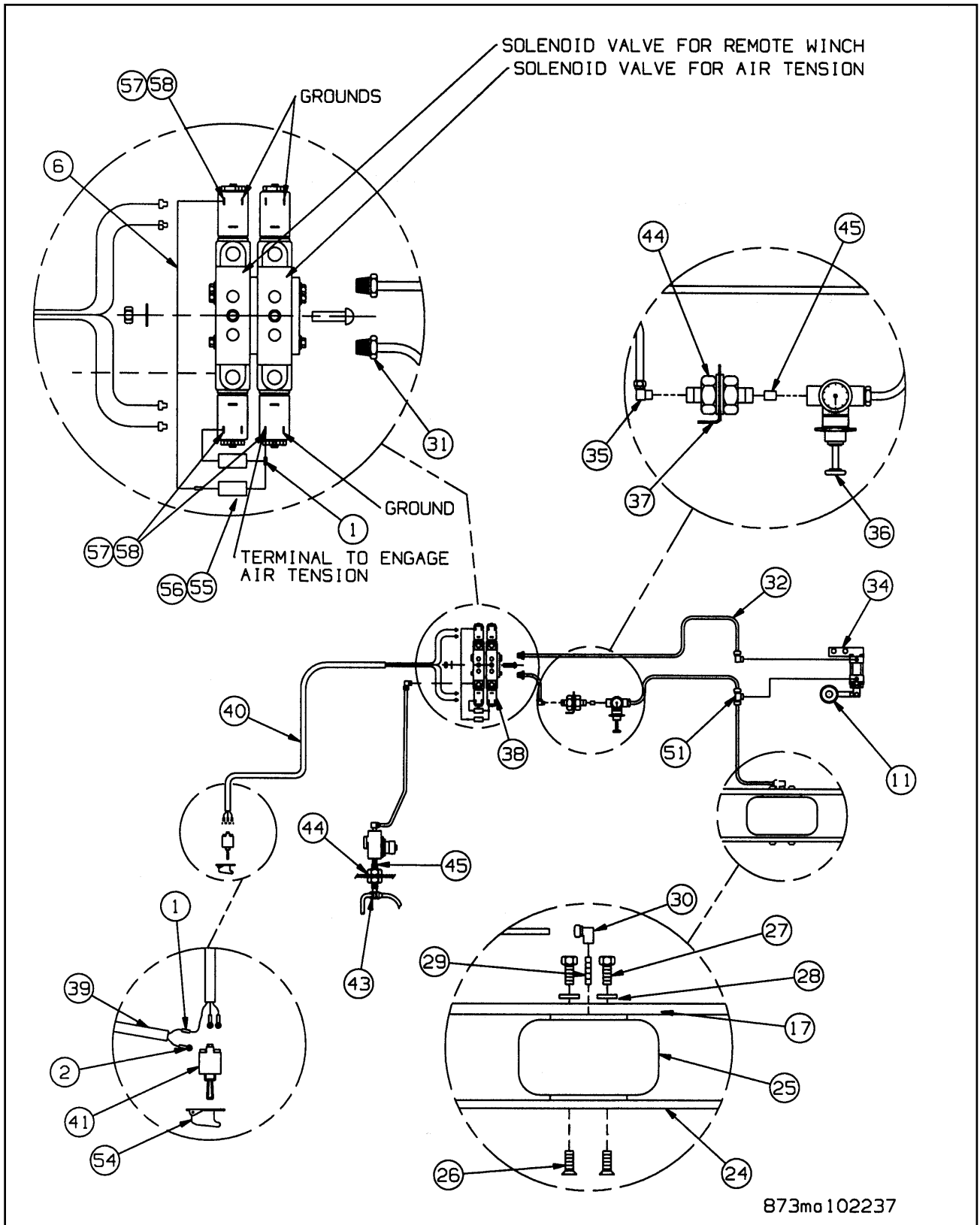


Figure 1-44 Winch Air Tension Instl. U/D 20K (2 of 2)

WINCH AIR TENSION INSTALLATION 20K UPPERDECK

ITEM	PART NO.	DESCRIPTION	QTY.
	102237	WINCH AIR TENSIONER 20K U/D W/ REMOTE CONTROLS	
1	3-272-010021	ELECT BUTT SPLICE W/SEAL	5
2	32002	TERMINAL 12-10GA W/ #10 RING WAY	1
3	3-482-010252	MOUNT WINCH	2
4	202702-10-8S	ADAPTER	2
5	1-397-010302216	HOSE ASSEMBLY	2
6	1-879-010011	BLACK WIRE 14 AWG	1
8	3-014-010208	ANCHOR CABLE GUIDE WINCH	2
9	3-711-010110	SPACER AIR TENSION MOUNT	4
11	3-150-010186	BUSHING WINCH REMOTE LEVER	1
12	1-656-010003053	SCREW RD HD MACH 10-24 X 1	1
13	1-512-010007-03	NUT HEX 10-24 GRB	1
14	3-557-010474	PIN PIVOT WINCH ROLLER	2
15	0600-375-02000	ROLL PIN	2
16	1-861-010034-07	WASHER SPLIT LOCK #10	1
17	3-125-010465	BRACKET WELDMENT WINCH TENSION 600	1
18	1-512-010005-13	NUT HEX LOCK 5/8-11 GRB	2
19	3-150-010196	BUSHING WINCH ROLLER-SIDE-600	2
20	3-831-010172	TUBE ROLLER-SIDE-600	2
21	102188	ROD PIVOTING GUIDE 20K WINCH	1
22	3-831-010182	TUBE ROLLER TOP-600 20K	1
23	1-654-010059-15	SCREW HEX HEAD CAP 5/8-11 X 5 GR8	2
24	102187	PLATE WINCH TENSIONER 20K AIR	1
25	3-720-010042	SPRING AIR 6-1/2	1
26	1-654-010141-04	SCREW HEX SOC CTSK 3/8-16 X 1GR8	2
27	1-654-010036-05	SCREW HEX HEAD CAP 3/8-16 X 1 GR8	2
28	1-861-010032-10	WASHER FLAT 3/8N	2
29	1-297-010031-02	FITTING BRASS PIPE	1
30	1-297-010032-03	FITTING AIR 90 1/4FP X 1/4TUBE	1
31	1-297-010007-04	FITTING AIR 1/4TUBE X 1/8NPT	2
32	1-833-010001	TUBING NYLON 1/4OD	36
33	7HCGHT500	1/2 CLEVIS GRAB HOOK	1
34	107368	CYLINDER, AIR W/ BRACKET (SEE PAGE 1-93)	1
35	1-297-010008-07	FITTING AIR 90 1/4TUBE X 1/4NPT	3
36	3-626-010004	REGULATOR AIR PRESSURE	1
37	3-120-010445	BRACKET PRESSURE REGULATOR	1
38	3-843-010022	VALVE PNEU 4 WAY, 2 POS (NO PARTS BREAKDOWN)	1
39	3-156-010008	CABLE 14-2 SO TWO CONDUCTOR	6
40	3-368-010129	HARNESS REMOTE SWITCH	1
41	1-765-010065	TOGGLE SWITCH	1
43	1-297-010015-09	FITTING AIR BRANCH TEE	1
44	1-297-010022-02	FITTING AIR ANCHOR COUPLING	1
45	1-297-010020-02	FITTING BRASS PIPE	1
51	1-297-010015-02	FITTING AIR BRANCH TEE	1
52	239-9076-3	SUPPORT CLAMP	1
53	1-512-010005-05	NUT HEX LOCK 3/8-16 GRB	8
54	3-348-010048	GUARD SWITCH - 3 POSITION	1
55	3-272-010109	DIODE ZENER 20V 5-WATT	2
56	3-272-010018	TUBING HEAT SHRINK W/ SEALANT	2
57	C29-1104X	CONN FEMALE 1/4 SPADE INSULATED	3
58	3-272-010157	ELECT ADAPTER CHAIR 1/4 PUSHON	3

WINCH AIR TENSION INSTALLATION 20K UPPERDECK

ITEM	PART NO.	DESCRIPTION	QTY.
59	1-861-010032-18	WASHER FLAT 5/8N	2
60	3-174-010038	CHAIN LINK CONNECTING 1/2	1
61	3-174-010039036	CHAIN 1/2 X 36 GR7	1
62	3-565-011688	PLATE F/W SPRING TENSION	2
63	3-014-010255	ANCHOR BUSHING F/W SPRING TENSION-600	2
64	RTR7999X4ZP	ROD THREADED 3/4-10 X 4-7/8	2
65	1-512-010007-12	NUT HEX 3/4-10 GR8	4
66	3-522-010017	NUT F/W SPRING TENSION	2
67	3-720-010035	SPRING	2
68	1-654-010055-03	SCREW HEX HEAD CAP 1/2-13 X 1-1/2 GR5	2
69	1-654-010055-01	SCREW HEX HEAD CAP 1/2-13 X 1 GR5	2
70	1-654-010055-07	SCREW HEX HEAD CAP 1/2-13 X 2-1/2 GR5	4
71	1-512-010005-09	NUT HEX LOCK 1/2-13 GRB	14
72	1-654-010055-05	SCREW HEX HEAD CAP 1/2-13 X 2 GR5	10
73	1-861-010032-14	WASHER FLAT 1/2N	4
74	3-873-010123	WINCH WORM GEAR 20K (SEE PAGE 1-86)	1
75	3-481-010007	MOTOR HYDRAULIC (SEE PAGE 1-91)	1
76	100600	DECAL WARNING WINCH (NOT SHOWN)	1
77	1-861-010034-13	WASHER SPLIT LOCK 1/2	2
78	3-222-010083	COVER WINCH SLOPE	REF
79	1-654-010051-07	SCREW HEX HEAD CAP 3/8-16 X 1-1/2 GR5	8
80	1-861-010032-11	WASHER FLAT 3/8W	12
81	3-155-010018-1	CABLE 5/8 W/LOOP 60 FT.	REF
	3-155-010018-6	CABLE 5/8 W/LOOP 85 FT.	REF

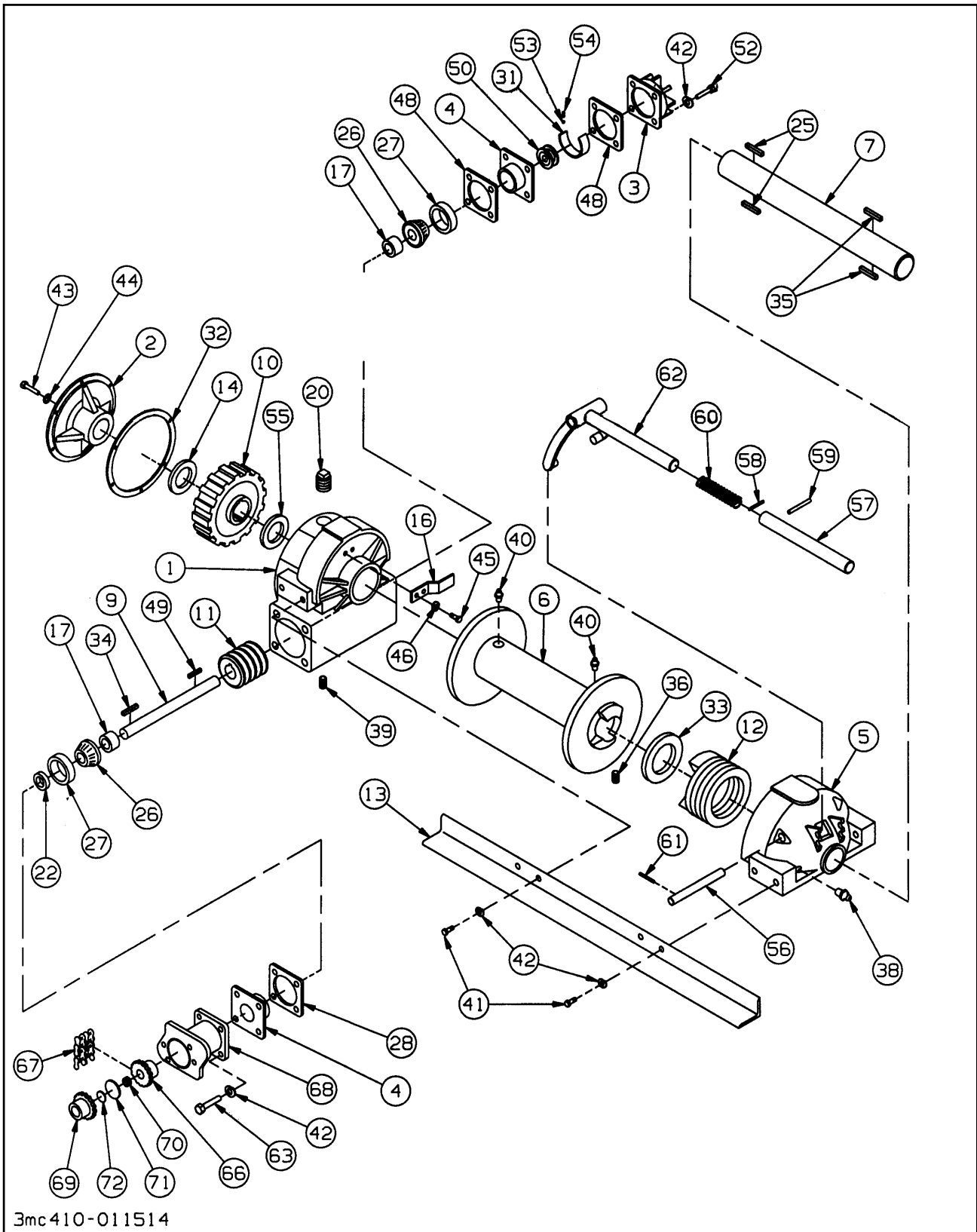


Figure 1-45 12,000# Winch Items

12,000# WINCH ITEMS

ITEM	PART NO.	DESCRIPTION	QTY.
	3-873-010122	WINCH ASSY 12K	1
1	81006	WORM HOUSING ASSY (INCLUDES ITEM 18)	1
2	81009	COVER ASSY WORM HOUSING (INCL ITEM 19)	1
3	18032	HOUSING SAFETY BRAKE	1
4	23303	CONTAINER BEARING	2
5	81530	LEG ASSEMBLY BEARING (INCLUDES ITEM 47)	1
6	11128	DRUM CABLE	1
7	11129	DRUM SHAFT CABLE	1
9	23470	SHAFT WORM	1
10	11144	GEAR WORM LEFT HAND	1
11	11142	WORM LEFT HAND	1
12	18039	SLIDING CLUTCH	1
13	22752	ANGLE BASE	2
14	13680	THRUST RING	1
16	81025	BRAKE DRAG	1
17	11308	SPACER WORM	2
18	18078	BUSHING	1
19	11368	BUSHING	1
20	22775	PLUG PIPE	1
21	18009	PLUG PIPE	1
22	18026	SEAL GREASE	2
25	11117	KEY WORM GEAR	2
26	18015	CONE BEARING	2
27	18016	CUP BEARING	2
28	18027	GASKET	3
31	21925	BAND BRAKE	1
32	11133	WORM HOUSING COVER GASKET	3
33	18019	RETAINER RING	1
34	18030	KEY WORM	1
35	18020	KEY CLUTCH	2
36	24032	SETSCREW	1
38	18047	FITTING GREASE	1
39	19045	PLUG PIPE	1
40	11799	FITTING GREASE	2
41	21961	CAPSCREW	12
42	18003	WASHER LOCK	16
43	11767	CAPSCREW	6
44	11011	WASHER LOCK	6
45	13005	CAPSCREW	2
46	12780	WASHER LOCK	2
47	18078	BUSHING	1
48	18024	BEARING CONTAINER GASKET	3
49	10078	KEY	1
50	18028	DRUM BRAKE	1
51	12075	SCREWSET	1
52	22703	CAPSCREW	4
53	13468	JAM NUT	4
54	18029	BRAKE BAND SPRING	1
55	11240	RETAINER RING	1
56	11130	SHIFTER SHAFT	1

12,000# WINCH ITEMS

ITEM	PART NO.	DESCRIPTION	QTY.
57	12817	SHIFTER HANDLE	1
58	18056	ROLLPIN	1
59	13028	ROLL PIN	1
60	18002	SPRING	1
61	11837	ROLLPIN	2
62	13839	SHIFTER FORK	1
63	22704	CAPSCREW	4
65	18044	KEY	1
66	23081	COUPLING HALF (WORM SHAFT)	1
67	13424	ROLLER CHAIN	1
68	23079	MOTOR ADAPTER	1
69	23083	COUPLING HALF (MOTOR SHAFT)	1
70	23353	SPRING	1
71	23078	SPACER	1
72	23085	SPACER	1

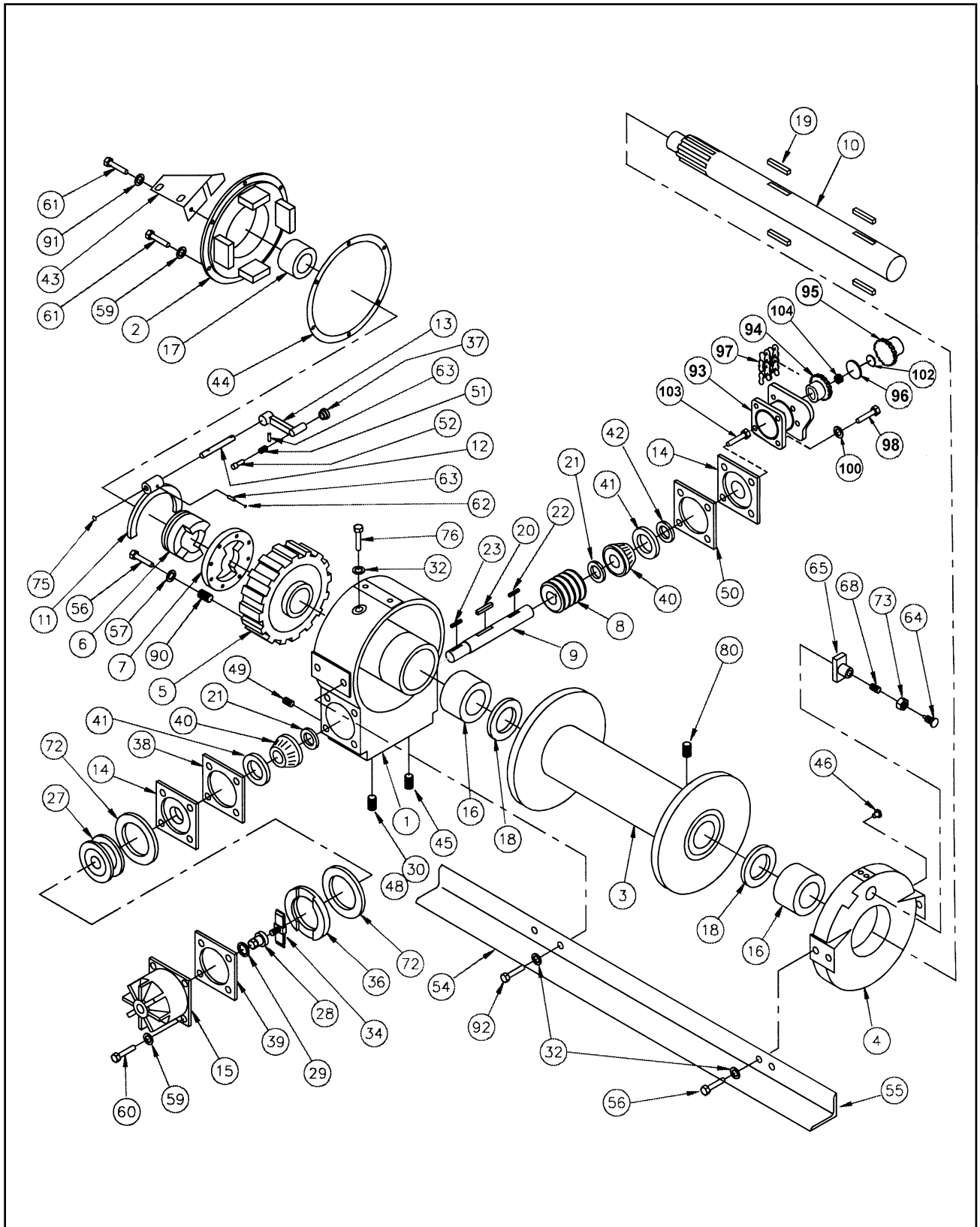


Figure 1-46 20,000# Winch Items

20,000# WINCH ITEMS

ITEM	PART NO.	DESCRIPTION	QTY.
	3-873-010123	WINCH 20000# W/BOLT-ON ANGLES	
1	81078	WORM HOUSING ASSEMBLY	1
2	81082	COVER ASSEMBLY WORM HOUSING	1
3	11449	DRUM CABLE	1
4	81077	LEG ASSEMBLY BEARING	1
5	11434	WORM GEAR RIGHT	1
6	11421	CLUTCH SLIDING	1
7	11419	DRIVE CLUTCH	1
8	11404	WORM RIGHT	1
9	11405	SHAFT WORM	1
10	11414	SHAFT CABLE DRUM	1
11	11440	FORK SHIFTER	1
12	11441	SHAFT SHIFTER	1
13	11442	HANDLE SHIFTER	1
14	11427	CONTAINER BEARING	2
15	11445	COVER WORM BRAKE	1
16	18035	BUSHING	2
17	11425	BUSHING	1
18	11420	RING RETAINING	2
19	22055	DRUM KEY CABLE	4
20	11402	KEY WORM	1
21	11407	SPACER WORM	2
22	23367	KEY SPROCKET	1
23	10078	KEY ROTOR	1
27	81080	ROTOR ASSEMBLY BRAKE	1
28	11599	ADJUSTING NUT WORM BRAKE	1
29	12465	O-RING	1
30	19014	PLUG FILLER	1
32	11026	WASHER LOCK	10
34	81081	SPRING ASSEMBLY SAFETY BRAKE	1
36	11431	PLATE PRESSURE	1
37	18022	KNOB SHIFTER	1
38	11429	GASKET	4
39	11446	GASKET	2
40	18033	BEARING CONE	2
41	18034	BEARING CUP	2
42	12073	SEAL GREASE	1
43	12783	BRACKET SHIFTER	1
44	11411	COVER GASKET HOUSING	1
45	19045	PLUG DRAIN	1
46	18047	FITTING GREASE	1
48	22775	PLUG VENT	1
49	18009	PLUG LEVEL	1
50	11430	GASKET	4
51	11310	SPRING SHIFTER KNOB	1
52	11309	STEM SHIFTER KNOB	1
54	28942	ANGLE FRONT BASE	1
55	28943	ANGLE REAR BASE	1
56	13938	CAPSCREW	16
57	12781	WASHER LOCK	8
59	11025	WASHER LOCK	3

20,000# WINCH ITEMS

ITEM	PART NO.	DESCRIPTION	QTY.
60	22695	CAPSCREW	4
61	21965	CAPSCREW	6
62	12146	PLUG EXPANSION	A/R
63	13028	ROLLPIN	A/R
64	11398	SCREW ADJUSTING	1
65	88005	SHOW ASSEMBLY DRAG BRAKE	1
68	18002	SHOE ASSEMBLY DRAG BRAKE	1
72	11426	DISC FRICTION	2
73	11791	NUT JAM	1
75	12767	PLUG EXPANSION	A/R
76	22729	CAPSCREW	2
77	23245	SAE PLATE-AMU7-16F	1
78	23310	PLATE WARNING	1
79	11842	SCREW DRIVE	4
80	12228	SCREW SET	1
90	11435	INSERT THREAD	8
91	11014	LOCKWASHER	1
92	22697	CAPSCREW	5
93	23079	ADAPTER - MOTOR	1
94	23081	COUPLING HALF-WINCH	1
95	23142	COUPLING HALF-MOTOR	1
96	23078	SPACER - CONSTANT	1
97	13424	ROLLER CHAIN	1
98	22704	CAPSCREW	4
99	13413	CAPSCREW (NOT SHOWN)	4
100	18003	LOCKWASHER	4
101	11026	LOCKWASHER (NOT SHOWN)	4
102	23183	SPACER - VARIABLE	2
103	22703	CAPSCREW	4
104	23353	SPRING - SPACER	1

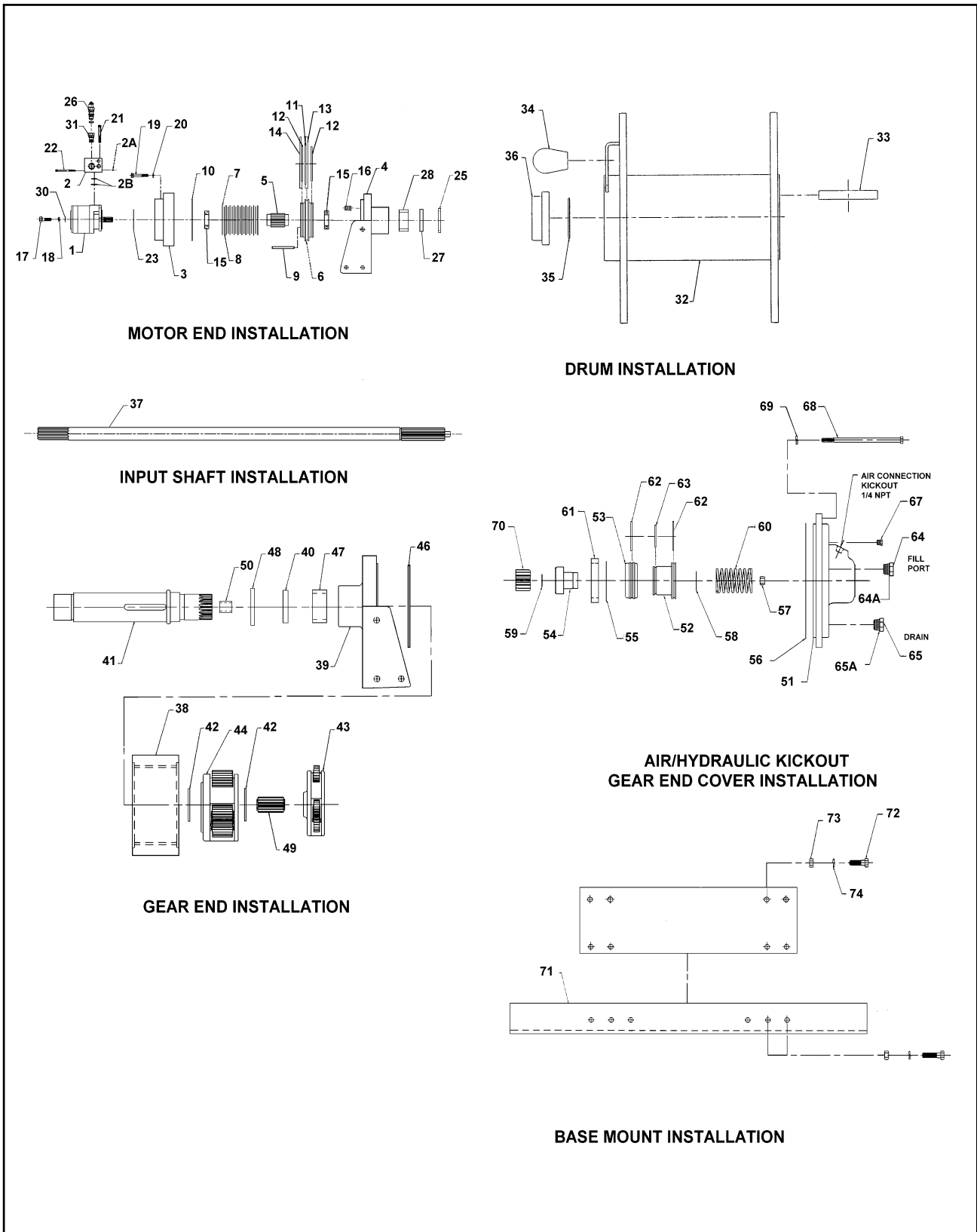


Figure 1-47 30,000# Winch Items

30,000# WINCH ITEMS

ITEM	PART NO.	DESCRIPTION	QTY.
	3-873-010154	WINCH 30K ITEMS	
		MOTOR END INSTALLATION	
1	73174	MOTOR, HYDRAULIC	1
2	13330	VALVE, COUNTERBALANCE	1
2A	9612	O-RING, 1/8 I.D. X 3/32 SECTION	2
2B	9972	O-RING, 5/8 I.D. X 13/16 X 3/32 SECTION	2
3	13316	BRAKE HOUSING	1
4	13299	SUPPORT MOTOR END	1
5	11750	SHAFT BRAKE	1
6	11443	PISTON BRAKE	1
7	11603	PLATE DISC FRICTION	10
8	3159	PLATE DRIVE BRAKE	9
9	3263	PIN DOWEL 5/16 DIA. X 3-1/2	2
10	9844	O-RING, 7 O.D. X 6-3/4 I.D.	1
11	9853	O-RING, 6-1/2 I.D. X 3/16 SECTION	1
12	9851	O-RING, 5-3/8 I.D. X 5-3/4 O.D. X 3/16 SECTION	2
13	9854	RING, BACK-UP	1
14	9852	RING, BACK-UP 5-3/8 I.D.	1
15	81434	BEARING BALL 1-3/4 I.D.	2
16	2319	SPRING COMPRESSION	12
17	1402	CAP SCREW HEX HEAD 1/2-13 X 1-1/4	2
18	1495	WASHER LOCK 1/2	2
19	1376	SCREW CAP HEX HEAD 7/16 X 2-1/2	6
20	1388	WASHER LOCK 7/16	6
21	1188	SCREW CAP SOCKET HEAD 5/16 X 3	4
22	4042	SCREW CAP SOCKET HEAD 1/4-20 X 3-3/4	1
23	9880	O-RING 3 I.D. X 1/8 SECTION	1
24	10708	TAG WARNING (NOT SHOWN)	1
25	9890	SEAL SHAFT	1
26	3177	CARTRIDGE COUNTERBALANCE	1
27	13288	WASHER THRUST BRONZE	1
28	81454	BEARING -TORRINGTON	1
30	1498	WASHER FLAT 1/2 SAE	2
31	13356	ASSEMBLY PLUG	1
		DRUM INSTALLATION	
32	13285	DRUM	1
33	11977	KEY DRUM	2
34	10525	WEDGE CABLE 5/8	1
35	9672	O-RING 2-5/8 ID X 1/8 W	1
36	13286	SPACER	1
		INPUT SHAFT INSTALLATION	
37	13317	SHAFT INPUT	1
		GEAR END INSTALLATION	
38	3126	GEAR RING	1
39	13300	SUPPORT GEAR END	1
40	13288	WASHER THRUST	1
41	13301	SHAFT OUTPUT	1
42	13164	WASHER THRUST NYLON 3-1/2 OD X 3/16 SECTION	2
43	12486	CARRIER ASSEMBLY PRIMARY	1

30,000# WINCH ITEMS

ITEM	PART NO.	DESCRIPTION	QTY.
44	12516	CARRIER ASSEMBLY SECONDARY	1
45	10848	LABEL WARNING (NOT SHOWN)	1
46	9695	O-RING 8-3/4 I.D. X 1/8 SECTION	1
47	81454	BEARING	1
48	9890	SEAL SHAFT	1
49	13306	GEAR SUN	1
50	81608	BUSHING ID 1-1/4 OD X 1 LG	1
AIR/HYD. KICKOUT GEAR END COVER INSTALLATION			
51	13675	COVER GEAR END	1
52	13295	PISTON AKO B/C/D	1
53	13296	CYLINDER PISTON	1
54	13297	COUPLING DRIVE	1
55	3632	RING RETAINING RD SEC 3 O.D. X .10 SEC	1
56	9695	O-RING 8-3/4 I.D. X 1/8 SECTION	1
57	81612	BUSHING BRONZE 3/8 I.D. X 3/8 L	1
58	3303	RING RETAINING 1-1/4	1
59	3321	RING RETAINING RD SEC .805 I.D.	1
60	2309	SPRING COMPRESSION	1
61	13288	WASHER THRUST BRONZE 3.81 X .406 W	1
62	9672	O-RING 2-5/8 I.D. X 1/8 SECTION	2
63	9704	O-RING 2-1/8 I.D. X 2-3/8 O.D.	1
64	76344	PLUG SKT HD O-RING #10 7/8 - 14	1
64A	9992	O-RING .755 I.D. X .097 W 3-910	1
65	76343	PLUG SKT HD O-RING MAG #10	1
65A	9992	O-RING .755 I.D. X .097 W 3-910	1
66	1157	CAPLUG #4 RED (NOT SHOWN)	1
67	3059	RELIEF VENT	1
68	1317	SCREW CAP HEX HEAD 3/8 X 16 X 5-1/2	12
69	1395	WASHER LOCK 3/8	12
70	13235	GEAR SUN AKO	1
BASE MOUNT INSTALLATION			
71	14068	BASE MOUNT CUSTOM - B SERIES - A LENGTH	2
72	1505	SCREW CAP HEX HAD 5/8-11 X 2-1/4 GR5	12
73	1590	NUT HEX 5/8 - 11 GR2	12
74	1595	WASHER LOCK 5/8 MEDIUM PLAIN	12
75	1165	RIVET DRIVE U TYPE #2 X 1/4 LONG (NOT SHOWN)	4
76	10466	PLATE INFORMATION (NOT SHOWN)	1

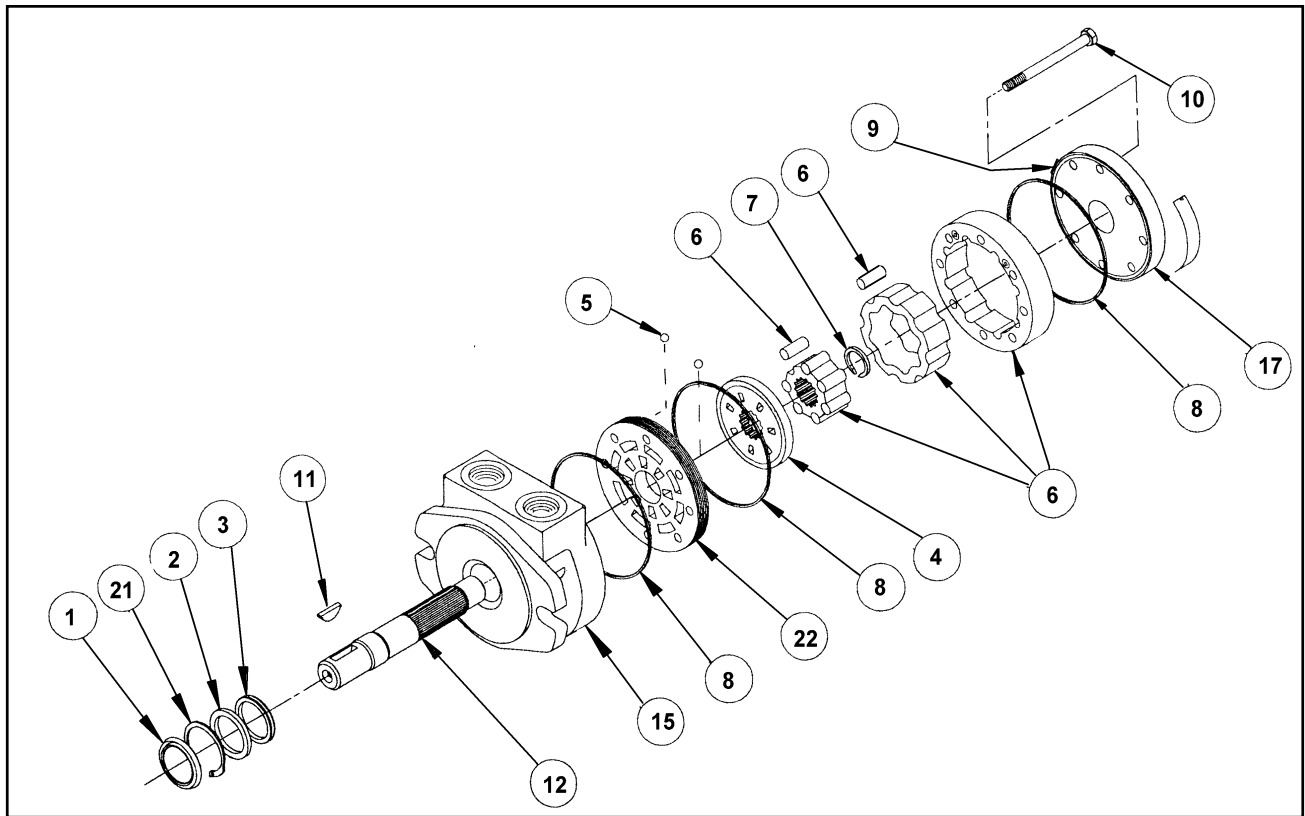


Figure 1-48 Winch Motor Assembly

WINCH MOTOR ASSEMBLY

ITEM	PART NO.	DESCRIPTION	QTY.
	3-481-010006	MOTOR HYD. (FOR 12K WINCH)	1
	3-481-010007	MOTOR HYD. (FOR 20K WINCH)	1
1	2183	SEAL DUST	1
2	2177	BACK-UP RING	1
3	2175	SEAL LIP	1
4	1644	ROTARY VALVE	1
5	1021	CHECK VALVE BALL	2
6	1004-6	IGR ASSEMBLY (FOR 20K WINCH)	1
	1004-3	IGR ASSEMBLY (FOR 12K WINCH)	1
7	1296	SNAP RING	1
8	1046	SQUARE RING SEAL	3
9	1019-4	PLUG VENT W/O-RING	1
10	1014-4	BOLTS HEX (FOR 20K WINCH)	8
	1114-5	BOLTS HEX (FOR 12K WINCH)	
11	1655	KEY WOODRUFF	1
12	2265-6	SHAFT(FOR 20K WINCH)	1
	2109-3	SHAFT(FOR 12K WINCH)	1
15	M110AB-4	BODY/BEARING ASSEMBLY (FOR 20K WINCH)	1
	PA-2328-2	BODY/BEARING ASSEMBLY (FOR 12K WINCH)	1
17	M110C-1	COVER/BEARING ASSEMBLY	1
21	2180	SNAP RING SHAFT	1
22	1865	COMMUTATOR PLATE	1
	2263	SEAL KIT BODY	1
	2480	SEAL KIT BODY VITON	1

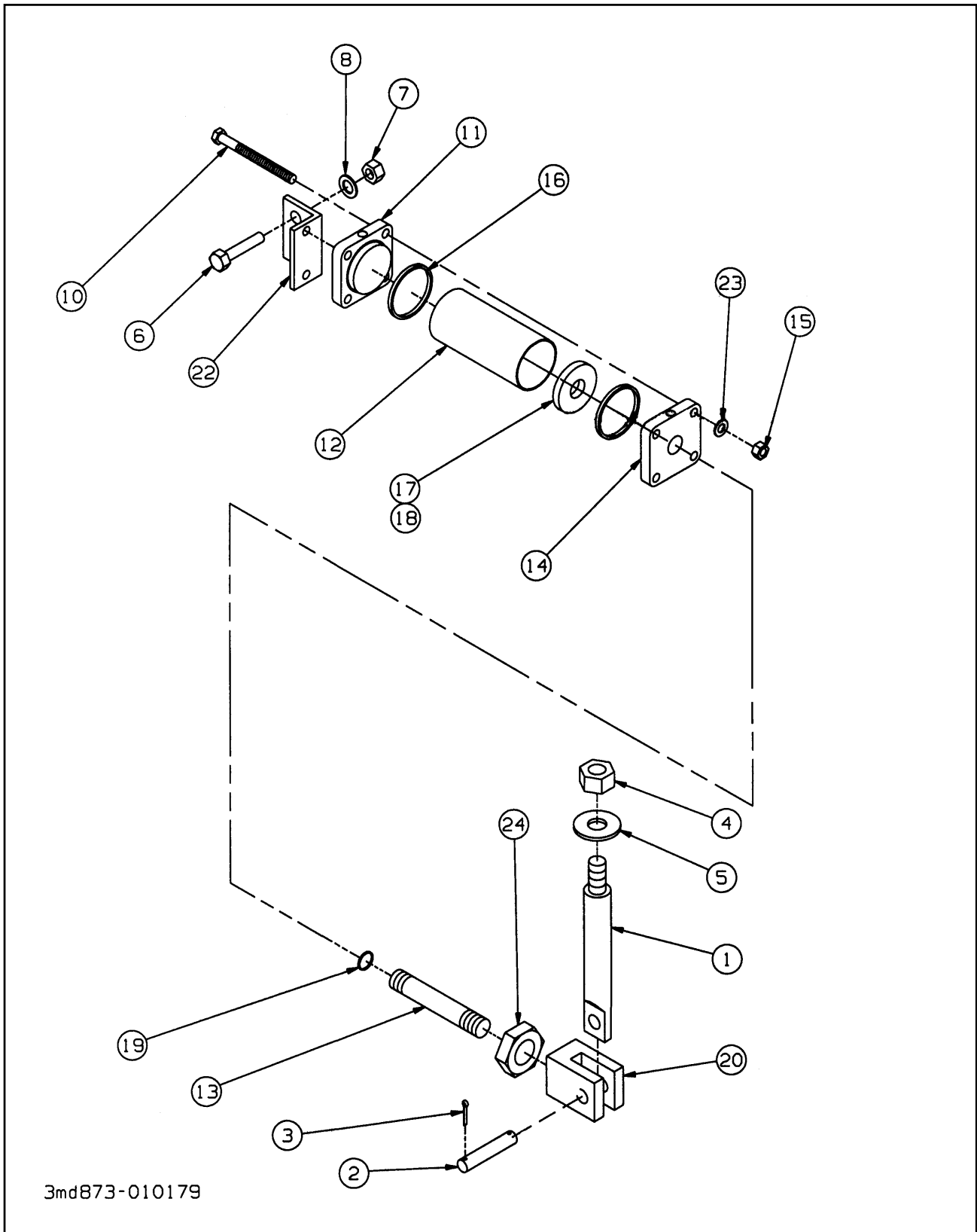
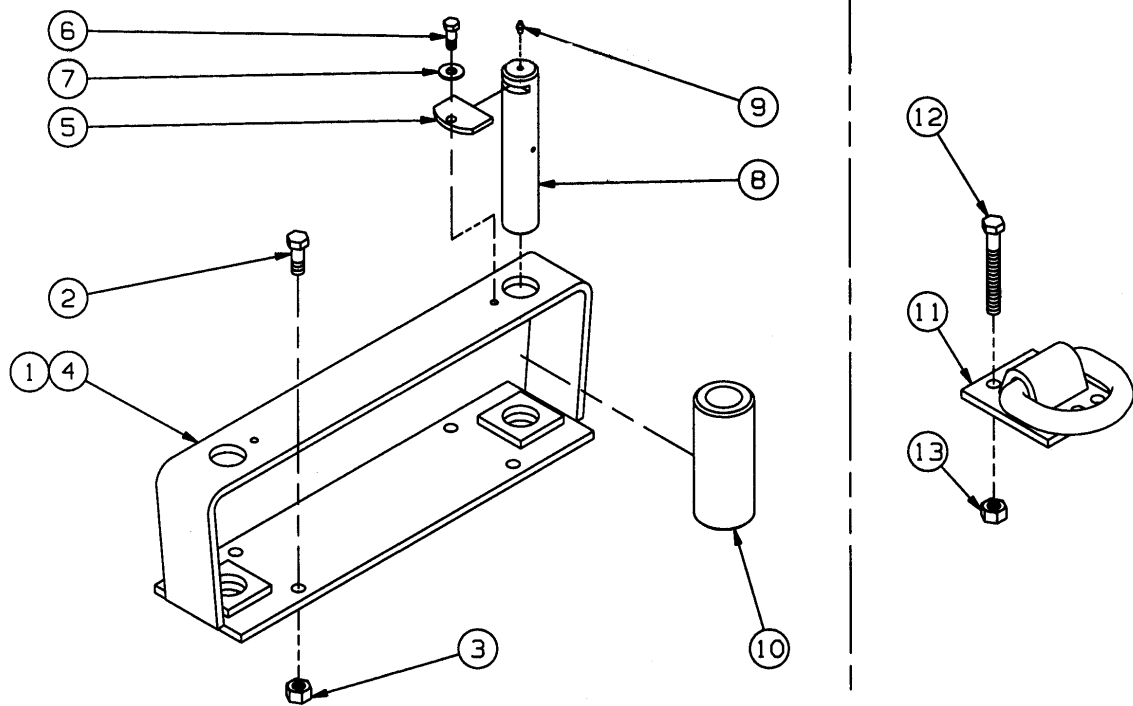


Figure 1-49 Winch Air Shift Cylinder

WINCH AIR SHIFT CYLINDER

ITEM	PART NO.	DESCRIPTION	QTY.
	107368	CYLINDER, AIR W/ BRACKET (INCLUDES ITEMS 1-23)	
1	107369	LEVER WINCH FREE SPOOL	1
2	1976	PIN	1
3	2356	COTTER PIN	1
4	1-512-010007-05	NUT HEX 1/4-20	1
5	1-861-010034-09	WASHER, SPLIT LOCK 1/4	1
6	1-654-010055-01	SCREW, HEX HEAD CAP1/2-13 X 1 GR5	2
7	1-512-010005-09	NUT, HEX LOCK 1/2-13 GRB	2
8	1-861-010032-14	WASHER, FLAT 1/2	2
9	C2001	CYLINDER (INCLUDES ITEMS 10-23)	1
10	1128	CAPSCREW	4
11	1272	REAR COVER PLATE	1
12	1277	TUBE	1
13	2388	PISTON ROD	1
14	1271	FRONT COVER PLATE	1
15	1723	NUT	4
16	1274	BACK-UP-RING	2
17	1275	O-RING	1
18	1273	PISTON	1
19	1276	O-RING	1
20	1974	CLEVIS	1
21	1224	NUT	1
22	2389	BRACKET	1
23	1766	LOCKWASHER	4
24	3-150-010186	BUSHING WINCH REMOTE LEVER	1
	3109	O-RING KIT FOR CYLINDER	



3m352-010017

Figure 1-50 Winch Cable Roller Guide (Optional)

WINCH CABLE ROLLER GUIDE (OPTIONAL)

ITEM	PART NO.	DESCRIPTION	QTY.
	3-352-010017-1	GUIDE INSTALLATION WINCH 12K	
	3-352-010017-2	GUIDE INSTALLATION WINCH 20K	
	3-352-010062	GUIDE INSTALLATION WINCH 30K	
1	3-352-010015-3	GUIDE ASSY WINCH 12K (SEE ITEMS 4-10)	1
	3-352-010015-4	GUIDE ASSY WINCH 20K (SEE ITEMS 4-10)	1
	3-352-010061	GUIDE ASSY WINCH 30K (SEE ITEMS 4-10)	
2	1-654-010055-05	SCREW HEX HEAD CAP 1/2-13 X 2 GR5	4
	1-654-010059-05	SCREW HEX HEAD CAP 5/8-11 X 2 GR5 (30K ONLY)	2
3	1-512-010005-09	NUT HEX LOCK 1/2-13 GRB	4
	1-512-010005-13	NUT HEX LOCK 5/8-11 GRB (30K ONLY)	
4	3-120-010295	BRACKET WELDMENT 12K ROLLER GUIDE	1
	3-120-010294	BRACKET WELDMENT 20K ROLLER GUIDE	1
	3-120-010478	BRACKET WELDMENT 30K ROLLER GUIDE	1
5	3-565-010770	PLATE CABLE GUIDE LOCK	2
6	1-654-010051-03	SCREW HEX HEAD CAP 3/8-16 X 3/4 GR5	2
7	1-861-010034-11	WASHER SPLIT LOCK 3/8	2
8	3-557-010383	PIN CABLE GUIDE ROLLER	2
9	1-298-010001-1	FITTING GREASE 1/4-28	2
10	3-645-010049	ROLLER WINCH CABLE GUIDE	2
D-RING BOLT-ON			
	3-793-010041	TIE DOWN INSTALLATION WINCH D-RING	
11	3-793-010040	TIE DOWN, WINCH	1
12	1-654-010055-03	SCREW HEX HEAD CAP 1/2-13 X 1-1/2 GR5	6
13	1-512-010005-09	NUT HEX LOCK 1/2-13 GRB	6

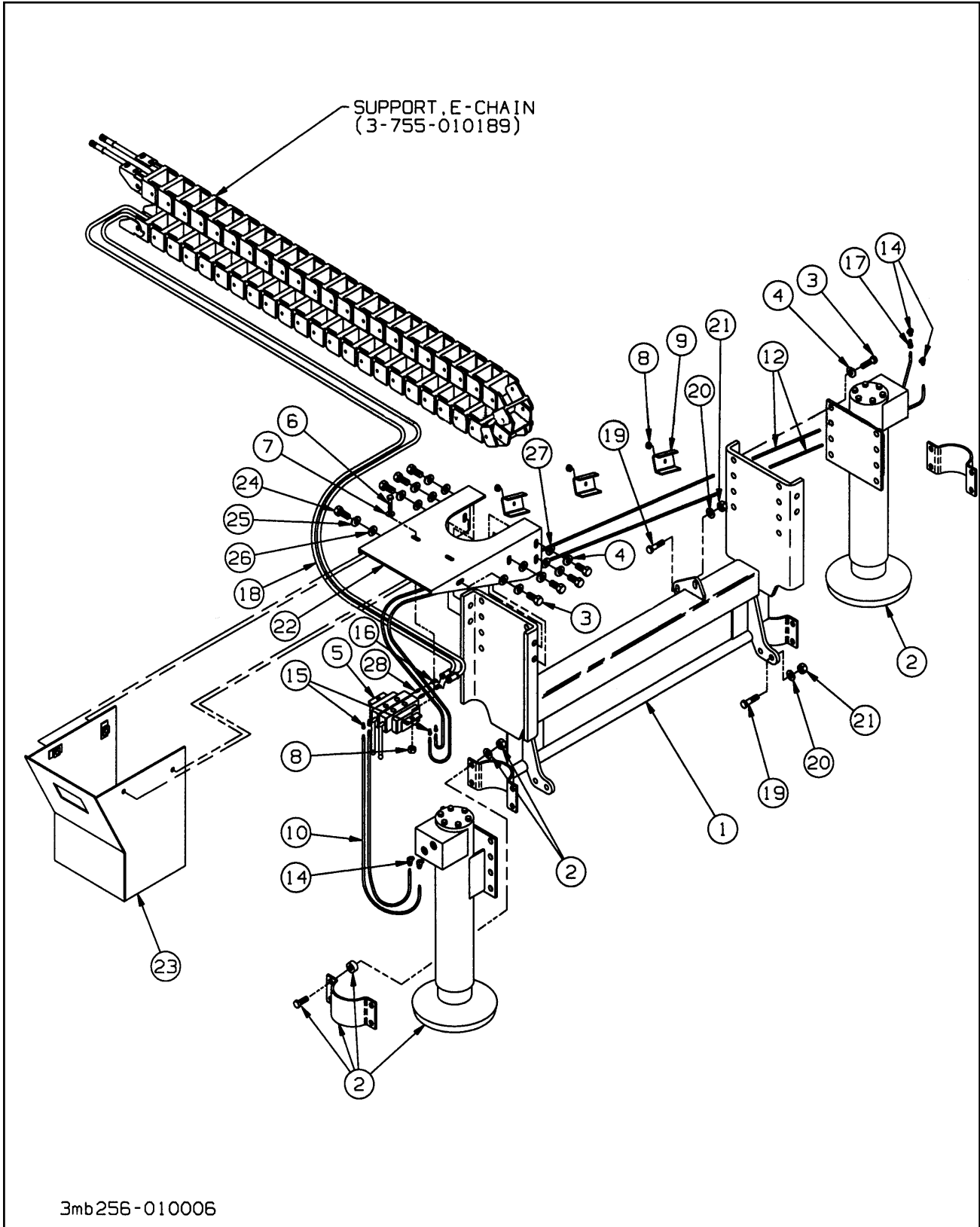


Figure 1-51 Dock Leveler - Air Ride (317B & 319B)

DOCK LEVELER - AIR RIDE (317B & 319B)

ITEM	PART NO.	DESCRIPTION	QTY.
	3-256-010006-01	DOCK LEVEL ASSEMBLY 40K	
	3-256-010006-02	DOCK LEVEL ASSEMBLY 60K	
1	3-482-010150	MOUNT WELDMENT DOCK LEVEL STD	1
	3-482-010352	MOUNT WELDMENT DOCK LEVEL HD	1
2	3-242-010204	CYLINDER HYDRAULIC (SEE PAGE 1-109)	2
	3-242-010205	CYLINDER HYDRAULIC (SEE PAGE 1-109)	2
3	1-654-010059-01	SCREW HEX HEAD CAP 5/8-11 X 1 GR5	20,24*
4	1-861-010034-15	WASHER SPLIT LOCK 5/8	20,24*
5	3-846-010056	VALVE DOUBLE SPOOL (SEE PAGE 1-107)	1
6	1-654-010051-05	SCREW HEX HEAD CAP 3/8-16 X 1 GR5	2
7	1-861-010032-11	WASHER FLAT 3/8 FW	2
8	1-510-010001	NUT FLANGE LOCK 3/8-16	6
9	2-181-010001	HOSE CLAMP	4
10	1-397-010262-4	HOSE ASSEMBLY	2
12	1-397-010262084	HOSE ASSEMBLY	2
14	2062-6-4S	ADAPTER 90	4
15	202702-6-4S	ADAPTER STR	4
16	2061-6-6S	ADAPTER 45 O-RING - TUBE	REF
17	1-007-010058	ADAPTER HYDRAULIC - RESTR. (60K)	2
18	1-397-010307216	HOSE ASSEMBLY	2
19	1-654-010055-03	SCREW HEX HEAD CAP 1/2-13 X 1-1/2 GR5	8
20	1-861-010032-14	WASHER FLAT 1/2N	8
21	1-512-010005-09	NUT HEX LOCK 1/2-13 GRB	8
22	3-120-010351	BRACKET BOLT ON DOCK LEVEL	1
23	3-681-010098	SHIELD D/L VALVE	1
24	1-654-010055-02	SCREW 1/2-13 X 1-1/4 GR5	4
25	1-861-010034-13	WASHER SPLIT LOCK 1/2	4
26	1-861-010032-15	WASHER FLAT 1/2W	4
27	1-861-010032-18	WASHER FLAT 5/8N	4
28	202702-6-6S	ADAPTER STR	2

* FIRST QUANTITY IS FOR THE 40K , SECOND QUANTITY IS FOR THE 60K.

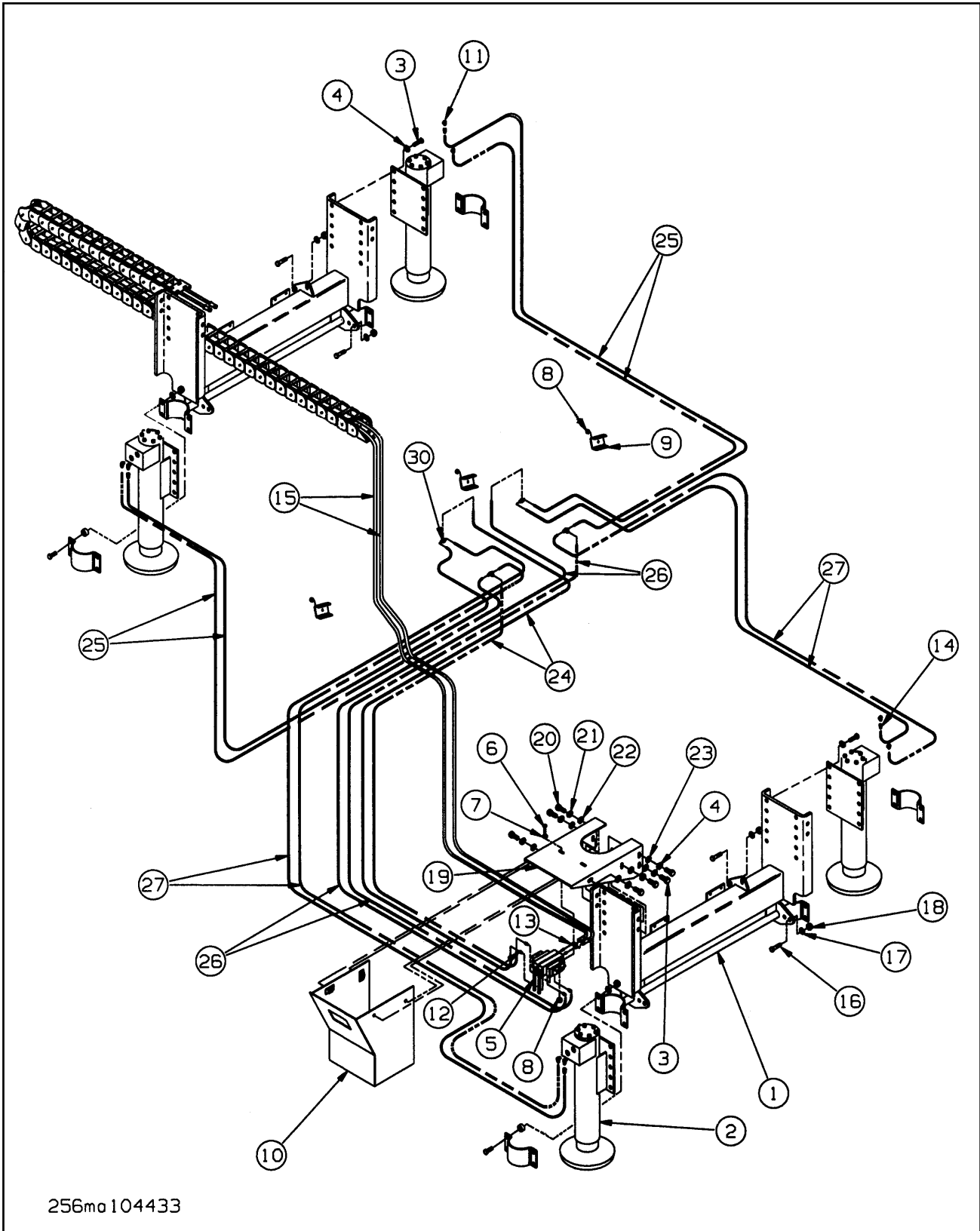


Figure 1-52 Dock Leveler - Air Ride (318B)

DOCK LEVELER - AIR RIDE DOUBLE 60K (318B)

ITEM	PART NO.	DESCRIPTION	QTY.
	104433	DOCK LEVEL ASSEMBLY DBL 60K	
1	3-482-010472	MOUNT WELDMENT DOCK LEVELER	1
2	3-242-010205	CYLINDER HYDRAULIC 4 X 15 (SEE PAGE 1-109)	2
3	1-654-010059-01	SCREW HEX HEAD CAP 5/8-11 X 1 GR5	44
4	1-861-010034-15	WASHER FLAT 3/8FW	44
5	3-846-010056	VALVE DOUBLE SPOOL (SEE PAGE 1-107)	1
6	1-654-010051-05	SCREW HEX HEAD CAP 3/8-16 X 1 GR5	2
7	1-861-010032-11	WASHER FLAT 3/8FW	2
8	1-510-010001	NUT FLANGE LOCK 3/8-16 GRB	8
9	2-181-010001	HOSE CLAMP	6
10	3-681-010098	SHIELD D/L VALVE	1
11	2062-6-4S	ADAPTER 90	8
12	202702-6-4S	ADAPTER STR	4
13	2061-6-6S	ADAPTER HYDRAULIC 45 O-RING - TUBE	2
14	1-007-010058	ADAPTER HYDRAULIC - RESTR.	4
15	1-397-010307216	HOSE ASSEMBLY	2
16	1-654-010055-03	SCREW HEX HEAD CAP 1/2-13 X 1-1/2 GR5	16
17	1-861-010032-14	WASHER FLAT 1/2N	16
18	1-512-010005-09	NUT HEX LOCK 1/2-13 GRB	16
19	3-120-010351	BRACKET BOLT-ON	1
20	1-654-010055-02	SCREW HEX HEAD CAP 1/2-13 X 1-1/2 GR5	4
21	1-861-010034-13	WASHER SPLIT LOCK 1/2	4
22	1-861-010032-15	WASHER FLAT 1/2W	4
23	1-861-010032-18	WASHER FLAT 1/2W	4
24	1-397-010262036	HOSE ASSEMBLY	2
25	1-397-010262086	HOSE ASSEMBLY	4
26	1-397-010262048	HOSE ASSEMBLY	2
27	1-397-010262028	HOSE ASSEMBLY	4
30	2033-4-4S	ADAPTER TEE	4

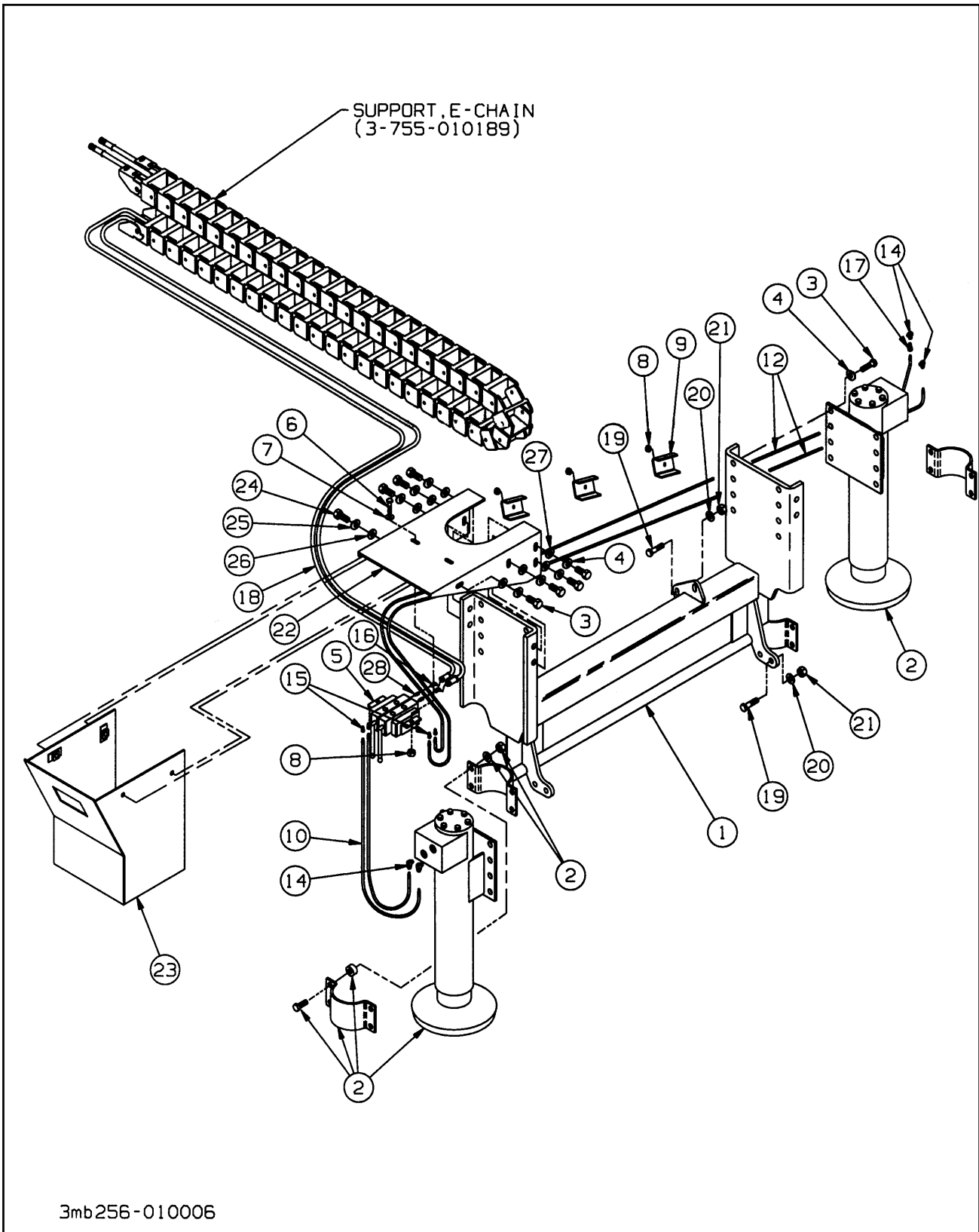


Figure 1-53 Dock Leveler - Air Ride (318B)

DOCK LEVELER - AIR RIDE SINGLE 60K (318B)

ITEM	PART NO.	DESCRIPTION	QTY.
	3-256-010003-02	DOCK LEVEL ASSEMBLY SINGLE 60K	
1	3-482-010472	MOUNT WELDMENT DOCK LEVELER	1
2	3-242-010205	CYLINDER HYDRAULIC 4 X 15 (SEE PAGE 1-109)	2
3	1-654-010059-01	SCREW HEX HEAD CAP 5/8-11 X 1 GR5	24
4	1-861-010034-15	WASHER FLAT 3/8FW	24
5	3-846-010056	VALVE DOUBLE SPOOL (SEE PAGE 1-107)	1
6	1-654-010051-05	SCREW HEX HEAD CAP 3/8-16 X 1 GR5	2
7	1-861-010032-11	WASHER FLAT 3/8FW	2
8	1-510-010001	NUT FLANGE LOCK 3/8-16 GRB	5
9	2-181-010001	HOSE CLAMP	3
10	1-397-010262-4	HOSE ASSEMBLY	2
12	1-397-010262-3	HOSE ASSEMBLY	2
14	2062-6-4S	ADAPTER 90	4
15	202702-6-4S	ADAPTER STR	6
16	1-007-010041-1	ADAPTER HYDRAULIC 45	2
17	1-007-010058	ADAPTER HYDRAULIC - RESTR.	4
18	1-397-010262-5	HOSE ASSEMBLY	2
19	1-654-010055-03	SCREW HEX HEAD CAP 1/2-13 X 1-1/2 GR5	8
20	1-861-010032-14	WASHER FLAT 1/2N	8
21	1-512-010005-09	NUT HEX LOCK 1/2-13 GRB	8
22	3-120-010351	BRACKET BOLT-ON	1
23	3-681-010098	SHIELD D/L VALVE	1
24	1-654-010055-02	SCREW HEX HEAD CAP 1/2-13 X 1-1/2 GR5	4
25	1-861-010034-13	WASHER SPLIT LOCK 1/2	4
26	1-861-010032-15	WASHER FLAT 1/2W	4
27	1-861-010032-18	WASHER FLAT 1/2W	4

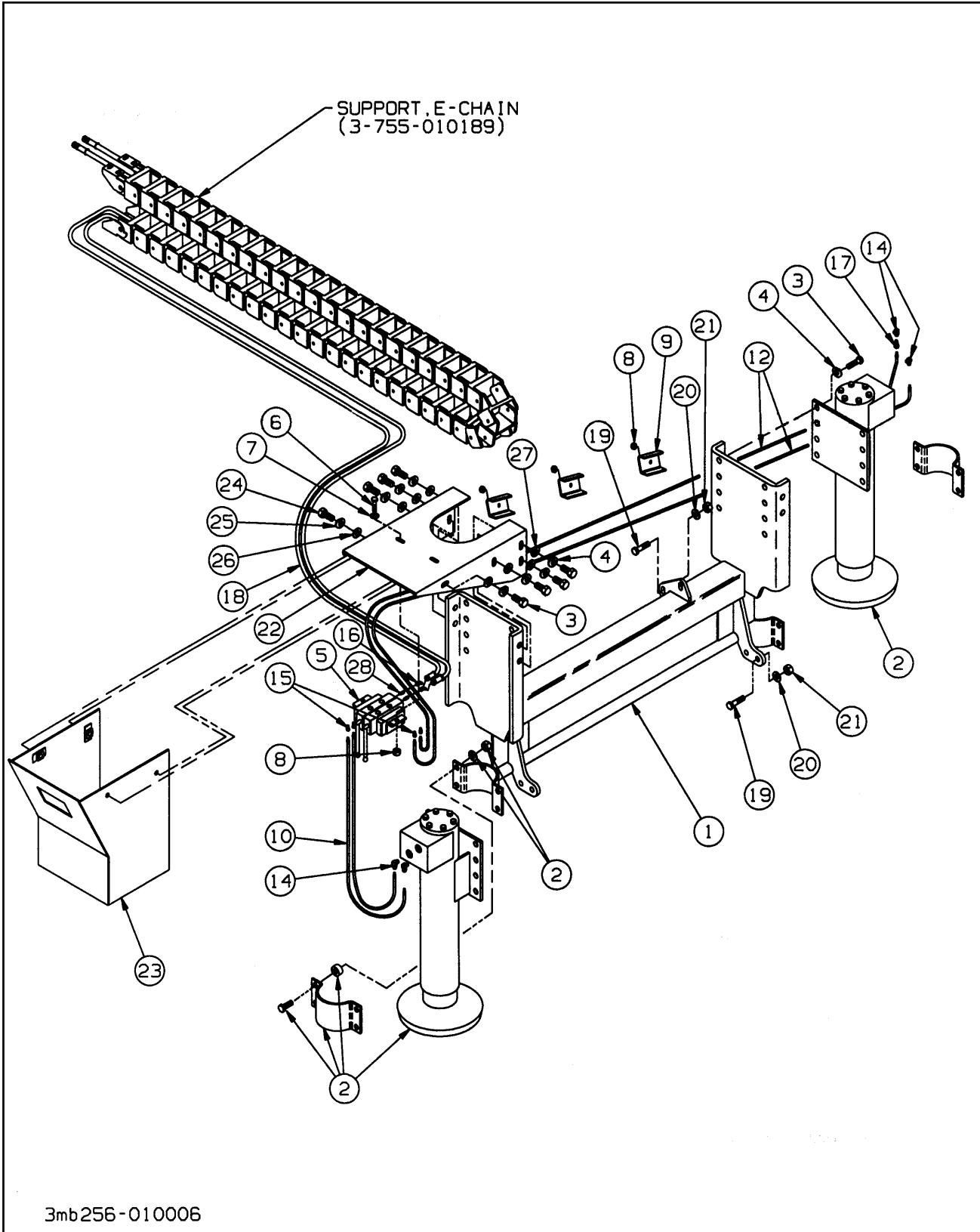
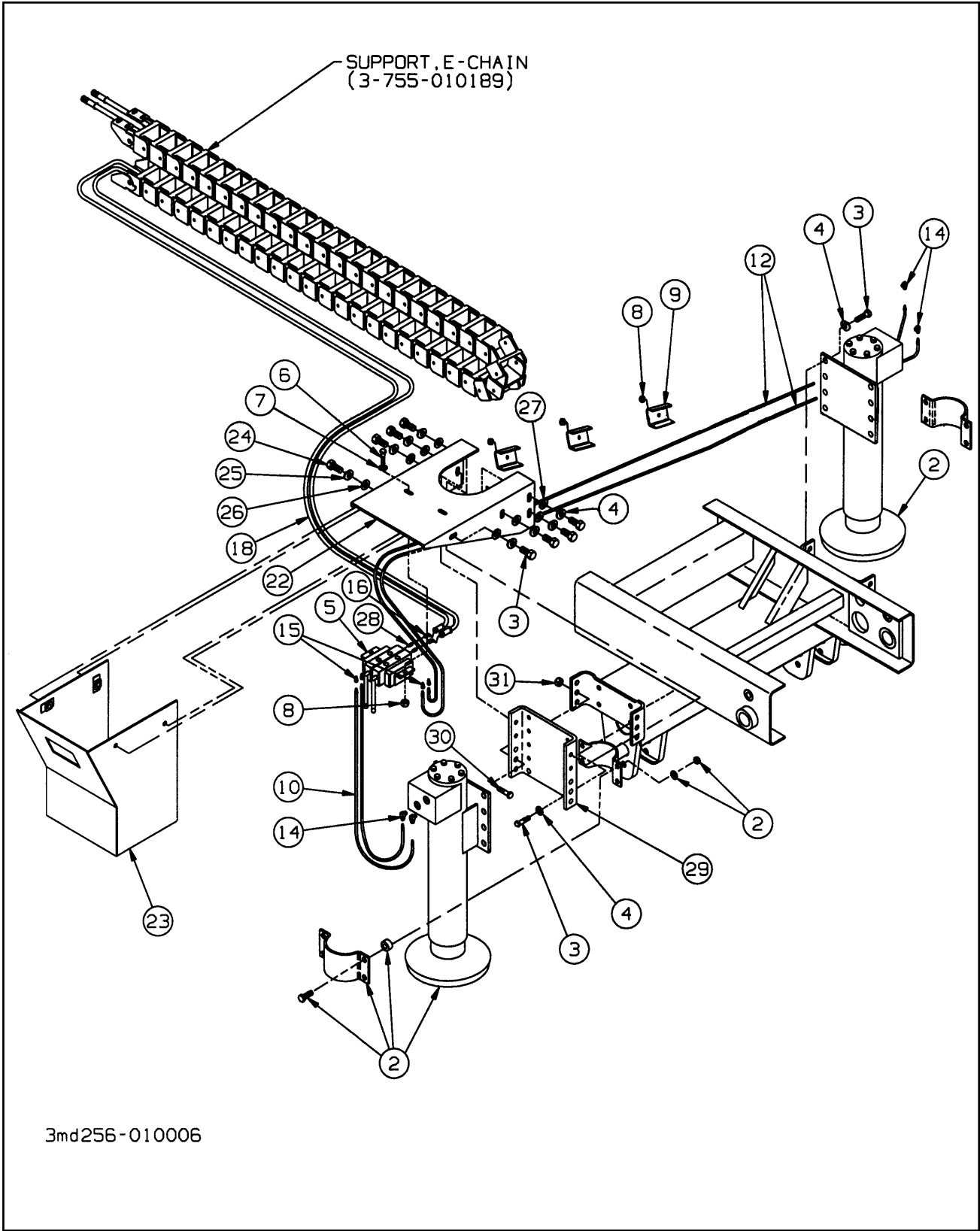


Figure 1-54 Dock Leveler - Spring Ride

DOCK LEVELER - SPRING RIDE

ITEM	PART NO.	DESCRIPTION	QTY.
	3-256-010006-04	DOCK LEVEL ASSEMBLY 40K	
2	3-242-010204	CYLINDER HYDRAULIC 3.5 X 15 (SEE PAGE 1-109)	2
3	1-654-010059-01	SCREW HEX HEAD CAP 5/8-1 1X 1 GR5	24
4	1-861-010034-15	WASHER SPLIT LOCK 5/8	24
5	3-846-010056	VALVE DOUBLE SPOOL (SEE PAGE 1-107)	1
6	1-654-010051-05	SCREW HEX HEAD CAP 3/8-16 X 1 GR5	2
7	1-861-010032-11	WASHER FLAT 3/8W	2
8	1-510-010001	NUT FLANGE LOCK 3/8-16	6
9	2-181-010001	HOSE CLAMP	4
10	1-397-010262-4	HOSE ASSEMBLY	2
12	1-397-010262084	HOSE ASSEMBLY	2
14	2062-6-4S	ADAPTER 90	4
15	202702-6-4S	ADAPTER STR	4
16	2061-6-6S	ADAPTER 45 O-RING - TUBE	REF
18	1-397-010307216	HOSE ASSEMBLY	2
22	3-120-010351	BRACKET BOLT-ON	1
23	3-681-010098	SHIELD D/L VALVE	1
24	1-654-010055-02	SCREW HEX HEAD CAP 1/2-13 X 1-1/4 GR5	4
25	1-861-010034-13	WASHER SPLIT LOCK 1/2	4
26	1-861-010032-15	WASHER FLAT 1/2W	4
27	1-861-010032-18	WASHER FLAT 5/8N	4
28	202702-6-6S	ADAPTER STR	2
29	3-125-010336	MOUNTING BRACKET	2
30	1-654-010059-04	SCREW HEX HEAD CAP 5/8-11 X 1-1/4 GR5	12
31	1-512-010005-13	NUT HEX LOCK 5/8-11 GRB	12



3md256-010006

Figure 1-55 Dock Leveler, Hydraulic (Optional)

DOCK LEVELER HYDRAULIC (OPTIONAL)

ITEM	PART NO.	DESCRIPTION	QTY.
	3-407-010066	DOCK LEVEL HYDRAULIC INSTALLATION	
1	3-482-010267	MOUNT FLOW REGULATOR	1
2	1-397-010304029	HOSE ASSEMBLY 3/4 X 29	1
3	3-846-010120	VALVE HYDRAULIC SELECTOR 3-WAY	1
4	1-512-010005-03	NUT HEX LOCK 5/16-18 GRB	4
5	1-861-010032-09	WASHER FLAT 5/16	4
6	1-654-010049-09	SCREW HEX HEAD CAP 5/16-18 X 2 GR5	2
7	206209-12-12S	ADAPTER 90 LONG #12 O-RING TUBE	1
8	2062-12-8S	ADAPTER 90 #12 O-RING #8 TUBE	1
9	0018127	FITTING BULKHEAD UNION	2
10	1-397-010301028	HOSE ASSEMBLY 1/2 X 28	1
11	2062-8-8S	ADAPTER 90 #8 O-RING TUBE	1
12	1-626-010002-03	REGULATOR FLOW 1/2 BYPASS ONLY	1
13	1-654-010049-11	SCREW HEX HEAD CAP 5/16-18 X 2-1/2 GR5	2
14	1-397-010309174	HOSE ASSEMBLY 3/8 X 174 (317B-45)	1
	1-397-010309210	HOSE ASSEMBLY 3/8 X 210 (317B-48)	1
	1-397-010309246	HOSE ASSEMBLY 3/8 X 246 (317B-50)	1
	1-397-010309282	HOSE ASSEMBLY 3/8 X 282 (317B-53)	1
	1-387-010306260	HOSE ASSEMBLY 3/8 X 260 (318B-48)	1
	104328	HOSE ASSEMBLY 3/8 X 276 (318B-50)	1
	104329	HOSE ASSEMBLY 3/8 X 312 (318B-53)	1
15	2062-8-6S	ELBOW 90	1
16	1-397-010307174	HOSE ASSEMBLY 3/8 X 174 (317B-45)	1
	1-397-010307210	HOSE ASSEMBLY 3/8 X 210 (317B-48)	1
	1-397-010307246	HOSE ASSEMBLY 3/8 X 246 (317B-50)	1
	1-397-010307282	HOSE ASSEMBLY 3/8 X 282 (317B-53)	1
	104330	HOSE ASSEMBLY 3/8 X 258 (318B-48)	1
	104331	HOSE ASSEMBLY 3/8 X 276 (318B-50)	1
	104332	HOSE ASSEMBLY 3/8 X 312 (318B-53)	1
17	1-397-010306028	HOSE ASSEMBLY 1/2 X 28(317B, 318B-48, 318B-50)	1
	1-397-010306032	HOSE ASSEMBLY 1/2 X 32 (318B-53)	1
18	203102-12-12S	ADAPTER TEE #12 SWIVEL	1
19	203005-8-8S	ADAPTER TEE #8 O-RING-TUBE	1
20	3-181-010006	HOSE CLAMP (NOT SHOWN)	A/R
21	3-573-010202	DECAL WARNING (NOT SHOWN)(SEE PG 1-114)	1
22	2062-12-12S	ADAPTER 90 #12 O-RING #12 TUBE	1

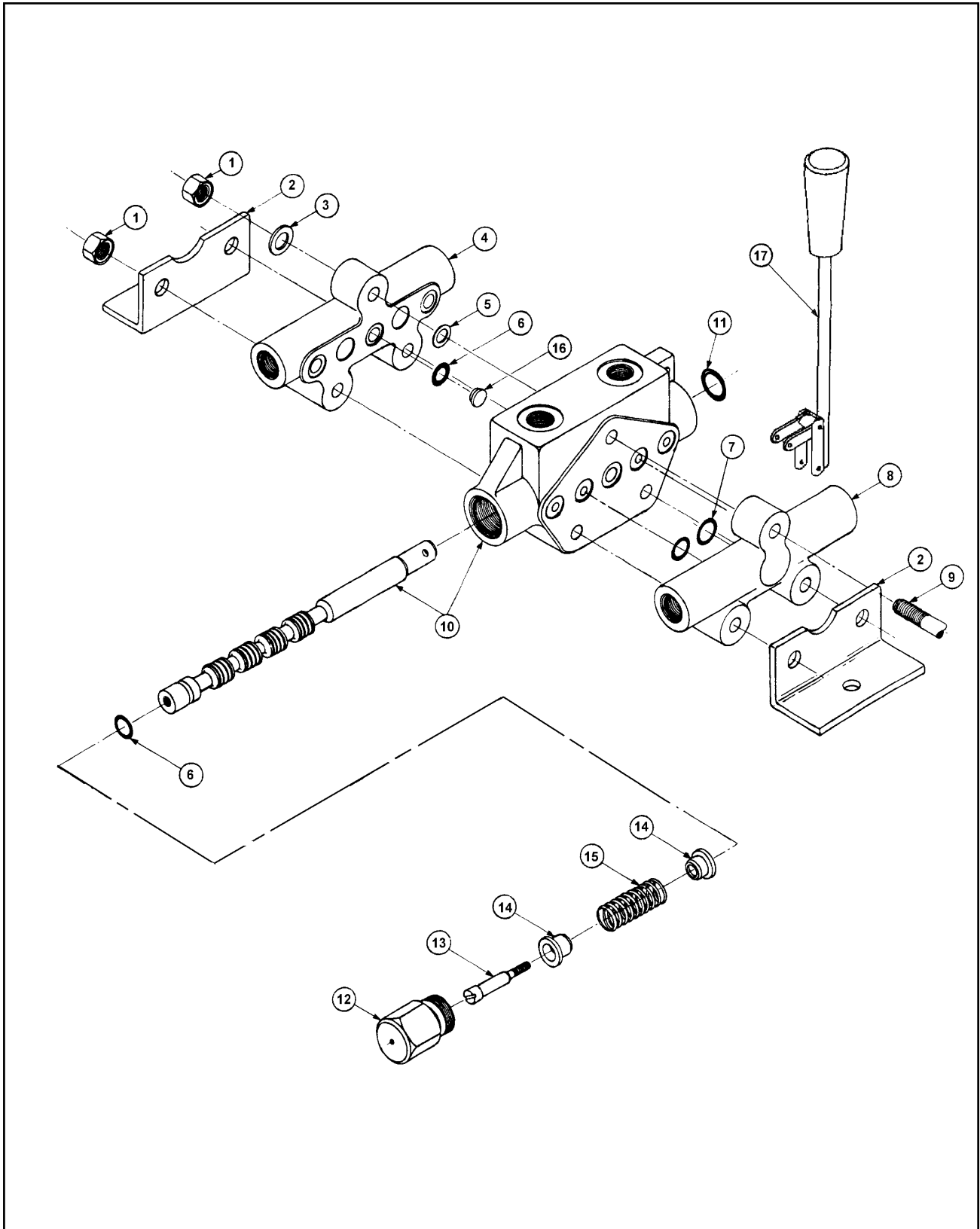


Figure 1-56 Dock Leveler Valve

DOCK LEVELER VALVE

ITEM	PART NO.	DESCRIPTION	
	3-846-010056	DOUBLE SPOOL STACK VALVE-PARALLEL	
1	1005013	NUT	3
2	4014240	MOUNTING BRACKET	2
3	1008008	WASHER	2
4	6402000	OUTLET SECTION (INCLUDES SEALS)	1
	6029521	OUTLET SEAL KIT	
5	4023150	MYLAR SHIM (BETWEEN SECTIONS)	3
6	0101012	O-RING	1
7	0101013	O-RING	10
8	6401003	INLET SECTION (INCLUDES SEALS)	1
	6009250	INLET SEAL KIT	
9	4023774	TIE ROD	3
10	6400000	VALVE SECTION	2
	6029520	VALVE SECTION SEAL KIT (INCLUDES ITEMS 5, 6, 7 & 11)	6
11	0101112	O-RING	2
12	4010500	SPRING CAP	2
13	4010520	SPRING SHAFT	2
14	4010530	SPRING GUIDE	4
15		SPRING	2
16	4011702	CLOSED CENTER PLUG	1
17	6405000	HANDLE KIT (INCLUDES ITEMS 1, 2, 3 & 9)	1
	6404002	BANKING KIT	1

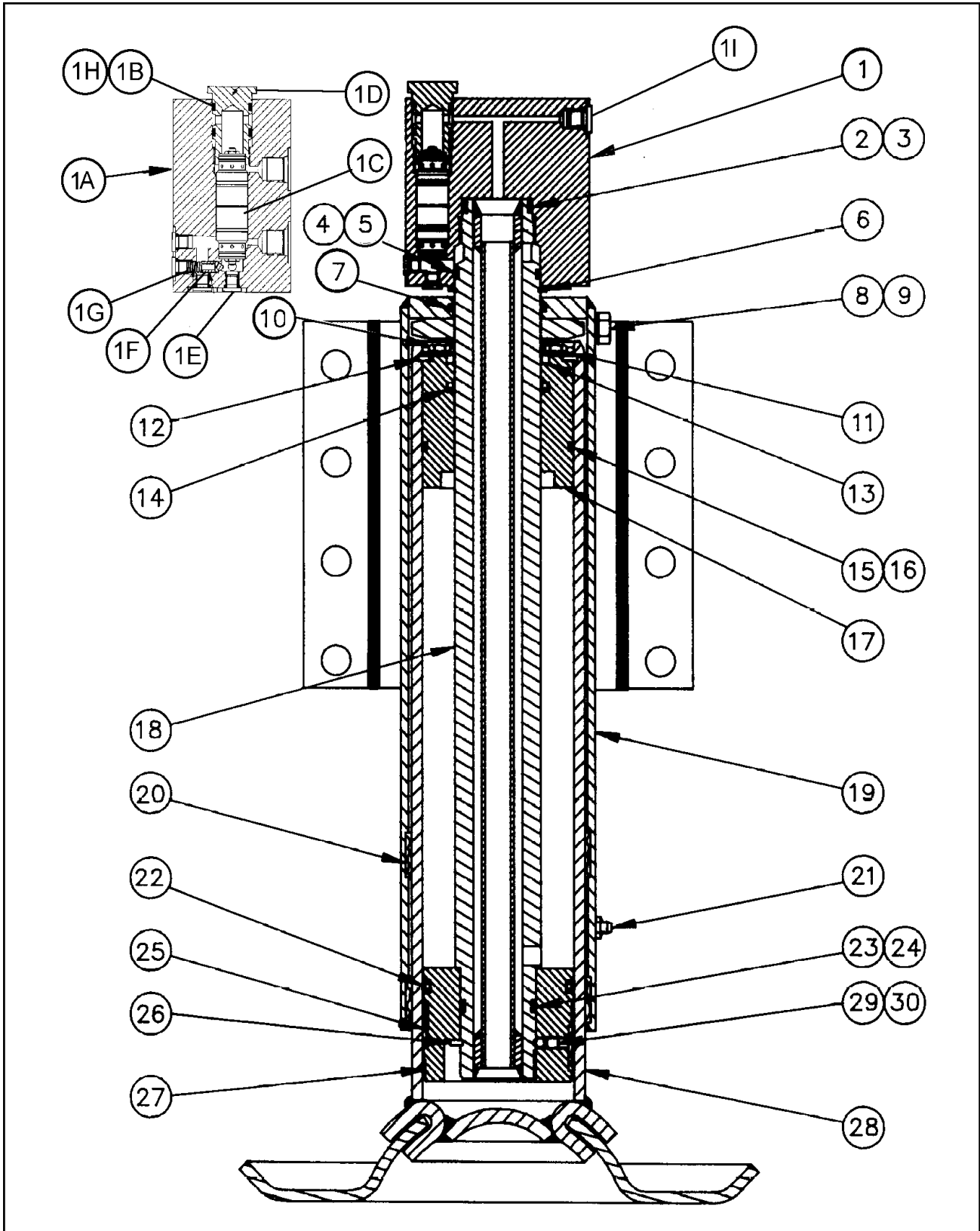


Figure 1-57 Dock Leveler Leg Assembly W/ Lock Valve

LEG ITEMS - DOCK LEVELER W/ LOCK VALVE

ITEM	PART NO.	DESCRIPTION	
	3-242-010204	COMPLETE ASSY LEG CYL(40,000# CAP. 3.50" BORE)	
	3-242-010205	COMPLETE ASSY LEG CYL(60,000# CAP. 4.00" BORE)	
1	300092	4:1 LOCK VALVE BODY	1
1A	300093	4:1 LOCK VALVE BODY	1
1B	01-1006	O-RING	2
1C	300427	PILOT OPERATED CHECK VALVE	2
1D	300022	RETAINING PLUG	1
1E	07-1061	HEX PLUG HOLLOW #02 SAE	5
1F	300003	POPPET	1
1G	31-1016	SPRING	1
1H	05-1009	BACK-UP WASHER	2
1I	07-1201	HEX PLUG HOLLOW #04 SAE	1
2	NSS**,**	O-RING	1
3	NSS**,**	BACK-UP WASHER	2
4	NSS**,**	O-RING	1
5	NSS**,**	BACK-UP WASHER	1
6	NSS**,**	SNAP RING 2" ROD	1
7	NSS**,**	O-RING	1
8	15-1004	SCREW HEX HEAD CAP (3-242-010204)	1
	15-1021	SCREW HEX HEAD CAP (3-242-010205)	1
9	16-1002	LOCK WASHER	1
10	15-1012	SCREW HEX HEAD CAP	4
11	100278	CYLINDER HEAD RETAINER (3-242-010204)	1
	100279	CYLINDER HEAD RETAINER (3-242-010205)	1
12	NSS**,**	RETAINING RING	1
13	NSS**,**	OIL SEAL	1
14	NSS**,**	ROD SEAL	1
15	NSS**,**	O-RING	1
16	NSS**,**	BACK-UP WASHER	1
17	100216	CYLINDER HEAD (3-242-010204)	1
	100276	CYLINDER HEAD (3-242-010205)	1
18	***	PISTON ROD	1
19	***	WELL TUBE	1
20	NSS**,**	WEAR RING	2
21	10-1001	GREASE FITTING	1
22	NSS**,**	PISTON SEAL	1
23	NSS**,**	O-RING	1
24	NSS**,**	BACK-UP WASHER	2
25	NSS**,**	WEAR RING	1
26	17-1003	SNAP RING	1
27	100216	PISTON (3-242-010204)	1
	100276	PISTON (3-242-010205)	1
28	***	CYLINDER TUBE	1
29	NSS**,**	NYLON BALL	1
30	NSS**,**	SET SCREW	1
31	100346	SPLIT COLLAR ASSEMBLY	1
	100348	SPLIT COLLAR ASSEMBLY	1
	100347	SPLIT COLLAR HALF	2
	100140	SPLIT COLLAR HALF	2
	101449	LEG COLLAR MOUNTING KIT	1
	15-1024	SCREW HEX HEAD CAP 1/2-20 X 2 GR5	4
	15-1025	NUT HEX LOCK 1/2-20	4
	101129-1	SPACER SPLIT COLLAR	4

* - ITEMS ARE CONTAINED IN THE LOCK VALVE REPAIR KIT 300085 (NOT SOLD SEPARATELY).

** - ITEMS ARE CONTAINED IN THE LEG REPAIR KIT 101086 (3.50" BORE) OR LEG REPAIR KIT 100422 (4.00" BORE) (NOT SOLD SEPARATELY).

*** STATE MODEL NUMBER AND PART DESCRIPTION WHEN ORDERING.

NSS: NOT SOLD SEPARATLY

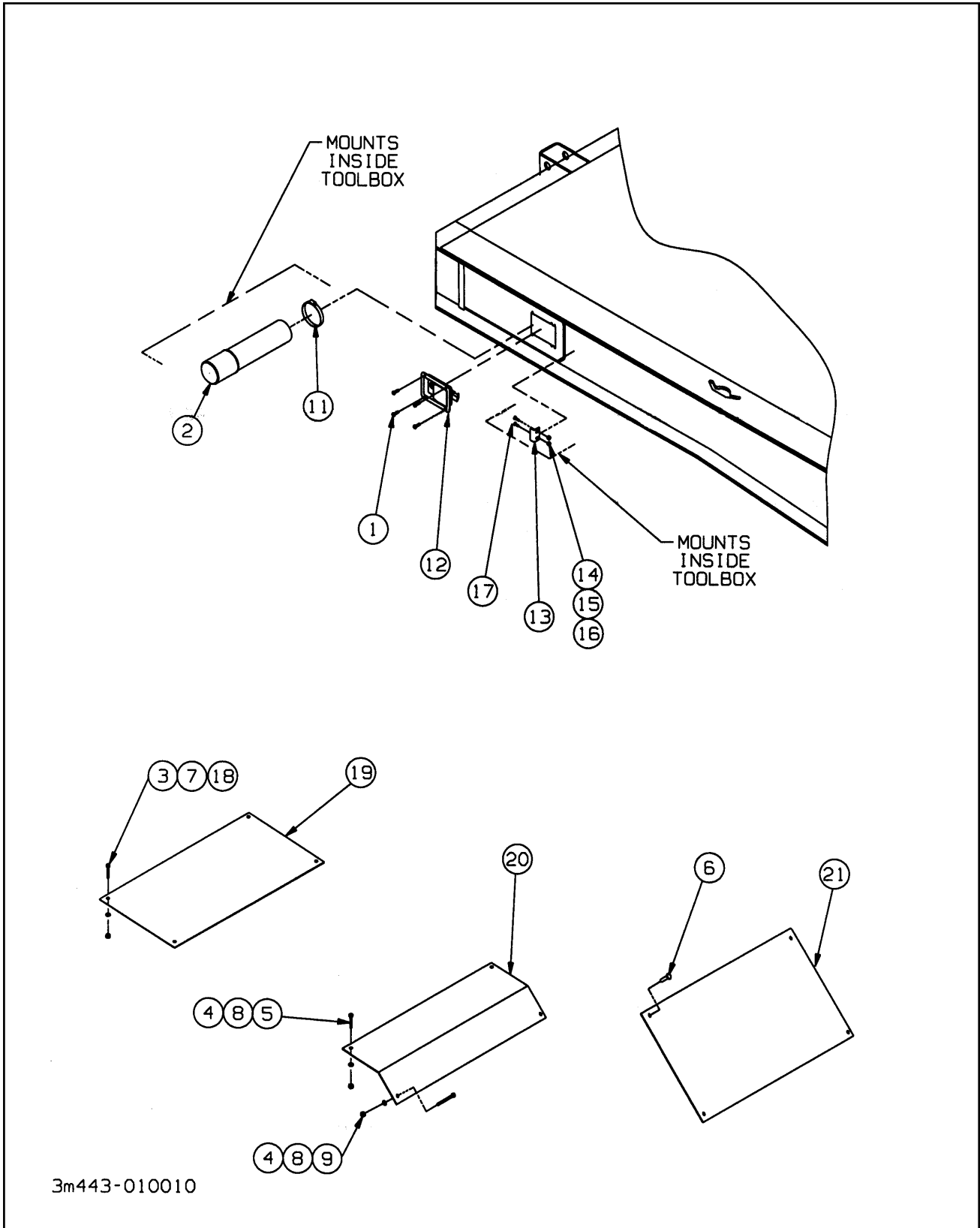


Figure 1-58 Door Latch Installation

DOOR LATCH INSTALLATION

ITEM	PART NO.	DESCRIPTION	
	B7-257-001	DOOR LATCH ASSEMBLY	
1	BSL-6-4	RIVET FLANGE 3/16 X 1/4	8
2	1-116-010019	BOX MANUAL STORAGE	1
3	1-510-010001	NUT FLANGE LOCK 3/8-16	4
4	1-512-010005-09	NUT HEX LOCK 1/2-13 GRB	4
5	1-654-010070-14	SCREW RD HD SQ NCK 1/2-13 X 4-1/2	2
6	1-654-010089-13	SCREW SOCKET BUTTON CAP 1/2-13 X 2	8
7	1-861-010032-11	WASHER FLAT 3/8	4
8	1-861-010032-15	WASHER FLAT 1/2	4
9	1-654-010070-04	SCREW, RD HEAD SQ NECK 1/2-13X1-3/4	2
10	101299	CHAIN KEY LANDOLL (NOT SHOWN)	1
11	105-0093	HOSE CLAMP 4-1/2	1
12	3-443-010010	LATCH	2
13	3-482-010307	MOUNT ADJUST STRIKER PLATE	2
14	1-512-010007-03	NUT HEX #10-24	4
15	1-861-010032-04	WASHER FLAT 3/16	4
16	1-861-010034-07	WASHER SPLIT LOCK #10	4
17	1-656-010003051	SCREW ROUND HEAD MACHINE #10-24 X 3/4	4
18	1-654-010051-05	SCREW HEX HEAD CAP 3/8-16 X 1 GR5	4
19	3-681-010072	SHIELD, HYDRAULIC BOLT-ON	REF
20	3-565-010951	PLATE, CENTER	REF
21	3-222-010120	COVER SLOPE	REF

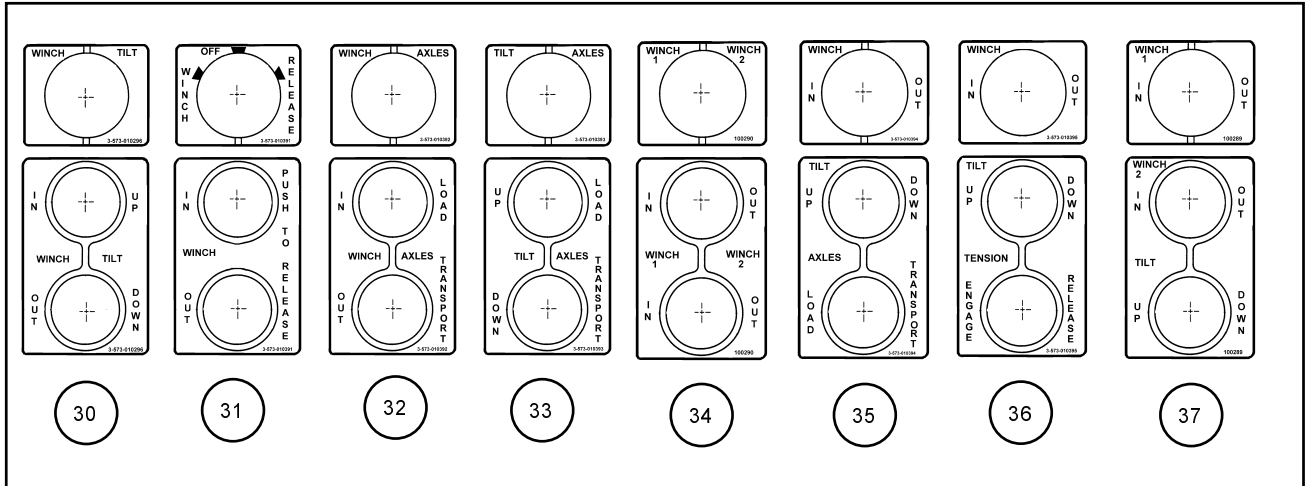


Figure 1-60 Decals

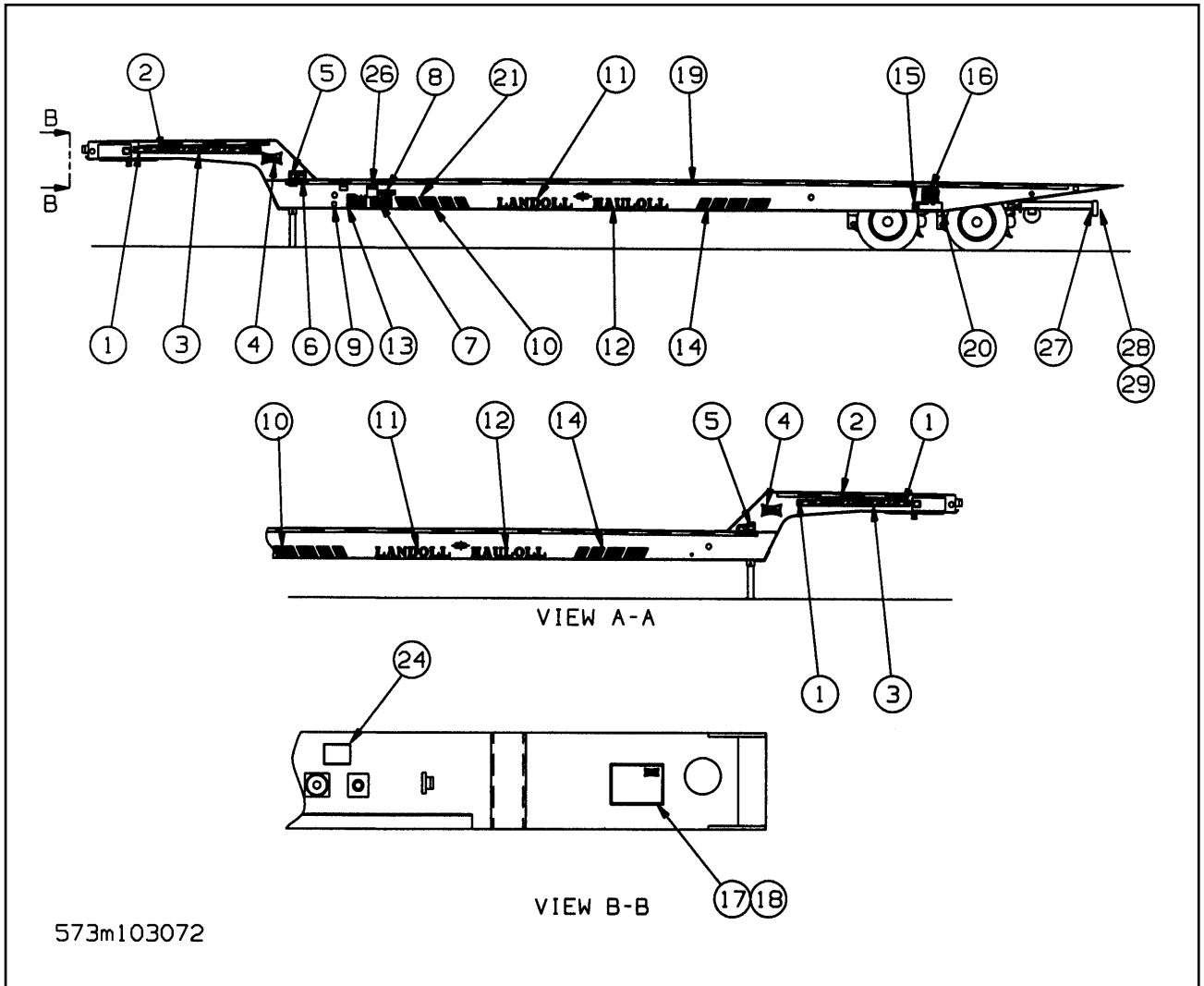


Figure 1-61 Decal Installation

DECAL INSTALLATION

ITEM	PART NO.	DESCRIPTION	QTY.
1	1-573-010002	DECAL, L BLACK	4
	1-573-010014	DECAL, L WHITE	4
2	1-573-010003	DECAL, LANDOLL, BLACK	2
	1-573-010015	DECAL, LANDOLL, WHITE	2
3	1-573-010004	DECAL, HAULLOLL, BLACK	2
	1-573-010016	DECAL, HAULLOLL, WHITE	2
4	1-573-010001	DECAL, LANDOLL, BLACK	2
	1-573-010016	DECAL, LANDOLL, WHITE	2
5	3-573-010298	DECAL PATENT	2
6	3-573-010085	DECAL CONCENTRATED LOAD 70,000#	2
	3-573-010349	DECAL CAUTION 50,000#	2
7	3-573-010127	DECAL OPERATION, 3-AXLE BL	1
8	3-573-010057	DECAL, INSTRUCTION DECAL 350 CONTROLS	1
9	3-573-010299	DECAL WARNING WINCH CABLE	1
10	3-573-010040	FRONT STRIPE, LEFT, WHITE	2
	3-573-010042	FRONT STRIPE, LEFT, BLACK	2
11	3-573-010048	LANDOLL, BLACK 5 X 41	2
	3-573-010049	LANDOLL, WHITE 5 X 41	2
12	113520	DECAL, 317 BLACK DC 5"	2
	113518	DECAL, 317 WHITE DC 5"	2
	113285	DECAL, 318 BLACK DC 5"	
	113284	DECAL, 318 WHITE DC 5"	
13	3-573-010300	DECAL WARNING RIDE POSITION UNDERCARRIAGE	1
14	3-573-010041	FRONT STRIPE, RIGHT BLACK	2
	3-573-010043	FRONT STRIPE, RIGHT WHITE	2
15	3-573-010189	DECAL, TIRE CHANGING PROCEDURE	1
16	3-573-010202	DECAL, WARNING/OPERATION, DOCK LEVEL	REF
17	3-573-010020	IDENTIFICATION PLATE	1
	102160	PLACARD CANADIAN IDENTIFICATION	1
18	10036	FASTENER SERIAL NUMBER PLATE (NOT SHOWN)	4
19	3-573-010377	DECAL, REFLEXITE RED/WHITE	1200"
20	3-573-010210	DECAL TORQUE SPEC (WITH WHEEL BUNDLE)	REF
	3-573-010211	DECAL TORQUE SPEC (WITH WHEEL BUNDLE)	REF
21	100600	DECAL WARNING BRADEN WINCH (NOT SHOWN)	REF
22	3-573-010465	DECAL, HYDRAULIC PARK STAND LH (FOR LOCATION SEE PAGE 1-153 &)	REF
23	3-573-010466	DECAL, HYDRAULIC PARK STAND RH (FOR LOCATION SEE PAGE 1-153 &)	REF
24	105822	DECAL, HYDRAULIC COUPLER	REF
25	3-573-010437	DECAL, LIGHT	REF
26	3-573-010442	DECAL, WINCH TENSION	REF
27	103055	DECAL, ENERGY BUMPER, CERT	1
28	103056	DECAL, ENERGY BUMPER, WARNING	1
29	3-573-010031	DECAL, TRAILER BUMPER	1
30	3-573-010296	DECAL, REMOTE WINCH/TILT	REF
31	3-573-010391	DECAL, REMOTE WINCH TILT	REF
32	3-573-010392	DECAL, REMOTE WINCH UNDERCARRIAGE	REF
33	3-573-010393	DECAL, REMOTE TILT UNDERCARRIAGE	REF
34	100290	DECAL, REMOTE WINCH/WINCH	REF
35	3-573-010394	DECAL, REMOTE WINCH/WINCH U/C	REF
36	3-573-010395	DECAL, TILT/WINCH/UNDERCARRIAGE	REF
37	100289	DECAL, REMOTE WINCH/WINCH/TILT	REF

*IF TRAILER IS REPAINTED OR IF DECALS BECOME ILLEGIBLE, ORDER NEW ONES FROM THE FACTORY AND REPLACE.

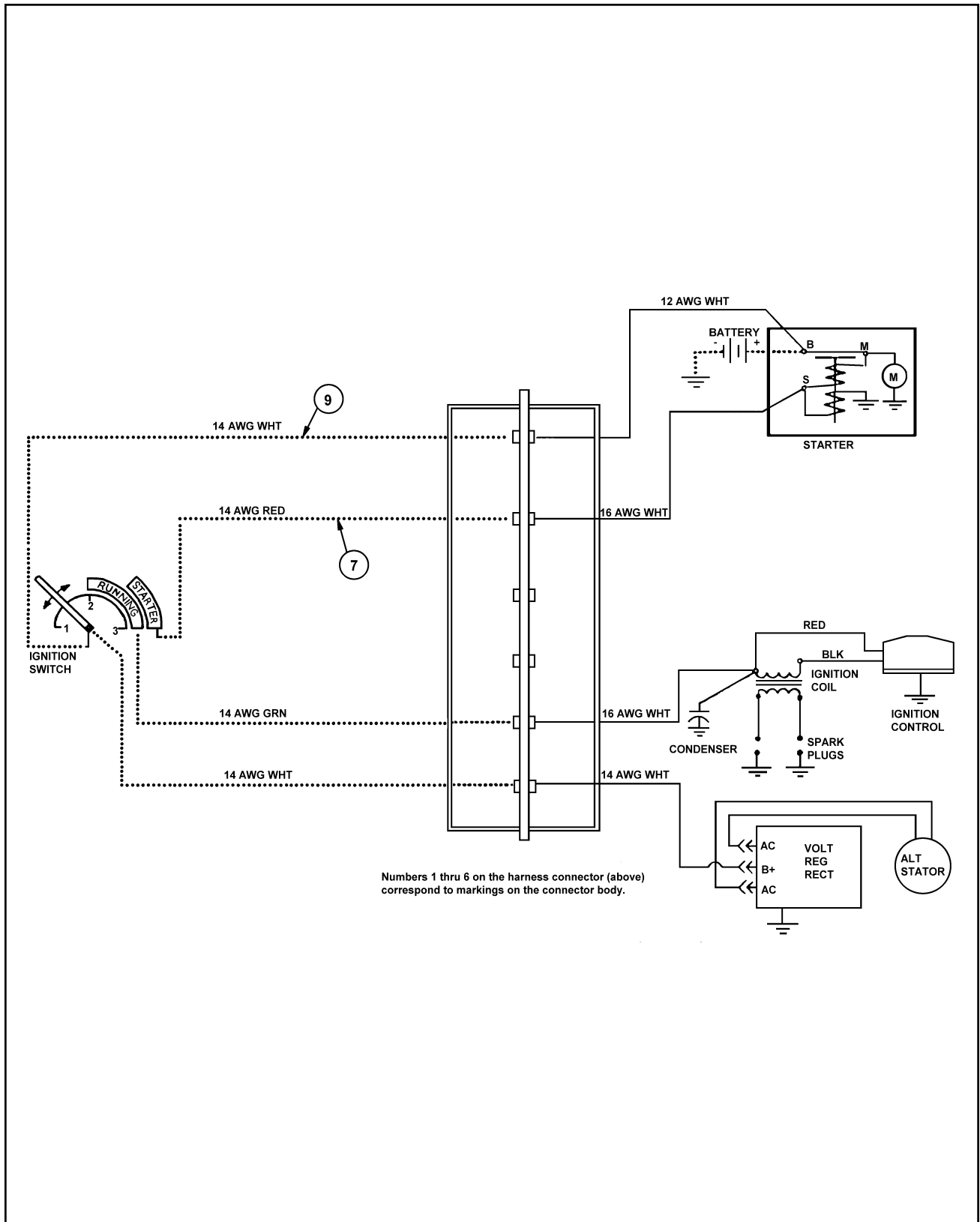


Figure 1-62 Engine Harness Diagram

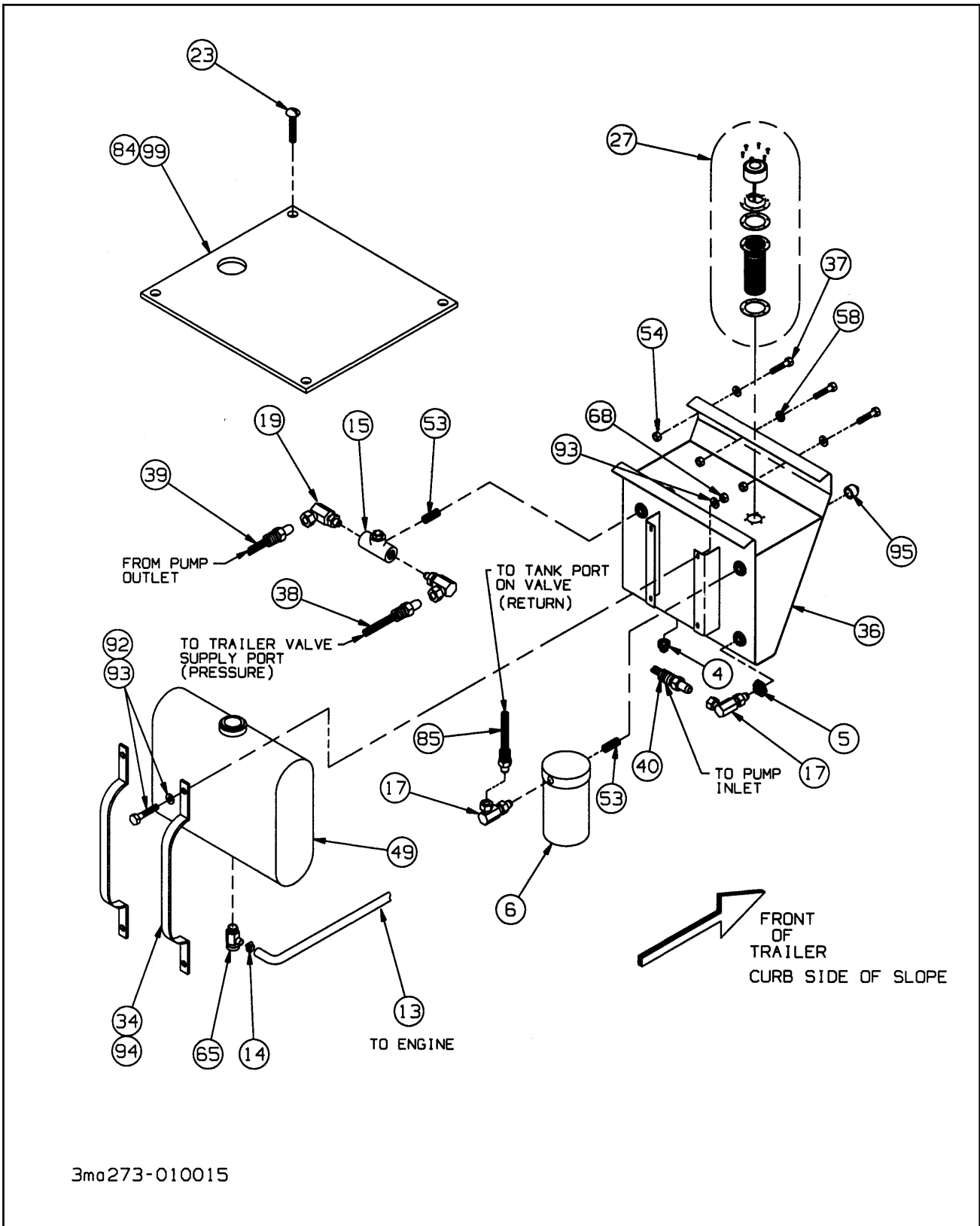


Figure 1-63 Engine Drive Slope (Optional) (1 of 2)

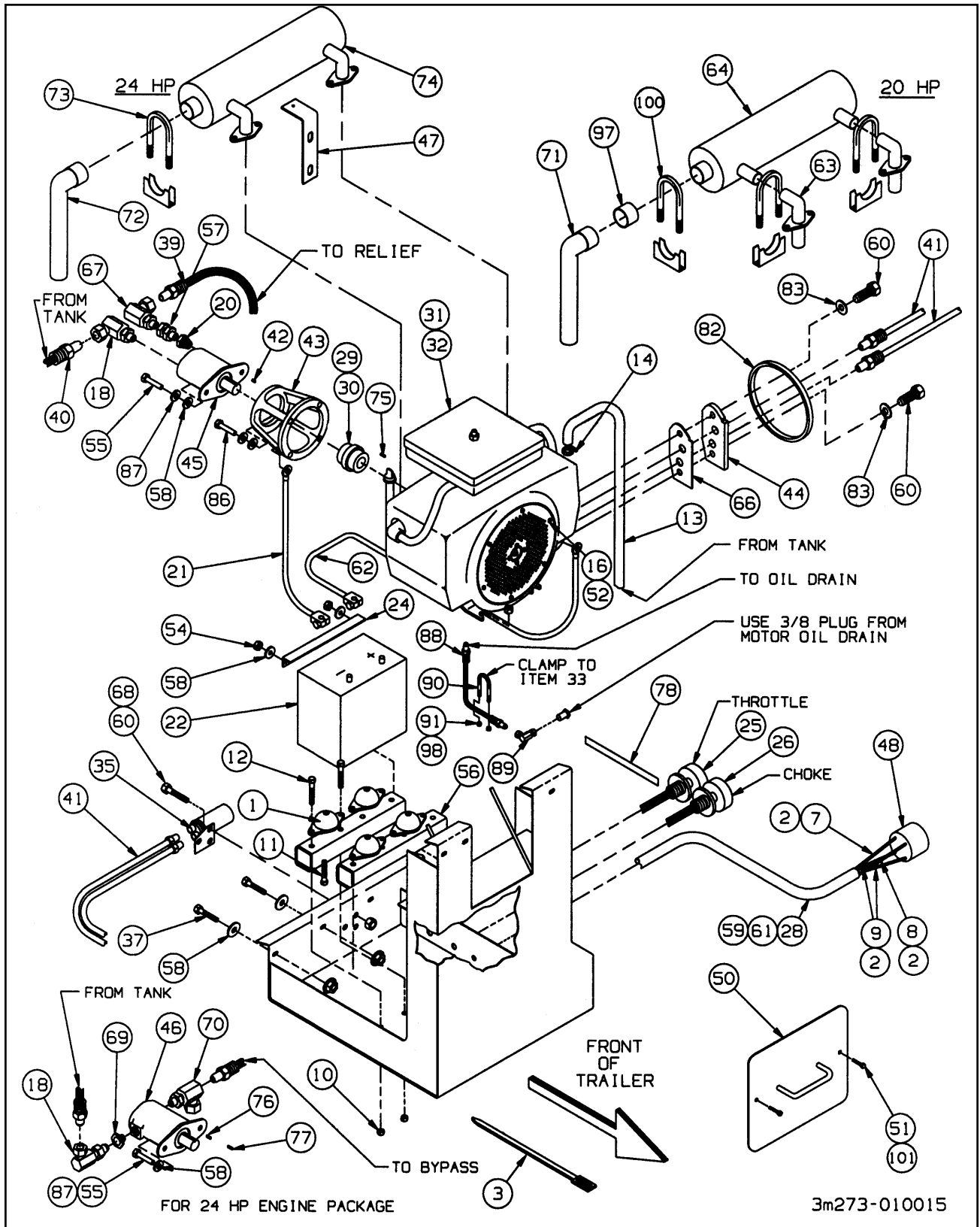


Figure 1-64 Engine Drive Slope (Optional) (2 of 2)

ENGINE DRIVE SLOPE (OPTIONAL)

ITEM	PART NO.	DESCRIPTION	QTY.
	3-273-010015-1	ENGINE DRIVE SLOPE 20 H.P.	
	3-273-010015-2	ENGINE DRIVE SLOPE 24 H.P.	
	3-273-010015-3	ENGINE DRIVE SLOPE 20 H.P.	
	3-273-010015-4	ENGINE DRIVE SLOPE 24 H.P.	
1	CA-1595	MACHINE MOUNT 40 DROMETER	4
2	3-203-010001	RING TERMINAL 3/16	3
3	1-796-010003-02	TYTON STRAP	A/R
4	1-560-010002-07	PLUG BLACK 1-1/4 SQ HEAD	1
5	1-1/4X3/4BUSH	BLACK PIPE BUSHING	1
6	1-295-010001	FILTER RETURN LINE	1
	1-295-010002	FILTER ELEMENT	1
7	1-879-010004	WIRE 14 AWG RED	A/R
8	1-879-010006	WIRE 14 AWG GREEN	A/R
9	1-879-010010	WIRE 14 AWG WHITE	A/R
10	1/2-13HFLN	NUT HEX LOCK 1/2-13	12
11	1/2-13X1-1/2CS	SCREW HEX HEAD CAP 1/2-13 X 1-1/2 GR5	4,12*
12	1/2-13X3HHCS	SCREW HEX HEAD CAP 1/2-13 X 3 GR5 (20 HP ONLY)	8
13	1-316-010013	HOSE FUEL LINE 1/4	8.5
14	105-0505	CLAMP HOSE	2
15	125130	HYDRAULIC BY-PASS	1
16	134-4560	GUARD ONAN	1
17	2047-12-12S	PIPE SWIVEL 90 MALE 3/4-14	2, 3*
18	2047-12-16S	ELBOW 90 SWIVEL 3/4-1 (20 HP ENGINE ONLY)	1
19	1-007-010013	SWIVEL 90 1/2FPT 3/4MPT	2
20	2081-16-8S	REDUCER EXT/INT PIPE (20 HP ENGINE ONLY)	1
21	239-8113-66	CABLE BATTERY AUXILIARY ENGINE	1
22	2481X	BATTERY 12 VOLT	1
23	1-654-010089-13	SCREW SOCKET BUTTON CAP 1/2-13 X 2	REF
24	3-120-010124	BATTERY CLAMP BRACKET	1
25	3-155-010012	CABLE THROTTLE	1
26	3-155-010025	CHOKE CABLE	1
27	3-162-010001	FILLER BREATHER STRAINER ASSEMBLY	1
28	3-201-010002	CONDUIT PLASTIC FLEX 3/8	A/R
29	3-220-010003	FLEXIBLE COUPLING (20 HP ENGINE ONLY)	1
30	3-220-010002	FLEXIBLE COUPLING (24 HP ENGINE ONLY)	1
31	3-273-010006	ENGINE 20 H.P.	1
32	3-273-010013	ENGINE 24 H.P.	1
33	3-482-010339	MOUNT POWER CENTERLINE WELDMENT	1
34	3-744-010046	STRAP 3 GAL FUEL TANK	2
35	122-0476	BASE ASSEMBLY REM OIL FILTER	1
36	3-786-010059	TANK HYDRAULIC WELDMENT	1
37	1-654-010051-05	SCREW HEX HEAD CAP 3/8-16 X 1 GR5	12
38	1-397-010362118	HOSE ASSEMBLY 1/2 X 118	1
39	1-397-010311096	HOSE ASSEMBLY 1/2 X 96	1
40	1-397-010313106	HOSE ASSEMBLY 3/4 X 106	1
41	1-397-010341060	HOSE ASSEMBLY	2
42	3-427-010003	KEY WOODRUFF (20 H.P. ENGINE ONLY)	REF
43	3-482-010003	HYDRAULIC PUMP MOUNT 20 H.P.	1
44	122-0691	ADAPTER ASSEMBLY RMT FILTER	1
45	3-591-010005	PUMP GEAR HYDRAULIC (20 HP ENGINE ONLY)	1
46	3-591-010003	PUMP GEAR HYDRAULIC (24 HP ENGINE ONLY)	1
47	3-482-010360	MOUNT CHOKE CABLE WELDMENT	1
48	3-765-010005	IGNITION SWITCH	1
49	3-783-010013P	TANK FUEL 3 GAL	1

ENGINE DRIVE SLOPE (OPTIONAL)

ITEM	PART NO.	DESCRIPTION	QTY.
50	3-222-010140	COVER BATTERY ACCESS	1
51	1/4-20X1HHCS	SCREW HEX HEAD CAP 1/4-20X1	2
52	3/16X3/4CS SELF	SCREW HEX HEAD CAP SELF DRILL 3/16 X 3/4	4
53	3/4NIPPLE	ALL THREAD NIPPLE	2
54	1-510-010001	NUT FLANGE LOCK 3/8-16	14
55	1-654-010051-06	SCREW HEX HEAD CAP 3/8-16 X 1-1/4 GR5	2
56	3-711-010090	SPACER ENGINE MOUNT (20 HP ENGINE ONLY)	2
57	2045-8-8S	INT PIPE SWIVEL EXT PIPE 1/2-14 (20 HP ONLY)	1
58	1-861-010032-11	WASHER FLAT 3/8	20
59	3-272-010021	ELECT BUTT SPLICE 16-14	2
60	1-654-010049-06	SCREW HEX HEAD CAP 5/16-18 X 1-1/4 GR2	5
61	3-272-010022	ELECT BUTT SPLICE 12-10	1
62	514-9045-66	CABLE BATTERY AUXILIARY ENGINE	1
63	541-0203	EXHAUST ADAPTER KIT (20 HP ENGINE ONLY)	1
64	541-0379	MUFFLER KIT (20 HP ENGINE ONLY)	1
65	6600	VALVE SHUT-OFF GAS WEATHERHEAD	1
66	122-0771	GASKET-OIL FILTER ADAPTER ONAN	1
67	2047-8-8S	ADAPTER (20 H.P. ENGINE ONLY)	1
68	5/16-18 HFLN	NUT LOCK HEX 5/16-18	7
69	2216-12-16S	ADAPTER PIPE TO O-RING (24 HP ONLY)	1
70	1-007-010024	SWIVEL 90 1/2FPT - 3/4MPT (24 HP ENGINE ONLY)	1
71	3-276-010693	EXTENSION EXH 20 H.P. SLOPE	1
72	3-276-010691	EXTENSION EXH 24 H.P. SLOPE	1
73	3-181-010038	CLAMP MUFFLER (24 HP ENGINE ONLY)	1
74	541-0316	MUFFLER KIT (24 HP ENGINE ONLY)	1
75	110-4338	SQUARE KEY (20 HP ENGINE ONLY)	REF
76	110-4334	KEY (24HP ENGINE ONLY)	REF
77	110-4348	KEY (24 HP ENGINE ONLY)	REF
78	3-735-010030	STENCIL ENGINE CONT SLOPE	.05
82	508-0184	GROMMET AIR SEAL	1
83	526-0065	WASHER COPPER	2
84	3-222-010128	COVER SLOPE ENGINE	1
	3-222-010197	COVER OUTER 90 DROP DECK	1
85	1-397-010365118	HOSE ASSEMBLY 3/4 X 118	1
86	1-654-010051-08	SCREW HEX HEAD CAP 3/8-16 X 1-3/4 GR5	4
87	1-861-010034-11	WASHER SPLIT LOCK 3/8	6
88	3-397-010203	HOSE ASSEMBLY 3/8 X 26	1
89	118-2650-6	SWIVEL 90	1
90	3-102-010010	U-BOLT HOSE SUPPORT	1
91	1-512-010005-01	NUT 1/4 - 20	2
92	1-654-010049-07	SCREW HEX HEAD CAP 5/16-18 X 2 GR2	4
93	1-861-010032-09	WASHER FLAT 5/16W	8
94	10030	SEAL BAR STOCK - NEOPRENE SPONGE	60"
95	1-560-010002-04	PLUG PIPE 1/2	1
97	RRT308X.75	TUBE ROUND (20 HP ENGINE ONLY)	1
98	1-861-010032-07	WASHER FLAT 1/4	2
99	3-222-010210	COVER TANK SLOPE	1
	3-222-010226	COVER TANK SLOPE 90 DROP DECK	1
100	3-182-010028	CLAMP MUFFLER (20 HP ENGINE ONLY)	1
101	1-861-010034-09	WASHER SPLIT LOCK 1/4	2

NOTE: SEE PAGE 1-115 FOR ENGINE HARNESS DIAGRAM.

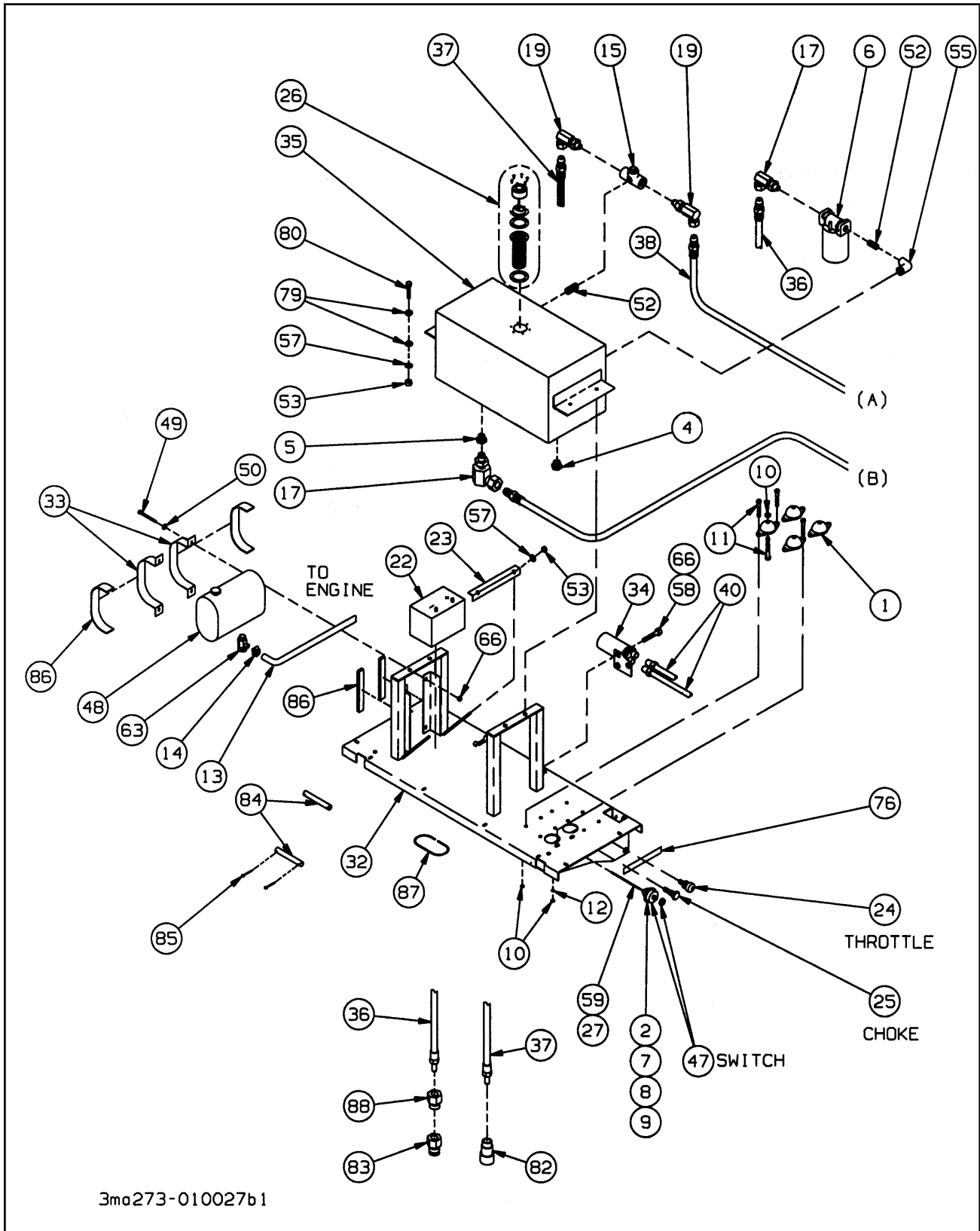


Figure 1-65 Engine Pkg Front Mount (Optional) (1 of 2)

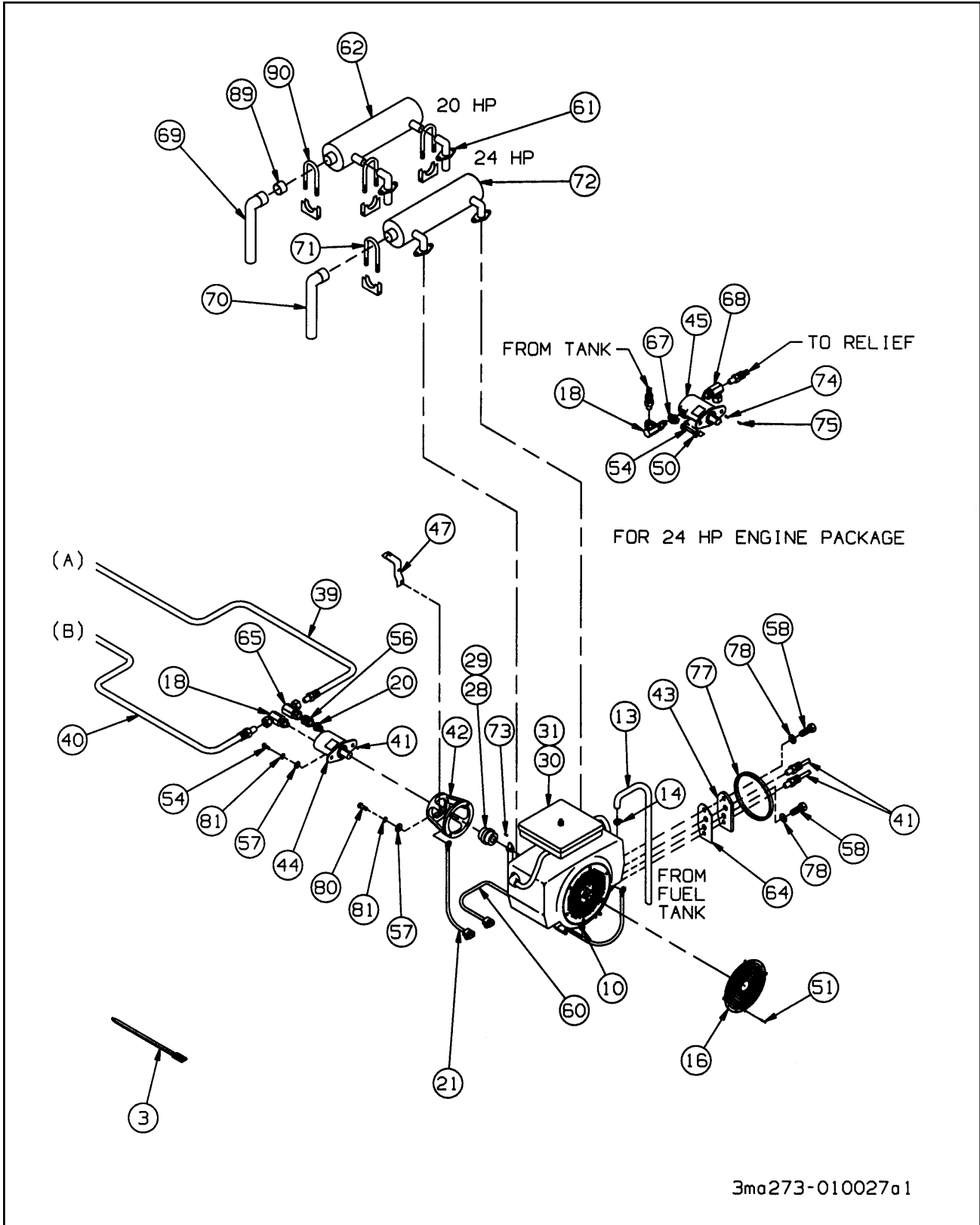


Figure 1-66 Engine Pkg Front Mount (Optional) (2 of 2)

ENGINE PKG FRONT MOUNT (OPTIONAL)

ITEM	PART NO.	DESCRIPTION	QTY.
	3-273-010027-01	ENGINE PACKAGE FRONT MOUNT 20HP	
	3-273-010027-02	ENGINE PACKAGE FRONT MOUNT 24HP	
1	CA-1595	MACHINE MOUNT 40 DROMETER	4
2	3-203-010001	RING TERMINAL	3
3	1-796-010003-02	TIE STRAP PLASTIC	A/R
4	1-560-010002-07	PIPE PLUG BUSHING 1-1/4 X 11-1/2	1
5	1-1/4X3/4BUSH	BLACK PIPE BUSHING 1-1/4 X 3/4	1
6	1-295-010001	FILTER RETURN LINE	1
	1-295-010002	FILTER ELEMENT	1
7	1-879-010004	WIRE RED 14AWG	A/R
8	1-879-010006	WIRE GREEN 14AWG	A/R
9	1-879-010010	WIRE WHITE 14AWG	A/R
10	1-512-010005-09	NUT HEX LOCK 1/2-13 GRB	12
11	1-654-010055-03	SCREW HEX HEAD CAP 1/2-13 X 1-1/2 GR5	12
12	1-861-010032-15	WASHER FLAT 1/2	4
13	104-0505-048	HOSE PRESS FUEL 1/4	1
14	105-0105	CLAMP HOSE IDEAL 6203	2
15	125130	RD12D HYDRAULIC BY PASS SRDD	1
16	134-4560	GUARD ONAN	1
17	2047-12-12S	PIPE SWIVEL 90 MALE	*2,3
18	2047-12-16S	ELBOW 90 SWIVEL PIPE 3/4-1	*1,0*
19	1-007-010013	SWIVEL 90 1/2FPT 3/4MPT	2
20	2081-16-8S	REDUCER EXT/ INT PIPE	1
21	239-8113-48	CABLE BATTERY (NEG) QVX ENG.	1
22	2481X	BATTERY 12 VOLT	1
23	3-120-010124	BATTERY CLAMP BRACKET	1
24	3-155-010012	CABLE THROTTLE	1
25	3-155-010025	CHOKE CABLE	1
26	3-162-010001	FILLER BREATHER STRAINER ASSY	1
27	3-201-010002	CONDUIT PLASTIC FLEX 3/8	6'
28	3-220-010003	FLEXIBLE COUPLING 1-1/8 X 3/4	*1,0
29	3-220-010002	FLEXIBLE COUPLING 1-7/16 X 3/4	*0,1
30	3-273-010006	ENGINE 20HP ONAN	*1,0
31	3-273-010013	ENGINE 24HP ONAN	*0,1
32	3-482-010510	MOUNT WELDMNT HYD. POWER CENTER	1
33	3-744-010046	STRAP 3 GAL FUEL TANK	2
34	122-0476	BASE ASSEMBLY OIL FILTER	1
35	3-786-010005	HYDRAULIC TANK FIFTH WHEEL	1
36	3-397-010237	HOSE ASSEMBLY 3/4	1
37	1-397-010311040	HOSE ASSEMBLY 1/2	1
38	3-397-010152	HOSE ASSEMBLY 1/2	1
39	3-397-010261	HOSE ASSEMBLY 3/4	1
40	1-397-010341040	HOSE ASSEMBLY 1/2 SWIVEL 1/4	2
41	3-427-010003	KEY WOODRUFF 317/350	*1,0
42	3-482-010003	20HP HYDRAULIC PUMP MOUNT	1
43	122-0691	ADAPTER ASSEMBLY—REMOTE FILTER	8
44	3-591-010005	PUMP HYDRAULIC GEAR	*1,0
45	3-591-010003	PUMP HYDRAULIC GEAR	*0,1
46	3-482-010360	MOUNT CHOKE CABLE WLDMT	1
47	3-765-010005	IGNITION SWITCH	1
48	3-783-010013P	TANK FUEL 3 GAL	1
49	1-654-010049-07	SCREW HEX CAP 5/16-18 X 1-1/2 GR5	4
50	1-861-010032-09	WASHER FLAT 5/16	8

ENGINE PKG FRONT MOUNT (OPTIONAL)

ITEM	PART NO.	DESCRIPTION	QTY.
51	3/16X3/4CS SELF	SCREW HEX HEAD CAP SELF-DRILL 3/16 X 3/4	2
52	3/4NIPPLE	ALL THREAD NIPPLE	2
53	1-510-010001	NUT FLANGE LOCK 3/8-16	6
54	1-654-010049-07	SCREW HEX HEAD CAP 5/16-18 X 1-1/2 GR5	2
55	3/4ST ELL	ELBOW BLACK PIPE 90	2
56	2045-8-8S	INT. PIPE SWIVEL EXT. PIPE 1/2-14	1,0*
57	1-861-010032-11	WASHER FLAT 3/8	14
58	1-654-010049-06	SCREW HEX HEAD CAP 5/16-18 X 1-1/4 GR5	2
59	3-272-010022	ELECTRICAL BUTT SPLICE 12-10 W/SEAL	1
60	514-9045-60	CABLE BATTERY KI (POS) AUX ENGINE	1
61	541-0203	EXHAUST ADAPTER KIT	*1,0
62	541-0379	MUFFLER 20HP ONAN	*1,0
63	6600	VALVE SHUT-OFF GAS WEATHERHEAD	1
64	122-0771	GASKET OIL FILTER ADAPTER	*1,0
65	2047-8-8S	ADAPTER	*1,0
66	1-512-010005-03	NUT HEX LOCK 5/16-18 GRB	7
67	2216-12-16S	ADAPTER 3/4-14 TO 1-5/16 O-RING ADAPTER	*0,1
68	1-007-010024	1/2PIPE TO 1-1/16 O-RING 90	*0,1
69	3-276-010693	EXT EXHAUST 24HP SLOPE	*1,0
70	3-276-010691	EXT EXHAUST 24HP SLOPE	*0,1
71	3-181-010038	CLAMP MUFFLER	*0,1
72	541-0316	MUFFLER 24HP	*0,1
73	110-4338	SQUARE KEY 1/4 X 2	*1,0
74	110-4334	KEY 3/16 X 1-1-4	*0,1
75	110-4348	KEY 3/8 X 1-1/4	*0,1
76	3-735-010030	STENCIL ENGINE CONT SLOPE	.05
77	508-0184	GROMMET - AIR SEAL	1
78	526-0065	WASHER	2
79	805-2	BUSHING STEP	8
80	1-654-010051-08	SCREW HEX HEAD CAP 3/8-16 X 1-3/4 GR5	8
81	1-861-010034-11	WASHER SPLIT LOCK 3/8	6
82	S25F-6	COUPLER 3/4 FEMALE HALF (BEFORE 7/98)	1
	105480	COUPLER, FLAT FACE FEMALE (AFTER 7/98)	1
	105482	COUPLER, DUST CAP FEMALE	1
83	S21F-6	COUPLER 3/4 MALE HALF (BEFORE 7/98)	1
	105479	COUPLER, FLAT FACE MALE (AFTER 7/98)	1
	105481	COUPLER, DUST CAP MALE	1
84	3-557-0140380	SUPPORT PIN	4
85	1-557-010362-63	COTTER PIN 1/4 X 2	8
86	10030	SEAL BAR STOCK - NEOPRENE SPONGE	60"
87	1-822-010001018	TRIM 3/8 X 18	1
88	3/4X1/2BUSH	BUSHING BLACK PIPE	1
89	RRT308X.75	TUBE ROUND 1-3/8 X 3/4	*1,0
90	3-182-010028	CLAMP MUFFLER	*1,0

* THE FIRST QUANTITY LISTED IS FOR THE 20HP ENGINE, THE SECOND QUANTITY LISTED IS FOR THE 24HP ENGINE.

NOTE: SEE PAGE 1-115 FOR ENGINE HARNESS DIAGRAM.

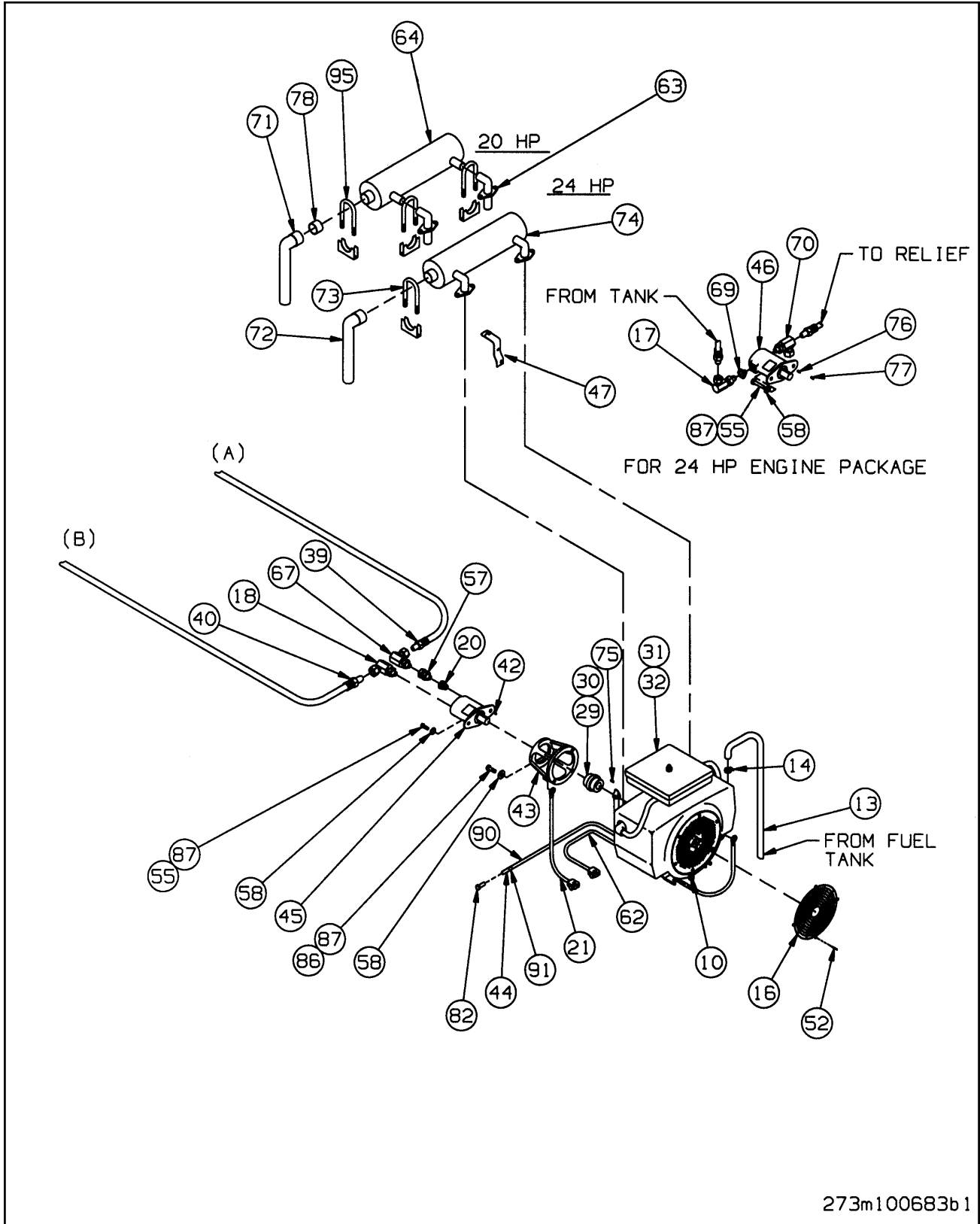
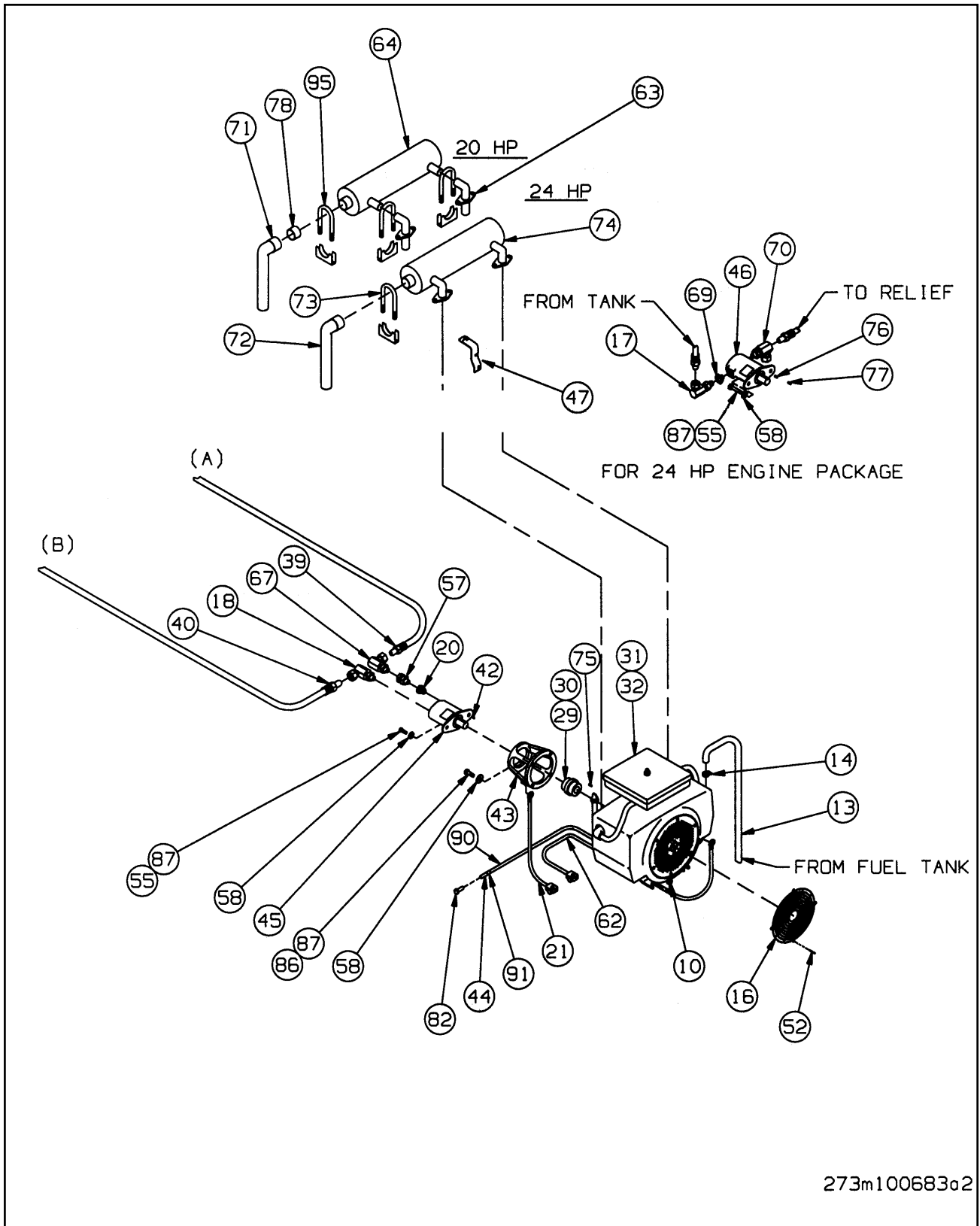


Figure 1-67 Engine Pkg Onan U/D (Optional) (1 of 2)



273m100683a2

Figure 1-68 Engine Pkg Onan U/D (Optional) (2 of 2)

AUXILIARY ENG PKG UPPER DECK (OPTIONAL)

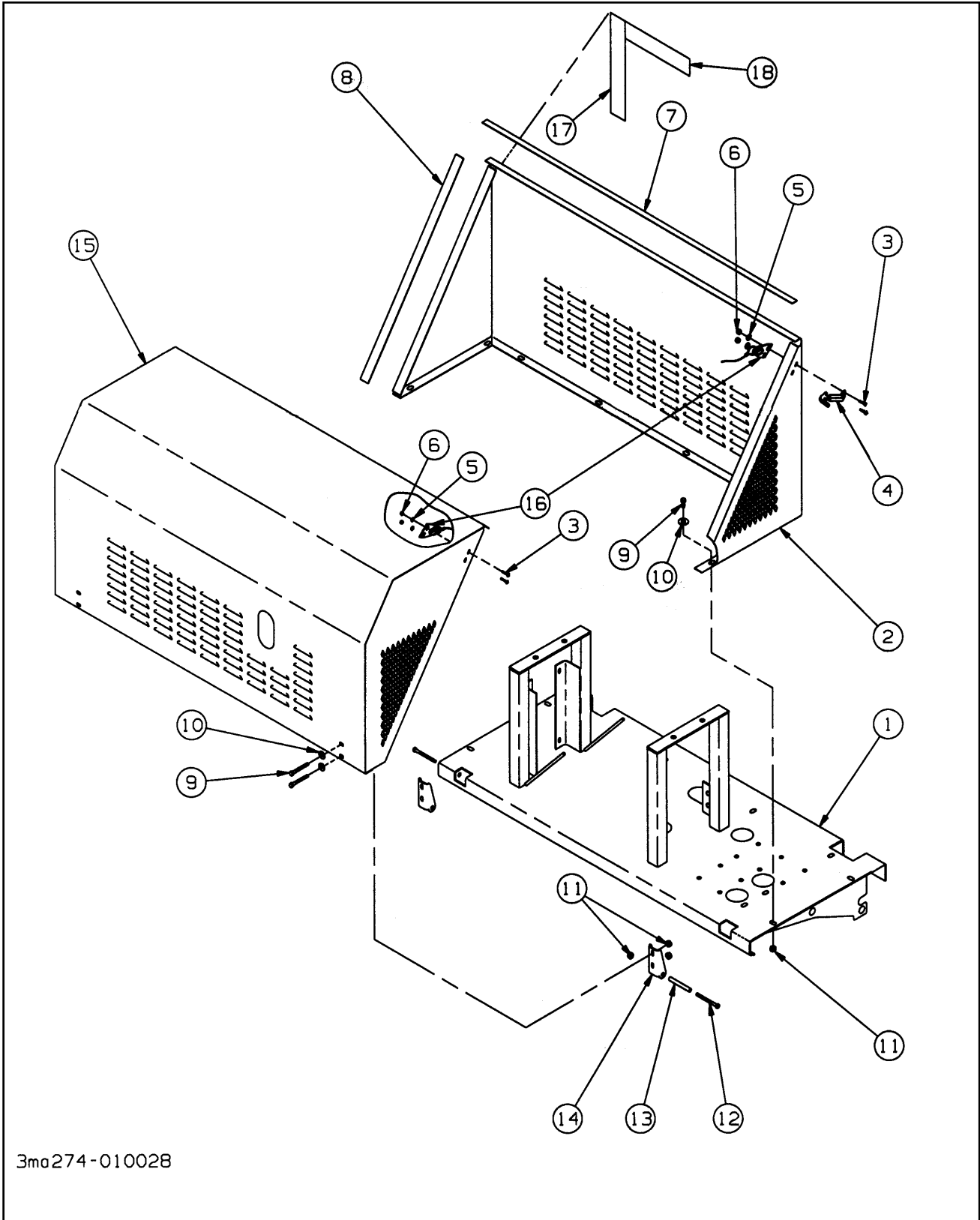
ITEM	PART NO.	DESCRIPTION	QTY.
	100683	ENGINE PACKAGE UPPERDECK 20HP	
	100684	ENGINE PACKAGE UPPERDECK 24HP	
1	CA-1595	MACHINE MOUNT 40 DROMETER	4
2	3-203-010001	RING TERMINAL	3
3	1-796-010003-02	TIE STRAP PLASTIC	6
4	10030	SEAL BAR - NEOPRENE SPONGE	60"
5	3-150-010166-16	BLACK PIPE BUSHING 1-1/4 X 3/4	2
6	1-295-010001	FILTER RETURN LINE	1
	1-295-010002	FILTER ELEMENT	1
7	1-879-010004	WIRE RED 14AWG	6'
8	1-879-010006	WIRE GREEN 14AWG	6'
9	1-879-010010	WIRE WHITE 14AWG	6'
10	1-512-010005-09	NUT HEX LOCK CAD W/WAX 1/2-13 GRB	12
11	1-654-010055-03	SCREW HEX HEAD CAP 1/2-13 X 1-1/2	12
12	1-861-010032-15	WASHER FLAT 1/2	4
13	104-0505-060	HOSE PRESS FUEL 1/4	1
14	105-0105	CLAMP HOSE IDEAL 6203	2
15	125130	RD12D HYDRAULIC BY PASS SRDD	1
16	134-4560	GUARD ONAN	1
17	2047-12-12S	ADAPTER 90	*2,3
18	2047-12-16S	ADAPTER 90	*1,0
19	1-007-010013	ADAPTER EXT/ INT PIPE	1
20	2081-16-8S	REDUCER EXT/ INT PIPE	*1,0
21	239-8113-48	CABLE BATTERY (NEG) QVX ENG.	1
22	2481X	BATTERY 12 VOLT	1
24	3-120-010124	BATTERY CLAMP BRACKET	1
25	3-155-010012	CABLE THROTTLE	1
26	3-155-010025	CHOKE CABLE	1
27	3-162-010001	FILLER BREATHER STRAINER ASSY	1
28	3-201-010002	CONDUIT PLASTIC FLEX 3/8	6'
29	3-220-010003	FLEXIBLE COUPLING	*1,0
30	3-220-010002	FLEXIBLE COUPLING	*0,1
31	3-273-010006	ENGINE 20HP ONAN	*1,0
32	3-273-010013	ENGINE 24HP ONAN	*0,1
33	100678	MOUNT WELDMENT 330 POWER CTR	1
34	3-744-010046	STRAP 3 GAL FUEL TANK	2
35	106285	ADAPTER 90 3/4MPT X 1/2FPT	2
36	3-786-010005	HYDRAULIC TANK 5TH WHEEL	1
37	1-397-010313066	HOSE ASSEMBLY 3/4	1
38	106345	HOSE ASSEMBLY 1/2	1
39	3-397-010152	HOSE ASSEMBLY 1/2	1
40	3-397-010261	HOSE ASSEMBLY 1/2	1
41	3/4COUPL	BLACK PIPE COUPLING	1
42	3-427-010003	KEY WOODRUFF 317/350	*1,0
43	3-482-010003	20HP HYDRAULIC PUMP MOUNT	1
44	3/8COUPL	BLACK PIPE COUPLING	1
45	3-591-010005	PUMP HYDRAULIC GEAR	*1,0
46	3-591-010003	PUMP HYDRAULIC GEAR	*0,1
47	3-482-010360	MOUNT CHOKE CABLE WLDMT	1
48	3-765-010005	IGNITION SWITCH	1
49	3-783-010013P	TANK FUEL 3 GAL	1
50	1-654-010049-07	SCREW HEX CAP 5/16-18 X 1-1/2 GR5	4

AUXILIARY ENG PKG UPPER DECK (OPTIONAL)

ITEM	PART NO.	DESCRIPTION	QTY.
51	1-861-010032-09	WASHER FLAT 5/16	8
52	3/16X3/4CS SELF	SCREW HEX HEAD CAP SELF DRILL	4
53	3/4NIPPLE	ALL THREAD NIPPLE	2
54	1-510-010001	NUT FLANGE LOCK 3/8-16	6
55	1-654-010051-06	SCREW HEX CAP 3/8-16 X 1-1/4 GR5	2
56	1-271-010005-05	ELBOW BLACK PIPE 90	1
57	2045-8-8S	INT PIPE SWIVEL EXT P 1/2-14	*1,0
58	1-861-010032-11	WASHER FLAT 3/8	14
59	3-272-010021	ELECTRICAL BUTT SPLICE	2
60	1-822-010001018	TRIM 3/8 X 18	1
61	3-272-010022	ELECTRICAL BUTT SPLICE	1
62	514-9045-60	CABLE BATTERY (POS) AUX ENGINE	1
63	541-0203	EXHAUST ADAPTER KIT	*1,0
64	541-0379	MUFFLER 20HP ONAN	*1,0
65	6600	VALVE SHUT-OFF GAS WEATHERHEAD	1
66	100682	TAG HOSE HYD. OIL DRAIN	1
67	2047-8-8S	ADAPTER	*1,0
68	1-512-010005-03	NUT HEX LOCK 5/16-18 GRB	4
69	2216-12-16S	ADAPTER 3/4-14 PIPE TO 1-5/16 O-RING ADAPTER	*1,0
70	1-007-010024	SWIVEL 90 1/2FPT X 3/4MPT	*0,1
71	3-276-010693	EXTENSION EXHAUST 20HP SLOPE	*1,0
72	3-276-010691	EXTENSION EXHAUST 24HP SLOPE	*0,1
73	3-181-010038	CLAMP MUFFLER	*0,1
74	541-0316	MUFFLER 24HP	*0,1
75	110-4338	SQUARE KEY 1/4 X 2	*REF,0
76	110-4334	KEY 3/16 X 1-1/4	*0,REF
77	110-4348	KEY 3/8 X 2	*0,REF
78	RRT308X.75	TUBE ROUND 1-3/8 X 3/4	1
83	1-560-010002-05	PLUG PIPE 3/4	1
84	805-2	BUSHING STEP	8
85	1-397-010313034	HOSE ASSEMBLY 3/4	1
86	1-654-010051-08	SCREW HEX HEAD CAP 3/8-16 X 1-3/4	8
87	1-861-010034-11	WASHER SPLIT LOCK 3/8	6
88	S25F-6	COUPLER 3/4 FEMALE HALF (BEFORE 7/98)	1
	105480	COUPLER, FLAT FACE FEMALE (AFTER 7/98)	1
	105482	COUPLER, DUST CAP FEMALE	1
89	S21F-6	COUPLER 3/4 MALE HALF (BEFORE 7/98)	1
	105479	COUPLER, FLAT FACE MALE (AFTER 7/98)	1
	105481	COUPLER, DUST CAP MALE	1
90	1-397-010374	HOSE ASSEMBLY 3/8"	1
91	100681	TAG HOSE ENGINE OIL DRAIN	1
92	1-512-010005-13	NUT HEX LOCK 5/8-11 GRB	4
93	1-654-010059-13	HEX CAP SCREW 5/8-11 X 4 GR5	4
94	1-861-010032-19	WASHER FLAT 5/8	8
95	3-182-010028	CLAMP MUFFLER	*1,0

* THE FIRST QUANTITY LISTED IS FOR P/N 100683 (20HP ENGINE); THE SECOND QUANTITY LISTED IS FOR P/N 100684 (24HP ENGINE).

NOTE: SEE PAGE 1-115 FOR ENGINE HARNESS DIAGRAM.



3mo274-010028

Figure 1-69 Engine Cover Assembly

ENGINE COVER ASSEMBLY

ITEM	PART NO.	DESCRIPTION	QTY.
	3-274-010028	ENGINE COVER ASSEMBLY FRONT MOUNT	
1	3-482-010510	MOUNT WLDMT HYD. POWER CENTER	REF
2	3-222-010167	COVER BACK POWER CENTER	1
3	110-0116	SCREW ROUND HEAD CAP 10-24 X 3/4	8
4	3-443-010018	LATCH FLEXIBLE DRAW LEVER ASSIST	2
5	1-861-010032-04	WASHER FLAT 3/16	8
6	1-512-010004-03	NUT HEX LOCK 10-24 GRA	8
7	1-659-010011056	SEAL NEOPRENE SPONGE	1
8	1-659-010011032	SEAL NEOPRENE SPONGE	2
9	1-654-010051-06	SCREW HEX HEAD CAP 3/8-16 X 1-1/4 GR5	12
10	1-861-010032-11	WASHER FLAT 1/2	12
11	1-510-010001	NUT FLANGE LOCK 3/8-16	14
12	3/8-16X5-1/2CS	CAPSCREW 3/8-16 X 5-1/2 GR5	2
13	3-831-010158	TUBE PIVOT HINGE BRACKET	2
14	3-120-010284	BRACKET HINGE	2
15	3-222-010166	COVER WELDMENT FRONT	1
16	3-744-010041	STRAP ASSEMBLY ENGINE PACKAGE COVER	2

NOTE: COVER FITS P/N'S 3-273-010027-01, -02 (FRONT MOUNT) AND 100683, 100684 (UPPER DECK MOUNT) ENGINE PACKAGES.

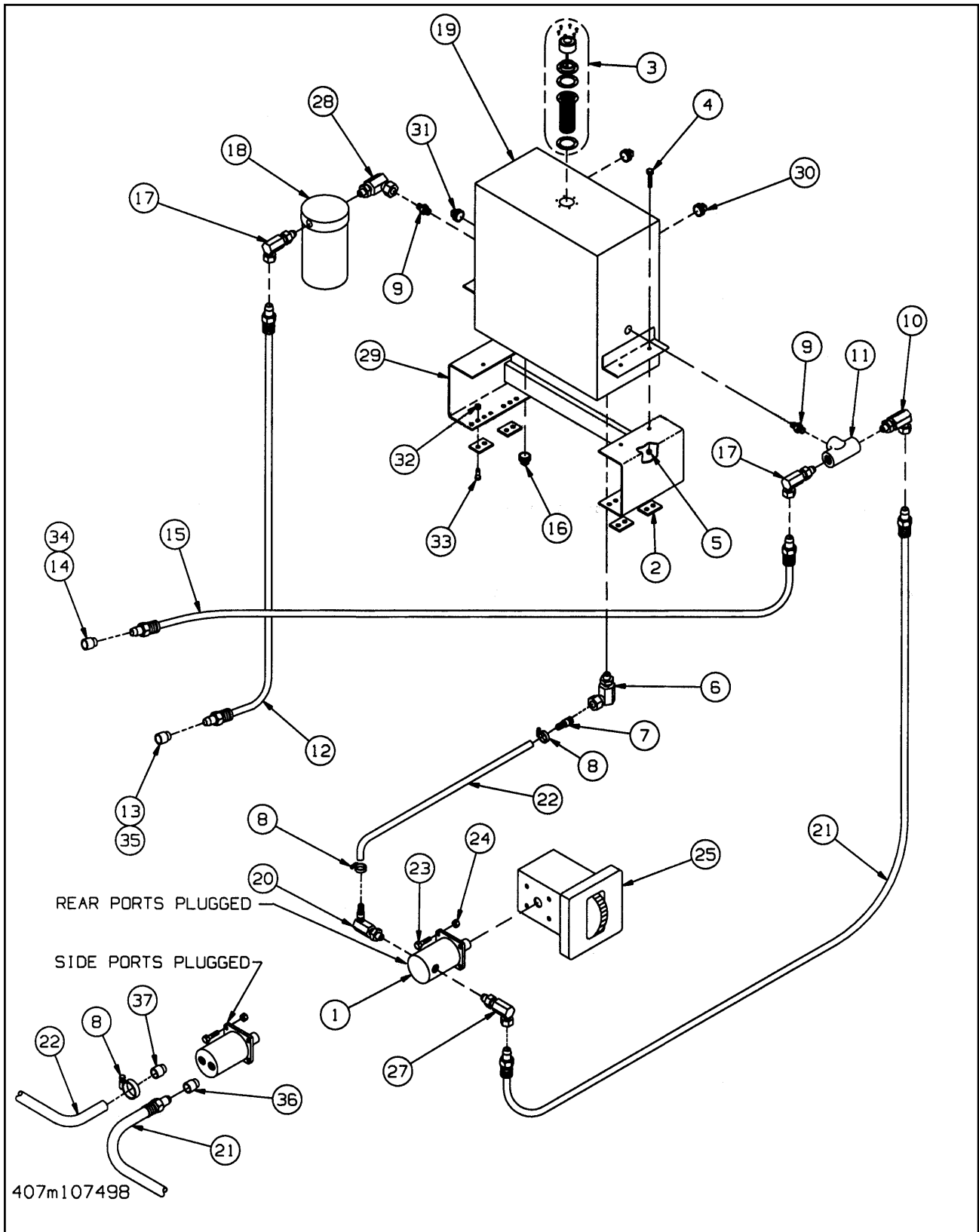


Figure 1-71 Hydraulic Wet Kit (Optional)

FRONT EXTENSION AND BULKHEAD ASSY(OPTIONAL)

ITEM	PART NO.	DESCRIPTION	QTY.
	B7-141-003	BULKHEAD CHAIN RACK INSTALLATION (ITEMS 1-4)	
	3-141-010121	BULKHEAD INSTALLATION (ITEMS 5-13)	
	3-141-010123	BULKHEAD INSTALLATION 2 POSITION (ITEMS 14-19)	
	3-117-010071	BRACE INST. STABILIZING 48' BULKHEAD (ITEMS 20-25)	
1	3-141-010008	CHAIN HANGER LOCKING CHANNEL WLDMT	1
2	1-861-010032-11	WASHER, FLAT 3/8	1
3	1-861-010034-11	WASHER, SPLIT LOCK 3/8	1
4	3/8-16 X 1-1/4 CS	SCREW, HEX HEAD CAP 3/8-16 X 1-1/4 GR5	2
5	3-141-010155	BULKHEAD WELDMENT 48 X 96 (96)	1
	3-141-010152	BULKHEAD WELDMENT 16 X 102 (102) (NOT SHOWN)	1
6	6-557-010163	PIN HITCH LEVEL LINK	2
7	1-512-010005-09	NUT HEX LOCK 1/2-13 GRB (102)	6
8	1-861-010032-15	WASHER PLAIN TYPE A 1/2 (102)	6
9	3-711-010025	SPACER (102)	2
10	1-654-010055-13	SCREW HEX HEAD CAP 1/2-13X4 GR5 (102)	2
11	1-654-010055-03	SCREW HEX HEAD CAP 1/2-13X1-1/2 GR5 (102)	4
12	3-054-010101	BAR SIDE BULKHEAD EXTENSION (102)	2
13	1-557-010362-63	COTTER PIN 1/4X2	4
14	3-141-010118	BULKHEAD WELDMENT 16 X 96	1
	3-141-010119	BULKHEAD WELDMENT 16 X 102	1
	3-141-010151	BULKHEAD WELDMENT 16/24 X 96	1
	3-141-010147	BULKHEAD WELDMENT 16/24 X 102	1
16	3-755-010080	SUPPORT WELDMENT BULKHEAD	2
17	3-557-010380	SUPPORT PIN	6
18	1-557-010362-63	COTTER PIN 1/4X2	10
19	1-557-010014	HAIRPIN	2
20	3-117-00069	BRACE LH STABILIZING 48' BULKHEAD	1
21	3-117-010070	BRACE RH STABILIZING 48' BULKHEAD	1
22	1-654-010055-03	SCREW HEX HEAD CAP 1/2-13X1-1/2 GR5	8,4*
23	1-654-010055-14	SCREW HEX HEAD CAP 1/2-13X4-1/2 GR5 (102)	4
24	1-861-010032-15	WASHER FLAT 1/2W	8
25	1-512-010005-09	NUT HEX LOCK 1/2-13 GRB	8
26	3-711-010025	SPACER, 48" BULKHEAD (102)	2

* 1ST QUANTITY LISTED IS FOR STABILIZING BRACE INSTALLATION 96" WIDE TRAILER; 2ND QUANTITY LISTED IS FOR STABILIZING BRACE INSTALLATION 102" TRAILER

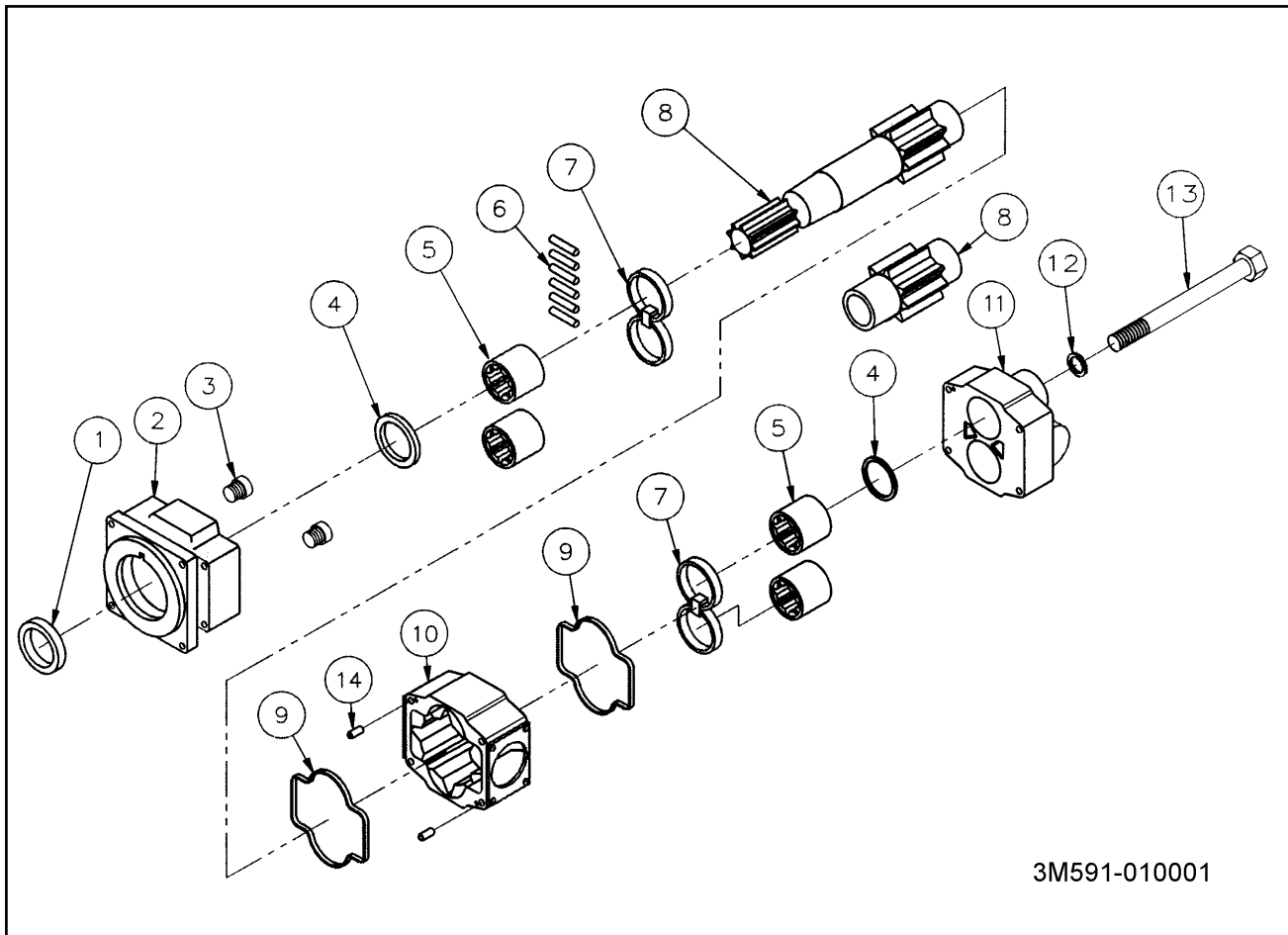


Figure 1-72 Hydraulic Pump, Wet Kit (Optional)

HYDRAULIC WET KIT (OPTIONAL)

ITEM	PART NO.	DESCRIPTION	QTY.
	107498	HYDRAULIC WET KIT W/ PTO INSTALLED	
	107499	HYDRAULIC WET KIT W/ PTO NOT INSTALLED	
	107500	HYDRAULIC WET KIT W/O PTO NOT INSTALLED	
1	3-591-010001	HYDRAULIC GEAR PUMP (SEE PAGE 1-137)	1
2	3-120-010461	BRACKET, HYD TANK MOUNT SUPPORT	4
3	3-162-010001	FILLER BREATHER STRAINER ASSEMBLY	1
4	1-654-010051-06	SCREW HEX HEAD CAP 3/8-16X1-1/4 GR5	4
5	1-512-010005-05	NUT HEX LOCK GRB	4
6	1-1/4ST ELL	BLACK PIPE ELBOW 90 ST	1
7	3-561-010001	HOSE BARB 1-1/4	1
8	6828	IDEAL HOSE CLAMP	2
9	C3069X12	NIPPLE HEX	2
10	2024-12-8S	ADAPTER 90	1
11	125130	RD12D HYD BY PASS SRDD	1
12	106760	HOSE 3/4 X 164	1
13	105479	COUPLER FLAT FACE MALE NOSE	1
14	105480	COUPLER FLAT FACE FEMALE BODY	1
15	106759	HOSE ASSEMBLY 1/2 X 164	1
16	1-560-010002-07	PLUG, BLACK PIPE 1-1/4 SQ HEAD	1

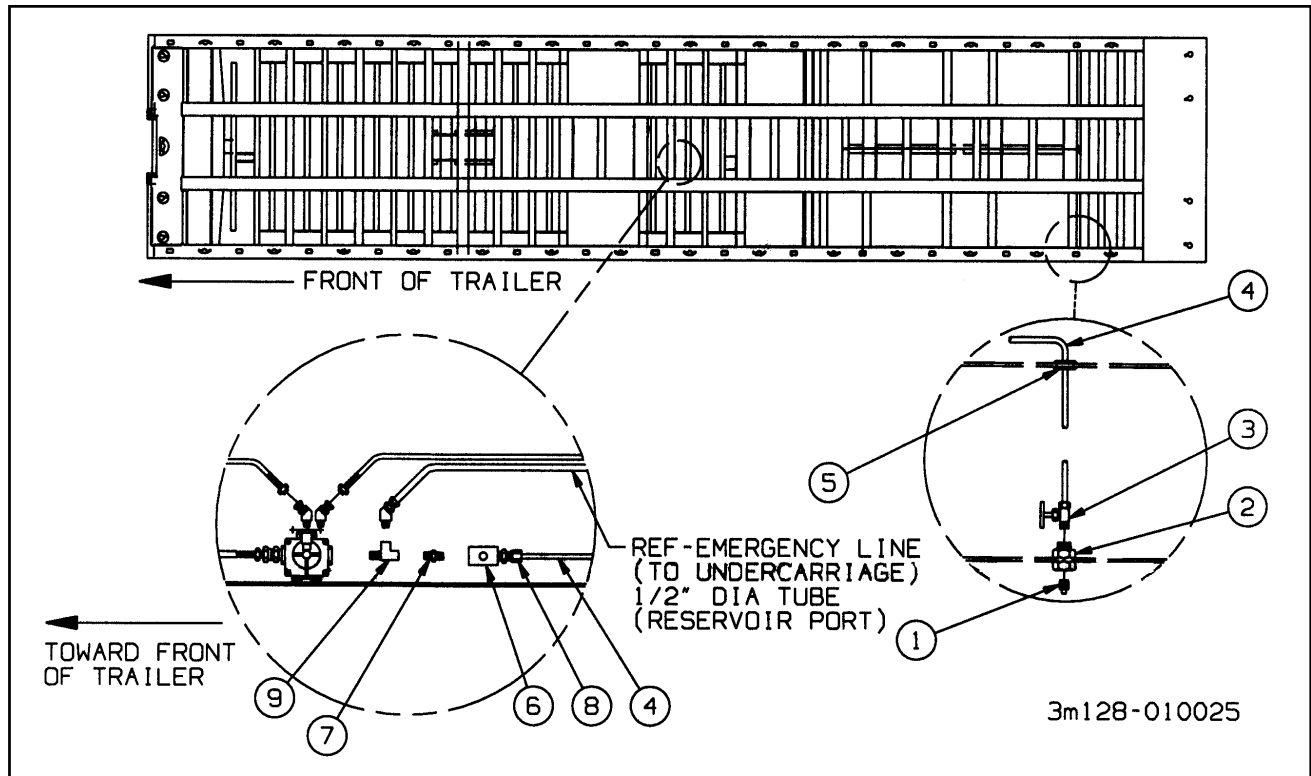


Figure 1-73 Air Outlet Accessory (Optional)

HYDRAULIC WET KIT (OPTIONAL)

ITEM	PART NO.	DESCRIPTION	QTY.
17	2024-12-12S	ADAPTER 90	2
18	1-295-010001	FILTER, RETURN	1
	1-295-010002	FILTER ELEMENT	1
19	3-786-010043	TANK, HYDRAULIC	1
20	1-007-010006	ELBOW 90, 1-5/16 O-RING 1-1/4 HOSE	1
21	1-397-010301100	HOSE ASSEMBLY 1/2 X 100	1
22	3-399-010001	HOSE 1-1/4 X 4 - 0" SUCTION	8'
23	1-654-010055-03	SCREW HEX HEAD CAP 1/2-13 X 1-1/2 GR5	4
24	1-861-010034-13	WASHER SPLIT LOCK 1/2	4
25	PTO	POWER TAKE OFF	*1,—
27	2062-16-8S	ADAPTER, 90	1
28	2047-12-12S	ELBOW 90 SWIVEL	1
29	3-482-010503	TANK MOUNT	1
30	1-560-010002-05	PIPE PLUG 3/4	2
31	1-560-010002-04	PIPE PLUG 1/2	1
32	1-512-010005-09	NUT, HEX LOCK 1/2-13 GRB	4
33	1-654-010055-04	SCREW, HEX HEAD CAP 1/2-13 X 1-3/4 GR5	4
34	105482	COUPLER, DUST CAP FEMALE	1
35	105481	COUPLER, DUST CAP MALE	1
36	12-16 070120	ADAPTER	1
37	107513	ADAPTER	1

* FIRST QUANTITY LISTED IS FOR P/N'S 107498 AND 107499 HYDRAULIC WET KIT W/ PTO; SECOND QUANTITY LISTED IS FOR P/N 107500 HYDRAULIC WET KIT W/O PTO.

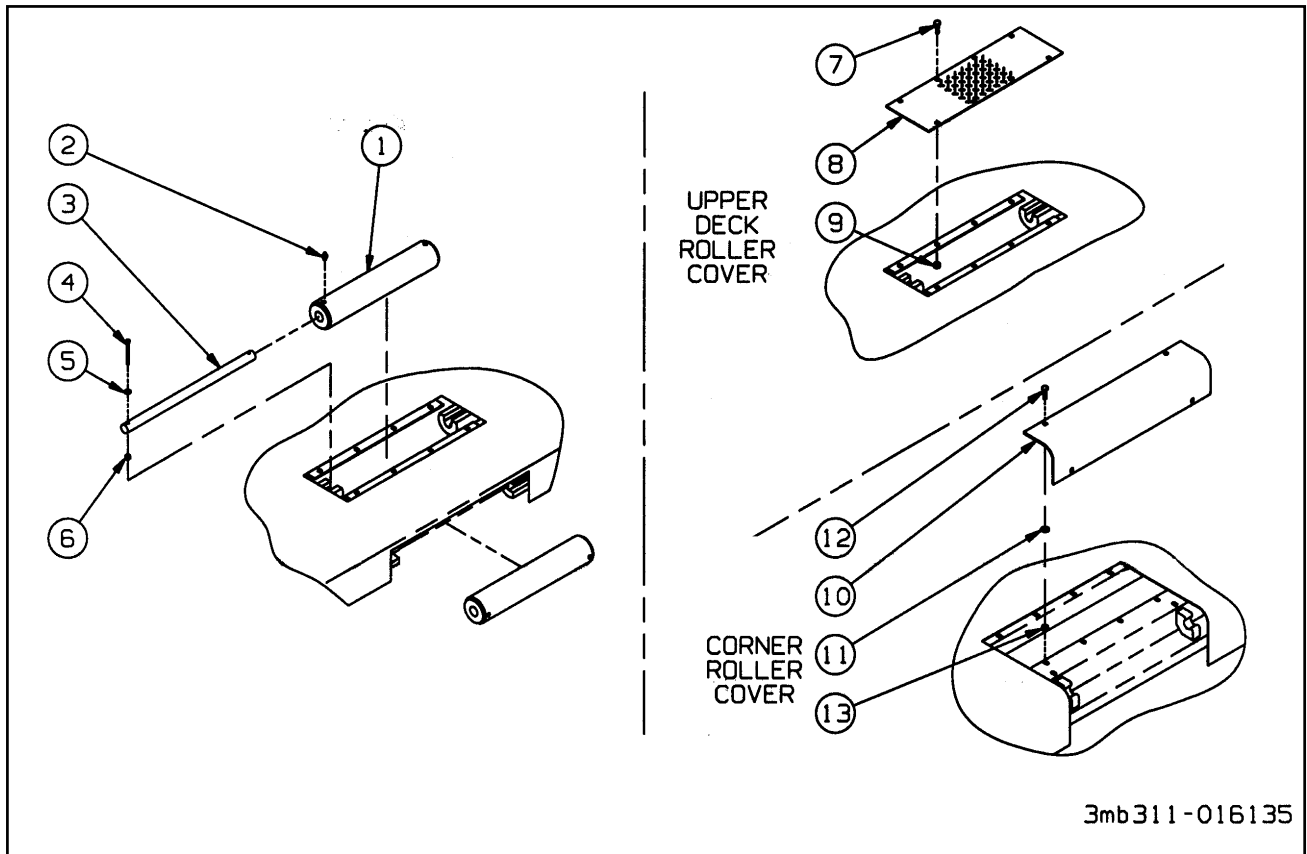


Figure 1-75 Slope Roller Guide 90 (Optional)

HYDRAULIC PUMP, WET KIT (OPTIONAL)

ITEM	PART NO.	DESCRIPTION	QTY.
	3-591-010001	HYDRAULIC PUMP ASSEMBLY	
1	X73-37-16	SEAL SHAFT	1
2	EB 1685-3	COVER SHAFT END	1
3	M 1391-K	CHECK	2
4	LB 1669-1	SEAL RING	2
5	Y 1032	BEARING ROLLER	4
6	BA 3026-2	STRIP POCKET SEAL	1
7	AA 1058	PLATE THRUST	2
8	BD 1135M-3-17	GEAR SET SHAFT	1
9	UB 3006-242	GASKET HOUSING	2
10	RA 1688-17-64	HOUSING	1
11	XA 1603	PORT END	1
12	X 144-3	WASHER	1
13	X2-25	STUD	1
14	391-1802-119	SEAL KIT	

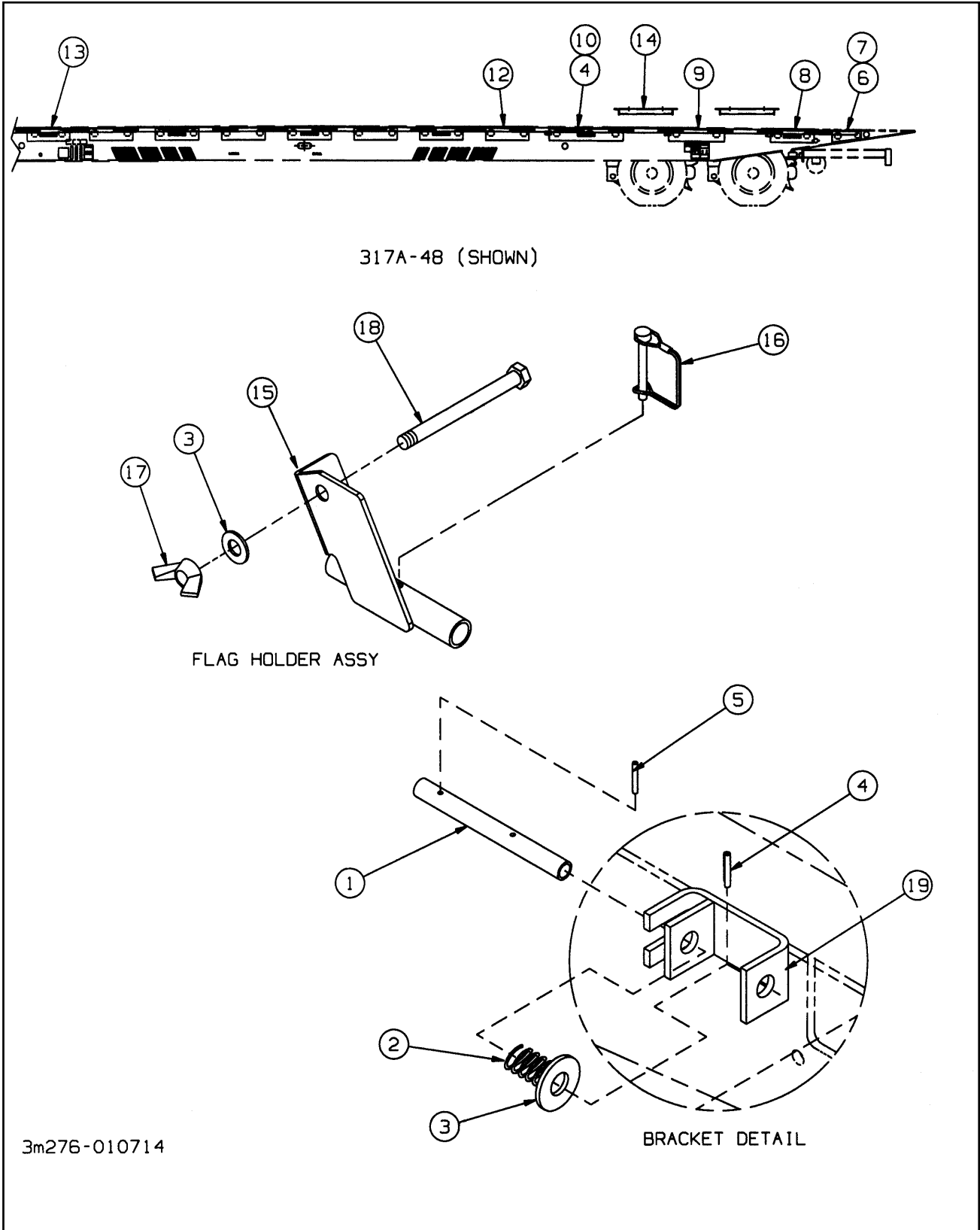


Figure 1-76 Extension Installation 317B (Optional)

AIR OUTLET ASSEMBLY (OPTIONAL)

ITEM	PART NO.	DESCRIPTION	QTY.
	3-128-010025	AIR OUTLET ACCESSORY	
1	1-560-010002-02	PLUG PIPE	1
2	1-297-010022-02	FITTING AIR ANCHOR COUPLING	1
3	A6760S	SHUT OFF VALVE	1
4	1-833-010002	TUBING NYLON	20
5	1-343-010007	GROMMET	1
6	905-54-107	BRAKE PROTECTION VALVE	1
7	2083-8-4S	NIPPLE HEX 1/2PIPE - 1/4PIPE	1
8	1-297-010007-11	FITTING AIR	1
9	1-297-010018-04	FITTING AIR	1

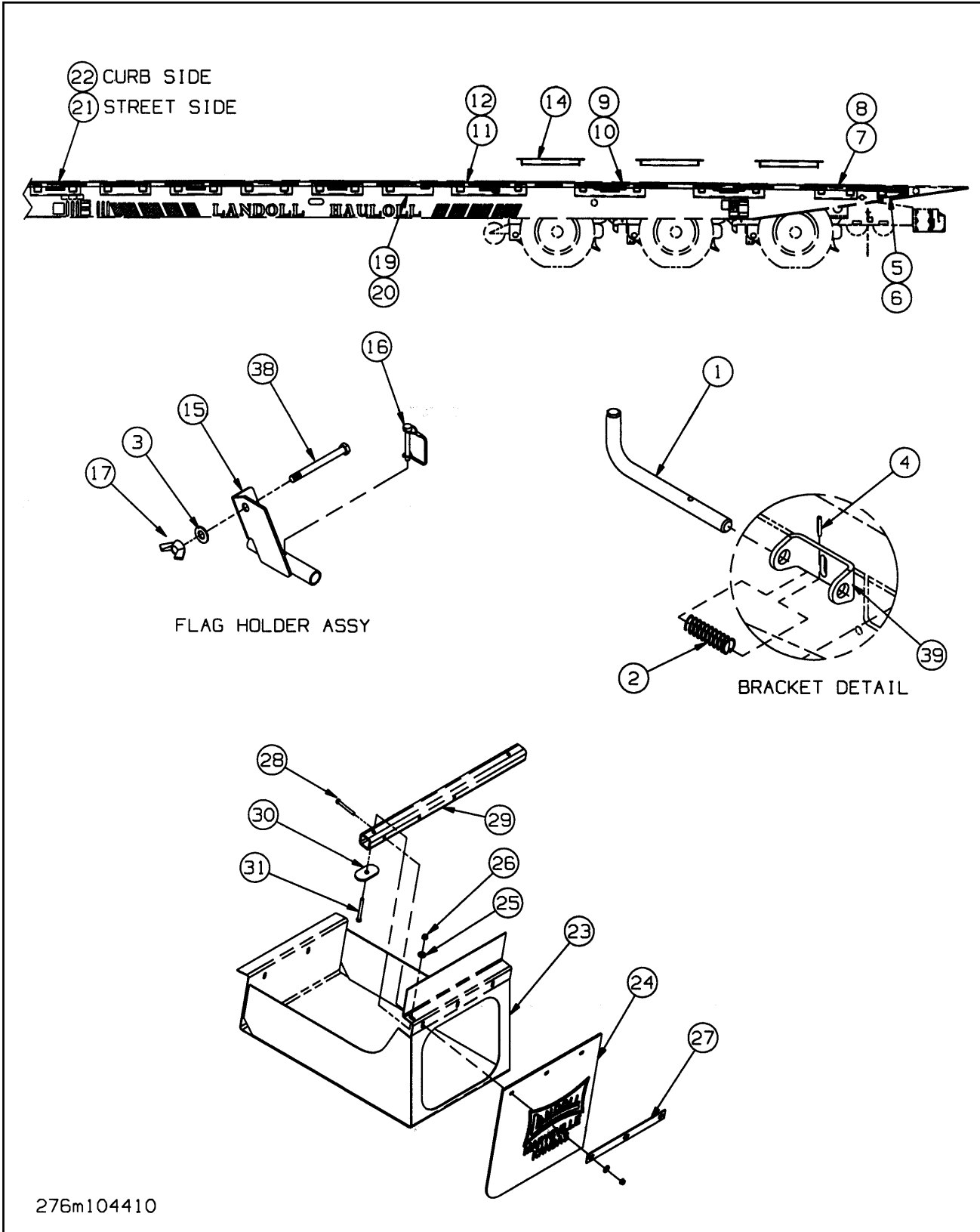


Figure 1-77 Extension Installation 318B (Optional)

SLOPE ROLLER GUIDE 45 (OPTIONAL)

ITEM	PART NO.	DESCRIPTION	QTY.
	3-352-010027	GUIDE INSTALLATION, WINCH CABLE, SLOPE ROLLER	
1	3-352-010026	GUIDE ASSEMBLY, WINCH CABLE, SLOPE ROLLER	1
2	1-654-010070-13	SCREW, RD HEAD SQ NECK 1/2-13X4 GR5	2
3	1-654-010070-07	SCREW, RD HEAD SQ NECK 1/2-13X2-1/GR5	4
4	3-177-010191	CHANNEL CLAMPING SLOPE ROLLER	1
5	1-512-010005-09	NUT HEX LOCK 1/2-13 GRB	6
6	1-861-010032-15	WASHER FLAT 1/2W	6

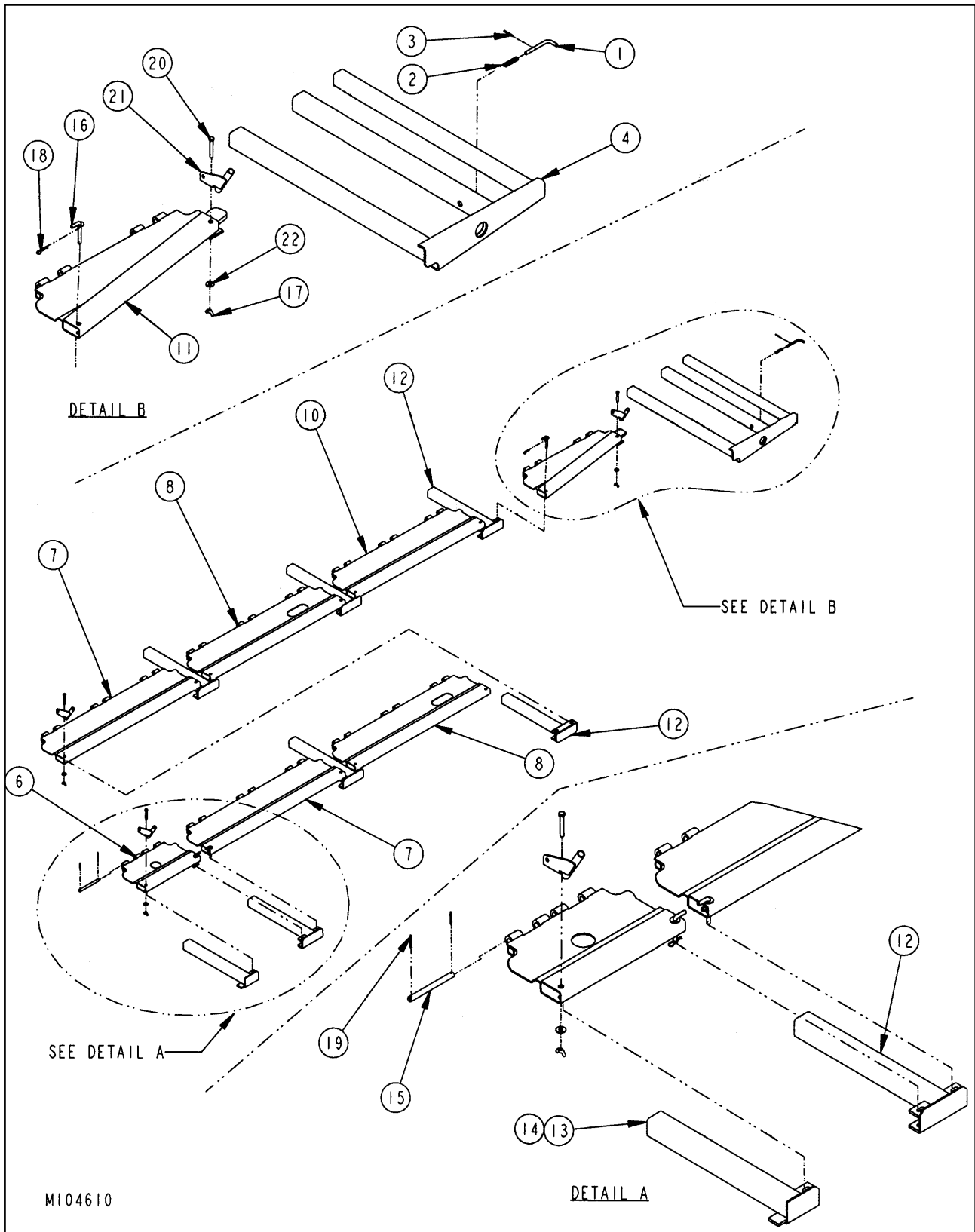


Figure 1-78 Extension Installation 319B (Optional)

SLOPE ROLLER 90° DROP DECK (OPTIONAL)

ITEM	PART NO.	DESCRIPTION	QTY.
	3-645-010085	ROLLER ASSEMBLY SLOPE	1
1	3-645-010059	ROLLER WELDMENT CABLE - UPPER DECK	2
2	1-298-010001-1	ZERK FITTING 1/4	4
3	3-642-010134	ROD ROLLER	2
4	1-654-010055-11	SCREW HEX HEAD CAP 1/2-13 X 3-1/2 GR5	4
5	1-861-010032-15	WASHER FLAT 1/2	4
6	1-512-010005-09	NUT HEX LOCK 1/2-13 GRB	4

COVER PLATE INSTALLATION - UPPER DECK ROLLER (OPTIONAL)

	3-222-010199	COVER PLATE INST. - UPPER DECK ROLLER	
7	1-654-010070-02	SCREW RD HEAD SQ NECK 1/2-13 X 1-1/4	8
8	3-222-010198	COVER UPPER DECK ROLLER	1
9	1-512-010005-09	NUT HEX LOCK 1/2-13 GRB	8

COVER PLATE INSTALLATION - CORNER ROLLER (OPTIONAL)

	3-222-010227	COVER PLATE INSTL. - CORNER ROLLER	
10	3-535-011757	PLATE CABLE WEAR	1
11	1-861-010032-14	WASHER FLAT 1/2 N	4
12	1-654-010070-03	SCREW RDHD SQNK 1/2-13X1-1/2	4
13	1-512-010005-09	NUT HEX LOCK 1/2-13 GRB	4

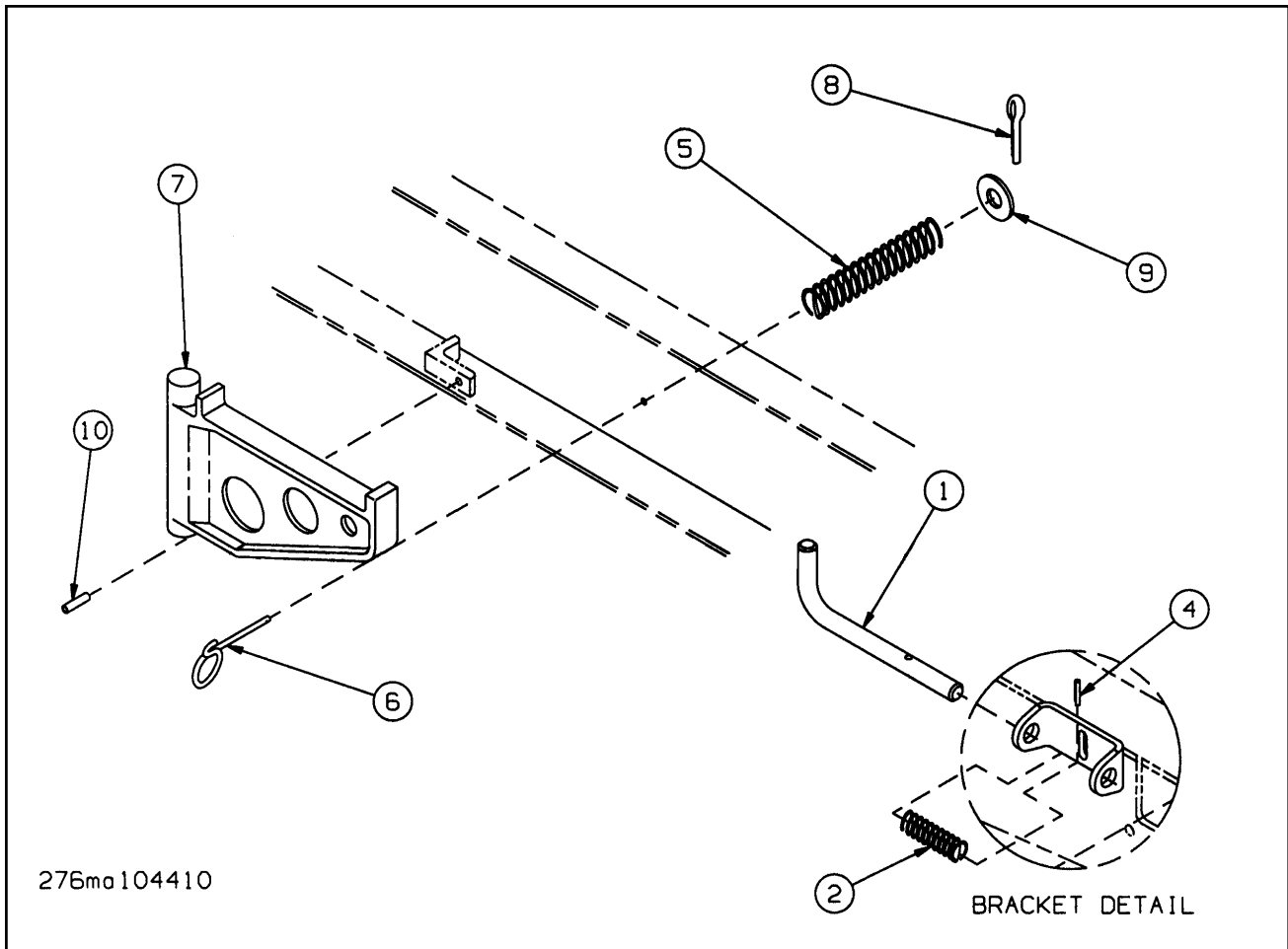


Figure 1-79 Outrigger Installation 318B (Optional)

EXTENSION INSTALLATION PULL-OUT 317B (OPTIONAL)

ITEM	PART NO.	DESCRIPTION	QTY.
	3-276-010714	EXTENSION INSTALLATION PULL-OUT	
1	3-557-010375	PIN SLIDE LOCK	24,26,28*
2	CO-975-74-2000	SPRING COMPRESSION	24,26,28*
3	1-861-010032-15	WASHER FLAT 1/2W	30,32,34*
4	1-647-010004117	ROLL PIN 1/8 X 3	24,26,28*
5	0600-250-03000	ROLL PIN 1/4 X 3	24,26,28*
6	3-276-010713	EXTENSION 14IN LH PULL-OUT	1
7	3-276-010712	EXTENSION 14IN RH PULL-OUT	1
8	3-276-010711	EXTENSION 21IN REAR PULL-OUT	2
9	3-276-010710	EXTENSION 27IN PULL-OUT	2
10	3-276-010709	EXTENSION 36IN LH PULL-OUT	1
11	3-276-010708	EXTENSION 36IN RH PULL-OUT	1
12	3-276-010707	EXTENSION 21IN PULL-OUT	14,16,18*
13	3-276-010706	EXTENSION 21IN FRONT PULL-OUT	2
14	3-276-010774	EXTENSION WHEEL WELL BRIDGE	4
15	101062	BRACKET FLAG HOLDER	6
16	516-22PTL	RETAINING PIN MUD FLAP	6
17	1-533-010001	WING NUT 1/2	6

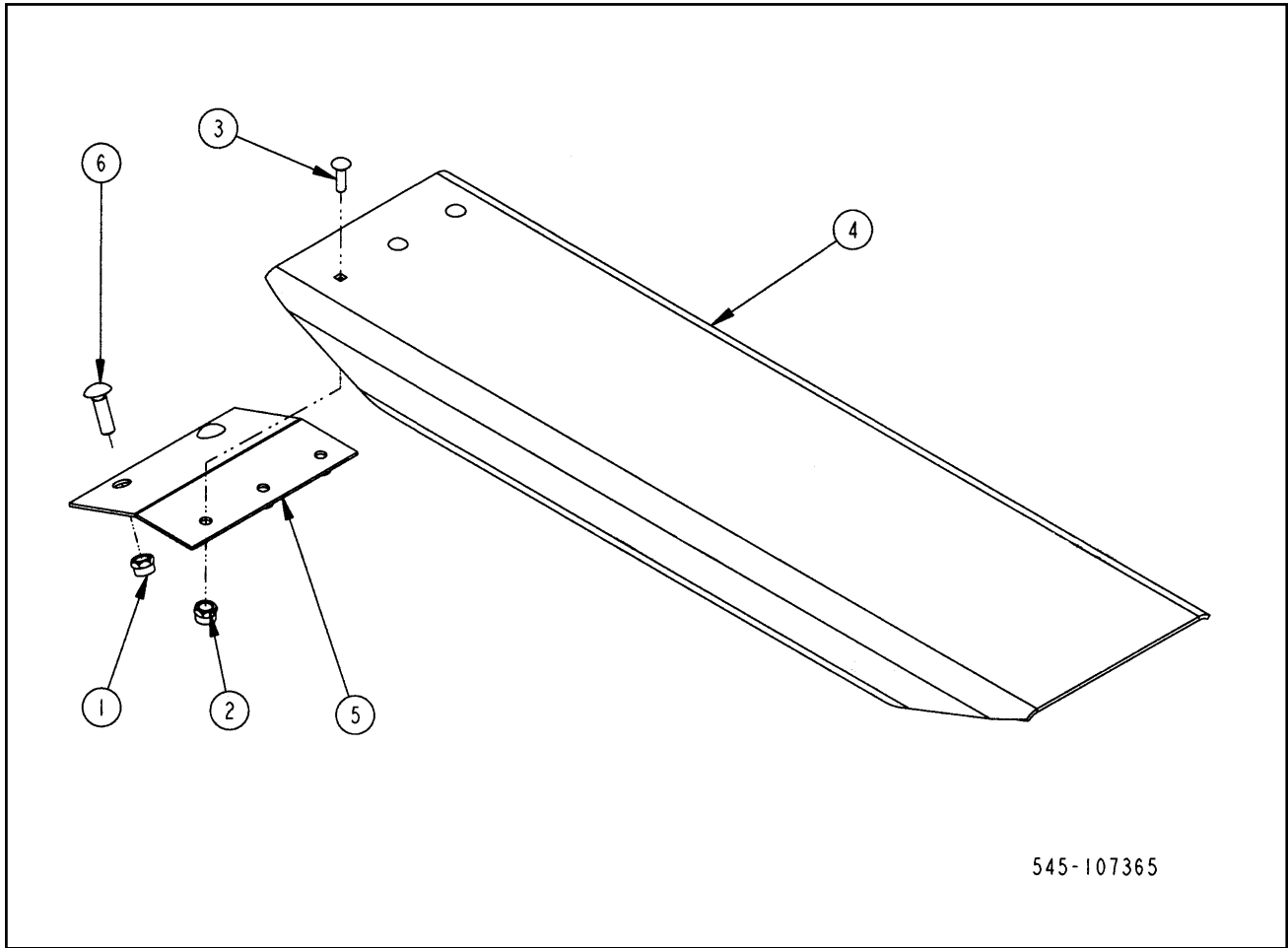
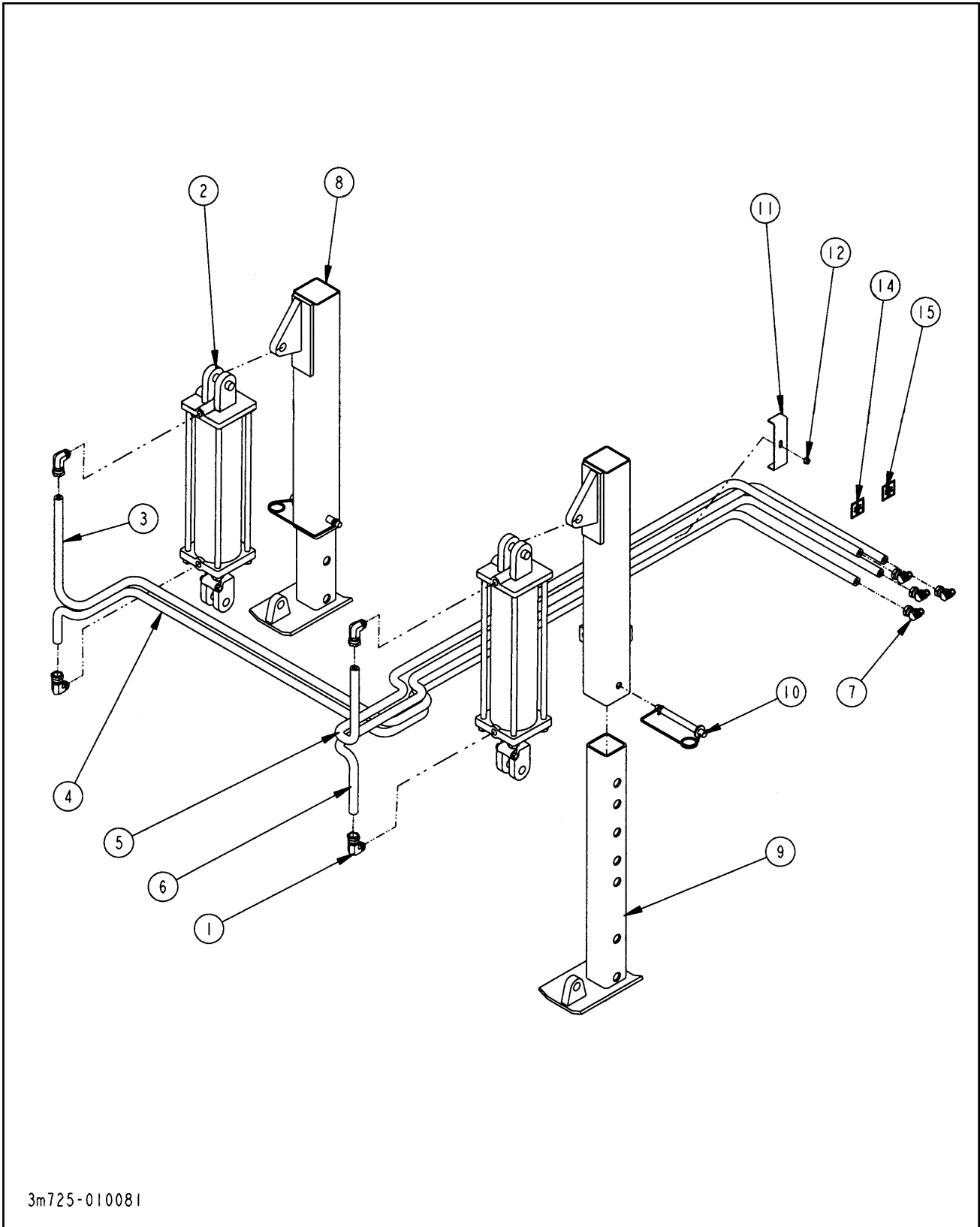


Figure 1-80 Ramps (Optional)

EXTENSION INSTALLATION PULL-OUT 317B (OPTIONAL)

ITEM	PART NO.	DESCRIPTION	QTY.
18	1-654-010055-14	SCREW, HEX HEAD CAP 1/2-13 X 4-1/2 GR5	6
19	3-125-010222	BRACKET, WELDMENT LOCK PULL OUT EXT.	AR

*FIRST QUANTITY IS FOR THE 48' TRAILER, SECOND QUANTITY IS FOR THE 50' TRAILER, THIRD QUANTITY IS FOR THE 53' TRAILER.



3m725-010081

Figure 1-81 Landing Gear Instal.- Hydraulic (Optional)

EXTENSION INSTALLATION PULL-OUT 318B (OPTIONAL)

ITEM	PART NO.	DESCRIPTION	QTY.
	104410	EXTENSION INSTALLATION 48	
	104411	EXTENSION INSTALLATION 50	
	104412	EXTENSION INSTALLATION 53	
1	104252	PIN P/O EXT LOCK	22,24,26*
2	104253	SPRING COMPRESSION P/O EXT LOCK	22,24,26*
3	1-861-010032-15	WASHER FLAT 1/2W	6
4	1-657-010004177	PIN SPRING SLOTTED	22,24,26*
5	104413	EXTENSION 14IN LH REAR PULL-OUT	1
6	104414	EXTENSION 14IN RH REAR PULL-OUT	1
7	104415	EXTENSION 19IN LH REAR PULL-OUT	1
8	104416	EXTENSION 19IN RH REAR PULL-OUT	1
9	104417	EXTENSION LH BETWEEN AXLE PULL-OUT	2
10	104418	EXTENSION RH BETWEEN AXLE PULL-OUT	2
11	3-276-010729	EXTENSION 34IN LH 3 TUBE PULL-OUT	1
12	3-276-010718	EXTENSION 34IN RH 3 TUBE PULL-OUT	1
14	3-276-010774	EXTENSION WHEEL WELL BRIDGE	6
15	101062	BRACKET FLAG HOLDER	6
16	516-22PTL	RETAINING PIN MUD FLAP	6
17	1-533-010001	WING NUT 20 1/2-13 TYPE A	6
19	104420	EXTENSION RH WHEEL WELL PULL-OUT	1
20	104419	EXTENSION LH WHEEL WELL PULL-OUT	1
21	3-276-010715	EXTENSION LH PULL-OUT 323-23/16	5,6,7*
22	3-276-010755	EXTENSION RH PULL-OUT 323-23/16	5,6,7*
23	105343	RACK WELDMENT EXT BRIDGE STORAGE	1
24	105355	MUD FLAP MOD BRIDGE STORAGE	1
25	1-861-010032-11	WASHER FLAT 3/8W	5
26	1-510-010001	NUT FLANGE LOCK 3/8-16	5
27	105354	CLAMP MUD FLAP BRIDGE STORAGE RACK	1
28	1-654-010051-13	SCREW HEX HEAD CAP 3/8-16X3 GR5	3
29	105346	SUPPORT RACK EXT BRIDGE	1
30	3-861-010047	WASHER FLAT PUMP MOUNT	2
31	1-654-010051-16	SCREW HEX HEAD CAP 3/8-16X3-3/4 GR5	2
38	1-654-010055-14	SCREW HEX HEAD CAP 1/2-13X4-1/2 GR5	6
39	104251	BRACKET, PULL-OUT EXTENSION LOCK PIN	AR

* FIRST QUANTITY IS FOR THE 48 TRAILER, SECOND QUANTITY IS FOR THE 50 TRAILER, THIRD QUANTITY IS FOR THE 53 TRAILER.

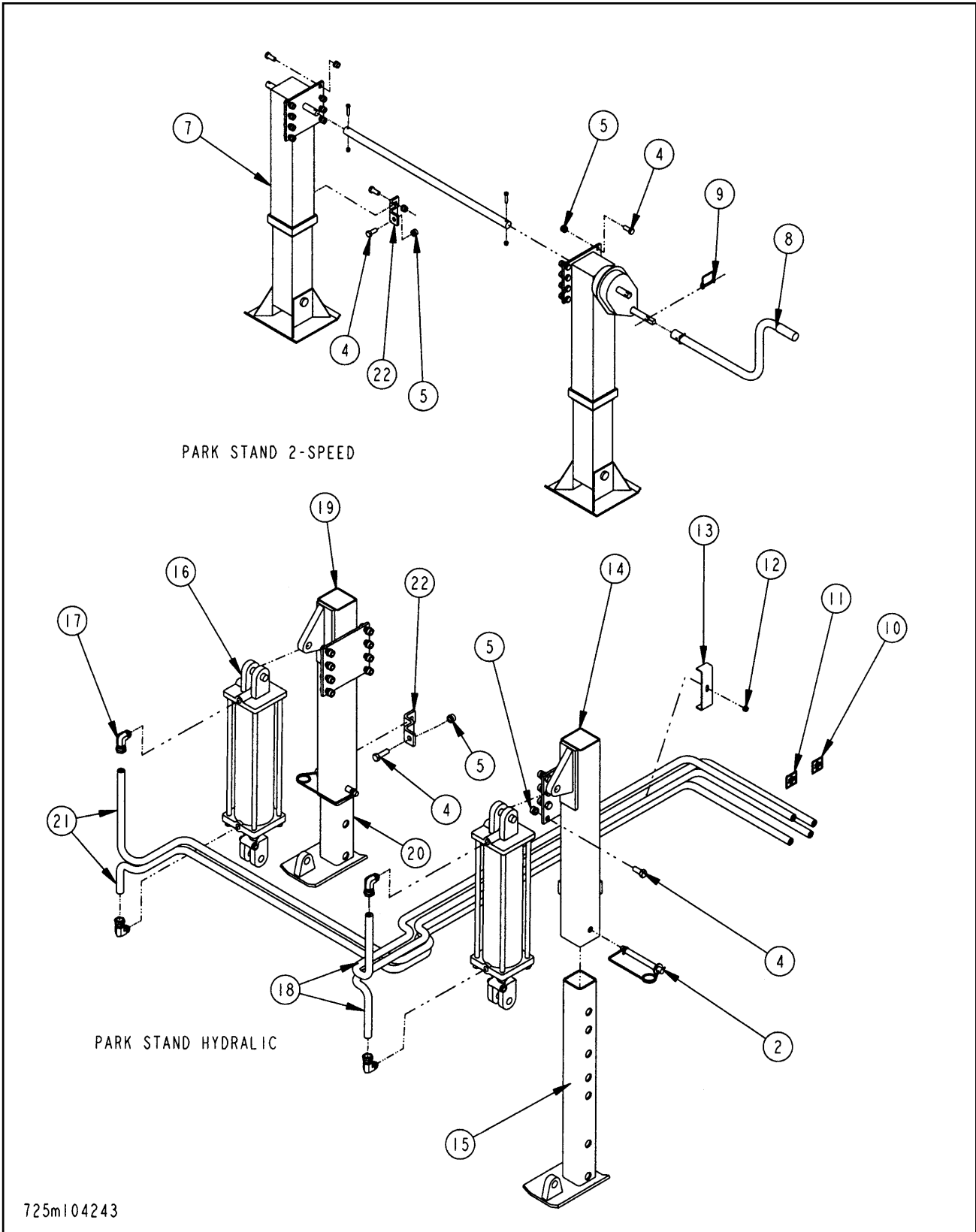


Figure 1-82 Landing Gear Instal.- Bolt-On (Optional)

EXTENSION INSTALLATION FLIP-UP 319B (OPTIONAL)

ITEM	PART NO.	DESCRIPTION	QTY.
	104610	EXTENSION INSTALLATION FLIP-UP 48	
1	104252	PIN P/O EXT LOCK	4
2	104253	SPRING COMPRESSION P/O EXT LOCK	4
3	104597	PIN SPRING SLOTTED	1
4	104835	EXTENSION REAR PULLOUT LH	1
5	104836	EXTENSION REAR PULLOUT RH (NOT SHOWN)	1
6	104837	EXTENSION 48 1ST	1
7	104838	EXTENSION 48 2ND/4TH	1
8	104839	EXTENSION 48 3RD/5TH FLIP-UP LH	1
9	104840	EXTEN. 48 3RD/5TH FLIP-UP RH (NOT SHOWN)	1
10	104841	EXTENSION 48 6TH FLIP-UP	1
11	104843	EXTENSION 48 REAR FLIP-UP LH	1
12	3-276-010051	EXTENSION SUPPORT	12
13	3-276-010053	FRONT EXTENSION SUPPORT LEFT	1
14	3-276-010054	FRONT EXTENSION SUPPORT RIGHT	1
15	3-557-010029	HINGE PIN TR OVERWIDTH	38
16	3-557-010042	SUPPORT TUBE PIN	28
17	1-533-010001	WING NUT 20 1/2-13 TYPE A	6
18	1-557-010403	HAIRPIN 1/8	28
19	1-647-010004213	PIN SPRING SLOT 1/4 X 1	76
20	1-654-010055-11	SCREW HEX HEAD CAP 1/2-13 X 3-1/2 GR5	6
21	101062	BRACKET FLAG HOLDER	6
22	1-861-010032-15	WASHER, FLAT 1/2W	6
23	104844	EXTENSION, 48 REAR FLIP-UP RH (NOT SHOWN)	1

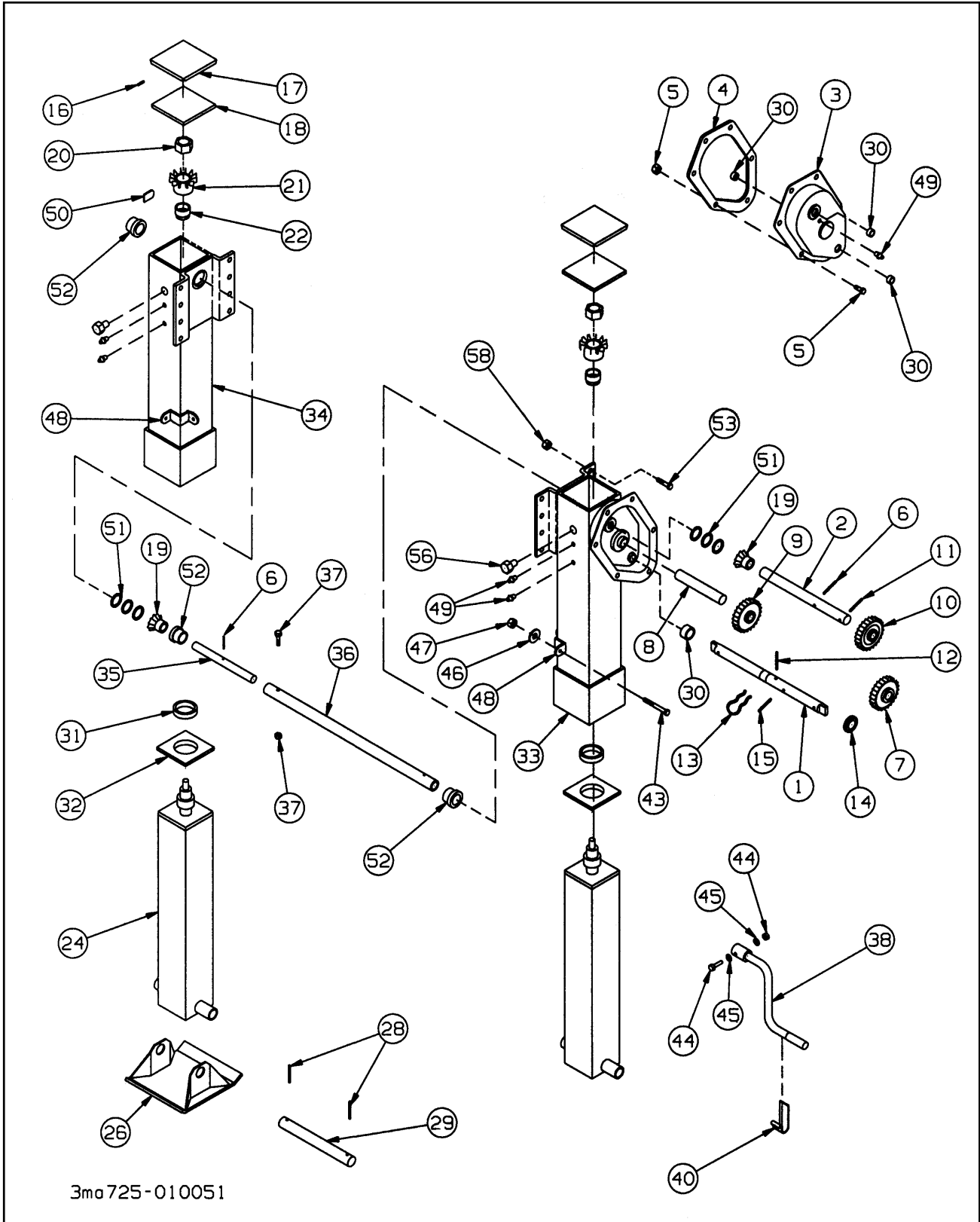


Figure 1-83 Landing Gear w/ Crank

OUTRIGGER INSTALLATION 318B (OPTIONAL)

ITEM	PART NO.	DESCRIPTION	QTY.
	105834	OUTRIGGER INSTALLATION 48	
	105835	OUTRIGGER INSTALLATION 50	
	105836	OUTRIGGER INSTALLATION 53	
1	104252	PIN P/O EXT LOCK	2
2	104253	SPRING COMPRESSION P/O EXT LOCK	2
4	1-647-010004177	PIN SPRING SLOTTED 3/16-1-1/2	2
5	3-720-010024	SPRING 1-1/16 X 2-3/4	34
6	3-187-010001	CLIP OUTRIGGER STAY	34
7	167-0022	OUTRIGGER FOR 10 CHANNEL	34
8	101386	PIN COTTER	34
9	1-861-010032-07	WASHER FLAT	34
10	0600-375-01500	PIN ROLL 3/8X1-1/2	34

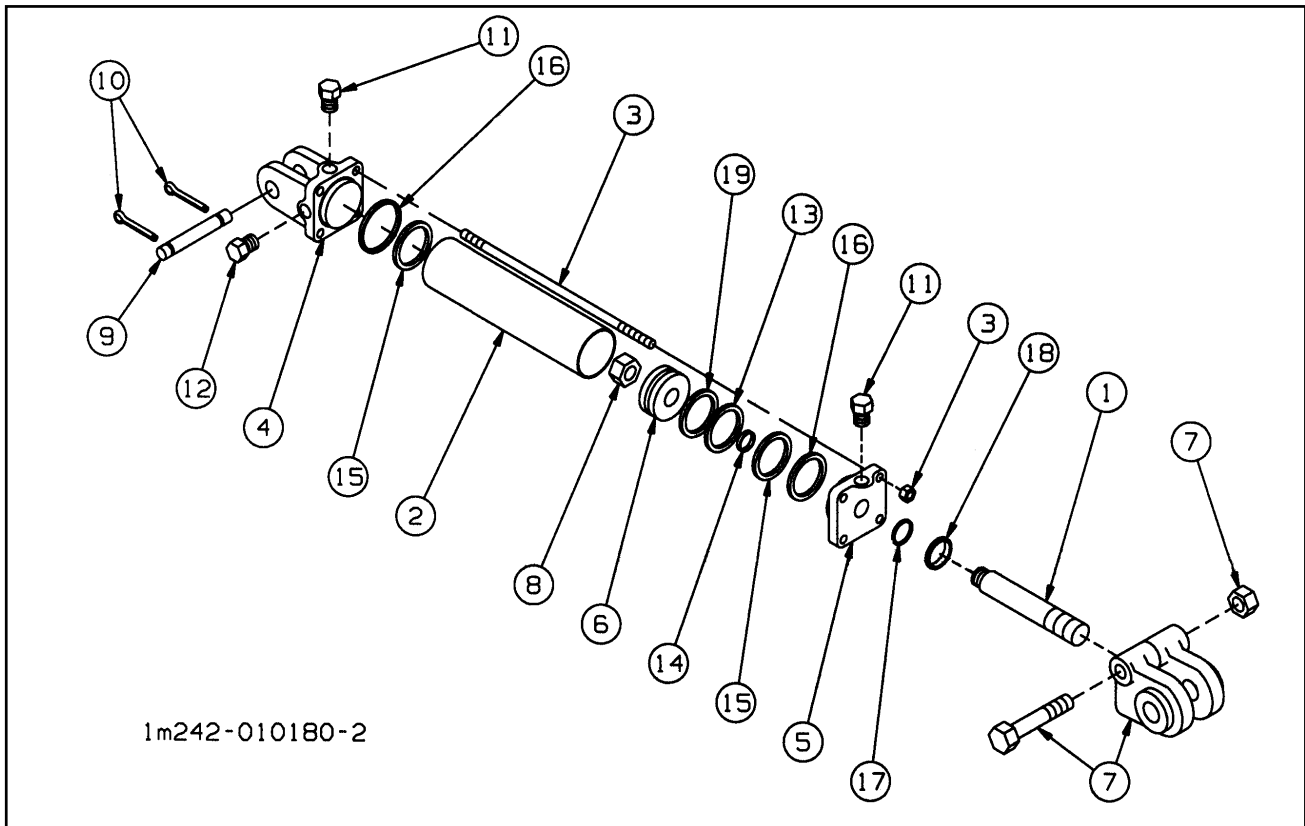


Figure 1-84 Hydraulic Cylinder 3-1/2 x 20

RAMPS (OPTIONAL)

ITEM	PART NO.	DESCRIPTION	QTY.
	B3-619-007	RAMPS ALUMINUM	
1	1-512-010005-09	NUT HEX LOCK	6
2	1-512-010005-15	NUT HEX LOCK 1/2-13 GRB	4
3	1-654-010069-3	SCREW RD HEAD SQ NECK 1/2-13X1-3/4 GR2	6
4	3-619-010059	ALUM RAMP ASSEMBLY 60IN	2
5	3-619-010061	ANCHOR ASSEMBLY ALUM RAMP	2
6	1-654-010070-04	SCREW RD HEAD SQ NECK 3/4-10X2-1/2 GR5	4

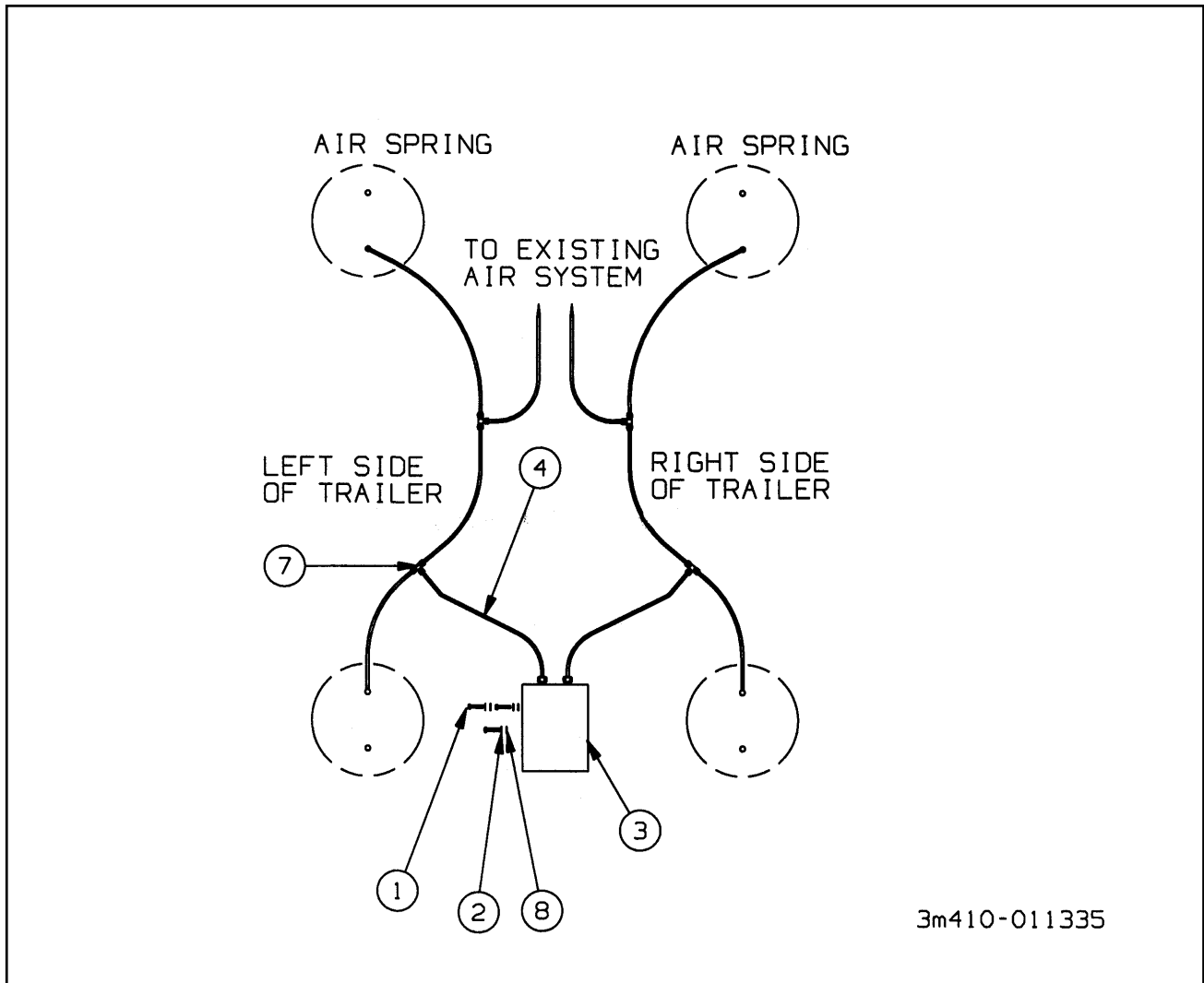


Figure 1-85 Scale-o-matic (Optional)

LANDING GEAR INSTALLATION HYDRAULIC (OPTIONAL) (317B)

ITEM	PART NO.	DESCRIPTION	QTY.
	3-725-010081	PARKING STAND, HYDRAULIC	
1	2062-8-8S	ADAPTER 90 #8 O-RING - TUBE	4
2	1-242-010180-2	CYLINDER HYDRAULIC 3000PSI (SEE PAGE 1-158)	2
3	1-397-010301124	HOSE ASSEMBLY	1
4	1-397-010301122	HOSE ASSEMBLY	1
5	1-397-010301084	HOSE ASSEMBLY	1
6	1-397-010301076	HOSE ASSEMBLY	1
7	2061-8-8S	ADAPTER 45 #8 O-RING - TUBE	4
8	3-482-010553	MOUNT WELDMENT	REF
9	3-725-010082	PARKING STAND WELDMENT	2
10	346SL	LOCK HITCH PIN	2
11	3-181-010006	HOSE CLAMP 350	1
12	1-510-010001	NUT FLANGE LOCK 3/8-16	1

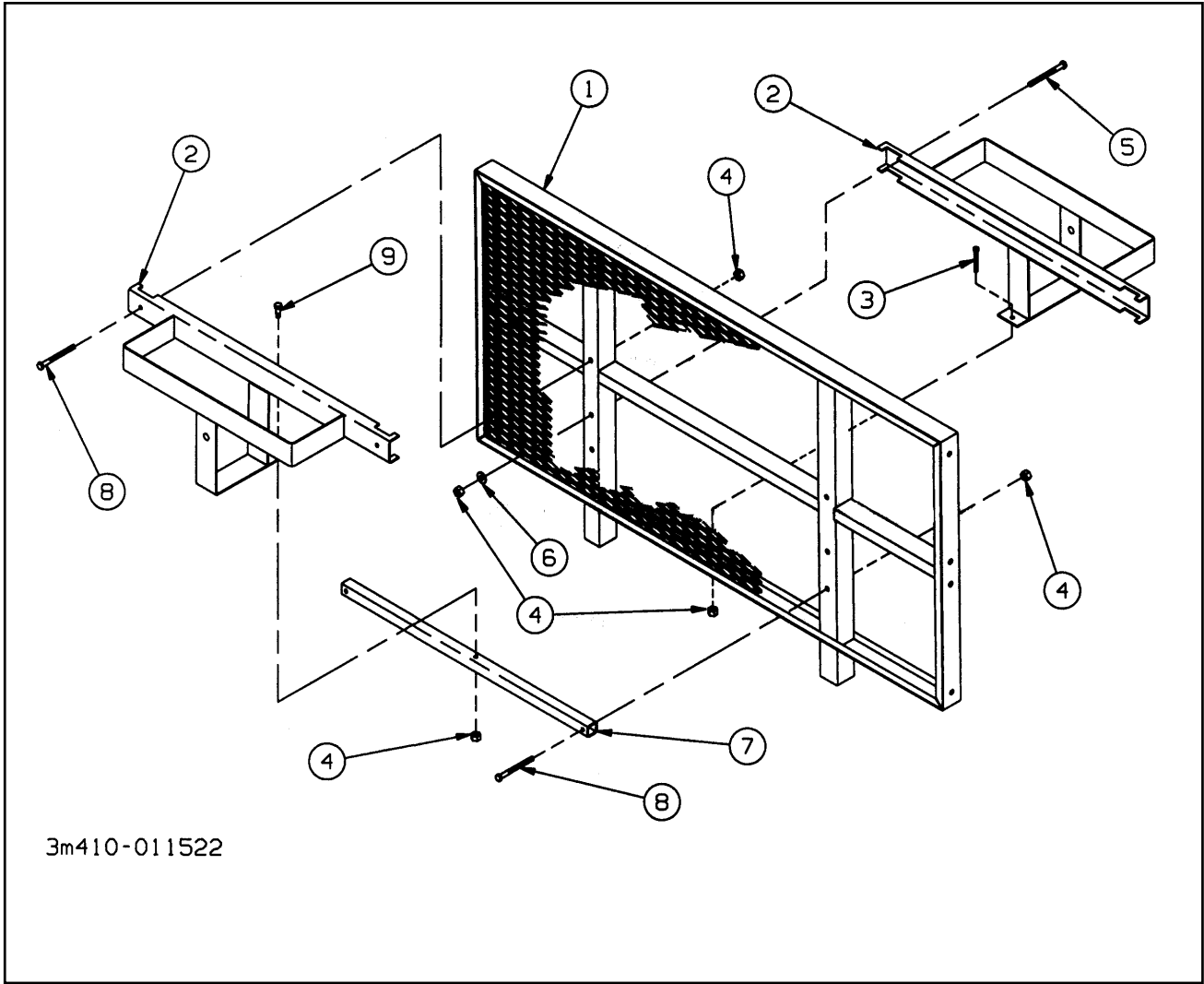


Figure 1-86 Spare Tire Carrier (Optional)

LANDING GEAR INSTALLATION HYDRAULIC (OPTIONAL) (317B)

ITEM	PART NO.	DESCRIPTION	QTY.
13	1-790-010003-02	TIE STRAP PLASTIC (NOT SHOWN)	6
14	3-573-010465	DECAL HYDRAULIC PARK STAND LH	1
15	3-573-010466	DECAL HYDRAULIC PARK STAND RH	1

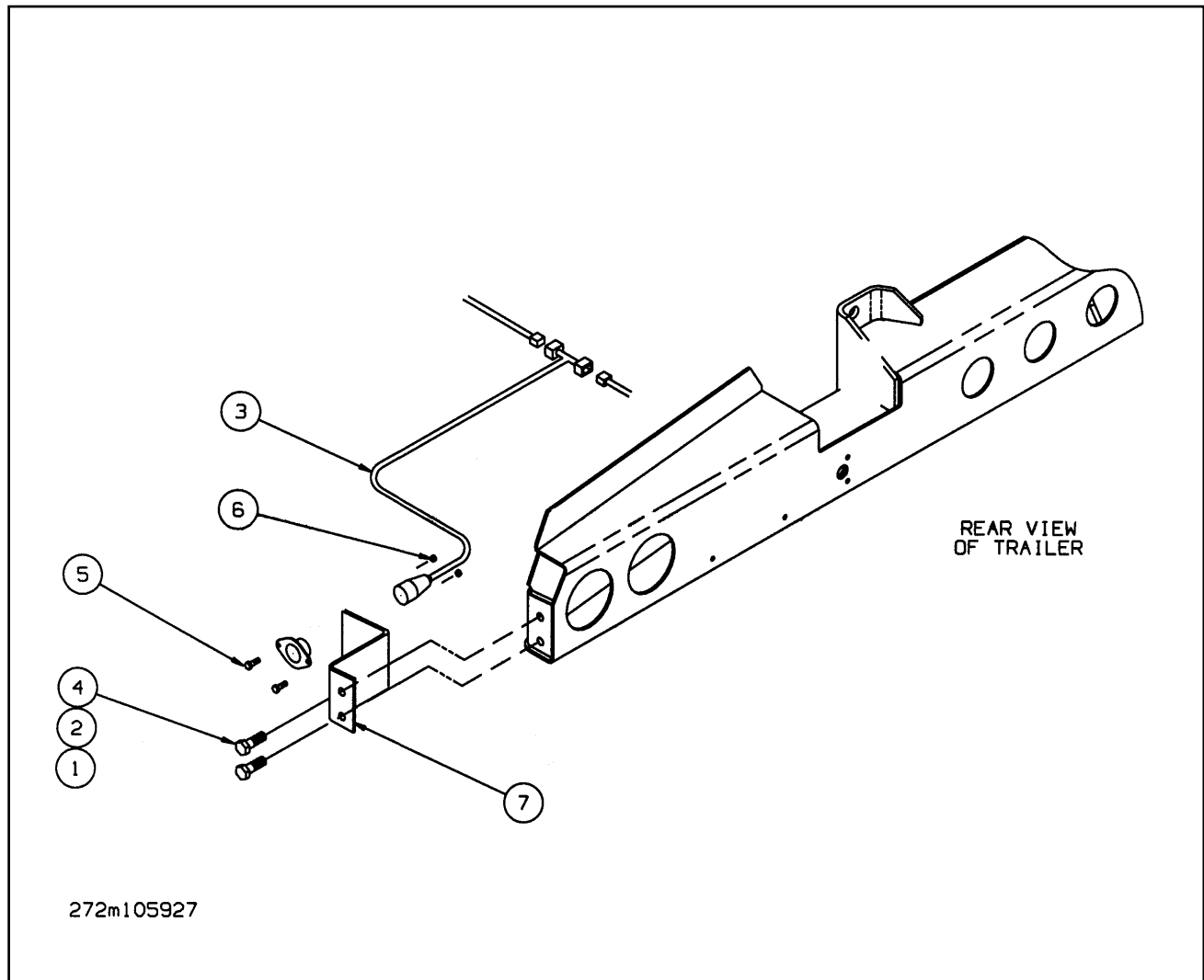


Figure 1-87 Electrical Installation, 7-Way Recp Bumper

LANDING GEAR INSTALLATION BOLT - ON (OPTIONAL) (318B & 319B)

ITEM	PART NO.	DESCRIPTION	QTY.
	104244	PARK STAND INST., BOLT-ON (ITEMS 2-5, 10-22)	
	104245	PARK STAND INST., BOLT-ON (ITEMS 2 - 9)	
2	346SL	PIN	2
4	1-654-010059-13	SCREW HEX HEAD CAP 5/8-11X1-1/2	20
5	1-654-010005-13	NUT HEX LOCK 5/8-11 GRB	20
7	104246	LAND GEAR 180,000 W/19" CRANK (SEE PAGE 1-157)	1
8	104247	HANDLE MOD CRANK LANDING GEAR	1
9	516-22PTL	RETAINING PIN MUD FLAP	1
10	3-573-010465	DECAL HYDRAULIC PARK STAND LH	1
11	3-573-010466	DECAL HYDRAULIC PARK STAND RH	1
12	1-510-010001	NUT FLANGE LOCK 3/8-16	2
13	3-181-010006	HOSE CLAMP 350	2
14	104239	PARK STAND WELDMENT HYD LH BOLT-ON	1
15	104241	PARK STAND WELDMENT HYD LH LEG	1

**LANDING GEAR INSTALLATION BOLT - ON
(OPTIONAL) (318B & 319B)**

ITEM	PART NO.	DESCRIPTION	QTY.
16	1-242-010180-2	CYLINDER HYDRAULIC 3000 PSI (SEE PAGE 1-158)	2
17	2062-8-8S	ADAPTER 90 #8 O-RING TUBE	4
18	1-397-010301100	HOSE ASSEMBLY	2
19	104240	PARK STAND WELDMENT HYD RH BOLT-ON	1
20	104242	PARK STAND WELDMENT HYD RH LEG	1
21	1-397-010301136	HOSE ASSEMBLY	2
22	104238	ANCHOR LWR BOLT-ON PARK STAND	2

LANDING GEAR W/ CRANK

ITEM	PART NO.	DESCRIPTION	QTY.
	3-725-010051	LAND GEAR 120000 (HOLLAND #LG75-3A105)	
	104246	LAND GEAR 180000 (HOLLAND #LG75-3A105)	
1	XA-V-05159-A	DRIVE AND GEAR SHAFT	1
2	XA-V-05123-A	DRIVE GEAR SHAFT	1
3	XA-V-1920	GEARBOX COVER	1
4	XB-V-1926	GASKET	1
5	XB-CX-14-28-F-58	HEX HEAD CAP SCREW 1/4-28 X 5/8	6
	XB-3103	NUT LOCK 1/4 X 28	6
6	XB-020065	GROOVE PIN	2
7	XA-V-1927	IDLER GEAR	1
8	XA-V-1957	IDLER GEAR SHAFT	1
9	XA-V-1928-1	STEP GEAR (UNDRILLED)	1
10	XA-V-1928	STEP GEAR (DRILLED)	1
11	XB-21-S-375-1500	SPIRAL PIN 3/8 X 1-1/2	1
12	XB-21-S-187-1250	SPIRAL PIN 1/16 X 1-1/4	1
13	XB-V-1949	SHIFTER SPRING	1
14	XA-V-1929	SHIFTER GEAR	1
15	XA-CRP-V-1917	PIN 3/8 X 1-7/16	1
16	XB-04112	SELF TAPPING SCREW	4
17	XA-V-03824	UPPER LEG COVER	2
18	XB-V-1966	GASKET	2
19	XA-V-04204-1	BEVEL PINION	2
20	XB-FW-25	JAM NUT 1-14	2
21	XA-V-04205-1	BEVEL GEAR	2
22	XB-V-643-A2	BUSHING	2
24	XA-V-05356-0 -5	INNER LEG & SCREW ASSEMBLY	2
26	XA-V-796-B-1	SKID FOOT 12 X 11-1/2	2
28	XB-21-S-375-3000	ROLL PIN 3/8 X 3	
29	XA-V-1901-1	AXLE	2
30	XB-V-851	BUSHING	4
31	XB-V-V-647	THRUST BEARING	2
32	XA-V-1913	THRUST BEARING	2
33	XA-V-03876-0 -5	OUTER LEG ASSEMBLY (2 SPEED)	1
34	XA-V-03875-0 -5	OUTER LEG ASSEMBLY (SINGLE SPEED)	1
35	XA-V-05122-A	DRIVE GEAR SHAFT	1
36	XA-V-1910	CROSS SHAFT	1
37	XB-V-444-1	HEX HEAD CAP SCREW 3/8-16 X 1-3/4	2
	XB-338	LOCKNUT 3/8-16	2
38	XA-S9-3105	TUBULAR HAND CRANK (MODIFIED)	1
	XA-V-90-10	CRANK, 17"	1
	XA-V-90-11	CRANK, 19"	1
40	104247	CRANK HANGER	1
43	1-654-010059-09	SCREW HEX HEAD CAP 5/8-11 X 3 GR5	2
44	XB-C-38-C-214	HEX HEAD CAP SCREW 3/8-16	1
	XB-338	LOCKNUT 3/8-16	1
45	XB-1108	SAE 3/8-16	2
46	1-861-010034-15	WASHER SPLIT LOCK 5/8	4
47	1-512-010005-13	NUT HEX LOCK 5/8-11 GR B	4
48	XA-V-1938	BRACE	2
49	XB-767	LUBE FITTING	5
50	XB-H-32-2	WOODRUFF KEY	2
51	XB-03816	SHIM	AR
52	XB-0307	BEARING	3
53	1-654-010055-05	SCREW HEX HEAD CAP 1/2-13 X 2 GR5	18
56	XB-01789	LUBE PLUG	2
58	1-512-010005-09	NUT HEX LOCK 1/2-13 GRB	18

HYDRAULIC CYLINDER 3-1/2 X 20

ITEM	PART NO.	DESCRIPTION	QTY.
	3-242-010180-2	CYLINDER 3-1/2" X 20" (PRINCE SAE 33520)	
1	010700437	PISTON ROD	1
2	051700015	TUBE	1
3	170201241	TIEROD ASSEMBLY	4
4	141700023	BUTT	1
5	081700255	GLAND ASSEMBLY	1
6	071700174	PISTON	1
7	100000330	CLEVIS ASSEMBLY	1
8	220000210	LOCKNUT	1
9	190400004	CLEVIS PIN	2
10	220001504	COTTER PIN	4
11	200013106	PLASTIC PLUG	2
12	200300040	PORT PLUG	1
13	*	CROWN SEAL	1
14	*	O-RING	1
15	*	O-RING	2
16	*	BU-WASHER	2
17	*	U-CUP	1
18	*	WIPER	1
20	PMCK-SAE-33500	PACKING KIT (ITEMS 13 - 18) (CONTAINS ALL NECESSARY SEALS AND O-RINGS)	1

*PARTS AVAILABLE IN PACKING KIT ONLY.

SCALE-O-MATIC INSTALLATION (OPTIONAL)

ITEM	PART NO.	DESCRIPTION	QTY.
	3-410-011335	SCALE-O-MATIC INSTALLATON 317B	
1	1-654-010047-06	SCREW HEX HEAD CAP 1/4-20X 1 GR5	4
2	1-512-010005-01	NUT HEX LOCK 1/4-20 GRB	4
3	3-762-010612	SCALE-O-MATIC 25000LB CAP	1
4	1-833-010001	NYLON TUBING 1/4OD	10
5	3-146-010072	BUMPER (NOT SHOWN)	REF
6	3-120-010426	BRACKET, SCALE-O-MATIC MTG (NOT SHOWN)	1
7	1-297-010010-04	FITTING AIR UNION/TEE	2
8	1-861-010032-06	WASHER FLAT 1/4N	4
9	1-654-010049-05	SCREW HEX HEAD CAP 5/16-18X1 GR5 (NOT SHOWN)	4
10	1-861-010032-09	WASHER FLAT 5/16-18X1 GR5 (NOT SHOWN)	4
11	1-512-010005-03	NUT HEX LOCK 5/16-18 GRB (NOT SHOWN)	4

SPARE TIRE CARRIER (OPTIONAL)

ITEM	PART NO.	DESCRIPTION	QTY.
	3-612-010015-1	RACK INSTALLATION BHD, FRONT MOUNT	
	3-612-010015-2	RACK INSTALLATION BHD, REAR MOUNT	
1	3-141-010120	BULKHEAD WELDMENT	REF
2	3-612-010016	RACK WELDMENT BULKHEAD MOUNT	1
3	1-654-010055-01	SCREW HEX HEAD CAP 1/2-13X1 GR5	1
4	1-512-010005-09	NUT HEX LOCK 1/2-13 GRB	3,5*
5	1-654-010055-15	SCREW HEX HEAD CAP 1/2-13X5 GR5	2
6	1-861-010032-15	WASHER FLAT 1/2W	2
7	3-829-010337	TUBE W/TAB	1
8	1-654-010055-18	SCREW HEX HEAD CAP 1/2-13X6-1/2 GR5	4
9	1-654-010055-09	SCREW HEX HEAD CAP 1/2-13X3 GR5	1

*FIRST QUANTITY IS FOR THE FRONT MOUNT, SECOND QUANTITY IS FOR THE REAR MOUNT.

MISCELLANEOUS OPTIONS

ITEM	PART NO.	DESCRIPTION	QTY.
	105927	ELECTRICAL INSTALLATION 7-WAY AT BUMPER	1
1	1-861-010032-15	WASHER, FLAT 1/2	4
2	1-654-010055-02	SCREW, HEX HEAD CAP 1/2-13 X 1-1/4 GR5	2
3	3-368-010257	HARNESS MODIFIED EXT 7-WAY RECP.	1
4	1-512-010005-03	NUT, HEX LOCK 1/2-13 GRB	2
5	1-654-010049-06	SCREW HEX HEAD CAP 5/16-18 X 1-1/4 GR5	2
6	1-512-010005-03	NUT HEX LOCK 5/16-18 GRB	2
7	106600	BRACKET 7WAY AT BUMPER	1

NOTES:

NUMERICAL INDEX

PART	PAGE	PART	PAGE	PART	PAGE
0001-02	51	05-1009	109	100681	127
0001-04	51	056-010-00	61	100682	127
0001-08	51	056-011-00	61	100683	126
0001-08	53	056-017-00	61	100684	126
0002-07	51	056-018-00	61	1-007-010006	133
0002-12	51	056-018-00	61	1-007-010013	118
0002-12	53	0600-250-03000	139	1-007-010013	122
005-074-00	61	0600-375-01500	144	1-007-010013	126
005-075-00	62	0600-375-02000	80	1-007-010024	119
005-096-00	61	061-006-00	62	1-007-010024	123
005-097-00	62	0647-01	53	1-007-010024	127
005-098-00	62	069-018-00	61	1-007-010025	17
005-099-00	62	069-020-00	62	1-007-010025	18
005-134-00	62	069-078-00	62	1-007-010041-1	101
006-114-00	62	07-1061	109	1-007-010058	101
006-115-00	62	071-122-00	61	1-007-010058	97
0075-20	53	071-124-00 (3067)	65	1-007-010058	99
010-052-00	61	071-124-00 (3067)	67	10078	83
0102-13	53	071-124-00 (3067)	69	10078	86
01-1006	109	07-1201	109	1008008	107
014-056-00	61	0741-01	51	100941	39
014-057-00	61	1/2-13HFLN	118	100948	59
014-058-00	62	1/2-13X1-1/2CS	118	100949	55
014-065-00	61	1/2-13X3HHCS	118	100949	57
014-068-00	61	1/2X3/8 BUSH	57	10-1001	109
014-068-00	61	1/4-20X1HHCS	119	101012	107
021-038-01 (4009)	65	100000330	152	101013	107
021-038-01 (4009)	67	100216	109	101062	139
021-038-01 (4009)	69	100216	109	101062	141
034-057-01	62	100276	109	101062	143
034-057-07	62	100276	109	101112	107
034-058-01	62	100278	109	101143	38
034-058-07	62	100279	109	101143	42
034-188-03	62	100289	114	101143	51
034-188-08	62	100289	31	101160	69
034-189-03	62	100290	114	101162	69
034-189-08	62	100290	31	101299	111
034-192-01	62	10030	119	101381	26
034-192-05	62	10030	123	101381	27
034-193-01	62	10030	126	101386	144
034-193-05	62	100346	109	101420	55
0375-00	53	100348	109	101420	63
040-320-01	61	10036	114	1014-4	91
041-057-01	61	100401	69	101702	61
041-058-01	61	100402	69	101712	38
041-059-01	61	1004-3	91	101712	42
041-060-01	61	1004-6	91	101712	51
046-092-00	61	1005013	107	101845	63
046-096-00	61	100600	114	101846	63
046-097-00	61	100600	81	101847	63
0508-00	53	100678	126	101848	63

PART	PAGE	PART	PAGE	PART	PAGE
101849	63	103246	65	104245	149
101852	55	1035-20	53	104246	149
101852	59	103535	25	104246	151
101852	63	103535	38	104247	149
101853	25	103743	11	104247	151
101853	63	103744	11	104248	03
101854	63	103744	14	104249	03
101855	63	103745	11	104251	141
1019-4	91	103745	14	104252	141
1020	67	103779	67	104252	143
10205R	25	103780	67	104252	144
10205Y	25	103781	69	104253	141
1021	91	103782	69	104253	143
102160	114	103783	69	104253	144
102186	73	103815	39	104279	11
102186	75	103815	51	104328	105
102187	80	103815	55	104329	105
102188	80	103817	42	104330	105
102190	69	103817	55	104331	105
102237	80	103817	59	104332	105
102283	38	103860	59	104369	11
102283	42	103860	63	104370	11
102283	51	103861	63	104385	07
102361	47	103986	07	104385	09
102363	39	103987	07	104410	141
102363	42	10403	25	104411	141
102363	47	10403	51	104412	141
102364	39	104034	38	104413	141
102364	42	104034	42	104414	141
102364	47	104034	51	104415	141
102382	38	10404	25	104416	141
102666	38	104045	39	104417	141
102667	38	104-0505-048	122	104418	141
102702	38	104-0505-060	126	104419	141
102703	38	104157	38	104420	141
102703	42	104157	42	104433	42
102704	42	104157	51	104433	99
102705	38	104159	25	104463	39
102707	38	104160	25	104464	05
102707	42	104200	42	104466	03
102708	42	104209	25	104472	43
102709	38	104209	42	104472	59
102732	38	104218	42	104483	39
102732	42	104219	42	104551	63
102732	44	104220	42	104597	143
102778	25	104222	42	1046	91
102778	38	104235	01	104610	143
102836	25	104236	01	10466	90
102836	38	104238	149	104788	51
102836	42	104239	149	104789	25
102836	51	104240	149	104789	51
103055	114	104241	149	104835	143
103056	114	104242	149	104836	143
103245	65	104244	149	104837	143

PART	PAGE	PART	PAGE	PART	PAGE
104838	143	105927	155	110-7389	09
104839	143	105973	21	11100550	14
104840	143	105974	21	11117	83
104841	143	106-0079	31	11128	83
104843	143	106-0079	31	11129	83
104844	143	106068	31	11130	83
104878	26	106069	31	11133	83
104879	26	106069	31	11142	83
104880	27	106285	126	11144	83
104892	09	106345	126	1114-5	91
105-0093	111	106600	155	1-116-010019	111
105-0105	122	106759	133	11240	83
105-0105	126	106760	133	112492(2027----T)	69
105-0505	118	10700437	152	112493(2027----T80)	69
10525	89	10708	89	1128	93
105343	141	107082	65	11300179	15
105346	141	107082	67	11308	83
105354	141	107083	65	11309	86
105355	141	107083	67	11310	86
105479	05	107368	80	11368	83
105479	07	107368	93	11398	87
105479	09	107369	93	11402	86
105479	09	107486	11	11404	86
105479	123	107498	133	11405	86
105479	127	107499	133	11407	86
105479	133	107500	133	11411	86
105480	05	107513	133	11414	86
105480	123	107756	05	11419	86
105480	127	107756	07	11420	86
105480	133	107756	09	11421	86
105481	05	10848	90	11425	86
105481	07	108540	69	11426	87
105481	09	1-1/4ST ELL	133	11427	86
105481	123	1-1/4X3/4BUSH	118	11429	86
105481	127	1-1/4X3/4BUSH	122	11430	86
105481	133	110-0116	129	11431	86
105482	05	11005053	47	11434	86
105482	07	11011	83	11435	87
105482	09	11014	87	11440	86
105482	123	11025	86	11441	86
105482	127	11026	86	11442	86
105482	133	11026	87	11443	89
105483	05	110-4334	119	11445	86
105483	07	110-4334	123	11446	86
105483	09	110-4334	127	11449	86
1056	65	110-4338	119	1157	90
105780	07	110-4338	123	11599	86
105822	05	110-4338	127	11603	89
105822	07	110-4348	119	1-161-010033-04	11
105822	09	110-4348	123	1165	90
105822	114	110-4348	127	1-174-010038	73
105834	144	110-4950	42	1-174-010039036	73
105835	144	110-7389	05	11750	89
105836	144	110-7389	07	11767	83

PART	PAGE	PART	PAGE	PART	PAGE
11791	87	1-297-010007-11	38	1-297-010018-04	135
11799	83	1-297-010007-11	135	1-297-010020-02	17
118-2650-6	119	1-297-010007-12	55	1-297-010020-02	18
118-2659-9	55	1-297-010007-12	57	1-297-010020-02	21
118-2659-9	59	1-297-010007-12	59	1-297-010020-02	77
11837	84	1-297-010007-14	71	1-297-010020-02	80
11842	87	1-297-010007-15	57	1-297-010022-02	17
1188	89	1-297-010007-16	55	1-297-010022-02	18
11977	89	1-297-010007-16	59	1-297-010022-02	21
12073	86	1-297-010007-16	71	1-297-010022-02	77
12075	83	1-297-010008-01	17	1-297-010022-02	80
12146	87	1-297-010008-01	18	1-297-010022-02	135
12-16 070120	133	1-297-010008-01	21	1-297-010031-02	80
122-0476	118	1-297-010008-07	17	1-297-010032-03	80
122-0476	122	1-297-010008-07	18	1-297-010033-02	17
122-0691	118	1-297-010008-07	21	1-297-010033-02	18
122-0691	122	1-297-010008-07	38	1-297-010033-02	21
122-0771	119	1-297-010008-07	43	1-298-010001-1	03
122-0771	123	1-297-010008-07	77	1-298-010001-1	11
12228	87	1-297-010008-07	77	1-298-010001-1	11
1224	93	1-297-010008-07	80	1-298-010001-1	95
1-242-010180-2	147	1-297-010008-18	42	1-298-010001-1	137
1-242-010180-2	149	1-297-010008-18	71	13005	83
12465	86	1-297-010008-20	57	13028	84
12486	89	1-297-010008-23	57	13028	87
125130	118	1-297-010008-24	55	1-316-010013	118
125130	122	1-297-010008-24	57	13164	89
125130	126	1-297-010008-24	59	1317	90
125130	133	1-297-010010-01	42	13235	90
12516	90	1-297-010010-03	43	13285	89
1271	93	1-297-010010-03	57	13286	89
1-271-010005-05	127	1-297-010010-04	38	13288	89
1272	93	1-297-010010-04	43	13288	89
1273	93	1-297-010010-04	153	13288	90
1274	93	1-297-010010-07	38	13295	90
1275	93	1-297-010011-06	55	13296	90
1276	93	1-297-010013-05	17	13297	90
12767	87	1-297-010013-05	18	13299	89
1277	93	1-297-010013-05	21	13300	89
12780	83	1-297-010013-12	71	13301	89
12781	86	1-297-010013-13	71	13306	90
12783	86	1-297-010013-16	71	13316	89
12817	84	1-297-010015-02	80	13317	89
1-295-010001	118	1-297-010015-06	55	13330	89
1-295-010001	122	1-297-010015-06	59	13356	89
1-295-010001	126	1-297-010015-09	17	13413	87
1-295-010001	133	1-297-010015-09	18	13424	84
1-295-010002	118	1-297-010015-09	21	13424	87
1-295-010002	122	1-297-010015-09	77	1-343-010007	25
1-295-010002	126	1-297-010015-09	80	1-343-010007	27
1-295-010002	133	1-297-010015-11	57	1-343-010007	135
1296	91	1-297-010017-03	55	1-343-010010	27
1-297-010007-04	80	1-297-010017-03	57	134-4560	118
1-297-010007-05	77	1-297-010017-03	59	134-4560	122

PART	PAGE	PART	PAGE	PART	PAGE
134-4560	126	1-397-010301122	147	1-397-010341060	118
13468	83	1-397-010301124	147	1-397-010362118	118
1-352-010017-2	95	1-397-010301127	05	1-397-010365118	119
13675	90	1-397-010301127	07	1-397-010374	127
13680	83	1-397-010301127	09	1-397-010389018	05
1376	89	1-397-010301130	11	1-397-010389018	07
1-382-010035-06	77	1-397-010301136	149	1-397-010389018	09
13839	84	1-397-010301148	11	139902	65
1-384-010038024	55	1-397-010301157	05	139913	65
1-384-010038024	57	1-397-010301157	07	1402	89
1-384-010038024	59	1-397-010301157	09	14068	90
1-384-010038060	55	1-397-010301184	11	141700023	152
1-384-010038060	57	1-397-010301220	11	1495	89
1-384-010038060	59	1-397-010301244	11	1498	89
1-384-010038084	59	1-397-010302042	11	15009	25
1-387-010306260	105	1-397-010302064	11	1505	90
1388	89	1-397-010302070	11	1-510-010001	05
13938	86	1-397-010302078	11	1-510-010001	07
1-394-010001	55	1-397-010302102	11	1-510-010001	09
1-394-010001	57	1-397-010302112	11	1-510-010001	11
1-394-010001	59	1-397-010302136	11	1-510-010001	11
1395	90	1-397-010302160	11	1-510-010001	17
1-397-010010016	11	1-397-010302192	11	1-510-010001	18
1-397-010262028	99	1-397-010302192	77	1-510-010001	21
1-397-010262036	99	1-397-010302216	75	1-510-010001	25
1-397-010262048	99	1-397-010302216	80	1-510-010001	29
1-397-010262084	97	1-397-0103025078	73	1-510-010001	38
1-397-010262084	103	1-397-010304022	05	1-510-010001	43
1-397-010262086	99	1-397-010304022	07	1-510-010001	51
1-397-010262-3	101	1-397-010304022	09	1-510-010001	55
1-397-010262-4	97	1-397-010304029	05	1-510-010001	59
1-397-010262-4	101	1-397-010304029	105	1-510-010001	73
1-397-010262-4	103	1-397-010304031	05	1-510-010001	75
1-397-010262-5	101	1-397-010304031	07	1-510-010001	77
1-397-010301028	105	1-397-010304031	09	1-510-010001	97
1-397-010301039	11	1-397-010306028	105	1-510-010001	99
1-397-010301040	05	1-397-010306032	105	1-510-010001	101
1-397-010301040	07	1-397-010307174	105	1-510-010001	103
1-397-010301040	09	1-397-010307210	105	1-510-010001	111
1-397-010301042	05	1-397-010307216	97	1-510-010001	119
1-397-010301042	07	1-397-010307216	99	1-510-010001	123
1-397-010301042	09	1-397-010307216	103	1-510-010001	127
1-397-010301042	11	1-397-010307246	105	1-510-010001	129
1-397-010301048	11	1-397-010307282	105	1-510-010001	141
1-397-010301051	11	1-397-010309174	105	1-510-010001	147
1-397-010301054	11	1-397-010309210	105	1-510-010001	149
1-397-010301076	147	1-397-010309246	105	15-1004	109
1-397-010301084	11	1-397-010309282	105	15-1012	109
1-397-010301084	147	1-397-010311040	122	15-1021	109
1-397-010301090	11	1-397-010311096	118	1-512-010002-15	38
1-397-010301100	133	1-397-010313034	127	1-512-010002-15	42
1-397-010301100	149	1-397-010313066	126	1-512-010002-15	51
1-397-010301108	11	1-397-010313106	118	1-512-010003-02	17
1-397-010301114	11	1-397-010341040	122	1-512-010003-02	18

PART	PAGE	PART	PAGE	PART	PAGE
1-512-010003-02	21	1-512-010005-09	154	1-560-010002-05	55
1-512-010004-03	33	1-512-010005-13	01	1-560-010002-05	59
1-512-010004-03	129	1-512-010005-13	11	1-560-010002-05	127
1-512-010005-01	71	1-512-010005-13	77	1-560-010002-05	133
1-512-010005-01	119	1-512-010005-13	80	1-560-010002-07	118
1-512-010005-01	153	1-512-010005-13	95	1-560-010002-07	122
1-512-010005-03	25	1-512-010005-13	103	1-560-010002-07	133
1-512-010005-03	29	1-512-010005-13	127	1-573-010001	114
1-512-010005-03	55	1-512-010005-13	151	1-573-010002	114
1-512-010005-03	59	1-512-010005-15	03	1-573-010003	114
1-512-010005-03	105	1-512-010005-15	11	1-573-010004	114
1-512-010005-03	123	1-512-010005-15	11	1-573-010014	114
1-512-010005-03	127	1-512-010005-15	145	1-573-010015	114
1-512-010005-03	153	1-512-010007-03	25	1-573-010016	114
1-512-010005-03	155	1-512-010007-03	33	1-573-010016	114
1-512-010005-03	155	1-512-010007-03	80	1590	90
1-512-010005-05	26	1-512-010007-03	111	159183	67
1-512-010005-05	27	1-512-010007-05	39	159184	67
1-512-010005-05	55	1-512-010007-05	43	1595	90
1-512-010005-05	57	1-512-010007-05	55	16-1002	109
1-512-010005-05	59	1-512-010007-05	59	1-626-010002-03	105
1-512-010005-05	73	1-512-010007-05	93	1644	91
1-512-010005-05	75	1-512-010007-06	57	1-647-010004117	139
1-512-010005-05	75	1-512-010007-09	11	1-647-010004177	144
1-512-010005-05	77	1-512-010007-09	11	1-647-010004213	143
1-512-010005-05	80	1-512-010007-12	81	1-647-010004255	03
1-512-010005-05	133	1-512-010007-16	38	1-647-010004255	38
1-512-010005-09	11	1-512-010007-16	51	1-647-010004255	51
1-512-010005-09	11	1-515-010007-05	51	1-654-010005-13	149
1-512-010005-09	39	1-533-010001	139	1-654-010024014	17
1-512-010005-09	73	1-533-010001	141	1-654-010024014	18
1-512-010005-09	73	1-533-010001	143	1-654-010024014	21
1-512-010005-09	75	1-557-010014	131	1-654-010024079	77
1-512-010005-09	75	1-557-010362-54	05	1-654-010027-7	71
1-512-010005-09	77	1-557-010362-54	07	1-654-010032-4	38
1-512-010005-09	81	1-557-010362-54	09	1-654-010032-4	42
1-512-010005-09	93	1-557-010362-54	11	1-654-010032-4	51
1-512-010005-09	95	1-557-010362-54	11	1-654-010036-05	80
1-512-010005-09	95	1-557-010362-63	123	1-654-010047-06	55
1-512-010005-09	97	1-557-010362-63	131	1-654-010047-06	59
1-512-010005-09	99	1-557-010362-63	131	1-654-010047-06	153
1-512-010005-09	101	1-557-010403	143	1-654-010049-03	65
1-512-010005-09	111	1-560-010002-02	55	1-654-010049-03	67
1-512-010005-09	122	1-560-010002-02	57	1-654-010049-03	69
1-512-010005-09	126	1-560-010002-02	59	1-654-010049-05	153
1-512-010005-09	131	1-560-010002-02	135	1-654-010049-06	25
1-512-010005-09	131	1-560-010002-03	55	1-654-010049-06	29
1-512-010005-09	133	1-560-010002-03	59	1-654-010049-06	119
1-512-010005-09	136	1-560-010002-04	55	1-654-010049-06	123
1-512-010005-09	137	1-560-010002-04	57	1-654-010049-06	155
1-512-010005-09	137	1-560-010002-04	59	1-654-010049-07	119
1-512-010005-09	137	1-560-010002-04	71	1-654-010049-07	123
1-512-010005-09	145	1-560-010002-04	119	1-654-010049-07	123
1-512-010005-09	151	1-560-010002-04	133	1-654-010049-07	126

PART	PAGE	PART	PAGE	PART	PAGE
1-654-010049-09	105	1-654-010055-03	99	1-654-010070-04	145
1-654-010049-11	105	1-654-010055-03	101	1-654-010070-07	136
1-654-010051-03	95	1-654-010055-03	122	1-654-010070-13	136
1-654-010051-05	09	1-654-010055-03	126	1-654-010070-14	111
1-654-010051-05	26	1-654-010055-03	131	1-654-010089-13	111
1-654-010051-05	27	1-654-010055-03	131	1-654-010089-13	118
1-654-010051-05	97	1-654-010055-03	133	1-654-010141-04	80
1-654-010051-05	99	1-654-010055-04	73	1-654-010158-1	39
1-654-010051-05	101	1-654-010055-04	75	1-654-010158-1	43
1-654-010051-05	103	1-654-010055-04	133	1-654-010158-1	51
1-654-010051-05	111	1-654-010055-05	39	1655	91
1-654-010051-05	118	1-654-010055-05	73	1-656-010003051	25
1-654-010051-06	73	1-654-010055-05	81	1-656-010003051	33
1-654-010051-06	75	1-654-010055-05	95	1-656-010003051	33
1-654-010051-06	119	1-654-010055-05	151	1-656-010003051	111
1-654-010051-06	127	1-654-010055-07	81	1-656-010003053	80
1-654-010051-06	129	1-654-010055-09	154	1-657-010004177	141
1-654-010051-06	133	1-654-010055-11	137	1-659-010011032	129
1-654-010051-07	05	1-654-010055-11	143	1-659-010011056	129
1-654-010051-07	07	1-654-010055-13	131	1-660-010006	29
1-654-010051-07	09	1-654-010055-14	131	167-0022	144
1-654-010051-07	38	1-654-010055-14	139	170201241	152
1-654-010051-07	42	1-654-010055-14	141	17-1003	109
1-654-010051-07	51	1-654-010055-15	154	1723	93
1-654-010051-07	75	1-654-010055-16	75	1-765-010065	80
1-654-010051-07	77	1-654-010055-17	11	1766	93
1-654-010051-07	81	1-654-010055-17	73	178910	65
1-654-010051-08	55	1-654-010055-17	75	178910	67
1-654-010051-08	57	1-654-010055-17	77	178921	65
1-654-010051-08	59	1-654-010055-18	154	178921	67
1-654-010051-08	119	1-654-010059-01	101	1-790-010003-02	147
1-654-010051-08	123	1-654-010059-01	97	1-796-010003-02	11
1-654-010051-08	127	1-654-010059-01	99	1-796-010003-02	25
1-654-010051-09	05	1-654-010059-01	103	1-796-010003-02	26
1-654-010051-09	07	1-654-010059-03	01	1-796-010003-02	27
1-654-010051-09	09	1-654-010059-04	103	1-796-010003-02	29
1-654-010051-09	17	1-654-010059-05	01	1-796-010003-02	118
1-654-010051-09	18	1-654-010059-05	77	1-796-010003-02	122
1-654-010051-09	21	1-654-010059-05	95	1-796-010003-02	126
1-654-010051-13	141	1-654-010059-09	151	1-796-010004-02	38
1-654-010051-16	141	1-654-010059-13	127	1-796-010004-02	42
1-654-010055-01	81	1-654-010059-13	149	1-796-010004-02	51
1-654-010055-01	93	1-654-010059-15	80	179933	69
1-654-010055-01	154	1-654-010059-21	11	179955	69
1-654-010055-02	97	1-654-010061-06	11	18002	84
1-654-010055-02	99	1-654-010061-06	11	18002	87
1-654-010055-02	101	1-654-010061-07	03	18003	83
1-654-010055-02	103	1-654-010061-07	38	18003	87
1-654-010055-02	155	1-654-010061-07	51	18009	83
1-654-010055-03	73	1-654-010061-07	43	18009	86
1-654-010055-03	75	1-654-010069-3	145	18015	83
1-654-010055-03	81	1-654-010070-02	137	18016	83
1-654-010055-03	95	1-654-010070-03	137	18019	83
1-654-010055-03	97	1-654-010070-04	111	18020	83

PART	PAGE	PART	PAGE	PART	PAGE
18022	86	1-833-010003044	57	1-861-010032-14	97
18024	83	1-833-010003060	55	1-861-010032-14	99
18026	83	1-833-010003096	59	1-861-010032-14	101
18027	83	1-833-010003192	59	1-861-010032-14	137
18028	83	1-8336-010003010	57	1-861-010032-15	11
18029	83	1-861-010032-01	17	1-861-010032-15	11
18030	83	1-861-010032-01	18	1-861-010032-15	39
18032	83	1-861-010032-01	21	1-861-010032-15	39
18033	86	1-861-010032-03	33	1-861-010032-15	43
18034	86	1-861-010032-03	77	1-861-010032-15	73
18035	86	1-861-010032-04	33	1-861-010032-15	73
18039	83	1-861-010032-04	111	1-861-010032-15	75
18044	84	1-861-010032-04	129	1-861-010032-15	77
18047	83	1-861-010032-06	71	1-861-010032-15	97
18047	86	1-861-010032-06	153	1-861-010032-15	99
18056	84	1-861-010032-07	39	1-861-010032-15	101
18078	83	1-861-010032-07	43	1-861-010032-15	103
18078	83	1-861-010032-07	51	1-861-010032-15	111
18127	105	1-861-010032-07	55	1-861-010032-15	122
1-822-010001018	05	1-861-010032-07	59	1-861-010032-15	126
1-822-010001018	07	1-861-010032-07	119	1-861-010032-15	131
1-822-010001018	09	1-861-010032-07	144	1-861-010032-15	131
1-822-010001018	123	1-861-010032-09	55	1-861-010032-15	136
1-822-010001018	127	1-861-010032-09	59	1-861-010032-15	137
1-833-010001	17	1-861-010032-09	105	1-861-010032-15	139
1-833-010001	18	1-861-010032-09	119	1-861-010032-15	141
1-833-010001	21	1-861-010032-09	123	1-861-010032-15	143
1-833-010001	38	1-861-010032-09	127	1-861-010032-15	154
1-833-010001	38	1-861-010032-09	153	1-861-010032-15	155
1-833-010001	38	1-861-010032-10	73	1-861-010032-18	77
1-833-010001	42	1-861-010032-10	75	1-861-010032-18	81
1-833-010001	77	1-861-010032-10	80	1-861-010032-18	97
1-833-010001	80	1-861-010032-11	38	1-861-010032-18	99
1-833-010001	153	1-861-010032-11	42	1-861-010032-18	101
1-833-010002	43	1-861-010032-11	51	1-861-010032-18	103
1-833-010002	43	1-861-010032-11	55	1-861-010032-19	11
1-833-010002	71	1-861-010032-11	57	1-861-010032-19	127
1-833-010002	135	1-861-010032-11	59	1-861-010034-07	25
1-833-010002024	55	1-861-010032-11	75	1-861-010034-07	33
1-833-010002024	57	1-861-010032-11	77	1-861-010034-07	77
1-833-010002030	59	1-861-010032-11	81	1-861-010034-07	80
1-833-010002036	57	1-861-010032-11	97	1-861-010034-07	111
1-833-010002048	57	1-861-010032-11	99	1-861-010034-09	39
1-833-010002060	55	1-861-010032-11	101	1-861-010034-09	43
1-833-010002076	59	1-861-010032-11	103	1-861-010034-09	51
1-833-010002-3	38	1-861-010032-11	111	1-861-010034-09	55
1-833-010002-3	43	1-861-010032-11	119	1-861-010034-09	59
1-833-010003	71	1-861-010032-11	123	1-861-010034-09	93
1-833-010003008	55	1-861-010032-11	127	1-861-010034-09	119
1-833-010003010	55	1-861-010032-11	129	1-861-010034-10	57
1-833-010003010	59	1-861-010032-11	131	1-861-010034-10	65
1-833-010003021	57	1-861-010032-11	141	1-861-010034-10	67
1-833-010003032	55	1-861-010032-14	81	1-861-010034-10	69
1-833-010003032	59	1-861-010032-14	93	1-861-010034-11	95

PART	PAGE	PART	PAGE	PART	PAGE
1-861-010034-11	119	1V0208	09	2061-8-8S	11
1-861-010034-11	123	1V0208	23	2061-8-8S	17
1-861-010034-11	127	1V1701	23	2061-8-8S	18
1-861-010034-11	131	1V1703	23	2061-8-8S	21
1-861-010034-13	73	1V1725	23	2061-8-8S	147
1-861-010034-13	75	200013106	152	206209-12-12S	105
1-861-010034-13	81	200300040	152	2062-12-12S	05
1-861-010034-13	97	2021-12-8S	05	2062-12-12S	07
1-861-010034-13	99	2021-12-8S	07	2062-12-12S	17
1-861-010034-13	101	2021-12-8S	09	2062-12-12S	18
1-861-010034-13	103	2023	69	2062-12-12S	21
1-861-010034-13	133	2024-12-12S	133	2062-12-12S	105
1-861-010034-15	97	2024-12-8S	133	2062-12-8S	105
1-861-010034-15	99	202702-10-8S	73	2062-16-8S	133
1-861-010034-15	101	202702-10-8S	75	2062-6-4S	97
1-861-010034-15	103	202702-10-8S	80	2062-6-4S	99
1-861-010034-15	151	202702-6-4S	97	2062-6-4S	101
1-861-010034-17	38	202702-6-4S	99	2062-6-4S	103
1-861-010034-17	43	202702-6-4S	101	2062-8-6S	105
1-861-010034-17	51	202702-6-4S	103	2062-8-8S	05
1-861-010059-21	05	202702-6-6S	103	2062-8-8S	07
1-861-010059-21	07	202702-6-6S	97	2062-8-8S	09
1-861-010059-21	09	202702-8-8S	77	2062-8-8S	09
1865	91	203003-8-8S	05	2062-8-8S	11
1-879-010004	118	203003-8-8S	07	2062-8-8S	11
1-879-010004	122	203003-8-8S	09	2062-8-8S	105
1-879-010004	126	203003-8-8S	11	2062-8-8S	147
1-879-010006	118	203005-8-8S	11	2062-8-8S	149
1-879-010006	122	203005-8-8S	105	2081-16-8S	118
1-879-010006	126	203102-12-12S	09	2081-16-8S	122
1-879-010008	31	203102-12-12S	105	2081-16-8S	126
1-879-010010	118	2033-4-4S	99	2081-8-6S	71
1-879-010010	122	2033-8-8S	05	2083-8-4S	38
1-879-010010	126	2033-8-8S	07	2083-8-4S	43
1-879-010011	31	2033-8-8S	09	2083-8-4S	135
1-879-010011	80	2043-12-12S	05	2088-6-6S	55
19014	86	2043-12-12S	07	2088-6-6S	57
190400004	152	2043-12-12S	09	2088-6-6S	59
19045	83	2045-8-8S	119	2088-6-6S	71
19045	86	2045-8-8S	123	2089-6-6S	55
1974	93	2045-8-8S	127	2089-6-6S	57
1976	93	2047-12-12S	118	2089-6-6S	59
1A0290	23	2047-12-12S	122	2091	69
1A0291	23	2047-12-12S	126	2109-3	91
1A0292	23	2047-12-12S	133	211300024	15
1A0294	23	2047-12-16S	118	2175	91
1A0709	23	2047-12-16S	122	2177	91
1A0711	23	2047-12-16S	126	2180	91
1A0744	23	2047-8-8S	119	2-181-010001	11
1A0757	23	2047-8-8S	123	2-181-010001	11
1R0017	23	2047-8-8S	127	2-181-010001	25
1V0081	23	2061-6-6S	97	2-181-010001	29
1V0208	05	2061-6-6S	99	2-181-010001	38
1V0208	07	2061-6-6S	103	2-181-010001	42

PART	PAGE	PART	PAGE	PART	PAGE
2-181-010001	51	2356	93	3-042-010132-01	61
2-181-010001	57	2388	93	3-042-010132-02	61
2-181-010001	73	2389	93	3-042-010133-01	61
2-181-010001	75	2390	93	3-042-010133-02	61
2-181-010001	77	239-8113-48	122	3-042-010141-01	61
2-181-010001	97	239-8113-48	126	3-042-010141-03	61
2-181-010001	99	239-8113-66	118	3-042-010142-01	61
2-181-010001	101	239-9076-3	80	3-042-010151-01	42
2-181-010001	103	24032	83	3-042-010151-02	42
2183	91	2480	91	3-054-010101	131
21925	83	2481X	118	3059	90
21961	83	2481X	122	3-076-010005	38
21965	87	2481X	126	3-076-010005	42
220000210	152	257	65	3-076-010005	51
220000212	14	2750-8	11	3-076-010015	42
220000212	15	28942	86	3-102-010010	119
220001504	152	28943	86	3-102-010022	11
22055	86	2A0079-404	23	3-102-010048	11
2216-12-16S	119	2A0079-406	23	3109	93
2216-12-16S	123	2A0283-7214	23	31-1016	109
2216-12-16S	127	2A0354-121	23	3-113-010003	33
2263	91	2A0283-7214	23	3-117-00069	131
2265-6	91	3/16X3/4CS SELF	119	3-117-010070	131
22695	87	3/16X3/4CS SELF	123	3-117-010071	131
22697	87	3/16X3/4CS SELF	127	3-120-010073	11
22703	83	3/4COUPL	126	3-120-010117	11
22703	87	3/4NIPPLE	119	3-120-010124	118
22704	84	3/4NIPPLE	123	3-120-010124	122
22704	87	3/4NIPPLE	127	3-120-010124	126
22729	87	3/4ST ELL	123	3-120-010125	11
22752	83	3/4X1/2BUSH	123	3-120-010284	129
22775	83	3/8-16 X 1-1/4 CS	131	3-120-010294	95
22775	86	3/8-16X5-1/2CS	129	3-120-010295	95
23078	84	3/8COUPL	126	3-120-010351	97
23078	87	300003	109	3-120-010351	99
23079	84	300092	109	3-120-010351	101
23079	87	300022	109	3-120-010351	103
23081	84	300093	109	3-120-010426	153
23081	87	300427	109	3-120-010445	80
23083	84	3-007-010039	17	3-120-010461	133
23085	84	3-007-010039	18	3-120-010478	95
2309	90	3-007-010039	21	3-125-010222	139
23102-12-12S	05	3-011-010006- 02	57	3-125-010241	11
23102-12-12S	07	3-011-010006-02	39	3-125-010244	11
23142	87	3-014-010208	80	3-125-010336	103
23183	87	3-014-010255	81	3-125-010465	80
2319	89	3-042-010114-01	42	3126	89
23245	87	3-042-010114-02	42	3-128-010002	57
23303	83	3-042-010114-03	42	3-128-010021	71
23310	87	3-042-010114-04	42	3-128-010025	135
23353	84	3-042-010130-01	53	3-128-010029	62
23353	87	3-042-010130-01	61	3-128-010030	62
23367	86	3-042-010130-02	53	3-136-010001-02	17
23470	83	3-042-010130-02	61	3-136-010001-02	18

PART	PAGE	PART	PAGE	PART	PAGE
3-136-010001-02	21	3177	89	3-242-010099	09
3-141-010008	131	3-181-010006	105	3-242-010099	11
3-141-010118	131	3-181-010006	147	3-242-010099	14
3-141-010119	131	3-181-010006	149	3-242-010102	11
3-141-010120	154	3-181-010038	119	3-242-010102	15
3-141-010121	131	3-181-010038	123	3-242-010103	11
3-141-010123	131	3-181-010038	127	3-242-010103	15
3-141-010147	131	3-182-010028	119	3-242-010152	11
3-141-010151	131	3-182-010028	123	3-242-010152-03	11
3-141-010152	131	3-182-010028	127	3-242-010153	11
3-141-010155	131	3-187-010001	144	3-242-010180-2	152
3-146-010001	11	32002	80	3-242-010204	103
3-146-010072	153	3-201-010002	118	3-242-010204	109
3-150-010166-16	126	3-201-010002	122	3-242-010204	97
3-150-010186	80	3-201-010002	126	3-242-010205	101
3-150-010186	93	3-203-010001	122	3-242-010205	97
3-150-010196	80	3-203-010001	126	3-242-010205	99
3-150-010223	11	3-203-010001	118	3-242-010205	109
3-153-010014	33	3-208-010055	35	3-256-010003-02	42
3-153-010016	77	3-208-010061	33	3-256-010003-02	101
3-155-010012	118	3-208-010067-03	33	3-256-010006-01	38
3-155-010012	122	3-209-010003	31	3-256-010006-01	97
3-155-010012	126	3-209-010004-01	31	3-256-010006-02	38
3-155-010017-1	73	3-209-010004-05	31	3-256-010006-02	97
3-155-010017-1	75	3-209-010006-01	31	3-256-010006-04	51
3-155-010017-4	73	3-209-010006-03	31	3-256-010006-04	103
3-155-010017-4	75	3-220-010002	118	3263	89
3-155-010018-1	73	3-220-010002	122	3-272-010018	80
3-155-010018-1	75	3-220-010002	126	3-272-010021	80
3-155-010018-1	81	3-220-010003	118	3-272-010021	119
3-155-010018-4	73	3-220-010003	122	3-272-010021	127
3-155-010018-4	75	3-220-010003	126	3-272-010022	119
3-155-010018-6	81	3-222-010079	73	3-272-010022	123
3-155-010025	118	3-222-010083	75	3-272-010022	127
3-155-010025	122	3-222-010083	77	3-272-010023	33
3-155-010025	126	3-222-010083	81	3-272-010078	31
3-156-010007	31	3-222-010120	111	3-272-010078	31
3-156-010008	80	3-222-010128	119	3-272-010079	31
3-156-010043	31	3-222-010140	119	3-272-010080	31
3-156-010043	31	3-222-010166	129	3-272-010095	31
3159	89	3-222-010167	129	3-272-010109	80
3-161-010034	17	3-222-010197	119	3-272-010121	31
3-161-010034	18	3-222-010198	137	3-272-010125	29
3-161-010034	21	3-222-010199	137	3-272-010134-01	33
3-162-010001	118	3-222-010210	119	3-272-010134-03	33
3-162-010001	122	3-222-010226	119	3-272-010143-01	25
3-162-010001	126	3-222-010227	137	3-272-010143-02	25
3-162-010001	133	3-238-010001	17	3-272-010149-07	29
3-174-010038	75	3-238-010001	18	3-272-010149-08	29
3-174-010038	81	3-238-010001	21	3-272-010157	29
3-174-010039036	75	3-242-010065	14	3-272-010157	80
3-174-010039036	81	3-242-010066	15	3-272-010158-01	29
3-174-010059	77	3-242-010099	05	3-272-010158-02	29
3-174-010060036	77	3-242-010099	07	3-273-010006	118

PART	PAGE	PART	PAGE	PART	PAGE
3-273-010006	122	3-368-010129	33	3-481-010007	75
3-273-010006	126	3-368-010129	80	3-481-010007	81
3-273-010013	118	3-368-010175	25	3-481-010007	91
3-273-010013	122	3-368-010191	29	3-482-010003	118
3-273-010013	126	3-368-010243-02	25	3-482-010003	122
3-273-010015-1	118	3-368-010245	29	3-482-010003	126
3-273-010015-2	118	3-368-010246	29	3-482-010150	97
3-273-010015-3	118	3-368-010247	25	3-482-010252	80
3-273-010015-4	118	3-368-010248	25	3-482-010267	105
3-273-010027-01	122	3-368-010249-01	29	3-482-010288	17
3-273-010027-02	122	3-368-010249-02	29	3-482-010288	18
3-274-010028	129	3-368-010250	26	3-482-010288	21
3-276-010051	143	3-368-010250	27	3-482-010307	111
3-276-010053	143	3-368-010252	26	3-482-010339	118
3-276-010054	143	3-368-010252	27	3-482-010352	97
3-276-010691	119	3-368-010257	155	3-482-010360	118
3-276-010691	123	3-368-010294	25	3-482-010360	122
3-276-010691	127	3-375-010250	03	3-482-010360	126
3-276-010693	119	3-375-010337	03	3-482-010472	99
3-276-010693	123	3-375-010349	03	3-482-010472	101
3-276-010693	127	3-375-010489	05	3-482-010503	133
3-276-010706	139	3-375-010489	07	3-482-010510	122
3-276-010707	139	3-375-010489	09	3-482-010510	129
3-276-010708	139	3-375-010489-1	03	3-482-010553	147
3-276-010709	139	3-375-010489-2	03	3-482-010575	05
3-276-010710	139	3-384-010020	57	3-482-010575	07
3-276-010711	139	3-397-010152	122	3-482-010575	09
3-276-010712	139	3-397-010152	126	3-482-010575	17
3-276-010713	139	3-397-010203	119	3-482-010575	18
3-276-010714	139	3-397-010237	122	3-482-010575	21
3-276-010715	141	3-397-010261	122	3-485-010001	38
3-276-010718	141	3-397-010261	126	3-485-010001	42
3-276-010729	141	3-399-010001	133	3-485-010001	51
3-276-010755	141	3-406-010076	69	3-522-010017	81
3-276-010774	139	3-407-010038	11	3-535-011751	137
3-276-010774	141	3-407-010038	11	3-557-010029	143
3-279-010037	31	3-407-010062	05	3-557-010030	03
3-279-010037	31	3-407-010062	07	3-557-010031	11
3-296-010001-1	33	3-407-010062	09	3-557-010033	05
3-296-010001-2	33	3-407-010066	105	3-557-010033	07
3303	90	3-410-011335	153	3-557-010033	09
3-311-010145	01	3-427-010003	118	3-557-010033	11
3-311-010499	11	3-427-010003	122	3-557-010042	143
3321	90	3-427-010003	126	3-557-010059	05
3-348-010048	80	3-443-010010	111	3-557-010059	07
3-352-010015-3	95	3-443-010018	129	3-557-010059	09
3-352-010015-4	95	3-446-010046	25	3-557-010120	11
3-352-010017-1	95	346SL	01	3-557-010120	11
3-352-010026	136	346SL	147	3-557-010375	139
3-352-010027	136	346SL	149	3-557-010380	131
3-352-010061	95	3-481-010006	73	3-557-010383	95
3-352-010062	95	3-481-010006	75	3-557-010396	38
3-368-010067	39	3-481-010006	91	3-557-010396	51
3-368-010125	33	3-481-010007	73	3-557-010474	80

PART	PAGE	PART	PAGE	PART	PAGE
3-557-0140380	123	3-591-010003	122	3-755-010189-1	51
3-561-010001	133	3-591-010003	126	3-762-010016	38
3-565-010770	95	3-591-010005	118	3-762-010016	42
3-565-010951	111	3-591-010005	122	3-762-010016	51
3-565-011688	81	3-591-010005	126	3-762-010017	38
3-569-010012	65	3-612-010015-1	154	3-762-010017	42
3-573-010020	114	3-612-010015-2	154	3-762-010017	51
3-573-010031	114	3-612-010016	154	3-762-010554	42
3-573-010040	114	3-619-010059	145	3-762-010554	49
3-573-010041	114	3-619-010061	145	3-762-010563	53
3-573-010042	114	3-626-010004	80	3-762-010563-3	51
3-573-010043	114	3632	90	3-762-010563-4	51
3-573-010048	114	3-642-010134	137	3-762-010612	153
3-573-010049	114	3-645-010049	95	3-765-010001	05
3-573-010050	114	3-645-010059	137	3-765-010001	07
3-573-010051	114	3-645-010085	137	3-765-010001	09
3-573-010057	114	3-659-010012	67	3-765-010001	31
3-573-010085	114	3-659-010012	69	3-765-010005	118
3-573-010127	114	3-681-010072	111	3-765-010005	122
3-573-010189	114	3-681-010098	97	3-765-010005	126
3-573-010202	105	3-681-010098	99	3-780-010002	55
3-573-010202	114	3-681-010098	101	3-780-010002	57
3-573-010210	114	3-681-010098	103	3-780-010002	59
3-573-010211	114	3-711-010025	131	3-783-010013P	118
3-573-010296	31	3-711-010025	131	3-783-010013P	122
3-573-010296	114	3-711-010028	73	3-783-010013P	126
3-573-010298	114	3-711-010055	17	3-786-010005	122
3-573-010299	114	3-711-010055	18	3-786-010005	126
3-573-010300	114	3-711-010055	21	3-786-010043	133
3-573-010349	114	3-711-010090	119	3-786-010059	118
3-573-010377	114	3-711-010110	80	3-793-010040	95
3-573-010391	31	3-720-010010	73	3-793-010041	95
3-573-010391	114	3-720-010010	75	38-01-075	39
3-573-010392	31	3-720-010010	77	38-01-075	43
3-573-010392	114	3-720-010024	144	38-01-075	51
3-573-010393	31	3-720-010030	53	38-02-075	39
3-573-010393	114	3-720-010035	81	38-02-075	43
3-573-010394	31	3-720-010042	80	38-02-075	51
3-573-010394	114	3-725-010051	151	3-821-010005	39
3-573-010395	31	3-725-010058	01	3-821-010005	43
3-573-010395	114	3-725-010081	147	3-821-010005	51
3-573-010437	26	3-725-010082	147	3-826-010014	03
3-573-010437	27	3-735-010030	119	3-826-010015	03
3-573-010437	114	3-735-010030	123	3-829-010337	154
3-573-010442	114	3-744-010041	129	3-831-010158	129
3-573-010465	114	3-744-010046	118	3-831-010172	80
3-573-010465	147	3-744-010046	122	3-831-010182	80
3-573-010465	149	3-744-010046	126	3-832-010300	05
3-573-010466	114	3-755-010080	131	3-832-010300	09
3-573-010466	147	3-755-010189	38	3-832-010301	05
3-573-010466	149	3-755-010189	43	3-832-010301	07
3-591-010001	133	3-755-010189	51	3-832-010301	09
3-591-010001	134	3-755-010189-1	38	3-832-010302	05
3-591-010003	118	3-755-010189-1	43	3-832-010302	09

PART	PAGE	PART	PAGE	PART	PAGE
3-832-010303	05	3-861-010038	11	516-22PTL	139
3-832-010303	07	3-861-010047	141	516-22PTL	141
3-832-010303	09	3-870-010012	65	516-22PTL	149
3-832-010304	05	3-870-010014	67	51700015	152
3-832-010305	05	3-870-010097	69	526-0065	119
3-843-010005	57	3-870-010104	69	526-0065	123
3-843-010008	77	3-873-010122	73	541-0203	119
3-843-010015	17	3-873-010122	75	541-0203	123
3-843-010015	18	3-873-010122	83	541-0203	127
3-843-010015	19	3-873-010123	73	541-0316	119
3-843-010015	21	3-873-010123	75	541-0316	123
3-843-010022	80	3-873-010123	81	541-0316	127
3-843-010023	17	3-873-010123	86	541-0379	119
3-843-010023	18	3-873-010124	73	541-0379	123
3-843-010024	17	3-873-010124	75	541-0379	127
3-843-010024	18	3-873-010125	73	55B11	71
3-843-010024	21	3-873-010125	75	55B61	55
3-843-010025	17	3-873-010126-2	73	55B61	57
3-843-010025	18	3-873-010126-2	75	55B61	59
3-843-010025	21	3-873-010127	73	55B61	71
3-843-010038	71	3-873-010128	73	55B61-6	71
3-846-010008	05	3-873-010129-2	73	55B61-7	71
3-846-010008	07	3-873-010129-2	75	56D4	55
3-846-010008	09	3-873-010130	75	56D4	57
3-846-010008	17	3-873-010131	75	56D4	59
3-846-010008	18	3-873-010154	77	59P8	31
3-846-010008	23	3-873-010154	89	59P8	31
3-846-010056	97	3-873-010155	77	59P8	31
3-846-010056	99	3-873-010157-01	77	59S-7	25
3-846-010056	101	3-873-010157-02	77	59W-2-3	25
3-846-010056	103	3-876-010017	77	59W-2-3	29
3-846-010056	107	391-1802-119	134	60015Y	25
3-846-010120	105	40002R	25	6009250	107
3-846-010147	21	4010500	107	6029520	107
3-846-010147	23	4010520	107	6029521	107
3-846-010149	21	4010530	107	622-3511-008	38
3-846-010149	23	4011702	107	622-3511-008	42
3-846-010152-01	17	4014240	107	622-3511-008	51
3-846-010152-02	17	4023150	107	63635	65
3-846-010152-03	17	4023774	107	63680	69
3-846-010152-05	17	4042	89	6400000	107
3-846-010152-08	17	481 54 224	44	6401003	107
3-846-010152-10	18	4Z4306	23	6402000	107
3-846-010152-11	18	5/16-18 HFLN	119	6404002	107
3-846-010152-12	18	5000	38	6405000	107
3-846-010152-13	18	5000	51	64181	26
3-846-010152-14	18	5029	38	64181	27
3-846-010156	05	5029	42	6-557-010163	131
3-846-010156	07	5029	51	6582	19
3-846-010156	09	508-0184	119	6600	119
385-06	39	508-0184	123	6600	123
385-06	43	514-9045-60	123	6600	127
385-06	51	514-9045-60	127	66884	69
3-861-010038	11	514-9045-66	119	66893	67

PART	PAGE	PART	PAGE	PART	PAGE
6828	133	90008149	47	936 00 077	49
68CA-2-2	17	90008184	47	93600072	47
68CA-2-2	18	90008186	47	93600077	47
68CA-2-2	21	9001-B255	31	936-00-118	45
6964-312	19	9001-B256	31	939 00 027	49
69996 B	69	9001-BW70YU	31	939 00 164	49
7019-9XX	19	90025288	47	939 00 165	49
71700174	152	90036117	47	939-00-119	45
71900048	14	90036177	47	939-00-224	45
71900195	15	90054038	47	941 00 119	44
73174	89	900-54-107	45	941 00 466	44
75716	65	900-54-113	45	941-00-463	45
758-181	55	90075040	47	94100590	47
758-181	57	905 08 004	49	94100648	47
758-181	59	905 10 032	49	94100685	47
76343	90	905 15 857	49	94100787	47
76344	90	905 15 858	49	94100790	47
7HCGHT500	73	905 19 425	49	9612	89
7HCGHT500	75	905 54 107	44	9672	89
7HCGHT500	80	905 57 023	49	9672	90
805-2	123	90508009	47	9695	90
805-2	127	90516600	47	9695	90
805-2	55	90516601	47	9704	90
805-2	57	905-54-107	17	9844	89
805-2	59	905-54-107	18	9851	89
81006	83	905-54-107	21	9852	89
81009	83	905-54-107	77	9853	89
81025	83	905-54-107	135	9854	89
81077	86	905-54-125	45	9880	89
81078	86	90557129	47	9890	89
81080	86	9-181-010021-3	05	9890	90
81081	86	9-181-010021-3	07	9972	89
81082	86	9-181-010021-3	09	9992	90
81434	89	930 02 349	44	9992	90
81454	89	930 03 599	49	A001	35
81454	90	930-02-349	45	A6760S	135
81530	83	93003597	47	A7106-350	19
81608	90	932 01 046	49	A7106-392	19
81612	90	93201051	47	A7106-430	19
81700255	152	93201057	47	AA 1058	134
81900277	15	934 00 060	44	AB022-567	19
81900295	14	934 00 136	49	AC-6400	42
88005	87	934 00 149	49	AC-6400	45
900 01 078	49	934 00 367	49	AY102	35
900 08 139	49	934 00 492	49	AY103	35
900 08 141	49	934 00 502	49	AY109	35
900 28 047	49	934-00-060	45	B3-619-007	145
900 28 075	49	93400136	47	B7-141-003	131
900 36 140	49	93400149	47	B7-257-001	111
900 41 878	49	93400367	47	BA 3026-2	134
900 44 162	49	93400367	47	BD 1135M-3-17	134
900 54 466	44	93400506	47	BSL-6-4	111
90001200	47	93454038	47	C2001	93
90008139	47	936 00 072	49	C29-1104X	80

PART	PAGE	PART	PAGE	PART	PAGE
C3069X12	133	NB-2-016	18	XA-V-1928-1	151
CA-1595	118	NB-2-016	18	XA-V-1929	151
CA-1595	122	NB-2-016	18	XA-V-1938	151
CA-1595	126	NB-2-016	18	XA-V-1957	151
CO-975-74-2000	139	NB-2-016	21	XA-V-796-B-1	151
D-2212-64.5	61	NB-2-016	21	XA-V-90-10	151
D-2212-70.5	61	P003	35	XA-V-90-11	151
D-2512-64.5	61	PA-2328-2	91	XB-01789	151
D-2512-70.5	61	PMCK-AD-460	14	XB-020065	151
D-2516-67.5	61	PMCK-AD-461	15	XB-0307	151
D-2516-69	61	PMCK-SAE-33500	152	XB-03816	151
D-2516-69	61	PTO	133	XB-04112	151
DB-10	31	R*P-MT-STD-DF	35	XB-1108	151
E001	35	RA 1688-17-64	134	XB-21-S-187-1250	151
E001	35	RRT114X6	38	XB-21-S-375-1500	151
E002	35	RRT114X6	51	XB-21-S-375-3000	151
E007	35	RRT308X.75	119	XB-3103	151
E007	35	RRT308X.75	123	XB-338	151
EB 1685-3	134	RRT308X.75	127	XB-338	151
H015	35	RTR7999X4ZP	81	XB-767	151
H018	35	S005	35	XB-C-38-C-214	151
H038	35	S21F-6	123	XB-CX-14-28-F-58	151
H039	35	S21F-6	127	XB-FW-25	151
H046	35	S25F-6	123	XB-H-32-2	151
H048	35	S25F-6	127	XB-V-1926	151
H068	35	STP-147	26	XB-V-1949	151
HM212011	65	STP-147	27	XB-V-1966	151
HM212011	67	T*P*MT-STD-DF	35	XB-V-444-1	151
HM212011	69	TR573	65	XB-V-643-A2	151
HM212049	65	TR573	67	XB-V-851	151
HM212049	67	TR573	69	XB-V-V-647	151
HM212049	69	TY244MX	11	Y 1032	134
HM218210	65	UB 3006-242	134		
HM218210	67	X 144-3	134		
HM218210	69	X2-25	134		
HM218248	65	X73-37-16	134		
HM218248	67	XA 1603	134		
HM218248	69	XA-CRP-V-1917	151		
K71-098-00	61	XA-S9-3105	151		
K71-101-00	61	XA-V-03824	151		
K71-133-00	61	XA-V-03875-0 -5	151		
K71-135-00	61	XA-V-03876-0 -5	151		
K71-136-00	61	XA-V-04204-1	151		
K71-138-00	61	XA-V-04205-1	151		
LB 1669-1	134	XA-V-05122-A	151		
LB004	35	XA-V-05123-A	151		
LB005	35	XA-V-05159-A	151		
M 1391-K	134	XA-V-05356-0 -5	151		
M110AB-4	91	XA-V-1901-1	151		
M110C-1	91	XA-V-1910	151		
NB-2-016	17	XA-V-1913	151		
NB-2-016	17	XA-V-1920	151		
NB-2-016	17	XA-V-1927	151		
NB-2-016	17	XA-V-1928	151		