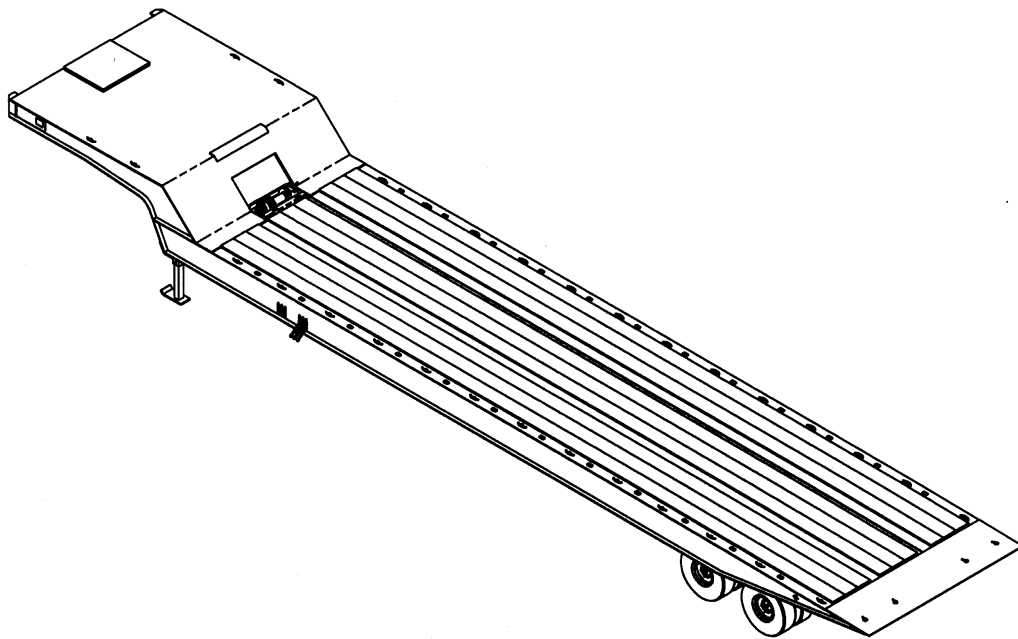




**MODEL 317C/318/319 SERIES
PARTS LIST**



**1900 NORTH STREET
MARYSVILLE, KANSAS 66508
(785) 562-5381**

ILLUSTRATED PARTS LIST

1

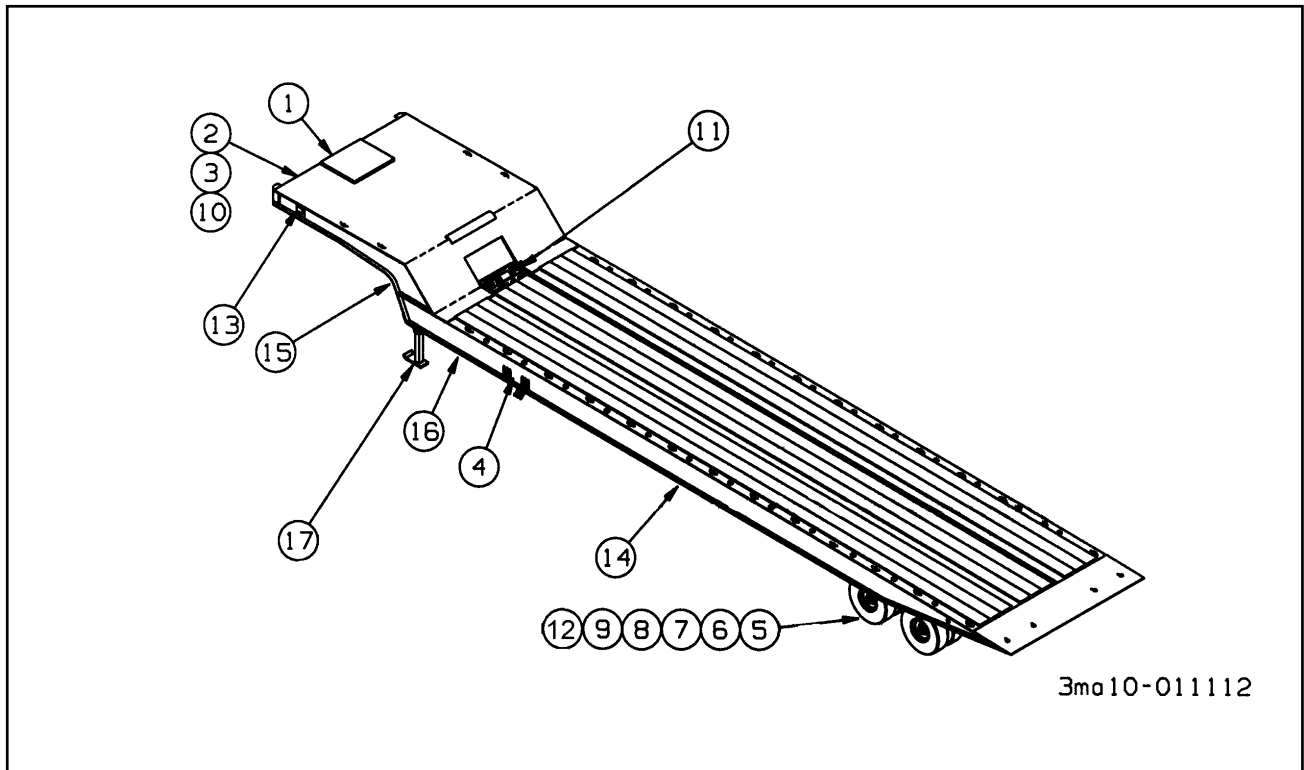
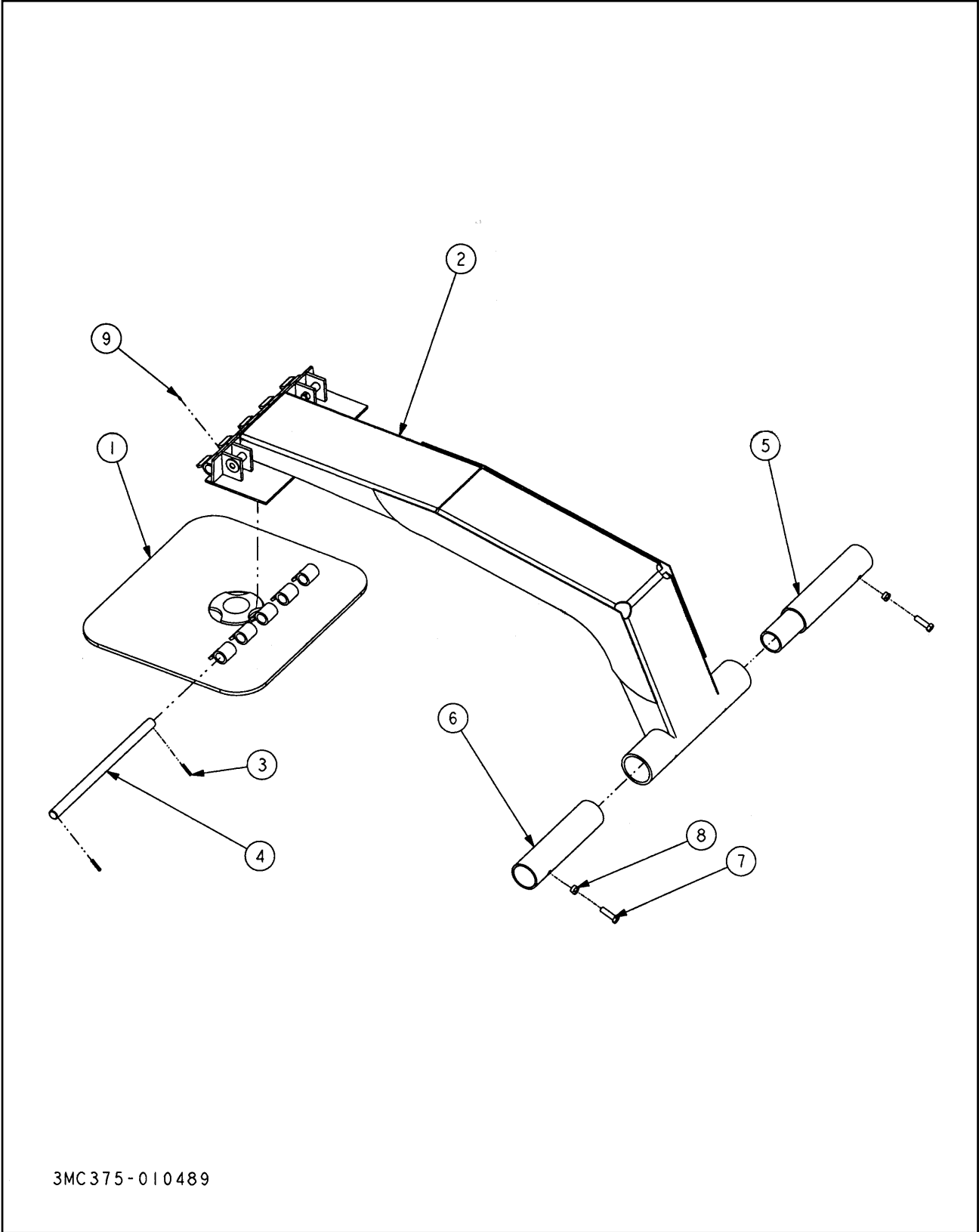


Figure 1-1 General Assembly

GENERAL ASSEMBLY

ITEM	PAGE NO.	DESCRIPTION	QTY.
1	1-2 - 1-3	FIFTH WHEEL ASSEMBLY	1
2	1-4 - 1-21	HYDRAULIC ASSEMBLIES	1
3	1-22 - 1-27	ELECTRICAL ASSEMBLIES	1
4	1-28 - 1-35	REMOTE CONTROL	1
5	1-36 - 1-47	UNDERCARRIAGE AND SUSPENSION - AIR RIDE	1
6	1-48 - 1-51	UNDERCARRIAGE AND SUSPENSION - SPRING RIDE	1
7	1-52 - 1-55	AIR BRAKE SYSTEMS	1
8	1-56 - 1-59	AXLE AND BRAKE ASSEMBLIES	1
9	1-60 - 1-61	HUB AND DRUM ASSEMBLY	AR
10	1-62 - 1-63	MAIN AIR SYSTEM	1
11	1-64 - 1-89	WINCH ASSEMBLIES	1
12	1-90 - 1-99	DOCK LEVELER ASSEMBLIES	1
13	1-100 - 1-101	DOOR LATCH INSTALLATION	1
14	1-102 - 1-105	DECAL INSTALLATION	1
15	1-106 - 1-111	ENGINE DRIVE AND BRACKET ASSEMBLY	1
16	1-112 - 1-127;1-135-1-136	OPTIONAL EQUIPMENT	1
17	1-128 - 1-134	LANDING GEAR ASSEMBLIES	1



3MC375-010489

Figure 1-2 Fifth Wheel Hitch Assembly

FIFTH WHEEL HITCH ASSEMBLY

ITEM	PART NO.	DESCRIPTION	QTY.
	3-375-010489-1	HITCH INSTL., 24 KP 317C,319C, 30 KP 318C	
	3-375-010489-2	HITCH INSTL., 18 KP 317C,319C	
	104249	HITCH INSTL., 26 KP 318C	
	104466	HITCH INSTL., 18 KP 317C-CA MODEL	
1	3-375-010250	PLATE HITCH (24KP-317C,319C/ 18KP-317C-CA / 30KP-318)	1
	3-375-010349	PLATE HITCH (18KP-317C,319C)	1
	104248	HITCH WELDMENT (26KP-318C)	1
2	3-375-010337	FIFTH WHEEL HITCH (317C HD TANDEM)	1
3	1-647-010004255	SPRING PIN SLOTTED	2
4	3-557-010030	PIN FIFTH WHEEL HINGE	1
5	3-826-010015	TUBE WELDMENT INNER FIFTH WHEEL	1
6	3-826-010014	TUBE INNER HINGE FIFTH WHEEL	1
7	1-654-010061-07	SCREW HEX HEAD CAP 3/4-10 X 2-1/2 GR5	2
8	1-512-010005-15	NUT HEX LOCK 3/4-10 GRB	2
9	1-298-010001-1	FITTING GREASE 1/4-28 SHORT	6

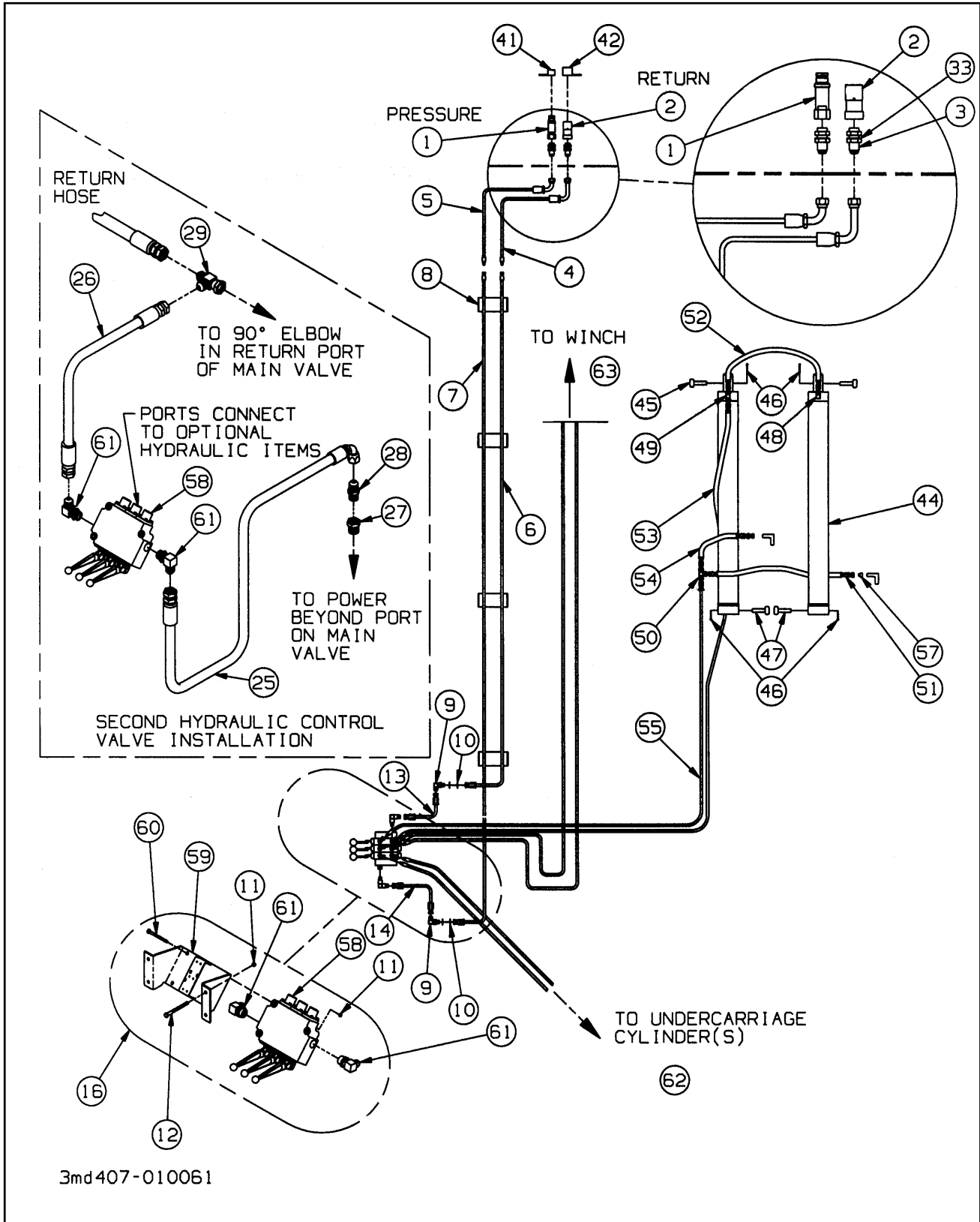


Figure 1-3 Hydraulic System (317C)

HYDRAULIC SYSTEM (317C)

ITEM	PART NO.	DESCRIPTION	QTY.
	3-407-010062	HYDRAULIC INSTL. CONTROLS (ITEMS 1-43)	
	3-375-010489	HITCH INSTALLATION (ITEMS 44-56)	
1	105479	COUPLER FLAT FACE MALE	1
2	105480	COUPLER FLAT FACE FEMALE	1
3	105483	ADAPTER BULKHEAD	2
4	3-832-010300	TUBE ASSEMBLY	1
	3-832-010304	TUBE ASSEMBLY (317C-CA ONLY)	1
5	3-832-010302	TUBE ASSEMBLY	1
	3-832-010305	TUBE ASSEMBLY (317C-CA ONLY)	1
6	3-832-010301	TUBE ASSEMBLY	1
7	3-832-010303	TUBE ASSEMBLY	1
8	9-181-010021-3	CLAMP TUBE CHANNEL MOUNT	8
9	2043-12-12S	ADAPTER 90 BULKHEAD	2
10	110-7389	FLAT WASHER 1' SAE	4
11	1-510-010001	NUT FLANGE LOCK 3/8-16	A/R
12	1-654-010051-07	SCREW HEX HEAD CAP 3/8-16 GR5	4
13	1-397-010304029	HOSE ASSEMBLY 29	1
14	1-397-010304031	HOSE ASSEMBLY 31	1
15	1-822-010001	TRIM LOK (NOT SHOWN)	A/R
16	*	VALVE ASSEMBLY OPTIONS (SEE PAGES 1-15, 1-16, & 1-19)	1
25	1-397-010389018	HOSE ASSEMBLY 18	1
26	1-397-010304022	HOSE ASSEMBLY 22	1
27	1V0208	POWER BEYOND REMOTE	1
28	2021-12-8S	ADAPTER	1
29	203102-12-12S	ADAPTER TEE	1
33	1-861-010059-21	WASHER LOCKING INTERNAL TOOTH	2
34	3-765-010001	SWITCH RMT CTRL ASSY (NOT SHOWN) (SEE PAGE 1-31)	1
35	*	REMOTE OPTIONS (NOT SHOWN) (SEE PAGE 1-31)	1
41	105481	COUPLER DUST CAP MALE	1
42	105482	COUPLER DUST CAP FEMALE	1
43	105822	DECAL HYD COUPLER (NOT SHOWN) (SEE PAGE 1-104)	1
44	3-242-010099	CYLINDER HYDRAULIC 4 X 42 (SEE PAGE 1-12)	2
45	3-557-010059	PIN CYLINDER ROD END	2
46	1-557-010362-54	PIN COTTER	4
47	3-557-010033	PIN CYLINDER BUTT END	2
48	2062-8-8S	ADAPTER 90	3
49	203003-8-8S	ADAPTER TEE	1
50	2033-8-8S	ADAPTER TEE	1
51	1-397-010301042	HOSE ASSEMBLY 42	1
52	107756	HOSE ASSEMBLY 24	1
53	1-397-010301157	HOSE ASSEMBLY 157	1
54	1-397-010301040	HOSE ASSEMBLY 40	1
55	1-397-010301127	HOSE ASSEMBLY 127	1
56	104464	STOP TILT CYLINDER (317C-CA ONLY)	2
57	3-846-010156	VALVE RESTRICTOR - ONE WAY	2
58	3-846-010008	VALVE 3-SPOOL (SEE PAGE 1-21)	REF
59	3-482-010575	MOUNT WELDMENT VALVE	REF
60	1-654-010051-09	SCREW HEX HEAD CAP 3/8-16 X 2 GR5	REF
61	2062-12-12S	ADAPTER 90	REF
62	*	CYLINDER ASSEMBLY (SEE PAGE 1-11)	REF
63	*	WINCH INSTALLATION (SEE PAGE 1-65)	REF

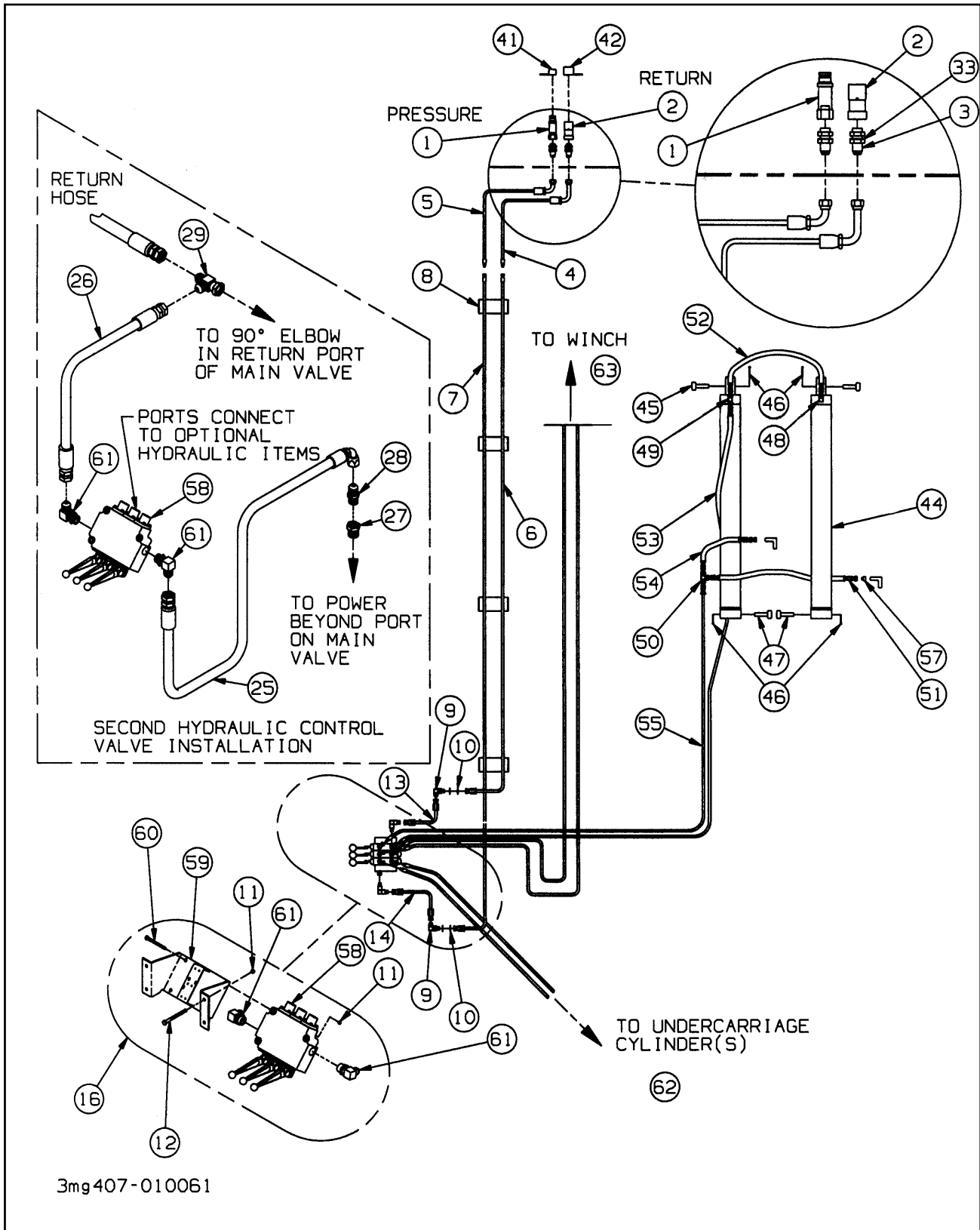


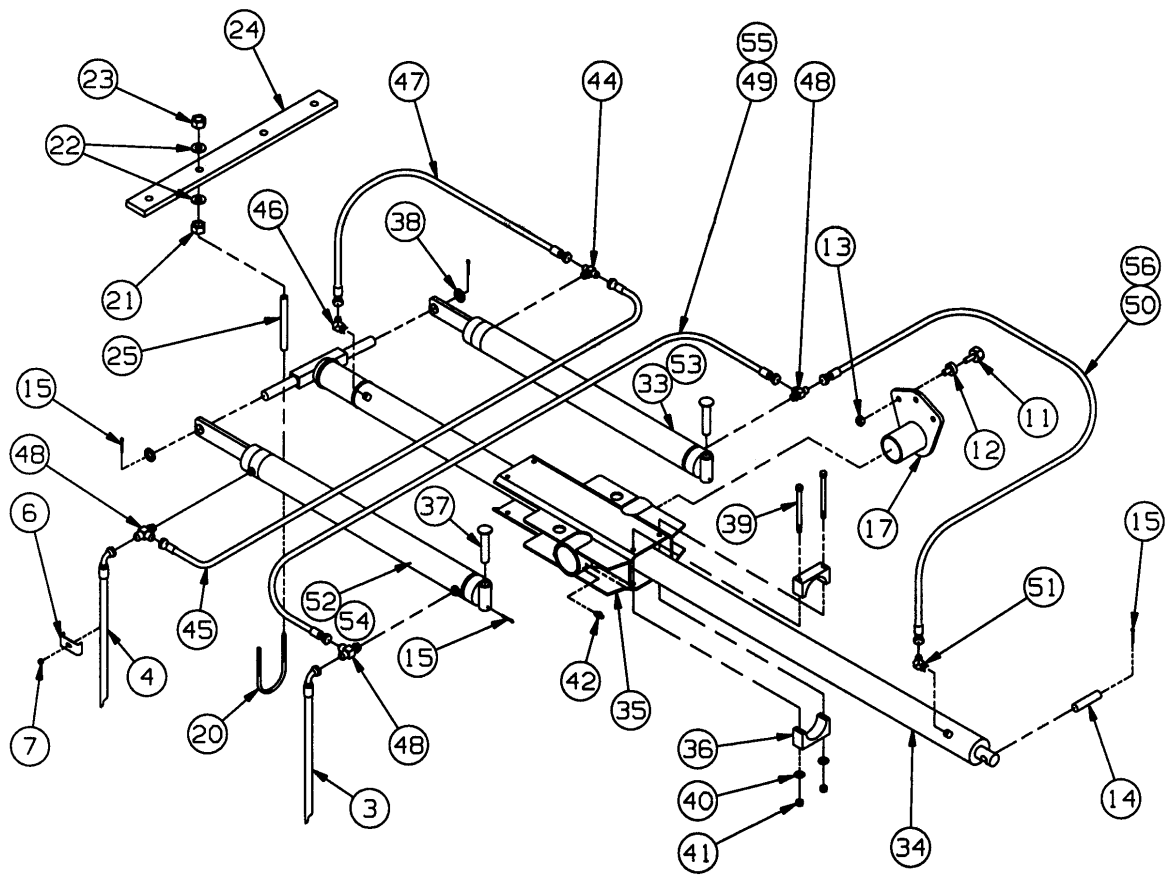
Figure 1-4 Hydraulic System (318C)

HYDRAULIC SYSTEM (318C)

ITEM	PART NO.	DESCRIPTION	QTY.
	3-407-010062	HYDRAULIC INSTL. CONTROLS (ITEMS 1-43)	
	3-375-010489	HITCH INSTALLATION (ITEMS 44-56)	
1	105479	COUPLER FLAT FACE MALE	1
2	105480	COUPLER FLAT FACE FEMALE	1
3	105483	ADAPTER BULKHEAD	2
4	103986	TUBE ASSEMBLY	1
5	103987	TUBE ASSEMBLY	1
6	3-832-010301	TUBE ASSEMBLY	1
7	3-832-010303	TUBE ASSEMBLY	1
8	9-181-010021-3	CLAMP TUBE CHANNEL MOUNT	8
9	2043-12-12S	ADAPTER 90 BULKHEAD	2
10	110-7389	FLAT WASHER 1" SAE	4
11	1-510-010001	NUT FLANGE LOCK 3/8-16	A/R
12	1-654-010051-07	SCREW HEX HEAD CAP 3/8-16 GR5	4
13	104385	HOSE ASSEMBLY 36	1
14	1-397-010304031	HOSE ASSEMBLY 31	1
15	1-822-010001	TRIM LOK (NOT SHOWN)	1
16	*	VALVE ASSEMBLY OPTIONS (SEE PAGES 1-15, 1-16, & 1-19)	
25	1-397-010389018	HOSE ASSEMBLY 18	1
26	1-397-010304022	HOSE ASSEMBLY 22	1
27	1V0208	POWER BEYOND REMOTE	1
28	2021-12-8S	ADAPTER	1
29	203102-12-12S	ADAPTER TEE	1
33	1-861-010059-21	WASHER LOCKING INTERNAL TOOTH	2
34	3-765-010001	SWITCH, RMT CTRL ASSY (NOT SHOWN) (SEE PAGE 1-31)	1
35	*	REMOTE OPTIONS (NOT SHOWN) (SEE PAGE 1-31)	
41	105481	COUPLER DUST CAP MALE	1
42	105482	COUPLER DUST CAP FEMALE	1
43	105822	DECAL HYD COUPLER (NOT SHOWN) (SEE PAGE 1-104)	1
44	3-242-010099	CYLINDER HYDRAULIC 4 X 42 (SEE PAGE 1-12)	2
45	3-557-010059	PIN CYLINDER ROD END	2
46	1-557-010362-54	PIN COTTER	4
47	3-557-010033	PIN CYLINDER BUTT END	2
48	2062-8-8S	ADAPTER 90	3
49	203003-8-8S	ADAPTER TEE	1
50	2033-8-8S	ADAPTER TEE	
51	1-397-010301042	HOSE ASSEMBLY 42	1
52	107756	HOSE ASSEMBLY 24	1
53	1-397-010301157	HOSE ASSEMBLY 157	1
54	1-397-010301040	HOSE ASSEMBLY 40	1
55	1-397-010301127	HOSE ASSEMBLY 127	1
57	3-846-010156	VALVE RESTRICTOR - ONE WAY	2
58	3-846-010008	VALVE 3-SPOOL (SEE PAGE 1-21)	REF
59	3-482-010575	MOUNT WELDMENT VALVE	REF
60	1-654-010051-09	SCREW HEX HEAD CAP 3/8-16 X 2 GR5	REF
61	2062-12-12S	ADAPTER 90	REF
62	*	CYLINDER ASSEMBLY (SEE PAGE 1-11)	REF
63	*	WINCH INSTALLATION (SEE PAGE 1-65)	REF

HYDRAULIC SYSTEM (319C)

ITEM	PART NO.	DESCRIPTION	QTY.
	3-407-010062	HYDRAULIC INSTL. CONTROLS (ITEMS 1-43)	
	3-375-010489	HITCH INSTALLATION (ITEMS 44-56)	
1	105479	COUPLER FLAT FACE FLAT	1
2	105480	COUPLER FLAT FACE FEMALE BODY	1
3	105483	ADAPTER BULKHEAD	2
4	3-832-010300	TUBE ASSEMBLY	1
5	3-832-010302	TUBE ASSEMBLY	1
6	3-832-010301	TUBE ASSEMBLY	1
7	3-832-010303	TUBE ASSEMBLY	1
8	9-181-010021-3	CLAMP TUBE CHANNEL MOUNT	8
9	2043-12-12S	ADAPTER 90 BULKHEAD	2
10	110-7389	FLAT WASHER 1" SAE	4
11	1-510-010001	NUT FLANGE LOCK 3/8-16	4
12	1-654-010051-07	SCREW HEX HEAD CAP 3/8-16 X 1-1/2 GR5	4
13	1-397-010304029	HOSE ASSEMBLY 29	1
14	1-397-010304031	HOSE ASSEMBLY 31	1
15	1-822-010001	TRIM-LOK (NOT SHOWN)	1
16	*	VALVE ASSEMBLY OPTIONS (SEE PAGES 1-15, 1-16, & 1-19)	1
25	1-397-010389018	HOSE ASSEMBLY 18	1
26	1-397-010304022	HOSE ASSEMBLY 22	1
27	1V0208	POWER BEYOND REMOTE	1
28	2021-12-8S	ADAPTER	1
29	203102-12-12S	ADAPTER TEE	1
33	1-861-010059-21	WASHER LOCKING INTERNAL TOOTH	2
34	3-765-010001	SWITCH, RMT CTRL ASSY (NOT SHOWN) (SEE PAGE 1-31)	1
35	*	REMOTE OPTIONS (NOT SHOWN) (SEE PAGE 1-31)	1
39	104892	SHIELD CONTROL VALVE	1
40	1-654-010051-05	SCREW HEX HEAD CAP 3/8-16 X 1 GR5	4
41	105481	COUPLER DUST CAP MALE	1
42	105482	COUPLER DUST CAP FEMALE	1
43	105822	DECAL HYD COUPLER (NOT SHOWN) (SEE PAGE 1-104)	1
44	3-242-010099	CYLINDER HYDRAULIC 4 X 42 (SEE PAGE 1-12)	2
45	3-557-010059	PIN CYLINDER ROD END	2
46	1-557-010362-54	PIN COTTER	4
47	3-557-010033	PIN CYLINDER BUTT END	2
48	2062-8-8S	ADAPTER 90	3
49	203003-8-8S	ADAPTER TEE	1
50	2033-8-8S	ADAPTER TEE	1
51	1-397-010301042	HOSE ASSEMBLY 42	1
52	107756	HOSE ASSEMBLY 24	1
53	1-397-010301157	HOSE ASSEMBLY 157	1
54	1-397-010301040	HOSE ASSEMBLY 40	1
55	1-397-010301127	HOSE ASSEMBLY 127	1
56	3-846-010156	VALVE RESTRICTOR - ONE WAY	2
57	3-846-010008	VALVE 3-SPOOL (SEE PAGE 1-21)	REF
58	3-482-010575	MOUNT WELDMENT VALVE	REF
59	1-654-010051-09	SCREW HEX HEAD CAP 3/8-16 X 2 GR5	REF
60	2062-12-12S	ADAPTER 90	REF
61	*	CYLINDER ASSEMBLY (SEE PAGE 1-11)	REF
62	*	WINCH INSTALLATION (SEE PAGE 1-65)	REF



3mf 407-010061

Figure 1-6 Hydraulic System - Low Load Angle

HYDRAULIC SYSTEM - LOW LOAD ANGLE

ITEM	PART NO.	DESCRIPTION	QTY.
	3-407-010038	HYDRAULIC INSTALLATION U/C SLIDE	
3	1-397-010302064	HOSE ASSEMBLY 64	1
	1-397-010302112	HOSE ASSEMBLY 112	1
	1-397-010302136	HOSE ASSEMBLY 136	1
	1-397-010302160	HOSE ASSEMBLY 160	1
	1-397-010302192	HOSE ASSEMBLY 192	1
4	1-397-010301048	HOSE ASSEMBLY 48	1
	1-397-010301084	HOSE ASSEMBLY 84	1
	1-397-010301108	HOSE ASSEMBLY 108	1
	1-397-010302042	HOSE ASSEMBLY 42	1
	1-397-010302078	HOSE ASSEMBLY 78	1
	104369	HOSE ASSEMBLY 96	1
	104370	HOSE ASSEMBLY 126	1
6	2-181-010001	HOSE CLAMP	2
7	1-510-010001	NUT FLANGE LOCK 3/8-16	2
9	1-796-010003-02	TIE STRAP PLASTIC (NOT SHOWN)	6
11	1-654-010061-06	SCREW HEX HEAD CAP 3/4-10 X 2-1/4 GR5	6
12	3-861-010038	WASHER STEP	6
13	1-512-010005-15	NUT HEX LOCK 3/4-10 GRB	6
14	3-557-010120	PIN UNDERCARRIAGE CYLINDER	1
15	1-557-010362-54	PIN COTTER	6
16	3-242-010152	CYL. ASSY (INCL 9, 15, 33-56) (NOT SHOWN)	1
	3-242-010152-03	CYL. ASSY (INCL 9, 15, 33-56) (NOT SHOWN)	1
	103743	CYL. ASSY (INCL 9, 15, 33-56) (NOT SHOWN)	1
17	3-125-010244	BRACKET WELDMENT CYLINDER TRUNNION	2
20	3-102-010022	U-BOLT, SUPPORT	2
21	1-512-010007-09	NUT HEX 1/2-13 GRB	2
22	1-861-010032-15	WASHER FLAT 1/2W	4
23	1-512-010005-09	NUT HEX LOCK 1/2-13 GRB	2
24	3-146-010001	RUBBER BUMPER CYLINDER	1
25	1-397-010010016	HOSE HYDRAULIC	2
33	3-242-010099	CYLINDER HYDRAULIC (SEE PAGE 1-12)	2
34	3-242-010103	CYLINDER HYDRAULIC 4 X 126 (SEE PAGE 1-13)	1
35	3-120-010125	CYLINDER TRUNNION ASSEMBLY	1
36	3-120-010117	NYLATRON BEARING	4
37	3-557-010031	PIN CYLINDER BUTT END	2
38	3-150-010223	BUSHING	2
39	1-654-010059-21	SCREW HEX HEAD CAP 5/8-11 X 8 GR5	4
40	1-861-010032-19	WASHER FLAT 5/8W	4
41	1-512-010005-13	NUT HEX LOCK 5/8-11 GRB	4
42	1-298-010001-1	FITTING, GREASE 1/4-28	2
43	1-161-010033-04	CAP, PLASTIC TAPERED (NOT SHOWN)	2
44	203003-8-8S	ADAPTER TEE	A/R
45	1-397-010301039	HOSE ASSEMBLY 39	1
46	2061-8-8S	ADAPTER 45	1
47	1-397-010302070	HOSE ASSEMBLY 70	1
48	203005-8-8S	ADAPTER TEE	A/R
49	1-397-010301042	HOSE ASSEMBLY 42 (317C, 319C)	1
50	107486	HOSE ASSEMBLY 90 (317C, 319C)	1
51	2062-8-8S	ADAPTER 90	1
52	3-311-014956	TUBE CYLINDER STOP (317C-45)	1
53	103744	CYL 4 X 42 (CURB) (318C)(SEE PAGE 1-12)	1
54	103745	CYL 4 X 42 (STREET) (318C)(SEE PAGE 1-12)	1
55	104279	HOSE ASSEMBLY 30 (318C)	1
56	1-397-010302102	HOSE ASSEMBLY 102 (318C)	1

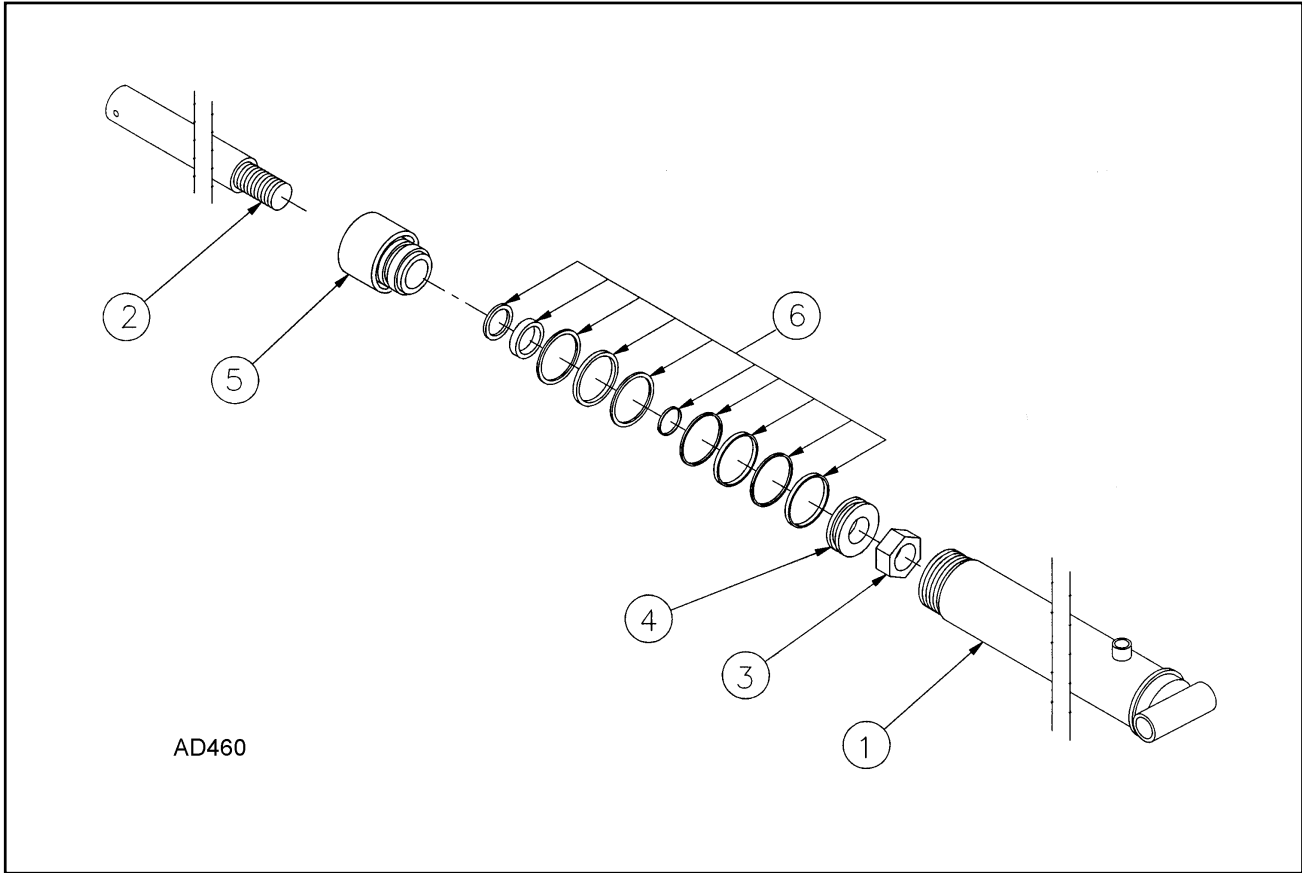


Figure 1-7 Cylinder 4" X 42"

CYLINDER 4" X 42"

ITEM	PART NO.	DESCRIPTION	QTY.
	3-242-010099	CYLINDER HYDRAULIC 4 X 42 (TILT CYLINDER)	
	103744	CYLINDER 4 X 42	
	103745	CYLINDER 4 X 42	
1	*	BUTT AND TUBE ASSEMBLY	1
2	011100550	PISTON ROD	1
3	220000212	LOCKNUT (1-1/4 - 12)	1
4	071900048	PISTON	1
5	081900295	GLAND	1
6	PMCK-AD-460	PACKING KIT (CONTAINS ALL NECESSARY SEALS AND O-RINGS)	1

* PART NOT SOLD SEPARATELY. REQUIRES PURCHASE OF ENTIRE ASSEMBLY.

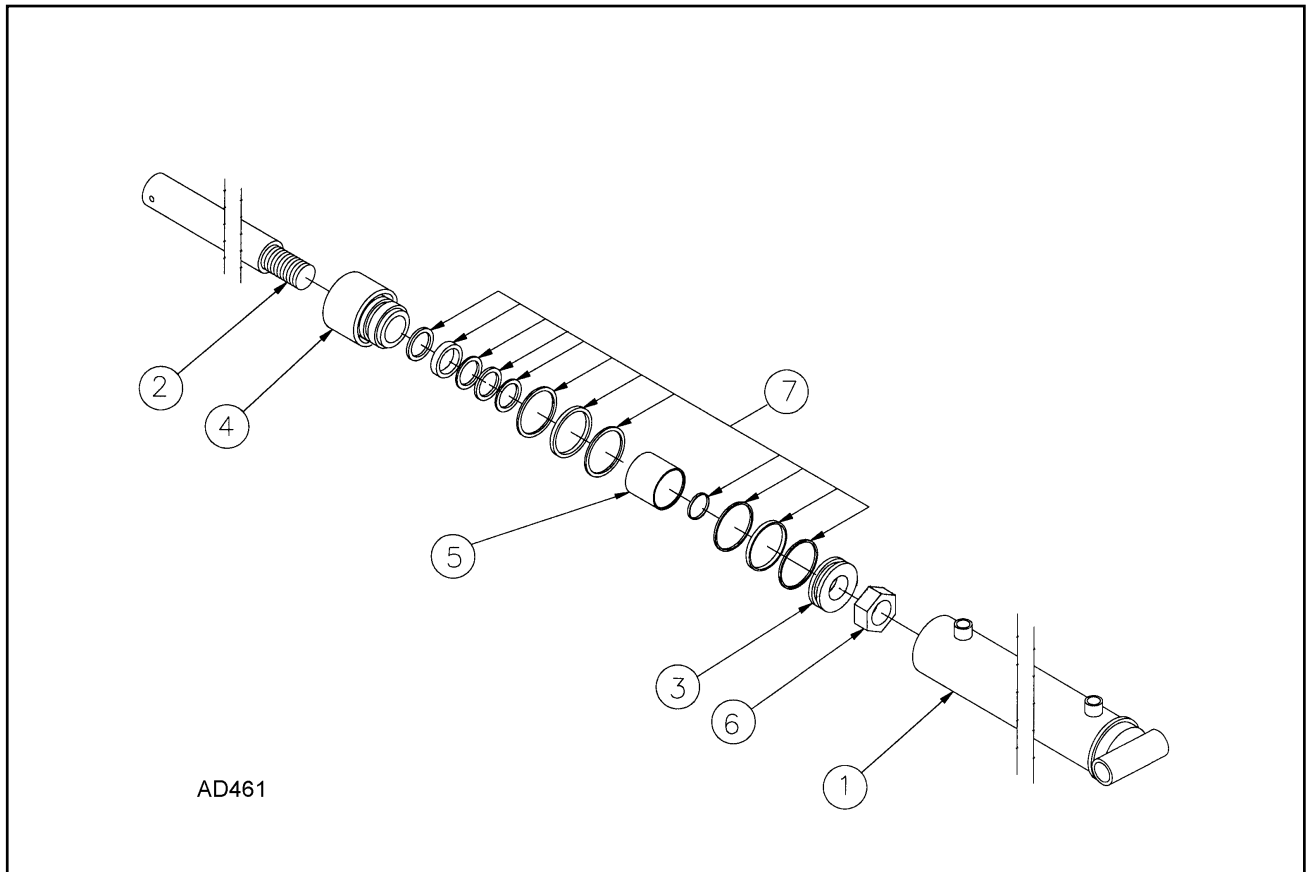
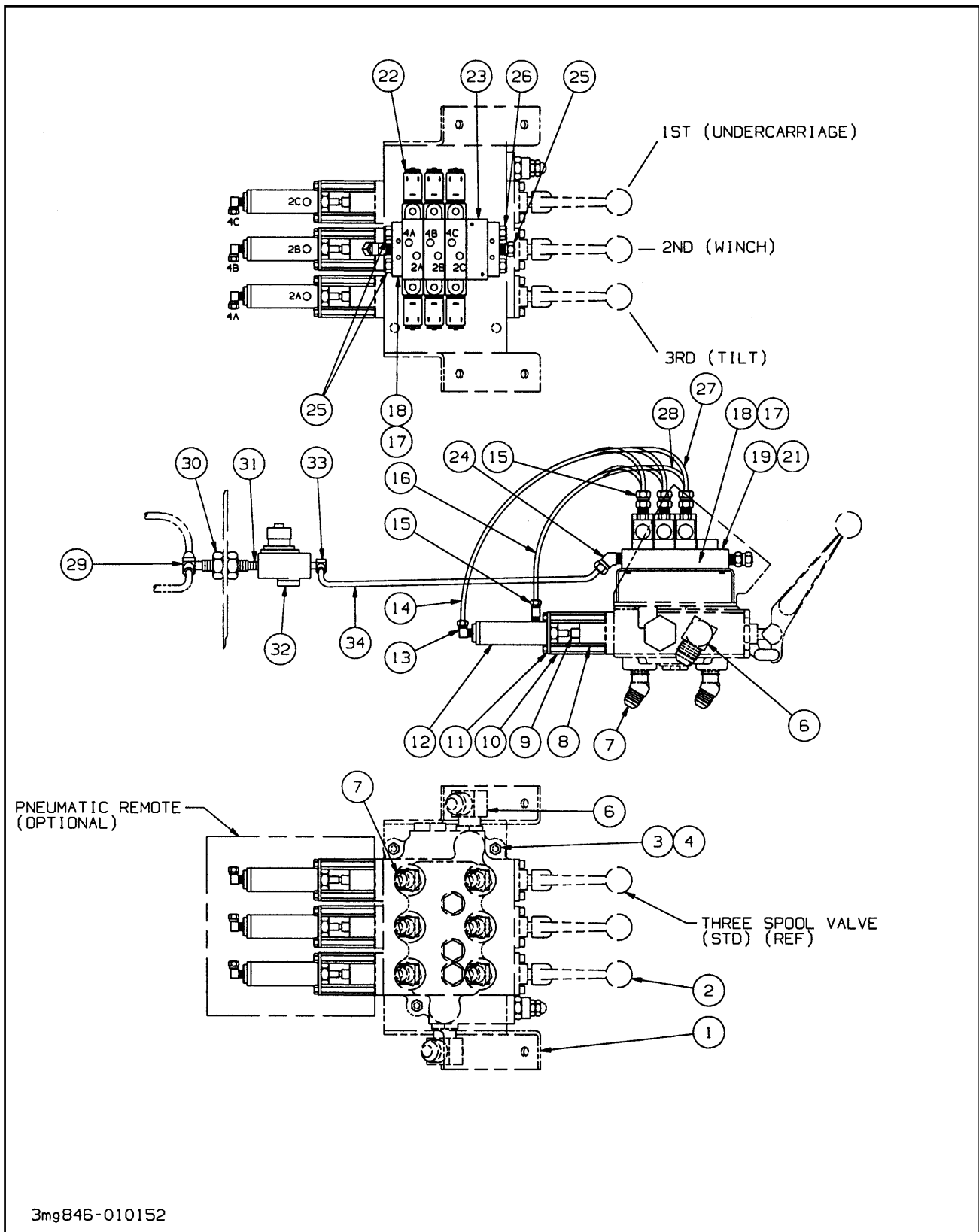


Figure 1-8 Cylinder 4" X 126"

CYLINDER 4" X 126"

ITEM	PART NO.	DESCRIPTION	QTY.
	3-242-010103	CYLINDER HYDRAULIC 4 X 126 (LLA)	
1	*	BUTT AND TUBE ASSEMBLY	1
2	011300179	PISTON ROD	1
3	071900195	PISTON	1
4	081900277	GLAND	1
5	211300024	SPACER	1
6	220000212	LOCKNUT (1-1/4 - 12)	1
7	PMCK-AD-461	PACKING KIT (CONTAINS ALL NECESSARY SEALS AND O-RINGS)	1

*PART NOT SOLD SEPARATELY. REQUIRES PURCHASE OF ENTIRE ASSEMBLY.



3mg846-010152

Figure 1-9 Valve Assembly, Three Spool

VALVE ASSEMBLY THREE SPOOL

ITEM	PART NO.	DESCRIPTION	QTY					
			-01	-02	-03	-05	-08	
	3-846-010152-01	VALVE ASSEMBLY 3-SPOOL STANDARD - NO REMOTES	*					
	3-846-010152-02	VALVE ASSEMBLY 3-SPOOL PLUG 1ST SPOOL		*				
	3-846-010152-03	VALVE ASSEMBLY 3-SPOOL PLUG 2ND/3RD SPOOL			*			
	3-846-010152-05	VALVE ASSEMBLY 3-SPOOL REMOTE 2ND SPOOL - SINGLE REMOTE WINCH				*		
	3-846-010152-08	VALVE ASSEMBLY 3-SPOOL REMOTE 2ND/3RD SPOOL-DUAL REM. WINCH/TILT						*
(FOR VALVE ASSEMBLY DRAWING SEE FIGURE 1-9)								
1	3-482-010575	MOUNT WELDMENT VALVE	1	1	1	1	1	1
2	3-846-010008	VALVE 3-SPL 2500 PSI (SEE PAGE 1-21)	1	1	1	1	1	1
3	1-654-010051-09	SCREW HEX HEAD CAP 3/8-16 X 2 GR5	3	3	3	3	3	3
4	1-510-010001	NUT FLANGE LOCK 3/8-16	3	3	3	3	3	3
5	1-007-010025	PLUG (NOT SHOWN - REPLACES #7)	-	2	4	-	-	-
6	2062-12-12S	ADAPTER 90	2	2	2	2	2	2
7	2061-8-8S	ADAPTER 45	6	4	2	6	6	6
8	3-161-010034	CAP MODIFIED VALVE SPOOL	-	-	-	1	2	
9	3-007-010039	ADAPTER AIR CYLINDER	-	-	-	1	2	
10	3-711-010055	SPACER MALE-FEMALE	-	-	-	4	8	
11	3-482-010288	MOUNT AIR CYLINDER VALVE	-	-	-	1	2	
12	3-238-010001	CYLINDER AIR	-	-	-	1	2	
13	1-297-010008-01	FITTING AIR 90	-	-	-	1	2	
14	NB-2-016	TUBING NYLON FLEX 1/8	-	-	-	1	2	
15	68CA-2-2	CONNECTOR	-	-	-	3	6	
16	NB-2-016	TUBING NYLON FLEX 1/8	-	-	-	1	2	
17	3-843-010023	VALVE PNEU MANF- 2 STATION (NO PARTS BREAKDOWN)	-	-	-	1	1	
18	3-843-010025	VALVE PNEU MANF- 4 STATION (NO PARTS BREAKDOWN)	-	-	-	4	-	
19	1-654-010024014	SCREW MACH FLSTR 6-32X1-1/2	-	-	-	4	4	
21	1-512-010003-02	NUT HEX LOCK W/NYLON #6-32	-	-	-	4	4	
22	3-843-010015	VALVE PNEU 4-WAY, 3-POS (SEE PAGE 1-17)	-	-	-	1	2	
23	3-843-010024	VALVE BLANK STATION COVER	-	-	-	1	-	
24	1-297-010013-05	FITTING AIR	-	-	-	1	1	
25	1-297-010033-02	FITTING BRASS PLUG HEX	-	-	-	3	3	
26	3-136-010001-02	BREATHER PNEUMATIC EXHAUST	-	-	-	2	2	
27	NB-2-016	TUBING NYLON FLEX 31	-	-	-	-	-	
28	NB-2-016	TUBING NYLON FLEX 27	-	-	-	-	-	
29	1-297-010015-09	FITTING AIR BRASS	1	1	1	1	1	
30	1-297-010022-02	FITTING AIR ANCHOR COUPLING	1	1	1	1	1	
31	1-297-010020-02	FITTING BRASS PIPE	1	1	1	1	1	
32	905-54-107	VALVE & FILTER PRESSURE	1	1	1	1	1	
33	1-297-010008-07	FITTING AIR 90	1	1	1	1	1	
34	1-833-010001	NYLON TUBING 1/4	3'	3'	3'	3'	3'	

VALVE ASSEMBLY THREE SPOOL

ITEM	PART NO.	DESCRIPTION	QTY					
			-10	-11	-12	-13	-14	
	3-846-010152-10	VALVE ASSEMBLY 3-SPOOL REMOTE - TRIPLE REMOTE WINCH/TILT/AXLE						
	3-846-010152-11	VALVE ASSEMBLY 3-SPOOL REMOTE 2ND WINCH						
	3-846-010152-12	VALVE ASSEMBLY 3-SPOOL REMOTE 2 WINCHES						
	3-846-010152-13	VALVE ASSEMBLY 3-SPOOL REMOTE 2 WINCHES/TILT						
	3-846-010152-14	VALVE ASSEMBLY 3-SPOOL REMOTE 2 WINCHES/TILT/AXLE (FOR VALVE ASSEMBLY DRAWING SEE FIGURE 1-9)						
1	3-482-010575	MOUNT WELDMENT VALVE	1	1	1	1	1	1
2	3-846-010008	VALVE 3-SPL 2500 PSI (SEE PAGE 1-21)	1	1	1	1	1	1
3	1-654-010051-09	SCREW HEX HEAD CAP 3/8-16 X 2 GR5	3	3	3	3	3	3
4	1-510-010001	NUT FLANGE LOCK 3/8-16	3	3	3	3	3	3
5	1-007-010025	PLUG (NOT SHOWN - REPLACES #7)	-	4	-	-	-	-
6	2062-12-12S	ADAPTER 90	2	2	2	2	2	2
7	2061-8-8S	ADAPTER 45	6	2	6	6	6	6
8	3-161-010034	CAP MODIFIED VALVE SPOOL	3	1	1	2	3	
9	3-007-010039	ADAPTER AIR CYLINDER	3	1	1	2	3	
10	3-711-010055	SPACER MALE-FEMALE	12	4	4	8	12	
11	3-482-010288	MOUNT AIR CYLINDER VALVE	3	1	1	2	3	
12	3-238-010001	CYLINDER AIR	3	1	1	2	3	
13	1-297-010008-01	FITTING AIR 90	3	1	1	2	3	
14	NB-2-016	TUBING NYLON FLEX	3	-	1	2	3	
15	68CA-2-2	CONNECTOR	9	-	2	5	8	
16	NB-2-016	TUBING NYLON FLEX	3	-	1	2	3	
17	3-843-010023	VALVE PNEU MANF- 2 STATION (NO PARTS BREAKDOWN)	-	-	1	-	-	
18	3-843-010025	VALVE PNEU MANF- 4 STATION (NO PARTS BREAKDOWN)	1	-	-	1	1	
19	1-654-010024014	SCREW MACH FLSTR 6-32 X 1-1/2	4	-	4	4	4	
21	1-512-010003-02	NUT HEX LOCK W/NYLON #6-32	4	-	4	4	4	
22	3-843-010015	VALVE PNEU 4-WAY, 3-POS (SEE PAGE 1-17)	3	-	2	3	4	
23	3-843-010024	VALVE BLANK STATION COVER	1	-	-	1	-	
24	1-297-010013-05	FITTING AIR	1	-	1	1	1	
25	1-297-010033-02	FITTING BRASS PLUG HEX	3	-	3	3	3	
26	3-136-010001-02	BREATHER PNEUMATIC EXHAUST	2	-	2	2	2	
27	NB-2-016	TUBING NYLON FLEX 31	-	-	1	1	1	
28	NB-2-016	TUBING NYLON FLEX 27	-	-	1	1	1	
29	1-297-010015-09	FITTING AIR BRASS	1	1	1	1	1	
30	1-297-010022-02	FITTING AIR ANCHOR COUPLING	1	1	1	1	1	
31	1-297-010020-02	FITTING BRASS PIPE	1	1	1	1	1	
32	905-54-107	VALVE & FILTER PRESSURE	1	1	1	1	1	
33	1-297-010008-07	FITTING AIR 90	1	1	1	1	1	
34	1-833-010001	NYLON TUBING 1/4	3'	3'	3'	3'	3'	

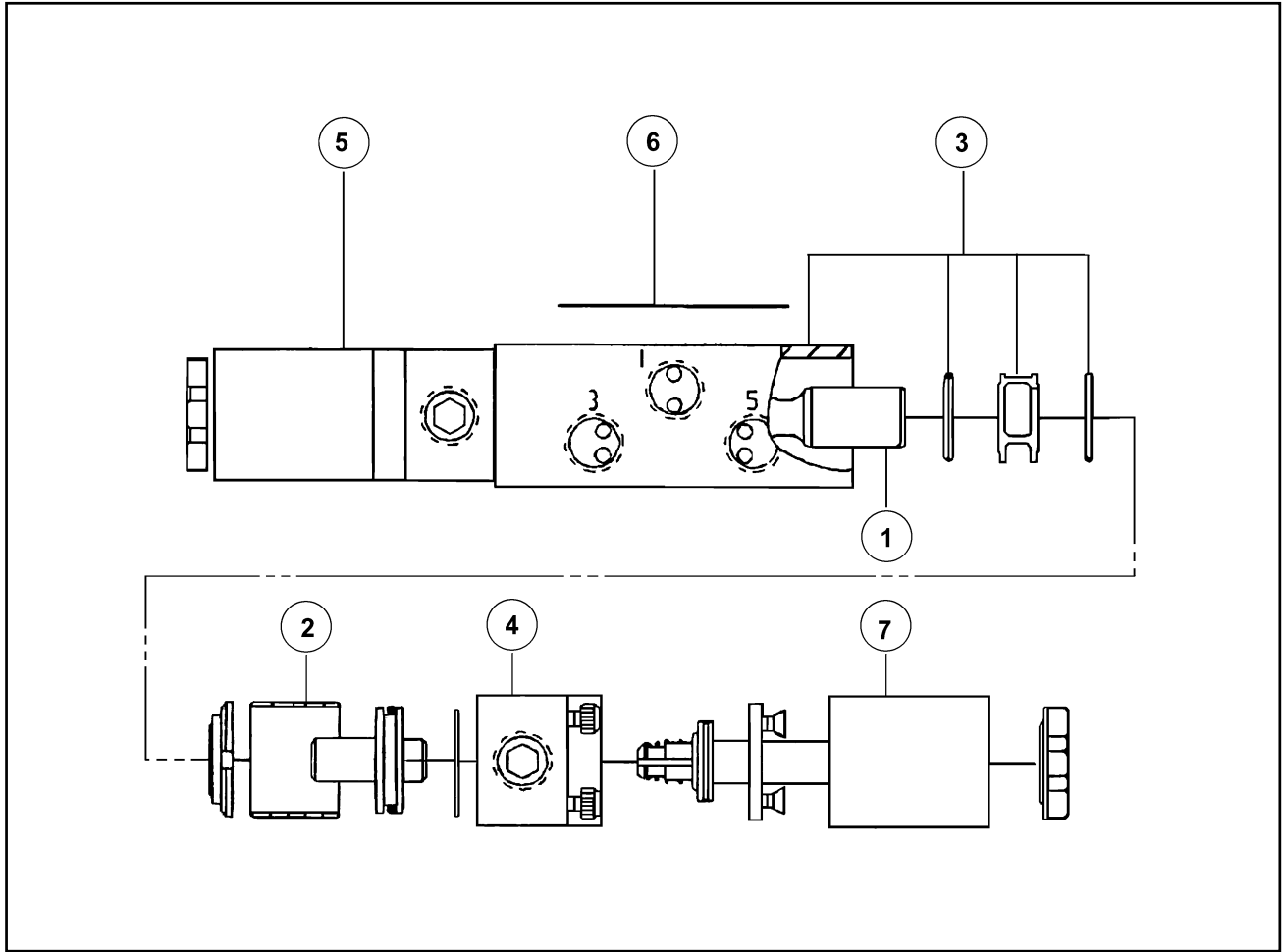


Figure 1-10 Pneumatic Valve

PNEUMATIC VALVE

ITEM	PART NO.	DESCRIPTION	QTY.
	3-843-010015	VALVE PNEUMATIC 4-WAY 3 POSITIONS	3
1	6964-312	SPOOL	1
2	A7106-430	OPERATOR	1
3	A7106-350	BODY	1
4	AB022-567	CAP	2
5	7019-9XX	COIL	2
6	6582	LABEL MODEL NUMBER	2
7	A7106-392	SERVICE KIT(CONTAINS ALL NECESSARY TEE SEALS, O-RINGS, SPRING AND PLUNGER AND GASKET)	

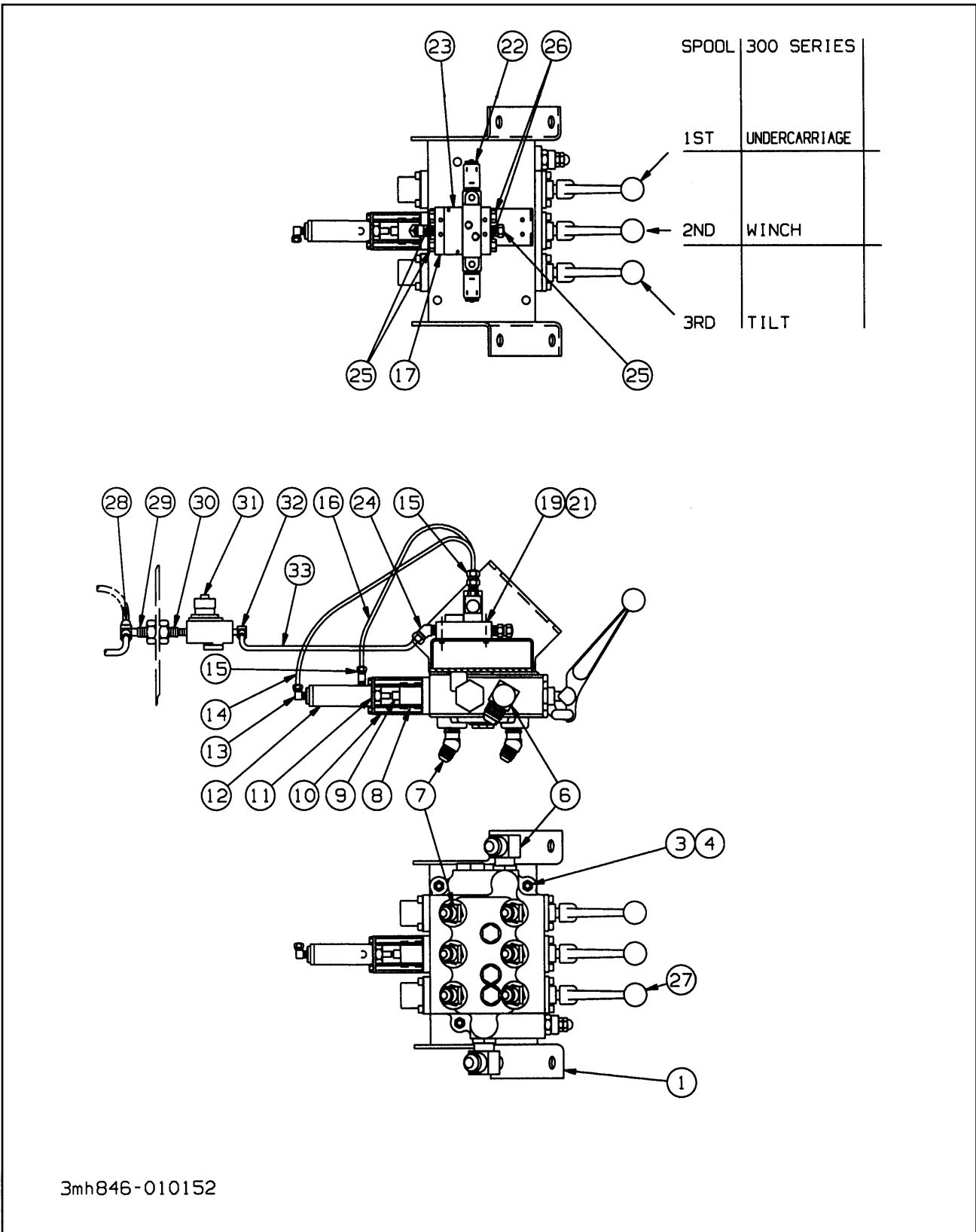


Figure 1-11 Valve Assembly, Motor Spool

VALVE ASSEMBLY MOTOR SPOOL

ITEM	PART NO.	DESCRIPTION	
	105973	VALVE ASSEMBLY MOTOR SPOOL CENTER	
	105974	VALVE ASSEMBLY MOTOR SPOOL CENTER REMOTE	
1	3-482-010575	MOUNT WELDMENT VALVE	1
3	1-654-010051-09	SCREW HEX HEAD CAP 3/8-16 X 2 GR5	3
4	1-510-010001	NUT FLANGE LOCK 3/8-16	3
6	2062-12-12S	ADAPTER 90	2
7	2061-8-8S	ADAPTER 45	6
8	3-161-010034	CAP MODIFIED VALVE SPOOL	1
9	3-007-010039	ADAPTER AIR CYLINDER	1
10	3-711-010055	SPACER MALE - FEMALE	4
11	3-482-010288	MOUNT AIR CYLINDER VALVE	1
12	3-238-010001	CYLINDER AIR	1
13	1-297-010008-01	FITTING AIR 90	1
14	NB-2-016	TUBING NYLON FLEX 1/8	1
15	68CA-2-2	CONNECTOR	3
16	NB-2-016	TUBING NYLON FLEX 1/8	1
17	3-843-010025	VALVE PNEU MANF - 2 STATION (NO PARTS BREAKDOWN)	1
19	1-654-010024014	SCREW MACH FLSTR 6-32X1-1/2	4
21	1-512-010003-02	NUT HEX LOCK W/ NYLON #6-32	4
22	3-843-010015	VALVE PNEUMATIC 4-WAY, 3 POSITION (SEE PAGE 1-17)	1
23	3-843-010024	VALVE BLANK STATION COVER	1
24	1-297-010013-05	FITTING AIR 45 ELBOW	1
25	1-297-010033-02	FITTING BRASS PLUG	3
26	3-136-010001-02	BREATHER PNEUMATIC EXHAUST	2
27	3-846-010147	VALVE ASSEMBLY 3 SPOOL MOTOR CENTER (SEE PAGE 1-21)	1
28	1-297-010015-09	FITTING AIR BRASS	1
29	1-297-010022-02	FITTING AIR ANCHOR COUPLING	1
30	1-297-010020-02	FITTING BRASS PIPE	1
31	905-54-107	VALVE & FILTER PRESSURE	1
32	1-297-010008-07	FITTING AIR 90	1
33	1-833-010001	NYLON TUBING 1/4	3'

NOTE: MOTOR SPOOL VALVES ARE USED IN CONJUNCTION WITH DP PLANETARY WINCHES.

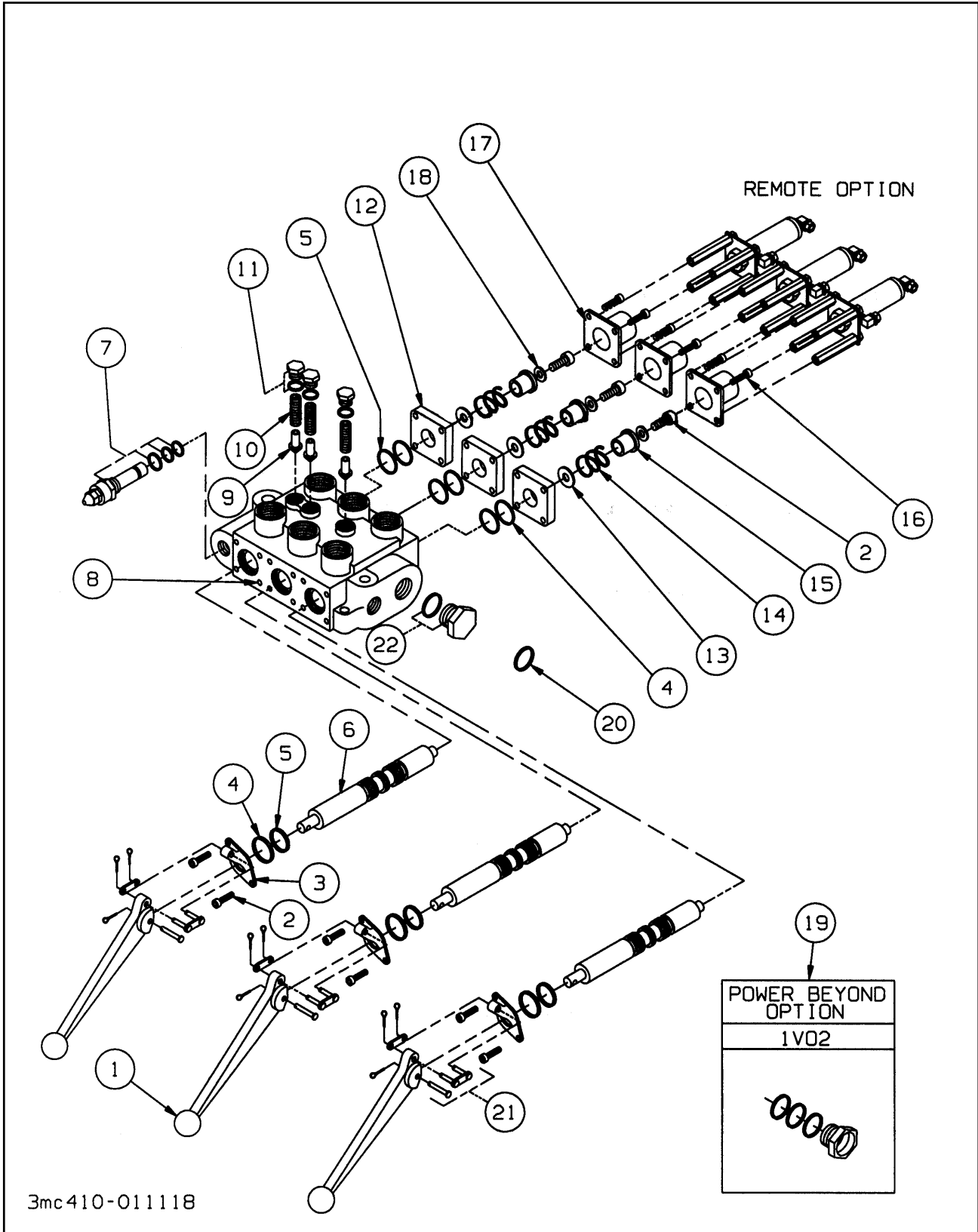


Figure 1-12 Three Spool Valve

THREE SPOOL VALVE

ITEM	PART NO.	DESCRIPTION	QTY.
	3-846-010008	VALVE 3 SPOOL	
	3-846-010147	VALVE ASSEMBLY 3 SPOOL MOTOR CENTER	
1	1V1703	VALVE HANDLE	3
2	2A0079-404	CAP SCREW (TIGHTEN TO 7-11 FT - LBS)	9
3	4Z4306	BRACKET HANDLE	3
4	1A0711	WASHER O-RING SPOOL	6
5	2A0283-7214	SEAL SPOOL	6
6	*	SPOOL 4-WAY	3
	*	SPOOL MOTORING 4-WAY	E
7	1R0017	RELIEF ASSEMBLY (1500-3000 PSI)(PRESET @2500 PSI)	1
8	*	HOUSING VALVE	1
9	1V0081	POPPET LOAD CHECK	3
10	1A0757	SPRING LOAD CHECK	3
11	1V1725	PLUG LOAD CHECK	3
12	1A0709	SPACER END	3
13	1A0291	WASHER STOP	3
14	1A0744	SPRING CENTERING	3
15	1A0292	COLLAR STOP	3
16	2A0079-406	CAP SCREW (TIGHTEN TO 7-11 FT - LBS)	12
17	1A0294	CAP END	3
18	1A0290	WASHER CENTERING SPRING	3
19	1V0208	ADAPTER ASSEMBLY REMOTE POWER BEYOND (CONTAINS ALL NECESSARY O-RINGS)	1
20	2A0283-7214	GROMMET RUBBER (BOTTOM OUTLET)	1
21	1V1701	PIN KIT	3
22	2A0354-121	PLUG CONVERSION	1
	2V0010	SEAL KIT	1

* SOLD AS A MATCHED SET ONLY.

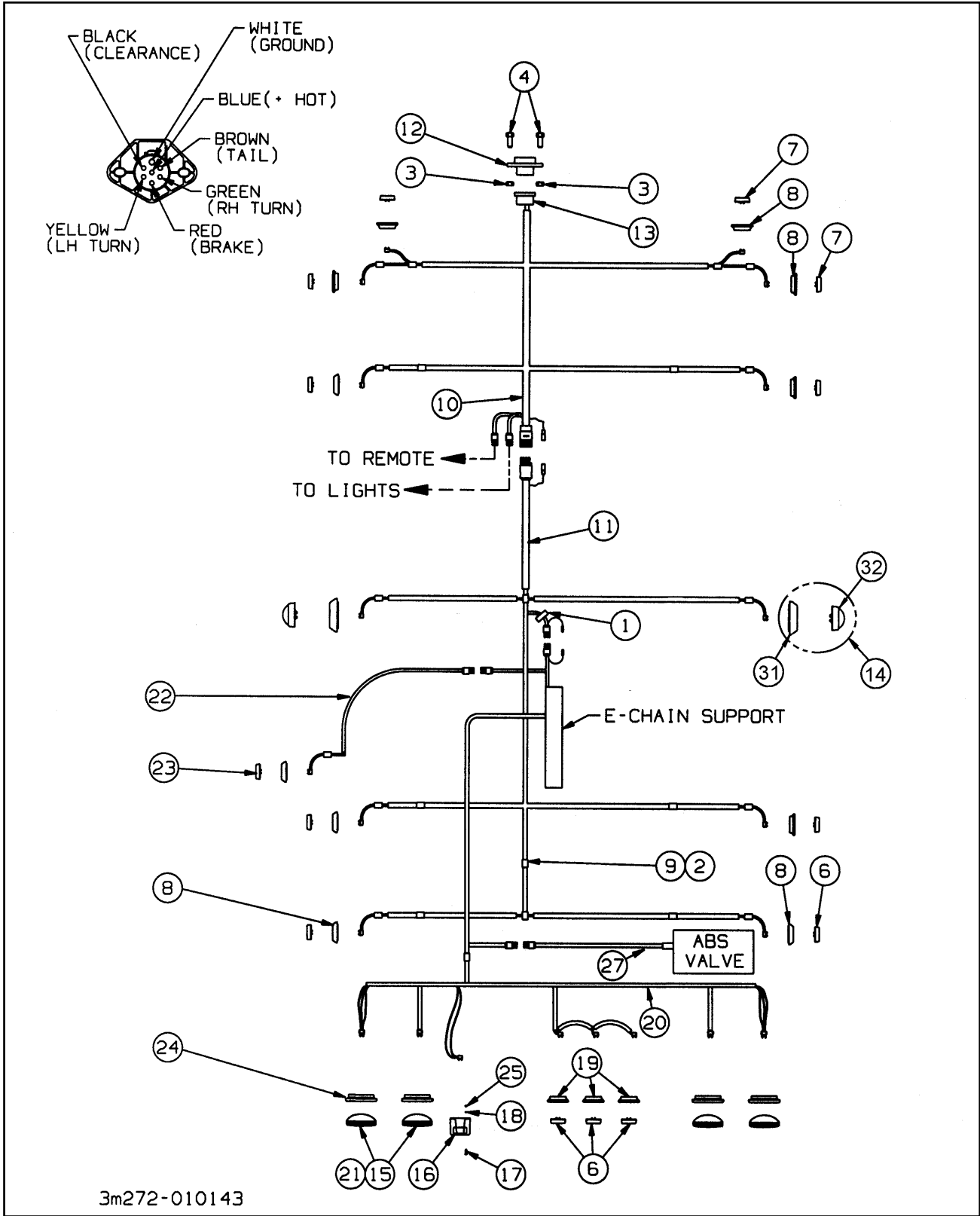


Figure 1-13 Electrical System Schematic
(Prior 12/05/01)

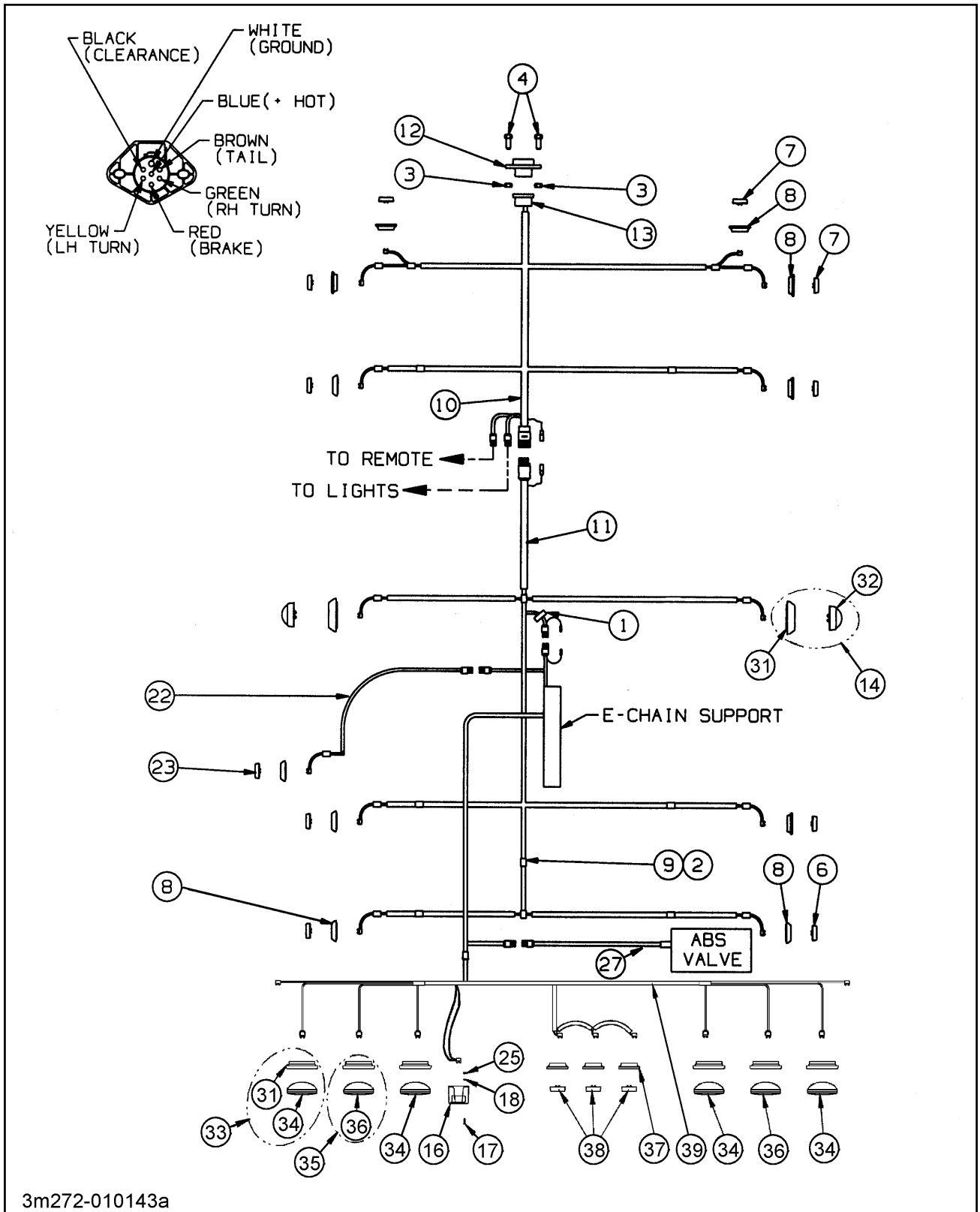


Figure 1-14 Electrical System Schematic
(After 12/05/01)

ELECTRICAL SYSTEM SCHEMATIC

ITEM	PART NO.	DESCRIPTION	QTY.
	3-272-010143-01	ELECTRICAL SYSTEM INSTL. 45' - 48' (ITEMS 1-14)	
	3-272-010143-02	ELECTRICAL SYSTEM INSTL. 51' - 53' (ITEMS 1-14)	
	----	SUSPENSION ASSEMBLY AIR RIDE	
	3-272-010131	ELECTRICAL INSTALLATION 8 EXTRA LIGHTS	
1	1-343-010007	GROMMET	1
2	1-510-010001	NUT FLANGE LOCK 3/8-16	15
3	1-512-010005-03	NUT HEX LOCK 5/16-18	2
4	1-654-010049-06	SCREW HEX HEAD CAP 5/16-18 X 1-1/4 GR5	2
5	1-796-010003-02	TIE STRAP PLASTIC (NOT SHOWN)	1
6	10205R	REFLECTOR LAMP RED (PRIOR 12/05/01)	2
	116139	LIGHT, RED LED 2.5 CL/MKR (PRIOR 12/05/01)	2
7	10205Y	REFLECTOR LAMP YELLOW	AR
8	10403	GROMMET MOUNT	AR
9	2-181-010001	HOSE CLAMP	15
10	3-368-010243-02	HARNESS ASSY, FRONT MAIN	1
11	3-368-010247	HARNESS ASSY, BED (45'-48')	1
	3-368-010248	HARNESS ASSY, BED (50'-53')	1
12	59S-7	RECEPTACLE 7 PIN	1
13	59W-2-3	RUBBER BOOT	1
14	60015Y	LIGHT TURN AND CLEARANCE (INCL. 31 & 32)	2
15	40002R	LIGHT STOP/TURN/TAIL (PRIOR 12/5/01)	4
	111926	LIGHT, LED STOP-TURN-TAIL RED (PRIOR 12/05/01)	4
16	15009	LICENSE LAMP	1
17	1-656-010003051	SCREW ROUND HEAD MACH 10-24 X 3/4	2
18	1-861-010034-07	WASHER SPLIT LOCK #10	2
19	10404	GROMMET MOUNT 3 IN. (PRIOR 12/05/01)	3
20	3-368-010175	WIRING HARNESS U/C 660 REAR (PRIOR 12/05/01)	1
21	104159	LAMP RED STOP/TURN/TAIL RECTANGULAR (96")	4
22	3-368-010294	HARNESS TAN ABS LAMP	1
23	3-446-010046	LIGHT ABS LAMP AMBER	1
24	104160	GROMMET, RECTANGULAR LAMP (96")	4
25	1-512-010007-03	NUT, HEX #10-24	2
26	102836	HARNESS E-CHAIN	1
27	101853	POWER CABLE 4 COND.	1
28	3-156-010008	CABLE, 14-2 SO TWO CONDUCTOR	AR
29	3-181-010034-1	CLAMP, CONDUIT STEEL 1/2	36
30	3-272-010022	ELECT BUTT SPLICE	40
31	60700	GROMMET, LIGHT	2
32	60215Y	LAMP ONLY	2
	94926	PLUG W/ PIGTAIL	2
	111925	LIGHT LED TURN MARKER YELLOW	2
33	106371	LIGHT, TRN-TL-STOP W/ GROMMET (INCL. 31 & 34) (AFTER 12/05/01)	4
34	60202R	LAMP STOP TAIL 3 X 7 RED (AFTER 12/05/01)	4
35	108647	LIGHT, TRN YELLOW W/ GROMMET (INCL. 31 & 36) (AFTER 12/05/01)	2

ELECTRICAL SYSTEM SCHEMATIC

ITEM	PART NO.	DESCRIPTION	QTY.
36	60202Y	LAMP REAR AMBER TURN (PRIOR 12/05/01)	2
	116134	LIGHT YELLOW OVAL TURN (AFTER 12/05/01)	2
	121377	LIGHT, YELLOW LED STT	2
37	107598	GROMMET, RECT. C./MKRLAMP (AFTER 12/05/01)	3
38	107599	LIGHT, RED CLEARANCE (AFTER 12/05/01)	3
	113374	LIGHT, RED LED CLEARANCE (AFTER 12/05/01)	3
39	106652	HARNESS, BUMPER (AFTER 12/05/01 UNTIL 1/08/02)	1
	114581	HARNESS, MOD LED (USED FROM 1/09/02 UNTIL 3/01/05)	1
	114583	HARNESS, MOD LED (USED AFTER 3/02/05)	1

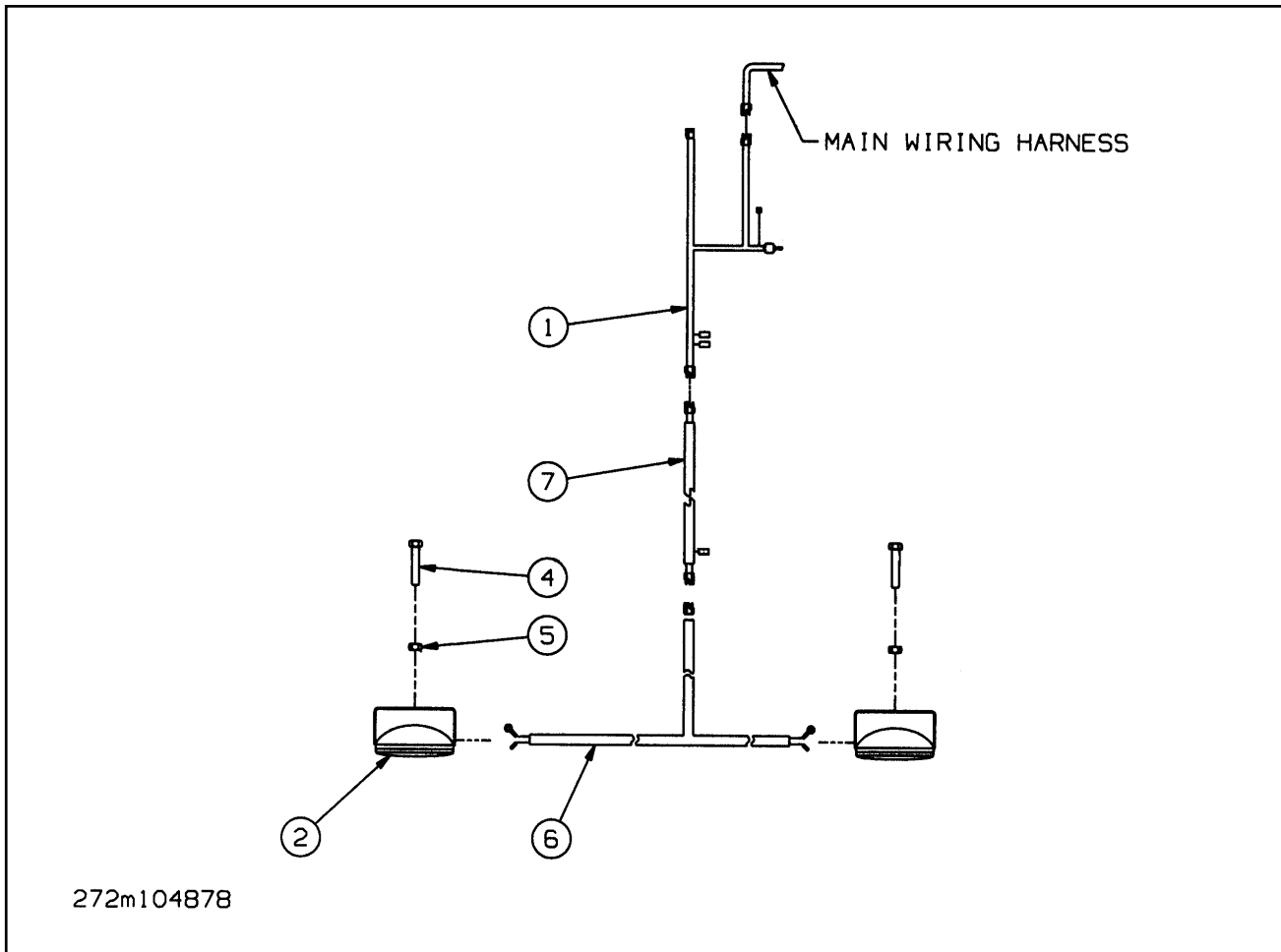


Figure 1-15 Winch Light Assembly (Option)

WINCH LIGHT ASSEMBLY (OPTION)

ITEM	PART NO.	DESCRIPTION	QTY.
	104878	ELECTRICAL INSTAL., SINGLE WINCH LIGHT	
	104879	ELECTRICAL INSTAL., DUAL WINCH LIGHT	
1	101381	HARNESS LIGHT WORK COURTESY	1
2	64181	RECTANGULAR QUARTZ HALOGEN LAMP	1,2*
3	1-796-010003-02	TIE STRAP PLASTIC (NOT SHOWN)	6
4	1-654-010051-05	SCREW HEX HEAD CAP 3/8-16 X 1 GR5	1,2*
5	1-512-010005-05	NUT HEX LOCK 3/8-16 GRB	1,2*
6	3-368-010250	HARNESS BULKHEAD LIGHTS	1
7	3-368-010252	HARNESS BULKHEAD LIGHTS	1
8	STP-147	CONNECTOR BULLET MALE	1,2*
9	3-573-010437	DECAL LIGHT(SEE PAGE 1-104)	1

*THE FIRST QUANTITY IS FOR THE SINGLE WINCH LIGHT, SECOND QUANTITY IS FOR THE DUAL WINCH LIGHT.

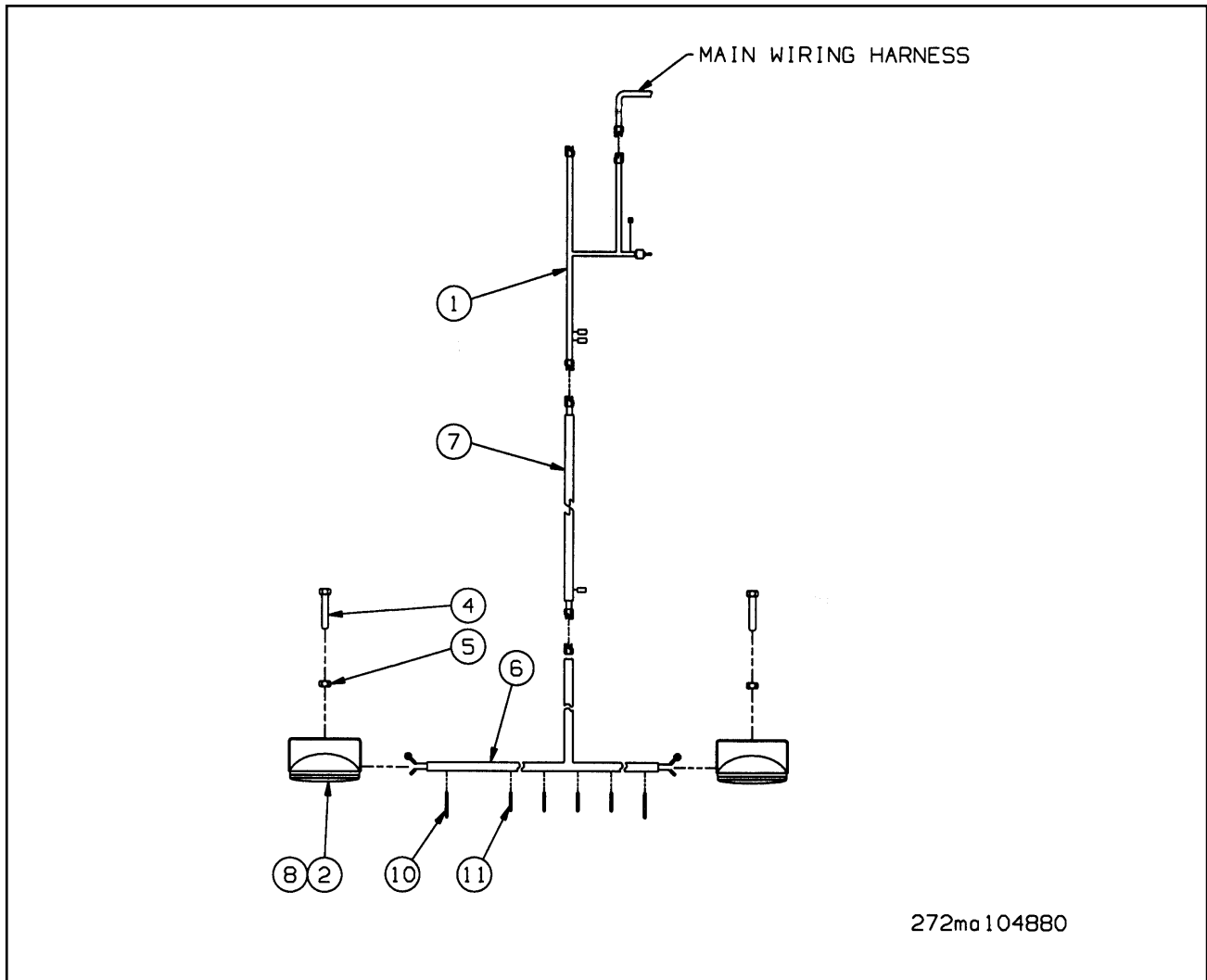
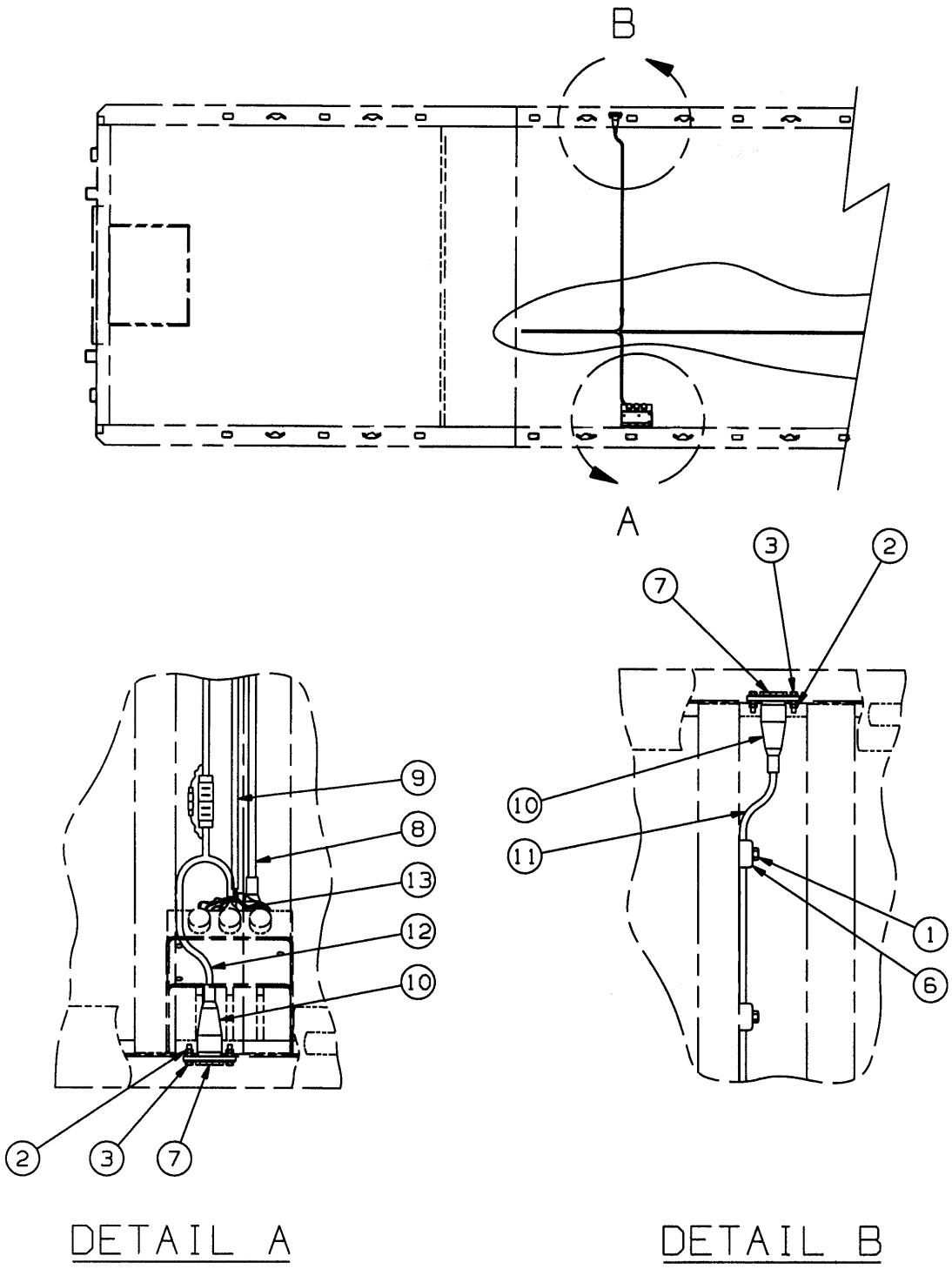


Figure 1-16 Bulkhead Light Assembly (Option)

BULKHEAD LIGHT ASSEMBLY (OPTION)

ITEM	PART NO.	DESCRIPTION	QTY.
	104880	ELECTRICAL INSTAL., DUAL BULKHEAD LIGHT	
1	101381	HARNESS LIGHT WORK COURTESY	1
2	64181	RECTANGULAR QUARTZ HALOGEN LAMP	2
3	1-796-010003-02	TIE STRAP PLASTIC (NOT SHOWN)	6
4	1-654-010051-05	SCREW HEX HEAD CAP 3/8-16 X 1 GR5	2
5	1-512-010005-05	NUT HEX LOCK 3/8-16 GRB	2
6	3-368-010250	HARNESS BULKHEAD LIGHTS	1
7	3-368-010252	HARNESS BULKHEAD LIGHTS	1
8	STP-147	CONNECTOR BULLET MALE	2
9	3-573-010437	DECAL, LIGHT (SEE PAGE 1-104)	1
10	1-343-010010	GROMMET 9/16" ID	2
11	1-343-010007	GROMMET	4



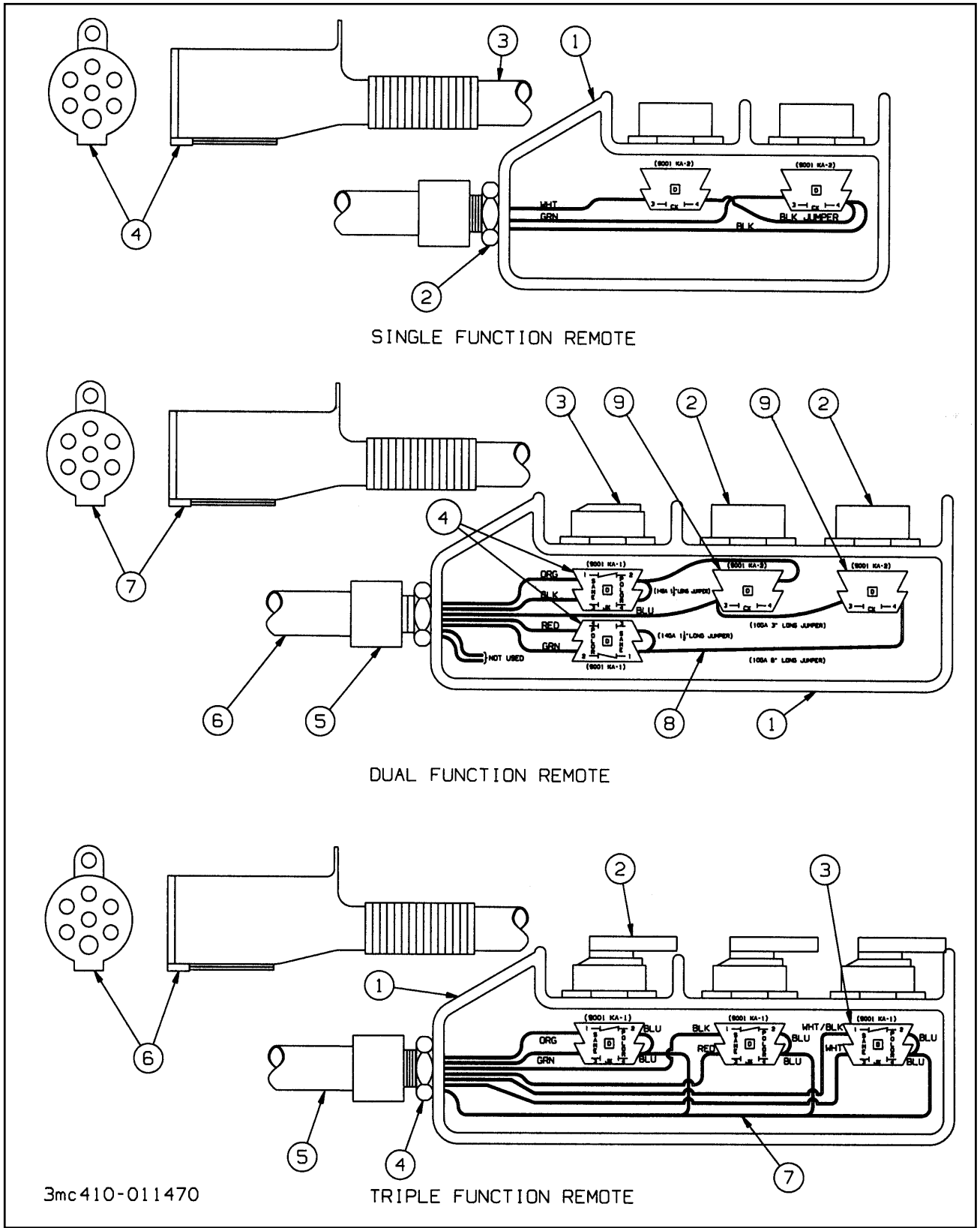
3m272-010158

Figure 1-17 Elect. Instl.-Remote Control (Option)

ELECTRICAL INSTL. - REMOTE CONTROL (OPTION)

ITEM	PART NO.	DESCRIPTION	QTY.
	3-272-010149-07	ELEC. RMT FUNCT FOR 45' - 48', STREET AND CURB	
	3-272-010149-08	ELEC. RMT FUNCT FOR 51' - 53', STREET AND CURB	
	3-272-010158-01	FRONT REMOTE OUTLET STREET SIDE	
	3-272-010158-02	FRONT REMOTE OUTLET STREET AND CURB SIDE	
1	1-510-010001	NUT FLANGE LOCK 3/8-16	2,5*
2	1-512-010005-03	NUT HEX LOCK 5/16-18	2,4*
3	1-654-010049-06	SCREW HEX HEAD CAP 5/16-18 X 1-1/4 GR5	2,4*
4	1-660-010006	SEALANT ELECTRICAL DOW CORNING (NOT SHOWN)	A/R
5	1-796-010003-02	TIE STRAP PLASTIC (NOT SHOWN)	2,5*
6	2-181-010001	HOSE CLAMP	2
7	3-272-010125	RECEPTACLE 7-POLE	1,2*
8	3-368-010245-01	HARNESS POWER JUMPER	1
9	3-368-010249-01	HARNESS REAR REMOTE 45' OR 48'	1
	3-368-010249-02	HARNESS REAR REMOTE 50' OR 53'	1
10	59W-2-3	RUBBER BOOT	1,2*
11	3-368-010191	HARNESS REAR CURB SIDE 660	1
12	3-368-010246	HARNESS FRONT REMOTE	1
13	3-272-010157	ELECTRICAL ADAPTER CHAIR 1/4 PUSH-ON	6

*FIRST QUANTITY IS FOR THE STREET SIDE REMOTE, SECOND QUANTITY IS FOR THE STREET AND CURB SIDE REMOTE.



3mc410-011470

Figure 1-18 Wired Remote Control

WIRED REMOTE CONTROL, SINGLE

ITEM	PART NO.	DESCRIPTION	QTY.
	3-765-010001	SWITCH REMOTE CONTROL ASSEMBLY	
1	3-209-010003	PUSH BUTTON STATION	1
	106069	SHORT RING NUT FOR BUTTON	1
A	9001-BW70YU	CONTROL STATION SQD (CONTACT BLKS INCL)	1
B	9001-B256	REVERSE LEGEND	1
C	9001-B255	FORWARD LEGEND	1
2	DB-10	STRAIN RELIEF CORD CONN	1
3	3-156-010007	THREE CONDUCTOR WIRE	50
4	59P8	TRAILER CONN PLUG	1

WIRED REMOTE CONTROL, DUAL

ITEM	PART NO.	DESCRIPTION	QTY.
	3-209-010004-01	CONTROL REMOTE WINCH/TILT	
	3-209-010004-05	CONTROL REMOTE WINCH/WINCH	
1	3-279-010037	ENCLOSURE DUAL REMOTE	1
2	3-272-010080	ELECTRICAL PUSH BUTTON UNITS	2
	106069	SHORT RING NUT FOR BUTTON	1
3	3-272-010079	ELECTRICAL CONTACT OPERATOR	1
4	3-272-010078	ELECTRICAL CONTACT BLOCK	2
5	106-0079	CONNECTOR	1
6	3-156-010043	CABLE	50
7	59P8	TRAILER CONN PLUG	1
8	1-879-010011	WIRE BLACK	2
9	3-272-010095	ELECTRICAL CONTACT BLOCK	2
10	3-573-010296	DECAL, WINCH TILT	1
	3-573-010391	DECAL, REMOTE WINCH TILT	1
	3-573-010392	DECAL, REMOTE WINCH UNDERCARRIAGE	1
	3-573-010393	DECAL, REMOTE TILT UNDERCARRIAGE	1
	100290	DECAL, REMOTE WINCH WINCH (DECALS NOT SHOWN) (SEE PAGE 1-104)	1

WIRED REMOTE CONTROL, TRIPLE

ITEM	PART NO.	DESCRIPTION	QTY.
	3-209-010006-01	CONTROL REMOTE WINCH/TILT UNDERCARRIAGE	
	3-209-010006-03	CONTROL REMOTE WINCH/WINCH/TILT	
1	3-279-010037	ENCLOSURE DUAL REMOTE	1
2	3-272-010121	ELECTRICAL CONTACT OPERATOR 3 WAY	3
	106068	TALL RING NUT FOR BUTTON	2
3	3-272-010078	ELECTRICAL CONTACT BLOCK	3
4	106-0079	CONNECTOR	1
5	3-156-010043	CABLE	50
6	59P8	TRAILER CONN PLUG	1
7	1-879-010008	WIRE BLUE	2
8	3-573-010394	DECAL, TILT/WINCH/UNDERCARRIAGE	1
	100289	DECAL, WINCH/WINCH/TILT (DECALS NOT SHOWN) (SEE PAGE 1-104)	1

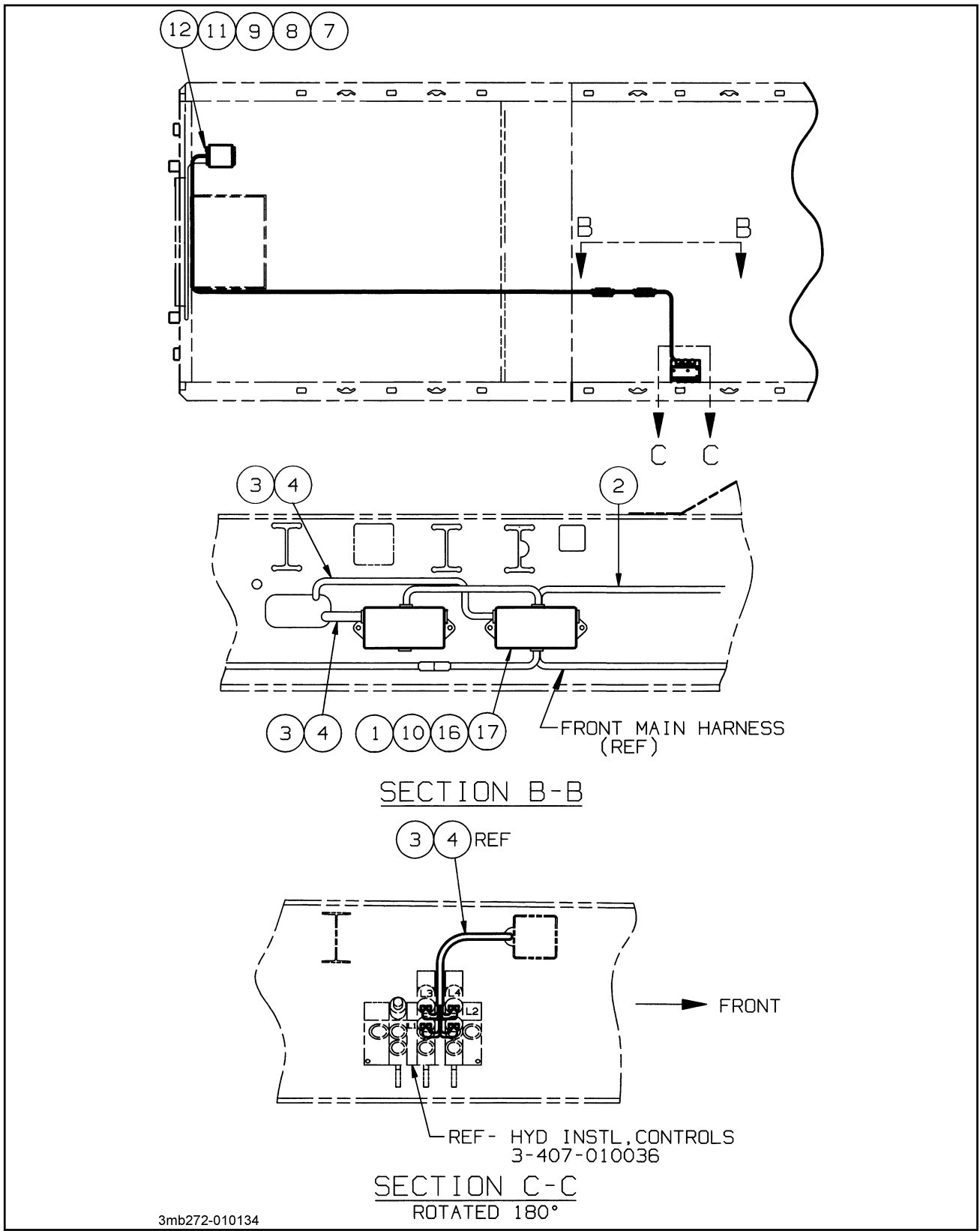
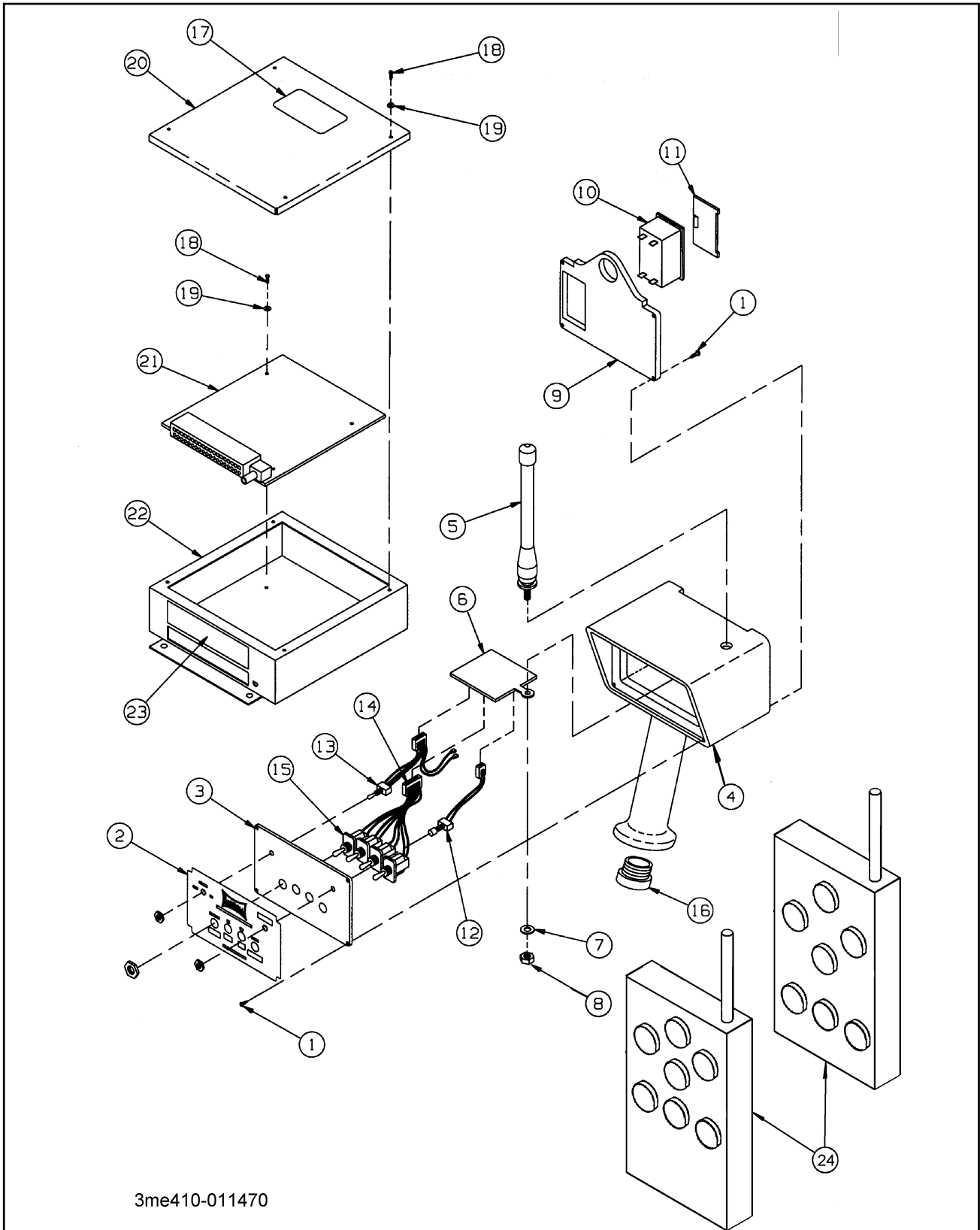


Figure 1-19 Elect. Instl.-Radio Remote (Optional)

ELECTRICAL INSTL. - RADIO REMOTE (OPTIONAL)

ITEM	PART NO.	DESCRIPTION	QTY.
	3-272-010134-01	ELECT INSTL. 4-FUNCT. WINCH/WINCH/TILT/AXLE	
	3-272-010134-03	ELECT INSTL. 3-FUNCT. WINCH/TILT/AXLE	
	113669	REMOTE CONTROL INSTALLATION	
1	750-029	JUNCTION BOX 7 STUD	2
2	3-153-010014	CABLE ASSEMBLY REMOTE CONTROL	1
3	3-368-010129	HARNESS ASSEMBLY SINGLE REMOTE (-03, 113669)	1
4	3-368-010125	HARNESS ASSEMBLY DUAL REMOTE	*2,1
7	3-208-010067-03	CONTROL RADIO REMOTE 4 FUNCTION (-01)	1
	3-208-010061	CONTROL RADIO REMOTE 3 FUNCTION (-03)	1
	111722	REMOTE, RADIO 7 FUNCTION (113669) (PRIOR 10/8/01)	1
	119625	REMOTE, RADIO HANDHELD (113669) (AFTER 10/8/01)	1
8	1-512-010007-03	NUT HEX 10-24	4
9	1-861-010034-07	WASHER SPLIT LOCK #10	4
10	1-512-010005-01	NUT, HEX LOCK 1/4-20	4
11	1-861-010032-04	WASHER, FLAT 3/16	4
12	1-656-010003051	SCREW ROUND HEAD MACH 10-24 X 3/4	4
15	3-272-010023	ELECTRICAL RING #10 W/SEAL 16-14	2
16	1-861-010032-06	WASHER, FLAT 1/4N	4
17	1-654-010047-06	SCREW, HEX HEAD CAP 1/4-20 X 1 GR5	4
18	113661	MEMBRANE OVERLAY REMOTE (113669) (AFTER 10/8/01)	1

1ST QUANTITY IS FOR P/N 3-272-010134-01, 2ND QUANTITY IS FOR P/N'S 3-272-010134-03 AND 113669.



3me410-011470

Figure 1-20 Wireless Radio Remote Control

WIRELESS RADIO REMOTE CONTROL

ITEM	PART NO.	DESCRIPTION	QTY.
	3-208-010055	CONTROL (MICROTRONICS # *P-MT-STD-DF)	
	T*P*MT-STD-DF	TRANSMITTER (ITEMS 1 - 16)	1
1	H068	SCREW #6 X 1/2" SHEET METAL	8
2	**	DECAL, FACEPLACE	1
3	P003	METAL PLATE	1
4	E007	PISTOL GRIP HOUSING	1
5	A001	ANTENNA	2
6	**	TRANSMITTER PC BOARD	1
7	H048	PLASTIC WASHER	1
8	H046	NUT, 1/4" - 28 BRASS	1
9	E007	BACK PLATE, PISTOL GRIP	1
10	E002	BATTERY COMPARTMENT	1
11	H015	BATTERY DOOR	1
12	AY102	EMERGENCY STOP SWITCH W/ HARNESS	1
13	AY103	POWER SWITCH W/ HARNESS	1
14	AY109	TOGGLE WIRING HARNESS (SWITCHES TO PC BOARD)	AR
15	S005	TOGGLE SWITCH	AR
16	H018	PISTOL GRIP END CAP	1
	R*P-MT-STD-DF	RECEIVER (ITEMS 17 - 23)	1
17	LB004	FCC LABEL	1
18	H038	SCREW, #6	8
19	H039	WASHER #6 STAR	8
20	E001	LID, RECEIVER	1
21	**	RECEIVER PC BOARD	1
22	E001	HOUSING, RECEIVER	1
23	LB005	OUTPUT LABEL, RECEIVER	1
24	111722	REMOTE RADIO 7 FUNCTION (PRIOR 10/8/01)	1
	112690	HANDHELD TRANSMITTER	1
	112691	RECEIVER	1
	119625	REMOTE, RADIO HAND HELD (AFTER 10/8/01)	1
	119626	HANDHELD TRANSMITTER	1
	112691	RECEIVER	1
	113661	MEMBRANE OVERLAY REMOTE (AFTER 10/8/01)	1

* 4 FOR DUAL REMOTE
 6 FOR TRIPLE REMOTE
 8 FOR QUAD REMOTE

** GIVE SERIAL NUMBER OF REMOTE CONTROL UNIT WHEN ORDERING REPLACEMENT PC BOARDS OR FACEPLATE DECAL.

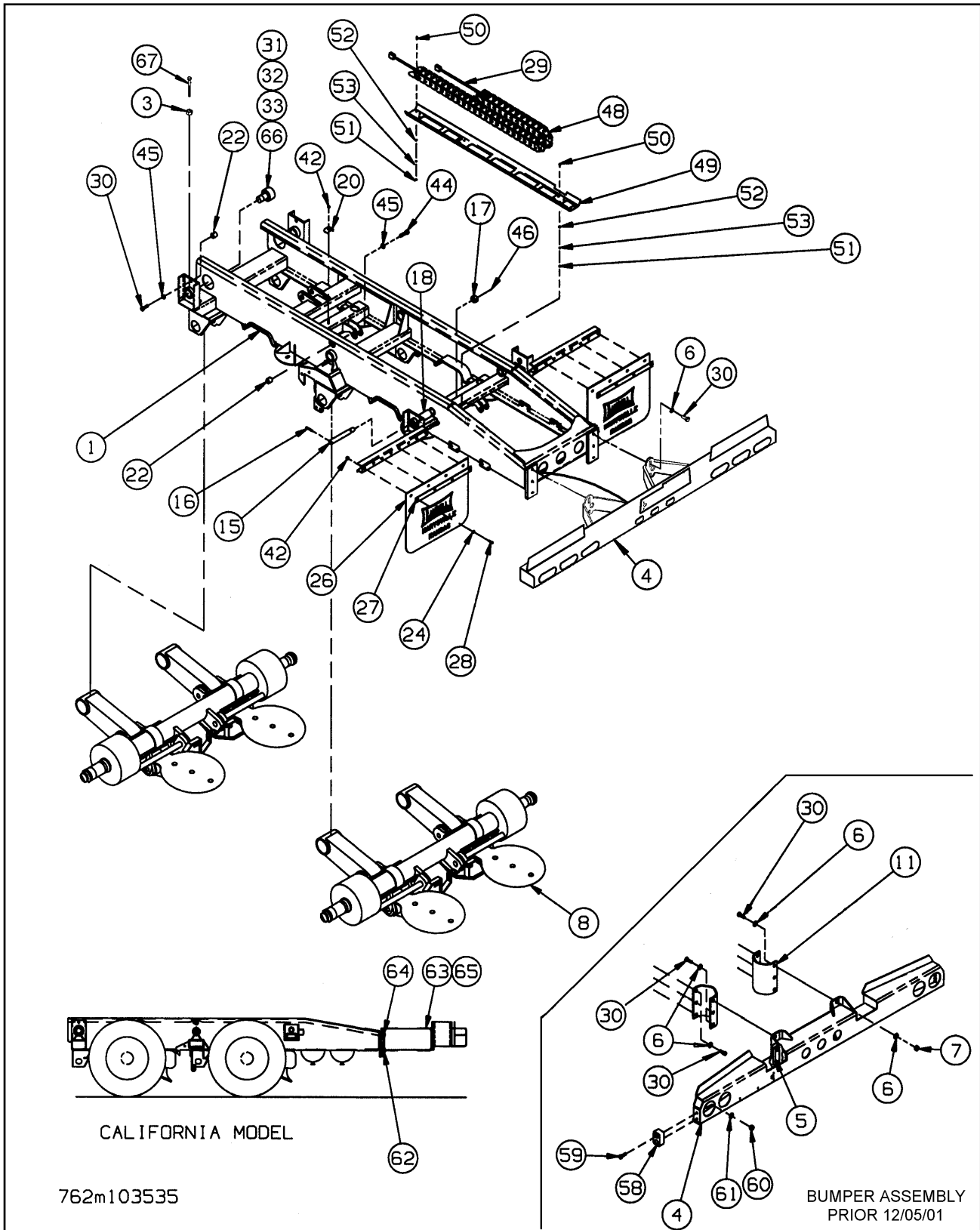
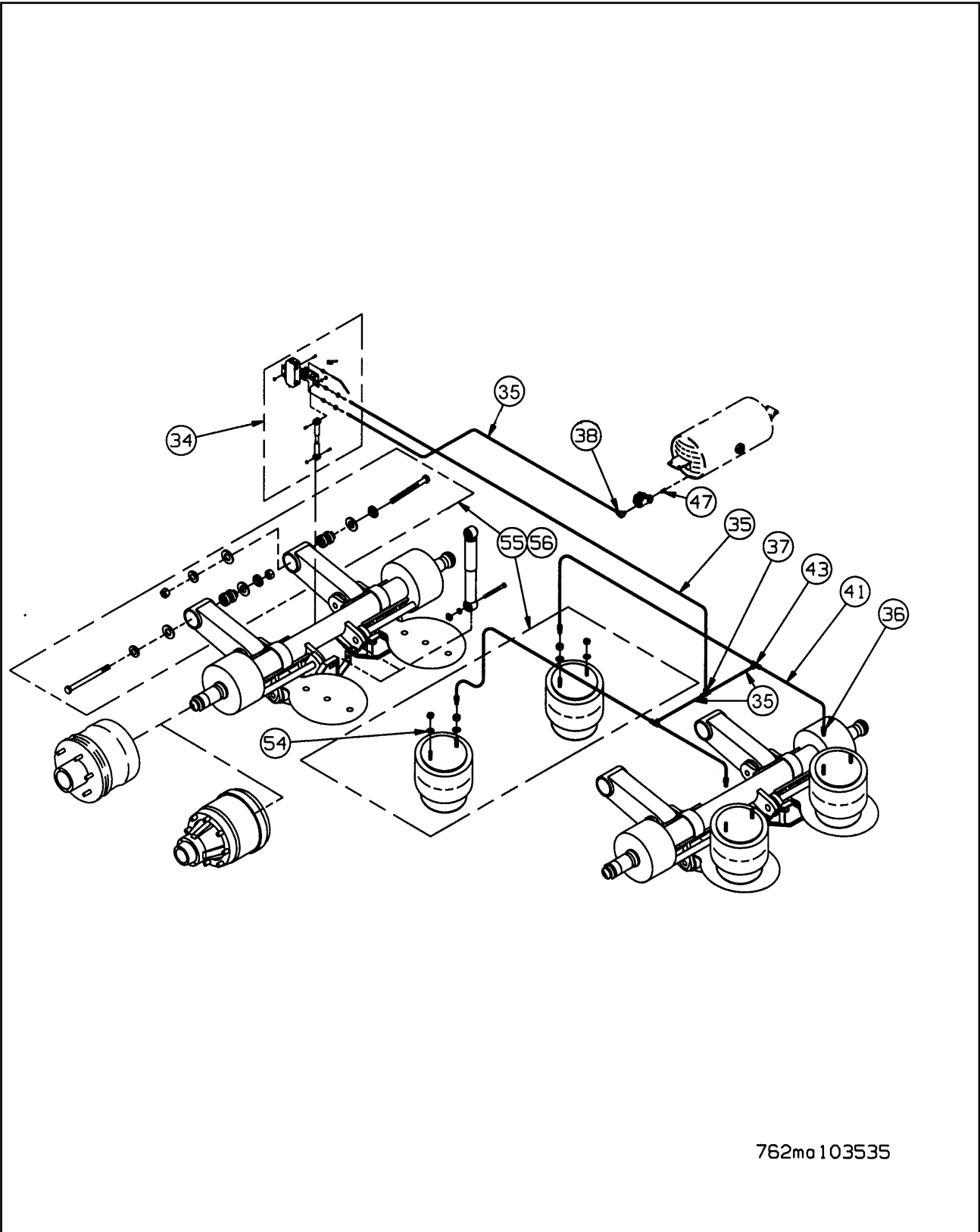


Figure 1-21 Undercarriage Suspension Air Ride
(317C & 319C) (1 of 2)



762mo 103535

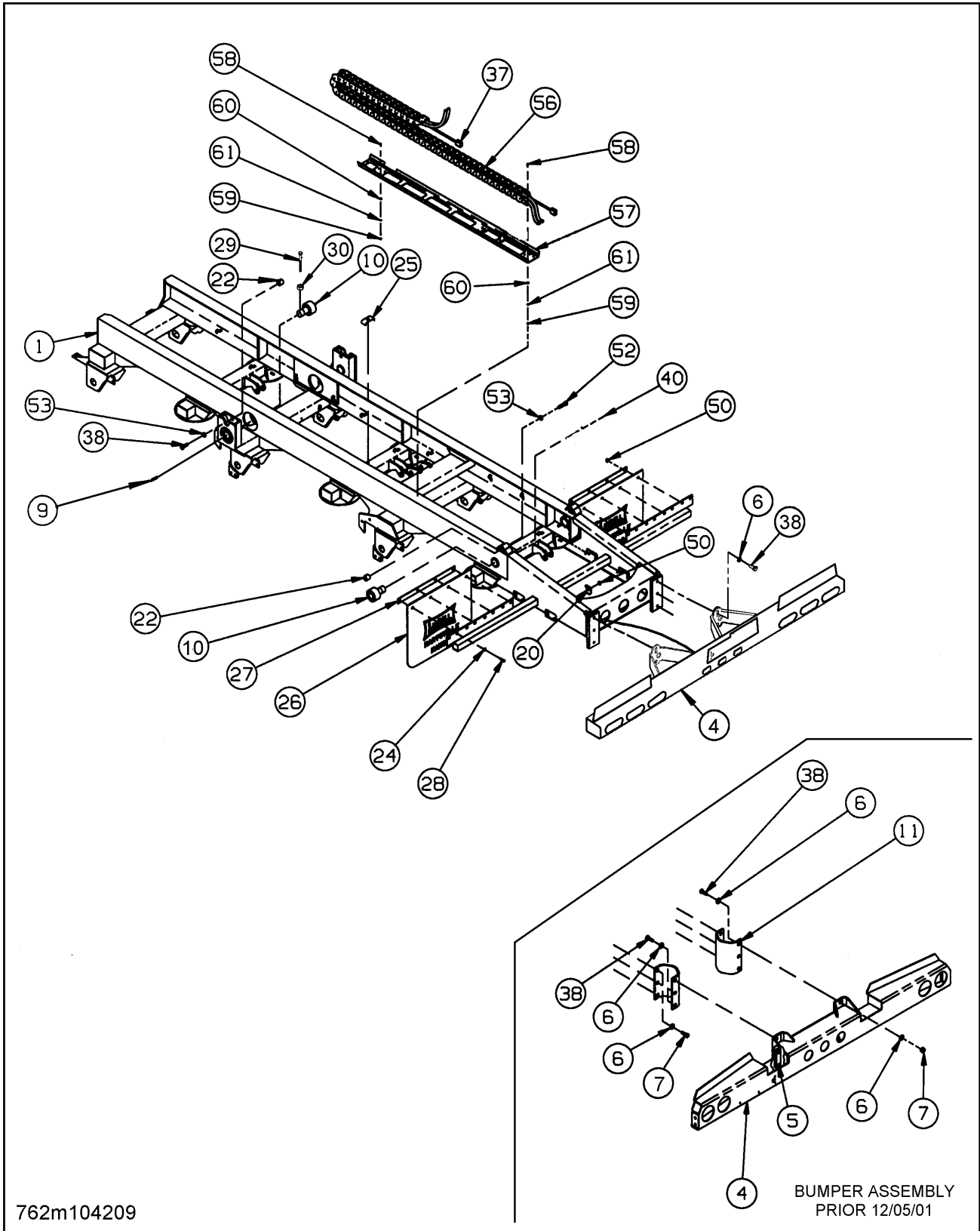
Figure 1-22 Undercarriage Suspension Air Ride
(317C & 319C) (2 of 2)

UNDERCARRIAGE ASSEMBLY AIR RIDE (317C & 319C)

ITEM	PART NO.	DESCRIPTION	QTY.
	112554	SUSPENSION ASSY AIR RIDE	
1	112553	SUSPENSION WELDMENT A/R	1
2	3-407-010066	DOCK LEVEL ASSEMBLY (NOT SHOWN)(SEE PAGE 1-95)	1
3	1-511-010001-07	NUT, HEX JAM 5/8-11	4
4	101712	BUMPER WELDMENT (102") (PRIOR 12/05/01)	1
	104157	BUMPER WELDMENT (96") (PRIOR 12/05/01)	1
	119580	BUMPER WELDMENT (102") (AFTER 12/05/01)	1
	121366	BUMPER WELDMENT (96") (AFTER 12/05/01)	1
5	102283	BAR BUMPER (PRIOR 12/05/01)	2
6	622-3511-008	WASHER 3/4 MIL-CARB FL SAE	14
7	1-512-010002-15	NUT HEX LOCK 3/4-10 GRC	2
8	115730	AXLE WELDMENT 2512 SPG-64.5 X 31	2
	115732	AXLE WELDMENT 2512 SPG-70.5 X 31	2
	115738	AXLE WELDMENT 2516 SPG-69 X 31	2
	115733	AXLE WELDMENT 2512 SPG-77 X 31 (FOR AXLE WELDMENT BREAKDOWNS, SEE PAGE 1-57)	2
11	101143	MOUNT BUMPER ENERGY PAK (PRIOR 12/05/01)	2
15	3-557-010396	PIN REAR ROLLER	2
16	1-647-010004255	PIN SPRING SLOTTED	2
17	1-512-010007-16	NUT HEX 1-1/4-7	2
18	RRT114X6	TUBE ROUND TYPE 5	2
20	2-181-010001	HOSE CLAMP	1
21	1-796-010004-02	TIE STRAP PLASTIC (NOT SHOWN)	10
22	3-762-010016	HOLDDOWN CARRIAGE	4
24	1-861-010032-11	WASHER FLAT 3/8W	8
26	3-485-010001	FLAP MUD	2
27	3-762-010017	CLAMP MUD FLAP	2
28	1-654-010051-07	SCREW HEX HEAD CAP 3/8-16 X 1-1/2 GR5	8
29	102836	HARNESS, E-CHAIN ABS	1
30	1-654-010032-4	SCREW HEX HEAD CAP 3/4-10 X 1-3/4 GR8	14
31	1-630-010021-02	RING, RETAINING	4
32	114562	BUSHING, MACHINE	8
33	116563	ROLLER ASSEMBLY 4"	4
34	102732	AIR CONTROL KIT NEWAY (SEE PAGE 1-45)	1
35	1-833-010001	TUBING NYLON 1/4	AR
36	1-297-010007-11	FITTING AIR	4
37	1-297-010010-01	FITTING AIR UNION TEE	1
38	1-297-010008-07	FITTING AIR 90	1
41	1-833-010002-32	TUBING NYLON 3/8	AR
42	1-510-010001	NUT FLANGE LOCK 3/8-16	10
43	1-297-010010-04	FITTING AIR UNION TEE	2
44	1-654-010061-07	SCREW HEX HEAD CAP 3/4-10 X 2-1/2 GR5	2
45	1-861-010034-17	WASHER SPLIT LOCK 3/4W	4
46	5000	ZERK FITTING	2
47	2083-8-4S	NIPPLE HEX 1/2PIPE - 1/4PIPE	1
48	3-755-010189	SUPPORT E-CHAIN	1
	3-755-010189-1	E-CHAIN LINK ASSEMBLY (38-06-075-0)	A/R
	385-06	E-CHAIN CROSSBAR	A/R
	38-01-075	E-CHAIN SIDE PIECE - LH	A/R

UNDERCARRIAGE ASSEMBLY AIR RIDE (317C & 319C)

ITEM	PART NO.	DESCRIPTION	QTY.
	38-02-075	E-CHAIN SIDE PIECE - RH	A/R
49	3-821-010005	TRAY CAT TRACK	1
50	1-654-010158-1	SCREW RD HEAD SQ NECK 1/4-20 X 3/4	11
51	1-512-010007-05	NUT HEX 1/4-20	11
52	1-861-010032-07	WASHER FLAT 1/4W	11
53	1-861-010034-09	WASHER SPLIT LOCK 1/4	11
54	1-861-010032-15	WASHER FLAT 1/2W	4
55	102363	SUSPENSION ADJ RLU-228-3.5 (SEE PAGE 1-47)	2
56	102364	SUSPENSION ADJ RLU-228-5.5 (SEE PAGE 1-47)	2
57	103815	AIR SYSTEM, ABS (NOT SHOWN) (SEE PAGE 1-53)	1
58	104045	EXTENSION CANADIAN BUMPER	2
59	1-654-010055-05	SCREW HEX HEAD 1/2-13 X 2 GR5	4
60	1-512-010005-09	NUT HEX LOCK 1/2-13 GRB	4
61	1-861-010032-15	WASHER FLAT 1/2W	4
62	100941	SCREW HEX HEAD CAP 3/4-10 X 2-1/4 GR8	2
63	104463	EXTENSION WELDMENT BUMPER (CALIFORNIA MODEL ONLY)	1
64	104483	SCREW HEX HEAD CAP 3/4-10 X 2-1/2 GR8	4
65	3-368-010067	WIRE HARNESS EXTENSION BVRTL	1
66	110437	PIN, ROLLER 5"	4
67	108958	SCREW, SET SQ. HEAD CUP PT. 5/8 X 2	4



762m104209

BUMPER ASSEMBLY
PRIOR 12/05/01

Figure 1-23 Undercarriage Suspension Air Ride (318C)
(1 of 2)

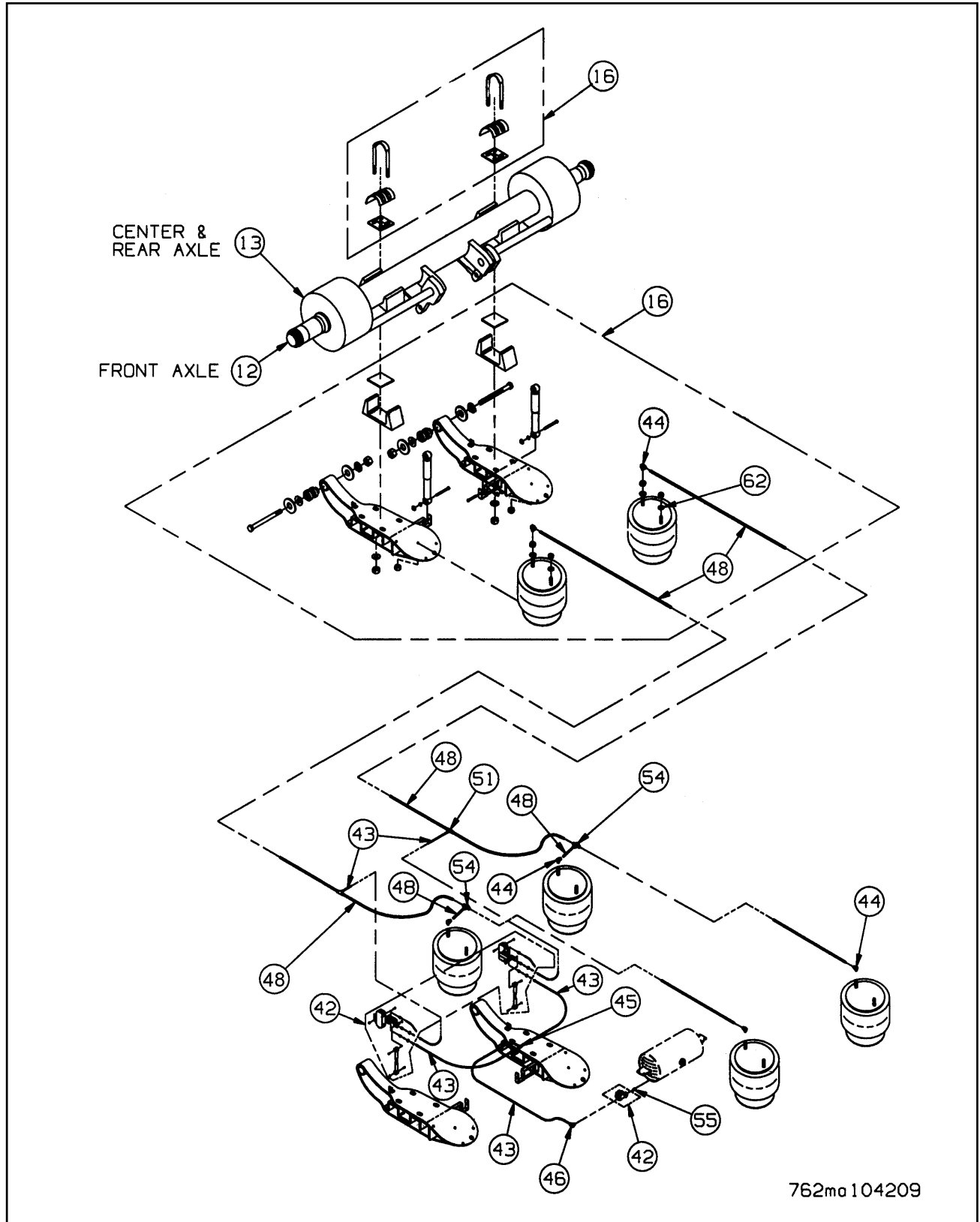


Figure 1-24 Undercarriage Suspension Air Ride (318C)
(2 of 2)

UNDERCARRIAGE ASSEMBLY AIR RIDE (318C)

ITEM	PART NO.	DESCRIPTION	QTY.
	113900	SUSPENSION ASSEMBLY 318 A/R	
	113901	SUSPENSION ASSEMBLY 318 A/R	
1	112574	SUSPENSION WELDMENT RLU-228	1
2	3-256-010003-02	DOCK LEVEL ASSEMBLY 660 HD A/R (NOT SHOWN)(SEE PAGE 1-93)	1
	104433	DOCK LEVEL ASSEMBLY 2-60K (NOT SHOWN)(SEE PAGE 1-91)	1
	3-407-010066	DOCK LEVEL ASSEMBLY (NOT SHOWN)(SEE PAGE 1-95)	1
4	101712	BUMPER WELDMENT (102') (PRIOR 12/05/01)	1
	104157	BUMPER WELDMENT (96") (PRIOR 12/05/01)	1
	119580	BUMPER WELDMENT (102') (AFTER 12/05/01)	1
	121366	BUMPER WELDMENT (96") (AFTER 12/05/01)	1
5	102283	BAR BUMPER (PRIOR 12/05/01)	2
6	622-3511-008	WASHER 3/4-10 MIL-CARB FL	14
7	1-512-010002-15	NUT HEX 3/4-10 MIL-CARB	2
9	110-4950	ZERK FITTING	4
10	117560	CAM FOLLOWER, 5" MODIFIED	4
11	101143	MOUNT BUMPER ENERGY PAK (PRIOR 12/05/01)	2
12	115735	AXLE WELDMENT 2512 SER 70.5 X 31	1
	115740	AXLE WELDMENT 2516 SER 69 X 31 (FOR AXLE WELDMENT BREAKDOWNS, SEE PAGE 1-57)	1
13	115732	AXLE WELDMENT 2512 SPG 70.5 X 31	2
	115738	AXLE WELDMENT 2516 SPG 69 X 31 (FOR AXLE WELDMENT BREAKDOWNS, SEE PAGE 1-57)	2
16	102363	SUSP. ADJ. RLU-228-3.5 (16.5 BRAKES)(SEE PAGE 1-47)	1
	102364	SUSP. ADJ. RLU-228-5.5 (12.25 BRAKES)(SEE PAGE 1-47)	1
20	2-181-010001	HOSE CLAMP	1
21	1-796-010004-02	TIE STRAP PLASTIC (NOT SHOWN)	10
22	3-762-010016	HOLDDOWN UNDERCARRIAGE	4
24	1-861-010032-11	WASHER FLAT 3/8W	8
25	103817	CLAMP, HOSE	2
26	3-485-010001	MUD FLAP	2
27	3-762-010017	CLAMP MUD FLAP	2
28	1-654-010051-07	SCREW HEX HEAD CAP 3/8-16 X 1-1/2 GR5	8
29	108958	SCREW, SET SQ. HEAD 5/8 X 1-1/2	4
30	1-511-010001-07	NUT, HEX JAM 5/8-11	4
37	102836	HARNESS ASSEMBLY E-CHAIN	1
38	1-654-010032-4	SCREW HEX HEAD CAP 3/4-10 X 1-3/4 GR8	14
40	5029	ZERK FITTING	4
42	102732	AIR CONTROL KIT NEWAY (SEE PAGE 1-45)	1
43	1-833-010001	TUBING NYLON	A/R
44	1-297-010008-18	FITTING AIR 90	6
45	1-297-010010-01	FITTING AIR UNION TEE	1
46	1-297-010008-07	FITTING AIR 90	1
48	1-833-010002	TUBING NYLON 3/8	AR
50	1-510-010001	NUT FLANGE LOCK 3/8-16	9
51	1-297-010010-04	FITTING AIR UN/TEE	2
52	1-654-010061-07	SCREW HEX HEAD CAP 3/4-10 X 2-1/2 GR5	2
53	1-861-010034-17	WASHER SPLIT LOCK 3/4	4

UNDERCARRIAGE ASSEMBLY AIR RIDE (318C)

ITEM	PART NO.	DESCRIPTION	QTY.
54	1-297-010010-03	FITTING AIR UN/TEE	2
55	2083-8-4S	NIPPLE HEX 1/2PIPE - 1/4PIPE	1
56	3-755-010189	SUPPORT E-CHAIN	1
	3-755-010189-1	E-CHAIN LINK ASSEMBLY (38-06-075-0)	A/R
	385-06	E-CHAIN CROSSBAR	A/R
	38-01-075	E-CHAIN SIDE PIECE - LH	A/R
	38-02-075	E-CHAIN SIDE PIECE - RH	A/R
57	3-821-010005	TRAY CAT TRACK	1
58	1-654-010158-1	SCREW ROUND HEAD SQUARE NECK 1/4-20 X 3/4 GR5	11
59	1-512-010007-05	NUT HEX 1/4-20 GRB	11
60	1-861-010032-07	WASHER FLAT 1/4	11
61	1-861-010034-09	WASHER SPLIT LOCK 1/4	11
62	1-861-010032-15	WASHER FLAT 1/2W	6
66	104472	AIR SYSTEM ASSEMBLY ABS (NOT SHOWN) (SEE PAGE 1-55)	1
67	117199	EXTENSION WELDMENT BUMPER	1

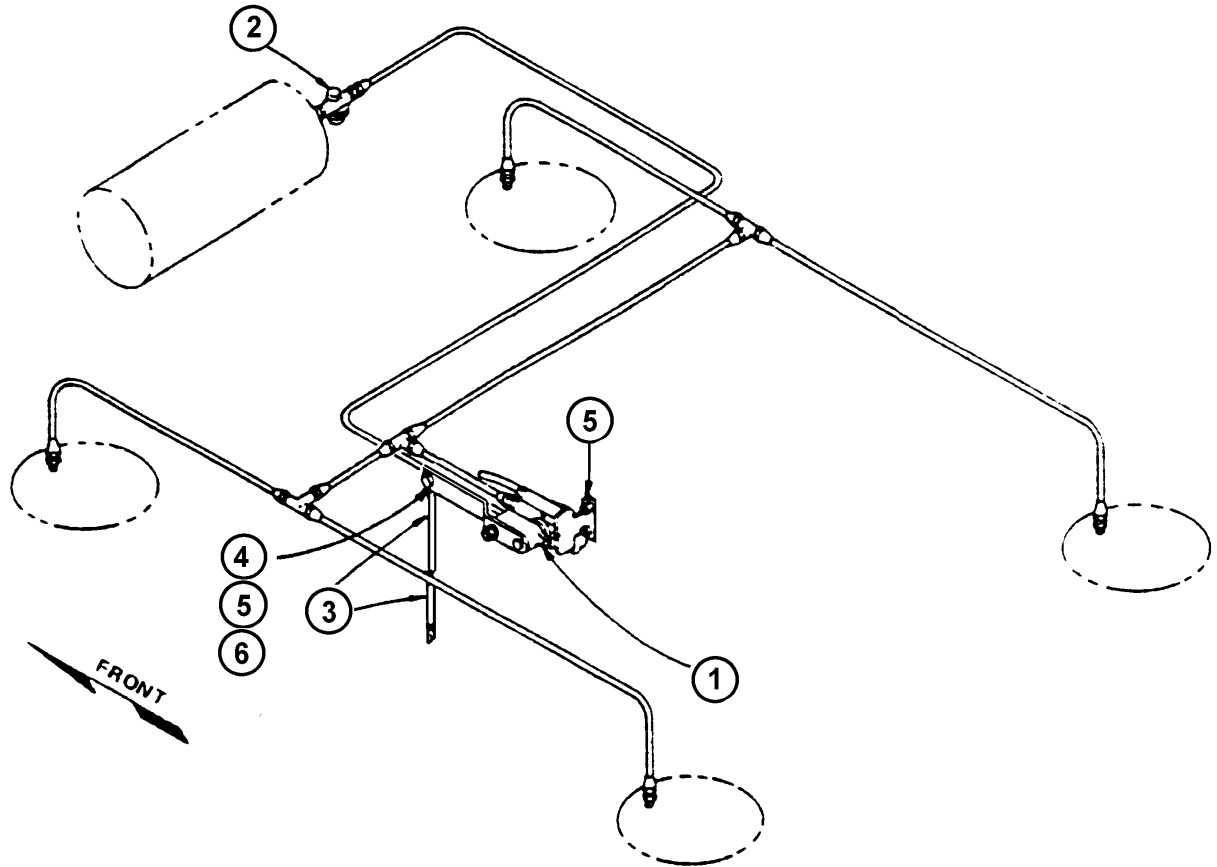
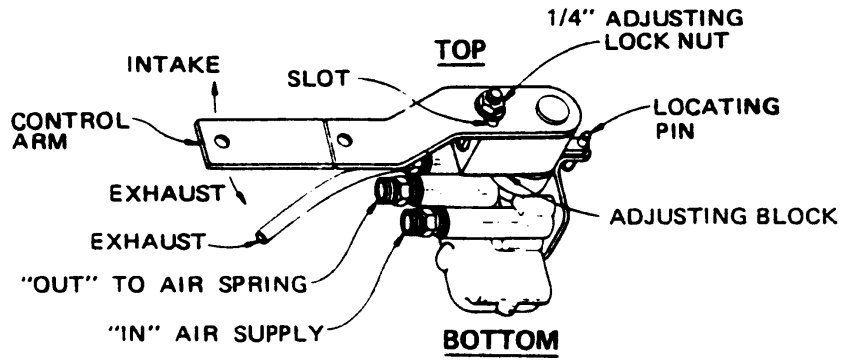


Figure 1-25 Air Control Kit, RLU-228

AIR CONTROL KIT RLU-228

ITEM	PART NO.	DESCRIPTION	QTY.
	102732	AIR CONTROL KIT NEWAY	
1	900 54 007	HEIGHT CONTROL VALVE (INCLUDES HARDWARE BAG)	1
	900-54-186	HEIGHT CONTROL VALVE (VALVE ONLY)	1
2	905 54 107	AIR PRESSURE PROTECTION VALVE & FILTER	1
3	111021	SRK - 167 KIT (ADJ. LINK ASSY)	1
4	1-654-010047-04	CAP SCREW 1/4-20 X 3/4	2
5	1-512-010005-01	LOCK NUT 1/4-20	2
6	941 00 119	DECAL (OPERATING)	1
7	941 00 466	HEIGHT CONTROL VALVE INSTRUCTIONS (NOT SHOWN)	1

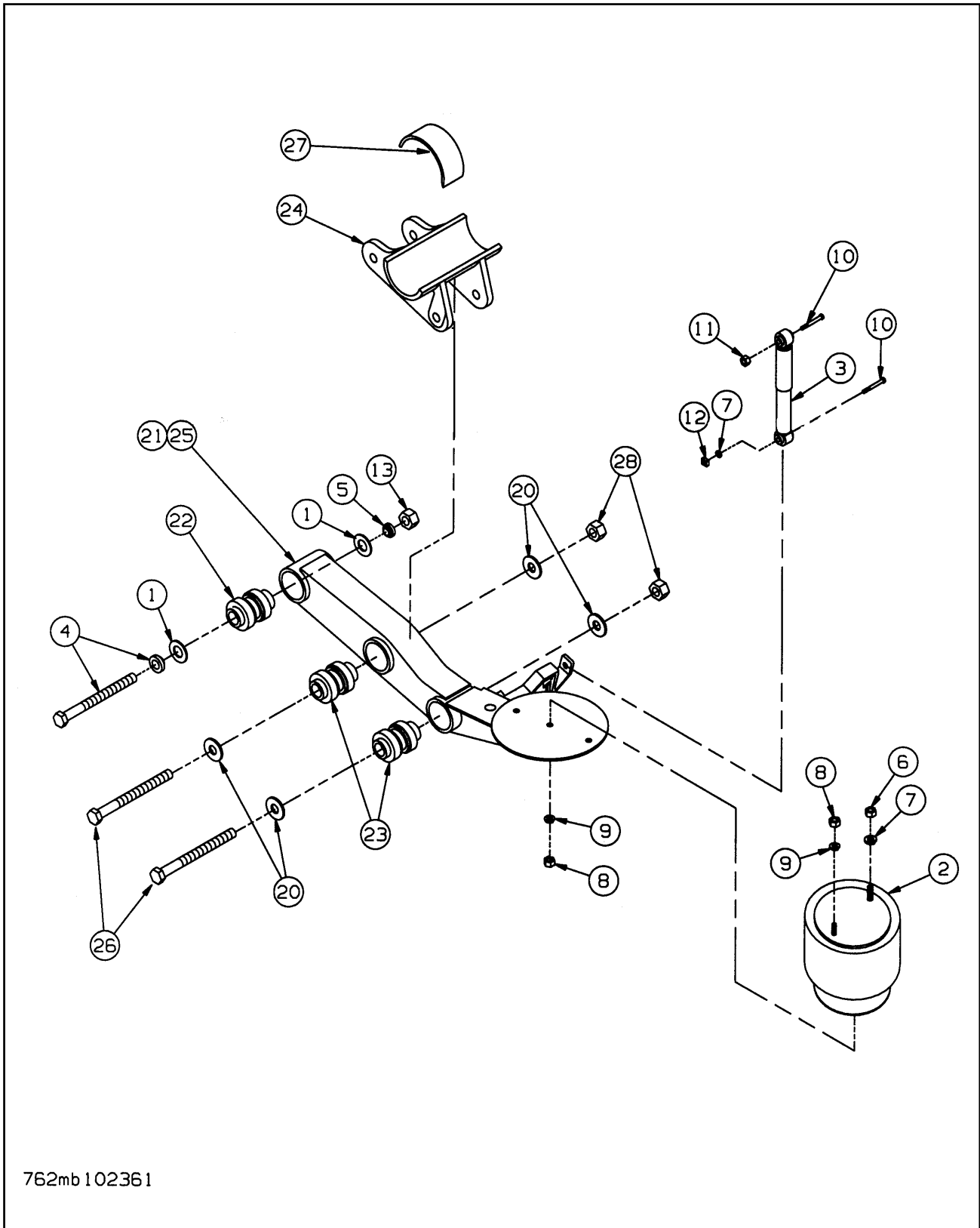
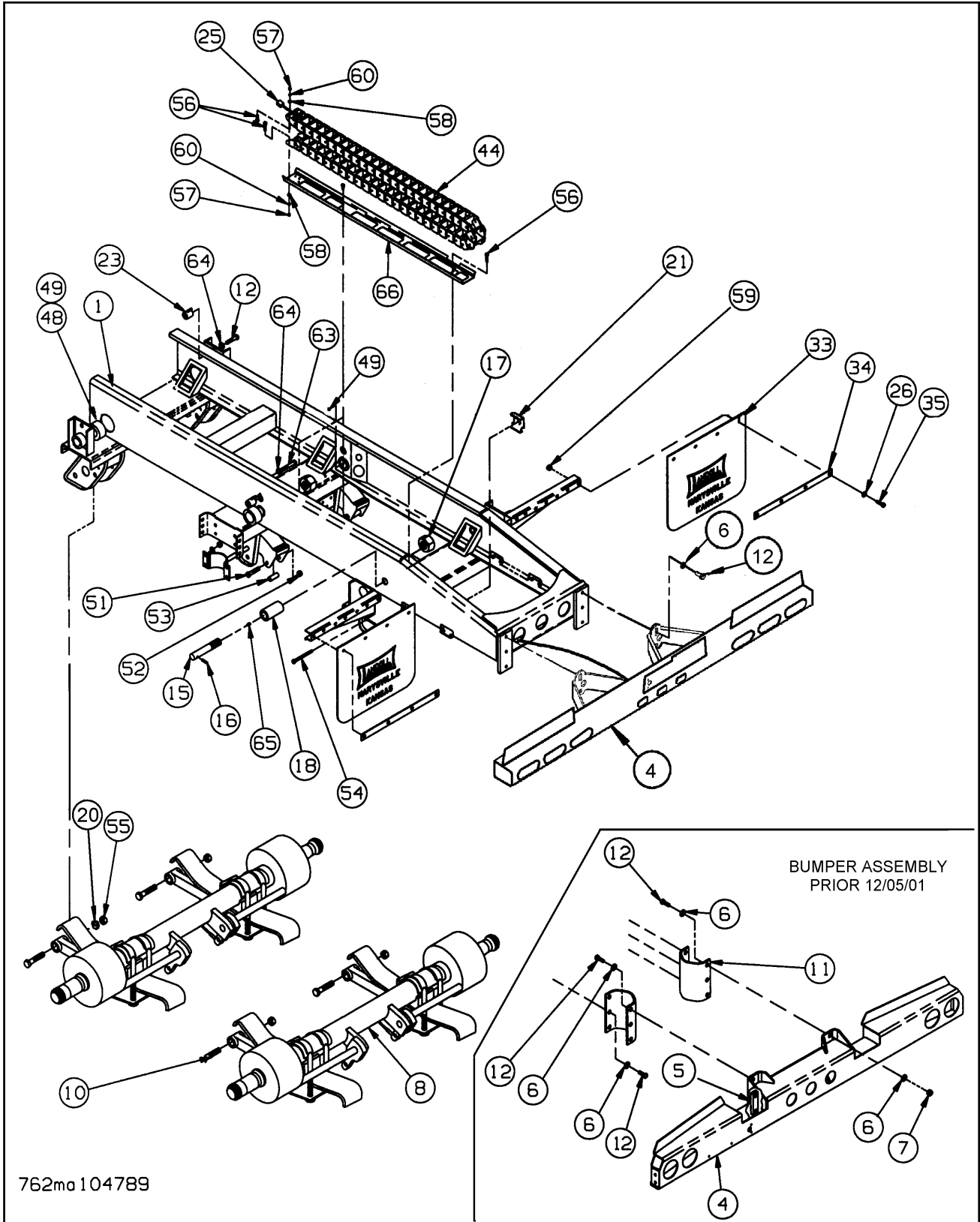


Figure 1-26 Suspension Hanger Assembly RLU-228

SUSPENSION HANGER RLU-228

ITEM	PART NO.	DESCRIPTION	QTY.
	102363	SUSPENSION, ADJ. RLU-228-3.5 (INCL ITEMS 1-19)	
	102364	SUSPENSION, ADJ. RLU-228-5.5 (INCL ITEMS 1-19)	
	102361	SUSPENSION, BEAM. RLU-228(INCL ITEMS 20-28)	
1	111010	FLAT WASHER	2
2	111020	AIR SPRING ASSEMBLY (RLU-228-3.5)	2
	111016	AIR SPRING ASSEMBLY (RLU-228-5.5)	
3	900 45 040	SHOCK (RLU-228-3.5)	2
	111017	SHOCK (RLU-228-5.5)	2
4	90508009	ALIGN BUSH ASSEMBLY (CONSISTS OF:)	2
	93201057	ROD BOLT	1
	90008184	ALIGN BLOCK	1
5	111007	ALIGN BLOCK	2
6	934 00 149	3/4-16 HEX NUT GRB	2
7	936 00 077	LOCK WASHER, 3/4"	4
8	1-512-010007-09	HEX NUT, 1/2-13	4
9	1-816-010034-13	LOCK WASHER, 1/2"	4
10	105408	HEX HEAD CAP SCREW 3/4-10 X 3-1/2	4
11	934 00 492	LOCK NUT, 3/4" - 10	2
12	111022	3/4-10 SQUARE NUT	2
13	111008	LOCK NUT 1-1/8-7	2
14	111018	ANCHOR, RIDE HEIGHT CONTROL VALVE (NOT SHOWN)	1
15	94100787	LITERATURE INSTRUCTIONS (NOT SHOWN)	1
16	94100685	LITERATURE SPEC (NOT SHOWN)	1
17	94100648	LITERATURE FORM 864 (NOT SHOWN)	1
18	94100590	LITERATURE LABEL (NOT SHOWN)	1
19	94100790	LITERATURE LABEL (NOT SHOWN)	1
	11005053	FASTENER KIT (INCL. 1, 4-11, 13, 15)	1
20	111010	FLAT WASHER	8
21	111013	EQUALIZING BEAM ASSEMBLY LH	1
22	900 08 139	RUBBER BUSHING (FRONT PIVOT)	2
23	111011	RUBBER BUSHING (AXLE CONNECTION)	4
24	111012	AXLE ADAPTER ASSEMBLY	2
25	111014	EQUALIZING BEAM ASSEMBLY RH	1
26	111023	HEX HEAD CAP SCREW 1-1/8-7 X 8-1/2	4
27	111015	SAFETY STRAP	2
28	111008	LOCK NUT 1-1/8-7	4

NOTE: QUANTITIES LISTED ARE PER AXLE.



762ma104789

Figure 1-27 Undercarriage Assembly Spring Ride (317C & 319C)

UNDERCARRIAGE ASSY SPRING RIDE (317C & 319C)

ITEM	PART NO.	DESCRIPTION	QTY.
		SUSPENSION ASSEMBLY SPRING RIDE ABS	
1	----	SUSPENSION WELDMENT	1
4	101712	BUMPER WELDMENT (102') (PRIOR 12/05/01)	1
	104157	BUMPER WELDMENT (96") (PRIOR 12/05/01)	1
	119580	BUMPER WELDMENT (102') (AFTER 12/05/01)	1
	121366	BUMPER WELDMENT (96") (AFTER 12/05/01)	1
5	102283	BAR BUMPER E/P TAPPED (PRIOR 12/05/01)	2
6	622-3511-008	WASHER - 3/4 MIL-CARB FL SAE	14
7	1-512-010002-15	NUT HEX LOCK 3/4-10 GRC	2
8	----	SUSPENSION ASSEMBLY 70-1/2 (SEE PAGE 1-51)	2
	----	SUSPENSION ASSEMBLY 64-1/2 (SEE PAGE 1-51)	2
9	103815	AIR SYSTEM ABS (NOT SHOWN) (SEE PAGE 1-53)	1
10	0001-08	TORQUE ARM BOLT 7/8-14 X 5-1/4 GR5	4
11	101143	MOUNT BUMPER ENERGY PAK (PRIOR 12/05/01)	2
12	1-654-010032-4	SCREW HEX HEAD CAP 3/4-10 X 1-3/4 GR8	14
15	3-557-010396	PIN REAR ROLLER	2
16	1-647-010004255	PIN SPRING SLOTTED	2
17	1-512-010007-16	NUT HEX 1-1/4-7	2
18	RRT114X6	TUBE ROUND	2
20	110991	WASHER, FLAT 7/8 HARDENED	4
21	2-181-010001	HOSE CLAMP	1
22	1-796-010004-02	TIE STRAP PLASTIC (NOT SHOWN)	6
23	3-762-010016	HOLD DOWN UNDERCARRIAGE	4
25	102836	HARNESS ASSEMBLY E-CHAIN ABS	1
26	1-861-010032-11	WASHER FLAT 3/8W	8
33	3-485-010001	MUD FLAP	2
34	3-762-010017	CLAMP MUD FLAP	2
35	1-654-010051-07	SCREW HEX HEAD CAP 3/8-16 X 1-1/2 GR5	8
44	3-755-010189	SUPPORT E-CHAIN	1
	3-755-010189-1	E-CHAIN LINK ASSEMBLY (38-06-075-0)	A/R
	385-06	E-CHAIN CROSSBAR	A/R
	38-01-075	E-CHAIN SIDE PIECE - LH	A/R
	38-02-075	E-CHAIN SIDE PIECE - RH	A/R
48	3-076-010005	BEARING, 4" CAM FOLLOWER	4
49	5029	ZERK FITTING	4
51	0001-04	HEX HEAD CAP SCREW 5/8-18 X 4-1/2	4
52	0002-07	LOCKNUT 5/8-18	6
53	0741-01	SPRING ROLLER	6
54	0001-02	HEX HEAD CAP SCREW 5/8-18 X 5-1/8	4
55	110990	FLANGED LOCKNUT 7/8-14	4
56	1-654-010158-1	SCREW RD HD SQ NCK 1/4-20 X 3/4 GR5	11
57	1-515-010007-05	NUT HEX 1/4-20	11
58	1-861-010032-07	WASHER FLAT 1/4	11
59	1-510-010001	NUT FLANGE LOCK 7/8-14	10
60	1-861-010034-09	WASHER SPLIT LOCK 1/4	11
63	1-654-010061-07	SCREW HEX HEAD CAP 3/4-10 X 2-1/2 GR5	2
64	1-861-010034-17	WASHER SPLIT LOCK 3/4	4
65	5000	ZERK FITTING 1/8	2
66	3-821-010005	TRAY CAT TRACK	1

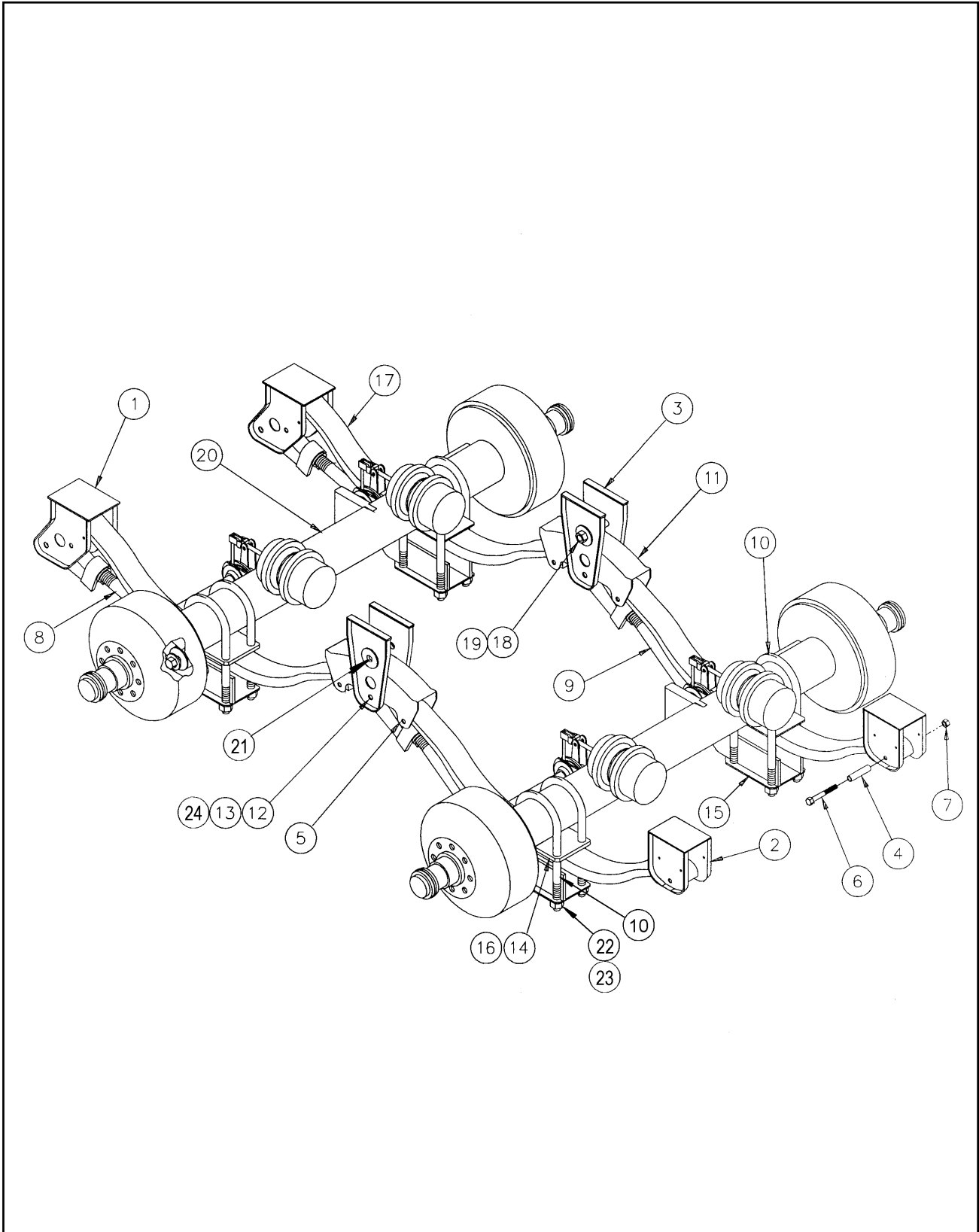


Figure 1-28 Spring Ride Suspension

SPRING RIDE SUSPENSION

ITEM	PART NO.	DESCRIPTION	QTY.
	-----	SUSPENSION ASSEMBLY SPRING RIDE	
1	0049-00	HANGER FRONT	2
2	0053-00	REAR HANGER UNDERMOUNT	2
3	0065-00	HANGER EQUALIZER (TANDEM AXLE ONLY)	2
4	0741-01	ROLLER SPRING	2
5	0001-04	HEX HEAD CAP SCREW (TANDEM AXLE ONLY)	4
6	0001-02	HEX HEAD CAP SCREW	2
7	0002-07	LOCK NUT, HEX	2
8	1035-20	TORQUE ARM ADJUSTABLE	1
9	0075-20	TORQUE ARM RIGID	1
10	24213-130	U-BOLT	4
11	0650-00	EQUALIZER BEAM ASSEMBLY (TANDEM AXLE ONLY)	2
12	0001-08	BOLT TORQUE ARM 7/8-14 X 5-1/4	2
13	14345-01	NUT LOCKING 7/8-14	2
14	0647-01	AXLE SEAT	2
15	0508-00	BOTTOM PLATE UNDERSLUNG	2
16	0375-00	DELTRIN LINER	2
17	3-720-010030	SPRING MONO LEAF HIGH ARCH	2
18	0001-14	EQUALIZER BOLT (TANDEM AXLE ONLY)	2
19	0274-01	FLANGED LOCK NUT (TANDEM AXLE ONLY)	2
20	-----	AXLE 64.5 12-1/4 X 7-1/2 SPG BRK 25K (SEE PAGE 1-57)	1
	-----	AXLE 70-1/2 12-1/4 X 7-1/2 SER BRK 25K (SEE PAGE 1-57)	1
21	0649-02	EQUALIZER BUSHING (INCL. IN ITEM #11)	2
22	14344-01	LOCKNUT 3/4	8
23	20852-01	WASHER, 3/4	8
24	T7292	WASHER, 7/8	2
	3-432-010006	KIT AXLE SPRING ATTACHING PARTS (INCLUDES ITEMS 8-10,12-16,22-24)	
	3-432-010010	KIT EQUALIZER ASSEMBLY (TANDEM AXLE ONLY) (INCLUDES ITEMS 3,11,18-19,21)	

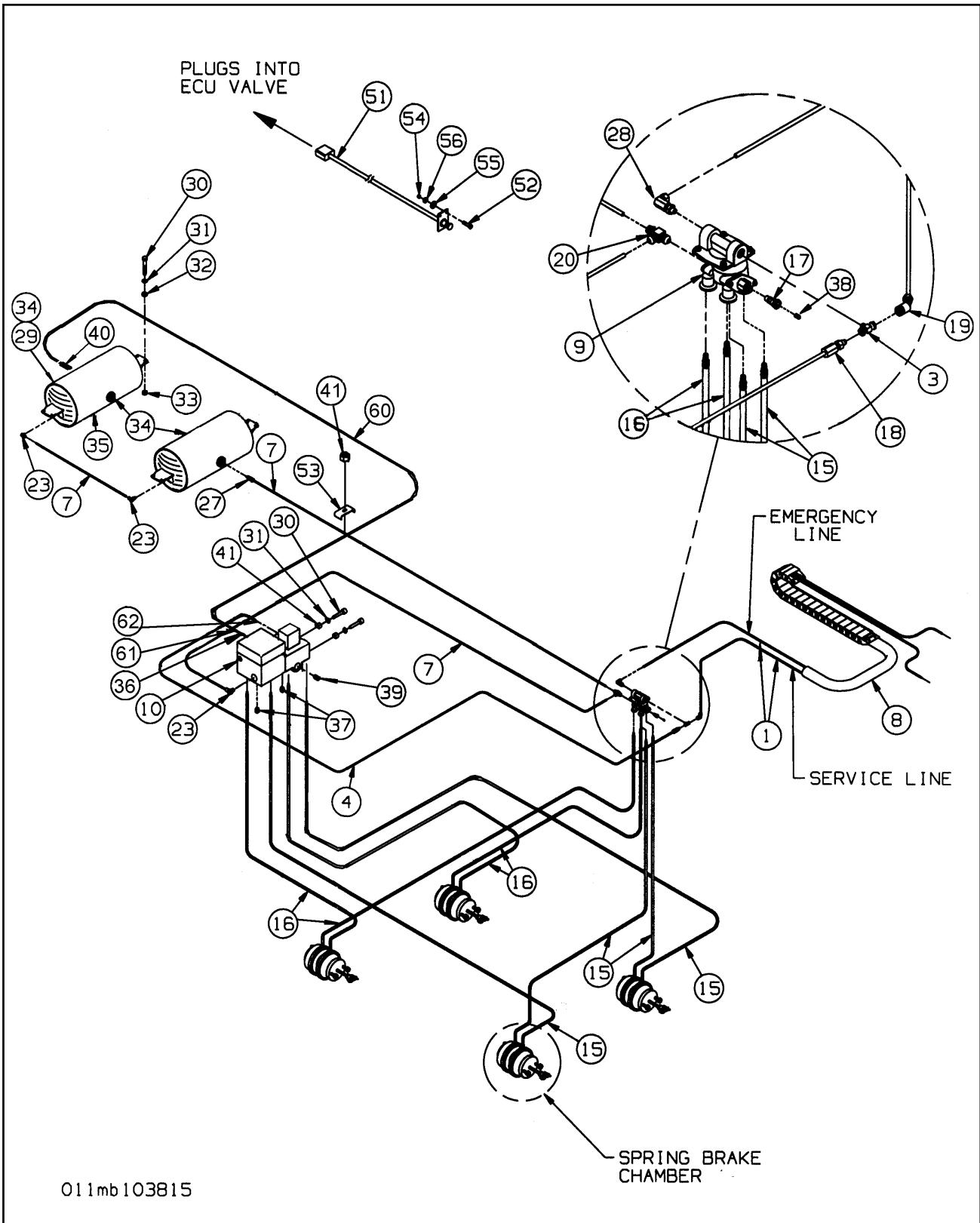


Figure 1-29 Air Brake System w/ ABS (Tandem Axle)

AIR BRAKE SYSTEM W/ ABS (TANDEM AXLE)

ITEM	PART NO.	DESCRIPTION	QTY.
	103815	AIR SYSTEM ABS, TANDEM	
1	100949	HOSE AIR 222	2
3	1-297-010017-03	FITTING AIR BR TEE	1
4	1-833-010002	TUBING NYLON 3/8	AR
7	1-833-010003	TUBING NYLON 1/2	AR
8	1-394-010001	HOSE ABRASION SLEEVE X 2	2
9	758-181	VALVE RELAY EMERGENCY	1
10	114584	ABS BRAKE KIT (SEE PAGE 1-59)	1
15	1-384-010038060	HOSE AIR 60	4
16	1-384-010038024	HOSE AIR 24	4
17	55B61	FRAME UNION	1
18	1-297-010007-12	FITTING AIR	1
19	2088-6-6S	ADAPTER 45	1
20	1-297-010007-15	FITTING AIR	1
23	1-297-010008-24	FITTING AIR	4
27	1-297-010007-16	FITTING AIR	1
28	2089-6-6S	ADAPTER 90	1
29	3-780-010002	TANK AIR	2
30	1-654-010051-08	SCREW HEX HEAD CAP 3/8-16 X 1-3/4 GR5	10
31	1-861-010032-11	WASHER FLAT 3/8W	18
32	805-2	STEP BUSHING	16
33	1-512-010005-05	NUT HEX LOCK 3/8-16 GR8	8
34	1-560-010002-04	PLUG PIPE	3
35	56D4	AIR TANK DRAIN COCK	2
36	118-2659-9	BUSHING	1
37	1-560-010002-03	PLUG PIPE	2
38	1-560-010002-02	PLUG PIPE	1
39	1-560-010002-05	PLUG PIPE	1
40	1-297-010008-26	FITTING, AIR 90	1
41	1-510-010001	NUT FLANGE LOCK 3/8-16	3
51	114590	POWER/DIAGNOSTIC CABLE	REF
52	1-654-010047-06	SCREW HEX HEAD CAP 1/4-20 X 1 GR5	2
53	103817	CLAMP HOSE	1
54	1-512-010007-05	NUT HEX LOCK 1/4-20	2
55	1-861-010032-07	WASHER FLAT 1/4	2
56	1-861-010034-09	WASHER SPLIT LOCK 1/4	2
60	117304	TUBING NYLON 5/8	1
61	1-297-010007-18	FITTING, AIR	1
62	1-297-010008-18	FITTING AIR 90	1

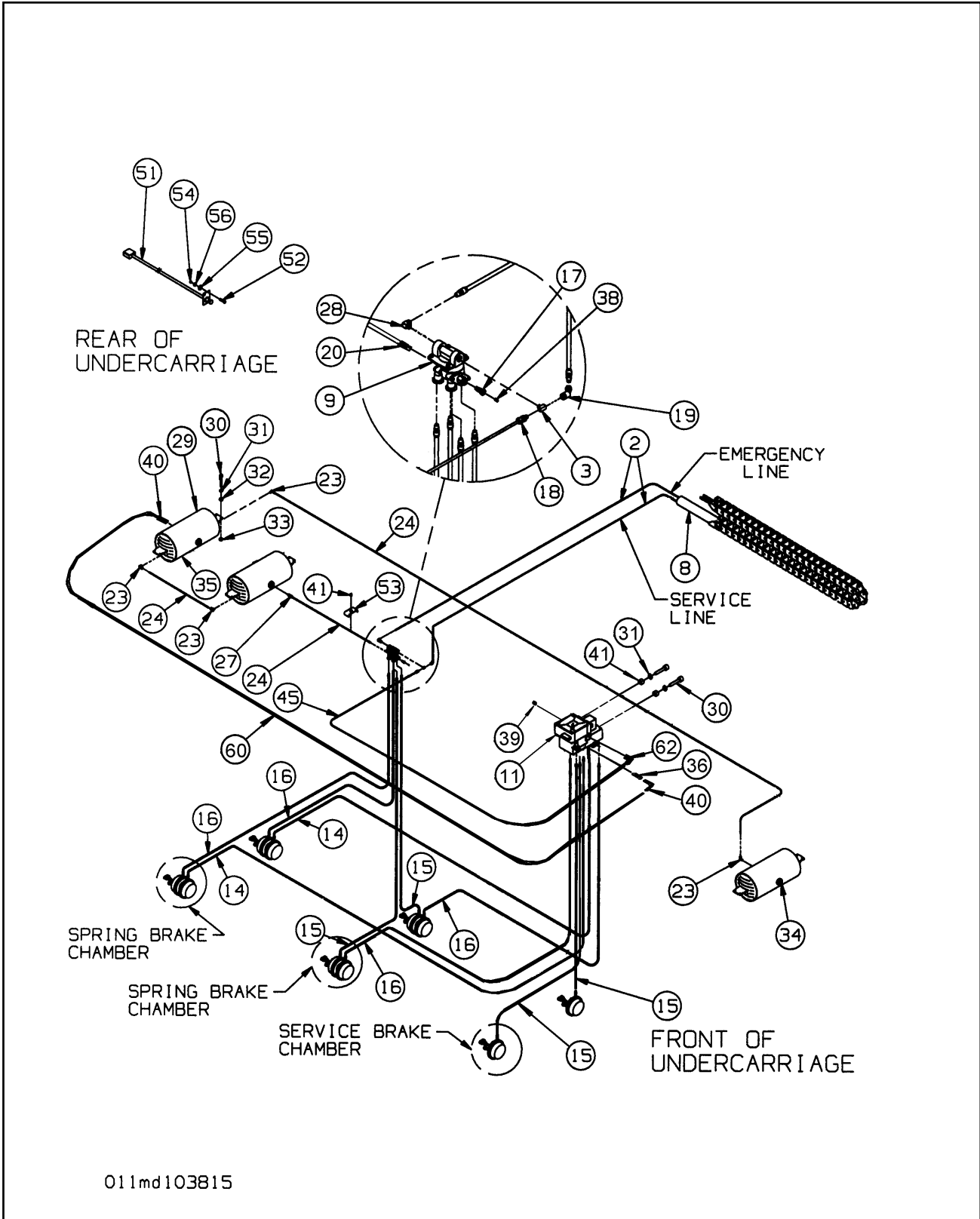


Figure 1-30 Air Brake System w/ ABS (Triple Axle)

AIR BRAKE SYSTEM W/ ABS (TRIPLE AXLE)

ITEM	PART NO.	DESCRIPTION	QTY.
	104472	AIR SYSTEM ABS, TRIPLE AXLE	
2	100948	HOSE AIR 174	2
3	1-297-010017-03	FITTING AIR M/ BRASS TEE	1
8	1-394-010001	HOSE ABRASION SLEEVE X 2	2
9	758-181	VALVE RELAY EMERGENCY	1
11	114586	ABS BRAKE KIT (SEE PAGE 1-59)	1
14	1-384-010038084	HOSE AIR 84	2
15	1-384-010038060	HOSE AIR 60	4
16	1-384-010038024	HOSE AIR 24	4
17	55B61	FRAME UNION	1
18	1-297-010007-12	FITTING AIR	1
19	2088-6-6S	ADAPTER 45	1
20	1-297-010007-15	FITTING AIR	1
23	1-297-010008-24	FITTING AIR 90	4
24	1-833-010003	TUBING NYLON 1/2	AR
27	1-297-010007-16	FITTING AIR	1
28	2089-6-6S	ADAPTER 90	1
29	3-780-010002	TANK AIR	3
30	1-654-010051-08	SCREW HEX HEAD CAP 3/8-16 X1-3/4 GR5	14
31	1-861-010032-11	WASHER FLAT 3/8W	26
32	805-2	STEP BUSHING	24
33	1-512-010005-05	NUT HEX LOCK 3/8-16 GRB	12
34	1-560-010002-04	PLUG PIPE	5
35	56D4	AIR TANK DRAIN COCK	3
36	118-2659-9	BUSHING	1
38	1-560-010002-02	PLUG PIPE	1
39	1-560-010002-05	PLUG PIPE	2
40	1-297-010008-26	FITTING, AIR 90	2
41	1-510-010001	NUT FLANGE LOCK 3/8-16	2
45	1-833-010002	TUBING NYLON 3/8	AR
51	114590	POWER/DIAGNOSTIC CABLE	REF
52	1-654-010047-06	SCREW HEX HEAD CAP 1/4-20 X 1 GR5	2
53	103817	CLAMP HOSE	2
54	1-512-010007-05	NUT HEX LOCK 1/4-20 GRB	2
55	1-861-010032-07	WASHER FLAT 1/4W	2
56	1-861-010034-09	WASHER SPLIT LOCK 1/4	2
60	117304	TUBING NYLON 5/8	AR
62	1-297-010008-18	FITTING AIR 90	1

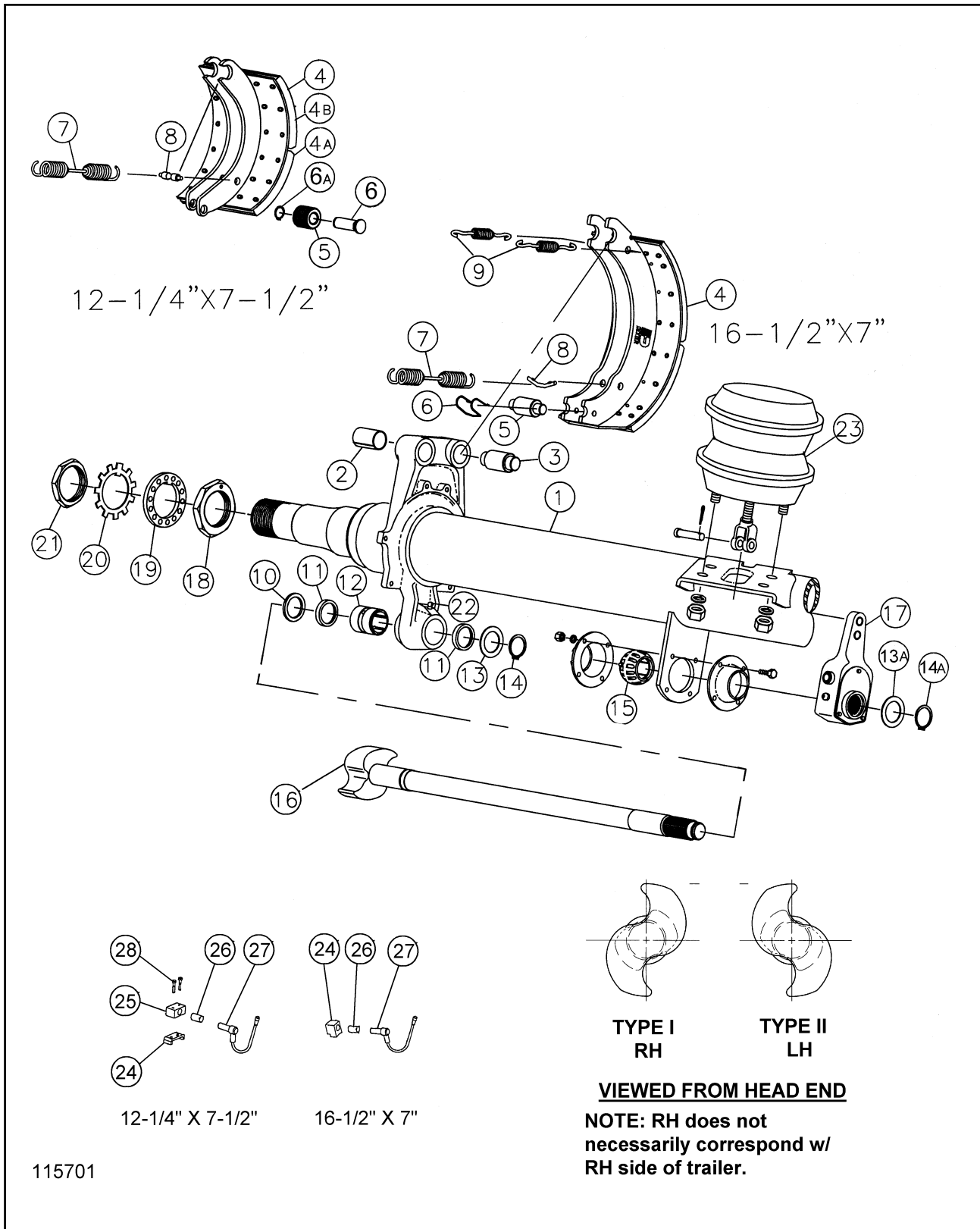


Figure 1-31 Axle and Brake Items (Dexter)

AXLE AND BRAKE ITEMS (DEXTER)

ITEM	PART NO.	DESCRIPTION	QTY.
	115701	AXLE 64-1/2, 12-1/4 X 7-1/2 SPG BK (25K)	
	115703	AXLE 70-1/2, 12-1/4 X 7-1/2 SPG BK (25K)	
	115704	AXLE 77, 12-1/4 X 7-1/2 SPG BK (25K)	
	115708	AXLE 70-1/2, 12-1/4 X 7-1/2 SER BK (25K)	
	115713	AXLE 69, 16-1/2 X 7 SPG BK (25K)	
	115719	AXLE 69 16-1/2 X 7 SER BK (25K)	
1A*	D-2H12	BEAM W/ BRACKETS (12.25 X 7.5 BRAKE)	1
	D-2H16	BEAM W/ BRACKETS (16.5 X 7 BRAKE)	1
	**K71-460-00	BRAKE SHOE HDWR KIT(12.25X7.5) (ITEMS 2, 3, 5, 6, 6A, 7, & 8)	
	**K71-136-00	BRAKE SHOE HDWR KIT (16.5 X 7) (ITEMS 2, 3, 5, 6, 7, 8, & 9)	
2**	014-068-00	BUSHING, SPIDER ANCHOR PIN	4
3**	056-017-00	PIN, ANCHOR	4
4	040-320-01	SHOE AND LINING ASSEMBLY (12.25 X 7.5 BRAKE)	4
	040-180-00	SHOE AND LINING ASSEMBLY (16.5 X 7 BRAKE)	4
4A	041-060-01	LINING - BRAKE BLOCK CAM (12.25 X 7.5 BRAKE)	2
	041-058-01	LINING - BRAKE BLOCK CAM (16.5 X 7 BRAKE)	2
4B	041-057-01	LINING - BRAKE BLOCK ANCHOR (12.25 X 7.5 BRAKE)	4
	041-059-01	LINING - BRAKE BLOCK ANCHOR (16.5X7 BRAKE)	4
	K71-133-00	BRAKE BLOCK KIT (12.25 X 7.5 BRAKE)	4
	K71-138-00	BRAKE BLOCK KIT (16.5 X 7 BRAKE)	4
5**	014-057-00	ROLLER (12.25 X 7.5 BRAKE)	4
	014-065-00	ROLLER (16.5 X 7.5 BRAKE)	4
6**	056-010-00	RETAINER, ROLLER PIN (12.25 X 7.5 BRAKE)	8
	071-122-00	RETAINER, ROLLER (16.5 X 7 BRAKE)	4
6A**	069-018-00	RETAINER RING (12.25 X 7.5 BRAKE ONLY)	8
7**	046-092-00	SPRING, SHOE RETRACTOR (12.25 X 7.5 BRAKE)	2
	046-096-00	SPRING, SHOE RETRACTOR (16.5 X 7 BRAKE)	2
8**	056-018-00	RETAINER PIN RETRACTOR SPRING	4
9**	046-097-00	KEEPER SPRING	4
	***K71-101-00	CAMSHAFT REPAIR KIT (12.25 X 7.5) (ITEMS 10-15, & 22)	
	***K71-135-00	CAMSHAFT REPAIR KIT (16.5 X 7) (ITEMS 10-15, & 22)	
10***	005-074-00	D" WASHER - CAMSHAFT (12.25 X 7.5 BRAKE)	2
	005-096-00	WASHER CAMSHAFT (16.5 X 7 BRAKE)	2
11***	010-052-00	SEAL GREASE	4
12***	014-056-00	BUSHING CAMSHAFT SPIDER	2
13A***	005-134-00	WASHER CAMSHAFT END	2
14A***	069-078-00	RETAINER, CAMSHAFT END	2
15***	014-058-00	BUSHING CAMSHAFT SUPPORT	2
16	034-188-03	CAMSHAFT, 22-5/16" LH(12.25 X 7.5 BRK, 70.5 TRK)	1
	034-189-03	CAMSHAFT, 22-5/16" RH(12.25 X 7.5 BRK, 70.5 TRK)	1
	034-188-08	CAMSHAFT, 19-1/2" LH(12.25 X 7.5 BRAKE, 64.5 TRK)	1
	034-189-08	CAMSHAFT, 19-1/2" RH(12.25 X 7.5 BRAKE, 64.5 TRK)	1
	034-192-05	CAMSHAFT, 22-5/8" LH (16.5 X 7 BRAKE, 69 TRK)	1
	034-193-05	CAMSHAFT, 22-5/8" RH (16.5 X 7 BRAKE, 69 TRK)	1
	034-188-05	CAMSHAFT, 20-3/8" LH (12.25 X 7.5 BRAKE, 77 TRK)	1
	034-189-05	CAMSHAFT, 20-3/8" RH (12.25 X 7.5 BRAKE, 77 TRK)	1

AXLE AND BRAKE ITEMS (DEXTER)

ITEM	PART NO.	DESCRIPTION	QTY.
17	055-040-07	SLACK ADJUSTER, AUTOMATIC (12.25 X 7.5 BRAKE)	2
	055-040-06	SLACK ADJUSTER, AUTOMATIC (16.5 X 7 BRAKE)	2
18	006-114-00	NUT, INNER SPINDLE	2
19	005-098-00	WASHER, SPINDLE LOCK	2
20	005-099-00	WASHER, TABBED SPINDLE LOCK	2
21	006-115-00	NUT, OUTER SPINDLE	2
22***	061-006-00	FITTING, GREASE 45°	2
23	034-058-07	AIR CHAMBER, SPRING BRAKE (12.25 X 7.5 BRAKE)	2
	034-058-01	AIR CHAMBER, SPRING BRAKE (16.5 X 7 BRAKE)	4
	034-057-07	AIR CHAMBER, SERVICE BRAKE (12.25 X 7.5 BRAKE)	2
	034-057-01	AIR CHAMBER, SERVICE BRAKE (16.5 X 7 BRAKE)	2
24	024-101-01	SENSOR BLOCK, LOWER (12.25 X 7.5 BRAKE)	2
	024-100-00	SENSOR BLOCK (16.5 X 7 BRAKE)	2
25	024-101-01	SENSOR BLOCK, UPPER (12.25 X 7.5 BRAKE)	2
26	097-002-00	RETAINER CLIP	2
27	097-003-00	ABS SENSOR, 90	2
28	007-237-00	CAP SCREW (12.25 X 7.5 BRAKE)	4

* WHEN ORDERING THE BEAM WITH SPINDLE, SPIDER, AND BRACKETS ATTACHED, YOU WILL NEED THE BEAM NUMBER, TRACK LENGTH, BRAKE SIZE, AND CAMSHAFT LENGTH.

** THESE PARTS ARE AVAILABLE AS PART OF THE BRAKE SHOE REPAIR KIT LISTED.

*** THESE PARTS ARE AVAILABLE AS PART OF THE CAMSHAFT REPAIR KIT LISTED.

NOTE: FOR HUB AND DRUM INFORMATION, SEE PAGES 1-58 TO 1-59

AXLE AND BRAKE ITEMS (KIC/SUDISA) (USED 02/01 TO 05/01)

123182	BRAKE REPAIR KIT, 12.25 X 7.5 KIC/SUDISA
123183	BRAKE REPAIR KIT, 16.5 X 7 KIC/SUDISA (INCL BRAKE SHOES AND HARDWARE)
123184	CAMSHAFT BEARING REPAIR KIT 12.25 X 7.5 BRAKES
123185	CAMSHAFT BEARING REPAIR KIT 16.5 X 7 BRAKES
123186	CAMSHAFT 12.25 X 7.5 BRAKES, 70.5 TRACK RH
123187	CAMSHAFT 12.25 X 7.5 BRAKES, 70.5 TRACK LH
123192	CAMSHAFT 16.5 X 7 BRAKES, 69 TRACK RH
123193	CAMSHAFT 16.5 X 7 BRAKES, 69 TRACK LH
123180	AUTO. SLACK ADJUSTER CURVED 12.25 X 7.5 BRAKE
055-040-07	AUTO. SLACK ADJUSTER STRAIGHT 16.5 X 7 BRAKE

* IF UNSURE ON AXLE BRAND, CONTACT LANDOLL PDC TO VERIFY

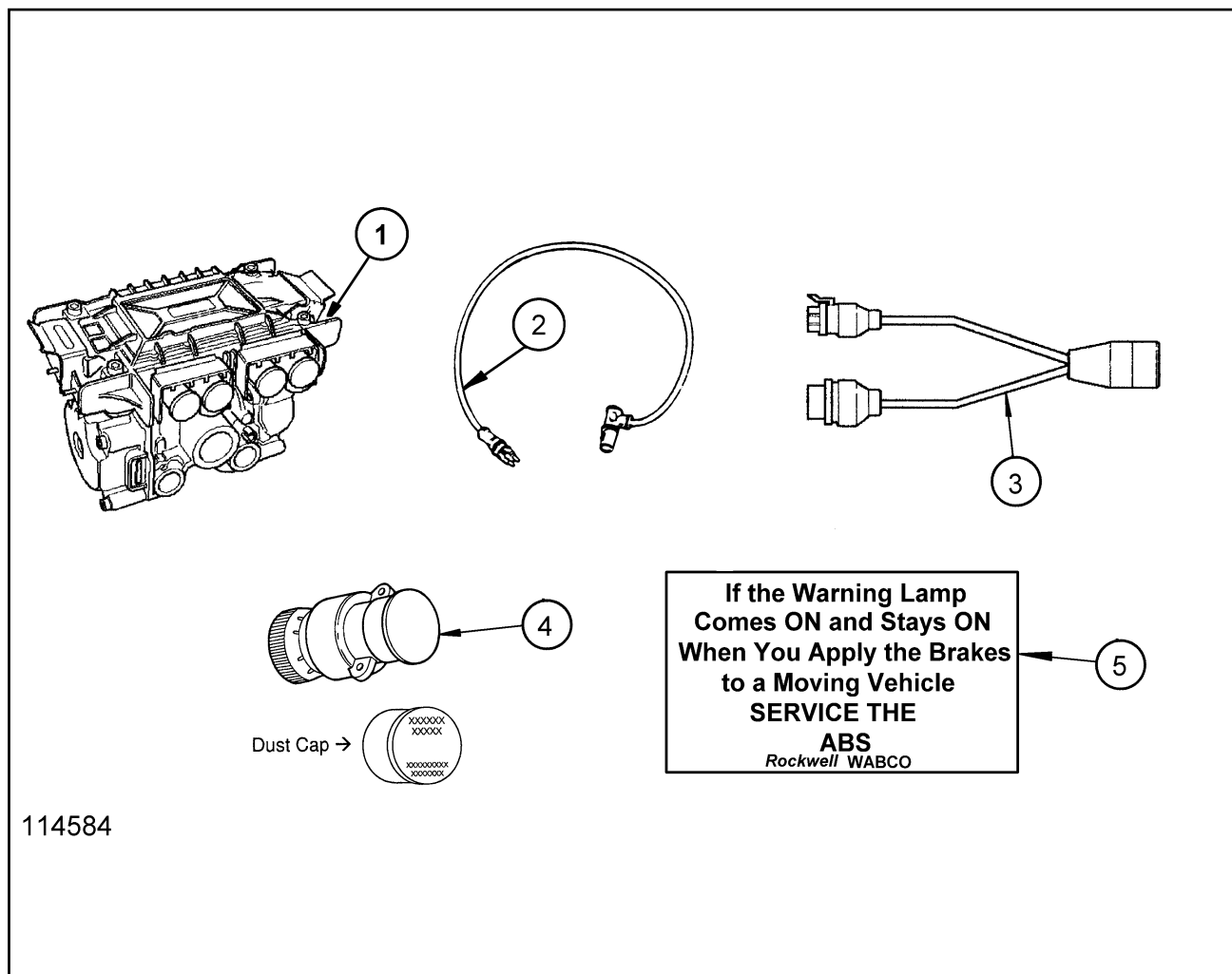
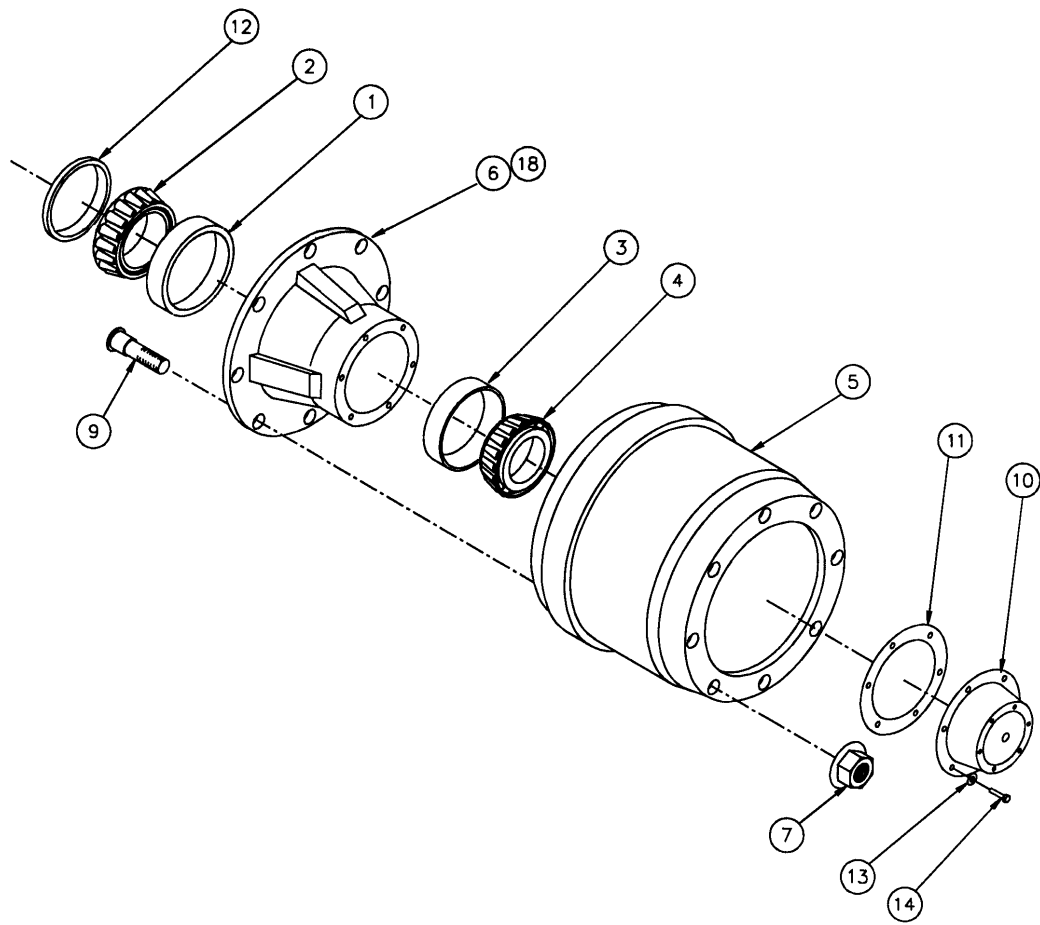


Figure 1-32 ABS Brake Kit

ABS BRAKE KIT

ITEM	PART NO.	DESCRIPTION	QTY.
	114584	ABS BRAKE KIT 4S/2M	
	114586	ABS BRAKE KIT 4S/2M-TRI/SPRD	
1	114588	ECU/VALVE ASSEMBLY	1
2	101848	SENSOR EXTENSION CABLE (114584)	4
	103861	SENSOR EXTENSION CABLE (114586)	2
3	114590	POWER/DIAGNOSTIC CABLE 4.0M/3.0M	1
4	101851	DIAGNOSTIC SWITCH	1
5	101855	WARNING LAMP LABEL	1



HUBOABS2

Figure 1-33 Outboard Pilot Mount Hub and Drum

OUTBOARD PILOT MOUNT HUB AND DRUM

ITEM	PART NO.	DESCRIPTION	QTY.
	108541	HUB/DRUM 8 BOLT 12-1/4 PILOT, ABS LONG STUD	
	103783	HUB/DRUM 10 BOLT 16-1/2 PILOT ABS LONG STUD	
1	HM218210	INNER BEARING CUP	1
2	HM218248	INNER BEARING CONE	1
3	HM212011	OUTER BEARING CUP	1
4	HM212049	OUTER BEARING CONE	1
5	110976(66884)	OUTBOARD MOUNTED BRAKE DRUM (10 BOLT)	1
	63680	OUTBOARD MOUNTED BRAKE DRUM (8 BOLT)	1
6	110975(2023----T)	HUB IRON (10 BOLT)	1
	112493(2027----T80)	HUB IRON (8 BOLT) 80 TH TONER RING	1
7	179933	FLANGE NUT (10 BOLT)	10
	179955	FLANGE NUT (8 BOLT)	8
9	101160	STUD	**8,10
10	021-038-01 (4009)	CAP HUB	1
11	071-124-00 (3067)	GASKET OIL CAP	1
12	3-659-010012	SEAL	1
13	1-861-010034-10	WASHER SPLIT LOCK 5/16	6
14	1-654-010049-03	SCREW HEX HEAD CAP 5/16-18X3/4 GR5	6
15	100402	WHEEL ALUM PILOT MOUNT 17.5 X 6.75 (8 BOLT)	1
	3-870-010097	WHEEL DISC PILOT MOUNT 17.5 X 6.75 (8 BOLT)	1
	3-870-010104	WHEEL DISC PILOT MOUNT 22.5 X 7.50 (10 BOLT)	1
	112047	WHEEL ALUM PILOT MOUNT 17.5 X 6.75 (8 BOLT)	1
	3-870-010106	WHEEL ALUM, PILOT MOUNT 22.5 X 7.50 (10 BOLT)	1
	3-870-010116	WHEEL ALUM, PILOT MOUNT 22.5 X 7.50 (10 BOLT) (NOT SHOWN)	1
16	TR573	VALVE STEM - STEEL WHEEL	1
	100401	VALVE STEM TR543C - ALUMINUM WHEEL	1
	TR545D	VALVE STEM (NOT SHOWN)	1
17	1-843-010014	VALVE, EXTENSION, STEM 3" (USED W/ 12-1/4" BRAKES) (NOT SHOWN)	1
18	*	ABS TONE RING	1

* THIS PART SHOULD BE REPLACED IN CONJUNCTION WITH THE HUB. IT SHOULD NEVER BE SOLD SEPARATELY.

** THE FIRST QUANTITY IS FOR THE 8 BOLT WHEEL, AND THE SECOND QUANTITY IS FOR THE 10 BOLT WHEEL.

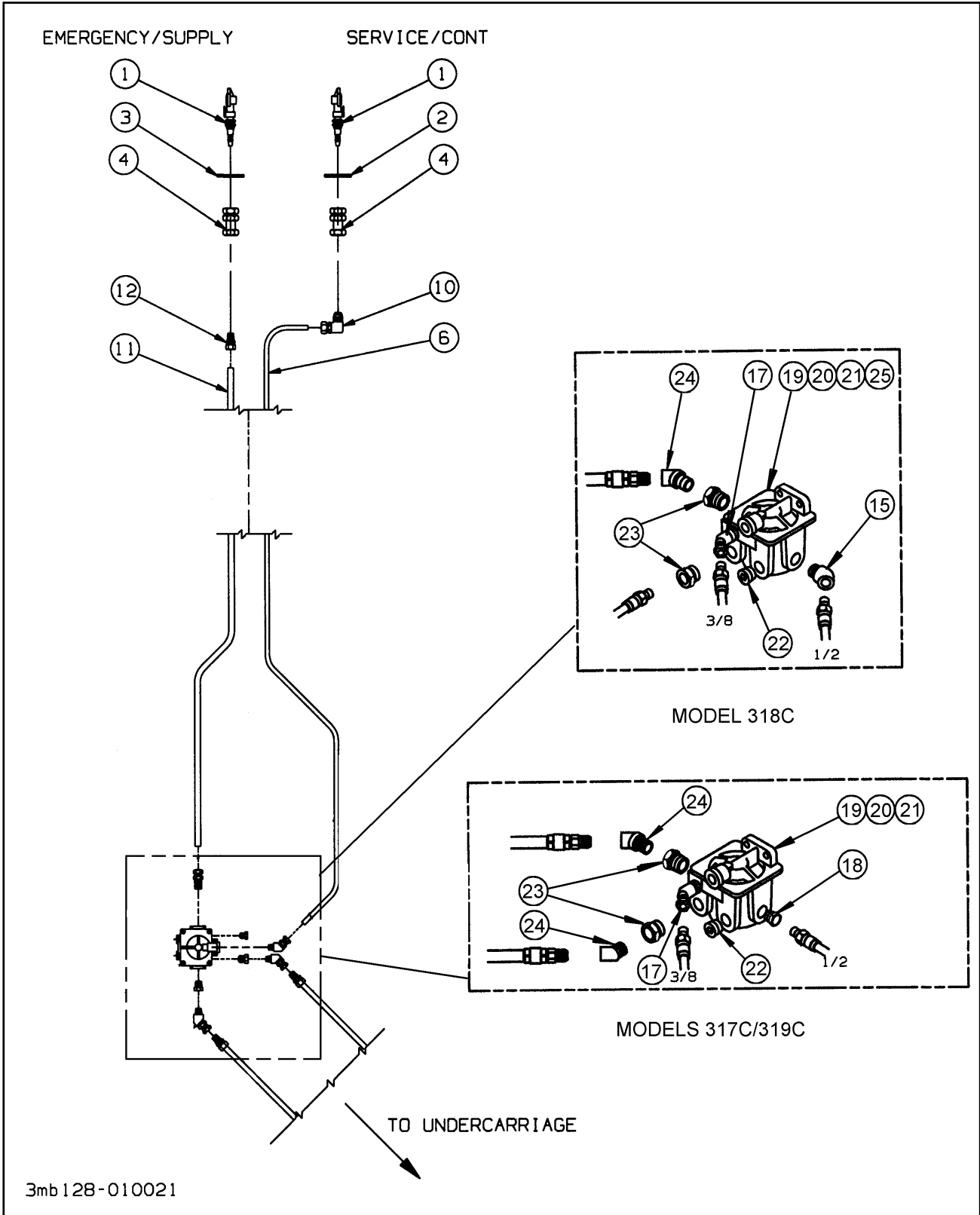
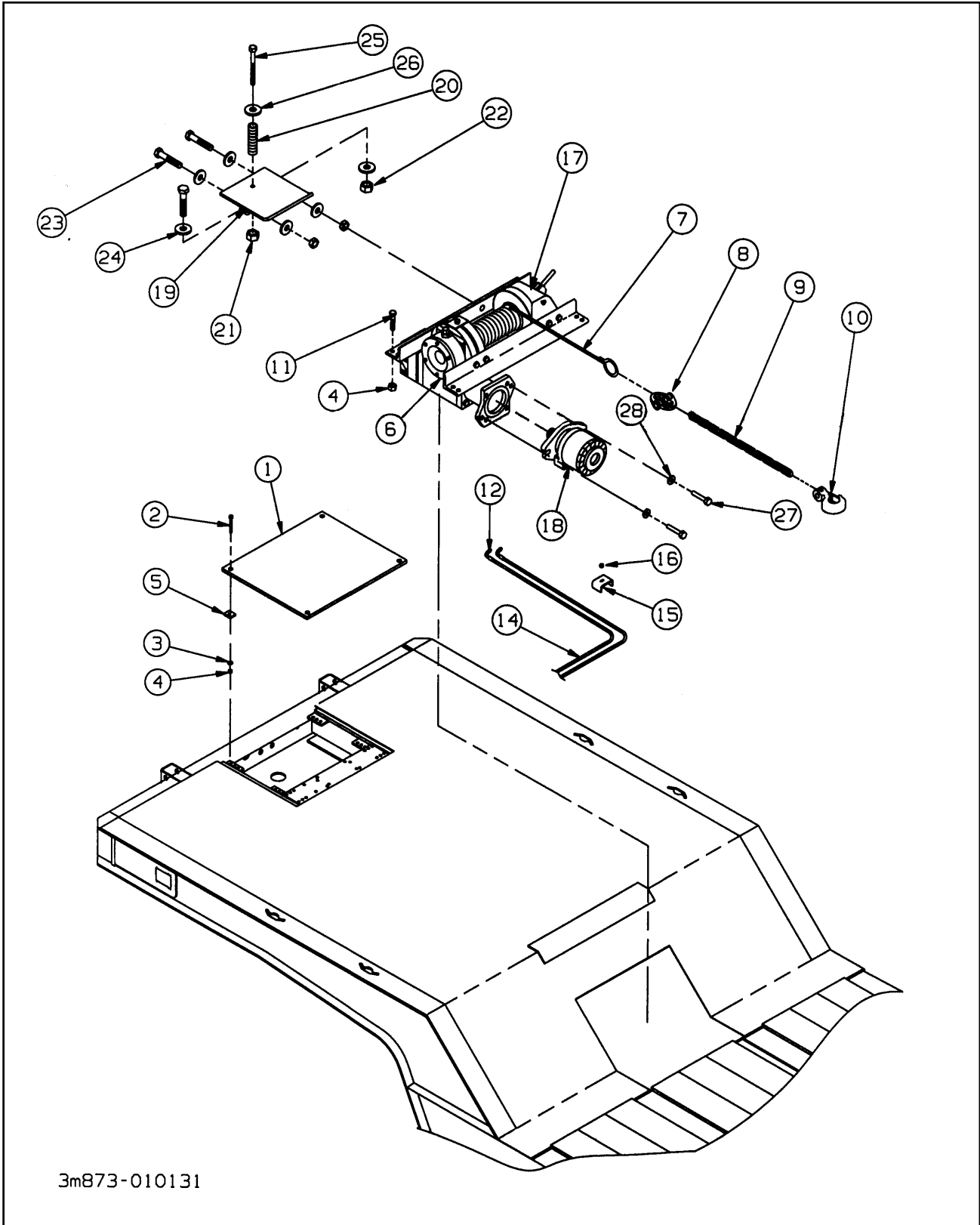


Figure 1-34 Air System, Main

AIR SYSTEM, MAIN

ITEM	PART NO.	DESCRIPTION	QTY.
	3-128-010021	AIR SYSTEM	
1	108801	GLADHAND RED AIR	1
	108802	GLADHAND BLUE AIR	1
2	55B61-7	TAG SERVICE LINE	1
3	55B61-6	TAG EMERGENCY LINE	1
4	55B61	FRAME UNION	2
6	1-833-010002	NYLON TUBING 3/8OD	A/R
10	1-297-010008-18	FITTING AIR 90 3/8TUBE X 1/4NPT	1
11	1-833-010003	TUBING NYLON 1/2OD	A/R
12	1-297-010007-14	FITTING AIR 1/2TUBE X 1/4NPT	1
15	1-297-010013-16	FITTING AIR 45 1/2TUBE X 1/2NPT (TRIPLE AXLE ONLY)	1
17	1-297-010013-12	FITTING AIR 45 3/8TUBE X 3/8NPT	1
18	1-297-010007-16	FITTING AIR 45 3/8TUBE X 3/8NPT (TANDEM AXLE ONLY)	1
19	3-843-010038	VALVE AIR RELAY-FAST AIR BALANCE	1
20	1-861-010032-06	WASHER FLAT 1/4N	2
21	1-512-010005-01	NUT HEX LOCK 1/4-20	2
22	1-560-010002-04	PLUG PIPE	1
23	2081-8-6S	REDUCER	2
24	2088-6-6S	FITTING AIR 45 3/8MPT X 3/8FNP	*2,1
25	1-654-010027-7	SCREW HEX HEAD CAP 1/4-23 X 1-1/4 (TRI. AXLE ONLY)	2

* 1ST QUANTITY LISTED IS FOR TANDEM AXLE; 2ND QUANTITY LISTED IS FOR TRIPLE AXLE.



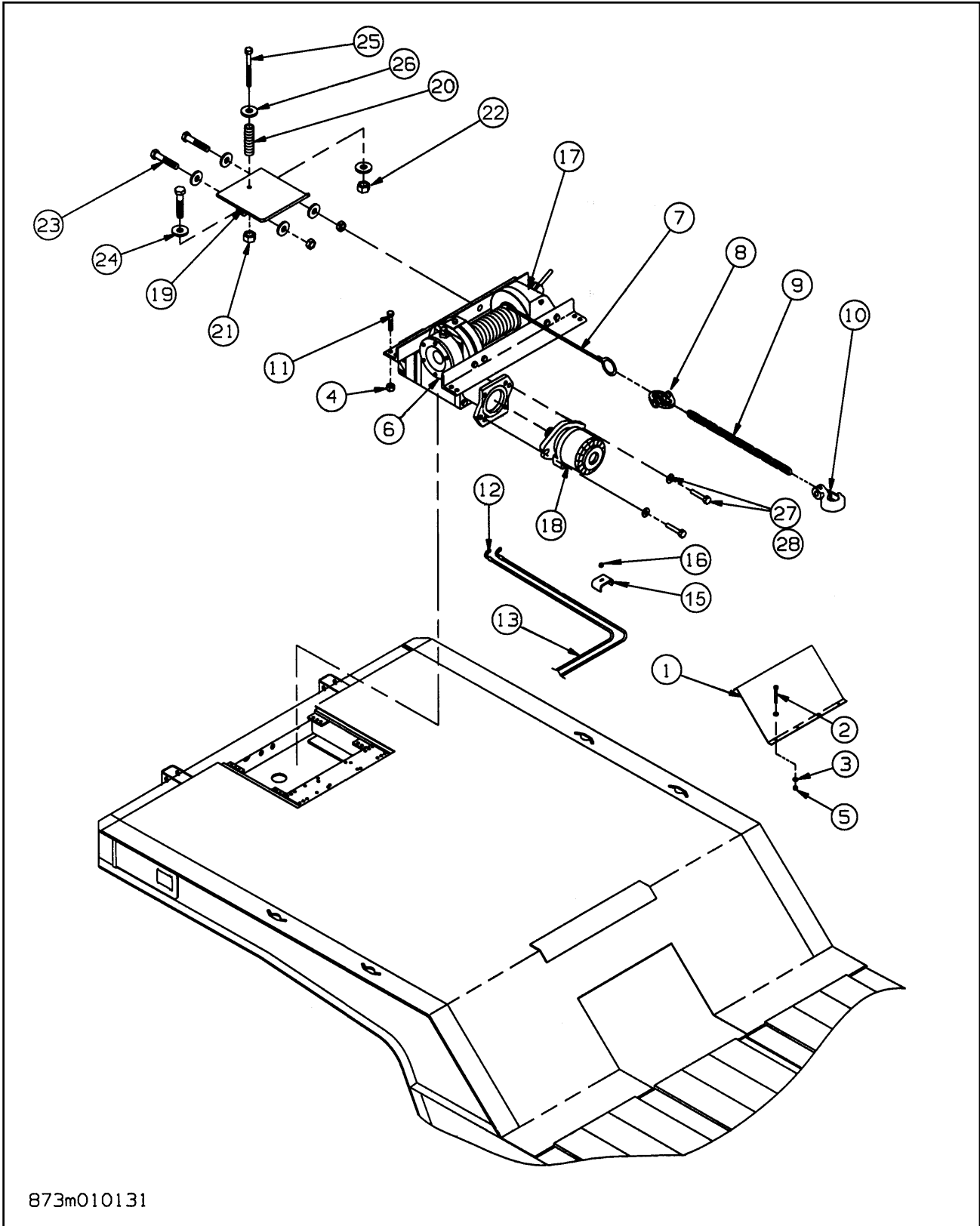
3m873-010131

Figure 1-35 Winch Installation, Slope

WINCH INSTALLATION, SLOPE

ITEM	PART NO.	DESCRIPTION	QTY.
	3-873-010127	WINCH INSTALLATION 12K SLOPE	
	3-873-010128	WINCH INSTALLATION 20K SLOPE	
1	3-222-010079	COVER UPPER DECK WINCH	REF
	3-222-010195	COVER WINCH 90 DROP DECK	REF
	3-222-010199	COVER PLATE INSTALLATION, UPPER DECK ROLLER	REF
2	1-654-010055-05	SCREW HEX HEAD CAP 1/2-13 X 2 GR5	4
3	1-861-010032-15	WASHER FLAT 1/2W GRA	4
4	1-512-010005-09	NUT HEX LOCK 1/2-13 GRC	12,8*
5	3-711-010028	SPACER WINCH COVER	2
6	3-873-010126-2	WINCH ASSY 12,000LB PARKER (SEE ITEMS 17-29)	1
	3-873-010129-2	WINCH ASSY 20,000LB PARKER (SEE ITEMS 17-29)	1
7	3-155-010017-1	CABLE 1/2 W/LOOP, 60FT	REF
	3-155-010017-4	CABLE 1/2 W/LOOP, 85FT	REF
	3-155-010018-1	CABLE 5/8 W/LOOP, 60FT	REF
	3-155-010018-4	CABLE 5/8 W/LOOP, 100FT	REF
	3-155-010018-6	CABLE 5/8 W/LOOP, 85FT	REF
8	3-174-010038	CHAIN LINK CONNECTING	1
9	3-174-010039036	CHAIN	1
10	7HCGHT500	CLEVIS GRAB HOOK	1
11	1-654-010055-03	SCREW HEX HEAD CAP 1/2-13X1-1/2 GR5	8
12	202702-10-8S	ADAPTER	2
14	1-397-010302078	HOSE ASSEMBLY	2
15	2-181-010001	HOSE CLAMP	REF
16	1-510-010001	NUT FLANGED LOCK 3/8-16 GRB	REF
17	3-873-010122	WINCH WORM GEAR 12,000LB (SEE PAGE 1-77)	1
	3-873-010123	WINCH WORM GEAR 20,000LB (SEE PAGE 1-80)	1
18	3-481-010006	MOTOR HYDRAULIC 12,000LB (SEE PAGE 1-85)	1
	3-481-010007	MOTOR HYDRAULIC 20,000LB (SEE PAGE 1-85)	1
19	3-873-010124	WINCH TENSIONER WLDMT 12K	1
	102186	WINCH TENSIONER 20K BRADEN SPG	1
20	3-720-010010	SPRING COMP LEVEL WIND	1
21	1-512-010005-09	NUT HEX LOCK 1/2-13 GRB	1
22	1-512-010005-05	NUT HEX LOCK 3/8-16 GRB	3
23	1-654-010051-06	SCREW HEX HEAD CAP 3/8-16 X 1-1/4 GR5	3
24	1-861-010032-10	WASHER FLAT 3/8N GRA	6
25	1-654-010055-16	SCREW HEX HEAD CAP 1/2-13 X5-1/2 GR5 (12K)	1
	1-654-010055-17	SCREW HEX HEAD CAP 1/2-13 X6 GR5 (20K)	1
26	1-861-010032-15	WASHER FLAT 1/2W GRA	1
27	1-654-010055-04	SCREW HEX HEAD CAP 1/2-13 X 1-3/4 GR5	2
28	1-861-010034-13	WASHER SPLIT LOCK 1/2	2
29	100600	DECAL, WARNING WINCH (NOT SHOWN)	1

* 1ST QUANTITY OF ITEM 4 IS USED WITH ITEMS 1-28; 2ND QUANTITY OF ITEM 4 IS USED WITH ITEMS 5-28 ONLY.



873m010131

Figure 1-36 Winch Installation, Upperdeck

WINCH INSTALLATION UPPERDECK

ITEM	PART NO.	DESCRIPTION	QTY.
	3-873-010131	WINCH INSTALLATION 12K UPPERDECK	
	3-873-010130	WINCH INSTALLATION 20K UPPERDECK	
1	3-222-010083	COVER WINCH SLOPE	REF
2	1-654-010051-07	SCREW HEX HEAD CAP 3/8-16 X 1-1/2 GR5	8
3	1-861-010032-11	WASHER FLAT 3/8W	12
4	1-512-010005-09	NUT HEX LOCK 1/2-13 GRB	8
5	1-512-010005-05	NUT HEX LOCK 3/8-16 GRB	8
6	3-873-010126-2	WINCH ASSY 12,000LB PARKER (SEE ITEMS 17-29)	1
	3-873-010129-2	WINCH ASSY 20,000LB PARKER (SEE ITEMS 17-29)	1
7	3-155-010017-1	CABLE 1/2 W/LOOP, 60FT	REF
	3-155-010017-4	CABLE 1/2 W/LOOP, 85FT	REF
	3-155-010018-1	CABLE 5/8 W/LOOP, 60FT	REF
	3-155-010018-4	CABLE 5/8 W/LOOP, 100FT	REF
	3-155-010018-6	CABLE 5/8 W/LOOP, 85FT	REF
8	3-174-010038	CHAIN LINK CONNECTING	1
9	3-174-010039036	CHAIN	1
10	7HCGHT500	CLEVIS GRAB HOOK	1
11	1-654-010055-03	SCREW HEX HEAD CAP 1/2-13 X 1-1/2 GR5	8
12	202702-10-8S	ADAPTER	2
13	1-397-010302216	HOSE ASSY	2
15	2-181-010001	HOSE CLAMP	REF
16	1-510-010001	NUT FLANGE LOCK 3/8-16	REF
17	3-873-010122	WINCH WORM GEAR 12,000LB PARKER (SEE PAGE 1-77)	1
	3-873-010123	WINCH WORM GEAR 20,000LB PARKER (SEE PAGE 1-80)	1
18	3-481-010006	MOTOR HYDRAULIC 12,000LB (SEE PAGE 1-85)	1
	3-481-010007	MOTOR HYDRAULIC 20,000LB (SEE PAGE 1-85)	1
19	3-873-010124	WINCH TENSIONER (12K)	1
	102186	WINCH TENSIONER BRADEN (20K)	1
20	3-720-010010	SPRING COMP LEVEL WIND	1
21	1-512-010005-09	NUT HEX LOCK 1/2-13 GRB	1
22	1-512-010005-05	NUT HEX LOCK 3/8-16 GRB	3
23	1-654-010051-06	SCREW HEX HEAD CAP 3/8-16 X 1-1/4 GR5	3
24	1-861-010032-10	WASHER FLAT 3/8N GRA	6
25	1-654-010055-16	SCREW HEX HEAD CAP 1/2-13 X 5-1/2 GR5 (12K)	1
	1-654-010055-17	SCREW HEX HEAD CAP 1/2-13 X 6 GR5 (20K)	1
26	1-861-010032-15	WASHER FLAT 1/2W GRA	1
27	1-654-010055-04	SCREW HEX HEAD CAP 1/2-13X1-3/4 GR5	2
28	1-861-010034-13	WASHER SPLIT LOCK 1/2	2
29	100600	DECAL, WARNING WINCH (NOT SHOWN)	1

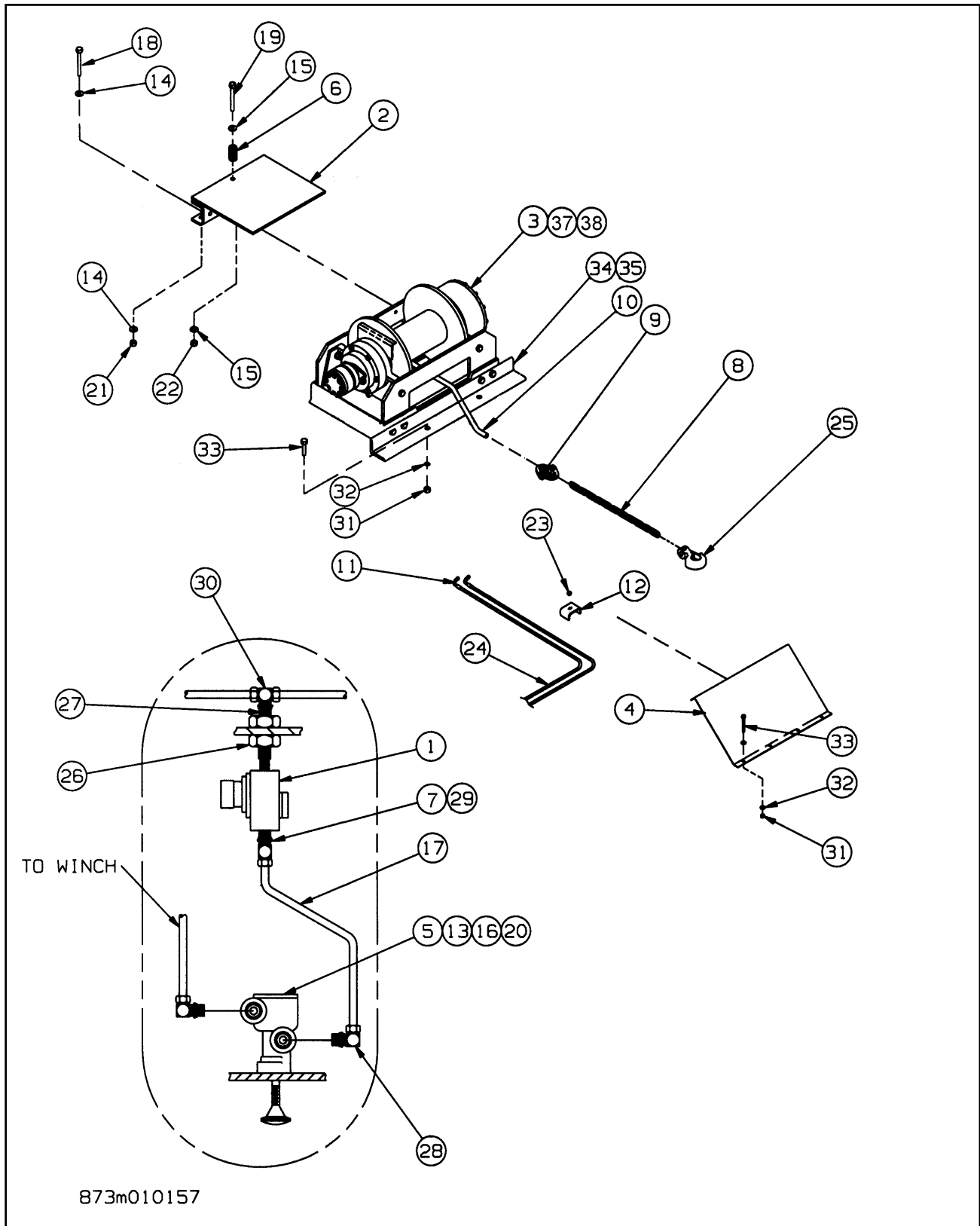
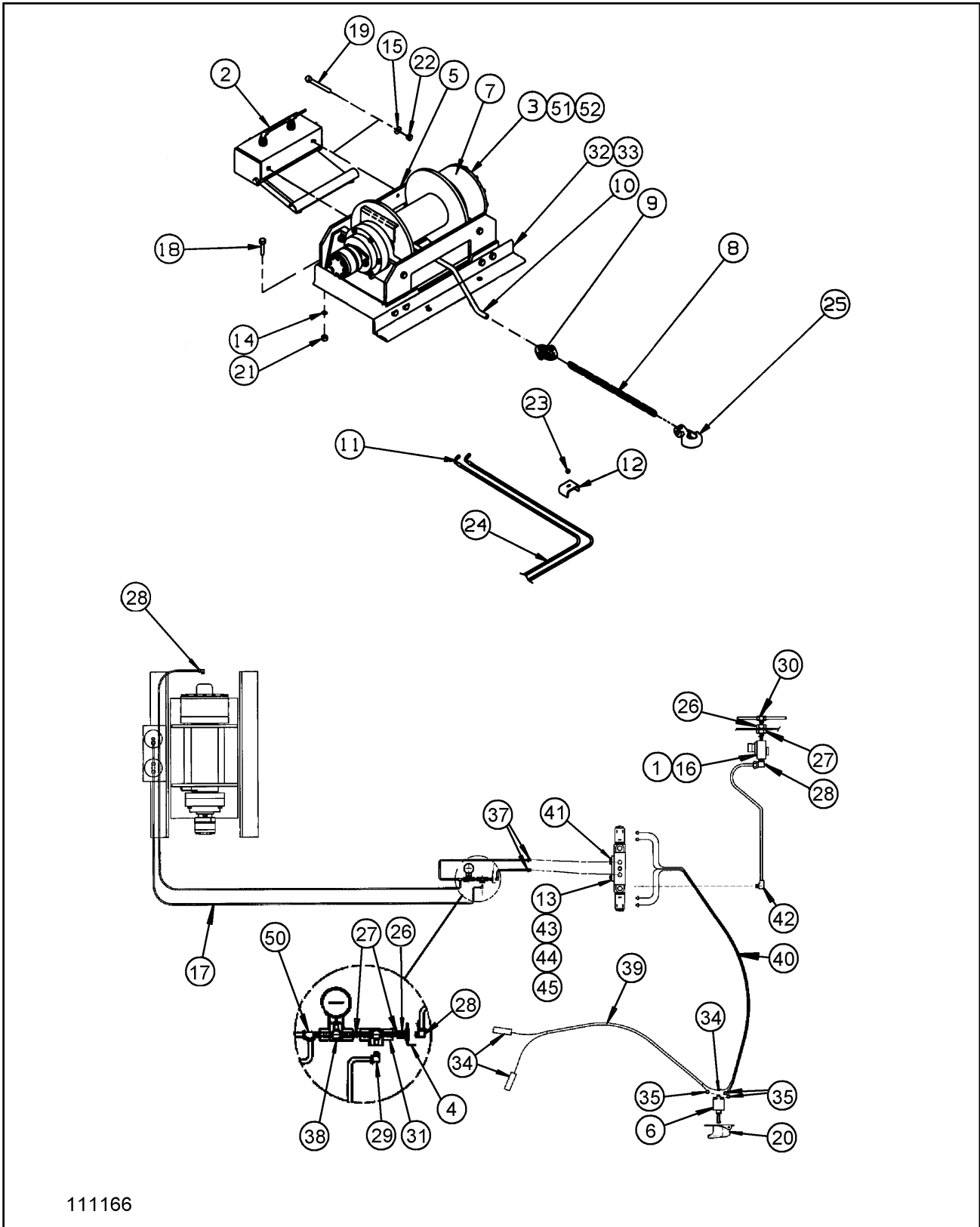


Figure 1-37 Winch Installation 30K

WINCH INSTALLATION 30K

ITEM	PART NO.	DESCRIPTION	QTY.
	3-873-010157-01	WINCH INSTALLATION 30K W/ HARDWARE	
	3-873-010157-02	WINCH INSTALLATION 30K W/O HARDWARE	
1	905-54-107	BRAKE PROTECTION VALVE	1
2	3-876-010017	WINCH TENSIONER WELDMENT	1
3	3-873-010155	WINCH MODIFICATION (ITEMS 37 & 38)	1
4	3-222-010083	COVER WINCH SLOPE	REF*
5	3-843-010008	VALVE AIR 3WAY, 2POS, PUSH-PULL (NO PARTS BREAKDOWN)	1
6	3-720-010010	SPRING COMP LEVEL WIND	1
7	1-297-010015-03	FITTING, AIR BR TEE	1
8	3-174-010060036	CHAIN GR80	1
9	3-174-010059	CHAIN LINK CONNECTING 5/8	1
10	3-153-010016	CABLE ASSEMBLY 3/4 W/LOOP	REF
11	202702-8-8S	ADAPTER	2
12	2-181-010001	HOSE CLAMP	1
13	1-861-010034-07	WASHER SPLIT LOCK #10	2
14	1-861-010032-18	WASHER FLAT 5/8N	4
15	1-861-010032-15	WASHER FLAT 1/2W	2
16	1-861-010032-03	WASHER FLAT #10	2
17	1-833-010001	TUBING NYLON 1/4OD	25
18	1-654-010059-05	SCREW HEX HEAD CAP 5/8-11 X 2 GR5	2
19	1-654-010055-17	SCREW HEX HEAD CAP 1/2-13 X 6 GR5	1
20	1-654-010024079	SCREW MACH FLSTR HD #10-32 X 3/4	2
21	1-512-010005-13	NUT HEX LOCK 5/8-11 GRB	2
22	1-512-010005-09	NUT HEX LOCK 1/2-13 GRB	1
23	1-510-010001	NUT FLANGE LOCK 3/8-6	1
24	1-397-010302206	HOSE ASSEMBLY 1/2 X 206	2
25	1-382-010035-06	HOOK CLEVIS GRAB	1
26	1-297-010022-02	FITTING AIR ANCHOR COUPLING	1
27	1-297-010020-02	FITTING BRASS PIPE	1
28	1-297-010008-07	FITTING AIR 90 1/4TUBE TO 1/4NPT	2
29	1-297-010007-05	FITTING AIR 1/4PIPE TO 1/4TUBE	1
30	1-297-010015-09	FITTING AIR BRANCH TEE	1
31	1-512-010005-05	NUT HEX LOCK 3/8-16 GRB	8*
32	1-861-010032-11	WASHER FLAT 3/8W	8*
33	1-654-010051-06	SCREW HEX HEAD CAP 3/8-16X1-1/4 GR5	4*
34	RSP956X5X5	PLATE, STEEL 1/2 X 5 X 5	1
35	RFB722X4	BAR, FLAT 1/2 X 1-1/2 X 4	4
36	1-654-010051-08	SCREW, HEX HEAD CAP 3/8-16 X 1-3/4	4*
37	3-873-010154	WINCH 30,000LB DP (SEE PAGE 1-83)	1
38	1-297-010008-07	FITTING AIR 90 1/4PIPE X 1/4NPT	2

* THESE ITEMS ARE USED WITH P/N 3-873-010157-01.



111166

Figure 1-38 Winch Installation 30K, Air, No Remote

WINCH INSTALLATION 30K, AIR NO REMOTE

ITEM	PART NO.	DESCRIPTION	QTY.
	111166	WINCH INSTALLATION 30K AIR NO REMOTE	
1	905-54-107	BRAKE PROTECTION VALVE	1
2	3-873-010172	WINCH CABLE AIR TENSION 30K	1
3	3-873-010155	WINCH MODIFICATION (ITEMS 51 & 52)	1
4	3-120-010445	BRACKET, PRESSURE REGULATOR	1
5	111252	MOUNT, DP30 AIR TENSION	1
6	1-765-010065	TOGGLE SWITCH SPDT	1
7	3-573-010025	DECAL, WINCH MOTOR	1
8	3-174-010060036	CHAIN GR80	1
9	3-174-010059	CHAIN LINK CONNECTING 5/8	1
10	3-153-010016	CABLE ASSEMBLY 3/4 W/LOOP	REF
11	2062-8-8S	ADAPTER, 90	2
12	2-181-010001	HOSE CLAMP	1
13	3-843-010022	VALVE, PNEUMATIC 4 WAY 2 POSITION	1
14	1-861-010032-18	WASHER FLAT 5/8N	4
15	1-861-010032-15	WASHER FLAT 1/2W	2
16	3-573-010442	DECAL, WINCH TENSION	1
17	1-833-010001	TUBING NYLON 1/4OD	AR
18	1-654-010059-05	SCREW HEX HEAD CAP 5/8-11 X 2 GR5	2
19	1-654-010055-03	SCREW HEX HEAD CAP 1/2-13 X 1-1/2 GR5	2
20	3-348-010048	GUARD, SWITCH 3 POSITION	1
21	1-512-010005-13	NUT HEX LOCK 5/8-11 GRB	2
22	1-512-010005-09	NUT HEX LOCK 1/2-13 GRB	2
23	1-510-010001	NUT FLANGE LOCK 3/8-16	1
24	1-397-010301208	HOSE ASSEMBLY 1/2 X 208	2
25	1-382-010035-06	HOOK CLEVIS GRAB	1
26	1-297-010022-02	FITTING AIR ANCHOR COUPLING	2
27	1-297-010020-02	FITTING BRASS PIPE	3
28	1-297-010008-07	FITTING AIR 90 1/4TUBE TO 1/4NPT	3
29	1-297-010007-05	FITTING AIR 1/4PIPE TO 1/4TUBE	1
30	1-297-010015-09	FITTING AIR BRANCH TEE	1
31	3-843-010039-02	VALVE, AIR SHUTTLE	1
32	RSP956X5X5	PLATE, STEEL 1/2 X 5 X 5	4
33	RFB722X4	BAR, FLAT 1/2 X 1-1/2 X 4	1
34	3-272-010021	ELECT BUTT SPLICE	3
35	32002	TERMINAL	1
37	1-297-010007-04	FITTING, AIR 90	2
38	3-626-010004	REGULATOR, AIR PRESSURE	1
39	3-156-010008	CABLE, 14-2 SO TWO CONDUCTOR	AR
40	3-368-010129	HARNESS, REMOTE SWITCH	1
41	3-136-010001-01	BREATHER, PNEUMATIC EXHAUST	2
42	1-297-010008-05	FITTING, AIR 90	1
43	1-654-010024014	SCREW, MACH FIL #6-32 X 1-1/2	3
44	1-861-010032-01	WASHER, FLAT #6	6
45	1-512-010003-02	NUT, HEX LOCK #6-32	3
50	1-297-010011-02	FITTING, AIR TEE	1
51	3-873-010154	WINCH 30,000LB DP (SEE PAGE 1-83)	1
52	1-297-010008-07	FITTING AIR 90 1/4PIPE X 1/4NPT	2

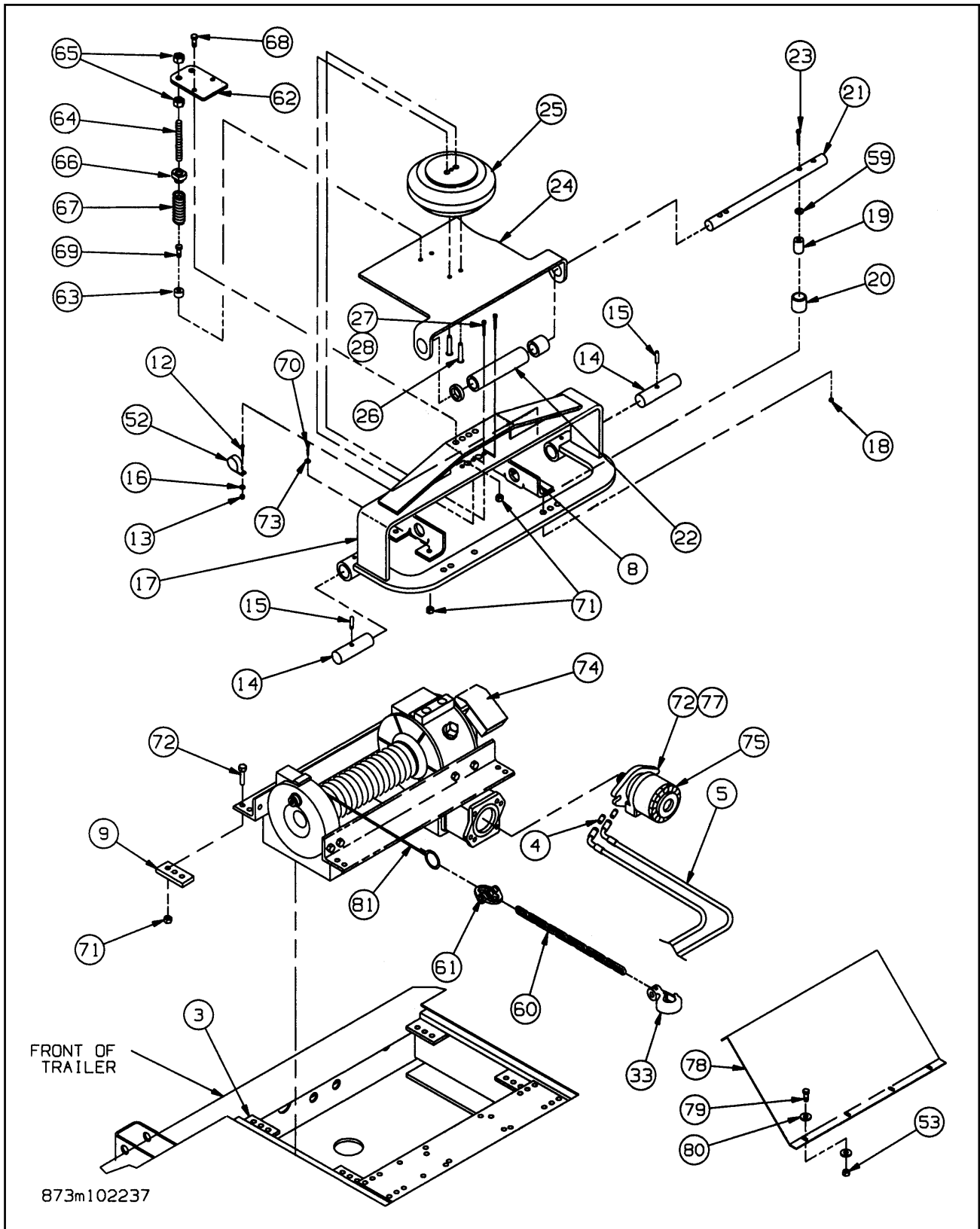


Figure 1-39 Winch Air Tension Instl. U/D 20K (1 of 2)

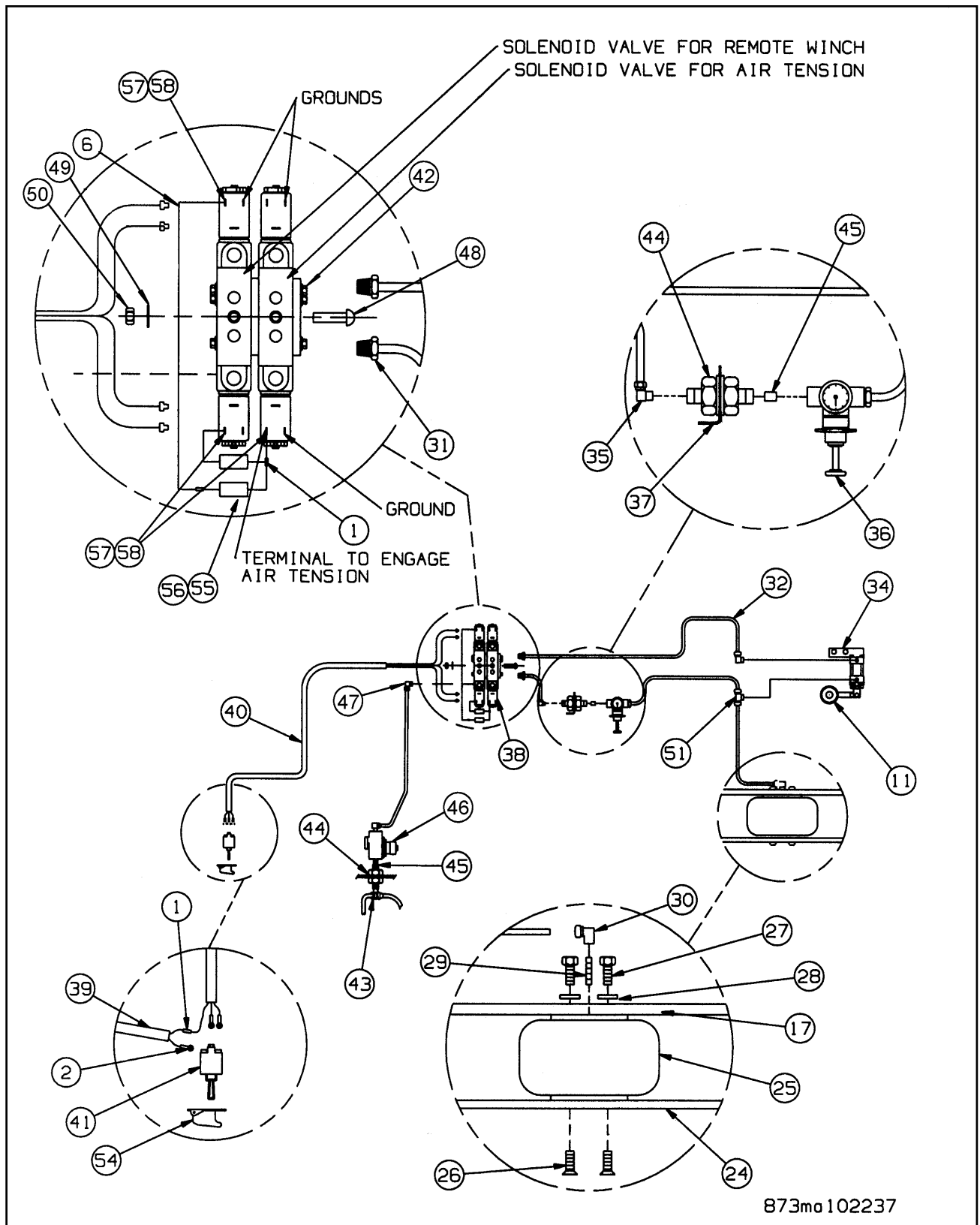


Figure 1-40 Winch Air Tension Instl. U/D 20K (2 of 2)

WINCH AIR TENSION INSTALLATION 20K UPPERDECK

ITEM	PART NO.	DESCRIPTION	QTY.
	102237	WINCH AIR TENSIONER 20K U/D W/ REMOTE CONTROLS	
1	3-272-010021	ELECT BUTT SPLICE W/SEAL	5
2	32002	TERMINAL 12-10GA W/ #10 RING WAY	1
3	3-482-010252	MOUNT WINCH	2
4	202702-10-8S	ADAPTER	2
5	1-397-010302216	HOSE ASSEMBLY	2
6	1-879-010011	BLACK WIRE 14 AWG	1
8	3-014-010208	ANCHOR CABLE GUIDE WINCH	2
9	3-711-010110	SPACER AIR TENSION MOUNT	4
10	3-573-010442	DECAL, WINCH TENSION	1
11	3-150-010186	BUSHING WINCH REMOTE LEVER	1
12	1-656-010003053	SCREW RD HD MACH 10-24 X 1	1
13	1-512-010007-03	NUT HEX 10-24 GRB	1
14	3-557-010474	PIN PIVOT WINCH ROLLER	2
15	1-647-010004255	PIN, SPRING SLOTTED 2 X 3/8	2
16	1-861-010034-07	WASHER SPLIT LOCK #10	1
17	3-125-010465	BRACKET WELDMENT WINCH TENSION 600	1
18	1-512-010005-13	NUT HEX LOCK 5/8-11 GRB	2
19	3-150-010196	BUSHING WINCH ROLLER-SIDE-600	2
20	3-831-010172	TUBE ROLLER-SIDE-600	2
21	102188	ROD PIVOTING GUIDE 20K WINCH	1
22	3-831-010182	TUBE ROLLER TOP-600 20K	1
23	1-654-010059-15	SCREW HEX HEAD CAP 5/8-11 X 5 GR8	2
24	102187	PLATE WINCH TENSIONER 20K AIR	1
25	3-720-010042	SPRING AIR 6-1/2	1
26	1-654-010141-04	SCREW HEX SOC CTSK 3/8-16 X 1GR8	2
27	1-654-010036-05	SCREW HEX HEAD CAP 3/8-16 X 1 GR8	2
28	1-861-010032-10	WASHER FLAT 3/8N	2
29	1-297-010031-02	FITTING BRASS PIPE	1
30	1-297-010032-03	FITTING AIR 90 1/4FP X 1/4TUBE	1
31	1-297-010007-04	FITTING AIR 1/4TUBE X 1/8NPT	2
32	1-833-010001	TUBING NYLON 1/4OD	36
33	7HCGHT500	1/2 CLEVIS GRAB HOOK	1
34	107368	CYLINDER, AIR W/ BRACKET (SEE PAGE 1-87)	1
35	1-297-010008-07	FITTING AIR 90 1/4TUBE X 1/4NPT	3
36	3-626-010004	REGULATOR AIR PRESSURE	1
37	3-120-010445	BRACKET PRESSURE REGULATOR	1
38	3-843-010022	VALVE PNEU 4 WAY, 2 POS (NO PARTS BREAKDOWN)	1
39	3-156-010008	CABLE 14-2 SO TWO CONDUCTOR	6
40	3-368-010129	HARNESS REMOTE SWITCH	1
41	1-765-010065	TOGGLE SWITCH	1
42	3-136-010001-01	BREATHER, PNEUMATIC EXHAUST	*2
43	1-297-010015-09	FITTING AIR BRANCH TEE	1
44	1-297-010022-02	FITTING AIR ANCHOR COUPLING	1
45	1-297-010020-02	FITTING BRASS PIPE	1
46	905-54-107	VALVE & FILTER PRESSURE	*1
47	1-297-010008-05	FITTING, AIR 90	*1
48	1-654-010024014	SCREW, MACH FIL #6-32 X 1-1/2	*3
49	1-861-010032-01	WASHER, FLAT #6	*6
50	1-512-010003-02	NUT, HEX LOCK #6-32	*3
51	1-297-010015-02	FITTING AIR BRANCH TEE	1

WINCH AIR TENSION INSTALLATION 20K UPPERDECK

ITEM	PART NO.	DESCRIPTION	QTY.
52	239-9076-3	SUPPORT CLAMP	1
53	1-512-010005-05	NUT HEX LOCK 3/8-16 GRB	8
54	3-348-010048	GUARD SWITCH - 3 POSITION	1
55	3-272-010109	DIODE ZENOR 20V 5-WATT	2
56	3-272-010018	TUBING HEAT SHRINK W/ SEALANT	2
57	C29-1104X	CONN FEMALE 1/4 SPADE INSULATED	3
58	3-272-010157	ELECT ADAPTER CHAIR 1/4 PUSHON	3
59	1-861-010032-18	WASHER FLAT 5/8N	2
60	3-174-010038	CHAIN LINK CONNECTING 1/2	1
61	3-174-010039036	CHAIN 1/2 X 36 GR7	1
62	3-565-011688	PLATE F/W SPRING TENSION	2
63	3-014-010255	ANCHOR BUSHING F/W SPRING TENSION-600	2
64	RTR7999X4ZP	ROD THREADED 3/4-10 X 4-7/8	2
65	1-512-010007-12	NUT HEX 3/4-10 GR8	4
66	3-522-010017	NUT F/W SPRING TENSION	2
67	3-720-010035	SPRING	2
68	1-654-010055-03	SCREW HEX HEAD CAP 1/2-13 X 1-1/2 GR5	2
69	1-654-010055-01	SCREW HEX HEAD CAP 1/2-13 X 1 GR5	2
70	1-654-010055-07	SCREW HEX HEAD CAP 1/2-13 X 2-1/2 GR5	4
71	1-512-010005-09	NUT HEX LOCK 1/2-13 GRB	14
72	1-654-010055-05	SCREW HEX HEAD CAP 1/2-13 X 2 GR5	10
73	1-861-010032-14	WASHER FLAT 1/2N	4
74	3-873-010123	WINCH WORM GEAR 20K (SEE PAGE 1-80)	1
75	3-481-010007	MOTOR HYDRAULIC (SEE PAGE 1-85)	1
76	100600	DECAL WARNING WINCH (NOT SHOWN)	1
77	1-861-010034-13	WASHER SPLIT LOCK 1/2	2
78	3-222-010083	COVER WINCH SLOPE	REF
79	1-654-010051-07	SCREW HEX HEAD CAP 3/8-16 X 1-1/2 GR5	8
80	1-861-010032-11	WASHER FLAT 3/8W	12
81	3-155-010018-1	CABLE 5/8 W/LOOP 60 FT.	REF
	3-155-010018-6	CABLE 5/8 W/LOOP 85 FT.	REF
82	107369	LEVER, WINCH FREE SPOOL	1
83	1-512-010007-05	NUT, HEX 1/4-20	1
84	1-861-010034-09	WASHER, SPLIT LOCK 1/4	1

* USED ON MODELS W/O REMOTES

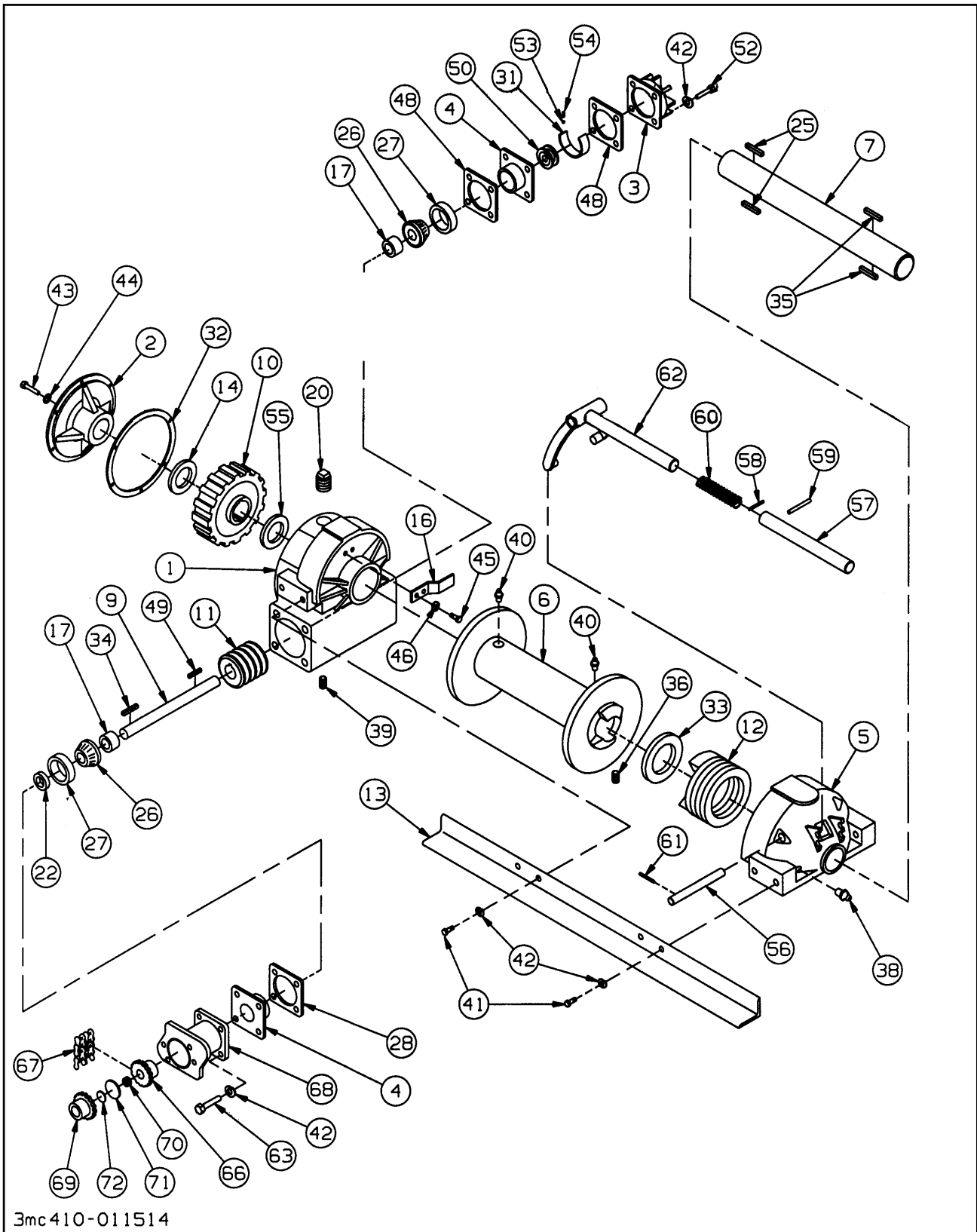


Figure 1-41 12,000# Winch Items

12,000# WINCH ITEMS

ITEM	PART NO.	DESCRIPTION	QTY.
	3-873-010122	WINCH ASSY 12K	1
1	81006	WORM HOUSING ASSY (INCLUDES ITEM 18)	1
2	81009	COVER ASSY WORM HOUSING (INCL ITEM 19)	1
3	18032	HOUSING SAFETY BRAKE	1
4	23303	CONTAINER BEARING	2
5	81530	LEG ASSEMBLY BEARING (INCLUDES ITEM 47)	1
6	11128	DRUM CABLE	1
7	11129	DRUM SHAFT CABLE	1
9	23470	SHAFT WORM	1
10	11144	GEAR WORM LEFT HAND	1
11	11142	WORM LEFT HAND	1
12	18039	SLIDING CLUTCH	1
13	22752	ANGLE BASE	2
14	13680	THRUST RING	1
16	81025	BRAKE DRAG	1
17	11308	SPACER WORM	2
18	18078	BUSHING	1
19	11368	BUSHING	1
20	22775	PLUG PIPE	1
21	18009	PLUG PIPE	1
22	18026	SEAL GREASE	2
25	11117	KEY WORM GEAR	2
26	18015	CONE BEARING	2
27	18016	CUP BEARING	2
28	18027	GASKET	3
31	21925	BAND BRAKE	1
32	11133	WORM HOUSING COVER GASKET	3
33	18019	RETAINER RING	1
34	18030	KEY WORM	1
35	18020	KEY CLUTCH	2
36	24032	SETSCREW	1
38	18047	FITTING GREASE	1
39	19045	PLUG PIPE	1
40	11799	FITTING GREASE	2
41	21961	CAPSCREW	12
42	18003	WASHER LOCK	16
43	11767	CAPSCREW	6
44	11011	WASHER LOCK	6
45	13005	CAPSCREW	2
46	12780	WASHER LOCK	2
47	18078	BUSHING	1
48	18024	BEARING CONTAINER GASKET	3
49	10078	KEY	1
50	18028	DRUM BRAKE	1
51	12075	SCREWSET	1
52	22703	CAPSCREW	4
53	13468	JAM NUT	4
54	18029	BRAKE BAND SPRING	1
55	11240	RETAINER RING	1
56	11130	SHIFTER SHAFT	1

12,000# WINCH ITEMS

ITEM	PART NO.	DESCRIPTION	QTY.
57	12817	SHIFTER HANDLE	1
58	18056	ROLLPIN	1
59	13028	ROLL PIN	1
60	18002	SPRING	1
61	11837	ROLLPIN	2
62	13839	SHIFTER FORK	1
63	22704	CAPSCREW	4
65	18044	KEY	1
66	23081	COUPLING HALF (WORM SHAFT)	1
67	13424	ROLLER CHAIN	1
68	23079	MOTOR ADAPTER	1
69	23083	COUPLING HALF (MOTOR SHAFT)	1
70	23353	SPRING	1
71	23078	SPACER	1
72	23085	SPACER	1

20,000# WINCH ITEMS

ITEM	PART NO.	DESCRIPTION	QTY.
	3-873-010123	WINCH 20000# W/BOLT-ON ANGLES	
1	81078	WORM HOUSING ASSEMBLY	1
2	81082	COVER ASSEMBLY WORM HOUSING	1
3	11449	DRUM CABLE	1
4	81077	LEG ASSEMBLY BEARING	1
5	11434	WORM GEAR RIGHT	1
6	11421	CLUTCH SLIDING	1
7	11419	DRIVE CLUTCH	1
8	11404	WORM RIGHT	1
9	11405	SHAFT WORM	1
10	11414	SHAFT CABLE DRUM	1
11	11440	FORK SHIFTER	1
12	11441	SHAFT SHIFTER	1
13	11442	HANDLE SHIFTER	1
14	11427	CONTAINER BEARING	2
15	11445	COVER WORM BRAKE	1
16	18035	BUSHING	2
17	11425	BUSHING	1
18	11420	RING RETAINING	2
19	22055	DRUM KEY CABLE	4
20	11402	KEY WORM	1
21	11407	SPACER WORM	2
22	23367	KEY SPROCKET	1
23	10078	KEY ROTOR	1
27	81080	ROTOR ASSEMBLY BRAKE	1
28	11599	ADJUSTING NUT WORM BRAKE	1
29	12465	O-RING	1
30	19014	PLUG FILLER	1
32	11026	WASHER LOCK	10
34	81081	SPRING ASSEMBLY SAFETY BRAKE	1
36	11431	PLATE PRESSURE	1
37	18022	KNOB SHIFTER	1
38	11429	GASKET	4
39	11446	GASKET	2
40	18033	BEARING CONE	2
41	18034	BEARING CUP	2
42	12073	SEAL GREASE	1
43	12783	BRACKET SHIFTER	1
44	11411	COVER GASKET HOUSING	1
45	19045	PLUG DRAIN	1
46	18047	FITTING GREASE	1
48	22775	PLUG VENT	1
49	18009	PLUG LEVEL	1
50	11430	GASKET	4
51	11310	SPRING SHIFTER KNOB	1
52	11309	STEM SHIFTER KNOB	1
54	28942	ANGLE FRONT BASE	1
55	28943	ANGLE REAR BASE	1
56	13938	CAPSCREW	16
57	12781	WASHER LOCK	8
59	11025	WASHER LOCK	3

20,000# WINCH ITEMS

ITEM	PART NO.	DESCRIPTION	QTY.
60	22695	CAPSCREW	4
61	21965	CAPSCREW	6
62	12146	PLUG EXPANSION	A/R
63	13028	ROLLPIN	A/R
64	11398	SCREW ADJUSTING	1
65	88005	SHOW ASSEMBLY DRAG BRAKE	1
68	18002	SHOE ASSEMBLY DRAG BRAKE	1
72	11426	DISC FRICTION	2
73	11791	NUT JAM	1
75	12767	PLUG EXPANSION	A/R
76	22729	CAPSCREW	2
77	23245	SAE PLATE-AMU7-16F	1
78	23310	PLATE WARNING	1
79	11842	SCREW DRIVE	4
80	12228	SCREW SET	1
90	11435	INSERT THREAD	8
91	11014	LOCKWASHER	1
92	22697	CAPSCREW	5
93	23079	ADAPTER - MOTOR	1
94	23081	COUPLING HALF-WINCH	1
95	23142	COUPLING HALF-MOTOR	1
96	23078	SPACER - CONSTANT	1
97	13424	ROLLER CHAIN	1
98	22704	CAPSCREW	4
99	13413	CAPSCREW (NOT SHOWN)	4
100	18003	LOCKWASHER	4
101	11026	LOCKWASHER (NOT SHOWN)	4
102	23183	SPACER - VARIABLE	2
103	22703	CAPSCREW	4
104	23353	SPRING - SPACER	1

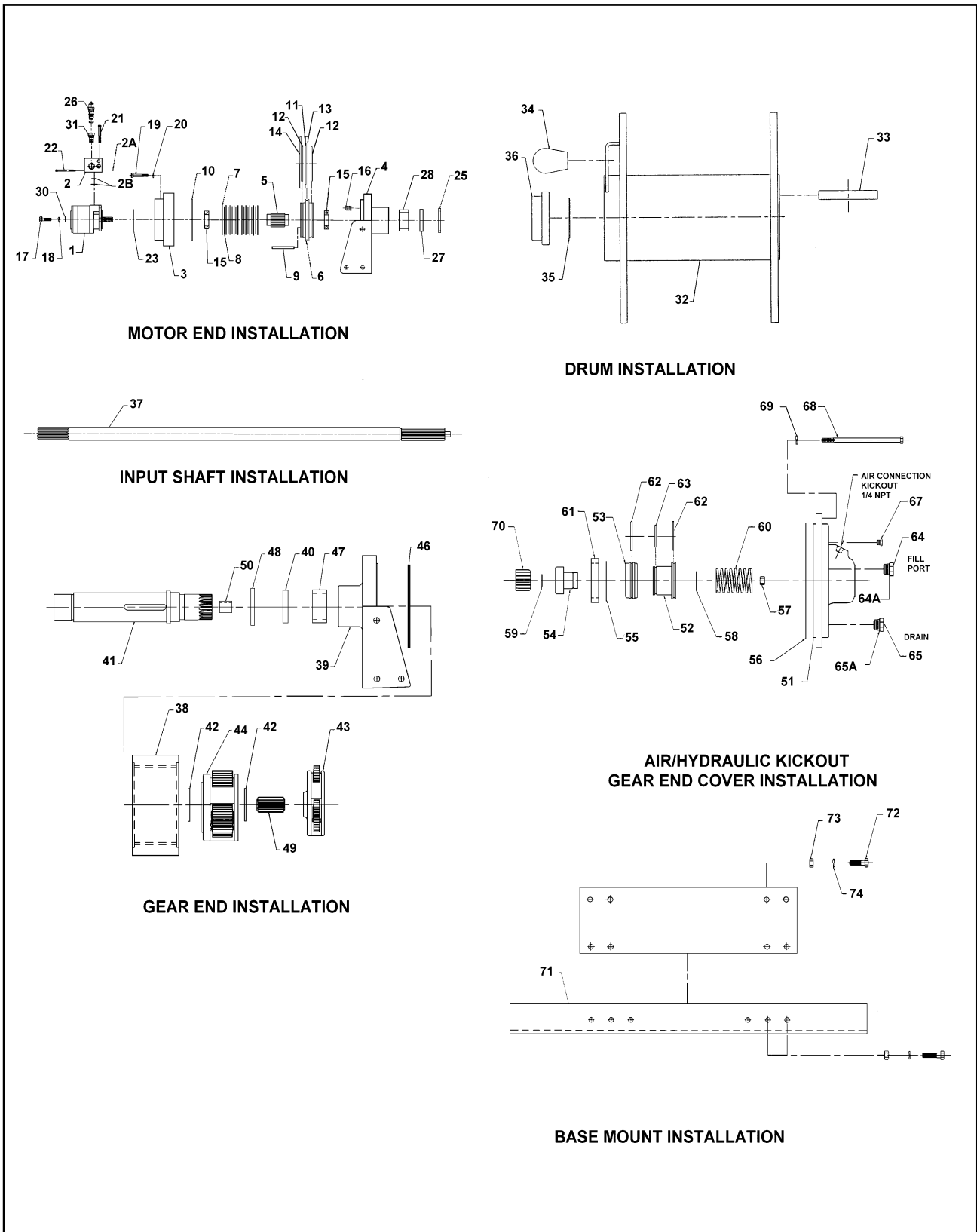


Figure 1-43 30,000# Winch Items

30,000# WINCH ITEMS

ITEM	PART NO.	DESCRIPTION	QTY.
	3-873-010154	WINCH 30K ITEMS	
		MOTOR END INSTALLATION	
1	73174	MOTOR, HYDRAULIC	1
2	13330	VALVE, COUNTERBALANCE	1
2A	9612	O-RING, 1/8 I.D. X 3/32 SECTION	2
2B	9972	O-RING, 5/8 I.D. X 13/16 X 3/32 SECTION	2
3	13316	BRAKE HOUSING	1
4	13299	SUPPORT MOTOR END	1
5	11750	SHAFT BRAKE	1
6	11443	PISTON BRAKE	1
7	11603	PLATE DISC FRICTION	10
8	3159	PLATE DRIVE BRAKE	9
9	3263	PIN DOWEL 5/16 DIA. X 3-1/2	2
10	9844	O-RING, 7 O.D. X 6-3/4 I.D.	1
11	9853	O-RING, 6-1/2 I.D. X 3/16 SECTION	1
12	9851	O-RING, 5-3/8 I.D. X 5-3/4 O.D. X 3/16 SECTION	2
13	9854	RING, BACK-UP	1
14	9852	RING, BACK-UP 5-3/8 I.D.	1
15	81434	BEARING BALL 1-3/4 I.D.	2
16	2319	SPRING COMPRESSION	12
17	1402	CAP SCREW HEX HEAD 1/2-13 X 1-1/4	2
18	1495	WASHER LOCK 1/2	2
19	1376	SCREW CAP HEX HEAD 7/16 X 2-1/2	6
20	1388	WASHER LOCK 7/16	6
21	1188	SCREW CAP SOCKET HEAD 5/16 X 3	4
22	4042	SCREW CAP SOCKET HEAD 1/4-20 X 3-3/4	1
23	9880	O-RING 3 I.D. X 1/8 SECTION	1
24	10708	TAG WARNING (NOT SHOWN)	1
25	9890	SEAL SHAFT	1
26	3177	CARTRIDGE COUNTERBALANCE	1
27	13288	WASHER THRUST BRONZE	1
28	81454	BEARING -TORRINGTON	1
30	1498	WASHER FLAT 1/2 SAE	2
31	13356	ASSEMBLY PLUG	1
		DRUM INSTALLATION	
32	13285	DRUM	1
33	11977	KEY DRUM	2
34	10525	WEDGE CABLE 5/8	1
35	9672	O-RING 2-5/8 ID X 1/8 W	1
36	13286	SPACER	1
		INPUT SHAFT INSTALLATION	
37	13317	SHAFT INPUT	1
		GEAR END INSTALLATION	
38	3126	GEAR RING	1
39	13300	SUPPORT GEAR END	1
40	13288	WASHER THRUST	1
41	13301	SHAFT OUTPUT	1
42	13164	WASHER THRUST NYLON 3-1/2 OD X 3/16 SECTION	2
43	12486	CARRIER ASSEMBLY PRIMARY	1

30,000# WINCH ITEMS

ITEM	PART NO.	DESCRIPTION	QTY.
44	12516	CARRIER ASSEMBLY SECONDARY	1
45	10848	LABEL WARNING (NOT SHOWN)	1
46	9695	O-RING 8-3/4 I.D. X 1/8 SECTION	1
47	81454	BEARING	1
48	9890	SEAL SHAFT	1
49	13306	GEAR SUN	1
50	81608	BUSHING ID 1-1/4 OD X 1 LG	1
AIR/HYD. KICKOUT GEAR END COVER INSTALLATION			
51	13675	COVER GEAR END	1
52	13295	PISTON AKO B/C/D	1
53	13296	CYLINDER PISTON	1
54	13297	COUPLING DRIVE	1
55	3632	RING RETAINING RD SEC 3 O.D. X .10 SEC	1
56	9695	O-RING 8-3/4 I.D. X 1/8 SECTION	1
57	81612	BUSHING BRONZE 3/8 I.D. X 3/8 L	1
58	3303	RING RETAINING 1-1/4	1
59	3321	RING RETAINING RD SEC .805 I.D.	1
60	2309	SPRING COMPRESSION	1
61	13288	WASHER THRUST BRONZE 3.81 X .406 W	1
62	9672	O-RING 2-5/8 I.D. X 1/8 SECTION	2
63	9704	O-RING 2-1/8 I.D. X 2-3/8 O.D.	1
64	76344	PLUG SKT HD O-RING #10 7/8 - 14	1
64A	9992	O-RING .755 I.D. X .097 W 3-910	1
65	76343	PLUG SKT HD O-RING MAG #10	1
65A	9992	O-RING .755 I.D. X .097 W 3-910	1
66	1157	CAPLUG #4 RED (NOT SHOWN)	1
67	3059	RELIEF VENT	1
68	1317	SCREW CAP HEX HEAD 3/8 X 16 X 5-1/2	12
69	1395	WASHER LOCK 3/8	12
70	13235	GEAR SUN AKO	1
BASE MOUNT INSTALLATION			
71	14068	BASE MOUNT CUSTOM - B SERIES - A LENGTH	2
72	1505	SCREW CAP HEX HAD 5/8-11 X 2-1/4 GR5	12
73	1590	NUT HEX 5/8 - 11 GR2	12
74	1595	WASHER LOCK 5/8 MEDIUM PLAIN	12
75	1165	RIVET DRIVE U TYPE #2 X 1/4 LONG (NOT SHOWN)	4
76	10466	PLATE INFORMATION (NOT SHOWN)	1

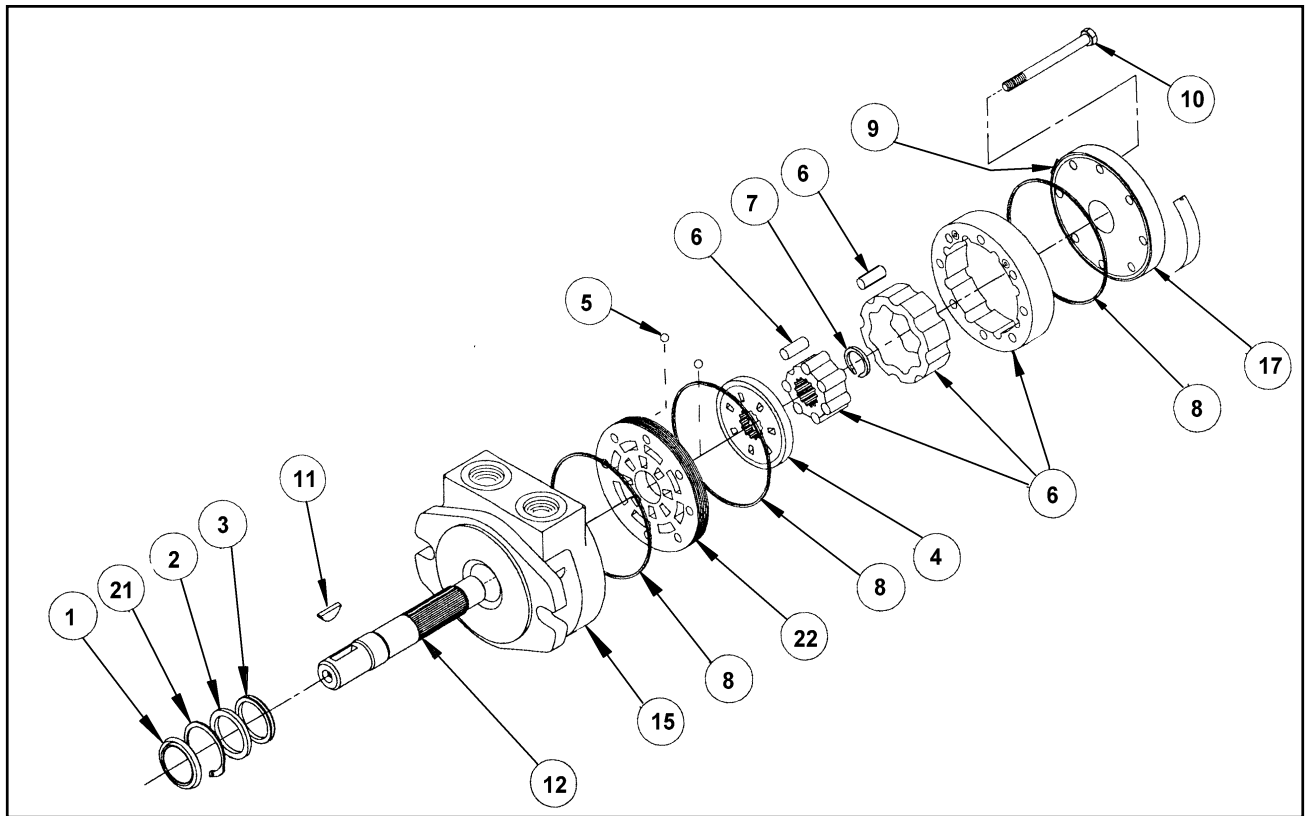


Figure 1-44 Winch Motor Assembly

WINCH MOTOR ASSEMBLY

ITEM	PART NO.	DESCRIPTION	QTY.
	3-481-010006	MOTOR HYD. (FOR 12K WINCH)	1
	3-481-010007	MOTOR HYD. (FOR 20K WINCH)	1
1	2183	SEAL DUST	1
2	2177	BACK-UP RING	1
3	2175	SEAL LIP	1
4	1644	ROTARY VALVE	1
5	1021	CHECK VALVE BALL	2
6	1004-6	IGR ASSEMBLY (FOR 20K WINCH)	1
	1004-3	IGR ASSEMBLY (FOR 12K WINCH)	1
7	1296	SNAP RING	1
8	1046	SQUARE RING SEAL	3
9	1019-4	PLUG VENT W/O-RING	1
10	1014-4	BOLTS HEX (FOR 20K WINCH)	8
	1114-5	BOLTS HEX (FOR 12K WINCH)	
11	1655	KEY WOODRUFF	1
12	2265-6	SHAFT(FOR 20K WINCH)	1
	2109-3	SHAFT(FOR 12K WINCH)	1
15	M110AB-4	BODY/BEARING ASSEMBLY (FOR 20K WINCH)	1
	PA-2328-2	BODY/BEARING ASSEMBLY (FOR 12K WINCH)	1
17	M110C-1	COVER/BEARING ASSEMBLY	1
21	2180	SNAP RING SHAFT	1
22	1865	COMMUTATOR PLATE	1
	2263	SEAL KIT BODY	1
	2480	SEAL KIT BODY VITON	1

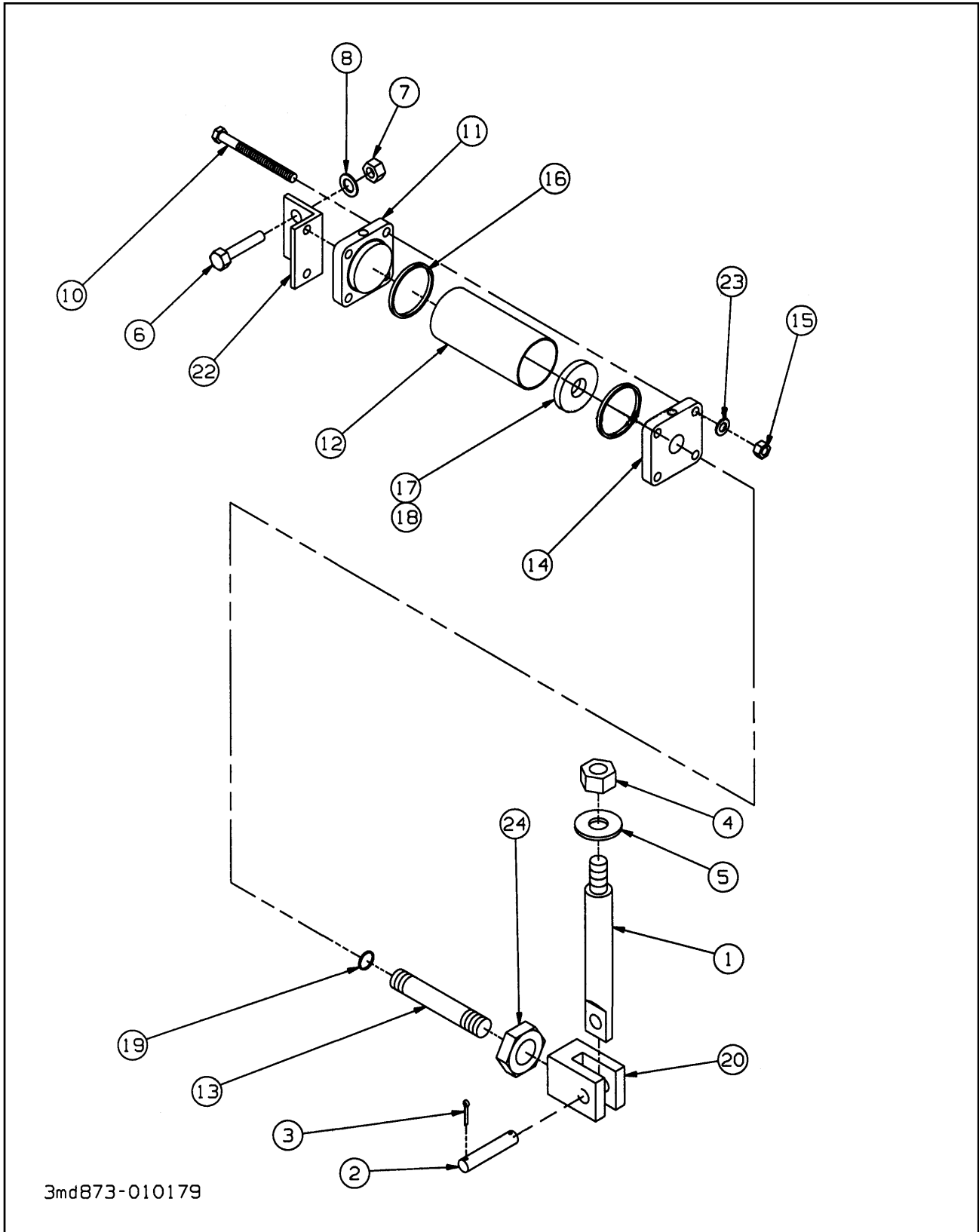
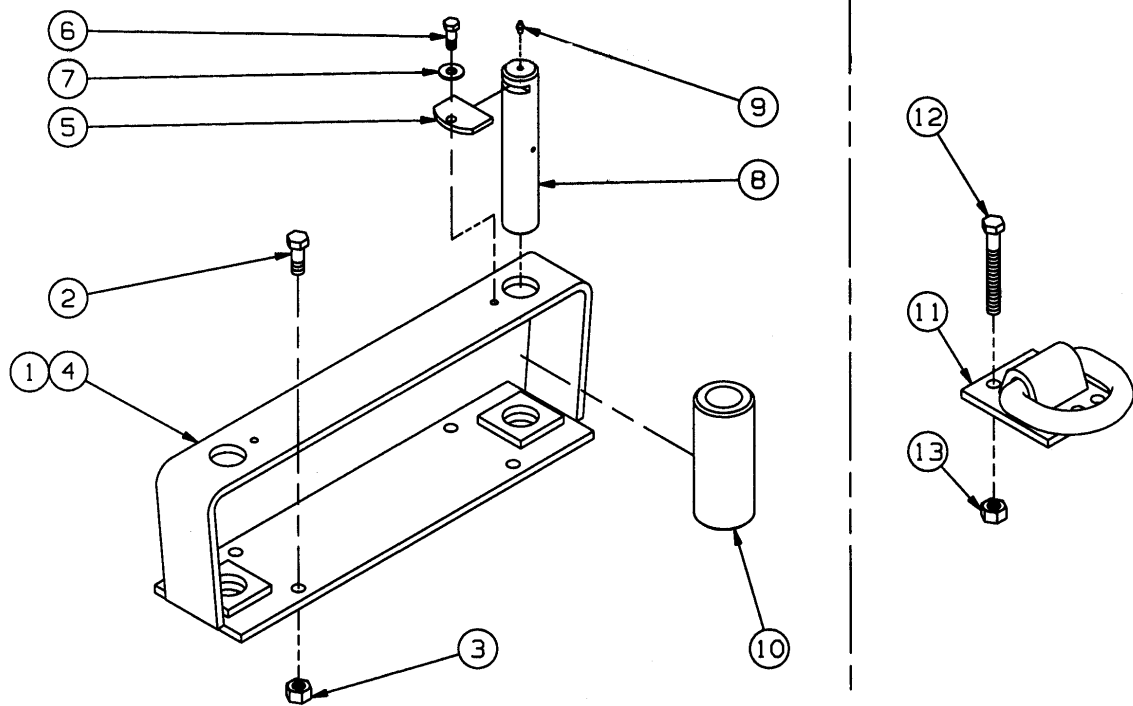


Figure 1-45 Winch Air Shift Cylinder

WINCH AIR SHIFT CYLINDER

ITEM	PART NO.	DESCRIPTION	QTY.
	107368	CYLINDER, AIR W/ BRACKET (INCLUDES ITEMS 1-23)	
1	107369	LEVER WINCH FREE SPOOL	1
2	1976	PIN	1
3	2356	COTTER PIN	1
4	1-512-010007-05	NUT HEX 1/4-20 GRB	1
5	1-861-010034-09	WASHER, SPLIT LOCK 1/4	1
6	1-654-010055-01	SCREW, HEX HEAD CAP 1/2-13 X 1 GR5	2
7	1-512-010005-09	NUT, HEX LOCK 1/2-13 GRB	2
8	1-861-010032-14	WASHER, FLAT 1/2	2
9	C2001	CYLINDER (INCLUDES ITEMS 10-23)	1
10	1128	CAPSCREW	4
11	1272	REAR COVER PLATE	1
12	1277	TUBE	1
13	2388	PISTON ROD	1
14	1271	FRONT COVER PLATE	1
15	1723	NUT	4
16	1274	BACK-UP-RING	2
17	1275	O-RING	1
18	1273	PISTON	1
19	1276	O-RING	1
20	1974	CLEVIS	1
21	1224	NUT	1
22	2389	BRACKET	1
23	1766	LOCKWASHER	4
24	3-150-010186	BUSHING WINCH REMOTE LEVER	1
	3109	O-RING KIT FOR CYLINDER	



3m352-010017

Figure 1-46 Winch Cable Roller Guide (Option)

WINCH CABLE ROLLER GUIDE (OPTION)

ITEM	PART NO.	DESCRIPTION	QTY.
	3-352-010017-1	GUIDE INSTALLATION WINCH 12K	
	3-352-010017-2	GUIDE INSTALLATION WINCH 20K	
	3-352-010062	GUIDE INSTALLATION WINCH 30K	
1	3-352-010015-3	GUIDE ASSY WINCH 12K (SEE ITEMS 4-10)	1
	3-352-010015-4	GUIDE ASSY WINCH 20K (SEE ITEMS 4-10)	1
	3-352-010061	GUIDE ASSY WINCH 30K (SEE ITEMS 4-10)	
2	1-654-010055-05	SCREW HEX HEAD CAP 1/2-13 X 2 GR5	4
	1-654-010059-05	SCREW HEX HEAD CAP 5/8-11 X 2 GR5 (30K ONLY)	2
3	1-512-010005-09	NUT HEX LOCK 1/2-13 GRB	4
	1-512-010005-13	NUT HEX LOCK 5/8-11 GRB (30K ONLY)	
4	3-120-010295	BRACKET WELDMENT 12K ROLLER GUIDE	1
	3-120-010294	BRACKET WELDMENT 20K ROLLER GUIDE	1
	3-120-010478	BRACKET WELDMENT 30K ROLLER GUIDE	1
5	3-565-010770	PLATE CABLE GUIDE LOCK	2
6	1-654-010051-03	SCREW HEX HEAD CAP 3/8-16 X 3/4 GR5	2
7	1-861-010034-11	WASHER SPLIT LOCK 3/8	2
8	3-557-010383	PIN CABLE GUIDE ROLLER	2
9	1-298-010001-1	FITTING GREASE 1/4-28	2
10	3-645-010049	ROLLER WINCH CABLE GUIDE	2
D-RING BOLT-ON			
	3-793-010041	TIE DOWN INSTALLATION WINCH D-RING	
11	3-793-010040	TIE DOWN, WINCH	1
12	1-654-010055-03	SCREW HEX HEAD CAP 1/2-13 X 1-1/2 GR5	6
13	1-512-010005-09	NUT HEX LOCK 1/2-13 GRB	6

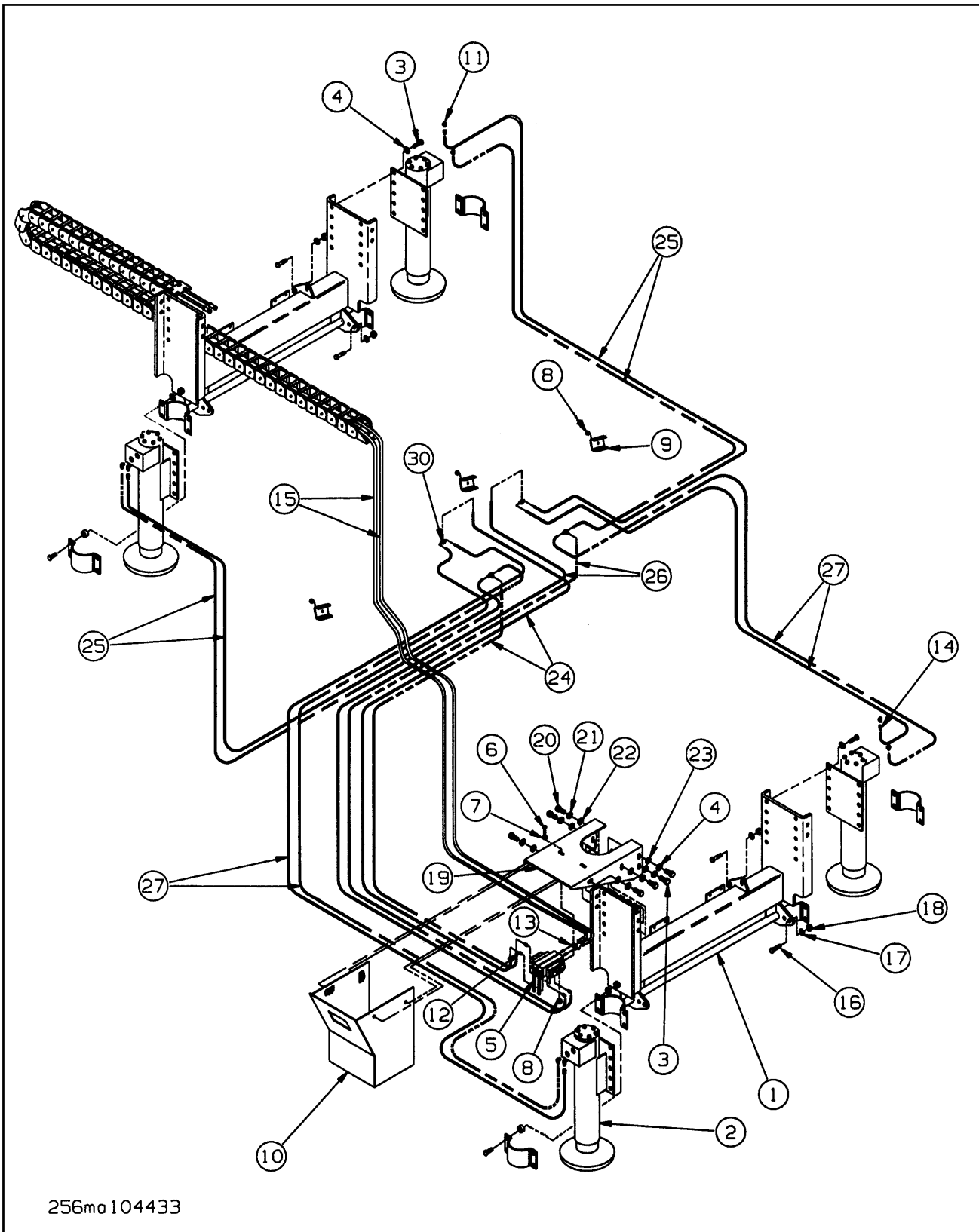


Figure 1-47 Dock Leveler - Air Ride (318B)

DOCK LEVELER - AIR RIDE DOUBLE 60K (OPTION) (318B)

ITEM	PART NO.	DESCRIPTION	QTY.
	104433	DOCK LEVEL ASSEMBLY DBL 60K	
1	3-482-010472	MOUNT WELDMENT DOCK LEVELER	2
2	3-242-010205	CYLINDER HYDRAULIC 4 X 15 (SEE PAGE 1-99)	4
3	1-654-010059-01	SCREW HEX HEAD CAP 5/8-11 X 1 GR5	44
4	1-861-010034-15	WASHER FLAT 5/8	44
5	3-846-010056	VALVE DOUBLE SPOOL (SEE PAGE 1-97)	1
6	1-654-010051-05	SCREW HEX HEAD CAP 3/8-16 X 1 GR5	2
7	1-861-010032-11	WASHER FLAT 3/8FW	2
8	1-510-010001	NUT FLANGE LOCK 3/8-16 GRB	8
9	2-181-010001	HOSE CLAMP	6
10	3-681-010098	SHIELD D/L VALVE	1
11	2062-6-4S	ADAPTER 90	8
12	202702-6-4S	ADAPTER STR	4
13	2061-6-6S	ADAPTER HYDRAULIC 45 O-RING - TUBE	2
14	1-007-010058	ADAPTER HYDRAULIC - RESTR.	4
15	1-397-010307216	HOSE ASSEMBLY	2
16	1-654-010055-03	SCREW HEX HEAD CAP 1/2-13 X 1-1/2 GR5	16
17	1-861-010032-14	WASHER FLAT 1/2N	16
18	1-512-010005-09	NUT HEX LOCK 1/2-13 GRB	16
19	3-120-010351	BRACKET BOLT-ON	1
20	1-654-010055-02	SCREW HEX HEAD CAP 1/2-13 X 1-1/2 GR5	4
21	1-861-010034-13	WASHER SPLIT LOCK 1/2	4
22	1-861-010032-15	WASHER FLAT 1/2W	4
23	1-861-010032-18	WASHER FLAT 5/8W	4
24	1-397-010262036	HOSE ASSEMBLY	2
25	1-397-010262086	HOSE ASSEMBLY	4
26	1-397-010262048	HOSE ASSEMBLY	2
27	1-397-010262028	HOSE ASSEMBLY	4
30	2033-4-4S	ADAPTER TEE	4

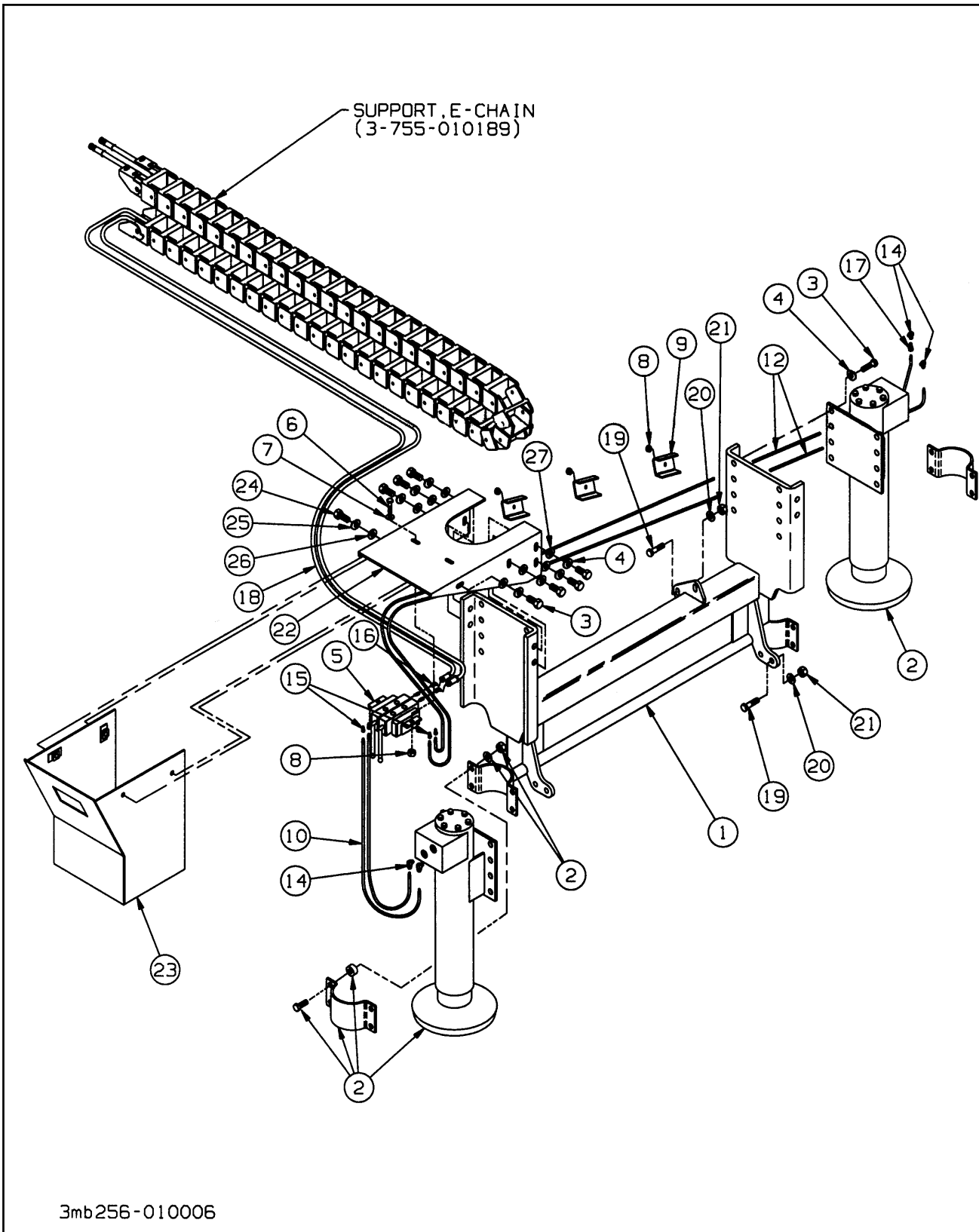


Figure 1-48 Dock Leveler - Air Ride (318B)

DOCK LEVELER - AIR RIDE SINGLE 60K (OPTION) (318B)

ITEM	PART NO.	DESCRIPTION	QTY.
	3-256-010003-02	DOCK LEVEL ASSEMBLY SINGLE 60K	
1	3-482-010472	MOUNT WELDMENT DOCK LEVELER	1
2	3-242-010205	CYLINDER HYDRAULIC 4 X 15 (SEE PAGE 1-99)	2
3	1-654-010059-01	SCREW HEX HEAD CAP 5/8-11 X 1 GR5	24
4	1-861-010034-15	WASHER FLAT 5/8	24
5	3-846-010056	VALVE DOUBLE SPOOL (SEE PAGE 1-97)	1
6	1-654-010051-05	SCREW HEX HEAD CAP 3/8-16 X 1 GR5	2
7	1-861-010032-11	WASHER FLAT 3/8FW	2
8	1-510-010001	NUT FLANGE LOCK 3/8-16 GRB	5
9	2-181-010001	HOSE CLAMP	3
10	1-397-010262-4	HOSE ASSEMBLY	2
12	1-397-010262-3	HOSE ASSEMBLY	2
14	2062-6-4S	ADAPTER 90	4
15	202702-6-4S	ADAPTER STR	6
16	1-007-010041-1	ADAPTER HYDRAULIC 45	2
17	1-007-010058	ADAPTER HYDRAULIC - RESTR.	4
18	1-397-010262-5	HOSE ASSEMBLY	2
19	1-654-010055-03	SCREW HEX HEAD CAP 1/2-13 X 1-1/2 GR5	8
20	1-861-010032-14	WASHER FLAT 1/2N	8
21	1-512-010005-09	NUT HEX LOCK 1/2-13 GRB	8
22	3-120-010351	BRACKET BOLT-ON	1
23	3-681-010098	SHIELD D/L VALVE	1
24	1-654-010055-02	SCREW HEX HEAD CAP 1/2-13 X 1-1/2 GR5	4
25	1-861-010034-13	WASHER SPLIT LOCK 1/2	4
26	1-861-010032-15	WASHER FLAT 1/2W	4
27	1-861-010032-18	WASHER FLAT 5/8W	4

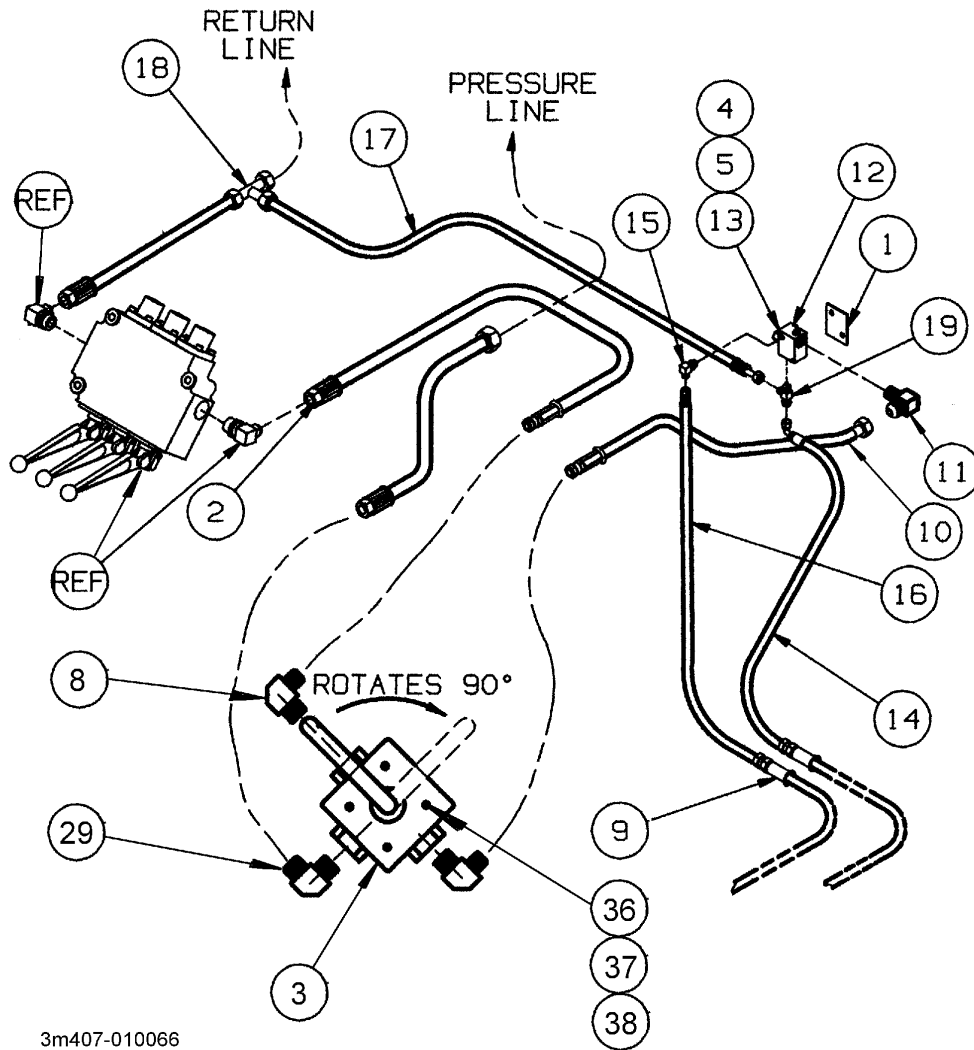


Figure 1-49 Dock Leveler, Hydraulic (Option)

DOCK LEVELER HYDRAULIC (OPTION)

ITEM	PART NO.	DESCRIPTION	QTY.
	3-407-010066	DOCK LEVEL HYDRAULIC INSTALLATION	
1	3-482-010267	MOUNT FLOW REGULATOR	1
2	1-397-010304029	HOSE ASSEMBLY 3/4 X 29	1
3	111696	VALVE HYDRAULIC SELECTOR 3-WAY	1
4	1-512-010005-03	NUT HEX LOCK 5/16-18 GRB	4
5	1-861-010032-09	WASHER FLAT 5/16	4
8	2062-12-8S	ADAPTER 90 #12 O-RING #8 TUBE	1
9	102-1097	FITTING BULKHEAD UNION	2
10	1-397-010301028	HOSE ASSEMBLY 1/2 X 28	1
11	2062-8-8S	ADAPTER 90 #8 O-RING TUBE	1
12	1-626-010002	REGULATOR FLOW 1/2 BYPASS ONLY	1
13	1-654-010049-11	SCREW HEX HEAD CAP 5/16-18 X 2-1/2 GR5	2
14	1-397-010309174	HOSE ASSEMBLY 3/8 X 174 (317C-45)	1
	1-397-010309210	HOSE ASSEMBLY 3/8 X 210 (317C-48)	1
	1-397-010309246	HOSE ASSEMBLY 3/8 X 246 (317C-50)	1
	1-397-010309282	HOSE ASSEMBLY 3/8 X 282 (317C-53)	1
	1-387-010309260	HOSE ASSEMBLY 3/8 X 260 (318C-48)	1
	104328	HOSE ASSEMBLY 3/8 X 276 (318C-50)	1
	104329	HOSE ASSEMBLY 3/8 X 312 (318C-53)	1
15	2062-8-6S	ELBOW 90	1
16	1-397-010307174	HOSE ASSEMBLY 3/8 X 174 (317C-45)	1
	1-397-010307210	HOSE ASSEMBLY 3/8 X 210 (317C-48)	1
	1-397-010307246	HOSE ASSEMBLY 3/8 X 246 (317C-50)	1
	1-397-010307282	HOSE ASSEMBLY 3/8 X 282 (317C-53)	1
	104330	HOSE ASSEMBLY 3/8 X 258 (318C-48)	1
	104331	HOSE ASSEMBLY 3/8 X 276 (318C-50)	1
	104332	HOSE ASSEMBLY 3/8 X 312 (318C-53)	1
17	1-397-010306028	HOSE ASSEMBLY 1/2 X 28(317C, 318C-48, 318C-50)	1
	1-397-010306032	HOSE ASSEMBLY 1/2 X 32 (318C-53)	1
18	203102-12-12S	ADAPTER TEE #12 SWIVEL	1
19	203005-8-8S	ADAPTER TEE #8 O-RING-TUBE	1
26	3-181-010006	HOSE CLAMP (NOT SHOWN)	A/R
28	3-573-010202	DECAL WARNING (NOT SHOWN)(SEE PAGE 1-104)	1
29	2062-12-12S	ADAPTER 90 #12 O-RING #12 TUBE	1
36	111024	SCREW, BUTTON HEAD CAP M6 X 14mm	4
37	1-861-010032-07	WASHER, FLAT 1/4	4
38	1-861-010034-09	WASHER, SPLIT LOCK 1/4	4

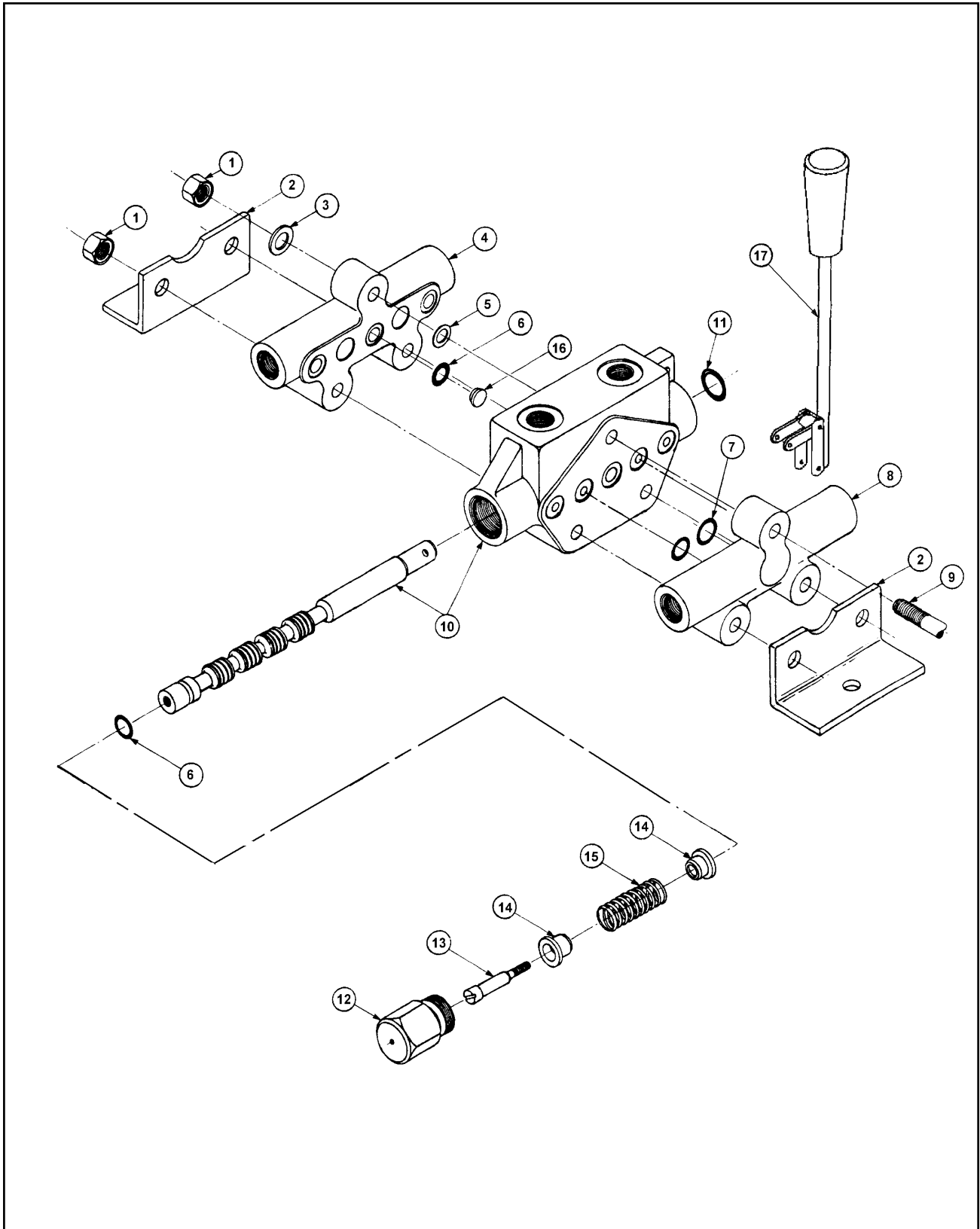


Figure 1-50 Dock Leveler Valve

DOCK LEVELER VALVE

ITEM	PART NO.	DESCRIPTION	
	3-846-010056	DOUBLE SPOOL STACK VALVE-PARALLEL	
1	1005013	NUT	3
2	4014240	MOUNTING BRACKET	2
3	1008008	WASHER	2
4	6402000	OUTLET SECTION (INCLUDES SEALS)	1
	6029521	OUTLET SEAL KIT	
5	4023150	MYLAR SHIM (BETWEEN SECTIONS)	3
6	0101012	O-RING	1
7	0101013	O-RING	10
8	6401003	INLET SECTION (INCLUDES SEALS)	1
	6009250	INLET SEAL KIT	
9	4023774	TIE ROD	3
10	6400000	VALVE SECTION	2
	6029520	VALVE SECTION SEAL KIT (INCLUDES ITEMS 5, 6, 7 & 11)	6
11	0101112	O-RING	2
12	4010500	SPRING CAP	2
13	4010520	SPRING SHAFT	2
14	4010530	SPRING GUIDE	4
15	-----	SPRING	2
16	4011702	CLOSED CENTER PLUG	1
17	6405000	HANDLE KIT	1
	6404002	BANKING KIT (INCLUDES ITEMS 1, 2, 3 & 9)	1

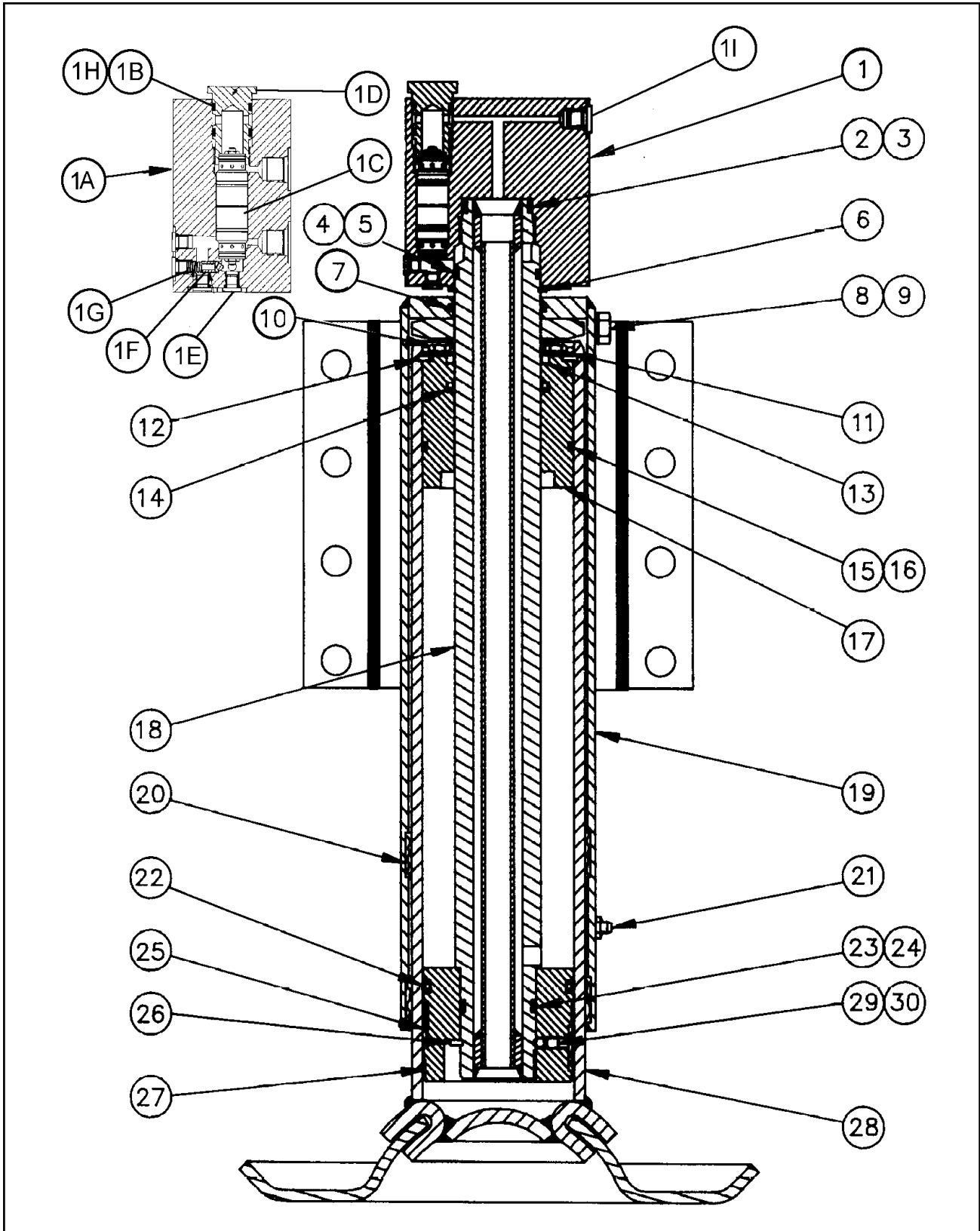


Figure 1-51 Dock Leveler Leg Assembly W/ Lock Valve

LEG ITEMS - DOCK LEVELER W/ LOCK VALVE

ITEM	PART NO.	DESCRIPTION	
	3-242-010205	COMPLETE ASSY LEG CYL(60,000# CAP. 4.00" BORE)	
1	300092	4:1 LOCK VALVE BODY	1
1A	300093	4:1 LOCK VALVE BODY	1
1B	01-1006	O-RING	2
1C	300427	PILOT OPERATED CHECK VALVE	2
1D	300022	RETAINING PLUG	1
1E	07-1061	HEX PLUG HOLLOW #02 SAE	5
1F	300003	POPPET	1
1G	31-1016	SPRING	1
1H	05-1009	BACK-UP WASHER	2
1I	07-1201	HEX PLUG HOLLOW #04 SAE	1
2	NSS**,**	O-RING	1
3	NSS**,**	BACK-UP WASHER	2
4	NSS**,**	O-RING	1
5	NSS**,**	BACK-UP WASHER	1
6	NSS**	SNAP RING 2" ROD	1
7	NSS**	O-RING	1
8	15-1021	SCREW HEX HEAD CAP	1
9	16-1002	LOCK WASHER	1
10	15-1012	SCREW HEX HEAD CAP	4
11	100279	CYLINDER HEAD RETAINER	1
12	NSS**	RETAINING RING	1
13	NSS**	OIL SEAL	1
14	NSS**	ROD SEAL	1
15	NSS**	O-RING	1
16	NSS**	BACK-UP WASHER	1
17	100276	CYLINDER HEAD	1
18	***	PISTON ROD	1
19	***	WELL TUBE	1
20	NSS**	WEAR RING	2
21	10-1001	GREASE FITTING	1
22	NSS**	PISTON SEAL	1
23	NSS**	O-RING	1
24	NSS**	BACK-UP WASHER	2
25	NSS**	WEAR RING	1
26	17-1003	SNAP RING	1
27	100276	PISTON	1
28	***	CYLINDER TUBE	1
29	NSS**	NYLON BALL	1
30	NSS**	SET SCREW	1
31	100346	SPLIT COLLAR ASSEMBLY	1
	100348	SPLIT COLLAR ASSEMBLY	1
	100347	SPLIT COLLAR HALF	2
	100140	SPLIT COLLAR HALF	2
	101449	LEG COLLAR MOUNTING KIT	1
	15-1024	SCREW HEX HEAD CAP 1/2-20 X 2 GR5	4
	15-1025	NUT HEX LOCK 1/2-20	4
	101129-1	SPACER SPLIT COLLAR	4

* - ITEMS ARE CONTAINED IN THE LOCK VALVE REPAIR KIT 300085 (NOT SOLD SEPARATELY).

** - ITEMS ARE CONTAINED IN THE LEG REPAIR KIT 101086 (3.50" BORE) OR LEG REPAIR KIT 100422 (4.00" BORE) (NOT SOLD SEPARATELY).

*** STATE MODEL NUMBER AND PART DESCRIPTION WHEN ORDERING.

NSS: NOT SOLD SEPARATLY

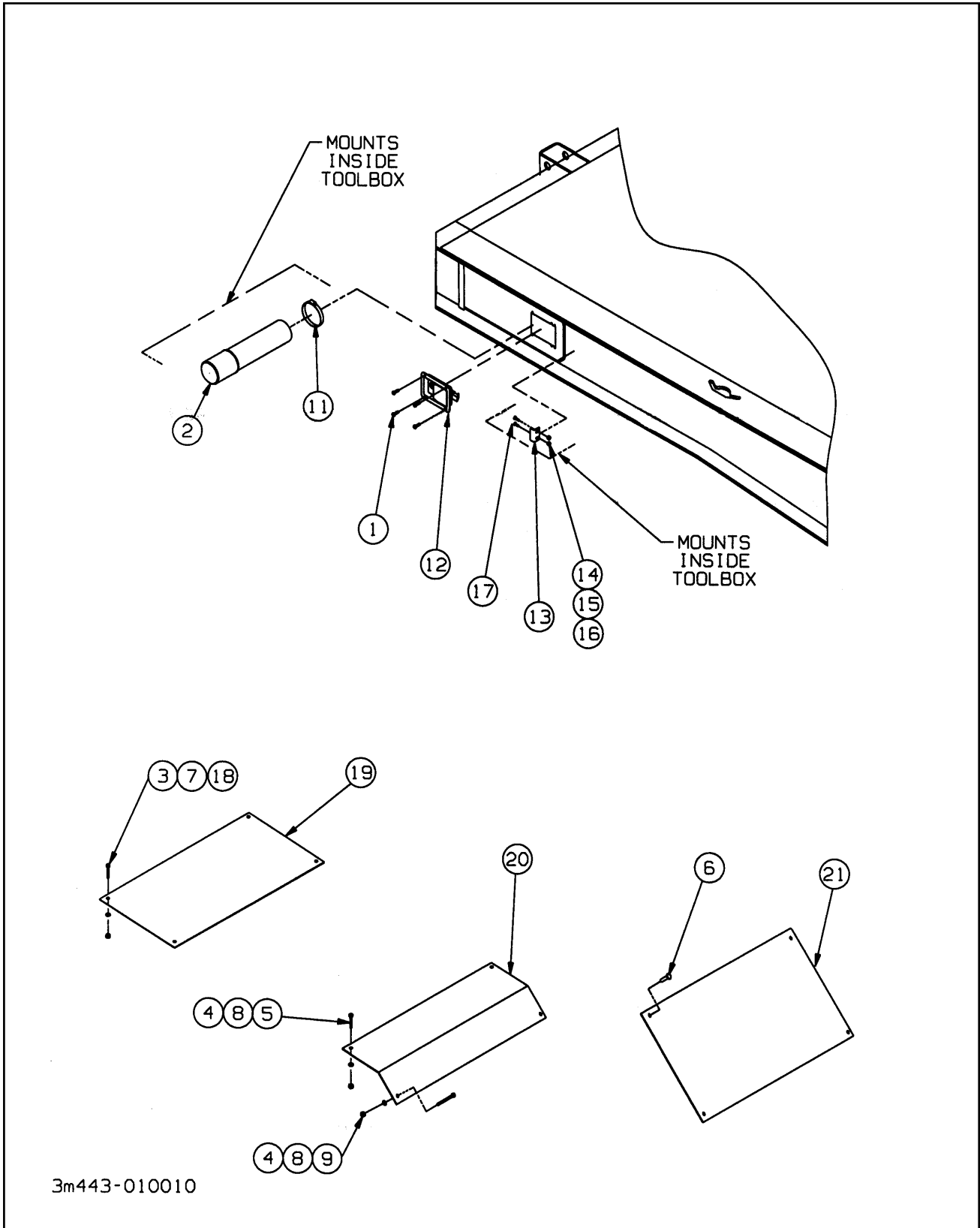


Figure 1-52 Door Latch Installation

DOOR LATCH INSTALLATION

ITEM	PART NO.	DESCRIPTION	
	B7-257-001	DOOR LATCH ASSEMBLY	
1	BSL-6-4	RIVET FLANGE 3/16 X 1/4	8
2	1-116-010019	BOX MANUAL STORAGE	1
3	1-510-010001	NUT FLANGE LOCK 3/8-16	4
4	1-512-010005-09	NUT HEX LOCK 1/2-13 GRB	4
5	1-654-010070-14	SCREW RD HD SQ NCK 1/2-13 X 4-1/2	2
6	1-654-010089-13	SCREW SOCKET BUTTON CAP 1/2-13 X 2	8
7	1-861-010032-11	WASHER FLAT 3/8	4
8	1-861-010032-15	WASHER FLAT 1/2	4
9	1-654-010070-04	SCREW, RD HEAD SQ NECK 1/2-13X1-3/4	2
10	101299	CHAIN KEY LANDOLL (NOT SHOWN)	1
11	105-0093	HOSE CLAMP 4-1/2	1
12	3-443-010010	LATCH	2
13	3-482-010307	MOUNT ADJUST STRIKER PLATE	2
14	1-512-010007-03	NUT HEX #10-24	4
15	1-861-010032-04	WASHER FLAT 3/16	4
16	1-861-010034-07	WASHER SPLIT LOCK #10	4
17	1-656-010003051	SCREW ROUND HEAD MACHINE #10-24 X 3/4	4
18	1-654-010051-05	SCREW HEX HEAD CAP 3/8-16 X 1 GR5	4
19	3-681-010072	SHIELD, HYDRAULIC BOLT-ON	REF
20	3-565-010951	PLATE, CENTER	REF
21	3-222-010120	COVER SLOPE	REF

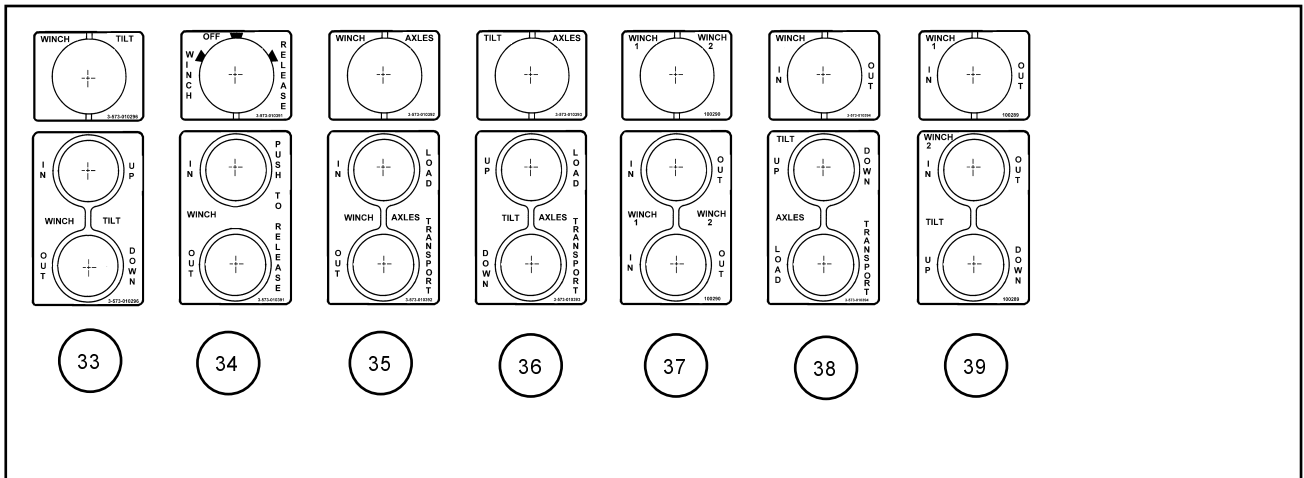


Figure 1-54 Decals (cont.)

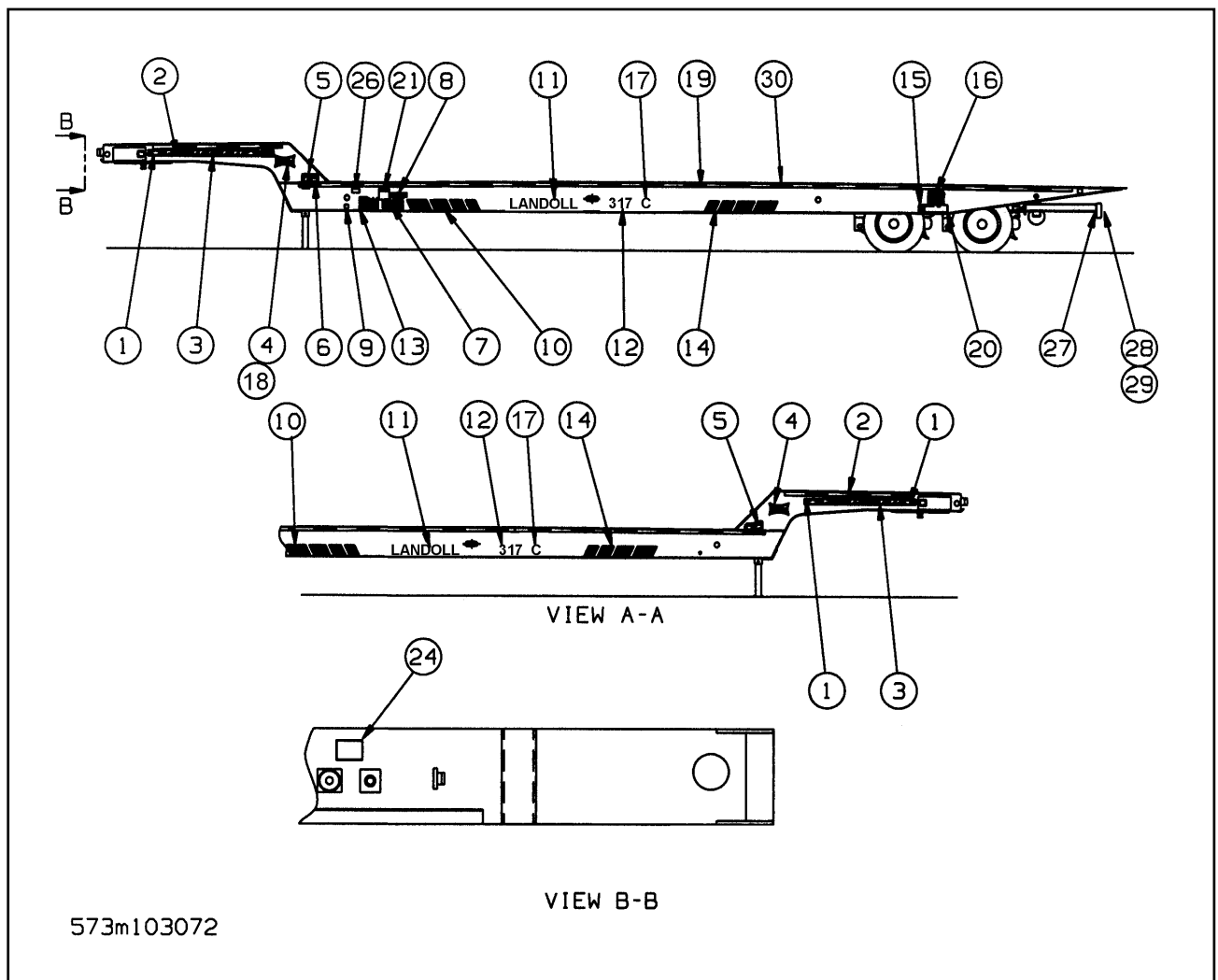


Figure 1-55 Decal Installation

DECAL INSTALLATION

ITEM	PART NO.	DESCRIPTION	QTY.
1	1-573-010002	DECAL, L BLACK	4
	1-573-010014	DECAL, L WHITE	4
2	1-573-010003	DECAL, LANDOLL, BLACK	2
	1-573-010015	DECAL, LANDOLL, WHITE	2
3	1-573-010004	DECAL, HAULLOLL, BLACK	2
	1-573-010016	DECAL, HAULLOLL, WHITE	2
4	1-573-010001	DECAL, LANDOLL, BLACK	2
	1-573-010013	DECAL, LANDOLL, WHITE	2
5	3-573-010298	DECAL, PATENT	2
6	3-573-010085	DECAL, CONCENTRATED LOAD 70,000#	2
	3-573-010349	DECAL, CAUTION 50,000#	2
	3-573-010297	DECAL, CAUTION CONC. LOAD 40,000#	2
7	3-573-010127	DECAL, OPERATION, 3-AXLE BL	1
8	3-573-010057	DECAL, INSTRUCTION DECAL 350 CONTROLS	1
9	3-573-010299	DECAL, WARNING WINCH CABLE	1
10	3-573-010040	FRONT STRIPE, LEFT, BLACK	2
	3-573-010042	FRONT STRIPE, LEFT, WHITE	2
11	3-573-010048	LANDOLL, BLACK 5 X 41	2
	3-573-010049	LANDOLL, WHITE 5 X 41	2
12	113520	DECAL, 317 BLACK DC 5"	2
	113518	DECAL, 317 WHITE DC 5"	2
	113285	DECAL, 318 BLACK DC 5"	2
	113284	DECAL, 318 WHITE DC 5"	2
	113851	DECAL, 319 BLACK DC 5"	2
	113850	DECAL, 319 WHITE DC 5"	2
13	3-573-010300	DECAL, WARNING RIDE POSITION UNDERCARRIAGE	1
14	3-573-010041	FRONT STRIPE, RIGHT BLACK	2
	3-573-010043	FRONT STRIPE, RIGHT WHITE	2
15	3-573-010189	DECAL, TIRE CHANGING PROCEDURE	1
16	3-573-010202	DECAL, DANGER/OPERATION, DOCK LEVEL	1
17	114575	DECAL, C (BLACK)	2
	114574	DECAL, C (WHITE)	2
18	1-573-010476	DECAL, BOW TIE BLACK	2
19	3-573-010377	DECAL, REFLEXITE RED/WHITE	AR
20	3-573-010210	DECAL, TORQUE SPEC (WITH WHEEL BUNDLE)	1
21	100600	DECAL, WARNING BRADEN WINCH (NOT SHOWN)	1
22	3-573-010465	DECAL, HYDRAULIC PARK STAND LH (FOR LOCATION SEE PAGE 1-131)	1
23	3-573-010466	DECAL, HYDRAULIC PARK STAND RH (FOR LOCATION SEE PAGE 1-131)	1
24	105822	DECAL, HYDRAULIC COUPLER	1
25	3-573-010437	DECAL, LIGHT	1
26	3-573-010442	DECAL, WINCH TENSION	1
27	103055	DECAL, ENERGY BUMPER, CERT	1
28	103056	DECAL, ENERGY BUMPER, WARNING	1
29	3-573-010031	DECAL, TRAILER BUMPER	1
30	101268	DECAL, DANGER REMOVE PLANKS	AR
31	113388	DECAL, ENG PACKAGE INSTALLATION	1
32	3-573-010025	DECAL, WINCH MOTOR	1
33	3-573-010296	DECAL, WINCH TILT	1

DECAL INSTALLATION

ITEM	PART NO.	DESCRIPTION	QTY.
34	3-573-010391	DECAL, REMOTE WINCH TILT	1
35	3-573-010392	DECAL, REMOTE WINCH UNDERCARRIAGE	1
36	3-573-010393	DECAL, REMOTE TILT UNDERCARRIAGE	1
37	100290	DECAL, REMOTE WINCH WINCH	1
38	3-573-010394	DECAL, TILT/WINCH/UNDERCARRIAGE	1
39	100289	DECAL, WINCH/WINCH/TILT	1

*IF TRAILER IS REPAINTED OR IF DECALS BECOME ILLEGIBLE, ORDER NEW ONES FROM THE FACTORY AND REPLACE.

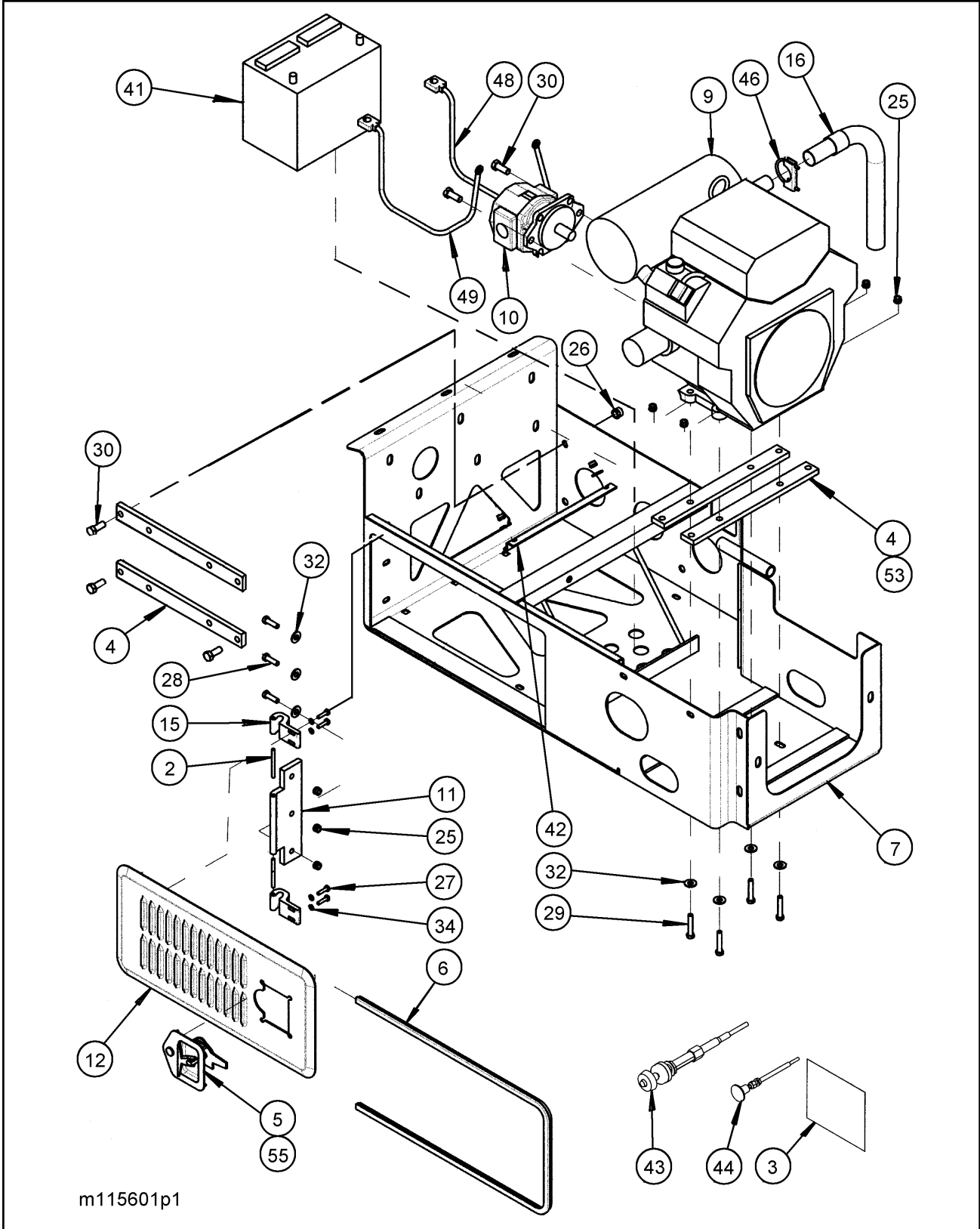


Figure 1-56 25HP Gas Engine Pkg (Option) (1 of 2)

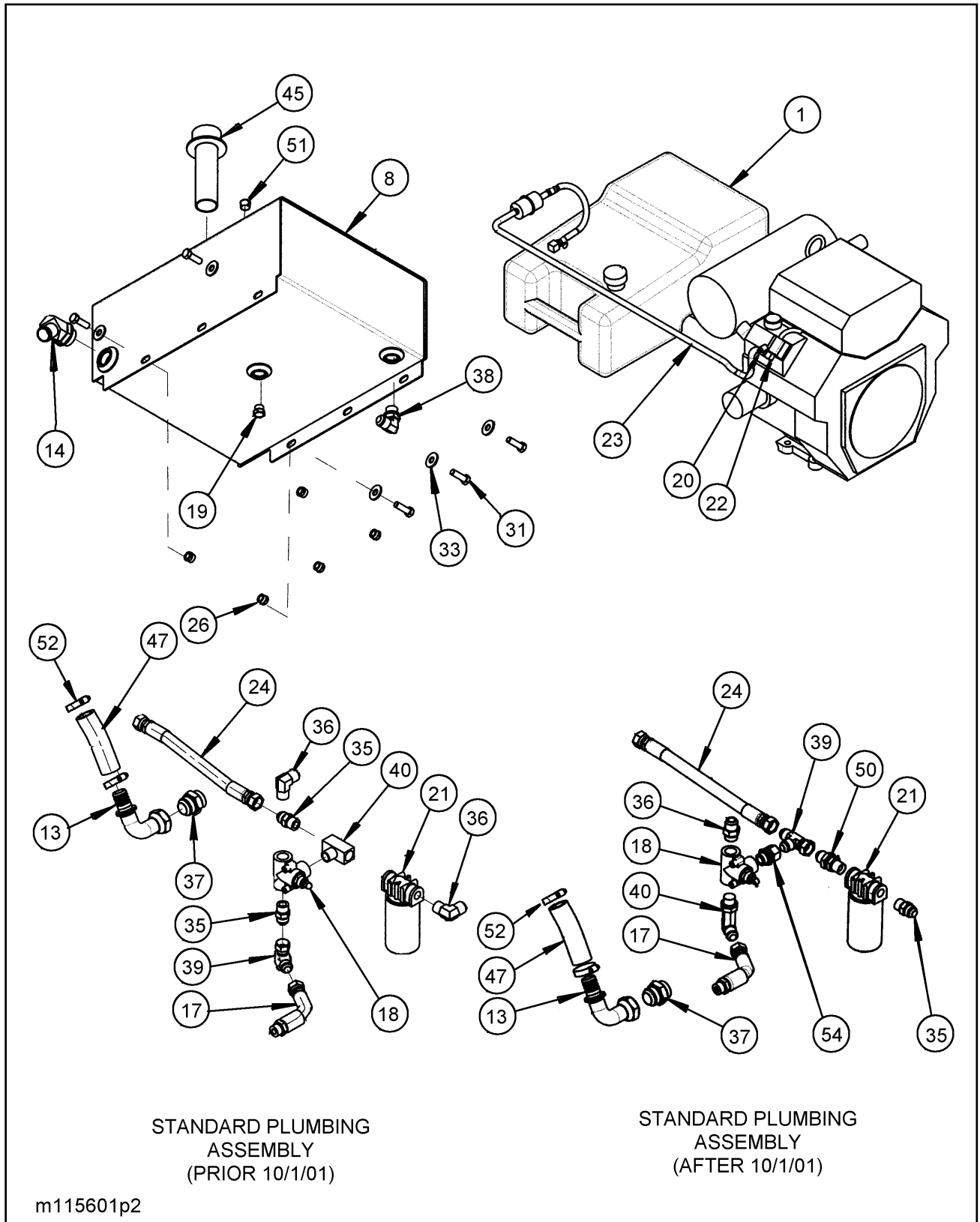


Figure 1-57 25 HP Gas Engine Pkg (Option) (2 of 2)

25HP GAS ENGINE PACKAGE (OPTION)

ITEM	PART NO.	DESCRIPTION	QTY.
	115601	25 HP GAS ENGINE PACKAGE	
1	104699	TANK, FUEL PLASTIC	1
2	108601	PIN, DOOR HINGE	2
3	113388	DECAL, ENG PKG INSTRUCTIONS	1
4	113856	MOUNT, ENGINE ISOLATOR, KOHLER CH25	*4,2
5	114814	LATCH, FOLDING T LOCKABLE	1
6	114815	SEAL, SPONGE RUBBER TRIM	1
7	114968	MOUNT WELDMENT, ENG PKG 25 HP(PRIOR 10/1/01)	1
	120654	MOUNT WELDMENT, ENG PKG 25 HP(AFTER 10/1/01)	1
8	120662	HYD TANK WELDMENT	1
9	115586	ENGINE KOHLER 25 HP PUMP MOUNT	1
	2509904	KOHLER IGNITION SWITCH	1
10	115888	PUMP, HYDRAULIC	1
11	116326	HINGE, BASE MOUNT	1
12	116328	MOUNT, DOOR WELDMENT	1
13	116330	FITTING, 90	1
14	117873	FITTING	1
15	119206	HINGE, DOOR	2
16	119445	EXHAUST EXT WELDMENT	1
17	119577	HOSE	1
18	125130	VALVE, HYDR PRESSURE RELIEF(PRIOR 10/1/01)	1
	120661	VALVE, HYDR PRESSURE RELIEF(AFTER 10/1/01)	1
19	900598-12S	PLUG, O-RING	1
20	1-181-010046-1	CLAMP, HOSE	2
21	1-295-010001	RETURN LINE FILTER	1
	1-295-010002	FILTER ELEMENT	1
22	1-297-010034-01	FITTING, BR 90 BARB	1
23	1-316-010013	HOSE, 1/4 LOW PRESSURE FUEL LINE	1
24	1-397-010304016	HOSE ASSEMBLY 3/4 X 16 (PRIOR 10/1/01)	1
	1-397-010304018	HOSE ASSEMBLY 3/4 X 18 (AFTER 10/1/01)	1
25	1-512-010005-05	NUT, HEX LOCK 3/8-16 GRB	9
26	1-512-010005-09	NUT, HEX LOCK 1/2-13 GRB	9
27	1-654-010047-06	SCREW, HEX HEAD CAP 1/4-20 X 1 GR5	4
28	1-654-010051-06	SCREW, HEX HEAD CAP 3/8-16 X 1-1/4 GR5	3
29	1-654-010051-09	SCREW, HEX HEAD CAP 3/8-16 X 2 GR5	4
30	1-654-010055-02	SCREW, HEX HEAD CAP 1/2-13 X 1-1/4 GR5	6
31	1-654-010055-03	SCREW, HEX HEAD CAP 1/2-13 X 1-1/2 GR5	5
32	1-861-010032-11	WASHER, FLAT 3/8W	9
33	1-861-010032-15	WASHER, FLAT 1/2W	5
34	1-861-010034-09	WASHER, SPLIT LOCK 1/4	4
35	2021-12-12S	ADAPTER	*2,1
36	2024-12-12S	ELBOW, 90 (PRIOR 10/1/01)	2
	202702-12-12S	ADAPTER, STRAIGHT (AFTER 10/1/01)	1
37	202702-20-20S	ADAPTER	1
38	2062-12-12S	ADAPTER, 90	1
39	2071-12-12S	ADAPTER, 90 (PRIOR 10/1/01)	1
	203102-12-12S	ADAPTER, TEE (AFTER 10/1/01)	1
40	2091-12-12S	BRANCH TEE (PRIOR 10/1/01)	1
	206209-12-12S	ADAPTER, 90 (AFTER 10/1/01)	1
41	2481X	BATTERY 12V	1

25HP GAS ENGINE PACKAGE (OPTION)

ITEM	PART NO.	DESCRIPTION	QTY.
42	3-120-010124	BATTERY CLAMP BRACKET	1
43	3-155-010012	CABLE, THROTTLE	1
44	3-155-010025	CABLE, UTILITY CHOKE	1
45	3-162-010001	FILLER-BREATH-STRAINER ASSEMBLY	1
46	3-182-010028	CLAMP, MUFFLER	1
47	3-399-010001	HOSE, 1-1/4 SUCTION	1
48	514-9045-26	CABLE ASSEMBLY, BATTERY POSITIVE	1
49	514-9073-18	CABLE ASSEMBLY, BATTERY NEGATIVE	1
50	2240-12-12S	ADAPTER, BULKHEAD	1
51	1-560-010002-04	PLUG, PIPE 1/2	1
52	1-181-010046-7	CLAMP, HOSE	2
53	120569	ISOLATOR, KOHLER 25 HP MOUNT	2
54	120660	ADAPTER	1
55	115877	NUT, HEAVY HEX 1/4-20 GR5	4
57	113544	HARNESS, ENG PKG IGNITION (NOT SHOWN)	1

* 1ST QUANTITY LISTED IS PRIOR TO 10/1/01; 2ND QUANTITY LISTED IS AFTER 10/1/01.

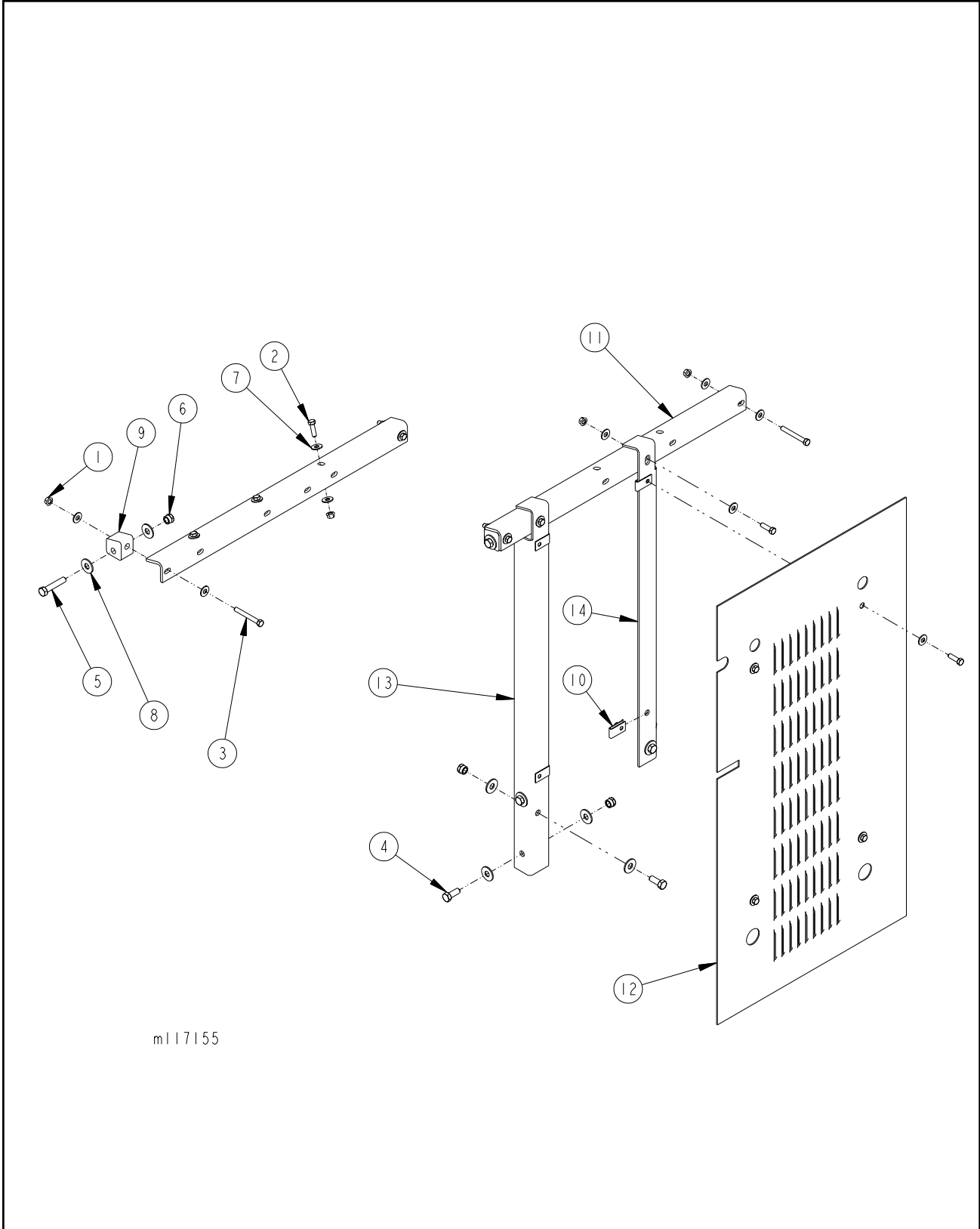


Figure 1-58 Engine Package Bracket Kit (Option)

ENGINE PACKAGE BRACKET KIT (OPTION)

ITEM	PART NO.	DESCRIPTION	QTY.
	117155	BRACKET KIT, ENGINE PACKAGE	
1	1-510-010001	NUT, FLANGE LOCK 3/8-16	13
2	1-654-010051-06	SCREW, HEX HEAD CAP 3/8-16 X 1-1/4 GR5	9
3	1-654-010051-13	SCREW, HEX HEAD CAP 3/8-16 X 3 GR5	4
4	1-654-010055-02	SCREW, HEX HEAD CAP 1/2-13 X 1-1/4 GR5	6
5	1-654-010055-07	SCREW, HEX HEAD CAP 1/2-13 X 2-1/2 GR5	4
6	1-512-010005-09	NUT, HEX LOCK 1/2-13 GRB	10
7	1-861-010032-11	WASHER, FLAT 3/8W	22
8	1-861-010032-15	WASHER, FLAT 1/2W	20
9	113359	BRACKET, MOUNTING	4
10	116332	NUT, EXTRUDED U 5/16-18	1
11	117156	CROSSMEMBER HANGER	2
12	120726	SHIELD, SLOPE ENG PKG	1
13	120724	ANGLE WELDMENT, FRONT, RH	1
14	120725	ANGLE WELDMENT, FRONT, LH	1

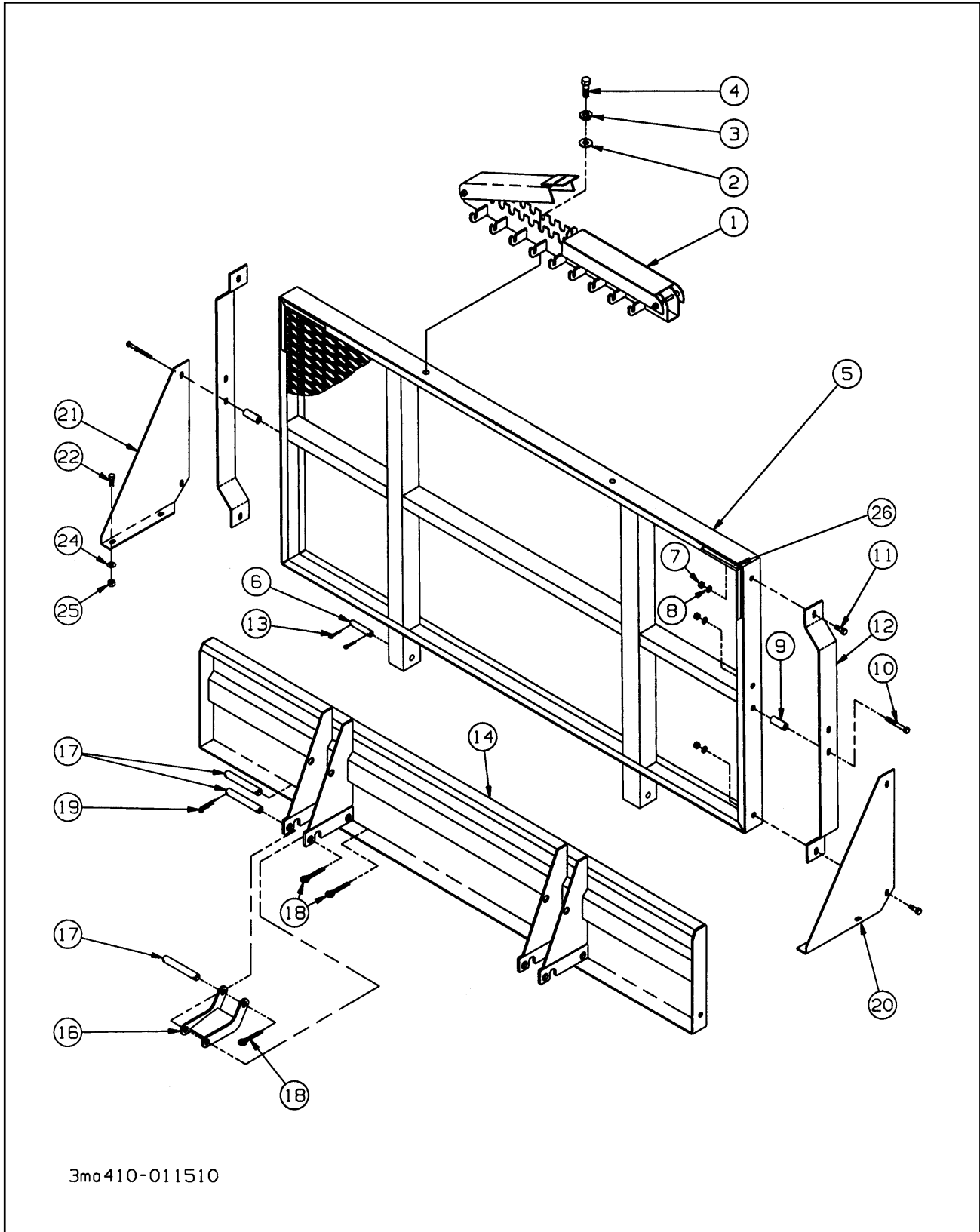


Figure 1-59 Front Extension and Bulkhead (Option)

FRONT EXTENSION AND BULKHEAD ASSY (OPTION)

ITEM	PART NO.	DESCRIPTION	QTY.
	B7-141-003	BULKHEAD CHAIN RACK INSTALLATION (ITEMS 1-4)	
	3-141-010121	BULKHEAD INSTALLATION (ITEMS 5-13, 26)	
	3-141-010123	BULKHEAD INSTALLATION 2 POSITION (ITEMS 14-19 ,26)	
	3-117-010071-1	BRACE INST. STABILIZING 48" BULKHEAD (ITEMS 20-25)	
1	3-141-010008	CHAIN HANGER LOCKING CHANNEL WLDMT	1
2	1-861-010032-11	WASHER, FLAT 3/8	1
3	1-861-010034-11	WASHER, SPLIT LOCK 3/8	1
4	1-654-010051-06	SCREW, HEX HEAD CAP 3/8-16 X 1-1/4 GR5	2
5	3-141-010155	BULKHEAD WELDMENT 48 X 96 (96)	1
	3-141-010152	BULKHEAD WELDMENT 16 X 102 (102) (NOT SHOWN)	1
6	6-557-010163	PIN HITCH LEVEL LINK	2
7	1-512-010005-09	NUT HEX LOCK 1/2-13 GRB (102)	6
8	1-861-010032-15	WASHER PLAIN TYPE A 1/2 (102)	6
9	3-711-010025	SPACER (102)	2
10	1-654-010055-13	SCREW HEX HEAD CAP 1/2-13X4 GR5 (102)	2
11	1-654-010055-03	SCREW HEX HEAD CAP 1/2-13X1-1/2 GR5 (102)	4
12	3-054-010101	BAR SIDE BULKHEAD EXTENSION (102)	2
13	1-557-010362-63	COTTER PIN 1/4X2	4
14	3-141-010118	BULKHEAD WELDMENT 16 X 96	1
	3-141-010119	BULKHEAD WELDMENT 16 X 102	1
	3-141-010151	BULKHEAD WELDMENT 16/24 X 96	1
	3-141-010147	BULKHEAD WELDMENT 16/24 X 102	1
16	3-755-010080	SUPPORT WELDMENT BULKHEAD	2
17	3-557-010380	SUPPORT PIN	6
18	1-557-010362-63	COTTER PIN 1/4X2	10
19	1-557-010014	HAIRPIN	2
20	3-117-010069	BRACE LH STABILIZING 48" BULKHEAD	1
21	3-117-010070	BRACE RH STABILIZING 48" BULKHEAD	1
22	1-654-010055-03	SCREW HEX HEAD CAP 1/2-13X1-1/2 GR5	8,4*
24	1-861-010032-15	WASHER FLAT 1/2W	8
25	1-512-010005-09	NUT HEX LOCK 1/2-13 GRB	8
26	3-573-010378	DECAL, 2" REFLEXITE TAPE, WHITE	2

* 1ST QUANTITY LISTED IS FOR STABILIZING BRACE INSTALLATION 96" WIDE TRAILER; 2ND QUANTITY LISTED IS FOR STABILIZING BRACE INSTALLATION 102" TRAILER

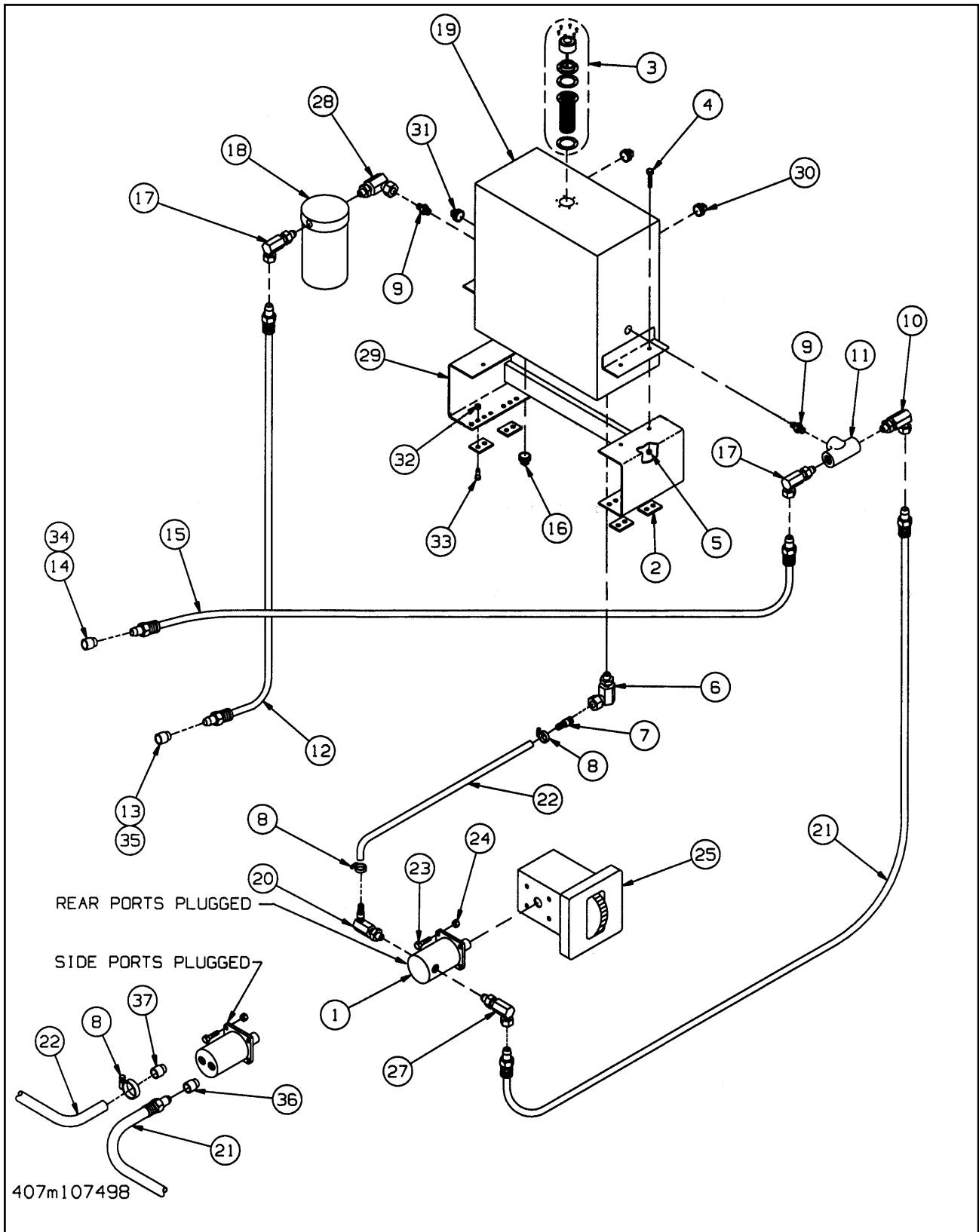


Figure 1-60 Hydraulic Wet Kit (Option)

HYDRAULIC WET KIT (OPTION)

ITEM	PART NO.	DESCRIPTION	QTY.
	107498	HYDRAULIC WET KIT W/ PTO INSTALLED	
	107499	HYDRAULIC WET KIT W/ PTO NOT INSTALLED	
	107500	HYDRAULIC WET KIT W/O PTO NOT INSTALLED	
1	3-591-010001	HYDRAULIC GEAR PUMP (SEE PAGE 1-116)	1
2	3-120-010461	BRACKET, HYD TANK MOUNT SUPPORT	4
3	3-162-010001	FILLER BREATHER STRAINER ASSEMBLY	1
4	1-654-010051-06	SCREW HEX HEAD CAP 3/8-16X1-1/4 GR5	4
5	1-512-010005-05	NUT HEX LOCK 3/8-16 GRB	4
6	1-1/4ST ELL	BLACK PIPE ELBOW 90 ST	1
7	3-561-010001	HOSE BARB 1-1/4	1
8	6828	IDEAL HOSE CLAMP	2
9	C3069X12	NIPPLE HEX	2
10	2024-12-8S	ADAPTER 90	1
11	125130	RD12D HYD BY PASS SRDD	1
12	106760	HOSE 3/4 X 164	1
13	105479	COUPLER FLAT FACE MALE NOSE	1
14	105480	COUPLER FLAT FACE FEMALE BODY	1
15	106759	HOSE ASSEMBLY 1/2 X 164	1
16	1-560-010002-07	PLUG, BLACK PIPE 1-1/4 SQ HEAD	1
17	2024-12-12S	ADAPTER 90	2
18	1-295-010001	FILTER, RETURN	1
	1-295-010002	FILTER ELEMENT	1
19	3-786-010043	TANK, HYDRAULIC	1
20	1-007-010006	ELBOW 90, 1-5/16 O-RING 1-1/4 HOSE	1
21	1-397-010301100	HOSE ASSEMBLY 1/2 X 100	1
22	3-399-010001	HOSE 1-1/4 X 4 - 0" SUCTION	8'
23	1-654-010055-03	SCREW HEX HEAD CAP 1/2-13 X 1-1/2 GR5	4
24	1-861-010034-13	WASHER SPLIT LOCK 1/2	4
25	PTO	POWER TAKE OFF	*1,0
27	2062-16-8S	ADAPTER, 90	1
28	2047-12-12S	ELBOW 90 SWIVEL	1
29	3-482-010503	TANK MOUNT	1
30	1-560-010002-05	PIPE PLUG 3/4	2
31	1-560-010002-04	PIPE PLUG 1/2	1
32	1-512-010005-09	NUT, HEX LOCK 1/2-13 GRB	4
33	1-654-010055-04	SCREW, HEX HEAD CAP 1/2-13 X 1-3/4 GR5	4
34	105482	COUPLER, DUST CAP FEMALE	1
35	105481	COUPLER, DUST CAP MALE	1
36	12-16 070120	ADAPTER	1
37	107513	ADAPTER	1

* FIRST QUANTITY LISTED IS FOR P/N'S 107498 AND 107499 HYDRAULIC WET KIT W/ PTO; SECOND QUANTITY LISTED IS FOR P/N 107500 HYDRAULIC WET KIT W/O PTO.

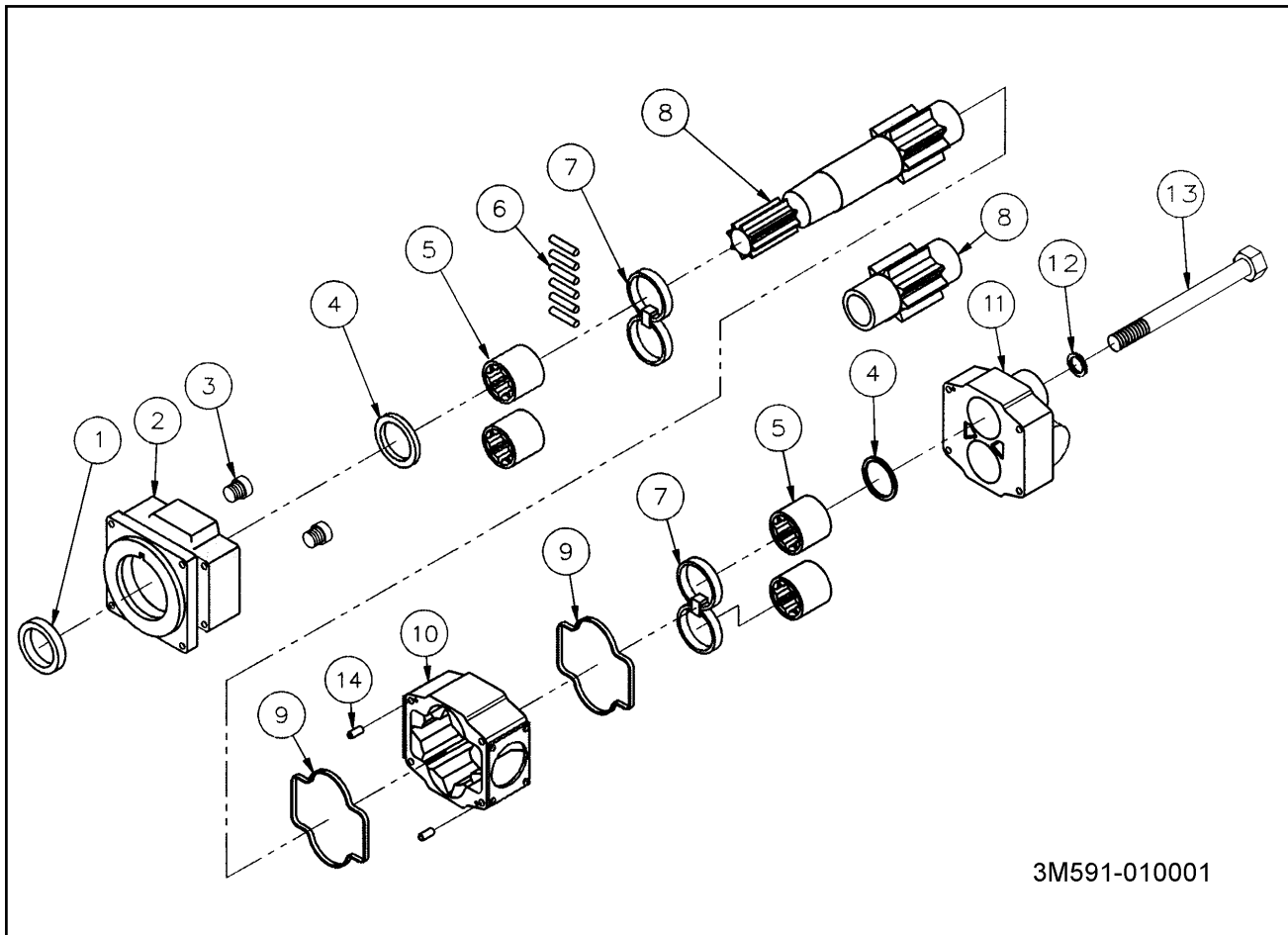


Figure 1-61 Hydraulic Pump, Wet Kit (Option)

HYDRAULIC PUMP, WET KIT (OPTION)

ITEM	PART NO.	DESCRIPTION	QTY.
	3-591-010001	HYDRAULIC PUMP ASSEMBLY	
1	X73-37-16	SEAL SHAFT	1
2	EB 1685-3	COVER SHAFT END	1
3	M 1391-K	CHECK	2
4	LB 1669-1	SEAL RING	2
5	Y 1032	BEARING ROLLER	4
6	BA 3026-2	STRIP POCKET SEAL	1
7	AA 1058	PLATE THRUST	2
8	BD 1135M-3-17	GEAR SET SHAFT	1
9	UB 3006-242	GASKET HOUSING	2
10	RA 1688-17-64	HOUSING	1
11	XA 1603	PORT END	1
12	X 144-3	WASHER	1
13	X2-25	STUD	1
14	391-1802-119	SEAL KIT	

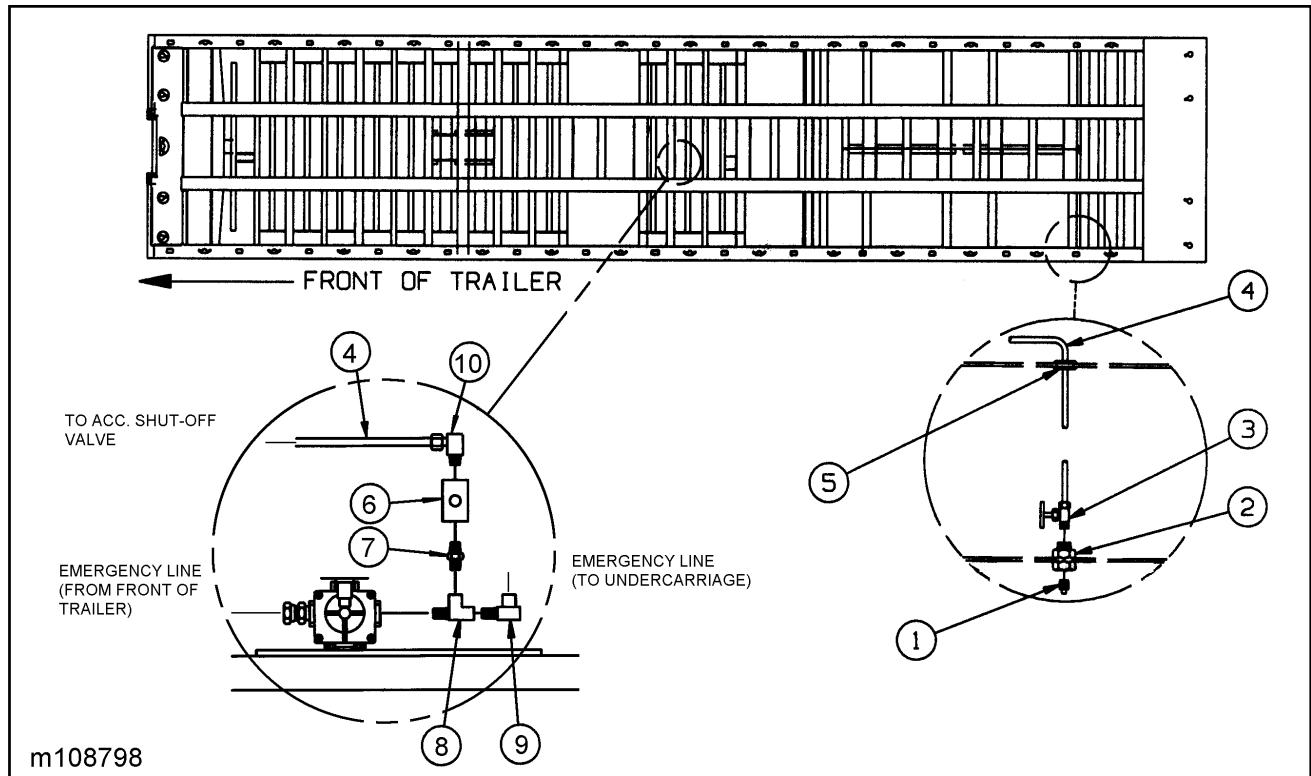


Figure 1-62 Air Outlet Accessory (Option)

AIR OUTLET ASSEMBLY (OPTION)

ITEM	PART NO.	DESCRIPTION	QTY.
	108798	AIR OUTLET ACCESSORY	
1	1-560-010002-02	PLUG PIPE	1
2	1-297-010022-02	FITTING AIR ANCHOR COUPLING	1
3	A6760S	SHUT OFF VALVE	1
4	1-833-010002	TUBING NYLON	20
5	1-343-010007	GROMMET	1
6	905-54-107	BRAKE PROTECTION VALVE	1
7	2083-8-4S	NIPPLE HEX 1/2PIPE - 1/4PIPE	1
8	1-297-010018-04	FITTING AIR	1
9	2089-6-6S	ADAPTER 90	1
10	1-297-010008-18	FITTING AIR 90	1

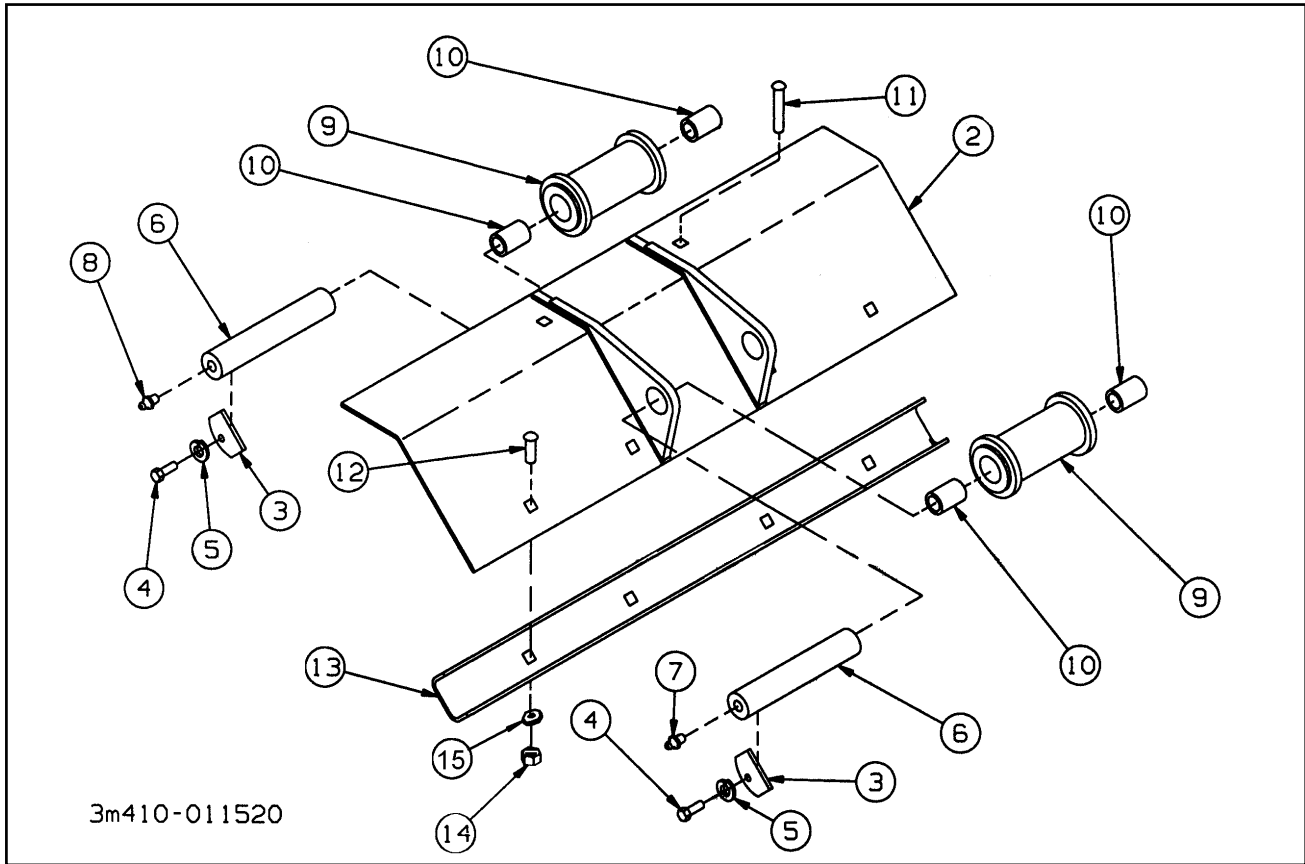


Figure 1-63 Slope Roller Guide 45 (Option)

SLOPE ROLLER GUIDE 45 (OPTION)

ITEM	PART NO.	DESCRIPTION	QTY.
	3-352-010027	GUIDE INSTALLATION, WINCH CABLE, SLOPE ROLLER	
1	3-352-010026	GUIDE ASSY, WN CABLE, SLOPE ROLLER (INCL ITEMS 2-9)	1
2	3-482-010326	MOUNT WELDMENT, SLOPE ROLLER	1
3	3-565-010770	PLATE, CABLE GUIDE LOCK	2
4	1-654-010051-03	SCREW, HEX HEAD CAP 3/8-16 X 3/4 GR5	2
5	1-861-010034-11	WASHER, SPLIT LOCK 3/8-16	2
6	3-557-010383	PIN, CABLE GUIDE ROLLER	2
7	1-298-010001-1	FITTING, GREASE 1/4-28	1
8	5410	FITTING, GREASE 1/4-28 90	1
9	3-873-010040	CABLE ROLLER ASSEMBLY (INCL ITEM 10)	2
10	AA-1703-10	SLEEVE, BEARING 1-7/16 X 1-3/4	4
11	1-654-010070-13	SCREW, RD HEAD SQ NECK 1/2-13X4 GR5	2
12	1-654-010070-07	SCREW, RD HEAD SQ NECK 1/2-13X2-1/2 GR5	4
13	3-177-010191	CHANNEL CLAMPING SLOPE ROLLER	1
14	1-512-010005-09	NUT HEX LOCK 1/2-13 GRB	6
15	1-861-010032-15	WASHER FLAT 1/2W	6

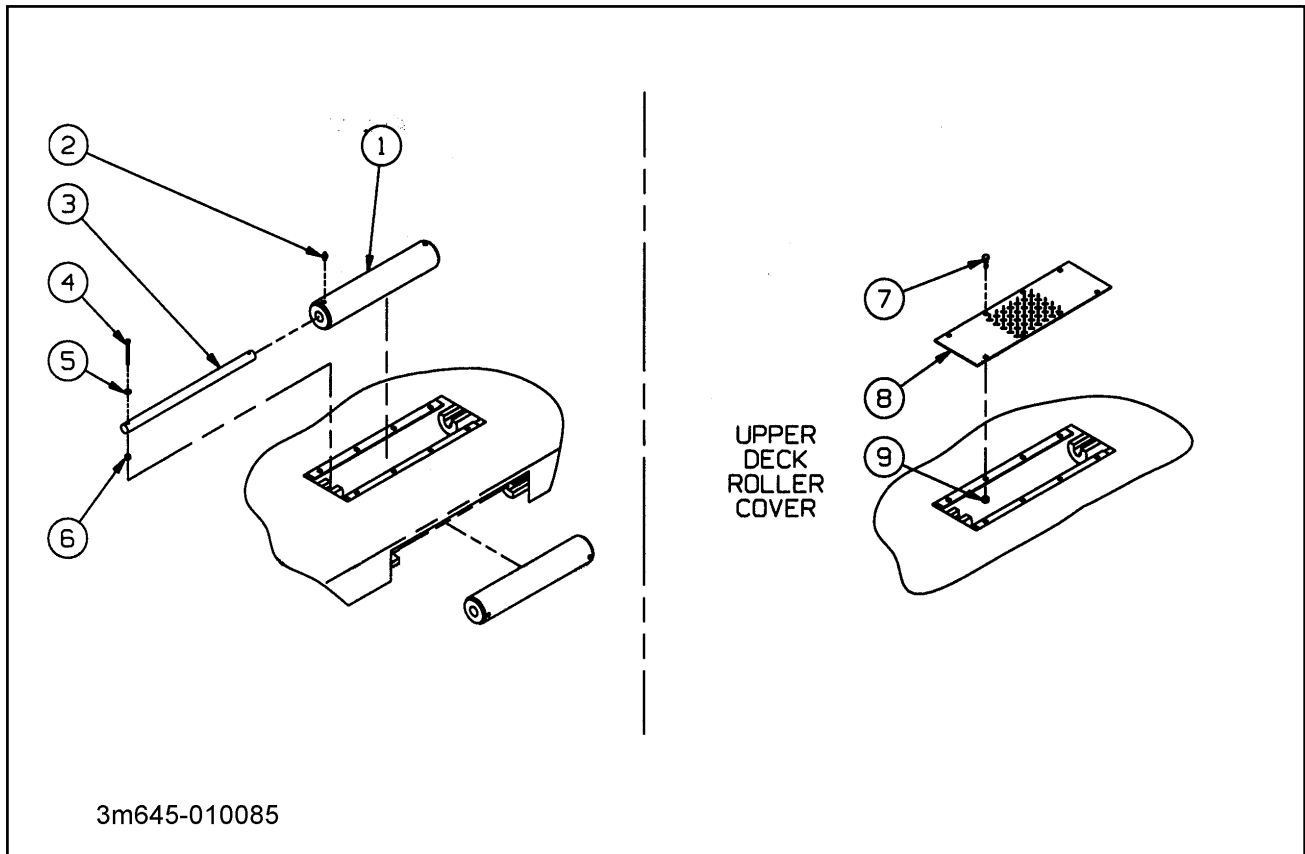


Figure 1-64 Slope Roller Guide 90 (Option)

SLOPE ROLLER 90° DROP DECK (OPTION)

ITEM	PART NO.	DESCRIPTION	QTY.
	3-645-010085	ROLLER ASSEMBLY SLOPE	1
	106207	ROLLER, SLOPE SINGLE CORNER	1
1	3-645-010059	ROLLER WELDMENT CABLE - UPPER DECK	*2,1
2	1-298-010001-1	ZERK FITTING 1/4	*4,2
3	3-642-010134	ROD ROLLER	*2,1
4	1-654-010055-11	SCREW HEX HEAD CAP 1/2-13 X 3-1/2 GR5	*4,2
5	1-861-010032-15	WASHER FLAT 1/2	*4,2
6	1-512-010005-09	NUT HEX LOCK 1/2-13 GRB	*4,2

* 1ST QUANTITY SHOWN IS FOR P/N 3-645-010085; 2ND QUANTITY SHOWN IS FOR P/N 106207.

COVER PLATE INSTALLATION - UPPER DECK ROLLER (OPTIONAL)

	3-222-010199	COVER PLATE INST. - UPPER DECK ROLLER	
7	1-654-010070-02	SCREW RD HEAD SQ NECK 1/2-13 X 1-1/4	8
8	3-222-010198	COVER UPPER DECK ROLLER	1
9	1-512-010005-09	NUT HEX LOCK 1/2-13 GRB	8

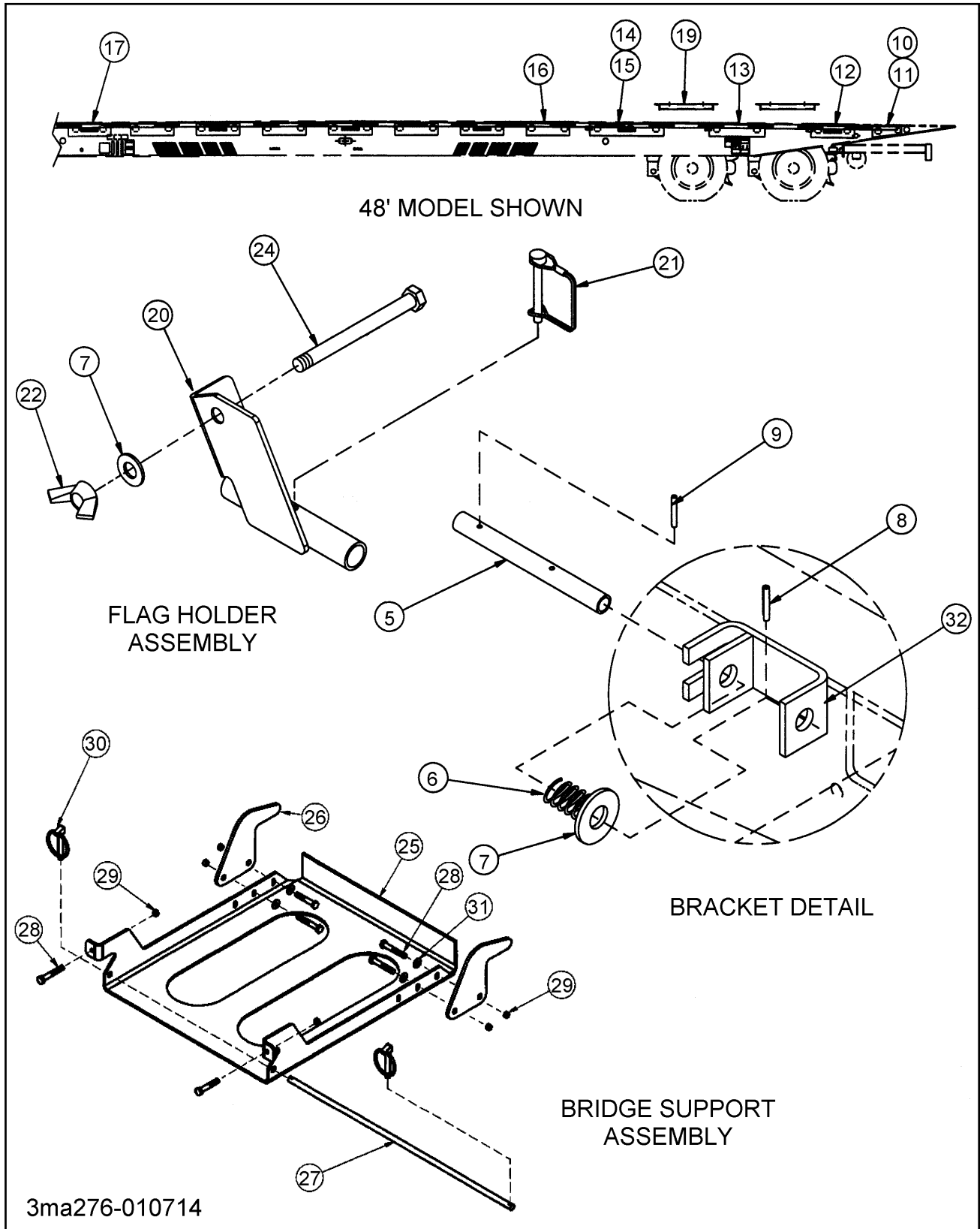


Figure 1-65 Extension Installation 317B (Option)

EXTENSION INSTALLATION PULL-OUT 317B (OPTION)

ITEM	PART NO.	DESCRIPTION	QTY.
	3-276-010714	EXTENSION INSTALLATION PULL-OUT	
5	3-557-010375	PIN SLIDE LOCK	24,26,28*
6	CO-975-74-2000	SPRING COMPRESSION	24,26,28*
7	1-861-010032-15	WASHER FLAT 1/2W	30,32,34*
8	1-647-010004117	ROLL PIN 1/8 X 3	24,26,28*
9	0600-250-03000	ROLL PIN 1/4 X 3	24,26,28*
10	3-276-010713	EXTENSION 14IN LH PULL-OUT	1
11	3-276-010712	EXTENSION 14IN RH PULL-OUT	1
12	3-276-010711	EXTENSION 21IN REAR PULL-OUT	2
13	3-276-010710	EXTENSION 27IN PULL-OUT	2
14	3-276-010709	EXTENSION 36IN LH PULL-OUT	1
15	3-276-010708	EXTENSION 36IN RH PULL-OUT	1
16	3-276-010707	EXTENSION 21IN PULL-OUT	14,16,18*
17	3-276-010706	EXTENSION 21IN FRONT PULL-OUT	2
19	3-276-010774	EXTENSION WHEEL WELL BRIDGE	4
20	101062	BRACKET FLAG HOLDER	6
21	516-22PTL	RETAINING PIN MUD FLAP	6
22	1-533-010001	WING NUT 1/2	6
24	1-654-010055-14	SCREW, HEX HEAD CAP 1/2-13 X 4-1/2 GR5	6
25	108710	TRAY, WHEEL WELL BRIDGE SUPPORT	2
26	108711	ANCHOR, TRAY SUPPORT	4
27	108712	ROD, WHEEL WELL BRIDGE SUPPORT	2
28	1-654-010051-06	SCREW, HEX HEAD CAP 3/8-16 X 1-1/4 GR5	12
29	1-510-010001	NUT, FLANGE LOCK 3/8-16	12
30	7637	LYNCH PIN 3/16 X 1-1/4	4
31	1-861-010032-11	WASHER, FLAT 3/8W	8
32	3-125-010222	BRACKET, WELDMENT LOCK PULL OUT EXT.	AR

*FIRST QUANTITY IS FOR THE 48' TRAILER, SECOND QUANTITY IS FOR THE 50' TRAILER, THIRD QUANTITY IS FOR THE 53' TRAILER.

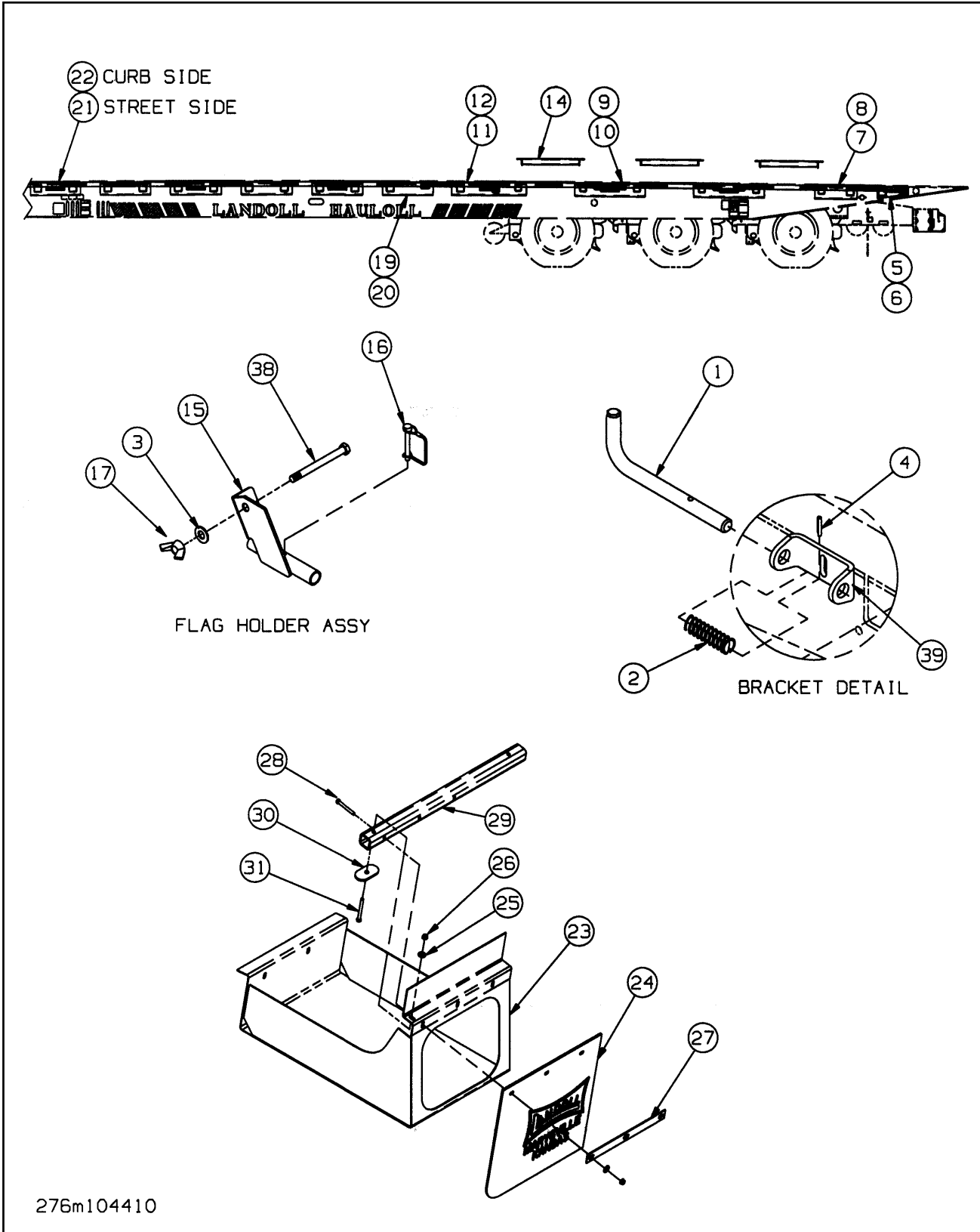


Figure 1-66 Extension Installation 318B (Option)

EXTENSION INSTALLATION PULL-OUT 318B (OPTION)

ITEM	PART NO.	DESCRIPTION	QTY.
	104410	EXTENSION INSTALLATION 48	
	104411	EXTENSION INSTALLATION 50	
	104412	EXTENSION INSTALLATION 53	
1	104252	PIN P/O EXT LOCK	22,24,26*
2	104253	SPRING COMPRESSION P/O EXT LOCK	22,24,26*
3	1-861-010032-15	WASHER FLAT 1/2W	6
4	1-647-010004177	PIN SPRING SLOTTED 3/16 X 1-1/2	22,24,26*
5	104413	EXTENSION 14IN LH REAR PULL-OUT	1
6	104414	EXTENSION 14IN RH REAR PULL-OUT	1
7	104415	EXTENSION 19IN LH REAR PULL-OUT	1
8	104416	EXTENSION 19IN RH REAR PULL-OUT	1
9	104417	EXTENSION LH BETWEEN AXLE PULL-OUT	2
10	104418	EXTENSION RH BETWEEN AXLE PULL-OUT	2
11	3-276-010729	EXTENSION 34IN LH 3 TUBE PULL-OUT	1
12	3-276-010718	EXTENSION 34IN RH 3 TUBE PULL-OUT	1
14	3-276-010774	EXTENSION WHEEL WELL BRIDGE	6
15	101062	BRACKET FLAG HOLDER	6
16	516-22PTL	RETAINING PIN MUD FLAP	6
17	1-533-010001	WING NUT 20 1/2-13 TYPE A	6
19	104420	EXTENSION RH WHEEL WELL PULL-OUT	1
20	104419	EXTENSION LH WHEEL WELL PULL-OUT	1
21	3-276-010715	EXTENSION LH PULL-OUT 323-23/16	5,6,7*
22	3-276-010755	EXTENSION RH PULL-OUT 323-23/16	5,6,7*
23	105343	RACK WELDMENT EXT BRIDGE STORAGE	1
24	105355	MUD FLAP MOD BRIDGE STORAGE	1
25	1-861-010032-11	WASHER FLAT 3/8W	5
26	1-510-010001	NUT FLANGE LOCK 3/8-16	5
27	105354	CLAMP MUD FLAP BRIDGE STORAGE RACK	1
28	1-654-010051-13	SCREW HEX HEAD CAP 3/8-16X3 GR5	3
29	105346	SUPPORT RACK EXT BRIDGE	1
30	3-861-010047	WASHER FLAT PUMP MOUNT	2
31	1-654-010051-16	SCREW HEX HEAD CAP 3/8-16X3-3/4 GR5	2
38	1-654-010055-14	SCREW HEX HEAD CAP 1/2-13X4-1/2 GR5	6
39	104251	BRACKET, PULL-OUT EXTENSION LOCK PIN	AR

* FIRST QUANTITY IS FOR THE 48 TRAILER, SECOND QUANTITY IS FOR THE 50 TRAILER, THIRD QUANTITY IS FOR THE 53 TRAILER.

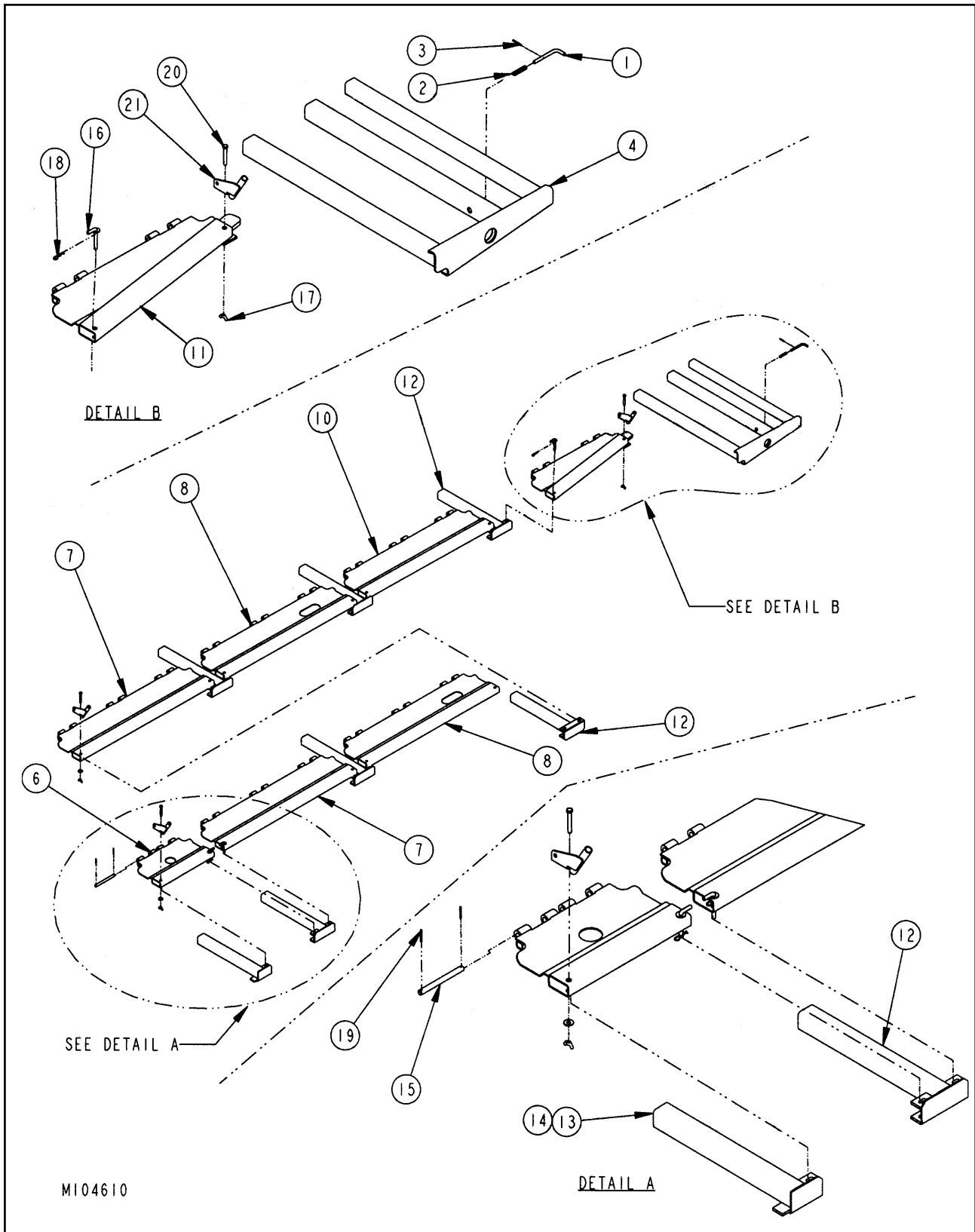


Figure 1-67 Extension Installation 319B (Option)

EXTENSION INSTALLATION FLIP-UP 319B (OPTIONAL)

ITEM	PART NO.	DESCRIPTION	QTY.
	104610	EXTENSION INSTALLATION FLIP-UP 48	
1	104252	PIN P/O EXT LOCK	2
2	104253	SPRING COMPRESSION P/O EXT LOCK	2
3	104597	PIN SPRING SLOTTED	2
4	104835	EXTENSION REAR PULLOUT LH	1
5	104836	EXTENSION REAR PULLOUT RH (NOT SHOWN)	1
6	104837	EXTENSION 48 1ST	2
7	104838	EXTENSION 48 2ND/4TH	4
8	104839	EXTENSION 48 3RD/5TH FLIP-UP LH	2
9	104840	EXTEN. 48 3RD/5TH FLIP-UP RH (NOT SHOWN)	2
10	104841	EXTENSION 48 6TH FLIP-UP	2
11	104843	EXTENSION 48 REAR FLIP-UP LH	1
12	3-276-010051	EXTENSION SUPPORT	12
13	3-276-010053	FRONT EXTENSION SUPPORT LEFT	1
14	3-276-010054	FRONT EXTENSION SUPPORT RIGHT	1
15	3-557-010029	HINGE PIN TR OVERWIDTH	38
16	3-557-010042	SUPPORT TUBE PIN	28
17	1-533-010001	WING NUT 20 1/2-13 TYPE A	6
18	1-557-010403	HAIRPIN 1/8	28
19	1-647-010004213	PIN SPRING SLOT 1/4 X 1	76
20	1-654-010055-11	SCREW HEX HEAD CAP 1/2-13 X 3-1/2 GR5	6
21	101062	BRACKET FLAG HOLDER	6
23	104844	EXTENSION, 48 REAR FLIP-UP RH (NOT SHOWN)	1
24	W214S-1	CABLE, 2 WIRE (NOT SHOWN)	5
25	1-654-010055-14	SCREW, HEX HEAD CAP 1/2-13 X 4-1/2 GR5 (NOT SHOWN)	6
26	3-272-010021	ELECTRICAL BUTT SPLICE (NOT SHOWN)	4

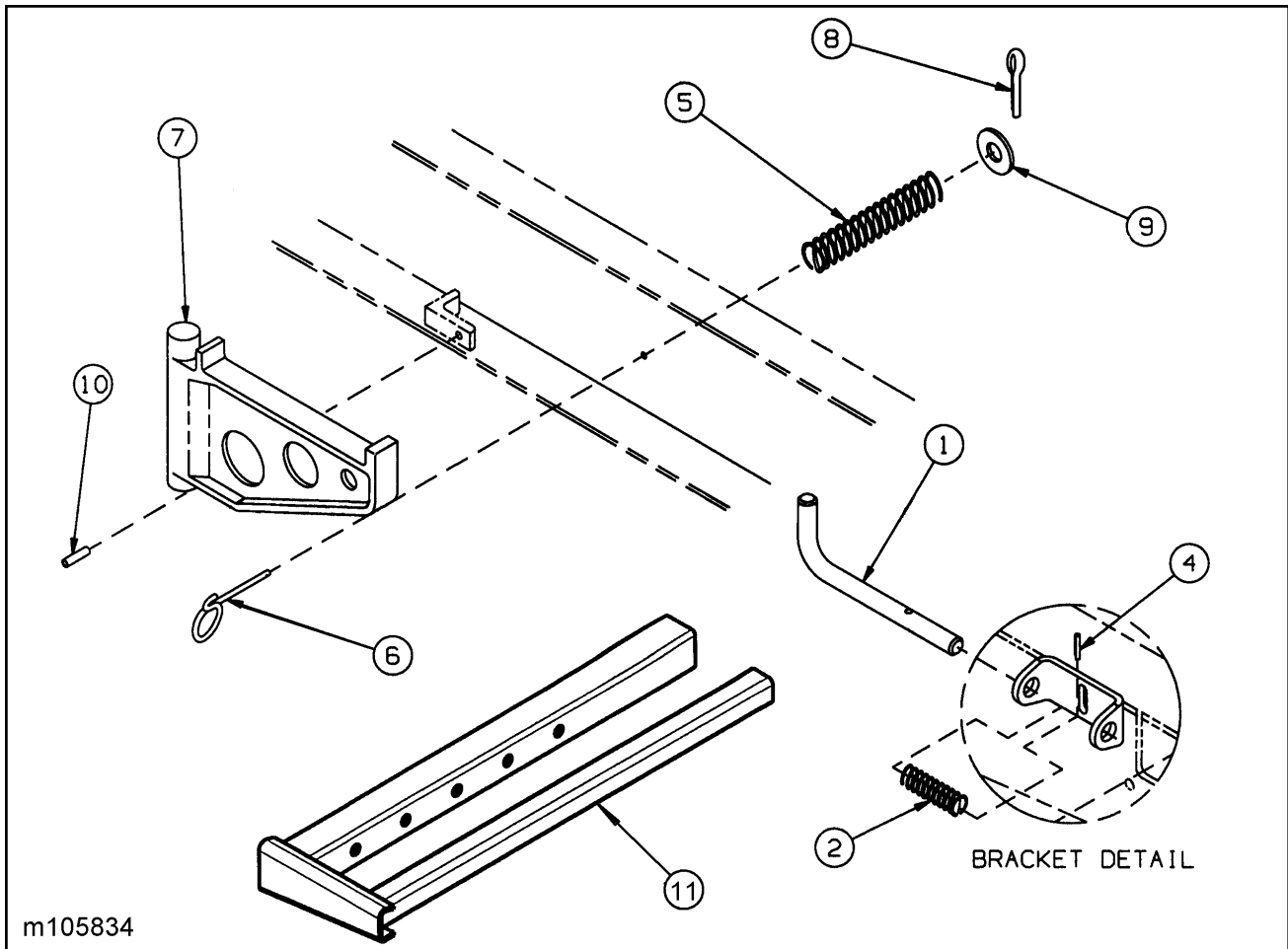


Figure 1-68 Outrigger Installation 318B (Option)

OUTRIGGER INSTALLATION 318B (OPTION)

ITEM	PART NO.	DESCRIPTION	QTY.
	105834	OUTRIGGER INSTALLATION 48	
	105835	OUTRIGGER INSTALLATION 50	
1	104252	PIN P/O EXT LOCK	2
2	104253	SPRING COMPRESSION P/O EXT LOCK	2
4	1-647-010004177	PIN SPRING SLOTTED 3/16-1-1/2	2
5	3-720-010024	SPRING 1-1/16 X 2-3/4	*34, 36
6	3-187-010001	CLIP OUTRIGGER STAY	*34, 36
7	167-0022	OUTRIGGER FOR 10 CHANNEL	*34, 36
8	101386	PIN COTTER	*34, 36
9	1-861-010032-07	WASHER FLAT	*34, 36
10	0600-375-01500	PIN ROLL 3/8X1-1/2	*34, 36
11	104413	EXTENSION, LH P.O. REAR 14 IN	1
12	104414	EXTENSION, RH P.O. REAR 14 IN (NOT SHOWN)	1

* 1ST QUANTITY SHOWN IS FOR P/N 105834; 2ND QUANTITY SHOWN IS FOR P/N 105835

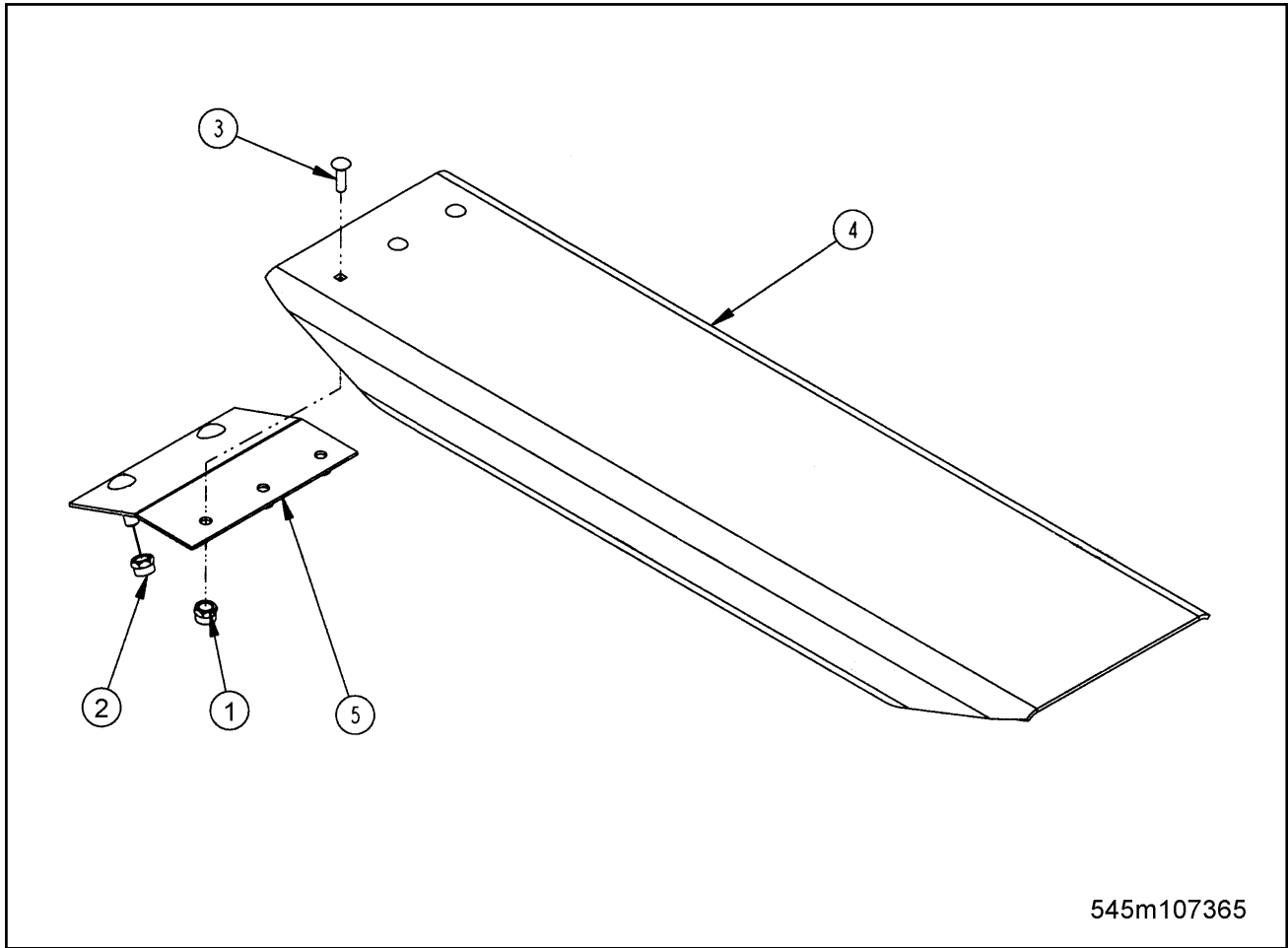
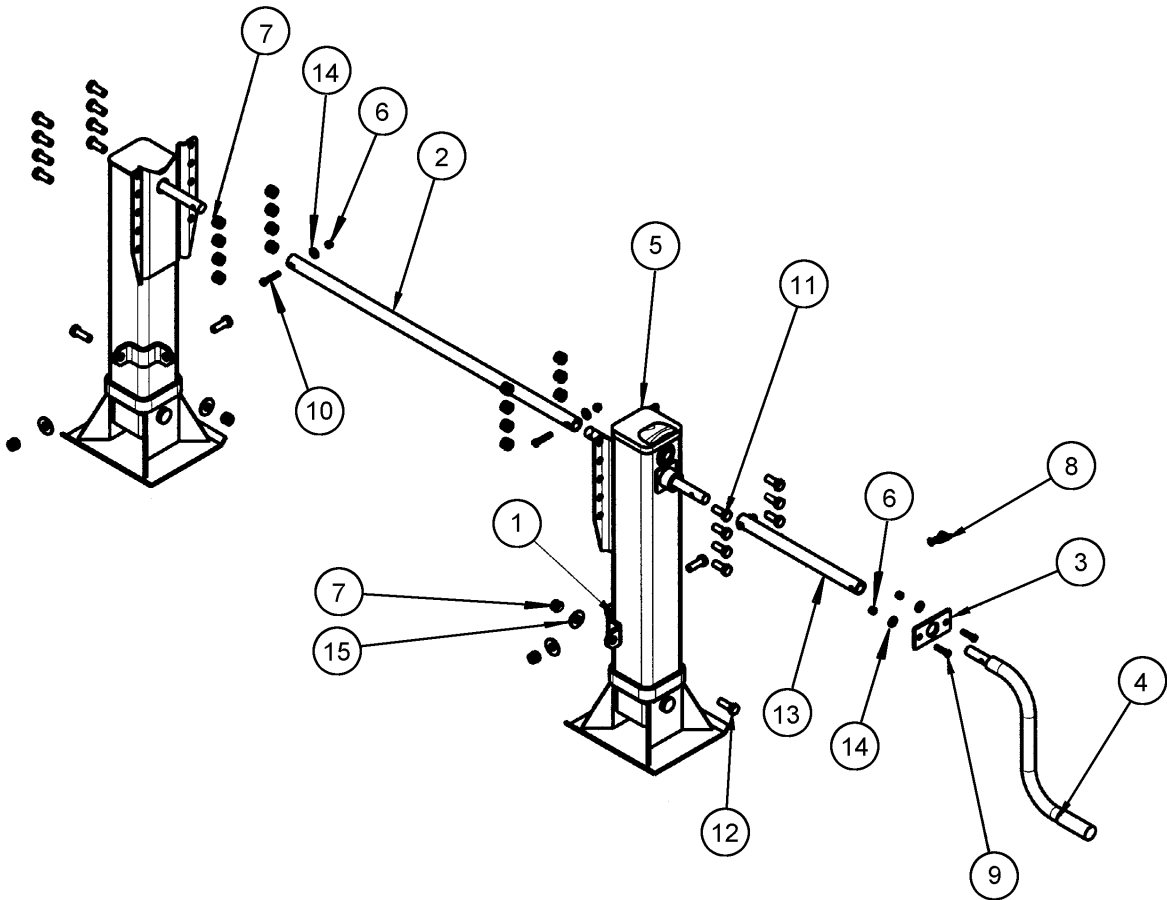


Figure 1-69 Ramps (Option)

RAMPS (OPTION)

ITEM	PART NO.	DESCRIPTION	QTY.
	B3-619-007	RAMPS ALUMINUM	
1	1-512-010005-09	NUT HEX LOCK 1/2-13 GRB	6
2	1-512-010005-15	NUT HEX LOCK 3/4-10 GRB	4
3	1-654-010069-3	SCREW RD HEAD SQ NECK 1/2-13X1-3/4 GR2	6
4	3-619-010059	ALUM RAMP ASSEMBLY 60IN	2
5	3-619-010061	ANCHOR ASSEMBLY ALUM RAMP	2



m112567

Figure 1-70 Landing Gear Installation

LANDING GEAR INSTALLATION

ITEM	PART NO.	DESCRIPTION	QTY.
	112567	LANDING GEAR INSTALLATION	
1	104238	ANCHOR, LOWER BOLT-ON PARK STAND	2
2	113878	CROSS-SHAFT LANDING GEAR	1
3	111695	GUIDE, HANDLE, JOST GEAR	1
4	109161	HANDLE, CRANK MODIFICATION	1
5	109709	2 SPEED LANDING GEAR (SEE PAGE 1-133)	1
6	1-512-010005-05	NUT, HEX LOCK 3/8-16 GRB	5
7	1-512-010005-13	NUT, HEX LOCK 5/8-11 GRB	20
8	111859	PIN, ROUND LOCKING 5/16 X 1-1/2	1
9	1-654-010051-07	SCREW, HEX HEAD CAP 3/8-16 X 1-1/2 GR5	2
10	1-654-010051-09	SCREW, HEX HEAD CAP 3/8-16 X 2 GR5	3
11	1-654-010059-03	SCREW, HEX HEAD CAP 5/8-11 X 1-1/2 GR5	16
12	1-654-010059-04	SCREW, HEX HEAD CAP 5/8-11 X 1-3/4 GR5	4
13	113877	TUBE, ROUND EXTENSION	1
14	1-861-010032-11	WASHER, FLAT 3/8W	5
15	1-861-010032-19	WASHER, FLAT 5/8W	4

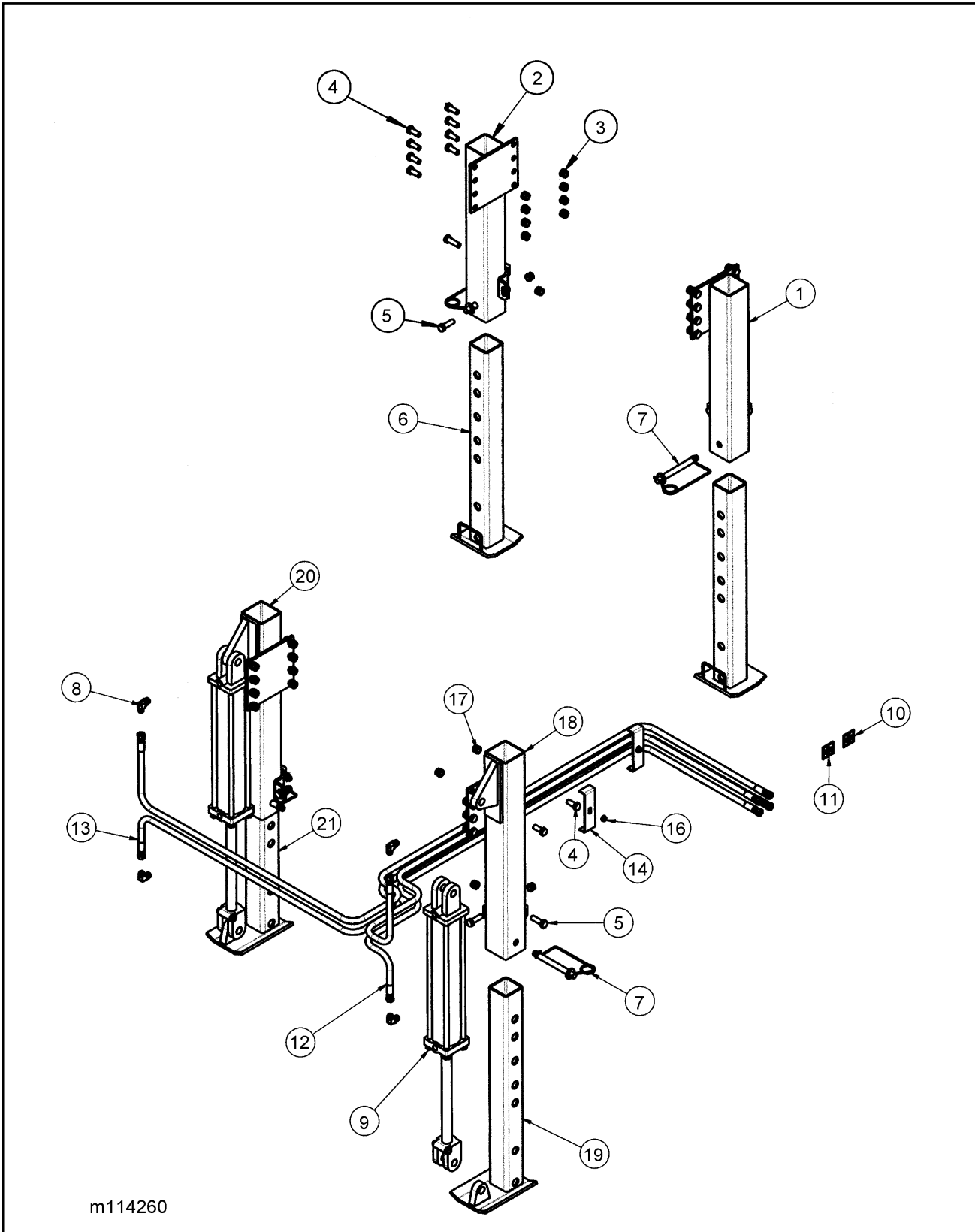


Figure 1-71 Landing Gear Installation - Bolt-On

LANDING GEAR INSTALLATION BOLT - ON

ITEM	PART NO.	DESCRIPTION	QTY.
	104243	PARK STAND INST., BOLT-ON (ITEMS 1-7)	
	104244	PARK STAND INST., BOLT-ON (ITEMS 4,5,7-21)	
1	112678	PARK STAND WELDMENT, LH FRONT PIN	1
2	112679	PARK STAND WELDMENT, RH FRONT PIN	1
3	1-512-010005-13	NUT, HEX LOCK 5/8-11 GRB	20
4	1-654-010059-03	SCREW, HEX HEAD CAP 5/8-11X1-1/2 GR5	16
5	1-654-010059-05	SCREW, HEX HEAD CAP 5/8-11 X 2 GR5	4
6	3-725-010058	STAND, PARK INSIDE WELDMENT	2
7	346SL	LOCK HITCH PIN	2
8	2062-8-8S	ADAPTER 90 #8 O-RING TUBE	4
9	1-242-010180-2	CYLINDER HYDRAULIC 3000 PSI (SEE PAGE 1-134)	2
10	3-573-010465	DECAL HYDRAULIC PARK STAND LH	1
11	3-573-010466	DECAL HYDRAULIC PARK STAND RH	1
12	1-397-010301100	HOSE ASSEMBLY	2
13	1-397-010301136	HOSE ASSEMBLY	2
14	3-181-010006	HOSE CLAMP 350	2
16	1-510-010001	NUT FLANGE LOCK 3/8-16	2
17	1-654-010005-13	NUT, HEX LOCK 5/8-11 GRB	20
18	104239	PARK STAND WELDMENT HYD LH BOLT-ON	1
19	104241	PARK STAND WELDMENT HYD LH LEG	1
20	104240	PARK STAND WELDMENT HYD RH BOLT-ON	1
21	104242	PARK STAND WELDMENT HYD RH LEG	1

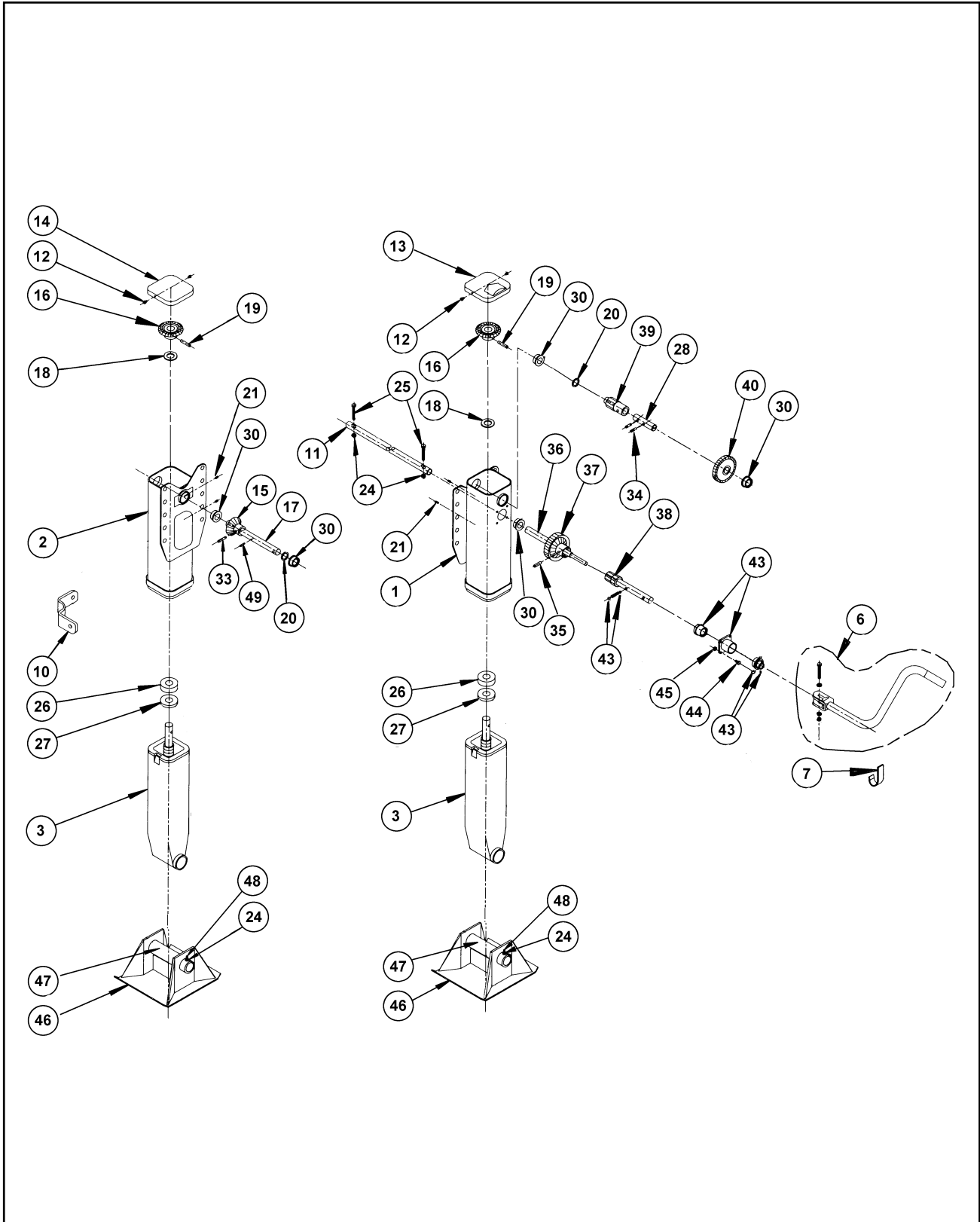


Figure 1-72 Landing Gear w/ Crank

CRANK LANDING GEAR

ITEM	PART NO.	DESCRIPTION	QTY.
	109709	LANDING GEAR INSTALLATION-660	
1	D10201.2	OUTER HOUSING - 2 SPEED	1
2	D10116.2	OUTER HOUSING - 1 SPEED	1
3	C10140.2	INNER LEG ASSEMBLY - STANDARD	2
6	109161	CRANK 930 MODIFICATION	1
7	109711	CRANK HANGER	1
10	109712	BRACE LUG - W	2
11	B10066	INTERMEDIATE CROSS SHAFT	1
12	A10059.1	COVER SCREW	4
13	C10217	COVER - 2 SPEED	1
14	C10259	COVER - 1 SPEED	1
15	C10177	PINION GEAR	1
16	C10155	BEVEL GEAR	2
17	B10130	PINION SHAFT - 1 SPEED	1
18	A10102	THRUST WASHER	2
19	A10052.3	GROOVED PIN	2
20	A10218	SPACER WASHER	2
21	A10040	GREASE FITTING	4
23	C10209	STRUT BRACE (NOT SHOWN)	4
24	A10038.7	SELF LOCKING NUT	2
25	A10037.1	CROSS SHAFT BOLT - 3/8 X 2 GR5	2
26	A10033	THRUST BEARING	2
27	A10101	COLLAR	2
28	A10212	OUTPUT SHAFT	1
30	A10255	BUSHING	5
33	A10054.3	ROLL PIN 3/8 X 1-1/2	1
34	A10260.1	SPIRAL PIN	2
35	A10054.7	ROLL PIN - 3/8 X 1-3/4	1
36	B10236	OUTPUT CLUSTER SHAFT	1
37	C10234	OUTPUT CLUSTER GEAR	1
38	C10233	INPUT GEAR SHAFT	1
39	C10078	OUTPUT SPUR GEAR	1
40	C10085	INPUT SPUR GEAR	1
43	B10229.S	SHIFT HOUSING SERVICE KIT	1
44	A10230	SHIFT HOUSING BOLT	4
45	A10038.6	SELF LOCKING NUT	4
46	C10256	SHOE - 10 X 10 X 4-1/2	2
47	B10036	SHOE AXLE	2
48	A10037.3	HEX HEAD BOLT	2
49	A10054.6	ROLL PIN - 1/4 X 1-1/4	1

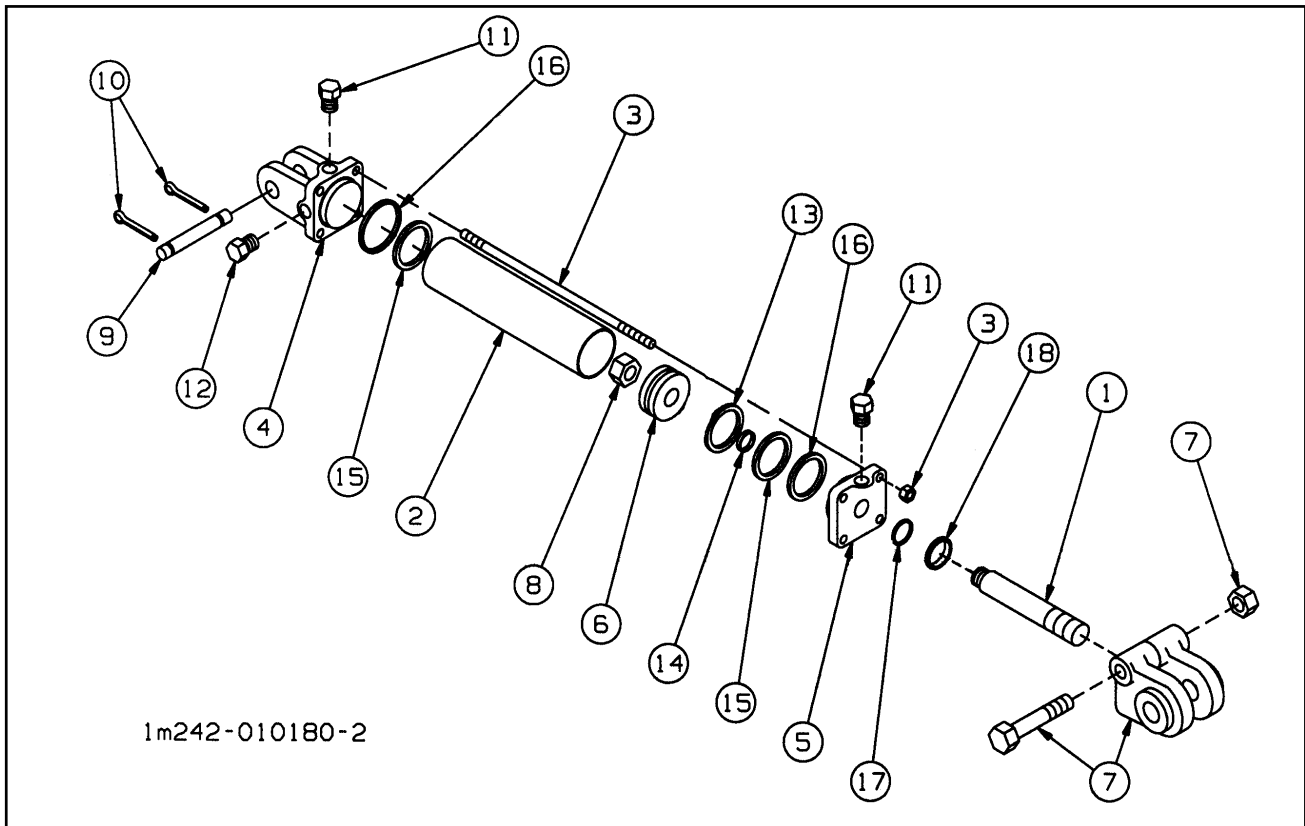


Figure 1-73 Hydraulic Cylinder 3-1/2 x 20

HYDRAULIC CYLINDER 3-1/2 X 20

ITEM	PART NO.	DESCRIPTION	QTY.
	1-242-010180-2	CYLINDER 3-1/2" X 20" (PRINCE SAE 33520)	
1	010700437	PISTON ROD	1
2	051700015	TUBE	1
3	170201241	TIEROD ASSEMBLY	4
4	141700023	BUTT	1
5	111870	GLAND ASSEMBLY	1
6	111866	PISTON	1
7	100000330	CLEVIS ASSEMBLY	1
8	220000210	LOCKNUT	1
9	190400004	CLEVIS PIN	2
10	220001504	COTTER PIN	4
11	200013106	PLASTIC PLUG	2
12	200300040	PORT PLUG	1
13	*	CROWN SEAL	1
14	*	O-RING	1
15	*	O-RING	2
16	*	BU-WASHER	2
17	*	U-CUP	1
18	*	WIPER	1
	1-242-010178-2	PACKING KIT (ITEMS 13 - 18) (CONTAINS ALL NECESSARY SEALS AND O-RINGS)	1

*PARTS AVAILABLE IN PACKING KIT ONLY.

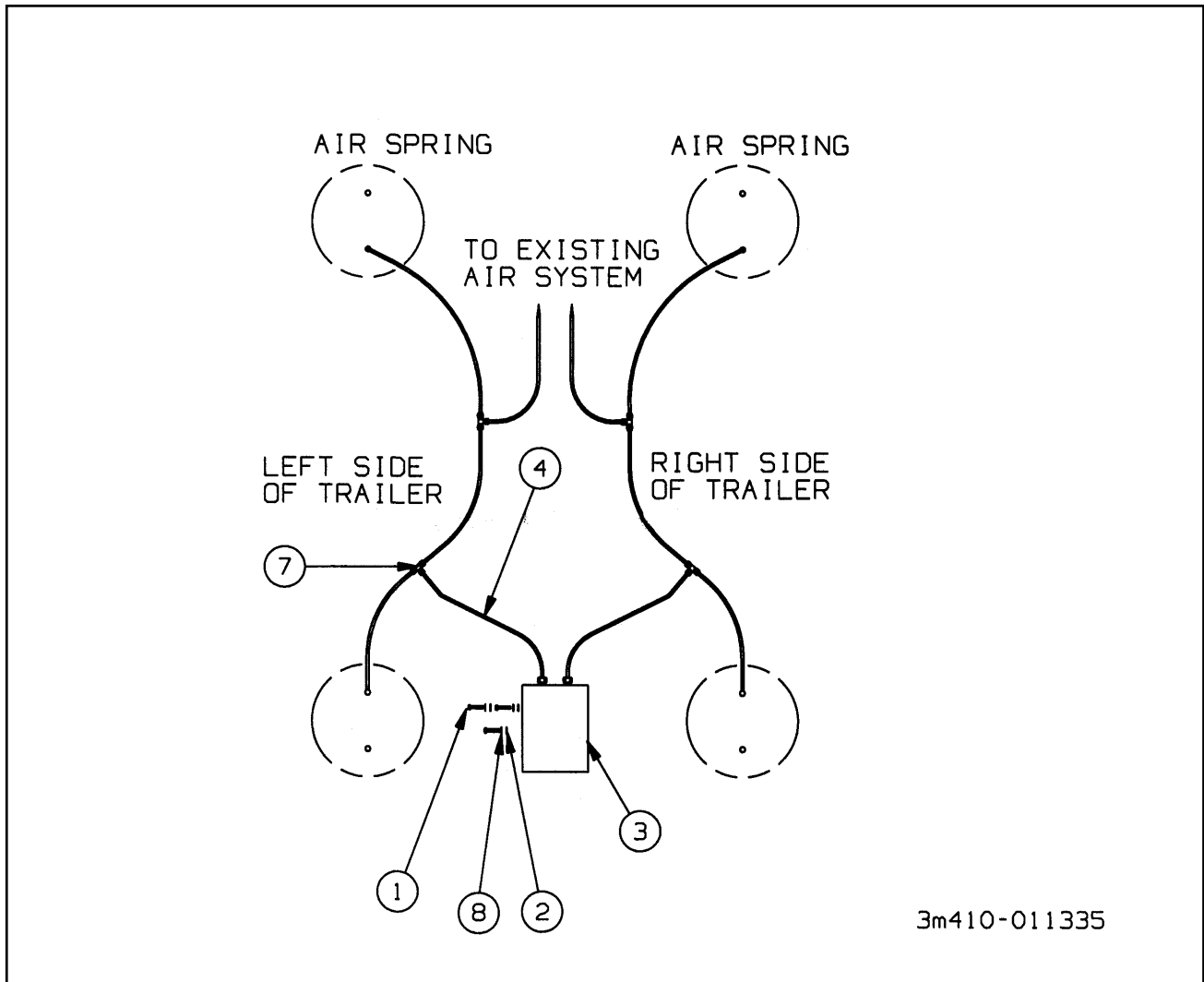
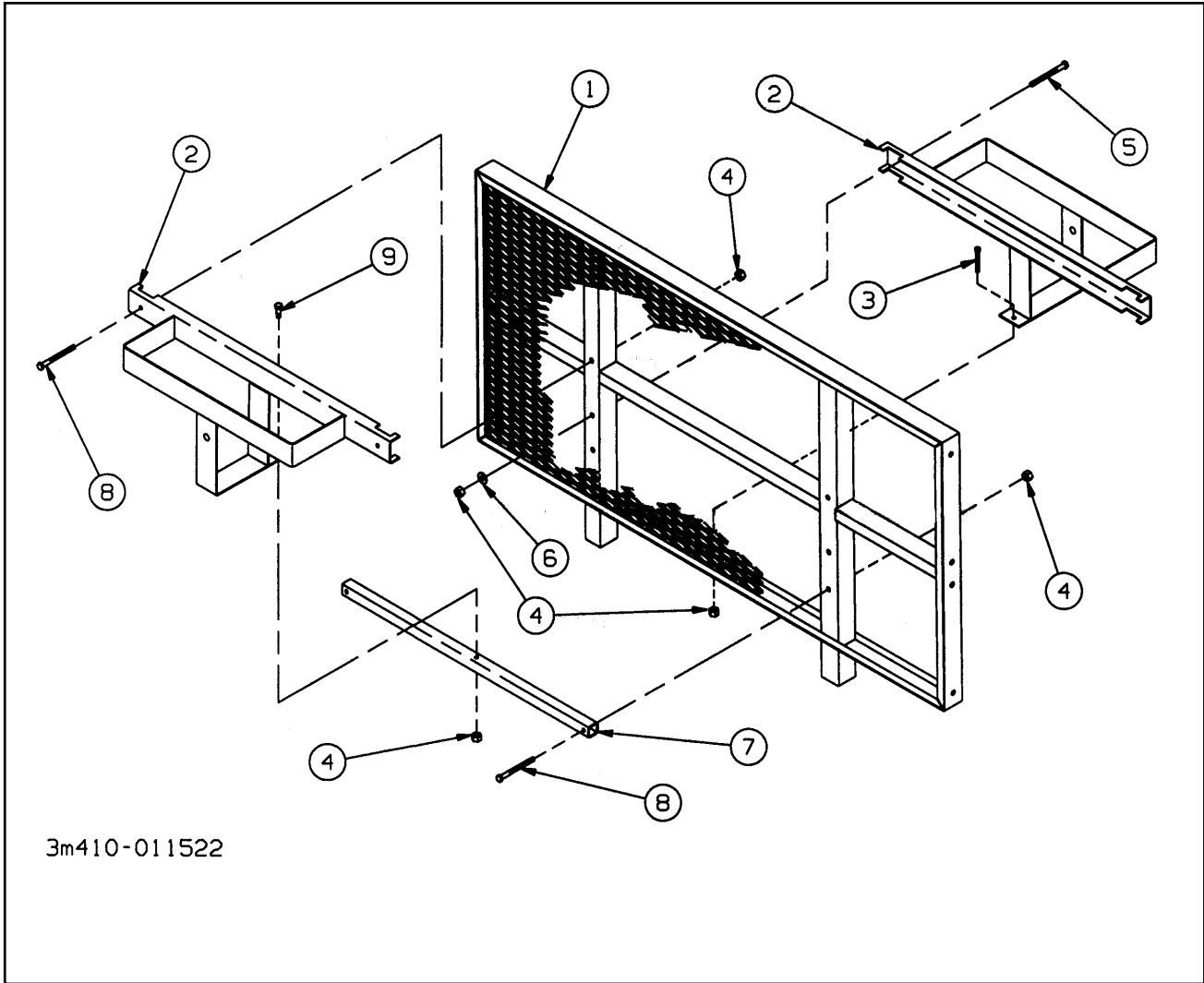


Figure 1-74 Scale-o-matic (Option)

SCALE-O-MATIC INSTALLATION (OPTION)

ITEM	PART NO.	DESCRIPTION	QTY.
	3-410-011335	SCALE-O-MATIC INSTALLATON 317B	
1	1-654-010047-06	SCREW HEX HEAD CAP 1/4-20X 1 GR5	4
2	1-512-010005-01	NUT HEX LOCK 1/4-20 GRB	4
3	3-762-010612	SCALE-O-MATIC 25000LB CAP	1
4	1-833-010001	NYLON TUBING 1/4OD	10
5	3-146-010072	BUMPER (NOT SHOWN)	REF
6	3-120-010426	BRACKET, SCALE-O-MATIC MTG (NOT SHOWN)	1
7	1-297-010010-04	FITTING AIR UNION/TEE	2
8	1-861-010032-06	WASHER FLAT 1/4N	4
9	1-654-010049-05	SCREW HEX HEAD CAP 5/16-18X1 GR5 (NOT SHOWN)	4
10	1-861-010032-09	WASHER FLAT 5/16-18X1 GR5 (NOT SHOWN)	4
11	1-512-010005-03	NUT HEX LOCK 5/16-18 GRB (NOT SHOWN)	4



3m410-011522

Figure 1-75 Spare Tire Carrier (Option)

SPARE TIRE CARRIER (OPTION)

ITEM	PART NO.	DESCRIPTION	QTY.
	3-612-010015-1	RACK INSTALLATION BHD, FRONT MOUNT (ITEMS 2-6)	
	3-612-010015-2	RACK INSTALLATION BHD, REAR MOUNT (ITEMS 2,4,7-9)	
1	----	BULKHEAD WELDMENT	REF
2	3-612-010016	RACK WELDMENT BULKHEAD MOUNT	1
3	1-654-010055-01	SCREW HEX HEAD CAP 1/2-13X1 GR5	1
4	1-512-010005-09	NUT HEX LOCK 1/2-13 GRB	3,5*
5	1-654-010055-15	SCREW HEX HEAD CAP 1/2-13X5 GR5	2
6	1-861-010032-15	WASHER FLAT 1/2W	2
7	3-829-010337	TUBE W/ TAB MOUNTED BULKHEAD SPARE RACK	1
8	1-654-010055-18	SCREW HEX HEAD CAP 1/2-13X6-1/2 GR5	4
9	1-654-010055-09	SCREW HEX HEAD CAP 1/2-13X3 GR5	1

* 1ST QUANTITY IS FOR P/N 3-612-010015-1; 2ND QUANTITY IS FOR P/N 3-612-010015-2.

NOTES:

PART	PAGE	PART	PAGE	PART	PAGE
0001-02	049	034-058-07	058	071900195	013
0001-02	051	034-188-03	057	0741-01	049
0001-04	049	034-188-05	057	0741-01	051
0001-04	051	034-188-08	057	081900277	013
0001-08	049	034-189-03	057	081900295	012
0001-08	051	034-189-05	057	097-002-00	058
0001-14	051	034-189-08	057	097-003-00	058
0002-07	049	034-192-05	057	100000330	134
0002-07	051	034-193-05	057	100140	099
0049-00	051	0375-00	051	100276	099
005-074-00	057	040-180-00	057	100276	099
005-096-00	057	040-320-01	057	100279	099
005-098-00	058	041-057-01	057	100289	031
005-099-00	058	041-058-01	057	100289	105
005-134-00	057	041-059-01	057	100290	031
0053-00	051	041-060-01	057	100290	105
006-114-00	058	046-092-00	057	100346	099
006-115-00	058	046-096-00	057	100347	099
007-237-00	058	046-097-00	057	100348	099
0075-20	051	0508-00	051	100401	061
010-052-00	057	05-1009	099	100402	061
0101012	097	051700015	134	1004-3	085
0101013	097	055-040-06	058	1004-6	085
0101112	097	055-040-07	058	1005013	097
010700437	134	055-040-07	058	100600	065
01-1006	099	056-010-00	057	100600	067
011100550	012	056-017-00	057	100600	075
011300179	013	056-018-00	057	100600	104
014-056-00	057	0600-250-03000	121	1-007-010006	115
014-057-00	057	0600-375-01500	126	1-007-010025	015
014-058-00	057	061-006-00	058	1-007-010025	016
014-065-00	057	0647-01	051	1-007-010041-1	093
014-068-00	057	0649-02	051	1-007-010058	091
021-038-01 (4009)	061	0650-00	051	1-007-010058	093
024-100-00	058	069-018-00	057	10078	077
024-101-01	058	069-078-00	057	10078	080
024-101-01	058	07-1061	099	1008008	097
0274-01	051	071-122-00	057	100941	039
034-057-01	058	071-124-00 (3067)	061	100948	055
034-057-07	058	07-1201	099	100949	053
034-058-01	058	071900048	012	10-1001	099

PART	PAGE	PART	PAGE	PART	PAGE
101062	121	102732	042	104252	125
101062	123	102732	045	104252	126
101062	125	102836	024	104253	123
101129-1	099	102836	038	104253	125
101143	038	102836	042	104253	126
101143	042	102836	049	104279	011
101143	049	103055	104	104328	095
101160	061	103056	104	104329	095
101268	104	1035-20	051	104330	095
101299	101	103743	011	104331	095
101381	026	103744	011	104332	095
101381	027	103744	012	104369	011
101386	126	103745	011	104370	011
1014-4	085	103745	012	104385	007
101449	099	103783	061	104410	123
101712	038	103815	039	104411	123
101712	042	103815	049	104412	123
101712	049	103815	053	104413	123
101848	059	103817	042	104413	126
101851	059	103817	053	104414	123
101853	024	103817	055	104414	126
101855	059	103861	059	104415	123
1019-4	085	103986	007	104416	123
10205R	024	103987	007	104417	123
10205Y	024	10403	024	104418	123
1021	085	10404	024	104419	123
102-1097	095	104045	039	104420	123
102186	065	104157	038	104433	042
102186	067	104157	042	104433	091
102187	074	104157	049	104463	039
102188	074	104159	024	104464	005
102237	074	104160	024	104466	003
102283	038	104238	129	104472	043
102283	042	104239	131	104472	055
102283	049	104240	131	104483	039
102361	047	104241	131	104597	125
102363	039	104242	131	1046	085
102363	042	104243	131	104610	125
102363	047	104244	131	10466	084
102364	039	104248	003	104699	108
102364	042	104249	003	104835	125
102364	047	104251	123	104836	125
102732	038	104252	123	104837	125

PART	PAGE	PART	PAGE	PART	PAGE
104838	125	105974	019	109712	133
104839	125	106-0079	031	1-1/4ST ELL	115
104840	125	106-0079	031	11005053	047
104841	125	106068	031	11011	077
104843	125	106069	031	11014	081
104844	125	106069	031	11025	080
104878	026	106207	119	11026	080
104879	026	106371	024	11026	081
104880	027	106652	025	110437	039
104892	009	106759	115	110-4950	042
105-0093	101	106760	115	110-7389	005
10525	083	10708	083	110-7389	007
105343	123	107368	074	110-7389	009
105346	123	107368	087	110975(2023——T)	061
105354	123	107369	075	110976(66884)	061
105355	123	107369	087	110990	049
105408	047	107486	011	110991	049
105479	005	107498	115	111007	047
105479	007	107499	115	111008	047
105479	009	107500	115	111008	047
105479	115	107513	115	111010	047
105480	005	107598	025	111010	047
105480	007	107599	025	111011	047
105480	009	107756	005	111012	047
105480	115	107756	007	111013	047
105481	005	107756	009	111014	047
105481	007	10848	084	111015	047
105481	009	108541	061	111016	047
105481	115	108601	108	111017	047
105482	005	108647	024	111018	047
105482	007	108710	121	111020	047
105482	009	108711	121	111021	045
105482	115	108712	121	111022	047
105483	005	108798	117	111023	047
105483	007	108801	063	111024	095
105483	009	108802	063	111166	071
105822	005	108958	039	11117	077
105822	007	108958	042	111252	071
105822	009	109161	129	11128	077
105822	104	109161	133	11129	077
105834	126	109709	129	11130	077
105835	126	109709	133	11133	077
105973	019	109711	133	11142	077

PART	PAGE	PART	PAGE	PART	PAGE
11144	077	113856	108	114590	059
1114-5	085	113877	129	114814	108
1-116-010019	101	113878	129	114815	108
111695	129	113900	042	114968	108
111696	095	113901	042	115586	108
111722	033	11398	081	115601	108
111722	035	11402	080	1157	084
111859	129	11404	080	115701	057
111866	134	11405	080	115703	057
111870	134	11407	080	115704	057
111925	024	11411	080	115708	057
111926	024	11414	080	115713	057
112047	061	11419	080	115719	057
11240	077	11420	080	115730	038
112493(2027—T80)	061	11421	080	115732	038
112553	038	11425	080	115732	042
112554	038	11426	081	115733	038
112567	129	11427	080	115735	042
112574	042	11429	080	115738	038
112678	131	11430	080	115738	042
112679	131	11431	080	115740	042
112690	035	11434	080	115877	109
112691	035	11435	081	115888	108
112691	035	11440	080	11599	080
1128	087	11441	080	11603	083
11308	077	11442	080	1-161-010033-04	011
11309	080	11443	083	116134	025
11310	080	11445	080	116139	024
113284	104	11446	080	116326	108
113285	104	11449	080	116328	108
113359	111	114562	038	116330	108
113374	025	114574	104	116332	111
113388	104	114575	104	1165	084
113388	108	114581	024	116563	038
113518	104	114581	025	117155	111
113520	104	114583	025	117156	111
113544	109	114584	053	117199	043
113661	033	114584	059	117304	053
113661	035	114586	055	117304	055
113669	033	114586	059	11750	083
11368	077	114588	059	117560	042
113850	104	114590	053	11767	077
113851	104	114590	055	117873	108

PART	PAGE	PART	PAGE	PART	PAGE
11791	081	123187	058	1-297-010008-01	016
11799	077	123192	058	1-297-010008-01	019
1-181-010046-1	108	123193	058	1-297-010008-05	071
1-181-010046-7	109	1-242-010178-2	134	1-297-010008-05	074
118-2659-9	053	1-242-010180-2	131	1-297-010008-07	015
118-2659-9	055	1-242-010180-2	134	1-297-010008-07	016
11837	078	12465	080	1-297-010008-07	019
11842	081	12486	083	1-297-010008-07	038
1188	083	125130	108	1-297-010008-07	042
119206	108	125130	115	1-297-010008-07	069
119445	108	12516	084	1-297-010008-07	069
119577	108	1271	087	1-297-010008-07	071
119580	038	1272	087	1-297-010008-07	071
119580	042	1273	087	1-297-010008-07	074
119580	049	1274	087	1-297-010008-18	042
119625	033	1275	087	1-297-010008-18	053
119625	035	1276	087	1-297-010008-18	055
119626	035	12767	081	1-297-010008-18	063
11977	083	1277	087	1-297-010008-18	117
120569	109	12780	077	1-297-010008-24	053
120654	108	12781	080	1-297-010008-24	055
120660	109	12783	080	1-297-010008-26	053
120661	108	12817	078	1-297-010008-26	055
120662	108	1-295-010001	108	1-297-010010-01	038
120724	111	1-295-010001	115	1-297-010010-01	042
120725	111	1-295-010002	108	1-297-010010-03	043
120726	111	1-295-010002	115	1-297-010010-04	038
12073	080	1296	085	1-297-010010-04	042
12075	077	1-297-010007-04	071	1-297-010010-04	135
121366	038	1-297-010007-04	074	1-297-010011-02	071
121366	042	1-297-010007-05	069	1-297-010013-05	015
121366	049	1-297-010007-05	071	1-297-010013-05	016
121377	025	1-297-010007-11	038	1-297-010013-05	019
12146	081	1-297-010007-12	053	1-297-010013-12	063
12-16 070120	115	1-297-010007-12	055	1-297-010013-16	063
12228	081	1-297-010007-14	063	1-297-010015-02	074
1224	087	1-297-010007-15	053	1-297-010015-03	069
123180	058	1-297-010007-15	055	1-297-010015-09	015
123182	058	1-297-010007-16	053	1-297-010015-09	016
123183	058	1-297-010007-16	055	1-297-010015-09	019
123184	058	1-297-010007-16	063	1-297-010015-09	069
123185	058	1-297-010007-18	053	1-297-010015-09	071
123186	058	1-297-010008-01	015	1-297-010015-09	074

PART	PAGE	PART	PAGE	PART	PAGE
1-297-010017-03	053	13300	083	1-397-010301040	007
1-297-010017-03	055	13301	083	1-397-010301040	009
1-297-010018-04	117	13306	084	1-397-010301042	005
1-297-010020-02	015	13316	083	1-397-010301042	007
1-297-010020-02	016	13317	083	1-397-010301042	009
1-297-010020-02	019	13330	083	1-397-010301042	011
1-297-010020-02	069	13356	083	1-397-010301048	011
1-297-010020-02	071	13413	081	1-397-010301084	011
1-297-010020-02	074	13424	078	1-397-010301100	115
1-297-010022-02	015	13424	081	1-397-010301100	131
1-297-010022-02	016	1-343-010007	024	1-397-010301108	011
1-297-010022-02	019	1-343-010007	027	1-397-010301127	005
1-297-010022-02	069	1-343-010007	117	1-397-010301127	007
1-297-010022-02	071	1-343-010010	027	1-397-010301127	009
1-297-010022-02	074	13468	077	1-397-010301136	131
1-297-010022-02	117	13675	084	1-397-010301157	005
1-297-010031-02	074	13680	077	1-397-010301157	007
1-297-010032-03	074	1376	083	1-397-010301157	009
1-297-010033-02	015	1-382-010035-06	069	1-397-010301208	071
1-297-010033-02	016	1-382-010035-06	071	1-397-010302042	011
1-297-010033-02	019	13839	078	1-397-010302064	011
1-297-010034-01	108	1-384-010038024	053	1-397-010302070	011
1-298-010001-1	003	1-384-010038024	055	1-397-010302078	011
1-298-010001-1	011	1-384-010038060	053	1-397-010302078	065
1-298-010001-1	089	1-384-010038060	055	1-397-010302102	011
1-298-010001-1	118	1-384-010038084	055	1-397-010302112	011
1-298-010001-1	119	1-387-010309260	095	1-397-010302136	011
13005	077	1388	083	1-397-010302160	011
13028	078	13938	080	1-397-010302192	011
13028	081	1-394-010001	053	1-397-010302206	069
1-316-010013	108	1-394-010001	055	1-397-010302216	067
13164	083	1395	084	1-397-010302216	074
1317	084	1-397-010010016	011	1-397-010304016	108
13235	084	1-397-010262028	091	1-397-010304018	108
13285	083	1-397-010262036	091	1-397-010304022	005
13286	083	1-397-010262048	091	1-397-010304022	007
13288	083	1-397-010262086	091	1-397-010304022	009
13288	083	1-397-010262-3	093	1-397-010304029	005
13288	084	1-397-010262-4	093	1-397-010304029	009
13295	084	1-397-010262-5	093	1-397-010304029	095
13296	084	1-397-010301028	095	1-397-010304031	005
13297	084	1-397-010301039	011	1-397-010304031	007
13299	083	1-397-010301040	005	1-397-010304031	009

PART	PAGE	PART	PAGE	PART	PAGE
1-397-010306028	095	1-510-010001	101	1-512-010005-09	067
1-397-010306032	095	1-510-010001	111	1-512-010005-09	067
1-397-010307174	095	1-510-010001	121	1-512-010005-09	069
1-397-010307210	095	1-510-010001	123	1-512-010005-09	071
1-397-010307216	091	1-510-010001	131	1-512-010005-09	075
1-397-010307246	095	15-1012	099	1-512-010005-09	087
1-397-010307282	095	15-1021	099	1-512-010005-09	089
1-397-010309174	095	15-1024	099	1-512-010005-09	089
1-397-010309210	095	15-1025	099	1-512-010005-09	091
1-397-010309246	095	1-511-010001-07	038	1-512-010005-09	093
1-397-010309282	095	1-511-010001-07	042	1-512-010005-09	101
1-397-010389018	005	1-512-010002-15	038	1-512-010005-09	108
1-397-010389018	007	1-512-010002-15	042	1-512-010005-09	111
1-397-010389018	009	1-512-010002-15	049	1-512-010005-09	113
1402	083	1-512-010003-02	015	1-512-010005-09	113
14068	084	1-512-010003-02	016	1-512-010005-09	115
14344-01	051	1-512-010003-02	019	1-512-010005-09	118
14345-01	051	1-512-010003-02	071	1-512-010005-09	119
141700023	134	1-512-010003-02	074	1-512-010005-09	119
1495	083	1-512-010005-01	033	1-512-010005-09	127
1498	083	1-512-010005-01	045	1-512-010005-09	136
15009	024	1-512-010005-01	063	1-512-010005-13	011
1505	084	1-512-010005-01	135	1-512-010005-13	069
1-510-010001	005	1-512-010005-03	024	1-512-010005-13	071
1-510-010001	007	1-512-010005-03	029	1-512-010005-13	074
1-510-010001	009	1-512-010005-03	095	1-512-010005-13	089
1-510-010001	011	1-512-010005-03	135	1-512-010005-13	129
1-510-010001	015	1-512-010005-05	026	1-512-010005-13	131
1-510-010001	016	1-512-010005-05	027	1-512-010005-15	003
1-510-010001	019	1-512-010005-05	053	1-512-010005-15	011
1-510-010001	024	1-512-010005-05	055	1-512-010005-15	127
1-510-010001	029	1-512-010005-05	065	1-512-010007-03	024
1-510-010001	038	1-512-010005-05	067	1-512-010007-03	033
1-510-010001	042	1-512-010005-05	067	1-512-010007-03	074
1-510-010001	049	1-512-010005-05	069	1-512-010007-03	101
1-510-010001	053	1-512-010005-05	075	1-512-010007-05	039
1-510-010001	055	1-512-010005-05	108	1-512-010007-05	043
1-510-010001	065	1-512-010005-05	115	1-512-010007-05	053
1-510-010001	067	1-512-010005-05	129	1-512-010007-05	055
1-510-010001	069	1-512-010005-09	011	1-512-010007-05	075
1-510-010001	071	1-512-010005-09	039	1-512-010007-05	087
1-510-010001	091	1-512-010005-09	065	1-512-010007-09	011
1-510-010001	093	1-512-010005-09	065	1-512-010007-09	047

PART	PAGE	PART	PAGE	PART	PAGE
1-512-010007-12	075	1-647-010004117	121	1-654-010051-06	111
1-512-010007-16	038	1-647-010004177	123	1-654-010051-06	113
1-512-010007-16	049	1-647-010004177	126	1-654-010051-06	115
1-515-010007-05	049	1-647-010004213	125	1-654-010051-06	121
1-533-010001	121	1-647-010004255	003	1-654-010051-07	005
1-533-010001	123	1-647-010004255	038	1-654-010051-07	007
1-533-010001	125	1-647-010004255	049	1-654-010051-07	009
1-557-010014	113	1-647-010004255	074	1-654-010051-07	038
1-557-010362-54	005	1-654-010005-13	131	1-654-010051-07	042
1-557-010362-54	007	1-654-010024014	015	1-654-010051-07	049
1-557-010362-54	009	1-654-010024014	016	1-654-010051-07	067
1-557-010362-54	011	1-654-010024014	019	1-654-010051-07	075
1-557-010362-63	113	1-654-010024014	071	1-654-010051-07	129
1-557-010362-63	113	1-654-010024014	074	1-654-010051-08	053
1-557-010403	125	1-654-010024079	069	1-654-010051-08	055
1-560-010002-02	053	1-654-010027-7	063	1-654-010051-08	069
1-560-010002-02	055	1-654-010032-4	038	1-654-010051-09	005
1-560-010002-02	117	1-654-010032-4	042	1-654-010051-09	007
1-560-010002-03	053	1-654-010032-4	049	1-654-010051-09	009
1-560-010002-04	053	1-654-010036-05	074	1-654-010051-09	015
1-560-010002-04	055	1-654-010047-04	045	1-654-010051-09	016
1-560-010002-04	063	1-654-010047-06	033	1-654-010051-09	019
1-560-010002-04	109	1-654-010047-06	053	1-654-010051-09	108
1-560-010002-04	115	1-654-010047-06	055	1-654-010051-09	129
1-560-010002-05	053	1-654-010047-06	108	1-654-010051-13	111
1-560-010002-05	055	1-654-010047-06	135	1-654-010051-13	123
1-560-010002-05	115	1-654-010049-03	061	1-654-010051-16	123
1-560-010002-07	115	1-654-010049-05	135	1-654-010055-01	075
1-573-010001	104	1-654-010049-06	024	1-654-010055-01	087
1-573-010002	104	1-654-010049-06	029	1-654-010055-01	136
1-573-010003	104	1-654-010049-11	095	1-654-010055-02	091
1-573-010004	104	1-654-010051-03	089	1-654-010055-02	093
1-573-010013	104	1-654-010051-03	118	1-654-010055-02	108
1-573-010014	104	1-654-010051-05	009	1-654-010055-02	111
1-573-010015	104	1-654-010051-05	026	1-654-010055-03	065
1-573-010016	104	1-654-010051-05	027	1-654-010055-03	067
1-573-010476	104	1-654-010051-05	091	1-654-010055-03	071
1590	084	1-654-010051-05	093	1-654-010055-03	075
1595	084	1-654-010051-05	101	1-654-010055-03	089
16-1002	099	1-654-010051-06	065	1-654-010055-03	091
1-626-010002	095	1-654-010051-06	067	1-654-010055-03	093
1-630-010021-02	038	1-654-010051-06	069	1-654-010055-03	108
1644	085	1-654-010051-06	108	1-654-010055-03	113

PART	PAGE	PART	PAGE	PART	PAGE
1-654-010055-03	113	1-654-010070-04	101	18024	077
1-654-010055-03	115	1-654-010070-07	118	18026	077
1-654-010055-04	065	1-654-010070-13	118	18027	077
1-654-010055-04	067	1-654-010070-14	101	18028	077
1-654-010055-04	115	1-654-010089-13	101	18029	077
1-654-010055-05	039	1-654-010141-04	074	18030	077
1-654-010055-05	065	1-654-010158-1	039	18032	077
1-654-010055-05	075	1-654-010158-1	043	18033	080
1-654-010055-05	089	1-654-010158-1	049	18034	080
1-654-010055-07	075	1655	085	18035	080
1-654-010055-07	111	1-656-010003051	024	18039	077
1-654-010055-09	136	1-656-010003051	033	18044	078
1-654-010055-11	119	1-656-010003051	101	18047	077
1-654-010055-11	125	1-656-010003053	074	18047	080
1-654-010055-13	113	1-660-010006	029	18056	078
1-654-010055-14	121	167-0022	126	18078	077
1-654-010055-14	123	170201241	134	18078	077
1-654-010055-14	125	17-1003	099	1-816-010034-13	047
1-654-010055-15	136	1723	087	1-822-010001	005
1-654-010055-16	065	1-765-010065	071	1-822-010001	007
1-654-010055-16	067	1-765-010065	074	1-822-010001	009
1-654-010055-17	065	1766	087	1-833-010001	015
1-654-010055-17	067	1-796-010003-02	011	1-833-010001	016
1-654-010055-17	069	1-796-010003-02	024	1-833-010001	019
1-654-010055-18	136	1-796-010003-02	026	1-833-010001	038
1-654-010059-01	091	1-796-010003-02	027	1-833-010001	042
1-654-010059-01	093	1-796-010003-02	029	1-833-010001	069
1-654-010059-03	129	1-796-010004-02	038	1-833-010001	071
1-654-010059-03	131	1-796-010004-02	042	1-833-010001	074
1-654-010059-04	129	1-796-010004-02	049	1-833-010001	135
1-654-010059-05	069	179933	061	1-833-010002	042
1-654-010059-05	071	179955	061	1-833-010002	053
1-654-010059-05	089	18002	078	1-833-010002	055
1-654-010059-05	131	18002	081	1-833-010002	063
1-654-010059-15	074	18003	077	1-833-010002	117
1-654-010059-21	011	18003	081	1-833-010002-32	038
1-654-010061-06	011	18009	077	1-833-010003	053
1-654-010061-07	003	18009	080	1-833-010003	055
1-654-010061-07	038	18015	077	1-833-010003	063
1-654-010061-07	042	18016	077	1-843-010014	061
1-654-010061-07	049	18019	077	1-861-010032-01	071
1-654-010069-3	127	18020	077	1-861-010032-01	074
1-654-010070-02	119	18022	080	1-861-010032-03	069

PART	PAGE	PART	PAGE	PART	PAGE
1-861-010032-04	033	1-861-010032-15	065	1-861-010034-13	075
1-861-010032-04	101	1-861-010032-15	067	1-861-010034-13	091
1-861-010032-06	033	1-861-010032-15	069	1-861-010034-13	093
1-861-010032-06	063	1-861-010032-15	071	1-861-010034-13	115
1-861-010032-06	135	1-861-010032-15	091	1-861-010034-15	091
1-861-010032-07	039	1-861-010032-15	093	1-861-010034-15	093
1-861-010032-07	043	1-861-010032-15	101	1-861-010034-17	038
1-861-010032-07	049	1-861-010032-15	108	1-861-010034-17	042
1-861-010032-07	053	1-861-010032-15	111	1-861-010034-17	049
1-861-010032-07	055	1-861-010032-15	113	1-861-010059-21	005
1-861-010032-07	095	1-861-010032-15	113	1-861-010059-21	007
1-861-010032-07	126	1-861-010032-15	118	1-861-010059-21	009
1-861-010032-09	095	1-861-010032-15	119	1865	085
1-861-010032-09	135	1-861-010032-15	121	1-879-010008	031
1-861-010032-10	065	1-861-010032-15	123	1-879-010011	031
1-861-010032-10	067	1-861-010032-15	136	1-879-010011	074
1-861-010032-10	074	1-861-010032-18	069	19014	080
1-861-010032-11	038	1-861-010032-18	071	190400004	134
1-861-010032-11	042	1-861-010032-18	075	19045	077
1-861-010032-11	049	1-861-010032-18	091	19045	080
1-861-010032-11	053	1-861-010032-18	093	1974	087
1-861-010032-11	055	1-861-010032-19	011	1976	087
1-861-010032-11	067	1-861-010032-19	129	1A0290	021
1-861-010032-11	069	1-861-010034-07	024	1A0291	021
1-861-010032-11	075	1-861-010034-07	033	1A0292	021
1-861-010032-11	091	1-861-010034-07	069	1A0294	021
1-861-010032-11	093	1-861-010034-07	074	1A0709	021
1-861-010032-11	101	1-861-010034-07	101	1A0711	021
1-861-010032-11	108	1-861-010034-09	039	1A0744	021
1-861-010032-11	111	1-861-010034-09	043	1A0757	021
1-861-010032-11	113	1-861-010034-09	049	1R0017	021
1-861-010032-11	121	1-861-010034-09	053	1V0081	021
1-861-010032-11	123	1-861-010034-09	055	1V0208	005
1-861-010032-11	129	1-861-010034-09	075	1V0208	007
1-861-010032-14	075	1-861-010034-09	087	1V0208	009
1-861-010032-14	087	1-861-010034-09	095	1V0208	021
1-861-010032-14	091	1-861-010034-09	108	1V1701	021
1-861-010032-14	093	1-861-010034-10	061	1V1703	021
1-861-010032-15	011	1-861-010034-11	089	1V1725	021
1-861-010032-15	039	1-861-010034-11	113	200013106	134
1-861-010032-15	039	1-861-010034-11	118	200300040	134
1-861-010032-15	043	1-861-010034-13	065	2021-12-12S	108
1-861-010032-15	065	1-861-010034-13	067	2021-12-8S	005

PART	PAGE	PART	PAGE	PART	PAGE
2021-12-8S	007	2062-12-12S	019	2-181-010001	091
2021-12-8S	009	2062-12-12S	095	2-181-010001	093
2024-12-12S	108	2062-12-12S	108	2183	085
2024-12-12S	115	2062-12-8S	095	21925	077
2024-12-8S	115	2062-16-8S	115	21961	077
202702-10-8S	065	2062-6-4S	091	21965	081
202702-10-8S	067	2062-6-4S	093	220000210	134
202702-10-8S	074	2062-8-6S	095	220000212	012
202702-12-12S	108	2062-8-8S	005	220000212	013
202702-20-20S	108	2062-8-8S	007	220001504	134
202702-6-4S	091	2062-8-8S	009	22055	080
202702-6-4S	093	2062-8-8S	011	2240-12-12S	109
202702-8-8S	069	2062-8-8S	071	2263	085
203003-8-8S	005	2062-8-8S	095	2265-6	085
203003-8-8S	007	2062-8-8S	131	22695	081
203003-8-8S	009	2071-12-12S	108	22697	081
203003-8-8S	011	2081-8-6S	063	22703	077
203005-8-8S	011	2083-8-4S	038	22703	081
203005-8-8S	095	2083-8-4S	043	22704	078
203102-12-12S	005	2083-8-4S	117	22704	081
203102-12-12S	007	20852-01	051	22729	081
203102-12-12S	009	2088-6-6S	053	22752	077
203102-12-12S	095	2088-6-6S	055	22775	077
203102-12-12S	108	2088-6-6S	063	22775	080
2033-4-4S	091	2089-6-6S	053	23078	078
2033-8-8S	005	2089-6-6S	055	23078	081
2033-8-8S	007	2089-6-6S	117	23079	078
2033-8-8S	009	2091-12-12S	108	23079	081
2043-12-12S	005	2109-3	085	23081	078
2043-12-12S	007	211300024	013	23081	081
2043-12-12S	009	2175	085	23083	078
2047-12-12S	115	2177	085	23085	078
2061-6-6S	091	2180	085	2309	084
2061-8-8S	011	2-181-010001	011	23142	081
2061-8-8S	015	2-181-010001	024	23183	081
2061-8-8S	016	2-181-010001	029	2319	083
2061-8-8S	019	2-181-010001	038	23245	081
206209-12-12S	108	2-181-010001	042	23303	077
2062-12-12S	005	2-181-010001	049	23310	081
2062-12-12S	007	2-181-010001	065	23353	078
2062-12-12S	009	2-181-010001	067	23353	081
2062-12-12S	015	2-181-010001	069	23367	080
2062-12-12S	016	2-181-010001	071	23470	077

PART	PAGE	PART	PAGE	PART	PAGE
2356	087	3-120-010426	135	3-155-010018-6	065
2388	087	3-120-010445	071	3-155-010018-6	067
2389	087	3-120-010445	074	3-155-010018-6	075
239-9076-3	075	3-120-010461	115	3-155-010025	109
24032	077	3-120-010478	089	3-156-010007	031
24213-130	051	3-125-010222	121	3-156-010008	024
2480	085	3-125-010244	011	3-156-010008	071
2481X	108	3-125-010465	074	3-156-010008	074
2509904	108	3126	083	3-156-010043	031
28942	080	3-128-010021	063	3-156-010043	031
28943	080	3-136-010001-01	071	3159	083
2A0079-404	021	3-136-010001-01	074	3-161-010034	015
2A0079-406	021	3-136-010001-02	015	3-161-010034	016
2A0283-7214	021	3-136-010001-02	016	3-161-010034	019
2A0354-121	021	3-136-010001-02	019	3-162-010001	109
2A0283-7214	021	3-141-010008	113	3-162-010001	115
2V0010	021	3-141-010118	113	3-174-010038	065
300003	099	3-141-010119	113	3-174-010038	067
300022	099	3-141-010121	113	3-174-010038	075
300092	099	3-141-010123	113	3-174-010039036	065
300093	099	3-141-010147	113	3-174-010039036	067
300427	099	3-141-010151	113	3-174-010039036	075
3-007-010039	015	3-141-010152	113	3-174-010059	069
3-007-010039	016	3-141-010155	113	3-174-010059	071
3-007-010039	019	3-146-010001	011	3-174-010060036	069
3-014-010208	074	3-146-010072	135	3-174-010060036	071
3-014-010255	075	3-150-010186	074	3177	083
3-054-010101	113	3-150-010186	087	3-177-010191	118
3059	084	3-150-010196	074	3-181-010006	095
3-076-010005	049	3-150-010223	011	3-181-010006	131
3-102-010022	011	3-153-010014	033	3-181-010034-1	024
3109	087	3-153-010016	069	3-182-010028	109
31-1016	099	3-153-010016	071	3-187-010001	126
3-117-010069	113	3-155-010012	108	32002	071
3-117-010070	113	3-155-010017-1	065	32002	074
3-117-010071-1	113	3-155-010017-1	067	3-208-010055	035
3-120-010117	011	3-155-010017-4	065	3-208-010061	033
3-120-010124	108	3-155-010017-4	067	3-208-010067-03	033
3-120-010125	011	3-155-010018-1	065	3-209-010003	031
3-120-010294	089	3-155-010018-1	067	3-209-010004-01	031
3-120-010295	089	3-155-010018-1	075	3-209-010004-05	031
3-120-010351	091	3-155-010018-4	065	3-209-010006-01	031
3-120-010351	093	3-155-010018-4	067	3-209-010006-03	031

PART	PAGE	PART	PAGE	PART	PAGE
3-222-010079	065	3-272-010134-03	033	3-368-010125	033
3-222-010083	067	3-272-010143-01	024	3-368-010129	033
3-222-010083	069	3-272-010143-02	024	3-368-010129	071
3-222-010083	075	3-272-010149-07	029	3-368-010129	074
3-222-010120	101	3-272-010149-08	029	3-368-010175	024
3-222-010195	065	3-272-010157	029	3-368-010191	029
3-222-010198	119	3-272-010157	075	3-368-010243-02	024
3-222-010199	065	3-272-010158-01	029	3-368-010245-01	029
3-222-010199	119	3-272-010158-02	029	3-368-010246	029
3-238-010001	015	3-276-010051	125	3-368-010247	024
3-238-010001	016	3-276-010053	125	3-368-010248	024
3-238-010001	019	3-276-010054	125	3-368-010249-01	029
3-242-010099	005	3-276-010706	121	3-368-010249-02	029
3-242-010099	007	3-276-010707	121	3-368-010250	026
3-242-010099	009	3-276-010708	121	3-368-010250	027
3-242-010099	011	3-276-010709	121	3-368-010252	026
3-242-010099	012	3-276-010710	121	3-368-010252	027
3-242-010103	011	3-276-010711	121	3-368-010294	024
3-242-010103	013	3-276-010712	121	3-375-010250	003
3-242-010152	011	3-276-010713	121	3-375-010337	003
3-242-010152-03	011	3-276-010714	121	3-375-010349	003
3-242-010205	091	3-276-010715	123	3-375-010489	005
3-242-010205	093	3-276-010718	123	3-375-010489	007
3-242-010205	099	3-276-010729	123	3-375-010489	009
3-256-010003-02	042	3-276-010755	123	3-375-010489-1	003
3-256-010003-02	093	3-276-010774	121	3-375-010489-2	003
3263	083	3-276-010774	123	3-399-010001	109
3-272-010018	075	3-279-010037	031	3-399-010001	115
3-272-010021	071	3-279-010037	031	3-407-010038	011
3-272-010021	074	3303	084	3-407-010062	005
3-272-010021	125	3-311-014956	011	3-407-010062	007
3-272-010022	024	3321	084	3-407-010062	009
3-272-010023	033	3-348-010048	071	3-407-010066	038
3-272-010078	031	3-348-010048	075	3-407-010066	042
3-272-010078	031	3-352-010015-3	089	3-407-010066	095
3-272-010079	031	3-352-010015-4	089	3-410-011335	135
3-272-010080	031	3-352-010017-1	089	3-432-010006	051
3-272-010095	031	3-352-010017-2	089	3-432-010010	051
3-272-010109	075	3-352-010026	118	3-443-010010	101
3-272-010121	031	3-352-010027	118	3-446-010046	024
3-272-010125	029	3-352-010061	089	346SL	131
3-272-010131	024	3-352-010062	089	3-481-010006	065
3-272-010134-01	033	3-368-010067	039	3-481-010006	067

PART	PAGE	PART	PAGE	PART	PAGE
3-481-010006	085	3-561-010001	115	3-573-010442	104
3-481-010007	065	3-565-010770	089	3-573-010465	104
3-481-010007	067	3-565-010770	118	3-573-010465	131
3-481-010007	075	3-565-010951	101	3-573-010466	104
3-481-010007	085	3-565-011688	075	3-573-010466	131
3-482-010252	074	3-573-010025	071	3-591-010001	115
3-482-010267	095	3-573-010025	104	3-591-010001	116
3-482-010288	015	3-573-010031	104	3-612-010015-1	136
3-482-010288	016	3-573-010040	104	3-612-010015-2	136
3-482-010288	019	3-573-010041	104	3-612-010016	136
3-482-010307	101	3-573-010042	104	3-619-010059	127
3-482-010326	118	3-573-010043	104	3-619-010061	127
3-482-010472	091	3-573-010048	104	3-626-010004	071
3-482-010472	093	3-573-010049	104	3-626-010004	074
3-482-010503	115	3-573-010057	104	3632	084
3-482-010575	005	3-573-010085	104	3-642-010134	119
3-482-010575	007	3-573-010127	104	3-645-010049	089
3-482-010575	009	3-573-010189	104	3-645-010059	119
3-482-010575	015	3-573-010202	095	3-645-010085	119
3-482-010575	016	3-573-010202	104	3-659-010012	061
3-482-010575	019	3-573-010210	104	3-681-010072	101
3-485-010001	038	3-573-010296	031	3-681-010098	091
3-485-010001	042	3-573-010296	104	3-681-010098	093
3-485-010001	049	3-573-010297	104	3-711-010025	113
3-522-010017	075	3-573-010298	104	3-711-010028	065
3-557-010029	125	3-573-010299	104	3-711-010055	015
3-557-010030	003	3-573-010300	104	3-711-010055	016
3-557-010031	011	3-573-010349	104	3-711-010055	019
3-557-010033	005	3-573-010377	104	3-711-010110	074
3-557-010033	007	3-573-010378	113	3-720-010010	065
3-557-010033	009	3-573-010391	031	3-720-010010	067
3-557-010042	125	3-573-010391	105	3-720-010010	069
3-557-010059	005	3-573-010392	031	3-720-010024	126
3-557-010059	007	3-573-010392	105	3-720-010030	051
3-557-010059	009	3-573-010393	031	3-720-010035	075
3-557-010120	011	3-573-010393	105	3-720-010042	074
3-557-010375	121	3-573-010394	031	3-725-010058	131
3-557-010380	113	3-573-010394	105	3-755-010080	113
3-557-010383	089	3-573-010437	026	3-755-010189	038
3-557-010383	118	3-573-010437	027	3-755-010189	043
3-557-010396	038	3-573-010437	104	3-755-010189	049
3-557-010396	049	3-573-010442	071	3-755-010189-1	038
3-557-010474	074	3-573-010442	074	3-755-010189-1	043

PART	PAGE	PART	PAGE	PART	PAGE
3-755-010189-1	049	3-843-010008	069	385-06	049
3-762-010016	038	3-843-010015	015	3-861-010038	011
3-762-010016	042	3-843-010015	016	3-861-010047	123
3-762-010016	049	3-843-010015	017	3-870-010097	061
3-762-010017	038	3-843-010015	019	3-870-010104	061
3-762-010017	042	3-843-010022	071	3-870-010106	061
3-762-010017	049	3-843-010022	074	3-870-010116	061
3-762-010612	135	3-843-010023	015	3-873-010040	118
3-765-010001	005	3-843-010023	016	3-873-010122	065
3-765-010001	007	3-843-010024	015	3-873-010122	067
3-765-010001	009	3-843-010024	016	3-873-010122	077
3-765-010001	031	3-843-010024	019	3-873-010123	065
3-780-010002	053	3-843-010025	015	3-873-010123	067
3-780-010002	055	3-843-010025	016	3-873-010123	075
3-786-010043	115	3-843-010025	019	3-873-010123	080
3-793-010040	089	3-843-010038	063	3-873-010124	065
3-793-010041	089	3-843-010039-02	071	3-873-010124	067
38-01-075	038	3-846-010008	005	3-873-010126-2	065
38-01-075	043	3-846-010008	007	3-873-010126-2	067
38-01-075	049	3-846-010008	009	3-873-010127	065
38-02-075	039	3-846-010008	015	3-873-010128	065
38-02-075	043	3-846-010008	016	3-873-010129-2	065
38-02-075	049	3-846-010008	021	3-873-010129-2	067
3-821-010005	039	3-846-010056	091	3-873-010130	067
3-821-010005	043	3-846-010056	093	3-873-010131	067
3-821-010005	049	3-846-010056	097	3-873-010154	069
3-826-010014	003	3-846-010147	019	3-873-010154	071
3-826-010015	003	3-846-010147	021	3-873-010154	083
3-829-010337	136	3-846-010152-01	015	3-873-010155	069
3-831-010172	074	3-846-010152-02	015	3-873-010155	071
3-831-010182	074	3-846-010152-03	015	3-873-010157-01	069
3-832-010300	005	3-846-010152-05	015	3-873-010157-02	069
3-832-010300	009	3-846-010152-08	015	3-873-010172	071
3-832-010301	005	3-846-010152-10	016	3-876-010017	069
3-832-010301	007	3-846-010152-11	016	391-1802-119	116
3-832-010301	009	3-846-010152-12	016	40002R	024
3-832-010302	005	3-846-010152-13	016	4010500	097
3-832-010302	009	3-846-010152-14	016	4010520	097
3-832-010303	005	3-846-010156	005	4010530	097
3-832-010303	007	3-846-010156	007	4011702	097
3-832-010303	009	3-846-010156	009	4014240	097
3-832-010304	005	385-06	038	4023150	097
3-832-010305	005	385-06	043	4023774	097

PART	PAGE	PART	PAGE	PART	PAGE
4042	083	6-557-010163	113	905 54 107	045
4Z4306	021	6582	017	90508009	047
5000	038	6828	115	905-54-107	015
5000	049	68CA-2-2	015	905-54-107	016
5029	042	68CA-2-2	016	905-54-107	019
5029	049	68CA-2-2	019	905-54-107	069
514-9045-26	109	6964-312	017	905-54-107	071
514-9073-18	109	7019-9XX	017	905-54-107	074
516-22PTL	121	73174	083	905-54-107	117
516-22PTL	123	750-029	033	9-181-010021-3	005
5410	118	758-181	053	9-181-010021-3	007
55B61	053	758-181	055	9-181-010021-3	009
55B61	055	76343	084	93201057	047
55B61	063	76344	084	934 00 149	047
55B61-6	063	7637	121	934 00 492	047
55B61-7	063	7HCGHT500	065	936 00 077	047
56D4	053	7HCGHT500	067	941 00 119	045
56D4	055	7HCGHT500	074	941 00 466	045
59P8	031	805-2	053	94100590	047
59P8	031	805-2	055	94100648	047
59P8	031	81006	077	94100685	047
59S-7	024	81009	077	94100787	047
59W-2-3	024	81025	077	94100790	047
59W-2-3	029	81077	080	94926	024
60015Y	024	81078	080	9612	083
6009250	097	81080	080	9672	083
60202R	024	81081	080	9672	084
60202Y	025	81082	080	9695	084
60215Y	024	81434	083	9695	084
6029520	097	81454	083	9704	084
6029521	097	81454	084	9844	083
60700	024	81530	077	9851	083
622-3511-008	038	81608	084	9852	083
622-3511-008	042	81612	084	9853	083
622-3511-008	049	88005	081	9854	083
63680	061	900 08 139	047	9880	083
6400000	097	900 45 040	047	9890	083
6401003	097	900 54 007	045	9890	084
6402000	097	90008184	047	9972	083
6404002	097	9001-B255	031	9992	084
6405000	097	9001-B256	031	9992	084
64181	026	9001-BW70YU	031	A001	035
64181	027	900598-12S	108	A10033	133

PART	PAGE	PART	PAGE	PART	PAGE
A10037.1	133	C10209	133	M110C-1	085
A10037.3	133	C10217	133	NB-2-016	015
A10038.6	133	C10233	133	NB-2-016	015
A10038.7	133	C10234	133	NB-2-016	015
A10040	133	C10256	133	NB-2-016	015
A10052.3	133	C10259	133	NB-2-016	016
A10054.3	133	C2001	087	NB-2-016	016
A10054.6	133	C29-1104X	075	NB-2-016	016
A10054.7	133	C3069X12	115	NB-2-016	016
A10059.1	133	CO-975-74-2000	121	NB-2-016	019
A10101	133	D10116.2	133	NB-2-016	019
A10102	133	D10201.2	133	P003	035
A10212	133	D-2H12	057	PA-2328-2	085
A10218	133	D-2H16	057	PMCK-AD-460	012
A10230	133	DB-10	031	PMCK-AD-461	013
A10255	133	E001	035	PTO	115
A10260.1	133	E001	035	R*P-MT-STD-DF	035
A6760S	117	E002	035	RA 1688-17-64	116
A7106-350	017	E007	035	RFB722X4	069
A7106-392	017	E007	035	RFB722X4	071
A7106-430	017	EB 1685-3	116	RRT114X6	038
AA 1058	116	H015	035	RRT114X6	049
AA-1703-10	118	H018	035	RSP956X5X5	069
AB022-567	017	H038	035	RSP956X5X5	071
AY102	035	H039	035	RTR7999X4ZP	075
AY103	035	H046	035	S005	035
AY109	035	H048	035	STP-147	026
B10036	133	H068	035	STP-147	027
B10066	133	HM212011	061	T7292	051
B10130	133	HM212049	061	T*P*MT-STD-DF	035
B10229.S	133	HM218210	061	TR545D	061
B10236	133	HM218248	061	TR573	061
B3-619-007	127	K71-101-00	057	UB 3006-242	116
B7-141-003	113	K71-133-00	057	W214S-1	125
B7-257-001	101	K71-135-00	057	X 144-3	116
BA 3026-2	116	K71-136-00	057	X2-25	116
BD 1135M-3-17	116	K71-138-00	057	X73-37-16	116
BSL-6-4	101	K71-460-00	057	XA 1603	116
C10078	133	LB 1669-1	116	Y 1032	116
C10085	133	LB004	035		
C10140.2	133	LB005	035		
C10155	133	M 1391-K	116		
C10177	133	M110AB-4	085		

