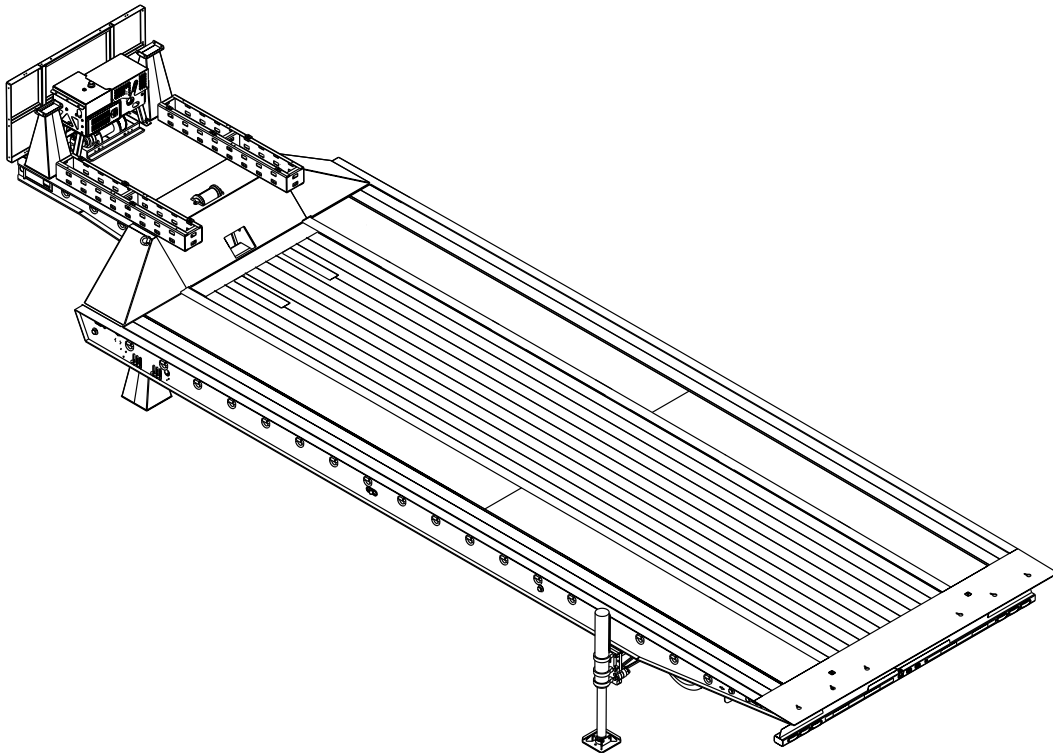




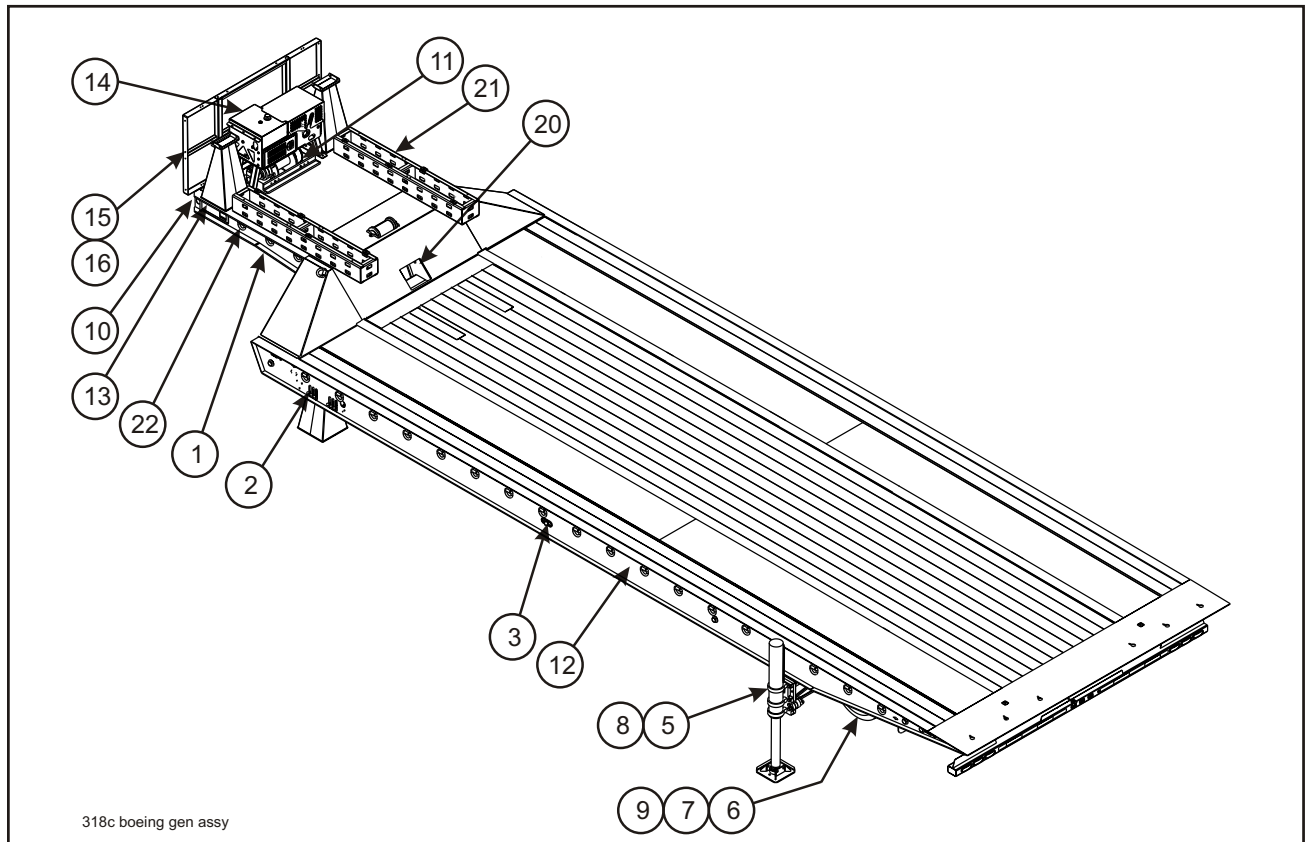
MODEL 318C BOEING TRAILER PARTS LIST



1900 NORTH STREET
MARYSVILLE, KANSAS 66508
(785) 562-5381

ILLUSTRATED PARTS LIST

1

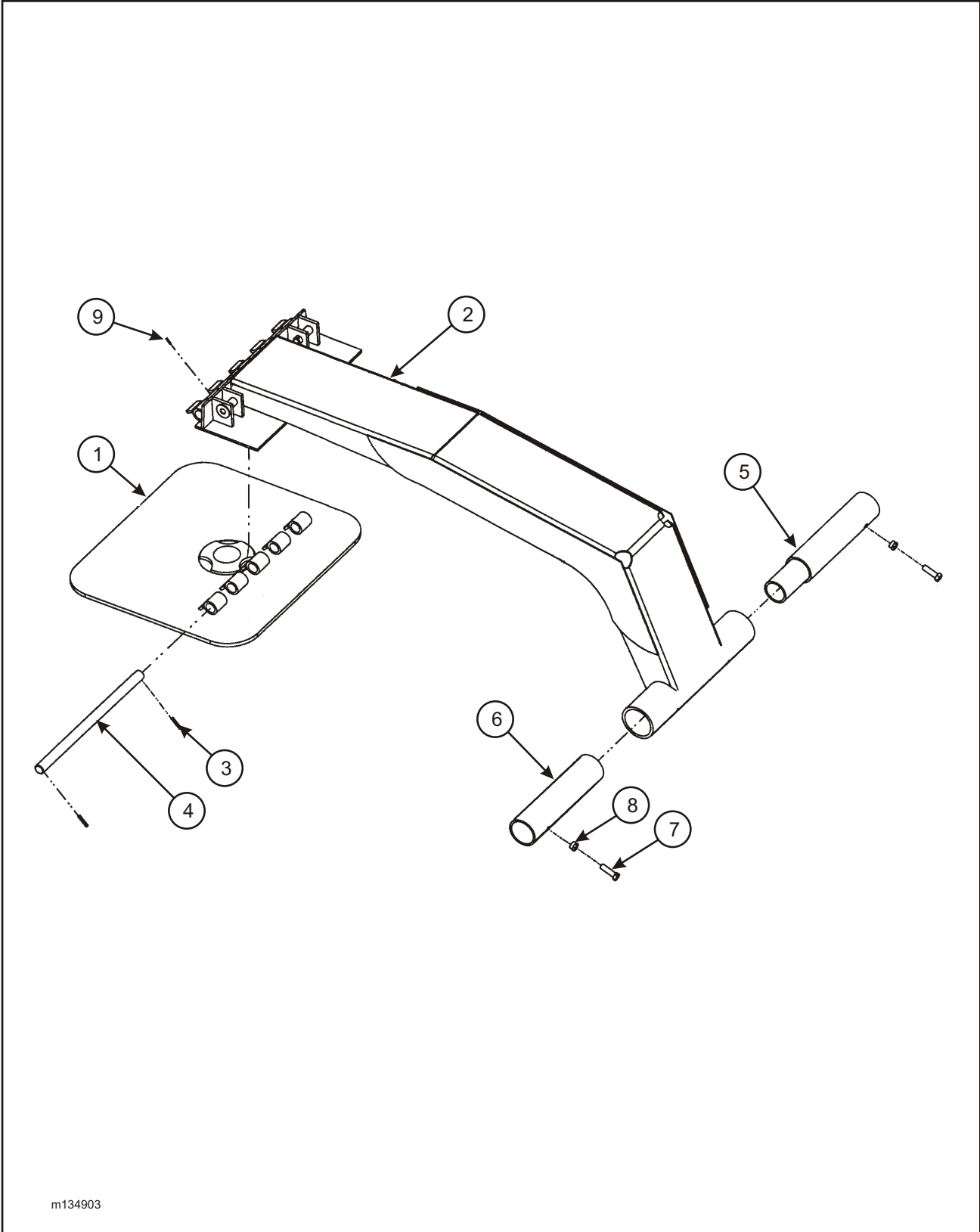


318c boeing gen assy

FIGURE 1-1 GENERAL ASSEMBLY

GENERAL ASSEMBLY

ITEM	PAGE NO.	DESCRIPTION	QTY.
1	1-2 - 1-3	FIFTH WHEEL ASSEMBLY	1
2	1-4 - 1-17	HYDRAULIC ASSEMBLIES	1
3	1-18 - 1-22	ELECTRICAL ASSEMBLIES	1
4	1-23	REMOTE CONTROL (NOT SHOWN)	1
5	1-24 - 1-31	UNDERCARRIAGE AND SUSPENSION - AIR RIDE	1
6	1-32 - 1-33; 1-38	AIR BRAKE SYSTEM	1
7	1-34 - 1-35	AXLE AND BRAKE ASSEMBLY	1
8	1-36 - 1-37	HYDRAULIC DOCK LEVELER CYLINDER	1
9	1-39	HUB AND DRUM ASSEMBLY	1
10	1-40 - 1-41	MAIN AIR SYSTEM	1
11	1-42 - 1-48	WINCH ASSEMBLIES	1
12	1-49 - 1-51	DECAL INSTALLATION	1
13	1-52 - 1-53	DOOR AND COVER ASSEMBLY	1
14	1-54 - 1-59	ENGINE DRIVE AND BRACKET ASSEMBLY	1
15	1-60	BULKHEAD ASSEMBLY	1
16	1-61	SPARE TIRE CARRIER ASSEMBLY	1
17	1-62 - 1-63	AIR DUMP VALVE INSTALLATION (NOT SHOWN)	1
18	1-64	DUAL STROBE LIGHT INSTALLATION (NOT SHOWN)	1
19	1-65	FLAG AND BANNER KIT (NOT SHOWN)	1
20	1-66	ROLLER ASSEMBLY, SLOPE	1
21	1-67	UPPER DECK STAND ASSEMBLY 10"	1
22	1-68	D-RING INSTALLATION	1

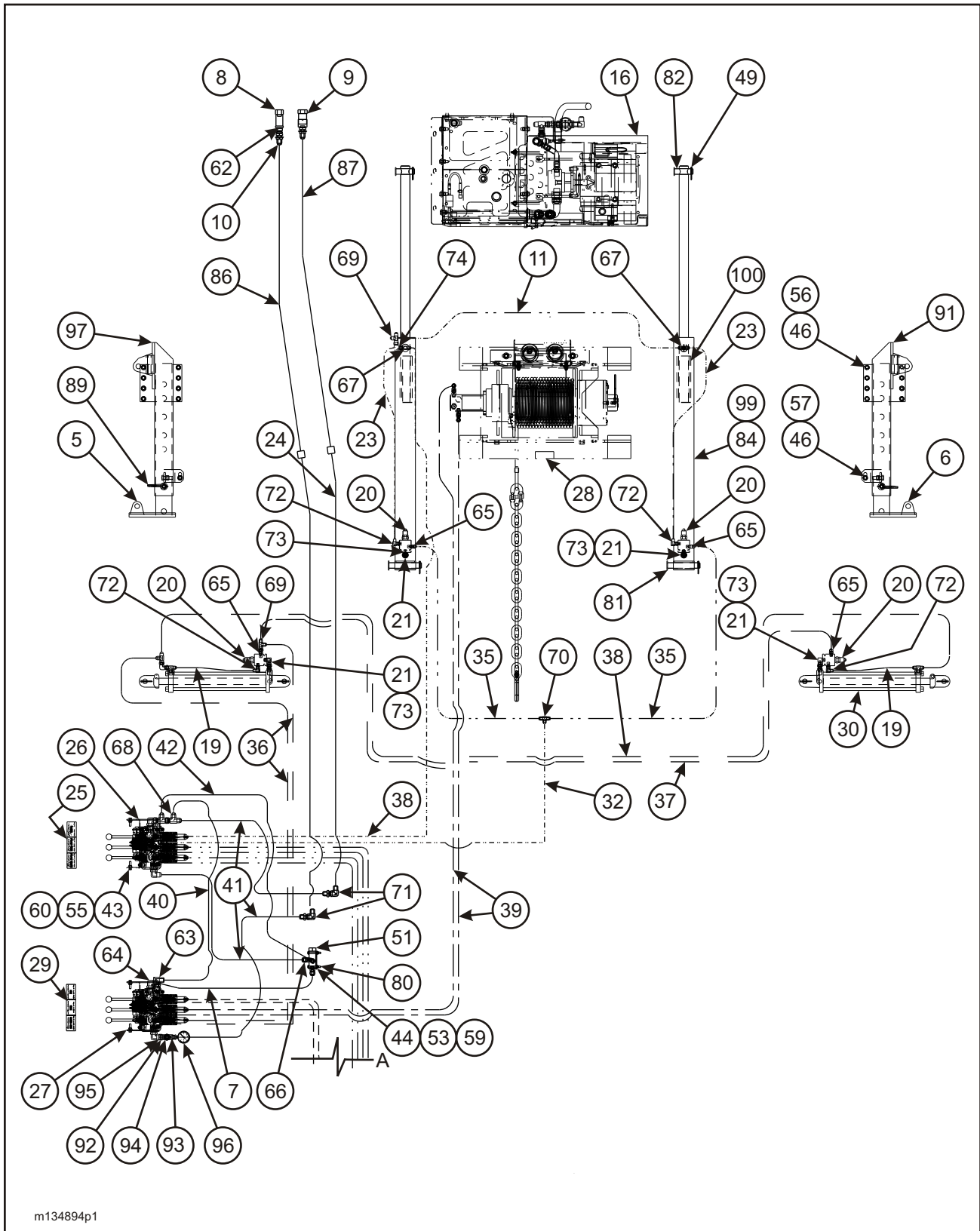


m134903

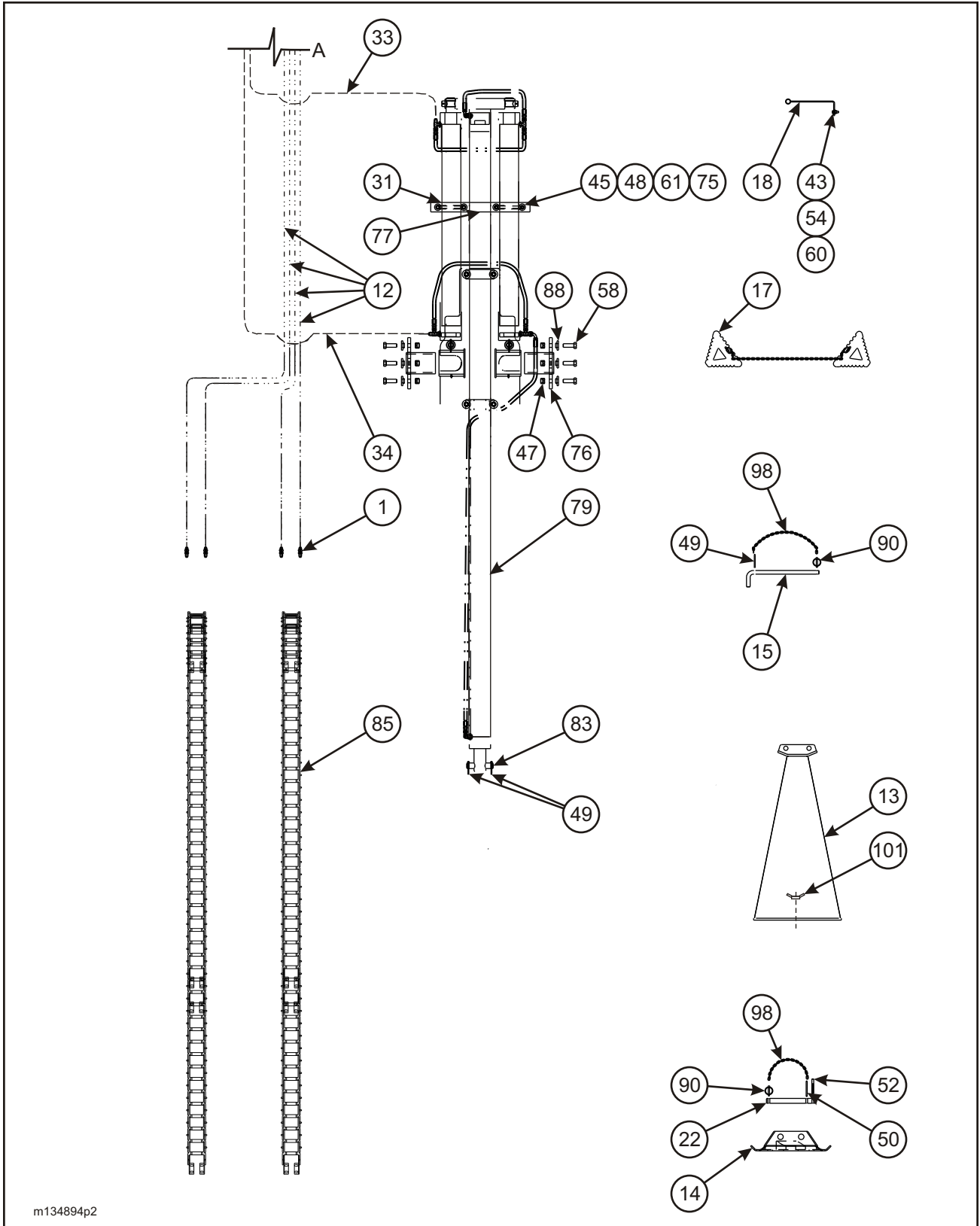
FIGURE 1-2 FIFTH WHEEL HITCH ASSEMBLY

FIFTH WHEEL HITCH ASSEMBLY

ITEM	PART NO.	DESCRIPTION	QTY.
	134903	HITCH INSTALLATION 18 KP	
1	137967	HITCH PLATE	1
2	137966	FIFTH WHEEL HITCH	1
3	1-647-010004255	SPRING PIN SLOTTED	2
4	3-557-010030	PIN FIFTH WHEEL HINGE	1
5	3-826-010015	TUBE WELDMENT INNER FIFTH WHEEL	1
6	3-826-010014	TUBE INNER HINGE FIFTH WHEEL	1
7	1-654-010061-07	SCREW HEX HEAD CAP 3/4-10 X 2-1/2 GR5	2
8	1-512-010005-15	NUT HEX LOCK 3/4-10 GRB	2
9	1-298-010001-1	FITTING GREASE 1/4-28 SHORT	6



**FIGURE 1-3 HYDRAULIC CONTROLS INSTALLATION
(1 OF 2)**



m134894p2

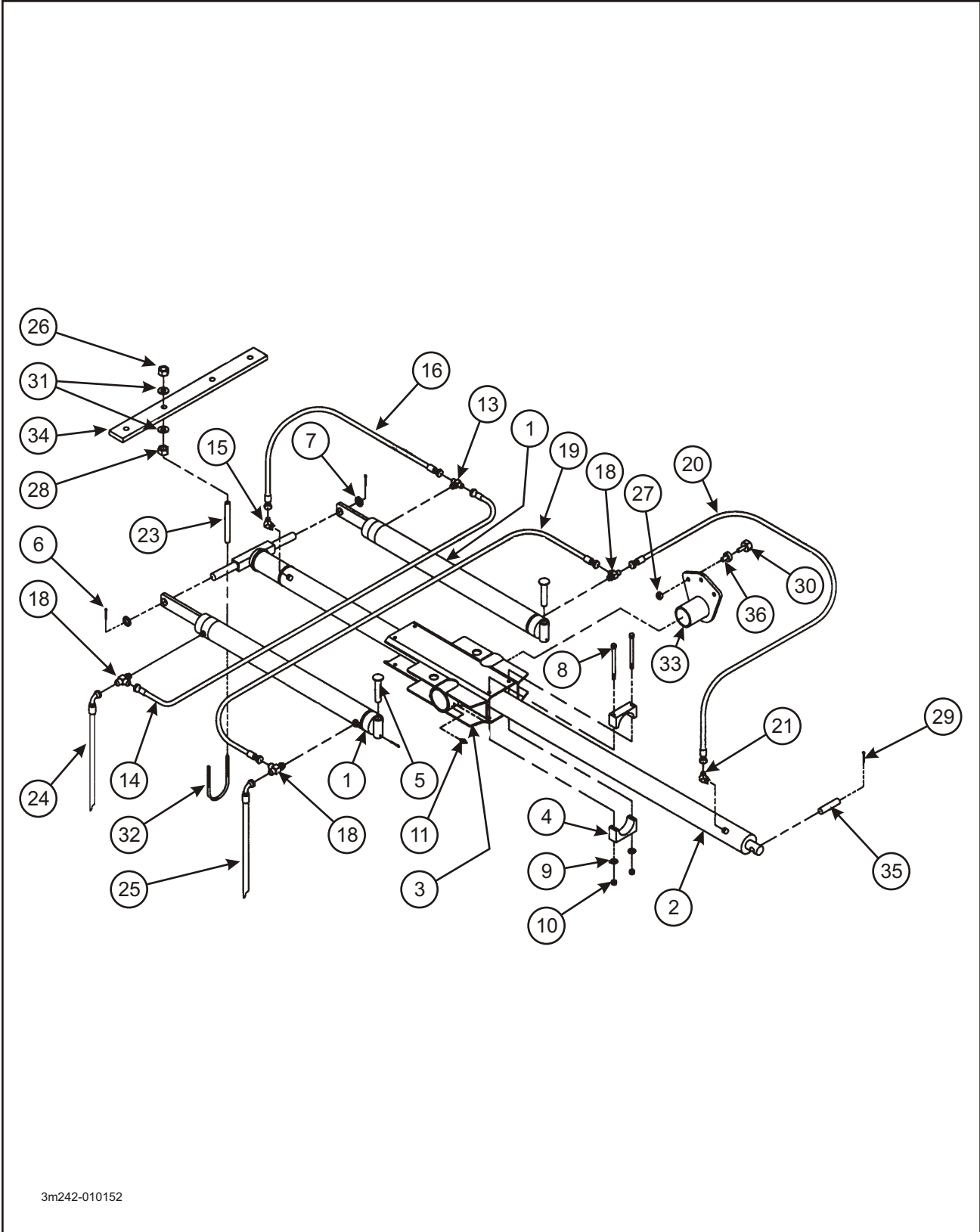
**FIGURE 1-4 HYDRAULIC CONTROLS INSTALLATION
(2 OF 2)**

HYDRAULIC CONTROLS INSTALLATION

ITEM	PART NO.	DESCRIPTION	QTY.
	134894	HYDRAULIC CONTROLS INSTALLATION	
1	0018127	FITTING, BULKHEAD UNION SS	4
2	100848	WRENCH, COMBINATION 1-1/2 (NOT SHOWN)	2
5	104241	PARK STAND WELDMENT HYD LH LEG	1
6	104242	PARK STAND WELDMENT HYD RH LEG	1
7	105276	HOSE ASSEMBLY 3/4 X 52	1
8	105479	COUPLER FLAT FACE MALE	1
9	105480	COUPLER FLAT FACE FEMALE	1
10	105483	ADAPTER BULKHEAD	2
11	107756	HOSE ASSEMBLY 24	1
12	117917	HOSE ASSEMBLY 3/8 X 336	4
13	118772	STAND WELDMENT, HYD LEG	2
14	118777	FOOTPAD WELDMENT, U/C	2
15	118789	PIN, STAND HYD LEG	4
16	123166	ENGINE PACKAGE, 27 HP	REF
17	123422	CHOCKS, CHAINED ASSEMBLY	2
18	124976	ANCHOR, STORAGE SUPPORT STAND	2
19	125141	HOSE ASSEMBLY 3/8 X 21	2
20	125147	VALVE, COUNTERBALANCE	4
21	125170	ADAPTER	4
22	129045	PIN, FOOT PAD	4
23	134900	HOSE ASSEMBLY 3/4 X 48	2
24	134901	HOSE ASSEMBLY 3/4 X 82	2
25	125388	DECAL, 5TH WHEEL/ CURB - STREET D/L	1
26	134997	VALVE ASSEMBLY, 3 SPOOL REMOTE	1
27	134998	VALVE ASSEMBLY, 3 SPOOL MOTOR W/ T/A	1
28	135156	WINCH, 30K DP AIR RELEASE, AIR TENSION	REF
29	125389	DECAL, AXLE/WINCH/HYD LANDING GEAR	1
30	1-242-010180-2	CYLINDER HYDRAULIC 3000 PSI (SEE PAGE 1-14)	2
31	1-397-010010016	HOSE HYDRAULIC 1/2 X 16	2
32	1-397-010301127	HOSE ASSEMBLY 1/2 X 127	1
33	1-397-010301184	HOSE ASSEMBLY 1/2 X 184	1
34	1-397-010301238	HOSE ASSEMBLY 1/2 X 238	1
35	1-397-010302042	HOSE ASSEMBLY 1/2 X 42	2
36	1-397-010302084	HOSE ASSEMBLY 1/2 X 84	2
37	1-397-010302160	HOSE ASSEMBLY 1/2 X 160	1
38	1-397-010302192	HOSE ASSEMBLY 1/2 X 192	1
39	1-397-010302240	HOSE ASSEMBLY 1/2 X 240	2
40	1-397-010304026	HOSE ASSEMBLY 3/4 X 26	1
41	1-397-010304048	HOSE ASSEMBLY 3/4 X 48	3
42	1-397-010305060	HOSE ASSEMBLY 3/4 X 60	1
43	1-510-010001	NUT FLANGE LOCK 3/8-16	12
44	1-512-010005-03	NUT HEX LOCK 5/16-18 GRB	4
45	1-512-010005-09	NUT HEX LOCK 1/2-13 GRB	4
46	1-512-010005-13	NUT HEX LOCK 5/8-11 GRB	20
47	1-512-010005-15	NUT HEX LOCK 3/4-10 GRB	6
48	1-512-010007-09	NUT HEX 1/2-13 GRB	4
49	1-557-010362-54	PIN COTTER 3/16 X 2-1/4	10
50	1-557-010362-65	PIN COTTER 1/4 X 2-1/2	4
51	1-626-010002-06	REGULATOR FLOW 1/2-6 GPM	1

HYDRAULIC CONTROLS INSTALLATION

ITEM	PART NO.	DESCRIPTION	QTY.
52	1-647-010004259	ROLL PIN, SLOTTED 3/8 X 3	4
53	1-654-010049-11	SCREW HEX HEAD CAP 5/16-18 X 2-1/2 GR5	2
54	1-654-010051-05	SCREW HEX HEAD CAP 3/8-16 X 1 GR5	4
55	1-654-010051-07	SCREW HEX HEAD CAP 3/8-16 X 1-1/2 GR5	8
56	1-654-010059-03	SCREW, HEX HEAD CAP 5/8-11 X 1-1/2 GR5	16
57	1-654-010059-05	SCREW, HEX HEAD CAP 5/8-11 X 2 GR5	4
58	1-654-010061-06	SCREW HEX HEAD CAP 3/4-10 X 2-1/4 GR5	6
59	1-861-010032-09	WASHER FLAT 5/16	4
60	1-861-010032-11	WASHER FLAT 3/8W	12
61	1-861-010032-15	WASHER FLAT 1/2W	8
62	1-861-010059-21	WASHER LOCKING INTERNAL TOOTH	2
63	1V0208	POWER BEYOND REMOTE	1
64	2024-12-12S	ELBOW, 90	1
65	202702-6-8S	ADAPTER	4
66	202702-8-12S	UNION	3
67	203003-8-8S	ADAPTER TEE	4
68	203102-12-12S	ADAPTER TEE	2
69	203102-8-8S	ADAPTER TEE	3
70	2033-8-8S	ADAPTER TEE	1
71	2043-12-12S	ADAPTER 90 BULKHEAD	2
72	2062-6-6S	ADAPTER 90	4
73	2062-6-8S	ADAPTER 90	4
74	2071-8-8S	ADAPTER 90 SWIVEL	2
75	3-102-010022	U-BOLT, SUPPORT	2
76	3-125-010244	BRACKET WELDMENT CYLINDER TRUNNION	2
77	3-146-010001	RUBBER BUMPER CYLINDER	1
79	3-242-010152	CYLINDER ASSEMBLY (SEE PAGE 1-9) (NOT SHOWN)	1
80	3-482-010267	MOUNT FLOW REGULATOR	1
81	3-557-010033	PIN CYLINDER BUTT END	2
82	3-557-010059	PIN CYLINDER ROD END	2
83	3-557-010120	PIN UNDERCARRIAGE CYLINDER	1
84	137296	CYLINDER ASSEMBLY, 4 X 42 (INCL ITEMS 99-100)	2
85	3-755-010189	SUPPORT, E-CHAIN	REF
86	3-832-010300	TUBE ASSEMBLY, 3/4 PRESSURE FRONT	1
87	3-832-010302	TUBE ASSEMBLY, 3/4 RETURN FRONT	1
88	3-861-010038	WASHER STEP	6
89	346SL	LOCK HITCH PIN	2
90	E10317	KLIK PIN 1/4	8
91	137968	PARK STAND WELDMENT RH	1
92	203101-12-12S	ADAPTER, TEE	1
93	2081-8-4S	REDUCER	1
94	2089-12-8S	ADAPTER 90	1
95	2242-12-12S	ADAPTER	1
96	621-2597	GAUGE 0-3000 PSI	1
97	137969	PARK STAND WELDMENT LH	1
98	1-174-010035020	CHAIN, MACH STR LINK #4 X 20	8
99	3-242-010099	CYLINDER, HYDRAULIC 4 X 42 (SEE PAGE 1-10)	1
100	137297	TUBE, CYLINDER 10" STOP	1
101	1-533-010001	NUT, WING 1/2-13	4



3m242-010152

FIGURE 1-5 HYDRAULIC CONTROLS INSTALLATION

HYDRAULIC SYSTEM - LOW LOAD ANGLE

ITEM	PART NO.	DESCRIPTION	QTY.
	3-242-010152	CYLINDER ASSEMBLY (INCLUDES ITEMS 1-22)	1
1	3-242-010099	CYLINDER, HYDRAULIC (SEE PAGE 1-10)	2
2	3-242-010103	CYLINDER, HYDRAULIC 4 X 126 (SEE PAGE 1-11)	1
3	3-120-010125	CYLINDER TRUNNION ASSEMBLY	1
4	3-120-010117	NYLATRON BEARING	4
5	3-557-010031	PIN CYLINDER BUTT END	2
6	1-557-010362-54	PIN COTTER	6
7	3-150-010223	BUSHING	2
8	1-654-010059-21	SCREW HEX HEAD CAP 5/8-11 X 8 GR5	4
9	1-861-010032-19	WASHER FLAT 5/8W	4
10	1-512-010005-13	NUT HEX LOCK 5/8-11 GRB	4
11	1-298-010001-1	FITTING, GREASE 1/4-28	2
12	1-161-010033-04	CAP, PLASTIC TAPERED (NOT SHOWN)	2
13	203003-8-8S	ADAPTER TEE	2
14	1-397-010301039	HOSE ASSEMBLY 39	1
15	2061-8-8S	ADAPTER 45	1
16	1-397-010302070	HOSE ASSEMBLY 70	1
18	203005-8-8S	ADAPTER TEE	2
19	1-397-010301042	HOSE ASSEMBLY 42	1
20	107486	HOSE ASSEMBLY 90	1
21	2062-8-8S	ADAPTER 90	1
22	1-796-010003-02	TIE STRAP PLASTIC (NOT SHOWN)	6
23	1-397-010010016	HOSE ASSEMBLY 1/2 X 16	REF
24	1-397-010301184	HOSE ASSEMBLY 1/2 X 184	REF
25	1-397-010301238	HOSE ASSEMBLY 1/2 X 238	REF
26	1-512-010005-09	NUT, HEX LOCK 1/2-13 GRB	REF
27	1-512-010005-15	NUT, HEX LOCK 3/4-10 GRB	REF
28	1-512-010007-09	NUT, HEX 1/2-13 GRB	REF
29	1-557-010362-54	PIN, COTTER, 3/16 X 2-1/4	REF
30	1-654-010061-06	SCREW, HEX HEAD CAP 3/4-10 X 2-1/4 GR5	REF
31	1-861-010032-15	WASHER, FLAT 3/8W	REF
32	3-102-010022	U-BOLT, CYLINDER SUPPORT	REF
33	3-125-010244	BRACKET WELDMENT, CYLINDER TRUNNION	REF
34	3-146-010001	RUBBER BUMPER	REF
35	3-557-010120	PIN, UNDERCARRIAGE CYLINDER	REF
36	3-861-010038	WASHER, STEP	REF

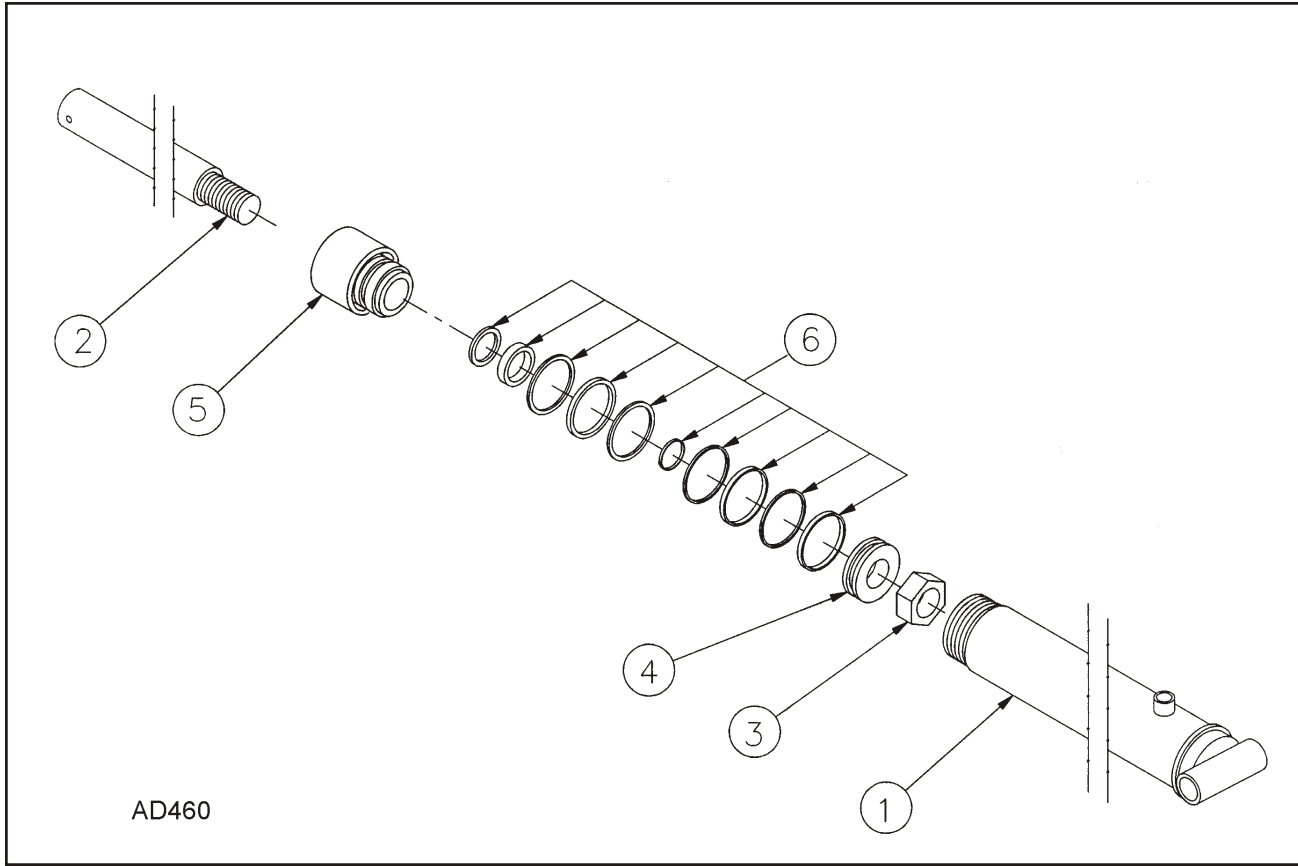


FIGURE 1-6 CYLINDER 4" X 42"

CYLINDER 4" X 42"

ITEM	PART NO.	DESCRIPTION	QTY.
	3-242-010099	CYLINDER HYDRAULIC 4 X 42 (TILT CYLINDER)	
1	*	BUTT AND TUBE ASSEMBLY	1
2	011100550	PISTON ROD	1
3	220000212	LOCKNUT (1-1/4 - 12)	1
4	071900048	PISTON	1
5	081900295	GLAND	1
6	PMCK-AD-460	PACKING KIT (CONTAINS ALL NECESSARY SEALS AND O-RINGS)	1

* PART NOT SOLD SEPARATELY. REQUIRES PURCHASE OF ENTIRE ASSEMBLY.

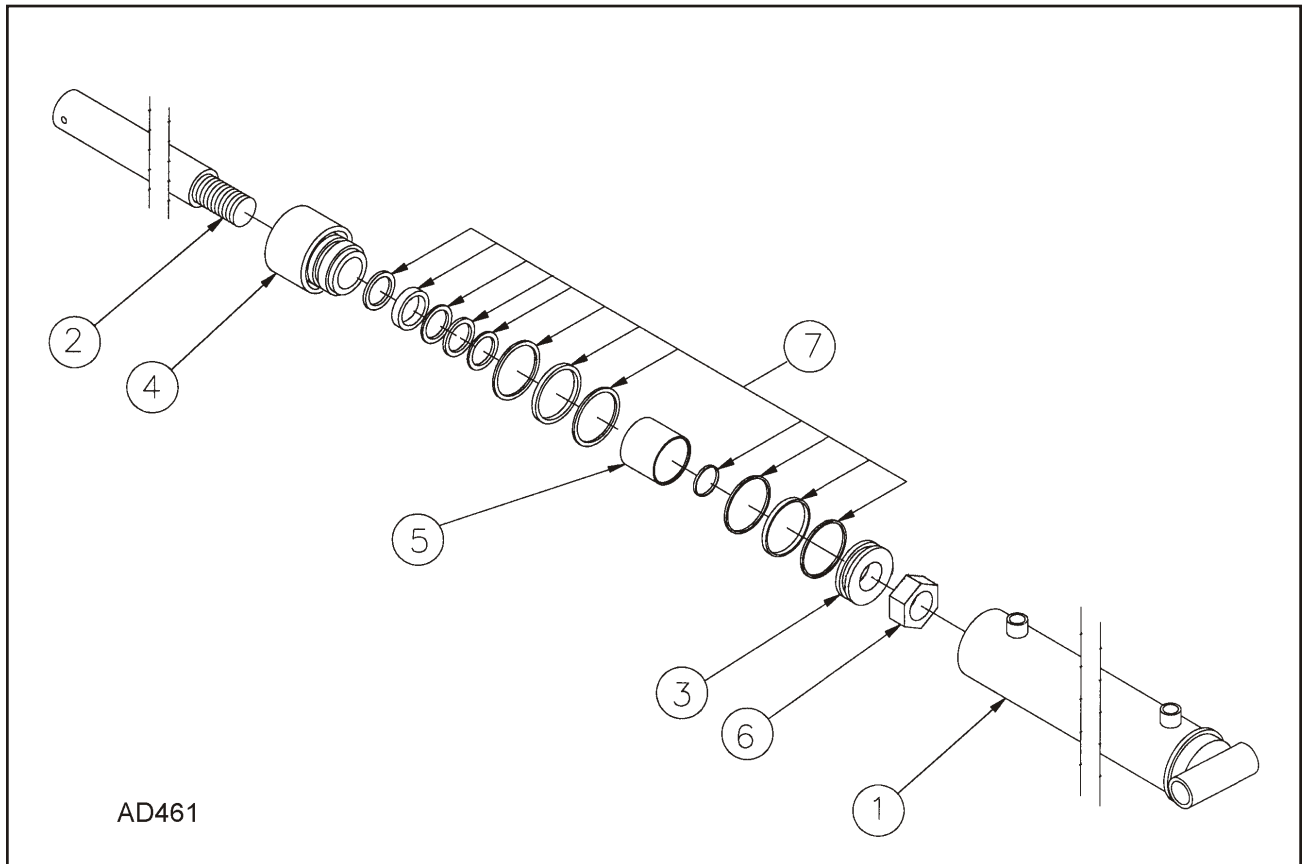
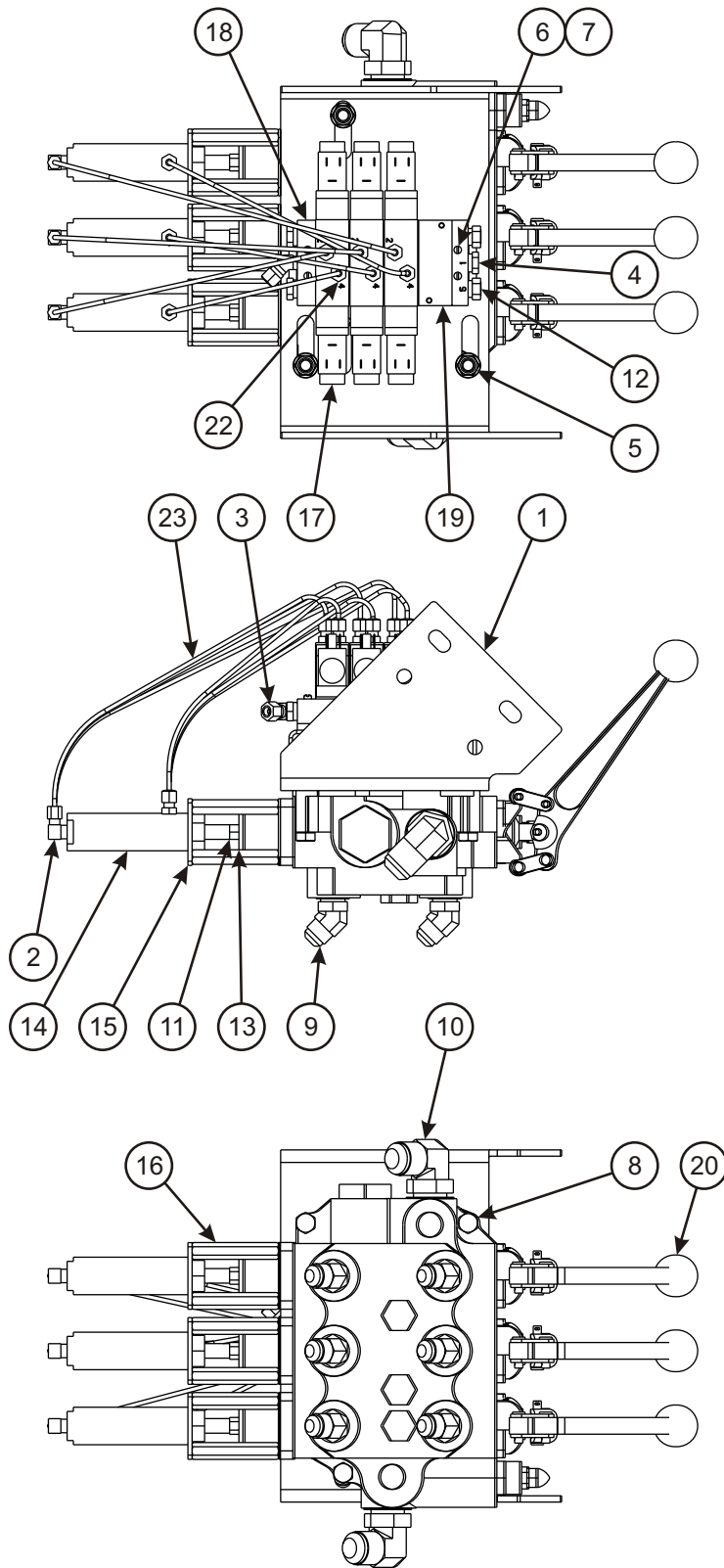


FIGURE 1-7 CYLINDER 4" X 126"

CYLINDER 4" X 126"

ITEM	PART NO.	DESCRIPTION	QTY.
	3-242-010103	CYLINDER HYDRAULIC 4 X 126	
1	*	BUTT AND TUBE ASSEMBLY	1
2	011300179	PISTON ROD	1
3	071900195	PISTON	1
4	081900277	GLAND	1
5	211300024	SPACER	1
6	220000212	LOCKNUT (1-1/4 - 12)	1
7	PMCK-AD-461	PACKING KIT (CONTAINS ALL NECESSARY SEALS AND O-RINGS)	1

*PART NOT SOLD SEPARATELY. REQUIRES PURCHASE OF ENTIRE ASSEMBLY.



m134999

FIGURE 1-8 VALVE ASSEMBLY, THREE SPOOL

VALVE ASSEMBLY THREE SPOOL

ITEM	PART NO.	DESCRIPTION	QTY
	134997	VALVE ASSEMBLY 3-SPOOL, TILT, DOCK LEG	
	134998	VALVE ASSEMBLY 3-SPOOL, ACCLEL, WINCH, DOCK LEG	
1	116837	MOUNT WELDMENT, CONTROL VALVE	1
2	1-297-010008-01	FITTING AIR 90	3
3	1-297-010013-05	FITTING AIR	1
4	1-297-010033-02	FITTING BRASS PLUG HEX	3
5	1-510-010001	NUT FLANGE LOCK 3/8-16	3
6	1-512-010003-02	NUT HEX LOCK W/NYLON #6-32	4
7	1-654-010024014	SCREW MACH FLSTR 6-32 X 1-1/2	4
8	1-654-010051-09	SCREW HEX HEAD CAP 3/8-16 X 2 GR5	3
9	2061-8-8S	ADAPTER 45	6
10	2062-12-12S	ADAPTER 90	2
11	3-007-010039	ADAPTER AIR CYLINDER	3
12	3-136-010001-02	BREATHER PNEUMATIC EXHAUST	2
13	3-161-010034	CAP MODIFIED VALVE SPOOL	3
14	3-238-010001	CYLINDER AIR	3
15	3-482-010288	MOUNT AIR CYLINDER VALVE	3
16	3-711-010055	SPACER MALE - FEMALE	12
17	3-843-010015	VALVE PNEU 4-WAY, 3-POS (SEE PAGE 1-15)	3
18	3-843-010023	VALVE PNEU MANF- 2 STATION (NO PARTS BREAKDOWN)	1
19	3-843-010024	VALVE BLANK STATION COVER	1
20	3-846-010008	VALVE 3-SPL 2500 PSI (SEE PAGE 1-17) (134997)	1
	3-846-010147	VALVE ASSEMBLY 3 SPOOL MOTOR CENTER (SEE PAGE 1-17) (134998)	1
22	68CA-2-2	CONNECTOR	9
23	NB-2-016	TUBING NYLON FLEX 1/8	AR

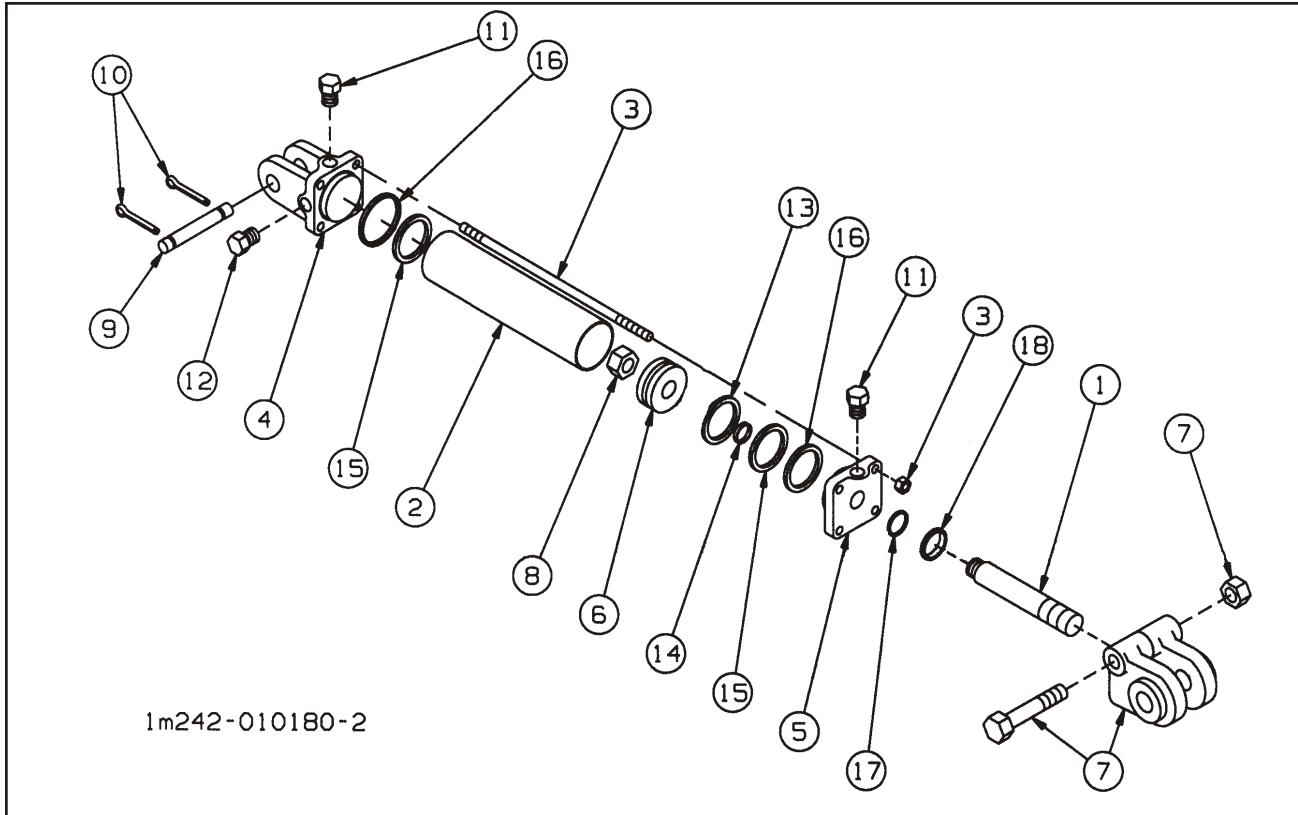


FIGURE 1-9 HYDRAULIC CYLINDER 3-1/2 X 20

HYDRAULIC CYLINDER 3-1/2 X 20

ITEM	PART NO.	DESCRIPTION	QTY.
	1-242-010180-2	CYLINDER 3-1/2" X 20" (PRINCE SAE 33520)	
1	010700437	PISTON ROD	1
2	051700015	TUBE	1
3	170201241	TIEROD ASSEMBLY	4
4	141700023	BUTT	1
5	111870	GLAND ASSEMBLY	1
6	111866	PISTON	1
7	100000330	CLEVIS ASSEMBLY	1
8	220000210	LOCKNUT	1
9	190400004	CLEVIS PIN	2
10	220001504	COTTER PIN	4
11	200013106	PLASTIC PLUG	2
12	200300040	PORT PLUG	1
13	*	CROWN SEAL	1
14	*	O-RING	1
15	*	O-RING	2
16	*	BU-WASHER	2
17	*	U-CUP	1
18	*	WIPER	1
	1-242-010178-2	PACKING KIT (ITEMS 13 - 18) (CONTAINS ALL NECESSARY SEALS AND O-RINGS)	1

*PARTS AVAILABLE IN PACKING KIT ONLY.

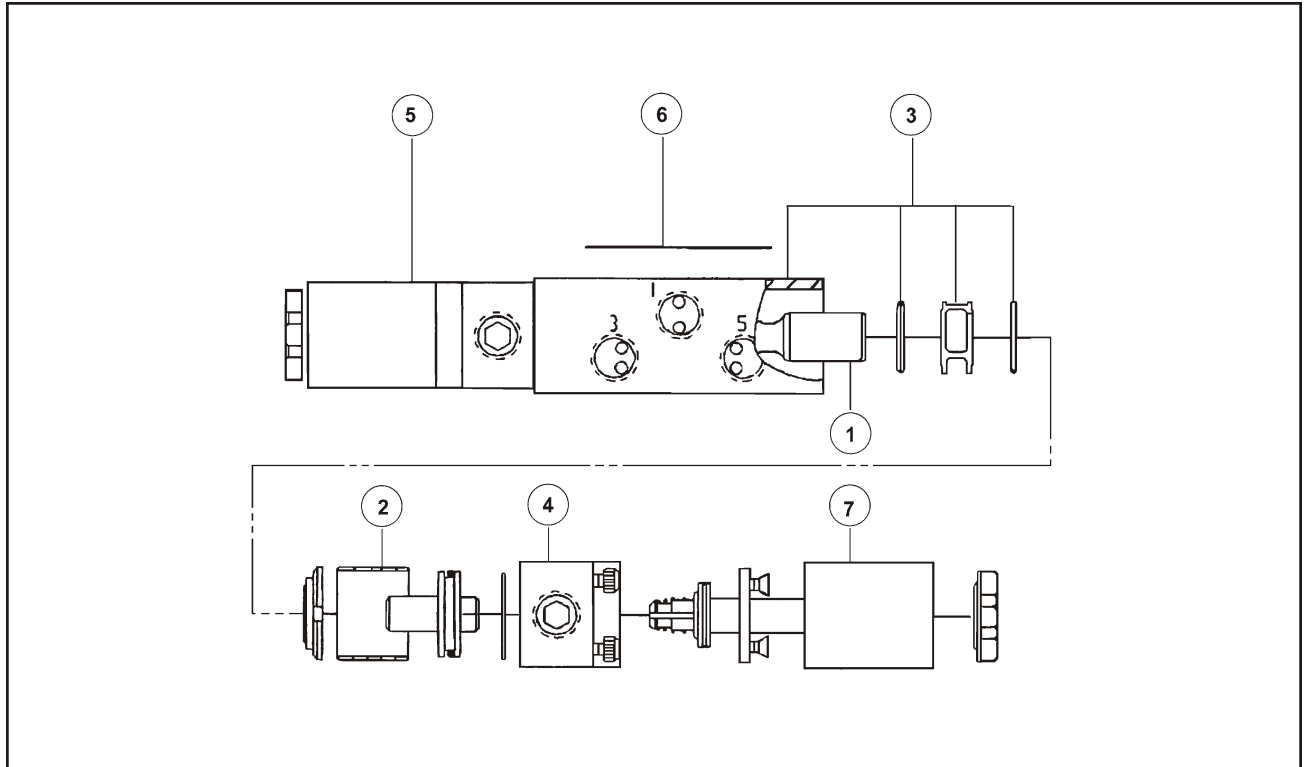


Figure 1-10 Pneumatic Valve

PNEUMATIC VALVE

ITEM	PART NO.	DESCRIPTION	QTY.
	3-843-010015	VALVE PNEUMATIC 4-WAY 3 POSITIONS	3
1	6964-312	SPOOL	1
2	A7106-430	OPERATOR	1
3	A7106-350	BODY	1
4	AB022-567	CAP	2
5	7019-9XX	COIL	2
6	6582	LABEL MODEL NUMBER	2
7	A7106-392	SERVICE KIT (CONTAINS ALL NECESSARY TEE SEALS, O-RINGS, SPRING AND PLUNGER AND GASKET)	

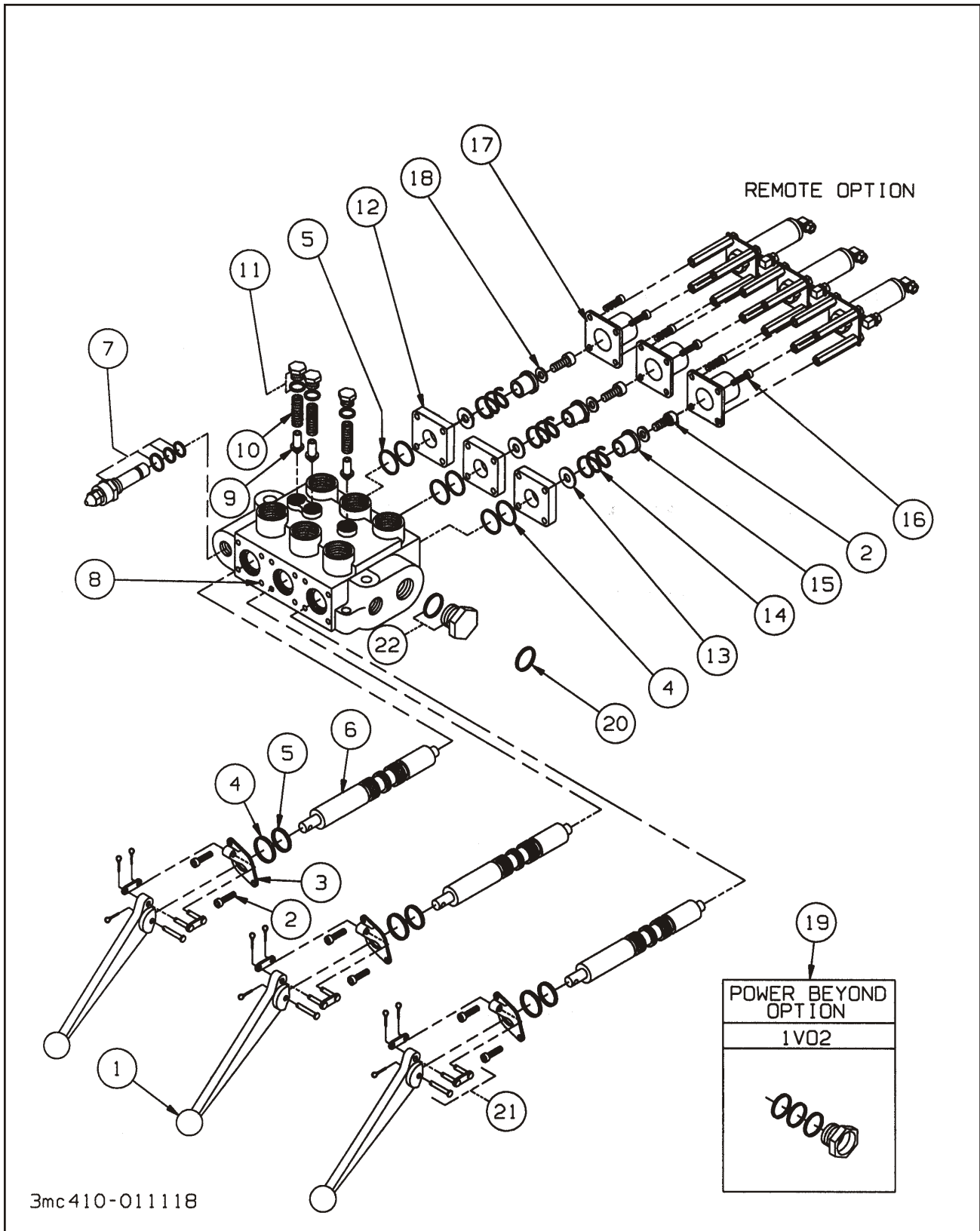
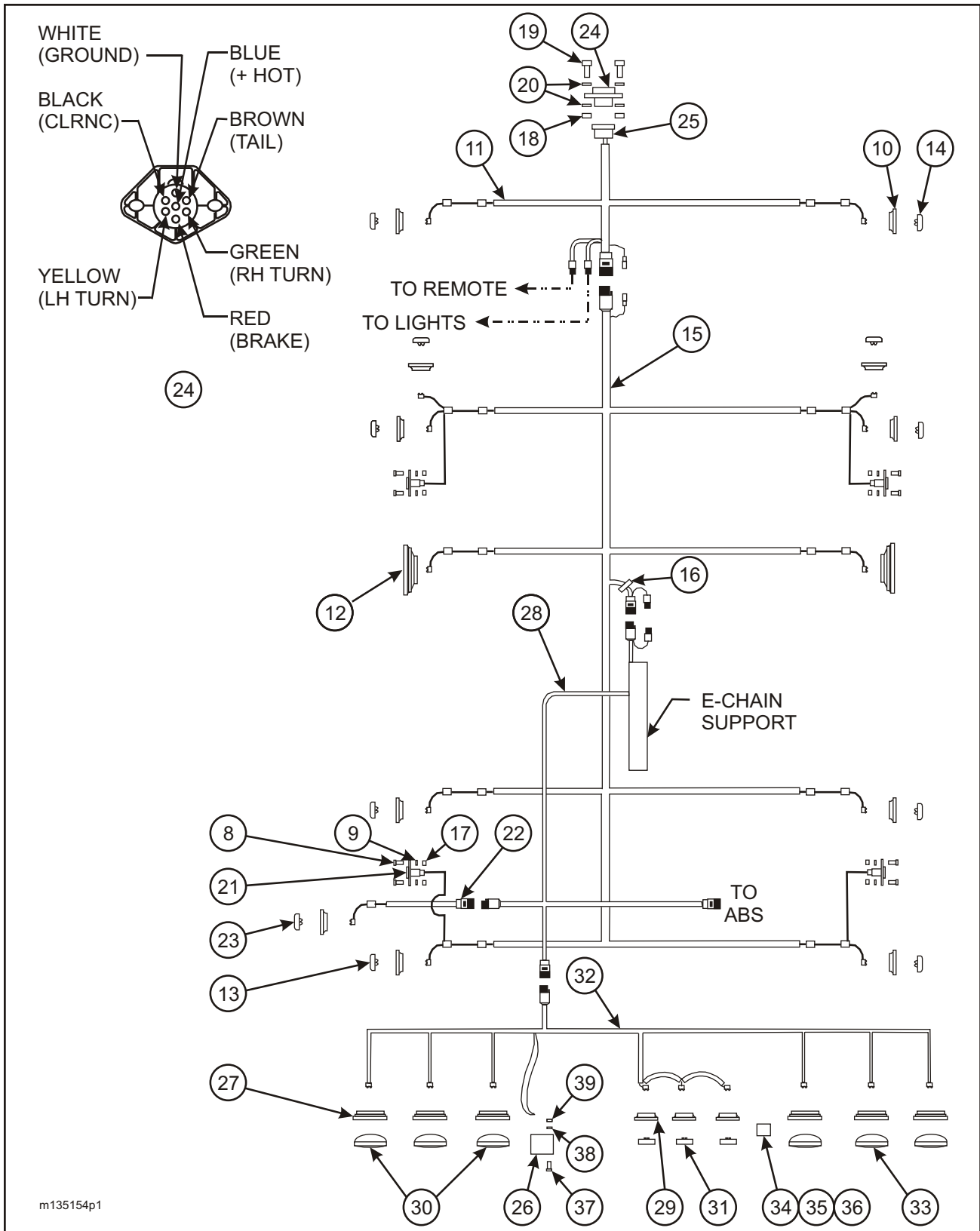


Figure 1-11 Three Spool Valve

THREE SPOOL VALVE

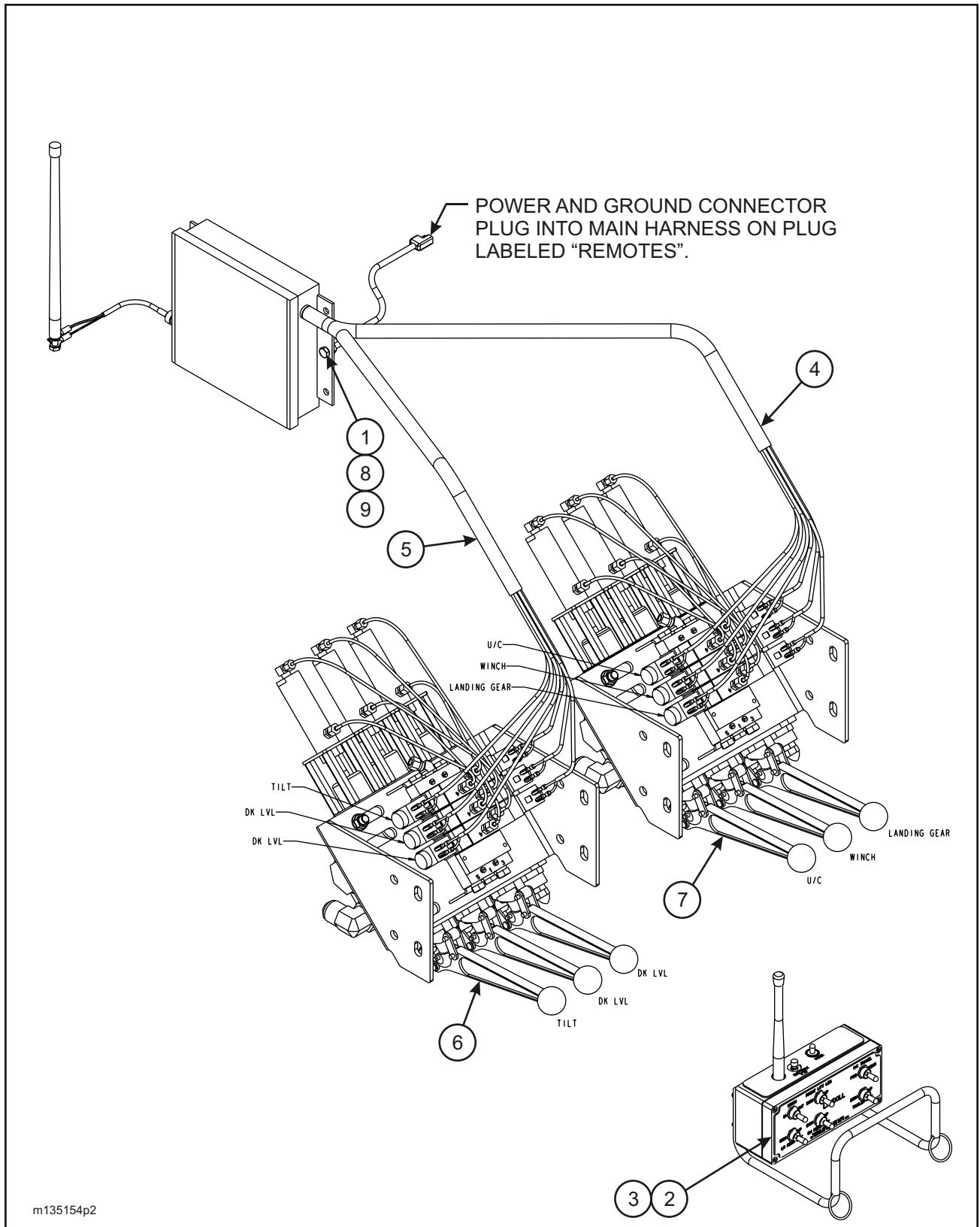
ITEM	PART NO.	DESCRIPTION	QTY.
	3-846-010008	VALVE 3 SPOOL	
	3-846-010147	VALVE ASSEMBLY 3 SPOOL MOTOR CENTER	
1	1V1703	VALVE HANDLE	3
2	2A0079-404	CAP SCREW (TIGHTEN TO 7-11 FT - LBS)	9
3	4Z4306	BRACKET HANDLE	3
4	1A0711	WASHER O-RING SPOOL	6
5	2A0283-7214	SEAL SPOOL	6
6	*	SPOOL 4-WAY	3
	*	SPOOL MOTORING 4-WAY	E
7	1R0017	RELIEF ASSEMBLY (1500-3000 PSI)(PRESET @2500 PSI)	1
8	*	HOUSING VALVE	1
9	1V0081	POPPET LOAD CHECK	3
10	1A0757	SPRING LOAD CHECK	3
11	1V1725	PLUG LOAD CHECK	3
12	1A0709	SPACER END	3
13	1A0291	WASHER STOP	3
14	1A0744	SPRING CENTERING	3
15	1A0292	COLLAR STOP	3
16	2A0079-406	CAP SCREW (TIGHTEN TO 7-11 FT - LBS)	12
17	1A0294	CAP END	3
18	1A0290	WASHER CENTERING SPRING	3
19	1V0208	ADAPTER ASSEMBLY REMOTE POWER BEYOND (CONTAINS ALL NECESSARY O-RINGS)	1
20	2A0283-7214	GROMMET RUBBER (BOTTOM OUTLET)	1
21	1V1701	PIN KIT	3
22	2A0354-121	PLUG CONVERSION	1
	2V0010	SEAL KIT	1

* SOLD AS A MATCHED SET ONLY.



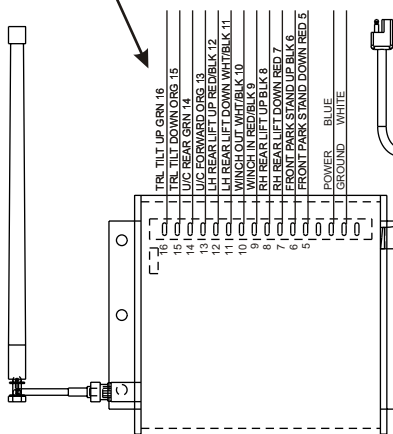
m135154p1

FIGURE 1-12 ELECTRICAL SYSTEM W/ REMOTE
(1 OF 3)

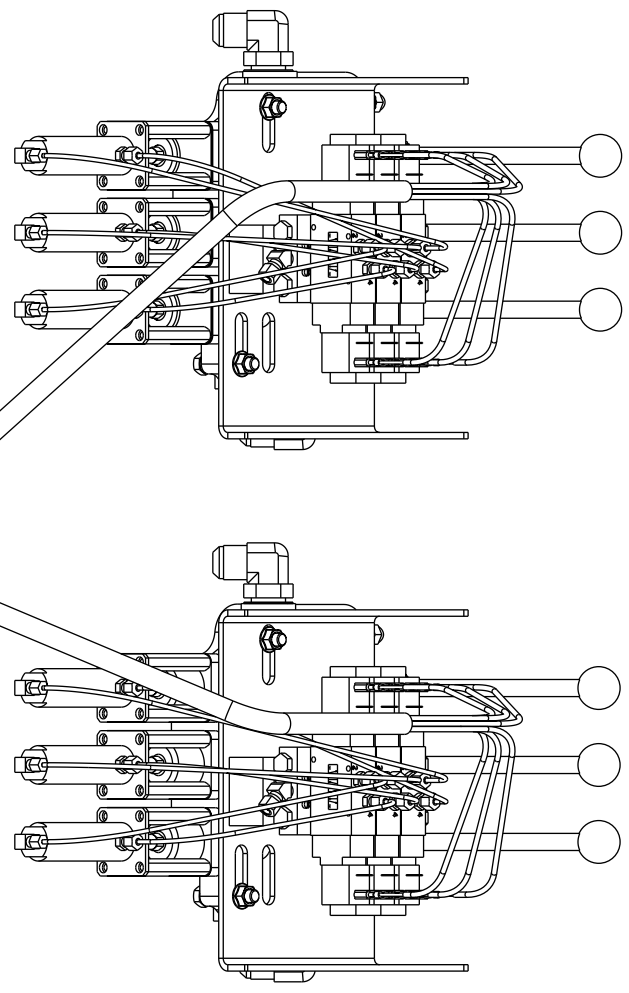


**FIGURE 1-13 ELECTRICAL SYSTEM W/ REMOTE
(2 OF 3)**

BRADY NOS. SHOULD BE ON THE WIRE THAT CORRESPONDS TO THE RECEIVER TERMINAL NO.



POWER AND GROUND



m135154p3

FIGURE 1-14 ELECTRICAL SYSTEM W/ REMOTE
(3 OF 3)

ELECTRICAL SYSTEM W/ REMOTE

ITEM	PART NO.	DESCRIPTION	QTY.
	135154	ELECTRICAL SYSTEM INST. REMOTE (ITEMS 1-25)	
	133471	UNDERCARRIAGE ASSEMBLY (ITEMS 26-39)	
1	108417	NUT, HEX FLANGE SPIRALOCK 1/4-20	2
2	112948	BATTERY, 9 VOLT	1
3	118640	CONTROL, RADIO REMOTE 12H (SEE PAGE 1-23)	1
4	134907	HARNESS, REMOTE MOD T/W/A	1
5	134908	HARNESS, REMOTE MOD DOCK LEVEL	1
6	134997	VALVE ASSEMBLY, 3 SPOOL	REF
7	134998	VALVE ASSEMBLY, 3 SPOOL MOTOR	REF
8	1-654-010047-06	SCREW, HEX HEAD CAP 1/4-20 X 1 GR5	10
9	1-861-010032-06	WASHER, FLAT 1/4N	10
10	10403	GROMMET MOUNT	11
11	110416	HARNESS ASSY, FRONT MAIN	1
12	111925	LIGHT LED TURN MARKER YELLOW	2
13	116139	LIGHT, RED LED 2.5 CL/MKR	2
14	116140	LIGHT, AMBER LED 2.5 CL/MKR	8
15	134905	HARNESS ASSY, BED	1
16	1-343-010007	GROMMET	1
17	1-512-010005-01	NUT HEX LOCK 1/4-20 GRB	8
18	1-512-010005-03	NUT HEX LOCK 5/16-18 GRB	2
19	1-654-010049-06	SCREW HEX HEAD CAP 5/16-18 X 1-1/4 GR5	2
20	1-861-010032-09	WASHER, FLAT 5/16W	4
21	3-272-010003	4 POLE ELECTRICAL FEMALE CONNECTOR	4
22	3-368-010294	HARNESS TAN ABS LAMP	1
23	3-446-010046	LIGHT ABS LAMP AMBER	1
24	59S-7	RECEPTACLE 7 PIN	1
25	59W-2-3	RUBBER BOOT	1
26	15009	LICENSE LAMP	1
27	60700	GROMMET, LIGHT	6
28	102836	HARNESS E-CHAIN	1
29	107598	GROMMET, RECT. C./MKRLAMP	3
30	113373	LIGHT, RED LED OBLONG STT	4
31	113374	LIGHT, RED LED CLEARANCE	3
32	134904	HARNESS, BUMPER	1
33	130883	LIGHT OVAL AMBER STROBE LED	2
34	3-272-010017	TOGGLE SWITCH SEALED SPST	1
35	3-272-010021	ELECT BUTT SPLICE	1
36	3-272-010022	ELECT BUTT SPLICE	1
37	1-656-010003051	SCREW, ROUND HEAD MACH 10-24 X 3/4	2
38	1-861-010034-07	WASHER, SPLIT LOCK #10	2
39	1-512-010007-03	NUT, HEX #10-24	2

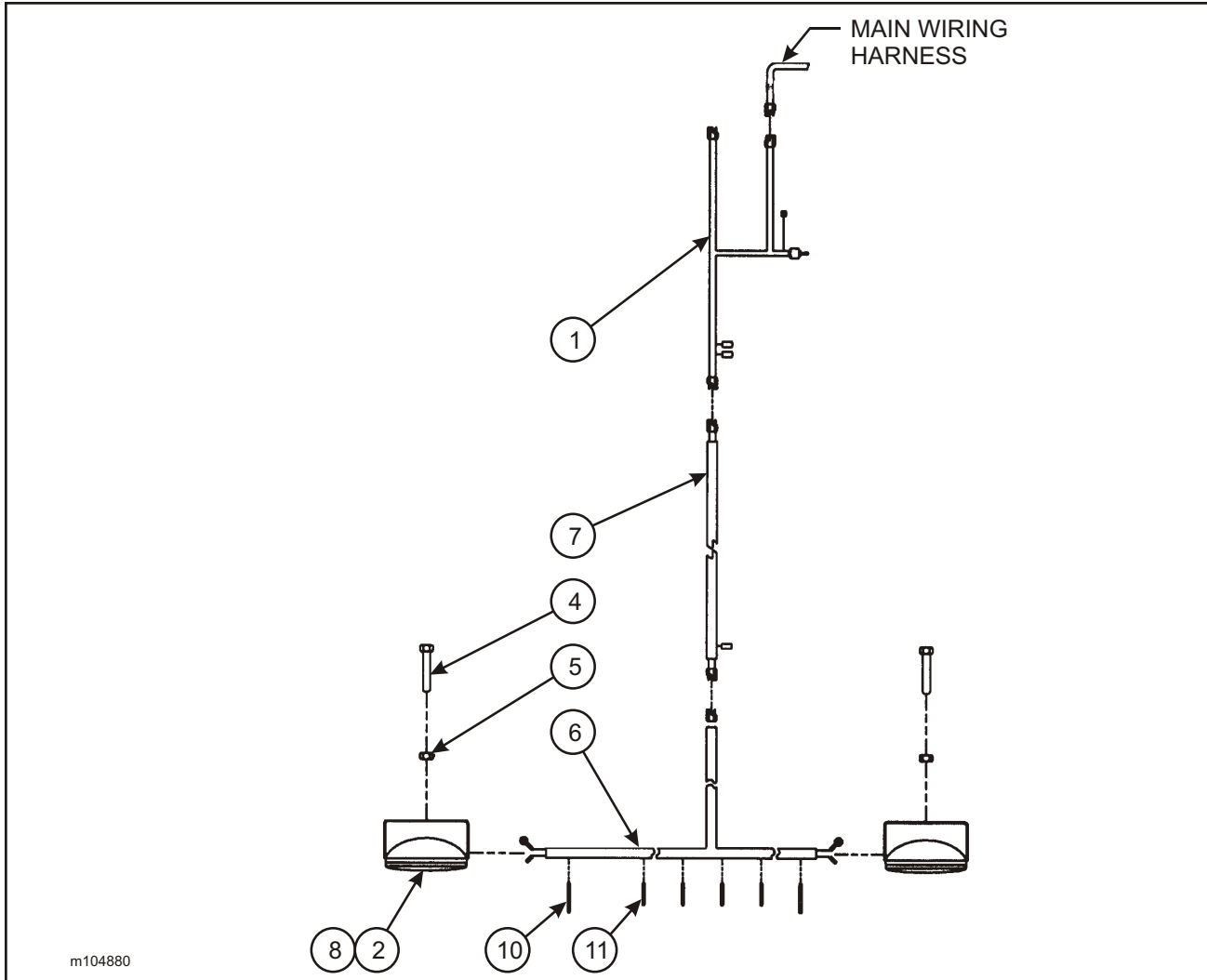


FIGURE 1-15 BULKHEAD LIGHT ASSEMBLY

BULKHEAD LIGHT ASSEMBLY

ITEM	PART NO.	DESCRIPTION	QTY.
	104880	ELECTRICAL INSTALLATION, DUAL BULKHEAD LIGHT	
1	101381	HARNESS LIGHT WORK COURTESY	1
2	64181	RECTANGULAR QUARTZ HALOGEN LAMP	2
3	1-796-010003-02	TIE STRAP PLASTIC (NOT SHOWN)	6
4	1-654-010051-05	SCREW HEX HEAD CAP 3/8-16 X 1 GR5	2
5	1-512-010005-05	NUT HEX LOCK 3/8-16 GRB	2
6	3-368-010250	HARNESS BULKHEAD LIGHTS	1
7	3-368-010252	HARNESS BULKHEAD LIGHTS	1
8	STP-147	CONNECTOR BULLET MALE	2
9	3-573-010437	DECAL, LIGHT (NOT SHOWN) (SEE PAGE 1-52)	1
10	1-343-010010	GROMMET 9/16" ID	2
11	1-343-010007	GROMMET	4

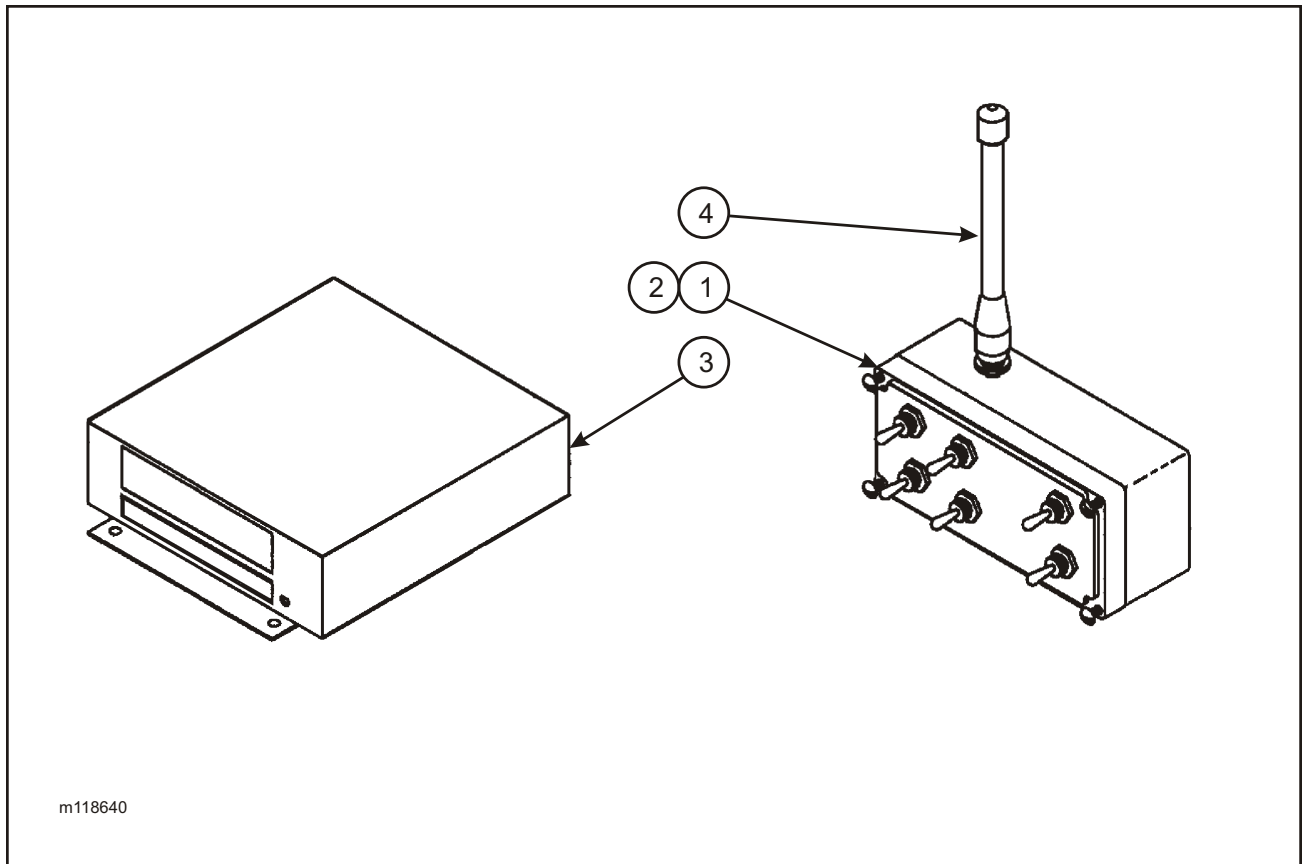
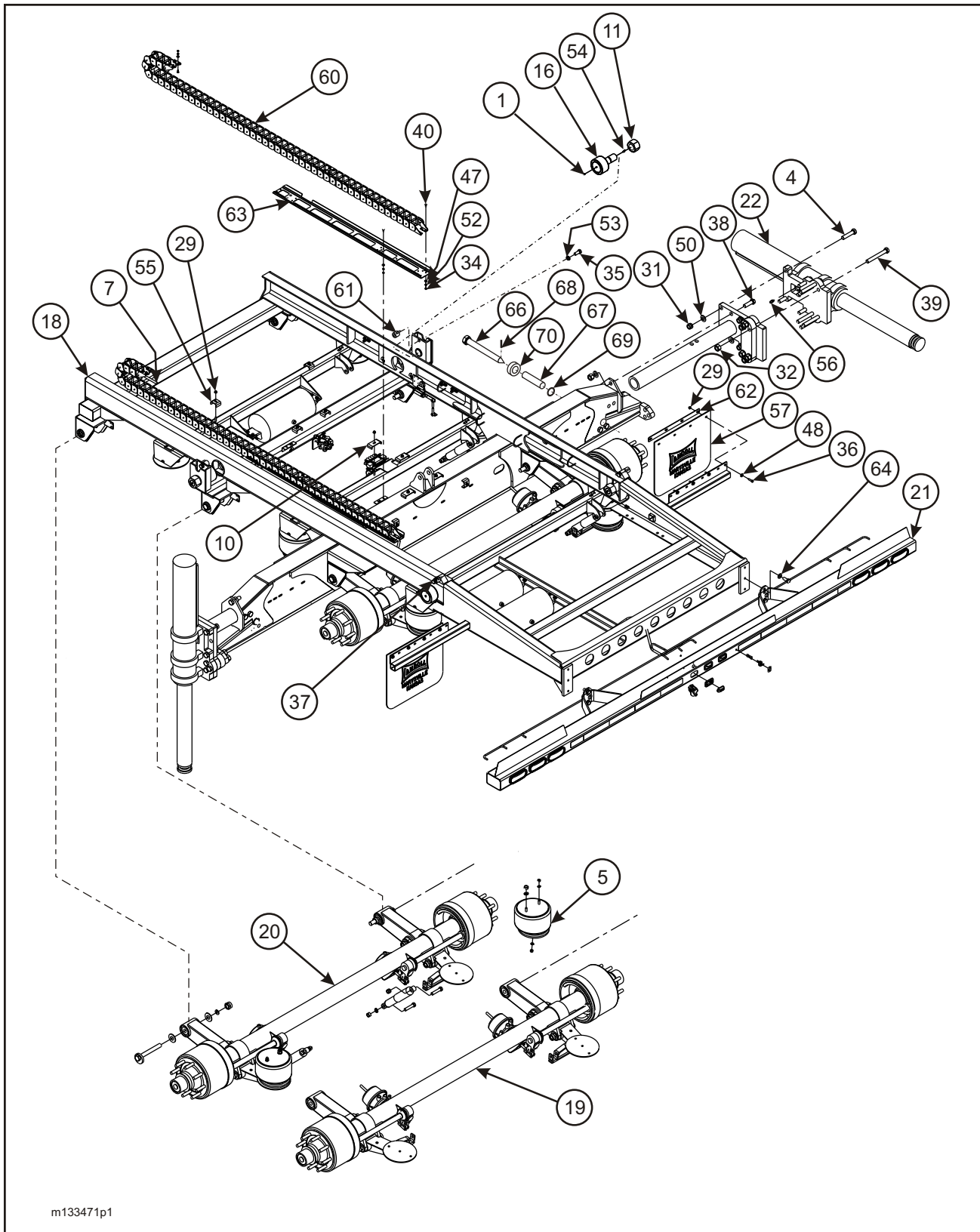


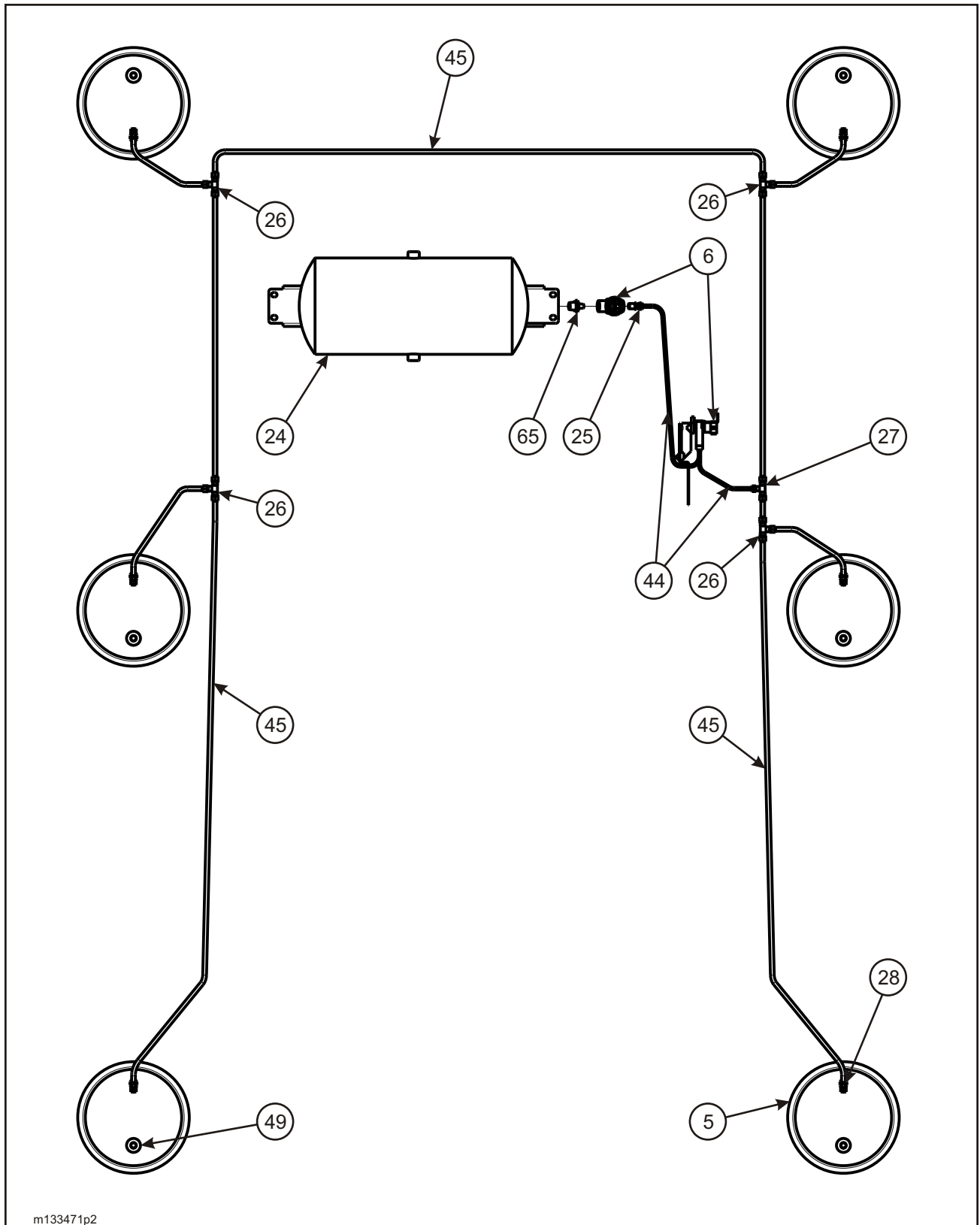
FIGURE 1-16 WIRELESS RADIO REMOTE CONTROL

WIRELESS RADIO REMOTE CONTROL

ITEM	PART NO.	DESCRIPTION	QTY.
	118640	CONTROL (MICROTRONICS #12H-LND-SP1-DF)	
1	118641	TRANSMITTER, REMOTE - A BAND	1
2	118642	TRANSMITTER BOARD - A BAND	1
3	118643	RECEIVER, REMOTE - A BAND	1
4	W001-20	ANTENNA CORD 20 FT	1



**FIGURE 1-17 UNDERCARRIAGE SUSPENSION AIR RIDE
(1 OF 2)**



m133471p2

FIGURE 1-18 UNDERCARRIAGE SUSPENSION AIR RIDE
(2 OF 2)

UNDERCARRIAGE ASSEMBLY, AIR RIDE

ITEM	PART NO.	DESCRIPTION	QTY.
	133471	UNDERCARRIAGE ASSEMBLY AIR RIDE	
1	5029	ZERK FITTING	4
4	100828	SCREW, HEX HEAD CAP 1-8 X 4-1/2 GR8	8
5	102363	SUSP. ADJ. RLU-228-3.5 (SEE PAGE 1-31)	3
6	102732	AIR CONTROL KIT NEWAY (SEE PAGE 1-29)	1
7	102836	HARNESS ASSEMBLY E-CHAIN	REF
10	103817	CLAMP, HOSE	4
11	104034	NUT, HEX 2-12 GRB	4
13	104331	HOSE ASSEMBLY 3/8 X 276	4
16	3-076-010015	5" CAM FOLLOWER	4
18	133472	SUSPENSION WELDMENT	1
19	134110	AXLE WELDMENT 2512 SPG 122.5 X 83 (FOR AXLE WELDMENT BREAKDOWNS, SEE PAGE 1-35)	2
20	134111	AXLE WELDMENT 2512 SER 122.5 X 83 (FOR AXLE WELDMENT BREAKDOWNS, SEE PAGE 1-35)	1
21	134112	BUMPER WELDMENT 318-186	1
22	134890	CYLINDER, HYD DOCK LEVELER HD (SEE PAGE 1-37) (SEE PAGE 1-6 FOR FOOTPAD WELDMENT P/N)	2
24	135162	AIR BRAKE SYSTEM ASSEMBLY ABS (NOT SHOWN) (SEE PAGE 1-33)	1
25	1-297-010007-05	FITTING, AIR	1
26	1-297-010010-03	FITTING AIR UN/TEE	4
27	1-297-010010-04	FITTING AIR UN/TEE	1
28	1-297-010008-18	FITTING, AIR 90	6
29	1-510-010001	NUT FLANGE LOCK 3/8-16	19
31	1-512-010005-19	NUT, HEX LOCK 1-8 GRB	8
32	1-512-010006-10	NUT, HEAVY HEX 1-8 GRB	10
34	1-512-010007-05	NUT HEX 1/4-20 GRB	24
35	1-654-010032-4	SCREW HEX HEAD CAP 3/4-10 X 1-3/4 GR8	6
36	1-654-010051-07	SCREW HEX HEAD CAP 3/8-16 X 1-1/2 GR5	8
37	1-654-010061-07	SCREW HEX HEAD CAP 3/4-10 X 2-1/2 GR5	2
38	1-654-010125-10	SCREW, HEX HEAD CAP 1-8 X 3-1/4 GR8	2
39	1-654-010125-21	SCREW, HEX HEAD CAP 1-8 X 8 GR8	8
40	1-654-010158-1	SCREW ROUND HEAD SQUARE NECK 1/4-20 X 3/4 GR5	24
42	1-796-010003-02	TIE, STRAP PLASTIC 18 X 14 (NOT SHOWN)	8
43	1-796-010004-02	TIE STRAP PLASTIC (NOT SHOWN)	14
44	1-833-010001	TUBING NYLON	AR
45	1-833-010002	TUBING NYLON 3/8	AR
47	1-861-010032-07	WASHER FLAT 1/4	24
48	1-861-010032-11	WASHER FLAT 3/8W	8
49	1-861-010032-15	WASHER FLAT 1/2W	6
50	1-861-010032-24	WASHER FLAT 1N	18
51	1-861-010034-07	WASHER SPLIT LOCK #10	2
52	1-861-010034-09	WASHER SPLIT LOCK 1/4	24
53	1-861-010034-17	WASHER SPLIT LOCK 3/4	4
54	110-4950	ZERK FITTING	4
55	2-181-010001	HOSE CLAMP	7

UNDERCARRIAGE ASSEMBLY, AIR RIDE

ITEM	PART NO.	DESCRIPTION	QTY.
56	202702-6-6S	ADAPTER, STRAIGHT	4
57	3-485-010001	MUD FLAP	2
60	3-755-010189	SUPPORT E-CHAIN	2
	3-755-010189-1	E-CHAIN LINK ASSEMBLY (38-06-075-0)	A/R
	385-06	E-CHAIN CROSSBAR	A/R
	38-01-075	E-CHAIN SIDE PIECE - LH	A/R
	38-02-075	E-CHAIN SIDE PIECE - RH	A/R
61	3-762-010016	HOLDDOWN UNDERCARRIAGE	4
62	3-762-010017	CLAMP MUD FLAP	2
63	3-821-010005	TRAY CAT TRACK	2
64	622-3511-008	WASHER 3/4-10 MIL-CARB FL	4
65	2083-8-4S	NIPPLE HEX 1/2PIPE - 1/4PIPE	1
66	134965	PIN, D/L PIVOT TUBE	4
67	134966	PIN, D/L RLRS, HD SNAP RING	2
68	1-557-010362-54	PIN, COTTER 3/16 X 2-1/4	4
69	1-630-010021-02	RING, RETAINING HD	4
70	116563	ROLLER, 4" FIBERGLIDE ASSEMBLY	2

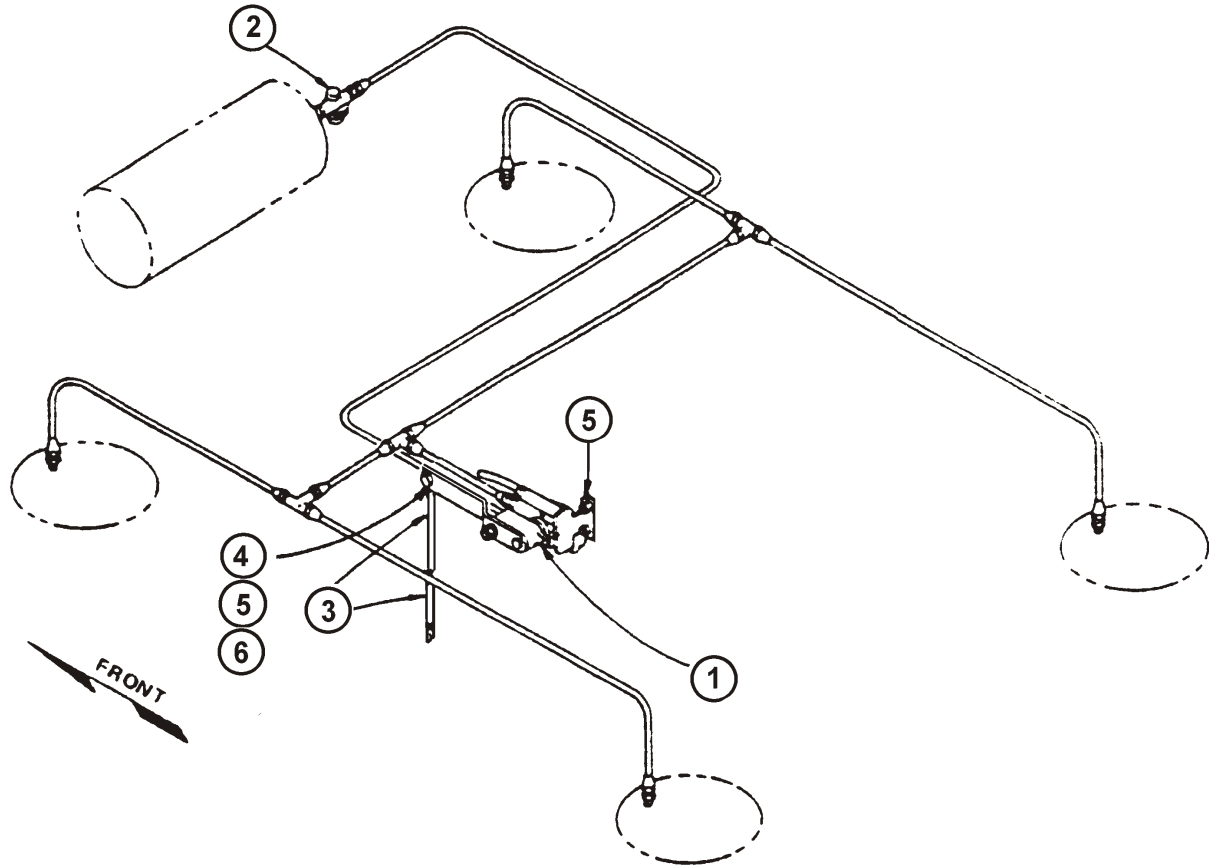
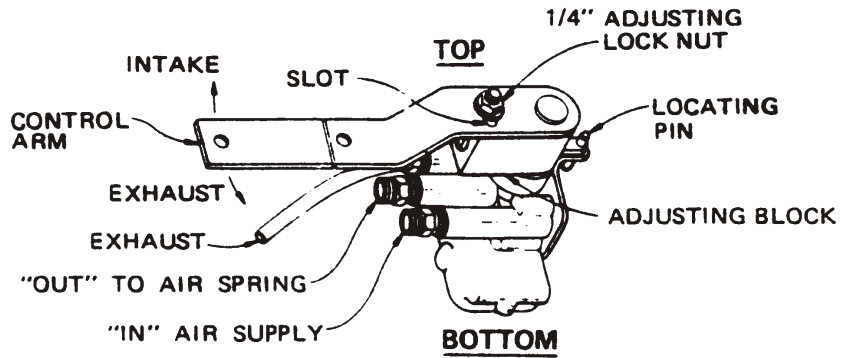


FIGURE 1-19 AIR CONTROL KIT, RLU-228

AIR CONTROL KIT RLU-228

ITEM	PART NO.	DESCRIPTION	QTY.
	102732	AIR CONTROL KIT NEWAY	
1	900 54 007	HEIGHT CONTROL VALVE	1
2	905 54 107	AIR PRESSURE PROTECTION VALVE & FILTER	1
3	111021	SRK - 167 KIT (ADJ. LINK ASSEMBLY)	1
4	1-654-010047-04	CAP SCREW 1/4-20 X 3/4	2
5	1-512-010005-01	LOCK NUT 1/4-20	2
6	941 00 119	DECAL (OPERATING)	1
7	941 00 466	HEIGHT CONTROL VALVE INSTRUCTIONS (NOT SHOWN)	1

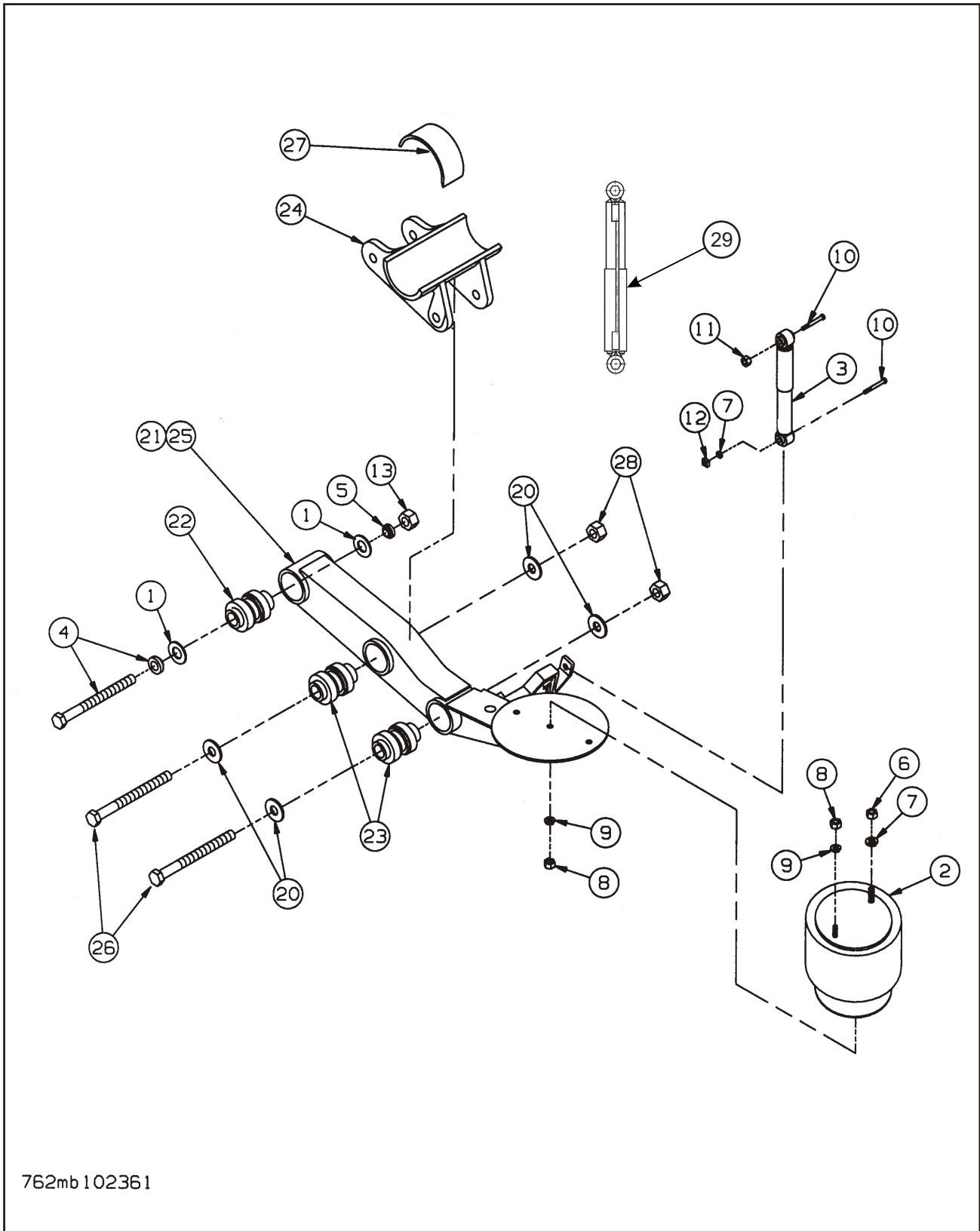
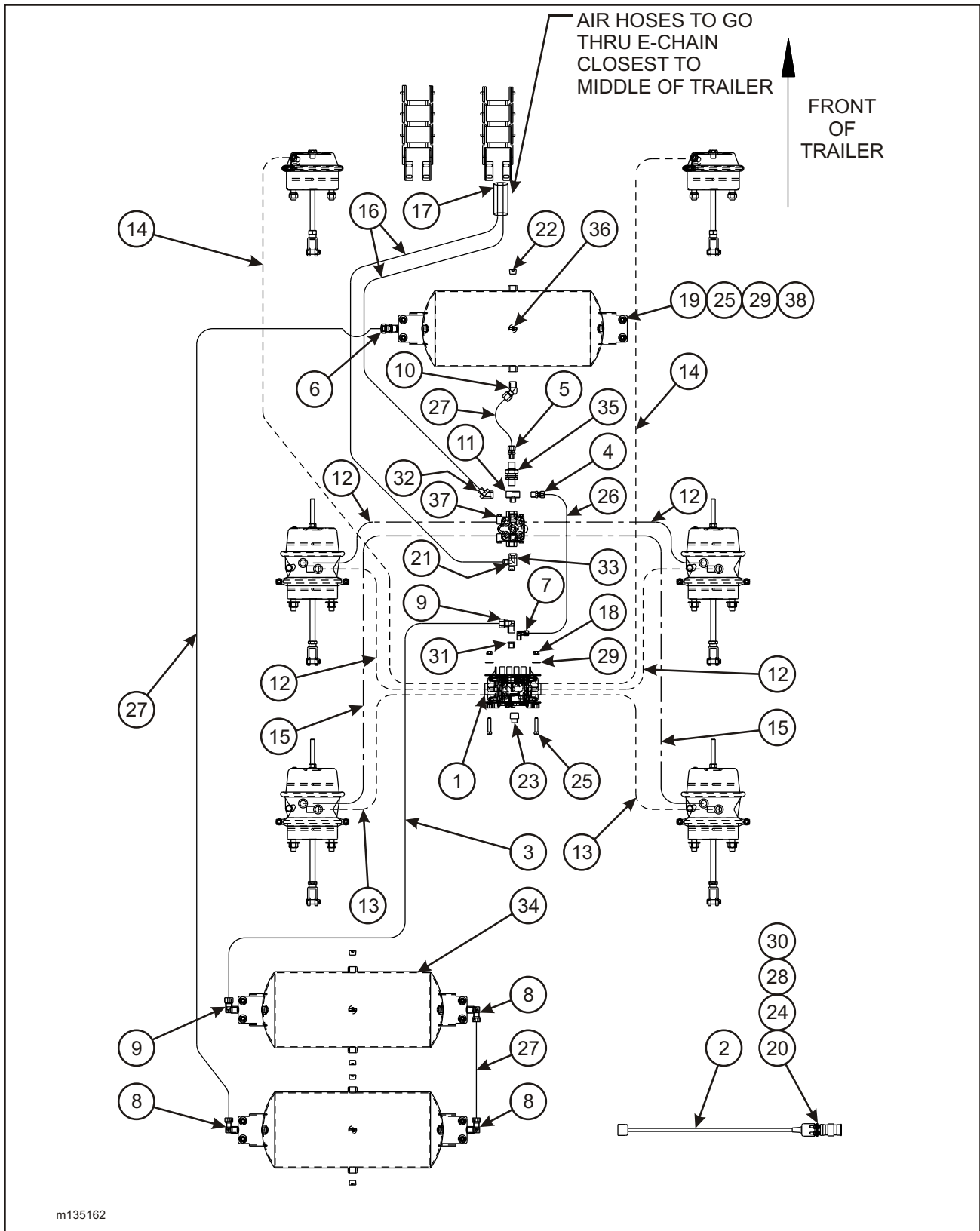


FIGURE 1-20 SUSPENSION HANGER ASSEMBLY RLU-228

SUSPENSIONHANGERRLU-228

ITEM	PART NO.	DE SCRIP TION	QTY.
	102363	SUSPENSION, ADJ. RLU- 228-3.5 (INCL. ITEMS 1-19)	
	102361	SUSPENSION, BEAM. RLU-228 (INCL. ITEMS 20-28)	
1	111010	FLAT WASHER	2
2	905-57-129	AIR SPRING ASSEMBLY	2
3	900 45 040	SHOCK	2
4	90508009	ALIGN BUSH ASSEMBLY (CONSISTS OF:)	2
	93201057	ROD BOLT	1
	90008184	ALIGN BLOCK	1
5	900 08 186	ALIGN BLOCK	2
6	934 00 149	3/4-16 HEX NUT GRB	2
7	936 00 077	LOCK WASHER, 3/4"	4
8	1-512-010007-09	HEX NUT, 1/2-13	4
9	1-816-010034-13	LOCK WASHER, 1/2"	4
10	930 03 597	HEX HEAD CAP SCREW 3/4-10 X 3-1/2	4
11	934 00 492	LOCK NUT, 3/4" - 10	2
12	934-00-367	3/4-10 SQUARE NUT	2
13	934-00-506	LOCK NUT 1-1/8-7	2
14	111018	ANCHOR, RIDE HEIGHT CONTROL VALVE (NOT SHOWN)	1
15	94100787	LITERATURE INSTRUCTIONS (NOTSHOWN)	1
16	94100685	LITERATURE SPEC (NOT SHOWN)	1
17	94100648	LITERATURE FORM 864 (NOT SHOWN)	1
18	94100590	LITERATURE LABEL (NOTSHOWN)	1
19	94100790	LITERATURE LABEL (NOTSHOWN)	1
	11005053	FASTENER KIT (INCL. ITEMS 1, 4-11, 13, &15)	1
20	111010	FLAT WASHER	8
21	111013	EQUALIZING BEAM ASSEMBLY LH	1
22	900 08 139	RUBBER BUSHING (FRONT PIVOT)	2
23	111011	RUBBER BUSHING (AXLE CONNECTION)	4
24	111012	AXLE ADAPTER ASSEMBLY	2
25	111014	EQUALIZING BEAM ASSEMBLY RH	1
26	111023	HEX HEAD CAP SCREW 1-1/8-7 X 8-1/2	4
27	900-25-288	SAFETY STRAP	2
28	934-00-506	LOCK NUT 1-1/8-7	4
29	141708	WIRE ROPE STRAP KIT RLU 228-3.5	1

NOTE: QUANTITIES LISTED ARE PER AXLE.



m135162

FIGURE 1-21 AIR BRAKE SYSTEM W/ ABS

AIR BRAKE SYSTEM W/ ABS

ITEM	PART NO.	DESCRIPTION	QTY.
	135162	AIR BRAKE SYSTEM W/ ABS	
1	114586	ABS BRAKE KIT (SEE PAGE 1-38)	1
2	114590	POWER/DIAGNOSTIC CABLE	REF
3	117304	TUBING, NYLON 5/8	AR
4	1-297-010007-12	FITTING, AIR	1
5	1-297-010007-14	FITTING, AIR	1
6	1-297-010007-16	FITTING, AIR	1
7	1-297-010008-18	FITTING, AIR 90	1
8	1-297-010008-24	FITTING, AIR 90	3
9	1-297-010008-26	FITTING, AIR 90	2
10	1-297-010013-16	FITTING, AIR 45	1
11	1-297-010017-03	FITTING, AIR M/ BRASS TEE	1
12	1-384-010038042	HOSE, AIR 3/8 X 42	4
13	1-384-010038072	HOSE, AIR 3/8 X 72	2
14	1-384-010038084	HOSE, AIR 3/8 X 84	2
15	1-384-010038090	HOSE, AIR 3/8 X 90	2
16	1-384-010038259	HOSE, AIR 3/8 X 259	2
17	1-394-010001	HOSE, ABRASION SLEEVE X 2	2
18	1-510-010001	NUT, FLANGE LOCK 3/8-16	2
19	1-512-010005-05	NUT, HEX LOCK 3/8-16 GRB	12
20	1-512-010007-05	NUT, HEX LOCK 1/4-20 GRB	2
21	1-560-010002-03	PLUG, PIPE 3/8	1
22	1-560-010002-04	PLUG, PIPE 1/2	5
23	1-560-010002-05	PLUG, PIPE 3/4-14	1
24	1-654-010047-06	SCREW HEX HEAD CAP 1/4-20 X 1 GR5	2
25	1-654-010051-08	SCREW HEX HEAD CAP 3/8-16 X1-3/4 GR5	14
26	1-833-010002	TUBING NYLON 3/8	AR
27	1-833-010003	TUBING NYLON 1/2	AR
28	1-861-010032-07	WASHER FLAT 1/4W	2
29	1-861-010032-11	WASHER FLAT 3/8W	26
30	1-861-010034-09	WASHER SPLIT LOCK 1/4	2
31	118-2659-9	BUSHING	1
32	2088-6-6S	ADAPTER 45	1
33	2089-6-6S	ADAPTER 90	1
34	3-780-010002	TANK AIR	3
35	55B61	FRAME UNION	1
36	56D4	AIR TANK DRAIN COCK	3
37	758-181	VALVE RELAY EMERGENCY	1
38	805-2	STEP BUSHING	24

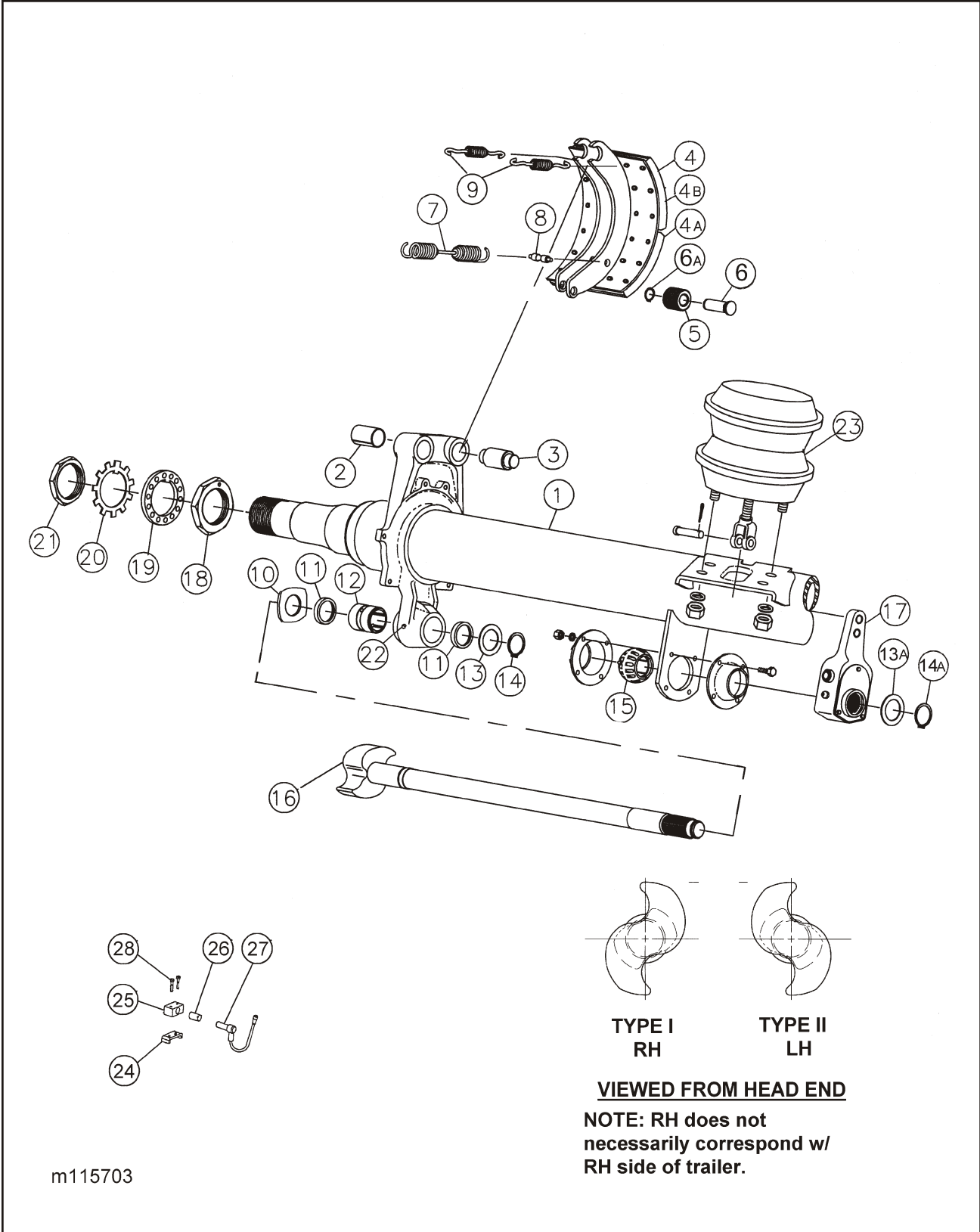


FIGURE 1-22 AXLE AND BRAKE ITEMS (DEXTER)

AXLE AND BRAKE ITEMS (DEXTER)

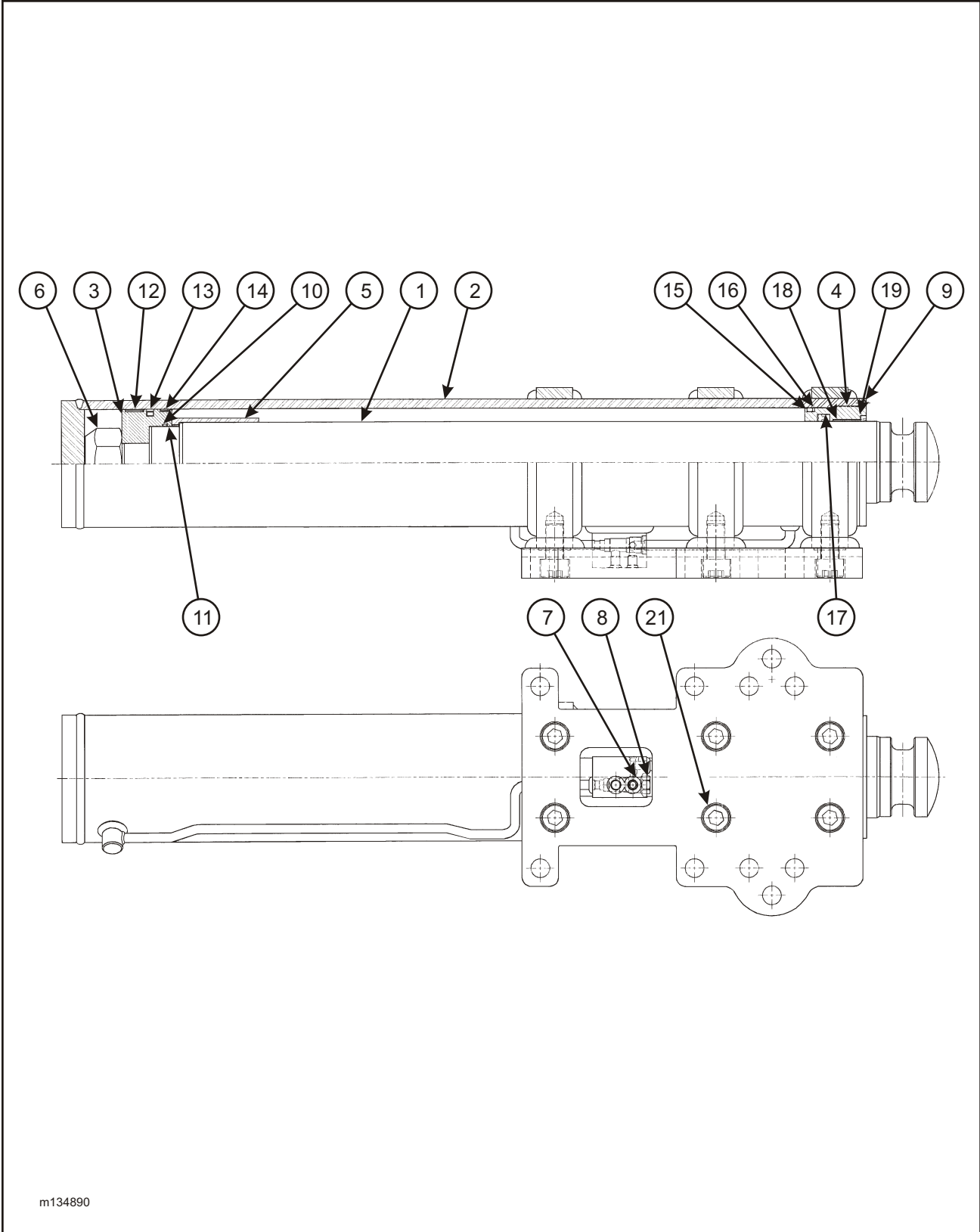
ITEM	PART NO.	DESCRIPTION	QTY.
	134108	AXLE 122-1/2, 12-1/4 X 7-1/2 SPG BK (25K)	
	134109	AXLE 122-1/2, 12-1/4 X 7-1/2 SER BK (25K)	
1A*	D-2H12	BEAM W/ BRACKETS	1
	**K71-460-00	BRAKE SHOE HDWR KIT (12.25X7.5) (ITEMS 2, 3, 5, 6, 6A, 7, & 8)	
2**	014-068-00	BUSHING, SPIDER ANCHOR PIN	4
3**	056-017-00	PIN, ANCHOR	4
4	040-320-01	SHOE AND LINING ASSEMBLY	4
4A	041-060-01	LINING - BRAKE BLOCK CAM	2
4B	041-057-01	LINING - BRAKE BLOCK ANCHOR	4
	K71-133-00	BRAKE BLOCK KIT	4
5**	014-057-00	ROLLER	4
6**	056-010-00	RETAINER, ROLLER PIN	8
6A**	069-018-00	RETAINER RING	8
7**	046-092-00	SPRING, SHOE RETRACTOR	2
8**	056-018-00	RETAINER PIN RETRACTOR SPRING	4
9**	046-097-00	KEEPER SPRING	4
	***K71-101-00	CAMSHAFT REPAIR KIT (ITEMS 10-15, & 22)	
10***	005-074-00	D" WASHER - CAMSHAFT	2
11***	010-052-00	SEAL GREASE	4
12***	014-056-00	BUSHING CAMSHAFT SPIDER	2
13A***	005-134-00	WASHER CAMSHAFT END	2
14A***	069-078-00	RETAINER, CAMSHAFT END	2
15***	014-058-00	BUSHING CAMSHAFT SUPPORT	2
16	034-188-09	CAMSHAFT, 26-1/2" LH (12.25 X 7.5 BRAKE, 122.5 TRK)	1
	034-189-09	CAMSHAFT, 26-1/2" RH (12.25 X 7.5 BRAKE, 122.5 TRK)	1
17	055-040-07	SLACK ADJUSTER, AUTOMATIC	2
18	006-114-00	NUT, INNER SPINDLE	2
19	005-098-00	WASHER, SPINDLE LOCK	2
20	005-099-00	WASHER, TABBED SPINDLE LOCK	2
21	006-115-00	NUT, OUTER SPINDLE	2
22***	061-006-00	FITTING, GREASE 45°	2
23	034-058-07	AIR CHAMBER, SPRING BRAKE	2
	034-057-07	AIR CHAMBER, SERVICE BRAKE	2
24	024-101-01	SENSOR BLOCK, LOWER	2
25	024-101-01	SENSOR BLOCK, UPPER	2
26	097-002-00	RETAINER CLIP	2
27	097-003-00	ABS SENSOR, 90	2
28	007-237-00	CAP SCREW	4

* WHEN ORDERING THE BEAM WITH SPINDLE, SPIDER, AND BRACKETS ATTACHED, YOU WILL NEED THE BEAM NUMBER, TRACK LENGTH, BRAKE SIZE, AND CAMSHAFT LENGTH.

** THESE PARTS ARE AVAILABLE AS PART OF THE BRAKE SHOE REPAIR KIT LISTED.

*** THESE PARTS ARE AVAILABLE AS PART OF THE CAMSHAFT REPAIR KIT LISTED.

NOTE: FOR HUB AND DRUM INFORMATION, SEE PAGE 1-39



m134890

FIGURE 1-23 CYLINDER, HYDRAULIC DOCK LEVELER HD 6 X 30

CYLINDER, HYDRAULIC DOCK LEVELER HD 6 X 30

ITEM	PART NO.	DESCRIPTION	QTY.
	134890	CYLINDER, HYDRAULIC DOCK LEVELER HD 6 X 30	
1	138656	PISTON ROD	1
2	*	BUTT AND TUBE ASSEMBLY	1
3	138657	PISTON	1
4	138658	GLAND	1
5	138659	SPACER	1
6	138660	LOCKNUT	1
7	138661	PORT PLUG	2
8	138662	PO CHECK VALVE	1
9	138663	SET SCREW	2
10	-----	O-RING	1
11	-----	BU-WASHER	1
12	-----	BEARING RING	1
13	-----	RECTANGLE T-SEAL	1
14	-----	BEARING RING	1
15	-----	O-RING	1
16	-----	BU-WASHER	1
17	-----	Z-SEAL	1
18	138664	DU-BUSHING	1
19	-----	WIPER	1
20	138665	LEVEL SEAL PLUG	1
21	138666	SOCKET HEAD SCREW	6
	138667	PACKING KIT (ITEMS 10-17, 19) (CONTAINS ALL NECESSARY SEALS AND O-RINGS)	

* PART NOT SOLD SEPARATELY. REQUIRES PURCHASE OF ENTIRE ASSEMBLY.

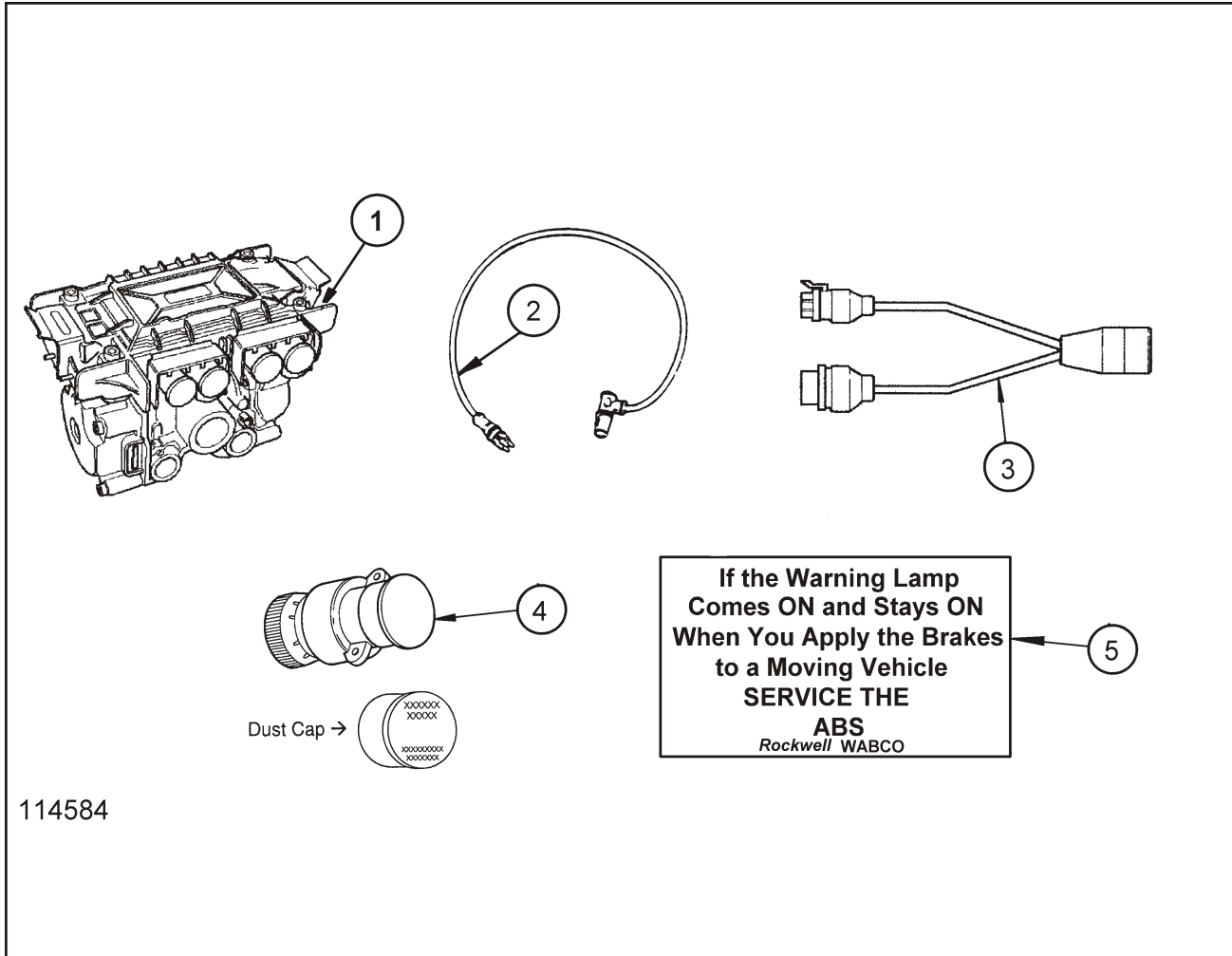


FIGURE 1-24 ABS BRAKE KIT

ABS BRAKE KIT

ITEM	PART NO.	DESCRIPTION	QTY.
	114586	ABS BRAKE KIT 4S/2M-TRI/SPRD	
1	114588	ECU/VALVE ASSEMBLY	1
2	103861	SENSOR EXTENSION CABLE (114586)	2
3	114590	POWER/DIAGNOSTIC CABLE 4.0M/3.0M	1
4	101851	DIAGNOSTIC SWITCH	1
5	101855	WARNING LAMP LABEL	1

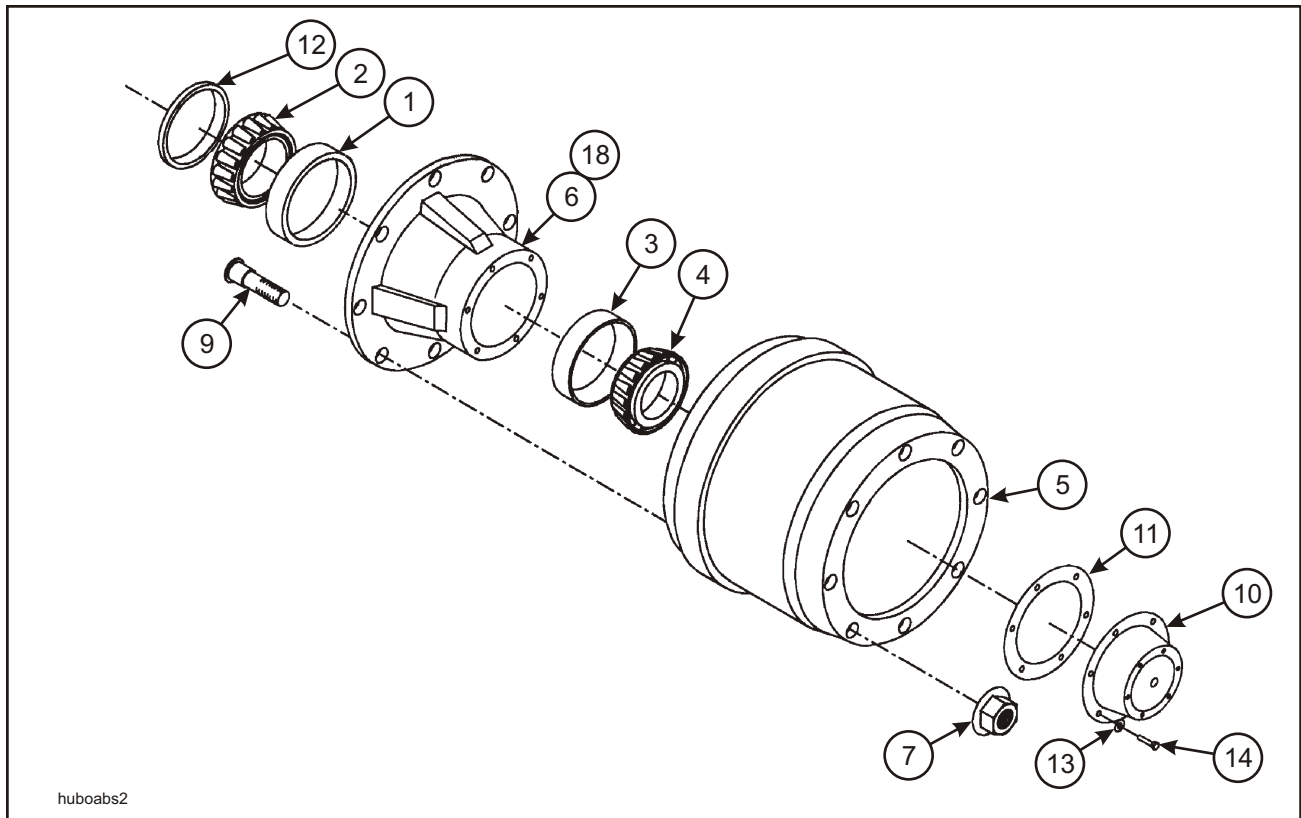
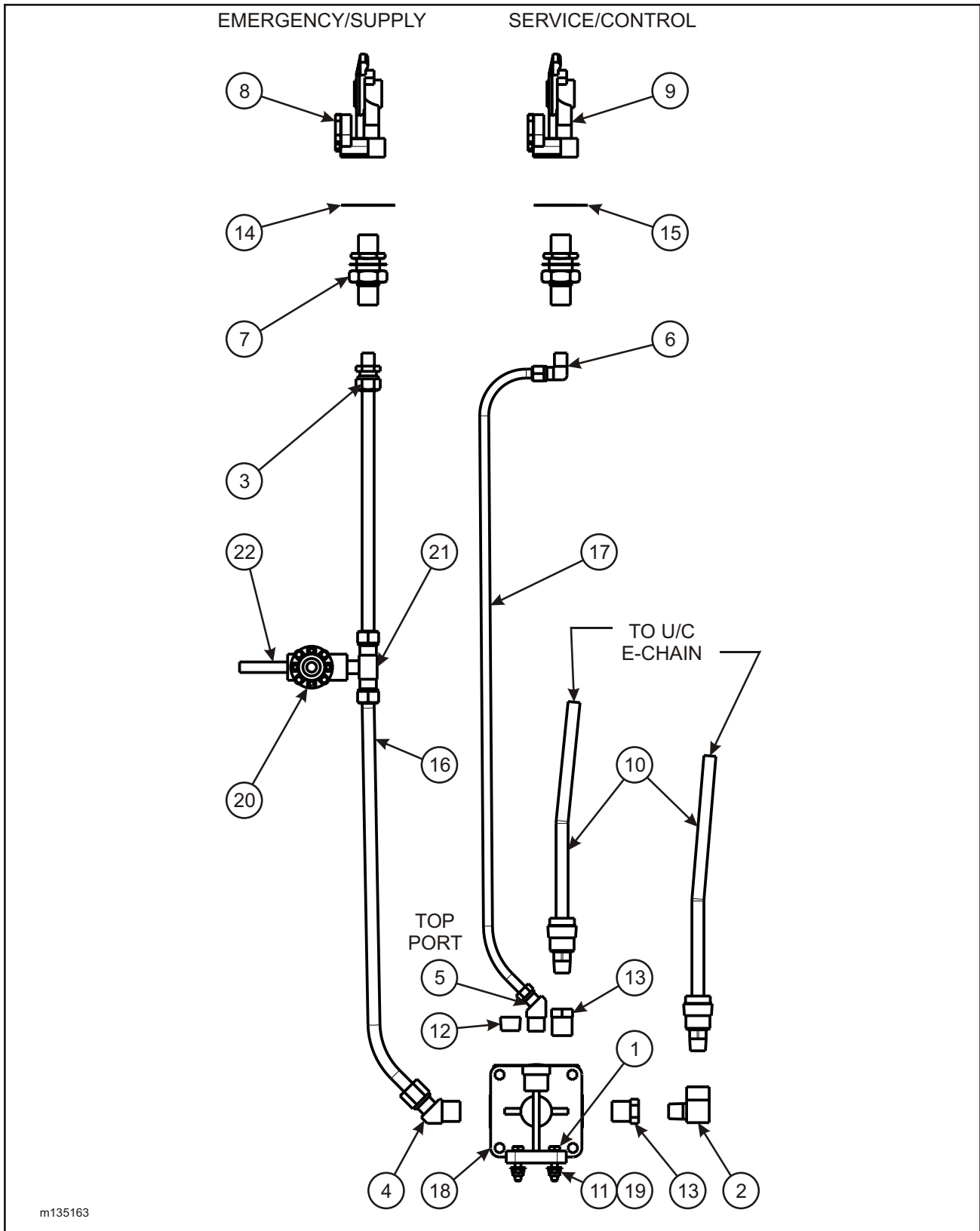


FIGURE 1-25 OUTBOARD PILOT MOUNT HUB AND DRUM

OUTBOARD PILOT MOUNT HUB AND DRUM

ITEM	PART NO.	DESCRIPTION	QTY.
	108541	HUB/DRUM 8 BOLT 12-1/4 PILOT, ABS LONG STUD	
1	HM218210	INNER BEARING CUP	1
2	HM218248	INNER BEARING CONE	1
3	HM212011	OUTER BEARING CUP	1
4	HM212049	OUTER BEARING CONE	1
5	63680	OUTBOARD MOUNTED BRAKE DRUM	1
6	112493(2027----T80)	HUB IRON 80 TH TONER RING	1
7	179933	FLANGE NUT	8
9	113536	STUD	8
10	021-038-01 (4009)	CAP HUB	1
11	071-124-00 (3067)	GASKET OIL CAP	1
12	3-659-010012	SEAL	1
13	1-861-010034-10	WASHER SPLIT LOCK 5/16	6
14	1-654-010049-03	SCREW HEX HEAD CAP 5/16-18X3/4 GR5	6
15	3-870-010097	WHEEL DISC PILOT MOUNT 17.5 X 6.75 (NOT SHOWN)	1
16	TR573	VALVE STEM - STEEL WHEEL (NOT SHOWN)	1
17	1-843-010014	VALVE, EXTENSION, STEM 3" (NOT SHOWN)	1
18	*	ABS TONE RING	1

* THIS PART SHOULD BE REPLACED IN CONJUNCTION WITH THE HUB. IT SHOULD NEVER BE SOLD SEPARATELY.

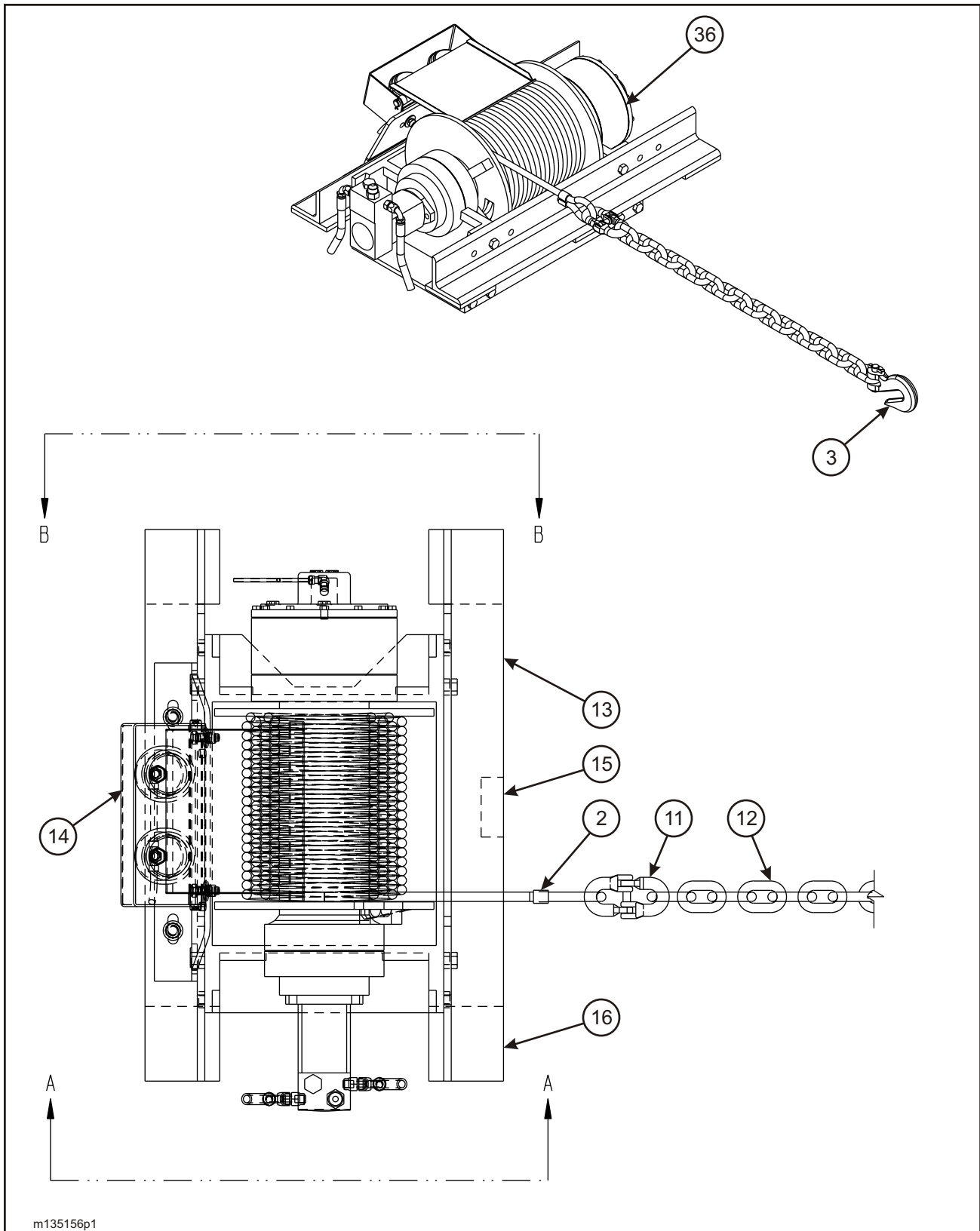


m135163

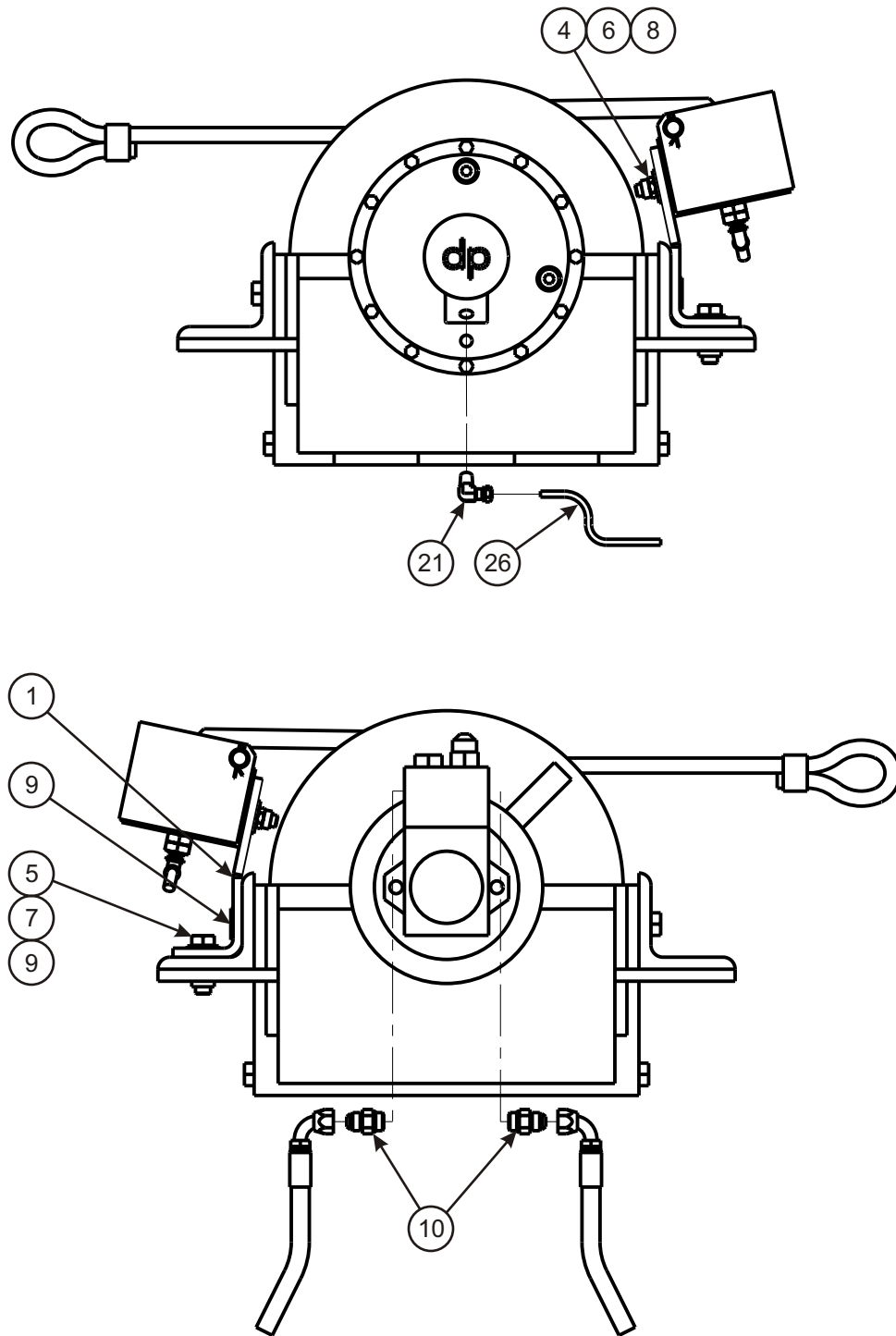
FIGURE 1-26 AIR SYSTEM, MAIN

AIR SYSTEM, MAIN

ITEM	PART NO.	DESCRIPTION	QTY.
	135163	AIR SYSTEM, MAIN	
1	1-654-010027-7	SCREW HEX HEAD CAP 1/4-23 X 1-1/4	2
2	2089-6-6S	ADAPTER, 90	1
3	1-297-010007-14	FITTING AIR 1/2TUBE X 1/4NPT	1
4	1-297-010013-16	FITTING AIR 45 1/2TUBE X 1/2NPT	1
5	1-297-010013-12	FITTING AIR 45 3/8TUBE X 3/8NPT	1
6	1-297-010008-18	FITTING AIR 90 3/8TUBE X 1/4NPT	1
7	55B61	FRAME UNION	2
8	108801	GLADHAND RED AIR	1
9	108802	GLADHAND BLUE AIR	1
10	1-384-010038259	HOSE ASSEMBLY 3/8 X 259	REF
11	1-512-010005-01	NUT HEX LOCK 1/4-20	2
12	1-560-010002-04	PLUG PIPE	1
13	2081-8-6S	REDUCER	2
14	55B61-6	TAG EMERGENCY LINE	1
15	55B61-7	TAG SERVICE LINE	1
16	1-833-010003	TUBING NYLON 1/2OD	A/R
17	1-833-010002	NYLON TUBING 3/8OD	A/R
18	3-843-010038	VALVE AIR RELAY-FAST AIR BALANCE	1
19	1-861-010032-06	WASHER FLAT 1/4N	2
20	905-54-107	BRAKE PROTECTION VALVE	1
21	1-297-010015-09	FITTING, AIR UNION TEE	1
22	1-833-010001	TUBING, NYLON 1/4	AR

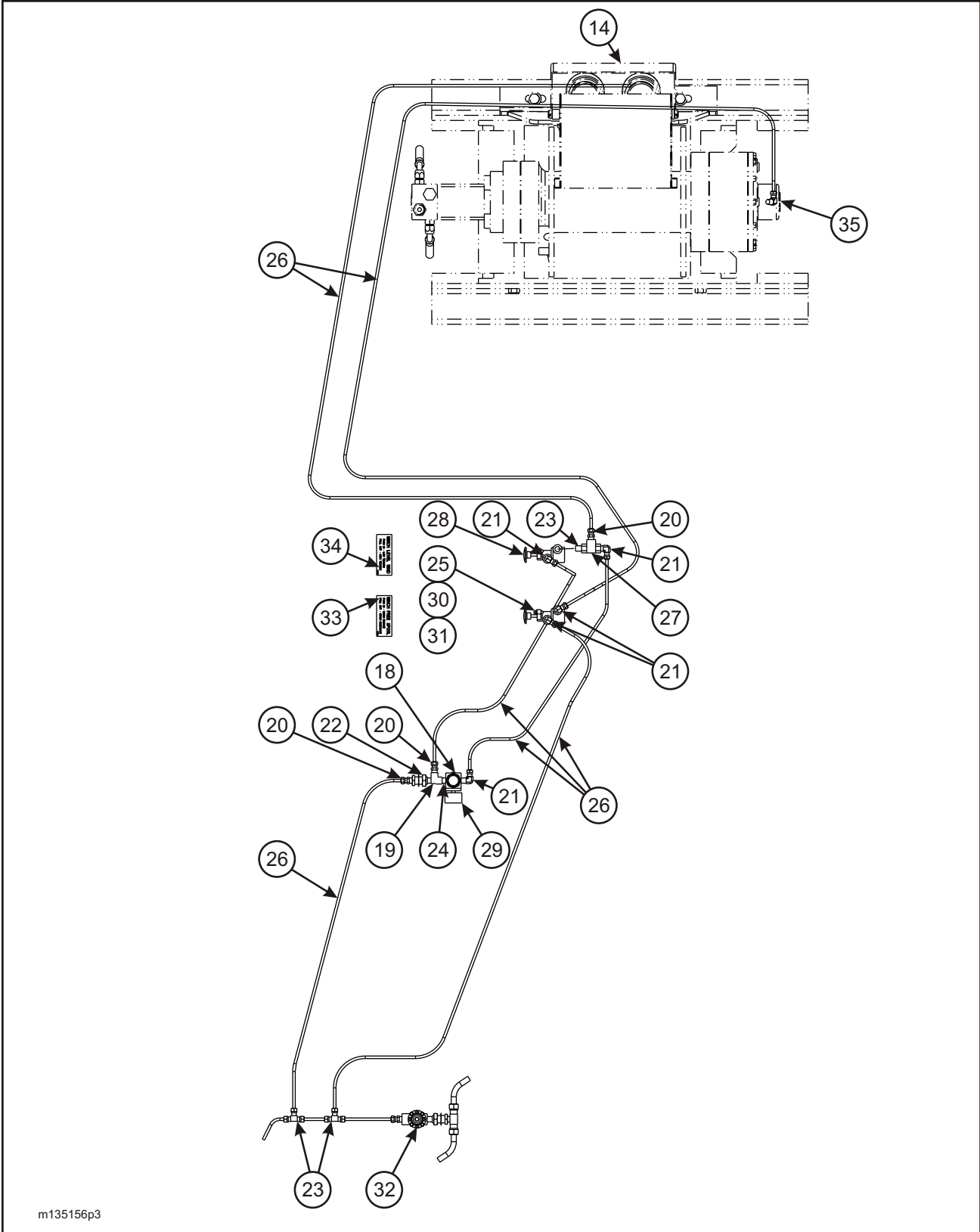


**FIGURE 1-27 WINCH INSTALLATION 30K, AIR RELEASE, AIR TENSION
(1 OF 3)**



m135156p2

FIGURE 1-28 WINCH INSTALLATION 30K, AIR RELEASE, AIR TENSION
(2 OF 3)

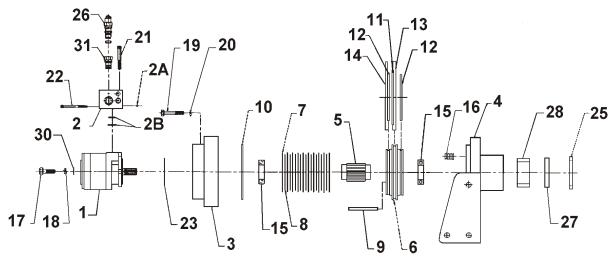


m135156p3

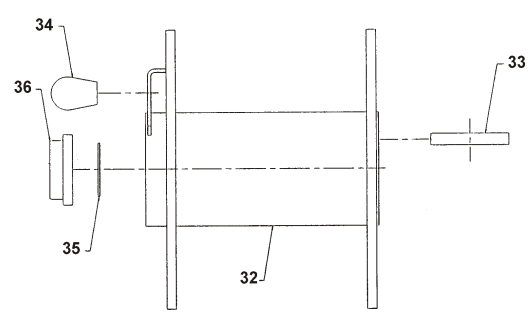
**FIGURE 1-29 WINCH INSTALLATION 30K, AIR RELEASE, AIR TENSION
(3 OF 3)**

WINCH INSTALLATION 30K, AIR RELEASE, AIR TENSION

ITEM	PART NO.	DESCRIPTION	QTY.
	135156	WINCH INSTALLATION 30K, AIR TENSION, AIR RELEASE	
1	111252	MOUNT, DP30 AIR TENSION	1
2	132833	CABLE ASSEMBLY 5/8 X 85 FLEX-X9	REF
3	1-382-010035-06	HOOK CLEVIS GRAB	1
4	1-512-010005-09	NUT HEX LOCK 1/2-13 GRB	2
5	1-512-010005-13	NUT HEX LOCK 5/8-11 GRB	2
6	1-654-010055-03	SCREW, HEX HEAD CAP 1/2-13 X 1-1/2 GR5	2
7	1-654-010059-05	SCREW HEX HEAD CAP 5/8-11 X 2 GR5	2
8	1-861-010032-15	WASHER FLAT 1/2W	2
9	1-861-010032-18	WASHER FLAT 5/8N	4
10	202702-8-8S	ADAPTER	2
11	3-174-010059	CHAIN LINK CONNECTING 5/8	1
12	3-174-010060036	CHAIN GR80	1
13	3-873-010155	WINCH MODIFICATION (ITEMS 35 & 36)	1
14	3-873-010172	WINCH CABLE AIR TENSION 30K	1
15	RFB722X4	BAR, FLAT 1/2 X 1-1/2 X 4	1
16	RSP956X5X5	PLATE, STEEL 1/2 X 5 X 5	4
17	3-573-010025	DECAL, WINCH MOTOR	1
18	3-120-010445	BRACKET, PRESSURE REGULATOR	1
19	1-297-010018-02	FITTING, 1/4 TEE	1
20	1-297-010007-05	FITTING AIR 1/4PIPE TO 1/4TUBE	3
21	1-297-010008-07	FITTING AIR 90 1/4TUBE TO 1/4NPT	5
22	1-297-010022-02	FITTING AIR ANCHOR COUPLING	1
23	1-297-010010-01	FITTING, AIR, UNION TEE	2
24	1-297-010020-02	FITTING BRASS PIPE	2
25	1-654-010024079	SCREW MACH FLSTR HD #10-32 X 3/4	4
26	1-833-010001	TUBING NYLON 1/4OD	AR
27	3-843-010039-02	VALVE, AIR SHUTTLE	1
28	3-843-010008	VALVE AIR 3WAY, 2POS, PUSH-PULL (NO PARTS BREAKDOWN)	2
29	3-626-010004	REGULATOR, AIR PRESSURE	1
30	1-861-010032-03	WASHER FLAT #10	4
31	1-861-010034-07	WASHER SPLIT LOCK #10	4
32	905-54-107	BRAKE PROTECTION VALVE	REF
33	135184	DECAL, WINCH FREE SPOOL	1
34	135185	DECAL, WINCH LEVEL WIND	1
35	1-297-010008-07	FITTING AIR 90 1/4TUBE TO 1/4NPT	1
36	3-873-010154	WINCH, DP 30,000 LB (SEE PAGE 1-47)	1



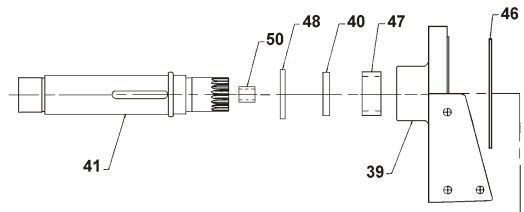
MOTOR END INSTALLATION



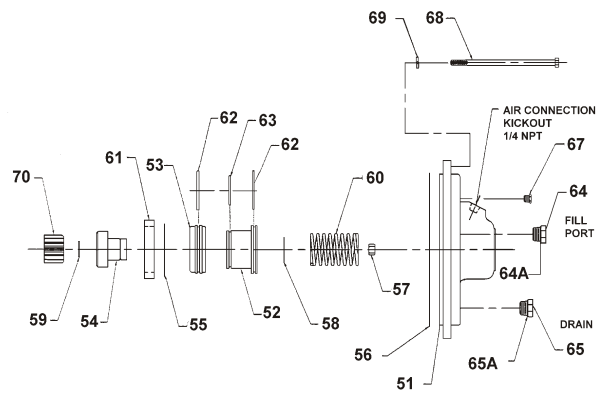
DRUM INSTALLATION



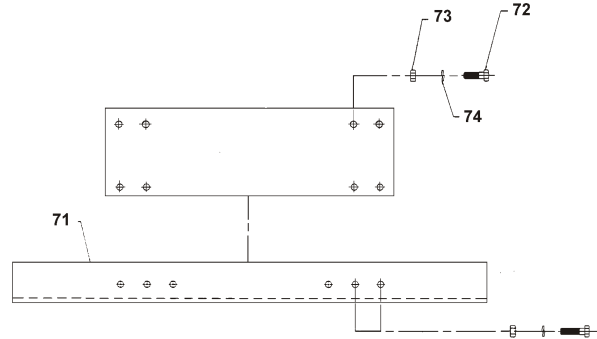
INPUT SHAFT INSTALLATION



GEAR END INSTALLATION



**AIR/HYDRAULIC KICKOUT
GEAR END COVER INSTALLATION**



BASE MOUNT INSTALLATION

FIGURE 1-30 30,000# WINCH ITEMS

30,000# WINCH ITEMS

ITEM	PART NO.	DESCRIPTION	QTY.
	3-873-010154	WINCH 30K ITEMS	
		MOTOR END INSTALLATION	
1	73174	MOTOR, HYDRAULIC	1
2	13330	VALVE, COUNTERBALANCE	1
2A	9612	O-RING, 1/8 I.D. X 3/32 SECTION	2
2B	9972	O-RING, 5/8 I.D. X 13/16 X 3/32 SECTION	2
3	13316	BRAKE HOUSING	1
4	13299	SUPPORT MOTOR END	1
5	11750	SHAFT BRAKE	1
6	11443	PISTON BRAKE	1
7	11603	PLATE DISC FRICTION	10
8	3159	PLATE DRIVE BRAKE	9
9	3263	PIN DOWEL 5/16 DIA. X 3-1/2	2
10	9844	O-RING, 7 O.D. X 6-3/4 I.D.	1
11	9853	O-RING, 6-1/2 I.D. X 3/16 SECTION	1
12	9851	O-RING, 5-3/8 I.D. X 5-3/4 O.D. X 3/16 SECTION	2
13	9854	RING, BACK-UP	1
14	9852	RING, BACK-UP 5-3/8 I.D.	1
15	81434	BEARING BALL 1-3/4 I.D.	2
16	2319	SPRING COMPRESSION	12
17	1402	CAP SCREW HEX HEAD 1/2-13 X 1-1/4	2
18	1495	WASHER LOCK 1/2	2
19	1376	SCREW CAP HEX HEAD 7/16 X 2-1/2	6
20	1388	WASHER LOCK 7/16	6
21	1188	SCREW CAP SOCKET HEAD 5/16 X 3	4
22	4042	SCREW CAP SOCKET HEAD 1/4-20 X 3-3/4	1
23	9880	O-RING 3 I.D. X 1/8 SECTION	1
24	10708	TAG WARNING (NOT SHOWN)	1
25	9890	SEAL SHAFT	1
26	3177	CARTRIDGE COUNTERBALANCE	1
27	13288	WASHER THRUST BRONZE	1
28	81454	BEARING -TORRINGTON	1
30	1498	WASHER FLAT 1/2 SAE	2
31	13356	ASSEMBLY PLUG	1
		DRUM INSTALLATION	
32	13285	DRUM	1
33	11977	KEY DRUM	2
34	10525	WEDGE CABLE 5/8	1
35	9672	O-RING 2-5/8 ID X 1/8 W	1
36	13286	SPACER	1
		INPUT SHAFT INSTALLATION	
37	13317	SHAFT INPUT	1
		GEAR END INSTALLATION	
38	3126	GEAR RING	1
39	13300	SUPPORT GEAR END	1
40	13288	WASHER THRUST	1
41	13301	SHAFT OUTPUT	1

30,000# WINCH ITEMS

ITEM	PART NO.	DESCRIPTION	QTY.
42	13164	WASHER THRUST NYLON 3-1/2 OD X 3/16 SECTION	2
43	12486	CARRIER ASSEMBLY PRIMARY	1
44	12516	CARRIER ASSEMBLY SECONDARY	1
45	10848	LABEL WARNING (NOT SHOWN)	1
46	9695	O-RING 8-3/4 I.D. X 1/8 SECTION	1
47	81454	BEARING	1
48	9890	SEAL SHAFT	1
49	13306	GEAR SUN	1
50	81608	BUSHING ID 1-1/4 OD X 1 LG	1
AIR/HYD. KICKOUT GEAR END COVER INSTALLATION			
51	13675	COVER GEAR END	1
52	13295	PISTON AKO B/C/D	1
53	13296	CYLINDER PISTON	1
54	13297	COUPLING DRIVE	1
55	3632	RING RETAINING RD SEC 3 O.D. X .10 SEC	1
56	9695	O-RING 8-3/4 I.D. X 1/8 SECTION	1
57	81612	BUSHING BRONZE 3/8 I.D. X 3/8 L	1
58	3303	RING RETAINING 1-1/4	1
59	3321	RING RETAINING RD SEC .805 I.D.	1
60	2309	SPRING COMPRESSION	1
61	13288	WASHER THRUST BRONZE 3.81 X .406 W	1
62	9672	O-RING 2-5/8 I.D. X 1/8 SECTION	2
63	9704	O-RING 2-1/8 I.D. X 2-3/8 O.D.	1
64	76344	PLUG SKT HD O-RING #10 7/8 - 14	1
64A	9992	O-RING .755 I.D. X .097 W 3-910	1
65	76343	PLUG SKT HD O-RING MAG #10	1
65A	9992	O-RING .755 I.D. X .097 W 3-910	1
66	1157	CAPLUG #4 RED (NOT SHOWN)	1
67	3059	RELIEF VENT	1
68	1317	SCREW CAP HEX HEAD 3/8 X 16 X 5-1/2	12
69	1395	WASHER LOCK 3/8	12
70	13235	GEAR SUN AKO	1
BASE MOUNT INSTALLATION			
71	14068	BASE MOUNT CUSTOM - B SERIES - A LENGTH	2
72	1505	SCREW CAP HEX HAD 5/8-11 X 2-1/4 GR5	12
73	1590	NUT HEX 5/8 - 11 GR2	12
74	1595	WASHER LOCK 5/8 MEDIUM PLAIN	12
75	1165	RIVET DRIVE U TYPE #2 X 1/4 LONG (NOT SHOWN)	4
76	10466	PLATE INFORMATION (NOT SHOWN)	1

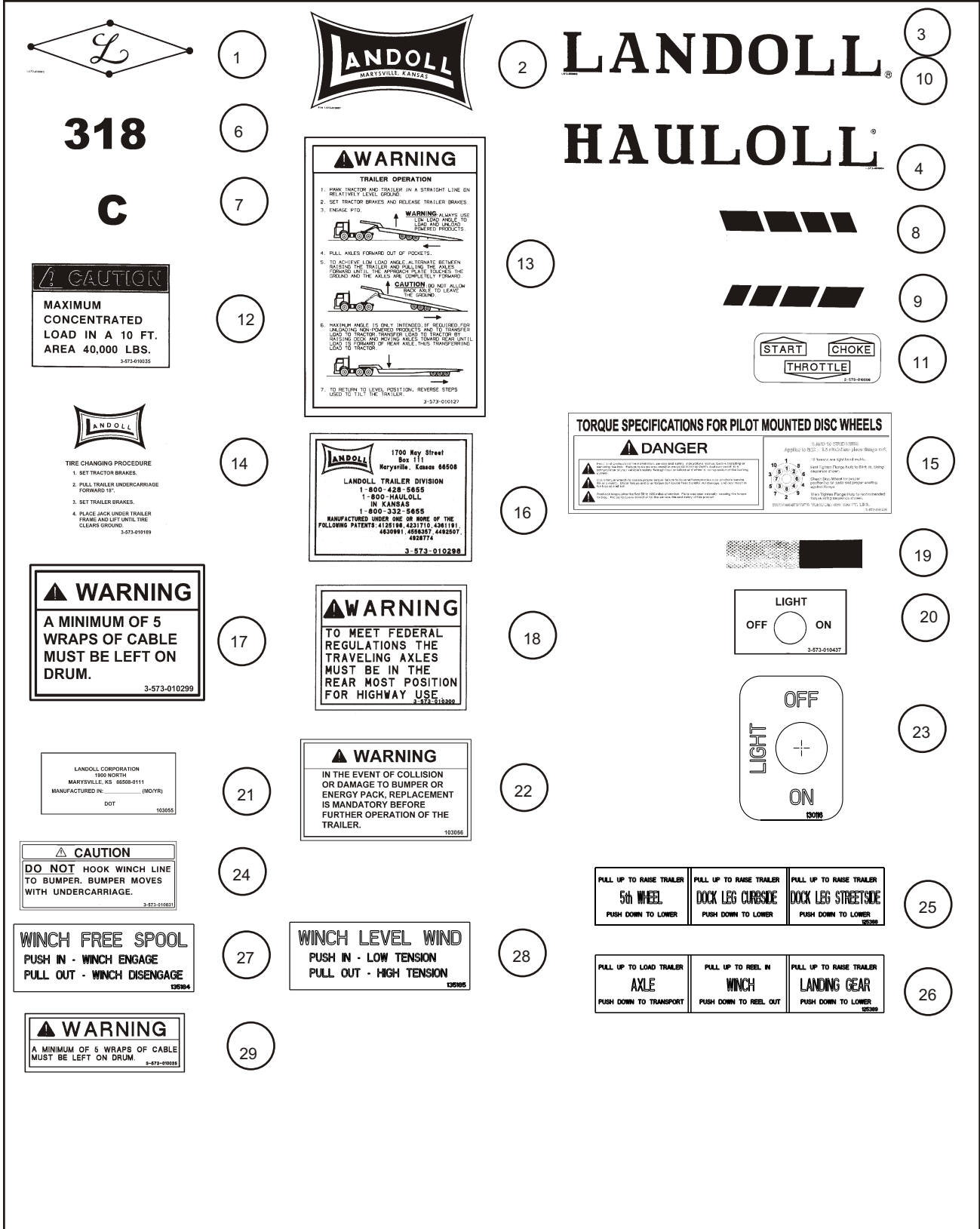
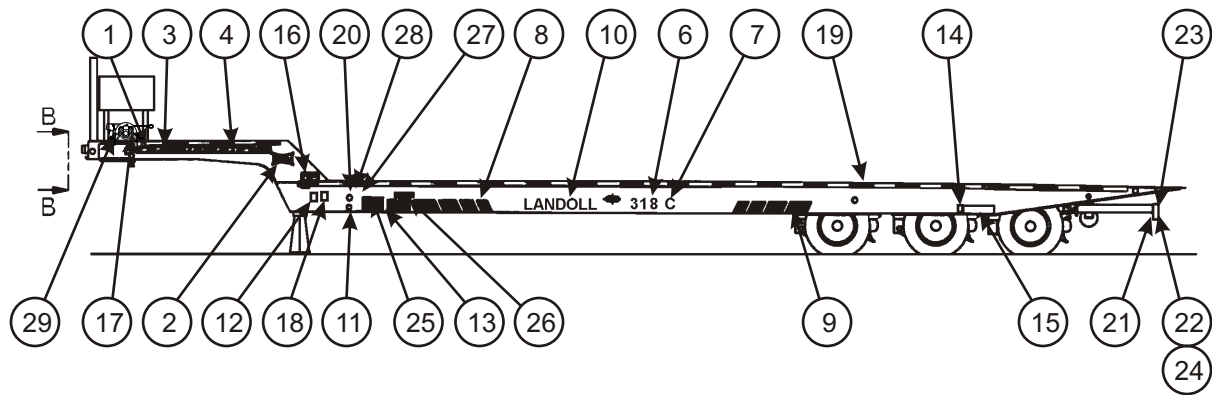
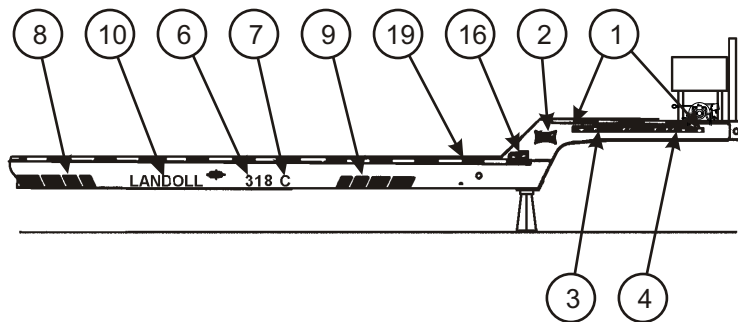


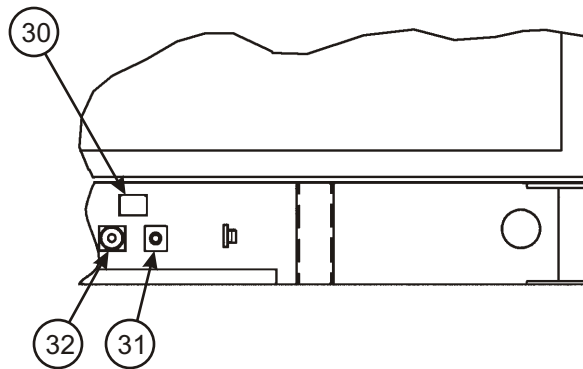
FIGURE 1-31 DECALS



STREET SIDE



CURB SIDE



VIEW B-B

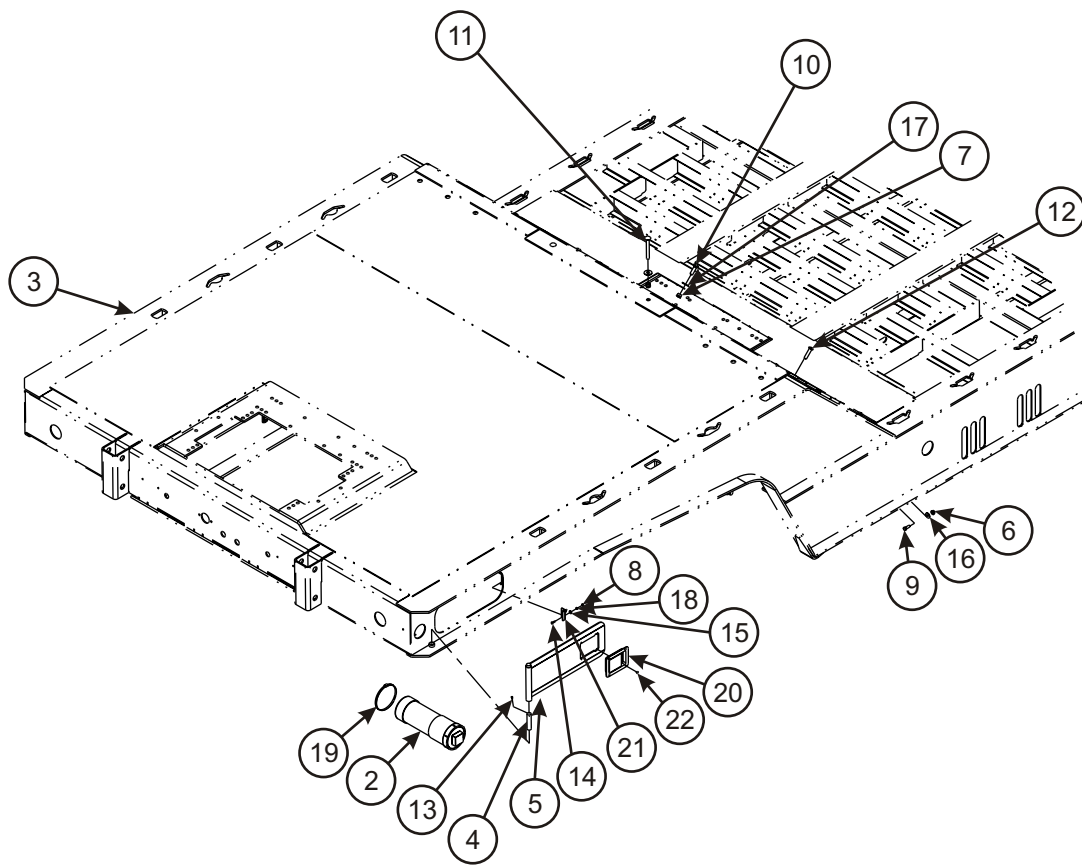
m138368

FIGURE 1-32 DECAL INSTALLATION

DECAL INSTALLATION

ITEM	PART NO.	DESCRIPTION	QTY.
	138368	DECAL INSTALLATION 318 WHT/DRK 40K	
1	1-573-010479	DECAL, L WHITE	4
2	1-573-010480	DECAL, BOWTIE WHITE	2
3	1-573-010481	DECAL, LANDOLL WHITE	2
4	1-573-010482	DECAL, HAULLOLL WHITE	2
5	101855	WARNING LAMP LABEL, ABS (SEE PAGE 1-38 FOR LOCATION)	1
6	113284	DECAL, 318 WHITE DC 5"	2
7	114574	DECAL, C (WHITE)	2
8	3-573-010042	FRONT STRIPE, LEFT, WHITE	2
9	3-573-010043	FRONT STRIPE, RIGHT WHITE	2
10	3-573-010049	LANDOLL, WHITE 5 X 41	2
11	3-573-010506	DECAL, ENGINE CONTROLS	1
12	3-573-010035	DECAL, CONCENTRATED LOAD 40,000#	2
13	3-573-010127	DECAL, OPERATION, 3-AXLE BL	1
14	3-573-010189	DECAL, TIRE CHANGING PROCEDURE	1
15	3-573-010210	DECAL, TORQUE SPEC (WITH WHEEL BUNDLE)	1
16	3-573-010298	DECAL, PATENT	2
17	3-573-010299	DECAL, WARNING WINCH CABLE	1
18	3-573-010300	DECAL, WARNING RIDE POSITION UNDERCARRIAGE	1
19	3-573-010377	DECAL, REFLEXITE RED/WHITE	AR
20	3-573-010437	DECAL, LIGHT	1
21	103055	DECAL, ENERGY BUMPER, CERT	1
22	103056	DECAL, ENERGY BUMPER, WARNING	1
23	130116	DECAL, ON/OFF LIGHT	1
24	3-573-010031	DECAL, TRAILER BUMPER	1
25	125388	DECAL, 5TH WHEEL/CURB-STR DOCK LEVELER	1
26	125389	DECAL, AXLE/WINCH/HYD LANDING GEAR	1
27	135184	DECAL, WINCH FREE SPOOL	REF
28	135185	DECAL, WINCH LEVEL WIND	REF
29	3-573-010025	DECAL, WINCH MOTOR	1
30	105822	DECAL, HYDRAULIC COUPLER	1
31	55B61-6	TAG, EMERGENCY LINE	REF
32	55B61-7	TAG, SERVICE LINE	REF

*IF TRAILER IS REPAINTED OR IF DECALS BECOME ILLEGIBLE, ORDER NEW ONES FROM THE FACTORY AND REPLACE.



m135591

FIGURE 1-33 DOOR AND COVER INSTALLATION

DOOR AND COVER INSTALLATION

ITEM	PART NO.	DESCRIPTION	
	135591	DOOR AND COVER INSTALLATION	
1	101299	CHAIN KEY LANDOLL (NOT SHOWN)	1
2	130511	TUBE ASSEMBLY, MANUAL STORAGE	1
3	131804	FRAME WELDMENT	REF
4	135181	BUSHING, NYLATRON TOOLBOX	4
5	135589	DOOR WELDMENT, TOOLBOX	REF
6	1-510-010001	NUT FLANGE LOCK 3/8-16	4
7	1-512-010005-09	NUT HEX LOCK 1/2-13 GRB	4
8	1-512-010007-03	NUT HEX #10-24	4
9	1-654-010051-05	SCREW HEX HEAD CAP 3/8-16 X 1 GR5	4
10	1-654-010070-04	SCREW, RD HEAD SQ NECK 1/2-13X1-3/4	2
11	1-654-010070-14	SCREW RD HD SQ NCK 1/2-13 X 4-1/2	2
12	1-654-010089-13	SCREW SOCKET BUTTON CAP 1/2-13 X 2	8
13	1-654-010147-06	SCREW, RD HEAD SELF-TAPPING #6-20 X 3/4	8
14	1-656-010003051	SCREW ROUND HEAD MACHINE #10-24 X 3/4	4
15	1-861-010032-04	WASHER FLAT 3/16	4
16	1-861-010032-11	WASHER FLAT 3/8	4
17	1-861-010032-15	WASHER FLAT 1/2	4
18	1-861-010034-07	WASHER SPLIT LOCK #10	4
19	105-0094	HOSE CLAMP 4-1/2	1
20	3-443-010010	LATCH	2
21	3-482-010307	MOUNT ADJUST STRIKER PLATE	2
22	BSL-6-4	RIVET FLANGE 3/16 X 1/4	8

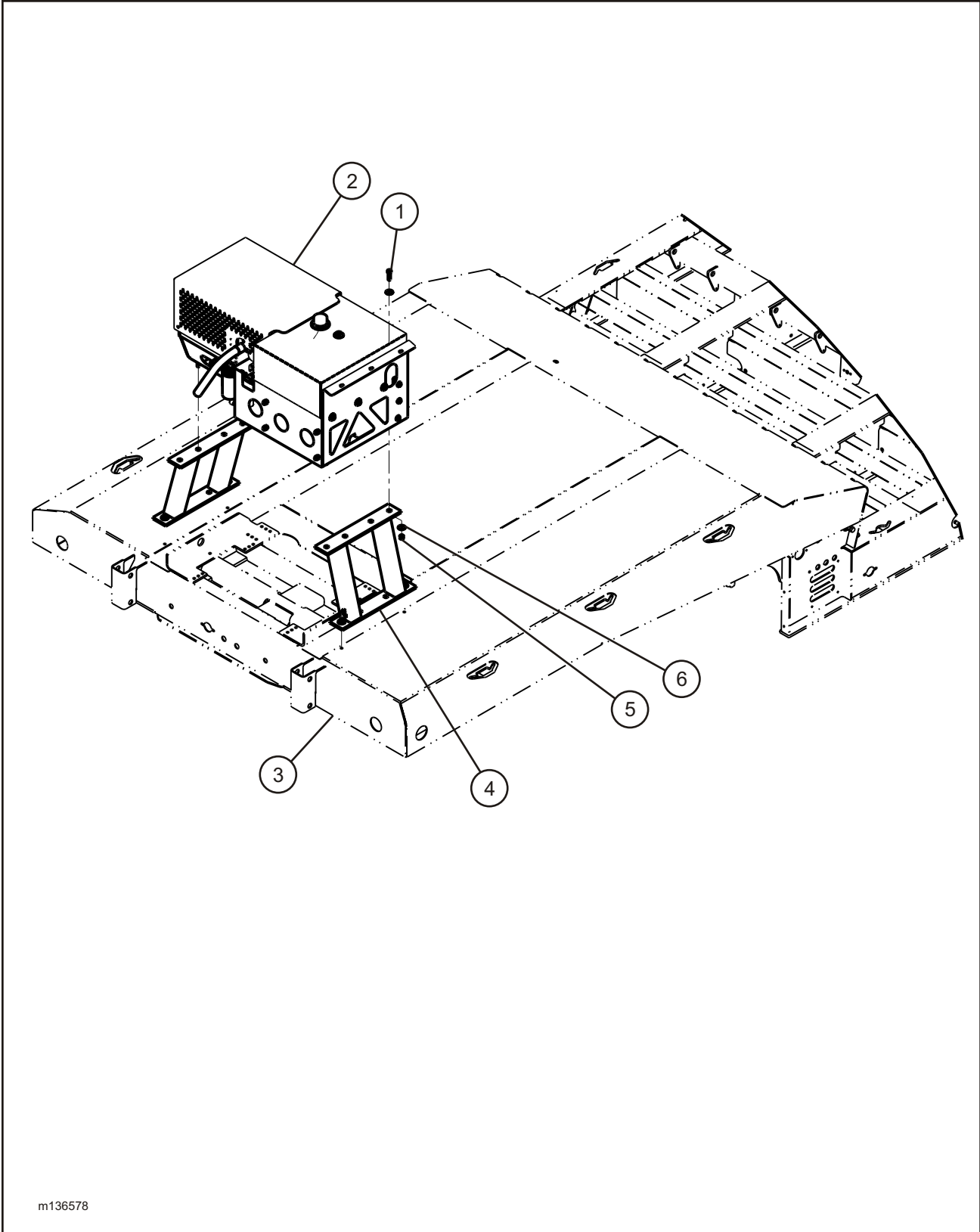
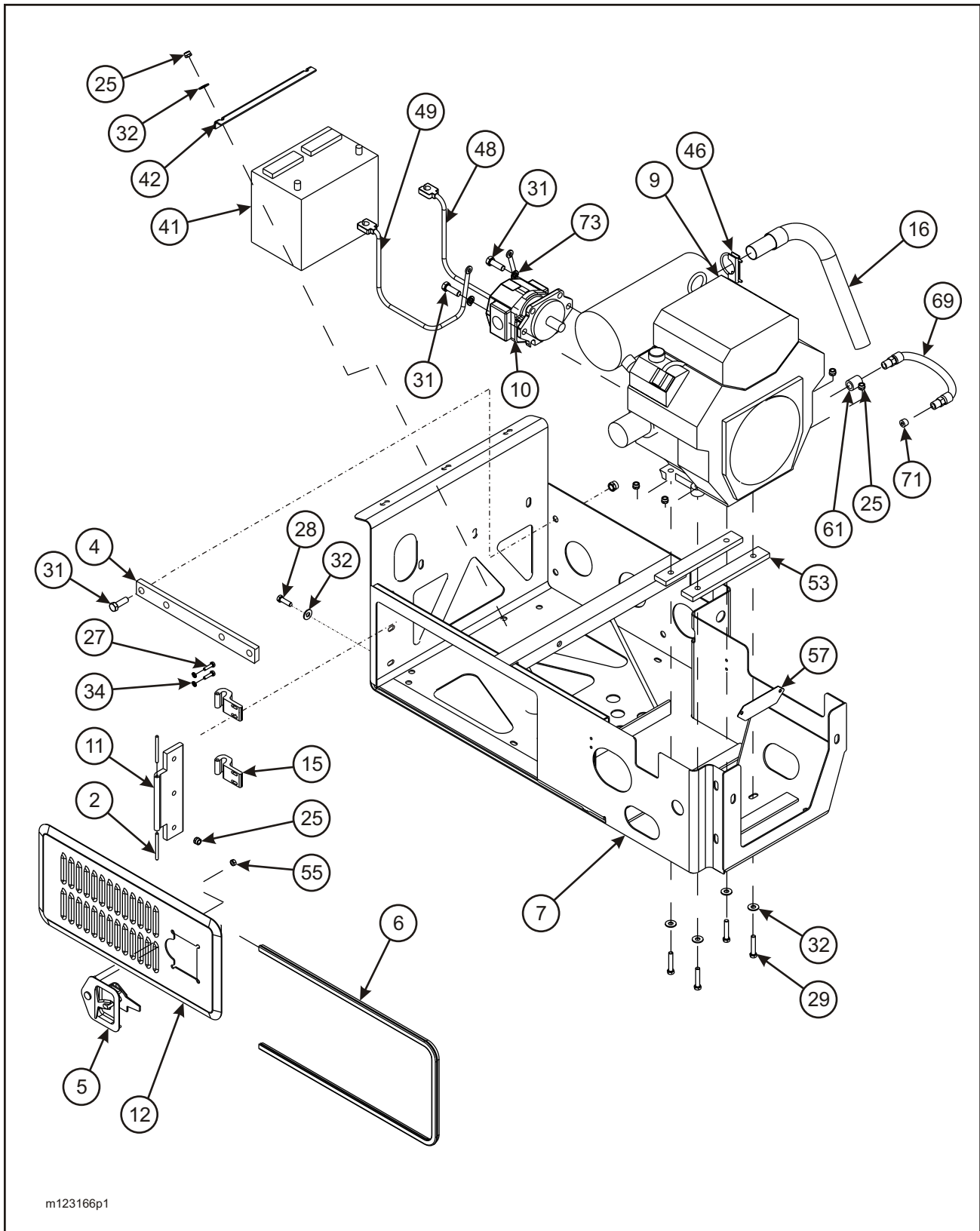


FIGURE 1-34 UPPER DECK STAND INSTALLATION

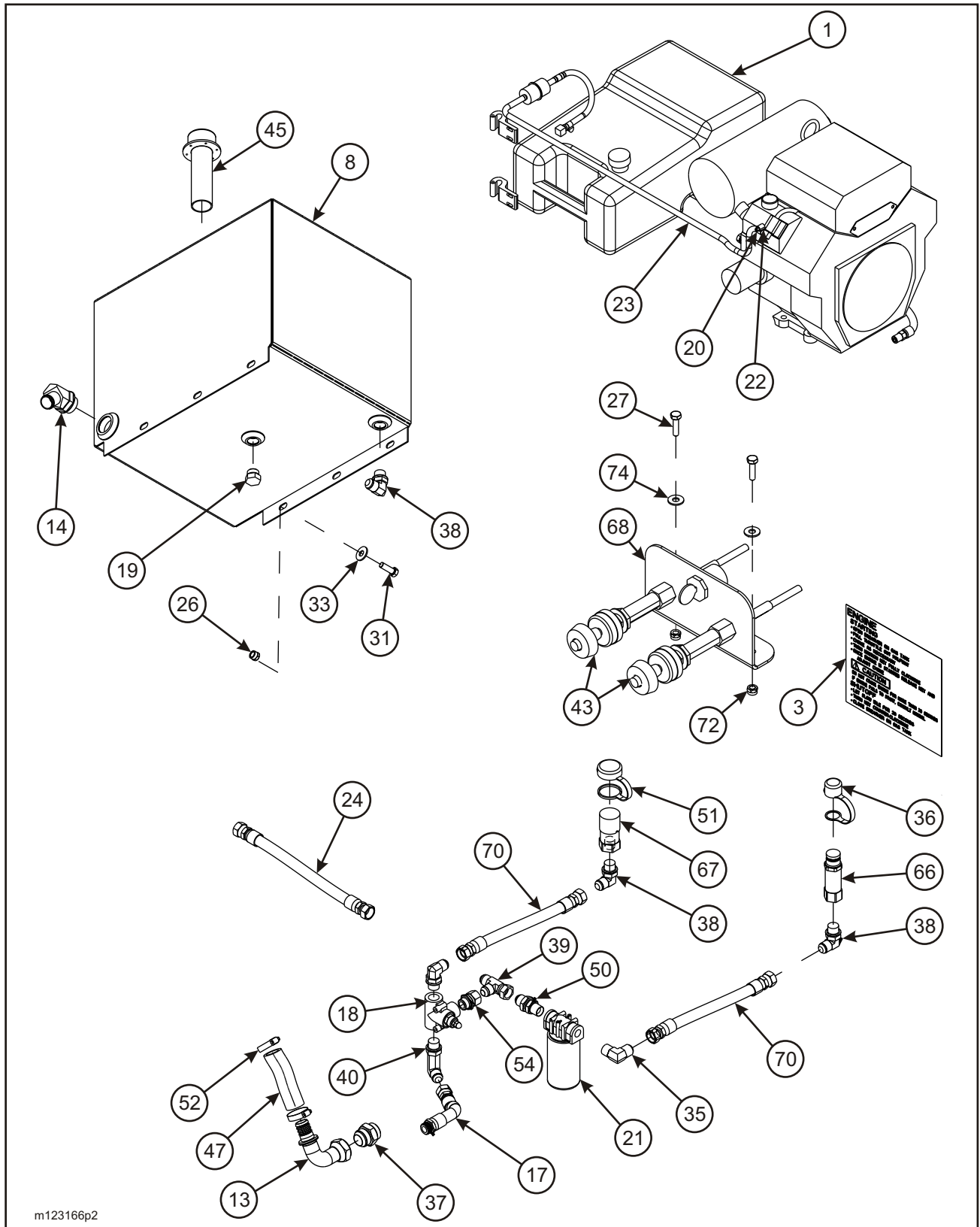
UPPER DECK STAND INSTALLATION

ITEM	PART NO.	DESCRIPTION	QTY.
	136578	UPPER DECK STAND INSTALLATION	
1	1-654-010055-04	SCREW, HEX HEAD CAP 1/2-13 X 1-3/4 GR5	8
2	123166	ENGINE PACKAGE, 27 HP GAS (SEE PAGE 1-58)	REF
3	131804	UPPER DECK FRAME WELDMENT	REF
4	134857	MOUNT WELDMENT, ENGINE PACKAGE	2
5	1-512-010005-09	NUT, HEX LOCK 1/2-13 GRB	10
6	1-861-010032-15	WASHER, FLAT 1/2W	20



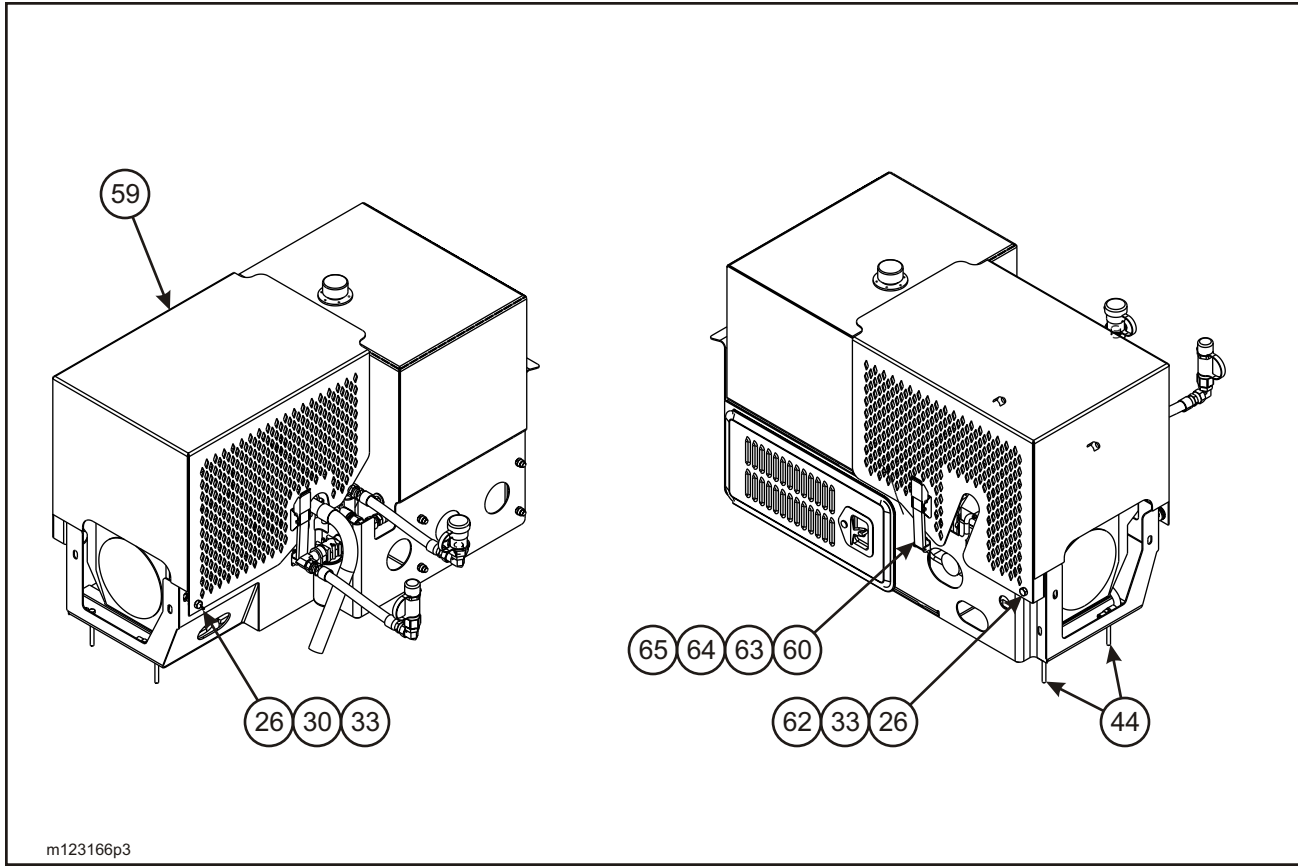
m123166p1

FIGURE 1-35 27HP GAS ENGINE PKG (1 OF 3)



m123166p2

FIGURE 1-36 27 HP GAS ENGINE PKG (2 OF 3)



m123166p3

FIGURE 1-37 27HP GAS ENGINE PKG (3 OF 3)

27HP GAS ENGINE PACKAGE

ITEM	PART NO.	DESCRIPTION	QTY.
	123166	27 HP GAS ENGINE PACKAGE	
1	104699	TANK, FUEL PLASTIC	1
2	108601	PIN, DOOR HINGE	2
3	113388	DECAL, ENG PKG INSTRUCTIONS	1
4	113856	MOUNT, ENGINE ISOLATOR, KOHLER CH25	2
5	114814	LATCH, FOLDING T LOCKABLE	1
6	114815	SEAL, SPONGE RUBBER TRIM	1
7	120654	MOUNT WELDMENT, ENG PKG 25 HP	1
8	129264	HYD TANK WELDMENT 30G E/P	1
9	127813	ENGINE KOHLER 27 HP PUMP MOUNT	1
	2509904	KOHLER IGNITION SWITCH	1
10	115888	PUMP, HYDRAULIC	1
11	116326	HINGE, BASE MOUNT	1
12	116328	MOUNT, DOOR WELDMENT	1
13	116330	FITTING, 90	1
14	117873	FITTING	1
15	119206	HINGE, DOOR	2
16	119445	EXHAUST EXT WELDMENT	1
17	119577	HOSE	1
18	120661	VALVE, HYDR PRESSURE RELIEF	1
19	900598-12S	PLUG, O-RING	1
20	105-0105	CLAMP, HOSE	2

27HP GAS ENGINE PACKAGE

ITEM	PART NO.	DESCRIPTION	QTY.
21	1-295-010001	RETURN LINE FILTER	1
	1-295-010002	FILTER ELEMENT	1
22	1-297-010034-01	FITTING, BR 90 BARB	1
23	1-316-010013	HOSE, 1/4 LOW PRESSURE FUEL LINE	4
24	1-397-010304018	HOSE ASSEMBLY 3/4 X 18	1
25	1-512-010005-05	NUT, HEX LOCK 3/8-16 GRB	13
26	1-512-010005-09	NUT, HEX LOCK 1/2-13 GRB	11
27	1-654-010047-06	SCREW, HEX HEAD CAP 1/4-20 X 1 GR5	6
28	1-654-010051-06	SCREW, HEX HEAD CAP 3/8-16 X 1-1/4 GR5	3
29	1-654-010051-09	SCREW, HEX HEAD CAP 3/8-16 X 2 GR5	6
30	1-654-010055-02	SCREW, HEX HEAD CAP 1/2-13 X 1-1/4 GR5	6
31	1-654-010055-03	SCREW, HEX HEAD CAP 1/2-13 X 1-1/2 GR5	11
32	1-861-010032-11	WASHER, FLAT 3/8W	17
33	1-861-010032-15	WASHER, FLAT 1/2W	13
34	1-861-010034-09	WASHER, SPLIT LOCK 1/4	4
35	2024-12-12S	ELBOW, 90	1
36	105481	COUPLER, DUST CAP MALE	1
37	202702-20-20S	ADAPTER	1
38	2062-12-12S	ADAPTER, 90	4
39	203102-12-12S	ADAPTER, TEE	1
40	206209-12-12S	ADAPTER, 90	1
41	2481X	BATTERY 12V	1
42	3-120-010124	BATTERY CLAMP BRACKET	1
43	128774	CABLE, THROTTLE	2
44	108295	SCREW, HEX HEAD CAP 3/8-16 X 4 GR5	2
45	3-162-010001	FILLER-BREATH-STRAINER ASSEMBLY	1
46	3-182-010028	CLAMP, MUFFLER	1
47	3-399-010001006	HOSE, 1-1/4 SUCTION	1
48	514-9045-26	CABLE ASSEMBLY, BATTERY POSITIVE	1
49	514-9073-18	CABLE ASSEMBLY, BATTERY NEGATIVE	1
50	2240-12-12S	ADAPTER, BULKHEAD	1
51	105482	COUPLER, DUST CAP FEMALE	1
52	1-181-010046-7	CLAMP, HOSE	2
53	120659	ISOLATOR, KOHLER 25 HP MOUNT	2
54	120660	ADAPTER	1
55	115877	NUT, HEAVY HEX 1/4-20 GR5	4
57	123014	PLATE, MOTOR FRONT	1
58	128781	HARNESS, ENG PKG IGNITION (NOT SHOWN)	1
59	129287	COVER WELDMENT U/D ENG PKG 30 GAL	1
60	3-443-010018	LATCH, FLEXIBLE DRAW LEVER ASSIST	2
61	3-8P_COUPL	BLACK, PIPE COUPLING 3/8	1
62	1-654-010055-09	SCREW, HEX HEAD CAP 1/2-13 X 3 GR5	1
63	110-0116	SCREW, RD HEAD CAP 10-24 X 3/4	8
64	110-0253	WASHER, FLAT 3/16	8
65	1-512-010004-03	NUT, HEX LOCK 10-24 GRA	8
66	105479	COUPLER, FLAT FACE MALE NOSE	1
67	105480	COUPLER, FLAT FACE FEMALE BODY	1
68	123167	BRACKET, CONTROLS	1
69	1-397-010312032	HOSE ASSEMBLY 3/8 X 32	1
70	1-397-010304060	HOSE ASSEMBLY 3/4 X 60	2
71	1-560-010002-03	PLUG, PIPE 3/8	1
72	1-512-010005-01	NUT, HEX LOCK 1/4	2
73	1-861-010034-13	WASHER, HEX LOCK 1/2	2
74	1-861-010032-07	WASHER, FLAT 1/4W	2

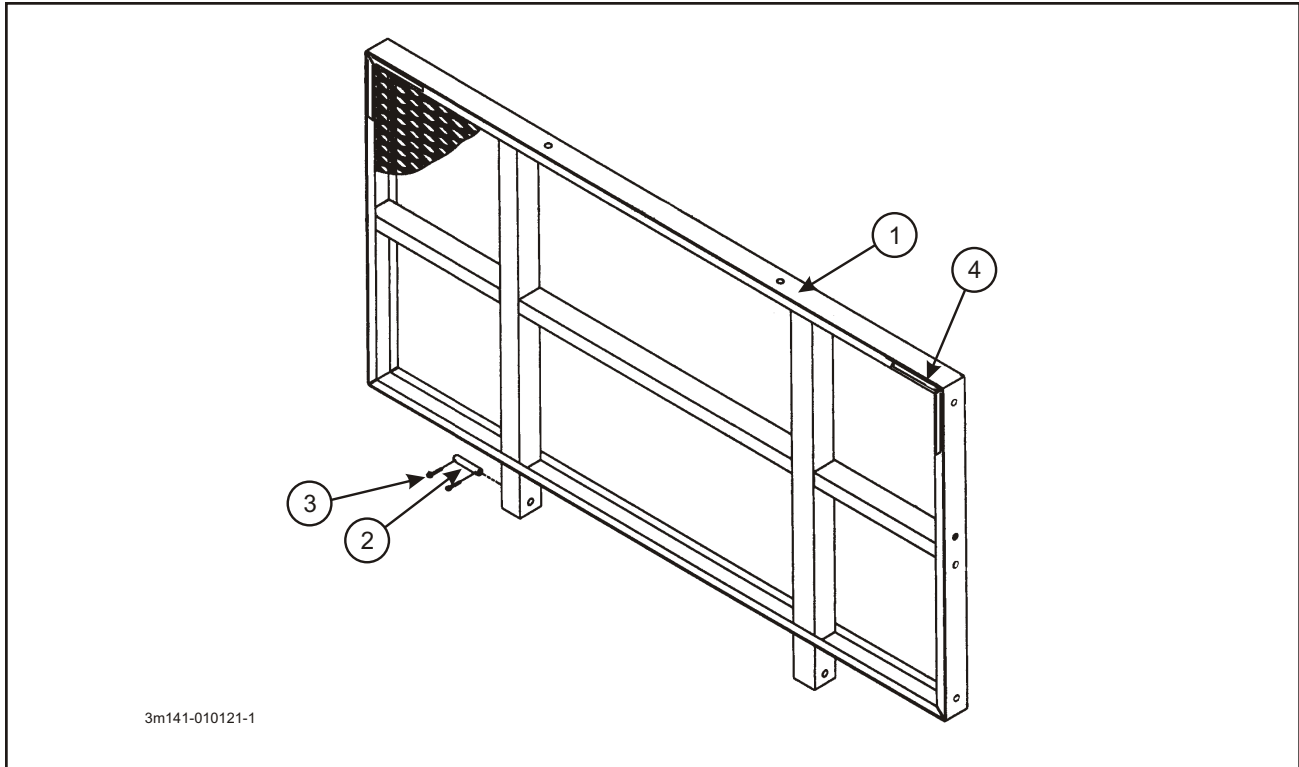


FIGURE 1-38 BULKHEAD ASSEMBLY

BULKHEAD ASSEMBLY

ITEM	PART NO.	DESCRIPTION	QTY.
	3-141-010121-1	BULKHEAD INSTALLATION	
1	3-141-010155	BULKHEAD WELDMENT 48 X 96	1
2	6-557-010163	PIN HITCH LEVEL LINK	2
3	1-557-010362-63	COTTER PIN 1/4X2	4
4	3-573-010378	DECAL, 2" REFLEXITE TAPE, WHITE	AR

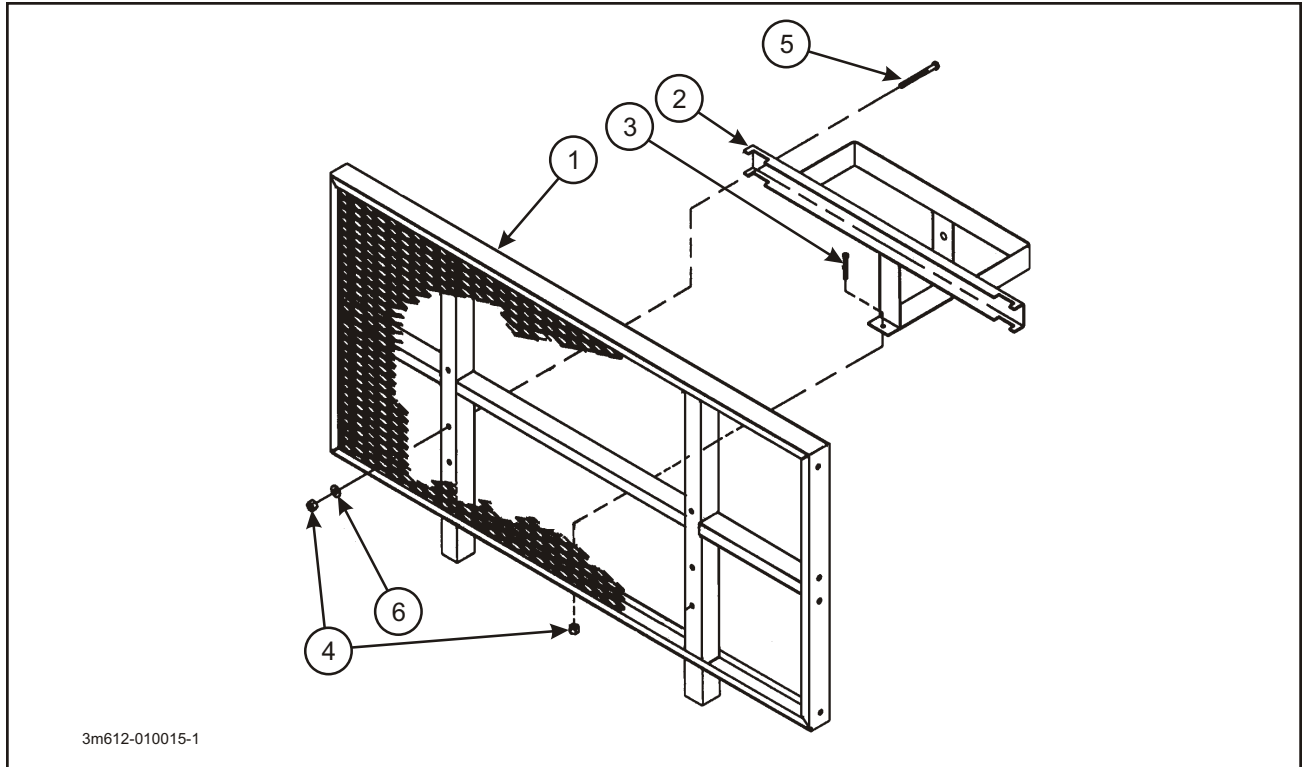


FIGURE 1-39 SPARE TIRE CARRIER

SPARE TIRE CARRIER

ITEM	PART NO.	DESCRIPTION	QTY.
	3-612-010015-1	RACK INSTALLATION BHD, FRONT MOUNT	
1	-----	BULKHEAD WELDMENT	REF
2	3-612-010016	RACK WELDMENT BULKHEAD MOUNT	1
3	1-654-010055-01	SCREW HEX HEAD CAP 1/2-13X1 GR5	1
4	1-512-010005-09	NUT HEX LOCK 1/2-13 GRB	3
5	1-654-010055-15	SCREW HEX HEAD CAP 1/2-13X5 GR5	2
6	1-861-010032-15	WASHER FLAT 1/2W	2

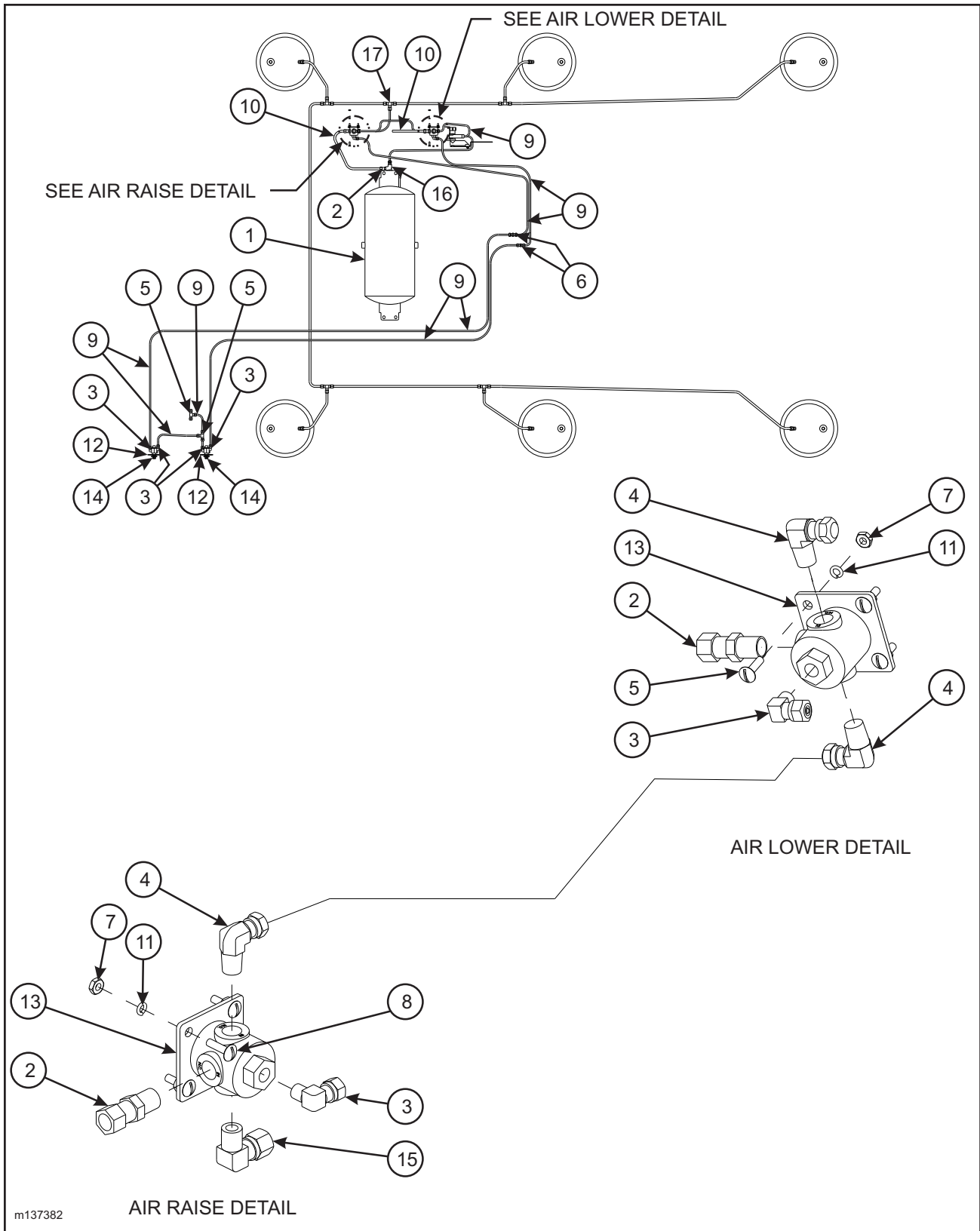


FIGURE 1-40 AIR DUMP VALVE INSTALLATION

AIR DUMP VALVE INSTALLATION

ITEM	PART NO.	DESCRIPTION	QTY.
	137382	AIR DUMP VALVE INSTALLATION	
1	133471	UNDERCARRIAGE ASSEMBLY	REF
2	1-297-010007-11	FITTING, AIR	3
3	1-297-010008-05	FITTING, AIR 90	6
4	1-297-010008-07	FITTING, AIR 90	3
5	1-297-010010-01	FITTING, AIR UNION TEE	2
6	1-297-010016-01	FITTING, AIR	2
7	1-512-010007-03	NUT, HEX #10-24 GRB	8
8	1-656-010003051	SCREW, RD HEAD MACH #10-24 X 3/4	8
9	1-833-010001	TUBING, NYLON 1/4	AR
10	1-833-010002	TUBING, NYLON 3/8	AR
11	1-861-010034-07	WASHER, SPLIT LOCK #10	8
12	900-44-207	DECAL	2
13	900-54-079	PILOT VALVE	2
14	900-54-088	VALVE, AIR RIDE CONTROL	2
15	1-297-010008-18	FITTING, AIR 90	1
16	1-297-010018-02	FITTING, ST TEE	1
17	1-297-010010-03	FITTING, AIR UNION TEE	REF

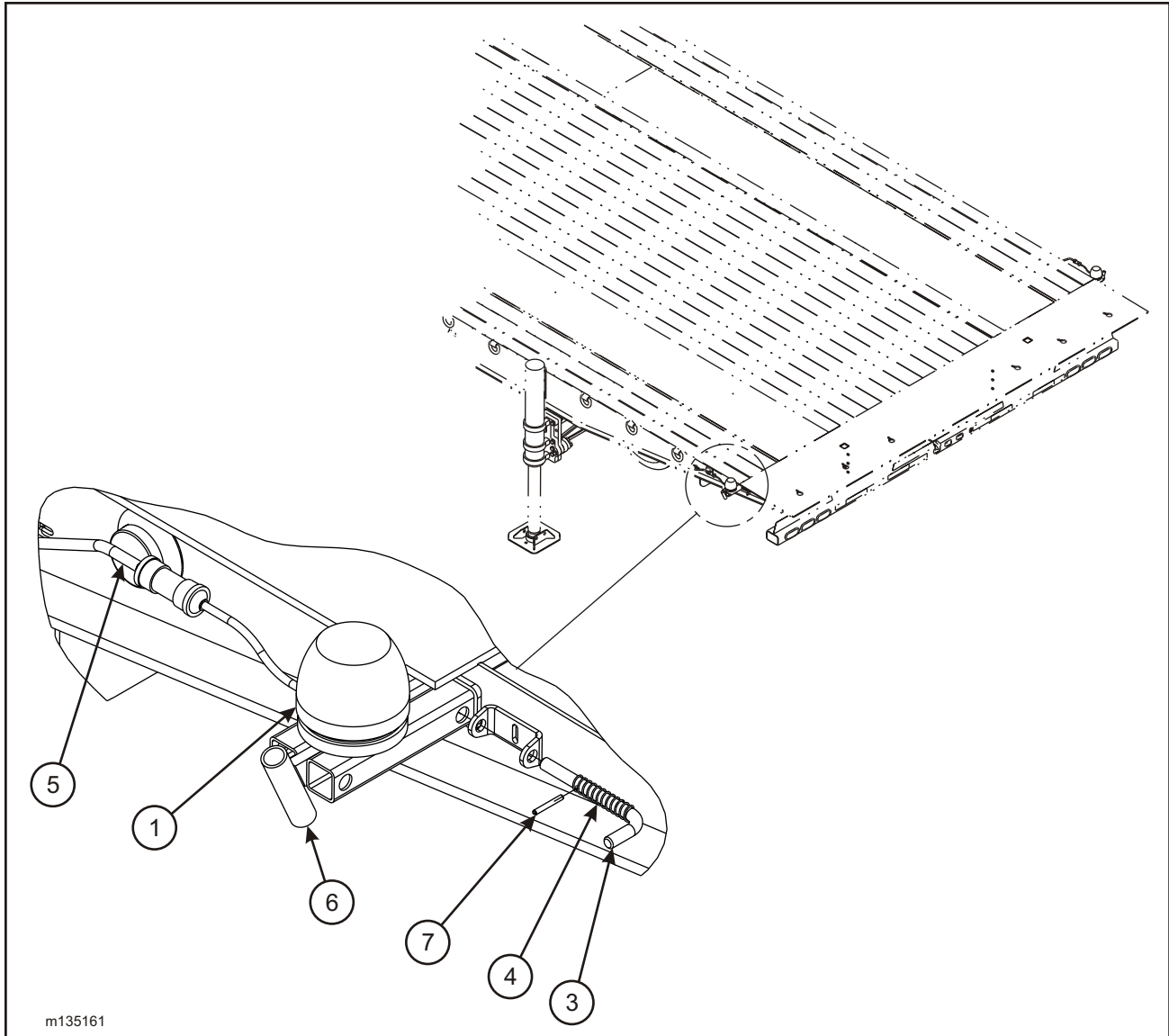


FIGURE 1-41 DUAL STROBE LIGHT INSTALLATION

DUAL STROBE LIGHT INSTALLATION

ITEM	PART NO.	DESCRIPTION	QTY.
	135161	DUAL STROBE LIGHT INSTALLATION	
1	137645	BEACON, LIGHT HALOGEN	4
3	104252	PIN, P/O EXT LOCK	4
4	104253	SPRING, COMPRESSION P/O EXT LOCK	4
5	134893	ADAPTER, 4 POLE TO DC SOCKET	2
6	137385	PULLOUT, FLAG WELDMENT	4
7	1-647-010004177	ROLL PIN, SLOTTED 3/16 X 1-1/2	4

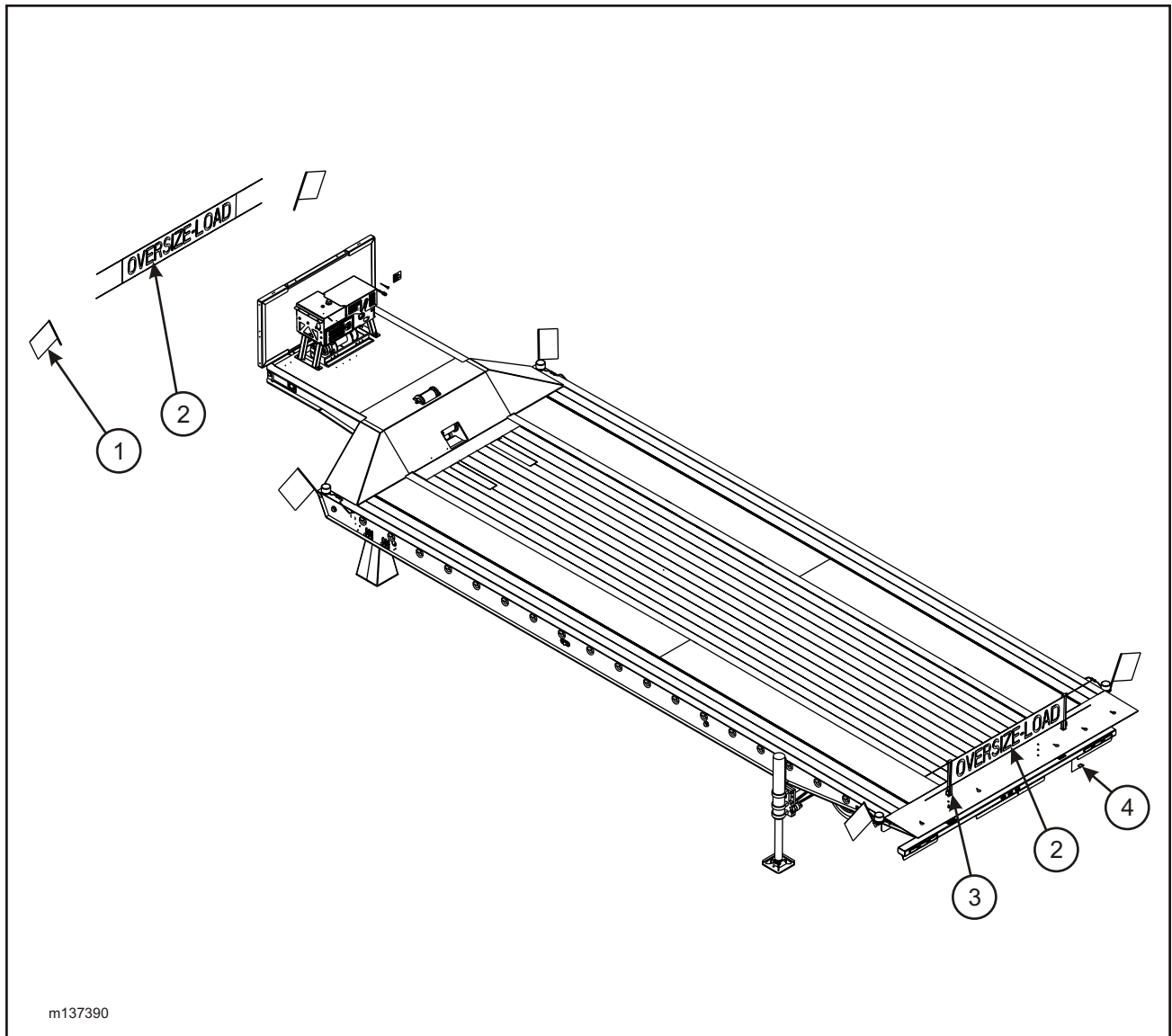


FIGURE 1-42 FLAG AND BANNER KIT

FLAG AND BANNER KIT

ITEM	PART NO.	DESCRIPTION	QTY.
	137390	FLAG AND BANNER KIT	
1	106654	FLAG	6
2	106655	BANNER	2
3	137388	SUPPORT WELDMENT, BANNER	2
4	516-22PTL	PIN, MUD FLAP	2

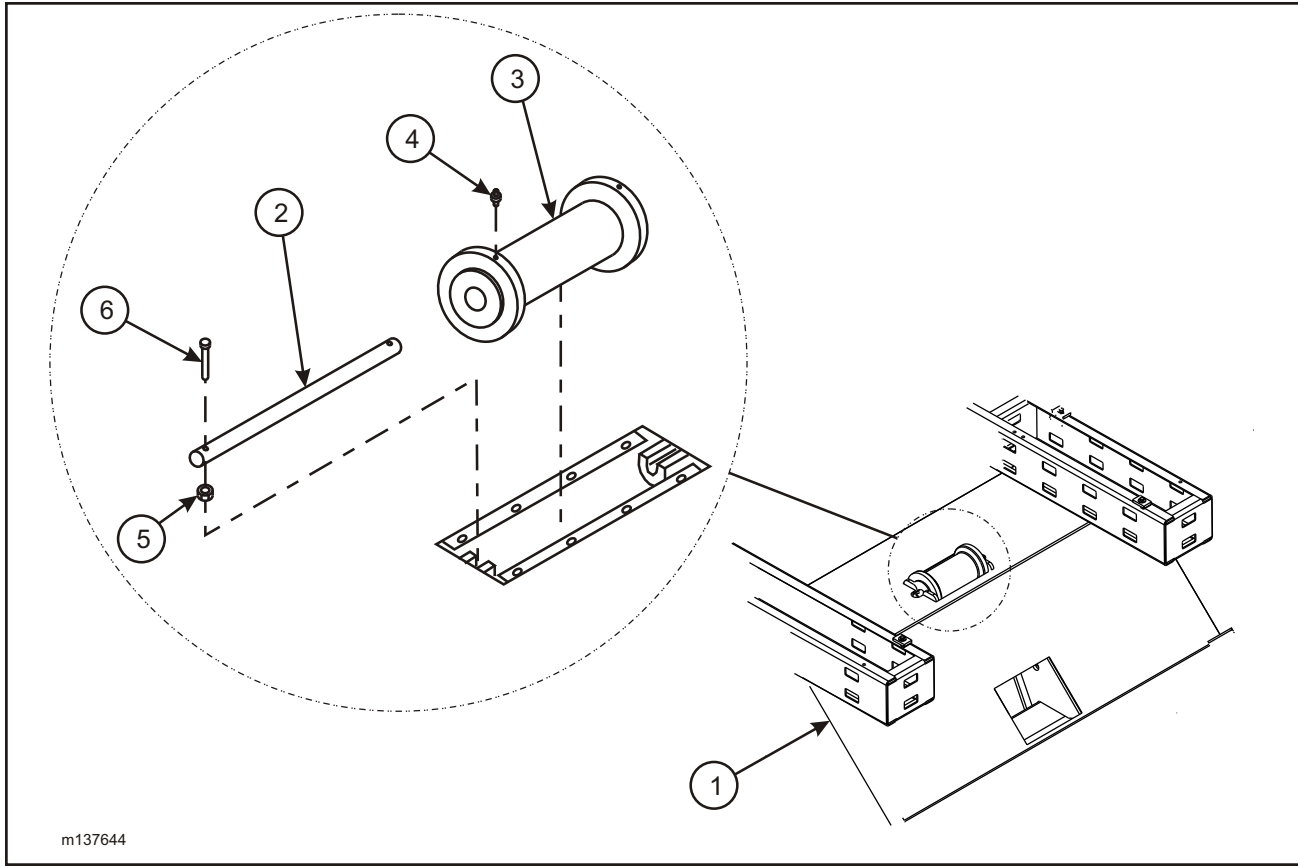


FIGURE 1-43 ROLLER ASSEMBLY, SLOPE

ROLLER ASSEMBLY, SLOPE

ITEM	PART NO.	DESCRIPTION	QTY.
	137644	ROLLER ASSEMBLY, SLOPE	1
1	133955	FRAME WELDMENT	REF
2	134104	ROD, ROLLER MOUNT	2
3	134105	ROLLER CABLE, SLOPE	2
4	1-298-010001-1	ZERK FITTING 1/4	4
5	1-512-010005-09	NUT HEX LOCK 1/2-13 GRB	4
6	1-654-010055-09	SCREW HEX HEAD CAP 1/2-13 X 3 GR5	4

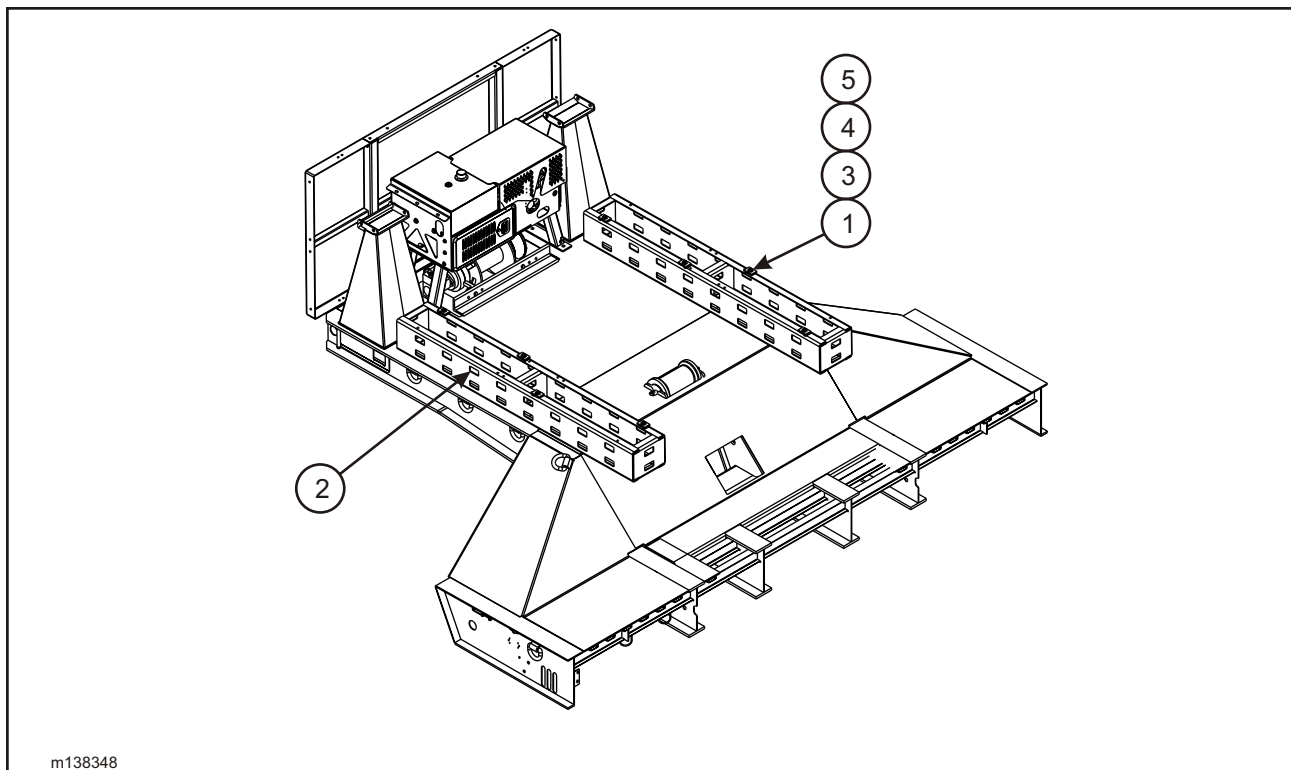


FIGURE 1-44 UPPER DECK STAND ASSEMBLY, 10"

UPPER DECK STAND ASSEMBLY, 10"

ITEM	PART NO.	DESCRIPTION	QTY.
	138348	UPPER DECK STAND ASSEMBLY, 10"	1
1	137978	HOLD-DOWN STAND WELDMENT	8
2	138347	STAND, 10" UPPER DECK	1
3	1-512-010005-09	NUT, HEX LOCK 1/2-13 GRB	8
4	1-654-010055-05	SCREW, HEX HEAD CAP 1/2-13 X 2 GR5	8
5	1-861-010032-15	WASHER, FLAT, 1/2W	8

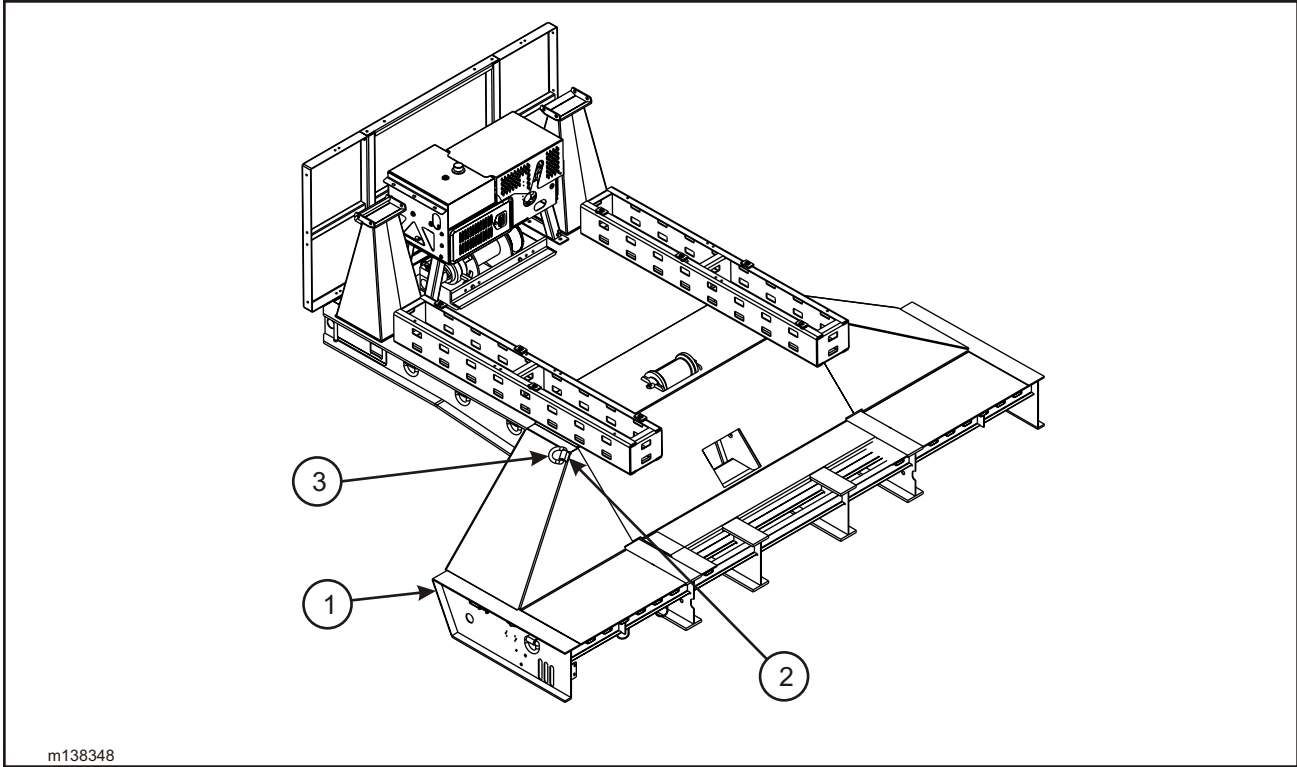


FIGURE 1-45 D-RING INSTALLATION

D-RING INSTALLATION

ITEM	PART NO.	DESCRIPTION	QTY.
	138349	D-RING INSTALLATION	1
1	133955	FRAME WELDNMENT	REF
2	3-311-010182	ANCHOR TIEDOWN LOOP	8
3	3-793-010002	TIE DOWN LOOP	8

NUMERICAL INDEX

PART	PAGE	PART	PAGE	PART	PAGE
0018127	06	081900295	10	105481	59
005-074-00	35	097-002-00	35	105482	59
005-098-00	35	097-003-00	35	105483	06
005-099-00	35	100000330	14	105822	51
005-134-00	35	100828	26	106654	65
006-114-00	35	100848	06	106655	65
006-115-00	35	101299	53	10708	47
007-237-00	35	101381	22	107486	09
010-052-00	35	101851	38	107598	21
010700437	14	101855	38	107756	06
011100550	10	101855	51	108295	59
011300179	11	102361	31	108417	21
014-056-00	35	102363	26	10848	48
014-057-00	35	102363	31	108541	39
014-058-00	35	102732	26	108601	58
014-068-00	35	102732	29	108801	41
021-038-01 (4009)	39	102836	21	108802	41
024-101-01	35	102836	26	110-0116	59
024-101-01	35	103055	51	110-0253	59
034-057-07	35	103056	51	11005053	31
034-058-07	35	103817	26	110416	21
034-188-09	35	103861	38	110-4950	26
034-189-09	35	10403	21	111010	31
040-320-01	35	104034	26	111010	31
041-057-01	35	104241	06	111011	31
041-060-01	35	104242	06	111012	31
046-092-00	35	104252	64	111013	31
046-097-00	35	104253	64	111014	31
051700015	14	104331	26	111018	31
055-040-07	35	10466	48	111021	29
056-010-00	35	104699	58	111023	31
056-017-00	35	104880	22	111252	45
056-018-00	35	105-0094	53	111866	14
061-006-00	35	105-0105	58	111870	14
069-018-00	35	10525	47	111925	21
069-078-00	35	105276	06	112493(2027—T80)	39
071-124-00 (3067)	39	105479	06	112948	21
071900048	10	105479	59	113284	51
071900195	11	105480	06	113373	21
081900277	11	105480	59	113374	21

PART	PAGE	PART	PAGE	PART	PAGE
113388	58	119445	58	1-297-010008-05	63
113536	39	119577	58	1-297-010008-07	45
113856	58	11977	47	1-297-010008-07	45
11443	47	120654	58	1-297-010008-07	63
114574	51	120659	59	1-297-010008-18	26
114586	33	120660	59	1-297-010008-18	33
114586	38	120661	58	1-297-010008-18	41
114588	38	123014	59	1-297-010008-24	33
114590	33	123166	06	1-297-010008-26	33
114590	38	123166	55	1-297-010010-01	45
114814	58	123166	58	1-297-010010-01	63
114815	58	123167	59	1-297-010010-03	26
1157	48	123422	06	1-297-010010-04	26
115877	59	1-242-010178-2	14	1-297-010013-05	13
115888	58	1-242-010180-2	06	1-297-010013-12	41
11603	47	1-242-010180-2	14	1-297-010013-16	33
1-161-010033-04	09	12486	48	1-297-010013-16	41
116139	21	124976	06	1-297-010015-09	41
116140	21	125141	06	1-297-010016-01	63
116326	58	125147	06	1-297-010017-03	33
116328	58	12516	48	1-297-010018-02	45
116330	58	125170	06	1-297-010020-02	45
1165	48	125388	06	1-297-010022-02	45
116563	27	125388	51	1-297-010033-02	13
116837	13	125389	06	1-297-010034-01	59
117304	33	125389	51	1-298-010001-1	03
1-174-010035020	07	127813	58	1-298-010001-1	09
11750	47	128774	59	1-298-010001-1	66
117873	58	128781	59	130116	51
117917	06	129045	06	130511	53
1-181-010046-7	59	129264	58	130883	21
118-2659-9	33	129287	59	1-316-010013	59
118640	21	1-295-010001	59	13164	48
118640	23	1-295-010002	59	1317	48
118641	23	1-297-010007-05	26	131804	53
118642	23	1-297-010007-05	45	131804	55
118643	23	1-297-010007-11	63	13235	48
118772	06	1-297-010007-12	33	132833	45
118777	06	1-297-010007-14	33	13285	47
118789	06	1-297-010007-14	41	13286	47
1188	47	1-297-010007-16	33	13288	47
119206	58	1-297-010008-01	13	13288	47

PART	PAGE	PART	PAGE	PART	PAGE
13288	48	134997	06	1-384-010038072	33
13295	48	134997	13	1-384-010038084	33
13296	48	134997	21	1-384-010038090	33
13297	48	134998	06	1-384-010038259	33
13299	47	134998	13	1-384-010038259	41
13300	47	134998	21	138656	37
13301	47	135154	21	138657	37
13306	48	135156	06	138658	37
13316	47	135156	45	138659	37
13317	47	135161	64	138660	37
13330	47	135162	26	138661	37
133471	21	135162	33	138662	37
133471	26	135163	41	138663	37
133471	63	135181	53	138664	37
133472	26	135184	45	138665	37
13356	47	135184	51	138666	37
133955	66	135185	45	138667	37
133955	68	135185	51	1388	47
134104	66	135589	53	1-394-010001	33
134105	66	135591	53	1395	48
134108	35	136578	55	1-397-010010016	06
134109	35	13675	48	1-397-010010016	09
134110	26	137296	07	1-397-010301039	09
134111	26	137297	07	1-397-010301042	09
134112	26	137382	63	1-397-010301127	06
1-343-010007	21	137385	64	1-397-010301184	06
1-343-010007	22	137388	65	1-397-010301184	09
1-343-010010	22	137390	65	1-397-010301238	06
134857	55	1376	47	1-397-010301238	09
134890	26	137644	66	1-397-010302042	06
134890	37	137645	64	1-397-010302070	09
134893	64	137966	03	1-397-010302084	06
134894	06	137967	03	1-397-010302160	06
134900	06	137968	07	1-397-010302192	06
134901	06	137969	07	1-397-010302240	06
134903	03	137978	67	1-397-010304018	59
134904	21	1-382-010035-06	45	1-397-010304026	06
134905	21	138347	67	1-397-010304048	06
134907	21	138348	67	1-397-010304060	59
134908	21	138349	68	1-397-010305060	06
137965	27	138368	51	1-397-010312032	59
134966	27	1-384-010038042	33	1402	47

PART	PAGE	PART	PAGE	PART	PAGE
14068	48	1-512-010007-05	26	1-654-010051-06	59
141700023	14	1-512-010007-05	33	1-654-010051-07	07
1495	47	1-512-010007-09	06	1-654-010051-07	26
1498	47	1-512-010007-09	09	1-654-010051-08	33
15009	21	1-512-010007-09	31	1-654-010051-09	13
1505	48	1-533-010001	07	1-654-010051-09	59
1-510-010001	06	1-557-010362-54	06	1-654-010055-01	61
1-510-010001	13	1-557-010362-54	09	1-654-010055-02	59
1-510-010001	26	1-557-010362-54	09	1-654-010055-03	45
1-510-010001	33	1-557-010362-54	27	1-654-010055-03	59
1-510-010001	53	1-557-010362-63	60	1-654-010055-04	55
1-512-010003-02	13	1-557-010362-65	06	1-654-010055-05	67
1-512-010004-03	59	1-560-010002-03	33	1-654-010055-09	59
1-512-010005-01	21	1-560-010002-03	59	1-654-010055-09	66
1-512-010005-01	29	1-560-010002-04	33	1-654-010055-15	61
1-512-010005-01	41	1-560-010002-04	41	1-654-010059-03	07
1-512-010005-01	59	1-560-010002-05	33	1-654-010059-05	07
1-512-010005-03	06	1-573-010479	51	1-654-010059-05	45
1-512-010005-03	21	1-573-010480	51	1-654-010059-21	09
1-512-010005-05	22	1-573-010481	51	1-654-010061-06	07
1-512-010005-05	33	1-573-010482	51	1-654-010061-06	09
1-512-010005-05	59	1590	48	1-654-010061-07	03
1-512-010005-09	06	1595	48	1-654-010061-07	26
1-512-010005-09	09	1-626-010002-06	06	1-654-010070-04	53
1-512-010005-09	45	1-630-010021-02	27	1-654-010070-14	53
1-512-010005-09	53	1-647-010004177	64	1-654-010089-13	53
1-512-010005-09	55	1-647-010004255	03	1-654-010125-10	26
1-512-010005-09	59	1-647-010004259	07	1-654-010125-21	26
1-512-010005-09	61	1-654-010024014	13	1-654-010147-06	53
1-512-010005-09	66	1-654-010024079	45	1-654-010158-1	26
1-512-010005-09	67	1-654-010027-7	41	1-656-010003051	21
1-512-010005-13	06	1-654-010032-4	26	1-656-010003051	53
1-512-010005-13	09	1-654-010047-04	29	1-656-010003051	63
1-512-010005-13	45	1-654-010047-06	21	170201241	14
1-512-010005-15	03	1-654-010047-06	33	1-796-010003-02	09
1-512-010005-15	06	1-654-010047-06	59	1-796-010003-02	22
1-512-010005-15	09	1-654-010049-03	39	1-796-010003-02	26
1-512-010005-19	26	1-654-010049-06	21	1-796-010004-02	26
1-512-010006-10	26	1-654-010049-11	07	179933	39
1-512-010007-03	21	1-654-010051-05	07	1-816-010034-13	31
1-512-010007-03	53	1-654-010051-05	22	1-833-010001	26
1-512-010007-03	63	1-654-010051-05	53	1-833-010001	41

PART	PAGE	PART	PAGE	PART	PAGE
1-833-010001	45	1-861-010034-09	59	2062-12-12S	13
1-833-010001	63	1-861-010034-10	39	2062-12-12S	59
1-833-010002	26	1-861-010034-13	59	2062-6-6S	07
1-833-010002	33	1-861-010034-17	26	2062-6-8S	07
1-833-010002	41	1-861-010059-21	07	2062-8-8S	09
1-833-010002	63	190400004	14	2071-8-8S	07
1-833-010003	33	1A0290	17	2081-8-4S	07
1-833-010003	41	1A0291	17	2081-8-6S	41
1-843-010014	39	1A0292	17	2083-8-4S	27
1-861-010032-03	45	1A0294	17	2088-6-6S	33
1-861-010032-04	53	1A0709	17	2089-12-8S	07
1-861-010032-06	21	1A0711	17	2089-6-6S	33
1-861-010032-06	41	1A0744	17	2089-6-6S	41
1-861-010032-07	26	1A0757	17	211300024	11
1-861-010032-07	33	1R0017	17	2-181-010001	26
1-861-010032-07	59	1V0081	17	220000210	14
1-861-010032-09	07	1V0208	07	220000212	10
1-861-010032-09	21	1V0208	17	220000212	11
1-861-010032-11	07	1V1701	17	220001504	14
1-861-010032-11	26	1V1703	17	2240-12-12S	59
1-861-010032-11	33	1V1725	17	2242-12-12S	07
1-861-010032-11	53	200013106	14	2309	48
1-861-010032-11	59	200300040	14	2319	47
1-861-010032-15	07	2024-12-12S	07	2481X	59
1-861-010032-15	09	2024-12-12S	59	2509904	58
1-861-010032-15	26	202702-20-20S	59	2A0079-404	17
1-861-010032-15	45	202702-6-6S	27	2A0079-406	17
1-861-010032-15	53	202702-6-8S	07	2A0283-7214	17
1-861-010032-15	55	202702-8-12S	07	2A0354-121	17
1-861-010032-15	59	202702-8-8S	45	2A0283-7214	17
1-861-010032-15	61	203003-8-8S	07	2V0010	17
1-861-010032-15	67	203003-8-8S	09	3-007-010039	13
1-861-010032-18	45	203005-8-8S	09	3059	48
1-861-010032-19	09	203101-12-12S	07	3-076-010015	26
1-861-010032-24	26	203102-12-12S	07	3-102-010022	07
1-861-010034-07	21	203102-12-12S	59	3-102-010022	09
1-861-010034-07	26	203102-8-8S	07	3-120-010117	09
1-861-010034-07	45	2033-8-8S	07	3-120-010124	59
1-861-010034-07	53	2043-12-12S	07	3-120-010125	09
1-861-010034-07	63	2061-8-8S	09	3-120-010445	45
1-861-010034-09	26	2061-8-8S	13	3-125-010244	07
1-861-010034-09	33	206209-12-12S	59	3-125-010244	09

PART	PAGE	PART	PAGE	PART	PAGE
3126	47	3-557-010030	03	3-832-010300	07
3-136-010001-02	13	3-557-010031	09	3-832-010302	07
3-141-010121-1	60	3-557-010033	07	3-843-010008	45
3-141-010155	60	3-557-010059	07	3-843-010015	13
3-146-010001	07	3-557-010120	07	3-843-010015	15
3-146-010001	09	3-557-010120	09	3-843-010023	13
3-150-010223	09	3-573-010025	45	3-843-010024	13
3159	47	3-573-010025	51	3-843-010038	41
3-161-010034	13	3-573-010031	51	3-843-010039-02	45
3-162-010001	59	3-573-010035	51	3-846-010008	13
3-174-010059	45	3-573-010042	51	3-846-010008	17
3-174-010060036	45	3-573-010043	51	3-846-010147	13
3177	47	3-573-010049	51	3-846-010147	17
3-182-010028	59	3-573-010127	51	385-06	27
3-238-010001	13	3-573-010189	51	3-861-010038	07
3-242-010099	07	3-573-010210	51	3-861-010038	09
3-242-010099	09	3-573-010298	51	3-870-010097	39
3-242-010099	10	3-573-010299	51	3-873-010154	45
3-242-010103	09	3-573-010300	51	3-873-010154	47
3-242-010103	11	3-573-010377	51	3-873-010155	45
3-242-010152	07	3-573-010378	60	3-873-010172	45
3-242-010152	09	3-573-010437	22	3-8P_COUPL	59
3263	47	3-573-010437	51	4042	47
3-272-010003	21	3-573-010506	51	4Z4306	17
3-272-010017	21	3-612-010015-1	61	5029	26
3-272-010021	21	3-612-010016	61	514-9045-26	59
3-272-010022	21	3-626-010004	45	514-9073-18	59
3303	48	3632	48	516-22PTL	65
3-311-010182	68	3-659-010012	39	55B61	33
3321	48	3-711-010055	13	55B61	41
3-368-010250	22	3-755-010189	07	55B61-6	41
3-368-010252	22	3-755-010189	27	55B61-6	51
3-368-010294	21	3-755-010189-1	27	55B61-7	41
3-399-010001006	59	3-762-010016	27	55B61-7	51
3-443-010010	53	3-762-010017	27	56D4	33
3-443-010018	59	3-780-010002	33	59S-7	21
3-446-010046	21	3-793-010002	68	59W-2-3	21
346SL	07	38-01-075	27	60700	21
3-482-010267	07	38-02-075	27	621-2597	07
3-482-010288	13	3-821-010005	27	622-3511-008	27
3-482-010307	53	3-826-010014	03	63680	39
3-485-010001	27	3-826-010015	03	64181	22

PART	PAGE	PART	PAGE
6-557-010163	60	94100685	31
6582	15	94100787	31
68CA-2-2	13	94100790	31
6964-312	15	9612	47
7019-9XX	15	9672	47
73174	47	9672	48
758-181	33	9695	48
76343	48	9695	48
76344	48	9704	48
805-2	33	9844	47
81434	47	9851	47
81454	47	9852	47
81454	48	9853	47
81608	48	9854	47
81612	48	9880	47
900 08 139	31	9890	47
900 08 186	31	9890	48
900 45 040	31	9972	47
900 54 007	29	9992	48
90008184	31	9992	48
900-25-288	31	A7106-350	15
900-44-207	63	A7106-392	15
900-54-079	63	A7106-430	15
900-54-088	63	AB022-567	15
900598-12S	58	BSL-6-4	53
905 54 107	29	D-2H12	35
90508009	31	E10317	07
905-54-107	41	HM212011	39
905-54-107	45	HM212049	39
905-57-129	31	HM218210	39
930 03 597	31	HM218248	39
93201057	31	K71-101-00	35
934 00 149	31	K71-133-00	35
934 00 492	31	K71-460-00	35
934-00-367	31	NB-2-016	13
934-00-506	31	PMCK-AD-460	10
934-00-506	31	PMCK-AD-461	11
936 00 077	31	RFB722X4	45
941 00 119	29	RSP956X5X5	45
941 00 466	29	STP-147	22
94100590	31	TR573	39
94100648	31	W001-20	23

