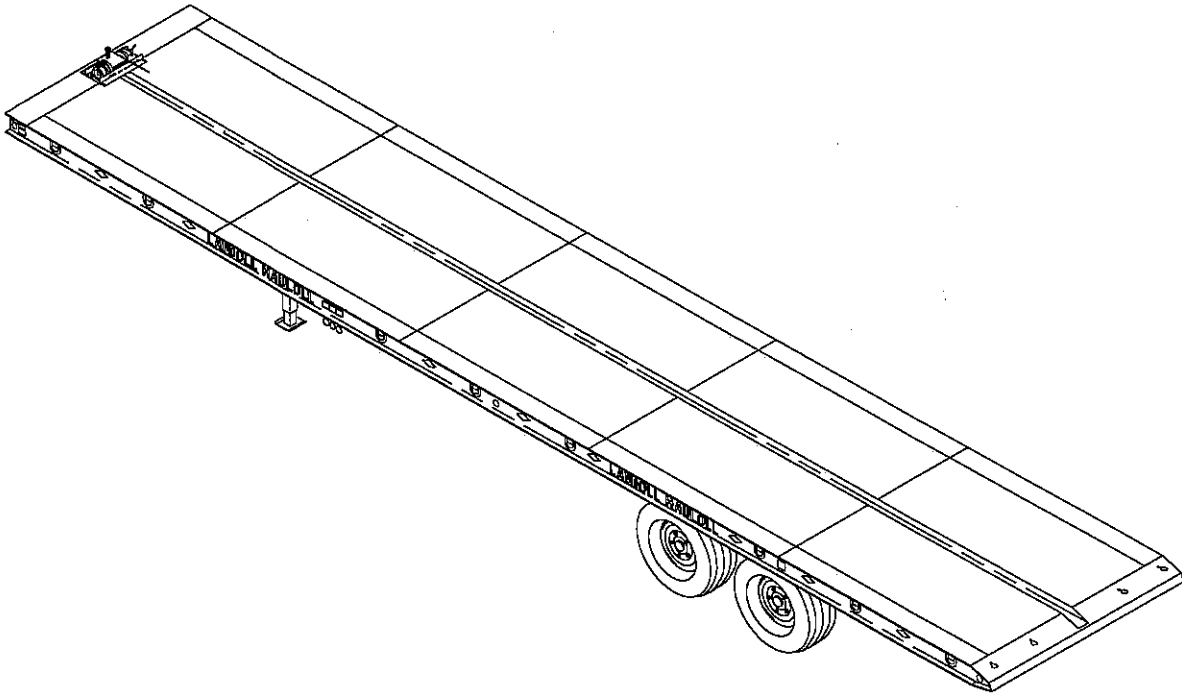




**MODEL 330
SEMITRAILER
PARTS LIST MANUAL**



**1900 North Street
Marysville, KS 66508
(785)562-5381**



ILLUSTRATED PARTS LIST

1

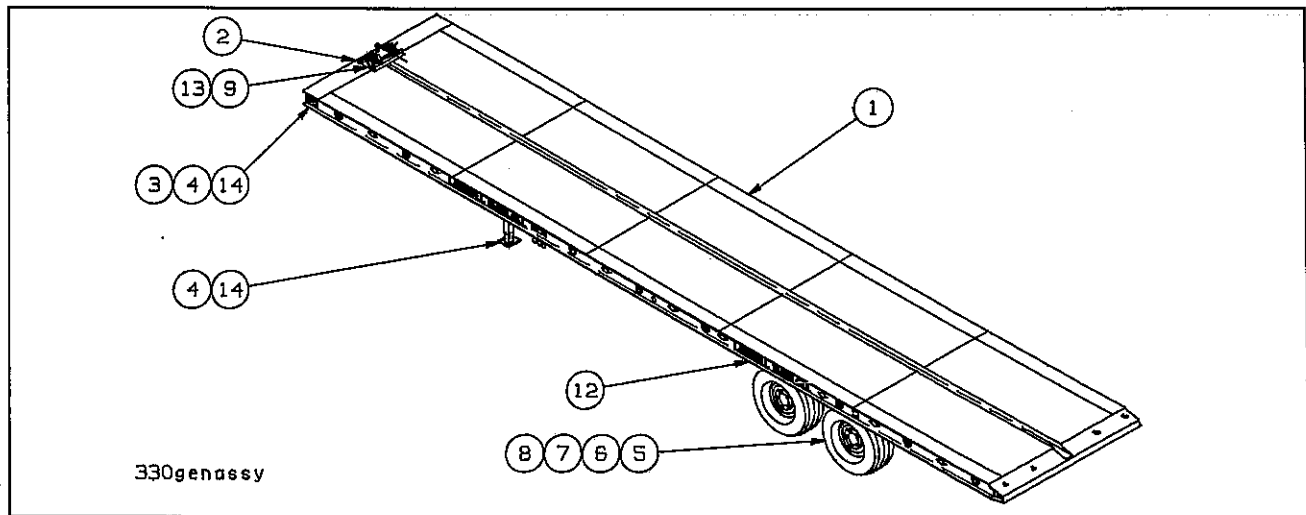


Figure 1-1 General Assembly

GENERAL ASSEMBLY

ITEM	PART NO.	DESCRIPTION	QTY.
1	3-311-013984	FRAME WELDMENT	1
	3-311-012850	FRAME WELDMENT	1
	3-311-015668	FRAME WELDMENT	1
	3-311-015840	FRAME WELDMENT	1
	3-311-015959	FRAME WELDMENT	1
	3-311-016005	FRAME WELDMENT	1
	3-311-016019	FRAME WELDMENT	1
	3-311-016019-1	FRAME WELDMENT	1
	3-311-016088	FRAME WELDMENT	1
	3-311-016135	FRAME WELDMENT	1
	3-311-016137	FRAME WELDMENT	1
	3-311-016169	FRAME WELDMENT	1
	3-311-016234	FRAME WELDMENT	1
	3-311-016244	FRAME WELDMENT	1
2	1-2	FIFTH WHEEL ASSEMBLY	1
3	1-3 THRU 1-11	HYDRAULIC SYSTEM	1
4	1-12 THRU 1-13	ELECTRICAL SYSTEM	1
5	1-14 THRU 1-15	UNDERCARRIAGE	1
6	1-16 THRU 1-23	SUSPENSION	1
7	1-24 THRU 1-29	AXLE AND BRAKE SYSTEM	1
8	1-30 THRU 1-32	HUB AND DRUM ASSEMBLY	2
9	1-33 THRU 1-42	WINCH	1
10	3-725-010058	LANDING GEAR, PIN DROP	2
11	346SL	LOCK HITCH PIN	2
12	1-43 THRU 1-45	DECAL INSTALLATION	1
13	1-46 THRU 1-49	WET KIT (OPTIONAL)	1
14	1-50 THRU 1-53	AUXILIARY ENGINE, HYDRAULIC POWER (OPTIONAL)	1
15	1-54 THRU 1-64	MISCELLANEOUS OPTIONS	

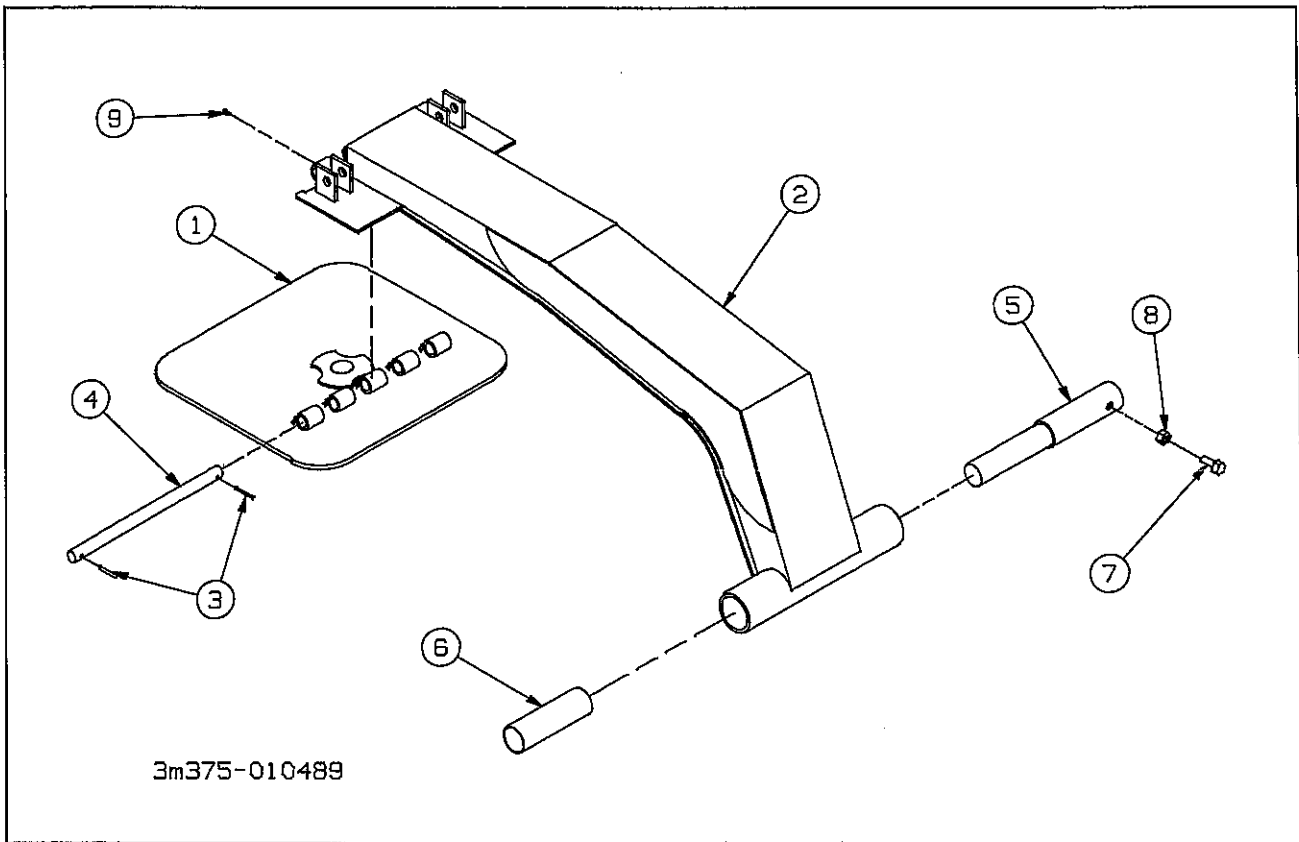


Figure 1-2 Fifth Wheel Assembly

FIFTH WHEEL ASSEMBLY

ITEM	PART NO.	DESCRIPTION	QTY.
	3-375-010489-3	HITCH INST. 30 PIN 330-42 TRL	
	3-375-010489-4	HITCH INST. 30 PIN 330-48 TRL	
1	3-375-010250	HITCH PLATE KING PIN	1
2	3-375-010292	HITCH ASSY CONTAINER HAULER	1
3	1-647-010004255	SPRING PIN SLOTTED	2
4	3-557-010030	HINGE PIN FIFTH WHEEL	1
5	3-826-010015	TUBE WLDMT INNER FIFTH WHEEL	1
6	3-826-010014	TUBE INNER HINGE FIFTH WHEEL	1
7	1-654-010061-07	SCREW HEX CAP 3/4-10x2-1/2 GR5	2
8	1-512-010005-15	NUT HEX SELF-LOCKING 3/4-10 GRB	2
9	1-298-010001-1	FITTING GRS STR SHORT 1/4-28	4

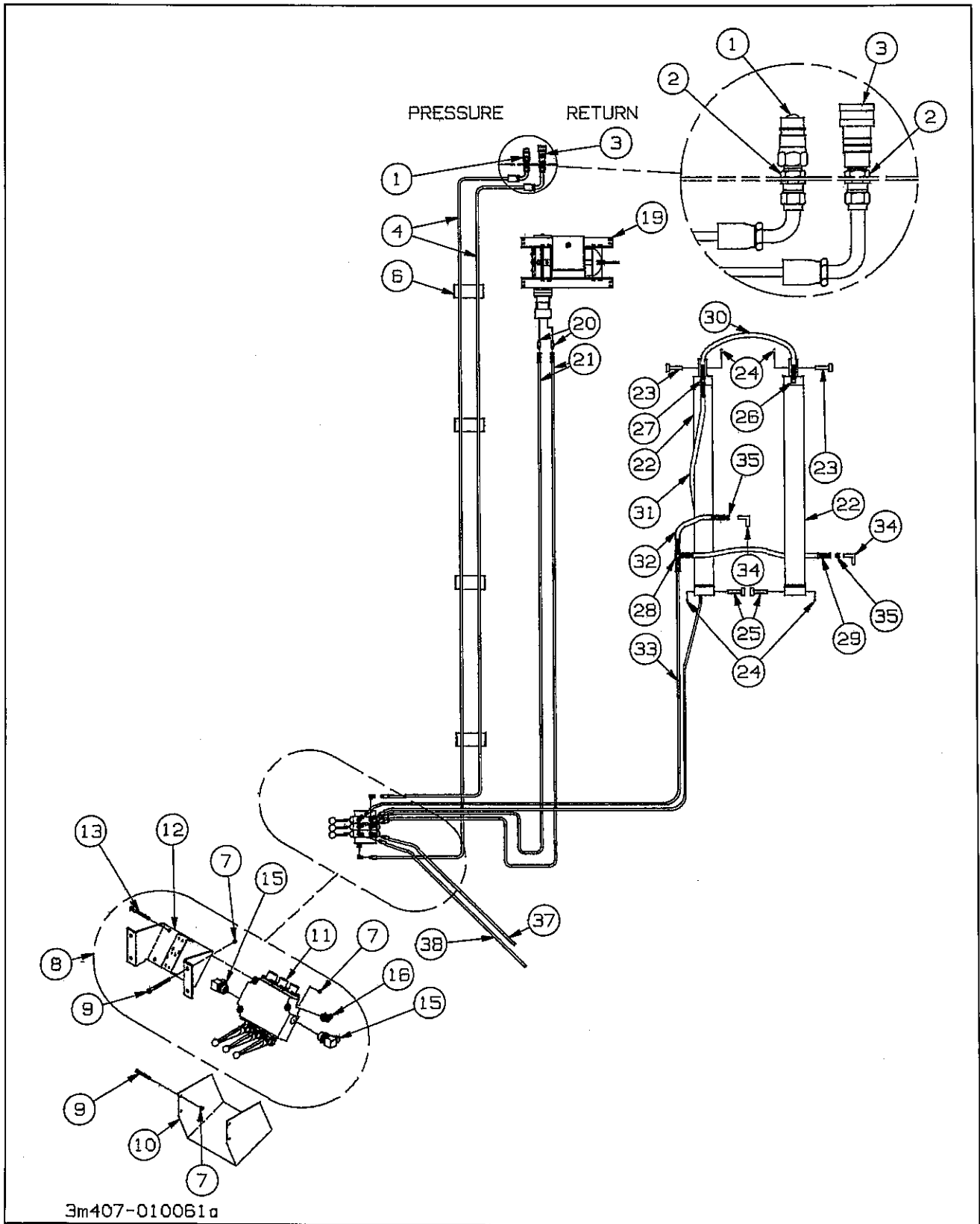
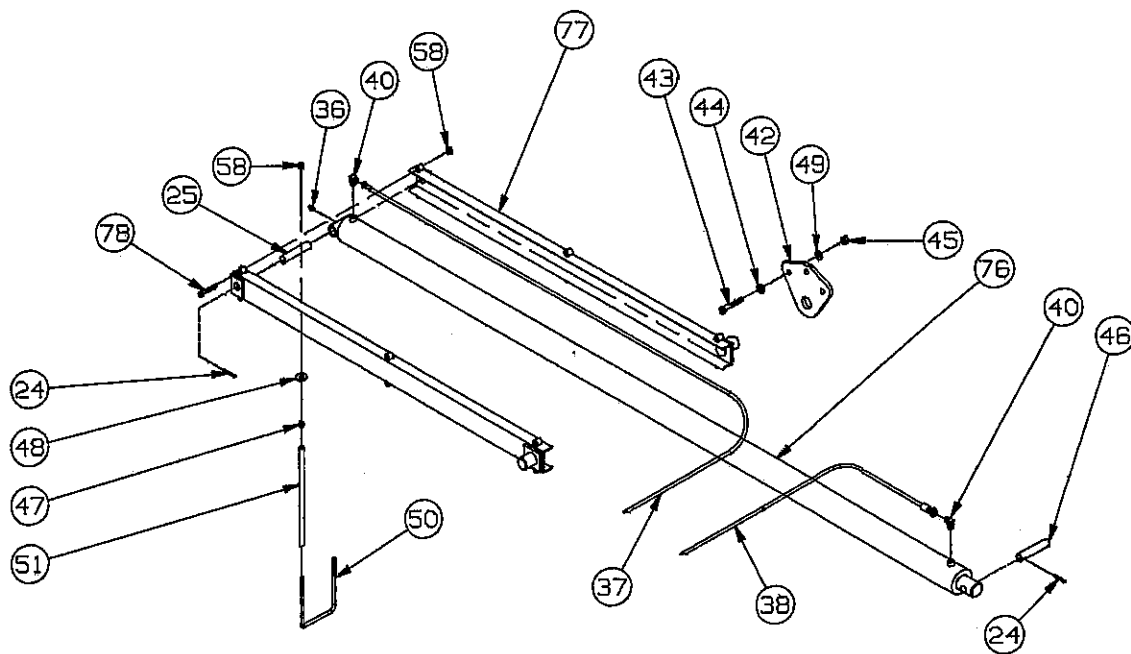
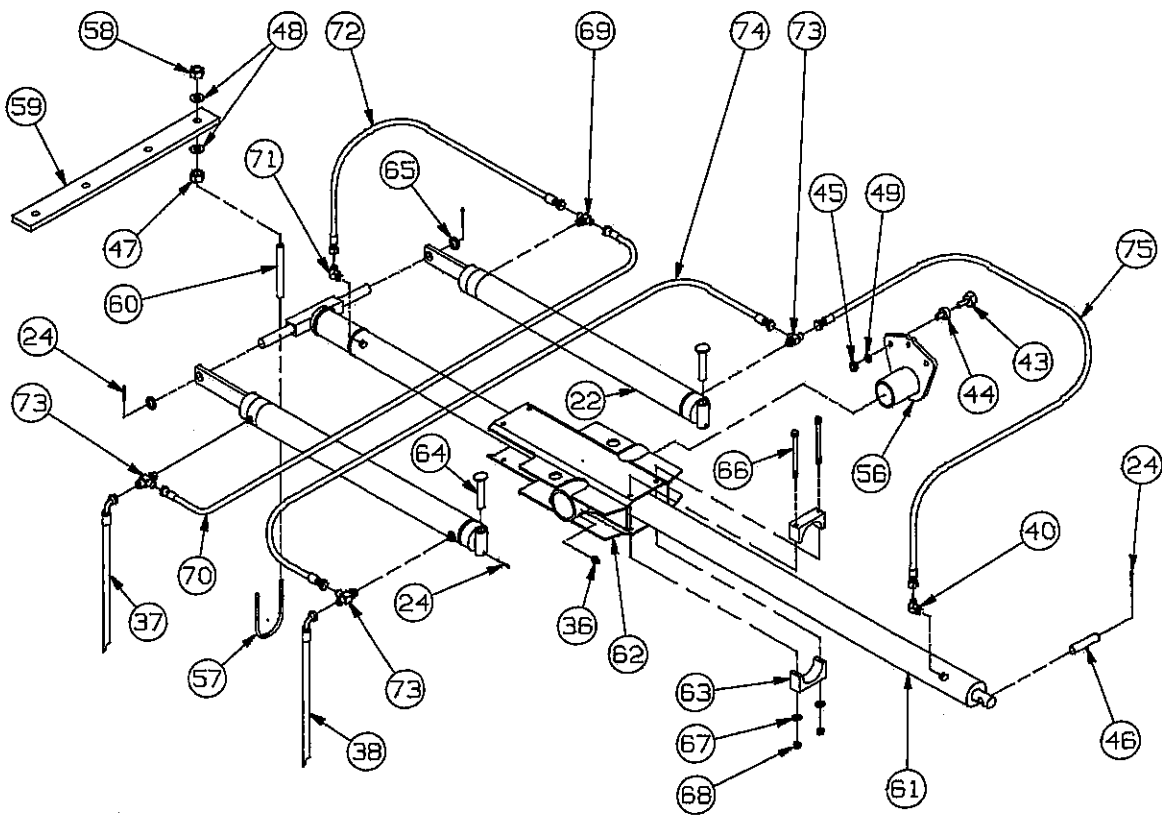


Figure 1-3 Hydraulic System



3m407-010061b

Figure 1-4 Hydraulic System - Std. Load Angle Option



3m407-010061c

Figure 1-5 Hydraulic System - Low Load Angle Option

HYDRAULIC SYSTEM

ITEM	PART NO.	DESCRIPTION	QTY.
1	S21F-6	COUPLER 3/4NPT MALE HALF	1
2	2240-12-12S	ADAPTER BULKHEAD 3/4 NPT	2
3	S25F-6	COUPLER 3/4 PRESSURE FRONT	1
4	1-397-010305254	HOSE ASSEMBLY 42'	2
	1-397-010305300	HOSE ASSEMBLY 48'	2
6	3-181-010006	HOSE CLAMP	*4,7
7	1-510-010001	NUT 3/8-16 FLANGE LOCK	15,18
8	3-846-010152-01	VALVE ASSEMBLY 3 SPOOL (STD ASSEMBLY)	1
	3-846-010152-05	VALVE ASSEMBLY 3 SPOOL(OPTIONAL - SINGLE REMOTE)	1
	3-846-010152-07	VALVE ASSEMBLY 3 SPOOL(OPTIONAL - DUAL REMOTE)	1
	3-846-010152-10	VALVE ASSEMBLY 3 SPOOL(OPTIONAL - TRPL REMOTE)	1
9	1-654-010051-05	SCREW HEX HEAD CAP 3/8-16UNC X 1	8
10	3-681-010122	SHIELD CONTROL VALVE	1
11	3-846-010008	VALVE 3-SPOOL 2500 PSI	1
12	3-482-010563	MOUNT WLDMT VALVE HYD/ PNEUMATIC	1
13	1-654-010051-09	SCREW HEX HEAD CAP 3/8-16 UNC X 2	3
15	2062-12-12S	ADAPTER 90°	2
16	2061-8-8S	ADAPTER 45°	6
19	3-873-010126-1	WINCH ASSY 12K CHARLYN	1
	3-873-010126-2	WINCH ASSY 12K PARKER	1
	3-873-010129-2	WINCH ASSY 20K CHARLYN	1
	3-873-010129-2	WINCH ASSY 20K PARKER	1
20	202702-10-8S	ADAPTER	2
21	1-397-010302212	HOSE ASSEMBLY 42'	2
	1-397-010302332	HOSE ASSEMBLY 48'	2
22	3-242-010099	CYLINDER HYDR 4X42	*2, 4
23	3-557-010059	PIN CYL ROD END	2
24	1-557-010362-54	PIN COTTER 3/16 X 2-1/4	*7, 10
25	3-557-010033	PIN CYLINDER BUTT END	*3, 2
26	2062-8-8S	ADAPTER 90°	1
27	203003-8-8S	ADAPTER TEE #8	1
28	2033-8-8S	ADAPTER TEE #8	1
29	1-397-010301042	HOSE ASSY	2
30	1-397-010301034	HOSE ASSY	2
31	1-397-010301194	HOSE ASSY 42'	1
	1-397-010301247	HOSE ASSY 48'	2
32	1-397-010301040	HOSE ASSY	2
33	1-397-010301164	HOSE ASSY 42'	1
	1-397-010301224	HOSE ASSY 48'	1
34	206801-8-8S	ADAPTER 90°	2
35	3-846-010116-2	VALVE HYD VEL FUSE(BEFORE 3/14/96)	2
	3-846-010156	VALVE RESTRICTOR 3/64-ONE WAY(AFTER 3/14/96) (DIRECT REPLACEMENT)	2
36	1-298-010001-1	FITTING GRS 1/4-28 SHORT	4
37	1-397-010301076	HOSE ASSEMBLY STD LOAD ANGLE	1
	1-397-010302042	HOSE ASSEMBLY LOW LOAD ANGLE	1
38	1-397-010301130	HOSE ASSEMBLY STD LOAD ANGLE	1
	1-397-010302084	HOSE ASSEMBLY LOW LOAD ANGLE	1
40	2062-8-8S	ADAPTER 90°	*2,1
41	TY244MX	TY-WRAP (NOT SHOWN)	*12,4

HYDRAULIC SYSTEM

ITEM	PART NO.	DESCRIPTION	QTY.
42	3-125-010241	BRACKET CYL MOUNT	2
43	1-654-010061-06	SCREW HEX HEAD CAP 3/4-10UNCX2-1/4	6
44	3-861-010038	WASHER STEP	6
45	1-512-010005-15	NUT HEX SLFLKG 3/4-10UNC GRB	6
46	3-557-010120	PIN UNDERCARRIAGE CYLINDER	1
47	1/2-13 HFN	NUT GR2	*2, 4
48	1-861-010032-15	WASHER PLAIN 1/2 WIDE	*4, 8
49	1-861-01032-21	WASHER PLAIN 3/4 WIDE	6
50	3-102-010048	U-BOLT 7-5/8X10	1
51	2750-8	HOSE 1/2 AIR BRAKE X 20	1
56	3-125-010244	BRACKET WLDMT CYL TRUN	2
57	3-102-010022	U BOLT CYL SUPPORT	2
58	1-512-010005-09	NUT HEX SLFLKG 1/2-13 UNC GRB	*8, 4
59	3-146-010001	RUBBER BUMPER CYLINDER	1
60	1-397-010010016	HOSE HYDRAULIC 1/2X16	2
61	3-242-010103	CYLINDER HYD 4X126	1
62	3-120-010125	CYLINDER TRUNNION ASSEMBLY	1
63	3-120-010117	NYLATRON BEARING	4
64	3-557-010031	PIN CYLINDER BUTT END	2
65	RRT146X.25	TUBE ROUND	2
66	1-654-010059-21	SCREW HEX CAP 5/8-11UNCX8	4
67	1-861-010032-19	WASHER PLAIN WIDE 5/8	4
68	1-512-010005-13	NUT HEX SLFLKG 5/8-11UNC	4
69	203003-8-8S	ADAPTER TEE	1
70	1-397-010301039	HOSE ASSEMBLY	1
71	2061-8-8S	ADAPTER 45	1
72	1-397-010302070	HOSE ASSEMBLY	1
73	203005-8-8S	ADAPTER TEE	3
74	1-397-010301042	HOSE ASSEMBLY	1
75	1-397-010302087	HOSE ASSEMBLY	1
76	3-242-010102	CYLINDER HYD 4X126 O-RING	1
77	3-120-010073	BRACKET ASSEMBLY CYLINDER TRUNNION	2
78	1-654-010055-17	SCREW HEX CAP 1/2-13UNCX6	6

* First quantity listed is for standard load angle. Second quantity listed is for low load angle.

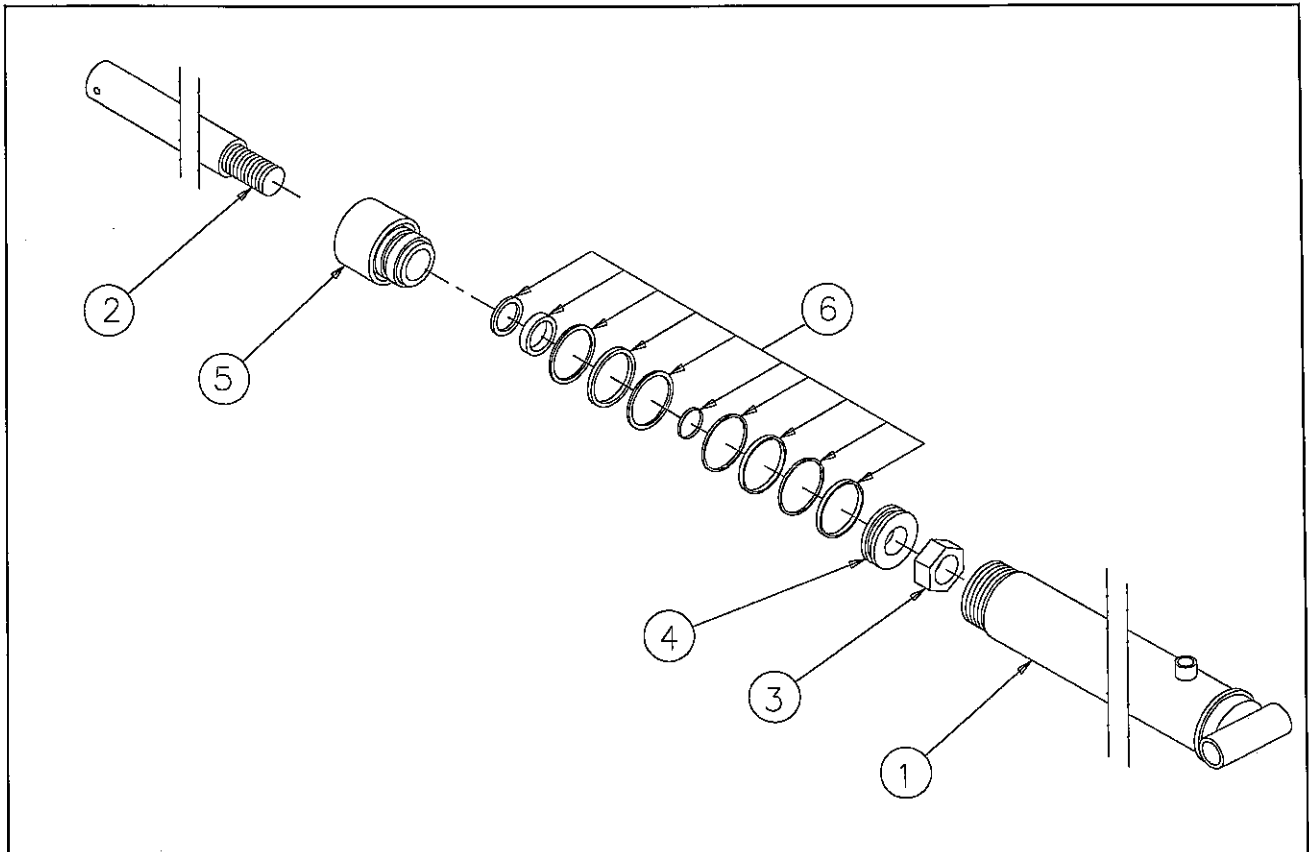


Figure 1-6 Trailer Tilt Cylinder Assembly

TRAILER TILT CYLINDER

ITEM	PART NO.	DESCRIPTION	QTY.
	3-242-010099	CYL. HYDR 4"X42" (TILT CYLINDER)	1
	3-242-010118	CYL. HYDR 4"X42"(LOW LOAD CYL FOR UNDERCARRIAGE)	1
1	*	BUTT AND TUBE ASSEMBLY	1
1A	*	BUTT AND TUBE ASSEMBLY (ALTERED PER 3-242-010099)	1
2	011100550	PISTON ROD	1
3	220000212	LOCKNUT (1-1/4 - 12)	1
4	071900048	PISTON	1
5	081900295	GLAND	1
	230007400	RETAINER SQUARE WIRE	1
6	PMCK-AD-460	PACKING KIT (CONTAINS ALL NECESSARY SEALS AND O-RINGS)	AIR

* Part not sold separately. Requires purchase of entire assembly.

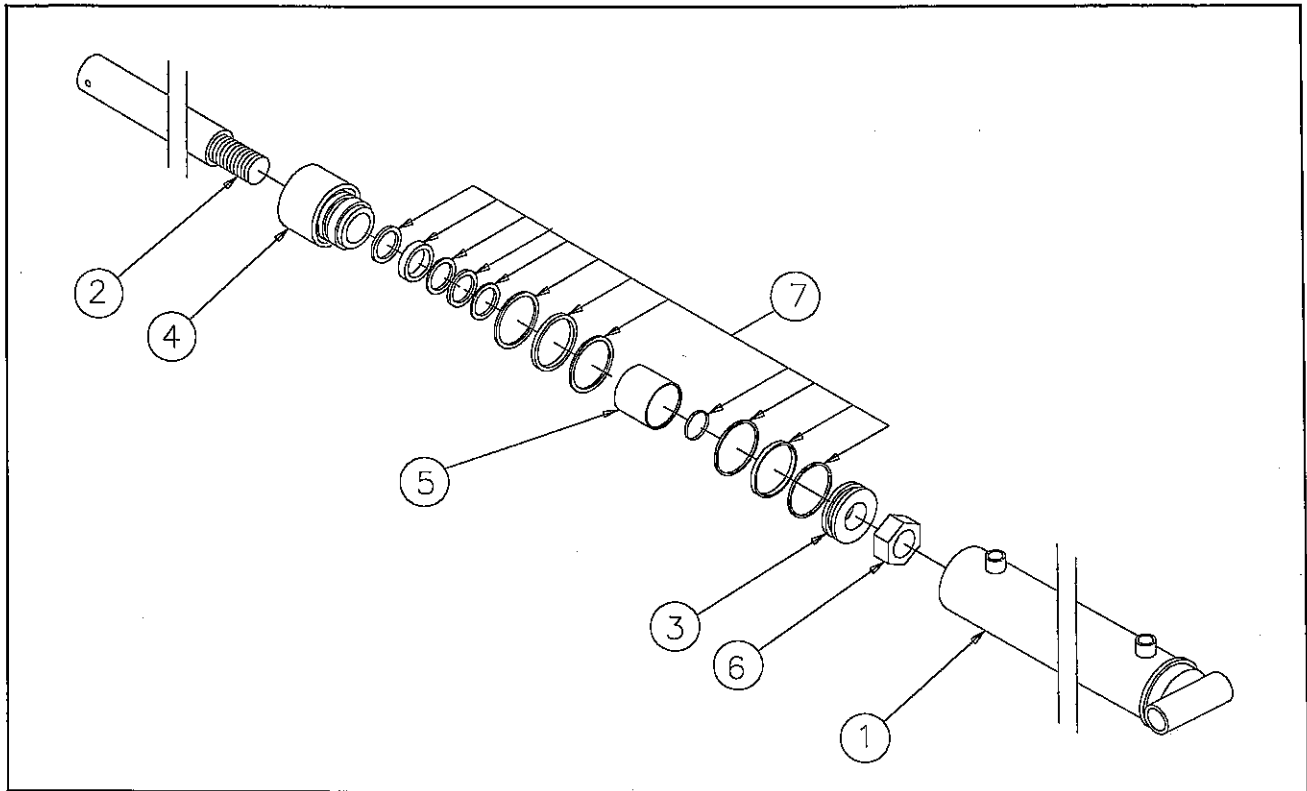


Figure 1-7 Undercarriage Slide Cylinder Assembly

UNDERCARRIAGE SLIDE CYLINDER

ITEM	PART NO.	DESCRIPTION	QTY.
	3-242-010102	CYL. HYDR. 4"X126" (STANDARD LOAD ANGLE)	1
	3-242-010103	CYL. HYDR. 4"X126" (LOW LOAD ANGLE)	1
1A	*	BUTT AND TUBE ASSEMBLY	1
1B	*	BUTT AND TUBE ASSEMBLY (ALTERED PER 3-242-010102)	1
2	011300179	PISTON ROD	1
3	071900195	PISTON	1
4	081900277	GLAND	1
	230007400	RING SQUARE RETAINING	1
5	211300024	SPACER	1
6	220000212	LOCKNUT PISTON RING	1
7	PMCK-AD-461	PACKING KIT (CONTAINS ALL NECESSARY SEALS AND O-RINGS)	1

* Part not sold separately. Requires purchase of entire assembly.

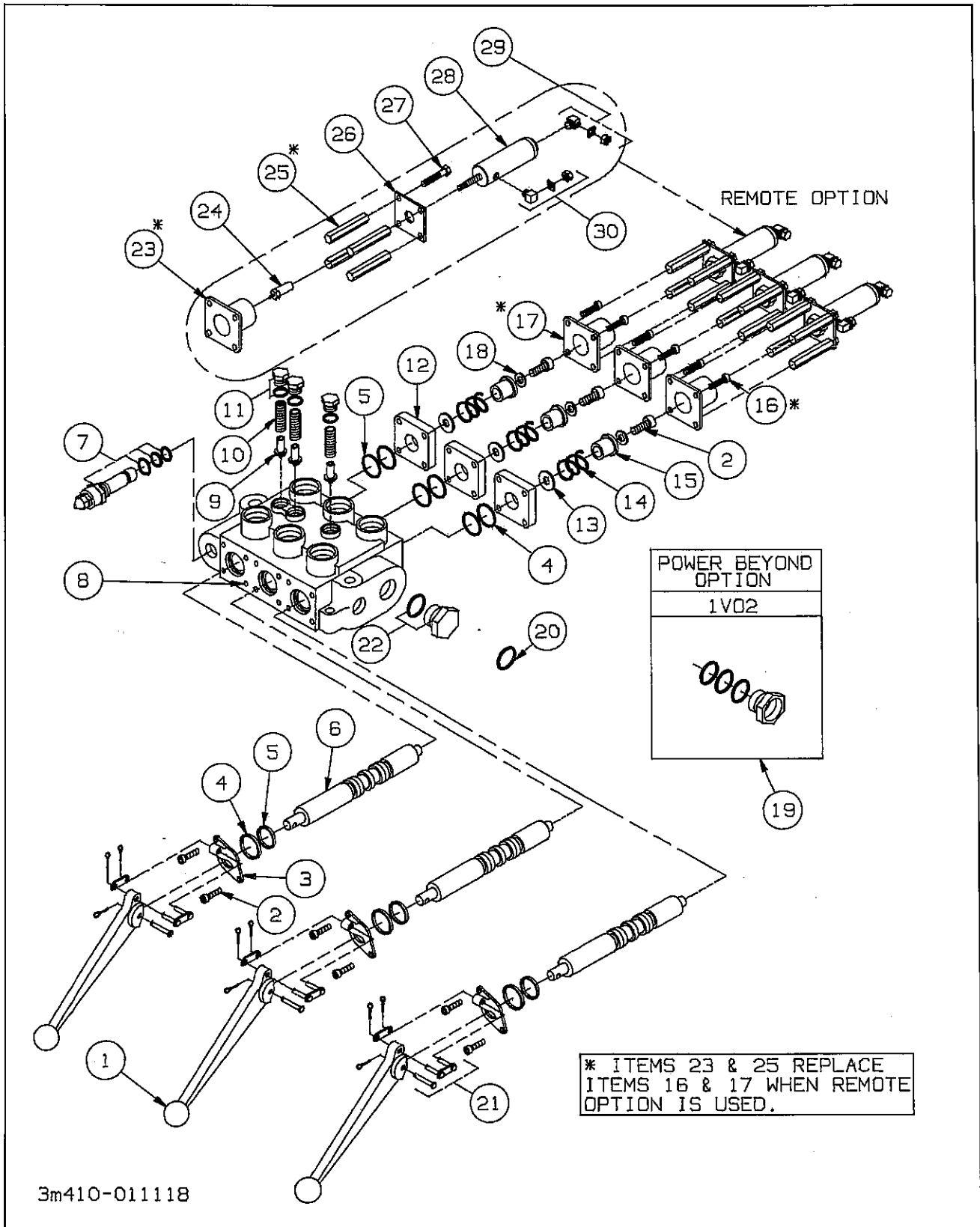


Figure 1-8 Three Spool Valve

THREE SPOOL VALVE

ITEM	PART NO.	DESCRIPTION	QTY.
	3-846-010008	VALVE ASSEMBLY	1
1	1V1703	VALVE, HANDLE	3
2	2A0079-404	CAP SCREW (TIGHTEN TO 7-11 FT.-LBS.)	9
3	4Z4306	BRACKET HANDLE	3
4	1A0711	WASHER O-RING SPOOL	6
5	2A0283-7214	SEAL SPOOL	6
6	1V0090	*SPOOL 4-WAY	3
7	1R0017	RELIEF ASSEMBLY (1500-3000 PSI)(PRESET@2500 PSI)	1
8	1V0360	HOUSING VALVE	1
9	1V0081	POPPET LOAD CHECK	3
10	1A0757	SPRING LOAD CHECK	3
11	1V1725	PLUG LOAD CHECK	3
12	1A0709	SPACER END	3
13	1A0291	WASHER STOP	3
14	1A0744	SPRING CENTERING	3
15	1A0292	COLLAR STOP	3
16**	2A0079-406	CAP SCREW (TIGHTEN TO 7-11 FT.-LBS.)	12
17**	1A0294	CAP END	3
18	1A0290	WASHER CENTERING SPRING	3
19	1V0208	ADAPTER ASSEMBLY REMOTE POWER BEYOND (CONTAINS ALL NECESSARY O-RINGS)	1
20	2A283-7214	GROMMET RUBBER (BOTTOM OUTLET)	1
21	1V1701	PIN KIT	3
22	2A0354-121	PLUG CONVERSION	1
23**	3-161-010034	CAP MODIFIED VALVE SPOOL	1
24**	1-007-010029	ADAPTER SWIVEL	4
25	3-711-010055	SPACER	4
26	3-482-010288	MOUNT AIR CYL VALVE	1
27	1-654-010047-02	SCREW HEX CAP	4
28	3-238-010001	CYLINDER AIR	1
29	1-297-010008-01	FITTING AIR 90°	1
30	68CA-2-2	CONNECTOR	1

* Sold as Matched Set only.

** Items 23 and 24 replace items 16 and 17 when remote option is used.

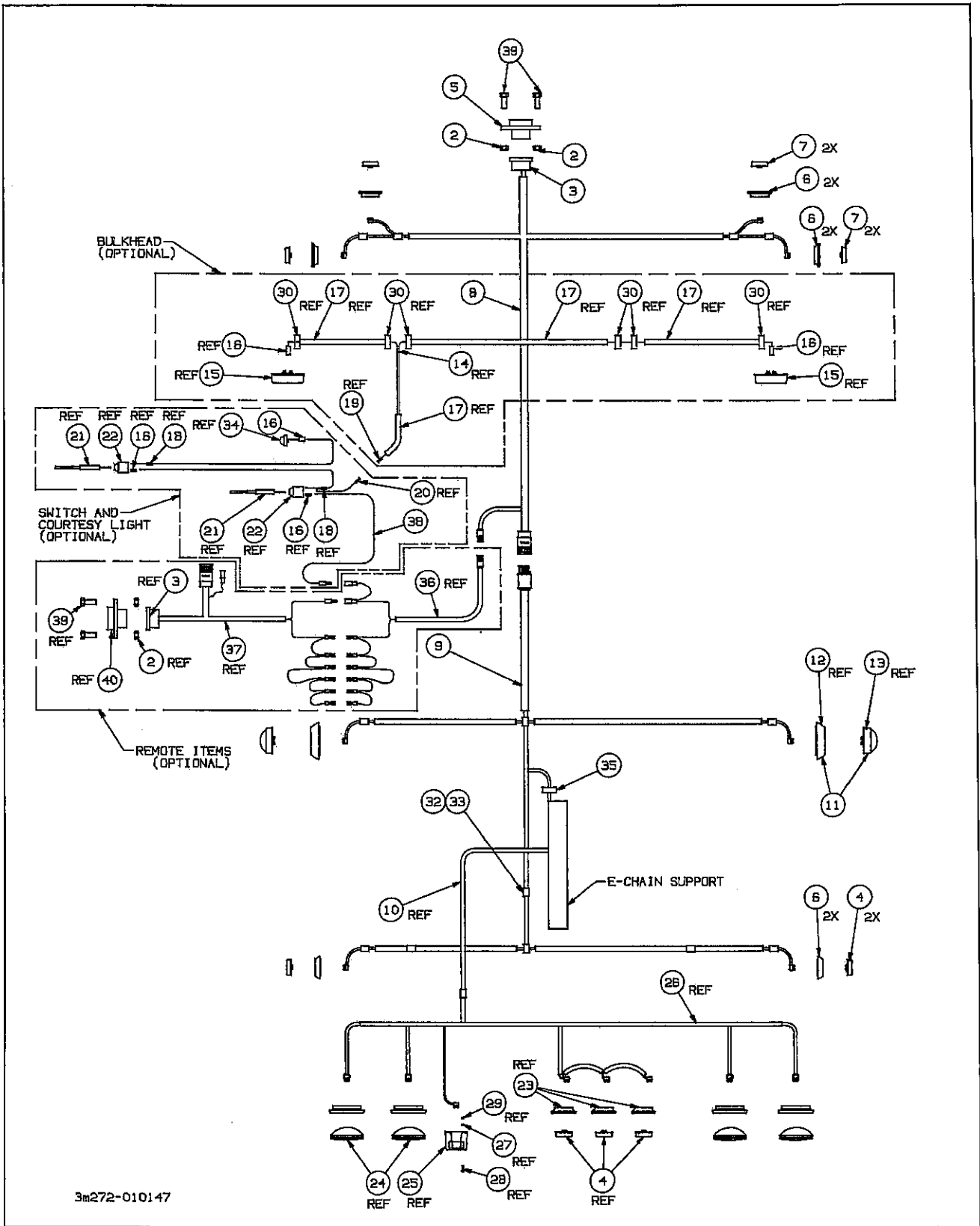
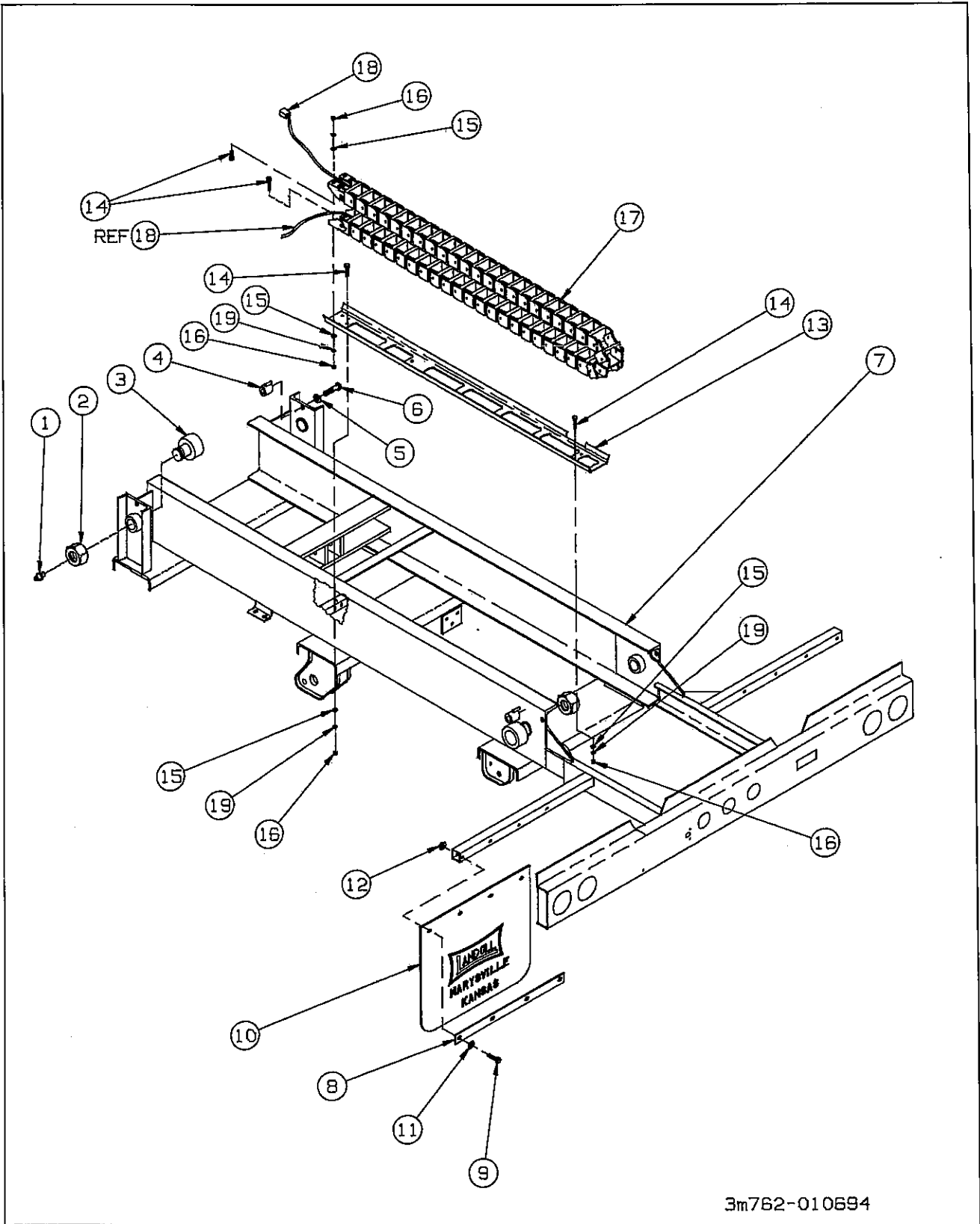


Figure 1-9 Electrical System

ELECTRICAL SYSTEM

ITEM	PART NO.	DESCRIPTION	QTY.
1A	3-272-010147-01	ELECTRICAL INSTL 330-42	
1B	3-272-010147-02	ELECTRICAL INSTL 330-48,	
2	1-512-010005-03	NUT HEX SELF LOCKING 5/16-18 GRB	2
3	59W-2-3	RUBBER BOOT	1
4	10205R	REFLECTOR LAMP RED	2
5	59S-7	RECEPTACLE 7 PIN	1
6	10403	GROMMET MOUNT	6
7	10205Y	REFLECTOR LAMP YELLOW	4
8	3-368-010243-01	HARNESS ASSY FRONT MAIN	1
9	3-368-010244	HARNESS ASSY REAR MAIN	1
10	3-156-010046	CABLE ASSY	1
11	60015Y	LIGHT TURN AND CLEARANCE W/GROMMET	2
12	60700	GROMMET TRUCK LITE LIGHT	2
13	60215Y	LAMP TRLR CTR TURN INDICATOR	2
14	1-879-010005	WIRE BROWN 14 AWG	
15	64181	RECT QUARTZ HALOGEN LAMP	2
	VH550	REPLACEMENT BULB	1
16	3-272-010021	ELECT BUTT SPLICE W/SEAL	1
17	3-201-010001	CONDUIT PLASTIC FLEX	
18	3-272-010022	ELECT BUTT SPLICE W/SEAL	1
19	STP-147	TERMINAL-BULLET ELECTRICAL	1
20	STP-164	BULLET CONNECTOR FEMALE	1
21	3-272-010017	TOGGLE SWITCH SEALED SPST	1
22	81264	RUBBER BOOT FOR ELECT SWITCH	1
23	10404	GROMMET MOUNT	3
24	40002R	LIGHT STOP TURN TAIL	4
	40202R	LAMP	1
	40700	GROMMET	1
25	15009	LICENSE LAMP	1
	15725	BRACKET	1
	15700	GROMMET	1
	15206	LAMP	1
26	3-368-010175	HARNESS WIRE U/C REAR	1
27	1-861-010034-07	WASHER SPRING LOCK #10	2
28	3/16X3/4RHD STV	BOLT STOVE ROUND HEAD 3/16X3/4	2
29	3/16-24HFN	NUT 3/16-24 GR2	2
30	2552	GROMMET	6
31	3-181-010006	HOSE CLAMP	5,8*
32	1-510-010001	NUT FLANGE LOCK 3/8-16	16,19*
33	2-181-010001	HOSE CLAMP	11
34	26331	LIGHT COURTESY TRUCKLITE	1
35	1-343-010007	GROMMET	1
36	3-368-010245-01	HARNESS POWER JUMPER	1
37	3-368-010246	HARNESS FRONT REMOTE	1
38	1-879-010005120	WIRE BROWN 14 AWG	1
39	1-654-010049-06	SCREW HEAD CAP 5/16-18X1-1/4	2
40	3-272-010125	RECEPTICAL 7 PIN (FOR REMOTE ONLY)	1

* FIRST QUANTITY FOR P/N 3-272-010147-01, SECOND QUANTITY FOR P/N 3-272-010147-02



3m762-010694

Figure 1-10 Undercarriage Assembly

UNDERCARRIAGE ASSEMBLY

ITEM	PART NO.	DESCRIPTION	QTY.
1	5029	ZERK FITTING	4
2	2-12HFN	NUT HEX FLANGE 2-12	4
3	3-076-010005	BEARING CAMFOLLOWER	4
4	3-762-010016	HOLD DOWN UNDERCARRIAGE	4
5	1-861-010034-17	WASHER SPLIT LOCK 3/4	4
6	1-654-010061-04	SCREW HEX HEAD CAP 3/4-10UNCX1-3/4 GR5	4
7	3-762-010663	UNDERCARRIAGE TANDEM DROP DECK S/R	1
	3-762-010573	UNDERCARRIAGE SINGLE AXLE AIR RIDE	1
	3-762-010657	UNDERCARRIAGE 330-48 DROP DECK SINGLE AXLE	1
	3-762-010679	UNDERCARRIAGE 330-1-40 A/R	1
	3-762-010327	UNDERCARRIAGE SINGLE AXLE-SPRING SUSP-SHOWN	1
	3-762-010434	UNDERCARRIAGE TANDEM-SPRING SUSP-NOT SHOWN	1
	3-762-010599	UNDERCARRIAGE TANDEM-AIR SUSP-NOT SHOWN	1
8	3-762-010017	CLAMP MUD FLAP	2
9	1-654-010051-13	SCREW HEX HEAD CAP 3/8-16UNCX3 GR5	8
10	3-485-010001	FLAP MUD	2
11	1-861-010032-11	WASHER FLAT 3/8	16
12	1-510-010001	NUT FLANGE LOCK 3/8-16	8,9*
13	3-821-010005	TRAY CAT TRACK	1
14	1/4-20X3/4CB	SCREW ROUND HEAD SQ NECK 1/4-20X3/4	11
15	1-861-010032-07	WASHER FLAT 1/4	11
16	1-512-010007-05	NUT HEX 1/4-20 GRB	11
17	3-755-010189-03	SUPPORT E-CHAIN (STANDARD LOAD ANGLE)	1
	3-755-010189	SUPPORT E-CHAIN (LOW LOAD ANGLE)	1
18	3-156-010046	CABLE HARNESS	1
19	1-861-010034-09	WASHER LOCKING HELICAL SPRING 1/4	11

* First Quantity is for Spring Ride, Second Quantity is for Air Ride

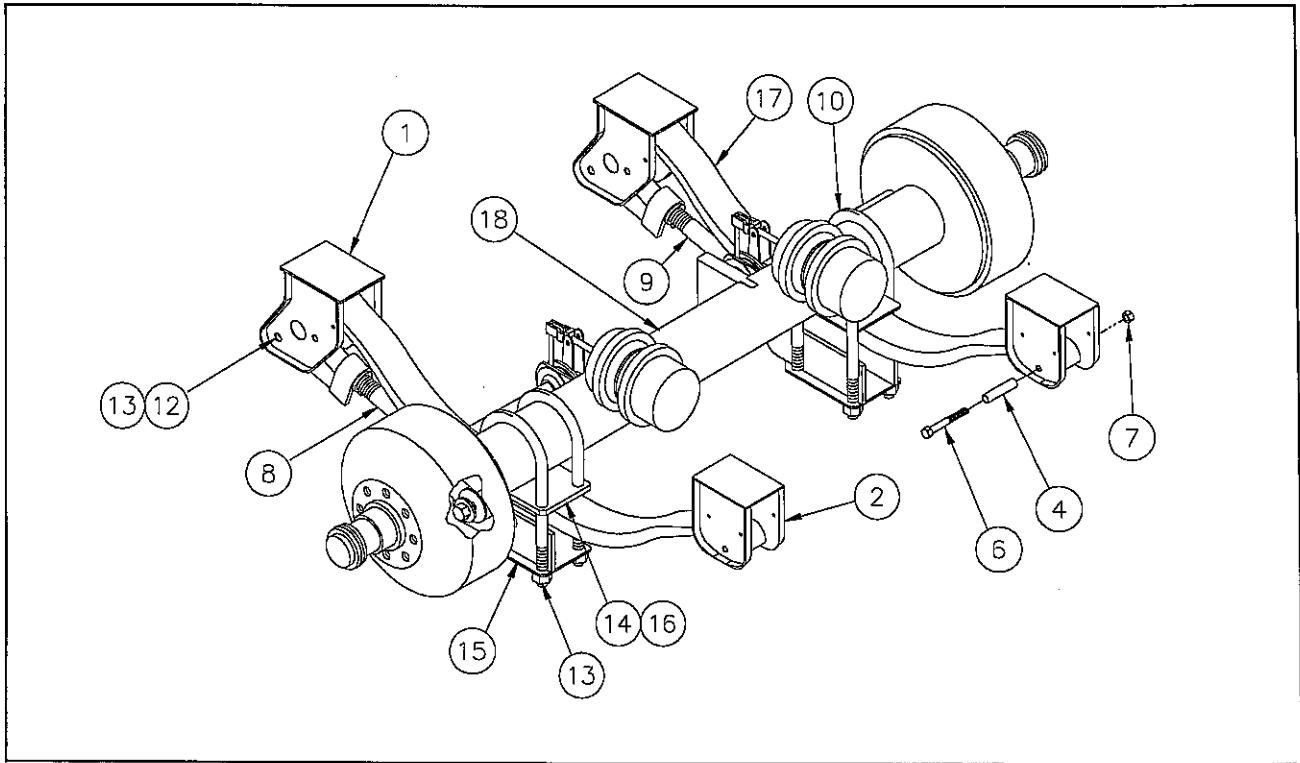


Figure 1-11 Single Leaf Spring Suspension
(Single Axle Shown)

SPRING SUSPENSION

ITEM	PART NO.	DESCRIPTION (SINGLE, TANDEM)	QTY
1	0049-00	HANGER FRONT	2
2	0053-00	REAR HANGER UNDERMOUNT	2
3	0065-00	HANGER EQUALIZER (TANDEM AXLE ONLY)	0,2
4	0741-01	ROLLER SPRING	2,6
5	0001-04	HEX HEAD CAP SCREW (TANDEM AXLE ONLY)	0,4
6	0001-02	HEX HEAD CAP SCREW	2
7	0002-07	LOCKNUT HEX	2,6
8	1035-20	TORQUE ARM ADJUSTABLE	1,2
9	0075-20	TORQUE ARM RIGID	1,2
10	0102-13	U-BOLT	2,4
11	0650-00	EQUALIZER BEAM ASSEMBLY (TANDEM AXLE ONLY)	0,2
12	0001-08	BOLT TORQUE ARM 7/8-14x5-1/4	2,4
13	0002-12	NUT LOCKING 7/8-14	12,24
14	0647-01	AXLE SEAT	2,4
15	0508-00	BOTTOM PLATE UNDERSLUNG	2,4
16	0375-00	DELFIN LINER	2,4
17	3-720-010030	SPRING MONO LEAF HIGH ARCH	2,4
18	0001-14	EQUALIZER BOLT (TANDEM AXLE ONLY)	0,2
19	0274-01	FLANGED LOCKNUT (TANDEM AXLE ONLY)	0,2
	3-432-010006	KIT AXLE SPRING ATTACHING PARTS (INCLUDES ITEMS 8,9,10,12,13,14,15, AND 16)	1
	3-432-010010	KIT EQUALIZER ASSEMBLY (TANDEM AXLE ONLY) (INCLUDES ITEMS 3,11,18, AND 19)	2

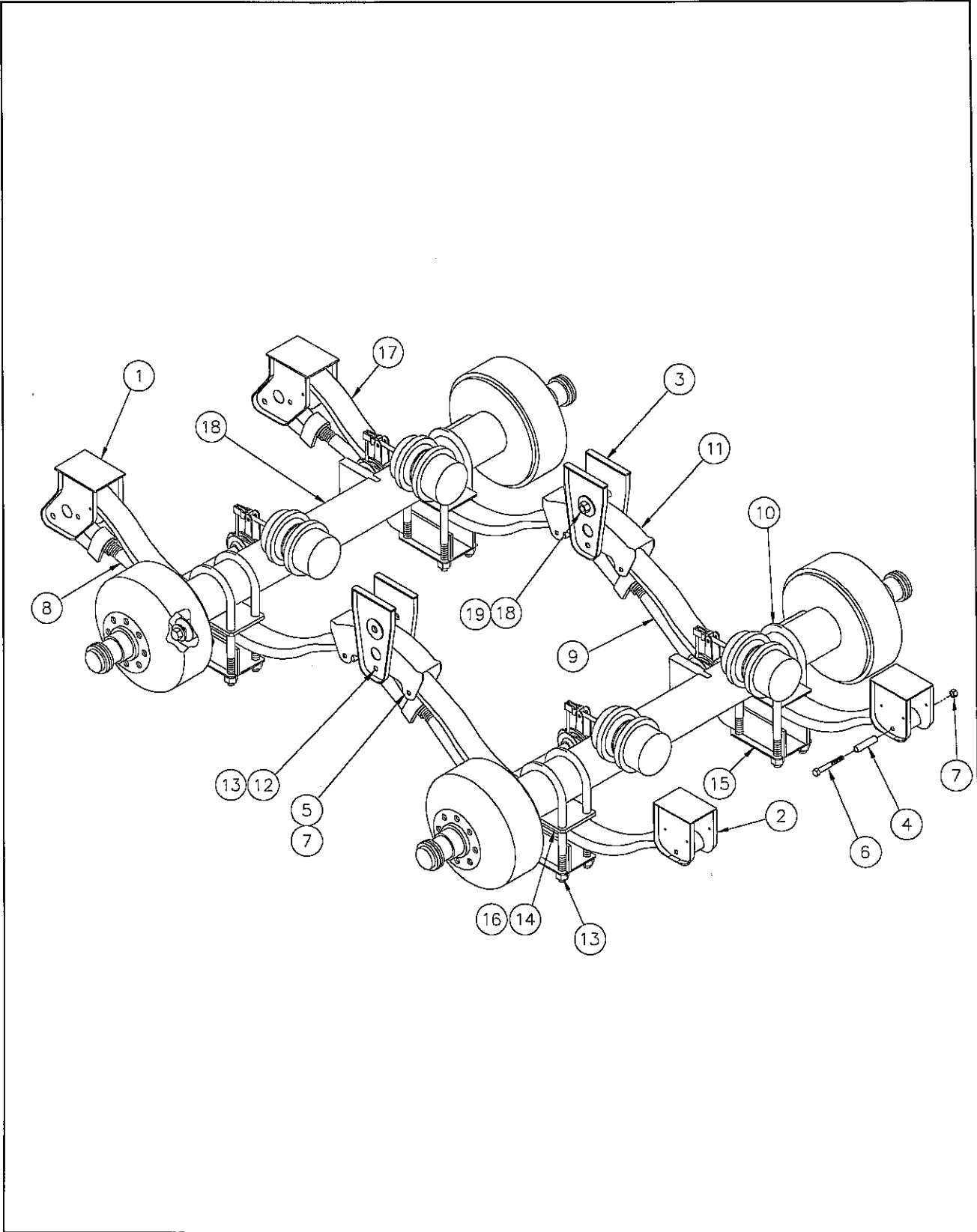
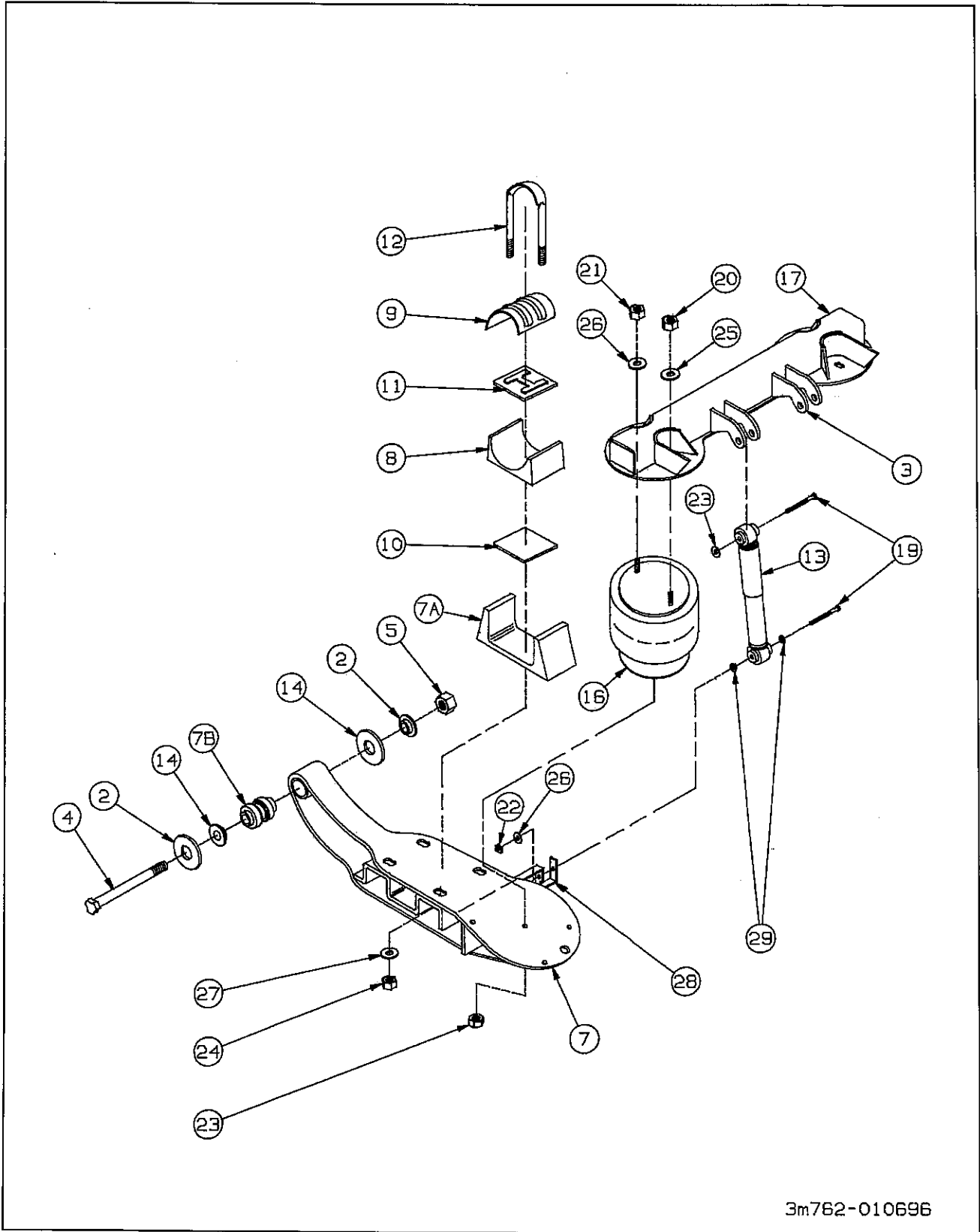


Figure 1-12 Single Leaf Spring Suspension
(Tandem Axle Shown)



3m762-010696

Figure 1-13 Air Ride Suspension

AIR RIDE SUSPENSION

ITEM	PART NO.	DESCRIPTION	QTY. PER AXLE
2	900-08-141	ALIGNMENT BUSHING	4
3	3-482-010170	UPPER SHOCK MOUNT BRACKET	4
4	932-01-046	CAP SCREW 1-1/8 - 7	2
5	939-00-165	LOCK NUT 1-1/8 - 7 (SMART NUT ®)	2
7	905-15-857	EQUALIZING BEAM ASSY. L.H.(INCLUDES ITEMS 7A & 7B)	1
	905-15-858	EQUALIZING BEAM ASSY. R.H.(INCLUDES ITEMS 7A & 7B)	1
7A	900-01-078	BEAM SEAT	1
7B	900-08-139	BUSHING	2
8	900-01-082	AXLE ADAPTER	2
9	900-10-032	AXLE CAP	2
10	900-28-075	STEEL/RUBBER PAD	2
11	900-28-047	RUBBER WRAPPER	2
12	900-41-878	U-BOLT	4
13	900-44-162	SHOCK ABSORBER	2
14	900-36-140	SPACER WASHER	4
16	905-57-129	AIR SPRING ASSEMBLY	4
17	3-235-010200	CROSSMEMBER ASSEMBLY	REF
19	930-03-599	CAP SCREW 3/4 - 10 X 3-1/2	4
20	934-00-136	HEX NUT 1/2 - 13	2
21	934-00-149	HEX NUT 3/4 - 16	2
22	934-00-367	SQUARE NUT 3/4 - 10	2
23	934-00-492	LOCK NUT 3/4 - 10	4
24	934-00-502	LOCK NUT 1 - 8	8
25	936-00-072	LOCK WASHER 1/2	2
26	936-00-077	LOCK WASHER 3/4	4
27	939-00-027	FLAT WASHER 1	8
28	905-19-425	LOWER SHOCK BRACKET	2
29	905-08-004	REPLACEMENT BUSHING	8
30	481-00-202	PIVOT CONNECTION KIT (INCLUDES ITEMS 2 - 6, & 14)	
31	481-00-108	AXLE CONNECTION KIT (INCLUDES ITEMS 10-12, 24, & 27)	

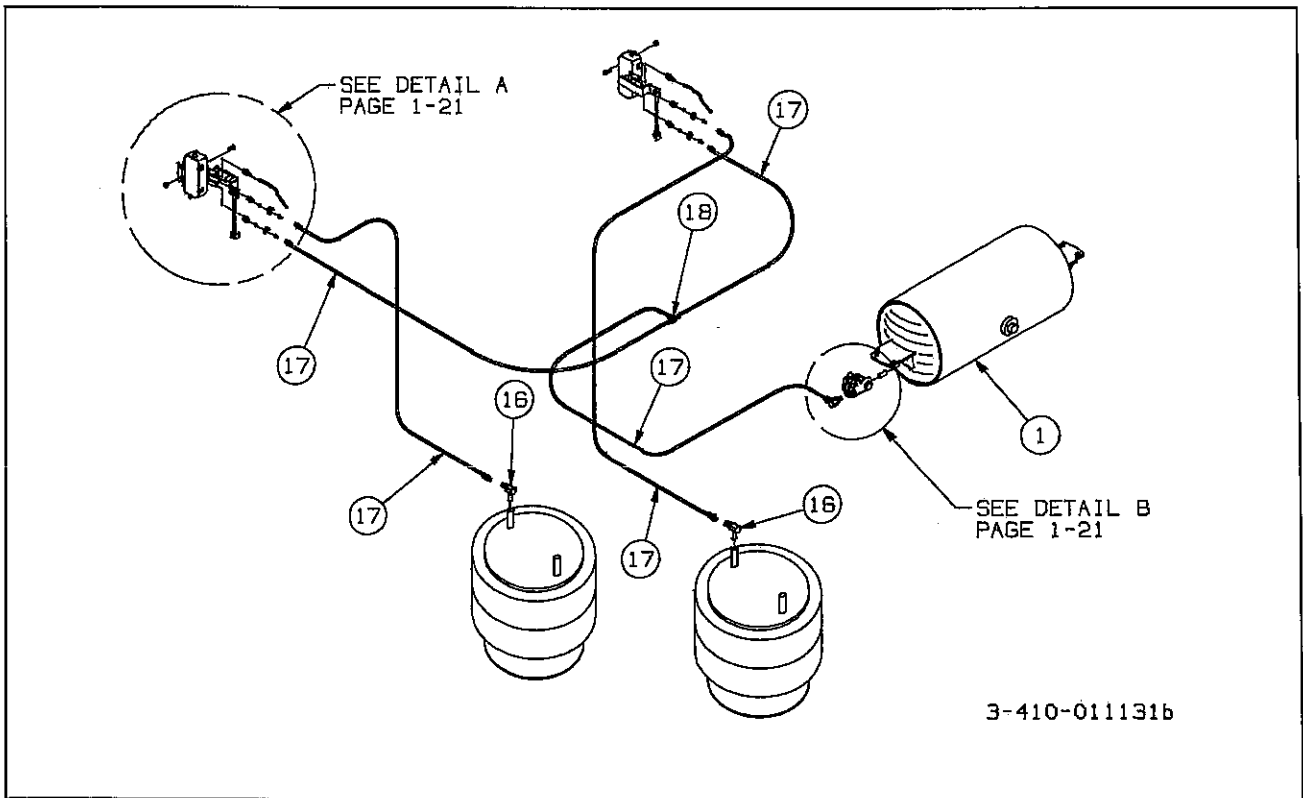
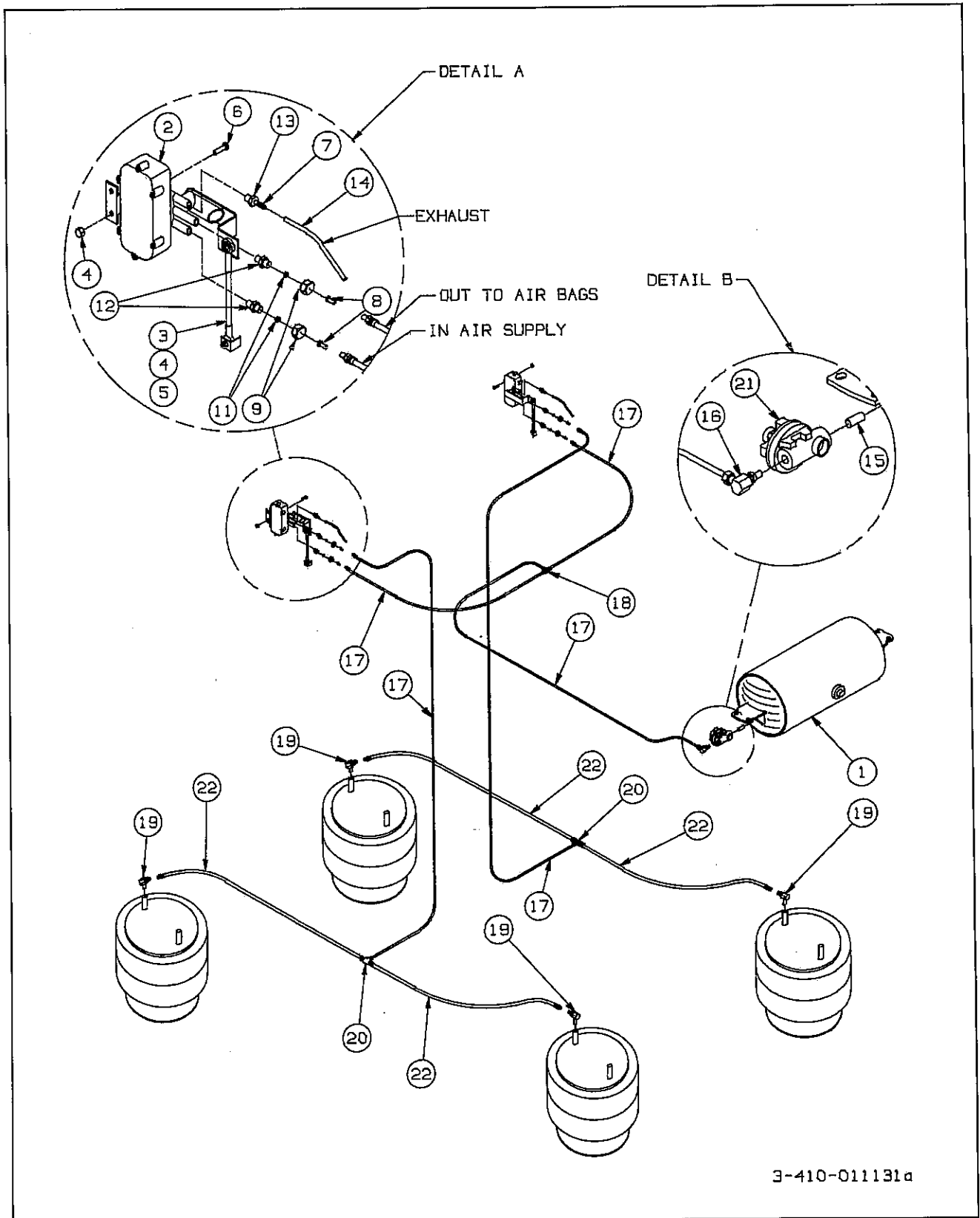


Figure 1-14 Air Ride Suspension System (Single)

AIR RIDE SUSPENSION AIR SYSTEM

ITEM	PART NO.	DESCRIPTION (SINGLE, TANDEM)	QTY.
1	3-780-010002	TANK AIR	REF
2	900-54-113	HEIGHT CONTROL VALVE	2
3	900-54-442	LINK	2
4	934-00-060	NUT LOCKING	8
5	930-02-361	CAP SCREW	4
6	930-02-349	CAP SCREW	4
7	900-54-122	LOCATING PIN	2
8	938-00-014	INSERT	4
9	938-00-140	BRASS NUT	4
11	938-00-062	DELFIN SLEEVE	4
12	905-54-059	FILTER	4
13	938-00-139	FITTING EXHAUST	2
14	900-54-276	EXHAUST HOSE	2
15	2083-8-4S	NIPPLE HEX	1
16	1-297-010008-07	FITTING AIR 90° 1/4TUBE X 1/4NPT	3,1
17	1-833-010001-3	TUBING NYLON 1/4 OD	5'
18	1-297-010010-01	FITTING AIR UNION TEE 1/4	1
19	1-297-010007-11	FITTING AIR 3/8T-1/4NPT (TANDEM AXLE)	4
20	1-297-010010-04	FITTING AIR UNION TEE 3/8 X 3/8 X 1/4	2
21	900-54-001	PRESSURE PROTECTION VALVE AND FILTER	1
22	1-833-010002032	TUBING NYLON	4
23	941-00-119	DECAL OPERATING (NOT SHOWN)	1



3-410-011131a

Figure 1-15 Air Ride Suspension System (Tandem)

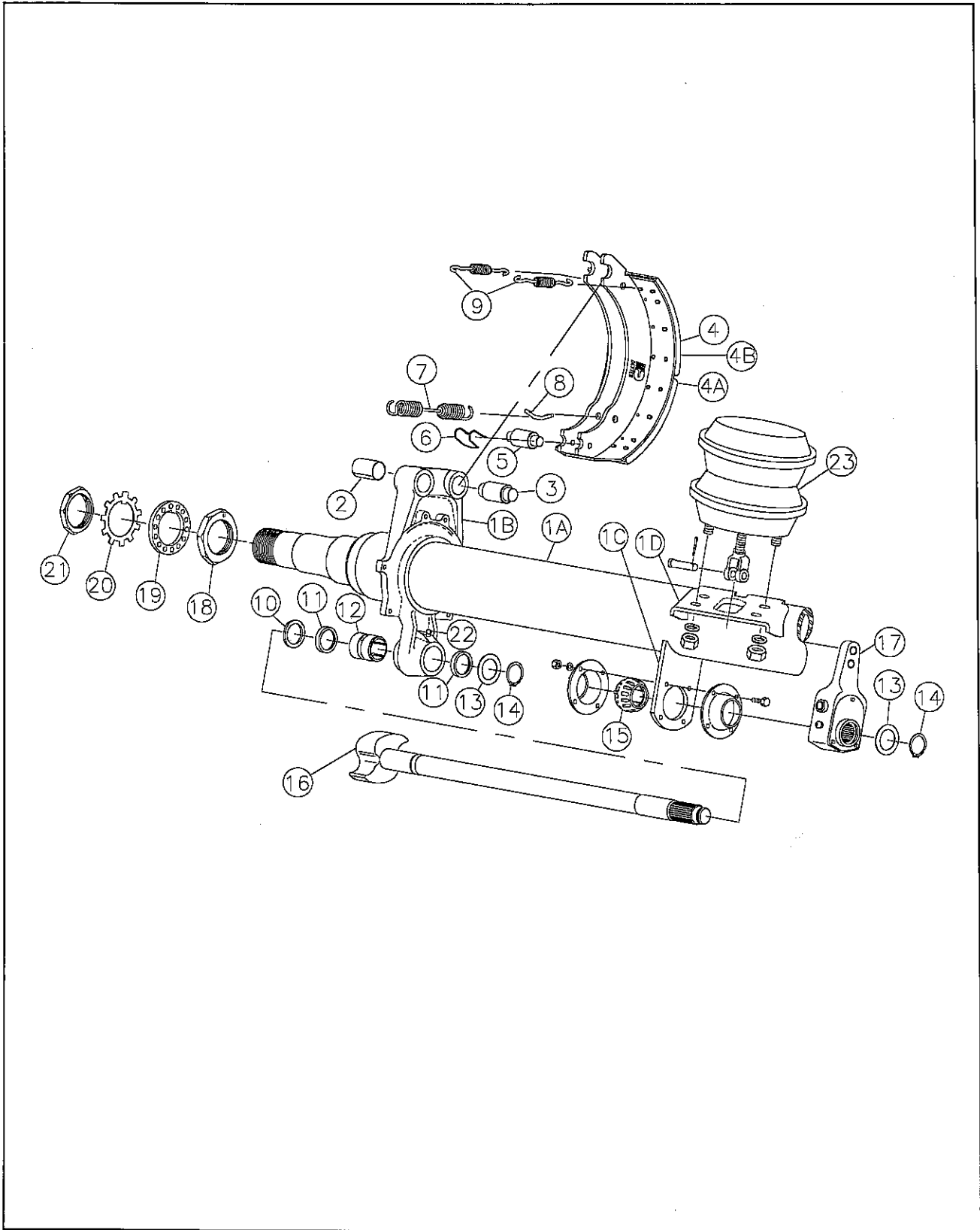


Figure 1-16 Axle and Brake Assembly

AXLE ASSEMBLY (DEXTER)

ITEM	PART NO.	DESCRIPTION	QTY. PER AXLE
	3-042-010140-01	ASSEMBLY AXLE 70.5 TRACK 16.5 X7	
	3-042-010141-02	ASSEMBLY AXLE 69 TRACK 16.5 X7	
1A*	D-2216	BEAM W/ BRACKETS	1
1B	036-092-02	SPIDER	2
1C	034-047-00	BRACKET - CAMSHAFT SUPPORT CONTAINING:	2
1C1	034-032-00	RETAINER PLATE	4
1C3	007-139-00	BOLT - RETAINER PLATE ATTACHMENT	8
1C4	005-079-00	LOCKWASHER - COVER ATTACHMENT	8
1C5	006-099-00	NUT - RETAINER PLATE ATTACHMENT	8
1D	034-048-00	BRACKET - AIR CHAMBER MOUNTING	2
2**	014-068-00	BUSHING ANCHOR PIN	4
3	056-017-00	PIN ANCHOR	4
4	040-180-00	BRAKE SHOE AND LINING	4
4A	041-058-01	LINING - BRAKE BLOCK CAM	4
4B	041-059-01	LINING - BRAKE BLOCK ANCHOR	4
	K71-136-00	BRAKE SHOE HARDWARE KIT (ITEMS 2, 3, 5, 6, 7, 8, AND 9)	2
	K71-138-00	BRAKE BLOCK KIT (ITEMS 4A, 4B, & P/N 022-018-00 RIVETS)	2
5**	014-065-00	ROLLER KNURLED	4
6**	071-122-00	RETAINER ROLLER	4
7**	046-096-00	SPRING SHOE RETURN	2
8**	056-018-00	RETAINER RETRACTOR SPRING	4
9**	046-097-00	SPRING SHOE KEEPER	4
10**	005-096-00	WASHER CAMSHAFT	2
11**	010-052-00	SEAL GREASE	4
12**	014-056-00	BUSHING CAMSHAFT SPIDER	2
13**	005-134-00	WASHER CAMSHAFT (FOR 28 SPLINE CAMSHAFT)	2
14**	069-078-00	RETAINER CAMSHAFT (FOR 28 SPLINE CAMSHAFT)	2
15**	014-058-00	BUSHING CAMSHAFT SUPPORT	2
16	034-192-03	CAMSHAFT LEFT HAND 23-7/16 (70.5 TRACK)	1
	034-193-03	CAMSHAFT RIGHT HAND 23-7/16 (70.5 TRACK)	1
	034-192-05	CAMSHAFT LEFT HAND 22-5/8 (69 TRACK)	1
	034-193-05	CAMSHAFT RIGHT HAND 22-5/8 (69 TRACK)	1
	K71-135-00	CAMSHAFT REPAIR KIT (ITEMS 10-15, AND 22)	2
17	055-040-04	SLACK ADJ AUTOMATIC W/ ASD 06001 SNAPNUT (GUNITITE)	2
18	006-114-00	NUT INNER SPINDLE	2
19	005-098-00	WASHER SPINDLE LOCK	2
20	005-099-00	WASHER TABBED SPINDLE LOCK	2
21	006-115-00	NUT OUTER SPINDLE	2
22**	061-006-00	FITTING GREASE 65°	2
23	3-128-010002	CHAMBER AIR BRAKE (MIDLAND)	2

* WHEN ORDERING THE BEAM WITH SPINDLE, SPIDER AND BRACKETS ATTACHED, YOU WILL NEED THE BEAM NUMBER, TRACK LENGTH, BRAKE SIZE, AND CAMSHAFT LENGTH.

** THESE PARTS ARE AVAILABLE AS PART OF THE REPAIR KIT LISTED.

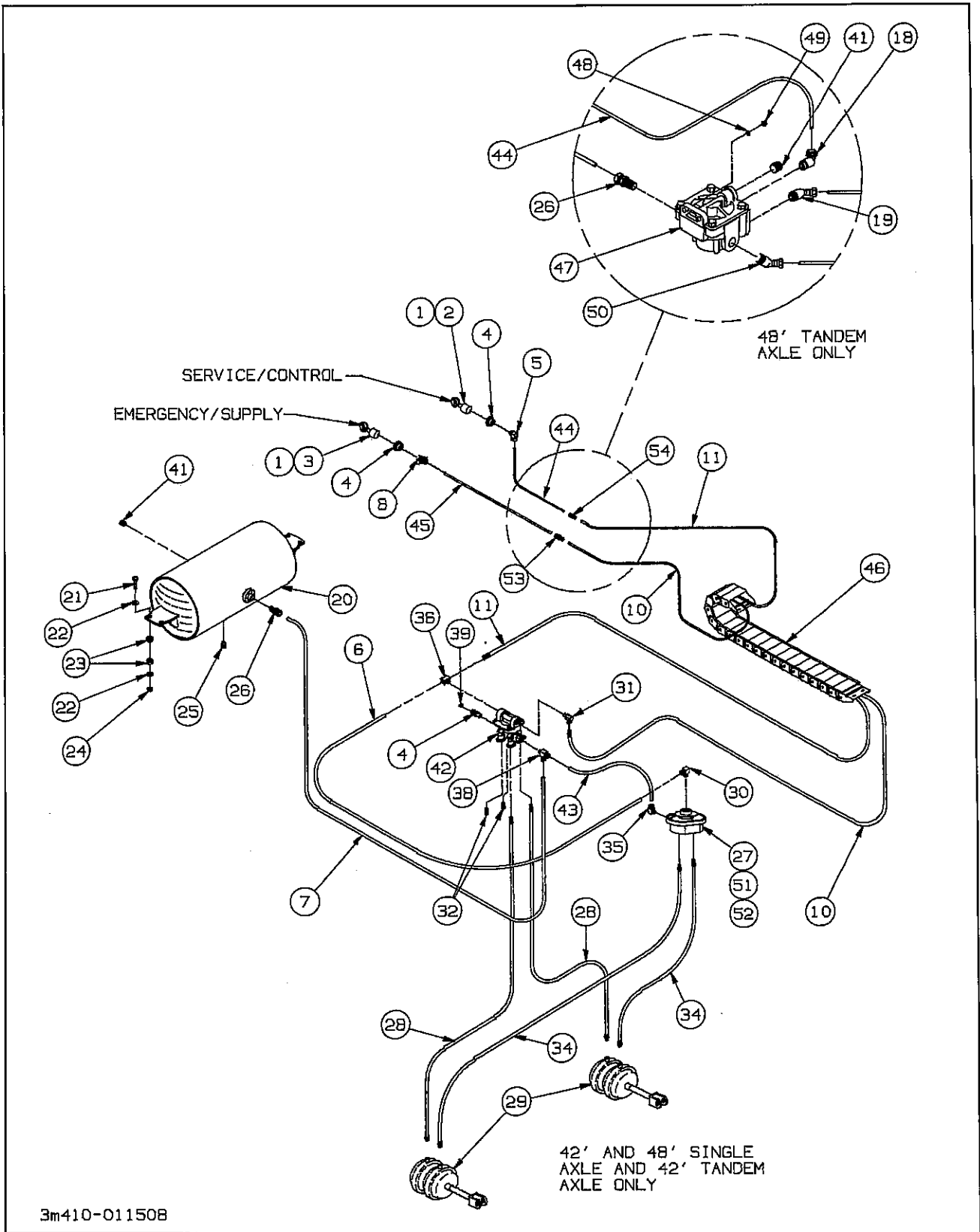


Figure 1-17 Air Brake System, Single Axle

AIR BRAKE SYSTEM, SINGLE AXLE

ITEM	PART NO.	DESCRIPTION	QTY.
1	55B11	GLAD HAND	2
2	55B61-7	TAG SERVICE LINE	1
3	55B61-6	TAG EMERGENCY LINE	1
4	55B61	FRAME UNION	3
5	1-297-010008-18	FITTING AIR 90° 3/8 TUBE X 1/4NPT	1
6	1-833-010012054	TUBING NYLON 3/8 OD	1
7	1-833-010003042	TUBING NYLON 1/2 OD	1
8	1-297-010007-14	FITTING AIR	1
10	1-833-010003168	TUBING NYLON 1/2	1
11	1-833-010002168	NYLON TUBING 3/8	1
18	1-297-010013-12	FITTING AIR 45° 3/8 TUBE X 3/8 NPT	1
19	1-297-010013-13	FITTING AIR 45° 3/8 TUBE X 1/2 NPT	1
20	3-780-010002	TANK AIR	1
21	1-654-010051-08	SCREW HEX HEAD CAP 3/8-16X1-3/4 GR5	4
22	1-861-010032-11	WASHER FLAT 3/8	8
23	805-2	BUSHING STEP	8
24	1-512-010005-05	NUT SELF LOCKING HEX 3/8-16 GRB	4
25	56D4	AIR TANK DRAIN COCK	1
26	1-297-010007-16	FITTING AIR 1/2 TUBE X 1/2NPT	2
27	3-843-010005	VALVE RELAY 2 PORT	1
28	1-384-010038056	HOSE AIR 3/8	2
29	3-128-010002	SPRING BRAKE DOUBLE DIAPHRAGM	REF
30	1-297-010008-20	FITTING AIR 90° 3/8 TUBE X 3/8NPT	1
31	1-297-010008-23	FITTING AIR 90° 1/2 TUBE X 3/8NPT	1
32	1-560-010002-03	PLUG PIPE 3/8	2
34	3-384-010020	AIR HOSE 3/8 X 32	2
35	1-297-010008-24	FITTING AIR 90° 1/2T-1/2P	1
36	1-297-010015-07	FITTING BRS PIPE BR TEE 3/8T-3/8P	1
38	1-297-010011-06	FITTING AIR M/RUN TEE 1/2-3/8	1
39	1-560-010002-02	PLUG PIPE 1/4	1
41	1-560-010002-04	PLUG PIPE 1/2	4
42	758-181	VALVE FOUR PORT TASK	1
43	1-833-010003022	TUBING NYLON 1/2	1
44	1-833-010002	TUBING NYLON 3/8(42')	30'
	1-833-010002	TUBING NYLON 3/8(48')	36'
45	1-833-010003	TUBING NYLON 1/2 (42')	28'
	1-833-010003	TUBING NYLON 1/2 (48')	34'
46	3-755-010189-03	SUPPORT E-CHAIN (STD LOAD ANGLE)	REF
	3-755-010189	SUPPORT E-CHAIN (LOW LOAD ANGLE)	REF
47	3-843-010038	VALVE AIR RELAY FAST AIR BALANCE (48' TANDEM)	1
48	1-861-010032-06	WASHER FLAT 1/4	2
49	1-512-010005-01	NUT HEX 1/4-20UNC LOCKING	2
50	1-297-010013-16	FITTING AIR 45 1/2 TUBE 1/2 NPT	1
51	1-861-010034-10	WASHER LOCKING 5/16	2
52	1-512-010007-06	NUT HEX 5/16-18	2
53	1-297-010014-04	FITTING AIR 1/2(42' AND 48' SINGLE, 42' TANDEM)	1
54	1-297-010014-03	FITTING AIR 3/8 ((42' AND 48' SINGLE, 42' TANDEM)	1

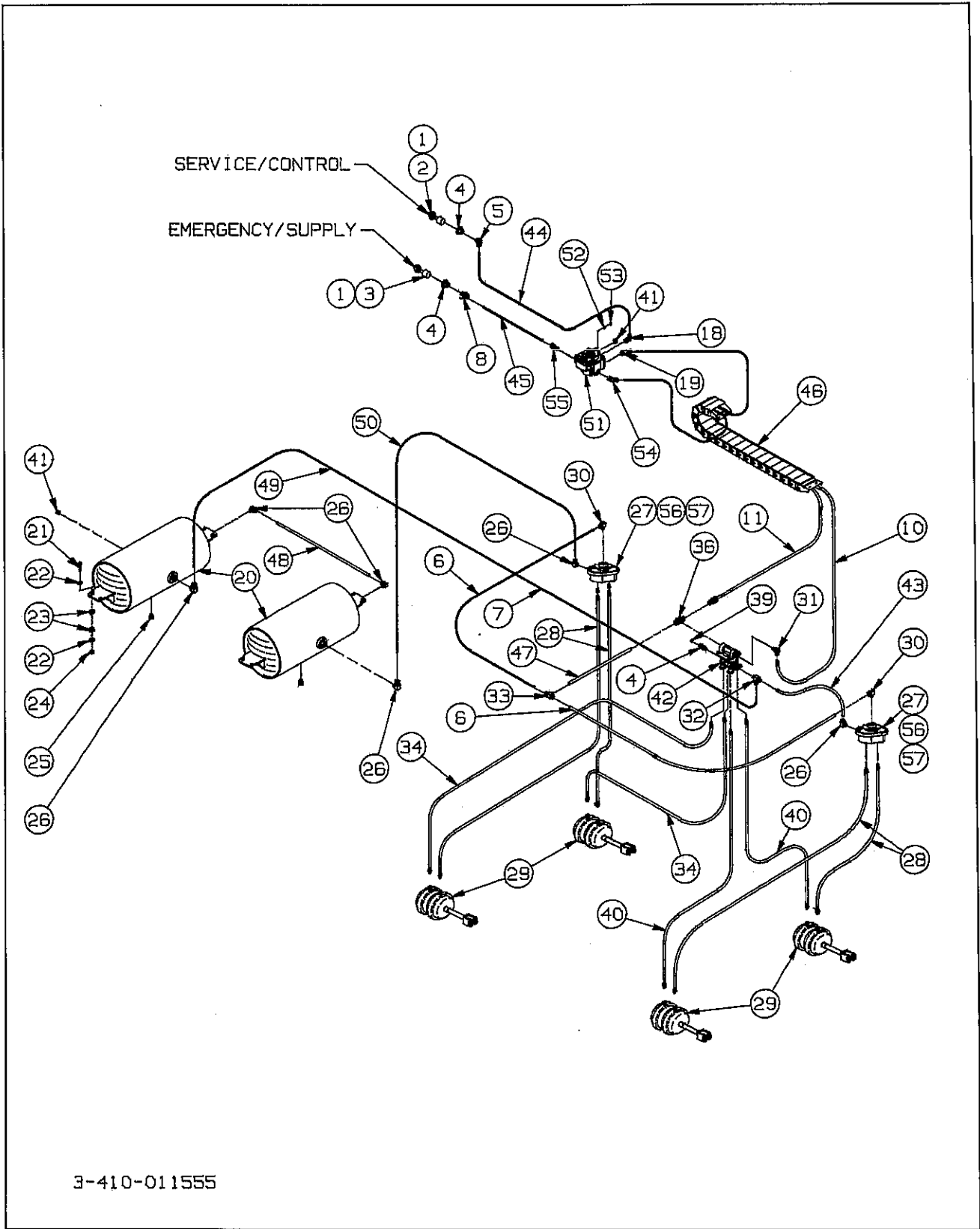


Figure 1-18 Air Brake System, Tandem Axle

AIR BRAKE SYSTEM, TANDEM AXLE

ITEM	PART NO.	DESCRIPTION	QTY.
1	55B11	GLAD HAND	2
2	55B61-7	TAG SERVICE LINE	1
3	55B61-6	TAG EMERGENCY LINE	1
4	55B61	FRAME UNION	3
5	1-297-010008-18	FITTING AIR 90° 3/8TUBEX1/4NPT	1
6	1-833-010002036	TUBING NYLON 3/8	2
7	1-833-010002084	TUBING NYLON 1/2	A/R
8	1-297-010007-14	FITTING AIR	1
10	1-833-010003168	TUBING NYLON 1/2	1
11	1-833-010002168	TUBING NYLON 3/8	1
18	1-297-010013-12	FITTING AIR 45 3/8TUBEX3/8NPT	1
19	1-297-010013-13	FITTING AIR 45 3/8TUBEX1/2NPT	1
20	3-780-010002	TANK AIR	2
21	1-654-010051-08	SCREW HEX HEAD CAP 3/8-16X1-3/4 GR5	8
22	1-861-010032-11	WASHER FLAT 3/8	16
23	805-2	BUSHING STEP	16
24	1-512-010005-05	NUT SELF LOCKING HEX 3/8-16 GRB	8
25	56D4	AIR TANK DRAIN COCK	2
26	1-297-010008-24	FITTING AIR 90° 1/2 TUBE X 1/2NPT	6
27	3-843-010005	VALVE RELAY 2 PORT	2
28	3-384-010020	HOSE AIR 3/8 X 32	4
29	3-128-010002	SPRING BRAKE DOUBLE DIAPHRAGM	REF
30	1-297-010008-20	FITTING AIR 90° 3/8 TUBE X 3/8NPT	2
31	1-297-010008-23	FITTING AIR 90° 1/2TUBEX3/8NPT	1
32	1-297-010011-06	FITTING AIR M/RUN TEE 1/2-3/8	1
33	1-297-010010-03	FITTING AIR UNION TEE 3/8	1
34	1-384-010038024	AIR HOSE 3/8	2
36	1-297-010015-07	FITTING BRS PIPE M/BR TEE 3/8T-3/8P	1
39	1-560-010002-02	PLUG PIPE 1/4	1
40	1-384-010038056	AIR HOSE 3/8	2
41	1-560-010002-04	PLUG PIPE 1/2	5
42	758-181	VALVE FOUR PORT TASK	1
43	1-833-010003022	TUBING NYLON 1/2	
44	1-833-010002	TUBING NYLON 3/8 (42')	30'
	1-833-010002	TUBING NYLON 3/8 (48')	36'
45	1-833-010003	TUBING NYLON 1/2 (42')	28'
	1-833-010003	TUBING NYLON 1/2 (48')	34'
46	3-755-010189-03	SUPPORT E-CHAIN STANDARD LOAD ANGLE	REF
	3-755-010189	SUPPORT E-CHAIN LOW LOAD ANGLE	REF
47	1-833-010002012	TUBING NYLON 3/8	1
48	1-833-010003018	TUBING NYLON 1/2	1
49	1-833-010003	TUBING NYLON 1/2	1
50	1-833-010003	TUBING NYLON 1/2	1
51	3-843-010038	VALVE AIR RELAY FAST AIR BALANCE	1
52	1-861-010032-06	WASHER FLAT 1/4	2
53	1-512-010005-01	NUT HEX 1/4-20UNC LOCKING	2
54	1-297-010013-16	FITTING AIR 45 1/2TUBEX1/2NPT	1
55	1-297-010007-16	FITTING AIR 1/2TUBEX1/2NPT	1
56	1-861-010034-10	WASHER SPLIT LOCK 5/16	4
57	1-512-010007-06	NUT HEX 5/16-18	4

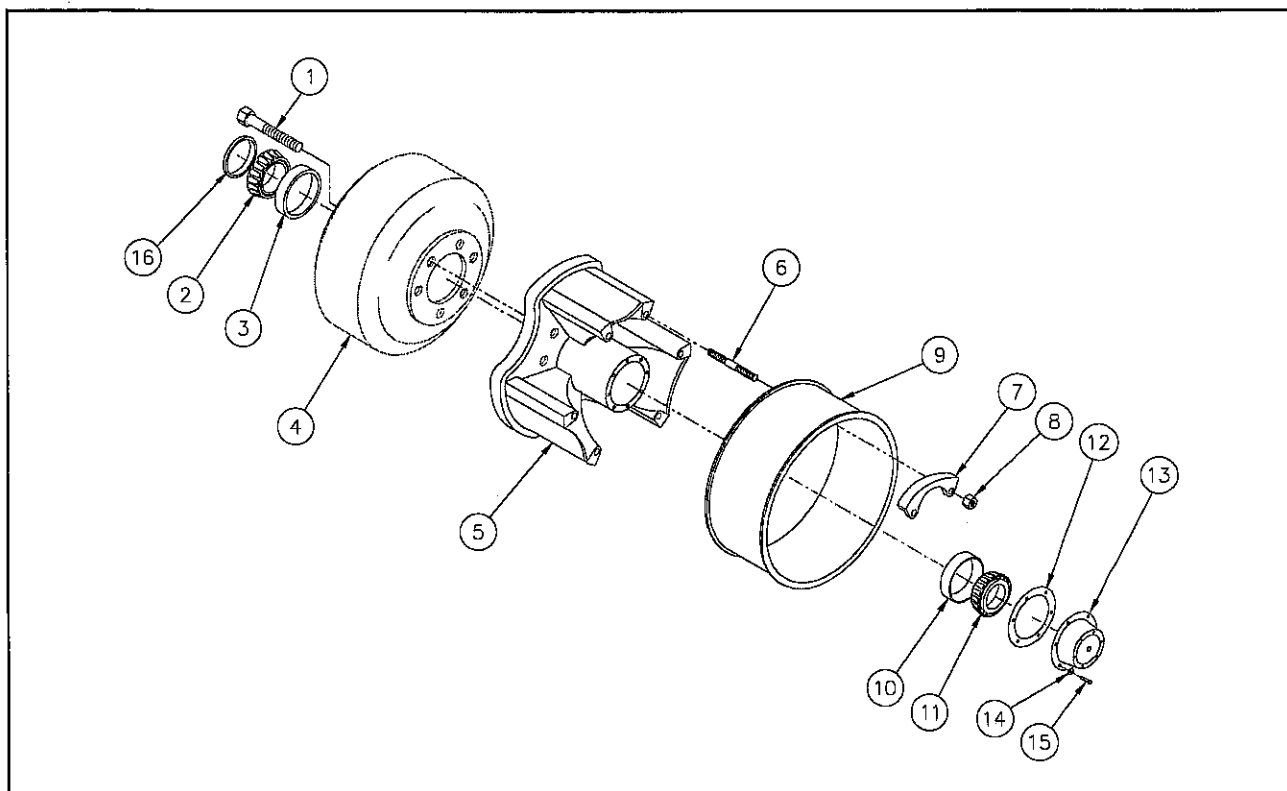


Figure 1-19 Three Spoke Wheel Assembly

THREE SPOKE WHEEL ASSEMBLY

ITEM	PART NO.	DESCRIPTION	QTY.
	3-870-010065	WHEEL ASSY 3 SPOKE	4
1	86222	HEX CAP SCREW	6
1A	75618	HEX LOCK NUT	6
1B	256	FLAT WASHER	6
2	HM218248	INNER BEARING CONE	1
3	HM218210	INNER BEARING CUP	1
4	67518	BRAKE DRUM	1
5	7320	WHEEL	1
6	171027	STUD	6
7	3321	RIM CLAMP (FOR 3-3/8" SPACER)	3
	*3320	RIM CLAMP (FOR 4" SPACER)	3
8	74710	HEX NUT	6
9	42033	RIM SPACER 3-3/8" SPACER	6
	* 42040	RIM SPACER 4" SPACER	
10	HM212011	OUTER BEARING CUP	1
11	HM212049	OUTER BEARING CONE	1
12	3067	GASKET OIL CAP (071-124-00)	1
13	4009	CAP HUB (021-038-001)	1
14	005-100-00	LOCKWASHER	6
15	007-157-00	CAP SCREW	6
16	3-659-010012	SEAL (010-055-01)	1
17	3-798-010023	TIRE (NOT SHOWN)	1
18	750225RTD	RIM, TUBELESS TIRE (NOT SHOWN)	1

* EFFECTIVE MAY 1996

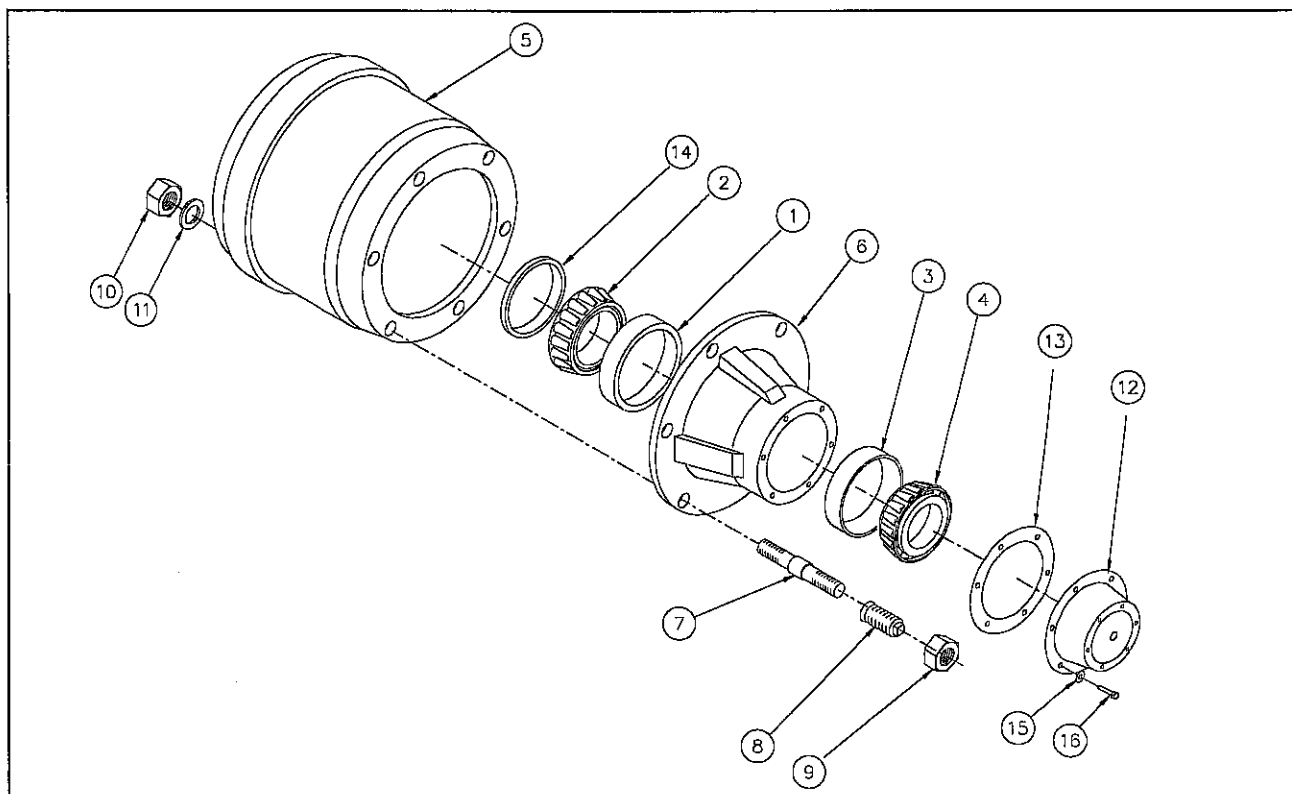


Figure 1-20 Hub and Inboard Drum Assembly (10 Bolt)

HUB AND DRUM ASSEMBLY

ITEM	PART NO.	DESCRIPTION	QTY.
	3-406-010046	HUB AND DRUM ASSEMBLY L.H.	
	3-406-010047	HUB AND DRUM ASSEMBLY R.H.	
1	HM218210	INNER BEARING CUP	1
2	HM218248	INNER BEARING CONE	1
3	HM212011	OUTER BEARING CUP	1
4	HM212049	OUTER BEARING CONE	1
5	62200	INBOARD MOUNTED BRAKE DRUM	1
6	1001	HUB	1
7	139913	STUD L.H.	10
	139902	STUD R.H.	10
8	107083	INNER CAPNUT L.H.	10
	107082	INNER CAPNUT R.H.	10
9	178921	OUTER CAPNUT L.H.	10
	178910	OUTER CAPNUT R.H.	10
10	75716	HEX LOCK NUT	10
11	257	FLAT WASHER	10
12	4009	CAP HUB (021-038-001)	1
13	3067	GASKET OIL CAP (071-124-00)	1
14	3-659-010012	SEAL (010-055-01)	1
15	005-100-00	LOCKWASHER	6
16	007-157-00	CAP SCREW	6
17	3-798-010023	TIRE (NOT SHOWN)	1
18	3-870-010014	WHEEL DISC (NOT SHOWN)	1

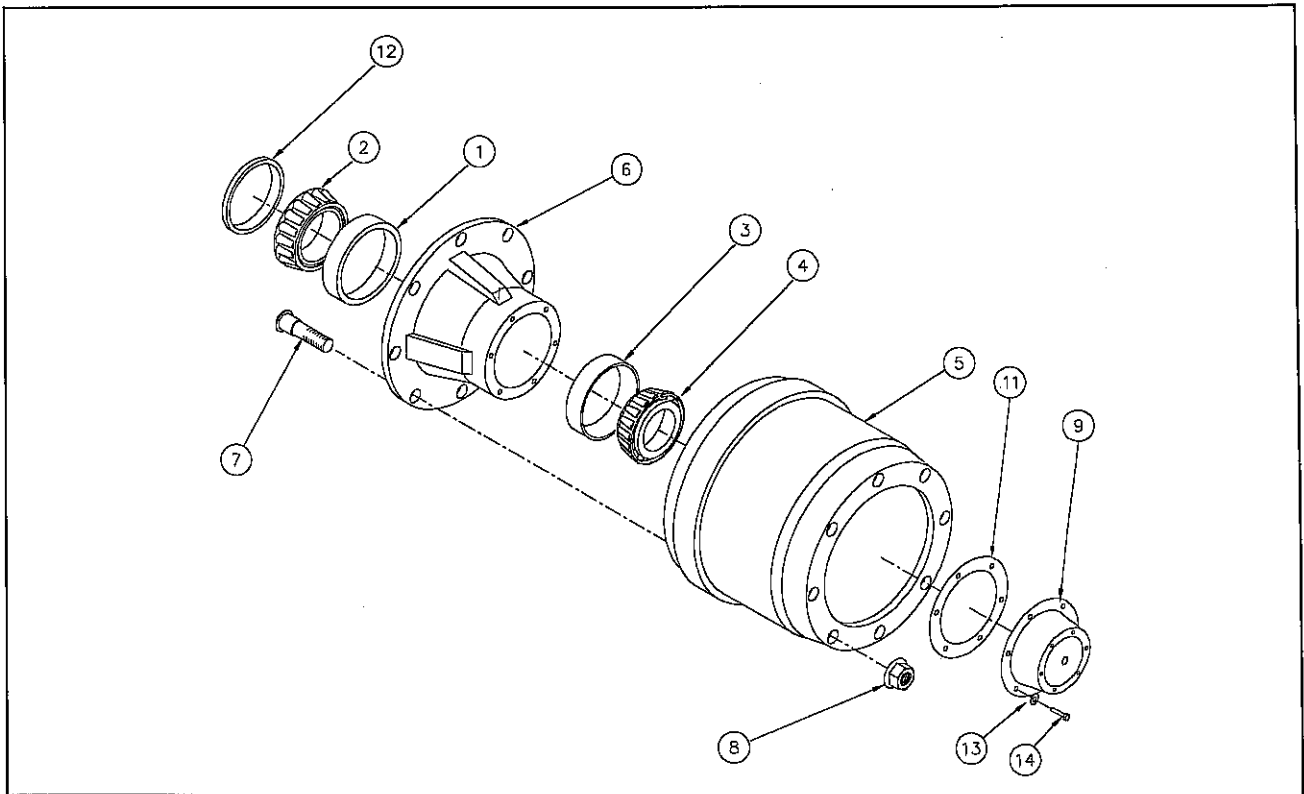


Figure 1-21 Outboard Pilot Mount Hub and Drum

HUB PILOTED WHEEL ASSEMBLY

ITEM	PART NO.	DESCRIPTION	QTY.
	3-406-010065	HUB AND DRUM ASSEMBLY.	
1	HM218210	INNER BEARING CUP	1
2	HM218248	INNER BEARING CONE	1
3	HM212011	OUTER BEARING CUP	1
4	HM212049	OUTER BEARING CONE	1
5	66884	OUTBOARD MOUNTED BRAKE DRUM	1
6	2023	HUB	1
7	101162	STUD R.H. MM22X1.5	10
8	179933	FLANGE NUT MM22X1.5	10
9	4009	CAP HUB (021-038-001)	1
11	3067	GASKET OIL CAP (071-124-00)	1
12	3-659-010012	SEAL (010-055-01)	1
13	005-100-00	LOCKWASHER	6
14	007-157-00	CAP SCREW	6
17	3-798-010023	TIRE (NOT SHOWN)	1
18	3-870-010104	WHEEL DISC PILOT MOUNT 22.5X7.50(NOT SHOWN)	1

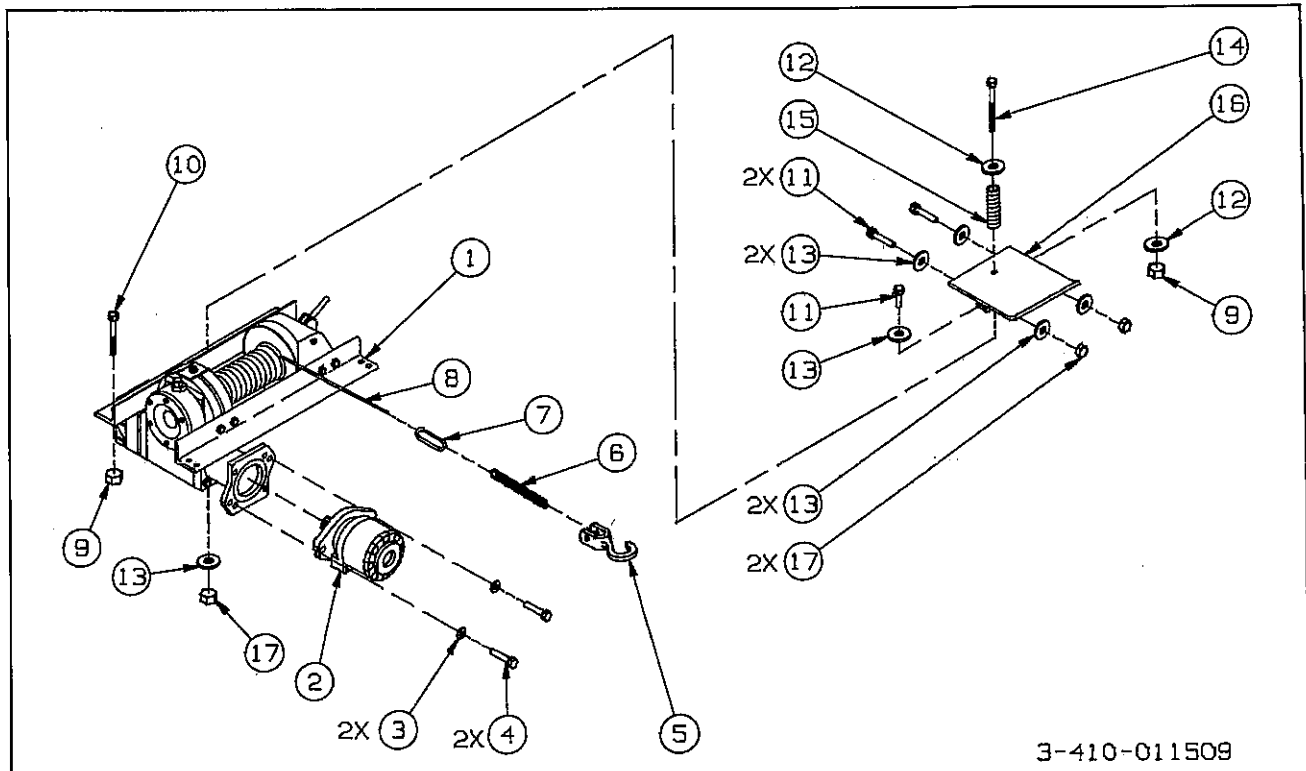


Figure 1-22 Winch Installation

WINCH INSTALLATION

ITEM	PART NO.	DESCRIPTION	QTY.
1	3-873-010123	WINCH ASSY 20K	1
	3-873-010122	WINCH ASSY 12K	1
2	3-481-010007	MOTOR HYD(FOR 20K)	1
	3-481-010006	MOTOR HYD(FOR 12K)	1
3	1-861-010034-13	WASHER LOCK HLCL SPRING 1/2	2
4	1-654-010055-04	SCREW HEX CAP 1/2-13 X 1-3/4 GR5	2
5	7HCGHT500	HOOK	1
6	3-174-010039036	CHAIN (FOR 20,000# WINCH)	1
	3-174-010022036	CHAIN (FOR 12,000# WINCH)	1
7	3-174-010038	LINK	1
8	3-155-010018-1	CABLE 5/8"X60"(FOR 20,000# WINCH)	1
	3-155-010017-1	CABLE 1/2"X60'(FOR 12,000# WINCH)	1
	3-155-010018-6	CABLE 5/8" X 85'(OPTION FOR 20,000# WINCH)	
	3-155-010017-4	CABLE 1/2"X85'(OPTION FOR 12,000# WINCH)	
9	1-512-010005-09	NUTHEX SELFLOCK 1/2-13 GRB	9
10	1-654-010055-03	SCREW HEX CAP 1/2-13 X 1-1/2 GR5	8
11	1-654-010051-06	SCREW HHCS ZP 3/8-16 X 1-1/4 GR5	3
12	1-861-010032-15	FLAT WASHER ZP 1/2	2
13	1-861-010032-10	WASHER FLAT 3/8	6
14	1-654-010055-16	SCREW CAP 1/2-13 X 5-1/2 GR5(12,000# WINCH)	1
	1-654-010055-17	SCREW CAP 1/2-13X6 GR5 (20,000# WINCH)	
15	3-720-010010	SPRING COMP LEVEL WIND	1
16	3-873-010125	WINCH TENSIONER WLDMT (FOR 20,000# WINCH)	1
	3-873-010124	WINCH TENSIONER WLDMT (FOR 12,000# WINCH)	1
17	1-512-010005-05	NUT HEX LOCK CAD WWAX 3/8-16 GRB	3

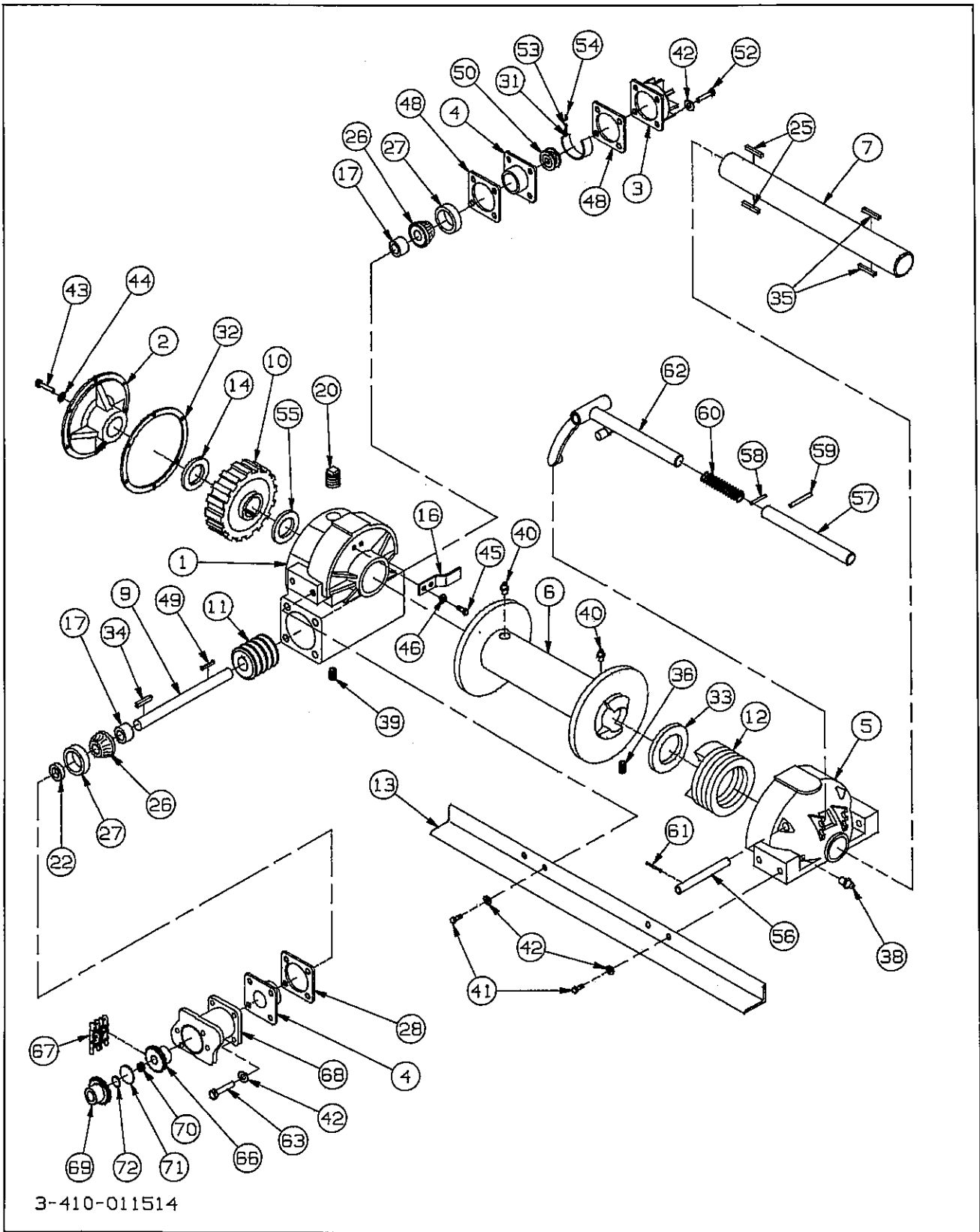


Figure 1-23 12,000# Winch Assembly

12,000# WINCH ASSEMBLY

ITEM	PART NO.	DESCRIPTION	QTY.
	3-873-010122	WINCH ASSY 12K	1
1	81006	WORM HOUSING ASSEMBLY (INCLUDES ITEM 18)	1
2	81009	COVER ASSEMBLY WORM HOUSING (INCLUDES ITEM 19)	1
3	18032	HOUSING SAFETY BRAKE	1
4	23303	CONTAINER BEARING	2
5	81530	LEG ASSEMBLY BEARING (INCLUDES ITEM 47)	1
6	11128	DRUM CABLE	1
7	11129	DRUM SHAFT CABLE	1
9	23470	SHAFT WORM	1
10	11144	GEAR WORM LEFT HAND	1
11	11142	WORM LEFT HAND	1
12	18039	SLIDING CLUTCH	1
13	22752	ANGLE BASE	2
14	13680	THRUST RING	1
16	81025	BRAKE DRAG	1
17	11308	SPACER WORM	2
18	18078	BUSHING	1
19	11368	BUSHING	1
20	22775	PLUG PIPE	1
21	18009	PLUG PIPE	1
22	18026	SEAL GREASE	2
25	11117	KEY WORM GEAR	2
26	18015	CONE BEARING	2
27	18016	CUP BEARING	2
28	18027	GASKET	3
31	21925	BAND BRAKE	1
32	11133	WORM HOUSING COVER GASKET	3
33	18019	RETAINER RING	1
34	18030	KEY WORM	1
35	18020	KEY CLUTCH	2
36	24032	SETSCREW	1
38	18047	FITTING GREASE	1
39	19045	PLUG PIPE	1
40	11799	FITTING GREASE	2
41	21961	CAPSCREW	12
42	18003	WASHER LOCK	16
43	11767	CAPSCREW	6
44	11011	WASHER LOCK	6
45	13005	CAPSCREW	2
46	12780	WASHER LOCK	2
47	18078	BUSHING	1
48	18024	BEARING CONTAINER GASKET	3
49	10078	KEY	1
50	18028	DRUM BRAKE	1
51	12075	SCREWSET	1
52	22703	CAPSCREW	4
53	13468	JAM NUT	4
54	18029	BRAKE BAND SPRING	1
55	11240	RETAINER RING	1
56	11130	SHIFTER SHAFT	1

12,000# WINCH ASSEMBLY

ITEM	PART NO.	DESCRIPTION	QTY.
57	12817	SHIFTER HANDLE	1
58	18056	ROLLPIN	1
59	13028	ROLL PIN	1
60	18002	SPRING	1
61	11837	ROLLPIN	2
62	13839	SHIFTER FORK	1
63	22704	CAPSCREW	4
65	18044	KEY	1
66	23081	COUPLING HALF (WORM SHAFT)	1
67	13424	ROLLER CHAIN	1
68	23079	MOTOR ADAPTER	1
69	23083	COUPLING HALF (MOTOR SHAFT)	1
70	23353	SPRING	1
71	23078	SPACER	1
72	23085	SPACER	1

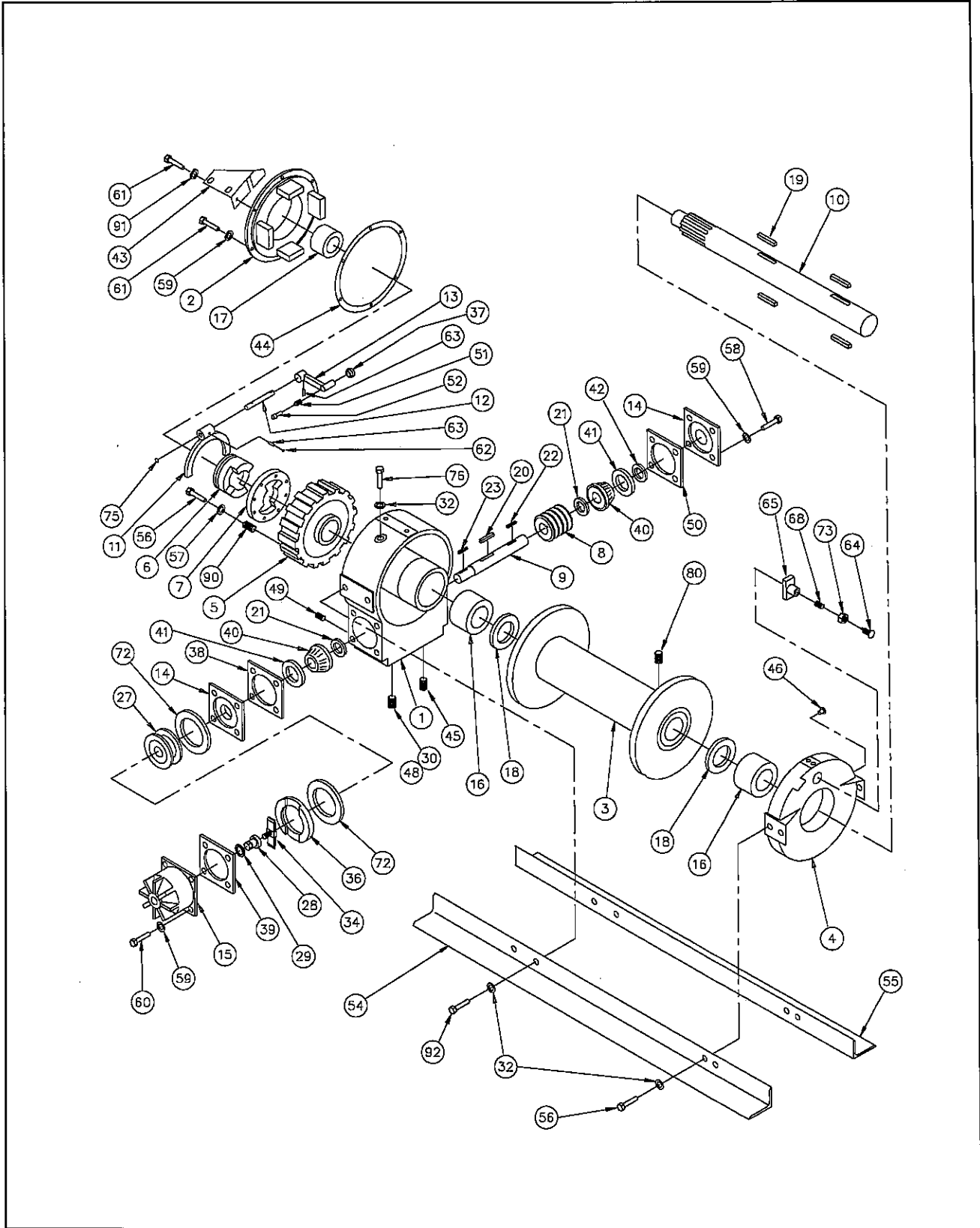


Figure 1-24 20,000# Winch Assembly

20,000# WINCH ASSEMBLY

ITEM	PART NO.	DESCRIPTION	QTY.
	3-873-010123	WINCH ASSY 20K	1
1	81078	WORM HOUSING ASSEMBLY	1
2	81082	COVER ASSEMBLY WORM HOUSING	1
3	11449	DRUM CABLE	1
4	81077	LEG ASSEMBLY BEARING	1
5	11434	WORM GEAR RIGHT	1
6	11421	CLUTCH SIDING	1
7	11419	DRIVE CLUTCH	1
8	11404	WORM RIGHT	1
9	11405	SHAFT WORM	1
10	11414	SHAFT CABLE DRUM	1
11	11440	FORK SHIFTER	1
12	11441	SHAFT SHIFTER	1
13	11442	HANDLE SHIFTER	1
14	11427	CONTAINER BEARING	2
15	11445	COVER WORM BRAKE	1
16	18035	BUSHING	2
17	11425	BUSHING	1
18	11420	RING RETAINING	2
19	22055	DRUM KEY CABLE	4
20	11402	KEY WORM	1
21	11407	SPACER WORM	2
22	23367	KEY SPROCKET	1
23	10078	KEY ROTOR	1
27	81080	ROTOR ASSEMBLY BRAKE	1
28	11599	ADJUSTING NUT WORM BRAKE	1
29	12465	O-RING	1
30	19014	PLUG FILLER	1
32	11026	WASHER LOCK	10
34	81081	SPRING ASSEMBLY SAFETY BRAKE	1
36	11431	PLATE PRESSURE	1
37	18022	KNOB SHIFTER	1
38	11429	GASKET	4
39	11446	GASKET	2
40	18033	BEARING CONE	2
41	18034	BEARING CUP	2
42	12073	SEAL GREASE	1
43	12783	BRACKET SHIFTER	1
44	11411	COVER GASKET HOUSING	1
45	19045	PLUG DRAIN	1
46	18047	FITTING GREASE	1
48	22775	PLUG VENT	1
49	18009	PLUG LEVEL	1
50	11430	GASKET	4
51	11310	SPRING SHIFTER KNOB	1
52	11309	STEM SHIFTER KNOB	1
54	28942	ANGLE FRONT BASE	1
55	28943	ANGLE REAR BASE	1
56	13938	CAPSCREW	16
57	12781	WASHER LOCK	8

20,000# WINCH ASSEMBLY

ITEM	PART NO.	DESCRIPTION	QTY.
59	11025	WASHER LOCK	3
60	22695	CAPSCREW	4
61	21964	CAPSCREW	6
62	12146	PLUG EXPANSION	A/R
63	13028	ROLL PIN	A/R
64	11398	SCREW ADJUSTING	1
65	88005	SHOE ASSEMBLY DRAG BRAKE	1
68	18002	SHOE ASSEMBLY DRAG BRAKE	1
72	11426	DISC FRICTION	2
73	11791	NUT JAM	1
75	12767	PLUG EXPANSION	A/R
76	22729	CAPSCREW	2
77	23245	SAE PLATE - AMU7-16F	1
78*	23310	PLATE WARNING	1
79*	11842	SCREW DRIVE	4
80	12228	SCREW SET	1
90	11435	INSERT THREAD	8
91	11014	LOCKWASHER (7/8" EXTERNAL TOOTH)	1
92	22697	CAPSCREW	5

NOTE: ITEMS 1 AND 4 INCLUDE BUSHING (ITEM 16); ITEM 2 INCLUDES BUSHING (ITEM 17).

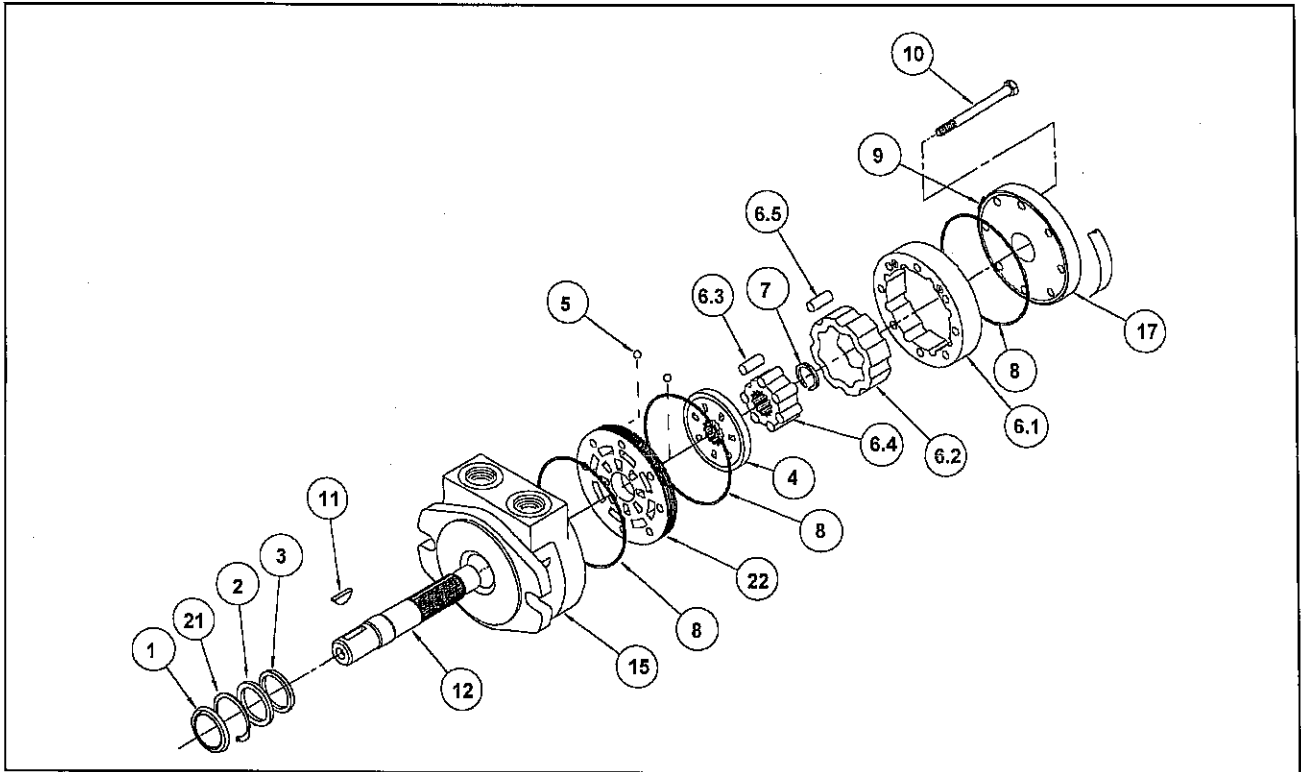


Figure 1-25 Winch Motor Assembly

WINCH MOTOR ASSEMBLY

ITEM	PART NO.	DESCRIPTION	QTY.
	3-481-010007	MOTOR HYD. (FOR 20K WINCH)	1
	3-481-010006	MOTOR HYD (FOR 12K WINCH)	1
1	2183	SEAL DUST	1
2	2177	BACK-UP RING	1
3	2175	SEAL, LIP	1
4	1644	ROTARY VALVE	1
5	1021	CHECK VALVE BALL	2
6	1004-6	IGR, ASSY (FOR 20K WINCH)	1
	1004-3	IGA, ASSY (FOR 12K WINCH)	1
7	1296	SNAP RING	1
8	1046	SQUARE RING SEAL	3
9	1019-4	PLUG, VENT W/O-RING 7/16-20	1
10	1014-4	BOLTS, HEX 5/16-24 (FOR 20K WINCH)	8
	1114-5	BOLTS, HEX 5/16-24 (FOR 12K WINCH)	8
11	1655	KEY, WOODRUFF	1
12	2265-6	SHAFT, 1.25" 14 TOOTH SPLINE (FOR 20K WINCH)	1
	2109-3	SHAFT, 1" KEYED (FOR 12K WINCH)	1
15	M110AB-4	BODY/BEARING ASSY (FOR 20K WINCH)	1
	PA-2328-2	BODY/BEARING ASSY (FOR 12K WINCH)	1
17	M110C-1	COVER/BEARING ASSY	1
21	2180	SNAP RING, SHAFT	1
22	1865	COMMUNTATOR PLATE	1
23	2263	SEAL KIT, BODY	1
	2480	SEAL KIT, BODY, VITON	1

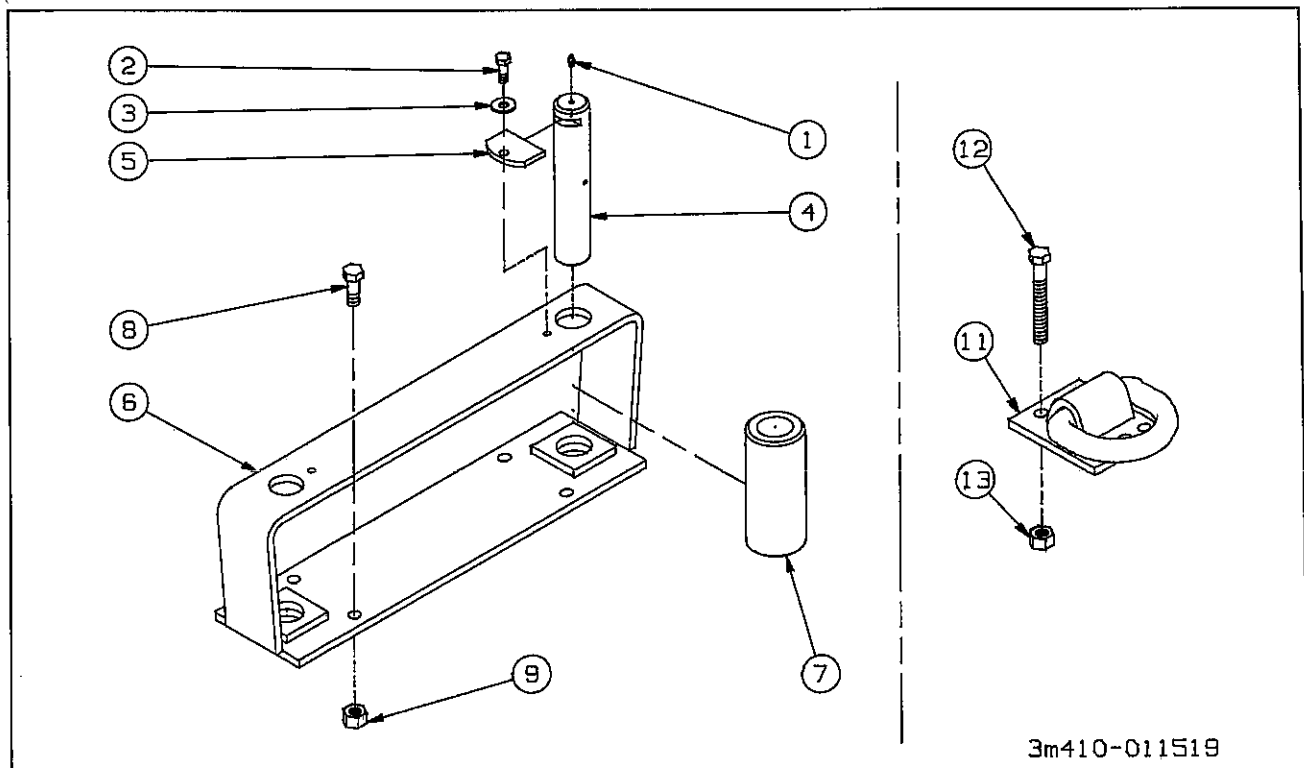


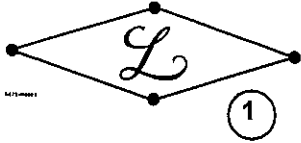
Figure 1-26 Winch Cable Roller Guide (Optional)

WINCH CABLE ROLLER GUIDE (OPTIONAL)

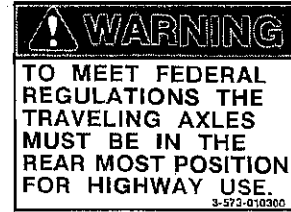
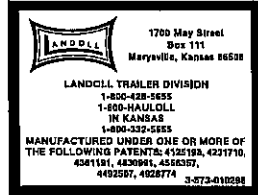
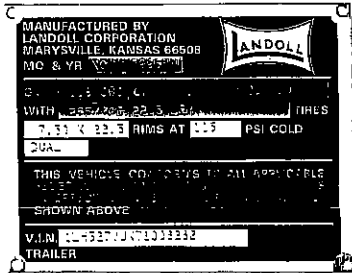
ITEM	PART NO.	DESCRIPTION	QTY.
	3-352-010017-1	GUIDE INSTALLATION WINCH CABLE 20K	
	3-352-010017-2	GUIDE INSTALLATION WINCH CABLE 20K	
1	1-298-010001-1	FITTING GRS 1/4-28 STR SHORT	2
2	1-654-010051-03	SCREW HEX CAP 3/8-16 UNC X 3/4 GR5	2
3	1-861-010034-11	WASHER LKG HLCL SPR 3/8	2
4	3-557-010383	PIN CABLE GUIDE ROLLER	2
5	3-565-010770	PLATE CABLE GUIDE LOCK	2
6	3-120-010295	BRACKET WLDMT 12K ROLLER	1
	3-120-010294	BRACKET WLDMT 20K ROLLER	1
7	3-645-010049	ROLLER WINCH CABLE GUIDE	2
8	1-654-010055-05	SCREW HEX HEAD CAP 1/2-13 UNC X 2 GR5	4
9	1-512-010005-09	NUT HEX SLFLKG 1/2-13 GRB	4
10	3-352-010015-1	GUIDE ASSY WINCH CABLE 12K (INCL. ITEMS 1-7)	1
	3-352-010015-2	GUIDE ASSY WINCH CABLE 20K (INCL. ITEMS 1-7)	1

BOLT-ON D-RING (OPTIONAL)

	3-793-010041	TIE DOWN INSTALLATION WINCH D-RING	
11	1-654-010055-05	SCREW HEX HEAD CAP 1/2-13 X 2 GR 5	6
	3-793-010040	TIE DOWN WINCH	1
13	1-512-010005-09	NUT HEX SELF LOCKING 1/2-13 GR B	6



LANDOLL[®] 2 HAULLOLL[®] 3



1-800-428-5655
1-800-HAULLOLL



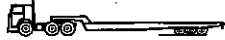
LANDOLL
TRAILER
DIVISION

IN KANSAS
1-800-332-5655

3-573-010060

TRAILER OPERATION

1. PARK TRACTOR AND TRAILER IN A STRAIGHT LINE ON RELATIVELY LEVEL GROUND.
2. SET TRACTOR BRAKES AND RELEASE TRAILER BRAKES.
3. ENGAGE PTO.



4. PULL AXLES FORWARD OUT OF POCKETS.



5. ALTERNATE BETWEEN RAISING THE TRAILER AND PULLING THE AXLES FORWARD UNTIL THE APPROACH PLATE TOUCHES THE GROUND. CAUTION DO NOT ALLOW BACK AXLE TO LEAVE THE GROUND.
6. TO RETURN TO LEVEL POSITION, REVERSE STEPS USED TO TILT THE TRAILER.

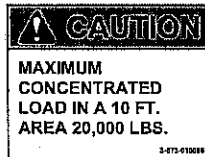
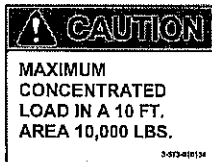
3-573-010060



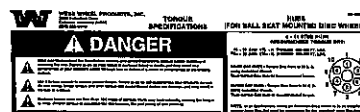
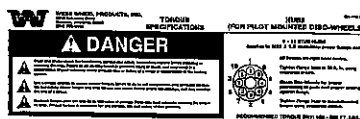
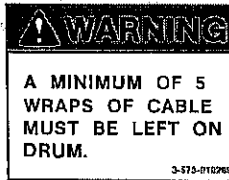
TIRE CHANGING PROCEDURE

1. SET TRACTOR BRAKES.
2. PULL TRAILER UNDERCARRIAGE FORWARD 18".
3. SET TRAILER BRAKES.
4. PLACE JACK UNDER TRAILER FRAME AND LIFT UNTIL TIRE CLEARS GROUND.

3-573-010189



PULL UP TO RAISE | PULL UP TO REEL IN | PULL UP TO RETRACT
5th WHEEL | WINCH | AXLE
 PUSH DOWN TO LOWER | PUSH DOWN TO REEL OUT | PUSH DOWN TO EXTEND



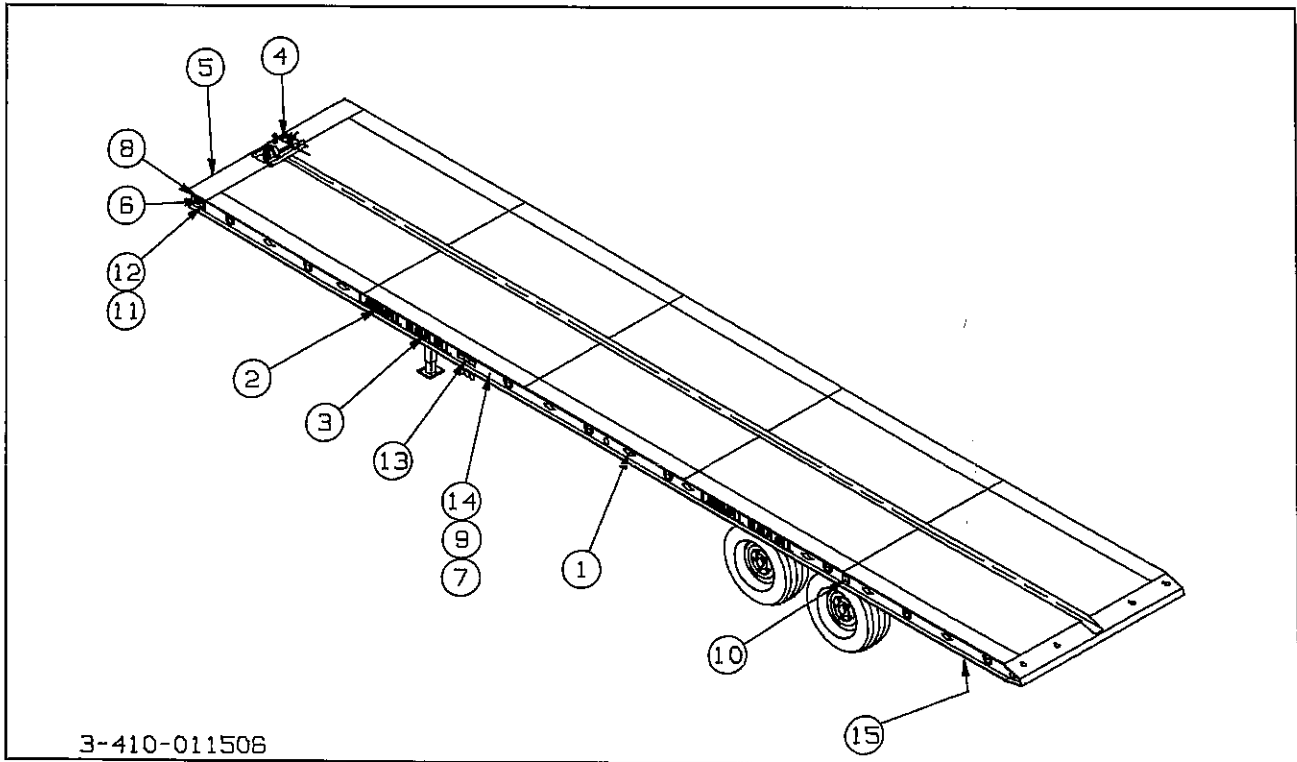
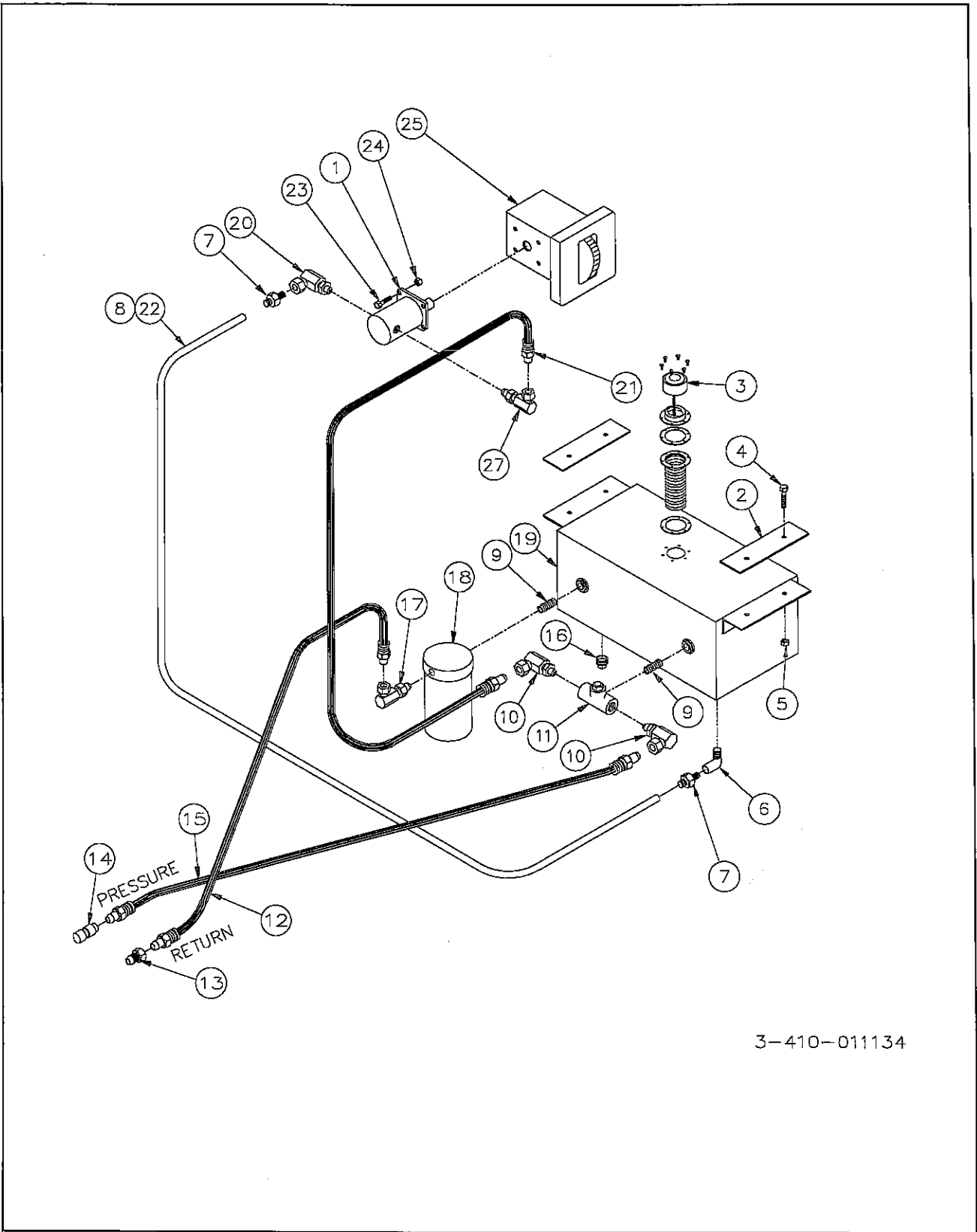


Figure 1-27 Decal Placement

DECAL PLACEMENT

ITEM	PART NO.	DESCRIPTION	QTY.
1	1-573-010014	DECAL L WHITE	20
	1-573-010002	DECAL L BLACK	20
2	1-573-010015	DECAL LANDOLL WHITE	4
	1-573-010003	DECAL LANDOLL BLACK	4
3	1-573-010016	DECAL HAULLOLL WHITE	4
	1-573-010004	DECAL HAULLOLL BLACK	4
4	1-573-010017	DECAL LANDOLL WHITE	4
	1-573-010007	DECAL LANDOLL BLACK	4
5	3-573-010020	PLATE IDENTIFICATION	1
6	3-573-010298	DECAL PATENT TRAILERS AND TOLL FREE NO.	2
7	3-573-010300	DECAL CAUTION	1
9	3-573-010127	DECAL OPERATION	1
10	3-573-010189	DECAL TIRE CHANGING PROCEDURE	2
11	3-573-010134	DECAL CONC LOAD (SINGLE AXLE)	2
12	3-573-010086	DECAL CONC LOAD (TANDEM AXLE)	2
13	3-573-010057	DECAL INSTRUCTION	1
14	3-573-010299	DECAL WINCH	2
15	3-573-010031	DECAL BUMPER	1
16	3-573-010209	DECAL TORQUE SPEC SPOKE WHEEL	
17	3-573-010210	DECAL TORQUE SPEC 8-10 STUD HUB	
18	3-573-010211	DECAL TORQUE SPEC 6-10 STUD HUB	
19	3-573-010377	DECAL REFLEXITE TAPE RED/WHITE	



3-410-011134

Figure 1-28 Wet Kit (Optional)

HYDRAULIC WET KIT, (OPTIONAL)

ITEM	PART NO.	DESCRIPTION	QTY.
	3-410-010839	HYDRAULIC WET KIT ASSEMBLY	1
1	3-591-010001	HYDRAULIC GEAR PUMP	1
2	3-120-010103	CLAMP HYD TANK	2
3	3-162-010001	FILLER BREATHER STRAINER ASSY	1
4	1-654-010051-06	SCREW HHCS ZP 3/8-16 X 1-1/4 GR5	4
5	1-512-010005-05	NUT HEX LOCK CAD W/WAX 3/8-16 GRB	4
6	1-271-010003-07	ELBOW BLK PIPE 90° ST ELL1-1/4	1
7	3-561-010001	HOSE BARB	2
8	6828	HOSE CLAMP	2
9	1-560-010001123	NIPPLE ALL THREAD 3/4	2
10	1-007-010013	SWIVEL 90°	2
11	125130	BY PASS RD12D HYD SRDD	1
12	1-397-010075	HOSE ASSEMBLY 3/4X152	1
13	S21F-6	COUPLER 3/4 NPT MALE HALF	1
14	S25F-6	COUPLER 3/4 PRESSURE	1
15	3-397-010011	HOSE ASSEMBLY 1/2X152	1
16	1-560-010002-07	PLUG BLACK PIPE SQ HEAD 1-1/4	1
17	2047-12-12S	PIPE SWIVEL 90° MALE	1
18	1-295-010001	RETURN FILTER	1
	1-295-010002	FILTER ELEMENT	1
19	3-786-010005	TANK HYDR 5TH WHEEL	1
20	1-007-010006	90° O-RING HOSE	2
21	6-397-010005	HOSE ASSEMBLY 1/2X74	1
22	3-399-010001048	HOSE SUCTION	1
23	1-654-010055-03	SCREW HEX CAP 1/2-13 X 1-1/2 GR5	4
24	1-861-010034-13	WASHER SPLIT LOCK 1/2	4
25	PTO *	POWER TAKE OFF	1
26	1-271-010003-05	ELBOW BLK PIPE 90° ST ELL3/4	1
27	1-007-010009	90° O-RING	1

*IF IT BECOMES NECESSARY TO ORDER A NEW POWER TAKEOFF, HAVE READY THE TRANSMISSION MODEL NUMBER AND SERIAL NUMBER BEFORE CALLING THE PARTS DISTRIBUTION CENTER.

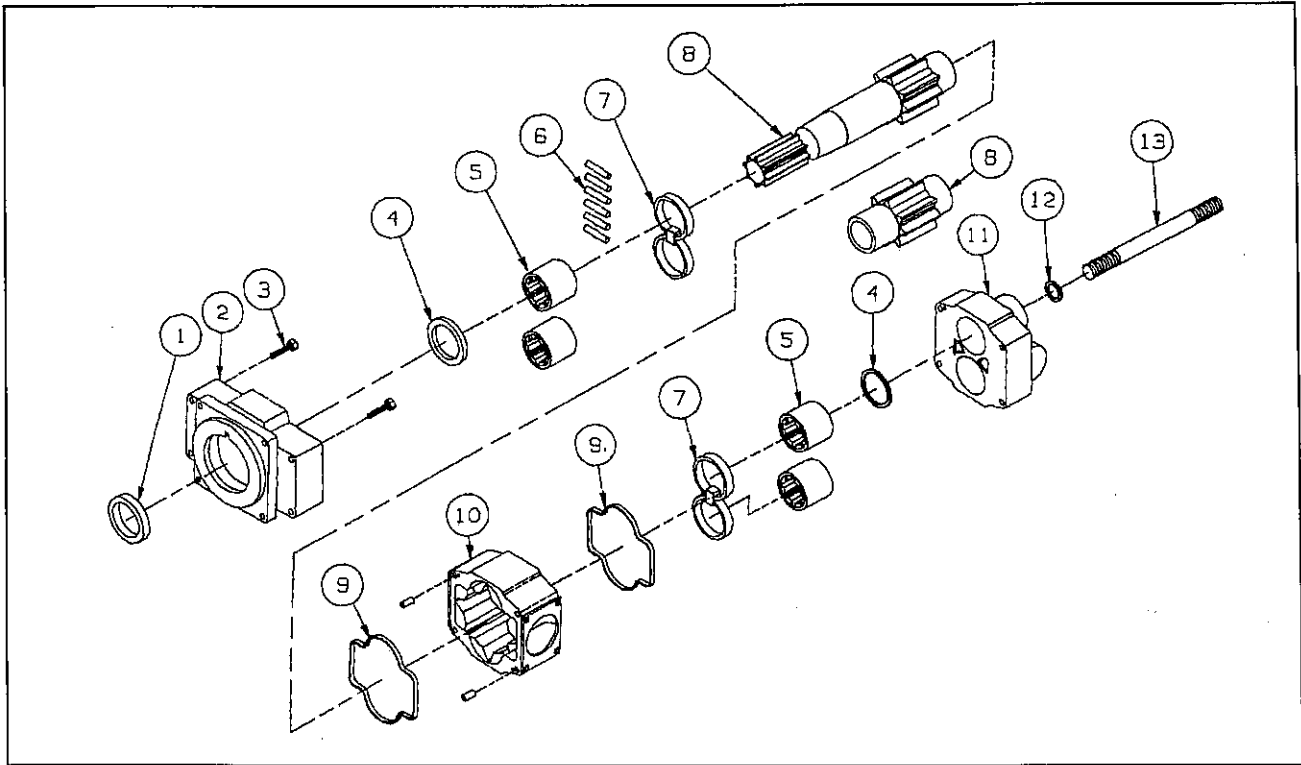


Figure 1-29 Hydraulic Pump, Wet Kit (Optional)

HYDRAULIC PUMP, WET KIT (OPTIONAL)

ITEM	PART NO.	DESCRIPTION	QTY.
	3-591-010001	HYDRAULIC PUMP ASSEMBLY	1
1	X73-37-16	SEAL SHAFT	1
2	EB 1685-3	COVER SHAFT END	1
3	M 1391-K	CHECK	2
4	LB 1669-1	SEAL RING	2
5	Y 1032	BEARING ROLLER	4
6	BA 3026-2	STRIP POCKET SEAL	1
7	AA 1058	PLATE THRUST	2
8	BD 1135M-3-17	GEAR SET SHAFT	1
9	UB 3006-242	GASKET HOUSING	2
10	RA 1688-17-64	HOUSING	1
11	XA 1603	PORT END	1
12	X 144-3	WASHER	1
13	X2-25	STUD	1
14	391-1802-119	SEAL KIT	

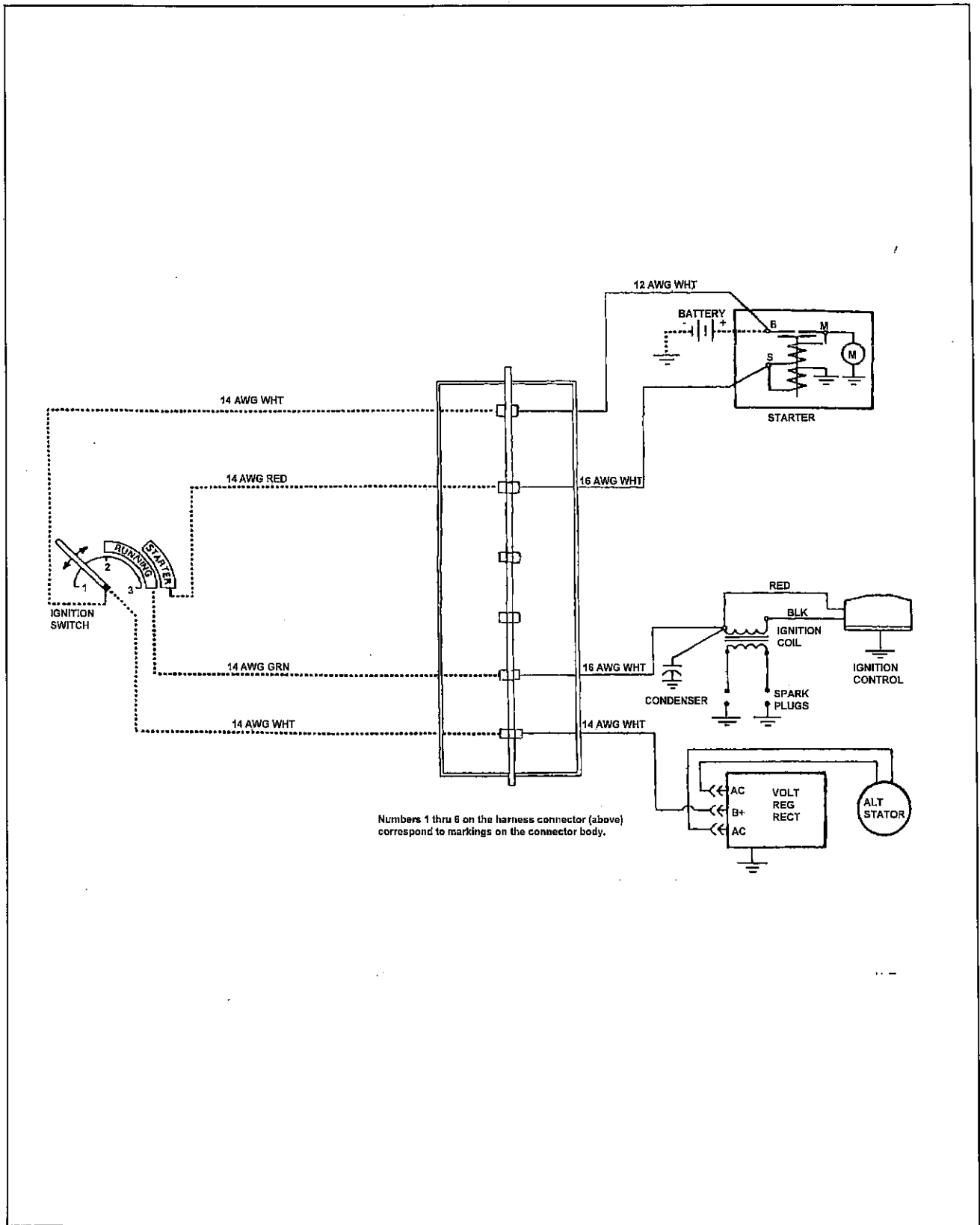


Figure 1-30 Engine Harness Diagram

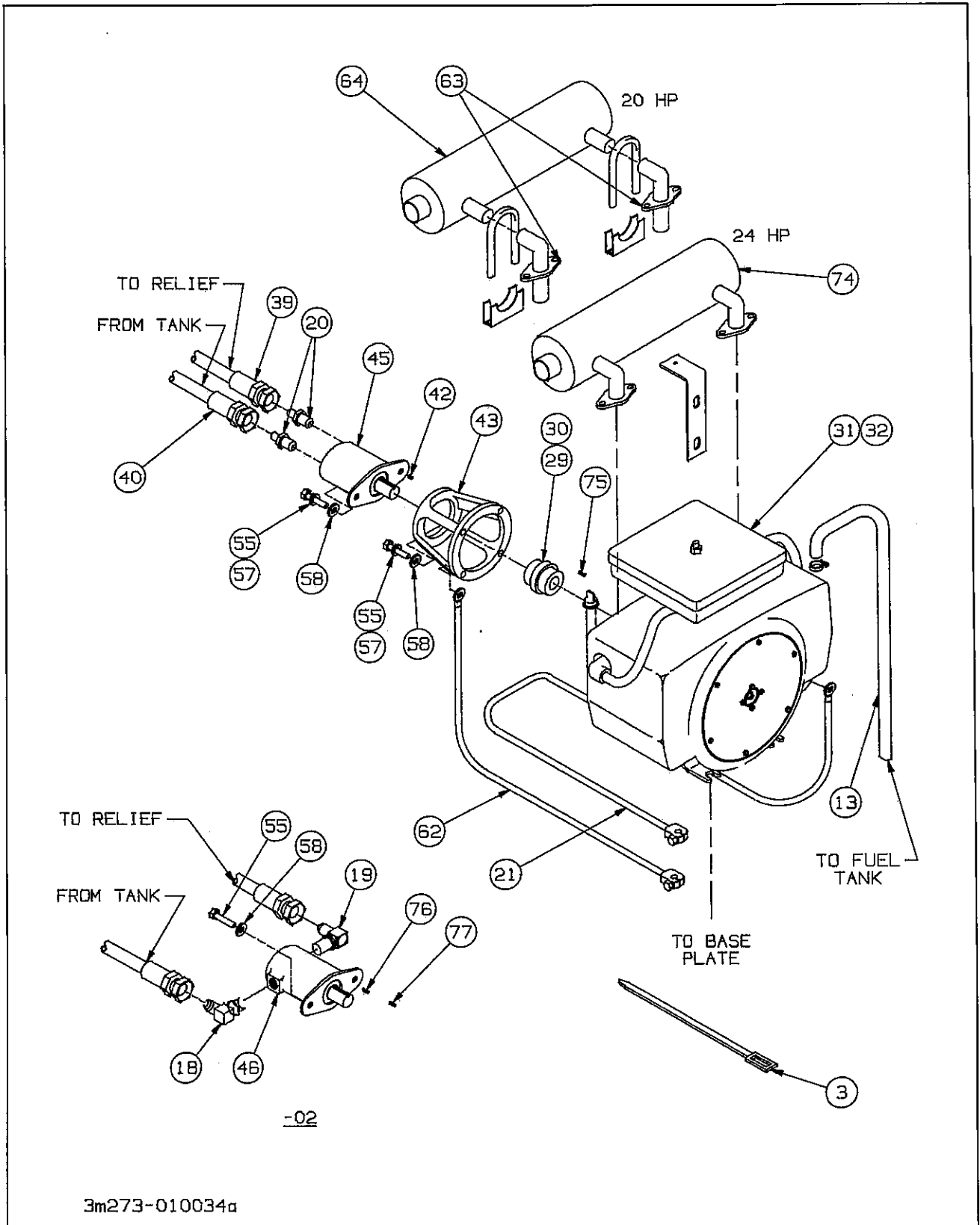


Figure 1-31 Auxiliary Engine Package (1 of 2)

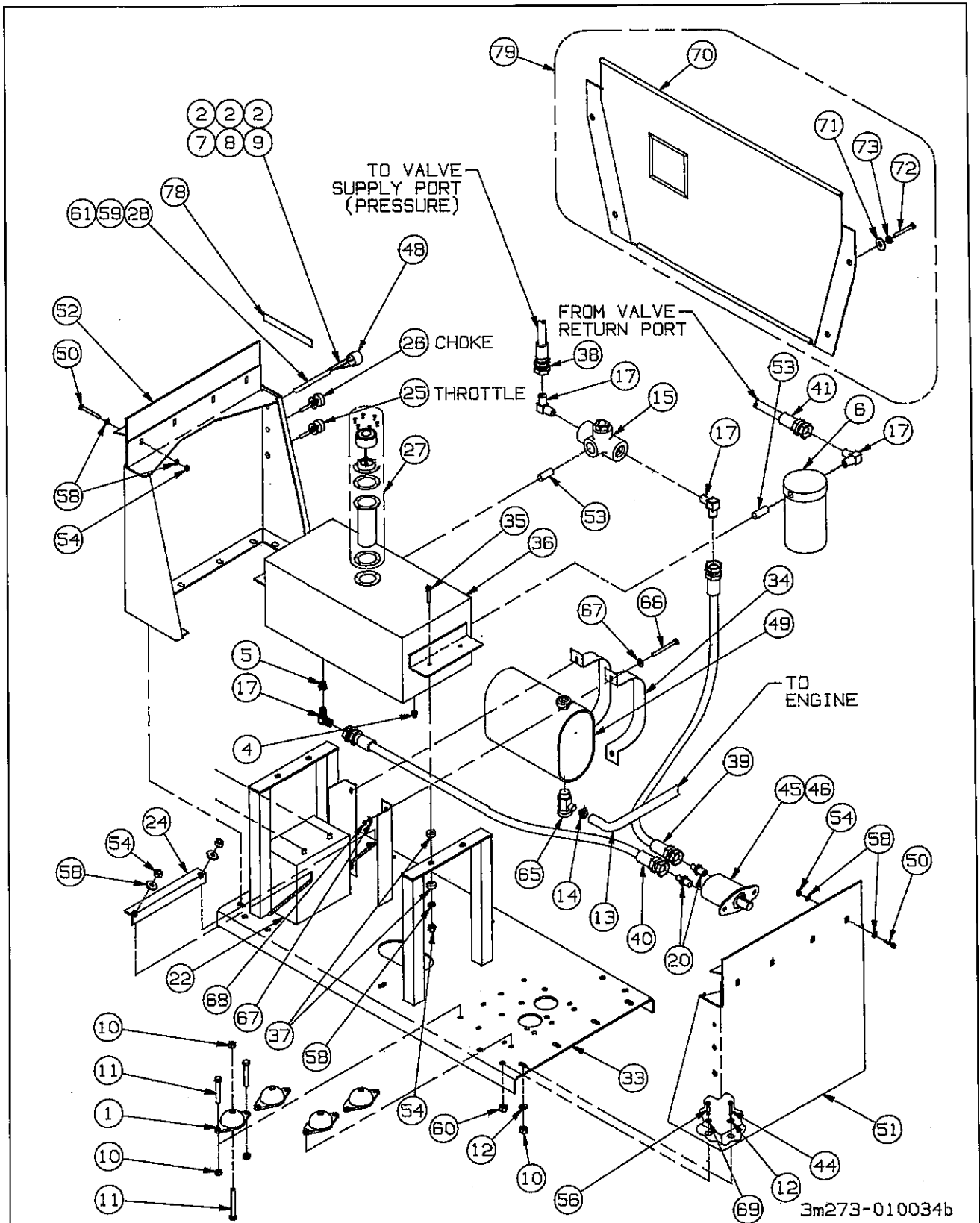


Figure 1-32 Auxiliary Engine Package (2 of 2)

AUXILIARY ENGINE PACKAGE (OPTIONAL)

ITEM	PART NO.	DESCRIPTION	QTY.
	3-273-010034-01	ENGINE DRIVE UNDERSLUNG 330 20HP	
	3-273-010034-02	ENGINE DRIVE UNDERSLUNG 330 24HP	
1	CA-1595	MACHINE MOUNT 40 DROMETER	4
2	3-203-010001	RING TERMINAL	3
3	1-796-010003-02	TIE STRAP PLASTIC	A/R
4	1-560-010002-07	PLUG PIPE	1
5	3-150-010166-16	BLACK PIPE BUSHING 1-1/4 X 3/4	1
6	1-295-010001	FILTER RETURN LINE	1
	1-295-010002	FILTER ELEMENT	1
7	1-879-010004036	WIRE RED 14AWG	1
8	1-879-010006036	WIRE GREEN 14AWG	1
9	1-879-010010036	WIRE WHITE 14AWG	1
10	1-512-010005-09	NUT HEX LOCK CAD W/WAX 1/2-13 GRB	24
11	1-654-010055-03	SCREW HEX HEAD CAP 1/2-13 X 1-1/2	12
12	1-861-010032-15	WASHER FLAT 1/2	24
13	1-316-010013-1	HOSE PRESS FUEL 1/4	1
14	105-0105	CLAMP HOSE IDEAL 6203	2
15	125130	RD12D HYDRAULIC BY PASS SRDD	1
16	134-4560	GUARD ONAN	1
17	2024-12-12S	ADAPTER 90	4
18	2062-16-12S	ADAPTER 90	0,1
19	2062-12-12S	ADAPTER 90	0,1
20	2021-16-12S	ADAPTER PIPE TO TUBE	2,0
21	239-8113-40	CABLE ASSEMBLY BATTERY (NEG) 2AWG	1
22	2481X	BATTERY 12 VOLT	1
23	1-654-010089-13	SCREW SOCKET BUTTON CAP 1/2-13 X 2	
24	3-120-010124	BATTERY CLAMP BRACKET	1
25	3-155-010012	CABLE THROTTLE	1
26	3-153-010001	CHOKE CABLE	1
27	3-162-010001	FILLER BREATHER STRAINER ASSY	1
28	3-201-010002036	CONDUIT PLASTIC FLEX	1
29	3-220-010003	FLEXIBLE COUPLING	1,0
30	3-220-010002	FLEXIBLE COUPLING	0,1
31	3-273-010006	ENGINE 20HP ONAN	1,0
32	3-273-010013	ENGINE 24HP ONAN	0,1
33	3-482-010495	MOUNT WELDMENT 330 POWER CTR	1
34	3-482-010342	MOUNT BOLT ON STRAP FUEL TANK (BEFORE 3/19/96)	2
	3-744-010046	STRAP 3 GAL FUEL TANK 317A (AFTER 3/19/96)	2
35	1-654-010051-08	SCREW HEX CAP 3/8-16 X 1-3/4	4
36	3-786-010005	HYDRAULIC TANK 5TH WHEEL	1
37	805-2	BUSHING STEP	8
38	1-397-010304056	HOSE ASSEMBLY 3/4	1
39	1-397-010304032	HOSE ASSEMBLY 3/4	1
40	1-397-010304022	HOSE ASSEMBLY 3/4	1
41	1-397-010304064	HOSE ASSEMBLY 3/4	1
42	3-427-010003	KEY WOODRUFF 317/350	1,0
43	3-482-010003	20HP HYDRAULIC PUMP MOUNT	1
44	1-654-010055-02	SCREW 1/2-13X1-1/4 GR5	12
45	3-591-010005	PUMP HYDRAULIC GEAR	1,0
46	3-591-010003	PUMP HYDRAULIC GEAR	0,1

AUXILIARY ENGINE PACKAGE (OPTIONAL)

ITEM	PART NO.	DESCRIPTION	QTY.
47	3-482-010360	MOUNT CHOKE CABLE WLDMT	1
48	3-765-010005	IGNITION SWITCH	1
49	3-783-010006	TANK FUEL (BEFORE 3/19/96)	1
	3-783-010013P	TANK FUEL 3 GAL (AFTER 3/19/96)	1
50	1-654-010051-07	SCREW HEX CAP 3/8-16 X 1-1/2	8
51	3-482-010566	MOUNT WELDMENT FRONT	1
52	3-482-010565	MOUNT WELDMENT REAR	1
53	1-560-010001-123	NIPPLE ALL THREAD 3/4	2
54	1-510-010001	NUT FLANGE LOCK 3/8-16	14
55	1-654-010051-06	SCREW HEX CAP 3/8-16 X 1-1/4	6
56	1-654-010059-13	HEX CAP SCREW 5/8-11 X 4 GR5	4
57	1-861-010034-11	WASHER LOCK 3/8	6
58	1-861-010032-11	WASHER FLAT 3/8	30
59	3-272-010021	ELECTRICAL BUTT SPLICE	2
60	1-512-010007-11	NUT 5/8-11 GR2	4
61	3-272-010022	ELECTRICAL BUTT SPLICE	1
62	514-9045-40	CABLE ASSEMBLY BATTERY (POS)	1
63	541-0203	EXHAUST ADAPTER KIT	1,0
64	541-0379	MUFFLER 20HP ONAN	1,0
65	6600	VALVE SHUT-OFF GAS WEATHERHEAD	1
66	1-654-010049-09	SCREW HEX HEAD CAP 5/16-18 X 2 GR 5	4
67	1-861-010032-09	WASHER FLAT 5/16	8
68	1-512-010005-03	NUT HEX LOCK 5/16-18 GRB	4
69	1-861-010032-19	WASHER FLAT 5/8	4
70	3-348-010045	GUARD WELDMENT 330 U/S SIDE PANEL	2
71	1-861-010032-11	WASHER FLAT 3/8	8
72	1-654-010051-07	SCREW HEX CAP 3/8-16 X 1-1/2	8
73	1-861-010034-11	WASHER LOCKING HELICAL SPRING 3/8	8
74	541-0316	MUFFLER 24 HP	0,1
75	110-4338	SQUARE KEY 1/4 X 2	1,0
76	110-4334	KEY 3/16 X 1-1/4	0,1
77	110-4348	KEY 3/8 X 2	0,1
78	3-735-010030	STENCIL ENGINE CONT SLOPE	1
79	B3-274-007	ENG GUARD 330 U/S OPTION (INCLUDES ITEMS 70, 71, 72, AND 73)	1

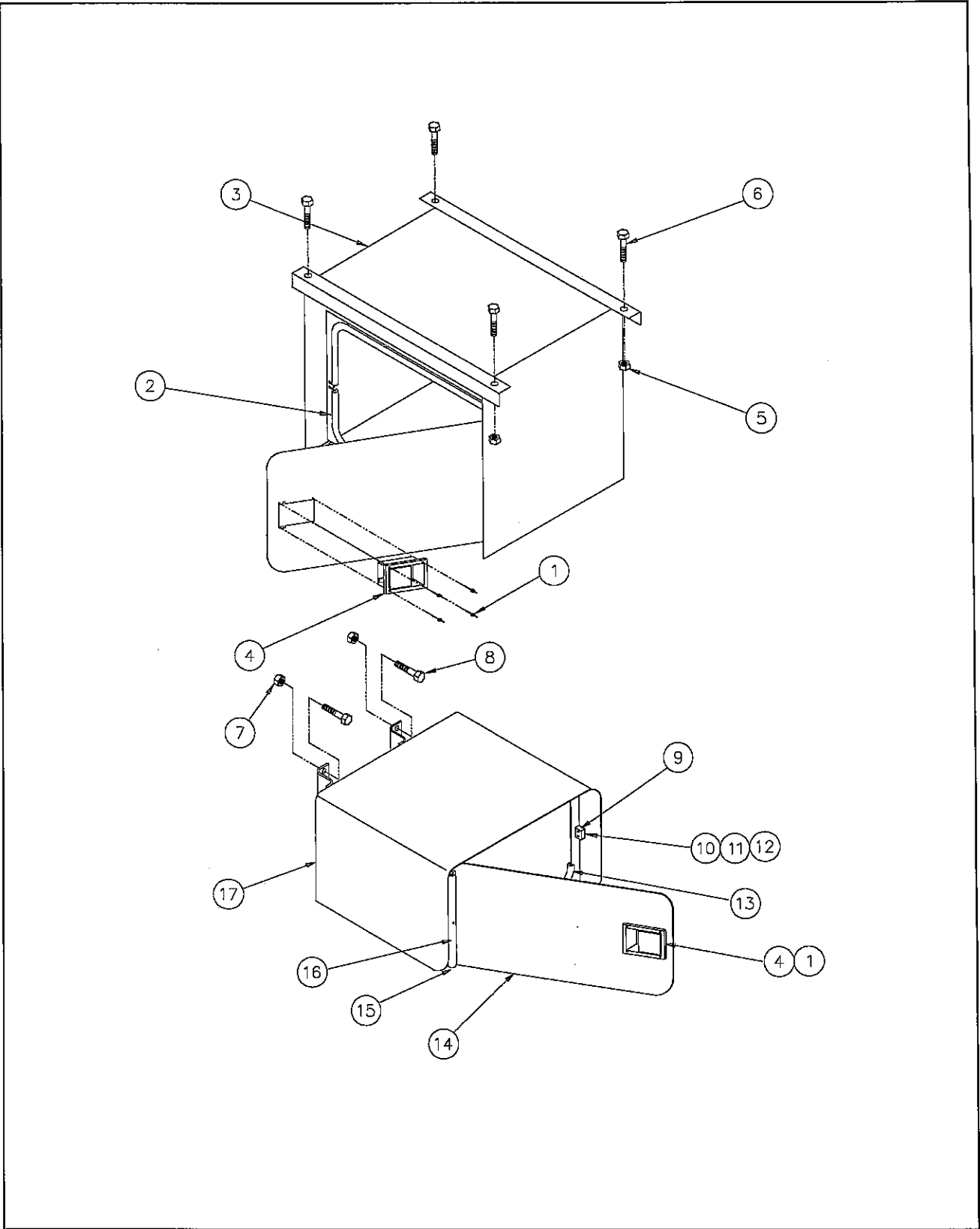
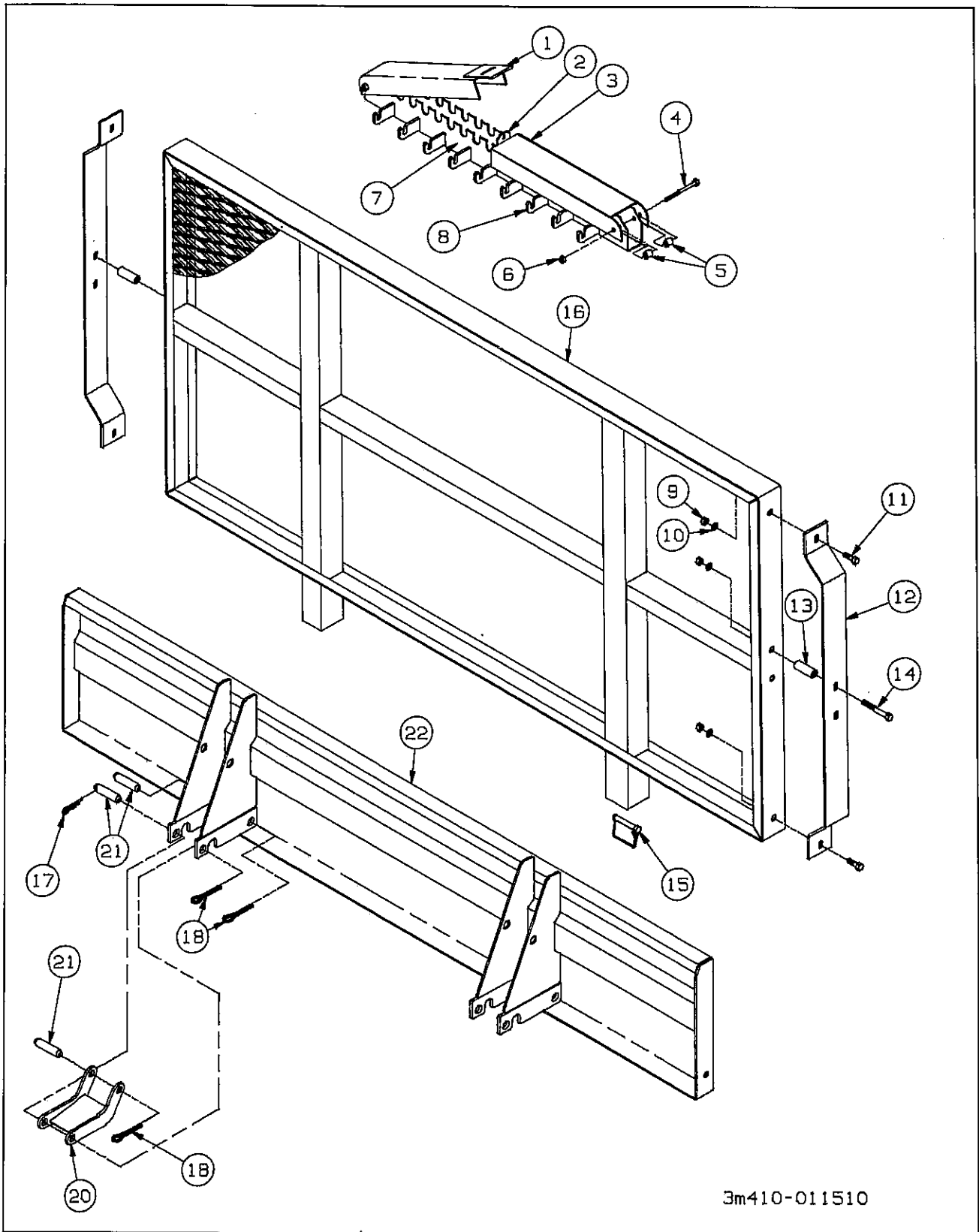


Figure 1-33 Tool Boxes

TOOL BOXES(OPTIONAL)

ITEM	PART NO.	DESCRIPTION	QTY.
	B3-115-016	TOOL BOX, TOP MOUNTING, 24X30X30 (ITEMS 1-6)	
	B7-115-003	TOOL BOX BACK MOUNTING LH (ITEMS 7-17,1, & 4)	
	B7-115-004	TOOL BOX BACK MOUNTING RH (ITEMS 7-17,1, & 4)	
1	BSL-6-4	RIVET	4
2	1-822-010002-13	TRIM-LOK	1
3	3-115-010053	TOOL BOX	1
4	3-443-010010	LATCH	1
5	1-512-010005-05	NUT HEX LOCK CAD W/WAX 3/8-16 GRB	4
6	1-654-010051-05	SCREW HEX CAP 3/8-16 X 1 GR5	4
7	1-512-010005-09	NUT HEX LOCK BRB CAD W/WAX 1/2-13 GRB	4
8	1-654-010055-09	SCREW HEX HEAD CAP 1/2-13 X 3 GR5	4
9	3-659-010013-1	SEAL NEOPRENE SPONGE	1
10	7-458-010009	PLATE STRIKER	1
11	110-0253	WASHER FLAT STD	2
12	118-7962	SCREW PAN HEAD MACHINE SLT	2
13	514-1000-056	TRIM QUICKEDGE CUT LG.	1
14	3-115-010096	DOOR TOOL BOX	1
15	SCREW#6X3/8	SCREW SELF-TAP SLT RD HD #6 X 3/8	1
16	RPRB59004X11	NYLATRON RD	1
17	3-115-010099	TOOL BOX WLDMT LH	1
	3-115-010097	TOOL BOX WLDMT RH	1



3m410-011510

Figure 1-34 Front Extension and Bulkhead

FRONT EXTENSION AND BULKHEAD ASSY(OPTIONAL)

ITEM	PART NO.	DESCRIPTION	QTY.
	3-141-010008	CHAIN HANGER LOCKING CHANNEL WLDMT(ITEMS 1-8)	
1*	3-141-010012	NOTCHED PLATE LOCKING	1
2	3-141-010011	PLATE LOCK	1
3*	3-141-010013	CHANNEL LOCKING	2
4	1-654-010055-17	SCREW HEX HEAD CAP 1/2-13UNCX6 GR5	2
5	RRT128X1	BUSHING SPACER	4
6	1-512-010007-09	NUT HEX 1/2-13	2
7	3-141-010014	HANGER CHAIN	1
8	3-141-010015	CHAIN HOLDER	9
9	1-512-010005-09	NUT HEX SELF LOCKING 1/2-13 GRB	6
10	1-861-010032-15	WASHER PLAIN TYPE A 1/2	6
11	1-654-010055-03	SCREW HEX CAP 1/2-13X1-1/2 GR5	4
12	3-054-010101	BAR SIDE BULKHEAD EXTENSION	2
13	3-711-010025	SPACER	2
14	1-654-010055-13	SCREW HEX CAP 1/2-13X4 GR5	2
15	9-557-010360	PIN SNAP LOCK	2
16	3-141-010155	BULKHEAD WELDMENT 48 X 96	1
	3-141-010152	BULKHEAD WELDMENT 16 X 102	
17	1-557-010014	HAIRPIN	2
18	1-557-010362-63	COTTER PIN 1/4X2	10
20	3-755-010080	SUPPORT WELDMENT	2
21	3-557-010380	SUPPORT PIN	6
22	3-141-010118	BULKHEAD WELDMENT 16 X 96	1
	3-141-010119	BULKHEAD WELDMENT 16 X 102	
	3-141-010151	BULKHEAD WELDMENT 16/24 X 96	
	3-141-010147	BULKHEAD WELDMENT 16/24 X 102	

* THE NOTCHED PLATE (ITEM 1) IS WELDED TO ONE OF THE LOCKING CHANNELS (ITEM 3).

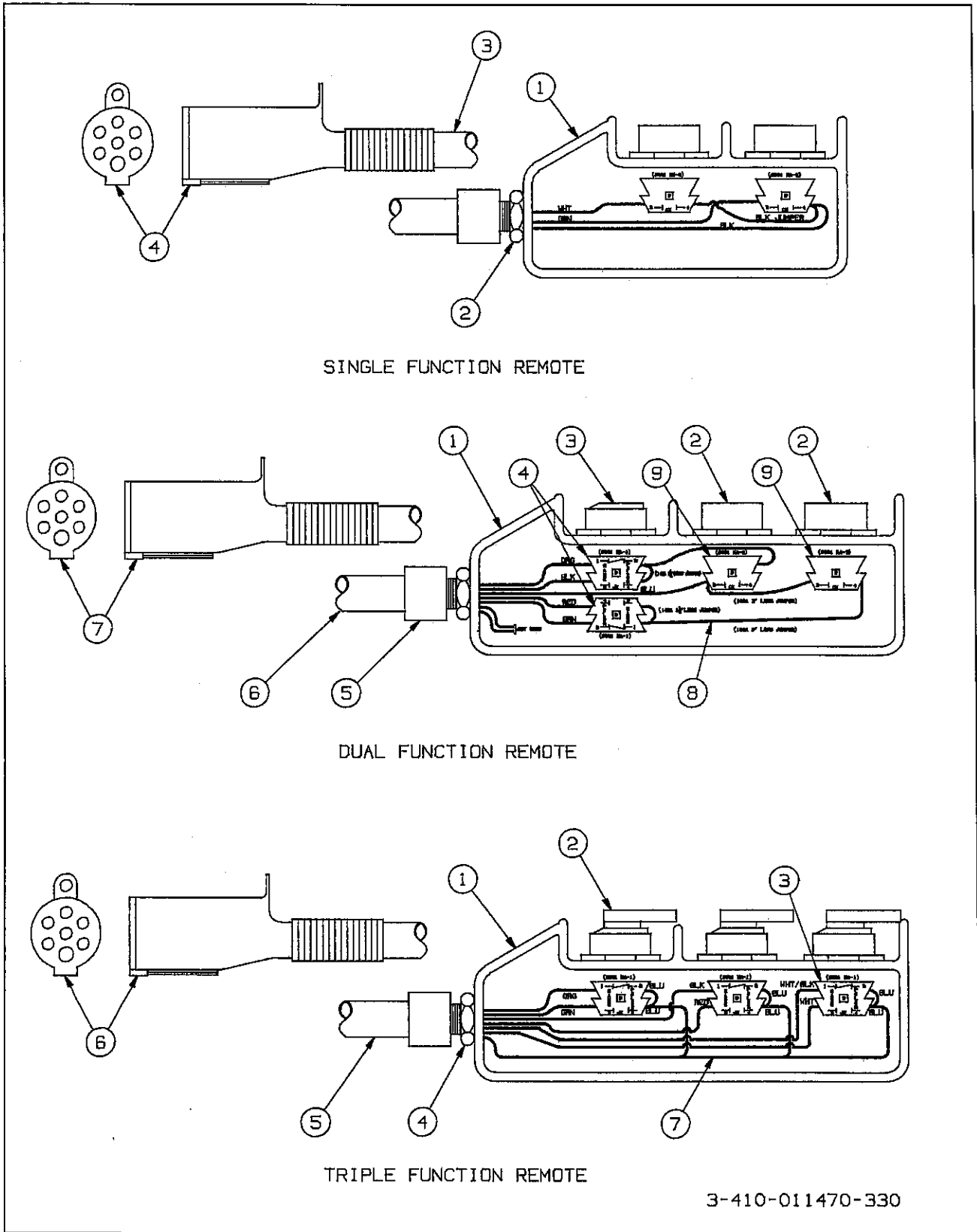


Figure 1-35 Wired Remote Control

WIRED REMOTE CONTROL, SINGLE (OPTIONAL)

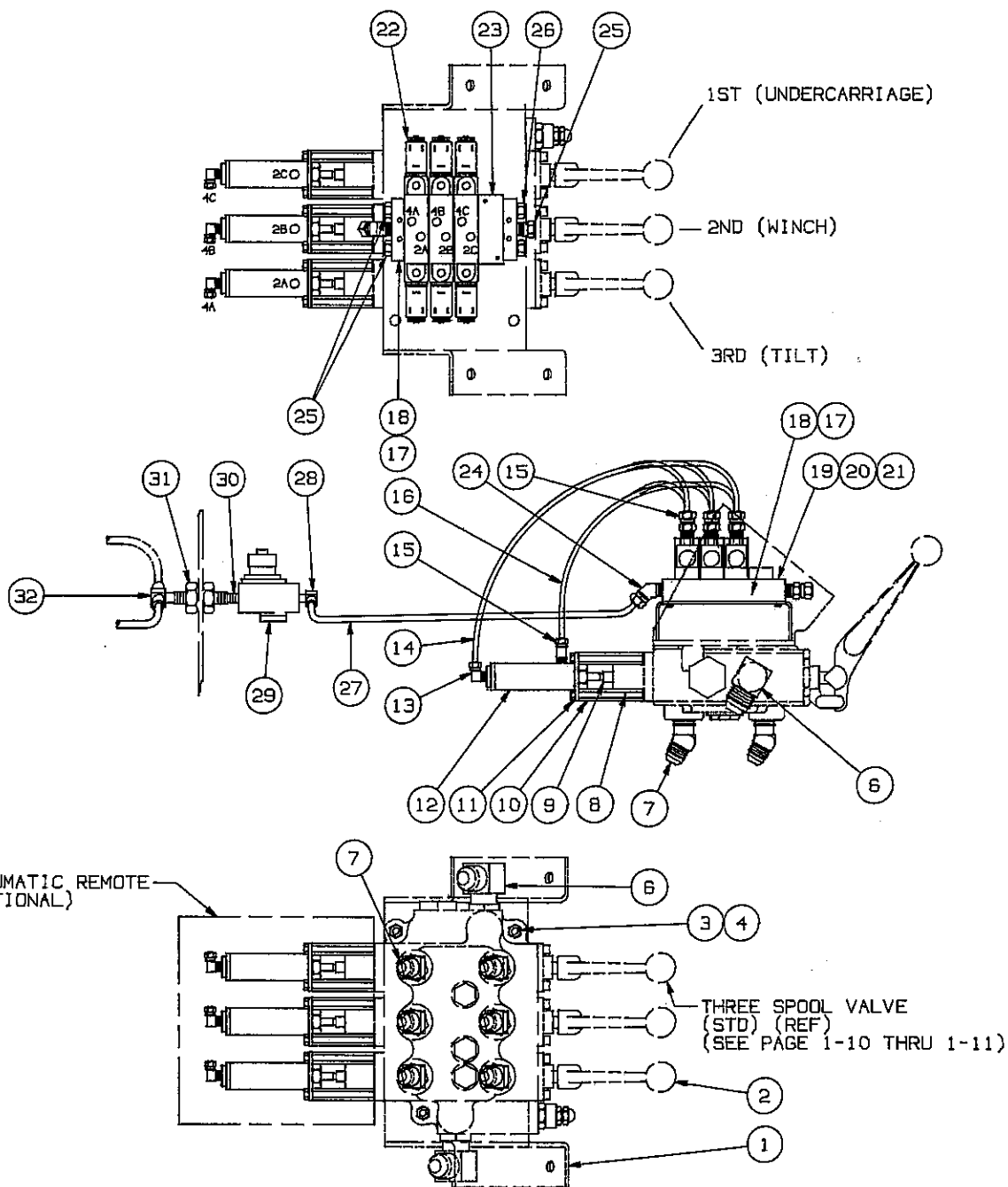
ITEM	PART NO.	DESCRIPTION	QTY.
	3-765-010001	SWITCH REMOTE CONTROL ASSY	
1	3-209-010003	PUSH BUTTON STATION	1
A	9001-BW70YU	CONTROL STATION SQD(CONTACT BLKS INCL)	1
B	9001-B256	REVERSE LEGEND	1
C	9001-B255	FORWARD LEGEND	1
2	DB-10	STRAIN RELIEF CORD CONN.	1
3	3-156-010007	THREE CONDUCTOR WIRE	50'
4	59P8	TRAILER CONN PLUG	1

WIRED REMOTE CONTROL, DUAL (OPTIONAL)

ITEM	PART NO.	DESCRIPTION	QTY.
	3-209-010004	CONTROL ELECT DUAL FUNC. RMT	
1	3-279-010037	ENCLOSURE DUAL REMOTE	1
2	3-272-010080	ELECTRICAL PUSH BUTTON UNITS	2
3	3-272-010079	ELECTRICAL CONTACT OPERATOR	1
4	3-272-010078	ELECTRICAL CONTACT BLOCK	2
5	106-0079	CONNECTOR	1
6	3-156-010043	CABLE	50'
7	59P8	TRAILER CONN PLUG	1
8	1-879-010011	WIRE BLACK	2'
9	3-272-010095	ELECTRICAL CONTACT BLOCK	2

WIRED REMOTE CONTROL, TRIPLE (OPTIONAL)

ITEM	PART NO.	DESCRIPTION	QTY.
	3-209-010006	CONTROL ELECT TRIPLE FUNC. RMT	
1	3-279-010037	ENCLOSURE DUAL REMOTE	1
2	3-272-010121	ELECT. CONT. OPER. 3 WAY	3
3	3-272-010078	ELECTRICAL CONTACT BLOCK	3
4	106-0079	CONNECTOR	1
5	3-156-010043	CABLE	50'
6	59P8	TRAILER CONN PLUG	1
7	1-879-010008	WIRE BLUE	2'



3m846-010152

Figure 1-36 Pneumatic Remote

PNEUMATIC REMOTE (OPTIONAL)

ITEM	PART NO.	DESCRIPTION	QTY		
			SINGLE	DUAL	TRIPLE
	3-846-010152-05	VALVE ASSEMBLY 3 SPOOL SINGLE			
	3-846-010152-07	VALVE ASSEMBLY 3 SPOOL DUAL			
	3-846-010152-10	VALVE ASSEMBLY 3 SPOOL TRIPLE			
1	3-482-010563	MOUNT WLDMT VALVE HYD PNEUM	REF	REF	REF
2	3-846-010008	VALVE 3-SPOOL 2500 PSI	REF	REF	REF
3	1-654-010051-09	SCREW HEX HEAD CAP 3/8-16 GR5	REF	REF	REF
4	1-510-010001	NUT 3/8-16 FLANGE LOCK	REF	REF	REF
5	1-007-010025	PLUG 3/4-16 O-RING BOSS	REF	REF	REF
6	2062-12-12S	ADAPTER 90°	REF	REF	REF
7	2061-8-8S	ADAPTER 45°	REF	REF	REF
8	3-161-010034	CAP MODIFIED VALVE SPOOL	1	2	3
9	3-007-010039	ADAPTER AIR CYLINDER	1	2	3
10	3-711-010055	SPACER MALE-FEMALE	4	8	12
11	3-482-010288	MOUNT AIR CYLINDER VALVE	1	2	3
12	3-238-010001	CYLINDER AIR 1-1/16 BOREX1 STR	1	2	3
13	1-297-010008-01	FITTING AIR 90° 1/8TBX1/8NPT	1	2	3
14	NB-2-016	TUBING NYLON FLEX 1/8 OD X 18"	1	2	3
15	68CA-2-2	CONNECTOR	3	6	9
16	NB-2-016	TUBING NYLON FLEX 1/8 OD X 12"	1	2	3
17	3-843-010025	VALVE PNEU. MANF - 2 STATION	1	1	0
18	3-843-010023	VALVE PNEU. MANF - 4 STATION	0	0	1
19	1-654-010024014	SCREW MACH FLSTR 6-32X1-1/2	4	4	4
20	1-861-010032-01	WASHER FLAT #6	4	4	4
21	1-512-010003-02	NUT HEX SLFLKG #6-32	4	4	4
22	3-843-010015	VALVE PNEUMATIC 4-WAY 3-POS.	1	2	3
23	3-843-010024	VALVE BLANK STATION COVER	1	0	1
24	1-297-010013-05	FITTING AIR 1/4X1/4 45 M/ELB	1	1	1
25	1-297-010033-02	FITTING BRASS PLUG HEX 1/4NPT	3	3	3
26	3-136-010001-02	BREATHER PNEUMATIC EXH 1/4NPT	2	2	2
27	1-833-010001	NYLON TUBING 1/4 OD	2.5'	2.5'	2.5'
28	1-297-010008-07	FITTING AIR 90° 1/4 TUBE X 1/4 NPT	1	1	1
29	905-54-107	VALVE AND FILTER PRESSURE	1	1	1
30	1-297-010020-02	FITTING BRS PIPE CL NIP 1/4	1	1	1
31	1-297-010022-02	FITTING AIR ANCHOR CPLG 1/4 NPT	1	1	1
32	1-297-010015-09	FITTING AIR BR TEE 1/2T X 1/4P	1	1	1

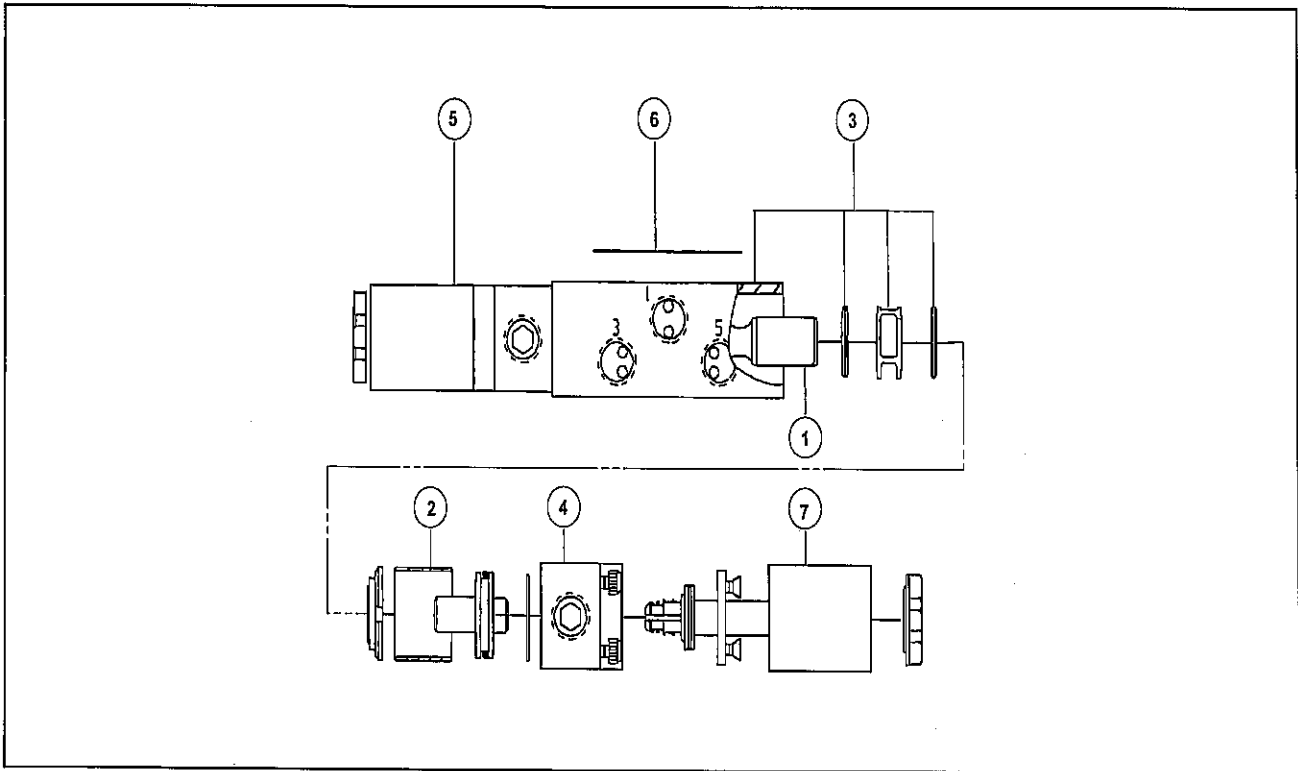


Figure 1-37 Pneumatic Valve

PNEUMATIC VALVE

ITEM	PART NO.	DESCRIPTION	QTY.
	3-843-010015	VALVE PNEUMATIC 4-WAY 3-POS.	3
1	6964-312	SPOOL	1
2	A7106-430	OPERATOR	1
3	A7106-350	BODY	1
4	AB022-567	CAP	2
5	7019-9XX	COIL	2
6	6582	LABEL MODEL NUMBER	2
7	A7106-392	SERVICE KIT (Contains all necessary tee seals, o-rings, spring and plunger, and gasket)	

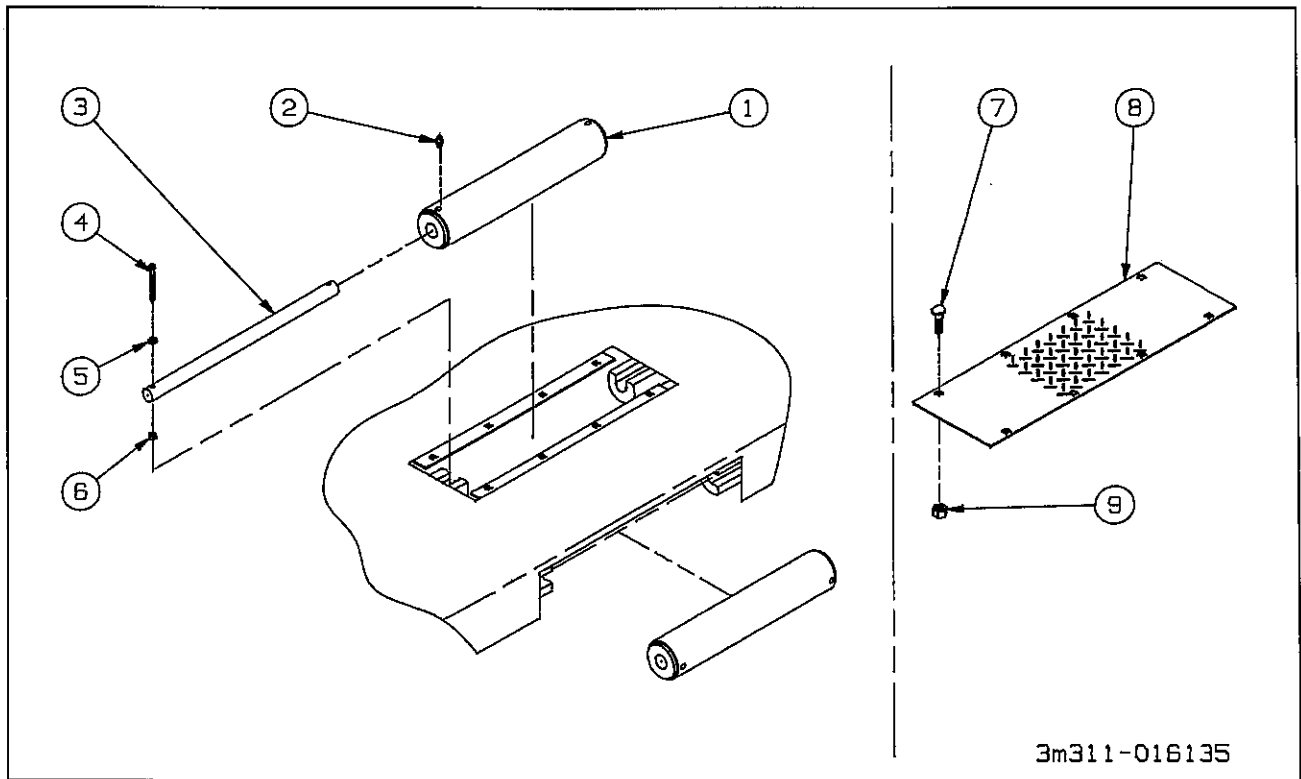


Figure 1-38 Slope Roller 90 Drop Deck

SLOPE ROLLER 90° DROP DECK (OPTIONAL)

ITEM	PART NO.	DESCRIPTION	QTY.
	3-645-010085	ROLLER ASSEMBLY SLOPE	1
1	3-645-010059	ROLLER WELDMENT CABLE - UPPER DECK	2
2	5010	ZERK FITTING 1/4	4
3	3-642-010134	ROD ROLLER	2
4	1-654-010055-11	SCREW HEX HEAD CAP 1/2-13 X 3-1/2 GR 5	4
5	1-861-010032-15	WASHER FLAT 1/2	4
6	1-512-010005-09	NUT HEX SELF LOCKING 1/2-13 GR B	4
COVER PLATE INSTALLATION - UPPER DECK ROLLER (OPTIONAL)			
	3-222-010199	COVER PLATE INST. - UPPER DECK ROLLER	
7	1-654-010070-02	SCREW RD HEAD SQ NECK 1/2-13 X 1-1/4	8
8	3-222-010198	COVER UPPER DECK ROLLER	1
9	1-512-010005-09	NUT HEX SLF LKG 1/2-13	8

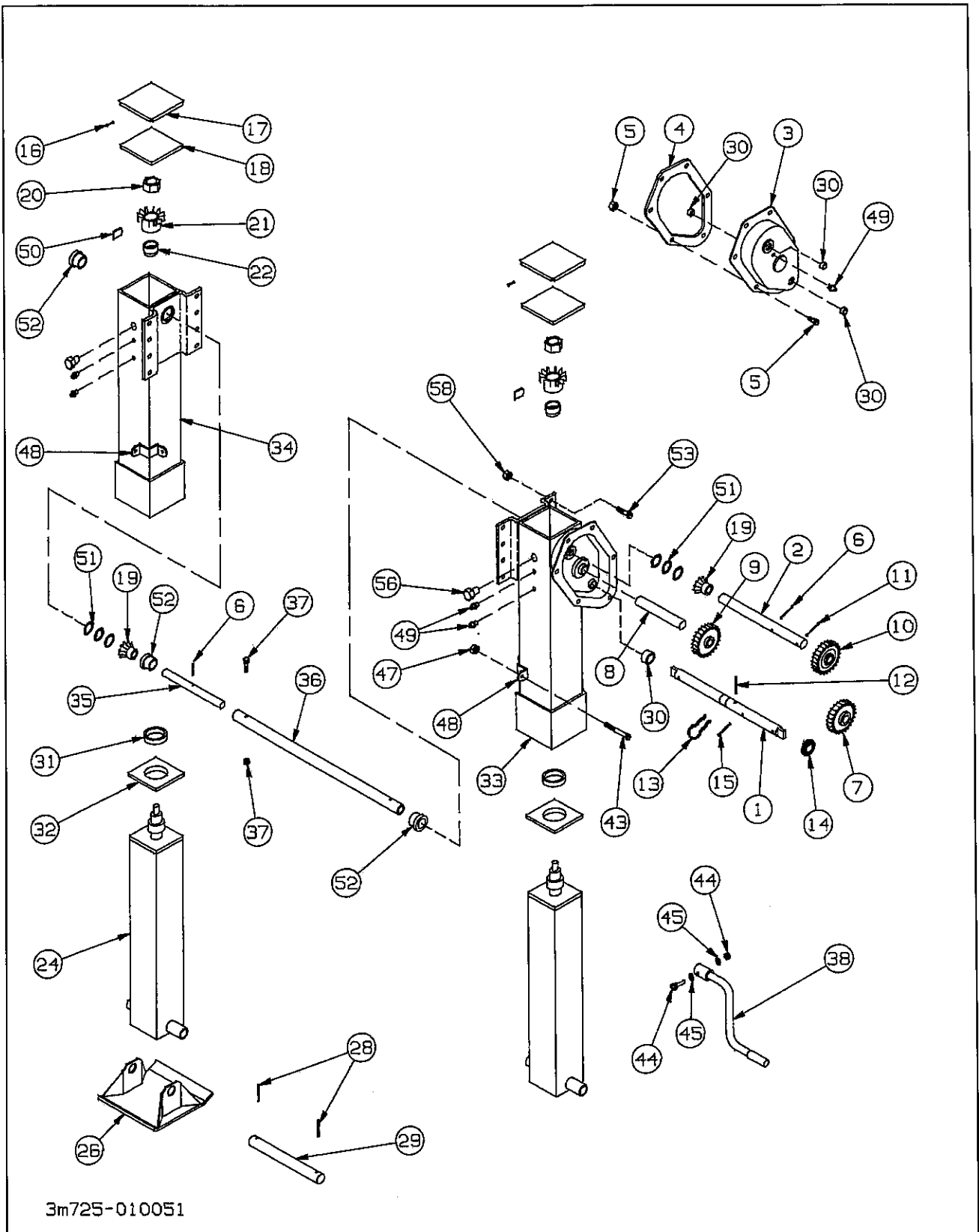


Figure 1-39 Landing Gear 120,000 Lb w/ Crank

LANDING GEAR 120,000 LB W/ CRANK

ITEM	PART NO.	DESCRIPTION	QTY.
	3-725-010051	LAND GEAR 120000 (HOLLAND #LG75-3A105)	
1	XA-V-05159-A	DRIVE AND GEAR SHAFT	1
2	XA-V-05123-A	DRIVE GEAR SHAFT	1
3	XA-V-1920	GEARBOX COVER	1
4	XB-V-1926	GASKET	1
5	XB-CX-14-28-F-58	HEX HEAD CAP SCREW 1/4-28 X 5/8	6
	XB-3103	NUT SELF LOCKING 1/4 X 28	6
6	XB-020065	GROOVE PIN	2
7	XA-V-1927	IDLER GEAR	1
8	XA-V-1957	IDLER GEAR SHAFT	1
9	XA-V-1928-1	STEP GEAR (UNDRILLED)	1
10	XA-V-1928	STEP GEAR (DRILLED)	1
11	XB-21-S-375-1500	SPIRAL PIN 3/8 X 1-1/2	1
12	XB-21-S-187-1250	SPIRAL PIN 1/16 X 1-1/4	1
13	XB-V-1949	SHIFTER SPRING	1
14	XA-V-1929	SHIFTER GEAR	1
15	XA-CRP-V-1917	PIN 3/8 X 1-7/16	1
16	XB-04112	SELF TAPPING SCREW	4
17	XA-V-03824	UPPER LEG COVER	2
18	XB-V-1966	GASKET	2
19	XA-V-04204-1	BEVEL PINION	2
20	XB-FW-25	JAM NUT 1-14	2
21	XA-V-04205-1	BEVEL GEAR	2
22	XB-V-643-A2	BUSHING	2
24	XA-V-05356-0 - 5	INNER LEG & SCREW ASSEMBLY	2
26	XA-V-796-B-1	SKID FOOT 12 X 11-1/2	2
28	XB-21-S-375-3000	ROLL PIN 3/8 X 3	
29	XA-V-1901-1	AXLE	2
30	XB-V-851	BUSHING	4
31	XB-V-V-647	THRUST BEARING	2
32	XA-V-1913	THRUST BEARING	2
33	XA-V-03876-0 - 5	OUTER LEG ASSEMBLY (2 SPEED)	1
34	XA-V-03875-0 - 5	OUTER LEG ASSEMBLY (SINGLE SPEED)	1
35	XA-V-05122-A	DRIVE GEAR SHAFT	1
36	XA-V-1910	CROSS SHAFT	1
37	XB-V-444-1	HEX HEAD CAP SCREW 3/8-16 X 1-3/4	2
	XB-338	LOCKNUT 3/8-16	2
38	XA-S9-3105	TUBULAR HAND CRANK (MODIFIED)	1
40	XA-V-1914	CRANK HANGER	1
43	1-654-010059-09	SCREW HEX HEAD CAP 5/8-11 X 3 GR5	2
44	XB-C-38-C-214	HEX HEAD CAP SCREW 3/8-16	1
	XB-338	LOCKNUT 3/8-16	1
45	XB-1108	SAE 3/8-16	2
46	1-861-010034-15	WASHER SPLIT LOCK 5/8	4
47	1-512-010005-13	NUT HEX LOCK 5/8-11 GR B	4
48	XA-V-1938	BRACE	2
49	XB-767	LUBE FITTING	5
50	XB-H-32-2	WOODRUFF KEY	2
51	XB-03816	SHIM	AR
52	XB-0307	BEARING	3
53	1-654-010055-05	SCREW HEX HEAD CAP 1/2-13 X 2	18
56	XB-01789	LUBE PLUG	2
58	1-512-010005-09	NUT HEX LOCK 1/2-13 GR B	18

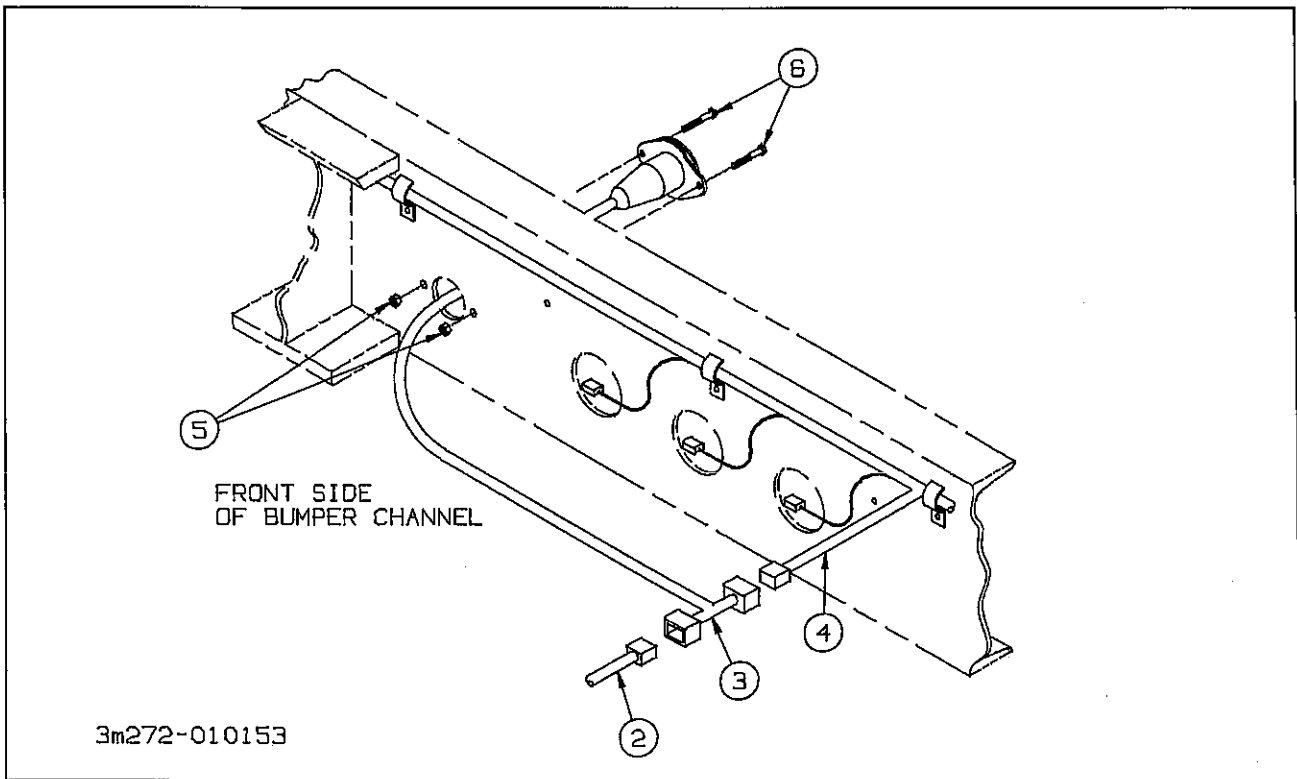


Figure 1-40 Electrical Installation, 7-Way Recp Bumper

MISCELLANEOUS OPTIONS

ITEM	PART NO.	DESCRIPTION	QTY.
	3-272-010153	ELECTRICAL INSTALLATION 7-WAY RECP BUMPER	1
2	3-156-010046	HARNESS ASSY FRAME	REF
3	3-368-010257	HARNESS MODIFIED EXT 7-WAY RECP.	1
4	3-368-010175	WIRE HARNESS REAR	REF
5	1-654-010049-06	SCREW HEX HEAD CAP, 5/16-18 X 1-1/4	2
6	1-512-010005-03	NUT HEX SELF LOCKING 5/16-18	2

NOTES:

NUMERICAL INDEX

<u>PART</u>	<u>PAGE</u>	<u>PART</u>	<u>PAGE</u>	<u>PART</u>	<u>PAGE</u>
0001-02	16	046-097-00	23	110-4348	49
0001-04	16	0508-00	16	11117	33
0001-08	16	055-040-04	23	11128	33
0001-14	16	056-017-00	23	11129	33
0002-07	16	056-018-00	23	11130	33
0002-12	16	061-006-00	23	11133	33
0049-00	16	0647-01	16	11142	33
005-079-00	23	0650-00	16	11144	33
005-096-00	23	069-078-00	23	1114-5	38
005-098-00	23	071900048	8	11240	33
005-099-00	23	071900195	9	11308	33
005-100-00	29	071-122-00	23	11309	36
005-100-00	30	0741-01	16	11310	36
005-100-00	28	081900277	9	11368	33
005-134-00	23	081900295	8	11398	37
0053-00	16	1001	29	11402	36
006-099-00	23	1004-3	38	11404	36
006-114-00	23	1004-6	38	11405	36
006-115-00	23	10078	33	11407	36
0065-00	16	10078	36	11411	36
007-139-00	23	1-007-010006	43	11414	36
007-157-00	28	1-007-010009	43	11419	36
007-157-00	29	1-007-010013	43	11420	36
007-157-00	30	1-007-010025	57	11421	36
0075-20	16	1-007-010029	11	11425	36
010-052-00	23	101162	30	11426	37
0102-13	16	1014-4	38	11427	36
011100550	8	1019-4	38	11429	36
011300179	9	10205R	13	11430	36
014-056-00	23	10205Y	13	11431	36
014-058-00	23	1021	38	11434	36
014-065-00	23	1035-20	16	11435	37
014-068-00	23	10403	13	11440	36
0274-01	16	10404	13	11441	36
034-032-00	23	1046	38	11442	36
034-047-00	23	105-0105	48	11445	36
034-048-00	23	106-0079	55	11446	36
034-192-03	23	106-0079	55	11449	36
034-192-05	23	107082	29	11599	36
034-193-03	23	107083	29	11767	33
034-193-05	23	11011	33	11791	37
036-092-02	23	11014	37	11799	33
0375-00	16	11025	36	11837	34
040-180-00	23	11026	36	11842	37
041-058-01	23	110-0253	51	118-7962	51
041-059-01	23	110-4334	49	12073	36
046-096-00	23	110-4338	49	12075	33

<u>PART</u>	<u>PAGE</u>	<u>PART</u>	<u>PAGE</u>	<u>PART</u>	<u>PAGE</u>
12146	37	1-297-010022-02	57	1-510-010001	49
12228	37	1-297-010033-02	57	1-510-010001	6
12465	36	1-298-010001-1	39	1-512-010003-02	57
125130	48	1-298-010001-1	6	1-512-010005-01	25
125130	43	1-298-010001-1	2	1-512-010005-01	27
1-271-010003-05	43	13005	33	1-512-010005-03	13
1-271-010003-07	43	13028	37	1-512-010005-03	49
12767	37	13028	34	1-512-010005-03	62
12780	33	1-316-010013-1	48	1-512-010005-05	43
12781	36	13424	34	1-512-010005-05	25
12783	36	1-343-010007	13	1-512-010005-05	27
12817	33	134-4560	48	1-512-010005-05	31
1-295-010001	48	13468	33	1-512-010005-05	51
1-295-010001	43	13680	33	1-512-010005-09	39
1-295-010002	48	13839	34	1-512-010005-09	39
1-295-010002	43	1-384-010038024	27	1-512-010005-09	61
1296	38	1-384-010038056	25	1-512-010005-09	59
1-297-010007-11	20	1-384-010038056	27	1-512-010005-09	59
1-297-010007-14	25	13938	36	1-512-010005-09	51
1-297-010007-14	27	1-397-010010016	7	1-512-010005-09	7
1-297-010007-16	27	1-397-010075	43	1-512-010005-09	48
1-297-010007-16	25	1-397-010301034	6	1-512-010005-09	53
1-297-010008-01	57	1-397-010301039	7	1-512-010005-09	31
1-297-010008-01	11	1-397-010301040	6	1-512-010005-13	7
1-297-010008-07	20	1-397-010301042	6	1-512-010005-13	61
1-297-010008-07	57	1-397-010301042	7	1-512-010005-15	2
1-297-010008-18	27	1-397-010301076	6	1-512-010005-15	7
1-297-010008-18	25	1-397-010301130	7	1-512-010007-05	15
1-297-010008-20	27	1-397-010301164	6	1-512-010007-06	27
1-297-010008-20	25	1-397-010301194	6	1-512-010007-06	25
1-297-010008-23	27	1-397-010301238	6	1-512-010007-09	53
1-297-010008-23	25	1-397-010301268	6	1-512-010007-11	49
1-297-010008-24	27	1-397-010302042	6	15206	13
1-297-010008-24	25	1-397-010302070	7	15700	13
1-297-010010-01	20	1-397-010302084	7	15725	13
1-297-010010-03	27	1-397-010302087	7	1-573-010002	41
1-297-010010-04	20	1-397-010302206	6	1-573-010003	41
1-297-010011-06	25	1-397-010302220	6	1-573-010004	41
1-297-010011-06	27	1-397-010304022	48	1-573-010007	39
1-297-010013-05	57	1-397-010304032	48	1-573-010014	39
1-297-010013-12	25	1-397-010304056	48	1-573-010015	39
1-297-010013-12	27	1-397-010304064	48	1-573-010016	39
1-297-010013-13	25	1-397-010305254	6	1-573-010017	39
1-297-010013-13	27	1-397-010305326	6	1644	36
1-297-010013-16	27	139902	27	1-647-010004255	2
1-297-010013-16	25	139913	27	1-654-010024014	57
1-297-010015-07	25	15009	13	1-654-010047-02	11
1-297-010015-07	27	1-510-010001	15	1-654-010049-06	13
1-297-010015-09	57	1-510-010001	13	1-654-010049-06	62
1-297-010020-02	57	1-510-010001	57	1-654-010049-09	49

<u>PART</u>	<u>PAGE</u>	<u>PART</u>	<u>PAGE</u>	<u>PART</u>	<u>PAGE</u>
1-654-010051-03	39	18016	33	1-861-010032-07	13
1-654-010051-05	51	18019	33	1-861-010032-09	49
1-654-010051-05	6	18020	33	1-861-010032-10	31
1-654-010051-06	31	18022	36	1-861-010032-11	27
1-654-010051-06	43	18024	33	1-861-010032-11	49
1-654-010051-06	49	18026	33	1-861-010032-11	49
1-654-010051-07	49	18027	33	1-861-010032-11	15
1-654-010051-07	49	18028	33	1-861-010032-11	25
1-654-010051-08	27	18029	33	1-861-010032-15	59
1-654-010051-08	48	18030	33	1-861-010032-15	7
1-654-010051-08	25	18032	33	1-861-010032-15	53
1-654-010051-09	57	18033	36	1-861-010032-15	31
1-654-010051-09	6	18034	36	1-861-010032-15	48
1-654-010051-13	15	18035	36	1-861-010032-19	7
1-654-010055-02	49	18039	33	1-861-010032-19	49
1-654-010055-03	43	18044	34	1-861-010034-07	13
1-654-010055-03	53	18047	33	1-861-010034-09	15
1-654-010055-03	48	18047	36	1-861-010034-10	25
1-654-010055-03	31	18056	33	1-861-010034-10	27
1-654-010055-04	31	18078	33	1-861-010034-11	49
1-654-010055-05	39	18078	33	1-861-010034-11	39
1-654-010055-05	61	1-822-010002-13	51	1-861-010034-11	49
1-654-010055-05	39	1-833-010001	57	1-861-010034-13	43
1-654-010055-09	51	1-833-010001-3	21	1-861-010034-13	31
1-654-010055-11	59	1-833-010002	25	1-861-010034-15	61
1-654-010055-13	53	1-833-010002	27	1-861-010034-17	15
1-654-010055-16	31	1-833-010002	25	1-861-01032-21	7
1-654-010055-17	53	1-833-010002	27	1865	38
1-654-010055-17	31	1-833-010002012	27	1-879-010004036	48
1-654-010055-17	7	1-833-010002032	20	1-879-010005	13
1-654-010059-09	61	1-833-010002036	27	1-879-010005120	13
1-654-010059-13	49	1-833-010002084	27	1-879-010006036	48
1-654-010059-21	7	1-833-010002168	27	1-879-010008	55
1-654-010061-04	15	1-833-010002168	25	1-879-010010036	48
1-654-010061-06	7	1-833-010003	27	1-879-010011	55
1-654-010061-07	2	1-833-010003	27	19014	36
1-654-010070-02	59	1-833-010003	27	19045	33
1-654-010089-13	48	1-833-010003	25	19045	36
1655	38	1-833-010003	27	1A0290	11
171027	28	1-833-010003	25	1A0291	11
178910	29	1-833-010003018	27	1A0292	11
178921	29	1-833-010003022	27	1A0294	11
1-796-010003-02	48	1-833-010003022	25	1A0709	11
179933	30	1-833-010003042	25	1A0711	11
18002	37	1-833-010003168	27	1A0744	11
18002	34	1-833-010003168	25	1A0757	11
18003	33	1-833-010012054	25	1R0017	11
18009	36	1-861-010032-01	57	1V0081	11
18009	33	1-861-010032-06	25	1V0090	11
18015	33	1-861-010032-06	27	1V0208	11

<u>PART</u>	<u>PAGE</u>	<u>PART</u>	<u>PAGE</u>	<u>PART</u>	<u>PAGE</u>
1V0360	11	22775	33	3-120-010295	39
1V1701	11	230007400	9	3-125-010241	7
1V1703	11	230007400	8	3-125-010244	7
1V1725	11	23078	34	3-128-010002	25
1/2-13 HFN	7	23079	34	3-128-010002	23
1/4-20X3/4CB	15	23081	34	3-128-010002	27
2021-16-12S	48	23083	34	3-136-010001-02	57
2023	30	23085	34	3-141-010008	53
2024-12-12S	48	23245	37	3-141-010011	53
202702-10-8S	6	23303	33	3-141-010012	53
203003-8-8S	6	23310	37	3-141-010013	53
203003-8-8S	7	23353	34	3-141-010014	53
203005-8-8S	7	23367	36	3-141-010015	53
2033-8-8S	6	23470	33	3-141-010118	53
2047-12-12S	43	239-8113-40	48	3-141-010119	53
2061-8-8S	7	24032	33	3-141-010147	53
2061-8-8S	6	2480	38	3-141-010151	53
2061-8-8S	57	2481X	48	3-141-010152	53
2062-12-12S	6	2552	13	3-141-010155	53
2062-12-12S	57	256	28	3-146-010001	7
2062-12-12S	48	257	29	3-150-010166-16	48
2062-16-12S	48	26331	13	3-153-010001	48
2062-8-8S	6	2750-8	7	3-155-010012	48
2062-8-8S	7	28942	36	3-155-010017-1	31
206801-8-8S	6	28943	36	3-155-010017-4	31
2083-8-4S	20	2A0079-404	11	3-155-010018-1	31
2109-3	38	2A0079-406	11	3-155-010018-6	31
211300024	9	2A0283-7214	11	3-156-010007	55
2-12HFN	15	2A0354-121	11	3-156-010043	55
2175	38	2A283-7214	11	3-156-010043	55
2177	38	3067	30	3-156-010046	15
2180	38	3067	31	3-156-010046	13
2183	38	3067	32	3-156-010046	62
2-181-010001	13	3-007-010039	57	3-161-010034	57
21925	33	3-042-010140-01	23	3-161-010034	11
21961	33	3-042-010141-02	23	3-162-010001	48
21964	37	3-054-010101	53	3-162-010001	43
220000212	8	3-076-010005	15	3-174-010022036	31
220000212	9	3-102-010022	7	3-174-010038	31
22055	36	3-102-010048	7	3-174-010039036	31
2240-12-12S	6	3-115-010053	51	3-181-010006	13
2263	38	3-115-010096	51	3-181-010006	6
2265-6	38	3-115-010097	51	3-201-010001	13
22695	37	3-115-010099	51	3-201-010002036	48
22697	37	3-120-010073	7	3-203-010001	48
22703	33	3-120-010103	43	3-209-010003	55
22704	34	3-120-010117	7	3-209-010004	55
22729	37	3-120-010124	48	3-209-010006	55
22752	33	3-120-010125	7	3-220-010002	48
22775	36	3-120-010294	39	3-220-010003	48

<u>PART</u>	<u>PAGE</u>	<u>PART</u>	<u>PAGE</u>	<u>PART</u>	<u>PAGE</u>
3-222-010198	59	3-352-010015-2	39	3-561-010001	43
3-222-010199	59	3-352-010017-1	39	3-565-010770	39
3-235-010200	19	3-352-010017-2	39	3-573-010020	41
3-238-010001	57	3-368-010175	62	3-573-010031	41
3-238-010001	11	3-368-010175	13	3-573-010057	41
3-242-010099	8	3-368-010243-01	13	3-573-010086	41
3-242-010099	6	3-368-010244	13	3-573-010127	41
3-242-010102	7	3-368-010245-01	13	3-573-010134	41
3-242-010102	9	3-368-010246	13	3-573-010189	41
3-242-010103	9	3-368-010257	62	3-573-010209	41
3-242-010103	7	3-375-010250	2	3-573-010210	41
3-242-010118	8	3-375-010292	2	3-573-010211	41
3-272-010017	13	3-375-010489-3	2	3-573-010298	41
3-272-010021	49	3-375-010489-4	2	3-573-010299	41
3-272-010021	13	3-384-010020	27	3-573-010300	41
3-272-010022	49	3-384-010020	25	3-573-010377	41
3-272-010022	13	3-397-010011	43	3-591-010001	43
3-272-010078	55	3-399-010001048	43	3-591-010001	44
3-272-010078	55	3-406-010046	29	3-591-010003	49
3-272-010079	55	3-406-010047	29	3-591-010005	49
3-272-010080	55	3-406-010065	30	3-642-010134	59
3-272-010095	55	3-410-010839	43	3-645-010049	39
3-272-010121	55	3-427-010003	48	3-645-010059	59
3-272-010125	13	3-432-010006	16	3-645-010085	59
3-272-010147-01	13	3-432-010010	16	3-659-010012	28
3-272-010147-02	13	3-443-010010	51	3-659-010012	29
3-272-010153	62	346SL	1	3-659-010012	30
3-273-010006	48	3-481-010006	38	3-659-010013-1	51
3-273-010013	48	3-481-010006	31	3-681-010122	6
3-273-010034-01	48	3-481-010007	38	3-711-010025	53
3-273-010034-02	48	3-481-010007	31	3-711-010055	11
3-279-010037	55	3-482-010003	49	3-711-010055	57
3-279-010037	55	3-482-010170	19	3-720-010010	31
3-311-012850	1	3-482-010288	11	3-725-010051	61
3-311-013984	1	3-482-010288	57	3-725-010058	1
3-311-015668	1	3-482-010342	48	3-735-010030	49
3-311-015840	1	3-482-010360	49	3-744-010046	48
3-311-015959	1	3-482-010495	48	3-755-010080	53
3-311-016005	1	3-482-010563	6	3-755-010189	15
3-311-016019	1	3-482-010563	57	3-755-010189	27
3-311-016019-1	1	3-482-010565	49	3-755-010189	25
3-311-016088	1	3-482-010566	49	3-755-010189-03	15
3-311-016135	1	3-485-010001	15	3-755-010189-03	27
3-311-016137	1	3-557-010030	2	3-755-010189-03	25
3-311-016169	1	3-557-010031	7	3-762-010016	15
3-311-016234	1	3-557-010033	6	3-762-010017	15
3-311-016244	1	3-557-010059	6	3-762-010327	15
3321	28	3-557-010120	7	3-762-010434	15
3-348-010045	49	3-557-010380	53	3-762-010573	15
3-352-010015-1	39	3-557-010383	39	3-762-010599	15

<u>PART</u>	<u>PAGE</u>	<u>PART</u>	<u>PAGE</u>	<u>PART</u>	<u>PAGE</u>
3-762-010657	15	3-873-010125	31	6828	43
3-762-010663	15	3-873-010126-1	6	68CA-2-2	11
3-762-010679	15	3-873-010126-2	6	68CA-2-2	59
3-765-010001	55	3-873-010129-2	6	6964-312	58
3-765-010005	49	3-873-010129-2	6	7019-9XX	58
3-780-010002	20	391-1802-119	44	7320	28
3-780-010002	25	3/16-24HFN	13	7-458-010009	51
3-780-010002	27	3/16X3/4RHD STV	13	74710	28
3-783-010006	49	40002R	13	750225RTD	28
3-783-010013P	49	4009	28	75618	28
3-786-010005	43	4009	29	75716	29
3-786-010005	48	4009	30	758-181	27
3-793-010040	39	40202R	13	758-181	25
3-793-010041	39	40700	13	7HCGHT500	31
3-798-010023	30	42033	28	805-2	27
3-798-010023	28	481-00-108	19	805-2	48
3-798-010023	29	481-00-202	19	805-2	25
3-821-010005	15	4Z4306	11	81006	33
3-826-010014	2	5010	59	81009	33
3-826-010015	2	5029	15	81025	33
3-843-010005	25	514-1000-056	51	81077	36
3-843-010005	27	514-9045-40	49	81078	36
3-843-010015	58	541-0203	49	81080	36
3-843-010015	57	541-0316	49	81081	36
3-843-010023	57	541-0379	49	81082	36
3-843-010024	57	55B11	25	81264	13
3-843-010025	57	55B11	27	81530	33
3-843-010038	27	55B61	27	86222	28
3-843-010038	25	55B61	25	88005	37
3-846-010008	11	55B61-6	27	900-01-078	19
3-846-010008	6	55B61-6	25	900-01-082	19
3-846-010008	57	55B61-7	27	900-08-139	19
3-846-010116-2	6	55B61-7	25	900-08-141	19
3-846-010152-01	6	56D4	25	900-10-032	19
3-846-010152-05	57	56D4	27	9001-B255	55
3-846-010152-05	6	59P8	55	9001-B256	55
3-846-010152-07	57	59P8	55	9001-BW70YU	55
3-846-010152-07	6	59P8	55	900-28-047	19
3-846-010152-10	57	59S-7	13	900-28-075	19
3-846-010152-10	6	59W-2-3	13	900-36-140	19
3-846-010156	6	60015Y	13	900-41-878	19
3-861-010038	7	60215Y	13	900-44-162	19
3-870-010014	29	60700	13	900-54-001	20
3-870-010065	28	62200	29	900-54-113	20
3-870-010104	30	6-397-010005	43	900-54-122	20
3-873-010122	31	64181	13	900-54-276	20
3-873-010122	33	6582	58	900-54-442	20
3-873-010123	36	6600	49	905-08-004	19
3-873-010123	31	66884	30	905-15-857	19
3-873-010124	31	67518	28	905-15-858	19

<u>PART</u>	<u>PAGE</u>	<u>PART</u>	<u>PAGE</u>	<u>PART</u>	<u>PAGE</u>
905-19-425	19	HM218248	28	XA-V-1928	61
905-54-059	20	HM218248	30	XA-V-1928-1	61
905-54-107	57	K71-135-00	23	XA-V-1929	61
905-57-129	19	K71-136-00	23	XA-V-1938	61
930-02-349	20	K71-138-00	23	XA-V-1957	61
930-02-361	20	LB 1669-1	44	XA-V-796-B-1	61
930-03-599	19	M 1391-K	44	XB-01789	61
932-01-046	19	M110AB-4	38	XB-020065	61
934-00-060	20	M110C-1	38	XB-0307	61
934-00-136	19	NB-2-016	57	XB-03816	61
934-00-149	19	NB-2-016	57	XB-04112	61
934-00-367	19	PA-2328-2	38	XB-1108	61
934-00-492	19	PMCK-AD-460	8	XB-21-S-187-1250	61
934-00-502	19	PMCK-AD-461	9	XB-21-S-375-1500	61
936-00-072	19	PTO	43	XB-21-S-375-3000	61
936-00-077	19	RA 1688-17-64	44	XB-3103	61
938-00-014	20	RPRB59004X11	51	XB-338	61
938-00-062	20	RRT128X1	53	XB-338	61
938-00-139	20	RRT146X.25	7	XB-767	61
938-00-140	20	S21F-6	6	XB-C-38-C-214	61
939-00-027	19	S21F-6	43	XB-CX-14-28-F-58	61
939-00-165	19	S25F-6	6	XB-FW-25	61
941-00-119	20	S25F-6	43	XB-H-32-2	61
9-557-010360	53	SCREW#6X3/8	51	XB-V-1926	61
AA 1058	44	STP-147	13	XB-V-1949	61
A7106-350	58	STP-164	13	XB-V-1966	61
A7106-392	58	TY244MX	7	XB-V-444-1	61
A7106-430	58	UB 3006-242	44	XB-V-643-A2	61
AB022-567	58	VH550	13	XB-V-851	61
B3-115-016	51	X 144-3	44	XB-V-V-647	61
B3-274-007	49	X2-25	44	Y 1032	44
B7-115-003	51	X73-37-16	44		23
B7-115-004	51	XA 1603	44		
BA 3026-2	44	XA-CRP-V-1917	61		
BD 1135M-3-17	44	XA-S9-3105	61		
BSL-6-4	51	XA-V-03824	61		
CA-1595	48	XA-V-03875-0 - 5	61		
D-2216	23	XA-V-03876-0 - 5	61		
DB-10	55	XA-V-04204-1	61		
EB 1685-3	44	XA-V-04205-1	61		
HM212011	29	XA-V-05122-A	61		
HM212011	28	XA-V-05123-A	61		
HM212011	30	XA-V-05159-A	61		
HM212049	28	XA-V-05356-0 - 5	61		
HM212049	29	XA-V-1901-1	61		
HM212049	30	XA-V-1910	61		
HM218210	28	XA-V-1913	61		
HM218210	30	XA-V-1914	61		
HM218210	29	XA-V-1920	61		
HM218248	29	XA-V-1927	61		

