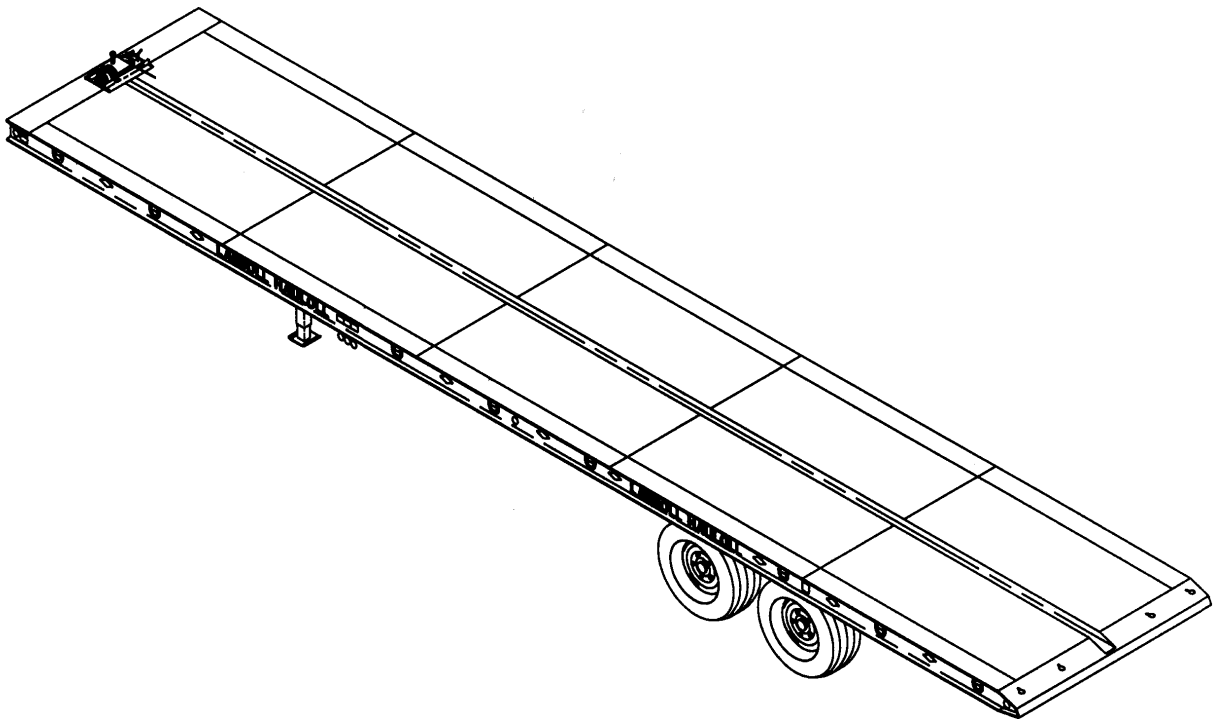




**MODEL 330A
SEMITRAILER
PARTS LIST MANUAL**



**1900 North Street
Marysville, KS 66508
(785)562-5381**

ILLUSTRATED PARTS LIST

1

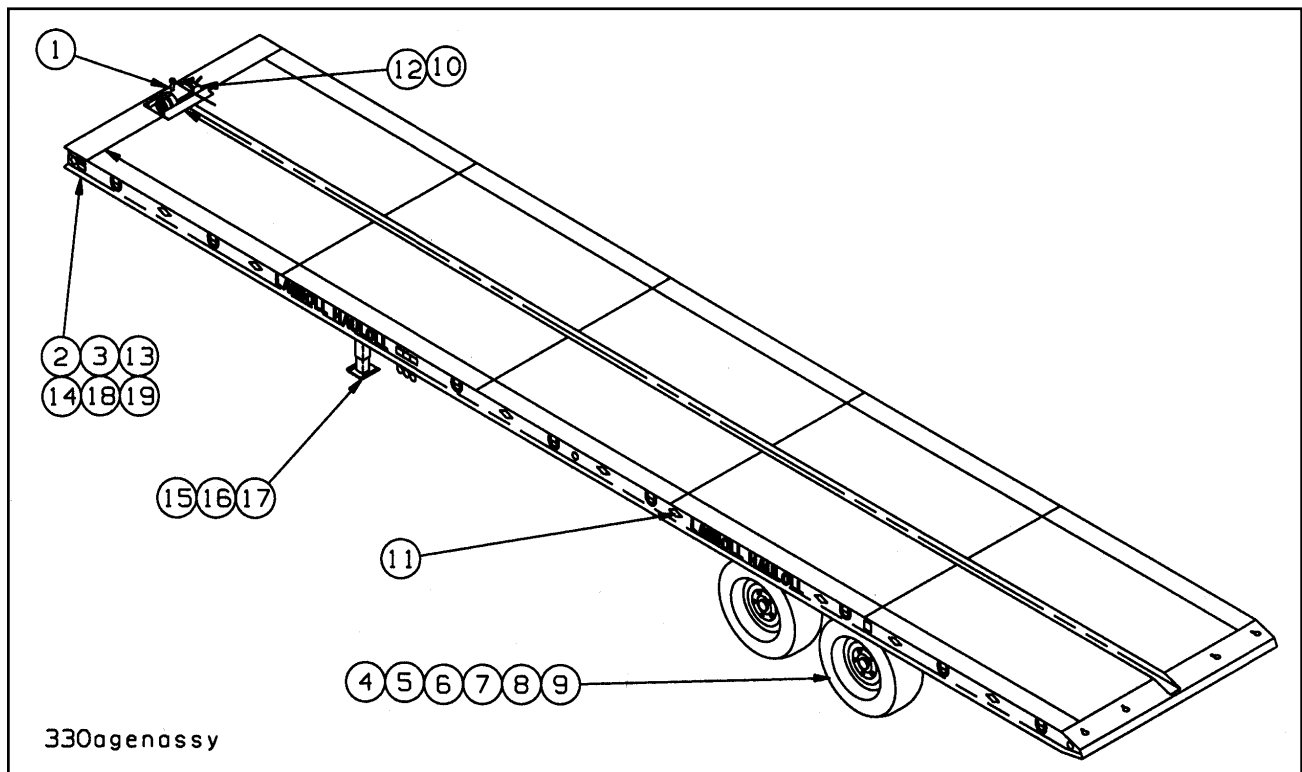


Figure 1-1 General Assembly

GENERAL ASSEMBLY

ITEM	PAGE NO.	DESCRIPTION	QTY.
1	1-2	FIFTH WHEEL ASSEMBLY	1
2	1-3-1-14; 1-16-1-17	HYDRAULIC ASSEMBLIES	1
3	1-18 - 1-21	ELECTRICAL ASSEMBLIES	1
4	1-22 - 1-25	UNDERCARRIAGE & SUSPENSION - SPRING RIDE	1
5	1-26 - 1-33	UNDERCARRIAGE & SUSPENSION - AIR RIDE	1
6	1-34 - 1-35	AXLE AND BRAKE ASSEMBLY	1
7	1-36 - 1-43	AIR BRAKE SYSTEM	1
8	1-44 - 1-47	HUB AND DRUM ASSEMBLY	2
9	1-48 - 1-49	AIR SYSTEM	1
10	1-50 - 1-60	WINCH ASSEMBLIES	1
11	1-61 - 1-63	DECAL INSTALLATION	1
12	1-64 - 1-66	HYDRAULIC WET KIT ASSEMBLY (OPTIONAL)	1
13	1-67 - 1-81	AUXILIARY ENGINE ASSEMBLIES (OPTIONAL)	1
14	1-15;1-82;1-85;1-88	MISCELLANEOUS OPTIONS	1
15	1-86 - 1-87	LANDING GEAR, CRANK ASSEMBLY	1
16	3-725-010145	LANDING GEAR, PIN DROP	2
17	346SL	LOCK HITCH PIN	2
18	1-116-010019	BOX MANUAL STORAGE	1
19	105-0093	HOSE CLAMP 4-1/2	1

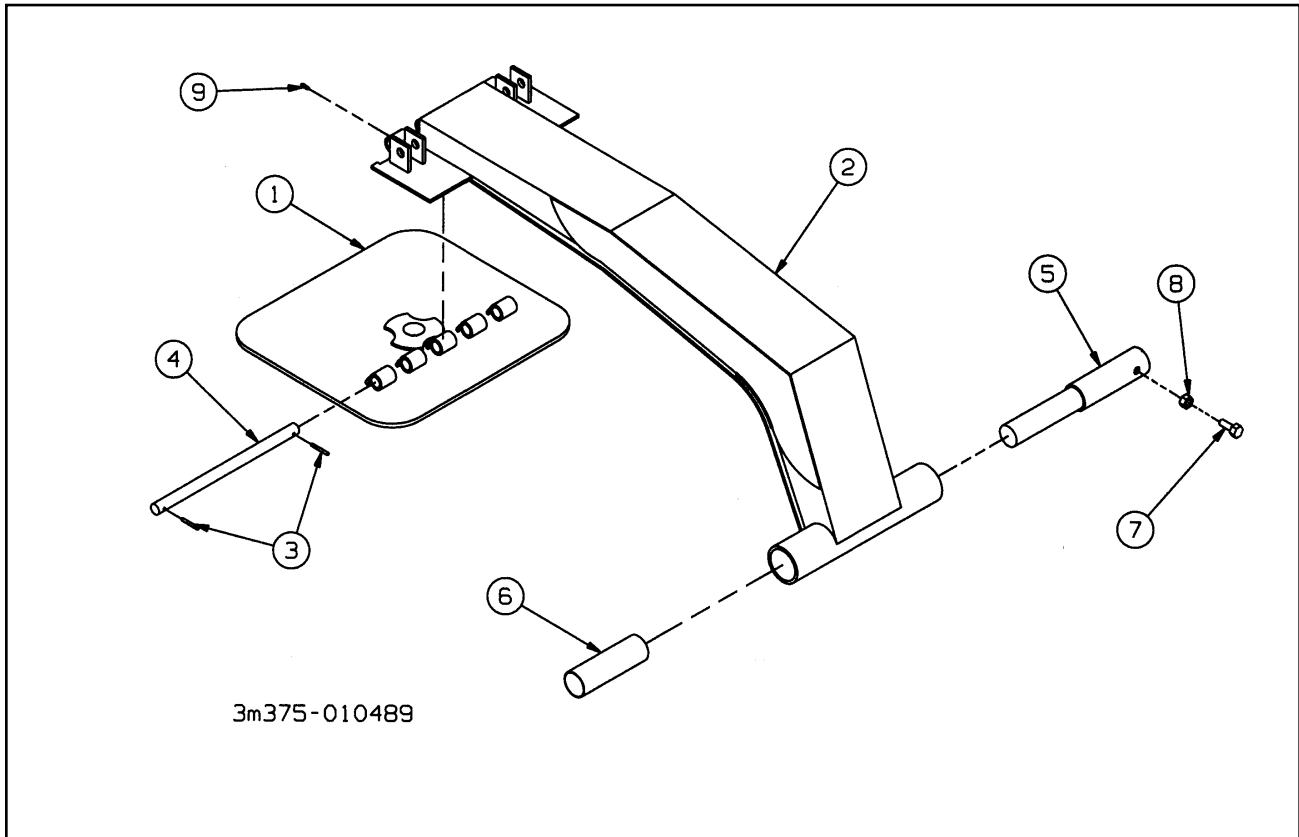
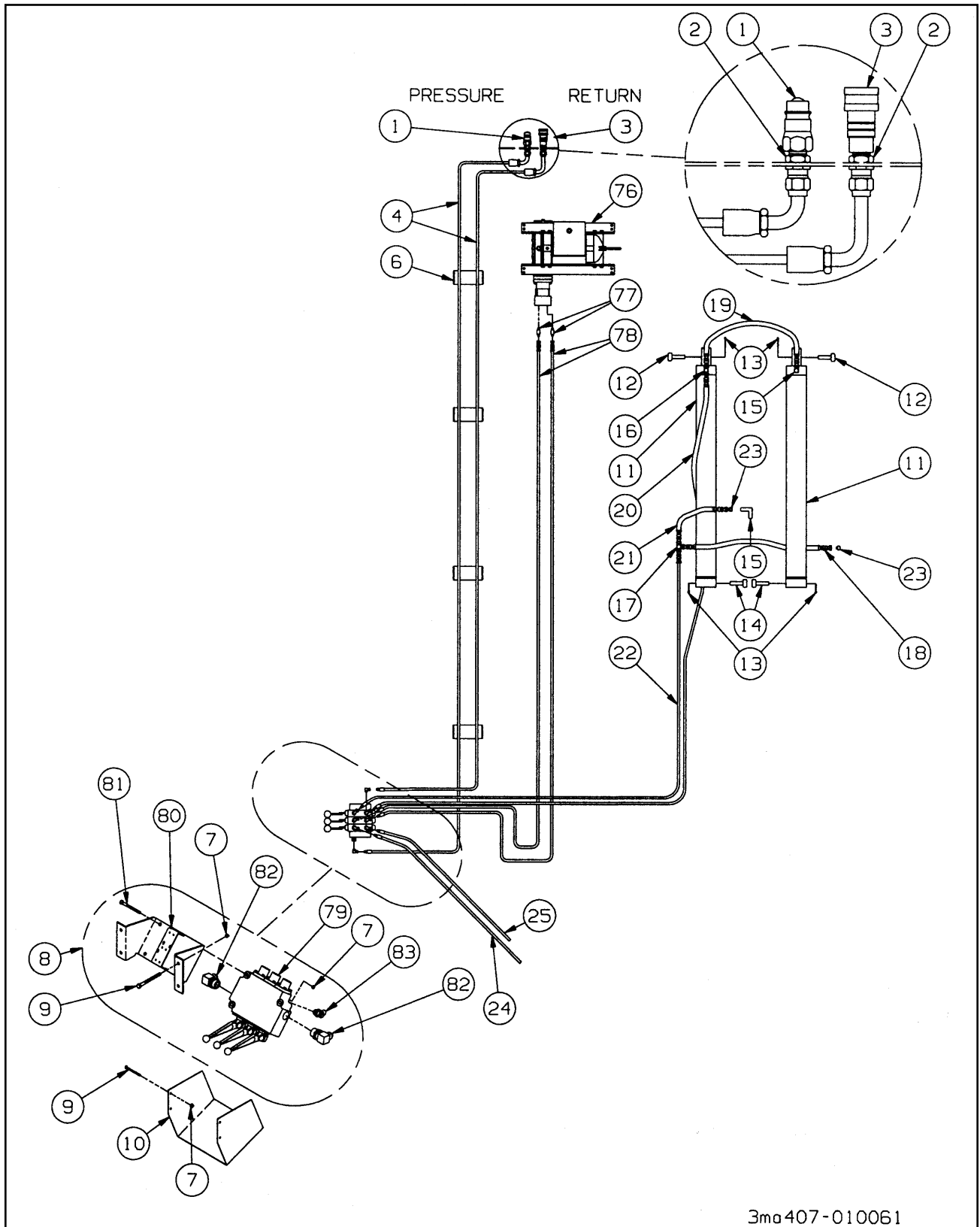


Figure 1-2 Fifth Wheel Assembly

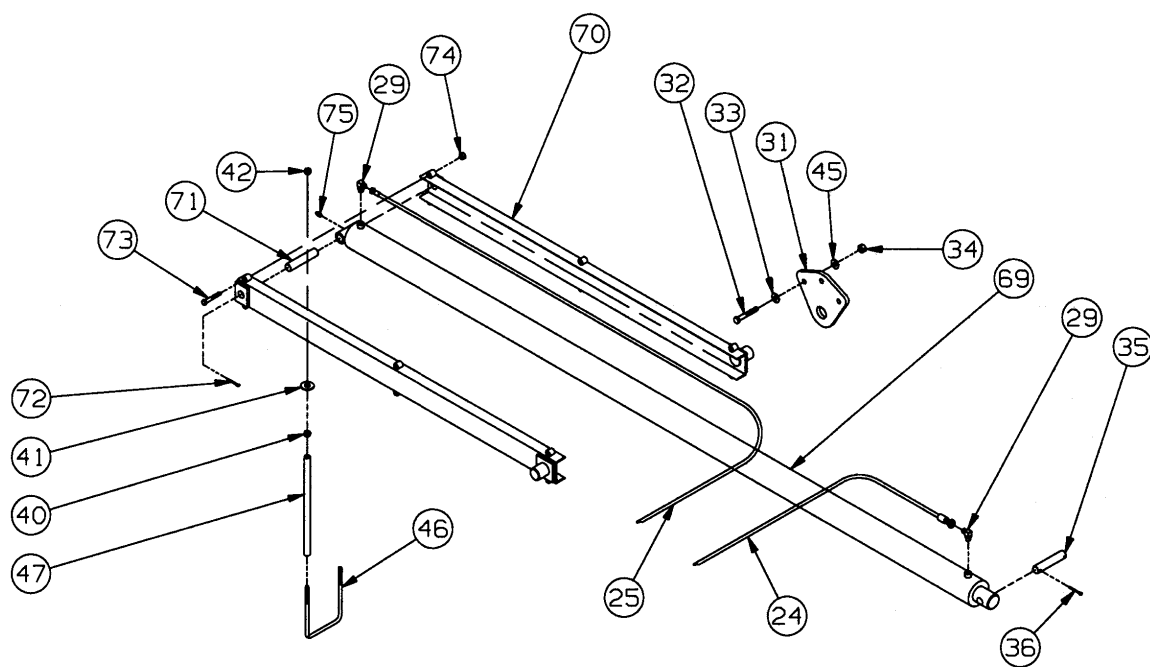
FIFTH WHEEL ASSEMBLY

ITEM	PART NO.	DESCRIPTION	QTY.
	3-375-010489-3	HITCH INST. 30 PIN 330-42 TRL	
	3-375-010489-4	HITCH INST. 30 PIN 330-48 TRL	
1	3-375-010250	HITCH PLATE KING PIN	1
2	3-375-010292	HITCH ASSY CONTAINER HAULER	1
3	1-647-010004255	SPRING PIN SLOTTED 3/8 X2	2
4	3-557-010030	HINGE PIN FIFTH WHEEL	1
5	3-826-010015	TUBE WLDMT INNER FIFTH WHEEL	1
6	3-826-010014	TUBE INNER HINGE FIFTH WHEEL	1
7	1-654-010061-07	SCREW, HEX HEAD CAP 3/4-10 X 2-1/2 GR5	2
8	1-512-010005-15	NUT, HEX LOCK 3/4-10 GRB	2
9	1-298-010001-1	FITTING GRS STR SHORT 1/4-28	6



3ma407-010061

Figure 1-3 Hydraulic System



STANDARD LOAD OPTION---(26)

3mb407-010061

Figure 1-4 Hydraulic System - Std. Load Angle Option

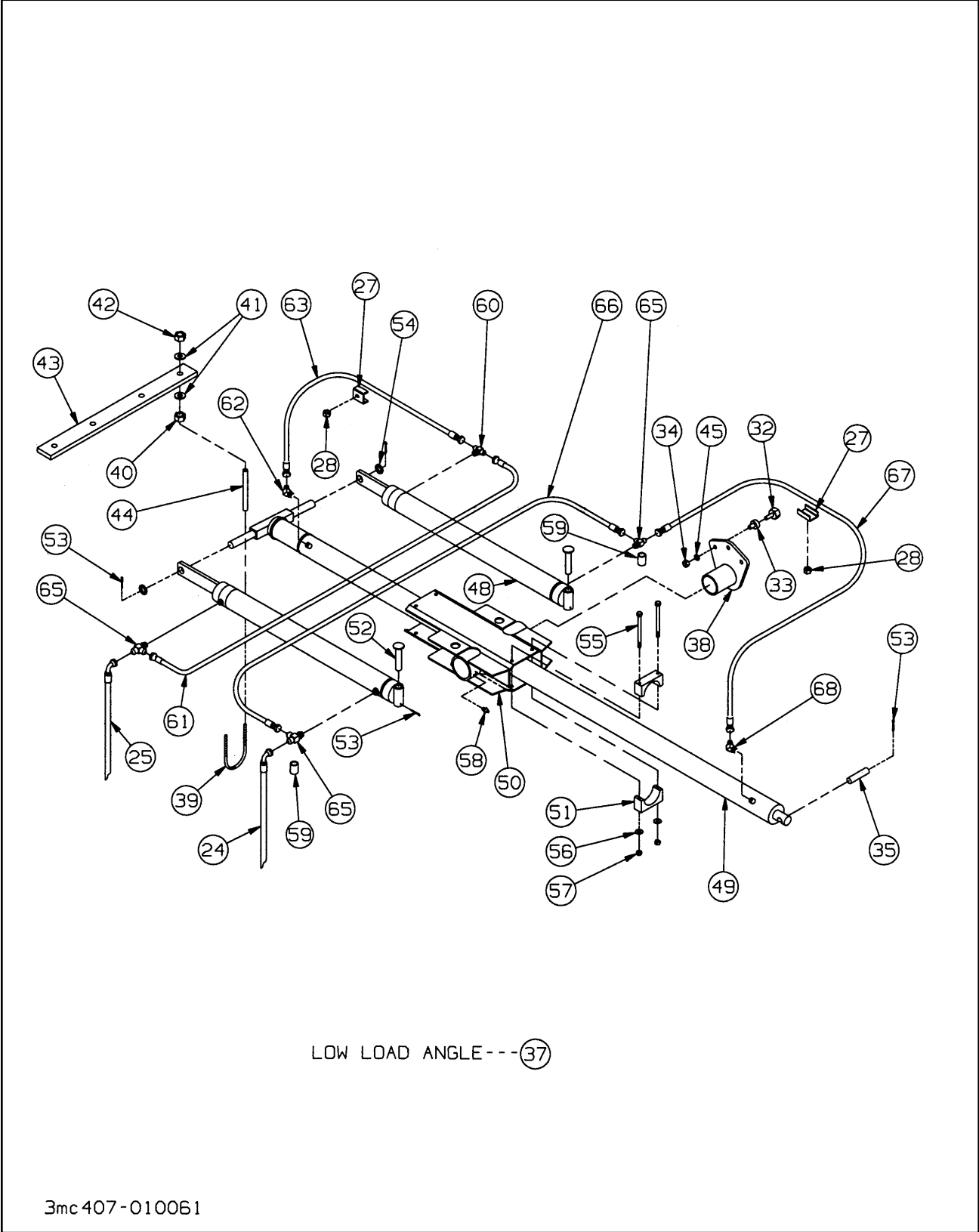


Figure 1-5 Hydraulic System - Low Load Angle Option

HYDRAULIC SYSTEM

ITEM	PART NO.	DESCRIPTION	QTY.
	3-407-010061	HYDRAULIC INSTALLATION CONTROLS (ITEMS 1-10)	
	3-375-010489-3	HITCH INSTALLATION - 42' TRAILER (ITEMS 11-23)	
	3-375-010489-4	HITCH INSTALLATION - 48' TRAILER (ITEMS 11-23)	
	3-407-010038-09	HYDR. INST. U/C 330 SLA (ITEMS 24-47)	
	3-407-010038-10	HYDR. INST. U/C 330 LLA (ITEMS 24-47)	
	3-873-010166	WINCH INSTALLATION 12K/20K (ITEMS 76-78)	
1	S21F-6	COUPLER, 3/4 MALE HALF (BEFORE 7/98)	1
	105479	COUPLER, FLAT FACE MALE (AFTER 7/98)	1
	105481	COUPLER, DUST CAP MALE	1
2	2240-12-12S	ADAPTER BULKHEAD 3/4 NPT (BEFORE 7/98)	2
	105483	ADAPTER BULKHEAD 12JIC-12ORING (AFTER 7/98)	2
3	S25F-6	COUPLER 3/4 PRESSURE FRONT (BEFORE 7/98)	1
	105480	COUPLER, FLAT FACE FEMALE (AFTER 7/98)	1
	105482	COUPLER, DUST CAP FEMALE	1
4	1-397-010305254	HOSE ASSEMBLY	2
	100064	HOSE ASSEMBLY	2
6	3-181-010006	HOSE CLAMP	REF
7	1-510-010001	NUT FLANGE LOCK 3/8-16	8
8	3-846-010152-01	VALVE ASSY 3 SPOOL (STD ASSEMBLY) (SEE PAGE 1-11)	1
	3-846-010152-05	VALVE ASSY 3 SPOOL (SGL REMOTE) (SEE PAGE 1-11)	1
	3-846-010152-08	VALVE ASSY 3 SPOOL (DUAL REMOTE)(SEE PAGE 1-11)	1
	3-846-010152-10	VALVE ASSY 3 SPOOL (TRPL REMOTE) SEE PAGE 1-11)	1
9	1-654-010051-05	SCREW, HEX HEAD CAP 3/8-16 GR5	8
10	3-681-010122	SHIELD, CONTROL VALVE	1
11	3-242-010099	CYLINDER HYDR 4X42 (SEE PAGE 1-8)	2
12	3-557-010059	PIN CYL ROD END	2
13	1-557-010362-54	PIN COTTER 3/16 X 2-1/4	4
14	3-557-010033	PIN CYLINDER BUTT END	2
15	2062-8-8S	ADAPTER 90	3
16	203003-8-8S	ADAPTER TEE	1
17	2033-8-8S	ADAPTER TEE	1
18	1-397-010301042	HOSE ASSEMBLY	1
19	107756	HOSE ASSEMBLY 24 STR-90	1
20	1-397-010301194	HOSE ASSEMBLY (42')	1
	1-397-010301268	HOSE ASSEMBLY (48')	1
21	1-397-010301040	HOSE ASSEMBLY	1
22	1-397-010301164	HOSE ASSEMBLY (42')	1
	1-397-010301238	HOSE ASSEMBLY (48')	1
23	3-846-010156	VALVE RESTRICTOR 3/64-ONE WAY (DIRECT REPLACEMENT)	2
24	100063	HOSE ASSEMBLY (STD LOAD ANGLE)	1
	1-397-010302084	HOSE ASSEMBLY (LOW LOAD ANGLE)	1
25	1-397-010301130	HOSE ASSEMBLY (STD LOAD ANGLE)	1
	1-397-010302042	HOSE ASSEMBLY (LOW LOAD ANGLE)	1
26	3-242-010153	CYLINDER ASSY (STD LOAD ANGLE)(ITEMS 69-75)	1
27	2-181-010001	HOSE CLAMP (LOW LOAD ANGLE)	2
28	1-510-010001	NUT FLANGE LOCK 3/8-16 (LOW LOAD ANGLE)	2
29	2062-8-8S	ADAPTER 90 (STD LOAD ANGLE)	2
30	TY244MX	TY-WRAP (STD LOAD ANGLE) (NOT SHOWN)	12
31	3-125-010241	BRACKET CYL MOUNT (STD LOAD ANGLE)	2
32	1-654-010061-06	SCREW HEX HEAD CAP 3/4-10 GR5	6
33	3-861-010038	WASHER STEP	6
34	1-512-010005-15	NUT HEX LOCK 3/4-10 GRB	6
35	3-557-010120	PIN UNDERCARRIAGE CYLINDER	1
36	1-557-010362-54	PIN COTTER 3/16 X 2-1/4	2
37	3-242-010152-02	CYLINDER ASSY (LOW LOAD ANGLE)(ITEMS 48-68)	1

HYDRAULIC SYSTEM

ITEM	PART NO.	DESCRIPTION	QTY.
38	3-125-010244	BRACKET WLDMT CYL TRUN (LOW LOAD ANGLE)	2
39	3-102-010022	U BOLT CYL SUPPORT (LOW LOAD ANGLE)	2
40	1/2-13 HFN	NUT 1/2-13 GR2	2,4*
41	1-861-010032-15	WASHER FLAT 1/2 W	4,8*
42	1-512-010005-09	NUT HEX LOCK 1/2-13 GRB	2,4*
43	3-146-010001	RUBBER BUMPER CYLINDER (LOW LOAD ANGLE)	1
44	1-397-010010016	HOSE HYDRAULIC 1/2 X16 (LOW LOAD ANGLE)	2
45	1-861-010032-21	WASHER FLAT 3/4W	6
46	3-102-010048	U-BOLT 7-5/8 X 10 (STD LOAD ANGLE)	1
47	2750-8	HOSE 1/2 AIR BRAKE X 20 (STD LOAD ANGLE)	1.666
48	3-242-010099	HYDRAULIC CYLINDER WELDMENT	2
49	3-242-010103	CYLINDER HYD 4 X 126 (SEE PAGE 1-9)	1
50	3-120-010125	CYLINDER TRUNNION ASSEMBLY	1
51	3-120-010117	NYLATRON BEARING	4
52	3-557-010031	PIN CYLINDER BUTT END	2
53	1-557-010362-54	PIN COTTER 3/16 X 2-1/4	4
54	3-150-010223	BUSHING	2
55	1-654-010059-21	SCREW HEX HEAD CAP 5/8-11 X 8 GR5	4
56	1-861-010032-19	WASHER FLAT 5/8W	4
57	1-512-010005-13	NUT HEX LOCK 5/8-11 GRB	4
58	1-298-010001-1	FITTING	4
59	1-161-010033-04	CAP PLASTIC TAPERED 1/2	2
60	203003-8-8S	ADAPTER TEE	1
61	1-397-010301039	HOSE ASSEMBLY	1
62	2061-8-8S	ADAPTER 45	1
63	1-397-010302070	HOSE ASSEMBLY	1
64	1-796-00003-02	TIE STRAP PLASTIC (NOT SHOWN)	4
65	203005-8-8S	ADAPTER TEE	3
66	1-397-010301042	HOSE ASSEMBLY	1
67	107486	HOSE ASSEMBLY	1
68	2062-8-8S	ADAPTER 90	1
69	3-242-010102	CYL HYD 4X126 O-RING (SEE PAGE 1-9)	1
70	3-120-010073	BRKT ASSY CYLINDER TRUNNION	2
71	3-557-010033	PIN CYLINDER BUTT END	1
72	1-557-010362-54	PIN COTTER 3/16 X 2-1/4	1
73	1-654-010055-17	SCREW HEX HEAD CAP 1/2-13 X 6 GR5	6
74	1-512-010005-09	NUT HEX LOCK 1/2-13 GRB	6
75	1-298-010001-1	FITTING GREASE 1/4-28	1
76	3-873-010126-2	WINCH ASSEMBLY 12,000 LB (SEE PAGE 1-51)	1
	3-873-010129-2	WINCH ASSEMBLY 20,000 LB (SEE PAGE 1-51)	1
77	202702-10-8S	ADAPTER	2
78	1-397-010302240	HOSE ASSEMBLY	2
	100062	HOSE ASSEMBLY	2
	1-397-010302172	HOSE ASSEMBLY	2
79	3-846-010008	VALVE 3-SPOOL (SEE PAGE 1-17)	REF
80	3-482-010575	MOUNT WELDMENT, VALVE	REF
81	1-654-010051-09	SCREW, HEX HEAD CAP 3/8-16 X 2 GR5	REF
82	2062-12-12S	ADAPTER 90	REF
83	2061-8-8S	ADAPTER 45	REF

* THE FIRST QUANTITY LISTED IS FOR THE STANDARD LOAD ANGLE, THE SECOND QUANTITY IS FOR THE LOW LOAD ANGLE.

NOTE: IF ONLY ONE QUANTITY IS LISTED, QUANTITY APPLIES TO BOTH STD AND LOW LOAD ANGLE UNLESS OTHERWISE DESIGNATED IN THE DESCRIPTION.

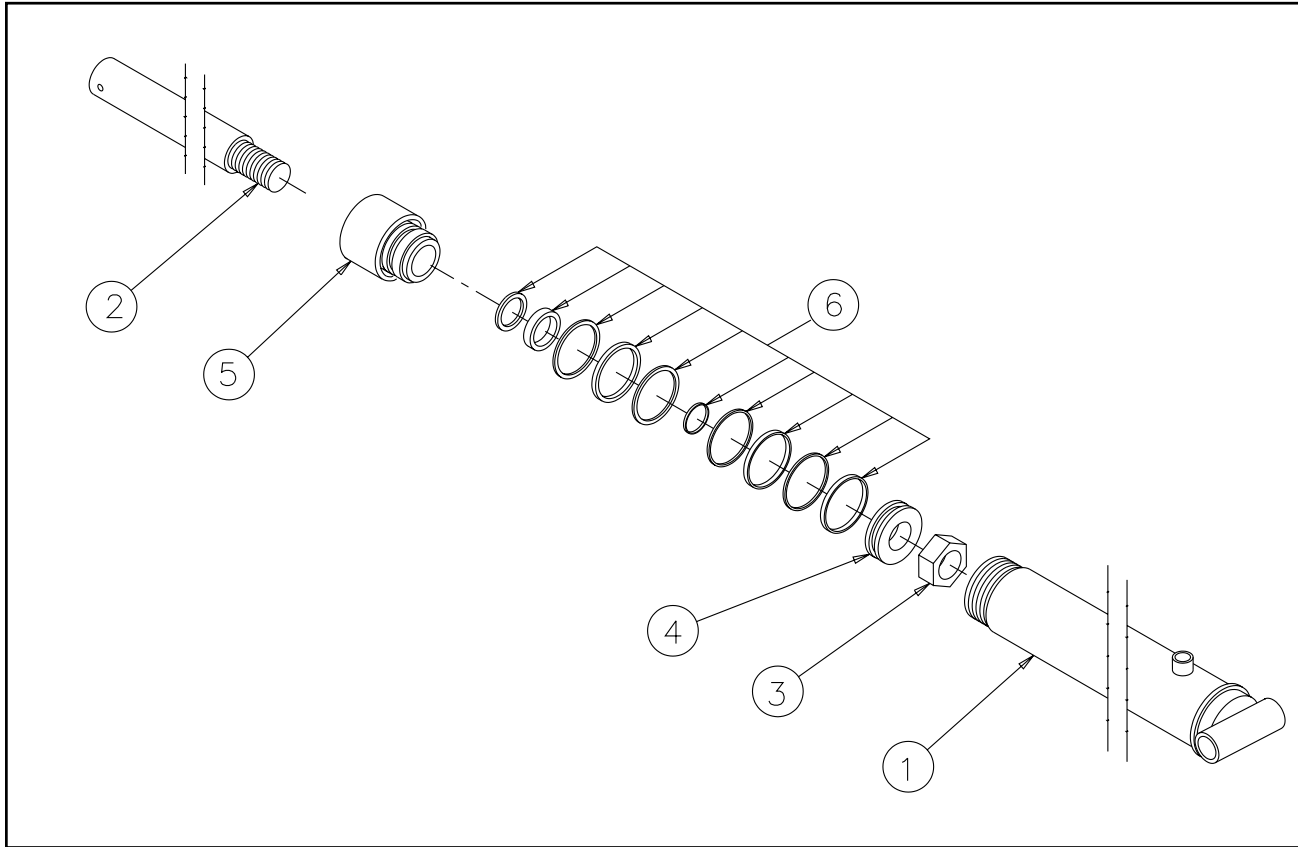


Figure 1-6 Trailer Tilt Cylinder Assembly

TRAILER TILT CYLINDER

ITEM	PART NO.	DESCRIPTION	QTY.
	3-242-010099	CYL. HYDR 4"X42" (TILT CYLINDER)	1
	3-242-010118	CYL. HYDR 4"X42"(LOW LOAD CYL FOR UNDERCARRIAGE)	1
1	*	BUTT AND TUBE ASSEMBLY	1
1A	*	BUTT AND TUBE ASSEMBLY (ALTERED PER 3-242-010099)	1
2	011100550	PISTON ROD	1
3	220000212	LOCKNUT (1-1/4 - 12)	1
4	071900048	PISTON	1
5	081900295	GLAND	1
	230007400	RETAINER SQUARE WIRE	1
6	PMCK-AD-460	PACKING KIT (CONTAINS ALL NECESSARY SEALS AND O-RINGS)	AIR

* PART NOT SOLD SEPARATELY. REQUIRES PURCHASE OF ENTIRE ASSEMBLY.

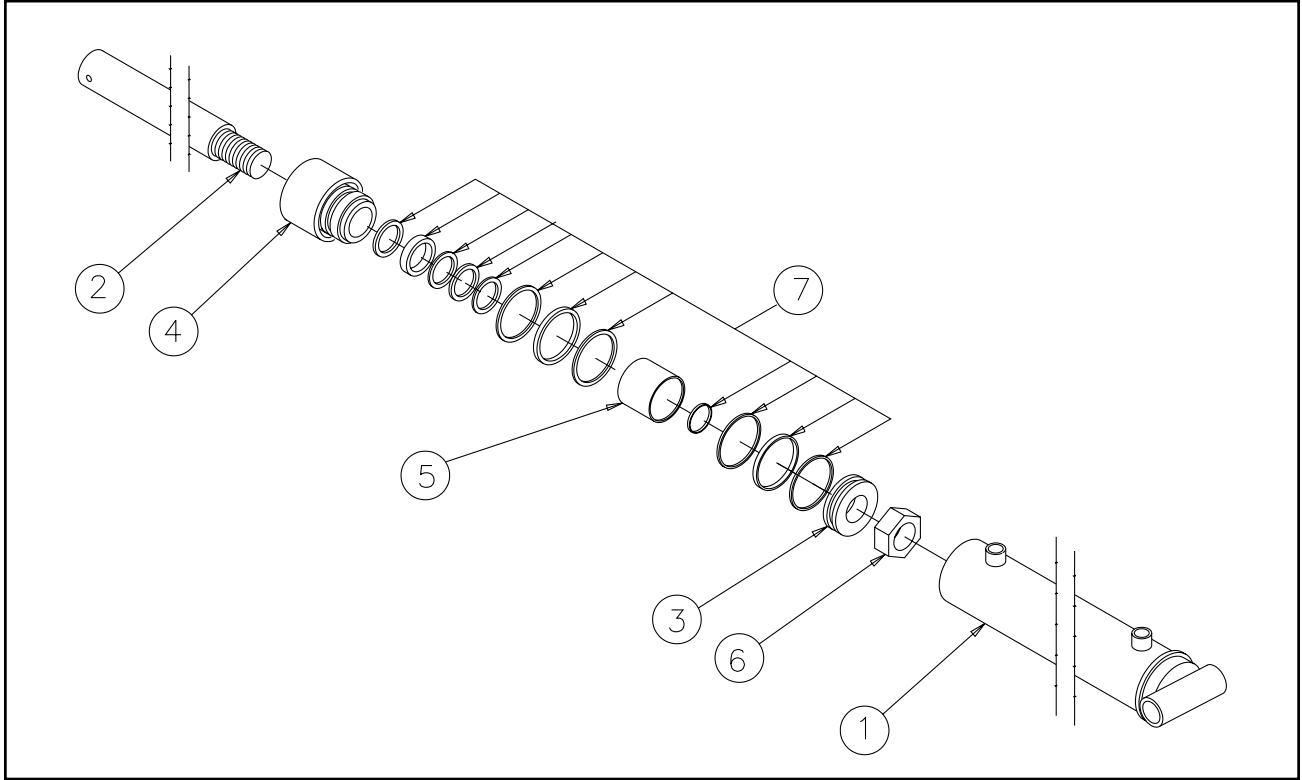
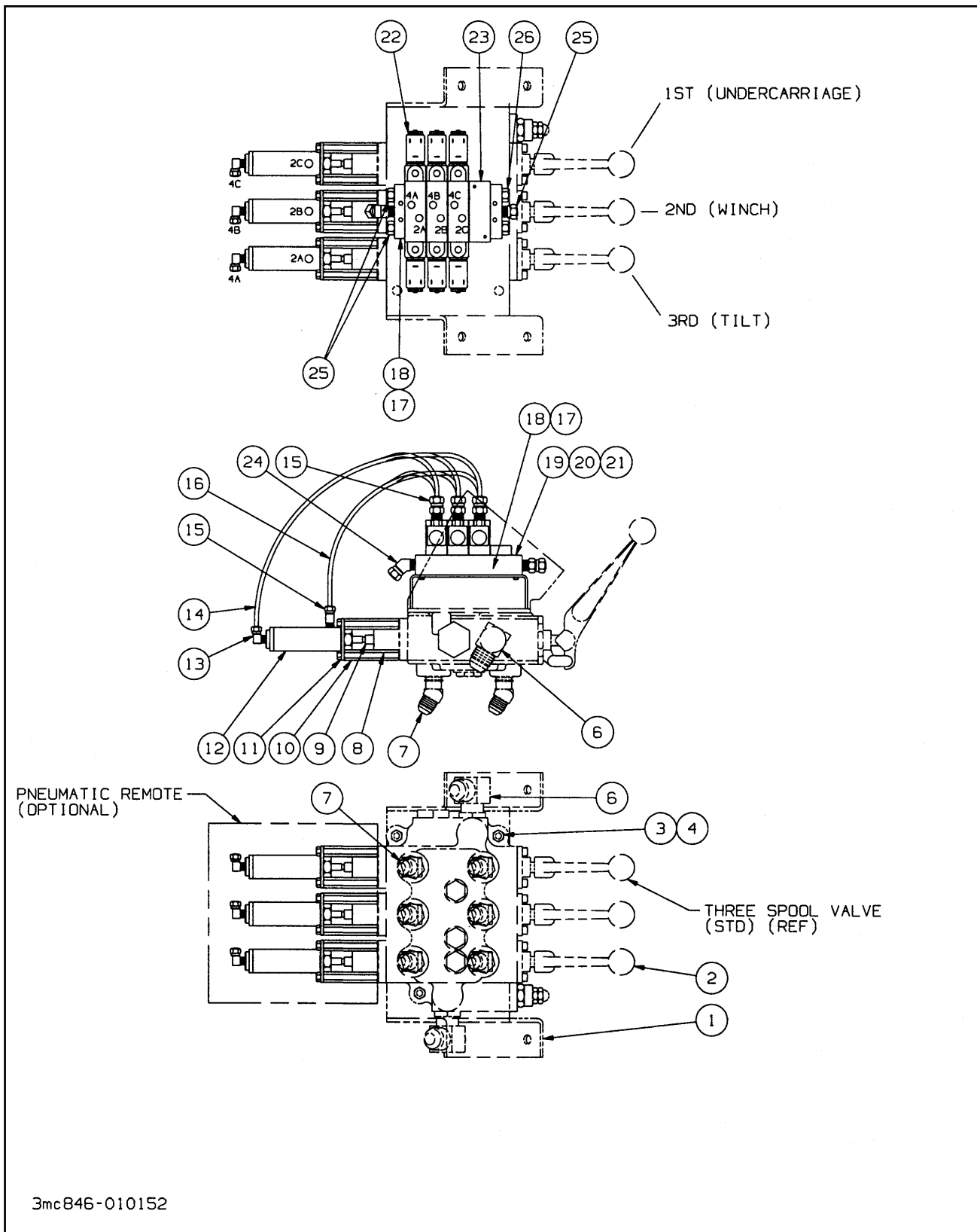


Figure 1-7 Undercarriage Slide Cylinder Assembly

UNDERCARRIAGE SLIDE CYLINDER

ITEM	PART NO.	DESCRIPTION	QTY.
	3-242-010102	CYL. HYDR. 4"X126" (STANDARD LOAD ANGLE)	1
	3-242-010103	CYL. HYDR. 4"X126" (LOW LOAD ANGLE)	1
1A	*	BUTT AND TUBE ASSEMBLY	1
1B	*	BUTT AND TUBE ASSEMBLY (ALTERED PER 3-242-010102)	1
2	011300179	PISTON ROD	1
3	071900195	PISTON	1
4	081900277	GLAND	1
	230007400	RING SQUARE RETAINING	1
5	211300024	SPACER	1
6	220000212	LOCKNUT PISTON RING	1
7	PMCK-AD-461	PACKING KIT (CONTAINS ALL NECESSARY SEALS AND O-RINGS)	1

* PART NOT SOLD SEPARATELY, REQUIRES PURCHASE OF ENTIRE ASSEMBLY.

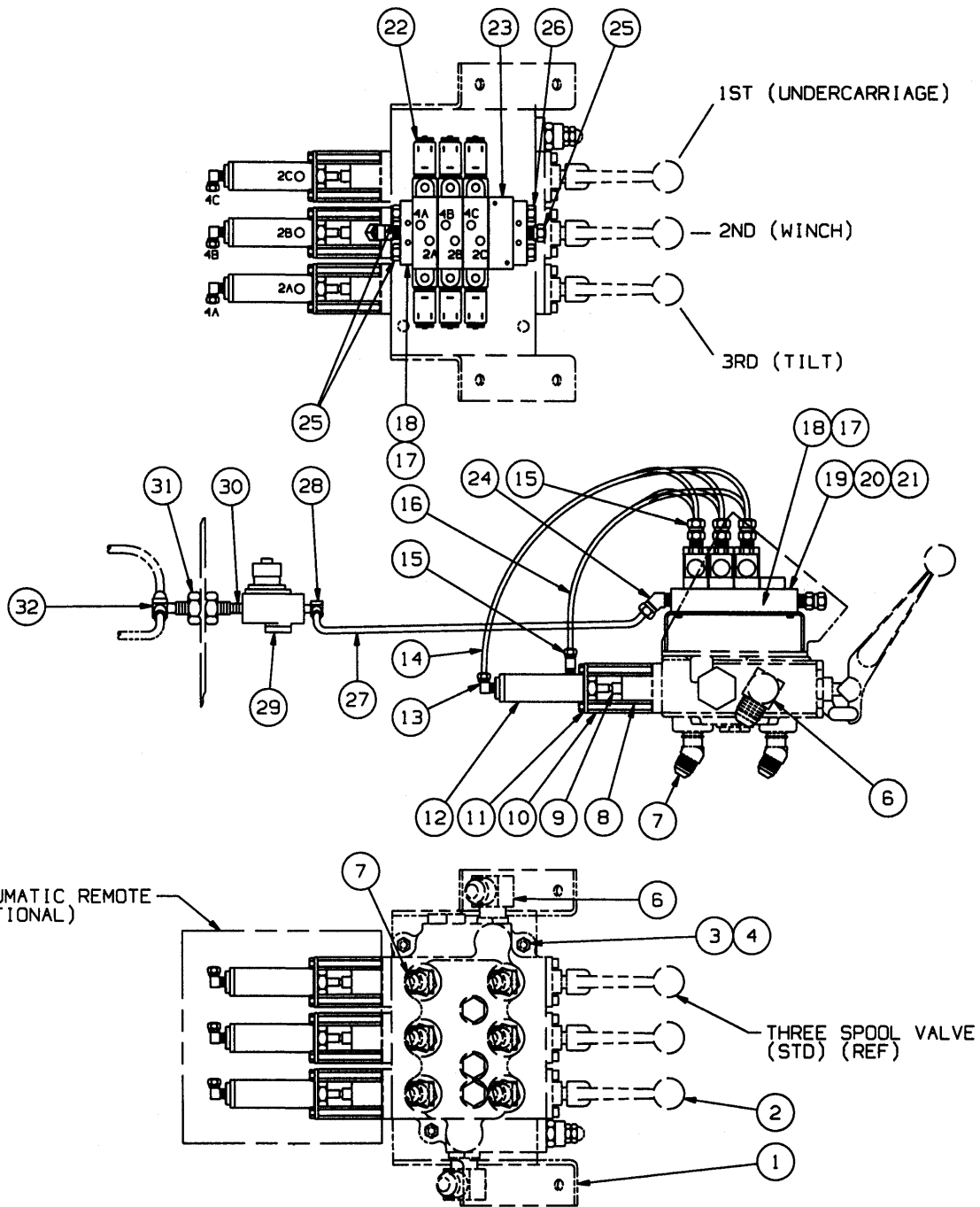


3mc846-010152

Figure 1-8 Valve Assembly, Three Spool

VALVE ASSEMBLY THREE SPOOL

ITEM	PART NO.	DESCRIPTION	QTY			
			-01	-05	-08	-10
	3-846-010152-01	VALVE ASSEMBLY 3-SPOOL STANDARD	*			
	3-846-010152-05	VALVE ASSEMBLY 3-SPOOL REMOTE 2ND SPOOL		*		
	3-846-010152-08	VALVE ASSEMBLY 3-SPOOL REMOTE 2ND/3RD SPOOL			*	
	3-846-010152-10	VALVE ASSEMBLY 3-SPOOL REMOTE 3 SPOOLS				*
1	3-482-010575	MOUNT WELDMENT VALVE	1	1	1	1
2	3-846-010008	VALVE 3-SPL 2500 PSI (SEE PAGE 1-17)	1	1	1	1
3	1-654-010051-09	SCREW HEX HEAD CAP 3/8-16 GR5	3	3	3	3
4	1-510-010001	NUT FLANGE LOCK 3/8-16	3	3	3	3
6	2062-12-12S	ADAPTER 90	2	2	2	2
7	2061-8-8S	ADAPTER 45	6	6	6	6
8	3-161-010034	CAP MODIFIED VALVE SPOOL	-	1	2	3
9	3-007-010039	ADAPTER AIR CYLINDER	-	1	2	3
10	3-711-010055	SPACER MALE-FEMALE	-	4	8	12
11	3-482-010288	MOUNT AIR CYLINDER VALVE	-	1	2	3
12	3-238-010001	CYLINDER AIR	-	1	2	3
13	1-297-010008-01	FITTING AIR 90	-	1	2	3
14	NB-2-016	TUBING NYLON FLEX 18	-	1	2	3
15	68CA-2-2	CONNECTOR	-	3	6	9
16	NB-2-016	TUBING NYLON FLEX	-	1	2	3
17	3-843-010023	VALVE PNEU MANF- 2 STATION (NO PARTS BREAKDOWN)	-	-	-	1
18	3-843-010025	VALVE PNEU MANF- 4 STATION (NO PARTS BREAKDOWN)	-	1	1	-
19	1-654-010024014	SCREW MACH FLSTR 6-32X1-1/2	-	4	4	4
20	1-861-010032-01	WASHER FLAT #6	-	4	4	4
21	1-512-010003-02	NUT HEX LOCK W/NYLON #6-32	-	4	4	4
22	3-843-010015	VALVE PNEU 4-WAY, 3-POS (SEE PAGE 1-14)	-	1	2	3
23	3-843-010024	VALVE BLANK STATION COVER	-	1	-	1
24	1-297-010013-05	FITTING AIR	-	1	1	1
25	1-297-010033-02	FITTING BRASS PLUG HEX	-	3	3	3
26	3-136-010001-02	BREATHER PNEUMATIC EXHAUST	-	2	2	2



3mf846-010152

Figure 1-9 Pneumatic Remote

PNEUMATIC REMOTE (OPTIONAL)

ITEM	PART NO.	DESCRIPTION	QTY		
			SINGLE	DUAL	TRIPLE
	100291	CONTROL, REMOTE WINCH	*		
	100292	CONTROL, REMOTE WINCH/TILT		*	
	100294	CONTROL, REMOTE WINCH/TILT, U/C			*
1	3-482-010563	MOUNT WLDMT VALVE HYD PNEUM	1	1	1
2	3-846-010008	VALVE 3-SPOOL 2500 PSI (SEE PAGE 1-17)	1	1	1
3	1-654-010051-09	SCREW HEX HEAD CAP 3/8-16 GR5	3	3	3
4	1-510-010001	NUT FLANGE LOCK 3/8-16	3	3	3
6	2062-12-12S	ADAPTER 90	2	2	2
7	2061-8-8S	ADAPTER 45	6	6	6
8	3-161-010034	CAP MODIFIED VALVE SPOOL	1	2	3
9	3-007-010039	ADAPTER AIR CYLINDER	1	2	3
10	3-711-010055	SPACER MALE-FEMALE	4	8	12
11	3-482-010288	MOUNT AIR CYLINDER VALVE	1	2	3
12	3-238-010001	CYLINDER AIR 1-1/16 BORE X 1 STR (NO PARTS BREAKDOWN)	1	2	3
13	1-297-010008-01	FITTING AIR 90 1/8TB X 1/8NPT	1	2	3
14	NB-2-016	TUBING NYLON FLEX 1/8 OD X 18"	1	2	3
15	68CA-2-2	CONNECTOR	3	6	9
16	NB-2-016	TUBING NYLON FLEX 1/8 OD X 12"	1	2	3
17	3-843-010025	VALVE PNEU. MANF - 2 STATION (NO PARTS BREAKDOWN)	1	1	0
18	3-843-010023	VALVE PNEU. MANF - 4 STATION (NO PARTS BREAKDOWN)	0	0	1
19	1-654-010024014	SCREW MACH FLSTR 6-32 X 1-1/2	4	4	4
20	1-861-010032-01	WASHER FLAT #6	4	4	4
21	1-512-010003-02	NUT HEX LOCK #6-32	4	4	4
22	3-843-010015	VALVE PNEUMATIC 4-WAY 3-POS. (SEE PAGE 1-14)	1	2	3
23	3-843-010024	VALVE BLANK STATION COVER (NO PARTS BREAKDOWN)	1	0	1
24	1-297-010013-05	FITTING AIR 1/4X1/4 45 M/ELB	1	1	1
25	1-297-010033-02	FITTING BRASS PLUG HEX 1/4NPT	3	3	3
26	3-136-010001-02	BREATHER PNEUMATIC EXH 1/4NPT	2	2	2
27	1-833-010001	NYLON TUBING 1/4 OD	3'	3'	3'
28	1-297-010008-07	FITTING AIR 90 1/4 TUBE X 1/4 NPT	1	1	1
29	905-54-107	VALVE AND FILTER PRESSURE	1	1	1
30	1-297-010020-02	FITTING BRS PIPE CL NIP 1/4	1	1	1
31	1-297-010022-02	FITTING AIR ANCHOR CPLG 1/4 NPT	1	1	1
32	1-297-010015-09	FITTING AIR BR TEE 1/2T X 1/4P	1	1	1

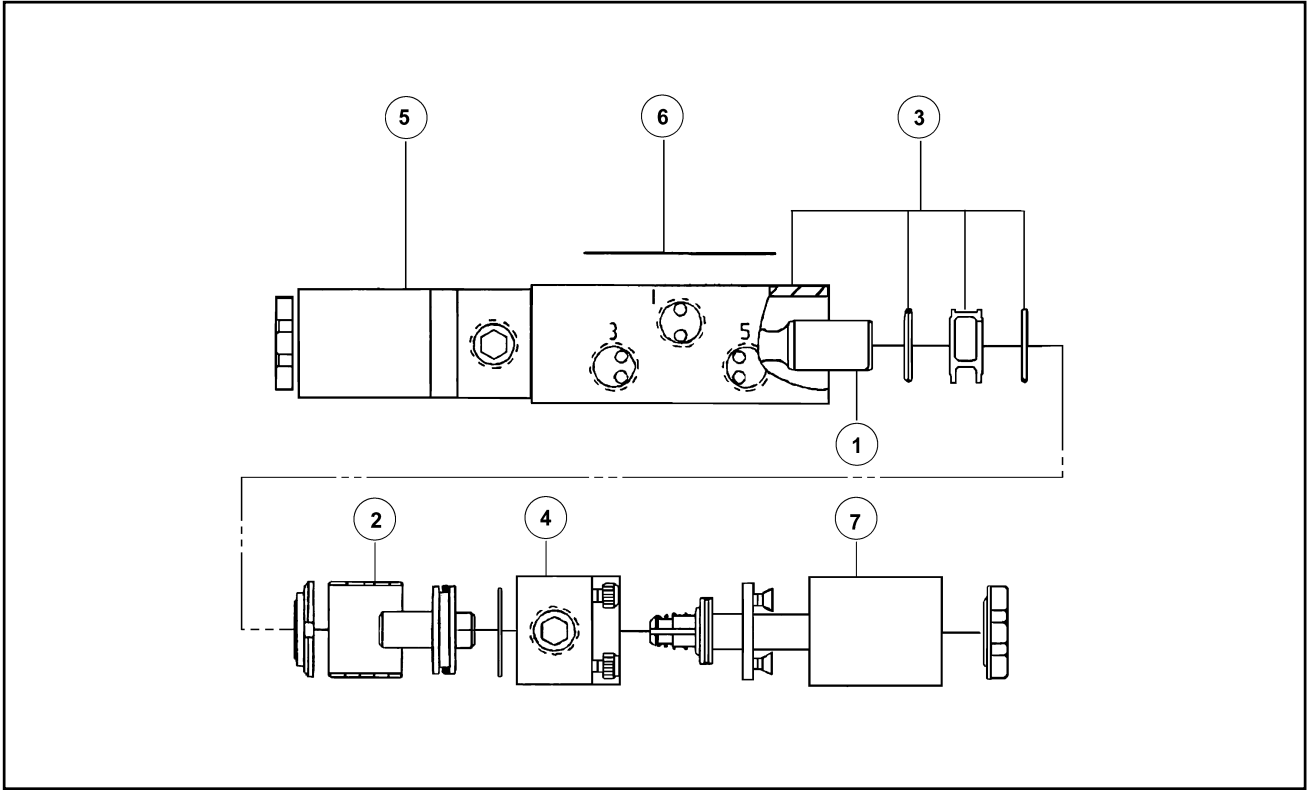


Figure 1-10 Pneumatic Valve

PNEUMATIC VALVE

ITEM	PART NO.	DESCRIPTION	QTY.
	3-843-010015	VALVE PNEUMATIC 4-WAY 3-POS.	3
1	6964-312	SPOOL	1
2	A7106-430	OPERATOR	1
3	A7106-350	BODY	1
4	AB022-567	CAP	2
5	7019-9XX	COIL	2
6	6582	LABEL MODEL NUMBER	2
7	A7106-392	SERVICE KIT (Contains all necessary tee seals, o-rings, spring and plunger, and gasket)	

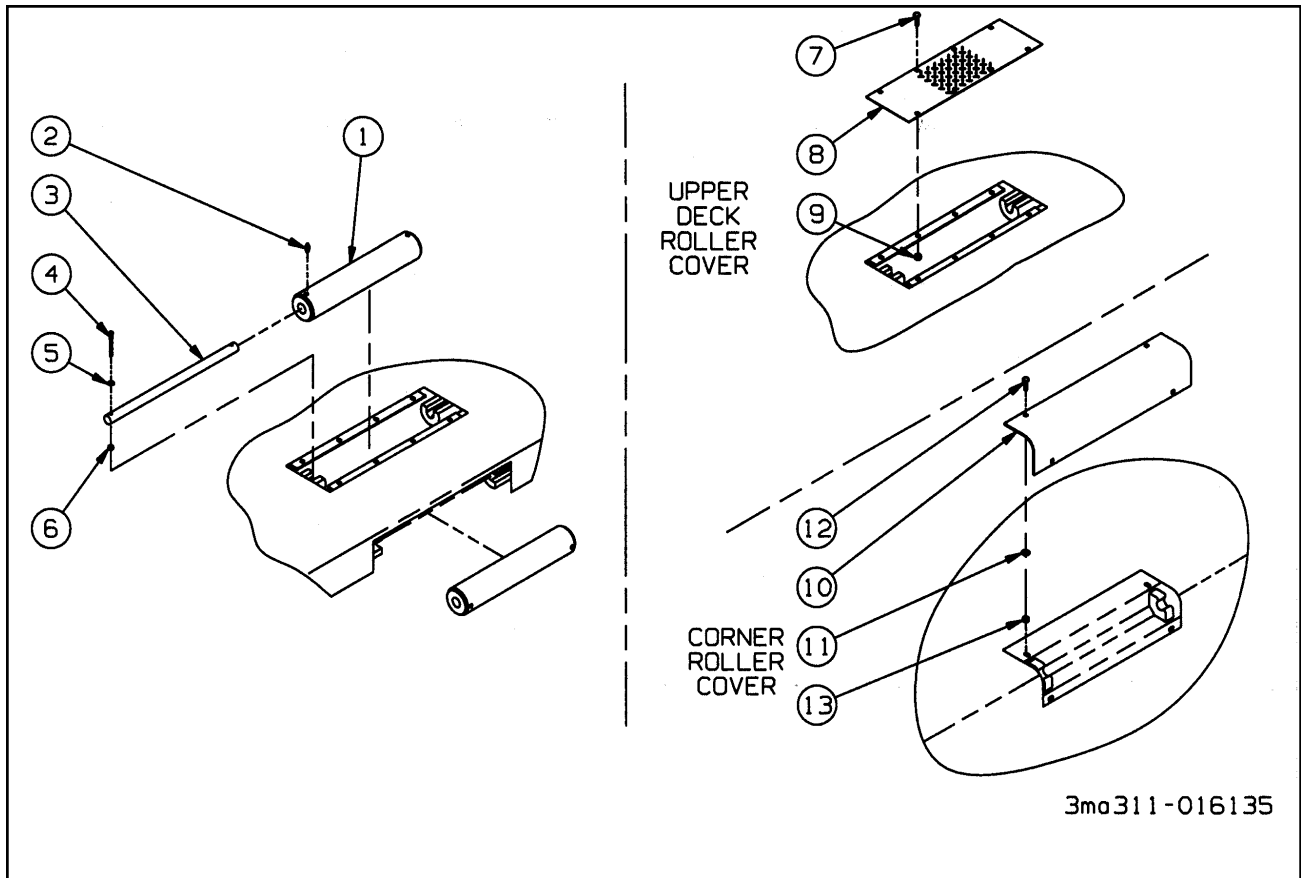


Figure 1-11 Slope Roller 90 Drop Deck

SLOPE ROLLER 90° DROP DECK (OPTIONAL)

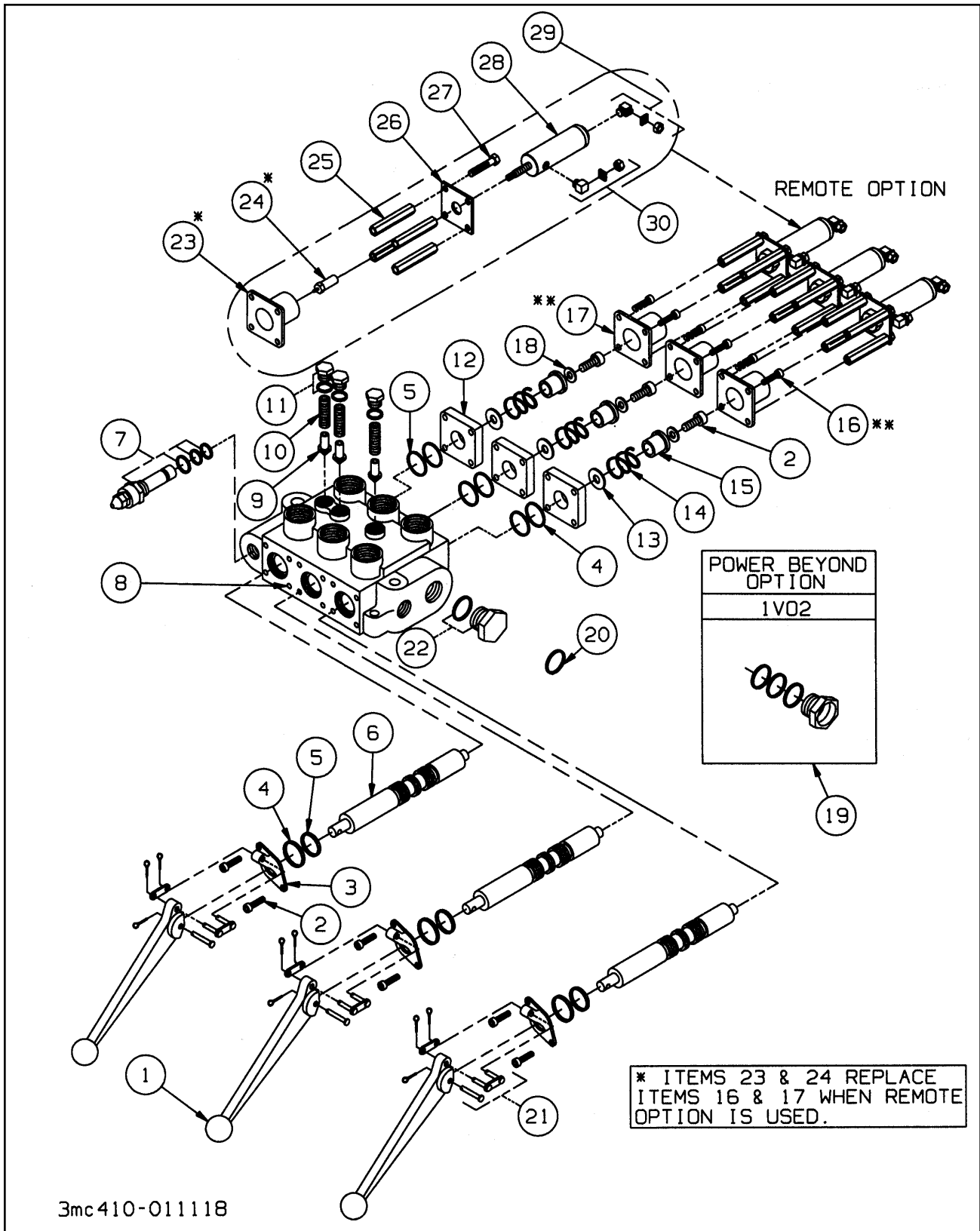
ITEM	PART NO.	DESCRIPTION	QTY.
	3-645-010085	ROLLER ASSEMBLY SLOPE	1
1	3-645-010059	ROLLER WELDMENT CABLE - UPPER DECK	2
2	5010	ZERK FITTING 1/4	4
3	3-642-010134	ROD ROLLER	2
4	1-654-010055-11	SCREW HEX HEAD CAP 1/2-13 X 3-1/2 GR5	4
5	1-861-010032-15	WASHER FLAT 1/2	4
6	1-512-010005-09	NUT HEX LOCK 1/2-13 GRB	4

COVER PLATE INSTALLATION - UPPER DECK ROLLER (OPTIONAL)

	3-222-010199	COVER PLATE INST. - UPPER DECK ROLLER	
7	1-654-010070-02	SCREW RD HEAD SQ NECK 1/2-13 X 1-1/4	8
8	3-222-010198	COVER UPPER DECK ROLLER	1
9	1-512-010005-09	NUT HEX LOCK 1/2-13 GRB	8

COVER PLATE INSTALLATION - CORNER ROLLER (OPTIONAL)

	3-222-010227	COVER PLATE INSTL. - CORNER ROLLER	
10	3-535-011751	PLATE CABLE WEAR	1
11	1-861-010032-14	WASHER FLAT 1/2 N	4
12	1-654-010070-03	SCREW RDHD SQNK 1/2-13X1-1/2	4
13	1-512-010005-09	NUT HEX LOCK 1/2-13 GRB	4



THREE SPOOL VALVE

ITEM	PART NO.	DESCRIPTION	QTY.
	3-846-010008	VALVE ASSEMBLY	
1	1V1703	VALVE HANDLE	3
2	2A0079-404	CAP SCREW (TIGHTEN TO 7-11 FT. LBS)	9
3	4Z4306	BRACKET HANDLE	3
4	1A0711	WASHER O-RING SPOOL	6
5	2A0283-7214	SEAL SPOOL	6
6	1V0090	*SPOOL 4-WAY	3
7	1R0017	RELIEF ASSEMBLY (1500-3000 PSI) (PRESET @2500 PSI)	1
8	1V0360	*HOUSING VALVE	1
9	1V0081	POPPET LOAD CHECK	3
10	1A0757	SPRING LOAD CHECK	3
11	1V1725	PLUG LOAD CHECK	3
12	1A0709	SPACER END	3
13	1A0291	WASHER STOP	3
14	1A0744	SPRING CENTERING	3
15	1A0292	COLLAR STOP	3
16**	2A0079-406	CAPSCREW (TIGHTEN TO 7-11 FT. LBS)	12
17**	1A0294	CAP END	3
18	1A0290	WASHER CENTERING SPRING	3
19	1V0208	ADAPTER ASSEMBLY REMOTE POWER BEYOND (CONTAINS ALL NECESSARY O-RING)	1
20	2A0283-7214	GROMMET RUBBER (BOTTOM OUTLET)	1
21	1V1701	PIN KIT	3
22	2A0354-121	PLUG CONVERSION	1
23**	3-161-010034	CAP MODIFIED VALVE SPOOL	3
24**	3-007-010039	ADAPTER AIR CYLINDER	3
25	3-711-010055	SPACER	12
26	3-482-010288	MOUNT AIR CYLINDER VALVE	3
27	104877	SCREW HEX CAP 1/4-20 GR5	12
28	3-238-010001	CYLINDER AIR	3
29	1-297-010008-01	FITTING AIR 90	3
30	68CA-2-2	CONNECTOR	3

* SOLD AS MATCHED SET ONLY.

** ITEMS 23 AND 24 REPLACE ITEMS 16 AND 17 WHEN REMOTE OPTION IS USED.

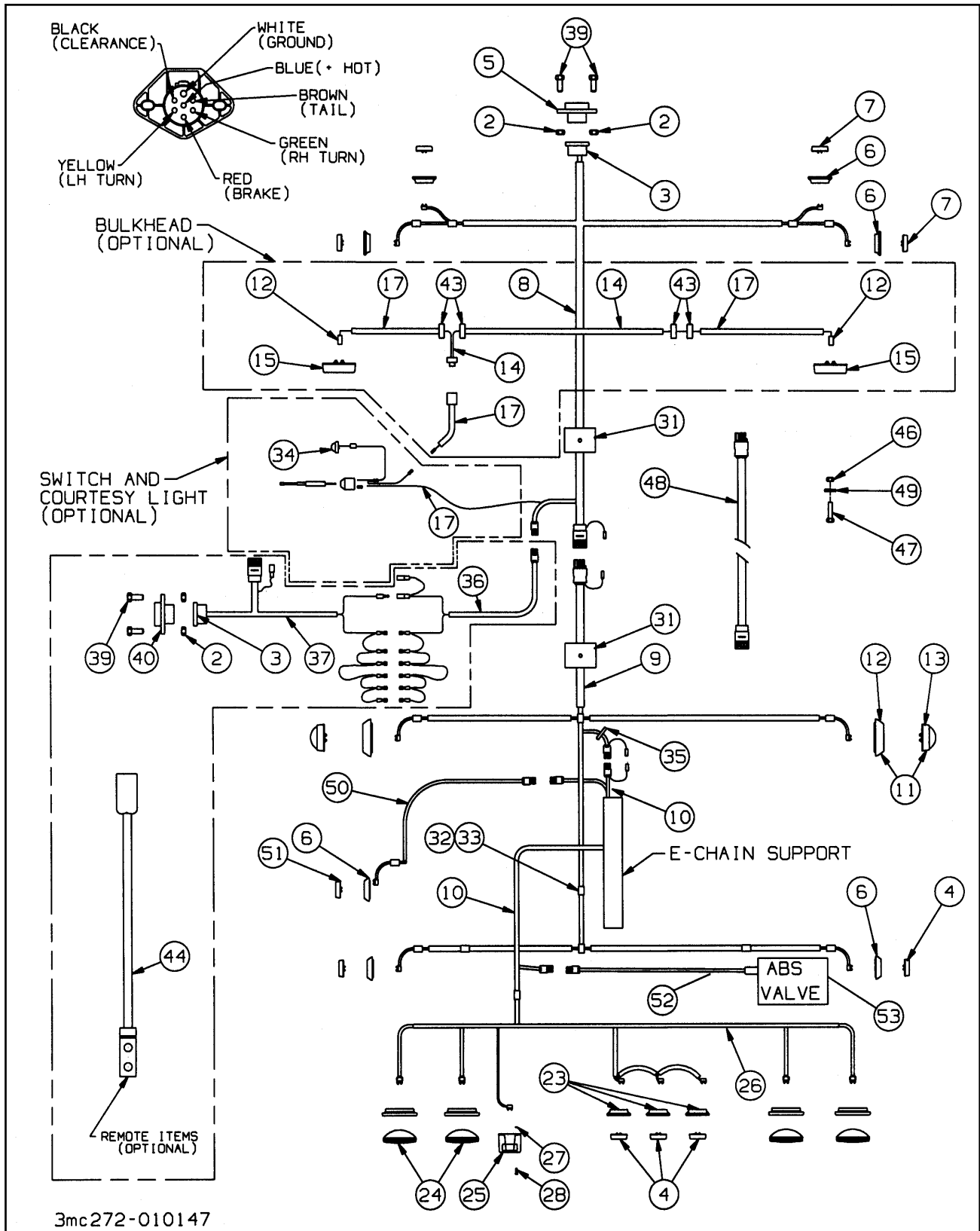


Figure 1-13 Electrical System

ELECTRICAL SYSTEM

ITEM	PART NO.	DESCRIPTION	QTY.
	3-272-010147	ELECTRICAL INSTL 330-42	
	3-272-010148	ELECTRICAL INST. REMOTE	
2	1-512-010005-03	NUT HEX LOCK 5/16-18 GRB	2
3	59W-2-3	RUBBER BOOT	1
4	10205R	REFLECTOR LAMP RED	2
5	59S-7	RECEPTACLE 7 PIN	1
6	10403	GROMMET MOUNT	7
7	10205Y	REFLECTOR LAMP YELLOW	4
8	3-368-010243-01	HARNESS ASSY FRONT MAIN	1
9	3-368-010244	HARNESS ASSY REAR MAIN	1
10	102836	CABLE ASSY	1
11	60015Y	LIGHT TURN AND CLEARANCE W/ GROMMET	2
12	1-343-010010	GROMMET 9/16	6
13	1-796-010003-02	TIE STRAP PLASTIC (NOT SHOWN)	10
14	3-368-010250	HARNESS ASSY BULKHEAD LIGHT	1
15	64181	LAMP HALOGEN RECT. QUARTZ	2
16	3-368-010252	HARNESS ASSY BULKHEAD LIGHT	1
17	101381	HARNESS LIGHT WORK & COURTESY	1
23	10404	GROMMET MOUNT	3
24	40002R	LIGHT STOP TURN TAIL	4
	40202R	LAMP	1
	40700	GROMMET	1
25	15009	LICENSE LAMP	1
	15725	BRACKET	1
	15700	GROMMET	1
	15206	LAMP	1
26	3-368-010175	HARNESS WIRE U/C REAR	1
27	1-861-010034-07	WASHER SPLIT LOCK #10	2
28	1-656-010003051	SCREW ROUND HEAD MACH #10-24X3/4	2
31	3-181-010006	HOSE CLAMP	*5,8
32	1-510-010001	NUT FLANGE LOCK 3/8-16	*16,19
33	2-181-010001	HOSE CLAMP	11
34	26331	LIGHT COURTESY TRUCKLITE	1
35	1-343-010007	GROMMET	1
36	3-368-010245-01	HARNESS POWER JUMPER	1
37	3-368-010246	HARNESS FRONT REMOTE	1
39	1-654-010049-06	SCREW HEX HEAD CAP 5/16-18 X 1-1/4 GR5	
40	3-272-010125	RECEPTACLE 7 PIN (FOR REMOTE ONLY)	1
43	1-343-010007	GROMMET	4
44	3-765-010001	SWITCH REMOTE CONTROL ASSY (SINGLE REMOTE)	1
	3-209-010004-01	CONTROL REMOTE WINCH/TILT (DUAL REMOTE)	1
	3-209-010004-03	CONTROL REMOTE WINCH/UC	1
	3-209-010004-04	CONTROL REMOTE TILT/UC	1
	3-209-010006-01	CONTROL REMOTE WINCH/TILT/UC (SEE PAGE FOR WIRED REMOTE OPTIONS)	1
45	1-660-010006	SEALANT ELECTRICAL DOW CORNING(NOT SHOWN)	AR
46	1-512-010007-05	NUT HEX 1/4-20 GRB	13
47	1-654-010047-06	SCREW HEX HEAD CAP 1/4-20 GR5	2
48	101852	DIAGNOSTIC CABLE W/ SWITCH (SEE PAGE 1-43)	1
49	1-861-010034-09	WASHER SPLIT LOCK 1/4	13
50	3-368-010294	HARNESS ABS LAMP	1
51	3-446-010046	LAMP ABS 2.5 DIA AMBER	1
52	101853	POWER CABLE 4 COND. (SEE PAGE 1-43)	1
53	101845	ECU/VALVE ASSEMBLY (SEE PAGE 1-43)	1

* THE FIRST QUANTITY IS FOR THE 42', THE SECOND QUANTITY IS FOR THE 48'

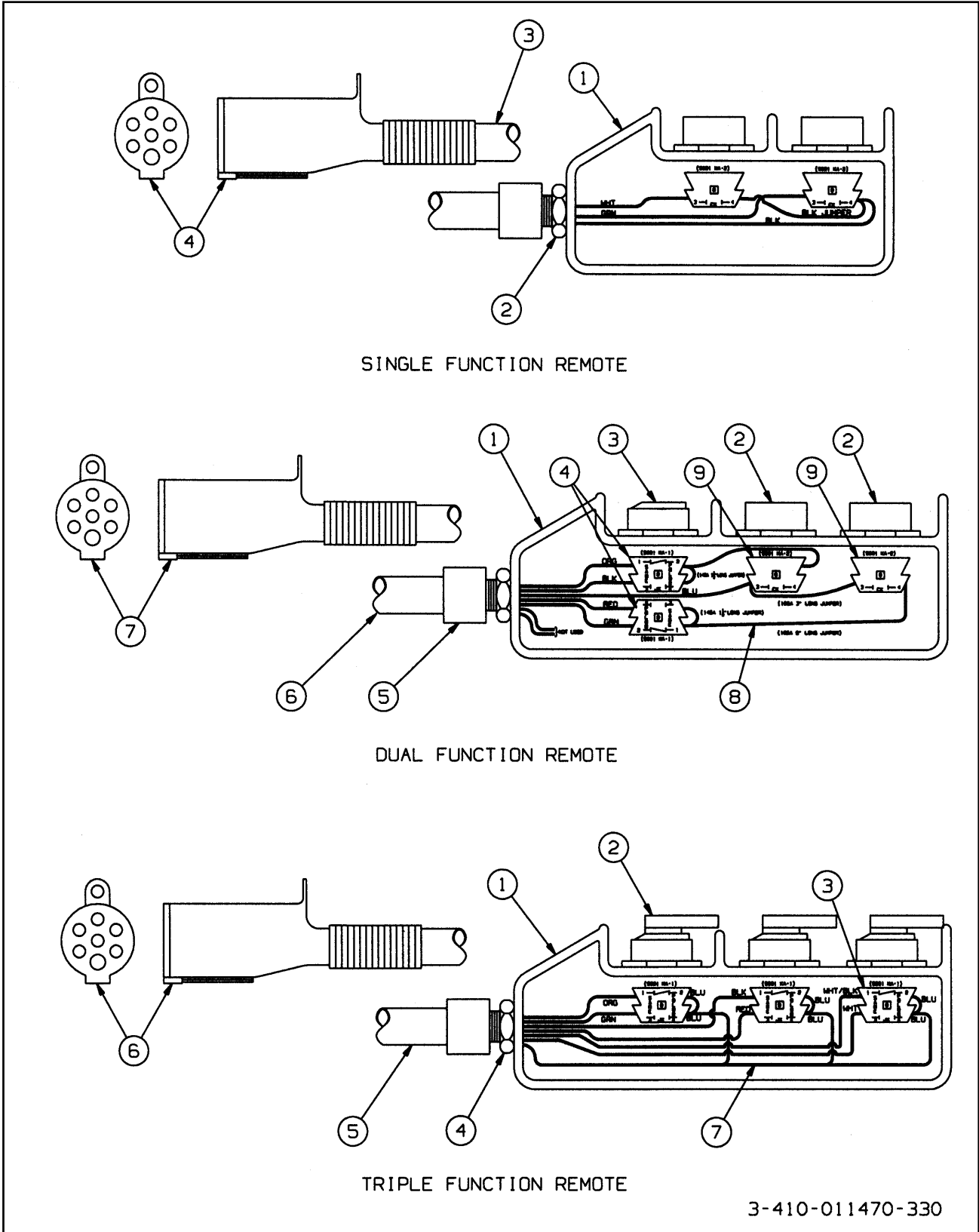


Figure 1-14 Wired Remote Control

WIRED REMOTE CONTROL, SINGLE

ITEM	PART NO.	DESCRIPTION	QTY.
	3-765-010001	SWITCH REMOTE CONTROL ASSEMBLY	
1	3-209-010003	PUSH BUTTON STATION	1
	106069	SHORT RING NUT FOR BUTTON	1
A	9001-BW70YU	CONTROL STATION SQD(CONTACT BLKS INCL)	1
B	9001-B256	REVERSE LEGEND	1
C	9001-B255	FORWARD LEGEND	1
2	DB-10	STRAIN RELIEF CORD CONN	1
3	3-156-010007	THREE CONDUCTOR WIRE	50
4	59P8	TRAILER CONN PLUG	1

WIRED REMOTE CONTROL, DUAL

ITEM	PART NO.	DESCRIPTION	QTY.
	3-209-010004	CONTROL DUAL FUNCTION REMOTE	
1	3-279-010037	ENCLOSURE DUAL REMOTE	1
2	3-272-010080	ELECTRICAL PUSH BUTTON UNITS	2
	106069	SHORT RING NUT FOR BUTTON	1
3	3-272-010079	ELECTRICAL CONTACT OPERATOR	1
4	3-272-010078	ELECTRICAL CONTACT BLOCK	2
5	106-0079	CONNECTOR	1
6	3-156-010043	CABLE	50
7	59P8	TRAILER CONN PLUG	1
8	1-879-010011	WIRE BLACK	2
9	3-272-010095	ELECTRICAL CONTACT BLOCK	2
10	3-573-010296	DECAL, WINCH TILT	1
	3-573-010391	DECAL, REMOTE WINCH TILT	1
	3-573-010392	DECAL, REMOTE WINCH UNDERCARRIAGE	1
	3-573-010393	DECAL, REMOTE TILT UNDERCARRIAGE	1
	100290	DECAL, REMOTE WINCH WINCH (DECALS NOT SHOWN) (SEE PAGE 1-63)	1

WIRED REMOTE CONTROL, TRIPLE

ITEM	PART NO.	DESCRIPTION	QTY.
	3-209-010006	CONTROL REMOTE WINCH/TILT UNDERCARRIAGE	
1	3-279-010037	ENCLOSURE DUAL REMOTE	1
2	3-272-010121	ELECTRICAL CONTACT OPERATOR 3 WAY	3
	106068	TALL RING NUT FOR BUTTON	2
3	3-272-010078	ELECTRICAL CONTACT BLOCK	3
4	106-0079	CONNECTOR	1
5	3-156-010043	CABLE	50
6	59P8	TRAILER CONN PLUG	1
7	1-879-010008	WIRE BLUE	2
8	3-573-010394	DECAL, TILT/WINCH/UNDERCARRIAGE	1
	3-573-010395	DECAL, TILT/WINCH/UNDERCARRIAGE	1
	100289	DECAL, WINCH/WINCH/TILT (DECALS NOT SHOWN) (SEE PAGE 1-63)	1

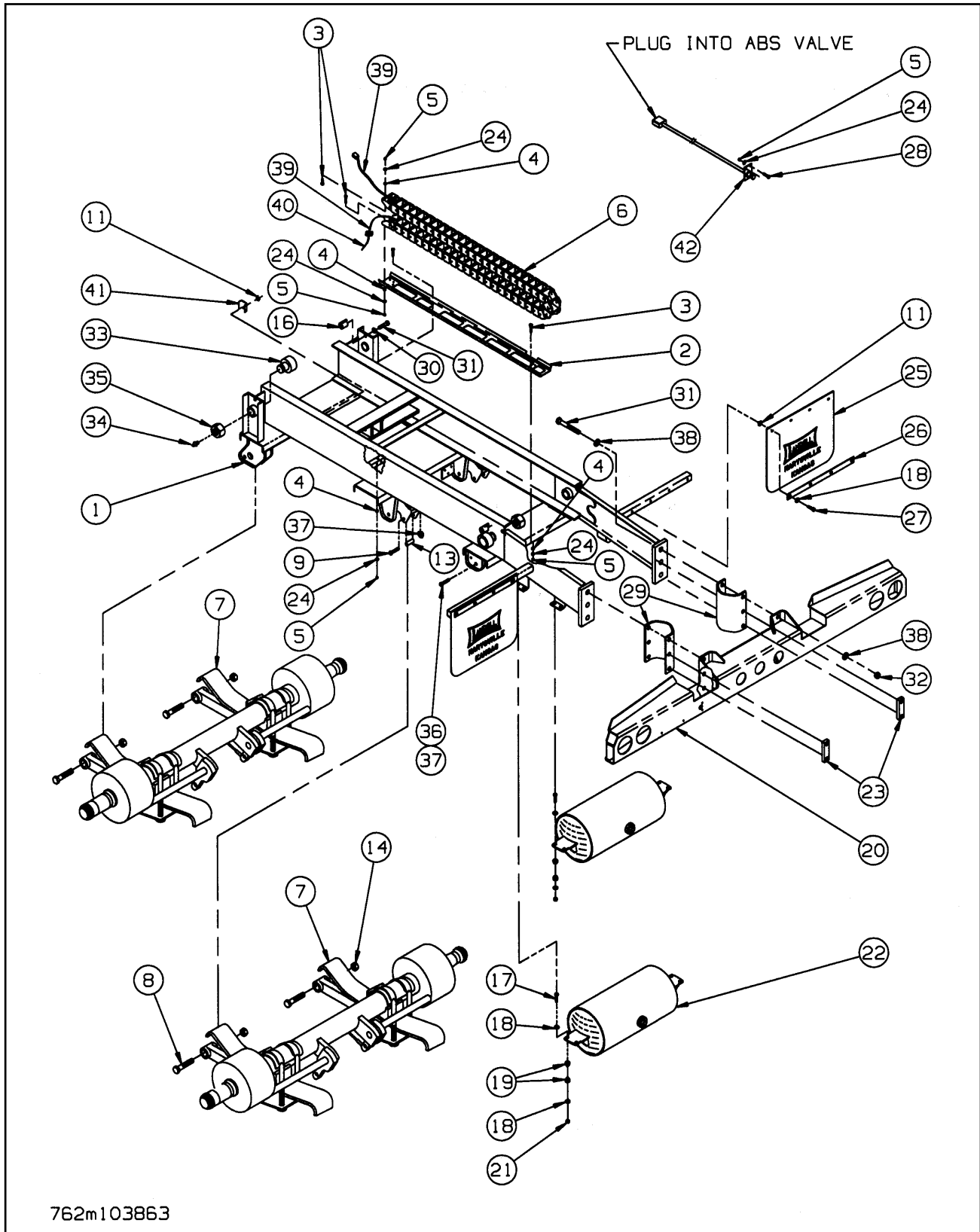
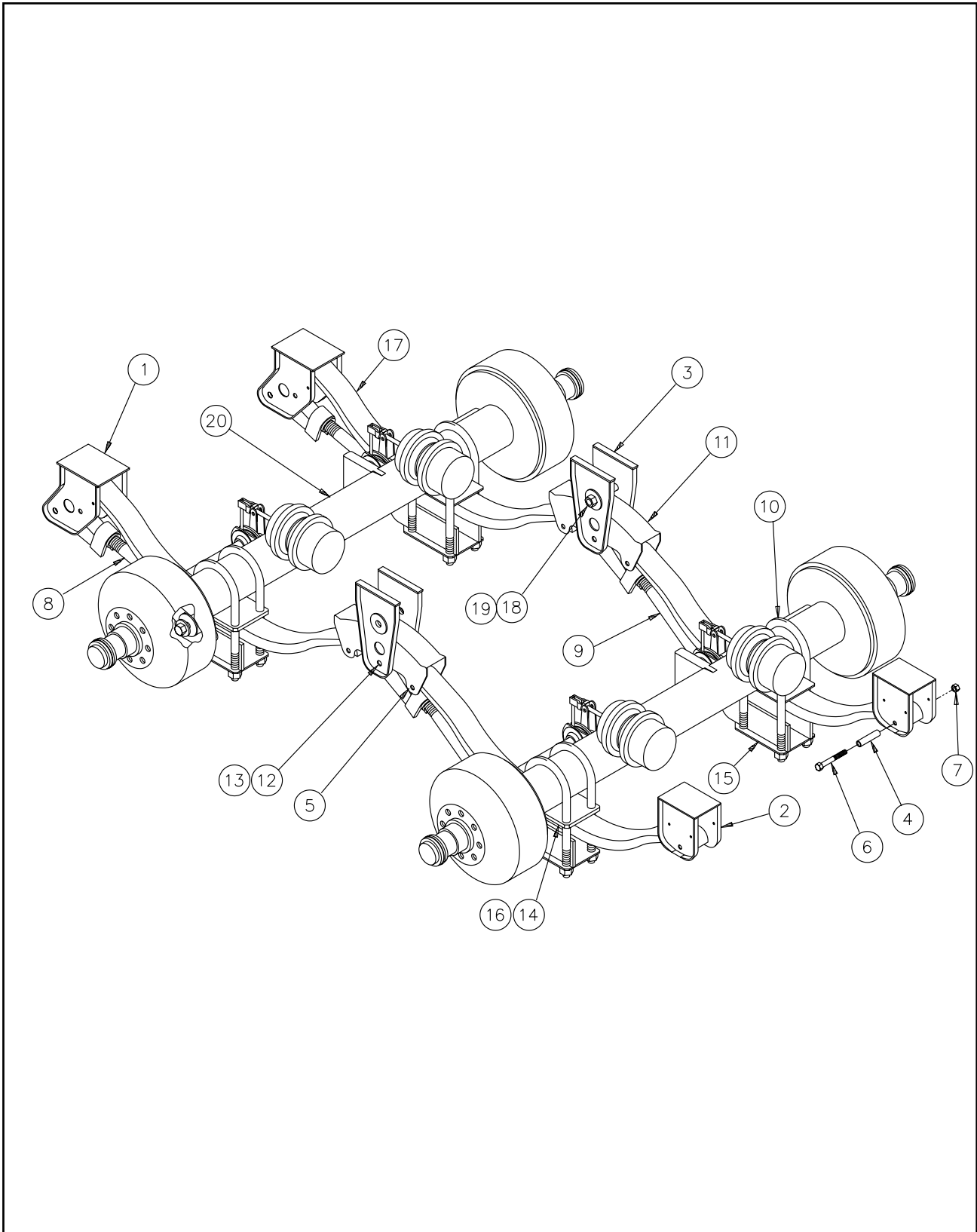


Figure 1-15 Undercarriage Assembly - Spring Ride

UNDERCARRIAGE ASSEMBLY - SPRING RIDE

ITEM	PART NO.	DESCRIPTION	QTY.
	103684	SUSPENSION ASSEMBLY S/R (SINGLE AXLE)	
	103863	SUSPENSION ASSEMBLY S/R (TANDEM AXLE)	
1	103673	U/C WELDMENT SPRING SINGLE (NOT SHOWN)	1
	103675	U/C WELDMENT SPRING DROP DECK (NOT SHOWN)	1
	103677	U/C WELDMENT SPRING TANDEM	1
	103679	U/C WELDMENT SPRING TNDM DROP DECK (NOT SHOWN)	1
2	3-821-010005	TRAY CAT TRACK	1
3	1-654-010158-1	SCREW RD HEAD SQ NECK 1/4-20X3/4 GR5	11
4	1-861-010032-07	WASHER FLAT 1/4	11
5	1-512-010007-05	NUT HEX 1/4-20 GRB	11
6	3-755-010189-03	SUPPORT E-CHAIN (STANDARD LOAD ANGLE)	1
	3-755-010189	SUPPORT E-CHAIN (LOW LOAD ANGLE)	1
	3-755-010189-1	LINK	1
	380-1	END MOUNTING BRACKET W/ HOLE	2
	380-2	END MOUNTING BRACKET W/ PIN	2
7	3-762-010563-6	SUSPENSION AXLE ASSY SPG 67.5 (SEE PAGE 1-25)	1
	3-762-010563-5	SUSPENSION AXLE ASSY SPG 70.5 (SEE PAGE 1-25)	1
8	0001-08	TORQUE ARM BOLT 7/8-14 X 5-1/4	*2,4
9	0001-04	HEX HEAD CAP SCREW 5/8-18 X 4-1/2	*-,4
10	103465	BRAKE W/O ABS SINGLE (SEE PAGE 1-41)	1
	103683	BRAKE W/ ABS SINGLE (STD LOAD)(SEE PAGE 1-37)	1
	103695	BRAKE W/ ABS SINGLE (LOW LOAD)(SEE PAGE 1-37)	1
	103819	BRAKE W/ ABS TANDEM (STD LOAD)(SEE PAGE 1-39)	1
	103820	BRAKE W/ ABS TANDEM (LOW LOAD)(SEE PAGE 1-39)	1
11	1-510-010001	NUT FLANGE LOCK 3/8-16	10
13	0741-01	SPRING ROLLER	*2,6
14	0002-12	FLANGED LOCKNUT 7/8-14	*2,4
15	1-796-010004-02	TIE STRAP (NOT SHOWN)	AR
16	3-762-010016	HOLD DOWN UNDERCARRIAGE	4
17	1-654-010051-08	SCREW HEX HEAD CAP 3/8-16X1-3/4 GR5	4
18	1-861-010032-11	WASHER FLAT 3/8	*16,24
19	805-2	STEP BUSHING	*8,16
20	101712	BUMPER WLDMT	1
21	1-512-010005-05	NUT HEX LOCK 3/8-16 GRB	*4,8
22	3-780-010002	TANK AIR	*1,2
23	102283	BAR BUMPER E/P TAPPED	2
24	1-861-010034-09	WASHER SPLIT LOCK 1/4	13
25	3-485-010001	MUD FLAP	2
26	3-762-010017	CLAMP MUD FLAP	2
27	1-654-010051-13	SCREW HEX HEAD CAP 3/8-16 GR5	8
28	1-654-010047-06	SCREW HEX HEAD CAP 1/4-20X1 GR5	2
29	101143	MOUNT BUMP ENERGY PAK	2
30	1-861-010034-17	WASHER SPLIT LOCK 3/4	4
31	1-654-010032-04	SCREW HEX HEAD CAP 3/4-10X1-3/4 GR5	16
32	1-512-010002-15	NUT HEX LOCK 3/4-10 GRB SINGLE	2
	1-512-010007-12	NUT HEX 3/4-10 GRB TANDEM	2
33	3-076-010005	BEARING CAMFOLLOWER	4
34	5029	ZERK FITTING	4
35	104034	NUT HEX 2-12 GRB	4
36	0001-02	HEX HEAD CAP SCREW 5/8-18 X 5-1/8	2
37	0002-07	LOCKNUT 5/8-18	*2,6
38	622-3511-008	WASHER 3/4	14
39	102836	HARNESS ASSEMBLY E-CHAIN (FOR TRAILERS W/ ABS)	1
	3-156-010046	HARNESS ASSEMBLY (FOR TRAILERS W/O ABS)	1
41	2-181-010001	CLAMP	2
42	101852	DIAGNOSTIC CABLE W/ SWITCH (SEE PAGE 1-43)	1
*	FIRST QUANTITY IS FOR SINGLE AXLE, SECOND QUANTITY IS FOR TANDEM AXLE.		



**Figure 1-16 Single Leaf Spring Suspension
(Tandem Axle Shown)**

SUSPENSION ASSEMBLY - SPRING RIDE

ITEM	PART NO.	DESCRIPTION	QTY
	3-762-010563-6	SUSPENSION AXLE ASSY SPG 67.5 (INCL. ITEMS 8-10, 12-17, 20)	
	3-762-010563-5	SUSPENSION AXLE ASSY SPG 70.5 (INCL. ITEMS 8-10, 12-17, 20)	
1	0049-00	HANGER FRONT	2
2	0053-00	REAR HANGER UNDERMOUNT	2
3	0065-00	HANGER EQUALIZER (TANDEM AXLE ONLY)	2
4	0741-01	ROLLER SPRING	2
5	0001-04	HEX HEAD CAP SCREW (TANDEM AXLE ONLY)	4
6	0001-02	HEX HEAD CAP SCREW	2
7	0002-07	LOCK NUT, HEX	2
8	1035-20	TORQUE ARM ADJUSTABLE	1
9	0075-20	TORQUE ARM RIGID	1
10	0102-13	U-BOLT	4
11	0650-00	EQUALIZER BEAM ASSEMBLY (TANDEM AXLE ONLY)	2
12	0001-08	BOLT TORQUE ARM 7/8-14 X 5-1/4	2
13	0002-12	NUT LOCKING 7/8-14	10
14	0647-01	AXLE SEAT	2
15	0508-00	BOTTOM PLATE UNDERSLUNG	2
16	0375-00	DELTRIN LINER	2
17	3-720-010030	SPRING MONO LEAF HIGH ARCH	2
18	0001-14	EQUALIZER BOLT (TANDEM AXLE ONLY)	2
19	0274-01	FLANGED LOCK NUT (TANDEM AXLE ONLY)	2
20	3-042-010140-01	AXLE 70.5 16.5 X 7 SPG BRK 22.5K (SEE PAGE 1-35)	1
	3-042-010140-03	AXLE 67.5 16.5 X 7 SPG BRK 22.5K (SEE PAGE 1-35)	1
	3-432-010006	KIT AXLE SPRING ATTACHING PARTS (INCLUDES ITEMS 8-10,12-16)	
	3-432-010010	KIT EQUALIZER ASSEMBLY (TANDEM AXLE ONLY) (INCLUDES ITEMS 3,11,18-19)	

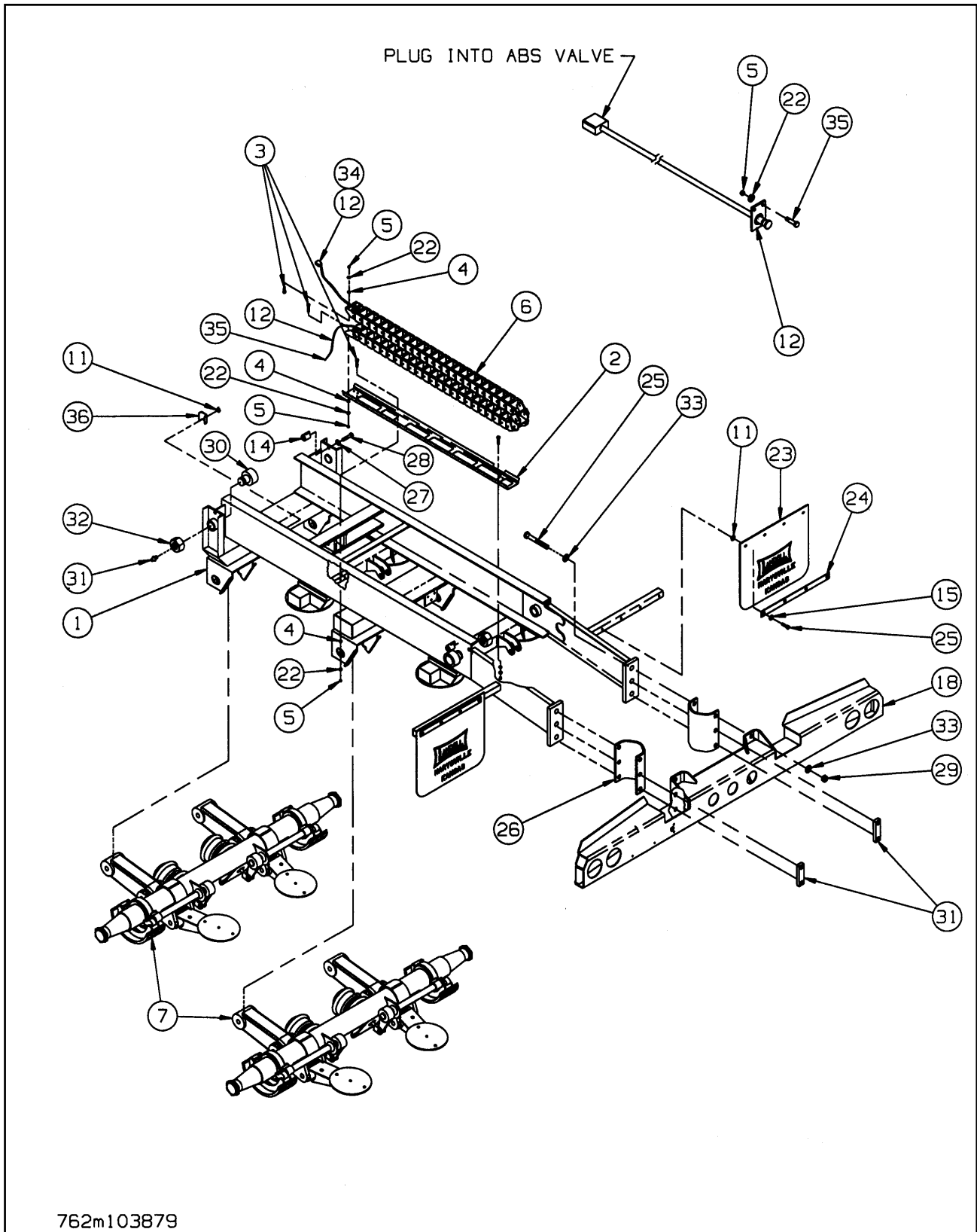


Figure 1-17 Undercarriage Assembly - Air Ride

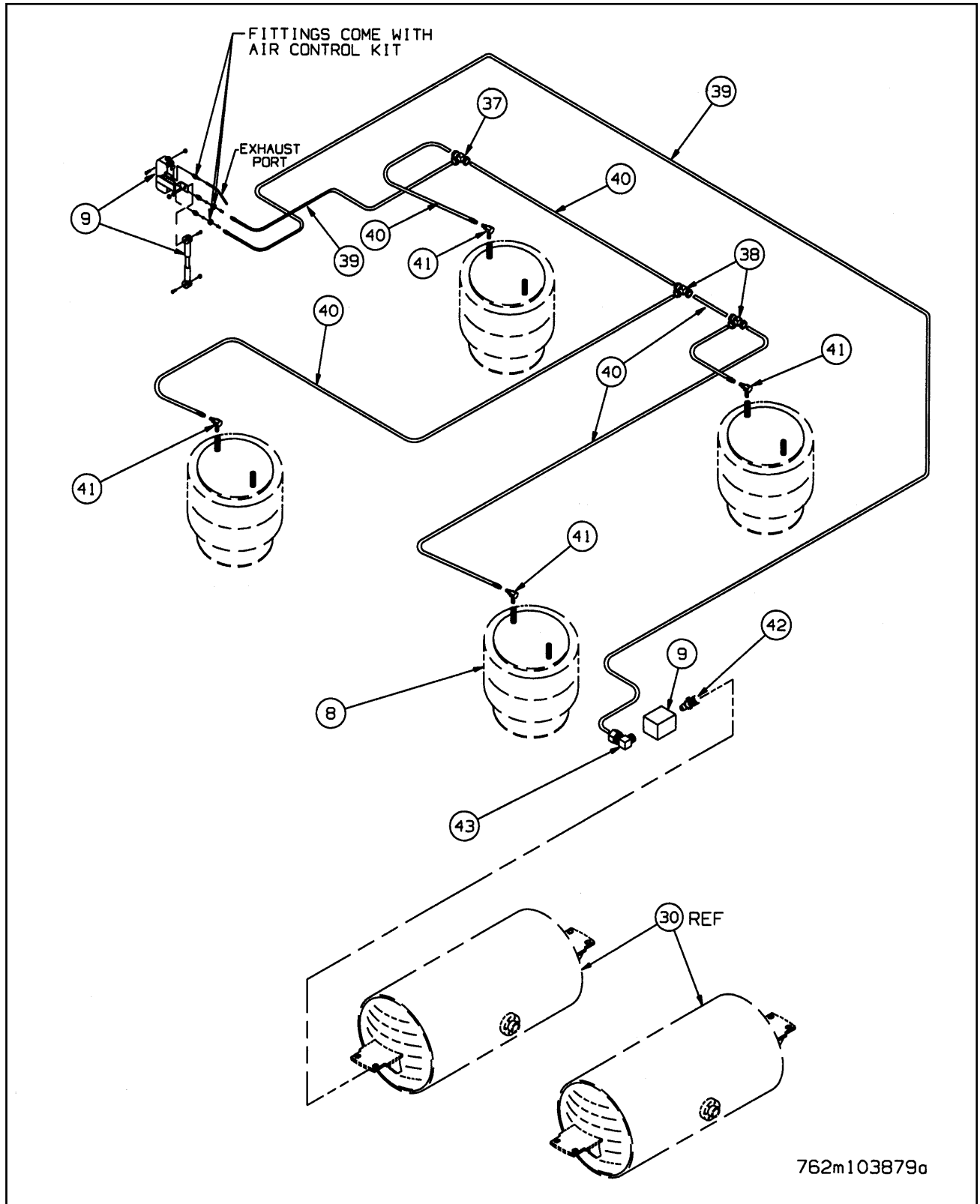


Figure 1-18 Air Ride Suspension System (Tandem)

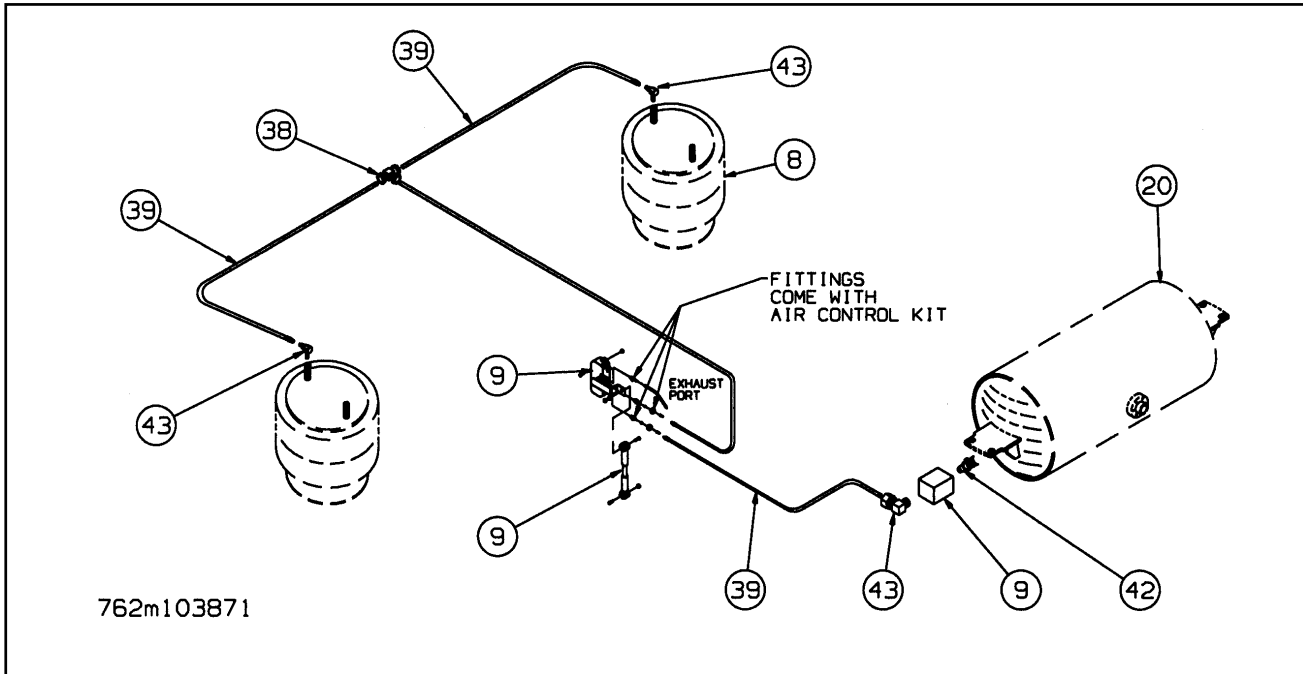


Figure 1-19 Air Ride Suspension System (Single)

UNDERCARRIAGE ASSEMBLY - AIR RIDE

ITEM	PART NO.	DESCRIPTION	QTY.
	103871	SUSP ASSY A/R 330-1-96 W/ ABS	
	103872	SUSP ASSY A/R 330-1-96 D/D W/ ABS	
	103873	SUSP ASSY A/R 330-1-102 W/ ABS	
	103874	SUSP ASSY A/R 330-1-102 D/D W/ ABS	
	103875	SUSP ASSY A/R 330-1-96 ABS-LLA	
	103876	SUSP ASSY A/R 330-1-96 D/D-ABS-LLA	
	103877	SUSP ASSY A/R 330-1-102 ABS-LLA	
	103878	SUSP ASSY A/R 330-1-102 D/D-ABS-LLA	
	103879	SUSP ASSY A/R 330-2-96 W/ ABS	
	103880	SUSP ASSY A/R 330-2-96 D/D W/ ABS	
	103881	SUSP ASSY A/R 330-2-102 W/ ABS	
	103882	SUSP ASSY A/R 330-2-102 D/D W/ ABS	
	103883	SUSP ASSY A/R 330-2-96 ABS-LLA	
	103884	SUSP ASSY A/R 330-2-96 D/D-ABS-LLA	
	103885	SUSP ASSY A/R 330-2-102 ABS-LLA	
	103886	SUSP ASSY A/R 330-2-102 D/D-ABS-LLA	
1	103518	U/C WELDMNT A/R SINGLE	1
	103674	U/C WELDMNT A/R SINGLE DROP DECK	1
	103676	U/C WELDMNT A/R TANDEM	1
	103678	U/C WELDMNT A/R TANDEM DROP DECK	1
2	3-821-010005	TRAY CAT TRACK	1
3	1-654-010158-1	SCREW RD HEAD SQ NECK 1/4-20X3/4 GR5	11
4	1-861-010032-07	WASHER FLAT 1/4	11
5	1-512-010007-05	NUT HEX 1/4-20 GRB	11
6	3-755-010189-03	SUPPORT E-CHAIN (STANDARD LOAD ANGLE)	1
	3-755-010189	SUPPORT E-CHAIN (LOW LOAD ANGLE)	1
	3-755-010189-1	LINK	1

UNDERCARRIAGE ASSEMBLY - AIR RIDE

ITEM	PART NO.	DESCRIPTION	QTY.
	380-1	END MOUNTING BRACKET W/ HOLE	2
	380-2	END MOUNTING BRACKET W/ PIN	2
7	103999	AXLE WLDMT A/R 67.5 16.5 X 7 SPG BRK	1
	104000	AXLE WLDMT A/R 70.5 16.5 X 7 SPG BRK (FOR PARTS BREAKDOWNS, SEE PAGES 1-33 AND 1-35)	1
8	102363	SUSPENSION ADJ RLU-228-3.5 (SEE PAGE 1-33)	1
9	102732	AIR CONTROL SYSTEM (SEE PAGE 1-31)	1
10	103683	BRAKE W/ ABS SINGLE (STD LOAD) (SEE PAGE 1-37)	1
	103695	BRAKE W/ ABS SINGLE (LOW LOAD) (SEE PAGE 1-37)	1
	103819	BRAKE W/ ABS TANDEM (STD LOAD) (SEE PAGE 1-39)	1
	103820	BRAKE W/ ABS TANDEM (LOW LOAD) (SEE PAGE 1-39)	1
11	1-510-010001	NUT FLANGE LOCK 3/8-16	10
12	101852	DIAGNOSTIC CABLE W/ SWITCH(TANDEM)(SEE PAGE 1-43)	1
13	1-796-010004-02	TIE, STRAP (NOT SHOWN)	6
14	3-762-010016	HOLD DOWN UNDERCARRIAGE	4
15	1-654-010051-08	SCREW HEX HEAD CAP 3/8-16X1-3/4 GR5	*4,8
16	1-861-010032-11	WASHER FLAT 3/8	*16,24
17	805-2	STEP BUSHING	*8,16
18	101712	BUMPER WLDMT	1
19	1-512-010005-05	NUT HEX LOCK 3/8-16 GRB	*4,8
20	3-780-010002	TANK AIR	*1,2
21	102283	BAR BUMPER E/P TAPPED	2
22	1-861-010034-09	WASHER SPLIT LOCK 1/4	13
23	3-485-010001	MUD FLAP	2
24	3-762-010017	CLAMP MUD FLAP	2
25	1-654-010051-13	SCREW HEX HEAD CAP 3/8-16 GR5	8
26	101143	MOUNT BUMP ENERGY PAK	2
27	1-861-010034-17	WASHER SPLIT LOCK 3/4	4
28	1-654-010032-04	SCREW HEX HEAD CAP 3/4-10X1-3/4 GR5	16
29	1-512-010007-12	NUT HEX 3/4-10 GRB	2
30	3-076-010005	BEARING CAMFOLLOWER	4
31	5029	ZERK FITTING	4
32	104034	NUT HEX 2-12 GRB	4
33	622-3511-008	WASHER 3/4	14
34	102836	HARNESS ASSEMBLY E-CHAIN (FOR TRAILERS W/ ABS)	1
	3-156-010046	HARNESS ASSEMBLY E-CHAIN (FOR TRAILERS W/O ABS)	1
35	1-654-010047-06	SCREW, HEX HEAD CAP 1/4-20 X 1 GR5	2
36	2-181-010001	CLAMP	2
37	1-297-010010-04	FITTING AIR UNION TEE 3/8X3/8X1/4 (TANDEM AXLE)	1
38	1-297-010010-01	FITTING AIR UNION TEE (SINGLE AXLE)	1
	1-297-010010-03	FITTING AIR UNION TEE (TANDEM AXLE)	2
39	1-833-010001	TUBING NYLON 1/4 OD	*8,11
40	1-833-010002	TUBING NYLON (TANDEM AXLE)	1
41	1-297-010008-18	FITTING AIR 90 (TANDEM AXLE)	4
42	2083-8-4S	NIPPLE HEX	1
43	1-297-010008-07	FITTING AIR 90	*3,1

* FIRST QUANTITY LISTED IS FOR SINGLE AXLE; SECOND QUANTITY LISTED IS FOR TANDEM AXLE

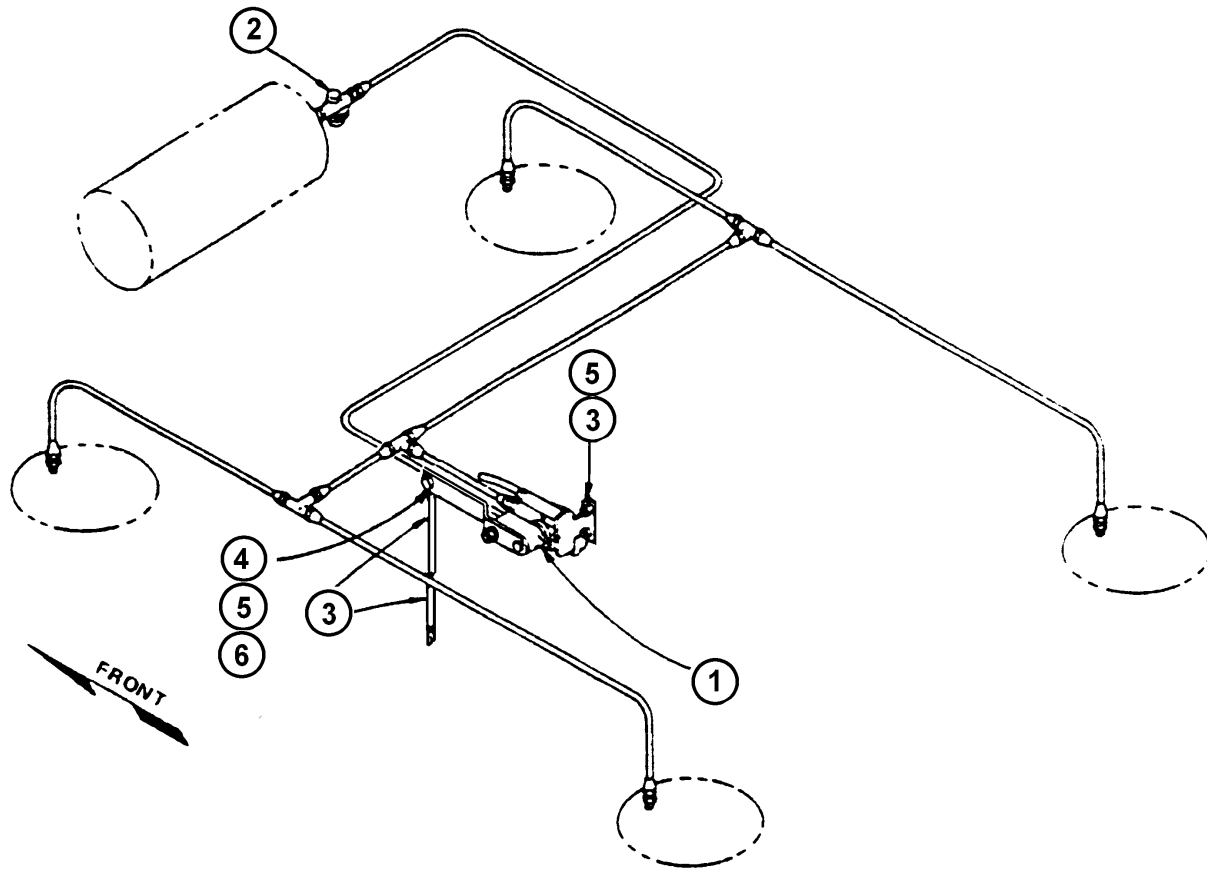
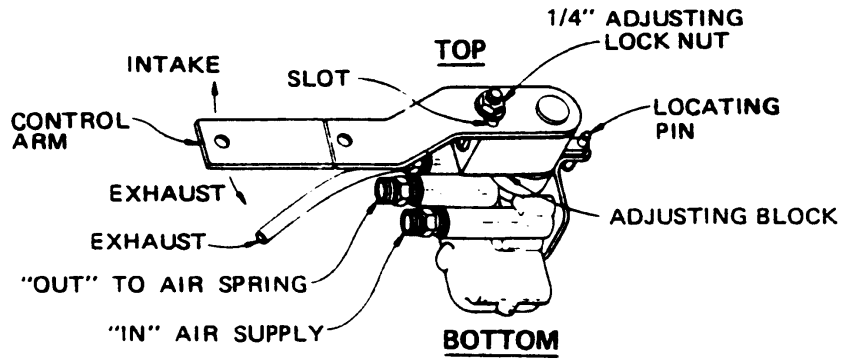


Figure 1-20 Air Control Kit

AIR CONTROL KIT

ITEM	PART NO.	DESCRIPTION (SINGLE, TANDEM)	QTY.
	102732	AIR CONTROL KIT NEWAY	
1	900 54 007	HEIGHT CONTROL VALVE	1
2	900 54 107	AIR PRESSURE VALVE & FILTER	1
3	481 00 224	SRK - 167 KIT (ADJ. LINK ASSY)	1
	930 02 349	CAP SCREW 1/4-20 X 3/4	
5	934 00 060	LOCK NUT 1/4-20	2
6	941 00 119	DECAL (OPERATING)	1
7	941 00 466	HEIGHT CONTROL VALVE INSTRUCTIONS	1

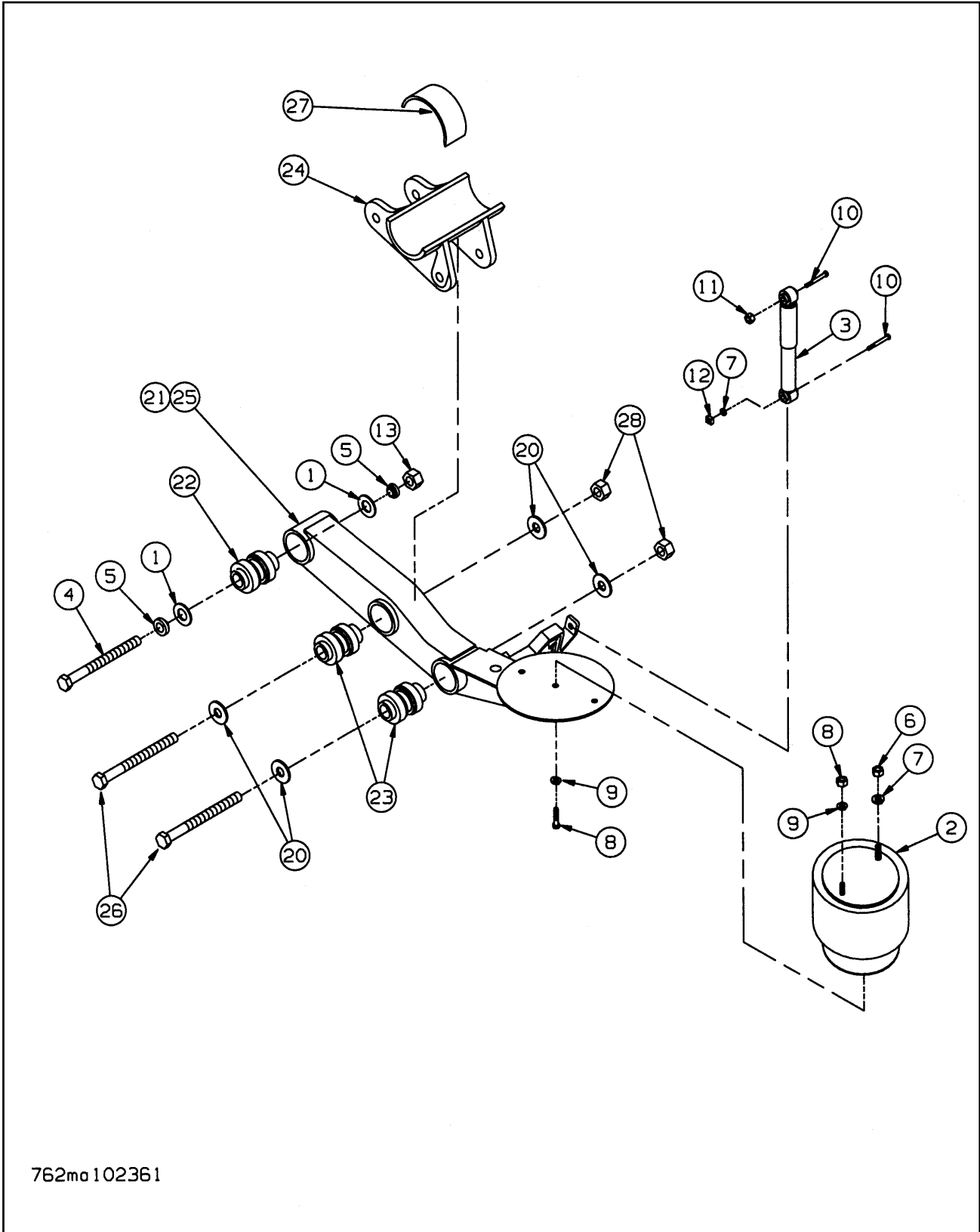
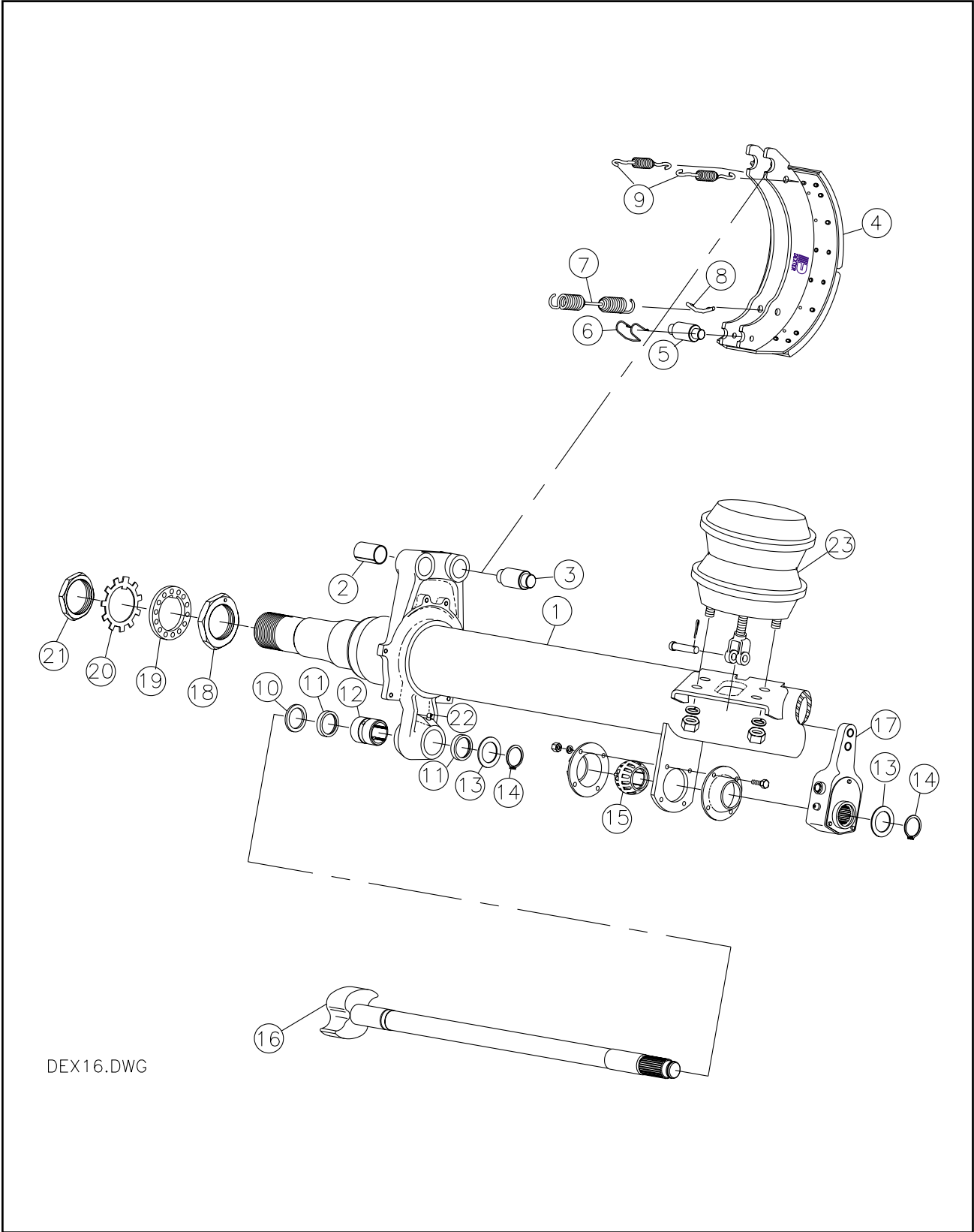


Figure 1-21 Suspension Hanger Assembly

SUSPENSION HANGER ASSEMBLY

ITEM	PAGE/PART NO.	DESCRIPTION	QTY.
	102363	SUSPENSION, ADJ. RLU-228-3.5 (ITEMS 1-19)	
	102361	SUSPENSION BEAM, RLU-228 (ITEMS 20-28)	
1	90036177	FLAT WASHER	2
2	90557129	AIR SPRING ASSEMBLY	2
3	90045040	SHOCK	2
4	93908009	ALIGN BUSH ASSEMBLY (CONSISTS OF:)	2
	93201057	ROD BOLT	1
	90008184	ALIGN BLOCK	1
5	93408186	ALIGN BLOCK	2
6	93400149	3/4-16 HEX NUT GRB	2
7	93600077	LOCK WASHER, 3/4"	4
8	93400136	HEX NUT, 1/2-13	4
9	93600072	LOCK WASHER, 1/2"	4
10	93003597	HEX HEAD CAP SCREW 3/4-10 X 3-1/2	4
11	93400492	LOCK NUT, 3/4" - 10	2
12	93400367	3/4-10 SQUARE NUT	2
13	93400506	LOCK NUT 1-1/8-7	2
14	90054038	ANCHOR, RIDE HEIGHT CONTROL VALVE (NOT SHOWN)	1
15	94100787	LITERATURE INSTRUCTIONS (NOT SHOWN)	1
16	94100685	LITERATURE SPEC (NOT SHOWN)	1
17	94100648	LITERATURE FORM 864 (NOT SHOWN)	1
18	94100685	LITERATURE LABEL (NOT SHOWN)	1
19	94100790	LITERATURE LABEL (NOT SHOWN)	1
	11005053	FASTENER KIT (INCL. 1, 4-11, 13, 15)	1
20	90036177	FLAT WASHER	8
21	90516600	EQUALIZING BEAM ASSEMBLY LH	1
22	90008139	RUBBER BUSHING (FRONT PIVOT)	2
23	90008139	RUBBER BUSHING (AXLE CONNECTION)	4
24	90001200	AXLE ADAPTER ASSEMBLY	2
25	900816601	EQUALIZING BEAM ASSEMBLY RH	1
26	93201051	HEX HEAD CAP SCREW 1-1/8-7 X 8-1/2	4
27	90025288	SAFETY STRAP	2
28	93400506	LOCK NUT 1-1/8-7	4

NOTE: QUANTITIES LISTED ARE PER AXLE.



DEX16.DWG

Figure 1-22 Axle and Brake Assembly

AXLE ASSEMBLY (DEXTER)

ITEM	PART NO.	DESCRIPTION	QTY. PER
	3-042-010140-01	AXLE 70.5, 16.5 X 7 SPG BRK 22.5K	
	3-042-010140-03	AXLE 67.5, 16.5 X 7 SPG BRK 22.5K	
1	*	BEAM W/ BRACKETS	1
2**	014-068-00	BUSHING ANCHOR PIN	4
3**	056-017-00	PIN ANCHOR	4
4	040-180-00	BRAKE SHOE AND LINING	4
4A	041-058-01	LINING - BRAKE BLOCK CAM	4
4B	041-059-01	LINING - BRAKE BLOCK ANCHOR	4
	K71-138-00	BRAKE BLOCK KIT (ITEMS 4A,4B, & P/N 022-018-00 RIVETS)	2
5**	014-065-00	ROLLER KNURLED	4
6**	071-122-00	RETAINER ROLLER	4
7**	046-096-00	SPRING SHOE RETURN	2
8**	056-018-00	RETAINER RETRACTOR SPRING	4
9**	046-097-00	SPRING SHOE KEEPER	4
10***	005-096-00	WASHER CAMSHAFT	2
11***	010-052-00	SEAL GREASE	4
12***	014-056-00	BUSHING CAMSHAFT SPIDER	2
13***	005-134-00	WASHER CAMSHAFT (FOR 28 SPLINE CAMSHAFT)	2
14***	069-078-00	RETAINER CAMSHAFT (FOR 28 SPLINE CAMSHAFT)	2
15***	014-058-00	BUSHING CAMSHAFT SUPPORT	2
16	034-192-03	CAMSHAFT LH 23-7/16 (70.5 TRACK)	1
	034-193-03	CAMSHAFT RH 23-7/16 (70.5 TRACK)	1
	034-192-01	CAMSHAFT LH 20-3/8 (67.5 TRACK)	1
	034-193-01	CAMSHAFT RH 20-3/8 (67.5 TRACK)	1
		CAMSHAFT REPAIR KIT (ITEMS 10-15, AND 22)	
17	055-040-04	SLACK ADJ AUTOMATIC W/ ASD 06001 SNAPNUT (GUNITITE)	2
18	006-114-00	NUT INNER SPINDLE	2
19	005-098-00	WASHER SPINDLE LOCK	2
20	005-099-00	WASHER TABBED SPINDLE LOCK	2
21	006-115-00	NUT OUTER SPINDLE	2
22***	061-006-00	FITTING GREASE 65°	2
23	3-128-010002	CHAMBER AIR BRAKE (MIDLAND)	2

* WHEN ORDERING THE BEAM WITH SPINDLE, SPIDER AND BRACKETS ATTACHED, YOU WILL NEED THE BEAM NUMBER, TRACK LENGTH, BRAKE SIZE, AND CAMSHAFT LENGTH.

** THESE PARTS ARE AVAILABLE AS PART OF BRAKE SHOE HARDWARE KIT P/N K71-136-00.

*** THESE PARTS ARE AVAILABLE AS PART OF CAMSHAFT REPAIR KIT P/N K71-135-00.

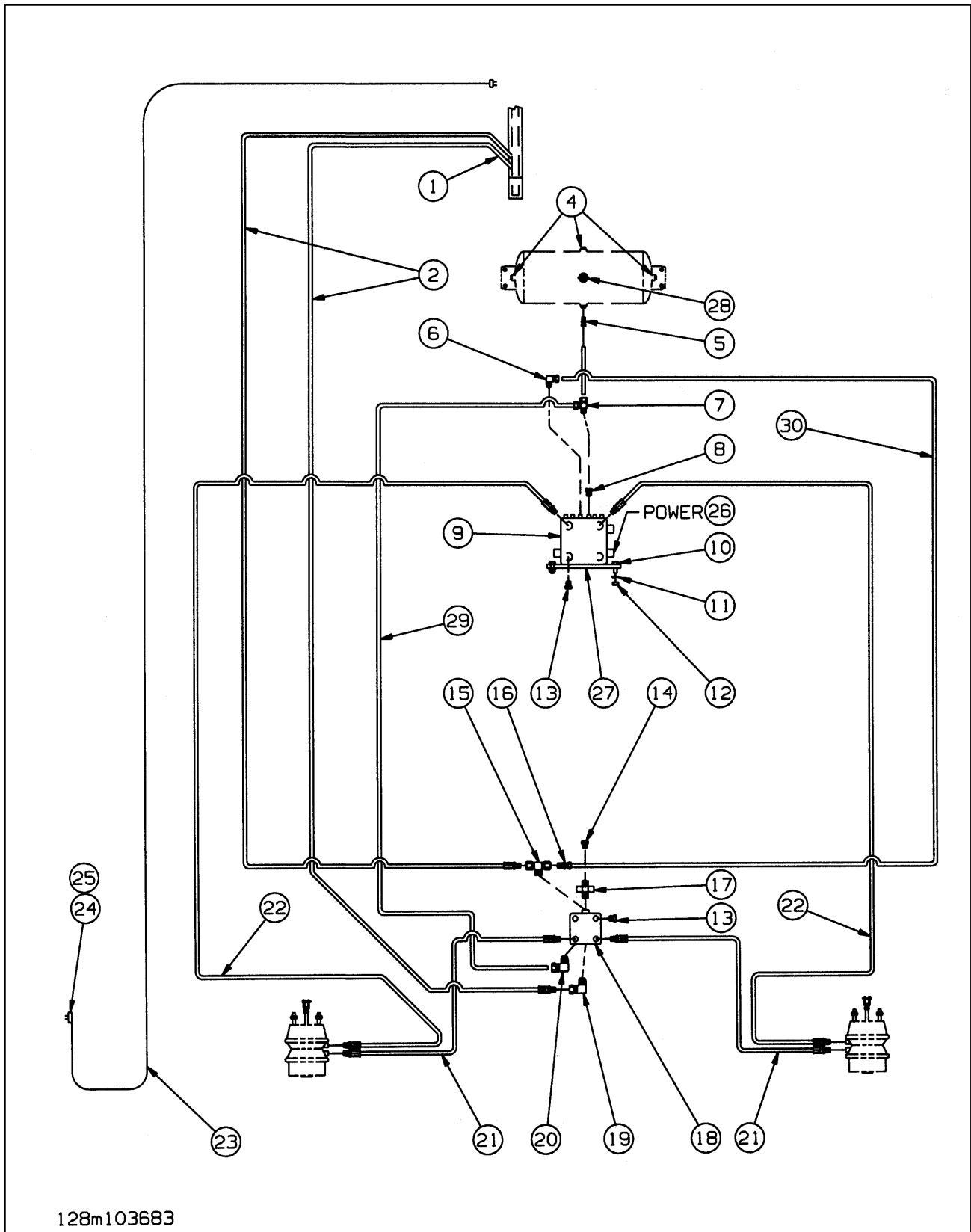


Figure 1-23 Air Brake System, Single Axle

AIR BRAKE SYSTEM, SINGLE AXLE

ITEM	PART NO.	DESCRIPTION	QTY.
	103683	BRAKE W/ ABS SINGLE (STD LOAD)	
	103695	BRAKE W/ ABS SINGLE (LOW LOAD)	
1	1-394-010001	HOSE ABRASION SLEEVE X 2	4'
2	103698	HOSE AIR 3/8(W/O ABS OR STD LOAD)	2
	103699	HOSE AIR 3/8(LOW LOAD)	2
4	1-560-010002-04	PLUG PIPE 1/2	3
5	1-297-010007-16	FITTING AIR	1
6	1-297-010008-18	FITTING AIR 90	1
7	1-297-010011-07	FITTING AIR TEE	1
8	118-2659-9	BUSHING 1/2 X 3/4	1
9	101421	BRAKE KIT ROCKWELL ABS (SEE PAGE 1-43)	1
10	1-654-010051-08	SCREW HEX HEAD CAP 3/8-16 GR5	2
11	1-861-010032-10	WASHER FLAT 3/8	4
12	1-512-010005-05	NUT HEX LOCK 3/8-16 GRB	2
13	1-297-010033-03	FITTING PLUG, BRASS	4
14	1-560-010002-02	PLUG PIPE 1/4	1
15	1-297-010017-03	FITTING, BRASS TEE	1
16	1-297-010007-12	FITTING AIR	1
17	55B61	FRAME UNION	1
18	758-181	VALVE TASK 4 PORT	1
19	2089-6-6S	ADAPTER 90	1
20	1-297-010008-23	FITTING AIR 90	1
21	1-384-010038024	HOSE AIR 24"	2
22	1-384-010038042	HOSE AIR 42"	2
23	3-368-010297	HARNESS ABS LAMP	1
24	10403	GROMMET MOUNT	1
25	3-446-010046	ABS LAMP AMBER	1
26	3-272-010021	ELECTRICAL BUTT SPLICE	4
27	1-560-0100012-05	PLUG PIPE 3/4-14	1
28	56D4	COCK DRAIN AIR TANK	1
29	1-833-010003	TUBING NYLON 1/2	3'
30	1-833-010002	TUBING NYLON 3/8	2'
31	1-796-01003-01	TIE STRAP PLASTIC (NOT SHOWN)	10

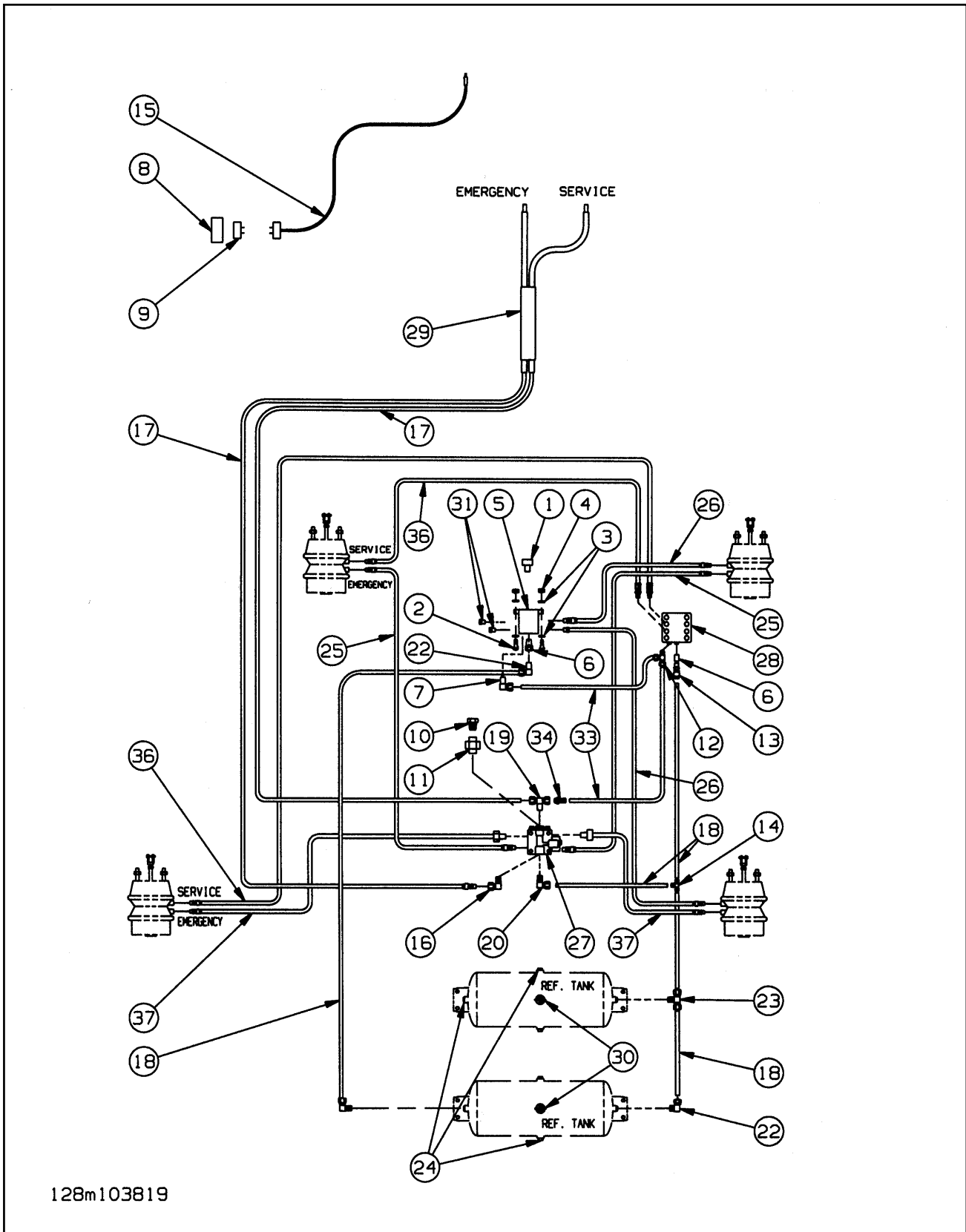
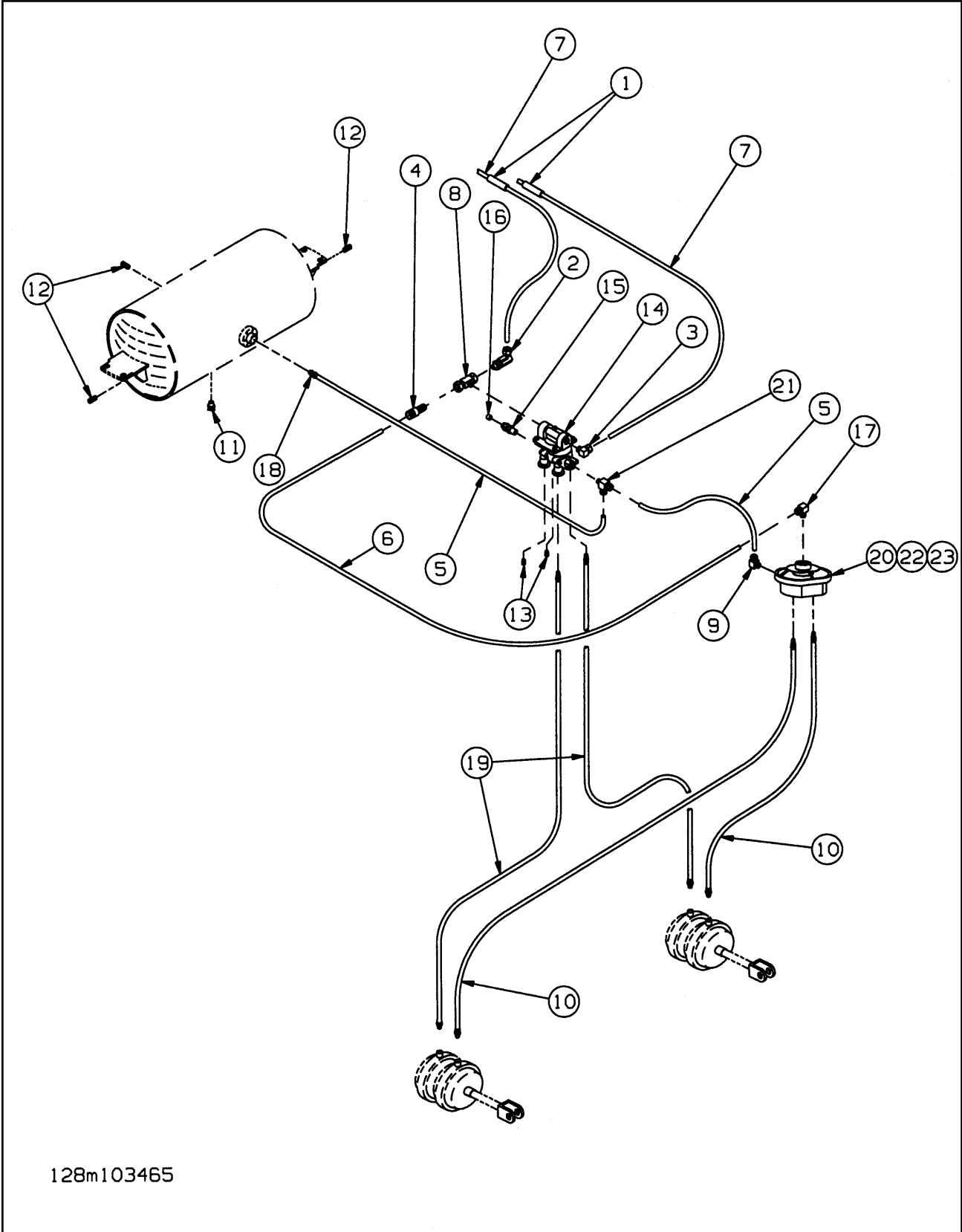


Figure 1-24 Air Brake System, Tandem Axle

AIR BRAKE SYSTEM, TANDEM AXLE

ITEM	PART NO.	DESCRIPTION	QTY.
	103819	BRAKE W/ ABS (STD LOAD)	
	103820	BRAKE W/ ABS (LOAD LOAD)	
1	1-560-010002-05	PLUG PIPE 3/4-14	1
2	1-654-010051-08	SCREW HEX CAP 3/8-16 X 1-3/4 GR5	2
3	1-861-010032-10	WASHER FLAT 3/8	2
4	1-512-0120005-05	NUT HEX LOCK 3/8-16 GR5	2
5	101420	BRAKE KIT ROCKWELL ABS (SEE PAGE 1-43)	1
6	3/4X1/2BUSH	BUSHING	1
7	1-297-010008-18	FITTING AIR 90	1
8	10403	GROMMET MOUNT	1
9	3-446-010046	LIGHT ABS LAMP	1
10	1-560-010002-02	PLUG PIPE 1/4	1
11	55B61	FRAME UNION	1
12	1-297-010011-05	FITTING AIR M/RUN TEE	1
13	1-297-010007-16	FITTING AIR	1
14	1-297-010010-06	FITTING AIR UNION TEE	1
15	3-368-010294	HARNESS	1
16	2089-6-6S	ADAPTER 90	1
17	1-384-010038204	HOSE AIR 3/8 X 204 (STD LOAD)	2
	103699	HOSE AIR 3/8 X 230 (LOW LOAD)	2
18	1-833-010003	TUBING NYLON 1/2	9.5'
19	1-297-010017-03	FITTING BRASS PIPE M/ BRASS TEE	1
20	1-297-010008-23	FITTING AIR 90	1
21	3-755-010189-03	SUPPORT E-CHAIN (STD LOAD) (NOT SHOWN)	REF
	3-755-010189	SUPPORT E-CHAIN (LOW LOAD) (NOT SHOWN)	REF
22	1-297-010008-24	FITTING AIR 90	1
23	1-297-010015-11	FITTING AIR TEE	1
24	1-560-010002-04	PLUG PIPE 1/2	6
25	1-384-010038056	HOSE AIR 3/8 X 56	2
26	1-384-010038038	HOSE AIR 3/8 X 38	2
27	758-181	VALVE TASK 4 PORT	1
28	1-861-010034-10	WASHER SPLIT LOCK 5/16	2
29	1-394-010001	HOSE ABRASION SLEEVE X 2	4'
30	56D4	COCK DRAIN AIR TANK	2
31	1-297-010033-03	FITTING	4
33	1-833-010002	TUBING NYLON 3/8	4.5'
34	1-297-010007-12	FITTING, AIR	1
35	3-272-010022	ELECTRICAL BUTT SPLICE (NOT SHOWN)	4
36	101003	HOSE AIR 3/8 X 48	2
37	1-384-010038024	HOSE AIR 3/8 X 24	2
39	1-796-010003-01	TIE STRAP PLASTIC (NOT SHOWN)	10



128m103465

Figure 1-25 Air Brake System, w/o ABS

AIR BRAKE SYSTEM W/O ABS

ITEM	PART NO.	DESCRIPTION	QTY.
	103465	BRAKE W/O ABS SINGLE	
1	1-394-010001	HOSE ABRASION SLEEVE X 2	4
2	2088-6-6S	ADAPTER 45	1
3	2089-6-6S	ADAPTER 90	1
4	1-297-010007-12	FITTING AIR	1
5	1-833-010003	TUBING NYLON 1/2	6'
6	1-833-010003	TUBING NYLON 3/8	6'
7	103698	HOSE AIR 3/8	2
8	1-297-010017-03	FITTING BRASS PIPE M/ BRASS TEE	1
9	1-297-010008-24	FITTING AIR	1
10	3-384-010020	HOSE AIR 3/8	2
11	56D4	COCK DRAIN AIR TANK	1
12	1-560-010002-04	PLUG PIPE 1/2	3
13	1-560-010002-03	PLUG PIPE BLACK 3/8	2
14	758-181	VALVE TASK 4 PORT	1
15	55B61	FRAME UNION	1
16	1-560-010002-02	PLUG PIPE BLACK 3/8	1
17	1-297-010008-20	FITTING AIR 90	1
18	1-297-010007-16	FITTING AIR	1
19	1-384-010038024	HOSE AIR 24"	2
20	3-843-010005	VALVE RELAY 2 PORT THIRD AXLE	1
21	1-297-010011-06	FITTING AIR	1
22	1-512-010007-06	NUT HEX 5/16-18 GRB	2
23	1-861-010034-10	WASHER SPLIT LOCK 5/16	2

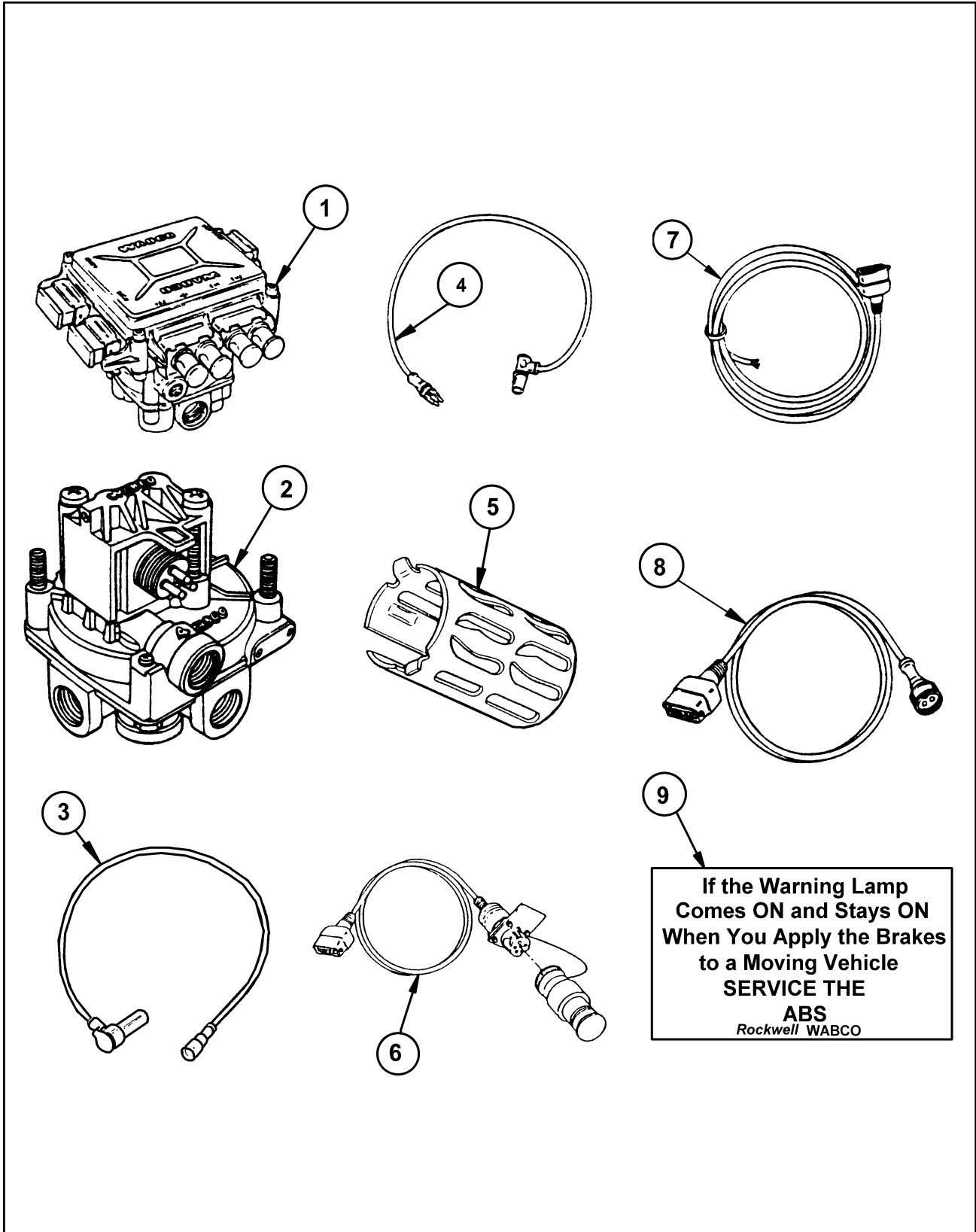
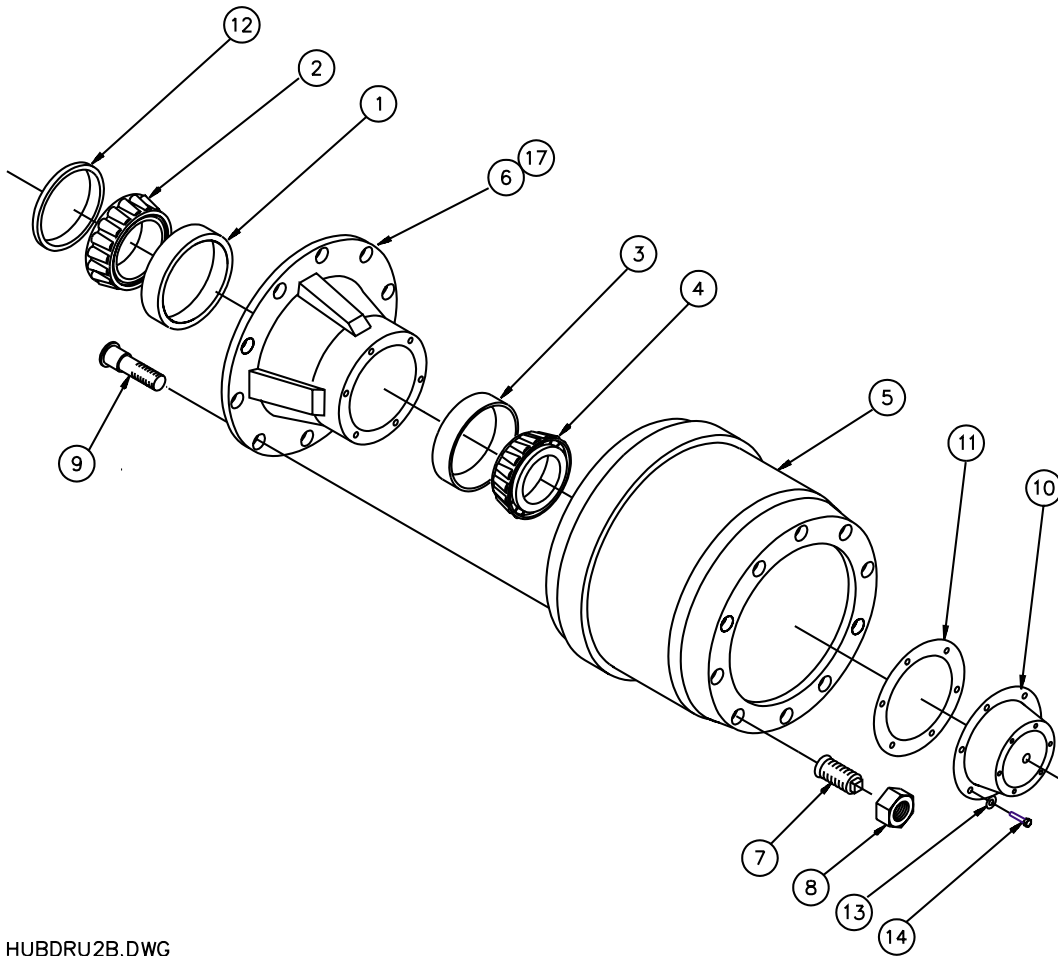


Figure 1-26 Brake Kit, Meritor WABCO (Rockwell) ABS

BRAKE KIT MERITOR WABCO (ROCKWELL) ABS

ITEM	PART NO.	DESCRIPTION	QTY.
	101420	BRAKE KIT, ROCKWELL ABS, 4S/2M (TANDEM AXLE)	
	101421	BRAKE KIT, ROCKWELL ABS, 2S/1M (SINGLE AXLE)	
1	101845	ECU/VALVE ASSEMBLY	1
2	101846	ABS RELAY VALVE	1,0*
3	101847	ABS SENSOR CABLE	4
4	101848	SENSOR EXTENSION CABLE	4,2*
5	101849	ABS SENSOR SPRING CLIP)	4
6	101852	DIAGNOSTIC CABLE W/SWITCH	1
7	101853	POWER CABLE 4 COND.	1
8	101854	CONNECTION CABLE FOR ABS RELAY	1,0*
9	101855	WARNNG LAMP LABEL	1
10	—	INSTALLATION GUIDE (NOT SHOWN)	1
11	104551	ABS MAINTENANCE MANUAL NO.33 (NOT SHOWN)	1

* THE FIRST QUANTITY LISTED IS FOR P/N 101420. THE SECOND QUANTITY LISTED IS FOR P/N 101421.



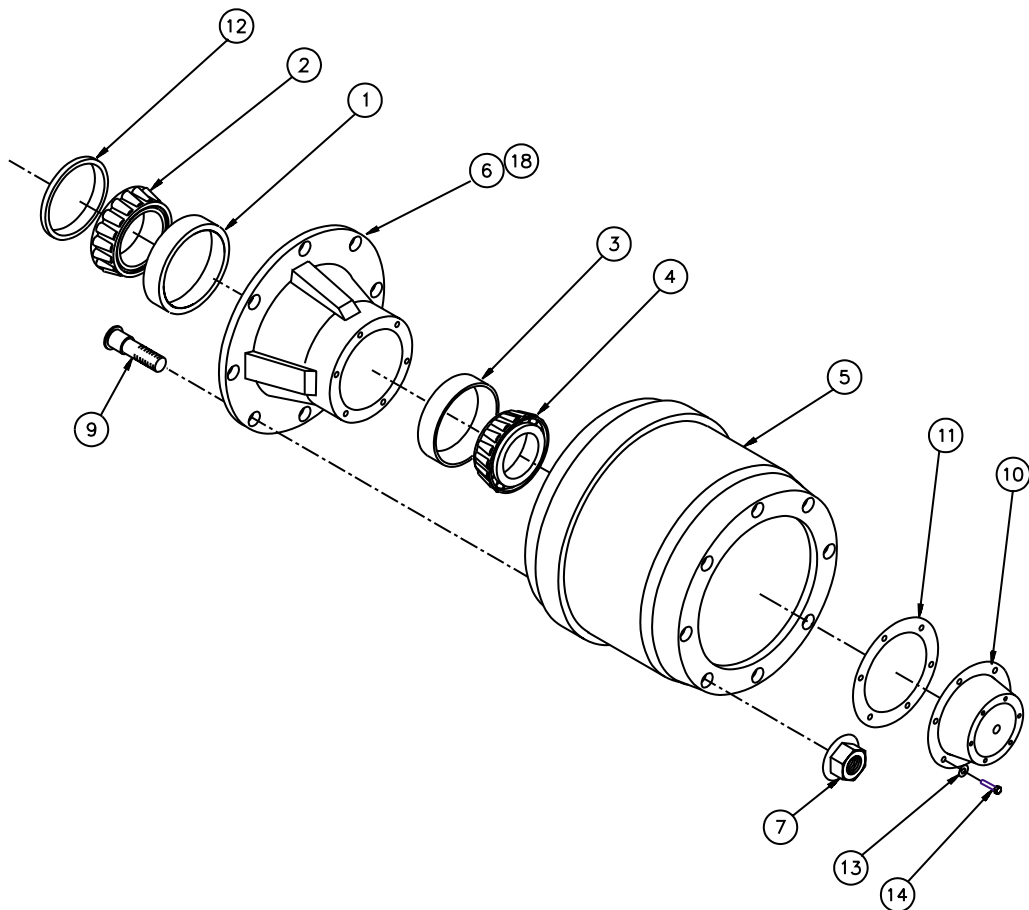
HUBDRU2B.DWG

Figure 1-27 Outboard Ball Seat Mount Hub and Drum

OUTBOARD BALL SEAT HUB AND DRUM (PRIOR TO 1/99)

ITEM	PART NO.	DESCRIPTION	QTY.
	103779	HUB/OB DRUM 16.5 BSN-LH ABS	
	103780	HUB/OB DRUM 16.5 BSN-RH ABS	
1	HM218210	INNER BEARING CUP	1
2	HM218248	INNER BEARING CONE	1
3	HM212011	OUTER BEARING CUP	1
4	HM212049	OUTER BEARING CONE	1
5	66893	BRAKE DRUM	1
6	1020	HUB STEEL	1
7	107083	INNER CAPNUT L.H.	10
	107082	INNER CAPNUT R.H.	10
8	178921	OUTER CAPNUT L.H.	10
	178910	OUTER CAPNUT R.H.	10
9	159183	STUD L.H.	10
	159184	STUD R.H.	10
10	021-038-01 (4009)	CAP, HUB	1
11	071-124-00 (3047)	GASKET, OIL CAP	1
12	3-659-010012	SEAL	1
13	1-861-010034-10	WASHER, SPLIT LOCK 5/16	6
14	1-654-010049-03	SCREW, HEX HEAD CAP 5/16-18 GR5	6
15	3-870-010014	WHEEL, 7.50 X 22.5 BALL SEAT MOUNT DISC	1
16	TR573	VALVE STEM	1
17	*	ABS TONE RING	1

* THIS PART SHOULD BE REPLACED IN CONJUNCTION WITH HUB ONLY. IT SHOULD NEVER BE SOLD SEPARATELY.



HUBOABS2.DWG

Figure 1-28 Outboard Pilot Mount Hub and Drum

OUTBOARD PILOT MOUNT HUB AND DRUM ASSEMBLY

ITEM	PART NO.	DESCRIPTION	QTY.
	103781	HUB/DRUM 10 BOLT 16.5 PILOT ABS	
	103782	HUB AL/CF DRUM 16.5 PILOT ABS	
	103783	HUB/DRUM 16.5 PILOT LONG STUD	
1	HM218210	INNER BEARING CUP	1
2	HM218248	INNER BEARING CONE'	1
3	HM212011	OUTER BEARING CUP	1
4	HM212049	OUTER BEARING CONE	1
5	66884	OUTBOARD MOUNTED BRAKE DRUM	1
	69996B	OUTBOARD MOUNTED CENTRIFUSE BRAKE DRUM(ALUM.)	1
6	2023	HUB 10 STUD 11.25	1
	2091	HUB 10 STUD 11.25 BC (ALUM.)	1
7	179933	NUT FLANGE MM22X1.5	10
9	101162	STUD R.H. MM22X1.5	10
	102190	STUD R.H. 22X1.5 (ALUM.)	10
	101160	STUD R.H. 22X1.2 (LONG STUD)	10
10	021-038-01 (4009)	CAP, HUB	1
11	071-124-00 (3047)	GASKET, OIL CAP	1
12	3-659-010012	SEAL	1
13	1-861-010034-10	WASHER, SPLIT LOCK 5/16	6
14	1-654-010049-03	SCREW, HEX HEAD CAP 5/16-18 GR5	6
15	3-870-010104	WHEEL, DISC PILOT MOUNT 22.5 X 7.50 (10 BOLT)	1
16	TR573	VALVE STEM	1
18	*	ABS TONE RING	1

* THIS PART SHOULD BE REPLACED IN CONJUNCTION WITH HUB ONLY. IT SHOULD NEVER BE SOLD SEPARATELY.

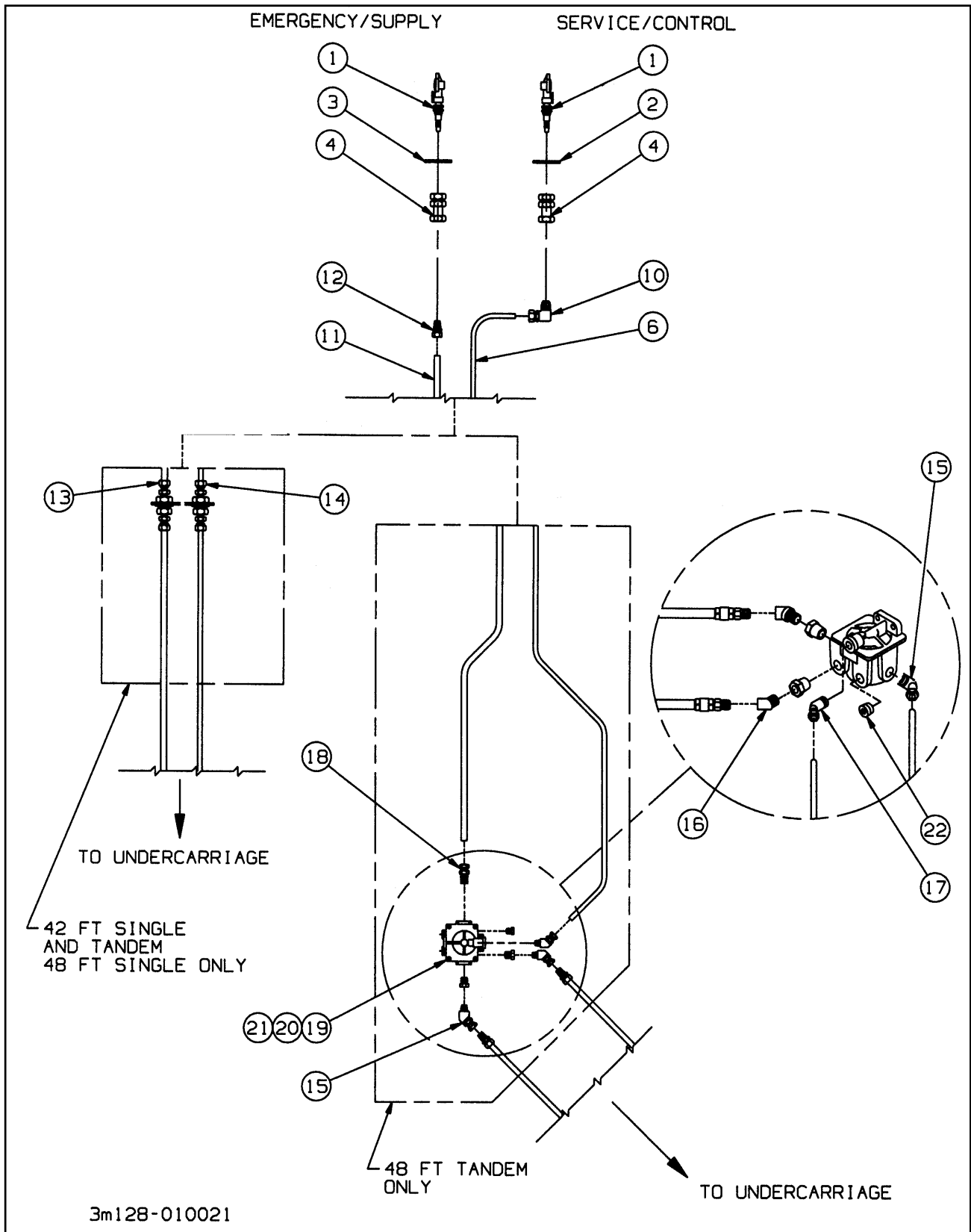
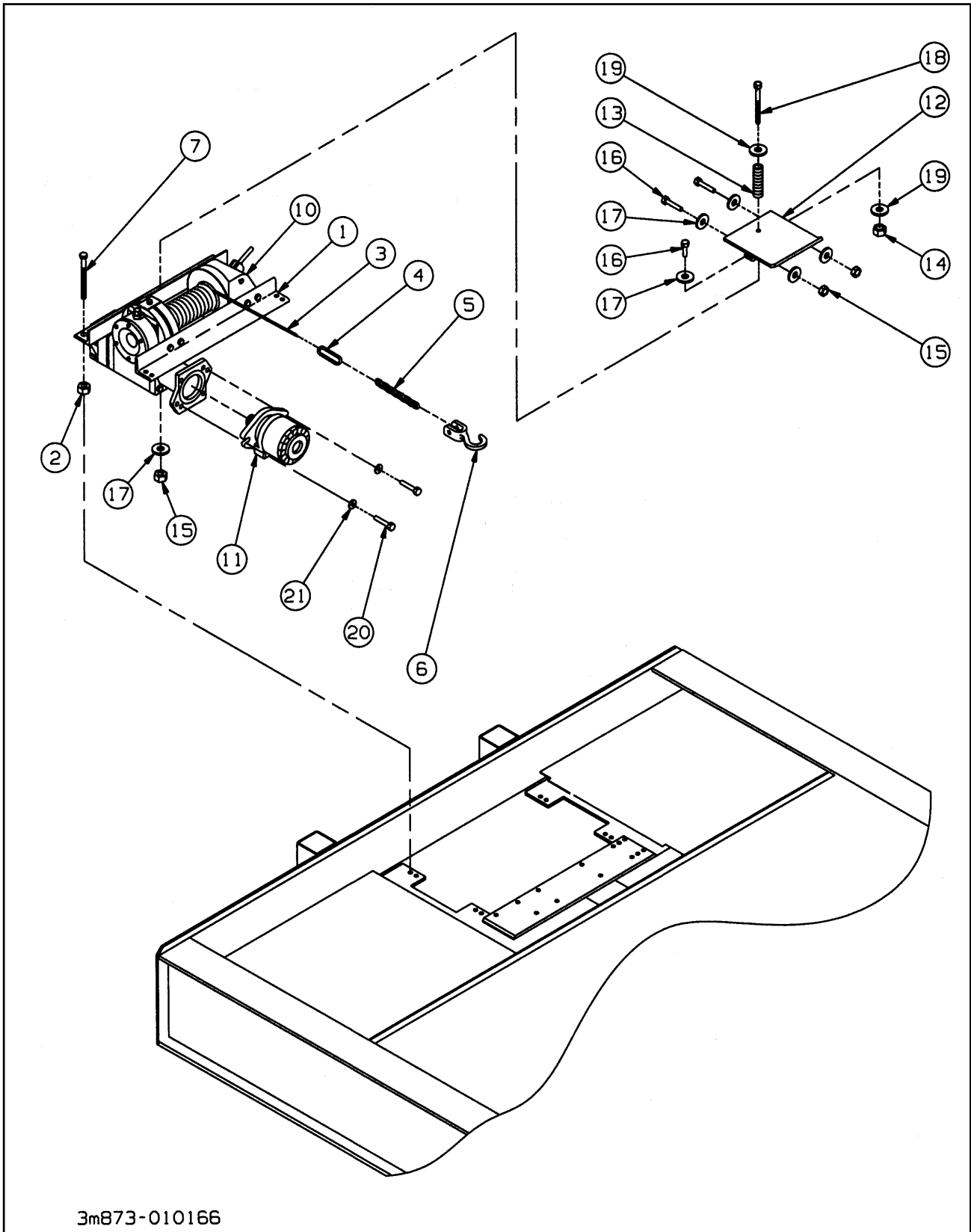


Figure 1-29 Air System

AIR SYSTEM

ITEM	PART NO.	DESCRIPTION	QTY.
	3-128-010021-03	AIR SYSTEM 42' SINGLE OR TANDEM	
	3-128-010021-04	AIR SYSTEM 48' SINGLE	
	3-128-010021-07	AIR SYSTEM 48' TANDEM	
1	55B11	GLADHANDN (PRIOR 03/00)	2
	108801	GLADHAND RED AIR (AFTER 03/00)	1
	108802	GLADHAND BLUE AIR (AFTER 03/00)	1
2	55B61-7	TAG, SERVICE LINE	1
3	55B61-6	TAG, EMERGENCY LINE	1
4	55B61	FRAME UNION	2
6	1-833-010002	NYLON TUBING, 3/8 OD	AR
10	1-297-010008-18	FITTING AIR 90	1
11	1-833-010003	TUBING NYLON 1/2	AR
12	1-297-010007-14	FITTING, AIR	1
15	1-297-010013-16	FITTING, AIR 45 (48' TANDEM ONLY)	1
16	1-297-010013-13	FITTING, AIR 45 (48' TANDEM ONLY)	1
17	1-297-010013-12	FITTING, AIR 45 (48' TANDEM ONLY)	1
18	1-297-010007-16	FITTING, AIR (48' TANDEM ONLY)	1
19	3-843-010038	VALVE AIR RELAY-FAST AIR BALANCE (48' TANDEM ONLY)	1
20	1-861-010032-06	WASHER, FLAT 1/4N (48' TANDEM ONLY)	2
21	1-512-010005-01	NUT, HEX LOCK 1/4-20 (48' TANDEM ONLY)	2
22	1-560-010002-04	PLUG, PIPE 1/2 (48' TANDEM ONLY)	1
23	2081-8-6S	REDUCER (48' TANDEM ONLY)	2
24	2088-6-6S	FITTING, AIR 45 (48' TANDEM ONLY)	2

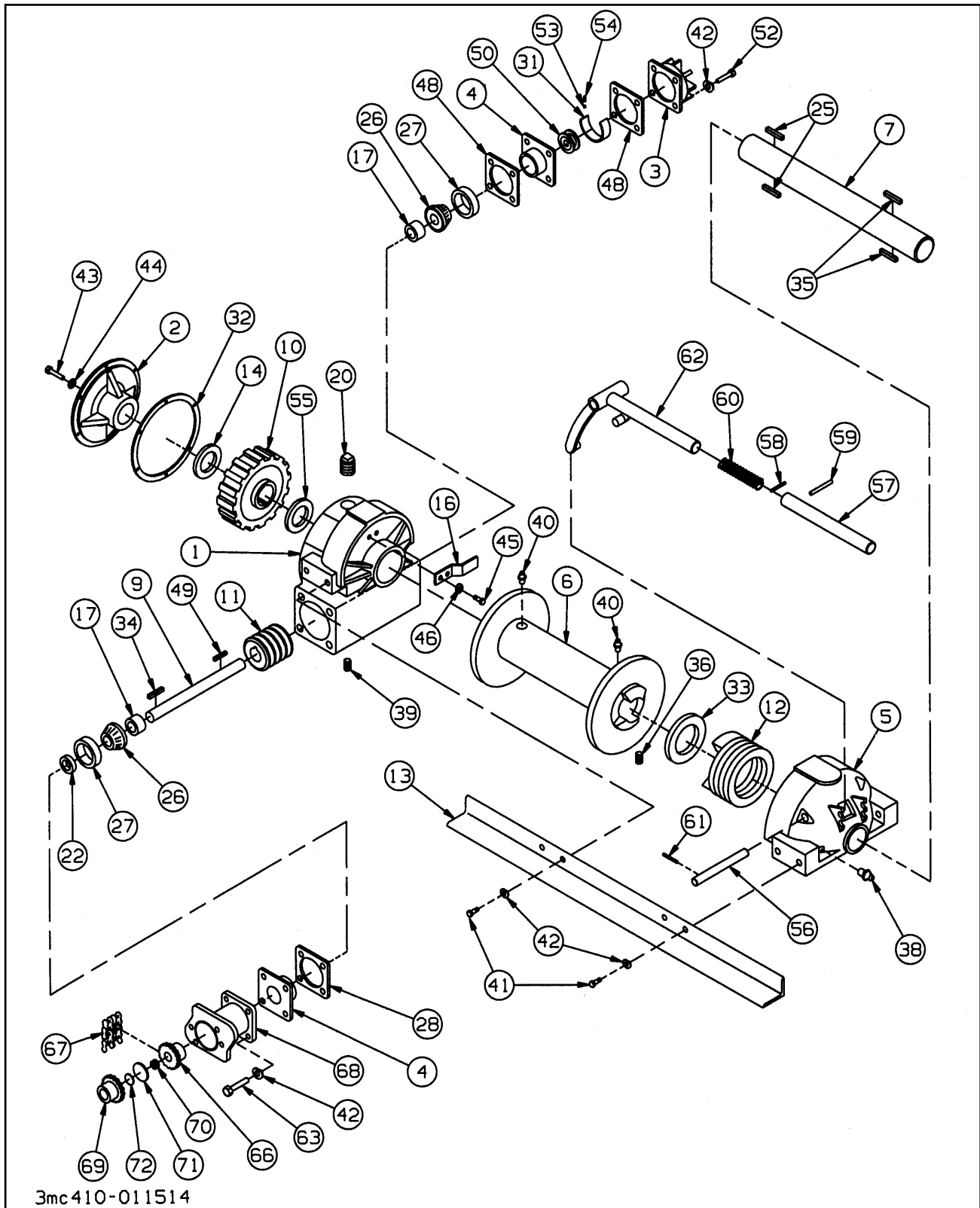


3m873-010166

Figure 1-30 Winch Installation

WINCH INSTALLATION

ITEM	PART NO.	DESCRIPTION	QTY.
	3-873-010166-01	WINCH INSTL 12K W/PARKER MOTOR 42' (INCL 1-9)	
	3-873-010166-02	WINCH INSTL 12K W/PARKER MOTOR 48' (INCL 1-9)	
	3-873-010166-03	WINCH INSTL 20K W/PARKER MOTOR 42' (INCL 1-9)	
	3-873-010166-04	WINCH INSTL 20K W/PARKER MOTOR 48' (INCL 1-9)	
	100351	WINCH INSTL 12K SLOPE (INCL 1-10)	
1	3-873-010126-2	WINCH ASSEMBLY 12K PARKER (INCL 10-22)	REF
	3-873-010129-2	WINCH ASSEMBLY 20K PARKER (INCL 10-22)	REF
2	1-512-010005-09	NUT HEX LOCK 1/2-13	8
3	3-155-010017-1	CABLE 1/2 W/LOOP 60"	REF
	3-155-010017-4	CABLE 1/2 W/LOOP 85'	REF
	3-155-010018-1	CABLE 5/8 W/LOOP 60'	REF
	3-155-010018-6	CABLE 5/8 W/LOOP 85'	REF
4	3-174-010038	CHAIN LINK CONNECTING 1/2	1
5	3-174-010039036	CHAIN 1/2 X 36" GRD 7	1
6	7HCGHT500	1/2 CLEVIS GRAB HOOK	1
7	1-654-010055-03	SCREW HEX HEAD CAP 1/2-13 X 1-1/2	8
8	2-181-010001	HOSE CLAMP (NOT SHOWN)	
9	1-510-010001	NUT FLANGE LOCK 3/8-16	
10	3-873-010122	WINCH WORM GEAR 12K (SEE PAGE 1-53)	1
	3-873-010123	WINCH WORM GEAR 20K (SEE PAGE 1-56)	1
11	3-481-010006	MOTOR HYDRAULIC 12K (SEE PAGE 1-60)	1
	3-481-010007	MOTOR HYDRAULIC 20K (SEE PAGE 1-60)	1
12	3-873-010124	WINCH TENSIONER WLDMT 12K	1
	3-873-010125	WINCH TENSIONER WLDMT 20K (BEFORE 10/97)	
	102186	WINCH TENSIONER WLDMT 20K (AFTER 10/97)	1
13	3-720-010010	SPRING COMP LEVEL WIND	1
14	1-512-010005-09	NUT HEX LOCK 1/2-13 GRB	1
15	1-512-010005-05	NUT HEX LOCK 3/8-16 GRB	3
16	1-654-010051-06	SCREW HEX HEAD CAP 3/8-16 GR5	3
17	1-861-010032-10	WASHER FLAT 3/8 N	6
18	1-654-010055-16	SCREW HEX HEAD CAP 1/2-13 X5 -1/2 GR5 12K	1
	1-654-010055-17	SCREW HEX HEAD CAP 1/2-13 X 6 GR5 20K	1
19	1-861-010032-15	WASHER FLAT 1/2W	2
20	1-654-010055-04	SCREW HEX HEAD CAP 1/2-13 X 1-3/4 GR5	2
21	1-861-010034-13	WASHER SPLIT LOCK 1/2	2
22	100600	DECAL WARNING WINCH (NOT SHOWN)	1



3mc410-011514

Figure 1-31 12,000# Winch Assembly

12,000# WINCH ITEMS

ITEM	PART NO.	DESCRIPTION	QTY.
	3-873-010122	WINCH, 12K	
1	81006	WORM HOUSING ASSEMBLY (INCLUDES ITEM 18)	1
2	81009	COVER ASSEMBLY WORM HOUSING (INCLUDES ITEM 19)	1
3	18032	HOUSING SAFETY BRAKE	1
4	23303	CONTAINER BEARING	2
5	81530	LEG ASSEMBLY BEARING (INCLUDES ITEM 47)	1
6	11128	DRUM CABLE	1
7	11129	DRUM SHAFT CABLE	1
9	23470	SHAFT WORM	1
10	11144	GEAR WORM LEFT HAND	1
11	11142	WORM LEFT HAND	1
12	18039	SLIDING CLUTCH	1
13	22752	ANGLE BASE	2
14	13680	THRUST RING	1
16	81025	BRAKE DRAG	1
17	11308	SPACER WORM	2
18	18078	BUSHING	1
19	11368	BUSHING	1
20	22775	PLUG PIPE	1
21	18009	PLUG PIPE	1
22	18026	SEAL GREASE	2
25	11117	KEY WORM GEAR	2
26	18015	CONE BEARING	2
27	18016	CUP BEARING	2
28	18027	GASKET	3
31	21925	BAND BRAKE	1
32	11133	WORM HOUSING COVER GASKET	3
33	18019	RETAINER RING	1
34	18030	KEY WORM	1
35	18020	KEY CLUTCH	2
36	24032	SET SCREW	1
38	18047	FITTING GREASE	1
39	19045	PLUG PIPE	1
40	11799	FITTING GREASE	2
41	21961	CAPSCREW	12
42	18003	WASHER LOCK	16
43	11767	CAPSCREW	6
44	11011	WASHER LOCK	6
45	13005	CAPSCREW	2
46	12780	WASHER LOCK	2
47	18078	BUSHING	1
48	18024	BEARING CONTAINER GASKET	3
49	10078	KEY	1
50	18028	DRUM BRAKE	1
51	12075	SCREWSET	1
52	22703	CAPSCREW	4
53	13468	JAM NUT	4
54	18029	BRAKE BAND SPRING	1
55	11240	RETAINER RING	1

12,000# WINCH ITEMS

ITEM	PART NO.	DESCRIPTION	QTY.
56	11130	SHIFTER SHAFT	1
57	12817	SHIFTER HANDLE	1
58	18056	ROLLPIN	1
59	13028	ROLL PIN	1
60	18002	SPRING	1
61	11837	ROLLPIN	2
62	13839	SHIFTER FORK	1
63	22704	CAPSCREW	4
65	18044	KEY	1
66	23081	COUPLING HALF (WORM SHAFT)	1
67	13424	ROLLER CHAIN	1
68	23079	MOTOR ADAPTER	1
69	23083	COUPLING HALF (MOTOR SHAFT)	1
70	23353	SPRING	1
71	23078	SPACER	1
72	23085	SPACER	1

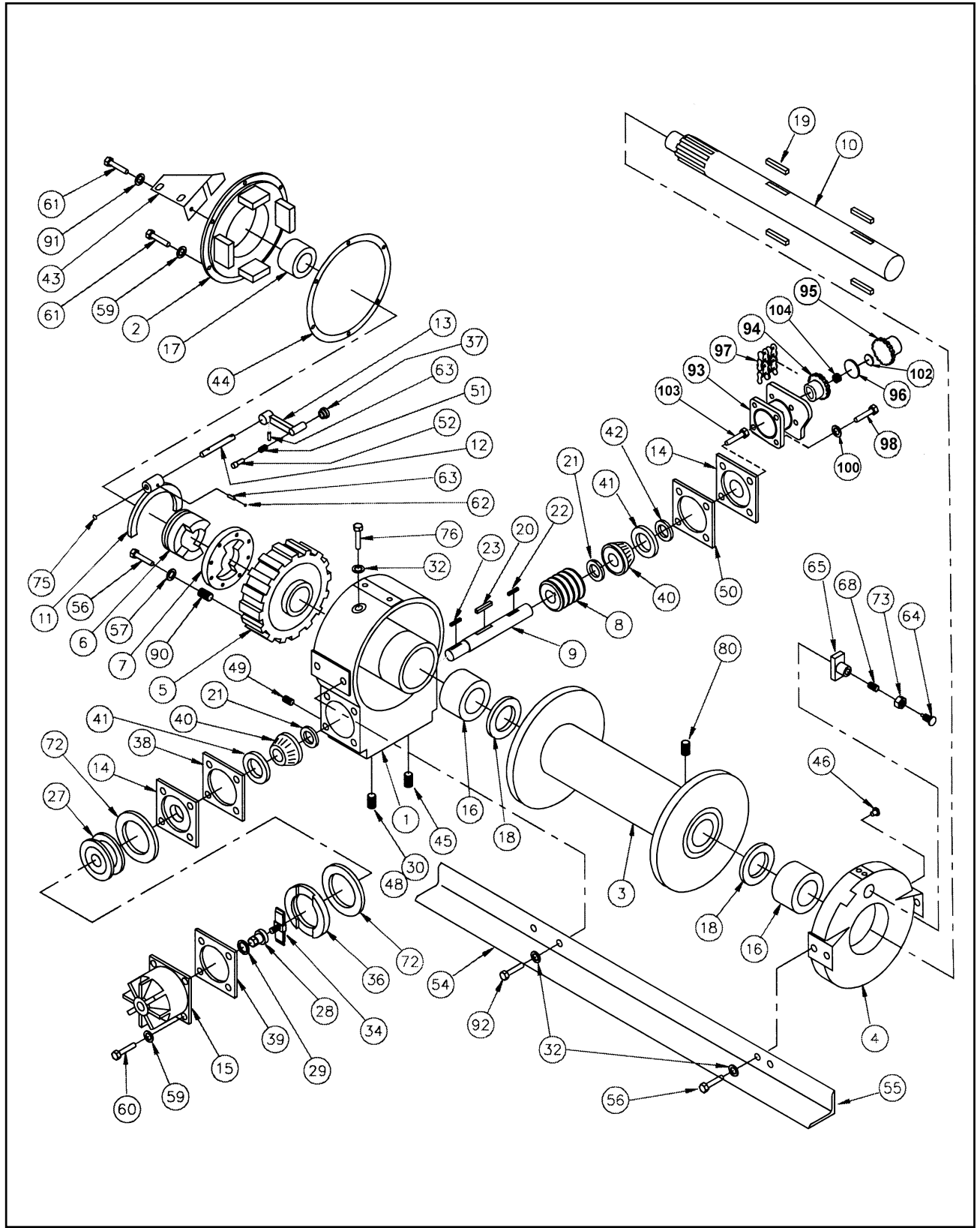


Figure 1-32 20,000# Winch Assembly

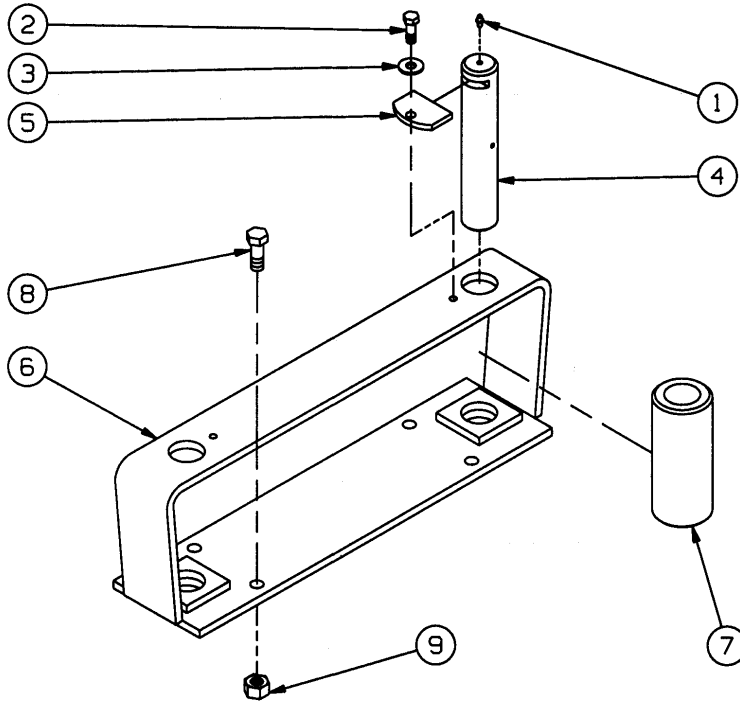
20,000# WINCH ITEMS

ITEM	PART NO.	DESCRIPTION	QTY.
	3-873-010123	WINCH, 20K	
1	81078	WORM HOUSING ASSEMBLY	1
2	81082	COVER ASSEMBLY WORM HOUSING	1
3	11449	DRUM CABLE	1
4	81077	LEG ASSEMBLY BEARING	1
5	11434	WORM GEAR RIGHT	1
6	11421	CLUTCH SIDING	1
7	11419	DRIVE CLUTCH	1
8	11404	WORM RIGHT	1
9	11405	SHAFT WORM	1
10	11414	SHAFT CABLE DRUM	1
11	11440	FORK SHIFTER	1
12	11441	SHAFT SHIFTER	1
13	11442	HANDLE SHIFTER	1
14	11427	CONTAINER BEARING	2
15	11445	COVER WORM BRAKE	1
16	18035	BUSHING	2
17	11425	BUSHING	1
18	11420	RING RETAINING	2
19	22055	DRUM KEY CABLE	4
20	11402	KEY WORM	1
21	11407	SPACER WORM	2
22	23367	KEY SPROCKET	1
23	10078	KEY ROTOR	1
27	81080	ROTOR ASSEMBLY BRAKE	1
28	11599	ADJUSTING NUT WORM BRAKE	1
29	12465	O-RING	1
30	19014	PLUG FILLER	1
32	11026	WASHER LOCK	10
34	81081	SPRING ASSEMBLY SAFETY BRAKE	1
36	11431	PLATE PRESSURE	1
37	18022	KNOB SHIFTER	1
38	11429	GASKET	4
39	11446	GASKET	2
40	18033	BEARING CONE	2
41	18034	BEARING CUP	2
42	12073	SEAL GREASE	1
43	12783	BRACKET SHIFTER	1
44	11411	COVER GASKET HOUSING	1
45	19045	PLUG DRAIN	1
46	18047	FITTING GREASE	1
48	22775	PLUG VENT	1
49	18009	PLUG LEVEL	1
50	11430	GASKET	4
51	11310	SPRING SHIFTER KNOB	1
52	11309	STEM SHIFTER KNOB	1
54	28942	ANGLE FRONT BASE	1
55	28943	ANGLE REAR BASE	1
56	13938	CAPSCREW	16

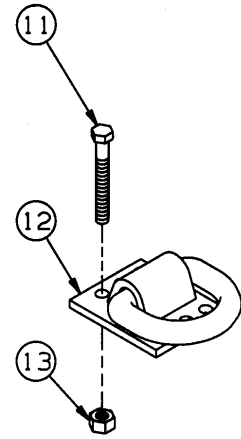
20,000# WINCH ITEMS

ITEM	PART NO.	DESCRIPTION	QTY.
57	12781	WASHER LOCK	8
58	18056	ROLLPIN	1
59	11025	WASHER LOCK	3
60	22695	CAPSCREW	4
61	21964	CAPSCREW	6
62	12146	PLUG EXPANSION	A/R
63	13028	ROLL PIN	A/R
64	11398	SCREW ADJUSTING	1
65	88005	SHOE ASSEMBLY DRAG BRAKE	1
68	18002	SHOE ASSEMBLY DRAG BRAKE	1
72	11426	DISC FRICTION	2
73	11791	NUT JAM	1
75	12767	PLUG EXPANSION	A/R
76	22729	CAPSCREW	2
77	23245	SAE PLATE - AMU7-16F	1
78*	23310	PLATE WARNING	1
79*	11842	SCREW DRIVE	4
80	12228	SCREW SET	1
90	11435	INSERT THREAD	8
91	11014	LOCKWASHER (7/8" EXTERNAL TOOTH)	1
92	22697	CAPSCREW	5
93	23079	ADAPTER - MOTOR	1
94	23081	COUPLING HALF-WINCH	1
95	23142	COUPLING HALF-MOTOR	1
96	23078	SPACER - CONSTANT	1
97	13424	ROLLER CHAIN	1
98	22704	CAPSCREW	4
99	13413	CAPSCREW (NOT SHOWN)	4
100	18003	LOCKWASHER	4
101	11026	LOCKWASHER (NOT SHOWN)	4
102	23183	SPACER - VARIABLE	2
103	22703	CAPSCREW	4
104	23353	SPRING - SPACER	1

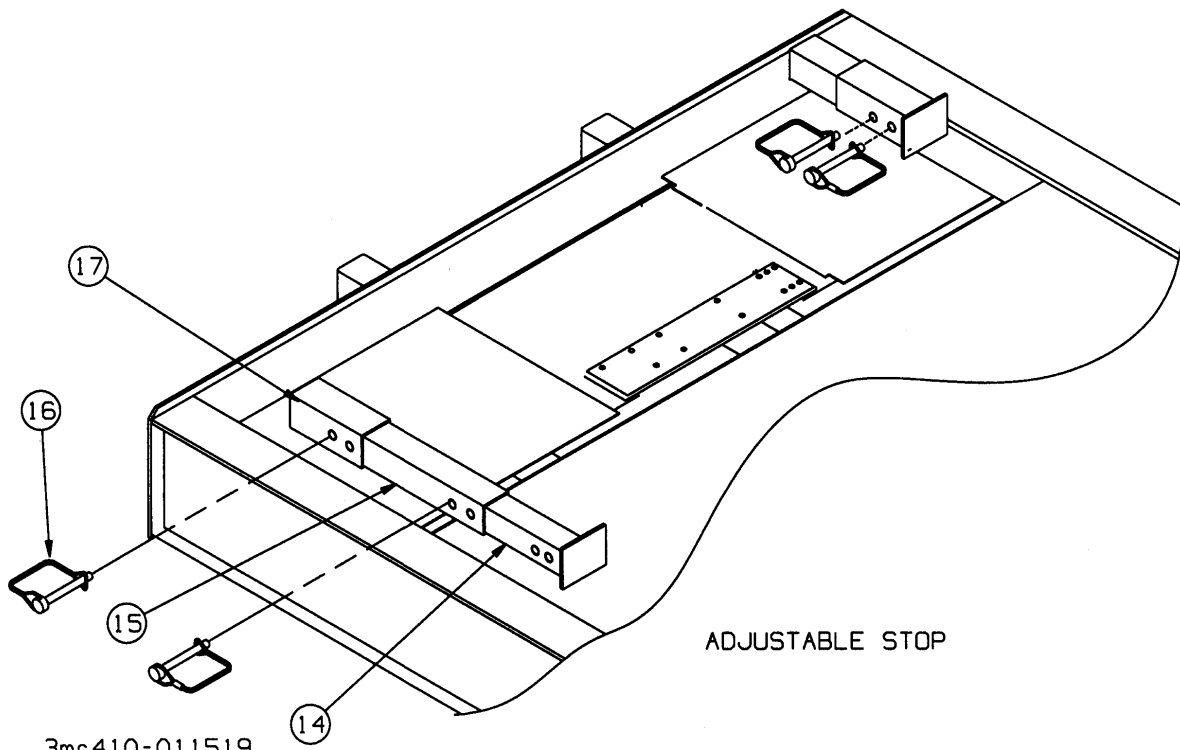
NOTE: ITEMS 1 AND 4 INCLUDE BUSHING (ITEM 16); ITEM 2 INCLUDES BUSHING (ITEM 17).



WINCH CABLE ROLLER GUIDE



BOLT ON D-RING



ADJUSTABLE STOP

3mc410-011519

WINCH CABLE ROLLER GUIDE (OPTIONAL)

ITEM	PART NO.	DESCRIPTION	QTY.
	3-352-010017-1	GUIDE INSTALLATION WINCH CABLE 12K	
	3-352-010017-2	GUIDE INSTALLATION WINCH CABLE 20K	
1	1-298-010001-1	FITTING GRS 1/4-28 STR SHORT	2
2	1-654-010051-03	SCREW HEX HEAD CAP 3/8-16 X 3/4 GR5	2
3	1-861-010034-11	WASHER SPLIT LOCK 3/8	2
4	3-557-010383	PIN CABLE GUIDE ROLLER	2
5	3-565-010770	PLATE CABLE GUIDE LOCK	2
6	3-120-010295	BRACKET WLDMT 12K ROLLER	1
	3-120-010294	BRACKET WLDMT 20K ROLLER	1
7	3-645-010049	ROLLER WINCH CABLE GUIDE	2
8	1-654-010055-05	SCREW HEX HEAD CAP 1/2-13 X 2 GR5	4
9	1-512-010005-09	NUT HEX LOCK 1/2-13 GRB	4
10	3-352-010015-3	GUIDE ASSY WINCH CABLE 12K (INCL. ITEMS 1-7)	1
	3-352-010015-4	GUIDE ASSY WINCH CABLE 20K (INCL. ITEMS 1-7)	1

BOLT-ON D-RING (OPTIONAL)

	3-793-010041	TIE DOWN INSTALLATION WINCH D-RING	
11	1-654-010055-03	SCREW HEX HEAD CAP 1/2-13 X1-1/2 GR5	6
12	3-793-010040	TIE DOWN WINCH	1
13	1-512-010005-09	NUT HEX LOCK 1/2-13 GR B	6

STOP INSTALLATION, ADJUSTABLE (OPTIONAL)

	3-741-010085	STOP INSTALLATION ADJUSTABLE 330	
14	3-829-010327	TUBE WELDMENT 3'	2
15	3-829-010329	TUBE WELDMENT 3-1/2"	2
16	346SL	LOCK HITCH PIN	4
17	3-829-010330	TUBE INSTALLATION ADJ STOP	2

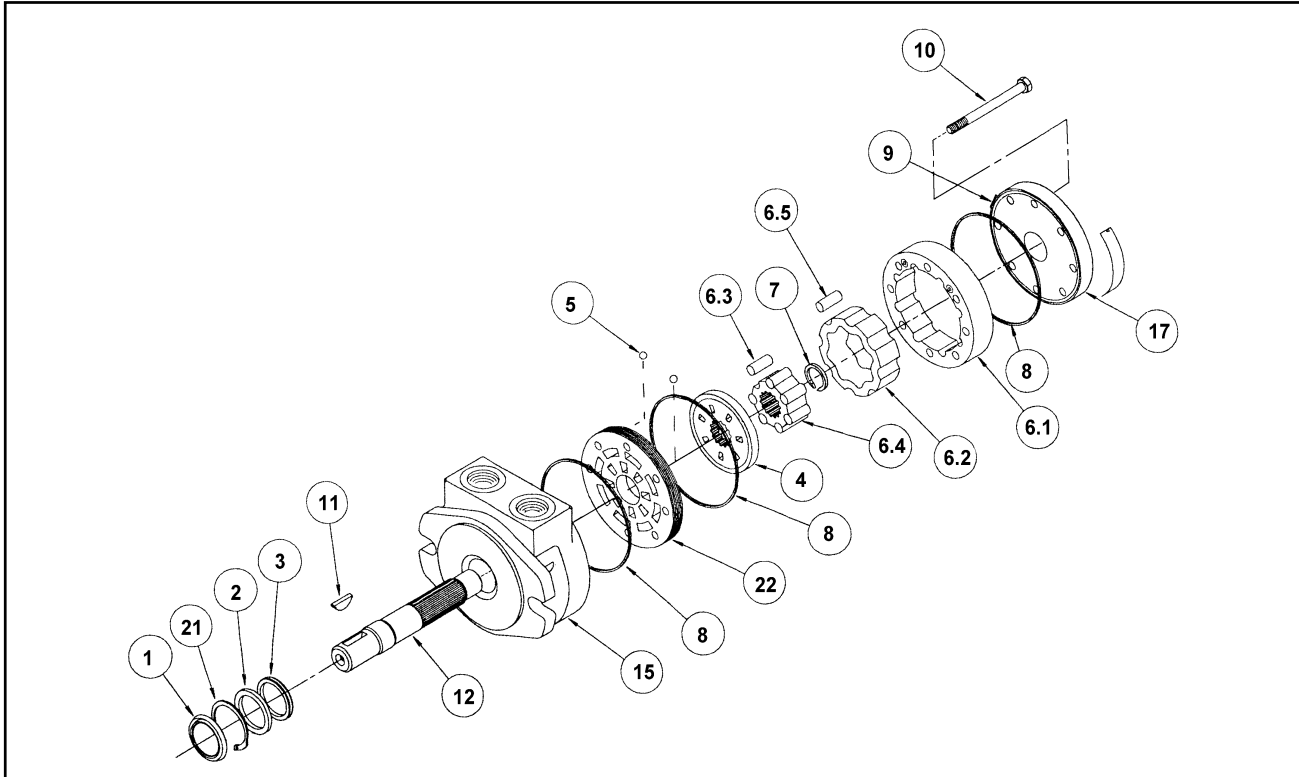


Figure 1-34 Winch Motor Assembly

WINCH MOTOR ASSEMBLY

ITEM	PART NO.	DESCRIPTION	QTY.
	3-481-010007	MOTOR HYD. (FOR 20K WINCH)	1
	3-481-010006	MOTOR HYD (FOR 12K WINCH)	1
1	2183	SEAL DUST	1
2	2177	BACK-UP RING	1
3	2175	SEAL, LIP	1
4	1644	ROTARY VALVE	1
5	1021	CHECK VALVE BALL	2
6	1004-6	IGR, ASSY (FOR 20K WINCH)	1
	1004-3	IGA, ASSY (FOR 12K WINCH)	1
7	1296	SNAP RING	1
8	1046	SQUARE RING SEAL	3
9	1019-4	PLUG, VENT W/O-RING 7/16-20	1
10	1014-4	BOLTS, HEX 5/16-24 (FOR 20K WINCH)	8
	1114-5	BOLTS, HEX 5/16-24 (FOR 12K WINCH)	8
11	1655	KEY, WOODRUFF	1
12	2265-6	SHAFT, 1.25" 14 TOOTH SPLINE (FOR 20K WINCH)	1
	2109-3	SHAFT, 1" KEYED (FOR 12K WINCH)	1
15	M110AB-4	BODY/BEARING ASSY (FOR 20K WINCH)	1
	PA-2328-2	BODY/BEARING ASSY (FOR 12K WINCH)	1
17	M110C-1	COVER/BEARING ASSY	1
21	2180	SNAP RING, SHAFT	1
22	1865	COMMUNTATOR PLATE	1
23	2263	SEAL KIT, BODY	1
	2480	SEAL KIT, BODY, VITON	1



1

LANDOLL® HAULOLL®

2

3



4

MANUFACTURED BY
LANDOLL CORPORATION
MARYSVILLE, KANSAS 66508
MO. & YR. (MO/YR)

GVWR 119,000 GVWR AXLES 59,500
WITH 225/70R-22.5 11R RIMS AT 80 PSI COLD

THIS VEHICLE CONFORMS TO ALL APPLICABLE FEDERAL SAFETY REGULATIONS IN EFFECT ON THE DATE OF MANUFACTURE SHOWN ABOVE.

V.I.N. 1-371-11-00033333
TRAILER

5

1700 May Street
Box 111
Marysville, Kansas 66508

LANDOLL TRAILER DIVISION
1-800-428-5655
1-800-HAULOLL
IN KANSAS
1-800-332-8655

MANUFACTURED UNDER ONE OR MORE OF
THE FOLLOWING PATENTS: 4125198, 4231710,
4361191, 4630991, 4556357,
4492507, 4928774 3-573-010298

6

WARNING

TO MEET FEDERAL REGULATIONS THE TRAVELING AXLES MUST BE IN THE REAR MOST POSITION FOR HIGHWAY USE.

3-573-010300

7

CAUTION

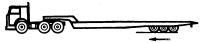
MAXIMUM CONCENTRATED LOAD IN A 10 FT. AREA 20,000 LBS.

3-573-010086

12

TRAILER OPERATION

1. PARK TRACTOR AND TRAILER IN A STRAIGHT LINE ON RELATIVELY LEVEL GROUND.
2. SET TRACTOR BRAKES AND RELEASE TRAILER BRAKES.
3. ENGAGE PTO.



4. PULL AXLES FORWARD OUT OF POCKETS.



5. ALTERNATE BETWEEN RAISING THE TRAILER AND PULLING THE AXLES FORWARD UNTIL THE APPROACH PLATE TOUCHES THE GROUND. CAUTION! DO NOT ALLOW BACK AXLE TO LEAVE THE GROUND.
6. TO RETURN TO LEVEL POSITION, REVERSE STEPS USED TO TILT THE TRAILER.

3-573-010127



TIRE CHANGING PROCEDURE

1. SET TRACTOR BRAKES.
2. PULL TRAILER UNDERCARRIAGE FORWARD 18".
3. SET TRAILER BRAKES.
4. PLACE JACK UNDER TRAILER FRAME AND LIFT UNTIL TIRE CLEARS GROUND.

3-573-010189

CAUTION

MAXIMUM CONCENTRATED LOAD IN A 10 FT. AREA 10,000 LBS.

3-573-010134

11

PULL UP TO RAISE | PULL UP TO REEL IN | PULL UP TO RETRACT
5th WHEEL | WINCH | AXLE
PUSH DOWN TO LOWER | PUSH DOWN TO REEL OUT | PUSH DOWN TO EXTEND

13

WARNING

A MINIMUM OF 5 WRAPS OF CABLE MUST BE LEFT ON DRUM.

3-573-010209

14

WARNING

IN THE EVENT OF COLLISION OR DAMAGE TO BUMPER OR ENERGY PACK, REPLACEMENT IS MANDATORY BEFORE FURTHER OPERATION OF THE TRAILER.

103056

20

LANDOLL CORPORATION
1900 NORTH
MARYSVILLE, KS 66508-0111
MANUFACTURED IN: (MO/YR)
DOT 103055

9

10

15

W WHEEL PRODUCTS, INC. TORQUE SPECIFICATIONS (FOR PILOT MOUNTED DISC-WHEELS)

DANGER

RECOMMENDED TORQUE ONLY: 400 - 500 FT. LBS.

17

W WHEEL PRODUCTS, INC. TORQUE SPECIFICATIONS (FOR BALL SEAT MOUNTED DISC WHEELS)

DANGER

RECOMMENDED TORQUE ONLY: 400 - 500 FT. LBS.

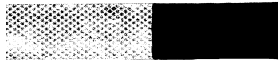
18

IMPORTANT

DO NOT HOOK WINCH LINE TO BUMPER. BUMPER MOVES WITH UNDERCARRIAGE.

3-573-010031

21



19

WINCH | TILT
IN | UP
OUT | DOWN

3-573-010029

25

OFF | W | R
WINCH | RELEASE

3-573-010030

26

WINCH | AXLES
IN | T | R
OUT | A | S

3-573-010028

27

TILT | AXLES
UP | T | R
DOWN | A | S

3-573-010029

28

WINCH | OUT
IN | T | R
OUT | A | S

3-573-010029

29

WINCH | TILT
IN | UP
OUT | DOWN

3-573-010029

30

WINCH | OUT
IN | T | R
OUT | A | S

100209

31

WINCH | WINCH
IN | 1 | 2
OUT | A | S

100209

32

WINCH | TILT
IN | UP
OUT | DOWN

3-573-010029

WINCH | PUSH TO RELEASE
IN | UP
OUT | DOWN

3-573-010029

WINCH | AXLES | TRANSPORT
IN | T | R
OUT | A | S

3-573-010029

TILT | AXLES | TRANSPORT
UP | T | R
DOWN | A | S

3-573-010029

TILT | DOWN
UP | T | R
LOAD | A | S

3-573-010029

TILT | DOWN
UP | T | R
TENSION | RELEASE

3-573-010029

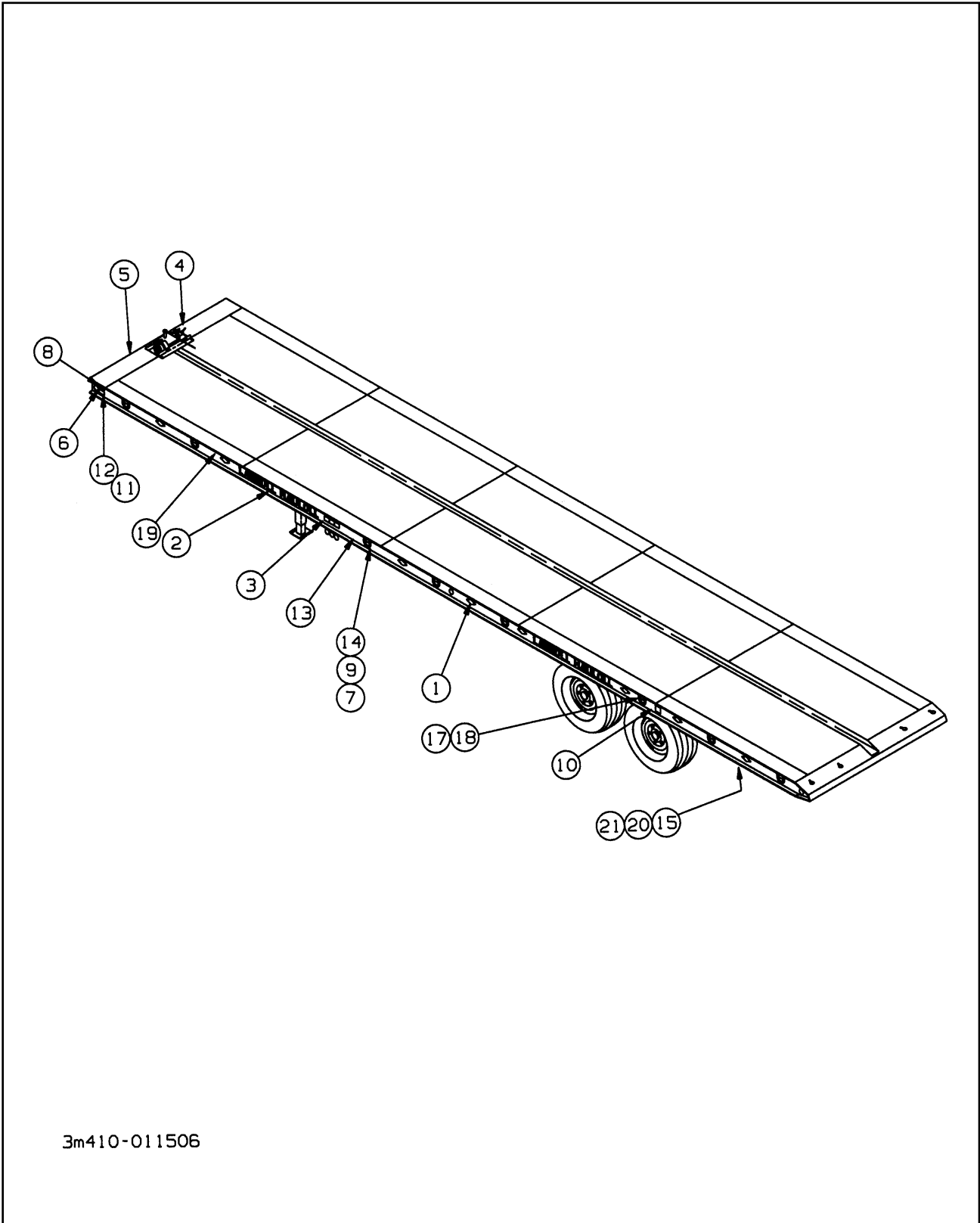
WINCH | DOWN
IN | UP
OUT | DOWN

100209

WINCH | WINCH
IN | 1 | 2
OUT | A | S

100209

Figure 1-35 Decals



3m410-011506

Figure 1-36 Decal Placement

DECAL PLACEMENT

ITEM	PART NO.	DESCRIPTION	QTY.
1	1-573-010479	DECAL L WHITE	8
	1-573-010475	DECAL L BLACK	8
2	1-573-010481	DECAL LANDOLL WHITE	4
	1-573-010477	DECAL LANDOLL BLACK	4
3	1-573-010482	DECAL HAULLOLL WHITE	4
	1-573-010478	DECAL HAULLOLL BLACK	4
4	1-573-010017	DECAL LANDOLL WHITE	4
	1-573-010007	DECAL LANDOLL BLACK	4
5	3-573-010020	PLATE IDENTIFICATION	1
6	3-573-010298	DECAL PATENT TRAILERS AND TOLL FREE NO.	2
7	3-573-010300	DECAL CAUTION	1
9	3-573-010127	DECAL OPERATION	1
10	3-573-010189	DECAL TIRE CHANGING PROCEDURE	2
11	3-573-010134	DECAL CONC LOAD (SINGLE AXLE)	2
12	3-573-010086	DECAL CONC LOAD (TANDEM AXLE)	2
13	3-573-010057	DECAL INSTRUCTION	1
14	3-573-010299	DECAL WARNING WINCH	1
15	103055	DECAL ENERGY BUMPER CERT.	1
17	3-573-010210	DECAL TORQUE SPEC 8-10 STUD HUB	1
18	3-573-010211	DECAL TORQUE SPEC 6-10 STUD HUB	1
19	3-573-010377	DECAL REFLEXITE TAPE RED/WHITE	48'
20	103056	DECAL ENERGY BUMPER WARNING	1
21	3-573-010031	DECAL BUMPER	1
22	10036	FASTENER SERIAL NUMBER (NOT SHOWN)	4
23	3-573-010378010	DECAL 2 X10 REFLEXITE WHITE (NOT SHOWN)	2
24	3-573-0120378012	DECAL 2 X 12 RELEXITE WHITE (NOT SHOWN)	2
25	3-573-010296	DECAL, WINCH TILT	REF
26	3-573-010391	DECAL, REMOTE WINCH TILT	REF
27	3-573-010392	DECAL, REMOTE WINCH UNDERCARRIAGE	REF
28	3-573-010393	DECAL, REMOTE TILT UNDERCARRIAGE	REF
29	3-573-010394	DECAL, TILT/WINCH/UNDERCARRIAGE	REF
30	3-573-010395	DECAL, TILT/WINCH/UNDERCARRIAGE	REF
31	100289	DECAL, WINCH/WINCH/TILT	REF
32	100290	DECAL, REMOTE WINCH WINCH	REF
33	113853	DECAL, 330 BLACK DC 2-1/2"	2
34	113853	DECAL, 330 WHITE DC 2-1/2"	2

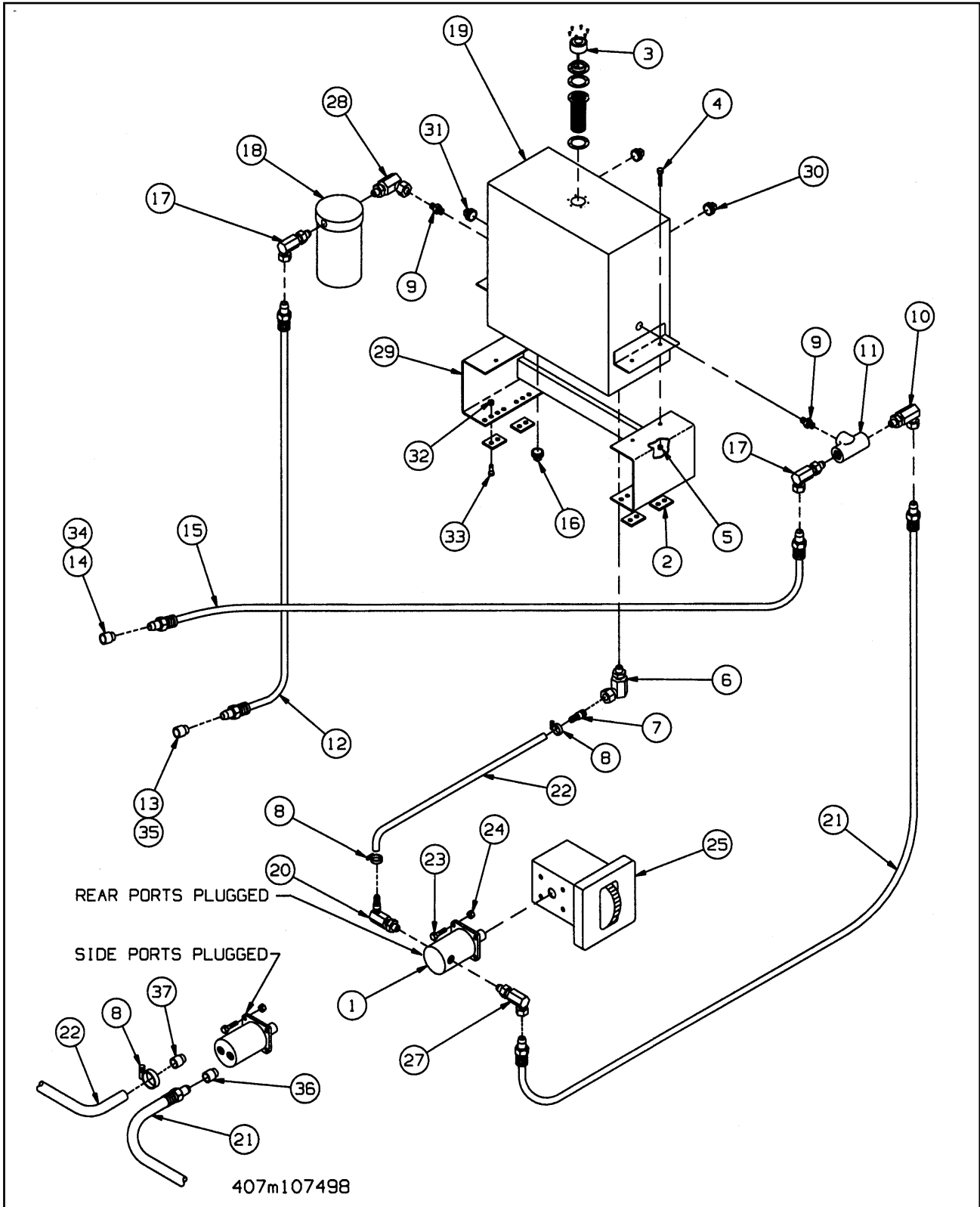


Figure 1-37 Hydraulic Wet Kit Assembly (Optional)

HYDRAULIC WET KIT (OPTIONAL)

ITEM	PART NO.	DESCRIPTION	QTY.
	107498	HYDRAULIC WET KIT W/ PTO INSTALLED	
	107499	HYDRAULIC WET KIT W/ PTO NOT INSTALLED	
	107500	HYDRAULIC WET KIT W/O PTO NOT INSTALLED	
1	3-591-010001	HYDRAULIC GEAR PUMP (SEE PAGE)	1
2	3-120-010461	BRACKET, HYD TANK MOUNT SUPPORT	4
3	3-162-010001	FILLER BREATHER STRAINER ASSEMBLY	1
4	1-654-010051-06	SCREW HEX HEAD CAP 3/8-16X1-1/4 GR5	4
5	1-512-010005-05	NUT HEX LOCK GRB	4
6	1-1/4ST ELL	BLACK PIPE ELBOW 90 ST	1
7	3-561-010001	HOSE BARB 1-1/4	1
8	6828	IDEAL HOSE CLAMP	2
9	C3069X12	NIPPLE HEX	2
10	2024-12-8S	ADAPTER 90	1
11	125130	RD12D HYD BY PASS SRDD	1
12	106760	HOSE ASSEMBLY	1
13	S21F-6	COUPLER, 3/4 MALE HALF (BEFORE 7/98)	1
	105479	COUPLER, FLAT FACE MALE (AFTER 7/98)	1
14	S25F-6	COUPLER 3/4 PRESSURE FRONT (BEFORE 7/98)	1
	105480	COUPLER, FLAT FACE FEMALE (AFTER 7/98)	1
15	106759	HOSE ASSEMBLY 1/2 X 164	1
16	1-560-010002-07	PLUG, BLACK PIPE 1-1/4 SQ HEAD	1
17	2024-12-12S	ADAPTER 90	2
18	1-295-010001	FILTER, RETURN	1
19	3-786-010043	TANK, HYDRAULIC	1
20	1-007-010006	ELBOW 90, 1-5/16 O-RING 1-1/4 HOSE	1
21	1-397-010301100	HOSE ASSEMBLY	1
22	3-399-010001	HOSE 1-1/4 X 4 - 0" SUCTION	8'
23	1-654-010055-03	SCREW HEX HEAD CAP 1/2-13 X 1-1/2 GR5	4
24	1-861-010034-13	WASHER SPLIT LOCK 1/2	4
25	PTO	POWER TAKE OFF	*1,—
27	2062-16-8S	ADAPTER, 90	1
28	2047-12-12S	ELBOW 90 SWIVEL	1
29	3-482-010503	TANK MOUNT	1
30	1-560-010002-05	PIPE PLUG 3/4	2
31	1-560-010002-04	PIPE PLUG 1/2	1
32	1-512-010005-09	NUT, HEX LOCK 1/2-13 GRB	4
33	1-654-010055-04	SCREW, HEX HEAD CAP 1/2-13 X 1-3/4 GR5	4
34	105482	COUPLER, DUST CAP FEMALE	1
35	105481	COUPLER, DUST CAP MALE	1
36	12-16 070120	ADAPTER	1
37	107513	ADAPTER	1

* FIRST QUANTITY LISTED IS FOR P/N'S 107498 AND 107499 HYDRAULIC WET KIT W/ PTO; SECOND QUANTITY LISTED IS FOR P/N 107500 HYDRAULIC WET KIT W/O PTO.

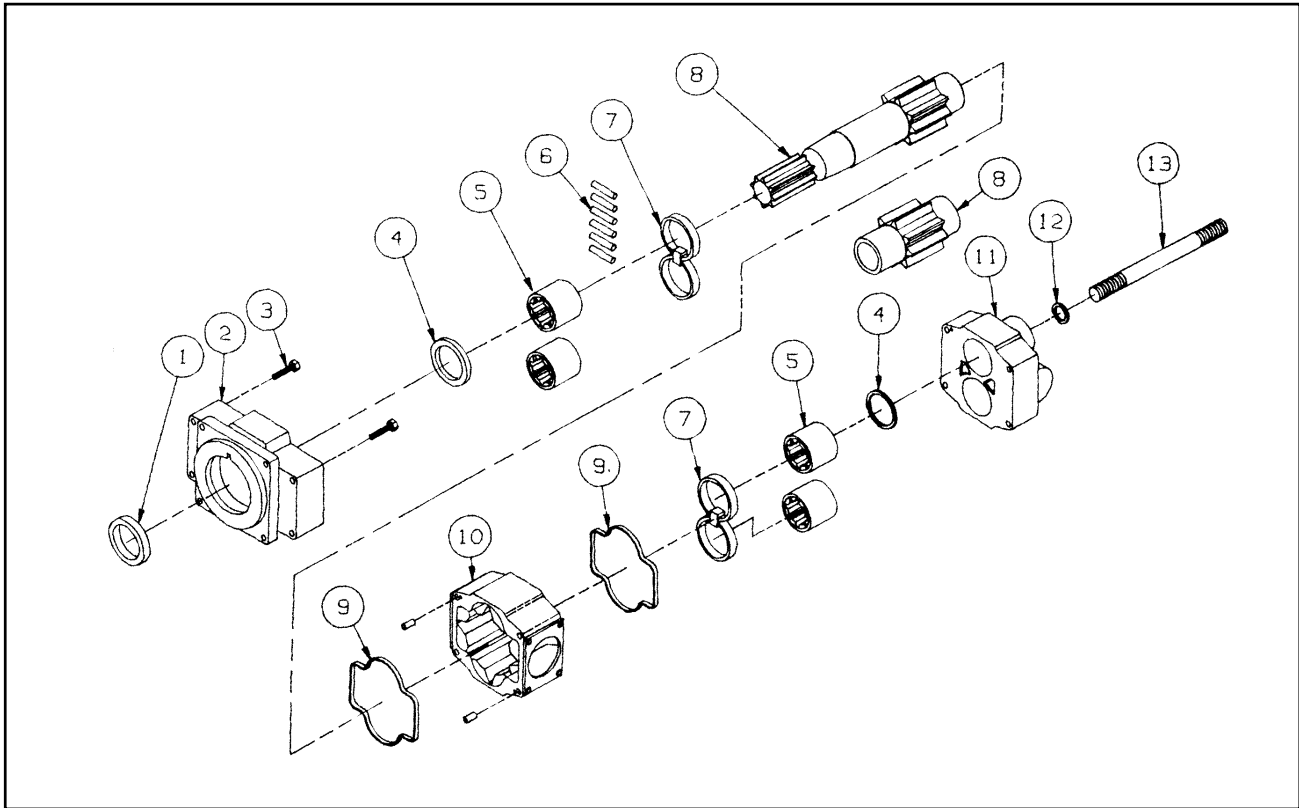


Figure 1-38 Hydraulic Pump, Wet Kit (Optional)

HYDRAULIC PUMP, WET KIT (OPTIONAL)

ITEM	PART NO.	DESCRIPTION	QTY.
	3-591-010001	HYDRAULIC PUMP ASSEMBLY	1
1	X73-37-16	SEAL SHAFT	1
2	EB 1685-3	COVER SHAFT END	1
3	M 1391-K	CHECK	2
4	LB 1669-1	SEAL RING	2
5	Y 1032	BEARING ROLLER	4
6	BA 3026-2	STRIP POCKET SEAL	1
7	AA 1058	PLATE THRUST	2
8	BD 1135M-3-17	GEAR SET SHAFT	1
9	UB 3006-242	GASKET HOUSING	2
10	RA 1688-17-64	HOUSING	1
11	XA 1603	PORT END	1
12	X 144-3	WASHER	1
13	X2-25	STUD	1
14	391-1802-119	SEAL KIT	

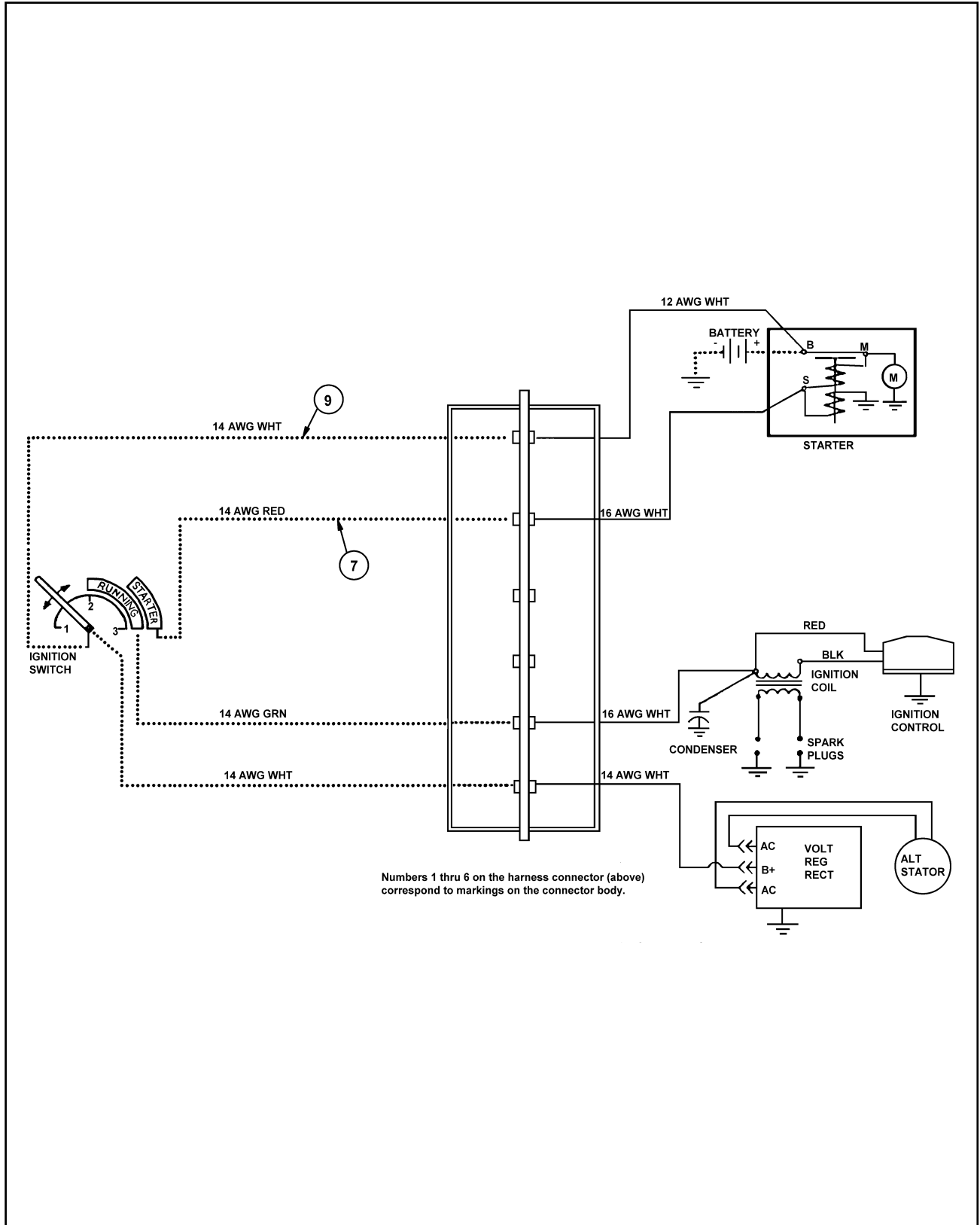


Figure 1-39 Engine Harness Diagram

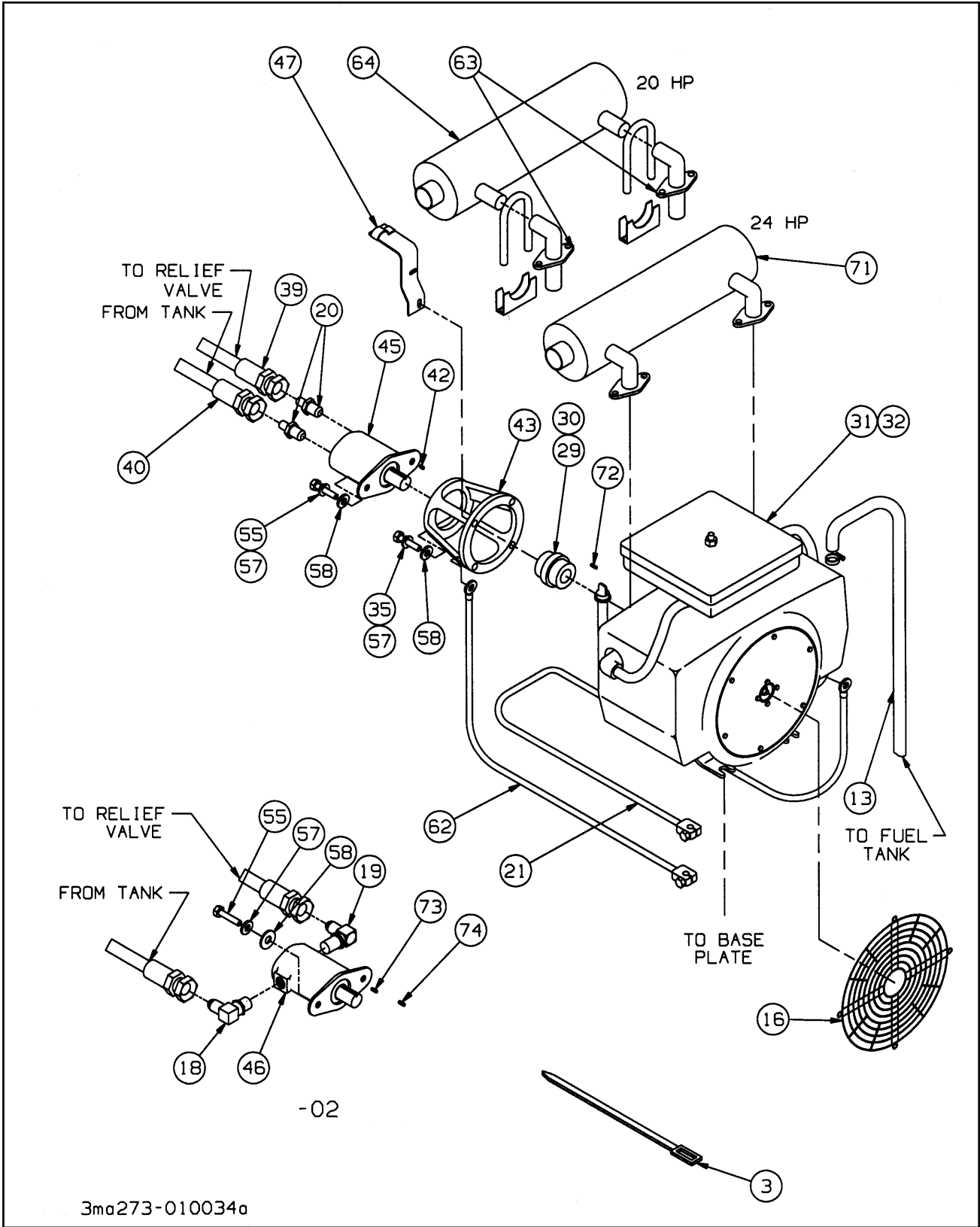


Figure 1-40 Auxiliary Engine Package (1 of 2)

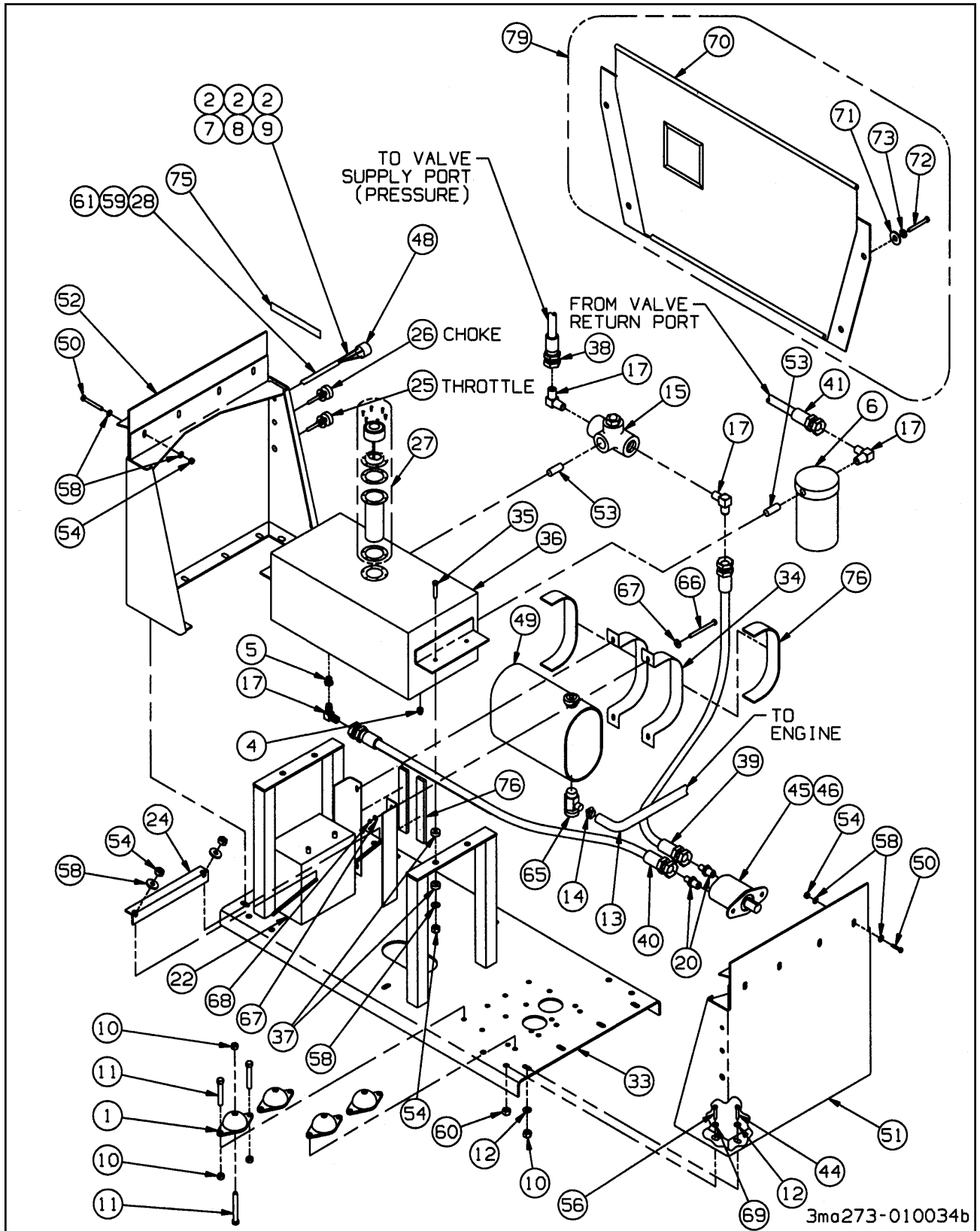


Figure 1-41 Auxiliary Engine Package (2 of 2)

AUXILIARY ENGINE PACKAGE (OPTIONAL)

ITEM	PART NO.	DESCRIPTION	QTY.
	3-273-010034-01	ENGINE DRIVE UNDERSLUNG 330 20HP	
	3-273-010034-02	ENGINE DRIVE UNDERSLUNG 330 24HP	
1	CA-1595	MACHINE MOUNT 40 DROMETER	4
2	3-203-010001	RING TERMINAL	3
3	1-796-010003-02	TIE STRAP PLASTIC	A/R
4	1-560-010002-07	PLUG PIPE	1
5	3-150-010166-16	BLACK PIPE BUSHING 1-1/4 X 3/4	1
6	1-295-010001	FILTER RETURN LINE	1
	1-295-010002	FILTER ELEMENT	1
7	1-879-010004072	WIRE RED 14AWG 6FT	1
8	1-879-010006072	WIRE GREEN 14AWG 6FT	1
9	1-879-010010072	WIRE WHITE 14AWG 6FT	1
10	1-512-010005-09	NUT HEX LOCK 1/2-13 GRB	24
11	1-654-010055-03	SCREW HEX HEAD CAP 1/2-13 X 1-1/2 GR5	12
12	1-861-010032-15	WASHER FLAT 1/2	24
13	1-316-010013-1	HOSE PRESS FUEL 1/4	1
14	105-0105	CLAMP HOSE IDEAL 6203	2
15	125130	RD12D HYDRAULIC BY PASS SRDD	1
16	134-4560	GUARD ONAN	1
17	2024-12-12S	ADAPTER 90	4
18	2062-16-12S	ADAPTER 90	*0,1
19	2062-12-12S	ADAPTER 90	*0,1
20	2021-16-12S	ADAPTER PIPE TO TUBE	*2,0
21	239-8113-40	CABLE ASSEMBLY BATTERY (NEG) 2AWG	1
22	2481X	BATTERY 12 VOLT	1
24	3-120-010124	BATTERY CLAMP BRACKET	1
25	3-155-010012	CABLE THROTTLE	1
26	3-155-010025	CHOKE CABLE	1
27	3-162-010001	FILLER BREATHER STRAINER ASSY	1
28	3-201-010002072	CONDUIT PLASTIC FLEX	1
29	3-220-010003	FLEXIBLE COUPLING	*1,0
30	3-220-010002	FLEXIBLE COUPLING	*0,1
31	3-273-010006	ENGINE 20HP ONAN	*1,0
32	3-273-010013	ENGINE 24HP ONAN	*0,1
33	3-482-010495	MOUNT WELDMENT 330 POWER CTR	1
34	3-482-010342	MOUNT BOLT ON STRAP FUEL TANK	2
	3-744-010046	STRAP 3 GAL FUEL TANK	2
35	1-654-010051-08	SCREW HEX CAP 3/8-16 X 1-3/4 GR5	4
36	3-786-010005	HYDRAULIC TANK 5TH WHEEL	1
37	805-2	BUSHING STEP	8
38	1-397-010304056	HOSE ASSEMBLY 3/4	1
39	1-397-010304032	HOSE ASSEMBLY 3/4	1
40	1-397-010304022	HOSE ASSEMBLY 3/4	1
41	1-397-010304064	HOSE ASSEMBLY 3/4	1
42	3-427-010003	KEY WOODRUFF 317/350	*1,0
43	3-482-010003	20HP HYDRAULIC PUMP MOUNT	1
44	1-654-010055-02	SCREW HEX HEAD CAP 1/2-13X1-1/4 GR5	12
45	3-591-010005	PUMP HYDRAULIC GEAR 20HP	*1,0
46	3-591-010003	PUMP HYDRAULIC GEAR 24HP	*0,1
47	3-482-010360	MOUNT CHOKE CABLE WLDMT	1

AUXILIARY ENGINE PACKAGE (OPTIONAL)

ITEM	PART NO.	DESCRIPTION	QTY.
48	3-765-010005	IGNITION SWITCH	1
49	3-783-010006	TANK FUEL	1
	3-783-010013P	TANK FUEL 3 GAL	1
50	1-654-010051-07	SCREW HEX HEAD CAP 3/8-16 X 1-1/2 GR5	8
51	3-482-010566	MOUNT WELDMENT FRONT	1
52	3-482-010565	MOUNT WELDMENT REAR	1
53	3/4NIPPLE	NIPPLE ALL THREAD 3/4	2
54	1-510-010001	NUT FLANGE LOCK 3/8-16	14
55	1-654-010051-06	SCREW HEX HEAD CAP 3/8-16 X 1-1/4 GR5	6
56	1-654-010059-13	SCREW HEX HEAD CAP 5/8-11 X 4 GR5	4
57	1-861-010034-11	WASHER SPLIT LOCK 3/8	6
58	1-861-010032-11	WASHER FLAT 3/8	30
59	3-272-010021	ELECTRICAL BUTT SPLICE	2
60	1-512-010005-131	NUT HEX LOCK 5/8-11 GRB	4
61	3-272-010022	ELECTRICAL BUTT SPLICE	1
62	514-9045-40	CABLE ASSEMBLY BATTERY (POS)	1
63	541-0203	EXHAUST ADAPTER KIT	*1,0
64	541-0379	MUFFLER 20HP ONAN	*1,0
65	6600	VALVE SHUT-OFF GAS WEATHERHEAD	1
66	1-654-010049-09	SCREW HEX HEAD CAP 5/16-18 X 2 GR5	4
67	1-861-010032-09	WASHER FLAT 5/16	8
68	1-512-010005-03	NUT HEX LOCK 5/16-18 GRB	4
69	1-861-010032-19	WASHER FLAT 5/8	4
70	3-348-010045	GUARD WELDMENT 330 U/S SIDE PANEL	2
71	541-0316	MUFFLER 24 HP	*0,1
72	110-4338	SQUARE KEY 1/4 X 2	*1,0
73	110-4334	KEY 3/16 X 1-1/4	*0,1
74	110-4348	KEY 3/8 X 2	*0,1
76	10030	SEL BAR STOCK - NEOPRENE SPONGE	60"
79	B3-274-007	ENG GUARD 330 U/S OPTION (INCLUDES ITEMS 70, 71, 72, AND 73)	1

* THE FIRST QUANTITY LISTED IS FOR P/N 3-273-010034-01; SECOND QUANTITY LISTED IS FOR P/N 3-273-010034-02.

NOTE: SEE FIGURE 1-39 FOR ENGINE HARNESS DIAGRAM.

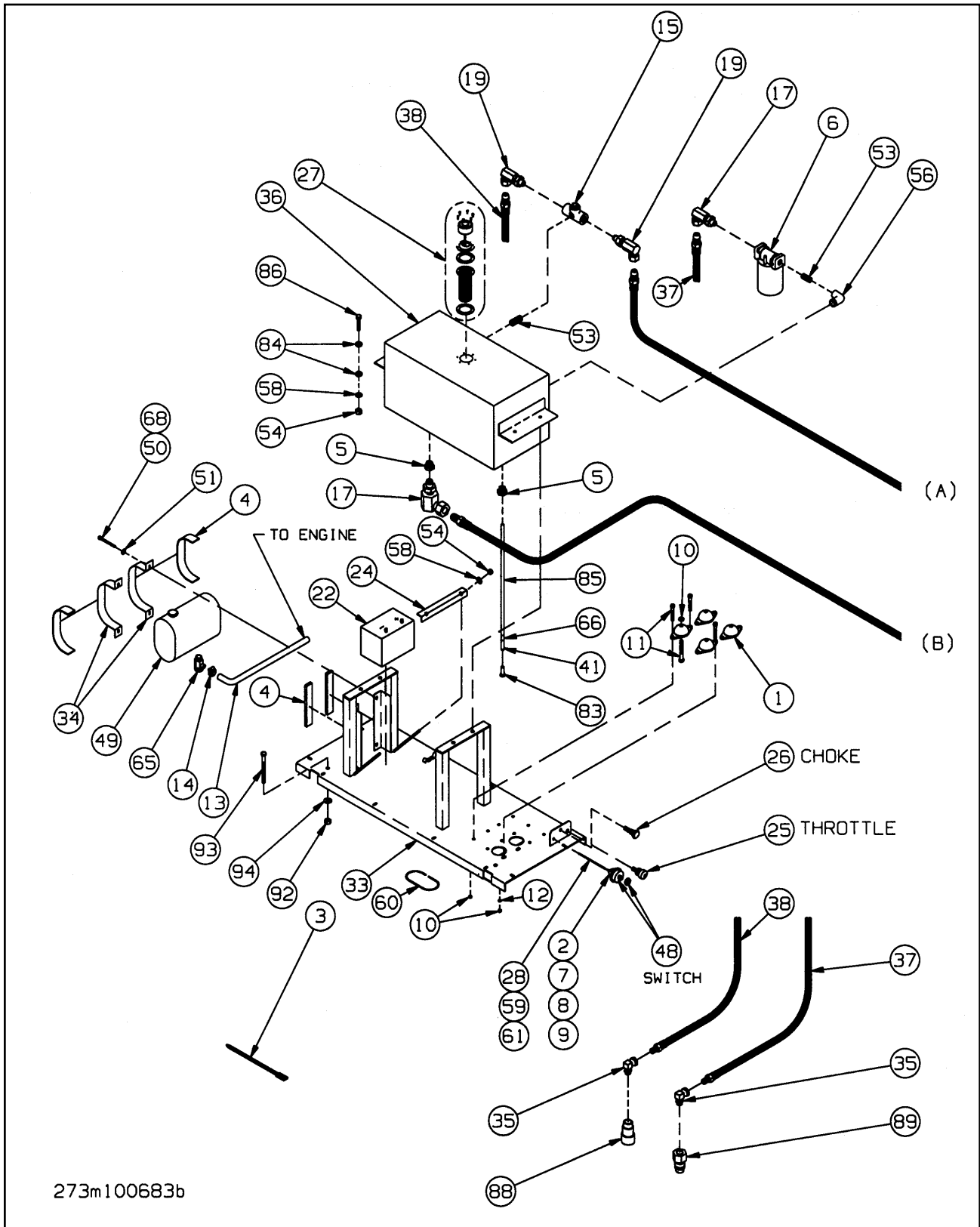


Figure 1-42 Auxiliary Engine Package Upperdeck (1 of 2)

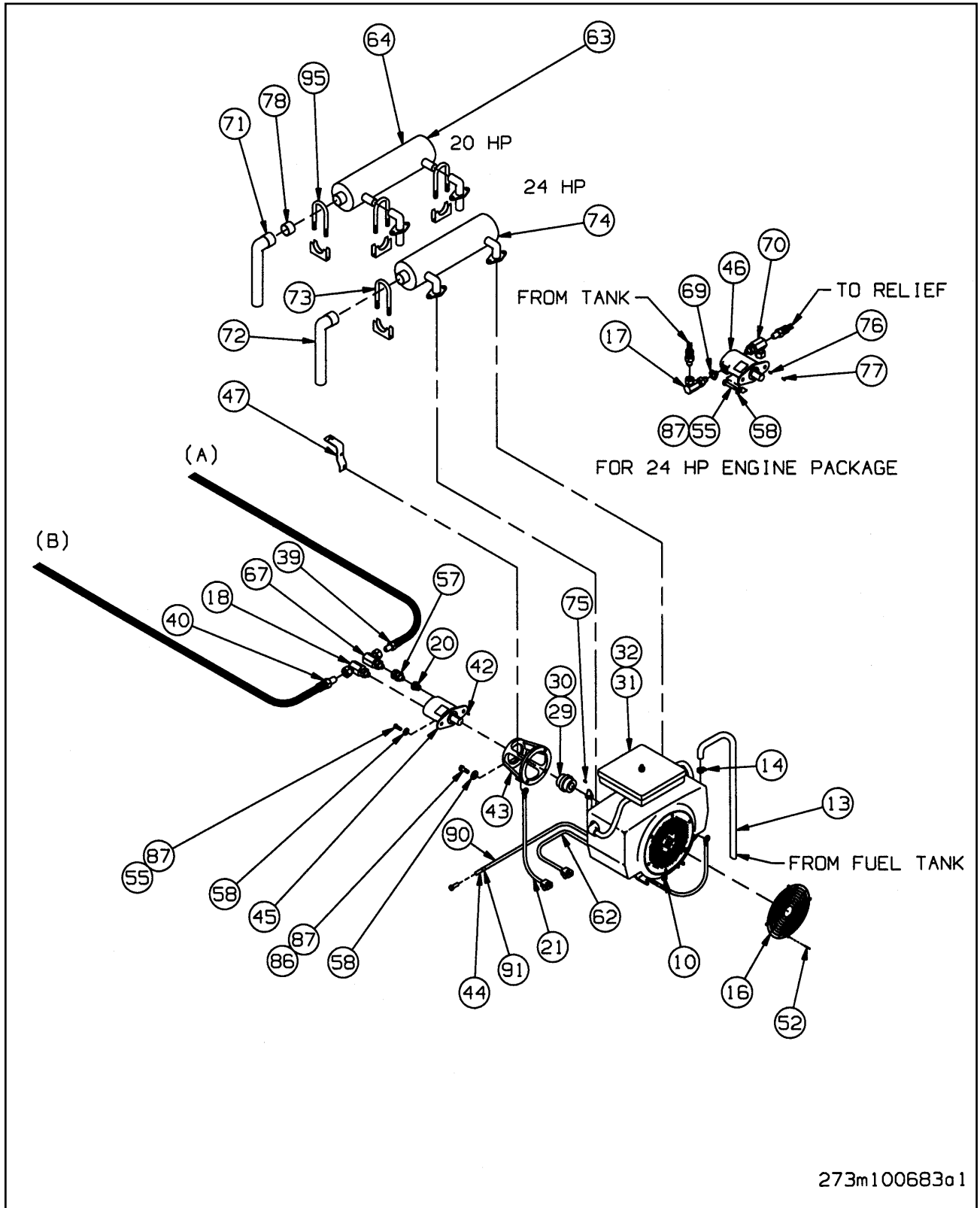


Figure 1-43 Auxiliary Engine Package Upperdeck (2 of 2)

AUXILIARY ENGINE PACKAGE UPPER DECK (OPTIONAL)

ITEM	PART NO.	DESCRIPTION	QTY.
	100683	ENGINE PACKAGE UPPERDECK 20HP	
	100684	ENGINE PACKAGE UPPERDECK 24HP	
1	CA-1595	MACHINE MOUNT 40 DROMETER	4
2	3-203-010001	RING TERMINAL	3
3	1-796-010003-02	TIE STRAP PLASTIC	6
4	10030	SEAL BAR - NEOPRENE SPONGE	60'
5	3-150-010166-16	BLACK PIPE BUSHING 1-1/4 X 3/4	2
6	1-295-010001	FILTER RETURN LINE	1
7	1-879-010004	WIRE RED 14AWG	6'
8	1-879-010006	WIRE GREEN 14AWG	6'
9	1-879-010010	WIRE WHITE 14AWG	6'
10	1-512-010005-09	NUT HEX LOCK CAD W/WAX 1/2-13 GRB	12
11	1-654-010055-03	SCREW HEX HEAD CAP 1/2-13 X 1-1/2	12
12	1-861-010032-15	WASHER FLAT 1/2	4
13	104-0505-060	HOSE PRESS FUEL 1/4	1
14	105-0105	CLAMP HOSE IDEAL 6203	2
15	125130	RD12D HYDRAULIC BY PASS SRDD	1
16	134-4560	GUARD ONAN	1
17	2047-12-12S	ADAPTER 90	*2,3
18	2047-12-16S	ADAPTER 90	*1,0
19	1-007-010013	ADAPTER EXT/ INT PIPE	1
20	2081-16-8S	REDUCER EXT/ INT PIPE	*1,0
21	239-8113-48	CABLE BATTERY (NEG) QVX ENG.	1
22	2481X	BATTERY 12 VOLT	1
24	3-120-010124	BATTERY CLAMP BRACKET	1
25	3-155-010012	CABLE THROTTLE	1
26	3-155-010025	CHOKE CABLE	1
27	3-162-010001	FILLER BREATHER STRAINER ASSY	1
28	3-201-010002	CONDUIT PLASTIC FLEX 3/8	6'
29	3-220-010003	FLEXIBLE COUPLING	*1,0
30	3-220-010002	FLEXIBLE COUPLING	*0,1
31	3-273-010006	ENGINE 20HP ONAN	*1,0
32	3-273-010013	ENGINE 24HP ONAN	*0,1
33	100678	MOUNT WELDMENT 330 POWER CTR	1
34	3-744-010046	STRAP 3 GAL FUEL TANK	2
35	106285	ADAPTER 90 3/4MPT X 1/2FPT	2
36	3-786-010005	HYDRAULIC TANK 5TH WHEEL	1
37	1-397-010313066	HOSE ASSEMBLY 3/4	1
38	106345	HOSE ASSEMBLY 1/2	1
39	3-397-010152	HOSE ASSEMBLY 1/2	1
40	3-397-010261	HOSE ASSEMBLY 1/2	1
41	3/4COUPL	BLACK PIPE COUPLING	1
42	3-427-010003	KEY WOODRUFF 317/350	*1,0
43	3-482-010003	20HP HYDRAULIC PUMP MOUNT	1
44	3/8COUPL	BLACK PIPE COUPLING	1
45	3-591-010005	PUMP HYDRAULIC GEAR	*1,0
46	3-591-010003	PUMP HYDRAULIC GEAR	*0,1
47	3-482-010360	MOUNT CHOKE CABLE WLDMT	1
48	3-765-010005	IGNITION SWITCH	1
49	3-783-010013P	TANK FUEL 3 GAL	1
50	1-654-010049-07	SCREW HEX CAP 5/16-18 X 1-1/2 GR5	4

AUXILIARY ENGINE PACKAGE UPPER DECK (OPTIONAL)

ITEM	PART NO.	DESCRIPTION	QTY.
51	1-861-010032-09	WASHER FLAT 5/16	8
52	3/16 X 3/4CS SELF	SCREW HEX HEAD CAP SELF DRILL	4
53	3/4NIPPLE	ALL THREAD NIPPLE	2
54	1-510-010001	NUT FLANGE LOCK 3/8-16	6
55	1-654-010051-06	SCREW HEX CAP 3/8-16 X 1-1/4 GR5	2
56	1-271-010005-05	ELBOW BLACK PIPE 90	1
57	2045-8-8S	INT PIPE SWIVEL EXT P 1/2-14	*1,0
58	1-861-010032-11	WASHER FLAT 3/8	14
59	3-272-010021	ELECTRICAL BUTT SPLICE	2
60	1-822-010001018	TRIM 3/8 X 18	1
61	3-272-010022	ELECTRICAL BUTT SPLICE	1
62	514-9045-60	CABLE BATTERY (POS) AUX ENGINE	1
63	541-0203	EXHAUST ADAPTER KIT	*1,0
64	541-0379	MUFFLER 20HP ONAN	*1,0
65	6600	VALVE SHUT-OFF GAS WEATHERHEAD	1
66	100682	TAG HOSE HYD. OIL DRAIN	1
67	2047-8-8S	ADAPTER	*1,0
68	1-512-010005-03	NUT HEX LOCK 5/16-18 GRB	4
69	2216-12-16S	ADAPTER 3/4-14 PIPE TO 1-5/16 O-RING ADAPTER	*1,0
70	1-007-010024	SWIVEL 90 1/2FPT X 3/4MPT	*0,1
71	3-276-010693	EXTENSION EXHAUST 20HP SLOPE	*1,0
72	3-276-010691	EXTENSION EXHAUST 24HP SLOPE	*0,1
73	3-181-010038	CLAMP MUFFLER	*0,1
74	541-0316	MUFFLER 24HP	*0,1
75	110-4338	SQUARE KEY 1/4 X 2	*REF,0
76	110-4334	KEY 3/16 X 1-1/4	*0,REF
77	110-4348	KEY 3/8 X 2	*0,REF
78	RRT308X.75	TUBE ROUND 1-3/8 X 3/4	1
83	1-560-010002-05	PLUG PIPE 3/4	1
84	805-2	BUSHING STEP	8
85	1-397-010313034	HOSE ASSEMBLY 3/4	1
86	1-654-010051-08	SCREW HEX HEAD CAP 3/8-16 X 1-3/4	8
87	1-861-010034-11	WASHER SPLIT LOCK 3/8	6
88	S25F-6	COUPLER 3/4 FEMALE HALF (BEFORE 7/98)	1
	105480	COUPLER, FLAT FACE FEMALE (AFTER 7/98)	1
	105482	COUPLER, DUST CAP FEMALE	1
89	S21F-6	COUPLER 3/4 MALE HALF (BEFORE 7/98)	1
	105479	COUPLER, FLAT FACE MALE (AFTER 7/98)	1
	105481	COUPLER, DUST CAP MALE	1
90	1-397-010374	HOSE ASSEMBLY 3/8"	1
91	100681	TAG HOSE ENGINE OIL DRAIN	1
92	1-512-010005-13	NUT HEX LOCK 5/8-11 GRB	4
93	1-654-010059-13	HEX CAP SCREW 5/8-11 X 4 GR5	4
94	1-861-010032-19	WASHER FLAT 5/8	8
95	3-182-010028	CLAMP MUFFLER	*1,0

* THE FIRST QUANTITY LISTED IS FOR P/N 100683 (20HP ENGINE); THE SECOND QUANTITY LISTED IS FOR P/N 100684 (24HP ENGINE).

NOTE: SEE FIGURE 1-39 FOR ENGINE HARNESS DIAGRAM.

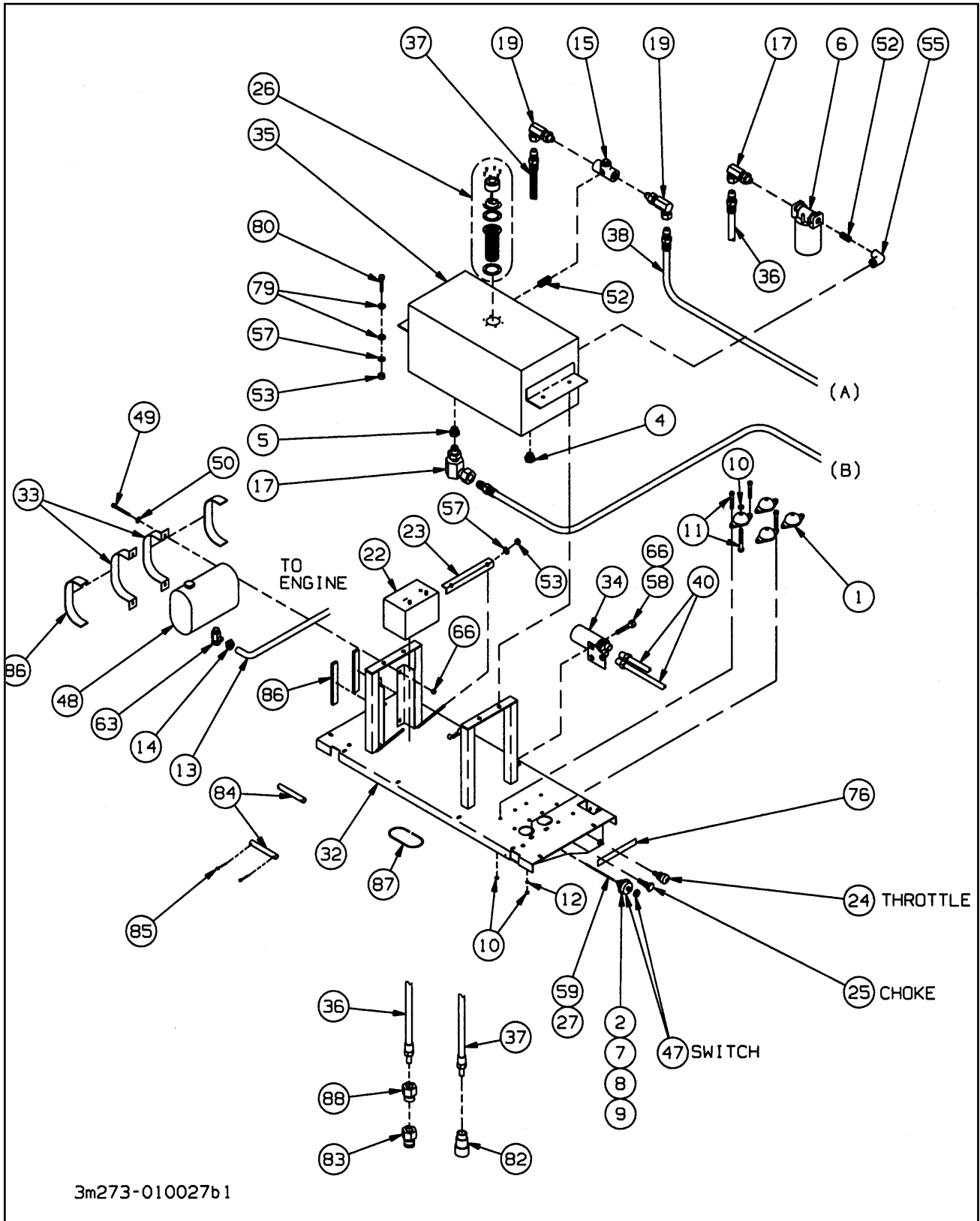


Figure 1-44 Engine Package Front Mount (1 of 2)

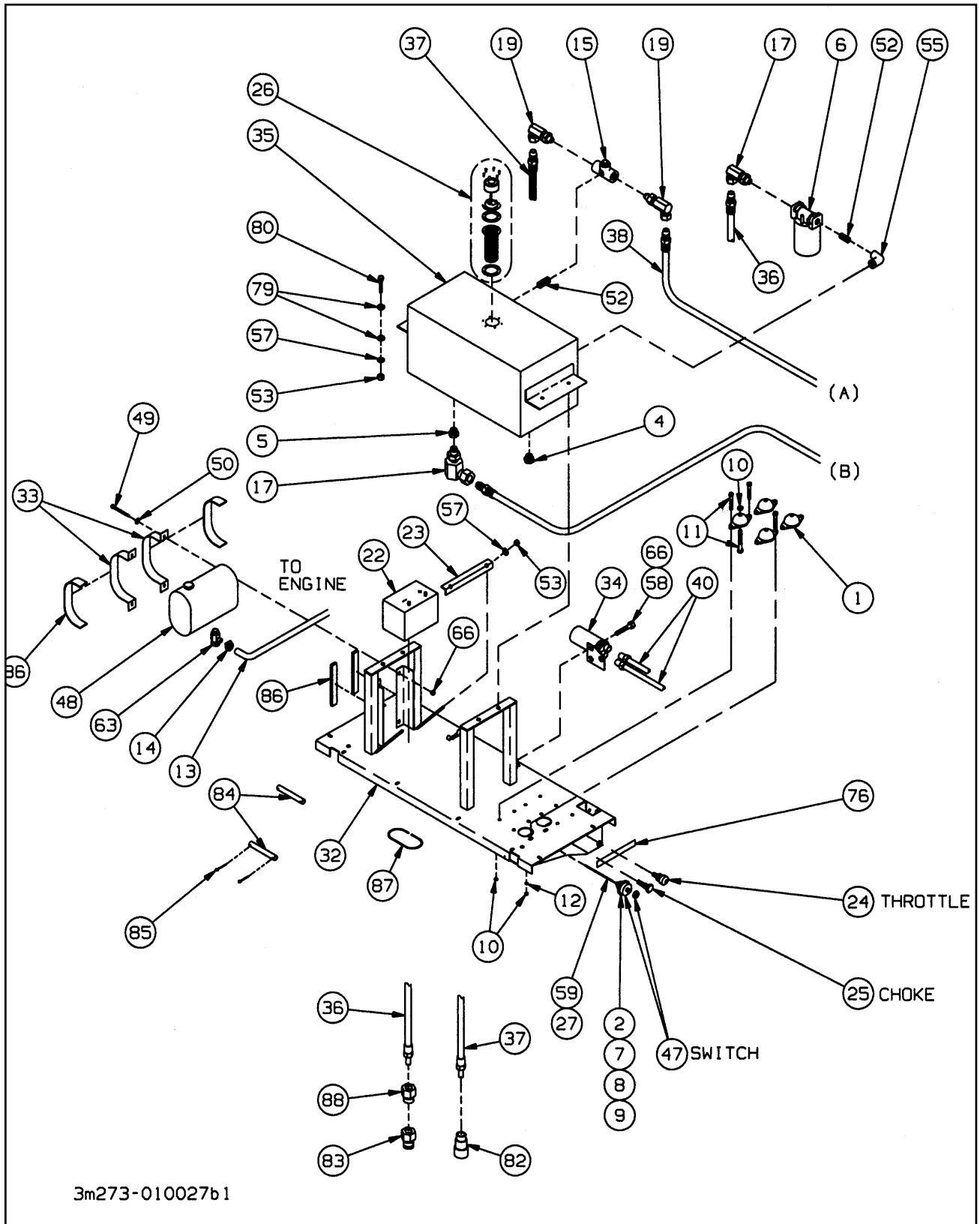


Figure 1-45 Engine Package Front Mount (2 of 2)

ENGINE PACKAGE FRONT MOUNT (OPTIONAL)

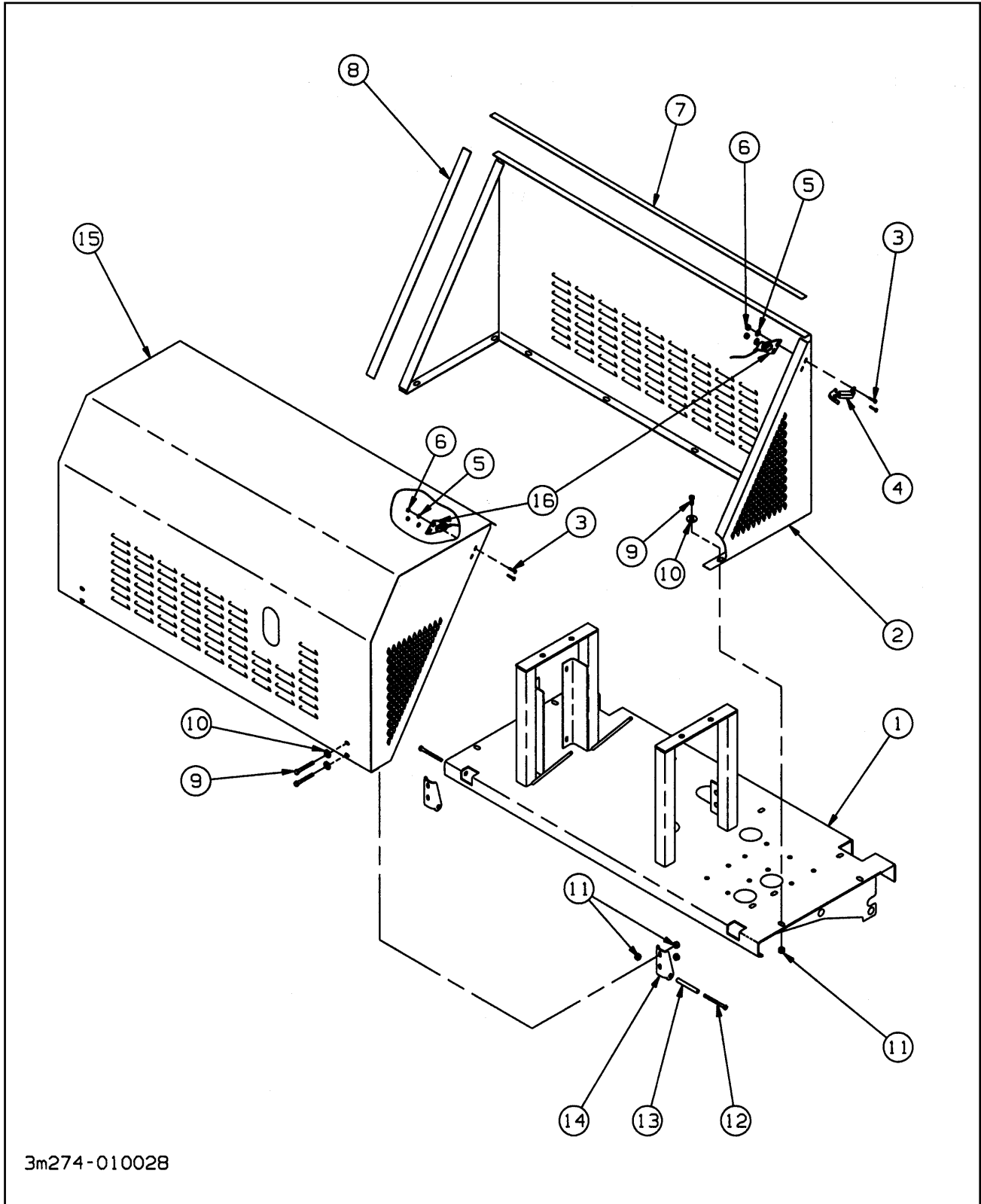
ITEM	PART NO.	DESCRIPTION	QTY.
	3-273-010027-01	ENGINE PACKAGE FRONT MOUNT 20HP	
	3-273-010027-02	ENGINE PACKAGE FRONT MOUNT 24HP	
1	CA-1595	MACHINE MOUNT 40 DROMETER	4
2	3-203-010001	RING TERMINAL	3
3	1-796-010003-02	TIE STRAP PLASTIC	A/R
4	1-560-010002-07	PIPE PLUG BUSHING 1-1/4 X 11-1/2	1
5	1-1/4X3/4BUSH	BLACK PIPE BUSHING 1-1/4 X 3/4	1
6	1-295-010001	FILTER RETURN LINE	1
7	1-879-010004	WIRE RED 14AWG	A/R
8	1-879-010006	WIRE GREEN 14AWG	A/R
9	1-879-010010	WIRE WHITE 14AWG	A/R
10	1-512-010005-09	NUT HEX LOCK 1/2-13 GRB	12
11	1-654-010055-03	SCREW HEX HEAD CAP 1/2-13 X 1-1/2 GR5	12
12	1-861-010032-15	WASHER FLAT 1/2	4
13	104-0505-048	HOSE PRESS FUEL 1/4	1
14	105-0105	CLAMP HOSE IDEAL 6203	2
15	125130	RD12D HYDRAULIC BY PASS SRDD	1
16	134-4560	GUARD ONAN	1
17	2047-12-12S	PIPE SWIVEL 90 MALE	*2,3
18	2047-12-16S	ELBOW 90 SWIVEL PIPE 3/4-1	*1,0*
19	1-007-010013	SWIVEL 90 1/2FPT 3/4MPT	2
20	2081-16-8S	REDUCER EXT/ INT PIPE	1
21	239-8113-48	CABLE BATTERY (NEG) QVX ENG.	1
22	2481X	BATTERY 12 VOLT	1
23	3-120-010124	BATTERY CLAMP BRACKET	1
24	3-155-010012	CABLE THROTTLE	1
25	3-155-010025	CHOKE CABLE	1
26	3-162-010001	FILLER BREATHER STRAINER ASSY	1
27	3-201-010002	CONDUIT PLASTIC FLEX 3/8	6'
28	3-220-010003	FLEXIBLE COUPLING 1-1/8 X 3/4	*1,0
29	3-220-010002	FLEXIBLE COUPLING 1-7/16 X 3/4	*0,1
30	3-273-010006	ENGINE 20HP ONAN	*1,0
31	3-273-010013	ENGINE 24HP ONAN	*0,1
32	3-482-010510	MOUNT WELDMENT HYD. POWER CENTER	1
33	3-744-010046	STRAP 3 GAL FUEL TANK	2
34	122-0476	BASE ASSEMBLY OIL FILTER	1
35	3-786-010005	HYDRAULIC TANK FIFTH WHEEL	1
36	3-397-010237	HOSE ASSEMBLY 3/4	1
37	1-397-010311040	HOSE ASSEMBLY 1/2	1
38	3-397-010152	HOSE ASSEMBLY 1/2	1
39	3-397-010261	HOSE ASSEMBLY 3/4	1
40	1-397-010341040	HOSE ASSEMBLY 1/2 SWIVEL 1/4	2
41	3-427-010003	KEY WOODRUFF 317/350	*1,0
42	3-482-010003	20HP HYDRAULIC PUMP MOUNT	1
43	122-0691	ADAPTER ASSEMBLY—REMOTE FILTER	8
44	3-591-010005	PUMP HYDRAULIC GEAR	*1,0
45	3-591-010003	PUMP HYDRAULIC GEAR	*0,1
46	3-482-010360	MOUNT CHOKE CABLE WLDMT	1
47	3-765-010005	IGNITION SWITCH	1
48	3-783-010013P	TANK FUEL 3 GAL	1
49	1-654-010049-07	SCREW HEX CAP 5/16-18 X 1-1/2 GR5	4
50	1-861-010032-09	WASHER FLAT 5/16	8

ENGINE PACKAGE FRONT MOUNT (OPTIONAL)

ITEM	PART NO.	DESCRIPTION	QTY.
51	3/16X3/4CS SELF	SCREW HEX HEAD CAP SELF-DRILL 3/16 X 3/4	2
52	3/4NIPPLE	ALL THREAD NIPPLE	2
53	1-510-010001	NUT FLANGE LOCK 3/8-16	6
54	1-654-010049-07	SCREW HEX HEAD CAP 5/16-18 X 1-1/2 GR5	2
55	3/4ST ELL	ELBOW BLACK PIPE 90	2
56	2045-8-8S	INT. PIPE SWIVEL EXT. PIPE 1/2-14	1,0*
57	1-861-010032-11	WASHER FLAT 3/8	14
58	1-654-010049-06	SCREW HEX HEAD CAP 5/16-18 X 1-1/4 GR5	2
59	3-272-010022	ELECTRICAL BUTT SPLICE 12-10 W/SEAL	1
60	514-9045-60	CABLE BATTERY KI (POS) AUX ENGINE	1
61	541-0203	EXHAUST ADAPTER KIT	*1,0
62	541-0379	MUFFLER 20HP ONAN	*1,0
63	6600	VALVE SHUT-OFF GAS WEATHERHEAD	1
64	122-0771	GASKET OIL FILTER ADAPTER	*1,0
65	2047-8-8S	ADAPTER	*1,0
66	1-512-010005-03	NUT HEX LOCK 5/16-18 GRB	7
67	2216-12-16S	ADAPTER 3/4-14 TO 1-5/16 O-RING ADAPTER	*0,1
68	1-007-010024	1/2PIPE TO 1-1/16 O-RING 90	*0,1
69	3-276-010693	EXT EXHAUST 24HP SLOPE	*1,0
70	3-276-010691	EXT EXHAUST 24HP SLOPE	*0,1
71	3-181-010038	CLAMP MUFFLER	*0,1
72	541-0316	MUFFLER 24HP	*0,1
73	110-4338	SQUARE KEY 1/4 X 2	*1,0
74	110-4334	KEY 3/16 X 1-1-4	*0,1
75	110-4348	KEY 3/8 X 1-1/4	*0,1
76	3-735-010030	STENCIL ENGINE CONT SLOPE	.05
77	508-0184	GROMMET - AIR SEAL	1
78	526-0065	WASHER	2
79	805-2	BUSHING STEP	8
80	1-654-010051-08	SCREW HEX HEAD CAP 3/8-16 X 1-3/4 GR5	8
81	1-861-010034-11	WASHER SPLIT LOCK 3/8	6
82	S25F-6	COUPLER 3/4 FEMALE HALF (BEFORE 7/98)	1
	105480	COUPLER, FLAT FACE FEMALE (AFTER 7/98)	1
	105482	COUPLER, DUST CAP FEMALE	1
83	S21F-6	COUPLER 3/4 MALE HALF (BEFORE 7/98)	1
	105479	COUPLER, FLAT FACE MALE (AFTER 7/98)	1
	105481	COUPLER, DUST CAP MALE	1
84	3-557-0140380	SUPPORT PIN	4
85	1-557-010362-63	COTTER PIN 1/4 X 2	8
86	10030	SEAL BAR STOCK - NEOPRENE SPONGE	60'
87	1-822-010001018	TRIM 3/8 X 18	1
88	3/4X1/2BUSH	BUSHING BLACK PIPE	1
89	RRT308X.75	TUBE ROUND 1-3/8 X 3/4	*1,0
90	3-182-010028	CLAMP MUFFLER	*1,0

* THE FIRST QUANTITY LISTED IS FOR THE 20HP ENGINE, THE SECOND QUANTITY LISTED IS FOR THE 24HP ENGINE.

NOTE: SEE FIGURE 1-39 FOR ENGINE HARNESS DIAGRAM.



3m274-010028

Figure 1-46 Engine Cover Assembly

ENGINE COVER ASSEMBLY

ITEM	PART NO.	DESCRIPTION	QTY.
	3-274-010028	ENGINE COVER ASSEMBLY FRONT MOUNT	
1	3-482-010510	MOUNT WLDMT HYD. POWER CENTER	REF
2	3-222-010167	COVER BACK POWER CENTER	1
3	110-0116	SCREW ROUND HEAD CAP 10-24 X 3/4	8
4	3-443-010018	LATCH FLEXIBLE DRAW LEVER ASSIST	2
5	1-861-010032-04	WASHER FLAT 3/16	8
6	1-512-010004-03	NUT HEX LOCK 10-24 GRA	8
7	1-659-010011056	SEAL NEOPRENE SPONGE	1
8	1-659-010011032	SEAL NEOPRENE SPONGE	2
9	1-654-010051-06	SCREW HEX HEAD CAP 3/8-16 X 1-1/4 GR5	12
10	1-861-010032-11	WASHER FLAT 1/2	12
11	1-510-010001	NUT FLANGE LOCK 3/8-16	14
12	3/8-16X5-1/2CS	CAPSCREW 3/8-16 X 5-1/2 GR5	2
13	3-831-010158	TUBE PIVOT HINGE BRACKET	2
14	3-120-010284	BRACKET HINGE	2
15	3-222-010166	COVER WELDMENT FRONT	1
16	3-744-010041	STRAP ASSEMBLY ENGINE PACKAGE COVER	2

NOTE: COVER FITS P/N'S 3-273-010027-01, -02 (FRONT MOUNT) AND 100683, 100684 (UPPER DECK MOUNT) ENGINE PACKAGES.

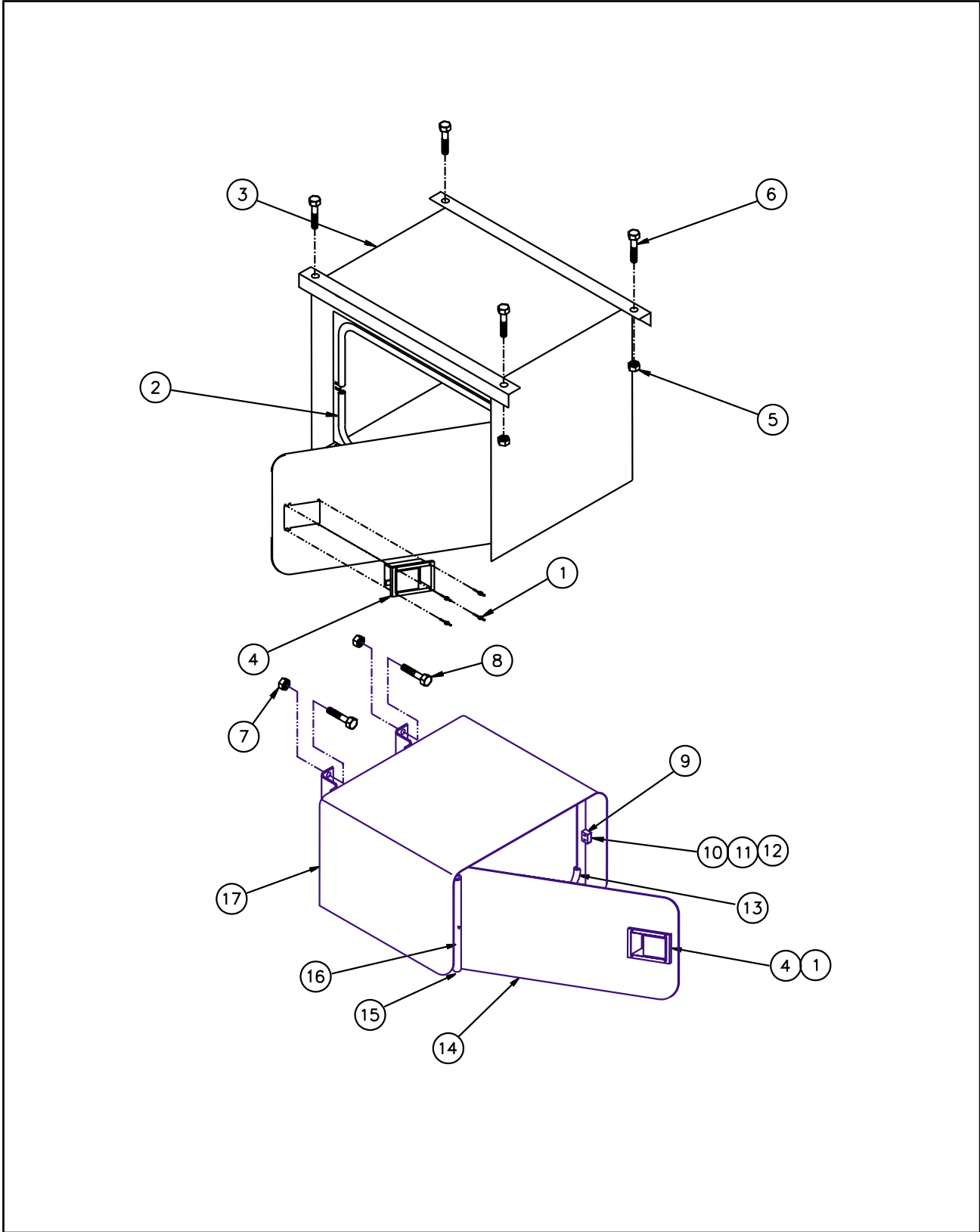
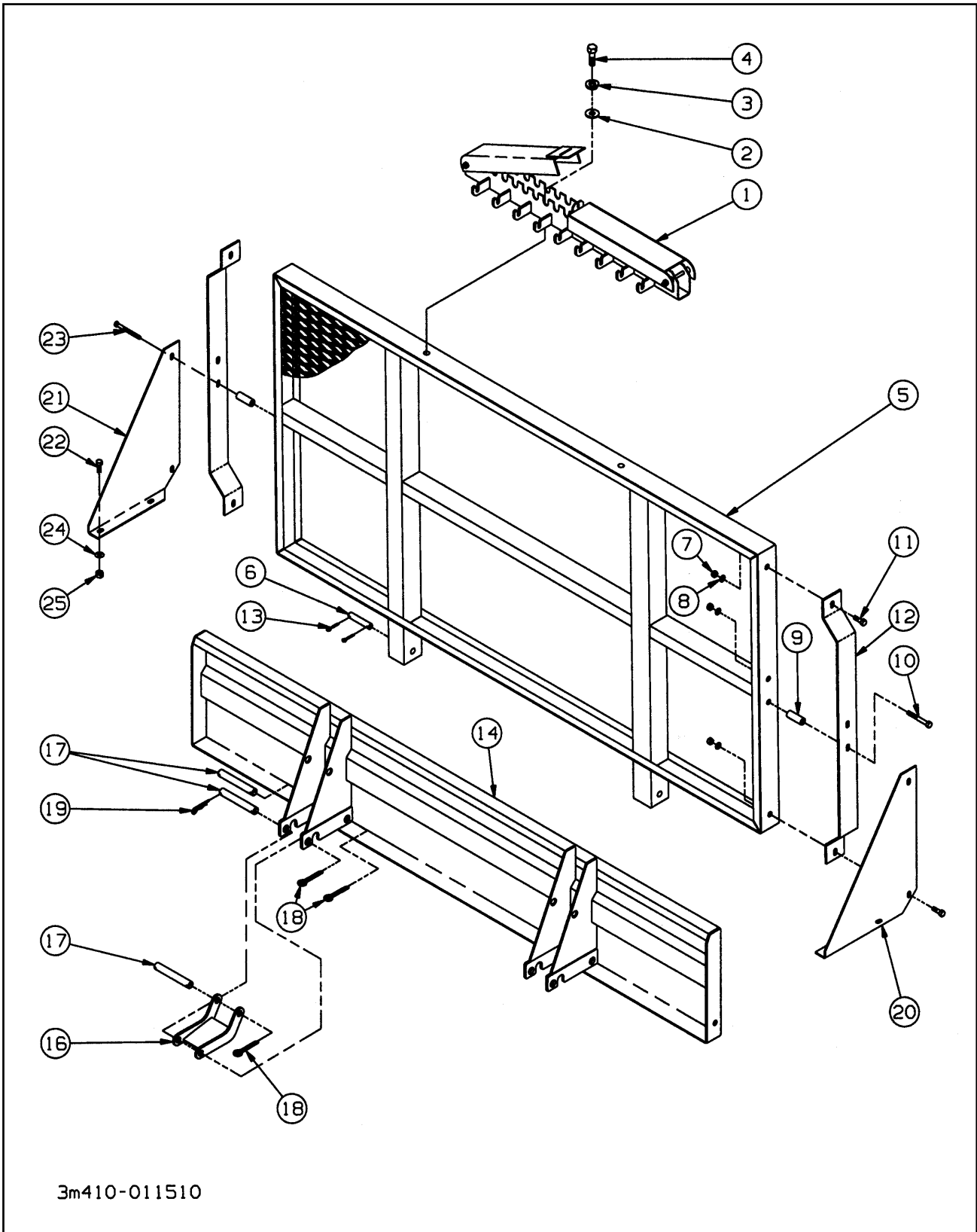


Figure 1-47 Tool Boxes

TOOL BOXES (OPTIONAL)

ITEM	PART NO.	DESCRIPTION	QTY.
	B3-115-016	TOOL BOX, TOP MOUNTING, 24X30X30 (ITEMS 1-6)	
	B7-115-003	TOOL BOX BACK MOUNTING LH (ITEMS 1, 4, & 7-17)	
	B7-115-004	TOOL BOX BACK MOUNTING RH (ITEMS 1, 4, & 7-17)	
1	BSL-6-4	RIVET	4
2	1-822-010002-13	TRIM-LOK	1
3	3-115-010053	TOOL BOX	1
4	3-443-010010	LATCH	1
5	1-512-010005-05	NUT HEX LOCK 3/8-16 GRB	4
6	1-654-010051-05	SCREW HEX HEAD CAP 3/8-16 X 1 GR5	4
7	1-512-010005-09	NUT HEX LOCK 1/2-13 GRB	4
8	1-654-010055-09	SCREW HEX HEAD CAP 1/2-13 X 3 GR5	4
9	3-659-010013-1	SEAL NEOPRENE SPONGE	1
10	7-458-010009	PLATE STRIKER	1
11	110-0253	WASHER FLAT STD 3/16	2
12	118-7962	SCREW PAN HEAD MACHINE SLT	2
13	514-1000-056	TRIM QUICKEDGE CUT LG.	2
14	3-115-010096	DOOR TOOL BOX	1
15	SCREW#6X3/8	SCREW SELF-TAP SLT RD HD #6 X 3/8	1
16	RPRB59004X11	NYLATRON RD	1
17	3-115-010099	TOOL BOX WLDMT LH	1
	3-115-010097	TOOL BOX WLDMT RH	1
18	101299	KEY CHAIN LANDOLL (NOT SHOWN)	1
19	3-115-010046	TOOL BOX SUPPORT (NOT SHOWN)	4



3m410-011510

Figure 1-48 Front Extension and Bulkhead

FRONT EXTENSION AND BULKHEAD ASSY(OPTIONAL)

ITEM	PART NO.	DESCRIPTION	QTY.
	B7-141-003	BULKHEAD CHAIN BACK INSTALLATION (ITEMS 1-4)	
	3-141-010121	BULKHEAD INSTALLATION (ITEMS 5-13)	
	3-141-010123	BULKHEAD INSTALLATION 2 POSITION (ITEMS 14-19)	
	3-117-010071	BRACE INST. STABILIZING 48' BULKHEAD (ITEMS 20-25)	
1	3-141-010008	CHAIN HANGER LOCKING CHANNEL WLDMT	1
2	1-861-010032-11	WASHER, FLAT 3/8	1
3	1-861-010034-11	WASHER, SPLIT LOCK 3/8	1
4	3/8-16 X 1-1/4 CS	SCREW, HEX HEAD CAP 3/8-16 X 1-1/4 GR5	2
5	3-141-010155	BULKHEAD WELDMENT 48 X 96 (96)	1
	3-141-010152	BULKHEAD WELDMENT 16 X 102 (102) (NOT SHOWN)	1
6	6-557-010163	PIN HITCH LEVEL LINK	2
7	1-512-010005-09	NUT HEX LOCK 1/2-13 GRB (102)	6
8	1-861-010032-15	WASHER PLAIN TYPE A 1/2 (102)	6
9	3-711-010025	SPACER (102)	2
10	1-654-010055-13	SCREW HEX HEAD CAP 1/2-13X4 GR5 (102)	2
11	1-654-010055-03	SCREW HEX HEAD CAP 1/2-13X1-1/2 GR5 (102)	4
12	3-054-010101	BAR SIDE BULKHEAD EXTENSION (102)	2
13	1-557-010362-63	COTTER PIN 1/4X2	4
14	3-141-010118	BULKHEAD WELDMENT 16 X 96	1
	3-141-010119	BULKHEAD WELDMENT 16 X 102	1
	3-141-010151	BULKHEAD WELDMENT 16/24 X 96	1
	3-141-010147	BULKHEAD WELDMENT 16/24 X 102	1
16	3-755-010080	SUPPORT WELDMENT BULKHEAD	2
17	3-557-010380	SUPPORT PIN	6
18	1-557-010362-63	COTTER PIN 1/4X2	10
19	1-557-010014	HAIRPIN	2
20	3-117-00069	BRACE LH STABILIZING 48' BULKHEAD	1
21	3-117-010070	BRACE RH STABILIZING 48' BULKHEAD	1
22	1-654-010055-03	SCREW HEX HEAD CAP 1/2-13X1-1/2 GR5	*8,4
23	1-654-010055-14	SCREW HEX HEAD CAP 1/2-13X4-1/2 GR5	*-,4
24	1-861-010032-15	WASHER FLAT 1/2W	8
25	1-512-010005-09	NUT HEX LOCK 1/2-13 GRB	8
26	3-711-010025	SPACER 48' BULKHEAD	2

* 1ST QUANTITY LISTED IS FOR STABILIZING BRACE INSTALLATION 96" WIDE TRAILER; 2ND QUANTITY LISTED IS FOR STABILIZING BRACE INSTALLATION 102" TRAILER

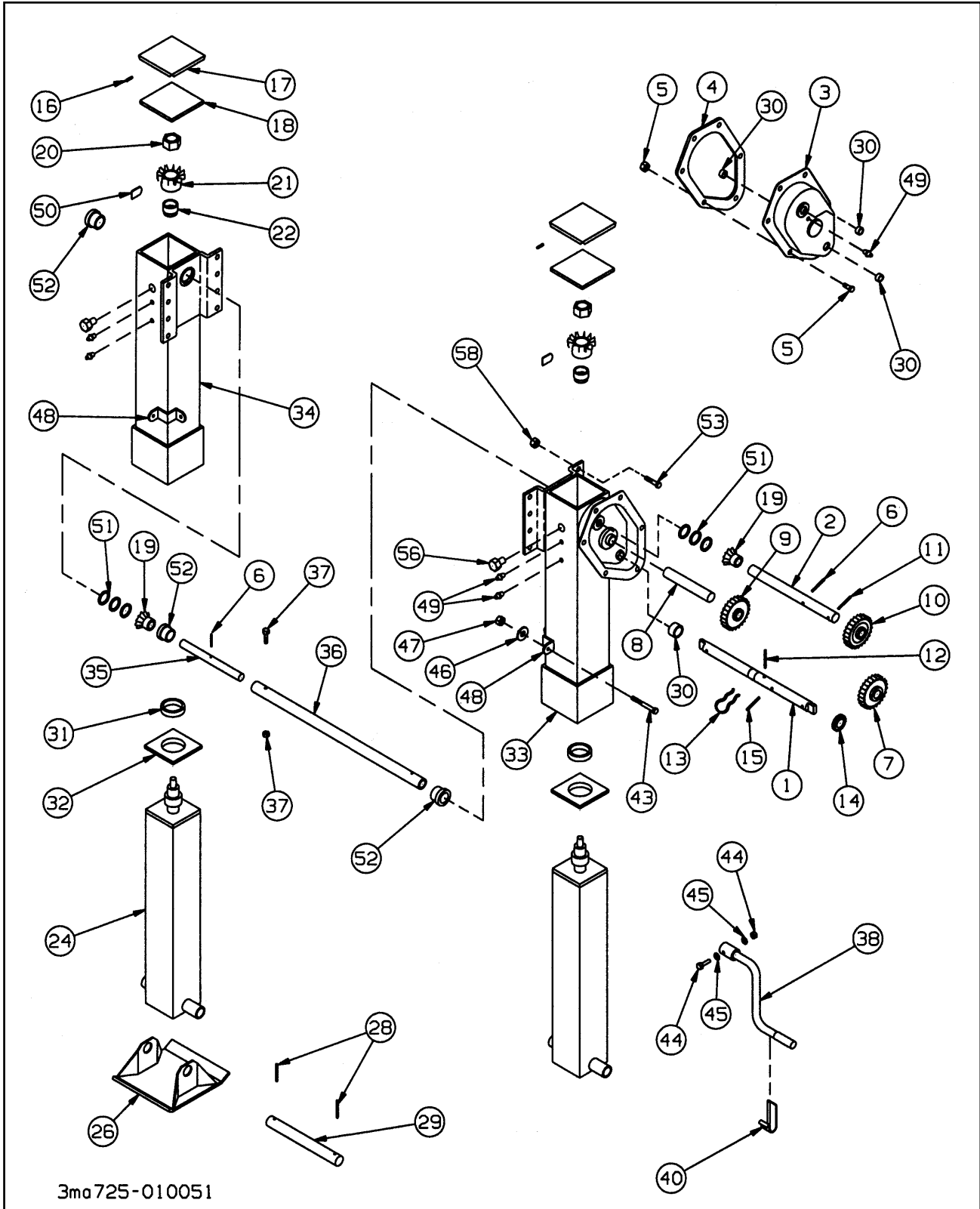


Figure 1-49 Landing Gear 120,000 Lb w/ Crank

LANDING GEAR 120,000 LB W/ CRANK

ITEM	PART NO.	DESCRIPTION	QTY.
	3-725-010051	LAND GEAR 120000 (HOLLAND #LG75-3A105)	
1	XA-V-05159-A	DRIVE AND GEAR SHAFT	1
2	XA-V-05123-A	DRIVE GEAR SHAFT	1
3	XA-V-1920	GEARBOX COVER	1
4	XB-V-1926	GASKET	1
5	XB-CX-14-28-F-58	HEX HEAD CAP SCREW 1/4-28 X 5/8	6
	XB-3103	NUT LOCK 1/4 X 28	6
6	XB-020065	GROOVE PIN	2
7	XA-V-1927	IDLER GEAR	1
8	XA-V-1957	IDLER GEAR SHAFT	1
9	XA-V-1928-1	STEP GEAR (UNDRILLED)	1
10	XA-V-1928	STEP GEAR (DRILLED)	1
11	XB-21-S-375-1500	SPIRAL PIN 3/8 X 1-1/2	1
12	XB-21-S-187-1250	SPIRAL PIN 1/16 X 1-1/4	1
13	XB-V-1949	SHIFTER SPRING	1
14	XA-V-1929	SHIFTER GEAR	1
15	XA-CRP-V-1917	PIN 3/8 X 1-7/16	1
16	XB-04112	SELF TAPPING SCREW	4
17	XA-V-03824	UPPER LEG COVER	2
18	XB-V-1966	GASKET	2
19	XA-V-04204-1	BEVEL PINION	2
20	XB-FW-25	JAM NUT 1-14	2
21	XA-V-04205-1	BEVEL GEAR	2
22	XB-V-643-A2	BUSHING	2
24	XA-V-05356-0 -5	INNER LEG & SCREW ASSEMBLY	2
26	XA-V-796-B-1	SKID FOOT 12 X 11-1/2	2
28	XB-21-S-375-3000	ROLL PIN 3/8 X 3	
29	XA-V-1901-1	AXLE	2
30	XB-V-851	BUSHING	4
31	XB-V-V-647	THRUST BEARING	2
32	XA-V-1913	THRUST BEARING	2
33	XA-V-03876-0 -5	OUTER LEG ASSEMBLY (2 SPEED)	1
34	XA-V-03875-0 -5	OUTER LEG ASSEMBLY (SINGLE SPEED)	1
35	XA-V-05122-A	DRIVE GEAR SHAFT	1
36	XA-V-1910	CROSS SHAFT	1
37	XB-V-444-1	HEX HEAD CAP SCREW 3/8-16 X 1-3/4	2
	XB-338	LOCKNUT 3/8-16	2
38	XA-S9-3105	TUBULAR HAND CRANK (MODIFIED)	1
40	XA-V-1914	CRANK HANGER	1
43	1-654-010059-09	SCREW HEX HEAD CAP 5/8-11 X 3 GR5	2
44	XB-C-38-C-214	HEX HEAD CAP SCREW 3/8-16	1
	XB-338	LOCKNUT 3/8-16	1
45	XB-1108	SAE 3/8-16	2
46	1-861-010034-15	WASHER SPLIT LOCK 5/8	4
47	1-512-010005-13	NUT HEX LOCK 5/8-11 GR B	4
48	XA-V-1938	BRACE	2
49	XB-767	LUBE FITTING	5
50	XB-H-32-2	WOODRUFF KEY	2
51	XB-03816	SHIM	AR
52	XB-0307	BEARING	3
53	1-654-010055-05	SCREW HEX HEAD CAP 1/2-13 X 2 GR5	18
56	XB-01789	LUBE PLUG	2
58	1-512-010005-09	NUT HEX LOCK 1/2-13 GR B	18

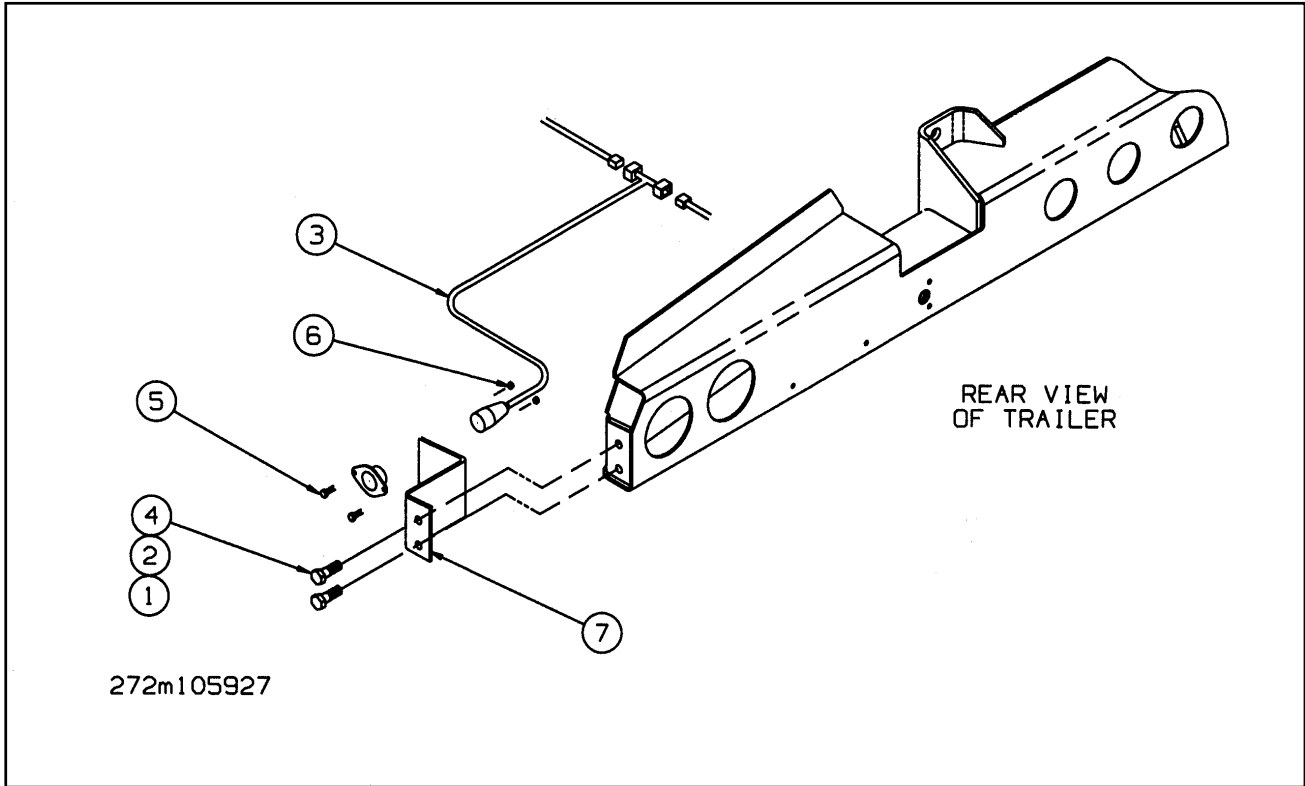


Figure 1-50 Electrical Installation, 7-Way Recp Bumper

MISCELLANEOUS OPTIONS

ITEM	PART NO.	DESCRIPTION	QTY.
	105927	ELECTRICAL INSTALLATION 7-WAY AT BUMPER	1
1	1-861-010032-15	WASHER, FLAT 1/2	4
2	1-654-010055-02	SCREW, HEX HEAD CAP 1/2-13 X 1-1/4 GR5	2
3	3-368-010257	HARNESS MODIFIED EXT 7-WAY RECP.	1
4	1-512-010005-03	NUT, HEX LOCK 1/2-13 GRB	2
5	1-654-010049-06	SCREW HEX HEAD CAP 5/16-18 X 1-1/4 GR5	2
6	1-512-010005-03	NUT HEX LOCK 5/16-18 GRB	2
7	106600	BRACKET 7WAY AT BUMPER	1

NOTES:

NUMERICAL INDEX

2

PART	PAGE	PART	PAGE	PART	PAGE
0001-02	23	056-017-00	35	10078	56
0001-02	25	056-018-00	35	101003	39
0001-04	23	061-006-00	35	101143	23
0001-04	25	0647-01	25	101143	29
0001-08	23	0650-00	25	101160	47
0001-08	25	069-078-00	35	101162	47
0001-14	25	071-122-00	35	101299	83
0002-07	23	071-124-00 (3047)	45	101381	19
0002-07	25	071-124-00 (3047)	47	101420	39
0002-12	23	0741-01	23	101420	43
0002-12	25	0741-01	25	101421	37
0049-00	25	1/2-13 HFN	07	101421	43
005-096-00	35	100062	07	1014-4	60
005-098-00	35	100063	06	101712	23
005-099-00	35	100064	06	101712	29
005-134-00	35	100289	21	101845	19
0053-00	25	100289	63	101845	43
006-114-00	35	100290	21	101846	43
006-115-00	35	100290	63	101847	43
0065-00	25	100291	13	101848	43
0075-20	25	100292	13	101849	43
010-052-00	35	100294	13	101852	19
0102-13	25	10030	71	101852	23
014-056-00	35	10030	74	101852	29
014-058-00	35	10030	79	101852	43
014-065-00	35	100351	51	101853	19
014-068-00	35	10036	63	101853	43
021-038-01 (4009)	45	1004-3	60	101854	43
021-038-01 (4009)	47	1004-6	60	101855	43
0274-01	25	100600	51	1019-4	60
034-192-01	35	100678	74	1020	45
034-192-03	35	100681	75	10205R	19
034-193-01	35	100682	75	10205Y	19
034-193-03	35	100683	74	1021	60
0375-00	25	100684	74	102186	51
040-180-00	35	1-007-010006	65	102190	47
041-058-01	35	1-007-010013	74	102283	23
041-059-01	35	1-007-010013	78	102283	29
046-096-00	35	1-007-010024	75	102361	33
046-097-00	35	1-007-010024	79	102363	29
0508-00	25	1-007-010029	17	102363	33
055-040-04	35	10078	53	102732	29

PART	PAGE	PART	PAGE	PART	PAGE
102732	31	103874	28	105482	75
102836	19	103875	28	105482	79
102836	23	103876	28	105483	06
102836	29	103877	28	105927	88
103055	63	103878	28	106-0079	21
103056	63	103879	28	106-0079	21
103465	23	103880	28	106068	21
103465	41	103881	28	106069	21
103518	28	103882	28	106069	21
1035-20	25	103883	28	106285	74
103673	23	103884	28	106345	74
103674	28	103885	28	106600	88
103675	23	103886	28	106759	65
103676	28	103999	29	106760	65
103677	23	104000	29	107082	45
103678	28	10403	19	107083	45
103679	23	10403	37	107486	07
103683	23	10403	39	107498	65
103683	29	104034	23	107499	65
103683	37	104034	29	107500	65
103684	23	10404	19	107513	65
103695	23	104-0505-048	78	107756	06
103695	29	104-0505-060	74	1-1/4ST ELL	65
103695	37	104551	43	1-1/4X3/4BUSH	78
103698	37	1046	60	110-0116	81
103698	41	105-0093	01	110-0253	83
103699	37	105-0105	70	11005053	33
103699	39	105-0105	74	11011	53
103779	45	105-0105	78	11014	57
103780	45	105479	06	11025	57
103781	47	105479	65	11026	56
103782	47	105479	75	11026	57
103783	47	105479	79	110-4334	71
103819	23	105480	06	110-4334	75
103819	29	105480	65	110-4334	79
103819	39	105480	75	110-4338	71
103820	23	105480	79	110-4338	75
103820	29	105481	06	110-4338	79
103820	39	105481	65	110-4348	71
103863	23	105481	75	110-4348	75
103871	28	105481	79	110-4348	79
103872	28	105482	06	11100550	08
103873	28	105482	65	11117	53

PART	PAGE	PART	PAGE	PART	PAGE
11128	53	118-2659-9	37	1-297-010008-18	37
11129	53	11837	54	1-297-010008-18	39
11130	54	11842	57	1-297-010008-18	49
11133	53	118-7962	83	1-297-010008-20	41
11142	53	12073	56	1-297-010008-23	37
11144	53	12075	53	1-297-010008-23	39
1114-5	60	12146	57	1-297-010008-24	39
1-116-010019	01	12-16 070120	65	1-297-010008-24	41
11240	53	122-0476	78	1-297-010010-01	29
11300179	09	122-0691	78	1-297-010010-03	29
11308	53	122-0771	79	1-297-010010-04	29
11309	56	12228	57	1-297-010010-06	39
11310	56	12465	56	1-297-010011-05	39
11368	53	125130	65	1-297-010011-06	41
11398	57	125130	70	1-297-010011-07	37
11402	56	125130	74	1-297-010013-05	11
11404	56	125130	78	1-297-010013-05	13
11405	56	1-271-010005-05	75	1-297-010013-12	49
11407	56	12767	57	1-297-010013-13	49
11411	56	12780	53	1-297-010013-16	49
11414	56	12781	57	1-297-010015-09	13
11419	56	12783	56	1-297-010015-11	39
11420	56	12817	54	1-297-010017-03	37
11421	56	1-295-010001	65	1-297-010017-03	39
11425	56	1-295-010001	70	1-297-010017-03	41
11426	57	1-295-010001	74	1-297-010020-02	13
11427	56	1-295-010001	78	1-297-010022-02	13
11429	56	1-295-010002	70	1-297-010033-02	11
11430	56	1296	60	1-297-010033-02	13
11431	56	1-297-010007-12	37	1-297-010033-03	37
11434	56	1-297-010007-12	39	1-297-010033-03	39
11435	57	1-297-010007-12	41	1-298-010001-1	02
11440	56	1-297-010007-14	49	1-298-010001-1	07
11441	56	1-297-010007-16	37	1-298-010001-1	07
11442	56	1-297-010007-16	39	1-298-010001-1	59
11445	56	1-297-010007-16	41	13005	53
11446	56	1-297-010007-16	49	13028	54
11449	56	1-297-010008-01	11	13028	57
11599	56	1-297-010008-01	13	1-316-010013-1	70
1-161-010033-04	07	1-297-010008-01	17	13413	57
11767	53	1-297-010008-07	13	13424	54
11791	57	1-297-010008-07	29	13424	57
11799	53	1-297-010008-18	29	1-343-010007	19

PART	PAGE	PART	PAGE	PART	PAGE
1-343-010007	19	1-397-010341040	78	1-512-010005-09	74
1-343-010010	19	1-397-010374	75	1-512-010005-09	78
134-4560	70	15009	19	1-512-010005-09	83
134-4560	74	1-510-010001	06	1-512-010005-09	85
134-4560	78	1-510-010001	06	1-512-010005-09	85
13468	53	1-510-010001	11	1-512-010005-09	87
13680	53	1-510-010001	13	1-512-010005-13	07
13839	54	1-510-010001	19	1-512-010005-13	75
1-384-010038024	37	1-510-010001	23	1-512-010005-13	87
1-384-010038024	39	1-510-010001	29	1-512-010005-131	71
1-384-010038024	41	1-510-010001	51	1-512-010005-15	02
1-384-010038038	39	1-510-010001	71	1-512-010005-15	06
1-384-010038042	37	1-510-010001	75	1-512-010007-05	19
1-384-010038056	39	1-510-010001	79	1-512-010007-05	23
1-384-010038204	39	1-510-010001	81	1-512-010007-05	28
13938	56	1-512-010002-15	23	1-512-010007-06	41
1-394-010001	37	1-512-010003-02	11	1-512-010007-12	23
1-394-010001	39	1-512-010003-02	13	1-512-010007-12	29
1-394-010001	41	1-512-010004-03	81	1-512-0120005-05	39
1-397-010010016	07	1-512-010005-01	49	15206	19
1-397-010301039	07	1-512-010005-03	19	1-557-010014	85
1-397-010301040	06	1-512-010005-03	71	1-557-010362-54	06
1-397-010301042	06	1-512-010005-03	75	1-557-010362-54	06
1-397-010301042	07	1-512-010005-03	79	1-557-010362-54	07
1-397-010301100	65	1-512-010005-03	88	1-557-010362-54	07
1-397-010301130	06	1-512-010005-03	88	1-557-010362-63	79
1-397-010301164	06	1-512-010005-05	23	1-557-010362-63	85
1-397-010301194	06	1-512-010005-05	29	1-557-010362-63	85
1-397-010301238	06	1-512-010005-05	37	1-560-0100012-05	37
1-397-010301268	06	1-512-010005-05	51	1-560-010002-02	37
1-397-010302042	06	1-512-010005-05	65	1-560-010002-02	39
1-397-010302070	07	1-512-010005-05	83	1-560-010002-02	41
1-397-010302084	06	1-512-010005-09	07	1-560-010002-03	41
1-397-010302172	07	1-512-010005-09	07	1-560-010002-04	37
1-397-010302240	07	1-512-010005-09	15	1-560-010002-04	39
1-397-010304022	70	1-512-010005-09	15	1-560-010002-04	41
1-397-010304032	70	1-512-010005-09	15	1-560-010002-04	49
1-397-010304056	70	1-512-010005-09	51	1-560-010002-04	65
1-397-010304064	70	1-512-010005-09	51	1-560-010002-05	39
1-397-010305254	06	1-512-010005-09	59	1-560-010002-05	65
1-397-010311040	78	1-512-010005-09	59	1-560-010002-05	75
1-397-010313034	75	1-512-010005-09	65	1-560-010002-07	65
1-397-010313066	74	1-512-010005-09	70	1-560-010002-07	70

PART	PAGE	PART	PAGE	PART	PAGE
1-560-010002-07	78	1-654-010051-08	37	1-659-010011032	81
15700	19	1-654-010051-08	39	1-659-010011056	81
15725	19	1-654-010051-08	70	1-660-010006	19
1-573-010002	63	1-654-010051-08	75	178910	45
1-573-010003	63	1-654-010051-08	79	178921	45
1-573-010004	63	1-654-010051-09	07	1-796-00003-02	07
1-573-010007	63	1-654-010051-09	11	1-796-010003-01	39
1-573-010014	63	1-654-010051-09	13	1-796-010003-02	19
1-573-010015	63	1-654-010051-13	23	1-796-010003-02	70
1-573-010016	63	1-654-010051-13	29	1-796-010003-02	74
1-573-010017	63	1-654-010055-02	70	1-796-010003-02	78
159183	45	1-654-010055-02	88	1-796-010004-02	23
159184	45	1-654-010055-03	51	1-796-010004-02	29
1644	60	1-654-010055-03	59	1-796-010003-01	37
1-647-010004255	02	1-654-010055-03	65	179933	47
1-654-010024014	11	1-654-010055-03	70	18002	54
1-654-010024014	13	1-654-010055-03	74	18002	57
1-654-010032-04	23	1-654-010055-03	78	18003	53
1-654-010032-04	29	1-654-010055-03	85	18003	57
1-654-010047-02	17	1-654-010055-03	85	18009	53
1-654-010047-06	19	1-654-010055-04	51	18009	56
1-654-010047-06	23	1-654-010055-04	65	18015	53
1-654-010047-06	29	1-654-010055-05	59	18016	53
1-654-010049-03	45	1-654-010055-05	87	18019	53
1-654-010049-03	47	1-654-010055-09	83	18020	53
1-654-010049-06	19	1-654-010055-11	15	18022	56
1-654-010049-06	79	1-654-010055-13	85	18024	53
1-654-010049-06	88	1-654-010055-14	85	18026	53
1-654-010049-07	74	1-654-010055-16	51	18027	53
1-654-010049-07	78	1-654-010055-17	07	18028	53
1-654-010049-07	79	1-654-010055-17	51	18029	53
1-654-010049-09	71	1-654-010059-09	87	18030	53
1-654-010051-03	59	1-654-010059-13	71	18032	53
1-654-010051-05	06	1-654-010059-13	75	18033	56
1-654-010051-05	83	1-654-010059-21	07	18034	56
1-654-010051-06	51	1-654-010061-06	06	18035	56
1-654-010051-06	65	1-654-010061-07	02	18039	53
1-654-010051-06	71	1-654-010070-02	15	18044	54
1-654-010051-06	75	1-654-010070-03	15	18047	53
1-654-010051-06	81	1-654-010158-1	23	18047	56
1-654-010051-07	71	1-654-010158-1	28	18056	54
1-654-010051-08	23	1655	60	18056	57
1-654-010051-08	29	1-656-010003051	19	18078	53

PART	PAGE	PART	PAGE	PART	PAGE
18078	53	1-861-010032-15	88	1A0711	17
1-822-010001018	75	1-861-010032-19	07	1A0744	17
1-822-010001018	79	1-861-010032-19	71	1A0757	17
1-822-010002-13	83	1-861-010032-19	75	1R0017	17
1-833-010001	13	1-861-010032-21	07	1V0081	17
1-833-010001	29	1-861-010034-07	19	1V0090	17
1-833-010002	29	1-861-010034-09	19	1V0208	17
1-833-010002	37	1-861-010034-09	23	1V0360	17
1-833-010002	39	1-861-010034-09	29	1V1701	17
1-833-010002	49	1-861-010034-10	39	1V1703	17
1-833-010003	37	1-861-010034-10	41	1V1725	17
1-833-010003	39	1-861-010034-10	45	2021-16-12S	70
1-833-010003	41	1-861-010034-10	47	2023	47
1-833-010003	41	1-861-010034-11	59	2024-12-12S	65
1-833-010003	49	1-861-010034-11	71	2024-12-12S	70
1-861-010032-01	11	1-861-010034-11	75	2024-12-8S	65
1-861-010032-01	13	1-861-010034-11	79	202702-10-8S	07
1-861-010032-04	81	1-861-010034-11	85	203003-8-8S	06
1-861-010032-06	49	1-861-010034-13	51	203003-8-8S	07
1-861-010032-07	23	1-861-010034-13	65	203005-8-8S	07
1-861-010032-07	28	1-861-010034-15	87	2033-8-8S	06
1-861-010032-09	71	1-861-010034-17	23	2045-8-8S	75
1-861-010032-09	75	1-861-010034-17	29	2045-8-8S	79
1-861-010032-09	79	1865	60	2047-12-12S	65
1-861-010032-10	37	1-879-010004	74	2047-12-12S	74
1-861-010032-10	39	1-879-010004	78	2047-12-12S	78
1-861-010032-10	51	1-879-010004072	70	2047-12-16S	74
1-861-010032-11	23	1-879-010006	74	2047-12-16S	78
1-861-010032-11	29	1-879-010006	78	2047-8-8S	75
1-861-010032-11	71	1-879-010006072	70	2047-8-8S	79
1-861-010032-11	75	1-879-010008	21	2061-8-8S	07
1-861-010032-11	79	1-879-010010	74	2061-8-8S	07
1-861-010032-11	81	1-879-010010	78	2061-8-8S	11
1-861-010032-11	85	1-879-010010072	70	2061-8-8S	13
1-861-010032-14	15	1-879-010011	21	2062-12-12S	07
1-861-010032-15	07	19014	56	2062-12-12S	11
1-861-010032-15	15	19045	53	2062-12-12S	13
1-861-010032-15	51	19045	56	2062-12-12S	70
1-861-010032-15	70	1A0290	17	2062-16-12S	70
1-861-010032-15	74	1A0291	17	2062-16-8S	65
1-861-010032-15	78	1A0292	17	2062-8-8S	06
1-861-010032-15	85	1A0294	17	2062-8-8S	06
1-861-010032-15	85	1A0709	17	2062-8-8S	07

PART	PAGE	PART	PAGE	PART	PAGE
2081-16-8S	74	230007400	09	3/4X1/2BUSH	79
2081-16-8S	78	23078	54	3/8-16 X 1-1/4 CS	85
2081-8-6S	49	23078	57	3/8-16X5-1/2CS	81
2083-8-4S	29	23079	54	3/8COUPL	74
2088-6-6S	41	23079	57	3-007-010039	11
2088-6-6S	49	23081	54	3-007-010039	13
2089-6-6S	37	23081	57	3-042-010140-01	25
2089-6-6S	39	23083	54	3-042-010140-01	35
2089-6-6S	41	23085	54	3-042-010140-03	25
2091	47	23142	57	3-042-010140-03	35
2109-3	60	23183	57	3-054-010101	85
211300024	09	23245	57	3-076-010005	23
2175	60	23303	53	3-076-010005	29
2177	60	23310	57	3-102-010022	07
2180	60	23353	54	3-102-010048	07
2-181-010001	06	23353	57	3-115-010046	83
2-181-010001	19	23367	56	3-115-010053	83
2-181-010001	23	23470	53	3-115-010096	83
2-181-010001	29	239-8113-40	70	3-115-010097	83
2-181-010001	51	239-8113-48	74	3-115-010099	83
2183	60	239-8113-48	78	3-117-00069	85
21925	53	24032	53	3-117-010070	85
21961	53	2480	60	3-117-010071	85
21964	57	2481X	70	3-120-010073	07
220000212	08	2481X	74	3-120-010117	07
220000212	09	2481X	78	3-120-010124	70
22055	56	26331	19	3-120-010124	74
2216-12-16S	75	2750-8	07	3-120-010124	78
2216-12-16S	79	28942	56	3-120-010125	07
2240-12-12S	06	28943	56	3-120-010284	81
2263	60	2A0079-404	17	3-120-010294	59
2265-6	60	2A0079-406	17	3-120-010295	59
22695	57	2A0293-7214	17	3-120-010461	65
22697	57	2A0354-121	17	3-125-010241	06
22703	53	2A293-7214	17	3-125-010244	07
22703	57	3/16 X 3/4CS SELF	75	3-128-010002	35
22704	54	3/16X3/4CS SELF	79	3-128-010021-03	49
22704	57	3/4COUPL	74	3-128-010021-04	49
22729	57	3/4NIPPLE	71	3-128-010021-07	49
22752	53	3/4NIPPLE	75	3-136-010001-02	11
22775	53	3/4NIPPLE	79	3-136-010001-02	13
22775	56	3/4ST ELL	79	3-141-010008	85
230007400	08	3/4X1/2BUSH	39	3-141-010118	85

PART	PAGE	PART	PAGE	PART	PAGE
3-141-010119	85	3-201-010002072	70	3-272-010078	21
3-141-010121	85	3-203-010001	70	3-272-010079	21
3-141-010123	85	3-203-010001	74	3-272-010080	21
3-141-010147	85	3-203-010001	78	3-272-010095	21
3-141-010151	85	3-209-010003	21	3-272-010121	21
3-141-010152	85	3-209-010004	21	3-272-010125	19
3-141-010155	85	3-209-010004-01	19	3-272-010147	19
3-146-010001	07	3-209-010004-03	19	3-272-010148	19
3-150-010166-16	70	3-209-010004-04	19	3-273-010006	70
3-150-010166-16	74	3-209-010006	21	3-273-010006	74
3-150-010223	07	3-209-010006-01	19	3-273-010006	78
3-155-010012	70	3-220-010002	70	3-273-010013	70
3-155-010012	74	3-220-010002	74	3-273-010013	74
3-155-010012	78	3-220-010002	78	3-273-010013	78
3-155-010017-1	51	3-220-010003	70	3-273-010027-01	78
3-155-010017-4	51	3-220-010003	74	3-273-010027-02	78
3-155-010018-1	51	3-220-010003	78	3-273-010034-01	70
3-155-010018-6	51	3-222-010166	81	3-273-010034-02	70
3-155-010025	70	3-222-010167	81	3-274-010028	81
3-155-010025	74	3-222-010198	15	3-276-010691	75
3-155-010025	78	3-222-010199	15	3-276-010691	79
3-156-010007	21	3-222-010227	15	3-276-010693	75
3-156-010043	21	3-238-010001	11	3-276-010693	79
3-156-010043	21	3-238-010001	13	3-279-010037	21
3-156-010046	23	3-238-010001	17	3-279-010037	21
3-156-010046	29	3-242-010099	06	3-348-010045	71
3-161-010034	11	3-242-010099	07	3-352-010015-3	59
3-161-010034	13	3-242-010099	08	3-352-010015-4	59
3-161-010034	17	3-242-010102	07	3-352-010017-1	59
3-162-010001	65	3-242-010102	09	3-352-010017-2	59
3-162-010001	70	3-242-010103	07	3-368-010175	19
3-162-010001	74	3-242-010103	09	3-368-010243-01	19
3-162-010001	78	3-242-010118	08	3-368-010244	19
3-174-010038	51	3-242-010152-02	06	3-368-010245-01	19
3-174-010039036	51	3-242-010153	06	3-368-010246	19
3-181-010006	06	3-272-010021	37	3-368-010250	19
3-181-010006	19	3-272-010021	71	3-368-010252	19
3-181-010038	75	3-272-010021	75	3-368-010257	88
3-181-010038	79	3-272-010022	39	3-368-010294	19
3-182-010028	75	3-272-010022	71	3-368-010294	39
3-182-010028	79	3-272-010022	75	3-368-010297	37
3-201-010002	74	3-272-010022	79	3-375-010250	02
3-201-010002	78	3-272-010078	21	3-375-010292	02

PART	PAGE	PART	PAGE	PART	PAGE
3-375-010489-3	02	3-482-010510	81	3-573-010394	63
3-375-010489-3	06	3-482-010563	13	3-573-010395	21
3-375-010489-4	02	3-482-010565	71	3-573-010395	63
3-375-010489-4	06	3-482-010566	71	3-573-0120378012	63
3-384-010020	41	3-482-010575	07	3-591-010001	65
3-397-010152	74	3-482-010575	11	3-591-010001	66
3-397-010152	78	3-485-010001	23	3-591-010003	70
3-397-010237	78	3-485-010001	29	3-591-010003	74
3-397-010261	74	3-535-011751	15	3-591-010003	78
3-397-010261	78	3-557-010030	02	3-591-010005	70
3-399-010001	65	3-557-010031	07	3-591-010005	74
3-407-010038-09	06	3-557-010033	06	3-591-010005	78
3-407-010038-10	06	3-557-010033	07	3-642-010134	15
3-407-010061	06	3-557-010059	06	3-645-010049	59
3-427-010003	70	3-557-010120	06	3-645-010059	15
3-427-010003	74	3-557-010380	85	3-645-010085	15
3-427-010003	78	3-557-010383	59	3-659-010012	45
3-432-010006	25	3-557-0140380	79	3-659-010012	47
3-432-010010	25	3-561-010001	65	3-659-010013-1	83
3-443-010010	83	3-565-010770	59	3-681-010122	06
3-443-010018	81	3-573-010020	63	3-711-010025	85
3-446-010046	19	3-573-010031	63	3-711-010025	85
3-446-010046	37	3-573-010057	63	3-711-010055	11
3-446-010046	39	3-573-010086	63	3-711-010055	13
346SL	01	3-573-010127	63	3-711-010055	17
346SL	59	3-573-010134	63	3-720-010010	51
3-481-010006	51	3-573-010189	63	3-720-010030	25
3-481-010006	60	3-573-010210	63	3-725-010051	87
3-481-010007	51	3-573-010211	63	3-725-010145	01
3-481-010007	60	3-573-010296	21	3-735-010030	79
3-482-010003	70	3-573-010296	63	3-741-010085	59
3-482-010003	74	3-573-010298	63	3-744-010041	81
3-482-010003	78	3-573-010299	63	3-744-010046	70
3-482-010288	11	3-573-010300	63	3-744-010046	74
3-482-010288	13	3-573-010377	63	3-744-010046	78
3-482-010288	17	3-573-010378010	63	3-755-010080	85
3-482-010342	70	3-573-010391	21	3-755-010189	23
3-482-010360	70	3-573-010391	63	3-755-010189	28
3-482-010360	74	3-573-010392	21	3-755-010189	39
3-482-010360	78	3-573-010392	63	3-755-010189-03	23
3-482-010495	70	3-573-010393	21	3-755-010189-03	28
3-482-010503	65	3-573-010393	63	3-755-010189-03	39
3-482-010510	78	3-573-010394	21	3-755-010189-1	23

PART	PAGE	PART	PAGE	PART	PAGE
3-755-010189-1	28	3-843-010023	13	5010	15
3-762-010016	23	3-843-010024	11	5029	23
3-762-010016	29	3-843-010024	13	5029	29
3-762-010017	23	3-843-010025	11	508-0184	79
3-762-010017	29	3-843-010025	13	514-1000-056	83
3-762-010563-5	23	3-843-010038	49	514-9045-40	71
3-762-010563-5	25	3-846-010008	07	514-9045-60	75
3-762-010563-6	23	3-846-010008	11	514-9045-60	79
3-762-010563-6	25	3-846-010008	13	526-0065	79
3-765-010001	19	3-846-010008	17	541-0203	71
3-765-010001	21	3-846-010152-01	06	541-0203	75
3-765-010005	71	3-846-010152-01	11	541-0203	79
3-765-010005	74	3-846-010152-05	06	541-0316	71
3-765-010005	78	3-846-010152-05	11	541-0316	75
3-780-010002	23	3-846-010152-08	06	541-0316	79
3-780-010002	29	3-846-010152-08	11	541-0379	71
3-783-010006	71	3-846-010152-10	06	541-0379	75
3-783-010013P	71	3-846-010152-10	11	541-0379	79
3-783-010013P	74	3-846-010156	06	55B11	49
3-783-010013P	78	3-861-010038	06	55B61	37
3-786-010005	70	3-870-010014	45	55B61	39
3-786-010005	74	3-870-010104	47	55B61	41
3-786-010005	78	3-873-010122	51	55B61	49
3-786-010043	65	3-873-010122	53	55B61-6	49
3-793-010040	59	3-873-010123	51	55B61-7	49
3-793-010041	59	3-873-010123	56	56D4	37
380-1	23	3-873-010124	51	56D4	39
380-1	29	3-873-010125	51	56D4	41
380-2	23	3-873-010126-2	07	59P8	21
380-2	29	3-873-010126-2	51	59P8	21
3-821-010005	23	3-873-010129-2	07	59P8	21
3-821-010005	28	3-873-010129-2	51	59S-7	19
3-826-010014	02	3-873-010166	06	59W-2-3	19
3-826-010015	02	3-873-010166-01	51	60015Y	19
3-829-010327	59	3-873-010166-02	51	622-3511-008	23
3-829-010329	59	3-873-010166-03	51	622-3511-008	29
3-829-010330	59	3-873-010166-04	51	64181	19
3-831-010158	81	391-1802-119	66	6-557-010163	85
3-843-010005	41	40002R	19	6582	14
3-843-010015	11	40202R	19	6600	71
3-843-010015	13	40700	19	6600	75
3-843-010015	14	481 00 224	31	6600	79
3-843-010023	11	4Z4306	17	66884	47

PART	PAGE	PART	PAGE	PART	PAGE
66893	45	90036177	33	CA-1595	70
6828	65	90045040	33	CA-1595	74
68CA-2-2	11	90054038	33	CA-1595	78
68CA-2-2	13	900816601	33	DB-10	21
68CA-2-2	17	90516600	33	EB 1685-3	66
6964-312	14	905-54-107	13	HM212011	45
69996B	47	90557129	33	HM212011	47
7019-9XX	14	930 02 349	31	HM212049	45
71900048	08	93003597	33	HM212049	47
71900195	09	93201051	33	HM218210	45
7-458-010009	83	93201057	33	HM218210	47
758-181	37	934 00 060	31	HM218248	45
758-181	39	93400136	33	HM218248	47
758-181	41	93400149	33	K71-138-00	35
7HCGHT500	51	93400367	33	LB 1669-1	66
805-2	23	93400492	33	M 1391-K	66
805-2	29	93400506	33	M110AB-4	60
805-2	70	93400506	33	M110C-1	60
805-2	75	93408186	33	NB-2-016	11
805-2	79	93600072	33	NB-2-016	11
81006	53	93600077	33	NB-2-016	13
81009	53	93908009	33	NB-2-016	13
81025	53	941 00 119	31	PA-2328-2	60
81077	56	941 00 466	31	PMCK-AD-460	08
81078	56	94100648	33	PMCK-AD-461	09
81080	56	94100685	33	PTO	65
81081	56	94100685	33	RA 1688-17-64	66
81082	56	94100787	33	RPRB59004X11	83
81530	53	94100790	33	RRT308X.75	75
81900277	09	A7106-350	14	RRT308X.75	79
81900295	08	A7106-392	14	S21F-6	06
88005	57	A7106-430	14	S21F-6	65
900 54 007	31	AA 1058	66	S21F-6	75
900 54 107	31	AB022-567	14	S21F-6	79
90001200	33	B3-115-016	83	S25F-6	06
90008139	33	B3-274-007	71	S25F-6	65
90008139	33	B7-115-003	83	S25F-6	75
90008184	33	B7-115-004	83	S25F-6	79
9001-B255	21	B7-141-003	85	SCREW#6X3/8	83
9001-B256	21	BA 3026-2	66	TR573	45
9001-BW70YU	21	BD 1135M-3-17	66	TR573	47
90025288	33	BSL-6-4	83	TY244MX	06
90036177	33	C3069X12	65	UB 3006-242	66

PART	PAGE	PART	PAGE
X 144-3	66	XB-H-32-2	87
X2-25	66	XB-V-1926	87
X73-37-16	66	XB-V-1949	87
XA 1603	66	XB-V-1966	87
XA-CRP-V-1917	87	XB-V-444-1	87
XA-S9-3105	87	XB-V-643-A2	87
XA-V-03824	87	XB-V-851	87
XA-V-03875-0 -5	87	XB-V-V-647	87
XA-V-03876-0 -5	87	Y 1032	66
XA-V-04204-1	87		
XA-V-04205-1	87		
XA-V-05122-A	87		
XA-V-05123-A	87		
XA-V-05159-A	87		
XA-V-05356-0 -5	87		
XA-V-1901-1	87		
XA-V-1910	87		
XA-V-1913	87		
XA-V-1914	87		
XA-V-1920	87		
XA-V-1927	87		
XA-V-1928	87		
XA-V-1928-1	87		
XA-V-1929	87		
XA-V-1938	87		
XA-V-1957	87		
XA-V-796-B-1	87		
XB-01789	87		
XB-020065	87		
XB-0307	87		
XB-03816	87		
XB-04112	87		
XB-1108	87		
XB-21-S-187-1250	87		
XB-21-S-375-1500	87		
XB-21-S-375-3000	87		
XB-3103	87		
XB-338	87		
XB-338	87		
XB-767	87		
XB-C-38-C-214	87		
XB-CX-14-28-F-58	87		
XB-FW-25	87		