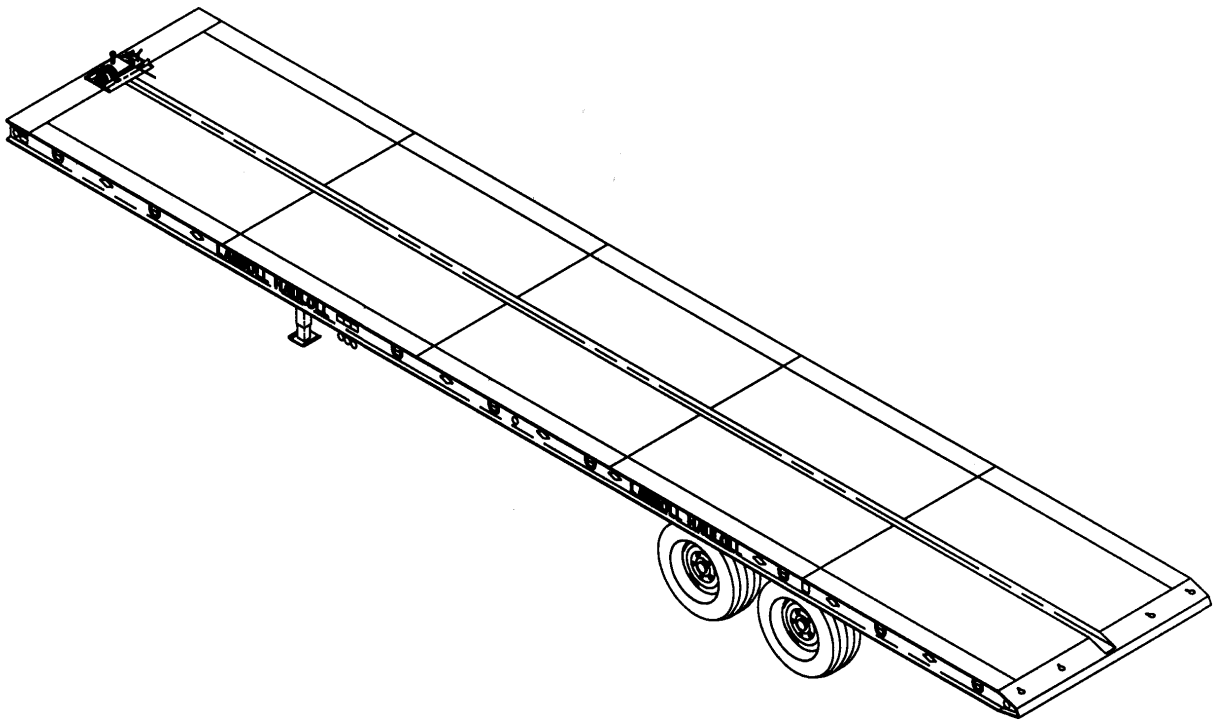




**MODEL 330B
SEMITRAILER
PARTS LIST MANUAL**



**1900 North Street
Marysville, KS 66508
(785)562-5381**

ILLUSTRATED PARTS LIST

1

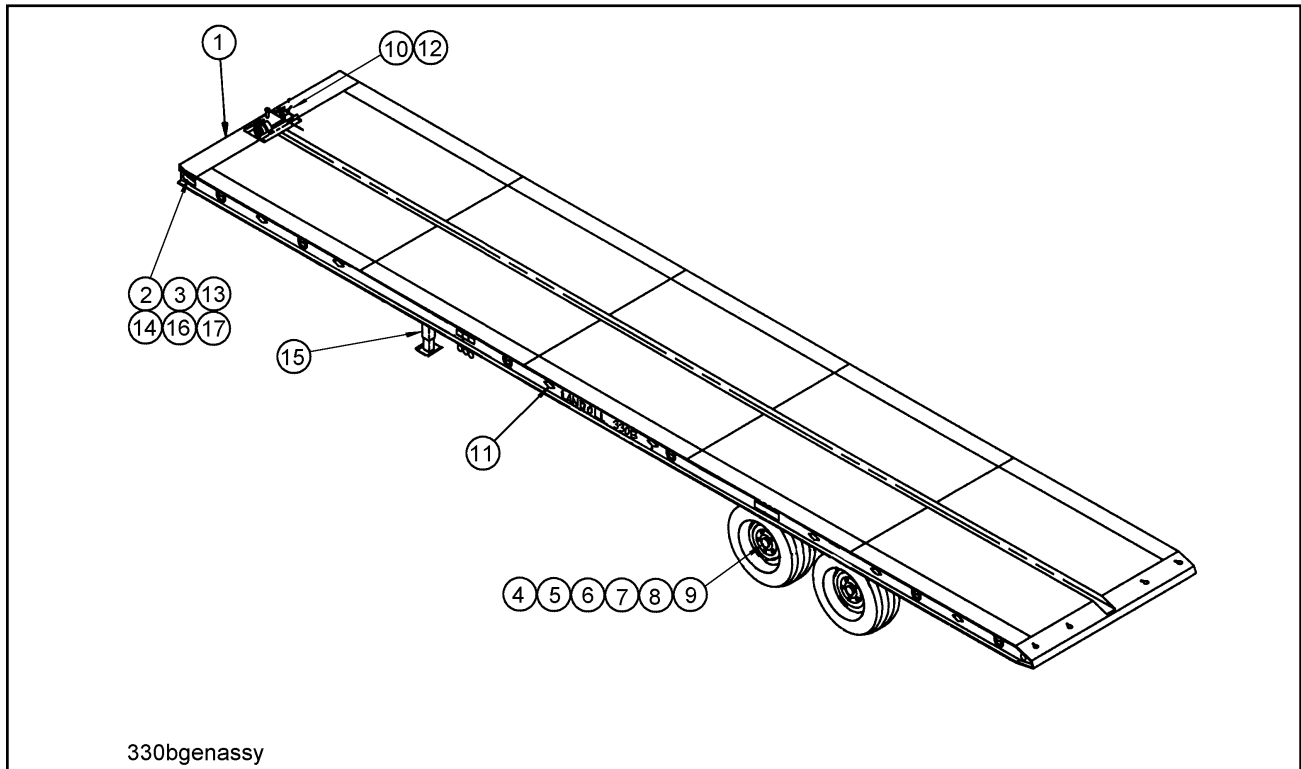


Figure 1-1 General Assembly

GENERAL ASSEMBLY

ITEM	PAGE NO.	DESCRIPTION	QTY.
1	1-2	FIFTH WHEEL ASSEMBLY	1
2	1-3-1-12; 1-14-1-15	HYDRAULIC ASSEMBLIES	1
3	1-16 - 1-23	ELECTRICAL ASSEMBLIES	1
4	1-24 - 1-29	UNDERCARRIAGE & SUSPENSION - SPRING RIDE	1
5	1-30 - 1-37	UNDERCARRIAGE & SUSPENSION - AIR RIDE	1
6	1-38 - 1-39	AXLE AND BRAKE ASSEMBLY	1
7	1-40 - 1-45	AIR BRAKE SYSTEM	1
8	1-46 - 1-47	HUB AND DRUM ASSEMBLY	2
9	1-48 - 1-49	AIR SYSTEM	1
10	1-50 - 1-66	WINCH ASSEMBLIES	1
11	1-67 - 1-69	DECAL INSTALLATION	1
12	1-70 - 1-71	HYDRAULIC WET KIT ASSEMBLY (OPTION)	1
13	1-72 - 1-83	AUXILIARY ENGINE ASSEMBLIES (OPTION)	1
14	1-13;1-84-1-87;1-92	MISCELLANEOUS OPTIONS	AR
15	1-88 - 1-91	LANDING GEAR ASSEMBLIES	1
16	1-116-010019	BOX MANUAL STORAGE	1
17	105-0093	HOSE CLAMP 4-1/2	1

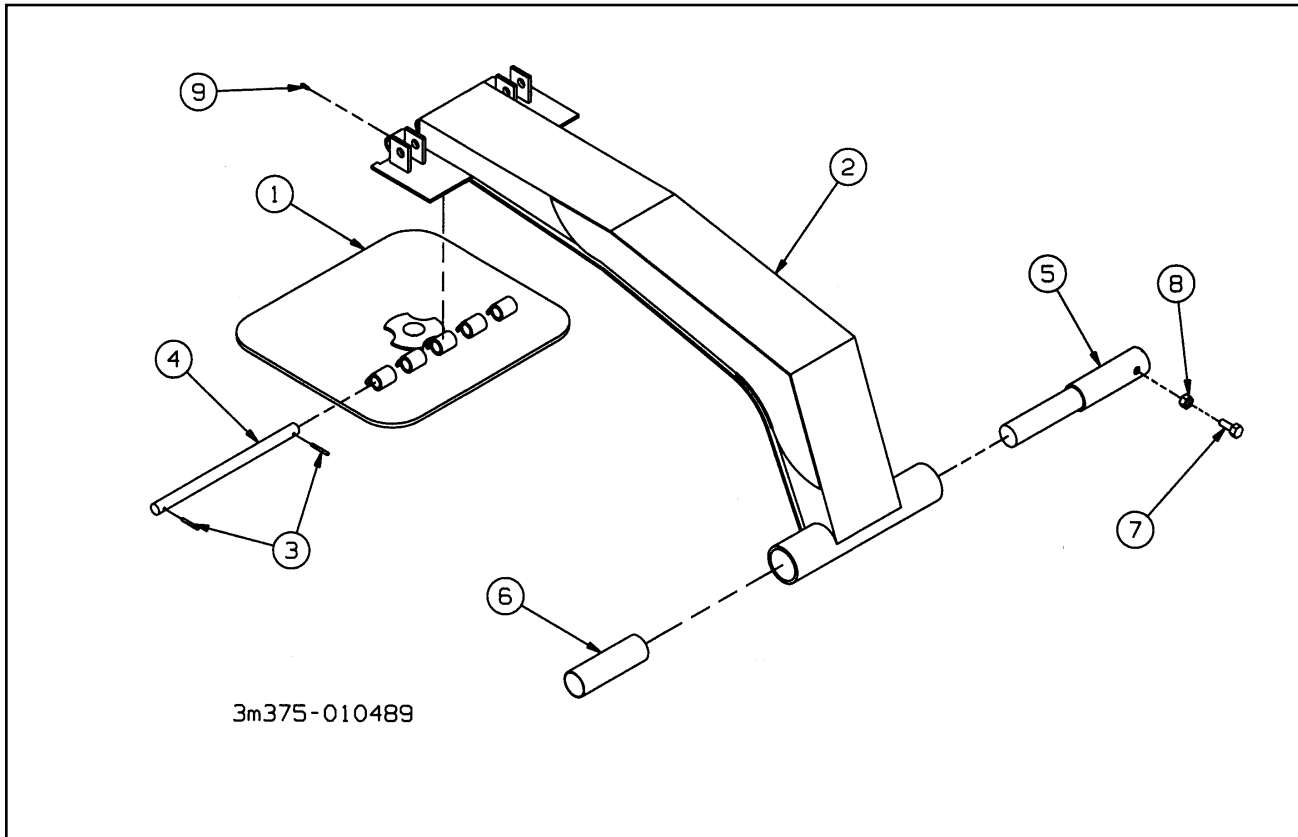
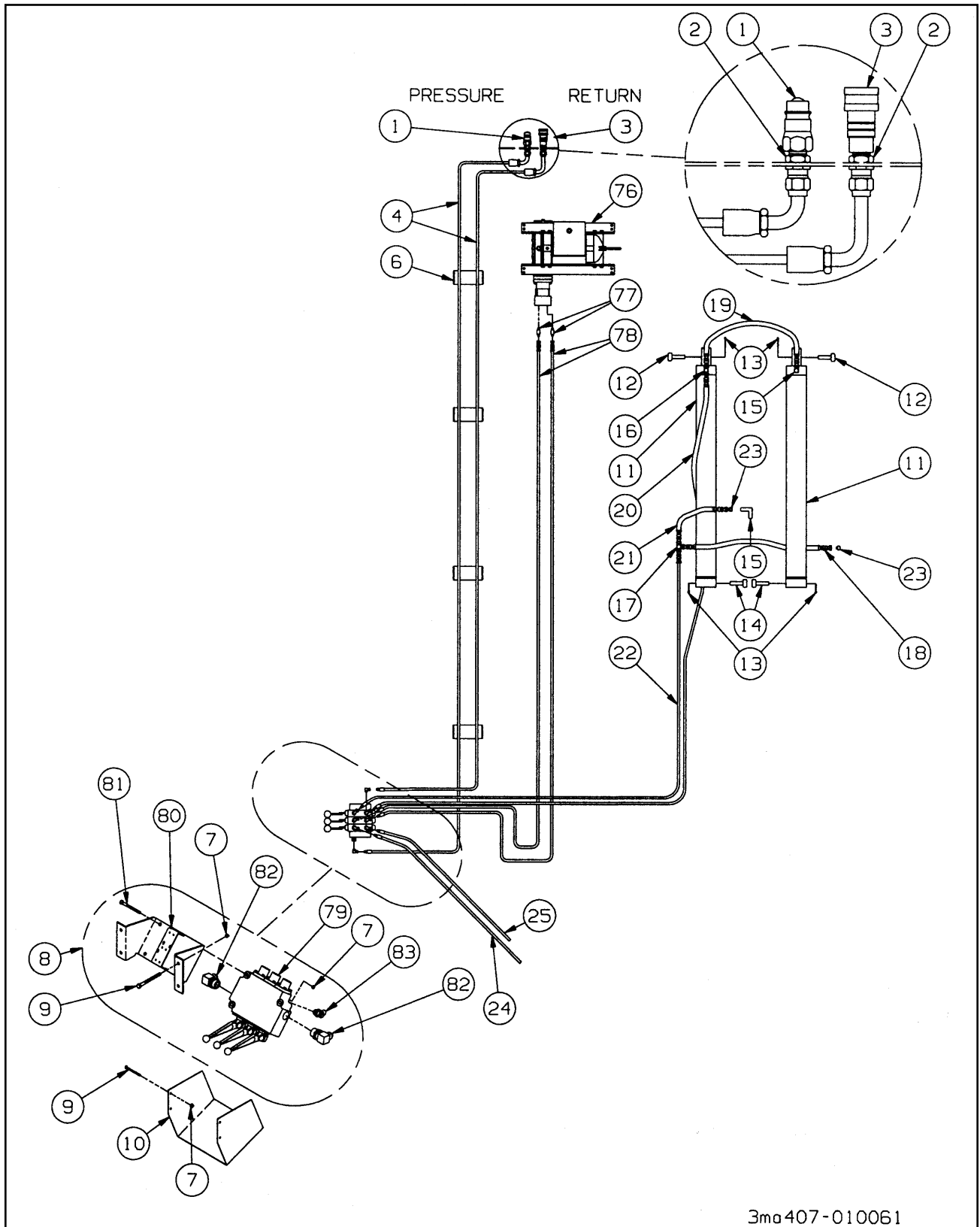


Figure 1-2 Fifth Wheel Assembly

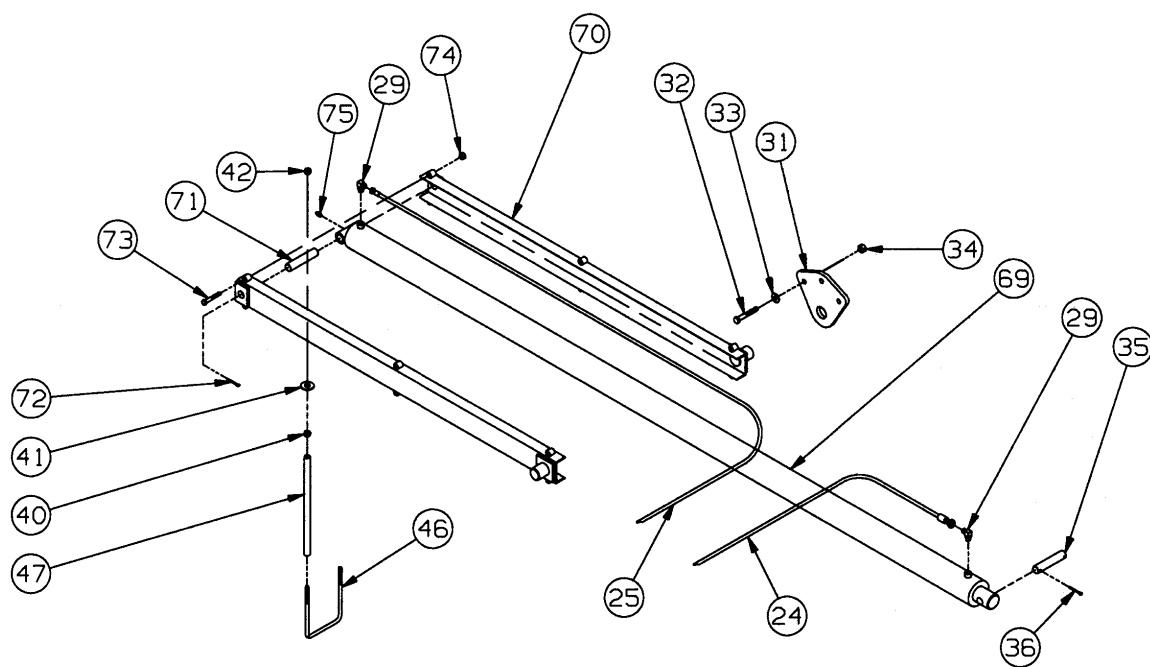
FIFTH WHEEL ASSEMBLY

ITEM	PART NO.	DESCRIPTION	QTY.
	3-375-010489-3	HITCH INSTALLATION 30 PIN 330-42 TRL	
	3-375-010489-4	HITCH INSTALLATION 30 PIN 330-48 TRL	
	114547	HITCH INSTALLATION 24 PIN 330-42 TRL	
	114548	HITCH INSTALLATION 24 PIN 330-48 TRL	
1	3-375-010250	HITCH PLATE 24"/30" KING PIN	1
	3-375-010349	HITCH PLATE 18" KING PIN	1
2	3-375-010292	HITCH ASSEMBLY CONTAINER HAULER	1
3	1-647-010004255	SPRING PIN SLOTTED 3/8 X2	2
4	3-557-010030	HINGE PIN FIFTH WHEEL	1
5	3-826-010015	TUBE WELDMENT INNER FIFTH WHEEL	1
6	3-826-010014	TUBE INNER HINGE FIFTH WHEEL	1
7	1-654-010061-07	SCREW, HEX HEAD CAP 3/4-10 X 2-1/2 GR5	2
8	1-512-010005-15	NUT, HEX LOCK 3/4-10 GRB	2
9	1-298-010001-1	FITTING GRS STR SHORT 1/4-28	6



3ma407-010061

Figure 1-3 Hydraulic System



STANDARD LOAD OPTION---(26)

3mb407-010061

Figure 1-4 Hydraulic System - Std. Load Angle Option

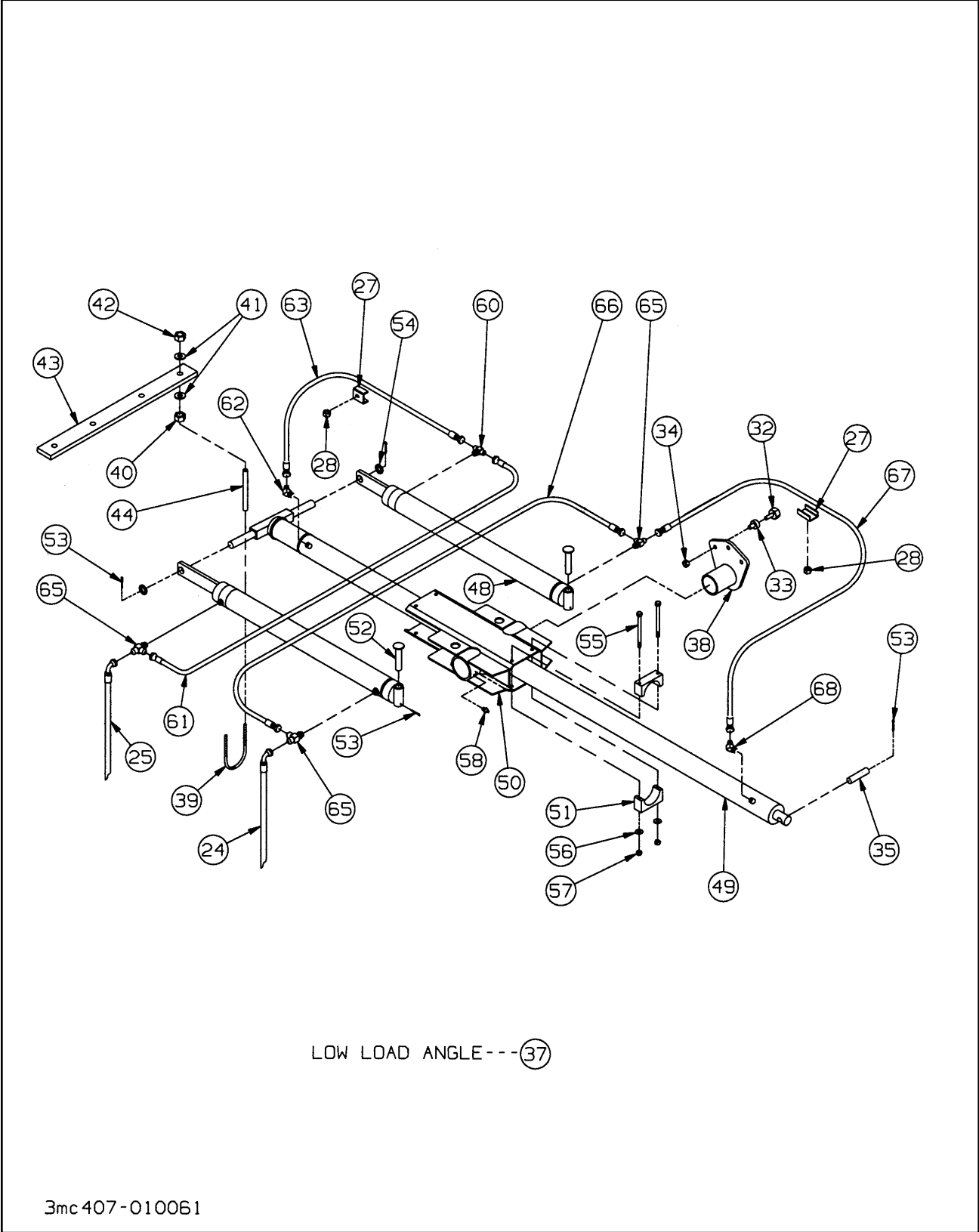


Figure 1-5 Hydraulic System - Low Load Angle Option

HYDRAULIC SYSTEM

ITEM	PART NO.	DESCRIPTION	QTY.
	3-407-010061	HYDRAULIC INSTALLATION CONTROLS (ITEMS 1-10)	
	3-375-010489-3	HITCH INSTALLATION - 42' TRAILER (ITEMS 11-23)	
	3-375-010489-4	HITCH INSTALLATION - 48' TRAILER (ITEMS 11-23)	
	3-407-010038-09	HYDR. INST. U/C 330 SLA (ITEMS 24-47)	
	3-407-010038-10	HYDR. INST. U/C 330 LLA (ITEMS 24-47)	
	3-873-010166	WINCH INSTALLATION 12K/20K (ITEMS 76-78)	
1	105479	COUPLER, FLAT FACE MALE	1
	105481	COUPLER, DUST CAP MALE	1
2	105483	ADAPTER BULKHEAD 12JIC-12ORING	2
3	105480	COUPLER, FLAT FACE FEMALE	1
	105482	COUPLER, DUST CAP FEMALE	1
4	1-397-010305254	HOSE ASSEMBLY	2
	100064	HOSE ASSEMBLY	2
6	3-181-010006	HOSE CLAMP	REF
7	1-510-010001	NUT FLANGE LOCK 3/8-16	8
8	3-846-010152-01	VALVE ASSY 3 SPOOL (STD ASSEMBLY) (SEE PAGE 1-11)	1
	3-846-010152-05	VALVE ASSY 3 SPOOL (SGL REMOTE) (SEE PAGE 1-11)	1
	3-846-010152-08	VALVE ASSY 3 SPOOL (DUAL REMOTE)(SEE PAGE 1-11)	1
	3-846-010152-10	VALVE ASSY 3 SPOOL (TRPL REMOTE) SEE PAGE 1-11)	1
9	1-654-010051-05	SCREW, HEX HEAD CAP 3/8-16 X 1 GR5	8
10	3-681-010122	SHIELD, CONTROL VALVE	1
11	3-242-010099	CYLINDER HYDR 4X42 (SEE PAGE 1-8)	2
12	3-557-010059	PIN CYL ROD END	2
13	1-557-010362-54	PIN COTTER 3/16 X 2-1/4	4
14	3-557-010033	PIN CYLINDER BUTT END	2
15	2062-8-8S	ADAPTER 90	3
16	203003-8-8S	ADAPTER TEE	1
17	2033-8-8S	ADAPTER TEE	1
18	1-397-010301048	HOSE ASSEMBLY	1
19	107756	HOSE ASSEMBLY 24 STR-90	1
20	1-397-010301220	HOSE ASSEMBLY (42')	1
	1-397-010301268	HOSE ASSEMBLY (48')	1
21	1-397-010301028	HOSE ASSEMBLY	1
22	1-397-010301122	HOSE ASSEMBLY (42')	1
	1-397-010301194	HOSE ASSEMBLY (48')	1
23	3-846-010156	VALVE RESTRICTOR 3/64-ONE WAY (DIRECT REPLACEMENT)	2
24	100063	HOSE ASSEMBLY (STD LOAD ANGLE)	1
	1-397-010302112	HOSE ASSEMBLY (LOW LOAD ANGLE)	1
25	1-397-010301130	HOSE ASSEMBLY (STD LOAD ANGLE)	1
	1-397-010302042	HOSE ASSEMBLY (LOW LOAD ANGLE)	1
26	3-242-010153	CYLINDER ASSY (STD LOAD ANGLE)(ITEMS 69-75)	1
27	2-181-010001	HOSE CLAMP (LOW LOAD ANGLE)	2
28	1-510-010001	NUT FLANGE LOCK 3/8-16 (LOW LOAD ANGLE)	2
29	2062-8-8S	ADAPTER 90 (STD LOAD ANGLE)	2
30	1-796-010003-02	TY-WRAP (STD LOAD ANGLE) (NOT SHOWN)	12
31	3-125-010241	BRACKET CYL MOUNT (STD LOAD ANGLE)	2
32	1-654-010061-06	SCREW HEX HEAD CAP 3/4-10 X 2-1/4 GR5	6
33	3-861-010038	WASHER STEP	6
34	1-512-010005-15	NUT HEX LOCK 3/4-10 GRB	6
35	3-557-010120	PIN UNDERCARRIAGE CYLINDER	1
36	1-557-010362-54	PIN COTTER 3/16 X 2-1/4	2
37	3-242-010152-02	CYLINDER ASSY (LOW LOAD ANGLE)(ITEMS 48-68)	1
38	3-125-010244	BRACKET WLDMT CYL TRUN (LOW LOAD ANGLE)	2
39	3-102-010022	U BOLT CYL SUPPORT (LOW LOAD ANGLE)	2
40	1-512-010007-09	NUT 1/2-13 GR2	2,4*

HYDRAULIC SYSTEM

ITEM	PART NO.	DESCRIPTION	QTY.
41	1-861-010032-15	WASHER FLAT 1/2 W	4,8*
42	1-512-010005-09	NUT HEX LOCK 1/2-13 GRB	2,4*
43	3-146-010001	RUBBER BUMPER CYLINDER (LOW LOAD ANGLE)	1
44	1-397-010010016	HOSE HYDRAULIC 1/2 X16 (LOW LOAD ANGLE)	2
46	3-102-010048	U-BOLT 7-5/8 X 10 (STD LOAD ANGLE)	1
47	2750-8	HOSE AIR BRAKE 1/2 X 20 (STD LOAD ANGLE)	1.666
48	3-242-010099	HYDRAULIC CYLINDER WELDMENT (SEE PAGE 1-8)	2
49	3-242-010103	CYLINDER HYD 4 X 126 (SEE PAGE 1-9)	1
50	3-120-010125	CYLINDER TRUNNION ASSEMBLY	1
51	3-120-010117	NYLATRON BEARING	4
52	3-557-010031	PIN CYLINDER BUTT END	2
53	1-557-010362-54	PIN COTTER 3/16 X 2-1/4	4
54	3-150-010223	BUSHING	2
55	1-654-010059-21	SCREW HEX HEAD CAP 5/8-11 X 8 GR5	4
56	1-861-010032-19	WASHER FLAT 5/8W	4
57	1-512-010005-13	NUT HEX LOCK 5/8-11 GRB	4
58	1-298-010001-1	FITTING	4
59	1-161-010033-04	CAP PLASTIC TAPERED 1/2	2
60	203003-8-8S	ADAPTER TEE	1
61	1-397-010301039	HOSE ASSEMBLY	1
62	2061-8-8S	ADAPTER 45	1
63	1-397-010302070	HOSE ASSEMBLY	1
65	203005-8-8S	ADAPTER TEE	3
66	1-397-010301042	HOSE ASSEMBLY	1
67	107486	HOSE ASSEMBLY	1
68	2062-8-8S	ADAPTER 90	1
69	3-242-010102	CYL HYD 4X126 O-RING (SEE PAGE 1-9)	1
70	3-120-010073	BRKT ASSY CYLINDER TRUNNION	2
71	3-557-010033	PIN CYLINDER BUTT END	1
72	1-557-010362-54	PIN COTTER 3/16 X 2-1/4	1
73	1-654-010055-17	SCREW HEX HEAD CAP 1/2-13 X 6 GR5	6
74	1-512-010005-09	NUT HEX LOCK 1/2-13 GRB	6
75	1-298-010001-1	FITTING GREASE 1/4-28	1
76	3-873-010126-2	WINCH ASSEMBLY 12,000 LB (SEE PAGE 1-51)	1
	3-873-010129-2	WINCH ASSEMBLY 20,000 LB (SEE PAGE 1-51)	1
77	202702-10-8S	ADAPTER	2
78	1-397-010302240	HOSE ASSEMBLY	2
	100062	HOSE ASSEMBLY	2
	1-397-010302172	HOSE ASSEMBLY	2
79	3-846-010008	VALVE 3-SPOOL (SEE PAGE 1-15)	REF
80	3-482-010575	MOUNT WELDMENT, VALVE	REF
81	1-654-010051-09	SCREW, HEX HEAD CAP 3/8-16 X 2 GR5	REF
82	2062-12-12S	ADAPTER 90	REF
83	2061-8-8S	ADAPTER 45	REF

* THE FIRST QUANTITY LISTED IS FOR THE STANDARD LOAD ANGLE, THE SECOND QUANTITY IS FOR THE LOW LOAD ANGLE.

NOTE: IF ONLY ONE QUANTITY IS LISTED, QUANTITY APPLIES TO BOTH STD AND LOW LOAD ANGLE UNLESS OTHERWISE DESIGNATED IN THE DESCRIPTION.

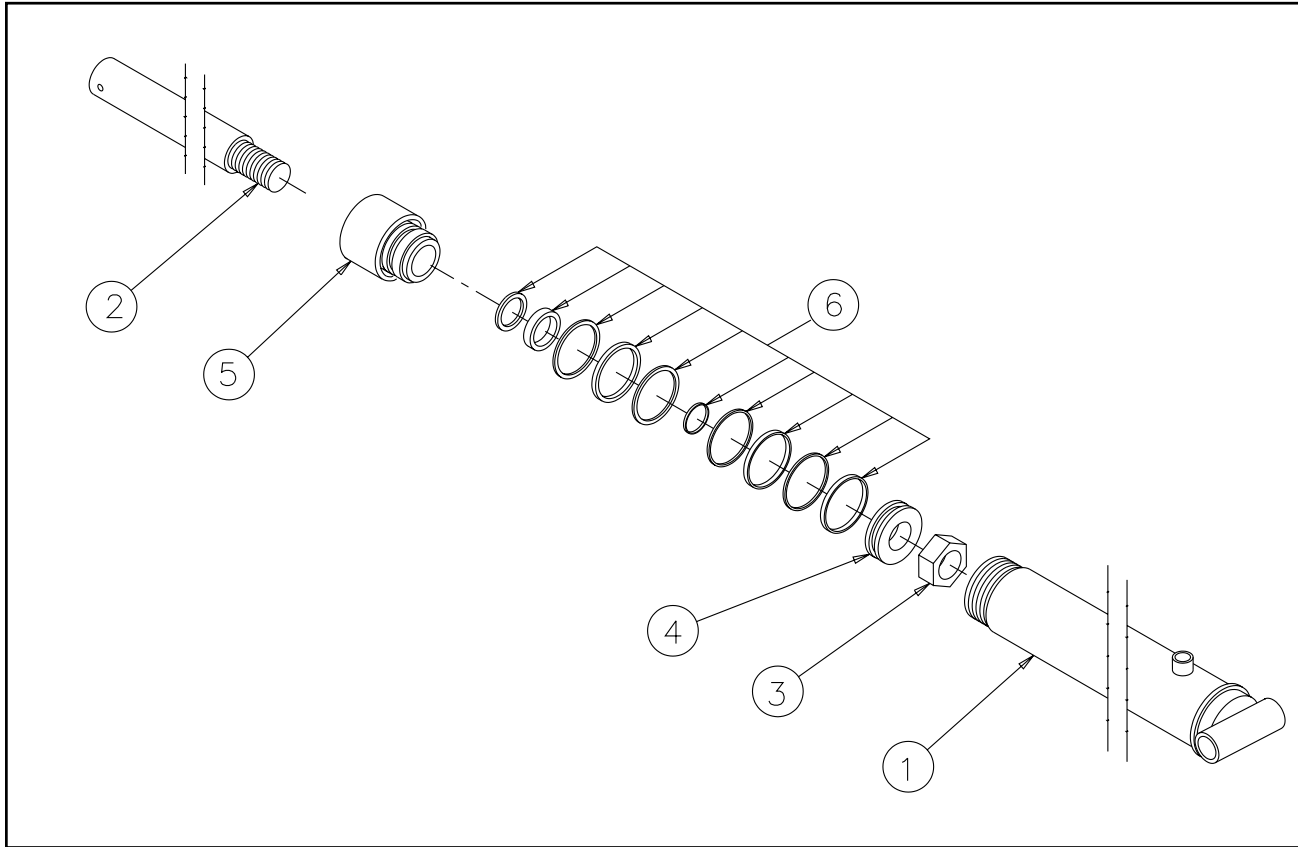


Figure 1-6 Trailer Tilt Cylinder Assembly

TRAILER TILT CYLINDER

ITEM	PART NO.	DESCRIPTION	QTY.
	3-242-010099	CYL. HYDR 4"X42" (TILT CYLINDER)	1
	3-242-010118	CYL. HYDR 4"X42"(LOW LOAD CYL FOR UNDERCARRIAGE)	1
1	*	BUTT AND TUBE ASSEMBLY	1
1A	*	BUTT AND TUBE ASSEMBLY (ALTERED PER 3-242-010099)	1
2	011100550	PISTON ROD	1
3	220000212	LOCKNUT (1-1/4 - 12)	1
4	071900048	PISTON	1
5	081900295	GLAND	1
	230007400	RETAINER SQUARE WIRE	1
6	PMCK-AD-460	PACKING KIT (CONTAINS ALL NECESSARY SEALS AND O-RINGS)	AIR

* PART NOT SOLD SEPARATELY. REQUIRES PURCHASE OF ENTIRE ASSEMBLY.

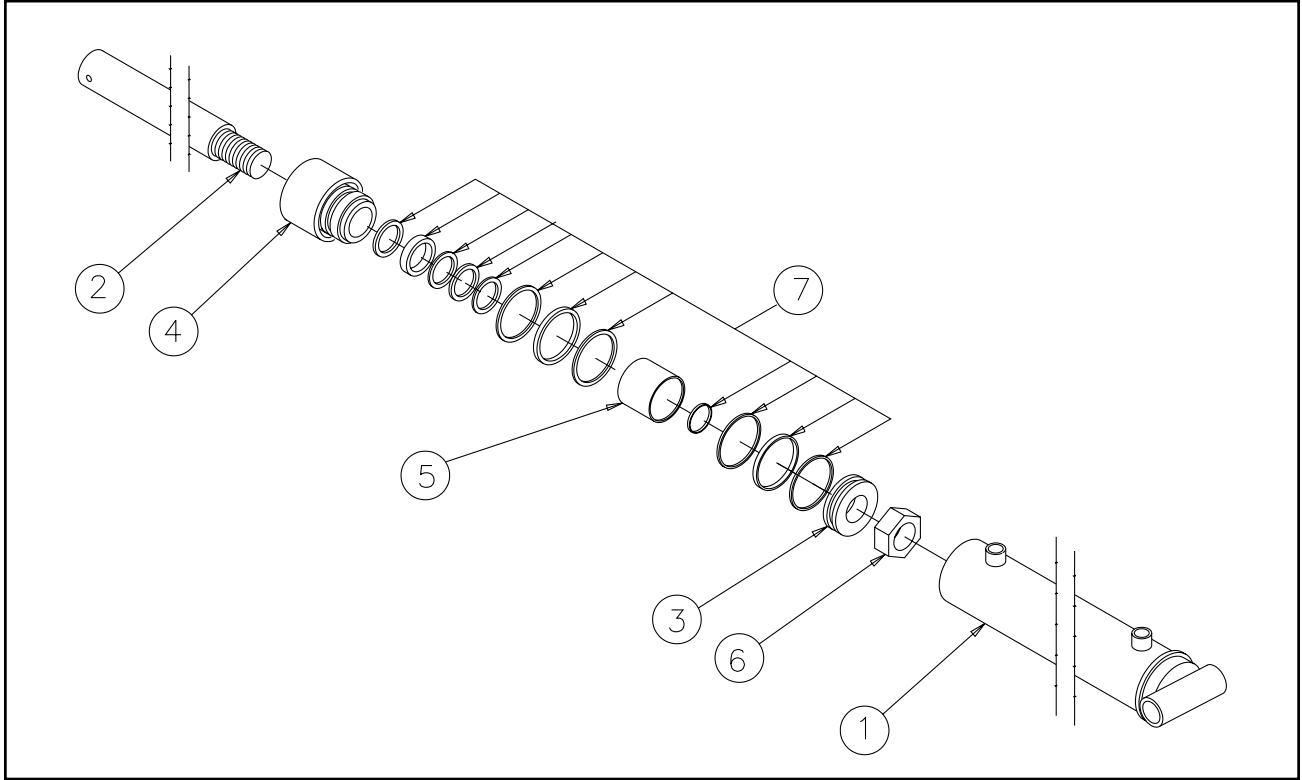
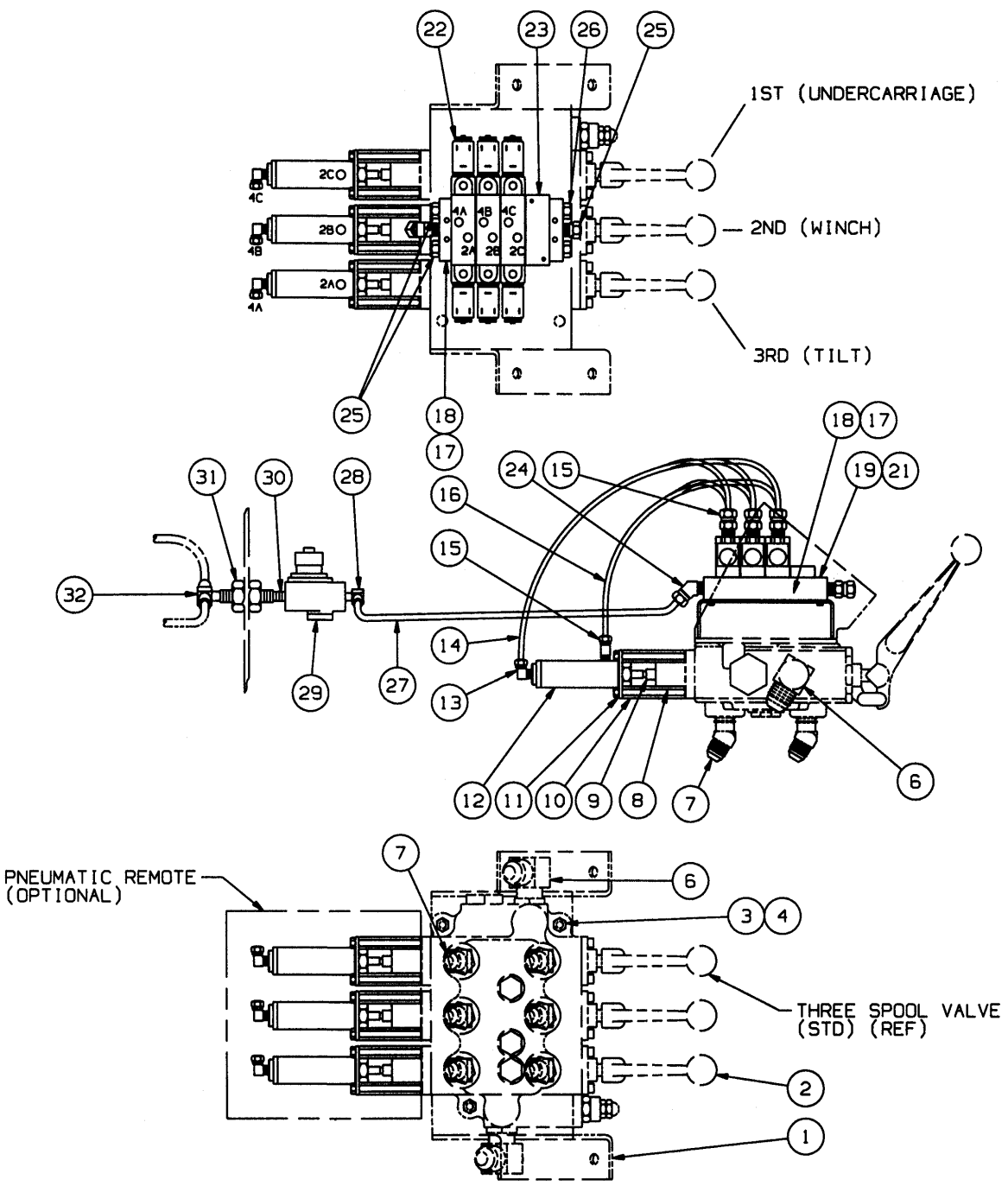


Figure 1-7 Undercarriage Slide Cylinder Assembly

UNDERCARRIAGE SLIDE CYLINDER

ITEM	PART NO.	DESCRIPTION	QTY.
	3-242-010102	CYL. HYDR. 4"X126" (STANDARD LOAD ANGLE)	1
	3-242-010103	CYL. HYDR. 4"X126" (LOW LOAD ANGLE)	1
1A	*	BUTT AND TUBE ASSEMBLY	1
1B	*	BUTT AND TUBE ASSEMBLY (ALTERED PER 3-242-010102)	1
2	011300179	PISTON ROD	1
3	071900195	PISTON	1
4	081900277	GLAND	1
	230007400	RING SQUARE RETAINING	1
5	211300024	SPACER	1
6	220000212	LOCKNUT PISTON RING	1
7	PMCK-AD-461	PACKING KIT (CONTAINS ALL NECESSARY SEALS AND O-RINGS)	1

* PART NOT SOLD SEPARATELY, REQUIRES PURCHASE OF ENTIRE ASSEMBLY.



3mf846-010152

Figure 1-8 Valve Assembly, Three Spool

VALVE ASSEMBLY THREE SPOOL

ITEM	PART NO.	DESCRIPTION	QTY			
			-01	-05	-08	-10
	3-846-010152-01	VALVE ASSEMBLY 3-SPOOL STANDARD	*			
	3-846-010152-05	VALVE ASSEMBLY 3-SPOOL REMOTE 2ND SPOOL		*		
	3-846-010152-08	VALVE ASSEMBLY 3-SPOOL REMOTE 2ND/3RD SPOOL			*	
	3-846-010152-10	VALVE ASSEMBLY 3-SPOOL REMOTE 3 SPOOLS				*
1	3-482-010575	MOUNT WELDMENT VALVE	1	1	1	1
2	3-846-010008	VALVE 3-SPL 2500 PSI (SEE PAGE 1-15)	1	1	1	1
3	1-654-010051-09	SCREW HEX HEAD CAP 3/8-16 GR5	3	3	3	3
4	1-510-010001	NUT FLANGE LOCK 3/8-16	3	3	3	3
6	2062-12-12S	ADAPTER 90	2	2	2	2
7	2061-8-8S	ADAPTER 45	6	6	6	6
8	3-161-010034	CAP MODIFIED VALVE SPOOL	-	1	2	3
9	3-007-010039	ADAPTER AIR CYLINDER	-	1	2	3
10	3-711-010055	SPACER MALE-FEMALE	-	4	8	12
11	3-482-010288	MOUNT AIR CYLINDER VALVE	-	1	2	3
12	3-238-010001	CYLINDER AIR	-	1	2	3
13	1-297-010008-01	FITTING AIR 90	-	1	2	3
14	NB-2-016	TUBING NYLON FLEX 18	-	1	2	3
15	68CA-2-2	CONNECTOR	-	3	6	9
16	NB-2-016	TUBING NYLON FLEX	-	1	2	3
17	3-843-010023	VALVE PNEU MANF- 2 STATION (NO PARTS BREAKDOWN)	-	-	-	1
18	3-843-010025	VALVE PNEU MANF- 4 STATION (NO PARTS BREAKDOWN)	-	1	1	-
19	1-654-010024014	SCREW MACH FLSTR 6-32X1-1/2	-	4	4	4
21	1-512-010003-02	NUT HEX LOCK W/ NYLON #6-32	-	4	4	4
22	3-843-010015	VALVE PNEU 4-WAY, 3-POS (SEE PAGE 1-12)	-	1	2	3
23	3-843-010024	VALVE BLANK STATION COVER	-	1	-	1
24	1-297-010013-05	FITTING AIR	-	1	1	1
25	1-297-010033-02	FITTING BRASS PLUG HEX	-	3	3	3
26	3-136-010001-02	BREATHER PNEUMATIC EXHAUST	-	2	2	2
27	1-833-010001	NYLON TUBING 1/4 OD	3'	3'	3'	3'
28	1-297-010008-07	FITTING AIR 90 1/4 TUBE X 1/4 NPT	1	1	1	1
29	905-54-107	VALVE AND FILTER PRESSURE	1	1	1	1
30	1-297-010020-02	FITTING BRS PIPE CL NIP 1/4	1	1	1	1
31	1-297-010022-02	FITTING AIR ANCHOR CPLG 1/4 NPT	1	1	1	1
32	1-297-010015-09	FITTING AIR BR TEE 1/2T X 1/4P	1	1	1	1

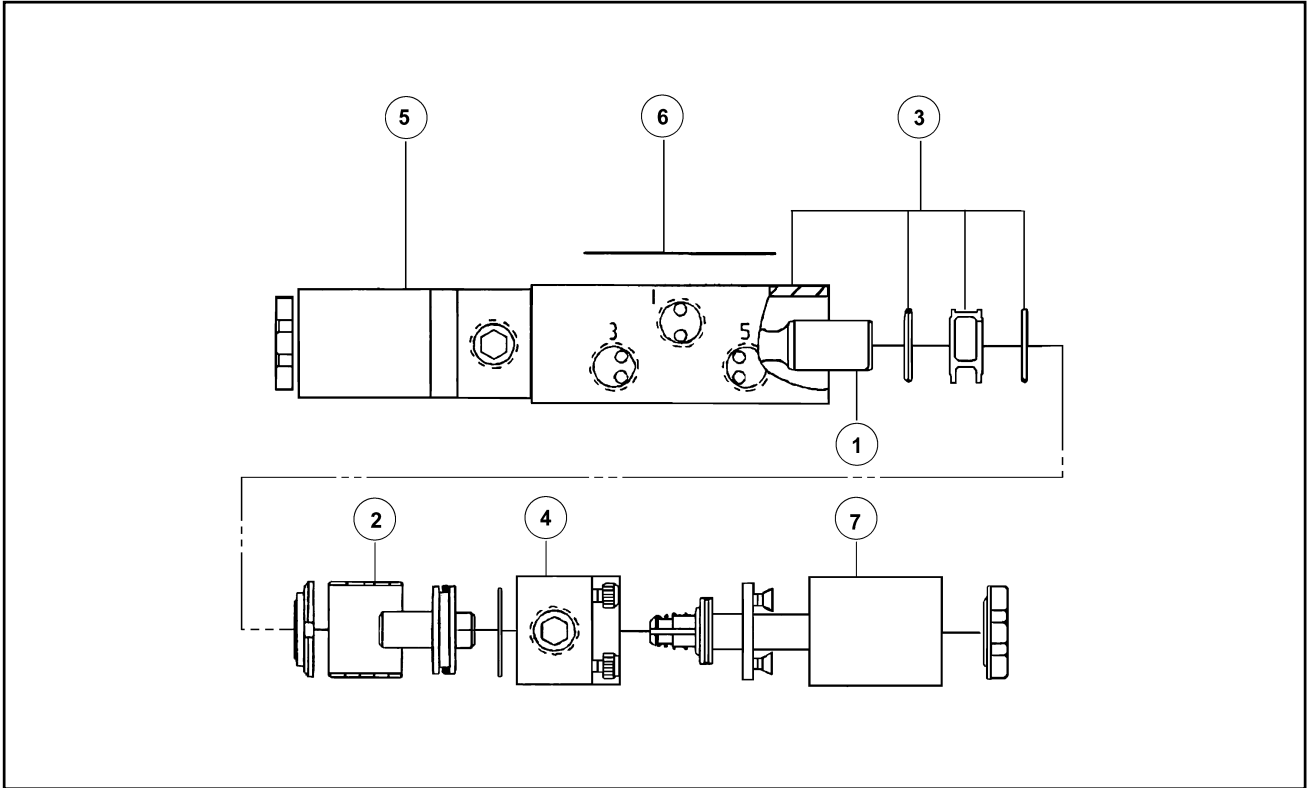


Figure 1-9 Pneumatic Valve

PNEUMATIC VALVE

ITEM	PART NO.	DESCRIPTION	QTY.
	3-843-010015	VALVE PNEUMATIC 4-WAY 3-POS.	3
1	6964-312	SPOOL	1
2	A7106-430	OPERATOR	1
3	A7106-350	BODY	1
4	AB022-567	CAP	2
5	7019-9XX	COIL	2
6	6582	LABEL MODEL NUMBER	2
7	A7106-392	SERVICE KIT (Contains all necessary seals, o-rings, spring and plunger, and gasket)	

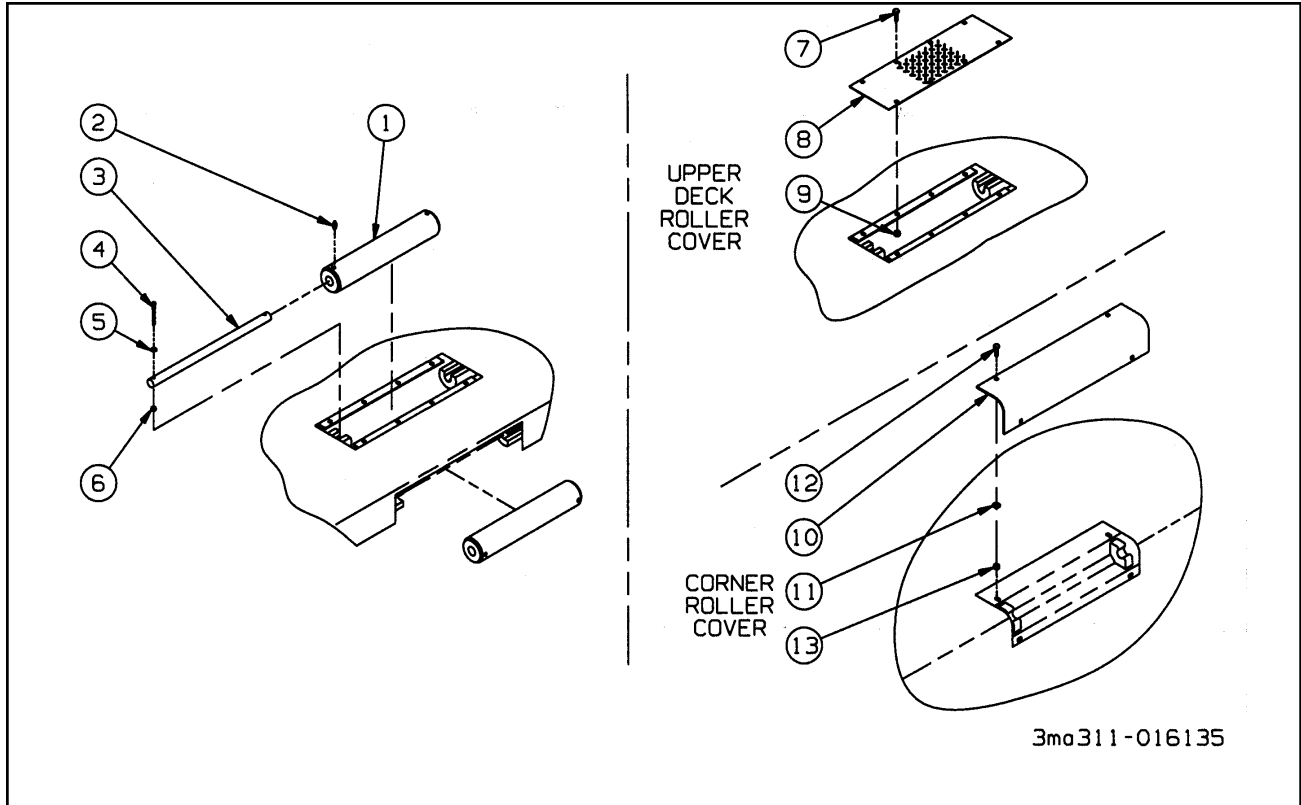


Figure 1-10 Slope Roller 90 Drop Deck (Option)

SLOPE ROLLER 90° DROP DECK (OPTION)

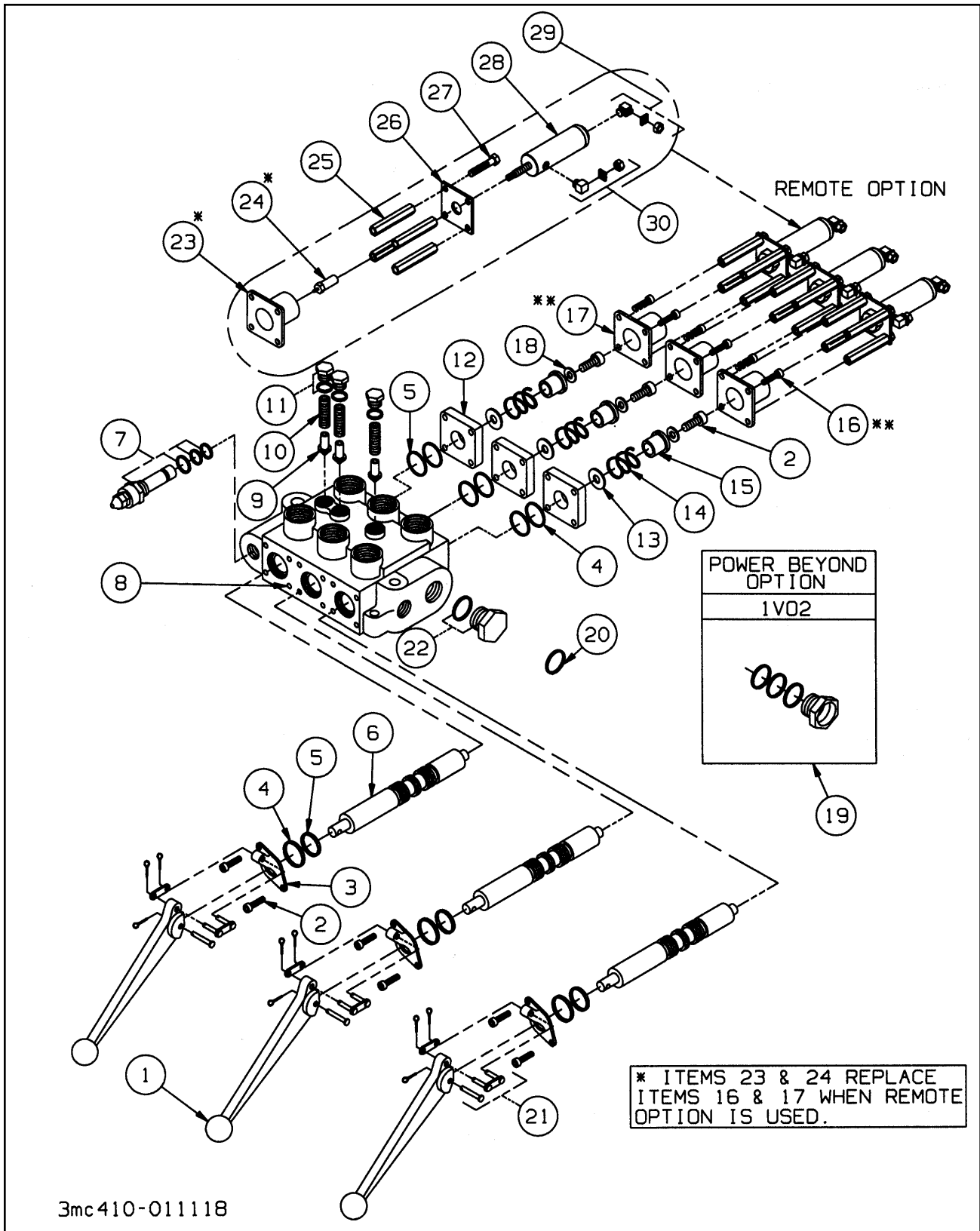
ITEM	PART NO.	DESCRIPTION	QTY.
	3-645-010085	ROLLER ASSEMBLY SLOPE	
	106207	ROLLER SLOPE SINGLE CORNER	
1	3-645-010059	ROLLER WELDMENT CABLE - UPPER DECK	*2,1
2	1-298-010001-1	ZERK FITTING 1/4	*4,2
3	3-642-010134	ROD ROLLER	*2,1
4	1-654-010055-11	SCREW HEX HEAD CAP 1/2-13 X 3-1/2 GR5	*4,2
5	1-861-010032-15	WASHER FLAT 1/2	*4,2
6	1-512-010005-09	NUT HEX LOCK 1/2-13 GRB	*4,2
* 1ST QUANTITY USED FOR P/N 3-645-010085; 2ND QUANTITY USED FOR P/N 106207			

COVER PLATE INSTALLATION - UPPER DECK ROLLER (OPTION)

	3-222-010199	COVER PLATE INST. - UPPER DECK ROLLER	
7	1-654-010070-02	SCREW RD HEAD SQ NECK 1/2-13 X 1-1/4	8
8	3-222-010198	COVER UPPER DECK ROLLER	1
9	1-512-010005-09	NUT HEX LOCK 1/2-13 GRB	8

COVER PLATE INSTALLATION - CORNER ROLLER (OPTION)

	3-222-010227	COVER PLATE INSTL. - CORNER ROLLER	
10	3-565-011757	PLATE CABLE WEAR	1
11	1-861-010032-14	WASHER FLAT 1/2 N	4
12	1-654-010070-03	SCREW RD HEAD SQ NECK 1/2-13X1-1/2	4
13	1-512-010005-09	NUT HEX LOCK 1/2-13 GRB	4



THREE SPOOL VALVE

ITEM	PART NO.	DESCRIPTION	QTY.
	3-846-010008	VALVE ASSEMBLY	
1	1V1703	VALVE HANDLE	3
2	2A0079-404	CAP SCREW (TIGHTEN TO 7-11 FT. LBS)	9
3	4Z4306	BRACKET HANDLE	3
4	1A0711	WASHER O-RING SPOOL	6
5	2A0293-7214	SEAL SPOOL	6
6	1V0090	*SPOOL 4-WAY	3
7	1R0017	RELIEF ASSEMBLY (1500-3000 PSI) (PRESET @2500 PSI)	1
8	1V0360	*HOUSING VALVE	1
9	1V0081	POPPET LOAD CHECK	3
10	1A0757	SPRING LOAD CHECK	3
11	1V1725	PLUG LOAD CHECK	3
12	1A0709	SPACER END	3
13	1A0291	WASHER STOP	3
14	1A0744	SPRING CENTERING	3
15	1A0292	COLLAR STOP	3
16**	2A0079-406	CAPSCREW (TIGHTEN TO 7-11 FT. LBS)	12
17**	1A0294	CAP END	3
18	1A0290	WASHER CENTERING SPRING	3
19	1V0208	ADAPTER ASSEMBLY REMOTE POWER BEYOND (CONTAINS ALL NECESSARY O-RING)	1
20	2A293-7214	GROMMET RUBBER (BOTTOM OUTLET)	1
21	1V1701	PIN KIT	3
22	2A0354-121	PLUG CONVERSION	1
23**	3-161-010034	CAP MODIFIED VALVE SPOOL	3
24**	3-007-010039	ADAPTER AIR CYLINDER	3
25	3-711-010055	SPACER	12
26	3-482-010288	MOUNT AIR CYLINDER VALVE	3
27	104877	SCREW HEX CAP 1/4-20 GR5	12
28	3-238-010001	CYLINDER AIR	3
29	1-297-010008-01	FITTING AIR 90	3
30	68CA-2-2	CONNECTOR	3

* SOLD AS MATCHED SET ONLY.

** ITEMS 23 AND 24 REPLACE ITEMS 16 AND 17 WHEN REMOTE OPTION IS USED.

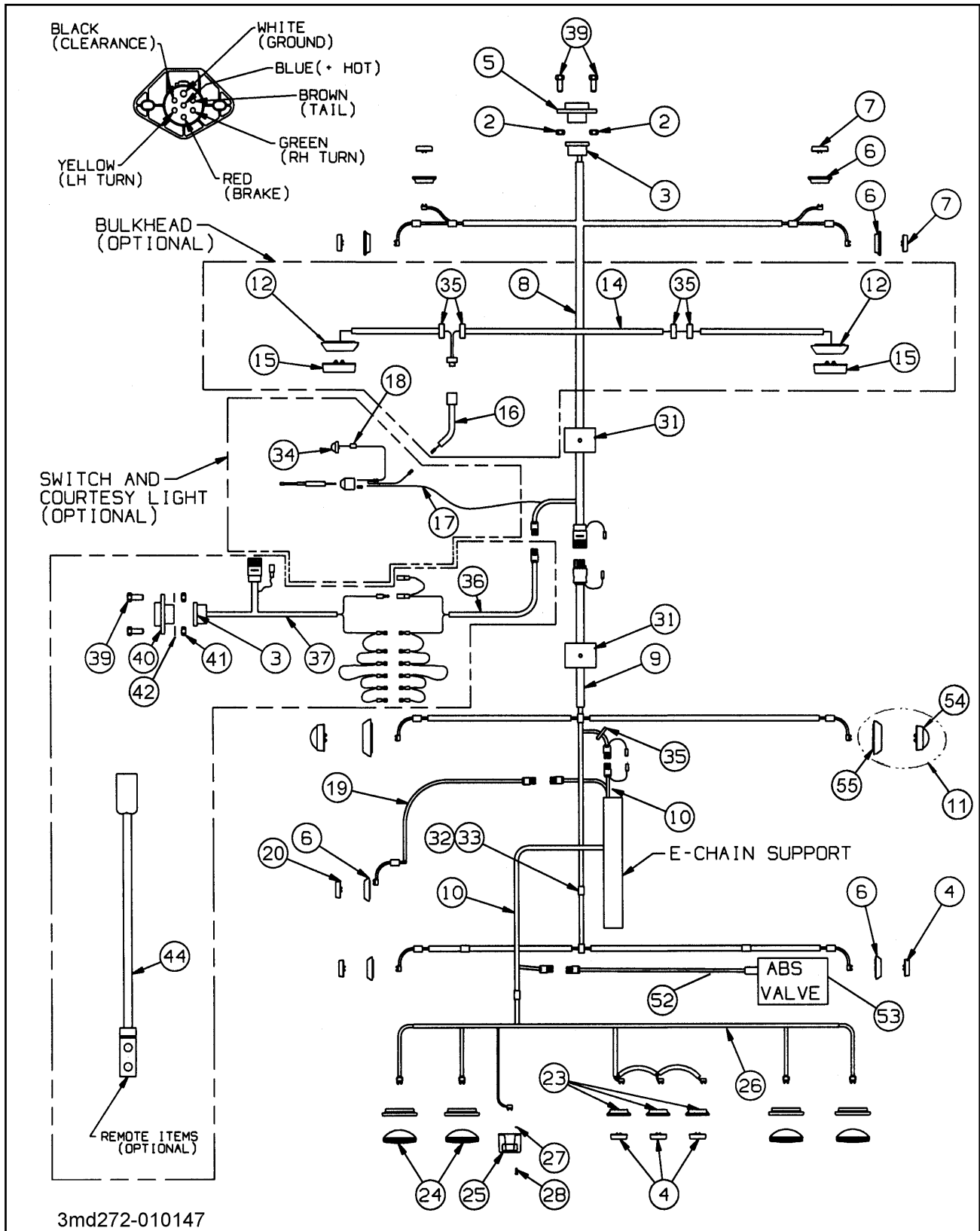


Figure 1-12 Electrical System Schematic
(Prior 12/06/01)

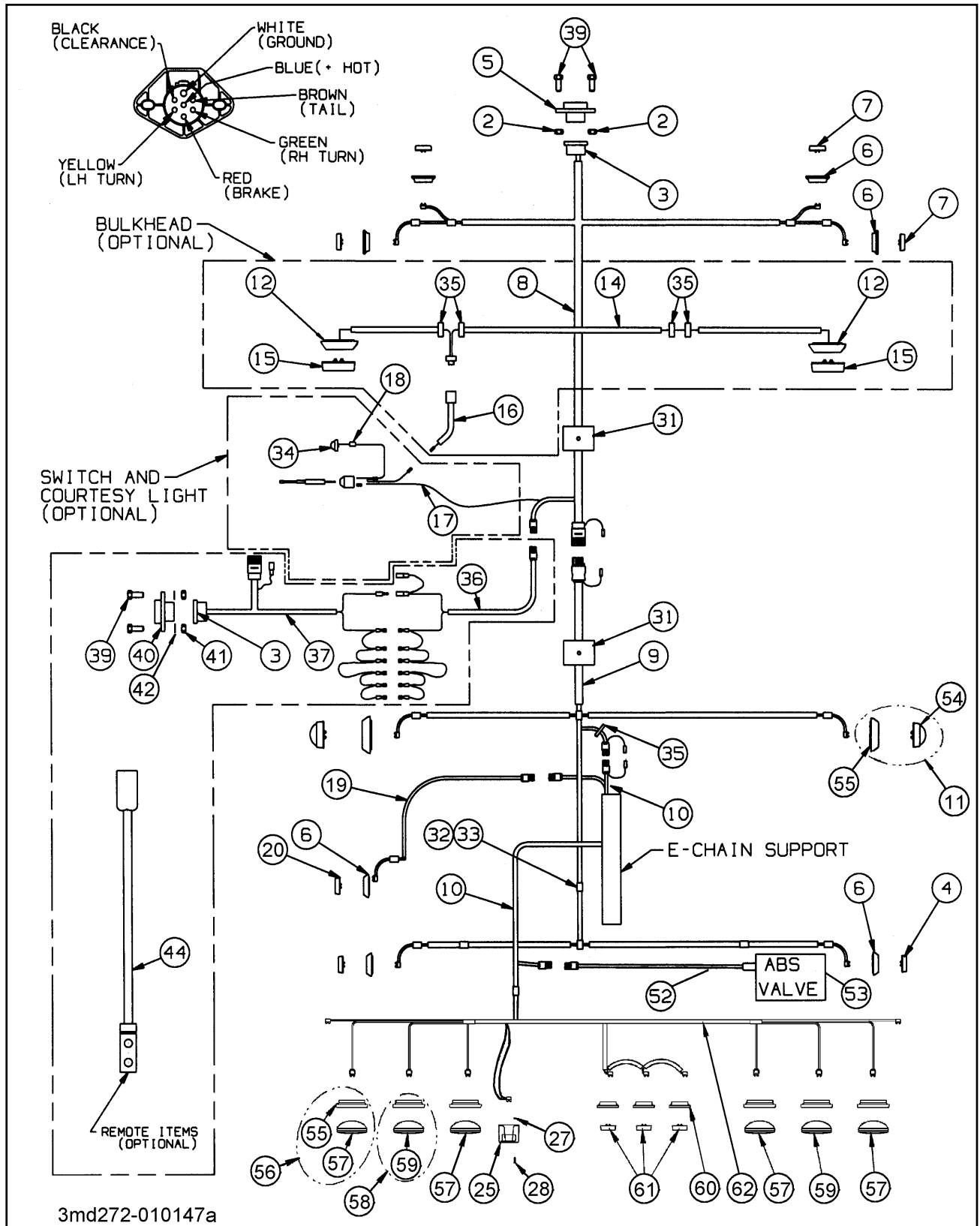


Figure 1-13 Electrical System Schematic
(After 12/06/01)

ELECTRICAL SYSTEM

ITEM	PART NO.	DESCRIPTION	QTY.
	3-272-010147	ELECTRICAL INSTL 330-42	
	3-272-010148	ELECTRICAL INST. REMOTE	
2	1-512-010005-03	NUT HEX LOCK 5/16-18 GRB	2
3	59W-2-3	RUBBER BOOT	1
4	10205R	REFLECTOR LAMP RED (PRIOR 12/06/01)	2
5	59S-7	RECEPTACLE 7 PIN	1
6	10403	GROMMET MOUNT	7
7	10205Y	REFLECTOR LAMP YELLOW	4
8	3-368-010243-01	HARNESS ASSEMBLY FRONT MAIN	1
	110416	HARNESS ASSEMBLY FRONT MAIN 42'	1
9	3-368-010244	HARNESS ASSEMBLY REAR MAIN	1
	110417	HARNESS ASSEMBLY MAIN REAR 42'	1
10	102836	CABLE ASSEMBLY	1
11	60015Y	LIGHT TURN AND CLR. W/ GROMMET (INCL. 54 & 55)	2
12	1-343-010010	GROMMET 9/16	2
13	1-796-010003-02	TIE STRAP PLASTIC (NOT SHOWN)	10
14	3-368-010250	HARNESS ASSY BULKHEAD LIGHT	1
15	64181	LAMP HALOGEN RECT. QUARTZ	2
16	3-368-010252	HARNESS ASSY BULKHEAD LIGHT	1
17	101381	HARNESS LIGHT WORK & COURTESY	1
18	STP-147	TERMINAL, BULLET	1
19	3-368-010294	HARNESS ABS LAMP	1
20	3-446-010046	LAMP ABS 2.5 DIA AMBER	1
23	10404	GROMMET MOUNT (PRIOR 12/06/01)	3
24	40002R	LIGHT STOP TURN TAIL (PRIOR 12/06/01)	4
	40202R	LAMP	1
	40700	GROMMET	1
25	15009	LICENSE LAMP	1
	15725	BRACKET	1
	15700	GROMMET	1
	15206	LAMP	1
26	3-368-010175	HARNESS WIRE U/C REAR (PRIOR 12/06/01)	1
27	1-861-010034-07	WASHER SPLIT LOCK #10	2
28	1-656-010003051	SCREW ROUND HEAD MACH #10-24X3/4	2
31	3-181-010006	HOSE CLAMP	*5,8
32	1-510-010001	NUT FLANGE LOCK 3/8-16	*16,19
33	2-181-010001	HOSE CLAMP	11
34	26331	LIGHT COURTESY TRUCKLITE	1
35	1-343-010007	GROMMET	5
36	3-368-010245-01	HARNESS POWER JUMPER	1
37	3-368-010246	HARNESS FRONT REMOTE	1
39	1-654-010049-06	SCREW HEX HEAD CAP 5/16-18 X 1-1/4 GR5	
40	3-272-010125	RECEPTACLE 7 PIN (FOR REMOTE ONLY)	1
41	1-512-010007-06	NUT, HEX 5/16-18	2
42	1-861-010034-10	WASHER, SPLIT LOCK 5/16	2
44	3-765-010001	SWITCH REMOTE CONTROL ASSY (SINGLE REMOTE)	1
	3-209-010004-01	CONTROL REMOTE WINCH/TILT (DUAL REMOTE)	1
	3-209-010004-03	CONTROL REMOTE WINCH/UC	1
	3-209-010004-04	CONTROL REMOTE TILT/UC	1

ELECTRICAL SYSTEM

ITEM	PART NO.	DESCRIPTION	QTY.
	3-209-010006-01	CONTROL REMOTE WINCH/TILT/UC (SEE PAGE 1-23 FOR WIRED REMOTE OPTIONS)	1
45	1-660-010006	SEALANT ELECTRICAL DOW CORNING(NOT SHOWN)	AR
52	114590	POWER CABLE 4 COND. (SEE PAGE 1-45)	1
53	114589	ECU/VALVE ASSEMBLY (SEE PAGE 1-45)	1
54	60215Y	LAMP, TRLR CENTER TURN INDICATOR	2
	94926	PLUG W/ PIGTAIL	2
	111925	LIGHT LED TURN MARKER YELLOW	2
55	60700	GROMMET, LIGHT	2
56	106371	LIGHT, TRN-TL-STOP W/ GROMMET (INCL. 55 & 57) (AFTER 12/05/01)	4
57	60202R	LAMP STOP TAIL 3 X 7 RED (AFTER 12/05/01)	4
58	108647	LIGHT, TRN YELLOW W/ GROMMET (INCL. 55 & 59) (AFTER 12/05/01)	2
59	60202Y	LAMP REAR AMBER TURN	2
	116134	LIGHT YELLOW OVAL TURN	2
	121377	LIGHT, YELLOW LED STT	2
60	107598	GROMMET, RECT. C./MKRLAMP (AFTER 12/05/01)	3
61	107599	LIGHT, RED CLEARANCE (AFTER 12/05/01)	3
	113374	LIGHT, RED LED CLEARANCE (AFTER 12/05/01)	3
62	106652	HARNESS, BUMPER (AFTER 12/05/01)	1
63	114581	HARNESS, MOD LED (PRIOR 01/09/02) (NOT SHOWN)	1
	114583	HARNESS, MOD LED (AFTER 01/09/02) (NOT SHOWN)	1

* THE FIRST QUANTITY IS FOR THE 42', THE SECOND QUANTITY IS FOR THE 48'

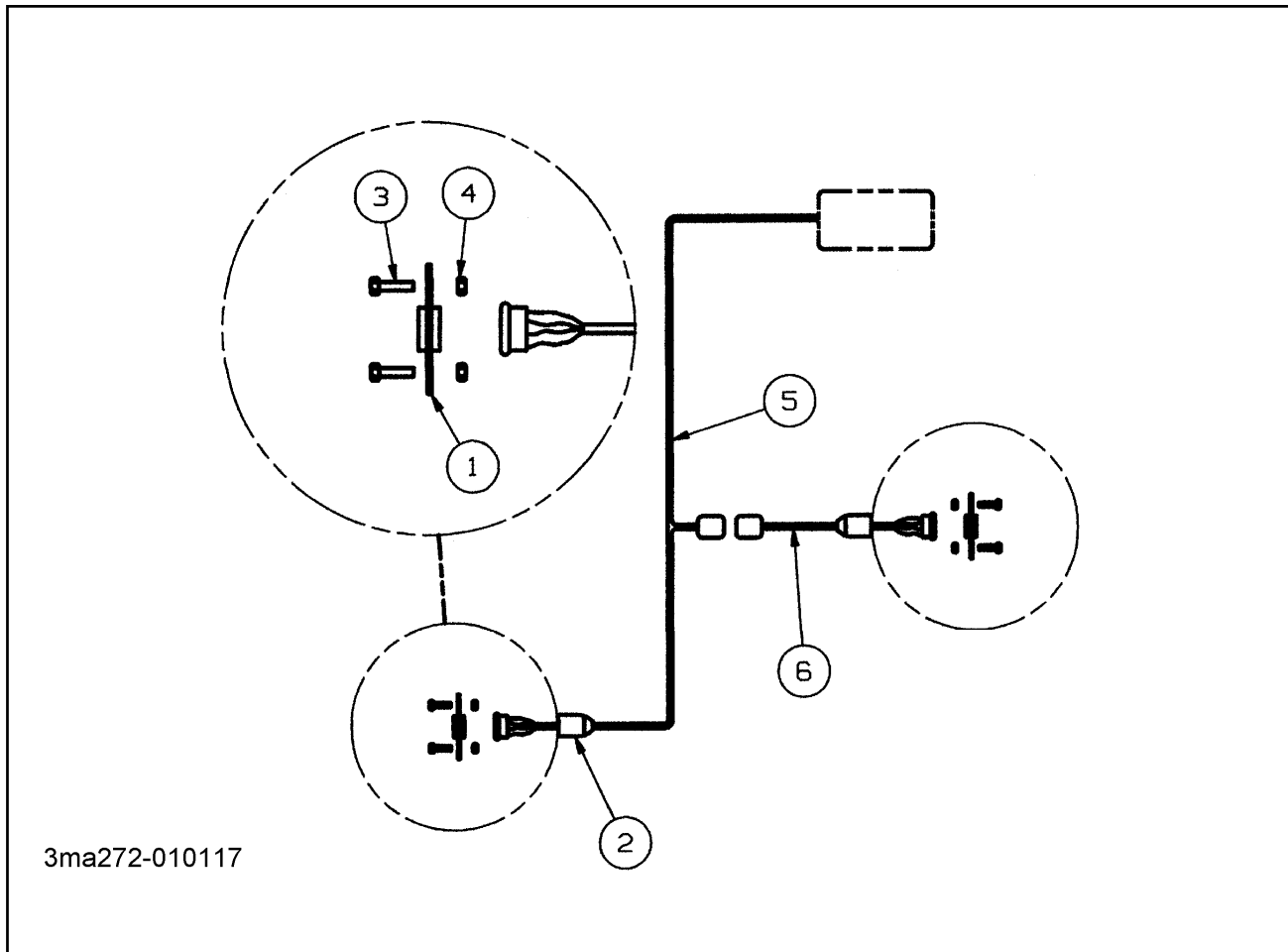


Figure 1-14 Electrical System Rear/Curb Remote

ELECTRICAL SYSTEM REAR/CURB REMOTE

ITEM	PART NO.	DESCRIPTION	QTY.		
	3-272-010117-01	ELECTRICAL REAR REMOTE STREET SIDE	*		
	3-272-010117-02	ELECTRICAL REAR REMOTE STREET & CURB		*	
	112833	CURB SIDE REMOTE OUTLET			*
1	3-272-010125	RECEPTACLE 7 PIN	1	2	1
2	59W-2-3	RUBBER BOOT	1	2	1
3	1-654-010049-06	SCREW, HEX HEAD CAP 5/16-18 X 1-1/4 GR5	2	4	2
4	1-512-010005-03	NUT, HEX LOCK 5/16-18	2	4	--
	1-512-010007-06	NUT, HEX 5/16	--	--	2
5	3-368-010190	HARNESS, REAR REMOTE	1	1	--
6	3-368-010191	HARNESS, CURB SIDE	--	1	1
7	1-861-010034-10	WASHER, SPLIT LOCK 5/16 (NOT SHOWN)	--	--	2

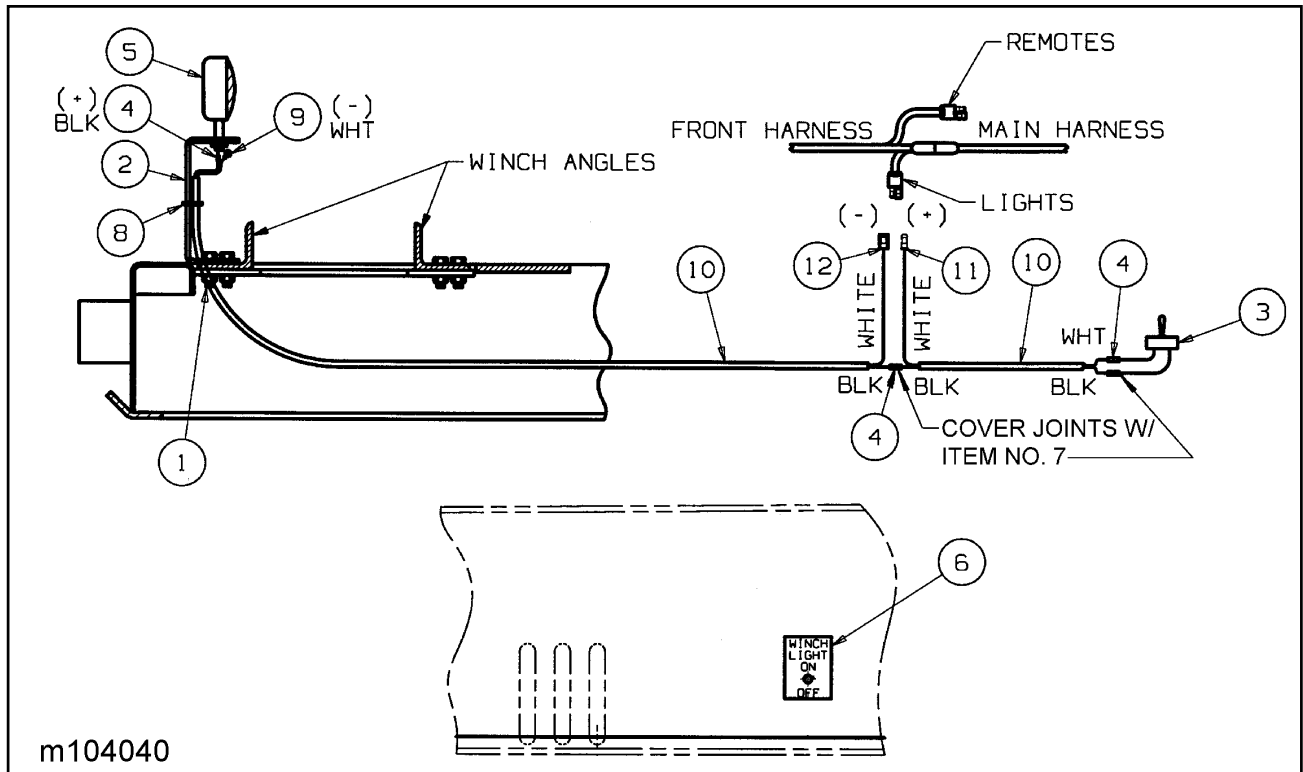


Figure 1-15 Electrical System, Winch Light

ELECTRICAL SYSTEM, WINCH LIGHT

ITEM	PART NO.	DESCRIPTION	QTY.
	104040	ELECTRICAL SYSTEM WINCH LIGHT	
1	1-645-010055-07	SCREW, HEX HEAD CAP 1/2-13 X 2-1/2 GR5	2
2	3-120-010485	BRACKET, WINCH LIGHT, UPPER DECK	1
3	3-272-010017	TOGGLE SWITCH	1
4	3-272-010021	ELECT. BUTT SPLICE	4
5	64181	RECT. QUARTZ HALOGEN LAMP	1
6	3-573-010273	DECAL, WINCH LIGHT	1
7	3-201-010002	CONDUIT, 3/8 PLASTIC FLEX	AR
8	1-796-010003-01	TIE STRAP, PLASTIC	5
9	239-3646-7	TERMINAL RING	1
10	3-156-010008	CABLE, TWO CONDUCTOR	AR
11	104043	CONNECTOR, MALE BULLET	1
12	104044	CONNECTOR, FEMALE BULLET	1

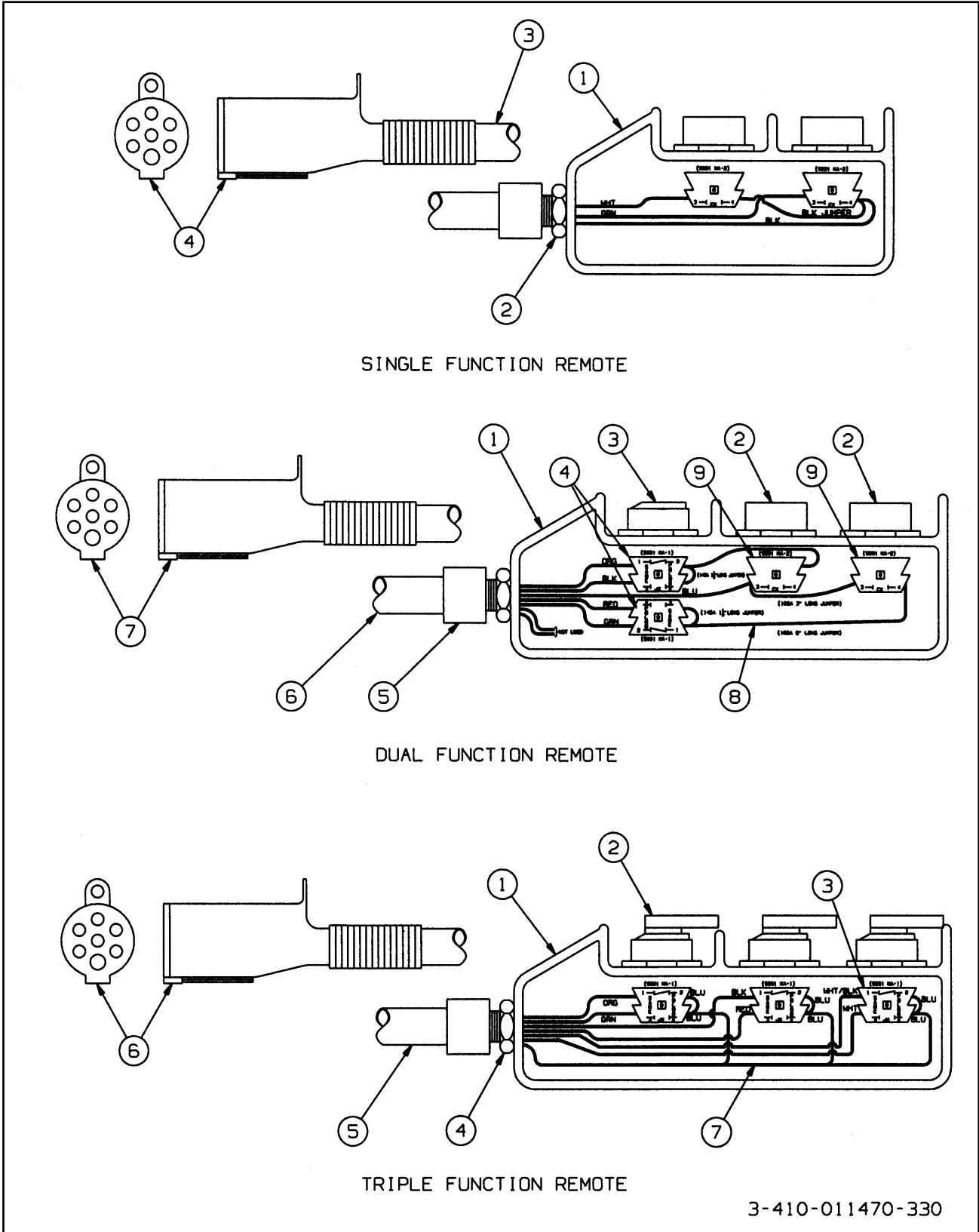


Figure 1-16 Wired Remote Control

WIRED REMOTE CONTROL, SINGLE

ITEM	PART NO.	DESCRIPTION	QTY.
	3-765-010001	SWITCH REMOTE CONTROL ASSEMBLY	
1	3-209-010003	PUSH BUTTON STATION	1
	106069	SHORT RING NUT FOR BUTTON	1
A	9001-BW70YU	CONTROL STATION SQD(CONTACT BLKS INCL)	1
B	9001-B256	REVERSE LEGEND	1
C	9001-B255	FORWARD LEGEND	1
2	DB-10	STRAIN RELIEF CORD CONN	1
3	3-156-010007	THREE CONDUCTOR WIRE	50
4	59P8	TRAILER CONN PLUG	1

WIRED REMOTE CONTROL, DUAL

ITEM	PART NO.	DESCRIPTION	QTY.
	3-209-010004	CONTROL DUAL FUNCTION REMOTE	
1	3-279-010037	ENCLOSURE DUAL REMOTE	1
2	3-272-010080	ELECTRICAL PUSH BUTTON UNITS	2
	106069	SHORT RING NUT FOR BUTTON	1
3	3-272-010079	ELECTRICAL CONTACT OPERATOR	1
4	3-272-010078	ELECTRICAL CONTACT BLOCK	2
5	106-0079	CONNECTOR	1
6	3-156-010043	CABLE	50
7	59P8	TRAILER CONN PLUG	1
8	1-879-010011	WIRE BLACK	2
9	3-272-010095	ELECTRICAL CONTACT BLOCK	2
10	3-573-010296	DECAL, WINCH TILT	1
	3-573-010392	DECAL, REMOTE WINCH UNDERCARRIAGE	1
	3-573-010393	DECAL, REMOTE TILT UNDERCARRIAGE (DECALS NOT SHOWN) (SEE PAGE 1-69)	1

WIRED REMOTE CONTROL, TRIPLE

ITEM	PART NO.	DESCRIPTION	QTY.
	3-209-010006	CONTROL REMOTE WINCH/TILT UNDERCARRIAGE	
1	3-279-010037	ENCLOSURE DUAL REMOTE	1
2	3-272-010121	ELECTRICAL CONTACT OPERATOR 3 WAY	3
	106068	TALL RING NUT FOR BUTTON	2
3	3-272-010078	ELECTRICAL CONTACT BLOCK	3
4	106-0079	CONNECTOR	1
5	3-156-010043	CABLE	50
6	59P8	TRAILER CONN PLUG	1
7	1-879-010008	WIRE BLUE	2
8	3-573-010394	DECAL, TILT/WINCH/UNDERCARRIAGE (DECALS NOT SHOWN) (SEE PAGE 1-69)	1

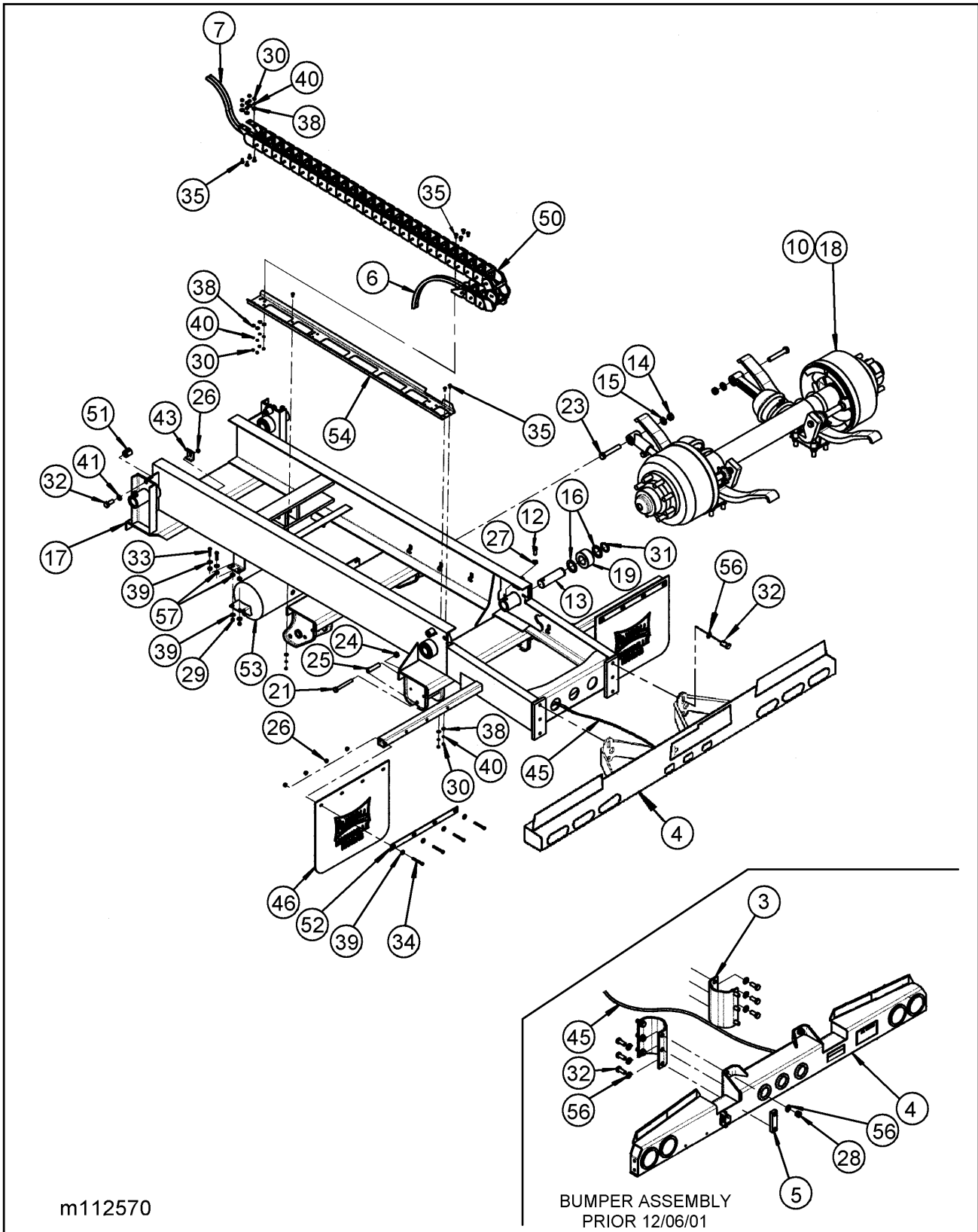


Figure 1-17 Undercarriage Assembly - Spring Ride
Single Axle (1 of 2)

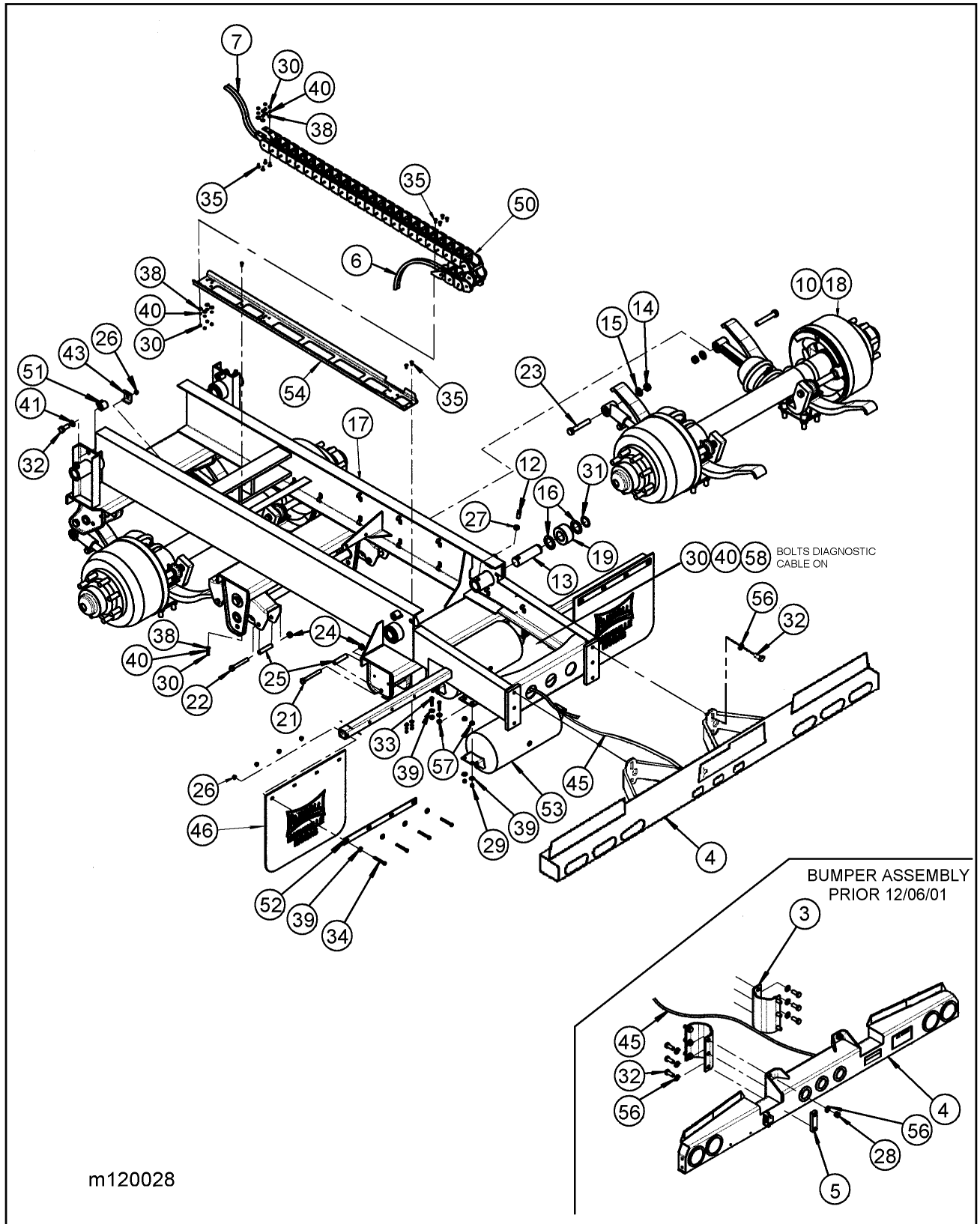


Figure 1-18 Undercarriage Assembly - Spring Ride
Tandem Axle (2 of 2)

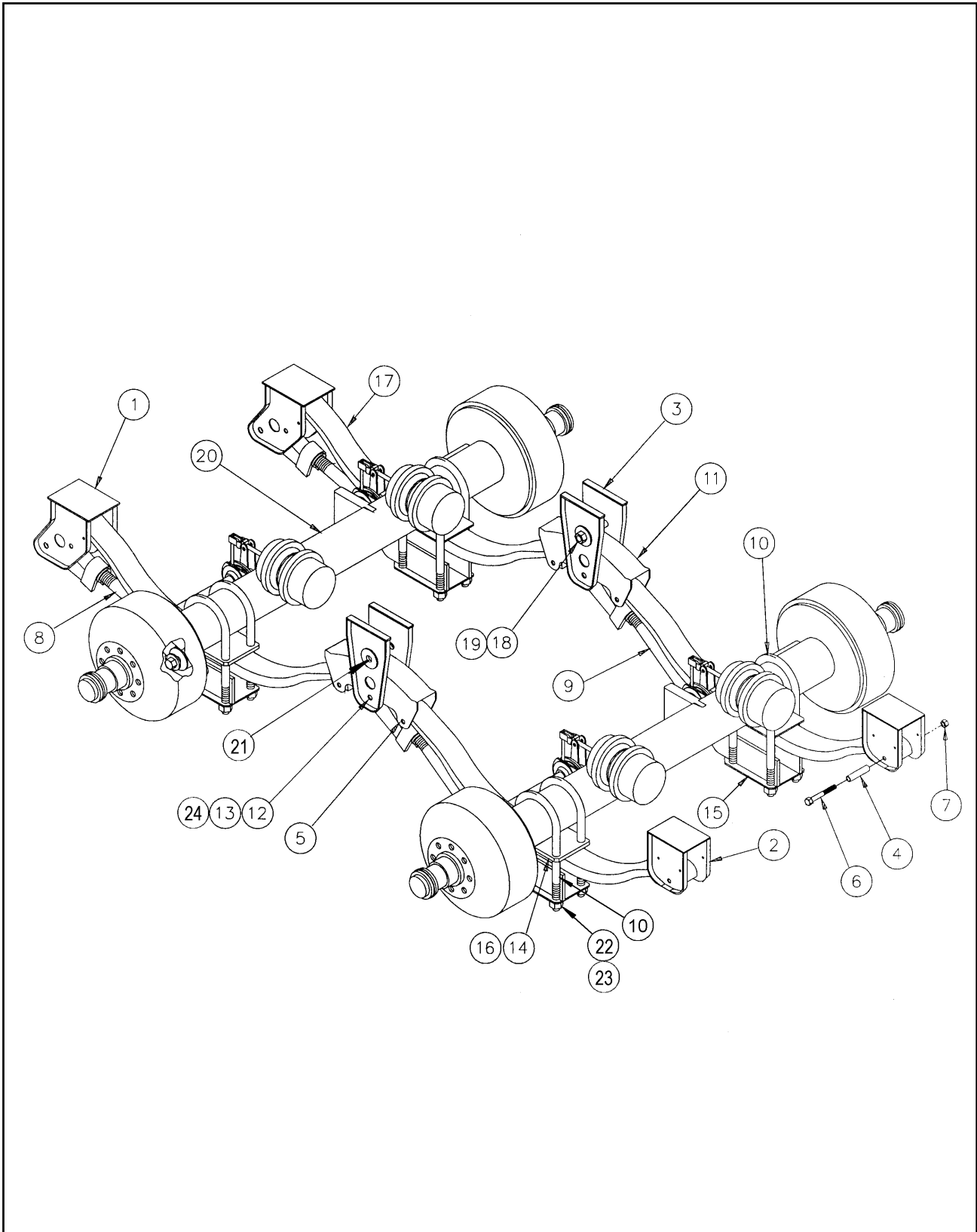
UNDERCARRIAGE ASSEMBLY - SPRING RIDE

ITEM	PART NO.	DESCRIPTION	QTY.
	112570	SUSPENSION ASSEMBLY S/R (SINGLE AXLE)	
	120028	SUSPENSION ASSEMBLY S/R (TANDEM AXLE)	
3	101143	MOUNT BUMPER ENERGY PAK (PRIOR 12/06/01)	2
4	101712	BUMPER WELDMENT (PRIOR 12/06/01)	1
	119580	BUMPER WELDMENT (AFTER 12/06/01)	1
5	102283	BAR BUMPER E/P TAPPED (PRIOR 12/06/01)	2
6	102728	HARNESS ASSEMBLY UC MAIN	1
7	102836	HARNESS ASSEMBLY E-CHAIN	1
10	107917	BRAKE W ABS 330-1-40 (SEE PAGE 1-41)	1
	103683	BRAKE W/ ABS SINGLE (STD LOAD)(SEE PAGE 1-41)	1
	103695	BRAKE W/ ABS SINGLE (LOW LOAD)(SEE PAGE 1-41)	1
	103819	BRAKE W/ ABS TANDEM (STD LOAD)(SEE PAGE 1-43)	1
	103820	BRAKE W/ ABS TANDEM (LOW LOAD)(SEE PAGE 1-43)	1
12	108958	SET SCREW, SQ HD CUP POINT 5/8-11 X 1-1/2	4
13	110437	PIN, ROLLER 5"	4
14	110990	LOCKNUT 7/8-14	*2,4
15	110991	WASHER, FLAT HARDENED 7/8	4
16	114562	BUSHING, MACHINERY HARDENED	8
17	112568	SUSPENSION WLDMT 330-1 S/R (NOT SHOWN)	1
	112569	SUSP. WLDMT 330-1S/R DROP DECK (NOT SHOWN)	1
	114528	SUSP. WLDMT 330-1-40 S/R (NOT SHOWN)	1
	114634	SUSP. WLDMT 330-2 S/R	1
	116704	SUSP. WLDMT 330-2 DROP DECK (NOT SHOWN)	1
18	115728	SUSP. ASSY SPRING 330-102 (SEE PAGE 1-29)	1
	115727	SUSP. ASSY SPRING 330-96 (SEE PAGE 1-29)	1
19	116563	ROLLER ASSEMBLY 4" FIBERGLIDE	4
21	0001-02	HEX HEAD CAP SCREW 5/8-18 X 5-1/8	2
22	0001-04	HEX HEAD CAP SCREW 5/8-18 X 4-1/2	*-,4
23	0001-08	TORQUE ARM BOLT 7/8-14 X 5-1/4	*2,4
24	0002-07	LOCKNUT 5/8-18	*2,6
25	0741-01	SPRING ROLLER	*2,6
26	1-510-010001	NUT FLANGE LOCK 3/8-16	10
27	1-511-010001-07	NUT, HEX JAM 5/8-11	4
28	1-512-010002-15	NUT HEX LOCK 3/4-10 GRB SINGLE	2
29	1-512-010005-05	NUT HEX LOCK 3/8-16 GRB	*4,8
30	1-512-010007-05	NUT HEX 1/4-20 GRB	11
31	1-630-010021-02	RING, RETAINING, HEAVY DUTY	4
32	1-654-010032-04	SCREW HEX HEAD CAP 3/4-10X1-3/4 GR5	16
33	1-654-010051-08	SCREW HEX HEAD CAP 3/8-16X1-3/4 GR5	4
34	1-654-010051-13	SCREW HEX HEAD CAP 3/8-16X3 GR5	8
35	1-654-010158-1	SCREW RD HEAD SQ NECK 1/4-20X3/4 GR5	11
37	1-796-010004-02	TIE STRAP (NOT SHOWN)	AR
38	1-861-010032-07	WASHER FLAT 1/4	11
39	1-861-010032-11	WASHER FLAT 3/8	*16,24
40	1-861-010034-09	WASHER SPLIT LOCK 1/4	13
41	1-861-010034-17	WASHER SPLIT LOCK 3/4	4
43	2-181-010001	CLAMP	2
45	3-368-010175	WIRE HARNESS (PRIOR 12/06/01)	1
	106652	HARNESS, BUMPER (AFTER 12/06/01)	1
46	3-485-010001	MUD FLAP	2

UNDERCARRIAGE ASSEMBLY - SPRING RIDE

ITEM	PART NO.	DESCRIPTION	QTY.
50	3-755-010189-03	SUPPORT E-CHAIN (STANDARD LOAD ANGLE)	1
	3-755-010189	SUPPORT E-CHAIN (LOW LOAD ANGLE)	1
	3-755-010189-1	LINK	1
	380-1	END MOUNTING BRACKET W/ HOLE	2
	380-2	END MOUNTING BRACKET W/ PIN	2
51	3-762-010016	HOLD DOWN UNDERCARRIAGE	4
52	3-762-010017	CLAMP MUD FLAP	2
53	3-780-010002	TANK AIR	*1,2
54	3-821-010005	TRAY CAT TRACK	1
56	622-3511-008	WASHER 3/4	14
57	805-2	STEP BUSHING	*8,16
58	1-654-010047-06	SCREW HEX HEAD CAP 1/4-20X1 GR5	2

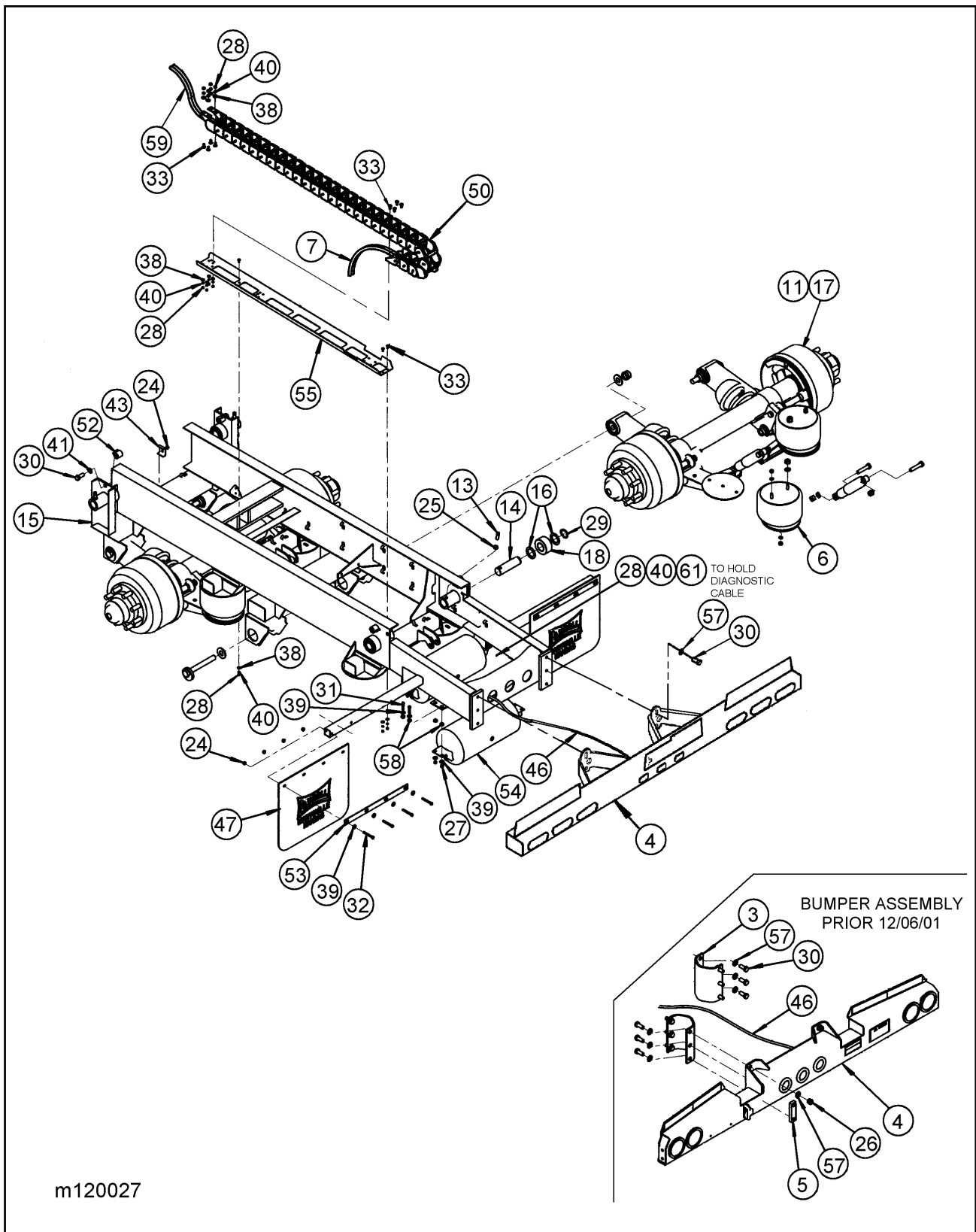
* FIRST QUANTITY IS FOR SINGLE AXLE, SECOND QUANTITY IS FOR TANDEM AXLE.



**Figure 1-19 Single Leaf Spring Suspension
(Tandem Axle Shown)**

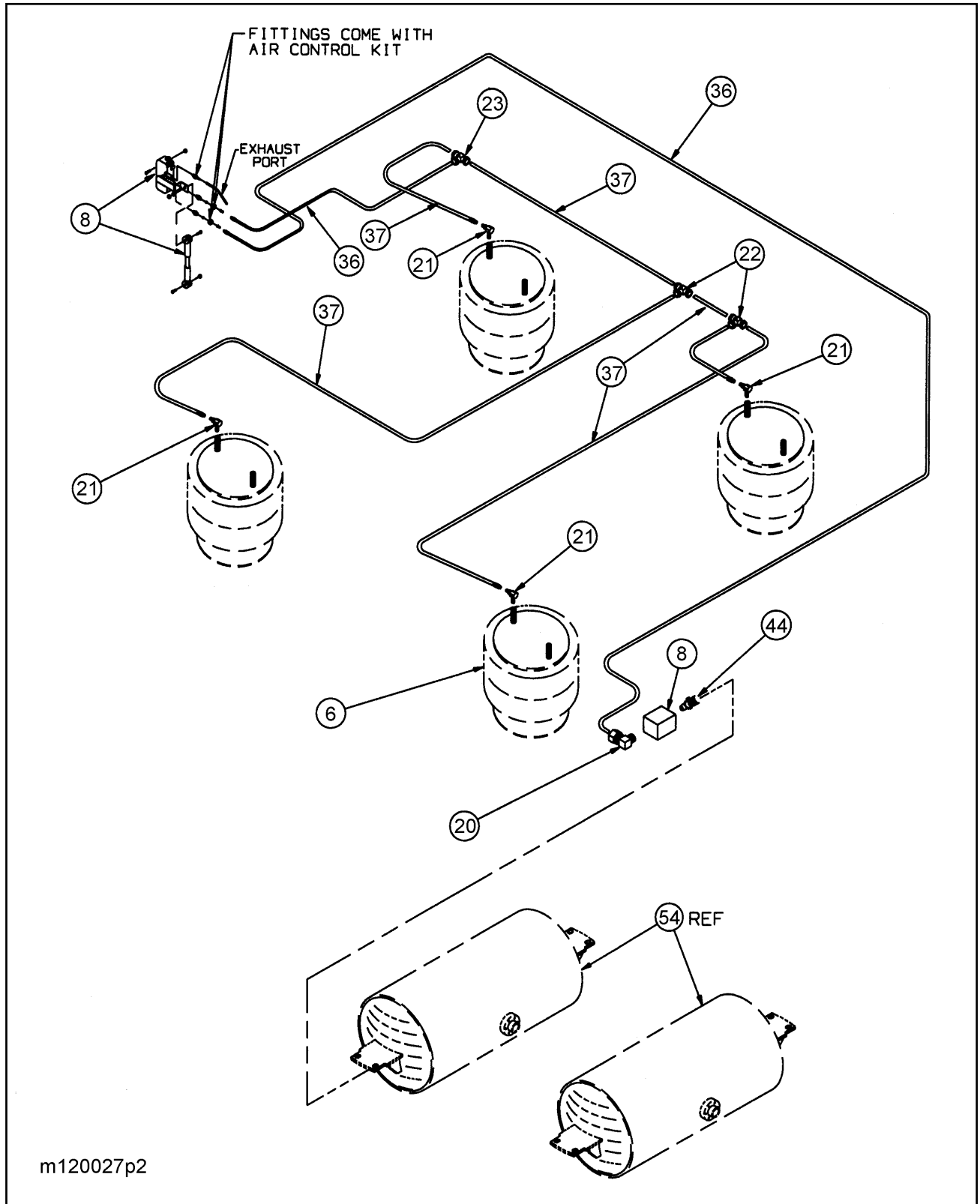
SUSPENSION ASSEMBLY - SPRING RIDE

ITEM	PART NO.	REFERENCE NO.	DESCRIPTION	QTY.
	115728		SUSPENSION ASSEMBLY SPRING 330-102	
	115727		SUSPENSION ASSEMBLY SPRING 330-96	
1	0049-00	0049-00	HANGER FRONT	2
2	0053-00	0053-00	REAR HANGER UNDERMOUNT	2
3	0065-00	0065-00	HANGER EQUALIZER (TANDEM AXLE ONLY)	2
4	0741-01	0741-01	ROLLER SPRING	2
5	0001-04	0001-04	HEX HEAD CAP SCREW (TANDEM AXLE ONLY)	4
6	0001-02	0001-02	HEX HEAD CAP SCREW	2
7	0002-07	0002-07	LOCK NUT, HEX	2
8	1035-20	1035-20	TORQUE ARM ADJUSTABLE	1
9	0075-20	0075-20	TORQUE ARM RIGID	1
10	0102-13	0102-13	U-BOLT	4
11	0650-00	0650-00	EQUALIZER BEAM ASSEMBLY (TANDEM AXLE ONLY)	2
12	0001-08	0001-08	BOLT TORQUE ARM 7/8-14 X 5-1/4	2
13	0002-12	0002-12	NUT FLANGED LOCKING 7/8-14	2
14	0647-01	0647-01	AXLE SEAT	2
15	0508-00	0508-00	BOTTOM PLATE UNDERSLUNG	2
16	0375-00	0375-00	DELTRIN LINER	2
17	3-720-010030		SPRING MONO LEAF HIGH ARCH	2
18	0001-14	0001-14	EQUALIZER BOLT (TANDEM AXLE ONLY)	2
19	0274-01	0274-01	FLANGED LOCK NUT (TANDEM AXLE ONLY)	2
20	115713		AXLE 69 16.5 X 7 SPG BRK 25K (SEE PAGE 1-38)	1
	115712		AXLE 67.5 16.5 X 7 SPG BRK 25K (SEE PAGE 1-38)	1
21	0649-02	0649-02	EQUALIZER BUSHING (INCL. IN ITEM #11)	2
22	109532	14344-01	LOCKNUT 3/4	8
23	109592	20852-01	WASHER, 3/4	8
24	-----	T7292	WASHER, 7/8	2
	3-432-010006	AX-SPG	KIT AXLE SPRING ATTACHING PARTS (INCLUDES ITEMS 8-10,12-16,22-24)	
	3-432-010010	0651-00	KIT EQUALIZER ASSEMBLY (TANDEM AXLE ONLY) (INCLUDES ITEMS 3,11,18-19,21)	



m120027

Figure 1-20 Undercarriage Assembly - Air Ride (Tandem)



m120027p2

Figure 1-21 Air Ride Suspension System (Tandem)

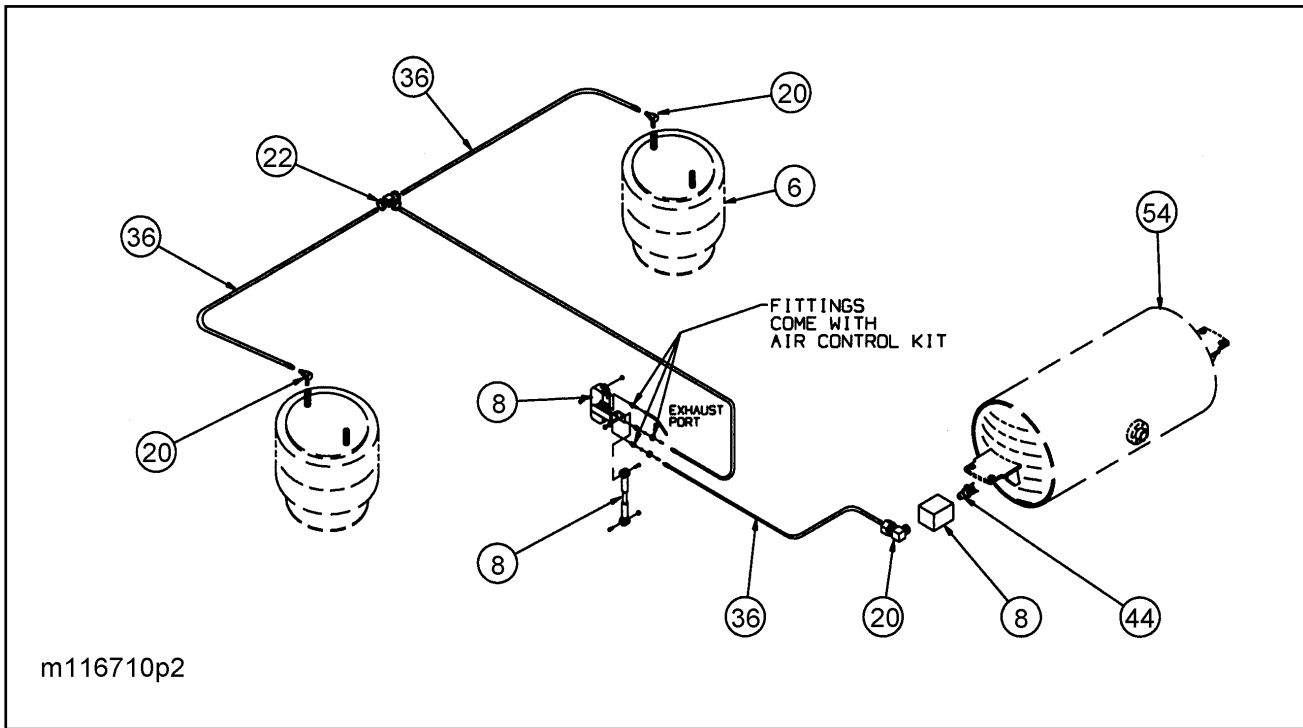


Figure 1-22 Air Ride Suspension System (Single)

UNDERCARRIAGE ASSEMBLY - AIR RIDE

ITEM	PART NO.	DESCRIPTION	QTY.
	116710	SUSP ASSEMBLY A/R SINGLE	
	120027	SUSP ASSEMBLY A/R TANDEM	
3	101143	MOUNT BUMPER ENERGY PAK (PRIOR 12/06/01)	2
4	101712	BUMPER WELDMENT (PRIOR 12/06/01)	1
	119580	BUMPER WELDMENT (AFTER 12/06/01)	1
5	102283	BAR BUMPER E/P TAPPED (PRIOR 12/06/01)	2
6	102363	SUSPENSION ADJ RLU-228-3.5 (SEE PAGE 1-37)	1
7	102728	HARNESS ASSEMBLY E-CHAIN	1
8	102732	AIR CONTROL SYSTEM (SEE PAGE 1-35)	1
11	103683	BRAKE W/ ABS SINGLE (STD LOAD) (SEE PAGE 1-41)	1
	103695	BRAKE W/ ABS SINGLE (LOW LOAD) (SEE PAGE 1-41)	1
	107917	BRAKE W/ ABS 330-1-40 (SEE PAGE 1-41)	1
	103819	BRAKE W/ ABS TANDEM (STD LOAD) (SEE PAGE 1-43)	1
	103820	BRAKE W/ ABS TANDEM (LOW LOAD) (SEE PAGE 1-43)	1
13	108958	SET SCREW SQ HD CUP POINT 5/8-11 X 1-1/2	4
14	110437	PIN, ROLLER 5"	4
15	116702	SUSP. WLDMT. A/R 330-1	1
	113973	SUSP. WLDMT. A/R 330-1 DROP DECK	1
	116742	SUSP. WLDMT. A/R 330-1-40	1
	114543	SUSP. WLDMT. A/R 330-2	1
	116703	SUSP. WLDMT. A/R 330-2 DROP DECK	1
16	114562	BUSHING, MACHINERY HARDENED	8
17	115738	AXLE WELDMENT A/R 2516-SPG-69	1
	115737	AXLE WELDMENT A/R 2516-SPG-67.5	1
(FOR PARTS BREAKDOWNS, SEE PAGES 1-37 AND 1-38)			

UNDERCARRIAGE ASSEMBLY - AIR RIDE

ITEM	PART NO.	DESCRIPTION	QTY.
18	116563	ROLLER ASSEMBLY 4" FIBERGLIDE	4
20	1-297-010008-07	FITTING AIR 90	*3,1
21	1-297-010008-18	FITTING AIR 90 (TANDEM AXLE)	4
22	1-297-010010-01	FITTING AIR UNION TEE (SINGLE AXLE)	1
	1-297-010010-03	FITTING AIR UNION TEE (TANDEM AXLE)	2
23	1-297-010010-04	FITTING AIR UNION TEE 3/8X3/8X1/4 (TANDEM AXLE)	1
24	1-510-010001	NUT FLANGE LOCK 3/8-16	10
25	1-511-010001-07	NUT, HEX JAM 5/8-11	4
26	1-512-010002-15	NUT, HEX LOCK 3/4-10	2
27	1-512-010005-05	NUT HEX LOCK 3/8-16 GRB	*4,8
28	1-512-010007-05	NUT HEX 1/4-20 GRB	11
29	1-630-010021-02	RING, RETAINING HEAVY DUTY	4
30	1-654-010032-04	SCREW HEX HEAD CAP 3/4-10X1-3/4 GR5	16
31	1-654-010051-08	SCREW HEX HEAD CAP 3/8-16X1-3/4 GR5	*4,8
32	1-654-010051-13	SCREW HEX HEAD CAP 3/8-16 GR5	8
33	1-654-010158-1	SCREW RD HEAD SQ NECK 1/4-20X3/4 GR5	11
35	1-796-010004-02	TIE, STRAP (NOT SHOWN)	6
36	1-833-010001	TUBING NYLON 1/4 OD	*8,11
37	1-833-010002	TUBING NYLON (TANDEM AXLE)	1
38	1-861-010032-07	WASHER FLAT 1/4	11
39	1-861-010032-11	WASHER FLAT 3/8	*16,24
40	1-861-010034-09	WASHER SPLIT LOCK 1/4	13
41	1-861-010034-17	WASHER SPLIT LOCK 3/4	4
43	2-181-010001	CLAMP	2
44	2083-8-4S	NIPPLE HEX	1
46	3-368-010175	WIRE HARNESS (PRIOR 12/06/01)	1
	106652	HARNESS, BUMPER (AFTER 12/06/01)	1
47	3-485-010001	MUD FLAP	2
50	3-755-010189-03	SUPPORT E-CHAIN (STANDARD LOAD ANGLE)	1
	3-755-010189	SUPPORT E-CHAIN (LOW LOAD ANGLE)	1
	3-755-010189-1	LINK	1
	380-1	END MOUNTING BRACKET W/ HOLE	2
	380-2	END MOUNTING BRACKET W/ PIN	2
52	3-762-010016	HOLD DOWN UNDERCARRIAGE	4
53	3-762-010017	CLAMP MUD FLAP	2
54	3-780-010002	TANK AIR	*1,2
55	3-821-010005	TRAY CAT TRACK	1
57	622-3511-008	WASHER 3/4	14
58	805-2	STEP BUSHING	*8,16
59	102836	HARNESS ASSEMBLY E-CHAIN	1
61	1-654-010047-06	SCREW, HEX HEAD CAP 1/4-20 X 1 GR5	2

* FIRST QUANTITY LISTED IS FOR SINGLE AXLE; SECOND QUANTITY LISTED IS FOR TANDEM AXLE

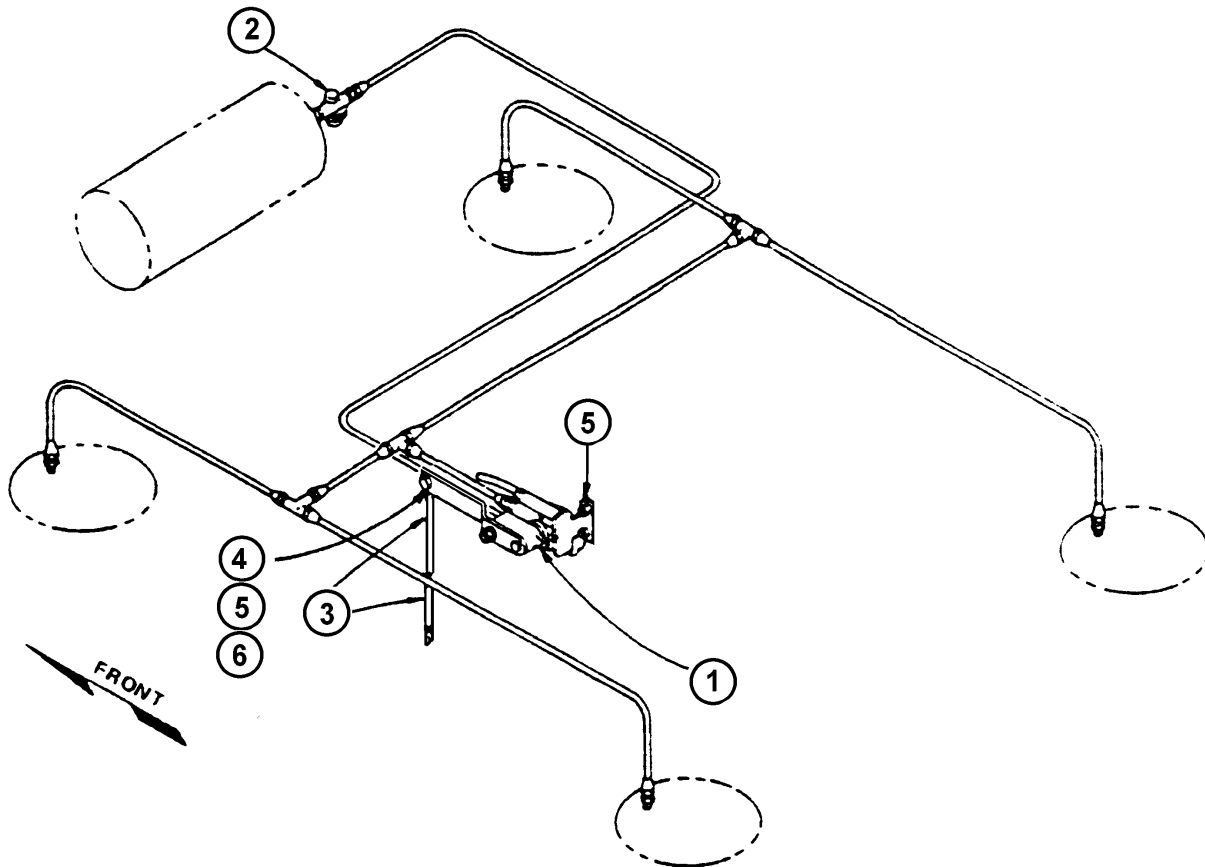
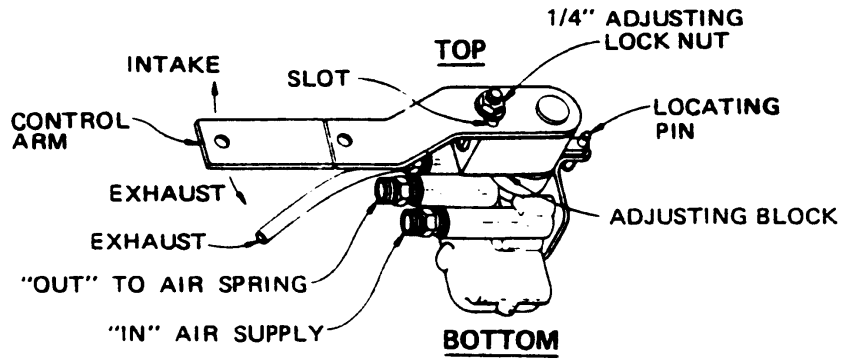


Figure 1-23 Air Control Kit

AIR CONTROL KIT

ITEM	PART NO.	DESCRIPTION	QTY.
	102732	AIR CONTROL KIT NEWAY	
1	900 54 007	HEIGHT CONTROL VALVE	1
2	900 54 107	AIR PRESSURE VALVE & FILTER	1
3	111021	SRK - 167 KIT (ADJ. LINK ASSY)	1
4	1-654-010047-04	CAP SCREW 1/4-20 X 3/4	2
5	1-512-010005-01	LOCK NUT 1/4-20	2
6	941 00 119	DECAL (OPERATING)	1
7	941 00 466	HEIGHT CONTROL VALVE INSTRUCTIONS	1

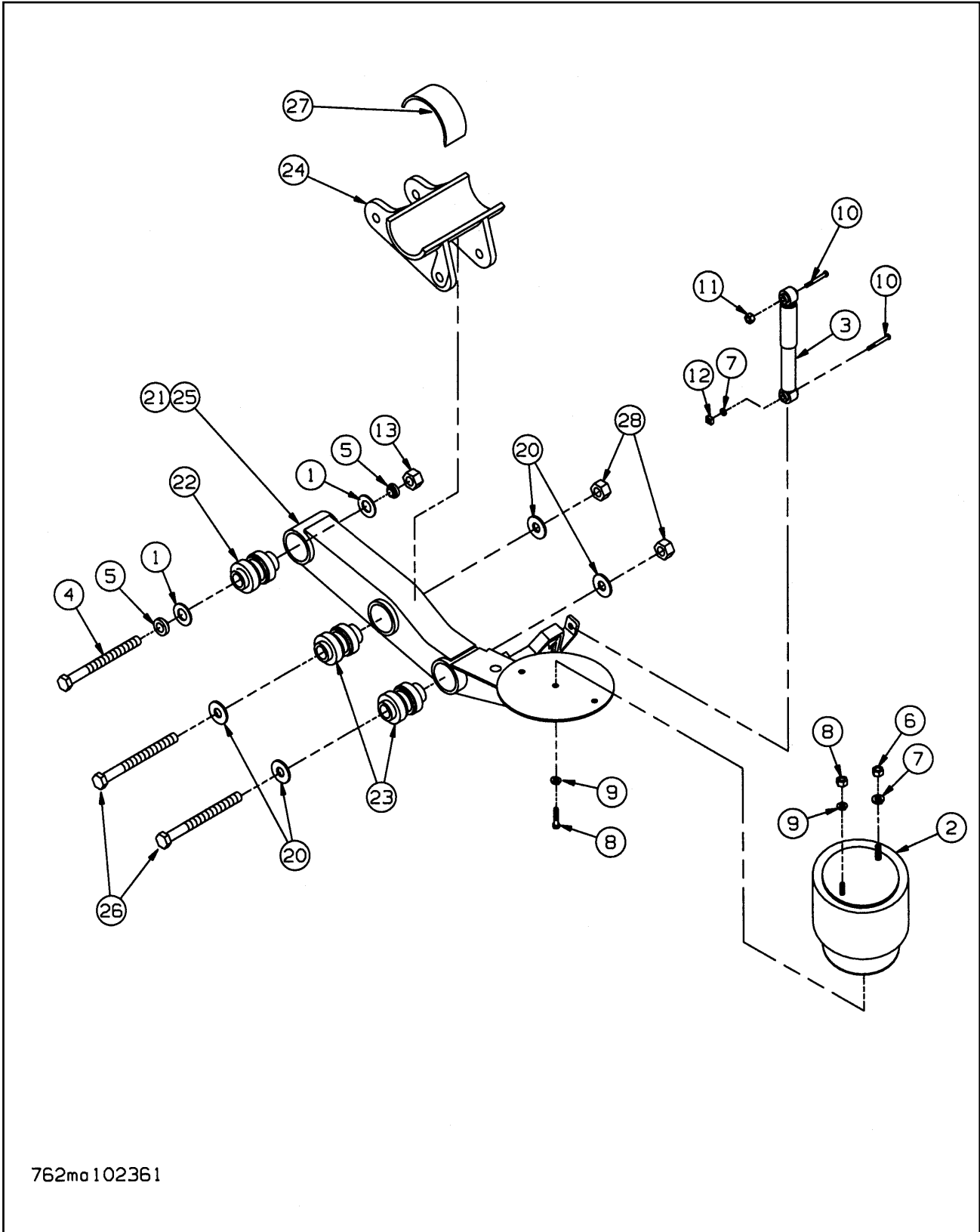


Figure 1-24 Suspension Hanger Assembly

SUSPENSION HANGER ASSEMBLY

ITEM	PAGE/PART NO.	DESCRIPTION	QTY.
	102363	SUSPENSION, ADJ. RLU-228-3.5 (ITEMS 1-19)	
	102361	SUSPENSION BEAM, RLU-228 (ITEMS 20-28)	
1	111010	FLAT WASHER	2
2	111020	AIR SPRING ASSEMBLY	2
3	90045040	SHOCK	2
4	111006	ALIGN BUSH ASSEMBLY (CONSISTS OF:)	2
	93201057	ROD BOLT	1
	90008184	ALIGN BLOCK	1
5	111007	ALIGN BLOCK	2
6	93400149	3/4-16 HEX NUT GRB	2
7	93600077	LOCK WASHER, 3/4"	4
8	1-512-010007-09	NUT, HEX 1/2-13	4
9	1-816-010034-13	WASHER, SPLIT LOCK 1/2"	4
10	105408	HEX HEAD CAP SCREW 3/4-10 X 3-1/2	4
11	93400492	LOCK NUT, 3/4" - 10	2
12	111022	3/4-10 SQUARE NUT	2
13	111008	LOCK NUT 1-1/8-7	2
14	111018	ANCHOR, RIDE HEIGHT CONTROL VALVE (NOT SHOWN)	1
15	94100787	LITERATURE INSTRUCTIONS (NOT SHOWN)	1
16	94100685	LITERATURE SPEC (NOT SHOWN)	1
17	94100648	LITERATURE FORM 864 (NOT SHOWN)	1
18	94100590	LITERATURE LABEL (NOT SHOWN)	1
19	94100790	LITERATURE LABEL (NOT SHOWN)	1
	111019	FASTENER KIT (INCL. 1, 4-11, 13, 15)	1
20	111010	FLAT WASHER	8
21	111013	EQUALIZING BEAM ASSEMBLY LH	1
22	90008139	RUBBER BUSHING (FRONT PIVOT)	2
23	111011	RUBBER BUSHING (AXLE CONNECTION)	4
24	111012	AXLE ADAPTER ASSEMBLY	2
25	111014	EQUALIZING BEAM ASSEMBLY RH	1
26	111023	HEX HEAD CAP SCREW 1-1/8-7 X 8-1/2	4
27	111015	SAFETY STRAP	2
28	111008	LOCK NUT 1-1/8-7	4

NOTE: QUANTITIES LISTED ARE PER AXLE.

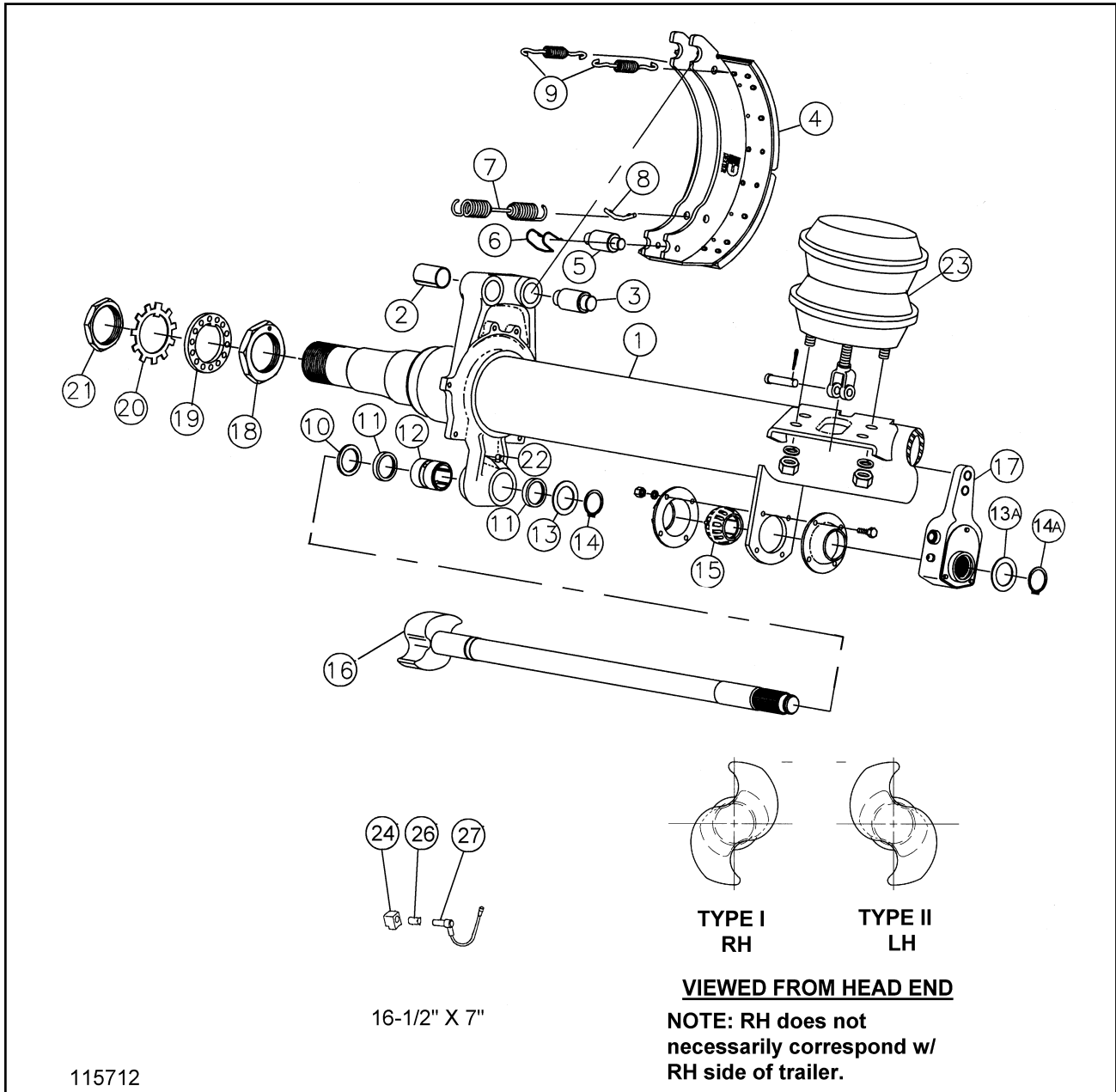


Figure 1-25 Axle and Brake Items

AXLE AND BRAKE ITEMS (DEXTER)

ITEM	PART NO.	DESCRIPTION	QTY.
	115712	AXLE 67.5, 16.5 X 7 SPG BRK 25K	
	115713	AXLE 69, 16.5 X 7 SPG BRK 25K	
1*	D-2H16	BEAM W/ BRACKETS	1
	**K71-136-00	BRAKE SHOE HDWR KIT (ITEMS 2, 3, 5, 6, 7, 8, & 9)	
2**	014-068-00	BUSHING ANCHOR PIN	4
3**	056-017-00	PIN ANCHOR	4

AXLE AND BRAKE ITEMS (DEXTER)

ITEM	PART NO.	DESCRIPTION	QTY.
4	040-180-00	BRAKE SHOE AND LINING	4
4A	041-058-01	LINING - BRAKE BLOCK CAM	4
4B	041-059-01	LINING - BRAKE BLOCK ANCHOR	4
	K71-138-00	BRAKE BLOCK KIT (ITEMS 4A,4B, & P/N 022-018-00 RIVETS)	2
5**	014-065-00	ROLLER KNURLED	4
6**	071-122-00	RETAINER ROLLER	4
7**	046-096-00	SPRING SHOE RETURN	2
8**	056-018-00	RETAINER RETRACTOR SPRING	4
9**	046-097-00	SPRING SHOE KEEPER	4
	***K71-135-00	CAMSHAFT REPAIR KIT (ITEMS 10-15, & 22)	
10***	005-096-00	WASHER CAMSHAFT	2
11***	010-052-00	SEAL GREASE	4
12***	014-056-00	BUSHING CAMSHAFT SPIDER	2
13***	005-134-00	WASHER CAMSHAFT (FOR 28 SPLINE CAMSHAFT)	2
14***	069-078-00	RETAINER CAMSHAFT (FOR 28 SPLINE CAMSHAFT)	2
15***	014-058-00	BUSHING CAMSHAFT SUPPORT	2
16	034-192-05	CAMSHAFT LH 22-5/8 (69 TRACK)	1
	034-193-05	CAMSHAFT RH 22-5/8 (69 TRACK)	1
	034-192-01	CAMSHAFT LH 20-3/8 (67.5 TRACK)	1
	034-193-01	CAMSHAFT RH 20-3/8 (67.5 TRACK)	1
17	055-040-06	SLACK ADJUST, AUTOMATIC	2
18	006-114-00	NUT INNER SPINDLE	2
19	005-098-00	WASHER SPINDLE LOCK	2
20	005-099-00	WASHER TABBED SPINDLE LOCK	2
21	006-115-00	NUT OUTER SPINDLE	2
22***	061-006-00	FITTING GREASE 65°	2
23	034-058-01	AIR CHAMBER, SPRING BRAKE	4
24	024-100-00	SENSOR BLOCK	2
26	097-002-00	RETAINER CLIP	2
27	097-003-00	ABS SENSOR, 90	2

* WHEN ORDERING THE BEAM WITH SPINDLE, SPIDER AND BRACKETS ATTACHED, YOU WILL NEED THE BEAM NUMBER, TRACK LENGTH, BRAKE SIZE, AND CAMSHAFT LENGTH.

** THESE PARTS ARE AVAILABLE AS PART OF BRAKE SHOE HARDWARE KIT LISTED.

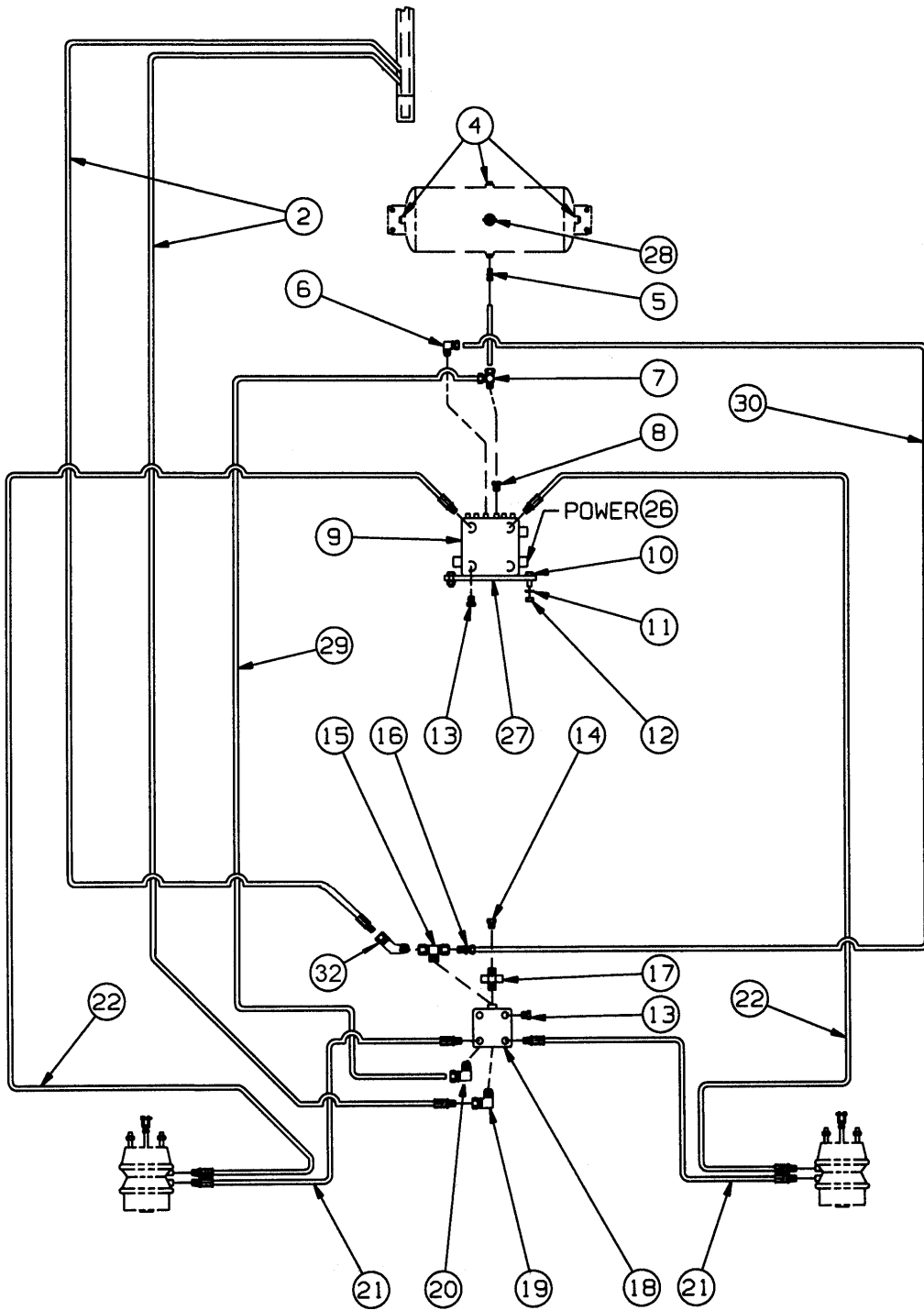
*** THESE PARTS ARE AVAILABLE AS PART OF CAMSHAFT REPAIR KIT P/N LISTED.

NOTE: FOR HUB AND DRUM INFORMATION, SEE PAGE 1-47.

AXLE AND BRAKE ITEMS (KIC/SUDISA) (USED 02/01 TO 05/01)

		BRAKE SHOES AND HARDWARE FOR ONE AXLE	
	123183	BRAKE REPAIR KIT, 16.5 X 7 KIC/SUDISA	
	123185	CAMSHAFT BEARING REPAIR KIT 16.5 X 7 BRAKES	
	123192	CAMSHAFT 16.5 X 7 BRAKES, 69 TRACK RH	
	123193	CAMSHAFT 16.5 X 7 BRAKES, 69 TRACK LH	
	055-040-07	AUTO. SLACK ADJUSTER STRAIGHT 16.5 X 7 BRAKE	

* IF UNSURE ON AXLE BRAND, CONTACT LANDOLL PDC TO VERIFY



128ma103683

Figure 1-26 Air Brake System, Single Axle

AIR BRAKE SYSTEM, SINGLE AXLE

ITEM	PART NO.	DESCRIPTION	QTY.
	103683	BRAKE W/ ABS SINGLE (STD LOAD)	
	103695	BRAKE W/ ABS SINGLE (LOW LOAD)	
	107917	BRAKE W/ ABS 330-1-40	
2	103698	HOSE AIR 3/8 X 182 (STD LOAD)	2
	103699	HOSE AIR 3/8 X 230 (LOW LOAD)	2
	1-384-0100381120	HOSE AIR 3/8 X 120 (330-1-40)	
4	1-560-010002-04	PLUG PIPE 1/2	3
5	1-297-010007-16	FITTING AIR	1
6	1-297-010008-18	FITTING AIR 90	1
7	1-297-010011-07	FITTING AIR TEE	1
8	118-2659-9	BUSHING 1/2 X 3/4	1
9	114585	BRAKE KIT ROCKWELL ABS (SEE PAGE 1-45)	1
10	1-654-010051-08	SCREW, HEX HEAD CAP 3/8-16 GR5	2
11	1-861-010032-10	WASHER, FLAT 3/8	4
12	1-512-010005-05	NUT, HEX LOCK 3/8-16 GRB	2
13	1-297-010033-03	FITTING PLUG, BRASS	4
14	1-560-010002-02	PLUG PIPE 1/4	1
15	1-297-010017-03	FITTING, BRASS TEE	1
16	1-297-010007-12	FITTING AIR	1
17	55B61	FRAME UNION	1
18	758-181	VALVE TASK 4 PORT	1
19	2089-6-6S	ADAPTER 90	1
20	1-297-010008-23	FITTING AIR 90	1
21	1-384-010038024	HOSE AIR 24"	2
22	1-384-010038042	HOSE AIR 42"	2
26	3-272-010021	ELECTRICAL BUTT SPLICE	4
27	1-560-010002-05	PLUG PIPE 3/4-14	1
28	56D4	COCK DRAIN AIR TANK	1
29	1-833-010003	TUBING NYLON 1/2	3'
30	1-833-010002	TUBING NYLON 3/8	2'
31	1-796-01003-01	TIE STRAP PLASTIC (NOT SHOWN)	10
32	2088-6-6S	ADAPTER 45	1

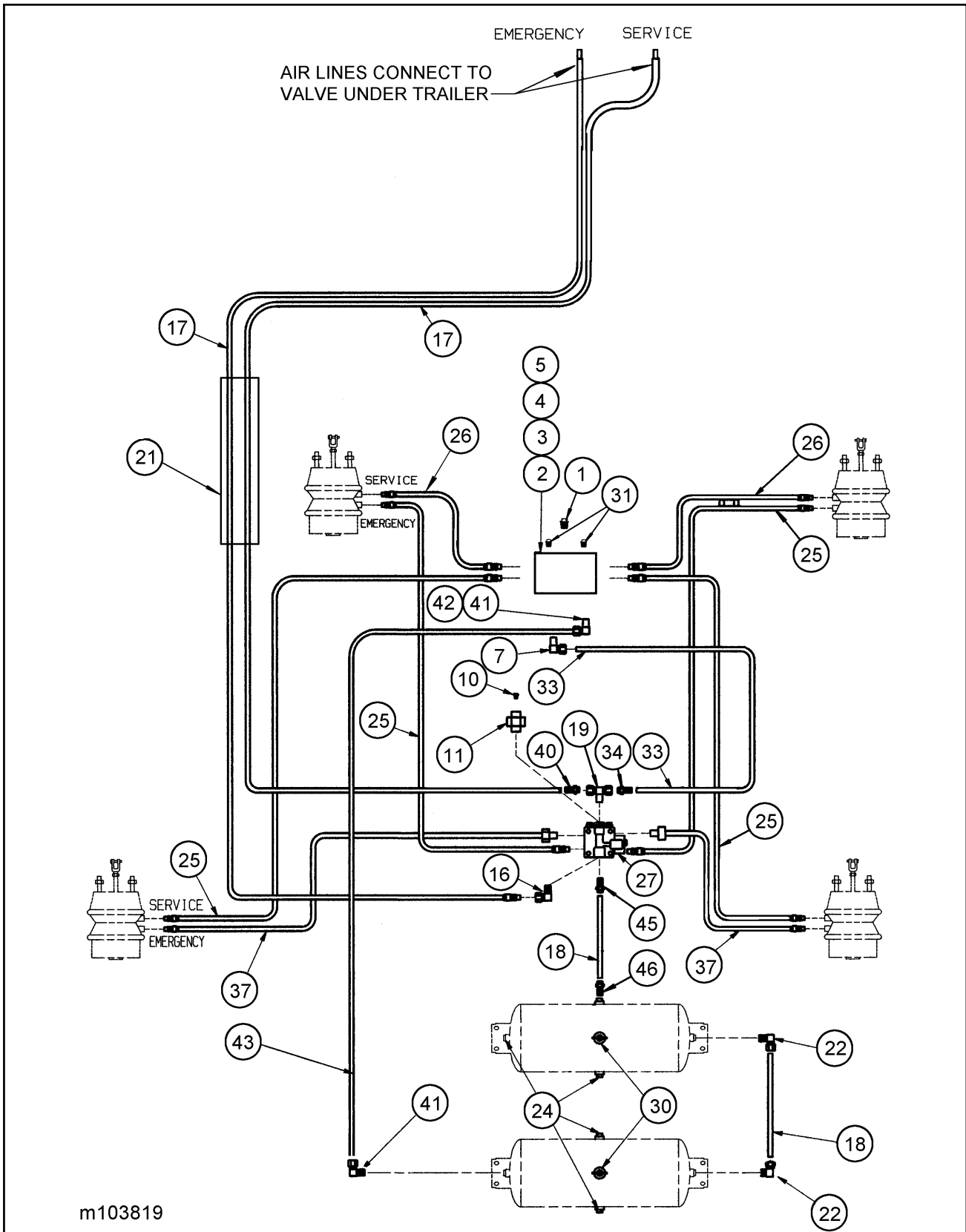


Figure 1-27 Air Brake System, Tandem Axle

AIR BRAKE SYSTEM, TANDEM AXLE

ITEM	PART NO.	DESCRIPTION	QTY.
	103819	BRAKE W/ ABS (STD LOAD)	
	103820	BRAKE W/ ABS (LOAD LOAD)	
1	1-560-010002-05	PLUG PIPE 3/4-14	1
2	1-654-010051-08	SCREW HEX CAP 3/8-16 X 1-3/4 GR5	2
3	1-861-010032-10	WASHER FLAT 3/8	4
4	1-512-0120005-05	NUT HEX LOCK 3/8-16 GR5	2
5	114584	BRAKE KIT ROCKWELL ABS (SEE PAGE 1-42)	1
7	1-297-010008-18	FITTING AIR 90	1
10	1-560-010002-02	PLUG PIPE 1/4	1
11	55B61	FRAME UNION	1
16	2089-6-6S	ADAPTER 90	1
17	1-384-010038204	HOSE AIR 3/8 X 204 (STD LOAD)	2
	103699	HOSE AIR 3/8 X 230 (LOW LOAD)	2
18	1-833-010003	TUBING NYLON 1/2	AR
19	1-297-010017-03	FITTING BRASS PIPE M/ BRASS TEE	1
21	3-755-010189-03	SUPPORT E-CHAIN (STD LOAD)	REF
	3-755-010189	SUPPORT E-CHAIN (LOW LOAD)	REF
22	1-297-010008-24	FITTING AIR 90	2
24	1-560-010002-04	PLUG PIPE 1/2	4
25	1-384-010038056	HOSE AIR 3/8 X 56	4
26	1-384-010038038	HOSE AIR 3/8 X 38	2
27	758-181	VALVE TASK 4 PORT	1
28	1-861-010034-10	WASHER SPLIT LOCK 5/16	2
30	56D4	COCK DRAIN AIR TANK	2
31	1-297-010033-03	FITTING	2
33	1-833-010002	TUBING NYLON 3/8	AR
34	1-297-010007-12	FITTING, AIR	1
35	3-272-010022	ELECTRICAL BUTT SPLICE (NOT SHOWN)	4
37	1-384-010038024	HOSE AIR 3/8 X 24	2
39	1-796-010003-01	TIE STRAP PLASTIC (NOT SHOWN)	10
40	2088-6-6S	ADAPTER 45	1
41	1-297-010008-26	FITTING, AIR 90	2
42	118-2659-9	BUSHING	1
43	117304	NYLON TUBING 5/8	AR
45	1-297-010007-15	FITTING, AIR 1/2 TUBE X 3/8 NPT	1
46	1-297-010007-16	FITTING, AIR 1/2 TUBE X 1/2 NPT	1

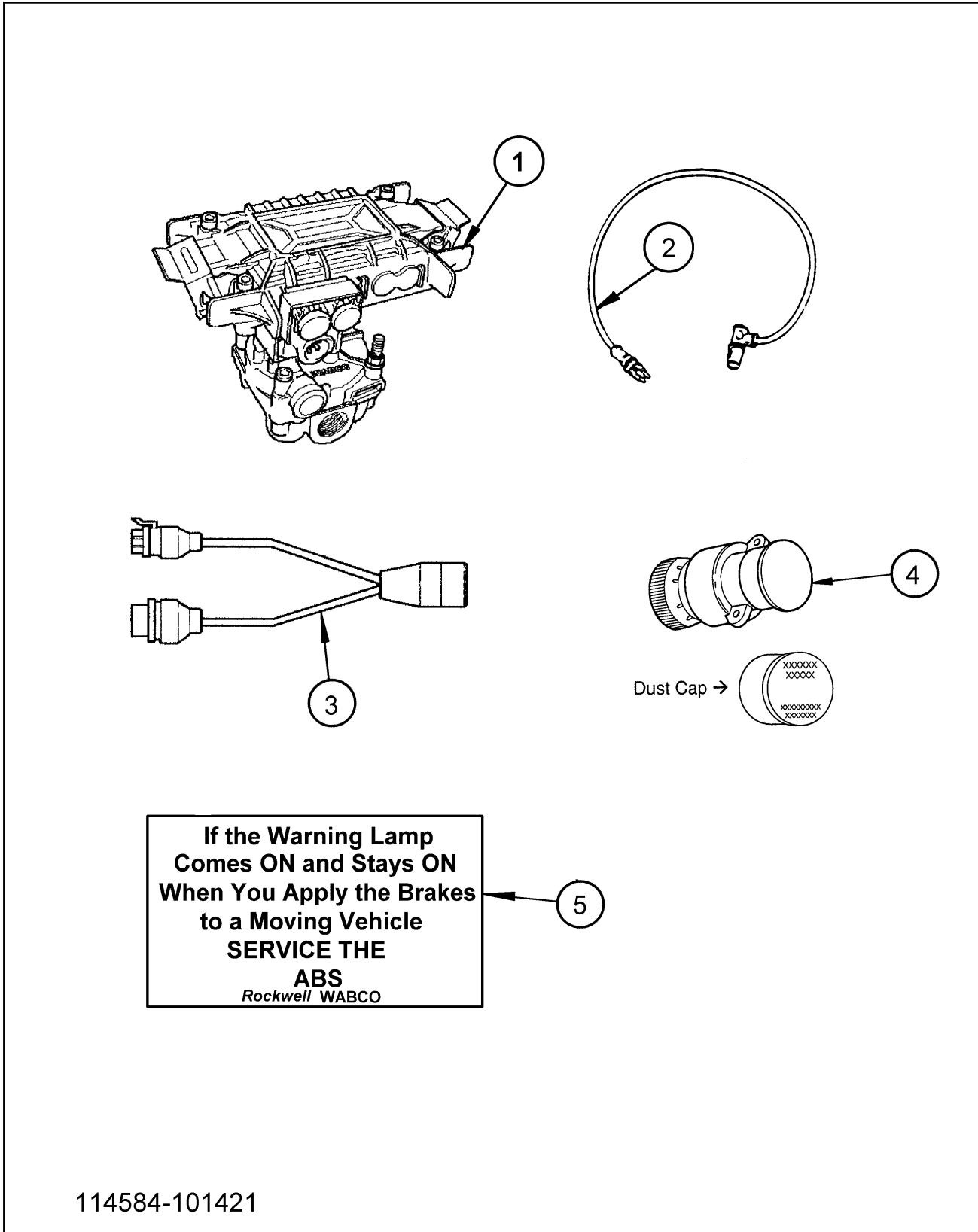
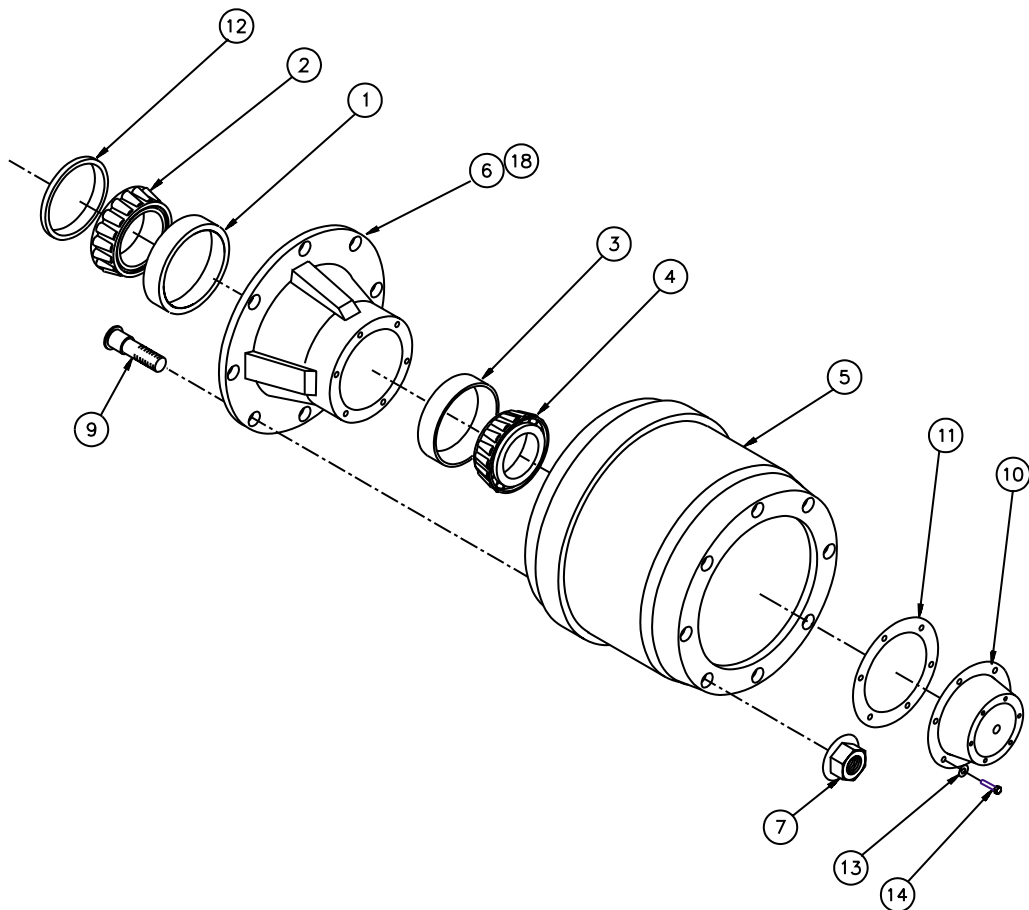


Figure 1-28 Brake Kit, Meritor WABCO (Rockwell) ABS

BRAKE KIT, ABS

ITEM	PART NO.	DESCRIPTION	QTY.
	114584	BRAKE KIT, ROCKWELL ABS, 4S/2M (TANDEM AXLE)	
	114585	BRAKE KIT, ROCKWELL ABS, 2S/1M (SINGLE AXLE)	
1	114588	ECU/VALVE ASSEMBLY 4S/2M PREMIUM (114584)	1
	114589	ECU/VALVE ASSEMBLY 2S/1M (114585)	1
2	101848	SENSOR EXTENSION CABLE	4,2*
3	114590	POWER/DIAGNOSTIC CABLE	4
4	101851	DIAGNOSTIC SWITCH	1
5	101855	WARNING LAMP LABEL	1
6	114587	MAINTENANCE MANUAL MM-180 (NOT SHOWN)	1

* THE FIRST QUANTITY LISTED IS FOR P/N 114584. THE SECOND QUANTITY LISTED IS FOR P/N 114585.



HUBOABS2.DWG

Figure 1-29 Outboard Pilot Mount Hub and Drum

OUTBOARD PILOT MOUNT HUB AND DRUM

ITEM	PART NO.	DESCRIPTION	QTY.
	103783	HUB/DRUM 10 BOLT 16-1/2 PILOT ABS LONG STUD	
1	HM218210	INNER BEARING CUP	1
2	HM218248	INNER BEARING CONE	1
3	HM212011	OUTER BEARING CUP	1
4	HM212049	OUTER BEARING CONE	1
5	110976(66884)	OUTBOARD MOUNTED BRAKE DRUM	1
6	110975(2023----T)	HUB IRON	1
7	179933	FLANGE NUT	10
9	101162	STUD	10
10	021-038-01 (4009)	CAP HUB	1
11	071-124-00 (3067)	GASKET OIL CAP	1
12	3-659-010012	SEAL	1
13	1-861-010034-10	WASHER SPLIT LOCK 5/16	6
14	1-654-010049-03	SCREW HEX HEAD CAP 5/16-18X3/4 GR5	6
15	3-870-010110	WHEEL DISC PILOT MOUNT 22.5 X 8.25	1
	111416	WHEEL ALUM, PILOT MOUNT 22.5 X 8.25	1
16	TR573	VALVE STEM - STEEL WHEEL (NOT SHOWN)	1
	TR545D	VALVE STEM (NOT SHOWN)	1
18	*	ABS TONE RING	1

* THIS PART SHOULD BE REPLACED IN CONJUNCTION WITH THE HUB. IT IS NOT SOLD SEPARATELY.

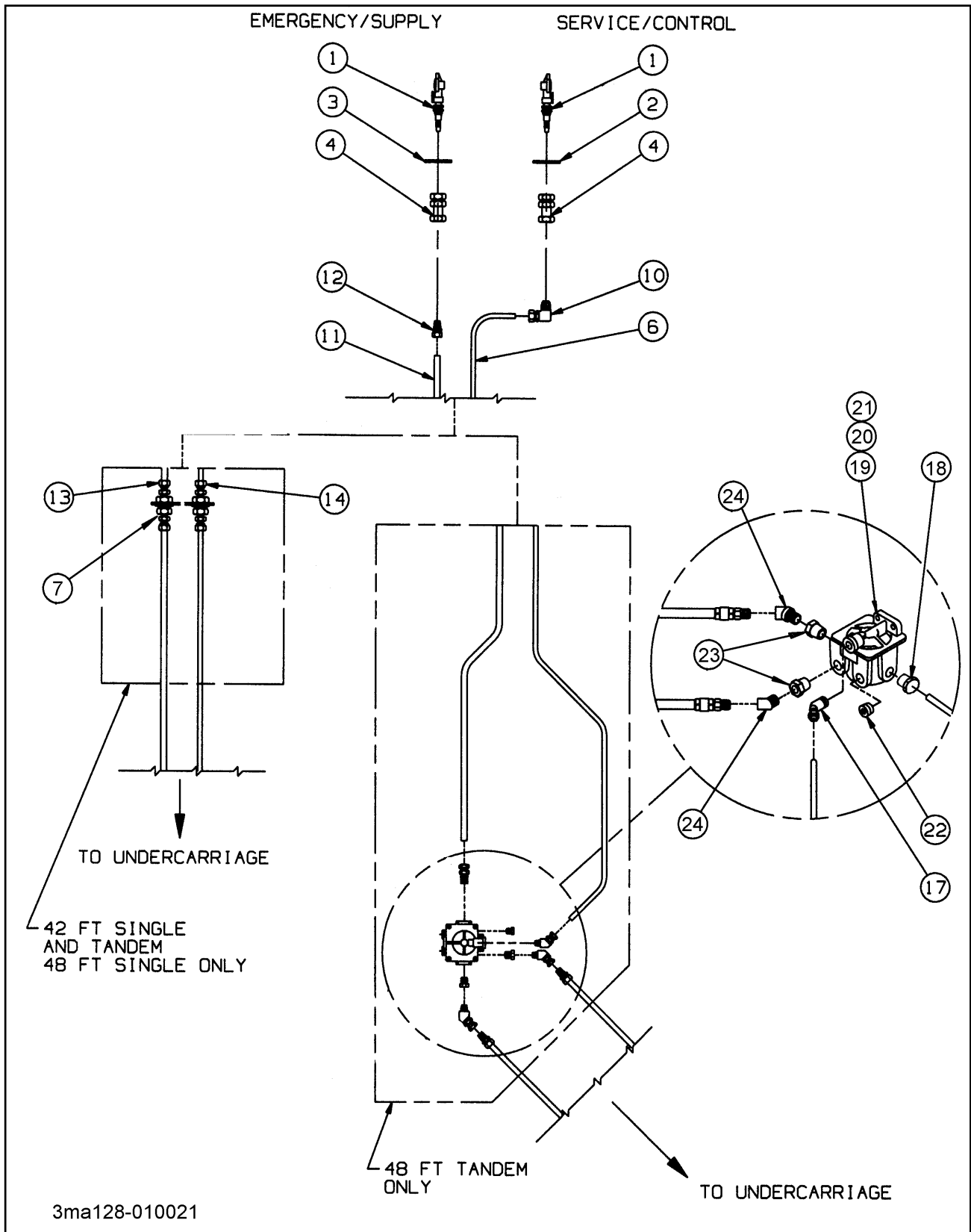
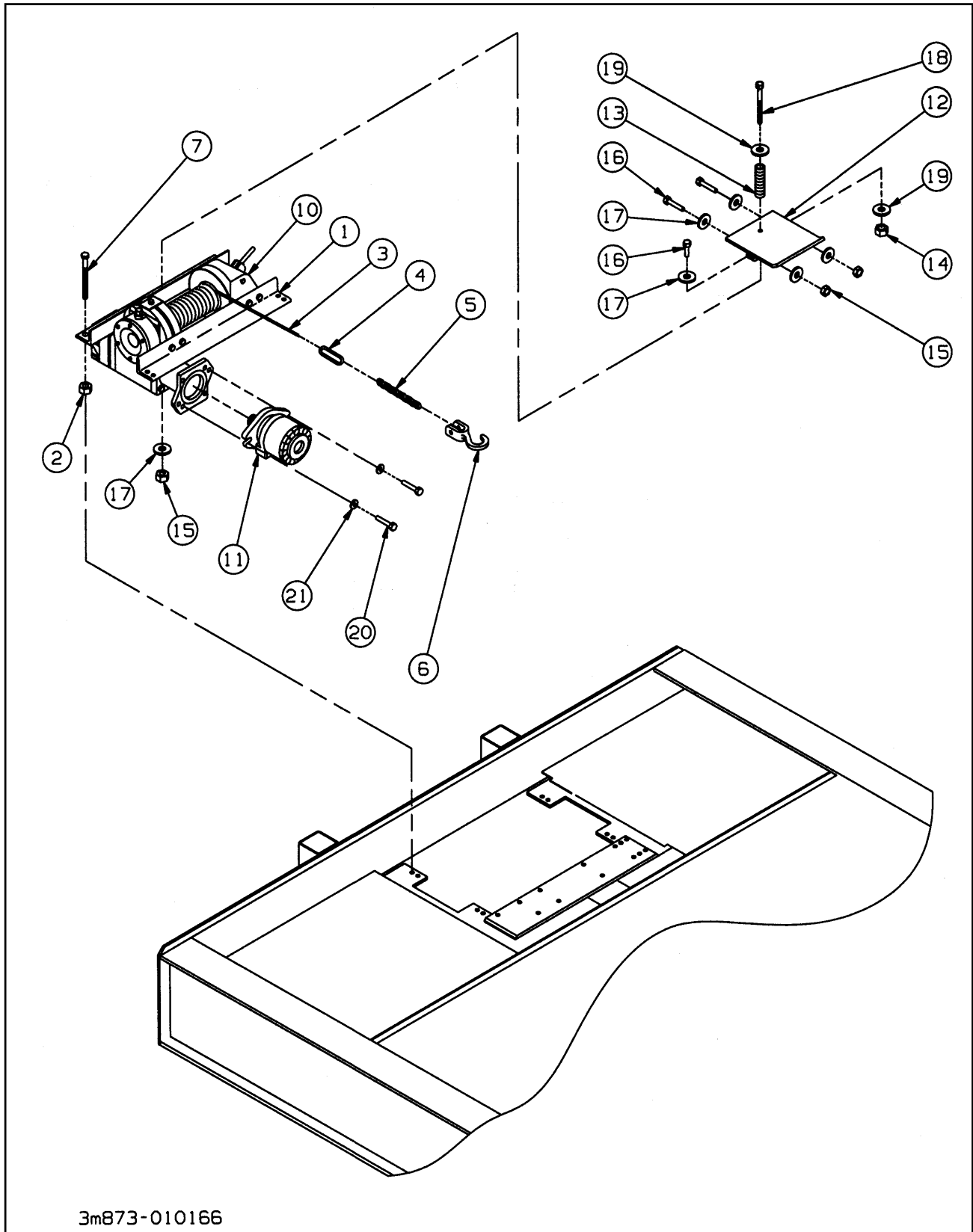


Figure 1-30 Air System

AIR SYSTEM

ITEM	PART NO.	DESCRIPTION	QTY.
	3-128-010021-03	AIR SYSTEM 42' SINGLE OR TANDEM	
	3-128-010021-04	AIR SYSTEM 48' SINGLE	
	3-128-010021-07	AIR SYSTEM 48' TANDEM	
1	108801	GLADHAND RED AIR	1
	108802	GLADHAND BLUE AIR	1
2	55B61-7	TAG, SERVICE LINE	1
3	55B61-6	TAG, EMERGENCY LINE	1
4	55B61	FRAME UNION	2
6	1-833-010002	NYLON TUBING, 3/8 OD	AR
7	1-297-010022-03	FITTING, AIR	2
10	1-297-010008-18	FITTING, AIR 90	1
11	1-833-010003	TUBING NYLON 1/2	AR
12	1-297-010007-14	FITTING, AIR	1
13	1-297-010007-12	FITTING, AIR (42' & 48' SINGLE ONLY)	1
14	1-297-010007-15	FITTING, AIR (42' & 48' SINGLE ONLY)	1
17	1-297-010013-12	FITTING, AIR 45 (48' TANDEM ONLY)	1
18	1-297-010007-16	FITTING, AIR (48' TANDEM ONLY)	1
19	3-843-010038	VALVE AIR RELAY-FAST AIR BALANCE (48' TANDEM ONLY)	1
20	1-861-010032-06	WASHER, FLAT 1/4N (48' TANDEM ONLY)	2
21	1-512-010005-01	NUT, HEX LOCK 1/4-20 (48' TANDEM ONLY)	2
22	1-560-010002-04	PLUG, PIPE 1/2 (48' TANDEM ONLY)	1
23	2081-8-6S	REDUCER (48' TANDEM ONLY)	2
24	2088-6-6S	FITTING, AIR 45 (48' TANDEM ONLY)	2



3m873-010166

Figure 1-31 Winch Installation

WINCH INSTALLATION

ITEM	PART NO.	DESCRIPTION	QTY.
	3-873-010166-01	WINCH INSTL 12K W/PARKER MOTOR 42' (INCL 1-9)	
	3-873-010166-02	WINCH INSTL 12K W/PARKER MOTOR 48' (INCL 1-9)	
	3-873-010166-03	WINCH INSTL 20K W/PARKER MOTOR 42' (INCL 1-9)	
	3-873-010166-04	WINCH INSTL 20K W/PARKER MOTOR 48' (INCL 1-9)	
	100351	WINCH INSTL 12K SLOPE (INCL 1-10)	
1	3-873-010126-2	WINCH ASSEMBLY 12K PARKER (INCL 10-22)	REF
	3-873-010129-2	WINCH ASSEMBLY 20K PARKER (INCL 10-22)	REF
2	1-512-010005-09	NUT HEX LOCK 1/2-13	8
3	3-155-010017-1	CABLE 1/2 W/LOOP 60"	REF
	3-155-010017-4	CABLE 1/2 W/LOOP 85'	REF
	3-155-010018-1	CABLE 5/8 W/LOOP 60'	REF
	3-155-010018-6	CABLE 5/8 W/LOOP 85'	REF
4	3-174-010038	CHAIN LINK CONNECTING 1/2	1
5	3-174-010039036	CHAIN 1/2 X 36" GRD 7	1
6	7HCGHT500	1/2 CLEVIS GRAB HOOK	1
7	1-654-010055-03	SCREW HEX HEAD CAP 1/2-13 X 1-1/2	8
8	2-181-010001	HOSE CLAMP (NOT SHOWN)	REF
9	1-510-010001	NUT FLANGE LOCK 3/8-16 (NOT SHOWN)	REF
10	3-873-010122	WINCH WORM GEAR 12K (SEE PAGE 1-53)	1
	3-873-010123	WINCH WORM GEAR 20K (SEE PAGE 1-54)	1
11	3-481-010006	MOTOR HYDRAULIC 12K (SEE PAGE 1-66)	1
	3-481-010007	MOTOR HYDRAULIC 20K (SEE PAGE 1-66)	1
12	3-873-010124	WINCH TENSIONER WLDMT 12K	1
	102186	WINCH TENSIONER WLDMT 20K	1
13	3-720-010010	SPRING COMP LEVEL WIND	1
14	1-512-010005-09	NUT HEX LOCK 1/2-13 GRB	1
15	1-512-010005-05	NUT HEX LOCK 3/8-16 GRB	3
16	1-654-010051-06	SCREW HEX HEAD CAP 3/8-16 GR5	3
17	1-861-010032-10	WASHER FLAT 3/8 N	6
18	1-654-010055-16	SCREW HEX HEAD CAP 1/2-13 X5-1/2 GR5 12K	1
	1-654-010055-17	SCREW HEX HEAD CAP 1/2-13 X 6 GR5 20K	1
19	1-861-010032-15	WASHER FLAT 1/2W	2
20	1-654-010055-04	SCREW HEX HEAD CAP 1/2-13 X 1-3/4 GR5	2
21	1-861-010034-13	WASHER SPLIT LOCK 1/2	2
22	100600	DECAL WARNING WINCH (NOT SHOWN)	1

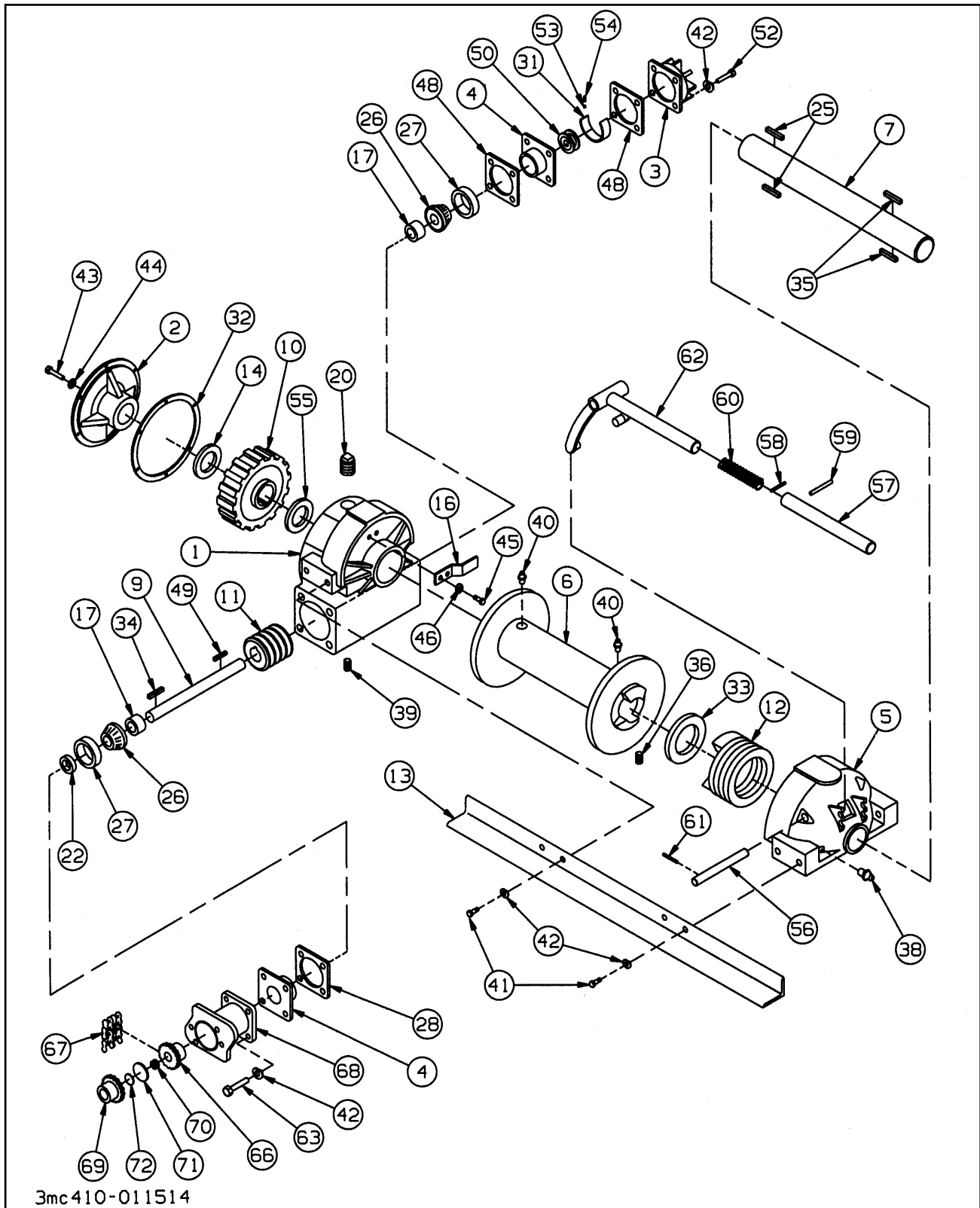


Figure 1-32 12,000# Winch Assembly

12,000# WINCH ITEMS

ITEM	PART NO.	DESCRIPTION	QTY.
	3-873-010122	WINCH, 12K	
1	81006	WORM HOUSING ASSEMBLY (INCLUDES ITEM 18)	1
2	81009	COVER ASSEMBLY WORM HOUSING (INCLUDES ITEM 19)	1
3	18032	HOUSING SAFETY BRAKE	1
4	23303	CONTAINER BEARING	2
5	81530	LEG ASSEMBLY BEARING (INCLUDES ITEM 47)	1
6	11128	DRUM CABLE	1
7	11129	DRUM SHAFT CABLE	1
9	23470	SHAFT WORM	1
10	11144	GEAR WORM LEFT HAND	1
11	11142	WORM LEFT HAND	1
12	18039	SLIDING CLUTCH	1
13	22752	ANGLE BASE	2
14	13680	THRUST RING	1
16	81025	BRAKE DRAG	1
17	11308	SPACER WORM	2
18	18078	BUSHING	1
19	11368	BUSHING	1
20	22775	PLUG PIPE	1
21	18009	PLUG PIPE	1
22	18026	SEAL GREASE	2
25	11117	KEY WORM GEAR	2
26	18015	CONE BEARING	2
27	18016	CUP BEARING	2
28	18027	GASKET	3
31	21925	BAND BRAKE	1
32	11133	WORM HOUSING COVER GASKET	3
33	18019	RETAINER RING	1
34	18030	KEY WORM	1
35	18020	KEY CLUTCH	2
36	24032	SET SCREW	1
38	18047	FITTING GREASE	1
39	19045	PLUG PIPE	1
40	11799	FITTING GREASE	2
41	21961	CAPSCREW	12
42	18003	WASHER LOCK	16
43	11767	CAPSCREW	6
44	11011	WASHER LOCK	6
45	13005	CAPSCREW	2
46	12780	WASHER LOCK	2
47	18078	BUSHING	1
48	18024	BEARING CONTAINER GASKET	3
49	10078	KEY	1
50	18028	DRUM BRAKE	1
51	12075	SCREWSET	1
52	22703	CAPSCREW	4
53	13468	JAM NUT	4
54	18029	BRAKE BAND SPRING	1
55	11240	RETAINER RING	1

12,000# WINCH ITEMS

ITEM	PART NO.	DESCRIPTION	QTY.
56	11130	SHIFTER SHAFT	1
57	12817	SHIFTER HANDLE	1
58	18056	ROLL PIN	1
59	13028	ROLL PIN	1
60	18002	SPRING	1
61	11837	ROLL PIN	2
62	13839	SHIFTER FORK	1
63	22704	CAPSCREW	4
65	18044	KEY	1
66	23081	COUPLING HALF (WORM SHAFT)	1
67	13424	ROLLER CHAIN	1
68	23079	MOTOR ADAPTER	1
69	23083	COUPLING HALF (MOTOR SHAFT)	1
70	23353	SPRING	1
71	23078	SPACER	1
72	23085	SPACER	1

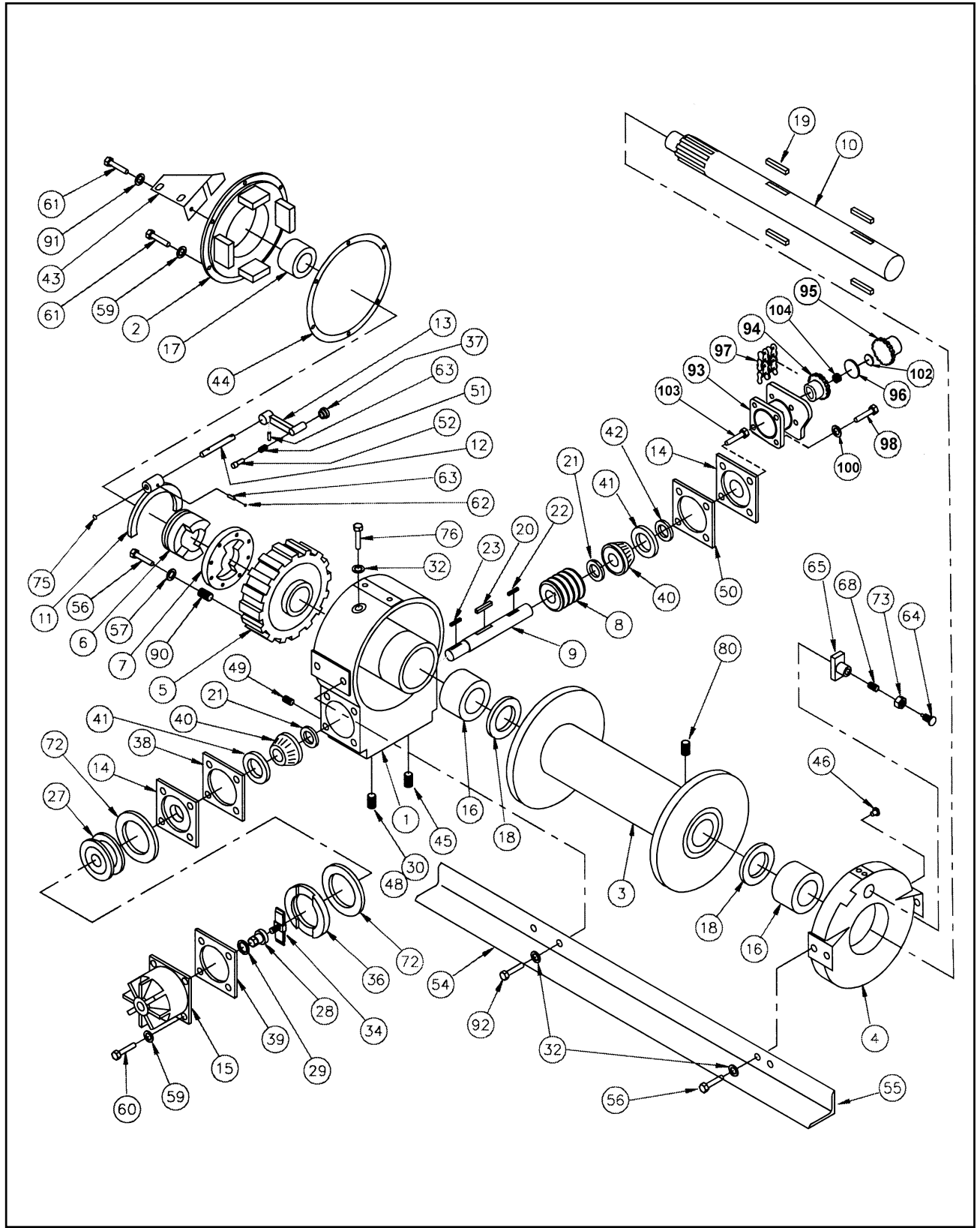


Figure 1-33 20,000# Winch Assembly

20,000# WINCH ITEMS

ITEM	PART NO.	DESCRIPTION	QTY.
	3-873-010123	WINCH, 20K	
1	81078	WORM HOUSING ASSEMBLY	1
2	81082	COVER ASSEMBLY WORM HOUSING	1
3	11449	DRUM CABLE	1
4	81077	LEG ASSEMBLY BEARING	1
5	11434	WORM GEAR RIGHT	1
6	11421	CLUTCH SIDING	1
7	11419	DRIVE CLUTCH	1
8	11404	WORM RIGHT	1
9	11405	SHAFT WORM	1
10	11414	SHAFT CABLE DRUM	1
11	11440	FORK SHIFTER	1
12	11441	SHAFT SHIFTER	1
13	11442	HANDLE SHIFTER	1
14	11427	CONTAINER BEARING	2
15	11445	COVER WORM BRAKE	1
16	18035	BUSHING	2
17	11425	BUSHING	1
18	11420	RING RETAINING	2
19	22055	DRUM KEY CABLE	4
20	11402	KEY WORM	1
21	11407	SPACER WORM	2
22	23367	KEY SPROCKET	1
23	10078	KEY ROTOR	1
27	81080	ROTOR ASSEMBLY BRAKE	1
28	11599	ADJUSTING NUT WORM BRAKE	1
29	12465	O-RING	1
30	19014	PLUG FILLER	1
32	11026	WASHER LOCK	10
34	81081	SPRING ASSEMBLY SAFETY BRAKE	1
36	11431	PLATE PRESSURE	1
37	18022	KNOB SHIFTER	1
38	11429	GASKET	4
39	11446	GASKET	2
40	18033	BEARING CONE	2
41	18034	BEARING CUP	2
42	12073	SEAL GREASE	1
43	12783	BRACKET SHIFTER	1
44	11411	COVER GASKET HOUSING	1
45	19045	PLUG DRAIN	1
46	18047	FITTING GREASE	1
48	22775	PLUG VENT	1
49	18009	PLUG LEVEL	1
50	11430	GASKET	4
51	11310	SPRING SHIFTER KNOB	1
52	11309	STEM SHIFTER KNOB	1
54	28942	ANGLE FRONT BASE	1
55	28943	ANGLE REAR BASE	1
56	13938	CAPSCREW	16

20,000# WINCH ITEMS

ITEM	PART NO.	DESCRIPTION	QTY.
57	12781	WASHER LOCK	8
58	18056	ROLL PIN	1
59	11025	WASHER LOCK	3
60	22695	CAPSCREW	4
61	21964	CAPSCREW	6
62	12146	PLUG EXPANSION	A/R
63	13028	ROLL PIN	A/R
64	11398	SCREW ADJUSTING	1
65	88005	SHOE ASSEMBLY DRAG BRAKE	1
68	18002	SHOE ASSEMBLY DRAG BRAKE	1
72	11426	DISC FRICTION	2
73	11791	NUT JAM	1
75	12767	PLUG EXPANSION	A/R
76	22729	CAPSCREW	2
77	23245	SAE PLATE - AMU7-16F	1
78*	23310	PLATE WARNING	1
79*	11842	SCREW DRIVE	4
80	12228	SCREW SET	1
90	11435	INSERT THREAD	8
91	11014	LOCKWASHER (7/8" EXTERNAL TOOTH)	1
92	22697	CAPSCREW	5
93	23079	ADAPTER - MOTOR	1
94	23081	COUPLING HALF-WINCH	1
95	23142	COUPLING HALF-MOTOR	1
96	23078	SPACER - CONSTANT	1
97	13424	ROLLER CHAIN	1
98	22704	CAPSCREW	4
99	13413	CAPSCREW (NOT SHOWN)	4
100	18003	LOCKWASHER	4
101	11026	LOCKWASHER (NOT SHOWN)	4
102	23183	SPACER - VARIABLE	2
103	22703	CAPSCREW	4
104	23353	SPRING - SPACER	1

NOTE: ITEMS 1 AND 4 INCLUDE BUSHING (ITEM 16); ITEM 2 INCLUDES BUSHING (ITEM 17).

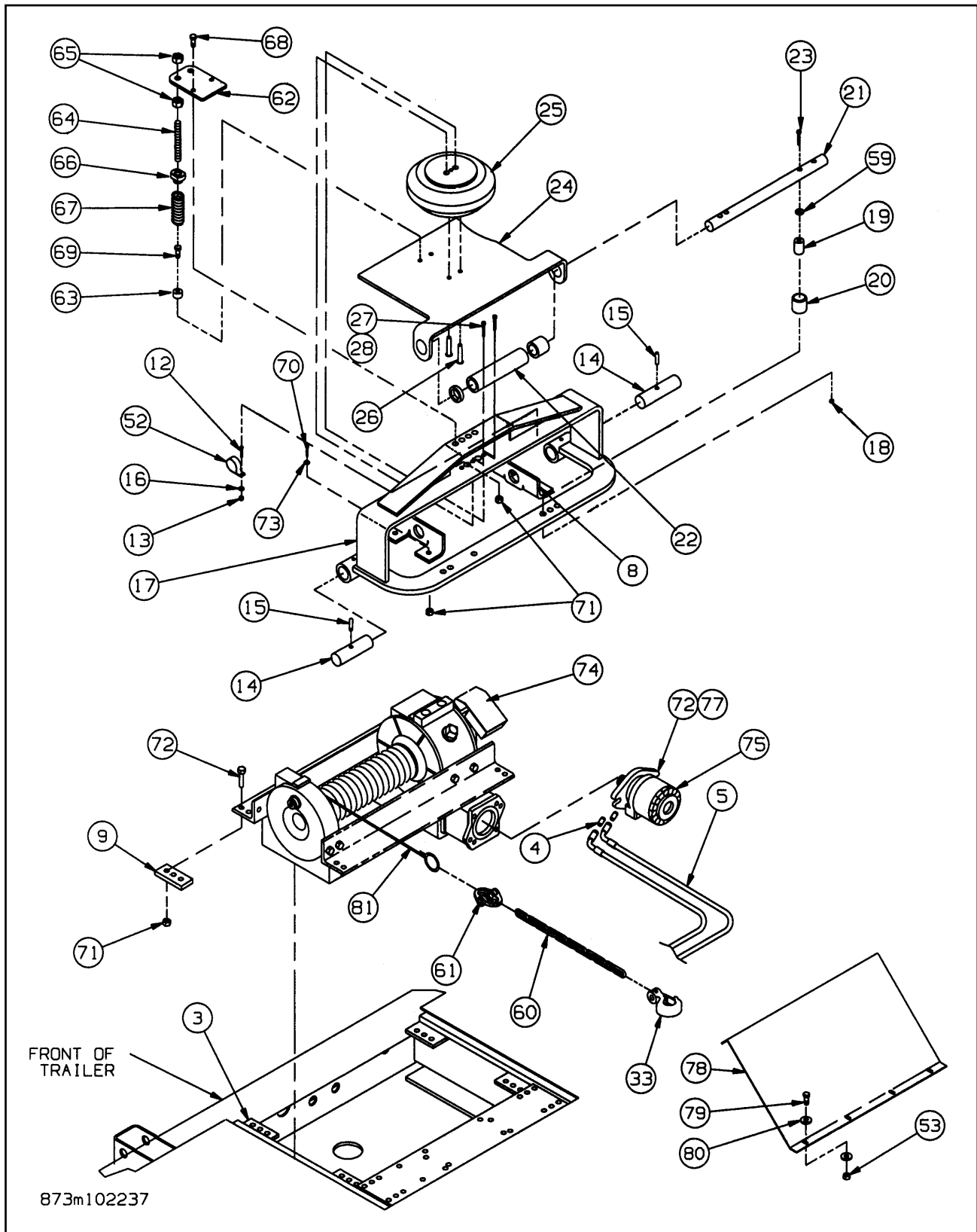


Figure 1-34 20K Upper Deck Air Tension Winch Installation
(1 of 2)

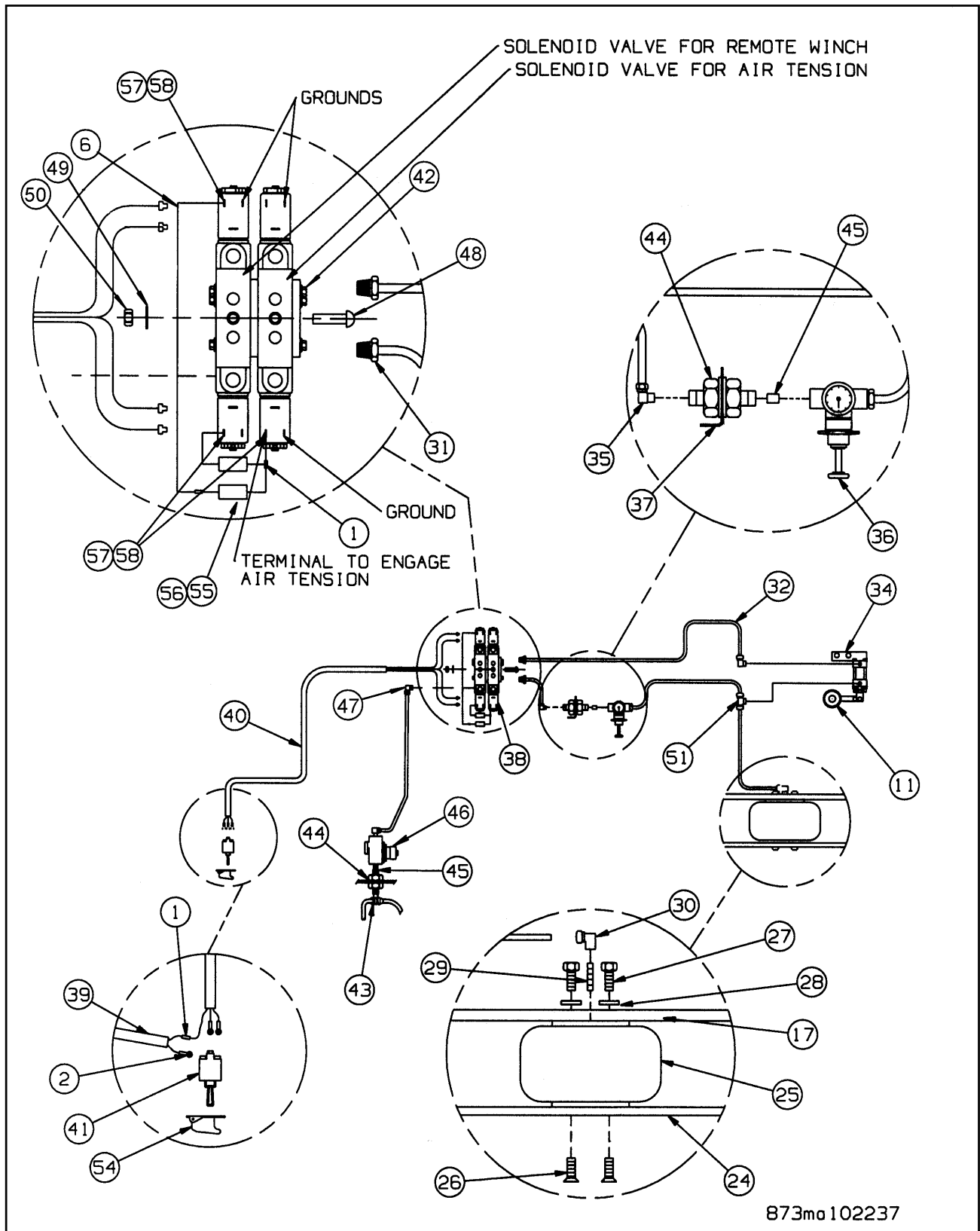


Figure 1-35 20K Upper Deck Air Tension Winch Installation
(2 of 2)

WINCH AIR TENSION INSTALLATION 20K UPPERDECK

ITEM	PART NO.	DESCRIPTION	QTY.
	102237	WINCH AIR TENSIONER 20K U/D W/ REMOTE CONTROLS	
1	3-272-010021	ELECT BUTT SPLICE W/SEAL	5
2	32002	TERMINAL 12-10GA W/ #10 RING WAY	1
3	3-482-010252	MOUNT WINCH	2
4	202702-10-8S	ADAPTER	2
5	1-397-010302240	HOSE ASSEMBLY 1/2 X 240	2
	100062	HOSE ASSEMBLY 1/2 X 286	2
6	1-879-010011	BLACK WIRE 14 AWG	1
8	3-014-010208	ANCHOR CABLE GUIDE WINCH	2
9	3-711-010110	SPACER AIR TENSION MOUNT	4
10	3-573-010442	DECAL, WINCH TENSION	1
11	3-150-010186	BUSHING WINCH REMOTE LEVER	1
12	1-656-010003053	SCREW RD HD MACH 10-24 X 1	1
13	1-512-010007-03	NUT HEX 10-24 GRB	1
14	3-557-010474	PIN PIVOT WINCH ROLLER	2
15	1-647-010004255	PIN, SPRING SLOTTED 2 X 3/8	2
16	1-861-010034-07	WASHER SPLIT LOCK #10	1
17	3-125-010465	BRACKET WELDMENT WINCH TENSION 600	1
18	1-512-010005-13	NUT HEX LOCK 5/8-11 GRB	2
19	3-150-010196	BUSHING WINCH ROLLER-SIDE-600	2
20	3-831-010172	TUBE ROLLER-SIDE-600	2
21	102188	ROD PIVOTING GUIDE 20K WINCH	1
22	3-831-010182	TUBE ROLLER TOP-600 20K	1
23	1-654-010059-15	SCREW HEX HEAD CAP 5/8-11 X 5 GR8	2
24	102187	PLATE WINCH TENSIONER 20K AIR	1
25	3-720-010042	SPRING AIR 6-1/2	1
26	1-654-010141-04	SCREW HEX SOC CTSK 3/8-16 X 1GR8	2
27	1-654-010036-05	SCREW HEX HEAD CAP 3/8-16 X 1 GR8	2
28	1-861-010032-10	WASHER FLAT 3/8N	2
29	1-297-010031-02	FITTING BRASS PIPE	1
30	1-297-010032-03	FITTING AIR 90 1/4FP X 1/4TUBE	1
31	1-297-010007-04	FITTING AIR 1/4TUBE X 1/8NPT	2
32	1-833-010001	TUBING NYLON 1/4OD	36
33	7HCGHT500	1/2 CLEVIS GRAB HOOK	1
34	107368	CYLINDER, AIR W/ BRACKET (SEE PAGE 1-63)	1
35	1-297-010008-07	FITTING AIR 90 1/4TUBE X 1/4NPT	3
36	3-626-010004	REGULATOR AIR PRESSURE	1
37	3-120-010445	BRACKET PRESSURE REGULATOR	1
38	3-843-010022	VALVE PNEU 4 WAY, 2 POS (NO PARTS BREAKDOWN)	1
39	3-156-010008	CABLE 14-2 SO TWO CONDUCTOR	6
40	3-368-010129	HARNESS REMOTE SWITCH	1
41	1-765-010065	TOGGLE SWITCH	1
42	3-136-010001-01	BREATHER, PNEUMATIC EXHAUST	*2
43	1-297-010015-09	FITTING AIR BRANCH TEE	1
44	1-297-010022-02	FITTING AIR ANCHOR COUPLING	1
45	1-297-010020-02	FITTING BRASS PIPE	1
46	905-54-107	VALVE & FILTER PRESSURE	*1
47	1-297-010008-05	FITTING, AIR 90	*1
48	1-654-010024014	SCREW, MACH FIL #6-32 X 1-1/2	*3
49	1-861-010032-01	WASHER, FLAT #6	*6
50	1-512-010003-02	NUT, HEX LOCK #6-32	*3

WINCH AIR TENSION INSTALLATION 20K UPPERDECK

ITEM	PART NO.	DESCRIPTION	QTY.
51	1-297-010015-02	FITTING AIR BRANCH TEE	1
52	239-9076-3	SUPPORT CLAMP	1
53	1-512-010005-05	NUT, HEX LOCK 3/8-16	8
54	3-348-010048	GUARD SWITCH - 3 POSITION	1
55	3-272-010109	DIODE ZENOR 20V 5-WATT	2
56	3-272-010018	TUBING HEAT SHRINK W/ SEALANT	2
57	C29-1104X	CONN FEMALE 1/4 SPADE INSULATED	3
58	3-272-010157	ELECT ADAPTER CHAIR 1/4 PUSHON	3
59	1-861-010032-18	WASHER FLAT 5/8N	2
60	3-174-010038	CHAIN LINK CONNECTING 1/2	1
61	3-174-010039036	CHAIN 1/2 X 36 GR7	1
62	3-565-011688	PLATE F/W SPRING TENSION	2
63	3-014-010255	ANCHOR BUSHING F/W SPRING TENSION-600	2
64	RTR7999X4ZP	ROD THREADED 3/4-10 X 4-7/8	2
65	1-512-010007-12	NUT HEX 3/4-10 GR8	4
66	3-522-010017	NUT F/W SPRING TENSION	2
67	3-720-010035	SPRING	2
68	1-654-010055-03	SCREW HEX HEAD CAP 1/2-13 X 1-1/2 GR5	2
69	1-654-010055-01	SCREW HEX HEAD CAP 1/2-13 X 1 GR5	2
70	1-654-010055-07	SCREW HEX HEAD CAP 1/2-13 X 2-1/2 GR5	4
71	1-512-010005-09	NUT HEX LOCK 1/2-13 GRB	14
72	1-654-010055-05	SCREW HEX HEAD CAP 1/2-13 X 2 GR5	10
73	1-861-010032-14	WASHER FLAT 1/2N	4
74	3-873-010123	WINCH WORM GEAR 20K (SEE PAGE 1-56)	1
75	3-481-010007	MOTOR HYDRAULIC (SEE PAGE 1-66)	1
76	100600	DECAL WARNING WINCH (NOT SHOWN)	1
77	1-861-010034-13	WASHER SPLIT LOCK 1/2	2
78	3-222-010083	COVER, WINCH SLOPE	1
79	1-654-010051-07	SCREW, HEX HEAD CAP 3/8-16 X 1-1/2 GR5	8
80	1-861-010032-11	WASHER, FLAT 3/8	12
81	3-155-010018-1	CABLE 5/8 W/LOOP 60 FT.	REF
	3-155-010018-6	CABLE 5/8 W/LOOP 85 FT.	REF
82	107369	LEVER, WINCH FREE SPOOL	1
83	1-512-010007-05	NUT, HEX 1/4-20	1
84	1-861-010034-09	WASHER, SPLIT LOCK 1/4	1

* USED ON MODELS W/O REMOTES

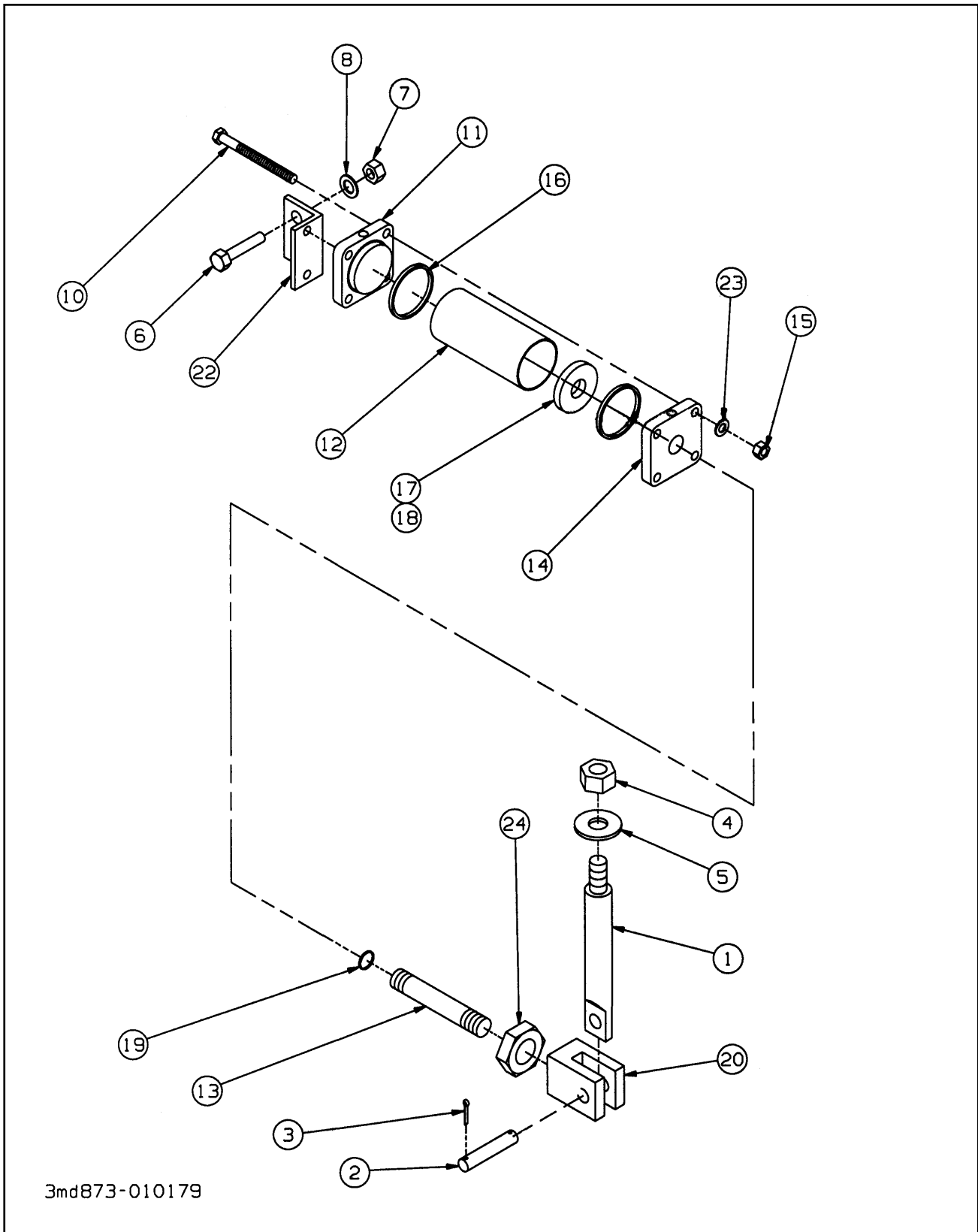


Figure 1-36 Winch Air Shift Cylinder

WINCH AIR SHIFT CYLINDER

ITEM	PART NO.	DESCRIPTION	QTY.
	107368	CYLINDER, AIR W/ BRACKET (INCLUDES ITEMS 1-23)	
1	107369	LEVER WINCH FREE SPOOL	1
2	1976	PIN	1
3	2356	COTTER PIN	1
4	1-512-010007-05	NUT HEX 1/4-20 GRB	1
5	1-861-010034-09	WASHER, SPLIT LOCK 1/4	1
6	1-654-010055-01	SCREW, HEX HEAD CAP 1/2-13 X 1 GR5	2
7	1-512-010005-09	NUT, HEX LOCK 1/2-13 GRB	2
8	1-861-010032-14	WASHER, FLAT 1/2	2
9	C2001	CYLINDER (INCLUDES ITEMS 10-23)	1
10	1128	CAPSCREW	4
11	1272	REAR COVER PLATE	1
12	1277	TUBE	1
13	2388	PISTON ROD	1
14	1271	FRONT COVER PLATE	1
15	1723	NUT	4
16	1274	BACK-UP-RING	2
17	1275	O-RING	1
18	1273	PISTON	1
19	1276	O-RING	1
20	1974	CLEVIS	1
21	1224	NUT	1
22	2389	BRACKET	1
23	1766	LOCKWASHER	4
24	3-150-010186	BUSHING WINCH REMOTE LEVER	1
	3109	O-RING KIT FOR CYLINDER	

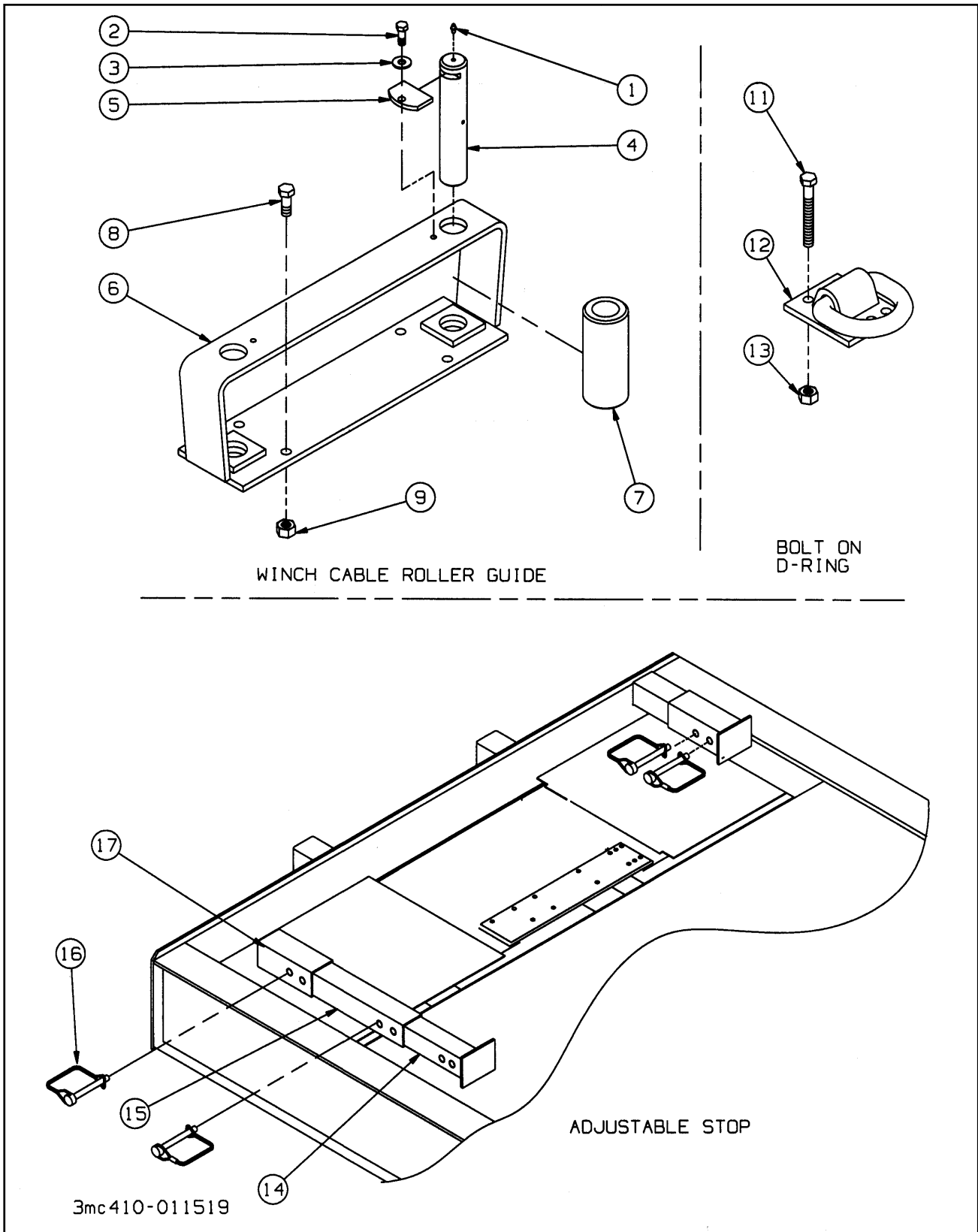


Figure 1-37 Winch Cable Roller Guide (Optional)

WINCH CABLE ROLLER GUIDE (OPTIONAL)

ITEM	PART NO.	DESCRIPTION	QTY.
	3-352-010017-1	GUIDE INSTALLATION WINCH CABLE 12K	
	3-352-010017-2	GUIDE INSTALLATION WINCH CABLE 20K	
1	1-298-010001-1	FITTING GRS 1/4-28 STR SHORT	2
2	1-654-010051-03	SCREW HEX HEAD CAP 3/8-16 X 3/4 GR5	2
3	1-861-010034-11	WASHER SPLIT LOCK 3/8	2
4	3-557-010383	PIN CABLE GUIDE ROLLER	2
5	3-565-010770	PLATE CABLE GUIDE LOCK	2
6	3-120-010295	BRACKET WLDMT 12K ROLLER	1
	3-120-010294	BRACKET WLDMT 20K ROLLER	1
7	3-645-010049	ROLLER WINCH CABLE GUIDE	2
8	1-654-010055-05	SCREW HEX HEAD CAP 1/2-13 X 2 GR5	4
9	1-512-010005-09	NUT HEX LOCK 1/2-13 GRB	4
10	3-352-010015-3	GUIDE ASSY WINCH CABLE 12K (INCL. ITEMS 1-7)	1
	3-352-010015-4	GUIDE ASSY WINCH CABLE 20K (INCL. ITEMS 1-7)	1

BOLT-ON D-RING (OPTIONAL)

	3-793-010041	TIE DOWN INSTALLATION WINCH D-RING	
11	1-654-010055-03	SCREW HEX HEAD CAP 1/2-13 X1-1/2 GR5	6
12	3-793-010040	TIE DOWN WINCH	1
13	1-512-010005-09	NUT HEX LOCK 1/2-13 GR B	6

STOP INSTALLATION, ADJUSTABLE (OPTIONAL)

	3-741-010085	STOP INSTALLATION ADJUSTABLE 330	
14	3-829-010327	TUBE WELDMENT 3'	2
15	3-829-010329	TUBE WELDMENT 3-1/2"	2
16	346SL	LOCK HITCH PIN	4
17	3-829-010331	TUBE INSTALLATION ADJ STOP	2

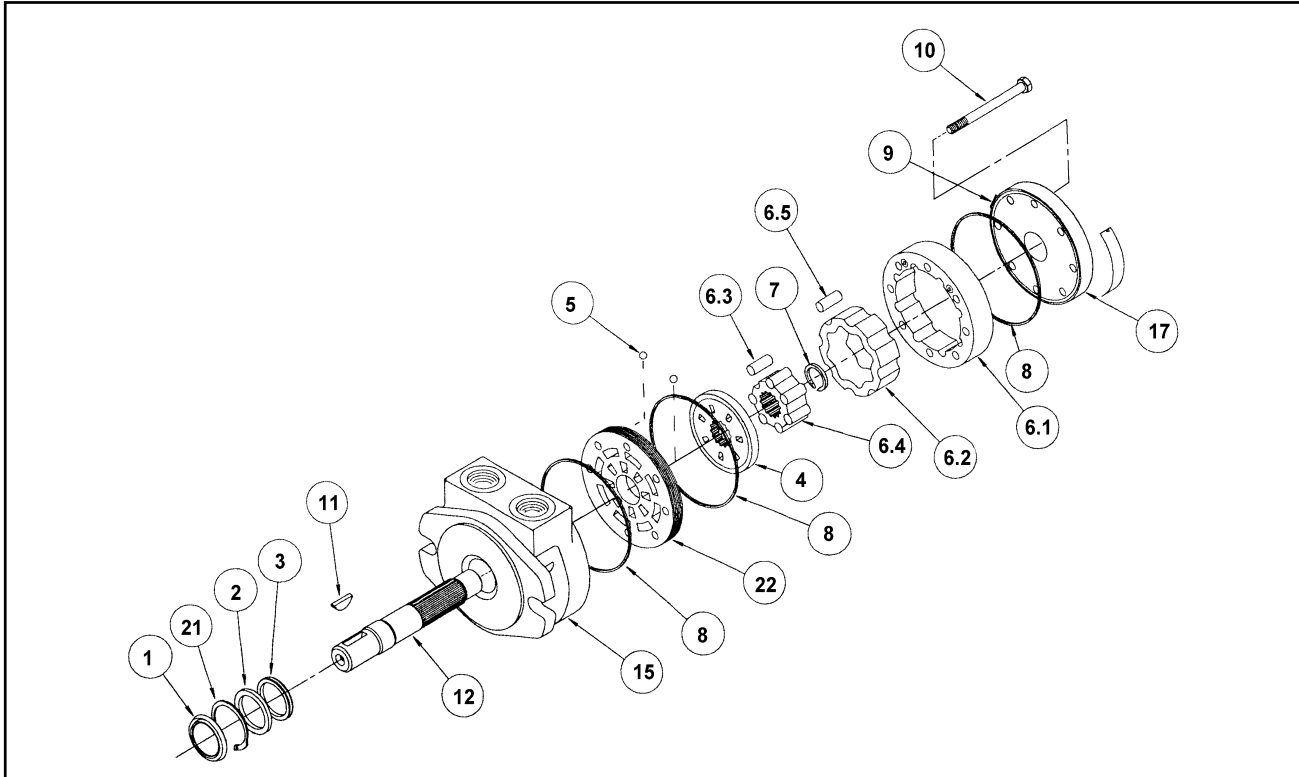
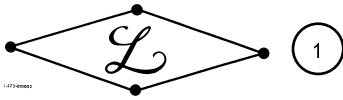


Figure 1-38 Winch Motor Assembly

WINCH MOTOR ASSEMBLY

ITEM	PART NO.	DESCRIPTION	QTY.
	3-481-010007	MOTOR HYD. (FOR 20K WINCH)	1
	3-481-010006	MOTOR HYD (FOR 12K WINCH)	1
1	2183	SEAL DUST	1
2	2177	BACK-UP RING	1
3	2175	SEAL, LIP	1
4	1644	ROTARY VALVE	1
5	1021	CHECK VALVE BALL	2
6	1004-6	IGR, ASSY (FOR 20K WINCH)	1
	1004-3	IGA, ASSY (FOR 12K WINCH)	1
7	1296	SNAP RING	1
8	1046	SQUARE RING SEAL	3
9	1019-4	PLUG, VENT W/O-RING 7/16-20	1
10	1014-4	BOLTS, HEX 5/16-24 (FOR 20K WINCH)	8
	1114-5	BOLTS, HEX 5/16-24 (FOR 12K WINCH)	8
11	1655	KEY, WOODRUFF	1
12	2265-6	SHAFT, 1.25" 14 TOOTH SPLINE (FOR 20K WINCH)	1
	2109-3	SHAFT, 1" KEYED (FOR 12K WINCH)	1
15	M110AB-4	BODY/BEARING ASSY (FOR 20K WINCH)	1
	PA-2328-2	BODY/BEARING ASSY (FOR 12K WINCH)	1
17	M110C-1	COVER/BEARING ASSY	1
21	2180	SNAP RING, SHAFT	1
22	1865	COMMUNTATOR PLATE	1
23	2263	SEAL KIT, BODY	1
	2480	SEAL KIT, BODY, VITON	1



LANDOLL®



B 330

WARNING
 TO MEET FEDERAL REGULATIONS THE TRAVELING AXLES MUST BE IN THE REAR MOST POSITION FOR HIGHWAY USE.
 3-573-010300

IMPORTANT
 CONNECT FEMALE HYDRAULIC COUPLER FROM TRACTOR WET KIT OR ENGINE PACKAGE TO MALE HYDRAULIC COUPLER AT FRONT OF TRAILER FIRST TO RELIEVE PRESSURE IN TRAILER LINES.
 105522

WARNING
TRAILER OPERATION
 1. PARK TRACTOR AND TRAILER IN A STRAIGHT LINE ON RELATIVELY LEVEL GROUND.
 2. SET TRACTOR BRAKES AND RELEASE TRAILER BRAKES.
 3. ENGAGE PTO.
 4. PULL AXLES FORWARD OUT OF POCKETS.
 5. TO ACHIEVE LOW LOAD ANGLE, ALTERNATE BETWEEN RAISING THE TRAILER AND PULLING THE AXLES FORWARD UNTIL THE APPROACH PLATE TOUCHES THE GROUND AND THE AXLES ARE COMPLETELY FORWARD.
 6. MAXIMUM ANGLE IS ONLY INTENDED, IF REQUIRED, FOR UNLOADING NON-SHIPPED PRODUCTS, AND TO TRANSFER LOAD TO TRACTOR. TRANSFER LOAD TO TRACTOR BY RAISING DECK AND MOVING AXLES TOWARD REAR UNTIL LOAD IS FORWARD OF REAR AXLE, THUS TRANSFERRING LOAD TO TRACTOR.
 7. TO RETURN TO LEVEL POSITION, REVERSE STEPS USED TO TILT THE TRAILER.
 3-573-010127

CAUTION
 MAXIMUM CONCENTRATED LOAD IN A 10 FT. AREA 10,000 LBS.
 3-573-010134

CAUTION
 MAXIMUM CONCENTRATED LOAD IN A 10 FT. AREA 20,000 LBS.
 3-573-010086

PULL UP TO RAISE | PULL UP TO REEL IN | PULL UP TO RETRACT
5th WHEEL WINCH AXLE
 PUSH DOWN TO LOWER | PUSH DOWN TO REEL OUT | PUSH DOWN TO EXTEND

WARNING
 A MINIMUM OF 5 WRAPS OF CABLE MUST BE LEFT ON DRUM.
 3-573-010299

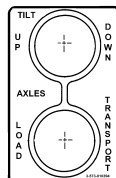
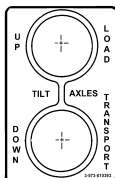
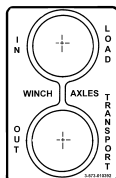
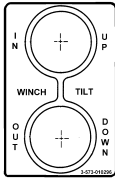
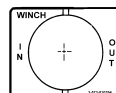
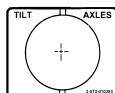
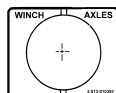
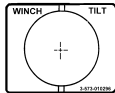
LANDOLL CORPORATION
 1900 NORTH
 MARYSVILLE, KS 66508-0111
 MANUFACTURED IN: _____ (MO/YR)
 DOT _____
 103055

DANGER
 TORQUE SPECIFICATIONS (FOR PILOT MOUNTED DISC-WHEELS)
 2 - 10 5/16" X 85888
 Applies to 4002 2 - 10 5/16" Pilot Mounted Disc Storage Axle.
 All threads are right hand thread.
 Tighten Disc Brake to 90 A.F. using appropriate torque.
 Check Disc Brake for proper operation, air leak and proper seating of disc.
 Tighten Disc Brake to recommended torque with torque wrench.
 Recommended torque: 450 - 500 FT. LBS.

1700 May Street
 Box 111
 Marysville, Kansas 66508
LANDOLL TRAILER DIVISION
 1-800-428-5555
 1-800-HAULOLL
 IN KANSAS
 1-800-232-5555
 MANUFACTURED UNDER ONE OR MORE OF THE FOLLOWING PATENTS: 4125198, 4231710, 4261191, 4626991, 4526957, 4492507, 4528774
 3-573-010296

WARNING
 IN THE EVENT OF COLLISION OR DAMAGE TO BUMPER OR ENERGY PACK, REPLACEMENT IS MANDATORY BEFORE FURTHER OPERATION OF THE TRAILER.
 103056

IMPORTANT
 DO NOT HOOK WINCH LINE TO BUMPER. BUMPER MOVES WITH UNDERCARRIAGE.
 3-573-010031



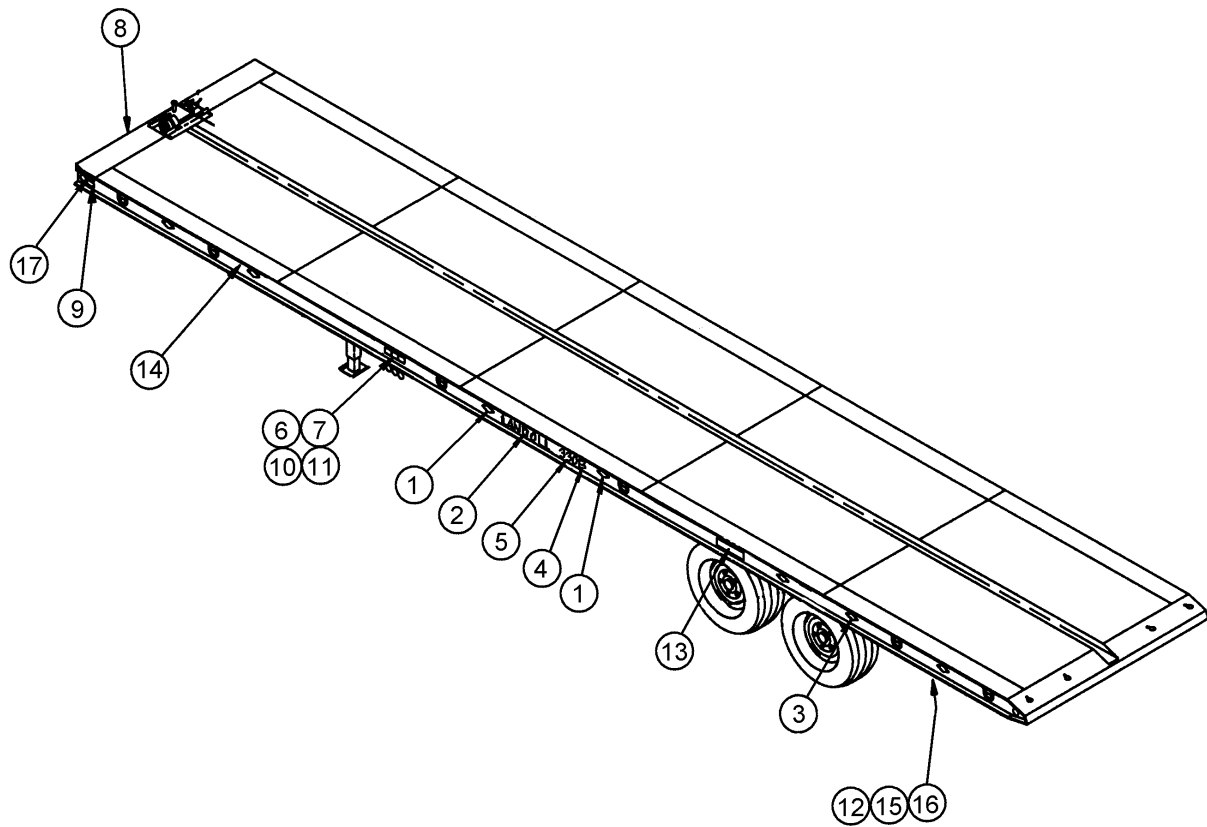
18

19

20

21

Figure 1-39 Decals



m104560

Figure 1-40 Decal Placement

DECAL PLACEMENT

ITEM	PART NO.	DESCRIPTION	QTY.
1	1-573-010479	DECAL, L WHITE	8
	1-573-010475	DECAL, L BLACK	8
2	1-573-010481	DECAL, LANDOLL WHITE	4
	1-573-010477	DECAL, LANDOLL BLACK	4
3	1-573-010017	DECAL, LANDOLL WHITE	4
	1-573-010007	DECAL, LANDOLL BLACK	4
4	114569	DECAL, "B" BLACK	4
	114568	DECAL, "B" WHITE	4
5	113853	DECAL, 330 BLACK DC 2-1/2"	2
	113853	DECAL, 330 WHITE DC 2-1/2"	2
6	3-573-010300	DECAL, CAUTION	1
7	3-573-010127	DECAL, OPERATION	1
8	105822	DECAL, HYD COUPLER	1
9	3-573-010134	DECAL, CONC LOAD (SINGLE AXLE)	2
	3-573-010086	DECAL, CONC LOAD (TANDEM AXLE)	2
10	3-573-010057	DECAL, INSTRUCTION	1
11	3-573-010299	DECAL, WARNING WINCH	1
12	103055	DECAL, ENERGY BUMPER CERT.	1
13	3-573-010210	DECAL, TORQUE SPEC 8-10 STUD HUB	1
14	3-573-010377	DECAL, REFLEXITE TAPE RED/WHITE	48'
15	103056	DECAL, ENERGY BUMPER WARNING	1
16	3-573-010031	DECAL, BUMPER	1
17	3-573-010298	DECAL, PATENT TRAILERS AND TOLL FREE NO.	2
18	3-573-010296	DECAL, WINCH TILT	REF
19	3-573-010392	DECAL, REMOTE WINCH UNDERCARRIAGE	REF
20	3-573-010393	DECAL, REMOTE TILT UNDERCARRIAGE	REF
21	3-573-010394	DECAL, TILT/WINCH/UNDERCARRIAGE	REF
22	3-573-010378	DECAL, 2 X10 REFLEXITE WHITE (NOT SHOWN)	2

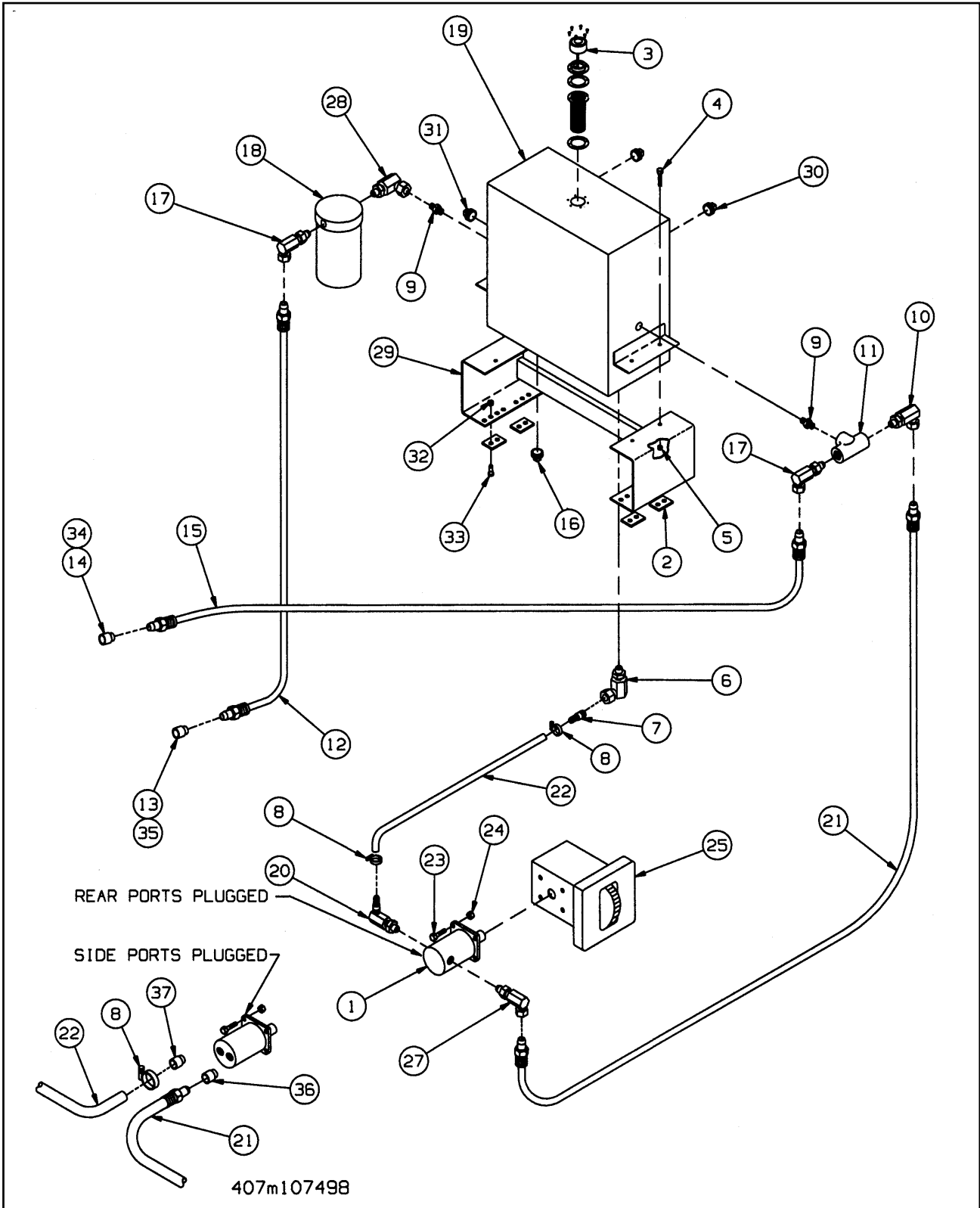


Figure 1-41 Hydraulic Wet Kit Assembly (Option)

HYDRAULIC WET KIT (OPTION)

ITEM	PART NO.	DESCRIPTION	QTY.
	107498	HYDRAULIC WET KIT W/ PTO INSTALLED	
	107499	HYDRAULIC WET KIT W/ PTO NOT INSTALLED	
	107500	HYDRAULIC WET KIT W/O PTO NOT INSTALLED	
1	3-591-010001	HYDRAULIC GEAR PUMP (SEE PAGE 1-72)	1
2	3-120-010461	BRACKET, HYD TANK MOUNT SUPPORT	4
3	3-162-010001	FILLER BREATHER STRAINER ASSEMBLY	1
4	1-654-010051-06	SCREW HEX HEAD CAP 3/8-16X1-1/4 GR5	4
5	1-512-010005-05	NUT HEX LOCK 3/8-16 GRB	4
6	1-1/4ST ELL	BLACK PIPE ELBOW 90 ST	1
7	3-561-010001	HOSE BARB 1-1/4	1
8	6828	IDEAL HOSE CLAMP	2
9	C3069X12	NIPPLE HEX	2
10	2024-12-8S	ADAPTER 90	1
11	125130	RD12D HYD BY PASS SRDD	1
12	106760	HOSE 3/4 X 164	1
13	105479	COUPLER FLAT FACE MALE NOSE	1
14	105480	COUPLER FLAT FACE FEMALE BODY	1
15	106759	HOSE ASSEMBLY 1/2 X 164	1
16	1-560-010002-07	PLUG, BLACK PIPE 1-1/4 SQ HEAD	1
17	2024-12-12S	ADAPTER 90	2
18	1-295-010001	FILTER, RETURN	1
	1-295-010002	FILTER ELEMENT	1
19	3-786-010043	TANK, HYDRAULIC	1
20	1-007-010006	ELBOW 90, 1-5/16 O-RING 1-1/4 HOSE	1
21	1-397-010301100	HOSE ASSEMBLY 1/2 X 100	1
22	3-399-010001	HOSE 1-1/4 X 4 - 0" SUCTION	8'
23	1-654-010055-03	SCREW HEX HEAD CAP 1/2-13 X 1-1/2 GR5	4
24	1-861-010034-13	WASHER SPLIT LOCK 1/2	4
25	PTO	POWER TAKE OFF	*1,—
27	2062-16-8S	ADAPTER, 90	1
28	2047-12-12S	ELBOW 90 SWIVEL	1
29	3-482-010503	TANK MOUNT	1
30	1-560-010002-05	PIPE PLUG 3/4	2
31	1-560-010002-04	PIPE PLUG 1/2	1
32	1-512-010005-09	NUT, HEX LOCK 1/2-13 GRB	4
33	1-654-010055-04	SCREW, HEX HEAD CAP 1/2-13 X 1-3/4 GR5	4
34	105482	COUPLER, DUST CAP FEMALE	1
35	105481	COUPLER, DUST CAP MALE	1
36	12-16 070120	ADAPTER	1
37	107513	ADAPTER	1

* FIRST QUANTITY LISTED IS FOR P/N'S 107498 AND 107499 HYDRAULIC WET KIT W/ PTO; SECOND QUANTITY LISTED IS FOR P/N 107500 HYDRAULIC WET KIT W/O PTO.

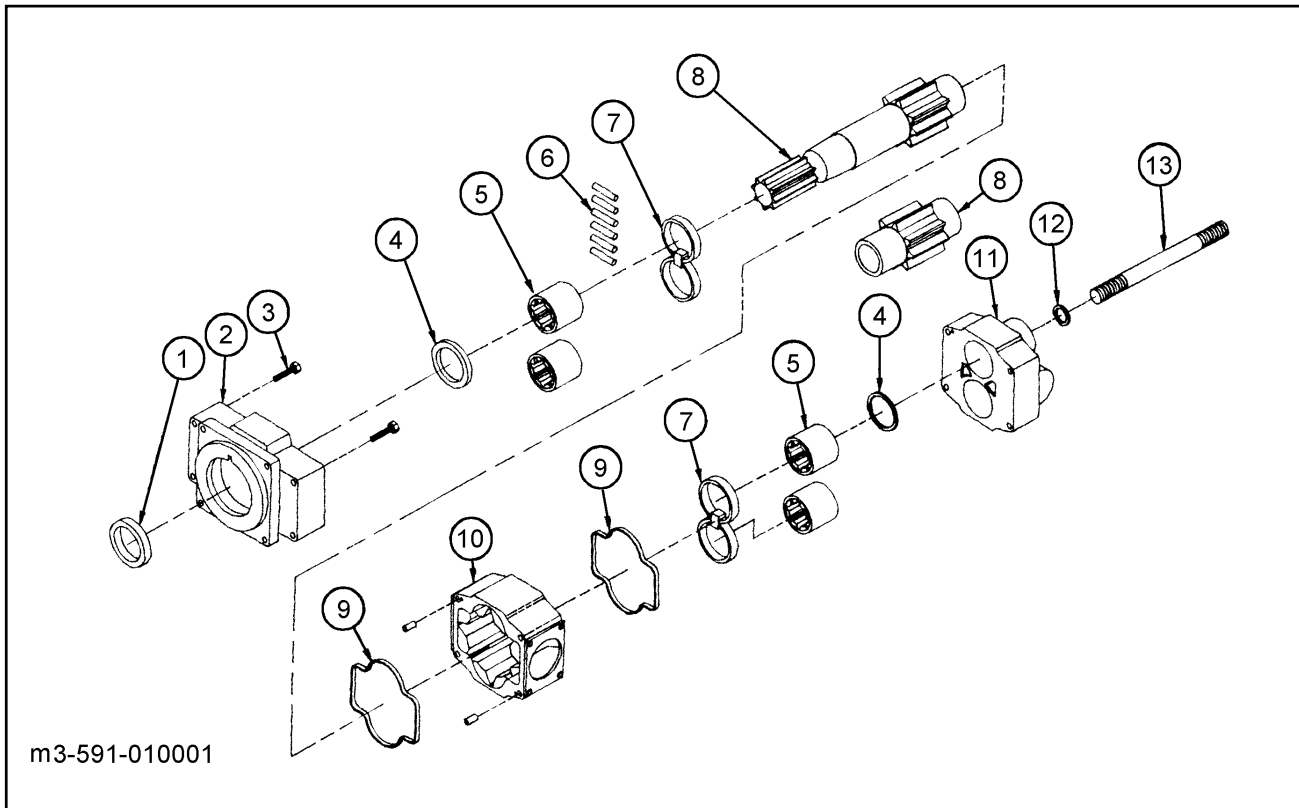


Figure 1-42 Hydraulic Pump, Wet Kit (Option)

HYDRAULIC PUMP, WET KIT (OPTION)

ITEM	PART NO.	DESCRIPTION	QTY.
	3-591-010001	HYDRAULIC PUMP ASSEMBLY	1
1	X73-37-16	SEAL SHAFT	1
2	EB 1685-3	COVER SHAFT END	1
3	M 1391-K	CHECK	2
4	LB 1669-1	SEAL RING	2
5	Y 1032	BEARING ROLLER	4
6	BA 3026-2	STRIP POCKET SEAL	1
7	AA 1058	PLATE THRUST	2
8	BD 1135M-3-17	GEAR SET SHAFT	1
9	UB 3006-242	GASKET HOUSING	2
10	RA 1688-17-64	HOUSING	1
11	XA 1603	PORT END	1
12	X 144-3	WASHER	1
13	X2-25	STUD	1
14	391-1802-119	SEAL KIT	

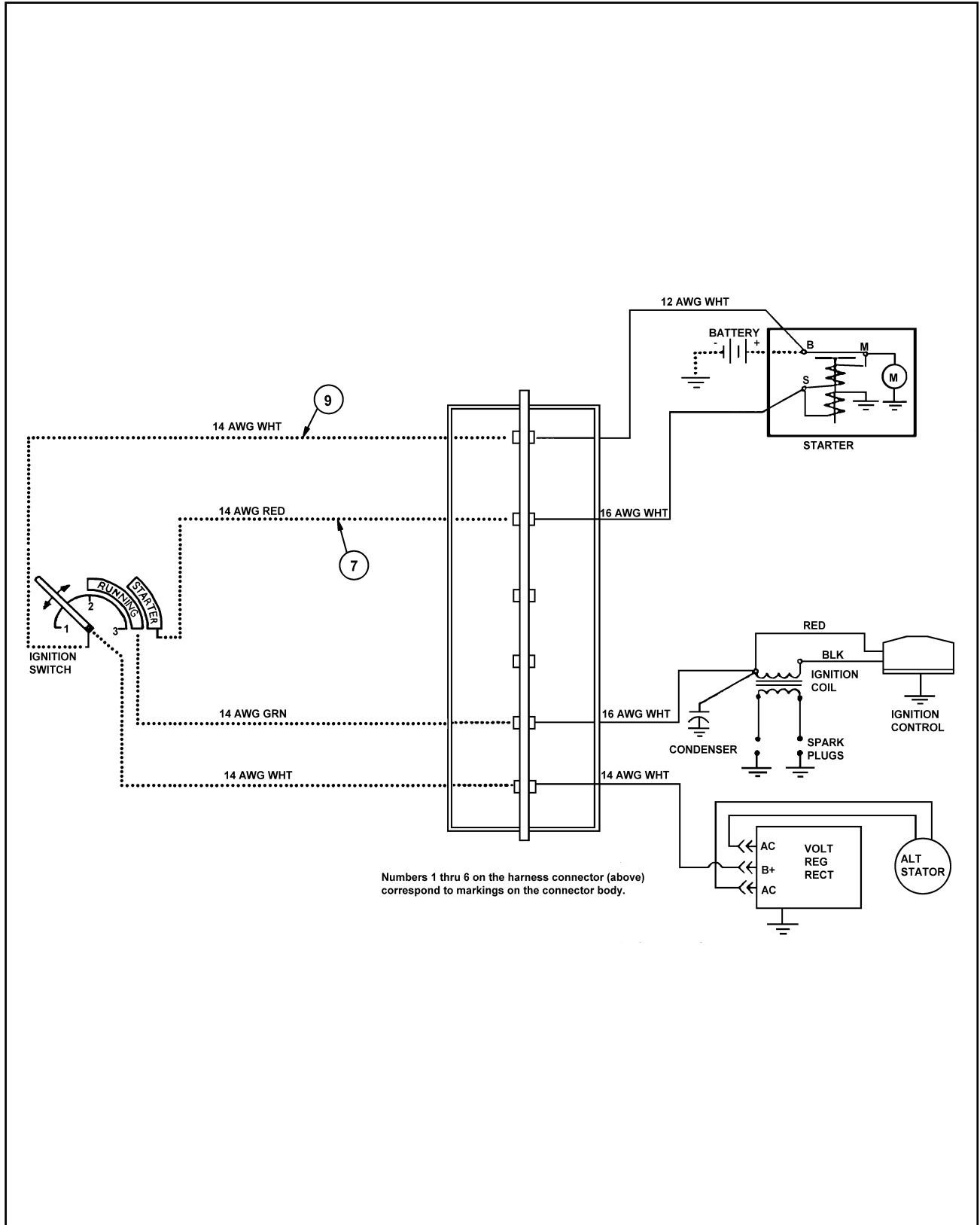


Figure 1-43 Engine Harness Diagram

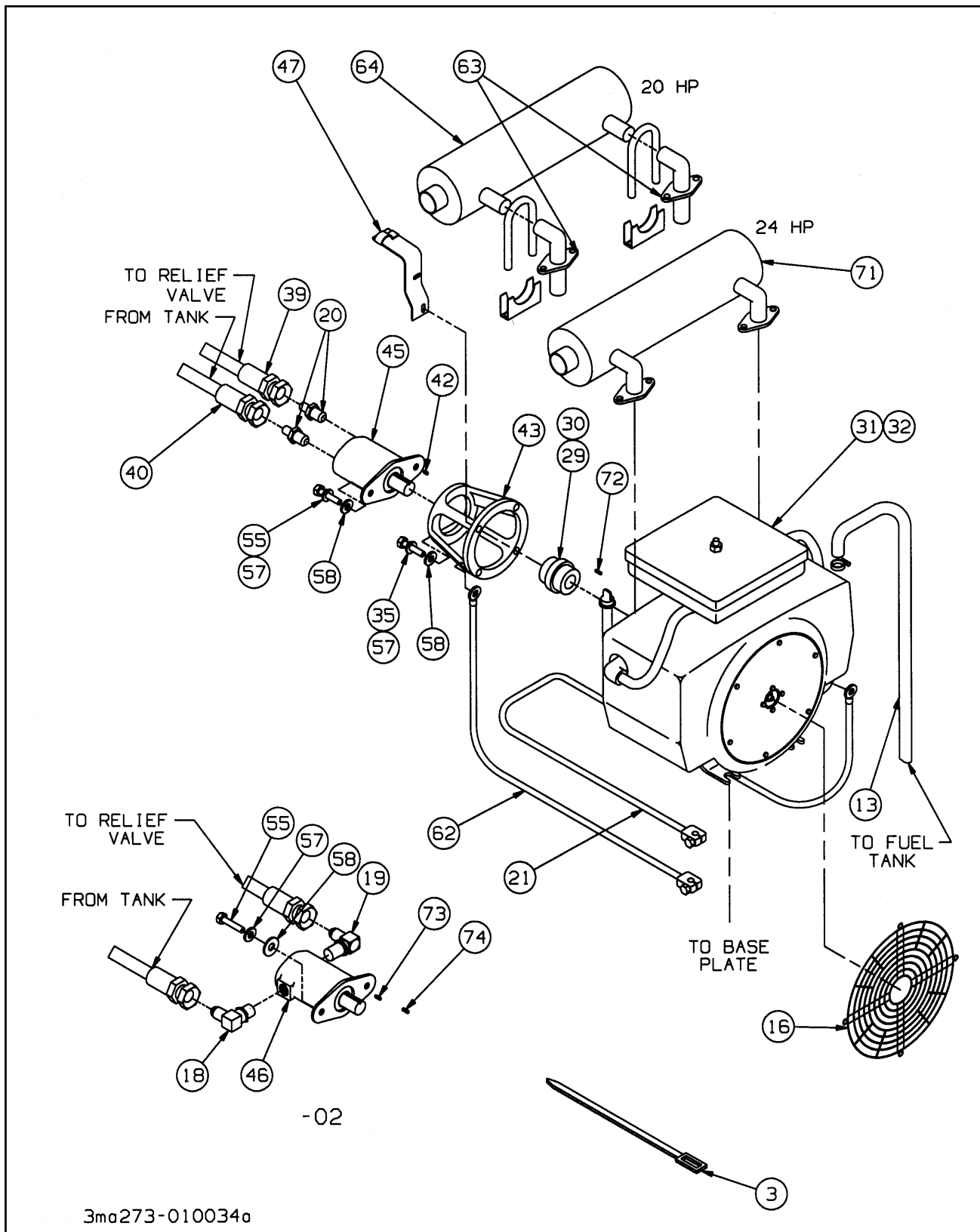


Figure 1-44 Auxiliary Engine Package (1 of 2)

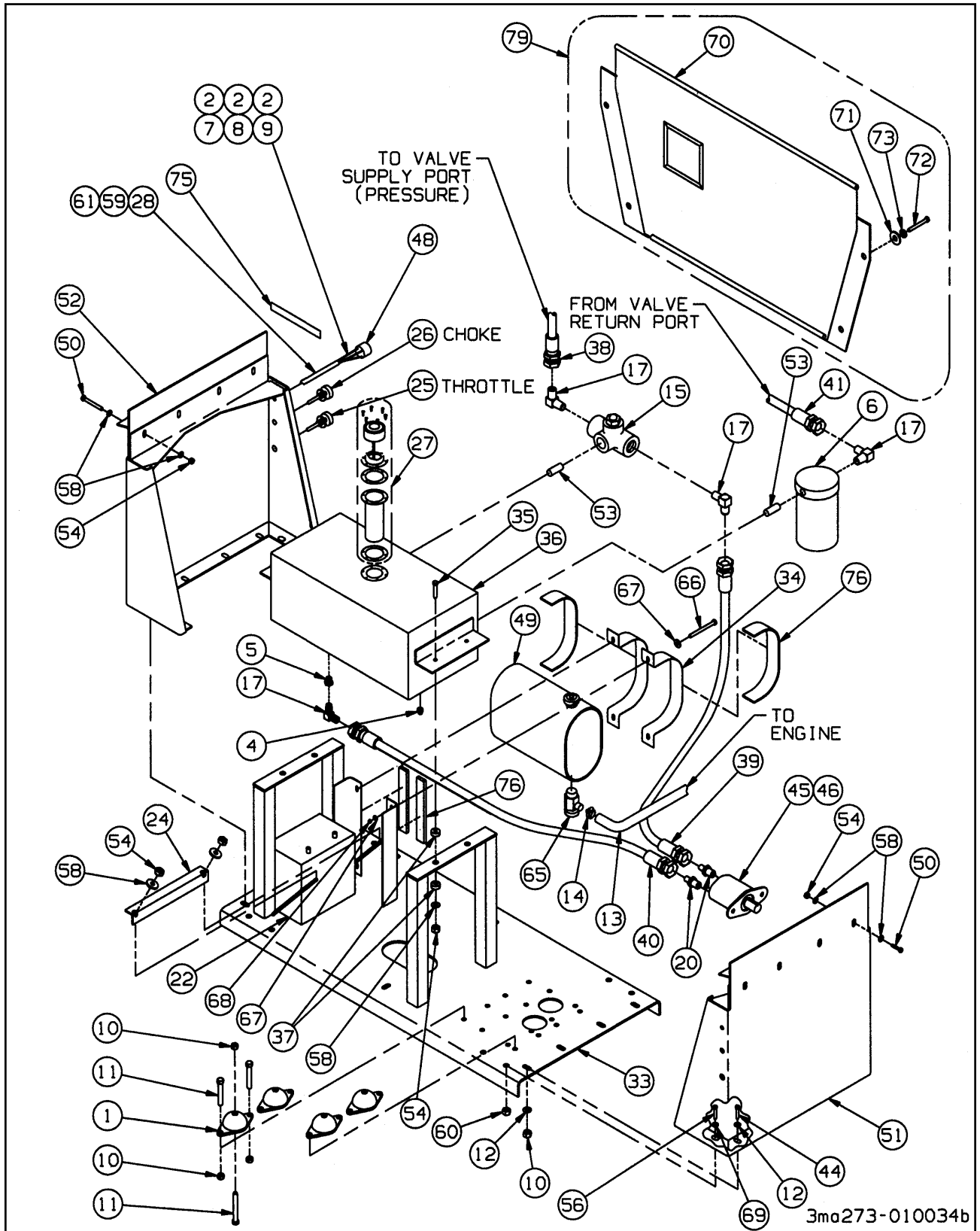


Figure 1-45 Auxiliary Engine Package (2 of 2)

AUXILIARY ENGINE PACKAGE (OPTIONAL)

ITEM	PART NO.	DESCRIPTION	QTY.
	3-273-010034-01	ENGINE DRIVE UNDERSLUNG 330 20HP	
	3-273-010034-02	ENGINE DRIVE UNDERSLUNG 330 24HP	
1	CA-1595	MACHINE MOUNT 40 DUROMETER	4
2	3-203-010001	RING TERMINAL	3
3	1-796-010003-02	TIE STRAP PLASTIC	A/R
4	1-560-010002-07	PLUG PIPE	1
5	1-1/4 X 3/4 BUSH	BLACK PIPE BUSHING 1-1/4 X 3/4	1
6	1-295-010001	FILTER RETURN LINE	1
	1-295-010002	FILTER ELEMENT	1
7	1-879-010004072	WIRE RED 14AWG 6FT	1
8	1-879-010006072	WIRE GREEN 14AWG 6FT	1
9	1-879-010010072	WIRE WHITE 14AWG 6FT	1
10	1-512-010005-09	NUT HEX LOCK 1/2-13 GRB	24
11	1-654-010055-03	SCREW HEX HEAD CAP 1/2-13 X 1-1/2 GR5	12
12	1-861-010032-15	WASHER FLAT 1/2	24
13	1-316-010013-1	HOSE PRESS FUEL 1/4	1
14	105-0105	CLAMP HOSE IDEAL 6203	2
15	125130	RD12D HYDRAULIC BY PASS SRDD	1
16	134-4560	GUARD ONAN	1
17	2024-12-12S	ADAPTER 90	4
18	2062-16-12S	ADAPTER 90	*0,1
19	2062-12-12S	ADAPTER 90	*0,1
20	2021-16-12S	ADAPTER PIPE TO TUBE	*2,0
21	239-8113-40	CABLE ASSEMBLY BATTERY (NEG) 2AWG	1
22	2481X	BATTERY 12 VOLT	1
24	3-120-010124	BATTERY CLAMP BRACKET	1
25	3-155-010012	CABLE THROTTLE	1
26	3-155-010025	CHOKE CABLE	1
27	3-162-010001	FILLER BREATHER STRAINER ASSY	1
28	3-201-010002072	CONDUIT PLASTIC FLEX	1
29	3-220-010003	FLEXIBLE COUPLING	*1,0
30	3-220-010002	FLEXIBLE COUPLING	*0,1
31	3-273-010006	ENGINE 20HP ONAN	*1,0
32	3-273-010013	ENGINE 24HP ONAN	*0,1
33	3-482-010495	MOUNT WELDMENT 330 POWER CTR	1
34	3-744-010046	STRAP 3 GAL FUEL TANK	2
35	1-654-010051-08	SCREW HEX CAP 3/8-16 X 1-3/4 GR5	4
36	3-786-010005	HYDRAULIC TANK 5TH WHEEL	1
37	805-2	BUSHING STEP	8
38	1-397-010304056	HOSE ASSEMBLY 3/4	1
39	1-397-010304032	HOSE ASSEMBLY 3/4	1
40	1-397-010304022	HOSE ASSEMBLY 3/4	1
41	1-397-010304064	HOSE ASSEMBLY 3/4	1
42	3-427-010003	KEY WOODRUFF 317/350	*1,0
43	3-482-010003	20HP HYDRAULIC PUMP MOUNT	1
44	1-654-010055-02	SCREW HEX HEAD CAP 1/2-13X1-1/4 GR5	12
45	3-591-010005	PUMP HYDRAULIC GEAR 20HP	*1,0
46	3-591-010003	PUMP HYDRAULIC GEAR 24HP	*0,1
47	3-482-010360	MOUNT CHOKE CABLE WLDMT	1
48	3-765-010005	IGNITION SWITCH	1

AUXILIARY ENGINE PACKAGE (OPTIONAL)

ITEM	PART NO.	DESCRIPTION	QTY.
49	3-783-010013P	TANK FUEL 3 GAL	1
50	1-654-010051-07	SCREW HEX HEAD CAP 3/8-16 X 1-1/2 GR5	8
51	3-482-010566	MOUNT WELDMENT FRONT	1
52	3-482-010565	MOUNT WELDMENT REAR	1
53	3/4NIPPLE	NIPPLE ALL THREAD 3/4	2
54	1-510-010001	NUT FLANGE LOCK 3/8-16	14
55	1-654-010051-06	SCREW HEX HEAD CAP 3/8-16 X 1-1/4 GR5	6
56	1-654-010059-13	SCREW HEX HEAD CAP 5/8-11 X 4 GR5	4
57	1-861-010034-11	WASHER SPLIT LOCK 3/8	6
58	1-861-010032-11	WASHER FLAT 3/8	30
59	3-272-010021	ELECTRICAL BUTT SPLICE	2
60	1-512-010005-13	NUT HEX LOCK 5/8-11 GRB	4
61	3-272-010022	ELECTRICAL BUTT SPLICE	1
62	514-9045-40	CABLE ASSEMBLY BATTERY (POS)	1
63	541-0203	EXHAUST ADAPTER KIT	*1,0
64	541-0379	MUFFLER 20HP ONAN	*1,0
65	6600	VALVE SHUT-OFF GAS WEATHERHEAD	1
66	1-654-010049-09	SCREW HEX HEAD CAP 5/16-18 X 2 GR5	4
67	1-861-010032-09	WASHER FLAT 5/16	8
68	1-512-010005-03	NUT HEX LOCK 5/16-18 GRB	4
69	1-861-010032-19	WASHER FLAT 5/8	4
70	3-348-010045	GUARD WELDMENT 330 U/S SIDE PANEL	2
71	541-0316	MUFFLER 24 HP	*0,1
72	110-4338	SQUARE KEY 1/4 X 2	*1,0
73	110-4334	KEY 3/16 X 1-1/4	*0,1
74	110-4348	KEY 3/8 X 2	*0,1
76	10030	SEL BAR STOCK - NEOPRENE SPONGE	60"

* THE FIRST QUANTITY LISTED IS FOR P/N 3-273-010034-01; SECOND QUANTITY LISTED IS FOR P/N 3-273-010034-02.

NOTE: SEE FIGURE 1-43 FOR ENGINE HARNESS DIAGRAM.

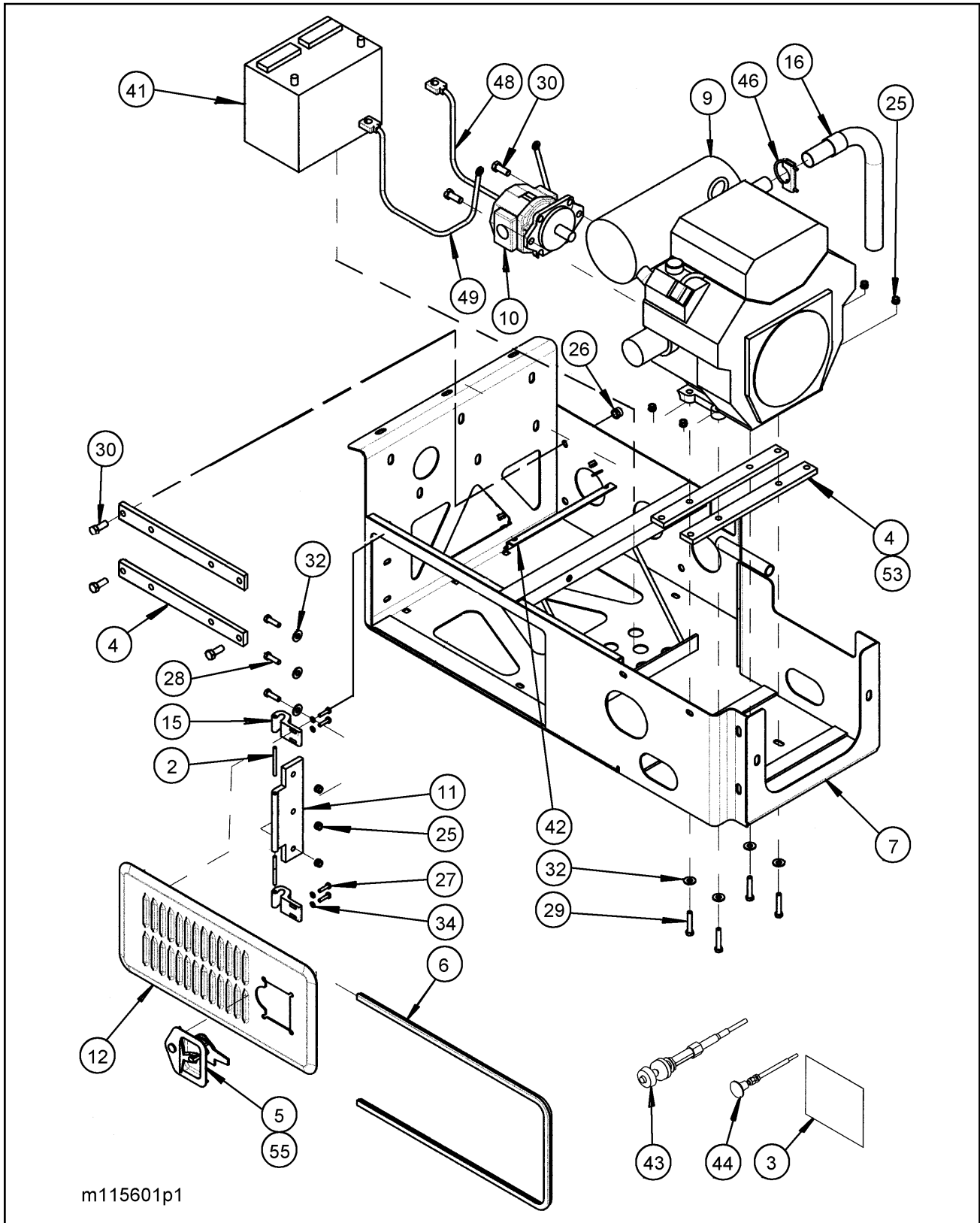


Figure 1-46 Engine Package Front Mount (1 of 2)

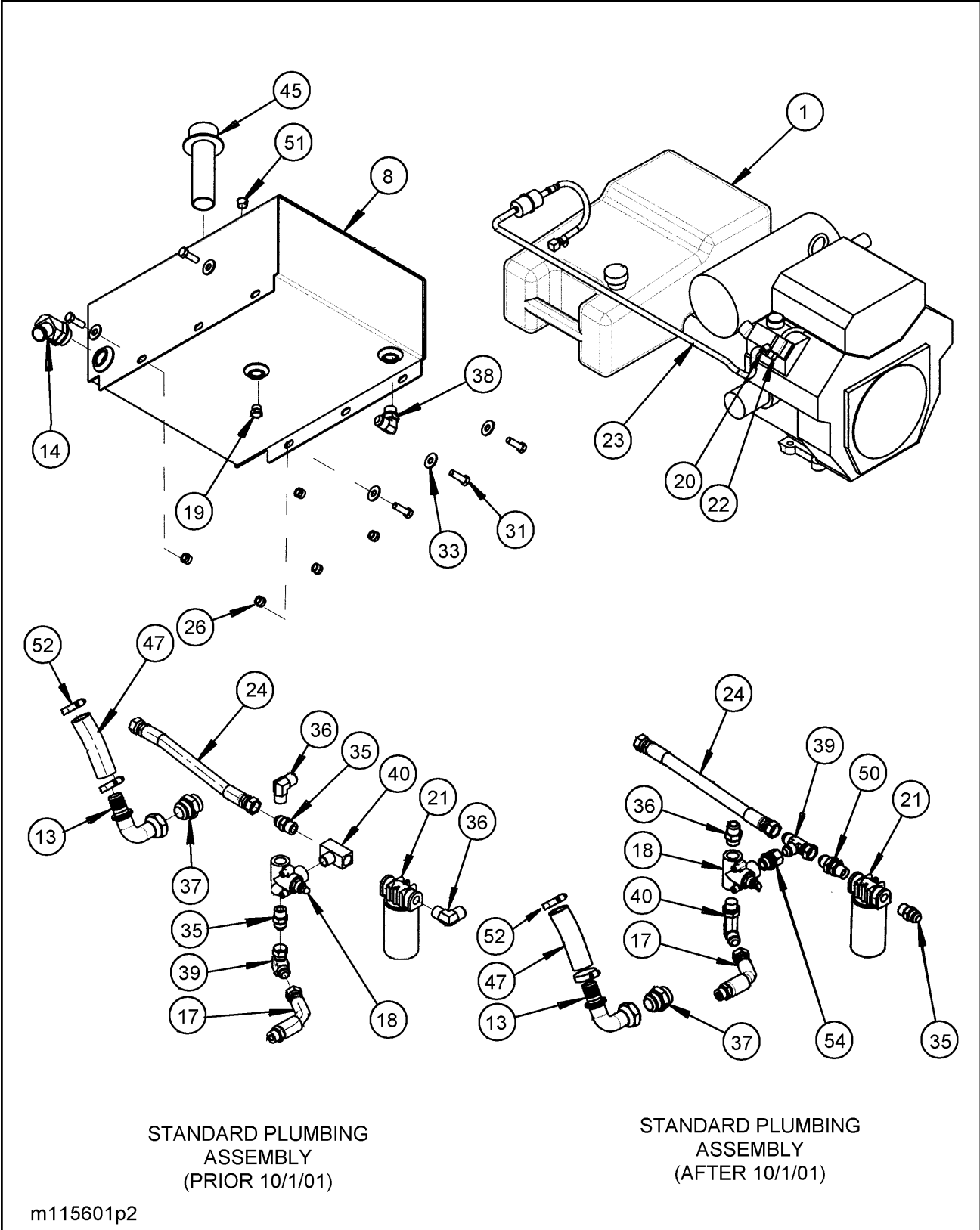


Figure 1-47 Engine Package Front Mount (2 of 2)

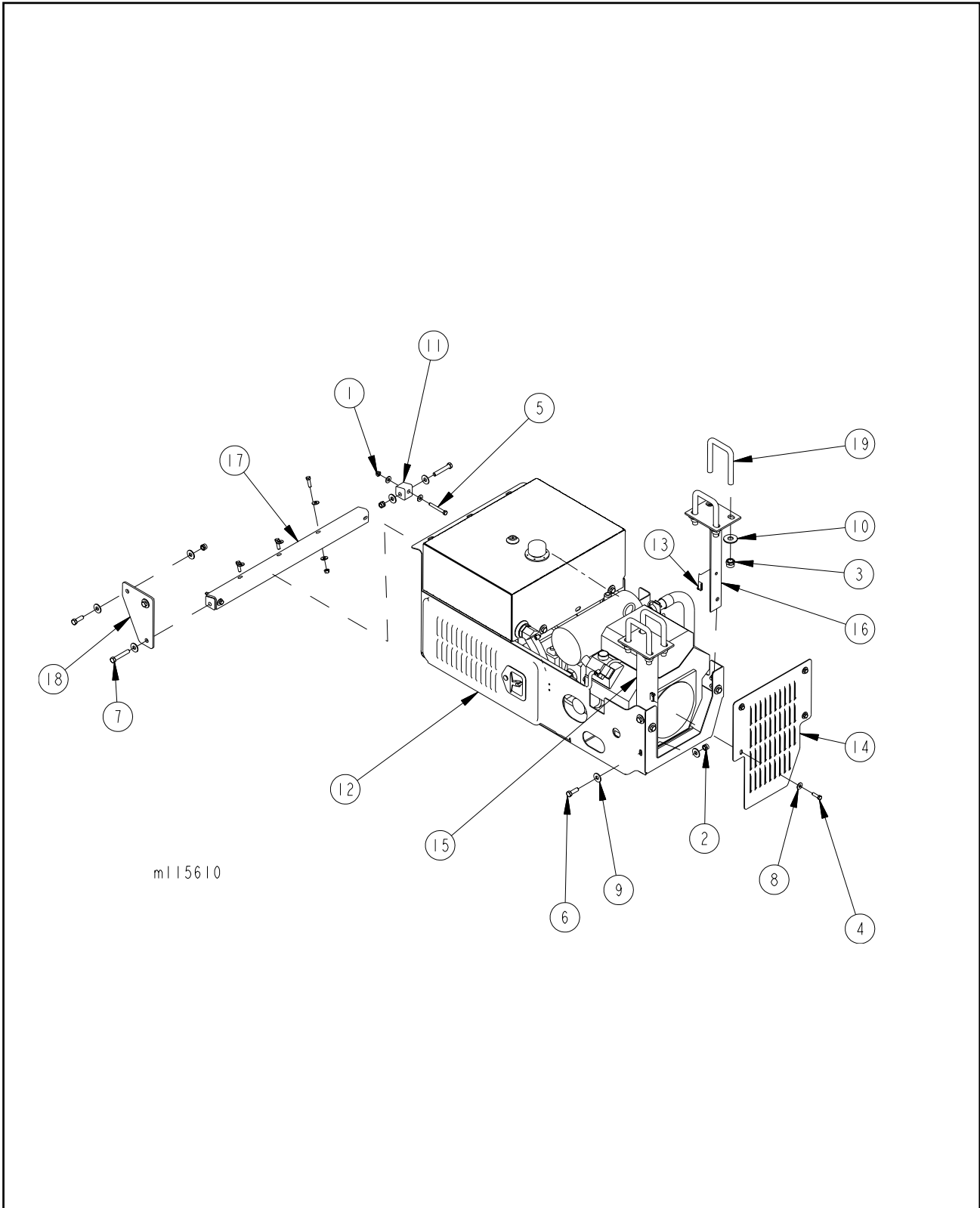
25HP GAS ENGINE PACKAGE (OPTION)

ITEM	PART NO.	DESCRIPTION	QTY.
	115601	25 HP GAS ENGINE PACKAGE	
1	104699	TANK, FUEL PLASTIC	1
2	108601	PIN, DOOR HINGE	2
3	113388	DECAL, ENG PKG INSTRUCTIONS	1
4	113856	MOUNT, ENGINE ISOLATOR, KOHLER CH25	*4,2
5	114814	LATCH, FOLDING T LOCKABLE	1
6	114815	SEAL, SPONGE RUBBER TRIM	1
7	114968	MOUNT WELDMENT, ENG PKG 25 HP(PRIOR 10/1/01)	1
	120654	MOUNT WELDMENT, ENG PKG 25 HP(AFTER 10/1/01)	1
8	120662	HYD TANK WELDMENT	1
9	115586	ENGINE KOHLER 25 HP PUMP MOUNT	1
10	115888	PUMP, HYDRAULIC	1
11	116326	HINGE, BASE MOUNT	1
12	116328	MOUNT, DOOR WELDMENT	1
13	116330	FITTING, 90	1
14	117873	FITTING	1
15	119206	HINGE, DOOR	2
16	119445	EXHAUST EXT WELDMENT	1
17	119577	HOSE	1
18	125130	VALVE, HYDR PRESSURE RELIEF(PRIOR 10/1/01)	1
	120661	VALVE, HYDR PRESSURE RELIEF(AFTER 10/1/01)	1
19	900598-12S	PLUG, O-RING	1
20	1-181-010046-1	CLAMP, HOSE	2
21	1-295-010001	RETURN LINE FILTER	1
22	1-297-010034-01	FITTING, BR 90 BARB	1
23	1-316-010013	HOSE, 1/4 LOW PRESSURE FUEL LINE	1
24	1-397-010304016	HOSE ASSEMBLY 3/4 X 16 (PRIOR 10/1/01)	1
	1-397-010304018	HOSE ASSEMBLY 3/4 X 18 (AFTER 10/1/01)	1
25	1-512-010005-05	NUT, HEX LOCK 3/8-16 GRB	9
26	1-512-010005-09	NUT, HEX LOCK 1/2-13 GRB	9
27	1-654-010047-06	SCREW, HEX HEAD CAP 1/4-20 X 1 GR5	4
28	1-654-010051-06	SCREW, HEX HEAD CAP 3/8-16 X 1-1/4 GR5	3
29	1-654-010051-09	SCREW, HEX HEAD CAP 3/8-16 X 2 GR5	4
30	1-654-010055-02	SCREW, HEX HEAD CAP 1/2-13 X 1-1/4 GR5	6
31	1-654-010055-03	SCREW, HEX HEAD CAP 1/2-13 X 1-1/2 GR5	5
32	1-861-010032-11	WASHER, FLAT 3/8W	9
33	1-861-010032-15	WASHER, FLAT 1/2W	5
34	1-861-010034-09	WASHER, SPLIT LOCK 1/4	4
35	2021-12-12S	ADAPTER	*2,1
36	2024-12-12S	ELBOW, 90 (PRIOR 10/1/01)	2
	202702-12-12S	ADAPTER, STRAIGHT (AFTER 10/1/01)	1
37	202702-20-20S	ADAPTER	1
38	2062-12-12S	ADAPTER, 90	1
39	2071-12-12S	ADAPTER, 90 (PRIOR 10/1/01)	1
	203102-12-12S	ADAPTER, TEE (AFTER 10/1/01)	1
40	2091-12-12S	BRANCH TEE (PRIOR 10/1/01)	1
	206209-12-12S	ADAPTER, 90 (AFTER 10/1/01)	1
41	2481X	BATTERY 12V	1
42	3-120-010124	BATTERY CLAMP BRACKET	1
43	3-155-010012	CABLE, THROTTLE	1

25HP GAS ENGINE PACKAGE (OPTION)

ITEM	PART NO.	DESCRIPTION	QTY.
44	3-155-010025	CABLE, UTILITY CHOKE	1
45	3-162-010001	FILLER-BREATHER-STRAINER ASSEMBLY	1
46	3-182-010028	CLAMP, MUFFLER	1
47	3-399-010001	HOSE, 1-1/4 SUCTION	1
48	514-9045-26	CABLE ASSEMBLY, BATTERY POSITIVE	1
49	514-9073-18	CABLE ASSEMBLY, BATTERY NEGATIVE	1
50	2240-12-12S	ADAPTER, BULKHEAD	1
51	1-560-010002-04	PLUG, PIPE 1/2	1
52	1-181-010046-7	CLAMP, HOSE	2
53	120569	ISOLATOR, KOHLER 25 HP MOUNT	2
54	120660	ADAPTER	1
55	115877	NUT, HEAVY HEX 1/4-20 GR5	4
57	113544	HARNESS, ENG PKG IGNITION (NOT SHOWN)	1

* 1ST QUANTITY LISTED IS PRIOR TO 10/1/01; 2ND QUANTITY LISTED IS AFTER 10/1/01.

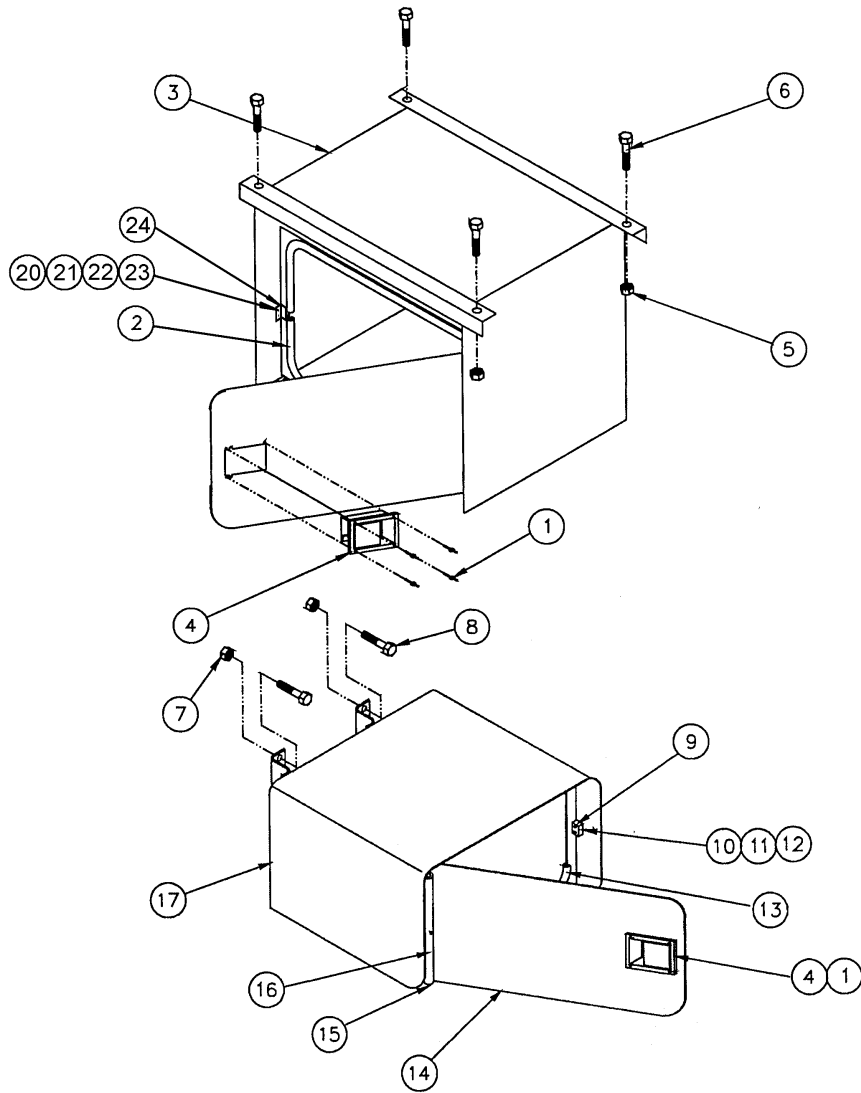


m115610

Figure 1-48 Underslung Engine Package Installation

UNDERSLUNG ENGINE PACKAGE INSTALLATION

ITEM	PART NO.	DESCRIPTION	QTY.
	115610	ENGINE PACKAGE INST UNDERSLUNG	
1	1-510-010001	NUT, FLANGE LOCK 3/8-16	5
2	1-512-010005-09	NUT, HEX LOCK 1/2-13	11
3	1-512-010005-15	NUT, HEX LOCK 3/4-10	8
4	1-654-010051-06	SCREW, HEX HEAD CAP 3/8-16 X 1-1/4 GR5	3
5	1-654-010051-13	SCREW, HEX HEAD CAP 3/8-16 X 3 GR5	2
6	1-654-010055-03	SCREW, HEX HEAD CAP 1/2-13 X 1-1/2 GR5	9
7	1-654-010055-09	SCREW, HEX HEAD CAP 1/2-13 X 3 GR5	2
8	1-861-010032-11	WASHER, FLAT 3/8	10
9	1-861-010032-15	WASHER, FLAT 1/2	22
10	1-861-010032-21	WASHER, FLAT 3/4	8
11	113359	BRACKET, MOUNTING CROSS MEMBER	2
12	115601	ENGINE PACKAGE 25 HP GAS	1
13	116332	NUT, EXTRUD U 5/16-18	4
14	116334	SHIELD, ENG PACKAGE FRONT	1
15	120437	MOUNT, FRONT RH	1
16	120438	MOUNT, FRONT LH	1
17	120439	ANGLE, REAR	1
18	120635	PLATE, REAR MOUNT	1
19	2-102-010011	U-BOLT	4

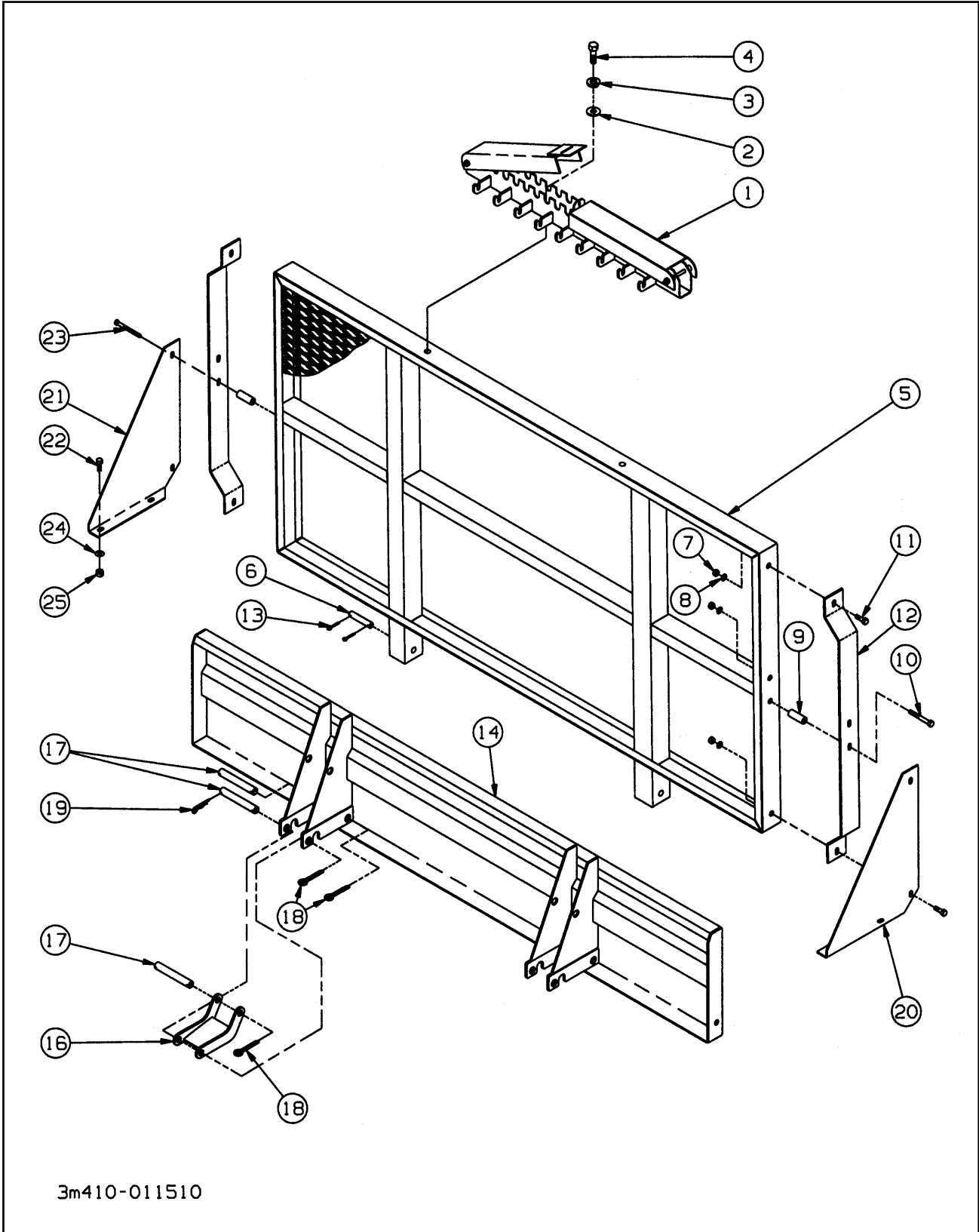


b3-115-016

Figure 1-49 Tool Boxes (Option)

TOOL BOXES (OPTION)

ITEM	PART NO.	DESCRIPTION	QTY.
	B3-115-016	TOOL BOX, TOP MOUNTING, 24X30X30 (ITEMS 1-6,18-24)	
	B7-115-003	TOOL BOX BACK MOUNTING LH (ITEMS 1, 4, & 7-18)	
	B7-115-004	TOOL BOX BACK MOUNTING RH (ITEMS 1, 4, & 7-18)	
1	BSL-6-4	RIVET	4
2	514-1000	QUICK-EDGE TRIM	AR
3	3-115-010053	TOOL BOX WELDMENT	1
4	3-443-010010	LATCH	1
5	1-512-010005-05	NUT HEX LOCK 3/8-16 GRB	4
6	1-654-010051-05	SCREW HEX HEAD CAP 3/8-16 X 1 GR5	4
7	1-512-010005-09	NUT HEX LOCK 1/2-13 GRB	4
8	1/2-13X3 HHCS	SCREW HEX HEAD CAP 1/2-13 X 3 GR5	4
9	3-659-010013-1	SEAL NEOPRENE SPONGE	1
10	7-458-010009	PLATE STRIKER	1
11	110-0253	WASHER FLAT STD 3/16	2
12	118-7962	SCREW PAN HEAD MACHINE SLT	2
13	514-1000-056	TRIM QUICKEDGE CUT LG.	AR
14	3-115-010096	DOOR TOOL BOX	1
15	SCREW#6X3/8	SCREW SELF-TAP SLT RD HD #6 X 3/8	1
16	RPRB59004X11	NYLATRON RD	1
17	3-115-010099	TOOL BOX WLDMT LH	1
	3-115-010097	TOOL BOX WLDMT RH	1
18	101299	KEY CHAIN LANDOLL (NOT SHOWN)	1
19	3-115-010046	TOOL BOX SUPPORT (NOT SHOWN)	4
20	1-512-010007-03	NUT, HEX #10-24	2
21	1-656-010003051	SCREW, RD HD MACH #10-24 X 3/4	2
22	1-861-010032-03	WASHER, FLAT #10	2
23	1-861-010034-07	WASHER, SPLIT LOCK #10	2
24	107463	MOUNT ADJ STRIKER PLATE	1



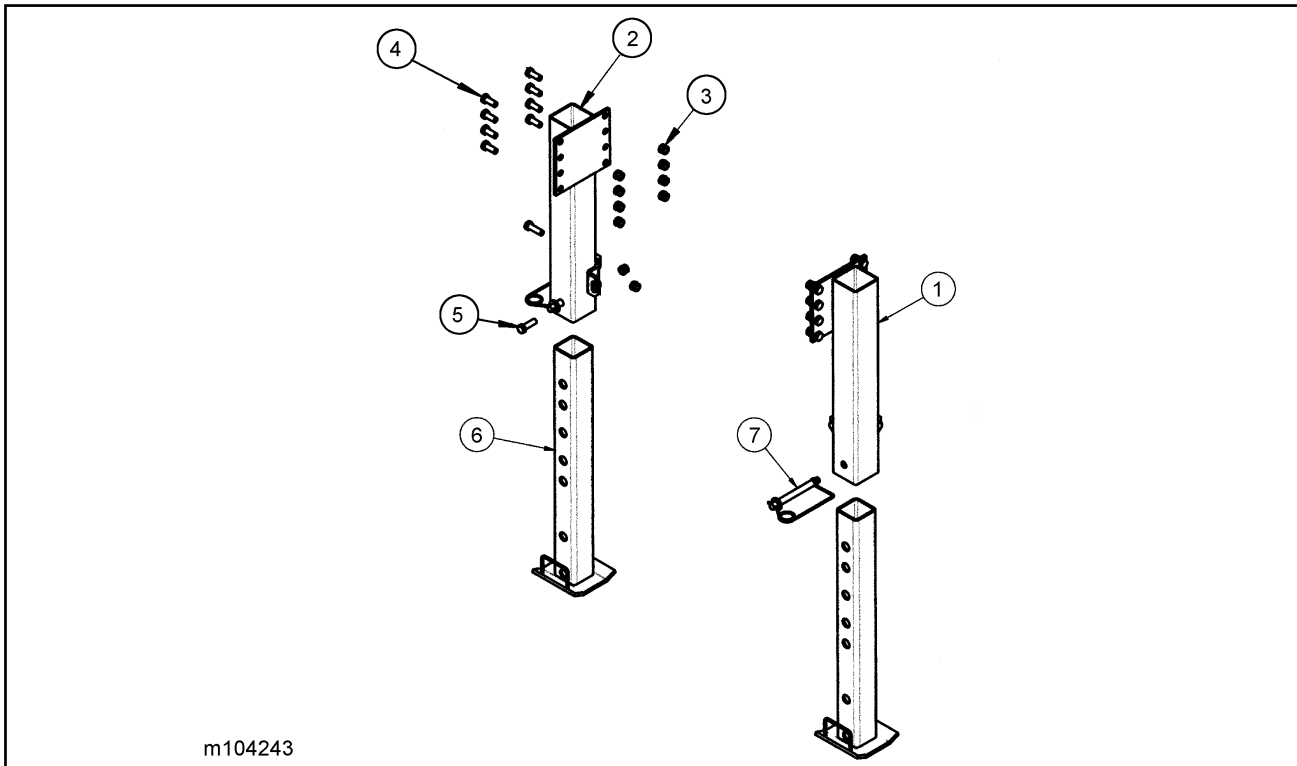
3m410-011510

Figure 1-50 Front Extension and Bulkhead Assembly
(Option)

FRONT EXTENSION AND BULKHEAD ASSY(OPTION)

ITEM	PART NO.	DESCRIPTION	QTY.
	B7-141-003	BULKHEAD CHAIN BACK INSTALLATION (ITEMS 1-4)	
	3-141-010121	BULKHEAD INSTALLATION (ITEMS 5-13)	
	3-141-010123	BULKHEAD INSTALLATION 2 POSITION (ITEMS 14-19)	
	3-117-010071-1	BRACE INST. STABILIZING 48' BULKHEAD (ITEMS 20-25)	
1	3-141-010008	CHAIN HANGER LOCKING CHANNEL WELDMENT	1
2	1-861-010032-11	WASHER, FLAT 3/8	1
3	1-861-010034-11	WASHER, SPLIT LOCK 3/8	1
4	1-654-010051-06	SCREW, HEX HEAD CAP 3/8-16 X 1-1/4 GR5	2
5	3-141-010155	BULKHEAD WELDMENT 48 X 96 (96)	1
	3-141-010152	BULKHEAD WELDMENT 16 X 102 (102) (NOT SHOWN)	1
6	6-557-010163	PIN HITCH LEVEL LINK	2
7	1-512-010005-09	NUT HEX LOCK 1/2-13 GRB (102)	6
8	1-861-010032-15	WASHER PLAIN TYPE A 1/2 (102)	6
9	3-711-010025	SPACER (102)	2
10	1-654-010055-13	SCREW HEX HEAD CAP 1/2-13X4 GR5 (102)	2
11	1-654-010055-03	SCREW HEX HEAD CAP 1/2-13X1-1/2 GR5 (102)	4
12	3-054-010101	BAR SIDE BULKHEAD EXTENSION (102)	2
13	1-557-010362-63	COTTER PIN 1/4X2	4
14	3-141-010118	BULKHEAD WELDMENT 16 X 96	1
	3-141-010119	BULKHEAD WELDMENT 16 X 102	1
	3-141-010151	BULKHEAD WELDMENT 16/24 X 96	1
	3-141-010147	BULKHEAD WELDMENT 16/24 X 102	1
16	3-755-010080	SUPPORT WELDMENT BULKHEAD	2
17	3-557-010380	SUPPORT PIN	6
18	1-557-010362-63	COTTER PIN 1/4X2	10
19	1-557-010014	HAIRPIN	2
20	3-117-010069	BRACE LH STABILIZING 48' BULKHEAD	1
21	3-117-010070	BRACE RH STABILIZING 48' BULKHEAD	1
22	1-654-010055-03	SCREW HEX HEAD CAP 1/2-13X1-1/2 GR5	*8,4
23	1-654-010055-14	SCREW HEX HEAD CAP 1/2-13X4-1/2 GR5	*-,4
24	1-861-010032-15	WASHER FLAT 1/2W	8
25	1-512-010005-09	NUT, HEX LOCK 1/2-13 GRB	8

* 1ST QUANTITY LISTED IS FOR STABILIZING BRACE INSTALLATION 96" WIDE TRAILER; 2ND QUANTITY LISTED IS FOR STABILIZING BRACE INSTALLATION 102" TRAILER



m104243

Figure 1-51 Landing Gear Installation Bolt-On

LANDING GEAR INSTALLATION BOLT - ON

ITEM	PART NO.	DESCRIPTION	QTY.
	104243	PARK STAND INST., BOLT-ON	
1	112678	PARK STAND WELDMENT, LH FRONT PIN	1
2	112679	PARK STAND WELDMENT, RH FRONT PIN	1
3	1-512-010005-13	NUT, HEX LOCK 5/8-11 GRB	20
4	1-654-010059-03	SCREW, HEX HEAD CAP 5/8-11X1-1/2 GR5	16
5	1-654-010059-05	SCREW, HEX HEAD CAP 5/8-11 X 2 GR5	4
6	3-725-010058	STAND, PARK INSIDE WELDMENT	2
7	346SL	LOCK HITCH PIN	2

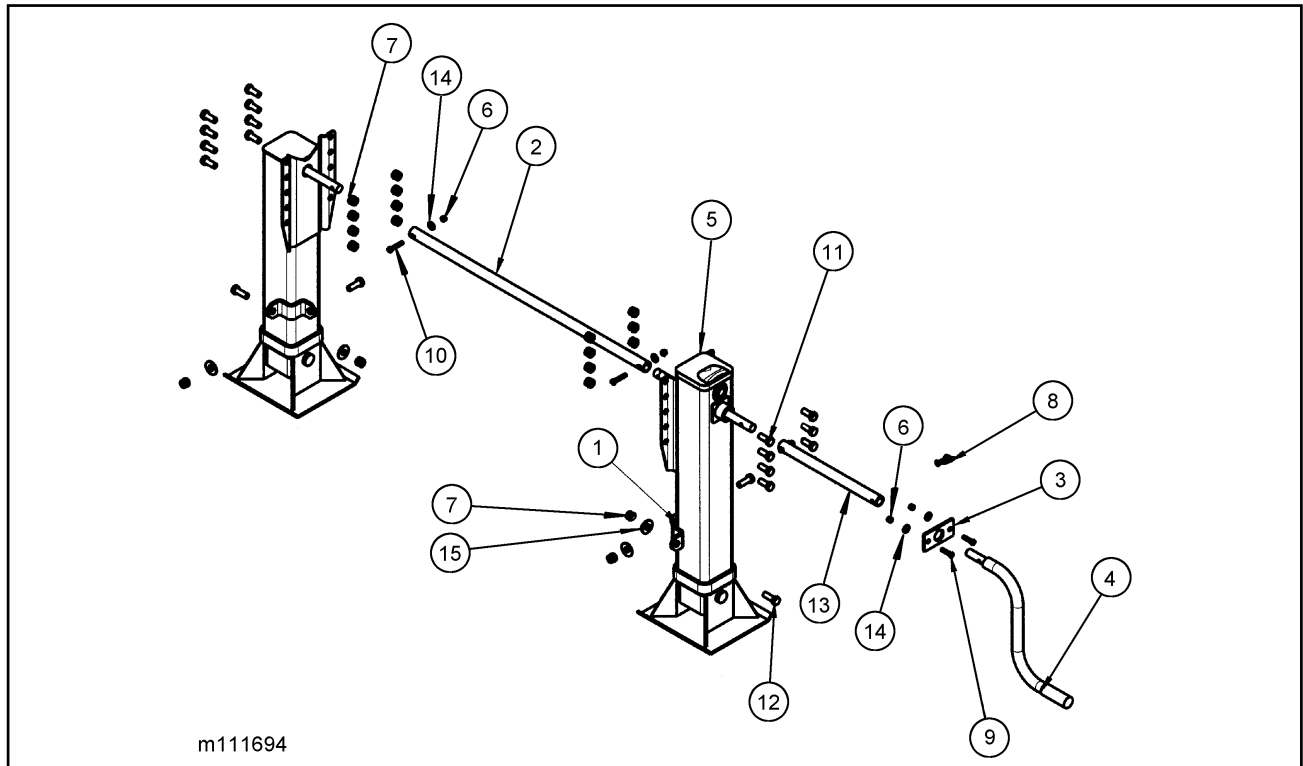


Figure 1-52 Landing Gear Installation

LANDING GEAR INSTALLATION

ITEM	PART NO.	DESCRIPTION	QTY.	
	112573	LANDING GEAR INSTALLATION	*	
	113887	LANDING GEAR INSTALLATION 330 DROP DECK		*
1	104238	ANCHOR, LOWER BOLT-ON PARK STAND	2	2
2	113883	CROSS-SHAFT LANDING GEAR	1	1
3	111695	GUIDE, HANDLE, JOST GEAR	--	1
4	109710	CRANK	1	--
	109161	HANDLE, CRANK MODIFICATION	--	1
5	109709	2 SPEED LANDING GEAR (SEE PAGE 1-91)	1	1
6	1-512-010005-05	NUT, HEX LOCK 3/8-16 GRB	5	5
7	1-512-010005-13	NUT, HEX LOCK 5/8-11 GRB	20	20
8	111859	PIN, ROUND LOCKING 5/16 X 1-1/2	1	1
9	1-654-010051-07	SCREW, HEX HEAD CAP 3/8-16 X 1-1/2 GR5	2	2
10	1-654-010051-09	SCREW, HEX HEAD CAP 3/8-16 X 2 GR5	3	3
11	1-654-010059-03	SCREW, HEX HEAD CAP 5/8-11 X 1-1/2 GR5	16	16
12	1-654-010059-04	SCREW, HEX HEAD CAP 5/8-11 X 1-3/4 GR5	4	4
13	109159	TUBE, ROUND EXTENSION	--	1
14	1-861-010032-11	WASHER, FLAT 3/8W	5	5
15	1-861-010032-19	WASHER, FLAT 5/8W	4	4

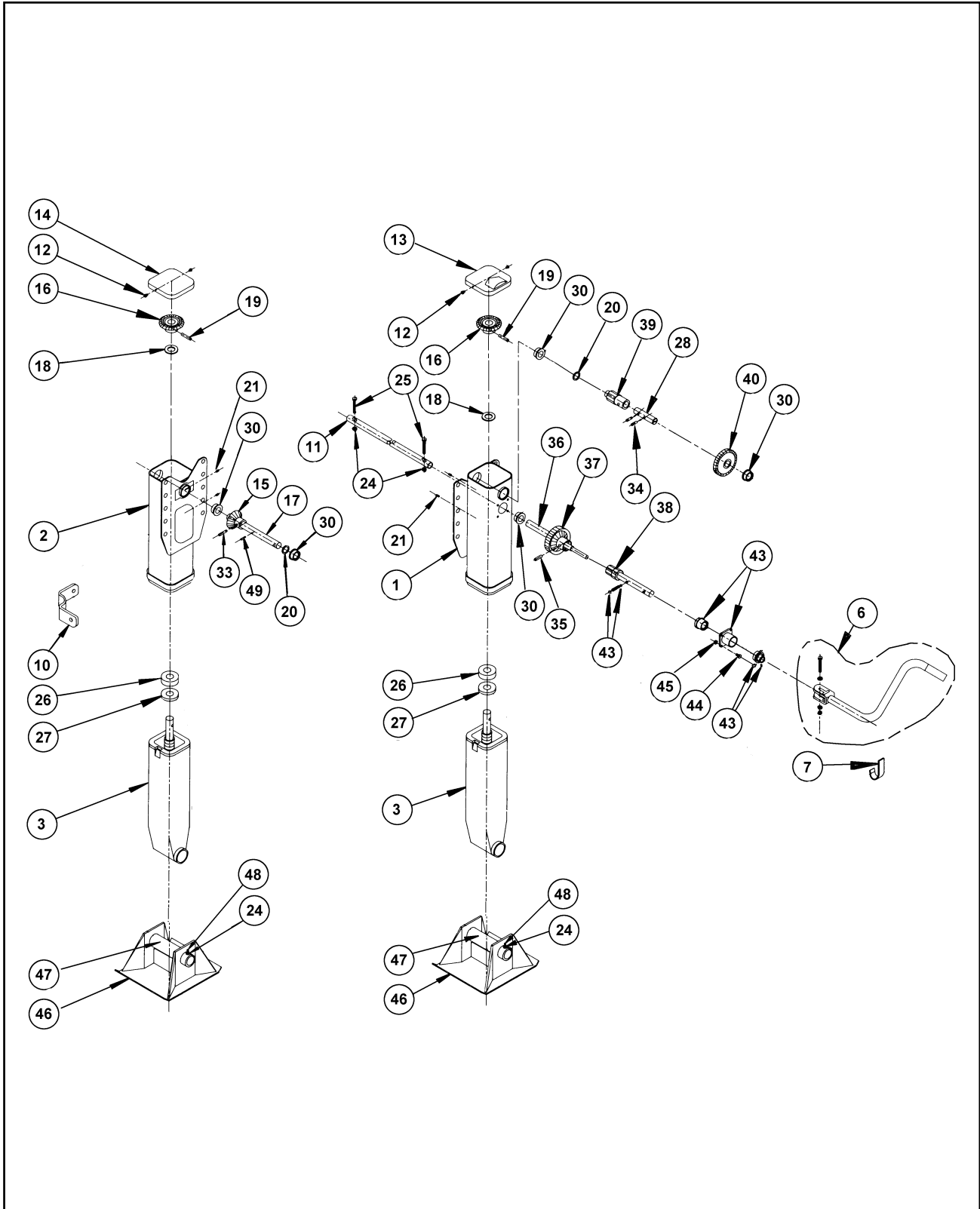


Figure 1-53 Crank Landing Gear

CRANK LANDING GEAR

ITEM	PART NO.	DESCRIPTION	QTY.
	109709	LANDING GEAR INSTALLATION-660	
1	D10201.2	OUTER HOUSING - 2 SPEED	1
2	D10116.2	OUTER HOUSING - 1 SPEED	1
3	C10140.2	INNER LEG ASSEMBLY - STANDARD	2
6	109161	CRANK 930 MODIFICATION	1
7	109711	CRANK HANGER	1
10	109712	BRACE LUG - W	2
11	B10066	INTERMEDIATE CROSS SHAFT	1
12	A10059.1	COVER SCREW	4
13	C10217	COVER - 2 SPEED	1
14	C10259	COVER - 1 SPEED	1
15	C10177	PINION GEAR	1
16	C10155	BEVEL GEAR	2
17	B10130	PINION SHAFT - 1 SPEED	1
18	A10102	THRUST WASHER	2
19	A10052.3	GROOVED PIN	2
20	A10218	SPACER WASHER	2
21	A10040	GREASE FITTING	4
23	C10209	STRUT BRACE (NOT SHOWN)	4
24	A10038.7	SELF LOCKING NUT	2
25	A10037.1	CROSS SHAFT BOLT - 3/8 X 2 GR5	2
26	A10033	THRUST BEARING	2
27	A10101	COLLAR	2
28	A10212	OUTPUT SHAFT	1
30	A10255	BUSHING	5
33	A10054.3	ROLL PIN 3/8 X 1-1/2	1
34	A10260.1	SPIRAL PIN	2
35	A10054.7	ROLL PIN - 3/8 X 1-3/4	1
36	B10236	OUTPUT CLUSTER SHAFT	1
37	C10234	OUTPUT CLUSTER GEAR	1
38	C10233	INPUT GEAR SHAFT	1
39	C10078	OUTPUT SPUR GEAR	1
40	C10085	INPUT SPUR GEAR	1
43	B10229.S	SHIFT HOUSING SERVICE KIT	1
44	A10230	SHIFT HOUSING BOLT	4
45	A10038.6	SELF LOCKING NUT	4
46	C10256	SHOE - 10 X 10 X 4-1/2	2
47	B10036	SHOE AXLE	2
48	A10037.3	HEX HEAD BOLT	2
49	A10054.6	ROLL PIN - 1/4 X 1-1/4	1

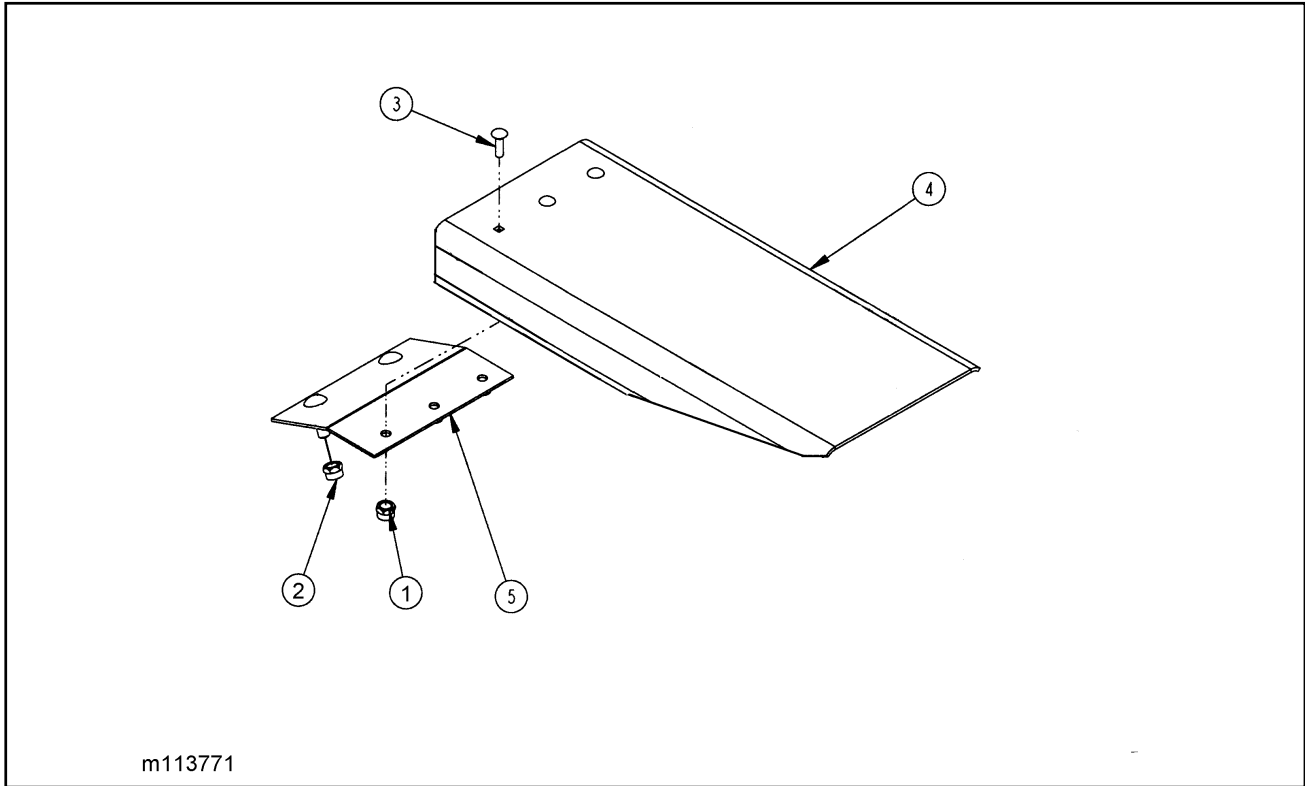


Figure 1-54 Aluminum Ramps (Option)

ALUMINUM RAMPS (OPTION)

ITEM	PART NO.	DESCRIPTION	QTY.
	113771	RAMPS, ALUMINUM	
1	1-512-010005-09	NUT, HEX LOCK 1/2-13 GRB	6
2	1-512-010005-15	NUT, HEX LOCK 3/4-10 GRB	4
3	1/2-13 x 1-3/4CB	SCREW, RD HEAD SQ. NECK 1/2-13 X 1-3/4	6
4	113713	ALUMINUM RAMP ASSEMBLY	2
5	113714	ANCHOR ASSEMBLY, ALUMINUM RAMP	2

NOTES:

NUMERICAL INDEX

2

PART	PAGE	PART	PAGE	PART	PAGE
0001-02	26	055-040-07	39	101848	45
0001-02	29	056-017-00	38	101851	45
0001-04	26	056-018-00	39	101855	45
0001-04	29	061-006-00	39	1019-4	66
0001-08	26	0647-01	29	10205R	18
0001-08	29	0649-02	29	10205Y	18
0001-14	29	0650-00	29	1021	66
0002-07	26	069-078-00	39	102186	51
0002-07	29	071-122-00	39	102187	60
0049-00	29	071-124-00 (3067)	47	102188	60
005-096-00	39	071900048	08	102237	60
005-098-00	39	071900195	09	102283	26
005-099-00	39	0741-01	26	102283	32
005-134-00	39	0741-01	29	102361	37
0053-00	29	081900277	09	102363	32
006-114-00	39	081900295	08	102363	37
006-115-00	39	097-002-00	39	102728	26
0065-00	29	097-003-00	39	102728	32
0075-20	29	1/2-13 x 1-3/4CB	92	102732	32
010-052-00	39	1/2-13X3 HHCS	85	102732	35
011100550	08	100062	07	102836	18
011300179	09	100062	60	102836	26
014-056-00	39	100063	06	102836	33
014-058-00	39	100064	06	103055	69
014-065-00	39	10030	77	103056	69
014-068-00	38	100351	51	1035-20	29
021-038-01 (4009)	47	1004-3	66	103683	26
024-100-00	39	1004-6	66	103683	32
0274-01	29	100600	51	103683	41
034-058-01	39	100600	61	103695	26
034-192-01	39	1-007-010006	71	103695	32
034-192-05	39	1-007-010029	15	103695	41
034-193-01	39	10078	53	103698	41
034-193-05	39	10078	56	103699	41
0375-00	29	101143	26	103699	43
040-180-00	39	101143	32	103783	47
041-058-01	39	101162	47	103819	26
041-059-01	39	101299	85	103819	32
046-096-00	39	101381	18	103819	43
046-097-00	39	1014-4	66	103820	26
0508-00	29	101712	26	103820	32
055-040-06	39	101712	32	103820	43

PART	PAGE	PART	PAGE	PART	PAGE
10403	18	107598	19	111010	37
10404	18	107599	19	111011	37
104040	21	107756	06	111012	37
104043	21	107917	26	111013	37
104044	21	107917	32	111014	37
104238	89	107917	41	111015	37
104243	88	108601	80	111018	37
1046	66	108647	19	111019	37
104699	80	108801	49	111020	37
105-0093	01	108802	49	111021	35
105-0105	76	108958	26	111022	37
105408	37	108958	32	111023	37
105479	06	109159	89	11117	53
105479	71	109161	89	11128	53
105480	06	109161	91	11129	53
105480	71	109709	89	11130	54
105481	06	109709	91	11133	53
105481	71	109710	89	111416	47
105482	06	109711	91	11142	53
105482	71	109712	91	11144	53
105483	06	1-1/4 X 3/4 BUSH	76	1114-5	66
105822	69	1-1/4ST ELL	71	1-116-010019	01
106-0079	23	110-0253	85	111695	89
106-0079	23	11011	53	111859	89
106068	23	11014	57	111925	19
106069	23	11025	57	11240	53
106069	23	11026	56	112568	26
106207	13	11026	57	112569	26
106371	19	110416	18	112570	26
106652	19	110417	18	112573	89
106652	26	110-4334	77	112678	88
106652	33	110-4338	77	112679	88
106759	71	110-4348	77	1128	63
106760	71	110437	26	112833	20
107368	60	110437	32	11308	53
107368	63	110975(2023—T)	47	11309	56
107369	61	110976(66884)	47	11310	56
107369	63	110990	26	113359	83
107463	85	110991	26	113374	19
107486	07	111006	37	113388	80
107498	71	111007	37	113544	81
107499	71	111008	37	11368	53
107500	71	111008	37	113713	92
107513	71	111010	37	113714	92

PART	PAGE	PART	PAGE	PART	PAGE
113771	92	114585	45	117873	80
113853	69	114587	45	11791	57
113853	69	114588	45	11799	53
113856	80	114589	19	1-181-010046-1	80
113883	89	114589	45	1-181-010046-7	81
113887	89	114590	19	118-2659-9	41
113973	32	114590	45	118-2659-9	43
11398	57	114634	26	11837	54
11402	56	114814	80	11842	57
11404	56	114815	80	118-7962	85
11405	56	114968	80	119206	80
11407	56	115586	80	119445	80
11411	56	115601	80	119577	80
11414	56	115601	83	119580	26
11419	56	115610	83	119580	32
11420	56	115712	29	120027	32
11421	56	115712	38	120028	26
11425	56	115713	29	120437	83
11426	57	115713	38	120438	83
11427	56	115727	26	120439	83
11429	56	115727	29	120569	81
11430	56	115728	26	120635	83
11431	56	115728	29	120654	80
11434	56	115737	32	120660	81
11435	57	115738	32	120661	80
11440	56	115877	81	120662	80
11441	56	115888	80	12073	56
11442	56	11599	56	12075	53
11445	56	1-161-010033-04	07	121377	19
11446	56	116134	19	12146	57
11449	56	116326	80	12-16 070120	71
114528	26	116328	80	12228	57
114543	32	116330	80	1224	63
114547	02	116332	83	123183	39
114548	02	116334	83	123185	39
114562	26	116563	26	123192	39
114562	32	116563	33	123193	39
114568	69	116702	32	12465	56
114569	69	116703	32	125130	71
114581	19	116704	26	125130	76
114583	19	116710	32	125130	80
114584	43	116742	32	1271	63
114584	45	117304	43	1272	63
114585	41	11767	53	1273	63

PART	PAGE	PART	PAGE	PART	PAGE
1274	63	1-297-010015-02	61	1-397-010301028	06
1275	63	1-297-010015-09	11	1-397-010301039	07
1276	63	1-297-010015-09	60	1-397-010301042	07
12767	57	1-297-010017-03	41	1-397-010301048	06
1277	63	1-297-010017-03	43	1-397-010301100	71
12780	53	1-297-010020-02	11	1-397-010301122	06
12781	57	1-297-010020-02	60	1-397-010301130	06
12783	56	1-297-010022-02	11	1-397-010301194	06
12817	54	1-297-010022-02	60	1-397-010301220	06
1-295-010001	71	1-297-010022-03	49	1-397-010301268	06
1-295-010001	76	1-297-010031-02	60	1-397-010302042	06
1-295-010001	80	1-297-010032-03	60	1-397-010302070	07
1-295-010002	71	1-297-010033-02	11	1-397-010302112	06
1-295-010002	76	1-297-010033-03	41	1-397-010302172	07
1296	66	1-297-010033-03	43	1-397-010302240	07
1-297-010007-04	60	1-297-010034-01	80	1-397-010302240	60
1-297-010007-12	41	1-298-010001-1	02	1-397-010304016	80
1-297-010007-12	43	1-298-010001-1	07	1-397-010304018	80
1-297-010007-12	49	1-298-010001-1	07	1-397-010304022	76
1-297-010007-14	49	1-298-010001-1	13	1-397-010304032	76
1-297-010007-15	43	1-298-010001-1	65	1-397-010304056	76
1-297-010007-15	49	13005	53	1-397-010304064	76
1-297-010007-16	41	13028	54	1-397-010305254	06
1-297-010007-16	43	13028	57	14344-01	29
1-297-010007-16	49	1-316-010013	80	14345-01	29
1-297-010008-01	11	1-316-010013-1	76	15009	18
1-297-010008-01	15	13413	57	1-510-010001	06
1-297-010008-05	60	13424	54	1-510-010001	06
1-297-010008-07	11	13424	57	1-510-010001	11
1-297-010008-07	33	1-343-010007	18	1-510-010001	18
1-297-010008-07	60	1-343-010010	18	1-510-010001	26
1-297-010008-18	33	134-4560	76	1-510-010001	33
1-297-010008-18	41	13468	53	1-510-010001	51
1-297-010008-18	43	13680	53	1-510-010001	77
1-297-010008-18	49	13839	54	1-510-010001	83
1-297-010008-23	41	1-384-010038024	41	1-511-010001-07	26
1-297-010008-24	43	1-384-010038024	43	1-511-010001-07	33
1-297-010008-26	43	1-384-010038038	43	1-512-010002-15	26
1-297-010010-01	33	1-384-010038042	41	1-512-010002-15	33
1-297-010010-03	33	1-384-010038056	43	1-512-010003-02	11
1-297-010010-04	33	1-384-0100381120	41	1-512-010003-02	60
1-297-010011-07	41	1-384-010038204	43	1-512-010005-01	35
1-297-010013-05	11	13938	56	1-512-010005-01	49
1-297-010013-12	49	1-397-010010016	07	1-512-010005-03	18

PART	PAGE	PART	PAGE	PART	PAGE
1-512-010005-03	20	1-512-010007-05	63	1-654-010032-04	33
1-512-010005-03	77	1-512-010007-06	18	1-654-010036-05	60
1-512-010005-05	26	1-512-010007-06	20	1-654-010047-02	15
1-512-010005-05	33	1-512-010007-09	06	1-654-010047-04	35
1-512-010005-05	41	1-512-010007-09	37	1-654-010047-06	27
1-512-010005-05	51	1-512-010007-12	61	1-654-010047-06	33
1-512-010005-05	61	1-512-0120005-05	43	1-654-010047-06	80
1-512-010005-05	71	15206	18	1-654-010049-03	47
1-512-010005-05	80	1-557-010014	87	1-654-010049-06	18
1-512-010005-05	85	1-557-010362-54	06	1-654-010049-06	20
1-512-010005-05	89	1-557-010362-54	06	1-654-010049-09	77
1-512-010005-09	07	1-557-010362-54	07	1-654-010051-03	65
1-512-010005-09	07	1-557-010362-54	07	1-654-010051-05	06
1-512-010005-09	13	1-557-010362-63	87	1-654-010051-05	85
1-512-010005-09	13	1-557-010362-63	87	1-654-010051-06	51
1-512-010005-09	13	1-560-010002-02	41	1-654-010051-06	71
1-512-010005-09	51	1-560-010002-02	43	1-654-010051-06	77
1-512-010005-09	51	1-560-010002-04	41	1-654-010051-06	80
1-512-010005-09	61	1-560-010002-04	43	1-654-010051-06	83
1-512-010005-09	63	1-560-010002-04	49	1-654-010051-06	87
1-512-010005-09	65	1-560-010002-04	71	1-654-010051-07	61
1-512-010005-09	65	1-560-010002-04	81	1-654-010051-07	77
1-512-010005-09	71	1-560-010002-05	41	1-654-010051-07	89
1-512-010005-09	76	1-560-010002-05	43	1-654-010051-08	26
1-512-010005-09	80	1-560-010002-05	71	1-654-010051-08	33
1-512-010005-09	83	1-560-010002-07	71	1-654-010051-08	41
1-512-010005-09	85	1-560-010002-07	76	1-654-010051-08	43
1-512-010005-09	87	15700	18	1-654-010051-08	76
1-512-010005-09	87	15725	18	1-654-010051-09	07
1-512-010005-09	92	1-573-010007	69	1-654-010051-09	11
1-512-010005-13	07	1-573-010017	69	1-654-010051-09	80
1-512-010005-13	60	1-573-010475	69	1-654-010051-09	89
1-512-010005-13	77	1-573-010477	69	1-654-010051-13	26
1-512-010005-13	88	1-573-010479	69	1-654-010051-13	33
1-512-010005-13	89	1-573-010481	69	1-654-010051-13	83
1-512-010005-15	02	1-630-010021-02	26	1-654-010055-01	61
1-512-010005-15	06	1-630-010021-02	33	1-654-010055-01	63
1-512-010005-15	83	1644	66	1-654-010055-02	76
1-512-010005-15	92	1-645-010055-07	21	1-654-010055-02	80
1-512-010007-03	60	1-647-010004255	02	1-654-010055-03	51
1-512-010007-03	85	1-647-010004255	60	1-654-010055-03	61
1-512-010007-05	26	1-654-010024014	11	1-654-010055-03	65
1-512-010007-05	33	1-654-010024014	60	1-654-010055-03	71
1-512-010007-05	61	1-654-010032-04	26	1-654-010055-03	76

PART	PAGE	PART	PAGE	PART	PAGE
1-654-010055-03	80	1-796-010004-02	33	1-861-010032-03	85
1-654-010055-03	83	1-796-01003-01	41	1-861-010032-06	49
1-654-010055-03	87	179933	47	1-861-010032-07	26
1-654-010055-03	87	18002	54	1-861-010032-07	33
1-654-010055-04	51	18002	57	1-861-010032-09	77
1-654-010055-04	71	18003	53	1-861-010032-10	41
1-654-010055-05	61	18003	57	1-861-010032-10	43
1-654-010055-05	65	18009	53	1-861-010032-10	51
1-654-010055-07	61	18009	56	1-861-010032-10	60
1-654-010055-09	83	18015	53	1-861-010032-11	26
1-654-010055-11	13	18016	53	1-861-010032-11	33
1-654-010055-13	87	18019	53	1-861-010032-11	61
1-654-010055-14	87	18020	53	1-861-010032-11	77
1-654-010055-16	51	18022	56	1-861-010032-11	80
1-654-010055-17	07	18024	53	1-861-010032-11	83
1-654-010055-17	51	18026	53	1-861-010032-11	87
1-654-010059-03	88	18027	53	1-861-010032-11	89
1-654-010059-03	89	18028	53	1-861-010032-14	13
1-654-010059-04	89	18029	53	1-861-010032-14	61
1-654-010059-05	88	18030	53	1-861-010032-14	63
1-654-010059-13	77	18032	53	1-861-010032-15	07
1-654-010059-15	60	18033	56	1-861-010032-15	13
1-654-010059-21	07	18034	56	1-861-010032-15	51
1-654-010061-06	06	18035	56	1-861-010032-15	76
1-654-010061-07	02	18039	53	1-861-010032-15	80
1-654-010070-02	13	18044	54	1-861-010032-15	83
1-654-010070-03	13	18047	53	1-861-010032-15	87
1-654-010141-04	60	18047	56	1-861-010032-15	87
1-654-010158-1	26	18056	54	1-861-010032-18	61
1-654-010158-1	33	18056	57	1-861-010032-19	07
1655	66	18078	53	1-861-010032-19	77
1-656-010003051	18	18078	53	1-861-010032-19	89
1-656-010003051	85	1-816-010034-13	37	1-861-010032-21	83
1-656-010003053	60	1-833-010001	11	1-861-010034-07	18
1-660-010006	19	1-833-010001	33	1-861-010034-07	60
1723	63	1-833-010001	60	1-861-010034-07	85
1-765-010065	60	1-833-010002	33	1-861-010034-09	26
1766	63	1-833-010002	41	1-861-010034-09	33
1-796-010003-01	21	1-833-010002	43	1-861-010034-09	61
1-796-010003-01	43	1-833-010002	49	1-861-010034-09	63
1-796-010003-02	06	1-833-010003	41	1-861-010034-09	80
1-796-010003-02	18	1-833-010003	43	1-861-010034-10	18
1-796-010003-02	76	1-833-010003	49	1-861-010034-10	20
1-796-010004-02	26	1-861-010032-01	60	1-861-010034-10	43

PART	PAGE	PART	PAGE	PART	PAGE
1-861-010034-10	47	202702-10-8S	60	21925	53
1-861-010034-11	65	202702-12-12S	80	21961	53
1-861-010034-11	77	202702-20-20S	80	21964	57
1-861-010034-11	87	203003-8-8S	06	220000212	08
1-861-010034-13	51	203003-8-8S	07	220000212	09
1-861-010034-13	61	203005-8-8S	07	22055	56
1-861-010034-13	71	203102-12-12S	80	2240-12-12S	81
1-861-010034-17	26	2033-8-8S	06	2263	66
1-861-010034-17	33	2047-12-12S	71	2265-6	66
1865	66	2061-8-8S	07	22695	57
1-879-010004072	76	2061-8-8S	07	22697	57
1-879-010006072	76	2061-8-8S	11	22703	53
1-879-010008	23	206209-12-12S	80	22703	57
1-879-010010072	76	2062-12-12S	07	22704	54
1-879-010011	23	2062-12-12S	11	22704	57
1-879-010011	60	2062-12-12S	76	22729	57
19014	56	2062-12-12S	80	22752	53
19045	53	2062-16-12S	76	22775	53
19045	56	2062-16-8S	71	22775	56
1974	63	2062-8-8S	06	230007400	08
1976	63	2062-8-8S	06	230007400	09
1A0290	15	2062-8-8S	07	23078	54
1A0291	15	2071-12-12S	80	23078	57
1A0292	15	2081-8-6S	49	23079	54
1A0294	15	2083-8-4S	33	23079	57
1A0709	15	20852-01	29	23081	54
1A0711	15	2088-6-6S	41	23081	57
1A0744	15	2088-6-6S	43	23083	54
1A0757	15	2088-6-6S	49	23085	54
1R0017	15	2089-6-6S	41	23142	57
1V0081	15	2089-6-6S	43	23183	57
1V0090	15	2091-12-12S	80	23245	57
1V0208	15	2-102-010011	83	23303	53
1V0360	15	2109-3	66	23310	57
1V1701	15	211300024	09	23353	54
1V1703	15	2175	66	23353	57
1V1725	15	2177	66	23367	56
2021-12-12S	80	2180	66	23470	53
2021-16-12S	76	2-181-010001	06	2356	63
2024-12-12S	71	2-181-010001	18	2388	63
2024-12-12S	76	2-181-010001	26	2389	63
2024-12-12S	80	2-181-010001	33	239-3646-7	21
2024-12-8S	71	2-181-010001	51	239-8113-40	76
202702-10-8S	07	2183	66	239-9076-3	61

PART	PAGE	PART	PAGE	PART	PAGE
24032	53	3-128-010021-04	49	3-182-010028	81
24213-130	29	3-128-010021-07	49	32002	60
2480	66	3-136-010001-01	60	3-201-010002	21
2481X	76	3-136-010001-02	11	3-201-010002072	76
2481X	80	3-141-010008	87	3-203-010001	76
26331	18	3-141-010118	87	3-209-010003	23
2750-8	07	3-141-010119	87	3-209-010004	23
28942	56	3-141-010121	87	3-209-010004-01	18
28943	56	3-141-010123	87	3-209-010004-03	18
2A0079-404	15	3-141-010147	87	3-209-010004-04	18
2A0079-406	15	3-141-010151	87	3-209-010006	23
2A0293-7214	15	3-141-010152	87	3-209-010006-01	19
2A0354-121	15	3-141-010155	87	3-220-010002	76
2A293-7214	15	3-146-010001	07	3-220-010003	76
3/4NIPPLE	77	3-150-010186	60	3-222-010083	61
3-007-010039	11	3-150-010186	63	3-222-010198	13
3-014-010208	60	3-150-010196	60	3-222-010199	13
3-014-010255	61	3-150-010223	07	3-222-010227	13
3-054-010101	87	3-155-010012	76	3-238-010001	11
3-102-010022	06	3-155-010012	80	3-238-010001	15
3-102-010048	07	3-155-010017-1	51	3-242-010099	06
3109	63	3-155-010017-4	51	3-242-010099	07
3-115-010046	85	3-155-010018-1	51	3-242-010099	08
3-115-010053	85	3-155-010018-1	61	3-242-010102	07
3-115-010096	85	3-155-010018-6	51	3-242-010102	09
3-115-010097	85	3-155-010018-6	61	3-242-010103	07
3-115-010099	85	3-155-010025	76	3-242-010103	09
3-117-010069	87	3-155-010025	81	3-242-010118	08
3-117-010070	87	3-156-010007	23	3-242-010152-02	06
3-117-010071-1	87	3-156-010008	21	3-242-010153	06
3-120-010073	07	3-156-010008	60	3-272-010017	21
3-120-010117	07	3-156-010043	23	3-272-010018	61
3-120-010124	76	3-156-010043	23	3-272-010021	21
3-120-010124	80	3-161-010034	11	3-272-010021	41
3-120-010125	07	3-161-010034	15	3-272-010021	60
3-120-010294	65	3-162-010001	71	3-272-010021	77
3-120-010295	65	3-162-010001	76	3-272-010022	43
3-120-010445	60	3-162-010001	81	3-272-010022	77
3-120-010461	71	3-174-010038	51	3-272-010078	23
3-120-010485	21	3-174-010038	61	3-272-010078	23
3-125-010241	06	3-174-010039036	51	3-272-010079	23
3-125-010244	06	3-174-010039036	61	3-272-010080	23
3-125-010465	60	3-181-010006	06	3-272-010095	23
3-128-010021-03	49	3-181-010006	18	3-272-010109	61

PART	PAGE	PART	PAGE	PART	PAGE
3-272-010117-01	20	3-407-010061	06	3-573-010134	69
3-272-010117-02	20	3-427-010003	76	3-573-010210	69
3-272-010121	23	3-432-010006	29	3-573-010273	21
3-272-010125	18	3-432-010010	29	3-573-010296	23
3-272-010125	20	3-443-010010	85	3-573-010296	69
3-272-010147	18	3-446-010046	18	3-573-010298	69
3-272-010148	18	346SL	65	3-573-010299	69
3-272-010157	61	346SL	88	3-573-010300	69
3-273-010006	76	3-481-010006	51	3-573-010377	69
3-273-010013	76	3-481-010006	66	3-573-010378	69
3-273-010034-01	76	3-481-010007	51	3-573-010392	23
3-273-010034-02	76	3-481-010007	61	3-573-010392	69
3-279-010037	23	3-481-010007	66	3-573-010393	23
3-279-010037	23	3-482-010003	76	3-573-010393	69
3-348-010045	77	3-482-010252	60	3-573-010394	23
3-348-010048	61	3-482-010288	11	3-573-010394	69
3-352-010015-3	65	3-482-010288	15	3-573-010442	60
3-352-010015-4	65	3-482-010360	76	3-591-010001	71
3-352-010017-1	65	3-482-010495	76	3-591-010001	72
3-352-010017-2	65	3-482-010503	71	3-591-010003	76
3-368-010129	60	3-482-010565	77	3-591-010005	76
3-368-010175	18	3-482-010566	77	3-626-010004	60
3-368-010175	26	3-482-010575	07	3-642-010134	13
3-368-010175	33	3-482-010575	11	3-645-010049	65
3-368-010190	20	3-485-010001	26	3-645-010059	13
3-368-010191	20	3-485-010001	33	3-645-010085	13
3-368-010243-01	18	3-522-010017	61	3-659-010012	47
3-368-010244	18	3-557-010030	02	3-659-010013-1	85
3-368-010245-01	18	3-557-010031	07	3-681-010122	06
3-368-010246	18	3-557-010033	06	3-711-010025	87
3-368-010250	18	3-557-010033	07	3-711-010055	11
3-368-010252	18	3-557-010059	06	3-711-010055	15
3-368-010294	18	3-557-010120	06	3-711-010110	60
3-375-010250	02	3-557-010380	87	3-720-010010	51
3-375-010292	02	3-557-010383	65	3-720-010030	29
3-375-010349	02	3-557-010474	60	3-720-010035	61
3-375-010489-3	02	3-561-010001	71	3-720-010042	60
3-375-010489-3	06	3-565-010770	65	3-725-010058	88
3-375-010489-4	02	3-565-011688	61	3-741-010085	65
3-375-010489-4	06	3-565-011757	13	3-744-010046	76
3-399-010001	71	3-573-010031	69	3-755-010080	87
3-399-010001	81	3-573-010057	69	3-755-010189	27
3-407-010038-09	06	3-573-010086	69	3-755-010189	33
3-407-010038-10	06	3-573-010127	69	3-755-010189	43

PART	PAGE	PART	PAGE	PART	PAGE
3-755-010189-03	27	3-846-010152-05	06	59P8	23
3-755-010189-03	33	3-846-010152-05	11	59P8	23
3-755-010189-03	43	3-846-010152-08	06	59P8	23
3-755-010189-1	27	3-846-010152-08	11	59S-7	18
3-755-010189-1	33	3-846-010152-10	06	59W-2-3	18
3-762-010016	27	3-846-010152-10	11	59W-2-3	20
3-762-010016	33	3-846-010156	06	60015Y	18
3-762-010017	27	3-861-010038	06	60202R	19
3-762-010017	33	3-870-010110	47	60202Y	19
3-765-010001	18	3-873-010122	51	60215Y	19
3-765-010001	23	3-873-010122	53	60700	19
3-765-010005	76	3-873-010123	51	622-3511-008	27
3-780-010002	27	3-873-010123	56	622-3511-008	33
3-780-010002	33	3-873-010123	61	64181	18
3-783-010013P	77	3-873-010124	51	64181	21
3-786-010005	76	3-873-010126-2	07	6-557-010163	87
3-786-010043	71	3-873-010126-2	51	6582	12
3-793-010040	65	3-873-010129-2	07	6600	77
3-793-010041	65	3-873-010129-2	51	6828	71
380-1	27	3-873-010166	06	68CA-2-2	11
380-1	33	3-873-010166-01	51	68CA-2-2	15
380-2	27	3-873-010166-02	51	6964-312	12
380-2	33	3-873-010166-03	51	7019-9XX	12
3-821-010005	27	3-873-010166-04	51	7-458-010009	85
3-821-010005	33	391-1802-119	72	758-181	41
3-826-010014	02	40002R	18	758-181	43
3-826-010015	02	40202R	18	7HCGHT500	51
3-829-010327	65	40700	18	7HCGHT500	60
3-829-010329	65	4Z4306	15	805-2	27
3-829-010331	65	514-1000	85	805-2	33
3-831-010172	60	514-1000-056	85	805-2	76
3-831-010182	60	514-9045-26	81	81006	53
3-843-010015	11	514-9045-40	77	81009	53
3-843-010015	12	514-9073-18	81	81025	53
3-843-010022	60	541-0203	77	81077	56
3-843-010023	11	541-0316	77	81078	56
3-843-010024	11	541-0379	77	81080	56
3-843-010025	11	55B61	41	81081	56
3-843-010038	49	55B61	43	81082	56
3-846-010008	07	55B61	49	81530	53
3-846-010008	11	55B61-6	49	88005	57
3-846-010008	15	55B61-7	49	900 54 007	35
3-846-010152-01	06	56D4	41	900 54 107	35
3-846-010152-01	11	56D4	43	90008139	37

PART	PAGE	PART	PAGE	PART	PAGE
90008184	37	B10036	91	NB-2-016	11
9001-B255	23	B10066	91	PA-2328-2	66
9001-B256	23	B10130	91	PMCK-AD-460	08
9001-BW70YU	23	B10229.S	91	PMCK-AD-461	09
90045040	37	B10236	91	PTO	71
900598-12S	80	B3-115-016	85	RA 1688-17-64	72
905-54-107	11	B7-115-003	85	RPRB59004X11	85
905-54-107	60	B7-115-004	85	RTR7999X4ZP	61
93201057	37	B7-141-003	87	SCREW#6X3/8	85
93400149	37	BA 3026-2	72	STP-147	18
93400492	37	BD 1135M-3-17	72	T7292	29
93600077	37	BSL-6-4	85	TR545D	47
941 00 119	35	C10078	91	TR573	47
941 00 466	35	C10085	91	UB 3006-242	72
94100590	37	C10140.2	91	X 144-3	72
94100648	37	C10155	91	X2-25	72
94100685	37	C10177	91	X73-37-16	72
94100787	37	C10209	91	XA 1603	72
94100790	37	C10217	91	Y 1032	72
94926	19	C10233	91		
A10033	91	C10234	91		
A10037.1	91	C10256	91		
A10037.3	91	C10259	91		
A10038.6	91	C2001	63		
A10038.7	91	C29-1104X	61		
A10040	91	C3069X12	71		
A10052.3	91	CA-1595	76		
A10054.3	91	D10116.2	91		
A10054.6	91	D10201.2	91		
A10054.7	91	D-2H16	38		
A10059.1	91	DB-10	23		
A10101	91	EB 1685-3	72		
A10102	91	HM212011	47		
A10212	91	HM212049	47		
A10218	91	HM218210	47		
A10230	91	HM218248	47		
A10255	91	K71-135-00	39		
A10260.1	91	K71-136-00	38		
A7106-350	12	K71-138-00	39		
A7106-392	12	LB 1669-1	72		
A7106-430	12	M 1391-K	72		
AA 1058	72	M110AB-4	66		
AB022-567	12	M110C-1	66		
ADAPTER 90	41	NB-2-016	11		

