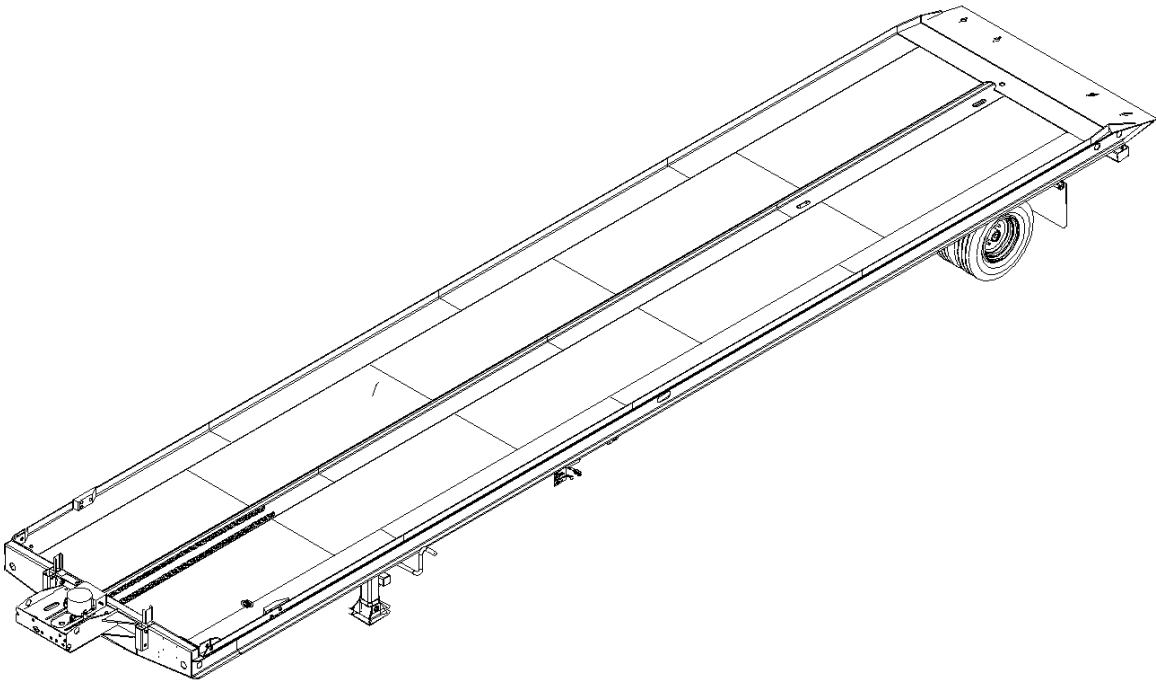




# Model 330C Chain Drive Semitrailer Parts Manual



## **LANDOLL CORPORATION**

1900 North Street  
Marysville, Kansas 66508  
(785) 562-5381

**800-428-5655 ~ WWW.LANDOLL.COM**



# Table of Contents

---

## 1 Instructions for Ordering Parts

## 2 Illustrated Parts List

GENERAL ASSEMBLY .....	2-1
DECAL PLACEMENT .....	2-5
FIFTH WHEEL ASSEMBLY .....	2-6
HYDRAULIC SYSTEM .....	2-10
TRAILER TILT CYLINDER .....	2-12
UNDERCARRIAGE SLIDE CYLINDER .....	2-13
VALVE ASSEMBLY, THREE SPOOL .....	2-15
THREE STACK VALVE .....	2-17
ELECTRICAL SYSTEM .....	2-19
ELECTRICAL SYSTEM, WINCH LIGHT .....	2-20
ELECTRICAL SYSTEM, DUAL WINCH LIGHT .....	2-21
AIR SYSTEM .....	2-23
AIR BRAKE SYSTEM, SINGLE AXLE .....	2-25
AIR BRAKE SYSTEM, TANDEM AXLE .....	2-27
BRAKE KIT, ABS .....	2-29
UNDERCARRIAGE ASSEMBLY - SPRING RIDE .....	2-34
GREASE HOSE LOCATION, P/N, AND LENGTH (SINGLE) .....	2-35
GREASE HOSE LOCATION, P/N, AND LENGTH (DROP DECK SINGLE) .....	2-35
GREASE HOSE LOCATION, P/N, AND LENGTH (TANDEM) .....	2-35
SUSPENSION ASSEMBLY - SPRING RIDE .....	2-38
UNDERCARRIAGE ASSEMBLY - AIR RIDE .....	2-45
GREASE HOSE LOCATION, P/N, AND LENGTH (SINGLE) .....	2-46
GREASE HOSE LOCATION, P/N, AND LENGTH (TANDEM) .....	2-46
AIR CONTROL KIT .....	2-48
SUSPENSION HANGER RLU-228 .....	2-50
AXLE AND BRAKE ITEMS (DEXTER) (12-1/4" X 7-1/2") .....	2-52
AXLE AND BRAKE ITEMS (DEXTER) (16-1/2" x 7") .....	2-54
OUTBOARD PILOT MOUNT HUB AND DRUM .....	2-56

---

GEARBOX ASSEMBLY (CHAIN DRIVE MODEL) .....	2-58
GEARBOX ITEMS .....	2-60
CONTAINER LOAD CHAIN ASSEMBLY (OPTION) .....	2-61
CHAIN CONNECT/ CONTAINER ASSEMBLY .....	2-62
CONTAINER PUSHER ASSEMBLY .....	2-63
CONTAINER CHAIN AND BRIDLE ASSEMBLY .....	2-64
LANDING GEAR INSTALLATION .....	2-66
LANDING GEAR INSTALLATION .....	2-68
CRANK LANDING GEAR .....	2-70
HYDRAULIC WET KIT (OPTION) .....	2-72
27HP GAS ENGINE PACKAGE (OPTION) .....	2-75
UNDERSLUNG ENGINE PACKAGE INSTALLATION .....	2-78
27 HP GAS ENGINE PACKAGE, UPPER DECK (OPTION) .....	2-83
UPPER DECK ENGINE STAND INSTALLATION .....	2-86
TOOLBOX INSTALLATION (OPTION) .....	2-88
TOOLBOX INSTALLATION (OPTION) .....	2-90
FRONT EXTENSION AND BULKHEAD ASSEMBLY (OPTION) .....	2-92
ALUMINUM RAMPS (OPTION) .....	2-93
HYDRAULIC DUAL PLUMBING (OPTION) .....	2-94
HYDRAULIC BYPASS FOR 2 HAND CONTROL (OPTION) .....	2-96
STROBE LIGHT INSTALLATION .....	2-98
SLIDING STRAP WINCH (OPTION) .....	2-99
WINCH STRAP RATCHET ASSEMBLY (OPTION) .....	2-100
WINCH STRAP RATCHET ASSEMBLY (OPTION) .....	2-101
DIGITAL AIR SYSTEM SCALE INSTALLATION (OPTION) .....	2-102
AIR DIGITAL SCALE (OPTION) .....	2-103
SPARE TIRE MOUNT ASSEMBLY (OPTION) .....	2-104

### **3 Numerical Index**

## Instructions for Ordering Parts

### ORDER PARTS FROM LANDOLL PARTS DISTRIBUTION CENTER

**\*\* Repair parts must be ordered through an Authorized Dealer \*\***

PHONE NO.: 1-800-423-4320 OR 1-800-428-5655 OR 1-785-562-5381

FAX NO.: 888-527-3909

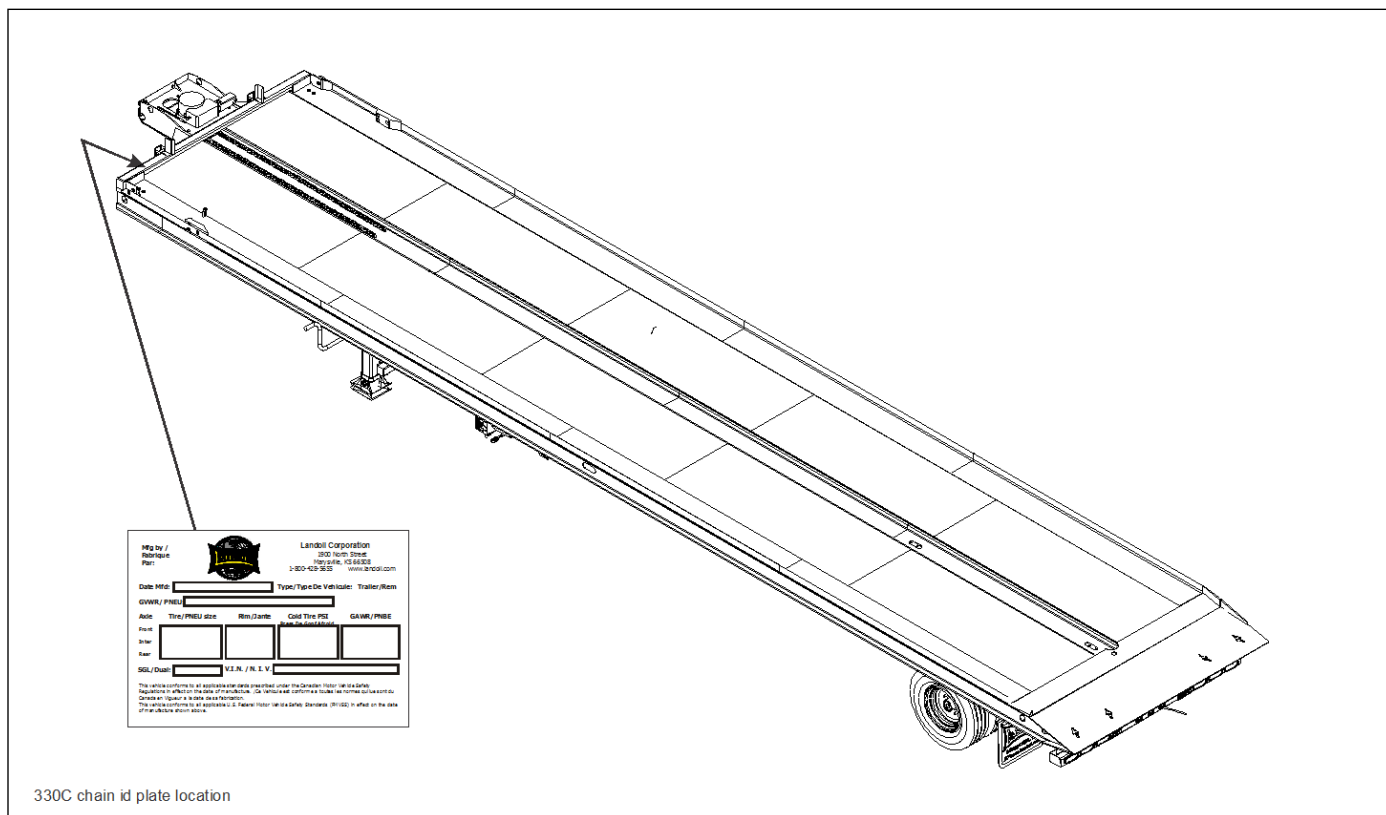
ORDER ONLINE: [companystore.landoll.com](http://companystore.landoll.com)

### IDENTIFICATION PLATE

The identification plate, which lists the model number and serial number, is located on the front of the frame (See Figure 1-1.)

### SERIAL NUMBER NOMENCLATURE

The serial number for the 330C semitrailer is located on the identification plate.



**Figure 1-1: Identification Plate and Location**

Page Intentionally Blank

# Illustrated Parts List

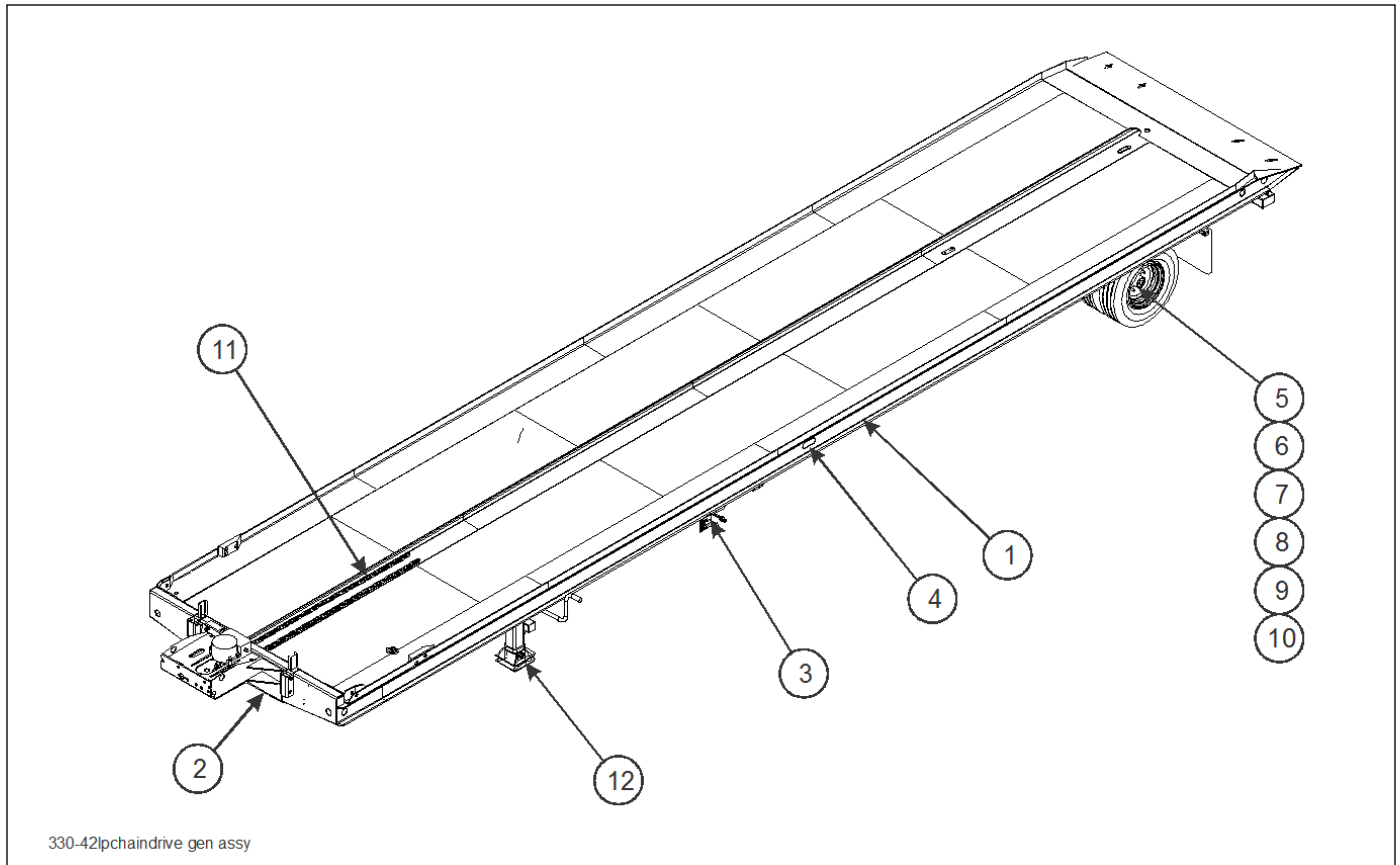


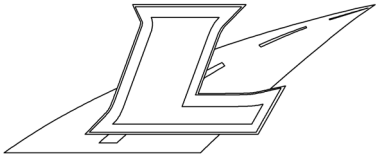
Figure 2-1: General Assembly

## GENERAL ASSEMBLY


ITEM	PAGE NO.	DESCRIPTION	QTY.
1	2-2 - 2-5	DECAL INSTALLATION	
2	2-6	FIFTH WHEEL ASSEMBLY	
3	2-7 - 2-16	HYDRAULIC ASSEMBLIES	
4	2-18 - 2-21	ELECTRICAL ASSEMBLIES	
5	2-22 - 2-23	AIR SYSTEM ASSEMBLIES	
6	2-24 - 2-29	AIR BRAKE SYSTEM	
7	2-30 - 2-38	UNDERCARRIAGE ASSEMBLY, SPRING RIDE SUSPENSION	
8	2-39 - 2-50	UNDERCARRIAGE ASSEMBLY, AIR RIDE SUSPENSION	
9	2-51 - 2-54	AXLE AND BRAKE ASSEMBLIES	
10	2-55 - 2-56	HUB AND DRUM ASSEMBLY	
11	2-57 - 2-64	GEARBOX ASSEMBLIES	
12	2-65 - 2-70	LANDING GEAR ASSEMBLIES	
13	2-71 - 2-72	HYDRAULIC WET KIT ASSEMBLY (NOT SHOWN) (OPTION)	
14	2-73 - 2-86	AUXILIARY ENGINE ASSEMBLIES (NOT SHOWN) (OPTION)	
15	2-87 - 2-104	MISCELLANEOUS OPTIONS (NOT SHOWN)	



# ILLUSTRATED PARTS LIST



①



②

LANDOLL

C

③

330

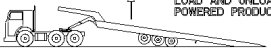
⑤

**WARNING**

TRAILER OPERATION

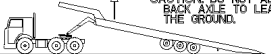
- PARK TRACTOR AND TRAILER IN A STRAIGHT LINE ON RELATIVELY LEVEL GROUND.
- SET TRACTOR BRAKES AND RELEASE TRAILER BRAKES.
- ENGAGE PTO.

WARNING: ALWAYS USE LOW LOAD ANGLE TO LOAD AND UNLOAD POWERED PRODUCTS.

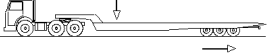


- PULL AXLES FORWARD OUT OF POCKETS.
- TO ACHIEVE LOW LOAD ANGLE, ALTERNATE BETWEEN RAISING THE TRAILER AND PULLING THE AXLES FORWARD UNTIL THE APPROACH PLATE TOUCHES THE GROUND AND THE AXLES ARE COMPLETELY FORWARD.

CAUTION: DO NOT ALLOW BACK AXLE TO LEAVE THE GROUND.



- MAXIMUM ANGLE IS ONLY INTENDED IF REQUIRED FOR UNLOADING NON-POWERED PRODUCTS AND TO TRANSFER LOAD TO TRACTOR. TRANSFER LOAD TO TRACTOR BY RAISING DECK AND MOVING AXLES TOWARD REAR UNTIL LOAD IS FORWARD OF REAR AXLE. THUS TRANSFERRING LOAD TO TRACTOR.



- TO RETURN TO LEVEL POSITION, REVERSE STEPS USED TO TILT THE TRAILER.

3-573-010127



⑦

**WARNING**

TO MEET FEDERAL REGULATIONS THE TRAVELING AXLES MUST BE IN THE REAR MOST POSITION FOR HIGHWAY USE.

3-573-010300

⑥

<p style="font-size: 0.8em;">TANK</p>  <p style="font-size: 0.8em;">FEMALE QUICK COUPLER</p>	<p style="font-weight: bold;">IMPORTANT</p> <p style="font-size: 0.8em;">CONNECT FEMALE HYDRAULIC COUPLER FROM TRACTOR WET KIT OR ENGINE PACKAGE TO MALE HYDRAULIC COUPLER AT FRONT OF TRAILER FIRST TO RELIEVE PRESSURE IN TRAILER LINES.</p> <p style="font-size: 0.8em;">105822</p>	<p style="font-size: 0.8em;">PRESSURE</p>  <p style="font-size: 0.8em;">MALE QUICK COUPLER</p>
---	--	---

⑧

**CAUTION**

MAXIMUM CONCENTRATED LOAD IN A 10 FT. AREA 10,000 LBS.

3-573-010134

⑨

<p style="font-size: 0.8em;">PULL UP TO RAISE</p> <p style="font-weight: bold;">5th WHEEL</p> <p style="font-size: 0.8em;">PUSH DOWN TO LOWER</p>	<p style="font-size: 0.8em;">PULL UP TO REEL IN</p> <p style="font-weight: bold;">WINCH</p> <p style="font-size: 0.8em;">PUSH DOWN TO REEL OUT</p>	<p style="font-size: 0.8em;">PULL UP TO RETRACT</p> <p style="font-weight: bold;">AXLE</p> <p style="font-size: 0.8em;">PUSH DOWN TO EXTEND</p>
---	--	---

⑩

**CAUTION**

MAXIMUM CONCENTRATED LOAD IN A 10 FT. AREA 20,000 LBS.

3-573-010086

⑪

**WARNING**

A MINIMUM OF 5 WRAPS OF CABLE MUST BE LEFT ON DRUM

3-573-010299

⑫

LANDOLL CORPORATION  
1900 NORTH  
MANUFACTURED IN \_\_\_\_\_(MO/YR)  
DOT

103066

⑬

**WARNING**

IN THE EVENT OF COLLISION OR DAMAGE TO BUMPER OR ENERGY PACK, REPLACEMENT IS MANDATORY BEFORE FURTHER OPERATION OF THE TRAILER

103065

⑭

**CAUTION**

DO NOT HOOK WINCH LINE TO BUMPER. BUMPER MOVES WITH UNDERCARRIAGE.

3-573-010031

⑮

**LANDOLL**

1900 NORTH STREET  
MARYSVILLE, KANSAS 66508

LANDOLL TRAILER DIVISION  
1-800-429-8665  
1-800-HAULOLL

MANUFACTURED UNDER ONE OR MORE OF FOLLOWING PATENTS: 4126198, 4231710, 4361891, 4630691, 4566357, 4482607, 4928774.

3-573-010298

⑯

800-662-8810 • www.mobilestorage.com

⑰

THE MOBILE STORAGE GROUP®

⑱

LANDOLL CORPORATION  
1900 North Street  
Marysville, KS 66508  
1-800-429-8665  
www.landoll.com

Date 1998

Type/Type De Vehicules: Trailer/Remorque

Model / Modèle	Type/Type De Vehicules	Date De Mise En Service / Mise En Service	Capacité / Capacité
Make / Marque	Type/Type De Vehicules	Date De Mise En Service / Mise En Service	Capacité / Capacité
Year / Année	Type/Type De Vehicules	Date De Mise En Service / Mise En Service	Capacité / Capacité

MFR./Fabricant: U.S.A. / U.S.A.

This trailer is subject to all applicable laws and regulations. The trailer is not to be used in any manner that is not intended. The trailer is not to be used in any manner that is not intended. The trailer is not to be used in any manner that is not intended.


⑲

TILT UP (BLK)	TILT DOWN (RED)
WINCH IN (WHT/BLK)	WINCH OUT (RED/BLK)
AXLE AHEAD (ORG)	AXLE BACK (GRN)
140087	

⑳

FRT OTR CAMSHAFT	FRT INR CAMSHAFT	FRT SLACK
FRT CAM FOLLOWER	REAR CAM FOLLOWER	
REAR OTR CAMSHAFT	REAR INR CAMSHAFT	REAR SLACK
CTR OTR CAMSHAFT	CTR INR CAMSHAFT	CTR SLACK
CENTER ROLLER	HOLD-DOWN CAMFOLLOWER	REAR ROLLER
LEFT SIDE	RIGHT SIDE	142653

㉑



㉒

Figure 2-2: Decals



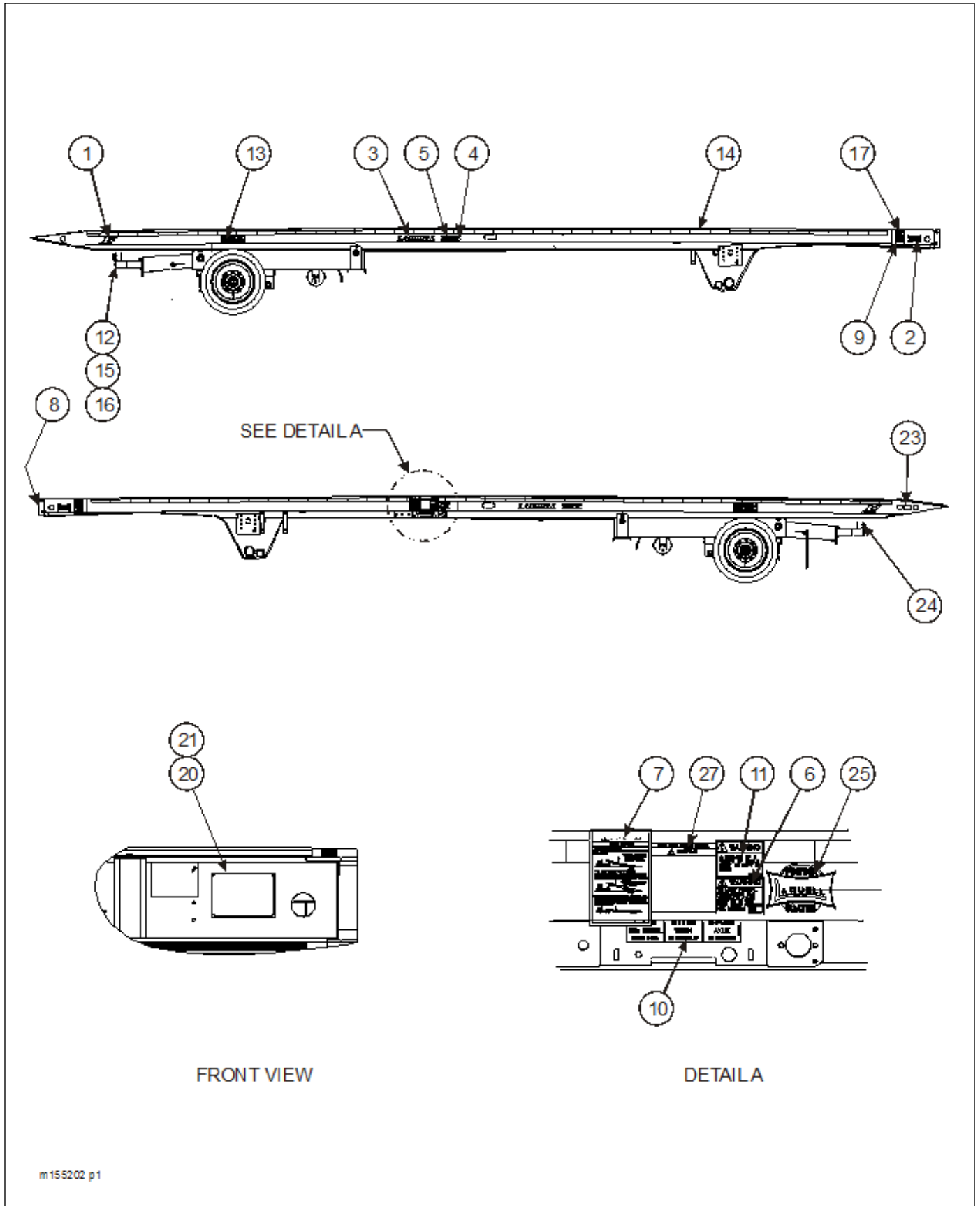


Figure 2-3: Decal Placement, Single Axle

m155202 p1

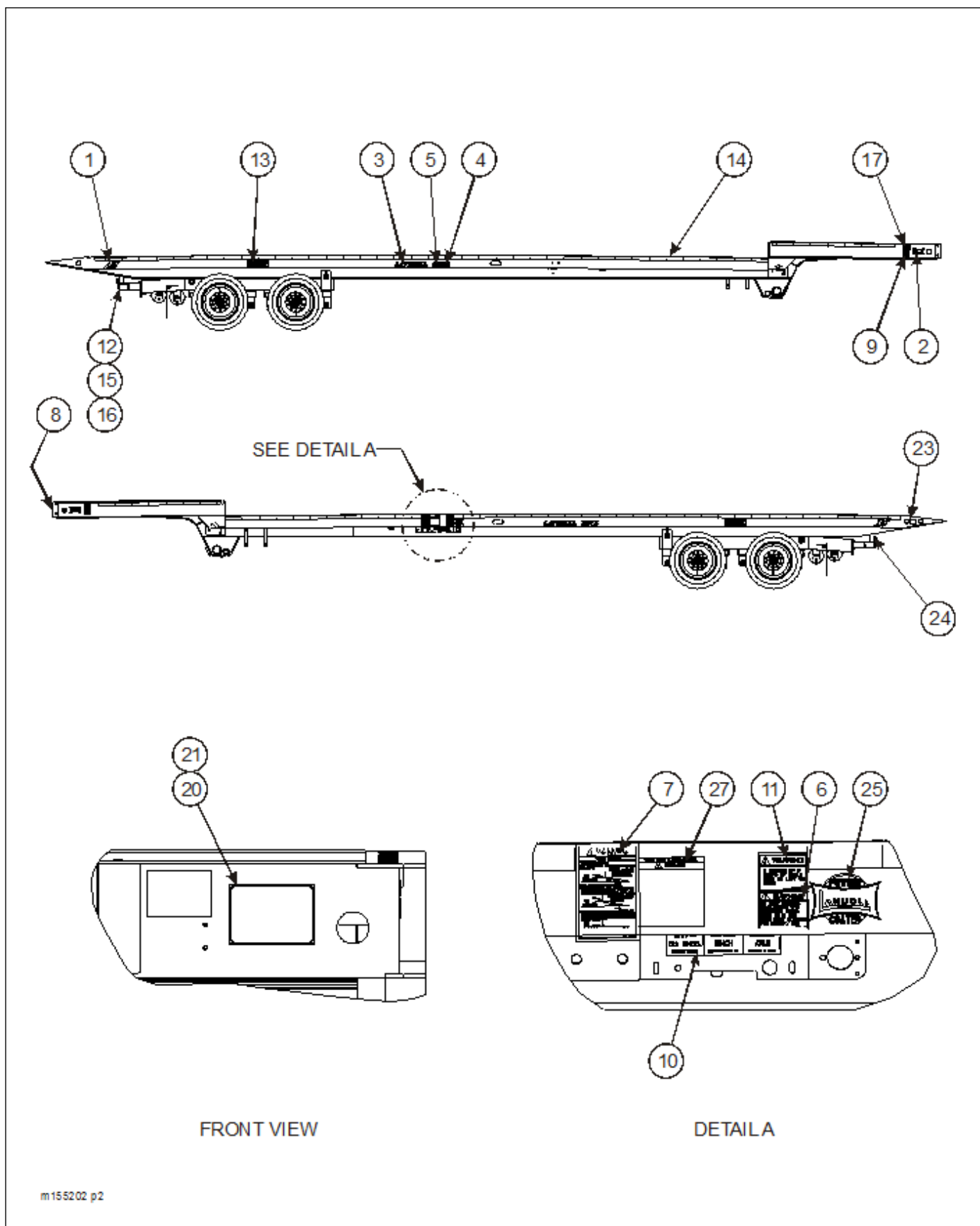


Figure 2-4: Decal Placement, Tandem Axle

## DECAL PLACEMENT

ITEM	PART NO.	DESCRIPTION	QTY.
1	153797	DECAL, HWY L REFLECTIVE 5"	8
2	153799	DECAL, BOW TIE WHITE	4
	153800	DECAL, BOW TIE BLACK	4
3	153795	DECAL, LANDOLL REFLECTIVE	4
4	153792	DECAL, "C" REFLECTIVE	4
5	153730	DECAL, 330 REFLECTIVE	2
6	3-573-010300	DECAL, WARNING RIDE POSITION UNDERCARRIAGE	1
7	3-573-010127	DECAL, OPERATION	1
8	105822	DECAL, HYDRAULIC COUPLER	1
9	3-573-010134	DECAL, CONCENTRATED LOAD 10,000 LB. (SINGLE AXLE)	2
	3-573-010086	DECAL, CONCENTRATED LOAD 20,000 LB. (TANDEM AXLE)	2
10	3-573-010057	DECAL, INSTRUCTION	1
11	3-573-010299	DECAL, WARNING WINCH	1
12	103055	DECAL, ENERGY BUMPER CERT.	1
13	3-573-010210	DECAL, TORQUE SPEC 8-10 STUD HUB	1
14	3-573-010377	DECAL, REFLEXITE TAPE RED/WHITE	48'
15	103056	DECAL, ENERGY BUMPER WARNING	1
16	3-573-010031	DECAL, BUMPER	1
17	3-573-010298	DECAL, PATENT TRAILERS AND TOLL FREE NO.	2
18	148597	DECAL, WWW.MOBILE	1
19	148598	DECAL, MOBILE GROUP	1
20	155780	INFORMATION FOR TRL VIN	1
21	12420301-017	RIVET, BLIND .156 X 1/4 GRIP	4
22	3-573-010378	DECAL, 2 X10 REFLEXITE WHITE (NOT SHOWN) (SEE PAGE 2-92)	2
23	101855	WARNING LAMP LABEL, ABS	1
24	142553	DECAL, GREASE TRAILER	1
25	153798	DECAL, POWDER COATED REFLECTIVE	1
26	140087	DECAL, REMOTE	1
27	100600	DECAL, WARNING WINCH	1

## ILLUSTRATED PARTS LIST

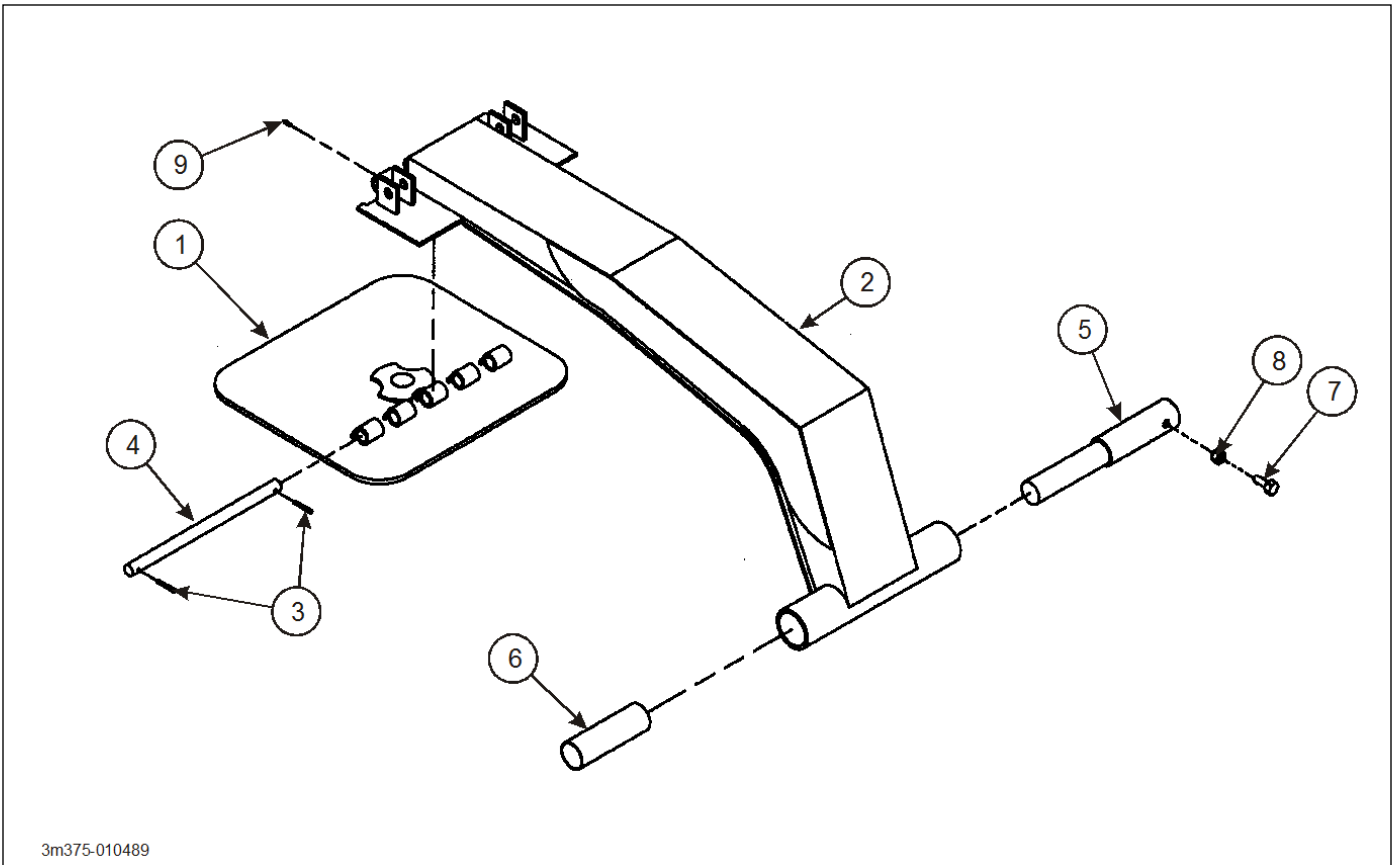
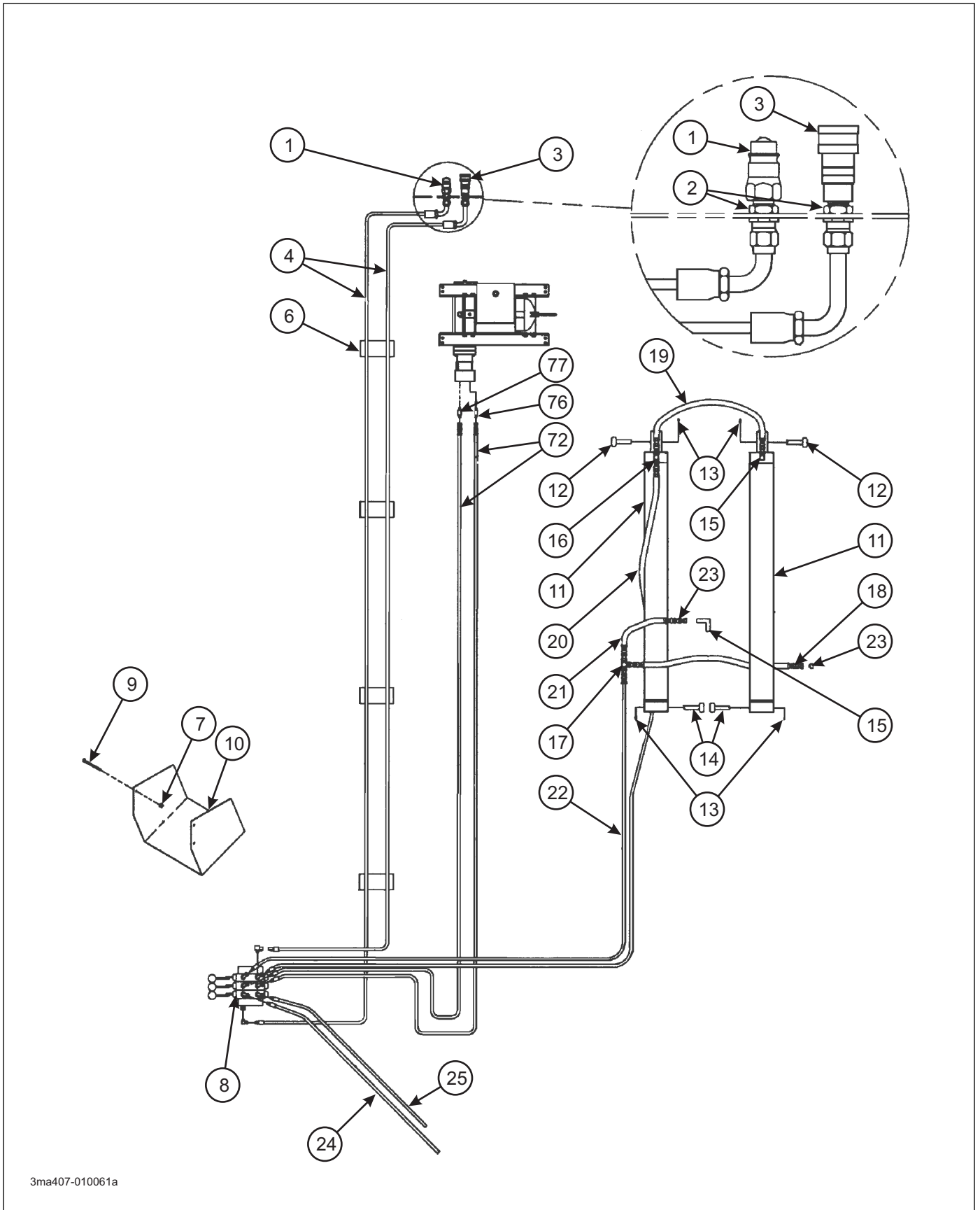


Figure 2-5: Fifth Wheel Assembly

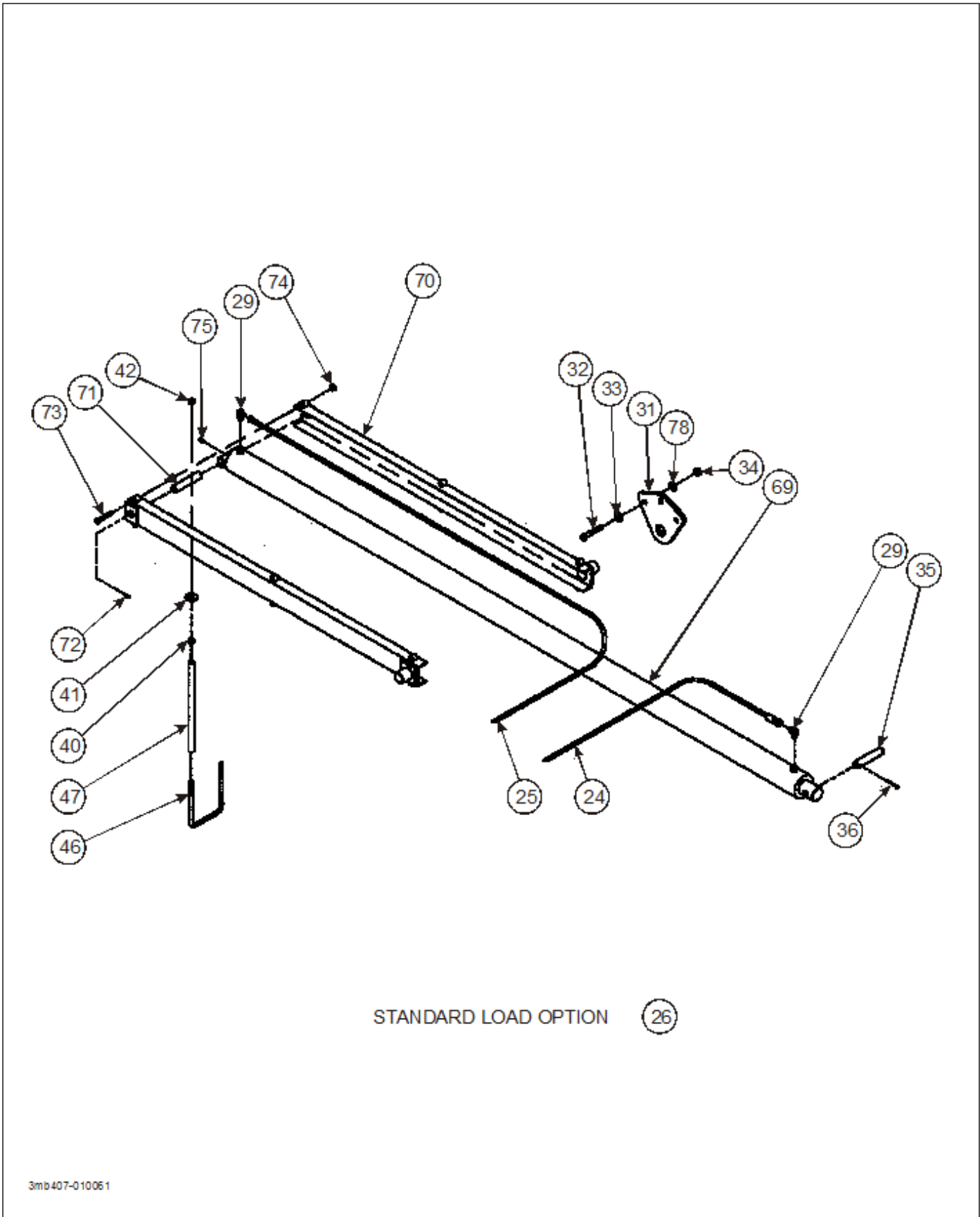
## FIFTH WHEEL ASSEMBLY

ITEM	PART NO.	DESCRIPTION	QTY.
	3-375-010489	HITCH INSTALLATION	REF
1	3-375-010250	HITCH PLATE 24"/30" KING PIN	1
	3-375-010349	HITCH PLATE 18" KING PIN	1
2	3-375-010292	HITCH ASSEMBLY CONTAINER HAULER	1
3	1-647-010004255	SPRING PIN SLOTTED 3/8 X2	2
4	3-557-010030	HINGE PIN FIFTH WHEEL	1
5	3-826-010015	TUBE WELDMENT INNER FIFTH WHEEL	1
6	3-826-010014	TUBE INNER HINGE FIFTH WHEEL	1
7	1-654-010061-07	SCREW, HEX HEAD CAP 3/4-10 X 2-1/2 GR5	2
8	1-512-010005-15	NUT, HEX LOCK 3/4-10 GRB	2
9	1-298-010001-1	FITTING GRS STR SHORT 1/4-28	6



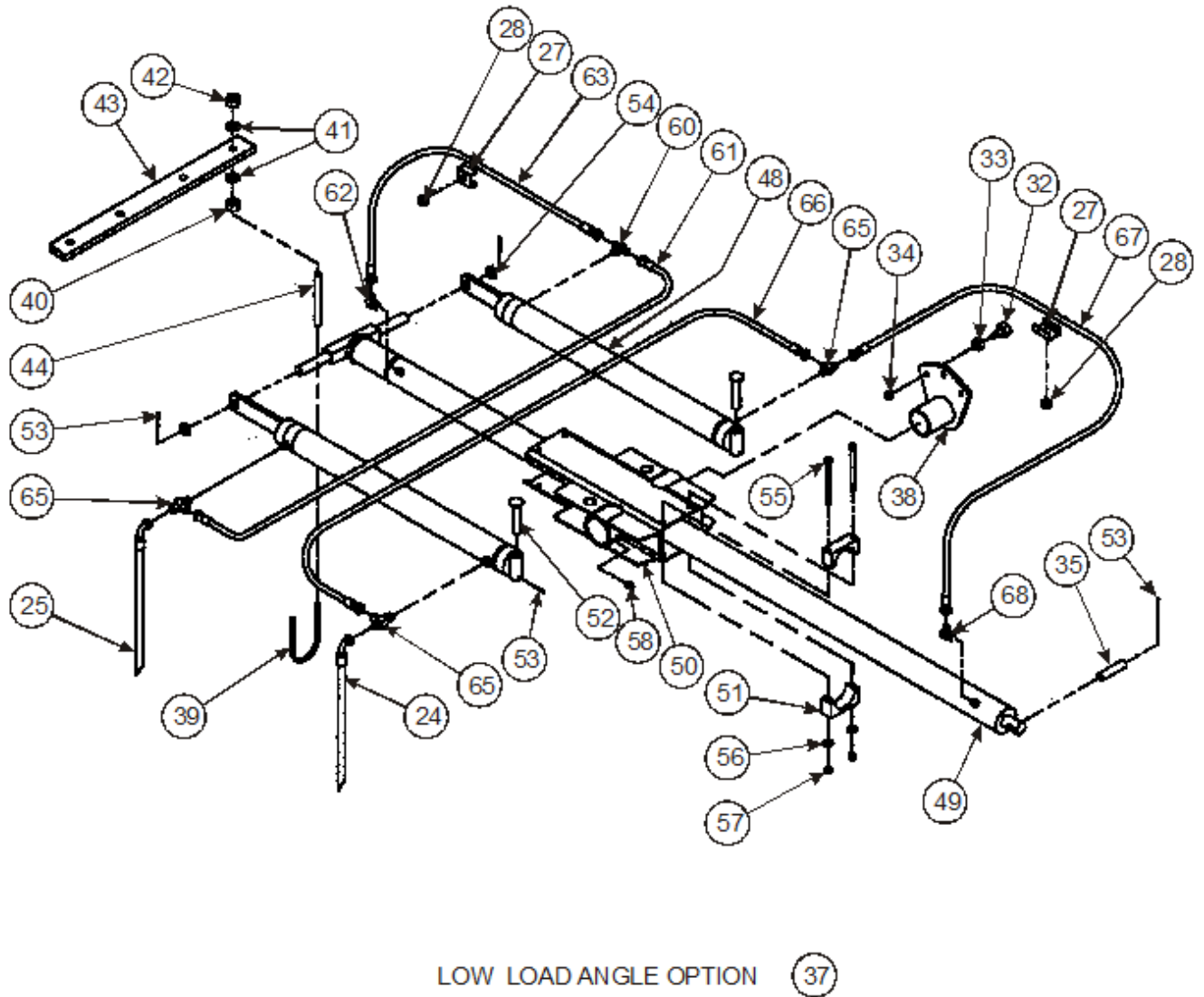
3ma407-010061a

Figure 2-6: Hydraulic System (1 of 3)



3mb407-010061

Figure 2-7: Hydraulic System, Standard Load Angle Option (2 of 3)



3mc407-010061

Figure 2-8: Hydraulic System, Low Load Angle Option (3 of 3)

## ILLUSTRATED PARTS LIST

### HYDRAULIC SYSTEM

ITEM	PART NO.	DESCRIPTION	QTY.
	----	HYDRAULIC ELECTRICAL AIR	
	3-375-010489	HITCH INSTALLATION - 42', 48', 51"	REF
	3-873-010166	WINCH INSTALLATION 12K/20K (ITEMS 76-78)	REF
1	105479	COUPLER, FLAT FACE MALE	1
	105481	COUPLER, DUST CAP MALE	1
2	105483	ADAPTER, BULKHEAD 12JIC-12ORING	2
3	105480	COUPLER, FLAT FACE FEMALE	1
	105482	COUPLER, DUST CAP FEMALE	1
4	1-397-010305254	HOSE ASSEMBLY 3/4 X 254 (42')	2
	100064	HOSE ASSEMBLY 3/4 X 302 (48')	2
	128028	HOSE ASSEMBLY 3/4 X 362 (51')	2
	158040	HOSE ASSEMBLY 3/4 X 280 (CHAIN DRIVE)	2
6	3-181-010006	HOSE CLAMP	REF
7	1-510-010001	NUT, FLANGE LOCK 3/8-16	8
8	148242	VALVE ASSEMBLY 3 SPOOL (SEE PAGE 2-15)	1
9	1-654-010051-05	SCREW, HEX HEAD CAP 3/8-16 X 1 GR5	8
10	3-681-010122	SHIELD, CONTROL VALVE	1
11	3-242-010099	CYLINDER, HYDRAULIC 4X42 (SEE PAGE 2-12)	2
12	3-557-010059	PIN, CYLINDER ROD END	2
13	1-557-010362-54	PIN, COTTER 3/16 X 2-1/4	4
14	3-557-010033	PIN, CYLINDER BUTT END	2
15	2062-8-8S	ADAPTER, 90	3
16	203003-8-8S	ADAPTER, TEE	1
17	2033-8-8S	ADAPTER, TEE	1
18	1-397-010301048	HOSE ASSEMBLY 1/2 X 48 (24" KINGPIN)	1
	1-397-010301064	HOSE ASSEMBLY 1/2 X 64 (18" KINGPIN DROP DECK)	1
19	107756	HOSE ASSEMBLY 1/2 X 24	1
20	1-397-010301220	HOSE ASSEMBLY 1/2 X 220 (42')	1
	1-397-010301268	HOSE ASSEMBLY 1/2 X 268 (48')	1
	1-397-010301304	HOSE ASSEMBLY 1/2 X 304 (51')	1
21	1-397-010301028	HOSE ASSEMBLY 1/2 X 28	1
22	1-397-010301122	HOSE ASSEMBLY 1/2 X 122 (42')	1
	1-397-010301194	HOSE ASSEMBLY 1/2 X 194 (48')	1
	1-397-010301238	HOSE ASSEMBLY 1/2 X 238 (51')	1
23	3-846-010155	VALVE RESTR. 1/16-ONE WAY(DIRECT REPLACEMENT) (42' & 48')	2
	3-846-010156	VALVE RESTR. 3/64-ONE WAY (DIRECT REPLACEMENT) (51')	2
24	100063	HOSE ASSEMBLY 1/2 X 92 (STD LOAD ANGLE)	1
	1-397-010302112	HOSE ASSEMBLY 1/2 X 112 (LOW LOAD ANGLE)	1
	1-397-010301238	HOSE ASSEMBLY 1/2 X 238 (CHAIN DRIVE)	1
25	1-397-010301130	HOSE ASSEMBLY 1/2 X 130 (STD LOAD ANGLE)	1
	1-397-010302042	HOSE ASSEMBLY 1/2 X 42 (LOW LOAD ANGLE)	1
	51039-23	HOSE ASSEMBLY 1/2 X 16 (CHAIN DRIVE)	1
26	3-242-010153	CYLINDER ASSEMBLY (STD LOAD ANGLE)(ITEMS 69-75)	1
27	2-181-010001	HOSE CLAMP (LOW LOAD ANGLE)	2
28	1-510-010001	NUT, FLANGE LOCK 3/8-16 (LOW LOAD ANGLE)	2
29	2062-8-8S	ADAPTER, 90 (STD LOAD ANGLE)	2
30	1-796-010003-02	TY-WRAP (STD LOAD ANGLE) (NOT SHOWN)	12
31	3-125-010241	BRACKET, CYLINDER MOUNT (STD LOAD ANGLE)	2
32	1-654-010061-06	SCREW, HEX HEAD CAP 3/4-10 X 2-1/4 GR5	6



## HYDRAULIC SYSTEM

ITEM	PART NO.	DESCRIPTION	QTY.
33	3-861-010038	WASHER, STEP	6
34	1-512-010005-15	NUT, HEX LOCK 3/4-10 GRB	6
35	3-557-010120	PIN, UNDERCARRIAGE CYLINDER	1
36	1-557-010362-54	PIN, COTTER 3/16 X 2-1/4	2
37	3-242-010152-02	CYLINDER ASSEMBLY (LOW LOAD ANGLE) (ITEMS 48-68)	1
38	3-125-010244	BRACKET WELDMENT, CYLINDER TRUN (LOW LOAD ANGLE)	2
39	3-102-010022	U BOLT, CYLINDER SUPPORT (LOW LOAD ANGLE)	2
40	1-512-010007-09	NUT, HEX 1/2-13 GR2	2,4*
41	1-861-010032-15	WASHER, FLAT 1/2W	4,8*
42	1-512-010005-09	NUT, HEX LOCK 1/2-13 GRB	2,4*
43	3-146-010001	RUBBER BUMPER CYLINDER (LOW LOAD ANGLE)	1
44	1-397-010010016	HOSE, HYDRAULIC 1/2 X16 (LOW LOAD ANGLE)	2
46	3-102-010048	U-BOLT, 7-5/8 X 10 (STD LOAD ANGLE)	1
47	2750-8	HOSE, AIR BRAKE 1/2 X 20 (STD LOAD ANGLE)	AR
48	3-242-010099	HYDRAULIC CYLINDER WELDMENT (SEE PAGE 2-12)	2
49	3-242-010103	CYLINDER, HYDRAULIC 4 X 126 (SEE PAGE 2-13)	1
50	3-120-010125	CYLINDER TRUNNION ASSEMBLY	1
51	3-120-010117	NYLATRON BEARING	4
52	3-557-010031	PIN, CYLINDER BUTT END	2
53	1-557-010362-54	PIN, COTTER 3/16 X 2-1/4	4
54	3-150-010223	BUSHING	2
55	1-654-010059-21	SCREW, HEX HEAD CAP 5/8-11 X 8 GR5	4
56	1-861-010032-19	WASHER, FLAT 5/8W	4
57	1-512-010005-13	NUT, HEX LOCK 5/8-11 GRB	4
58	1-298-010001-1	ZERK FITTING, 1/4	4
59	1-161-010033-04	CAP, PLASTIC TAPERED 1/2 (NOT SHOWN)	2
60	203003-8-8S	ADAPTER, TEE	1
61	1-397-010301039	HOSE ASSEMBLY	1
62	2061-8-8S	ADAPTER, 45	1
63	1-397-010302070	HOSE ASSEMBLY 1/2 X 70	1
65	203005-8-8S	ADAPTER, TEE	3
66	1-397-010301042	HOSE ASSEMBLY 1/2 X 42	1
67	107486	HOSE ASSEMBLY 1/2 X 90	1
68	2062-8-8S	ADAPTER, 90	1
69	3-242-010102	CYLINDER, HYDRAULIC 4X126 O-RING (SEE PAGE 2-13)	1
70	3-120-010073	BRACKET ASSEMBLY, CYLINDER TRUNNION	2
71	3-557-010033	PIN, CYLINDER BUTT END	1
72	1-397-010302240	HOSE ASSEMBLY 1/2 X 240	2
	100062	HOSE ASSEMBLY 1/2 X 286	2
	1-397-010302172	HOSE ASSEMBLY 1/2 X 172	2
73	1-654-010055-17	SCREW, HEX HEAD CAP 1/2-13 X 6 GR5	6
74	1-512-010005-09	NUT, HEX LOCK 1/2-13 GRB	6
75	1-298-010001-1	FITTING, GREASE 1/4-28	1
76	2071-8-8S	ADAPTER, 90 # 8, FLR SWIVEL, #8JIC	2
77	202702-10-8S	ADAPTER, #10 O-RING, #8 TUBE	2
78	1-861-010032-21	WASHER, FLAT 3/4W	6

\*THE FIRST QUANTITY LISTED IS FOR THE STANDARD LOAD ANGLE, THE SECOND QUANTITY IS FOR THE LOW LOAD ANGLE.

## ILLUSTRATED PARTS LIST

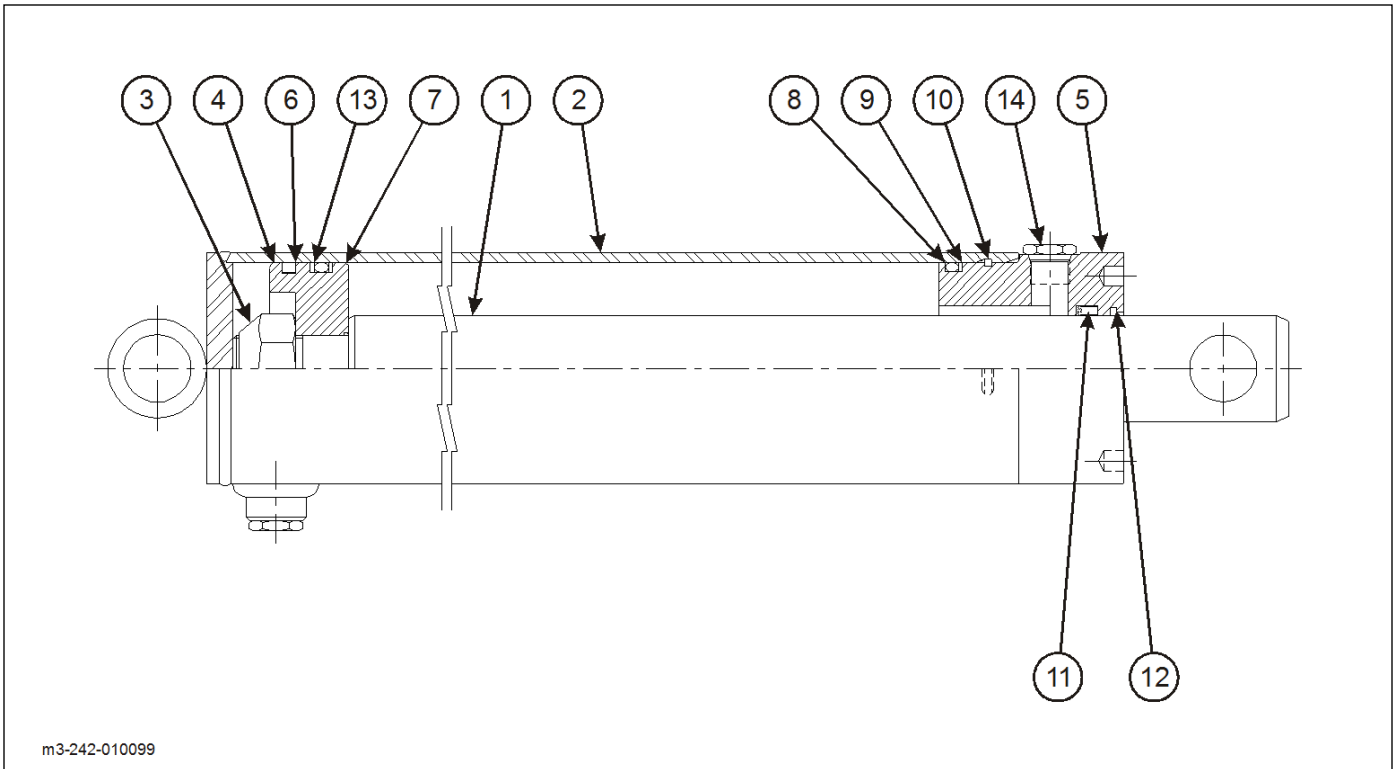


Figure 2-9: Trailer Tilt Cylinder Assembly

## TRAILER TILT CYLINDER

ITEM	PART NO.	DESCRIPTION	QTY.
	3-242-010099	CYLINDER, HYDRAULIC 4"X 42" (TILT CYLINDER)	
1	011100550	PISTON ROD	1
2	----	BUTT AND TUBE ASSEMBLY	1
3	----	LOCKNUT (1-1/4-12)	1
4	----	PISTON	1
5	081900295	GLAND	1
6	----	PISTON RING	
7	----	O-RING	2
8	----	O-RING	1
9	----	BU-WASHER	2
10	----	RETAINER SQUARE WIRE	1
11	----	U-CUP	1
12	----	WIPER	1
13	----	BU-WASHER	1
14	----	SAE ORB PLUG	2
*15	----	INSTALLATION RING (NOT SHOWN)	1
*16	----	O-RING (NOT SHOWN)	1
*17	----	BU-WASHER (NOT SHOWN)	2
*18	----	SNAP RING (NOT SHOWN)	1
	163800	PACKING KIT (INCL ITEMS 6-13, 15-18)	

\* INCLUDED W/ REPLACEMENT PACKING KIT ONLY

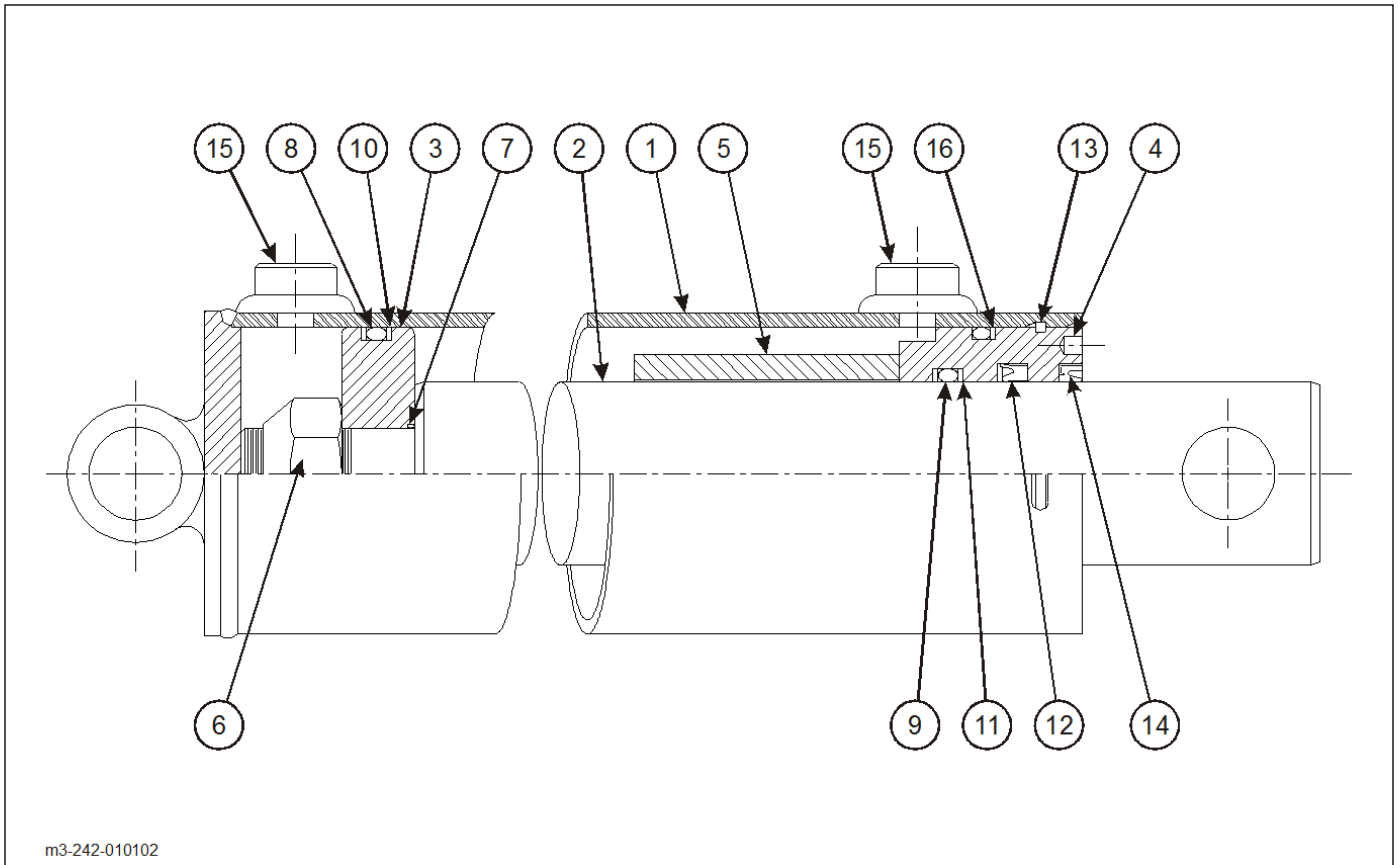
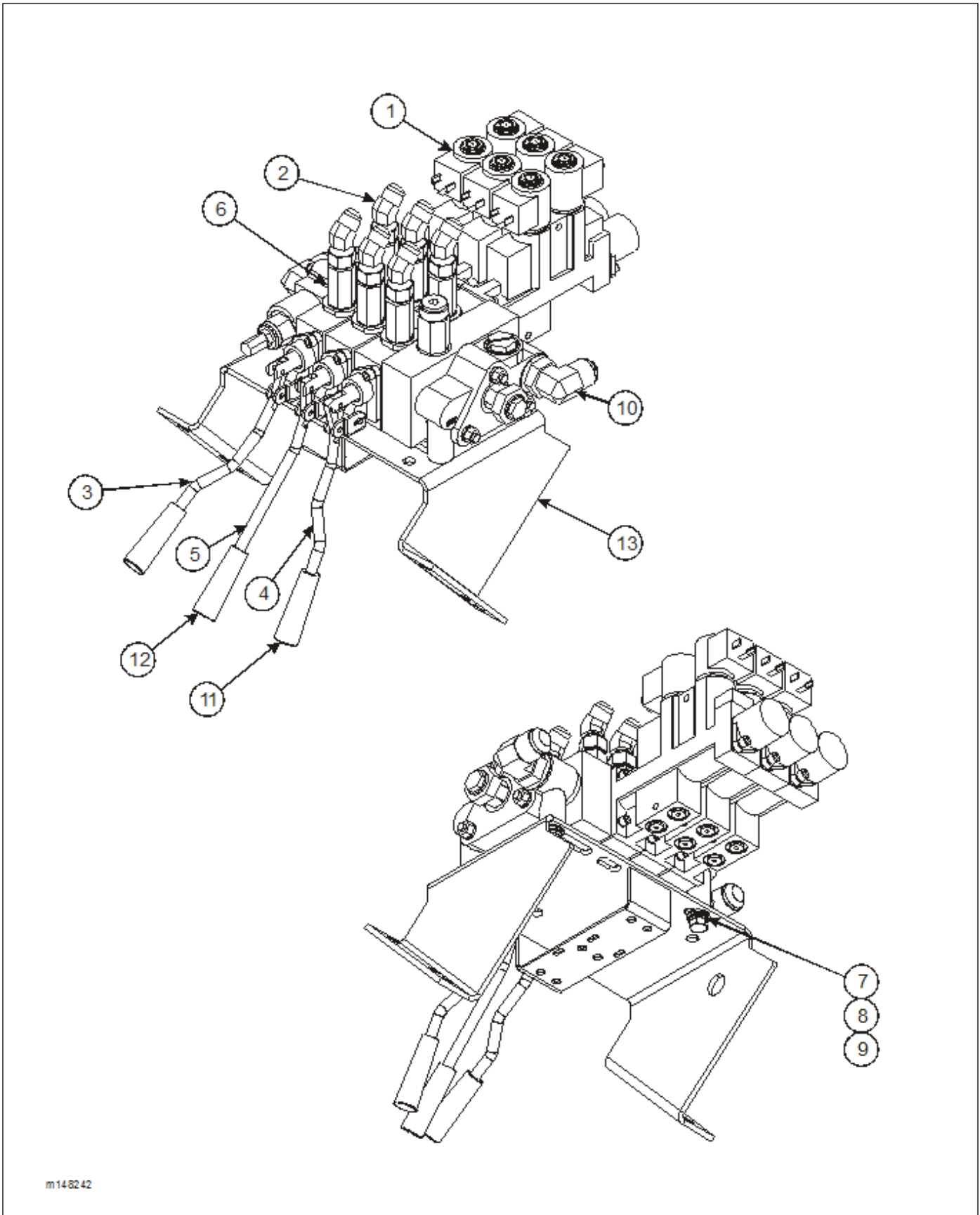


Figure 2-10: Trailer Tilt Cylinder Assembly

## UNDERCARRIAGE SLIDE CYLINDER

ITEM	PART NO.	DESCRIPTION	QTY.
	3-242-010102	CYLINDER, HYDRAULIC 4" X 126" (STANDARD LOAD ANGLE)	
	3-242-010103	CYLINDER, HYDRAULIC 4" X 126" (LOW LOAD ANGLE)	1
1	----	BUTT AND TUBE ASSEMBLY	1
2	011300179	PISTON ROD	1
3	----	PISTON	1
4	081900277	GLAND	1
5	----	SPACER	1
6	----	LOCKNUT (1-1/4-12)	1
7	----	O-RING	1
8	----	O-RING	2
9	----	O-RING	1
10	----	BU-WASHER	2
11	----	BU-WASHER	2
12	----	U-CUP	1
13	----	SQ. RETAINING RING	1
14	----	WIPER	1
15	----	SAE ORB PLUG	2
16	----	BU-WASHER	1
17	----	INSTALLATION RING (NOT SHOWN)	1
18	----	WIPER (NOT SHOWN)	1
	160542	PACKING KIT (INCL ITEMS 7-14, 16-18)	



m148242

Figure 2-11: Valve Assembly, Three Spool

**VALVE ASSEMBLY, THREE SPOOL**

ITEM	PART NO.	DESCRIPTION	QTY.
	148242	VALVE ASSEMBLY	
1	148240	VALVE, 3 STACK 2ND MOTOR SOL (SEE PAGE 2-17)	1
2	121031	ADAPTER 45	6
3	136377	VALVE HANDLE, RH FORMED	1
4	136378	VALVE HANDLE, LH FORMED	1
5	139519	VALVE HANDLE, CENTER FORMED	1
6	140893	ADAPTER, STR	6
7	1-654-010051-05	SCREW, HEX HEAD CAP 3/8-16 X 1 GR5	3
8	1-861-010032-10	WASHER, FLAT 3/8N	3
9	1-861-010034-11	WASHER, SPLIT LOCK 3/8	3
10	2062-10-12S	ADAPTER 90	2
11	3-360-010072	HANDLE, PLASTIC BLACK	2
12	3-360-010090	HANDLE, PLASTIC RED	1
13	3-482-010575	MOUNT WELDMENT, VALVE	1

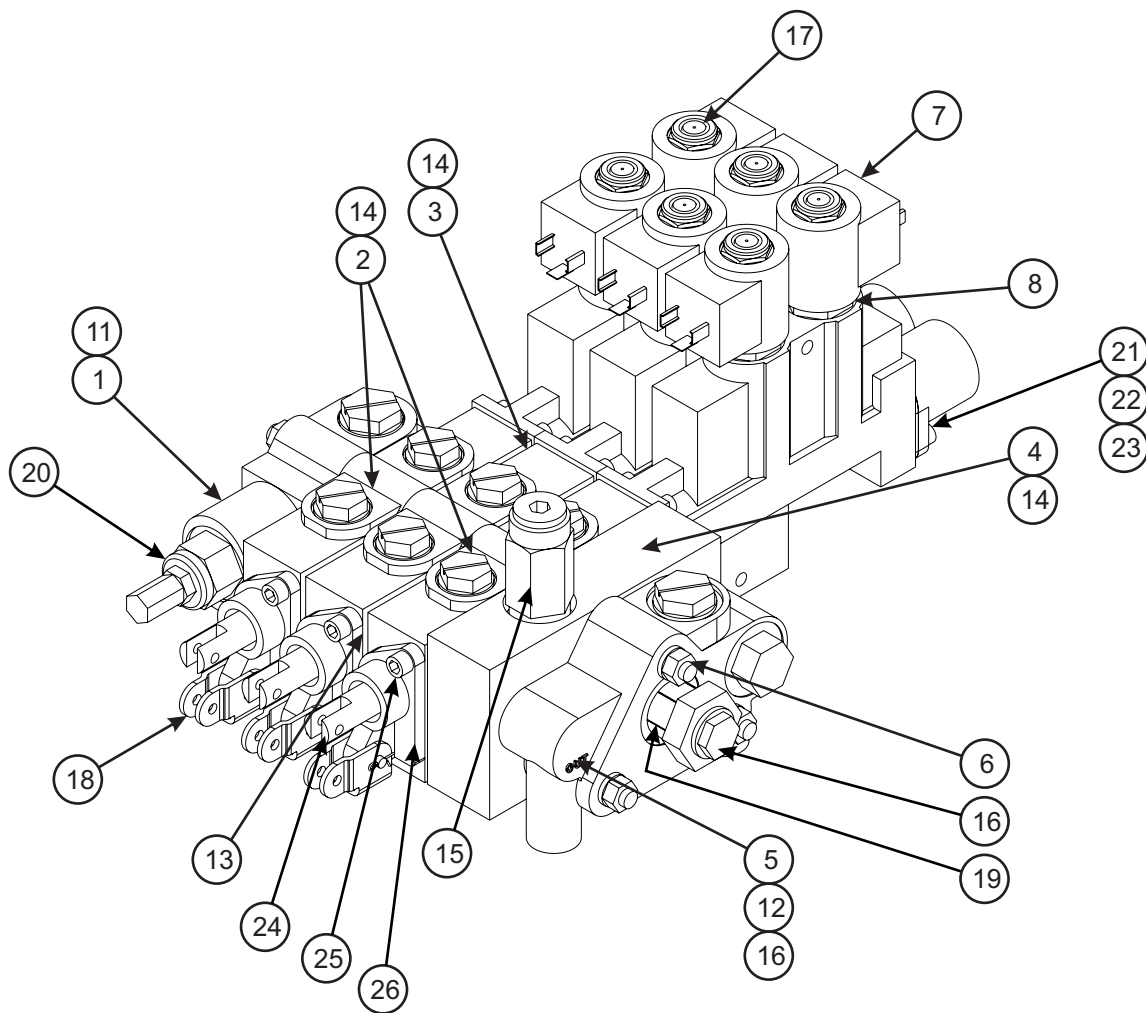


Figure 2-12: Three Stack Valve

## THREE STACK VALVE

ITEM	PART NO.	DESCRIPTION	QTY.
	148240	THREE STACK VALVE	REF
1	149526	INLET SECTION KIT	1
2	149527	VALVE SECTION KIT	1
3	149528	VALVE SECTION KIT	1
4	149529	VALVE SECTION KIT	1
5	142483	OUTLET SECTION KIT	1
6	149530	TIEROD KIT <b>(ONE PER VALVE ASSEMBLY)</b>	1
7	142484	COIL <b>(ONE PER SECTION)</b>	1
8	142485	CARTRIDGE <b>(ONE PER SECTION)</b>	6
9	142486	COIL CARTRIDGE ASSEMBLY <b>(TWO PER SECTION) (INCL ITEMS 7 &amp; 8)</b>	6
10	114553	SEAL KIT FOR PRINCE VALVE <b>(ONE PER VALVE) (INCL ITEMS 11-14)</b>	1
11	660580002	SEAL KIT FOR INLET SECTION <b>(ONE PER SECTION)</b>	REF
12	660580003	SEAL KIT FOR OUTLET SECTION <b>(ONE PER SECTION)</b>	REF
13	660580004	O-RING SEAL KIT FOR BETWEEN SECTIONS <b>(ONE PER SECTION)</b>	REF
14	660580005	SEAL KIT FOR SOLENOID WORK SECTION <b>(ONE PER SECTION)</b>	REF
15	149030	PRESSURE REDUCING CARTRIDGE IN UTILITY SECTION <b>(149529)</b>	1
16	151823	PRESSURE BUILD UP CARTRIDGE IN OUTLET SECTION <b>(142483)</b>	1
17	143141	COIL NUT	6
18	169843	PIN/CLEVIS KIT	3
19	138179	CARTRIDGE POWER BEYOND PRESSURE	1
20	182089	CARTRIDGE RELIEF 2500PSI	1
21	671400033	COVER, SPOOL END	3
22	670500045	SPOOL BACK UP WASHER	3
23	240000208	O-RING	3
24	671900011	BASE HANDLE	3
25	120749	SCREW 170003017 PDC	3
26	671400040	CLEVIS ASSEMBLY	3
27	660580024	O-RING KIT <b>(SEAL KIT BETWEEN SECTIONS)(NOT SHOWN)</b>	1
28	660585006	SEAL KIT PILOT BETWEEN SECTIONS <b>(NOT SHOWN)</b>	4

# ILLUSTRATED PARTS LIST

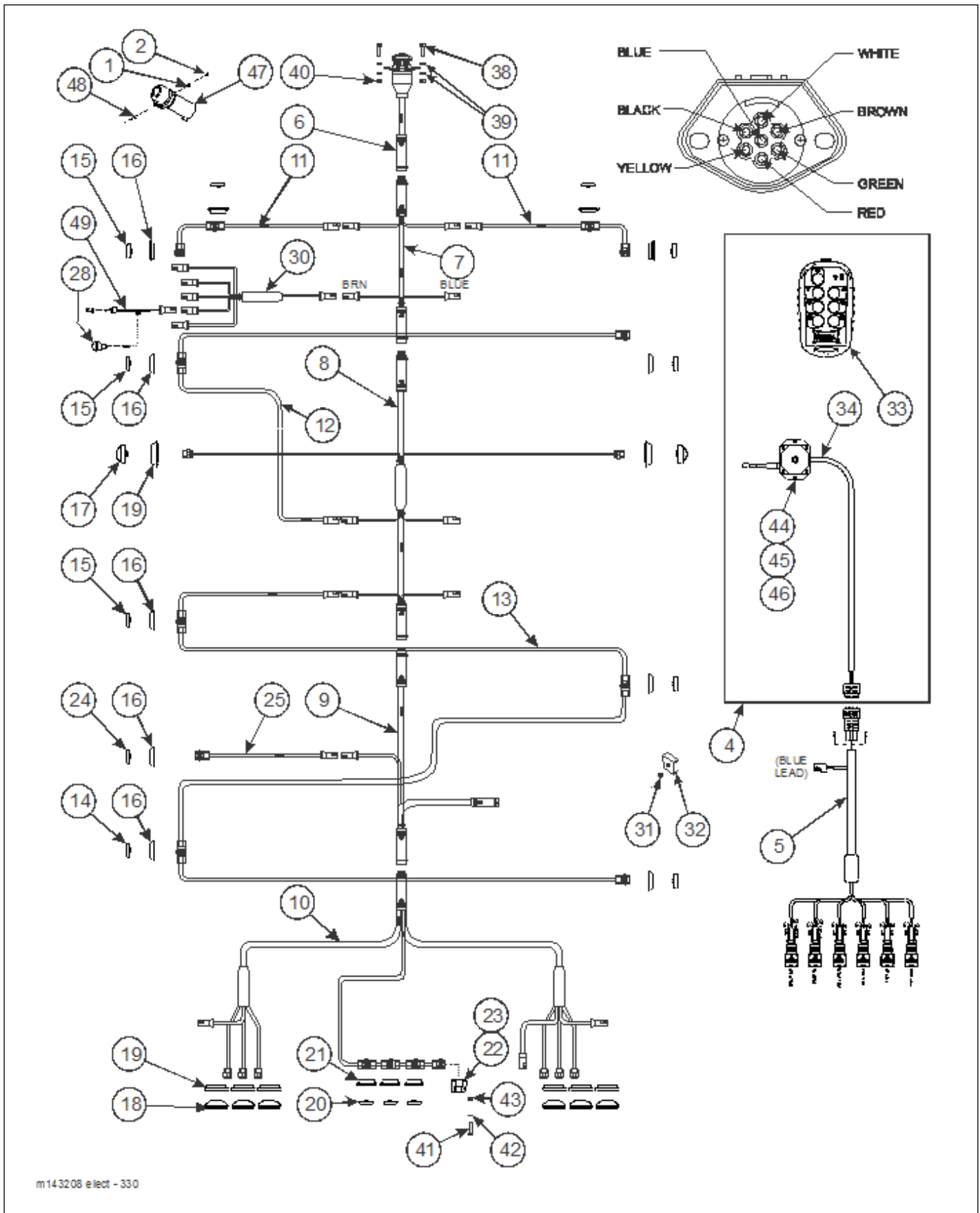


Figure 2-13: Electrical System



## ELECTRICAL SYSTEM

ITEM	PART NO.	DESCRIPTION	QTY.
1	1-861-010032-07	WASHER, FLAT 1/4	6
2	1-512-010005-01	NUT, HEX LOCK 1/4-20 GRB	3
3	1-796-010003-02	TIE WRAPS (NOT SHOWN)	2
4	168648	REMOTE, KAR-TECH SLIDE AX (HARDWARE NOT INCLUDED) (INCL. ITEMS 33-36)	1
5	140083	HARNESS ASSEMBLY, KAR-TECH	1
6	143100	HARNESS, 7 WAY RECEPTACLE	1
7	143101	HARNESS, FRONT MAIN	1
8	143102	HARNESS, BED MAIN	1
9	143103	HARNESS, E-CHAIN	1
10	143104	HARNESS, BUMPER	1
11	143105	HARNESS, MARKER FRONT CORNER	2
12	143106	HARNESS, MARKER FRONT BED	1
13	143107	HARNESS, MARKER REAR BED	1
14	143108	LIGHT, RED LED 2.5 CL/MARKER	2
15	143109	LIGHT, YELLOW LED 2.5 CL/MARKER	8
16	143110	GROMMET, 2.5 SURFACE MOUNT	11
17	143112	LIGHT, YELLOW AUXILIARY TURN	2
18	143113	LIGHT, RED LED OVAL STT	6
19	143114	GROMMET, OVAL	8
20	143115	LIGHT, RED LED RECTANGLE CLEARANCE	3
21	143116	GROMMET, RECTANGLE	3
22	143117	LIGHT, CLEAR LED LICENSE	1
23	143118	BRACKET, LIGHT LICENSE	1
24	143119	LIGHT, YELLOW LED ABS	1
25	143120	HARNESS, ABS LAMP	1
26	143122	CLAMP, HARNESS (NOT SHOWN)	4
28	26331	LIGHT, PANEL	1
30	150093	HARNESS, 5 AUXILIARY BRANCHES	1
31	1-510-010001	NUT, FLANGE 3/8-16	AR
32	2-181-010001	CLAMP, HOSE	AR
33	168975	MACRO TRANSMITTER W/ DECAL	1
34	143126	MINI AND MACRO RECEIVER, 6 FUNCTION W/ TEACH BUTTON	1
35	168976	CAR CHARGER 12V TO MICRO USB (NOT SHOWN)	1
36	168982	WALL CHARGER 120V TO MICRO USB (NOT SHOWN)	1
38	1-654-010049-06	SCREW, HEX HEAD CAP 5/16-18 X 1	2
39	1-861-010032-09	WASHER, FLAT 5/16W	4
40	1-512-010005-03	NUT, HEX LOCK 5/16-18	2
41	1-656-010003051	SCREW, RD HEAD SQ NECK 10-24 X 3/4	2
42	1-861-010034-07	WASHER, FLAT #10	2
43	1-512-010007-03	NUT, HEX LOCK 10-24	2
44	1-654-010047-06	SCREW, HEX HEAD CAP 1/4-20 X 1 GR5	2
45	1-861-010032-06	WASHER, FLAT 1/4N	4
46	108417	NUT, HEX FLANGE SPIRAL 1/4-20	2
47	150076	MANUAL HOLDER	1
48	1-654-010047-05	SCREW, HEX HEAD CAP 1/4-20 X 7/8 GR5	3

# ILLUSTRATED PARTS LIST

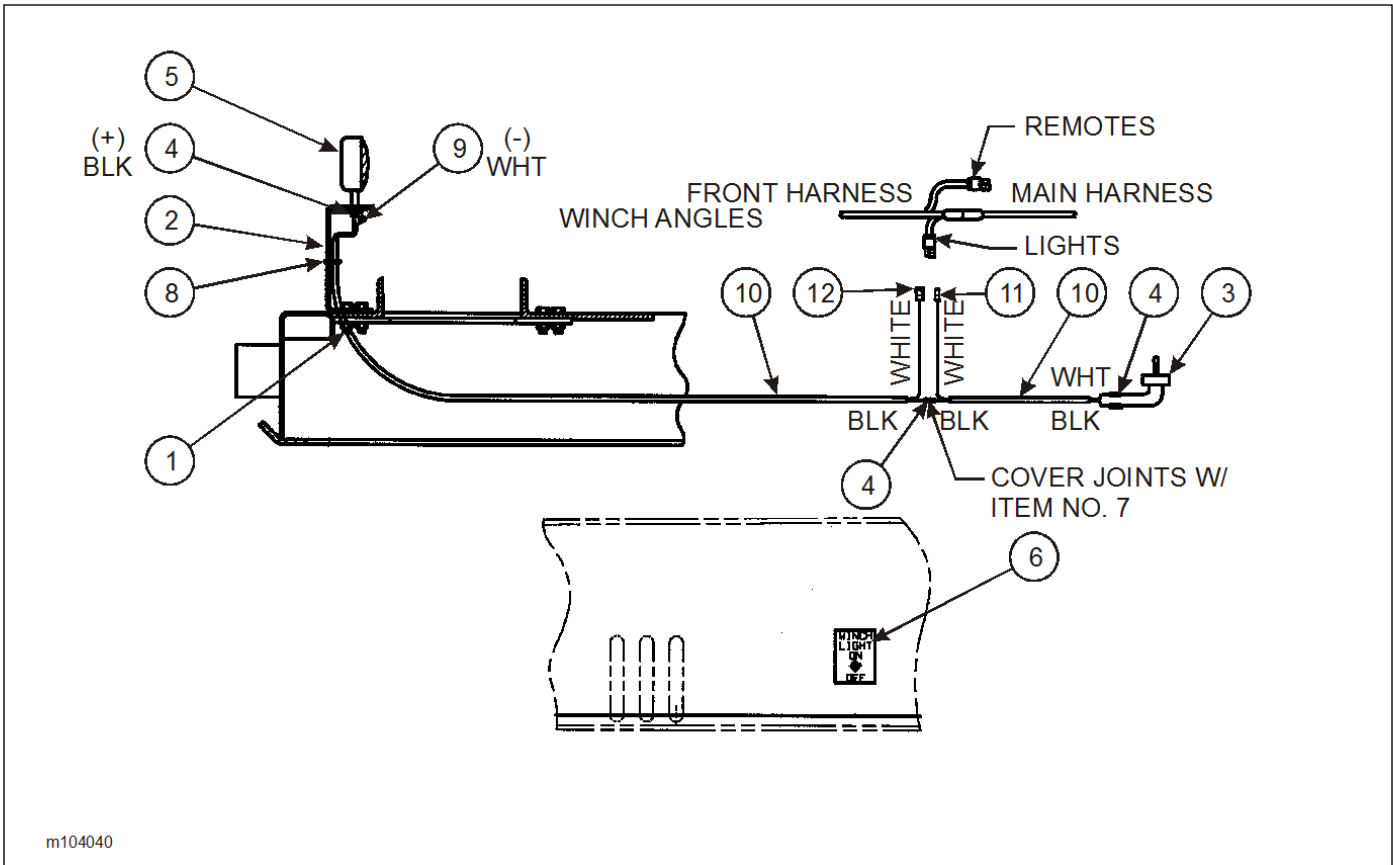


Figure 2-14: Electrical System, Winch Light

## ELECTRICAL SYSTEM, WINCH LIGHT

ITEM	PART NO.	DESCRIPTION	QTY.
	104040	ELECTRICAL SYSTEM WINCH LIGHT	
1	1-654-010055-07	SCREW, HEX HEAD CAP 1/2-13 X 2-1/2 GR5	2
2	3-120-010485	BRACKET, WINCH LIGHT, UPPER DECK	1
3	3-272-010017	TOGGLE SWITCH	1
4	3-272-010021	ELECT. BUTT SPLICE	4
5	64181	RECTANGLE QUARTZ HALOGEN LAMP	1
6	3-573-010273	DECAL, WINCH LIGHT	1
7	3-201-010002	CONDUIT, 3/8 PLASTIC FLEX	AR
8	1-796-010003-01	TIE STRAP, PLASTIC	5
9	239-3646-7	TERMINAL RING	1
10	3-156-010008	CABLE, TWO CONDUCTOR	AR
11	104043	CONNECTOR, MALE BULLET	1
12	104044	CONNECTOR, FEMALE BULLET	1

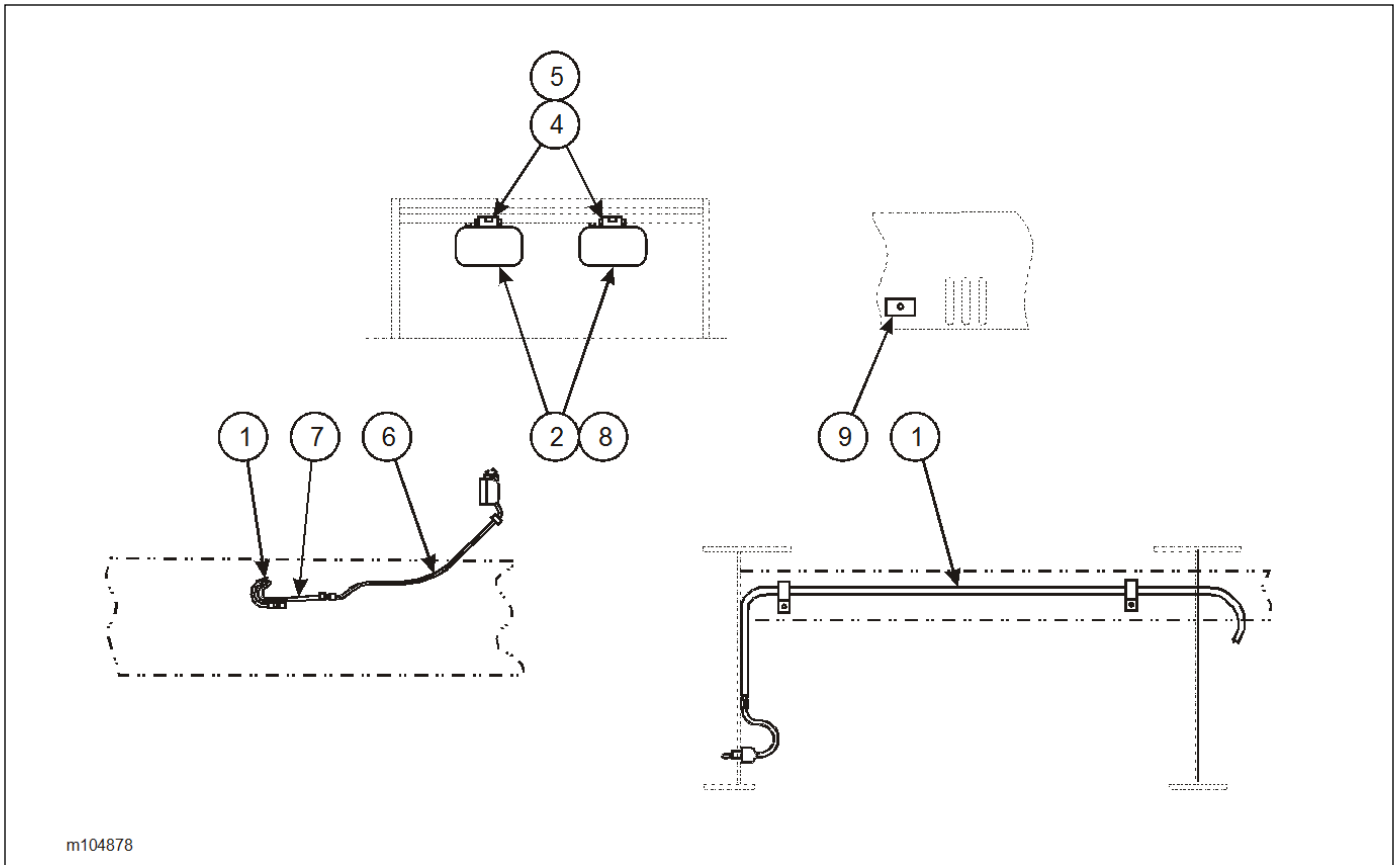
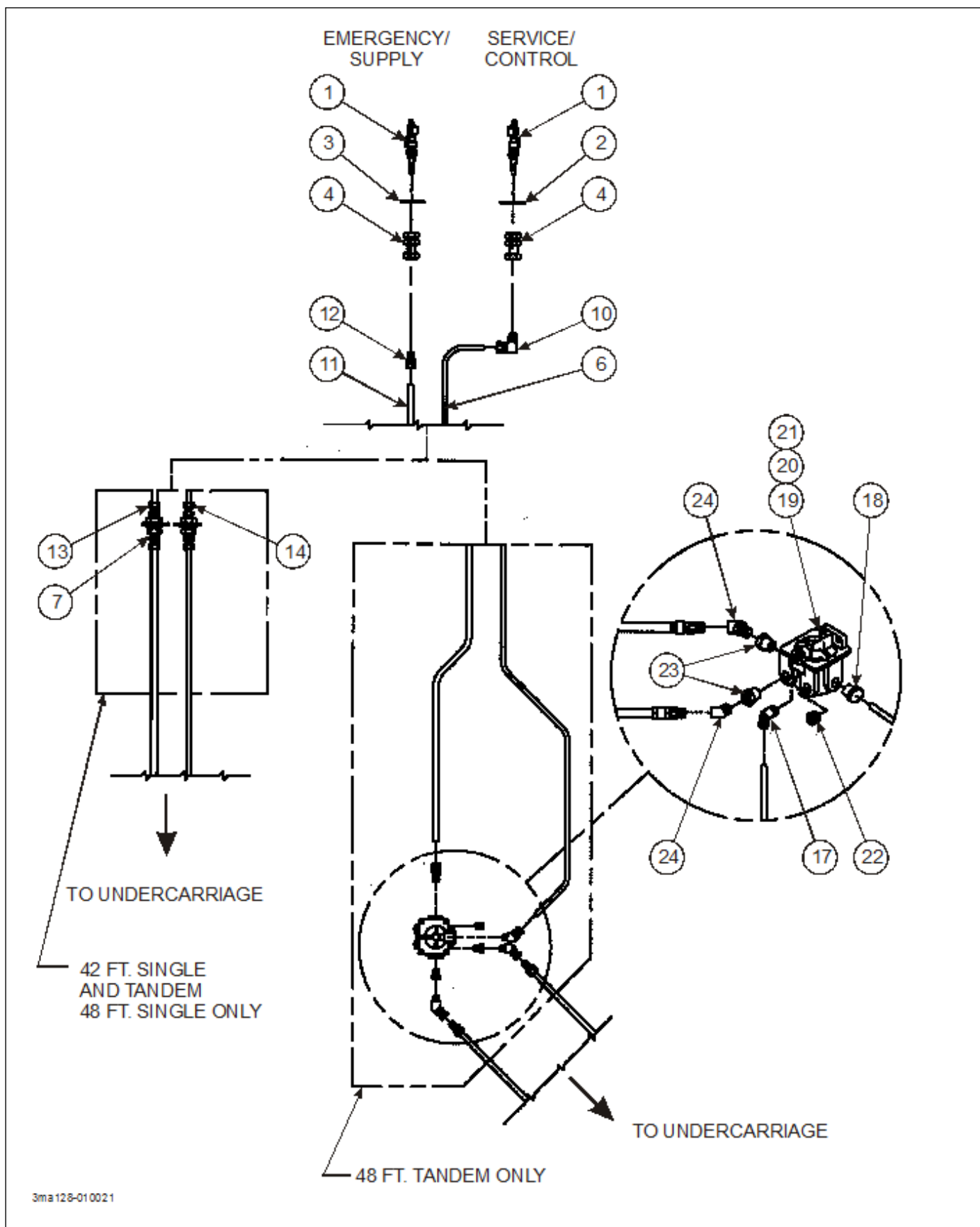


Figure 2-15: Electrical System, Dual Winch Light

## ELECTRICAL SYSTEM, DUAL WINCH LIGHT

ITEM	PART NO.	DESCRIPTION	QTY.
	104879	ELECTRICAL SYSTEM DUAL WINCH LIGHT	
1	101381	HARNESS, LIGHT, WORK, AND COURTESY	1
2	64181	RECTANGLE QUARTZ HALOGEN LAMP	2
3	1-796-010003-02	TIE STRAP, PLASTIC (NOT SHOWN)	6
4	1-654-010051-05	SCREW, HEX HEAD CAP 3/8-16 X 1 GR5	2
5	1-512-010005-05	NUT, HEX LOCK 3/8-16 GRB	2
6	3-368-010250	HARNESS, BULKHEAD LIGHTS	1
7	3-368-010252	HARNESS ASSEMBLY, BULKHEAD LIGHT EXT	1
8	STP-147	CONNECTOR, BULLET MALE	2
9	3-573-010437	DECAL, LIGHT	1

**ILLUSTRATED PARTS LIST**



**Figure 2-16: Air System**

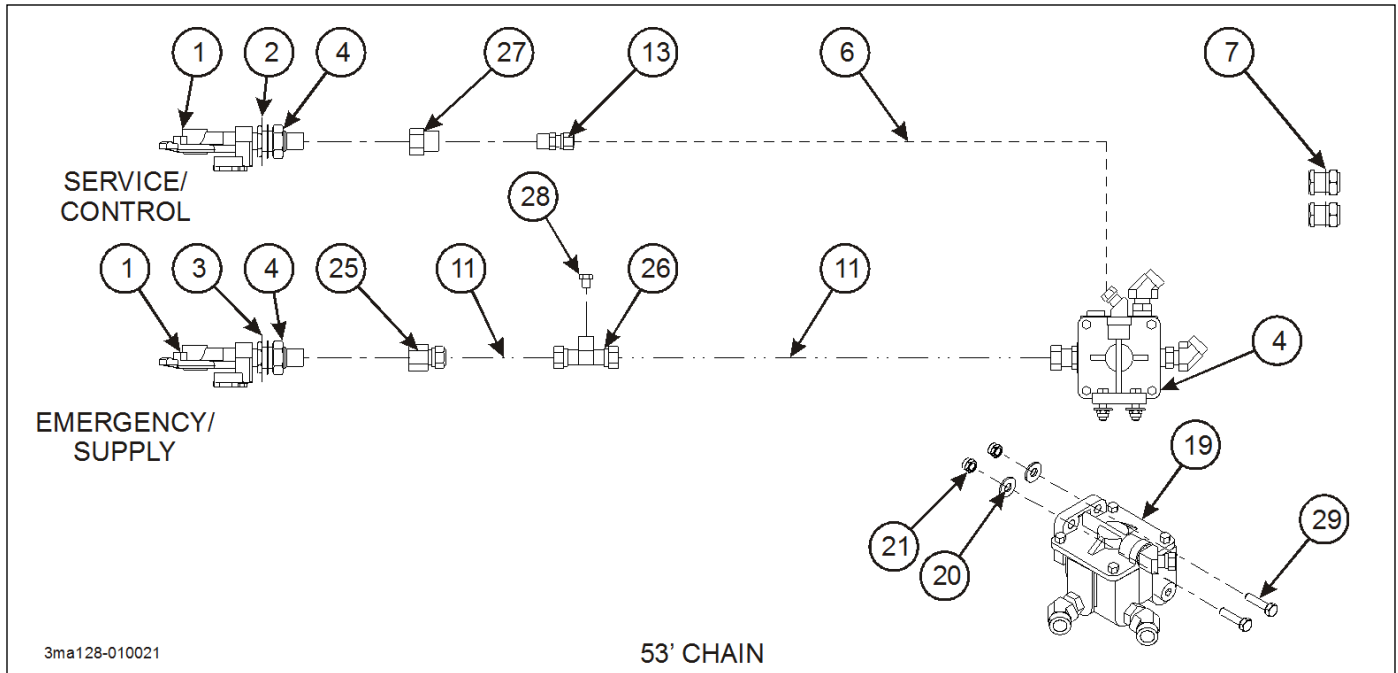
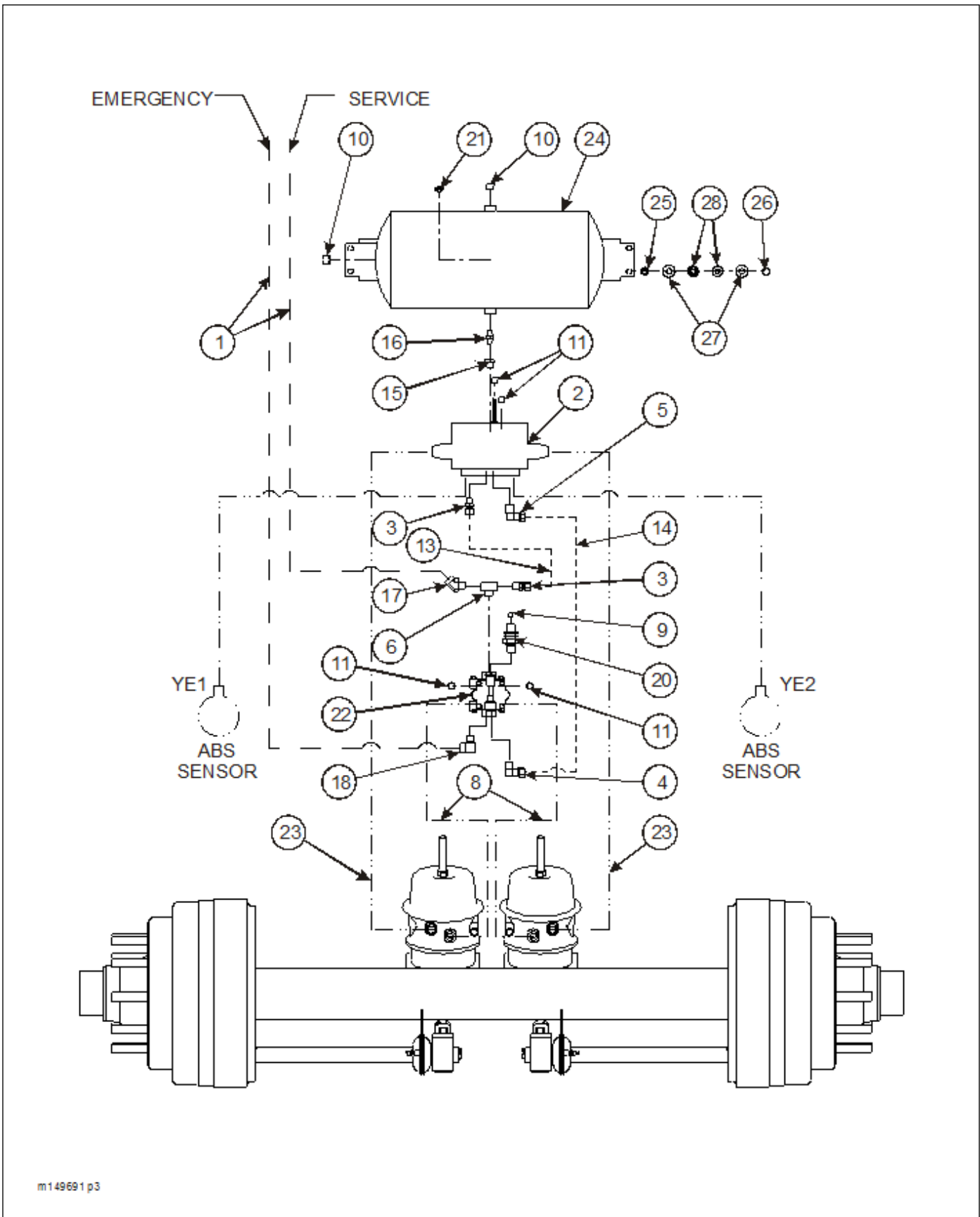


Figure 2-17: Air System

## AIR SYSTEM

ITEM	PART NO.	DESCRIPTION	QTY.
1	108801	GLADHAND RED AIR	1
	108802	GLADHAND BLUE AIR	1
2	55B61-7	TAG, SERVICE LINE	1
3	55B61-6	TAG, EMERGENCY LINE	1
4	55B61	FRAME UNION	2
6	1-833-010002	NYLON TUBING, 3/8 OD	AR
7	1-297-010022-03	FITTING, AIR	2
10	1-297-010008-18	FITTING, AIR 90	1
11	1-833-010003	TUBING NYLON 1/2	AR
12	1-297-010007-14	FITTING, AIR	1
13	1-297-010007-12	FITTING, AIR (42' & 48' SINGLE ONLY)	1
14	1-297-010007-15	FITTING, AIR (42' & 48' SINGLE ONLY)	1
17	1-297-010013-12	FITTING, AIR 45 (48' TANDEM ONLY)	1
18	1-297-010007-16	FITTING, AIR (48' TANDEM ONLY)	1
19	3-843-010038	VALVE AIR RELAY-FAST AIR BALANCE (48' TANDEM ONLY)	1
20	1-861-010032-06	WASHER, FLAT 1/4N (48' TANDEM ONLY)	2
	1-861-010032-09	WASHER, FLAT 5/16W (53' CHAIN)	2
21	1-512-010005-01	NUT, HEX LOCK 1/4-20 (48' TANDEM ONLY)	2
	1-512-010005-03	NUT, HEX LOCK 5/16-18 (53' CHAIN)	2
22	1-560-010002-04	PLUG, PIPE 1/2 (48' TANDEM ONLY)	1
23	2081-8-6S	REDUCER (48' TANDEM ONLY)	2
24	2088-6-6S	FITTING, AIR 45 (48' TANDEM ONLY)	2
25	1-297-010012-16	FITTING, AIR (53' CHAIN)	1
26	1-297-010015-10	FITTING, AIR TEE (53' CHAIN)	1
27	1-297-010021-05	FITTING, BR PIPE COUPLING (53' CHAIN)	1
28	1-297-010033-03	FITTING, BR PIPE PLUG HEX 3/8 (53' CHAIN)	1
29	1-654-010049-06	SCREW, HEX HEAD CAP 5/16-18 X 1-1/4 (53' CHAIN)	2

# ILLUSTRATED PARTS LIST



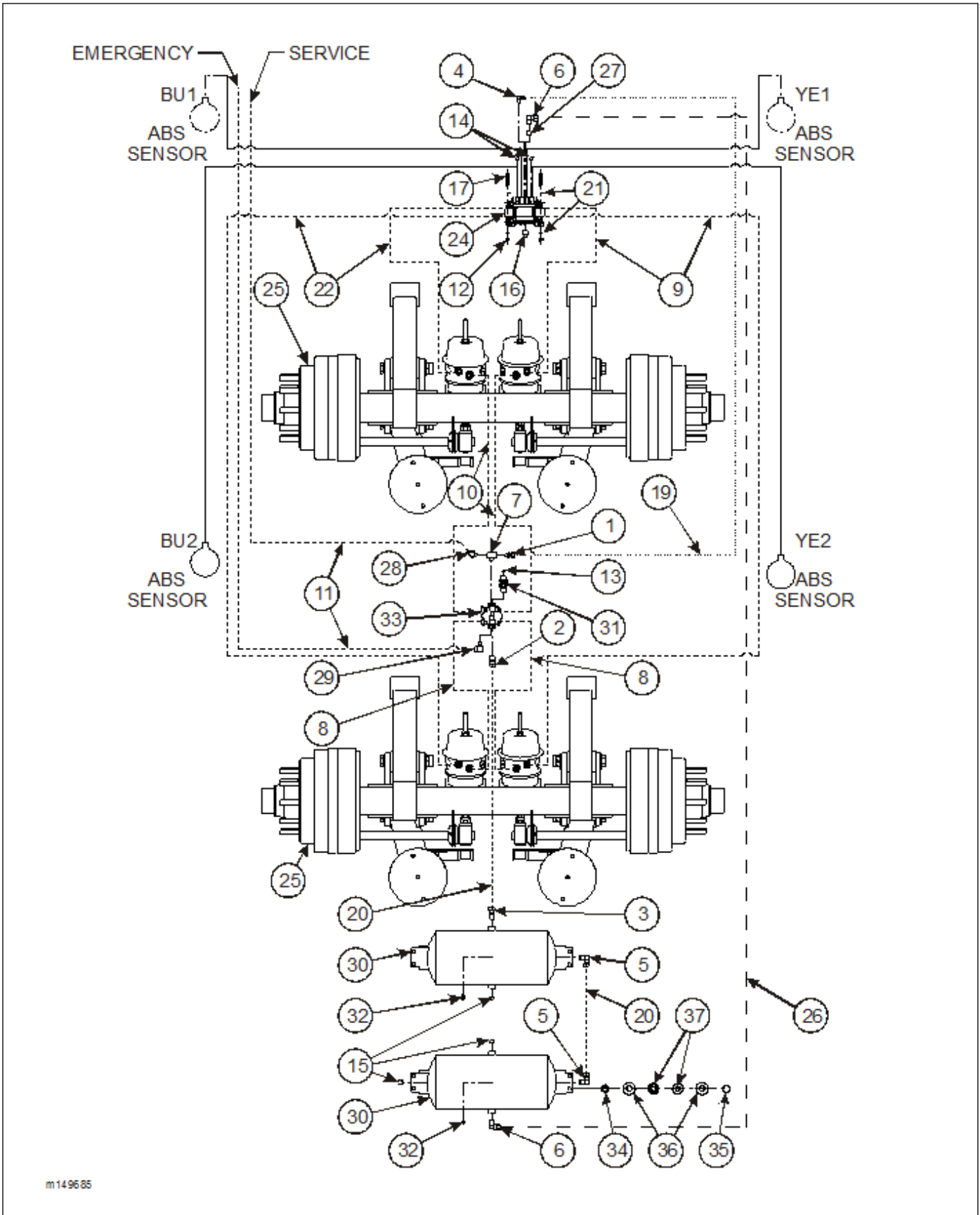
m149691 p3

Figure 2-18: Air Brake System, Single Axle

## AIR BRAKE SYSTEM, SINGLE AXLE

ITEM	PART NO.	DESCRIPTION	QTY.	
	----	BRAKE W/ ABS SINGLE (STD LOAD)	*	
	----	BRAKE W/ ABS SINGLE (LOW LOAD)		*
1	103698	HOSE AIR 3/8 X 182 (STD LOAD)	2	--
	103699	HOSE AIR 3/8 X 230 (LOW LOAD)	--	2
2	114585	BRAKE KIT ROCKWELL ABS (SEE PAGE 2-29)	1	1
3	1-297-010007-12	FITTING AIR	2	2
4	1-297-010008-23	FITTING AIR 90	1	1
5	1-297-010008-24	FITTING AIR 90	1	1
6	1-297-010017-03	FITTING, BRASS TEE	1	1
8	1-384-010038024	HOSE AIR 24"	2	2
9	1-560-010002-02	PLUG PIPE 1/4	1	1
10	1-560-010002-04	PLUG PIPE 1/2	2	2
11	1-560-010002-03	PLUG PIPE 3/8	4	4
12	1-796-010003-01	TIE STRAP PLASTIC (NOT SHOWN)	10	10
13	1-833-010002	TUBING NYLON 3/8	AR	AR
14	1-833-010003	TUBING NYLON 1/2	AR	AR
15	118-2659-9	BUSHING 1/2 X 3/4	2	1
16	2083-8-8S	NIPPLE, HEX	1	1
17	2088-6-6S	ADAPTER 45	1	1
18	2089-6-6S	ADAPTER 90	1	1
20	55B61	FRAME UNION	1	1
21	56D4	COCK DRAIN AIR TANK	1	1
22	758-181	VALVE TASK 4 PORT	1	1
23	3-384-010031	HOSE, AIR 3/8 X 42	2	2
24	3-780-010002	TANK, AIR	1	1
25	1-512-010005-05	NUT, HEX LOCK 3/8-16 GRB	4	4
26	1-654-010051-08	SCREW, HEX HEAD CAP 3/8-16 X 1-3/4 GR5	4	4
27	1-861-010032-11	WASHER, FLAT 3/8	8	8
28	805-2	STEP BUSHING	8	8

# ILLUSTRATED PARTS LIST



m149685

Figure 2-19: Air Brake System, Tandem Axle



## AIR BRAKE SYSTEM, TANDEM AXLE

ITEM	PART NO.	DESCRIPTION	QTY.
	----	BRAKE W/ ABS (STD LOAD)	
	----	BRAKE W/ ABS (LOW LOAD)	
1	1-297-010007-12	FITTING, AIR	1
2	1-297-010007-15	FITTING, AIR 1/2 TUBE X 3/8 NPT	1
3	1-297-010007-16	FITTING, AIR 1/2 TUBE X 1/2 NPT	1
4	1-297-010008-18	FITTING, AIR 90	1
5	1-297-010008-24	FITTING, AIR 90	2
6	1-297-010008-26	FITTING, AIR 90	2
7	1-297-010017-03	FITTING, BRASS PIPE M/ BRASS TEE	1
8	1-384-010038024	HOSE, AIR 3/8 X 24	2
9	1-384-010038038	HOSE, AIR 3/8 X 38	2
10	1-384-010038056	HOSE, AIR 3/8 X 56	2
11	1-384-010038204	HOSE, AIR 3/8 X 204 (STD LOAD)	2
	103699	HOSE, AIR 3/8 X 230 (LOW LOAD)	2
12	1-512-010005-05	NUT, HEX LOCK 3/8-16 GR5	2
13	1-560-010002-02	PLUG, PIPE 1/4	1
14	1-560-010002-03	PLUG, PIPE 3/8	2
15	1-560-010002-04	PLUG, PIPE 1/2	3
16	1-560-010002-05	PLUG, PIPE 3/4-14	1
17	1-654-010051-08	SCREW, HEX HEAD CAP 3/8-16 X 1-3/4 GR5	2
18	1-796-010003-01	TIE, STRAP PLASTIC (NOT SHOWN)	10
19	1-833-010002	TUBING, NYLON 3/8	AR
20	1-833-010003	TUBING, NYLON 1/2	AR
21	1-861-010032-10	WASHER FLAT 3/8	4
22	101003	HOSE, AIR 3/8 X 48	2
24	114584	BRAKE KIT ROCKWELL ABS (SEE PAGE 2-29)	1
25	115738	AXLE WELDMENT 2516 SPG 69 31	REF
26	117304	NYLON TUBING 5/8	AR
27	118-2659-9	BUSHING	1
28	2088-6-6S	ADAPTER 45	1
29	2089-6-6S	ADAPTER 90	1
30	3-780-010002	TANK, AIR	REF
31	55B61	FRAME UNION	1
32	56D4	COCK DRAIN AIR TANK	2
33	758-181	VALVE TASK 4 PORT	1
34	1-512-010005-05	NUT, HEX LOCK 3/8-16 GRB	8
35	1-654-010051-08	SCREW, HEX HEAD CAP 3/8-16 X 1-3/4 GR5	8
36	1-861-010032-11	WASHER, FLAT 3/8	16
37	805-2	STEP BUSHING	16

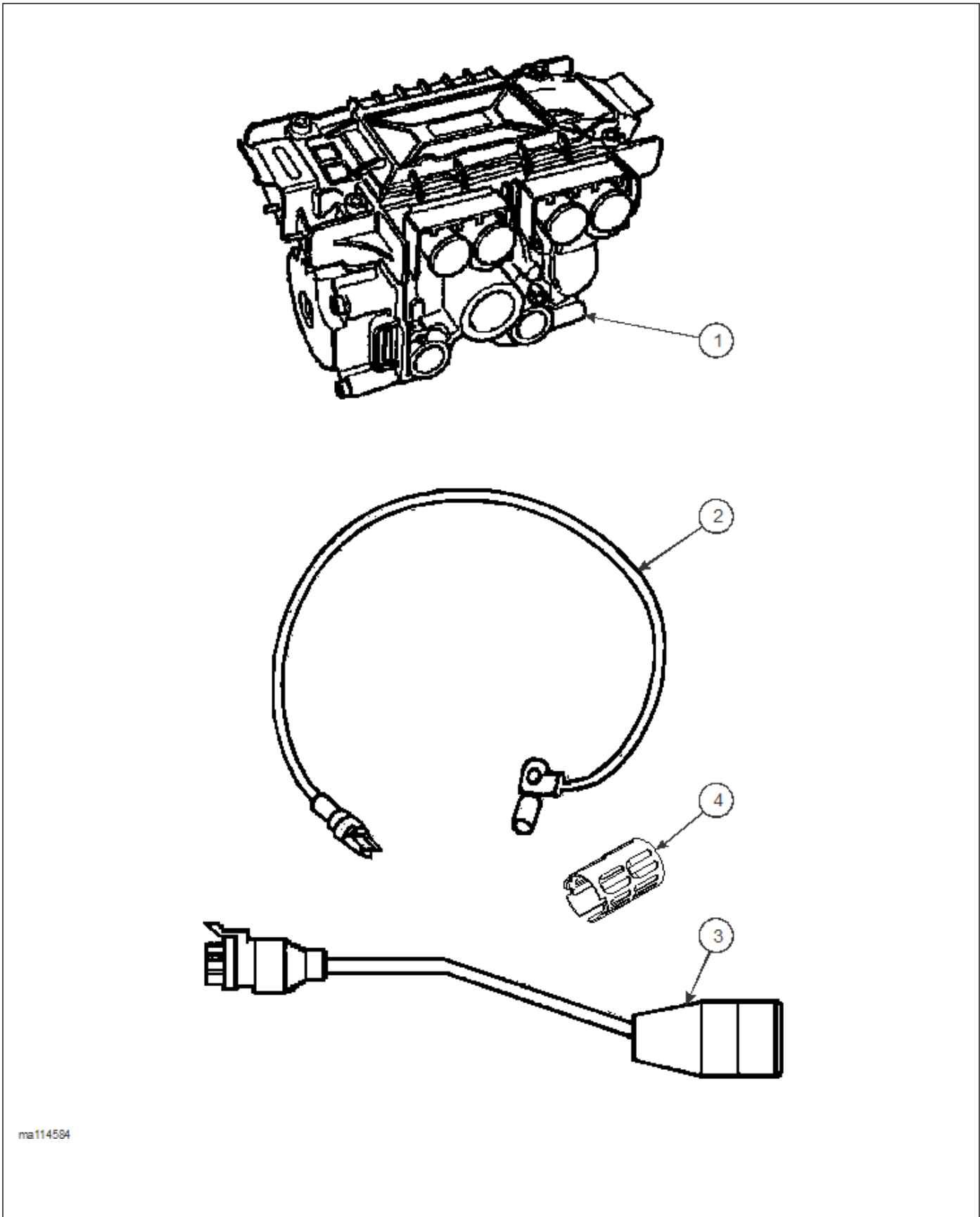


Figure 2-20: Brake Kit, Meritor WABCO (Rockwell) ABS

**BRAKE KIT, ABS**

ITEM	PART NO.	DESCRIPTION	QTY.
	114584	BRAKE KIT, ROCKWELL ABS, 4S/2M (TANDEM AXLE)	
	114585	BRAKE KIT, ROCKWELL ABS, 2S/1M (SINGLE AXLE)	
1	114588	ECU/VALVE ASSEMBLY 4S/2M PREMIUM (114584)	1
	114589	ECU/VALVE ASSEMBLY 2S/1M (114585)	1
2	101848	SENSOR EXTENSION CABLE	4,2*
3	147464	POWER CABLE	1
4	101849	SPRIN CLIP, ABS SENSOR	2

\*THE FIRST QUANTITY LISTED IS FOR P/N 114584 (TANDEM AXLE). THE SECOND QUANTITY LISTED IS FOR P/N 114585 (SINGLE AXLE)

# ILLUSTRATED PARTS LIST

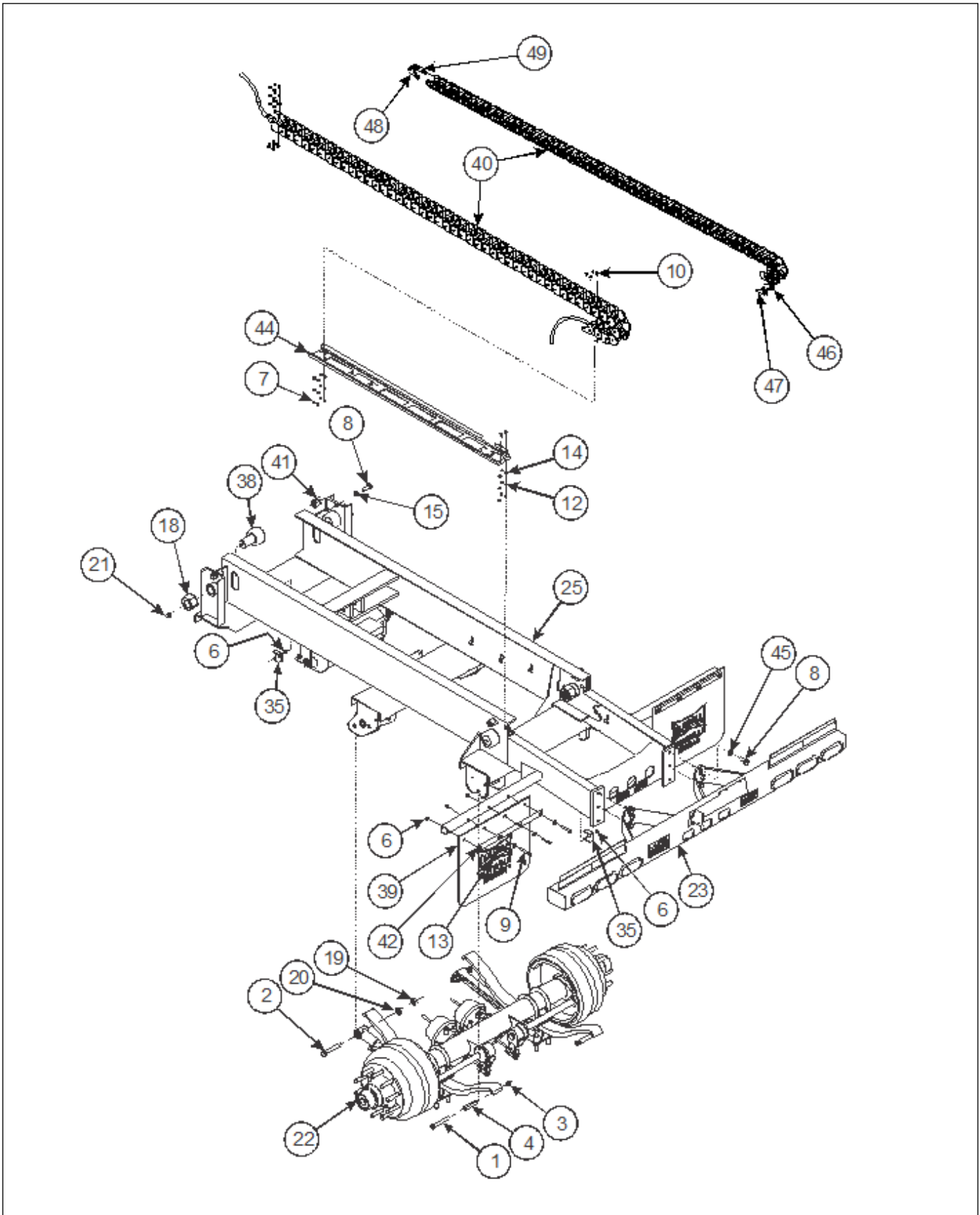


Figure 2-21: Undercarriage Assembly, Spring Ride Single Axle

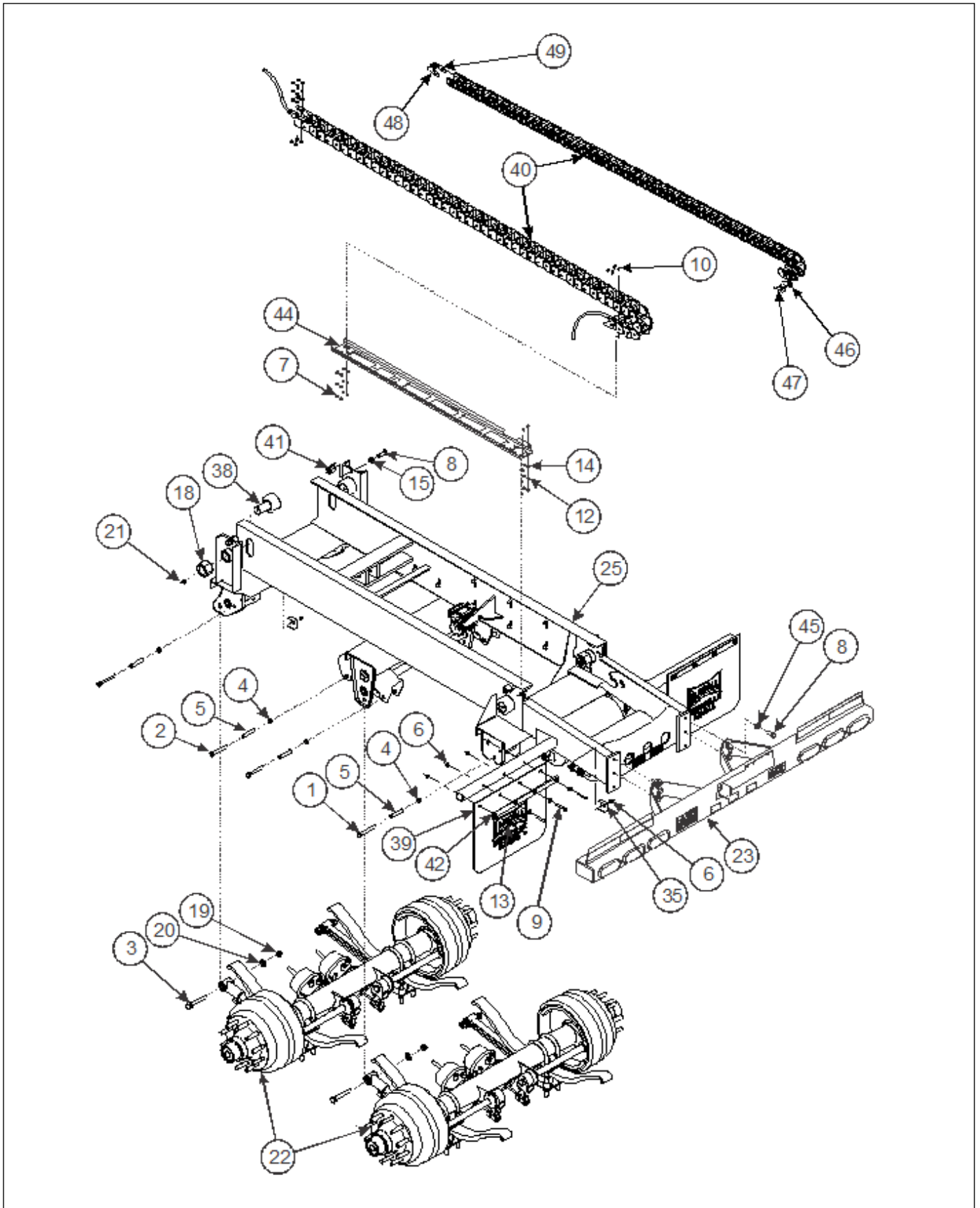
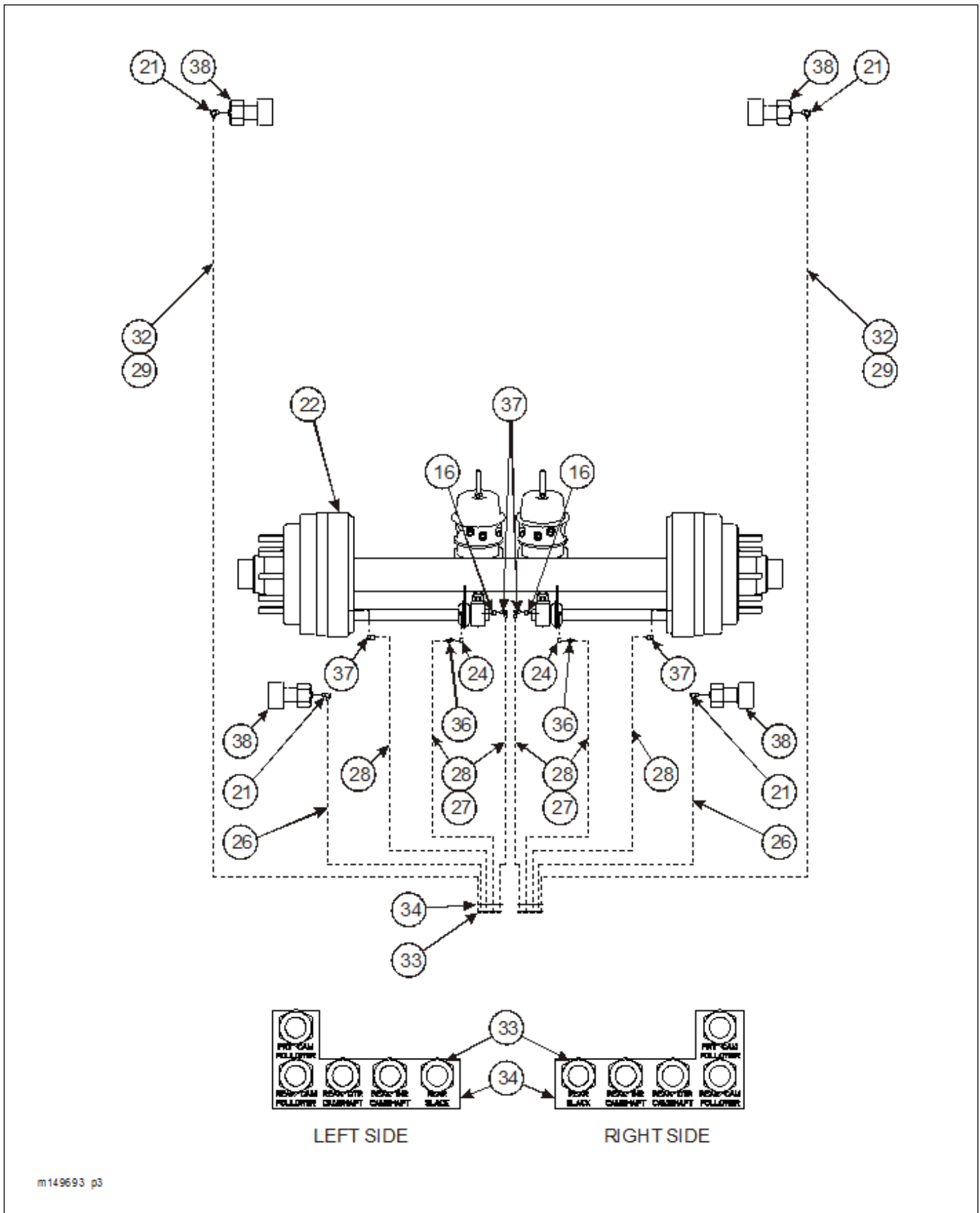


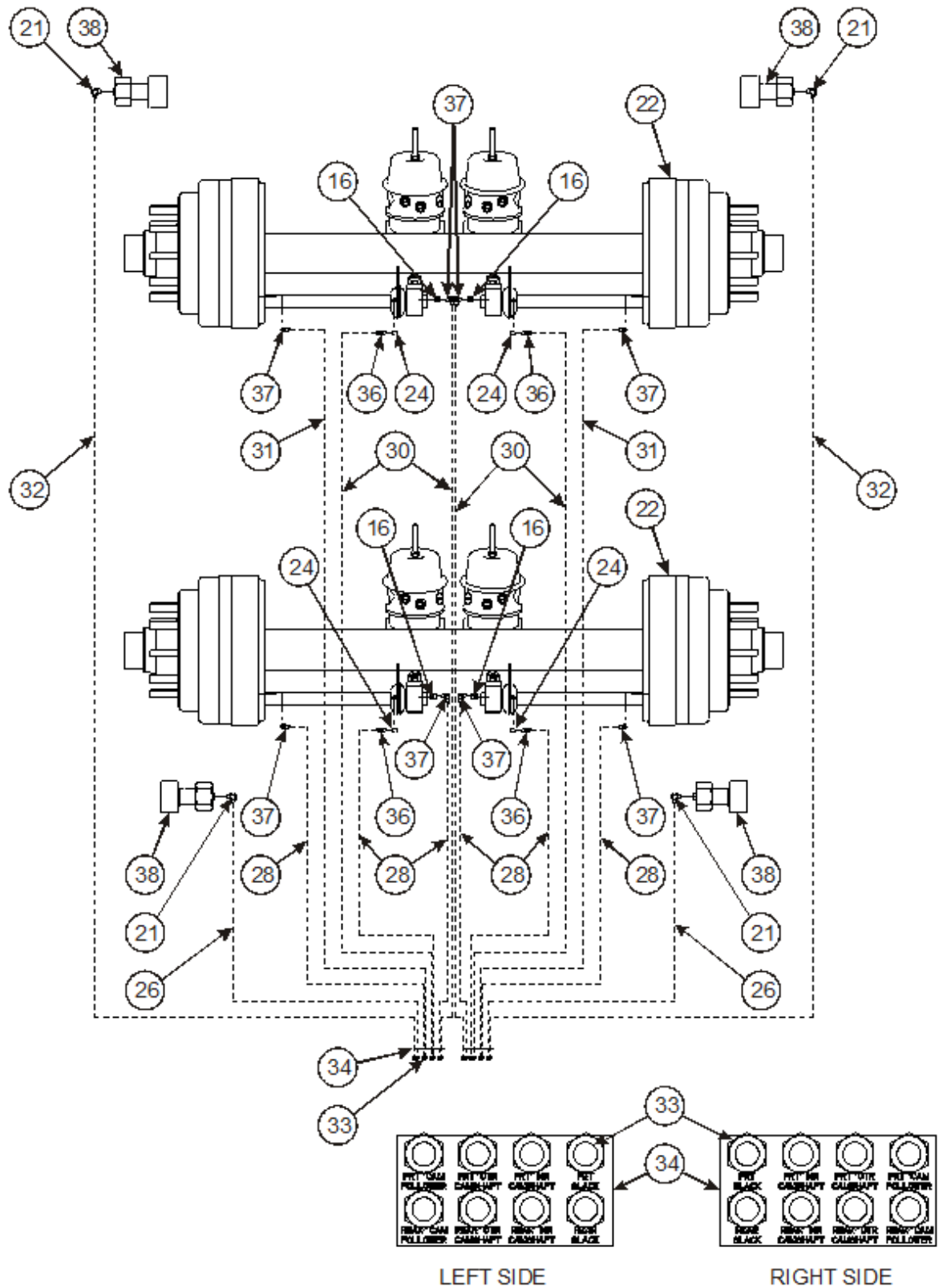
Figure 2-22: Undercarriage Assembly, Spring Ride Tandem Axle

# ILLUSTRATED PARTS LIST



m149693 p3

Figure 2-23: Grease System - Single



m149699p3

Figure 2-24: Grease System - Tandem

## ILLUSTRATED PARTS LIST

### UNDERCARRIAGE ASSEMBLY - SPRING RIDE

ITEM	PART NO.	DESCRIPTION	QTY.
	----	SUSPENSION ASSEMBLY S/R (SINGLE AXLE)	
	----	SUSPENSION ASSEMBLY S/R (TANDEM AXLE)	
1	0001-02	HEX HEAD CAP SCREW 5/8-18 X 5-1/8	2
2	0001-04	SCREW, HEX HEAD CAP 5/8-18 X 4-1/2	4
3	0001-08	TORQUE ARM BOLT 7/8-14 X 5-1/4	*2,4
4	0002-07	LOCKNUT 5/8-18	*2,6
5	0741-01	SPRING ROLLER	*2,6
6	1-510-010001	NUT FLANGE LOCK 3/8-16	10
7	1-512-010007-05	NUT HEX 1/4-20 GRB	11
8	1-654-010032-4	SCREW HEX HEAD CAP 3/4-10 X 1-3/4 GR5	8
9	1-654-010051-13	SCREW HEX HEAD CAP 3/8-16 X 3 GR5	8
10	1-654-010158-1	SCREW RD HEAD SQ NECK 1/4-20 X 3/4 GR5	11
11	1-796-010004-02	TIE STRAP (NOT SHOWN)	AR
12	1-861-010032-07	WASHER FLAT 1/4	11
13	1-861-010032-11	WASHER FLAT 3/8	8
14	1-861-010034-09	WASHER SPLIT LOCK 1/4	11
15	1-861-010034-17	WASHER SPLIT LOCK 3/4	4
16	101528	ELBOW, BRASS PIPE STREET	*2,4
17	----	BRAKE W/ ABS SINGLE (STD LOAD) (SEE PAGE 2-25)	1
	----	BRAKE W/ ABS SINGLE (LOW LOAD) (SEE PAGE 2-25)	1
	----	BRAKE W/ ABS TANDEM (STD LOAD) (SEE PAGE 2-27)	1
	----	BRAKE W/ ABS TANDEM (LOW LOAD) (SEE PAGE 2-27)	1
18	104034	NUT, HEX 2-12 GRB	4
19	110990	LOCKNUT 7/8-14	*2,4
20	110991	WASHER, FLAT HARDENED 7/8	*2,4
21	113268	ADAPTER 90	4
22	115728	SUSPENSION ASSEMBLY SPRING 330-102 (SEE PAGE 2-38)	1
	115726	SUSPENSION ASSEMBLY SPRING 317-102 (SEE PAGE 2-38)	1
23	119580	BUMPER WELDMENT	1
24	121355	ELBOW ST 90	*2,4
25	137162	SUSPENSION WELDMENT 330-1 S/R (NOT SHOWN)	1
	137163	SUSPENSION WELDMENT 330-1 S/R DROP DECK (NOT SHOWN)	1
	137165	SUSPENSION WELDMENT 330-1 (NOT SHOWN)	1
	137166	SUSPENSION WELDMENT 330-1-40 S/R (NOT SHOWN)	1
	137168	SUSPENSION WELDMENT 330-2 S/R	1
	137171	SUSPENSION WELDMENT 330-2 DROP DECK (NOT SHOWN)	1
26	**142441	HOSE ASSEMBLY, GREASE 1/4 X 45	2
27	**142442	HOSE ASSEMBLY, GREASE 1/4 X 60 (D/D - STD SINGLE)	4
28	**142443	HOSE ASSEMBLY, GREASE 1/4 X 72	6
29	**142444	HOSE ASSEMBLY, GREASE 1/4 X 83 (D/D - STD SINGLE)	2
30	**142446	HOSE ASSEMBLY, GREASE 1/4 X 118	4
31	**142447	HOSE ASSEMBLY, GREASE 1/4 X 126	2
32	**142451	HOSE ASSEMBLY, GREASE 1/4 X 156	2
33	142545	NUT, 7/16	*10,16
34	142553	DECAL, GREASE TRAILER U/C	2
35	2-181-010001	CLAMP	2
36	2021-2-4	ADAPTER, STRAIGHT	2
37	2024-2-4S	ADAPTER, ELBOW	*4,8
38	3-076-010005	CAM FOLLOWER 4" GREASE	4



**UNDERCARRIAGE ASSEMBLY - SPRING RIDE**

ITEM	PART NO.	DESCRIPTION	QTY.
39	3-485-010001	MUD FLAP	2
40	3-755-010189-03	SUPPORT E-CHAIN (STANDARD LOAD ANGLE) (BEFORE 6-3-2015)	1
	3-755-010189	SUPPORT E-CHAIN (LOW LOAD ANGLE) (BEFORE 6-3-2015)	1
	3-755-010189-1	SUPPORT, E-CHAIN INDIVIDUAL LINK (BEFORE 6-3-2015)	1
	380-1	END MOUNTING BRACKET W/ HOLE (BEFORE 6-3-2015)	2
	380-2	END MOUNTING BRACKET W/ PIN (BEFORE 6-3-2015)	2
	189316	SUPPORT, E-CHAIN, 34 LINKS, 3838 (AFTER 6-3-2015)	1
41	3-762-010016	HOLD DOWN UNDERCARRIAGE	4
42	3-762-010017	CLAMP MUD FLAP	2
43	3-780-010002	TANK AIR	REF
44	3-821-010005	TRAY CAT TRACK	1
45	622-3511-008	WASHER 3/4	4
46	190701	BRACKET WLDMT, E-CHAIN LH (AFTER 6-3-2015)	1
47	190706	BRACKET WLDMT, E-CHAIN RH (AFTER 6-3-2015)	1
48	190700ZP	BRACKET, E-CHAIN LH (AFTER 6-3-2015)	1
49	190705ZP	BRACKET, E-CHAIN RH (AFTER 6-3-2015)	1
	189380	FIELD INSTALLATION KIT (ITEM 40 & 46-49)	1

\* 1ST QUANTITY IS FOR SINGLE AXLE, 2ND QUANTITY IS FOR TANDEM AXLE.

\*\* SEE TABLE BELOW FOR HOSE LOCATIONS

**GREASE HOSE LOCATION, P/N, AND LENGTH (SINGLE)**

ITEM	HOSE LOCATION	RIGHT	LEFT	LENGTH
26	TO REAR CAM FOLLOWER	142441	142441	45"
28	TO REAR SLACK	142443	142443	72"
	TO REAR INNER CAMSHAFT	142443	142443	72"
	TO REAR OUTER CAMSHAFT	142443	142443	72"
32	TO FRONT CAM FOLLOWER	142451	142451	156"

**GREASE HOSE LOCATION, P/N, AND LENGTH (DROP DECK SINGLE)**

ITEM	HOSE LOCATION	RIGHT	LEFT	LENGTH
26	TO REAR CAM FOLLOWER	142441	142441	45"
27	TO REAR SLACK	142442	142442	60"
	TO REAR INNER CAMSHAFT	142442	142442	60"
28	TO REAR OUTER CAMSHAFT	142443	142443	72"
29	TO FRONT CAM FOLLOWER	142444	142444	83"

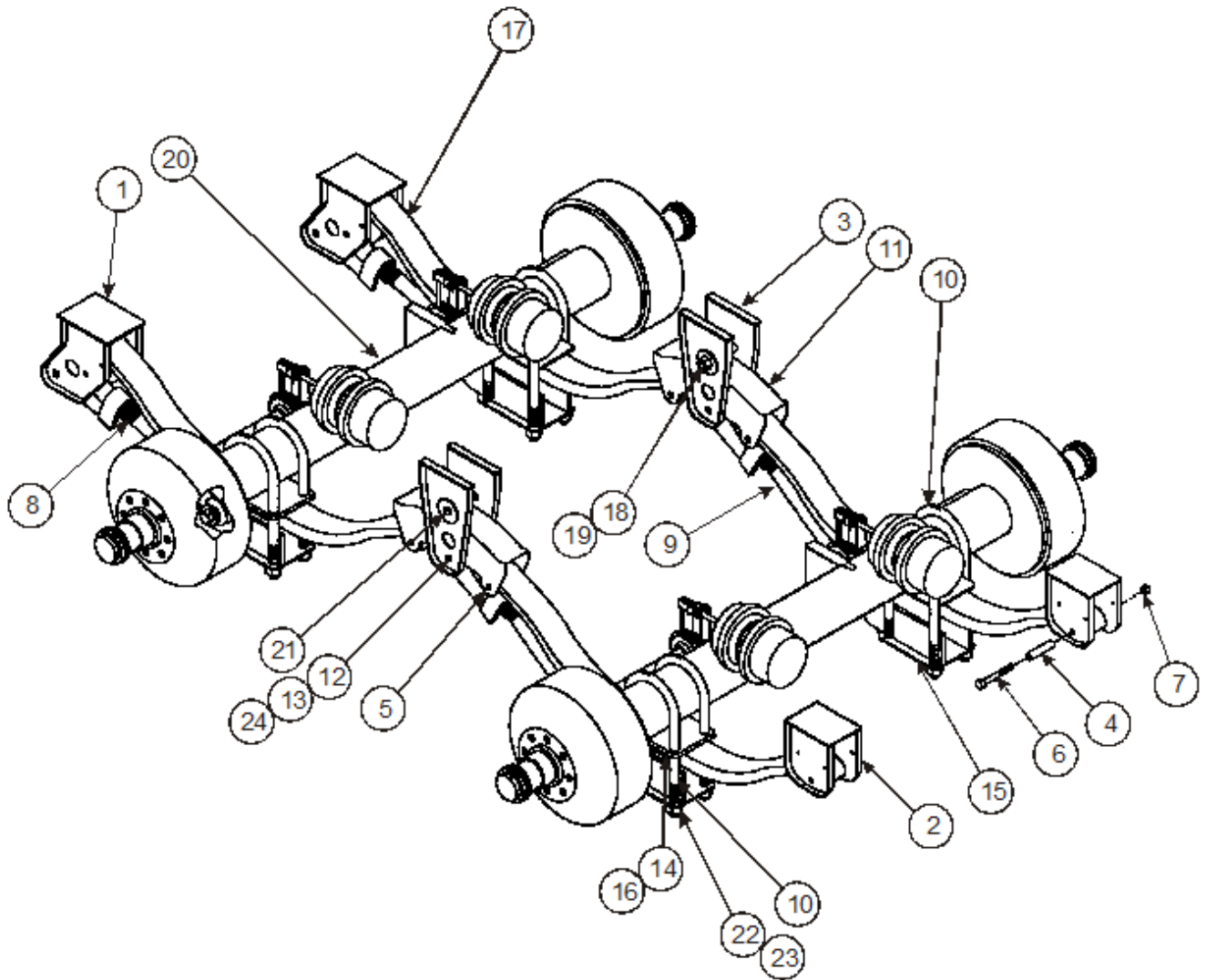
**GREASE HOSE LOCATION, P/N, AND LENGTH (TANDEM)**

ITEM	HOSE LOCATION	RIGHT	LEFT	LENGTH
26	TO REAR CAM FOLLOWER	142441	142441	45"
28	TO REAR SLACK	142443	142443	72"
	TO REAR INNER CAMSHAFT	142443	142443	72"
	TO REAR OUTER CAMSHAFT	142443	142443	72"
30	TO FRONT OUTER CAMSHAFT	142446	142446	118"

**GREASE HOSE LOCATION, P/N, AND LENGTH (TANDEM)**

---

<b>ITEM</b>	<b>HOSE LOCATION</b>	<b>RIGHT</b>	<b>LEFT</b>	<b>LENGTH</b>
	TO FRONT INNER CAMSHAFT	142446	142446	118"
31	TO FRONT SLACK	142447	142447	126"
35	TO FRONT 4" CAM FOLLOWER	142451	142451	156"



spring susp

Figure 2-25: Single Leaf Spring Suspension (Tandem Axle Shown)

**SUSPENSION ASSEMBLY - SPRING RIDE**

<b>ITEM</b>	<b>PART NO.</b>	<b>REFERENCE NO.</b>	<b>DESCRIPTION</b>	<b>QTY.</b>
	115728		SUSPENSION ASSEMBLY SPRING 102	
	115726		SUSPENSION ASSEMBLY SPRING 102	
1	0049-00	0049-00	HANGER FRONT	2
2	0053-00	0053-00	REAR HANGER UNDERMOUNT	2
3	0065-00	0065-00	HANGER EQUALIZER (TANDEM AXLE ONLY)	2
4	0741-01	0741-01	ROLLER SPRING	2
5	0001-04	0001-04	HEX HEAD CAP SCREW (TANDEM AXLE ONLY)	4
6	0001-02	0001-02	HEX HEAD CAP SCREW	2
7	0002-07	0002-07	LOCK NUT, HEX	2
8	1035-20	1035-20	TORQUE ARM ADJUSTABLE	1
9	0075-20	0075-20	TORQUE ARM RIGID	1
10	0102-13	0102-13	U-BOLT	4
11	0650-00	0650-00	EQUALIZER BEAM ASSEMBLY (TANDEM AXLE ONLY)	2
12	0001-08	0001-08	BOLT TORQUE ARM 7/8-14 X 5-1/4	2
13	0002-12	0002-12	NUT FLANGED LOCKING 7/8-14	2
14	0647-01	0647-01	AXLE SEAT	2
15	0508-00	0508-00	BOTTOM PLATE UNDERSLUNG	2
16	0375-00	0375-00	DELTRIN LINER	2
17	3-720-010030		SPRING MONO LEAF HIGH ARCH	2
18	0001-14	0001-14	EQUALIZER BOLT (TANDEM AXLE ONLY)	2
19	0274-01	0274-01	FLANGED LOCK NUT (TANDEM AXLE ONLY)	2
20	115713		AXLE 69 16.5 X 7 SPG BRK 25K (SEE PAGE 2-54)	1
	115703		AXLE 70.5 12.25 X 7-1/2 SPG BRK 25K (SEE PAGE 2-52)	1
21	0649-02	0649-02	EQUALIZER BUSHING (INCL. IN ITEM #11)	2
22	109532	14344-01	LOCKNUT 3/4	8
23	109592	20852-01	WASHER, 3/4	8
24	-----	T7292	WASHER, 7/8	2
	3-432-010006	AX-SPG	KIT AXLE SPRING ATTACHING PARTS (INCLUDES ITEMS 8-10,12-16,22-24)	
	3-432-010010	0651-00	KIT EQUALIZER ASSEMBLY (TANDEM AXLE ONLY) (INCLUDES ITEMS 3,11,18-19,21)	

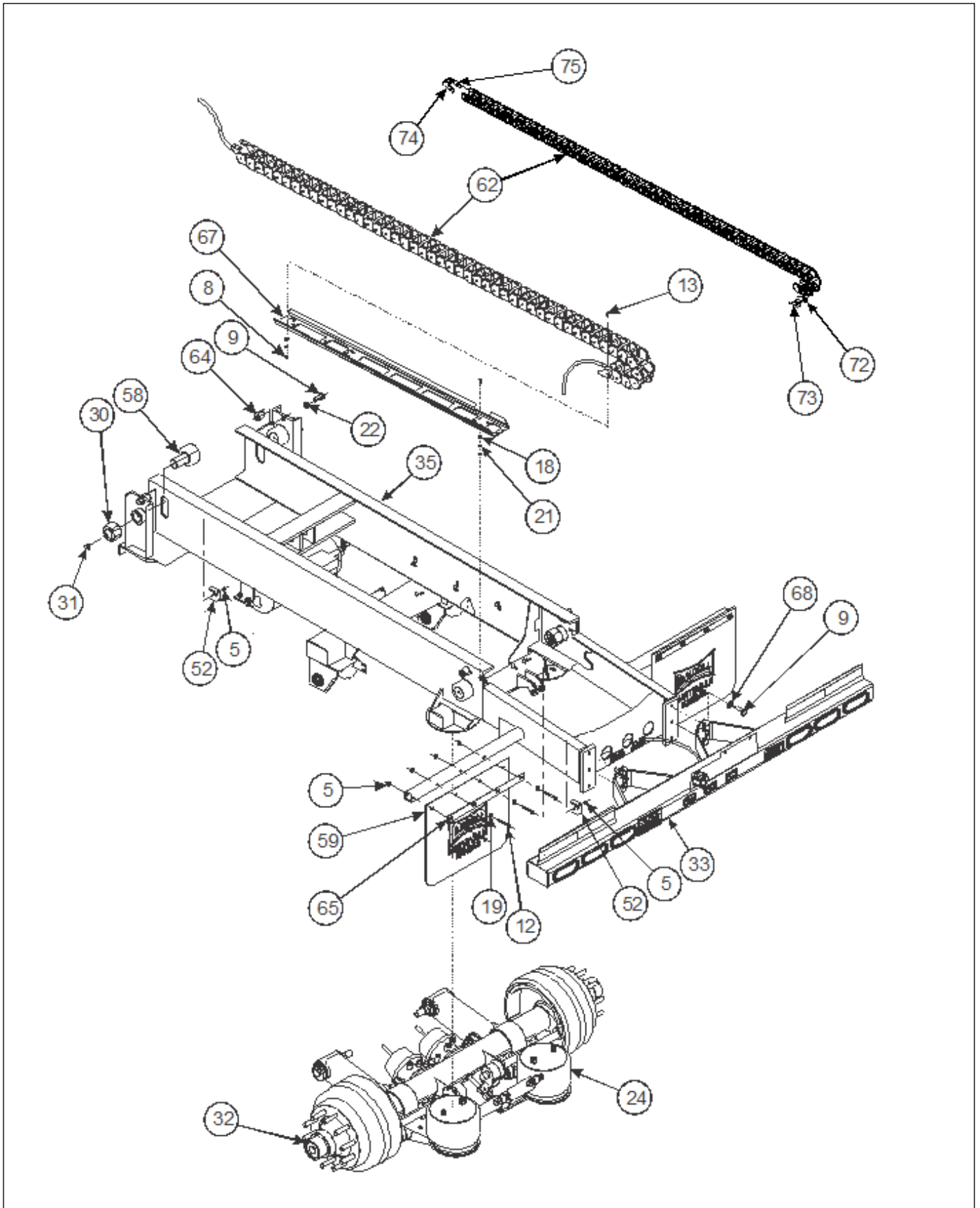


Figure 2-26: Undercarriage Assembly, Air Ride Single Axle

# ILLUSTRATED PARTS LIST

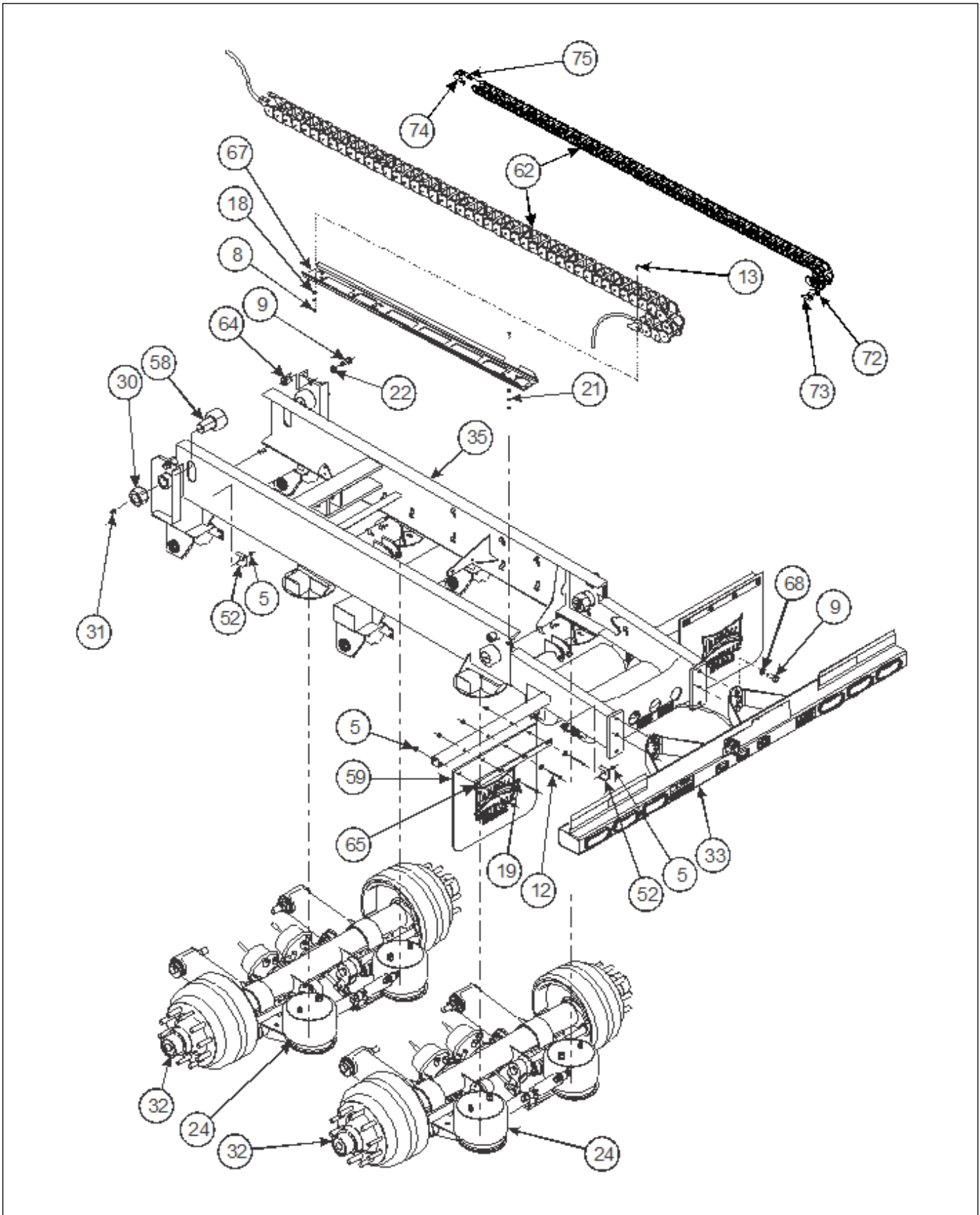
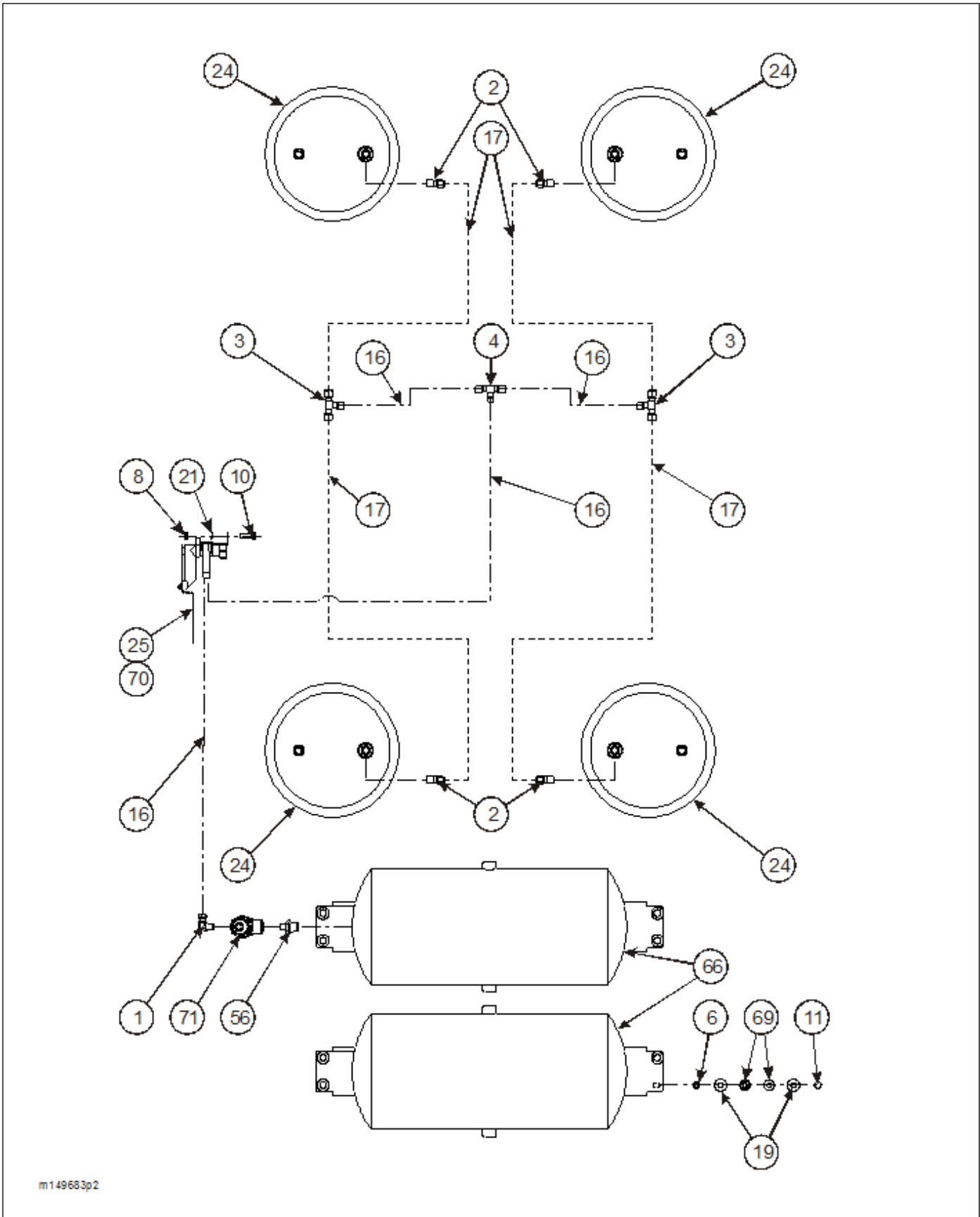


Figure 2-27: Undercarriage Assembly, Air Ride Tandem Axle

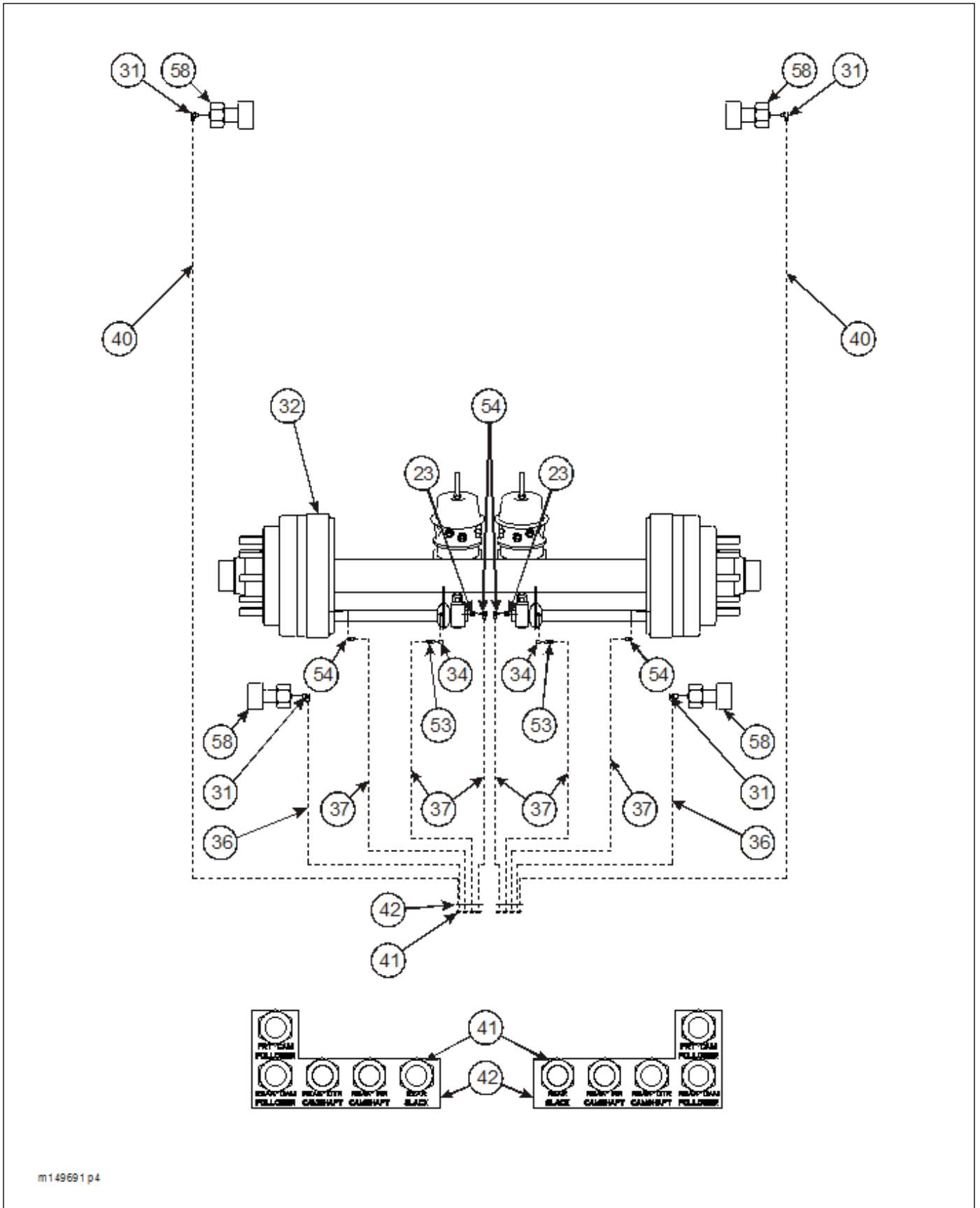


**ILLUSTRATED PARTS LIST**



**Figure 2-29: Air Ride Suspension System, Tandem Axle**





m149691 p4

Figure 2-30: Grease System, Single Axle

# ILLUSTRATED PARTS LIST

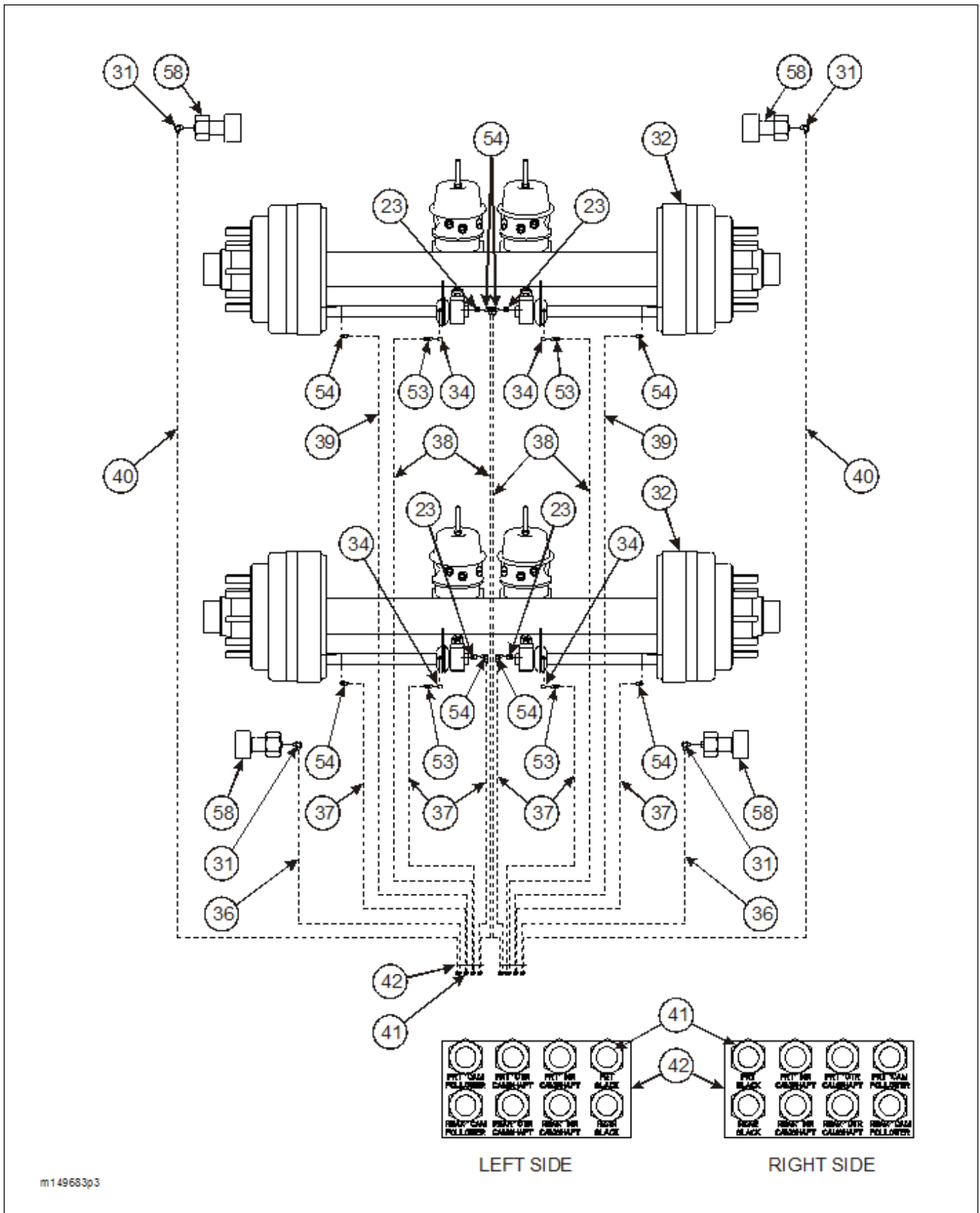


Figure 2-31: Grease System, Tandem Axle

## UNDERCARRIAGE ASSEMBLY - AIR RIDE

ITEM	PART NO.	DESCRIPTION	QTY.
	----	SUSPENSION ASSEMBLY A/R SINGLE	
	----	SUSPENSION ASSEMBLY A/R TANDEM	
1	1-297-010008-07	FITTING, AIR 90	*3,1
2	1-297-010008-18	FITTING, AIR 90 (TANDEM AXLE)	4
	1-297-010007-12	FITTING, AIR (SINGLE AXLE)	2
3	1-297-010010-01	FITTING, AIR UNION TEE (SINGLE AXLE)	1
	1-297-010010-03	FITTING, AIR UNION TEE (TANDEM AXLE)	2
4	1-297-010010-04	FITTING, AIR UNION TEE 3/8 X 3/8 X 1/4 (TANDEM AXLE)	1
5	1-510-010001	NUT, FLANGE LOCK 3/8-16	10
6	1-512-010005-05	NUT, HEX LOCK 3/8-16 GRB	REF
8	1-512-010007-05	NUT, HEX 1/4-20 GRB	11
9	1-654-010032-4	SCREW, HEX HEAD CAP 3/4-10 X 1-3/4 GR5	8
10	1-654-010047-06	SCREW, HEX HEAD CAP 1/4-20 X 1 GR5	2
11	1-654-010051-08	SCREW, HEX HEAD CAP 3/8-16 X 1-3/4 GR5	REF
12	1-654-010051-13	SCREW, HEX HEAD CAP 3/8-16 X 3 GR5	8
13	1-654-010158-1	SCREW, RD HEAD SQ NECK 1/4-20 X 3/4 GR5	11
15	1-796-010004-02	TIE STRAP (NOT SHOWN)	AR
16	1-833-010001	TUBING, NYLON 1/4	AR
17	1-833-010002	TUBING, NYLON 3/8	AR
18	1-861-010032-07	WASHER, FLAT 1/4	11
19	1-861-010032-11	WASHER, FLAT 3/8	REF
21	1-861-010034-09	WASHER, SPLIT LOCK 1/4	11
22	1-861-010034-17	WASHER, SPLIT LOCK 3/4	4
23	101528	ELBOW, BRASS PIPE STREET	4
24	102363	SUSPENSION ADJ RLU-228-3.5 (SEE PAGE 2-50)	*1,2
25	102732	AIR CONTROL SYSTEM (SEE PAGE 2-48)	1
28	----	BRAKE W/ ABS SINGLE (STD LOAD) (SEE PAGE 2-25)	1
	----	BRAKE W/ ABS SINGLE (LOW LOAD) (SEE PAGE 2-25)	1
	----	BRAKE W/ ABS TANDEM (STD LOAD) (SEE PAGE 2-27)	1
	----	BRAKE W/ ABS TANDEM (LOW LOAD) (SEE PAGE 2-27)	1
30	104034	NUT, HEX 2-12 GRB	4
31	113268	ADAPTER, 90	4
32	115738	AXLE WELDMENT A/R 2516-SPG-69 (FOR PARTS BREAKDOWNS, SEE PAGES 2-50 AND 2-54)	2
33	119580	BUMPER WELDMENT	1
34	121355	ELBOW, STREET 90	4
35	137169	SUSPENSION WELDMENT A/R 330-1	1
	137164	SUSPENSION WELDMENT A/R 330-1 DROP DECK	1
	137167	SUSPENSION WELDMENT A/R 330-2	1
	137170	SUSPENSION WELDMENT A/R 330-2 DROP DECK	1
36	**142441	HOSE ASSEMBLY, GREASE 1/4 X 45	2
37	**142443	HOSE ASSEMBLY, GREASE 1/4 X 72	6
38	**142446	HOSE ASSEMBLY, GREASE 1/4 X 118	4
39	**142447	HOSE ASSEMBLY, GREASE 1/4 X 126	2
40	**142451	HOSE ASSEMBLY, GREASE 1/4 X 156	2
41	142545	NUT, HEX JAM 7/16	*10,16
42	142553	DECAL, GREASE TRAILER U/C	2
52	2-181-010001	CLAMP	2
53	2021-2-4	ADAPTER, STRAIGHT	4

## ILLUSTRATED PARTS LIST

### UNDERCARRIAGE ASSEMBLY - AIR RIDE

ITEM	PART NO.	DESCRIPTION	QTY.
54	2024-2-4S	ADAPTER, ELBOW	8
56	2083-8-4S	NIPPLE, HEX	1
58	3-076-010005	CAM FOLLOWER, 4" GREASE	4
59	3-485-010001	MUD FLAP	2
62	3-755-010189-03	SUPPORT E-CHAIN (STANDARD LOAD ANGLE) <b>(BEFORE 6-3-2015)</b>	1
	3-755-010189	SUPPORT E-CHAIN (LOW LOAD ANGLE) <b>(BEFORE 6-3-2015)</b>	1
	3-755-010189-1	SUPPORT, E-CHAIN INDIVIDUAL LINK <b>(BEFORE 6-3-2015)</b>	1
	380-1	END MOUNTING BRACKET W/ HOLE <b>(BEFORE 6-3-2015)</b>	2
	380-2	END MOUNTING BRACKET W/ PIN <b>(BEFORE 6-3-2015)</b>	2
	189314	SUPPORT, E-CHAIN, 48 LINKS, 3838 <b>(AFTER 6-3-2015)</b>	1
64	3-762-010016	HOLD DOWN UNDERCARRIAGE	4
65	3-762-010017	CLAMP, MUD FLAP	2
66	3-780-010002	TANK, AIR	REF
67	3-821-010005	TRAY, CAT TRACK	1
68	622-3511-008	WASHER 3/4	4
69	805-2	STEP BUSHING	REF
70	900 54 007	HEIGHT CONTROL VALVE	REF
71	905-54-107	BRAKE PROTECTION VALVE	REF
72	190701	BRACKET WLDMT, E-CHAIN LH <b>(AFTER 6-3-2015)</b>	1
73	190706	BRACKET WLDMT, E-CHAIN RH <b>(AFTER 6-3-2015)</b>	1
74	190700ZP	BRACKET, E-CHAIN LH <b>(AFTER 6-3-2015)</b>	1
75	190705ZP	BRACKET, E-CHAIN RH <b>(AFTER 6-3-2015)</b>	1
	189382	FIELD INSTALLATION KIT <b>(ITEM 62 &amp; 72-75)</b>	1

\* 1ST QUANTITY LISTED IS FOR SINGLE AXLE; 2ND QUANTITY LISTED IS FOR TANDEM AXLE

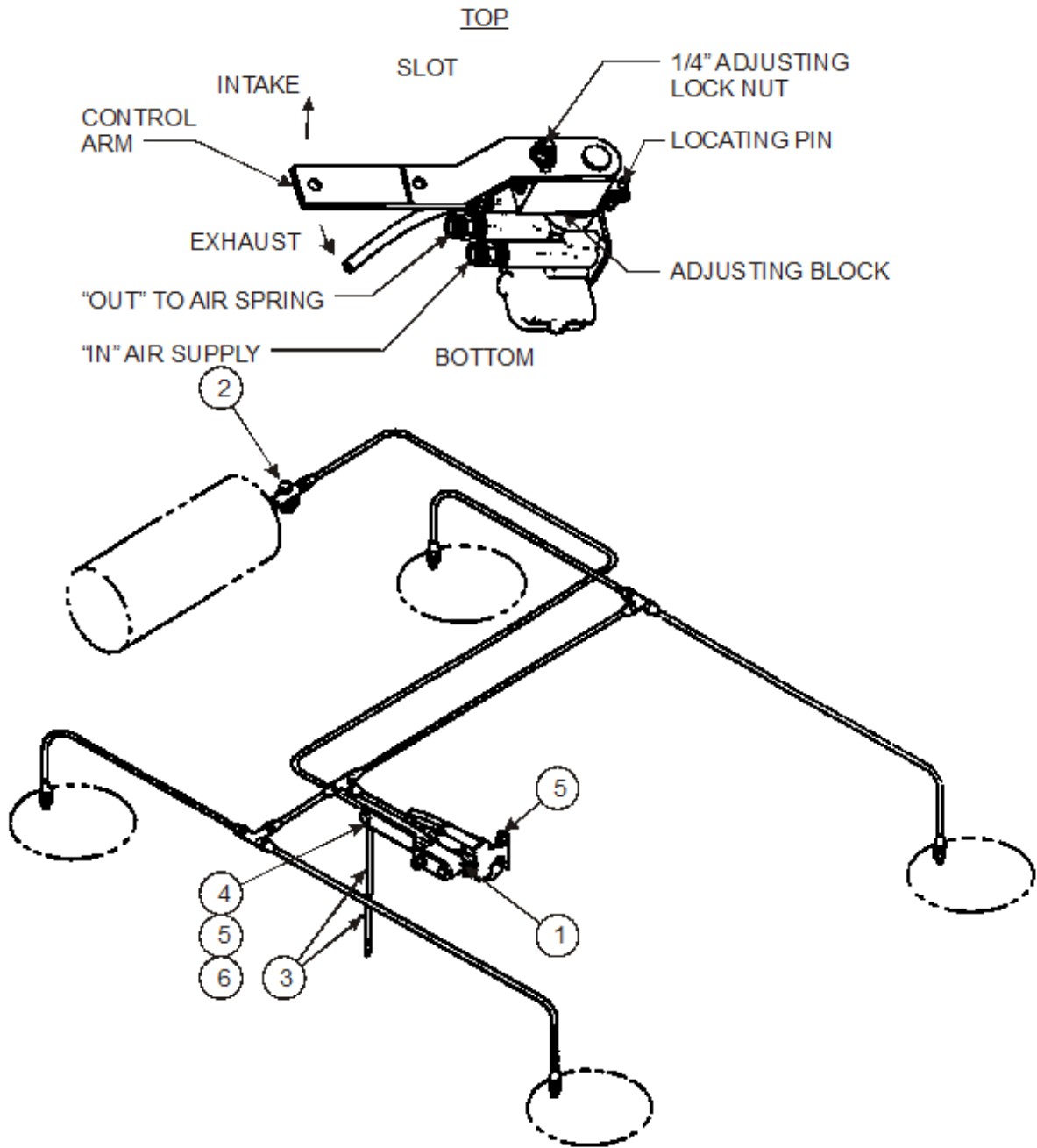
\*\* SEE TABLES BELOW FOR HOSE LOCATIONS

### GREASE HOSE LOCATION, P/N, AND LENGTH (SINGLE)

ITEM	HOSE LOCATION	RIGHT	LEFT	LENGTH
36	TO REAR CAM FOLLOWER	142441	142441	45"
37	TO REAR SLACK	142443	142443	72"
	TO REAR INNER CAMSHAFT	142443	142443	72"
	TO REAR OUTER CAMSHAFT	142443	142443	72"
40	TO FRONT CAM FOLLOWER	142451	142451	156"

### GREASE HOSE LOCATION, P/N, AND LENGTH (TANDEM)

ITEM	HOSE LOCATION	RIGHT	LEFT	LENGTH
36	TO REAR CAM FOLLOWER	142441	142441	45"
37	TO REAR SLACK	142443	142443	72"
	TO REAR INNER CAMSHAFT	142443	142443	72"
	TO REAR OUTER CAMSHAFT	142443	142443	72"
38	TO FRONT OUTER CAMSHAFT	142446	142446	118"
	TO FRONT INNER CAMSHAFT	142446	142446	118"
39	TO FRONT SLACK	142447	142447	126"
40	TO FRONT 4" CAM FOLLOWER	142451	142451	156"

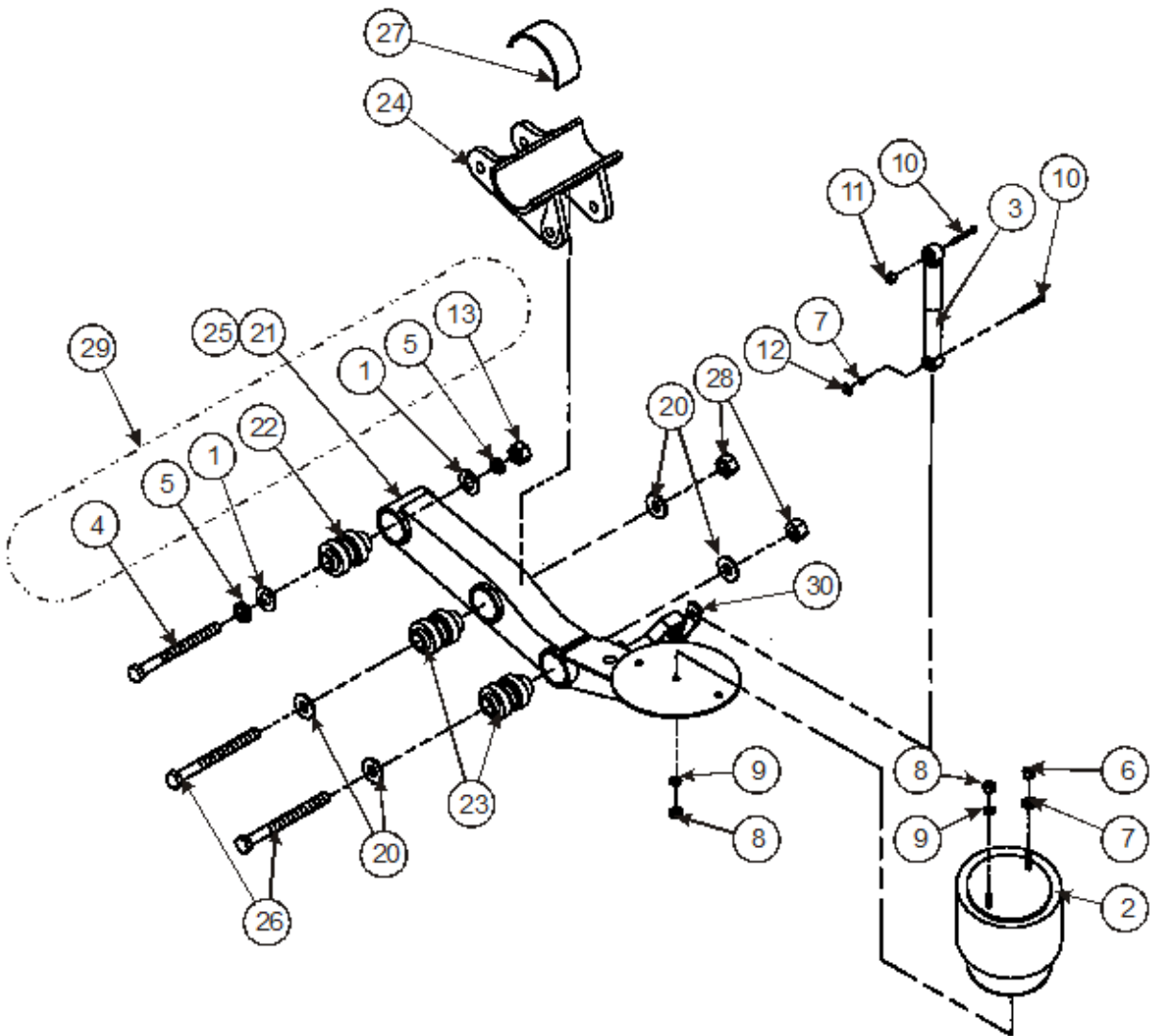


m102732

Figure 2-32: Air Control Kit

**AIR CONTROL KIT**

<b>ITEM</b>	<b>PART NO.</b>	<b>DESCRIPTION</b>	<b>QTY.</b>
	102732	AIR CONTROL KIT NEWAY	
1	900 54 007	HEIGHT CONTROL VALVE	1
2	905-54-107	AIR PRESSURE PROTECTION VALVE & FILTER	1
3	111021	SRK - 167 KIT (ADJ. LINK ASSEMBLY)	1
4	1-654-010047-04	SCREW, HEX HEAD CAP 1/4-20 X 3/4 GR5	2
5	1-512-010005-01	NUT, HEX LOCK 1/4-20 GRB	2
6	-----	DECAL (OPERATING)	1



762m102361

Figure 2-33: Suspension Hanger Assembly

## SUSPENSION HANGER RLU-228

ITEM	PART NO.	REFERENCE NO.	DESCRIPTION	QTY.
	102363		SUSPENSION, ADJ. RLU-228-3.5 (INCL ITEMS 1-19)	
	102361		SUSPENSION, BEAM. RLU-228 (INCL ITEMS 20-28)	
1	111010	900 36 177	FLAT WASHER	2
2	905-57-129	905 57 129	AIR SPRING ASSEMBLY	2
3	900 45 040	900 45 040	SHOCK	2
4	90508009	905 08 009	ALIGN BUSH ASSEMBLY	2
5	111007	900 08 186	ALIGN BLOCK (900 08 186)	2
6	934 00 149	934 00 149	3/4-16 HEX NUT GRB	2
7	936 00 077	936 00 077	LOCK WASHER, 3/4"	4
8	1-512-010007-09	934 00 136	HEX NUT, 1/2-13	4
9	1-861-010034-13	936 00 072	LOCK WASHER, 1/2"	4
10	105408	930 03 597	HEX HEAD CAP SCREW 3/4-10 X 3-1/2	4
11	934 00 492	934 00 492	LOCK NUT, 3/4-10	2
12	111022	934 00 367	3/4-10 SQUARE NUT	2
13	111008	934 00 506	LOCK NUT 1-1/8-7	2
14	111018	900 54 038	ANCHOR, RIDE HEIGHT CONTROL VALVE (NOT SHOWN)	1
15	-----	941 00 787	LITERATURE INSTRUCTIONS (NOT SHOWN)	1
16	-----	941 00 685	LITERATURE SPEC (NOT SHOWN)	1
17	-----	941 00 648	LITERATURE FORM 864 (NOT SHOWN)	1
18	-----	941 00 590	LITERATURE LABEL (NOT SHOWN)	1
19	-----	941 00 790	LITERATURE LABEL (NOT SHOWN)	1
	111019	110 05 053	FASTENER KIT (INCL. 1, 4-11, 13, 15)	1
20	111010	900 36 177	FLAT WASHER	8
21	111013	905 16 600	EQUALIZING BEAM ASSEMBLY LH	1
22	900-08-139	900 08 139	RUBBER BUSHING (FRONT PIVOT)	2
23	111011	900 08 149	RUBBER BUSHING (AXLE CONNECTION)	4
24	111012	900 01 200	AXLE ADAPTER ASSEMBLY	2
25	111014	905 16 601	EQUALIZING BEAM ASSEMBLY RH	1
26	111023	932 01 051	HEX HEAD CAP SCREW 1-1/8-7 X 8-1/2	4
27	900-25-288	900 25 288	SAFETY STRAP	2
28	934-00-506	934 00 506	LOCK NUT 1-1/8-7	4
29	109533	481 00 294	ALIGNMENT BLOCK KIT	1
30	126900	905 20 543	BRACKET BOTTOM SHOCK (RLU-228)	1
31	141708		WIRE ROPE STRAP KIT RLU228-3.5	1
	127708		WIRE ROPE STRAP KIT RLU228-5.5	1

NOTE: QUANTITIES LISTED ARE PER AXLE.



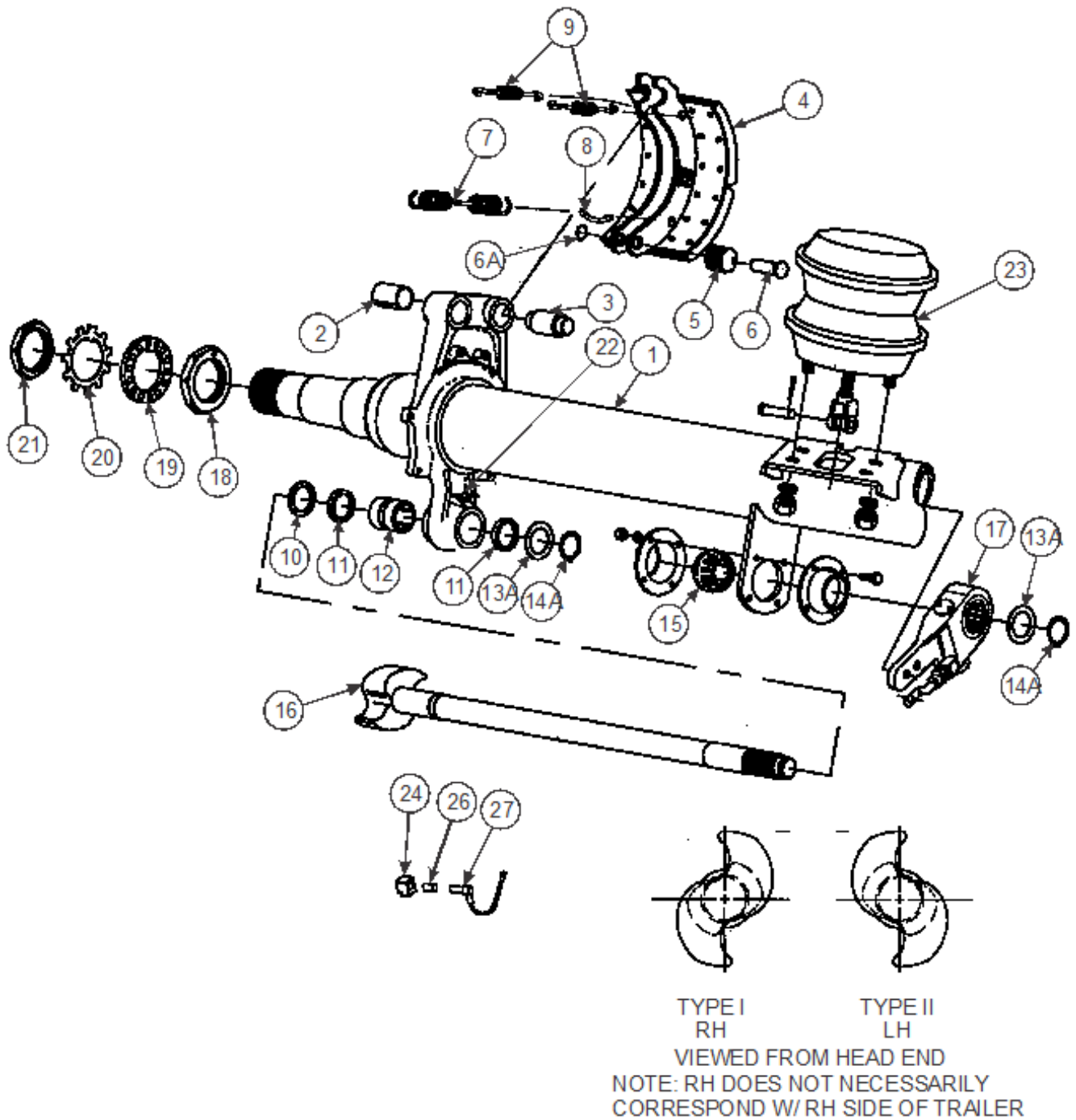


Figure 2-34: Axle and Brake Assembly (12-1/4 x 7-1/2")

**AXLE AND BRAKE ITEMS (DEXTER) (12-1/4" X 7-1/2")**

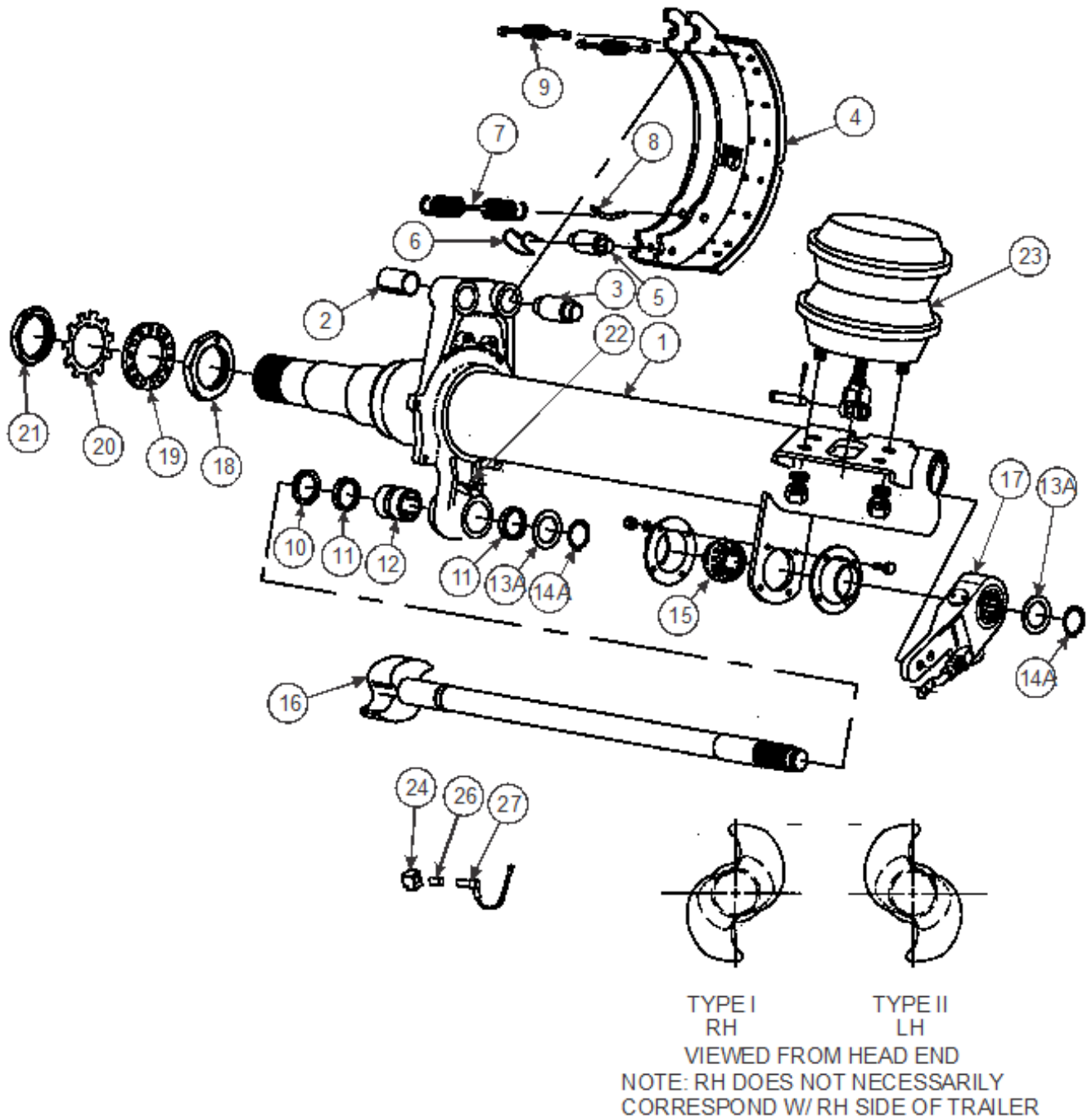
ITEM	PART NO.	REFERENCE NO.	DESCRIPTION	QTY.
	115703		AXLE 70-1/2, 12-1/4 X 7-1/2 SPG BRK (25K)	
	**K71-460-00	**K71-460-00	BRAKE SHOE HARDWARE KIT (ITEMS 2, 3, 5, 6, 6A, 7, & 8)	
2**	----	014-068-00	BUSHING, SPIDER ANCHOR PIN	4
3**	----	056-017-00	PIN, ANCHOR	4
4	040-320-01	040-320-01	SHOE AND LINING ASSEMBLY	4
4A	----	041-060-01	LINING - BRAKE BLOCK CAM	2
4B	----	041-057-01	LINING - BRAKE BLOCK ANCHOR	4
	----	K71-133-00	BRAKE BLOCK KIT	4
5**	----	014-057-00	ROLLER	4
6**	----	056-010-00	RETAINER, ROLLER PIN	8
6A**	----	069-018-00	RETAINER RING	8
7**	----	046-092-00	SPRING, SHOE RETRACTOR	2
8**	056-018-00	056-018-00	RETAINER PIN RETRACTOR SPRING	4
9**	046-097-00	046-097-00	KEEPER SPRING	4
	***K71-101-00	**K71-101-00	CAMSHAFT REPAIR KIT (ITEMS 10-15, & 22)	
10***	005-074-00	005-074-00	D" WASHER - CAMSHAFT	2
11***	010-052-00	010-052-00	SEAL GREASE	4
12***	----	014-056-00	BUSHING CAMSHAFT SPIDER	2
13A***	----	005-134-00	WASHER CAMSHAFT END	2
14A***	069-078-00	069-078-00	RETAINER, CAMSHAFT END	2
15***	----	014-058-00	BUSHING CAMSHAFT SUPPORT	2
16	136991	034-188-03	CAMSHAFT, 22-5/16" LH	1
	136992	034-189-03	CAMSHAFT, 22-5/16" RH	1
17	156655	055-040-99	SLACK ADJUSTER, AUTOMATIC	2
18	006-114-00	006-114-00	NUT, INNER SPINDLE	2
19	005-098-00	005-098-00	WASHER, SPINDLE LOCK	2
20	005-099-00	005-099-00	WASHER, TABBED SPINDLE LOCK	2
21	006-115-00	006-115-00	NUT, OUTER SPINDLE	2
22***	----	061-006-00	FITTING, GREASE 45°	2
23	034-058-07	034-058-07	AIR CHAMBER, SPRING BRAKE	2
24	103805	024-100-00	SENSOR BLOCK	2
26	144979	097-002-00	RETAINER CLIP	2
27	139287	094-007-00	ABS SENSOR, 90	2

\* WHEN ORDERING THE BEAM WITH SPINDLE, SPIDER, AND BRACKETS ATTACHED, YOU WILL NEED THE BEAM NUMBER, TRACK LENGTH, BRAKE SIZE, AND CAMSHAFT LENGTH.

\*\* THESE PARTS ARE AVAILABLE AS PART OF THE BRAKE SHOE REPAIR KIT LISTED

\*\*\* THESE PARTS ARE AVAILABLE AS PART OF THE CAMSHAFT REPAIR KIT LISTED

NOTE: FOR HUB AND DRUM INFORMATION, SEE PAGE 2-56



m115713a

Figure 2-35: Axle and Brake Assembly (16-1/2" x 7")

**AXLE AND BRAKE ITEMS (DEXTER) (16-1/2" x 7")**

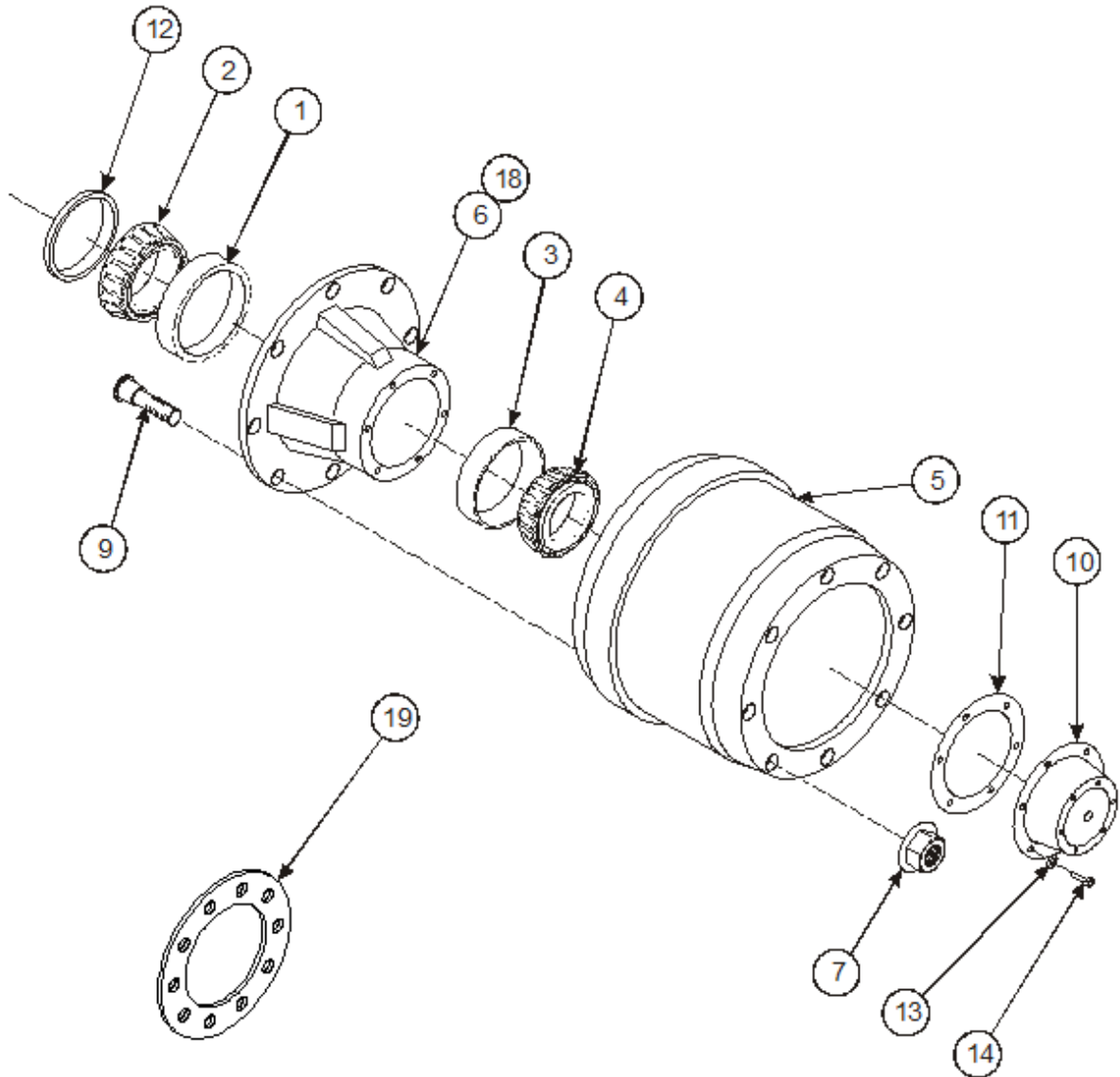
ITEM	PART NO.	REFERENCE NO.	DESCRIPTION	QTY.
	115713		AXLE 69, 16-1/2 X 7 SPRING BRAKE (25K)	
1A*	----- **K71-136-00	D-2H16 **K71-136-00	BEAM W/ BRACKETS BRAKE SHOE HARDWARE KIT (ITEMS 2, 3, 5, 6, 7, 8, & 9)	1
2**	-----	014-068-00	BUSHING, SPIDER ANCHOR PIN	4
3**	-----	056-017-00	PIN, ANCHOR	4
4	040-180-00	040-180-00	SHOE AND LINING ASSEMBLY	4
4A	-----	041-058-01	LINING - BRAKE BLOCK CAM	2
4B	-----	041-059-01	LINING - BRAKE BLOCK ANCHOR	4
	-----	K71-138-00	BRAKE BLOCK KIT	4
5**	014-065-00	014-065-00	ROLLER	4
6**	071-122-00	071-122-00	RETAINER, ROLLER	4
7**	046-096-00	046-096-00	SPRING, SHOE RETRACTOR	2
8**	056-018-00	056-018-00	RETAINER PIN RETRACTOR SPRING	4
9**	046-097-00 138090	046-097-00 ***K71-135-00	KEEPER SPRING CAMSHAFT REPAIR KIT (ITEMS 10-15, & 22)	4
10***	005-096-00	005-096-00	WASHER CAMSHAFT	2
11***	010-052-00	010-052-00	SEAL GREASE	4
12***	-----	014-056-00	BUSHING CAMSHAFT SPIDER	2
13A***	-----	005-134-00	WASHER CAMSHAFT END	2
14A***	069-078-00	069-078-00	RETAINER, CAMSHAFT END	2
15***	-----	014-058-00	BUSHING CAMSHAFT SUPPORT	2
16	034-192-05 034-193-05	034-192-05 034-193-05	CAMSHAFT, 22-5/8" LH CAMSHAFT, 22-5/8" RH	1 1
17	139383	055-040-98	SLACK ADJUSTER, AUTOMATIC)	2
18	006-114-00	006-114-00	NUT, INNER SPINDLE	2
19	005-098-00	005-098-00	WASHER, SPINDLE LOCK	2
20	005-099-00	005-099-00	WASHER, TABBED SPINDLE LOCK	2
21	006-115-00	006-115-00	NUT, OUTER SPINDLE	2
22***	-----	061-006-00	FITTING, GREASE 45°	2
23	034-058-01	034-058-01	AIR CHAMBER, SPRING BRAKE	4
24	103805	024-100-00	SENSOR BLOCK	2
26	144979	097-002-00	RETAINER CLIP	2
27	139287	097-007-00	ABS SENSOR, 90	2

\* WHEN ORDERING THE BEAM WITH SPINDLE, SPIDER, AND BRACKETS ATTACHED, YOU WILL NEED THE BEAM NUMBER, TRACK LENGTH, BRAKE SIZE, AND CAMSHAFT LENGTH.

\*\* THESE PARTS ARE AVAILABLE AS PART OF THE BRAKE SHOE REPAIR KIT LISTED

\*\*\* THESE PARTS ARE AVAILABLE AS PART OF THE CAMSHAFT REPAIR KIT LISTED

NOTE: FOR HUB AND DRUM INFORMATION, SEE PAGE 2-56



hub0ab2

Figure 2-36: Outboard Pilot Mount Hub and Drum

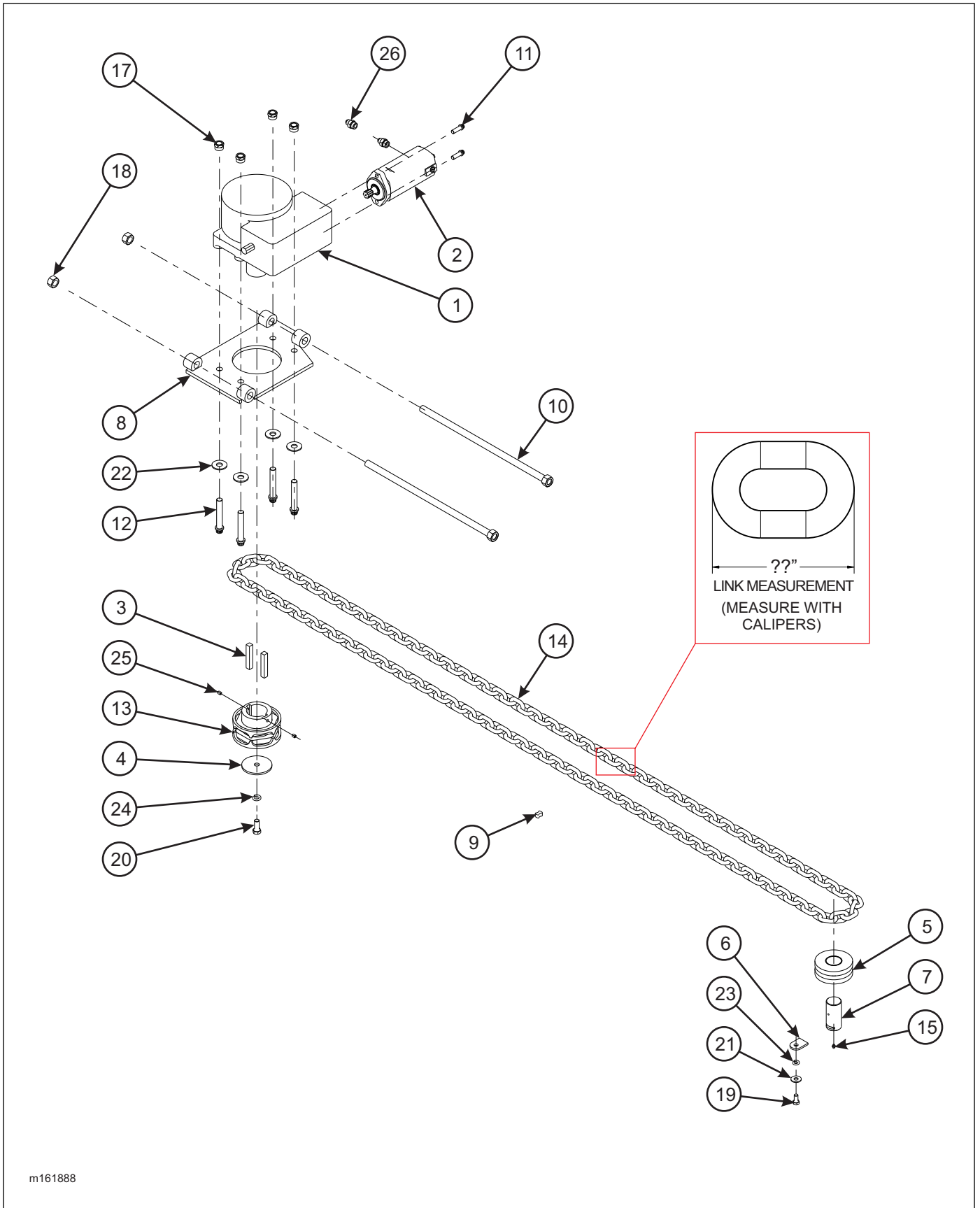
**OUTBOARD PILOT MOUNT HUB AND DRUM**

ITEM	PART NO.	DESCRIPTION	QTY.
1	HM218210	INNER BEARING CUP	1
2	HM218248	INNER BEARING CONE	1
3	HM212011	OUTER BEARING CUP	1
4	HM212049	OUTER BEARING CONE	1
5	110976	OUTBOARD MOUNTED BRAKE DRUM	1
	63680	OUTBOARD MOUNTED BRAKE DRUM	1
6	110975	HUB IRON (10-BOLT)	1
	112492	HUB IRON (8-BOLT)	1
7	179933	FLANGE NUT	10
9	113536	STUD	10
10	4009	CAP HUB	1
11	3067	GASKET OIL CAP	1
12	3-659-010012	SEAL	1
13	1-861-010034-10	WASHER SPLIT LOCK 5/16	6
14	1-654-010049-03	SCREW HEX HEAD CAP 5/16-18 X 3/4 GR5	6
15	3-870-010110	WHEEL DISC PILOT MOUNT 22.5 X 8.25 (NOT SHOWN)	1
	111416	WHEEL, ALUMINUM PILOT MOUNT 22.5 X 8.25 (NOT SHOWN)	1
	111417	WHEEL, ALUM PILOT MOUNT 22.5 X 8.25 MACH (NOT SHOWN)	1
	3-870-010104	WHEEL, DISC PILOT MOUNT 22.5 X 7.5 (NOT SHOWN)	1
	3-870-010106	WHEEL, ALUMINUM PILOT MOUNT 22.5 X 7.5 (NOT SHOWN)	1
	3-870-010116	WHEEL, ALUMINUM PILOT MOUNT 22.5 X 7.5 (NOT SHOWN)	1
	112047	WHEEL, ALUMINUM PILOT MOUNT 17.5 X 6.75 MACH (NOT SHOWN)	1
16	TR573	VALVE STEM - STEEL WHEEL (NOT SHOWN)	1
	TR545D	VALVE STEM (NOT SHOWN)	1
	100401	VALVE STEM TR543C (NOT SHOWN)	1
18	*	ABS TONE RING	1
19	**3-870-010107	WHEEL GUARD, 10 HOLE 285.75 mm BC	AR
	***123882	SPACER, WHEEL .375 X 10 HOLE HUB	AR

\* THIS PART SHOULD BE REPLACED IN CONJUNCTION WITH THE HUB. IT IS NOT SOLD SEPARATELY.

\*\* USED WITH ALUMINUM WHEELS

\*\*\* USE BETWEEN STEEL DRUM OR WHEEL AND ALUMINUM WHEEL.



m161888

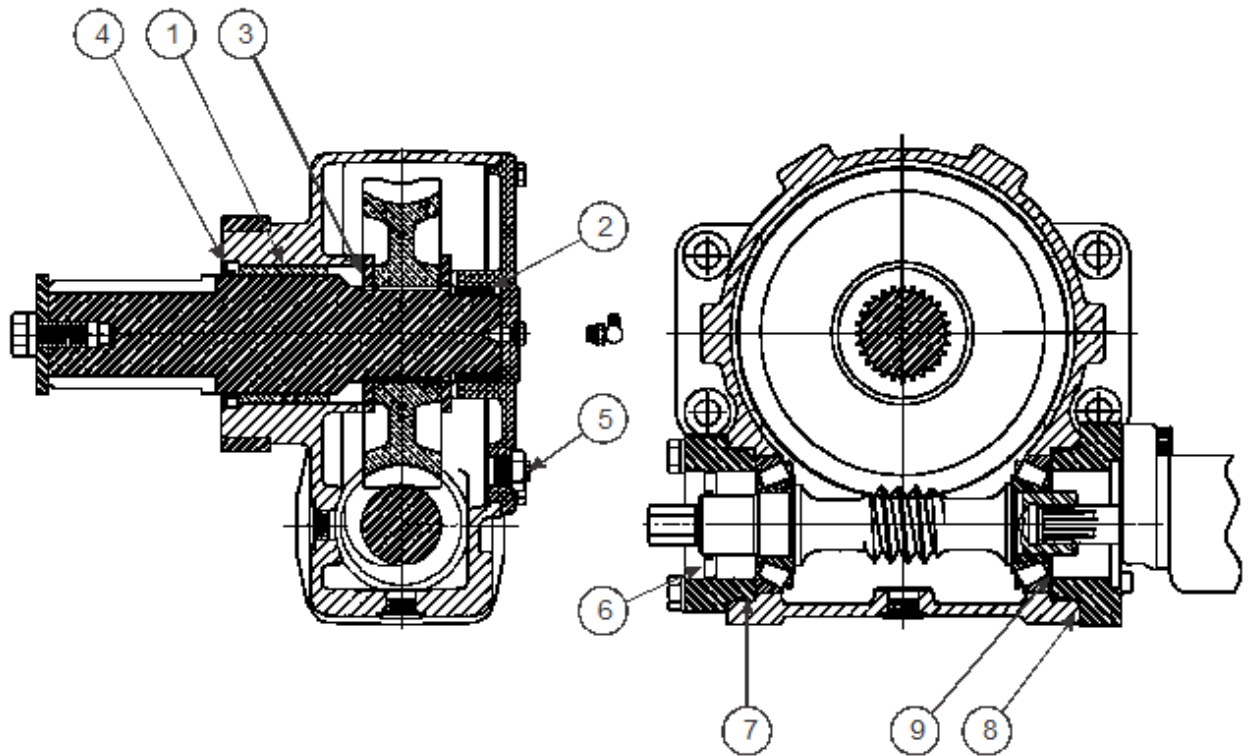
Figure 2-37: Gearbox Assembly (Chain Drive Model)

## ILLUSTRATED PARTS LIST

### GEARBOX ASSEMBLY (CHAIN DRIVE MODEL)

ITEM	PART NO.	DESCRIPTION	QTY.
	161888	GEARBOX ASSEMBLY 330-53	
	167952	GEARBOX ASSEMBLY 330-48	
	158039	GEARBOX ASSEMBLY 330-42	
1	126858	GEARBOX, BRADEN (SEE PAGE 2-60)	1
2	126973	MOTOR FOR BRADEN GEARBOX	1
	61258	SEAL KIT FOR MOTOR	1
3	127598	SQUARE ROD, 5/8 X 3-3/4	2
4	128713	WASHER, KEEPER CHAIN GEAR	1
5	128801	IDLER, LOG CHAIN 1/2	1
6	128802	STOP, IDLER PIN	1
7	128803	PIN, IDLER LOG CHAIN	1
8	129203	ANCHOR WELDMENT, GEARBOX ADJ	1
9	129214	SPLICE, CHAIN 1/2	1
10	129217	ROD WELDMENT 7/8-9 X 24	2
11	130127	SCREW, 12 PT 1/2-13 X 1-1/2	2
12	139345	SCREW, 12 PT 3/4-10 X 4-1/2	4
13	142164	BUSHING, CHAIN SPROCKET 1/2, <b>USED W/ 2-11/16 OR SHORTER CHAIN LINKS (CONTACT PDC FOR SPECIFIC DETAILS)</b>	1
13	169359	BUSHING, CHAIN SPROCKET 1/2, <b>USED W/2-11/16 OR LONGER CHAIN LINKS (CONTACT PDC FOR SPECIFIC DETAILS)</b>	1
14	162135	CHAIN, 1/2 GRD 7 ( <b>LINKS THAT MEASURE 2-11/16 OR LONGER USE SPROCKET 169359; SHORTER LINKS USE 142164</b> )	1
14	167953	CHAIN, 1/2 GRD7 ( <b>LINKS THAT MEASURE 2-11/16 OR LONGER USE SPROCKET 169359; SHORTER LINKS USE 142164</b> )	1
14	159684	CHAIN, 1/2 GRD7 ( <b>LINKS THAT MEASURE 2-11/16 OR LONGER USE SPROCKET 169359; SHORTER LINKS USE 142164</b> )	1
15	1-298-010001-1	FITTING, GREASE 1/4-28	1
16	1-397-010301304	HOSE ASSEMBLY 1/2 X 304	2
17	1-512-010005-15	NUT, HEX LOCK 3/4-10 GRB	4
18	1-512-010007-13	NUT, HEX 7/8-9 GRB	2
19	1-654-010055-01	SCREW, HEX HEAD CAP 1/2-13 X 1 GR5	1
20	1-654-010059-03	SCREW, HEX HEAD CAP 5/8-11 X 1-1/2 GR5	1
21	1-861-010032-15	WASHER, FLAT 1/2W	1
22	1-861-010032-21	WASHER, FLAT 3/4W	4
23	1-861-010034-13	WASHER, SPLIT LOCK 1/2	1
24	1-861-010034-15	WASHER, SPLIT LOCK 5/8	1
25	110-3494	SET SCREW, SOCKET HEAD 3/8-16 X 1/2	2
26	202702-10-8S	ADAPTER (161888)	2
26	202702-12-8S	ADAPTER (158039 & 167952)	2





m126858

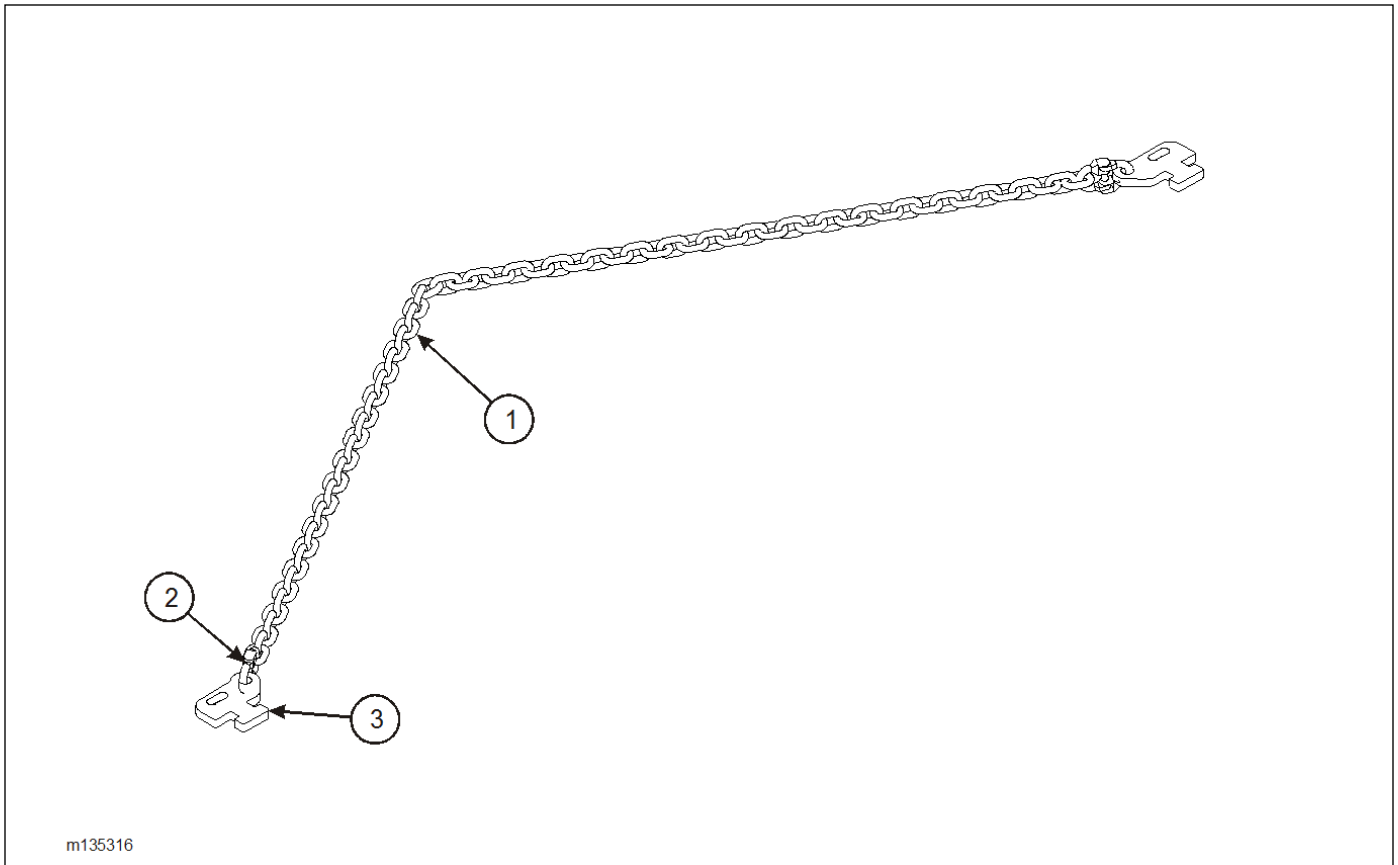
Figure 2-38: Gearbox Items

## ILLUSTRATED PARTS LIST

---

### GEARBOX ITEMS

ITEM	PART NO.	DESCRIPTION	QTY.
	126858	GEARBOX	
1	130346	WORM HOUSING BUSHING	1
2	130347	WORM HOUSING COVER BUSHING	1
3	130348	THRUST WASHER	2
4	130349	SEAL	1
5	130350	RELIEF/VENT	1
6	130351	SEAL	1
7	130352	O-RING	2
8	130353	SHIM	2
9	137935	GASKET	1

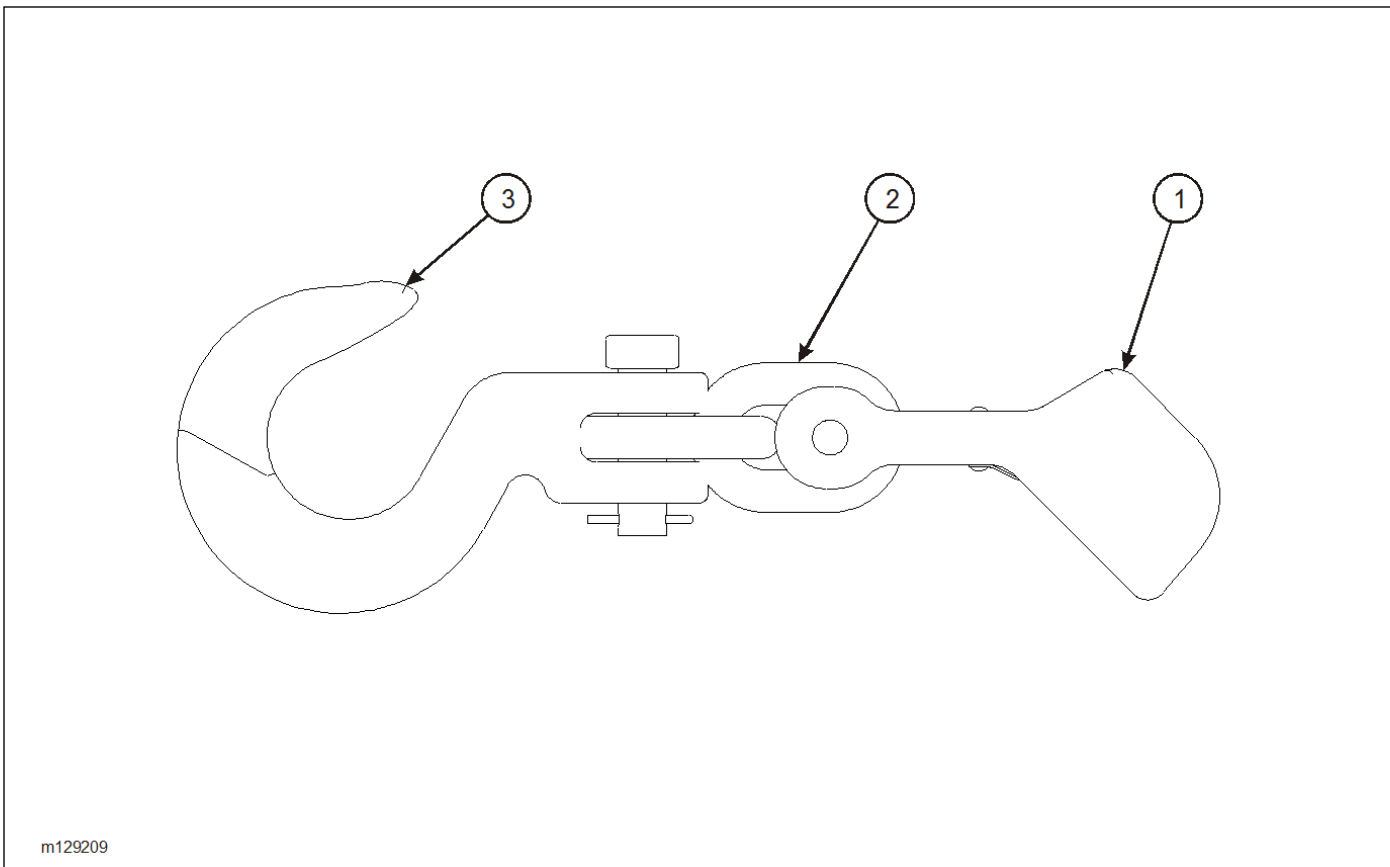


m135316

Figure 2-39: Container Load Chain Assembly (Option)

### CONTAINER LOAD CHAIN ASSEMBLY (OPTION)

ITEM	PART NO.	DESCRIPTION	QTY.
	135316	CONTAINER LOAD CHAIN ASSEMBLY	
1	3-174-010039	CHAIN, 1/2 X 87" GR 7	1
2	3-174-010038	CHAIN LINK, CONNECTING 1/2	2
3	128480	PLATE, CONTAINER CONNECT	2



**Figure 2-40: Chain Connect/ Container Assembly (Option)**

**CHAIN CONNECT/ CONTAINER ASSEMBLY**

<b>ITEM</b>	<b>PART NO.</b>	<b>DESCRIPTION</b>	<b>QTY.</b>
	129209	CHAIN CONNECT/ CONTAINER ASSEMBLY	
1	128500	CHAIN SHORTENER LINK 1/2	1
2	3-174-010039	CHAIN 1/2" GR7	4"
3	7HCGHT500	HOOK CLEVIS GRAB 1/2	1

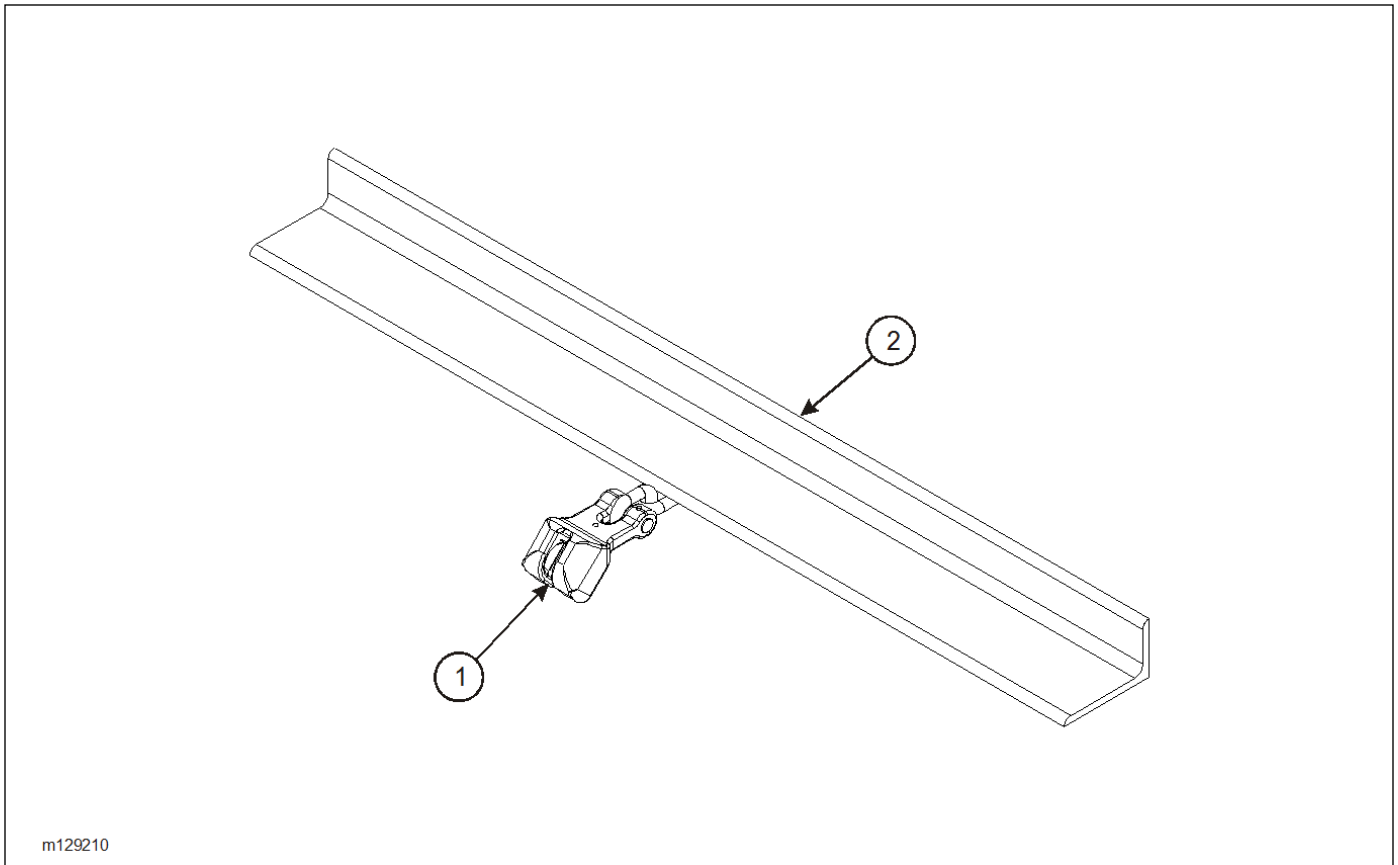


Figure 2-41: Container Pusher Assembly (Option)

## CONTAINER PUSHER ASSEMBLY

ITEM	PART NO.	DESCRIPTION	QTY.
	129210	CONTAINER PUSHER ASSEMBLY	
1	128500	CHAIN SHORTENER LINK 1/2	1
2	128783	PUSHER, CONTAINER UNLOAD	1

# ILLUSTRATED PARTS LIST

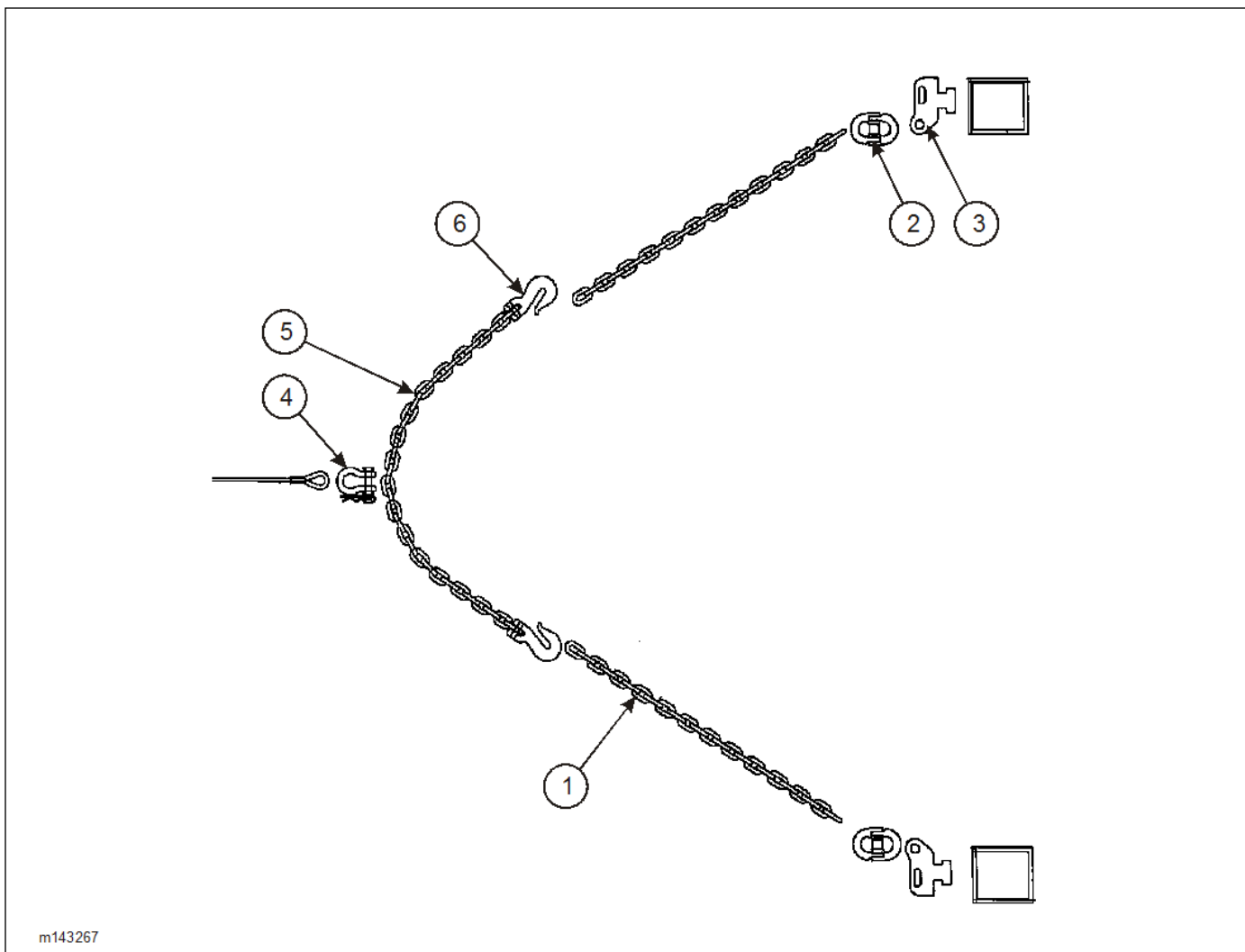
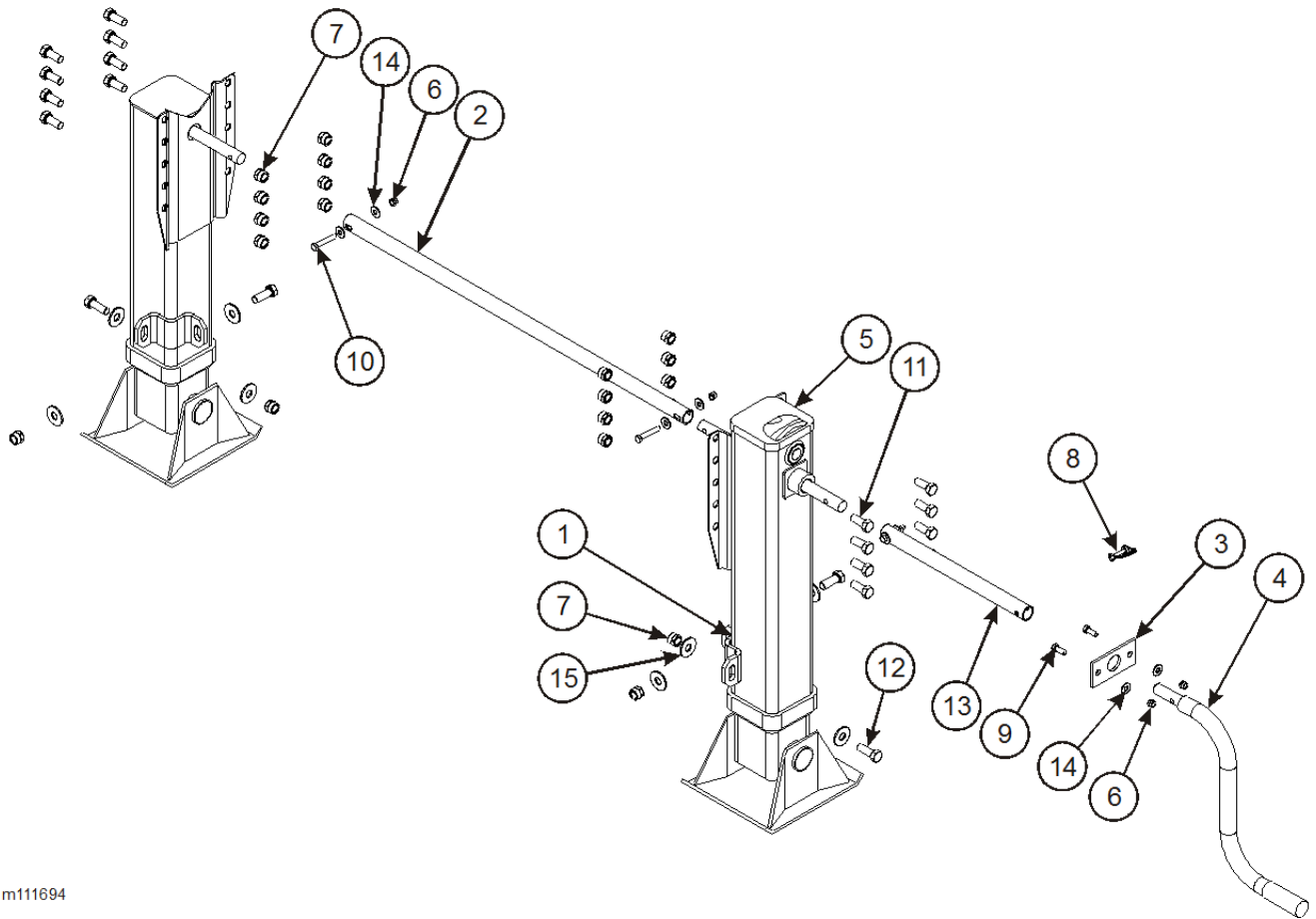


Figure 2-42: Container Chain and Bridle Assembly (Option)

## CONTAINER CHAIN AND BRIDLE ASSEMBLY

ITEM	PART NO.	DESCRIPTION	QTY.
	143267	CONTAINER CHAIN AND BRIDLE ASSEMBLY	
1	126888	CHAIN 1/2 X 36	2
2	126889	CHAIN CONNECTING LINK 1/2 GR8	2
3	128480	PLATE, CONTATIUNER CONNECT	2
4	137024	SHACKLE 1" SCREW PIN ANCHOR	1
5	143268	CHAIN, 1/2 X 53" GR8	1
6	7HCGHT500	HOOK, CLEVIS GRAB 1/2	2



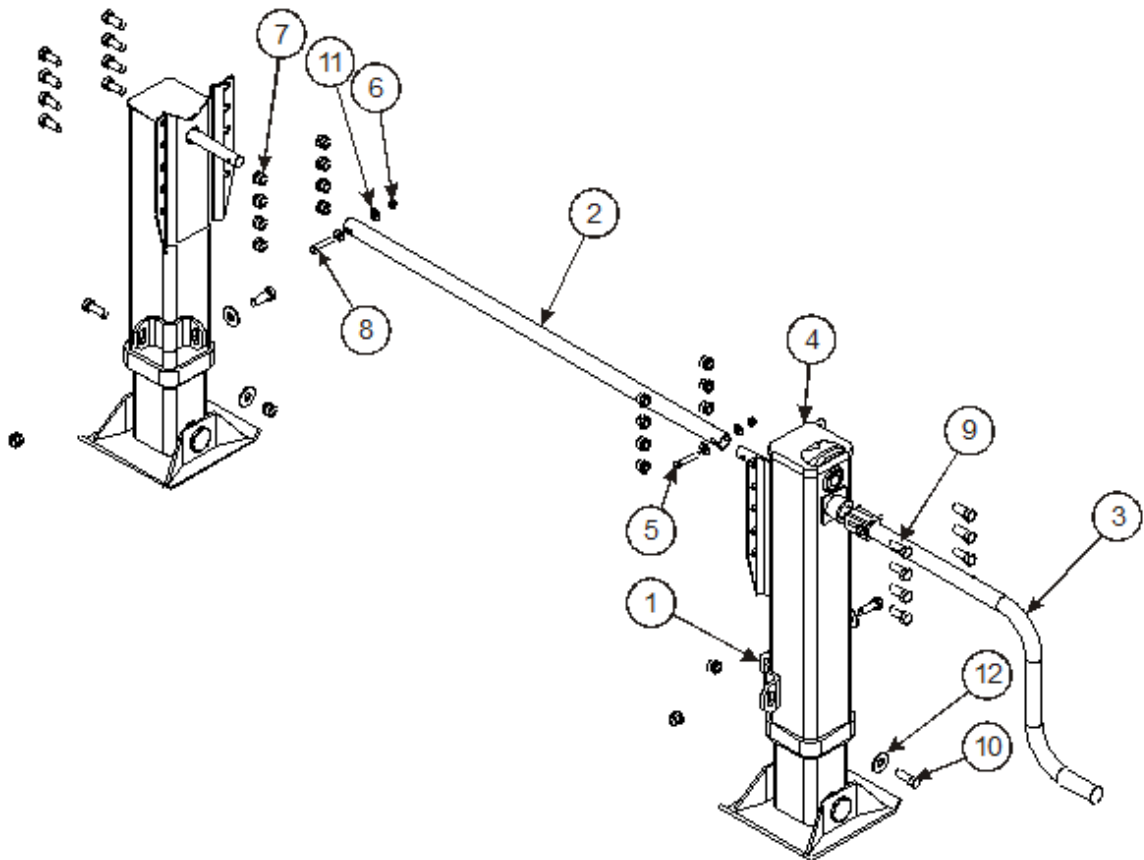
m111694

Figure 2-43: Landing Gear Installation

## LANDING GEAR INSTALLATION

ITEM	PART NO.	DESCRIPTION	QTY.		
	112573	LANDING GEAR INSTALLATION	*		
	113887	LANDING GEAR INSTALLATION 330 DROP DECK		*	
	147955	LANDING GEAR INSTALLATION			*
1	104238	ANCHOR, LOWER BOLT-ON PARK STAND	2	2	--
2	113883	CROSS-SHAFT LANDING GEAR	1	1	1
3	111695	GUIDE, HANDLE, JOST GEAR	--	1	--
4	109710	CRANK	1	--	1
	109161	HANDLE, CRANK MODIFICATION	--	1	--
5	109709	2 SPEED LANDING GEAR (SEE PAGE 2-70)	1	1	--
	147948	2 SPEED LANDING GEAR WLDMT (SEE PAGE 2-70)	--	--	1
6	1-512-010005-05	NUT, HEX LOCK 3/8-16 GRB	3	5	3
7	1-512-010005-13	NUT, HEX LOCK 5/8-11 GRB	20	20	24
8	111859	PIN, ROUND LOCKING 5/16 X 1-1/2	--	1	--
9	1-654-010051-07	SCREW, HEX HEAD CAP 3/8-16 X 1-1/2 GR5	2	2	--
10	1-654-010051-10	SCREW, HEX HEAD CAP 3/8-16 X 2-1/4 GR5	3	3	3
11	1-654-010059-03	SCREW, HEX HEAD CAP 5/8-11 X 1-1/2 GR5	16	16	20
12	1-654-010059-04	SCREW, HEX HEAD CAP 5/8-11 X 1-3/4 GR5	4	4	4
13	113888	TUBE, ROUND EXTENSION	--	1	--
14	1-861-010032-11	WASHER, FLAT 3/8W	6	8	6
15	1-861-010032-19	WASHER, FLAT 5/8W	4	4	8





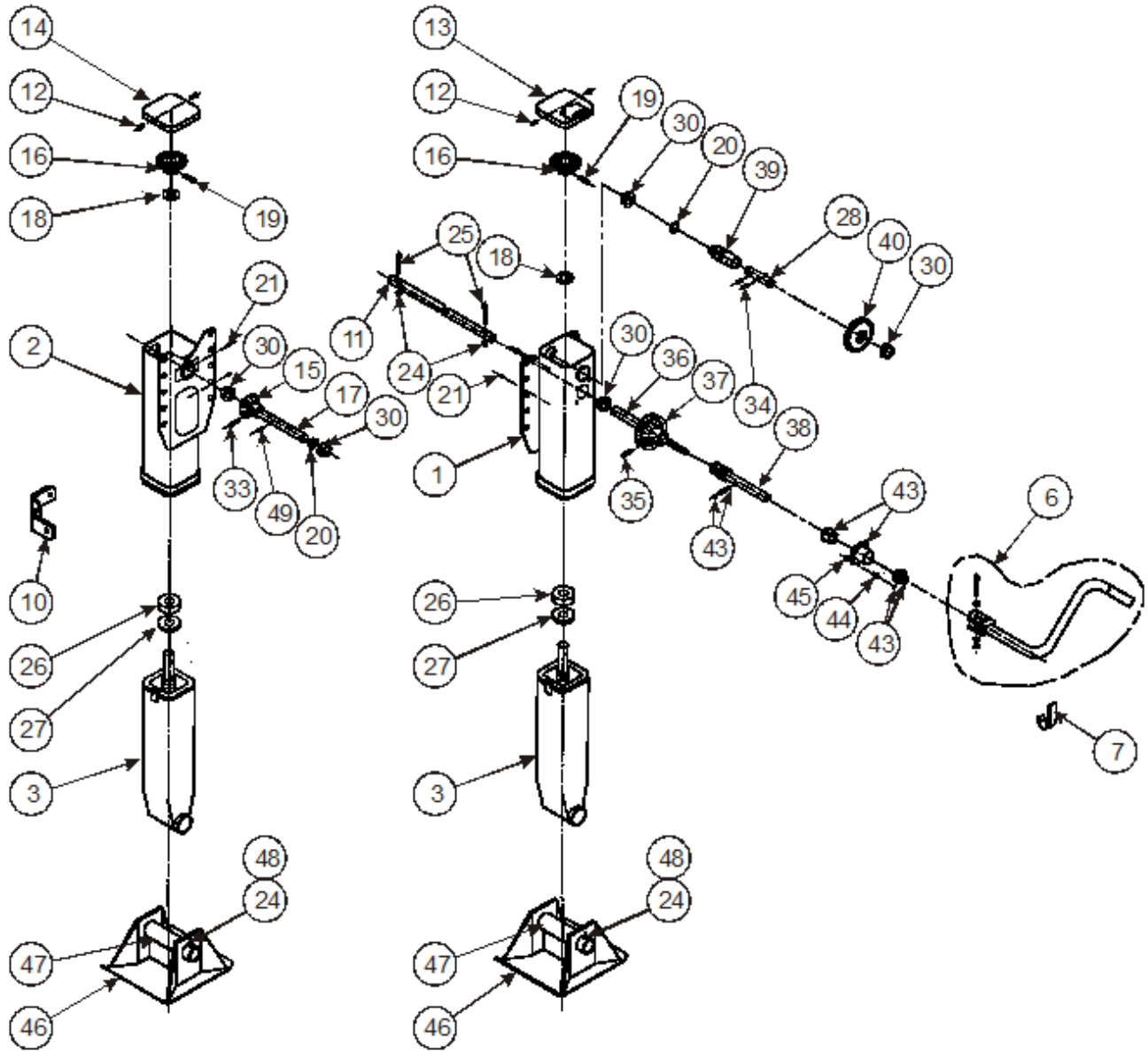
m159683

Figure 2-44: Landing Gear Installation

**LANDING GEAR INSTALLATION**

---

<b>ITEM</b>	<b>PART NO.</b>	<b>DESCRIPTION</b>	<b>QTY.</b>
	159683	LANDING GEAR, W/ SHORT SHOE	
1	104238	ANCHOR, LOWER BOLT-ON PARK STAND	
2	113883	CROSS-SHAFT LANDING GEAR	
3	109710	CRANK	
4	136470	LANDING GEAR, 2 SPEED W/ SHORT SHOE (SEE PAGE 2-70)	
5	1-654-010051-11	SCREW, HEX HEAD CAP 3/8-16 X 2-1/2 GR5	
6	1-512-010005-05	NUT, HEX LOCK 3/8-16 GRB	
7	1-512-010005-13	NUT, HEX LOCK 5/8-11 GRB	
8	1-654-010051-10	SCREW, HEX HEAD CAP 3/8-16 X 2-1/4 GR5	
9	1-654-010059-03	SCREW, HEX HEAD CAP 5/8-11 X 1-1/2 GR5	
10	1-654-010059-04	SCREW, HEX HEAD CAP 5/8-11 X 1-3/4 GR5	
11	1-861-010032-11	WASHER, FLAT 3/8W	
12	1-861-010032-19	WASHER, FLAT 5/8W	

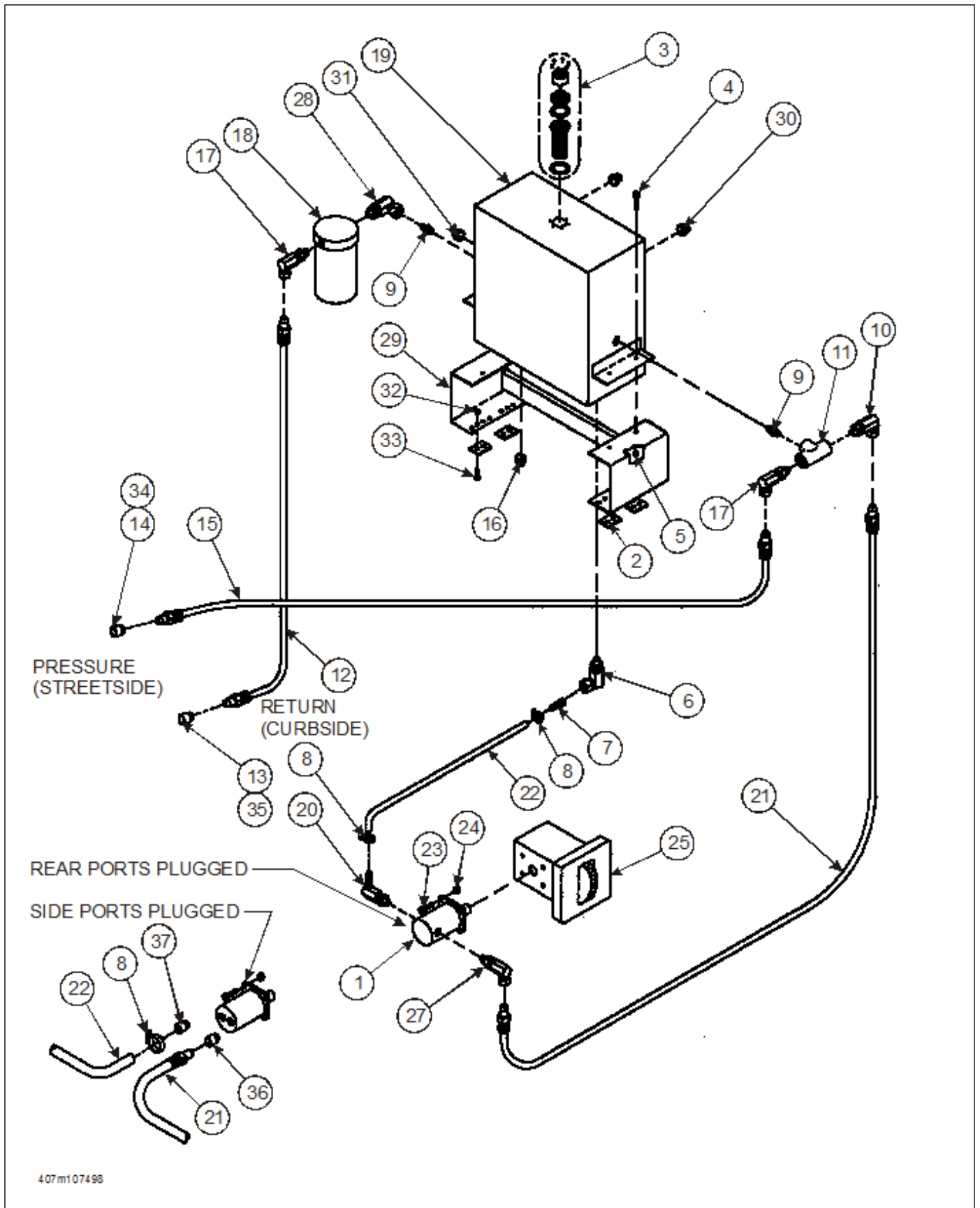


m109709 b

Figure 2-45: Crank Landing Gear

## CRANK LANDING GEAR

ITEM	PART NO.	REFERENCE NO.	DESCRIPTION	QTY.
	109709		LANDING GEAR	
1	----	D10201.2	OUTER HOUSING - 2 SPEED	1
2	----	D10116.2	OUTER HOUSING - 1 SPEED	1
3	----	C10140.2	INNER LEG ASSEMBLY - STANDARD	2
6	109161	----	CRANK 930 MODIFICATION	1
7	109711	B10261	CRANK HANGER	1
10	109712	C10108	BRACE LUG - W	2
11	----	B10066	INTERMEDIATE CROSS SHAFT	1
12	----	A10059.1	COVER SCREW	4
13	----	C10217	COVER - 2 SPEED	1
14	----	C10259	COVER - 1 SPEED	1
15	----	C10177	PINION GEAR	1
16	----	C10155	BEVEL GEAR	2
17	----	B10130	PINION SHAFT - 1 SPEED	1
18	----	A10102	THRUST WASHER	2
19	----	A10052.3	GROOVED PIN	2
20	----	A10218	SPACER WASHER	2
21	----	A10040	GREASE FITTING	4
23	----	C10209	STRUT BRACE (NOT SHOWN)	4
24	----	A10038.7	SELF LOCKING NUT	2
25	----	A10037.1	CROSS SHAFT BOLT - 3/8 X 2 GR5	2
26	----	A10033	THRUST BEARING	2
27	----	A10101	COLLAR	2
28	----	A10212	OUTPUT SHAFT	1
30	----	A10255	BUSHING	5
33	----	A10054.3	ROLL PIN 3/8 X 1-1/2	1
34	----	A10260.1	SPIRAL PIN	2
35	----	A10054.7	ROLL PIN - 3/8 X 1-3/4	1
36	----	B10236	OUTPUT CLUSTER SHAFT	1
37	----	C10234	OUTPUT CLUSTER GEAR	1
38	214441	C10233	INPUT GEAR SHAFT	1
39	----	C10078	OUTPUT SPUR GEAR	1
40	----	C10085	INPUT SPUR GEAR	1
43	163502	B10229S	SHIFT HOUSING SERVICE KIT	1
44	----	A10230	SHIFT HOUSING BOLT	4
45	----	A10038.6	SELF LOCKING NUT	4
46	----	C10256	SHOE - 10 X 10 X 4-1/2	2
47	114983	B10036	SHOE AXLE	2
48	----	A10037.3	HEX HEAD BOLT	2
49	----	A10054.6	ROLL PIN - 1/4 X 1-1/4	1



407m107498

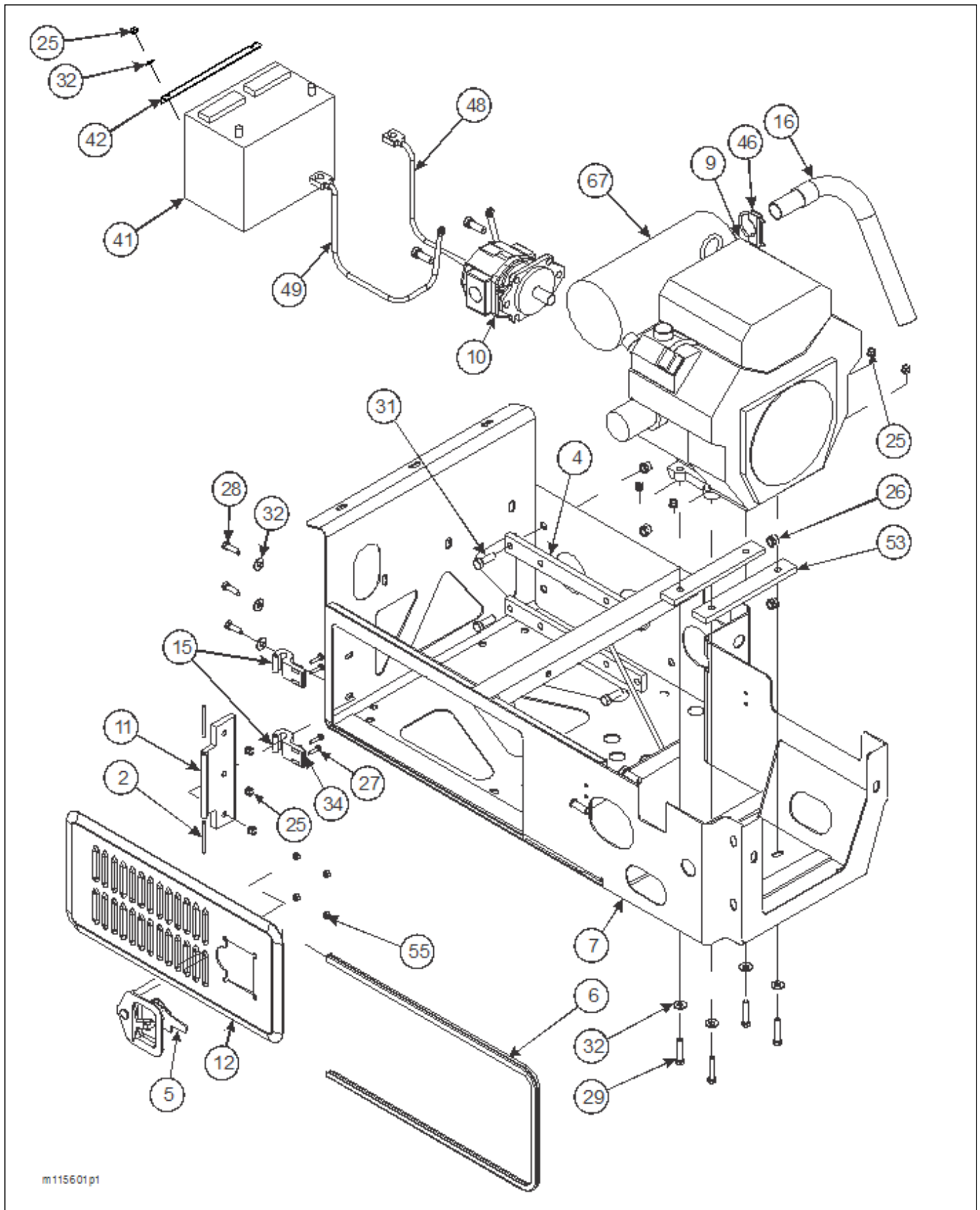
Figure 2-46: Hydraulic Wet Kit Assembly (Option)

## ILLUSTRATED PARTS LIST

### HYDRAULIC WET KIT (OPTION)

ITEM	PART NO.	DESCRIPTION	QTY.
	107498	HYDRAULIC WET KIT W/ PTO INSTALLED	
	107499	HYDRAULIC WET KIT W/ PTO NOT INSTALLED	
	107500	HYDRAULIC WET KIT W/O PTO NOT INSTALLED	
1	3-591-010001	HYDRAULIC GEAR PUMP	1
2	3-120-010461	BRACKET, HYDRAULIC TANK MOUNT SUPPORT	4
3	3-162-010001	FILLER-BREATHING-STRAINER ASSEMBLY	1
4	1-654-010051-06	SCREW, HEX HEAD CAP 3/8-16 X 1-1/4 GR5	4
5	1-512-010005-05	NUT, HEX LOCK 3/8-16 GRB	4
6	1-1/4ST ELL	BLACK PIPE ELBOW 90 ST	1
7	3-561-010001	HOSE BARB 1-1/4	1
8	6828	IDEAL HOSE CLAMP	2
9	C3069X12	NIPPLE, HEX	2
10	2024-12-8S	ADAPTER, 90	1
11	125130	RD12D HYDRAULIC BY PASS SRDD	1
12	106760	HOSE 3/4 X 164	1
13	105479	COUPLER, FLAT FACE MALE NOSE	1
14	105480	COUPLER, FLAT FACE FEMALE BODY	1
15	106759	HOSE ASSEMBLY 1/2 X 164	1
16	1-560-010002-07	PLUG, BLACK PIPE 1-1/4 SQ HEAD	1
17	2024-12-12S	ADAPTER 90	2
18	1-295-010001	FILTER, RETURN	1
	1-295-010002	FILTER ELEMENT	1
19	3-786-010043	TANK, HYDRAULIC	1
20	1-007-010006	ELBOW 90, 1-5/16 O-RING 1-1/4 HOSE	1
21	1-397-010301100	HOSE ASSEMBLY 1/2 X 100	1
22	3-399-010001	HOSE 1-1/4 SUCTION	8'
23	1-654-010055-03	SCREW, HEX HEAD CAP 1/2-13 X 1-1/2 GR5	4
24	1-861-010034-13	WASHER, SPLIT LOCK 1/2	4
25	PTO	POWER TAKE OFF	*1,0
27	2062-16-8S	ADAPTER, 90	1
28	2047-12-12S	ELBOW, 90 SWIVEL	1
29	3-482-010503	TANK MOUNT	1
30	1-560-010002-05	PIPE PLUG 3/4	2
31	1-560-010002-04	PIPE PLUG 1/2	1
32	1-512-010005-09	NUT, HEX LOCK 1/2-13 GRB	8
33	1-654-010055-04	SCREW, HEX HEAD CAP 1/2-13 X 1-3/4 GR5	8
34	105482	COUPLER, DUST CAP FEMALE	1
35	105481	COUPLER, DUST CAP MALE	1
36	12-16 070120	ADAPTER	1
37	107513	ADAPTER	1

\* FIRST QUANTITY LISTED IS FOR P/N'S 107498 AND 107499 HYDRAULIC WET KIT W/ PTO; SECOND QUANTITY LISTED IS FOR P/N 107500 HYDRAULIC WET KIT W/O PTO.



m115601p1

Figure 2-47: Engine Package, Front Mount (1 of 2)

# ILLUSTRATED PARTS LIST

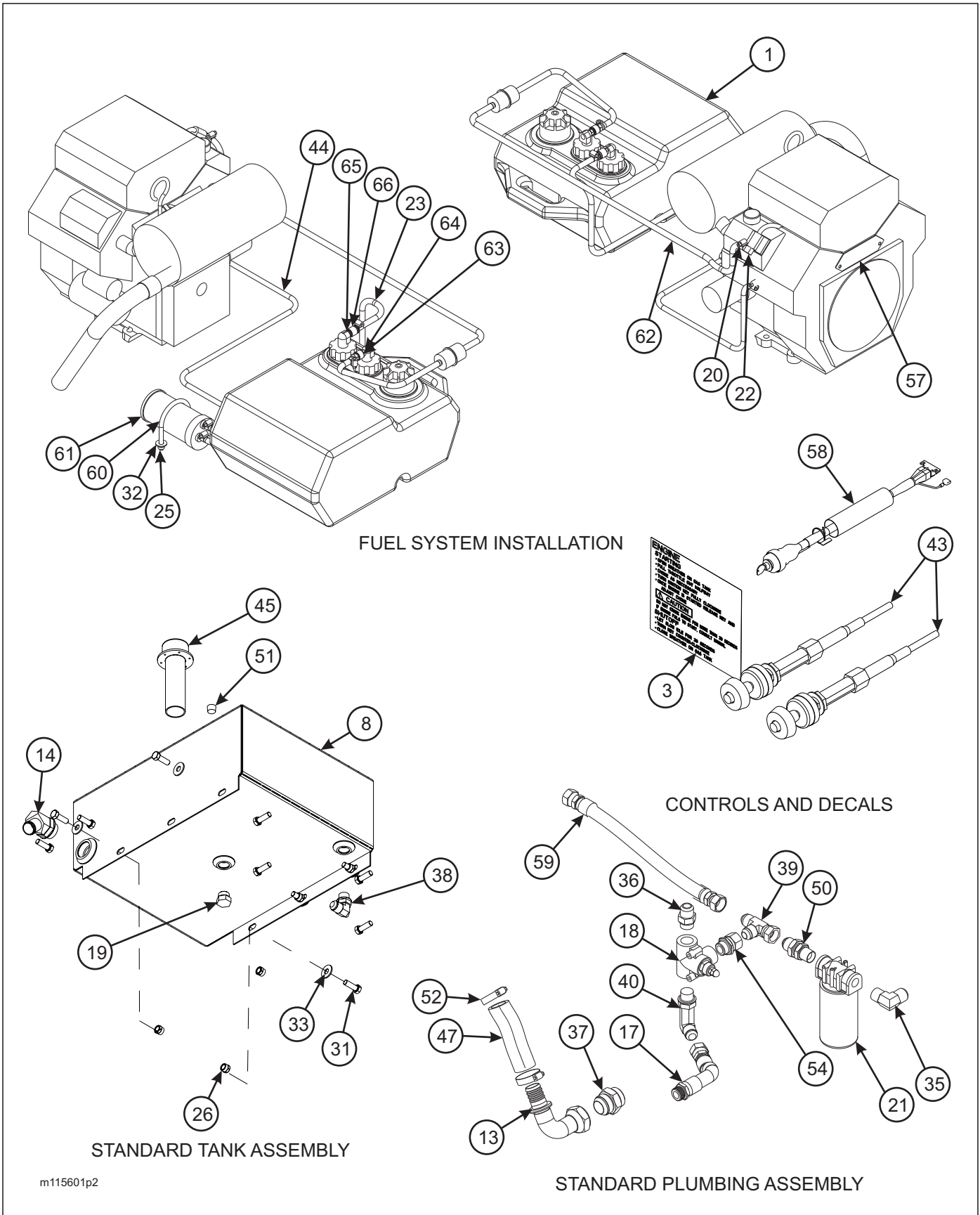


Figure 2-48: Engine Package, Front Mount (2 of 2)



**27HP GAS ENGINE PACKAGE (OPTION)**

ITEM	PART NO.	DESCRIPTION	QTY.
	115601	27 HP GAS ENGINE PACKAGE	
1	169531	TANK, FUEL PLASTIC 6 GAL LOW PERM	1
2	108601	PIN, DOOR HINGE	2
3	113388	DECAL, ENGINE PACKAGE INSTRUCTIONS	1
4	113856	MOUNT, ENGINE ISOLATOR, KOHLER CH25	2
5	114814	LATCH, FOLDING T LOCKABLE	1
6	114815	SEAL, SPONGE RUBBER TRIM	5
7	120654	MOUNT WELDMENT, ENGINE PACKAGE	1
8	120662	HYDRAULIC TANK WELDMENT	1
9	127813	ENGINE KOHLER 27 HP PUMP MOUNT	1
	3-765-010050	KOHLER IGNITION SWITCH (2509904)	1
10	115888	PUMP, HYDRAULIC	1
11	116326	HINGE, BASE MOUNT	1
12	116328	MOUNT, DOOR WELDMENT	1
13	116330	FITTING, 90	1
14	117873	FITTING, 45	1
15	119206	HINGE, DOOR	2
16	119445	EXHAUST EXT WELDMENT	1
17	119577	HOSE	1
18	120661	VALVE, HYDRAULIC PRESSURE RELIEF	1
19	900598-12S	PLUG, O-RING	1
20	105-0105	CLAMP, HOSE (NOT SHOWN)	6
21	1-295-010001	RETURN LINE FILTER	1
22	1-297-010034-01	FITTING, BR 90 BARB	1
23	1-316-010013	HOSE, 1/4 LOW PRESSURE FUEL LINE	5
25	1-512-010005-05	NUT, HEX LOCK 3/8-16 GRB	11
26	1-512-010005-09	NUT, HEX LOCK 1/2-13 GRB	9
27	1-654-010047-06	SCREW, HEX HEAD CAP 1/4-20 X 1 GR5	4
28	1-654-010051-06	SCREW, HEX HEAD CAP 3/8-16 X 1-1/4 GR5	3
29	1-654-010051-09	SCREW, HEX HEAD CAP 3/8-16 X 2 GR5	4
31	1-654-010055-03	SCREW, HEX HEAD CAP 1/2-13 X 1-1/2 GR5	11
32	1-861-010032-11	WASHER, FLAT 3/8W	11
33	1-861-010032-15	WASHER, FLAT 1/2W	5
34	1-861-010034-09	WASHER, SPLIT LOCK 1/4	4
35	2024-12-12S	ELBOW, 90	1
36	202702-12-12S	ADAPTER, STRAIGHT	1
37	202702-20-20S	ADAPTER	1
38	2062-12-12S	ADAPTER, 90	1
39	203102-12-12S	ADAPTER, TEE	1
40	206209-12-12S	ADAPTER, 90	1
41	2481X	BATTERY 12V	1
42	3-120-010124	BATTERY CLAMP BRACKET	1
43	3-155-010012	CABLE, THROTTLE	2
44	3-316-010008	FUEL HOSE 3/16 ID	5
45	3-162-010001	FILLER-BREATHING-STRAINER ASSEMBLY	1
46	3-182-010028	CLAMP, MUFFLER	1
47	3-399-010001006	HOSE, 1-1/4 SUCTION	1
48	514-9045-26	CABLE ASSEMBLY, BATTERY POSITIVE	1
49	514-9073-18	CABLE ASSEMBLY, BATTERY NEGATIVE	1

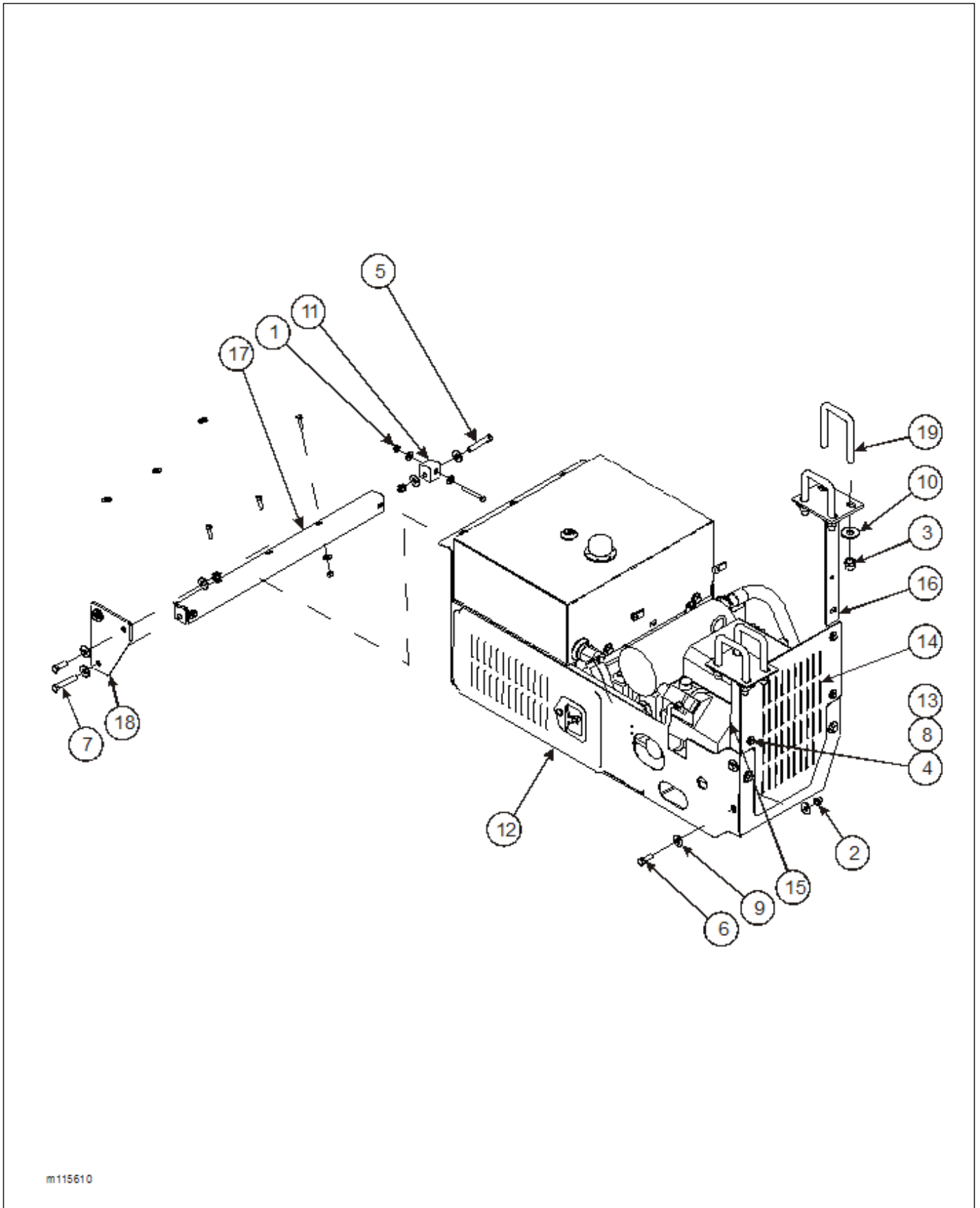
## ILLUSTRATED PARTS LIST

---

### 27HP GAS ENGINE PACKAGE (OPTION)

---

ITEM	PART NO.	DESCRIPTION	QTY.
50	2240-12-12S	ADAPTER, BULKHEAD	1
51	1-560-010002-04	PLUG, PIPE 1/2	1
52	1-181-010046-7	CLAMP, HOSE	2
53	120659	ISOLATOR, KOHLER 25 HP MOUNT	2
54	120660	ADAPTER	1
55	115877	NUT, HEAVY HEX 1/4-20 GR5	4
57	123014	PLATE, MOTOR FRONT 25HP E/P	1
58	113544	HARNES, ENGINE PACKAGE IGNITION (NOT SHOWN) <b>(BEFORE 4-10-2015)</b>	1
	178428	SWITCH & HARNES KIT, KOLHER U/D <b>(AFTER 4-10-2015)</b>	1
59	1-397-010304018	HOSE ASSEMBLY 3/4 X 18	1
60	110578	U-BOLT, FENDER MOUNT	1
61	166766	CARBON CANISTER, FUEL TANK	1
62	169532	HOSE, FUEL 1/4 LOW PERM CARB	5
63	170109	FITTING	1
64	170110	FITTING	1
65	170111	FITTING	1
66	170112	FITTING	1
67	128501	MUFFLER KIT REPLACEMENT	1



m115610

Figure 2-49: Underslung Engine Package Installation

**UNDERSLUNG ENGINE PACKAGE INSTALLATION**

<b>ITEM</b>	<b>PART NO.</b>	<b>DESCRIPTION</b>	<b>QTY.</b>
	115610	ENGINE PACKAGE INST UNDERSLUNG	
1	1-510-010001	NUT, FLANGE LOCK 3/8-16	5
2	1-512-010005-09	NUT, HEX LOCK 1/2-13	9
3	1-512-010005-15	NUT, HEX LOCK 3/4-10	8
4	1-654-010051-06	SCREW, HEX HEAD CAP 3/8-16 X 1-1/4 GR5	7
5	1-654-010051-13	SCREW, HEX HEAD CAP 3/8-16 X 3 GR5	2
6	1-654-010055-03	SCREW, HEX HEAD CAP 1/2-13 X 1-1/2 GR5	7
7	1-654-010055-09	SCREW, HEX HEAD CAP 1/2-13 X 3 GR5	2
8	1-861-010032-11	WASHER, FLAT 3/8	14
9	1-861-010032-15	WASHER, FLAT 1/2	18
10	1-861-010032-21	WASHER, FLAT 3/4	8
11	113359	BRACKET, MOUNTING CROSS MEMBER	2
12	115601	ENGINE PACKAGE 27 HP GAS (SEE PAGE 2-75)	REF
13	133732	NUT, EXTRUD U 3/8-16	4
14	116334	SHIELD, ENGINE PACKAGE FRONT	1
15	120437	MOUNT, FRONT RH	1
16	120438	MOUNT, FRONT LH	1
17	120439	ANGLE, REAR	1
18	120635	PLATE, REAR MOUNT	1
19	2-102-010011	U-BOLT	4
21	1-822-010001	TRIM, FINE PEBBLE (NOT SHOWN)	AR
22	1-397-010304135	HOSE ASSEMBLY, 3/4 X 135 (NOT SHOWN)	2

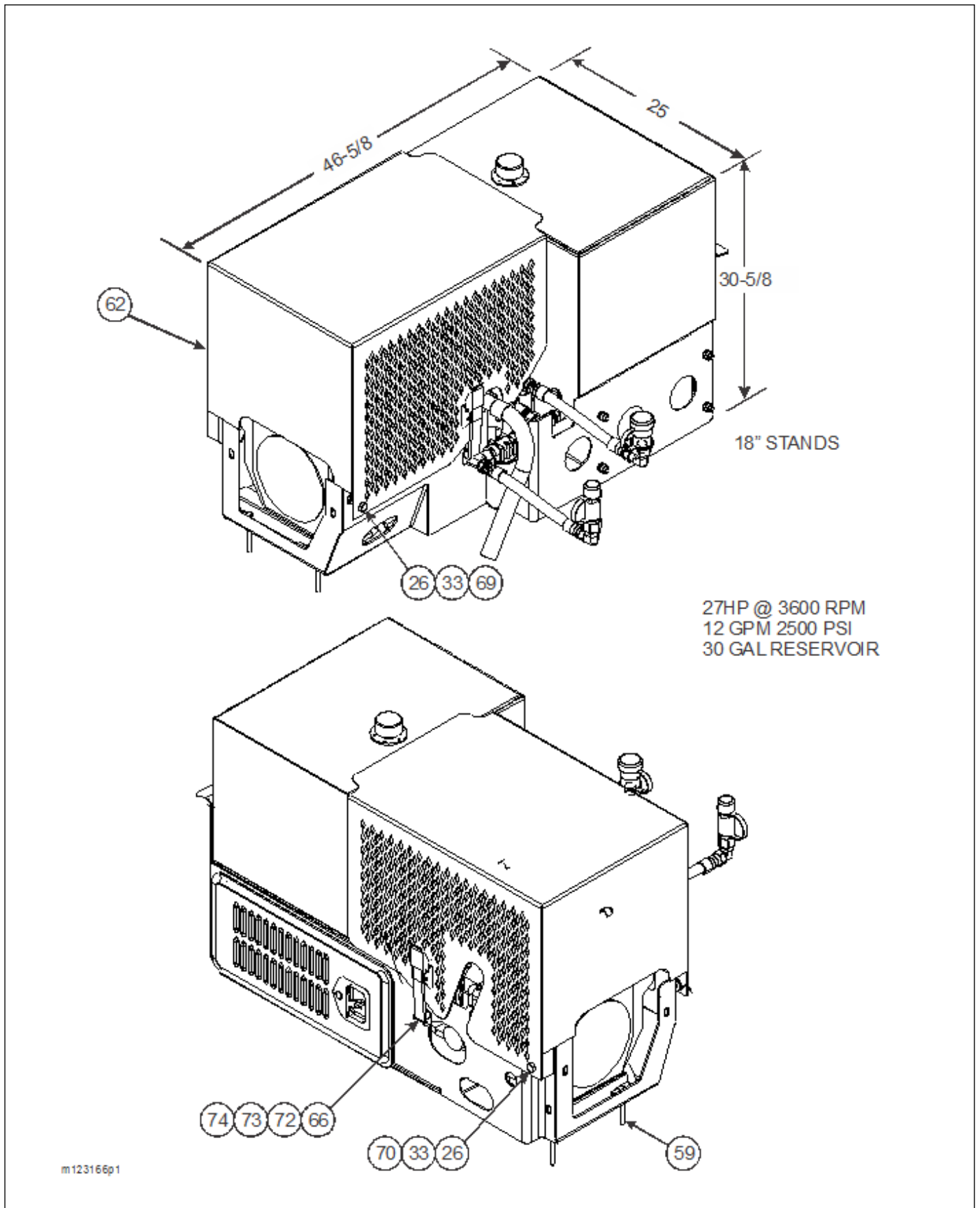


Figure 2-50: Engine Package, Front Mount (1 of 4)

# ILLUSTRATED PARTS LIST

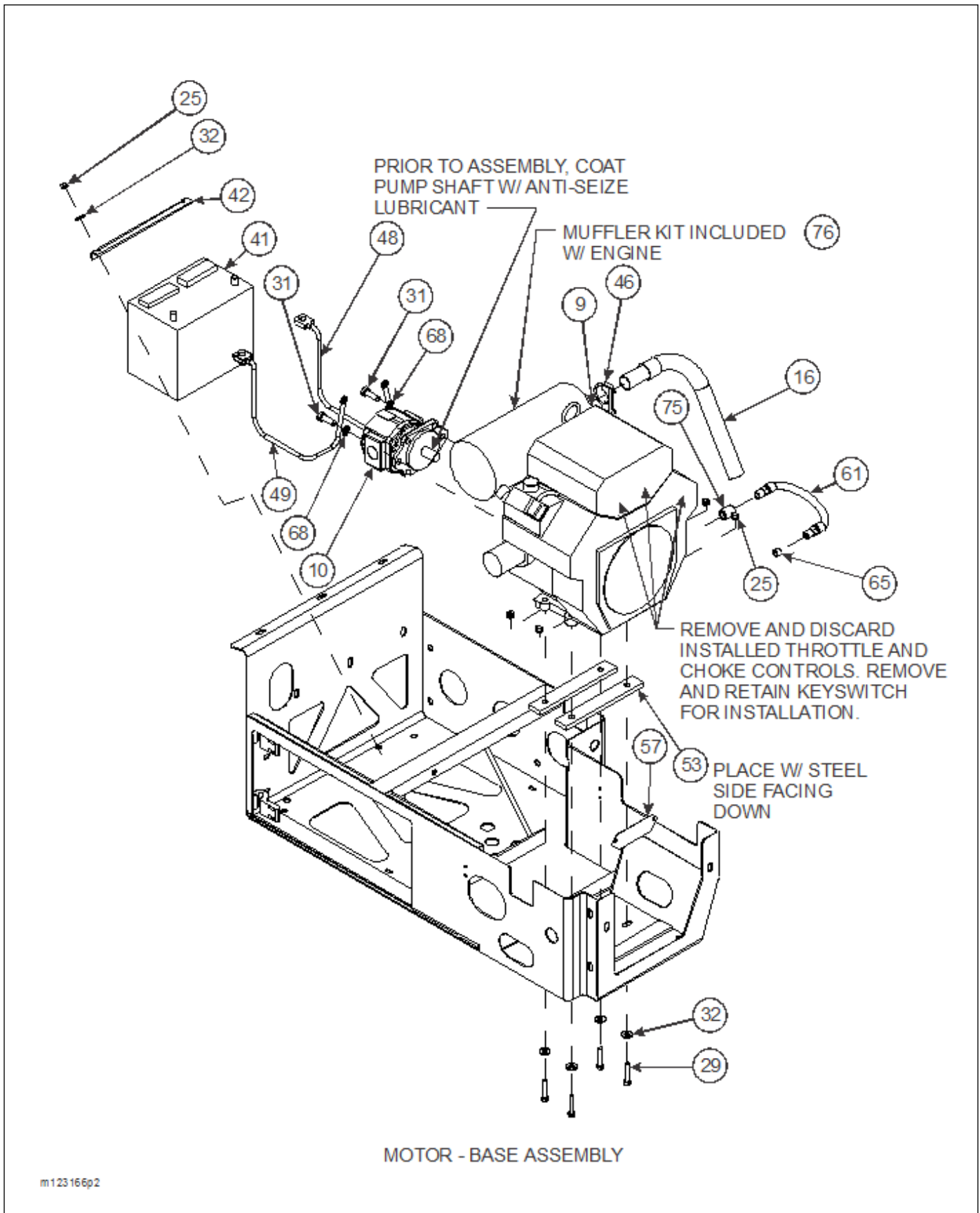
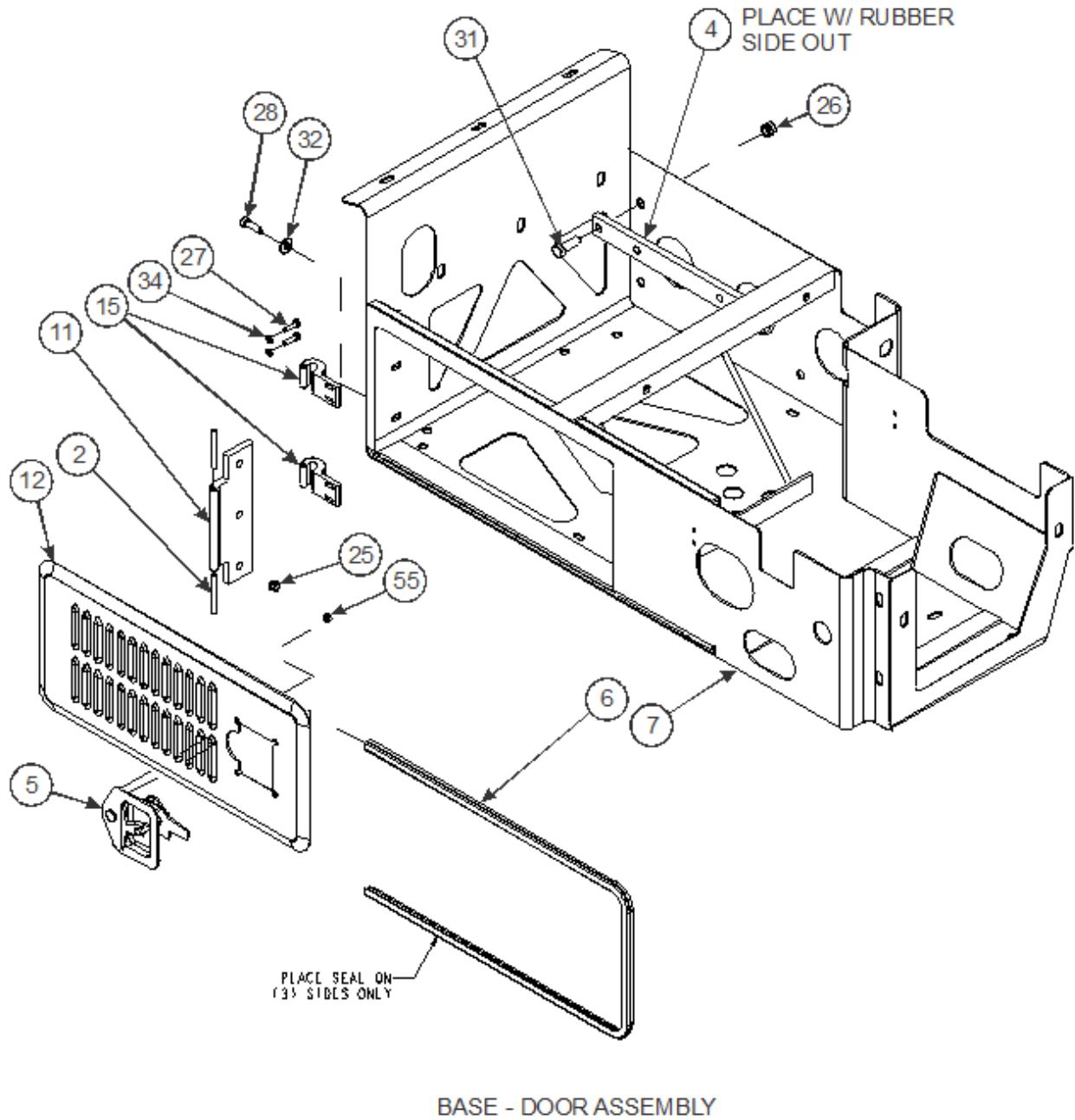


Figure 2-51: Engine Package, Front Mount (2 of 4)



m123166p3

Figure 2-52: Engine Package, Front Mount (3 of 4)

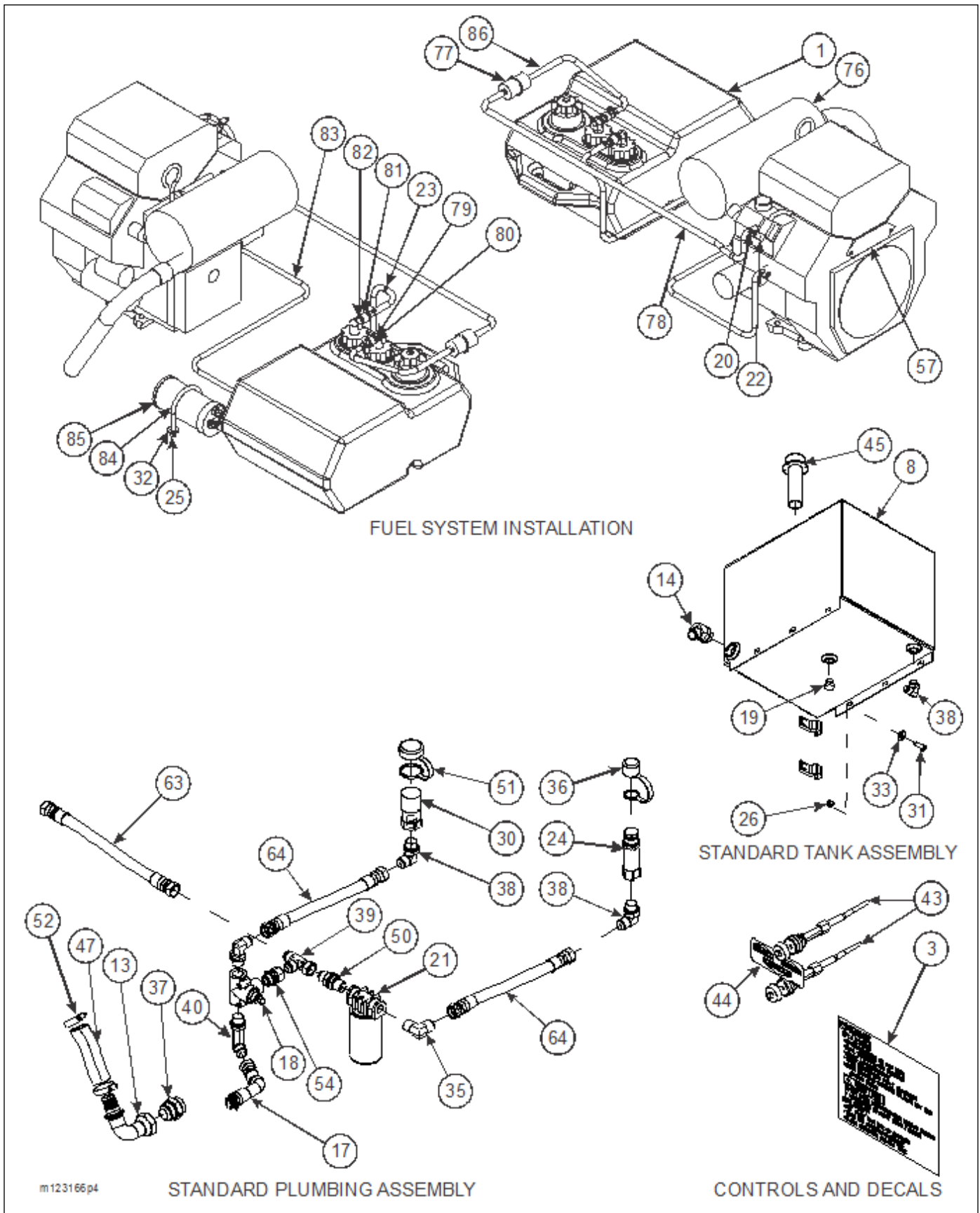


Figure 2-53: Engine Package, Front Mount (4 of 4)



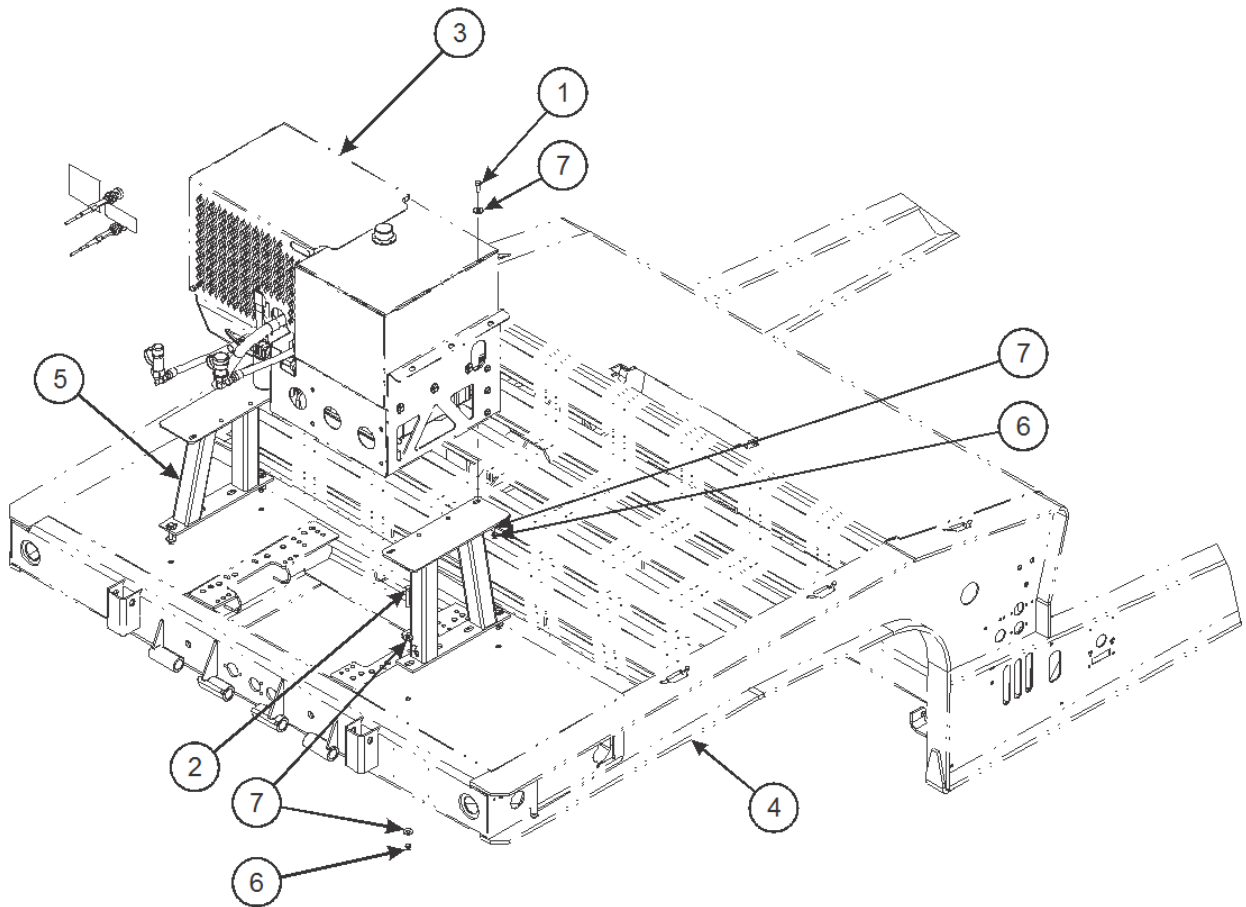
**27 HP GAS ENGINE PACKAGE, UPPER DECK (OPTION)**

ITEM	PART NO.	DESCRIPTION	QTY.
	123166	27HP GAS ENGINE PACKAGE	
1	169531	TANK, FUEL PLASTIC 6 GAL LOW PERM	1
2	108601	PIN, DOOR HINGE	2
3	113388	DECAL, ENGINE PACKAGE INSTRUCTIONS	1
4	113856	MOUNT, ENGINE ISOLATOR, KOHLER CH25	2
5	114814	LATCH, FOLDING T LOCKABLE	1
6	114815	SEAL, SPONGE RUBBER TRIM	5
7	120654	MOUNT WELDMENT, ENGINE PACKAGE 25 HP	1
8	129264	HYDRAULIC TANK WELDMENT	1
9	127813	ENGINE, KOHLER 27 HP PUMP MOUNT	1
	3-765-010050	KOHLER IGNITION SWITCH	1
10	115888	PUMP, HYDRAULIC	1
11	116326	HINGE, BASE MOUNT	1
12	116328	MOUNT, DOOR WELDMENT	1
13	116330	FITTING, 90	1
14	117873	FITTING, 45	1
15	119206	HINGE, DOOR	2
16	119445	EXHAUST EXT WELDMENT	1
17	119577	HOSE	1
18	120661	VALVE, HYDRAULIC PRESSURE RELIEF	1
19	900598-12S	PLUG, O-RING	1
20	105-0105	CLAMP, HOSE	6
21	1-295-010001	RETURN LINE FILTER	1
	1-295-010002	FILTER ELEMENT	1
22	1-297-010034-01	FITTING, BR 90 BARB	1
23	1-316-010013	HOSE, 1/4 LOW PRESSURE FUEL LINE	5
24	105479	COUPLER FLAT FACE MALE NOSE	1
25	1-512-010005-05	NUT, HEX LOCK 3/8-16 GRB	15
26	1-512-010005-09	NUT, HEX LOCK 1/2-13 GRB	11
27	1-654-010047-06	SCREW, HEX HEAD CAP 1/4-20 X 1 GR5	4
28	1-654-010051-06	SCREW, HEX HEAD CAP 3/8-16 X 1-1/4 GR5	3
29	1-654-010051-09	SCREW, HEX HEAD CAP 3/8-16 X 2 GR5	6
30	105480	COUPLER, FLAT FACE FEMALE BODY	1
31	1-654-010055-03	SCREW, HEX HEAD CAP 1/2-13 X 1-1/2 GR5	11
32	1-861-010032-11	WASHER, FLAT 3/8W	19
33	1-861-010032-15	WASHER, FLAT 1/2W	13
34	1-861-010034-09	WASHER, SPLIT LOCK 1/4	4
35	2024-12-12S	ELBOW, 90	1
36	105481	COUPLER, DUST CAP MALE	1
37	202702-20-20S	ADAPTER	1
38	2062-12-12S	ADAPTER, 90	4
39	203102-12-12S	ADAPTER, TEE	1
40	206209-12-12S	ADAPTER, 90	1
41	2481X	BATTERY 12V	1
42	3-120-010124	BATTERY CLAMP BRACKET	1
43	128774	CABLE, THROTTLE	2
44	3-573-010506	DECAL, ENGINE CONTROL	1
45	3-162-010001	FILLER-BREATHING-STRAINER ASSEMBLY	1
46	3-182-010028	CLAMP, MUFFLER	1

## ILLUSTRATED PARTS LIST

### 27 HP GAS ENGINE PACKAGE, UPPER DECK (OPTION)

ITEM	PART NO.	DESCRIPTION	QTY.
47	3-399-010001006	HOSE, 1-1/4 SUCTION	1
48	514-9045-26	CABLE ASSEMBLY, BATTERY POSITIVE	1
49	514-9073-18	CABLE ASSEMBLY, BATTERY NEGATIVE	1
50	2240-12-12S	ADAPTER, BULKHEAD	1
51	105482	COUPLER, DUST FEMALE	1
52	1-181-010046-7	CLAMP, HOSE	2
53	120659	ISOLATOR, KOHLER 25 HP MOUNT	2
54	120660	ADAPTER	1
55	115877	NUT, HEAVY HEX 1/4-20 GR5	4
57	123014	PLATE, MOTOR FRONT 25 HP	1
58	113544	HARNESS, ENGINE PACKAGE IGNITION (NOT SHOWN)	2
59	108295	SCREW, HEX HEAD CAP 3/8-16 X 4 GR5	2
61	1-397-010312032	HOSE ASSEMBLY 3/8 X 32	1
62	129287	COVER WELDMENT	1
63	1-397-010304018	HOSE ASSEMBLY 3/4 X 18	1
64	1-397-010304060	HOSE ASSEMBLY 3/8 X 60	2
65	1-560-010002-03	PLUG, PIPE 3/8	1
66	1-512-010004-03	NUT, HEX LOCK 10-24 GRA	8
68	1-861-010034-13	WASHER, SPLIT LOCK 1/2	2
69	1-654-010055-02	SCREW, HEX HEAD CAP 1/2-13 X 1-1/4 GR5	1
70	1-654-010055-09	SCREW, HEX HEAD CAP 1/2-13 X 3 GR5	1
72	110-0116	SCREW, RD HEAD CAP 10-24 X 3/4	8
73	110-0253	WASHER, FLAT 3/16	8
74	3-443-010018	LATCH, FLEXIBLE DRAW, LEVER ASSIST	2
75	3/8P COUPL	PIPE COUPLING 3/8 BLACK	1
76	128501	REPLACEMENT MUFFLER KIT	1
77	142270	FUEL FILTER	1
78	169532	HOSE, FUEL 1/4 LOW PERM CARB	5
79	170109	FITTING	1
80	170110	FITTING	1
81	170111	FITTING	1
82	170112	FITTING	1
83	3-316-010008	FUEL HOSE 3/16 ID	5
84	110578	U-BOLT, FENDER MOUNT	1
85	166766	CARBON CANISTER, FUEL TANK	1
86	139553	COUPLER, FUEL TANK	1



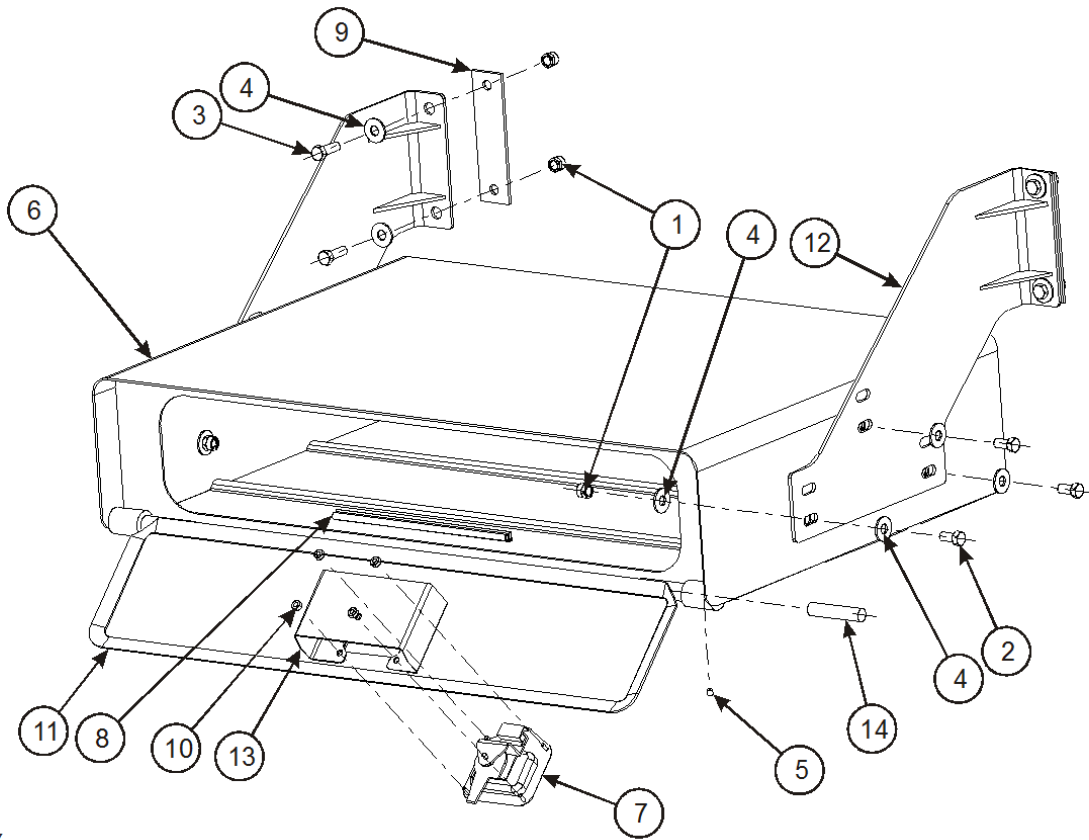
m136578

Figure 2-54: Engine Package Stand Installation

## UPPER DECK ENGINE STAND INSTALLATION

---

ITEM	PART NO.	DESCRIPTION	QTY.
	136578	UPPER DECK STAND INSTALLATION	
1	1-654-010055-02	SCREW, HEX HEAD CAP 1/2-13 X 1-1/4 GR5	4
2	1-654-010055-09	SCREW, HEX HEAD CAP 1/2-13 X 3 GR5	4
3	123166	ENGINE PACKAGE, 27 HP GAS (SEE PAGE 2-83)	REF
4	-----	UPPER DECK FRAME WELDMENT	REF
5	134857	MOUNT WELDMENT, ENGINE PACKAGE	2
6	1-512-010005-09	NUT, HEX LOCK 1/2-13 GRB	8
7	1-861-010032-15	WASHER, FLAT 1/2W	16



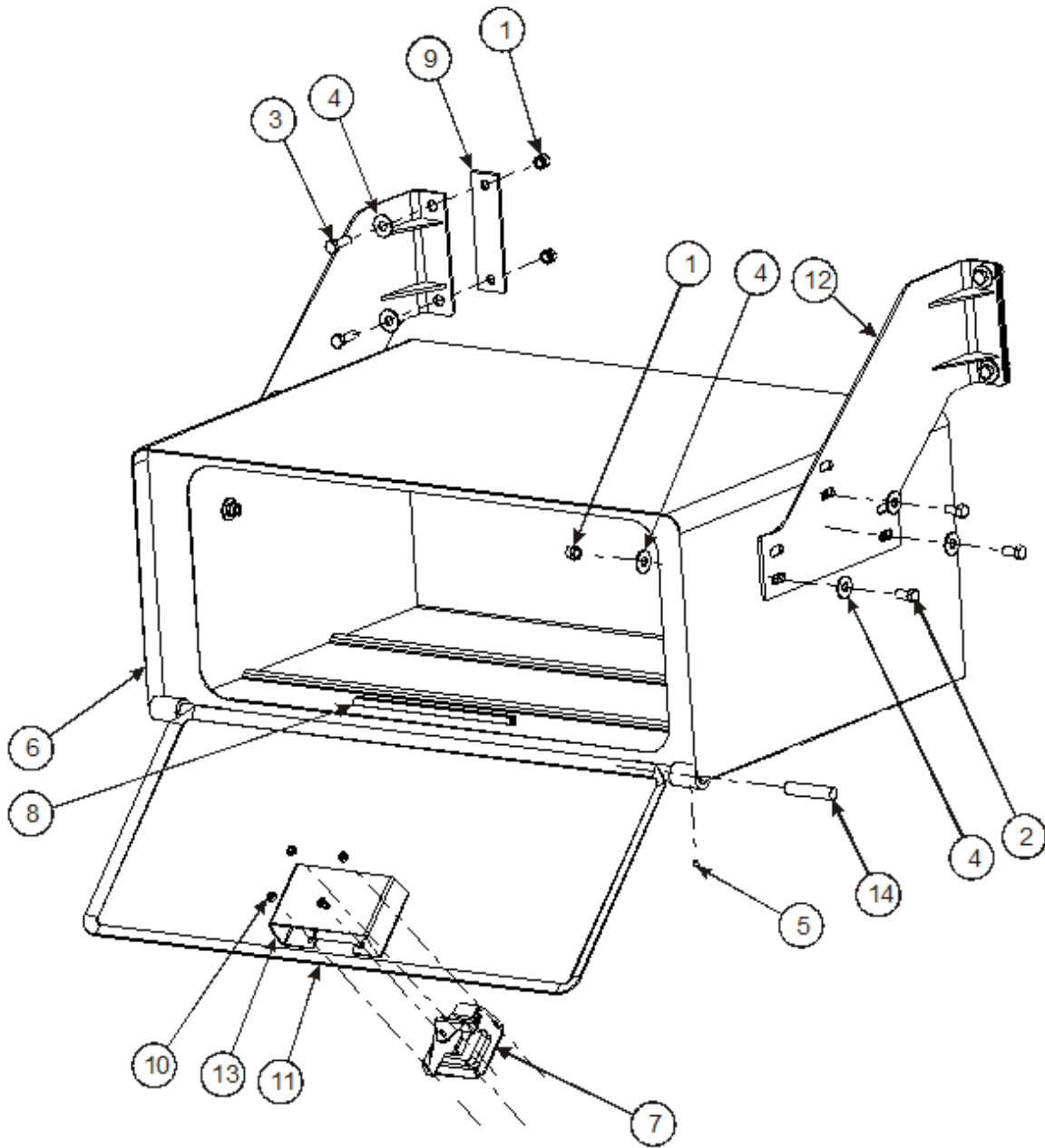
m114807

Figure 2-55: Tool Box Installation (Option)

**TOOLBOX INSTALLATION (OPTION)**

---

<b>ITEM</b>	<b>PART NO.</b>	<b>DESCRIPTION</b>	<b>QTY.</b>
	114807	STEEL DOOR TOOLBOX INSTALLATION	
	116628	TOOLBOX INSTALLATION ALUMINUM DOOR	
1	1-512-010005-09	NUT, HEX LOCK 1/2-13 GRB	10
2	1-654-010055-01	SCREW, HEX HEAD CAP 1/2-13 X 1 GR5	6
3	1-654-010055-03	SCREW, HEX HEAD CAP 1/2-13 X 1-1/2 GR5	4
4	1-861-010032-15	WASHER, FLAT 1/2W	16
5	107-0975	SCREW, SET LOCK 5/16-18 X 3/8	2
6	114808	TOOLBOX WELDMENT	1
7	114814	LATCH FOLDING T LOCKABLE	1
8	114815	SEAL, SPONGE RUBBER TRIM	7
9	115843	BAR, BACKUP TOOLBOX MOUNTING	2
10	115877	NUT, HEAVY HEX 1/4-20 GR5	4
11	116623	DOOR WELDMENT STEEL TOOLBOX	1
	116624	DOOR WELDMENT ALUMINUM TOOLBOX	1
12	117860	BRACKET, WELDMENT TOOLBOX MOUNTING	2
13	153420	TOOLBOX LATCH SHIELD	1
14	RPRB59004X3H	BAR, ROUND 3/4 X 3-1/2 NYLATRON	2



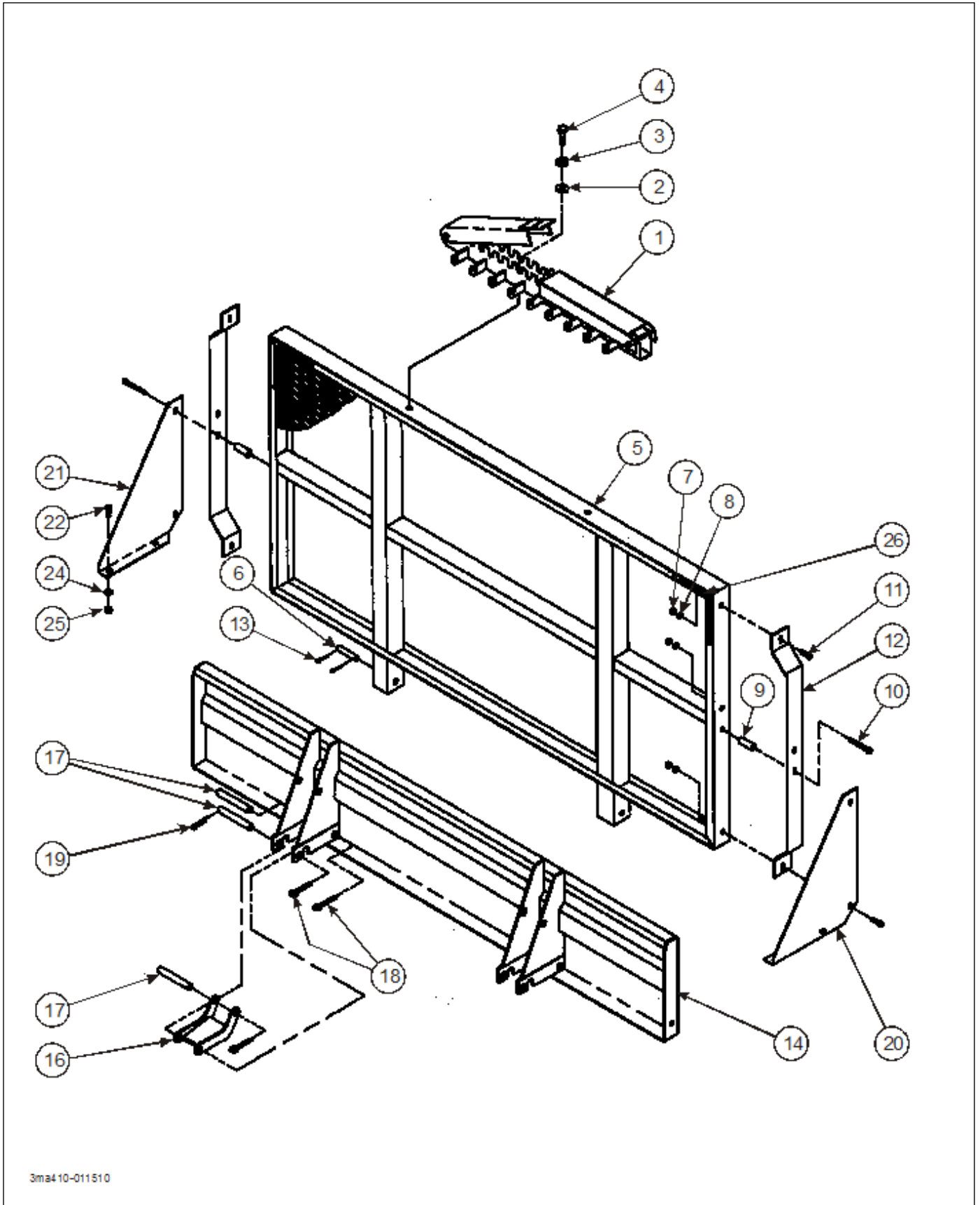
m114807

Figure 2-56: Tool Box Installation (Option)

**TOOLBOX INSTALLATION (OPTION)**

<b>ITEM</b>	<b>PART NO.</b>	<b>DESCRIPTION</b>	<b>QTY.</b>
	163540	TOOLBOX INSTALLATION 42 X 28 X 17	
1	1-512-010005-09	NUT, HEX LOCK 1/2-13 GRB	10
2	1-654-010055-01	SCREW, HEX HEAD CAP 1/2-13 X 1 GR5	6
3	1-654-010055-03	SCREW, HEX HEAD CAP 1/2-13 X 1-1/2 GR5	4
4	1-861-010032-15	WASHER, FLAT 1/2W	16
5	107-0975	SCREW, SET LOCK 5/16-18 X 3/8	2
6	163541	TOOLBOX WELDMENT	1
7	114814	LATCH FOLDING T LOCKABLE	1
8	114815	SEAL, SPONGE RUBBER TRIM	7
9	115843	BAR, BACKUP TOOLBOX MOUNTING	2
10	115877	NUT, HEAVY HEX 1/4-20 GR5	4
11	163544	DOOR WELDMENT STEEL 42 X 28 X 17	1
12	117860	BRACKET, WELDMENT TOOLBOX MOUNTING	2
13	153420	TOOLBOX LATCH SHIELD	1
14	RPRB59004X3H	BAR, ROUND 3/4 X 3-1/2 NYLATRON	2





3m3410-011510

Figure 2-57: Front Extension and Bulkhead Assembly (Option)

**ILLUSTRATED PARTS LIST**

**FRONT EXTENSION AND BULKHEAD ASSEMBLY (OPTION)**

ITEM	PART NO.	DESCRIPTION	QTY.
	B7-141-003	BULKHEAD CHAIN RACK INSTALLATION (ITEMS 1-4)	
	3-141-010121	BULKHEAD INSTALLATION (ITEMS 5-13, 26)	REF
	129580	BULKHEAD INSTALLATION (ITEMS 5-13)	
	3-141-010123	BULKHEAD INSTALLATION 2 POSITION (ITEMS 14-19, 26)	REF
	3-117-010071-1	BRACE INST. STABILIZING 48" BULKHEAD (ITEMS 20-25)	
1	3-141-010008	CHAIN HANGER LOCKING CHANNEL WELDMENT	1
2	1-861-010032-11	WASHER, FLAT 3/8	2
3	1-861-010034-11	WASHER, SPLIT LOCK 3/8	2
4	1-654-010051-06	SCREW, HEX HEAD CAP 3/8-16 X 1-1/4 GR5	2
5	3-141-010155	BULKHEAD WELDMENT 48 X 96 (96)	1
	3-141-010152	BULKHEAD WELDMENT 16 X 102 (102) (NOT SHOWN)	1
	129579	BULKHEAD WELDMENT, FRT WINCH (129580)	1
6	6-557-010163	PIN, HITCH LEVEL LINK	2
7	1-512-010005-09	NUT, HEX LOCK 1/2-13 GRB (102)	6
8	1-861-010032-15	WASHER, PLAIN TYPE A 1/2 (102)	6
9	3-711-010025	SPACER (102)	2
10	1-654-010055-13	SCREW, HEX HEAD CAP 1/2-13 X 4 GR5 (102)	2
11	1-654-010055-03	SCREW, HEX HEAD CAP 1/2-13 X 1-1/2 GR5 (102)	4
12	3-054-010101	BAR, SIDE BULKHEAD EXTENSION (102)	2
13	1-557-010362-63	COTTER PIN 1/4 X 2	4
14	3-141-010118	BULKHEAD WELDMENT 16 X 96	1
	3-141-010119	BULKHEAD WELDMENT 16 X 102	1
	3-141-010147	BULKHEAD WELDMENT 16/24 X 102	1
	3-141-010151	BULKHEAD WELDMENT 16/24 X 96	1
16	3-755-010080	SUPPORT WELDMENT BULKHEAD	2
17	3-557-010380	SUPPORT PIN	6
18	1-557-010362-63	COTTER PIN 1/4X2	10
19	1-557-010014	HAIRPIN	2
20	3-117-010069	BRACE LH STABILIZING 48" BULKHEAD	1
21	3-117-010070	BRACE RH STABILIZING 48" BULKHEAD	1
22	1-654-010055-03	SCREW, HEX HEAD CAP 1/2-13 X 1-1/2 GR5	8,4*
24	1-861-010032-15	WASHER, FLAT 1/2W	8
25	1-512-010005-09	NUT, HEX LOCK 1/2-13 GRB	8
26	3-573-010378	DECAL, 2" REFLEXITE TAPE, WHITE	2

\* 1ST QUANTITY LISTED IS FOR STABILIZING BRACE INSTALLATION 96" WIDE TRAILER; 2ND QUANTITY LISTED IS FOR STABILIZING BRACE INSTALLATION 102" TRAILER

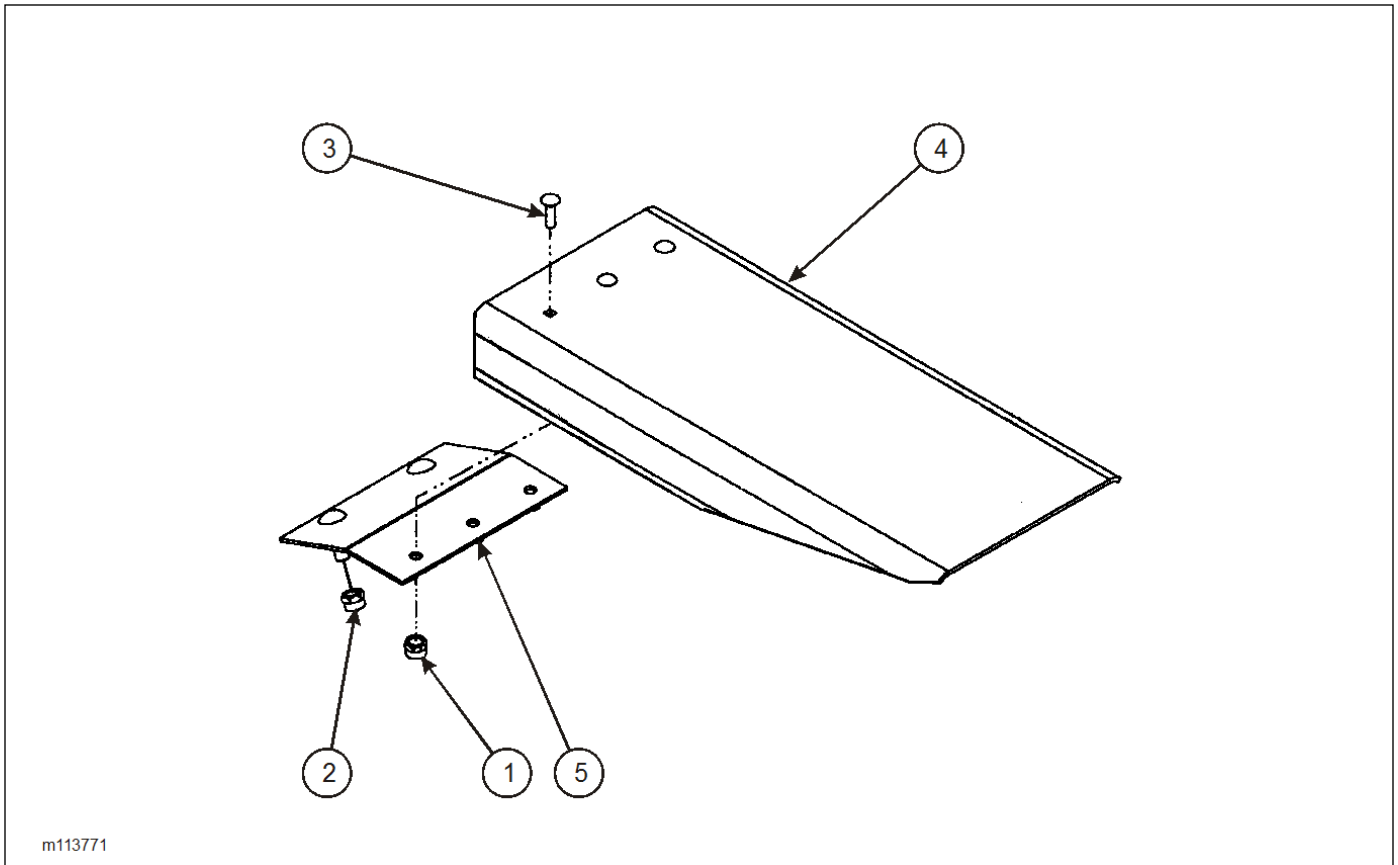


Figure 2-58: Aluminum Ramps (Option)

### ALUMINUM RAMPS (OPTION)

ITEM	PART NO.	DESCRIPTION	QTY.
	113771	RAMPS, ALUMINUM	
1	1-512-010005-09	NUT, HEX LOCK 1/2-13 GRB	6
2	1-512-010005-15	NUT, HEX LOCK 3/4-10 GRB	4
3	1/2-13X1-3/4CB	SCREW, RD HEAD SQ. NECK 1/2-13 X 1-3/4	6
4	113713	ALUMINUM RAMP ASSEMBLY	2
5	113714	ANCHOR ASSEMBLY, ALUMINUM RAMP	2

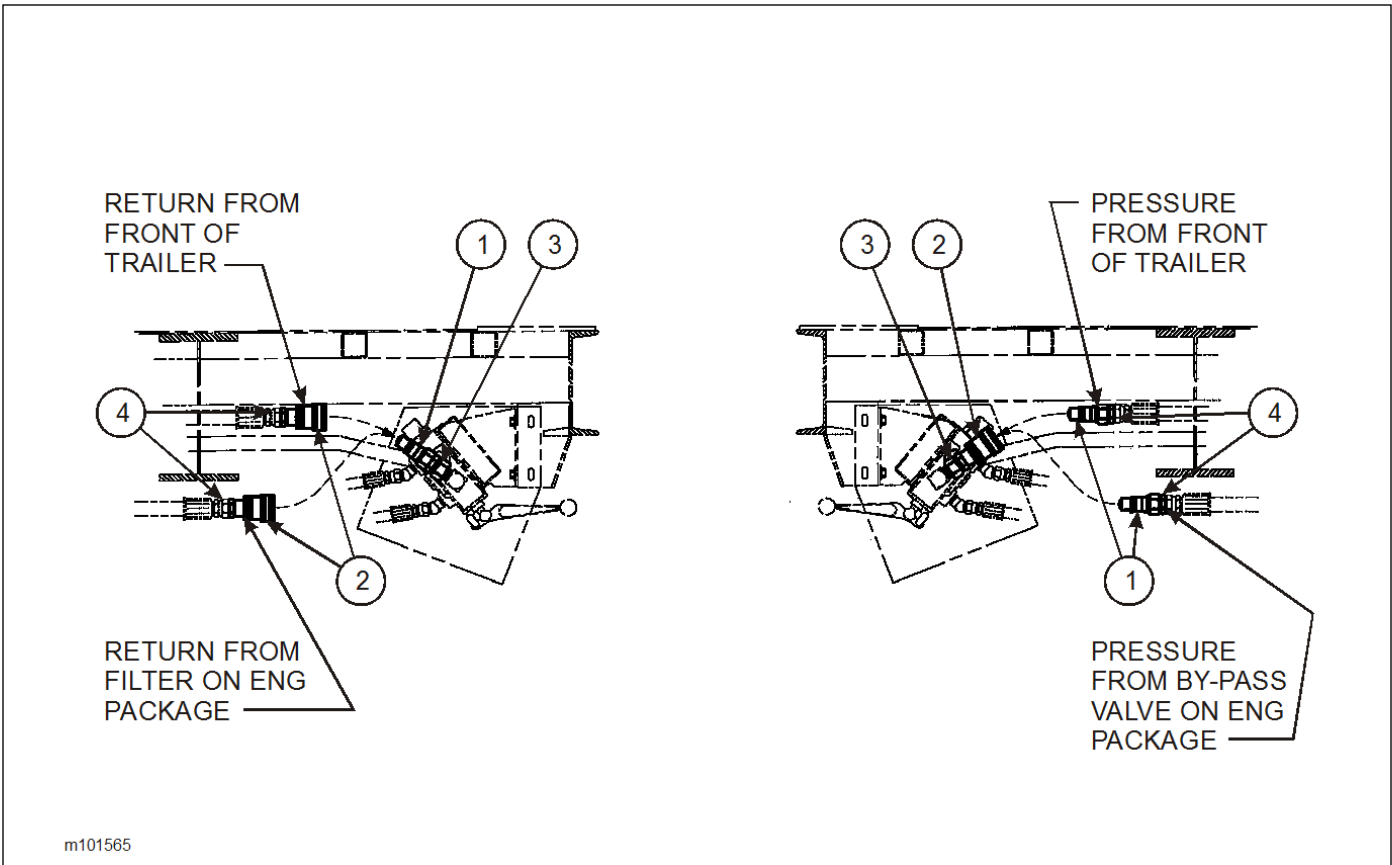
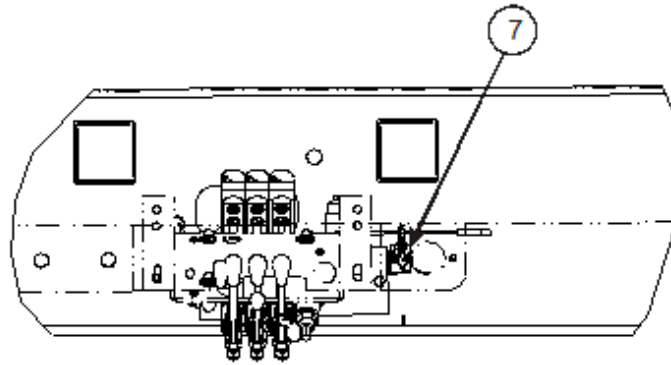
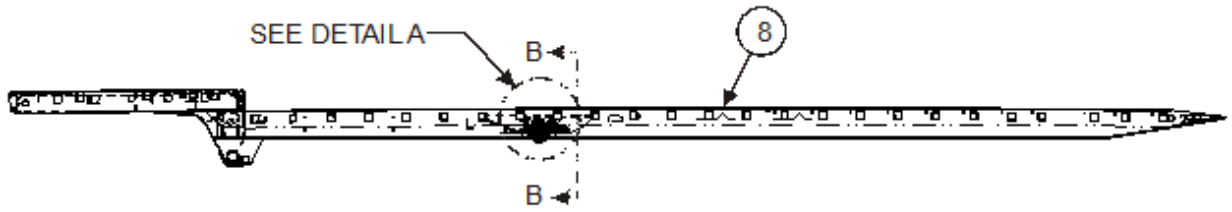


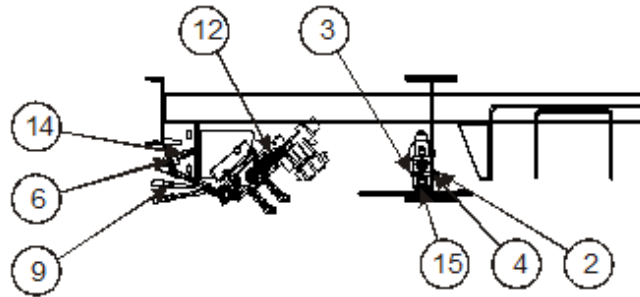
Figure 2-59: Hydraulic Dual Plumbing (Option)

## HYDRAULIC DUAL PLUMBING (OPTION)

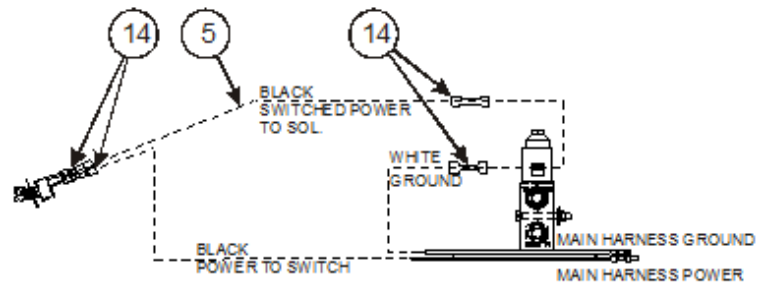
ITEM	PART NO.	DESCRIPTION	QTY.
	101565	HYDRAULIC DUAL PLUMBING	
1	S21F-6	COUPLER, 3/4 MALE	3
2	S25F-6	COUPLER, 3/4 FEMALE	3
3	2018-12-12S	ADAPTER, HYDRAULIC	2
4	2021-12-12S	ADAPTER	4



DETAIL A



SECTION B-B



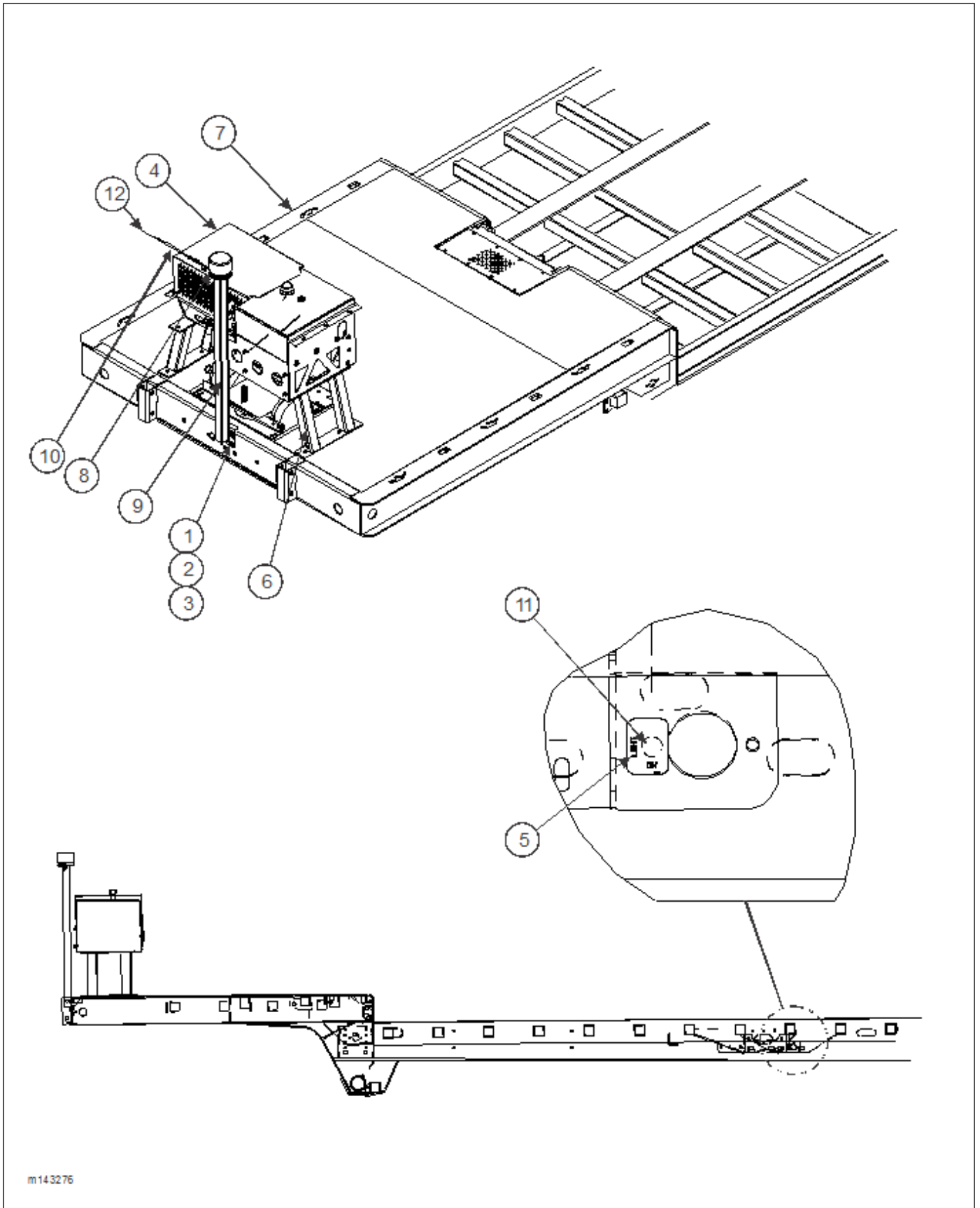
DETAIL C  
WIRING SCHEMATIC

m143283

Figure 2-60: Hydraulic Bypass for 2 Hand Control (Option)

**HYDRAULIC BYPASS FOR 2 HAND CONTROL (OPTION)**

<b>ITEM</b>	<b>PART NO.</b>	<b>DESCRIPTION</b>	<b>QTY.</b>
	143283	HYDRAULIC BYPASS FOR 2 HAND CONTROL (OPTION)	
1	1-397-010304032	HOSE, 3/4 X 32 (NOT SHOWN)	2
2	1-512-010005-05	NUT, HEX LOCK 3/8-16 GRB	2
3	1-654-010051-13	SCREW, HEX HEAD CAP 3/8-13 X 3 GR5	2
4	1-861-010032-11	WASHER, FLAT 3/8W	2
5	1-879-010011	WIRE BLACK 14 AWG	2'
6	12412317-1	TOGGLE SWITCH MOM SPST	1
7	130116	DECAL, ON/OFF LIGHT	1
8	-----	FRAME WELDMENT	REF
9	-----	VALVE ASSEMBLY	REF
10	147328	HARNESS TO POWER SWITCH (NOT SHOWN)	1
11	202702-12-12S	ADAPTER, STR (NOT SHOWN)	2
12	203102-12-12S	ADAPTER, TEE	2
13	3-201-010001	CONDUIT, 5/16 PLASTIC FLEX (NOT SHOWN)	3'
14	3-272-010021	ELECT BUTT SPLICE 16/14 W/ SEAL	4
15	3-846-010164	VALVE, N.O. SOLENOID HYDR	1
16	81264	RUBBER BOOT FOR ELECT SWITCH (NOT SHOWN)	1



m143276

Figure 2-61: Electrical System, Dual Winch Light

**STROBE LIGHT INSTALLATION**

<b>ITEM</b>	<b>PART NO.</b>	<b>DESCRIPTION</b>	<b>QTY.</b>
	143276	STROBE LIGHT INSTALLATION	
1	1-512-010005-09	NUT, HEX LOCK 1/2-13 GRB	8
2	1-654-010055-02	SCREW, HEX HEAD CAP 1/2-13 X 1-1/4 GR5	1
3	1-861-010032-15	WASHER, FLAT 1/2W	1
4	123166	27HP GAS ENGINE PACKAGE	REF
5	130116	DECAL, ON/OFF LIGHT	1
6	134857	MOUNT WELDMENT, ENGINE PACKAGE	2
7	-----	UPPER DECK FRAME WELDMENT	REF
8	184501	STROBE LIGHT DEUTSCH CONNECTOR	1
9	143279	BRACKET WELDMENT, STROBE LIGHT	1
10	150111	HARNESS 300 IN MALE/FEMALE BULLET	1
11	150117	TOBBLE SWITCH SEALED S.P.S.T.	1
12	164052	HARNESS 60" BRANCH WORK LIGHT	1
	169853	HARNESS JUMPER T-POWER (NOT SHOWN)	1
	3-368-010252	HARNESS ASSEMBLY BULKHEAD LIGHT EXTENSION (NOT SHOWN)	1
	81264	RUBBER BOOT FOR ELECTRICAL SWITCH (NOT SHOWN)	1



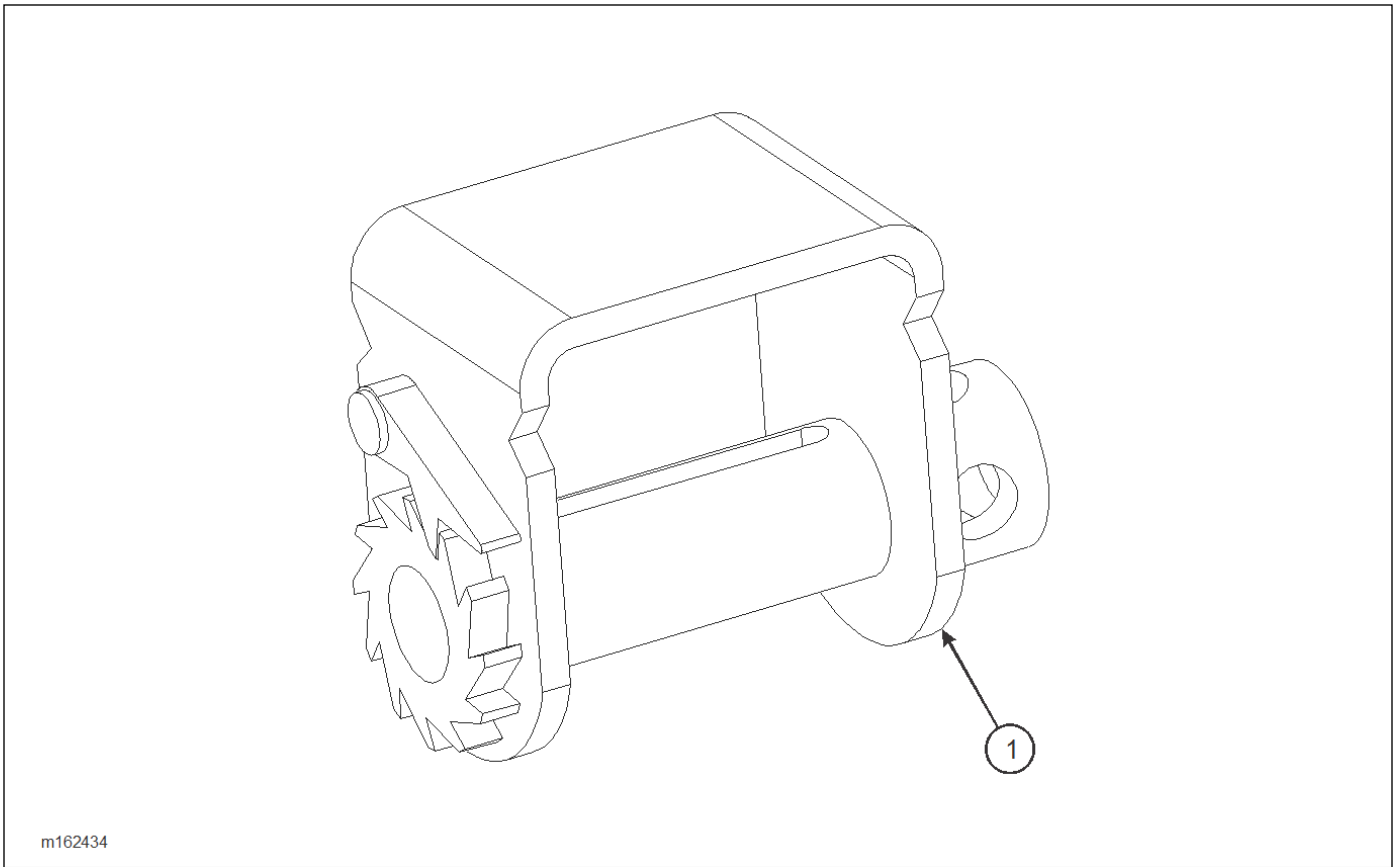


Figure 2-62: Sliding Strap Winch (Option)

### SLIDING STRAP WINCH (OPTION)

ITEM	PART NO.	DESCRIPTION	QTY.
1	162434	SLIDING STRAP WINCH	

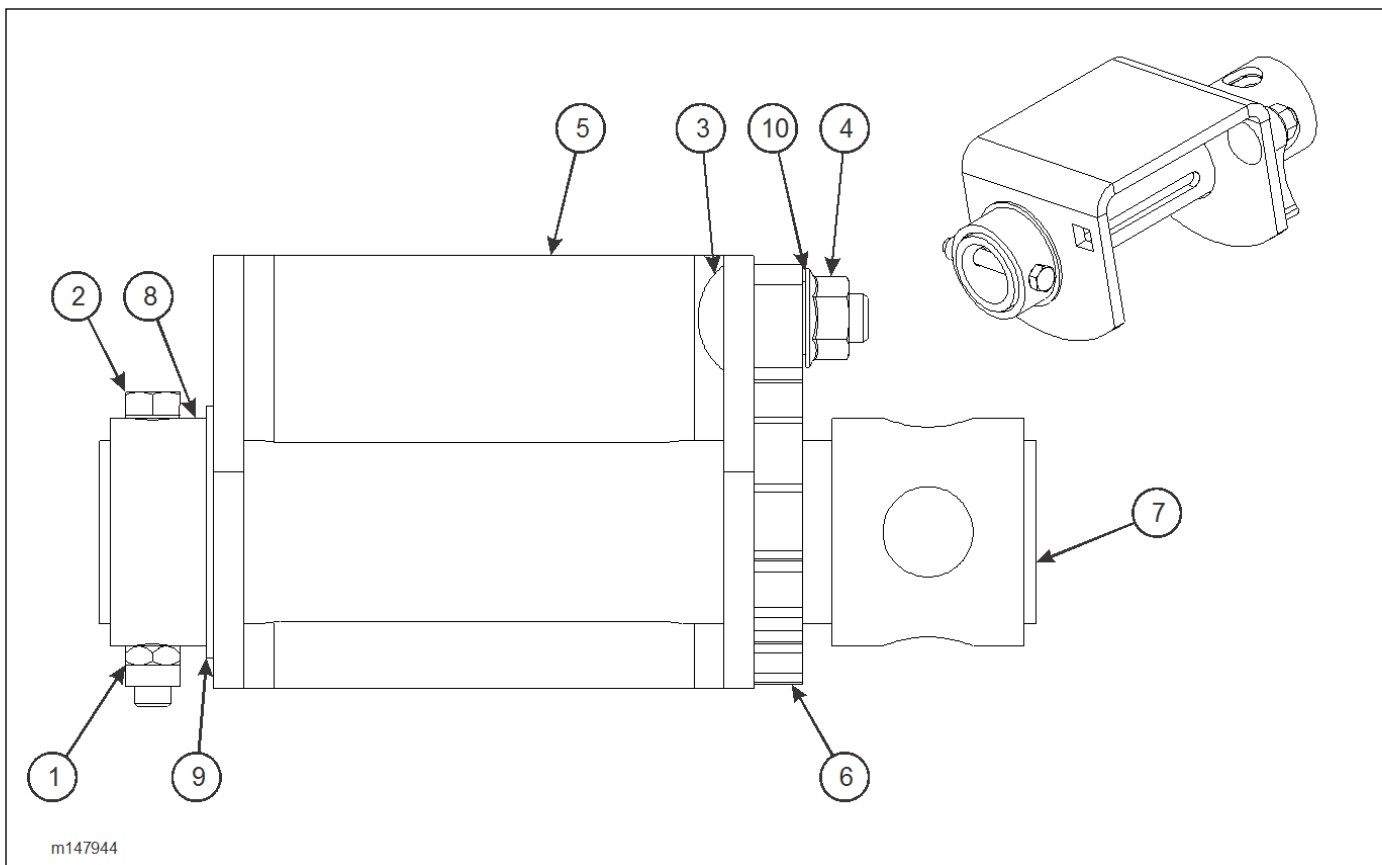


Figure 2-63: Winch Strap Ratchet Assembly (Option) (Prior to 8/15/14)

## WINCH STRAP RATCHET ASSEMBLY (OPTION)

ITEM	PART NO.	DESCRIPTION	QTY.
	162811	WINCH STRAP RATCHET ASSEMBLY, GALVANIZED	
1	1-512-010005-05	NUT, HEX LOCK 3/8-16 GRB <b>(PRIOR TO 8/15/14</b>	1
2	1-654-010051-13	SCREW HEX HEAD CAP 3/8-16 X 3 GR5 <b>(PRIOR TO 8/15/14</b>	1
3	1-654-010070-03	SCREW, RD HEAD SQ NECK 1/2-13 X 1-1/2	1
4	124971	NUT, FLANGE HEAD SPIRALOCK 1/2-13	1
5	147335	BRACKET, WINCH STRAP RATCHET	REF
6	147939	SPROCKET PAWL	1
7	147940	WINCH RATCHET TUBE WELDMENT, RH	1
8	147941	TUBE KEEPER, WINCH RATCHET <b>(PRIOR TO 8/15/14)</b>	1
9	147942	SHIM, WINCH STRAP RATCHET	1
10	147943	SPACER, WINCH PAUL	1

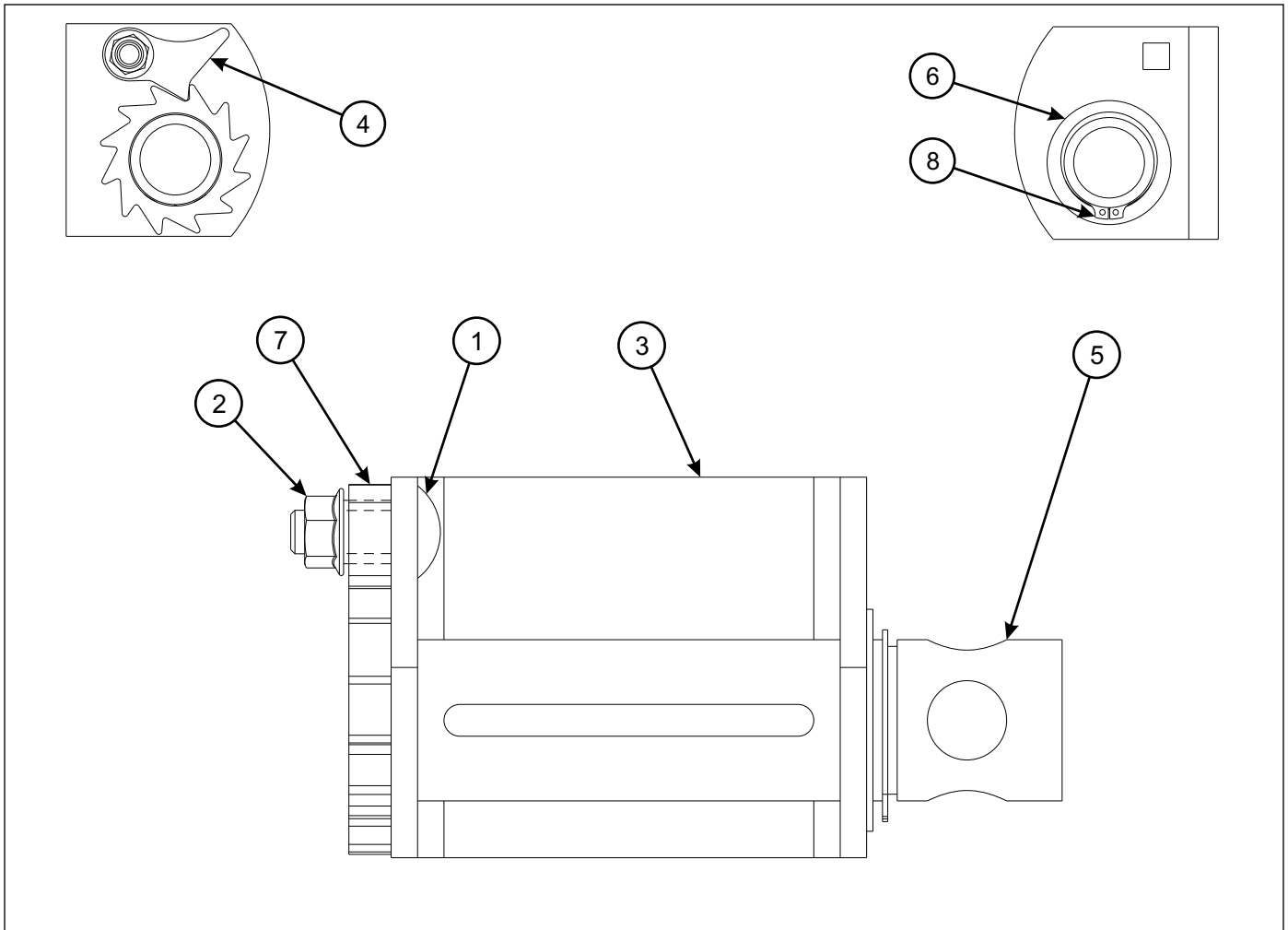
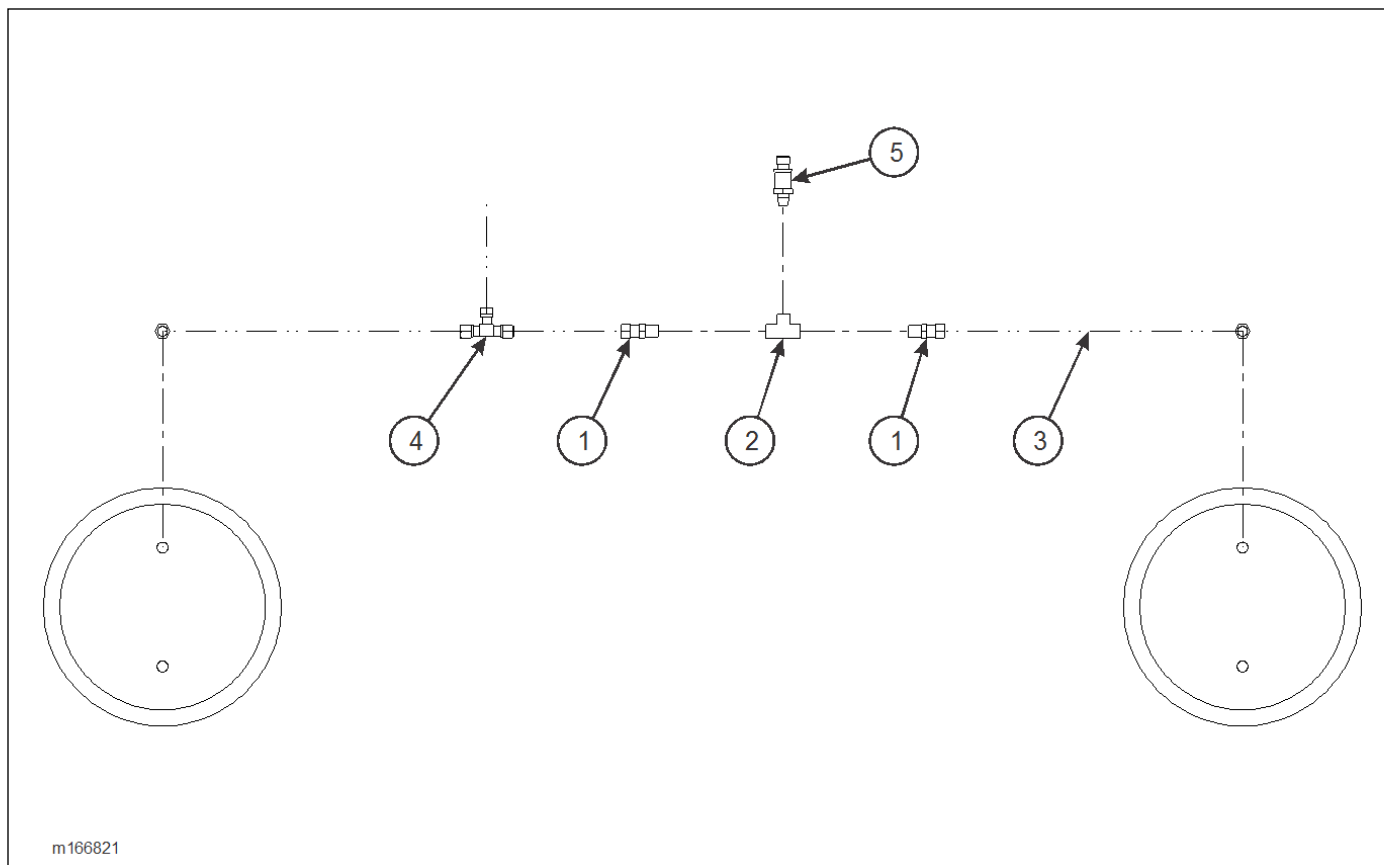


Figure 2-64: Winch Strap Ratchet Assembly (Option) (Effective From 8/15/14)

### WINCH STRAP RATCHET ASSEMBLY (OPTION)

ITEM	PART NO.	DESCRIPTION	QTY.
	162811	WINCH STRAP RATCHET ASSEMBLY, GALVANIZED	
1	1-654-010070-03	SCREW, RD HEAD SQ NECK 1/2-13 X 1-1/2	1
2	124971	NUT, FLANGE HEAD SPIRALOCK 1/2-13	1
3	147335	BRACKET, WINCH STRAP RATCHET	REF
4	147939	SPROCKET PAWL	1
5	147940	WINCH RATCHET TUBE WELDMENT, RH	1
6	147942	SHIM, WINCH STRAP RATCHET	1
7	147943	SPACER, WINCH PAUL	1
8	185060	RING, RETAINING - EXTERNAL 1-7/8 (EFFECTIVE FROM 8/15/14)	1



**Figure 2-65: Digital Air System Scale Installation (Option)**

**DIGITAL AIR SYSTEM SCALE INSTALLATION (OPTION)**

ITEM	PART NO.	DESCRIPTION	QTY.
	166821	DIGITAL AIR SYSTEM SCALE INSTALLATION	
1	1-297-010007-11	FITTING, AIR	2
2	1-297-010009-02	FITTING, AIR TEE	1
3	1-833-010002	TUBING, NYLON 3/8	REF
4	103082	SUSPENSION, AIR RLU A/R	REF
5	128435	SCALE, AIR DIGITAL (SEE PAGE 2-103)	2

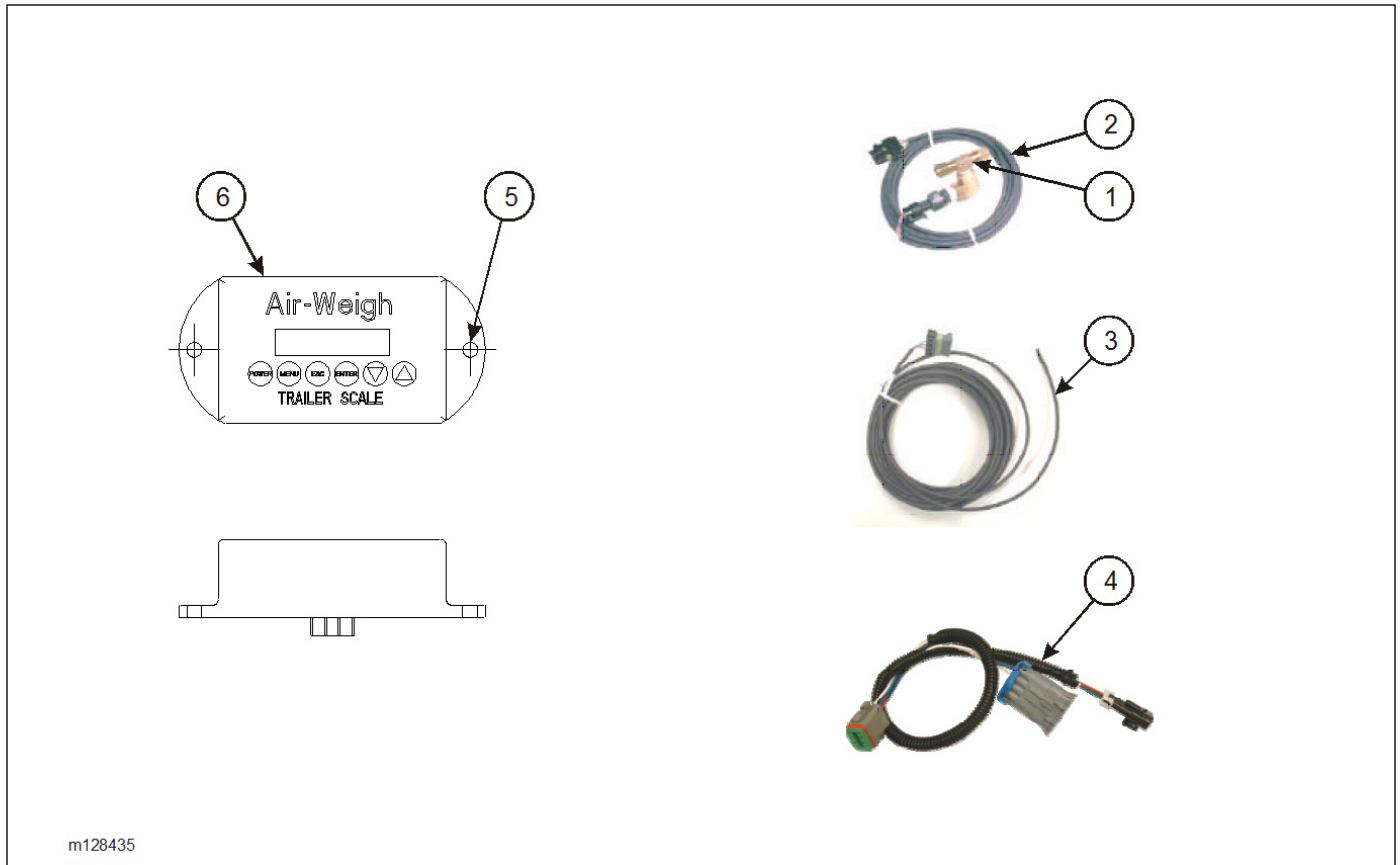


Figure 2-66: Air Digital Scale (Option)

## AIR DIGITAL SCALE (OPTION)

ITEM	PART NO.	DESCRIPTION	QTY.
	128435	SCALE, AIR DIGITAL (TRAVELING AXLE)	
1	149543	SENSOR ASSEMBLY, 5V 3/8" BRASS	1
2	166001	CABLE, AW5800, 2 PART SENSOR 50'	1
3	166002	CABLE, AW5800 TRAILER POWER BLUNT CUT 15'	1
4	142895	CABLE, AW5800, TRAILER SCALE INTERFACE 2"	1
5	-----	HARDWARE KIT, AW 5800	1
6	166000	TRAILER SCALE AW5800	1
7	-----	NYLON TIE 7" T-50 NYLON (NOT SHOWN)	25
8	-----	MANUAL, TRAILER SCALE AW5800 (NOT SHOWN)	1
9	166924	DECAL, AW5800 TRAILER SIDE-M (NOT SHOWN)	1

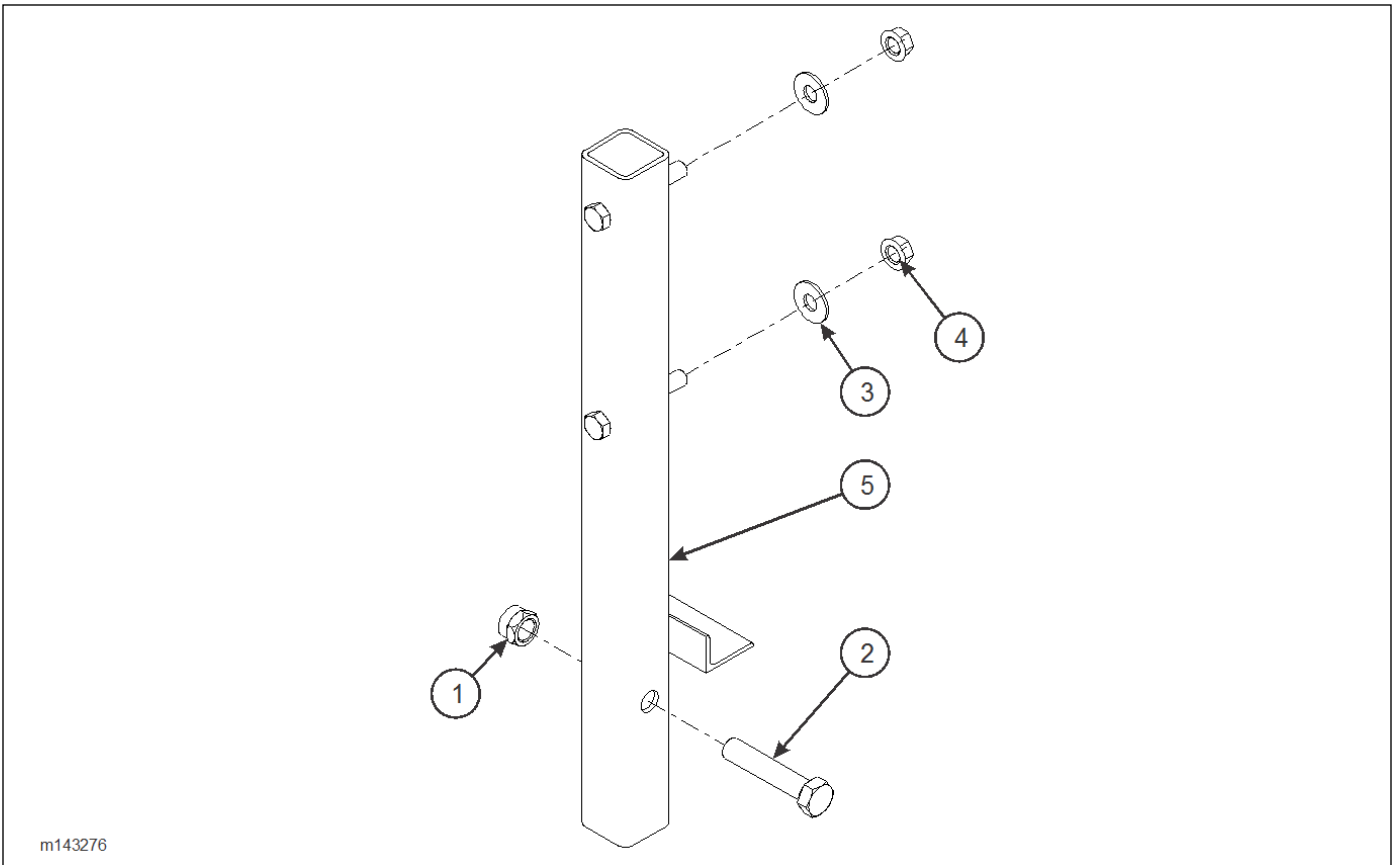


Figure 2-67: Spare Tire Mount Assembly (Option)

### SPARE TIRE MOUNT ASSEMBLY (OPTION)

ITEM	PART NO.	DESCRIPTION	QTY.
	169641	SPARE TIRE MOUNT ASSEMBLY	
1	1-512-010005-19	NUT, HEX LOCK 1-8 GRB	1
2	1-654-010065-15	SCREW, HEX HEAD CAP 1-8 X 5 GR5	1
3	1-861-010032-21	WASHER, FLAT 3/4W	2
4	103841	NUT, HEX FLANGE PREVAILING TORQUE 3/4-10	2
5	169639	MOUNT WELDMENT, SPARE TIRE	1

**Notes:**





## Numerical Index

### Numerics

0001-02	2-34, 2-38	040-320-01	2-52
0001-04	2-34, 2-38	046-096-00	2-54
0001-08	2-34, 2-38	046-097-00	2-52, 2-54
0001-14	2-38	0508-00	2-38
0002-07	2-34, 2-38	056-018-00	2-52, 2-54
0002-12	2-38	0647-01	2-38
0049-00	2-38	0649-02	2-38
005-074-00	2-52	0650-00	2-38
005-096-00	2-54	069-078-00	2-52, 2-54
005-098-00	2-52, 2-54	071-122-00	2-54
005-099-00	2-52, 2-54	0741-01	2-34, 2-38
0053-00	2-38	081900277	2-13
006-114-00	2-52, 2-54	081900295	2-12
006-115-00	2-52, 2-54	1/2-13X1-3/4CB	2-93
0065-00	2-38	100062	2-11
0075-20	2-38	100063	2-10
010-052-00	2-52, 2-54	100064	2-10
0102-13	2-38	100401	2-56
011100550	2-12	100600	2-5
011300179	2-13	1-007-010006	2-72
014-065-00	2-54	101003	2-27
0274-01	2-38	101381	2-21
034-058-01	2-54	101528	2-34, 2-45
034-058-07	2-52	101565	2-94
034-192-05	2-54	101848	2-29
034-193-05	2-54	101849	2-29
0375-00	2-38	101855	2-5
040-180-00	2-54	102361	2-50
		102363	2-45, 2-50



## NUMERICAL INDEX

---

102732	2-45, 2-48	109532	2-38
103055	2-5	109533	2-50
103056	2-5	109592	2-38
103082	2-102	109709	2-66, 2-70
1035-20	2-38	109710	2-66, 2-68
103698	2-25	109711	2-70
103699	2-25, 2-27	109712	2-70
103805	2-52, 2-54	1-1/4ST ELL	2-72
103841	2-104	110-0116	2-84
104034	2-34, 2-45	110-0253	2-84
104040	2-20	110-3494	2-58
104043	2-20	110578	2-76, 2-84
104044	2-20	110975	2-56
104238	2-66, 2-68	110976	2-56
104879	2-21	110990	2-34
105-0105	2-75, 2-83	110991	2-34
105408	2-50	111007	2-50
105479	2-10, 2-72, 2-83	111008	2-50
105480	2-10, 2-72, 2-83	111010	2-50
105481	2-10, 2-72, 2-83	111011	2-50
105482	2-10, 2-72, 2-84	111012	2-50
105483	2-10	111013	2-50
105822	2-5	111014	2-50
106759	2-72	111018	2-50
106760	2-72	111019	2-50
107-0975	2-88, 2-90	111021	2-48
107486	2-11	111022	2-50
107498	2-72	111023	2-50
107499	2-72	111416	2-56
107500	2-72	111417	2-56
107513	2-72	111695	2-66
107756	2-10	111859	2-66
108295	2-84	112047	2-56
108417	2-19	112492	2-56
108601	2-75, 2-83	112573	2-66
108801	2-23	113268	2-34, 2-45
108802	2-23	113359	2-78
109161	2-66, 2-70	113388	2-75, 2-83

---

113536	2-56	117860	2-88, 2-90
113544	2-76, 2-84	117873	2-75, 2-83
113713	2-93	1-181-010046-7	2-76, 2-84
113714	2-93	118-2659-9	2-25, 2-27
113771	2-93	119206	2-75, 2-83
113856	2-75, 2-83	119445	2-75, 2-83
113883	2-66, 2-68	119577	2-75, 2-83
113887	2-66	119580	2-34, 2-45
113888	2-66	120437	2-78
114553	2-17	120438	2-78
114584	2-27, 2-29	120439	2-78
114585	2-25, 2-29	120635	2-78
114588	2-29	120654	2-75, 2-83
114589	2-29	120659	2-76, 2-84
114807	2-88	120660	2-76, 2-84
114808	2-88	120661	2-75, 2-83
114814	2-75, 2-83, 2-88, 2-90	120662	2-75
114815	2-75, 2-83, 2-88, 2-90	120749	2-17
114983	2-70	121031	2-15
115601	2-75, 2-78	121355	2-34, 2-45
115610	2-78	12-16 070120	2-72
115703	2-38, 2-52	123014	2-76, 2-84
115713	2-38, 2-54	123166	2-83, 2-86, 2-98
115726	2-34, 2-38	123882	2-56
115728	2-34, 2-38	12412317-1	2-96
115738	2-27, 2-45	12420301-017	2-5
115843	2-88, 2-90	124971	2-100, 2-101
115877	2-76, 2-84, 2-88, 2-90	125130	2-72
115888	2-75, 2-83	126858	2-58, 2-60
1-161-010033-04	2-11	126888	2-64
116326	2-75, 2-83	126889	2-64
116328	2-75, 2-83	126900	2-50
116330	2-75, 2-83	126973	2-58
116334	2-78	127598	2-58
116623	2-88	127708	2-50
116624	2-88	127813	2-75, 2-83
116628	2-88	128028	2-10
117304	2-27	128435	2-102, 2-103

---

## NUMERICAL INDEX

---

128480	2-61, 2-64	1-297-010021-05	2-23
128500	2-62, 2-63	1-297-010022-03	2-23
128501	2-76, 2-84	1-297-010033-03	2-23
128713	2-58	1-297-010034-01	2-75, 2-83
128774	2-83	1-298-010001-1	2-6, 2-11, 2-58
128783	2-63	130116	2-96, 2-98
128801	2-58	130127	2-58
128802	2-58	130346	2-60
128803	2-58	130347	2-60
129203	2-58	130348	2-60
129209	2-62	130349	2-60
129210	2-63	130350	2-60
129214	2-58	130351	2-60
129217	2-58	130352	2-60
129264	2-83	130353	2-60
129287	2-84	1-316-010013	2-75, 2-83
1-295-010001	2-72, 2-75, 2-83	133732	2-78
1-295-010002	2-72, 2-83	134857	2-86, 2-98
129579	2-92	135316	2-61
129580	2-92	136377	2-15
1-297-010007-11	2-102	136378	2-15
1-297-010007-12	2-23, 2-25, 2-27, 2-45	136470	2-68
1-297-010007-14	2-23	136578	2-86
1-297-010007-15	2-23, 2-27	136991	2-52
1-297-010007-16	2-23, 2-27	136992	2-52
1-297-010008-07	2-45	137024	2-64
1-297-010008-18	2-23, 2-27, 2-45	137162	2-34
1-297-010008-23	2-25	137163	2-34
1-297-010008-24	2-25, 2-27	137164	2-45
1-297-010008-26	2-27	137165	2-34
1-297-010009-02	2-102	137166	2-34
1-297-010010-01	2-45	137167	2-45
1-297-010010-03	2-45	137168	2-34
1-297-010010-04	2-45	137169	2-45
1-297-010012-16	2-23	137170	2-45
1-297-010013-12	2-23	137171	2-34
1-297-010015-10	2-23	137935	2-60
1-297-010017-03	2-25, 2-27	138090	2-54

138179	2-17	141708	2-50
1-384-010038024	2-25, 2-27	142164	2-58
1-384-010038038	2-27	142270	2-84
1-384-010038056	2-27	142441	2-34, 2-45
1-384-010038204	2-27	142442	2-34
139287	2-52, 2-54	142443	2-34, 2-45
139345	2-58	142444	2-34
139383	2-54	142446	2-34, 2-45
139519	2-15	142447	2-34, 2-45
139553	2-84	142451	2-34, 2-45
1-397-010010016	2-11	142483	2-17
1-397-010301028	2-10	142484	2-17
1-397-010301039	2-11	142485	2-17
1-397-010301042	2-11	142486	2-17
1-397-010301048	2-10	142545	2-34, 2-45
1-397-010301064	2-10	142553	2-5, 2-34, 2-45
1-397-010301100	2-72	142895	2-103
1-397-010301122	2-10	143100	2-19
1-397-010301130	2-10	143101	2-19
1-397-010301194	2-10	143102	2-19
1-397-010301220	2-10	143103	2-19
1-397-010301238	2-10	143104	2-19
1-397-010301268	2-10	143105	2-19
1-397-010301304	2-10, 2-58	143106	2-19
1-397-010302042	2-10	143107	2-19
1-397-010302070	2-11	143108	2-19
1-397-010302112	2-10	143109	2-19
1-397-010302172	2-11	143110	2-19
1-397-010302240	2-11	143112	2-19
1-397-010304018	2-76, 2-84	143113	2-19
1-397-010304032	2-96	143114	2-19
1-397-010304060	2-84	143115	2-19
1-397-010304135	2-78	143116	2-19
1-397-010305254	2-10	143117	2-19
1-397-010312032	2-84	143118	2-19
140083	2-19	143119	2-19
140087	2-5	143120	2-19
140893	2-15	143122	2-19

## NUMERICAL INDEX

---

143126	2-19	1-512-010005-05	2-21, 2-25, 2-27, 2-45, 2-66, 2-68, 2-72, 2-75, 2-83, 2-96, 2-100
143141	2-17	1-512-010005-09	2-11, 2-72, 2-75, 2-78, 2-83, 2-86, 2-88, 2-90, 2-92, 2-93, 2-98
143267	2-64	1-512-010005-13	2-11, 2-66, 2-68
143268	2-64	1-512-010005-15	2-6, 2-11, 2-58, 2-78, 2-93
143276	2-98	1-512-010005-19	2-104
143279	2-98	1-512-010007-03	2-19
143283	2-96	1-512-010007-05	2-34, 2-45
144979	2-52, 2-54	1-512-010007-09	2-11, 2-50
147328	2-96	1-512-010007-13	2-58
147335	2-100, 2-101	151823	2-17
147464	2-29	153420	2-88, 2-90
147939	2-100, 2-101	153730	2-5
147940	2-100, 2-101	153792	2-5
147941	2-100	153795	2-5
147942	2-100, 2-101	153797	2-5
147943	2-100, 2-101	153798	2-5
147948	2-66	153799	2-5
147955	2-66	153800	2-5
148240	2-15, 2-17	1-557-010014	2-92
148242	2-10, 2-15	1-557-010362-54	2-10, 2-11
148597	2-5	1-557-010362-63	2-92
148598	2-5	155780	2-5
149030	2-17	1-560-010002-02	2-25, 2-27
149526	2-17	1-560-010002-03	2-25, 2-27, 2-84
149527	2-17	1-560-010002-04	2-23, 2-25, 2-27, 2-72, 2-76
149528	2-17	1-560-010002-05	2-27, 2-72
149529	2-17	1-560-010002-07	2-72
149530	2-17	156655	2-52
149543	2-103	158039	2-58
150076	2-19	158040	2-10
150093	2-19	159683	2-68
150111	2-98	159684	2-58
150117	2-98	160542	2-13
1-510-010001	2-10, 2-19, 2-34, 2-45, 2-78	161888	2-58
1-512-010004-03	2-84	162135	2-58
1-512-010005-01	2-19, 2-23, 2-48	162434	2-99
1-512-010005-03	2-19, 2-23		

162811	2-100, 2-101	1-654-010158-1	2-34, 2-45
163502	2-70	1-656-010003051	2-19
163540	2-90	166000	2-103
163541	2-90	166001	2-103
163544	2-90	166002	2-103
163800	2-12	166766	2-76, 2-84
164052	2-98	166821	2-102
1-647-010004255	2-6	166924	2-103
1-654-010032-4	2-34, 2-45	167952	2-58
1-654-010047-04	2-48	167953	2-58
1-654-010047-05	2-19	168648	2-19
1-654-010047-06	2-19, 2-45, 2-75, 2-83	168975	2-19
1-654-010049-03	2-56	168976	2-19
1-654-010049-06	2-19, 2-23	168982	2-19
1-654-010051-05	2-10, 2-15, 2-21	169531	2-75, 2-83
1-654-010051-06	2-72, 2-75, 2-78, 2-83, 2-92	169532	2-76, 2-84
1-654-010051-07	2-66	169639	2-104
1-654-010051-08	2-25, 2-27, 2-45	169641	2-104
1-654-010051-09	2-75, 2-83	169843	2-17
1-654-010051-10	2-66, 2-68	169853	2-98
1-654-010051-11	2-68	170109	2-76, 2-84
1-654-010051-13	2-34, 2-45, 2-78, 2-96, 2-100	170110	2-76, 2-84
1-654-010055-01	2-58, 2-88, 2-90	170111	2-76, 2-84
1-654-010055-02	2-84, 2-86, 2-98	170112	2-76, 2-84
1-654-010055-03	2-72, 2-75, 2-78, 2-83, 2-88, 2-90, 2-92	178428	2-76
1-654-010055-04	2-72	1-796-010003-01	2-20, 2-25, 2-27
1-654-010055-07	2-20	1-796-010003-02	2-10, 2-19, 2-21
1-654-010055-09	2-78, 2-84, 2-86	1-796-010004-02	2-34, 2-45
1-654-010055-13	2-92	179933	2-56
1-654-010055-17	2-11	182089	2-17
1-654-010059-03	2-58, 2-66, 2-68	1-822-010001	2-78
1-654-010059-04	2-66, 2-68	1-833-010001	2-45
1-654-010059-21	2-11	1-833-010002	2-23, 2-25, 2-27, 2-45, 2-102
1-654-010061-06	2-10	1-833-010003	2-23, 2-25, 2-27
1-654-010061-07	2-6	184501	2-98
1-654-010065-15	2-104	185060	2-101
1-654-010070-03	2-100, 2-101	1-861-010032-06	2-19, 2-23
		1-861-010032-07	2-19, 2-34, 2-45

## NUMERICAL INDEX

---

1-861-010032-09	2-19, 2-23	2047-12-12S	2-72
1-861-010032-10	2-15, 2-27	2061-8-8S	2-11
1-861-010032-11	2-25, 2-27, 2-34, 2-45, 2-66, 2-68, 2-75, 2-78, 2-83, 2-92, 2-96	206209-12-12S	2-75, 2-83
1-861-010032-15	2-11, 2-58, 2-75, 2-78, 2-83, 2-86, 2-88, 2-90, 2-92, 2-98	2062-10-12S	2-15
1-861-010032-19	2-11, 2-66, 2-68	2062-12-12S	2-75, 2-83
1-861-010032-21	2-11, 2-58, 2-78, 2-104	2062-16-8S	2-72
1-861-010034-07	2-19	2062-8-8S	2-10, 2-11
1-861-010034-09	2-34, 2-45, 2-75, 2-83	2071-8-8S	2-11
1-861-010034-10	2-56	2081-8-6S	2-23
1-861-010034-11	2-15, 2-92	2083-8-4S	2-46
1-861-010034-13	2-50, 2-58, 2-72, 2-84	2083-8-8S	2-25
1-861-010034-15	2-58	2088-6-6S	2-23, 2-25, 2-27
1-861-010034-17	2-34, 2-45	2089-6-6S	2-25, 2-27
1-879-010011	2-96	2-102-010011	2-78
189314	2-46	214441	2-70
189316	2-35	2-181-010001	2-10, 2-19, 2-34, 2-45
189380	2-35	2240-12-12S	2-76, 2-84
189382	2-46	239-3646-7	2-20
190700ZP	2-35, 2-46	240000208	2-17
190701	2-35, 2-46	2481X	2-75, 2-83
190705ZP	2-35, 2-46	26331	2-19
190706	2-35, 2-46	2750-8	2-11
2018-12-12S	2-94	3/8P COUPL	2-84
2021-12-12S	2-94	3-054-010101	2-92
2021-2-4	2-34, 2-45	3067	2-56
2024-12-12S	2-72, 2-75, 2-83	3-076-010005	2-34, 2-46
2024-12-8S	2-72	3-102-010022	2-11
2024-2-4S	2-34, 2-46	3-102-010048	2-11
202702-10-8S	2-11, 2-58	3-117-010069	2-92
202702-12-12S	2-75, 2-96	3-117-010070	2-92
202702-12-8S	2-58	3-117-010071-1	2-92
202702-20-20S	2-75, 2-83	3-120-010073	2-11
203003-8-8S	2-10, 2-11	3-120-010117	2-11
203005-8-8S	2-11	3-120-010124	2-75, 2-83
203102-12-12S	2-75, 2-83, 2-96	3-120-010125	2-11
2033-8-8S	2-10	3-120-010461	2-72
		3-120-010485	2-20
		3-125-010241	2-10



3-125-010244	2-11	3-399-010001	2-72
3-141-010008	2-92	3-399-010001006	2-75, 2-84
3-141-010118	2-92	3-432-010006	2-38
3-141-010119	2-92	3-432-010010	2-38
3-141-010121	2-92	3-443-010018	2-84
3-141-010123	2-92	3-482-010503	2-72
3-141-010147	2-92	3-482-010575	2-15
3-141-010151	2-92	3-485-010001	2-35, 2-46
3-141-010152	2-92	3-557-010030	2-6
3-141-010155	2-92	3-557-010031	2-11
3-146-010001	2-11	3-557-010033	2-10, 2-11
3-150-010223	2-11	3-557-010059	2-10
3-155-010012	2-75	3-557-010120	2-11
3-156-010008	2-20	3-557-010380	2-92
3-162-010001	2-72, 2-75, 2-83	3-561-010001	2-72
3-174-010038	2-61	3-573-010031	2-5
3-174-010039	2-61, 2-62	3-573-010057	2-5
3-181-010006	2-10	3-573-010086	2-5
3-182-010028	2-75, 2-83	3-573-010127	2-5
3-201-010001	2-96	3-573-010134	2-5
3-201-010002	2-20	3-573-010210	2-5
3-242-010099	2-10, 2-11, 2-12	3-573-010273	2-20
3-242-010102	2-11, 2-13	3-573-010298	2-5
3-242-010103	2-11, 2-13	3-573-010299	2-5
3-242-010152-02	2-11	3-573-010300	2-5
3-242-010153	2-10	3-573-010377	2-5
3-272-010017	2-20	3-573-010378	2-5, 2-92
3-272-010021	2-20, 2-96	3-573-010437	2-21
3-316-010008	2-75, 2-84	3-573-010506	2-83
3-360-010072	2-15	3-591-010001	2-72
3-360-010090	2-15	3-659-010012	2-56
3-368-010250	2-21	3-681-010122	2-10
3-368-010252	2-21, 2-98	3-711-010025	2-92
3-375-010250	2-6	3-720-010030	2-38
3-375-010292	2-6	3-755-010080	2-92
3-375-010349	2-6	3-755-010189	2-35, 2-46
3-375-010489	2-6, 2-10	3-755-010189-03	2-35, 2-46
3-384-010031	2-25	3-755-010189-1	2-35, 2-46

## NUMERICAL INDEX

---

3-762-010016	2-35, 2-46	670500045	2-17
3-762-010017	2-35, 2-46	671400033	2-17
3-765-010050	2-75, 2-83	671400040	2-17
3-780-010002	2-25, 2-27, 2-35, 2-46	671900011	2-17
3-786-010043	2-72	6828	2-72
380-1	2-35, 2-46	758-181	2-25, 2-27
380-2	2-35, 2-46	7HCGHT500	2-62, 2-64
3-821-010005	2-35, 2-46	805-2	2-25, 2-27, 2-46
3-826-010014	2-6	81264	2-96, 2-98
3-826-010015	2-6	900 45 040	2-50
3-843-010038	2-23	900 54 007	2-46, 2-48
3-846-010155	2-10	900-08-139	2-50
3-846-010156	2-10	900-25-288	2-50
3-846-010164	2-96	900598-12S	2-75, 2-83
3-861-010038	2-11	90508009	2-50
3-870-010104	2-56	905-54-107	2-46, 2-48
3-870-010106	2-56	905-57-129	2-50
3-870-010107	2-56	934 00 149	2-50
3-870-010110	2-56	934 00 492	2-50
3-870-010116	2-56	934-00-506	2-50
3-873-010166	2-10	936 00 077	2-50
4009	2-56		
51039-23	2-10		
514-9045-26	2-75, 2-84		
514-9073-18	2-75, 2-84		
55B61	2-23, 2-25, 2-27		
55B61-6	2-23		
55B61-7	2-23		
56D4	2-25, 2-27		
61258	2-58		
622-3511-008	2-35, 2-46		
63680	2-56		
64181	2-20, 2-21		
6-557-010163	2-92		
660580002	2-17		
660580003	2-17		
660580004	2-17		
660580005	2-17		
		<b>B</b>	
		B7-141-003	2-92
		<b>C</b>	
		C3069X12	2-72
		<b>H</b>	
		HM212011	2-56
		HM212049	2-56
		HM218210	2-56
		HM218248	2-56

**K**

---

K71-101-00 ..... 2-52  
K71-136-00 ..... 2-54  
K71-460-00 ..... 2-52

**P**

---

PTO ..... 2-72

**R**

---

RPRB59004X3H ..... 2-88, 2-90

**S**

---

S21F-6 ..... 2-94  
S25F-6 ..... 2-94  
STP-147 ..... 2-21

**T**

---

TR545D ..... 2-56  
TR573 ..... 2-56







**Intertek**

Equipment from Landoll Corporation is built to exacting standards ensured by ISO 9001 registration at all Landoll manufacturing facilities.

## Model 330C Chain Drive Semitrailer Parts Manual

Re-Order Part Number F-600-0512

**LANDOLL CORPORATION**

1900 North Street

Marysville, Kansas 66508

(785) 562-5381

**800-428-5655 ~ WWW.LANDOLL.COM**



Copyright 2010. Landoll Corporation

"All rights reserved, including the right to reproduce this material or portions thereof in any form"