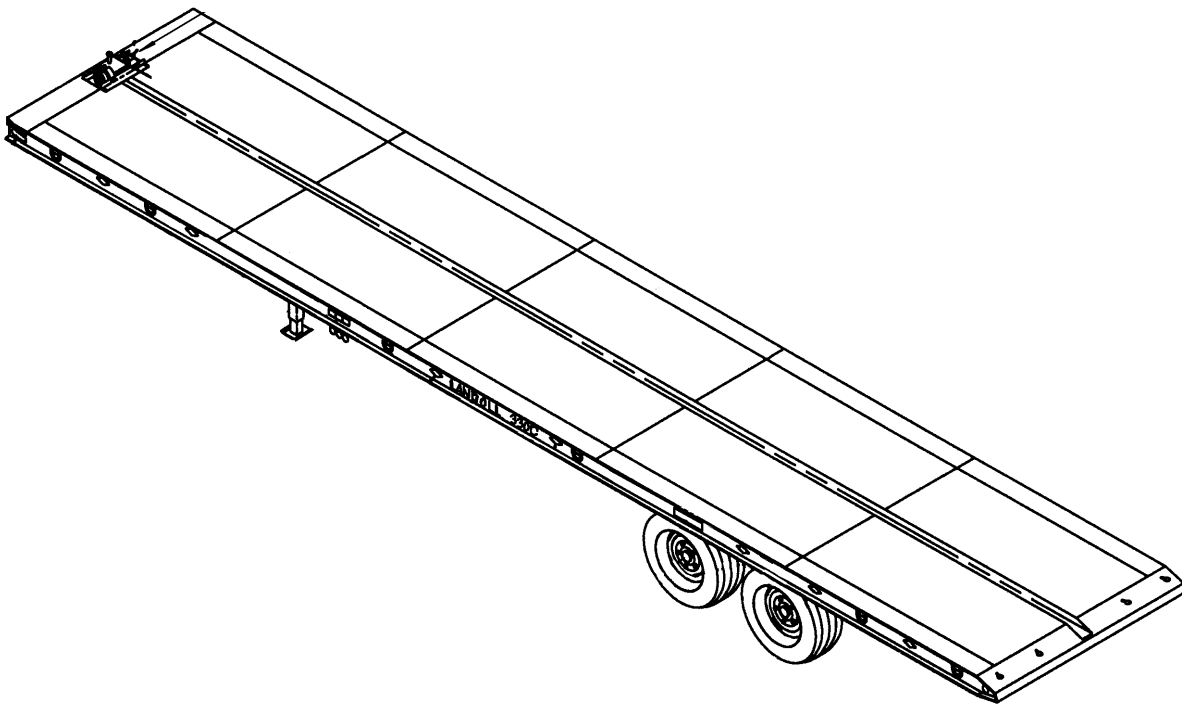




# Model 330C Semitrailer Parts Manual



## **LANDOLL CORPORATION**

1900 North Street  
Marysville, Kansas 66508  
(785) 562-5381

800-428-5655 ~ [WWW.LANDOLL.COM](http://WWW.LANDOLL.COM)



# Table of Contents

---

## 1 Instructions for Ordering Parts

## 2 Illustrated Parts List

|  |      |
|--|------|
| GENERAL ASSEMBLY .....                                   | 2-1  |
| DECAL PLACEMENT .....                                    | 2-5  |
| FIFTH WHEEL ASSEMBLY .....                               | 2-6  |
| HYDRAULIC SYSTEM .....                                   | 2-10 |
| TRAILER TILT CYLINDER .....                              | 2-12 |
| UNDERCARRIAGE SLIDE CYLINDER .....                       | 2-13 |
| VALVE ASSEMBLY, THREE SPOOL .....                        | 2-15 |
| THREE STACK VALVE .....                                  | 2-17 |
| ELECTRICAL SYSTEM .....                                  | 2-19 |
| ELECTRICAL SYSTEM, WINCH LIGHT .....                     | 2-20 |
| WORK LIGHT ASSEMBLY, BULKHEAD (OPTION) .....             | 2-21 |
| AIR SYSTEM .....   | 2-23 |
| AIR BRAKE SYSTEM, SINGLE AXLE .....                      | 2-25 |
| AIR BRAKE SYSTEM, TANDEM AXLE .....                      | 2-27 |
| BRAKE KIT, ABS .....                                     | 2-29 |
| UNDERCARRIAGE ASSEMBLY - SPRING RIDE .....               | 2-34 |
| GREASE HOSE LOCATION, P/N, AND LENGTH (SINGLE) .....     | 2-35 |
| GREASE HOSE LOCATION, P/N, AND LENGTH (D/D SINGLE) ..... | 2-35 |
| GREASE HOSE LOCATION, P/N, AND LENGTH (TANDEM) .....     | 2-35 |
| SUSPENSION ASSEMBLY - SPRING RIDE .....                  | 2-37 |
| UNDERCARRIAGE ASSEMBLY - AIR RIDE .....                  | 2-44 |
| GREASE HOSE LOCATION, P/N, AND LENGTH (SINGLE) .....     | 2-45 |
| GREASE HOSE LOCATION, P/N, AND LENGTH (TANDEM) .....     | 2-45 |
| AIR CONTROL KIT .....                                    | 2-47 |
| SUSPENSION HANGER RLU-228 .....                          | 2-49 |
| AXLE AND BRAKE ITEMS (DEXTER) (12-1/4" X 7-1/2") .....   | 2-51 |
| AXLE AND BRAKE ITEMS (DEXTER) (16-1/2" x 7") .....       | 2-53 |
| OUTBOARD PILOT MOUNT HUB AND DRUM .....                  | 2-55 |

---

|   |       |
|---|-------|
| WINCH INSTALLATION (BRADEN) .....                         | 2-57  |
| 12,000# WINCH ITEMS (BRADEN) .....                        | 2-59  |
| 20,000# WINCH ITEMS (BRADEN) .....                        | 2-62  |
| WINCH MOTOR ASSEMBLY .....                                | 2-65  |
| WINCH AIR TENSION INSTALLATION 20,000 LB. UPPERDECK ..... | 2-70  |
| WINCH AIR SHIFT CYLINDER .....                            | 2-73  |
| WINCH INSTALLATION 30,000 LB. (DP) .....                  | 2-75  |
| 30,000# WINCH ITEMS (DP) .....                            | 2-77  |
| WINCH CABLE ROLLER GUIDE (OPTION) .....                   | 2-81  |
| SLOPE ROLLER 90° DROP DECK (OPTION) .....                 | 2-83  |
| SIDE ROLLER ASSEMBLY (OPTION) .....                       | 2-84  |
| CONTAINER LOAD CHAIN ASSEMBLY (OPTION) .....              | 2-85  |
| CONTAINER CHAIN AND BRIDLE ASSEMBLY .....                 | 2-86  |
| LANDING GEAR INSTALLATION BOLT - ON .....                 | 2-87  |
| LANDING GEAR INSTALLATION .....                           | 2-89  |
| CRANK LANDING GEAR .....                                  | 2-91  |
| HYDRAULIC WET KIT (OPTION) .....                          | 2-93  |
| 27HP GAS ENGINE PACKAGE (OPTION) .....                    | 2-96  |
| UNDERSLUNG ENGINE PACKAGE INSTALLATION .....              | 2-99  |
| 27 HP GAS ENGINE PACKAGE, UPPER DECK (OPTION) .....       | 2-104 |
| UPPER DECK ENGINE STAND INSTALLATION .....                | 2-106 |
| SPARE RACK INSTALLATION (OPTION) .....                    | 2-107 |
| FRONT EXTENSION AND BULKHEAD ASSEMBLY (OPTION) .....      | 2-109 |
| TOP MOUNT TOOL BOX (OPTION) .....                         | 2-111 |
| BACK MOUNT TOOL BOX (OPTION) .....                        | 2-113 |
| TOOLBOX INSTALLATION (OPTION) .....                       | 2-115 |
| LADDER ASSEMBLY, STOR-AWAY (OPTION) .....                 | 2-117 |
| ALUMINUM RAMPS (OPTION) .....                             | 2-118 |
| AIR DIGITAL SCALE (OPTION) .....                          | 2-119 |
| HYDRAULIC DUAL PLUMBING (OPTION) .....                    | 2-120 |

### **3 Numerical Index**



## Instructions for Ordering Parts

### ORDER PARTS FROM LANDOLL PARTS DISTRIBUTION CENTER

**\*\* Repair parts must be ordered through an Authorized Dealer \*\***

PHONE NO.: 1-800-423-4320 OR 1-800-428-5655 OR 1-785-562-5381

FAX NO.: 888-527-3909

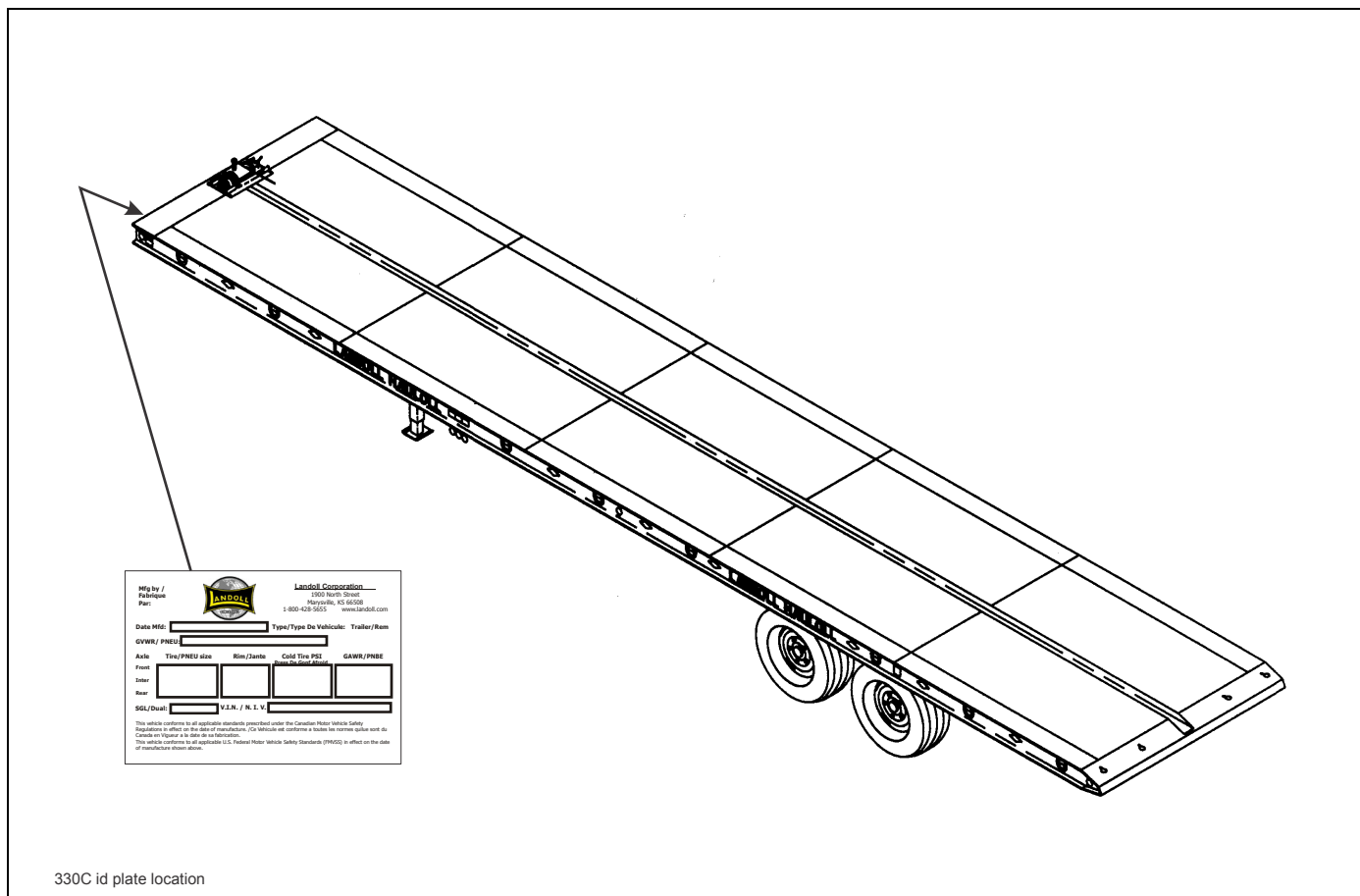
ORDER ONLINE: [companystore.landoll.com](http://companystore.landoll.com)

### IDENTIFICATION PLATE

The identification plate, which lists the model number and serial number, is located on the front of the frame (See Figure 1-1.)

### SERIAL NUMBER NOMENCLATURE

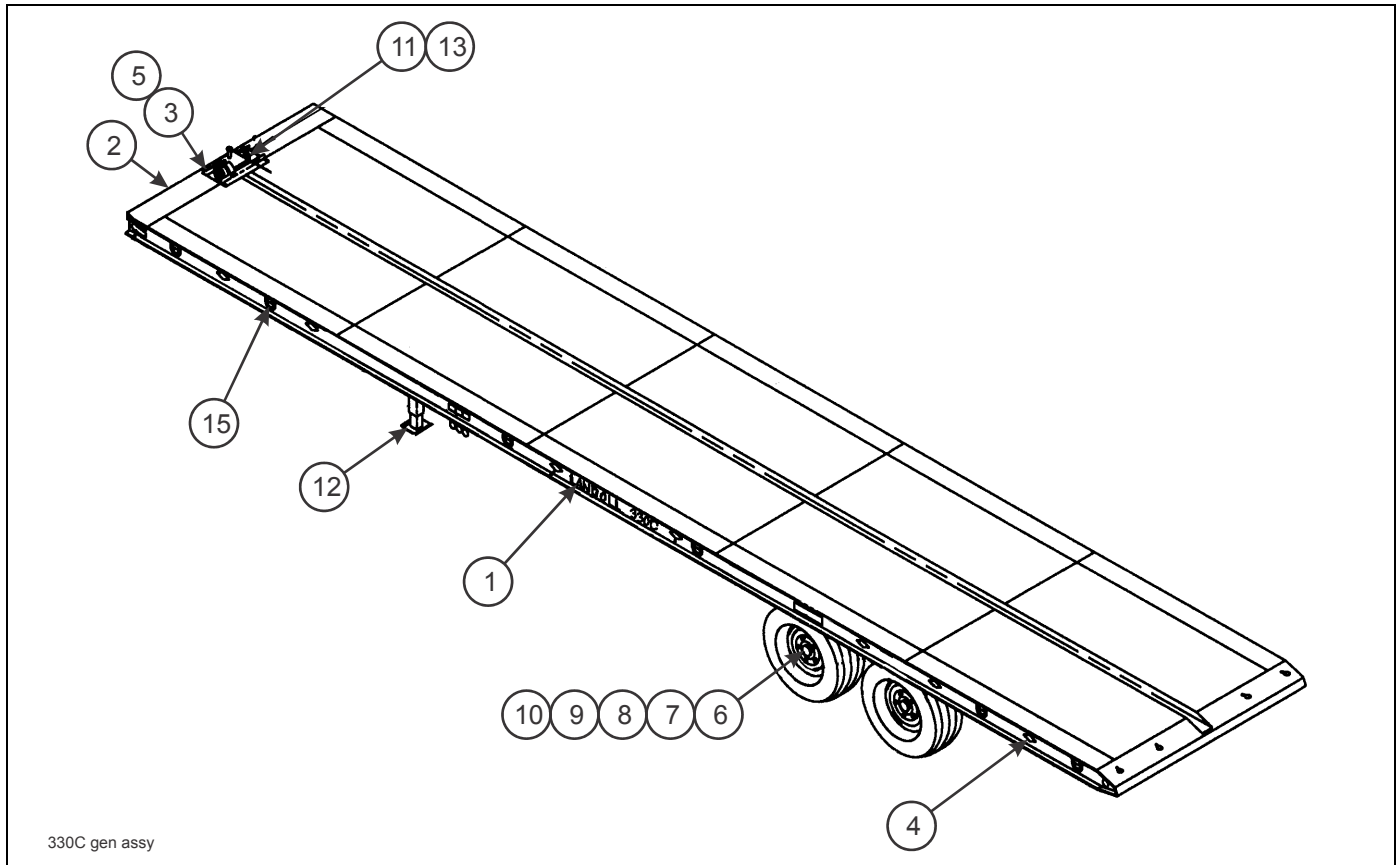
The serial number for the 330C semitrailer is located on the identification plate.



**Figure 1-1: Identification Plate and Location**

Page Intentionally Blank

# Illustrated Parts List



330C gen assy

Figure 2-1: General Assembly

## GENERAL ASSEMBLY

| ITEM | PAGE NO.      | DESCRIPTION                                      | QTY. |
|------|---------------|--|------|
| 1    | 2-2 - 2-5     | DECAL INSTALLATION                               |      |
| 2    | 2-6           | FIFTH WHEEL ASSEMBLY                             |      |
| 3    | 2-7 - 2-16    | HYDRAULIC ASSEMBLIES                             |      |
| 4    | 2-18 - 2-21   | ELECTRICAL ASSEMBLIES                            |      |
| 5    | 2-22 - 2-23   | AIR SYSTEM ASSEMBLIES                            |      |
| 6    | 2-24 - 2-29   | AIR BRAKE SYSTEM                                 |      |
| 7    | 2-30 - 2-37   | UNDERCARRIAGE ASSEMBLY, SPRING RIDE SUSPENSION   |      |
| 8    | 2-38 - 2-49   | UNDERCARRIAGE ASSEMBLY, AIR RIDE SUSPENSION      |      |
| 9    | 2-50 - 2-53   | AXLE AND BRAKE ASSEMBLY                          |      |
| 10   | 2-54 - 2-55   | HUB AND DRUM ASSEMBLY                            |      |
| 11   | 2-56 - 2-86   | WINCH ASSEMBLIES                                 |      |
| 12   | 2-87 - 2-91   | LANDING GEAR ASSEMBLIES                          |      |
| 13   | 2-92 - 2-93   | HYDRAULIC WET KIT ASSEMBLIES (OPTION)            |      |
| 14   | 2-94 - 2-106  | AUXILIARY ENGINE ASSEMBLIES (NOT SHOWN) (OPTION) |      |
| 15   | 2-107 - 2-120 | MISCELLANEOUS OPTIONS                            |      |



**ILLUSTRATED PARTS LIST**

**1**

**2**

**3** **LANDOLL**

**4**

**5** **330**

**6** **WARNING**  
TO MEET FEDERAL REGULATIONS THE TRAVELING AXLES MUST BE IN THE REAR MOST POSITION FOR HIGHWAY USE.  
3-573-010300

**7** **WARNING**  
**TRAILER OPERATION**  
1. PARK TRACTOR AND TRAILER IN A STRAIGHT LINE ON RELATIVELY LEVEL GROUND.  
2. SET TRACTOR BRAKES AND RELEASE TRAILER BRAKES.  
3. ENGAGE PTO.  
4. PULL AXLES FORWARD OUT OF POCKETS.  
5. TO ACHIEVE LOW LOAD ANGLE, ALTERNATE BETWEEN RAISING THE TRAILER AND PULLING THE AXLES FORWARD UNTIL THE APPROACH PLATE TOUCHES THE GROUND AND THE AXLES ARE COMPLETELY FORWARD.  
6. MAXIMUM ANGLE IS ONLY INTENDED IF REQUIRED FOR UNLOADING NON-POWERED PRODUCTS AND TO TRANSFER LOAD TO TRACTOR. TRANSFER LOAD TO TRACTOR BY RAISING DECK AND MOVING AXLES TOWARD REAR UNTIL LOAD IS FORWARD OF REAR AXLE. THIS TRANSFERRING LOAD TO TRACTOR.  
7. TO RETURN TO LEVEL POSITION, REVERSE STEPS USED TO TILT THE TRAILER.  
3-573-010127

**8** **IMPORTANT**  
CONNECT FEMALE HYDRAULIC COUPLER FROM TRACTOR WET KIT OR ENGINE PACKAGE TO MALE HYDRAULIC COUPLER AT FRONT OF TRAILER FIRST TO RELIEVE PRESSURE IN TRAILER LINES.  
105822

**9** **CAUTION**  
MAXIMUM CONCENTRATED LOAD IN A 10 FT. AREA 10,000 LBS.  
3-573-010134

**10** **CAUTION**  
MAXIMUM CONCENTRATED LOAD IN A 10 FT. AREA 20,000 LBS.  
3-573-010086

**11** **WARNING**  
A MINIMUM OF 5 WRAPS OF CABLE MUST BE LEFT ON DRUM  
3-573-010289

**12** LANDOLL CORPORATION  
1900 NORTH  
MANUFACTURED IN \_\_\_\_\_(MO/YR)  
DOT  
120056

**13** **WARNING**  
IN THE EVENT OF COLLISION OR DAMAGE TO BUMPER OR ENERGY PACK, REPLACEMENT IS MANDATORY BEFORE FURTHER OPERATION OF THE TRAILER  
10099

**14**

**15** **CAUTION**  
DO NOT HOOK WINCH LINE TO BUMPER. BUMPER MOVES WITH UNDERCARRIAGE.  
3-573-010031

**16**

**17** LANDOLL TRAILER DIVISION  
1400-429-5555  
1800-HAULOLL  
MANUFACTURED UNDER ONE OR MORE OF FOLLOWING PATENTS: 4126298, 4237710, 4361891, 4530654, 4556357, 4482607, 4628774.  
3-573-010298

**18** 800-662-8810 • www.mobilestorage.com

**19** THE MOBILE STORAGE GROUP®

**20**

**21**

**22**

**23**

**24**

|                  |                       |             |
|------------------|-----------------------|-------------|
| FRT OTR          | FRT INR               | FRT         |
| CAMSHAFT         | CAMSHAFT              | SLACK       |
| FRT CAM FOLLOWER | REAR CAM FOLLOWER     |             |
| REAR OTR         | REAR INR              | REAR        |
| CAMSHAFT         | CAMSHAFT              | SLACK       |
| CTR OTR          | CTR INR               | CTR         |
| CAMSHAFT         | CAMSHAFT              | SLACK       |
| CENTER ROLLER    | HOLD-DOWN CAMFOLLOWER | REAR ROLLER |
| LEFT SIDE        | RIGHT SIDE            | 142553      |

**25**

**26**

|   |   |
|---|---|
| TILT UP (BLK)<br>WINCH IN (WHT/BLK)<br>AXLE AHEAD (ORG)<br>140087 | TILT DOWN (RED)<br>WINCH OUT (RED/BLK)<br>AXLE BACK (GRN) |
|---|---|

**Figure 2-2: Decals**

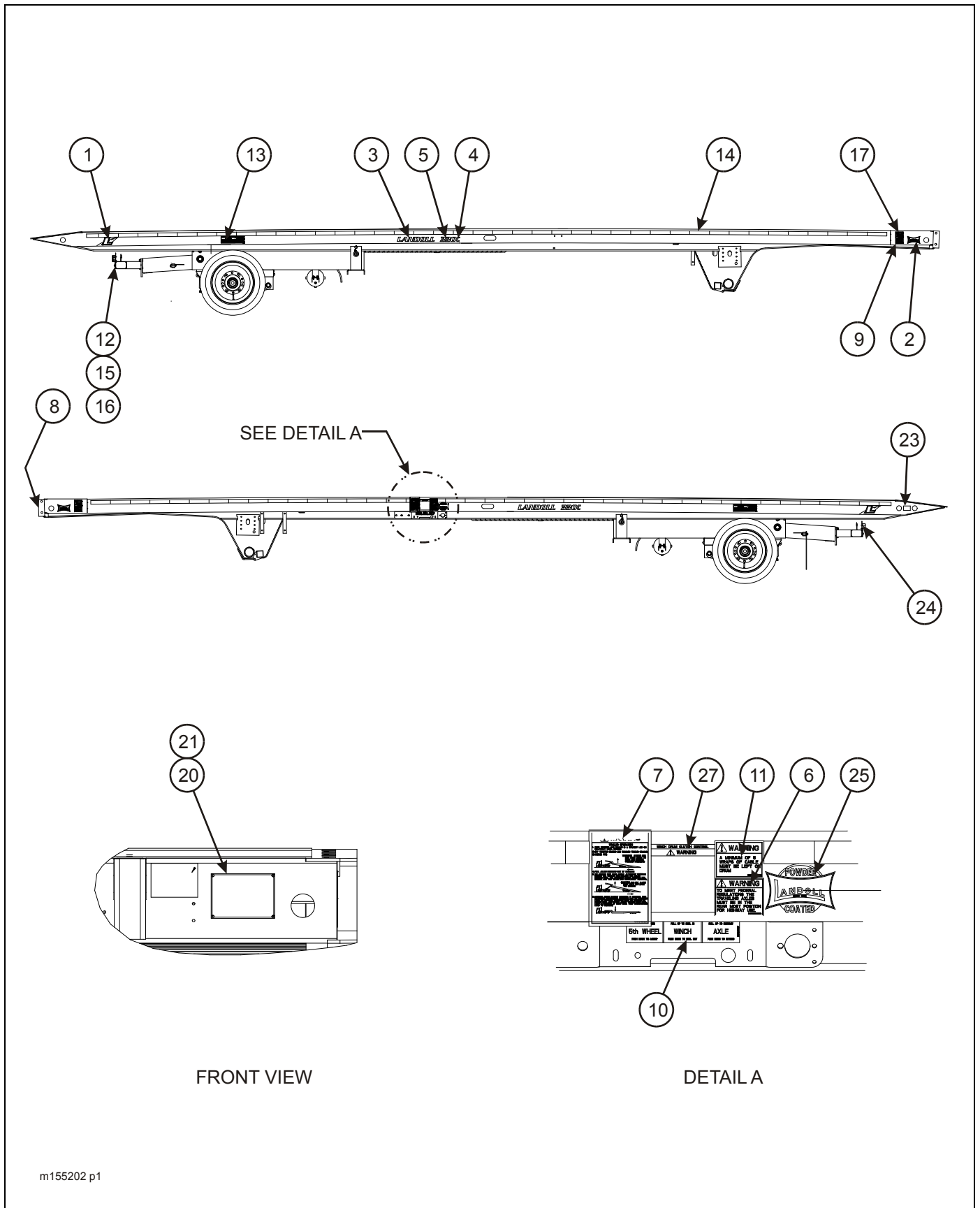


Figure 2-3: Decal Placement, Single Axle

# ILLUSTRATED PARTS LIST

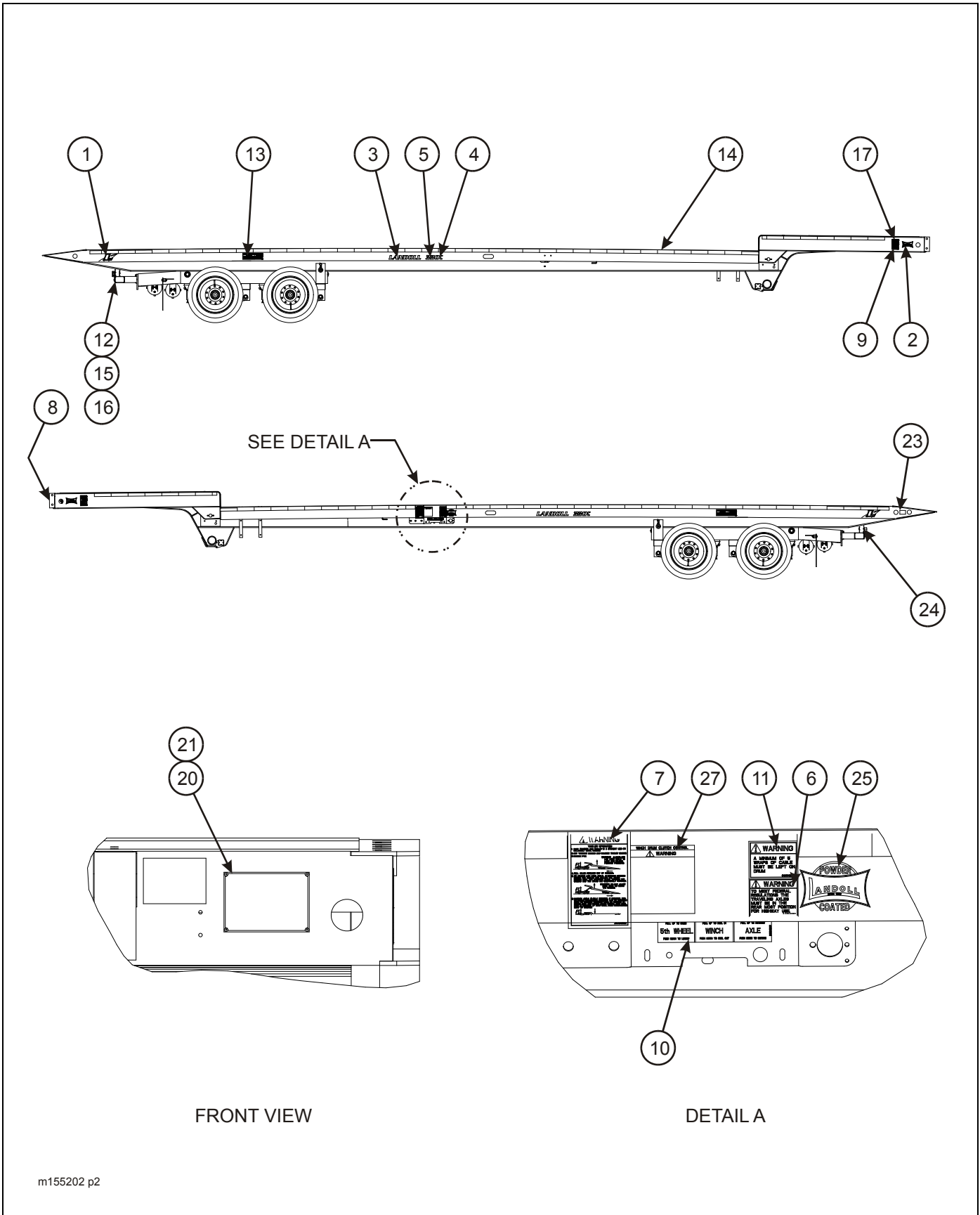


Figure 2-4: Decal Placement, Tandem Axle

## DECAL PLACEMENT

| ITEM | PART NO.     | DESCRIPTION   | QTY. |
|------|--------------|---|------|
| 1    | 153797       | DECAL, HWY L REFLECTIVE 5"                                | 8    |
| 2    | 153799       | DECAL, BOW TIE WHITE                                      | 4    |
|      | 153800       | DECAL, BOW TIE BLACK                                      | 4    |
| 3    | 153795       | DECAL, LANDOLL REFLECTIVE                                 | 4    |
| 4    | 153792       | DECAL, "C" REFLECTIVE                                     | 4    |
| 5    | 153730       | DECAL, 330 REFLECTIVE                                     | 2    |
| 6    | 3-573-010300 | DECAL, WARNING RIDE POSITION UNDERCARRIAGE                | 1    |
| 7    | 3-573-010127 | DECAL, OPERATION  | 1    |
| 8    | 105822       | DECAL, HYDRAULIC COUPLER                                  | 1    |
| 9    | 3-573-010134 | DECAL, CONCENTRATED LOAD 10,000 LB. (SINGLE AXLE)         | 2    |
|      | 3-573-010086 | DECAL, CONCENTRATED LOAD 20,000 LB. (TANDEM AXLE)         | 2    |
| 10   | 3-573-010057 | DECAL, INSTRUCTION  | 1    |
| 11   | 3-573-010299 | DECAL, WARNING WINCH                                      | 1    |
| 12   | 103055       | DECAL, ENERGY BUMPER CERT.                                | 1    |
| 13   | 3-573-010210 | DECAL, TORQUE SPEC 8-10 STUD HUB                          | 1    |
| 14   | 3-573-010377 | DECAL, REFLEXITE TAPE RED/WHITE                           | 48'  |
| 15   | 103056       | DECAL, ENERGY BUMPER WARNING                              | 1    |
| 16   | 3-573-010031 | DECAL, BUMPER   | 1    |
| 17   | 3-573-010298 | DECAL, PATENT TRAILERS AND TOLL FREE NO.                  | 2    |
| 18   | 148597       | DECAL, WWW.MOBILE   | 1    |
| 19   | 148598       | DECAL, MOBILE GROUP                                       | 1    |
| 20   | 155780       | INFORMATION FOR TRL VIN                                   | 1    |
| 21   | 12420301-017 | RIVET, BLIND .156 X 1/4 GRIP                              | 4    |
| 22   | 3-573-010378 | DECAL, 2 X10 REFLEXITE WHITE (NOT SHOWN) (SEE PAGE 2-109) | 2    |
| 23   | 101855       | WARNING LAMP LABEL, ABS                                   | 1    |
| 24   | 142553       | DECAL, GREASE TRAILER                                     | 1    |
| 25   | 153798       | DECAL, POWDER COATED REFLECTIVE                           | 1    |
| 26   | 140087       | DECAL, REMOTE   | 1    |
| 27   | 100600       | DECAL, WARNING WINCH                                      | 1    |

# ILLUSTRATED PARTS LIST

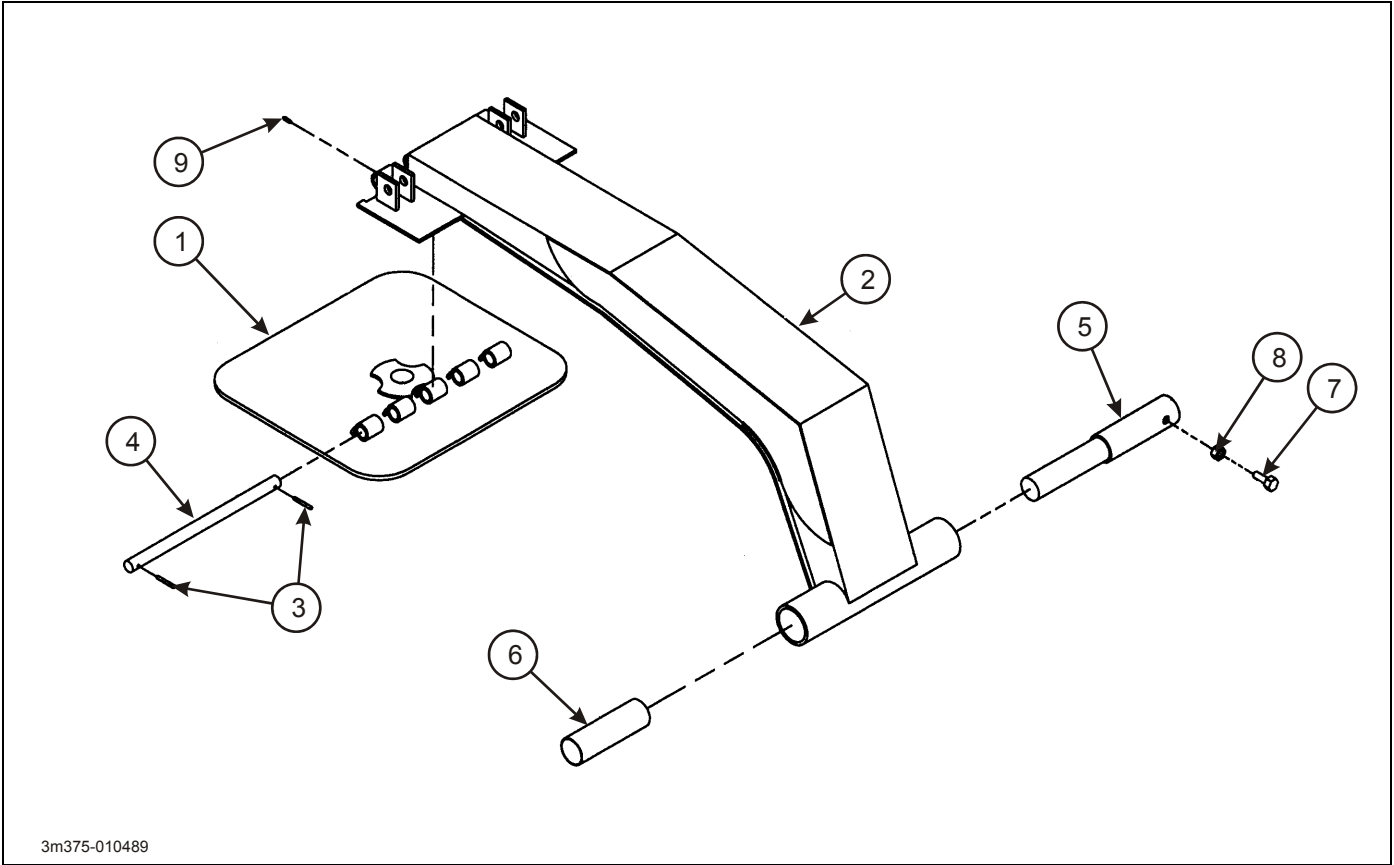
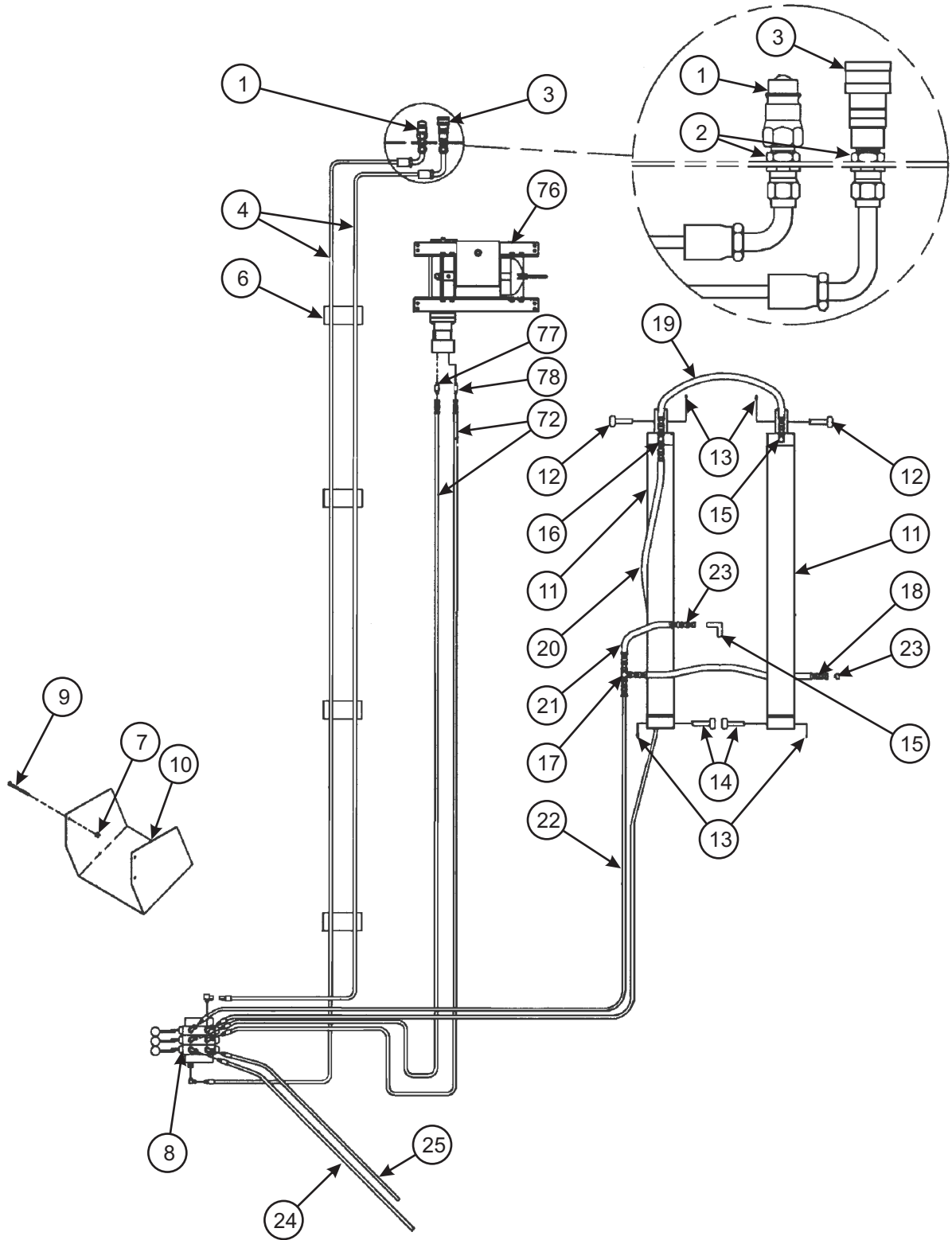


Figure 2-5: Fifth Wheel Assembly

## FIFTH WHEEL ASSEMBLY

| ITEM | PART NO.        | DESCRIPTION                            | QTY. |
|------|-----------------|--|------|
|      | 3-375-010489    | HITCH INSTALLATION                     | REF  |
| 1    | 3-375-010250    | HITCH PLATE 24"/30" KING PIN           | 1    |
|      | 3-375-010349    | HITCH PLATE 18" KING PIN               | 1    |
| 2    | 3-375-010292    | HITCH ASSEMBLY CONTAINER HAULER        | 1    |
| 3    | 1-647-010004255 | SPRING PIN SLOTTED 3/8 X2              | 2    |
| 4    | 3-557-010030    | HINGE PIN FIFTH WHEEL                  | 1    |
| 5    | 3-826-010015    | TUBE WELDMENT INNER FIFTH WHEEL        | 1    |
| 6    | 3-826-010014    | TUBE INNER HINGE FIFTH WHEEL           | 1    |
| 7    | 1-654-010061-07 | SCREW, HEX HEAD CAP 3/4-10 X 2-1/2 GR5 | 2    |
| 8    | 1-512-010005-15 | NUT, HEX LOCK 3/4-10 GRB               | 2    |
| 9    | 1-298-010001-1  | FITTING GRS STR SHORT 1/4-28           | 6    |

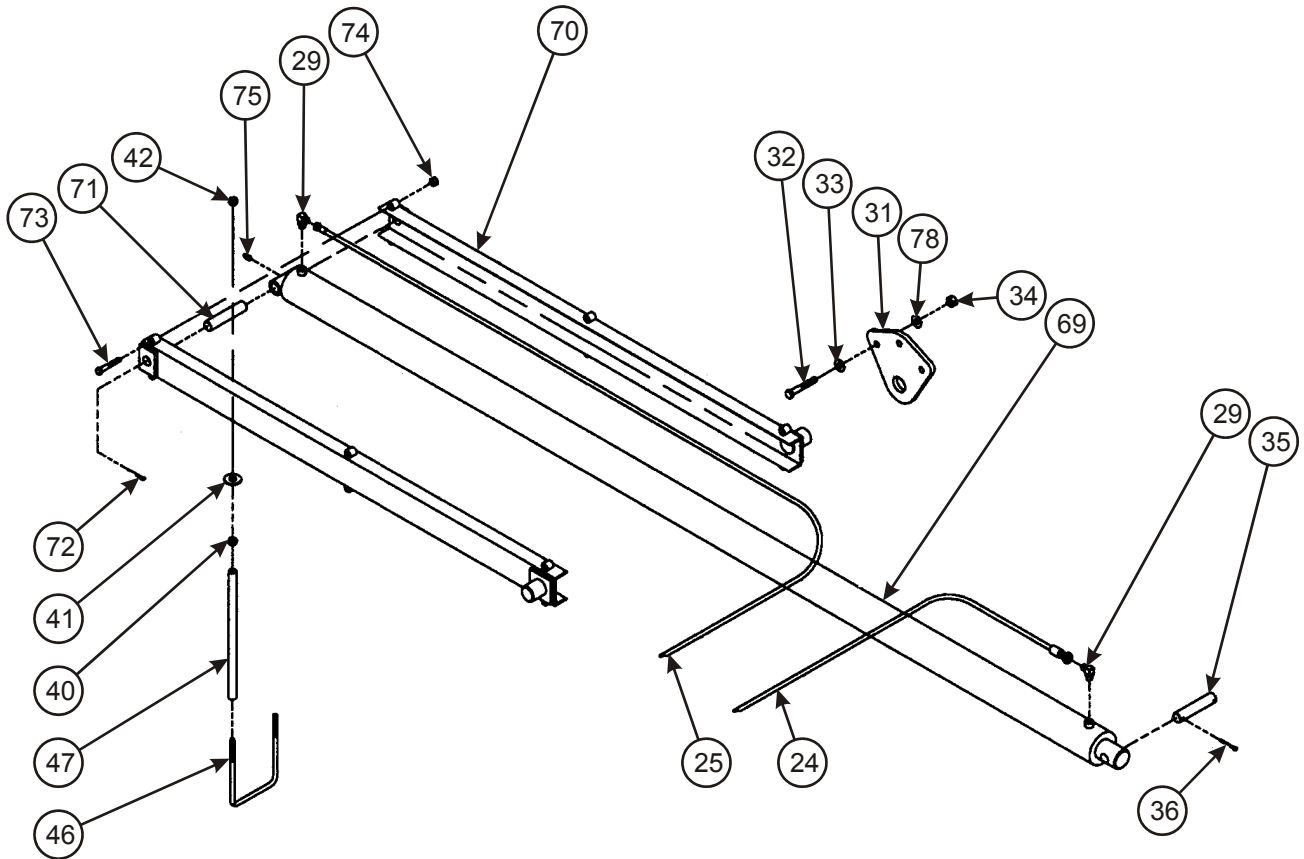




3ma407-010061a

Figure 2-6: Hydraulic System (1 of 3)

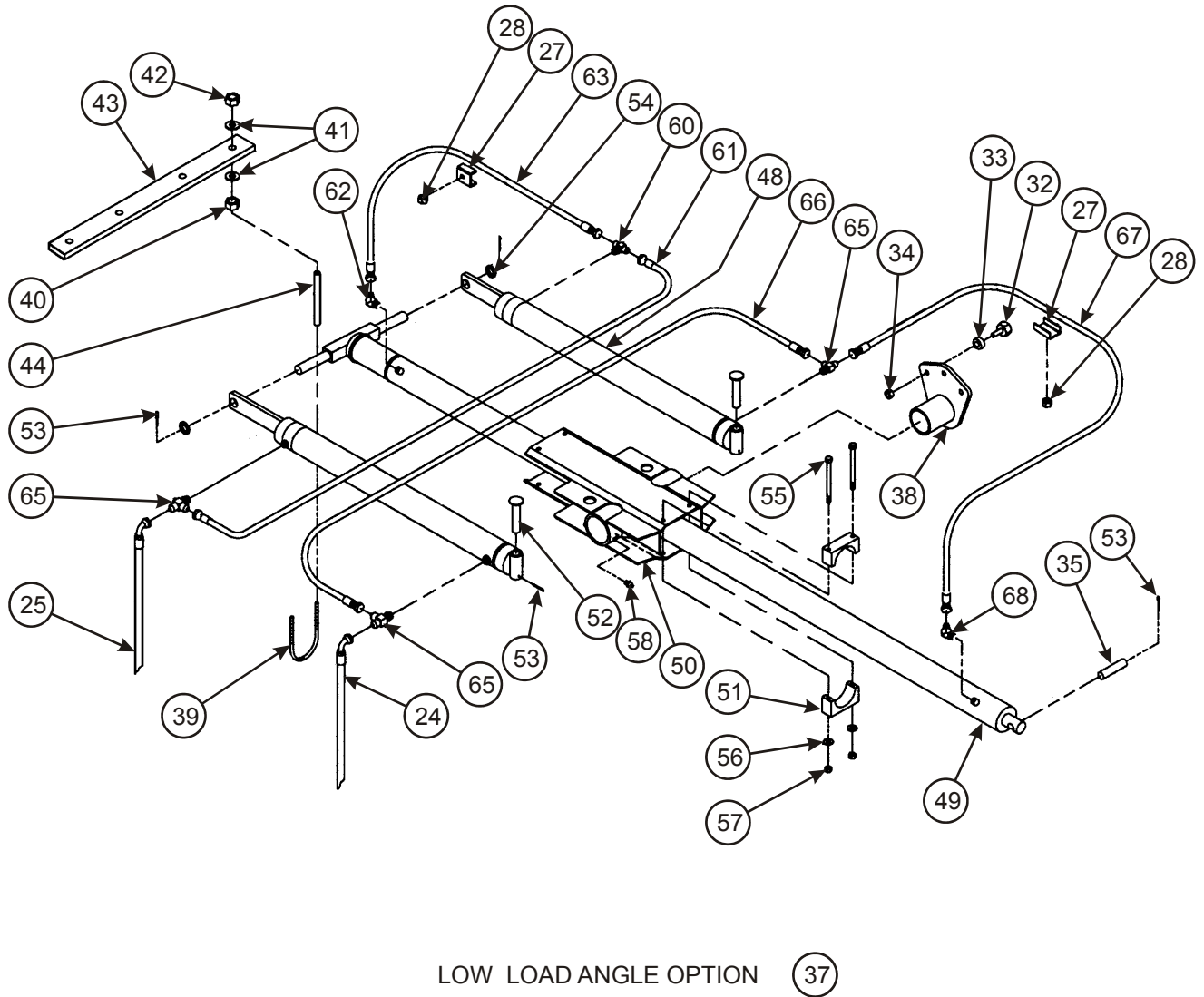
ILLUSTRATED PARTS LIST



STANDARD LOAD OPTION (26)

3mb407-010061

Figure 2-7: Hydraulic System, Standard Load Angle Option (2 of 3)



3mc407-010061

Figure 2-8: Hydraulic System, Low Load Angle Option (3 of 3)

## ILLUSTRATED PARTS LIST

### HYDRAULIC SYSTEM

| ITEM | PART NO.        | DESCRIPTION   | QTY. |
|------|-----------------|---|------|
|      | ----            | HYDRAULIC ELECTRICAL AIR                                  |      |
|      | 3-375-010489    | HITCH INSTALLATION - 42', 48', 51"                        | REF  |
|      | 3-873-010166    | WINCH INSTALLATION 12K/20K (ITEMS 76-78)                  | REF  |
| 1    | 105479          | COUPLER, FLAT FACE MALE                                   | 1    |
|      | 105481          | COUPLER, DUST CAP MALE                                    | 1    |
| 2    | 105483          | ADAPTER, BULKHEAD 12JIC-12ORING                           | 2    |
| 3    | 105480          | COUPLER, FLAT FACE FEMALE                                 | 1    |
|      | 105482          | COUPLER, DUST CAP FEMALE                                  | 1    |
| 4    | 1-397-010305254 | HOSE ASSEMBLY 3/4 X 254 (42')                             | 2    |
|      | 100064          | HOSE ASSEMBLY 3/4 X 302 (48')                             | 2    |
|      | 128028          | HOSE ASSEMBLY 3/4 X 362 (51')                             | 2    |
|      | 158040          | HOSE ASSEMBLY 3/4 X 280 (CHAIN DRIVE)                     | 2    |
| 6    | 3-181-010006    | HOSE CLAMP  | REF  |
| 7    | 1-510-010001    | NUT, FLANGE LOCK 3/8-16                                   | 8    |
| 8    | 148242          | VALVE ASSEMBLY 3 SPOOL (SEE PAGE 2-15)                    | 1    |
| 9    | 1-654-010051-05 | SCREW, HEX HEAD CAP 3/8-16 X 1 GR5                        | 8    |
| 10   | 3-681-010122    | SHIELD, CONTROL VALVE                                     | 1    |
| 11   | 3-242-010099    | CYLINDER, HYDRAULIC 4X42 (SEE PAGE 2-12)                  | 2    |
| 12   | 3-557-010059    | PIN, CYLINDER ROD END                                     | 2    |
| 13   | 1-557-010362-54 | PIN, COTTER 3/16 X 2-1/4                                  | 4    |
| 14   | 3-557-010033    | PIN, CYLINDER BUTT END                                    | 2    |
| 15   | 2062-8-8S       | ADAPTER, 90   | 3    |
| 16   | 203003-8-8S     | ADAPTER, TEE  | 1    |
| 17   | 2033-8-8S       | ADAPTER, TEE  | 1    |
| 18   | 1-397-010301048 | HOSE ASSEMBLY 1/2 X 48 (24" KINGPIN)                      | 1    |
|      | 1-397-010301064 | HOSE ASSEMBLY 1/2 X 64 (18" KINGPIN DROP DECK)            | 1    |
| 19   | 107756          | HOSE ASSEMBLY 1/2 X 24                                    | 1    |
| 20   | 1-397-010301220 | HOSE ASSEMBLY 1/2 X 220 (42')                             | 1    |
|      | 1-397-010301268 | HOSE ASSEMBLY 1/2 X 268 (48')                             | 1    |
|      | 1-397-010301304 | HOSE ASSEMBLY 1/2 X 304 (51')                             | 1    |
| 21   | 1-397-010301028 | HOSE ASSEMBLY 1/2 X 28                                    | 1    |
| 22   | 1-397-010301122 | HOSE ASSEMBLY 1/2 X 122 (42')                             | 1    |
|      | 1-397-010301194 | HOSE ASSEMBLY 1/2 X 194 (48')                             | 1    |
|      | 1-397-010301238 | HOSE ASSEMBLY 1/2 X 238 (51')                             | 1    |
| 23   | 3-846-010155    | VALVE RESTR. 1/16-ONE WAY(DIRECT REPLACEMENT) (42' & 48') | 2    |
|      | 3-846-010156    | VALVE RESTR. 3/64-ONE WAY (DIRECT REPLACEMENT) (51')      | 2    |
| 24   | 100063          | HOSE ASSEMBLY 1/2 X 92 (STD LOAD ANGLE)                   | 1    |
|      | 1-397-010302112 | HOSE ASSEMBLY 1/2 X 112 (LOW LOAD ANGLE)                  | 1    |
|      | 1-397-010301238 | HOSE ASSEMBLY 1/2 X 238 (CHAIN DRIVE)                     | 1    |
| 25   | 1-397-010301130 | HOSE ASSEMBLY 1/2 X 130 (STD LOAD ANGLE)                  | 1    |
|      | 1-397-010302042 | HOSE ASSEMBLY 1/2 X 42 (LOW LOAD ANGLE)                   | 1    |
|      | 51039-23        | HOSE ASSEMBLY 1/2 X 16 (CHAIN DRIVE)                      | 1    |
| 26   | 3-242-010153    | CYLINDER ASSEMBLY (STD LOAD ANGLE)(ITEMS 69-75)           | 1    |
| 27   | 2-181-010001    | HOSE CLAMP (LOW LOAD ANGLE)                               | 2    |
| 28   | 1-510-010001    | NUT, FLANGE LOCK 3/8-16 (LOW LOAD ANGLE)                  | 2    |
| 29   | 2062-8-8S       | ADAPTER, 90 (STD LOAD ANGLE)                              | 2    |
| 30   | 1-796-010003-02 | TY-WRAP (STD LOAD ANGLE) (NOT SHOWN)                      | 12   |
| 31   | 3-125-010241    | BRACKET, CYLINDER MOUNT (STD LOAD ANGLE)                  | 2    |
| 32   | 1-654-010061-06 | SCREW, HEX HEAD CAP 3/4-10 X 2-1/4 GR5                    | 6    |

## HYDRAULIC SYSTEM

| ITEM | PART NO.        | DESCRIPTION                                      | QTY. |
|------|-----------------|--|------|
| 33   | 3-861-010038    | WASHER, STEP                                     | 6    |
| 34   | 1-512-010005-15 | NUT, HEX LOCK 3/4-10 GRB                         | 6    |
| 35   | 3-557-010120    | PIN, UNDERCARRIAGE CYLINDER                      | 1    |
| 36   | 1-557-010362-54 | PIN, COTTER 3/16 X 2-1/4                         | 2    |
| 37   | 3-242-010152-02 | CYLINDER ASSEMBLY (LOW LOAD ANGLE) (ITEMS 48-68) | 1    |
| 38   | 3-125-010244    | BRACKET WELDMENT, CYLINDER TRUN (LOW LOAD ANGLE) | 2    |
| 39   | 3-102-010022    | U BOLT, CYLINDER SUPPORT (LOW LOAD ANGLE)        | 2    |
| 40   | 1-512-010007-09 | NUT, HEX 1/2-13 GR2                              | 2,4* |
| 41   | 1-861-010032-15 | WASHER, FLAT 1/2W                                | 4,8* |
| 42   | 1-512-010005-09 | NUT, HEX LOCK 1/2-13 GRB                         | 2,4* |
| 43   | 3-146-010001    | RUBBER BUMPER CYLINDER (LOW LOAD ANGLE)          | 1    |
| 44   | 1-397-010010016 | HOSE, HYDRAULIC 1/2 X16 (LOW LOAD ANGLE)         | 2    |
| 46   | 3-102-010048    | U-BOLT, 7-5/8 X 10 (STD LOAD ANGLE)              | 1    |
| 47   | 2750-8          | HOSE, AIR BRAKE 1/2 X 20 (STD LOAD ANGLE)        | AR   |
| 48   | 3-242-010099    | HYDRAULIC CYLINDER WELDMENT (SEE PAGE 2-12)      | 2    |
| 49   | 3-242-010103    | CYLINDER, HYDRAULIC 4 X 126 (SEE PAGE 2-13)      | 1    |
| 50   | 3-120-010125    | CYLINDER TRUNNION ASSEMBLY                       | 1    |
| 51   | 3-120-010117    | NYLATRON BEARING                                 | 4    |
| 52   | 3-557-010031    | PIN, CYLINDER BUTT END                           | 2    |
| 53   | 1-557-010362-54 | PIN, COTTER 3/16 X 2-1/4                         | 4    |
| 54   | 3-150-010223    | BUSHING  | 2    |
| 55   | 1-654-010059-21 | SCREW, HEX HEAD CAP 5/8-11 X 8 GR5               | 4    |
| 56   | 1-861-010032-19 | WASHER, FLAT 5/8W                                | 4    |
| 57   | 1-512-010005-13 | NUT, HEX LOCK 5/8-11 GRB                         | 4    |
| 58   | 1-298-010001-1  | ZERK FITTING, 1/4                                | 4    |
| 59   | 1-161-010033-04 | CAP, PLASTIC TAPERED 1/2 (NOT SHOWN)             | 2    |
| 60   | 203003-8-8S     | ADAPTER, TEE                                     | 1    |
| 61   | 1-397-010301039 | HOSE ASSEMBLY                                    | 1    |
| 62   | 2061-8-8S       | ADAPTER, 45                                      | 1    |
| 63   | 1-397-010302070 | HOSE ASSEMBLY 1/2 X 70                           | 1    |
| 65   | 203005-8-8S     | ADAPTER, TEE                                     | 3    |
| 66   | 1-397-010301042 | HOSE ASSEMBLY 1/2 X 42                           | 1    |
| 67   | 107486          | HOSE ASSEMBLY 1/2 X 90                           | 1    |
| 68   | 2062-8-8S       | ADAPTER, 90                                      | 1    |
| 69   | 3-242-010102    | CYLINDER, HYDRAULIC 4X126 O-RING (SEE PAGE 2-13) | 1    |
| 70   | 3-120-010073    | BRACKET ASSEMBLY, CYLINDER TRUNNION              | 2    |
| 71   | 3-557-010033    | PIN, CYLINDER BUTT END                           | 1    |
| 72   | 1-397-010302240 | HOSE ASSEMBLY 1/2 X 240                          | 2    |
|      | 100062          | HOSE ASSEMBLY 1/2 X 286                          | 2    |
|      | 1-397-010302172 | HOSE ASSEMBLY 1/2 X 172                          | 2    |
| 73   | 1-654-010055-17 | SCREW, HEX HEAD CAP 1/2-13 X 6 GR5               | 6    |
| 74   | 1-512-010005-09 | NUT, HEX LOCK 1/2-13 GRB                         | 6    |
| 75   | 1-298-010001-1  | FITTING, GREASE 1/4-28                           | 1    |
| 76   | -----           | WINCH ASSEMBLY (SEE PAGES 2-56 THRU 2-81)        | 1    |
| 77   | 202702-10-8S    | ADAPTER  | 2    |
| 78   | 1-861-010032-21 | WASHER, FLAT 3/4W                                | 6    |
| 79   | 207-8-8S        | ADAPTER 90, #8 FLR SWIVEL #8JIC                  | 2    |

\*THE FIRST QUANTITY LISTED IS FOR THE STANDARD LOAD ANGLE, THE SECOND QUANTITY IS FOR THE LOW LOAD ANGLE.

## ILLUSTRATED PARTS LIST

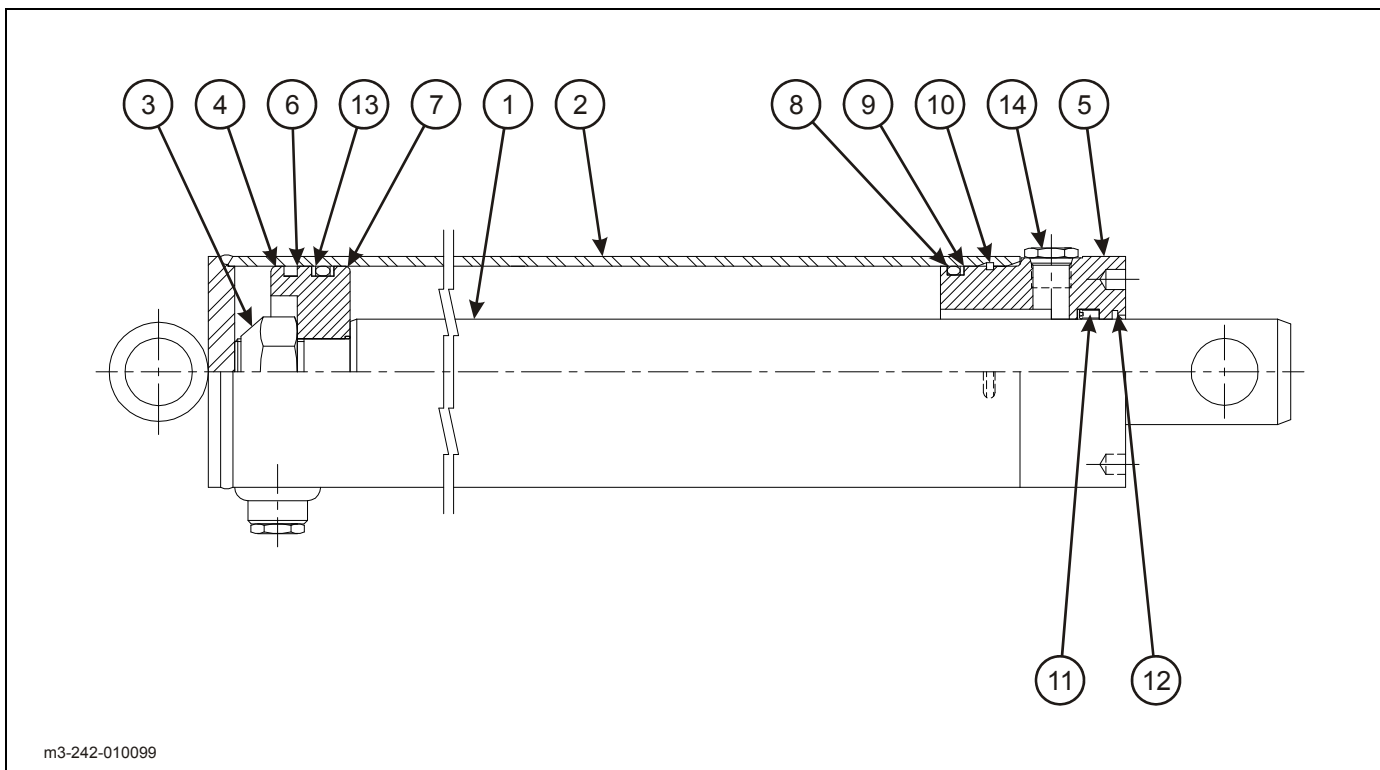


Figure 2-9: Trailer Tilt Cylinder Assembly

## TRAILER TILT CYLINDER

| ITEM | PART NO.     | DESCRIPTION                                 | QTY. |
|------|--------------|---|------|
|      | 3-242-010099 | CYLINDER, HYDRAULIC 4"X 42" (TILT CYLINDER) |      |
| 1    | 011100550    | PISTON ROD                                  | 1    |
| 2    | ----         | BUTT AND TUBE ASSEMBLY                      | 1    |
| 3    | ----         | LOCKNUT (1-1/4-12)                          | 1    |
| 4    | ----         | PISTON                                      | 1    |
| 5    | 081900295    | GLAND                                       | 1    |
| 6    | ----         | PISTON RING                                 |      |
| 7    | ----         | O-RING                                      | 2    |
| 8    | ----         | O-RING                                      | 1    |
| 9    | ----         | BU-WASHER                                   | 2    |
| 10   | ----         | RETAINER SQUARE WIRE                        | 1    |
| 11   | ----         | U-CUP                                       | 1    |
| 12   | ----         | WIPER                                       | 1    |
| 13   | ----         | BU-WASHER                                   | 1    |
| 14   | ----         | SAE ORB PLUG                                | 2    |
| *15  | ----         | INSTALLATION RING (NOT SHOWN)               | 1    |
| *16  | ----         | O-RING (NOT SHOWN)                          | 1    |
| *17  | ----         | BU-WASHER (NOT SHOWN)                       | 2    |
| *18  | ----         | SNAP RING (NOT SHOWN)                       | 1    |
|      | 163800       | PACKING KIT (INCL ITEMS 6-13, 15-18)        |      |

\* INCLUDED W/ REPLACEMENT PACKING KIT ONLY

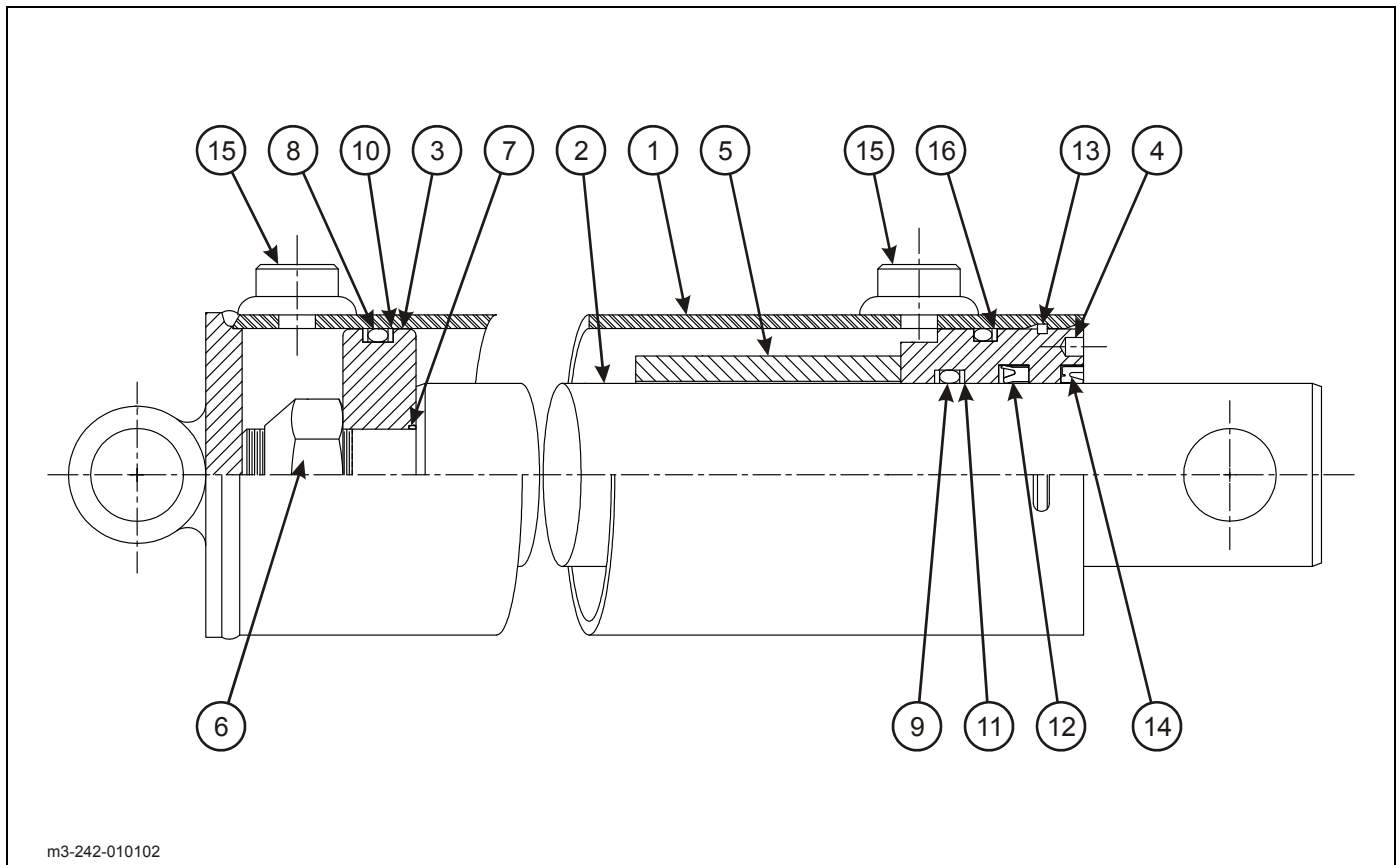
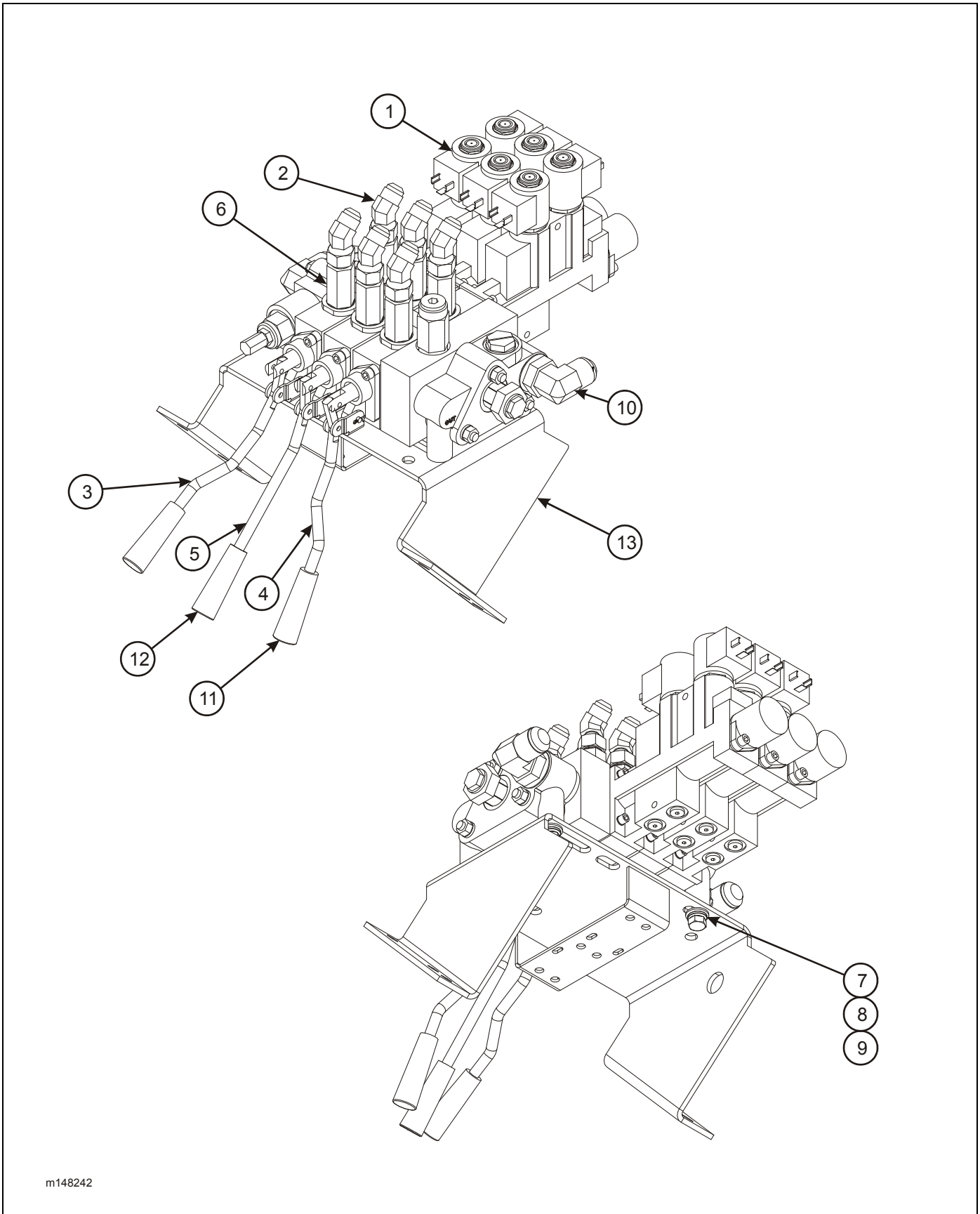


Figure 2-10: Trailer Tilt Cylinder Assembly

## UNDERCARRIAGE SLIDE CYLINDER

| ITEM | PART NO.     | DESCRIPTION   | QTY. |
|------|--------------|---|------|
|      | 3-242-010102 | CYLINDER, HYDRAULIC 4" X 126" (STANDARD LOAD ANGLE) |      |
|      | 3-242-010103 | CYLINDER, HYDRAULIC 4" X 126" (LOW LOAD ANGLE)      | 1    |
| 1    | ----         | BUTT AND TUBE ASSEMBLY                              | 1    |
| 2    | 011300179    | PISTON ROD  | 1    |
| 3    | ----         | PISTON  | 1    |
| 4    | 081900277    | GLAND   | 1    |
| 5    | ----         | SPACER  | 1    |
| 6    | ----         | LOCKNUT (1-1/4-12)                                  | 1    |
| 7    | ----         | O-RING  | 1    |
| 8    | ----         | O-RING  | 2    |
| 9    | ----         | O-RING  | 1    |
| 10   | ----         | BU-WASHER   | 2    |
| 11   | ----         | BU-WASHER   | 2    |
| 12   | ----         | U-CUP   | 1    |
| 13   | ----         | SQ. RETAINING RING                                  | 1    |
| 14   | ----         | WIPER   | 1    |
| 15   | ----         | SAE ORB PLUG  | 2    |
| 16   | ----         | BU-WASHER   | 1    |
| 17   | ----         | INSTALLATION RING (NOT SHOWN)                       | 1    |
| 18   | ----         | WIPER (NOT SHOWN)                                   | 1    |
|      | 160542       | PACKING KIT (INCL ITEMS 7-14, 16-18)                |      |

# ILLUSTRATED PARTS LIST



m148242

Figure 2-11: Valve Assembly, Three Spool



**VALVE ASSEMBLY, THREE SPOOL**

| ITEM | PART NO.        | DESCRIPTION                                  | QTY. |
|------|-----------------|--|------|
|      | 148242          | VALVE ASSEMBLY                               |      |
| 1    | 148240          | VALVE, 3 STACK 2ND MOTOR SOL (SEE PAGE 2-17) | 1    |
| 2    | 121031          | ADAPTER 45                                   | 6    |
| 3    | 136377          | VALVE HANDLE, RH FORMED                      | 1    |
| 4    | 136378          | VALVE HANDLE, LH FORMED                      | 1    |
| 5    | 139519          | VALVE HANDLE, CENTER FORMED                  | 1    |
| 6    | 140893          | ADAPTER, STR                                 | 6    |
| 7    | 1-654-010051-05 | SCREW, HEX HEAD CAP 3/8-16 X 1 GR5           | 3    |
| 8    | 1-861-010032-10 | WASHER, FLAT 3/8N                            | 3    |
| 9    | 1-861-010034-11 | WASHER, SPLIT LOCK 3/8                       | 3    |
| 10   | 2062-10-12S     | ADAPTER 90                                   | 2    |
| 11   | 3-360-010072    | HANDLE, PLASTIC BLACK                        | 2    |
| 12   | 3-360-010090    | HANDLE, PLASTIC RED                          | 1    |
| 13   | 3-482-010575    | MOUNT WELDMENT, VALVE                        | 1    |

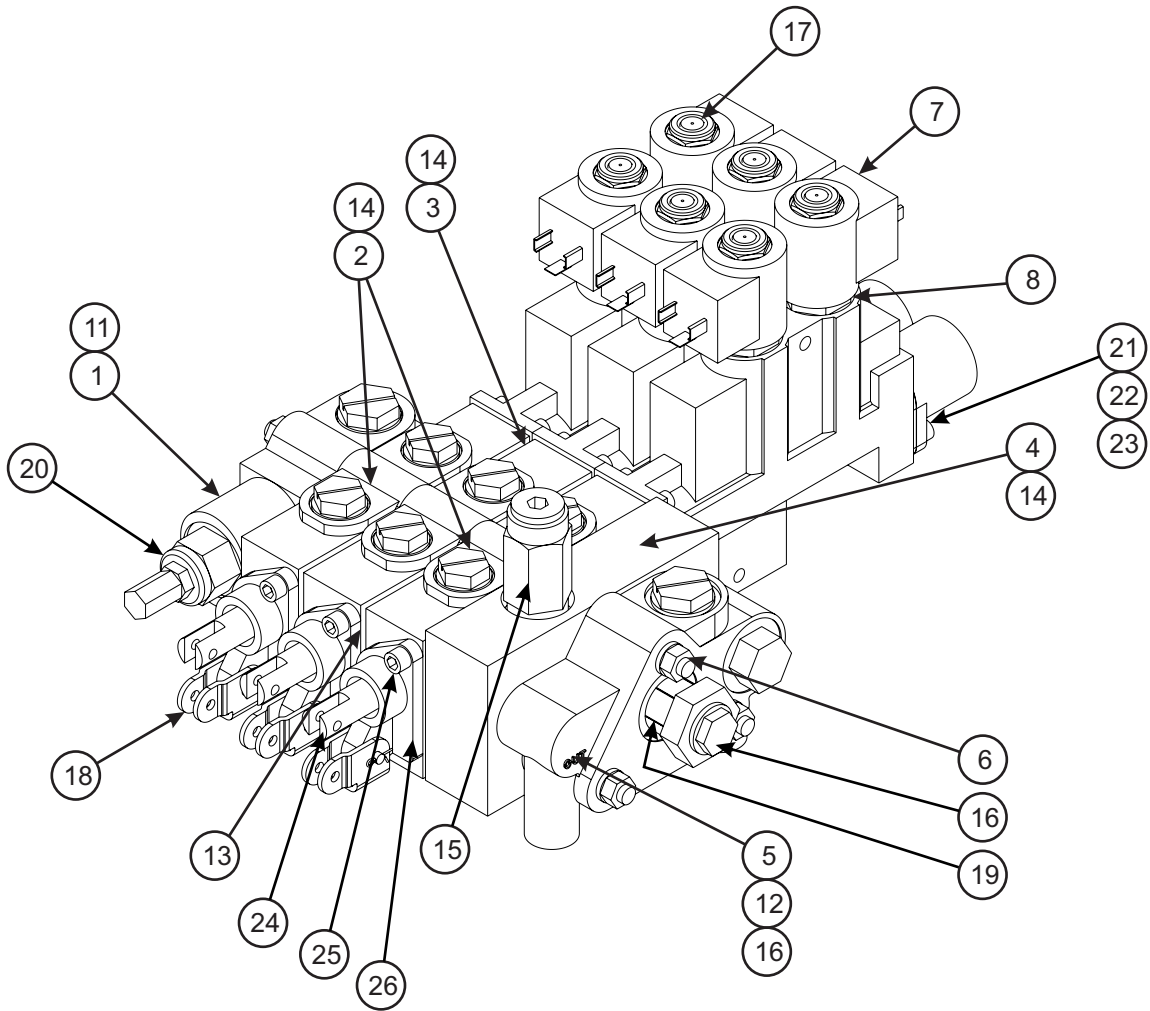


Figure 2-12: Three Stack Valve

## THREE STACK VALVE

| ITEM | PART NO.  | DESCRIPTION   | QTY. |
|------|-----------|---|------|
|      | 148240    | THREE STACK VALVE   | REF  |
| 1    | 149526    | INLET SECTION KIT   | 1    |
| 2    | 149527    | VALVE SECTION KIT   | 1    |
| 3    | 149528    | VALVE SECTION KIT   | 1    |
| 4    | 149529    | VALVE SECTION KIT   | 1    |
| 5    | 142483    | OUTLET SECTION KIT  | 1    |
| 6    | 149530    | TIEROD KIT <b>(ONE PER VALVE ASSEMBLY)</b>                              | 1    |
| 7    | 142484    | COIL <b>(ONE PER SECTION)</b>   | 1    |
| 8    | 142485    | CARTRIDGE <b>(ONE PER SECTION)</b>                                      | 6    |
| 9    | 142486    | COIL CARTRIDGE ASSEMBLY <b>(TWO PER SECTION) (INCL ITEMS 7 &amp; 8)</b> | 6    |
| 10   | 114553    | SEAL KIT FOR PRINCE VALVE <b>(ONE PER VALVE) (INCL ITEMS 11-14)</b>     | 1    |
| 11   | 660580002 | SEAL KIT FOR INLET SECTION <b>(ONE PER SECTION)</b>                     | REF  |
| 12   | 660580003 | SEAL KIT FOR OUTLET SECTION <b>(ONE PER SECTION)</b>                    | REF  |
| 13   | 660580004 | O-RING SEAL KIT FOR BETWEEN SECTIONS <b>(ONE PER SECTION)</b>           | REF  |
| 14   | 660580005 | SEAL KIT FOR SOLENOID WORK SECTION <b>(ONE PER SECTION)</b>             | REF  |
| 15   | 149030    | PRESSURE REDUCING CARTRIDGE IN UTILITY SECTION <b>(149529)</b>          | 1    |
| 16   | 151823    | PRESSURE BUILD UP CARTRIDGE IN OUTLET SECTION <b>(142483)</b>           | 1    |
| 17   | 143141    | COIL NUT  | 6    |
| 18   | 169843    | PIN/CLEVIS KIT  | 3    |
| 19   | 138179    | CARTRIDGE POWER BEYOND PRESSURE   | 1    |
| 20   | 182089    | CARTRIDGE RELIEF 2500PSI  | 1    |
| 21   | 671400033 | COVER, SPOOL END  | 3    |
| 22   | 670500045 | SPOOL BACK UP WASHER  | 3    |
| 23   | 240000208 | O-RING  | 3    |
| 24   | 671900011 | BASE HANDLE   | 3    |
| 25   | 120749    | SCREW 170003017 PDC   | 3    |
| 26   | 671400040 | CLEVIS ASSEMBLY   | 3    |
| 27   | 660580024 | O-RING KIT <b>(SEAL KIT BETWEEN SECTIONS)(NOT SHOWN)</b>                | 1    |
| 28   | 660585006 | SEAL KIT PILOT BETWEEN SECTIONS <b>(NOT SHOWN)</b>                      | 4    |

# ILLUSTRATED PARTS LIST

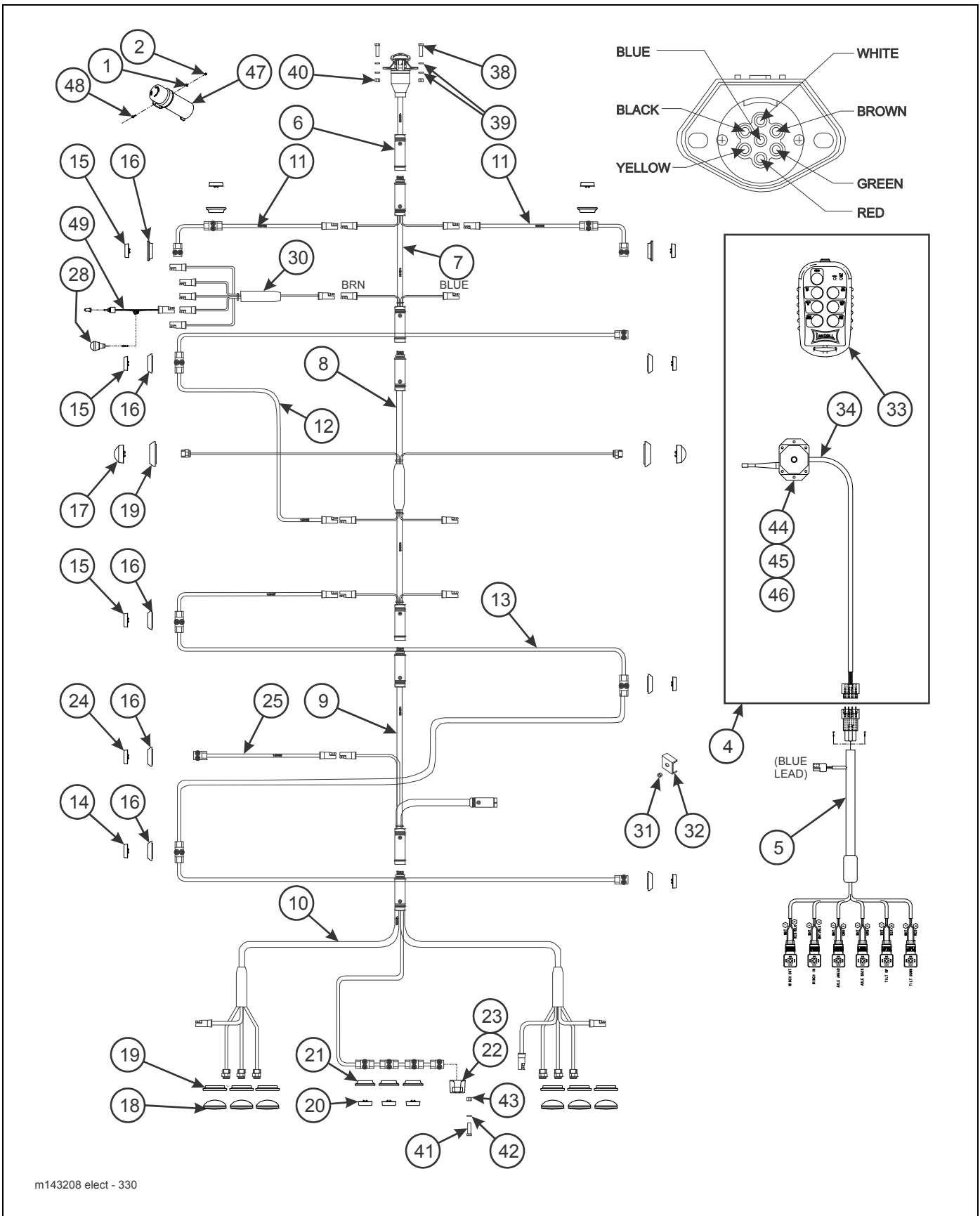


Figure 2-13: Electrical System

## ELECTRICAL SYSTEM

| ITEM | PART NO.        | DESCRIPTION  | QTY. |
|------|-----------------|--|------|
| 1    | 1-861-010032-07 | WASHER, FLAT 1/4   | 6    |
| 2    | 1-512-010005-01 | NUT, HEX LOCK 1/4-20 GRB   | 3    |
| 3    | 1-796-010003-02 | TIE WRAPS (NOT SHOWN)  | 2    |
| 4    | 168648          | REMOTE, KAR-TECH SLIDE AX (HARDWARE NOT INCLUDED)<br>(INCL. ITEMS 33-36) | 1    |
| 5    | 140083          | HARNESS ASSEMBLY, KAR-TECH   | 1    |
| 6    | 143100          | HARNESS, 7 WAY RECEPTACLE  | 1    |
| 7    | 143101          | HARNESS, FRONT MAIN  | 1    |
| 8    | 143102          | HARNESS, BED MAIN  | 1    |
| 9    | 143103          | HARNESS, E-CHAIN   | 1    |
| 10   | 143104          | HARNESS, BUMPER  | 1    |
| 11   | 143105          | HARNESS, MARKER FRONT CORNER   | 2    |
| 12   | 143106          | HARNESS, MARKER FRONT BED  | 1    |
| 13   | 143107          | HARNESS, MARKER REAR BED   | 1    |
| 14   | 143108          | LIGHT, RED LED 2.5 CL/MARKER   | 2    |
| 15   | 143109          | LIGHT, YELLOW LED 2.5 CL/MARKER  | 8    |
| 16   | 143110          | GROMMET, 2.5 SURFACE MOUNT   | 11   |
| 17   | 169410          | LIGHT, YELLOW AUXILIARY TURN   | 2    |
| 18   | 143113          | LIGHT, RED LED OVAL STT  | 6    |
| 19   | 143114          | GROMMET, OVAL  | 8    |
| 20   | 143115          | LIGHT, RED LED RECTANGLE CLEARANCE                                       | 3    |
| 21   | 143116          | GROMMET, RECTANGLE   | 3    |
| 22   | 143117          | LIGHT, CLEAR LED LICENSE   | 1    |
| 23   | 143118          | BRACKET, LIGHT LICENSE   | 1    |
| 24   | 143119          | LIGHT, YELLOW LED ABS  | 1    |
| 25   | 143120          | HARNESS, ABS LAMP  | 1    |
| 26   | 143122          | CLAMP, HARNESS (NOT SHOWN)   | 4    |
| 28   | 26331           | LIGHT, PANEL   | 1    |
| 30   | 150093          | HARNESS, 5 AUXILIARY BRANCHES  | 1    |
| 31   | 1-510-010001    | NUT, FLANGE 3/8-16   | AR   |
| 32   | 2-181-010001    | CLAMP, HOSE  | AR   |
| 33   | 168975          | MACRO TRANSMITTER W/ DECAL   | 1    |
| 34   | 143126          | MINI AND MACRO RECEIVER, 6 FUNCTION W/ TEACH BUTTON                      | 1    |
| 35   | 168976          | CAR CHARGER 12V TO MICRO USB (NOT SHOWN)                                 | 1    |
| 36   | 168982          | WALL CHARGER 120V TO MICRO USB (NOT SHOWN)                               | 1    |
| 38   | 1-654-010049-06 | SCREW, HEX HEAD CAP 5/16-18 X 1  | 2    |
| 39   | 1-861-010032-09 | WASHER, FLAT 5/16W   | 4    |
| 40   | 1-512-010005-03 | NUT, HEX LOCK 5/16-18  | 2    |
| 41   | 1-656-010003051 | SCREW, RD HEAD SQ NECK 10-24 X 3/4                                       | 2    |
| 42   | 1-861-010034-07 | WASHER, FLAT #10   | 2    |
| 43   | 1-512-010007-03 | NUT, HEX LOCK 10-24  | 2    |
| 44   | 1-654-010047-06 | SCREW, HEX HEAD CAP 1/4-20 X 1 GR5                                       | 2    |
| 45   | 1-861-010032-06 | WASHER, FLAT 1/4N  | 4    |
| 46   | 108417          | NUT, HEX FLANGE SPIRAL 1/4-20  | 2    |
| 47   | 150076          | MANUAL HOLDER  | 1    |
| 48   | 1-654-010047-05 | SCREW, HEX HEAD CAP 1/4-20 X 7/8 GR5                                     | 3    |
| 49   | 150117          | TOGGLE SWITCH SEALED SPST  | 1    |

# ILLUSTRATED PARTS LIST

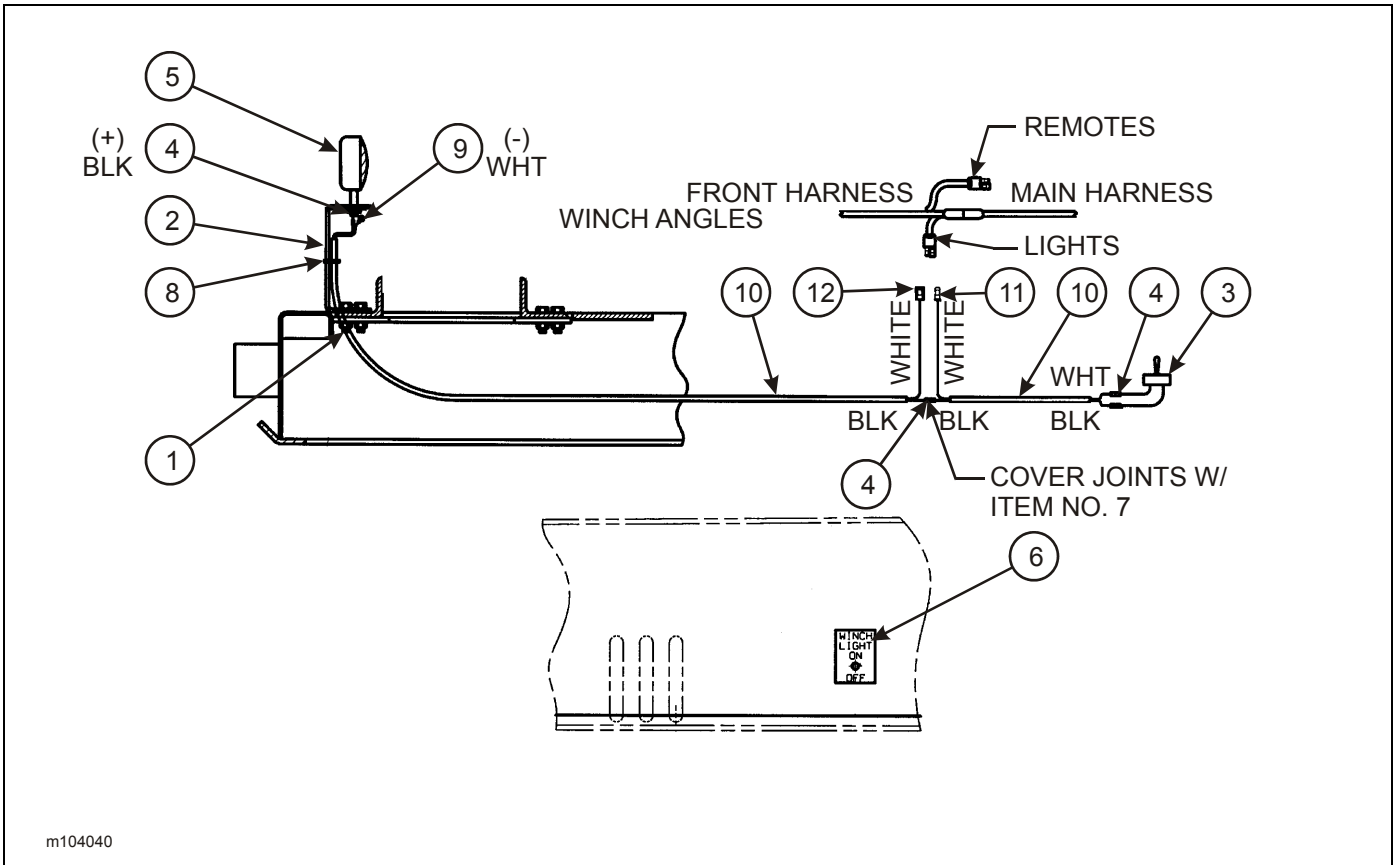


Figure 2-14: Electrical System, Winch Light

## ELECTRICAL SYSTEM, WINCH LIGHT

| ITEM | PART NO.        | DESCRIPTION                            | QTY. |
|------|-----------------|--|------|
|      | 104040          | ELECTRICAL SYSTEM WINCH LIGHT          |      |
| 1    | 1-654-010055-07 | SCREW, HEX HEAD CAP 1/2-13 X 2-1/2 GR5 | 2    |
| 2    | 3-120-010485    | BRACKET, WINCH LIGHT, UPPER DECK       | 1    |
| 3    | 3-272-010017    | TOGGLE SWITCH                          | 1    |
| 4    | 3-272-010021    | ELECT. BUTT SPLICE                     | 4    |
| 5    | 64181           | RECTANGLE QUARTZ HALOGEN LAMP          | 1    |
| 6    | 3-573-010273    | DECAL, WINCH LIGHT                     | 1    |
| 7    | 3-201-010002    | CONDUIT, 3/8 PLASTIC FLEX              | AR   |
| 8    | 1-796-010003-01 | TIE STRAP, PLASTIC                     | 5    |
| 9    | 239-3646-7      | TERMINAL RING                          | 1    |
| 10   | 3-156-010008    | CABLE, TWO CONDUCTOR                   | AR   |
| 11   | 104043          | CONNECTOR, MALE BULLET                 | 1    |
| 12   | 104044          | CONNECTOR, FEMALE BULLET               | 1    |

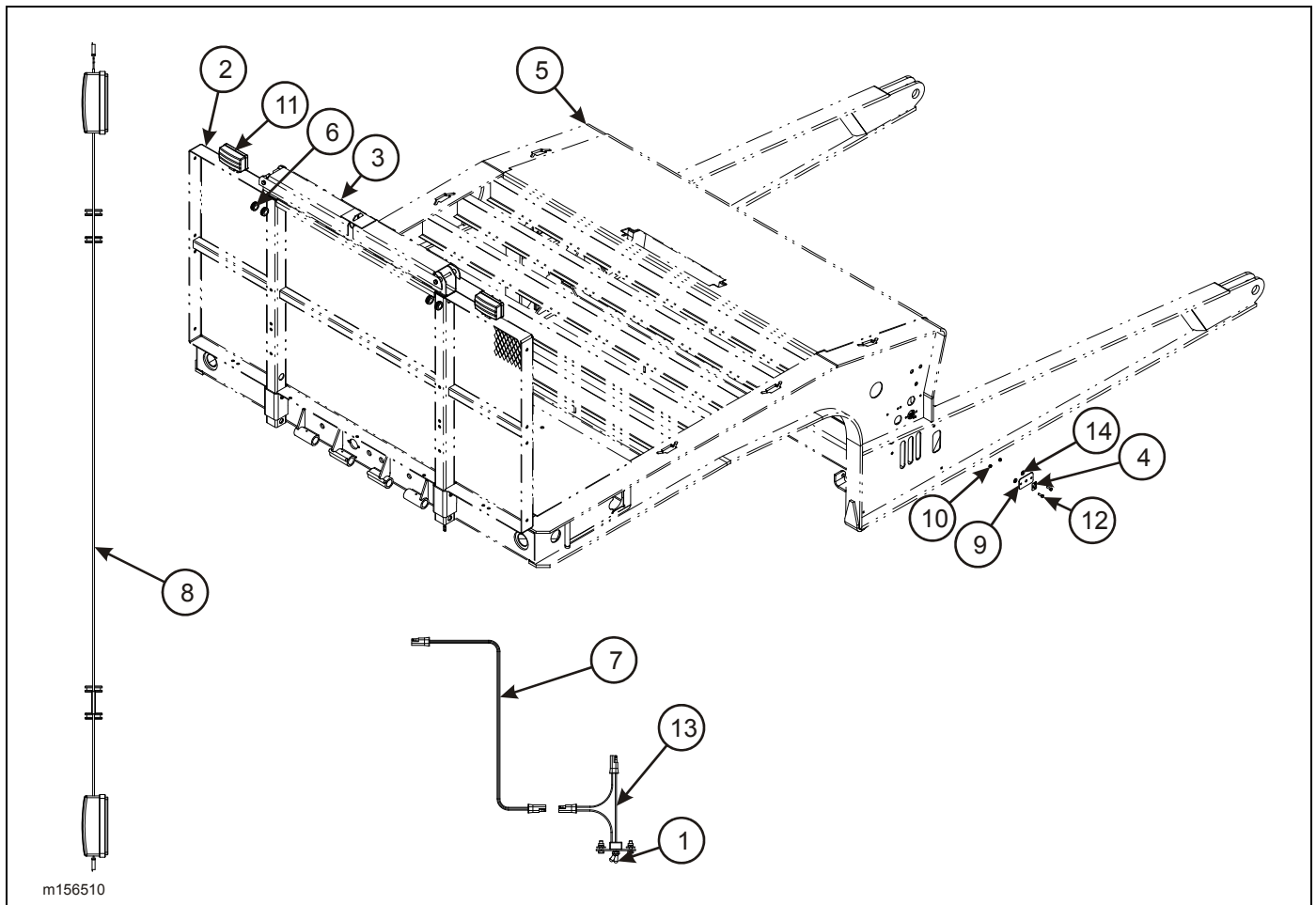


Figure 2-15: Electrical System, Dual Winch Light

### WORK LIGHT ASSEMBLY, BULKHEAD (OPTION)

| ITEM | PART NO.        | DESCRIPTION                            | QTY. |
|------|-----------------|--|------|
|      | 156510          | WORK LIGHT ASSEMBLY, BULKHEAD (OPTION) |      |
| 1    | 81264           | RUBBER BOOT FOR ELECT SWITCH           | 1    |
| 2    | ----            | BULKHEAD WELDMENT                      | REF  |
| 3    | B7-141-003      | CHAIN RACK INSTALLATION                | REF  |
| 4    | 130116          | DECAL, ON/OFF LIGHT                    | 1    |
| 5    | ----            | GOOSENECK WELDMENT                     | REF  |
| 6    | 1-343-010007    | GROMMET                                | 4    |
| 7    | 3-368-010252    | HARNESS ASSEMBLY, BULKHEAD LIGHT EXT   | 1    |
| 8    | 3-368-010250    | HARNESS, BULKHEAD LIGHTS               | 1    |
| 9    | 137987          | MOUNT, ELECTRICAL SWITCH               | 1    |
| 10   | 1-512-010005-03 | NUT, HEX LOCK 5/16-18 GRB              | 2    |
| 11   | 64181           | RECT QUARTZ HALOGEN LAMP               | 2    |
| 12   | 1-654-010049-05 | SCREW, HEX HEAD CAP 5/16-18 X 1 GR5    | 2    |
| 13   | 150117          | TOGGLE SWITCH SEALED SPST              | 1    |
| 14   | 1-861-010032-09 | WASHER, FLAT 5/16W                     | 2    |

# ILLUSTRATED PARTS LIST

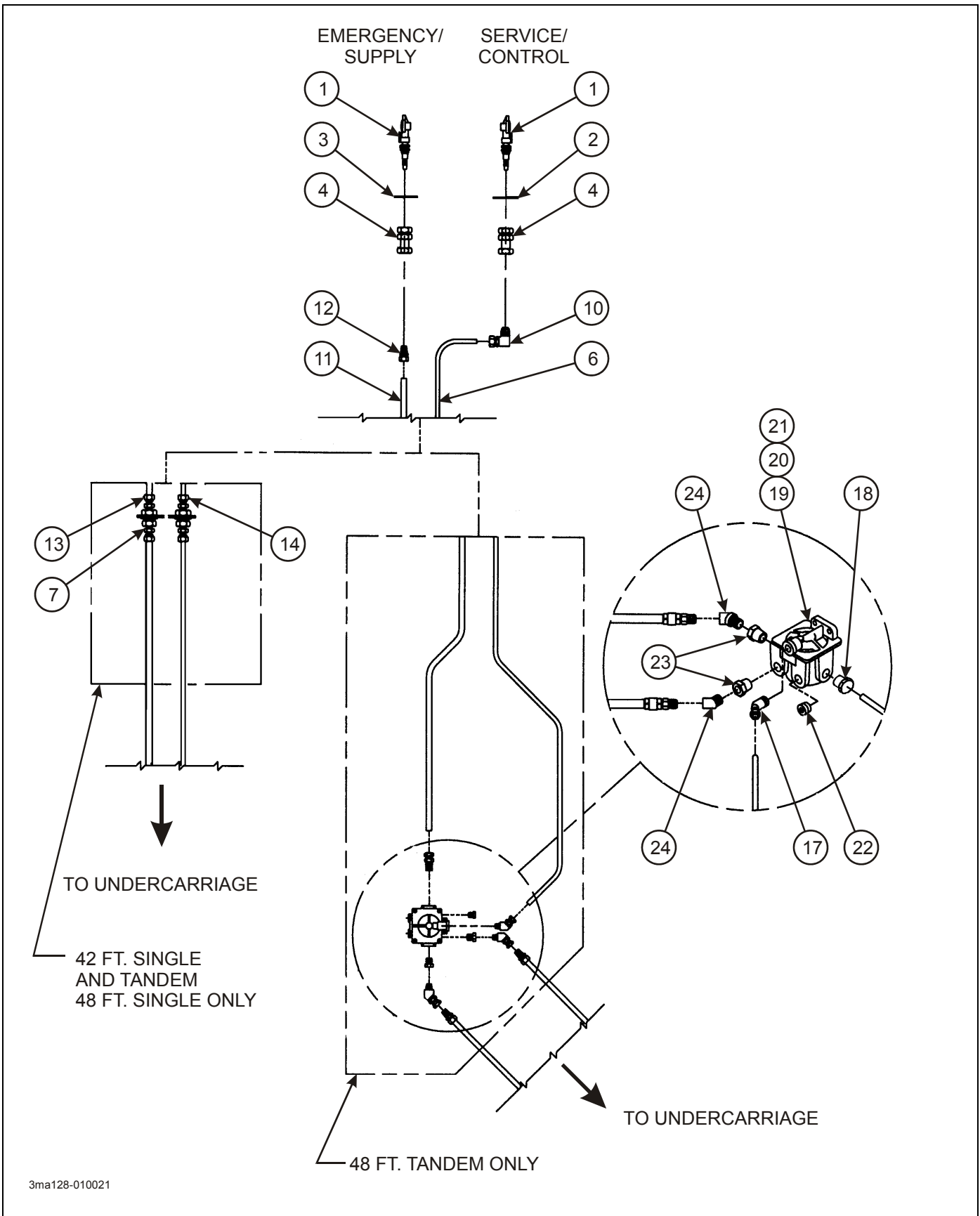


Figure 2-16: Air System



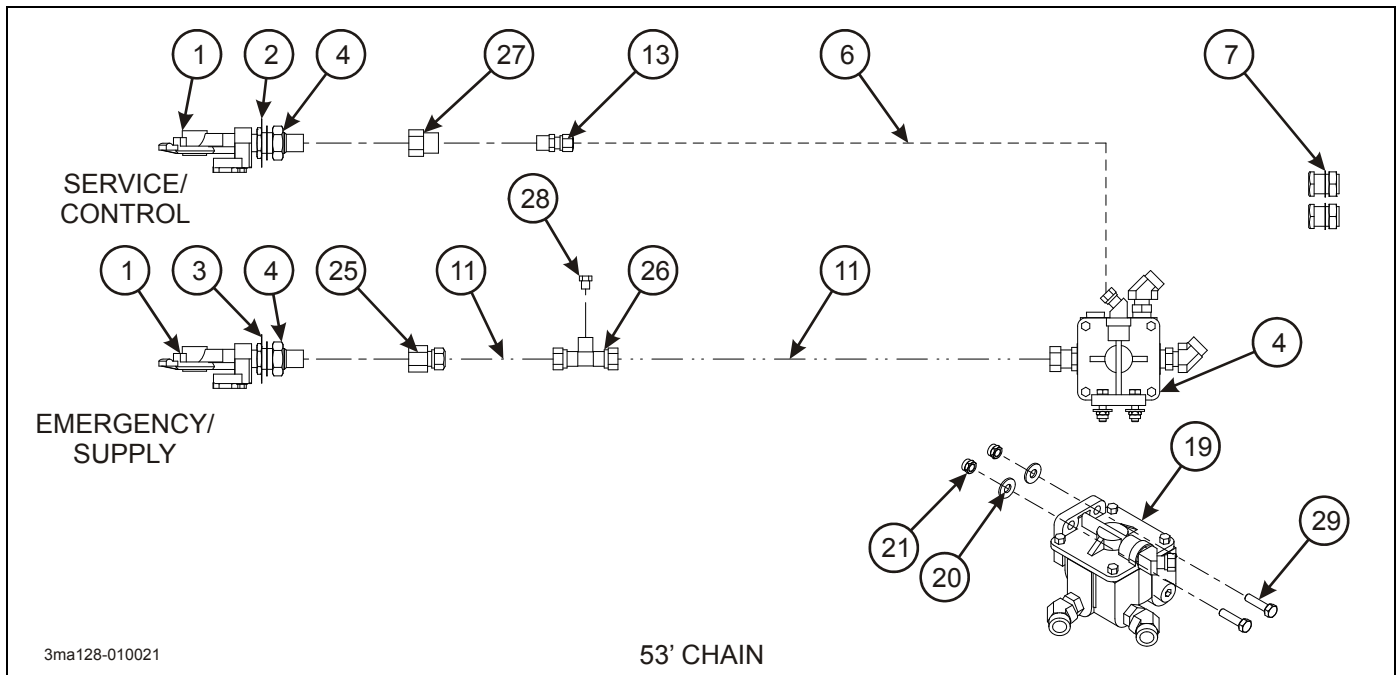
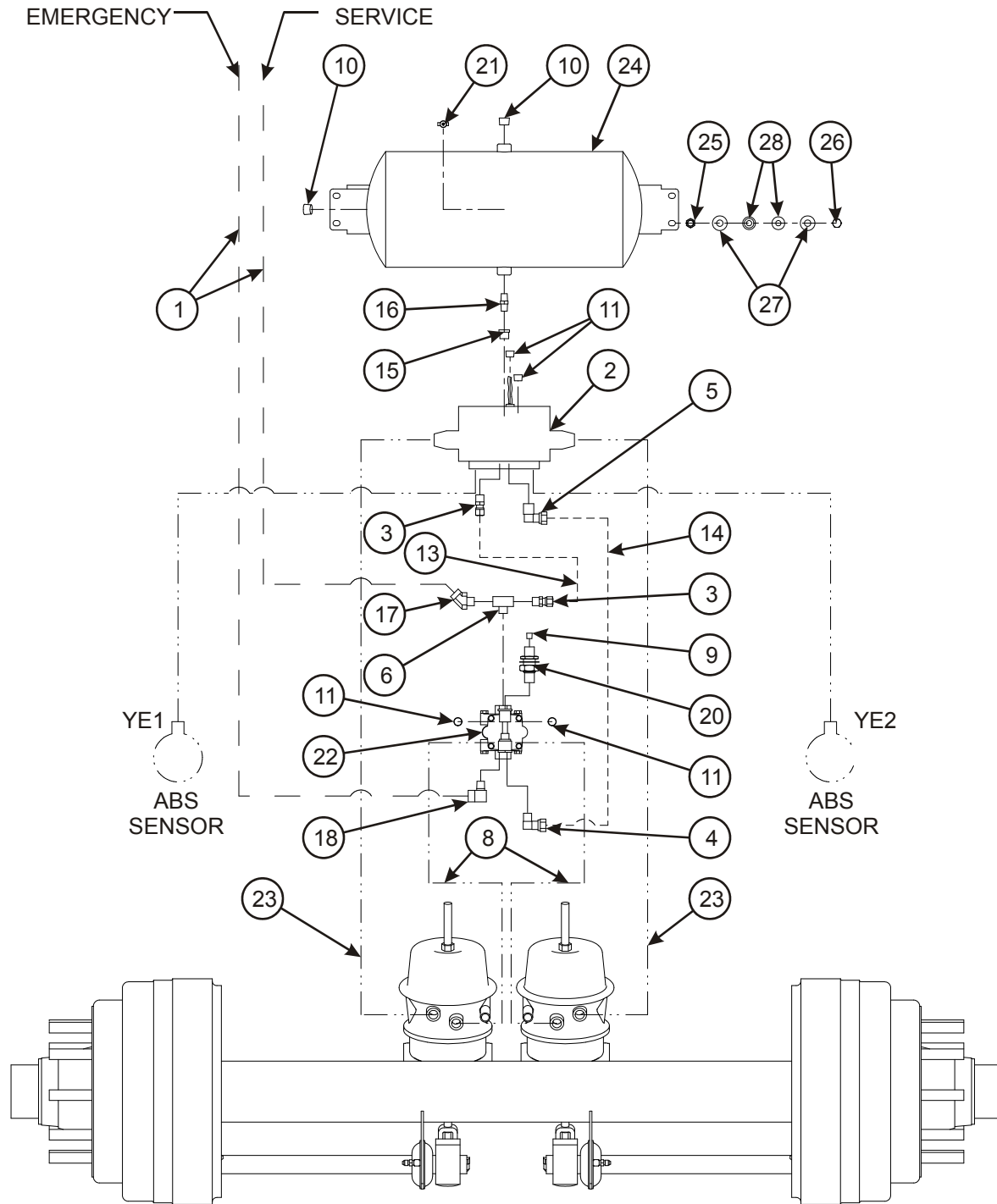


Figure 2-17: Air System

## AIR SYSTEM

| ITEM | PART NO.        | DESCRIPTION  | QTY. |
|------|-----------------|--|------|
| 1    | 108801          | GLADHAND RED AIR                                   | 1    |
|      | 108802          | GLADHAND BLUE AIR                                  | 1    |
| 2    | 55B61-7         | TAG, SERVICE LINE                                  | 1    |
| 3    | 55B61-6         | TAG, EMERGENCY LINE                                | 1    |
| 4    | 55B61           | FRAME UNION  | 2    |
| 6    | 1-833-010002    | NYLON TUBING, 3/8 OD                               | AR   |
| 7    | 1-297-010022-03 | FITTING, AIR                                       | 2    |
| 10   | 1-297-010008-18 | FITTING, AIR 90                                    | 1    |
| 11   | 1-833-010003    | TUBING NYLON 1/2                                   | AR   |
| 12   | 1-297-010007-14 | FITTING, AIR                                       | 1    |
| 13   | 1-297-010007-12 | FITTING, AIR (42' & 48' SINGLE ONLY)               | 1    |
| 14   | 1-297-010007-15 | FITTING, AIR (42' & 48' SINGLE ONLY)               | 1    |
| 17   | 1-297-010013-12 | FITTING, AIR 45 (48' TANDEM ONLY)                  | 1    |
| 18   | 1-297-010007-16 | FITTING, AIR (48' TANDEM ONLY)                     | 1    |
| 19   | 3-843-010038    | VALVE AIR RELAY-FAST AIR BALANCE (48' TANDEM ONLY) | 1    |
| 20   | 1-861-010032-06 | WASHER, FLAT 1/4N (48' TANDEM ONLY)                | 2    |
|      | 1-861-010032-09 | WASHER, FLAT 5/16W (53' CHAIN)                     | 2    |
| 21   | 1-512-010005-01 | NUT, HEX LOCK 1/4-20 (48' TANDEM ONLY)             | 2    |
|      | 1-512-010005-03 | NUT, HEX LOCK 5/16-18 (53' CHAIN)                  | 2    |
| 22   | 1-560-010002-04 | PLUG, PIPE 1/2 (48' TANDEM ONLY)                   | 1    |
| 23   | 2081-8-6S       | REDUCER (48' TANDEM ONLY)                          | 2    |
| 24   | 2088-6-6S       | FITTING, AIR 45 (48' TANDEM ONLY)                  | 2    |
| 25   | 1-297-010012-16 | FITTING, AIR (53' CHAIN)                           | 1    |
| 26   | 1-297-010015-10 | FITTING, AIR TEE (53' CHAIN)                       | 1    |
| 27   | 1-297-010021-05 | FITTING, BR PIPE COUPLING (53' CHAIN)              | 1    |
| 28   | 1-297-010033-03 | FITTING, BR PIPE PLUG HEX 3/8 (53' CHAIN)          | 1    |
| 29   | 1-654-010049-06 | SCREW, HEX HEAD CAP 5/16-18 X 1-1/4 (53' CHAIN)    | 2    |

# ILLUSTRATED PARTS LIST



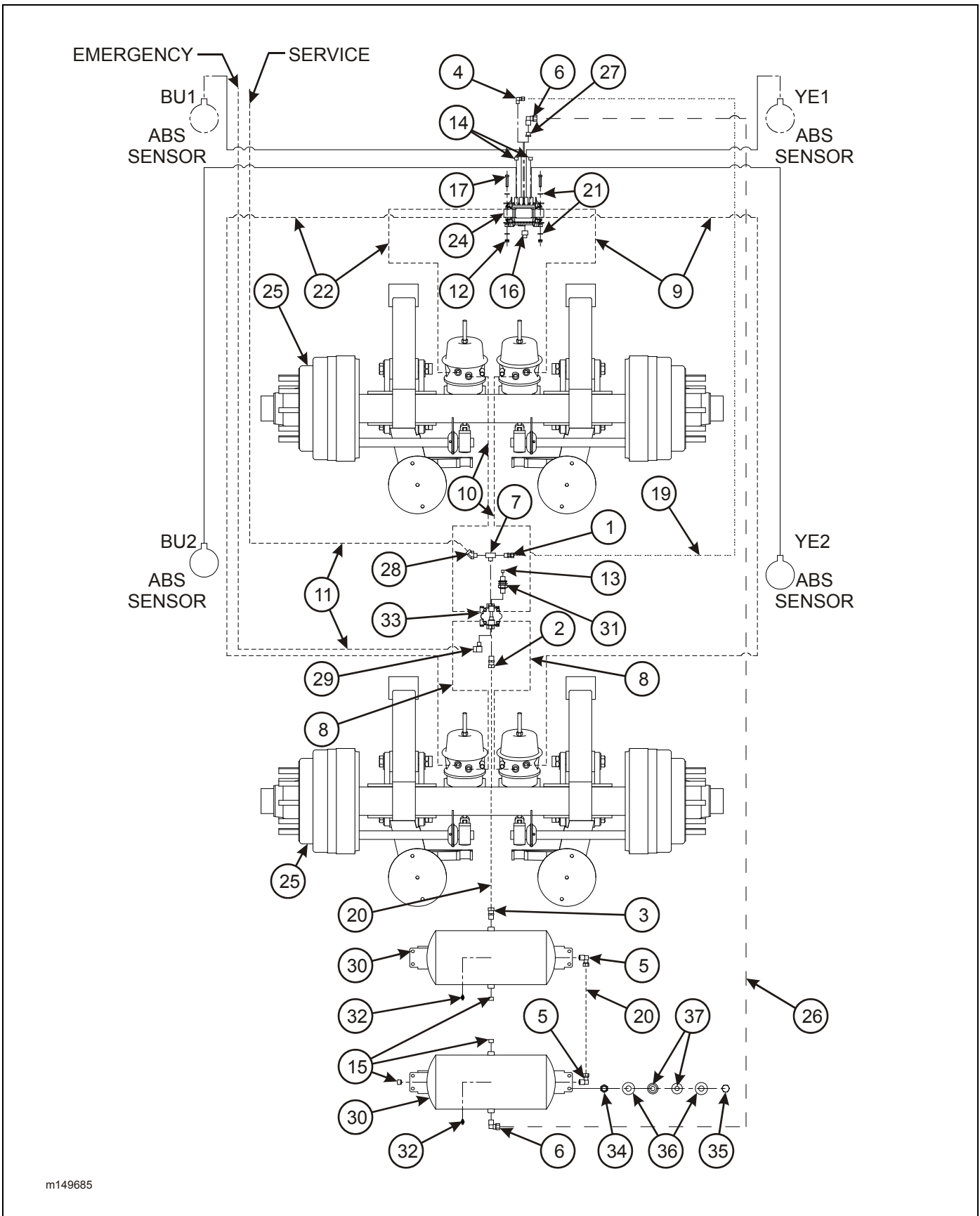
m149691 p3

Figure 2-18: Air Brake System, Single Axle

## AIR BRAKE SYSTEM, SINGLE AXLE

| ITEM | PART NO.        | DESCRIPTION                            | QTY. |    |
|------|-----------------|--|------|----|
|      | ----            | BRAKE W/ ABS SINGLE (STD LOAD)         | *    |    |
|      | ----            | BRAKE W/ ABS SINGLE (LOW LOAD)         |      | *  |
| 1    | 103698          | HOSE AIR 3/8 X 182 (STD LOAD)          | 2    | -- |
|      | 103699          | HOSE AIR 3/8 X 230 (LOW LOAD)          | --   | 2  |
| 2    | 114585          | BRAKE KIT ROCKWELL ABS (SEE PAGE 2-29) | 1    | 1  |
| 3    | 1-297-010007-12 | FITTING AIR                            | 2    | 2  |
| 4    | 1-297-010008-23 | FITTING AIR 90                         | 1    | 1  |
| 5    | 1-297-010008-24 | FITTING AIR 90                         | 1    | 1  |
| 6    | 1-297-010017-03 | FITTING, BRASS TEE                     | 1    | 1  |
| 8    | 1-384-010038024 | HOSE AIR 24"                           | 2    | 2  |
| 9    | 1-560-010002-02 | PLUG PIPE 1/4                          | 1    | 1  |
| 10   | 1-560-010002-04 | PLUG PIPE 1/2                          | 2    | 2  |
| 11   | 1-560-010002-03 | PLUG PIPE 3/8                          | 4    | 4  |
| 12   | 1-796-010003-01 | TIE STRAP PLASTIC (NOT SHOWN)          | 10   | 10 |
| 13   | 1-833-010002    | TUBING NYLON 3/8                       | AR   | AR |
| 14   | 1-833-010003    | TUBING NYLON 1/2                       | AR   | AR |
| 15   | 118-2659-9      | BUSHING 1/2 X 3/4                      | 2    | 1  |
| 16   | 2083-8-8S       | NIPPLE, HEX                            | 1    | 1  |
| 17   | 2088-6-6S       | ADAPTER 45                             | 1    | 1  |
| 18   | 2089-6-6S       | ADAPTER 90                             | 1    | 1  |
| 20   | 55B61           | FRAME UNION                            | 1    | 1  |
| 21   | 56D4            | COCK DRAIN AIR TANK                    | 1    | 1  |
| 22   | 758-181         | VALVE TASK 4 PORT                      | 1    | 1  |
| 23   | 3-384-010031    | HOSE, AIR 3/8 X 42                     | 2    | 2  |
| 24   | 3-780-010002    | TANK, AIR                              | 1    | 1  |
| 25   | 1-512-010005-05 | NUT, HEX LOCK 3/8-16 GRB               | 4    | 4  |
| 26   | 1-654-010051-08 | SCREW, HEX HEAD CAP 3/8-16 X 1-3/4 GR5 | 4    | 4  |
| 27   | 1-861-010032-11 | WASHER, FLAT 3/8                       | 8    | 8  |
| 28   | 805-2           | STEP BUSHING                           | 8    | 8  |

# ILLUSTRATED PARTS LIST

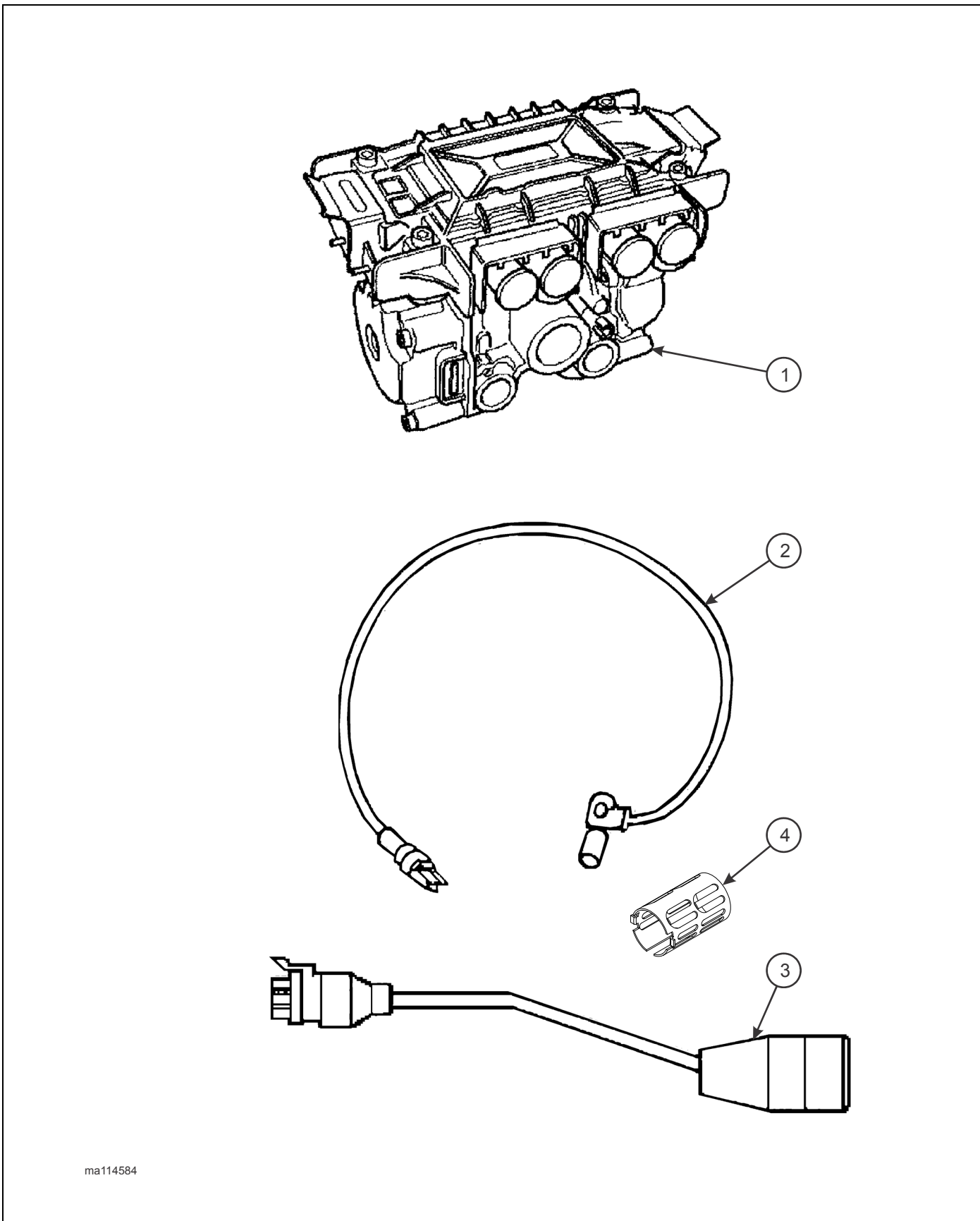


m149685

Figure 2-19: Air Brake System, Tandem Axle

## AIR BRAKE SYSTEM, TANDEM AXLE

| ITEM | PART NO.        | DESCRIPTION                            | QTY. |
|------|-----------------|--|------|
|      | ----            | BRAKE W/ ABS (STD LOAD)                |      |
|      | ----            | BRAKE W/ ABS (LOW LOAD)                |      |
| 1    | 1-297-010007-12 | FITTING, AIR                           | 1    |
| 2    | 1-297-010007-15 | FITTING, AIR 1/2 TUBE X 3/8 NPT        | 1    |
| 3    | 1-297-010007-16 | FITTING, AIR 1/2 TUBE X 1/2 NPT        | 1    |
| 4    | 1-297-010008-18 | FITTING, AIR 90                        | 1    |
| 5    | 1-297-010008-24 | FITTING, AIR 90                        | 2    |
| 6    | 1-297-010008-26 | FITTING, AIR 90                        | 2    |
| 7    | 1-297-010017-03 | FITTING, BRASS PIPE M/ BRASS TEE       | 1    |
| 8    | 1-384-010038024 | HOSE, AIR 3/8 X 24                     | 2    |
| 9    | 1-384-010038038 | HOSE, AIR 3/8 X 38                     | 2    |
| 10   | 1-384-010038056 | HOSE, AIR 3/8 X 56                     | 2    |
| 11   | 1-384-010038204 | HOSE, AIR 3/8 X 204 (STD LOAD)         | 2    |
|      | 103699          | HOSE, AIR 3/8 X 230 (LOW LOAD)         | 2    |
| 12   | 1-512-010005-05 | NUT, HEX LOCK 3/8-16 GR5               | 2    |
| 13   | 1-560-010002-02 | PLUG, PIPE 1/4                         | 1    |
| 14   | 1-560-010002-03 | PLUG, PIPE 3/8                         | 2    |
| 15   | 1-560-010002-04 | PLUG, PIPE 1/2                         | 3    |
| 16   | 1-560-010002-05 | PLUG, PIPE 3/4-14                      | 1    |
| 17   | 1-654-010051-08 | SCREW, HEX HEAD CAP 3/8-16 X 1-3/4 GR5 | 2    |
| 18   | 1-796-010003-01 | TIE, STRAP PLASTIC (NOT SHOWN)         | 10   |
| 19   | 1-833-010002    | TUBING, NYLON 3/8                      | AR   |
| 20   | 1-833-010003    | TUBING, NYLON 1/2                      | AR   |
| 21   | 1-861-010032-10 | WASHER FLAT 3/8                        | 4    |
| 22   | 101003          | HOSE, AIR 3/8 X 48                     | 2    |
| 24   | 114584          | BRAKE KIT ROCKWELL ABS (SEE PAGE 2-29) | 1    |
| 25   | 115738          | AXLE WELDMENT 2516 SPG 69 31           | REF  |
| 26   | 117304          | NYLON TUBING 5/8                       | AR   |
| 27   | 118-2659-9      | BUSHING                                | 1    |
| 28   | 2088-6-6S       | ADAPTER 45                             | 1    |
| 29   | 2089-6-6S       | ADAPTER 90                             | 1    |
| 30   | 3-780-010002    | TANK, AIR                              | REF  |
| 31   | 55B61           | FRAME UNION                            | 1    |
| 32   | 56D4            | COCK DRAIN AIR TANK                    | 2    |
| 33   | 758-181         | VALVE TASK 4 PORT                      | 1    |
| 34   | 1-512-010005-05 | NUT, HEX LOCK 3/8-16 GRB               | 8    |
| 35   | 1-654-010051-08 | SCREW, HEX HEAD CAP 3/8-16 X 1-3/4 GR5 | 8    |
| 36   | 1-861-010032-11 | WASHER, FLAT 3/8                       | 16   |
| 37   | 805-2           | STEP BUSHING                           | 16   |



ma114584

Figure 2-20: Brake Kit, Meritor WABCO (Rockwell) ABS

**BRAKE KIT, ABS**

| ITEM         | PART NO. | DESCRIPTION  | QTY. |
|--------------|----------|--|------|
|              | 114584   | BRAKE KIT, ROCKWELL ABS, 4S/2M (TANDEM AXLE)   |      |
|              | 114585   | BRAKE KIT, ROCKWELL ABS, 2S/1M (SINGLE AXLE)   |      |
| 1            | 114588   | ECU/VALVE ASSEMBLY 4S/2M PREMIUM (114584)  | 1    |
|              | 114589   | ECU/VALVE ASSEMBLY 2S/1M (114585)  | 1    |
| 2            | 101848   | SENSOR EXTENSION CABLE   | 4,2* |
| 3            | 147464   | POWER CABLE  | 1    |
| 4            | 101849   | SRING CLIP, ABS SENSOR   | 2    |
| <b>NOTE:</b> | 101847   | ABS SENSOR CABLE-4M 90° (1FT) <b>(NOT SHOWN) (SEE PAGES 2-51 &amp; 2-53 FOR REFERENCE)</b> | 2    |

\*THE FIRST QUANTITY LISTED IS FOR P/N 114584 (TANDEM AXLE). THE SECOND QUANTITY LISTED IS FOR P/N 114585 (SINGLE AXLE)

# ILLUSTRATED PARTS LIST

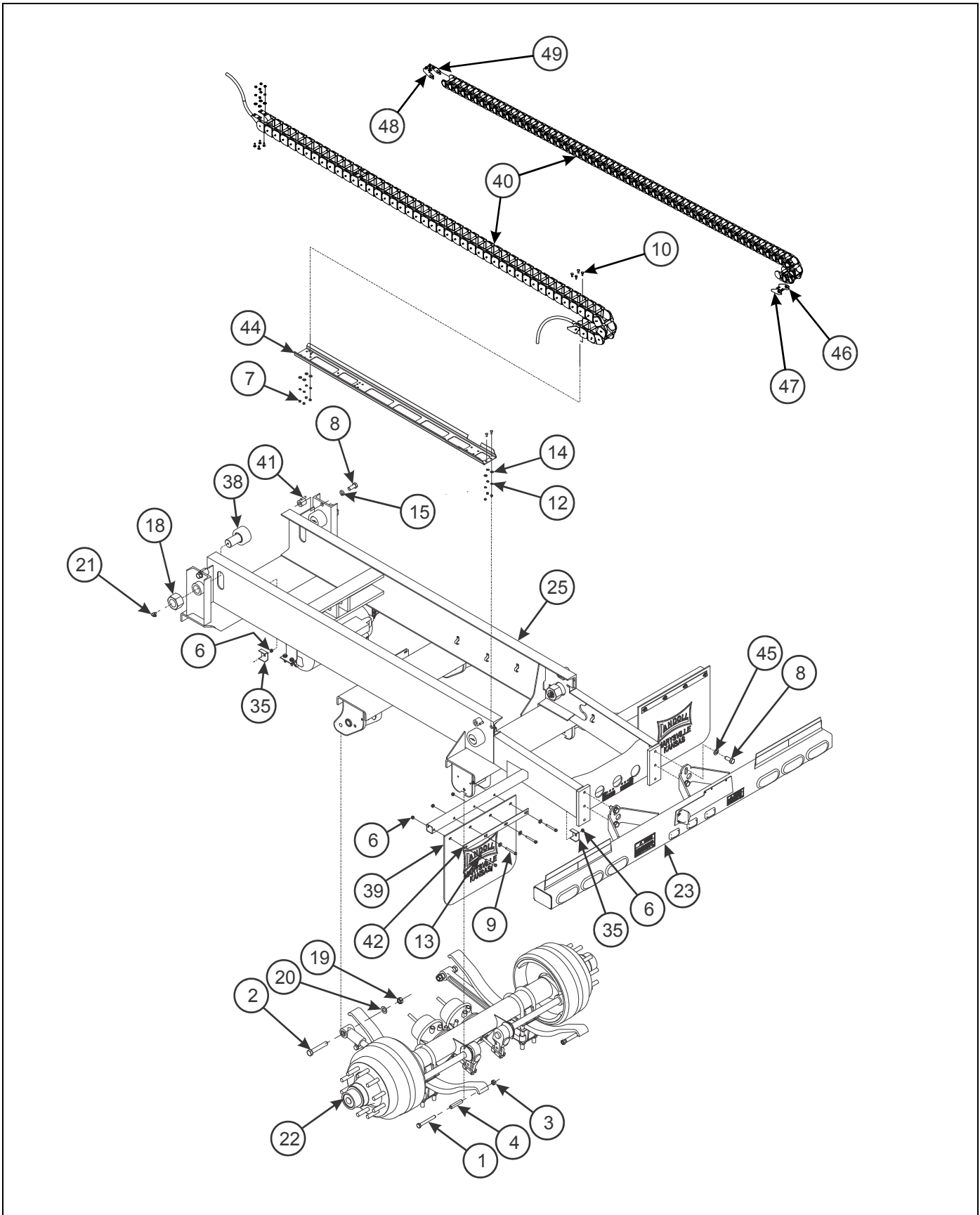


Figure 2-21: Undercarriage Assembly, Spring Ride Single Axle



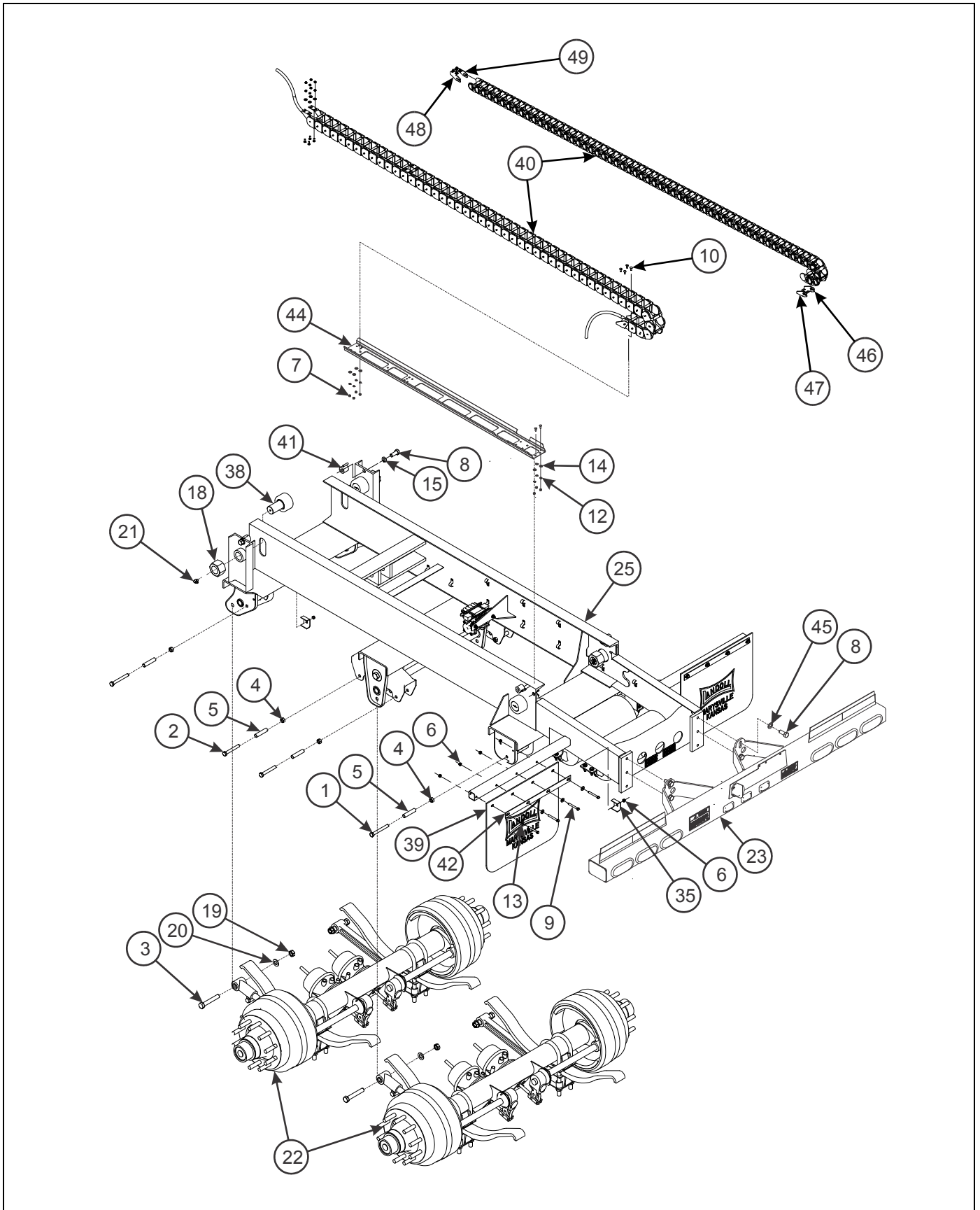


Figure 2-22: Undercarriage Assembly, Spring Ride Tandem Axle

# ILLUSTRATED PARTS LIST

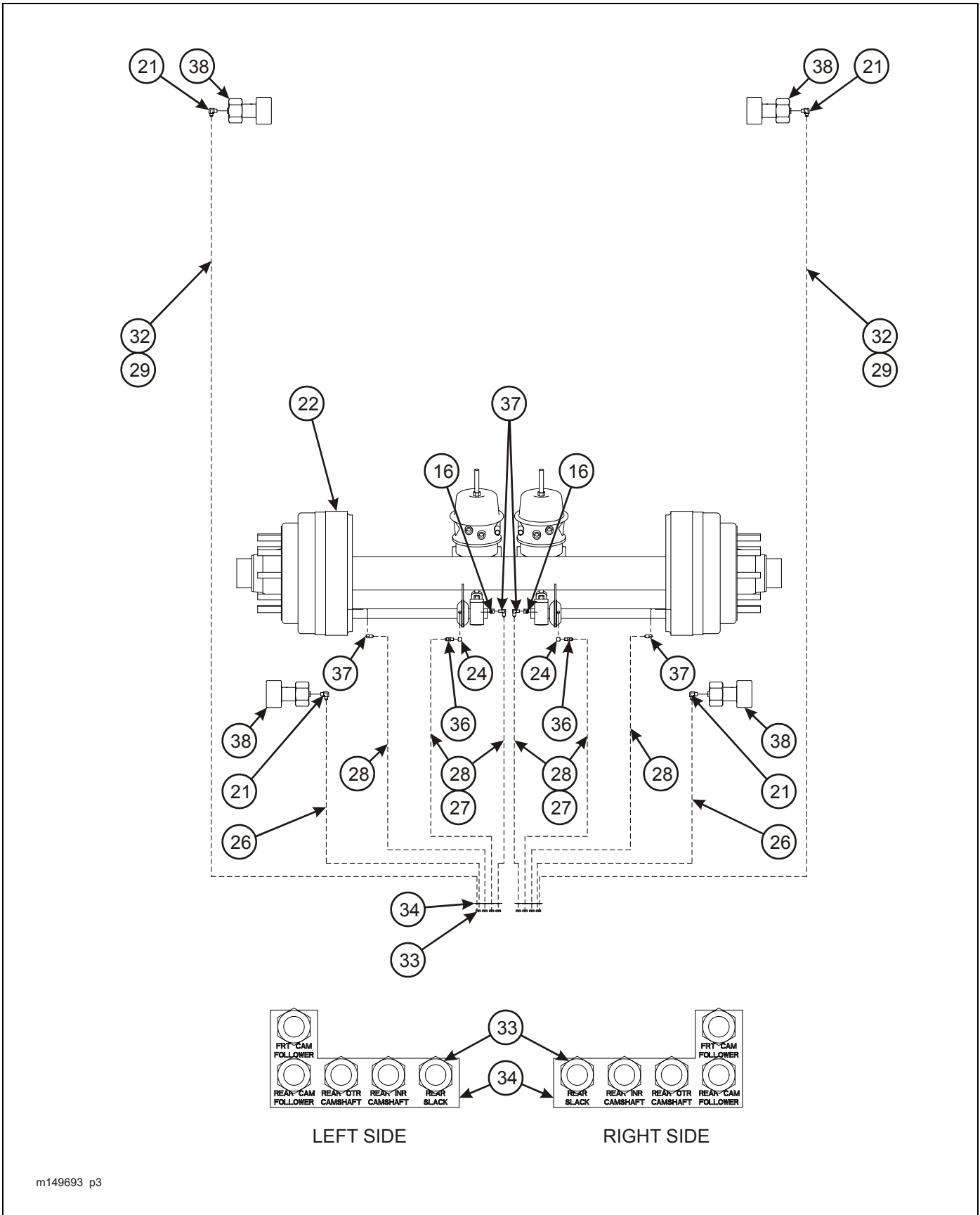
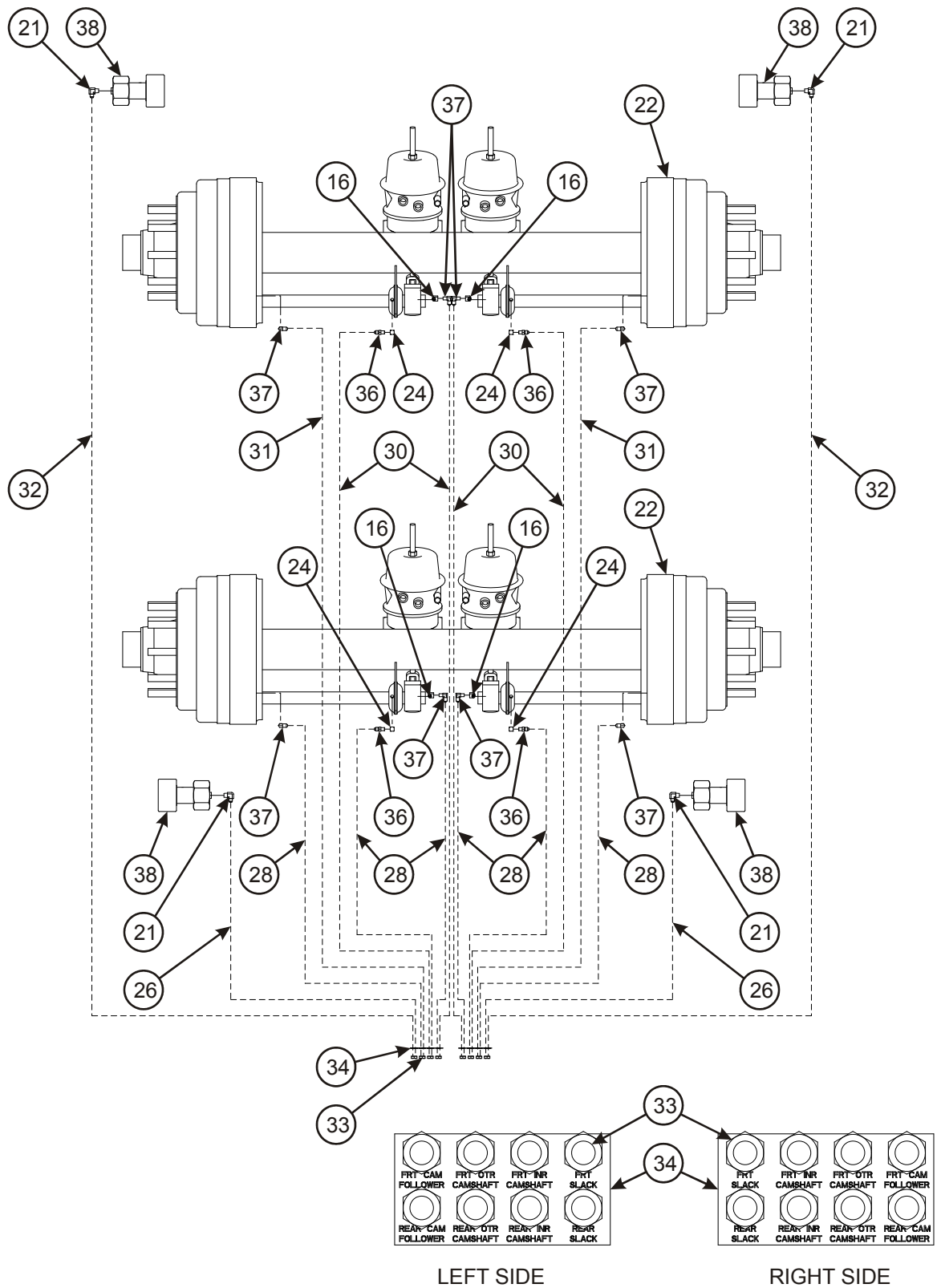


Figure 2-23: Grease System - Single



m149699p3

Figure 2-24: Grease System - Tandem

# ILLUSTRATED PARTS LIST

## UNDERCARRIAGE ASSEMBLY - SPRING RIDE

| ITEM | PART NO.        | DESCRIPTION   | QTY.   |
|------|-----------------|---|--------|
|      | ----            | SUSPENSION ASSEMBLY S/R (SINGLE AXLE)               |        |
|      | ----            | SUSPENSION ASSEMBLY S/R (TANDEM AXLE)               |        |
| 1    | 0001-02         | HEX HEAD CAP SCREW 5/8-18 X 5-1/8                   | 2      |
| 2    | 0001-04         | SCREW, HEX HEAD CAP 5/8-18 X 4-1/2                  | 4      |
| 3    | 0001-08         | TORQUE ARM BOLT 7/8-14 X 5-1/4                      | *2,4   |
| 4    | 0002-07         | LOCKNUT 5/8-18                                      | *2,6   |
| 5    | 0741-01         | SPRING ROLLER                                       | *2,6   |
| 6    | 1-510-010001    | NUT FLANGE LOCK 3/8-16                              | 10     |
| 7    | 1-512-010007-05 | NUT HEX 1/4-20 GRB                                  | 11     |
| 8    | 1-654-010032-4  | SCREW HEX HEAD CAP 3/4-10 X 1-3/4 GR5               | 8      |
| 9    | 1-654-010051-13 | SCREW HEX HEAD CAP 3/8-16 X 3 GR5                   | 8      |
| 10   | 1-654-010158-1  | SCREW RD HEAD SQ NECK 1/4-20 X 3/4 GR5              | 11     |
| 11   | 1-796-010004-02 | TIE STRAP (NOT SHOWN)                               | AR     |
| 12   | 1-861-010032-07 | WASHER FLAT 1/4                                     | 11     |
| 13   | 1-861-010032-11 | WASHER FLAT 3/8                                     | 8      |
| 14   | 1-861-010034-09 | WASHER SPLIT LOCK 1/4                               | 11     |
| 15   | 1-861-010034-17 | WASHER SPLIT LOCK 3/4                               | 4      |
| 16   | 101528          | ELBOW, BRASS PIPE STREET                            | *2,4   |
| 17   | ----            | BRAKE W/ ABS SINGLE (STD LOAD) (SEE PAGE 2-25)      | 1      |
|      | ----            | BRAKE W/ ABS SINGLE (LOW LOAD) (SEE PAGE 2-25)      | 1      |
|      | ----            | BRAKE W/ ABS TANDEM (STD LOAD) (SEE PAGE 2-27)      | 1      |
|      | ----            | BRAKE W/ ABS TANDEM (LOW LOAD) (SEE PAGE 2-27)      | 1      |
| 18   | 104034          | NUT, HEX 2-12 GRB                                   | 4      |
| 19   | 110990          | LOCKNUT 7/8-14                                      | *2,4   |
| 20   | 110991          | WASHER, FLAT HARDENED 7/8                           | *2,4   |
| 21   | 113268          | ADAPTER 90  | 4      |
| 22   | 115728          | SUSPENSION ASSEMBLY SPRING 330-102 (SEE PAGE 2-37)  | 1      |
|      | 115726          | SUSPENSION ASSEMBLY SPRING 317-102 (SEE PAGE 2-37)  | 1      |
| 23   | 119580          | BUMPER WELDMENT                                     | 1      |
| 24   | 161797          | ADAPTER, STR  | *2,4   |
| 25   | 137162          | SUSPENSION WELDMENT 330-1 S/R (NOT SHOWN)           | 1      |
|      | 137163          | SUSPENSION WELDMENT 330-1 S/R DROP DECK (NOT SHOWN) | 1      |
|      | 137165          | SUSPENSION WELDMENT 330-1 (NOT SHOWN)               | 1      |
|      | 137166          | SUSPENSION WELDMENT 330-1-40 S/R (NOT SHOWN)        | 1      |
|      | 137168          | SUSPENSION WELDMENT 330-2 S/R                       | 1      |
|      | 137171          | SUSPENSION WELDMENT 330-2 DROP DECK (NOT SHOWN)     | 1      |
| 26   | **142441        | HOSE ASSEMBLY, GREASE 1/4 X 45                      | 2      |
| 27   | **142442        | HOSE ASSEMBLY, GREASE 1/4 X 60 (D/D - STD SINGLE)   | 4      |
| 28   | **142443        | HOSE ASSEMBLY, GREASE 1/4 X 72                      | 6      |
| 29   | **142444        | HOSE ASSEMBLY, GREASE 1/4 X 83 (D/D - STD SINGLE)   | 2      |
| 30   | **142446        | HOSE ASSEMBLY, GREASE 1/4 X 118                     | 4      |
| 31   | **142447        | HOSE ASSEMBLY, GREASE 1/4 X 126                     | 2      |
| 32   | **142451        | HOSE ASSEMBLY, GREASE 1/4 X 156                     | 2      |
| 33   | 142545          | NUT, 7/16   | *10,16 |
| 34   | 142553          | DECAL, GREASE TRAILER U/C                           | 2      |
| 35   | 2-181-010001    | CLAMP   | 2      |
| 36   | 138155          | ADAPTER, 90   | 2      |
| 37   | 2024-2-4S       | ADAPTER, ELBOW                                      | *4,8   |
| 38   | 3-076-010005    | CAM FOLLOWER 4" GREASE                              | 4      |

**UNDERCARRIAGE ASSEMBLY - SPRING RIDE**

| ITEM | PART NO.        | DESCRIPTION   | QTY. |
|------|-----------------|---|------|
| 39   | 3-485-010001    | MUD FLAP  | 2    |
| 40   | 3-755-010189-03 | SUPPORT E-CHAIN (STANDARD LOAD ANGLE) (BEFORE 6-3-2015) | 1    |
|      | 3-755-010189    | SUPPORT E-CHAIN (LOW LOAD ANGLE) (BEFORE 6-3-2015)      | 1    |
|      | 3-755-010189-1  | LINK (BEFORE 6-3-2015)                                  | 1    |
|      | 189314          | SUPPORT, E-CHAIN, 48 LINKS, 3838 (AFTER 6-3-2015)       | 1    |
| 41   | 3-762-010016    | HOLD DOWN UNDERCARRIAGE                                 | 4    |
| 42   | 3-762-010017    | CLAMP MUD FLAP  | 2    |
| 43   | 3-780-010002    | TANK AIR  | REF  |
| 44   | 3-821-010005    | TRAY CAT TRACK  | 1    |
| 45   | 622-3511-008    | WASHER 3/4  | 4    |
| 46   | 190701          | BRACKET WLDMT, E-CHAIN LH (AFTER 6-3-2015)              | 1    |
| 47   | 190706          | BRACKET WLDMT, E-CHAIN RH (AFTER 6-3-2015)              | 1    |
| 48   | 190700ZP        | BRACKET, E-CHAIN LH (AFTER 6-3-2015)                    | 1    |
| 49   | 190705ZP        | BRACKET, E-CHAIN RH (AFTER 6-3-2015)                    | 1    |
|      | 189380          | FIELD INSTALLATION KIT (ITEM 40 & 46-49)                | 1    |

\* 1ST QUANTITY IS FOR SINGLE AXLE, 2ND QUANTITY IS FOR TANDEM AXLE.

\*\* SEE TABLE BELOW FOR HOSE LOCATIONS

**GREASE HOSE LOCATION, P/N, AND LENGTH (SINGLE)**

| ITEM | HOSE LOCATION          | RIGHT  | LEFT   | LENGTH |
|------|------------------------|--------|--------|--------|
| 26   | TO REAR CAM FOLLOWER   | 142441 | 142441 | 45"    |
| 28   | TO REAR SLACK          | 142443 | 142443 | 72"    |
|      | TO REAR INNER CAMSHAFT | 142443 | 142443 | 72"    |
|      | TO REAR OUTER CAMSHAFT | 142443 | 142443 | 72"    |
| 32   | TO FRONT CAM FOLLOWER  | 142451 | 142451 | 156"   |

**GREASE HOSE LOCATION, P/N, AND LENGTH (D/D SINGLE)**

| ITEM | HOSE LOCATION          | RIGHT  | LEFT   | LENGTH |
|------|------------------------|--------|--------|--------|
| 26   | TO REAR CAM FOLLOWER   | 142441 | 142441 | 45"    |
| 27   | TO REAR SLACK          | 142442 | 142442 | 60"    |
|      | TO REAR INNER CAMSHAFT | 142442 | 142442 | 60"    |
| 28   | TO REAR OUTER CAMSHAFT | 142443 | 142443 | 72"    |
| 29   | TO FRONT CAM FOLLOWER  | 142444 | 142444 | 83"    |

**GREASE HOSE LOCATION, P/N, AND LENGTH (TANDEM)**

| ITEM | HOSE LOCATION            | RIGHT  | LEFT   | LENGTH |
|------|--------------------------|--------|--------|--------|
| 26   | TO REAR CAM FOLLOWER     | 142441 | 142441 | 45"    |
| 28   | TO REAR SLACK            | 142443 | 142443 | 72"    |
|      | TO REAR INNER CAMSHAFT   | 142443 | 142443 | 72"    |
|      | TO REAR OUTER CAMSHAFT   | 142443 | 142443 | 72"    |
| 30   | TO FRONT OUTER CAMSHAFT  | 142446 | 142446 | 118"   |
|      | TO FRONT INNER CAMSHAFT  | 142446 | 142446 | 118"   |
| 31   | TO FRONT SLACK           | 142447 | 142447 | 126"   |
| 35   | TO FRONT 4" CAM FOLLOWER | 142451 | 142451 | 156"   |

# ILLUSTRATED PARTS LIST

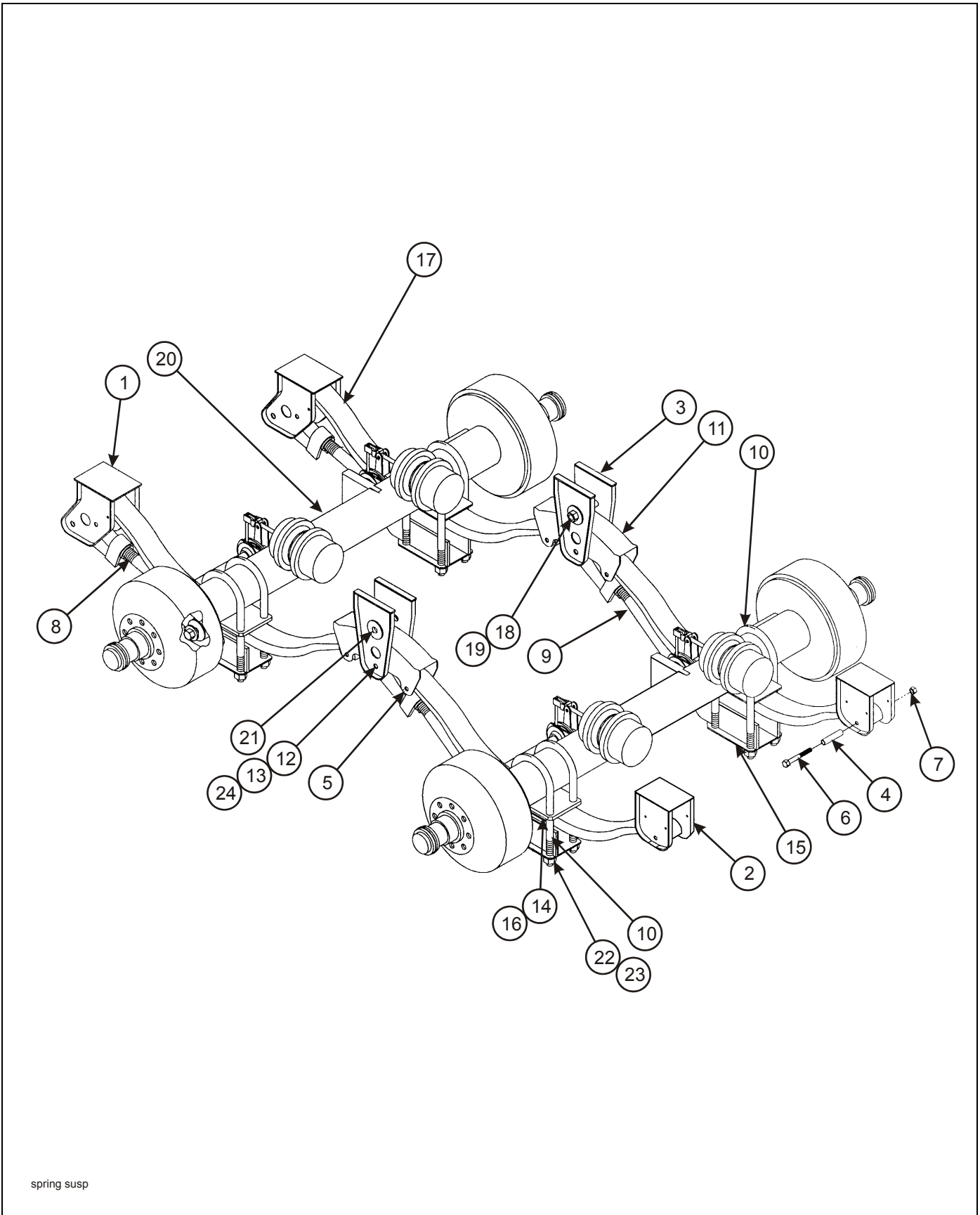


Figure 2-25: Single Leaf Spring Suspension (Tandem Axle Shown)

## SUSPENSION ASSEMBLY - SPRING RIDE

| ITEM | PART NO.     | REFERENCE NO. | DESCRIPTION  | QTY. |
|------|--------------|---------------|--|------|
|      | 115728       |               | SUSPENSION ASSEMBLY SPRING 102   |      |
|      | 115726       |               | SUSPENSION ASSEMBLY SPRING 102   |      |
| 1    | 0049-00      | 0049-00       | HANGER FRONT   | 2    |
| 2    | 0053-00      | 0053-00       | REAR HANGER UNDERMOUNT   | 2    |
| 3    | 0065-00      | 0065-00       | HANGER EQUALIZER (TANDEM AXLE ONLY)                                      | 2    |
| 4    | 0741-01      | 0741-01       | ROLLER SPRING  | 2    |
| 5    | 0001-04      | 0001-04       | HEX HEAD CAP SCREW (TANDEM AXLE ONLY)                                    | 4    |
| 6    | 0001-02      | 0001-02       | HEX HEAD CAP SCREW   | 2    |
| 7    | 0002-07      | 0002-07       | LOCK NUT, HEX  | 2    |
| 8    | 1035-20      | 1035-20       | TORQUE ARM ADJUSTABLE  | 1    |
| 9    | 0075-20      | 0075-20       | TORQUE ARM RIGID   | 1    |
| 10   | 0102-13      | 0102-13       | U-BOLT   | 4    |
| 11   | 0650-00      | 0650-00       | EQUALIZER BEAM ASSEMBLY (TANDEM AXLE ONLY)                               | 2    |
| 12   | 0001-08      | 0001-08       | BOLT TORQUE ARM 7/8-14 X 5-1/4   | 2    |
| 13   | 0002-12      | 0002-12       | NUT FLANGED LOCKING 7/8-14   | 2    |
| 14   | 0647-01      | 0647-01       | AXLE SEAT  | 2    |
| 15   | 0508-00      | 0508-00       | BOTTOM PLATE UNDERSLUNG  | 2    |
| 16   | 0375-00      | 0375-00       | DELTRIN LINER  | 2    |
| 17   | 3-720-010030 |               | SPRING MONO LEAF HIGH ARCH   | 2    |
| 18   | 0001-14      | 0001-14       | EQUALIZER BOLT (TANDEM AXLE ONLY)  | 2    |
| 19   | 0274-01      | 0274-01       | FLANGED LOCK NUT (TANDEM AXLE ONLY)                                      | 2    |
| 20   | 115713       |               | AXLE 69 16.5 X 7 SPG BRK 25K (SEE PAGE 2-53)                             | 1    |
|      | 115703       |               | AXLE 70.5 12.25 X 7-1/2 SPG BRK 25K (SEE PAGE 2-51)                      | 1    |
| 21   | 0649-02      | 0649-02       | EQUALIZER BUSHING (INCL. IN ITEM #11)                                    | 2    |
| 22   | 109532       | 14344-01      | LOCKNUT 3/4  | 8    |
| 23   | 109592       | 20852-01      | WASHER, 3/4  | 8    |
| 24   | -----        | T7292         | WASHER, 7/8  | 2    |
|      | 3-432-010006 | AX-SPG        | KIT AXLE SPRING ATTACHING PARTS (INCLUDES ITEMS 8-10,12-16,22-24)        |      |
|      | 3-432-010010 | 0651-00       | KIT EQUALIZER ASSEMBLY (TANDEM AXLE ONLY) (INCLUDES ITEMS 3,11,18-19,21) |      |

# ILLUSTRATED PARTS LIST

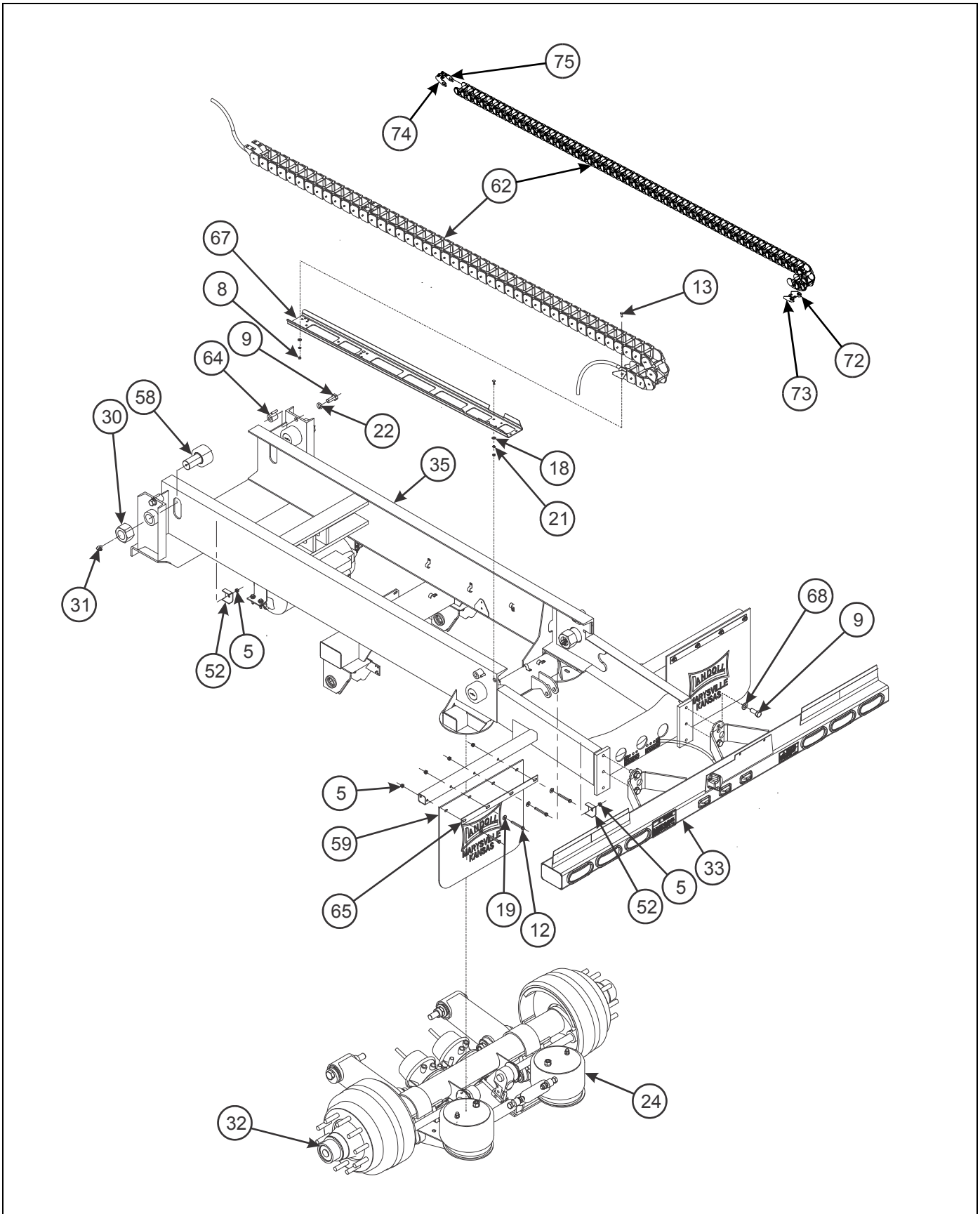


Figure 2-26: Undercarriage Assembly, Air Ride Single Axle



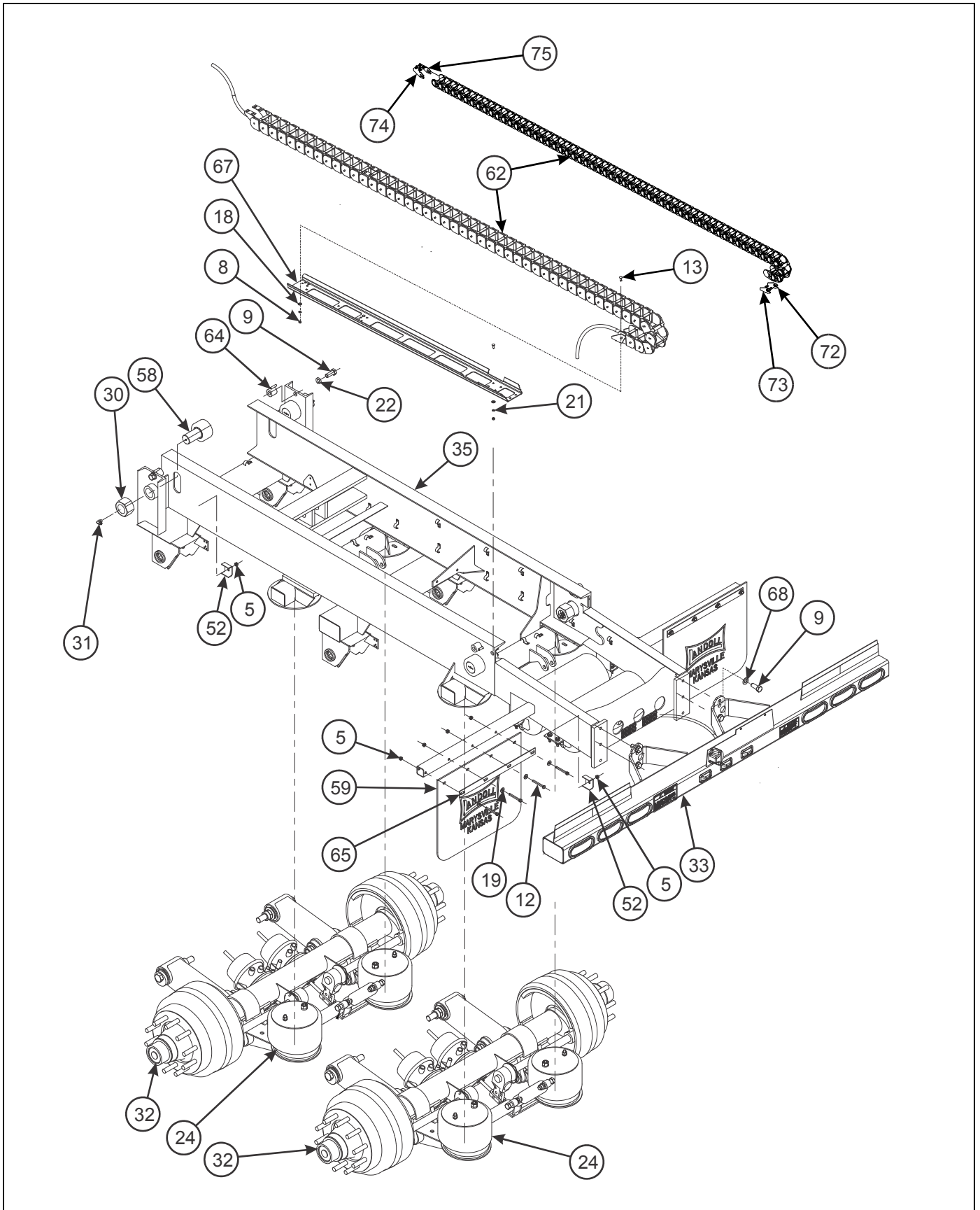
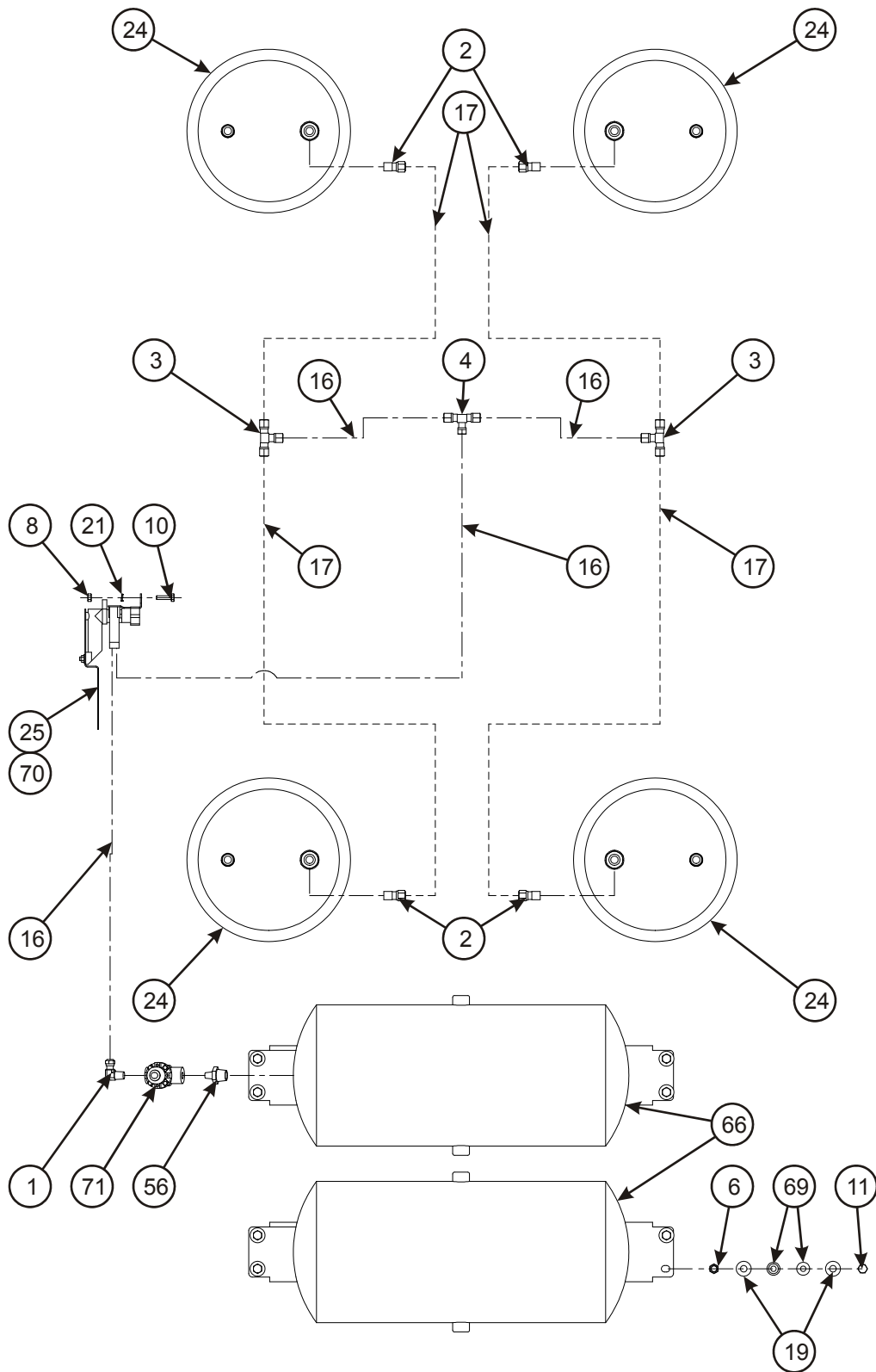


Figure 2-27: Undercarriage Assembly, Air Ride Tandem Axle

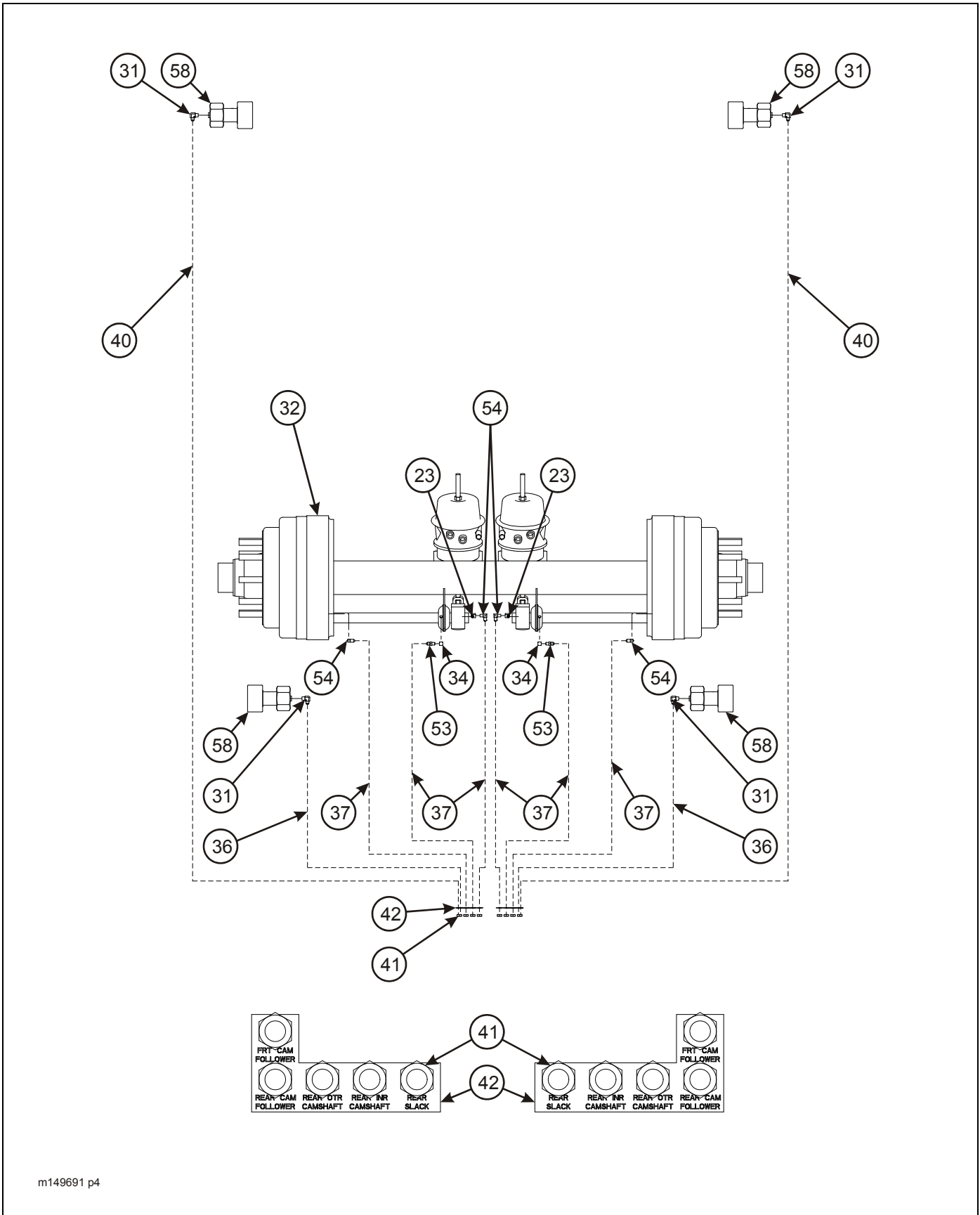




m149683p2

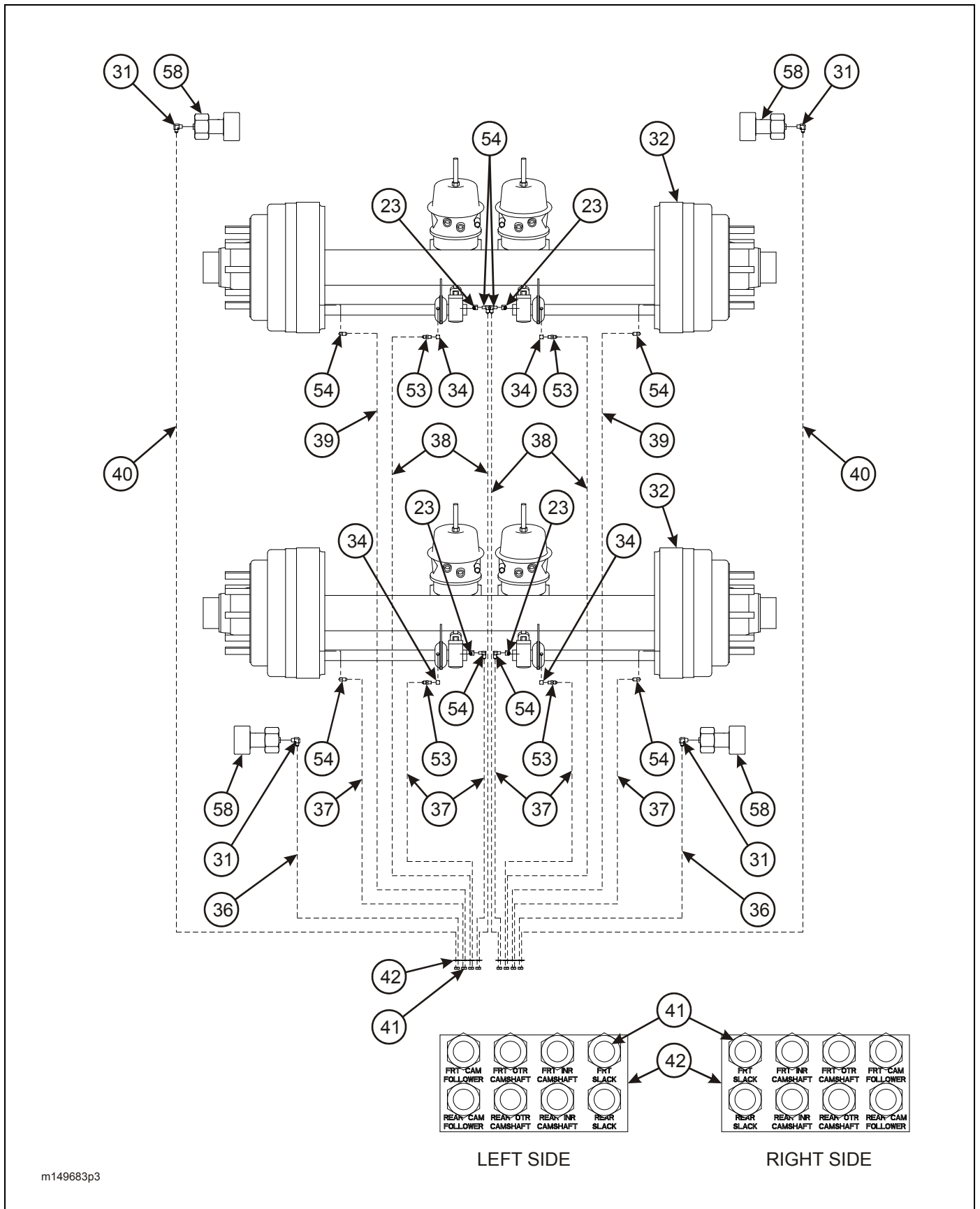
Figure 2-29: Air Ride Suspension System, Tandem Axle

# ILLUSTRATED PARTS LIST



m149691 p4

Figure 2-30: Grease System, Single Axle



m149683p3

Figure 2-31: Grease System, Tandem Axle

## ILLUSTRATED PARTS LIST

### UNDERCARRIAGE ASSEMBLY - AIR RIDE

| ITEM | PART NO.        | DESCRIPTION   | QTY.   |
|------|-----------------|---|--------|
|      | ----            | SUSPENSION ASSEMBLY A/R SINGLE  |        |
|      | ----            | SUSPENSION ASSEMBLY A/R TANDEM  |        |
| 1    | 1-297-010008-07 | FITTING, AIR 90   | *3,1   |
| 2    | 1-297-010008-18 | FITTING, AIR 90 (TANDEM AXLE)   | 4      |
|      | 1-297-010007-12 | FITTING, AIR (SINGLE AXLE)  | 2      |
| 3    | 1-297-010010-01 | FITTING, AIR UNION TEE (SINGLE AXLE)  | 1      |
|      | 1-297-010010-03 | FITTING, AIR UNION TEE (TANDEM AXLE)  | 2      |
| 4    | 1-297-010010-04 | FITTING, AIR UNION TEE 3/8 X 3/8 X 1/4 (TANDEM AXLE)                              | 1      |
| 5    | 1-510-010001    | NUT, FLANGE LOCK 3/8-16   | 10     |
| 6    | 1-512-010005-05 | NUT, HEX LOCK 3/8-16 GRB  | REF    |
| 8    | 1-512-010007-05 | NUT, HEX 1/4-20 GRB   | 11     |
| 9    | 1-654-010032-4  | SCREW, HEX HEAD CAP 3/4-10 X 1-3/4 GR5  | 8      |
| 10   | 1-654-010047-06 | SCREW, HEX HEAD CAP 1/4-20 X 1 GR5  | 2      |
| 11   | 1-654-010051-08 | SCREW, HEX HEAD CAP 3/8-16 X 1-3/4 GR5  | REF    |
| 12   | 1-654-010051-13 | SCREW, HEX HEAD CAP 3/8-16 X 3 GR5  | 8      |
| 13   | 1-654-010158-1  | SCREW, RD HEAD SQ NECK 1/4-20 X 3/4 GR5   | 11     |
| 15   | 1-796-010004-02 | TIE STRAP (NOT SHOWN)   | AR     |
| 16   | 1-833-010001    | TUBING, NYLON 1/4   | AR     |
| 17   | 1-833-010002    | TUBING, NYLON 3/8   | AR     |
| 18   | 1-861-010032-07 | WASHER, FLAT 1/4  | 11     |
| 19   | 1-861-010032-11 | WASHER, FLAT 3/8  | REF    |
| 21   | 1-861-010034-09 | WASHER, SPLIT LOCK 1/4  | 11     |
| 22   | 1-861-010034-17 | WASHER, SPLIT LOCK 3/4  | 4      |
| 23   | 101528          | ELBOW, BRASS PIPE STREET  | 4      |
| 24   | 102363          | SUSPENSION ADJ RLU-228-3.5 (SEE PAGE 2-49)  | *1,2   |
| 25   | 102732          | AIR CONTROL SYSTEM (SEE PAGE 2-47)  | 1      |
| 28   | ----            | BRAKE W/ ABS SINGLE (STD LOAD) (SEE PAGE 2-25)                                    | 1      |
|      | ----            | BRAKE W/ ABS SINGLE (LOW LOAD) (SEE PAGE 2-25)                                    | 1      |
|      | ----            | BRAKE W/ ABS TANDEM (STD LOAD) (SEE PAGE 2-27)                                    | 1      |
|      | ----            | BRAKE W/ ABS TANDEM (LOW LOAD) (SEE PAGE 2-27)                                    | 1      |
| 30   | 104034          | NUT, HEX 2-12 GRB   | 4      |
| 31   | 113268          | ADAPTER, 90   | 4      |
| 32   | 115738          | AXLE WELDMENT A/R 2516-SPG-69<br>(FOR PARTS BREAKDOWNS, SEE PAGES 2-49 THRU 2-53) | 2      |
| 33   | 119580          | BUMPER WELDMENT   | 1      |
| 34   | 161797          | ADAPTER, STR  | 4      |
| 35   | 137169          | SUSPENSION WELDMENT A/R 330-1   | 1      |
|      | 137164          | SUSPENSION WELDMENT A/R 330-1 DROP DECK   | 1      |
|      | 137167          | SUSPENSION WELDMENT A/R 330-2   | 1      |
|      | 137170          | SUSPENSION WELDMENT A/R 330-2 DROP DECK   | 1      |
| 36   | **142441        | HOSE ASSEMBLY, GREASE 1/4 X 45  | 2      |
| 37   | **142443        | HOSE ASSEMBLY, GREASE 1/4 X 72  | 6      |
| 38   | **142446        | HOSE ASSEMBLY, GREASE 1/4 X 118   | 4      |
| 39   | **142447        | HOSE ASSEMBLY, GREASE 1/4 X 126   | 2      |
| 40   | **142451        | HOSE ASSEMBLY, GREASE 1/4 X 156   | 2      |
| 41   | 142545          | NUT, HEX JAM 7/16   | *10,16 |
| 42   | 142553          | DECAL, GREASE TRAILER U/C   | 2      |
| 52   | 2-181-010001    | CLAMP   | 2      |
| 53   | 138155          | ADAPTER, 90   | 4      |

**UNDERCARRIAGE ASSEMBLY - AIR RIDE**

| ITEM | PART NO.        | DESCRIPTION  | QTY. |
|------|-----------------|--|------|
| 54   | 2024-2-4S       | ADAPTER, ELBOW   | 8    |
| 56   | 2083-8-4S       | NIPPLE, HEX  | 1    |
| 58   | 3-076-010005    | CAM FOLLOWER, 4" GREASE  | 4    |
| 59   | 3-485-010001    | MUD FLAP   | 2    |
| 62   | 3-755-010189-03 | SUPPORT E-CHAIN (STANDARD LOAD ANGLE) <b>(BEFORE 6-3-2015)</b> | 1    |
|      | 3-755-010189    | SUPPORT E-CHAIN (LOW LOAD ANGLE) <b>(BEFORE 6-3-2015)</b>      | 1    |
|      | 3-755-010189-1  | LINK <b>(BEFORE 6-3-2015)</b>                                  | 1    |
|      | 189314          | SUPPORT, E-CHAIN, 48 LINKS, 3838 <b>(AFTER 6-3-2015)</b>       | 1    |
| 64   | 3-762-010016    | HOLD DOWN UNDERCARRIAGE  | 4    |
| 65   | 3-762-010017    | CLAMP, MUD FLAP  | 2    |
| 66   | 3-780-010002    | TANK, AIR  | REF  |
| 67   | 3-821-010005    | TRAY, CAT TRACK  | 1    |
| 68   | 622-3511-008    | WASHER 3/4   | 4    |
| 69   | 805-2           | STEP BUSHING   | REF  |
| 70   | 900 54 007      | HEIGHT CONTROL VALVE   | REF  |
| 71   | 905-54-107      | BRAKE PROTECTION VALVE   | REF  |
| 72   | 190701          | BRACKET WLDMT, E-CHAIN LH <b>(AFTER 6-3-2015)</b>              | 1    |
| 73   | 190706          | BRACKET WLDMT, E-CHAIN RH <b>(AFTER 6-3-2015)</b>              | 1    |
| 74   | 190700ZP        | BRACKET, E-CHAIN LH <b>(AFTER 6-3-2015)</b>                    | 1    |
| 75   | 190705ZP        | BRACKET, E-CHAIN RH <b>(AFTER 6-3-2015)</b>                    | 1    |
|      | 189380          | FIELD INSTALLATION KIT <b>(ITEM 62 &amp; 72-75)</b>            | 1    |

\* 1ST QUANTITY LISTED IS FOR SINGLE AXLE; 2ND QUANTITY LISTED IS FOR TANDEM AXLE

\*\* SEE TABLES BELOW FOR HOSE LOCATIONS

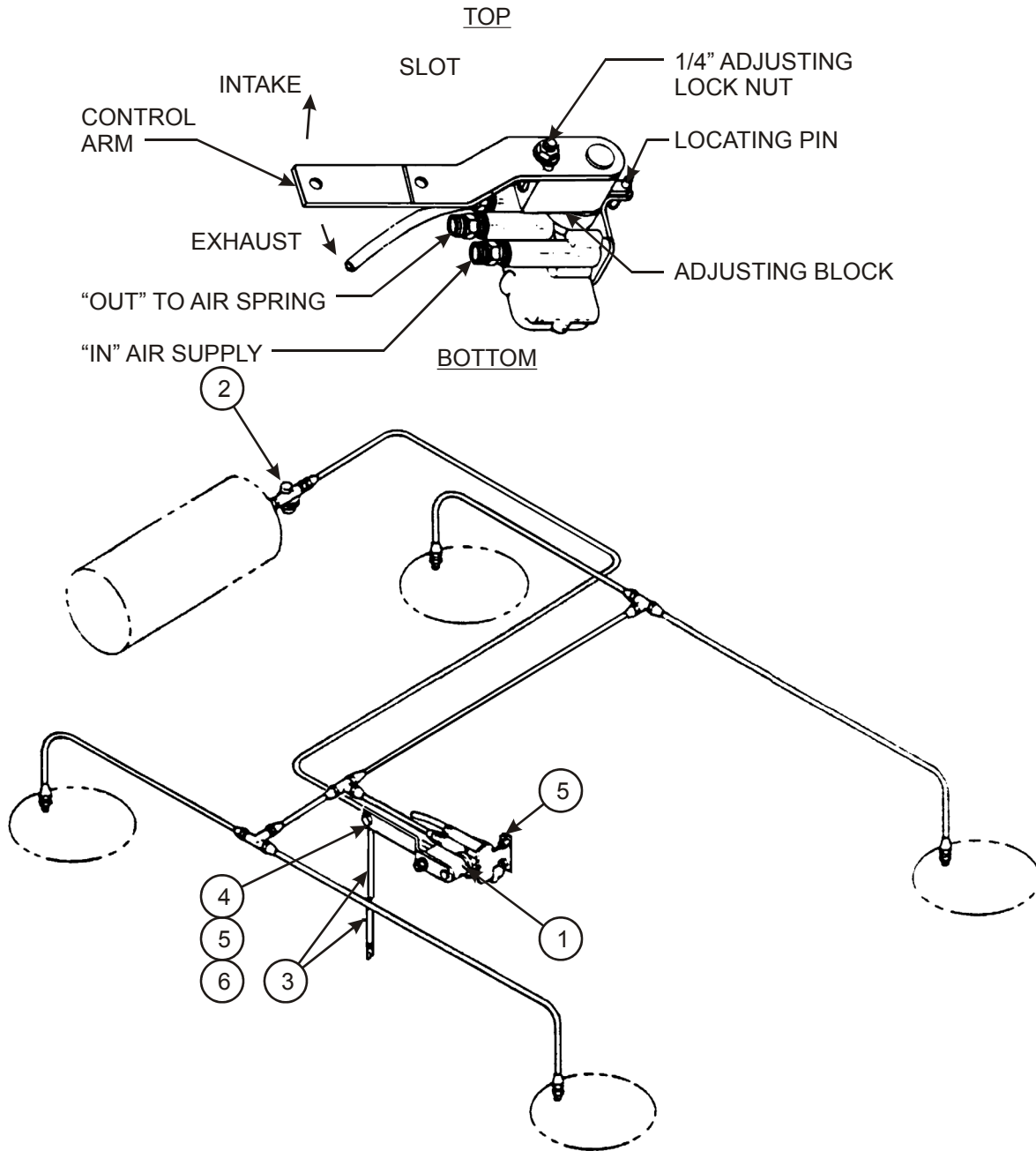
**GREASE HOSE LOCATION, P/N, AND LENGTH (SINGLE)**

| ITEM | HOSE LOCATION          | RIGHT  | LEFT   | LENGTH |
|------|------------------------|--------|--------|--------|
| 36   | TO REAR CAM FOLLOWER   | 142441 | 142441 | 45"    |
| 37   | TO REAR SLACK          | 142443 | 142443 | 72"    |
|      | TO REAR INNER CAMSHAFT | 142443 | 142443 | 72"    |
|      | TO REAR OUTER CAMSHAFT | 142443 | 142443 | 72"    |
| 40   | TO FRONT CAM FOLLOWER  | 142451 | 142451 | 156"   |

**GREASE HOSE LOCATION, P/N, AND LENGTH (TANDEM)**

| ITEM | HOSE LOCATION            | RIGHT  | LEFT   | LENGTH |
|------|--------------------------|--------|--------|--------|
| 36   | TO REAR CAM FOLLOWER     | 142441 | 142441 | 45"    |
| 37   | TO REAR SLACK            | 142443 | 142443 | 72"    |
|      | TO REAR INNER CAMSHAFT   | 142443 | 142443 | 72"    |
|      | TO REAR OUTER CAMSHAFT   | 142443 | 142443 | 72"    |
| 38   | TO FRONT OUTER CAMSHAFT  | 142446 | 142446 | 118"   |
|      | TO FRONT INNER CAMSHAFT  | 142446 | 142446 | 118"   |
| 39   | TO FRONT SLACK           | 142447 | 142447 | 126"   |
| 40   | TO FRONT 4" CAM FOLLOWER | 142451 | 142451 | 156"   |

# ILLUSTRATED PARTS LIST



m102732

Figure 2-32: Air Control Kit

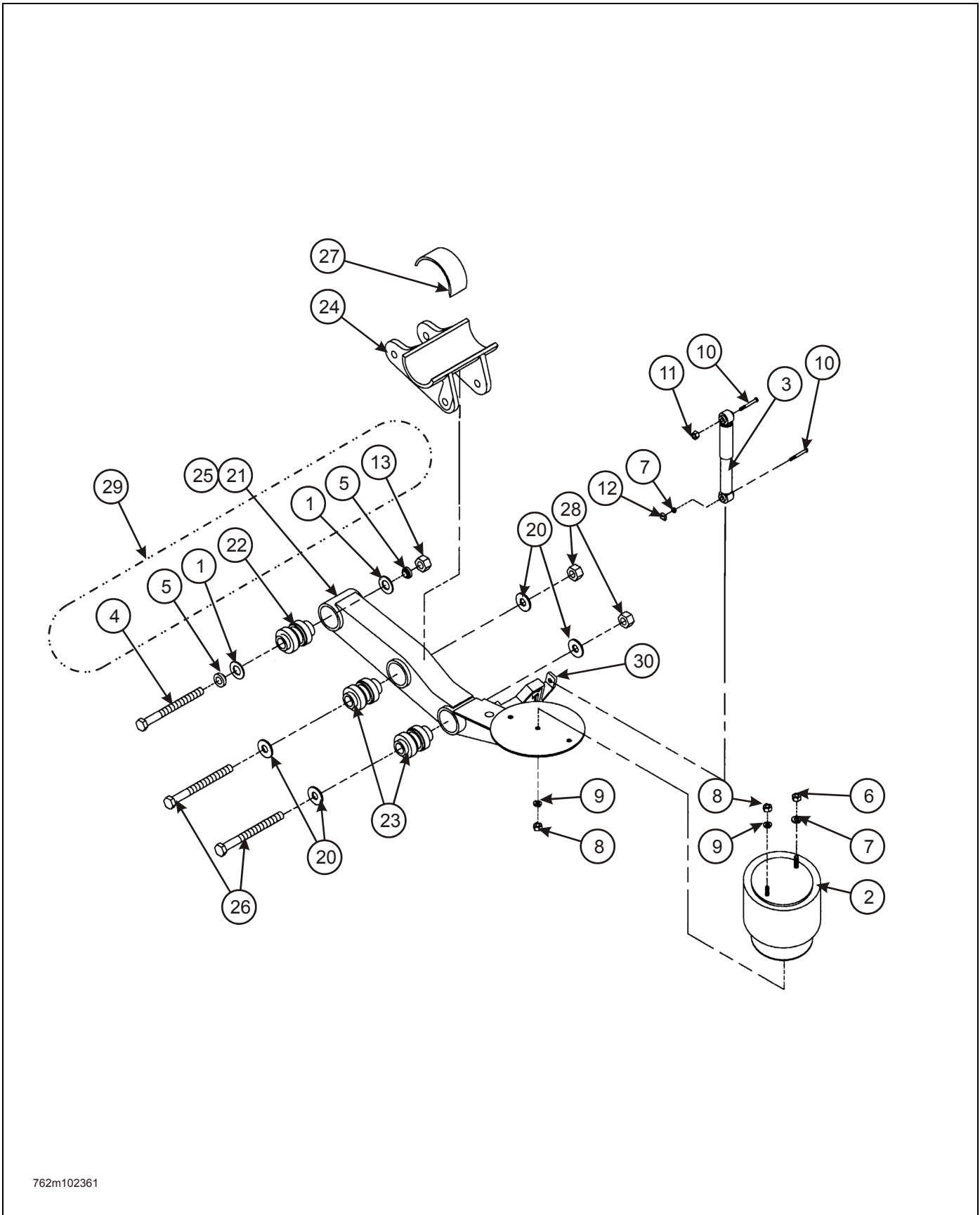


---

**AIR CONTROL KIT**

---

| <b>ITEM</b> | <b>PART NO.</b> | <b>DESCRIPTION</b>                     | <b>QTY.</b> |
|-------------|-----------------|--|-------------|
|             | 102732          | AIR CONTROL KIT NEWAY                  |             |
| 1           | 900 54 007      | HEIGHT CONTROL VALVE                   | 1           |
| 2           | 905-54-107      | AIR PRESSURE PROTECTION VALVE & FILTER | 1           |
| 3           | 111021          | SRK - 167 KIT (ADJ. LINK ASSEMBLY)     | 1           |
| 4           | 1-654-010047-04 | SCREW, HEX HEAD CAP 1/4-20 X 3/4 GR5   | 2           |
| 5           | 1-512-010005-01 | LOCK NUT 1/4-20                        | 2           |
| 6           | -----           | DECAL (OPERATING)                      | 1           |



762m102361

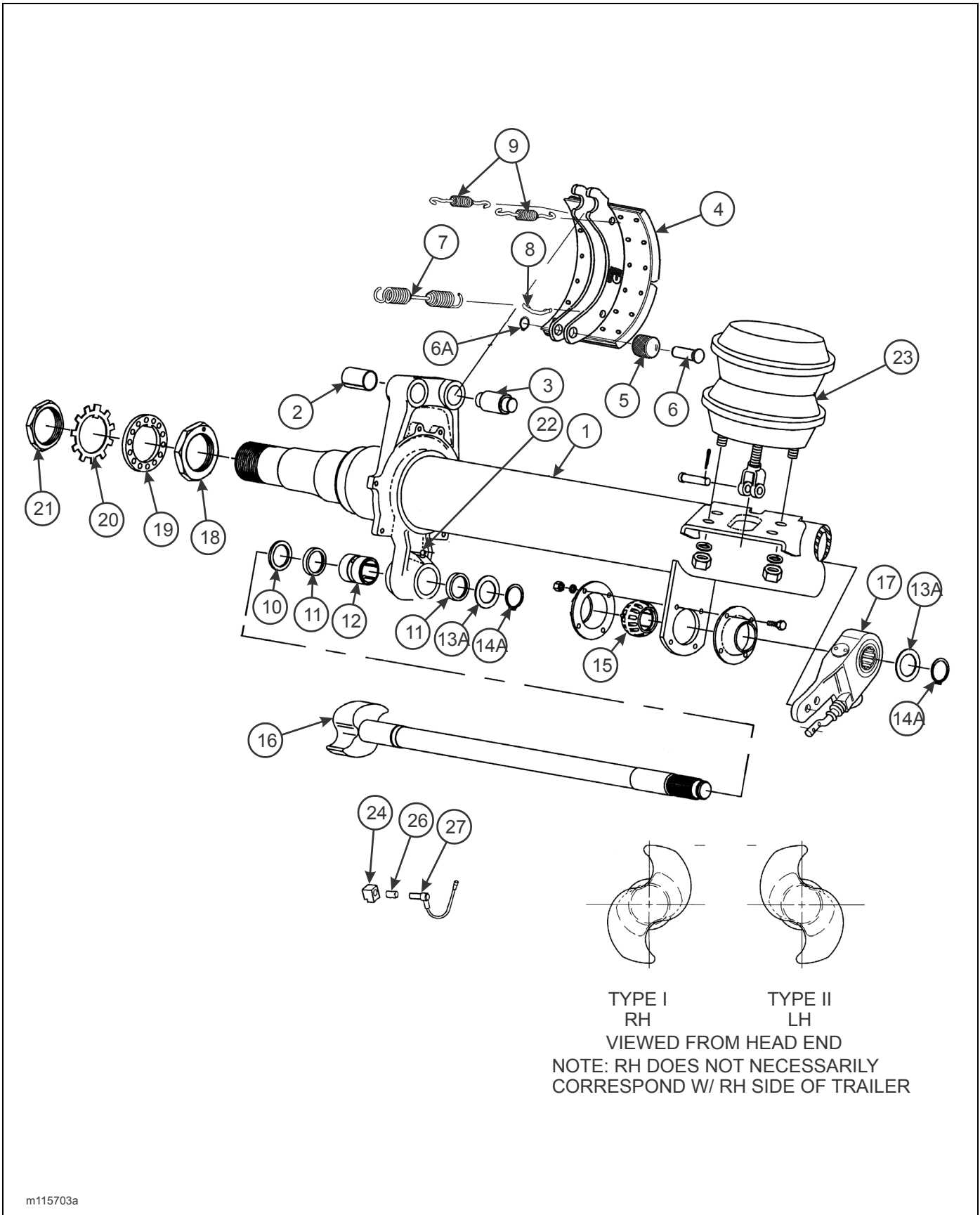
Figure 2-33: Suspension Air Ride Assembly

## SUSPENSION HANGER RLU-228

| ITEM | PART NO.        | REFERENCE NO. | DESCRIPTION                                    | QTY. |
|------|-----------------|---------------|--|------|
|      | 102363          |               | SUSPENSION, ADJ. RLU-228-3.5 (INCL ITEMS 1-19) |      |
|      | 102361          |               | SUSPENSION, BEAM. RLU-228 (INCL ITEMS 20-28)   |      |
| 1    | 111010          | 900 36 177    | FLAT WASHER                                    | 2    |
| 2    | 905-57-129      | 905 57 129    | AIR SPRING ASSEMBLY                            | 2    |
| 3    | 900 45 040      | 900 45 040    | SHOCK  | 2    |
| 4    | 90508009        | 905 08 009    | ALIGN BUSH ASSEMBLY                            | 2    |
| 5    | 111007          | 900 08 186    | ALIGN BLOCK (900 08 186)                       | 2    |
| 6    | 934 00 149      | 934 00 149    | 3/4-16 HEX NUT GRB                             | 2    |
| 7    | 936 00 077      | 936 00 077    | LOCK WASHER, 3/4"                              | 4    |
| 8    | 1-512-010007-09 | 934 00 136    | HEX NUT, 1/2-13                                | 4    |
| 9    | 1-861-010034-13 | 936 00 072    | LOCK WASHER, 1/2"                              | 4    |
| 10   | 105408          | 930 03 597    | HEX HEAD CAP SCREW 3/4-10 X 3-1/2              | 4    |
| 11   | 934 00 492      | 934 00 492    | LOCK NUT, 3/4-10                               | 2    |
| 12   | 111022          | 934 00 367    | 3/4-10 SQUARE NUT                              | 2    |
| 13   | 111008          | 934 00 506    | LOCK NUT 1-1/8-7                               | 2    |
| 14   | 111018          | 900 54 038    | ANCHOR, RIDE HEIGHT CONTROL VALVE (NOT SHOWN)  | 1    |
| 15   | -----           | 941 00 787    | LITERATURE INSTRUCTIONS (NOT SHOWN)            | 1    |
| 16   | -----           | 941 00 685    | LITERATURE SPEC (NOT SHOWN)                    | 1    |
| 17   | -----           | 941 00 648    | LITERATURE FORM 864 (NOT SHOWN)                | 1    |
| 18   | -----           | 941 00 590    | LITERATURE LABEL (NOT SHOWN)                   | 1    |
| 19   | -----           | 941 00 790    | LITERATURE LABEL (NOT SHOWN)                   | 1    |
|      | 111019          | 110 05 053    | FASTENER KIT (INCL. 1, 4-11, 13, 15)           | 1    |
| 20   | 111010          | 900 36 177    | FLAT WASHER                                    | 8    |
| 21   | 111013          | 905 16 600    | EQUALIZING BEAM ASSEMBLY LH                    | 1    |
| 22   | 900-08-139      | 900 08 139    | RUBBER BUSHING (FRONT PIVOT)                   | 2    |
| 23   | 111011          | 900 08 149    | RUBBER BUSHING (AXLE CONNECTION)               | 4    |
| 24   | 111012          | 900 01 200    | AXLE ADAPTER ASSEMBLY                          | 2    |
| 25   | 111014          | 905 16 601    | EQUALIZING BEAM ASSEMBLY RH                    | 1    |
| 26   | 111023          | 932 01 051    | HEX HEAD CAP SCREW 1-1/8-7 X 8-1/2             | 4    |
| 27   | 900-25-288      | 900 25 288    | SAFETY STRAP                                   | 2    |
| 28   | 934-00-506      | 934 00 506    | LOCK NUT 1-1/8-7                               | 4    |
| 29   | 109533          | 481 00 294    | ALIGNMENT BLOCK KIT                            | 1    |
| 30   | 126900          | 905 20 543    | BRACKET BOTTOM SHOCK (RLU-228)                 | 1    |
| 31   | 141708          |               | WIRE ROPE STRAP KIT RLU228-3.5                 | 1    |
|      | 127708          |               | WIRE ROPE STRAP KIT RLU228-5.5                 | 1    |

NOTE: QUANTITIES LISTED ARE PER AXLE.

**ILLUSTRATED PARTS LIST**



**Figure 2-34: Axle and Brake Assembly (12-1/4 x 7-1/2")**

**AXLE AND BRAKE ITEMS (DEXTER) (12-1/4" X 7-1/2")**

| ITEM   | PART NO.      | REFERENCE NO. | DESCRIPTION  | QTY. |
|--------|---------------|---------------|--|------|
|        | 115703        |               | AXLE 70-1/2, 12-1/4 X 7-1/2 SPG BRK (25K)              |      |
|        | **K71-460-00  | **K71-460-00  | BRAKE SHOE HARDWARE KIT (ITEMS 2, 3, 5, 6, 6A, 7, & 8) |      |
| 2**    | ----          | 014-068-00    | BUSHING, SPIDER ANCHOR PIN                             | 4    |
| 3**    | ----          | 056-017-00    | PIN, ANCHOR  | 4    |
| 4      | 040-320-01    | 040-320-01    | SHOE AND LINING ASSEMBLY                               | 4    |
| 4A     | ----          | 041-060-01    | LINING - BRAKE BLOCK CAM                               | 2    |
| 4B     | ----          | 041-057-01    | LINING - BRAKE BLOCK ANCHOR                            | 4    |
|        | ----          | K71-133-00    | BRAKE BLOCK KIT  | 4    |
| 5**    | ----          | 014-057-00    | ROLLER   | 4    |
| 6**    | ----          | 056-010-00    | RETAINER, ROLLER PIN                                   | 8    |
| 6A**   | ----          | 069-018-00    | RETAINER RING  | 8    |
| 7**    | ----          | 046-092-00    | SPRING, SHOE RETRACTOR                                 | 2    |
| 8**    | 056-018-00    | 056-018-00    | RETAINER PIN RETRACTOR SPRING                          | 4    |
| 9**    | 046-097-00    | 046-097-00    | KEEPER SPRING  | 4    |
|        | ***K71-101-00 | **K71-101-00  | CAMSHAFT REPAIR KIT (ITEMS 10-15, & 22)                |      |
| 10***  | 005-074-00    | 005-074-00    | D" WASHER - CAMSHAFT                                   | 2    |
| 11***  | 010-052-00    | 010-052-00    | SEAL GREASE  | 4    |
| 12***  | ----          | 014-056-00    | BUSHING CAMSHAFT SPIDER                                | 2    |
| 13A*** | ----          | 005-134-00    | WASHER CAMSHAFT END                                    | 2    |
| 14A*** | 069-078-00    | 069-078-00    | RETAINER, CAMSHAFT END                                 | 2    |
| 15***  | ----          | 014-058-00    | BUSHING CAMSHAFT SUPPORT                               | 2    |
| 16     | 034-188-03    | 034-188-03    | CAMSHAFT, 22-5/16" LH                                  | 1    |
|        | 034-189-03    | 034-189-03    | CAMSHAFT, 22-5/16" RH                                  | 1    |
| 17     | 156655        | 055-040-99    | SLACK ADJUSTER, AUTOMATIC                              | 2    |
| 18     | 006-114-00    | 006-114-00    | NUT, INNER SPINDLE                                     | 2    |
| 19     | 005-098-00    | 005-098-00    | WASHER, SPINDLE LOCK                                   | 2    |
| 20     | 005-099-00    | 005-099-00    | WASHER, TABBED SPINDLE LOCK                            | 2    |
| 21     | 006-115-00    | 006-115-00    | NUT, OUTER SPINDLE                                     | 2    |
| 22***  | ----          | 061-006-00    | FITTING, GREASE 45°                                    | 2    |
| 23     | 034-058-07    | 034-058-07    | AIR CHAMBER, SPRING BRAKE                              | 2    |
| 24     | 103805        | 024-100-00    | SENSOR BLOCK   | 2    |
| 26     | 144979        | 097-002-00    | RETAINER CLIP  | 2    |
| 27     | 101847        | ----          | ABS SENSOR CABLE-4M 90° (1FT)                          | 2    |

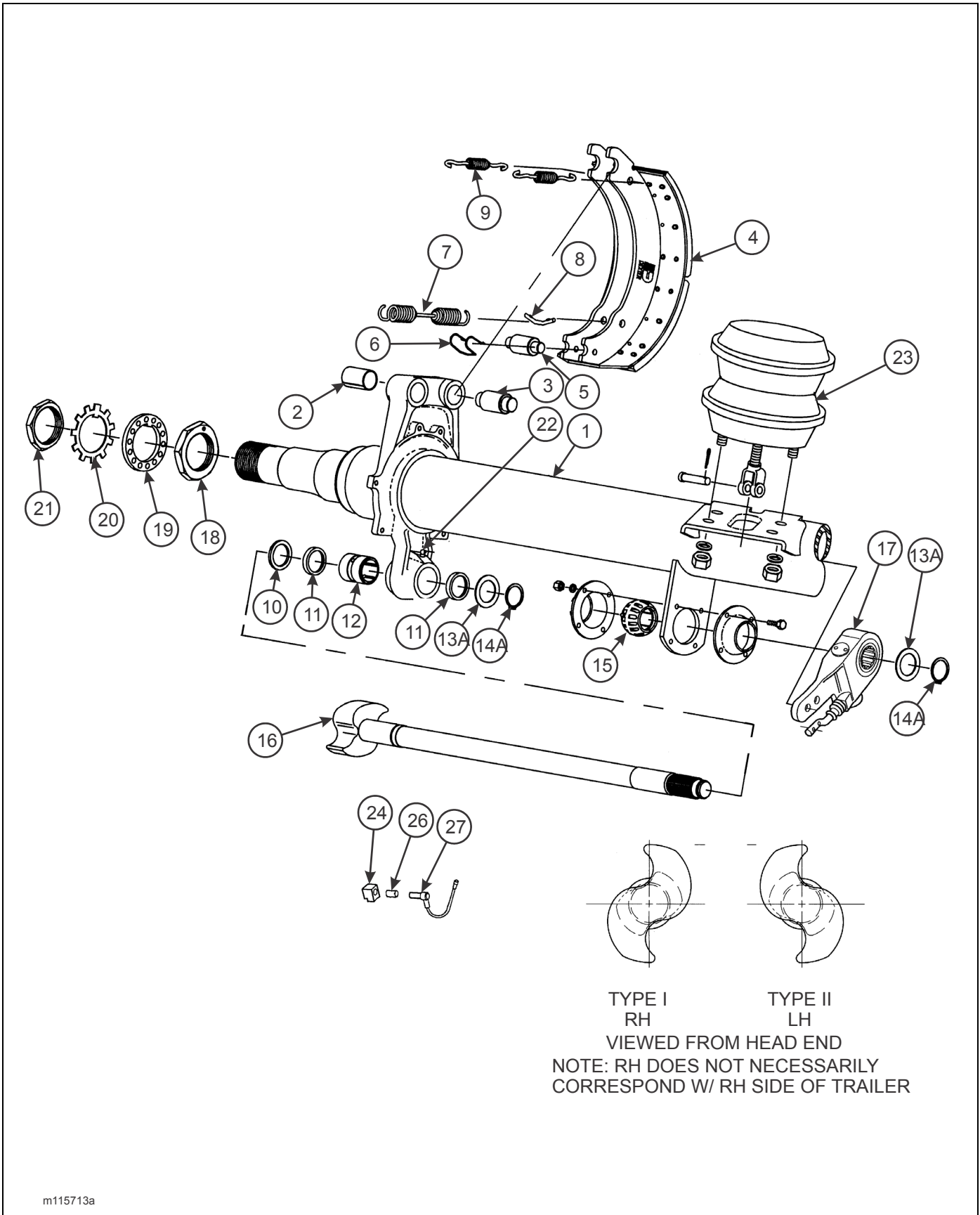
\* WHEN ORDERING THE BEAM WITH SPINDLE, SPIDER, AND BRACKETS ATTACHED, YOU WILL NEED THE BEAM NUMBER, TRACK LENGTH, BRAKE SIZE, AND CAMSHAFT LENGTH.

\*\* THESE PARTS ARE AVAILABLE AS PART OF THE BRAKE SHOE REPAIR KIT LISTED

\*\*\* THESE PARTS ARE AVAILABLE AS PART OF THE CAMSHAFT REPAIR KIT LISTED

NOTE: FOR HUB AND DRUM INFORMATION, SEE PAGE 2-55

**ILLUSTRATED PARTS LIST**



m115713a

**Figure 2-35: Axle and Brake Assembly (16-1/2" x 7")**

**AXLE AND BRAKE ITEMS (DEXTER) (16-1/2" x 7")**

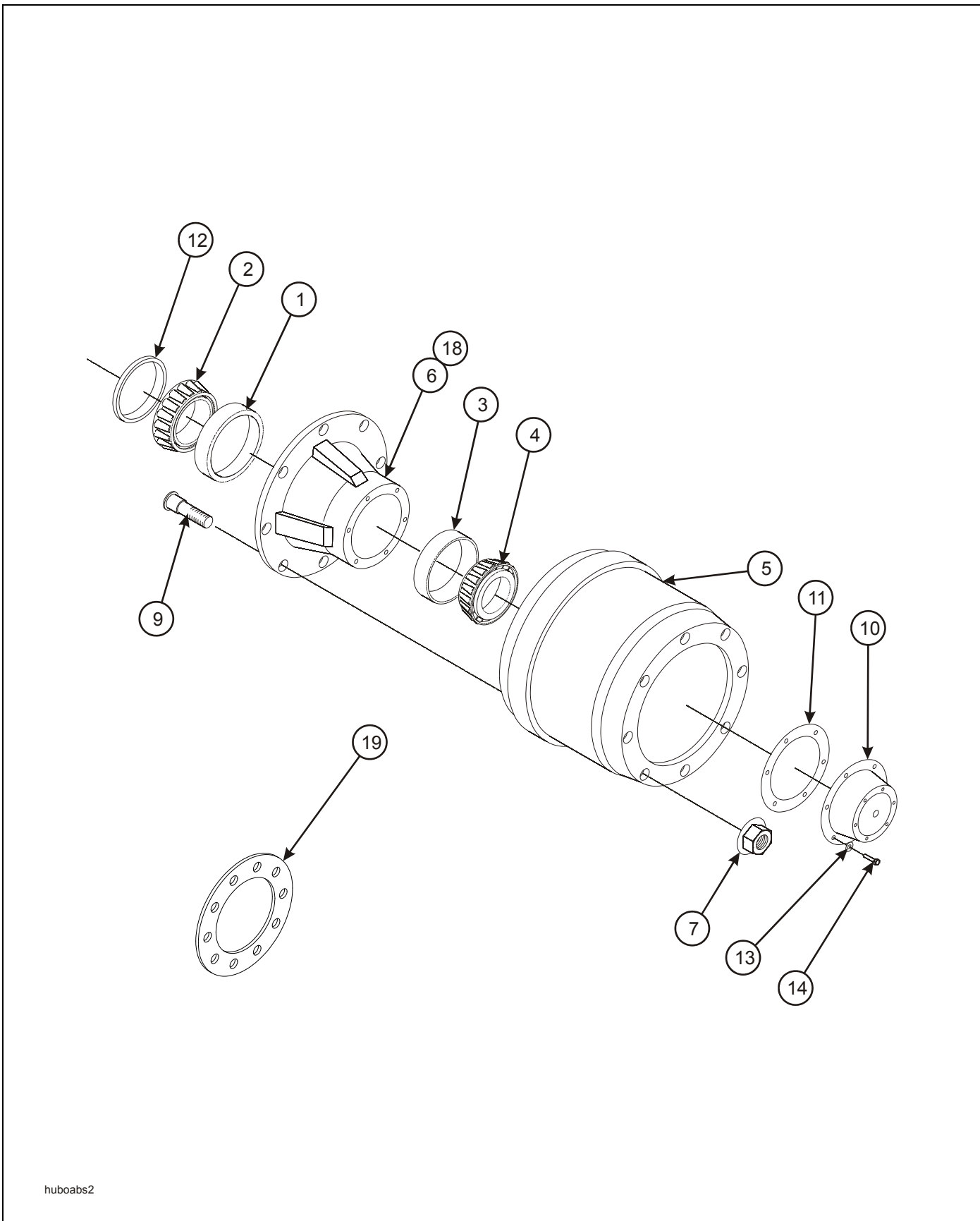
| ITEM   | PART NO.              | REFERENCE NO.          | DESCRIPTION  | QTY. |
|--------|-----------------------|------------------------|--|------|
|        | 115713                |                        | AXLE 69, 16-1/2 X 7 SPRING BRAKE (25K)                                       |      |
| 1A*    | -----<br>**K71-136-00 | D-2H16<br>**K71-136-00 | BEAM W/ BRACKETS<br>BRAKE SHOE HARDWARE KIT (ITEMS 2, 3, 5,<br>6, 7, 8, & 9) | 1    |
| 2**    | -----                 | 014-068-00             | BUSHING, SPIDER ANCHOR PIN   | 4    |
| 3**    | -----                 | 056-017-00             | PIN, ANCHOR  | 4    |
| 4      | 040-180-00            | 040-180-00             | SHOE AND LINING ASSEMBLY   | 4    |
| 4A     | -----                 | 041-058-01             | LINING - BRAKE BLOCK CAM   | 2    |
| 4B     | -----                 | 041-059-01             | LINING - BRAKE BLOCK ANCHOR  | 4    |
|        | -----                 | K71-138-00             | BRAKE BLOCK KIT  | 4    |
| 5**    | 014-065-00            | 014-065-00             | ROLLER   | 4    |
| 6**    | 071-122-00            | 071-122-00             | RETAINER, ROLLER   | 4    |
| 7**    | 046-096-00            | 046-096-00             | SPRING, SHOE RETRACTOR   | 2    |
| 8**    | 056-018-00            | 056-018-00             | RETAINER PIN RETRACTOR SPRING  | 4    |
| 9**    | 046-097-00            | 046-097-00             | KEEPER SPRING  | 4    |
|        | 138090                | ***K71-135-00          | CAMSHAFT REPAIR KIT (ITEMS 10-15, & 22)                                      |      |
| 10***  | 005-096-00            | 005-096-00             | WASHER CAMSHAFT  | 2    |
| 11***  | 010-052-00            | 010-052-00             | SEAL GREASE  | 4    |
| 12***  | -----                 | 014-056-00             | BUSHING CAMSHAFT SPIDER  | 2    |
| 13A*** | -----                 | 005-134-00             | WASHER CAMSHAFT END  | 2    |
| 14A*** | 069-078-00            | 069-078-00             | RETAINER, CAMSHAFT END   | 2    |
| 15***  | -----                 | 014-058-00             | BUSHING CAMSHAFT SUPPORT   | 2    |
| 16     | 034-192-05            | 034-192-05             | CAMSHAFT, 22-5/8" LH   | 1    |
|        | 034-193-05            | 034-193-05             | CAMSHAFT, 22-5/8" RH   | 1    |
| 17     | 139383                | 055-040-98             | SLACK ADJUSTER, AUTOMATIC)   | 2    |
| 18     | 006-114-00            | 006-114-00             | NUT, INNER SPINDLE   | 2    |
| 19     | 005-098-00            | 005-098-00             | WASHER, SPINDLE LOCK   | 2    |
| 20     | 005-099-00            | 005-099-00             | WASHER, TABBED SPINDLE LOCK  | 2    |
| 21     | 006-115-00            | 006-115-00             | NUT, OUTER SPINDLE   | 2    |
| 22***  | -----                 | 061-006-00             | FITTING, GREASE 45°  | 2    |
| 23     | 034-058-01            | 034-058-01             | AIR CHAMBER, SPRING BRAKE  | 4    |
| 24     | 103805                | 024-100-00             | SENSOR BLOCK   | 2    |
| 26     | 144979                | 097-002-00             | RETAINER CLIP  | 2    |
| 27     | 101847                | -----                  | ABS SENSOR CABLE-4M 90° (1FT)  | 2    |

\* WHEN ORDERING THE BEAM WITH SPINDLE, SPIDER, AND BRACKETS ATTACHED, YOU WILL NEED THE BEAM NUMBER, TRACK LENGTH, BRAKE SIZE, AND CAMSHAFT LENGTH.

\*\* THESE PARTS ARE AVAILABLE AS PART OF THE BRAKE SHOE REPAIR KIT LISTED

\*\*\* THESE PARTS ARE AVAILABLE AS PART OF THE CAMSHAFT REPAIR KIT LISTED

NOTE: FOR HUB AND DRUM INFORMATION, SEE PAGE 2-55



huboabs2

Figure 2-36: Outboard Pilot Mount Hub and Drum



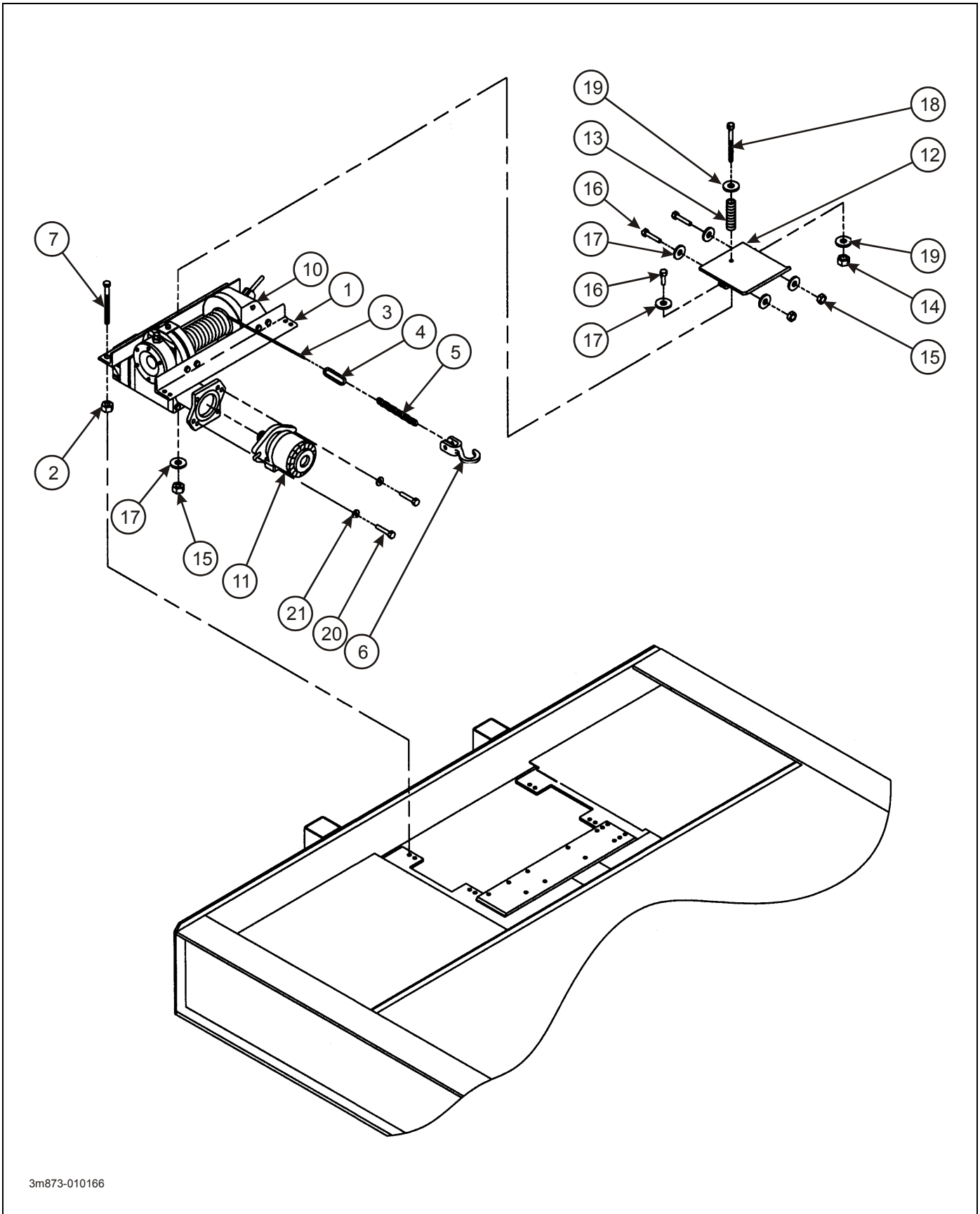
## OUTBOARD PILOT MOUNT HUB AND DRUM

| ITEM | PART NO.        | DESCRIPTION  | QTY. |
|------|-----------------|--|------|
| 1    | HM218210        | INNER BEARING CUP  | 1    |
| 2    | HM218248        | INNER BEARING CONE                                       | 1    |
| 3    | HM212011        | OUTER BEARING CUP  | 1    |
| 4    | HM212049        | OUTER BEARING CONE                                       | 1    |
| 5    | 110976          | OUTBOARD MOUNTED BRAKE DRUM                              | 1    |
|      | 63680           | OUTBOARD MOUNTED BRAKE DRUM                              | 1    |
| 6    | 110975          | HUB IRON, (10-BOLT)                                      | 1    |
|      | 112492          | HUB IRON, (8-BOLT)                                       | 1    |
| 7    | 179933          | FLANGE NUT   | 10   |
| 9    | 113536          | STUD   | 10   |
| 10   | 4009            | CAP HUB  | 1    |
| 11   | 3067            | GASKET OIL CAP   | 1    |
| 12   | 3-659-010012    | SEAL   | 1    |
| 13   | 1-861-010034-10 | WASHER SPLIT LOCK 5/16                                   | 6    |
| 14   | 1-654-010049-03 | SCREW HEX HEAD CAP 5/16-18 X 3/4 GR5                     | 6    |
| 15   | 3-870-010110    | WHEEL DISC PILOT MOUNT 22.5 X 8.25 (NOT SHOWN)           | 1    |
|      | 111416          | WHEEL, ALUMINUM PILOT MOUNT 22.5 X 8.25 (NOT SHOWN)      | 1    |
|      | 111417          | WHEEL, ALUM PILOT MOUNT 22.5 X 8.25 MACH (NOT SHOWN)     | 1    |
|      | 3-870-010104    | WHEEL, DISC PILOT MOUNT 22.5 X 7.5 (NOT SHOWN)           | 1    |
|      | 3-870-010106    | WHEEL, ALUMINUM PILOT MOUNT 22.5 X 7.5 (NOT SHOWN)       | 1    |
|      | 3-870-010116    | WHEEL, ALUMINUM PILOT MOUNT 22.5 X 7.5 (NOT SHOWN)       | 1    |
|      | 112047          | WHEEL, ALUMINUM PILOT MOUNT 17.5 X 6.75 MACH (NOT SHOWN) | 1    |
| 16   | TR573           | VALVE STEM - STEEL WHEEL (NOT SHOWN)                     | 1    |
|      | TR545D          | VALVE STEM (NOT SHOWN)                                   | 1    |
|      | 100401          | VALVE STEM TR543C (NOT SHOWN)                            | 1    |
| 18   | *               | ABS TONE RING  | 1    |
| 19   | **3-870-010107  | WHEEL GUARD, 10 HOLE 285.75 mm BC                        | AR   |
|      | ***123882       | SPACER, WHEEL .375 X 10 HOLE HUB                         | AR   |

\* THIS PART SHOULD BE REPLACED IN CONJUNCTION WITH THE HUB. IT IS NOT SOLD SEPARATELY.

\*\* USED WITH ALUMINUM WHEELS

\*\*\* USE BETWEEN STEEL DRUM OR WHEEL AND ALUMINUM WHEEL.



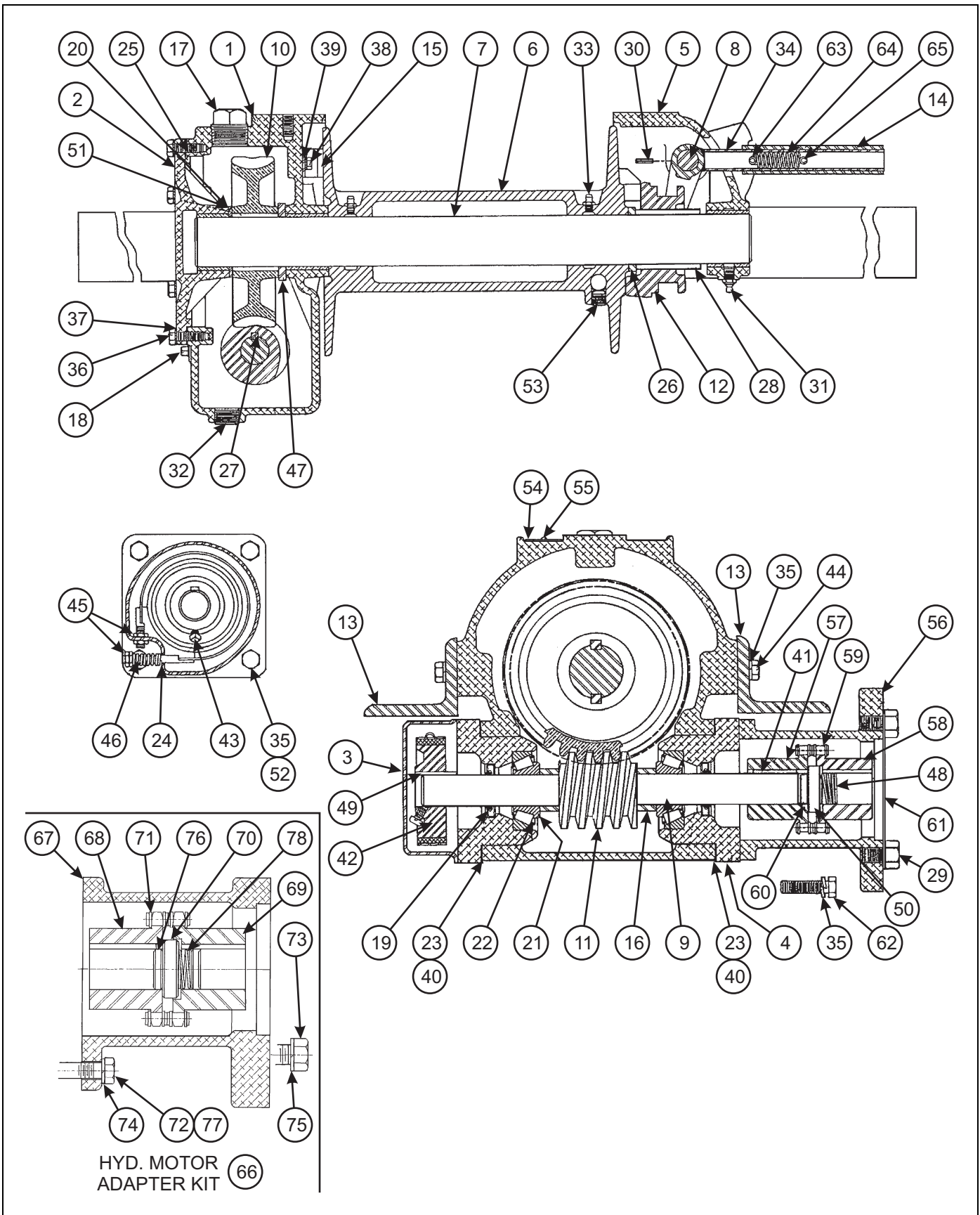
3m873-010166

Figure 2-37: Winch Installation

## WINCH INSTALLATION (BRADEN)

| ITEM | PART NO.        | DESCRIPTION  | QTY. |
|------|-----------------|--|------|
|      | 3-873-010166-01 | WINCH INSTL 12K W/ PARKER MOTOR 42' (INCL 1-9)       |      |
|      | 3-873-010166-02 | WINCH INSTL 12K W/ PARKER MOTOR 48' (INCL 1-9)       |      |
|      | 3-873-010166-03 | WINCH INSTL 20K W/ PARKER MOTOR 42' (INCL 1-9)       |      |
|      | 3-873-010166-04 | WINCH INSTL 20K W/ PARKER MOTOR 48' (INCL 1-9, & 23) |      |
|      | 100351          | WINCH INSTL 12K SLOPE (INCL 1-10)                    |      |
| 1    | 3-873-010126-2  | WINCH ASSEMBLY, 12K PARKER (INCL 10-22)              | REF  |
|      | 3-873-010129-2  | WINCH ASSEMBLY, 20K PARKER (INCL 10-22)              | REF  |
| 2    | 1-512-010005-09 | NUT, HEX LOCK 1/2-13                                 | 8    |
| 3    | 3-155-010017-4  | CABLE, 1/2 W/ LOOP 85'                               | REF  |
|      | 3-155-010018-6  | CABLE, 5/8 W/ LOOP 85'                               | REF  |
| 4    | 3-174-010038    | CHAIN LINK, CONNECTING 1/2                           | 1    |
| 5    | 3-174-010039036 | CHAIN, 1/2 X 36" GRD 7                               | 1    |
| 6    | 7HCGHT500       | 1/2 CLEVIS GRAB HOOK                                 | 1    |
| 7    | 1-654-010055-03 | SCREW, HEX HEAD CAP 1/2-13 X 1-1/2                   | 8    |
| 8    | 2-181-010001    | HOSE, CLAMP (NOT SHOWN)                              | REF  |
| 9    | 1-510-010001    | NUT, FLANGE LOCK 3/8-16 (NOT SHOWN)                  | REF  |
| 10   | 3-873-010122    | WINCH, WORM GEAR 12K (SEE PAGE 2-59)                 | 1    |
|      | 3-873-010123    | WINCH, WORM GEAR 20K (SEE PAGE 2-62)                 | 1    |
| 11   | 3-481-010006    | MOTOR, HYDRAULIC 12K (SEE PAGE 2-65)                 | 1    |
|      | 3-481-010007    | MOTOR, HYDRAULIC 20K (SEE PAGE 2-65)                 | 1    |
| 12   | 3-873-010124    | WINCH TENSIONER WELDMENT 12K                         | 1    |
|      | 102186          | WINCH TENSIONER WELDMENT 20K                         | 1    |
| 13   | 3-720-010010    | SPRING, COMPRESSION LEVEL WIND                       | 1    |
| 14   | 1-512-010005-09 | NUT, HEX LOCK 1/2-13 GRB                             | 1    |
| 15   | 1-512-010005-05 | NUT, HEX LOCK 3/8-16 GRB                             | 3    |
| 16   | 1-654-010051-06 | SCREW, HEX HEAD CAP 3/8-16 GR5                       | 3    |
| 17   | 1-861-010032-10 | WASHER, FLAT 3/8 N                                   | 6    |
| 18   | 1-654-010055-16 | SCREW, HEX HEAD CAP 1/2-13 X 5-1/2 GR5 12K           | 1    |
|      | 1-654-010055-17 | SCREW, HEX HEAD CAP 1/2-13 X 6 GR5 20K               | 1    |
| 19   | 1-861-010032-15 | WASHER, FLAT 1/2W                                    | 2    |
| 20   | 1-654-010055-04 | SCREW, HEX HEAD CAP 1/2-13 X 1-3/4 GR5               | 2    |
| 21   | 1-861-010034-13 | WASHER, SPLIT LOCK 1/2                               | 2    |
| 22   | 100600          | DECAL, WARNING WINCH (NOT SHOWN)                     | 1    |
| 23   | 3-711-010110    | SPACER, AIR TENSION MOUNT (NOT SHOWN)                | 4    |
|      | 3-873-010178-3  | WINCH TENSIONER ASSEMBLY 20K (INCL ITEMS 12-19)      |      |
|      | 3-873-010178-1  | WINCH TENSIONER ASSEMBLY 12K (INCL ITEMS 12-19)      |      |

**ILLUSTRATED PARTS LIST**



**Figure 2-38: 12,000 Lb. Winch Items**

**12,000# WINCH ITEMS (BRADEN)**

| ITEM | PART NO.     | REFERENCE NO. | DESCRIPTION                 | QTY. |
|------|--------------|---------------|-----------------------------|------|
|      | 3-873-010122 |               | WINCH ASSEMBLY 12K (BRADEN) |      |
| 1    | 81006        | 81006         | WORM HOUSING ASSEMBLY       | 1    |
| 1A   | 18078        | 18078         | BUSHING                     | 1    |
| 2    | 81009        | 81009         | COVER ASSEMBLY WORM HOUSING | 1    |
| 2A   | 11368        | 11368         | BUSHING                     | 1    |
| 3    | 18032        | 18032         | HOUSING SAFETY BRAKE        | 1    |
| 4    | 23303        | 23303         | CONTAINER BEARING           | 2    |
| 5    | 81530        | 81530         | LEG ASSEMBLY BEARING        | 1    |
| 6    | 11128        | 11128         | DRUM CABLE                  | 1    |
| 7    | 11129        | 11129         | DRUM SHAFT CABLE            | 1    |
| 8    | 11130        | 11130         | SHIFTER SHAFT               | 1    |
| 9    | 23470        | 23470         | SHAFT WORM                  | 1    |
| 10   | 11144        | 11144         | GEAR WORM LEFT HAND         | 1    |
| 11   | 11142        | 11142         | WORM LEFT HAND              | 1    |
| 12   | 18039        | 18039         | SLIDING CLUTCH              | 1    |
| 13   | 22752        | 22752         | ANGLE BASE                  | 2    |
| 14   | 12817        | 12817         | SHIFTER HANDLE              | 1    |
| 15   | 81025        | 81025         | BRAKE DRAG                  | 1    |
| 16   | 11308        | 11308         | SPACER WORM                 | 2    |
| 17   | ----         | 22775         | PLUG PIPE                   | 1    |
| 18   | 18009        | 18009         | PLUG PIPE                   | 1    |
| 19   | 18026        | 18026         | SEAL GREASE                 | 2    |
| 20   | 11117        | 11117         | KEY WORM GEAR               | 2    |
| 21   | 18015        | 18015         | CONE BEARING                | 2    |
| 22   | 18016        | 18016         | CUP BEARING                 | 2    |
| 23   | 18027        | 18027         | GASKET                      | 3    |
| 24   | 21925        | 21925         | BAND BRAKE                  | 1    |
| 25   | 11133        | 11133         | WORM HOUSING COVER GASKET   | 3    |
| 26   | 18019        | 18019         | RETAINER RING               | 1    |
| 27   | 18030        | 18030         | KEY WORM                    | 1    |
| 28   | 18020        | 18020         | KEY CLUTCH                  | 2    |
| 29   | ----         | 10009         | CAPSCREW                    | 2    |
| 30   | 11837        | 11837         | ROLLPIN                     | 2    |
| 31   | 18047        | 18047         | FITTING GREASE              | 1    |
| 32   | 19045        | 19045         | PLUG PIPE                   | 1    |
| 33   | ----         | 11799         | FITTING GREASE              | 2    |
| 34   | 13839        | 13839         | SHIFTER FORK                | 1    |
| 35   | ----         | 18003         | WASHER LOCK                 | 16   |
| 36   | ----         | 11767         | CAPSCREW                    | 6    |
| 37   | ----         | 11011         | WASHER LOCK                 | 6    |
| 38   | 13005        | 13005         | CAPSCREW                    | 2    |
| 39   | ----         | 12780         | WASHER LOCK                 | 2    |
| 40   | 18024        | 18024         | BEARING CONTAINER GASKET    | 3    |
| 41   | 18044        | 18044         | KEY                         | 1    |
| 42   | 18028        | 18028         | DRUM BRAKE                  | 1    |
| 43   | 12075        | 12075         | SETSCREW                    | 1    |
| 44   | ----         | 21961         | CAPSCREW                    | 12   |
| 45   | 13468        | 13468         | JAM NUT                     | 4    |
| 46   | 18029        | 18029         | BRAKE BAND SPRING           | 1    |

**12,000# WINCH ITEMS (BRADEN)**

| ITEM | PART NO. | REFERENCE NO. | DESCRIPTION  | QTY. |
|------|----------|---------------|--|------|
| 47   | 11240    | 11240         | RETAINER RING  | 1    |
| 48   | ----     | 23353         | SPRING   | 1    |
| 49   | 10078    | 10078         | KEY  | 1    |
| 50   | 23078    | 23078         | SPACER   | 1    |
| 51   | 13680    | 13680         | THRUST RING  | 1    |
| 52   | ----     | 22703         | CAPSCREW   | 4    |
| 53   | ----     | 24032         | SETSCREW   | 1    |
| 54   | ----     | 23310         | WARNING PLATE  | 1    |
| 55   | ----     | 11842         | DRIVE SCREW  | 2    |
| 56   | 23079    | 23079         | MOTOR ADAPTER  | 1    |
| 57   | 23081    | 23081         | COUPLING HALF (WORM SHAFT)                                   | 1    |
| 58   | 23083    | 23083         | COUPLING HALF (MOTOR SHAFT)                                  | 1    |
| 59   | 13424    | 13424         | ROLLER CHAIN   | 1    |
| 60   | 23085    | 23085         | SPACER   | 1    |
| 61   | ----     | 21959         | SHIPPING COVER   | 1    |
| 62   | ----     | 22704         | CAPSCREW   | 4    |
| 63   | 13028    | 13028         | ROLLPIN  | 1    |
| 64   | 18002    | 18002         | SPRING   | 1    |
| 65   | 18056    | 18056         | ROLLPIN  | 1    |
| 66   | 61333    | 61333         | HYD. MOTOR ADAPTER KIT, 12,000# WINCH<br>(INCL ITEMS 67- 78) | 1    |
| 67   | 23079    | 23079         | ADAPTER, MOTOR   | 1    |
| 68   | 23081    | 23081         | COUPLING HALF, WINCH   | 1    |
| 69   | 23083    | 23083         | COUPLING HALF, MOTOR   | 1    |
| 70   | 23078    | 23078         | SPACER, CONSTANT   | 1    |
| 71   | 13424    | 13424         | CHAIN ROLLER   | 1    |
| 72   | ----     | ----          | CAPSCREW   | 4    |
| 73   | ----     | ----          | CAPSCREW   | 4    |
| 74   | ----     | 27152         | LOCKWASHER   | 4    |
| 75   | ----     | 11026         | LOCKWASHER   | 4    |
| 76   | ----     | 23085         | SPACER   | 1    |
| 77   | ----     | ----          | CAPSCREW   | 4    |
| 78   | 110452   | 23353         | SPRING SPACER  | 1    |

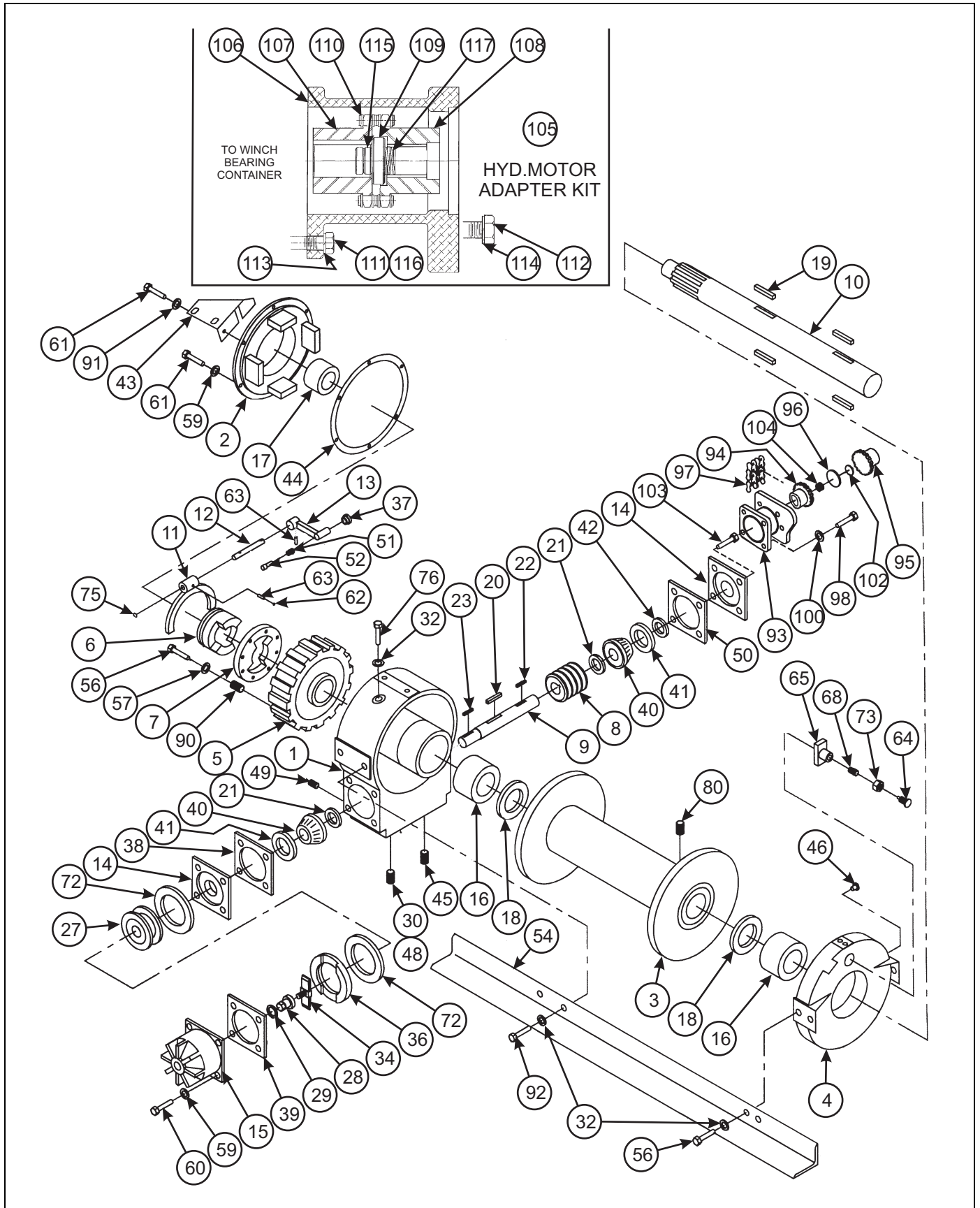


Figure 2-39: 20,000 Lb. Winch Items

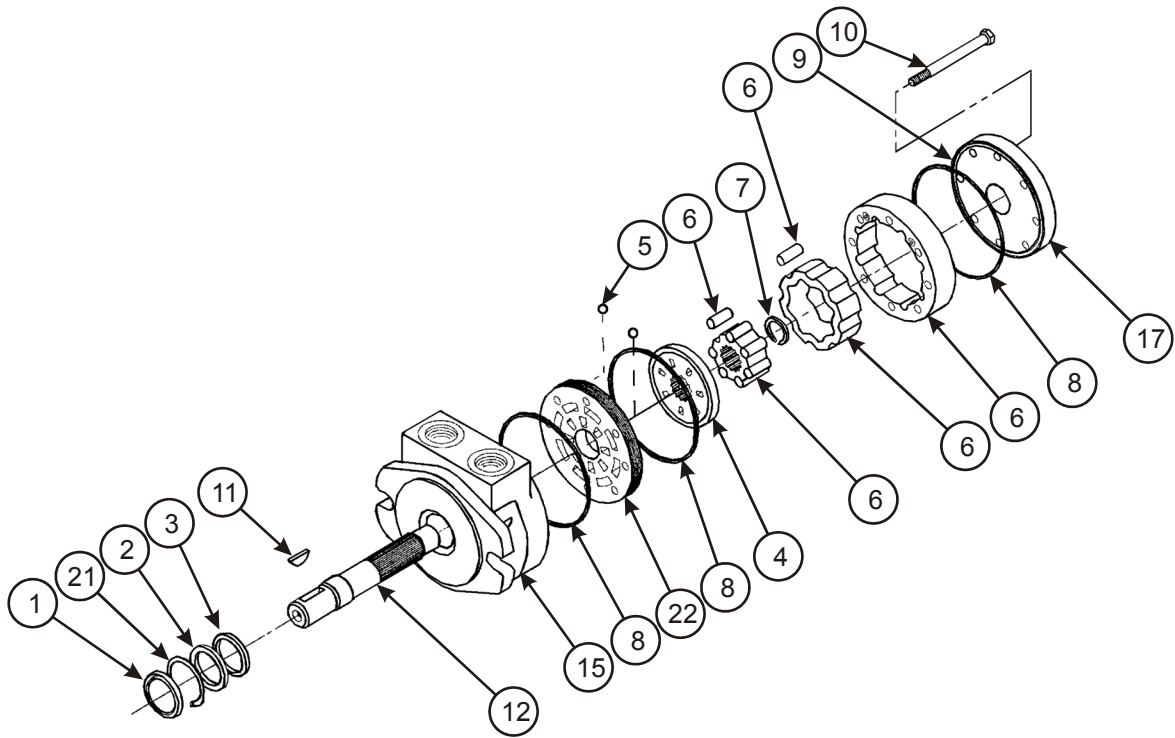
**20,000# WINCH ITEMS (BRADEN)**

| ITEM | PART NO.     | REFERENCE NO. | DESCRIPTION                    | QTY. |
|------|--------------|---------------|--------------------------------|------|
|      | 3-873-010123 |               | WINCH 20,000# W/BOLT-ON ANGLES |      |
| 1    | 81078        | 81078         | WORM HOUSING ASSEMBLY          | 1    |
| 2    | 106956       | 81082         | COVER ASSEMBLY WORM HOUSING    | 1    |
| 3    | ----         | 101142        | DRUM CABLE                     | 1    |
| 4    | 81077        | 81077         | LEG ASSEMBLY BEARING           | 1    |
| 5    | 11434        | 11434         | WORM, GEAR RIGHT               | 1    |
| 6    | 11421        | 11421         | CLUTCH, SLIDING                | 1    |
| 7    | 11419        | 11419         | DRIVE, CLUTCH                  | 1    |
| 8    | 154166       | 11404         | WORM RIGHT                     | 1    |
| 9    | ----         | 11405         | SHAFT, WORM                    | 1    |
| 10   | 139479       | 11414         | SHAFT, CABLE DRUM              | 1    |
| 11   | 11440        | 11440         | FORK SHIFTER                   | 1    |
| 12   | 11441        | 11441         | SHAFT SHIFTER                  | 1    |
| 13   | 26976        | 26976         | HANDLE SHIFTER                 | 1    |
| 14   | 124549       | 11427         | CONTAINER BEARING              | 2    |
| 15   | ----         | 11445         | COVER WORM BRAKE               | 1    |
| 16   | 18035        | 18035         | BUSHING                        | 2    |
| 17   | 11425        | 11425         | BUSHING                        | 1    |
| 18   | 11420        | 11420         | RING, RETAINING                | 2    |
| 19   | 163472       | 22055         | DRUM, KEY CABLE                | 4    |
| 20   | 11402        | 11402         | KEY, WORM                      | 1    |
| 21   | 11407        | 11407         | SPACER, WORM                   | 2    |
| 22   | 23367        | 23367         | KEY, SPROCKET                  | 1    |
| 23   | 10078        | 10078         | KEY, ROTOR                     | 1    |
| 27   | 81080        | 81080         | ROTOR ASSEMBLY, BRAKE          | 1    |
| 28   | 11599        | 11599         | ADJUSTING NUT, WORM BRAKE      | 1    |
| 29   | 12465        | 12465         | O-RING                         | 1    |
| 30   | ----         | 19014         | PLUG, FILLER                   | 1    |
| 32   | ----         | 11026         | WASHER, LOCK                   | 10   |
| 34   | 81081        | 81081         | SPRING ASSEMBLY, SAFETY BRAKE  | 1    |
| 36   | 11431        | 11431         | PLATE, PRESSURE                | 1    |
| 37   | 18022        | 18022         | KNOB, SHIFTER                  | 1    |
| 38   | 11429        | 11429         | GASKET                         | 4    |
| 39   | 11446        | 11446         | GASKET                         | 2    |
| 40   | 18033        | 18033         | BEARING CONE                   | 2    |
| 41   | 18034        | 18034         | BEARING CUP                    | 2    |
| 42   | 12073        | 12073         | SEAL GREASE                    | 1    |
| 43   | 12783        | 12783         | BRACKET SHIFTER                | 1    |
| 44   | 11411        | 11411         | COVER GASKET HOUSING           | 1    |
| 45   | 19045        | 19045         | PLUG DRAIN                     | 1    |
| 46   | 18047        | 18047         | FITTING GREASE                 | 1    |
| 48   | ----         | 22775         | PLUG VENT                      | 1    |
| 49   | ----         | 18009         | PLUG LEVEL                     | 1    |
| 50   | 11430        | 11430         | GASKET                         | 4    |
| 51   | 11310        | 11310         | SPRING SHIFTER KNOB            | 1    |
| 52   | 11309        | 11309         | STEM SHIFTER KNOB              | 1    |
| 54   | ----         | 28942         | ANGLE FRONT BASE               | 1    |
| 55   | ----         | 28943         | ANGLE REAR BASE (NOT SHOWN)    | 1    |



**20,000# WINCH ITEMS (BRADEN)**

| ITEM | PART NO. | REFERENCE NO. | DESCRIPTION   | QTY. |
|------|----------|---------------|---|------|
| 56   | ----     | 13938         | CAPSCREW  | 16   |
| 57   | ----     | 12781         | WASHER, LOCK  | 8    |
| 58   | ----     | 21044         | CAPSCREW  | 4    |
| 59   | ----     | 11025         | WASHER, LOCK  | 3    |
| 60   | ----     | 22695         | CAPSCREW  | 4    |
| 61   | ----     | 21964         | CAPSCREW  | 6    |
| 62   | 12146    | 12146         | PLUG, EXPANSION   | A/R  |
| 63   | 13028    | 13028         | ROLLPIN   | A/R  |
| 64   | 11398    | 11398         | SCREW, ADJUSTING  | 1    |
| 65   | 88005    | 88005         | SHOE ASSEMBLY DRAG BRAKE                                      | 1    |
| 68   | 18002    | 18002         | SHOE ASSEMBLY DRAG BRAKE                                      | 1    |
| 72   | 11426    | 11426         | DISC, FRICTION  | 2    |
| 73   | 11791    | 11791         | NUT, JAM  | 1    |
| 75   | 12767    | 12767         | PLUG, EXPANSION   | A/R  |
| 76   | ----     | 22729         | CAPSCREW  | 2    |
| 77   | ----     | 23245         | SAE PLATE-AMU7-16F (NOT SHOWN)                                | 1    |
| 78   | ----     | 23310         | PLATE, WARNING (NOT SHOWN)                                    | 1    |
| 79   | ----     | 11842         | SCREW, DRIVE (NOT SHOWN)                                      | 4    |
| 80   | 139478   | 12228         | SCREW, SET  | 1    |
| 90   | ----     | 11435         | INSERT THREAD   | 8    |
| 91   | ----     | 11014         | LOCKWASHER  | 1    |
| 92   | ----     | 22697         | CAPSCREW (NOT SHOWN)  | 5    |
| 93   | 23144    | 23144         | ADAPTER - MOTOR   | 1    |
| 94   | 23081    | 23081         | COUPLING HALF-WINCH   | 1    |
| 95   | 110448   | 23142         | COUPLING HALF-MOTOR   | 1    |
| 96   | 23078    | 23078         | SPACER - CONSTANT   | 1    |
| 97   | 13424    | 13424         | ROLLER, CHAIN   | 1    |
| 98   | ----     | 22704         | CAPSCREW  | 4    |
| 99   | ----     | 13413         | CAPSCREW (NOT SHOWN)  | 4    |
| 100  | ----     | 18003         | LOCKWASHER  | 4    |
| 101  | ----     | 11026         | LOCKWASHER (NOT SHOWN)  | 4    |
| 102  | ----     | 23183         | SPACER - VARIABLE   | 2    |
| 103  | ----     | 22703         | CAPSCREW  | 4    |
| 104  | ----     | 23353         | SPRING - SPACER   | 1    |
| 105  | 61334    | 61334         | HYD. MOTOR ADAPTER KIT, 20,000# WINCH<br>(INCL ITEMS 106-117) | 1    |
| 106  | 23144    | 23144         | ADAPTER, MOTOR  | 1    |
| 107  | 23081    | 23081         | COUPLING HALF, WINCH  | 1    |
| 108  | 110448   | 23142         | COUPLING HALF, MOTOR  | 1    |
| 109  | 23078    | 23078         | SPACER, CONSTANT  | 1    |
| 110  | 13424    | 13424         | CHAIN ROLLER  | 1    |
| 111  | ----     | ----          | CAPSCREW  | 4    |
| 112  | ----     | ----          | CAPSCREW  | 4    |
| 113  | ----     | 27152         | LOCKWASHER  | 4    |
| 114  | ----     | 11026         | LOCKWASHER  | 4    |
| 115  | 110451   | 23183         | SPACER  | 1    |
| 116  | ----     | ----          | CAPSCREW  | 4    |
| 117  | 110452   | 23353         | SPRING SPACER   | 1    |



pmotor2

Figure 2-40: Winch Motor Assembly

## WINCH MOTOR ASSEMBLY

| ITEM | PART NO.     | REFERENCE NO. | DESCRIPTION                           | QTY. |
|------|--------------|---------------|---------------------------------------|------|
|      | 3-481-010006 |               | MOTOR, HYDRAULIC (FOR 12K WINCH)      |      |
|      | 3-481-010007 |               | MOTOR, HYDRAULIC (FOR 20K WINCH)      |      |
| 1    | -----        | 2183          | SEAL DUST                             | 1    |
| 2    | -----        | 2177          | BACK-UP RING                          | 1    |
| 3    | -----        | 2175          | SEAL LIP                              | 1    |
| 4    | -----        | 1644          | ROTARY VALVE                          | 1    |
| 5    | -----        | 1021          | CHECK VALVE BALL                      | 2    |
| 6    | -----        | 1004-6        | IGR ASSEMBLY (FOR 20K WINCH)          | 1    |
|      | -----        | 1004-3        | IGR ASSEMBLY (FOR 12K WINCH)          | 1    |
| 7    | -----        | 1296          | SNAP RING                             | 1    |
| 8    | 1046         | 1046          | SQUARE RING SEAL                      | 3    |
| 9    | -----        | 1019-4        | PLUG VENT W/O-RING                    | 1    |
| 10   | -----        | 1014-4        | BOLTS HEX (FOR 20K WINCH)             | 8    |
|      | -----        | 1114-5        | BOLTS HEX (FOR 12K WINCH)             | 8    |
| 11   | -----        | 1655          | KEY WOODRUFF                          | 1    |
| 12   | -----        | 2265-6        | SHAFT(FOR 20K WINCH)                  | 1    |
|      | -----        | 2109-3        | SHAFT(FOR 12K WINCH)                  | 1    |
| 15   | -----        | M110AB-4      | BODY/BEARING ASSEMBLY (FOR 20K WINCH) | 1    |
|      | -----        | PA-2328-2     | BODY/BEARING ASSEMBLY (FOR 12K WINCH) | 1    |
| 17   | -----        | M110C-1       | COVER/BEARING ASSEMBLY                | 1    |
| 21   | -----        | 2180          | SNAP RING SHAFT                       | 1    |
| 22   | -----        | 1865          | COMMUTATOR PLATE                      | 1    |
|      | 2263         | 2263          | SEAL KIT BODY                         | 1    |
|      | -----        | 2480          | SEAL KIT BODY VITON                   | 1    |

# ILLUSTRATED PARTS LIST

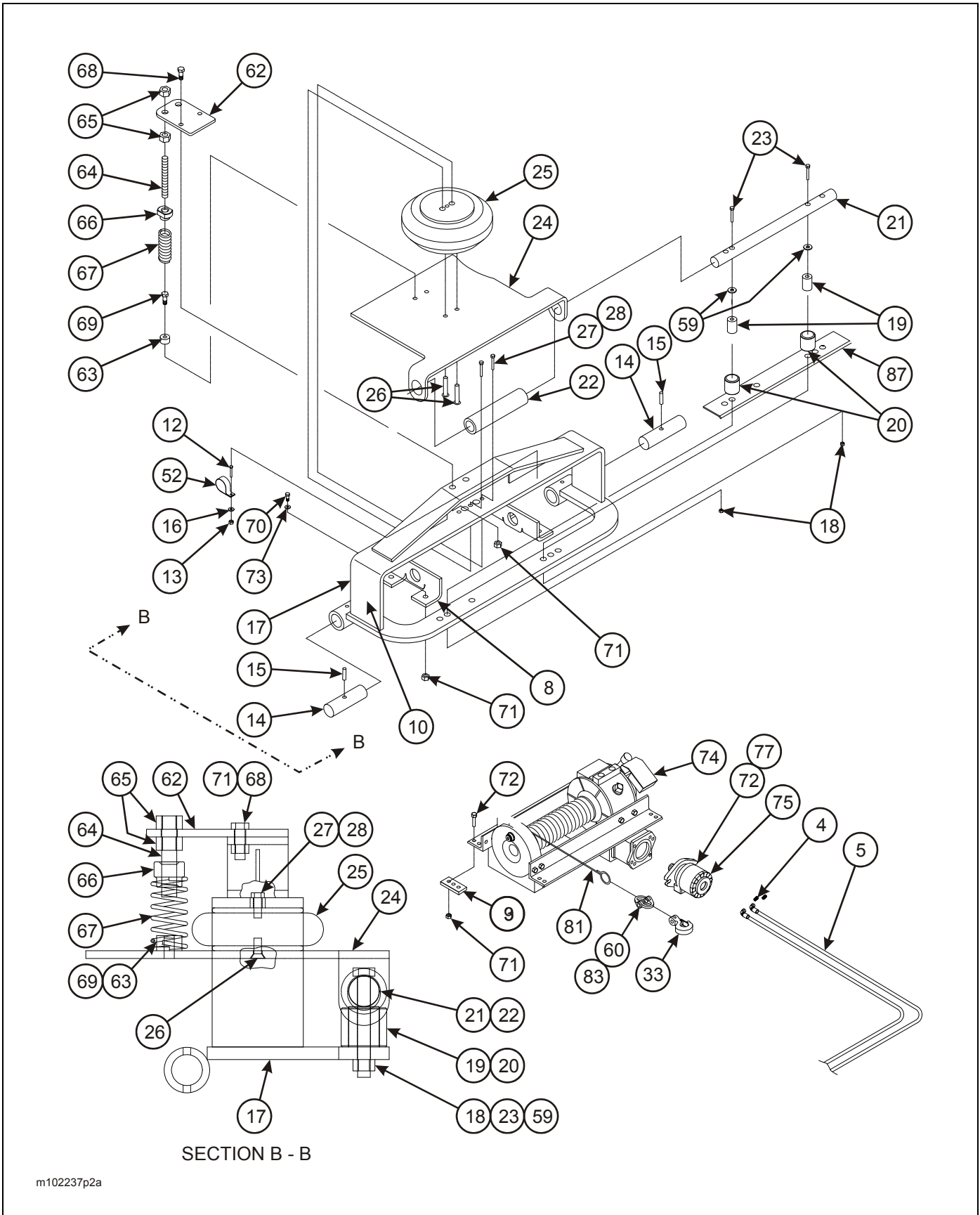
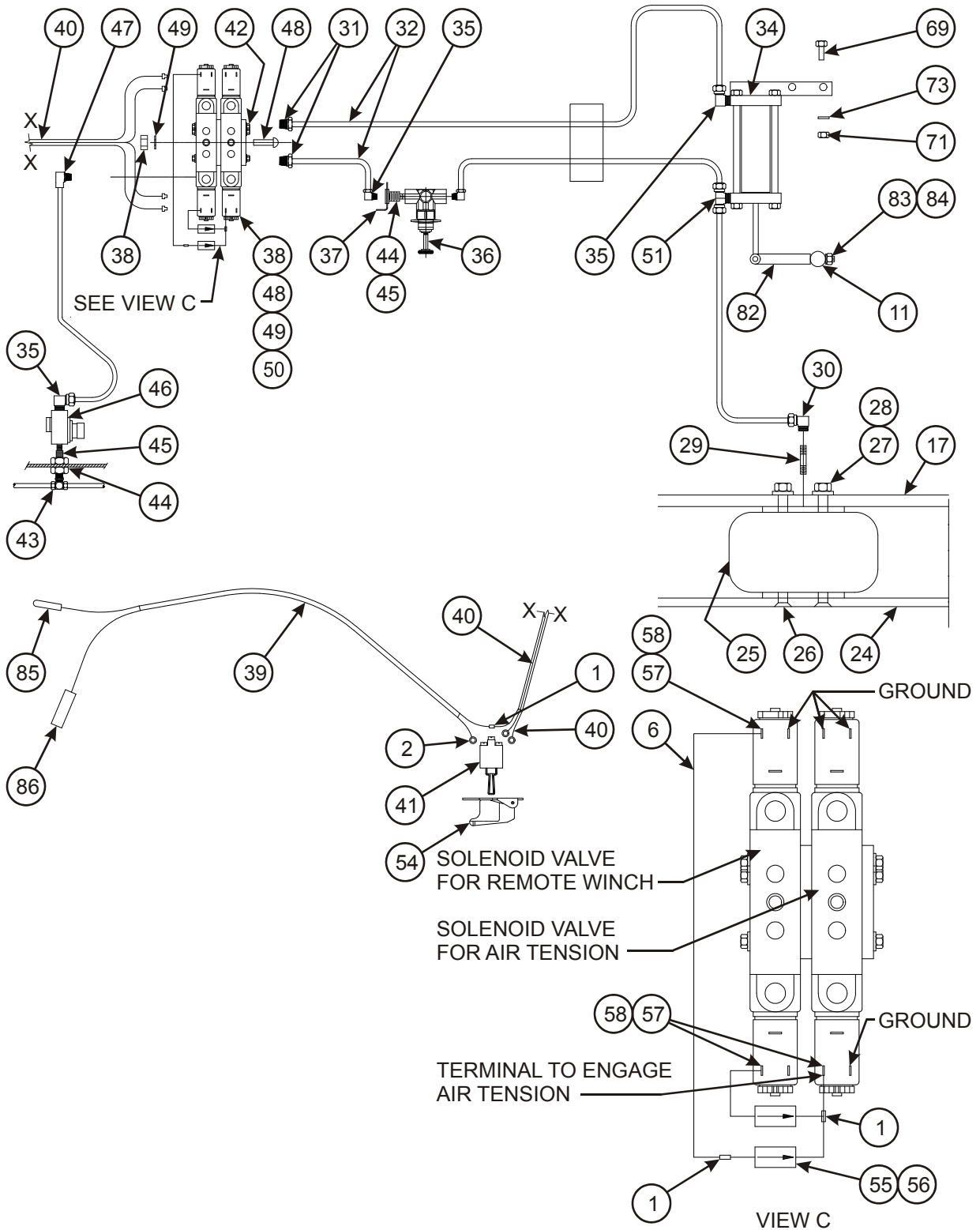
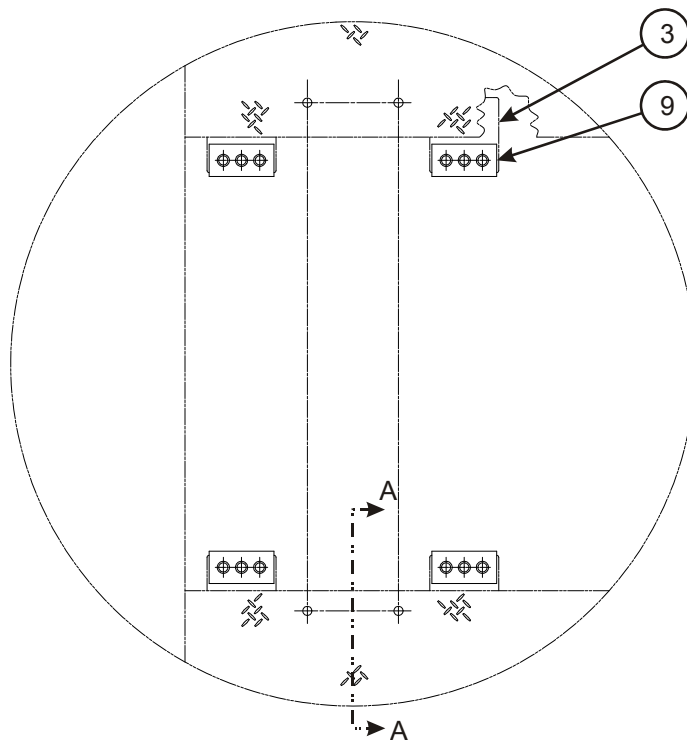


Figure 2-41: 20,000 Lb. Upper Deck Air Tension Winch Installation (1 of 4)

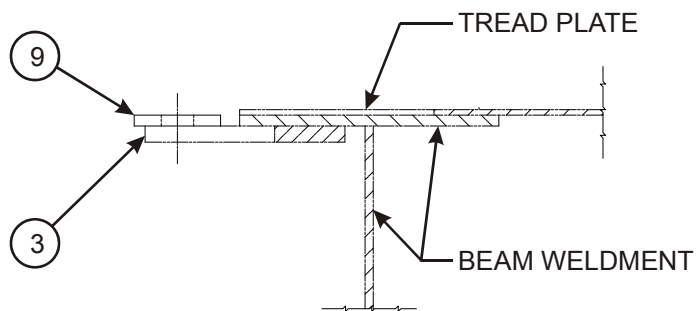


m102237p2b

Figure 2-42: 20,000 Lb. Upper Deck Air Tension Winch Installation (2 of 4)



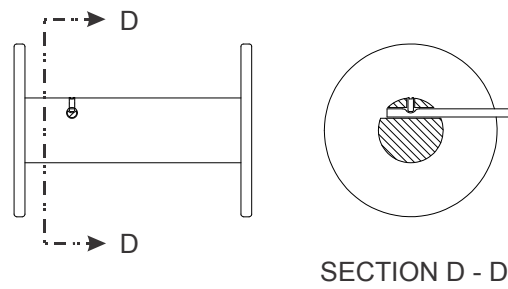
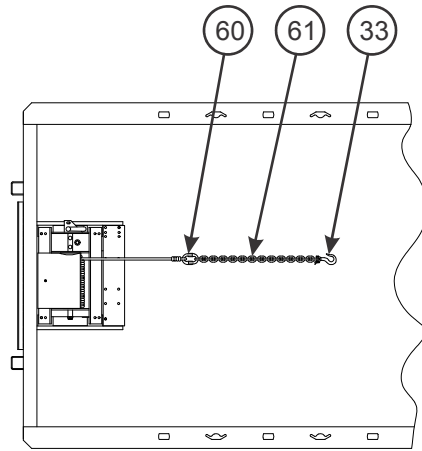
MOUNTING PATTERN FOR ANCHORS



SECTION A - A

m102237p1

Figure 2-43: 20,000 Lb. Upper Deck Air Tension Winch Installation (3 of 4)



DRUM DETAIL

m102237p3

Figure 2-44: 20,000 Lb. Upper Deck Air Tension Winch Installation (4 of 4)

## ILLUSTRATED PARTS LIST

### WINCH AIR TENSION INSTALLATION 20,000 LB. UPPERDECK

| ITEM | PART NO.        | DESCRIPTION                                    | QTY. |
|------|-----------------|--|------|
|      | 105485          | WINCH AIR TENSIONER 20K U/D W/ REMOTE CONTROLS |      |
|      | 105486          | WINCH AIR TENSIONER 20K U/D W/ REMOTE CONTROLS |      |
|      | 105487          | WINCH AIR TENSIONER 20K U/D W/ REMOTE CONTROLS |      |
|      | 105488          | WINCH AIR TENSIONER 20K U/D W/ REMOTE CONTROLS |      |
| 1    | 3-272-010021    | ELECT BUTT SPLICE W/ SEAL                      | 5    |
| 2    | 32002           | TERMINAL 12-10GA W/ #10 RING WAY               | 1    |
| 3    | 3-482-010252    | MOUNT WINCH                                    | 2    |
| 4    | 202702-10-8S    | ADAPTER  | 2    |
| 5    | 1-397-010302240 | HOSE ASSEMBLY 1/2 X 240 (42' FRAME)            | 2    |
|      | 100062          | HOSE ASSEMBLY 1/2 X 286 (48' FRAME)            | 2    |
| 6    | 1-879-010011    | BLACK WIRE 14 AWG                              | 1    |
| 8    | 3-014-010208    | ANCHOR, CABLE GUIDE WINCH                      | 2    |
| 9    | 3-711-010110    | SPACER, AIR TENSION MOUNT                      | 4    |
| 10   | 3-573-010442    | DECAL, WINCH TENSION                           | 1    |
| 11   | 3-150-010186    | BUSHING WINCH REMOTE LEVER                     | 1    |
| 12   | 1-654-010024055 | SCREW RD HD MACH 10-24 X 1                     | 1    |
| 13   | 1-512-010007-03 | NUT HEX 10-24 GRB                              | 1    |
| 14   | 3-557-010474    | PIN PIVOT WINCH ROLLER                         | 2    |
| 15   | 1-647-010004255 | PIN, SPRING SLOTTED 2 X 3/8                    | 2    |
| 16   | 1-861-010034-07 | WASHER, SPLIT LOCK #10                         | 1    |
| 17   | 3-125-010465    | BRACKET WELDMENT WINCH TENSION 600             | 1    |
| 18   | 1-512-010005-13 | NUT HEX LOCK 5/8-11 GRB                        | 2    |
| 19   | 3-150-010196    | BUSHING WINCH ROLLER-SIDE-600                  | 2    |
| 20   | 3-831-010172    | TUBE, ROLLER-SIDE-600                          | 2    |
| 21   | 102188          | ROD, PIVOTING GUIDE 20K WINCH                  | 1    |
| 22   | 3-831-010182    | TUBE, ROLLER TOP-600 20K                       | 1    |
| 23   | 1-654-010059-15 | SCREW, HEX HEAD CAP 5/8-11 X 5 GR8             | 2    |
| 24   | 102187          | PLATE, WINCH TENSIONER 20K AIR                 | 1    |
| 25   | 3-720-010042    | SPRING, AIR 6-1/2                              | 1    |
| 26   | 1-654-010141-04 | SCREW, HEX SOCKET CTSK 3/8-16 X 1 GR8          | 2    |
| 27   | 1-654-010036-05 | SCREW, HEX HEAD CAP 3/8-16 X 1 GR8             | 2    |
| 28   | 1-861-010032-10 | WASHER, FLAT 3/8N                              | 2    |
| 29   | 1-297-010031-02 | FITTING, BRASS PIPE                            | 1    |
| 30   | 1-297-010032-03 | FITTING, AIR 90 1/4FP X 1/4TUBE                | 1    |
| 31   | 1-297-010007-04 | FITTING, AIR 1/4TUBE X 1/8NPT                  | 2    |
| 32   | 1-833-010001    | TUBING, NYLON 1/4OD                            | 36   |
| 33   | 7HCGHT500       | 1/2 CLEVIS GRAB HOOK                           | 1    |
| 34   | 107368          | CYLINDER, AIR W/ BRACKET (SEE PAGE 2-73)       | 1    |
| 35   | 1-297-010008-07 | FITTING, AIR 90 1/4TUBE X 1/4NPT               | 3    |
| 36   | 3-626-010004    | REGULATOR, AIR PRESSURE                        | 1    |
| 37   | 3-120-010445    | BRACKET, PRESSURE REGULATOR                    | 1    |
| 38   | 3-843-010022    | VALVE, PNEU 4 WAY, 2 POS (NO PARTS BREAKDOWN)  | 1    |
| 39   | 3-156-010008    | CABLE 14-2 SO TWO CONDUCTOR                    | 6    |
| 40   | 3-368-010129    | HARNESS REMOTE SWITCH                          | 1    |
| 41   | 1-765-010065    | TOGGLE SWITCH                                  | 1    |
| 42   | 3-136-010001-01 | BREATHING, PNEUMATIC EXHAUST                   | *2   |
| 43   | 1-297-010015-09 | FITTING, AIR BRANCH TEE                        | 1    |
| 44   | 1-297-010022-02 | FITTING, AIR ANCHOR COUPLING                   | 1    |
| 45   | 1-297-010020-02 | FITTING, BRASS PIPE                            | 1    |



**WINCH AIR TENSION INSTALLATION 20,000 LB. UPPERDECK**

| ITEM | PART NO.        | DESCRIPTION                           | QTY. |
|------|-----------------|---------------------------------------|------|
| 46   | 905-54-107      | VALVE & FILTER PRESSURE               | *1   |
| 47   | 1-297-010008-05 | FITTING, AIR 90                       | *1   |
| 48   | 1-654-010024014 | SCREW, MACH FIL #6-32 X 1-1/2         | *3   |
| 49   | 1-861-010032-01 | WASHER, FLAT #6                       | *6   |
| 50   | 1-512-010003-02 | NUT, HEX LOCK #6-32                   | *3   |
| 51   | 1-297-010015-02 | FITTING AIR BRANCH TEE                | 1    |
| 52   | 125892          | SUPPORT CLAMP                         | 1    |
| 54   | 3-348-010048    | GUARD SWITCH - 3 POSITION             | 1    |
| 55   | 2-272-010109    | DIODE ZENOR 20V 5-WATT                | **2  |
| 56   | 3-272-010018    | TUBING HEAT SHRINK W/ SEALANT         | **2  |
| 57   | C29-1104X       | CONN FEMALE 1/4 SPADE INSULATED       | **3  |
| 58   | 3-272-010157    | ELECT ADAPTER CHAIR 1/4 PUSH-ON       | **3  |
| 59   | 1-861-010032-18 | WASHER FLAT 5/8N                      | 2    |
| 60   | 3-174-010038    | CHAIN LINK CONNECTING 1/2             | 1    |
| 61   | 3-174-010039036 | CHAIN 1/2 X 36 GR7                    | 1    |
| 62   | 3-565-011688    | PLATE F/W SPRING TENSION              | 2    |
| 63   | 3-014-010255    | ANCHOR BUSHING F/W SPRING TENSION-600 | 2    |
| 64   | RTR7999X4ZP     | ROD THREADED 3/4-10 X 4-7/8           | 2    |
| 65   | 1-512-010007-12 | NUT HEX 3/4-10 GR8                    | 4    |
| 66   | 3-522-010017    | NUT F/W SPRING TENSION                | 2    |
| 67   | 3-720-010035    | SPRING                                | 2    |
| 68   | 1-654-010055-03 | SCREW HEX HEAD CAP 1/2-13 X 1-1/2 GR5 | 2    |
| 69   | 1-654-010055-01 | SCREW HEX HEAD CAP 1/2-13 X 1 GR5     | 2    |
| 70   | 1-654-010055-07 | SCREW HEX HEAD CAP 1/2-13 X 2-1/2 GR5 | 4    |
| 71   | 1-512-010005-09 | NUT HEX LOCK 1/2-13 GRB               | 14   |
| 72   | 1-654-010055-05 | SCREW HEX HEAD CAP 1/2-13 X 2 GR5     | 10   |
| 73   | 1-861-010032-14 | WASHER FLAT 1/2N                      | 4    |
| 74   | 3-873-010123    | WINCH WORM GEAR 20K (SEE PAGE 2-62)   | 1    |
| 75   | 3-481-010007    | MOTOR HYDRAULIC (SEE PAGE 2-65)       | 1    |
| 76   | 100600          | DECAL WARNING WINCH (NOT SHOWN)       | 1    |
| 77   | 1-861-010034-13 | WASHER SPLIT LOCK 1/2                 | 2    |
| 81   | 3-155-010018-6  | CABLE 5/8 W/ LOOP 85 FT.              | REF  |
| 82   | 107369          | LEVER, WINCH FREE SPOOL               | 1    |
| 83   | 1-512-010007-05 | NUT, HEX 1/4-20                       | 1    |
| 84   | 1-861-010034-09 | WASHER, SPLIT LOCK 1/4                | 1    |
| 85   | STP-147         | BULLET CONNECTOR, FEMALE              | 1    |
| 86   | STP-164         | TERMINAL, BULLET ELECT.               | 1    |
| 87   | 143246          | RUB BAR CABLE GUIDE                   | 1    |

\* USED ON MODELS W/O REMOTES

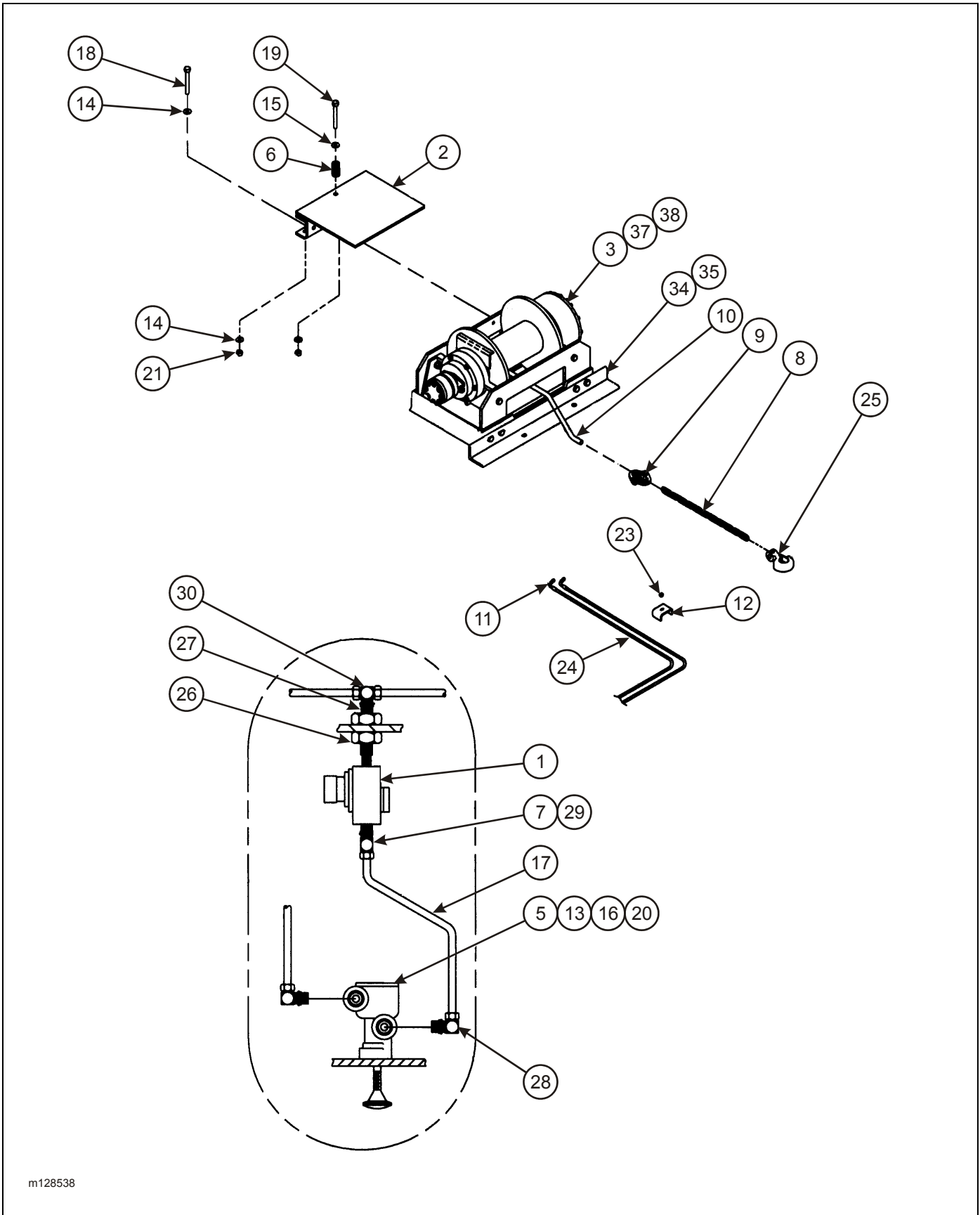
\*\* USED ON MODELS W/ REMOTES



## WINCH AIR SHIFT CYLINDER

| ITEM | PART NO.        | REFERENCE NO.   | DESCRIPTION   | QTY. |
|------|-----------------|-----------------|---|------|
|      | 107368          |                 | CYLINDER, AIR W/ BRACKET (INCLUDES ITEMS 2 - 3, 6 - 23) |      |
| 1    | 107369          |                 | LEVER WINCH FREE SPOOL                                  | 1    |
| 2    | -----           | 1976            | PIN   | 1    |
| 3    | -----           | 2356            | COTTER PIN  | 1    |
| 4    | 1-512-010007-05 | 1-512-010007-05 | NUT, HEX 1/4-20 GRB                                     | 1    |
| 5    | 1-861-010034-09 | 1-861-010034-09 | WASHER, SPLIT LOCK 1/4                                  | 1    |
| 6    | 1-654-010055-01 | 1-654-010055-01 | SCREW, HEX HEAD CAP 1/2-13 X 1 GR5                      | 2    |
| 7    | 1-512-010005-09 | 1-512-010005-09 | NUT, HEX LOCK 1/2-13 GRB                                | 2    |
| 8    | 1-861-010032-14 | 1-861-010032-14 | WASHER, FLAT 1/2  | 2    |
| 9    | C2001           | C2001           | CYLINDER (INCLUDES ITEMS 10-23)                         | 1    |
| 10   | -----           | 1128            | CAPSCREW  | 4    |
| 11   | -----           | 1272            | REAR COVER PLATE  | 1    |
| 12   | -----           | 1277            | TUBE  | 1    |
| 13   | -----           | 2388            | PISTON ROD  | 1    |
| 14   | -----           | 1271            | FRONT COVER PLATE                                       | 1    |
| 15   | -----           | 1723            | NUT   | 4    |
| 16   | -----           | 1274            | BACK-UP-RING  | 2    |
| 17   | -----           | 1275            | O-RING  | 1    |
| 18   | -----           | 1273            | PISTON  | 1    |
| 19   | -----           | 1276            | O-RING  | 1    |
| 20   | 1974            | 1974            | CLEVIS  | 1    |
| 21   | -----           | 1224            | NUT   | 1    |
| 22   | 2389            | 2389            | BRACKET   | 1    |
| 23   | -----           | 1766            | LOCKWASHER  | 4    |
| 24   | 3-150-010186    | 3-150-010186    | BUSHING WINCH REMOTE LEVER                              | 1    |
|      | -----           | 3109            | O-RING KIT FOR CYLINDER                                 |      |

**ILLUSTRATED PARTS LIST**



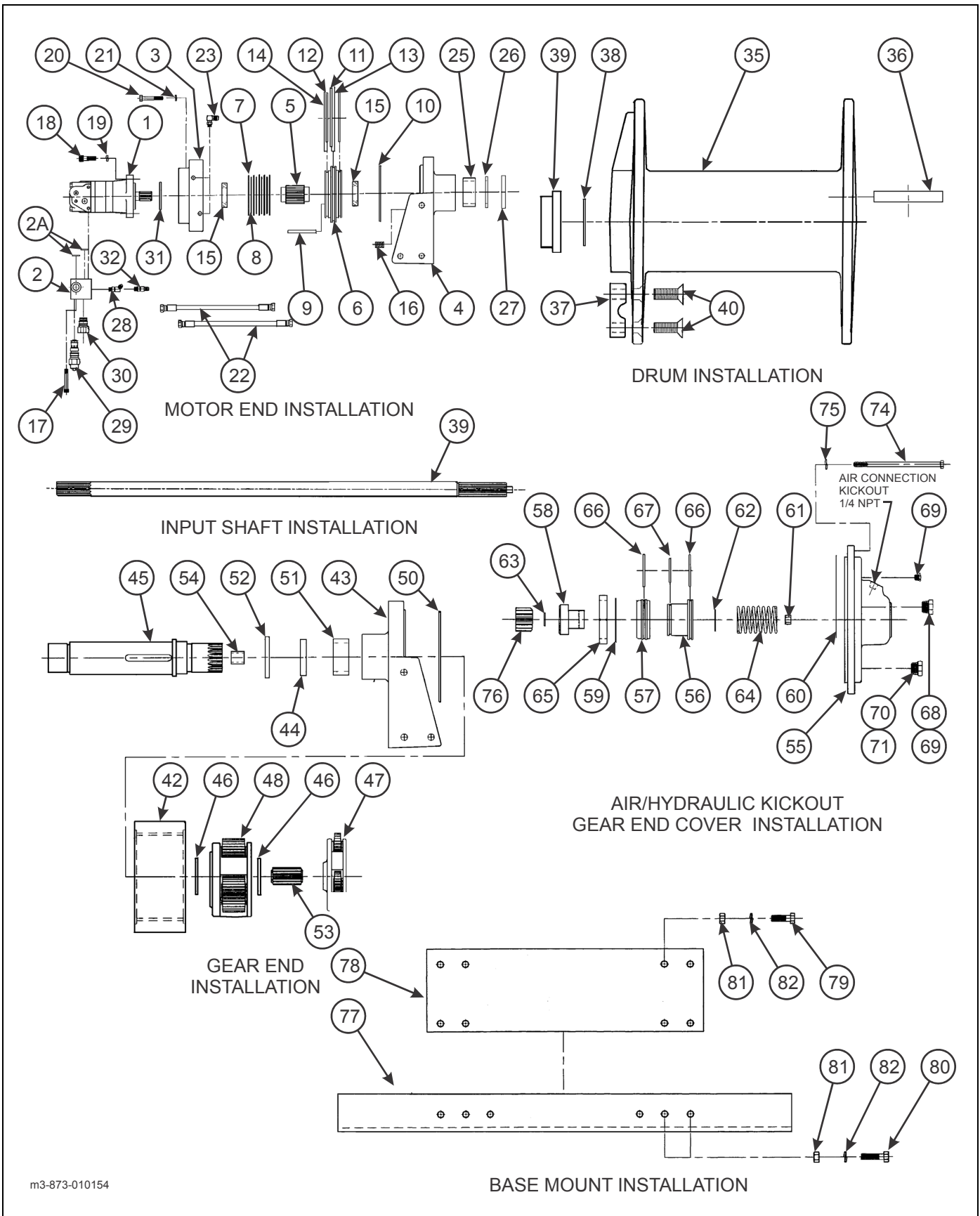
m128538

**Figure 2-46: Winch Installation, 30,000 Lb. (DP)**

**WINCH INSTALLATION 30,000 LB. (DP)**

| ITEM | PART NO.        | DESCRIPTION  | QTY. |
|------|-----------------|--|------|
|      | 128538          | WINCH INSTALLATION 30K                               |      |
| 1    | 905-54-107      | BRAKE PROTECTION VALVE                               | 1    |
| 2    | 3-876-010017    | WINCH TENSIONER WELDMENT                             | 1    |
| 3    | 3-873-010155    | WINCH MODIFICATION (ITEMS 37 & 38)                   | 1    |
| 5    | 3-843-010008    | VALVE AIR 3WAY, 2POS, PUSH-PULL (NO PARTS BREAKDOWN) | 1    |
| 6    | 3-720-010010    | SPRING COMP LEVEL WIND                               | 1    |
| 7    | 1-297-010015-03 | FITTING, AIR BR TEE                                  | 1    |
| 8    | 3-174-010060036 | CHAIN GR80   | 1    |
| 9    | 3-174-010059    | CHAIN LINK CONNECTING 5/8                            | 1    |
| 10   | 3-153-010016-02 | CABLE ASSEMBLY 3/4 X 35'                             | REF  |
| 11   | 202702-8-8S     | ADAPTER  | 2    |
| 12   | 2-181-010001    | HOSE CLAMP   | 1    |
| 13   | 1-861-010034-07 | WASHER SPLIT LOCK #10                                | 2    |
| 14   | 1-861-010032-18 | WASHER FLAT 5/8N                                     | 4    |
| 15   | 1-861-010032-15 | WASHER FLAT 1/2W                                     | 2    |
| 16   | 1-861-010032-03 | WASHER FLAT #10                                      | 2    |
| 17   | 1-833-010001    | TUBING NYLON 1/4OD                                   | AR   |
| 18   | 1-654-010059-05 | SCREW HEX HEAD CAP 5/8-11 X 2 GR5                    | 2    |
| 19   | 1-654-010055-17 | SCREW HEX HEAD CAP 1/2-13 X 6 GR5                    | 1    |
| 20   | 1-654-010024079 | SCREW MACH FLSTR HD #10-32 X 3/4                     | 2    |
| 21   | 1-512-010005-13 | NUT HEX LOCK 5/8-11 GRB                              | 2    |
| 22   | 1-512-010005-09 | NUT HEX LOCK 1/2-13 GRB                              | 1    |
| 23   | 1-510-010001    | NUT FLANGE LOCK 3/8-6                                | 1    |
| 24   | 128587          | HOSE ASSEMBLY 1/2 X 362                              | 2    |
| 25   | 1-382-010035-06 | HOOK CLEVIS GRAB                                     | 1    |
| 26   | 1-297-010022-02 | FITTING AIR ANCHOR COUPLING                          | 1    |
| 27   | 1-297-010020-02 | FITTING BRASS PIPE                                   | 1    |
| 28   | 1-297-010008-07 | FITTING AIR 90 1/4TUBE TO 1/4NPT                     | 2    |
| 29   | 1-297-010007-05 | FITTING AIR 1/4PIPE TO 1/4TUBE                       | 1    |
| 30   | 1-297-010015-09 | FITTING AIR BRANCH TEE                               | 1    |
| 34   | RSP956X5X5      | PLATE, STEEL 1/2 X 5 X 5                             | 1    |
| 35   | RFB722X4        | BAR, FLAT 1/2 X 1-1/2 X 4                            | 4    |
| 37   | 3-873-010154    | WINCH 30,000LB DP (SEE PAGE 2-77)                    | 1    |
| 38   | 1-297-010008-07 | FITTING AIR 90 1/4PIPE X 1/4NPT                      | 2    |

# ILLUSTRATED PARTS LIST



m3-873-010154

Figure 2-47: 30,000 Lb. Winch Items

**30,000# WINCH ITEMS (DP)**

| ITEM | PART NO.     | REFERENCE NO. | DESCRIPTION  | QTY. |
|------|--------------|---------------|--|------|
|      | 3-873-010154 | ----          | MOTOR END INSTALLATION                               |      |
| 1    | 137887       | 73067         | MOTOR, HYDRAULIC                                     | 1    |
| 2    | 137888       | 11604         | VALVE, COUNTERBALANCE                                | 1    |
| 2A   | ----         | 9817          | O-RING, 1/8 I.D. X 3/32 SECTION                      | 2    |
| 3    | ----         | 11535         | BRAKE, HOUSING                                       | 1    |
| 4    | ----         | 13299         | SUPPORT, MOTOR END                                   | 1    |
| 5    | ----         | 11750         | SHAFT, BRAKE   | 1    |
| 6    | ----         | 11443         | PISTON, BRAKE  | 1    |
| 7    | ----         | 11603         | PLATE, DISC FRICTION                                 | 10   |
| 8    | ----         | 3159          | PLATE, DRIVE BRAKE                                   | 9    |
| 9    | ----         | 3263          | PIN, DOWEL 5/16 DIA. X 3-1/2                         | 2    |
| 10   | 137993       | 9844          | O-RING, 6-3/4 I.D. X 7 O.D. X 1/8 SECTION            | 1    |
| 11   | 137994       | 9853          | O-RING, 6-1/2 I.D. X 3/16 SECTION                    | 1    |
| 12   | 137421       | 9851          | O-RING, 5-3/8 I.D. X 5-3/4 O.D. X 3/16 SECTION       | 2    |
| 13   | ----         | 9854          | RING, BACK-UP 6-1/4 X .183                           | 1    |
| 14   | 137422       | 9852          | RING, BACK-UP 5.278 ID X .076                        | 1    |
| 15   | ----         | 81434         | BEARING BALL 1-3/4 I.D.                              | 2    |
| 16   | ----         | 2319          | SPRING, COMPRESSION                                  | 12   |
| 17   | ----         | 1345          | SCREW, HEX HEAD CAP 3/8-16 X 2-1/2                   | 3    |
| 18   | ----         | 1143          | SCREW, HEX HEAD CAP 1/2-13 X 1-1/2                   | 2    |
| 19   | ----         | 1144          | WASHER, LOCK HI COLLAR 1/2                           | 2    |
| 20   | ----         | 1376          | SCREW, HEX HEAD CAP 7/16 X 2-1/2                     | 6    |
| 21   | ----         | 1388          | WASHER, LOCK 7/16                                    | 6    |
| 22   | ----         | 75038         | HOSE, 1/4R1 X 12"                                    | 2    |
| 23   | ----         | 76017         | ADAPTER, 90  | 2    |
| 24   | ----         | 10708         | TAG WARNING (NOT SHOWN)                              | 1    |
| 25   | ----         | 81454         | BEARING, ROLLER TORRINGTON                           | 1    |
| 26   | ----         | 13288         | WASHER, THRUST BRONZE 3.81 X .406                    | 1    |
| 27   | 137880       | 9890          | SEAL SHAFT 3-1/8 I.D. X 4 O.D. X 3/8 THICK           | 1    |
| 28   | 137641       | 76029         | ADAPTER, 45  | 1    |
| 29   | 137883       | 3177          | CARTRIDGE, COUNTERBALANCE                            | 1    |
| 30   | 137884       | 70035         | PLUG ASSEMBLY - VALVE<br>COUNTERBALANCE              | 1    |
| 31   | 137882       | 9880          | O-RING 3 I.D. X 1/8 SECTION                          | 1    |
| 32   | 137642       | 76027         | ADAPTER, STRAIGHT #4 O-RING                          | 1    |
| 33   | 137885       | 9400          | DISC BRAKE KIT (INCLUDES ITEMS 7-8, 16)              | 1    |
| 34   | 137886       | 9406          | BRAKE PISTON MOTOR END KIT (INCLUDES<br>ITEMS 10-14) | 1    |
|      |              |               | DRUM INSTALLATION                                    |      |
| 35   | ----         | 13285         | DRUM   | 1    |
| 36   | ----         | 13293         | KEY DRUM   | 2    |
| 37   | 137569       | 12518         | CLIP, CABLE THREADED                                 | 1    |
| 38   | ----         | 9602          | O-RING 2-3/4 ID X 3 O.D. X 1/8 SECTION               | 1    |
| 39   | ----         | 13286         | SPACER   | 1    |
| 40   | 137570       | 1587          | SCREW, FLAT SOCKET HEAD CAP 5/8-11 X<br>1-3/4        | 2    |

## ILLUSTRATED PARTS LIST

### 30,000# WINCH ITEMS (DP)

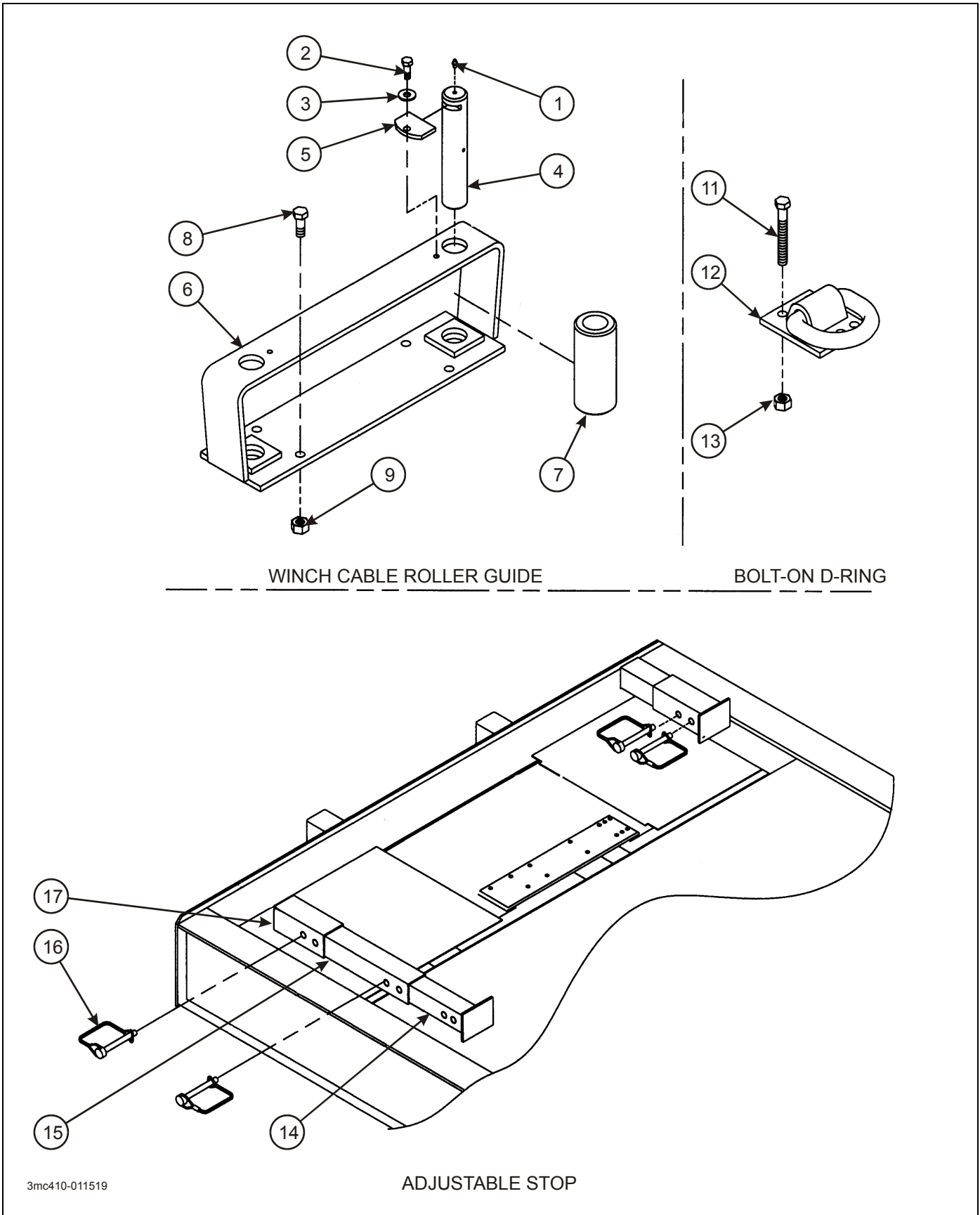
| ITEM   | PART NO. | REFERENCE NO. | DESCRIPTION                                  | QTY. |
|--|----------|---------------|--|------|
| INPUT SHAFT INSTALLATION                     |          |               |  |      |
| 41   | ----     | 13317         | SHAFT, INPUT                                 | 1    |
| GEAR END INSTALLATION                        |          |               |  |      |
| 42   | ----     | 3126          | GEAR, RING                                   | 1    |
| 43   | ----     | 13300         | SUPPORT, GEAR END                            | 1    |
| 44   | ----     | 13288         | WASHER, THRUST                               | 1    |
| 45   | ----     | 13301         | SHAFT, OUTPUT                                | 1    |
| 46   | ----     | 13164         | WASHER, THRUST NYLON 3-1/2 OD X 3/16 SECTION | 2    |
| 47   | ----     | 12486         | CARRIER ASSEMBLY PRIMARY                     | 1    |
| 48   | ----     | 12516         | CARRIER ASSEMBLY SECONDARY                   | 1    |
| 49   | ----     | 10848         | LABEL WARNING (NOT SHOWN)                    | 1    |
| 50   | 137879   | 9695          | O-RING 8-3/4 I.D. X 1/8 SECTION              | 1    |
| 51   | ----     | 81454         | BEARING                                      | 1    |
| 52   | 137880   | 9890          | SEAL SHAFT                                   | 1    |
| 53   | ----     | 13306         | GEAR SUN                                     | 1    |
| 54   | ----     | 81608         | BUSHING ID 1-1/4 OD X 1 LG                   | 1    |
| AIR/HYD. KICKOUT GEAR END COVER INSTALLATION |          |               |  |      |
| 55   | ----     | 13675         | COVER, GEAR END                              | 1    |
| 56   | ----     | 13295         | PISTON AKO B/C/D                             | 1    |
| 57   | ----     | 13296         | CYLINDER, PISTON                             | 1    |
| 58   | ----     | 13297         | COUPLING, DRIVE                              | 1    |
| 59   | ----     | 3632          | RING, RETAINING RD SEC 3 O.D. X .10 SEC      | 1    |
| 60   | 137879   | 9695          | O-RING 8-3/4 I.D. X 1/8 SECTION              | 1    |
| 61   | ----     | 81612         | BUSHING, BRONZE 3/8 I.D. X 3/8 L             | 1    |
| 62   | ----     | 3303          | RING, RETAINING 1-1/4                        | 1    |
| 63   | ----     | 3321          | RING, RETAINING RD SEC .805 I.D.             | 1    |
| 64   | ----     | 2309          | SPRING, COMPRESSION                          | 1    |
| 65   | ----     | 13288         | WASHER, THRUST BRONZE 3.81 X .406 W          | 1    |
| 66   | 137881   | 9672          | O-RING 2-5/8 I.D. X 1/8 SECTION              | 2    |
| 67   | ----     | 9704          | O-RING 2-1/8 I.D. X 2-3/8 O.D.               | 1    |
| 68   | 105967   | 76344         | PLUG, SKT HD O-RING #10 7/8 - 14             | 1    |
| 69   | ----     | 9992          | O-RING .755 I.D. X .097 W 3-910              | 1    |
| 70   | 105954   | 76343         | PLUG, SKT HD O-RING MAG #10                  | 1    |
| 71   | ----     | 9992          | O-RING .755 I.D. X .097 W 3-910              | 1    |
| 72   | ----     | 1157          | CAPLUG #4 RED (NOT SHOWN)                    | 1    |
| 73   | 105953   | 3059          | RELIEF VENT                                  | 1    |
| 74   | ----     | 1317          | SCREW, HEX HEAD CAP 3/8-16 X 5-1/2           | 12   |
| 75   | ----     | 1395          | WASHER, LOCK 3/8                             | 12   |
| 76   | ----     | 13235         | GEAR, SUN 15 TEETH                           | 1    |
| BASE MOUNT INSTALLATION                      |          |               |  |      |
| 77   | ----     | 11990         | BASE ANGLE                                   | 2    |
| 78   | ----     | 12005         | PLATE, SIDE                                  | 2    |
| 79   | ----     | 1504          | SCREW, HEX HEAD CAP 5/8-11 X 2 GR5           | 4    |
| 80   | ----     | 1505          | SCREW, HEX HEAD CAP 5/8-11 X 2-1/4 GR5       | 8    |



**30,000# WINCH ITEMS (DP)**

| ITEM | PART NO. | REFERENCE NO. | DESCRIPTION                                   | QTY. |
|------|----------|---------------|---|------|
| 81   | -----    | 1590          | NUT, HEX 5/8 - 11 GR2                         | 12   |
| 82   | -----    | 1595          | WASHER, LOCK 5/8 MEDIUM PLAIN                 | 12   |
| 83   | -----    | 10466         | PLATE, INFORMATION (NOT SHOWN)                | 1    |
| 84   | -----    | 1165          | RIVET, DRIVE U TYPE #2 X 1/4 LONG (NOT SHOWN) | 4    |

**ILLUSTRATED PARTS LIST**



**Figure 2-48: Winch Cable Roller Guide (Option)**

**WINCH CABLE ROLLER GUIDE (OPTION)**

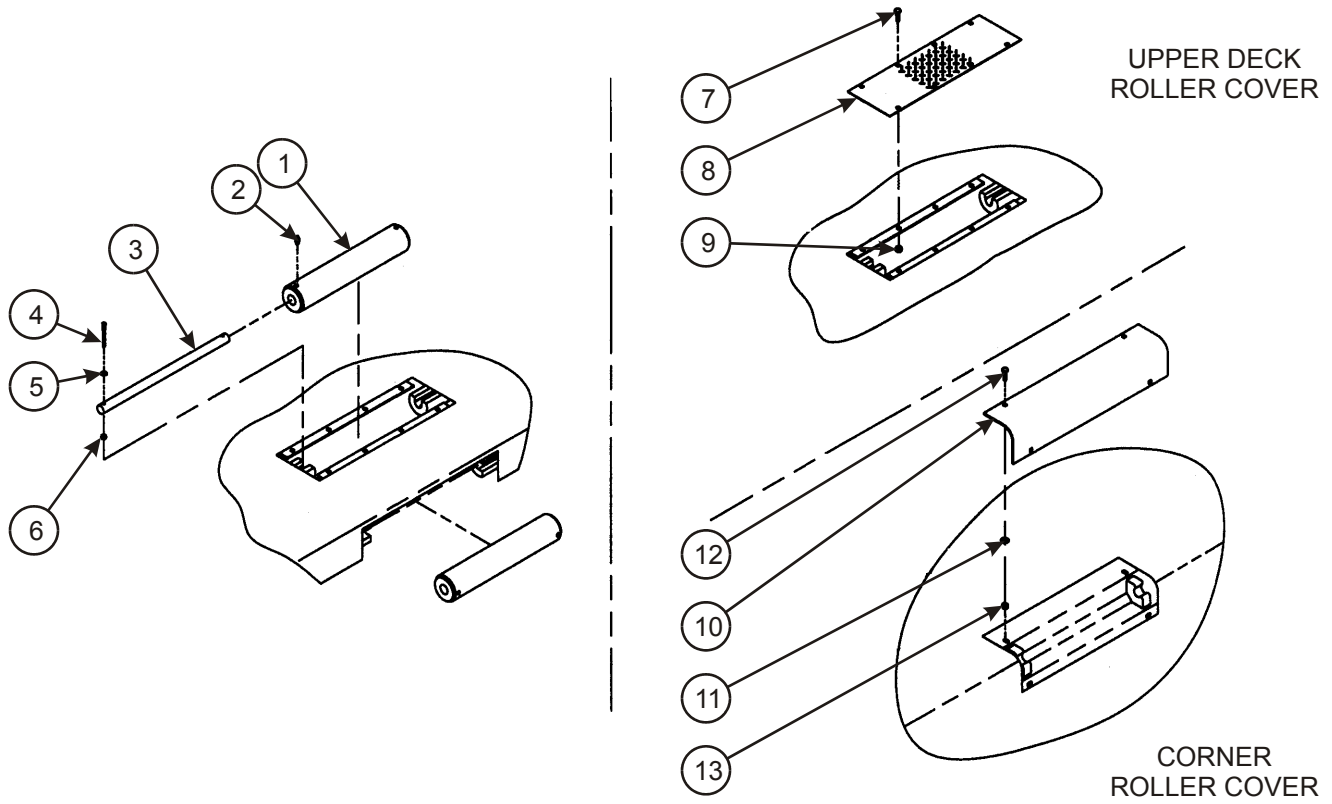
| ITEM | PART NO.        | DESCRIPTION                                   | QTY. |
|------|-----------------|---|------|
|      | 3-352-010017-1  | GUIDE INSTALLATION WINCH 12K                  |      |
|      | 3-352-010017-2  | GUIDE INSTALLATION WINCH 20K                  |      |
|      | 3-352-010062    | GUIDE INSTALLATION WINCH 30K                  |      |
| 2    | 1-654-010055-05 | SCREW, HEX HEAD CAP 1/2-13 X 2 GR5            | 4    |
|      | 1-654-010059-05 | SCREW, HEX HEAD CAP 5/8-11 X 2 GR5 (30K ONLY) | 2    |
| 3    | 1-512-010005-09 | NUT, HEX LOCK 1/2-13 GRB                      | 4    |
|      | 1-512-010005-13 | NUT, HEX LOCK 5/8-11 GRB (30K ONLY)           | 2    |
| 4    | 3-120-010295    | BRACKET WELDMENT 12K ROLLER GUIDE             | 1    |
|      | 3-120-010294    | BRACKET WELDMENT 20K ROLLER GUIDE             | 1    |
|      | 3-120-010478    | BRACKET WELDMENT 30K ROLLER GUIDE             | 1    |
| 5    | 3-565-010770    | PLATE, CABLE GUIDE LOCK                       | 2    |
| 6    | 1-654-010051-03 | SCREW, HEX HEAD CAP 3/8-16 X 3/4 GR5          | 2    |
| 7    | 1-861-010034-11 | WASHER, SPLIT LOCK 3/8                        | 2    |
| 8    | 3-557-010383    | PIN, CABLE GUIDE ROLLER                       | 2    |
| 9    | 1-298-010001-1  | FITTING, GREASE 1/4-28                        | 2    |
| 10   | 3-645-010049    | ROLLER, WINCH CABLE GUIDE                     | 2    |

**D-RING BOLT-ON**

|    |                 |  |   |
|----|-----------------|--|---|
|    | 3-793-010041    | TIE DOWN INSTALLATION WINCH D-RING     |   |
| 11 | 3-793-010040    | TIE DOWN, WINCH                        | 1 |
| 12 | 1-654-010055-03 | SCREW, HEX HEAD CAP 1/2-13 X 1-1/2 GR5 | 6 |
| 13 | 1-512-010005-09 | NUT, HEX LOCK 1/2-13 GRB               | 6 |

**STOP INSTALLATION, ADJUSTABLE (OPTION)**

|    |              |                                  |   |
|----|--------------|----------------------------------|---|
|    | 3-741-010085 | STOP INSTALLATION ADJUSTABLE 330 |   |
| 14 | 3-829-010327 | TUBE WELDMENT 3'                 | 2 |
| 15 | 3-829-010329 | TUBE WELDMENT 3-1/2"             | 2 |
| 16 | 346SL        | LOCK HITCH PIN                   | 4 |
| 17 | 3-829-010331 | TUBE INSTALLATION ADJ STOP       | 2 |



3ma311-016135

Figure 2-49: Slope Roller 90° Drop Deck (Option)

## SLOPE ROLLER 90° DROP DECK (OPTION)

| ITEM | PART NO.        | DESCRIPTION                            | QTY. |
|------|-----------------|--|------|
|      | 3-645-010085    | ROLLER ASSEMBLY SLOPE                  |      |
|      | 106207          | ROLLER SLOPE SINGLE CORNER             |      |
| 1    | 3-645-010059    | ROLLER WELDMENT CABLE - UPPER DECK     | *2,1 |
| 2    | 1-298-010001-1  | FITTING, GREASE 1/4-28 STR SHORT       | *4,2 |
| 3    | 3-642-010134    | ROD, ROLLER                            | *2,1 |
| 4    | 1-654-010055-11 | SCREW, HEX HEAD CAP 1/2-13 X 3-1/2 GR5 | *4,2 |
| 5    | 1-861-010032-15 | WASHER, FLAT 1/2                       | *4,2 |
| 6    | 1-512-010005-09 | NUT, HEX LOCK 1/2-13 GRB               | *4,2 |

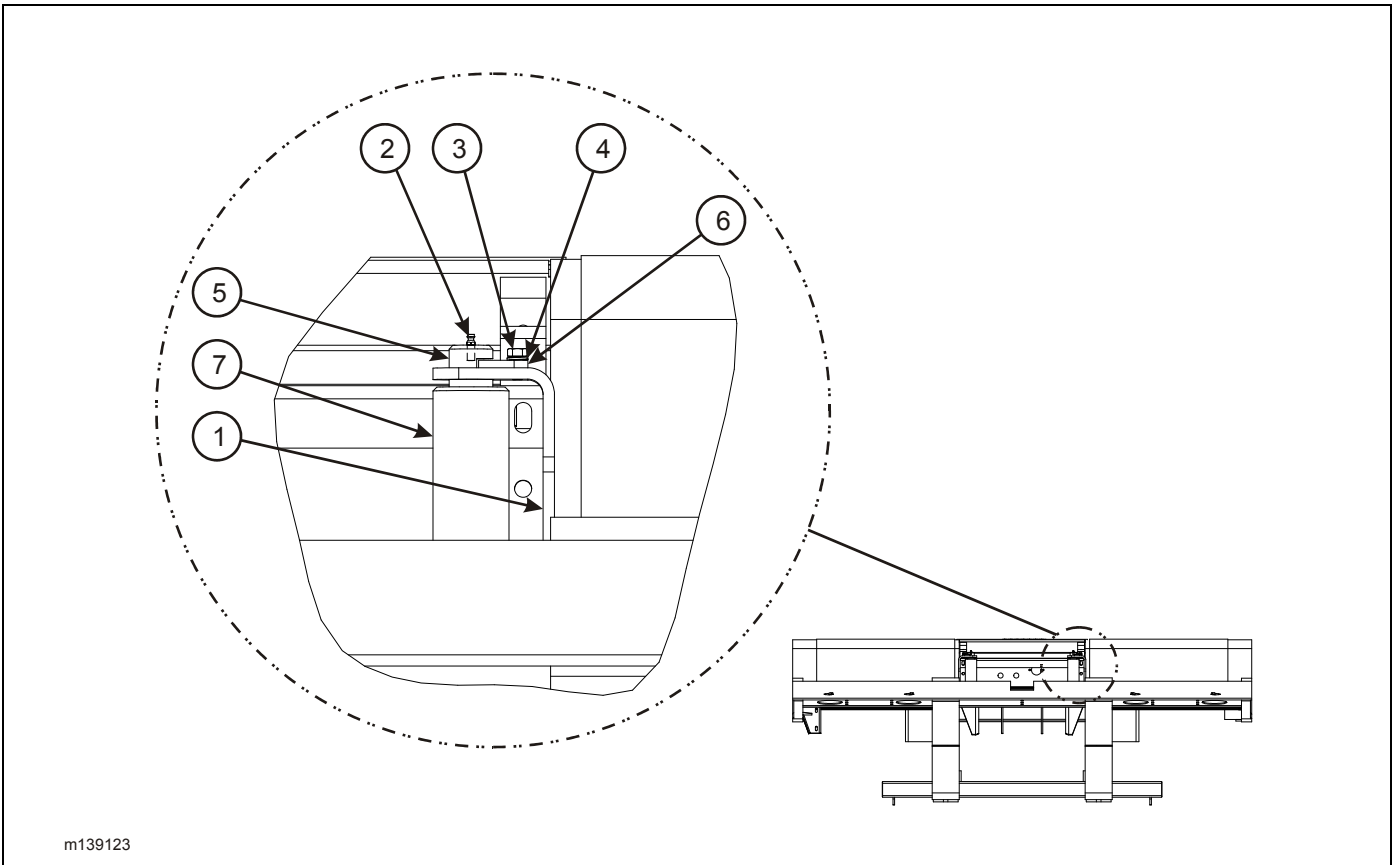
\*1ST QUANTITY USED FOR P/N 3-645-010085; 2ND QUANTITY USED FOR P/N 106207

### COVER PLATE INSTALLATION - UPPER DECK ROLLER (OPTION)

|   |                 |                                       |   |
|---|-----------------|---------------------------------------|---|
|   | 3-222-010199    | COVER PLATE INST. - UPPER DECK ROLLER |   |
| 7 | 1-654-010070-02 | SCREW RD HEAD SQ NECK 1/2-13 X 1-1/4  | 8 |
| 8 | 3-222-010198    | COVER UPPER DECK ROLLER               | 1 |
| 9 | 1-512-010005-09 | NUT HEX LOCK 1/2-13 GRB               | 8 |

### COVER PLATE INSTALLATION - CORNER ROLLER (OPTION)

|    |                 |                                     |   |
|----|-----------------|-------------------------------------|---|
|    | 3-222-010227    | COVER PLATE INSTL. - CORNER ROLLER  |   |
| 10 | 3-565-011757    | PLATE, CABLE WEAR                   | 1 |
| 11 | 1-861-010032-14 | WASHER, FLAT 1/2 N                  | 4 |
| 12 | 1-654-010070-03 | SCREW, RD HEAD SQ NECK 1/2-13X1-1/2 | 4 |
| 13 | 1-512-010005-09 | NUT, HEX LOCK 1/2-13 GRB            | 4 |



**Figure 2-50: Side Roller Assembly (Option)**

**SIDE ROLLER ASSEMBLY (OPTION)**

| ITEM | PART NO.        | DESCRIPTION                          | QTY. |
|------|-----------------|--------------------------------------|------|
|      | 139123          | SIDE ROLLER ASSEMBLY                 |      |
| 1    | 139122          | SLOPE SIDE ROLLER WELDMENT           | 1    |
| 2    | 1-298-010001-1  | FITTING, GREASE 1/4-28 STR SHORT     | 2    |
| 3    | 1-654-010051-03 | SCREW, HEX HEAD CAP 3/8-16 X 3/4 GR5 | 2    |
| 4    | 1-861-010034-11 | WASHER, SPLIT LOCK 3/8               | 2    |
| 5    | 3-557-010383    | PIN, CABLE GUIDE ROLLER              | 2    |
| 6    | 3-565-010770    | PLATE, CABLE GUIDE LOCK              | 2    |
| 7    | 3-645-010049    | ROLLER, WINCH CABLE GUIDE            | 2    |

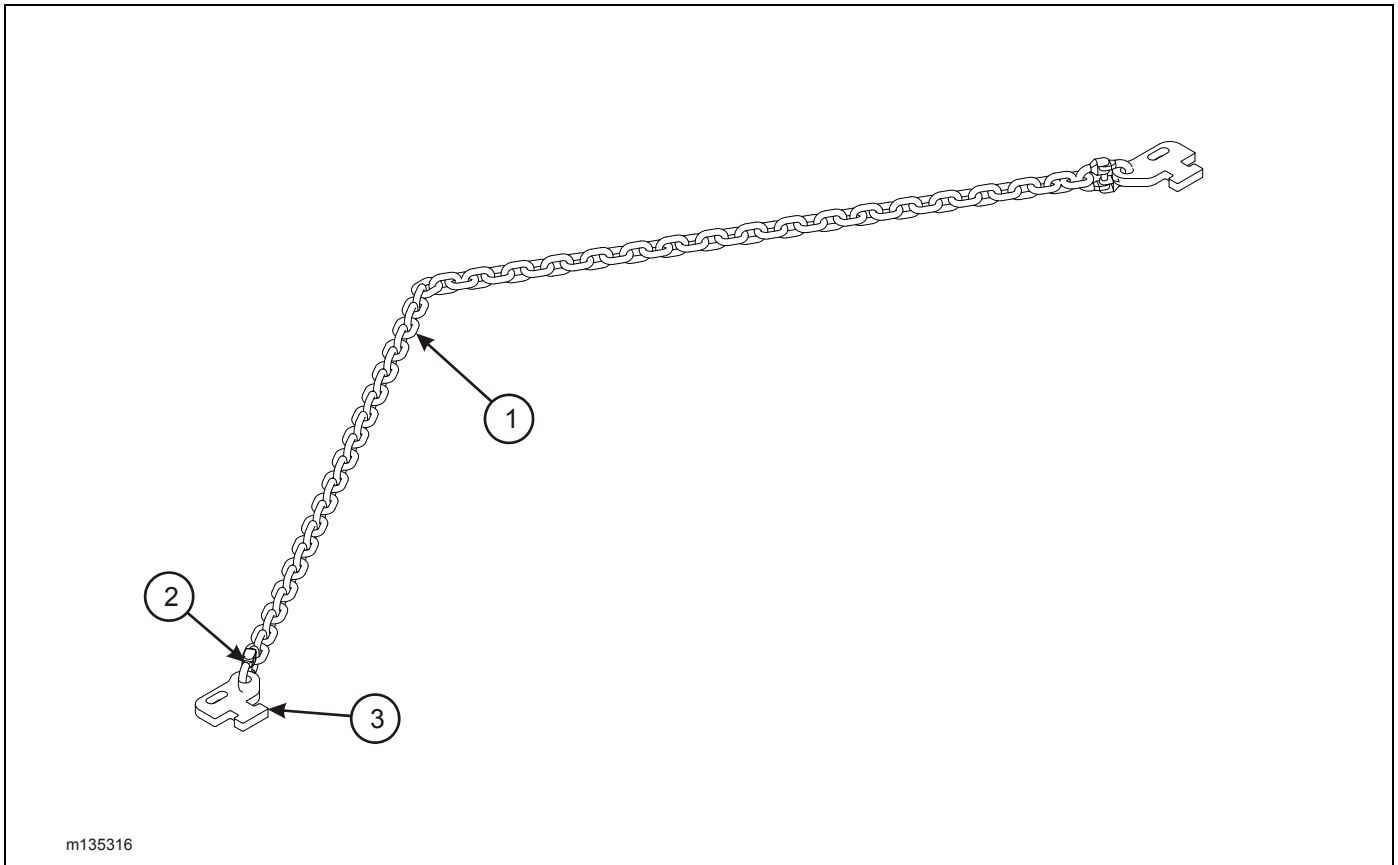


Figure 2-51: Container Load Chain Assembly (Option)

### CONTAINER LOAD CHAIN ASSEMBLY (OPTION)

| ITEM | PART NO.     | DESCRIPTION                   | QTY. |
|------|--------------|-------------------------------|------|
|      | 135316       | CONTAINER LOAD CHAIN ASSEMBLY |      |
| 1    | 3-174-010039 | CHAIN, 1/2 X 87" GR 7         | 1    |
| 2    | 3-174-010038 | CHAIN LINK, CONNECTING 1/2    | 2    |
| 3    | 128480       | PLATE, CONTAINER CONNECT      | 2    |

# ILLUSTRATED PARTS LIST

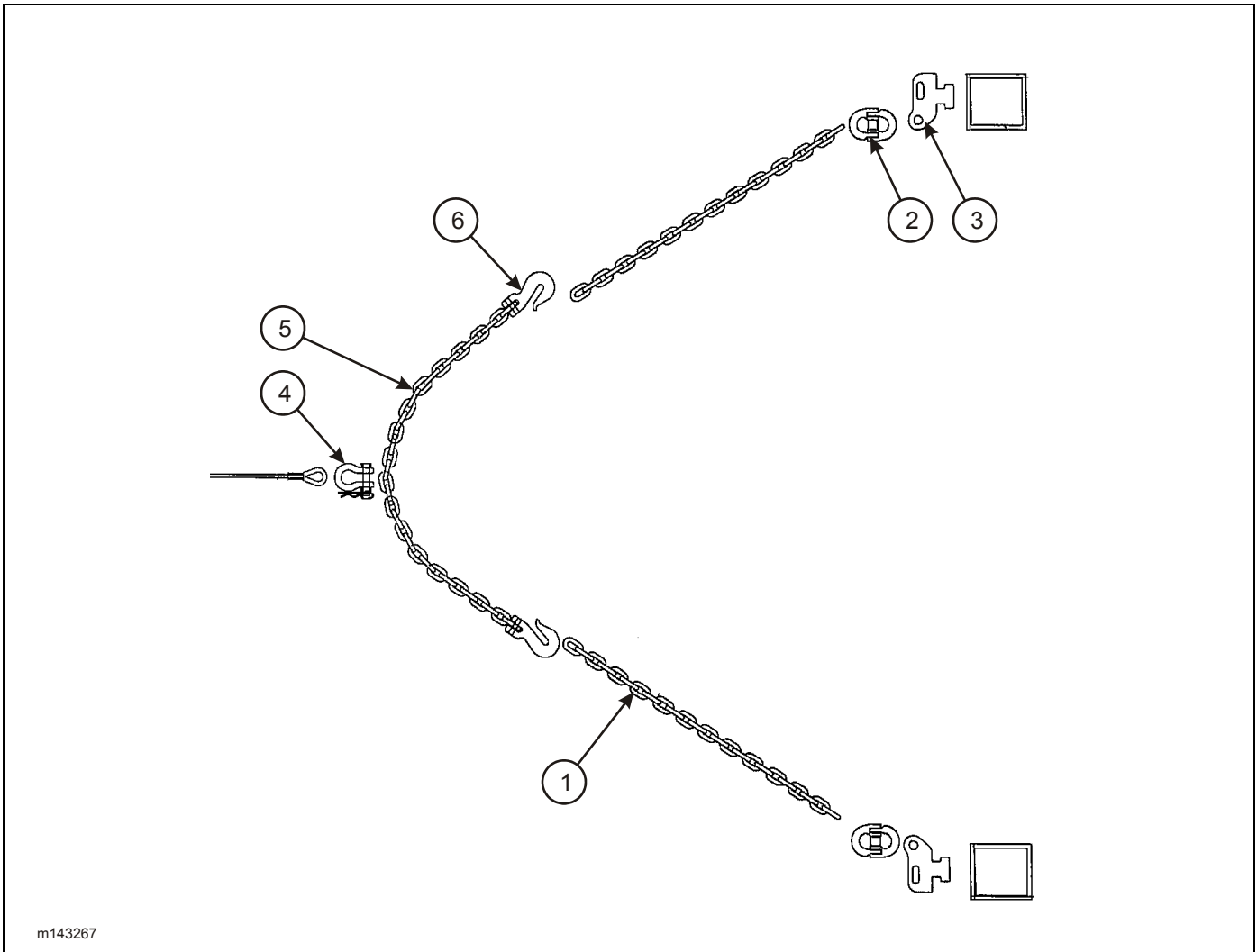
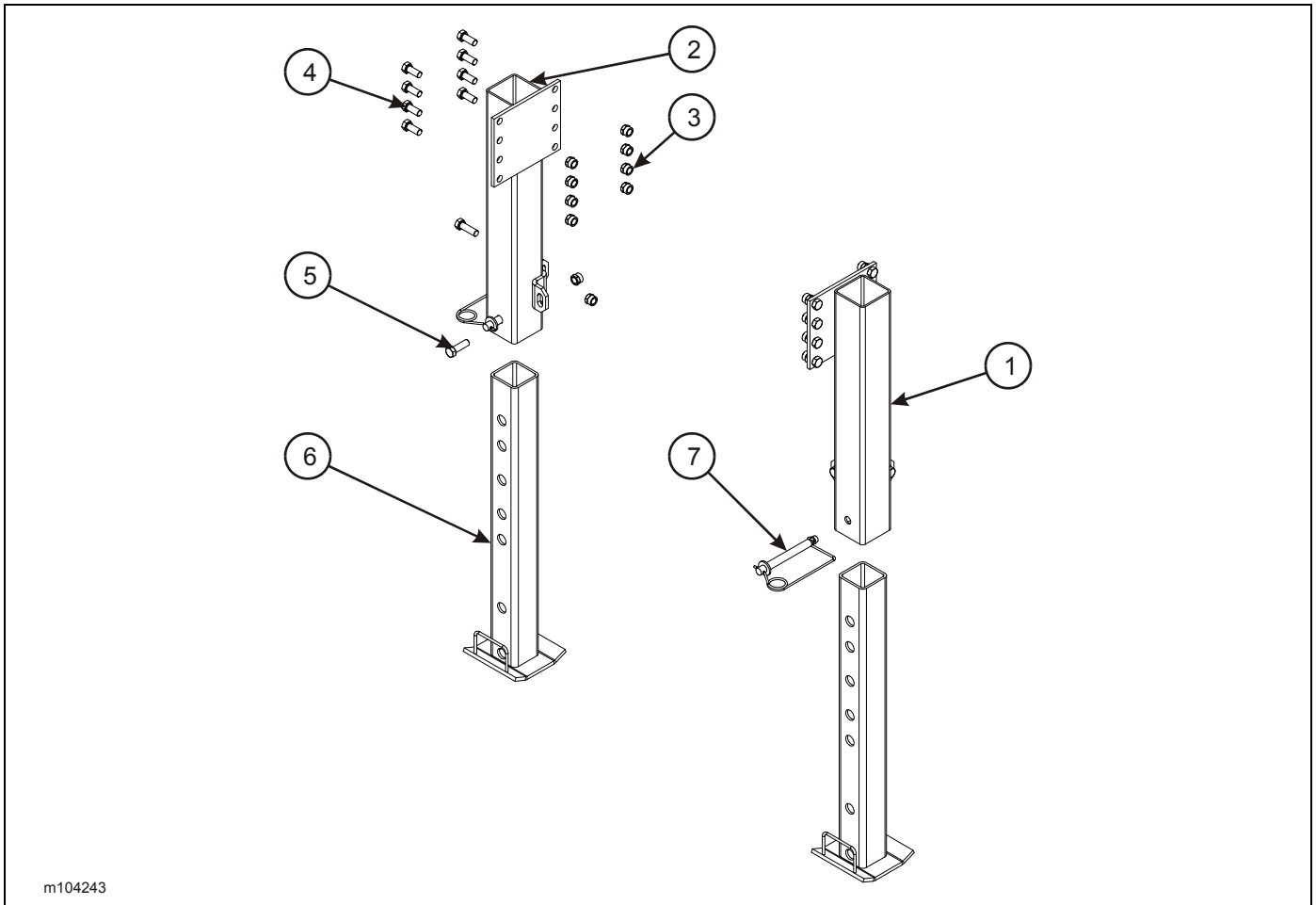


Figure 2-52: Container Chain and Bridle Assembly (Option)

## CONTAINER CHAIN AND BRIDLE ASSEMBLY

| ITEM | PART NO.  | DESCRIPTION                         | QTY. |
|------|-----------|-------------------------------------|------|
|      | 143267    | CONTAINER CHAIN AND BRIDLE ASSEMBLY |      |
| 1    | 126888    | CHAIN 1/2 X 36                      | 2    |
| 2    | 126889    | CHAIN CONNECTING LINK 1/2 GR8       | 2    |
| 3    | 128480    | PLATE, CONTATIUNER CONNECT          | 2    |
| 4    | 137024    | SHACKLE 1" SCREW PIN ANCHOR         | 1    |
| 5    | 143268    | CHAIN, 1/2 X 53" GR8                | 1    |
| 6    | 7HCGHT500 | HOOK, CLEVIS GRAB 1/2               | 2    |





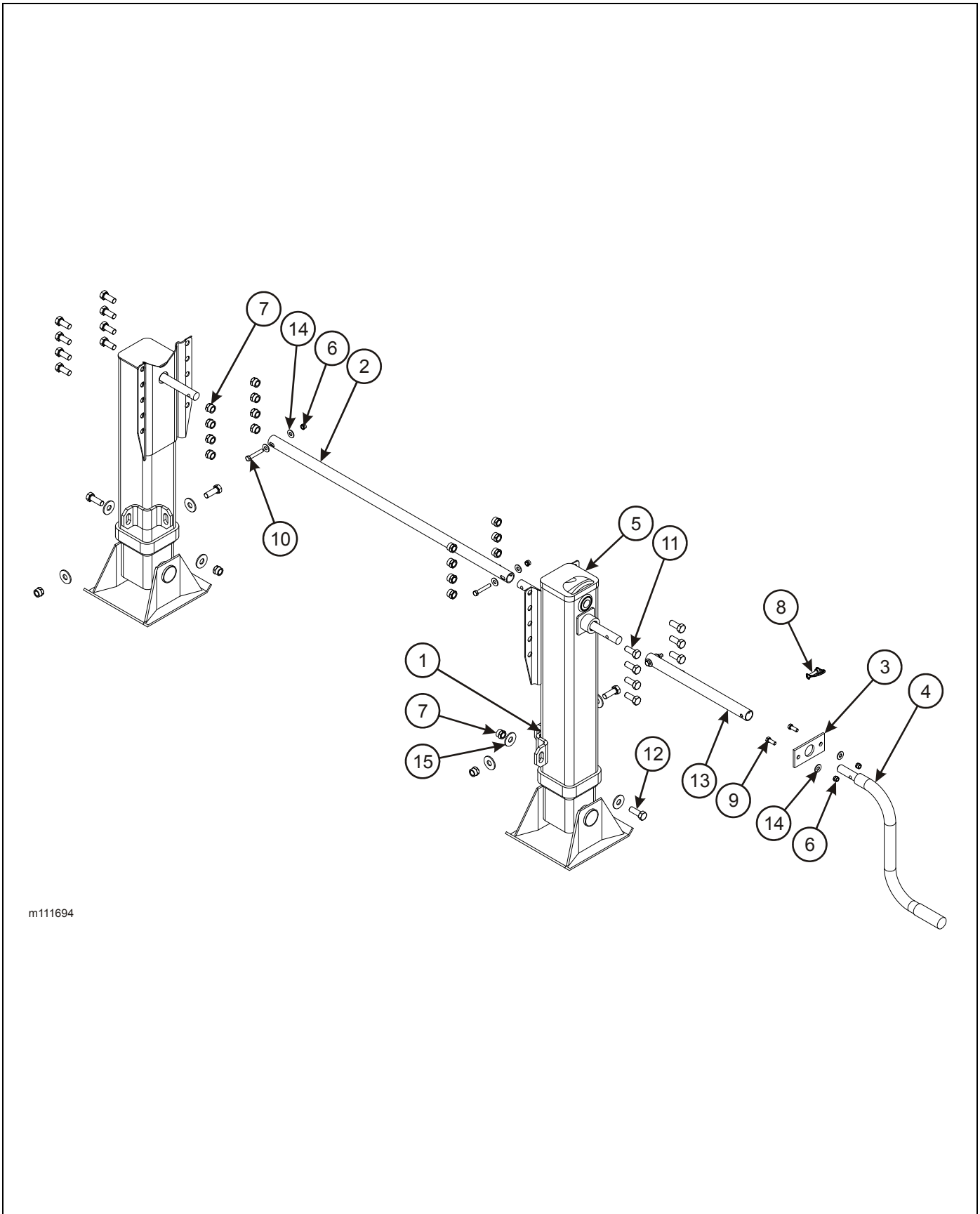
m104243

Figure 2-53: Landing Gear Installation, Bolt-On

## LANDING GEAR INSTALLATION BOLT - ON

| ITEM | PART NO.        | DESCRIPTION                            | QTY. |
|------|-----------------|--|------|
|      | 104243          | PARK STAND INST., BOLT-ON              |      |
| 1    | 112678          | PARK STAND WELDMENT, LH FRONT PIN      | 1    |
| 2    | 112679          | PARK STAND WELDMENT, RH FRONT PIN      | 1    |
| 3    | 1-512-010005-13 | NUT, HEX LOCK 5/8-11 GRB               | 20   |
| 4    | 1-654-010059-03 | SCREW, HEX HEAD CAP 5/8-11 X 1-1/2 GR5 | 16   |
| 5    | 1-654-010059-05 | SCREW, HEX HEAD CAP 5/8-11 X 2 GR5     | 4    |
| 6    | 3-725-010058    | STAND, PARK INSIDE WELDMENT            | 2    |
| 7    | 346SL           | LOCK HITCH PIN                         | 2    |

# ILLUSTRATED PARTS LIST



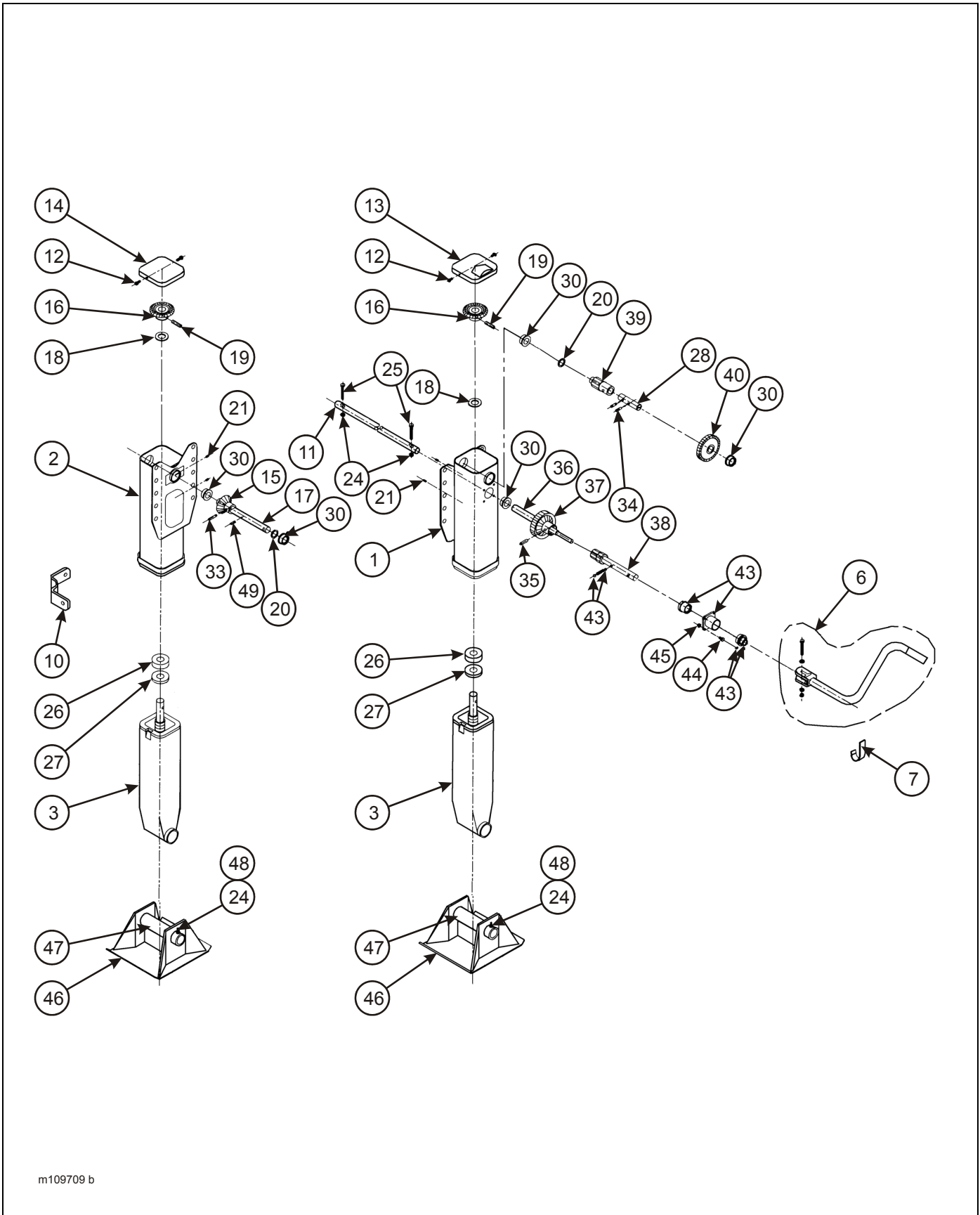
m111694

Figure 2-54: Landing Gear Installation

## LANDING GEAR INSTALLATION

| ITEM | PART NO.        | DESCRIPTION                                | QTY. |    |    |
|------|-----------------|--|------|----|----|
|      | 112573          | LANDING GEAR INSTALLATION                  | *    |    |    |
|      | 113887          | LANDING GEAR INSTALLATION 330 DROP DECK    |      | *  |    |
|      | 147955          | LANDING GEAR INSTALLATION                  |      |    | *  |
| 1    | 104238          | ANCHOR, LOWER BOLT-ON PARK STAND           | 2    | 2  | -- |
| 2    | 113883          | CROSS-SHAFT LANDING GEAR                   | 1    | 1  | 1  |
| 3    | 111695          | GUIDE, HANDLE, JOST GEAR                   | --   | 1  | -- |
| 4    | 109710          | CRANK                                      | 1    | -- | 1  |
|      | 109161          | HANDLE, CRANK MODIFICATION                 | --   | 1  | -- |
| 5    | 109709          | 2 SPEED LANDING GEAR (SEE PAGE 2-91)       | 1    | 1  | -- |
|      | 147948          | 2 SPEED LANDING GEAR WLDMT (SEE PAGE 2-91) | --   | -- | 1  |
| 6    | 1-512-010005-05 | NUT, HEX LOCK 3/8-16 GRB                   | 3    | 5  | 3  |
| 7    | 1-512-010005-13 | NUT, HEX LOCK 5/8-11 GRB                   | 20   | 20 | 24 |
| 8    | 111859          | PIN, ROUND LOCKING 5/16 X 1-1/2            | --   | 1  | -- |
| 9    | 1-654-010051-07 | SCREW, HEX HEAD CAP 3/8-16 X 1-1/2 GR5     | 2    | 2  | -- |
| 10   | 1-654-010051-10 | SCREW, HEX HEAD CAP 3/8-16 X 2-1/4 GR5     | 3    | 3  | 3  |
| 11   | 1-654-010059-03 | SCREW, HEX HEAD CAP 5/8-11 X 1-1/2 GR5     | 16   | 16 | 20 |
| 12   | 1-654-010059-04 | SCREW, HEX HEAD CAP 5/8-11 X 1-3/4 GR5     | 4    | 4  | 4  |
| 13   | 113888          | TUBE, ROUND EXTENSION                      | --   | 1  | -- |
| 14   | 1-861-010032-11 | WASHER, FLAT 3/8W                          | 6    | 8  | 6  |
| 15   | 1-861-010032-19 | WASHER, FLAT 5/8W                          | 4    | 4  | 8  |

# ILLUSTRATED PARTS LIST



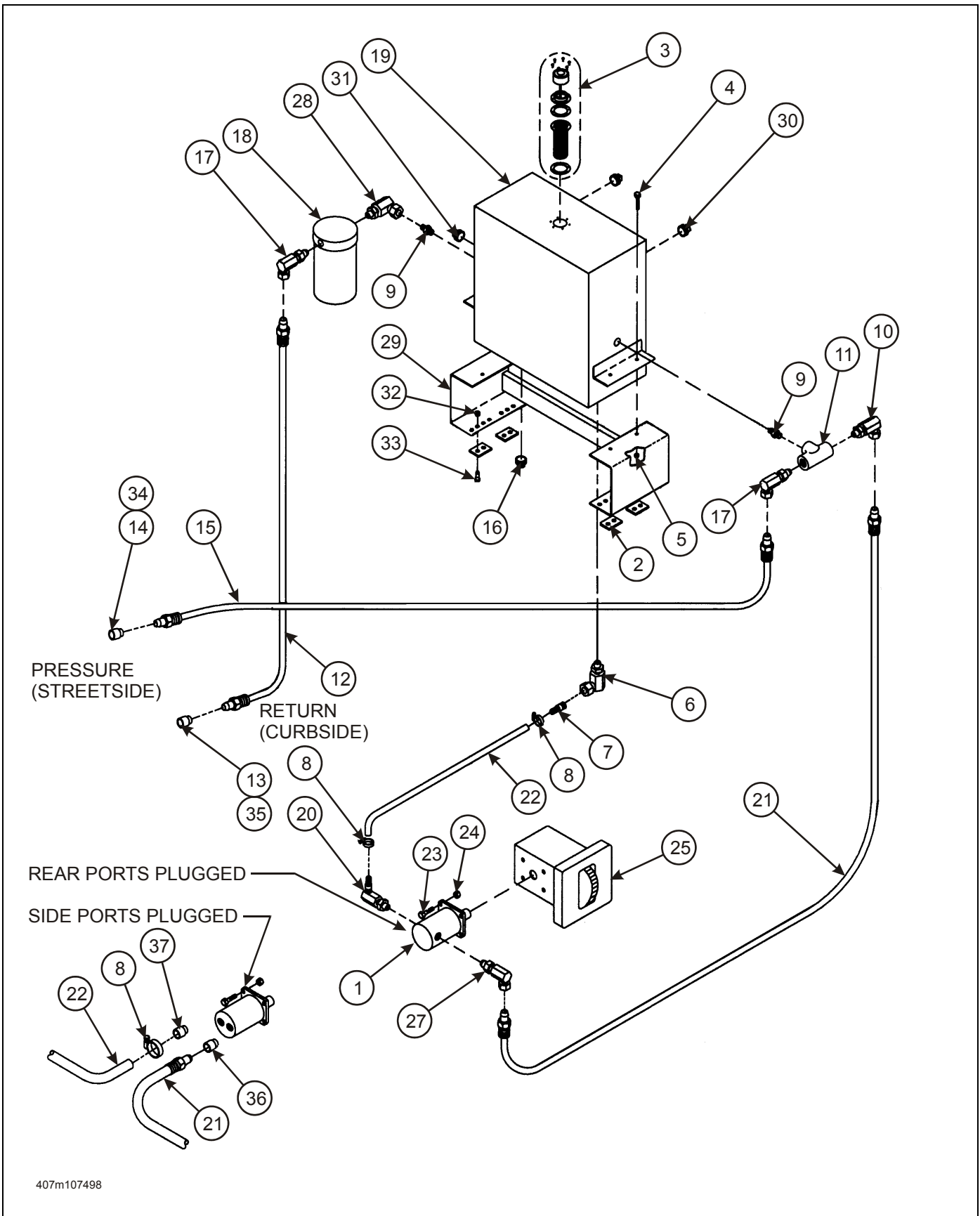
m109709 b

Figure 2-55: Crank Landing Gear

## CRANK LANDING GEAR

| ITEM | PART NO. | REFERENCE NO. | DESCRIPTION                    | QTY. |
|------|----------|---------------|--------------------------------|------|
|      | 109709   |               | LANDING GEAR                   |      |
| 1    | ----     | D10201.2      | OUTER HOUSING - 2 SPEED        | 1    |
| 2    | ----     | D10116.2      | OUTER HOUSING - 1 SPEED        | 1    |
| 3    | ----     | C10140.2      | INNER LEG ASSEMBLY - STANDARD  | 2    |
| 6    | 109161   | ----          | CRANK 930 MODIFICATION         | 1    |
| 7    | 109711   | B10261        | CRANK HANGER                   | 1    |
| 10   | 109712   | C10108        | BRACE LUG - W                  | 2    |
| 11   | ----     | B10066        | INTERMEDIATE CROSS SHAFT       | 1    |
| 12   | ----     | A10059.1      | COVER SCREW                    | 4    |
| 13   | ----     | C10217        | COVER - 2 SPEED                | 1    |
| 14   | ----     | C10259        | COVER - 1 SPEED                | 1    |
| 15   | ----     | C10177        | PINION GEAR                    | 1    |
| 16   | ----     | C10155        | BEVEL GEAR                     | 2    |
| 17   | ----     | B10130        | PINION SHAFT - 1 SPEED         | 1    |
| 18   | ----     | A10102        | THRUST WASHER                  | 2    |
| 19   | ----     | A10052.3      | GROOVED PIN                    | 2    |
| 20   | ----     | A10218        | SPACER WASHER                  | 2    |
| 21   | ----     | A10040        | GREASE FITTING                 | 4    |
| 23   | ----     | C10209        | STRUT BRACE (NOT SHOWN)        | 4    |
| 24   | ----     | A10038.7      | SELF LOCKING NUT               | 2    |
| 25   | ----     | A10037.1      | CROSS SHAFT BOLT - 3/8 X 2 GR5 | 2    |
| 26   | ----     | A10033        | THRUST BEARING                 | 2    |
| 27   | ----     | A10101        | COLLAR                         | 2    |
| 28   | ----     | A10212        | OUTPUT SHAFT                   | 1    |
| 30   | ----     | A10255        | BUSHING                        | 5    |
| 33   | ----     | A10054.3      | ROLL PIN 3/8 X 1-1/2           | 1    |
| 34   | ----     | A10260.1      | SPIRAL PIN                     | 2    |
| 35   | ----     | A10054.7      | ROLL PIN - 3/8 X 1-3/4         | 1    |
| 36   | ----     | B10236        | OUTPUT CLUSTER SHAFT           | 1    |
| 37   | ----     | C10234        | OUTPUT CLUSTER GEAR            | 1    |
| 38   | ----     | C10233        | INPUT GEAR SHAFT               | 1    |
| 39   | ----     | C10078        | OUTPUT SPUR GEAR               | 1    |
| 40   | ----     | C10085        | INPUT SPUR GEAR                | 1    |
| 43   | 163502   | B10229S       | SHIFT HOUSING SERVICE KIT      | 1    |
| 44   | ----     | A10230        | SHIFT HOUSING BOLT             | 4    |
| 45   | ----     | A10038.6      | SELF LOCKING NUT               | 4    |
| 46   | ----     | C10256        | SHOE - 10 X 10 X 4-1/2         | 2    |
| 47   | 114983   | B10036        | SHOE AXLE                      | 2    |
| 48   | ----     | A10037.3      | HEX HEAD BOLT                  | 2    |
| 49   | ----     | A10054.6      | ROLL PIN - 1/4 X 1-1/4         | 1    |
| 50   | 137974   | A401LT19      | RH LANDING LEG ASSEMBLY        | 1    |

# ILLUSTRATED PARTS LIST



407m107498

Figure 2-56: Hydraulic Wet Kit Assembly (Option)

**HYDRAULIC WET KIT (OPTION)**

| ITEM | PART NO.        | DESCRIPTION                             | QTY. |
|------|-----------------|---|------|
|      | 107498          | HYDRAULIC WET KIT W/ PTO INSTALLED      |      |
|      | 107499          | HYDRAULIC WET KIT W/ PTO NOT INSTALLED  |      |
|      | 107500          | HYDRAULIC WET KIT W/O PTO NOT INSTALLED |      |
| 1    | 3-591-010001    | HYDRAULIC GEAR PUMP                     | 1    |
| 2    | 3-120-010461    | BRACKET, HYDRAULIC TANK MOUNT SUPPORT   | 4    |
| 3    | 3-162-010001    | FILLER-BREATHING-STRAINER ASSEMBLY      | 1    |
| 4    | 1-654-010051-06 | SCREW, HEX HEAD CAP 3/8-16 X 1-1/4 GR5  | 4    |
| 5    | 1-512-010005-05 | NUT, HEX LOCK 3/8-16 GRB                | 4    |
| 6    | 1-1/4ST ELL     | BLACK PIPE ELBOW 90 ST                  | 1    |
| 7    | 3-561-010001    | HOSE BARB 1-1/4                         | 1    |
| 8    | 6828            | IDEAL HOSE CLAMP                        | 2    |
| 9    | C3069X12        | NIPPLE, HEX                             | 2    |
| 10   | 2024-12-8S      | ADAPTER, 90                             | 1    |
| 11   | 125130          | RD12D HYDRAULIC BY PASS SRDD            | 1    |
| 12   | 106760          | HOSE 3/4 X 164                          | 1    |
| 13   | 105479          | COUPLER, FLAT FACE MALE NOSE            | 1    |
| 14   | 105480          | COUPLER, FLAT FACE FEMALE BODY          | 1    |
| 15   | 106759          | HOSE ASSEMBLY 1/2 X 164                 | 1    |
| 16   | 1-560-010002-07 | PLUG, BLACK PIPE 1-1/4 SQ HEAD          | 1    |
| 17   | 2024-12-12S     | ADAPTER 90                              | 2    |
| 18   | 1-295-010001    | FILTER, RETURN                          | 1    |
|      | 1-295-010002    | FILTER ELEMENT                          | 1    |
| 19   | 3-786-010043    | TANK, HYDRAULIC                         | 1    |
| 20   | 1-007-010006    | ELBOW 90, 1-5/16 O-RING 1-1/4 HOSE      | 1    |
| 21   | 1-397-010301100 | HOSE ASSEMBLY 1/2 X 100                 | 1    |
| 22   | 3-399-010001    | HOSE 1-1/4 SUCTION                      | 8'   |
| 23   | 1-654-010055-03 | SCREW, HEX HEAD CAP 1/2-13 X 1-1/2 GR5  | 4    |
| 24   | 1-861-010034-13 | WASHER, SPLIT LOCK 1/2                  | 4    |
| 25   | PTO             | POWER TAKE OFF                          | *1,0 |
| 27   | 2062-16-8S      | ADAPTER, 90                             | 1    |
| 28   | 2047-12-12S     | ELBOW, 90 SWIVEL                        | 1    |
| 29   | 3-482-010503    | TANK MOUNT                              | 1    |
| 30   | 1-560-010002-05 | PIPE PLUG 3/4                           | 2    |
| 31   | 1-560-010002-04 | PIPE PLUG 1/2                           | 1    |
| 32   | 1-512-010005-09 | NUT, HEX LOCK 1/2-13 GRB                | 8    |
| 33   | 1-654-010055-04 | SCREW, HEX HEAD CAP 1/2-13 X 1-3/4 GR5  | 8    |
| 34   | 105482          | COUPLER, DUST CAP FEMALE                | 1    |
| 35   | 105481          | COUPLER, DUST CAP MALE                  | 1    |
| 36   | 12-16 070120    | ADAPTER                                 | 1    |
| 37   | 107513          | ADAPTER                                 | 1    |

\* FIRST QUANTITY LISTED IS FOR P/N'S 107498 AND 107499 HYDRAULIC WET KIT W/ PTO; SECOND QUANTITY LISTED IS FOR P/N 107500 HYDRAULIC WET KIT W/O PTO.

# ILLUSTRATED PARTS LIST

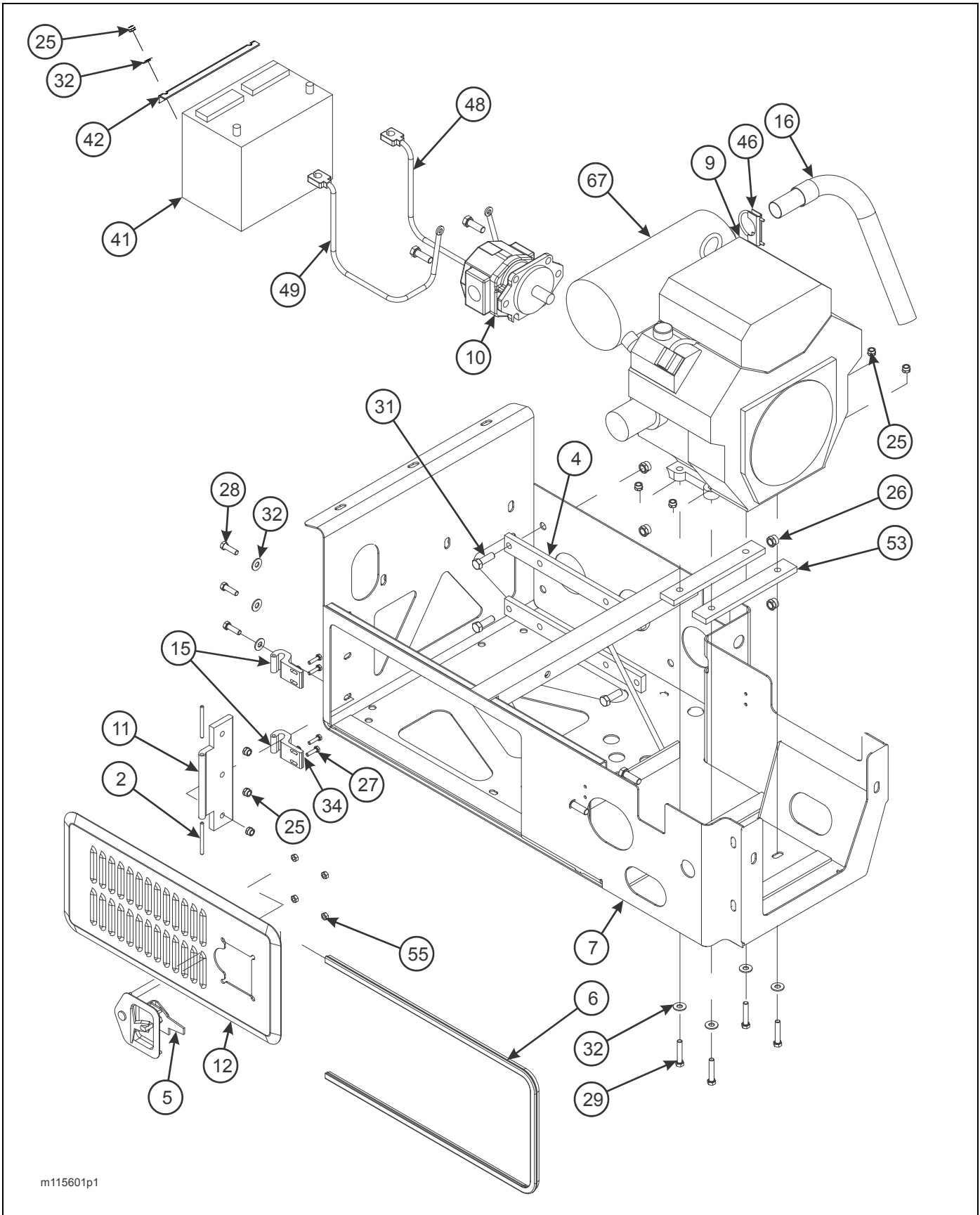


Figure 2-57: Engine Package, Front Mount (1 of 2)



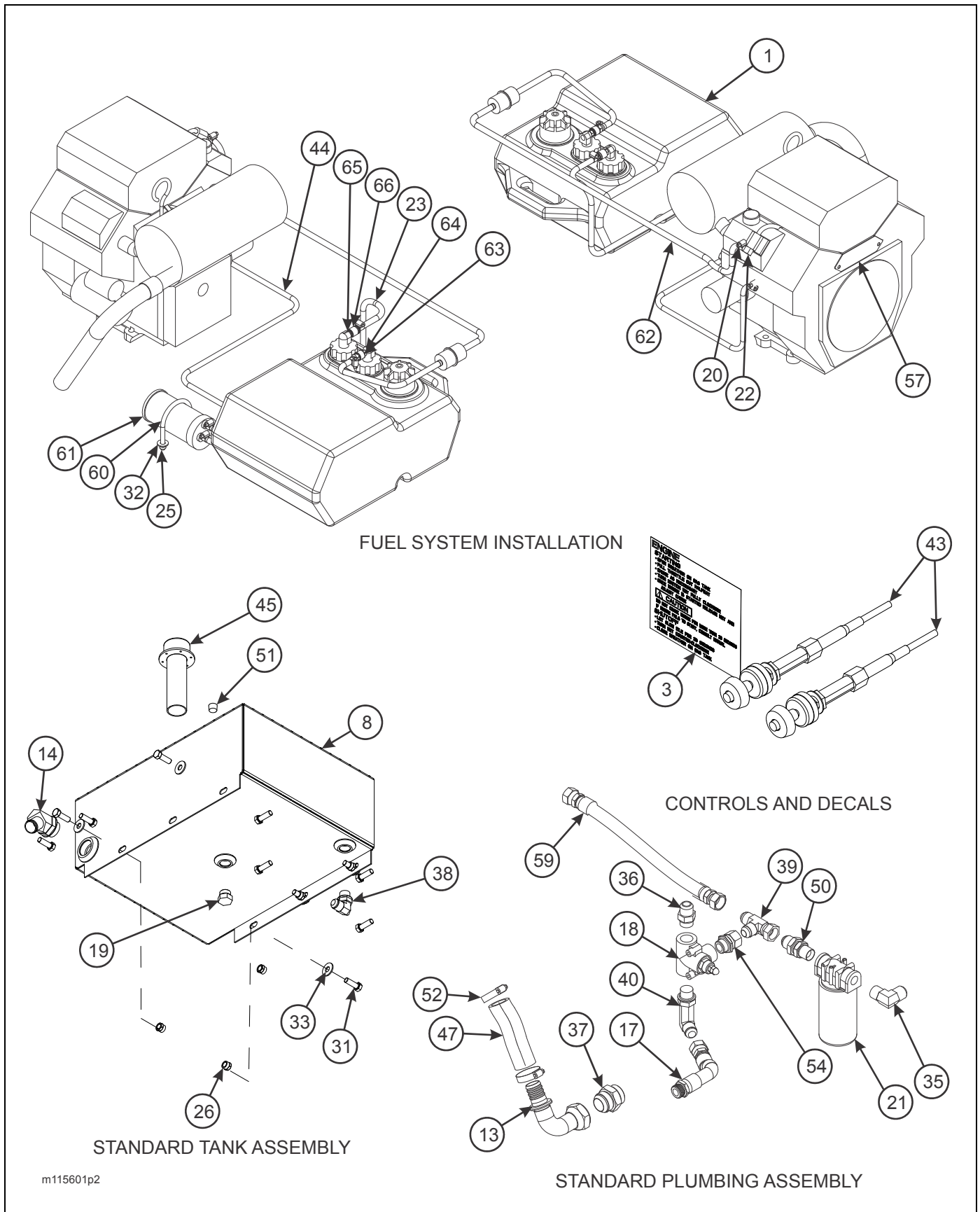


Figure 2-58: Engine Package, Front Mount (2 of 2)

## ILLUSTRATED PARTS LIST

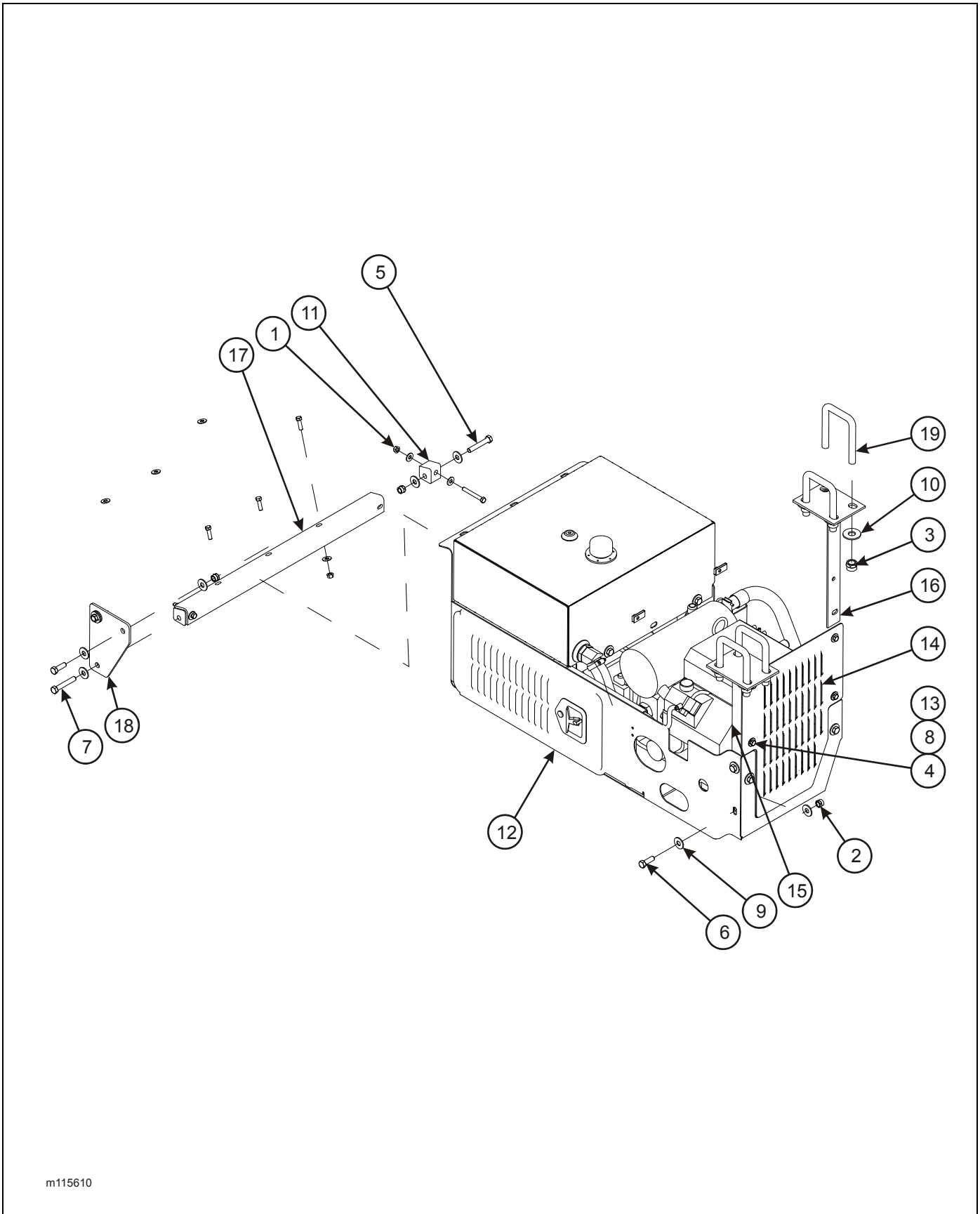
### 27HP GAS ENGINE PACKAGE (OPTION)

| ITEM | PART NO.        | DESCRIPTION                            | QTY. |
|------|-----------------|--|------|
|      | 115601          | 27 HP GAS ENGINE PACKAGE               |      |
| 1    | 169531          | TANK, FUEL PLASTIC 6 GAL LOW PERM      | 1    |
| 2    | 108601          | PIN, DOOR HINGE                        | 2    |
| 3    | 113388          | DECAL, ENGINE PACKAGE INSTRUCTIONS     | 1    |
| 4    | 113856          | MOUNT, ENGINE ISOLATOR, KOHLER CH25    | 2    |
| 5    | 114814          | LATCH, FOLDING T LOCKABLE              | 1    |
| 6    | 114815          | SEAL, SPONGE RUBBER TRIM               | 5    |
| 7    | 120654          | MOUNT WELDMENT, ENGINE PACKAGE         | 1    |
| 8    | 120662          | HYDRAULIC TANK WELDMENT                | 1    |
| 9    | 127813          | ENGINE KOHLER 27 HP PUMP MOUNT         | 1    |
|      | 3-765-010050    | KOHLER IGNITION SWITCH (2509904)       | 1    |
| 10   | 115888          | PUMP, HYDRAULIC                        | 1    |
| 11   | 116326          | HINGE, BASE MOUNT                      | 1    |
| 12   | 116328          | MOUNT, DOOR WELDMENT                   | 1    |
| 13   | 116330          | FITTING, 90                            | 1    |
| 14   | 117873          | FITTING, 45                            | 1    |
| 15   | 119206          | HINGE, DOOR                            | 2    |
| 16   | 119445          | EXHAUST EXT WELDMENT                   | 1    |
| 17   | 119577          | HOSE                                   | 1    |
| 18   | 120661          | VALVE, HYDRAULIC PRESSURE RELIEF       | 1    |
| 19   | 900598-12S      | PLUG, O-RING                           | 1    |
| 20   | 105-0105        | CLAMP, HOSE (NOT SHOWN)                | 6    |
| 21   | 1-295-010001    | RETURN LINE FILTER                     | 1    |
| 22   | 1-297-010034-01 | FITTING, BR 90 BARB                    | 1    |
| 23   | 1-316-010013    | HOSE, 1/4 LOW PRESSURE FUEL LINE       | 5    |
| 25   | 1-512-010005-05 | NUT, HEX LOCK 3/8-16 GRB               | 11   |
| 26   | 1-512-010005-09 | NUT, HEX LOCK 1/2-13 GRB               | 9    |
| 27   | 1-654-010047-06 | SCREW, HEX HEAD CAP 1/4-20 X 1 GR5     | 4    |
| 28   | 1-654-010051-06 | SCREW, HEX HEAD CAP 3/8-16 X 1-1/4 GR5 | 3    |
| 29   | 1-654-010051-09 | SCREW, HEX HEAD CAP 3/8-16 X 2 GR5     | 4    |
| 31   | 1-654-010055-03 | SCREW, HEX HEAD CAP 1/2-13 X 1-1/2 GR5 | 11   |
| 32   | 1-861-010032-11 | WASHER, FLAT 3/8W                      | 11   |
| 33   | 1-861-010032-15 | WASHER, FLAT 1/2W                      | 5    |
| 34   | 1-861-010034-09 | WASHER, SPLIT LOCK 1/4                 | 4    |
| 35   | 2024-12-12S     | ELBOW, 90                              | 1    |
| 36   | 202702-12-12S   | ADAPTER, STRAIGHT                      | 1    |
| 37   | 202702-20-20S   | ADAPTER                                | 1    |
| 38   | 2062-12-12S     | ADAPTER, 90                            | 1    |
| 39   | 203102-12-12S   | ADAPTER, TEE                           | 1    |
| 40   | 206209-12-12S   | ADAPTER, 90                            | 1    |
| 41   | 2481X           | BATTERY 12V                            | 1    |
| 42   | 3-120-010124    | BATTERY CLAMP BRACKET                  | 1    |
| 43   | 3-155-010012    | CABLE, THROTTLE                        | 2    |
| 44   | 3-316-010008    | FUEL HOSE 3/16 ID                      | 5    |
| 45   | 3-162-010001    | FILLER-BREATHING-STRAINER ASSEMBLY     | 1    |
| 46   | 3-182-010028    | CLAMP, MUFFLER                         | 1    |
| 47   | 3-399-010001006 | HOSE, 1-1/4 SUCTION                    | 1    |
| 48   | 514-9045-26     | CABLE ASSEMBLY, BATTERY POSITIVE       | 1    |
| 49   | 514-9073-18     | CABLE ASSEMBLY, BATTERY NEGATIVE       | 1    |

**27HP GAS ENGINE PACKAGE (OPTION)**

| ITEM | PART NO.        | DESCRIPTION                                  | QTY. |
|------|-----------------|--|------|
| 50   | 2240-12-12S     | ADAPTER, BULKHEAD                            | 1    |
| 51   | 1-560-010002-04 | PLUG, PIPE 1/2                               | 1    |
| 52   | 1-181-010046-7  | CLAMP, HOSE                                  | 2    |
| 53   | 120659          | ISOLATOR, KOHLER 25 HP MOUNT                 | 2    |
| 54   | 120660          | ADAPTER                                      | 1    |
| 55   | 115877          | NUT, HEAVY HEX 1/4-20 GR5                    | 4    |
| 57   | 123014          | PLATE, MOTOR FRONT 25HP E/P                  | 1    |
| 58   | 113544          | HARNESS, ENGINE PACKAGE IGNITION (NOT SHOWN) | 1    |
| 59   | 1-397-010304018 | HOSE ASSEMBLY 3/4 X 18                       | 1    |
| 60   | 110578          | U-BOLT, FENDER MOUNT                         | 1    |
| 61   | 166766          | CARBON CANISTER, FUEL TANK                   | 1    |
| 62   | 169532          | HOSE, FUEL 1/4 LOW PERM CARB                 | 5    |
| 63   | 170109          | FITTING                                      | 1    |
| 64   | 170110          | FITTING                                      | 1    |
| 65   | 170111          | FITTING                                      | 1    |
| 66   | 170112          | FITTING                                      | 1    |
| 67   | 128501          | MUFFLER KIT REPLACEMENT                      | 1    |

# ILLUSTRATED PARTS LIST



m115610

Figure 2-59: Underslung Engine Package Installation

## UNDERSLUNG ENGINE PACKAGE INSTALLATION

| ITEM | PART NO.        | DESCRIPTION                              | QTY. |
|------|-----------------|--|------|
|      | 115610          | ENGINE PACKAGE INST UNDERSLUNG           |      |
| 1    | 1-510-010001    | NUT, FLANGE LOCK 3/8-16                  | 5    |
| 2    | 1-512-010005-09 | NUT, HEX LOCK 1/2-13                     | 9    |
| 3    | 1-512-010005-15 | NUT, HEX LOCK 3/4-10                     | 8    |
| 4    | 1-654-010051-06 | SCREW, HEX HEAD CAP 3/8-16 X 1-1/4 GR5   | 7    |
| 5    | 1-654-010051-13 | SCREW, HEX HEAD CAP 3/8-16 X 3 GR5       | 2    |
| 6    | 1-654-010055-03 | SCREW, HEX HEAD CAP 1/2-13 X 1-1/2 GR5   | 7    |
| 7    | 1-654-010055-09 | SCREW, HEX HEAD CAP 1/2-13 X 3 GR5       | 2    |
| 8    | 1-861-010032-11 | WASHER, FLAT 3/8                         | 14   |
| 9    | 1-861-010032-15 | WASHER, FLAT 1/2                         | 18   |
| 10   | 1-861-010032-21 | WASHER, FLAT 3/4                         | 8    |
| 11   | 113359          | BRACKET, MOUNTING CROSS MEMBER           | 2    |
| 12   | 115601          | ENGINE PACKAGE 27 HP GAS (SEE PAGE 2-96) | REF  |
| 13   | 133732          | NUT, EXTRUD U 3/8-16                     | 4    |
| 14   | 116334          | SHIELD, ENGINE PACKAGE FRONT             | 1    |
| 15   | 120437          | MOUNT, FRONT RH                          | 1    |
| 16   | 120438          | MOUNT, FRONT LH                          | 1    |
| 17   | 120439          | ANGLE, REAR                              | 1    |
| 18   | 120635          | PLATE, REAR MOUNT                        | 1    |
| 19   | 2-102-010011    | U-BOLT                                   | 4    |
| 21   | 1-822-010001    | TRIM, FINE PEBBLE (NOT SHOWN)            | AR   |
| 22   | 1-397-010304135 | HOSE ASSEMBLY, 3/4 X 135 (NOT SHOWN)     | 2    |

# ILLUSTRATED PARTS LIST

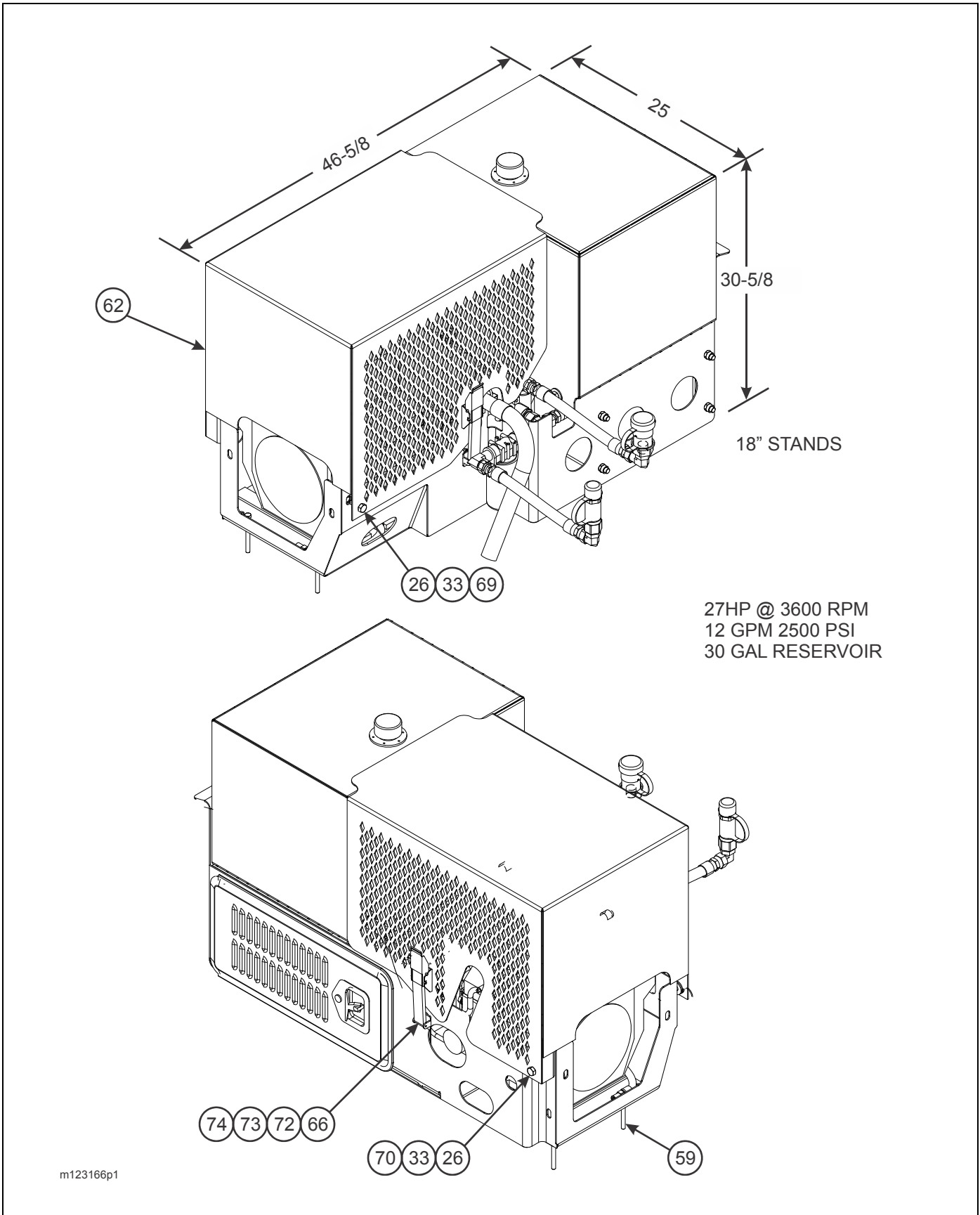


Figure 2-60: Engine Package, Front Mount (1 of 4)

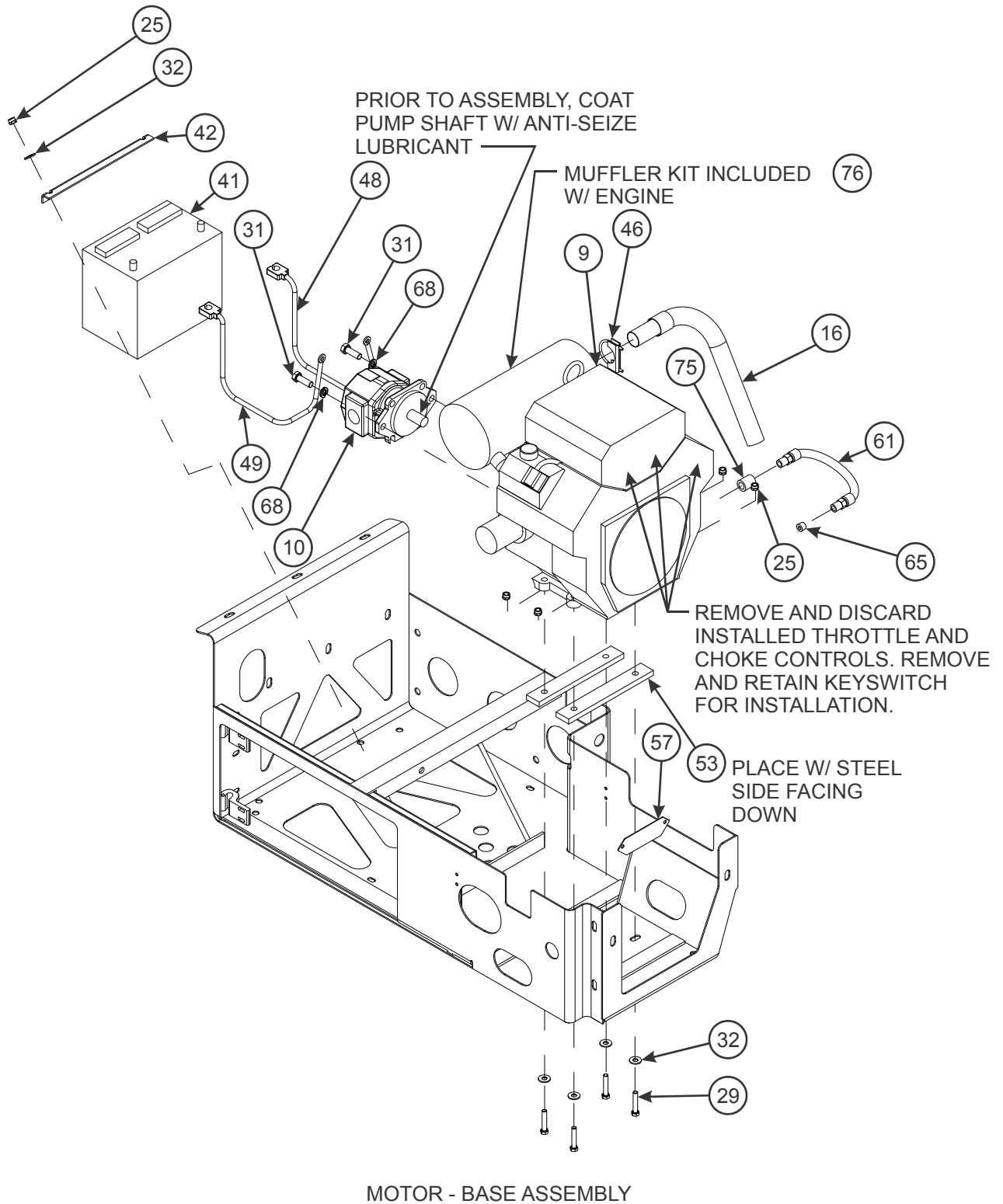


Figure 2-61: Engine Package, Front Mount (2 of 4)

# ILLUSTRATED PARTS LIST

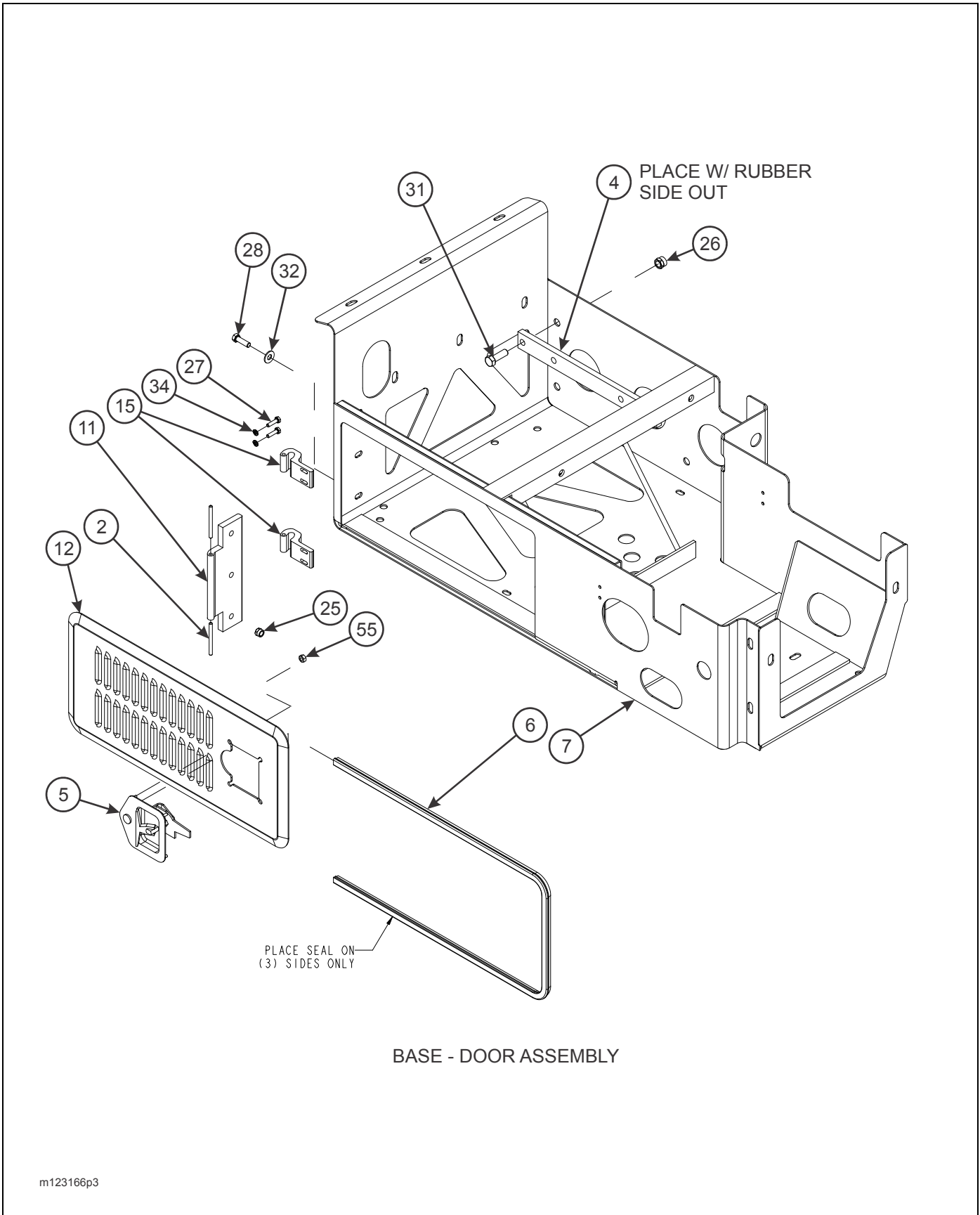


Figure 2-62: Engine Package, Front Mount (3 of 4)



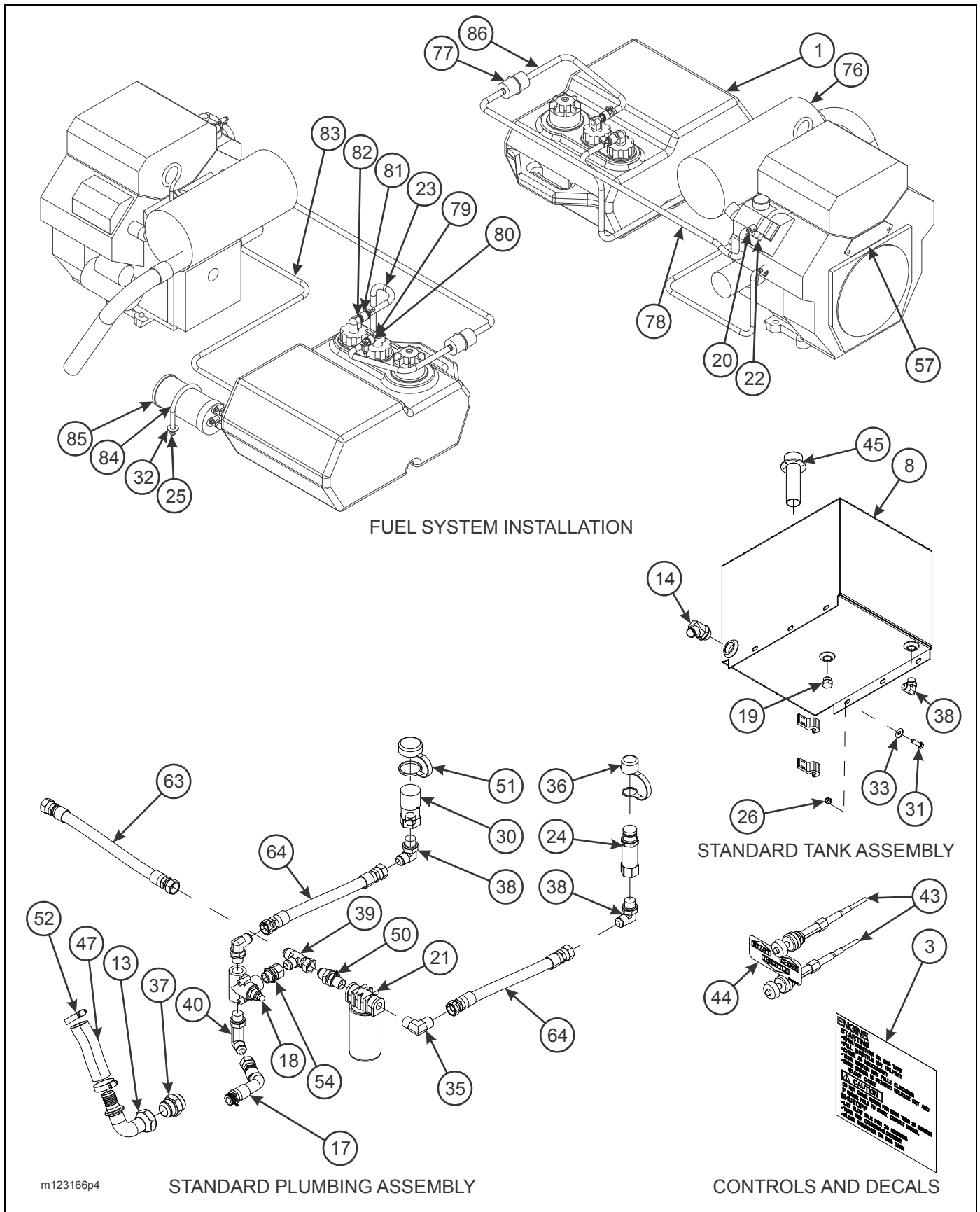


Figure 2-63: Engine Package, Front Mount (4 of 4)

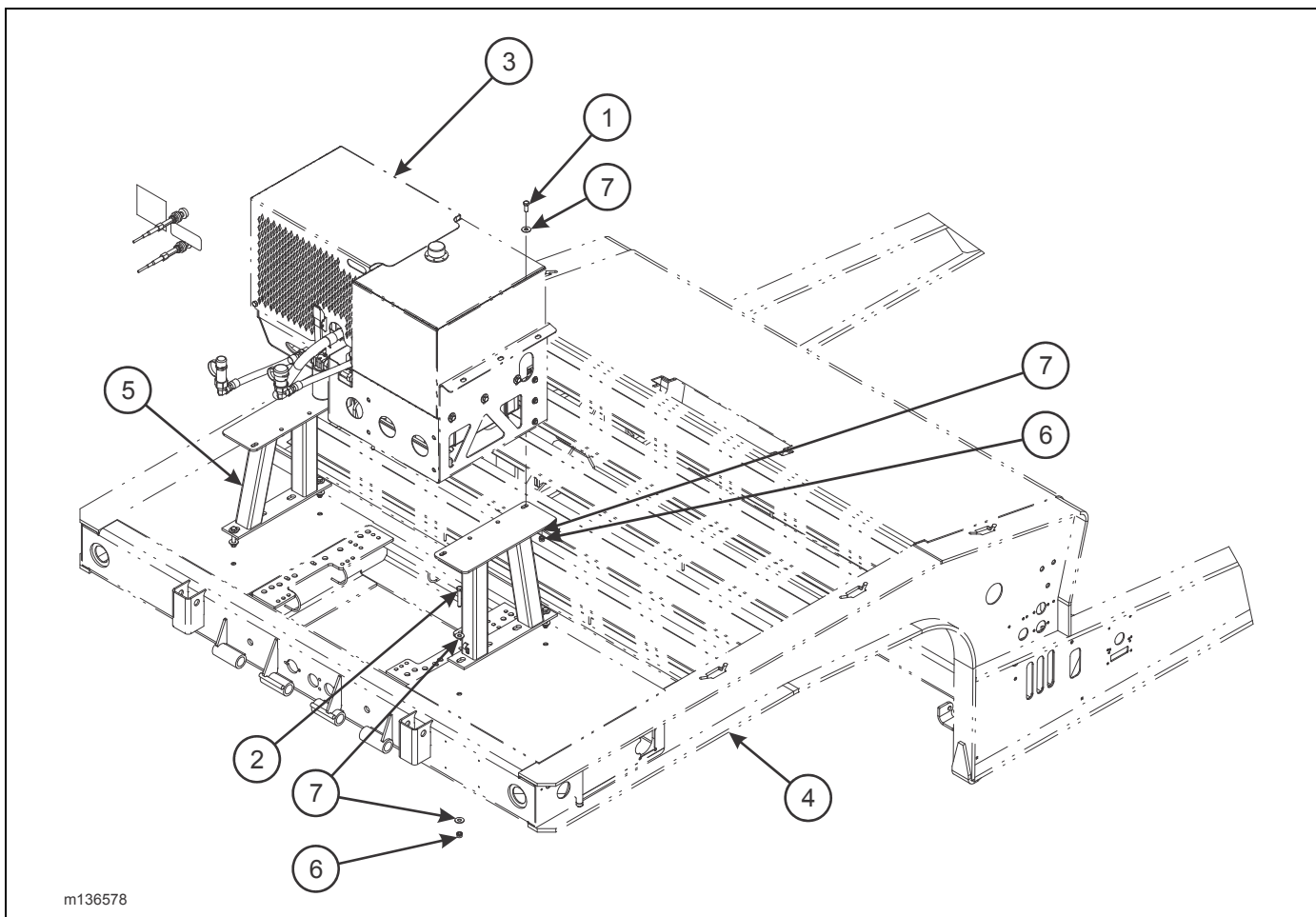
## ILLUSTRATED PARTS LIST

### 27 HP GAS ENGINE PACKAGE, UPPER DECK (OPTION)

| ITEM | PART NO.        | DESCRIPTION                            | QTY. |
|------|-----------------|--|------|
|      | 123166          | 27HP GAS ENGINE PACKAGE                |      |
| 1    | 169531          | TANK, FUEL PLASTIC 6 GAL LOW PERM      | 1    |
| 2    | 108601          | PIN, DOOR HINGE                        | 2    |
| 3    | 113388          | DECAL, ENGINE PACKAGE INSTRUCTIONS     | 1    |
| 4    | 113856          | MOUNT, ENGINE ISOLATOR, KOHLER CH25    | 2    |
| 5    | 114814          | LATCH, FOLDING T LOCKABLE              | 1    |
| 6    | 114815          | SEAL, SPONGE RUBBER TRIM               | 5    |
| 7    | 120654          | MOUNT WELDMENT, ENGINE PACKAGE 25 HP   | 1    |
| 8    | 129264          | HYDRAULIC TANK WELDMENT                | 1    |
| 9    | 127813          | ENGINE, KOHLER 27 HP PUMP MOUNT        | 1    |
|      | 3-765-010050    | KOHLER IGNITION SWITCH                 | 1    |
| 10   | 115888          | PUMP, HYDRAULIC                        | 1    |
| 11   | 116326          | HINGE, BASE MOUNT                      | 1    |
| 12   | 116328          | MOUNT, DOOR WELDMENT                   | 1    |
| 13   | 116330          | FITTING, 90                            | 1    |
| 14   | 117873          | FITTING, 45                            | 1    |
| 15   | 119206          | HINGE, DOOR                            | 2    |
| 16   | 119445          | EXHAUST EXT WELDMENT                   | 1    |
| 17   | 119577          | HOSE                                   | 1    |
| 18   | 120661          | VALVE, HYDRAULIC PRESSURE RELIEF       | 1    |
| 19   | 900598-12S      | PLUG, O-RING                           | 1    |
| 20   | 105-0105        | CLAMP, HOSE                            | 6    |
| 21   | 1-295-010001    | RETURN LINE FILTER                     | 1    |
|      | 1-295-010002    | FILTER ELEMENT                         | 1    |
| 22   | 1-297-010034-01 | FITTING, BR 90 BARB                    | 1    |
| 23   | 1-316-010013    | HOSE, 1/4 LOW PRESSURE FUEL LINE       | 5    |
| 24   | 105479          | COUPLER FLAT FACE MALE NOSE            | 1    |
| 25   | 1-512-010005-05 | NUT, HEX LOCK 3/8-16 GRB               | 15   |
| 26   | 1-512-010005-09 | NUT, HEX LOCK 1/2-13 GRB               | 11   |
| 27   | 1-654-010047-06 | SCREW, HEX HEAD CAP 1/4-20 X 1 GR5     | 4    |
| 28   | 1-654-010051-06 | SCREW, HEX HEAD CAP 3/8-16 X 1-1/4 GR5 | 3    |
| 29   | 1-654-010051-09 | SCREW, HEX HEAD CAP 3/8-16 X 2 GR5     | 6    |
| 30   | 105480          | COUPLER, FLAT FACE FEMALE BODY         | 1    |
| 31   | 1-654-010055-03 | SCREW, HEX HEAD CAP 1/2-13 X 1-1/2 GR5 | 11   |
| 32   | 1-861-010032-11 | WASHER, FLAT 3/8W                      | 19   |
| 33   | 1-861-010032-15 | WASHER, FLAT 1/2W                      | 13   |
| 34   | 1-861-010034-09 | WASHER, SPLIT LOCK 1/4                 | 4    |
| 35   | 2024-12-12S     | ELBOW, 90                              | 1    |
| 36   | 105481          | COUPLER, DUST CAP MALE                 | 1    |
| 37   | 202702-20-20S   | ADAPTER                                | 1    |
| 38   | 2062-12-12S     | ADAPTER, 90                            | 4    |
| 39   | 203102-12-12S   | ADAPTER, TEE                           | 1    |
| 40   | 206209-12-12S   | ADAPTER, 90                            | 1    |
| 41   | 2481X           | BATTERY 12V                            | 1    |
| 42   | 3-120-010124    | BATTERY CLAMP BRACKET                  | 1    |
| 43   | 128774          | CABLE, THROTTLE                        | 2    |
| 44   | 3-573-010506    | DECAL, ENGINE CONTROL                  | 1    |
| 45   | 3-162-010001    | FILLER-BREATHER-STRAINER ASSEMBLY      | 1    |
| 46   | 3-182-010028    | CLAMP, MUFFLER                         | 1    |

**27 HP GAS ENGINE PACKAGE, UPPER DECK (OPTION)**

| ITEM | PART NO.        | DESCRIPTION                                  | QTY. |
|------|-----------------|--|------|
| 47   | 3-399-010001006 | HOSE, 1-1/4 SUCTION                          | 1    |
| 48   | 514-9045-26     | CABLE ASSEMBLY, BATTERY POSITIVE             | 1    |
| 49   | 514-9073-18     | CABLE ASSEMBLY, BATTERY NEGATIVE             | 1    |
| 50   | 2240-12-12S     | ADAPTER, BULKHEAD                            | 1    |
| 51   | 105482          | COUPLER, DUST FEMALE                         | 1    |
| 52   | 1-181-010046-7  | CLAMP, HOSE                                  | 2    |
| 53   | 120659          | ISOLATOR, KOHLER 25 HP MOUNT                 | 2    |
| 54   | 120660          | ADAPTER                                      | 1    |
| 55   | 115877          | NUT, HEAVY HEX 1/4-20 GR5                    | 4    |
| 57   | 123014          | PLATE, MOTOR FRONT 25 HP                     | 1    |
| 58   | 113544          | HARNESS, ENGINE PACKAGE IGNITION (NOT SHOWN) | 2    |
| 59   | 108295          | SCREW, HEX HEAD CAP 3/8-16 X 4 GR5           | 2    |
| 61   | 1-397-010312032 | HOSE ASSEMBLY 3/8 X 32                       | 1    |
| 62   | 129287          | COVER WELDMENT                               | 1    |
| 63   | 1-397-010304018 | HOSE ASSEMBLY 3/4 X 18                       | 1    |
| 64   | 1-397-010304060 | HOSE ASSEMBLY 3/8 X 60                       | 2    |
| 65   | 1-560-010002-03 | PLUG, PIPE 3/8                               | 1    |
| 66   | 1-512-010004-03 | NUT, HEX LOCK 10-24 GRA                      | 8    |
| 68   | 1-861-010034-13 | WASHER, SPLIT LOCK 1/2                       | 2    |
| 69   | 1-654-010055-02 | SCREW, HEX HEAD CAP 1/2-13 X 1-1/4 GR5       | 1    |
| 70   | 1-654-010055-09 | SCREW, HEX HEAD CAP 1/2-13 X 3 GR5           | 1    |
| 72   | 110-0116        | SCREW, RD HEAD CAP 10-24 X 3/4               | 8    |
| 73   | 110-0253        | WASHER, FLAT 3/16                            | 8    |
| 74   | 3-443-010018    | LATCH, FLEXIBLE DRAW, LEVER ASSIST           | 2    |
| 75   | 3/8P COUPL      | PIPE COUPLING 3/8 BLACK                      | 1    |
| 76   | 128501          | REPLACEMENT MUFFLER KIT                      | 1    |
| 77   | 142270          | FUEL FILTER                                  | 1    |
| 78   | 169532          | HOSE, FUEL 1/4 LOW PERM CARB                 | 5    |
| 79   | 170109          | FITTING                                      | 1    |
| 80   | 170110          | FITTING                                      | 1    |
| 81   | 170111          | FITTING                                      | 1    |
| 82   | 170112          | FITTING                                      | 1    |
| 83   | 3-316-010008    | FUEL HOSE 3/16 ID                            | 5    |
| 84   | 110578          | U-BOLT, FENDER MOUNT                         | 1    |
| 85   | 166766          | CARBON CANISTER, FUEL TANK                   | 1    |
| 86   | 139553          | COUPLER, FUEL TANK                           | 1    |



**Figure 2-64: Engine Package Stand Installation**

## UPPER DECK ENGINE STAND INSTALLATION

| ITEM | PART NO.        | DESCRIPTION                                | QTY. |
|------|-----------------|--|------|
|      | 136578          | UPPER DECK STAND INSTALLATION              |      |
| 1    | 1-654-010055-02 | SCREW, HEX HEAD CAP 1/2-13 X 1-1/4 GR5     | 4    |
| 2    | 1-654-010055-09 | SCREW, HEX HEAD CAP 1/2-13 X 3 GR5         | 4    |
| 3    | 123166          | ENGINE PACKAGE, 27 HP GAS (SEE PAGE 2-104) | REF  |
| 4    | ----            | UPPER DECK FRAME WELDMENT                  | REF  |
| 5    | 134857          | MOUNT WELDMENT, ENGINE PACKAGE             | 2    |
| 6    | 1-512-010005-09 | NUT, HEX LOCK 1/2-13 GRB                   | 8    |
| 7    | 1-861-010032-15 | WASHER, FLAT 1/2W                          | 16   |

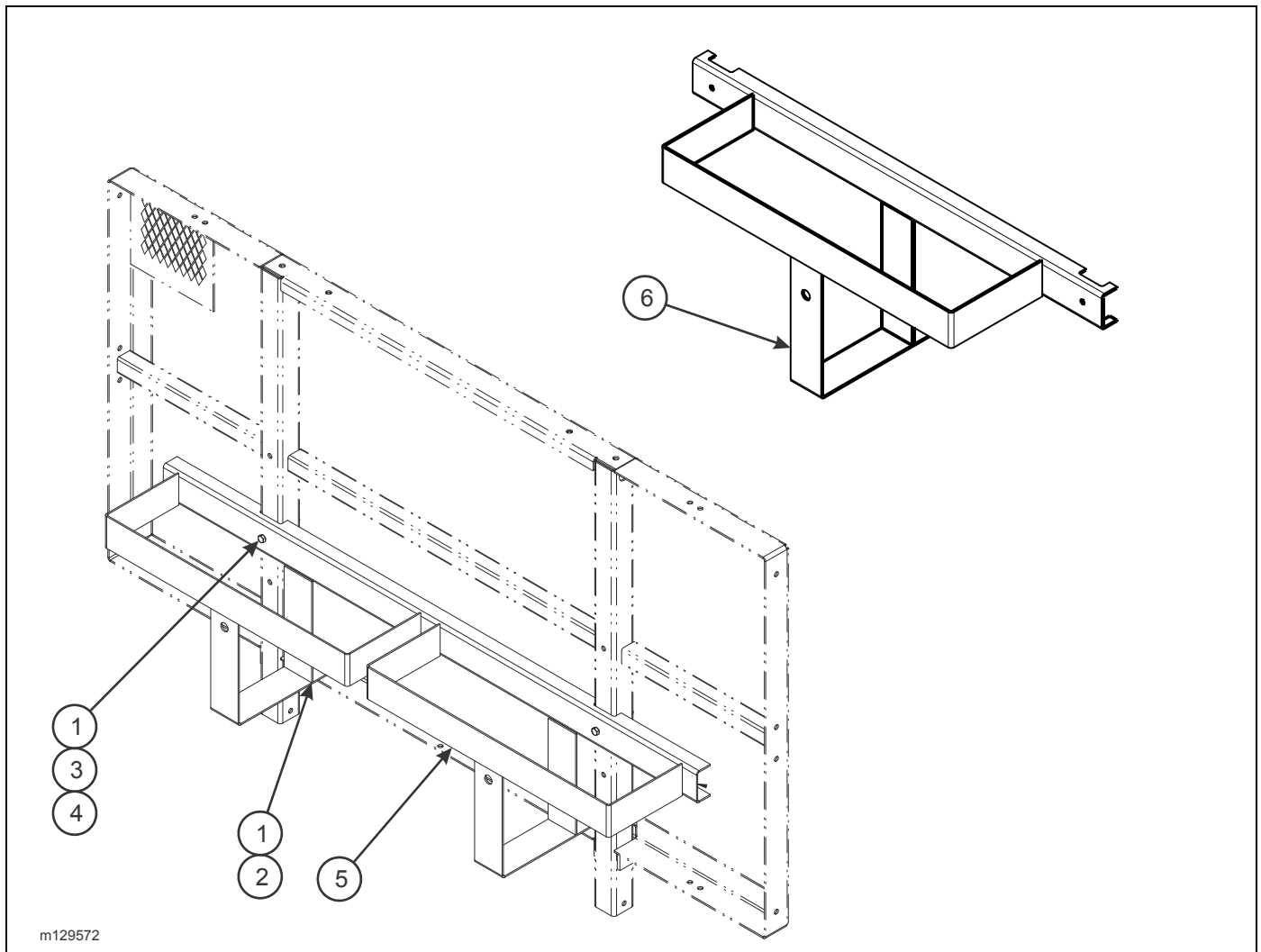
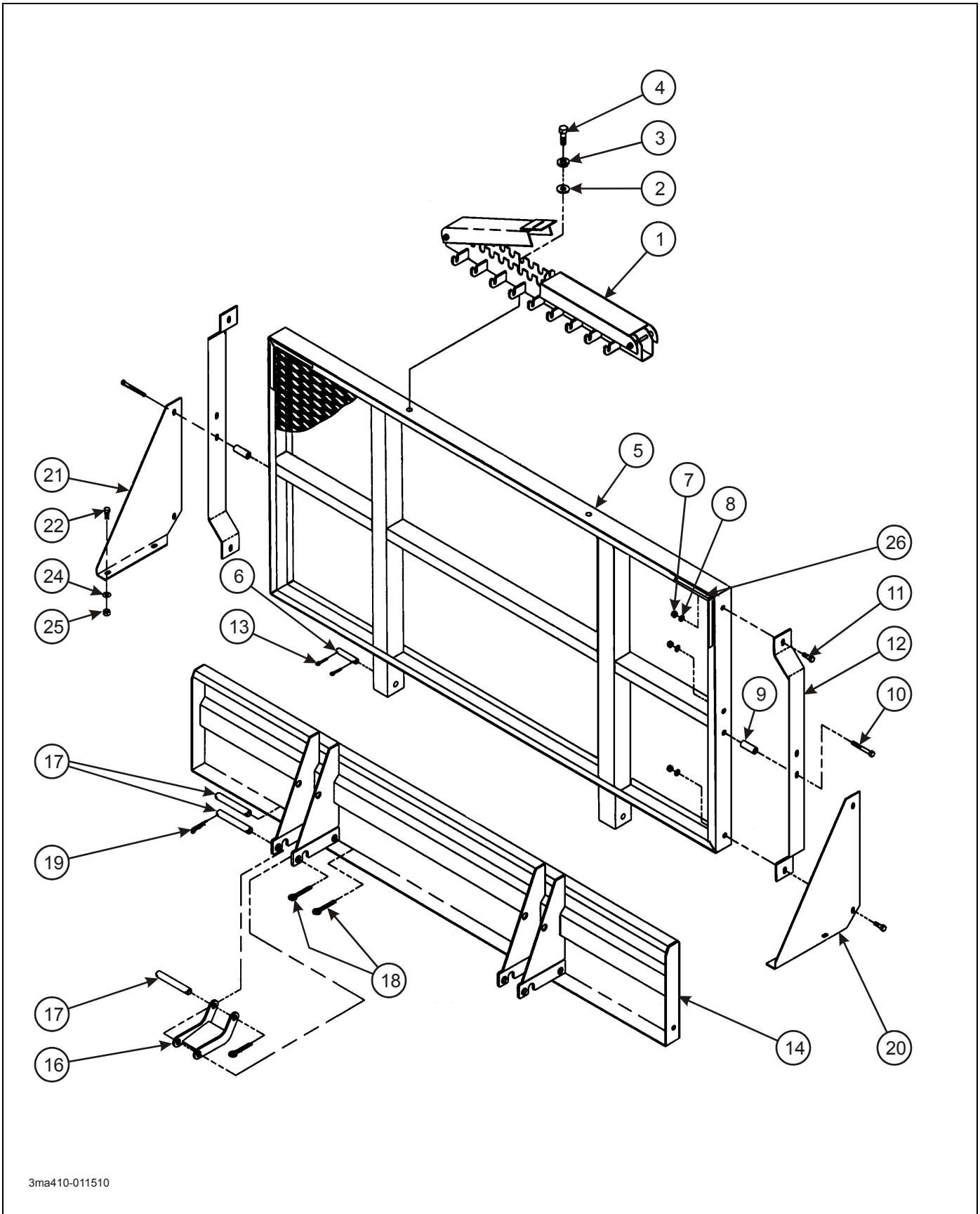


Figure 2-65: Spare Rack Installation (Option)

### SPARE RACK INSTALLATION (OPTION)

| ITEM | PART NO.        | DESCRIPTION                          | QTY. |
|------|-----------------|--------------------------------------|------|
|      | 129573          | RACK INSTALLATION, BULKHEAD MOUNT    |      |
|      | 112986          | SPARE TIRE CARRIER RACK INSTALLATION |      |
| 1    | 1-512-010005-09 | NUT, HEX LOCK 1/2-13 GRB             | 3    |
| 2    | 1-654-010055-01 | SCREW, HEX HEAD CAP 1/2-13 X 1 GR5   | 3    |
| 3    | 1-654-010055-15 | SCREW, HEX HEAD CAP 1/2-13 X 5 GR5   | 2    |
| 4    | 1-861-010032-15 | WASHER, FLAT 1/2W                    | 4    |
| 5    | 129572          | RACK WELDMENT, BULKHEAD MOUNT DUAL   | 1    |
| 6    | 112987          | RACK WELDMENT, BULKHEAD MOUNT        | 1    |



3ma410-011510

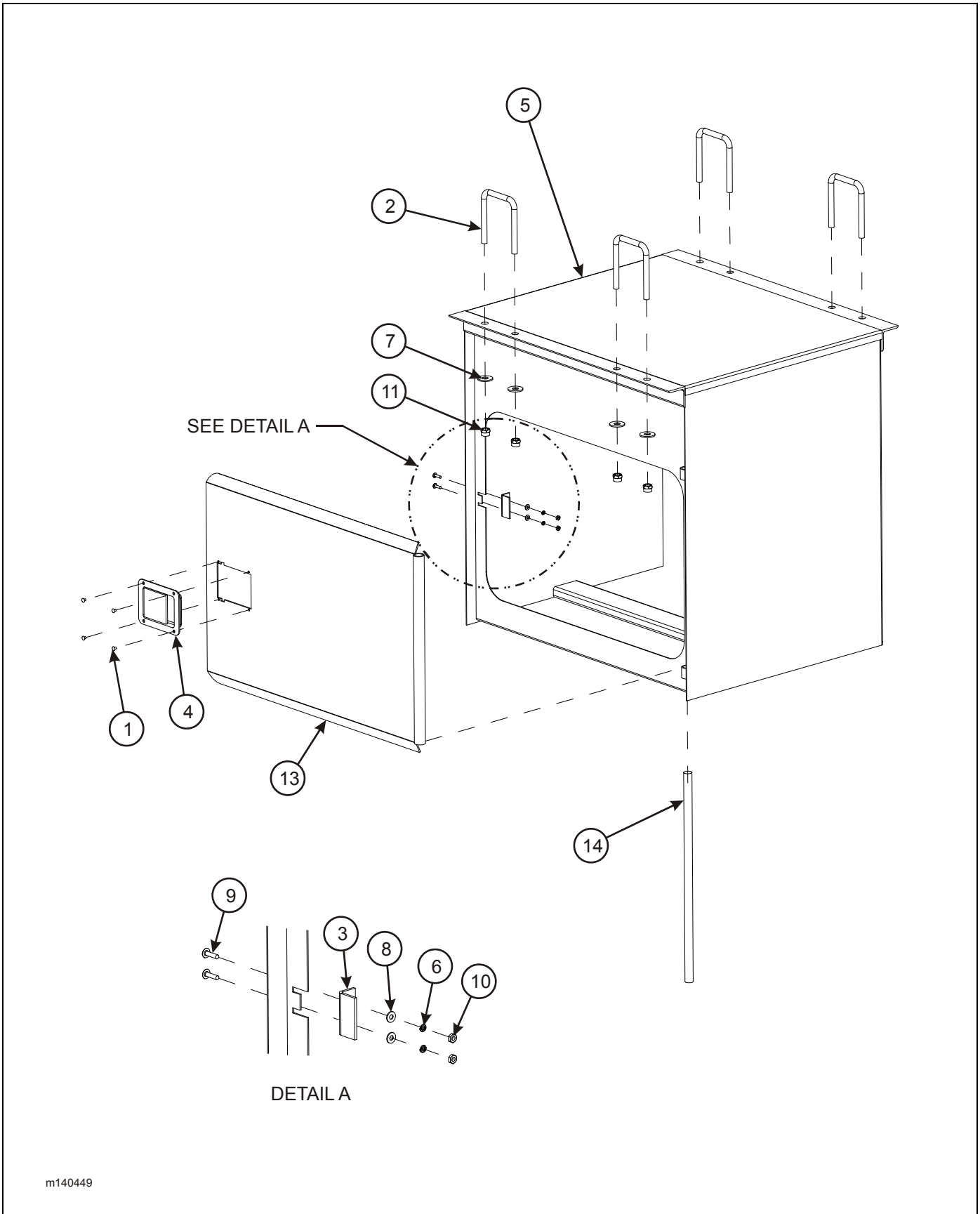
Figure 2-66: Front Extension and Bulkhead Assembly (Option)

**FRONT EXTENSION AND BULKHEAD ASSEMBLY (OPTION)**

| ITEM | PART NO.        | DESCRIPTION  | QTY. |
|------|-----------------|--|------|
|      | B7-141-003      | BULKHEAD CHAIN RACK INSTALLATION (ITEMS 1-4)       |      |
|      | 3-141-010121    | BULKHEAD INSTALLATION (ITEMS 5-13, 26)             | REF  |
|      | 129580          | BULKHEAD INSTALLATION (ITEMS 5-13)                 |      |
|      | 3-141-010123    | BULKHEAD INSTALLATION 2 POSITION (ITEMS 14-19, 26) | REF  |
|      | 3-117-010071-1  | BRACE INST. STABILIZING 48" BULKHEAD (ITEMS 20-25) |      |
| 1    | 3-141-010008    | CHAIN HANGER LOCKING CHANNEL WELDMENT              | 1    |
| 2    | 1-861-010032-11 | WASHER, FLAT 3/8                                   | 2    |
| 3    | 1-861-010034-11 | WASHER, SPLIT LOCK 3/8                             | 2    |
| 4    | 1-654-010051-06 | SCREW, HEX HEAD CAP 3/8-16 X 1-1/4 GR5             | 2    |
| 5    | 3-141-010155    | BULKHEAD WELDMENT 48 X 96 (96)                     | 1    |
|      | 3-141-010152    | BULKHEAD WELDMENT 16 X 102 (102) (NOT SHOWN)       | 1    |
|      | 129579          | BULKHEAD WELDMENT, FRT WINCH (129580)              | 1    |
| 6    | 6-557-010163    | PIN, HITCH LEVEL LINK                              | 2    |
| 7    | 1-512-010005-09 | NUT, HEX LOCK 1/2-13 GRB (102)                     | 6    |
| 8    | 1-861-010032-15 | WASHER, PLAIN TYPE A 1/2 (102)                     | 6    |
| 9    | 3-711-010025    | SPACER (102)                                       | 2    |
| 10   | 1-654-010055-13 | SCREW, HEX HEAD CAP 1/2-13 X 4 GR5 (102)           | 2    |
| 11   | 1-654-010055-03 | SCREW, HEX HEAD CAP 1/2-13 X 1-1/2 GR5 (102)       | 4    |
| 12   | 3-054-010101    | BAR, SIDE BULKHEAD EXTENSION (102)                 | 2    |
| 13   | 1-557-010362-63 | COTTER PIN 1/4 X 2                                 | 4    |
| 14   | 3-141-010118    | BULKHEAD WELDMENT 16 X 96                          | 1    |
|      | 3-141-010119    | BULKHEAD WELDMENT 16 X 102                         | 1    |
|      | 3-141-010147    | BULKHEAD WELDMENT 16/24 X 102                      | 1    |
|      | 3-141-010151    | BULKHEAD WELDMENT 16/24 X 96                       | 1    |
| 16   | 3-755-010080    | SUPPORT WELDMENT BULKHEAD                          | 2    |
| 17   | 3-557-010380    | SUPPORT PIN  | 6    |
| 18   | 1-557-010362-63 | COTTER PIN 1/4X2                                   | 10   |
| 19   | 1-557-010014    | HAIRPIN  | 2    |
| 20   | 3-117-010069    | BRACE LH STABILIZING 48" BULKHEAD                  | 1    |
| 21   | 3-117-010070    | BRACE RH STABILIZING 48" BULKHEAD                  | 1    |
| 22   | 1-654-010055-03 | SCREW, HEX HEAD CAP 1/2-13 X 1-1/2 GR5             | 8,4* |
| 24   | 1-861-010032-15 | WASHER, FLAT 1/2W                                  | 8    |
| 25   | 1-512-010005-09 | NUT, HEX LOCK 1/2-13 GRB                           | 8    |
| 26   | 3-573-010378    | DECAL, 2" REFLEXITE TAPE, WHITE                    | 2    |

\* 1ST QUANTITY LISTED IS FOR STABILIZING BRACE INSTALLATION 96" WIDE TRAILER; 2ND QUANTITY LISTED IS FOR STABILIZING BRACE INSTALLATION 102" TRAILER

# ILLUSTRATED PARTS LIST



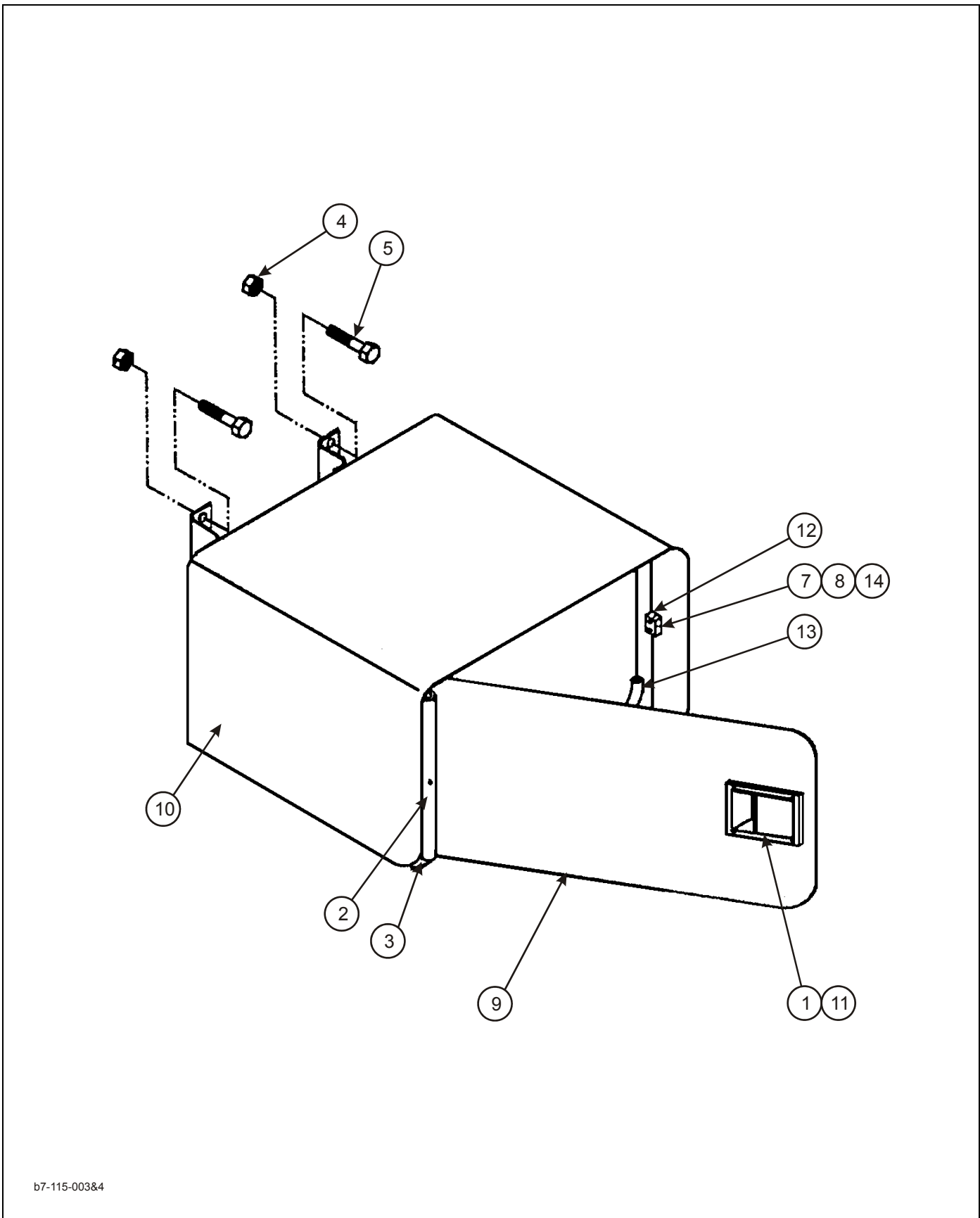
m140449

Figure 2-67: Top Mount Tool Box (Option)



**TOP MOUNT TOOL BOX (OPTION)**

| ITEM | PART NO.        | DESCRIPTION                                  | QTY. |
|------|-----------------|--|------|
|      | B3-115-016      | TOOL BOX, TOP MOUNTING, RH SIDE 24 X 30 X 30 |      |
|      | 135167          | TOOL BOX, TOP MOUNTING, LH SIDE 24 X 30 X 30 |      |
| 1    | BSL-6-4         | RIVET  | 4    |
| 2    | 139538          | U-BOLT SQ 1/2-13 X 3-5/8 X 4-1/8             | 4    |
| 3    | 107463          | MOUNT ADJ STRIKER PLATE                      | 1    |
| 4    | 3-443-010010    | LATCH  | 1    |
| 5    | 3-115-010053    | TOOL BOX WELDMENT, RH (INCL ITEMS 13 AND 14) | 1    |
|      | 135024          | TOOL BOX WELDMENT, LH (INCL ITEMS 13 AND 14) | 1    |
| 6    | 1-861-010034-07 | WASHER, SPLIT LOCK #10                       | 2    |
| 7    | 1-861-010032-15 | WASHER, FLAT 1/2W                            | 8    |
| 8    | 1-861-010032-03 | WASHER, FLAT #10                             | 2    |
| 9    | 1-656-010003051 | SCREW, RD HD MACH #10-24 X 3/4               | 2    |
| 10   | 1-512-010007-03 | NUT, HEX #10-24                              | 2    |
| 11   | 1-512-010005-09 | NUT HEX LOCK 1/2-13 GRB                      | 8    |
| 12   | 514-1000        | QUICKEDGE TRIM (NOT SHOWN)                   | 1    |
| 13   | 3-115-010052    | TOOL BOX DOOR                                | 1    |
| 14   | RRRCF506X20     | BAR, ROUND 3/4 X 20                          | 1    |



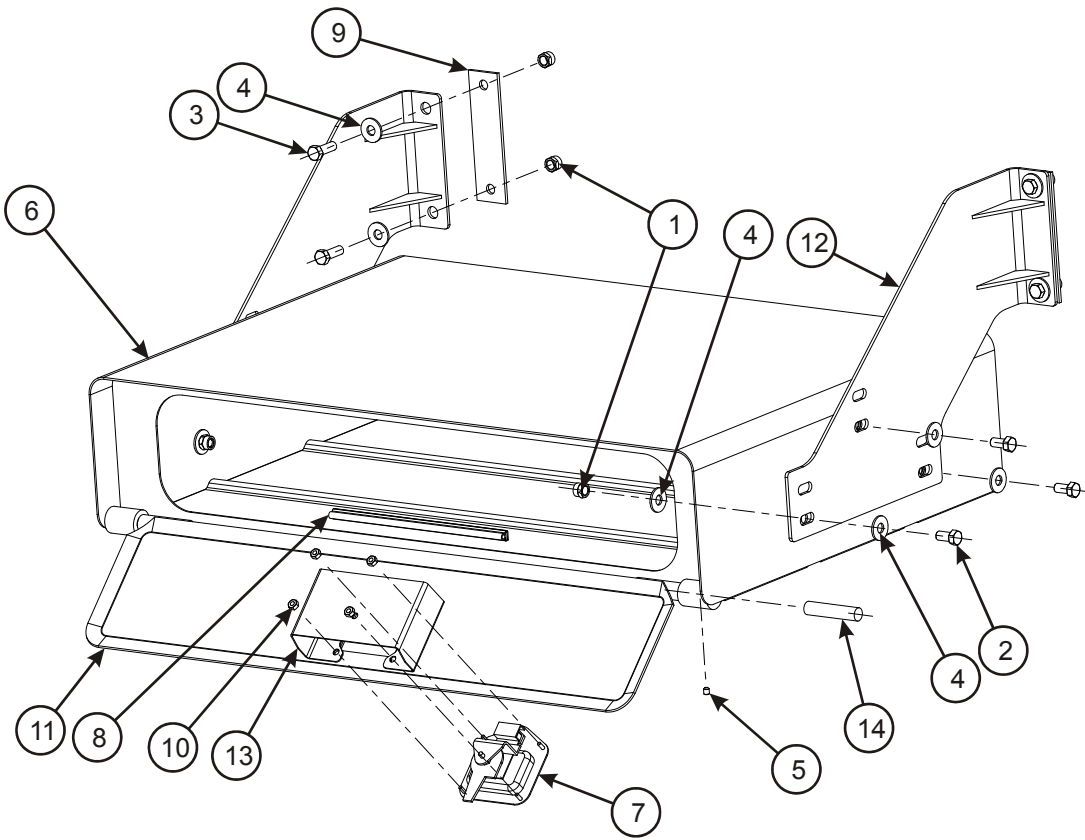
b7-115-003&4

Figure 2-68: Back Mount Tool Box (Option)

**BACK MOUNT TOOL BOX (OPTION)**

| ITEM | PART NO.        | DESCRIPTION                       | QTY. |
|------|-----------------|-----------------------------------|------|
|      | B7-115-003      | TOOL BOX BACK MOUNTING LH         |      |
|      | B7-115-004      | TOOL BOX BACK MOUNTING RH         |      |
| 1    | BSL-6-4         | RIVET                             | 4    |
| 2    | RPRB59004X11    | NYLATRON RD                       | 1    |
| 3    | SCREW#6X3/8     | SCREW SELF-TAP SLT RD HD #6 X 3/8 | 1    |
| 4    | 1-512-010005-09 | NUT HEX LOCK 1/2-13 GRB           | 4    |
| 5    | 1/2-13X3HHCS    | SCREW HEX HEAD CAP 1/2-13 X 3 GR5 | 4    |
| 6    | 101299          | KEY CHAIN LANDOLL (NOT SHOWN)     | 1    |
| 7    | 110-0253        | WASHER FLAT STD 3/16              | 2    |
| 8    | 118-7962        | SCREW PAN HEAD MACHINE SLT        | 2    |
| 9    | 3-115-010096    | DOOR TOOL BOX                     | 1    |
| 10   | 3-115-010099    | TOOL BOX WELDMENT LH              | 1    |
|      | 3-115-010097    | TOOL BOX WELDMENT RH              | 1    |
| 11   | 3-443-010010    | LATCH                             | 1    |
| 12   | 3-659-010013-1  | SEAL NEOPRENE SPONGE              | 1    |
| 13   | 514-1000-056    | TRIM QUICKEDGE CUT LG.            | AR   |
| 14   | 7-458-010009    | PLATE STRIKER                     | 1    |

# ILLUSTRATED PARTS LIST



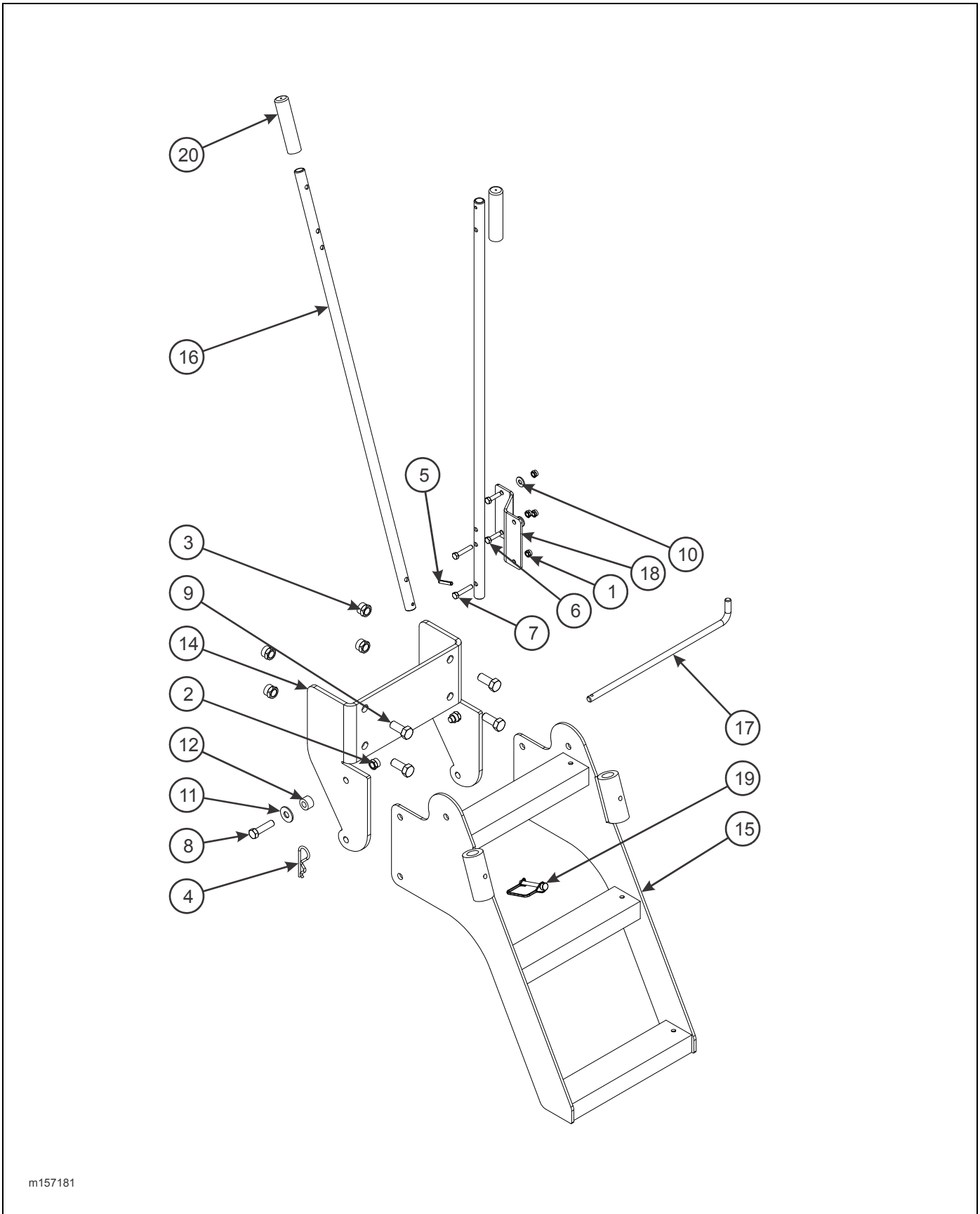
m114807

Figure 2-69: Tool Box Installation (Option)

## TOOLBOX INSTALLATION (OPTION)

| ITEM | PART NO.        | DESCRIPTION                            | QTY. |
|------|-----------------|--|------|
|      | 114807          | STEEL DOOR TOOLBOX INSTALLATION        |      |
|      | 116628          | TOOLBOX INSTALLATION ALUMINUM DOOR     |      |
| 1    | 1-512-010005-09 | NUT, HEX LOCK 1/2-13 GRB               | 10   |
| 2    | 1-654-010055-01 | SCREW, HEX HEAD CAP 1/2-13 X 1 GR5     | 6    |
| 3    | 1-654-010055-03 | SCREW, HEX HEAD CAP 1/2-13 X 1-1/2 GR5 | 4    |
| 4    | 1-861-010032-15 | WASHER, FLAT 1/2W                      | 16   |
| 5    | 107-0975        | SCREW, SET LOCK 5/16-18 X 3/8          | 2    |
| 6    | 114808          | TOOLBOX WELDMENT                       | 1    |
| 7    | 114814          | LATCH FOLDING T LOCKABLE               | 1    |
| 8    | 114815          | SEAL, SPONGE RUBBER TRIM               | 7    |
| 9    | 115843          | BAR, BACKUP TOOLBOX MOUNTING           | 2    |
| 10   | 115877          | NUT, HEAVY HEX 1/4-20 GR5              | 4    |
| 11   | 116623          | DOOR WELDMENT STEEL TOOLBOX            | 1    |
|      | 116624          | DOOR WELDMENT ALUMINUM TOOLBOX         | 1    |
| 12   | 117860          | BRACKET, WELDMENT TOOLBOX MOUNTING     | 2    |
| 13   | 153420          | TOOLBOX LATCH SHIELD                   | 1    |
| 14   | RPRB59004X3H    | BAR, ROUND 3/4 X 3-1/2 NYLATRON        | 2    |

# ILLUSTRATED PARTS LIST



m157181

Figure 2-70: Ladder Assembly, Stor-Away (Option)

**LADDER ASSEMBLY, STOR-AWAY (OPTION)**

| ITEM | PART NO.        | DESCRIPTION                             | QTY. |
|------|-----------------|---|------|
|      | 157181          | LADDER ASSEMBLY, STOR-AWAY              |      |
| 1    | 1-512-010005-03 | NUT, HEX LOCK 5/16-18 GRB               | 4    |
| 2    | 1-512-010005-09 | NUT, HEX LOCK 1/2-13 GRB                | 2    |
| 3    | 1-512-010005-13 | NUT, HEX LOCK 5/8-11 GRB                | 4    |
| 4    | 1-557-010013    | PIN, HAIR 3/16                          | 1    |
| 5    | 1-647-010004217 | ROLL PIN, SLOTTED 1/4 X 1-1/2           | 1    |
| 6    | 1-654-010049-06 | SCREW, HEX HEAD CAP 5/16-18 X 1-1/4 GR5 | 2    |
| 7    | 1-654-010049-08 | SCREW, HEX HEAD CAP 5/16-18 X 1-3/4 GR5 | 2    |
| 8    | 1-654-010055-05 | SCREW, HEX HEAD CAP 1/2-1 X 2 GR5       | 6    |
| 9    | 1-654-010059-03 | SCREW, HEX HEAD CAP 5/8-11 X 1-1/2 GR5  | 16   |
| 10   | 1-861-010032-09 | WASHER, FLAT 5/16W                      | 24   |
| 11   | 1-861-010032-15 | WASHER, FLAT 1/2W                       | 9    |
| 12   | 125799          | SPACER, 1OD X 1/2 ID X .632             | 2    |
| 14   | 157182          | BRACKET, LADDER MOUNTING                | 1    |
| 15   | 157183          | LADDER WELDMENT                         | 1    |
| 16   | 157186          | HANDLE, STOWABLE LADDER                 | 2    |
| 17   | 157187          | PIN, LOCK STOWABLE LADDER               | 1    |
| 18   | 169239          | BRACKET, GRAB HANDLE MOUNT              | 1    |
| 19   | 516-22PTL       | RETAINING PIN, MUD FLAP                 | 1    |
| 20   | 519-9967        | GRIP, HANDLE                            | 2    |

# ILLUSTRATED PARTS LIST

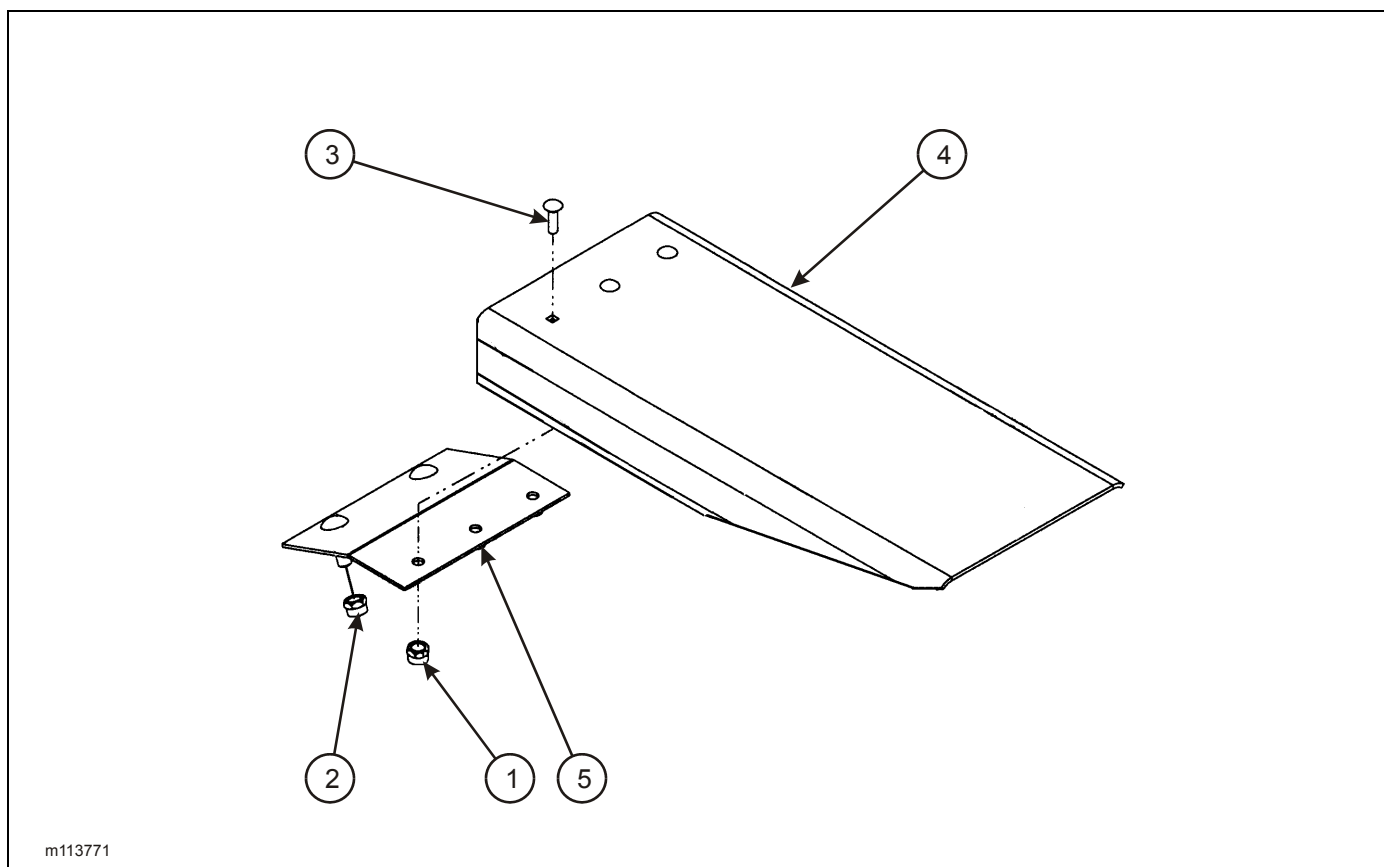


Figure 2-71: Aluminum Ramps (Option)

## ALUMINUM RAMPS (OPTION)

| ITEM | PART NO.        | DESCRIPTION                            | QTY. |
|------|-----------------|--|------|
|      | 113771          | RAMPS, ALUMINUM                        |      |
| 1    | 1-512-010005-09 | NUT, HEX LOCK 1/2-13 GRB               | 6    |
| 2    | 1-512-010005-15 | NUT, HEX LOCK 3/4-10 GRB               | 4    |
| 3    | 1/2-13X1-3/4CB  | SCREW, RD HEAD SQ. NECK 1/2-13 X 1-3/4 | 6    |
| 4    | 113713          | ALUMINUM RAMP ASSEMBLY                 | 2    |
| 5    | 113714          | ANCHOR ASSEMBLY, ALUMINUM RAMP         | 2    |



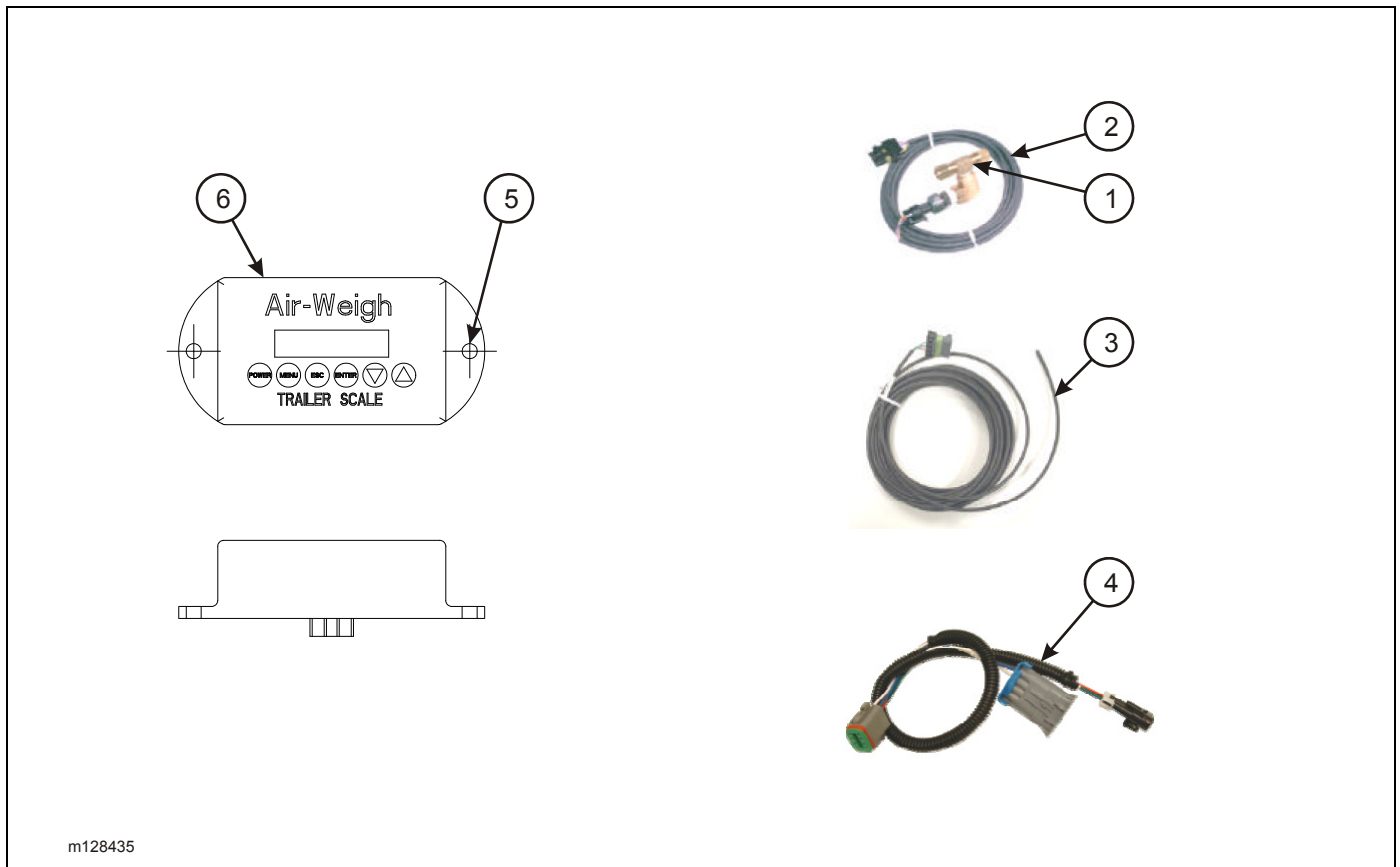


Figure 2-72: Air Digital Scale (Option)

## AIR DIGITAL SCALE (OPTION)

| ITEM | PART NO. | DESCRIPTION                               | QTY. |
|------|----------|---|------|
|      | 172437   | SCALE, AIR DIGITAL (TRAVELING AXLE)       |      |
| 1    | 149543   | SENSOR ASSEMBLY, 5V 3/8" BRASS            | 1    |
| 2    | 166001   | CABLE, AW5800, 2 PART SENSOR 50'          | 1    |
| 3    | 184393   | CABLE, AW5800 TRAILER POWER BLUNT CUT 15' | 1    |
| 4    | 142895   | CABLE, AW5800, TRAILER SCALE INTERFACE 2" | 1    |
| 5    | -----    | HARDWARE KIT, AW 5800                     | 1    |
| 6    | 166000   | TRAILER SCALE AW5800                      | 1    |
| 7    | -----    | NYLON TIE 7" T-50 NYLON (NOT SHOWN)       | 25   |
| 8    | -----    | MANUAL, TRAILER SCALE AW5800 (NOT SHOWN)  | 1    |
| 9    | 166924   | DECAL, AW5800 TRAILER SIDE-M (NOT SHOWN)  | 1    |

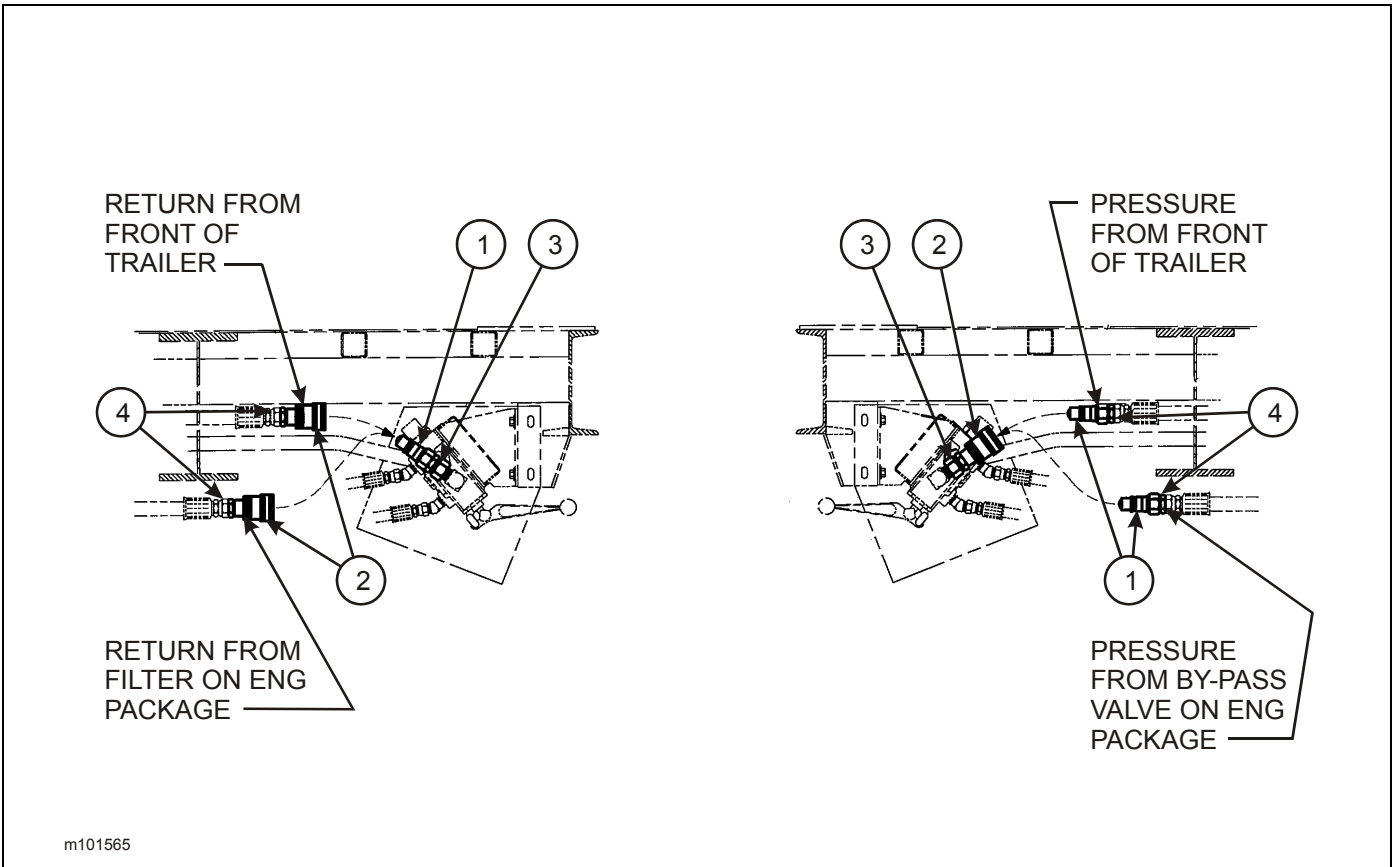


Figure 2-73: Hydraulic Dual Plumbing (Option)

## HYDRAULIC DUAL PLUMBING (OPTION)

| ITEM | PART NO.    | DESCRIPTION             | QTY. |
|------|-------------|-------------------------|------|
|      | 101565      | HYDRAULIC DUAL PLUMBING |      |
| 1    | S21F-6      | COUPLER, 3/4 MALE       | 3    |
| 2    | S25F-6      | COUPLER, 3/4 FEMALE     | 3    |
| 3    | 2018-12-12S | ADAPTER, HYDRAULIC      | 2    |
| 4    | 2021-12-12S | ADAPTER                 | 4    |

## Numerical Index

### Numerics

|            |            |                |                 |
|------------|------------|----------------|-----------------|
| 0001-02    | 2-34, 2-37 | 0375-00        | 2-37            |
| 0001-04    | 2-34, 2-37 | 040-180-00     | 2-53            |
| 0001-08    | 2-34, 2-37 | 040-320-01     | 2-51            |
| 0001-14    | 2-37       | 046-096-00     | 2-53            |
| 0002-07    | 2-34, 2-37 | 046-097-00     | 2-51, 2-53      |
| 0002-12    | 2-37       | 0508-00        | 2-37            |
| 0049-00    | 2-37       | 056-018-00     | 2-51, 2-53      |
| 005-074-00 | 2-51       | 0647-01        | 2-37            |
| 005-096-00 | 2-53       | 0649-02        | 2-37            |
| 005-098-00 | 2-51, 2-53 | 0650-00        | 2-37            |
| 005-099-00 | 2-51, 2-53 | 069-078-00     | 2-51, 2-53      |
| 0053-00    | 2-37       | 071-122-00     | 2-53            |
| 006-114-00 | 2-51, 2-53 | 0741-01        | 2-34, 2-37      |
| 006-115-00 | 2-51, 2-53 | 081900277      | 2-13            |
| 0065-00    | 2-37       | 081900295      | 2-12            |
| 0075-20    | 2-37       | 1/2-13X1-3/4CB | 2-118           |
| 010-052-00 | 2-51, 2-53 | 1/2-13X3HHCS   | 2-113           |
| 0102-13    | 2-37       | 100062         | 2-11, 2-70      |
| 011100550  | 2-12       | 100063         | 2-10            |
| 011300179  | 2-13       | 100064         | 2-10            |
| 014-065-00 | 2-53       | 100351         | 2-57            |
| 0274-01    | 2-37       | 100401         | 2-55            |
| 034-058-01 | 2-53       | 100600         | 2-5, 2-57, 2-71 |
| 034-058-07 | 2-51       | 1-007-010006   | 2-93            |
| 034-188-03 | 2-51       | 10078          | 2-60, 2-62      |
| 034-189-03 | 2-51       | 101003         | 2-27            |
| 034-192-05 | 2-53       | 101299         | 2-113           |
| 034-193-05 | 2-53       | 101528         | 2-34, 2-44      |
|            |            | 101565         | 2-120           |

## NUMERICAL INDEX

---

|          |                   |             |              |
|----------|-------------------|-------------|--------------|
| 101847   | 2-29, 2-51, 2-53  | 106759      | 2-93         |
| 101848   | 2-29              | 106760      | 2-93         |
| 101855   | 2-5               | 106956      | 2-62         |
| 102186   | 2-57              | 107-0975    | 2-115        |
| 102187   | 2-70              | 107368      | 2-70, 2-73   |
| 102188   | 2-70              | 107369      | 2-71, 2-73   |
| 102361   | 2-49              | 107463      | 2-111        |
| 102363   | 2-44, 2-49        | 107486      | 2-11         |
| 102732   | 2-44, 2-47        | 107498      | 2-93         |
| 103055   | 2-5               | 107499      | 2-93         |
| 103056   | 2-5               | 107500      | 2-93         |
| 1035-20  | 2-37              | 107513      | 2-93         |
| 103698   | 2-25              | 107756      | 2-10         |
| 103699   | 2-25, 2-27        | 108295      | 2-105        |
| 103805   | 2-51, 2-53        | 108417      | 2-19         |
| 104034   | 2-34, 2-44        | 108601      | 2-96, 2-104  |
| 104040   | 2-20              | 108801      | 2-23         |
| 104043   | 2-20              | 108802      | 2-23         |
| 104044   | 2-20              | 109161      | 2-89, 2-91   |
| 104238   | 2-89              | 109532      | 2-37         |
| 104243   | 2-87              | 109533      | 2-49         |
| 1046     | 2-65              | 109592      | 2-37         |
| 105-0105 | 2-96, 2-104       | 109709      | 2-89, 2-91   |
| 105408   | 2-49              | 109710      | 2-89         |
| 105479   | 2-10, 2-93, 2-104 | 109711      | 2-91         |
| 105480   | 2-10, 2-93, 2-104 | 109712      | 2-91         |
| 105481   | 2-10, 2-93, 2-104 | 1-1/4ST ELL | 2-93         |
| 105482   | 2-10, 2-93, 2-105 | 110-0116    | 2-105        |
| 105483   | 2-10              | 110-0253    | 2-105, 2-113 |
| 105485   | 2-70              | 110448      | 2-63         |
| 105486   | 2-70              | 110451      | 2-63         |
| 105487   | 2-70              | 110452      | 2-60, 2-63   |
| 105488   | 2-70              | 110578      | 2-97, 2-105  |
| 105822   | 2-5               | 110975      | 2-55         |
| 105953   | 2-78              | 110976      | 2-55         |
| 105954   | 2-78              | 110990      | 2-34         |
| 105967   | 2-78              | 110991      | 2-34         |
| 106207   | 2-83              | 111007      | 2-49         |

|        |             |        |                    |
|--------|-------------|--------|--------------------|
| 111008 | 2-49        | 11368  | 2-59               |
| 111010 | 2-49        | 113713 | 2-118              |
| 111011 | 2-49        | 113714 | 2-118              |
| 111012 | 2-49        | 113771 | 2-118              |
| 111013 | 2-49        | 113856 | 2-96, 2-104        |
| 111014 | 2-49        | 113883 | 2-89               |
| 111018 | 2-49        | 113887 | 2-89               |
| 111019 | 2-49        | 113888 | 2-89               |
| 111021 | 2-47        | 11398  | 2-63               |
| 111022 | 2-49        | 11402  | 2-62               |
| 111023 | 2-49        | 11407  | 2-62               |
| 11117  | 2-59        | 11411  | 2-62               |
| 11128  | 2-59        | 11419  | 2-62               |
| 11129  | 2-59        | 11420  | 2-62               |
| 11130  | 2-59        | 11421  | 2-62               |
| 11133  | 2-59        | 11425  | 2-62               |
| 111416 | 2-55        | 11426  | 2-63               |
| 111417 | 2-55        | 11429  | 2-62               |
| 11142  | 2-59        | 11430  | 2-62               |
| 11144  | 2-59        | 11431  | 2-62               |
| 111695 | 2-89        | 11434  | 2-62               |
| 111859 | 2-89        | 11440  | 2-62               |
| 112047 | 2-55        | 11441  | 2-62               |
| 11240  | 2-60        | 11446  | 2-62               |
| 112492 | 2-55        | 114584 | 2-27, 2-29         |
| 112573 | 2-89        | 114585 | 2-25, 2-29         |
| 112678 | 2-87        | 114588 | 2-29               |
| 112679 | 2-87        | 114589 | 2-29               |
| 112986 | 2-107       | 114807 | 2-115              |
| 112987 | 2-107       | 114808 | 2-115              |
| 11308  | 2-59        | 114814 | 2-96, 2-104, 2-115 |
| 11309  | 2-62        | 114815 | 2-96, 2-104, 2-115 |
| 11310  | 2-62        | 114983 | 2-91               |
| 113268 | 2-34, 2-44  | 115601 | 2-96, 2-99         |
| 113359 | 2-99        | 115610 | 2-99               |
| 113388 | 2-96, 2-104 | 115703 | 2-37, 2-51         |
| 113536 | 2-55        | 115713 | 2-37, 2-53         |
| 113544 | 2-97, 2-105 | 115726 | 2-34, 2-37         |

## NUMERICAL INDEX

---

|                 |                    |                 |                        |
|-----------------|--------------------|-----------------|------------------------|
| 115728          | 2-34, 2-37         | 121031          | 2-15                   |
| 115738          | 2-27, 2-44         | 12146           | 2-63                   |
| 115843          | 2-115              | 12-16 070120    | 2-93                   |
| 115877          | 2-97, 2-105, 2-115 | 123014          | 2-97, 2-105            |
| 115888          | 2-96, 2-104        | 123166          | 2-104, 2-106           |
| 11599           | 2-62               | 123882          | 2-55                   |
| 1-161-010033-04 | 2-11               | 12420301-017    | 2-5                    |
| 116326          | 2-96, 2-104        | 124549          | 2-62                   |
| 116328          | 2-96, 2-104        | 12465           | 2-62                   |
| 116330          | 2-96, 2-104        | 125130          | 2-93                   |
| 116334          | 2-99               | 125799          | 2-117                  |
| 116623          | 2-115              | 125892          | 2-71                   |
| 116624          | 2-115              | 126888          | 2-86                   |
| 116628          | 2-115              | 126889          | 2-86                   |
| 117304          | 2-27               | 126900          | 2-49                   |
| 117860          | 2-115              | 12767           | 2-63                   |
| 117873          | 2-96, 2-104        | 127708          | 2-49                   |
| 11791           | 2-63               | 127813          | 2-96, 2-104            |
| 1-181-010046-7  | 2-97, 2-105        | 12783           | 2-62                   |
| 118-2659-9      | 2-25, 2-27         | 128028          | 2-10                   |
| 11837           | 2-59               | 12817           | 2-59                   |
| 118-7962        | 2-113              | 128480          | 2-85, 2-86             |
| 119206          | 2-96, 2-104        | 128501          | 2-97, 2-105            |
| 119445          | 2-96, 2-104        | 128538          | 2-75                   |
| 119577          | 2-96, 2-104        | 128587          | 2-75                   |
| 119580          | 2-34, 2-44         | 128774          | 2-104                  |
| 120437          | 2-99               | 129264          | 2-104                  |
| 120438          | 2-99               | 129287          | 2-105                  |
| 120439          | 2-99               | 1-295-010001    | 2-93, 2-96, 2-104      |
| 120635          | 2-99               | 1-295-010002    | 2-93, 2-104            |
| 120654          | 2-96, 2-104        | 129572          | 2-107                  |
| 120659          | 2-97, 2-105        | 129573          | 2-107                  |
| 120660          | 2-97, 2-105        | 129579          | 2-109                  |
| 120661          | 2-96, 2-104        | 129580          | 2-109                  |
| 120662          | 2-96               | 1-297-010007-04 | 2-70                   |
| 12073           | 2-62               | 1-297-010007-05 | 2-75                   |
| 120749          | 2-17               | 1-297-010007-12 | 2-23, 2-25, 2-27, 2-44 |
| 12075           | 2-59               | 1-297-010007-14 | 2-23                   |

|                 |                             |        |            |
|-----------------|-----------------------------|--------|------------|
| 1-297-010007-15 | 2-23, 2-27                  | 135316 | 2-85       |
| 1-297-010007-16 | 2-23, 2-27                  | 136377 | 2-15       |
| 1-297-010008-05 | 2-71                        | 136378 | 2-15       |
| 1-297-010008-07 | 2-44, 2-70, 2-75            | 136578 | 2-106      |
| 1-297-010008-18 | 2-23, 2-27, 2-44            | 13680  | 2-60       |
| 1-297-010008-23 | 2-25                        | 137024 | 2-86       |
| 1-297-010008-24 | 2-25, 2-27                  | 137162 | 2-34       |
| 1-297-010008-26 | 2-27                        | 137163 | 2-34       |
| 1-297-010010-01 | 2-44                        | 137164 | 2-44       |
| 1-297-010010-03 | 2-44                        | 137165 | 2-34       |
| 1-297-010010-04 | 2-44                        | 137166 | 2-34       |
| 1-297-010012-16 | 2-23                        | 137167 | 2-44       |
| 1-297-010013-12 | 2-23                        | 137168 | 2-34       |
| 1-297-010015-02 | 2-71                        | 137169 | 2-44       |
| 1-297-010015-03 | 2-75                        | 137170 | 2-44       |
| 1-297-010015-09 | 2-70, 2-75                  | 137171 | 2-34       |
| 1-297-010015-10 | 2-23                        | 137421 | 2-77       |
| 1-297-010017-03 | 2-25, 2-27                  | 137422 | 2-77       |
| 1-297-010020-02 | 2-70, 2-75                  | 137569 | 2-77       |
| 1-297-010021-05 | 2-23                        | 137570 | 2-77       |
| 1-297-010022-02 | 2-70, 2-75                  | 137641 | 2-77       |
| 1-297-010022-03 | 2-23                        | 137642 | 2-77       |
| 1-297-010031-02 | 2-70                        | 137879 | 2-78       |
| 1-297-010032-03 | 2-70                        | 137880 | 2-77, 2-78 |
| 1-297-010033-03 | 2-23                        | 137881 | 2-78       |
| 1-297-010034-01 | 2-96, 2-104                 | 137882 | 2-77       |
| 1-298-010001-1  | 2-6, 2-11, 2-81, 2-83, 2-84 | 137883 | 2-77       |
| 13005           | 2-59                        | 137884 | 2-77       |
| 130116          | 2-21                        | 137885 | 2-77       |
| 13028           | 2-60, 2-63                  | 137886 | 2-77       |
| 1-316-010013    | 2-96, 2-104                 | 137887 | 2-77       |
| 133732          | 2-99                        | 137888 | 2-77       |
| 13424           | 2-60, 2-63                  | 137974 | 2-91       |
| 1-343-010007    | 2-21                        | 137987 | 2-21       |
| 13468           | 2-59                        | 137993 | 2-77       |
| 134857          | 2-106                       | 137994 | 2-77       |
| 135024          | 2-111                       | 138090 | 2-53       |
| 135167          | 2-111                       | 138155 | 2-34, 2-44 |

## NUMERICAL INDEX

---

|                 |             |                 |                 |
|-----------------|-------------|-----------------|-----------------|
| 138179          | 2-17        | 1-397-010312032 | 2-105           |
| 1-382-010035-06 | 2-75        | 140083          | 2-19            |
| 13839           | 2-59        | 140087          | 2-5             |
| 1-384-010038024 | 2-25, 2-27  | 140893          | 2-15            |
| 1-384-010038038 | 2-27        | 141708          | 2-49            |
| 1-384-010038056 | 2-27        | 142270          | 2-105           |
| 1-384-010038204 | 2-27        | 142441          | 2-34, 2-44      |
| 139122          | 2-84        | 142442          | 2-34            |
| 139123          | 2-84        | 142443          | 2-34, 2-44      |
| 139383          | 2-53        | 142444          | 2-34            |
| 139478          | 2-63        | 142446          | 2-34, 2-44      |
| 139479          | 2-62        | 142447          | 2-34, 2-44      |
| 139519          | 2-15        | 142451          | 2-34, 2-44      |
| 139538          | 2-111       | 142483          | 2-17            |
| 139553          | 2-105       | 142484          | 2-17            |
| 1-397-010010016 | 2-11        | 142485          | 2-17            |
| 1-397-010301028 | 2-10        | 142486          | 2-17            |
| 1-397-010301039 | 2-11        | 142545          | 2-34, 2-44      |
| 1-397-010301042 | 2-11        | 142553          | 2-5, 2-34, 2-44 |
| 1-397-010301048 | 2-10        | 142895          | 2-119           |
| 1-397-010301064 | 2-10        | 143100          | 2-19            |
| 1-397-010301100 | 2-93        | 143101          | 2-19            |
| 1-397-010301122 | 2-10        | 143102          | 2-19            |
| 1-397-010301130 | 2-10        | 143103          | 2-19            |
| 1-397-010301194 | 2-10        | 143104          | 2-19            |
| 1-397-010301220 | 2-10        | 143105          | 2-19            |
| 1-397-010301238 | 2-10        | 143106          | 2-19            |
| 1-397-010301268 | 2-10        | 143107          | 2-19            |
| 1-397-010301304 | 2-10        | 143108          | 2-19            |
| 1-397-010302042 | 2-10        | 143109          | 2-19            |
| 1-397-010302070 | 2-11        | 143110          | 2-19            |
| 1-397-010302112 | 2-10        | 143113          | 2-19            |
| 1-397-010302172 | 2-11        | 143114          | 2-19            |
| 1-397-010302240 | 2-11, 2-70  | 143115          | 2-19            |
| 1-397-010304018 | 2-97, 2-105 | 143116          | 2-19            |
| 1-397-010304060 | 2-105       | 143117          | 2-19            |
| 1-397-010304135 | 2-99        | 143118          | 2-19            |
| 1-397-010305254 | 2-10        | 143119          | 2-19            |



|                 |   |                 |                              |
|-----------------|---|-----------------|------------------------------|
| 143120          | 2-19  | 1-512-010007-05 | 2-34, 2-44, 2-71, 2-73       |
| 143122          | 2-19  | 1-512-010007-09 | 2-11, 2-49                   |
| 143126          | 2-19  | 1-512-010007-12 | 2-71                         |
| 143141          | 2-17  | 151823          | 2-17                         |
| 143246          | 2-71  | 153420          | 2-115                        |
| 143267          | 2-86  | 153730          | 2-5                          |
| 143268          | 2-86  | 153792          | 2-5                          |
| 144979          | 2-51, 2-53  | 153795          | 2-5                          |
| 147464          | 2-29  | 153797          | 2-5                          |
| 147948          | 2-89  | 153798          | 2-5                          |
| 147955          | 2-89  | 153799          | 2-5                          |
| 148240          | 2-15, 2-17  | 153800          | 2-5                          |
| 148242          | 2-10, 2-15  | 154166          | 2-62                         |
| 148597          | 2-5   | 1-557-010013    | 2-117                        |
| 148598          | 2-5   | 1-557-010014    | 2-109                        |
| 149030          | 2-17  | 1-557-010362-54 | 2-10, 2-11                   |
| 149526          | 2-17  | 1-557-010362-63 | 2-109                        |
| 149527          | 2-17  | 155780          | 2-5                          |
| 149528          | 2-17  | 1-560-010002-02 | 2-25, 2-27                   |
| 149529          | 2-17  | 1-560-010002-03 | 2-25, 2-27, 2-105            |
| 149530          | 2-17  | 1-560-010002-04 | 2-23, 2-25, 2-27, 2-93, 2-97 |
| 149543          | 2-119   | 1-560-010002-05 | 2-27, 2-93                   |
| 150076          | 2-19  | 1-560-010002-07 | 2-93                         |
| 150093          | 2-19  | 156510          | 2-21                         |
| 150117          | 2-19, 2-21  | 156655          | 2-51                         |
| 1-510-010001    | 2-10, 2-19, 2-34, 2-44, 2-57, 2-75, 2-99  | 157181          | 2-117                        |
| 1-512-010003-02 | 2-71  | 157182          | 2-117                        |
| 1-512-010004-03 | 2-105   | 157183          | 2-117                        |
| 1-512-010005-01 | 2-19, 2-23, 2-47  | 157186          | 2-117                        |
| 1-512-010005-03 | 2-19, 2-21, 2-23, 2-117   | 157187          | 2-117                        |
| 1-512-010005-05 | 2-25, 2-27, 2-44, 2-57, 2-89, 2-93, 2-96, 2-104   | 158040          | 2-10                         |
| 1-512-010005-09 | 2-11, 2-57, 2-71, 2-73, 2-75, 2-81, 2-83, 2-93, 2-96, 2-99, 2-104, 2-106, 2-107, 2-109, 2-111, 2-113, 2-115, 2-117, 2-118 | 160542          | 2-13                         |
| 1-512-010005-13 | 2-11, 2-70, 2-75, 2-81, 2-87, 2-89, 2-117   | 161797          | 2-34, 2-44                   |
| 1-512-010005-15 | 2-6, 2-11, 2-99, 2-118  | 163472          | 2-62                         |
| 1-512-010007-03 | 2-19, 2-70, 2-111   | 163502          | 2-91                         |
|                 |   | 163800          | 2-12                         |
|                 |   | 1-647-010004217 | 2-117                        |
|                 |   | 1-647-010004255 | 2-6, 2-70                    |

## NUMERICAL INDEX

---

|                 |   |                 |                  |
|-----------------|---|-----------------|------------------|
| 1-654-010024014 | 2-71  | 1-654-010061-06 | 2-10             |
| 1-654-010024055 | 2-70  | 1-654-010061-07 | 2-6              |
| 1-654-010024079 | 2-75  | 1-654-010070-02 | 2-83             |
| 1-654-010032-4  | 2-34, 2-44  | 1-654-010070-03 | 2-83             |
| 1-654-010036-05 | 2-70  | 1-654-010141-04 | 2-70             |
| 1-654-010047-04 | 2-47  | 1-654-010158-1  | 2-34, 2-44       |
| 1-654-010047-05 | 2-19  | 1-656-010003051 | 2-19, 2-111      |
| 1-654-010047-06 | 2-19, 2-44, 2-96, 2-104                                 | 166000          | 2-119            |
| 1-654-010049-03 | 2-55  | 166001          | 2-119            |
| 1-654-010049-05 | 2-21  | 166766          | 2-97, 2-105      |
| 1-654-010049-06 | 2-19, 2-23, 2-117                                       | 166924          | 2-119            |
| 1-654-010049-08 | 2-117   | 168648          | 2-19             |
| 1-654-010051-03 | 2-81, 2-84  | 168975          | 2-19             |
| 1-654-010051-05 | 2-10, 2-15  | 168976          | 2-19             |
| 1-654-010051-06 | 2-57, 2-93, 2-96, 2-99, 2-104, 2-109                    | 168982          | 2-19             |
| 1-654-010051-07 | 2-89  | 169239          | 2-117            |
| 1-654-010051-08 | 2-25, 2-27, 2-44  | 169410          | 2-19             |
| 1-654-010051-09 | 2-96, 2-104   | 169531          | 2-96, 2-104      |
| 1-654-010051-10 | 2-89  | 169532          | 2-97, 2-105      |
| 1-654-010051-13 | 2-34, 2-44, 2-99  | 169843          | 2-17             |
| 1-654-010055-01 | 2-71, 2-73, 2-107, 2-115                                | 170109          | 2-97, 2-105      |
| 1-654-010055-02 | 2-105, 2-106  | 170110          | 2-97, 2-105      |
| 1-654-010055-03 | 2-57, 2-71, 2-81, 2-93, 2-96, 2-99, 2-104, 2-109, 2-115 | 170111          | 2-97, 2-105      |
| 1-654-010055-04 | 2-57, 2-93  | 170112          | 2-97, 2-105      |
| 1-654-010055-05 | 2-71, 2-81, 2-117                                       | 172437          | 2-119            |
| 1-654-010055-07 | 2-20, 2-71  | 1-765-010065    | 2-70             |
| 1-654-010055-09 | 2-99, 2-105, 2-106                                      | 1-796-010003-01 | 2-20, 2-25, 2-27 |
| 1-654-010055-11 | 2-83  | 1-796-010003-02 | 2-10, 2-19       |
| 1-654-010055-13 | 2-109   | 1-796-010004-02 | 2-34, 2-44       |
| 1-654-010055-15 | 2-107   | 179933          | 2-55             |
| 1-654-010055-16 | 2-57  | 18002           | 2-60, 2-63       |
| 1-654-010055-17 | 2-11, 2-57, 2-75  | 18009           | 2-59             |
| 1-654-010059-03 | 2-87, 2-89, 2-117                                       | 18015           | 2-59             |
| 1-654-010059-04 | 2-89  | 18016           | 2-59             |
| 1-654-010059-05 | 2-75, 2-81, 2-87  | 18019           | 2-59             |
| 1-654-010059-15 | 2-70  | 18020           | 2-59             |
| 1-654-010059-21 | 2-11  | 18022           | 2-62             |
|                 |   | 18024           | 2-59             |

|                 |   |                 |                               |
|-----------------|---|-----------------|-------------------------------|
| 18026           | 2-59  | 1-861-010034-13 | 2-49, 2-57, 2-71, 2-93, 2-105 |
| 18027           | 2-59  | 1-861-010034-17 | 2-34, 2-44                    |
| 18028           | 2-59  | 1-879-010011    | 2-70                          |
| 18029           | 2-59  | 189314          | 2-35, 2-45                    |
| 18030           | 2-59  | 189380          | 2-35, 2-45                    |
| 18032           | 2-59  | 19045           | 2-59, 2-62                    |
| 18033           | 2-62  | 190700ZP        | 2-35, 2-45                    |
| 18034           | 2-62  | 190701          | 2-35, 2-45                    |
| 18035           | 2-62  | 190705ZP        | 2-35, 2-45                    |
| 18039           | 2-59  | 190706          | 2-35, 2-45                    |
| 18044           | 2-59  | 1974            | 2-73                          |
| 18047           | 2-59, 2-62  | 2018-12-12S     | 2-120                         |
| 18056           | 2-60  | 2021-12-12S     | 2-120                         |
| 18078           | 2-59  | 2024-12-12S     | 2-93, 2-96, 2-104             |
| 182089          | 2-17  | 2024-12-8S      | 2-93                          |
| 1-822-010001    | 2-99  | 2024-2-4S       | 2-34, 2-45                    |
| 1-833-010001    | 2-44, 2-70, 2-75  | 202702-10-8S    | 2-11, 2-70                    |
| 1-833-010002    | 2-23, 2-25, 2-27, 2-44  | 202702-12-12S   | 2-96                          |
| 1-833-010003    | 2-23, 2-25, 2-27  | 202702-20-20S   | 2-96, 2-104                   |
| 184393          | 2-119   | 202702-8-8S     | 2-75                          |
| 1-861-010032-01 | 2-71  | 203003-8-8S     | 2-10, 2-11                    |
| 1-861-010032-03 | 2-75, 2-111   | 203005-8-8S     | 2-11                          |
| 1-861-010032-06 | 2-19, 2-23  | 203102-12-12S   | 2-96, 2-104                   |
| 1-861-010032-07 | 2-19, 2-34, 2-44  | 2033-8-8S       | 2-10                          |
| 1-861-010032-09 | 2-19, 2-21, 2-23, 2-117   | 2047-12-12S     | 2-93                          |
| 1-861-010032-10 | 2-15, 2-27, 2-57, 2-70  | 2061-8-8S       | 2-11                          |
| 1-861-010032-11 | 2-25, 2-27, 2-34, 2-44, 2-89, 2-96, 2-99, 2-104, 2-109                              | 206209-12-12S   | 2-96, 2-104                   |
| 1-861-010032-14 | 2-71, 2-73, 2-83  | 2062-10-12S     | 2-15                          |
| 1-861-010032-15 | 2-11, 2-57, 2-75, 2-83, 2-96, 2-99, 2-104, 2-106, 2-107, 2-109, 2-111, 2-115, 2-117 | 2062-12-12S     | 2-96, 2-104                   |
| 1-861-010032-18 | 2-71, 2-75  | 2062-16-8S      | 2-93                          |
| 1-861-010032-19 | 2-11, 2-89  | 2062-8-8S       | 2-10, 2-11                    |
| 1-861-010032-21 | 2-11, 2-99  | 207-8-8S        | 2-11                          |
| 1-861-010034-07 | 2-19, 2-70, 2-75, 2-111   | 2081-8-6S       | 2-23                          |
| 1-861-010034-09 | 2-34, 2-44, 2-71, 2-73, 2-96, 2-104   | 2083-8-4S       | 2-45                          |
| 1-861-010034-10 | 2-55  | 2083-8-8S       | 2-25                          |
| 1-861-010034-11 | 2-15, 2-81, 2-84, 2-109   | 2088-6-6S       | 2-23, 2-25, 2-27              |
|                 |   | 2089-6-6S       | 2-25, 2-27                    |
|                 |   | 2-102-010011    | 2-99                          |

## NUMERICAL INDEX

---

|                          |                                    |                           |                   |
|--------------------------|------------------------------------|---------------------------|-------------------|
| 2-181-010001 . . . . .   | 2-10, 2-19, 2-34, 2-44, 2-57, 2-75 | 3-120-010073 . . . . .    | 2-11              |
| 21925 . . . . .          | 2-59                               | 3-120-010117 . . . . .    | 2-11              |
| 2240-12-12S . . . . .    | 2-97, 2-105                        | 3-120-010124 . . . . .    | 2-96, 2-104       |
| 2263 . . . . .           | 2-65                               | 3-120-010125 . . . . .    | 2-11              |
| 2-272-010109 . . . . .   | 2-71                               | 3-120-010294 . . . . .    | 2-81              |
| 22752 . . . . .          | 2-59                               | 3-120-010295 . . . . .    | 2-81              |
| 23078 . . . . .          | 2-60, 2-63                         | 3-120-010445 . . . . .    | 2-70              |
| 23079 . . . . .          | 2-60                               | 3-120-010461 . . . . .    | 2-93              |
| 23081 . . . . .          | 2-60, 2-63                         | 3-120-010478 . . . . .    | 2-81              |
| 23083 . . . . .          | 2-60                               | 3-120-010485 . . . . .    | 2-20              |
| 23085 . . . . .          | 2-60                               | 3-125-010241 . . . . .    | 2-10              |
| 23144 . . . . .          | 2-63                               | 3-125-010244 . . . . .    | 2-11              |
| 23303 . . . . .          | 2-59                               | 3-125-010465 . . . . .    | 2-70              |
| 23367 . . . . .          | 2-62                               | 3-136-010001-01 . . . . . | 2-70              |
| 23470 . . . . .          | 2-59                               | 3-141-010008 . . . . .    | 2-109             |
| 2389 . . . . .           | 2-73                               | 3-141-010118 . . . . .    | 2-109             |
| 239-3646-7 . . . . .     | 2-20                               | 3-141-010119 . . . . .    | 2-109             |
| 240000208 . . . . .      | 2-17                               | 3-141-010121 . . . . .    | 2-109             |
| 2481X . . . . .          | 2-96, 2-104                        | 3-141-010123 . . . . .    | 2-109             |
| 26331 . . . . .          | 2-19                               | 3-141-010147 . . . . .    | 2-109             |
| 26976 . . . . .          | 2-62                               | 3-141-010151 . . . . .    | 2-109             |
| 2750-8 . . . . .         | 2-11                               | 3-141-010152 . . . . .    | 2-109             |
| 3/8P COUPL . . . . .     | 2-105                              | 3-141-010155 . . . . .    | 2-109             |
| 3-014-010208 . . . . .   | 2-70                               | 3-146-010001 . . . . .    | 2-11              |
| 3-014-010255 . . . . .   | 2-71                               | 3-150-010186 . . . . .    | 2-70, 2-73        |
| 3-054-010101 . . . . .   | 2-109                              | 3-150-010196 . . . . .    | 2-70              |
| 3067 . . . . .           | 2-55                               | 3-150-010223 . . . . .    | 2-11              |
| 3-076-010005 . . . . .   | 2-34, 2-45                         | 3-153-010016-02 . . . . . | 2-75              |
| 3-102-010022 . . . . .   | 2-11                               | 3-155-010012 . . . . .    | 2-96              |
| 3-102-010048 . . . . .   | 2-11                               | 3-155-010017-4 . . . . .  | 2-57              |
| 3-115-010052 . . . . .   | 2-111                              | 3-155-010018-6 . . . . .  | 2-57, 2-71        |
| 3-115-010053 . . . . .   | 2-111                              | 3-156-010008 . . . . .    | 2-20, 2-70        |
| 3-115-010096 . . . . .   | 2-113                              | 3-162-010001 . . . . .    | 2-93, 2-96, 2-104 |
| 3-115-010097 . . . . .   | 2-113                              | 3-174-010038 . . . . .    | 2-57, 2-71, 2-85  |
| 3-115-010099 . . . . .   | 2-113                              | 3-174-010039 . . . . .    | 2-85              |
| 3-117-010069 . . . . .   | 2-109                              | 3-174-010039036 . . . . . | 2-57, 2-71        |
| 3-117-010070 . . . . .   | 2-109                              | 3-174-010059 . . . . .    | 2-75              |
| 3-117-010071-1 . . . . . | 2-109                              | 3-174-010060036 . . . . . | 2-75              |

|                 |                  |              |                  |
|-----------------|------------------|--------------|------------------|
| 3-181-010006    | 2-10             | 3-481-010006 | 2-57, 2-65       |
| 3-182-010028    | 2-96, 2-104      | 3-481-010007 | 2-57, 2-65, 2-71 |
| 32002           | 2-70             | 3-482-010252 | 2-70             |
| 3-201-010002    | 2-20             | 3-482-010503 | 2-93             |
| 3-222-010198    | 2-83             | 3-482-010575 | 2-15             |
| 3-222-010199    | 2-83             | 3-485-010001 | 2-35, 2-45       |
| 3-222-010227    | 2-83             | 3-522-010017 | 2-71             |
| 3-242-010099    | 2-10, 2-11, 2-12 | 3-557-010030 | 2-6              |
| 3-242-010102    | 2-11, 2-13       | 3-557-010031 | 2-11             |
| 3-242-010103    | 2-11, 2-13       | 3-557-010033 | 2-10, 2-11       |
| 3-242-010152-02 | 2-11             | 3-557-010059 | 2-10             |
| 3-242-010153    | 2-10             | 3-557-010120 | 2-11             |
| 3-272-010017    | 2-20             | 3-557-010380 | 2-109            |
| 3-272-010018    | 2-71             | 3-557-010383 | 2-81, 2-84       |
| 3-272-010021    | 2-20, 2-70       | 3-557-010474 | 2-70             |
| 3-272-010157    | 2-71             | 3-561-010001 | 2-93             |
| 3-316-010008    | 2-96, 2-105      | 3-565-010770 | 2-81, 2-84       |
| 3-348-010048    | 2-71             | 3-565-011688 | 2-71             |
| 3-352-010017-1  | 2-81             | 3-565-011757 | 2-83             |
| 3-352-010017-2  | 2-81             | 3-573-010031 | 2-5              |
| 3-352-010062    | 2-81             | 3-573-010057 | 2-5              |
| 3-360-010072    | 2-15             | 3-573-010086 | 2-5              |
| 3-360-010090    | 2-15             | 3-573-010127 | 2-5              |
| 3-368-010129    | 2-70             | 3-573-010134 | 2-5              |
| 3-368-010250    | 2-21             | 3-573-010210 | 2-5              |
| 3-368-010252    | 2-21             | 3-573-010273 | 2-20             |
| 3-375-010250    | 2-6              | 3-573-010298 | 2-5              |
| 3-375-010292    | 2-6              | 3-573-010299 | 2-5              |
| 3-375-010349    | 2-6              | 3-573-010300 | 2-5              |
| 3-375-010489    | 2-6, 2-10        | 3-573-010377 | 2-5              |
| 3-384-010031    | 2-25             | 3-573-010378 | 2-5, 2-109       |
| 3-399-010001    | 2-93             | 3-573-010442 | 2-70             |
| 3-399-010001006 | 2-96, 2-105      | 3-573-010506 | 2-104            |
| 3-432-010006    | 2-37             | 3-591-010001 | 2-93             |
| 3-432-010010    | 2-37             | 3-626-010004 | 2-70             |
| 3-443-010010    | 2-111, 2-113     | 3-642-010134 | 2-83             |
| 3-443-010018    | 2-105            | 3-645-010049 | 2-81, 2-84       |
| 346SL           | 2-81, 2-87       | 3-645-010059 | 2-83             |

## NUMERICAL INDEX

---

|                 |                        |                 |                  |
|-----------------|------------------------|-----------------|------------------|
| 3-645-010085    | 2-83                   | 3-870-010106    | 2-55             |
| 3-659-010012    | 2-55                   | 3-870-010107    | 2-55             |
| 3-659-010013-1  | 2-113                  | 3-870-010110    | 2-55             |
| 3-681-010122    | 2-10                   | 3-870-010116    | 2-55             |
| 3-711-010025    | 2-109                  | 3-873-010122    | 2-57, 2-59       |
| 3-711-010110    | 2-57, 2-70             | 3-873-010123    | 2-57, 2-62, 2-71 |
| 3-720-010010    | 2-57, 2-75             | 3-873-010124    | 2-57             |
| 3-720-010030    | 2-37                   | 3-873-010126-2  | 2-57             |
| 3-720-010035    | 2-71                   | 3-873-010129-2  | 2-57             |
| 3-720-010042    | 2-70                   | 3-873-010154    | 2-75, 2-77       |
| 3-725-010058    | 2-87                   | 3-873-010155    | 2-75             |
| 3-741-010085    | 2-81                   | 3-873-010166    | 2-10             |
| 3-755-010080    | 2-109                  | 3-873-010166-01 | 2-57             |
| 3-755-010189    | 2-35, 2-45             | 3-873-010166-02 | 2-57             |
| 3-755-010189-03 | 2-35, 2-45             | 3-873-010166-03 | 2-57             |
| 3-755-010189-1  | 2-35, 2-45             | 3-873-010166-04 | 2-57             |
| 3-762-010016    | 2-35, 2-45             | 3-873-010178-1  | 2-57             |
| 3-762-010017    | 2-35, 2-45             | 3-873-010178-3  | 2-57             |
| 3-765-010050    | 2-96, 2-104            | 3-876-010017    | 2-75             |
| 3-780-010002    | 2-25, 2-27, 2-35, 2-45 | 4009            | 2-55             |
| 3-786-010043    | 2-93                   | 51039-23        | 2-10             |
| 3-793-010040    | 2-81                   | 514-1000        | 2-111            |
| 3-793-010041    | 2-81                   | 514-1000-056    | 2-113            |
| 3-821-010005    | 2-35, 2-45             | 514-9045-26     | 2-96, 2-105      |
| 3-826-010014    | 2-6                    | 514-9073-18     | 2-96, 2-105      |
| 3-826-010015    | 2-6                    | 516-22PTL       | 2-117            |
| 3-829-010327    | 2-81                   | 519-9967        | 2-117            |
| 3-829-010329    | 2-81                   | 55B61           | 2-23, 2-25, 2-27 |
| 3-829-010331    | 2-81                   | 55B61-6         | 2-23             |
| 3-831-010172    | 2-70                   | 55B61-7         | 2-23             |
| 3-831-010182    | 2-70                   | 56D4            | 2-25, 2-27       |
| 3-843-010008    | 2-75                   | 61333           | 2-60             |
| 3-843-010022    | 2-70                   | 61334           | 2-63             |
| 3-843-010038    | 2-23                   | 622-3511-008    | 2-35, 2-45       |
| 3-846-010155    | 2-10                   | 63680           | 2-55             |
| 3-846-010156    | 2-10                   | 64181           | 2-20, 2-21       |
| 3-861-010038    | 2-11                   | 6-557-010163    | 2-109            |
| 3-870-010104    | 2-55                   | 660580002       | 2-17             |

|              |                        |
|--------------|------------------------|
| 660580003    | 2-17                   |
| 660580004    | 2-17                   |
| 660580005    | 2-17                   |
| 670500045    | 2-17                   |
| 671400033    | 2-17                   |
| 671400040    | 2-17                   |
| 671900011    | 2-17                   |
| 6828         | 2-93                   |
| 7-458-010009 | 2-113                  |
| 758-181      | 2-25, 2-27             |
| 7HCGHT500    | 2-57, 2-70, 2-86       |
| 805-2        | 2-25, 2-27, 2-45       |
| 81006        | 2-59                   |
| 81009        | 2-59                   |
| 81025        | 2-59                   |
| 81077        | 2-62                   |
| 81078        | 2-62                   |
| 81080        | 2-62                   |
| 81081        | 2-62                   |
| 81264        | 2-21                   |
| 81530        | 2-59                   |
| 88005        | 2-63                   |
| 900 45 040   | 2-49                   |
| 900 54 007   | 2-45, 2-47             |
| 900-08-139   | 2-49                   |
| 900-25-288   | 2-49                   |
| 900598-12S   | 2-96, 2-104            |
| 90508009     | 2-49                   |
| 905-54-107   | 2-45, 2-47, 2-71, 2-75 |
| 905-57-129   | 2-49                   |
| 934 00 149   | 2-49                   |
| 934 00 492   | 2-49                   |
| 934-00-506   | 2-49                   |
| 936 00 077   | 2-49                   |

**B**

|            |       |
|------------|-------|
| B3-115-016 | 2-111 |
|------------|-------|

|            |              |
|------------|--------------|
| B7-115-003 | 2-113        |
| B7-115-004 | 2-113        |
| B7-141-003 | 2-21, 2-109  |
| BSL-6-4    | 2-111, 2-113 |

**C**

|           |      |
|-----------|------|
| C2001     | 2-73 |
| C29-1104X | 2-71 |
| C3069X12  | 2-93 |

**H**

|          |      |
|----------|------|
| HM212011 | 2-55 |
| HM212049 | 2-55 |
| HM218210 | 2-55 |
| HM218248 | 2-55 |

**K**

|            |      |
|------------|------|
| K71-101-00 | 2-51 |
| K71-136-00 | 2-53 |
| K71-460-00 | 2-51 |

**P**

|     |      |
|-----|------|
| PTO | 2-93 |
|-----|------|

**R**

|              |       |
|--------------|-------|
| RFB722X4     | 2-75  |
| RPRB59004X11 | 2-113 |
| RPRB59004X3H | 2-115 |
| RRRCF506X20  | 2-111 |
| RSP956X5X5   | 2-75  |
| RTR7999X4ZP  | 2-71  |

## NUMERICAL INDEX

---

### S

---

|                   |       |
|-------------------|-------|
| S21F-6 .....      | 2-120 |
| S25F-6 .....      | 2-120 |
| SCREW#6X3/8 ..... | 2-113 |
| STP-147 .....     | 2-71  |
| STP-164 .....     | 2-71  |

### T

---

|              |      |
|--------------|------|
| TR545D ..... | 2-55 |
| TR573 .....  | 2-55 |







**Intertek**

Equipment from Landoll Corporation is built to exacting standards ensured by ISO 9001 registration at all Landoll manufacturing facilities.

# Model 330C Semitrailer

## Parts Manual

Re-Order Part Number F-476-0611

### **LANDOLL CORPORATION**

1900 North Street

Marysville, Kansas 66508

(785) 562-5381

**800-428-5655 ~ WWW.LANDOLL.COM**



Copyright 2018. Landoll Corporation

"All rights reserved, including the right to reproduce this material or portions thereof in any form"