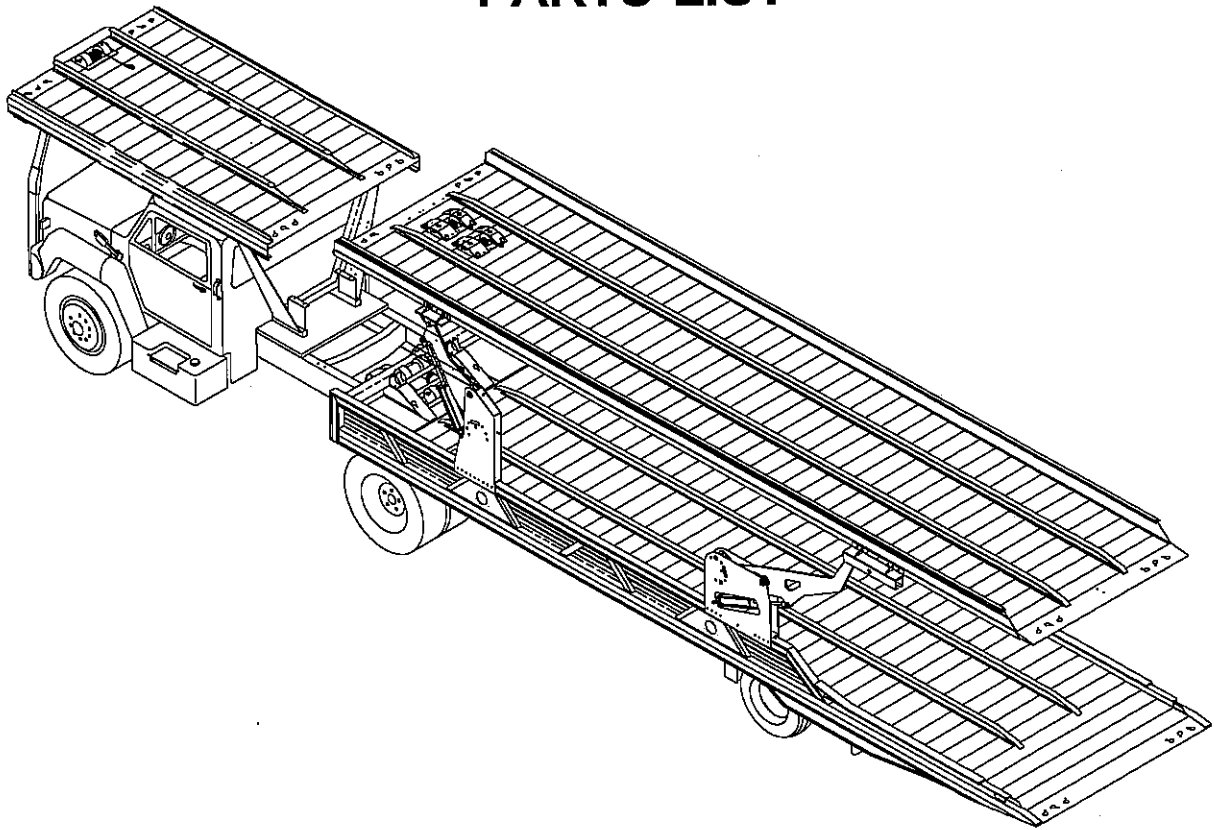




**MODEL 334B
CAR CARRIER
PARTS LIST**



**1900 NORTH STREET
MARYSVILLE, KANSAS 66508
(785) 562-5381**



ILLUSTRATED PARTS LIST

1

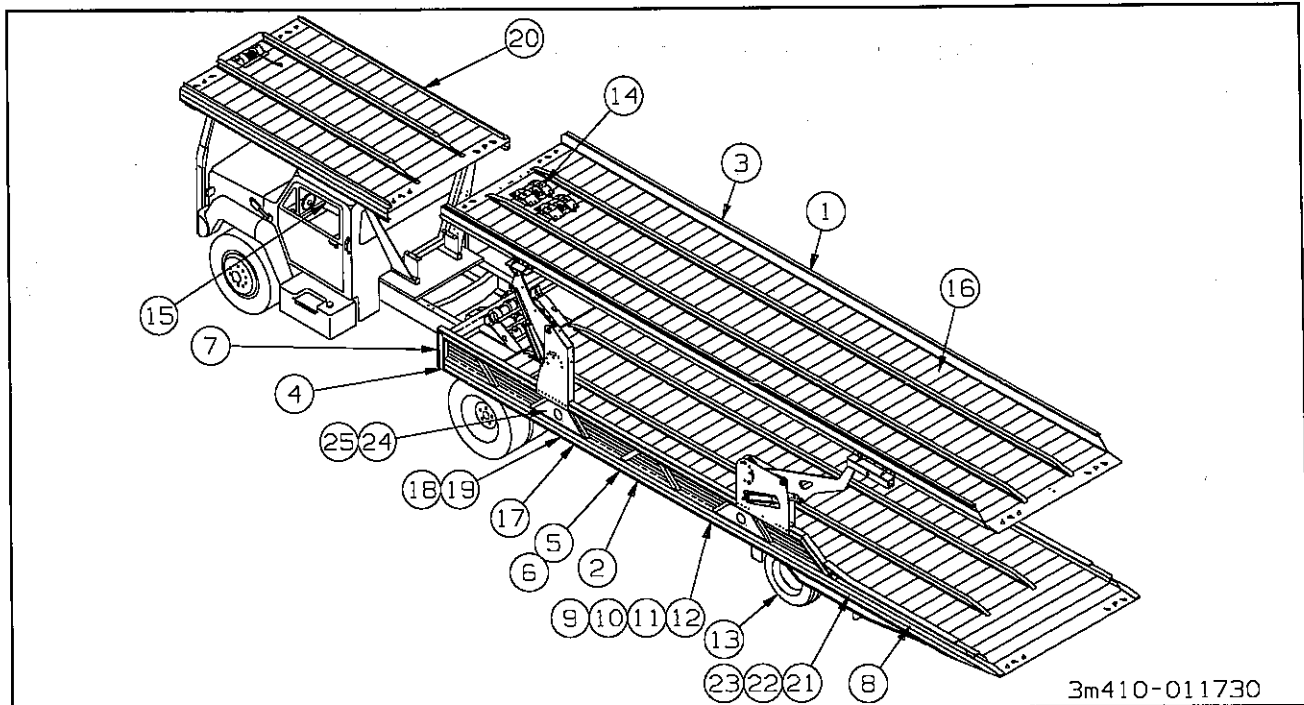


Figure 1-1 General Assembly

GENERAL ASSEMBLY

ITEM	PART/PAGE NO.	DESCRIPTION	QTY.
1	3-080-010446	BED WLDMT UPPER REAR 334	1
2	3-080-010447	BED WLDMT LOWER	1
3	1-2 - 1-5	UPPER DECK PARTS	1
4	1-6 - 1-9	DECK LOCK AIR SYSTEM	1
5	1-10 - 1-11	HYDRAULIC TILT SYSTEM	1
6	1-12 - 1-27	HYDRAULIC SYSTEM	1
7	1-28 - 1-30	ELECTRICAL SYSTEM	1
8	1-31 - 1-33	DECAL INSTALLATION	1
9	1-34	UNDERCARRIAGE ASSEMBLY	1
10	1-35 - 1-37	AIR RIDE SUSPENSION	1
11	1-38 - 1-39	AXLE AND BRAKE SYSTEM	2
12	1-40 - 1-41	AIR BRAKE SYSTEM	1
13	1-42 - 1-45	HUB AND DRUM ASSEMBLY	4
14	1-46 - 1-51	WINCH	1
15	1-52 - 1-63	REMOTE CONTROL ASSEMBLY	1
16	1-64	D-RING KIT	12
17	1-65	TOOL BOX ASSEMBLY	2
18	3-725-010077	LANDING GEAR PIN DROP	2
19	346SL	LOCK HITCH PIN	2
20	1-66 - 1-84	"OVER-THE-CAB" DECK AND SYSTEMS	1
21	3-741-010009	STOP SAFETY	2
22	1-654-010059-03	SCREW, HEX HEAD CAP 5/8-11 X 1-1/2 GR5	2
23	1-512-010005-13	NUT, HEX LOCK 5/8-11 GRB	2
24	3-222-010160	COVER, ACCESS	6
25	1-654-010047-04	SCREW, HEX HEAD CAP 1/4-20 X 3/4 GR5	18

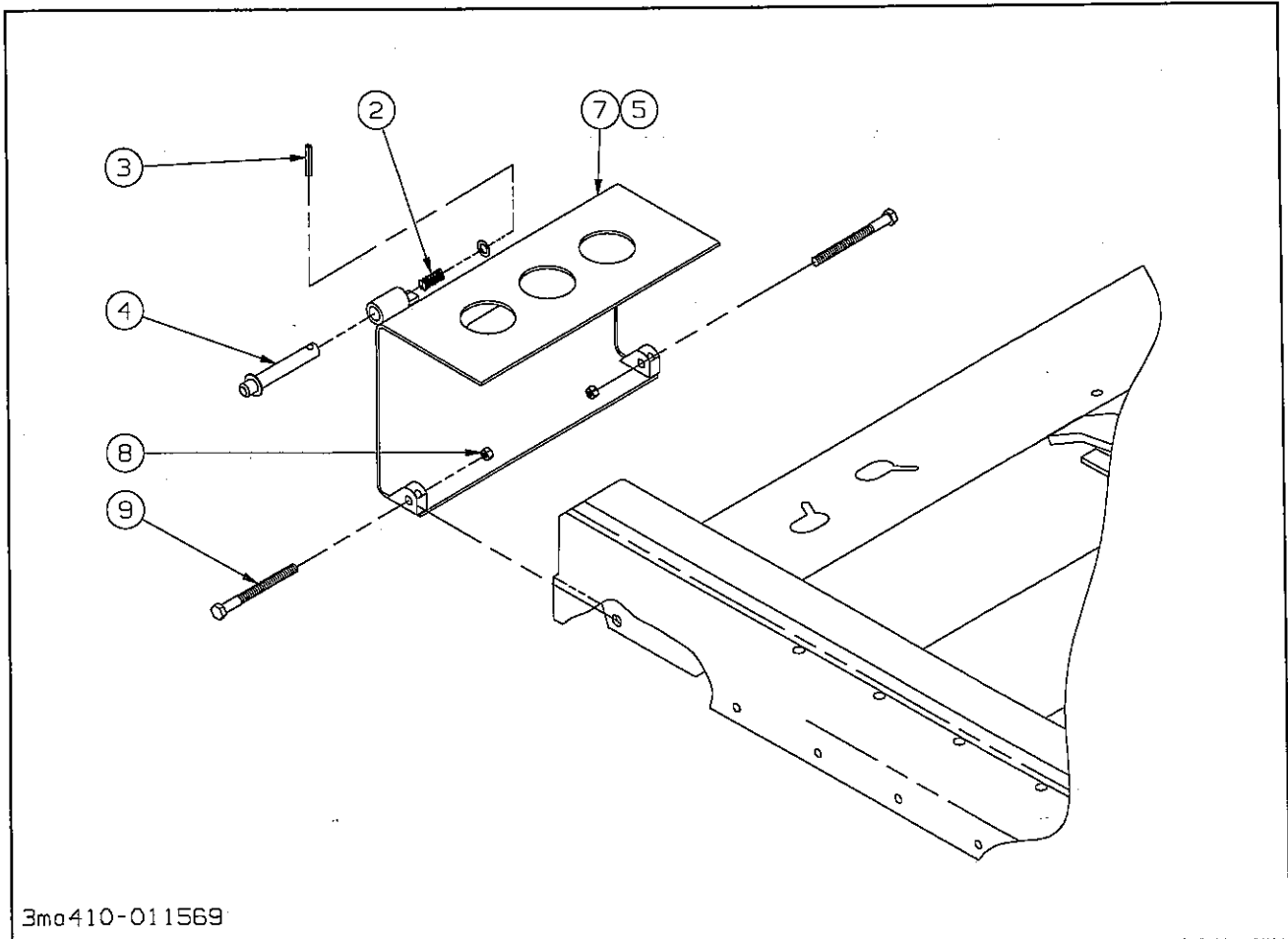


Figure 1-2 Wheel Stops

WHEEL STOPS

ITEM	PART NO.	DESCRIPTION	QTY.
	B3-741-001	STOP, WHEEL CAR TRAILER (3-410-011569)	1
1	3-741-010007	STOP ASSY LEFT WHEEL (INCLUDES 2, 3, 4 AND 5)	1
2	CO-975-74-2000	SPRING COMPRESSION	1
3	0600-375-04000	ROLL PIN	1
4	3-557-010186	PIN W/ WASHER	1
5	3-741-010001	STOP LH WHEEL	1
6	3-741-010008	STOP ASSY RIGHT WHEEL (INCLUDES 2, 3, 4 AND 7)	1
7	3-741-010006	STOP RH WHEEL	1
8	1-512-010005-13	NUT HEX LOCK 5/8-11 GRB	4
9	1-654-010059-07	SCREW HEX HEAD CAP 5/8-11 X 2-1/2 GR5	4

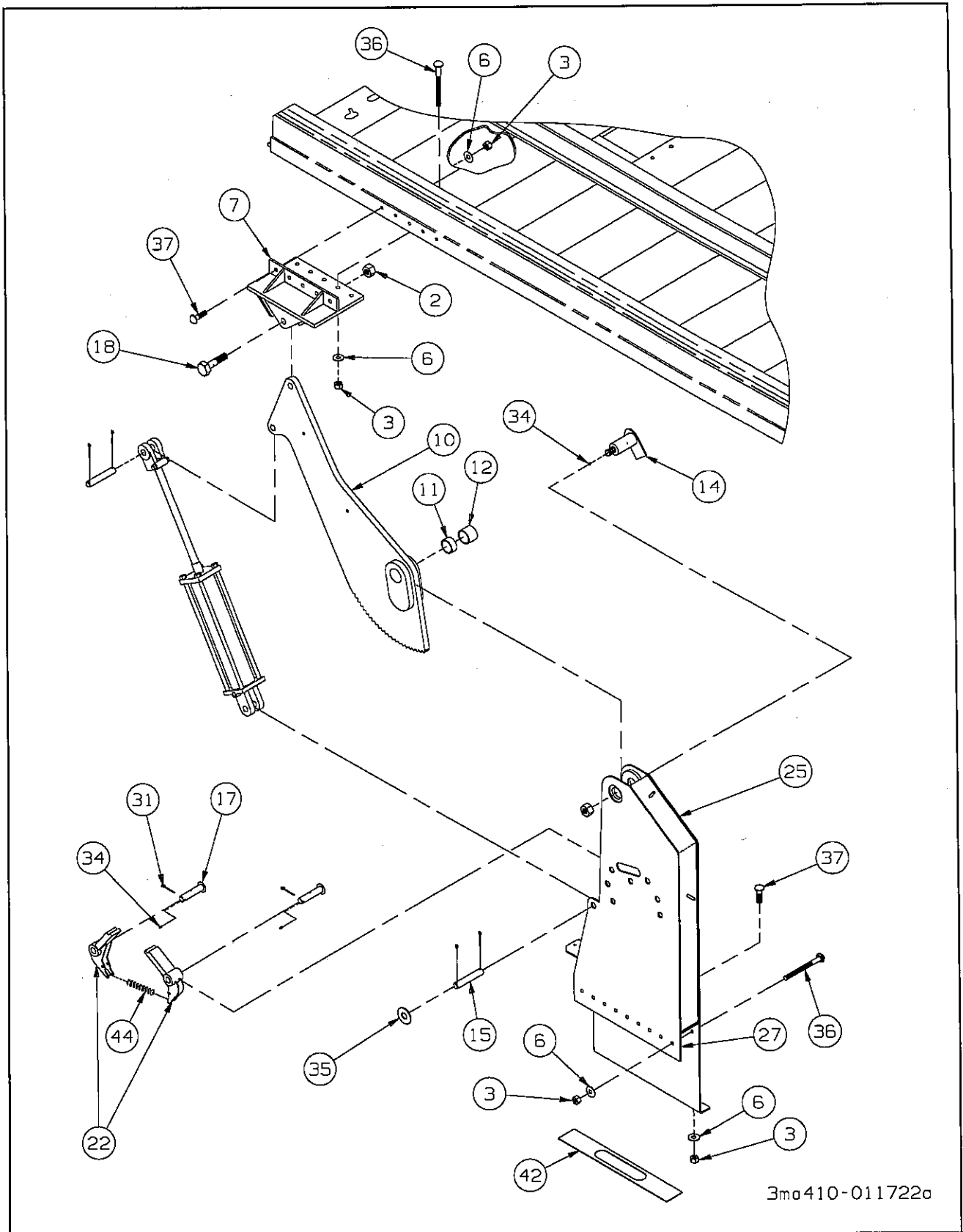


Figure 1-3 Front Upper Deck Support

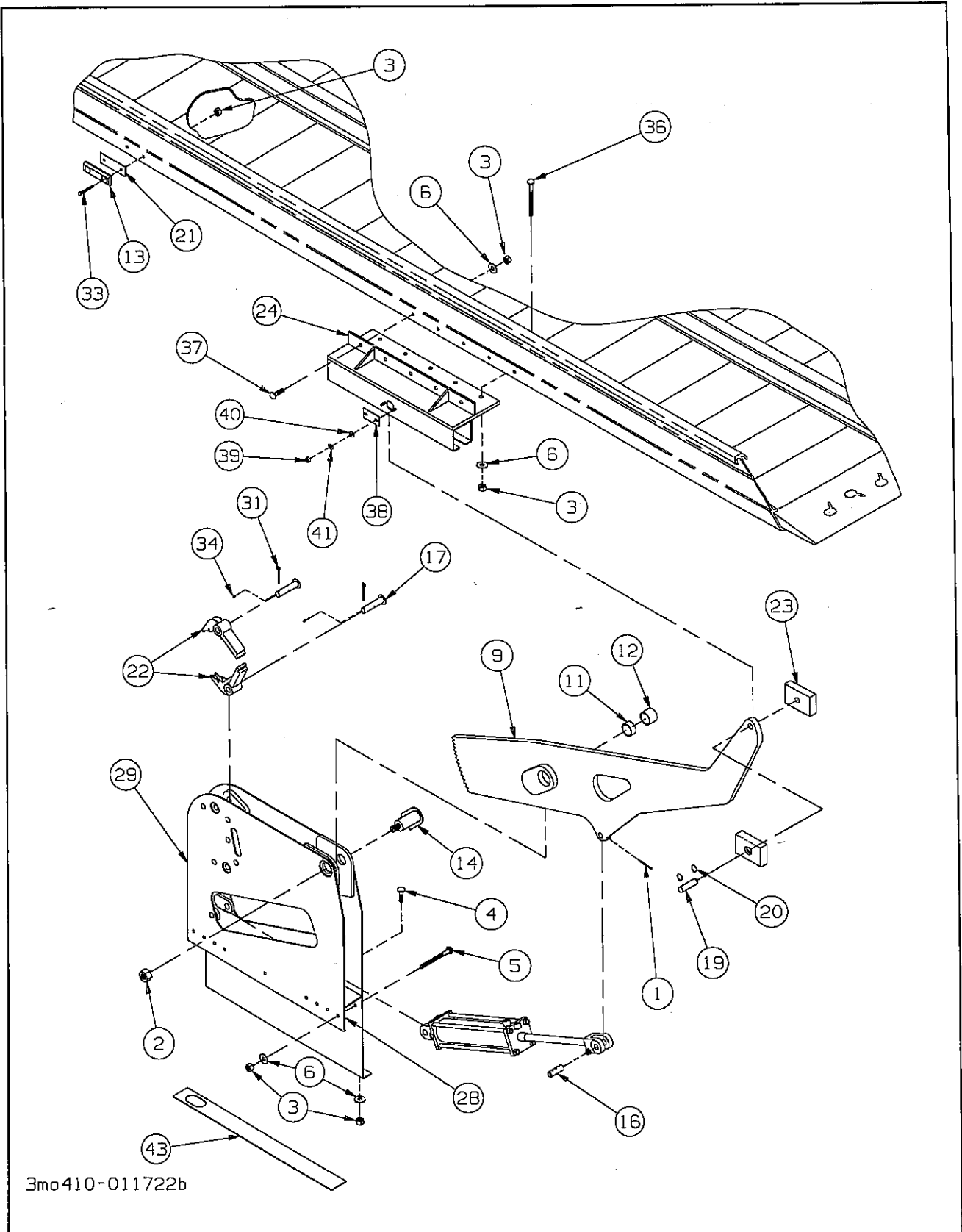


Figure 1-4 Rear Upper Deck Support

UPPER DECK SUPPORTS

ITEM	PART NO.	DESCRIPTION	QTY.
	B5-755-004	SUPPORT UPPER DECKS TRL (3-410-011722)	
1	1-647-010004221	PIN SPRING 1/4X2 SLOTTED	2
2	1-512-010005-19	NUT HEX LOCK 1-8 GRB	6
3	1-512-010005-09	NUT HEX LOCK 1/2-13 GRB	110
4	1-654-010070-3	SCREW RD HD SQ NECK 1/2-13 X 1-1/2 GR5	30
5	1-654-010070-16	SCREW RD HD SQ NECK 1/2-13 X 5-1/2 GR5	36
6	1-861-010032-15	WASHER FLAT 1/2	136
7	3-014-010201	ANCHOR CENTER WELDMENT LT	1
8	3-014-010202	ANCHOR CENTER WELDMENT RT (NOT SHOWN)	1
9	3-027-010110	ARM LIFT REAR WELDMENT	2
10	3-027-010111	ARM LIFT FRONT WELDMENT	2
11	3-150-010046	BUSHING	4
12	3-150-010047	BUSHING	4
13	3-352-010053	GUIDE BED TOP REAR	2
14	3-557-010498	PIN MAIN LIFT PIVOT WELDMENT	4
15	3-557-010499	PIN CYLINDER BUTT END	REF.
16	3-557-010500	PIN CYLINDER ROD END	REF.
17	3-557-010502	PIN STOP LIFT WELDMENT	8
18	3-557-010503	PIN DECK MAIN	2
19	3-557-010504	PIN RETAINING	2
20	3-630-010002	RING RETAINING EXTERNAL	4
21	3-684-010042	SHIM GUIDE BED	4
22	3-741-010076	STOP LIFT WELDMENT	8
23	3-755-010218	SUPPORT NYLATRON SLIDE	4
24	3-755-010219	SUPPORT SLIDER WELDMENT	2
25	3-755-010331	SUPPORT LIFT FRT LT WELDMENT	1
26	3-755-010330	SUPPORT LIFT FRT RT WELDMENT (NOT SHOWN)	1
27	3-711-010101	SPACER FRT AND MIDDLE LIFT ARM	2
28	3-711-010102	SPACER REAR LIFT ARM	2
29	3-755-010354	SUPPORT ARM REAR WLDMT FRT	1
30	3-755-010355	SUPPORT ARM REAR WLDMT LT (NOT SHOWN)	1
31	1-557-010362-51	COTTER PIN PLATED	16
33	1-654-010133-08	SCREW SKT FL CTSK 1/2-13 X 2-1/4	4
34	1-298-01007-08	ZERK FITTING 1/4	14
35	1-861-010032-25	WASHER FLAT 1	8
36	1-654-010070-13	SCREW RD HD SQ NECK 1/2-13 X 4 GR5	20
37	1-654-010055-04	SCREW HEX HEAD CAP 1/2-13 X 1-3/4 GR5	20
38	3-222-010163	COVER ACCESS HOLE TRL	2
39	1-512-010007-06	NUT HEX 5/16-18	4
40	1-861-010032-09	WASHER FLAT 5/16	4
41	1-861-010034-10	WASHER SPLIT LOCK 5/16	4
42	3-684-010047	SHIM FRT LIFT ARM	4
43	3-684-010048	SHIM REAR LIFT ARM	4
44	3-720-010075	SPRING EXTENSION 7/8 X 6	REF

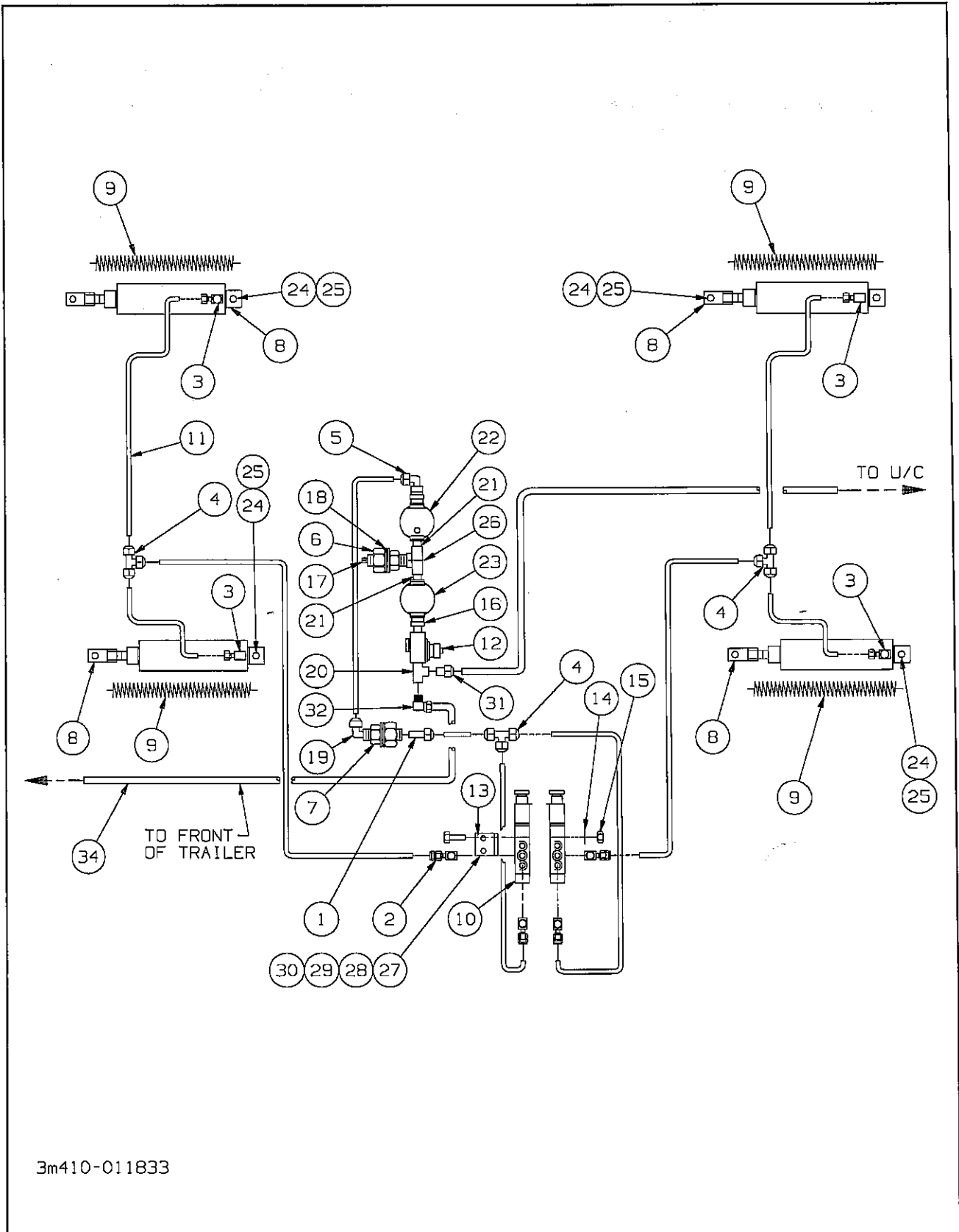


Figure 1-5 Deck Lock Air System

DECK LOCK AIR SYSTEM

ITEM	PART NO.	DESCRIPTION	QTY.
	B3-128-098	INSTALL. AIR SYSTEM DECK LOCKS 334B (3-410-011833)	
	3-208-010071-01	CONTROL BOX ASSEMBLY 334B (DECK LOCK AIR SYSTEM ITEMS ONLY)	
	3-375-010619	HITCH TILT ASSEMBLY (DECK LOCK AIR SYSTEM ITEMS ONLY)	
1	1-297-010007-05	FITTING, AIR 1/4 X1/4	
2	1-297-010008-05	FITTING AIR 90° 1/4 X1/8	
3	1-297-010008-07	FITTING AIR 90° 1/4 X1/4	4
4	1-297-010010-01	FITTING AIR UNION TEE 1/4	2
5	1-297-010008-21	FITTING AIR 90°	1
6	55B61	FRAME UNION	3
7	1-297-010022-02	FITTING, AIR ANCHOR COUPLING 1/4	1
8	3-238-010007	CYLINDER AIR (SEE PAGE 1-82)	4
9	3-720-010075	SPRING EXTENSION 7/8 X 6	4
10	3-843-010009	VALVE AIR SOLENOID 12V (SEE PAGE 1-81)	3
11	1-833-010001	NYLON TUBING 1/4	56
12	905-54-107 SRK-143	VALVE AND FILTER PRESSURE REPLACEMENT FILTER AND O-RING	1
13	1-656-010003039	SCREW RD HD MACH #8-32 X 2-3/4	2
14	1-861-010032-02	WASHER FLAT #8	2
15	1-512-010003-03	NUT HEX LOCK #8-32	2
16	2083-8-4S	NIPPLE HEX	1
17	1-560-010002-02	PLUG BLACK PIPE	1
18	1-861-010032-25	WASHER FLAT 1	2
19	1-297-010008-18	FITTING AIR 90° 3/8 X 1/4	3
20	1-297-010018-02	FITTING AIR ST TEE	1
21	1-297-010020-04	FITTING BRS PIPE CL NIP	2
22	758-012	LUBRICATOR AIR (SEE PAGE 1-9)	1
23	758-013	FILTER AIR (SEE PAGE 1-9)	1
24	1-654-010051-08	SCREW HEX HEAD CAP 3/8-16 X 1-3/4	10
25	1-512-010005-05	NUT HEX LOCK 3/8-16 GRB	10
26	1-297-010009-04	FITTING AIR PIPE TEE	1
27	3-755-010372	SUPPORT AIR SOLENOID	1
28	1-654-010051-05	SCREW HEX HEAD CAP 3/8-16 X 1	2
29	1-861-010032-11	WASHER FLAT 3/8	6
30	1-512-010005-05	NUT HEX LOCK 3/8-16 GRB	10
31	1-297-010007-11	FITTING AIR	1
32	1-297-010008-18	FITTING AIR 90° 3/8 X 1/4	1
33	239-9008-1	CONDUIT FLEX PLASTIC 5/16 (NOT SHOWN)	AR
34	1-833-010002	TUBING NYLON 3/8	30 FT

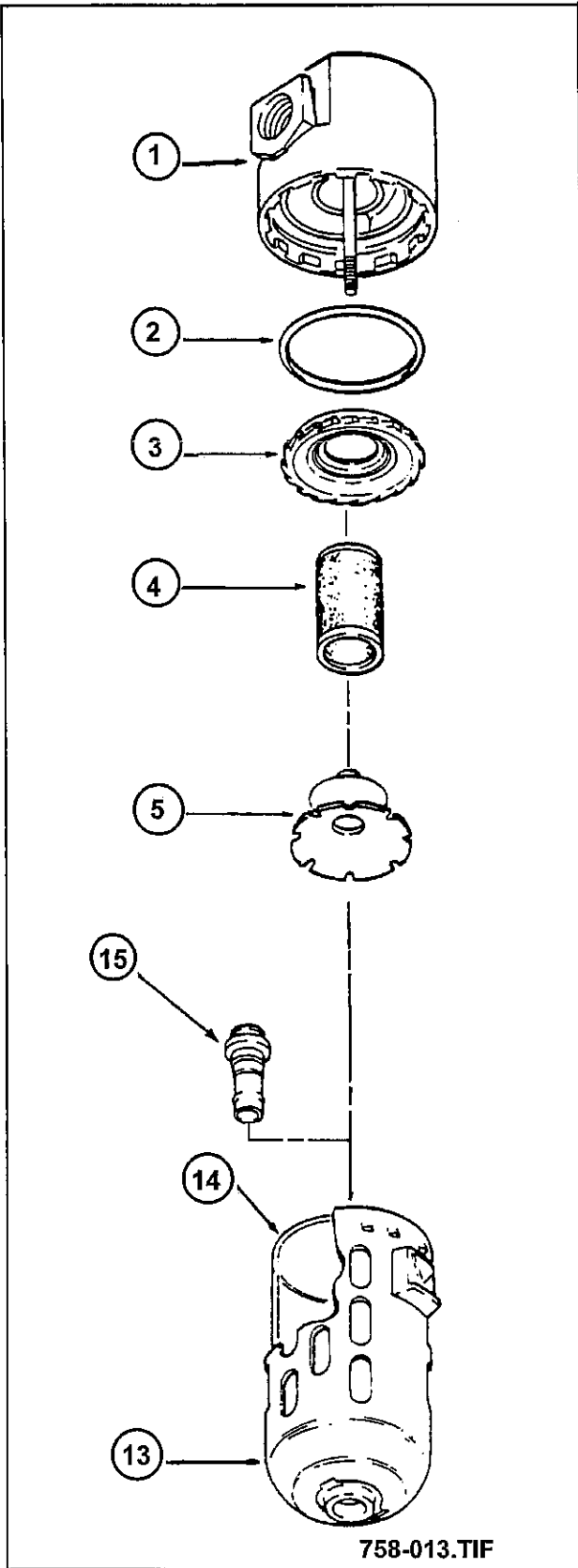


Figure 1-7 Air System Filter

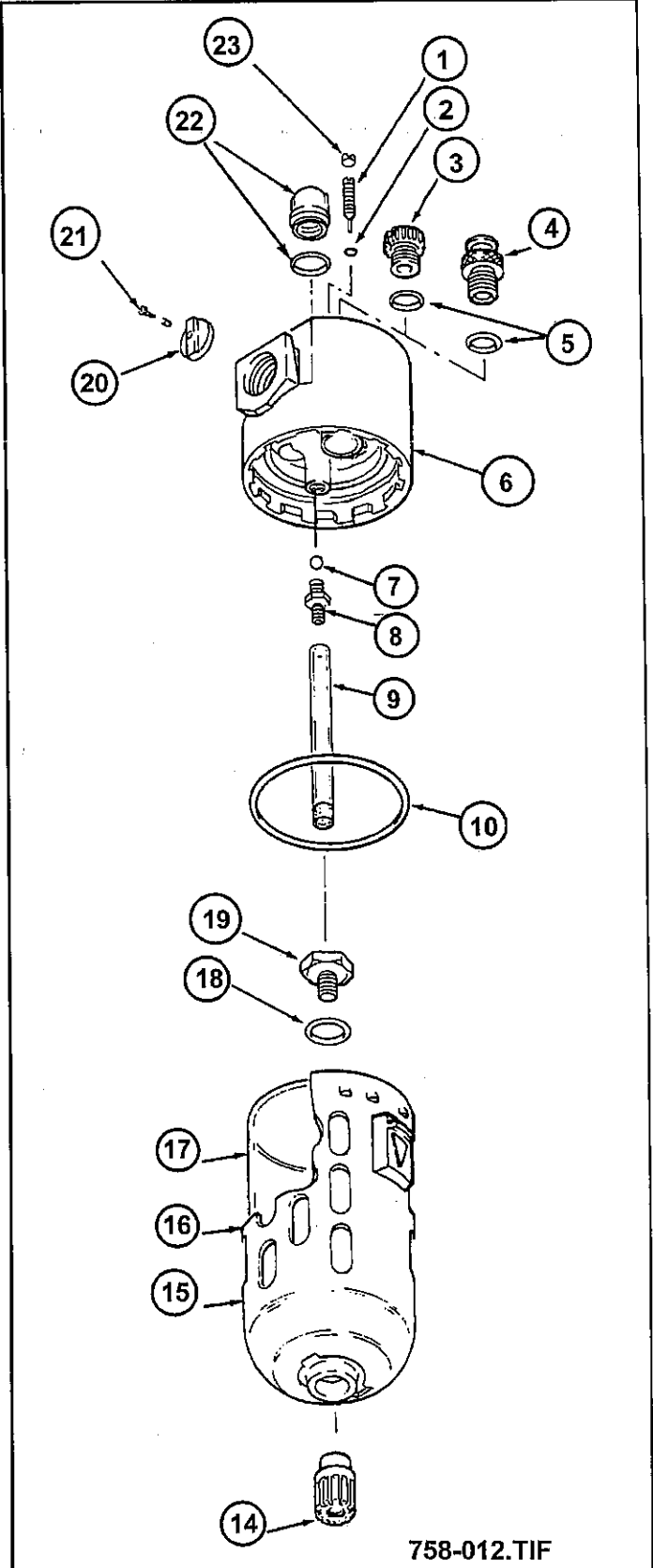


Figure 1-6 Air System Lubricator

AIR SYSTEM FILTER

ITEM	PART NO.	DESCRIPTION	QTY.
1	758-013 *	FILTER AIR BODY	1
2	7859	BOWL, O-RING KIT	1
3	*	LOUVER	1
4	P7833	FILTER ELEMENT W/BOWL O-RING	1
5	*	BAFFLE	1
13	P7857	METAL BOWL GUARD	1
14	P7856	PLASTIC BOWL	1
	P7830	PLASTIC BOWL W/FLEX DRAIN AND BOWL GUARD	1
15	P7710	PETCOCK ASSY (PLASTIC BOWLS ONLY)	1

* ITEMS NOT SOLD SEPARATELY.

AIR SYSTEM LUBRICATOR

ITEM	PART NO.	DESCRIPTION	QTY.
1	758-012 *	AIR SYSTEM LUBRICATOR ADJUSTING SCREW	1
2	P7725	O-RING KIT	1
3	*	FILL PLUG KIT W/O-RING	1
4	P7724	FORCE-FILL ADAPTER	1
5	*	O-RING	2
6	*	BODY	1
7	*	BALL	1
8	*	ADAPTER	1
9	P7739	SIPHON TUBE ASSY	1
10	P7872	O-RING	1
14	**	PLASTIC PETCOCK	1
15	P7848	PLASTIC BOWL W/PETCOCK & METAL BOWL GUARD	1
16	**	METAL BOWL GUARD	1
17	**	PLASTIC BOWL ASSY	1
18	**	O-RING	1
19	**	RETAINING SCREW	1
20	P7870	VARIABLE ORIFICE (1/2" MODEL)	1
21	*	ORIFICE KIT (SCREW AND SPACER)	1
22	P7675	SIGHT DOME KIT	1
23	*	TAMPER RESISTANT CAP (OPTION)	1

* ITEMS NOT SOLD SEPARATELY.

** ITEMS SOLD TOGETHER AS PART NO. P7726.

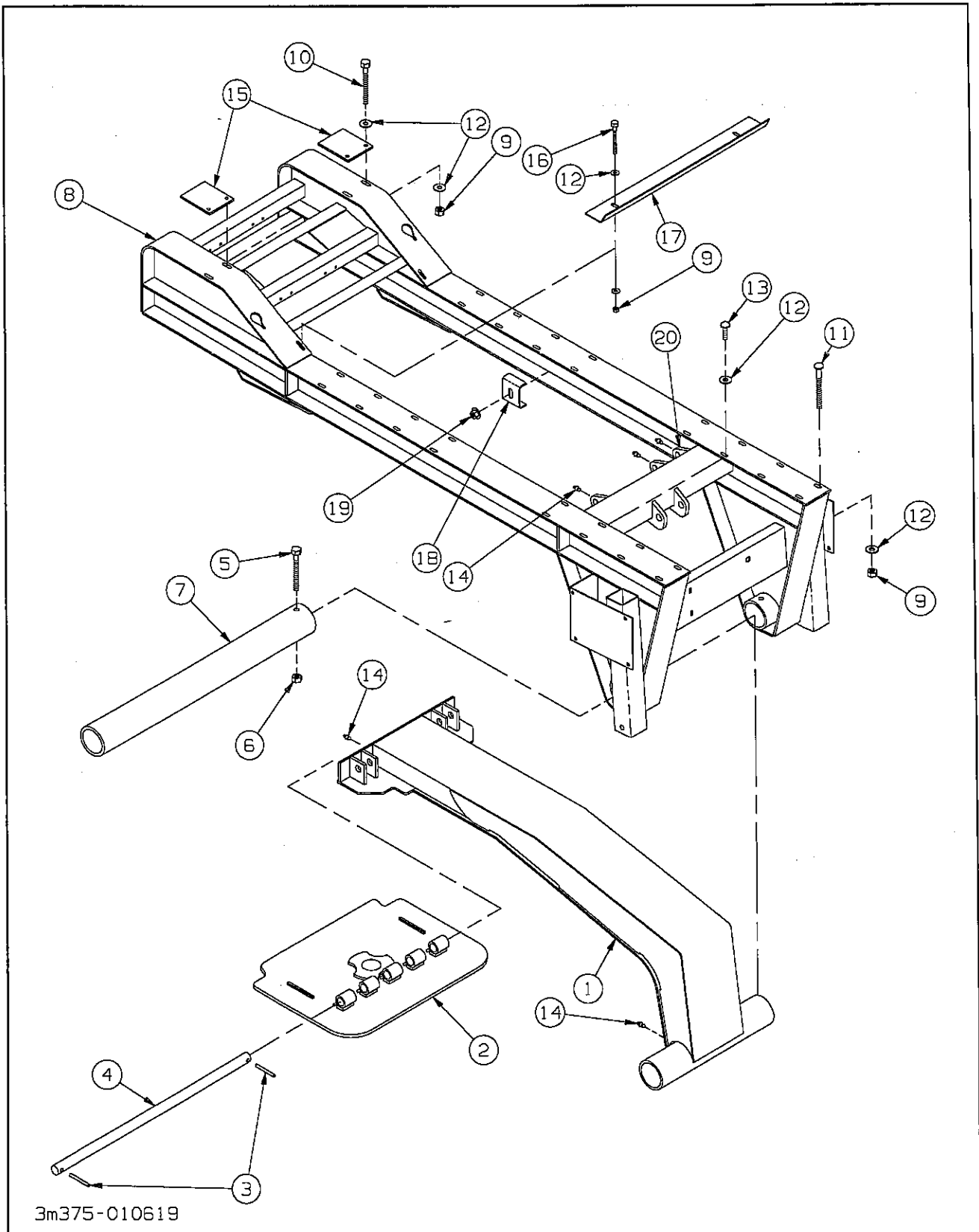


Figure 1-8 Hydraulic Tilt Assembly

HYDRAULIC TILT ASSEMBLY

ITEM	PART NO.	DESCRIPTION	QTY.
	3-375-010619	HITCH TILT ASSEMBLY TRAILER 334B (HYDRAULIC TILT ASSEMBLY ITEMS ONLY)	
1	3-375-010582	HITCH WELDMENT 5TH WHEEL	1
2	3-565-011544	PLATE WELDMENT 5TH WHEEL	1
3	0600-375-02000	ROLL PIN	2
4	3-557-010030	HINGE PIN FIFTH WHEEL	1
5	1-654-010061-07	SCREW HEX HEAD CAP 3/4-10 X 2-1/2 GR5	1
6	1-512-010005-15	NUT HEX LOCK 3/4-10 GRB	1
7	3-311-010578	HINGE TUBE MCKEE	1
8	3-755-010318	SUPPORT HITCH WELDMENT	1
9	1-512-010005-09	NUT HEX LOCK 1/2-13 GRB	38
10	1-654-010055-05	SCREW HEX HEAD CAP 1/2-13 X 2 GR5	4
11	1-654-010070-11	SCREW RD HD SQ NECK 1/2-13 X 3-1/2	30
12	1-861-010032-15	WASHER FLAT 1/2	44
13	1-654-010070-2	SCREW RD HD SQ NECK 1/2-13 X 1-1/4	2
14	1-298-010001-1	ZERK FITTING 1/4	9
15	3-711-010111	SPACER HITCH SUPPORT	2
16	1-654-010055-03	SCREW HEX HEAD CAP 1/2-13 X 1-1/2	2
17	3-222-010191	COVER OPENING HITCH	1
18	2-181-010001	CLAMP	18
19	1-510-010001	NUT FLANGE LOCK 3/8-16	18
20	111-9989	WASHER 1-3/8	4

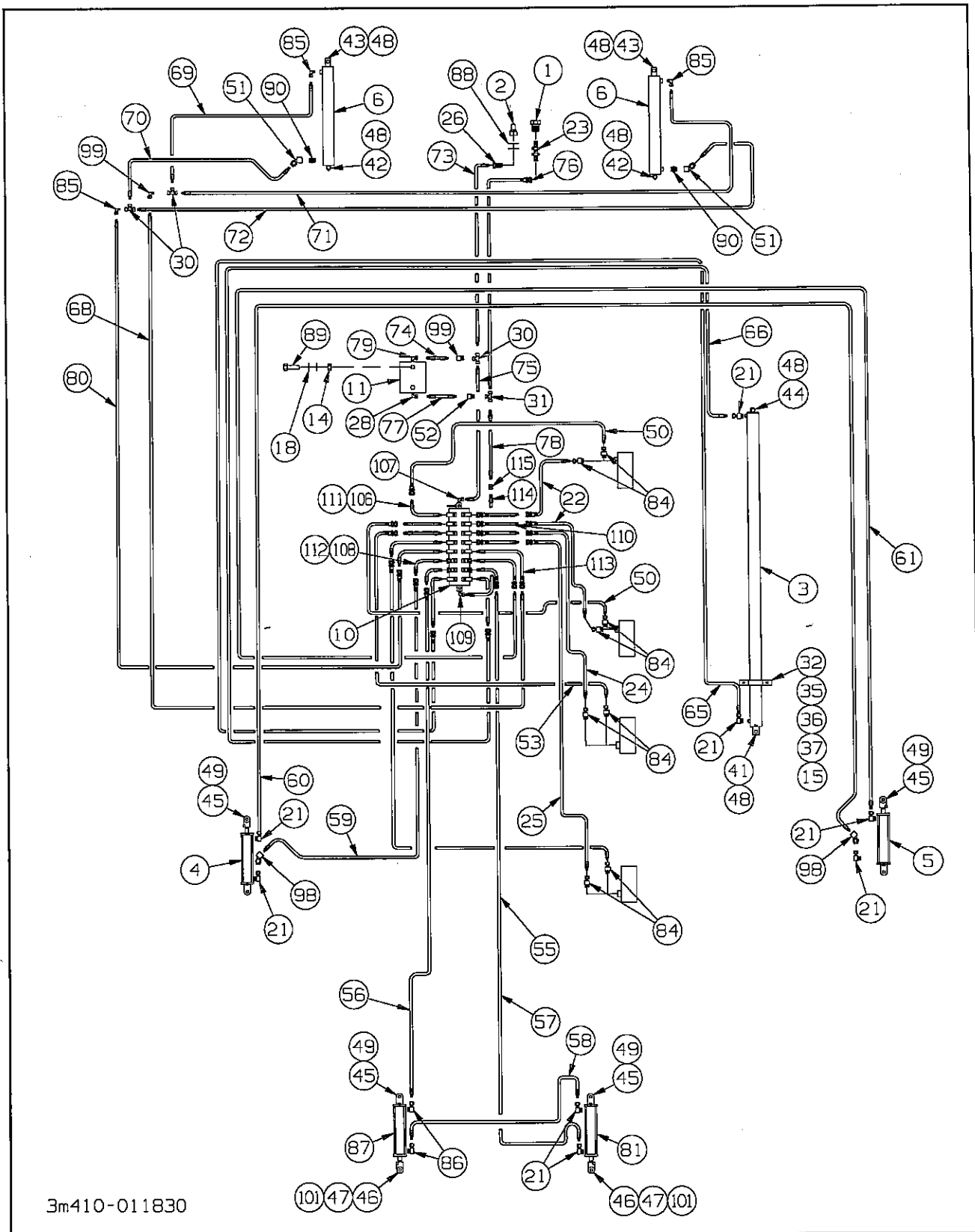


Figure 1-9 Hydraulic System

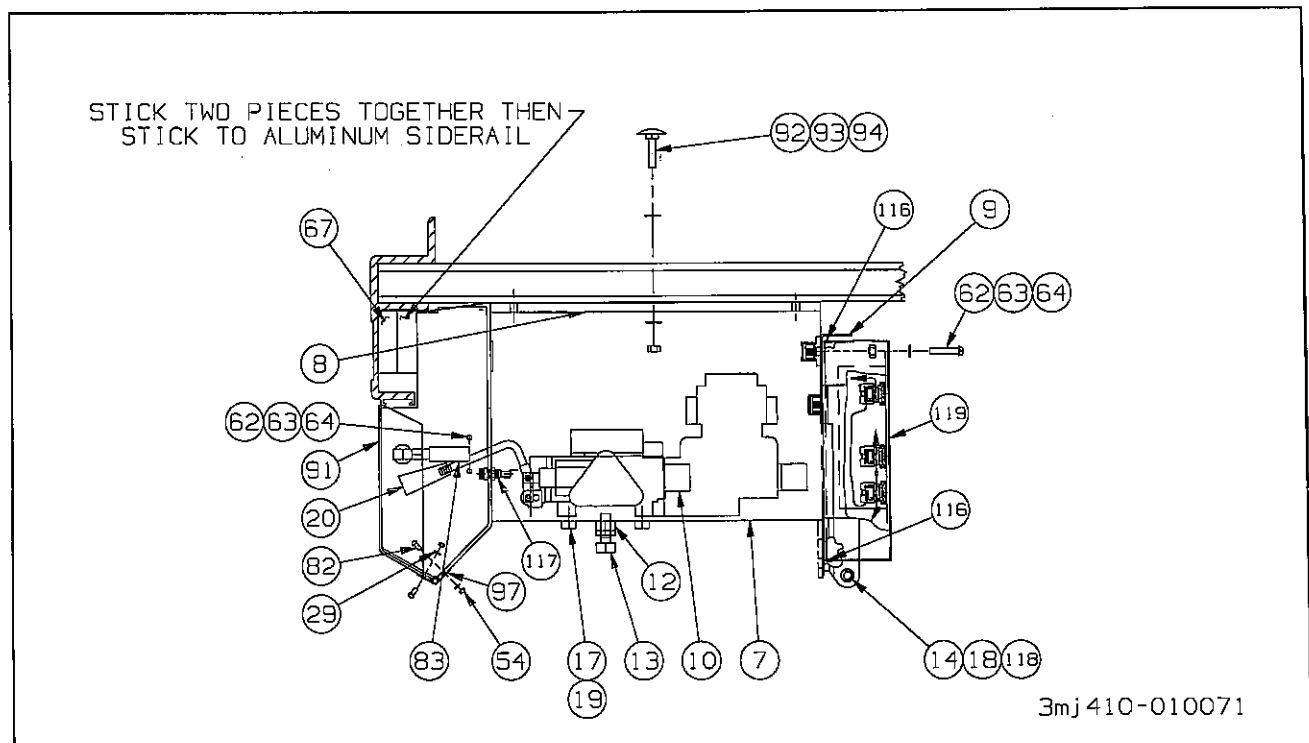


Figure 1-10 Valve Support Detail

HYDRAULIC ASSEMBLY

ITEM	PART NO.	DESCRIPTION	QTY.
	B3-407-210	INSTALL. HYDR. SYSTEM TRL (3-410-011830)	
	3-208-010071	CONTROL BOX ASSY (HYDR ASSEMBLY ITEMS ONLY)	
	3-375-010619	HITCH TILT ASSY TRL (HYDR ASSEMBLY ITEMS ONLY)	
1	S25F-6	COUPLER FEMALE HALF 3/4	1
2	8010-4	COUPLER MALE	1
3	3-242-010185	CYLINDER HYDR 4" X 126" (SEE PAGE 1-21)	1
4	3-242-010199	CYLINDER HYDR 4" X 16" (SEE PAGE 1-17)	1
5	3-242-010200	CYLINDER HYDR 3-3/4" X 16" (SEE PAGE 1-17)	1
6	3-242-010207	CYLINDER HYDR 4" X 36" (SEE PAGE 1-20)	2
7	3-755-010253	SUPPORT VALVE WELDMENT	1
8	3-711-010109	SPACER VALVE SUPPORT	1
9	3-681-010121	SHIELD VALVE WELDMENT	1
10	3-846-010145	VALVE HYDRAULIC 8 SPOOL 2500 PSI (SEE PAGE 1-23)	1
11	3-846-010164	VALVE N.O. SOLENOID HYDRAULIC (SEE PAGE 1-27)	1
12	1-511-010001-05	NUT, HEX JAM 1/2-13	1
13	1-654-010055-03	SCREW HEX HEAD CAP 1/2-13 X 1-1/2	1
14	1-512-010005-05	NUT HEX LOCK 3/8-16	7
15	3-711-010108	SPACER BED CYLINDER	1
16	1-654-010051-10	SCREW HEX HEAD CAP 3/4-16 X 2-1/4 GR5 (UNDERSIDE OF BED)	20
17	1-654-010051-05	SCREW HEX HEAD CAP 3/8-16 X 1 GR5	11
18	1-861-010032-11	WASHER FLAT 3/8	19
19	1-861-010034-11	WASHER SPLIT LOCK 3/8	8
20	3-360-010111	HANDLE VALVE FORMED	8
21	1-007-010007	ELBOW 90° 3/4	8
22	1-397-010381277	HOSE ASSEMBLY 1/2 X 277	2
23	2240-12-12S	ADAPTER BULKHEAD	1
24	1-397-010381143	HOSE ASSEMBLY 1/2 X 143	1

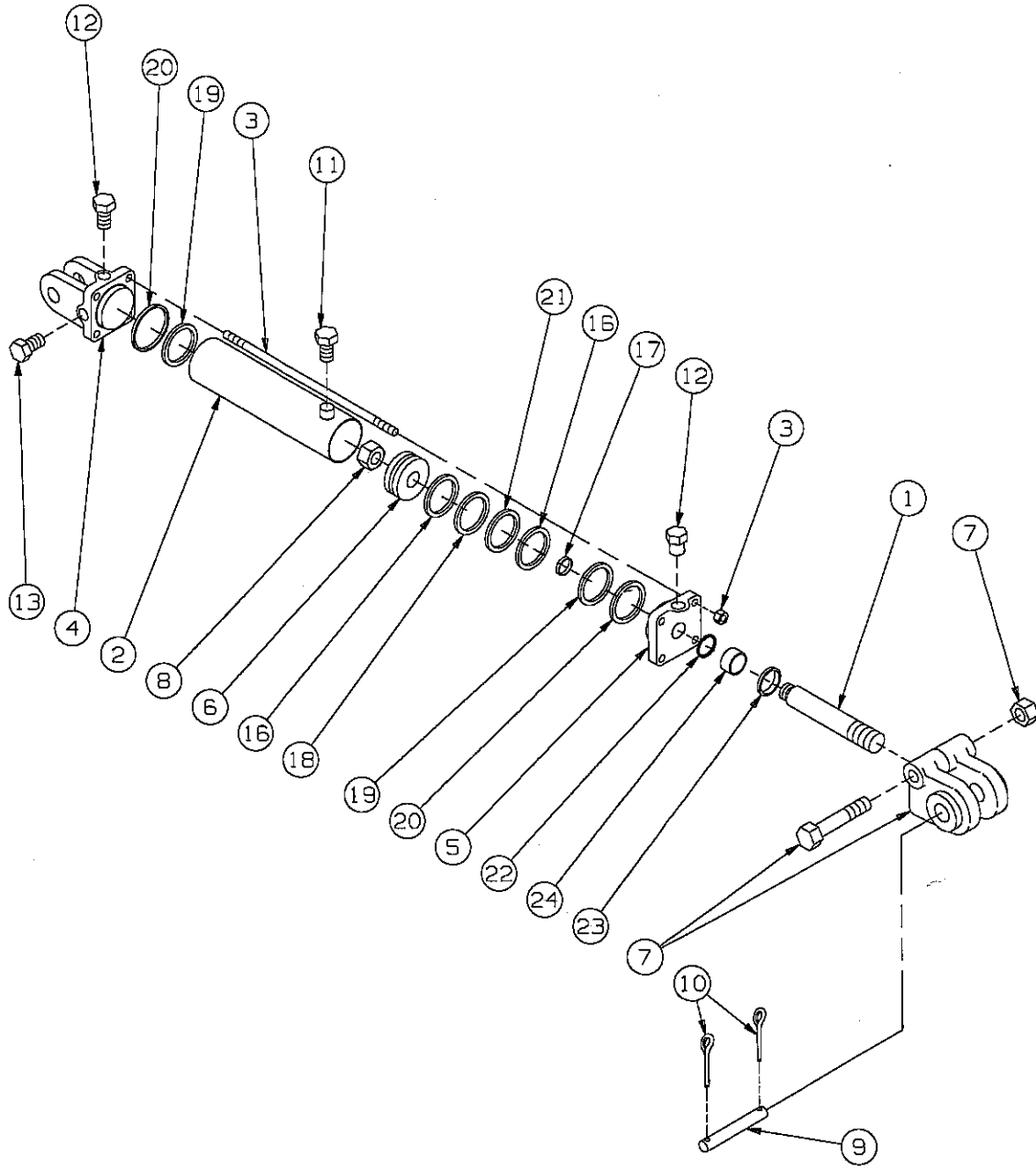
HYDRAULIC ASSEMBLY

ITEM	PART NO.	DESCRIPTION	QTY.
25	1-397-010381125	HOSE ASSEMBLY 1/2 X 125	1
26	2045-8-8S	INT. P SWIV. EXT.	1
28	2068-12-12S	O-RING ADP 90° ELBOW	1
29	1-861-010034-07	WASHER SPLIT LOCK #10	18
30	2255-8-8S	TEE INTERNAL PIPE SWIVEL	3
31	2255-12-12S	SWIVEL BRANCH TEE	1
32	3-755-010003	SUPPORT CYLINDER MIDDLE	1
33	3-222-010160	COVER ACCESS (ON SIDE OF LOWER BED)	6
34	1-654-010047-04	SCREW HEX HEAD CAP 1/4-20X3/4 GR5 (USED W/ ITEM 33)	18
35	1-654-010059-09	SCREW HEX HEAD CAP 5/8-11 X 3 GR5	2
36	1-861-010032-19	WASHER FLAT 5/8	4
37	1-512-010005-13	NUT HEX LOCK 5/8-11 GRB	2
38	3-181-010007	HOSE CLAMP TOP PLATE (UNDERSIDE OF BED)	26
39	3-181-010008	BOTTOM HOSE CLAMP (UNDERSIDE OF BED)	12
40	3-181-010006	HOSE CLAMP (UNDERSIDE OF BED)	8
41	3-557-010032	PIN CYLINDER ROD END	1
42	3-557-010033	PIN CYLINDER BUTT END	2
43	3-557-010059	PIN CYLINDER ROD END	2
44	3-557-010182	PIN CYLINDER END	1
45	3-557-010499	PIN CYLINDER BUTT END	4
46	3-557-010500	PIN CYLINDER ROD END	2
47	1-647-010006042	PIN SPRING SLOTTED 1/4 X 2	2
48	1-557-010362-54	COTTER PIN 3/16 X 2-1/4	7
49	1-557-010362-51	COTTER PIN PLATED 3/16 X 1-1/2	8
50	1-397-010385277	HOSE ASSEMBLY 1/2 X 277	50FT
51	2050-8-8S	ADAPTER 45 SWIVEL	2
52	2047-12-12S	PIPE SWIVEL 90° 3/4-14	1
53	1-397-0103785143	HOSE ASSEMBLY 1/2 X 143	1
54	1-512-010007-04	NUT, HEX #10-32	18
55	1-397-010370125	HOSE ASSEMBLY 1/2 X 125	1
56	1-397-010353141	HOSE ASSEMBLY 3/8 X 141	1
57	1-397-010386200	HOSE ASSEMBLY 3/8 X 200	1
58	1-397-010332175	HOSE ASSEMBLY 3/8 X 175	1
59	1-397-010353097	HOSE ASSEMBLY 3/8 X 97	1
60	1-397-010332184	HOSE ASSEMBLY 3/8 X 184	1
61	1-397-010386180	HOSE ASSEMBLY 3/8 X 180	1
62	1-512-010003-06	NUT HEX LOCK 10 -24	12
63	1-861-010032-03	WASHER FLAT 10	18
64	1-656-010003051	SCREW RD HD MACH 3/4	12
65	1-397-010385111	HOSE ASSEMBLY 1/2 X 111	1
66	1-397-010381055	HOSE ASSEMBLY 1/2 X 55	1
67	3-417-010004	INSULATION FILL VALVE SPT	2
68	100636	HOSE ASSEMBLY 3/8 X 52	1
69	1-397-010332080	HOSE ASSEMBLY 3/8 X 80	1
70	1-397-010332044	HOSE ASSEMBLY 3/8 X 44	1
71	1-397-010332054	HOSE ASSEMBLY 3/8 X 54	1
72	1-397-010332090	HOSE ASSEMBLY 3/8 X 90	1
73	1-397-010311149	HOSE ASSEMBLY 1/2 X 149	1
74	1-397-010311025	HOSE ASSEMBLY 1/2 X 25	1
75	1-397-010311060	HOSE ASSEMBLY 1/2 X 60	1
76	1-397-010365132	HOSE ASSEMBLY 3/4 X 132	1
77	1-397-010313024	HOSE ASSEMBLY 3/4 X 24	1
78	1-397-010313046	HOSE ASSEMBLY 3/4 X 46	1
79	1-007-010024	PIPE TO O-RING 90 DEGREE	1
80	100635	HOSE ASSEMBLY 3/8 X 52	1
81	3-242-010216	CYLINDER HYDRAULIC 4-3/4 X 16 (SEE PAGE 1-19)	1

HYDRAULIC ASSEMBLY

ITEM	PART NO.	DESCRIPTION	QTY.
82	1-656-010003078	SCREW RD HD MACH 10-32 X 5/8	18
83	239-4899	LATCH COVER SW# 750015	2
84	2066-8-10S	O-RING ADAPT TP PT	8
85	1-007-010003	90° SWIVEL ELBOW W/ RESTRICTOR	3
86	1-007-010008	90° UNION ADAPTER W/ RESTRICTOR	2
87	3-242-010217	CYLINDER HYDRAULIC (SEE PAGE 1-19)	1
88	7/8 MACH BUSH	BUSHING MACHINERY 7/8	2
89	1-654-010051-13	SCREW HEX HEAD CAP 3/8-16 X 3 GR5	2
90	3-846-010080-2	VALVE HYDRAULIC VEL FUSE	2
91	3-222-010168	COVER VALVE SUPPORT	1
92	1-654-010070-11	SCREW RD HD SQ NECK 1/2-13 X 3-1/2	6
93	1-512-010005-09	NUT HEX LOCK 1/2-13 GRB	6
94	1-816-010032-15	WASHER FLAT 1/2	6
95	BSL-6-4	RIVET (NOT SHOWN)	4
96	3-181-010060	CLAMP CAGE NUT (UNDERSIDE OF BED)	8
97	3-372-010056	HINGE W/HOLES	1
98	2049-8-8S	ADAPTER 45° SWIVEL	2
99	2047-8-8S	ADAPTER 90°	2
100	900729-3	CLAMP HOSE (NOT SHOWN)	1
101	1-298-010001-1	ZERK FITTING 1/4	4
102	1-861-010034-09	WASHER SPLIT LOCK 1/4 (USED W/ ITEM 33)	18
103	1-861-010032-07	WASHER FLAT 1/4 (USED W/ ITEM 33)	18
106	2066-6-6S	3/8-18 PIPE TO 9/16 - 18 O-RINGS	12
107	2068-8-10S	FITTING 90 EL	1
108	2067-6-6S	ADAPTER 45 O-RING TO P.T.	4
109	2068-12-10S	ELBOW 90	1
110	1-397-010360024	HOSE ASSEMBLY 1/2 X 24	5
111	1-397-010382024	HOSE ASSEMBLY 1/2 X 24	5
112	1-397-010383024	HOSE ASSEMBLY 3/8 X 24	3
113	1-397-010384024	HOSE ASSEMBLY 3/8 X 24	3
114	1-397-010313021	HOSE ASSEMBLY 3/4 X 21	1
115	2046-12-12S	CONNECTOR HYDRAULIC 3/4 X 3/4	1
116	514-1000	QUICKEDGE TRIM	6'
117	2-318-010009	FUSE HOLDER PANEL MOUNT	REF
118	RRT271X.375ZP	TUBE ROUND	2
119	3-279-010043	ENCLOSURE WELDMENT ELECT	1

NOTE: SEE FIGURE 1-9 HYDRAULIC SYSTEM FOR BUTT END CYLINDER PIN



1mo242-010169

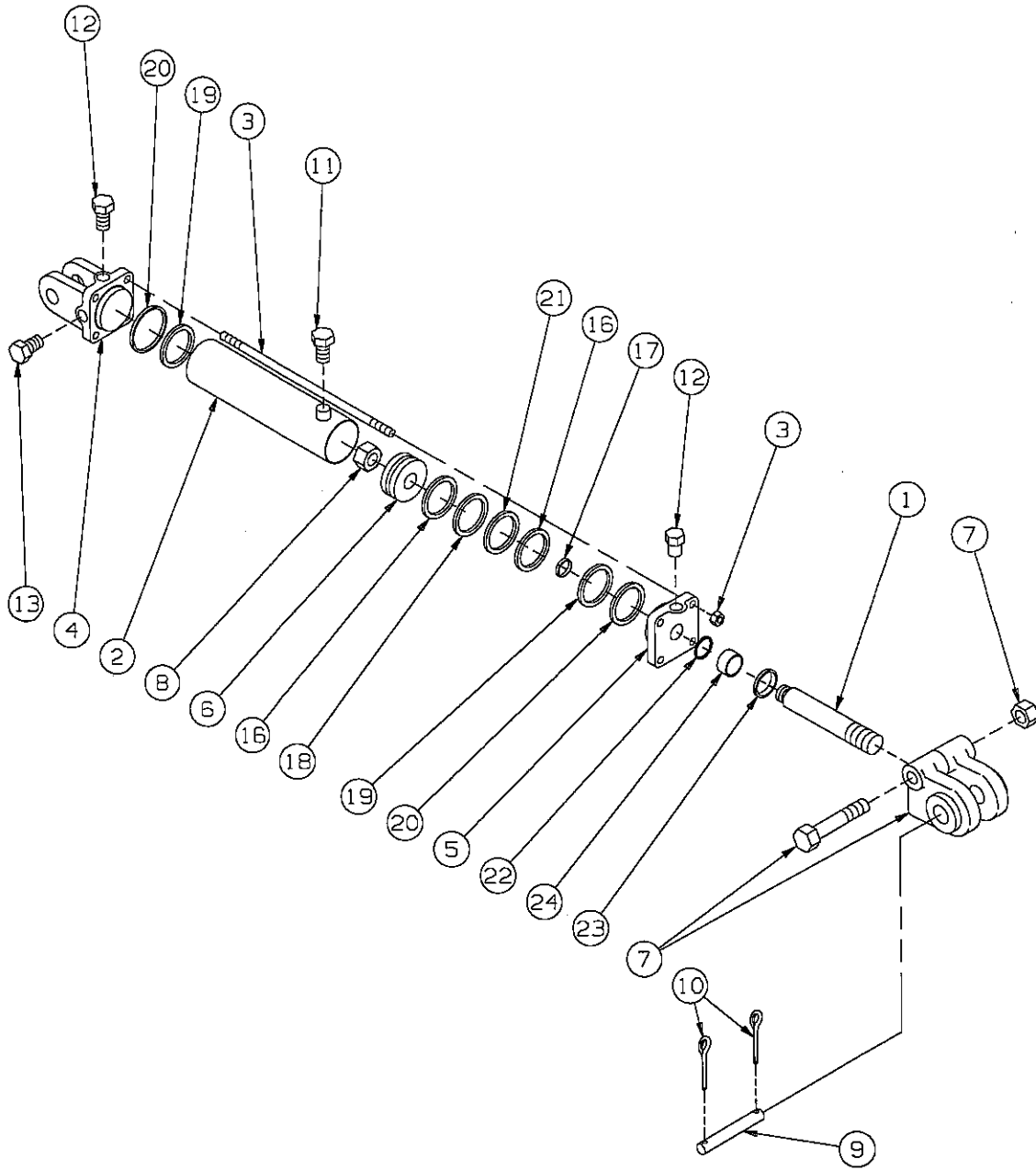
Figure 1-11 Hydraulic Cylinder Assembly, 16"

HYDRAULIC CYLINDER, 16" (UPPER DECK LIFT CYLINDER)

ITEM	PART NO.	PART NO.	PART NO.	DESCRIPTION	QTY.
	3-242-010199 4" X 16" PMS-AM-2554	3-242-010200 3-3/4" X 16" PMS-AM-2560	3-242-010202 4-1/2" X 16" PMS-AM-2548	CYLINDER, HYD.(PRINCE) (SEE FIGURE 1-11)	1
1	010700566	010700566	011100744	PISTON ROD	1
2	061900610	061800024	062000081	TUBE ASSY.	1
3	170301212	170301212	170301215	TIEROD ASSY.	4
4	141900037	141800009	142000004	BUTT	1
5	081900374	081800022	062000092	GLAND ASSY.	1
6	071900273	071800021	072000097	PISTON	1
7	100000330	100000330	100000326	CLEVIS ASSY.	1
8	220000210	220000210	220000211	LOCKNUT	1
9	190400004	190400004	190400004	CLEVIS PIN	2
10	190600003	190600003	190600003	HAIRPIN CLIP	4
11	200300104	200300104	200300104	PORT PLUG	1
12	200013106	200013106	200013106	PLASTIC PLUG	2
13	200300040	200300040	200300040	PORT PLUG 3/4-16	1
14	230010405	230010405	230010405	DECAL	1
15	230010407	230010407	230010407	DECAL	1
16	240011105	240011098	240011112	BEARING RING	2
17	240000028	240000028	240000024	O-RING	1
18	240000153	240000152	240000155	O-RING	1
19	240000240	240000238	240000244	O-RING	2
20	240061240	240061238	240061244	BU-WASHER	2
21	240035153	240035152	240035155	TEFLON SEAL	1
22	240020185	240020185	240020009	U-CUP	1
23	250014137	250014137	250014200	WIPER	1
24	210700077	210700077	211100272	BUSHING	1
25	220001504	220001504	220001504	COTTER PIN	4
26	PMCK-AM-2554	PMCK-AM-2560	PMCK-AM-2548	PACKING KIT*	1

* PACKING KIT CONTAINS PARTS 16 THROUGH 23.

NOTE: SEE FIGURE 1-9 HYDRAULIC SYSTEM FOR BUTT END CYLINDER PIN



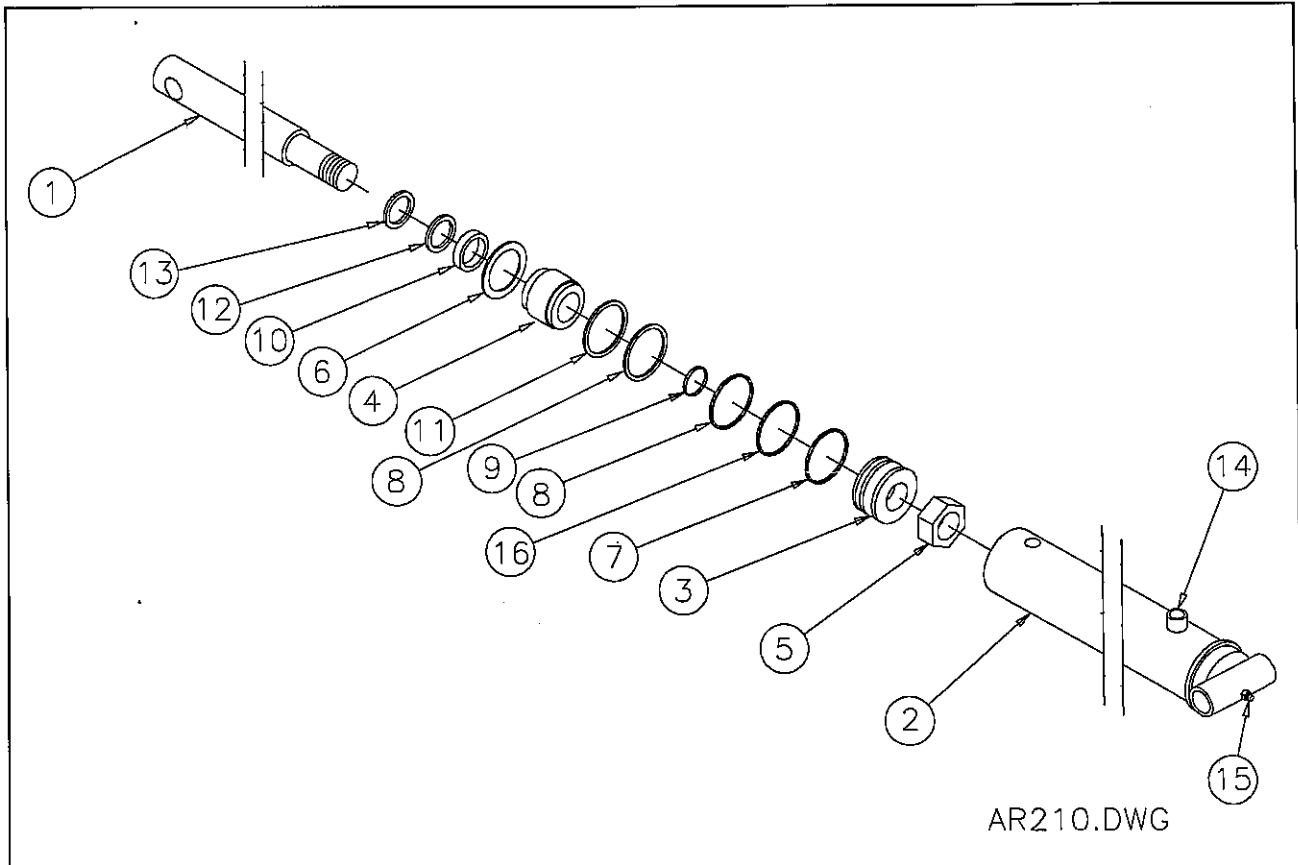
1mo242-010169

Figure 1-12 Hydraulic Cylinder Assembly, 16"

HYDRAULIC CYLINDER, 16"

ITEM	PART NO.	PART NO.	DESCRIPTION	QTY.
	3-242-010216	3-242-010217	CYLINDER, HYD.(PRINCE)	1
	4-3/4" X 16"	5" X 16"	(SEE FIGURE 1-12)	
	PMS-AM-2542	PMS-AM-2536		
1	010800690	010800702	PISTON ROD	1
2	062100549	062100547	TUBE ASSY.	1
3	170301215	170301215	TIEROD ASSY.	4
4	142100019	142100020	BUTT	1
5	082100284	082100293	GLAND ASSY.	1
6	072100244	072100245	PISTON	1
7	100000326	100000326	CLEVIS ASSY.	1
8	220000211	220000211	LOCKNUT	1
9	190400004	190400004	CLEVIS PIN	2
10	190600003	190600003	HAIRPIN CLIP	4
11	200300104	200300104	PORT PLUG	1
12	200013106	200013106	PLASTIC PLUG	2
13	200300040	200300040	PORT PLUG 3/4-16	1
14	230010405	230010405	DECAL	1
15	230010407	230010407	DECAL	1
16	240011113	240011114	BEARING RING	2
17	240000029	240000029	O-RING	1
18	240000156	240000157	O-RING	1
19	240000246	240000248	O-RING	2
20	240061246	240061248	BU-WASHER	2
21	240035156	240035157	TEFLON SEAL	1
22	240020059	240020059	U-CUP	1
23	250014150	250014150	WIPER	1
24	210600205	210600205	BUSHING	1
25	220001504	220001504	COTTER PIN	4
26	230010606	230010606	WARNING DECAL	1
27	PMCK-AM-2542	PMCK-AM-2536	PACKING KIT*	1

* PACKING KIT CONTAINS PARTS 16 THROUGH 23.



HYDRAULIC CYLINDER, 4"X36"(TRAILER TILT CYLINDER)

ITEM	PART NO.	DESCRIPTION	QTY.
	3-242-010207	CYLINDER, HYD., 4"X36" (PRINCE #PMC-5636)	1
1	011100078	PISTON ROD	1
2	061900042	BUTT AND TUBE ASSY.	1
3	071900019	PISTON	1
4	081900019	GLAND	1
5	220000212	LOCKNUT	1
6	230001400	SNAP RING	1
7	240004008	PISTON RING	1
8	240000342	O-RING	2
9	240000026	O-RING	1
10	240010329	QUAD RING	1
11	240034342	B/U WASHER	2
12	240005329	B/U WASHER	1
13	250001329	WIPER	1
14	200018003	PIPE PLUG	2
15	270010002	GREASE ZERK	1
16	240061342	B/U WASHER	1
17	PMCK-5600	PACKING KIT (PARTS 6 THROUGH 13) (CONTAINS ALL NECESSARY SEALS AND O-RINGS)	1

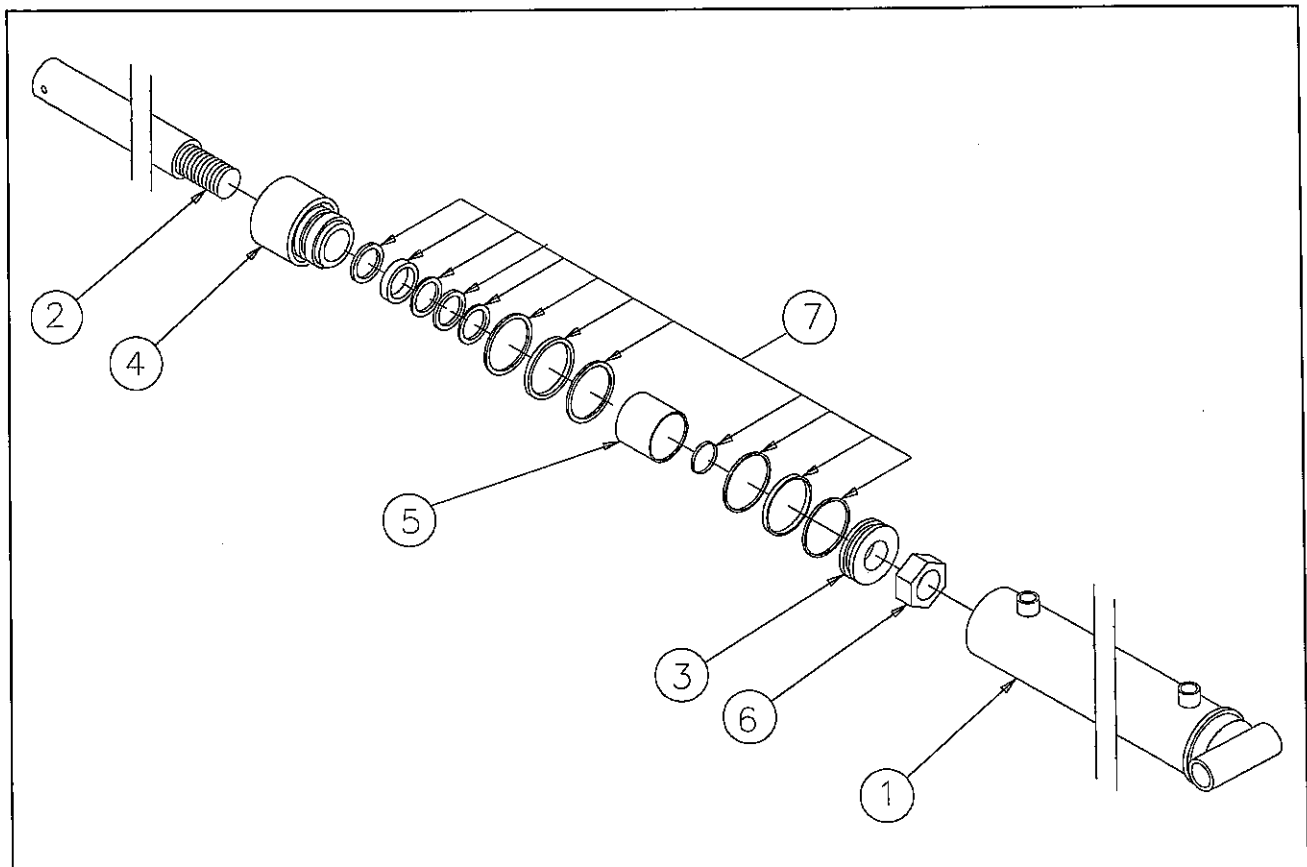
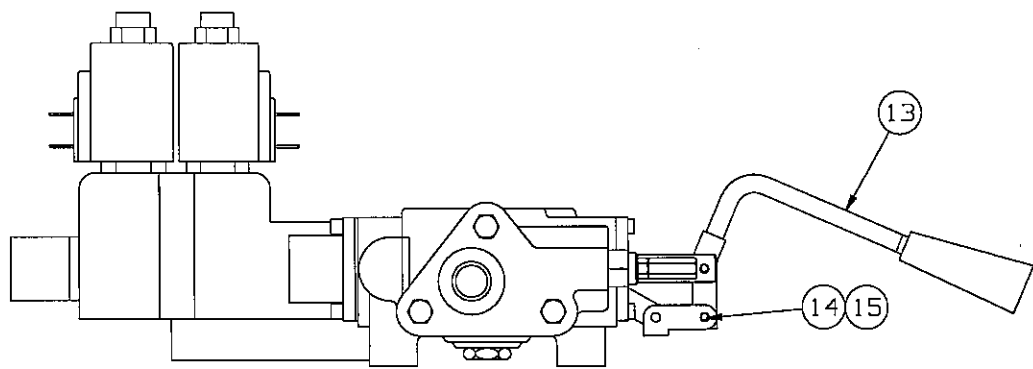
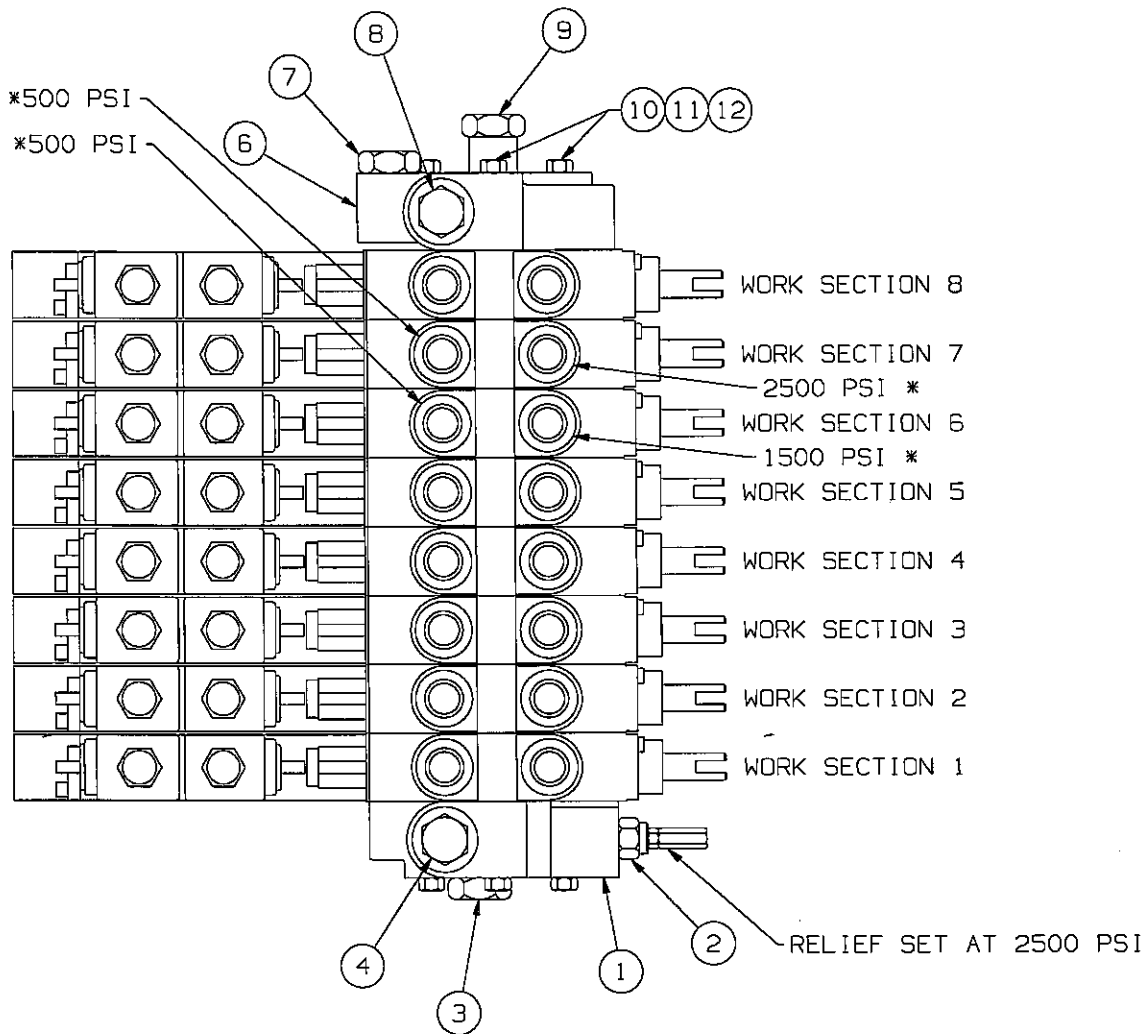


Figure 1-13 Hydraulic Cylinder Assembly, 4" x 126"

HYDRAULIC CYLINDER, 4"X126"(U/C SLIDE CYL.)

ITEM	PART NO.	DESCRIPTION	QTY.
	3-242-010185	CYLINDER, HYDR., 4"X126" (PRINCE #AD-461)	1
1	061900539	BUTT AND TUBE ASSEMBLY (ALTERED PER 3-242-010185)	1
2	011300179	PISTON ROD	1
3	071900195	PISTON	1
4	081900277	GLAND	1
5	211300024	SPACER	1
6	220000212	LOCKNUT (1-1/4 - 12) PISTON RING	1
7	240000026	O-RING	1
8	240000342	O-RING	2
9	240000333	O-RING	1
10	240005342	B/U WASHER	3
11	240005333	B/U WASHER	2
12	240020015	U-CUP	1
13	230007400	SQUARE RETAINING RING	1
14	250002213	WIPER	1
15	200013106	PLUG, SAE ORB	2
16	PMCK-AD-461	PACKING KIT (PARTS 7 THROUGH 14) (CONTAINS ALL NECESSARY SEALS AND O-RINGS)	1

* PORT RELIEF SETTINGS



3mb846-010145

Figure 1-14 Eight Spool Valve

EIGHT SPOOL VALVE

ITEM	PART NO.	DESCRIPTION	QTY.
	3-846-010145	VALVE, HYD. 8 SPOOL (PRINCE #SVA-K1)	1
	SVI25	INLET SECTION	1
1	625765001	MACHINED INLET	1
2	660250002	RELIEF CART.	1
3	200400030	PLUG, STEEL	1
4	200013107	PORT PLUG, PLASTIC	1
5	660580004	O-RING KIT (SEAL KIT BETWEEN SECTIONS)	9
	SVA-S60	WORK SECTIONS 1 TO 5 AND 8 (SEE PAGE 1-25)	6
	SVA-S61	WORK SECTION 7 (SEE PAGE 1-25)	1
	SVA-S86	WORK SECTION 6 (SEE PAGE 1-25)	1
	SVE26	OUTLET SECTION	1
6	625775001	MACHINED OUTLET	1
7	200400030	PLUG, STEEL	1
8	200013107	PORT PLUG, PLASTIC	1
9	660280018	OUTLET CART.	1
	660401008	TIE ROD KIT	1
10	672201008	TIE ROD	3
11	220001005	LOCK WASHER	6
12	220000102	HEX NUT	6
13	3-360-010111	HANDLE	8
14	220001512	COTTER PIN	16
15	671700014	CLEVIS PIN	16
	660580005	COMPLETE KIT FOR SOLENOID WORK SECTION	8
	660580002	COMPLETE KIT FOR INLET SECTION	1
	660580003	COMPLETE KIT FOR OUTLET SECTION	1

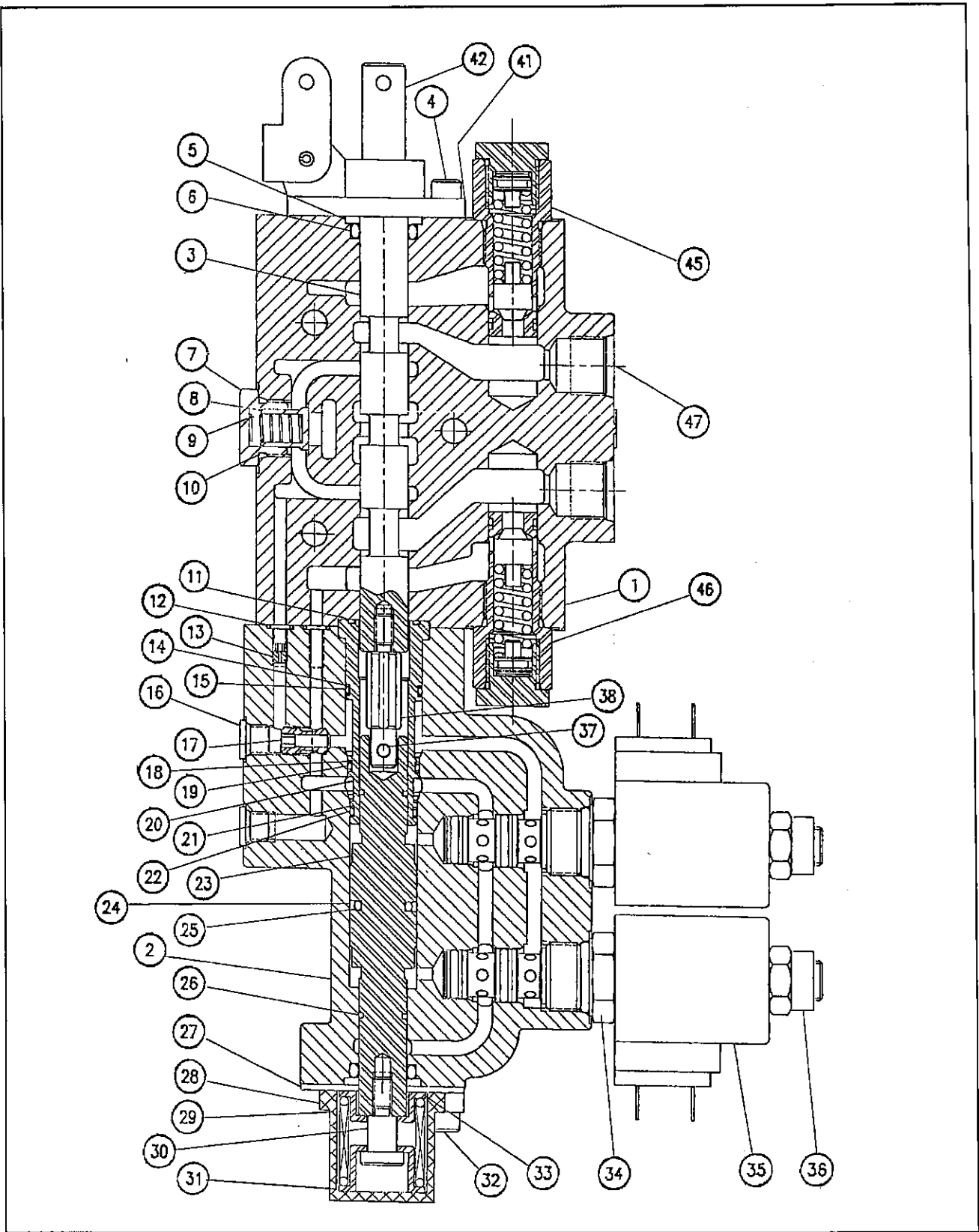
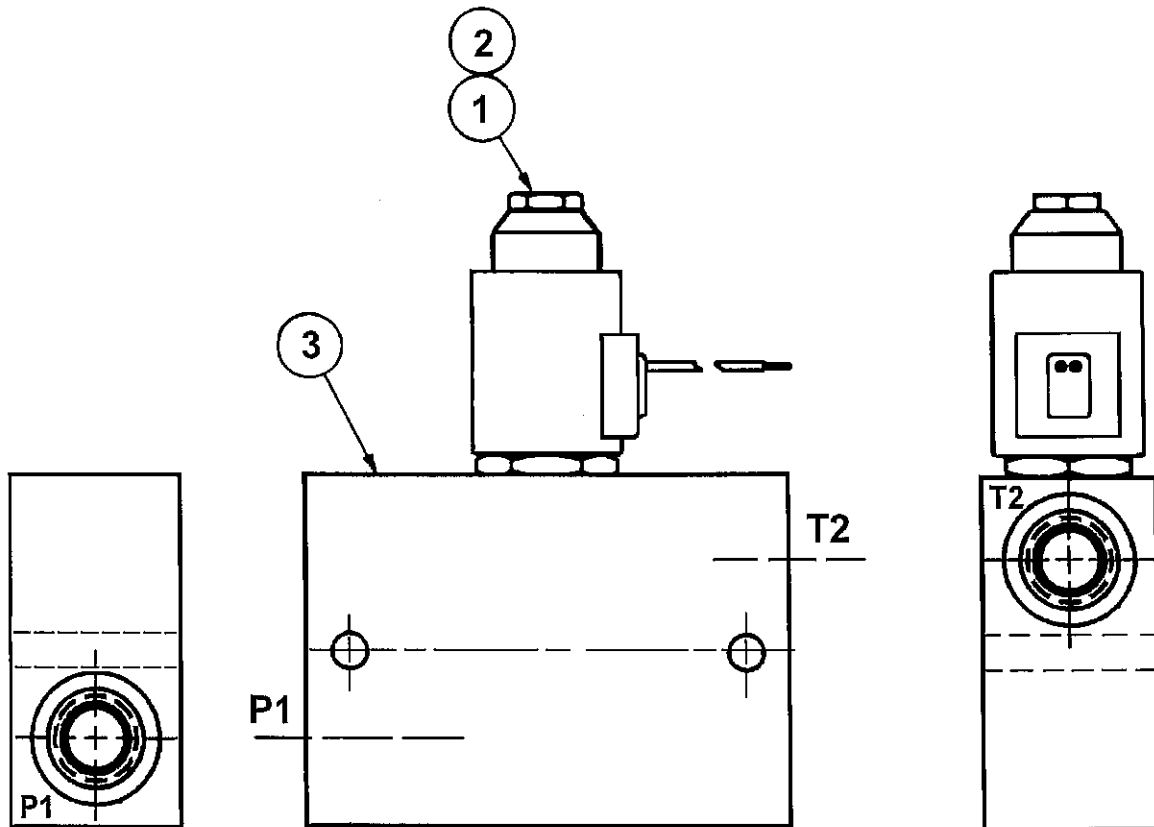


Figure 1-15 Eight Spool Valve, Work Sections

EIGHT SPOOL VALVE, WORK SECTIONS

ITEM	PART NO.	DESCRIPTION	QTY.
	SVA-S60	SOLENOID VALVE SECTIONS 1 TO 5 AND 8	6
	SVA-S61	SOLENOID VALVE SECTION 7	1
	SVA-S86	SOLENOID VALVE SECTION 6	1
1	625754008	VALVE BODY (SVA-S60)	1
	625894008	VALVE BODY (SVA-S61)	1
2	6262230001	ACTUATOR BODY	1
3	612004001	SPOOL	1
4	170003017	CAP SCREW	2
5	670500045	SPOOL BACKUP WASHER	2
6	240000208	O-RING	2
7	671600049	LOAD CHECK PLUG	1
8	670100008	LOAD CHECK POPPET	1
9	670300029	LOAD CHECK SPRING	1
10	240000908	O-RING	1
11	240000019	O-RING	1
12	240000009	O-RING	2
13	671400182	ORIFICE PLUG	1
14	240044020	BACKUP WASHER	2
15	240000020	O-RING	1
16	200100189	STEEL PLUG	2
17	671600063	PLUG	1
18	240044019	BACKUP WASHER	2
19	240000019	O-RING	1
20	671400079	SLEEVE	1
21	240044018	BACKUP WASHER	2
22	240000018	O-RING	1
23	610100011	SPOOL	1
24	240016230	GLYD-RING	1
25	240000113	O-RING	1
26	240019014	BACKUP WASHER	2
27	670500044	RETAINER PLATE	2
28	671400033	END CAP	1
29	670300030	SPRING	1
30	671400078	ADAPTER	1
31	671400076	OUTER STOP CUP	1
32	170003017	CAP SCREW	2
33	671400077	INNER STOP CUP	1
34	660263002	SOLENOID CARTRIDGE	2
35	671302003	SOLENOID COIL	2
36	671800021	COIL NUT	2
37	190100046	PIN	1
38	671900032	ADAPTER	1
39	170003037	CAPSCREW	4
40	220001010	LOCK WASHER	4
41	660580004	O-RING KIT	1
42	200013105	PORT PLUG	2
43	671900011	SPOOL ADAPTER	1
44	660180032	CLEVIS SUB-ASSY	1
45	660280003	RELIEF CART.(SVA-S61 ONLY-SEE FIGURE 1 -14 FOR RELIEF SETTING)	1
46	660280010	RELIEF CART. (SVA-S61 ONLY-SEE FIGURE 1 -14 FOR RELIEF SETTING)	1
47	200013105	PORT PLUG	2



3-010164.TIF

Figure 1-16 Valve N.O. W/Relief Solenoid

VALVE N.O. SOLENOID HYDRAULIC

ITEM	PART NO.	DESCRIPTION	QTY.
	3-846-010164	VALVE N.O. SOLENOID HYDRAULIC	
1	H/F SV16-21W-0-N-00	N.O. SOL VALVE	1
2	H/F 6352012	12 VDC DUAL LEAD COIL	1
3	M13299-1	VALVE BODY	1

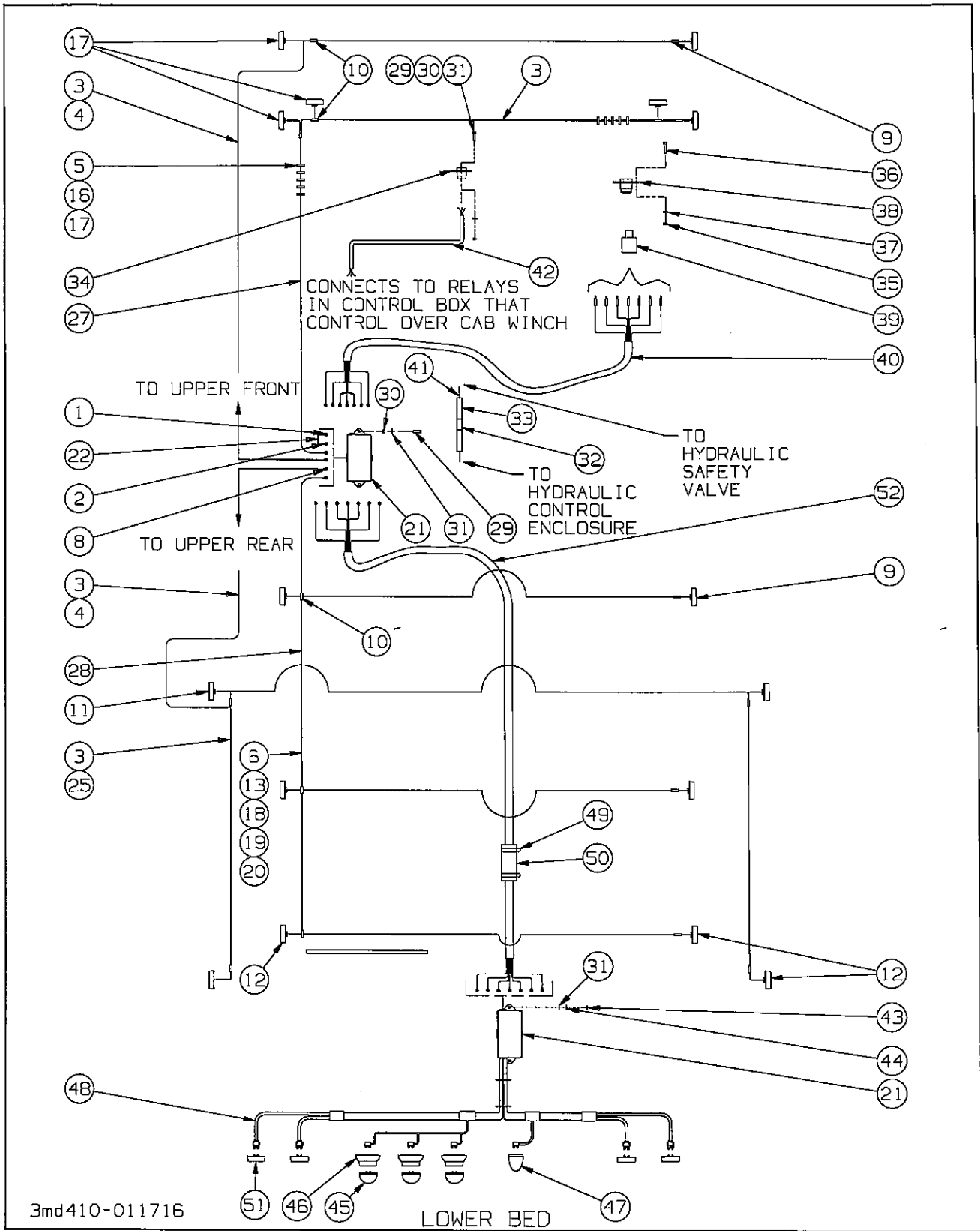
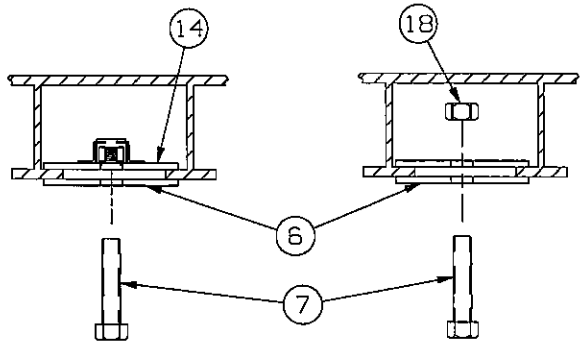
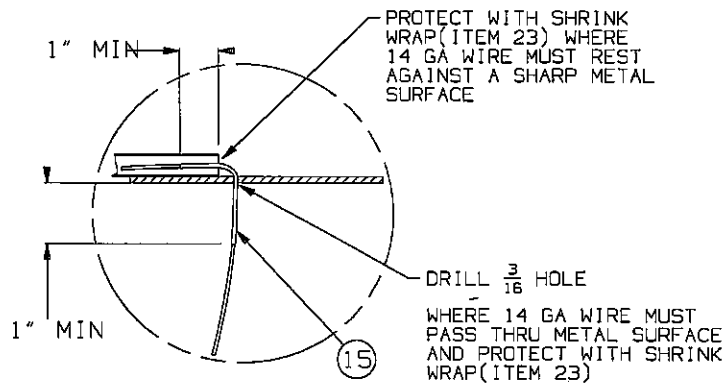


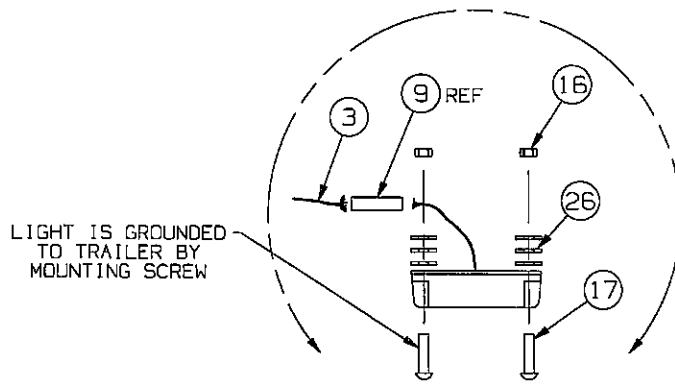
Figure 1-17 Electrical System



CLAMP ASSEMBLY DETAILS



WIRE PROTECTION DETAIL



LIGHT DETAIL

3mc410-011716

Figure 1-18 Electrical System - Miscellaneous Details

ELECTRICAL SYSTEM

ITEM	PART NO.	DESCRIPTION	QTY.
	B3-272-095	ELECTRICAL FOR BED TRAILER 334B (3-410-011831)	
	3-375-010619	HITCH TILT ASSEMBLY(ELECT SYSTEM ITEMS ONLY)	
	3-762-010728-01	SUSPENSION U/C ASSY (ELECT SYSTEM ITEMS ONLY)	
1	D01-407	RING TERMINAL	1
2	32002	TERMINAL W/ RING WAY	1
3	1-879-010005	WIRE BROWN	115'
4	3-201-010001	CONDUIT FLEX PLASTIC	40'
5	3-181-010034-1	CLAMP CONDUIT STEEL	10
6	3-181-010007	HOSE CLAMP TOP PLATE	55
7	1-654-010051-06	SCREW HEX HEAD CAP 3/8-16 X 1-1/4	33
8	3-203-010001	RING TERMINAL	4
9	3-272-010021	ELEC BUTT SPLICE W/SEAL	6
10	3-272-010022	ELEC BUTT SPLICE W/SEAL	9
11	3-446-010006	LIGHT CLEARANCE YELLOW	12
12	3-446-010007	LIGHT CLEARANCE RED	4
13	3-755-010255	SUPPORT WIRING FORMED	8
14	3-181-010060	CLAMP CAGE NUT	11
15	3-828-010002	TUBING SHRINK-TO-FIT ELEC WIRE	80"
16	1-512-010003-06	NUT HEX LOCK 10-24	50
17	1-656-010003051	SCREW RD HD MACH 3/4	50
18	1-512-010005-05	NUT HEX LOCK 3/8-16 GRB (NOT SHOWN)	36
19	1-654-010051-11	SCREW HEX HEAD CAP 3/8-16 X 2-1/2 GR5	14
20	1-861-010032-11	WASHER FLAT 3/8	14
21	750-029	JUNCTION BOX 7 STUD	2
22	1-879-010009012	WIRE WHITE	1
23	T120R	TYTON STRAP (NOT SHOWN)	100
24	105-0150	SEALANT RTV (CLEAR)(NOT SHOWN)	1
25	3-311-014622	RETAINER WIRE	5
26	1-861-010032-03	WASHER FLAT 10	98
27	3-368-010221	HARNESS LWR BED FRONT LIGHTS	1
28	3-368-010225	HARNESS LWR BED REAR LIGHTS	1
29	1-654-010047-06	SCREW HEX HEAD CAP 1/4-20 X 1 GR5	4
30	1-512-010005-01	NUT HEX LOCK 1/4-20 GRB	4
31	1-861-010032-07	WASHER FLAT 1/4	14
32	3-272-010021	ELECT BUTT SPLICE 16-14	1
33	3-201-010001	CONDUIT 5/16 PLASTIC FLEX	10'
34	3-272-010003	CONNECTOR ELECT 4 POLE FM	1
35	1-512-010007-06	NUT HEX 5/16-18	2
36	1-654-010049-06	SCREW HEX HEAD CAP 5/16-18 X 1-1/4 GR5	2
37	1-861-010034-10	WASHER SPLIT LOCK 5/16	2
38	59S-7	RECEPTACLE 7 PIN	1
39	59W-2-3	RUBBER BOOT	1
40	3-368-010222	HARNESS FRONT TO JCT BOX	1
41	1-879-010004	WIRE RED 14 GA	9'
42	3-368-010228	HARNESS 4 POLE TO RELAY	1
43	1-512-010007-05	NUT HEX 1/4-20 GRB	10
44	1-861-010034-09	WASHER SPLIT LOCK 1/4	10
45	10205R	REFLECTOR LAMP RED	3
46	10404	GROMMET MOUNT	3
47	15009	LICENSE LAMP	1
48	3-368-010195	HARNESS REAR U/C BUMPER	1
49	6812	IDEAL HOSE CLAMP	2
50	2750-8	HOSE 1/2 AIR BRAKE	5'
51	40002R	LIGHT STOP TURN TAIL	4
52	3-368-010232	HARNESS JCT BOX TO JCT BOX	1

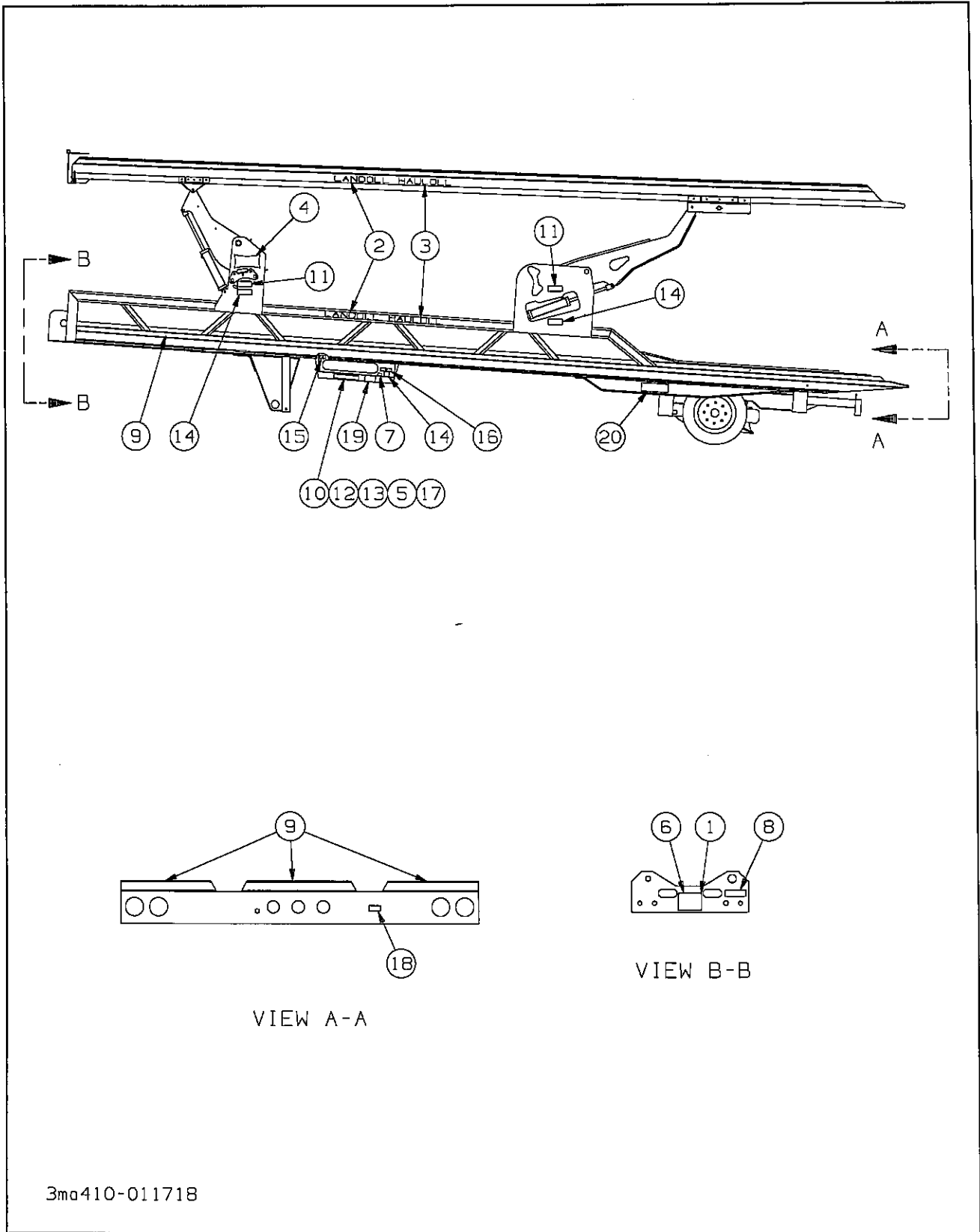


Figure 1-20 Decal Placement

DECAL PLACEMENT

ITEM	PART NO.	DESCRIPTION	QTY.
	B3-573-058	INSTALL DECAL TRL (3-410-011718)	
	3-762-010728-01	SUSPENSION UNDERCARRIAGE ASSEMBLY (DECAL PLACEMENT ITEMS ONLY)	
	3-208-010071	CONTROL BOX ASSY(DECAL PLACEMENT ITEMS ONLY)	
1	10036	FASTENER SERIAL NUMBER PLATE	4
2	1-573-010003	DECAL LANDOLL BLACK	4
3	1-573-010004	DECAL HAULLOLL BLACK	4
4	1-573-010013	DECAL LANDOLL WHITE	2
5	1-656-010003051	SCREW ROUND HEAD MACHINE 10-24 X 3/4	2
6	3-573-010020	PLATE IDENTIFICATION	1
7	3-573-010060	DECAL TOLL FREE-NO	1
8	3-573-010203	DECAL NEGATIVE GROUND ONLY	1
9	3-573-010377	DECAL REFLEXITE TAPE RD/WHT	A/R
10	3-573-010441	DECAL OPERATION	1
11	3-573-010435	DECAL ENGAGE STOPS	4
12	1-512-010007-03	NUT, HEX 10-24	2
13	1-861-010032-04	WASHER FLAT 3/16	2
14	2-573-010335	DECAL DANGER PINCHING	5
15	3-573-010437	DECAL LIGHT VALVE SUPPORT	1
16	3-573-010438	DECAL REMOTE MANUAL SWITCH	1
17	BSL-6-4	RIVET LG FLANGE	4
18	3-573-010031	DECAL TRAILER BUMPER	1
19	3-573-010463	DECAL DECK LOCK CAUTION	1
20	3-573-010211	DECAL TORQUE SPEC	2

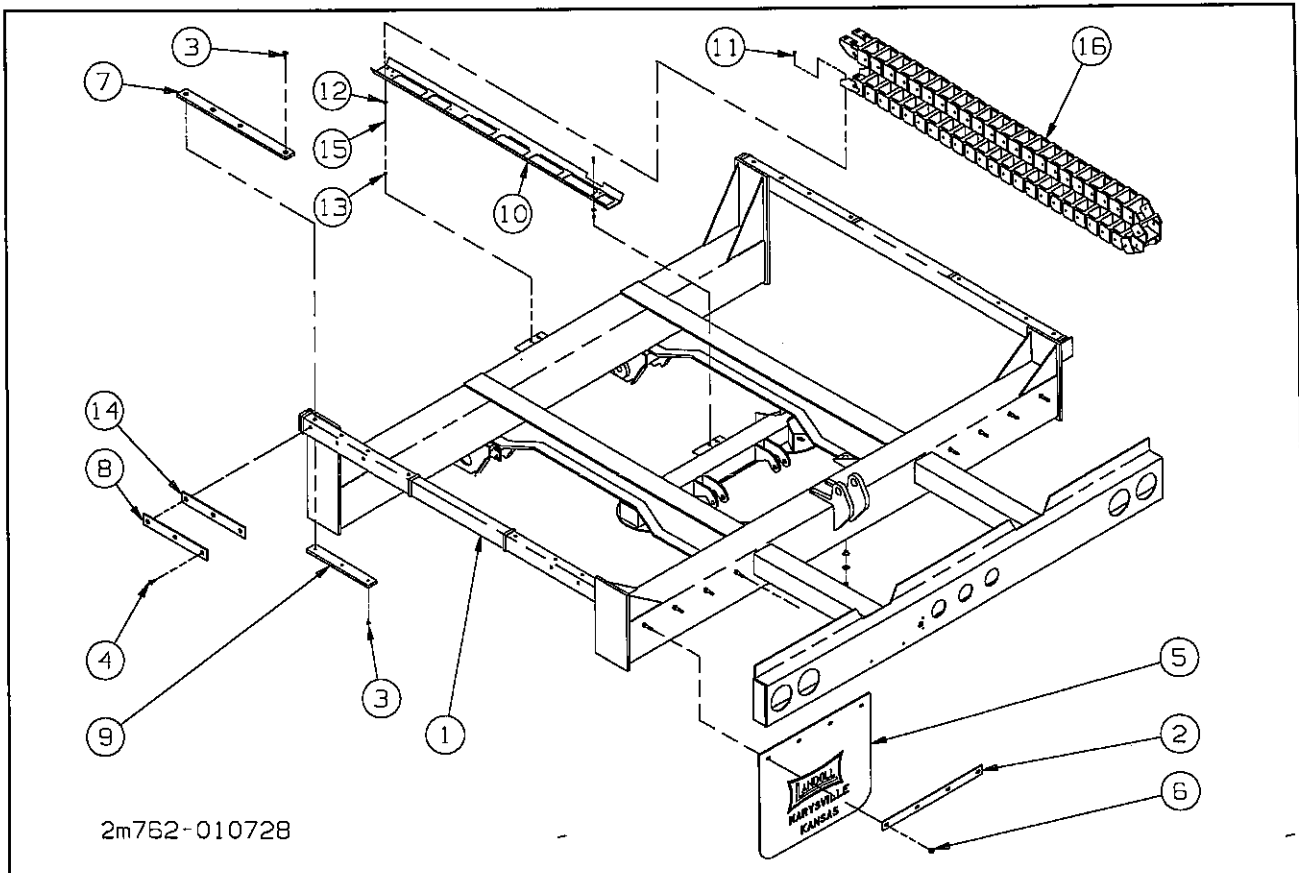


Figure 1-21 Undercarriage Assembly

UNDERCARRIAGE ASSEMBLY

ITEM	PART NO.	DESCRIPTION	QTY.
	3-762-010728-01	SUSPENSION UNDERCARRIAGE ASSEMBLY (UNDERCARRIAGE ASSEMBLY ITEMS ONLY)	
1	3-762-010727	SUSPENSION WELDMENT	1
2	3-762-010017	CLAMP MUD FLAP	2
3	1-654-010034-03	SCREW HEX SOC. FLAT HEAD CAP 5/16 X 3/4	28
4	1-654-010146-04	SCREW SLOTTED FLAT HEAD 1/4-20 X 3/4	12
5	3-485-010001	FLAP MUD	2
6	1-510-010001	NUT FLANGE LOCK 3/8-16	8
7	3-334-010015	GLIDE U-C (1/2 X 2 X 24 NYLATRON)	4
8	3-334-010040	GLIDE U-C (3/8 X 2 X 14 NYLATRON)	4
9	3-334-010012	GLIDE NYLATRON (1/2 X 2 X 14 NYLATRON)	4
10	3-821-010005	TRAY CAT TRACK	1
11	1-654-010158-1	SCREW ROUND SQUARE NECK 1/4-20	8
12	1-861-010032-07	WASHER FLAT 1/4	10
13	1-512-010007-05	NUT HEX 1/4-20 GRB	10
14	3-684-010051	SHIM SIDE U/C NYLATRON	4
15	1-861-010034-09	WASHER SPLIT LOCK 1/4	10
16	3-755-010189-03	SUPPORT, E-CHAIN	1

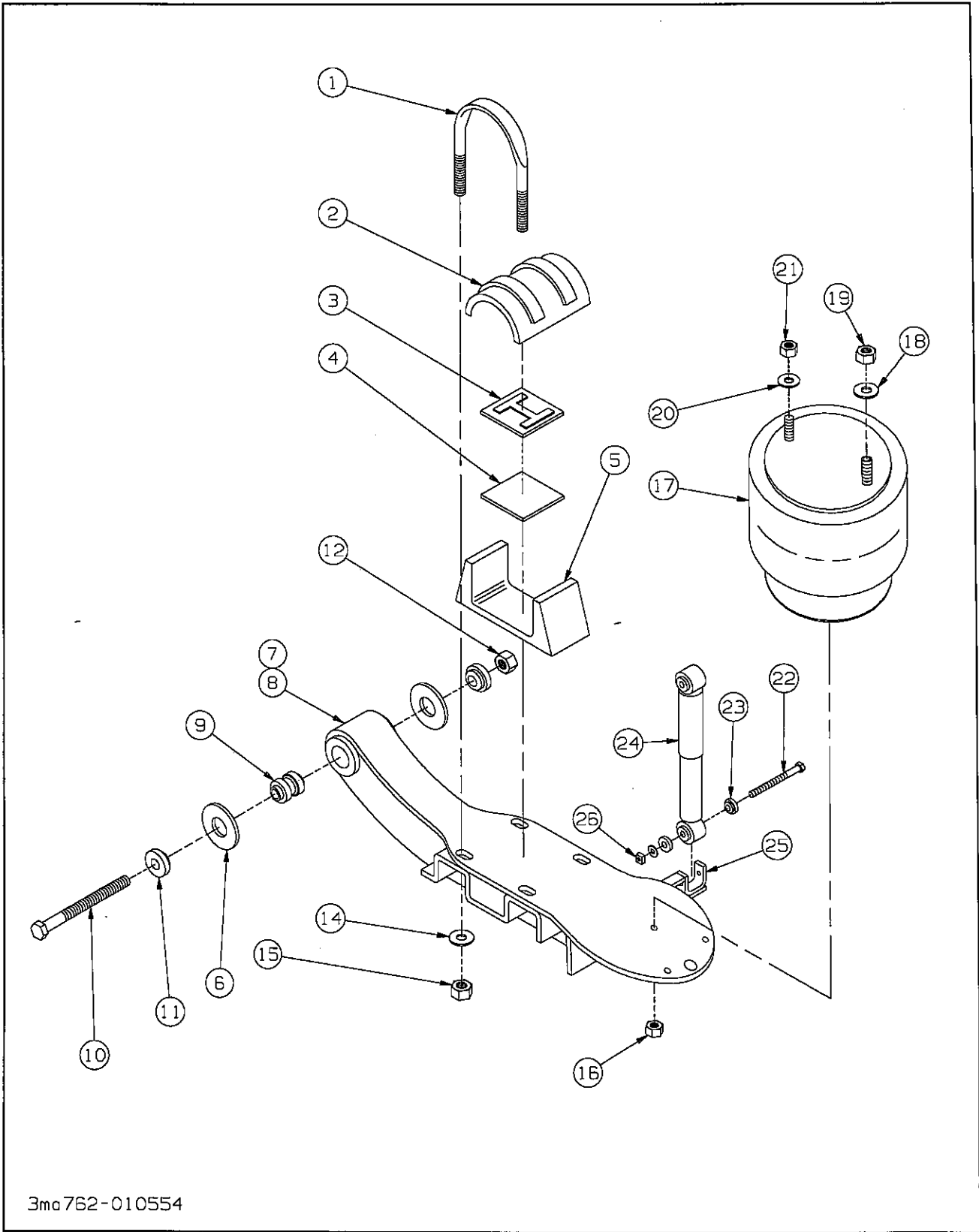


Figure 1-23 Air Ride Suspension

AIR RIDE SUSPENSION

ITEM	PART NO.	DESCRIPTION	QTY.
	3-762-010554	SUSPENSION HANGER AR-45 (NEWAY)	
1	900-41-878	U-BOLT 1" - 8 X 9	4
2	905-10-032	AXLE CAP 5" SQUARE	2
3	900-28-047	RUBBER WRAPPER 5" RD	2
4	900-28-075	STEEL/RUBBER PAD	2
5	900-01-078	BEAM SEAT	2
6	900-36-140	SPACER WASHER	4
7	905-15-857	EQUALIZING BEAM ASSEMBLY LH	1
8	905-15-858	EQUALIZING BEAM ASSEMBLY RH	1
9	900-08-139	BUSHING	2
10	932-01-046	CAP SCREW 1-1/8" - 7	2
11	900-08-141	ALIGNMENT BUSHING	2
12	939-00-165	SMART NUT ASSEMBLY 1-1/8" - 7	2
13	939-00-164	RING (MUST BE USED WITH ITEM 11)	2
14	939-00-027	FLAT WASHER 1"	8
15	934-00-502	LOCK NUT 1"- 8	8
16	934-00-492	LOCK NUT 3/4" - 10	4
17	905-57-023	AIR SPRING ASSEMBLY	2
18	936-00-077	LOCK WASHER 3/4"	4
19	934-00-149	HEX NUT 3/4" - 16	2
20	936-00-072	LOCK WASHER 1/2"	2
21	934-00-136	HEX NUT 1/2" -13	2
22	930-03-599	SCREW CAP 3/4"-10 X 3-1/2"	4
23	905-08-004	REPLACEMENT BUSHING (4 PER SHOCK ABSORBER)	8
24	900-44-162	SHOCK ABSORBER	2
25	905-19-425	LOWER SHOCK BRACKET	2
26	934-00-367	SQUARE NUT 3/4" -10	2

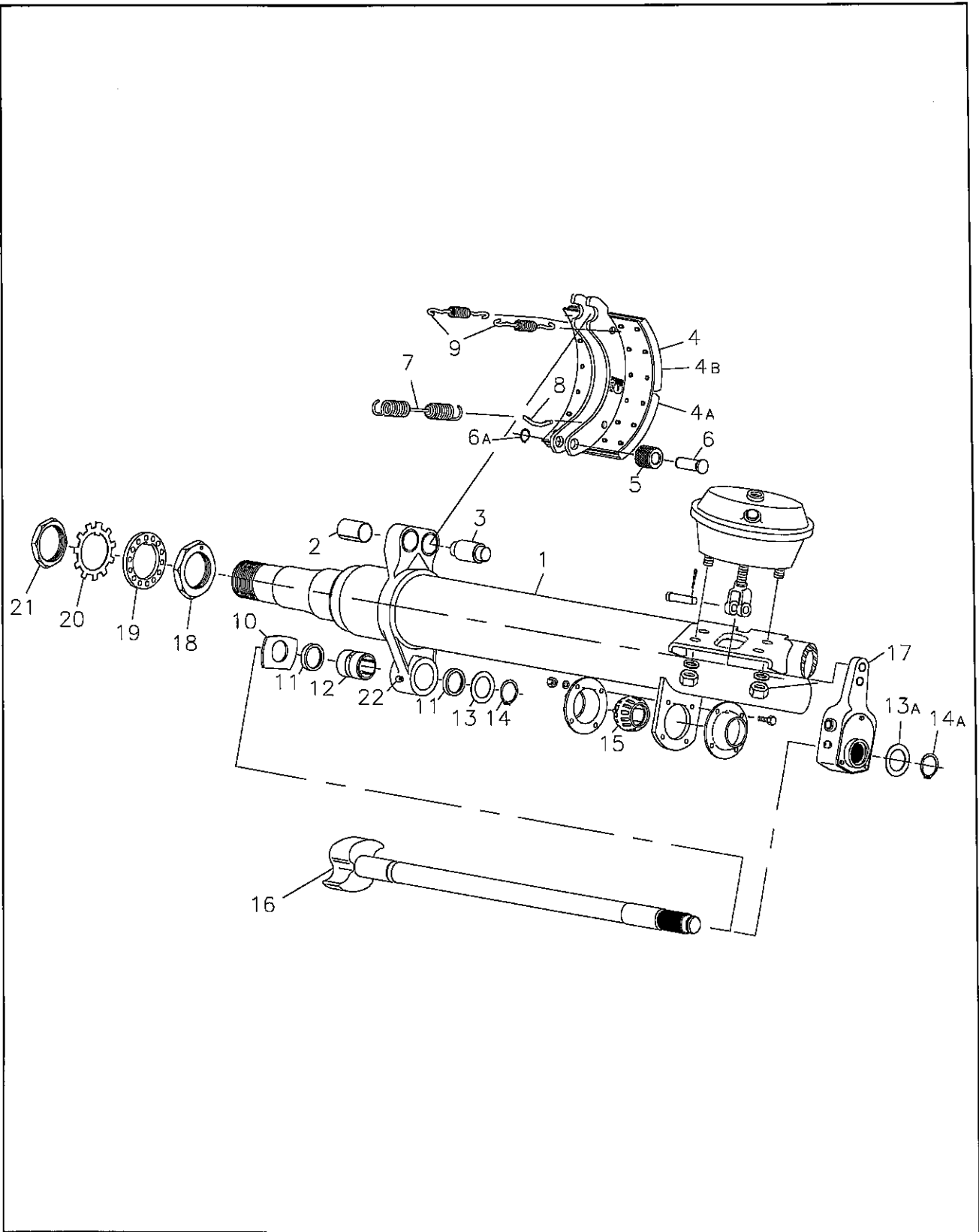


Figure 1-24 Axle and Brake Assembly

AXLE ASSEMBLY

ITEM	PART NO.	DESCRIPTION	QTY.
	3-042-010130-02	AXLE 70-1/2" 12-1/4"X71/2"SPGAS (DEXTER)	2
1*	D-2212-70.5TRACK	BEAM W/BRACKETS (5/8" WALL)	1
	K71-098-00	BRAKE SHOE HARDWARE KIT (ITEMS 2, 3, 5, 6,6A, 7, 8, 9 AND 9A)	
2**	014-068-00	BUSHING, SPIDER ANCHOR PIN	4
3**	056-017-00	PIN, ANCHOR	4
4	040-320-01	SHOE AND LINING ASSEMBLY	4
4A	041-060-01	LINING - BRAKE BLOCK CAM	4
4B	041-057-01	LINING - BRAKE BLOCK ANCHOR	4
5**	014-057-00	ROLLER	4
6**	056-010-00	PIN ROLLER	4
6A**	069-018-00	RETAINING PIN ROLLER	4
7**	046-092-00	SPRING - SHOE RETURN	2
8**	056-018-00	RETAINER PIN - RETRACTOR SPRING	4
9**	046-097-00	KEEPER SPRING	4
10***	005-074-00	WASHER - CAMSHAFT "D"	2
11***	010-052-00	SEAL GREASE	4
12***	014-056-00	BUSHING - CAMSHAFT SPIDER	2
13***	005-075-00	WASHER - CAMSHAFT	4
13A***	005-134-00	WASHER - CAMSHAFT END	4
14***	069-020-00	RETAINER - CAMSHAFT	2
14A***	069-078-00	RETAINER - CAMSHAFT END	2
15**	014-058-00	BUSHING - CAMSHAFT SUPPORT	2
16	034-188-00	CAMSHAFT LH	1
	034-189-00	CAMSHAFT RH	1
17	055-040-07	SLACK ADJUSTER AUTO	2
17A	055-053-00	CLEVIS	
17B	055-054-00	CLEVIS MOUNTING KIT	
18	006-114-00	NUT - INNER SPINDLE BEARING	2
19	005-098-00	LOCK WASHER - INDEXING	2
20	005-099-00	LOCK WASHER - TAB	2
21	006-115-00	NUT - OUTER SPINDLE	2
22***	061-006-00	FITTING GREASE 45°	2
23	034-048-00	AIR CHAMBER ASSEMBLY	2

3-042-010111-2 AXLE WELDMENT WILL HAVE P/N 900 01 082 NEWAY
 AIR RIDE SUSP. AXLE ADAPTER (2) WELDED ONTO AXLE
 P/N 3-042-010130-02

* WHEN ORDERING THE BEAM WITH SPINDLE, SPIDER, AND BRACKETS ATTACHED, YOU WILL NEED THE BEAM NUMBER, D2212; TRACK LENGTH, 70.5; BRAKE SIZE, 12-1/4" X 7-1/2"; AND CAMSHAFT LENGTH, 22-5/16".

** THESE PARTS ARE AVAILABLE AS PART OF BRAKE SHOE HARDWARE KIT K71-406-00.

*** THESE PARTS ARE AVAILABLE AS PART OF CAMSHAFT REPAIR KIT K71-101-00.

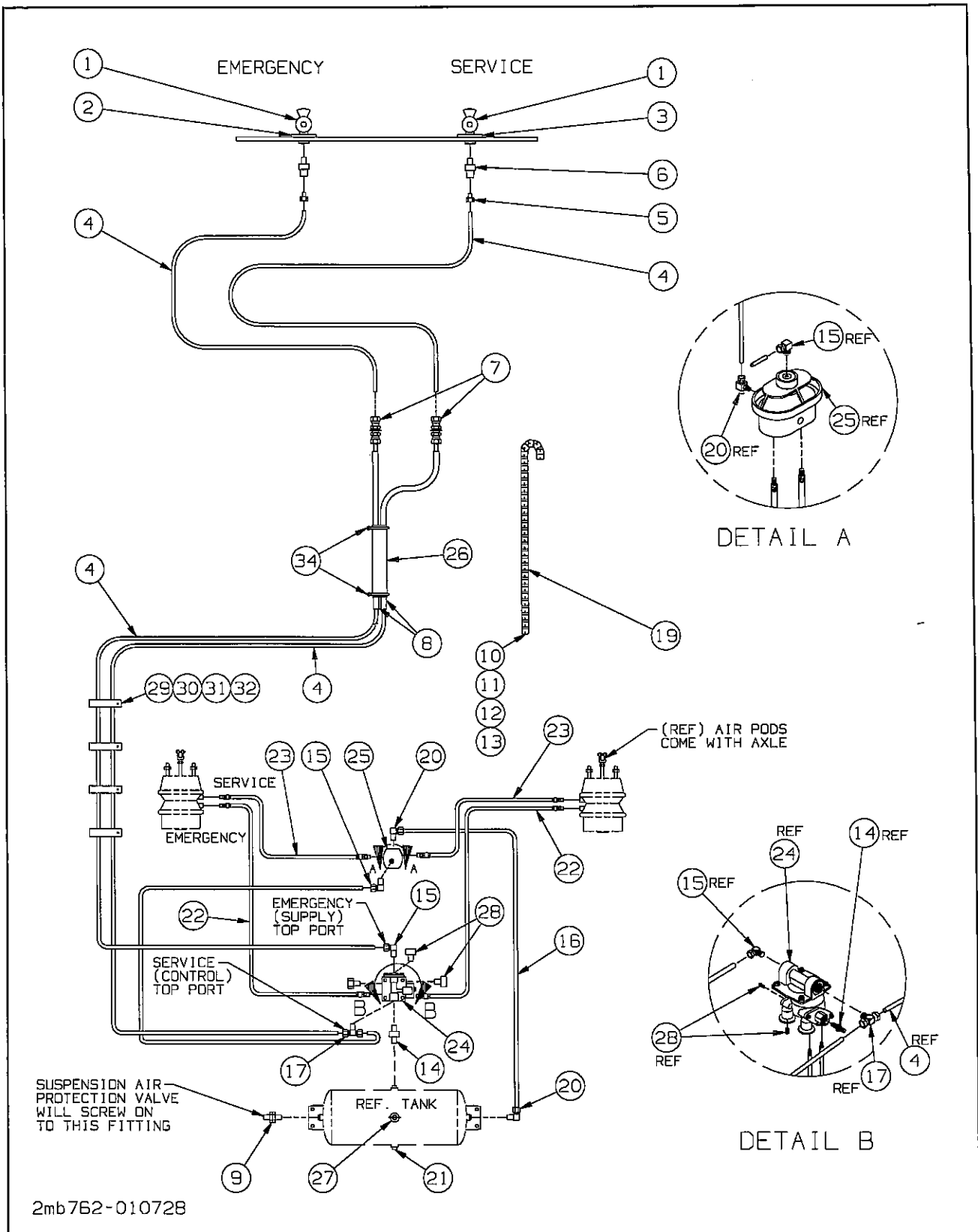


Figure 1-25 Air Brake System

AIR BRAKE SYSTEM, TANDEM AXLE

ITEM	PART NO.	DESCRIPTION	QTY.
	3-375-010619	HITCH TILT ASSY TRAILER (AIR BRAKE SYS ITEMS ONLY)	
	3-762-010728-01	SUSPENSION U/C ASSY (AIR BRAKE SYS ITEMS ONLY)	
1	55B11	GLAD HAND	2
2	55B61-6	TAG EMER. LINE VELVAC 035025	1
3	55B61-7	TAG SERVICE LINE VELVAC 035026	1
4	1-833-010002	TUBING NYLON 3/8	60FT
5	1-297-010007-11	FITTING AIR	2
6	55B61	FRAME UNION	3
7	1-297-010014-03	FITTING AIR BLKHD UNION	2
8	1-861-010032-11	WASHER FLAT 3/8	8
9	2083-8-4S	NIPPLE HEX	1
10	1-654-010158-1	SCREW ROUND SQUARE NECK 1/4-20	8
11	1-861-010032-07	WASHER FLAT 1/4	10
12	1-512-010007-05	NUT HEX 1/4-20	10
13	1-861-010034-09	WASHER SPLIT LOCK 1/4	10
14	1-560-010001085	NIPPLE ALL THREAD	1
15	1-297-010008-20	FITTING AIR 90	2
16	1-833-010003	TUBING NYLON 1/2	4FT
17	1-297-010015-07	FITTING AIR BR TEE	1
18	239-9008-1	CONDUIT FLEX PLASTIC	4FT
19	3-755-010189-03	SUPPORT E-CHAIN 660FG	1
20	1-297-010008-24	FITTING AIR 90	2
21	1-560-010002-04	PLUG BLACK PIPE	1
22	3-384-010031	HOSE AIR	2
23	3-384-010020	HOSE AIR	2
24	758-181	VALVE TASK 4 PORT	1
25	3-843-010005	VALVE RELAY 2 PORT THIRD AXLE	1
26	3-395-010001	CF FIRE HOSE	1.5FT
27	56D4	COCK DRAIN AIR TANK VELO 36019	1
28	1-297-010033-03	FITTING BRASS PLUG HEX	3
29	239-9076-5	CLAMP WIRE	4
30	1-656-010003051	SCREW ROUND HEAD MACHINE 3/4	4
31	1-512-010003-06	NUT HEX SLFLKG W/NLY 10-24	4
32	1-861-010032-03	WASHER FLAT 10	4
33	1-796-010003-01	TIE STRAP PLASTIC (NOT SHOWN)	10
34	1-181-010046-7	CLAMP HOSE	2

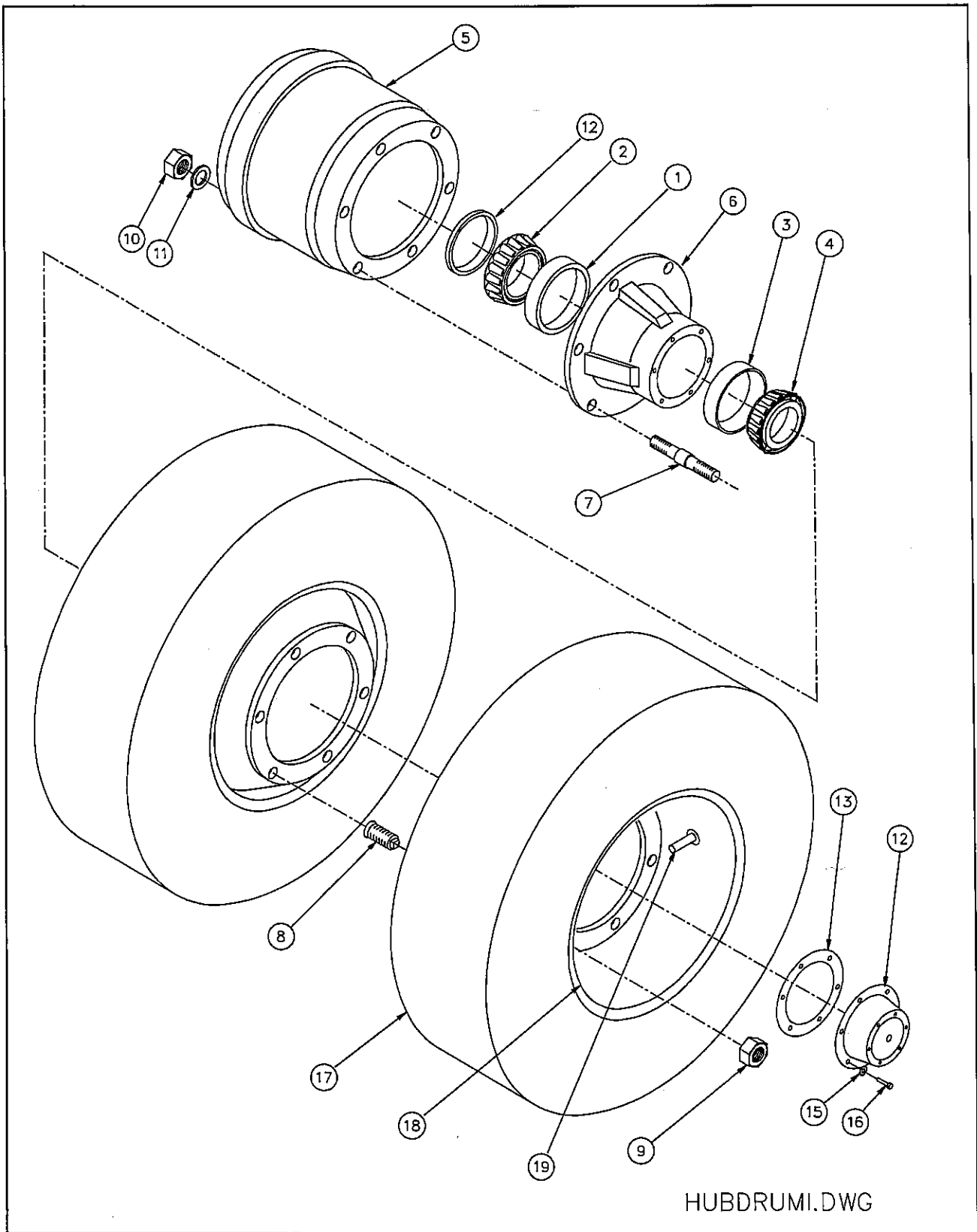


Figure 1-26 Inboard Ball Seat Mount Hub and Drum

INBOARD BALL SEAT MOUNT HUB AND DRUM

ITEM	PART NO.	DESCRIPTION	QTY.
	3-406-010044	HUB/DRUM ASSY. 6 BOLT 12-1/4BLH (WEBB)	1
	3-406-010045	HUB/DRUM ASSY. 6 BOLT 12-1/4BRH (WEBB)	1
1	HM218210	INNER BEARING CUP	1
2	HM218248	INNER BEARING CONE	1
3	HM212011	OUTER BEARING CUP	1
4	HM212049	OUTER BEARING CONE	1
5	63635	INBOARD MOUNTED BRAKE DRUM	1
6	1056	HUB	1
7	139913	STUD L.H.	6
	139902	STUD R.H.	6
8	107083	INNER CAPNUT L.H.	6
	107082	INNER CAPNUT R.H.	6
9	178921	OUTER CAPNUT L.H.	6
	178910	OUTER CAPNUT R.H.	6
10	75716	NUT HEX LOCK	6
11	257	FLAT WASHER	6
12	021-038-001	CAP HUB	1
13	071-124-00	GASKET OIL CAP	1
14	010-055-01	SEAL	1
15	005-100-00	LOCKWASHER	6
16	007-157-00	CAP SCREW	6
17*	3-798-010038	TIRE TRAILER	2
18*	3-870-010012	WHEEL DISC	2
19*	TR573	VALVE STEM	2

NOTE: QUANTITIES LISTED ARE FOR ONE SIDE OF AXLE.

* THESE ITEMS ARE INCLUDED 3-798-010049.

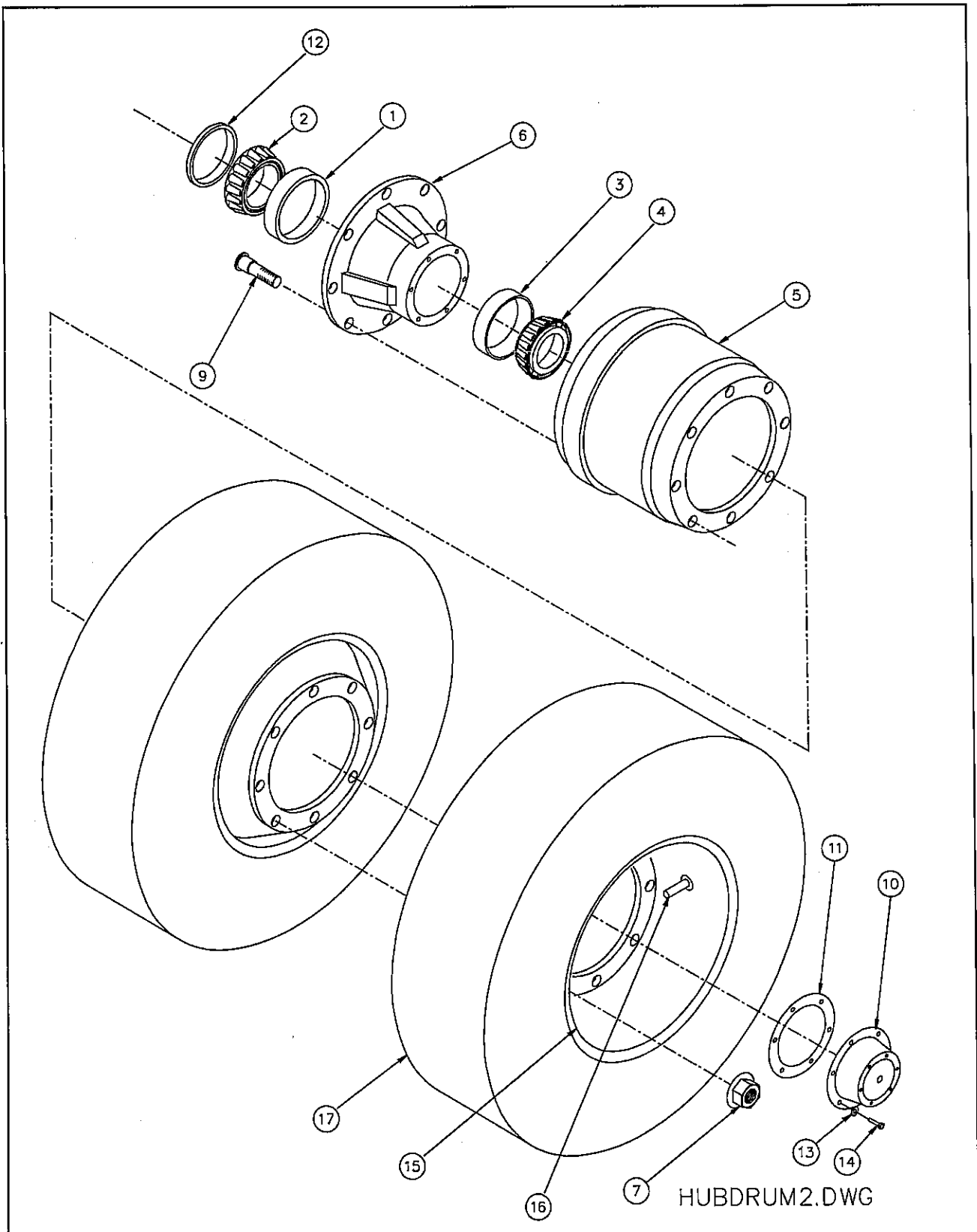


Figure 1-27 Outboard Pilot Mount Hub and Drum

OUTBOARD PILOT MOUNT HUB AND DRUM

ITEM	PART NO.	DESCRIPTION	QTY.
	3-406-010061	HUB/DRUM ASSY. 8 BOLT 12-1/4" PILOT MOUNT (L.H. AND R.H. ARE SAME)	1
1	HM218210	INNER BEARING CUP	1
2	HM218248	INNER BEARING CONE	1
3	HM212011	OUTER BEARING CUP	1
4	HM212049	OUTER BEARING CONE	1
5	63680	OUTBOARD MOUNTED BRAKE DRUM	1
6	2027	HUB IRON	1
7	179955	FLANGE NUT	8
9	101162	STUD	8
10	021-038-01 (4009)	CAP HUB	1
11	071-124-00 (3067)	GASKET OIL CAP	1
12	3-659-010012	SEAL	1
13	1-861-010034-10	WASHER SPRING LOCK 5/16	6
14	1-654-010049-03	SCREW HEX HEAD CAP 5/16-18 X 3/4 GR5	6
15*	3-870-010097	WHEEL 17.5X6.75 PILOT MOUNT	2
16*	TR573	VALVE STEM	2
17*	3-798-010038	TIRE TRAILER	2

NOTE: QUANTITIES LISTED ARE FOR ONE SIDE OF AXLE.

* THESE ITEMS ARE INCLUDED IN 3-798-010049.

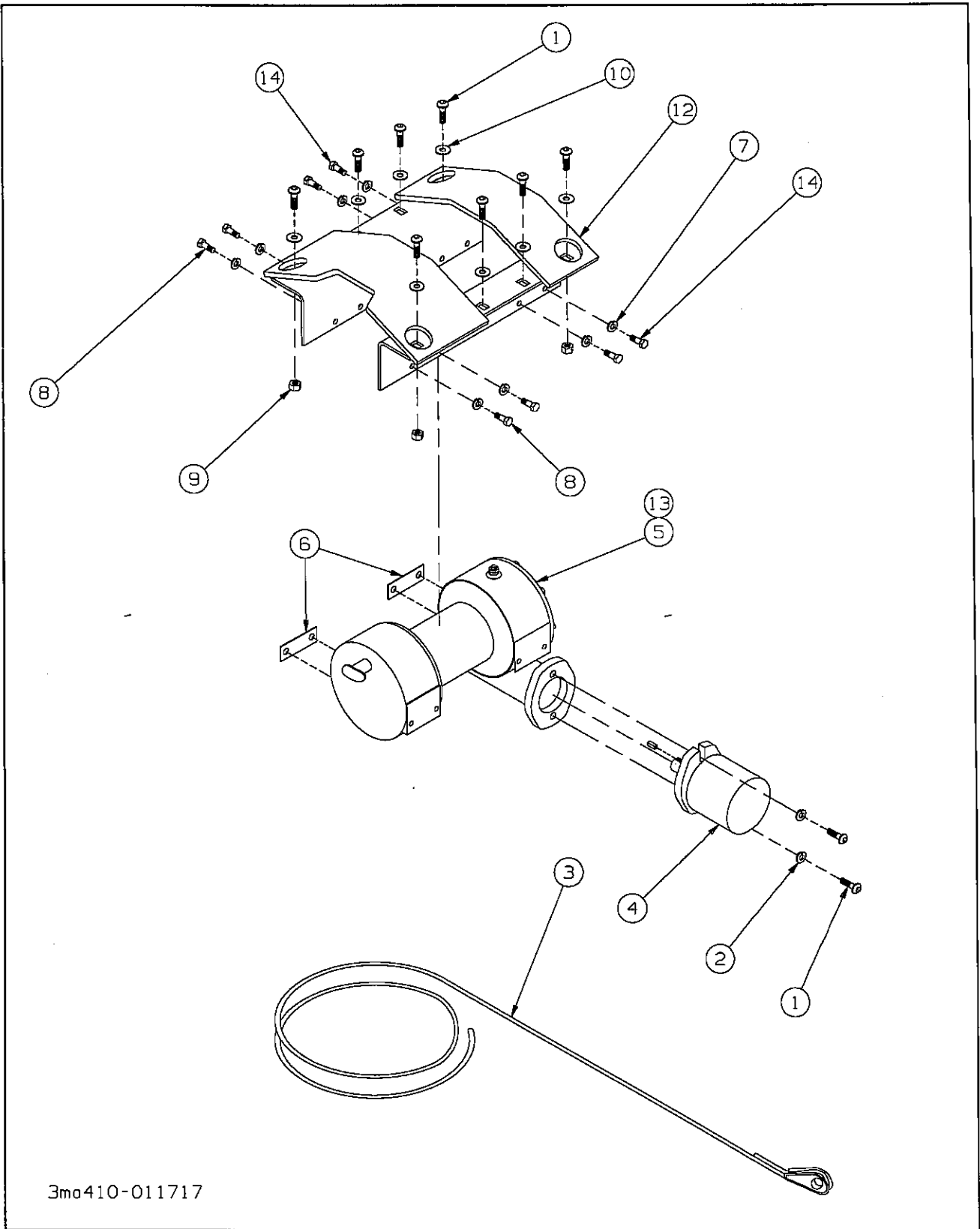


Figure 1-28 Winch Installation

WINCH INSTALLATION

ITEM	PART NO.	DESCRIPTION	QTY.
	3-375-010619	HITCH TILT ASSEMBLY TRAILER (WINCH INSTALLATION ITEMS ONLY)	
	B3-873-111	INSTALL WINCH 8M 334B TRAILER	
1	1-654-010089-15	SCREW SOCKET BUTTON CAP 1/2	24
2	1-861-010034-13	WASHER WINCH MOTOR MNTING (INCLUDED W/ ITEM 6)	8
3	3-155-010013	CABLE W/ THIMBLE	4
4	3-481-010012	MOTOR HYDR 2.8 CI/R 2BOLT (SEE PAGE 1-51)	4
5	3-873-010073*	WINCH 8000# WORM GEAR (SEE PAGE 1-49)	2
6	3-684-010031	SHIM WINCH 8 M	8
7	1-861-010034-11	WASHER LOCK 3/8	16
8	1-654-010051-06	SCREW HEX HEAD CAP 3/8-16 X 1-1/4 GR5	24
9	1-512-010005-09	NUT HEX LOCK 1/2-13 GRB	16
10	1-861-010032-15	WASHER FLAT 1/2	16
11	3-482-010026*	MOUNT ASSY. WINCH (INCLUDES ITEMS 12 THROUGH 15)	2
12	3-482-010005	MOUNT WINCH	2
13	3-873-010109*	WINCH WORM GEAR 8000# (SEE PAGE 1-49)	2
14	1-654-010051-05	SCREW HEX HEAD CAP 3/8-16 X 1 GR5	8

* USE ITEM 14 IN GEARBOX END OF WINCH ONLY. USE ITEM 8 IN OPPOSITE END OF WINCH ONLY. ITEM 7 (WHICH INCLUDES ITEMS 14) IS USED IN BOTH LOCATIONS ON THE UPPER DECK. ITEM 8 IS USED ON THE LOWER DECK IN BOTH LOCATIONS.

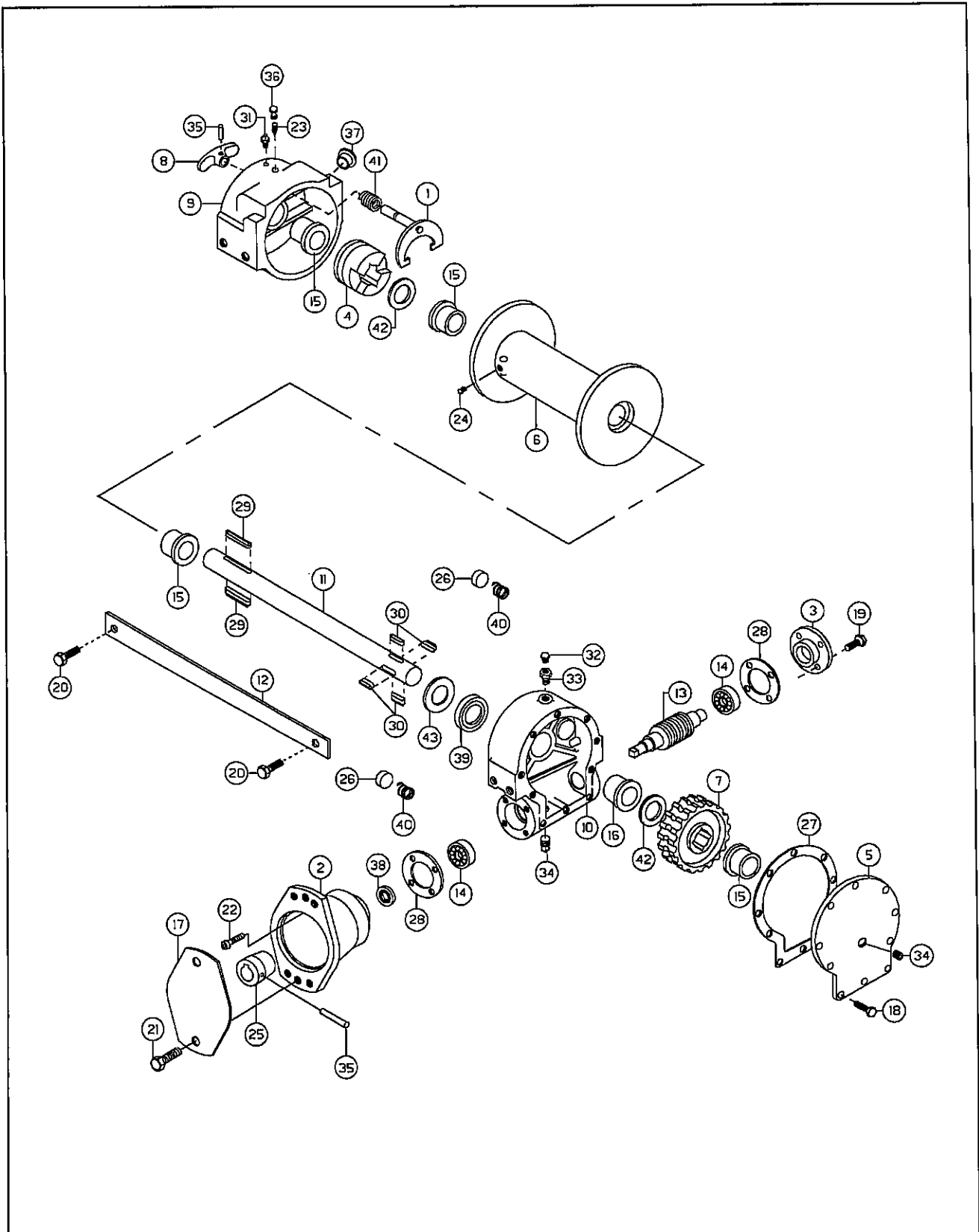


Figure 1-29 8,000# Winch Assembly

8,000# WINCH ASSEMBLY

ITEM	PART NO.	DESCRIPTION	QTY.
	3-873-010073	WINCH, 8000# WORM GEAR (RAMSEY) (SHOWN)	1
	3-873-010109	WINCH, 8000# WORM GEAR (RAMSEY) (SAME PARTS AS 3-873-010073 SHOWN. THE MOTOR ADAPTER FLANGE IS MOUNTED ON THE OPPOSITE SIDE.)	1
1	276028	SHIFTER ASSY	1
2	300039	ADAPTER	1
3	316083	BEARING CAP	1
4	324160	JAW CLUTCH	1
5	328134	COVER	1
6	332007	DRUM- "Y"	1
7	334163	GEAR R.H. 46:1	1
8	336A010	HANDLE	1
9	338208	HOUSING-CLUTCH	1
10	338273	HOUSING-GEAR	1
11	357481	SHAFT-DRUM-"Y"	1
12	364018	SHIP-STRAP	1
13	368017	WORM R.H. 46:1	1
14	402002	BEARING-BALL	2
15	412003	BUSHING	4
16	412045	BUSHING	1
17	413013	COVER-HYD. ADAPTER	1
18	414038	CAPSCREW LG.HX.HD.	10
19	414045	CAPSCREW LG.HX.HD.	4
20	414279	CAPSCREW LG.HX.HD.	2
21	414521	CAPSCREW LG.HX.HD.	2
22	414835	CAPSCREW LG.SOC.HD. LOC-WEL	4
23	416030	SETSCREW SOC.HD.LESS	1
24	416059	SETSCREW SOC.HD.LESS	1
25	431007	COUPLING	1
26	438014	DISC-BRAKE	2
27	442205	GASKET	1
28	442184	GASKET	2
29	450006	KEY-BARTH	2
30	450016	KEY-BARTH	4
31	456001	FITTING-LUB	1
32	456008	FITTING-RELIEF	1
33	468002	REDUCER	1
34	468011	PIPE PLUG	2
35	470033	SPIRAL PIN	2
36	472012	PLUG-RUBBER	1
37	472013	PLASTIC PLUG	1
38	486009	OIL SEAL	1
39	486017	OIL SEAL	1
40	494002	PLASTIC PLUG	2
41	494053	OIL SEAL	1
42	518014	THRUST WASHER	1
43	518015	THRUST WASHER	2

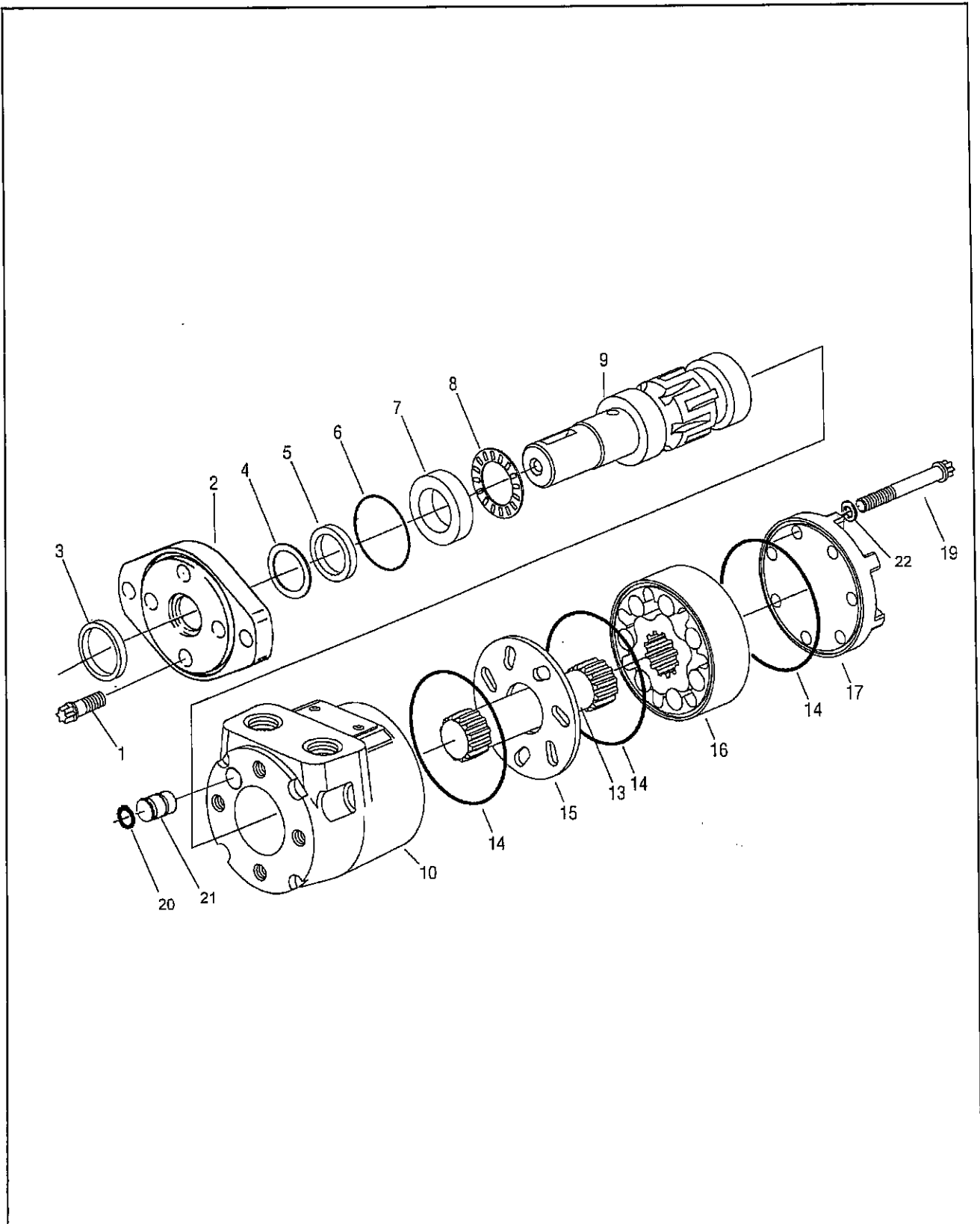


Figure 1-30 Winch Motor Assembly 8,000#

WINCH MOTOR ASSEMBLY, 8,000#

ITEM	PART NO.	DESCRIPTION	QTY.
	3-481-010012	MOTOR HYDR. 2.8 CI/R, 2 BOLT	1
	101-1033-009	CHAR-LYNN MOTOR -009 DESIGN	1
1	5777	SCREW CAP (12 PT. DR. 5/16-24 UNF X 7/8)	4
2	22000-001	FLANGE MOUNTING (2 BOLT)	1
3	*9121-002	SEAL EXCLUSION	1
4	*22002-000	WASHER BACKUP	1
5	*9057-014	SEAL PRESSURE	1
6	*9091-001	SEAL	1
7	7462-000	RACE THRUST BEARING	1
8	7537-000	BEARING THRUST NEEDLE	1
9	7360-001	SHAFT 1" DIA. STRT W/WOODRUFF KEY	1
	14193-000	KEY WOODRUFF	1
10	22230-001	HOUSING 7/8 ST. THD. SAE O-RING PORTS	1
13	602-000	DRIVE	1
14	*9082-002	SEAL	3
15	7358-000	PLATE SPACER	1
16	8277-001	GEROLER SET	1
17	7461-000	CAP END	1
19	5389-001	SCREW CAP 12 PT. DR. 5/16-24 UNF	7
20	*250001-011	O-RING	1
21	22229-000	PLUG	1
22	14488-000	WASHER SEAL	7
23	60540-000	SEAL KIT (INCLUDES ITEMS MARKED *)	1

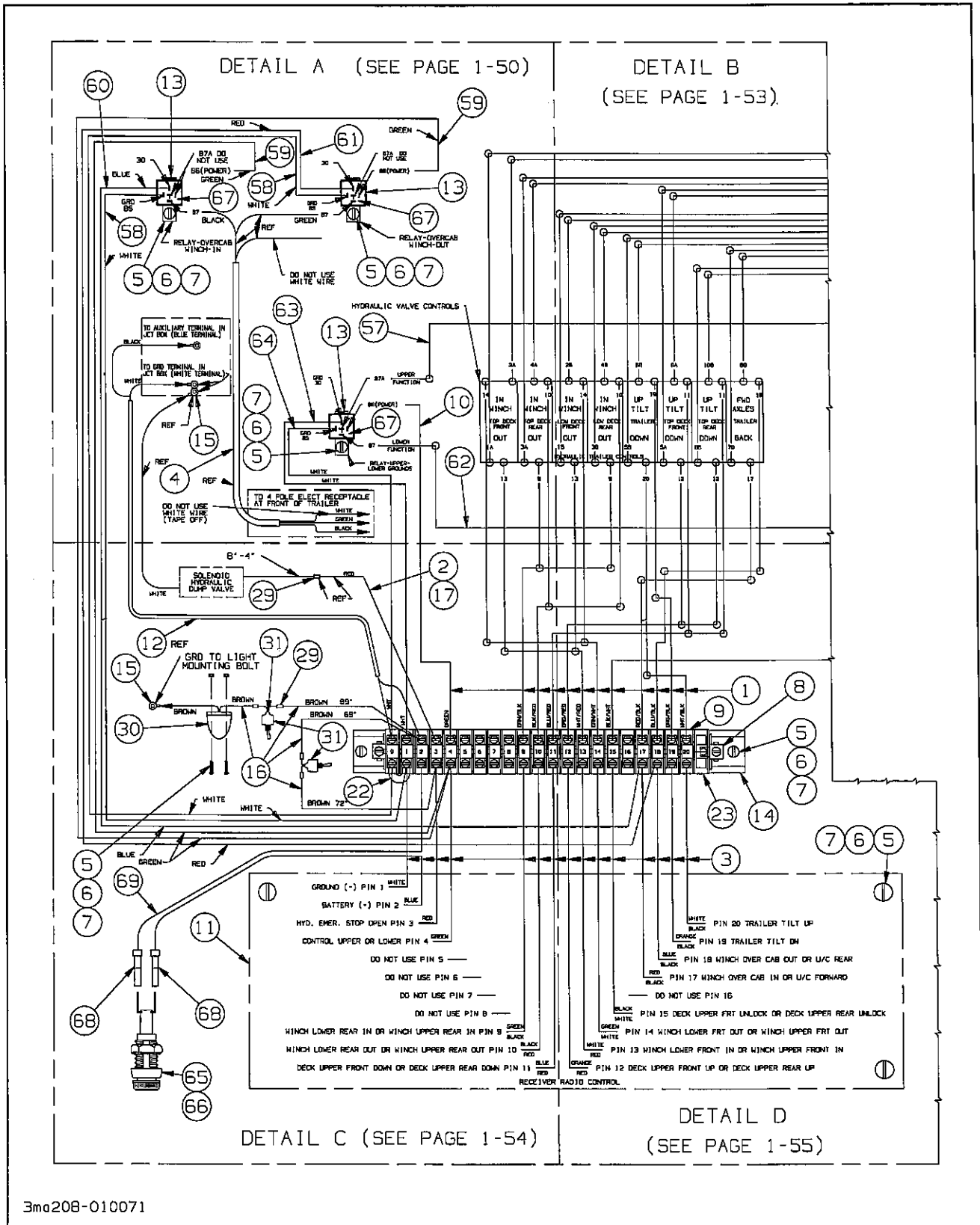


Figure 1-31 Electrical System, Remote Control

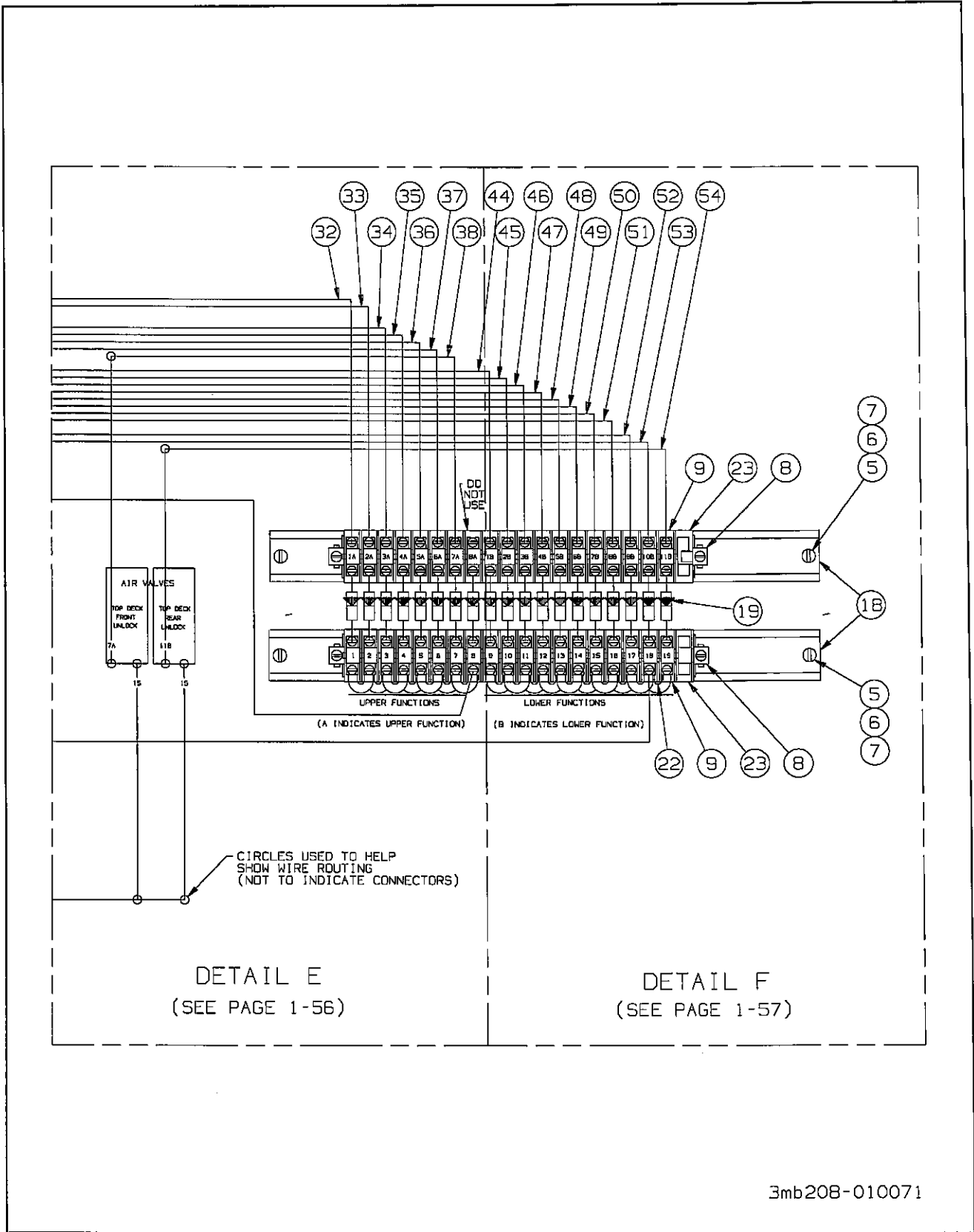
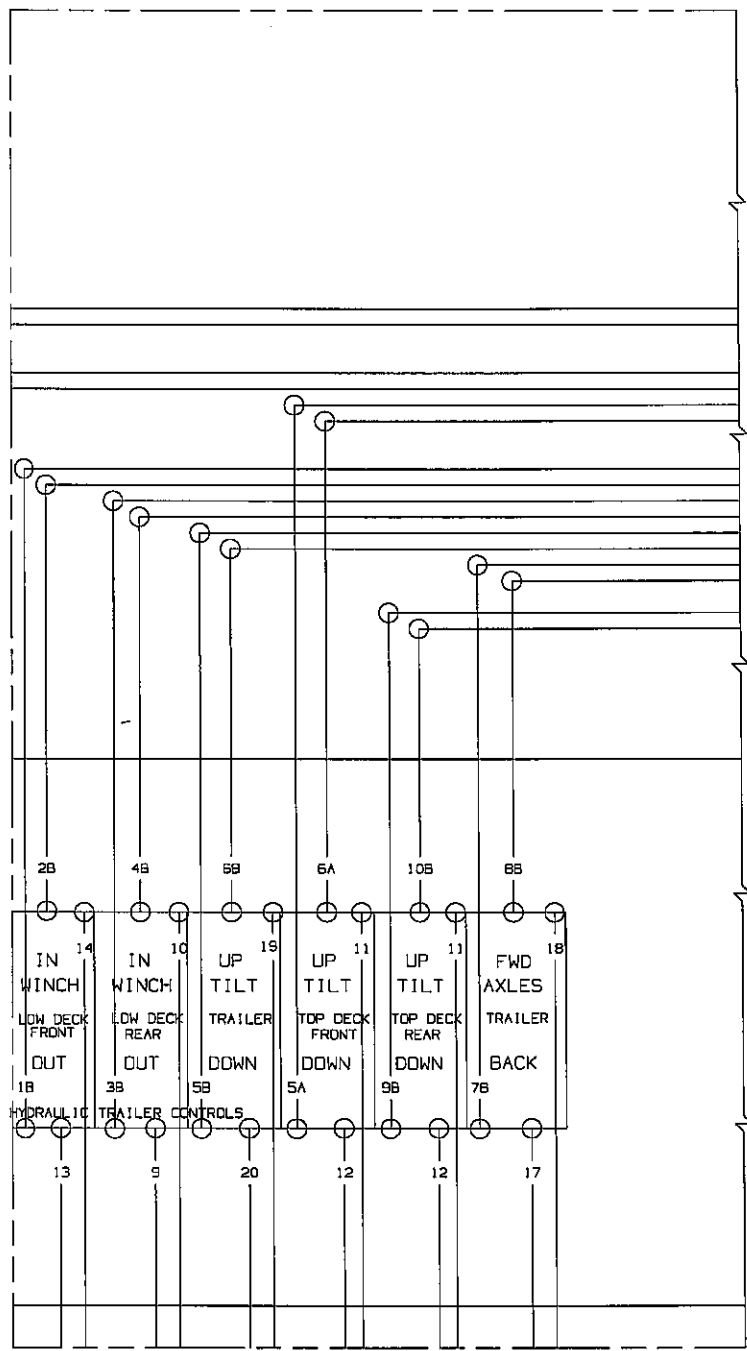


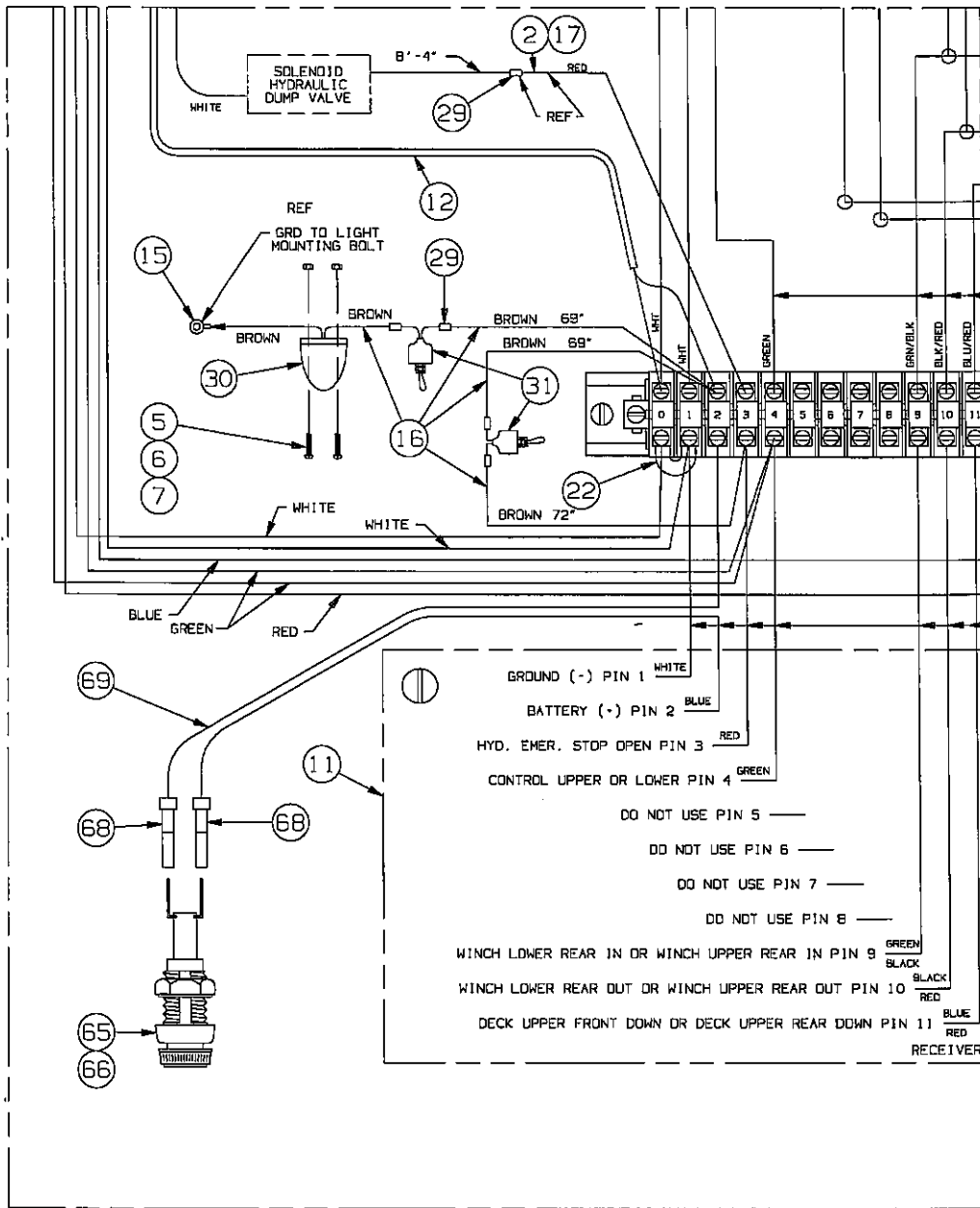
Figure 1-32 Electrical System, Remote Control



DETAIL B

3md208-010071

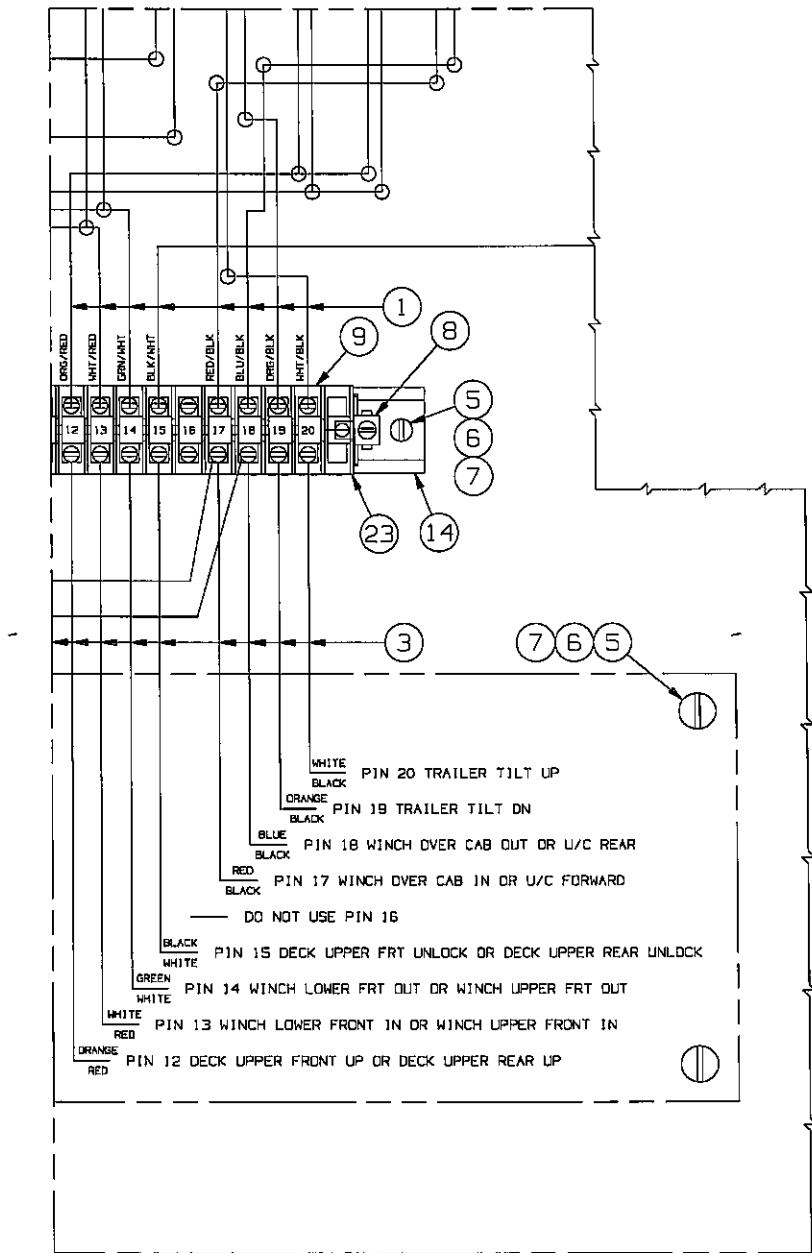
Figure 1-34 Electrical System, Remote Control Detail B



3me208-010071

DETAIL C

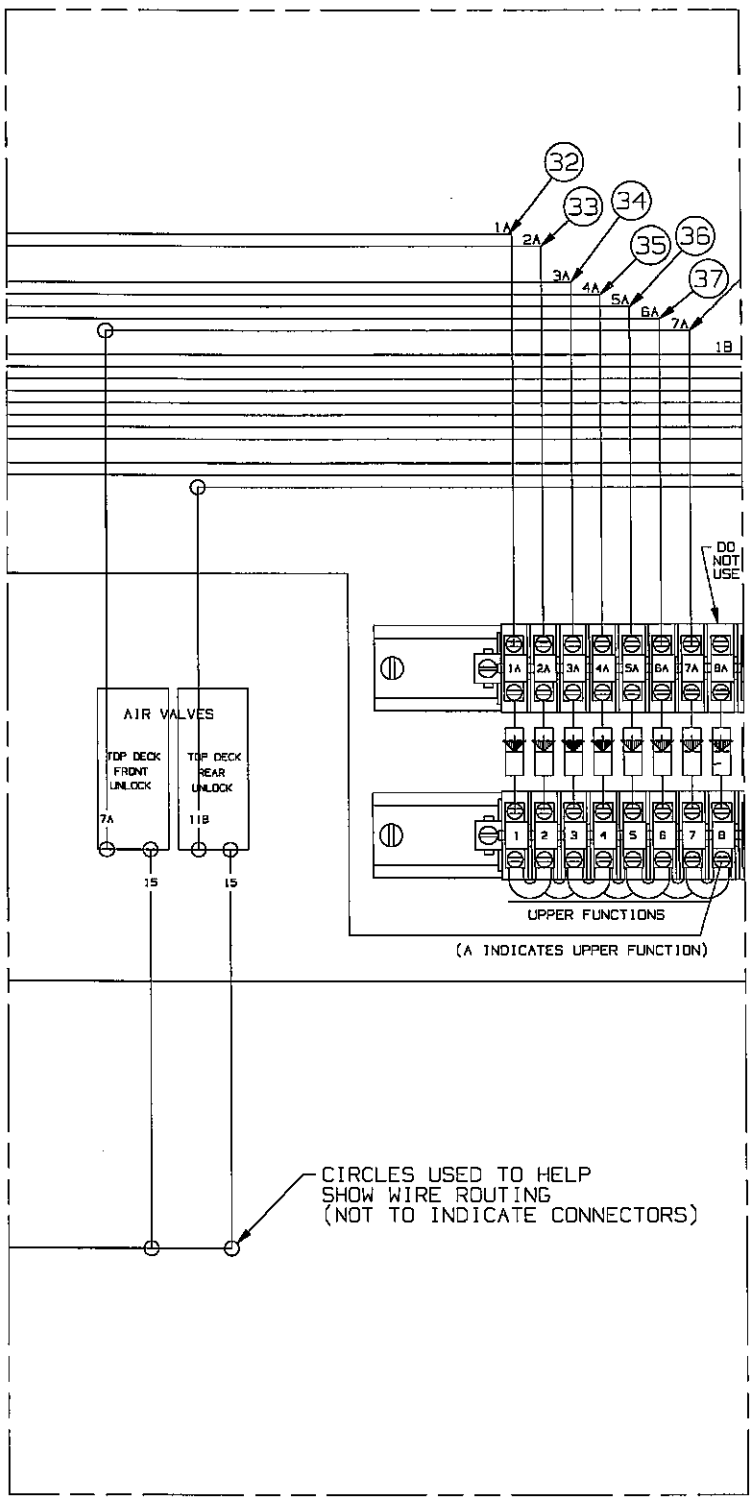
Figure 1-35 Electrical System, Remote Control Detail C



DETAIL D

3mf208-010071

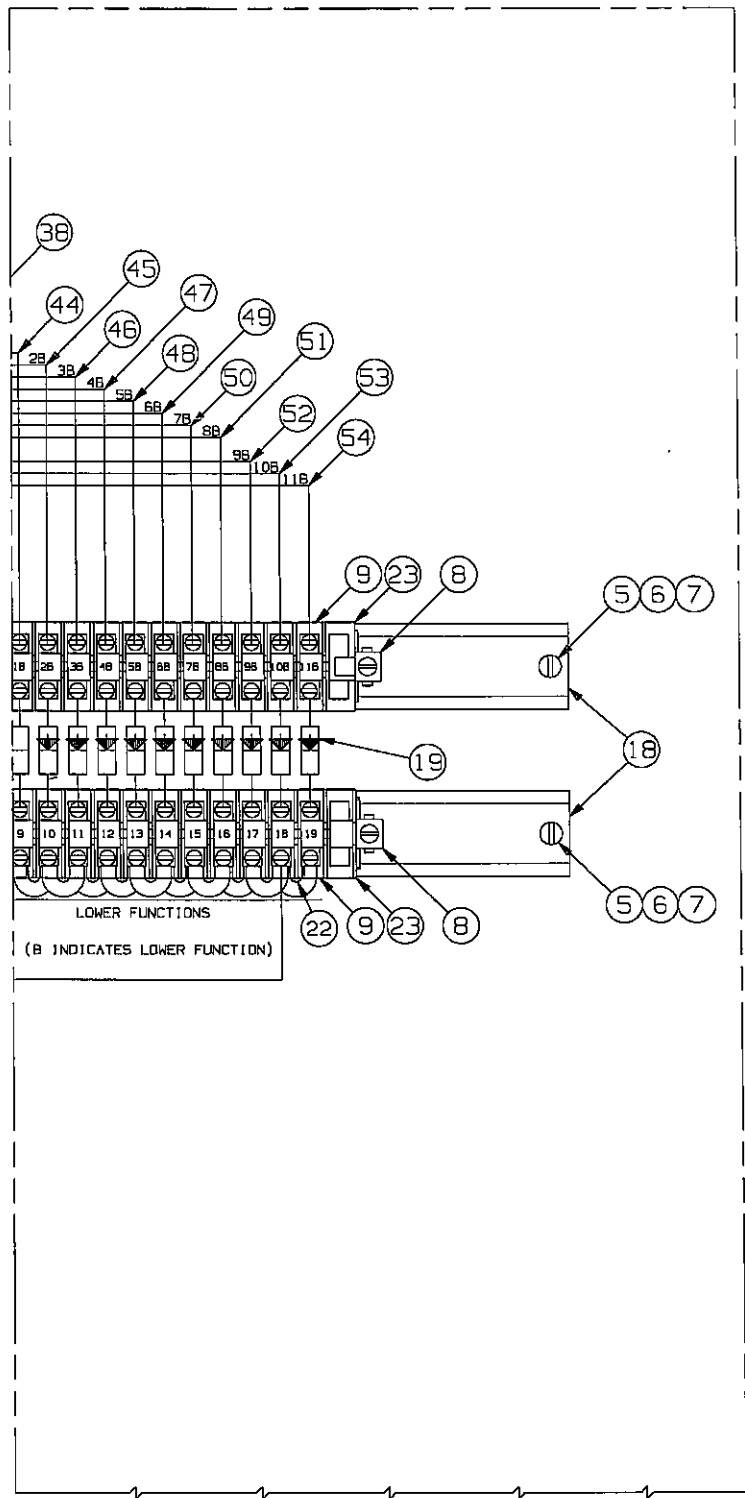
Figure 1-36 Electrical System, Remote Control Detail D



3mg208-010071

DETAIL E

Figure 1-37 Electrical System, Remote Control Detail E



DETAIL F

3mh208-010071

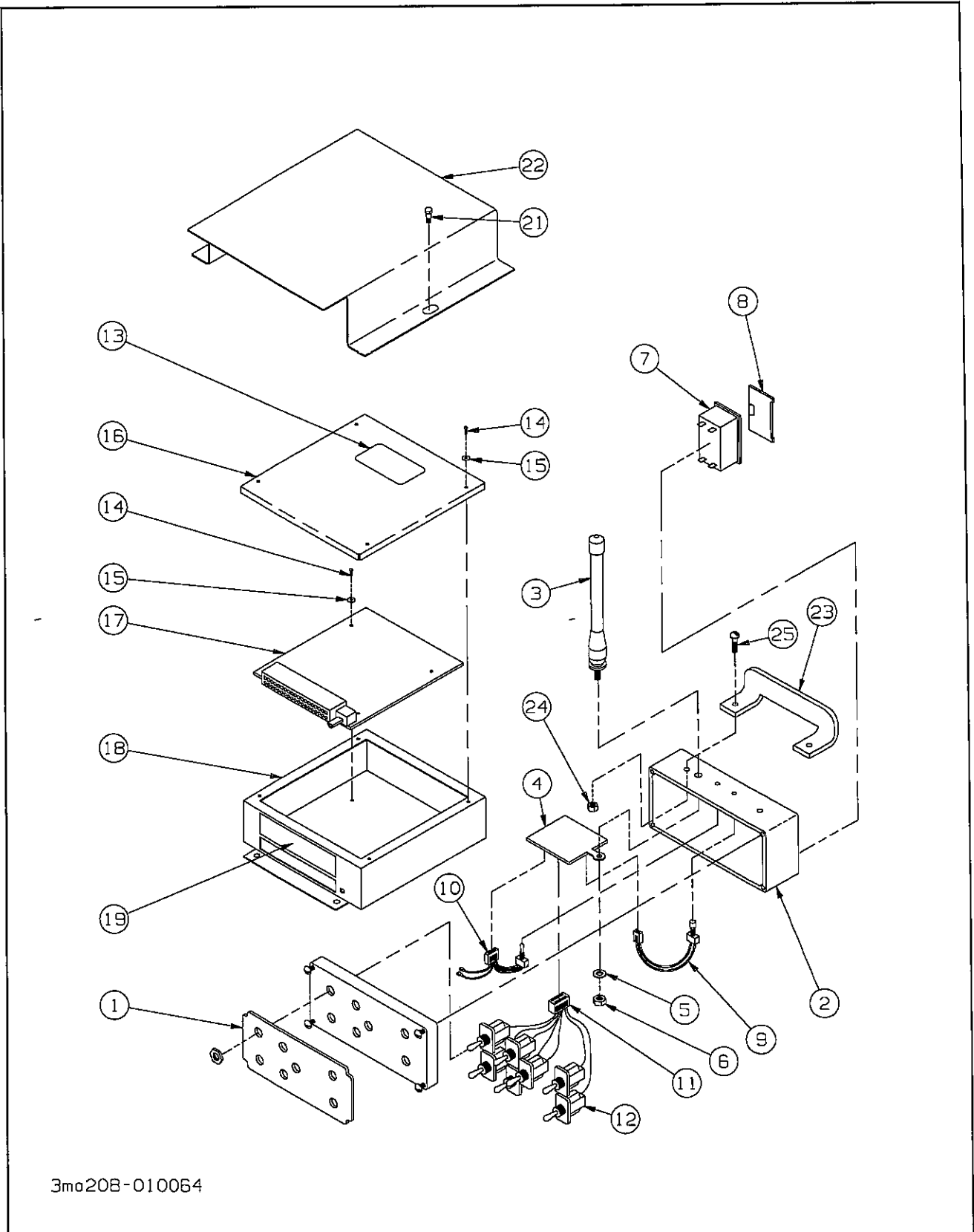
Figure 1-38 Electrical System, Remote Control Detail F

ELECTRICAL SYSTEM, REMOTE CONTROL

ITEM	PART NO.	DESCRIPTION	QTY.
	3-208-010071-01	CONTROL BOX ASSEMBLY (ELECTRICAL SYSTEM REMOTE CONTROL ITEMS ONLY)	
1	3-368-010286	HARNESS SOLENOID TO TERM BLK	1
3	3-368-010285	HARNESS RAD TO TERM BLK	1
5	1-512-010003-06	NUT HEX SELF LOCKING 10-24	12
6	1-656-010003051	SCREW MACH. PAN HD. SLT 10-24 X 3/4	12
7	1-861-010032-03	WASHER FLAT 10	18
8	238-9030-12	CLAMP TERM BLOCK	6
9	238-9030-21	TERM BLOCK MEDIUM	59
10	1-879-010124-01	WIRE GRN LABELED PWR W/SPADE	1
11	3-208-010064	RADIO CONTROL REMOTE (SEE PAGE 1-63)	1
12	3-368-010238	HARNESS JCT BOX TO TERM	1
13	3-624-010008	RELAY SPDT QUICK CONNECT	3
14	514-5728-7	TERMINAL CHANNEL 11-1/4" LONG	1
15	3-203-010001	RING TERMINAL	1
16	1-879-010005	WIRE BROWN	17.5FT
18	514-5728-8	TERMINAL CHANNEL 12-1/2" LONG	2
19	238-6832	DIODE 6 AMP	19
20	1-796-010002-01	TIE STRAP PLASTIC	70
22	238-9030-23	JUMPER TERM BLOCK	18
23	238-9030-22	END TERMINAL BLOCK	3
29	3-272-010021	ELECT BUTT SPLICE W/ SEAL	4
30	15009	LICENSE LAMP	1
31	3-272-010017	TOGGLE SWITCH SEALED SPST	2
32	1-879-010129-01	WIRE LABELED 1A W/SPADE	1
33	1-879-010129-02	WIRE LABELED 2A W/SPADE	1
34	1-879-010129-03	WIRE LABELED 3A W/SPADE	1
35	1-879-010129-04	WIRE LABELED 4A W/SPADE	1
36	1-879-010129-05	WIRE LABELED 5A W/SPADE	1
37	1-879-010129-06	WIRE LABELED 6A W/SPADE	1
38	1-879-010129-07	WIRE LABELED 7A W/SPADE	1
44	1-879-010129-13	WIRE LABELED 1B W/SPADE	1
45	1-879-010129-14	WIRE LABELED 2B W/SPADE	1
46	1-879-010129-15	WIRE LABELED 3B W/SPADE	1
47	1-879-010129-16	WIRE LABELED 4B W/SPADE	1
48	1-879-010127-17	WIRE LABELED 5B W/SPADE	1
49	1-879-010127-18	WIRE LABELED 6B W/SPADE	1
50	1-879-010127-19	WIRE LABELED 7B W/SPADE	1
51	1-879-010129-20	WIRE LABELED 8B W/SPADE	1
52	1-879-010129-21	WIRE LABELED 9B W/SPADE	1
53	1-879-010129-22	WIRE LABELED 10B W/SPADE	1
54	1-879-010129-23	WIRE LABELED 11B W/SPADE	1
57	1-879-010129-34	WIRE LABELED 87A-8 W/SPADE	1
58	1-879-010129-27	WIRE LABELED 85-1 W/SPADE	2
59	1-879-010124-02	WIRE LABELED 86-4 W/SPADE	2
60	1-879-010125-1	WIRE BLUE 31 X 14 LABELED W/SPADE	1
61	1-879-010126-01	WIRE RED LABELED 30-6 W/SPADE	1
62	1-879-010129-35	WIRE WHT LABELED 87-18 W/SPADE	1
63	1-879-010129-30	WIRE WHT LABELED 30-0 W/SPADE	1
64	1-879-010129-31	WIRE WHT LABELED 85-1 W/SPADE	1

ELECTRICAL SYSTEM, REMOTE CONTROL

ITEM	PART NO.	DESCRIPTION	QTY.
65	2-318-010009	FUSE HOLDER PANEL MOUNT	1
66	3-318-010005	FUSE 12 VOLT 10 AMP	1
67	3-272-010166	ELECT CONNECTOR FOR RELAY	3
68	1-203-010040-5	CONNECTOR INSUL FEMALE PUSH ON	2
69	1-879-010008	WIRE BLUE 14 AWG	7



3mo208-010064

Figure 1-39 Remote Control

REMOTE CONTROL

ITEM	PART NO.	DESCRIPTION	QTY.
	3-208-010064	CNTRL. RADIO REMOTE(MICROTRONICS) (INCLUDES ITEMS 1 THROUGH 19)	
	3-208-010064-01	CNTRL. RADIO REMOTE (TRANSMITTER ONLY)	
	3-208-010064-02	CNTRL. RADIO REMOTE(RECEIVER ONLY)	
	3-208-010071	CONTROL BOX ASSY (REMOTE CONTROL ITEMS ONLY)	
1	*	DECAL FACEPLATE	1
2	E006	ALUMINUM TRANSMITTER HOUSING	1
3	A001	ANTENNA	2
4	*	TRANSMITTER PC BOARD	1
5	H048	PLASTIC WASHER	1
6	H046	NUT 1/4" - 28 BRASS	1
7	E002	BATTERY COMPARTMENT	1
8	H015	BATTERY DOOR	1
9	AY102	EMERGENCY STOP SWITCH W/ HARNESS	1
10	AY103	POWER SWITCH W/ HARNESS	1
11	AY109	TOGGLE WIRING HARNESS (SWITCHES TO PC BOARD)	AR
12	S005	TOGGLE SWITCH	7
13	LB004	FCC LABEL	1
14	H038	SCREW	8
15	H039	WASHER STAR	8
16	E001	LID RECEIVER	1
17	3-208-010064-03	RECEIVER PC BOARD A-BAND	1
	3-208-010064-04	RECEIVER PC BOARD C-BAND	1
18	E001	LID RECEIVER	1
19	LB005	OUTPUT LABEL RECEIVER	1
20	AY115	ROD AND STRAP (NOT SHOWN)	1
21	1-654-010051-03	SCREW HEX HEAD CAP 3/8-16 X 3/4 GR5	2
22	3-681-010106	SHIELD RADIO CONTROL (CALLED OUT IN B3-272-085)	1
23	3-348-010039	GUARD RADIO SWITCH (CALLED OUT IN B3-272-085)	1
24	1-512-010007-02	NUT HEX 8-32	2
25	1-656-010003026	SCREW ROUND HEAD MACH 8-32 X 1/2	2
	W001-20	CABLE REMOTE ANTENNA 20 FT	1

* GIVE SERIAL NUMBER OF REMOTE CONTROL UNIT WHEN ORDERING REPLACEMENT PC BOARDS OR FACEPLATE DECAL.

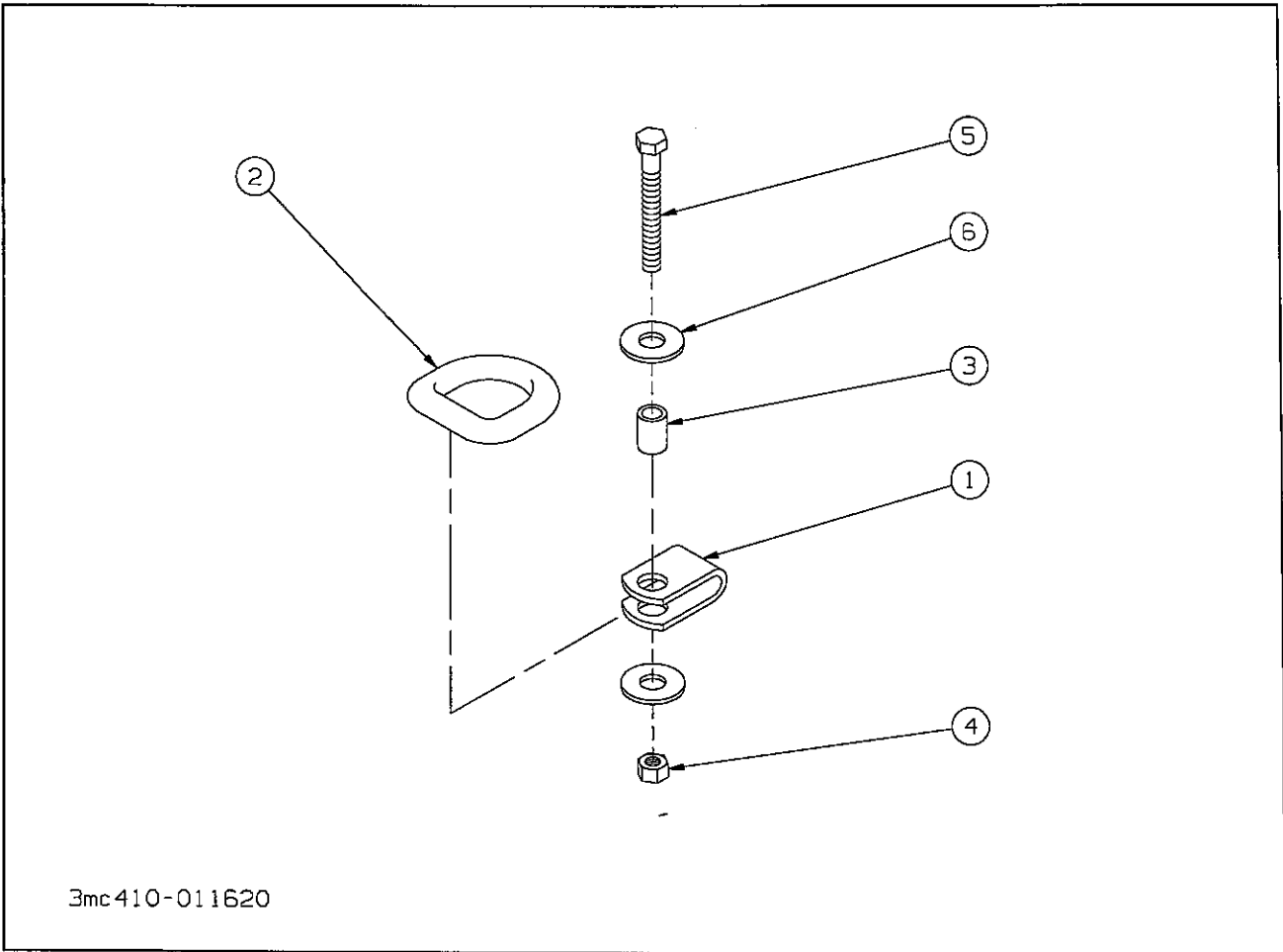


Figure 1-40 D-Ring Kit

D-RING KIT

ITEM	PART NO.	DESCRIPTION	QTY.
	B5-793-001	D-RING KIT	8
1	3-793-010018	D-RING SWIVEL	8
2	3-793-010044	D-RING	8
3	3-831-010050	TUBING	8
4	1-512-010005-13	NUT HEX LOCK 5/8-11 GRB	8
5	1-654-010059-13	SCREW HEX HEAD CAP 5/8-11 X 4 GR5	8
6	1-861-010032-19	WASHER FLAT 5/8	16

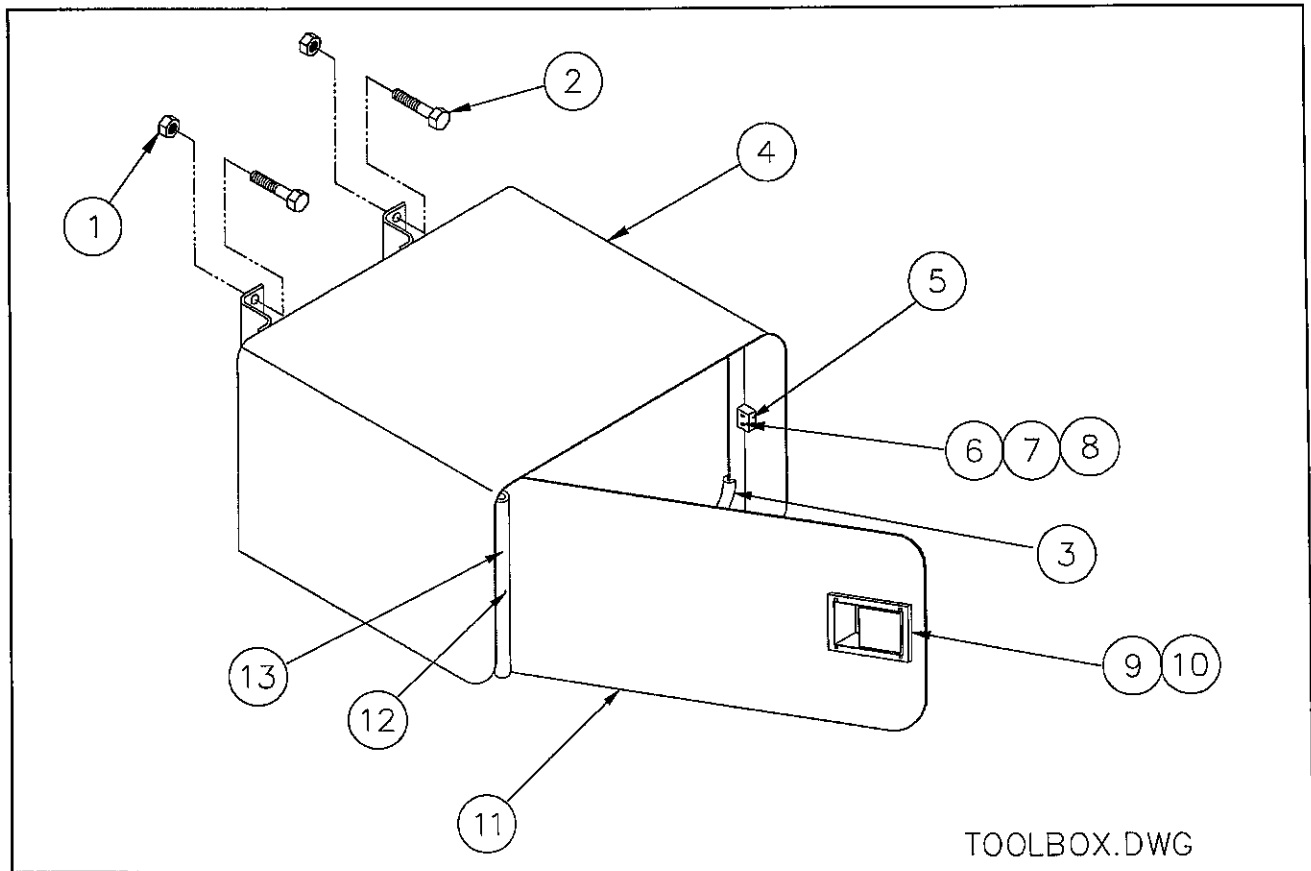
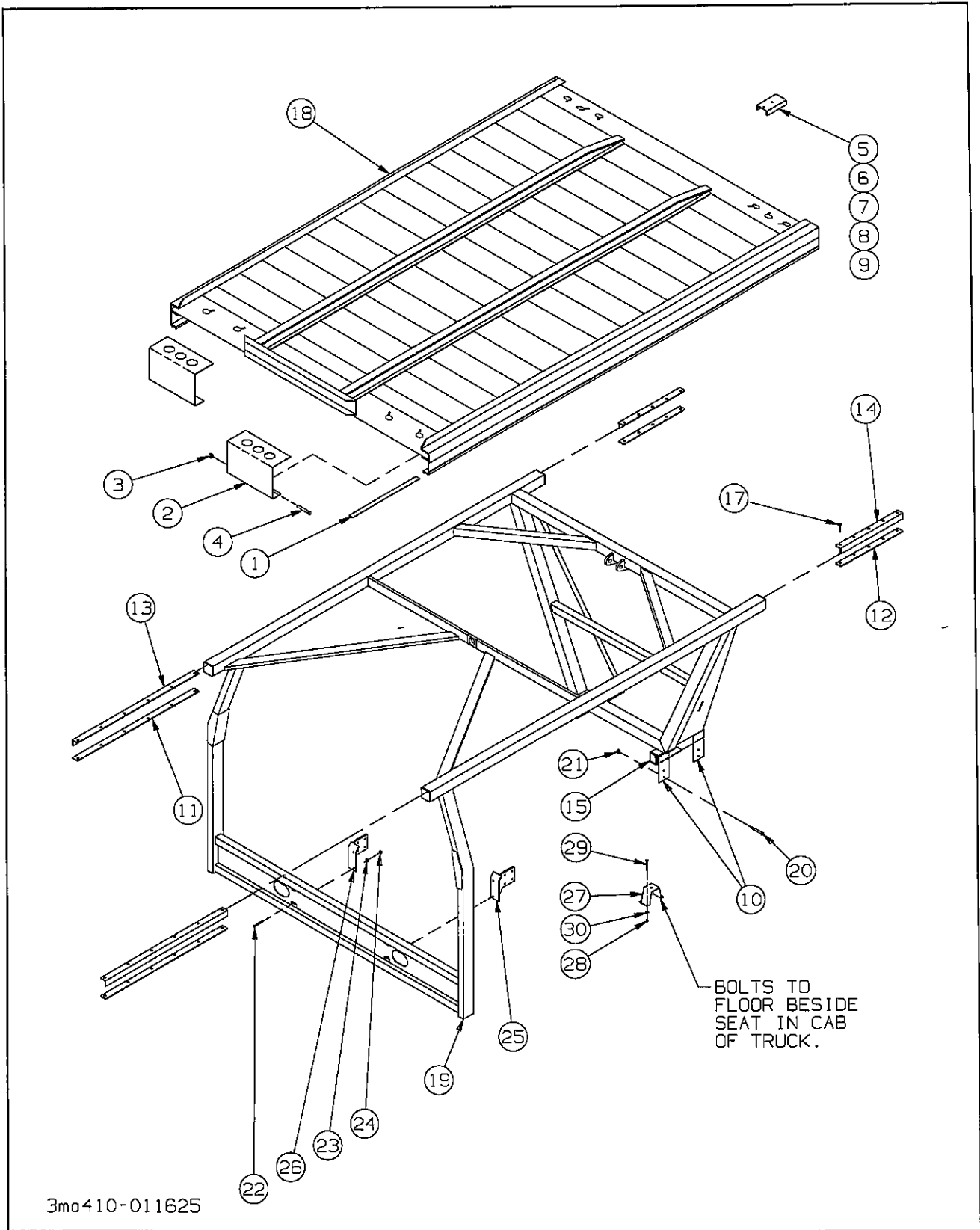


Figure 1-41 Tool Box Assembly

TOOL BOX ASSEMBLY

ITEM	PART NO.	DESCRIPTION	QTY.
	B5-115-011	TOOL BOX LT	
	B5-115-012	TOOL BOX RT	
	B5-432-008	KIT BOLTS TOOL BOX (INCLUDES 1, 2 AND 3)	
1	1-512-010005-09	NUT HEX LOCK 1/2-13 GRB	4
2	1-654-010055-03	SCREW HEX HEAD CAP 1/2-13X 1-1/2 GR5	4
3	514-1000-056	TRIM QUICKEDGE	2
	3-115-010139	TOOL BOX ASSY. LT (INCLUDES 4 THROUGH 13)	
	3-115-010140	TOOL BOX ASSY. RT (INCLUDES 4 THROUGH 13)	
4	3-115-010099	TOOL BOX WLDMT LH	1
	3-115-010097	TOOL BOX WLDMT RH	1
5	3-659-010013-1	SEAL NEOPRENE SPONGE	1
6	7-458-010009	PLATE STRIKER	1
7	110-0253	WASHER FLAT	2
8	118-7962	SCREW PAN HEAD MACH. SLT.	2
9	BSL-6-4	RIVET LG FLANGE	4
10	3-443-010010	LATCH	1
11	3-115-010096	DOOR TOOL BOX WLDMT.	1
12	1-654-010147-03	SCREW SELF-TAP SLOT RD HEAD 6-20 X 3/4	1
13	RPRB59004X11	NYLATRON RD	1



3ma410-011625

Figure 1-42 "Over-the-cab" Frame and Bed

"OVER-THE-CAB" FRAME AND BED

ITEM	PART NO.	DESCRIPTION	QTY.
1	3-080-010139	COVER WIRE CONCEALING	2
2	3-741-010004	STOP WLDMT WHEEL RIGID	2
3	1-512-010005-13	NUT HEX LOCK 5/8-11	4
4	1-654-010059-03	SCREW HEX HEAD CAP 5/8-11 X 1-1/2 GR5	4
5	3-741-010015	STOP BED SAFETY	1
6	1-654-010051-09	SCREW HEX HEAD CAP 3/8-16 X 2 GR5	1
7	1-654-010051-13	SCREW HEX HEAD CAP 3/8-16 X 3 GR5	1
8	1-512-010005-05	NUT HEX LOCK 3/8-16	2
9	1-861-010032-11	WASHER FLAT 3/8	2
10	3-311-013619	ANCHOR FRAME MTG. (WELDED TO FRAME)	4
11	3-334-010001	GLIDE BED STRIP	2
12	3-334-010002	GLIDE BED STRIP	2
13	3-334-010003	GLIDE BED ANGLE	2
14	3-334-010004	GLIDE BED ANGLE	2
15	3-755-010089	SUPPORT BASE FRAME (WELDED TO FRAME)	2
17	1-654-010146-04	SCREW SLOTTED FLAT HEAD 1/4-20 X 3/4	44
18	SEE PAGE 1-68	BED WELDMENT	1
19	SEE PAGE 1-68	FRAME WELDMENT	1
20	1-654-010096-05	SCREW HEX HEAD CAP 1/2-20 X 2 GR8	8
21	1-512-010005-10	NUT, HEX LOCK 1/2-20 GRB	8
22	1-654-010032-4	SCREW HEX HEAD CAP 3/4-10 X 1-3/4	4
23	1-861-010032-20	WASHER FLAT 3/4	4
24	1-512-010002-15	NUT HEX 3/4-10	4
25	SEE PAGE 1-68	MOUNT WELDMENT	1
26	SEE PAGE 1-68	MOUNT WELDMENT	1
	B3-482-001	MOUNT FOR PTO CABLE	
27	3-482-010107	MOUNT, PTO CABLE	1
28	5/16-24HFLN	NUT, HEX LOCK 5/16-24	4
29	5/16-24X1CS	SCREW, HEX HEAD CAP 5/16-24X1	4
30	1-861-010032-09	WASHER, FLAT 5/16	4

GMC 7000 FRAME PARTS

ITEM	PART NO.	DESCRIPTION	QTY.
18	3-080-010126	BED WLDMT OVER CAB	1
19	3-311-015715	FRAME WLDMT OVER CAB (GMC-7000)	1

FORD LS-8000 FRAME PARTS

ITEM	PART NO.	DESCRIPTION	QTY.
18	3-080-010278	BED WLDMT OVER CAB	1
19	3-311-015623	FRAME WLDMT OVER CAB FORD LS-8000	1
25	3-311-014910	MOUNT WLDMT. BUMPER ADAPTER LH	1
26	3-482-010246	MOUNT WLDMT. BUMPER ADAPTER RH	1

MACK FRAME PARTS

ITEM	PART NO.	DESCRIPTION	QTY.
18	3-080-010278	BED WLDMT OVER CAB 2 CYL. (RD688R)	1
19	3-311-016004	FRAME WLDMT OVER CAB MACK, 2 CYL. (RD688R)	1

INTERNATIONAL HARVESTER FRAME PARTS

ITEM	PART NO.	DESCRIPTION	QTY.
18	3-080-010278	BED WLDMT OVER CAB, 2 CYL.	1
	3-080-010126	BED WLDMT OVER CAB, SINGLE CYL.	1
19	3-311-015577	FRAME WLDMT OVER CAB IH-7100	1
	3-311-016095	FRAME WLDMT OVER CAB IH-4900, SINGLE CYL.	1
	3-311-016516	FRAME WLDMT OVER CAB IH-4900, 2 CYL.	1
	3-311-015952	FRAME WLDMT OVER CAB IH-8300, 2 CYL.	1
25	3-311-014909	MOUNT WLDMT. FRAME LH	1
26	3-311-014910	MOUNT WLDMT. FRAME RH	1

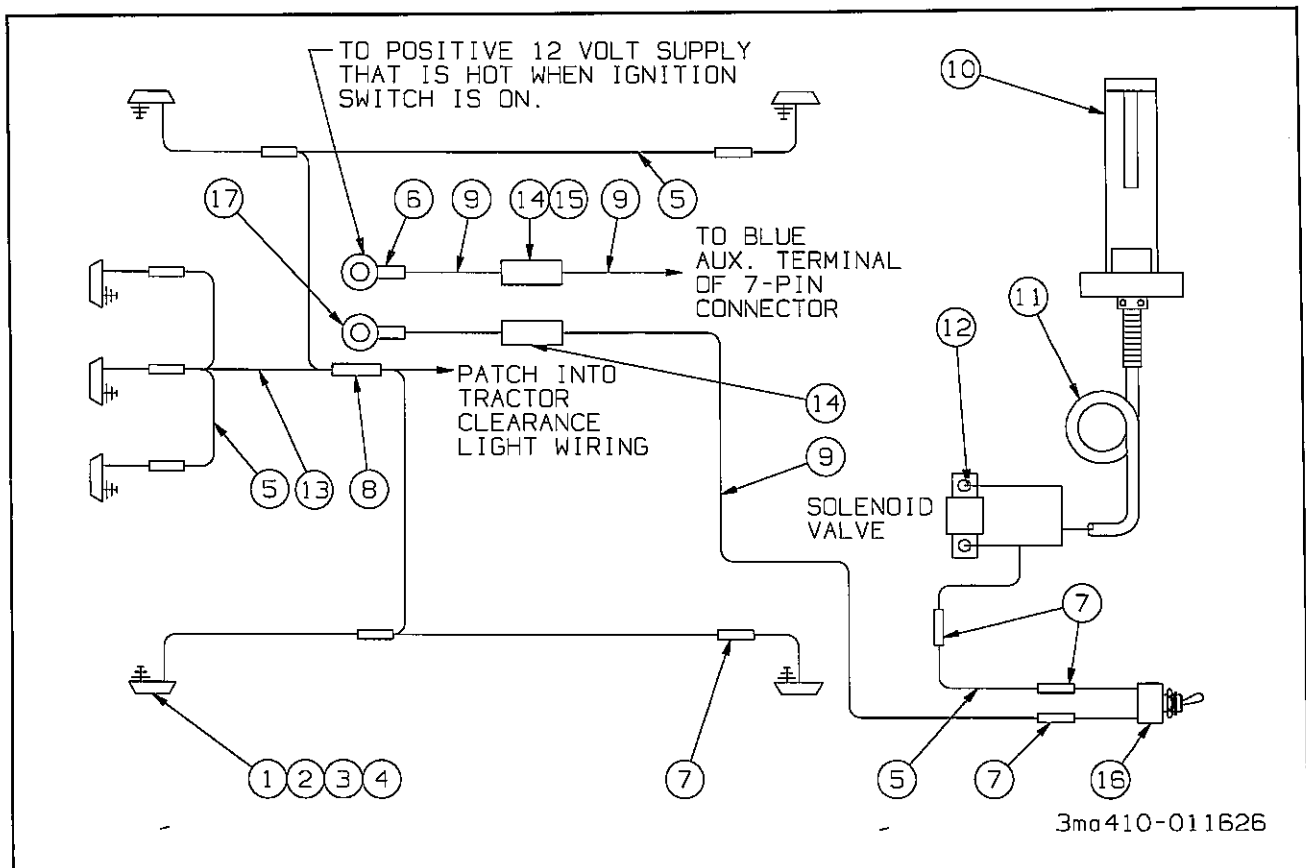


Figure 1-43 "Over-the-cab" Electrical Assembly

"OVER-THE-CAB" ELECTRICAL ASSEMBLY

ITEM	PART NO.	DESCRIPTION	QTY.
1	3-446-010006	LIGHT CLEARANCE YELLOW	7
2	1-656-010003056	SCREW ROUND HEAD MACHINE 1-1/2	14
3	1-512-010007-03	NUT HEX 10-24	14
4	110-0240	WASHER SPLIT LOCK	14
5	1-879-010005	WIRE BROWN	54FT
6	CO1-412	RING TERMINAL	1
7	3-272-010021	ELECT. BUTT SPLICE W/SEAL	14
8	3-272-010022	ELECT. BUTT SPLICE W/SEAL	1
9	1-879-010008	WIRE BLUE	20FT
10	3-272-010010	CONNECTOR ELECT. 4 POLE MALE	1
11	3-156-010008	CABLE TWO CONDUCTOR	13.5 FT
12	C29-1104X	CONN. FEMALE SPADE INSULATED	2
13	3-156-010008	CABLE TWO CONDUCTOR	25 FT
14	3-318-010001	12 VOLT 15 AMP FUSE AGL-15	2
15	3-318-010002	12 VOLT 15 AMP FUSE HOLDER	2
16	3-272-010062	SWITCH TOGGLE SEALED SPDT	1
17	31506	TERMINAL	1

"OVER-THE-CAB" HYDRAULIC SYSTEM(SINGLE CYL)

ITEM	PART NO.	DESCRIPTION	QTY.
	B3-407-097	HYD SYSTEM 331 SINGLE CYL	
1	2066-8-10S	FITTING O-RING TO PIPE (CALLED OUT IN B3-873-046)	1
2	2047-8-8S	ADAPTER	4
3	3-242-010091	CYL. (SEE PAGE 1-74)	1
4	1-007-010013	ELBOW 90 SWIVEL	3
5	1-397-010311068	HOSE ASSEMBLY	1
6	6-397-010005	HOSE ASSEMBLY	1
7	1-397-010059	HOSE ASSEMBLY	1
8	1-397-010028	HOSE ASSEMBLY	1
9	1-007-010007	ELBOW 90	3
10	3-846-010009	VALVE MULTI-PAK SOLENOID (SEE PAGE 1-77)	1
11	2066-8-8S	ADAPTER	1
12	3-846-010127	VALVE HYD. SGL. SPOOL PWR-BYD (SEE PAGE 1-76)	1
13	4050-4	COUPLER BODY HALF FEMALE	1
14	3-397-010124	HOSE ASSEMBLY W/ ENDS	2
15	3-397-010011	HOSE ASSEMBLY	1
17	3/4X1/2BUSH	BUSHING BLK. PIPE	2
18	1-512-010005-05	NUT HEX LOCK 3/8-16 GRB	7
19	1-654-010051-05	SCREW HEX HEAD CAP 3/8-16 X 1 GR5	4
20	1-654-010051-09	SCREW HEX HEAD CAP 3/8-16 X 2 GR5	3
21	1-007-010003	ADAPTER 90° W/ 3/32 REST.	1
22	1-654-010065-13	SCREW HEX HEAD CAP 1-8 X 4 GR5	1
23	1-654-010065-19	SCREW HEX HEAD CAP 1-8 X 7 GR5	1
24	1-512-010005-19	NUT HEX LOCK 1-8 GRB	2
38	2-397-010003	HOSE ASSEMBLY	1

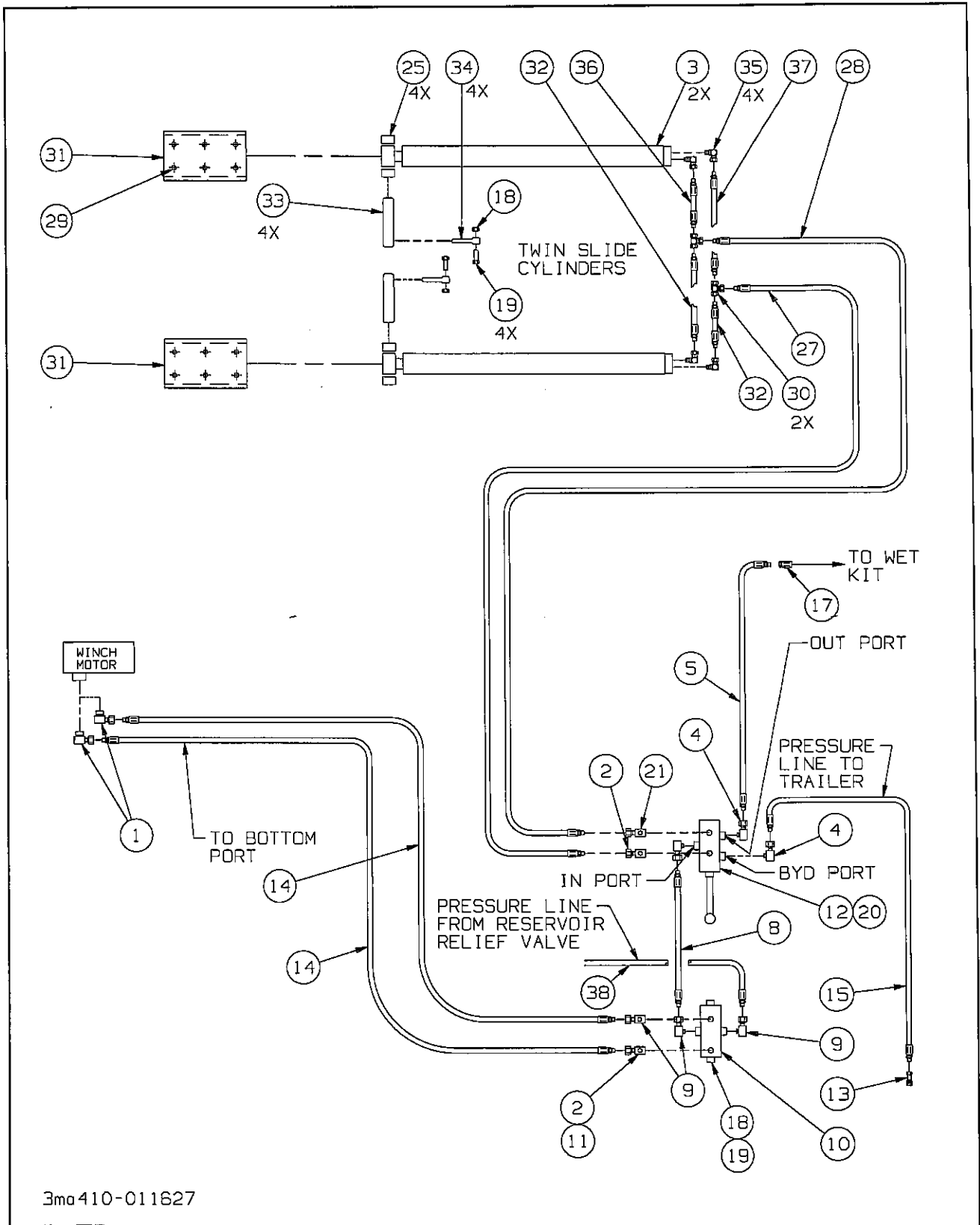


Figure 1-45 "Over-the-cab" Hydraulic System

"OVER-THE-CAB" HYDRAULIC SYSTEM (TWIN CYL)

ITEM	PART NO.	DESCRIPTION	QTY.
	B3-407-167	HYD. SYS 331 TWIN CYLINDER	
1	2066-8-10S	FITTING O-RING TO PIPE (CALLED OUT IN B3-873-046)	1
2	2047-8-8S	ADAPTER	4
3	3-242-010049	CYLINDER ASSEMBLY (SEE PAGE 1-75)	2
4	1-007-010013	ELBOW 90 SWIVEL	3
5	1-397-010311068	HOSE ASSEMBLY	1
8	1-397-010028	HOSE ASSEMBLY	1
9	1-007-010007	ELBOW 90	3
10	3-846-010009	VALVE MULTI-PAK SOLENOID (SEE PAGE 1-77)	1
11	2066-8-8S	ADAPTER	1
12	3-846-010127	VALVE HYD. SGL. SPOOL PWR-BYD (SEE PAGE 1-76)	1
13	4050-4	COUPLER BODY HALF FEMALE	1
14	3-397-010124	HOSE ASSEMBLY W/ ENDS	2
15	3-397-010011	HOSE ASSEMBLY	1
17	3/4X1/2BUSH	BUSHING BLK. PIPE	2
18	1-512-010005-05	NUT HEX LOCK 3/8-16 GRB	7
19	1-654-010051-05	SCREW HEX HEAD CAP 3/8-16 X 1 GR5	4
20	1-654-010051-09	SCREW HEX HEAD CAP 3/8-16 X 2 GR5	3
21	1-007-010003	ADAPTER 90° W/ 3/32 REST.	1
25	RRT119X.75	TUBE RD. 1-1/2X1-1/16X3/4	4
27	1-397-010315060	HOSE ASSEMBLY	1
28	1-397-010315064	HOSE ASSEMBLY	1
29	1-654-010112-10	SCREW RH HD SQ. NK 3/8-16 X 3-1/4	12
30	2255-6-6S	TEE INTERNAL PIPE SWIVEL	2
31	3-014-010096	ANCHOR CYL. 331 BED	2
32	3-397-010246	HOSE ASSEMBLY	2
33	3-557-010260	PIN W/L TILT CYL. 2 TN.	4
34	3-642-010098	ROD END	4
35	1-007-010014	ELBOW 90	4
36	1-397-010312064	HOSE ASSEMBLY	1
37	1-397-010312060	HOSE ASSEMBLY	1
38	2-397-010003	HOSE ASSEMBLY	1

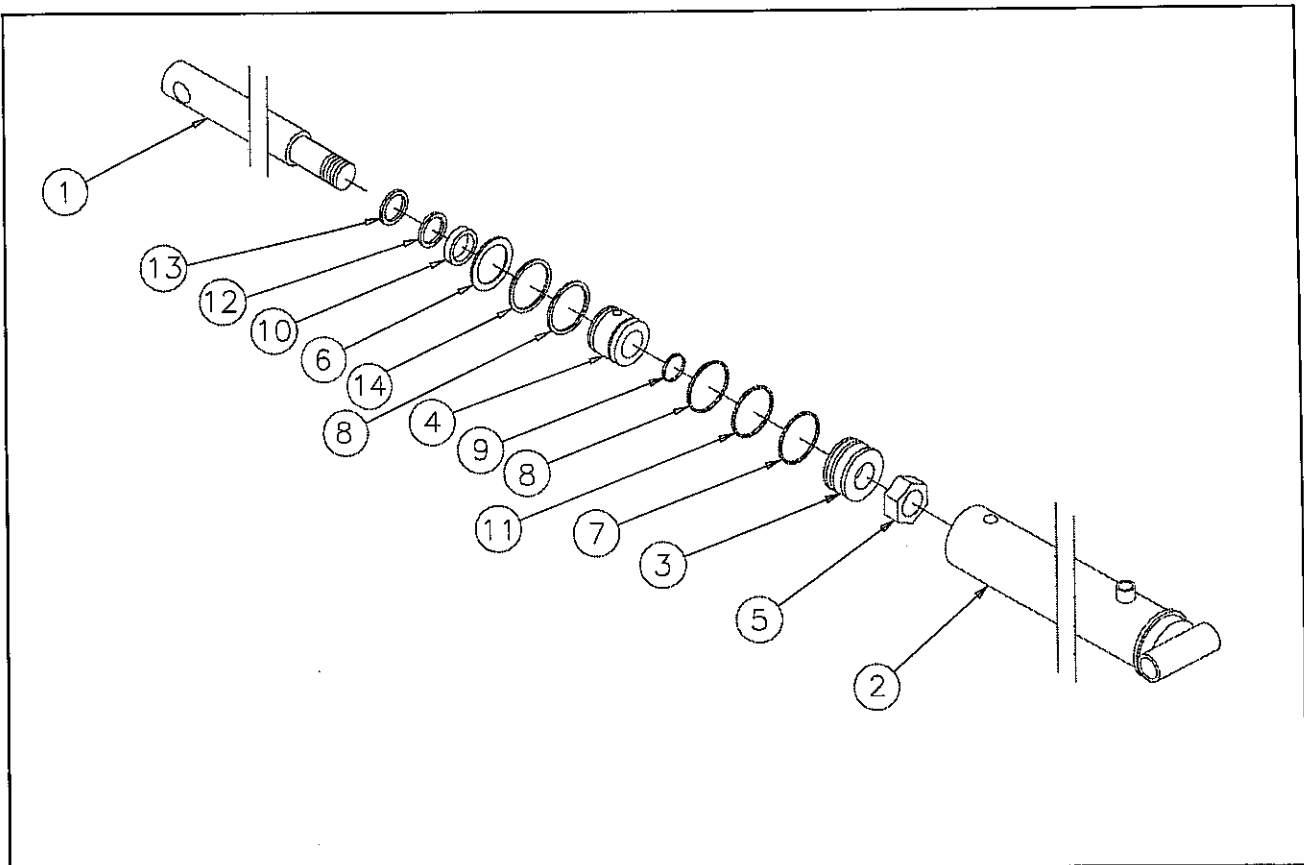


Figure 1-46 Hydraulic Cylinder 3" X 48"

HYDRAULIC CYLINDER, 3" X 48" (SINGLE CYL. SYSTEM)

ITEM	PART NO.	DESCRIPTION	QTY.
	3-242-010091	HYDRAULIC CYLINDER 3" X 48" (PRINCE #PMC-8348)	
1	010800053	PISTON ROD	1
2	061500057	BUTT AND TUBE ASSY.	1
3	071500021	PISTON	1
4	081500032	GLAND	1
5	220000210	LOCK NUT	1
6	230001300	SNAP RING	1
7	240004006	PISTON RING	1
8	240000334	O-RING	2
9	240000022	O-RING	1
10	240010222	QUAD RING	1
11	240034334	BU-WASHER	1
12	240005222	BU-WASHER	1
13	250001222	WIPER	1
14	240061334	BU-WASHER	1
	PMCK-8300	PACKING KIT (INCLUDES ITEMS 7 THROUGH 13) (CONTAINS ALL NECESSARY SEALS AND O-RINGS)	

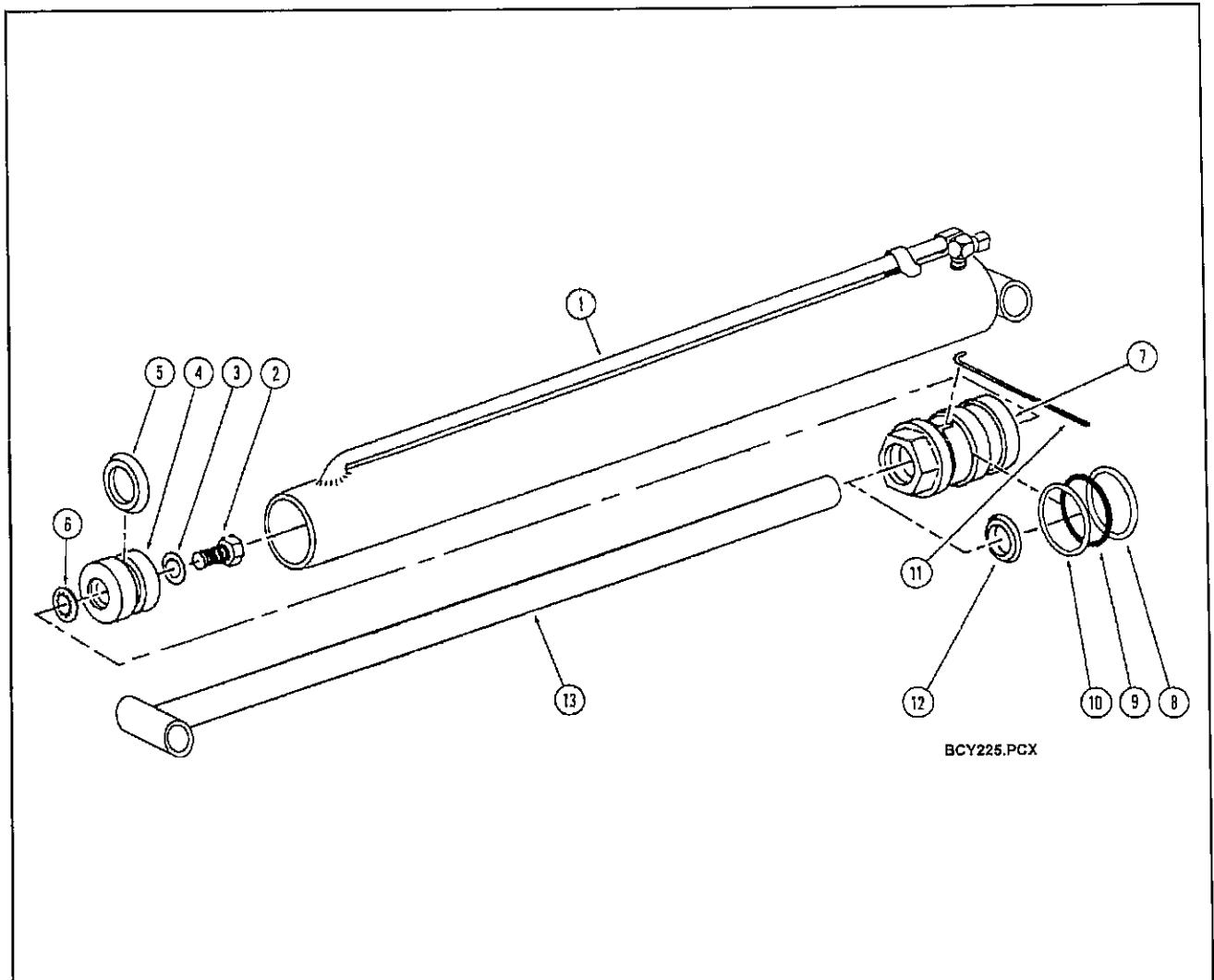


Figure 1-47 Hydraulic Cylinder 2-1/2" X 32"

HYDRAULIC CYLINDER, 2-1/2" X 32" (TWIN CYL. SYSTEM)

ITEM	PART NO.	DESCRIPTION	QTY.
	3-242-010049	HYDRAULIC CYLINDER, 2-1/2" X 32" (C.C. KELLEY#BCY225)	
1	SCY1079	BARREL ASSEMBLY	1
2	SBT1017	CAPSCREW	1
3	SCY1018	DYNA SEAL	1
4	SCY224	PISTON	1
5	SCY1019	PISTON SEAL	1
6	SWS245	INTERNAL LOCKWASHER	1
7	SCY223	RAM HEAD	1
8	SCY1070	BACK-UP RING	2
9	SCY1024	O-RING	1
11	SCY1026	LOCKWIRE	1
12	SCY1006	ROD SEAL	1
13	SCY1079	ROD ASSEMBLY	1
	SCY222	SEAL KIT	1

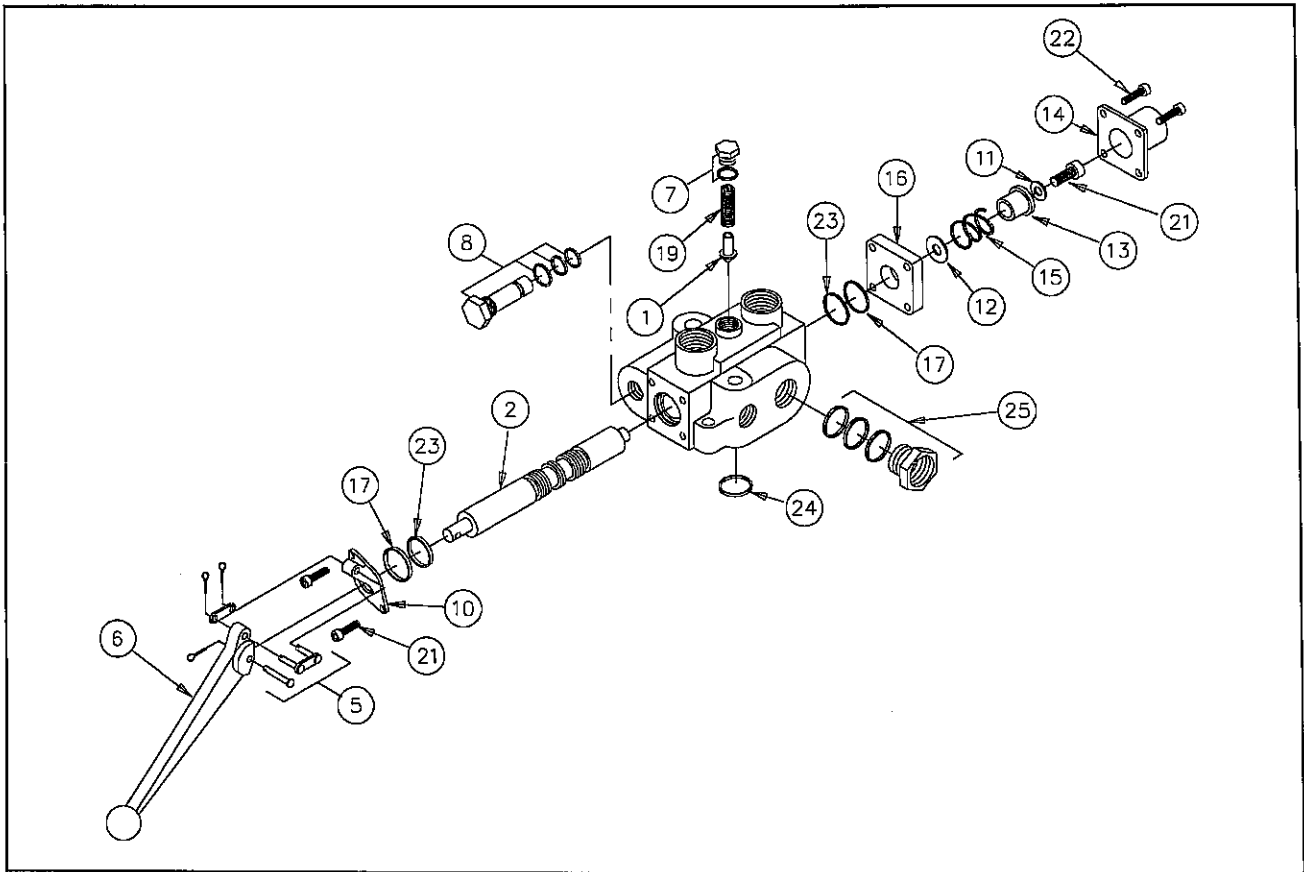


Figure 1-48 Hydraulic Single Spool Valve

HYDRAULIC SINGLE SPOOL VALVE

ITEM	PART NO.	DESCRIPTION	QTY.
	3-846-010127	VALVE, HYD. SINGLE SPOOL PWR-BYD	
1	1V0081	LOAD CHECK POPPET	1
2	*1V0090	4-WAY SPOOL	1
4	*1V0101	VALVE HOUSING	1
5	1V1701	PIN KIT	1
6	1V1703	HANDLE	1
7	1V1725	LOAD CHECK PLUG	1
8	1R0035	RELIEF PLUG ASSY.	1
10	4Z4306	HANDLE BRACKET	1
11	1A0290	CENTERING SPRING WASHER	1
12	1A0291	STOP WASHER	1
13	1A0292	STOP COLLAR	1
14	1A0294	END CAP	1
16	1A0709	END SPACER	1
17	1A0711	O-RING SPOOL WASHER	2
18	1A0744	CENTERING SPRING	1
19	1A0757	LOAD CHECK SPRING	1
21	2A0079-404	CAPSCREW	3
22	2A0079-406	CAPSCREW	4
23	2A0283-7214	SPOOL SEAL	2
24	2V0008	SEAL KIT (CONTAINS ALL NECESSARY SEALS & O-RINGS)	1
25	1V0249	POWER BEYOND ASSY.	1

* NOT SOLD SEPARATELY.

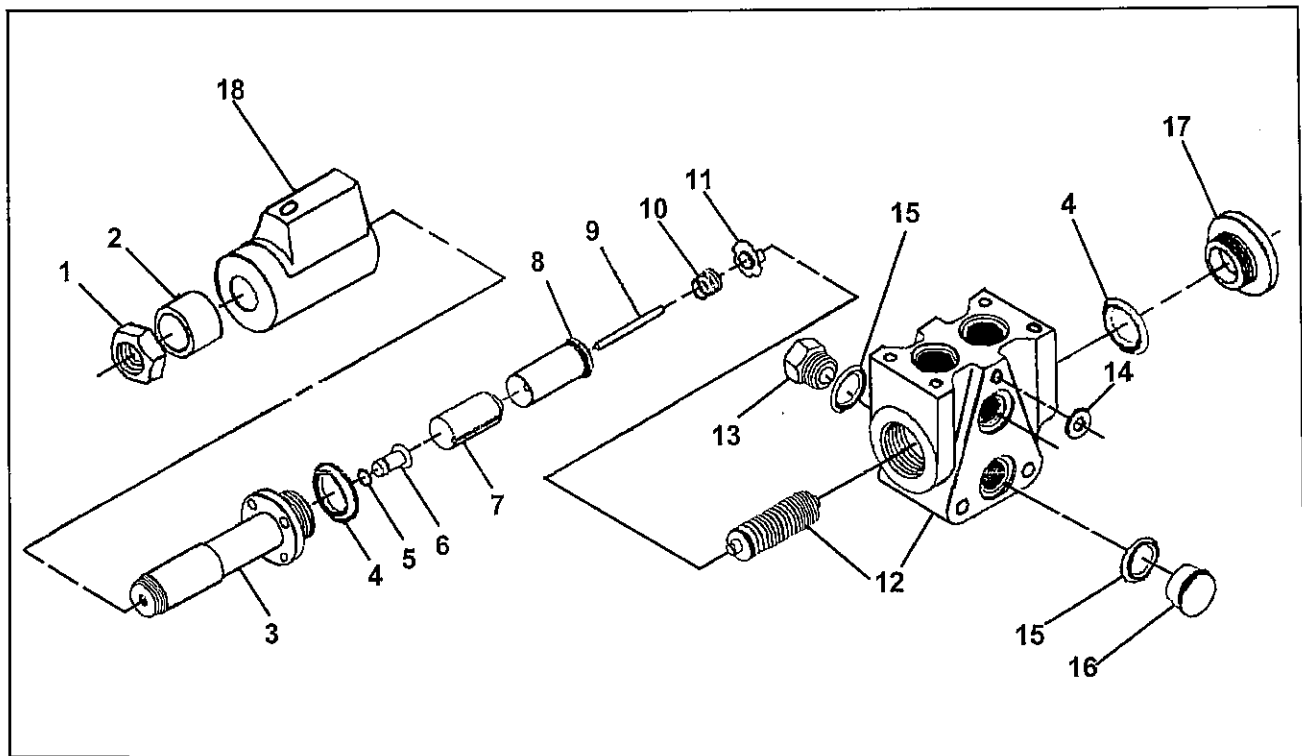


Figure 1-49 Hydraulic Solenoid Valve

HYDRAULIC SOLENOID VALVE

ITEM	PART NO.	DESCRIPTION	QTY.
	3-846-010009	VALVE, MULTI-PAK SOLENOID (AMBAC)	
	MV4-43-12-TD	VALVE ASSEMBLY (ITEMS 1 THROUGH 12)	
1	1006024	NUT	1
2	4014550	SLEEVE	1
3	6006090	TUBE SUBASSEMBLY	1
4	0102916	O-RING	2
5	0101008	O-RING	1
6	4014130	BUTTON, FLUSH	1
7	4019950	PLUNGER	1
8	4019960	PLUG	1
9	4020051	PIN	1
10	4015410	SPRING	2
11	6002880	RETAINER SPRING	2
12	*	SPOOL AND BODY (MATCHED SET)	1
13	1004005	PLUG	1
14	4023150	MYLAR SHIM	6
15	0102908	O-RING	2
16	4022030	SERIES PLUG	1
17	4014041	PLUG (SINGLE SOLENOID VALVE ASSY.)	1
18	0101118	O-RING (BETWEEN SECTIONS AND ATTACHMENTS)	AR
19	6002790	SOLENOID COIL (12 VDC)	2
20	6008840	SEAL KIT (O-RINGS ONLY)	
21	6013080	TUBE KIT (ITEMS 3 THROUGH 9)	

* TO ORDER SPOOL AND BODY, SPECIFY VALVE ASSEMBLY PART NUMBER AND POSITION OF VALVE IN RELATION TO INLET.

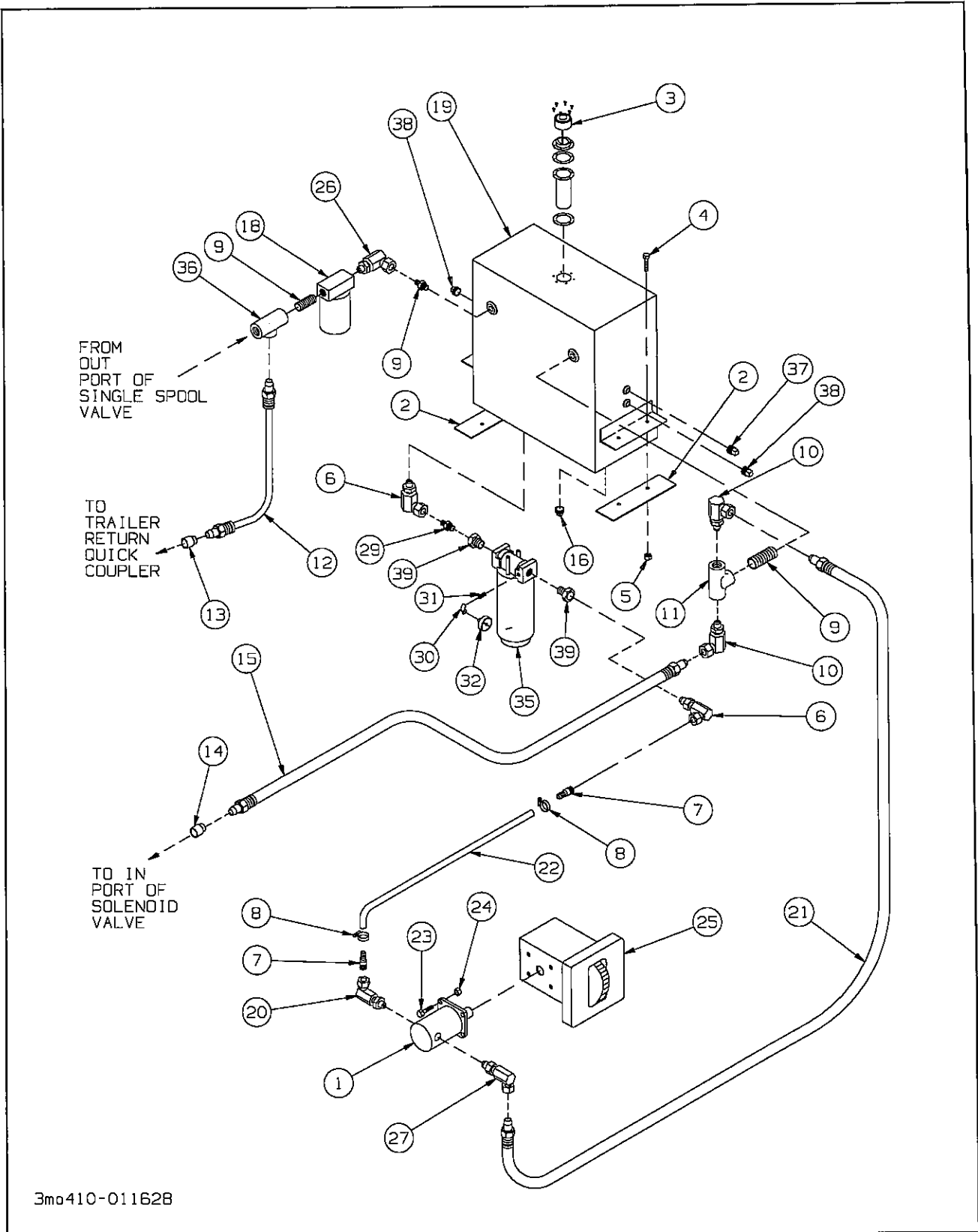


Figure 1-50 Wet Kit Assembly

WET KIT ASSEMBLY

ITEM	PART NO.	DESCRIPTION	QTY.
	B3-407-124	HYDRAULIC WET KIT	
1	3-591-010001	HYDRAULIC GEAR PUMP (SEE PAGE 1-80)	1
2	3-120-010103	CLAMP HYD. TANK	2
3	3-162-010001	FILLER BREATHER STRAINER ASSY.	1
4	1-654-010051-06	SCREW HEX HEAD CAP 3/8-16 X 1-1/4 GR5	4
5	1-512-010006-03	NUT HEX LOCK 3/8-16 GR5	4
6	1-1/4ST ELL	PIPE ELBOW BLK 90	2
7	3-561-010001	HOSE BARB	1
8	6828	IDEAL HOSE CLAMP	5
9	1-560-010001123	NIPPLE ALL THREAD	2
10	1-007-010013	ELBOW 90 SWIVEL	2
11	125130	RD12D HYD BY PASS SRDD (SEE PAGE 1-81)	1
12	1-397-010075	HOSE ASSEMBLY	1
13	S21F-6	COUPLER MALE HALF	1
15	2-397-010003	HOSE ASSEMBLY	1
16	1-560-010002-07	PLUG BLACK SQUARE HEAD	1
18	1-295-010001	FILTER RETURN LINE	1
	1-295-010002	FILTER ELEMENT	1
19	3-786-010043	TANK WELDMENT	1
20	1-007-010006	ELBOW 90 DEGREE	1
21	6-397-010005	HOSE ASSEMBLY	1
22	3-399-010001048	HOSE SUCTION	1
23	1-654-010055-03	SCREW HEX HEAD CAP 1/2-13 X 1-1/2 GR5	4
24	1-512-010007-09	NUT HEX 1/2-13	4
25	PTO	POWER TAKE OFF	1
26	3/4 ST ELL	ELBOW BLK PIPE 90 ST.	1
27	1-007-010009	ELBOW 90	1
29	1-1/4X2PN	NIPPLE BLK PIPE	1
30	110-5011	ELBOW 90	1
31	118-1207	NIPPLE	1
32	238-2450-3	VACUUM INDICATOR GRESEN #K-FVAC	1
33	3-395-010001	CF FIRE HOSE (NOT SHOWN- PROTECTS HYDR. HOSES ABOVE HYDR. TANK)	1
35	514-1633-1	FILTER SUCT. GRESEN #FLR-215-5TD-2A	1
	K-25001	REPLACEMENT FILTER KIT	
	K-23001	REPLACEMENT FILTER KIT W/ SEALS	
	K-23022	REPLACEMENT RELIEF VALVE KIT	
	11918-001	VACUUM CONDITION INDICATOR	
36	2090-12-12S	PIPE TEE	1
37	1-560-010002-04	PLUG BLACK PIPE	1
38	1-560-010002-05	PLUG BLACK PIPE	2
39	1-1/2X1-1/4BUSH	BUSHING BLACK PIPE	
40	1-654-010047-04	SCREW HEX HEAD CAP 1/4-20 X 3/4 (PLUG HOLES IN B/C) (NOT SHOWN)	

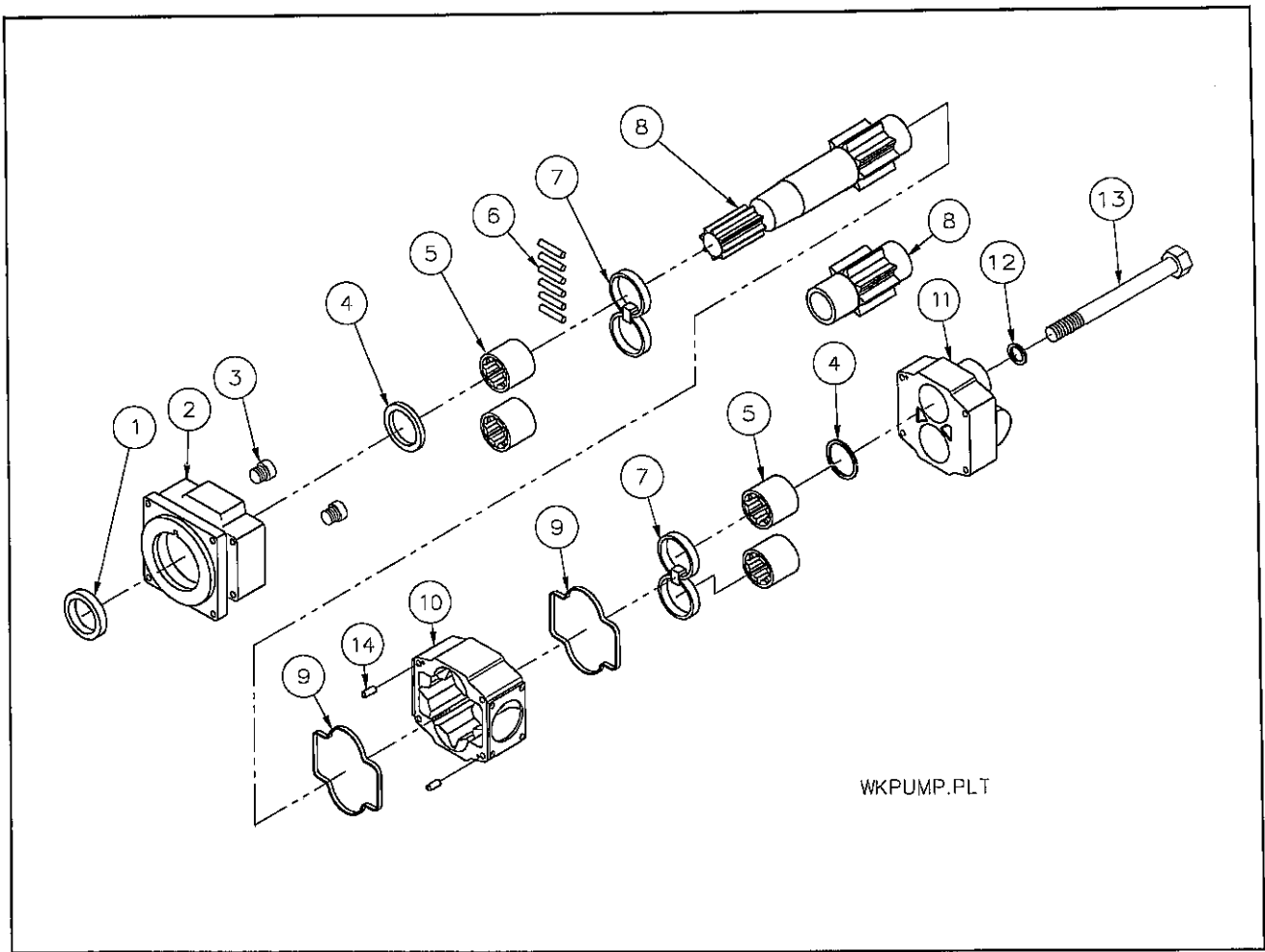


Figure 1-51 Wet Kit Pump

WET KIT PUMP

ITEM	PART NO.	DESCRIPTION	QTY.
	3-591-010001	HYD. PUMP ASSY. (COMMERCIAL INTERTECH 312-9610-394)	
1	391-2883-058	LIP SEAL	1
2	312-5037-201	HOUSING SEC.	1
3	391-3681-001	CHECK ASSEMBLY	2
4	391-2585-006	SEAL RING	2
5	391-0381-068	BEARING ROLLER	4
6	391-2882-086	STRIP POCKET SEAL	12
7	391-2185-013	PLATE THRUST	2
8	312-2917-130	SHAFT AND GEAR SET	1
9	391-2884-050	SEAL SQ.-R	2
10	312-8217-327	HOUSING GEAR	1
11	312-3220-327	HOUSING PEC.	1
12	391-3784-028	WASHER	4
13	391-1401-025	CAPSCREW	4
14	391-2082-032	DOWEL PIN	4
15	391-1802-119	SEAL KIT	

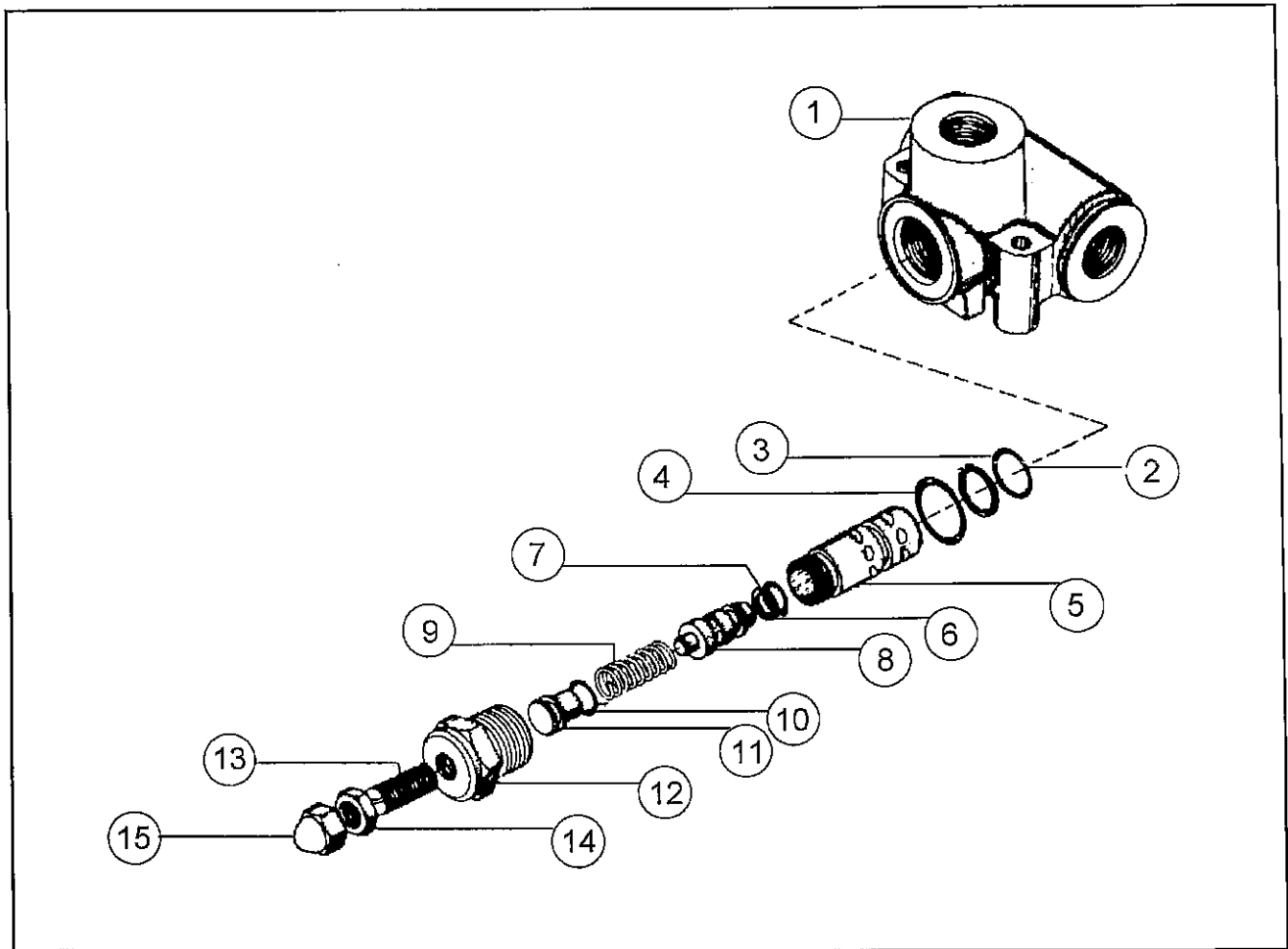


Figure 1-52 Pressure Relief Valve

PRESSURE RELIEF VALVE

ITEM	PART NO.	DESCRIPTION	QTY.
	125130	RD12D HYD. BY PASS SRDD	
1	1R0024	HOUSING	1
2	2A0283-7015	O-RING LOWER BODY	1
3	2A0010-015	BACK UP SEAL LOWER BODY	1
4	2A0283-9910	O-RING PLUG	1
5	1R0019	RELIEF LOWER BODY	1
6	2A0283-7011	O-RING POPPET	1
7	2A0007-011	BACK UP SEAL POPPET	1
8	1R0020	RELIEF POPPET	1
9	2A9048-7	SPRING (1500-300 PSI)	1
10	1A0171	PISTON O-RING	1
11	1R0013	RELIEF PISTON	1
12	1R0018	RELIEF UPPER BODY	1
13	1R0015	ADJUSTMENT SCREW	1
14	1A0569	LOCK NUT	1
15	1A0570	ACORN NUT	1

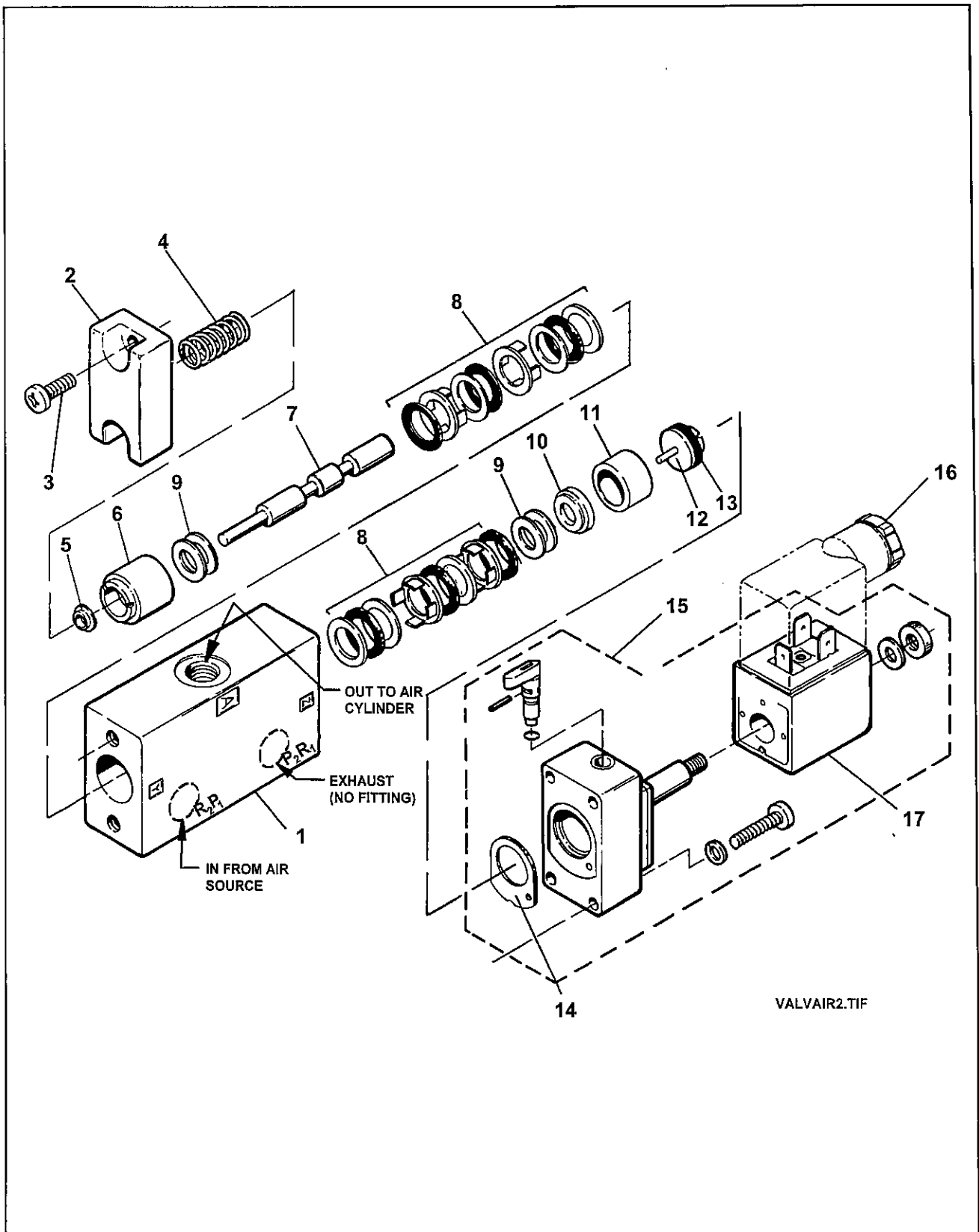


Figure 1-54 Valve, Air Solenoid 12V

VALVE, AIR SOLENOID 12V

ITEM	PART NO.	DESCRIPTION	QTY.
	3-843-010009	VALVE AIR SOLENOID 12V (WABCO GC13101-3655)	
1		BODY	
2	H563060-6584	SPRING END COVER	1
3	H810138-0684	END COVER SCREW	2
4	H896040-1504	RETURN SPRING	1
5	H895361-7204	SPRING WASHER	1
6	H563061-2004	SPRING GUIDE	1
7	H571002-7704	SPOOL - SIN AIR/SIN SOL 3 WAY	1
8	P68131	CARTRIDGE KIT - 3 WAY BODY	1
9	H895107-9204	WASHER	AR
10	H571004-0404	SPOOL GUIDE	1
11	H571002-3704	PISTON GUIDE	1
12	H571002-6204	PISTON	1
13	H897151-0094	PISTON SEAL	1
14	H897101-7804	SOLENOID END COVER GASKET	1
15	H542061-0410	SOLENOID COMPLETE	1
16	H894100-4702	SOLENOID CONNECTOR	1
17	H542061-7212	SOLENOID COIL	1
18	P67912	SEAL KIT (3 WAY BODY)	1
19	P68131	VALVE CARTRIDGE KIT (3 WAY BODY)	1
20	P67914-4	SOLENOID OPERATOR KIT	1

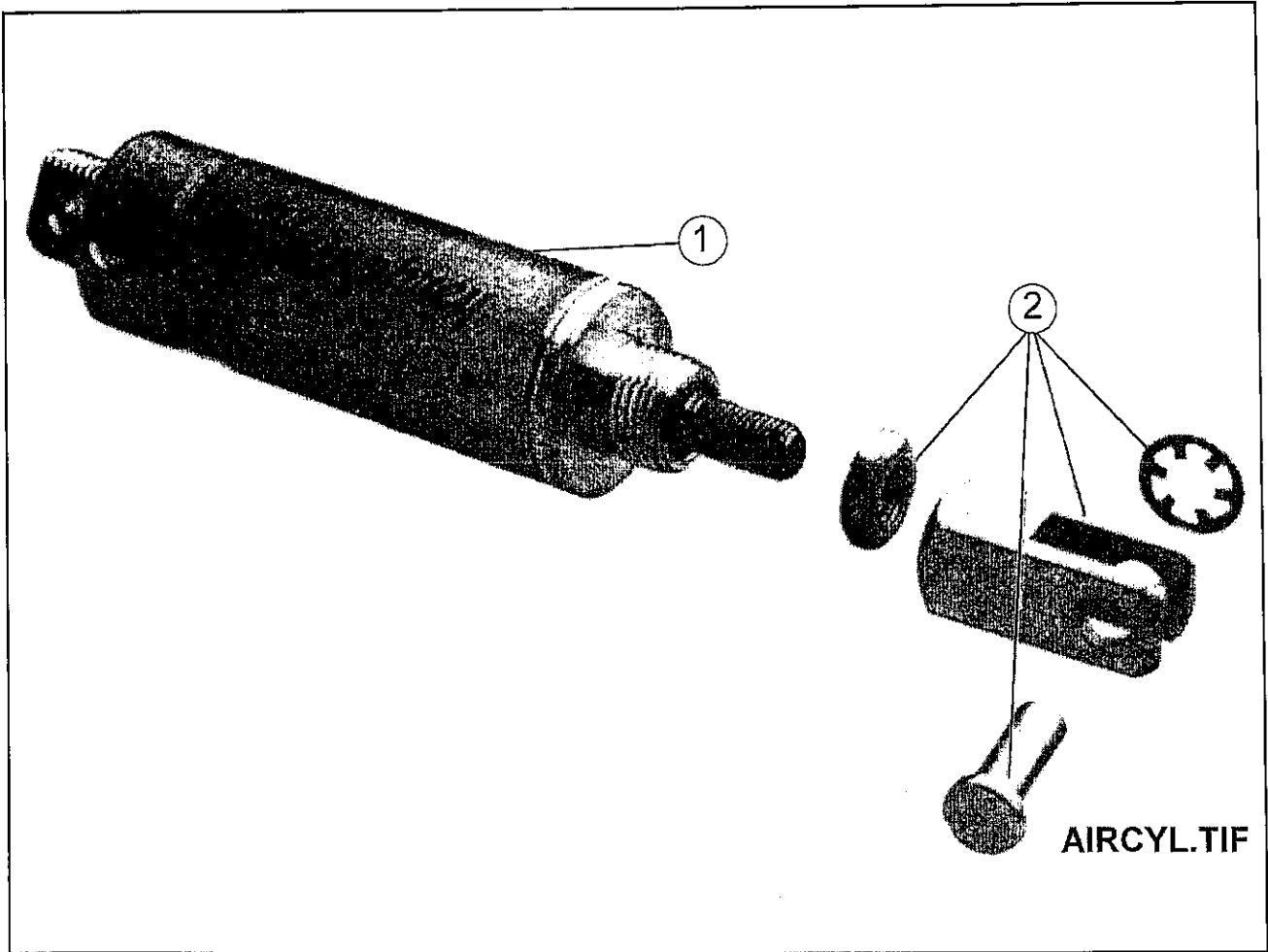


Figure 1-54 Cylinder, Air 1-3/4 Bore

CYLINDER, AIR 1-3/4 BORE

ITEM	PART NO.	DESCRIPTION	QTY.
	3-238-010007	CYLINDER, AIR 1-3/4 BORE	
1	75-SP-2	CYLINDER	1
2	CT-19	ROD CLEVIS	1

NOTE: INTERNAL PARTS NOT SOLD SEPARATELY.

NOTES:

NUMERICAL INDEX

<u>PART</u>	<u>PAGE</u>	<u>PART</u>	<u>PAGE</u>	<u>PART</u>	<u>PAGE</u>
005-074- 00	39	061800024	17	1-007-010009	79
005-075- 00	39	061900539	21	1-007-010013	79
005-098-00	39	061900610	17	1-007-010013	71
005-099-00	39	061900042	20	1-007-010013	73
005-100-00	43	062000081	17	1-007-010014	73
005-134- 00	39	062000092	17	1-007-010024	14
006-114-00	39	062100547	19	101-1033-009	51
006-115-00	39	062100549	19	101162	45
007-157-00	43	069-018-00	39	10205R	30
010-052- 00	39	069-020-00	39	10404	30
010-055-01	43	069-078-00	39	105-0150	30
0101008	77	071-124-00	43	1056	43
0101118	77	071-124-00 (3067)	45	107082	43
0102908	77	071500021	74	107083	43
0102916	77	071800021	17	110-0240	69
010700566	17	071900019	20	110-0253	65
010700566	17	071900273	17	110-5011	79
010800053	74	071900195	21	111-9989	11
010800690	19	072000097	17	1-181-010046- 7	41
010800702	19	072100244	19	118-1207	79
011100078	20	072100245	19	118-7962	65
011100744	17	081500032	74	11918-001	79
011300179	21	081800022	17	1-1/2X1- 1/4BUSH	79
014-056- 00	39	081900019	20	1-1/4ST ELL	79
014-057-00	39	081900374	17	1-1/4X2PN	79
014-058- 00	39	081900277	21	1-203-010040- 5	61
014-068-00	39	082100284	19	125130	79
021-038-001	43	082100293	19	125130	81
021-038-01 (4009)	45	082100293	20	1-295-010001	79
034-048-00	39	100000326	17	1-295-010002	79
034-188-00	39	100000326	19	1-297-010007-05	07
034-189-00	39	100000326	19	1-297-010007-11	07
040-320-01	39	100000330	17	1-297-010007-11	41
041-057-01	39	100000330	17	1-297-010008-05	07
041-060-01	39	10036	33	1-297-010008-07	07
046-092-00	39	1004005	77	1-297-010008-07	35
046-097-00	39	1006024	77	1-297-010008-18	07
055-040-07	39	100635	14	1-297-010008-18	07
055-053-00	39	100636	14	1-297-010008-20	41
055-054-00	39	1-007-010003	15	1-297-010008-21	07
056-010-00	39	1-007-010003	71	1-297-010008-24	41
056-017-00	39	1-007-010003	73	1-297-010009-04	07
056-018-00	39	1-007-010006	79	1-297-010010-01	07
0600-375- 02000	11	1-007-010007	13	1-297-010010-01	35
0600-375- 04000	02	1-007-010007	71	1-297-010013-05	35
061-006- 00	39	1-007-010007	73	1-297-010014-03	41
061500057	74	1-007-010008	15	1-297-010015-07	41

<u>PART</u>	<u>PAGE</u>	<u>PART</u>	<u>PAGE</u>	<u>PART</u>	<u>PAGE</u>
1-297-010018-02	07	14193-000	51	1-557-010362-51	05
1-297-010020-04	07	142000004	17	1-557-010362-51	14
1-297-010022-02	07	142100019	19	1-557-010362-54	14
1-297-010033-03	41	142100020	19	1-560-010001085	41
1-298-010001-1	11	14488-000	51	1-560-010001123	79
1-298-010001-1	15	15009	30	1-560-010002-02	07
1-298-010007-08	05	15009	60	1-560-010002-04	41
1-397-010075	79	1-510-010001	11	1-560-010002-04	79
1-397-010311025	14	1-510-010001	34	1-560-010002-05	79
1-397-010311060	14	1-511-010001-05	13	1-560-010002-07	79
1-397-010311068	71	1-512-010002-15	67	1-573-010003	33
1-397-010311068	73	1-512-010003-03	07	1-573-010004	33
1-397-010311149	14	1-512-010003-06	14	1-573-010013	33
1-397-010312060	73	1-512-010003-06	30	1-647-010004221	05
1-397-010312064	73	1-512-010003-06	41	1-647-010006042	14
1-397-010313021	15	1-512-010003-06	60	1-654-010032-4	67
1-397-010313024	14	1-512-010005-01	30	1-654-010034-03	34
1-397-010313046	14	1-512-010005-05	07	1-654-010047-04	01
1-397-010315060	73	1-512-010005-05	07	1-654-010047-04	14
1-397-010315064	73	1-512-010005-05	13	1-654-010047-04	79
1-397-010332044	14	1-512-010005-05	30	1-654-010047-06	30
1-397-010332054	14	1-512-010005-05	35	1-654-010049-03	45
1-397-010332080	14	1-512-010005-05	67	1-654-010049-06	30
1-397-010332090	14	1-512-010005-05	71	1-654-010051-03	63
1-397-010332175	14	1-512-010005-05	73	1-654-010051-05	07
1-397-010332184	14	1-512-010005-09	05	1-654-010051-05	13
1-397-010353097	14	1-512-010005-09	11	1-654-010051-05	47
1-397-010353141	14	1-512-010005-09	15	1-654-010051-05	71
1-397-010360024	15	1-512-010005-09	47	1-654-010051-05	73
1-397-010365132	14	1-512-010005-09	65	1-654-010051-06	30
1-397-010370125	14	1-512-010005-10	67	1-654-010051-06	47
1-397-0103785143	14	1-512-010005-13	01	1-654-010051-06	79
1-397-010381055	14	1-512-010005-13	02	1-654-010051-08	07
1-397-010381125	14	1-512-010005-13	14	1-654-010051-08	35
1-397-010381143	13	1-512-010005-13	64	1-654-010051-09	67
1-397-010381277	13	1-512-010005-13	67	1-654-010051-09	71
1-397-010382024	15	1-512-010005-15	11	1-654-010051-09	73
1-397-010383024	15	1-512-010005-19	05	1-654-010051-10	13
1-397-010384024	15	1-512-010005-19	71	1-654-010051-11	30
1-397-010385111	14	1-512-010006-03	79	1-654-010051-13	15
1-397-010385277	14	1-512-010007-02	63	1-654-010051-13	67
1-397-010386180	14	1-512-010007-03	33	1-654-010055-03	11
1-397-010386200	14	1-512-010007-03	69	1-654-010055-03	13
1-397-010028	71	1-512-010007-04	14	1-654-010055-03	65
1-397-010028	73	1-512-010007-05	30	1-654-010055-03	79
1-397-010059	71	1-512-010007-05	34	1-654-010055-04	05
139902	43	1-512-010007-05	41	1-654-010055-05	11
139913	43	1-512-010007-06	05	1-654-010059-03	01
141800009	17	1-512-010007-06	30	1-654-010059-03	67
141900037	17	1-512-010007-09	79	1-654-010059-07	02

<u>PART</u>	<u>PAGE</u>	<u>PART</u>	<u>PAGE</u>	<u>PART</u>	<u>PAGE</u>
1-654-010059-09	14	1-861-010032-03	30	1-879-010129-02	60
1-654-010059-13	64	1-861-010032-03	41	1-879-010129-03	60
1-654-010061-07	11	1-861-010032-03	60	1-879-010129-04	60
1-654-010065-13	71	1-861-010032-04	33	1-879-010129-05	60
1-654-010065-19	71	1-861-010032-07	15	1-879-010129-06	60
1-654-010070-2	11	1-861-010032-07	30	1-879-010129-07	60
1-654-010070-3	05	1-861-010032-07	34	1-879-010129-13	60
1-654-010070-11	11	1-861-010032-07	41	1-879-010129-14	60
1-654-010070-11	15	1-861-010032-09	05	1-879-010129-15	60
1-654-010070-13	05	1-861-010032-09	67	1-879-010129-16	60
1-654-010070-16	05	1-861-010032-11	07	1-879-010129-20	60
1-654-010089-15	47	1-861-010032-11	13	1-879-010129-21	60
1-654-010096-05	67	1-861-010032-11	30	1-879-010129-22	60
1-654-010112-10	73	1-861-010032-11	35	1-879-010129-23	60
1-654-010133-08	05	1-861-010032-11	41	1-879-010129-27	60
1-654-010146-04	34	1-861-010032-11	67	1-879-010129-30	60
1-654-010146-04	67	1-861-010032-15	05	1-879-010129-31	60
1-654-010147-03	65	1-861-010032-15	11	1-879-010129-34	60
1-654-010158-1	34	1-861-010032-15	47	1-879-010129-35	60
1-654-010158-1	41	1-861-010032-19	14	190100046	25
1-656-010003026	63	1-861-010032-19	64	190400004	17
1-656-010003039	07	1-861-010032-20	67	190400004	17
1-656-010003051	14	1-861-010032-25	05	190400004	17
1-656-010003051	30	1-861-010032-25	07	190400004	19
1-656-010003051	33	1-861-010034-07	14	190400004	19
1-656-010003051	41	1-861-010034-09	15	190400004	20
1-656-010003051	60	1-861-010034-09	30	190600003	17
1-656-010003056	69	1-861-010034-09	34	190600003	17
1-656-010003078	15	1-861-010034-09	41	190600003	17
170003017	25	1-861-010034-10	05	190600003	19
170003017	25	1-861-010034-10	30	190600003	19
170003037	25	1-861-010034-10	45	1A0171	81
170301212	17	1-861-010034-11	13	1A0290	76
170301212	17	1-861-010034-11	47	1A0291	76
170301215	17	1-861-010034-13	47	1A0292	76
170301215	19	1-879-010004	30	1A0294	76
170301215	19	1-879-010005	30	1A0569	81
178910	43	1-879-010005	60	1A0570	81
178921	43	1-879-010005	69	1A0709	76
1-796-010002-01	60	1-879-010008	61	1A0711	76
1-796-010003-01	41	1-879-010008	69	1A0744	76
179955	45	1-879-010009012	30	1A0757	76
1-816-010032-15	15	1-879-010124-01	60	1R0013	81
1-833- 010001	07	1-879-010124-02	60	1R0015	81
1-833- 010002	07	1-879-010125-1	60	1R0018	81
1-833- 010003	41	1-879-010126-01	60	1R0019	81
1-833-010001	35	1-879-010127-17	60	1R0020	81
1-833-010002	41	1-879-010127-18	60	1R0024	81
1-861-010032-02	07	1-879-010127-19	60	1R0035	76
1-861-010032-03	14	1-879-010129-01	60	1V0081	76

<u>PART</u>	<u>PAGE</u>	<u>PART</u>	<u>PAGE</u>	<u>PART</u>	<u>PAGE</u>
1V0090	76	2083-8-4S	35	230010606	19
1V0101	76	2083-8-4S	41	230010606	21
1V0249	76	2090-12-12S	79	2-318-010009	15
1V1701	76	210600205	19	2-318-010009	61
1V1703	76	210600205	19	238-2450-3	79
1V1725	76	210600205	21	238-6832	60
200013105	25	210700077	17	238-9030-12	60
200013105	25	210700077	17	238-9030-21	60
200013106	17	211100272	17	238-9030-22	60
200013106	17	211300024	21	238-9030-23	60
200013106	17	2-181-010001	11	239-4899	15
200013106	19	22000-001	51	2-397-010003	71
200013106	19	220000102	23	2-397-010003	73
200013106	21	220000210	17	2-397-010003	79
200013107	23	220000210	17	239-9008-1	07
200013107	23	220000210	74	239-9008-1	41
200018003	20	220000211	17	239-9076-5	41
200100189	25	220000211	19	240000009	25
200300040	17	220000211	19	240000018	25
200300040	17	220000212	20	240000019	25
200300040	17	220001005	23	240000019	25
200300040	19	220001010	25	240000020	25
200300040	19	220001504	17	240000022	74
200300104	17	220001504	17	240000024	17
200300104	17	220001504	17	240000026	20
200300104	17	220001504	19	240000026	21
200300104	19	220001504	19	240000028	17
200300104	19	220001504	21	240000028	17
200400030	23	220001512	23	240000029	19
200400030	23	22002-000	51	240000029	19
2027	45	22229-000	51	240000113	25
2045-8-8S	14	22230-001	51	240000152	17
2046-12-12S	15	2240-12-12S	13	240000153	17
2047-12-12S	14	2255-12-12S	14	240000155	17
2047-8-8S	15	2255-6-6S	73	240000156	19
2047-8-8S	71	2255-8-8S	14	240000157	19
2047-8-8S	73	230001300	74	240000208	25
2049-8-8S	15	230001400	20	240000238	17
2050-8-8S	14	230007400	21	240000240	17
2066-6-6S	15	230010405	17	240000244	17
2066-8-10S	15	230010405	17	240000246	19
2066-8-10S	71	230010405	17	240000248	19
2066-8-10S	73	230010405	19	240000248	21
2066-8-8S	71	230010405	19	240000333	21
2066-8-8S	73	230010407	17	240000334	74
2067-6-6S	15	230010407	17	240000342	20
2068-12-10S	15	230010407	17	240000342	21
2068-12-12S	14	230010407	19	240000908	25
2068-8-10S	15	230010407	19	240004006	74
2083-8-4S	07	230010606	19	240004008	20

<u>PART</u>	<u>PAGE</u>	<u>PART</u>	<u>PAGE</u>	<u>PART</u>	<u>PAGE</u>
240005222	74	2-573- 010335	33	3-181-010008	14
240005329	20	270010002	20	3-181-010060	15
240005333	21	2750-8	30	3-181-010060	30
240005342	21	276028	49	3-181-010007	30
240010222	74	2A0007-011	81	3-181-010034-1	30
240010329	20	2A0010-015	81	32002	30
240011098	17	2A0079-404	76	3-201-010001	30
240011105	17	2A0079-406	76	3-201-010001	30
240011112	17	2A0283-7011	81	3-203-010001	60
240011113	19	2A0283-7015	81	3-203-010001	30
240011114	19	2A0283-7214	76	3-208-010064	60
240016230	25	2A0283-9910	81	3-208-010064	63
240019014	25	2A9048-7	81	3-208-010064-01	63
240020009	17	2V0008	76	3-208-010064-02	63
240020015	21	300039	49	3-208-010064-03	63
240020059	19	3-014-010096	73	3-208-010064-04	63
240020059	19	3-014-010201	05	3-208-010064-5	63
240020059	21	3-014-010202	05	3-208-010071	13
240020185	17	3-027-010111	05	3-208-010071	31
240020185	17	3-027-010110	05	3-208-010071	63
240034334	74	3-042-010111-2	39	3-208-010071-01	07
240034342	20	3-042-010130-02	39	3-208-010071-01	60
240035152	17	3-080-010126	68	3-222-010160	01
240035153	17	3-080-010126	68	3-222-010160	14
240035155	17	3-080-010139	67	3-222-010163	05
240035156	19	3-080-010278	68	3-222-010168	15
240035157	19	3-080-010278	68	3-222-010191	11
240035157	21	3-080-010278	68	3-238-010007	07
240044018	25	3-080-010446	01	3-238-010007	84
240044019	25	3-080-010447	01	324160	49
240044020	25	3-115-010096	65	3-242-010199	17
240061238	17	3-115-010097	65	3-242-010216	14
240061240	17	3-115-010099	65	3-242-010217	15
240061244	17	3-115-010139	65	3-242-010049	73
240061246	19	3-115-010140	65	3-242-010049	75
240061248	19	3-120-010103	79	3-242-010091	71
240061248	21	312-2917-130	80	3-242-010091	74
240061334	74	312-3220-327	80	3-242-010185	13
240061342	20	312-5037-201	80	3-242-010185	21
250001-011	51	312-8217-327	80	3-242-010199	13
250001222	74	3-150-010046	05	3-242-010200	13
250001329	20	3-150-010047	05	3-242-010200	17
250002213	21	31506	69	3-242-010202	17
250014137	17	3-155-010013	47	3-242-010207	13
250014137	17	3-156-010008	69	3-242-010207	20
250014150	19	3-156-010008	69	3-242-010216	19
250014150	19	316083	49	3-242-010217	19
250014150	21	3-162-010001	79	3-272-010003	30
250014200	17	3-181-010006	14	3-272-010010	69
257	43	3-181-010007	14	3-272-010017	60

<u>PART</u>	<u>PAGE</u>	<u>PART</u>	<u>PAGE</u>	<u>PART</u>	<u>PAGE</u>
3-272-010021	30	3-375-010582	11	3-561-010001	79
3-272-010021	60	3-375-010619	07	3-565-011544	11
3-272-010022	30	3-375-010619	11	3-573-010020	33
3-272-010062	69	3-375-010619	13	3-573-010031	33
3-272-010166	61	3-375-010619	30	3-573-010060	33
3-272-010021	30	3-375-010619	41	3-573-010211	33
3-272-010021	69	3-375-010619	47	3-573-010435	33
3-272-010022	69	338208	49	3-573-010437	33
3-279-010043	15	338273	49	3-573-010438	33
328134	49	3-384-010020	41	3-573-010441	33
3-311-013619	67	3-384-010031	41	3-573-010463	33
3-311-014622	30	3-395-010001	41	3-573-010203	33
3-311-014909	68	3-395-010001	79	3-573-010377	33
3-311-014910	68	3-397-010011	71	357481	49
3-311-014910	68	3-397-010011	73	3-591-010001	79
3-311-015577	68	3-397-010124	71	3-591-010001	80
3-311-015623	68	3-397-010124	73	3-624-010008	60
3-311-015715	68	3-397-010246	73	3-630-010002	05
3-311-016004	68	3-399-010001048	79	364018	49
3-311-010578	11	3-406-010044	43	3-642-010098	73
3-311-015952	68	3-406-010045	43	3-659-010012	45
3-311-016095	68	3-406-010061	45	3-659-010013-1	65
3-311-016516	68	3-417-010004	14	368017	49
3-318-010001	69	3-443-010010	65	3-681-010106	63
3-318-010002	69	3-446-010006	30	3-681-010121	13
3-318-010005	61	3-446-010006	69	3-684-010031	47
332007	49	3-446-010007	30	3-684-010042	05
3-334-010001	67	346SL	01	3-684-010047	05
3-334-010002	67	3-481-010012	51	3-684-010048	05
3-334-010003	67	3-481-010012	47	3-684-010051	34
3-334-010004	67	3-482-010005	47	3-711-010101	05
3-334-010012	34	3-482-010026	47	3-711-010102	05
3-334-010015	34	3-482-010107	67	3-711-010108	13
3-334-010040	34	3-482-010246	68	3-711-010109	13
334163	49	3-485-010001	34	3-711-010111	11
3-348-010039	63	3-557-010030	11	3-720-010075	05
3-352-010053	05	3-557-010032	14	3-720-010075	07
3-360-010111	13	3-557-010033	14	3-725-010077	01
3-360-010111	23	3-557-010059	14	3-741-010001	02
3-368-010195	30	3-557-010182	14	3-741-010004	67
3-368-010221	30	3-557-010186	02	3-741-010006	02
3-368-010222	30	3-557-010260	73	3-741-010007	02
3-368-010225	30	3-557-010498	05	3-741-010008	02
3-368-010228	30	3-557-010499	05	3-741-010009	01
3-368-010232	30	3-557-010499	14	3-741-010015	67
3-368-010238	60	3-557-010500	05	3-741-010076	05
3-368-010285	60	3-557-010500	14	3-755-010003	14
3-368-010286	60	3-557-010502	05	3-755-010089	67
336A010	49	3-557-010503	05	3-755-010189- 03	34
3-372-010056	15	3-557-010504	05	3-755-010189- 03	41

<u>PART</u>	<u>PAGE</u>	<u>PART</u>	<u>PAGE</u>	<u>PART</u>	<u>PAGE</u>
3-755-010218	05	391-2082- 032	80	494002	49
3-755-010219	05	391-2185-013	80	494053	49
3-755-010253	13	391-2585-006	80	4Z4306	76
3-755-010255	30	391-2882-086	80	514-1000	15
3-755-010318	11	391-2883-058	80	514-1000-056	65
3-755-010330	05	391-2884-050	80	514-1633-1	79
3-755-010331	05	391-3681-001	80	514-5728-7	60
3-755-010354	05	391-3784- 028	80	514-5728-8	60
3-755-010355	05	3/4 ST ELL	79	518014	49
3-755-010372	07	3/4X1/2BUSH	71	518015	49
3-762-010017	34	3/4X1/2BUSH	73	5389-001	51
3-762-010554	37	40002R	30	55B11	41
3-762-010727	34	4014041	77	55B61	07
3-762-010728- 01	30	4014130	77	55B61	41
3-762-010728- 01	31	4014550	77	55B61-6	41
3-762-010728- 01	34	4015410	77	55B61-7	41
3-762-010728- 01	35	4019950	77	56D4	41
3-762-010728- 01	41	4019960	77	5777	51
3-780-010002	35	402002	49	59S-7	30
3-786-010043	79	4020051	77	59W-2-3	30
3-793-010018	64	4022030	77	5/16-24HFLN	67
3-793-010044	64	4023150	77	5/16-24X1CS	67
3-798-010038	43	4050-4	71	6002790	77
3-798-010038	45	4050-4	73	6002880	77
3-821-010005	34	412003	49	6006090	77
3-828-010002	30	412045	49	6008840	77
3-831-010050	64	413013	49	6013080	77
3-843-010005	41	414038	49	602-000	51
3-843-010009	07	414045	49	60540-000	51
3-843-010009	83	414279	49	610100011	25
3-846-010009	71	414521	49	612004001	25
3-846-010009	73	414835	49	625754008	25
3-846-010009	77	416030	49	625765001	23
3-846-010080- 2	15	416059	49	625775001	23
3-846-010127	71	431007	49	625894008	25
3-846-010127	73	438014	49	6262230001	25
3-846-010127	76	442184	49	63635	43
3-846-010145	13	442205	49	63680	45
3-846-010145	23	450006	49	6-397-010005	79
3-846-010164	13	450016	49	6-397-010005	71
3-846-010164	27	456001	49	660180032	25
3-870- 010012	43	456008	49	660250002	23
3-870- 010097	45	468002	49	660263002	25
3-873- 010073	47	468011	49	660280003	25
3-873- 010073	49	470033	49	660280010	25
3-873- 010109	47	472012	49	660280018	23
3-873- 010109	49	472013	49	660401008	23
391-0381-068	80	481-00-224	35	660580002	23
391-1401- 025	80	486009	49	660580003	23
391-1802- 119	80	486017	49	660580004	23

<u>PART</u>	<u>PAGE</u>	<u>PART</u>	<u>PAGE</u>	<u>PART</u>	<u>PAGE</u>
660580004	25	900-54-113	35	BSL-6-4	15
660580005	23	900729-3	15	BSL-6-4	33
670100008	25	905-08-004	37	BSL-6-4	65
670300029	25	905-10-032	37	C29-1104X	69
670300030	25	905-15-857	37	CO1-412	69
670500044	25	905-15-858	37	CO-975-74-2000	02
670500045	25	905-19-425	37	CT-19	84
671302003	25	905-54-107	07	D01-407	30
671400033	25	905-54-107	35	D-2212- 70.5TRACK	39
671400076	25	905-57-023	37	E001	63
671400077	25	9057-014	51	E001	63
671400078	25	9082-002	51	E002	63
671400079	25	9091-001	51	E006	63
671400182	25	9121-002	51	H015	63
671600049	25	930-02-349	35	H038	63
671600063	25	930-02-361	35	H039	63
671700014	23	930-03-599	37	H046	63
671800021	25	932-01-046	37	H048	63
671900011	25	934-00-060	35	H542061-0410	83
671900032	25	934-00-136	37	H542061-7212	83
672201008	23	934-00-149	37	H563060-6584	83
6812	30	934-00-367	37	H563061-2004	83
6828	79	934-00-492	37	H571002-3704	83
7358-000	51	934-00-502	37	H571002-6204	83
7360-001	51	936-00-072	37	H571002-7704	83
7-458-010009	65	936-00-077	37	H571004-0404	83
7461-000	51	939-00-027	37	H810138-0684	83
7462-000	51	939-00-164	37	H894100-4702	83
750-029	30	939-00-165	37	H895107-9204	83
7537-000	51	A001	63	H895361-7204	83
75716	43	AC6400	35	H896040-1504	83
758-012	07	AY102	63	H897101-7804	83
758-012	09	AY103	63	H897151-0094	83
758-013	07	AY109	63	HM212011	43
758-013	09	AY115	63	HM212011	45
758-181	41	B3-128-098	07	HM212049	43
75-SP-2	84	B3-272-095	30	HM212049	45
7859	09	B3-407-097	71	HM218210	43
7/8 MACH BUSH	15	B3-407-124	79	HM218210	45
8010-4	13	B3-407-167	73	HM218248	43
805-2	35	B3-407-210	13	HM218248	45
8277-001	51	B3-482-001	67	H/F 6352012	27
900-01-078	37	B3-573-058	33	K-23001	79
900-08-139	37	B3-741-001	02	K-23022	79
900-08-141	37	B3-873-111	47	K-25001	79
900-28-047	37	B5-115-011	65	H/F SV16-21W-0-N- 0	27
900-28-075	37	B5-115-012	65	K71-098-00	39
900-36-140	37	B5-432-008	65	LB004	63
900-41-878	37	B5-755-004	05	LB005	63
900-44-162	37	B5-793-001	64	M13299-1	27

<u>PART</u>	<u>PAGE</u>	<u>PART</u>	<u>PAGE</u>
MV4-43-12-TD	77	SVA-S60	23
P67912	83	SVA-S60	25
P67914-4	83	SVA-S61	23
P68131	83	SVA-S61	25
P68131	83	SVA-S86	23
P7675	09	SVA-S86	25
P7710	09	SVE26	23
P7724	09	SVI25	23
P7725	09	SWS245	75
P7739	09	T120R	30
P7830	09	TR573	43
P7833	09	TR573	45
P7848	09	W001-20	63
P7856	09		
P7857	09		
P7870	09		
P7872	09		
PMCK-5600	20		
PMCK-8300	74		
PMCK-AD-461	21		
PMCK-AM-2536	19		
PMCK-AM-2542	19		
PMCK-AM-2548	17		
PMCK-AM-2554	17		
PMCK-AM-2560	17		
PMS-AM-2536	19		
PMS-AM-2542	19		
PMS-AM-2548	17		
PMS-AM-2554	17		
PMS-AM-2560	17		
PTO	79		
RPRB59004X11	65		
RRT119X.75	73		
RRT271X.375ZP	15		
S005	63		
S21F-6	79		
S25F-6	13		
SBT1017	75		
SCY1006	75		
SCY1018	75		
SCY1019	75		
SCY1024	75		
SCY1026	75		
SCY1070	75		
SCY1079	75		
SCY1079	75		
SCY222	75		
SCY223	75		
SCY224	75		
SRK-143	07		

