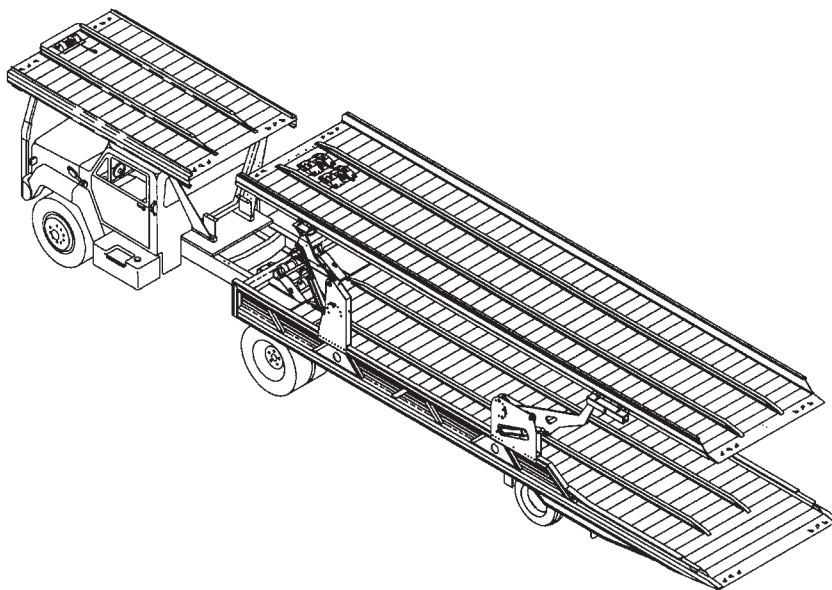




**MODEL 334C
CAR CARRIER
PARTS LIST**



**1900 NORTH STREET
MARYSVILLE, KANSAS 66508
(785) 562-5381**

ILLUSTRATED PARTS LIST

1

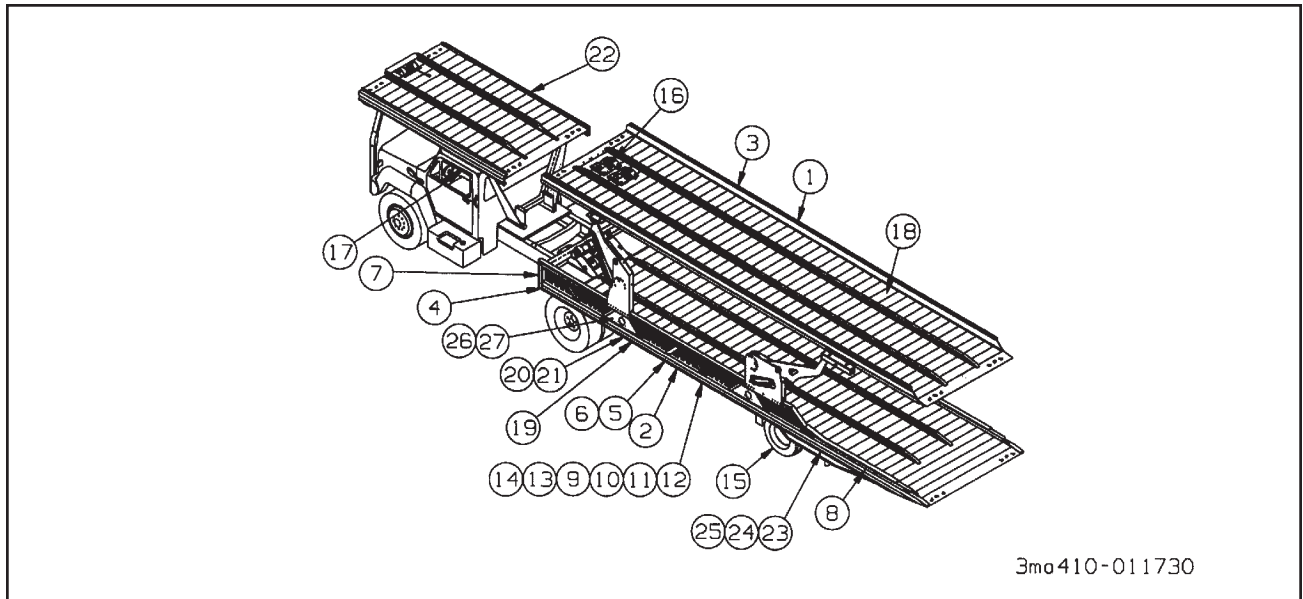


Figure 1-1 General Assembly

GENERAL ASSEMBLY

ITEM	PART/PAGE NO.	DESCRIPTION	QTY.
1	3-080-010446	BED WLDMT UPPER REAR 334	1
2	3-080-010447	BED WLDMT LOWER	1
3	1-2 - 1-5	UPPER DECK PARTS	1
4	1-6 - 1-9	DECK LOCK AIR SYSTEM	1
5	1-10 - 1-11	HYDRAULIC TILT SYSTEM	1
6	1-12 - 1-26	HYDRAULIC SYSTEM	1
7	1-27 - 1-29	ELECTRICAL SYSTEM	1
8	1-30 - 1-31	DECAL INSTALLATION	1
9	1-32 - 1-34	UNDERCARRIAGE ASSEMBLY	1
10	1-35	AIR CONTROL KIT	1
11	1-36 - 1-37	SUSPENSION HANGER	1
12	1-38 - 1-39	AXLE AND BRAKE SYSTEM	2
13	1-40 - 1-41	AIR BRAKE SYSTEM	1
14	1-42 - 1-43	BRAKE KIT	1
15	1-44 - 1-47	HUB AND DRUM ASSEMBLY	4
16	1-48 - 1-53	WINCH	1
17	1-54 - 1-65	REMOTE CONTROL ASSEMBLY	1
18	1-66	D-RING KIT	12
19	1-67	TOOL BOX ASSEMBLY	1
20	3-725-010077	LANDING GEAR DROP PIN	2
21	346SL	LOCK HITCH PIN	2
22	1-68 - 1-86	"OVER-THE-CAB" DECK AND SYSTEMS	1
23	3-741-010009	STOP SAFETY	2
24	1-654-010059-03	SCREW HEX HEAD CAP 5/5-11 X 1-1/2 GR5	2
25	1-512-010005-13	NUT HEX LOCK 5/8-11 GRB	2
26	3-222-010160	COVER ACCESS	6
27	1-654-010047-04	SCREW HEX HEAD CAP 1/4-20 X 3/4 GR5	8
28	1-116-010019	BOX, MANUAL STORAGE (RT. SIDE OF TRLR - NOT SHOWN)	1
29	F-251	MANUAL OPERATOR 334C CAR CARRIER (NOT SHOWN)	1
30	105-0093	HOSE CLAMP 4-1/2 (TO HOLD MANUAL BOX) (NOT SHOWN)	1

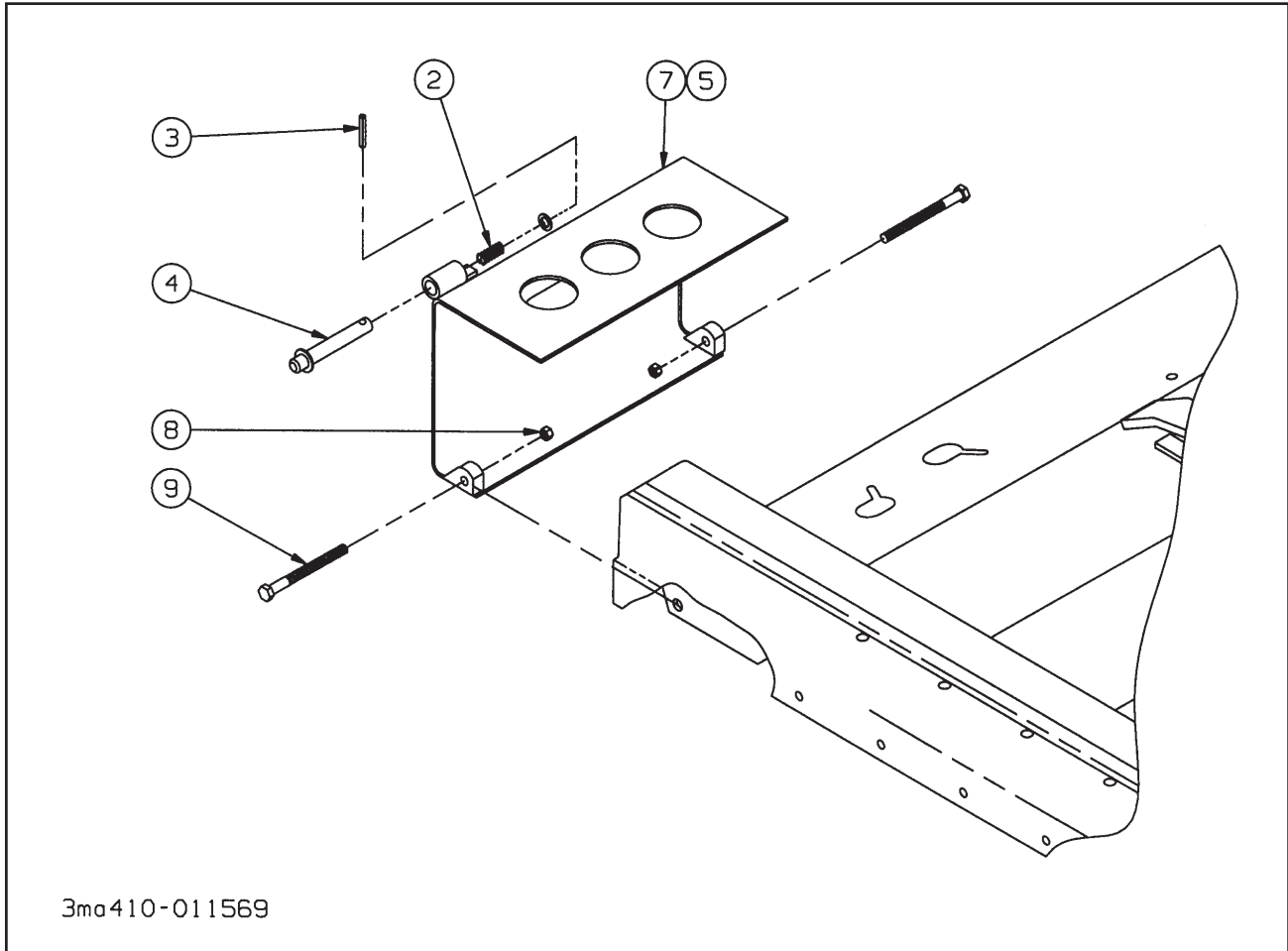


Figure 1-2 Wheel Stops

WHEEL STOPS

ITEM	PART NO.	DESCRIPTION	QTY.
	B3-741-001	STOP, WHEEL CAR TRAILER (3-410-011569)	1
1	3-741-010007	STOP ASSY LEFT WHEEL (INCLUDES 2, 3, 4 AND 5)	1
2	CO-975-74-2000	SPRING COMPRESSION	1
3	0600-375-04000	ROLL PIN	1
4	3-557-010186	PIN W/ WASHER	1
5	3-741-010001	STOP LH WHEEL	1
6	3-741-010008	STOP ASSY RIGHT WHEEL (INCLUDES 2, 3, 4 AND 7)	1
7	3-741-010006	STOP RH WHEEL	1
8	1-512-010005-13	NUT HEX LOCK 5/8-11 GRB	4
9	1-654-010059-07	SCREW HEX HEAD CAP 5/8-11 X 2-1/2 GR5	4

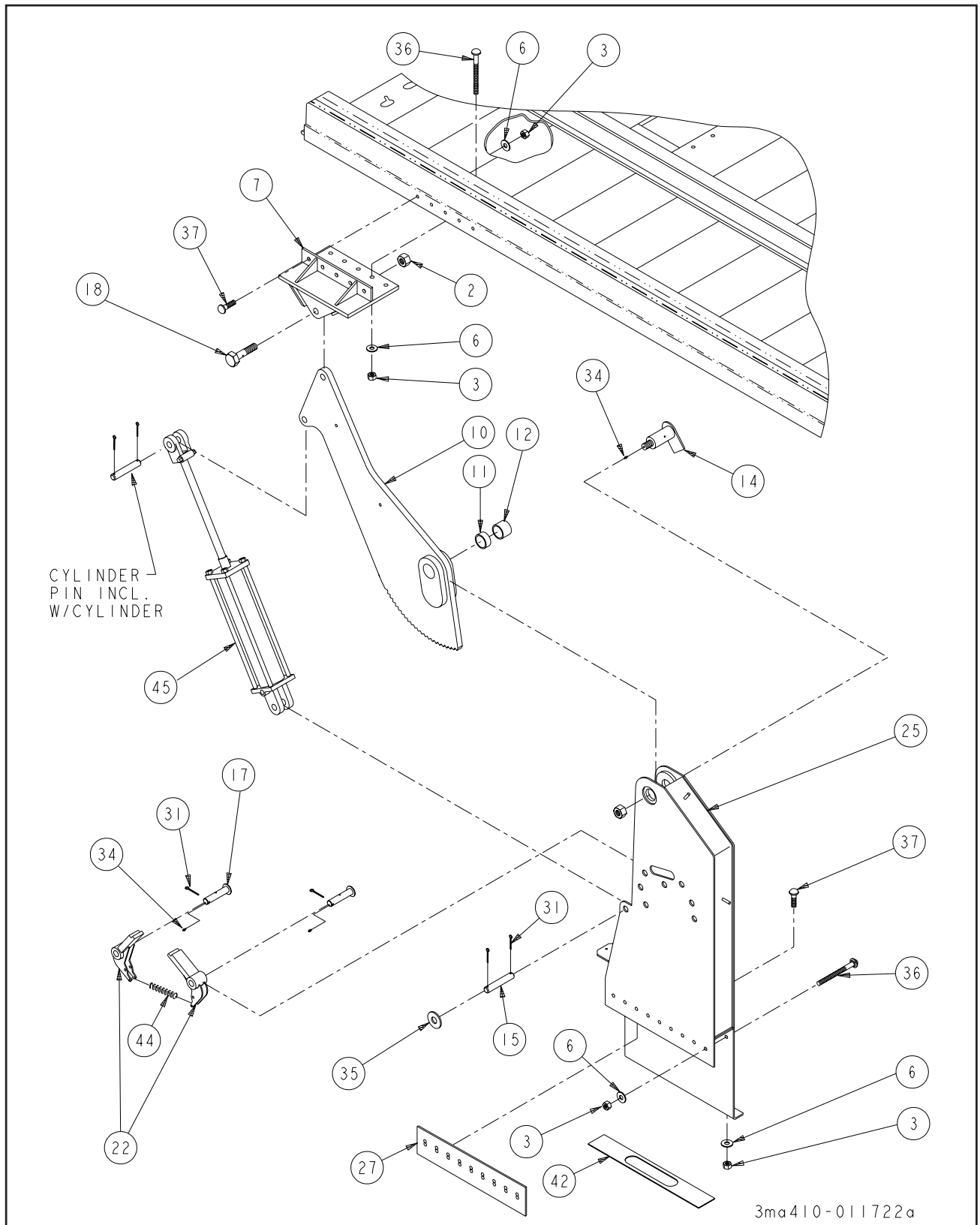


Figure 1-3 Front Upper Deck Support

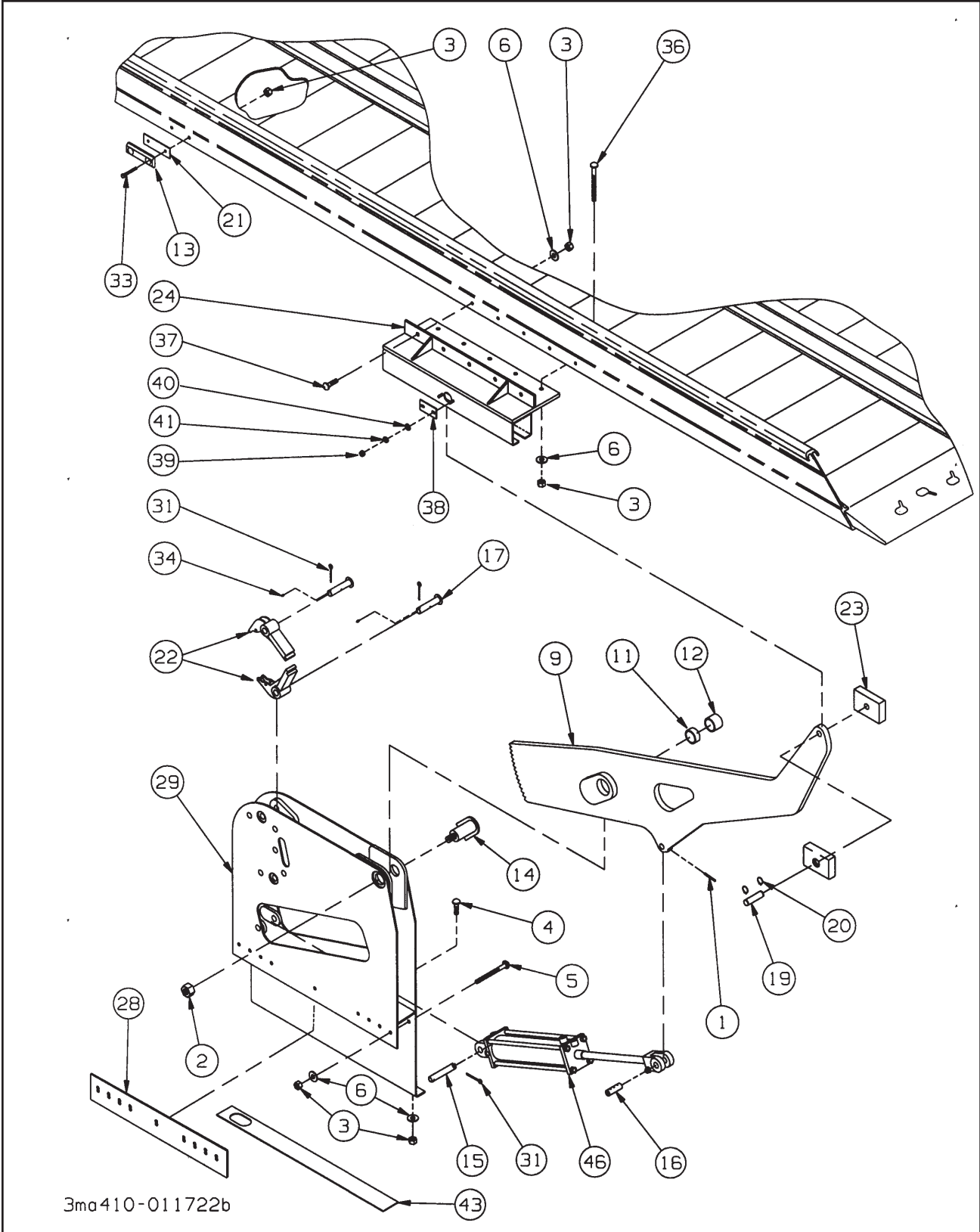


Figure 1-4 Rear Upper Deck Support

UPPER DECK SUPPORTS

ITEM	PART NO.	DESCRIPTION	QTY.
	B5-755-004	SUPPORT UPPER DECKS TRL (3-410-011722)	
1	1-647-010004221	PIN SPRING 1/4X2 SLOTTED	2
2	1-512-010005-19	NUT HEX LOCK 1-8 GRB	6
3	1-512-010005-09	NUT HEX LOCK 1/2-13 GRB	110
4	1-654-010070-3	SCREW RD HD SQ NECK 1/2-13 X 1-1/2 GR5	30
5	1-654-010070-16	SCREW RD HD SQ NECK 1/2-13 X 5-1/2 GR5	36
6	1-861-010032-15	WASHER FLAT 1/2	136
7	3-014-010201	ANCHOR CENTER WELDMENT LT	1
8	3-014-010202	ANCHOR CENTER WELDMENT RT (NOT SHOWN)	1
9	3-027-010110	ARM LIFT REAR WELDMENT	2
10	3-027-010111	ARM LIFT FRONT WELDMENT	2
11	3-150-010046	BUSHING	4
12	3-150-010047	BUSHING	4
13	3-352-010053	GUIDE BED TOP REAR	2
14	3-557-010498	PIN MAIN LIFT PIVOT WELDMENT	4
15	3-557-010499	PIN CYLINDER BUTT END	REF
16	3-557-010500	PIN CYLINDER ROD END	REF
17	3-557-010502	PIN STOP LIFT WELDMENT	8
18	3-557-010503	PIN DECK MAIN	2
19	3-557-010504	PIN RETAINING	2
20	3-630-010002	RING RETAINING EXTERNAL	4
21	3-684-010042	SHIM GUIDE BED	4
22	3-741-010076	STOP LIFT WELDMENT	8
23	3-755-010218	SUPPORT NYLATRON SLIDE	4
24	3-755-010219	SUPPORT SLIDER WELDMENT	2
25	3-755-010331	SUPPORT LIFT FRONT LT WELDMENT	1
26	3-755-010330	SUPPORT LIFT FRONT RT WELDMENT (NOT SHOWN)	1
27	3-711-010101	SPACER FRONT AND MIDDLE LIFT ARM	2
28	3-711-010102	SPACER REAR LIFT ARM	2
29	3-755-010354	SUPPORT ARM REAR WLDMT FRT	1
30	3-755-010355	SUPPORT ARM REAR WLDMT LT (NOT SHOWN)	1
31	1-557-010362-51	COTTER PIN PLATED 3/16 X 1-1/2	16
33	1-654-010133-08	SCREW SKT FL CTSK 1/2-13 X 2-1/4	4
34	1-298-010001-1	ZERK FITTING 1/4	14
35	1-861-010032-25	WASHER FLAT 1	8
36	1-654-010070-13	SCREW RD HD SQ NECK 1/2-13 X 4 GR5	20
37	1-654-010055-04	SCREW HEX HEAD CAP 1/2-13 X 1-3/4 GR5	20
38	3-222-010163	COVER ACCESS HOLE TRL	2
39	1-512-010007-06	NUT HEX 5/16-18	4
40	1-861-010032-09	WASHER FLAT 5/16	4
41	1-861-010034-10	WASHER SPLIT LOCK 5/16	4
42	3-684-010047	SHIM FRONT LIFT ARM	4
43	3-684-010048	SHIM REAR LIFT ARM	4
44	3-720-010075	SPRING EXTENSION 7/8 X 6	REF
45	3-242-010199	CYLINDER HYDR 4" X 16" (LT SIDE) (SEE PAGE 1-17)	REF
	3-242-010200	CYLINDER HYDR 3-3/4" X 16" (RT SIDE) (NOT SHOWN) (SEE PAGE 1-17)	REF
46	3-242-010216	CYLINDER HYDR 4-3/4 X 16 (RT SIDE) (NOT SHOWN) (SEE PAGE 1-19)	REF
	3-242-010217	CYLINDER HYDR 5 X 16 (LT SIDE) (SEE PAGE 1-19)	REF

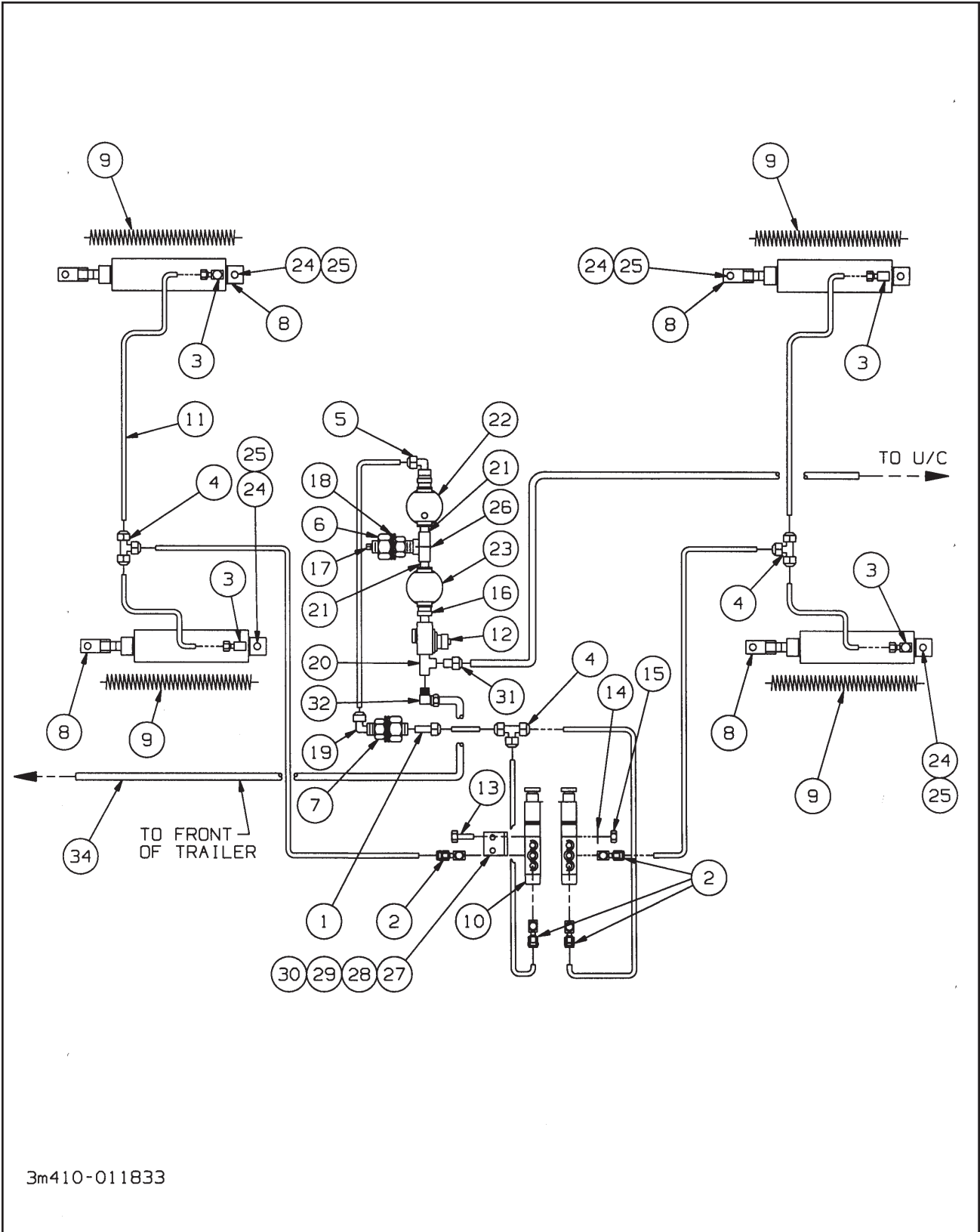


Figure 1-5 Deck Lock Air System

DECK LOCK AIR SYSTEM

ITEM	PART NO.	DESCRIPTION	QTY.
	B3-128-098	INSTALL. AIR SYSTEM DECK LOCKS 334B (3-410-011833)	
	3-208-010071-01	CONTROL BOX ASSEMBLY 334B (DECK LOCK AIR SYSTEM ITEMS ONLY)	
	3-375-010619	HITCH TILT ASSEMBLY (DECK LOCK AIR SYSTEM ITEMS ONLY)	
1	1-297-010007-05	FITTING, AIR 1/4 X1/4	1
2	1-297-010008-05	FITTING AIR 90 1/4 X1/8	4
3	1-297-010008-07	FITTING AIR 90 1/4 X1/4	4
4	1-297-010010-01	FITTING AIR UNION TEE 1/4	2
5	1-297-010008-21	FITTING AIR 90	1
6	55B61	FRAME UNION	1
7	1-297-010022-02	FITTING, AIR ANCHOR COUPLING 1/4	1
8	3-238-010007	CYLINDER AIR (SEE PAGE 1-86)	4
9	3-720-010075	SPRING EXTENSION 7/8 X 6	4
10	3-843-010009	VALVE AIR SOLENOID 12V (SEE PAGE 1-85)	2
11	1-833-010001	NYLON TUBING 1/4	56
12	905-54-107	VALVE AND FILTER PRESSURE	1
	SRK-143	REPLACEMENT FILTER AND O-RING	1
13	1-656-010003039	SCREW RD HD MACH #8-32 X 2-3/4	2
14	1-861-010032-02	WASHER FLAT #8	2
15	1-512-010003-03	NUT HEX LOCK #8-32	2
16	2083-8-4S	NIPPLE HEX	1
17	1-560-010002-02	PLUG BLACK PIPE	1
18	1-861-010032-25	WASHER FLAT 1	2
19	1-297-010008-18	FITTING AIR 90 3/8 X 1/4	3
20	1-297-010018-02	FITTING AIR ST TEE	1
21	1-297-010020-04	FITTING BRS PIPE CL NIP	2
22	758-012	LUBRICATOR AIR (SEE PAGE 1-9)	1
23	758-013	FILTER AIR (SEE PAGE 1-9)	1
24	1-654-010051-08	SCREW HEX HEAD CAP 3/8-16 X 1-3/4	10
25	1-512-010005-05	NUT HEX LOCK 3/8-16 GRB	10
26	1-297-010009-04	FITTING AIR PIPE TEE	1
27	3-755-010372	SUPPORT AIR SOLENOID	1
28	1-654-010051-05	SCREW HEX HEAD CAP 3/8-16 X 1	2
29	1-861-010032-11	WASHER FLAT 3/8	6
30	1-512-010005-05	NUT HEX LOCK 3/8-16 GRB	10
31	1-297-010007-11	FITTING AIR	1
32	1-297-010008-18	FITTING AIR 90 3/8 X 1/4	1
33	3-201-010001	CONDUIT FLEX PLASTIC 5/16 (NOT SHOWN)	AR
34	1-833-010002	TUBING NYLON 3/8	30 FT

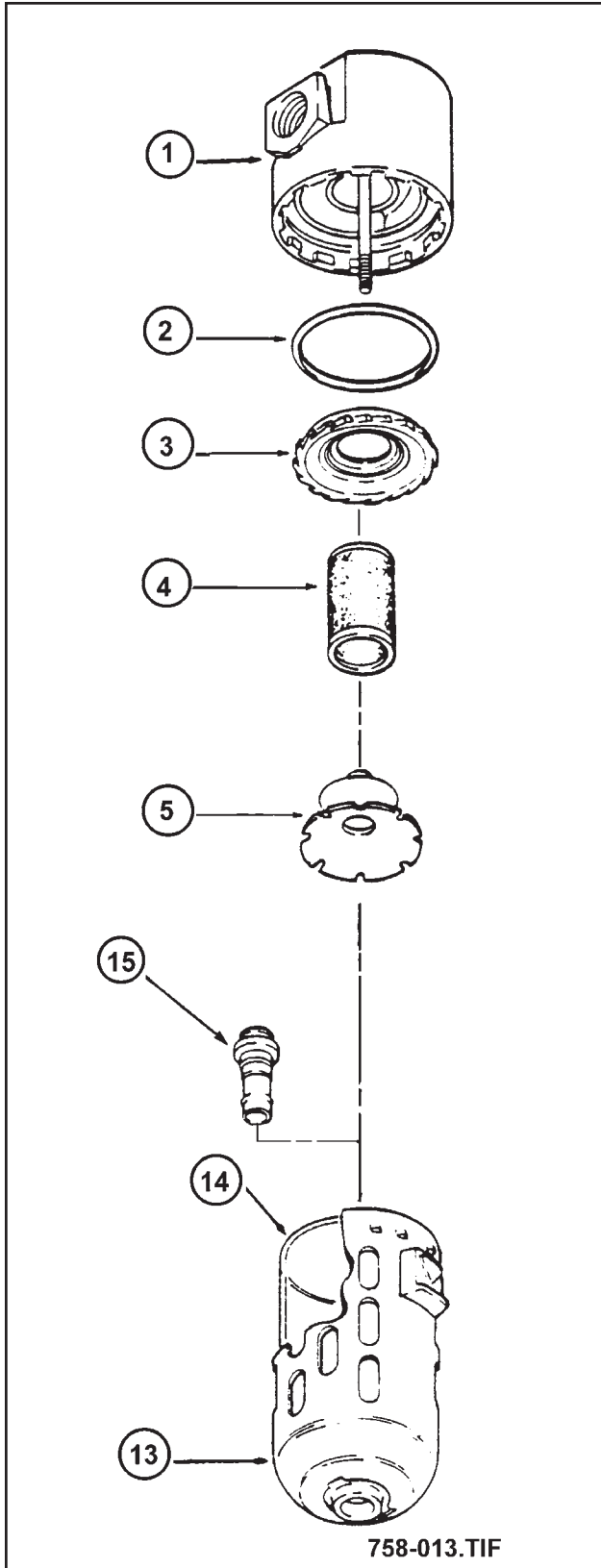


Figure 1-6 Air System Filter

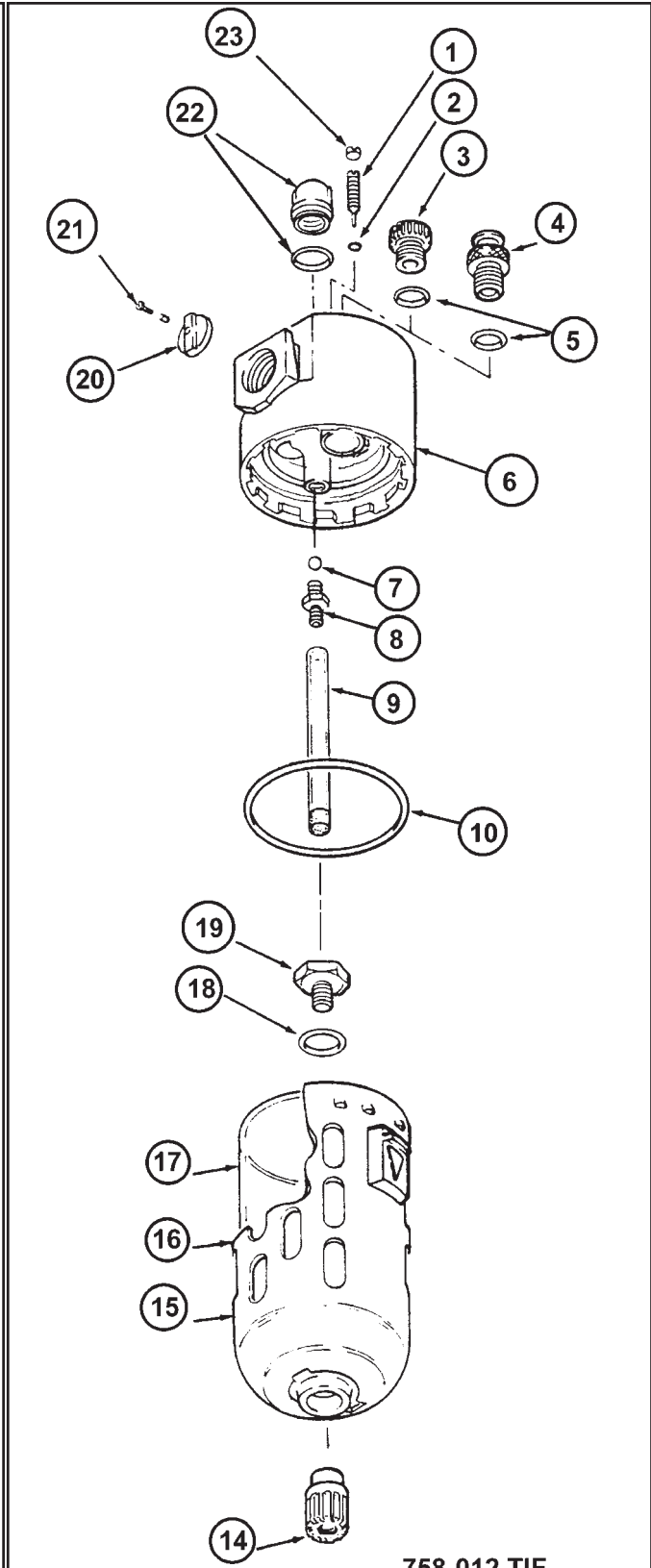


Figure 1-7 Air System Lubricator

AIR SYSTEM FILTER

ITEM	PART NO.	DESCRIPTION	QTY.
1	758-013 *	FILTER AIR BODY	1
2	7859	BOWL, O-RING KIT	1
3	*	LOUVER	1
4	P7833	FILTER ELEMENT W/BOWL O-RING	1
5	*	BAFFLE	1
13	P7857	METAL BOWL GUARD	1
14	P7856	PLASTIC BOWL	1
	P7830	PLASTIC BOWL W/FLEX DRAIN AND BOWL GUARD	1
15	P7710	PETCOCK ASSY (PLASTIC BOWLS ONLY)	1

* ITEMS NOT SOLD SEPARATELY.

AIR SYSTEM LUBRICATOR

ITEM	PART NO.	DESCRIPTION	QTY.
1	758-012 *	AIR SYSTEM LUBRICATOR ADJUSTING SCREW	1
2	P7725	O-RING KIT	1
3	*	FILL PLUG KIT W/O-RING	1
4	P7724	FORCE-FILL ADAPTER	1
5	*	O-RING	2
6	*	BODY	1
7	*	BALL	1
8	*	ADAPTER	1
9	P7739	SIPHON TUBE ASSY	1
10	P7872	O-RING	1
14	**	PLASTIC PETCOCK	1
15	P7848	PLASTIC BOWL W/ PETCOCK & METAL BOWL GUARD	1
16	**	METAL BOWL GUARD	1
17	**	PLASTIC BOWL ASSY	1
18	**	O-RING	1
19	**	RETAINING SCREW	1
20	P7870	VARIABLE ORIFICE (1/2" MODEL)	1
21	*	ORIFICE KIT (SCREW AND SPACER)	1
22	P7675	SIGHT DOME KIT	1
23	*	TAMPER RESISTANT CAP (OPTION)	1

* ITEMS NOT SOLD SEPARATELY.

** ITEMS SOLD TOGETHER AS PART NO. P7726.

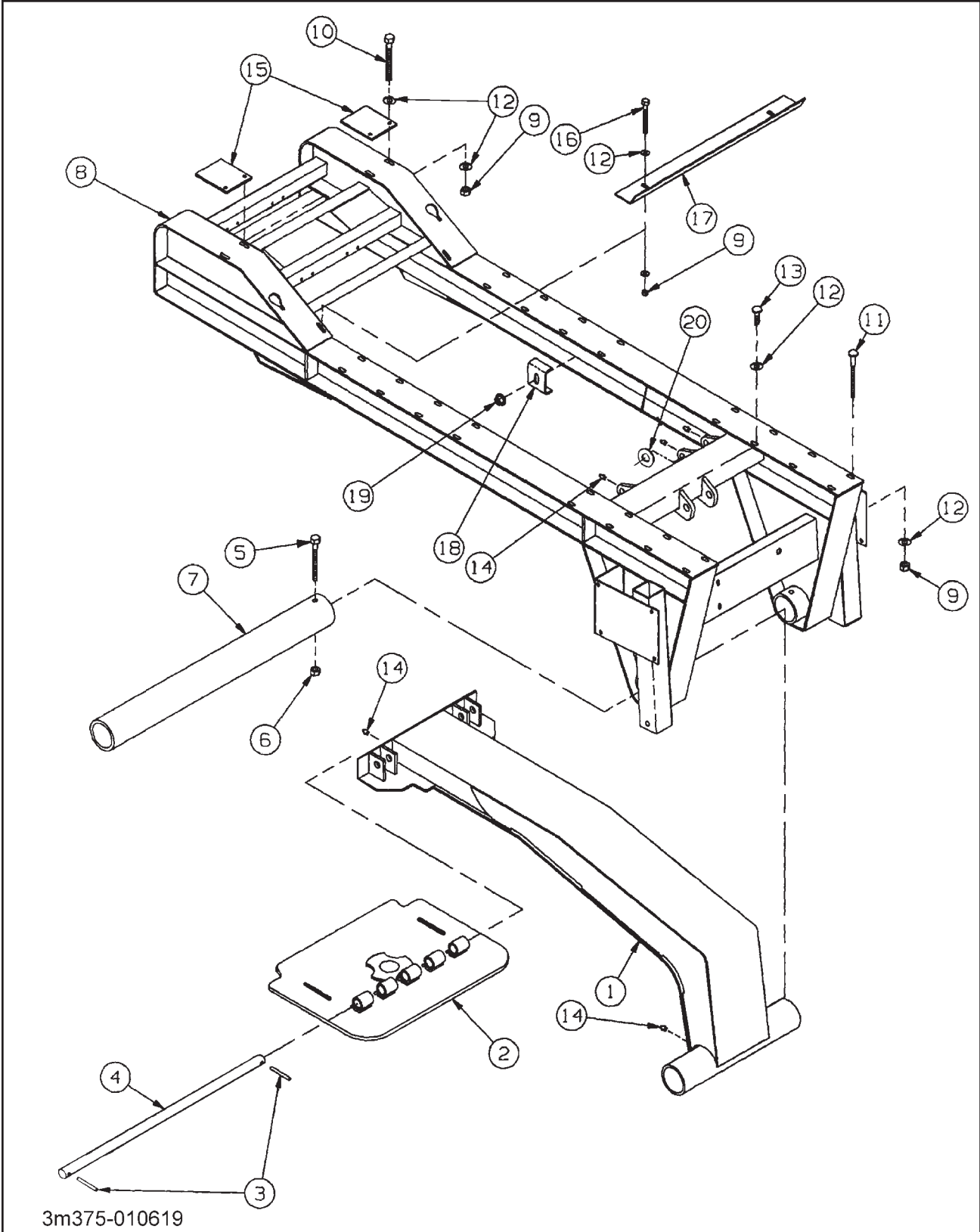


Figure 1-8 Hydraulic Tilt Assembly

HYDRAULIC TILT ASSEMBLY

ITEM	PART NO.	DESCRIPTION	QTY.
	3-375-010619	HITCH TILT ASSEMBLY TRAILER 334B (HYDRAULIC TILT ASSEMBLY ITEMS ONLY)	
1	3-375-010582	HITCH WELDMENT 5TH WHEEL	1
2	3-565-011544	PLATE WELDMENT 5TH WHEEL	1
3	0600-375-02000	ROLL PIN	2
4	3-557-010030	HINGE PIN FIFTH WHEEL	1
5	1-654-010061-07	SCREW HEX HEAD CAP 3/4-10 X 2-1/2 GR5	1
6	1-512-010005-15	NUT HEX LOCK 3/4-10 GRB	1
7	3-311-010578	HINGE TUBE MCKEE	1
8	3-755-010318	SUPPORT HITCH WELDMENT	1
9	1-512-010005-09	NUT HEX LOCK 1/2-13 GRB	38
10	1-654-010055-05	SCREW HEX HEAD CAP 1/2-13 X 2 GR5	4
11	1-654-010070-11	SCREW RD HD SQ NECK 1/2-13 X 3-1/2	30
12	1-861-010032-15	WASHER FLAT 1/2	44
13	1-654-010070-2	SCREW RD HD SQ NECK 1/2-13 X 1-1/4	2
14	1-298-010001-1	ZERK FITTING 1/4	9
15	3-711-010111	SPACER HITCH SUPPORT	2
16	1-654-010055-03	SCREW HEX HEAD CAP 1/2-13 X 1-1/2 GR5	2
17	3-222-010191	COVER OPENING HITCH	1
18	2-181-010001	CLAMP	18
19	1-510-010001	NUT FLANGE LOCK 3/8-16	18
20	111-9989	WASHER 1-3/8	4

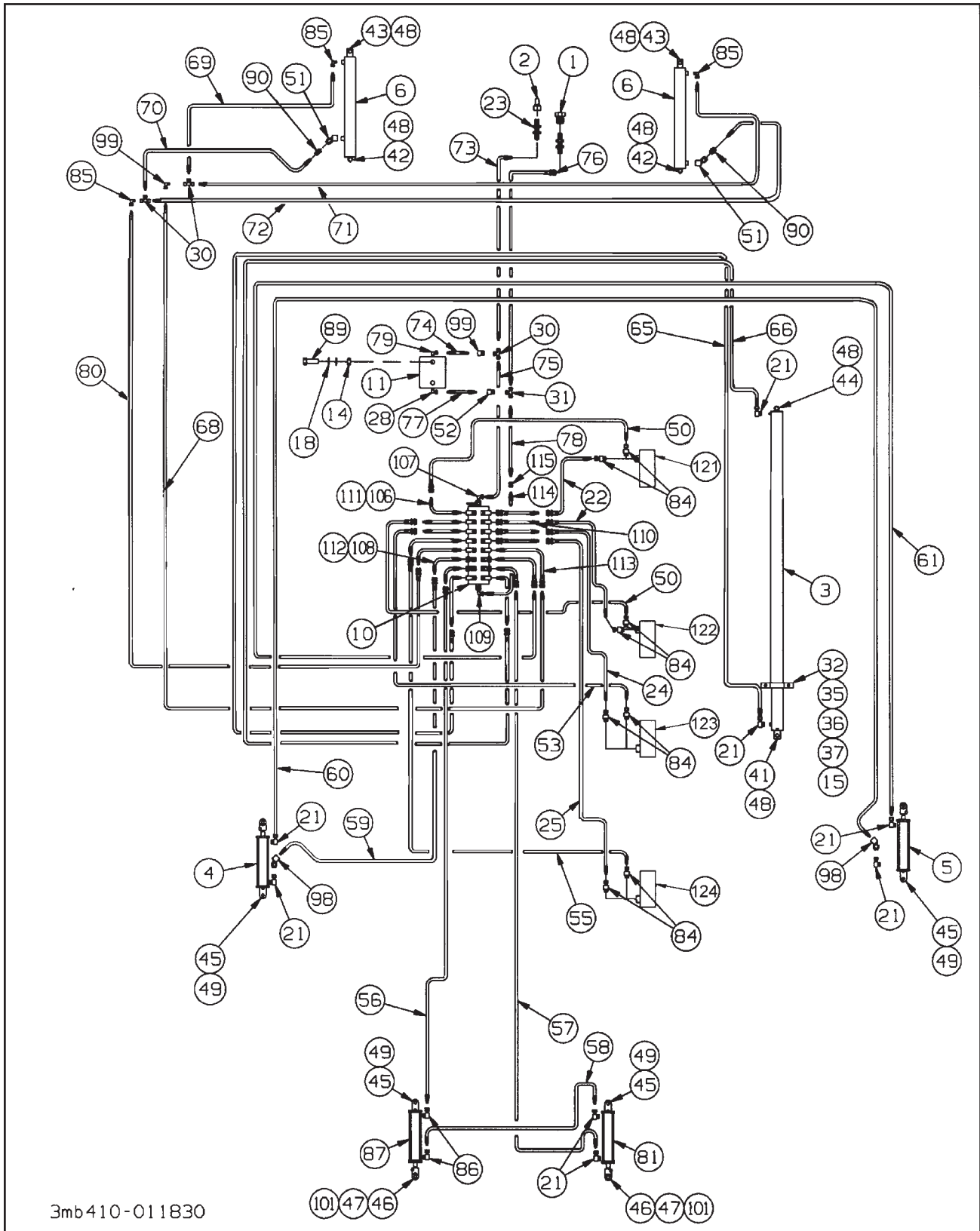


Figure 1-9 Hydraulic System

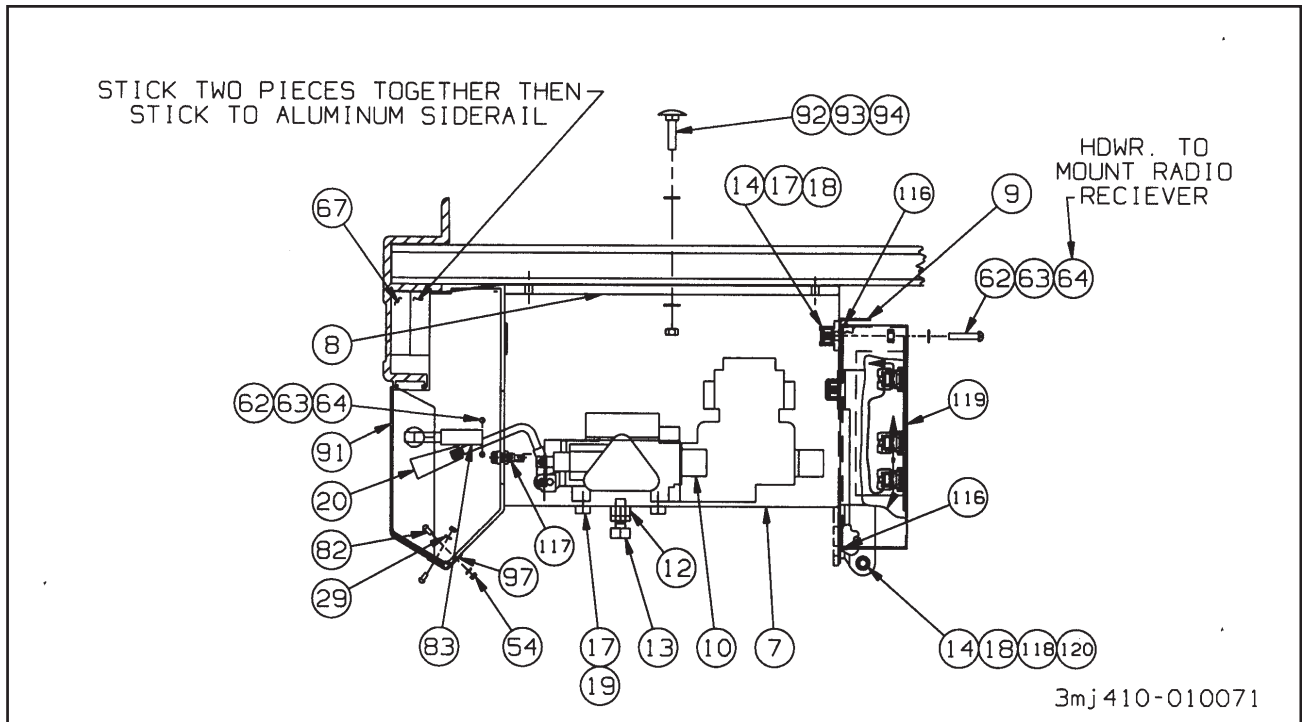


Figure 1-10 Valve Support Detail

HYDRAULIC ASSEMBLY

ITEM	PART NO.	DESCRIPTION	QTY.
	B3-407-210	INSTALL. HYDR. SYSTEM TRL (3-410-011830)	
	3-208-010071	CONTROL BOX ASSY (HYDR ASSEMBLY ITEMS ONLY)	
	3-375-010619	HITCH TILT ASSY TRL (HYDR ASSEMBLY ITEMS ONLY)	
1	S25F-6	COUPLER FEMALE HALF 3/4 (BEFORE 7/98)	1
	105480	COUPLER FLAT FACE FEMALE (AFTER 7/98)	1
	105482	COUPLER DUST CAP FEMALE	1
2	S21F-6	COUPLER MALE HALF (BEFORE 7/98)	1
	105479	COUPLER FLAT FACE MALE (AFTER 7/98)	1
	105481	COUPLER DUST CAP MALE	1
3	3-242-010185	CYLINDER HYDR 4" X 126" (SEE PAGE 1-21)	1
4	3-242-010199	CYLINDER HYDR 4" X 16" (SEE PAGE 1-17)	1
5	3-242-010200	CYLINDER HYDR 3-3/4" X 16" (SEE PAGE 1-17)	1
6	3-242-010207	CYLINDER HYDR 4" X 36" (SEE PAGE 1-20)	2
7	3-755-010253	SUPPORT VALVE WELDMENT	1
8	3-711-010109	SPACER VALVE SUPPORT	1
9	3-681-010121	SHIELD VALVE WELDMENT	1
10	3-846-010145	VALVE HYDRAULIC 8 SPOOL 2500 PSI (SEE PAGE 1-23)	1
11	3-846-010164	VALVE N.O. SOLENOID HYDRAULIC (SEE PAGE 1-26)	1
12	1-511-010001-05	NUT, HEX JAM 1/2-13	1
13	1-654-010055-03	SCREW HEX HEAD CAP 1/2-13 X 1-1/2 GR5	1
14	1-512-010005-05	NUT HEX LOCK 3/8-16	7
15	3-711-010108	SPACER BED CYLINDER	1
16	1-654-010051-10	SCREW HEX HEAD CAP 3/4-16 X 2-1/4 GR5 (NOT SHOWN)(LOCATED UNDERSIDE OF BED)	20
17	1-654-010051-05	SCREW HEX HEAD CAP 3/8-16 X 1 GR5	11
18	1-861-010032-11	WASHER FLAT 3/8	19
19	1-861-010034-11	WASHER SPLIT LOCK 3/8	8

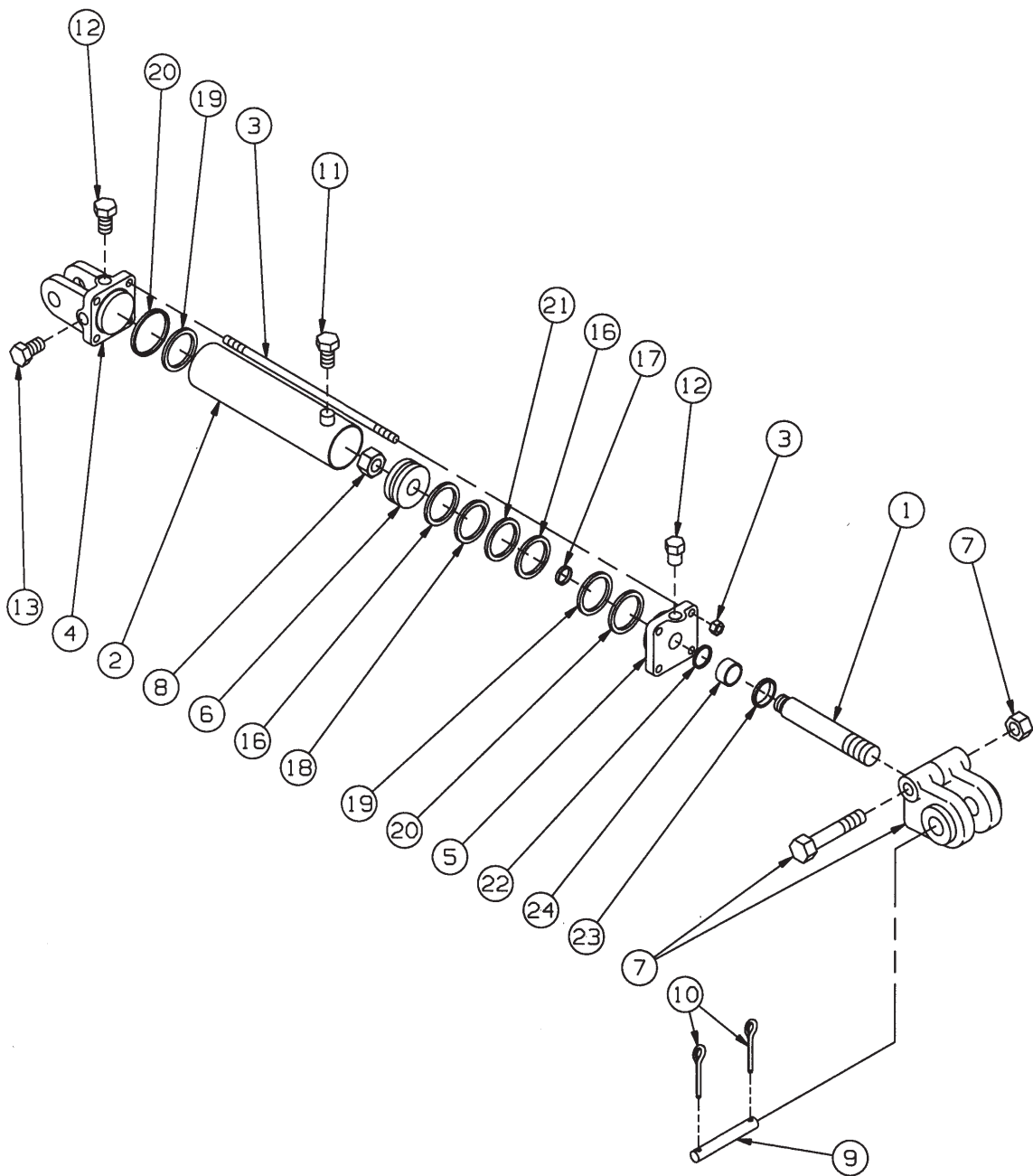
HYDRAULIC ASSEMBLY

ITEM	PART NO.	DESCRIPTION	QTY.
20	3-360-010111	HANDLE VALVE FORMED	8
21	1-007-010007	ELBOW 90 3/4	8
22	1-397-010381277	HOSE ASSEMBLY 1/2 X 277	2
23	105483	ADAPTER BULKHEAD	1
24	1-397-010381143	HOSE ASSEMBLY 1/2 X 143	1
25	1-397-010381125	HOSE ASSEMBLY 1/2 X 125	1
28	2068-12-12S	O-RING ADP 90 ELBOW	1
29	1-861-010034-07	WASHER SPLIT LOCK #10	18
30	2255-8-8S	TEE INTERNAL PIPE SWIVEL	3
31	2255-12-12S	SWIVEL BRANCH TEE	1
32	3-755-010003	SUPPORT CYLINDER MIDDLE	1
33	3-222-010160	COVER ACCESS (LOCATED SIDE OF LOWER BED)	6
34	1-654-010047-04	SCREW HEX HEAD CAP 1/4-20X3/4 GR5 (USED W/ ITEM 33)	18
35	1-654-010059-09	SCREW HEX HEAD CAP 5/8-11 X 3 GR5	2
36	1-861-010032-19	WASHER FLAT 5/8	4
37	1-512-010005-13	NUT HEX LOCK 5/8-11 GRB	2
38	3-181-010007	HOSE CLAMP TOP PLATE (LOCATED UNDERSIDE OF BED)	26
39	3-181-010008	BOTTOM HOSE CLAMP (LOCATED UNDERSIDE OF BED)	12
40	3-181-010006	HOSE CLAMP (LOCATED UNDERSIDE OF BED)	8
41	3-557-010032	PIN CYLINDER ROD END	1
42	3-557-010033	PIN CYLINDER BUTT END	2
43	3-557-010059	PIN CYLINDER ROD END	2
44	3-557-010182	PIN CYLINDER END	1
45	3-557-010499	PIN CYLINDER BUTT END	4
46	3-557-010500	PIN CYLINDER ROD END	2
47	1-647-010006042	PIN SPRING SLOTTED 1/4 X 2	2
48	1-557-010362-54	COTTER PIN 3/16 X 2-1/4	7
49	1-557-010362-51	COTTER PIN 3/16 X 1-1/2	8
50	1-397-010385277	HOSE ASSEMBLY 1/2 X 277	50FT
51	2023-8-8S	ADAPTER 45 SWIVEL	2
52	2047-12-12S	PIPE SWIVEL 90 3/4-14	1
53	1-397-010385143	HOSE ASSEMBLY 1/2 X 143	1
54	1-512-010007-04	NUT, HEX #10-32	18
55	101556	HOSE ASSEMBLY 1/2 X 125	1
56	1-397-010353141	HOSE ASSEMBLY 3/8 X 141	1
57	1-397-010386200	HOSE ASSEMBLY 3/8 X 200	1
58	1-397-010332175	HOSE ASSEMBLY 3/8 X 175	1
59	1-397-010353097	HOSE ASSEMBLY 3/8 X 97	1
60	1-397-010332184	HOSE ASSEMBLY 3/8 X 184	1
61	1-397-010386180	HOSE ASSEMBLY 3/8 X 180	1
62	1-512-010003-06	NUT HEX LOCK 10 -24	12
63	1-861-010032-03	WASHER FLAT 10	18
64	1-656-010003051	SCREW RD HD MACH 10-24 X 3/4	12
65	1-397-010385111	HOSE ASSEMBLY 1/2 X 111	1
66	1-397-010381055	HOSE ASSEMBLY 1/2 X 55	1
67	3-417-010004	INSULATION FILL VALVE SPT	2
68	100636	HOSE ASSEMBLY 3/8 X 52	1
69	1-397-010332080	HOSE ASSEMBLY 3/8 X 80	1
70	102037	HOSE ASSEMBLY 3/8 X 44	1
71	102038	HOSE ASSEMBLY 3/8 X 54	1
72	1-397-010332090	HOSE ASSEMBLY 3/8 X 90	1
73	107298	HOSE ASSEMBLY 1/2 X 149	1
74	1-397-010311025	HOSE ASSEMBLY 1/2 X 25	1

HYDRAULIC ASSEMBLY

ITEM	PART NO.	DESCRIPTION	QTY.
75	1-397-010311060	HOSE ASSEMBLY 1/2 X 60	1
76	1-397-010365132	HOSE ASSEMBLY 3/4 X 132	1
77	1-397-010313024	HOSE ASSEMBLY 3/4 X 24	1
78	1-397-010313046	HOSE ASSEMBLY 3/4 X 46	1
79	1-007-010024	PIPE TO O-RING 90 DEGREE	1
80	100635	HOSE ASSEMBLY 3/8 X 52	1
81	3-242-010216	CYLINDER HYDRAULIC 4-3/4 X 16 (SEE PAGE 1-19)	1
82	1-656-010003078	SCREW RD HD MACH 10-32 X 5/8	18
83	239-4899	LATCH COVER SW # 750015	2
84	2066-8-10S	O-RING ADAPT TP PT	8
85	1-007-010003	90 SWIVEL ELBOW W/ RESTRICTOR	3
86	1-007-010008	90 UNION ADAPTER W/ RESTRICTOR	2
87	3-242-010217	CYLINDER HYDRAULIC 5 X 16 (SEE PAGE 1-19)	1
89	1-654-010051-13	SCREW HEX HEAD CAP 3/8-16 X 3 GR5	2
90	3-846-010156	VALVE RESTRICTOR - ONE WAY	2
91	3-222-010168	COVER VALVE SUPPORT	1
92	1-654-010070-11	SCREW RD HD SQ NECK 1/2-13 X 3-1/2	6
93	1-512-010005-09	NUT HEX LOCK 1/2-13 GRB	6
94	1-861-010032-15	WASHER FLAT 1/2	6
95	BSL-6-4	RIVET (NOT SHOWN)	4
96	3-181-010060	CLAMP CAGE NUT (LOCATED UNDERSIDE OF BED)	8
97	3-372-010056	HINGE W/HOLES	1
98	2049-8-8S	ADAPTER 45 SWIVEL	2
99	2047-8-8S	ADAPTER 90	2
100	900729-3	CLAMP HOSE (NOT SHOWN)	1
101	1-298-010001-1	ZERK FITTING 1/4	4
102	1-861-010034-09	WASHER SPLIT LOCK 1/4 (USED W/ ITEM 33)	18
103	1-861-010032-07	WASHER FLAT 1/4 (USED W/ ITEM 33)	18
106	2066-6-6S	3/8-18 PIPE TO 9/16 - 18 O-RINGS	12
107	2068-8-10S	FITTING 90 ELBOW	1
108	2067-6-6S	ADAPTER 45 O-RING TO P.T.	4
109	2068-12-10S	ELBOW 90	1
110	1-397-010360024	HOSE ASSEMBLY 1/2 X 24	5
111	1-397-010382024	HOSE ASSEMBLY 1/2 X 24	5
112	1-397-010383024	HOSE ASSEMBLY 3/8 X 24	3
113	1-397-010384024	HOSE ASSEMBLY 3/8 X 24	3
114	1-397-010313021	HOSE ASSEMBLY 3/4 X 21	1
115	2046-12-12S	CONNECTOR HYDRAULIC 3/4 X 3/4	1
116	514-1000	QUICKEDGE TRIM	6'
117	2-318-010009	FUSE HOLDER PANEL MOUNT	REF
118	RRT271X.375ZP	TUBE ROUND	2
119	3-279-010043	ENCLOSURE WELDMENT ELECT	1
120	1-654-010051-06	SCREW, HEX HEAD CAP 3/8-16 X 1-1/4 GR5	2
121	-----	WINCH MOTOR TOP DECK FRONT	
122	-----	WINCH MOTOR TOP DECK REAR	
123	-----	WINCH MOTOR LOW DECK FRONT	
124	-----	WINCH MOTOR LOW DECK REAR	

NOTE: SEE FIGURE 1-9 HYDRAULIC SYSTEM FOR BUTT END CYLINDER PIN



1mo242-010169

Figure 1-11 Hydraulic Cylinder Assembly, 16"

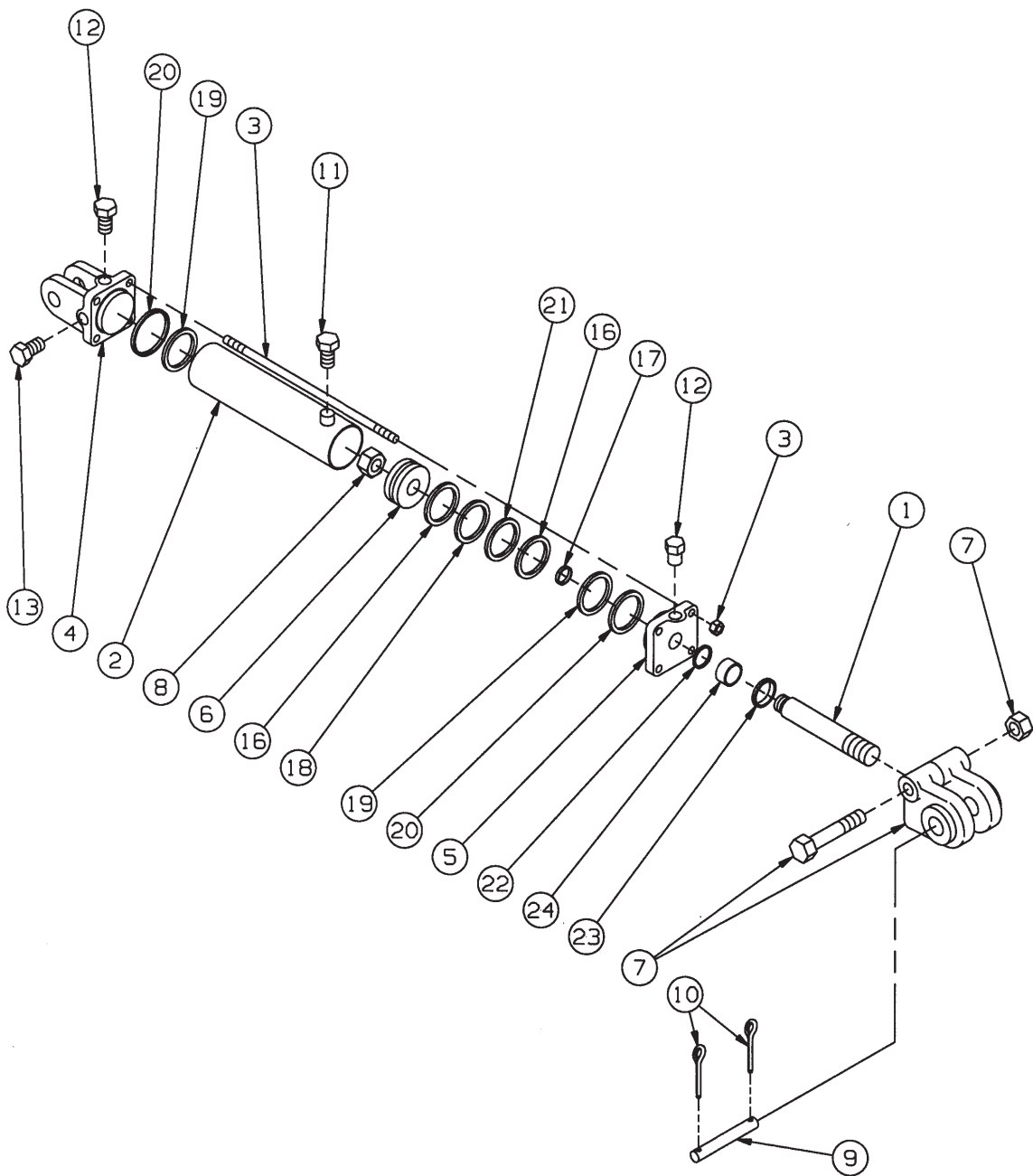
HYDRAULIC CYLINDER, 16"(UPPER DECK LIFT CYL)

ITEM	PART NO.	PART NO.	DESCRIPTION	QTY.
	3-242-010199	3-242-010200	CYLINDER, HYD.(PRINCE)	1
	4" X 16"	3-3/4" X 16"		
	PMS-AM-2554	PMS-AM-2560	(PRIOR 8/97)	
	PMS-AM-2554A	PMS-AM-2560A	(AFTER 8/97)	
1	010700566	010700566	PISTON ROD (PRIOR 8/97)	1
	010700699	010700699	PISTON ROD (AFTER 8/97)	1
2	061900610	061800024	TUBE ASSY.	1
3	170301212	170301212	TIEROD ASSY.	4
4	141900037	141800009	BUTT	1
5	081900374	081800022	GLAND ASSY.	1
6	071900273	071800021	PISTON	1
7	100000330	100000330	CLEVIS ASSY. (PRIOR 8/97)	1
	100000577	100000577	CLEVIS ASSY. (AFTER 8/97)	1
8	220000210	220000210	LOCKNUT	1
9	190400004	190400004	CLEVIS PIN	2
10	190600003	190600003	HAIRPIN CLIP	4
11	200300104	200300104	PORT PLUG	1
12	200013106	200013106	PLASTIC PLUG	2
13	200300040	200300040	PORT PLUG 3/4-16	1
14	230010405	230010405	DECAL (NOT SHOWN)	1
15	230010407	230010407	DECAL (NOT SHOWN)	1
16	**	**	BEARING RING	2
17	**	**	O-RING	1
18	**	**	O-RING	1
19	**	**	O-RING	2
20	**	**	BU-WASHER	2
21	**	**	TEFLON SEAL	1
22	**	**	U-CUP	1
23	**	**	WIPER	1
24	210700077	210700077	BUSHING	1
25	220001504	220001504	COTTER PIN (NOT SHOWN)	4
	PMCK-AM-2554	PMCK-AM-2560	PACKING KIT* (PRIOR 8/97)	1
	PMCK-AM-2554A	PMCK-AM-2560A	PACKING KIT* (AFTER 8/97)	1

* PACKING KIT CONTAINS ITEMS 16 - 23.

** NOT SOLD SEPARATELY

NOTE: SEE FIGURE 1-9 HYDRAULIC SYSTEM FOR BUTT END CYLINDER PIN



1mo242-010169

Figure 1-12 Hydraulic Cylinder Assembly, 16"

HYDRAULIC CYLINDER, 16"

ITEM	PART NO.	PART NO.	DESCRIPTION	QTY.
	3-242-010216 4-3/4" X 16" PMS-AM-2542	3-242-010217 5" X 16" PMS-AM-2536	CYLINDER, HYD.(PRINCE)	1
1	010800690	010800702	PISTON ROD	1
2	062100549	062100547	TUBE ASSY.	1
3	170301215	170301215	TIEROD ASSY.	4
4	142100019	142100020	BUTT	1
5	082100284	082100293	GLAND ASSY.	1
6	072100244	072100245	PISTON	1
7	100000326	100000326	CLEVIS ASSY.	1
8	220000211	220000211	LOCKNUT	1
9	190400004	190400004	CLEVIS PIN	2
10	190600003	190600003	HAIRPIN CLIP	4
11	200300104	200300104	PORT PLUG	1
12	200013106	200013106	PLASTIC PLUG	2
13	200300040	200300040	PORT PLUG 3/4-16	1
14	230010405	230010405	DECAL (NOT SHOWN)	1
15	230010407	230010407	DECAL (NOT SHOWN)	1
16	**	**	BEARING RING	2
17	**	**	O-RING	1
18	**	**	O-RING	1
19	**	**	O-RING	2
20	**	**	BU-WASHER	2
21	**	**	TEFLON SEAL	1
22	**	**	U-CUP	1
23	**	**	WIPER	1
24	210800205	210600205	BUSHING	1
25	220001504	220001504	COTTER PIN (NOT SHOWN)	4
26	230010606	230010606	WARNING DECAL (NOT SHOWN)	1
	PMCK-AM-2542	PMCK-AM-2536	PACKING KIT*	1

* PACKING KIT CONTAINS ITEMS 16 - 23.

** NOT SOLD SEPARATELY

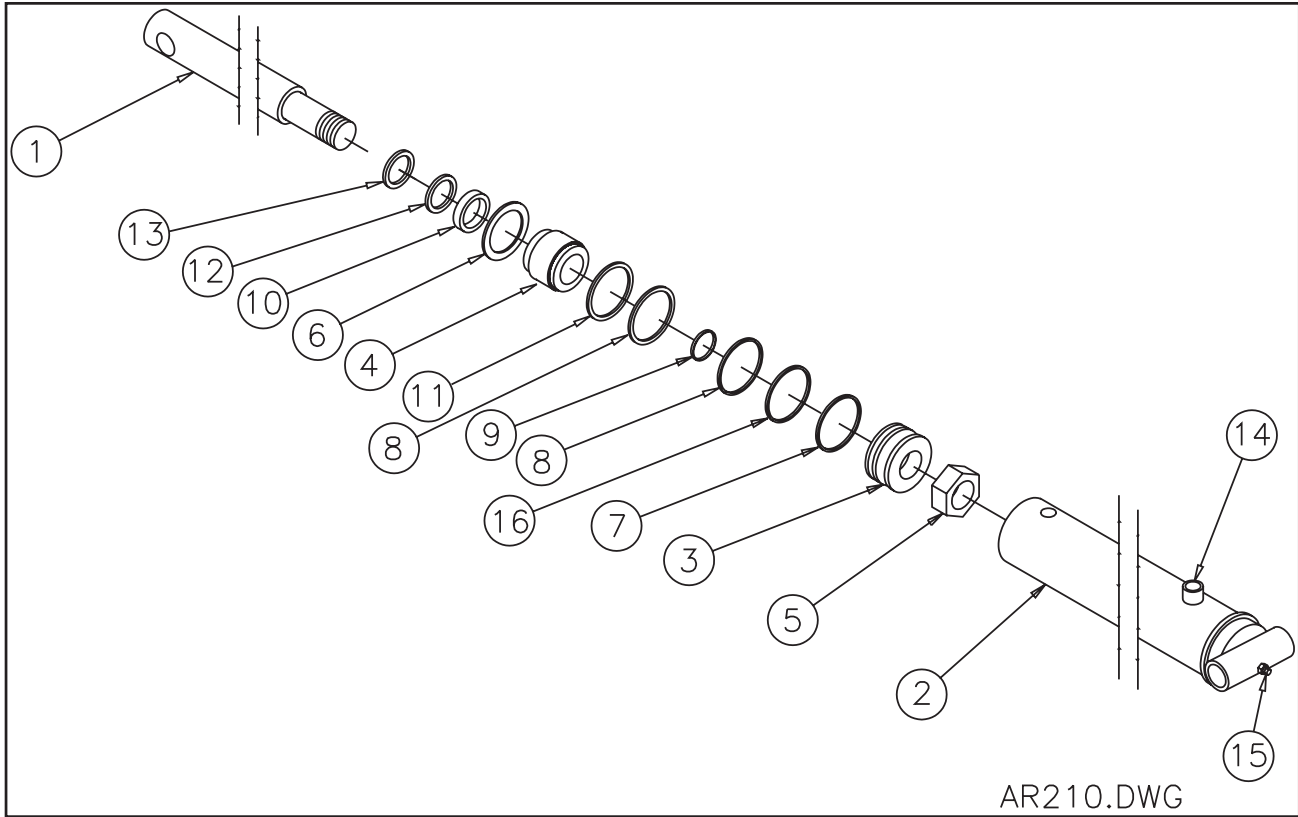


Figure 1-13 Hydraulic Cylinder Assembly

HYDRAULIC CYLINDER, 4"X36"(TRAILER TILT CYL)

ITEM	PART NO.	DESCRIPTION	QTY.
	3-242-010207	CYLINDER, HYD., 4"X36" (PRINCE #PMC-5636)	1
1	011100078	PISTON ROD	1
2	061900042	BUTT AND TUBE ASSY.	1
3	071900019	PISTON	1
4	081900019	GLAND	1
5	220000212	LOCKNUT	1
6	*	SNAP RING	1
7	*	PISTON RING	1
8	*	O-RING	2
9	*	O-RING	1
10	*	QUAD RING	1
11	*	B/U WASHER	2
12	*	B/U WASHER	1
13	*	WIPER	1
14	200018003	PIPE PLUG	2
15	270010002	GREASE ZERK	1
16	240061342	B/U WASHER	1
	PMCK-5600	PACKING KIT (ITEMS 6 - 13) (CONTAINS ALL NECESSARY SEALS AND O-RINGS)	1

* NOT SOLD SEPARATELY

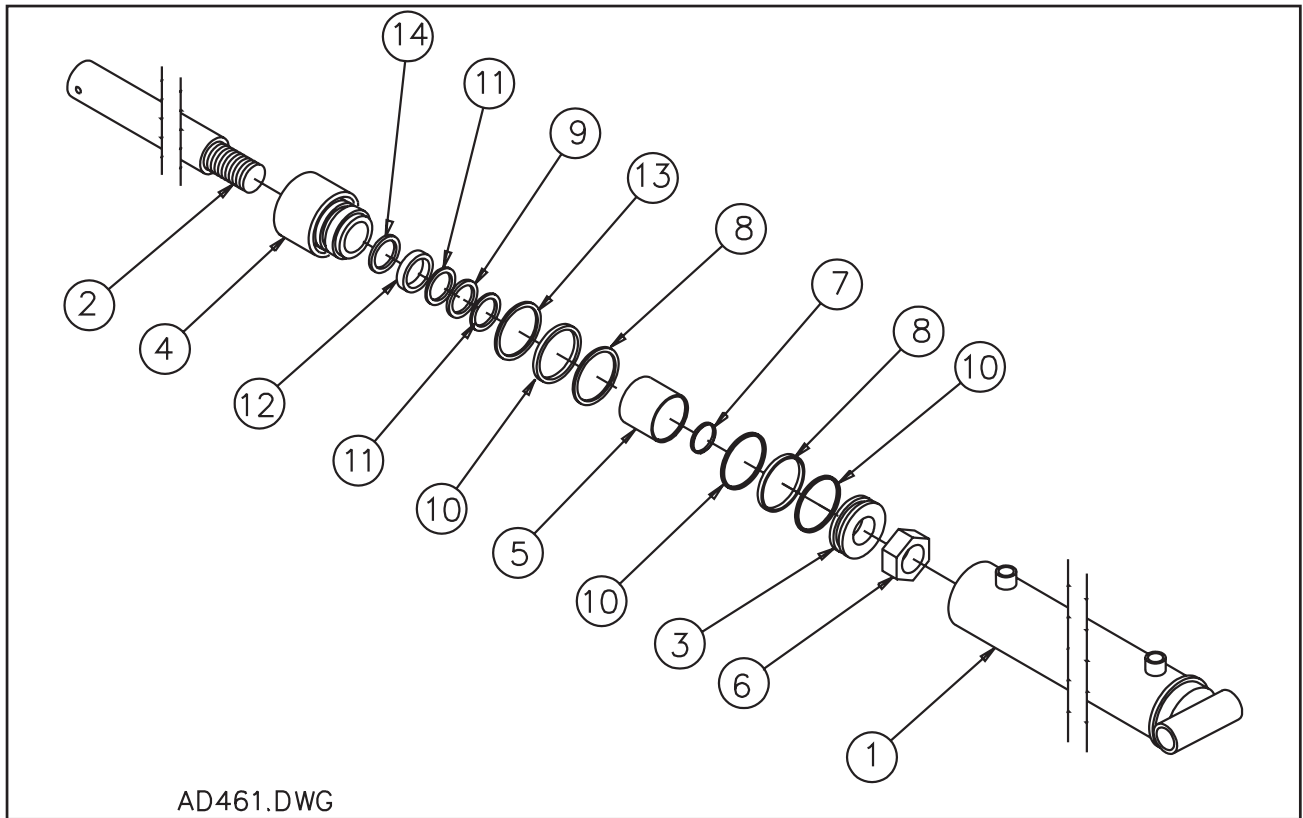


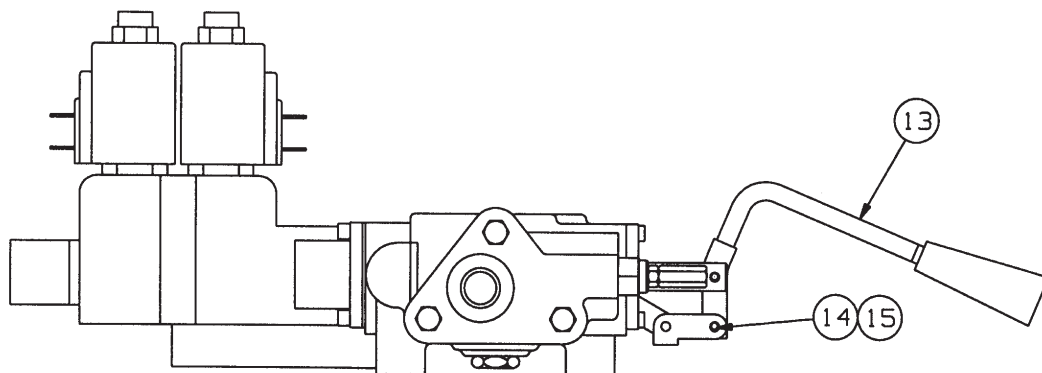
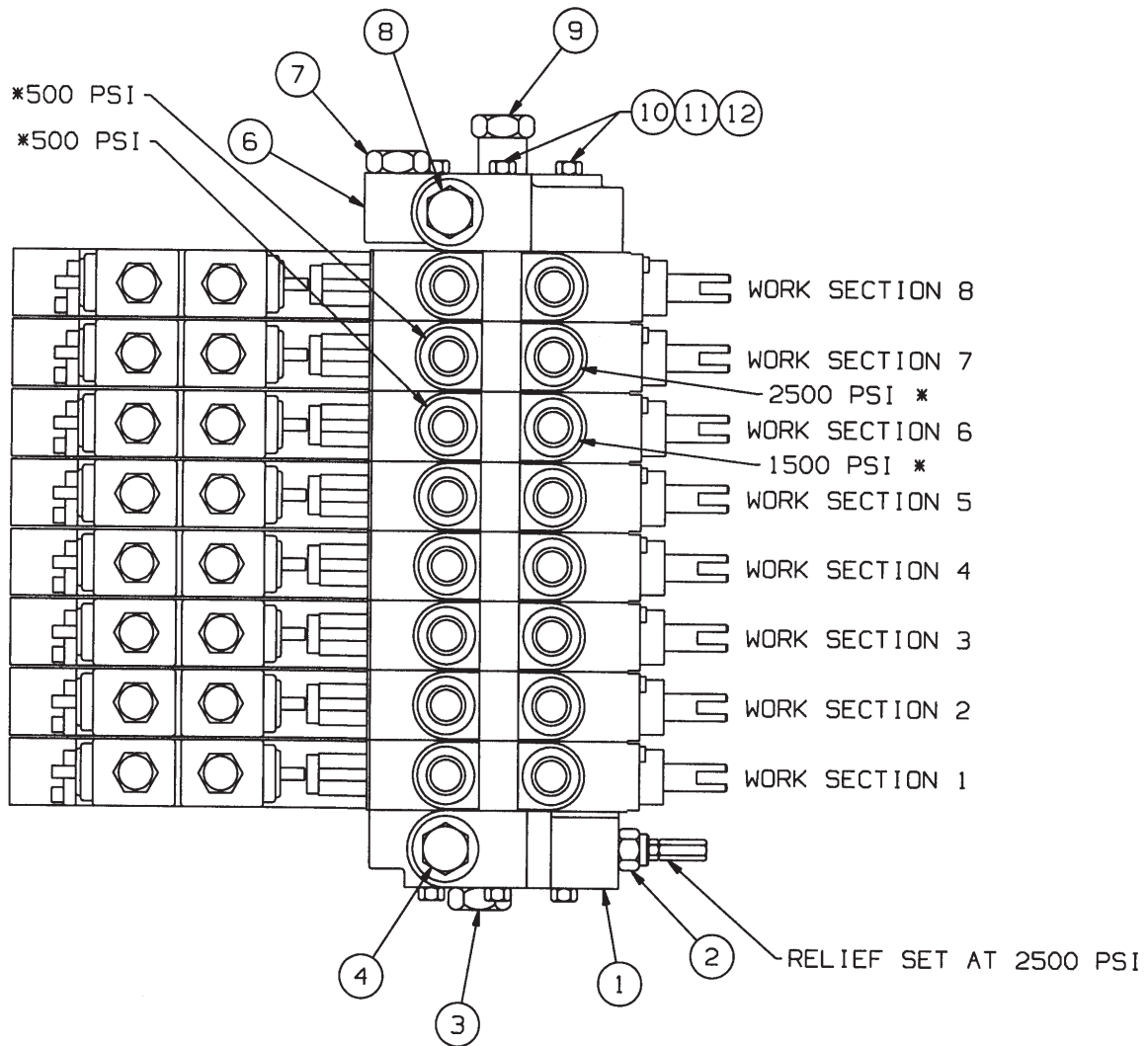
Figure 1-14 Hydraulic Cylinder Assembly, 4" x 126"

HYDRAULIC CYLINDER, 4"X126"(U/C SLIDE CYL.)

ITEM	PART NO.	DESCRIPTION	QTY.
	3-242-010185	CYLINDER, HYDR., 4"X126" (PRINCE #AD-461)	1
1	061900539	BUTT AND TUBE ASSEMBLY (ALTERED PER 3-242-010185)	1
2	011300179	PISTON ROD	1
3	071900195	PISTON	1
4	081900277	GLAND	1
5	211300024	SPACER	1
6	220000212	LOCKNUT (1-1/4 - 12) PISTON RING	1
7	*	O-RING	1
8	*	O-RING	2
9	*	O-RING	1
10	*	B/U WASHER	3
11	*	B/U WASHER	2
12	*	U-CUP	1
13	*	SQUARE RETAINING RING	1
14	*	WIPER	1
15	200013106	PLUG, SAE ORB (NOT SHOWN)	2
	PMCK-AD-461	PACKING KIT (ITEMS 7 - 14) (CONTAINS ALL NECESSARY SEALS AND O-RINGS)	1

* NOT SOLD SEPARATELY

* PORT RELIEF SETTINGS



3mb846-010145

Figure 1-15 Eight Spool Valve

EIGHT SPOOL VALVE

ITEM	PART NO.	DESCRIPTION	QTY.
	3-846-010145	VALVE, HYD. 8 SPOOL (PRINCE #SVA-K1)	1
	SVI25	INLET SECTION	1
1	625765001	MACHINED INLET	1
2	660250002	RELIEF CART.	1
3	200400030	PLUG, STEEL	1
4	200013107	PORT PLUG, PLASTIC	1
5	660580004	O-RING KIT (SEAL KIT BETWEEN SECTIONS)	9
	SVA-S60	WORK SECTIONS 1 TO 5 AND 8 (SEE PAGE 1-25)	6
	SVA-S61	WORK SECTION 7 (SEE PAGE 1-25)	1
	SVA-S86	WORK SECTION 6 (SEE PAGE 1-25)	1
	SVE26	OUTLET SECTION	1
6	625775001	MACHINED OUTLET	1
7	200400030	PLUG, STEEL	1
8	200013107	PORT PLUG, PLASTIC	1
9	660280018	OUTLET CART.	1
	660401008	TIE ROD KIT	1
10	672201008	TIE ROD	3
11	220001005	LOCK WASHER	6
12	220000102	HEX NUT	6
13	3-360-010111	HANDLE	8
14	220001512	COTTER PIN	16
15	671700014	CLEVIS PIN	16
	660580005	COMPLETE KIT FOR SOLENOID WORK SECTION	8
	660580002	COMPLETE KIT FOR INLET SECTION	1
	660580003	COMPLETE KIT FOR OUTLET SECTION	1

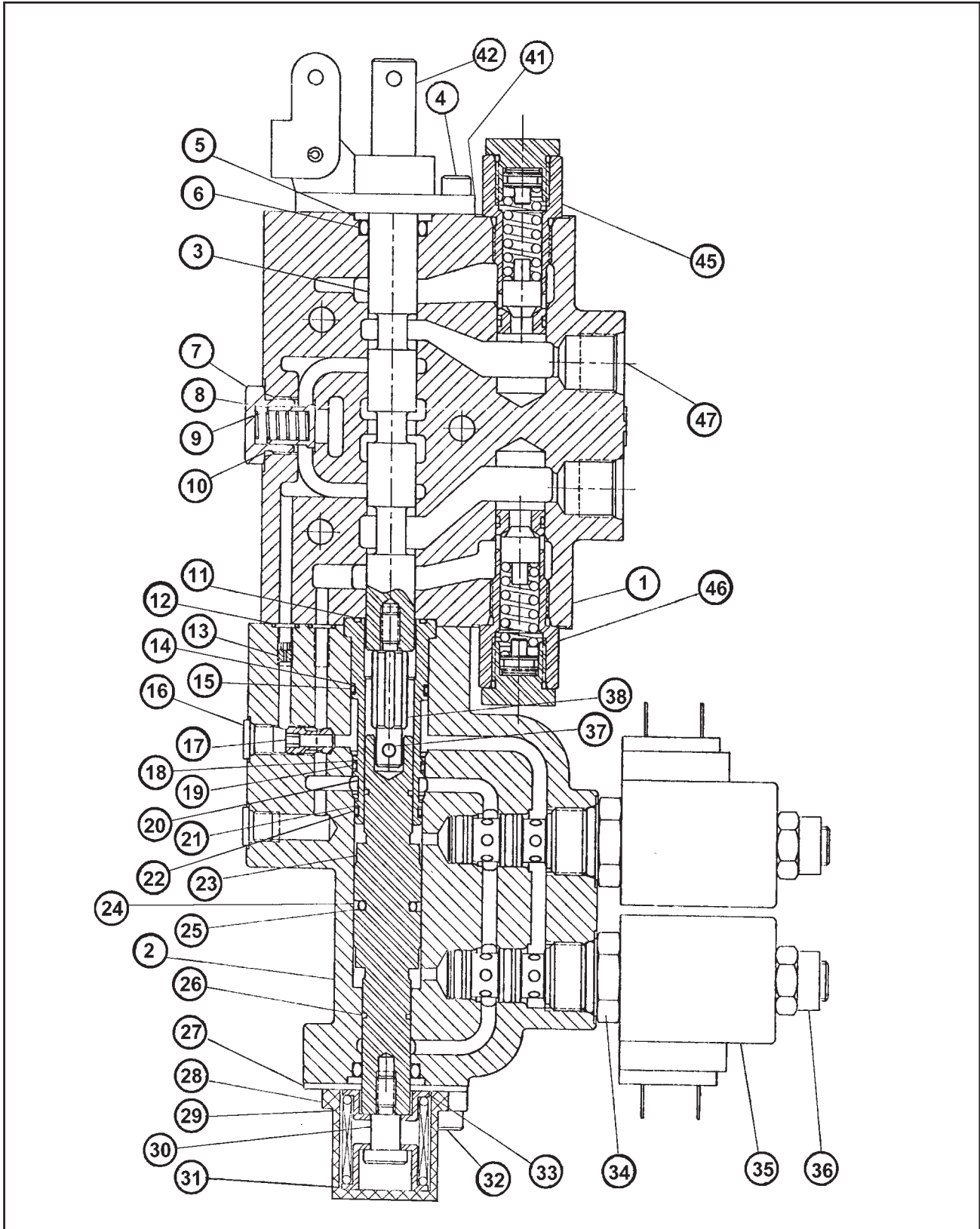


Figure 1-16 Eight Spool Valve, Work Sections

EIGHT SPOOL VALVE, WORK SECTIONS

ITEM	PART NO.	DESCRIPTION	QTY.
	SVA-S60	SOLENOID VALVE SECTIONS 1 TO 5 AND 8	6
	SVA-S61	SOLENOID VALVE SECTION 7	1
	SVA-S86	SOLENOID VALVE SECTION 6	1
1	625754008	VALVE BODY (SVA-S60)	1
	625894008	VALVE BODY (SVA-S61)	1
2	6262230001	ACTUATOR BODY	1
3	612004001	SPOOL	1
4	170003017	CAP SCREW	2
5	670500045	SPOOL BACKUP WASHER	2
6	240000208	O-RING	2
7	671600049	LOAD CHECK PLUG	1
8	670100008	LOAD CHECK POPPET	1
9	670300029	LOAD CHECK SPRING	1
10	240000908	O-RING	1
11	240000019	O-RING	1
12	240000009	O-RING	2
13	671400182	ORIFICE PLUG	1
14	240044020	BACKUP WASHER	2
15	240000020	O-RING	1
16	200100189	STEEL PLUG	2
17	671600063	PLUG	1
18	240044019	BACKUP WASHER	2
19	240000019	O-RING	1
20	671400079	SLEEVE	1
21	240044018	BACKUP WASHER	2
22	240000018	O-RING	1
23	610100011	SPOOL	1
24	240016230	GLYD-RING	1
25	240000113	O-RING	1
26	240019014	BACKUP WASHER	2
27	670500044	RETAINER PLATE	2
28	671400033	END CAP	1
29	670300030	SPRING	1
30	671400078	ADAPTER	1
31	671400076	OUTER STOP CUP	1
32	170003017	CAP SCREW	2
33	671400077	INNER STOP CUP	1
34	660263002	SOLENOID CARTRIDGE	2
35	671302003	SOLENOID COIL	2
36	671800021	COIL NUT	2
37	190100046	PIN	1
38	671900032	ADAPTER	1
39	170003037	CAPSCREW	4
40	220001010	LOCK WASHER	4
41	660580004	O-RING KIT	1
42	200013105	PORT PLUG	2
43	671900011	SPOOL ADAPTER	1
44	660180032	CLEVIS SUB-ASSY	1
45	660280003	RELIEF CART.(SVA-S61 ONLY-SEE FIGURE 1 -15 FOR RELIEF SETTING)	1
46	660280010	RELIEF CART. (SVA-S61 ONLY-SEE FIGURE 1 -15 FOR RELIEF SETTING)	1
47	200013105	PORT PLUG	2

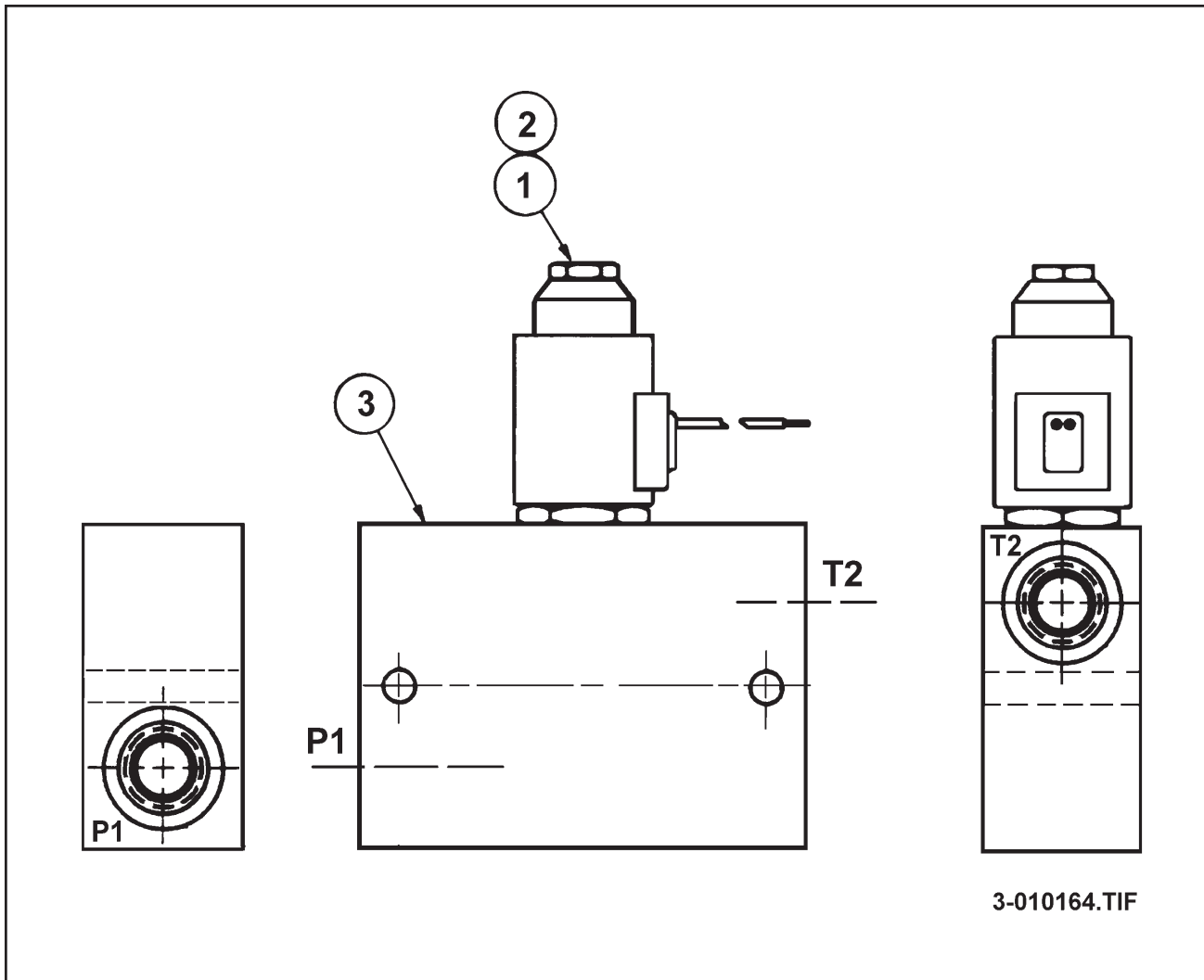
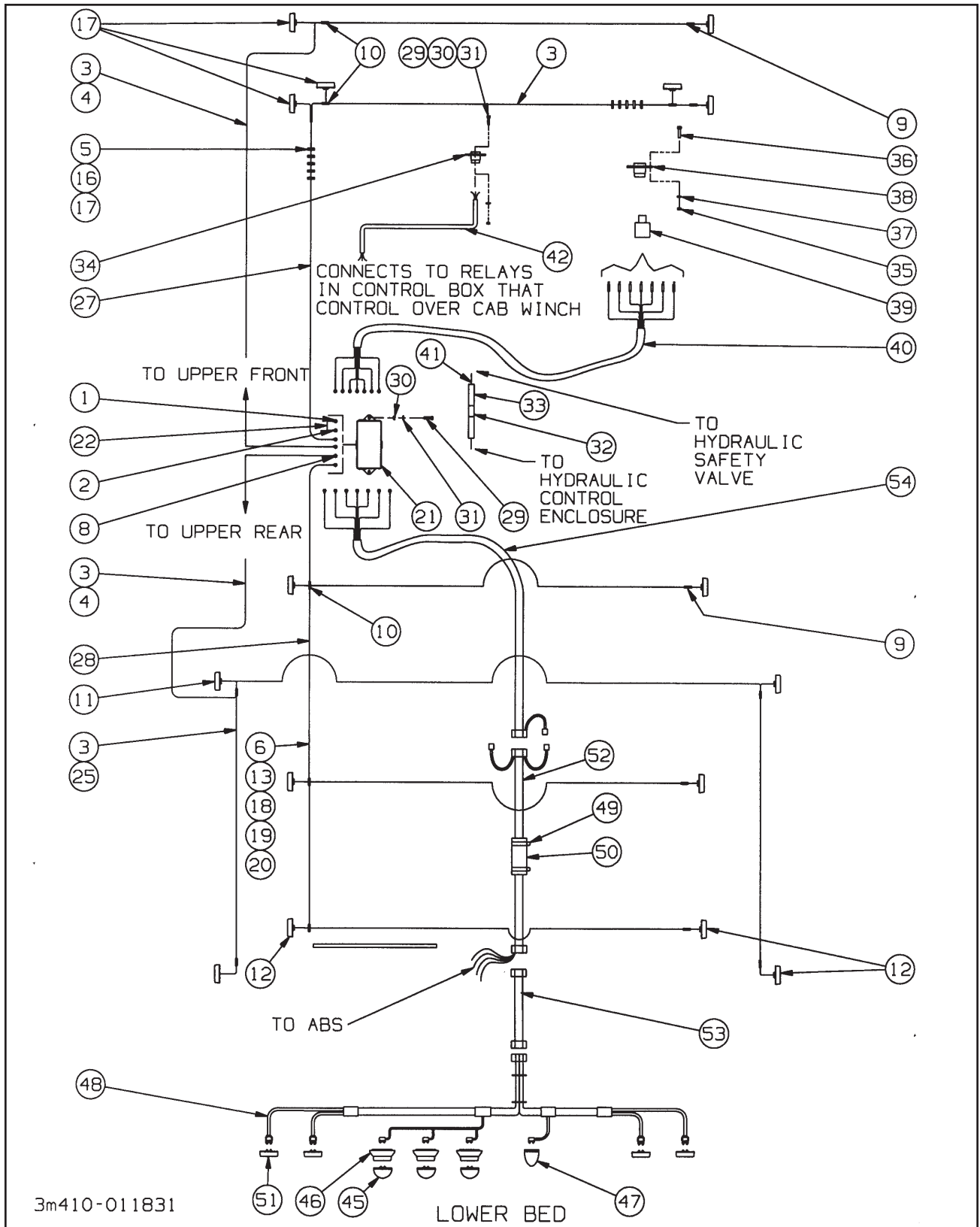
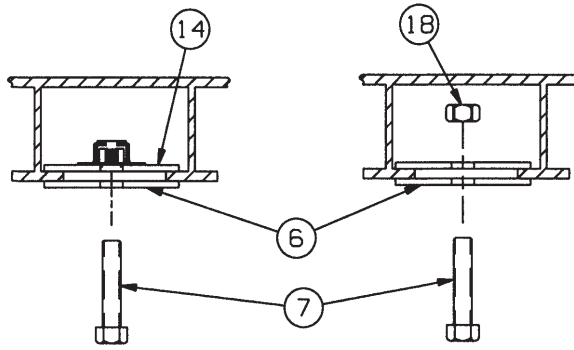


Figure 1-17 Valve N.O. W/ Relief Solenoid

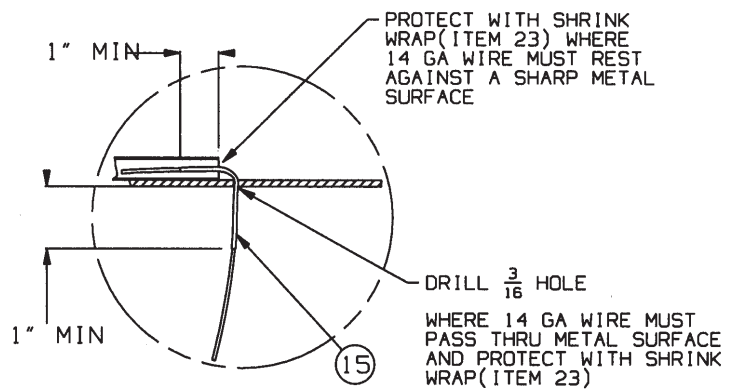
VALVE N.O. SOLENOID HYDRAULIC

ITEM	PART NO.	DESCRIPTION	QTY.
	3-846-010164	VALVE N.O. SOLENOID HYDRAULIC	
1	129452	N.O. SOLENOID VALVE	1
2	147161	12 VDC DUAL LEAD COIL	1
3	M13299-1	VALVE BODY	1

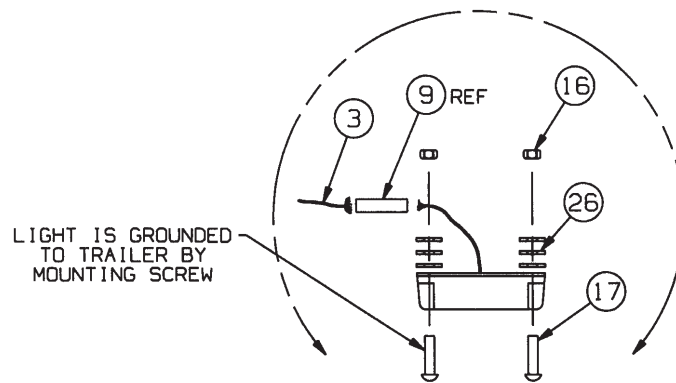




CLAMP ASSEMBLY DETAILS



WIRE PROTECTION DETAIL



LIGHT DETAIL

3mc410-011716

Figure 1-19 Electrical System - Miscellaneous Details

ELECTRICAL SYSTEM

ITEM	PART NO.	DESCRIPTION	QTY.
	B3-272-095	ELECTRICAL FOR BED TRAILER 334B (3-410-011831)	
	3-375-010619	HITCH TILT ASSEMBLY(ELECT SYSTEM ITEMS ONLY)	
	102895	SUSPENSION U/C ASSY (ELECT SYSTEM ITEMS ONLY)	
1	D01-407	RING TERMINAL	1
2	32002	TERMINAL W/ RING WAY	1
3	1-879-010005	WIRE BROWN	115'
4	3-201-010001	CONDUIT FLEX PLASTIC	40'
5	3-181-010034-1	CLAMP CONDUIT STEEL	10
6	3-181-010007	HOSE CLAMP TOP PLATE	55
7	1-654-010051-06	SCREW HEX HEAD CAP 3/8-16 X 1-1/4 GR5	33
8	3-203-010001	RING TERMINAL	4
9	3-272-010021	ELEC BUTT SPLICE W/ SEAL	6
10	3-272-010022	ELEC BUTT SPLICE W/ SEAL	9
11	3-446-010006	LIGHT CLEARANCE YELLOW	12
12	3-446-010007	LIGHT CLEARANCE RED	4
13	3-755-010255	SUPPORT WIRING FORMED	8
14	3-181-010060	CLAMP CAGE NUT	11
15	3-828-010002	TUBING SHRINK-TO-FIT ELEC WIRE	80"
16	1-512-010003-06	NUT HEX LOCK 10-24	50
17	1-656-010003051	SCREW RD HD MACH 10-24 X 3/4	50
18	1-512-010005-05	NUT HEX LOCK 3/8-16 GRB	36
19	1-654-010051-11	SCREW HEX HEAD CAP 3/8-16 X 2-1/2 GR5	14
20	1-861-010032-11	WASHER FLAT 3/8	14
21	750-029	JUNCTION BOX 7 STUD	1
22	1-879-010009012	WIRE WHITE	1
23	T120R	TYTON STRAP (NOT SHOWN)	100
24	105-0150	SEALANT RTV (CLEAR)(NOT SHOWN)	1
25	3-311-014622	RETAINER WIRE	5
26	1-861-010032-03	WASHER FLAT 10	98
27	3-368-010221	HARNESS LWR BED FRONT LIGHTS	1
28	3-368-010225	HARNESS LWR BED REAR LIGHTS	1
29	1-654-010047-06	SCREW HEX HEAD CAP 1/4-20 X 1 GR5	4
30	1-512-010005-01	NUT HEX LOCK 1/4-20 GRB	4
31	1-861-010032-07	WASHER FLAT 1/4	14
32	3-272-010021	ELECT BUTT SPLICE 16-14	1
33	3-201-010001	CONDUIT 5/16 PLASTIC FLEX	10'
34	3-272-010003	CONNECTOR ELECT 4 POLE FM	1
35	1-512-010007-06	NUT HEX 5/16-18	2
36	1-654-010049-06	SCREW HEX HEAD CAP 5/16-18 X 1-1/4 GR5	2
37	1-861-010034-10	WASHER SPLIT LOCK 5/16	2
38	59S-7	RECEPTACLE 7 PIN	1
39	59W-2-3	RUBBER BOOT	1
40	3-368-010222	HARNESS FRONT TO JCT BOX	1
41	1-879-010004	WIRE RED 14 GA	9'
42	3-368-010228	HARNESS 4 POLE TO RELAY	1
45	10205R	REFLECTOR LAMP RED	3
46	10404	GROMMET MOUNT	3
47	15009	LICENSE LAMP	1
48	3-368-010175	HARNESS REAR U/C BUMPER	1
49	6812	IDEAL HOSE CLAMP	2
50	2750-8	HOSE 1/2 AIR BRAKE	5'
51	40002R	LIGHT STOP TURN TAIL	4
52	102730	HARNESS ASSY E-CHAIN	1
53	102728	HARNESS ASSY U/C MAIN	1
54	102729	HARNESS JUNCTION BOX TO E-CHAIN	1

LANDOLL® HAULLOLL®

2



4

3

MANUFACTURED BY
LANDOLL CORPORATION
MARYSVILLE, KANSAS 66508
MO. & YR. _____

LANDOLL

WITH _____ TIRES
RIMS AT _____ PSI COLD

THIS VEHICLE OPERATES ON ALL TERRAINS
PERMITTED BY STATE AND FEDERAL LAWS
SHOWN ABOVE.

V.I.N. _____
TRAILER

6

1-800-428-5655
1-800-HAULLOLL

LANDOLL
TRAILER
DIVISION

IN KANSAS
1-800-332-5655

3-573-010060

7

**NEGATIVE
GROUND ONLY**

3-573-010061

8



9

IN WINCH TOP DECK FRONT OUT	IN WINCH TOP DECK REAR OUT	IN WINCH LOW DECK FRONT OUT	IN WINCH LOW DECK REAR OUT	UP TILT TRAILER DOWN	UP TILT TOP DECK FRONT DOWN	UP TILT TOP DECK REAR DOWN	FWD AXLES TRAILER BACK
--------------------------------------	-------------------------------------	--------------------------------------	-------------------------------------	----------------------------	--------------------------------------	-------------------------------------	------------------------------

LANDOLL 4-CAR TRAILER HYDRAULIC TRAILER CONTROLS 3-573-010441

10

WARNING

ASSURE STOPS ARE ENGAGED
BEFORE TRANSIT

3-573-010435

11

! DANGER

To prevent serious injury or death
from pinching:

- Keep all persons and objects clear
while any part of this machine is in
motion.

SW205

14

LIGHT

OFF ON

3-573-010437

15

! CAUTION

DO NOT HOOK WINCH LINE
TO BUMPER. BUMPER MOVES
WITH UNDERCARRIAGE.

3-573-010031

18

REMOTE MANUAL

3-573-010438

16

! CAUTION

LOCK

MANUAL SWITCH ON AIR
VALVES TO BE IN LOCK
POSITION WHEN USING
REMOTE.

3-573-010463

19

WEBS WHEEL PRODUCTS, INC.
2310 Industrial Drive
Culbert, Alabama 30555
(205) 738-4880

TORQUE SPECIFICATIONS (FOR BALL SEAT MOUNTED DISC WHEELS)

! DANGER

Read and Understand the installation, service and safety instructions manual before installing or servicing the hub. Failure to do so may result in personal injury or death, and may result in a compromise of your vehicle's safety through loss of failure of a wheel or component of the braking system.

Use a torque wrench to ensure proper torque. Failure to do so will compromise your product's service, life and safety. Under torque and over torque can cause thread and/or nut damage, and may result in the loss of a wheel.

Recheck torque after the first 50 to 100 miles of service. Parts may seat naturally, causing the torque to drop. Proper torque is essential for the service, life and safety of this product.

HUBS (FOR BALL SEAT MOUNTED DISC WHEELS)

8 - 10 STUD HUBS
RECOMMENDED TORQUE DRY:

1/4" - 18 AND 1/4" - 18 THREAD: 450-500 FT. LBS.
3/4" - 12 AND 1/4" - 12 THREAD: 150-200 FT. LBS.

WHEEL CAP NUTS: Torque Cap Nuts to 50 ft. lbs. using sequence shown.

THAT OPTION CAP NUTS TO RECOMMENDED TORQUE.

OUTER CAP NUTS: Torque Cap Nuts to 10 ft. lbs. using sequence shown.

THAT OPTION CAP NUTS TO RECOMMENDED TORQUE.

NOTE: In all applications where an Alternator Drive wheel it to be installed, a special inner Cap Nut must be installed for the alternator drive Cap Nut.

20

! CAUTION

DO NOT EXCEED
1000 ENGINE RPM
WITH PTO ENGAGED

3-573-010471

21

LANDOLL CORPORATION
1930 NORTH
MARYSVILLE, KS 66508-0111
MANUFACTURED IN: _____ (MO/YR)

DOT _____

103055

22

! WARNING

IN THE EVENT OF COLLISION
OR DAMAGE TO BUMPER OR
ENERGY PACK, REPLACEMENT
IS MANDATORY BEFORE
FURTHER OPERATION OF THE
TRAILER.

103855

23

IMPORTANT

CONNECT FEMALE HYDRAULIC
COUPLER FROM TRACTOR WET
KIT OR ENGINE PACKAGE TO MALE
HYDRAULIC COUPLER AT FRONT
OF TRAILER FIRST TO RELIEVE
PRESSURE IN TRAILER LINES.

105822

24

ABS

25

334

26

Figure 1-20 Decals

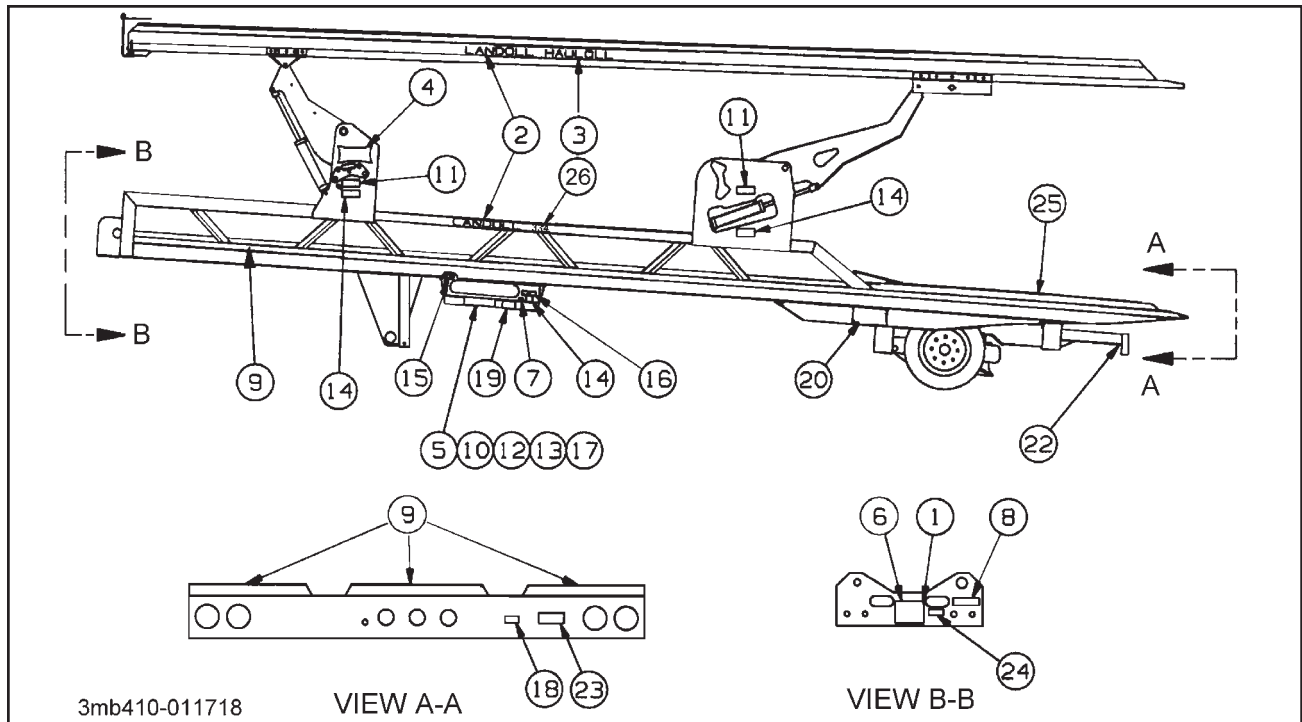


Figure 1-21 Decal Placement

DECAL PLACEMENT

ITEM	PART NO.	DESCRIPTION	QTY.
	B3-573-058	INSTALL DECAL TRL (3-410-011718)	
	3-762-010728-01	SUSPENSION U/C ASSY (DECAL ITEMS ONLY)	
	3-208-010071	CONTROL BOX ASSY(DECAL ITEMS ONLY)	
1	10036	FASTENER SERIAL NUMBER PLATE	4
2	1-573-010477	DECAL LANDOLL BLACK	4
3	1-573-010478	DECAL HAULLOLL BLACK	2
4	1-573-010480	DECAL LANDOLL WHITE	2
5	1-656-010003051	SCREW ROUND HEAD MACHINE 10-24 X 3/4	2
6	3-573-010020	PLATE IDENTIFICATION	1
7	3-573-010060	DECAL TOLL FREE-NO	1
8	3-573-010203	DECAL NEGATIVE GROUND ONLY	1
9	3-573-010377	DECAL REFLEXITE TAPE RD/WHT	A/R
10	3-573-010441	DECAL OPERATION	1
11	3-573-010435	DECAL ENGAGE STOPS	4
12	1-512-010007-03	NUT, HEX 10-24	2
13	1-861-010032-04	WASHER FLAT 3/16	2
14	2-573-010335	DECAL DANGER PINCHING	5
15	3-573-010437	DECAL LIGHT VALVE SUPPORT	1
16	3-573-010438	DECAL REMOTE MANUAL SWITCH	1
17	BSL-6-4	RIVET LG FLANGE	4
18	3-573-010031	DECAL TRAILER BUMPER	1
19	3-573-010463	DECAL DECK LOCK CAUTION	1
20	3-573-010211	DECAL TORQUE SPEC	2
21	3-573-010471	DECAL ENGINE RPM (LOCATED IN CAB OF TRUCK)	1
22	103055	DECAL ENERGY BUMPER CERT	1
23	103056	DECAL ENERGY BUMPER WARNING	1
24	105822	DECAL HYDRAULIC COUPLER	1
25	102810	DECAL ABS	REF
26	113854	DECAL 334 BLACK DC 2-1/2"	2

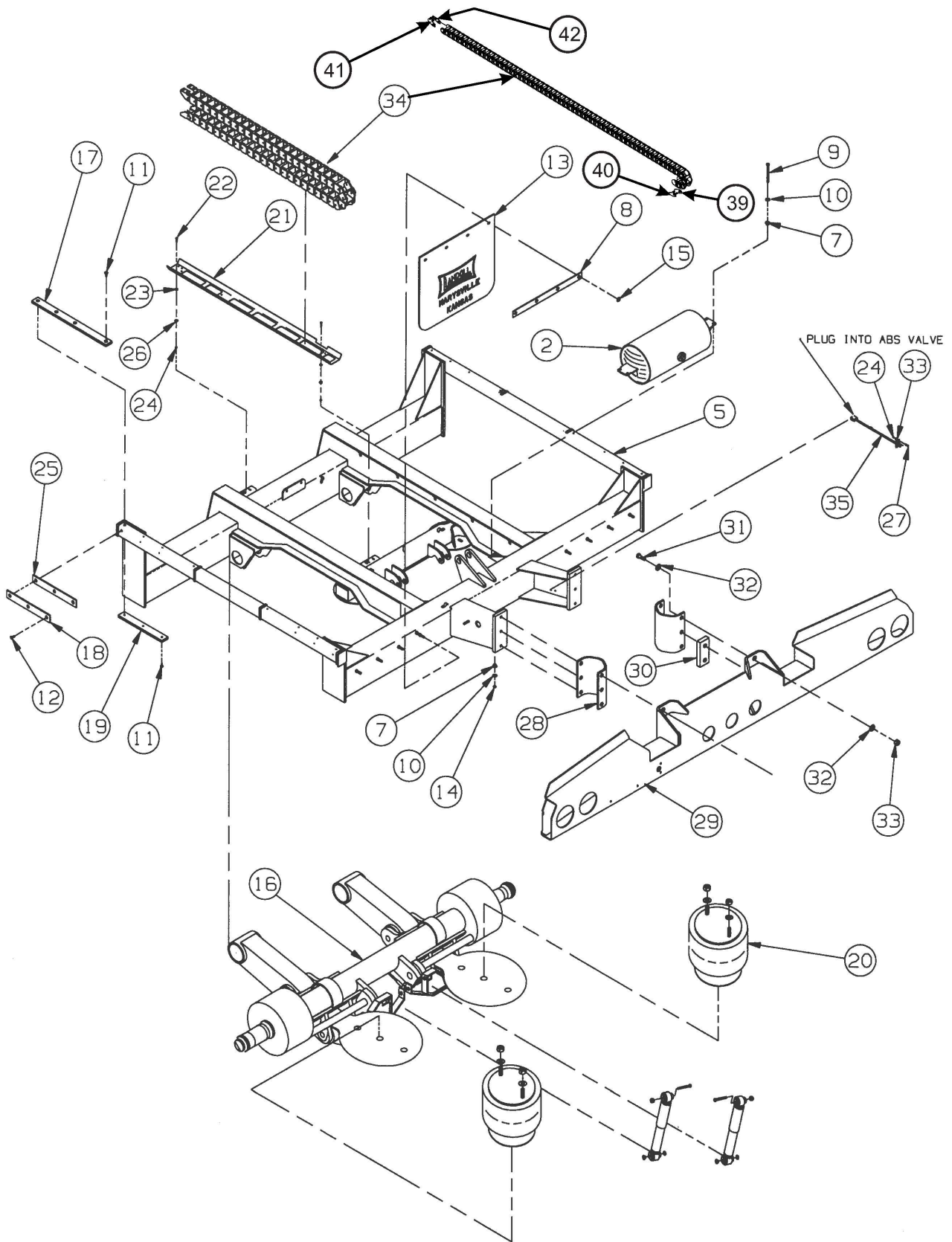
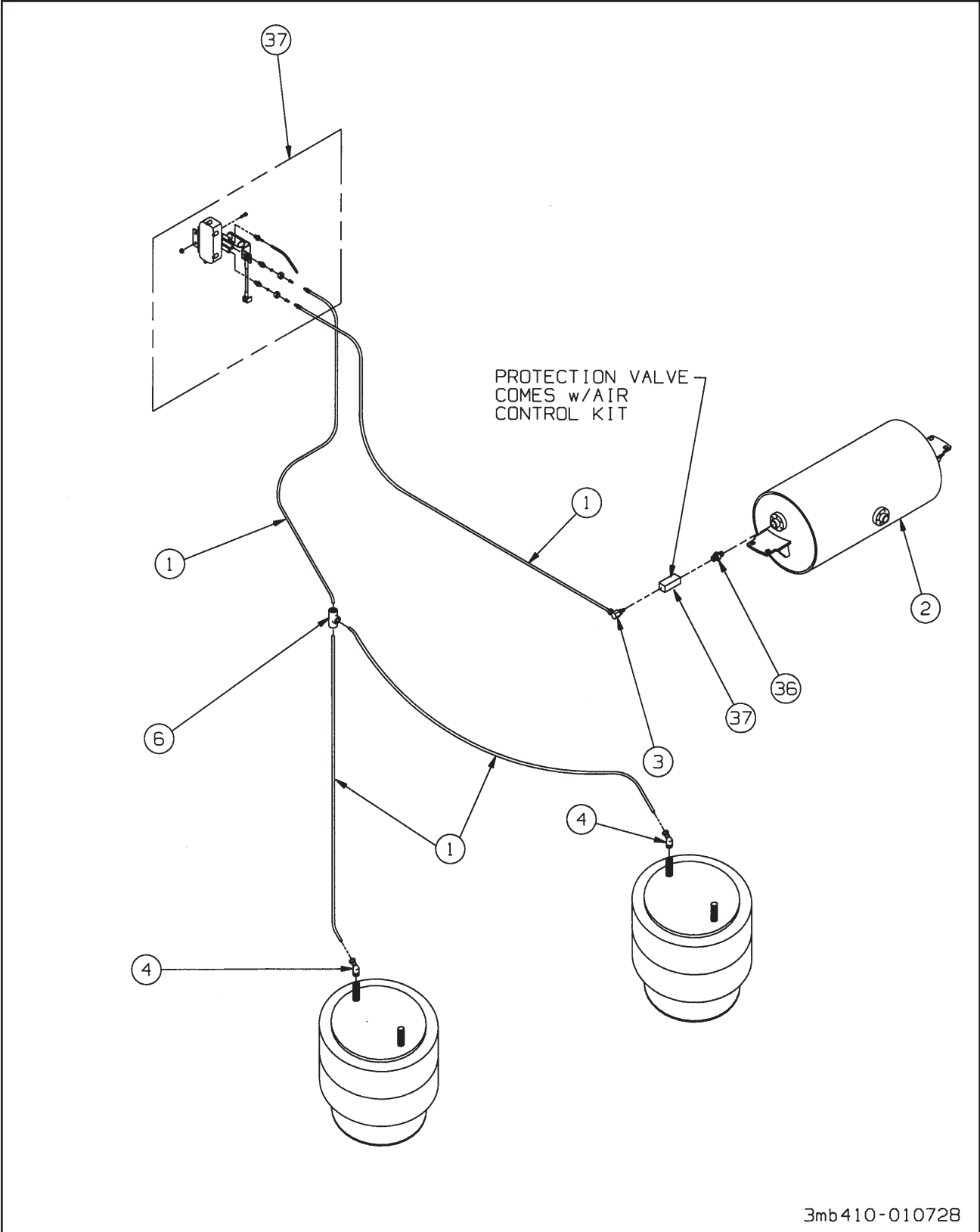


Figure 1-22 Undercarriage Assembly (1 of 2)



3mb410-010728

Figure 1-23 Undercarriage Assembly (2 of 2)

UNDERCARRIAGE ASSEMBLY - AIR RIDE

ITEM	PART NO.	DESCRIPTION	QTY.
	102895	SUSPENSION UNDERCARRIAGE ASSEMBLY	
1	1-833-010001	NYLON TUBING	7FT
2	3-780-010002	TANK AIR	1
3	1-297-010008-07	FITTING AIR 90	1
4	1-297-010013-05	FITTING AIR 45	2
5	102397	SUSPENSION WELDMENT	1
6	1-297-010010-01	FITTING AIR UNION TEE	1
7	805-2	BUSHING STEP	8
8	3-762-010017	CLAMP MUD FLAP	2
9	1-654-010051-08	SCREW HEX HEAD CAP 3/8-16 X 1-3/4 GRB	4
10	1-861-010032-11	WASHER FLAT 3/8W	8
11	1-654-010034-03	SCREW HEX SOCKET FLAT HEAD CAP 5/16-18 X 3/4	28
12	1-654-010146-04	SCREW SLOTTED FLAT HEAD 1/4-20 X 3/4	12
13	3-485-010001	MUD FLAP	2
14	1-512-010005-05	NUT HEX LOCK 3/8-16 GRB	4
15	1-510-010001	NUT FLANGE LOCK 3/8-16	8
16	102665	AXLE WELDMENT A/R D2212-SPG-70.5	1
17	3-334-010015	GLIDE 1/2 X 2 X 24	4
18	3-334-010040	GLIDE 3/8 X 2 x 14 U-C	4
19	3-334-010012	GLIDE NYLATRON	4
20	102363	SUSPENSION ADJ RLU-228-305 (SEE PAGE 1-37)	1
21	3-821-010005	TRAY CAT TRACK	1
22	1-654-010158-1	SCREW RD HD SQ NECK 1/4-20 X 3/4 GR5	8
23	1-861-010032-07	WASHER FLAT 1/4	8
24	1-512-010007-05	NUT HEX 1/4-20 GRB	10
25	3-684-010051	SHIM SIDE U/C NYLATRON	4
26	1-861-010034-09	WASHER SLIT LOCK 1/4	10
27	1-654-010047-06	SCREW HEX HEAD CAP 1/4-20 X 1 GR5	2
28	101143	MOUNT BUMPER ENERGY	2
29	101712	BUMPER WELDMENT	1
30	102283	BAR BUMPER	2
31	1-654-010032-4	SCREW HEX HEAD CAP 3/4-10 X 1-3/4 GR8	12
32	622-3511-008	WASHER 3/4 MIL - CARB FL SAE A	14
33	1-512-010002-15	NUT HEX LOCK 3/4-10 GRC	2
34	3-755-010189-02	SUPPORT E-CHAIN (BEFORE 6-3-2015)	1
	189315	SUPPORT, E-CHAIN, 36 LINKS 3838 (AFTER 6-3-2015)	1
35	101852	DIAGNOSTIC CABLE W/SWITCH	1
36	2083-8-4S	NIPPLE HEX 1/2 PIPE -1/4 PIPE	1
37	102732	AIR CONTROL KIT NEWAY (SEE PAGE 1-35)	1
38	102797	BRAKE ABS SINGLE AXLE (NOT SHOWN) (SEE PAGE 1-41)	1
39	190701	BRACKET WLDMT, E-CHAIN LH (AFTER 6-3-2015)	1
40	190706	BRACKET WLDMT, E-CHAIN RH (AFTER 6-3-2015)	1
41	190700ZP	BRACKET, E-CHAIN LH (AFTER 6-3-2015)	1
42	190705ZP	BRACKET, E-CHAIN RH (AFTER 6-3-2015)	1
	189831	FIELD INSTALLATION KIT (ITEMS 34 & 39-42)	1

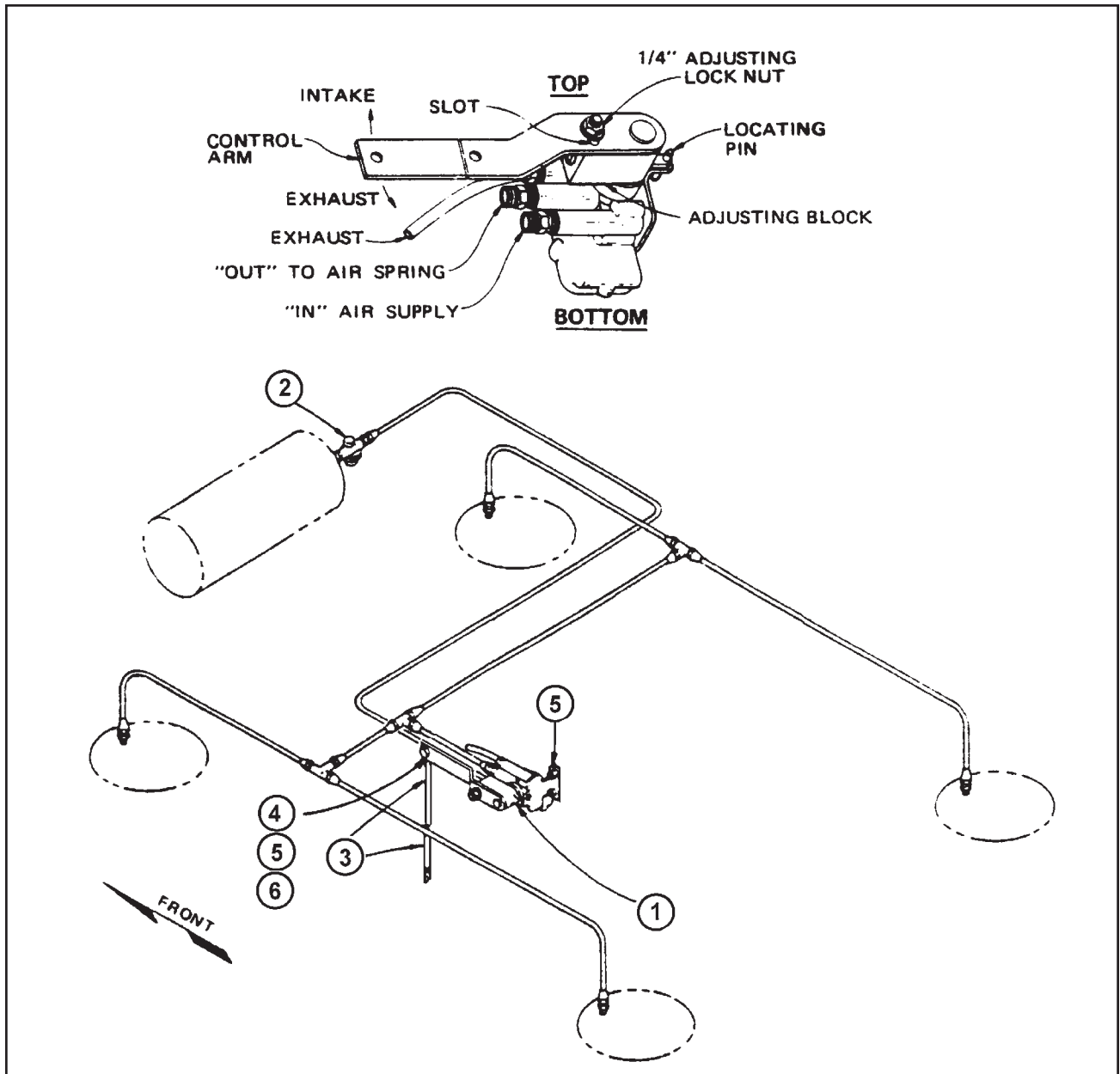
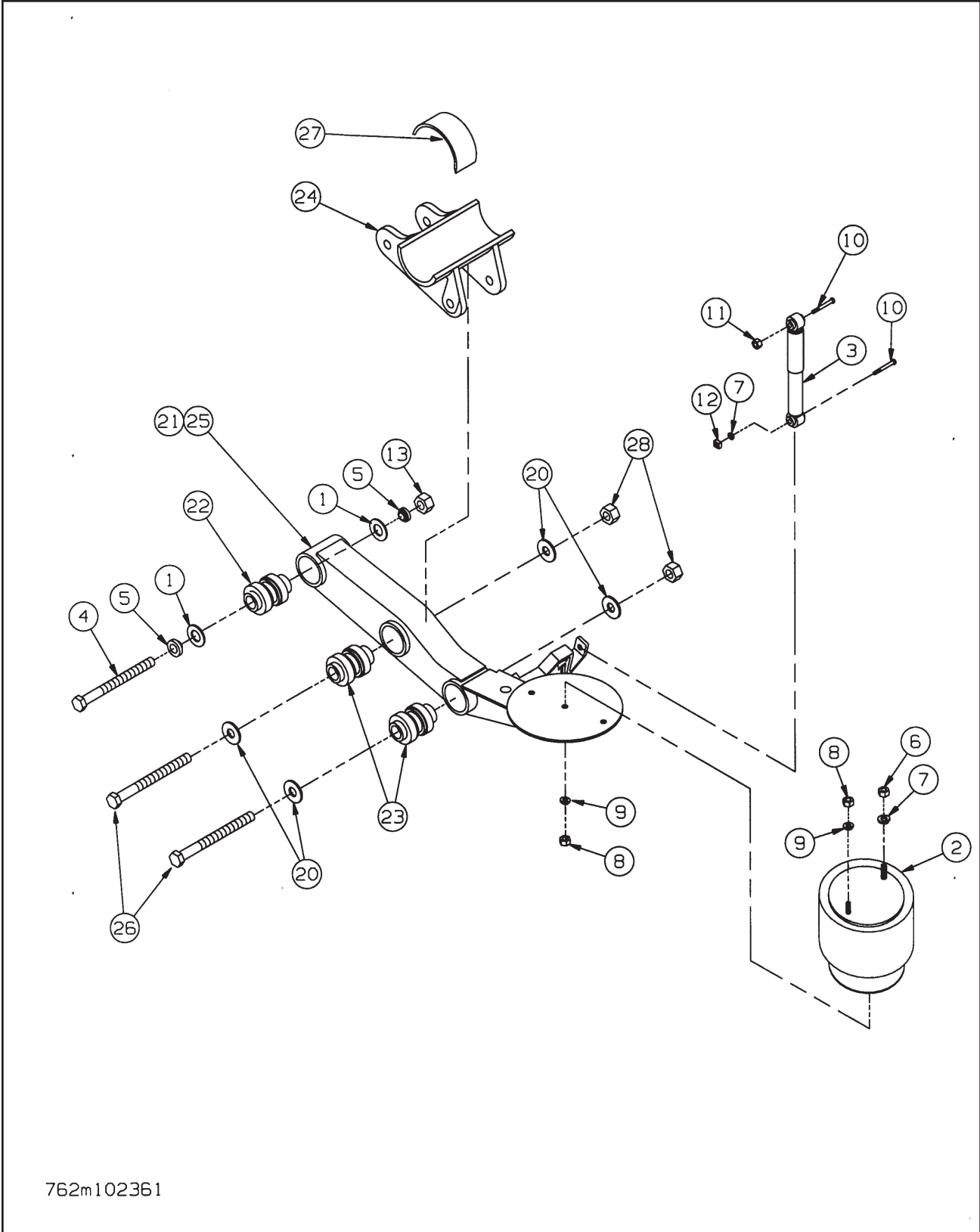


Figure 1-24 Air Control Kit RLU-228

AIR CONTROL KIT RLU-228

ITEM	PART NO.	DESCRIPTION	QTY.
	102732	AIR CONTROL KIT NEWAY	
1	900 54 466	HEIGHT CONTROL VALVE	1
2	905 54 107	AIR PRESSURE PROTECTION VALVE & FILTER	1
3	481 54 224	SRK - 167 KIT (ADJ. LINK ASSY)	1
4	930 02 349	CAP SCREW 1/4-20 X 3/4	2
5	934 00 060	LOCK NUT 1/4-20	2
6	941 00 119	DECAL (OPERATING)	1
7	941 00 466	HEIGHT CONTROL VALVE INSTRUCTIONS (NOT SHOWN)	1



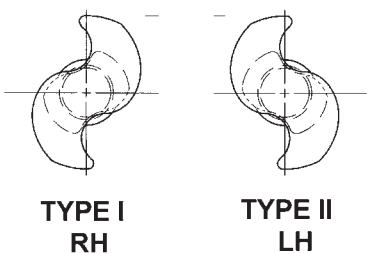
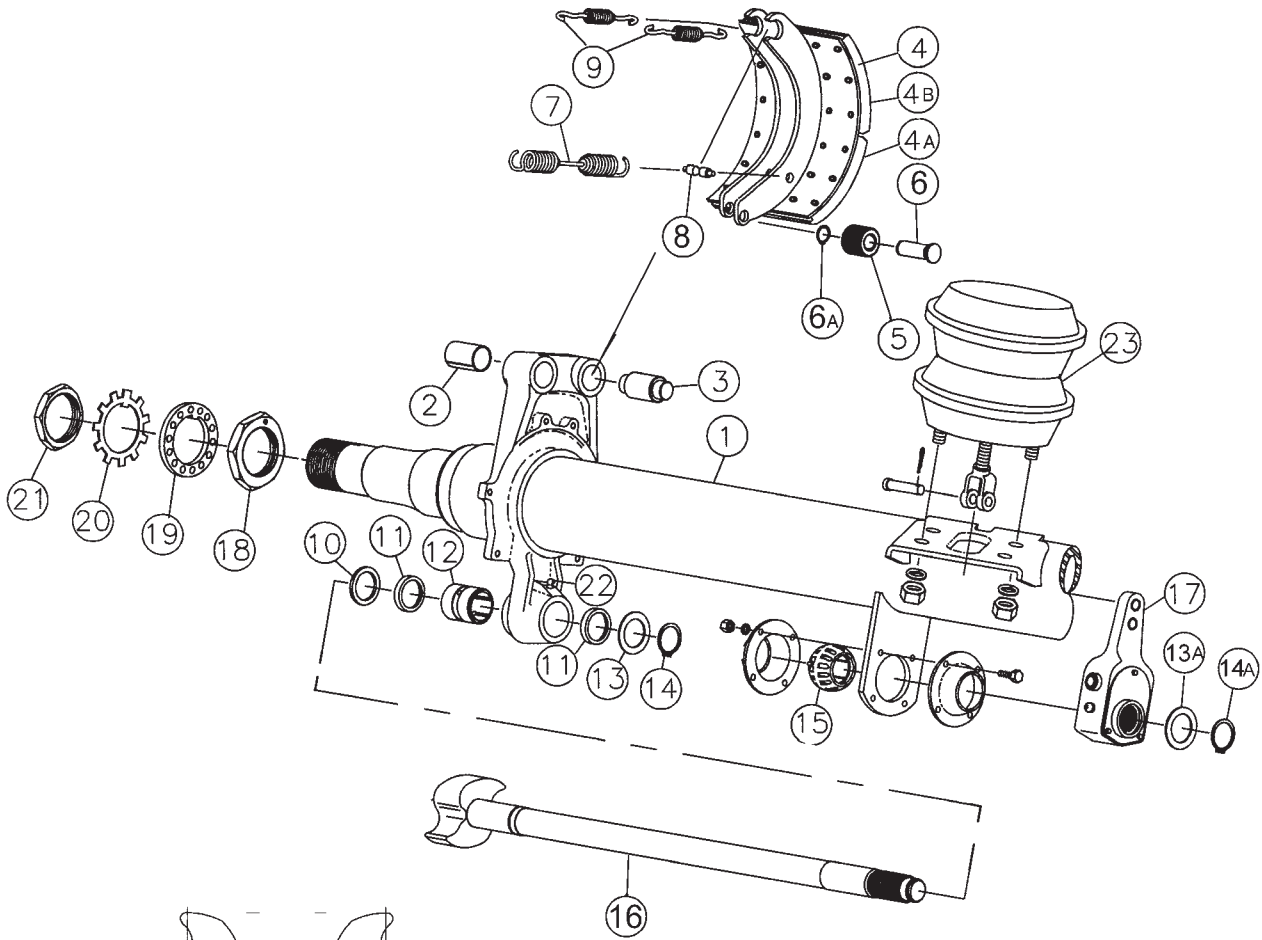
762m102361

Figure 1-25 Suspension Hanger RLU-228

SUSPENSION HANGER RLU-228

ITEM	PART NO.	DESCRIPTION	QTY.
	102363	SUSPENSION ADJ. RLU-228-3.5 (INCL. ITEMS 1-19)	
	102361	SUSPENSION BEAM RLU-228 (INCL. ITEMS 20-28)	
1	90036177	FLAT WASHER	2
2	90557129	AIR SPRING ASSEMBLY	2
3	90045040	SHOCK	2
4	93908009	ALIGN BUSH ASSEMBLY	2
	93201057	ROD BOLT	1
	90008184	ALIGN BLOCK	1
5	93408186	ALIGN BLOCK	2
6	93400149	3/4-16 HEX NUT GRB	2
7	93600077	LOCK WASHER 3/4"	4
8	93400136	HEX NUT 1/2-13	4
9	93600072	LOCK WASHER 1/2"	4
10	93003597	HEX HEAD CAP SCREW 3/4-10 X 3-1/2	4
11	93400492	LOCK NUT 3/4" - 10	2
12	93400367	3/4-10 SQUARE NUT	2
13	93400506	LOCK NUT 1-1/8-7	2
14	90054038	ANCHOR RIDE HEIGHT CONTROL VALVE (NOT SHOWN)	1
15	94100787	LITERATURE INSTRUCTIONS (NOT SHOWN)	1
16	94100685	LITERATURE SPEC (NOT SHOWN)	1
17	94100648	LITERATURE FORM 864 (NOT SHOWN)	1
18	94100790	LITERATURE LABEL (NOT SHOWN)	1
19	94100790	LITERATURE LABEL (NOT SHOWN)	1
	11005053	FASTENER KIT (INCL. 1,4-11, 13,15)	1
20	90036177	FLAT WASHER	8
21	90516600	EQUALIZING BEAM ASSEMBLY LH	1
22	90008139	RUBBER BUSHING (FRONT PIVOT)	2
23	90008149	RUBBER BUSHING (AXLE CONNECTION)	4
24	90001200	AXLE ADAPTER ASSEMBLY	2
25	90516601	EQUALIZING BEAM ASSEMBLY RH	1
26	93201051	HEX HEAD CAP SCREW 1-1/8-7 X 8-1/2	4
27	90025288	SAFETY STRAP	2
28	93400506	LOCK NUT 1-1/8-7	4

NOTE: QUANTITIES LISTED ARE PER AXLE



VIEWED FROM HEAD END

NOTE: RH does not necessarily correspond w/ RH side of trailer.

Figure 1-26 Axle and Brake Assembly

AXLE ASSEMBLY

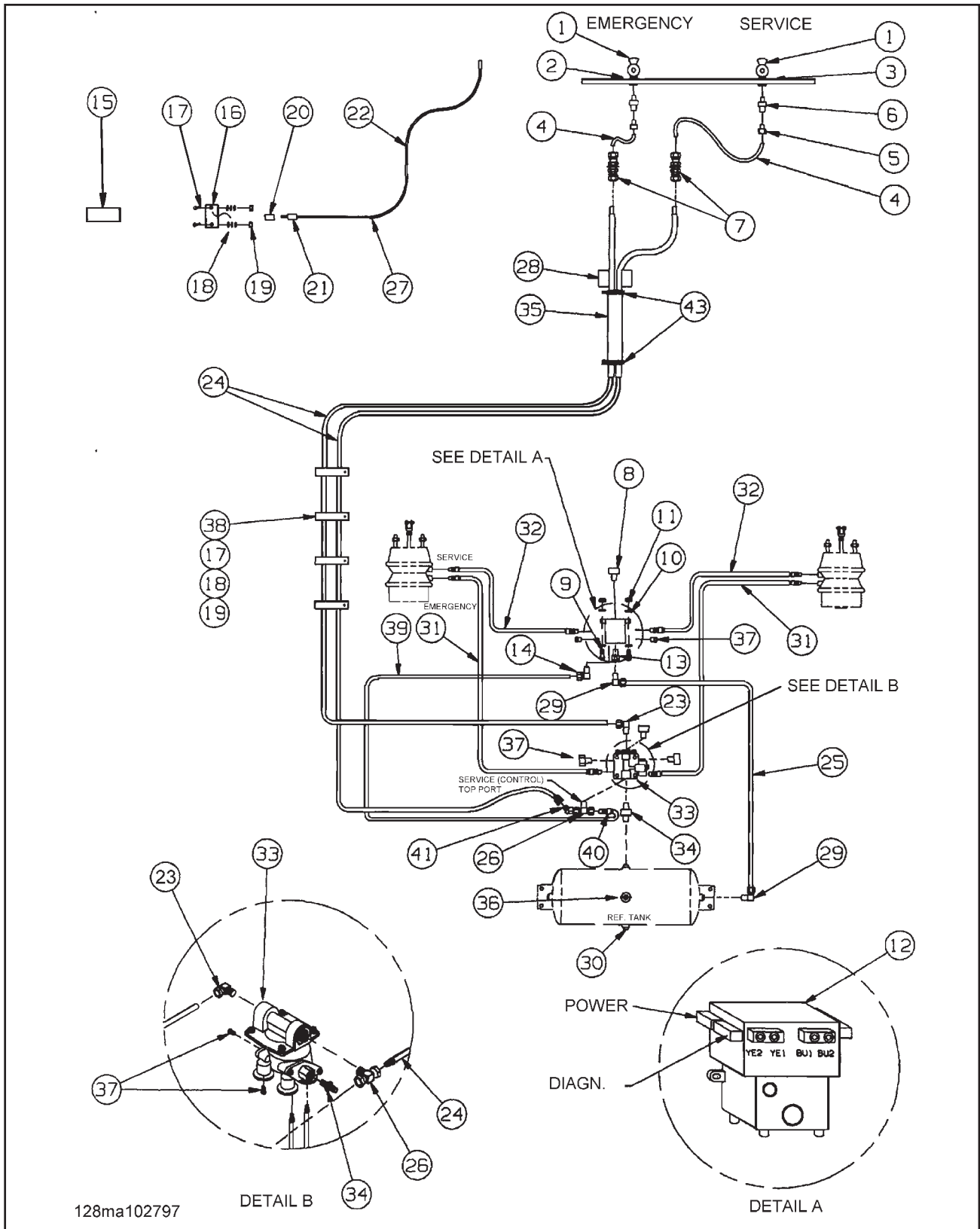
ITEM	PART NO.	DESCRIPTION	QTY.
	3-042-010130-02	AXLE 70-1/2" 12-1/4"X71/2"SP GAS (DEXTER)	2
1*	D-2212-70.5TRACK	BEAM W/BRACKETS (5/8" WALL)	1
2**	014-068-00	BUSHING, SPIDER ANCHOR PIN	4
3**	056-017-00	PIN, ANCHOR	4
4	040-320-01	SHOE AND LINING ASSEMBLY	4
4A	041-060-01	LINING - BRAKE BLOCK CAM	4
4B	041-057-01	LINING - BRAKE BLOCK ANCHOR	4
5**	014-057-00	ROLLER	4
6**	056-010-00	PIN ROLLER	4
6A**	069-018-00	RETAINING PIN ROLLER	4
7**	046-092-00	SPRING - SHOE RETURN	2
8**	056-018-00	RETAINER PIN RETRACTOR SPRING	4
9**	046-097-00	KEEPER SPRING	4
10***	005-074-00	WASHER - CAMSHAFT "D"	2
11***	010-052-00	SEAL GREASE	4
12***	014-056-00	BUSHING - CAMSHAFT SPIDER	2
13***	005-075-00	WASHER - CAMSHAFT	4
13A***	005-134-00	WASHER - CAMSHAFT END	4
14***	069-020-00	RETAINER - CAMSHAFT	2
14A***	069-078-00	RETAINER - CAMSHAFT END	2
15***	014-058-00	BUSHING - CAMSHAFT SUPPORT	2
16	034-188-00	CAMSHAFT LH	1
	034-189-00	CAMSHAFT RH	1
17	055-040-07	SLACK ADJUSTER AUTO	2
	055-053-00	CLEVIS	
	055-054-00	CLEVIS MOUNTING KIT	
18	006-114-00	NUT - INNER SPINDLE BEARING	2
19	005-098-00	LOCK WASHER - INDEXING	2
20	005-099-00	LOCK WASHER - TAB	2
21	006-115-00	NUT - OUTER SPINDLE	2
22***	061-006-00	FITTING GREASE 45°	2
23	034-048-00	AIR CHAMBER ASSEMBLY	2

3-042-010111-2 AXLE WELDMENT WILL HAVE P/N 900 01 082 NEWAY
AIR RIDE SUSP. AXLE ADAPTER (2) WELDED ONTO AXLE
P/N 3-042-010130-02

* WHEN ORDERING THE BEAM WITH SPINDLE, SPIDER, AND BRACKETS ATTACHED, YOU WILL NEED THE BEAM NUMBER, D2212; TRACK LENGTH, 70.5; BRAKE SIZE, 12-1/4" X 7-1/2"; AND CAMSHAFT LENGTH, 22-5/16".

** THESE PARTS ARE AVAILABLE AS PART OF BRAKE SHOE HARDWARE KIT K71-460-00.

*** THESE PARTS ARE AVAILABLE AS PART OF CAMSHAFT REPAIR KIT K71-101-00.



AIR BRAKE SYSTEM, SINGLE AXLE W/ ABS

ITEM	PART NO.	DESCRIPTION	QTY.
	3-375-010619	HITCH TILT ASSY TRAILER (AIR BRAKE SYS ITEMS ONLY)	
	102797	AIR BRAKE SYSTEM ABS SINGLE AXLE	
1	55B11	GLAD HAND (PRIOR 03/00)	2
	108801	GLAD HAND RED AIR (AFTER 03/00)	
	108802	GLAD HAND BLUE AIR (AFTER 03/00)	
2	55B61-6	TAG EMERGENCY LINE VELVAC 035025	1
3	55B61-7	TAG SERVICE LINE VELVAC 035026	1
4	1-833-010002	TUBING NYLON	30FT
5	1-297-010007-11	FITTING AIR	2
6	55B61	FRAME UNION	3
7	1-297-010014-03	FITTING AIR BULKHEAD UNION 3/8	2
8	1-560-010002-05	PLUG PIPE	1
9	1-654-010051-08	SCREW HEX HEAD CAP 3/8-16 X 1-3/4 GRB	2
10	1-861-010032-10	WASHER FLAT 3/8N	4
11	1-512-010005-05	NUT HEX LOCK 3/8-16 GRB	2
12	101421	BRAKE KIT ROCKWELL ABS 2S/1M (SEE PAGE 1-43)	1
13	3/4 X 1/2 BUSH	BUSHING BLACK PIPE	1
14	1-297-010008-18	FITTING AIR 90	1
15	102810	DECAL ABS BLACK ON CLEAR (SEE PAGE 1-31)	1
16	3-446-010006	LIGHT CLEARANCE YELLOW	REF
17	1-654-010003051	SCREW ROUND HEAD MACH 10-24 X 3/4	6
18	1-861-010032-03	WASHER FLAT #10	10
19	1-512-010003-06	NUT HEX LOCK W/ NYLON 10-24	6
20	3-272-010021	ELECTRICAL BUTT SPLICE 16-24 W/ SEAL	1
21	3-828-010002	TUBING SHRINK-TO-FIT ELECTRICAL WIRE	6IN
22	102727	HARNESS ABS LIGHT TO E-CHAIN	1
23	2089-6-6S	ADAPTER 90	1
24	100949	TUBE AIR	2
25	1-833-010003	NYLON TUBING	6FT
26	1-297-010017-03	FITTING BRASS PIPE M /BRASS TEE 3/8	1
27	239-9008-1	CONDUIT FLEX PLASTIC	4FT
28	3-755-010189-03	SUPPORT E-CHAIN	1
29	1-297-010008-24	FITTING AIR 90	2
30	1-560-010002-04	PLUG PIPE	1
31	3-384-010031	HOSE AIR 3/8 X 42	2
32	3-384-010020	HOSE AIR 3/8 X 32	2
33	758-181	VALVE TASK 4 PORT	1
34	1/2 NIPPLE	NIPPLE ALL THREAD	1
35	1-394-010001	HOSE ABRASION SLEEVE X 2	4FT
36	56D4	COCK DRAIN AIR TANK VELVAC 36019	1
37	1-297-010033-03	FITTING BRASS PLUG HEX 3/8NPT	5
38	239-9076-5	CLAMP WIRE	4
39	1-833-010002	TUBING NYLON	6FT
40	1-297-010007-12	FITTING AIR	1
41	2088-6-6S	ADAPTER 45	1
42	1-796-010003-01	TIE STRAP PLASTIC (NOT SHOWN)	10
43	1-181-010046-7	CLAMP HOSE	2
44	3-272-010022	ELECTRICAL BUTT SPLICE 12-10 W/SEAL (NOT SHOWN)	4

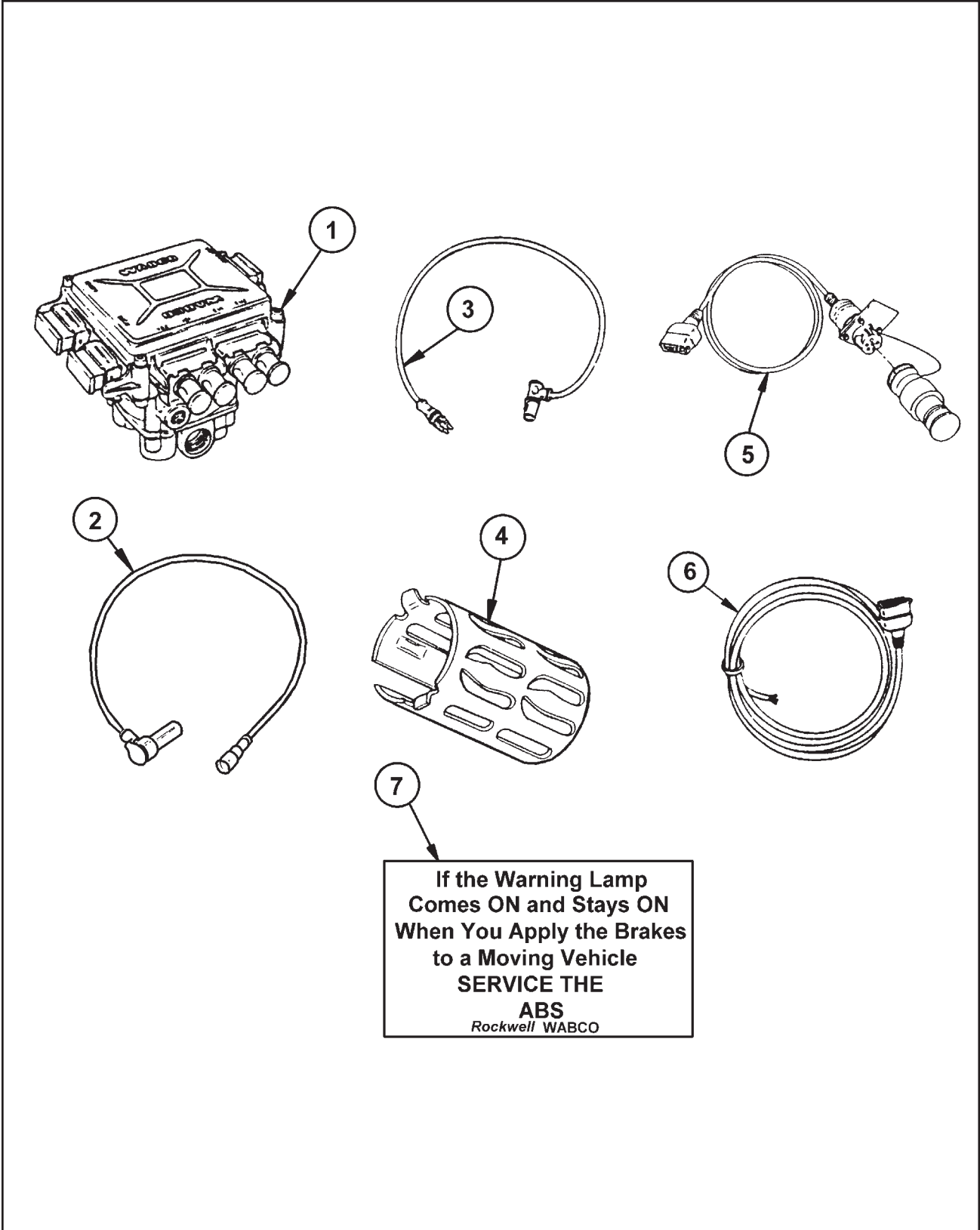


Figure 1-28 Brake Kit Meritor WABCO (Rockwell) ABS

BRAKE KIT MERITOR WABCO (ROCKWELL) ABS

ITEM	PART NO.	DESCRIPTION	QTY.
	101421	BRAKE KIT, ROCKWELL ABS 4S/2M	
1	101845	ECU / VALVE ASSEMBLY	1
2	101847	ABS SENSOR CABLE	4
3	101848	SENSOR EXTENSION CABLE (6FT)	2
4	101849	ABS SENSOR SPRING CLIP	4
5	101852	DIAGNOSTIC CABLE W/ SWITCH	1
6	101853	POWER CABLE (13FT)	1
7	101855	WARNING LAMP LABEL	1
8	*	INSTALLATION GUIDE (NOT SHOWN)	1
9	104551	ABS MAINTENANCE MANUAL NO. 33 (NOT SHOWN)	1

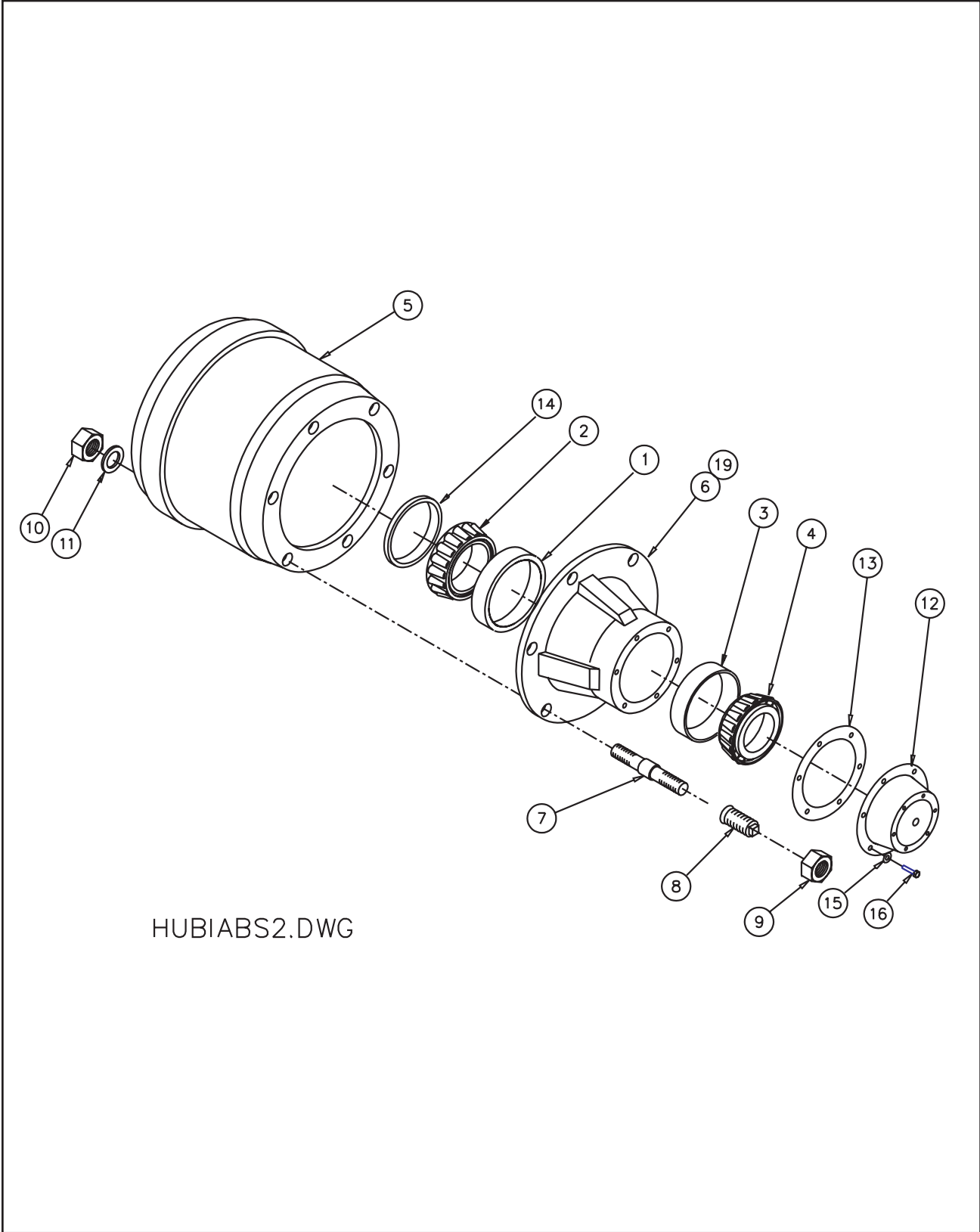


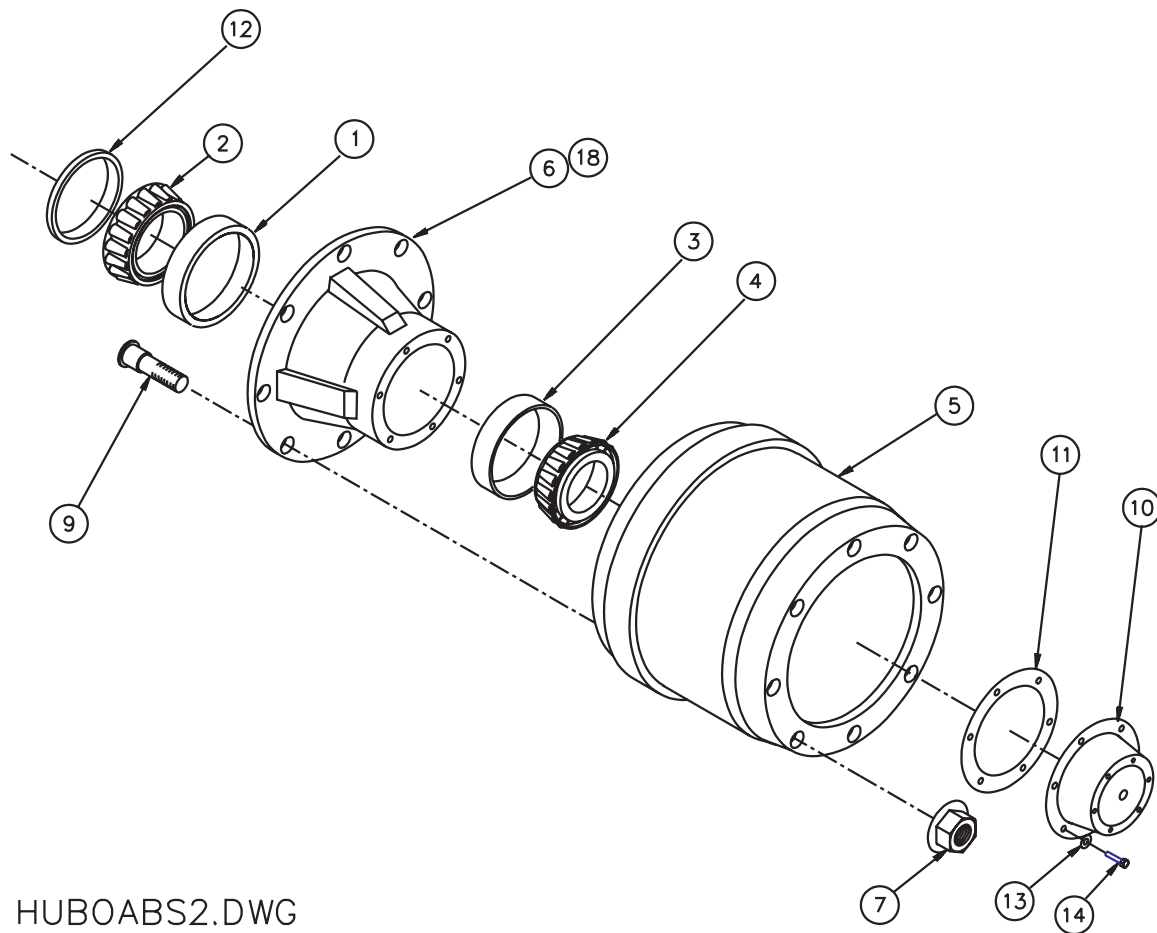
Figure 1-29 Inboard Ball Seat Mount Hub and Drum

INBOARD BALL SEAT MOUNT HUB AND DRUM

ITEM	PART NO.	DESCRIPTION	QTY.
	103245	HUB/DRUM ASSY. L.H. (BALL SEAT MNTD) (ITEMS 1-11)	1
	103246	HUB/DRUM ASSY. R.H. (BALL SEAT MNTD) (ITEMS 1-11)	1
1	HM218210	INNER BEARING CUP	1
2	HM218248	INNER BEARING CONE	1
3	HM212011	OUTER BEARING CUP	1
4	HM212049	OUTER BEARING CONE	1
5	63635	INBOARD MOUNTED BRAKE DRUM	1
6	1056	HUB	1
7	139913	STUD L.H.	6
	139902	STUD R.H.	6
8	107083	INNER CAPNUT L.H.	6
	107082	INNER CAPNUT R.H.	6
9	178921	OUTER CAPNUT L.H.	6
	178910	OUTER CAPNUT R.H.	6
10	75716	NUT HEX LOCK	6
11	257	FLAT WASHER	6
12	021-038-01 (4009)	CAP HUB	1
13	071-124-00 (3067)	GASKET OIL CAP	1
14	3-659-010012	SEAL	1
15	1-861-010034-10	WASHER, SPLIT LOCK 5/16	6
16	1-654-010049-03	SCREW, HEX HEAD CAP 5/16-18 X 3/4 GR5	6
17	3-870-010012	WHEEL, DISC 6.75 X 17.5 (NOT SHOWN)	2
18	TR573	VALVE STEM (NOT SHOWN)	2
19	*	ABS TONE RING	2
20	3-798-010038	TIRE TRAILER 215/75RX17.5 MICH. (NOT SHOWN)	4

* THIS PART SHOULD BE REPLACED IN CONJUNCTION WITH THE BRAKE DRUM.
IT SHOULD NEVER BE SOLD SEPARATELY.

NOTE: PILOT WHEEL AND 215/75RX17.5 TIRE ASSEMBLY P/N IS 3-798-010054.
BUDD WHEEL AND 215/75RX17.5 TIRE ASSEMBLY P/N IS 3-798-010049.



HUBOABS2.DWG

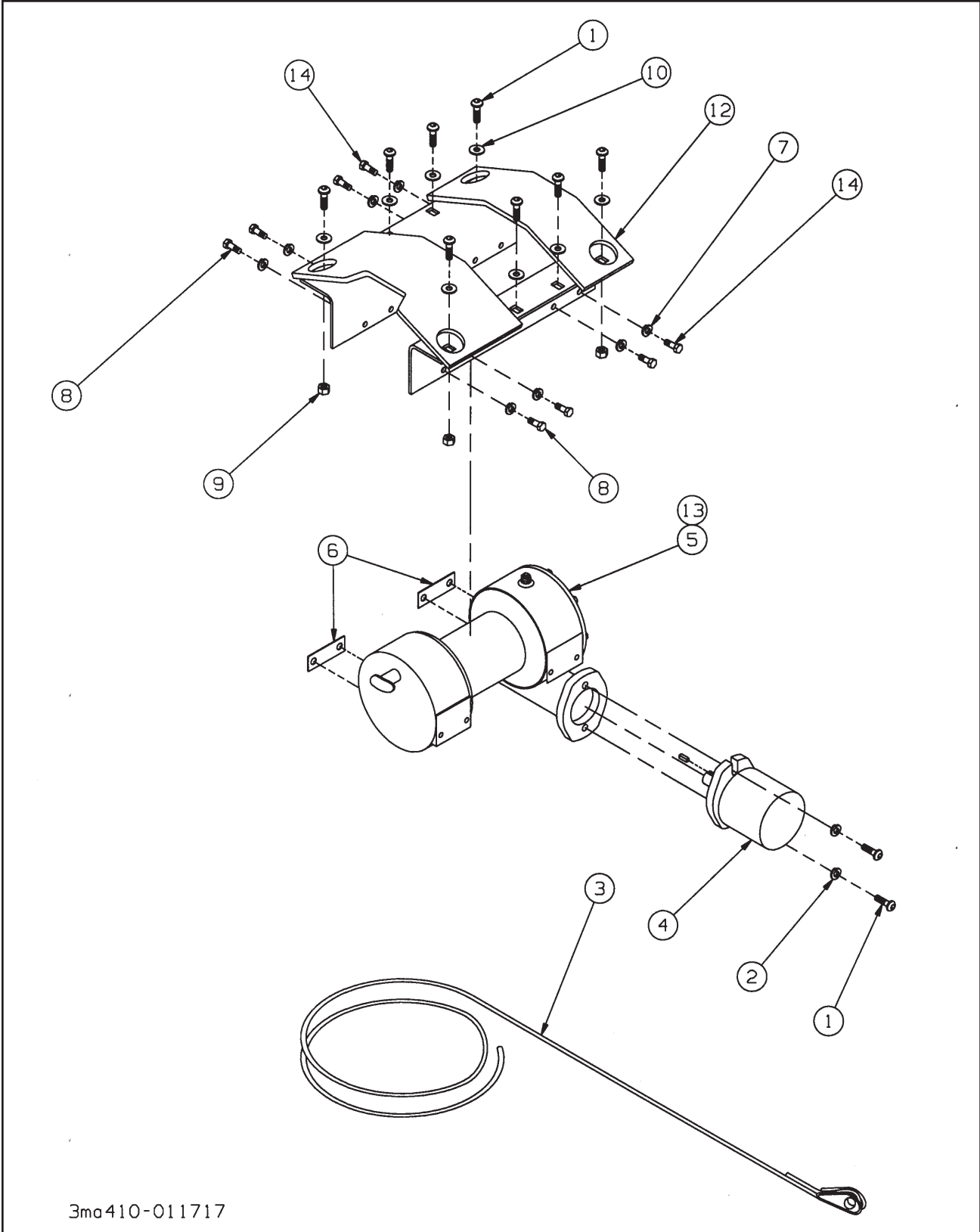
Figure 1-30 Outboard Pilot Mount Hub and Drum

OUTBOARD PILOT MOUNT HUB AND DRUM

ITEM	PART NO.	DESCRIPTION	QTY.
	3-406-010076	HUB/DRUM ASSY. 8 BOLT 12-1/4" PILOT MOUNT, ABS (L.H. AND R.H. ARE SAME)	1
1	HM218210	INNER BEARING CUP	1
2	HM218248	INNER BEARING CONE	1
3	HM212011	OUTER BEARING CUP	1
4	HM212049	OUTER BEARING CONE	1
5	63680	OUTBOARD MOUNTED BRAKE DRUM	1
6	2027	HUB IRON	1
7	179955	FLANGE NUT	8
9	101162	STUD	8
10	021-038-01 (4009)	CAP HUB	1
11	071-124-00 (3067)	GASKET OIL CAP	1
12	3-659-010012	SEAL	1
13	1-861-010034-10	WASHER SPRING LOCK 5/16	6
14	1-654-010049-03	SCREW HEX HEAD CAP 5/16-18 X 3/4 GR5	6
15	3-870-010097	WHEEL 17.5X6.75 PILOT MOUNT (NOT SHOWN)	2
16	3-798-010038	TIRE TRAILER 215 (NOT SHOWN)	
17	TR573	VALVE STEM (NOT SHOWN)	2
18	*	ABS TONE RING	2

* THIS PART SHOULD BE REPLACED IN CONJUNCTION WITH THE BRAKE DRUM.
IT SHOULD NEVER BE SOLD SEPARATELY.

NOTE: PILOT WHEEL AND 215/75RX17.5 TIRE ASSEMBLY P/N IS 3-798-010054.
BUDD WHEEL AND 215/75RX17.5 TIRE ASSEMBLY P/N IS 3-798-010049.



3ma410-011717

Figure 1-31 Winch Installation

WINCH INSTALLATION

ITEM	PART NO.	DESCRIPTION	QTY.
	3-375-010619	HITCH TILT ASSEMBLY TRAILER (WINCH INSTALLATION ITEMS ONLY)	
	B3-873-111	INSTALL WINCH 8M 334B TRAILER	
1	1-654-010089-15	SCREW SOCKET BUTTON CAP 1/2-13 X 1-3/4	24
2	1-861-010034-13	WASHER WINCH MOTOR MNTG (INCLUDED W/ ITEM 6)	8
3	3-155-010013	CABLE W/ THIMBLE	4
4	3-481-010012	MOTOR HYDR 2.8 CI/R 2BOLT (SEE PAGE 1-53)	4
5***	3-873-010073	WINCH 8000# WORM GEAR (SEE PAGE 1-51)	2
6	3-684-010031	SHIM WINCH 8M	8
7	1-861-010034-11	WASHER SPLIT LOCK 3/8	16
8*	1-654-010051-06	SCREW HEX HEAD CAP 3/8-16 X 1-1/4 GR5	24
9	1-512-010005-09	NUT HEX LOCK 1/2-13 GRB	16
10	1-861-010032-15	WASHER FLAT 1/2	16
11**	3-482-010026	MOUNT ASSY. WINCH (INCL. ITEMS 12 & 13)	2
12	3-482-010005	MOUNT WINCH	2
13	3-873-010109	WINCH WORM GEAR 8000# (SEE PAGE 1-51)	2
14*	1-654-010051-05	SCREW HEX HEAD CAP 3/8-16 X 1 GR5	8

* USE ITEM 14 IN GEARBOX END OF WINCH ONLY. USE ITEM 8 IN OPPOSITE END OF WINCH ONLY.

** ITEM 11 IS USED IN BOTH LOCATIONS ON THE UPPER DECK.

*** ITEM 5 IS USED IN BOTH LOCATIONS ON THE LOWER DECK.

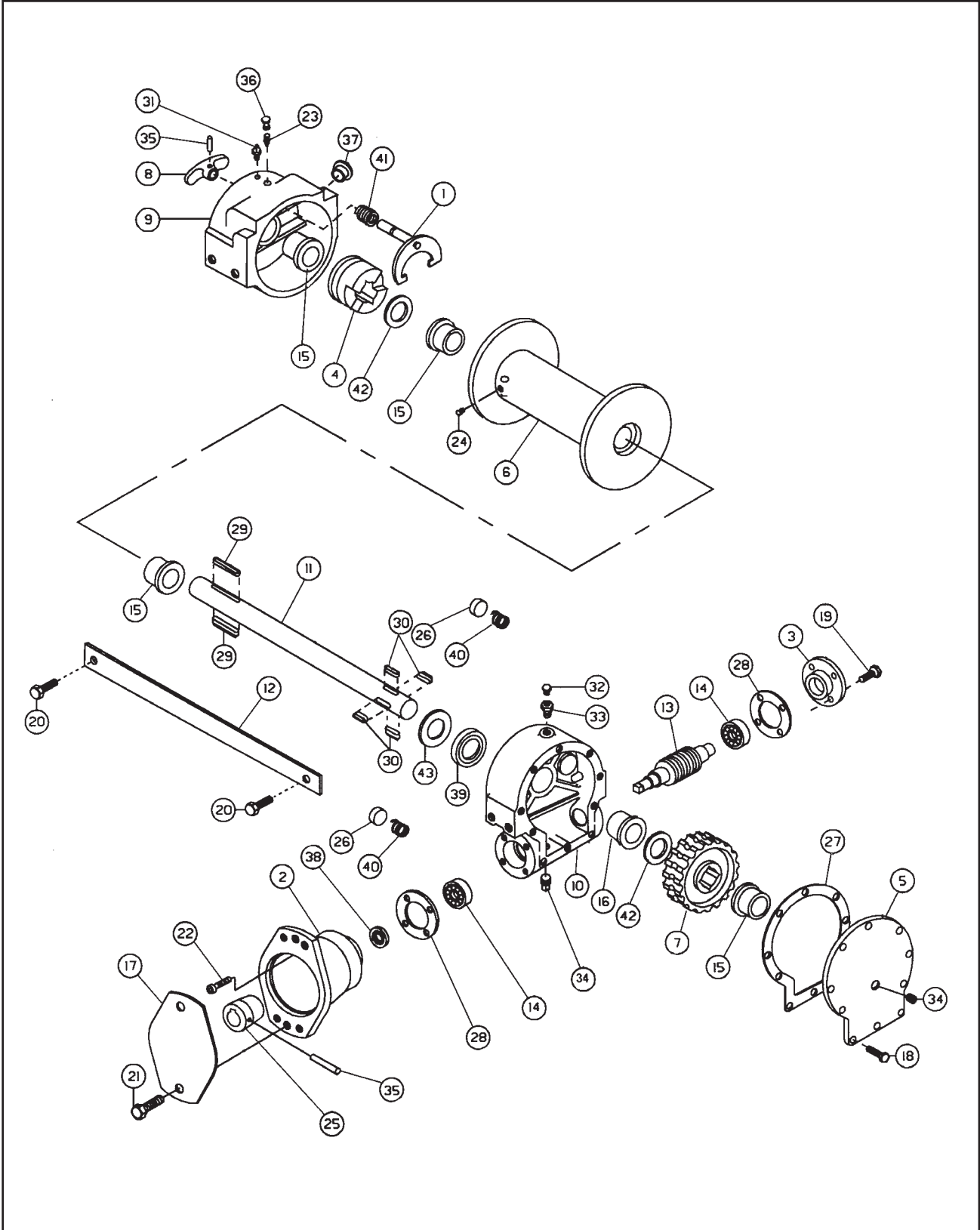


Figure 1-32 8,000# Winch Assembly

8,000# WINCH ASSEMBLY

ITEM	PART NO.	DESCRIPTION	QTY.
	3-873-010073	WINCH, 8000# WORM GEAR (RAMSEY) (SHOWN)	
	3-873-010109	WINCH, 8000# WORM GEAR (RAMSEY) (SAME PARTS AS 3-873-010073 SHOWN. THE MOTOR ADAPTER FLANGE IS MOUNTED ON THE OPPOSITE SIDE.)	1
1	276028	SHIFTER ASSY	1
2	300039	ADAPTER	1
3	316083	BEARING CAP	1
4	324160	JAW CLUTCH	1
5	328134	COVER	1
6	332007	DRUM- "Y"	1
7	334163	GEAR R.H. 46:1	1
8	336A010	HANDLE	1
9	338208	HOUSING-CLUTCH	1
10	338273	HOUSING-GEAR	1
11	357481	SHAFT-DRUM-"Y"	1
12	364018	SHIP-STRAP	1
13	368017	WORM R.H. 46:1	1
14	402002	BEARING-BALL	2
15	412003	BUSHING	4
16	412045	BUSHING	1
17	413013	COVER-HYD. ADAPTER	1
18	414038	CAPSCREW LG.HX.HD.	10
19	414045	CAPSCREW LG.HX.HD.	4
20	414279	CAPSCREW LG.HX.HD.	2
21	414521	CAPSCREW LG.HX.HD.	2
22	414835	CAPSCREW LG.SOC.HD. LOC-WEL	4
23	416030	SETSCREW SOC.HD.LESS	1
24	416059	SETSCREW SOC.HD.LESS	1
25	431007	COUPLING	1
26	438014	DISC-BRAKE	2
27	442205	GASKET	1
28	442184	GASKET	2
29	450006	KEY-BARTH	2
30	450016	KEY-BARTH	4
31	456001	FITTING-LUB	1
32	456008	FITTING-RELIEF	1
33	468002	REDUCER	1
34	468011	PIPE PLUG	2
35	470033	SPIRAL PIN	2
36	472012	PLUG-RUBBER	1
37	472013	PLASTIC PLUG	1
38	486009	OIL SEAL	1
39	486017	OIL SEAL	1
40	494002	PLASTIC PLUG	2
41	494053	OIL SEAL	1
42	518014	THRUST WASHER	1
43	518015	THRUST WASHER	2

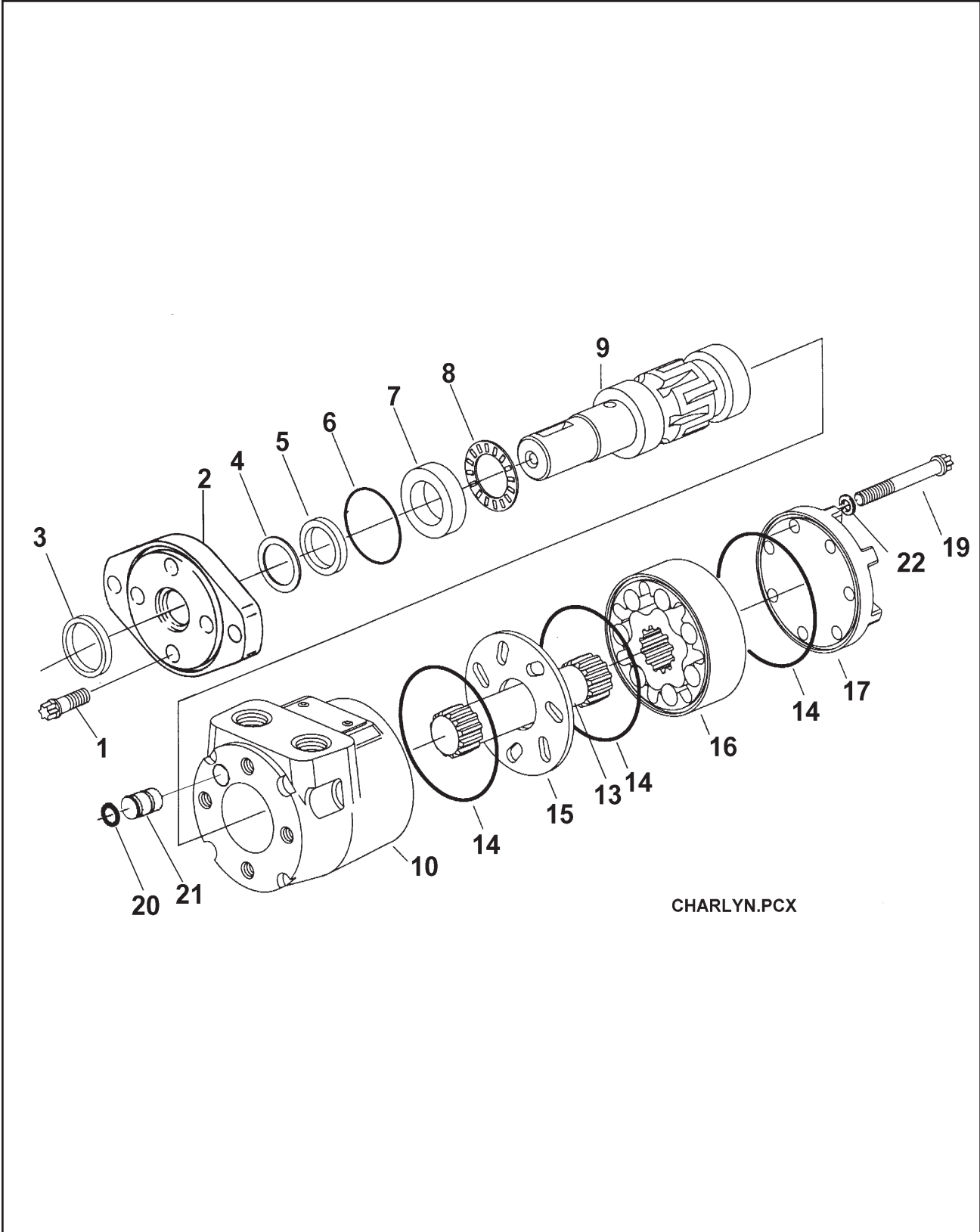
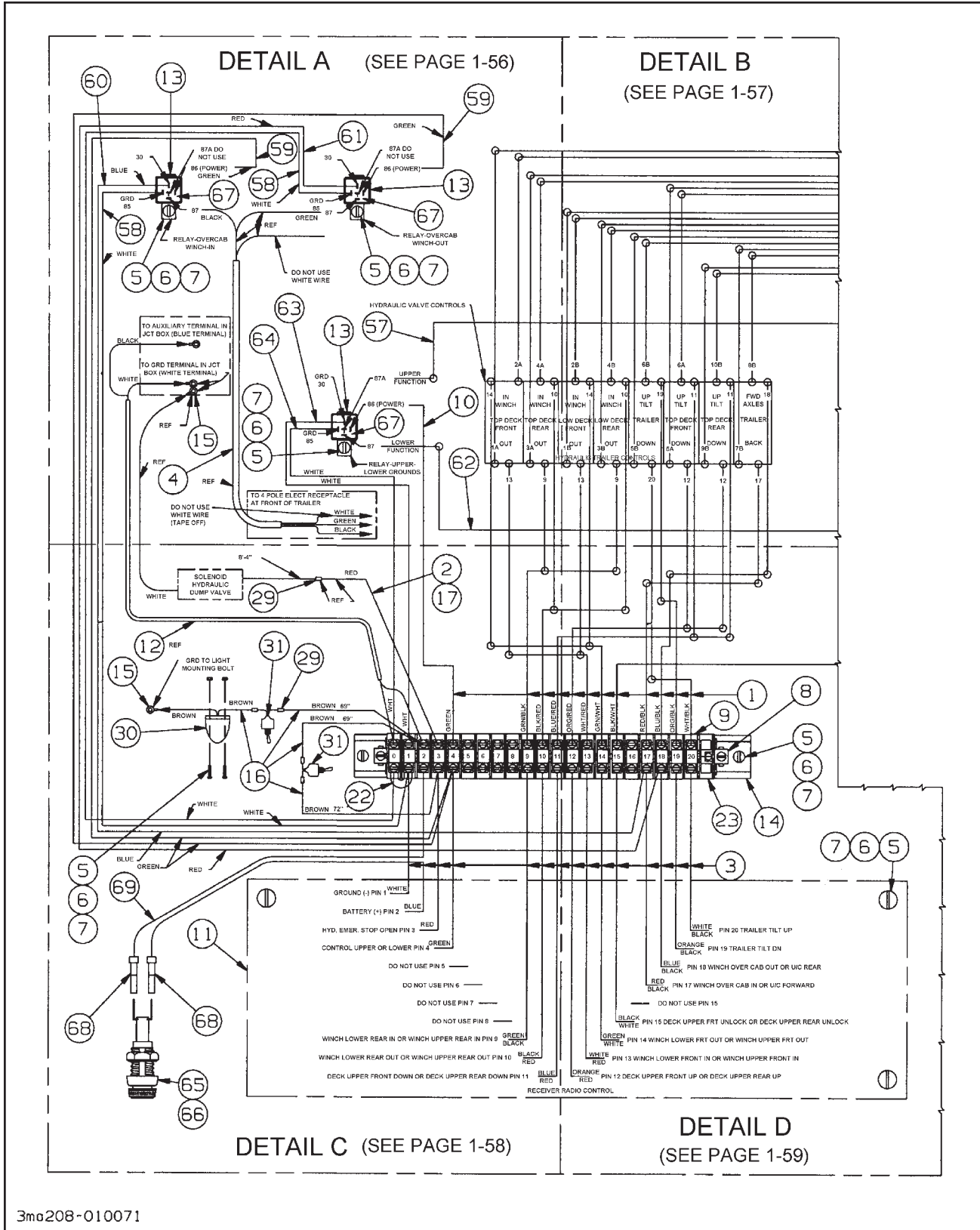


Figure 1-33 Winch Motor Assembly 8,000#

WINCH MOTOR ASSEMBLY, 8,000#

ITEM	PART NO.	DESCRIPTION	QTY.
	3-481-010012	MOTOR HYDR. 2.8 CI/R, 2 BOLT	1
	101-1033-009	CHAR-LYNN MOTOR -009 DESIGN	1
1	5777	SCREW CAP (12 PT. DR. 5/16-24 UNF X 7/8)	4
2	22000-001	FLANGE MOUNTING (2 BOLT)	1
3	*9121-002	SEAL EXCLUSION	1
4	*22002-000	WASHER BACKUP	1
5	*9057-014	SEAL PRESSURE	1
6	*9091-001	SEAL	1
7	7462-000	RACE THRUST BEARING	1
8	7537-000	BEARING THRUST NEEDLE	1
9	7360-001	SHAFT 1" DIA. STRT W/WOODRUFF KEY	1
	14193-000	KEY WOODRUFF	1
10	22230-001	HOUSING 7/8 ST. THD. SAE O-RING PORTS	1
13	602-000	DRIVE	1
14	*9082-002	SEAL	3
15	7358-000	PLATE SPACER	1
16	8277-001	GEROLER SET	1
17	7461-000	CAP END	1
19	5389-001	SCREW CAP 12 PT. DR. 5/16-24 UNF	7
20	*250001-011	O-RING	1
21	22229-000	PLUG	1
22	14488-000	WASHER SEAL	7
	60540-000	SEAL KIT (INCLUDES ITEMS MARKED *)	1



3ma208-010071

Figure 1-34 Electrical System, Remote Control

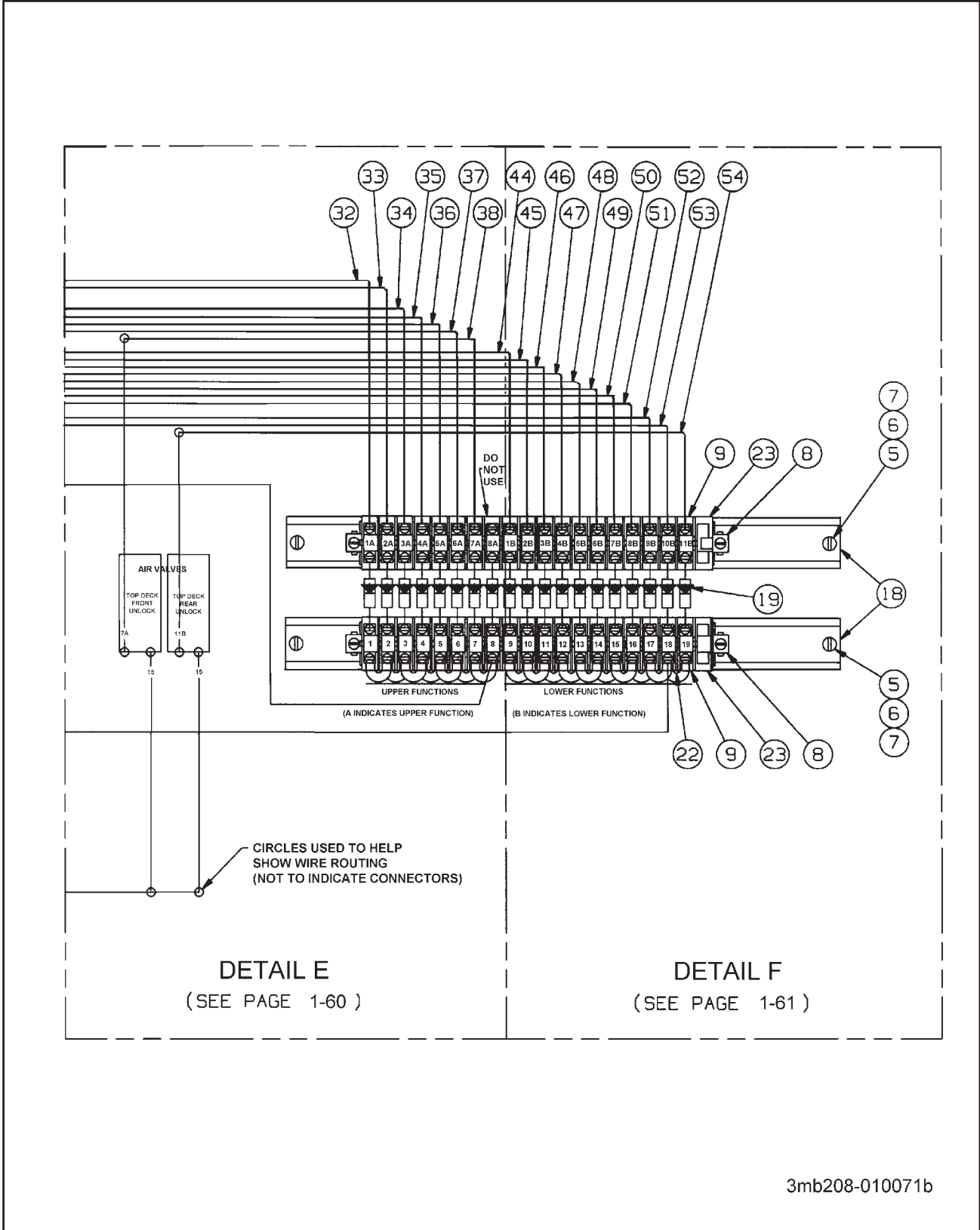
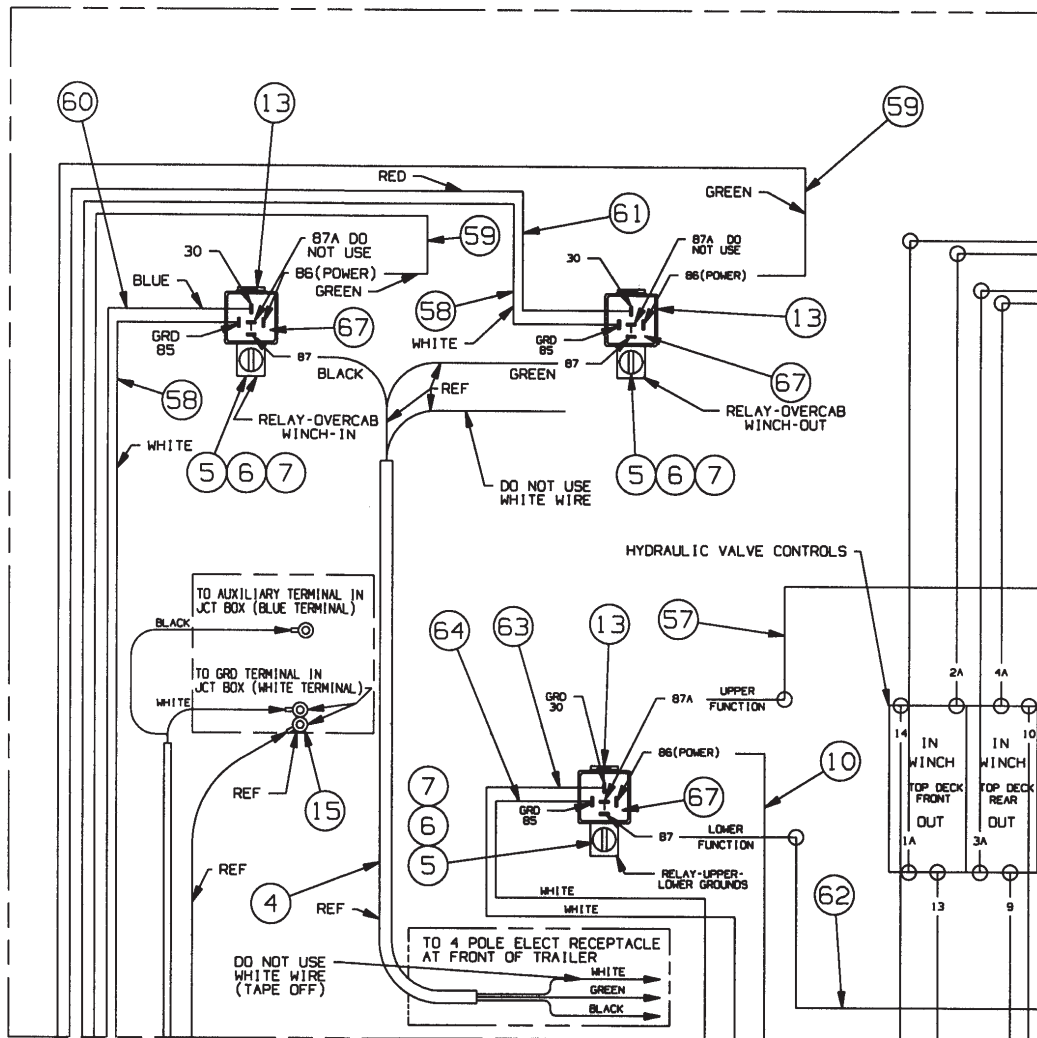


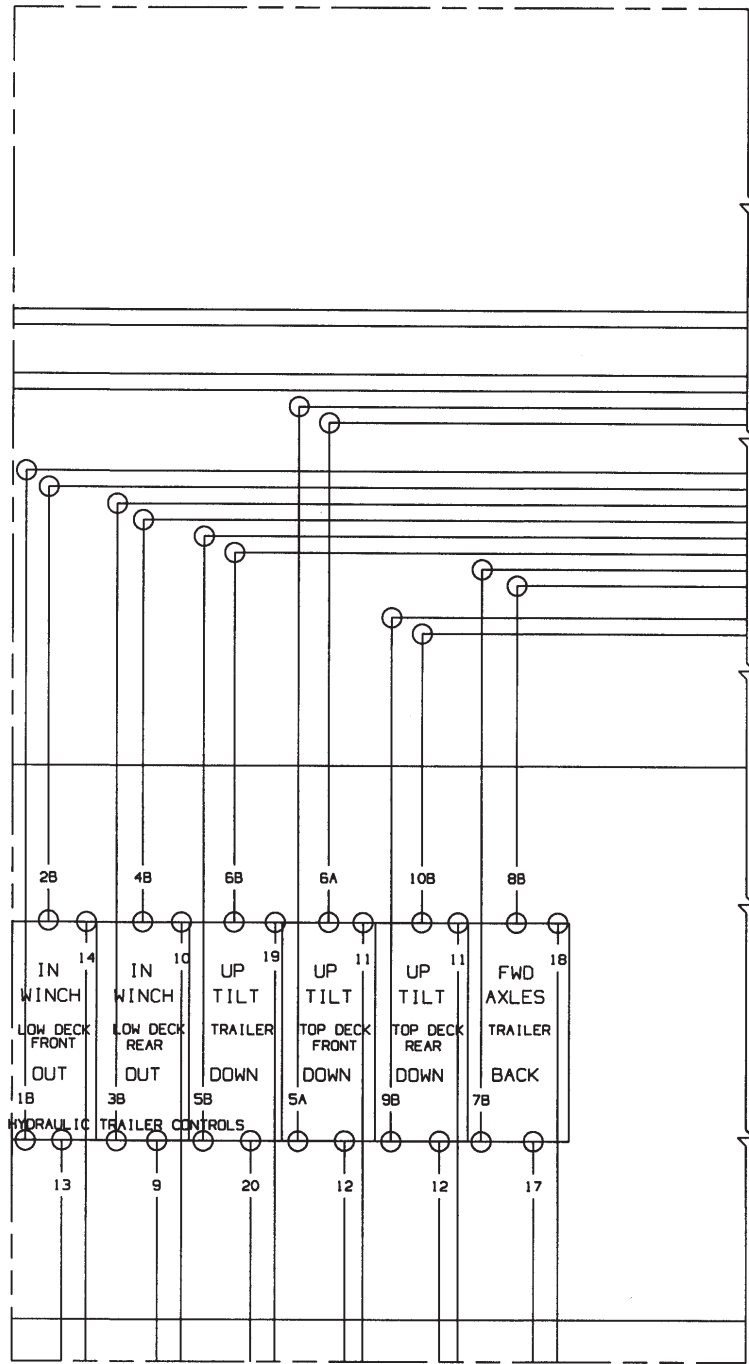
Figure 1-35 Electrical System, Remote Control



DETAIL A

3mc208-010071

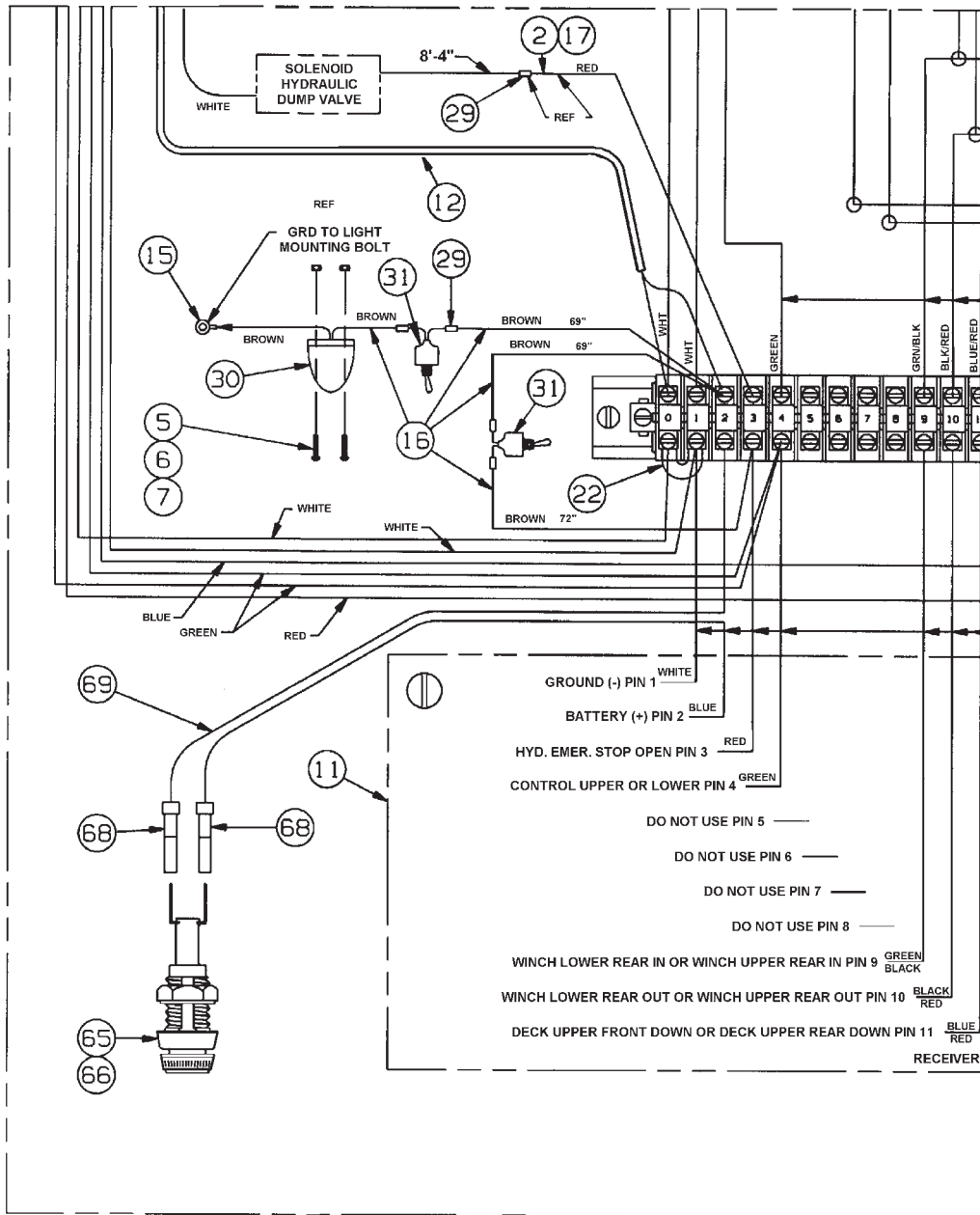
Figure 1-36 Electrical System, Remote Control Detail A



DETAIL B

3md208-010071

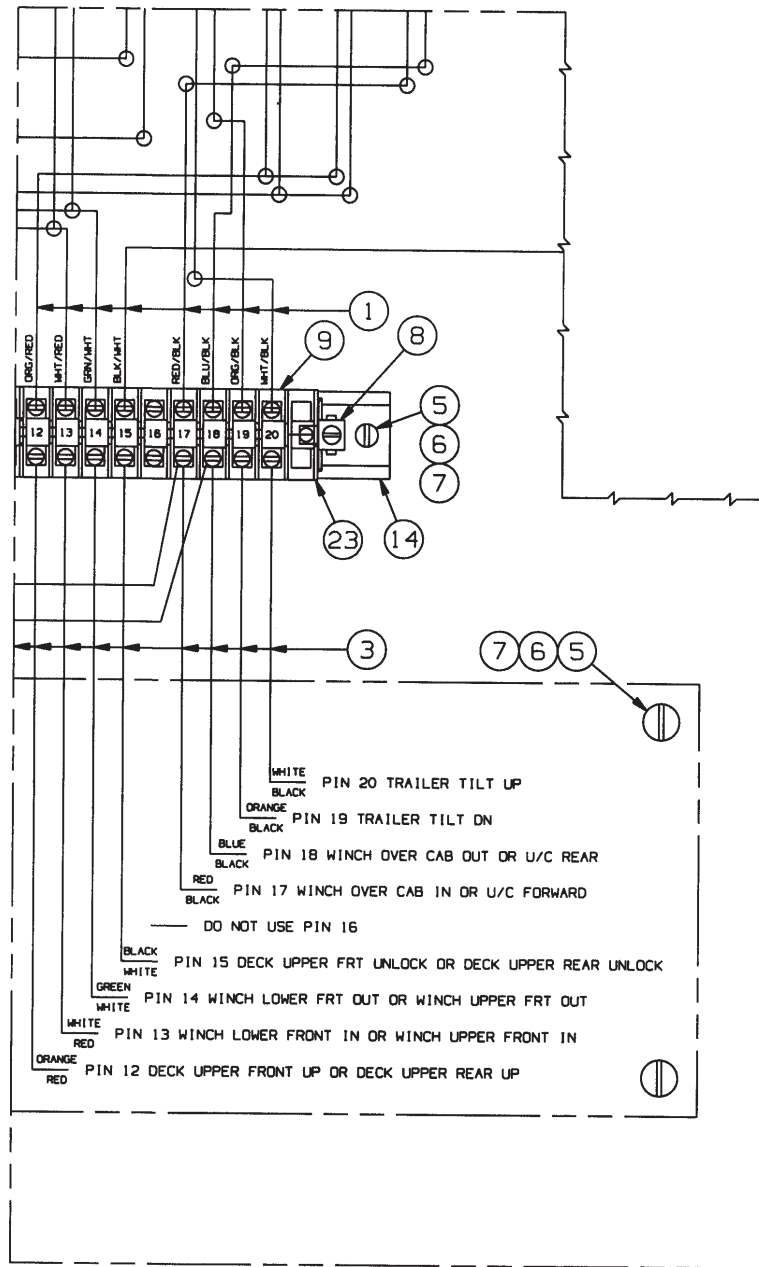
Figure 1-37 Electrical System, Remote Control Detail B



3me208-010071

DETAIL C

Figure 1-38 Electrical System, Remote Control Detail C



DETAIL D

3mf208-010071

Figure 1-39 Electrical System, Remote Control Detail D

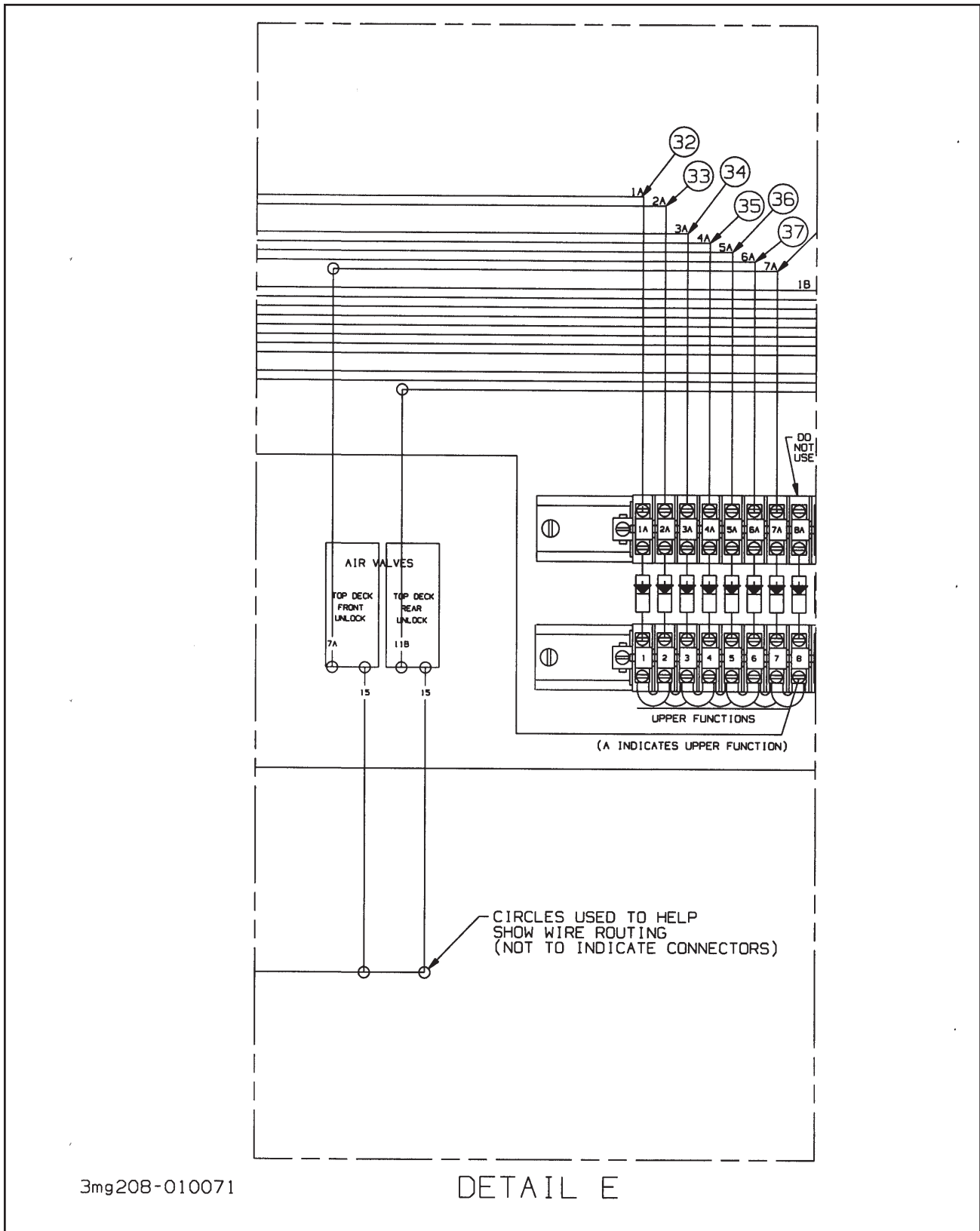


Figure 1-40 Electrical System, Remote Control Detail E

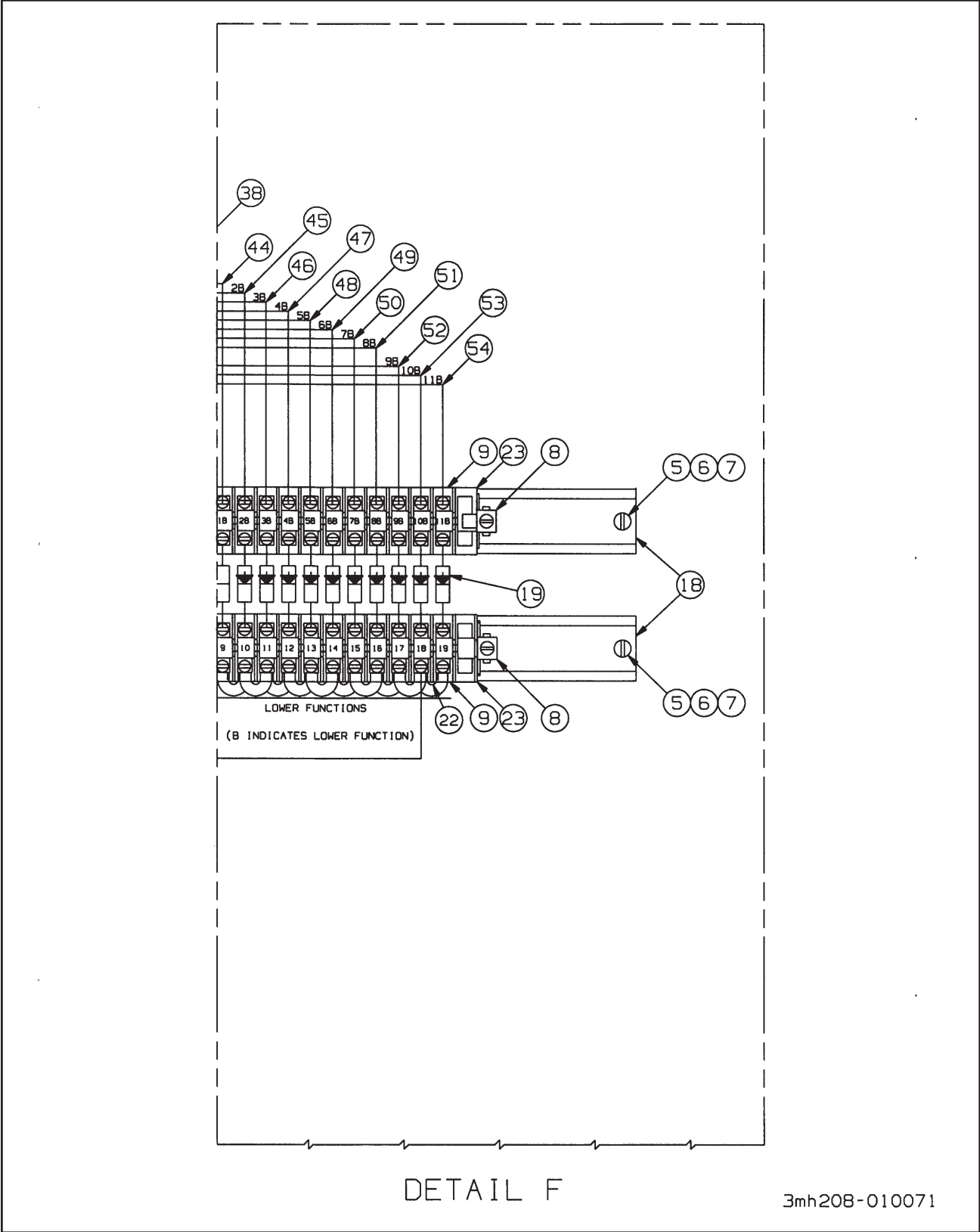


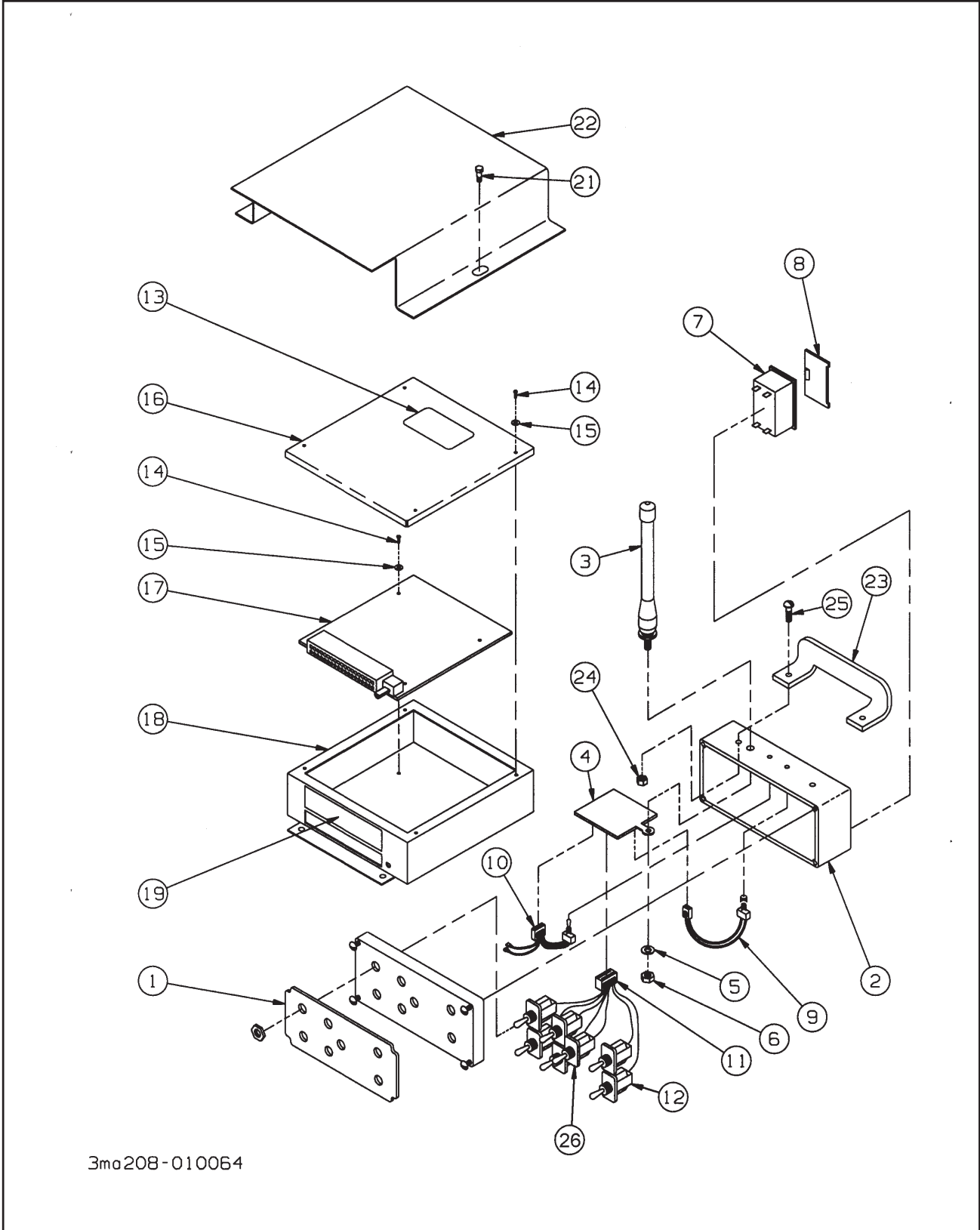
Figure 1-41 Electrical System, Remote Control Detail F

ELECTRICAL SYSTEM, REMOTE CONTROL

ITEM	PART NO.	DESCRIPTION	QTY.
	3-208-010071-01	CONTROL BOX ASSEMBLY (ELECTRICAL SYSTEM REMOTE CONTROL ITEMS ONLY)	
1	3-368-010286	HARNESS SOLENOID TO TERM BLK	1
2	1-879-010004	WIRE, RED 14 AWG	REF
3	3-368-010285	HARNESS RAD TO TERM BLK	1
4	3-368-010228	HARNESS 4 POLE TO RELAY	REF
5	1-512-010003-06	NUT HEX SELF LOCKING 10-24	12
6	1-656-010003051	SCREW MACH. PAN HD. SLT 10-24 X 3/4	12
7	1-861-010032-03	WASHER FLAT 10	18
8	238-9030-12	CLAMP TERM BLOCK	6
9	238-9030-21	TERM BLOCK MEDIUM	59
10	1-879-010124-01	WIRE GRN LABELED PWR W/SPADE	1
11	3-208-010064	RADIO CONTROL REMOTE (SEE PAGE 1-65)	1
12	3-368-010238	HARNESS JCT BOX TO TERM	1
13	3-624-010008	RELAY SPDT QUICK CONNECT	3
14	514-5728-7	TERMINAL CHANNEL 11-1/4" LONG	1
15	3-203-010001	RING TERMINAL	1
16	1-879-010005	WIRE BROWN	17.5FT
17	3-201-010001	CONDUIT PLASTIC FLEX 5/16	REF
18	514-5728-8	TERMINAL CHANNEL 12-1/2" LONG	2
19	238-6832	DIODE 6 AMP	19
20	1-796-010002-01	TIE STRAP PLASTIC (NOT SHOWN)	70
22	238-9030-23	JUMPER TERM BLOCK	18
23	238-9030-22	END TERMINAL BLOCK	3
29	3-272-010021	ELECT BUTT SPLICE W/ SEAL	4
30	15009	LICENSE LAMP	1
31	3-272-010017	TOGGLE SWITCH SEALED SPST	2
32	1-879-010129-01	WIRE LABELED 1A W/SPADE	1
33	1-879-010129-02	WIRE LABELED 2A W/SPADE	1
34	1-879-010129-03	WIRE LABELED 3A W/SPADE	1
35	1-879-010129-04	WIRE LABELED 4A W/SPADE	1
36	1-879-010129-05	WIRE LABELED 5A W/SPADE	1
37	1-879-010129-06	WIRE LABELED 6A W/SPADE	1
38	1-879-010129-07	WIRE LABELED 7A W/SPADE	1
44	1-879-010129-13	WIRE LABELED 1B W/SPADE	1
45	1-879-010129-14	WIRE LABELED 2B W/SPADE	1
46	1-879-010129-15	WIRE LABELED 3B W/SPADE	1
47	1-879-010129-16	WIRE LABELED 4B W/SPADE	1
48	1-879-010127-17	WIRE LABELED 5B W/SPADE	1
49	1-879-010127-18	WIRE LABELED 6B W/SPADE	1

ELECTRICAL SYSTEM, REMOTE CONTROL

ITEM	PART NO.	DESCRIPTION	QTY.
50	1-879-010127-19	WIRE LABELED 7B W/SPADE	1
51	1-879-010129-20	WIRE LABELED 8B W/SPADE	1
52	1-879-010129-21	WIRE LABELED 9B W/SPADE	1
53	1-879-010129-22	WIRE LABELED 10B W/SPADE	1
54	1-879-010129-23	WIRE LABELED 11B W/SPADE	1
57	1-879-010129-34	WIRE LABELED 87A-8 W/SPADE	1
58	1-879-010129-27	WIRE LABELED 85-1 W/SPADE	2
59	1-879-010124-02	WIRE LABELED 86-4 W/SPADE	2
60	1-879-010125-1	WIRE BLUE 31 X 14 LABELED W/SPADE	1
61	1-879-010126-01	WIRE RED LABELED 30-6 W/SPADE	1
62	1-879-010129-35	WIRE WHT LABELED 87-18 W/SPADE	1
63	1-879-010129-30	WIRE WHT LABELED 30-0 W/SPADE	1
64	1-879-010129-31	WIRE WHT LABELED 85-1 W/SPADE	1
65	2-318-010009	FUSE HOLDER PANEL MOUNT	1
66	3-318-010005	FUSE 12 VOLT 10 AMP	1
67	3-272-010166	ELECT CONNECTOR FOR RELAY	3
68	1-203-010040-5	CONNECTOR INSUL FEMALE PUSH ON	2
69	1-879-010008	WIRE BLUE 14 AWG	7FT



3ma208-010064

Figure 1-42 Remote Control

REMOTE CONTROL

ITEM	PART NO.	DESCRIPTION	QTY.
	3-208-010064	CNTRL. RADIO REMOTE(MICROTRONICS) (INCLUDES ITEMS 1 THROUGH 19)	
	3-208-010064-01	CNTRL. RADIO REMOTE (TRANSMITTER ONLY)	
	3-208-010064-02	CNTRL. RADIO REMOTE(RECEIVER ONLY)	
	3-208-010071	CONTROL BOX ASSY (REMOTE CONTROL ITEMS ONLY)	
1	*	DECAL FACEPLATE	1
2	E006	ALUMINUM TRANSMITTER HOUSING	1
3	A001	ANTENNA	2
4	*	TRANSMITTER PC BOARD	1
5	H048	PLASTIC WASHER	1
6	H046	NUT 1/4" - 28 BRASS	1
7	E002	BATTERY COMPARTMENT	1
8	H015	BATTERY DOOR	1
9	AY102	EMERGENCY STOP SWITCH W/ HARNESS	1
10	AY103	POWER SWITCH W/ HARNESS	1
11	AY109	TOGGLE WIRING HARNESS (SWITCHES TO PC BOARD)	AR
12	S005	TOGGLE SWITCH MOMENTARY	6
13	LB004	FCC LABEL	1
14	H038	SCREW	8
15	H039	WASHER STAR	8
16	E001	LID RECEIVER	1
17	3-208-010064-03	RECEIVER PC BOARD A-BAND	1
	3-208-010064-04	RECEIVER PC BOARD C-BAND	1
18	E001	LID RECEIVER	1
19	LB005	OUTPUT LABEL RECEIVER	1
20	AY115	ROD AND STRAP (NOT SHOWN)	1
21	1-654-010051-03	SCREW HEX HEAD CAP 3/8-16 X 3/4 GR5	2
22	3-681-010106	SHIELD RADIO CONTROL (CALLED OUT IN B3-272-085)	1
23	3-348-010039	GUARD RADIO SWITCH (CALLED OUT IN B3-272-085)	1
24	1-512-010007-02	NUT HEX 8-32	2
25	1-656-010003026	SCREW ROUND HEAD MACH 8-32 X 1/2	2
26	128279	TOGGLE SWITCH LATCHING	1
	W001-20	CABLE REMOTE ANTENNA 20 FT (NOT SHOWN)	1

* GIVE SERIAL NUMBER OF REMOTE CONTROL UNIT WHEN ORDERING REPLACEMENT PC BOARDS OR FACEPLATE DECAL.

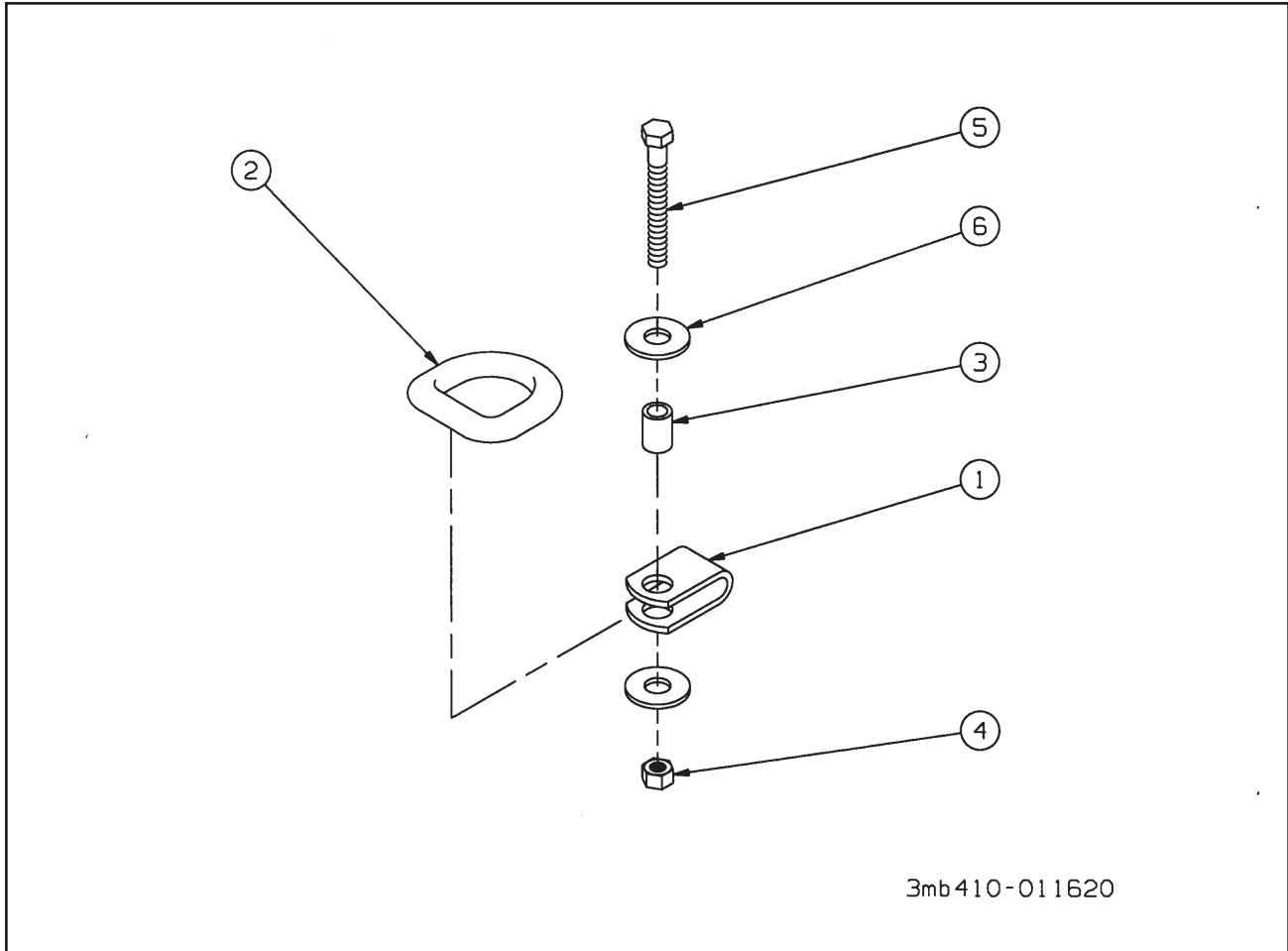


Figure 1-43 D-Ring Kit

D-RING KIT

ITEM	PART NO.	DESCRIPTION	QTY.
	B5-793-001	D-RING KIT	8
1	3-793-010018	D-RING SWIVEL	8
2	3-793-010044	D-RING	8
3	3-831-010050	TUBING	8
4	1-512-010005-13	NUT HEX LOCK 5/8-11 GRB	8
5	1-654-010059-13	SCREW HEX HEAD CAP 5/8-11 X 4 GR5	8
6	1-861-010032-19	WASHER FLAT 5/8	16

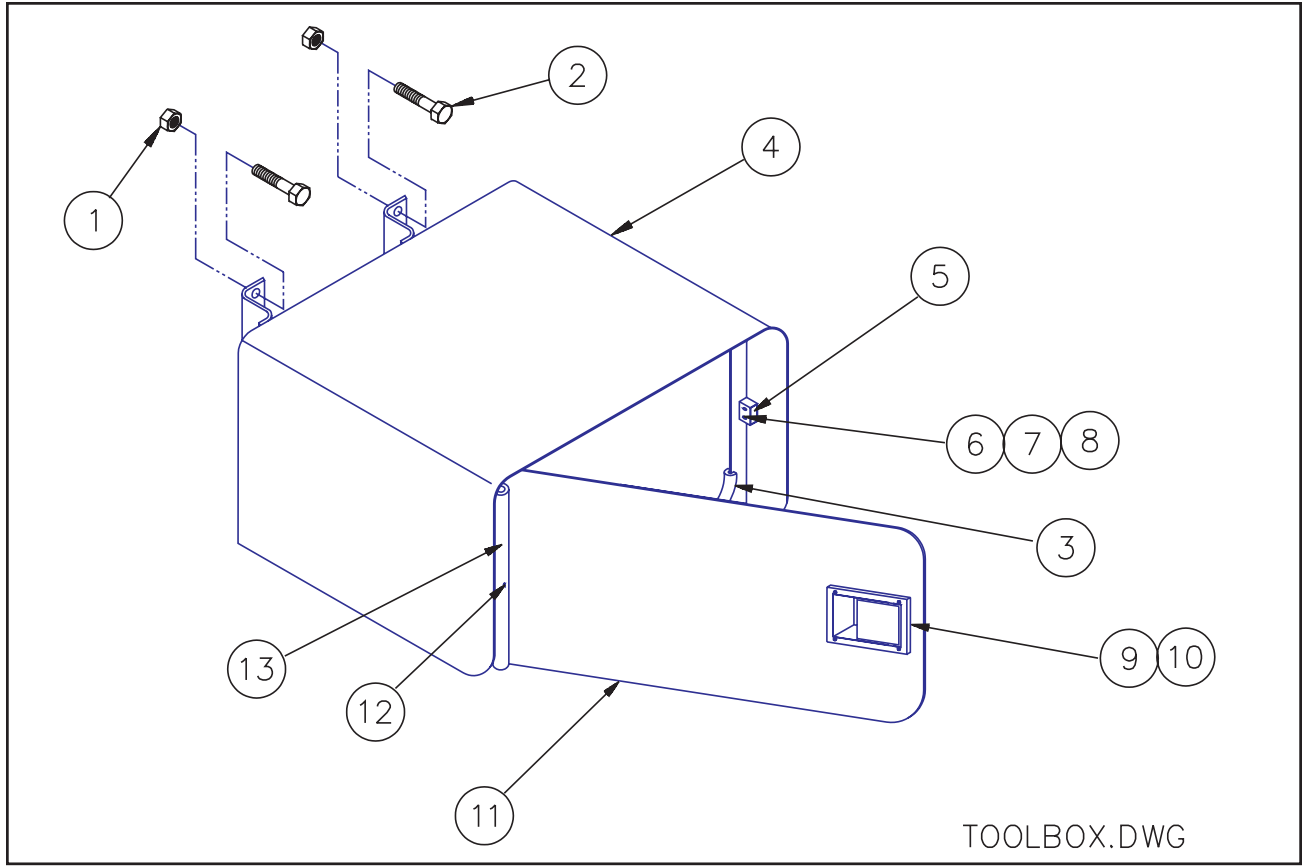


Figure 1-44 Tool Box Assembly

TOOL BOX ASSEMBLY

ITEM	PART NO.	DESCRIPTION	QTY.
	B5-115-011	TOOL BOX LT	
	B5-115-012	TOOL BOX RT	
	B5-432-008	KIT BOLTS TOOL BOX (INCLUDES 1, 2 AND 3)	
1	1-512-010005-09	NUT HEX LOCK 1/2-13 GRB	4
2	1-654-010055-03	SCREW HEX HEAD CAP 1/2-13X 1-1/2 GR5	4
3	514-1000-056	TRIM QUICKEDGE	2
	3-115-010139	TOOL BOX ASSY. LT (INCLUDES 4 THROUGH 13)	
	3-115-010140	TOOL BOX ASSY. RT (INCLUDES 4 THROUGH 13)	
4	3-115-010099	TOOL BOX WLDMT LH	1
	3-115-010097	TOOL BOX WLDMT RH	1
5	3-659-010013-1	SEAL NEOPRENE SPONGE	1
6	7-458-010009	PLATE STRIKER	1
7	110-0253	WASHER FLAT	2
8	118-7962	SCREW PAN HEAD MACH. SLT.	2
9	BSL-6-4	RIVET LG FLANGE	4
10	3-443-010010	LATCH	1
11	3-115-010096	DOOR TOOL BOX WLDMT.	1
12	1-654-010147-03	SCREW SELF-TAP SLOT RD HEAD 6-20 X 3/8	1
13	RPRB59004X11	NYLATRON RD	1

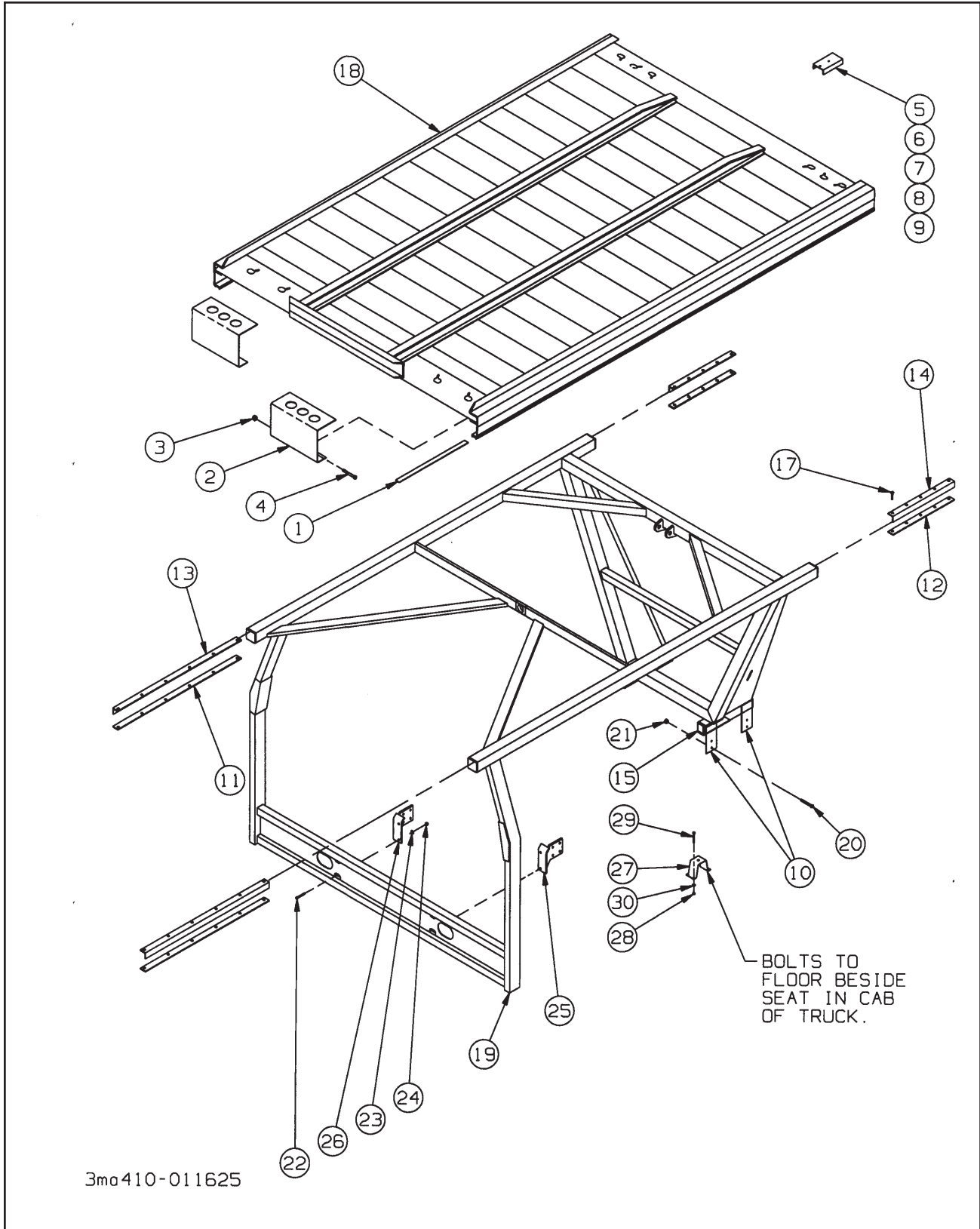


Figure 1-45 "Over-the-cab" Frame and Bed

“OVER-THE-CAB” FRAME AND BED

ITEM	PART NO.	DESCRIPTION	QTY.
1	3-080-010139	COVER WIRE CONCEALING	2
2	3-741-010004	STOP WLDMT WHEEL RIGID	2
3	1-512-010005-13	NUT HEX LOCK 5/8-11	4
4	1-654-010059-03	SCREW HEX HEAD CAP 5/8-11 X 1-1/2 GR5	4
5	3-741-010015	STOP BED SAFETY	1
6	1-654-010051-09	SCREW HEX HEAD CAP 3/8-16 X 2 GR5	1
7	1-654-010051-13	SCREW HEX HEAD CAP 3/8-16 X 3 GR5	1
8	1-512-010005-05	NUT HEX LOCK 3/8-16	2
9	1-861-010032-11	WASHER FLAT 3/8	2
10	3-311-013619	ANCHOR FRAME MTG. (WELDED TO FRAME)	4
11	3-334-010001	GLIDE BED STRIP	2
12	3-334-010002	GLIDE BED STRIP	2
13	3-334-010003	GLIDE BED ANGLE	2
14	3-334-010004	GLIDE BED ANGLE	2
15	3-755-010089	SUPPORT BASE FRAME (WELDED TO FRAME)	2
17	1-654-010146-04	SCREW SLOTTED FLAT HEAD 1/4-20 X 3/4	44
18	SEE PAGE 1-70	BED WELDMENT	1
19	SEE PAGE 1-70	FRAME WELDMENT	1
20	1-654-010096-05	SCREW HEX HEAD CAP 1/2-20 X 2 GR8	8
21	1-512-010005-10	NUT, HEX LOCK 1/2-20 GRB	8
22	1-654-010032-4	SCREW HEX HEAD CAP 3/4-10 X 1-3/4	4
23	1-861-010032-20	WASHER FLAT 3/4	4
24	1-512-010002-15	NUT HEX 3/4-10	4
25	SEE PAGE 1-70	MOUNT WELDMENT	1
26	SEE PAGE 1-70	MOUNT WELDMENT	1
	B3-482-001	MOUNT FOR PTO CABLE	
27	3-482-010107	MOUNT, PTO CABLE	1
28	5/16-24HFLN	NUT, HEX LOCK 5/16-24	4
29	5/16-24X1CS	SCREW, HEX HEAD CAP 5/16-24X1	4
30	1-861-010032-09	WASHER, FLAT 5/16	4

GMC 7000 FRAME PARTS

ITEM	PART NO.	DESCRIPTION	QTY.
18	3-080-010126	BED WLDMT OVER CAB	1
19	3-311-015715	FRAME WLDMT OVER CAB (GMC-7000)	1

FORD LS-8000 FRAME PARTS

ITEM	PART NO.	DESCRIPTION	QTY.
18	3-080-010278	BED WLDMT OVER CAB	1
19	3-311-015623	FRAME WLDMT OVER CAB FORD LS-8000	1
25	3-311-014910	MOUNT WLDMT. BUMPER ADAPTER LH	1
26	3-482-010246	MOUNT WLDMT. BUMPER ADAPTER RH	1

MACK FRAME PARTS

ITEM	PART NO.	DESCRIPTION	QTY.
18	3-080-010278	BED WLDMT OVER CAB 2 CYL. (RD688R)	1
19	3-311-016004	FRAME WLDMT OVER CAB MACK, 2 CYL. (RD688R)	1

INTERNATIONAL HARVESTER FRAME PARTS

ITEM	PART NO.	DESCRIPTION	QTY.
18	3-080-010278	BED WLDMT OVER CAB, 2 CYL.	1
	3-080-010126	BED WLDMT OVER CAB, SINGLE CYL.	1
19	3-311-015577	FRAME WLDMT OVER CAB IH-7100	1
	3-311-016095	FRAME WLDMT OVER CAB IH-4900, SINGLE CYL.	1
	3-311-016516	FRAME WLDMT OVER CAB IH-4900, 2 CYL.	1
	3-311-015952	FRAME WLDMT OVER CAB IH-8300, 2 CYL.	1
25	3-311-014909	MOUNT WLDMT. FRAME LH	1
26	3-311-014910	MOUNT WLDMT. FRAME RH	1

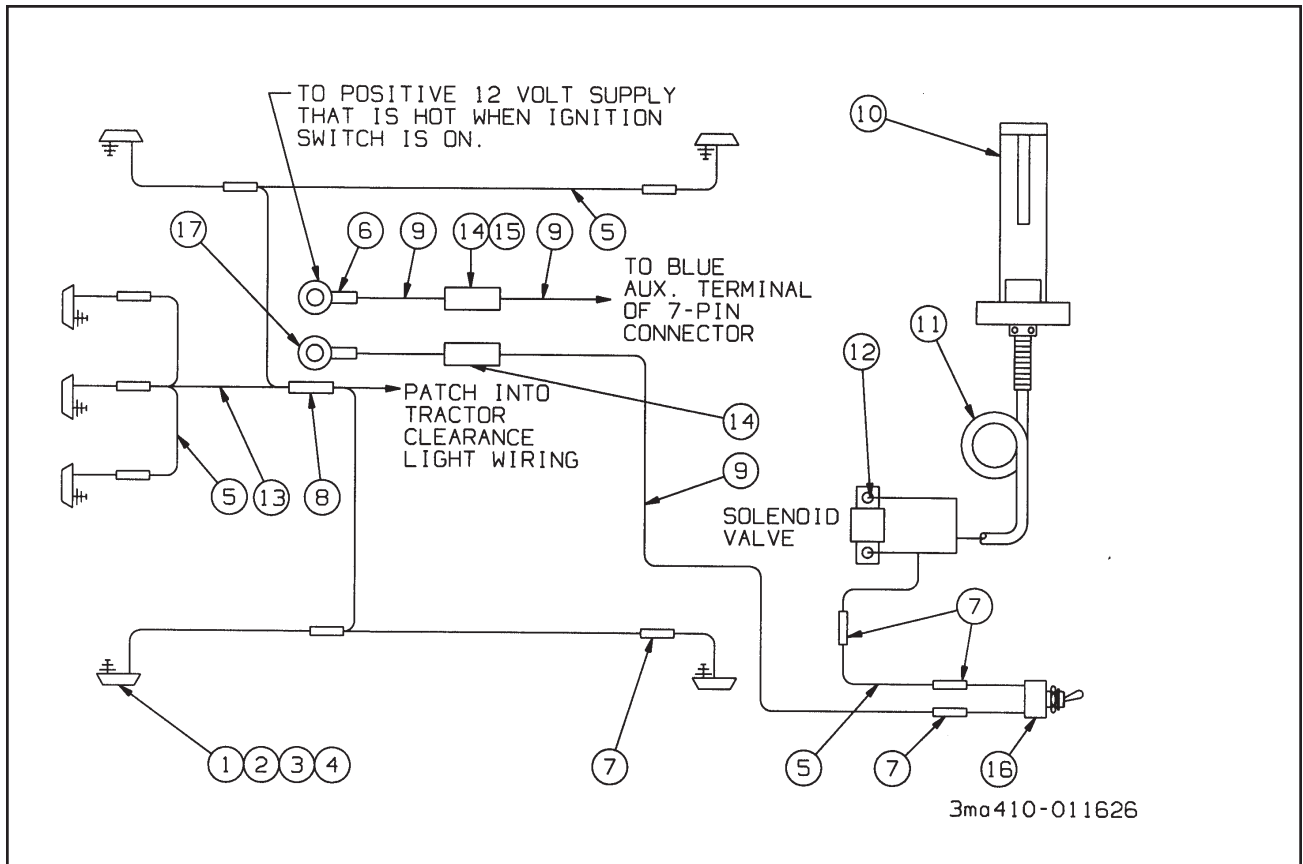


Figure 1-46 "Over-the-Cab" Electrical Assembly

"OVER-THE-CAB" ELECTRICAL ASSEMBLY

ITEM	PART NO.	DESCRIPTION	QTY.
1	3-446-010006	LIGHT CLEARANCE YELLOW	7
2	1-656-010003056	SCREW ROUND HEAD MACHINE 10-24 X 1-1/2	14
3	1-512-010007-03	NUT HEX 10-24	14
4	110-0240	WASHER SPLIT LOCK	14
5	1-879-010005	WIRE BROWN	54FT
6	CO1-412	RING TERMINAL	1
7	3-272-010021	ELECT. BUTT SPLICE W/SEAL	14
8	3-272-010022	ELECT. BUTT SPLICE W/SEAL	1
9	1-879-010008	WIRE BLUE	20FT
10	3-272-010010	CONNECTOR ELECT. 4 POLE MALE	1
11	3-156-010008	CABLE TWO CONDUCTOR	13.5 FT
12	C29-1104X	CONN. FEMALE SPADE INSULATED	2
13	3-156-010008	CABLE TWO CONDUCTOR	25 FT
14	3-318-010001	12 VOLT 15 AMP FUSE AGL-15	2
15	3-318-010002	12 VOLT 15 AMP FUSE HOLDER	2
16	3-272-010062	SWITCH TOGGLE SEALED SPDT	1
17	31506	TERMINAL	1
18	3-201-010001	CONDUIT 5/16 PLASTIC FLEX (NOT SHOWN)	15FT

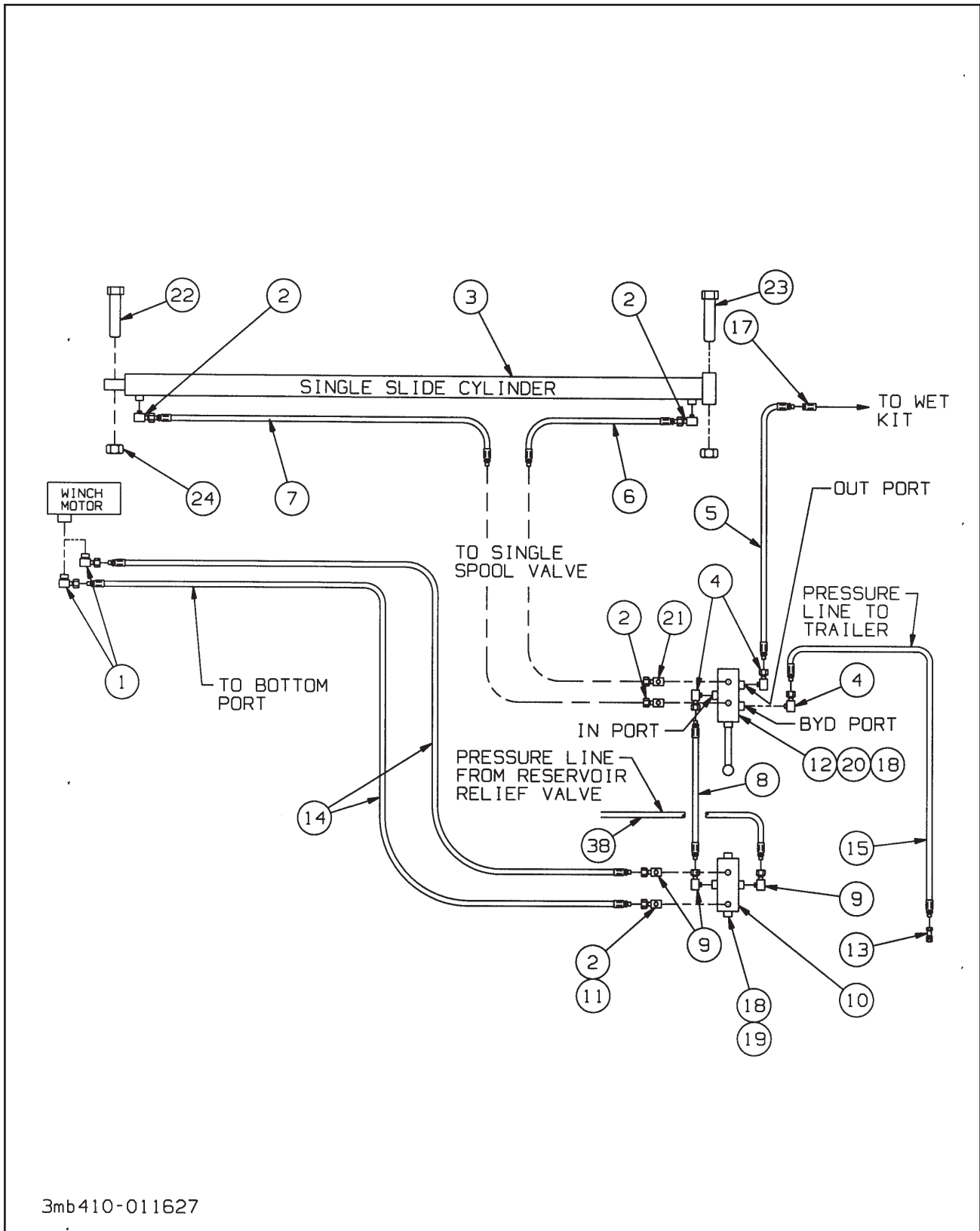
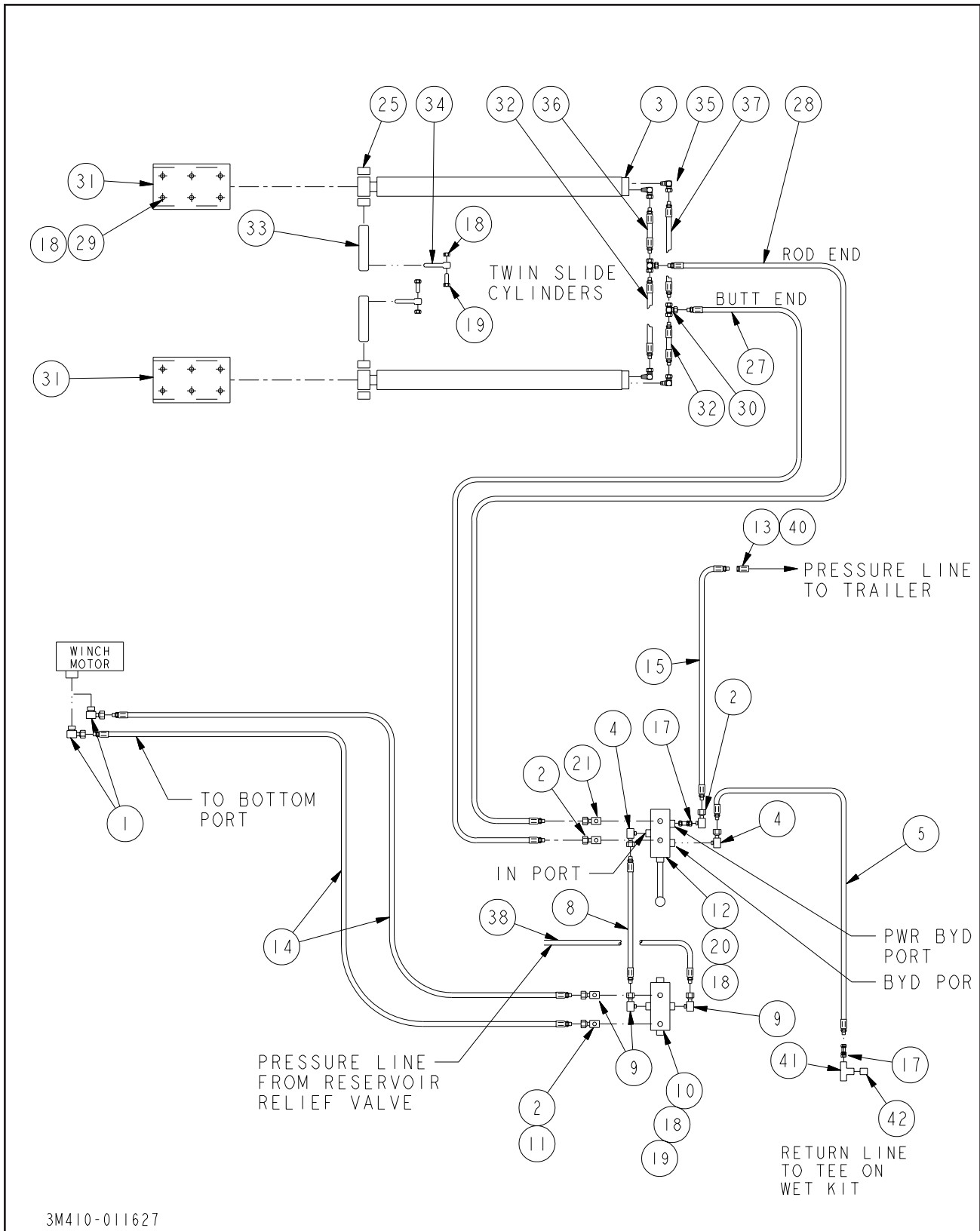


Figure 1-47 "Over-the-cab" Hydraulic System (Sgl. Cyl.)

“OVER-THE-CAB” HYDRAULIC SYSTEM(SINGLE CYL)

ITEM	PART NO.	DESCRIPTION	QTY.
	B3-407-097	HYDRAULIC SYSTEM SINGLE CYLINDER	
1	2066-8-10S	FITTING O-RING TO PIPE (CALLED OUT IN B3-873-046)	2
2	2047-8-8S	ADAPTER	4
3	3-242-010091	CYLINDER ASSEMBLY 3" X 48" (SEE PAGE 1-76)	1
4	1-007-010013	ELBOW 90 SWIVEL	3
5	1-397-010311068	HOSE ASSEMBLY 1/2 X 68	1
6	6-397-010005	HOSE ASSEMBLY 1/2 X 74	1
7	1-397-010059	HOSE ASSEMBLY 1/2 X 142	1
8	1-397-010028	HOSE ASSEMBLY 1/2 X 16	1
9	1-007-010007	ELBOW 90	3
10	3-846-010009	VALVE MULTI-PAK SOLENOID (SEE PAGE 1-79)	1
11	2066-8-8S	ADAPTER	1
12	3-846-010127	VALVE HYD. SGL. SPOOL PWR-BYD (SEE PAGE 1-78)	1
13	105480	COUPLER BODY HALF FEMALE	1
	105482	COUPLER DUST CAP FEMALE	1
14	3-397-010124	HOSE ASSEMBLY W/ ENDS 1/2 X 96	2
15	106758	HOSE ASSEMBLY 3/4NPT TO O-RING	1
17	3/4X1/2BUSH	BUSHING BLK. PIPE	2
18	1-512-010005-05	NUT HEX LOCK 3/8-16 GRB	7
19	1-654-010051-05	SCREW HEX HEAD CAP 3/8-16 X 1 GR5	4
20	1-654-010051-09	SCREW HEX HEAD CAP 3/8-16 X 2 GR5	3
21	1-007-010003	ADAPTER 90° W/ 3/32 REST.	1
22	1-654-010065-13	SCREW HEX HEAD CAP 1-8 X 4 GR5	1
23	1-654-010065-19	SCREW HEX HEAD CAP 1-8 X 7 GR5	1
24	1-512-010005-19	NUT HEX LOCK 1-8 GRB	2
38	2-397-010003	HOSE ASSEMBLY 1/2 X 44	1



3M410-011627

Figure 1-48 "Over-the-cab" Hydraulic System (Twin Cyl.)

“OVER-THE-CAB” HYDRAULIC SYSTEM (TWIN CYL)

ITEM	PART NO.	DESCRIPTION	QTY.
	B3-407-167	OVER-CAB HYDRAULIC SYSTEM (3-410-011627)	
1	2066-8-10S	O-RING ADAPTER TO PT	REF
2	2047-8-8S	ADAPTER	3
3	3-242-010049	CYLINDER ASSEMBLY 2-1/2 X 32 (SEE PAGE 1-77)	2
4	1-007-010013	ELBOW SWIVEL 90	2
5	1-397-010311068	HOSE ASSEMBLY 1/2 X 68	1
8	1-397-010028	HOSE ASSEMBLY 1X2 X 16	1
9	1-007-010007	ELBOW 90 3/4 O-RING 1/2 PIPE	3
10	3-846-010009	VALVE MULTI-PAK SOLENOID (SEE PAGE 1-79)	1
11	2066-8-8S	ADAPTER 3/-16 O-RING 1/2 PIPE	1
12	3-846-010127	VALVE HYD. SGL. SPOOL PWR-BYD (SEE PAGE 1-78)	1
13	105480	COUPLER FLAT FACE FEMALE BODY	REF
	105482	COUPLER DUST CAP FEMALE	REF
14	3-397-010124	HOSE ASSEMBLY 1/2 X 196	2
15	106757	HOSE ASSEMBLY 3/4NPT TO O-RING	1
17	3/4X1/2BUSH	BUSHING BLACK PIPE	2
18	1-512-010005-05	NUT HEX LOCK 3/8-16 GRB	23
19	1-654-010051-06	SCREW HEX HEAD CAP 3/8-16 X 1 GR5	8
20	1-654-010051-09	SCREW HEX HEAD CAP 3/8-16 X 2 GR5	3
21	1-007-010003	SWIVEL ELBOW W/ RESTRICTOR	1
25	RRT119X.75	TUBE ROUND	4
27	1-397-010315060	HOSE ASSEMBLY 3/8 X 60	1
28	1-397-010315064	HOSE ASSEMBLY 3/8 X 64	1
29	1-654-010112-10	SCREW ROUND HEAD SQUARE NECK 3/8-16 X 3-1/4	12
30	2255-6-6S	INTERNAL PIPE SWIVEL TEE 3/8	2
31	3-014-010096	ANCHOR CYLINDER	2
32	3-397-010246	HOSE ASSEMBLY 3/8 X 16	2
33	3-557-0110260	PIN W/ TILT CYLINDER	4
34	3-642-010098	ROD END 3/8 (REPLACES WM-5)	4
35	1-007-010014	ELBOW 90	4
36	1-397-010312064	HOSE ASSEMBLY 3/8 X 64	1
37	1-397-010312060	HOSE ASSEMBLY 3/8 X 60	1
38	2-397-010003	HOSE ASSEMBLY 1/2 X 44	1
41	2090-12-12S	TEE, 3/4-14 INT. PIPE	1
42	3/4NIPPLE	NIPPLE, ALL THREAD	1
43	2-181-010001	HOSE CLAMP	5
44	1-861-010032-11	WASHER, FLAT 3/8	5
45	3-181-010034-1	CLAMP, CONDUIT STEEL 1/2	4

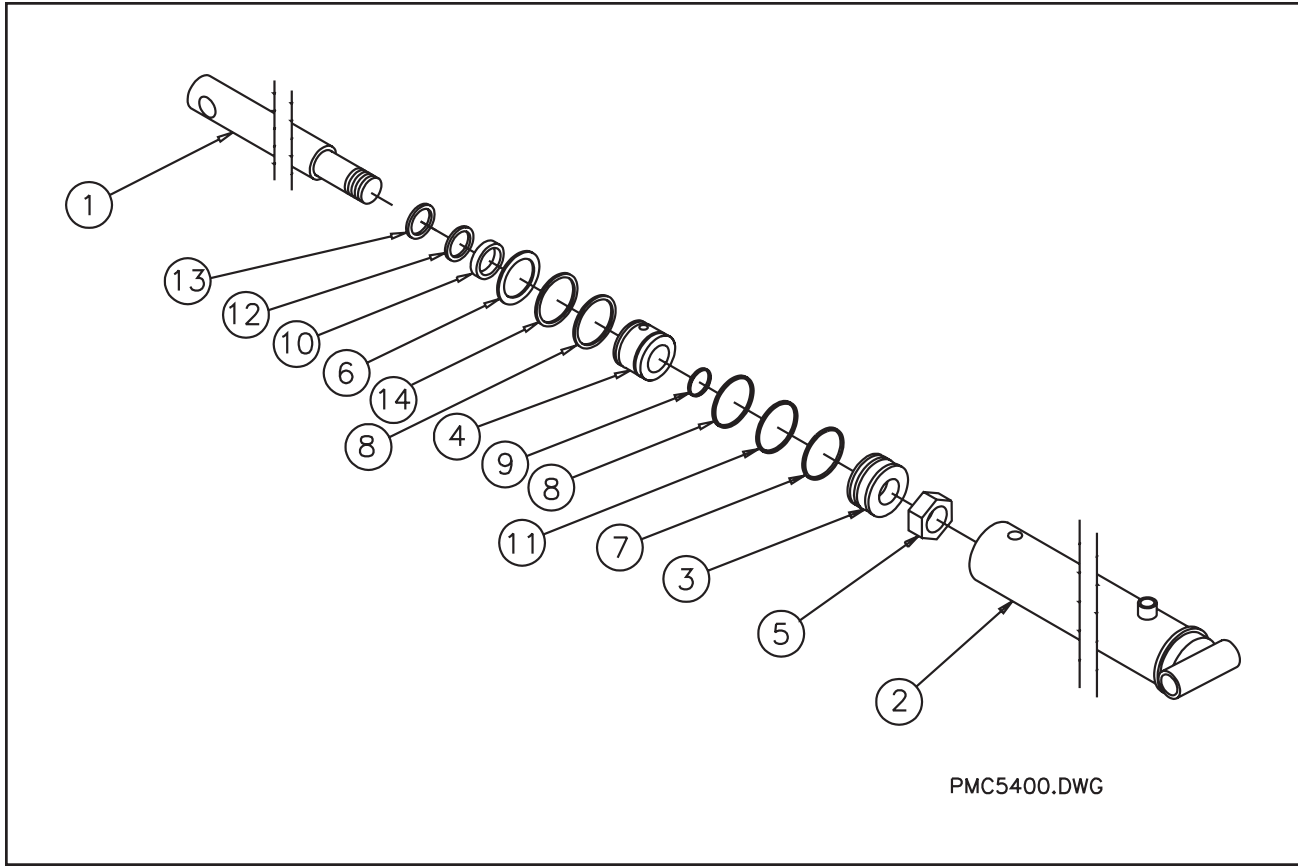


Figure 1-49 Hydraulic Cylinder 3" X 48"

HYDR. CYLINDER, 3" X 48" (SINGLE CYL. SYSTEM)

ITEM	PART NO.	DESCRIPTION	QTY.
	3-242-010091	HYDRAULIC CYLINDER 3" X 48" (PRINCE #PMC-8348)	
1	010800053	PISTON ROD	1
2	061500057	BUTT AND TUBE ASSY.	1
3	071500021	PISTON	1
4	081500032	GLAND	1
5	220000210	LOCK NUT	1
6	230001300	SNAP RING	1
7	*	PISTON RING	1
8	*	O-RING	2
9	*	O-RING	1
10	*	QUAD RING	1
11	*	BU-WASHER	1
12	*	BU-WASHER	1
13	*	WIPER	1
14	*	BU-WASHER	1
	PMCK-8300	PACKING KIT (INCL. ITEMS 7 - 14) (CONTAINS ALL NECESSARY SEALS AND O-RINGS)	

* NOT SOLD SEPARATELY

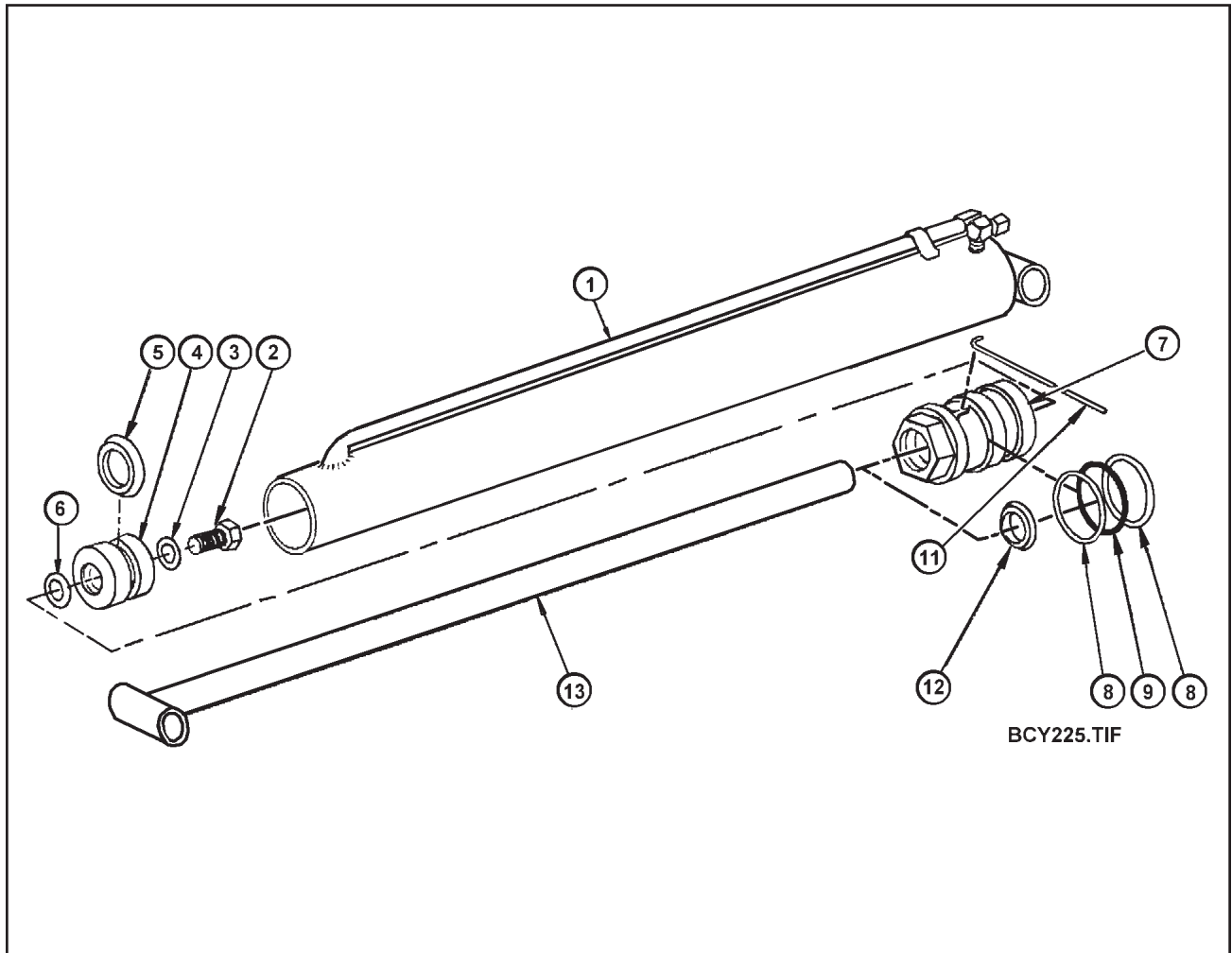


Figure 1-50 Hydraulic Cylinder 2-1/2" X 32"

HYDR. CYLINDER, 2-1/2" X 32" (TWIN CYL. SYSTEM)

ITEM	PART NO.	DESCRIPTION	QTY.
	3-242-010049	HYDRAULIC CYLINDER, 2-1/2" X 32" (C.C. KELLEY#BCY225)	
1	SCY1079	BARREL ASSEMBLY	1
2	SBT1017	CAPSCREW	1
3	*	DYNA SEAL	1
4	SCY224	PISTON	1
5	*	PISTON SEAL	1
6	SWS245	INTERNAL LOCKWASHER	1
7	SCY223	RAM HEAD	1
8	*	BACK-UP RING	2
9	*	O-RING	1
11	SCY1026	LOCKWIRE	1
12	*	ROD SEAL	1
13	SCY1079	ROD ASSEMBLY	1
	SCY222	SEAL KIT (CONTAINS ALL NECESSARY SEALS AND O-RINGS)	1

* NOT SOLD SEPARATELY

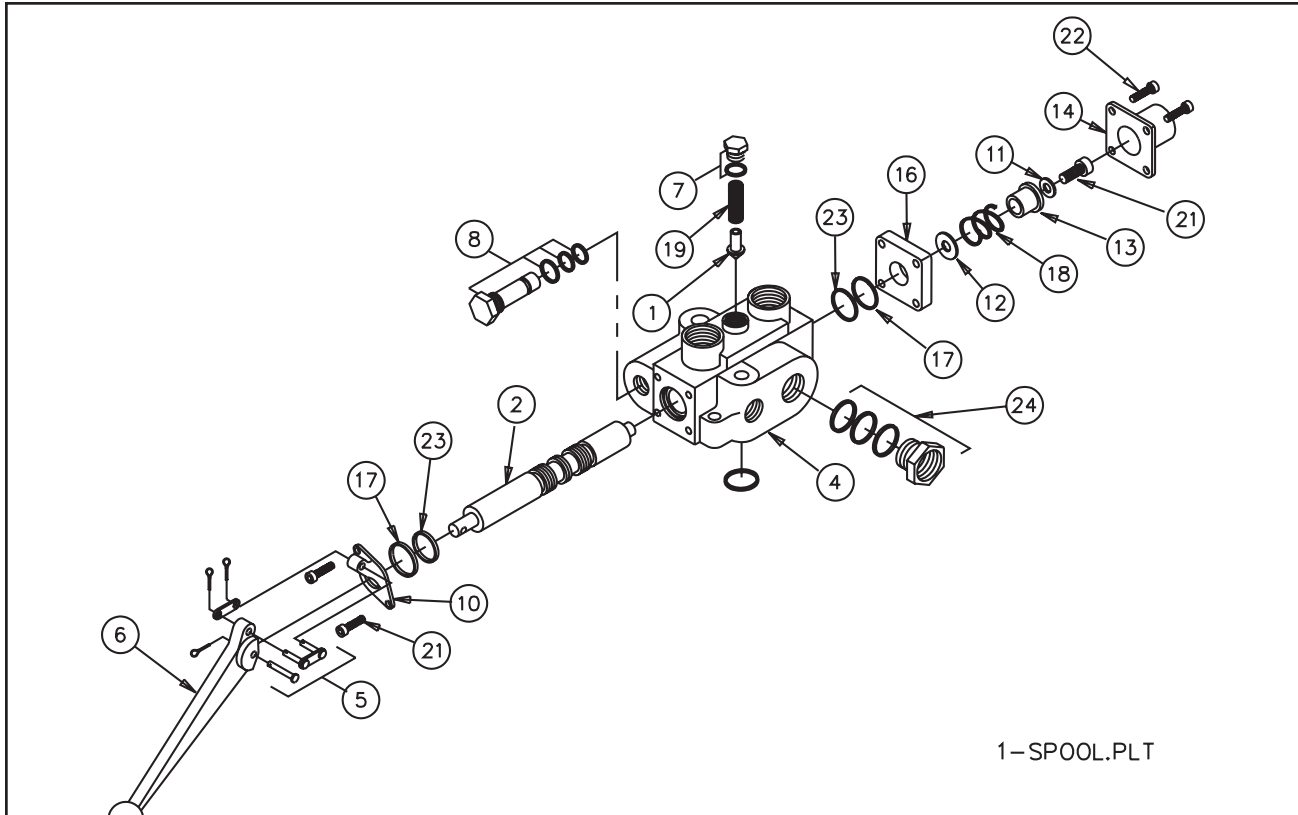


Figure 1-51 Hydraulic Single Spool Valve

HYDRAULIC SINGLE SPOOL VALVE

ITEM	PART NO.	DESCRIPTION	QTY.
1	3-846-010127 1V0081	VALVE, HYD. SINGLE SPOOL PWR-BYD LOAD CHECK POPPET	1
2	*	4-WAY SPOOL	1
4	*	VALVE HOUSING	1
5	1V1701	PIN KIT	1
6	1V1703	HANDLE	1
7	1V1725	LOAD CHECK PLUG	1
8	1R0035	RELIEF PLUG ASSY.	1
10	4Z4306	HANDLE BRACKET	1
11	1A0290	CENTERING SPRING WASHER	1
12	1A0291	STOP WASHER	1
13	1A0292	STOP COLLAR	1
14	1A0294	END CAP	1
16	1A0709	END SPACER	1
17	*	O-RING SPOOL WASHER	2
18	1A0744	CENTERING SPRING	1
19	1A0757	LOAD CHECK SPRING	1
21	2A0079-404	CAPSCREW	3
22	2A0079-406	CAPSCREW	4
23	*	SPOOL SEAL	2
24	1V0249 2V0008	POWER BEYOND ASSY. SEAL KIT (CONTAINS ALL NECESSARY SEALS & O-RINGS)	1 1

* NOT SOLD SEPARATELY.

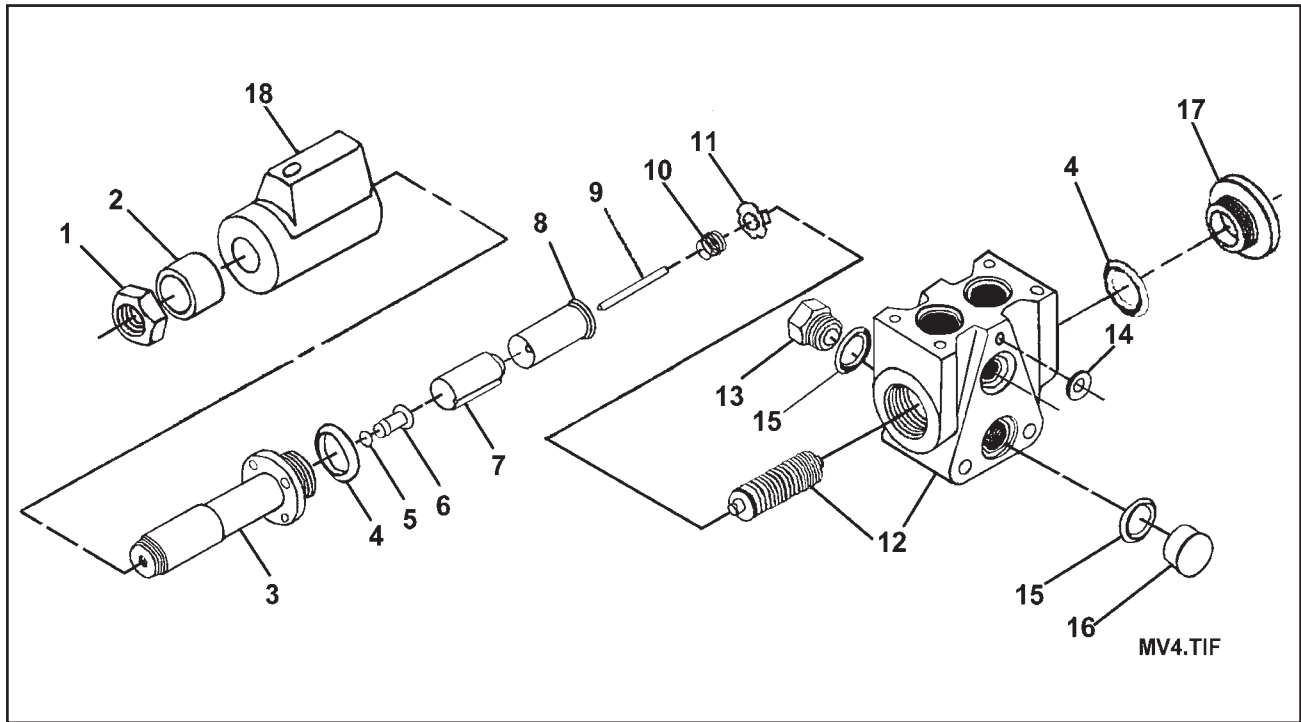
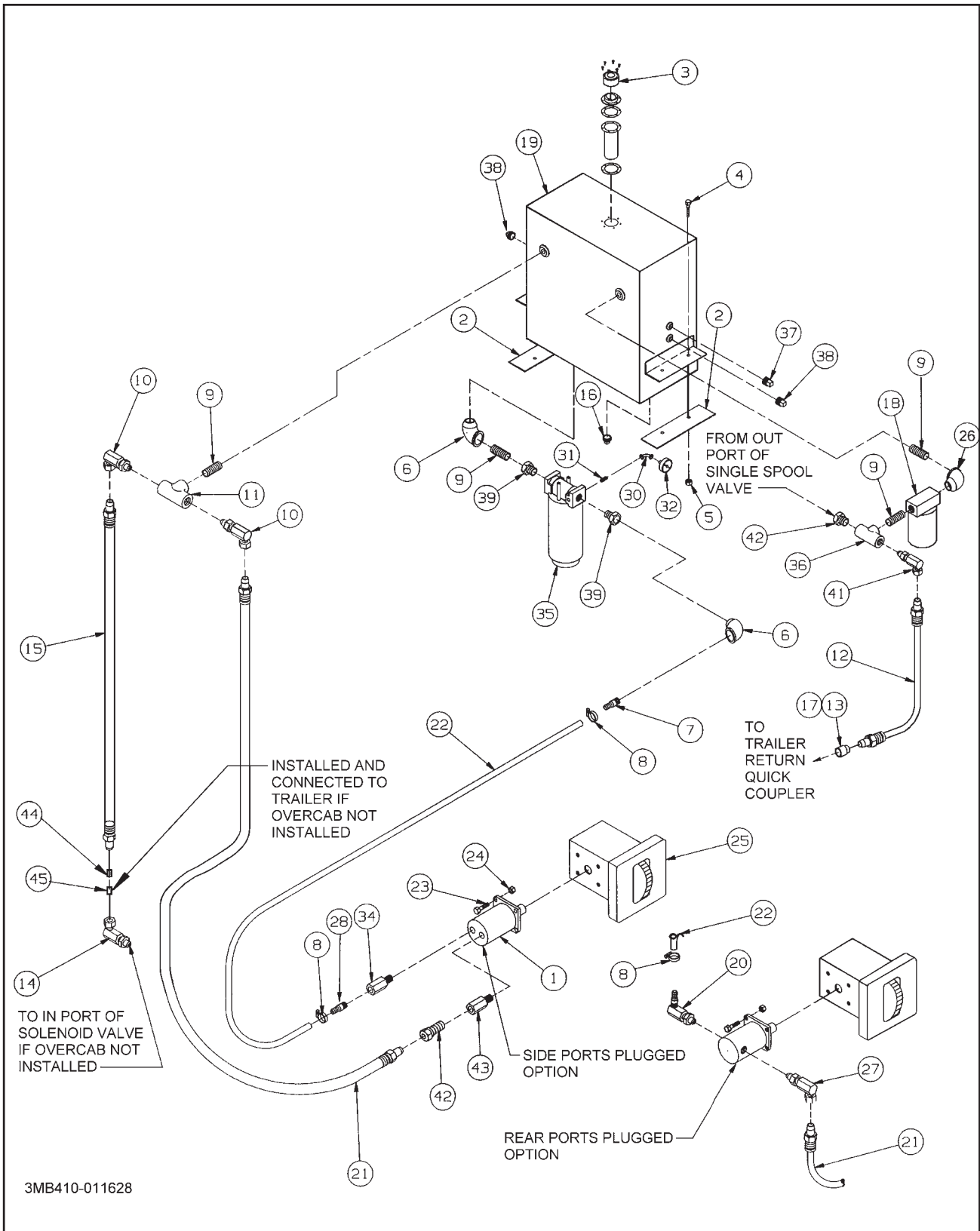


Figure 1-52 Hydraulic Solenoid Valve

HYDRAULIC SOLENOID VALVE

ITEM	PART NO.	DESCRIPTION	QTY.
	3-846-010009	VALVE, MULTI-PAK SOLENOID (AMBAC)	
	MV4-43-12-TD	VALVE ASSEMBLY (ITEMS 1 THROUGH 12)	
1	1006024	NUT	1
2	4014550	SLEEVE	1
3	**	TUBE SUBASSEMBLY	1
4	**	O-RING	2
5	**	O-RING	1
6	**	BUTTON, FLUSH	1
7	**	PLUNGER	1
8	**	PLUG	1
9	**	PIN	1
10	4015410	SPRING	2
11	6002880	RETAINER SPRING	2
12	*	SPOOL AND BODY (MATCHED SET)	1
13	1004005	PLUG	1
14	4023150	MYLAR SHIM	6
15	**	O-RING	2
16	4022030	SERIES PLUG	1
17	4014041	PLUG (SINGLE SOLENOID VALVE ASSY.)	1
18	**	O-RING (BETWEEN SECTIONS AND ATTACHMENTS)	AR
19	6002790	SOLENOID COIL (12 VDC) (NOT SHOWN)	2
	6008840	SEAL KIT (O-RINGS ONLY)	
	6013080	TUBE KIT (ITEMS 3 THROUGH 9)	
*	TO ORDER SPOOL AND BODY, SPECIFY VALVE ASSEMBLY PART NUMBER AND POSITION OF VALVE IN RELATION TO INLET.		
**	NOT SOLD SEPARATELY		



WET KIT ASSEMBLY

ITEM	PART NO.	DESCRIPTION	QTY.
	B3-407-124	HYDRAULIC WET KIT (3-410-011628)	
1	3-591-010001	HYDRAULIC GEAR PUMP (SEE PAGE 1-82)	1
2	3-120-010103	CLAMP HYD. TANK	2
3	3-162-010001	FILLER BREATHER STRAINER ASSY.	1
4	1-654-010051-06	SCREW HEX HEAD CAP 3/8-16 X 1-1/4 GR5	4
5	1-512-010005-05	NUT HEX LOCK 3/8-16 GR5	4
6	1-1/4ST ELL	PIPE ELBOW BLK 90	2
7	3-561-010001	HOSE BARB	1
8	6828	IDEAL HOSE CLAMP	5
9	3/4NIPPLE	NIPPLE ALL THREAD 3/4	2
10	1-007-010013	ELBOW 90 SWIVEL	2
11	125130	RD12D HYD BY PASS SRDD (SEE PAGE 1-83)	1
12	106758	HOSE ASSEMBLY 3/4 X 152	1
13	105479	COUPLER MALE HALF	1
14	1-007-010007	ELBOW 90	1
15	2-397-010003	HOSE ASSEMBLY	1
16	1-560-010002-07	PLUG BLACK SQUARE HEAD	1
17	105481	COUPLER DUST CAP MALE	1
18	1-295-010001	FILTER RETURN LINE	1
	1-295-010002	FILTER ELEMENT	1
19	3-786-010043	TANK WELDMENT	1
20	1-007-010006	ELBOW 90	1
21	6-397-010005	HOSE ASSEMBLY	1
22	3-399-010001048	HOSE SUCTION	1
23	1-654-010055-03	SCREW HEX HEAD CAP 1/2-13 X 1-1/2 GR5	4
24	1-512-010005-09	NUT HEX LOCK 1/2-13	4
25	PTO	POWER TAKE OFF	1
26	3/4 ST ELL	ELBOW BLK PIPE 90 ST.	1
27	1-007-010009	ELBOW 90	1
28	3-561-010008	HOSE BARB	
29	1-1/4X2PN	NIPPLE BLK PIPE	1
30	110-5011	ELBOW 90	1
31	118-1207	NIPPLE	1
32	238-2450-3	VACUUM INDICATOR GRESEN #K-FVAC	1
33	3-395-010001	CF FIRE HOSE (NOT SHOWN- PROTECTS HYDR. HOSES ABOVE HYDR. TANK)	1
34	2216-16-16S	ADAPTER	
35	514-1633-1	FILTER SUCT. GRESEN #FLR-215-ITB-2H	1
	1576-001	O-RING BETWEEN FILTER AND HEAD	1
	K-23001	REPLACEMENT FILTER KIT W/ SEALS	1
	K-23022	REPLACEMENT RELIEF VALVE KIT	1
	11918-001	VACUUM CONDITION INDICATOR	1
36	2090-12-12S	PIPE TEE	1
37	1-560-010002-04	PLUG BLACK PIPE	1
38	1-560-010002-05	PLUG BLACK PIPE	2
39	1-1/2X1-1/4BUSH	BUSHING BLACK PIPE	2
40	1-654-010047-04	SCREW HEX HEAD CAP 1/4-20 X 3/4 (PLUG HOLES IN B/C) (NOT SHOWN)	3
41	2047-12-12S	PIPE, SWIVEL 90 MALE	1
42	2045-8-12S	ADAPTER, ST. SWIVEL	1
43	2216-12-16S	ADAPTER, O-RING	1
44	105480	COUPLER FLAT FACE FEMALE BODY	1
45	105482	COUPLER DUST CAP FEMALE	1

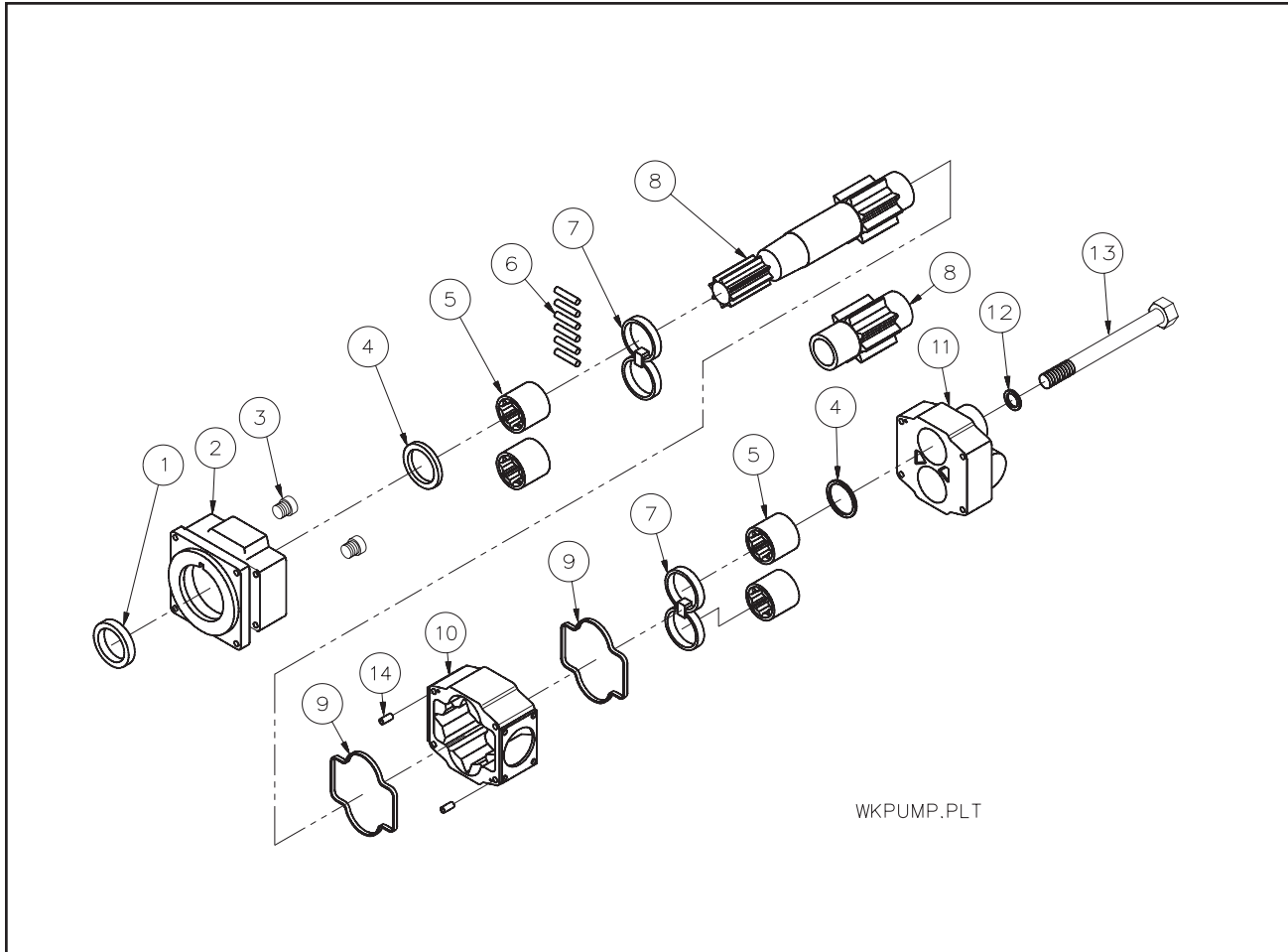


Figure 1-54 Wet Kit Pump

WET KIT PUMP

ITEM	PART NO.	DESCRIPTION	QTY.
1	3-591-010001	HYD. PUMP ASSY. (COMMERCIAL INTERTECH 312-9610-394)	1
	*	LIP SEAL	1
2	312-5037-201	HOUSING SEC.	1
3	391-3681-001	CHECK ASSEMBLY	2
4	*	SEAL RING	2
5	391-0381-068	BEARING ROLLER	4
6	*	STRIP POCKET SEAL	12
7	391-2185-013	PLATE THRUST	2
8	312-2917-130	SHAFT AND GEAR SET	1
9	*	SEAL SQ.-R	2
10	312-8217-327	HOUSING GEAR	1
11	312-3220-327	HOUSING PEC.	1
12	391-3784-028	WASHER	4
13	391-1401-025	CAPSCREW	4
14	391-2082-032	DOWEL PIN	4
	391-1802-119	SEAL KIT (CONTAINS ALL NECESSARY SEALS AND O-RINGS)	4

* NOT SOLD SEPARATELY

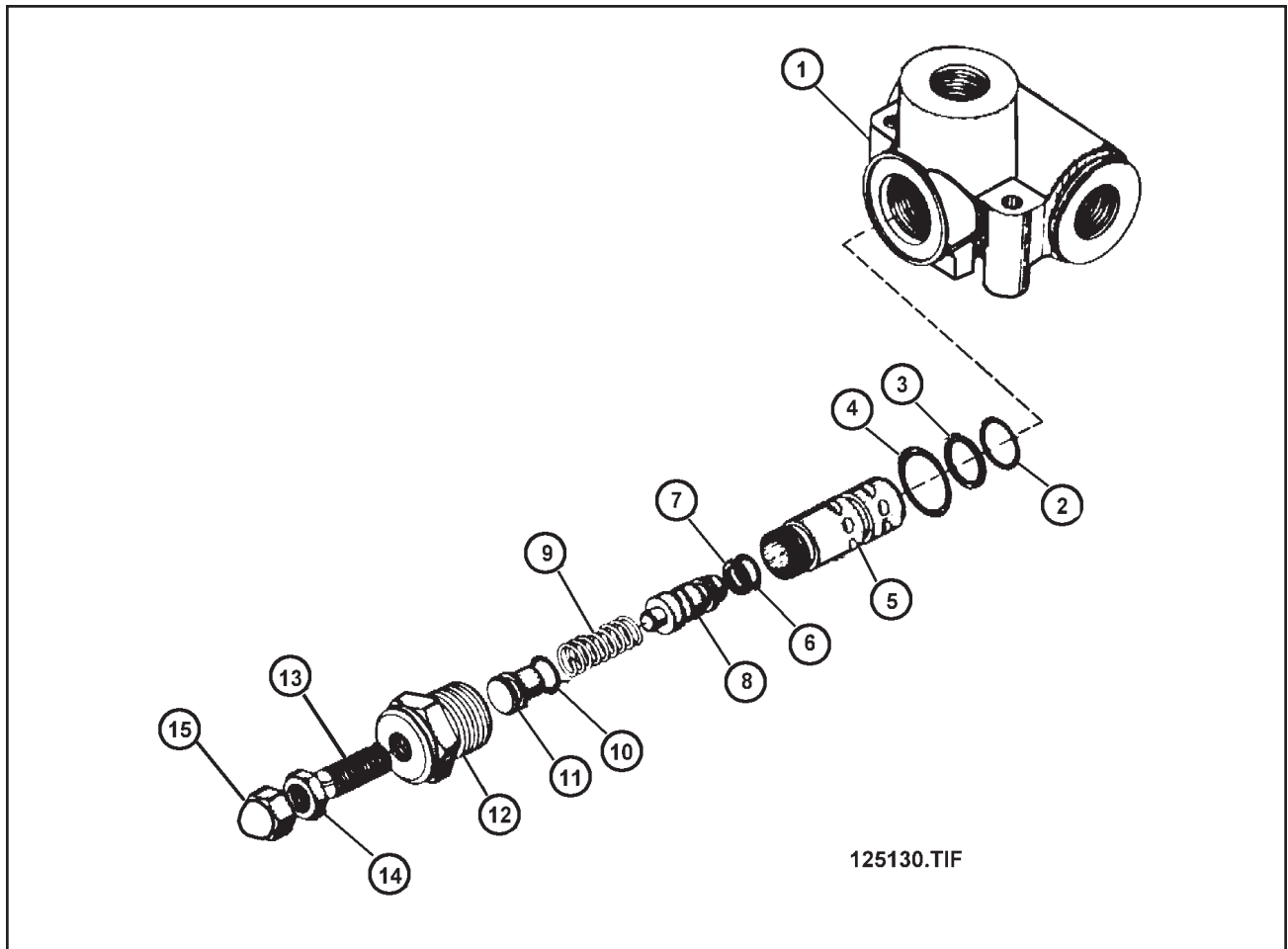


Figure 1-55 Pressure Relief Valve

PRESSURE RELIEF VALVE

ITEM	PART NO.	DESCRIPTION	QTY.
	125130	RD12D HYD. BY PASS SRDD	
1	1R0024	HOUSING	1
2	2A0283-7015	O-RING LOWER BODY	1
3	2A0010-015	BACK UP SEAL LOWER BODY	1
4	2A0283-9910	O-RING PLUG	1
5	1R0019	RELIEF LOWER BODY	1
6	2A0283-7011	O-RING POPPET	1
7	2A0007-011	BACK UP SEAL POPPET	1
8	1R0020	RELIEF POPPET	1
9	2A9048-7	SPRING (1500-300 PSI)	1
10	1A0171	PISTON O-RING	1
11	1R0013	RELIEF PISTON	1
12	1R0018	RELIEF UPPER BODY	1
13	1R0015	ADJUSTMENT SCREW	1
14	1A0569	LOCK NUT	1
15	1A0570	ACORN NUT	1

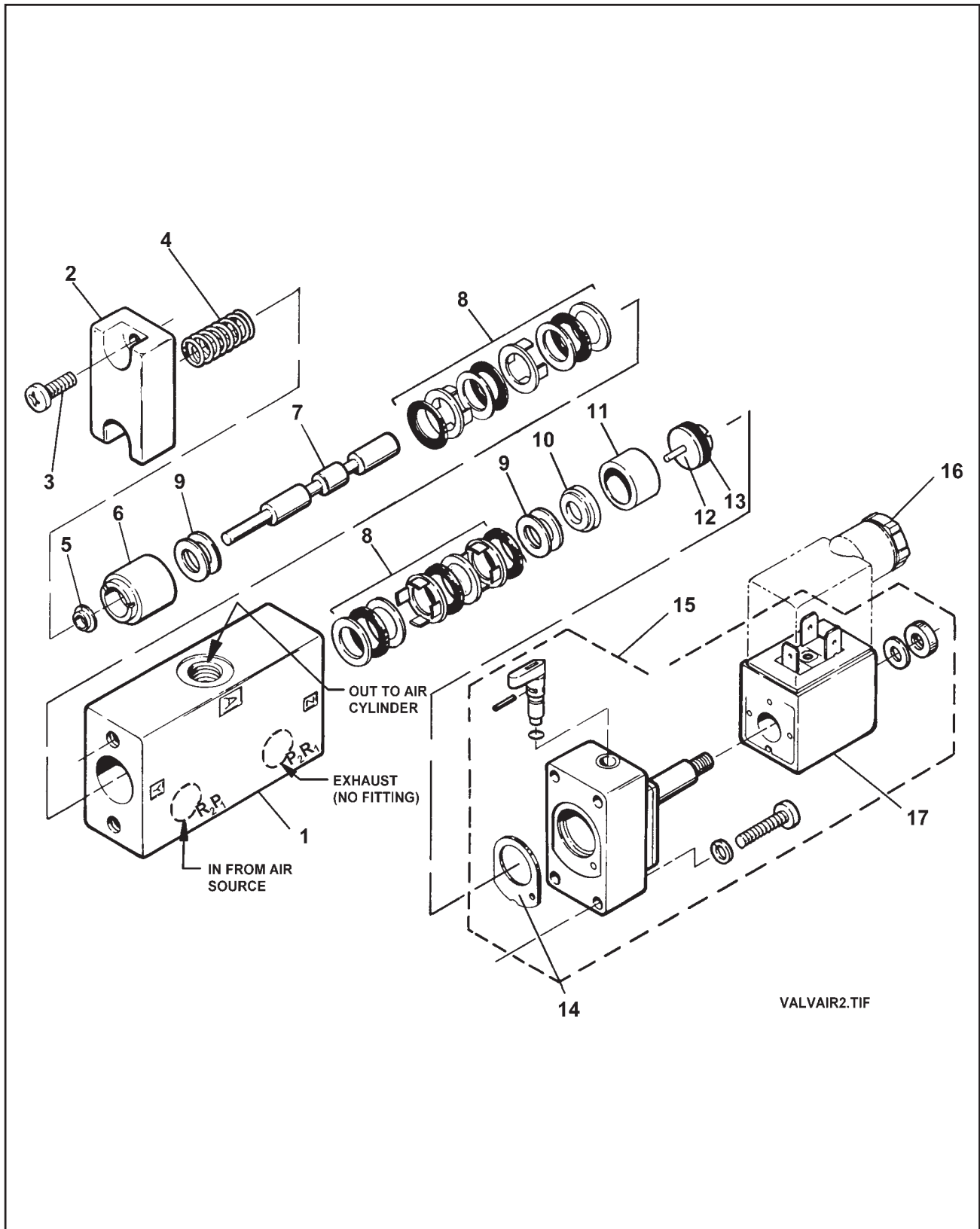


Figure 1-56 Valve, Air Solenoid 12V

VALVE, AIR SOLENOID 12V

ITEM	PART NO.	DESCRIPTION	QTY.
	3-843-010009	VALVE AIR SOLENOID 12V (WABCO GC13101-3655)	
1	—	BODY	
2	H563060-6584	SPRING END COVER	1
3	H810138-0684	END COVER SCREW	2
4	H896040-1504	RETURN SPRING	1
5	H895361-7204	SPRING WASHER	1
6	H563061-2004	SPRING GUIDE	1
7	H571002-7704	SPOOL - SIN AIR/SIN SOL 3 WAY	1
8	P68131	CARTRIDGE KIT - 3 WAY BODY	1
9	H895107-9204	WASHER	AR
10	H571004-0404	SPOOL GUIDE	1
11	H571002-3704	PISTON GUIDE	1
12	H571002-6204	PISTON	1
13	H897151-0094	PISTON SEAL	1
14	H897101-7804	SOLENOID END COVER GASKET	1
15	H542061-0410	SOLENOID COMPLETE	1
16	H894100-4702	SOLENOID CONNECTOR	1
17	H542061-7212	SOLENOID COIL	1
	P67912	SEAL KIT (3 WAY BODY)	1
	P68131	VALVE CARTRIDGE KIT (3 WAY BODY)	1
	P67914-4	SOLENOID OPERATOR KIT	1

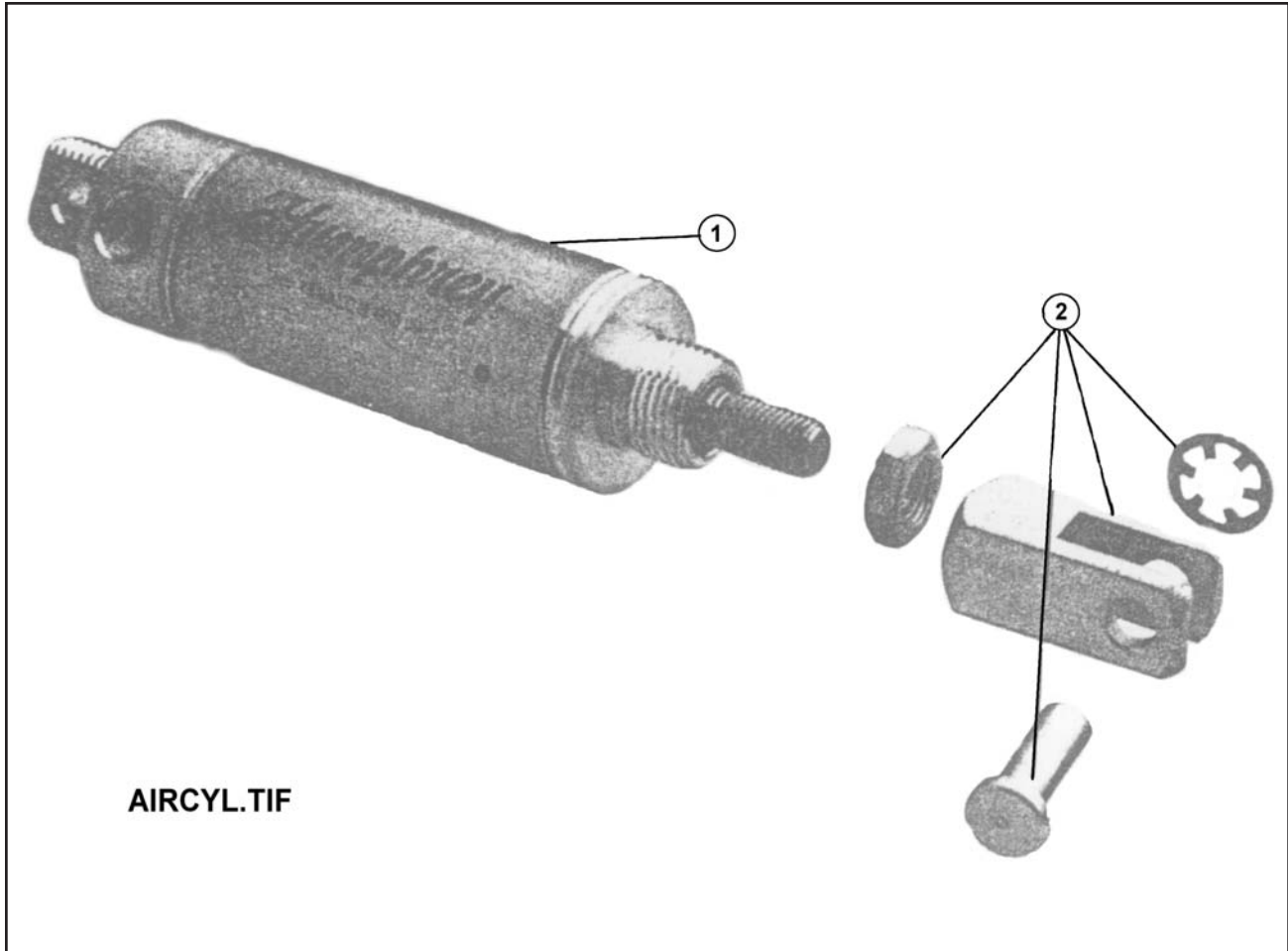


Figure 1-57 Cylinder, Air 1-3/4 Bore

CYLINDER, AIR 1-3/4 BORE

ITEM	PART NO.	DESCRIPTION	QTY.
	3-238-010007	CYLINDER, AIR 1-3/4 BORE	
1	75-SP-2	CYLINDER	1
2	CT-19	ROD CLEVIS	1

NOTE: INTERNAL PARTS NOT SOLD SEPARATELY.

NOTES:

NUMERICAL INDEX

PART	PAGE	PART	PAGE	PART	PAGE
005-074-00	39	062100547	19	1-007-010013	81
005-075-00	39	062100549	19	1-007-010014	75
005-098-00	39	069-018-00	39	1-007-010024	14
005-099-00	39	069-020-00	39	100949	41
005-134-00	39	069-078-00	39	101-1033-009	53
006-114-00	39	071-124-00 (3067)	45	101143	34
006-115-00	39	071-124-00 (3067)	47	101162	47
010-052-00	39	071500021	76	101421	41
010700566	17	071800021	17	101421	43
010700566	17	071900019	20	101556	14
010700699	17	071900195	21	101712	34
010700699	17	071900273	17	101845	43
010800053	76	072100244	19	101847	43
010800690	19	072100245	19	101848	43
010800702	19	081500032	76	101849	43
011100078	20	081800022	17	101852	34
011300179	21	081900019	20	101852	43
014-056-00	39	081900277	21	101853	43
014-057-00	39	081900374	17	101855	43
014-058-00	39	082100284	19	102037	14
014-068-00	39	082100293	19	102038	14
021-038-01 (4009)	45	1/2 NIPPLE	41	10205R	29
021-038-01 (4009)	47	100000326	19	102283	34
034-048-00	39	100000326	19	102361	37
034-188-00	39	100000330	17	102363	34
034-189-00	39	100000330	17	102363	37
040-320-01	39	100000577	17	102397	34
041-057-01	39	100000577	17	102665	34
041-060-01	39	10036	31	102727	41
046-092-00	39	1004005	79	102728	29
046-097-00	39	1006024	79	102729	29
055-040-07	39	100635	15	102730	29
055-053-00	39	100636	14	102732	34
055-054-00	39	1-007-010003	15	102732	35
056-010-00	39	1-007-010003	73	102797	34
056-017-00	39	1-007-010003	75	102797	41
056-018-00	39	1-007-010006	81	102810	31
0600-375-02000	11	1-007-010007	14	102810	41
0600-375-04000	02	1-007-010007	73	102895	29
061-006-00	39	1-007-010007	75	102895	34
061500057	76	1-007-010007	81	103055	31
061800024	17	1-007-010008	15	103056	31
061900042	20	1-007-010009	81	103245	45
061900539	21	1-007-010013	73	103246	45
061900610	17	1-007-010013	75	10404	29

PART	PAGE	PART	PAGE	PART	PAGE
104551	43	1-297-010007-11	07	1-397-010381125	14
105-0093	01	1-297-010007-11	41	1-397-010381143	14
105-0150	29	1-297-010007-12	41	1-397-010381277	14
105479	13	1-297-010008-05	07	1-397-010382024	15
105479	81	1-297-010008-07	07	1-397-010383024	15
105480	13	1-297-010008-07	34	1-397-010384024	15
105480	73	1-297-010008-18	07	1-397-010385111	14
105480	75	1-297-010008-18	07	1-397-010385143	14
105480	81	1-297-010008-18	41	1-397-010385277	14
105481	13	1-297-010008-21	07	1-397-010386180	14
105481	81	1-297-010008-24	41	1-397-010386200	14
105482	13	1-297-010009-04	07	139902	45
105482	73	1-297-010010-01	07	139913	45
105482	75	1-297-010010-01	34	141800009	17
105482	81	1-297-010013-05	34	141900037	17
105483	14	1-297-010014-03	41	14193-000	53
1056	45	1-297-010017-03	41	142100019	19
105822	31	1-297-010018-02	07	142100020	19
106757	75	1-297-010020-04	07	14488-000	53
106758	73	1-297-010022-02	07	147161	26
106758	81	1-297-010033-03	41	15009	29
107082	45	1-298-010001-1	05	15009	62
107083	45	1-298-010001-1	11	1-510-010001	11
107298	14	1-298-010001-1	15	1-510-010001	34
108801	41	1-394-010001	41	1-511-010001-05	13
108802	41	1-397-010028	73	1-512-010002-15	34
1-1/2X1-1/4BUSH	81	1-397-010028	75	1-512-010002-15	69
1-1/4ST ELL	81	1-397-010059	73	1-512-010003-03	07
1-1/4X2PN	81	1-397-010311025	14	1-512-010003-06	14
110-0240	71	1-397-010311060	14	1-512-010003-06	29
110-0253	67	1-397-010311068	73	1-512-010003-06	41
11005053	37	1-397-010311068	75	1-512-010003-06	62
110-5011	81	1-397-010312060	75	1-512-010005-01	29
1-116-010019	01	1-397-010312064	75	1-512-010005-05	07
111-9989	11	1-397-010313021	15	1-512-010005-05	07
113854	31	1-397-010313024	14	1-512-010005-05	13
1-181-010046-7	41	1-397-010313046	14	1-512-010005-05	29
118-1207	81	1-397-010315060	75	1-512-010005-05	34
118-7962	67	1-397-010315064	75	1-512-010005-05	41
11918-001	81	1-397-010332080	14	1-512-010005-05	69
1-203-010040-5	63	1-397-010332090	14	1-512-010005-05	73
125130	81	1-397-010332175	14	1-512-010005-05	75
125130	83	1-397-010332184	14	1-512-010005-05	81
128279	65	1-397-010353097	14	1-512-010005-09	05
129452	26	1-397-010353141	14	1-512-010005-09	11
1-295-010001	81	1-397-010360024	15	1-512-010005-09	15
1-295-010002	81	1-397-010365132	14	1-512-010005-09	49
1-297-010007-05	07	1-397-010381055	14	1-512-010005-09	67

PART	PAGE	PART	PAGE	PART	PAGE
1-512-010005-09	81	1-654-010051-05	49	1-656-010003051	14
1-512-010005-10	69	1-654-010051-05	73	1-656-010003051	29
1-512-010005-13	01	1-654-010051-06	15	1-656-010003051	31
1-512-010005-13	02	1-654-010051-06	29	1-656-010003051	62
1-512-010005-13	14	1-654-010051-06	49	1-656-010003056	71
1-512-010005-13	66	1-654-010051-06	75	1-656-010003078	15
1-512-010005-13	69	1-654-010051-06	81	170003017	25
1-512-010005-15	11	1-654-010051-08	07	170003017	25
1-512-010005-19	05	1-654-010051-08	34	170003037	25
1-512-010005-19	73	1-654-010051-08	41	170301212	17
1-512-010007-02	65	1-654-010051-09	69	170301212	17
1-512-010007-03	31	1-654-010051-09	73	170301215	19
1-512-010007-03	71	1-654-010051-09	75	170301215	19
1-512-010007-04	14	1-654-010051-10	13	178910	45
1-512-010007-05	34	1-654-010051-11	29	178921	45
1-512-010007-06	05	1-654-010051-13	15	1-796-010002-01	62
1-512-010007-06	29	1-654-010051-13	69	1-796-010003-01	41
1-557-010362-51	05	1-654-010055-03	11	179955	47
1-557-010362-51	14	1-654-010055-03	13	1-833-010001	07
1-557-010362-54	14	1-654-010055-03	67	1-833-010001	34
1-560-010002-02	07	1-654-010055-03	81	1-833-010002	07
1-560-010002-04	41	1-654-010055-04	05	1-833-010002	41
1-560-010002-04	81	1-654-010055-05	11	1-833-010002	41
1-560-010002-05	41	1-654-010059-03	01	1-833-010003	41
1-560-010002-05	81	1-654-010059-03	69	1-861-010032-02	07
1-560-010002-07	81	1-654-010059-07	02	1-861-010032-03	14
1-573-010477	31	1-654-010059-09	14	1-861-010032-03	29
1-573-010480	31	1-654-010059-13	66	1-861-010032-03	41
1-573-010488	31	1-654-010061-07	11	1-861-010032-03	62
1576-001	81	1-654-010065-13	73	1-861-010032-04	31
1-647-010004221	05	1-654-010065-19	73	1-861-010032-07	15
1-647-010006042	14	1-654-010070-11	11	1-861-010032-07	29
1-654-010003051	41	1-654-010070-11	15	1-861-010032-07	34
1-654-010032-4	34	1-654-010070-13	05	1-861-010032-09	05
1-654-010032-4	69	1-654-010070-16	05	1-861-010032-09	69
1-654-010034-03	34	1-654-010070-2	11	1-861-010032-10	41
1-654-010047-04	01	1-654-010070-3	05	1-861-010032-11	07
1-654-010047-04	14	1-654-010089-15	49	1-861-010032-11	13
1-654-010047-04	81	1-654-010096-05	69	1-861-010032-11	29
1-654-010047-06	29	1-654-010112-10	75	1-861-010032-11	34
1-654-010047-06	34	1-654-010133-08	05	1-861-010032-11	69
1-654-010049-03	45	1-654-010146-04	34	1-861-010032-11	75
1-654-010049-03	47	1-654-010146-04	69	1-861-010032-15	05
1-654-010049-06	29	1-654-010147-03	67	1-861-010032-15	11
1-654-010051-03	65	1-654-010158-1	34	1-861-010032-15	15
1-654-010051-05	07	1-656-010003026	65	1-861-010032-15	49
1-654-010051-05	13	1-656-010003039	07	1-861-010032-19	14

PART	PAGE	PART	PAGE	PART	PAGE
1-861-010032-19	66	1-879-010129-34	62	200300040	19
1-861-010032-20	69	1-879-010129-35	63	200300104	17
1-861-010032-25	05	190100046	25	200300104	17
1-861-010032-25	07	190400004	17	200300104	19
1-861-010034-07	14	190400004	17	200300104	19
1-861-010034-09	15	190400004	19	200400030	23
1-861-010034-09	34	190400004	19	200400030	23
1-861-010034-10	05	190600003	17	2023-8-8S	14
1-861-010034-10	29	190600003	17	2027	47
1-861-010034-10	45	190600003	19	2045-8-12S	81
1-861-010034-10	47	190600003	19	2046-12-12S	15
1-861-010034-11	13	1A0171	83	2047-12-12S	14
1-861-010034-11	49	1A0290	78	2047-12-12S	81
1-861-010034-13	49	1A0291	78	2047-8-8S	15
1-879-010004	29	1A0292	78	2047-8-8S	73
1-879-010004	62	1A0294	78	2047-8-8S	75
1-879-010005	29	1A0569	83	2049-8-8S	15
1-879-010005	62	1A0570	83	2066-6-6S	15
1-879-010005	71	1A0709	78	2066-8-10S	15
1-879-010008	63	1A0744	78	2066-8-10S	73
1-879-010008	71	1A0757	78	2066-8-10S	75
1-879-010009012	29	1R0013	83	2066-8-8S	73
1-879-010124-01	62	1R0015	83	2066-8-8S	75
1-879-010124-02	62	1R0018	83	2067-6-6S	15
1-879-010125-1	62	1R0019	83	2068-12-10S	15
1-879-010126-01	63	1R0020	83	2068-12-12S	14
1-879-010127-17	62	1R0024	83	2068-8-10S	15
1-879-010127-18	62	1R0035	78	2083-8-4S	07
1-879-010127-19	62	1V0081	78	2083-8-4S	34
1-879-010129-01	62	1V0249	78	2088-6-6S	41
1-879-010129-02	62	1V1701	78	2089-6-6S	41
1-879-010129-03	62	1V1703	78	2090-12-12S	75
1-879-010129-04	62	1V1725	78	2090-12-12S	81
1-879-010129-05	62	200013105	25	210600205	19
1-879-010129-06	62	200013105	25	210700077	17
1-879-010129-07	62	200013106	17	210700077	17
1-879-010129-13	62	200013106	17	210800205	19
1-879-010129-14	62	200013106	19	211300024	21
1-879-010129-15	62	200013106	19	2-181-010001	11
1-879-010129-16	62	200013106	21	2-181-010001	75
1-879-010129-20	62	200013107	23	22000-001	53
1-879-010129-21	62	200013107	23	220000102	23
1-879-010129-22	62	200018003	20	220000210	17
1-879-010129-23	62	200100189	25	220000210	17
1-879-010129-27	62	200300040	17	220000210	76
1-879-010129-30	63	200300040	17	220000211	19
1-879-010129-31	63	200300040	19	220000211	19

PART	PAGE	PART	PAGE	PART	PAGE
220000212	20	240000113	25	3-115-010097	67
220000212	21	240000208	25	3-115-010099	67
220001005	23	240000908	25	3-115-010139	67
220001010	25	240016230	25	3-115-010140	67
220001504	17	240019014	25	3-120-010103	81
220001504	17	240044018	25	312-2917-130	82
220001504	19	240044019	25	312-3220-327	82
220001504	19	240044020	25	312-5037-201	82
220001512	23	240061342	20	312-8217-327	82
22002-000	53	250001-011	53	3-150-010046	05
2216-12-16S	81	257	45	3-150-010047	05
2216-16-16S	81	2-573-010335	31	31506	71
22229-000	53	270010002	20	3-155-010013	49
22230-001	53	2750-8	29	3-156-010008	71
2255-12-12S	14	276028	51	3-156-010008	71
2255-6-6S	75	2A0007-011	83	316083	51
2255-8-8S	14	2A0010-015	83	3-162-010001	81
230001300	76	2A0079-404	78	3-181-010006	14
230010405	17	2A0079-406	78	3-181-010007	14
230010405	17	2A0283-7011	83	3-181-010007	29
230010405	19	2A0283-7015	83	3-181-010008	14
230010405	19	2A0283-9910	83	3-181-010034-1	29
230010407	17	2A9048-7	83	3-181-010034-1	75
230010407	17	2V0008	78	3-181-010060	15
230010407	19	3/4 ST ELL	81	3-181-010060	29
230010407	19	3/4 X 1/2 BUSH	41	32002	29
230010606	19	3/4NIPPLE	75	3-201-010001	07
230010606	19	3/4NIPPLE	81	3-201-010001	29
2-318-010009	15	3/4X1/2BUSH	73	3-201-010001	29
2-318-010009	63	3/4X1/2BUSH	75	3-201-010001	62
238-2450-3	81	300039	51	3-201-010001	71
238-6832	62	3-014-010096	75	3-203-010001	29
238-9030-12	62	3-014-010201	05	3-203-010001	62
238-9030-21	62	3-014-010202	05	3-208-010064	62
238-9030-22	62	3-027-010110	05	3-208-010064	65
238-9030-23	62	3-027-010111	05	3-208-010064-01	65
239-4899	15	3-042-010111-2	39	3-208-010064-02	65
2-397-010003	73	3-042-010130-02	39	3-208-010064-03	65
2-397-010003	75	3-080-010126	70	3-208-010064-04	65
2-397-010003	81	3-080-010126	70	3-208-010071	13
239-9008-1	41	3-080-010139	69	3-208-010071	31
239-9076-5	41	3-080-010278	70	3-208-010071	65
240000009	25	3-080-010278	70	3-208-010071-01	07
240000018	25	3-080-010278	70	3-208-010071-01	62
240000019	25	3-080-010446	01	3-222-010160	01
240000019	25	3-080-010447	01	3-222-010160	14
240000020	25	3-115-010096	67	3-222-010163	05

PART	PAGE	PART	PAGE	PART	PAGE
3-222-010168	15	3-311-015623	70	3-397-010246	75
3-222-010191	11	3-311-015715	70	3-399-010001048	81
3-238-010007	07	3-311-015952	70	3-406-010076	47
3-238-010007	86	3-311-016004	70	3-417-010004	14
324160	51	3-311-016095	70	3-443-010010	67
3-242-010049	75	3-311-016516	70	3-446-010006	29
3-242-010049	77	3-318-010001	71	3-446-010006	41
3-242-010091	73	3-318-010002	71	3-446-010006	71
3-242-010091	76	3-318-010005	63	3-446-010007	29
3-242-010185	13	332007	51	346SL	01
3-242-010185	21	3-334-010001	69	3-481-010012	49
3-242-010199	05	3-334-010002	69	3-481-010012	53
3-242-010199	13	3-334-010003	69	3-482-010005	49
3-242-010199	17	3-334-010004	69	3-482-010026	49
3-242-010200	05	3-334-010012	34	3-482-010107	69
3-242-010200	13	3-334-010015	34	3-482-010246	70
3-242-010200	17	3-334-010040	34	3-485-010001	34
3-242-010207	13	334163	51	3-557-010030	11
3-242-010207	20	3-348-010039	65	3-557-010032	14
3-242-010216	05	3-352-010053	05	3-557-010033	14
3-242-010216	15	3-360-010111	13	3-557-010059	14
3-242-010216	19	3-360-010111	23	3-557-010182	14
3-242-010217	05	3-368-010175	29	3-557-010186	02
3-242-010217	15	3-368-010221	29	3-557-010498	05
3-242-010217	19	3-368-010222	29	3-557-010499	05
3-272-010003	29	3-368-010225	29	3-557-010499	14
3-272-010010	71	3-368-010228	29	3-557-010500	05
3-272-010017	62	3-368-010228	62	3-557-010500	14
3-272-010021	29	3-368-010238	62	3-557-010502	05
3-272-010021	29	3-368-010285	62	3-557-010503	05
3-272-010021	41	3-368-010286	62	3-557-010504	05
3-272-010021	62	336A010	51	3-557-0110260	75
3-272-010021	71	3-372-010056	15	3-561-010001	81
3-272-010022	29	3-375-010582	11	3-561-010008	81
3-272-010022	41	3-375-010619	07	3-565-011544	11
3-272-010022	71	3-375-010619	11	3-573-010020	31
3-272-010062	71	3-375-010619	13	3-573-010031	31
3-272-010166	63	3-375-010619	29	3-573-010060	31
3-279-010043	15	3-375-010619	41	3-573-010203	31
328134	51	3-375-010619	49	3-573-010211	31
3-311-010578	11	338208	51	3-573-010377	31
3-311-013619	69	338273	51	3-573-010435	31
3-311-014622	29	3-384-010020	41	3-573-010437	31
3-311-014909	70	3-384-010031	41	3-573-010438	31
3-311-014910	70	3-395-010001	81	3-573-010441	31
3-311-014910	70	3-397-010124	73	3-573-010463	31
3-311-015577	70	3-397-010124	75	3-573-010471	31

PART	PAGE	PART	PAGE	PART	PAGE
357481	51	3-762-010017	34	414038	51
3-591-010001	81	3-762-010728-01	31	414045	51
3-591-010001	82	3-780-010002	34	414279	51
3-624-010008	62	3-786-010043	81	414521	51
3-630-010002	05	3-793-010018	66	414835	51
364018	51	3-793-010044	66	416030	51
3-642-010098	75	3-798-010038	45	416059	51
3-659-010012	45	3-798-010038	47	431007	51
3-659-010012	47	3-821-010005	34	438014	51
3-659-010013-1	67	3-828-010002	29	442184	51
368017	51	3-828-010002	41	442205	51
3-681-010106	65	3-831-010050	66	450006	51
3-681-010121	13	3-843-010009	07	450016	51
3-684-010031	49	3-843-010009	85	456001	51
3-684-010042	05	3-846-010009	73	456008	51
3-684-010047	05	3-846-010009	75	468002	51
3-684-010048	05	3-846-010009	79	468011	51
3-684-010051	34	3-846-010127	73	470033	51
3-711-010101	05	3-846-010127	75	472012	51
3-711-010102	05	3-846-010127	78	472013	51
3-711-010108	13	3-846-010145	13	481 54 224	35
3-711-010109	13	3-846-010145	23	486009	51
3-711-010111	11	3-846-010156	15	486017	51
3-720-010075	05	3-846-010164	13	494002	51
3-720-010075	07	3-846-010164	26	494053	51
3-725-010077	01	3-870-010012	45	4Z4306	78
3-741-010001	02	3-870-010097	47	5/16-24HFLN	69
3-741-010004	69	3-873-010073	49	5/16-24X1CS	69
3-741-010006	02	3-873-010073	51	514-1000	15
3-741-010007	02	3-873-010109	49	514-1000-056	67
3-741-010008	02	3-873-010109	51	514-1633-1	81
3-741-010009	01	391-0381-068	82	514-5728-7	62
3-741-010015	69	391-1401-025	82	514-5728-8	62
3-741-010076	05	391-1802-119	82	518014	51
3-755-010003	14	391-2082-032	82	518015	51
3-755-010089	69	391-2185-013	82	5389-001	53
3-755-010189-02	34	391-3681-001	82	55B11	41
3-755-010189-03	41	391-3784-028	82	55B61	07
3-755-010218	05	40002R	29	55B61	41
3-755-010219	05	4014041	79	55B61-6	41
3-755-010253	13	4014550	79	55B61-7	41
3-755-010255	29	4015410	79	56D4	41
3-755-010318	11	402002	51	5777	53
3-755-010330	05	4022030	79	59S-7	29
3-755-010331	05	4023150	79	59W-2-3	29
3-755-010354	05	412003	51	6002790	79
3-755-010355	05	412045	51	6002880	79
3-755-010372	07	413013	51	6008840	79

PART	PAGE	PART	PAGE	PART	PAGE
6013080	79	7358-000	53	93408186	37
602-000	53	7360-001	53	93600072	37
60540-000	53	7-458-010009	67	93600077	37
610100011	25	7461-000	53	93908009	37
612004001	25	7462-000	53	941 00 119	35
622-3511-008	34	750-029	29	941 00 466	35
625754008	25	7537-000	53	94100648	37
625765001	23	75716	45	94100685	37
625775001	23	758-012	07	94100787	37
625894008	25	758-012	09	94100790	37
6262230001	25	758-013	07	94100790	37
63635	45	758-013	09	A001	65
63680	47	758-181	41	AY102	65
6-397-010005	73	75-SP-2	86	AY103	65
6-397-010005	81	7859	09	AY109	65
660180032	25	805-2	34	AY115	65
660250002	23	8277-001	53	B3-128-098	07
660263002	25	900 54 466	35	B3-272-095	29
660280003	25	90001200	37	B3-407-097	73
660280010	25	90008139	37	B3-407-124	81
660280018	23	90008149	37	B3-407-167	75
660401008	23	90008184	37	B3-407-210	13
660580002	23	90025288	37	B3-482-001	69
660580003	23	90036177	37	B3-573-058	31
660580004	23	90036177	37	B3-741-001	02
660580004	25	90045040	37	B3-873-111	49
660580005	23	90054038	37	B5-115-011	67
670100008	25	900729-3	15	B5-115-012	67
670300029	25	905 54 107	35	B5-432-008	67
670300030	25	90516600	37	B5-755-004	05
670500044	25	90516601	37	B5-793-001	66
670500045	25	905-54-107	07	BSL-6-4	15
671302003	25	90557129	37	BSL-6-4	31
671400033	25	9057-014	53	BSL-6-4	67
671400076	25	9082-002	53	C29-1104X	71
671400077	25	9091-001	53	CO1-412	71
671400078	25	9121-002	53	CO-975-74-2000	02
671400079	25	930 02 349	35	CT-19	86
671400182	25	93003597	37	D01-407	29
671600049	25	93201051	37	D-2212-70.5TRACK	39
671600063	25	93201057	37	E001	65
671700014	23	934 00 060	35	E001	65
671800021	25	93400136	37	E002	65
671900011	25	93400149	37	E006	65
671900032	25	93400367	37	F-251	01
672201008	23	93400492	37	H015	65
6812	29	93400506	37	H038	65
6828	81	93400506	37	H039	65

PART	PAGE	PART	PAGE
H046	65	PMCK-8300	76
H048	65	PMCK-AD-461	21
H542061-0410	85	PMCK-AM-2536	19
H542061-7212	85	PMCK-AM-2542	19
H563060-6584	85	PMCK-AM-2554	17
H563061-2004	85	PMCK-AM-2554A	17
H571002-3704	85	PMCK-AM-2560	17
H571002-6204	85	PMCK-AM-2560A	17
H571002-7704	85	PMS-AM-2536	19
H571004-0404	85	PMS-AM-2542	19
H810138-0684	85	PMS-AM-2554	17
H894100-4702	85	PMS-AM-2554A	17
H895107-9204	85	PMS-AM-2560	17
H895361-7204	85	PMS-AM-2560A	17
H896040-1504	85	PTO	81
H897101-7804	85	RPRB59004X11	67
H897151-0094	85	RRT119X.75	75
HM212011	45	RRT271X.375ZP	15
HM212011	47	S005	65
HM212049	45	S21F-6	13
HM212049	47	S25F-6	13
HM218210	45	SBT1017	77
HM218210	47	SCY1026	77
HM218248	45	SCY1079	77
HM218248	47	SCY1079	77
K-23001	81	SCY222	77
K-23022	81	SCY223	77
LB004	65	SCY224	77
LB005	65	SRK-143	07
M13299-1	26	SVA-S60	23
MV4-43-12-TD	79	SVA-S60	25
P67912	85	SVA-S61	23
P67914-4	85	SVA-S61	25
P68131	85	SVA-S86	23
P68131	85	SVA-S86	25
P7675	09	SVE26	23
P7710	09	SVI25	23
P7724	09	SWS245	77
P7725	09	T120R	29
P7739	09	TR573	45
P7830	09	TR573	47
P7833	09	W001-20	65
P7848	09		
P7856	09		
P7857	09		
P7870	09		
P7872	09		
PMCK-5600	20		

