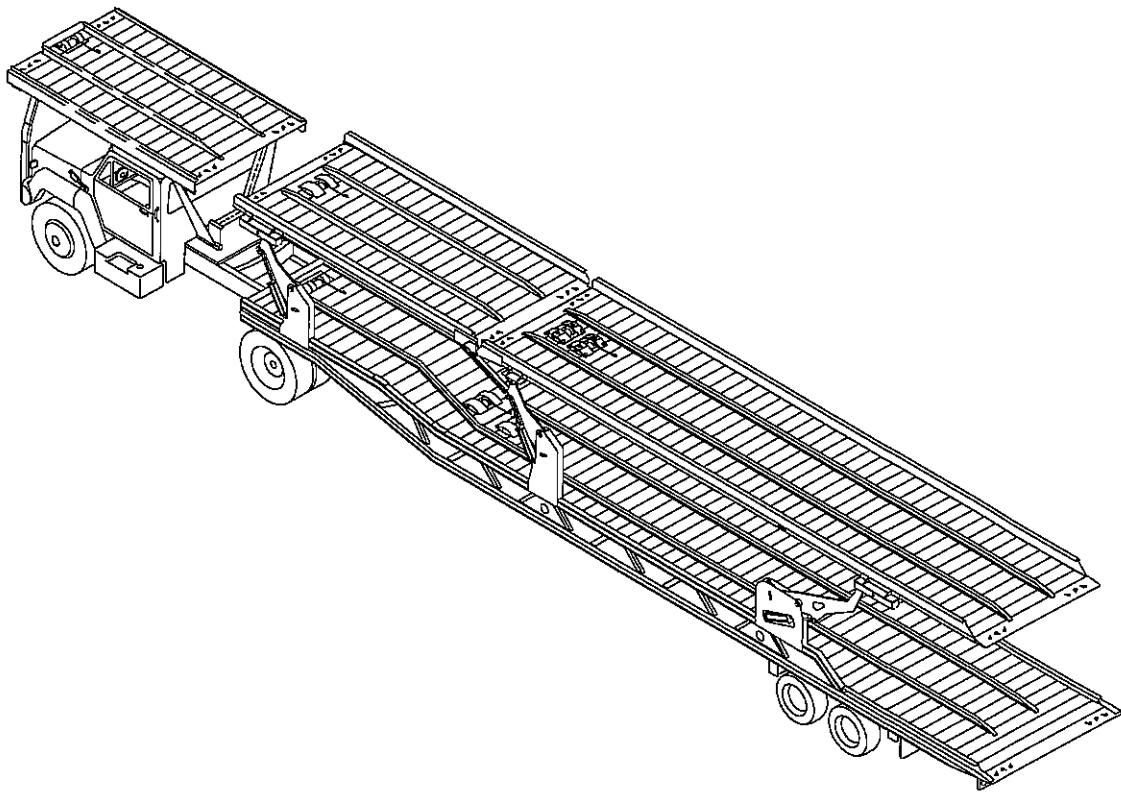




**MODEL 336B  
CAR CARRIER  
PARTS LIST**



**1900 NORTH STREET  
MARYSVILLE, KS 66508  
(785)562-5381**



# ILLUSTRATED PARTS LIST

1

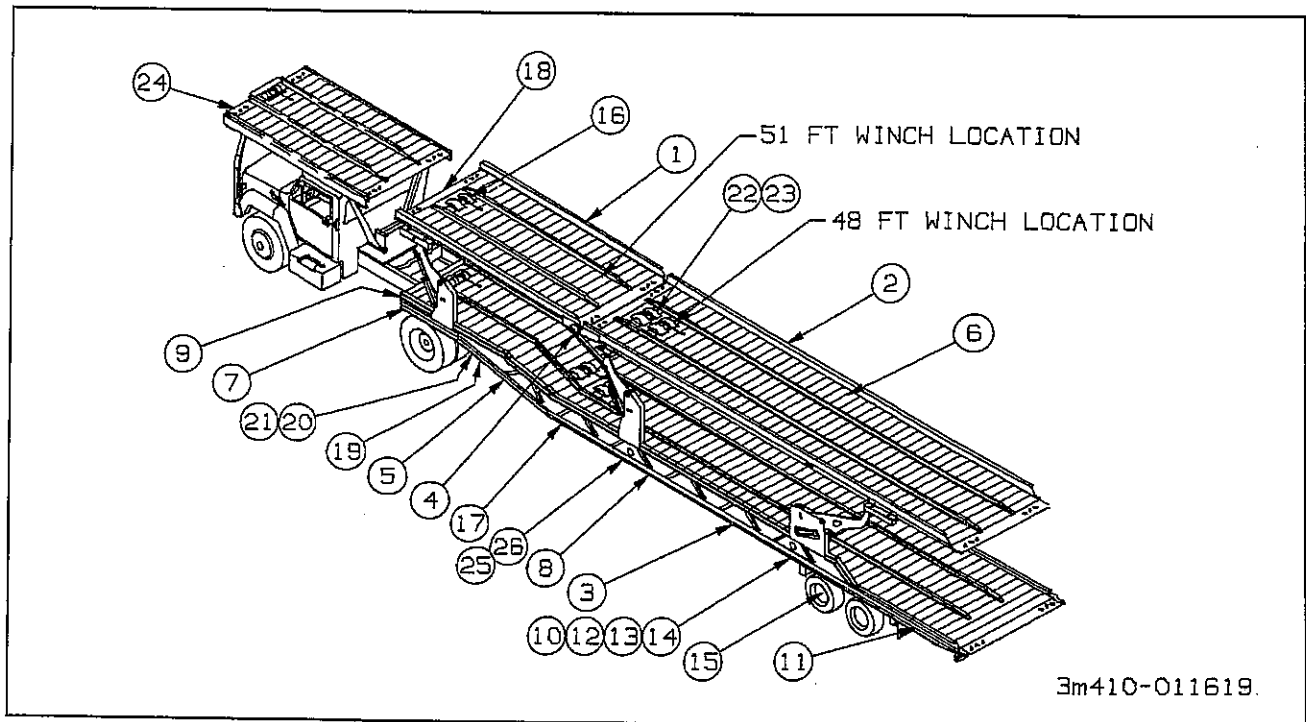


Figure 1-1 General Assembly

## GENERAL ASSEMBLY

ITEM	PART/PAGE NO.	DESCRIPTION	QTY.
1	3-080-010422	BED WELDMENT UPPER FRONT (51')	1
	3-080-010430	BED WELDMENT UPPER FRONT (48')	1
2	3-080-010423	BED WELDMENT UPPER REAR	1
3	3-080-010465	BED LOWER 48' WLDMT 6 CAR (48')	1
4	SEE PG 1-2 - 1-7	UPPER DECK PARTS	1
5	SEE PG 1-8 - 1-12	DECK LOCK AIR SYSTEM	1
6	SEE PG 1-13	D-RING KIT	12
7	SEE PG 1-14 - 1-15	HYDRAULIC TILT ASSEMBLY	1
8	SEE PG 1-16 - 1-33	HYDRAULIC SYSTEM	1
9	SEE PG 1-34 - 1-36	ELECTRICAL SYSTEM	1
10	SEE PG 1-37 - 1-39	DECAL INSTALLATION	1
11	SEE PG 1-40 - 1-41	UNDERCARRIAGE ASSEMBLY	1
12	SEE PG 1-42 - 1-45	AIR RIDE SUSPENSION	1
13	SEE PG 1-46 - 1-47	AXLE AND BRAKE SYSTEM	2
14	SEE PG 1-48 - 1-49	AIR BRAKE SYSTEM	1
15	SEE PG 1-50 - 1-53	HUB AND DRUM ASSEMBLY	4
16	SEE PG 1-54 - 1-61	WINCH	1
17	SEE PG 1-62 - 1-73	REMOTE CONTROL	1
18	SEE PG 1-74	CABLE ROLLER	1
19	SEE PG 1-75	TOOL BOX	2
20	3-725-010077	LANDING GEAR PIN DROP	2
21	346SL	LOCK HITCH PIN	2
22	3-222-010165	COVER, WINCH OPENING, 336A (51')	1
23	1-654-010070-3	SCREW, RD HEAD SQ NECK 1/2-13 GR5	4
24	SEE PG 1-76 - 1-93	"OVER-THE-CAB" DECK AND SYSTEMS	1
25	3-222-010160	COVER, ACCESS	6
26	1-654-010047-04	SCREW 1/4-20 X 3/4	18

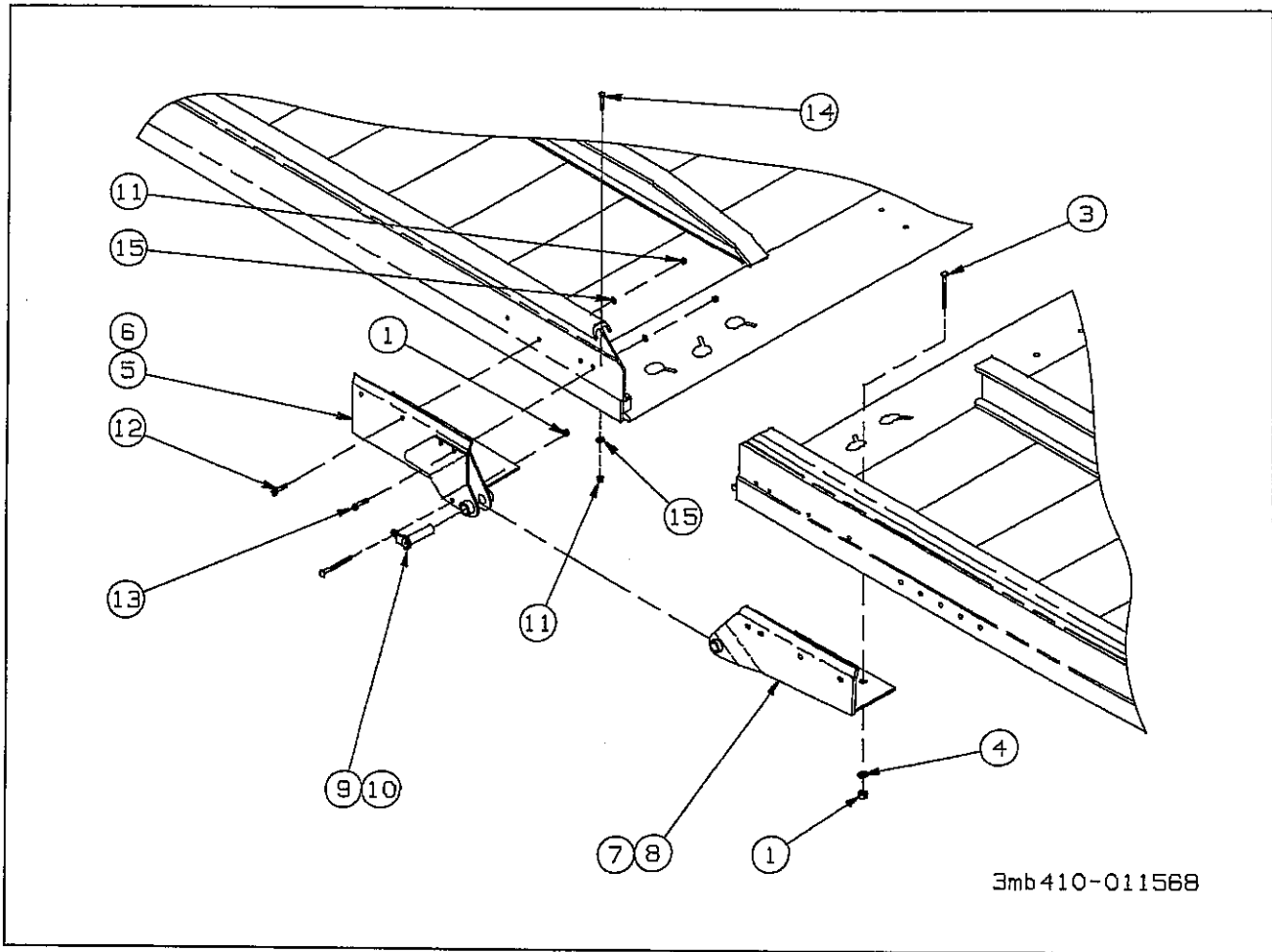


Figure 1-2 Upper Deck Connectors

## UPPER DECK CONNECTORS

ITEM	PART NO.	DESCRIPTION	QTY.
	B3-120-011	BRACKETS TOP DECK CONNECTORS (3-410-011568)	
1	1-512-010005-09	NUT HEX LOCK 1/2-13 GRB	16
3	1-654-010070-11	SCREW RD HEAD SQ NECK 1/2-13 X 3-1/2 GR5	16
4	1-861-010032-15	WASHER FLAT 1/2	16
5	3-311-014867	HINGE FRONT WELDMENT LH	1
6	3-311-014868	HINGE FRONT WELDMENT RH	1
7	3-372-010013	HINGE UPPER DECK REAR LH	1
8	3-372-010014	HINGE UPPER DECK REAR RH	1
9	3-557-010220	PIN ARM CYL ROD END LH	1
10	3-557-010221	PIN ARM CYL ROD END RH	1
11	1-512-010005-05	NUT HEX LOCK 3/8-16 GRB	18
12	1-654-010051-06	SCREW HEX HEAD CAP 3/8-16UNCX1-1/4 GR5	2
13	1-654-010051-08	SCREW HEX HEAD CAP 3/8-16UNCX1-3/4 GR5	12
14	1-654-010051-09	SCREW HEX HEAD CAP 3/8-16UNCX2 GR5	4
15	1-861-010032-11	WASHER FLAT 3/8	18

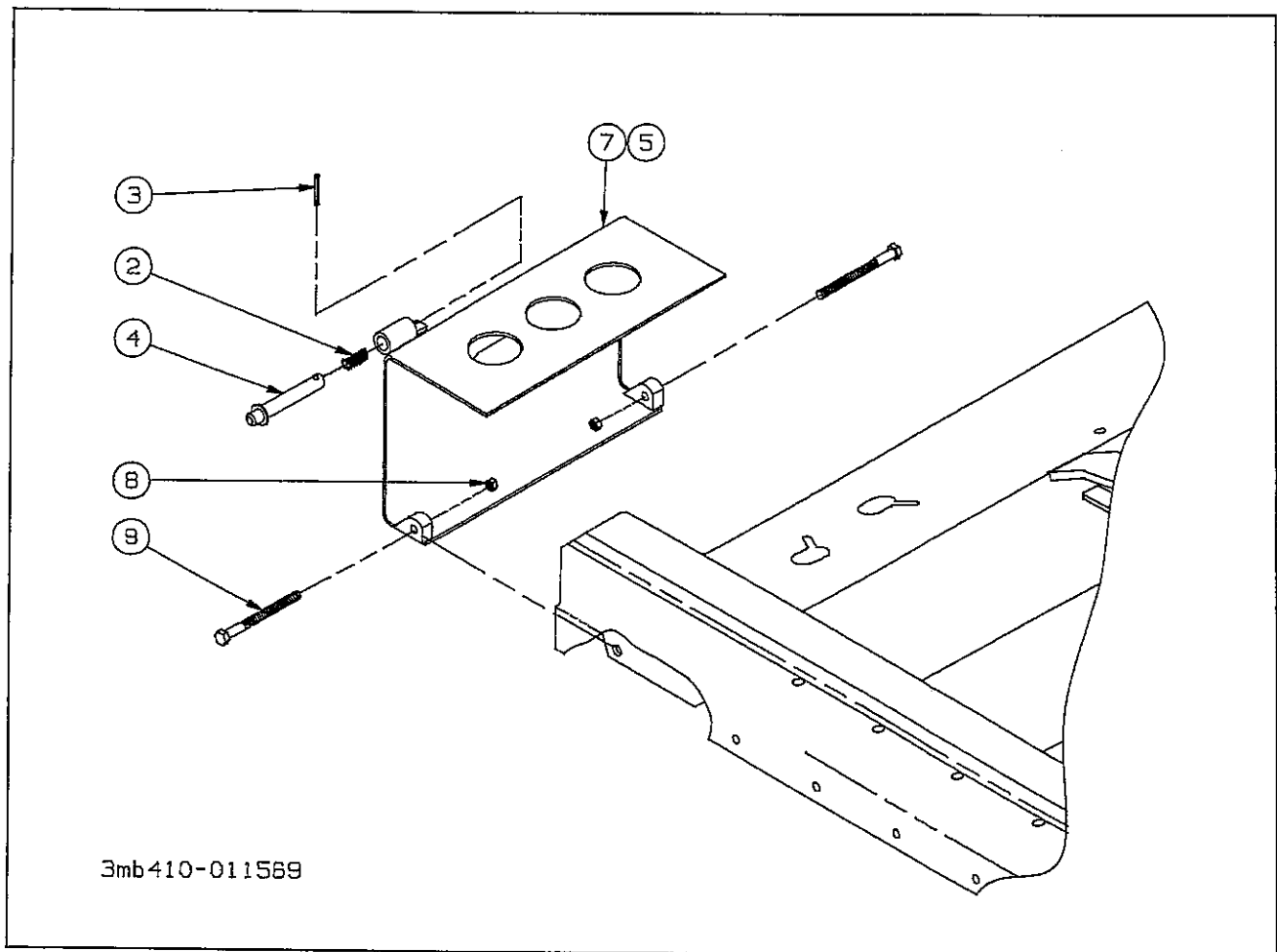
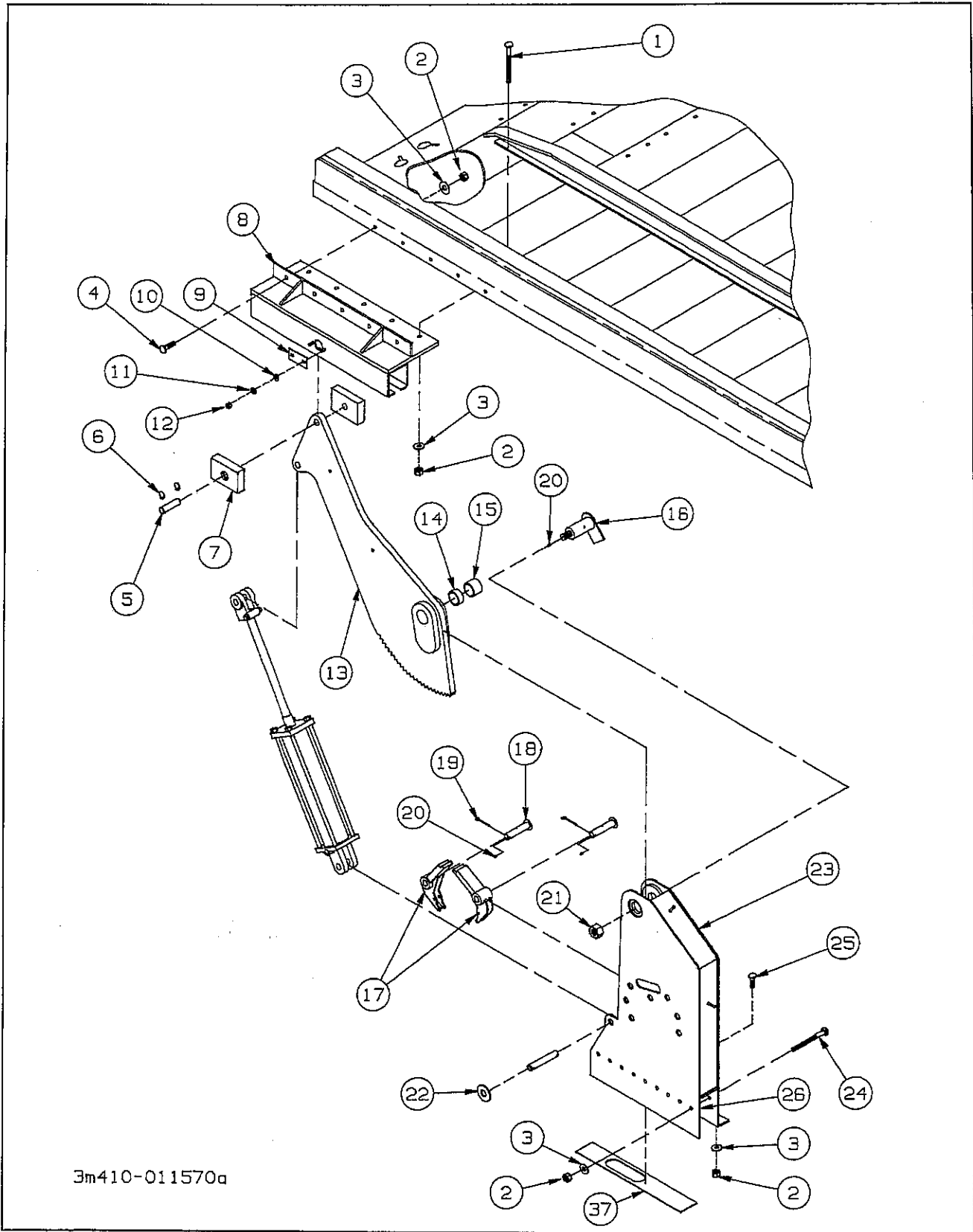


Figure 1-3 Wheel Stops

## WHEEL STOPS

ITEM	PART NO.	DESCRIPTION	QTY.
	B3-741-001	STOP WHEELS CAR TRAILER (3-410-011569)	1
1	3-741-010007	STOP ASSY LEFT WHEEL (INCLUDES 2,3,4,AND 5)	1
2	CO-975-74-2000	SPRING COMPRESSION	1
3	0600-375-04000	ROLL PIN	1
4	3-557-010186	PIN W/ WASHER 3/4X5-3/8	1
5	3-741-010001	STOP LH WHEEL	1
6	3-741-010008	STOP ASSY RIGHT WHEEL (INCLUDES 2,3,4,AND 7)	1
7	3-741-010006	STOP RH WHEEL	1
8	1-512-010005-13	NUT HEX LOCK 5/8-11 GRB	4
9	1-654-010059-07	SCREW HEX HEAD CAP 5/8-11X2-1/2 GR5	4



3m410-011570a

Figure 1-4 Front Upper Deck Support

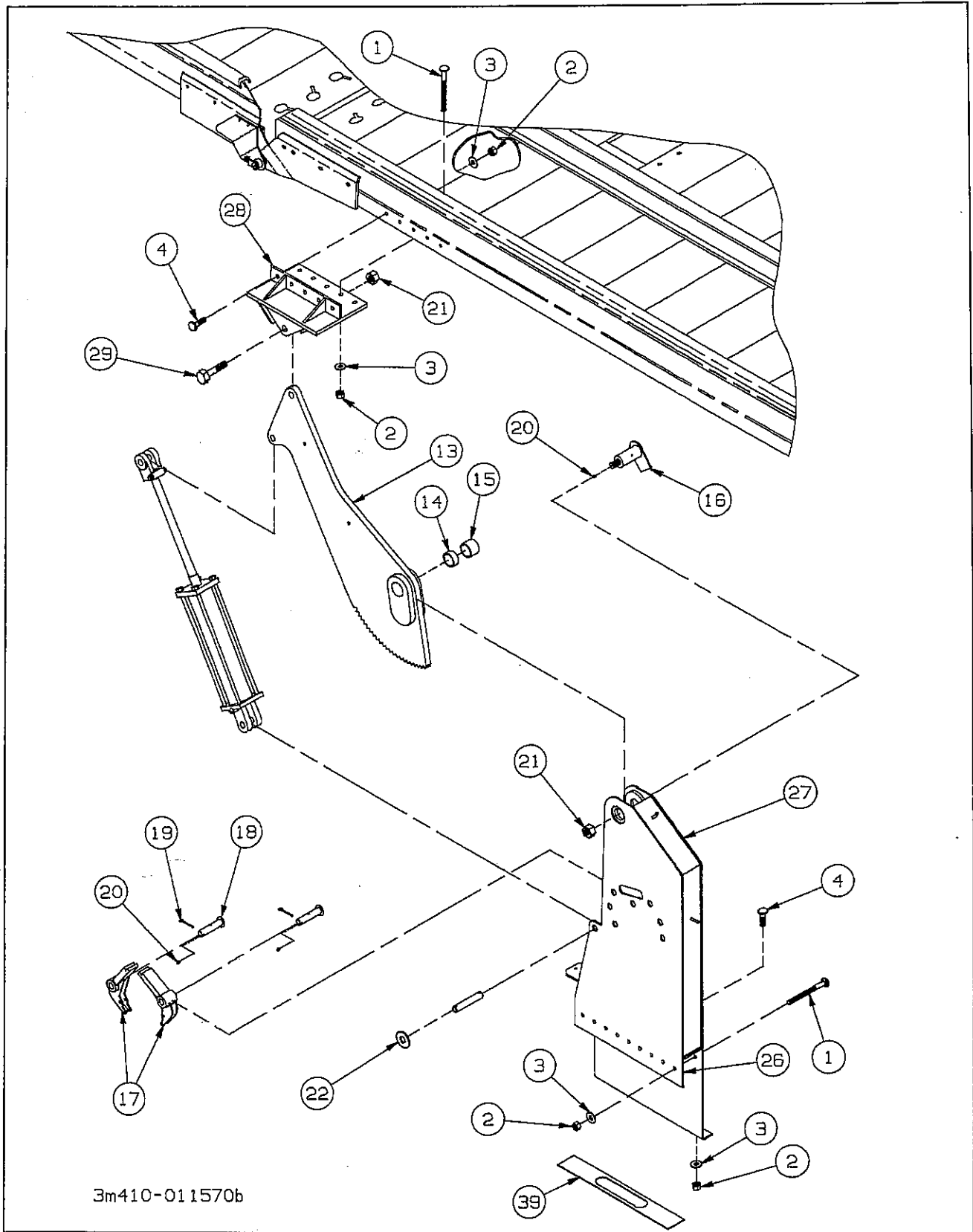


Figure 1-5 Middle Upper Deck Support

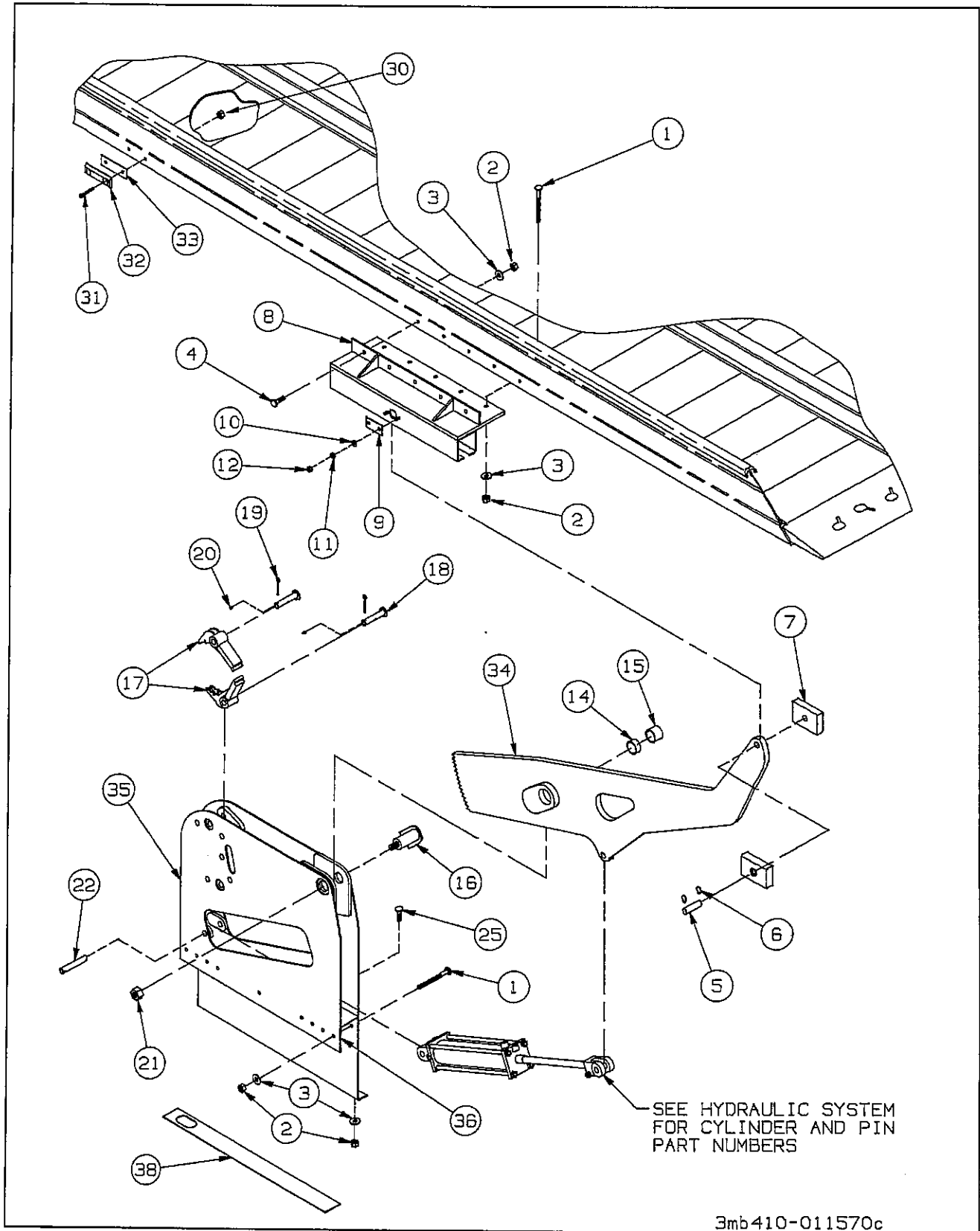


Figure 1-6 Rear Upper Deck Support

3mb410-011570c



## UPPER DECK SUPPORTS

ITEM	PART NO.	DESCRIPTION	QTY.
	B3-755-002	SUPPORT UPPER DECKS TRL336A (3-410-011570)	1
1	1-654-010070-13	SCREW RD HEAD SQ NECK 1/2-13X4 GR5	30
2	1-512-010005-09	NUT HEX LOCK 1/2-13 GRB	141
3	1-861-010032-15	WASHER FLAT 1/2	148
4	1-654-010055-04	SCREW HEX HEAD CAP1/2-13UNCX1-3/4 GR5	25
5	3-557-010504	PIN RETAINING RING 1X3-5/8	4
6	3-630-010002	RING RETAINING EXTERNAL	8
7	3-755-010218	SUPPORT NYLATRON SLIDE	8
8	3-755-010219	SUPPORT SLIDER WLDMT	4
9	3-222-010163	COVER ACCESS HOLE TRL 336A	4
10	1-861-010032-09	WASHER FLAT 5/16	8
11	1-861-010034-10	WASHER SPLIT LOCK 5/16	8
12	1-512-010007-06	NUT 5/16-18	8
13	3-027-010111	ARM LIFT FRONT WLDMT	4
14	3-150-010046	BUSHING	6
15	3-150-010047	BUSHING	6
16	3-557-010498	PIN MAIN LIFT PIVOT WLDMT	6
17	3-741-010076	STOP LIFT WLDMT	12
18	3-557-010502	PIN STOP LIFT WLDMT	12
19	1-557-010362-51	COTTER PIN PLATED 3/16X1-1/2	24
20	1-298-010001-1	ZERK FITTING	20
21	1-512-010005-19	NUT HEX LOCK 1-8	8
22	1-861-010032-25	WASHER FLAT 1"	12
23	3-755-010371	SUPPORT LIFT ARM FRT LT WLDMT	1
	3-755-010370	SUPPORT LIFT ARM FRT RT WLDMT	1
24	1-654-010070-16	SCREW RD HEAD SQ NECK 1/2-13X5-1/2 GR5	54
25	1-654-010070-3	SCREW RD HEAD SQ NECK 1/2-13X1-1/2 GR5	36
26	3-711-010101	SPACER FRT AND MIDDLE LIFT ARM	4
27	3-755-010365	SUPPORT LIFT ARM CTR. WLDMT. LT	1
	3-755-010364	SUPPORT LIFT ARM CTR. WLDMT. RT	1
28	3-014-010201	ANCHOR CENTER WLDMT LT	1
	3-014-010202	ANCHOR CENTER WLDMT RT	1
29	3-557-010503	PIN DECK MAIN	2
30	1-512-010005-09	NUT HEX LOCK 1/2-13 GRB	4
31	1-654-010133-08	SCREW HEX SOC FL CTSK 1/2-13X2-1/4	4
32	3-352-010053	GUIDE BED TOP REAR	2
33	3-684-010042	SHIM GUIDE BED	4
34	3-027-010110	ARM LIFT REAR WLDMT	2
35	3-755-010355	SUPPORT ARM REAR WLDMT LT	1
	3-755-010354	SUPPORT ARM REAR WLDMT RT	1
36	3-711-010102	SPACER REAR LIFT ARM	2
37	3-684-010047	SHIM FRT LIFT ARM 336	4
38	3-684-010048	SHIM REAR LIFT ARM 336	4
39	3-684-010049	SHIM MIDDLE LIFT ARM 336	4

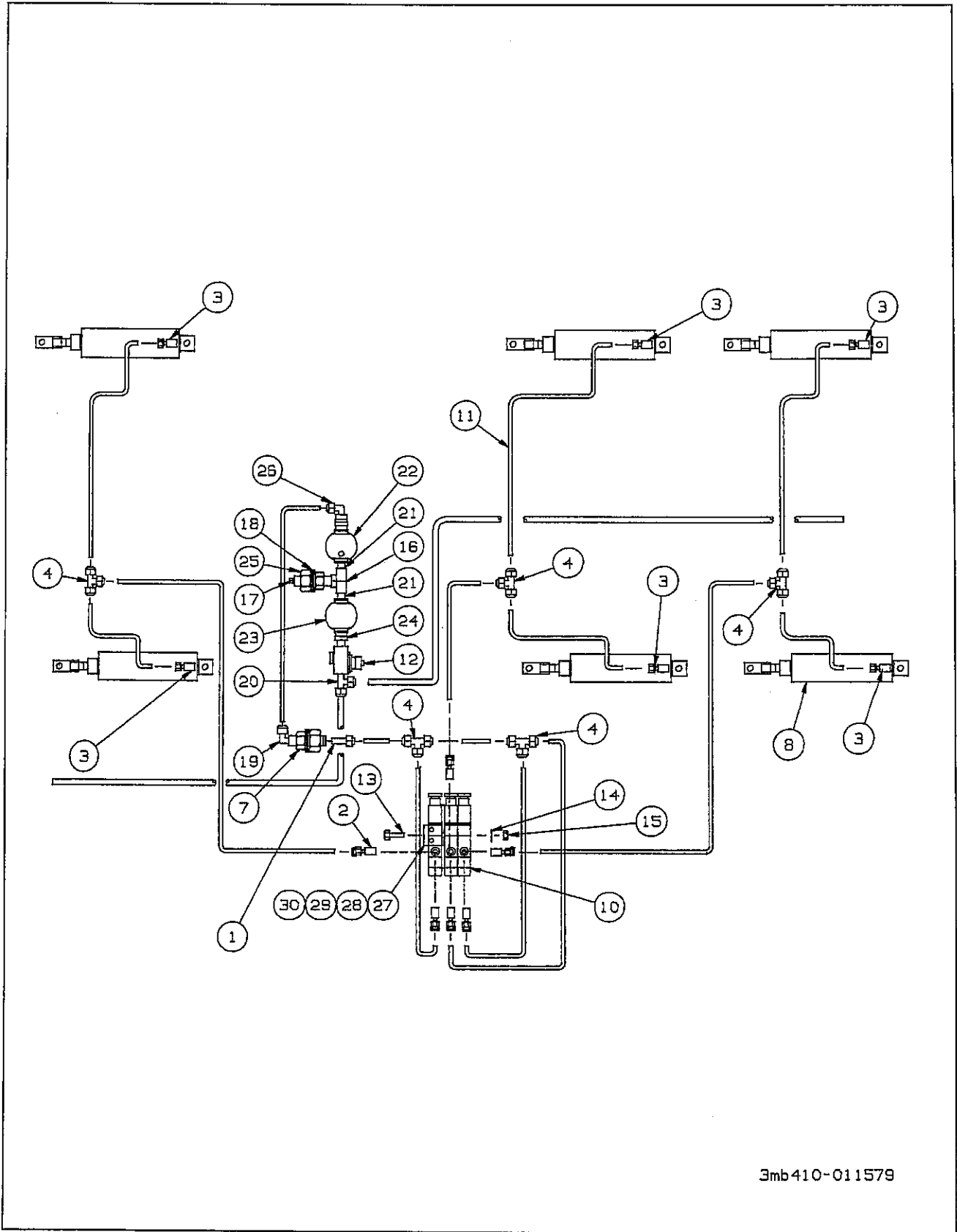
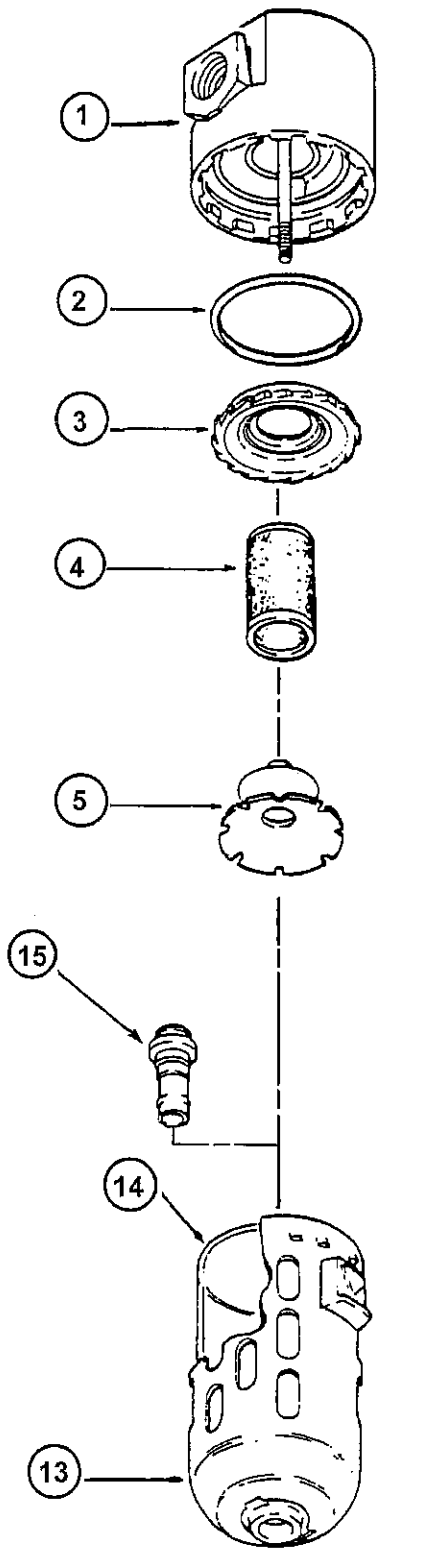


Figure 1-7 Deck Lock Air System

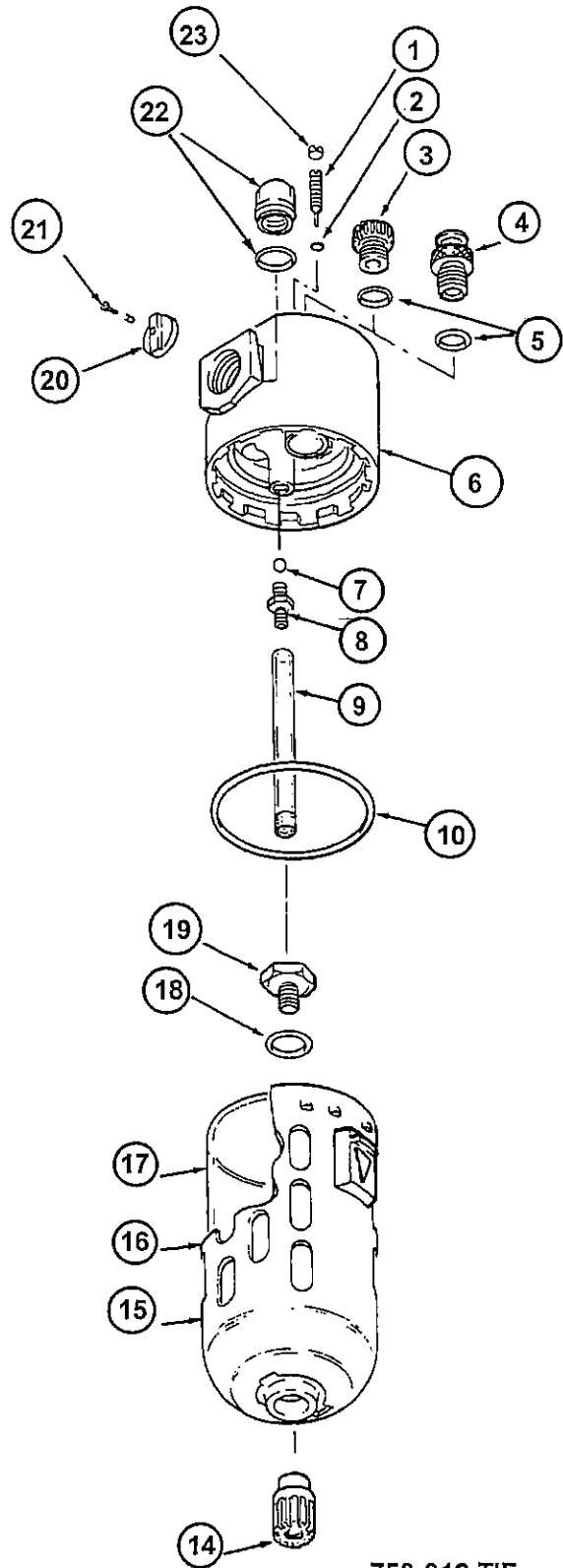
## DECK LOCK AIR SYSTEM

ITEM	PART NO.	DESCRIPTION	QTY.
	B3-128-081	INSTALL AIR SYSTEM DECK LOCKS 336A (3-410-011579)	
	3-208-010070	CONTROL BOX ASSEMBLY 336B (AIR SYSTEM ONLY)	
1	1-297-010007-05	FITTING AIR 1/4TUBEX1/4NPT	1
2	1-297-010008-05	FITTING AIR 90° 1/4TUBEX1/8NPT	6
3	1-297-010008-07	FITTING AIR 90° 1/4TUBEX1/4NPT	6
4	1-297-010010-01	FITTING AIR UNION TEE 1/4	5
5	1-654-010051-08	SCREW HEX HEAD CAP 3/8-16X1-3/4 GR5	12
6	1-512-010005-05	NUT HEX SELF LOCKING 3/8-16 GRB	12
7	1-297-010022-02	FITTING AIR ANCHOR CPLG 1/2 NPT	1
8	3-238-010007	CYLINDER AIR (SEE PAGE 1-13)	6
9	3-720-010075	SPRING EXTENSION	6
10	3-843-010009	VALVE AIR SOLENOID 12V (WABCO GC13101-3655)	3
11	1-833-010001	NYLON TUBING 1/4	76'
12	905-54-107	VALVE AND FILTER PRESSURE	1
13	1-656-010003042	SCREW RD HEAD MACH 8-32X3-1/2	2
14	1-861-010032-02	WASHER FLAT #8	2
15	1-512-010003-03	NUT HEX SLF LKG W/NYL INSERT 8-32	2
16	1-297-010009-04	FITTING AIR PIPE TEE 1/2	1
17	1-560-010002-02	PLUG PIPE 1/4	1
18	1-861-010032-25	WASHER FLAT 1"	2
19	1-297-010008-18	FITTING AIR 90° 3/8TUBEX1/4NPT	1
20	1-297-010011-04	FITTING AIR M/RUN TEE 3/8-1/4	1
21	1-297-010020-04	FITTING BRS PIPE CL NIP 1/2	2
22	758-012	LUBRICATOR AIR (SEE FIGURE 1-9)	1
23	758-013	FILTER BRS PIPE CL NIP (SEE FIGURE 1-8)	1
24	2083-8-4S	NIPPLE HEX	1
25	55B61	FRAME UNION	1
26	1-297-010008-21	FITTING AIR 90° 3/8TUBEX1/2NPT	1
27	3-755-010372	SUPPORT AIR SOLENOID TEE	1
28	1-654-010051-06	SCREW HEX HEAD CAP 3/8-16UNCX1-1/4 GR5	2
29	1-861-010032-11	WASHER FLAT 3/8	4
30	1-512-010005-05	NUT HEX SELF LOCKING 3/8-16 GRB	2



758-013.TIF

Figure 1-8 Air System Filter



758-012.TIF

Figure 1-9 Air System Lubricator

## AIR SYSTEM FILTER

ITEM	PART NO.	DESCRIPTION	QTY.
1	758-013	FILTER AIR	1
	*	BODY	1
2	7859	BOWL O-RING KIT	1
3	*	LOUVER	1
4	P7833	FILTER ELEMENT W/ BOWL O-RING	1
5	*	BAFFLE	1
13	P7857	METAL BOWL GUARD	1
14	P7856	PLASTIC BOWL	1
	P7830	PLASTIC BOWL W/ FLEX DRAIN AND BOWL GUARD	1
15	P7710	PETCOCK ASSY (PLASTIC BOWLS ONLY)	1

\* ITEMS NOT SOLD SEPARATELY.

## AIR SYSTEM LUBRICATOR

ITEM	PART NO.	DESCRIPTION	QTY.
1	758-012	AIR SYSTEM LUBRICATOR	1
	*	ADJUSTING SCREW	1
2	P7725	O-RING KIT	1
3	*	FILL PLUG KIT W/ O-RING	1
4	P7724	FORCE-FILL ADAPTER	1
5	*	O-RING	2
6	*	BODY	1
7	*	BALL	1
8	*	ADAPTER	1
9	P7739	SIPHON TUBE ASSY	1
10	P7872	O-RING	1
14	**	PLASTIC PETCOCK	1
15	P7848	PLASTIC BOWL W/ PETCOCK & METAL BOWL GUARD	1
16	**	METAL BOWL GUARD	1
17	**	PLASTIC BOWL ASSY	1
18	**	O-RING	1
19	**	RETAINING SCREW	1
20	P7870	VARIABLE ORIFICE (1/2" MODEL)	1
21	*	ORIFICE KIT (SCREW AND SPACER)	1
22	P7675	SIGHT DOME KIT	1
23	*	TAMPER RESISTANT CAP (OPTION)	1

\* ITEMS NOT SOLD SEPARATELY.

\*\* ITEMS SOLD TOGETHER AS PART NO P7726.

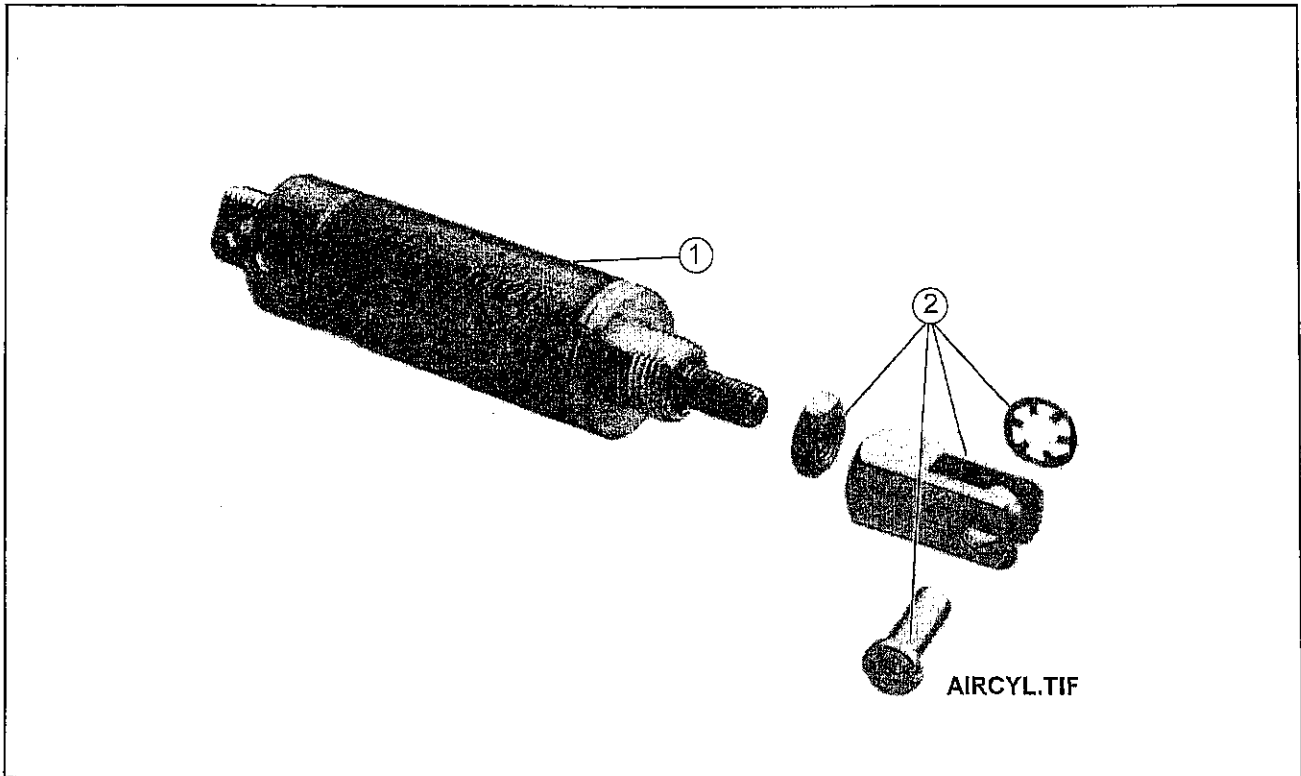


Figure 1-10 Cylinder, Air 1-3/4 Bore

### CYLINDER, AIR 1-3/4 BORE

ITEM	PART NO.	DESCRIPTION	QTY
	3-238-010007	CYLINDER AIR 1-3/4 BORE	
1	75-SP-2	CYLINDER	1
2	CT-19	ROD CLEVIS	1

NOTE: INTERNAL PARTS NOT SOLD SEPERATELY

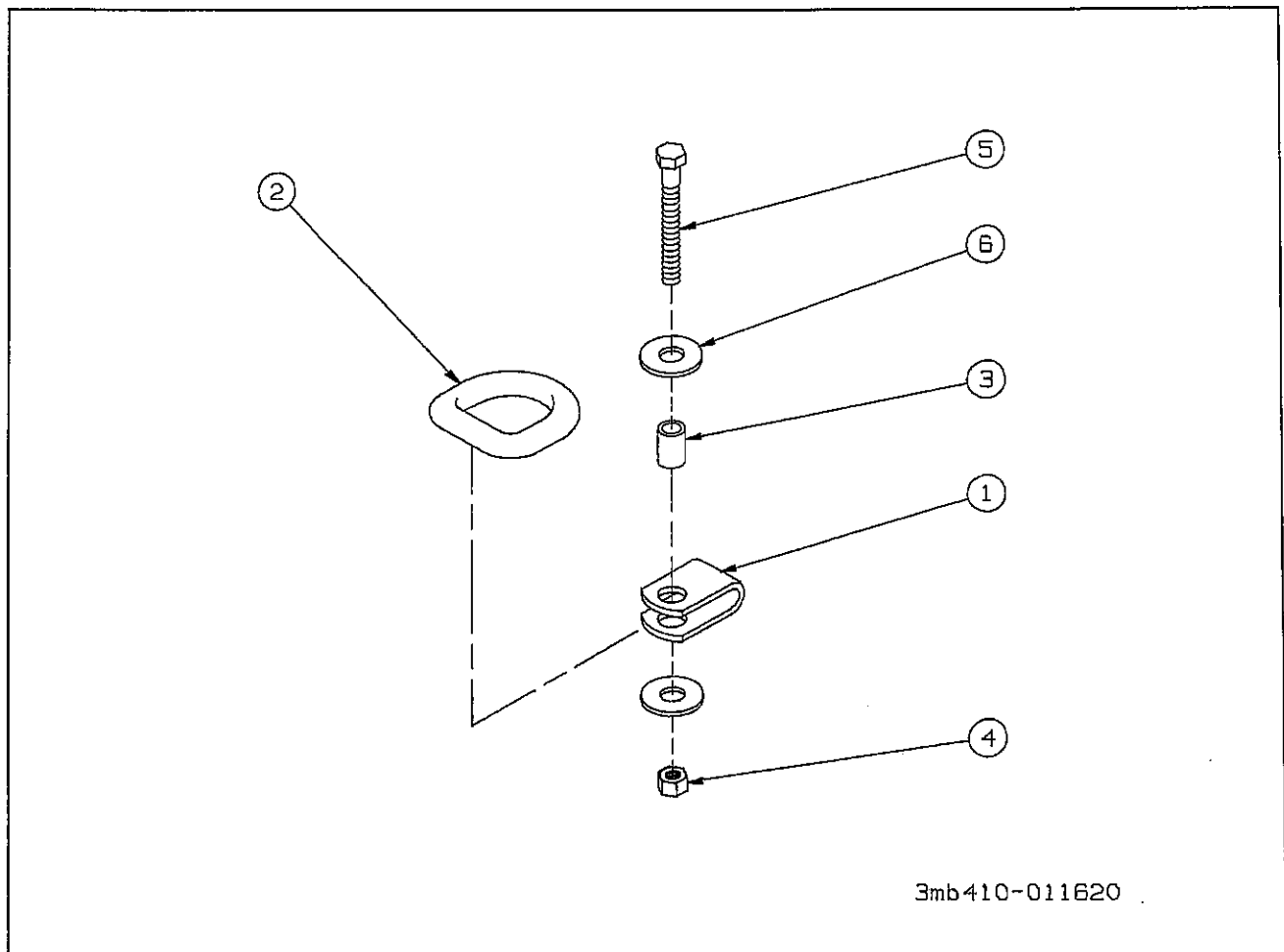
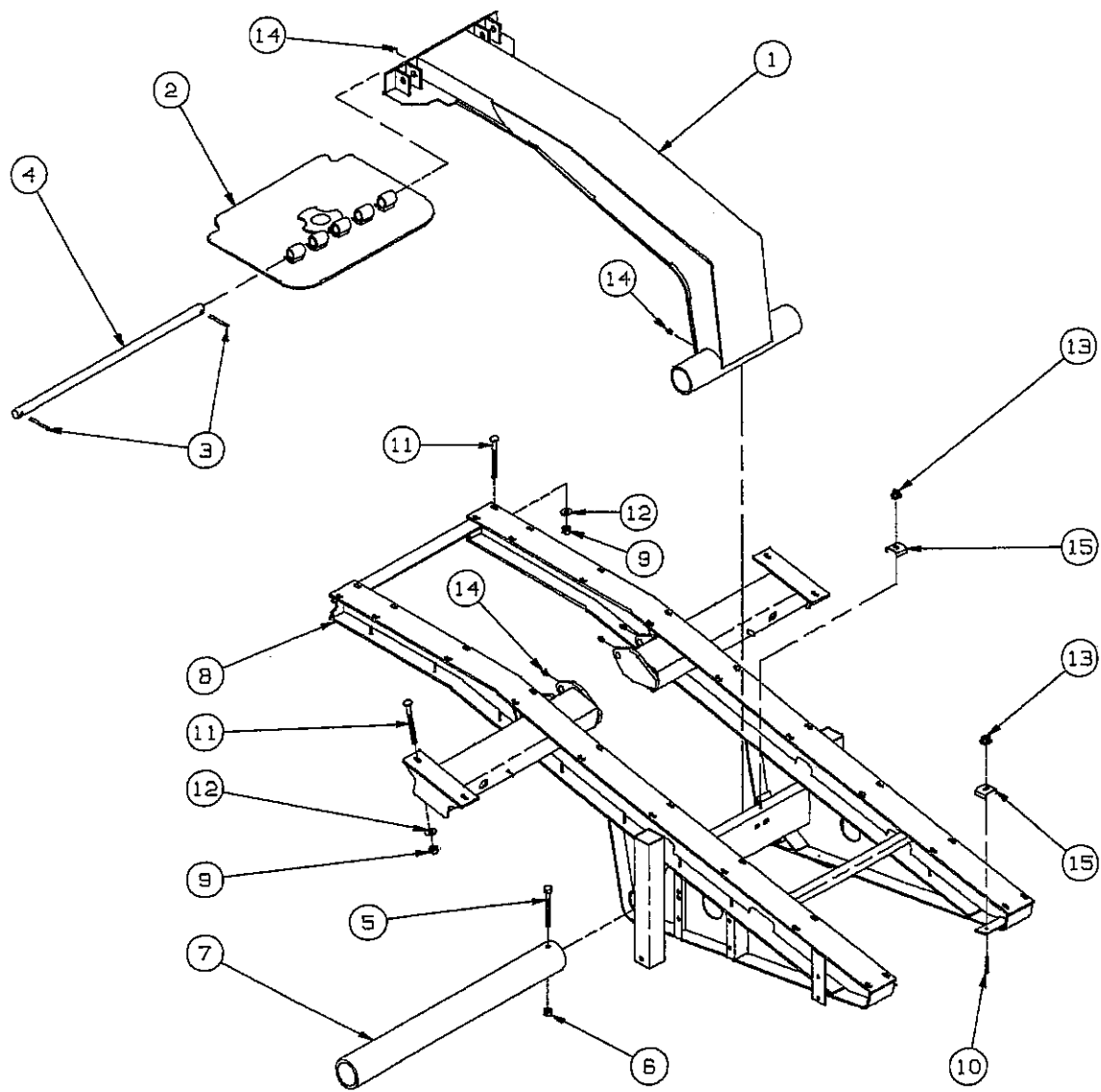


Figure 1-11 D-Ring Kit

### D-RING KIT

ITEM	PART NO.	DESCRIPTION	QTY.
	B5-793-001	D-RING KIT	12
1	3-793-010018	D-RING SWIVEL	12
2	3-793-010044	D-RING	12
3	3-831-010050	TUBING	12
4	1-512-010005-13	NUT HEX LOCK 5/8-11 GRB	12
5	1-654-010059-13	SCREW HEX HEAD CAP 5/8-11X4 GR5	12
6	1-861-010032-19	WASHER FLAT 5/8	24



3mb375-010588

Figure 1-12 Hydraulic Tilt Assembly



## HYDRAULIC TILT ASSEMBLY

ITEM	PART NO.	DESCRIPTION	QTY.
	3-375-010588	HITCH TILT ASSY 336B (HITCH TILT ITEMS ONLY)	
1	3-375-010582	HITCH WLDMT 5TH WHEEL 336A HD	1
2	3-565-011742	PLATE WLDMT 5TH WHEEL 336B	1
3	0600-375-02000	ROLL PIN	2
4	3-557-010030	HINGE PIN FIFTH WHEEL	1
5	1-654-010061-07	SCREW HEX CAP 3/4-10UNCX2-1/2 GR5	1
6	1-512-010005-15	NUT HEX 3/4-10 GRB	1
7	3-311-010578	HINGE TUBE MCKEE	1
8	3-375-010587	HITCH SUPPORT 336B TRL (INCLUDES 3-311-010578)	1
9	1-512-010005-09	NUT HEX LOCK 1/2-13 GRB	40
10	1-654-010051-08	SCREW HEX CAP 3/8-16X1-3/4 GR5	2
11	1-654-010070-11	SCREW RD HEAD SQ NECK 1/2-13X3-1/2 GR5	40
12	1-861-010032-15	WASHER FLAT 1/2	40
13	1-510-010001	NUT FLANGE LOCK 3/8-16	33
14	5010	ZERK FITTING	9
15	2-181-010001	CLAMP	33

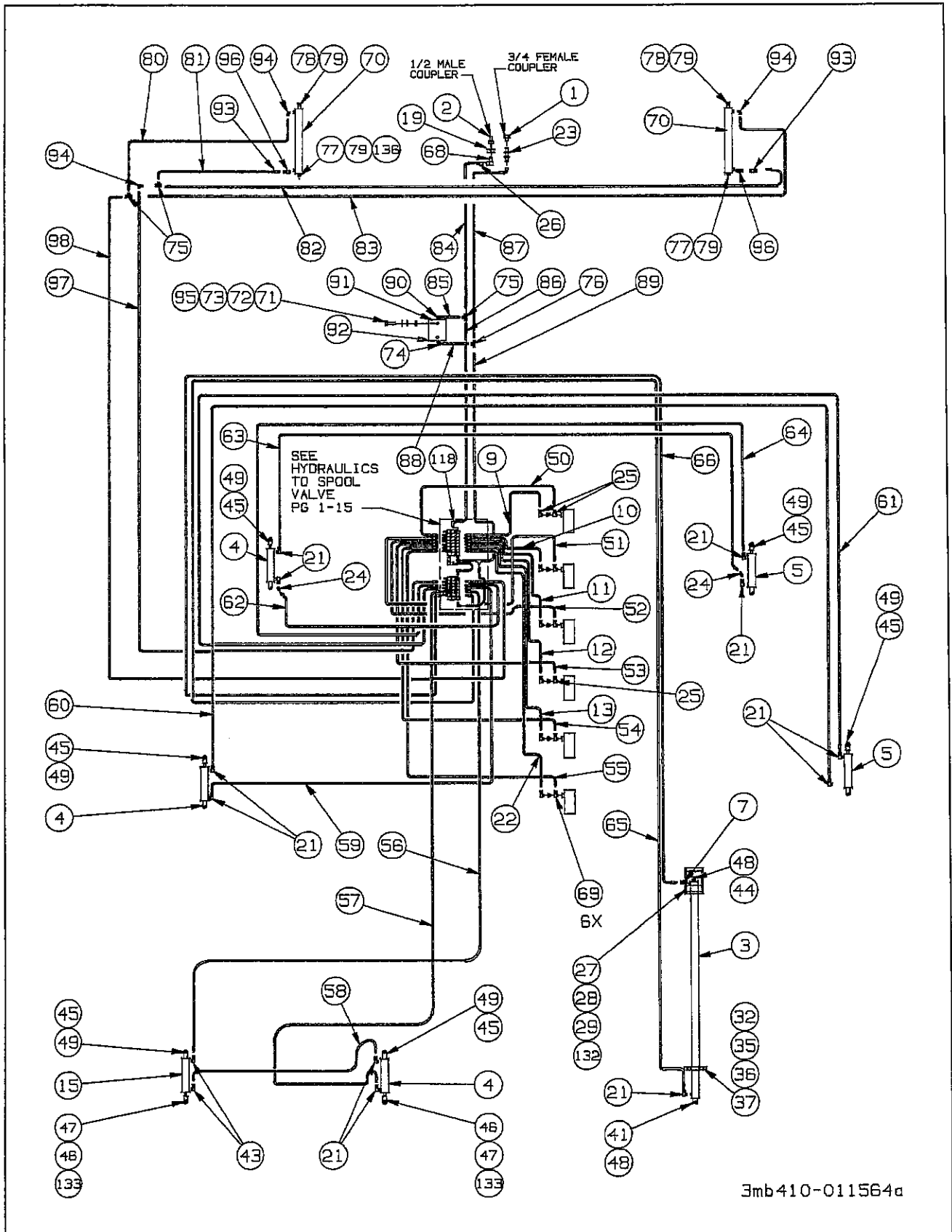


Figure 1-13 Hydraulic System

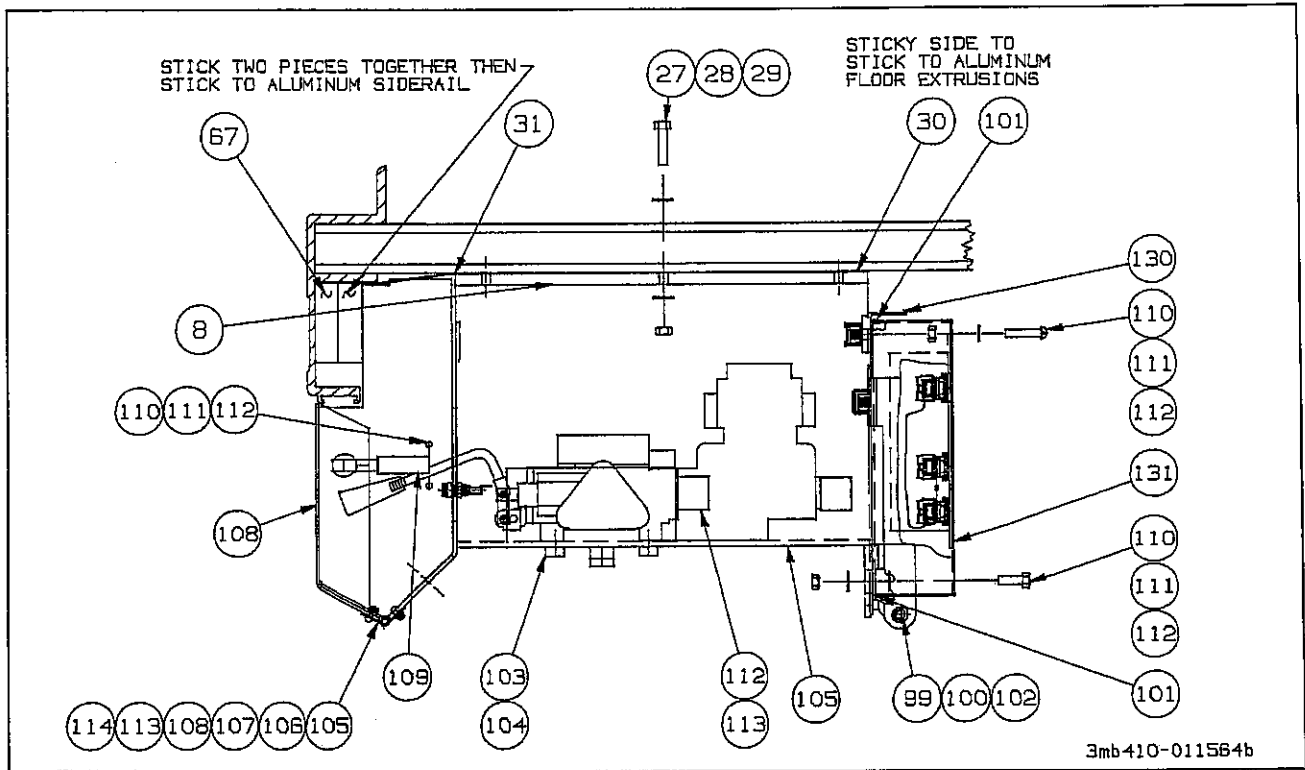


Figure 1-14 Valve Support Detail

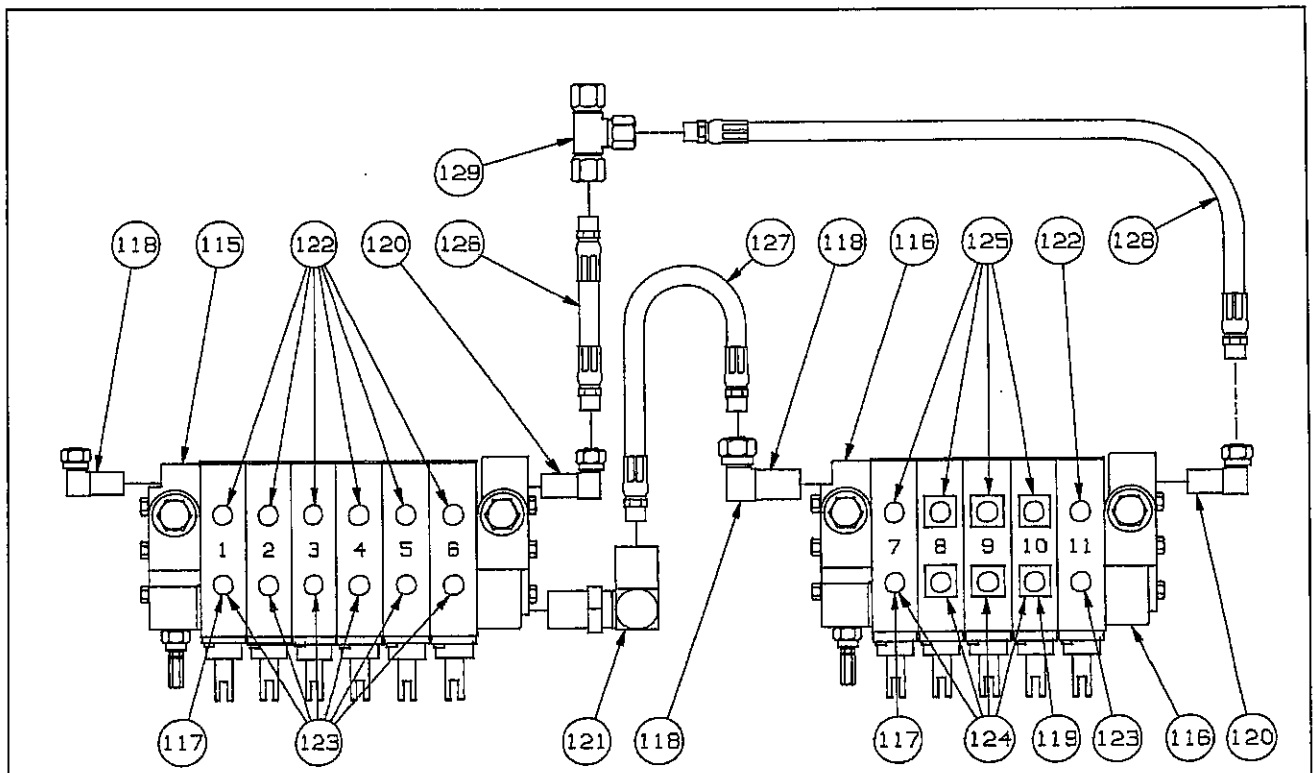


Figure 1-15 Hydraulics to Spool Valves

## HYDRAULIC SYSTEM

ITEM	PART NO.	DESCRIPTION	QTY.
	B3-407-201	INSTALL. HYDR. SYSTEM TRL 336B (48') (3-410-011803)	
	3-375-010588	HITCH TILT ASSY 336B (HYDR COMPONENTS ONLY)	
	3-208-010070	CONTROL BOX ASSY 336B(HYDR COMPONENTS ONLY)	
1	S25F-6	COUPLER FEMALE 3/4	1
2	8010-4	COUPLER MALE 1/2	1
3	3-242-010185	CYLINDER HYDR. (SEE PAGE 1-25)	1
4	3-242-010199	CYLINDER HYDR. (SEE PAGE 1-23)	3
5	3-242-010200	CYLINDER HYDR. (SEE PAGE 1-23)	2
7	2066-8-8S	ADAPTER O-RING IN PIPE	1
8	3-711-010103	SPACER VALVE SUPPORT	2
9	1-397-010381307	HOSE ASSY	1
10	1-397-010381169	HOSE ASSY	1
11	1-397-010381202	HOSE ASSY	1
12	1-397-010381252	HOSE ASSY	1
13	1-397-010381072	HOSE ASSY	1
14	1-512-010005-05	NUT HEX LOCK 3/8-16 GRB (NOT SHOWN)	38
15	3-242-010202	CYLINDER HYDR	1
16	1-654-010051-08	SCREW HEX HEAD CAP 3/8-16X1-3/4 GR5(NOT SHOWN)	9
17	1-654-010051-05	SCREW HEX HEAD CAP 3/8-16X1 GR5(NOT SHOWN)	29
18	1-861-010032-11	WASHER FLAT 3/8	18
19	7/8MACH BUSH	BUSHING MACH	2
20	3-360-010111	HANDLE VALVE FORMED (NOT SHOWN)	11
21	1-007-010007	ELBOW 90°	14
22	1-397-010381055	HOSE ASSY	1
23	2240-12-12S	ADAPTER BULKHEAD	1
24	2049-8-8S	ADAPTER 45 SWIVEL	2
25	2068-8-10S	FITTING 90° ELBOW	6
26	2045-8-8S	INT P SWIV EXT	1
27	1-654-010070-11	SCREW RD HEAD SQ NECK 1/2-13X3-1/2 GR5	16
28	1-512-010005-09	NUT HEX LOCK 1/2-13 GRB	16
29	1-861-010032-15	WASHER FLAT 1/2	16
30	3-417-010003	INSULATION VALVE SUPPORT	1
31	3-417-010005	INSULATION VALVE SUPPORT	2
32	3-755-010003	SUPPORT CYL MIDDLE	1
33	3-222-010160	COVER ACCESS (SHOWN ON PAGE 1-1)	REF
34	1-654-010047-04	SCREW HEX HEAD CAP 1/4-20X3/4 GR5 (NOT SHOWN)	18
35	1-654-010059-09	SCREW HEX HEAD CAP 5/8-11UNCX2 GR5	2
36	1-861-010032-19	WASHER FLAT 5/8	4
37	1-512-010005-13	NUT HEX LOCK 5/8-11GRB	2
38	3-181-010007	HOSE CLAMP TOP PLATE (NOT SHOWN)	38
39	3-181-010008	BOTTOM HOSE CLAMP (NOT SHOWN)	13
40	2-181-010006	HOSE CLAMP (NOT SHOWN)	6
41	3-557-010032	PIN CYL ROD END	1
42	3-181-010060	CLAMP CAGE NUT (NOT SHOWN)	21
43	1-007-010008	90° UNION ADAPTER W/ RESTRICTOR	2
44	3-557-010182	PIN CYL END	1
45	3-557-010499	PIN CYL BUTT END	6
46	3-557-010500	PIN CYL ROD END	2
47	1-647-010004221	PIN SPRING 1/4 X 2 SLOTTED	2
48	1-557-010362-54	COTTER PIN 3/16X2-1/4	2

## HYDRAULIC SYSTEM

ITEM	PART NO.	DESCRIPTION	QTY.
49	1-557-010362-51	COTTER PIN PLATED 3/16X1-1/2	12
50	1-397-010385307	HOSE ASSY	1
51	1-397-010385169	HOSE ASSY	1
52	1-397-010385202	HOSE ASSY	1
53	1-397-010385252	HOSE ASSY	1
54	1-397-010385072	HOSE ASSY	1
55	1-397-010385055	HOSE ASSY	1
56	1-397-010353236	HOSE ASSY	1
57	1-397-010386289	HOSE ASSY	1
58	1-397-010332175	HOSE ASSY	1
59	1-397-010353045	HOSE ASSY	1
60	1-397-010332200	HOSE ASSY	1
61	1-397-010386130	HOSE ASSY	1
62	1-397-010353200	HOSE ASSY	1
63	1-397-010332164	HOSE ASSY	1
64	1-397-010386293	HOSE ASSY	1
65	1-397-010385183	HOSE ASSY	1
66	1-397-010381051	HOSE ASSY	1
67	3-417-010004	INSULATION FILL VALVE SPT	2
68	2252-8-8S	EXT PIPE SWIV/INT PIPE	1
69	2066-8-10S	O-RING ADAPT TP PT	6
70	3-242-010201	CYLINDER HYDR (SEE PAGE 1-21)	2
71	3-846-010113	VALVE N.O. W/ RELIEF SOLENOID	1
72	1-512-010005-05	NUT HEX LOCK 3/8-16 GRB	2
73	1-861-010032-11	WASHER FLAT 3/8	4
74	2068-12-12S	O-RING ADAPTER 90° ELBOW	1
75	2255-8-8S	TEE INTERNAL PIPE SWIVEL	3
76	2255-12-12S	SWIVEL BRANCH TEE	1
77	3-557-010033	PIN CYL BUTT END	2
78	3-557-010059	PIN CYL ROD END	2
79	1-557-010362-54	COTTER PIN 3/16X2-1/4	4
80	1-397-010332074	HOSE ASSY	1
81	1-397-010332080	HOSE ASSY	1
82	1-397-010332118	HOSE ASSY	1
83	1-397-010332108	HOSE ASSY	1
84	1-397-010311126	HOSE ASSY	1
85	1-397-010311014	HOSE ASSY	1
86	1-397-010311108	HOSE ASSY	1
87	1-397-010371126	HOSE ASSY	1
88	1-397-010313028	HOSE ASSY	1
89	1-397-010313098	HOSE ASSY	1
90	1-007-010024	PIPE TO O-RING 90°	1
91	900598-10S	PLUG O-RING BOSS	1
92	900598-12S	PLUG O-RING BOSS	1
93	2046-8-8S	CONNECTOR HYDR	2
94	1-007-010003	90°SWIVEL ELBOW W/ RESTRICTOR	3
95	1-654-010051-13	SCREW HEX HEAD CAP 3/8-16X3 GR5	2
96	3-846-010080-2	VALVE HYDR VEL FUSE	2
97	1-397-010386102	HOSE ASSY	1
98	1-397-010353102	HOSE ASSY	1

## HYDRAULIC SYSTEM

ITEM	PART NO.	DESCRIPTION	QTY.
99	1-512-010005-05	NUT HEX LOCKING 3/8-16 GRB	5
100	1-861-010032-11	WASHER FLAT 3/8	15
101	514-1000	QUICK EDGE TRIM	6'
102	RRT271X.375ZP	TUBE RD	2
103	1-654-010051-05	SCREW HEX HEAD CAP 3/8-16UNCX1 GR5	14
104	1-861-010034-11	WASHER LOCK 3/8	6
105	3-755-010253	SUPPORT VALVE WELDMENT	1
106	3-372-010056	HINGE	1
107	1-656-010003078	SCREW RD HEAD MACH 10-32X5/8	18
108	3-222-010168	COVER VALVE SUPPORT	1
109	239-4899	LATCH COVER	2
110	107-0775	SCREW MACH PAN HEAD SLOTTED	4
111	110-0253	WASHER FLAT	4
112	103-0636	ESNA NUT THIN	4
113	1-512-010007-04	NUT HEX 10-32	18
114	10SLW	WASHER LOCK	18
115	3-846-010150	VALVE HYDR 6 SPOOL 2500 PSI	1
116	3-846-010151	VALVE HYDR 5 SPOOL 2500 PSI	1
117	2066-6-6S	PIPE TO O-RING	16
118	2068-8-10S	FITTING 90° ELBOW	5
119	2067-6-6S	ADAPTER 45°	6
120	2068-12-10S	ELBOW 90°	2
121	206801-8-8S	ADAPTER 90°	1
122	1-397-010360024	HOSE ASSY	7
123	1-397-010382024	HOSE ASSY	7
124	1-397-010383024	HOSE ASSY	4
125	1-397-010384024	HOSE ASSY	4
126	1-397-010313021	HOSE ASSY	1
127	1-397-010311025	HOSE ASSY	1
128	1-397-010313034	HOSE ASSY	1
129	2255-12-12S	SWIVEL BRANCH TEE	1
130	3-681-010121	SHIELD VALVE WLDMT 336B	1
131	3-279-010043	ENCLOSURE WLDMT ELECT 336	1
132	3-014-010238	ANCHOR CYL WELDMENT 336B	1
133	5010	ZERK FITTING 1/4	4
134	1-861-010032-07	WASHER, FLAT 1/4 (NOT SHOWN)	18
135	1-861-010034-09	WASHER, SPLIT LOCK 1/4 (NOT SHOWN)	18
136	1-861-010032-29	WASHER, FLAT 1-1/4	2

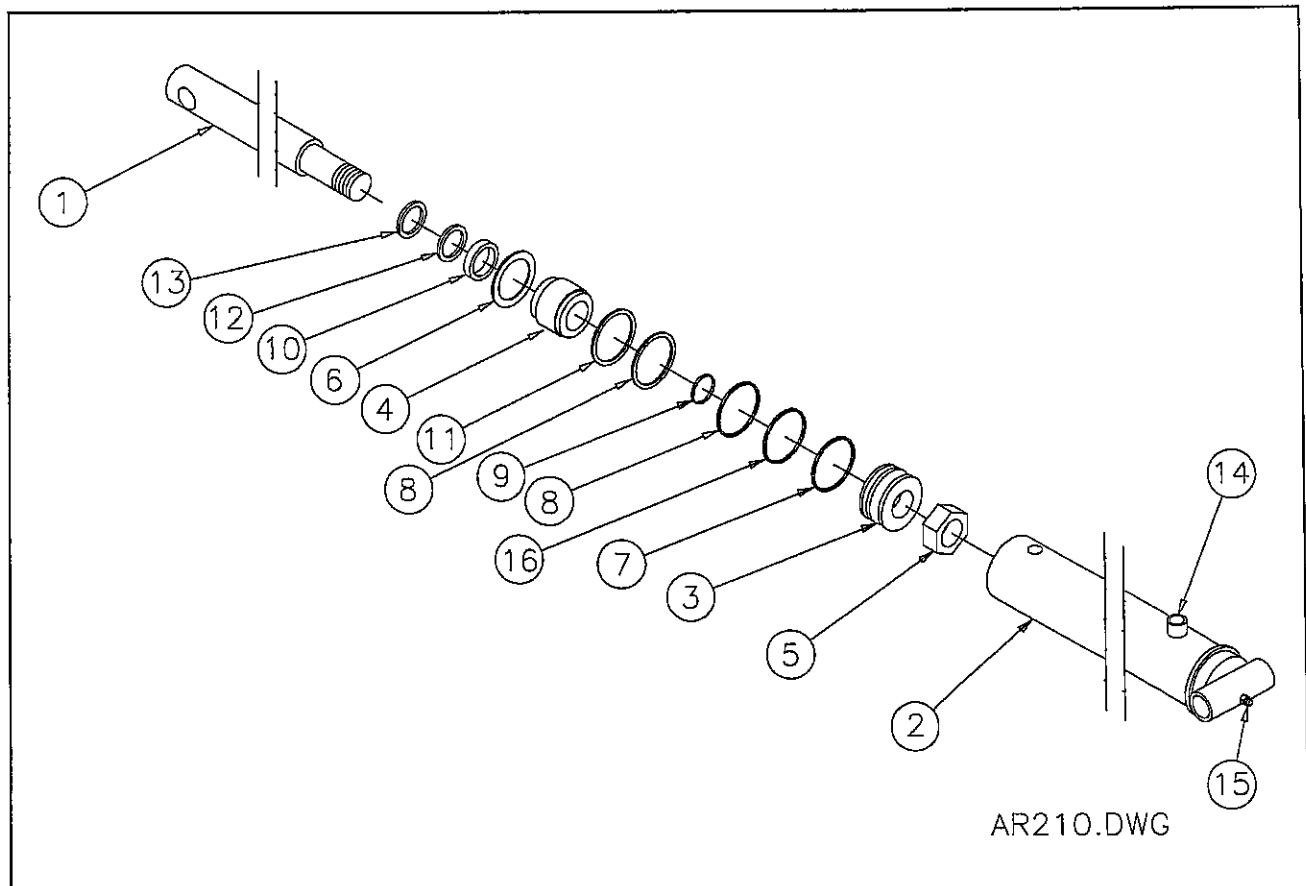


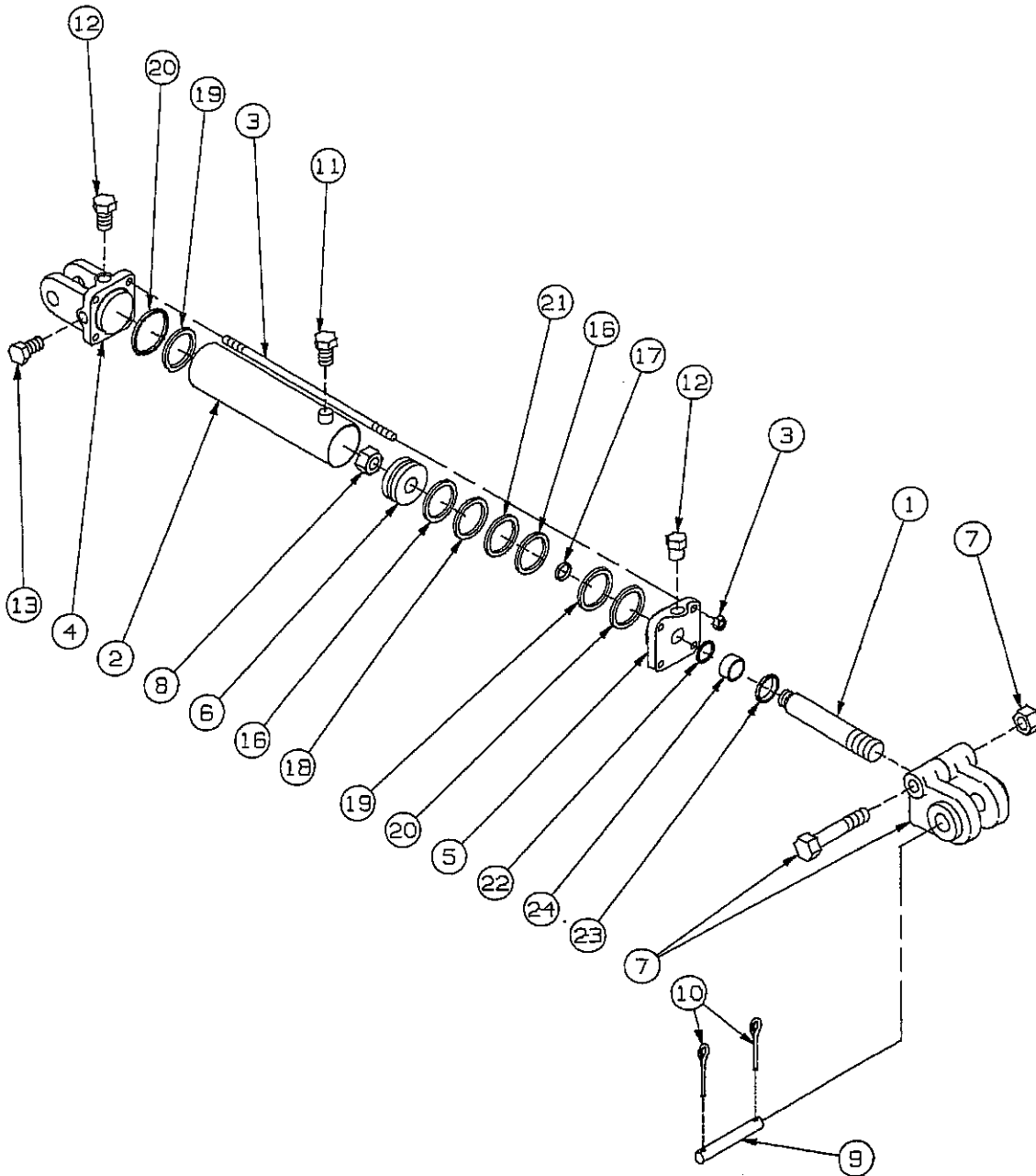
Figure 1-16 Hydraulic Cylinder Assembly, 4"x32"

**HYDRAULIC CYLINDER 4" X 32" (TRAILER TILT CYLINDER)**

ITEM	PART NO.	DESCRIPTION	QTY.
	3-242-010201	CYLINDER HYD 4"X32" (PRINCE #AR-210)	1
1	011100077	PISTON ROD	1
2	061900729	BUTT AND TUBE ASSY	1
3	071900019	PISTON	1
4	081900019	GLAND	1
5	220000212	LOCKNUT	1
6	230001400	SNAP RING	1
7	240004008	PISTON RING	1
8	240000342	O-RING	2
9	240000026	O-RING	1
10	240010329	QUAD RING	1
11	240061342	B/U WASHER	1
12	240005329	B/U WASHER	1
13	250001329	WIPER	1
14	200018003	PIPE PLUG	2
15	270010002	GREASE ZERK	1
16	240034342	B/U WASHER	2
17	PMCK-AR-210	PACKING KIT (PARTS 6 THROUGH 13) (CONTAINS ALL NECESSARY SEALS AND O-RINGS)	1

NOTE: SEE PAGE 1-18 HYDRAULIC SYSTEM FOR CYLINDER PIN P/N'S

NOTE: SEE FIGURE 1-13 HYDRAULIC SYSTEM FOR BUTT END CYLINDER PIN



1m242-010169

Figure 1-17 Hydraulic Cylinder Assembly, 16"



## HYDRAULIC CYLINDER 16" (UPPER DECK LIFT CYLINDER)

ITEM	PART NO.	PART NO.	PART NO.	DESCRIPTION	QTY
	3-242-010199 4" X 16" PMS-AM-2554	3-242-010200 3-3/4" X 16" PMS-AM-2560	3-242-010202 4-1/2" X 16" PMS-AM-2548	CYLINDER HYD (PRINCE)	1
1	010700566	010700566	011100744	PISTON ROD	1
2	061900610	061800024	062000081	TUBE ASSY	1
3	170301212	170301212	170301215	TIEROD ASSY	4
4	141900037	141800009	142000004	BUTT	1
5	081900374	081800022	062000092	GLAND ASSY	1
6	071900273	071800021	072000097	PISTON	1
7	100000330	100000330	100000326	CLEVIS ASSY	1
8	220000210	220000210	220000211	LOCKNUT	1
9	190400004	190400004	190400004	CLEVIS PIN	1
10	190600003	190600003	190600003	HAIRPIN CLIP	2
11	200300104	200300104	200300104	PORT PLUG	1
12	200013106	200013106	200013106	PLASTIC PLUG	2
13	200300040	200300040	200300040	PORT PLUG	1
14	230010405	230010405	230010405	DECAL	1
15	230010407	230010407	230010407	DECAL	1
16	240011105	240011098	240011112	BEARING RING	2
17	240000028	240000028	240000024	O-RING	1
18	240000153	240000152	240000155	O-RING,1	1
19	240000240	240000238	240000244	O-RING	2
20	240061240	240061238	240061244	BU-WASHER	2
21	240035153	240035152	240035155	TEFLON SEAL	1
22	240020185	240020185	240020009	U-CUP	1
23	250014137	250014137	250014200	WIPER	1
24	210700077	210700077	211100272	BUSHING	1
25	220001504	220001504	220001504	COTTER PIN	4
26	PMCK-AM-2554	PMCK-AM-2560	PMCK-AM-2548	PACKING KIT*	1

\* PACKING KIT CONTAINS PARTS 16 THROUGH 23.

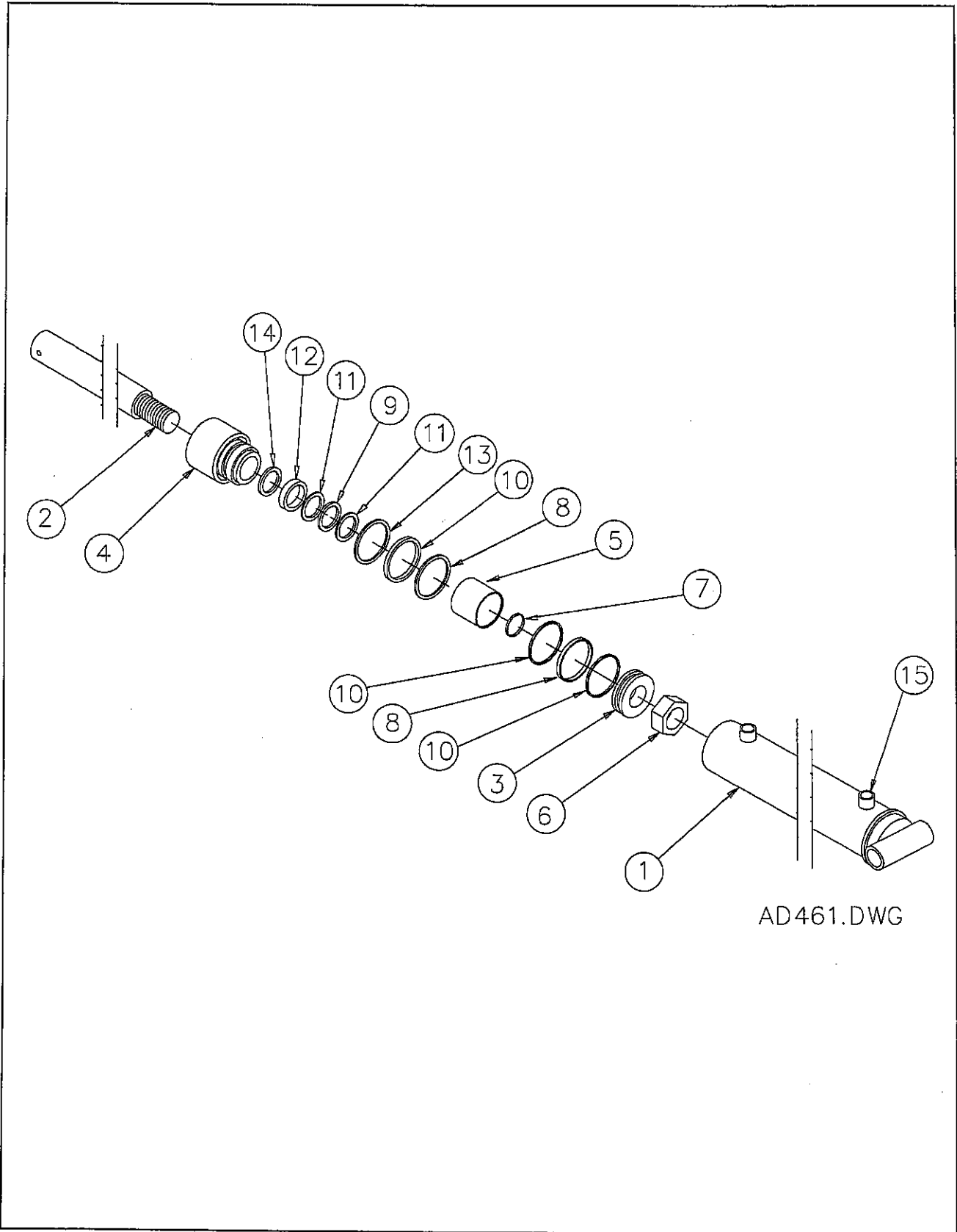


Figure 1-18 Hydraulic Cylinder Assembly

## HYDRAULIC CYLINDER, 4"X126" (UNDERCARRIAGE SLIDE CYL)

ITEM	PART NO.	DESCRIPTION	QTY.
	3-242-010185	CYLINDER HYDR 4"X126" (PRINCE #AD-461)	1
1	061900539	BUTT AND TUBE ASSY (ALTERED PER 3-242-010185)	1
2	011300179	PISTON ROD	1
3	071900195	PISTON	1
4	081900277	GLAND	1
5	211300024	SPACER	1
6	220000212	LOCKNUT PISTON RING	1
7	240000026	O-RING	1
8	240000342	O-RING	2
9	240000333	O-RING	1
10	240005342	B/U WASHER	3
11	240005333	B/U WASHER	2
12	240020015	U-CUP	1
13	230007400	SQUARE RETAINING RING	1
14	250002213	WIPER	1
15	200013106	PLUG SAE ORB	1
16	PMCK-AD-461	PACKING KIT (PARTS 7 THROUGH 14) (CONTAINS ALL NECESSARY SEALS AND O-RINGS)	1

NOTE: SEE PAGE 1-18 HYDRAULIC SYSTEM FOR CYLINDER PIN P/N'S

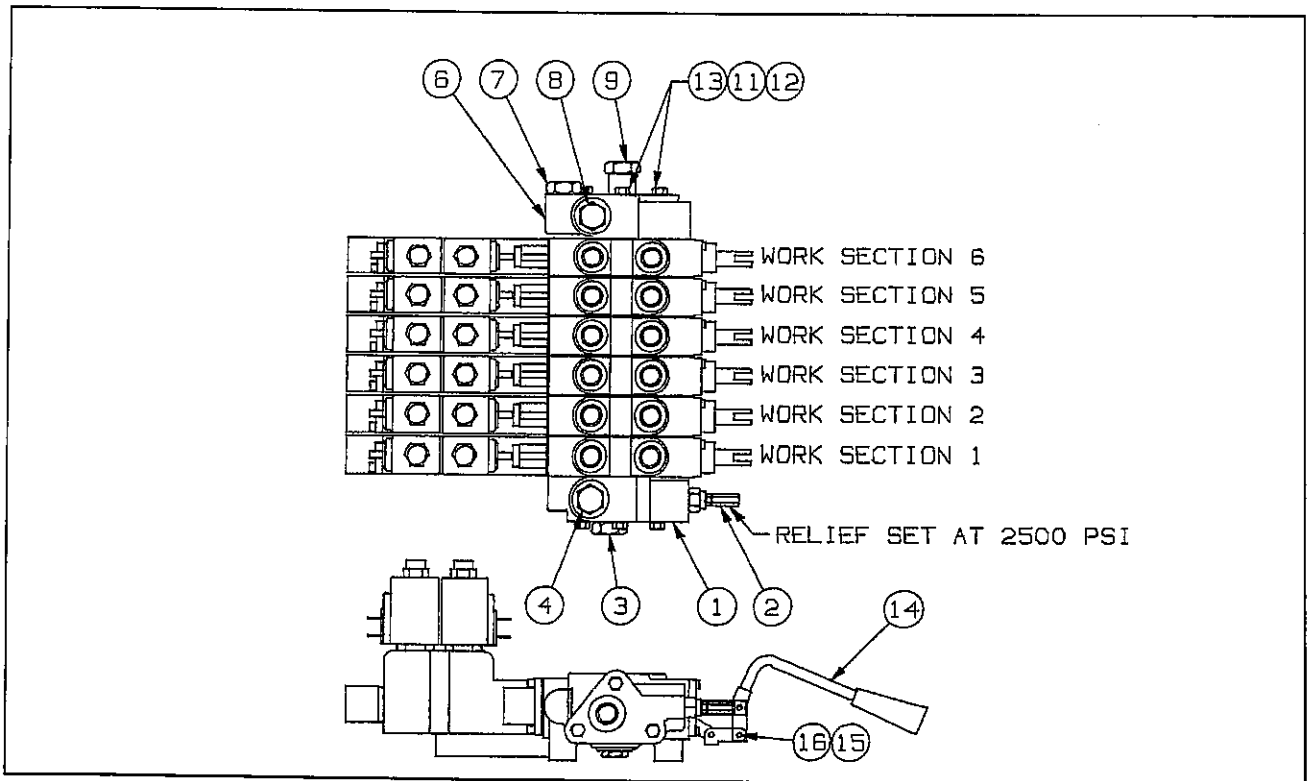


Figure 1-19 Six Spool Valve

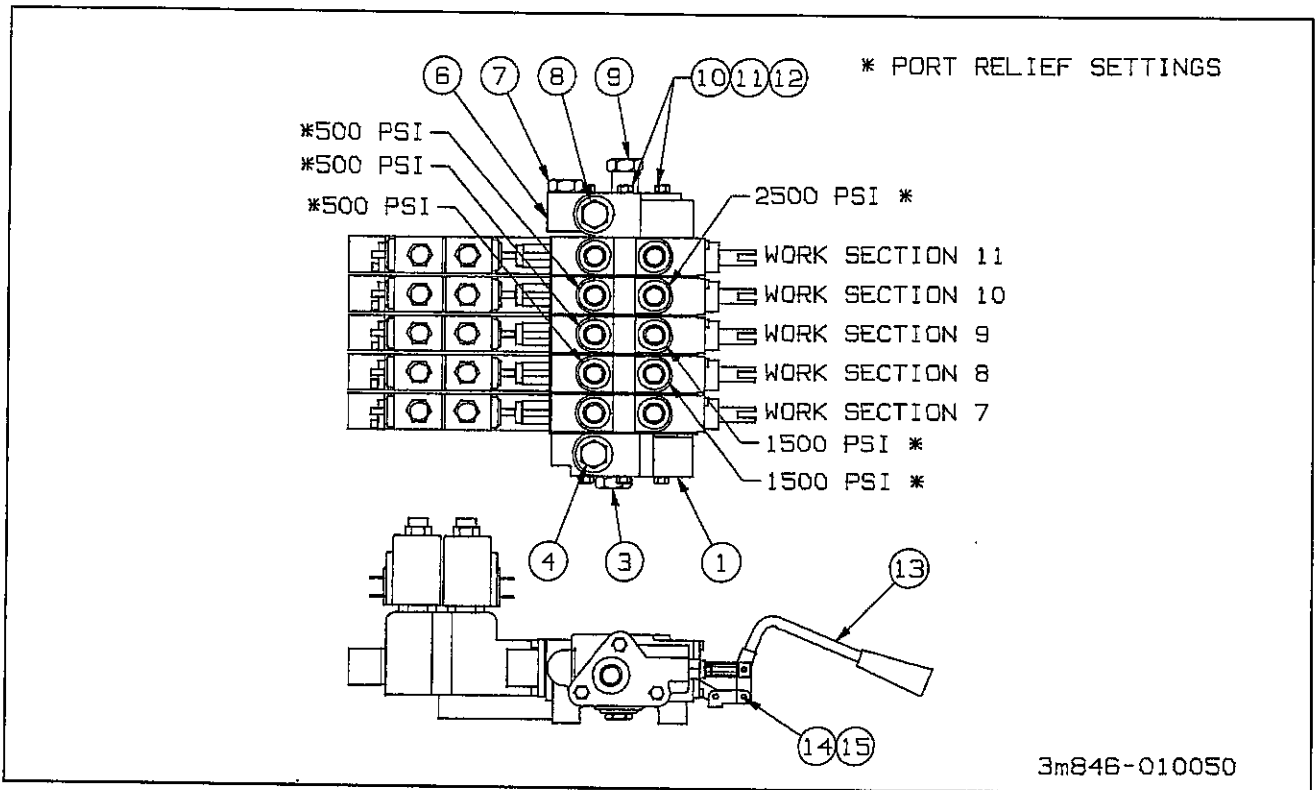


Figure 1-20 Five Spool Valve

3m846-010050

## SIX SPOOL VALVE

ITEM	PART NO.	DESCRIPTION	QTY.
	3-846-010150	VALVE HYD 6 SPOOL (PRINCE #SVA-K45)	1
	SV125	INLET SECTION	1
1	625765001	MACHINED INLET	1
2	660250002	RELIEF CART	1
3	200400030	PLUG STEEL	1
4	200013107	PORT PLUG PLASTIC	1
	660580002	SEAL KIT COMPLETE FOR INLET SECTION	1
	660580004	O-RING KIT (SEAL KIT BETWEEN SECTIONS)	7
	SVA-S60	WORK SECTIONS (SEE PAGE 1-31)	
	SVE22	OUTLET SECTION	
6	625775001	MACHINED OUTLET	1
7	200400030	PLUG STEEL	1
8	200013107	PORT PLUG PLASTIC	1
9	660280001	OUTLET CART	1
10	200013107	PORT PLUG PLASTIC	1
	660580003	SEAL KIT COMPLETE FOR OUTLET SECTION	1
	660401006	TIE ROD KIT	1
11	672201006	TIE ROD	3
12	220001005	LOCK WASHER	6
13	220000102	HEX NUT	6
14	3-360-010111	HANDLE	6
15	220001512	COTTER PIN	12
16	671700014	CLEVIS PIN	10

## FIVE SPOOL VALVE

ITEM	PART NO.	DESCRIPTION	QTY.
	3-846-010151	VALVE HYD 5 SPOOL (PRINCE #SVA-K46)	1
	SV121	INLET SECTION	1
1	625765001	MACHINED INLET	1
2	660250006	RELIEF CART	1
3	200400030	PLUG STEEL	1
4	200013107	PORT PLUG PLASTIC	1
	660580002	SEAL KIT COMPLETE FOR INLET SECTION	1
	660580004	O-RING KIT (SEAL KIT BETWEEN SECTIONS)	6
	SVA-S60	WORK SECTIONS 7 AND 11(SEE PAGE 1-31)	
	SVA-S86	WORK SECTIONS 8 AND 9(SEE PAGE 1-29)	
	SVA-S61	WORK SECTION 10(SEE PAGE 1-29)	
	SVE26	OUTLET SECTION	1
6	625775001	MACHINED OUTLET	1
7	200400030	PLUG STEEL	1
8	200013107	PORT PLUG PLASTIC	1
9	660280018	OUTLET CART	1
	660580003	SEAL KIT COMPLETE FOR OUTLET SECTION	1
10	660401005	TIE ROD KIT	1
	672201005	TIE ROD	3
11	220001005	LOCK WASHER	6
12	220000102	HEX NUT	6
13	3-360-010111	HANDLE	5
14	220001512	COTTER PIN	10
15	671700014	CLEVIS PIN	10

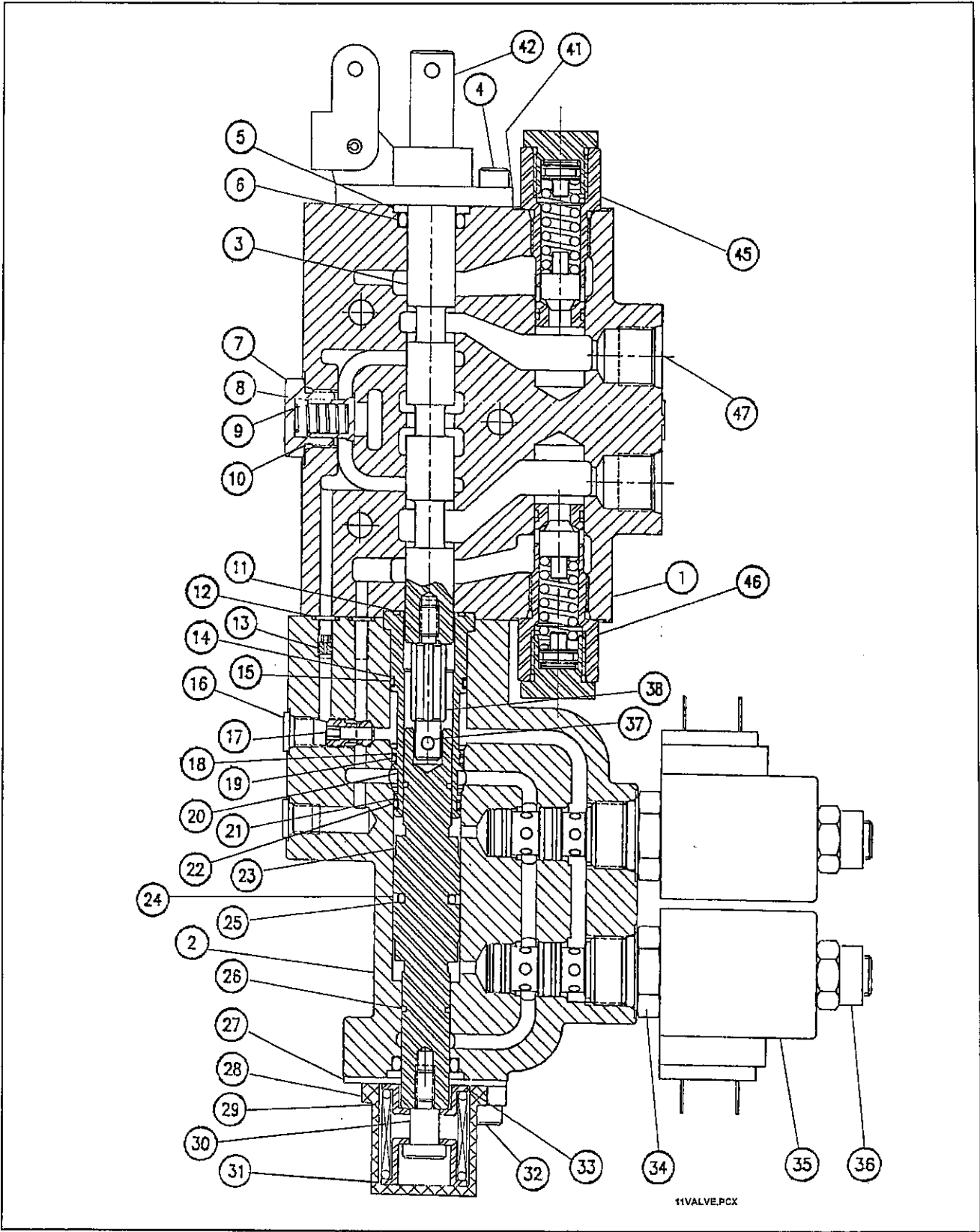
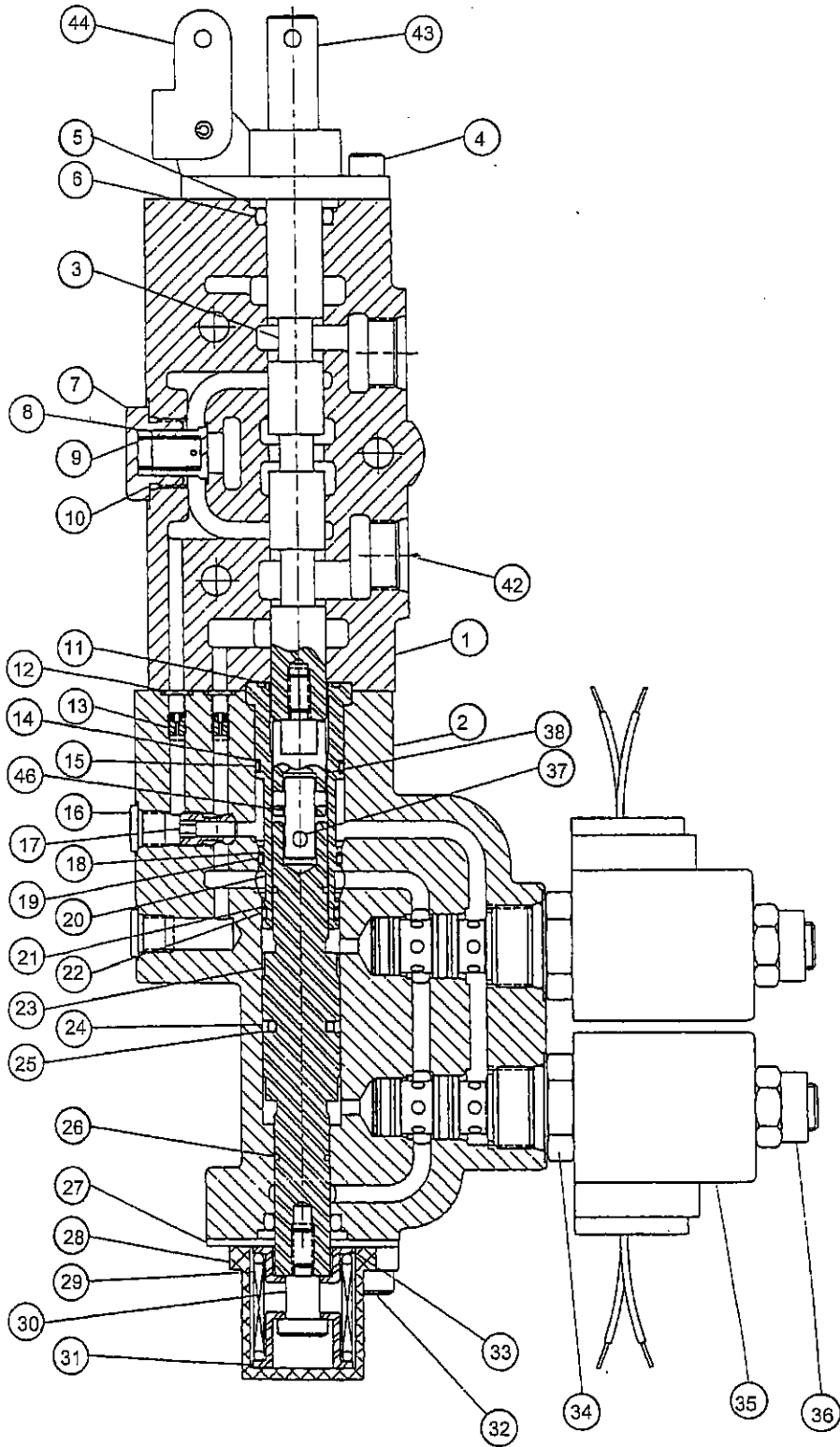


Figure 1-21 Spool Valve, Work Sections

## SPOOL VALVE WORK SECTIONS

ITEM	PART NO.	DESCRIPTION	QTY.
	SVA-S61	SOLENOID VALVE SECTION 10 OF 5 SPOOL VALVE	
	SVA-S86	SOLENOID VALVE SECT. 8 & 9 OF 5 SPOOL VALVE	
1	625894008	VALVE BODY (SVA-S60)	1
2	626230001	ACTUATOR BODY	1
3	612104001	SPOOL	1
4	170003017	CAP SCREW	2
5	670500045	SPOOL BACKUP WASHER	2
6	240000208	O-RING	2
7	671600049	LOAD CHECK PLUG	1
8	670100008	LOAD CHECK POPPET	1
9	670300029	LOAD CHECK SPRING	1
10	240000908	O-RING	1
11	240000019	O-RING	1
12	240000009	O-RING	2
13	671400086	ORIFICE PLUG	2
14	240044020	BACKUP WASHER	2
15	240000020	O-RING	1
16	200100189	STEEL PLUG	2
17	671600063	PLUG	1
18	240044019	BACKUP WASHER	2
19	240000019	O-RING	1
20	671400079	SLEEVE	1
21	240044018	BACKUP WASHER	2
22	240000018	O-RING	1
23	610100011	SPOOL	1
24	240016230	GLYD-RING	1
25	240000113	O-RING	1
26	240019014	BACKUP WASHER	1
27	670500044	RETAINER PLATE	1
28	671400033	END CAP	1
29	670300030	SPRING	1
30	671400078	ADAPTER	1
31	671400076	OUTER STOP CUP	1
32	170003017	CAP SCREW	2
33	671400077	INNER STOP CUP	1
34	660263002	SOLENOID CARTRIDGE	2
35	671302003	SOLENOID COIL	2
36	671800021	COIL NUT	2
37	190100046	PIN	2
38	671900071	ADAPTER	1
39	170003037	CAP SCREW	4
40	220001010	LOCK WASHER	4
41	660180032	O-RING KIT	1
42	671900011	SPOOL ADAPTER	1
43	660180034	CLEVIS SUB-ASSY	1
44	660580004	O-RING KIT	1
45	660280003	RELIEF CART	1
46	660280010	RELIEF CART	1
47	200013105	PORT PLUG	2
48	671400207	PIN	1
	660580005	SEAL KIT COMPLETE FOR WORK SECTION	*

\* QUANTITY 1 FOR EACH WORK SECTION



SVAS60.TIF

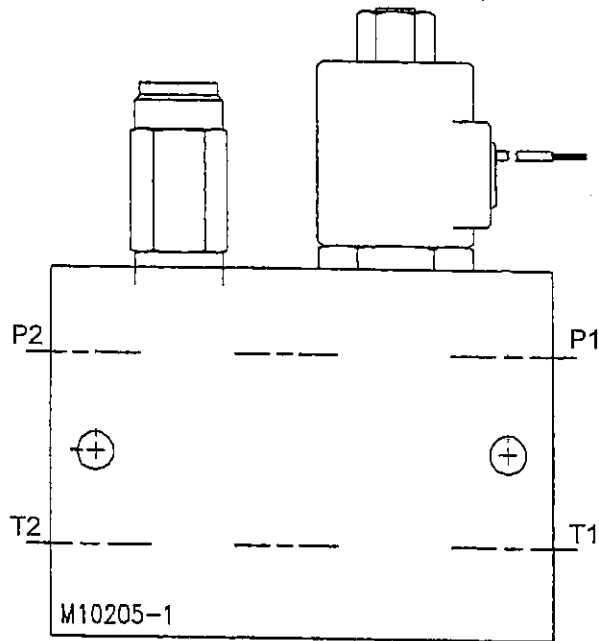
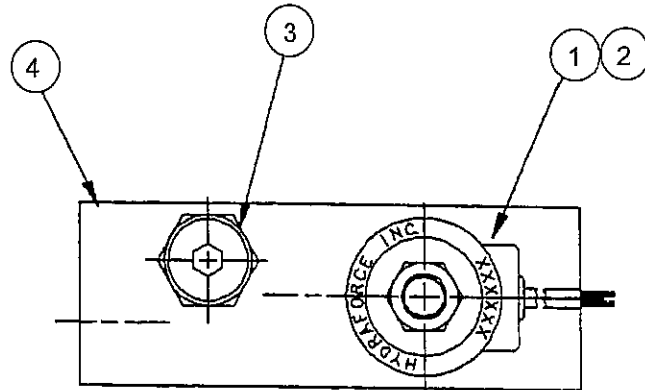
Figure 1-22 Spool Valve, Work Sections



## SPOOL VALVE WORK SECTIONS

ITEM	PART NO.	DESCRIPTION	QTY.
	SVA-S60	SOLENOID VALVE SECT. 1 TO 6 OF 6 SPOOL VALVE AND SECTIONS 7 AND 11 OF 5 SPOOL VALVE	
1	625894008	VALVE BODY (SVA-A60)	1
2	626230001	ACTUATOR BODY	1
3	612104001	SPOOL	1
4	170003017	CAP SCREW	2
5	670500045	SPOOL BACKUP WASHER	2
6	240000208	O-RING	2
7	671600049	LOAD CHECK PLUG	1
8	670100008	LOAD CHECK POPPET	1
9	670300029	LOAD CHECK SPRING	1
10	240000908	O-RING	1
11	240000019	O-RING	1
12	240000009	O-RING	2
13	671400086	ORIFICE PLUG	2
14	240044020	BACKUP WASHER	2
15	240000020	O-RING	1
16	200100189	STEEL PLUG	2
17	671600063	PLUG	1
19	240000019	O-RING	1
20	671400079	SLEEVE	1
21	240044018	BACKUP WASHER	2
22	240000018	O-RING	1
23	610100011	SPOOL	1
24	240016230	GLYD-RING	1
25	240000113	O-RING	1
26	240019014	BACKUP WASHER	1
27	670500044	RETAINER PLATE	1
28	671400033	END CAP	1
29	670300030	SPRING	1
30	671400078	ADAPTER	1
31	671400076	OUTER STOP CUP	1
32	170003017	CAP SCREW	2
33	671400077	INNER STOP CUP	1
34	660263002	SOLENOID CARTRIDGE	2
35	671302003	SOLENOID COIL	2
36	671800021	COIL NUT	2
37	190100046	PIN	2
38	671900071	ADAPTER	1
39	170003037	CAP SCREW	4
40	220001010	LOCK WASHER	4
41	660580004	O-RING KIT	1
42	200013105	PORT PLUG	2
43	671900011	SPOOL ADAPTER	1
44	660180032	CLEVIS SUB-ASSY	1
45	660180034	HANDLE KIT	1
46	671400207	PIN	1
	660580005	SEAL KIT COMPLETE FOR WORK SECTION	*

\* QUANTITY 1 FOR EACH WORK SECTION



3-010113.TIF

Figure 1-23 Valve N.O. w/ Relief Solenoid

## VALVE N.O. W/ RELIEF SOLENOID

ITEM	PART NO.	DESCRIPTION	QTY.
	3-846-010113	VALVE N.O. W/ RELIEF SOLENOID	
1	SV16-20-0-N-00	N.C. SOLENOID VALVE CARTRIDGE	1
2	6352012	12VDS DUAL LEAD COIL	1
3	RV10-22H-0-N-50	RELIEF VALVE 500 - 5000 PSI	1
4	M10205-1	VALVE BODY	1

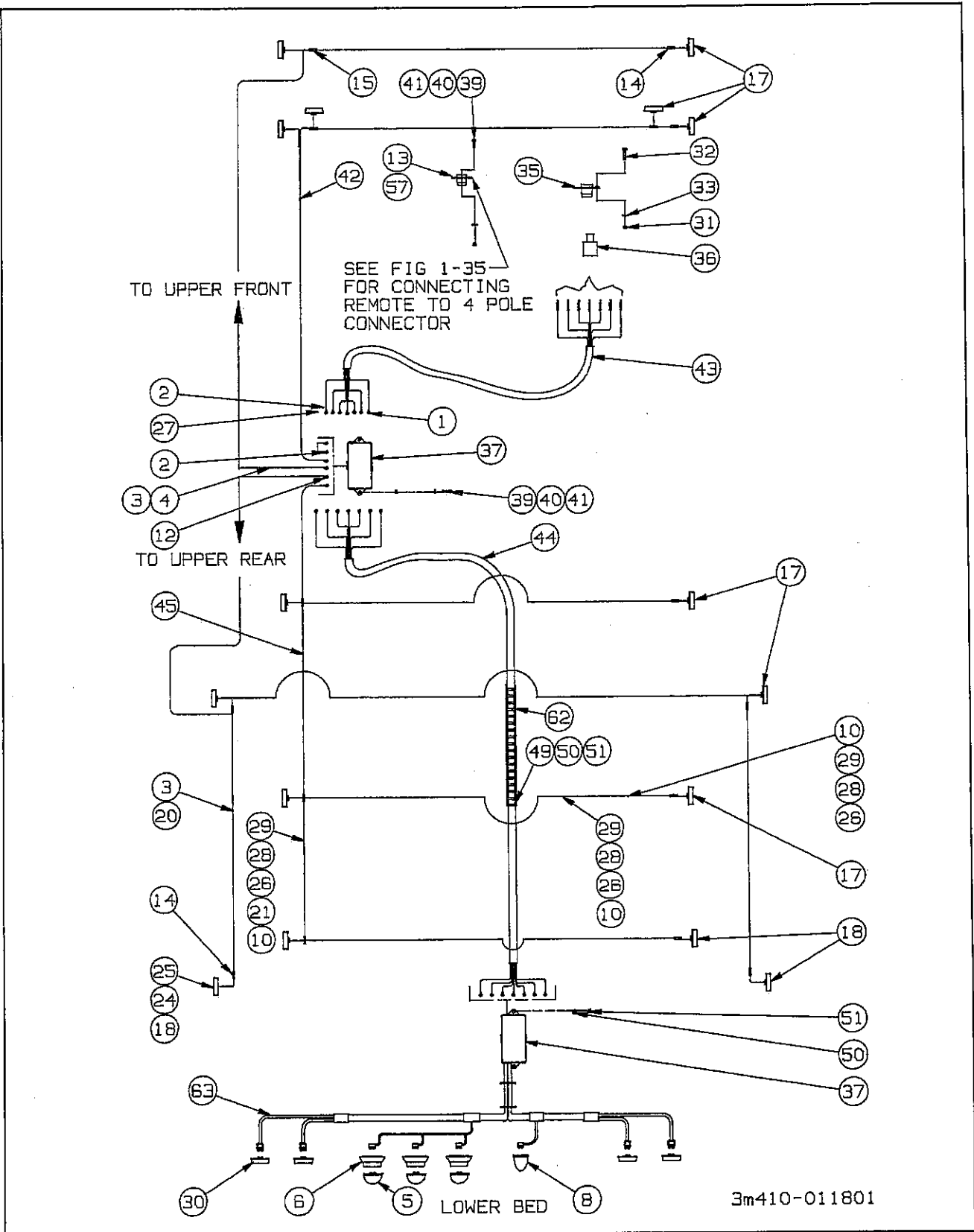


Figure 1-24 Electrical System

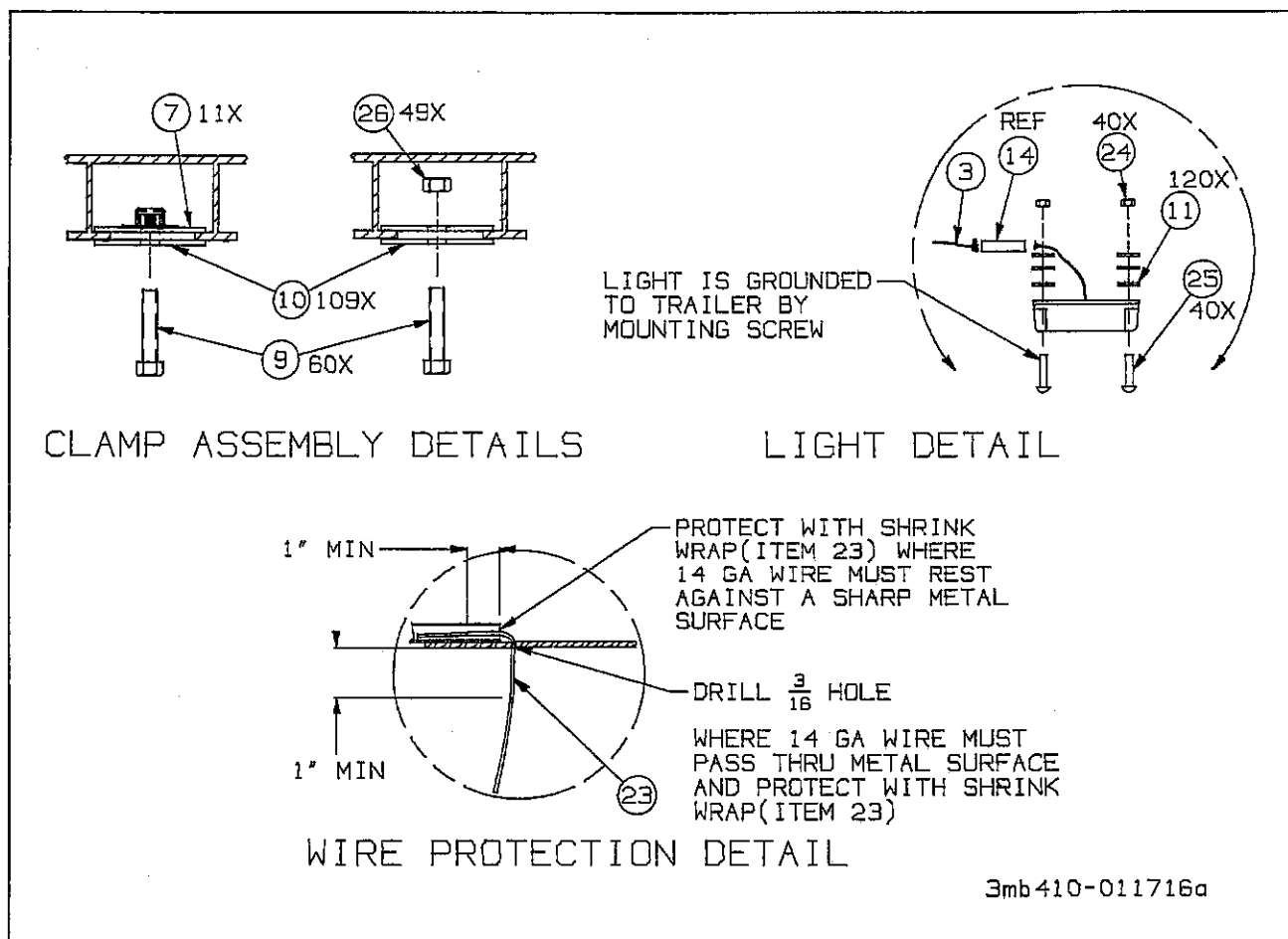


Figure 1-25 Electrical System - Miscellaneous Details

## ELECTRICAL SYSTEM

ITEM	PART NO.	DESCRIPTION	QTY.
	B3-272-091	ELECTRICAL FOR BED 336B TRL (3-410-011801)	
	3-375-010588	HITCH TILT ASSY 336B (ELECT COMPONENTS ONLY)	
	3-762-010698	SUSPENSION U/C ASSY (ELECT COMPONENTS ONLY)	
1	D01-412	RING TERMINAL	1
2	32002	TERMINAL W/ RING WAY	1
3	1-879-010005	WIRE	115'
4	3-201-010001	CONDUIT FLEX PLASTIC	55'
5	10205R	REFLECTOR LAMP	3
6	10404	GROMMET MOUNT	3
7	3-181-010060	CLAMP CAGE NUT	1
8	15009	LICENSE LAMP	2
9	1-654-010051-06	SCREW HEX HEAD CAP 3/8-16UNCX1-1/4 GR5	60
10	3-181-010007	HOSE CLAMP TOP PLATE	1
11	1-861-010032-03	WASHER FLAT #10	120
12	3-203-010001	RING TERMINAL	5
13	3-272-010003	CONNECTOR ELECT	17
14	3-272-010021	ELEC. BUTT SPLICE 14-16	15
15	3-272-010022	ELEC. BUTT SPLICE 10-12	12
16	3-368-010195	HARNESS REAR U/C BUMPER	1

## ELECTRICAL SYSTEM

ITEM	PART NO.	DESCRIPTION	QTY.
17	3-446-010006	LIGHT CLEARANCE	16
18	3-446-010007	LIGHT CLEARANCE	4
20	3-311-014622	RETAINER WIRE	1
21	3-755-010255	SUPPORT WIRING FORMED	11
22	T120R	TYTON STRAP	130
23	3-828-010002	TUBING SHRINK TO FIT ELEC WIRE	100"
24	3/16HFLN	NUT LOCK 3/16 GRB	40
25	3/16X3/4 RHD STV	BOLT STOVE ROUND HD 3/16X3/4	40
26	1-512-010005-05	NUT HEX LOCK 3/8-16 GRB	63
27	1-879-010009012	WIRE	1
28	1-654-010051-11	SCREW HEX HD CAP 3/8-16X2-1/2 GR5	14
29	1-861-010032-11	WASHER FLAT 3/8	14
30	40002R	LIGHT 4" STOP TURN TAIL	4
31	1-512-010005-03	NUT 5/16-18 GRB	4
32	1-654-010049-06	SCREW HEX HD CAP 5/16-18X1-1/4 GR5	2
33	1-861-010034-10	WASHER SPLIT LOCK 5/16	2
35	59S-7	RECEPTACLE	1
36	59W-2-3	RUBBER BOOT	1
37	750-029	JUNCTION BOX	2
38	105-0150	SEALANT RTV (CLEAR) TUBE (NOT SHOWN)	1
39	1-654-010047-06	SCREW HEX HD CAP 1/4-20X1 GR5	100
40	1-512-010005-01	NUT HEX LOCK 1/4-20 GRB	1
41	1-861-010032-07	WASHER FLAT 1/4	4
42	3-368-010235	HARNESS 336B BED FRT LIGHTS	1
43	3-368-010236	HARNESS FRT 336B TO JCT BOX	1
44	3-368-010234	HARNESS JCT BOX TO JCT BOX	1
45	3-368-010237	HARNESS LOWER BED 336B REAR	1
48	3-755-010189-02	SUPPORT E-CHAIN	REF
49	1-654-0G10079-4	SCREW SOCKET FLAT CTSK 1/4-20X3/4	REF
50	1-861-010032-07	WASHER FLAT 1/4	REF
51	1-512-010005-01	NUT HEX 1/4-20 GRB	REF
54	3-762-010698	SUSPENSION U/C ASSY 336B	REF
55	3-375-010588	HITCH TILT ASSY TRL 336B	REF
56	3-821-010005	TRAY CAT TRACK	REF
57	3-368-010239	HARNESS	1
58	1-879-010010	WIRE	1'
59	3-368-010238	HARNESS 4 POLE TO RELAYS	1
60	1-879-010004	WIRE	14'
61	1-654-010049-05	SCREW HEX HEAD CAP 5/16-18UNCX1 GR5	2
62	3-755-010189-02	SUPPORT E-CHAIN	REF
63	3-368-010195	HARNESS REAR U/C BUMPER	1

# LANDOLL®

2



4

# HAULOLL®

3

1-800-428-5655  
1-800-HAULOLL



LANDOLL  
TRAILER  
DIVISION

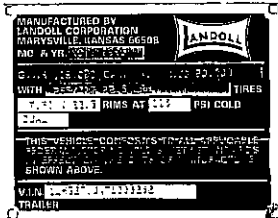
7

IN KANSAS  
1-800-332-5655

3-573-010060

**NEGATIVE  
GROUND ONLY**

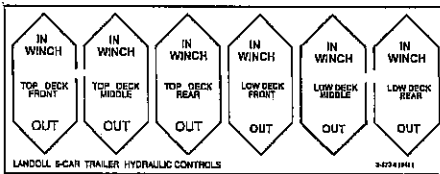
8



6



9



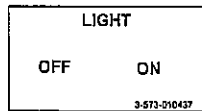
10



11



14



15

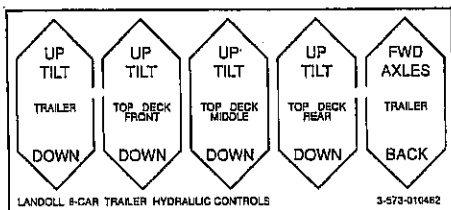


16

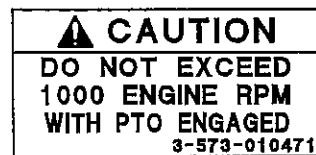
**IMPORTANT**  
**DO NOT** HOOK WINCH LINE TO BUMPER. BUMPER MOVES WITH UNDERCARRIAGE.

17

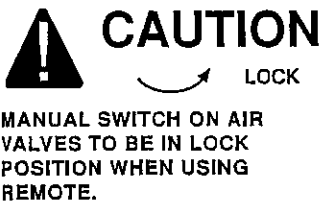
3-573-010031



18

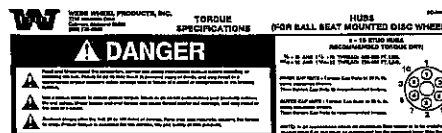


20



19

3-573-010463



21

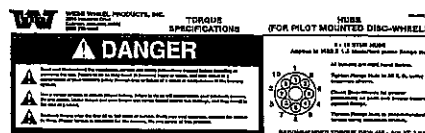


Figure 1-26 Decals

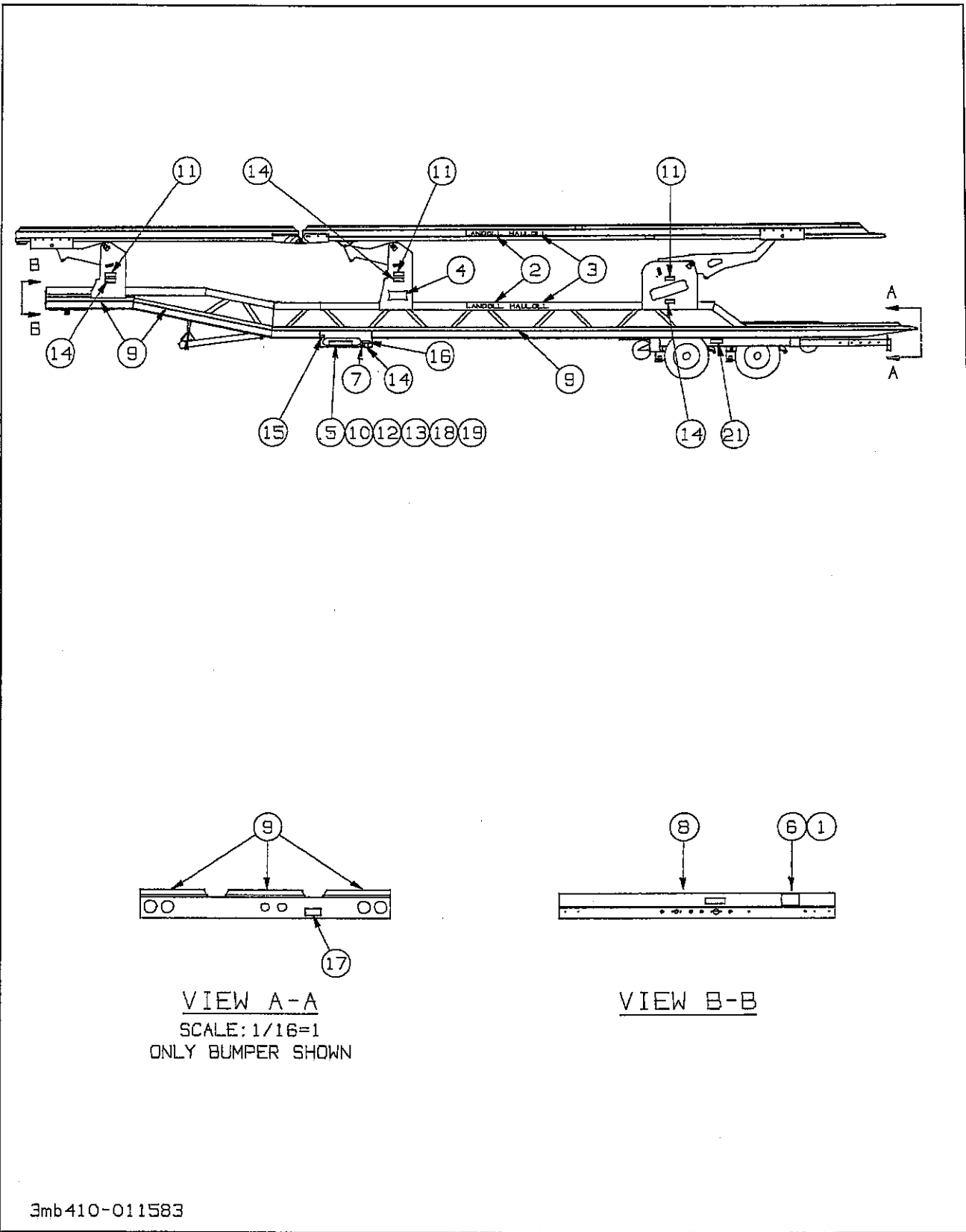


Figure 1-27 Decal Placement



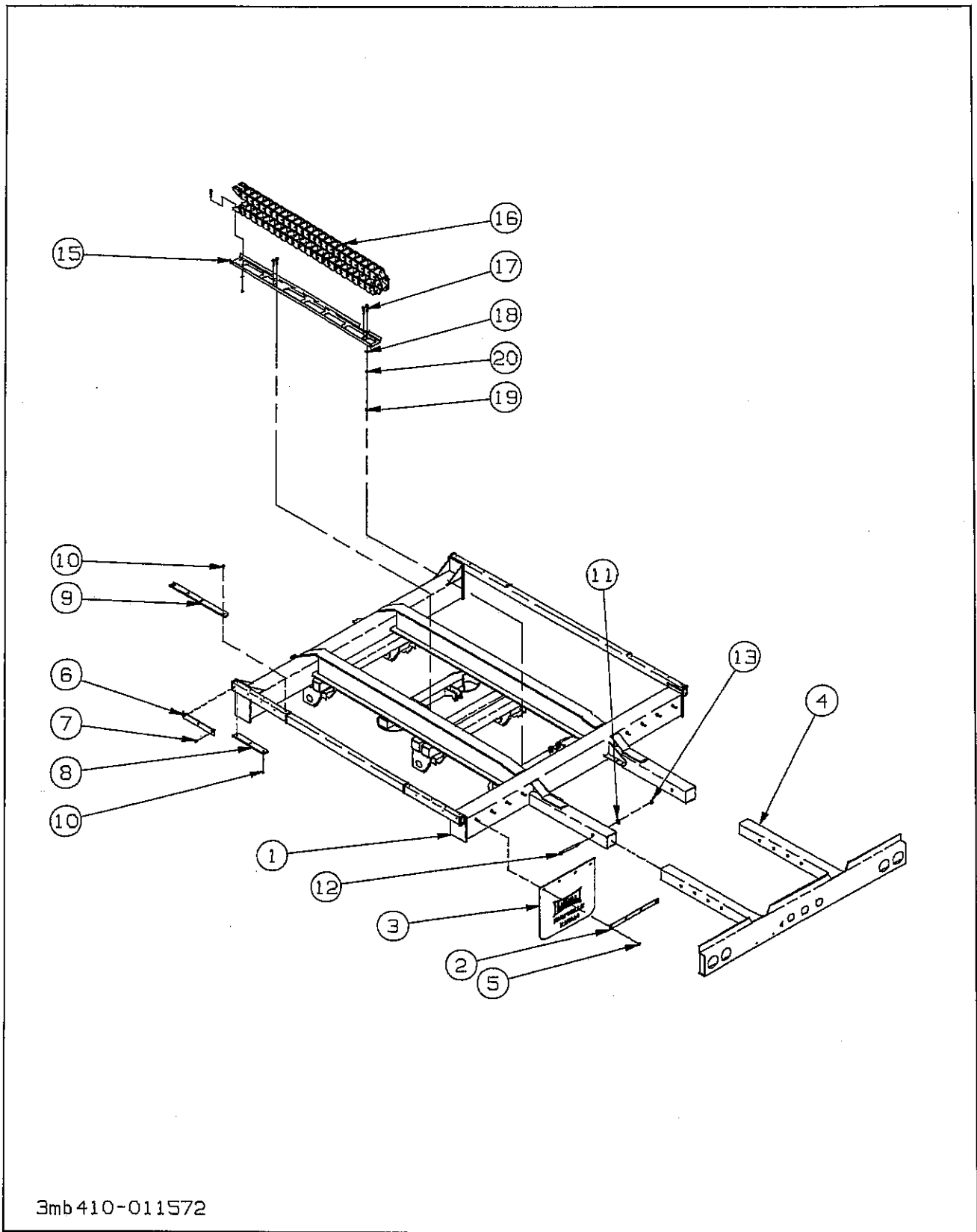
## DECAL PLACEMENT

ITEM	PART NO.	DESCRIPTION	QTY.
	B3-573-053	INSTALL. DECALS 336A TRL. (3-410-011583)	
1	10036	FASTENER SERIAL NUMBER PLATE	4
2	1-573-010003	DECAL LANDOLL BLACK	4
3	1-573-010004	DECAL HAULLOLL BLACK	4
4	1-573-010013	DECAL LANDOLL WHITE	1
5	1-656-010003051	SCREW STOVE HEAD MACH 3/16X3/4	4
6	3-573-010020	PLATE IDENTIFICATION	1
7	3-573-010060	DECAL TOLL FREE NO.	1
8	3-573-010203	DECAL NEGATIVE GROUND ONLY	1
9	3-573-010377	DECAL 2" REFLEXITE TAPE RD/WHT	AR*
10	3-573-010461	DECAL OPERATION 336B LG	1
11	3-573-010435	DECAL ENGAGE STOPS	6
12	1-512-010007-03	NUT HEX 3/16-24	4
13	1-861-010032-04	WASHER FLAT 3/16	4
14	2-573-010335	DECAL DANGER PINCHING	7
15	3-573-010437	DECAL LIGHT VALVE SUPPORT	1
16	3-573-010438	DECAL REMOTE MANUAL SWITCH	1
17	3-573-010031	DECAL TRAILER BUMPER	1
18	3-573-010462	DECAL OPERATION 336B RH	1
19	3-573-010463	DECAL LOCK CAUTION	1
20	3-573-010471	DECAL 1000 RPM ENGINE **	1
21	3-573-010211	DECAL TORQUE SPEC 6-10 STUD HUB (FOR DISC BUDD WHEELS)	2
	3-573-010210	DECAL TORQUE SPEC 8-10 STUD (FOR HUB PILOT WHEELS)	2

\* Total length of Reflexite tape for a 51 ft. trailer is 1200'.

\* Total length of Reflexite tape for a 48 ft. trailer is 900"

\*\* Mounts on dash of truck



3mb 410-011572

Figure 1-28 Undercarriage Assembly

## UNDERCARRIAGE ASSEMBLY

ITEM	PART NO.	DESCRIPTION	QTY.
	3-762-010698-01	SUSPENSION ASSY 336B	
1	3-762-010692	SUSPENSION WLDMT. 336B	1
2	3-762-010017	CLAMP MUD FLAP	2
3	3-485-010001	FLAP MUD	2
4	3-146-010076	BUMPER WLDMT 336A	1
5	1-510-010001	NUT FLANGE LOCK 3/8-16	8
6	3-334-010040	GLIDE U-C	4
7	1-654-010079-4	SCREW SLOTTED FLAT HEAD 80° 1/4-20X3/4	12
8	3-334-010012	GLIDE NYLATRON	4
9	3-334-010015	GLIDE U-C	4
10	1-654-010034-03	SCREW HEX SOC FLAT HD CAP 5/16X3/4	28
11	1-861-010032-21	WASHER FLAT 3/4	2
12	1-654-010061-16	SCREW HEX HD CAP 3/4-10UNCX5-1/2 GR5	2
13	1-512-010005-15	NUT HEX LOCK 3/4-10 GRB	2
15	3-821-010005	TRAY CAT RACK	1
16	3-755-010189-02	SUPPORT E-CHAIN	1
17	1/4-20X3/4CB	SCREW ROUND HEAD SQUARE NECK	6
18	1-861-010032-07	WASHER FLAT 1/4	8
19	1-512-010007-05	NUT HEX LOCK 1/4-20 GRB	8
20	1-861-010034-09	WASHER SPLIT LOCK 1/4	10

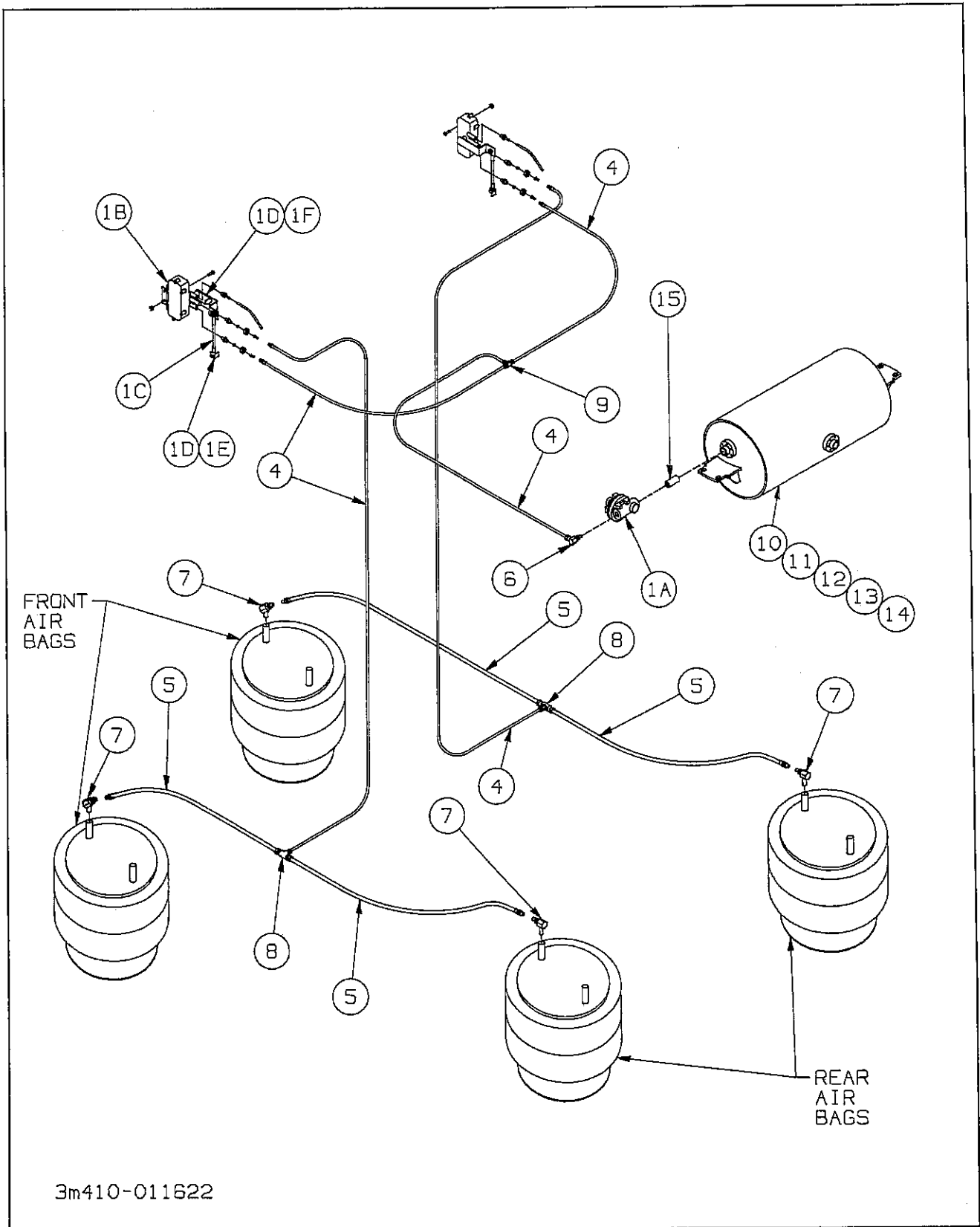


Figure 1-29 Air Ride Suspension System

## SUSPENSION SYSTEM

ITEM	PART NO.	DESCRIPTION	QTY.
	3-762-010698	SUSPENSION U/C ASSY(SUSPEN COMPONENTS ONLY)	
1	AC6400	AIR CONTROL KIT (NEWAY)(ITEMS 1-14,21 AND 23)	
1A	905-54-107	PRESSURE PROTECTION VALVE AND FILTER	1
1B	900-54-113	HEIGHT CONTROL VALVE	2
1C	481-00-224	LINK ROD KIT W/ ROD	2
1D	934-00-060	LOCK NUT	8
1E	930-02-361	SCREW HEX HEAD CAP	4
1F	930-02-349	SCREW HEX HEAD CAP	4
4	1-833-010001	NYLON TUBING 1/4	30'
5	1-833-010002	NYLON TUBING 3/8	12'
6	1-297-010008-07	FITTING AIR 90°1/4TUBEX1/4NPT	1
7	1-297-010013-11	FITTING AIR 45° M/ELB 3/8T-1/4P	4
8	1-297-010010-04	FITTING AIR UN/TEE 3/8X3/8X1/4	2
9	1-297-010010-01	FITTING AIR UNION TEE 1/4	1
10	3-780-010002	TANK AIR	REF
11	805-2	BUSHINGS STEP	16
12	1-654-010051-08	SCREW HEX HEAD CAP 3/8-16X1-3/4 GR5	8
13	1-861-010032-11	WASHER FLAT 3/8	16
14	1-512-010005-05	NUT HEX LOCK 3/8-16 GRB	8
15	2083-8-4S	NIPPLE HEX	1

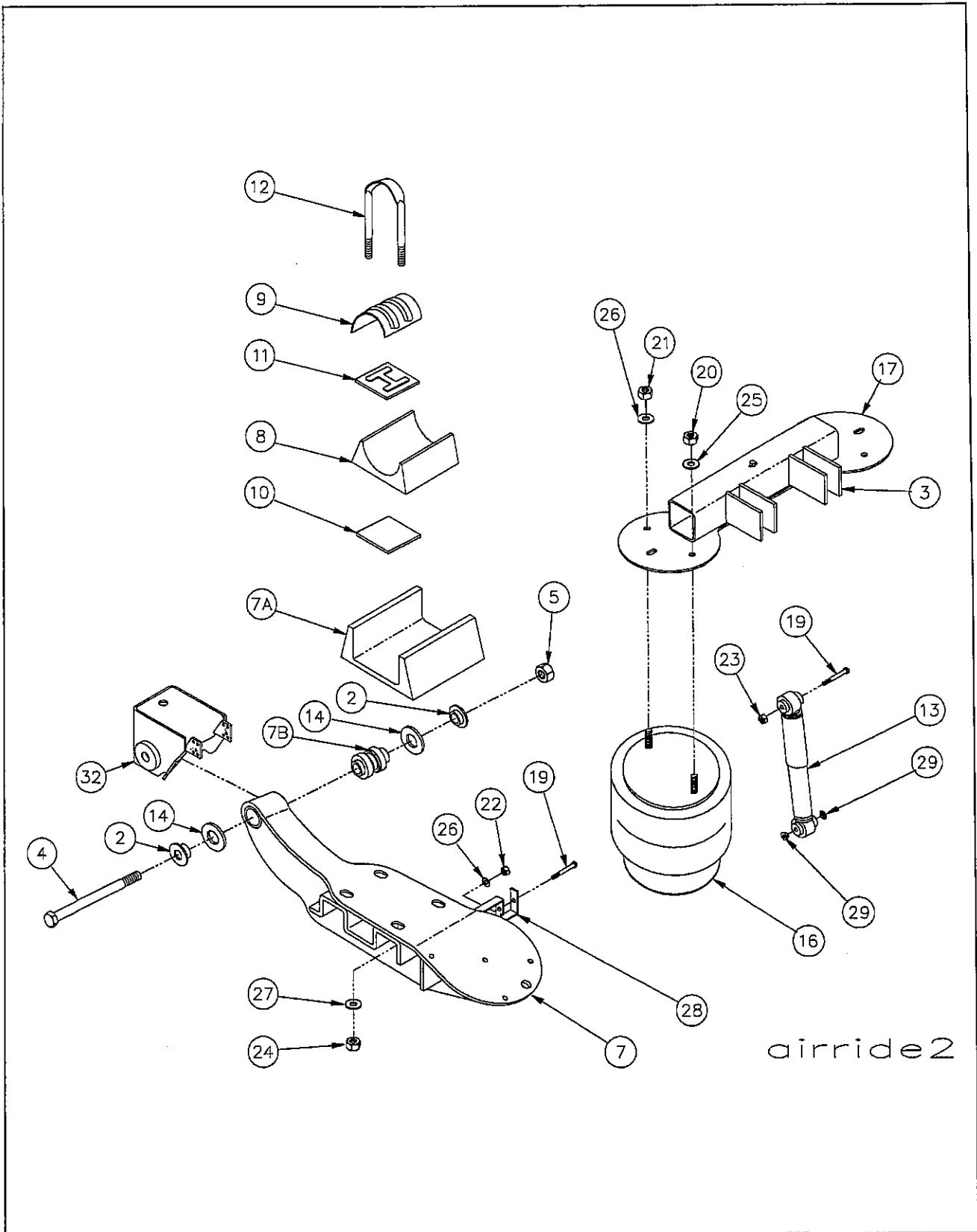


Figure 1-30 Air Ride Suspension

## AIR RIDE SUSPENSION

ITEM	PART NO.	DESCRIPTION	QTY.
	3-762-010264	SUSPENSION AR-45 (NEWAY)	
2	900 08 147	ALIGNMENT BUSHING	4
3	3-482-010170	MOUNT, SHOCK ABSORBER	4
4	932 01 055	SCREW HEX HEAD CAP	2
5	934 00 506	NUT HEX LOCK	2
7	905 15 857	EQUALIZING BEAM ASSY LH	1
	905 15 858	EQUALIZING BEAM ASSY RH	1
7A	900-01-006	BEAM SEAT	1
7B	900 08 139	BUSHING	2
8	900 01 082	AXLE ADAPTER	2
9	900-10-032	AXLE CAP	2
10	900 28 075	STEEL/RUBBER PAD	2
11	900 28 047	RUBBER WRAPPER	2
12	900 41 878	U-BOLT	4
13	900-44-162	SHOCK ABSORBER	2
14	900 36 177	SPACER WASHER	4
15	900 23 002	ANGLE BRACE	2
16	905 57 129	AIR SPRING ASSEMBLY	4
17	3-235-010208	CROSSMEMBER WELDMENT	1
18	900 31 443	GUSSET	2
19	930 03 599	SCREW HEX HEAD CAP	4
20	934 00 136	NUT HEX	2
21	934 00 149	NUT HEX	2
22	934 00 367	NUT SQUARE	2
23	934 00 492	NUT HEX LOCK	4
24	934 00 502	NUT HEX LOCK	8
25	936 00 072	WASHER LOCK	2
26	936 00 077	WASHER LOCK	4
27	939 00 027	WASHER FLAT	8
28	905 19 425	LOWER SHOCK BRACKET	2
29	905 08 004	REPLACEMENT BUSHING	8
30	SRK-145	PIVOT CONNECTION KIT (INCLUDES ITEMS 2 THROUGH 6 AND 14)	
31	SRK-64	AXLE CONNECTION KIT (INCLUDES ITEMS 10 THROUGH 12, 24 AND 27)	
32	905 19 361	FRAME BRACKET ADD. L.H. (SHOWN)	1
	905 19 362	FRAME BRACKET ADD. R.H. (SHOWN)	

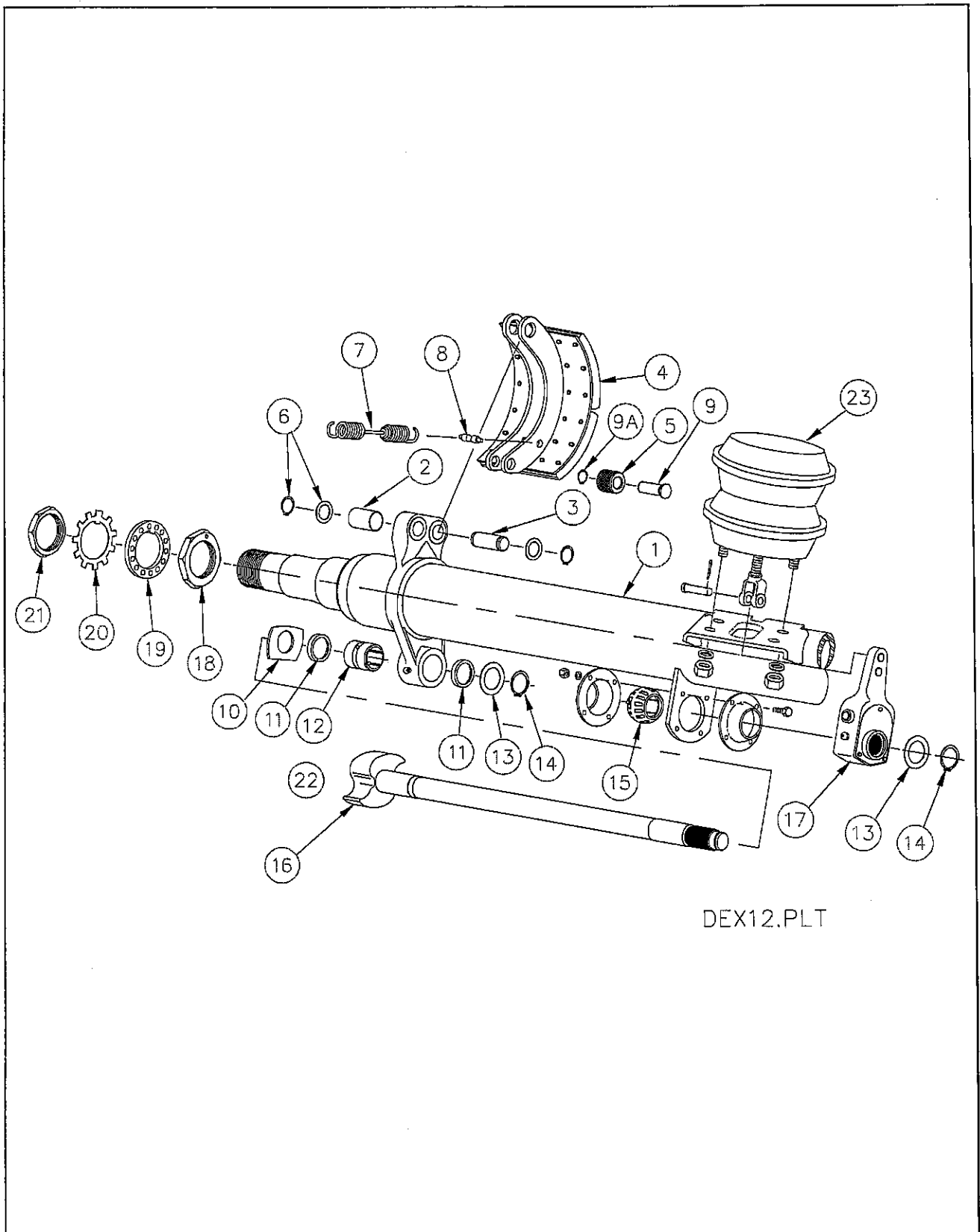


Figure 1-31 Axle and Brake Assembly



## AXLE ASSEMBLY

ITEM	PART NO.	DESCRIPTION	QTY.
	3-042-010130-02	AXLE 70-1/2" 12-1/4"X7-1/2"SPGAS (DEXTER),2	
1*	D-2212-70.5TRACK	BEAM W/ BRACKETS (5/8" WALL)	
2**	014-068-00	BUSHING ANCHOR PIN	8
3**	056-017-00	PIN ANCHOR	4
4	040-175-02	BRAKE SHOE LINING AND ROLLER (ITEM 5) LH	2
	040-175-03	BRAKE SHOE LINING AND ROLLER (ITEM 5) RH	2
	K71-138-00	BRAKE BLOCK KIT - LINING AND RIVETS	4
5**	014-057-00	ROLLER KNURLED	4
6**	005-073-00	WASHER ANCHOR PIN	8
6A**	069-019-00	RETAINER ANCHOR PIN	8
7**	046-092-00	SPRING SHOE RETURN	4
8**	056-012-00	RETAINER PIN SHOE RETURN SPRING	4
9**	056-010-00	PIN SHOE KEEPER	4
9A**	069-018-00	RETAINER ROLLER PIN	4
10***	005-074-00	"D" WASHER	2
11***	010-052-00	SEAL GREASE	4
12***	014-056-00	BUSHING CAMSHAFT SPIDER	2
13***	005-075-00	WASHER CAMSHAFT	4
14***	069-020-00	RETAINER CAMSHAFT	2
15***	014-058-00	BUSHING CAMSHAFT SUPPORT	2
16	034-188-00	CAMSHAFT LEFT HAND (28 SPLINE)	1
	034-189-00	CAMSHAFT RIGHT HAND (28 SPLINE)	1
17	055-040-07	SLACK ADJUSTER AUTO (28 SPL-CREWSON BRUNNER)	2
18	006-114-00	NUT INNER SPINDLE	2
19	005-098-00	WASHER SPINDLE LOCK	2
20	005-099-00	WASHER TABBED SPINDLE LOCK	2
21	006-115-00	NUT OUTER SPINDLE	2
22***	061-006-00	FITTING GREASE 45°	2
23	034-058-05	CHAMBER AIR BRAKE	2
	3-042-010111-2	AXLE WELDMENT WILL HAVE P/N 900 01 082 NEWAY AXLE ADAPTER (2) WELDED ONTO AXLE P/N 3-042-010130-02.	

\* WHEN ORDERING THE BEAM WITH SPINDLE SPIDER AND BRACKETS ATTACHED YOU WILL NEED THE BEAM NUMBER, D2212; TRACK LENGTH 7.5; BRAKE SIZE 12-1/4" X 7-1/2" AND CAMSHAFT LENGTH 22-5/16"

\*\* THESE PARTS ARE AVAILABLE AS PART OF BRAKE SHOE HARDWARE KIT K71-098-00

\*\*\* THESE PARTS ARE AVAILABLE AS PART OF CAMSHAFT REPAIR KIT K71-101-00.

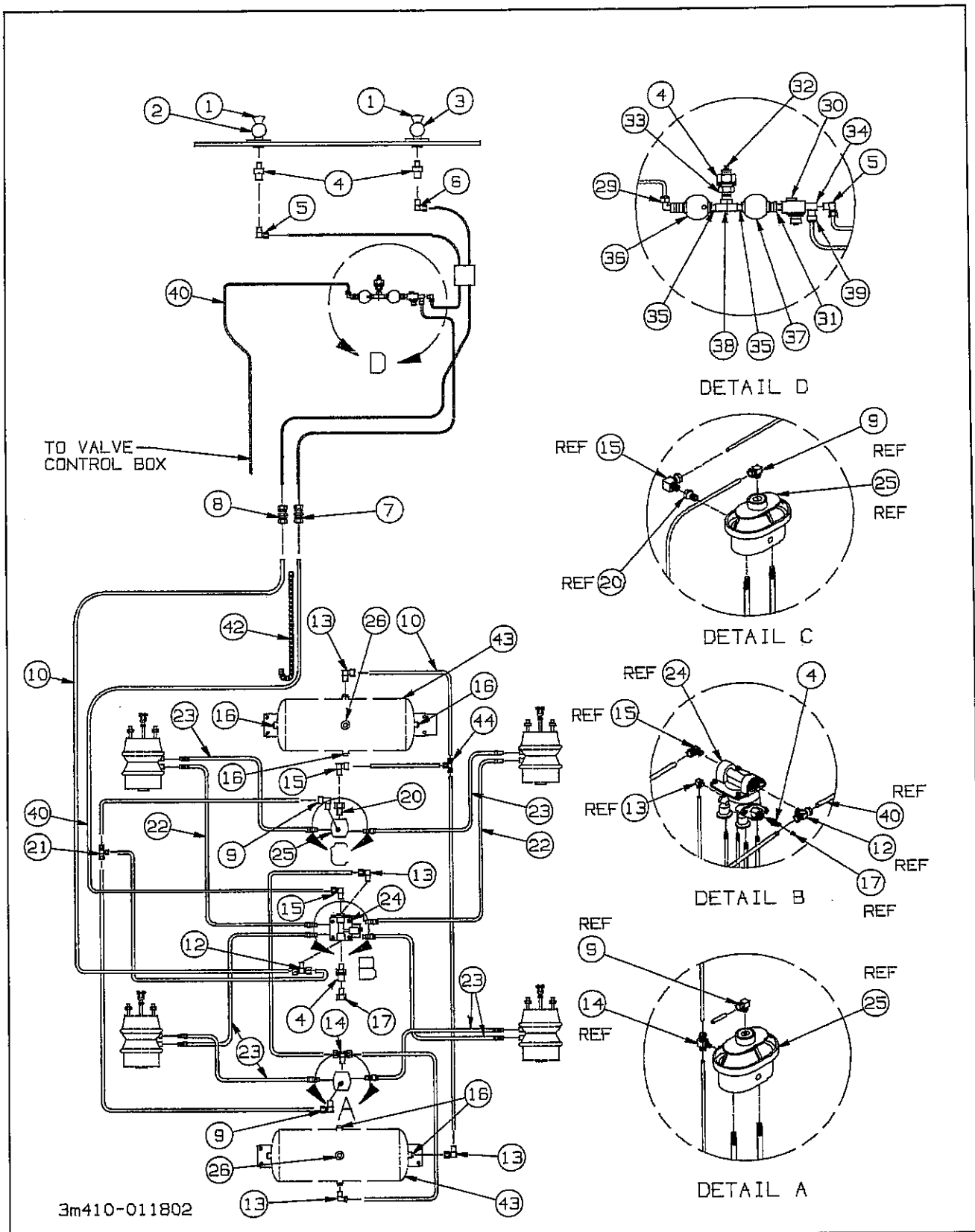


Figure 1-32 Air Brake System

## AIR BRAKE SYSTEM TANDEM AXLE

ITEM	PART NO.	DESCRIPTION	QTY.
	B3-128-095	INSTALL AIR SYSTEM TRL 336B (3-410-011802)	
	3-762-010698	SUSPENSION U/C ASSY 336B	
	3-375-010588	HITCH TILT ASSY TRL 336B	
1	55B11	GLAD HAND	2
2	55B61-6	TAG EMER LINE VELVAC 035025	1
3	55B61-7	TAG SERVICE LINE VELVAC 035026	1
4	55B61	FRAME UNION	4
5	1-297-010008-22	FITTING AIR 90° 1/2T-1/4P	2
6	1-297-010008-18	FITTING AIR 90° 3/8TUBEX1/4NPT	1
7	1-297-010014-03	FITTING AIR BULKHEAD UNION 3/8	1
8	1-297-010014-04	FITTING AIR BULKHEAD UNION 1/2	1
9	1-297-010008-20	FITTING AIR 90° 3/8TUBEX3/8NPT	2
10	1-833-010003	TUBING NYLON	29'
12	1-297-010015-07	FITTING AIR BR TEE 3/8T-3/8P	1
13	1-297-010008-24	FITTING AIR 90° 1/2TUBEX1/2NPT	4
14	1-297-010015-11	FITTING AIR TEE 1/2TX1/2P	1
15	1-297-010008-23	FITTING AIR 90° 1/2TUBEX3/8NPT	2
16	1-560-010002-04	PLUG PIPE 1/2	1
17	1-297-010033-02	FITTING BRASS PLUG 1/4NPT	1
20	1/2 X 3/8 BUSH	BUSHING	1
21	1-297-010010-03	FITTING AIR UNION TEE 3/8	1
22	3-384-010031	HOSE AIR	2
23	3-384-010020	HOSE AIR	6
24	758-181	VALVE TASK 4 PORT	1
25	3-843-010005	VALVE RELAY 2 PORT THIRD AXLE	2
26	56D4	COCK DRAIN AIR TANK VELO36019	2
29	1-297-010008-21	FITTING AIR 90° 3/8TUBEX1/2NPT	2
30	905-54-107	VALVE AND FILTER PRESSURE	6
31	2083-8-4S	NIPPLE HEX	1
32	1-560-010002-04	PLUG PIPE 1/2	4
33	1-861-010032-25	WASHER FLAT 1"	1
34	1-297-010018-02	FITTING ST TEE BRASS PIPE 1/4	2
35	1-297-010020-04	FITTING BRASS PIPE 1/2	2
36	758-012	LUBRICATOR AIR	1
37	758-013	FILTER AIR	1
38	1-297-010009-04	FITTING AIR PIPE TEE 1/2	1
39	1-297-010007-14	FITTING AIR 90° 1/2TUBEX1/4NPT	1
40	1-833-010002	TUBING NYLON	46'
41	1-833-010003	TUBING NYLON	36.7'
42	3-755-010189-02	SUPPORT, E-CHAIN	REF
43	3-780-010002	TANK, AIR	2
44	1-297-010010-06	FITTING, AIR UNION TEE 1/2	1

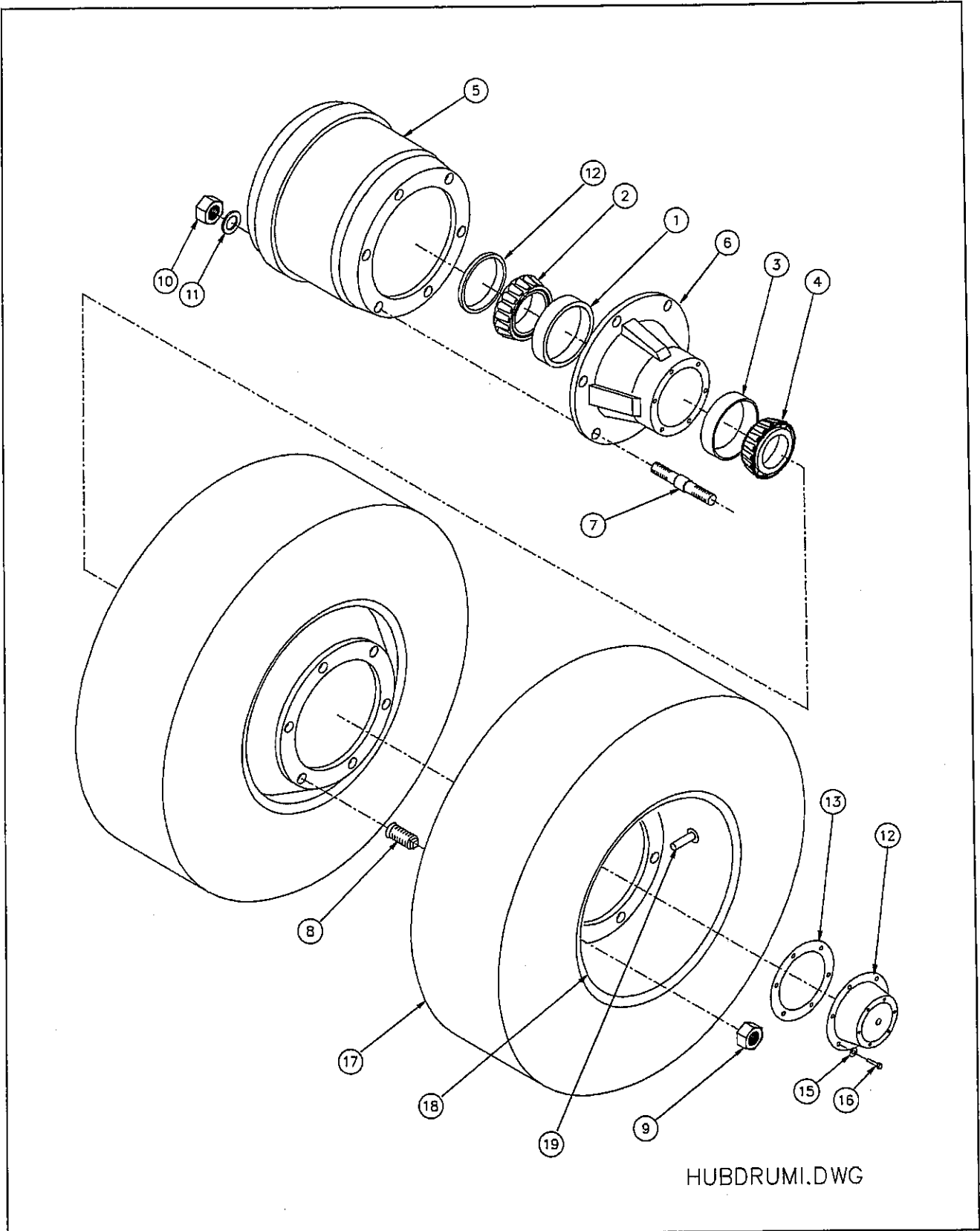


Figure 1-33 Hub and Inboard Drum Assembly

## HUB AND INBOARD DRUM ASSEMBLY

ITEM	PART NO.	DESCRIPTION	QTY.
	3-406-010044	HUB/DRUM ASSY. 6 BOLT 12-1/4 BLH(WEBB)	
	3-406-010045	HUB/DRUM ASSY. 6 BOLT 12-1/4 BRH(WEBB)	
1	HM218210	INNER BEARING CUP	1
2	HM218248	INNER BEARING CONE	1
3	HM212011	OUTER BEARING CUP	1
4	HM212049	OUTER BEARING CONE	1
5	63635	INBOARD MOUNTED BRAKE DRUM	1
6	1056	HUB	1
7	139913	STUD LH	6
	139902	STUD RH	6
8	107083	INNER CAPNUT LH	6
	107082	INNER CAPNUT RH	6
9	178921	OUTER CAPNUT LH	6
	178910	OUTER CAPNUT RH	6
10	75716	HEX LOCK NUT	6
11	257	WASHER FLAT	6
12	021-038-001	CAP HUB	1
13	071-124-00	GASKET OIL CAP	1
14	010-055-01	SEAL	1
15	005-100-00	LOCKWASHER	6
16	007-157-00	CAP SCREW	6
17	3-798-010038	TIRE TRLR 215/75RX17.5 MICH.	2
18	3-870-010012	WHEEL DISC 6.75X17.5	2
20	TR573	VALVE STEM	2

NOTE: QUANTITIES LISTED ARE FOR ONE BRAKE ASSY. TWO BRAKE ASSEMBLIES ARE NEEDED FOR ONE AXLE.

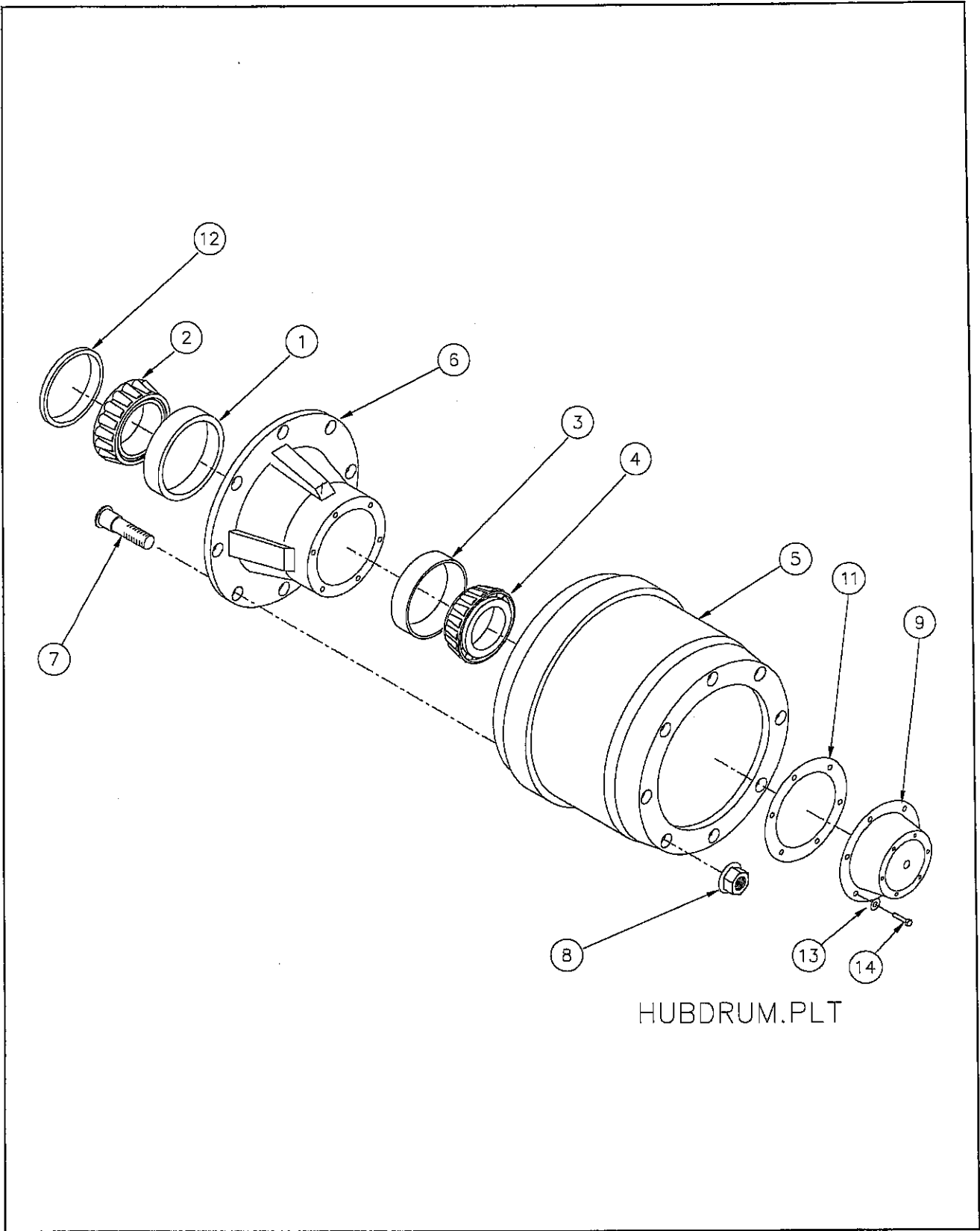


Figure 1-34 Outboard Pilot Mount Hub and Drum

## HUB PILOTED WHEEL ASSEMBLY

ITEM	PART NO.	DESCRIPTION	QTY.
	3-406-010061	HUB & DRUM ASSY (FOR PILOT MNTD DISC WHEEL )	
1	HM218210	CUP, INNER BEARING	1
2	HM218248	CONE, INNER BEARING (NOT SHOWN)	1
3	HM212011	CUP, OUTER BEARING	1
4	HM212049	CONE, OUTER BEARING (NOT SHOWN)	1
5	63680	DRUM, BRAKE	1
6	2027	HUB	1
7	179955	FLANGE NUT	8
8	101162	STUD	8
10	021-038-01	HUB CAP	1
11	071-124-00	GASKET	1
12	3-659-010012	SEAL	1
13	5/16SLW	WASHER, SPLIT LOCK	6
14	5/16-18X3/4HHCS	CAP SCREW, HEX HEAD	6
15	3-870-010097	WHEEL, DISC, PILOT MT. 17.5 X 6.75 (NOT SHOWN)	2
	TR573	VALVE STEM	2
	3-798-010038	TIRE TRLR 215/75RX17.5 MICH.	2

NOTE: QUANTITIES LISTED ARE FOR ONE BRAKE ASSY. TWO BRAKE ASSEMBLIES ARE NEEDED FOR ONE AXLE.

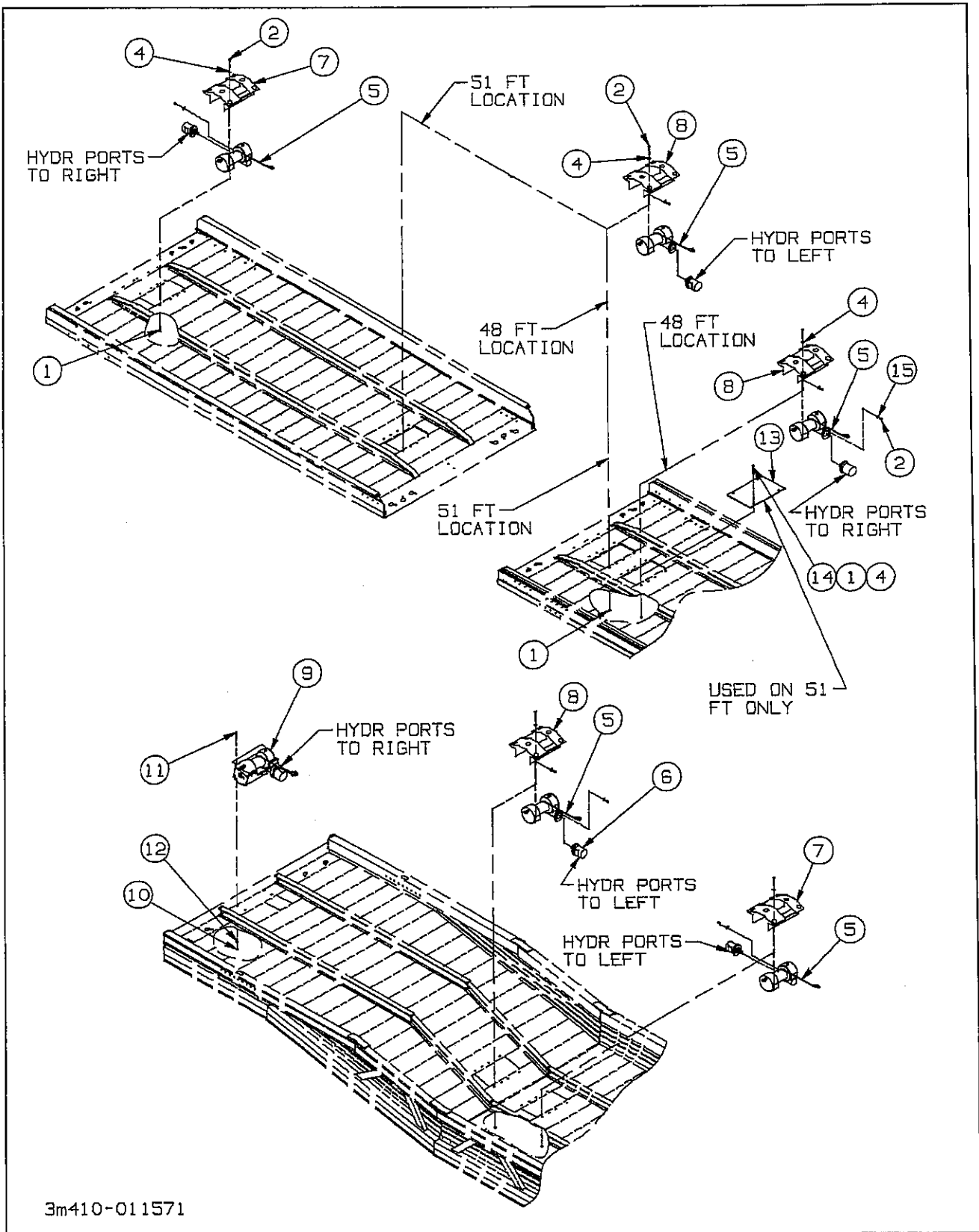
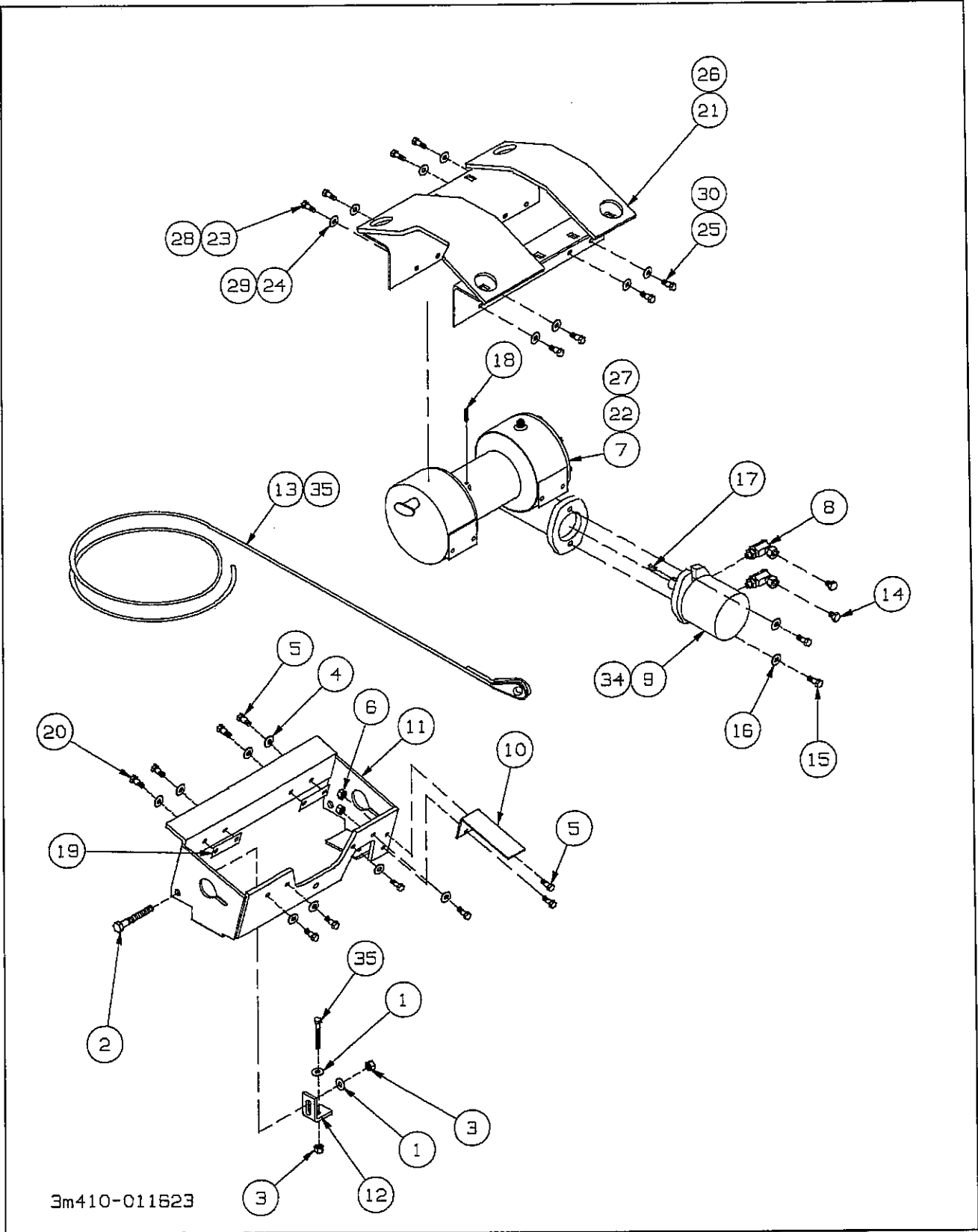


Figure 1-35 Winch Installation



## WINCH INSTALLATION

ITEM	PART NO.	DESCRIPTION	QTY.	
	3-410-011571	WINCH 8,000 INSTALLATION	48'	51'
1	1-512-010005-09	NUT HEX LOCK 1/2-13 GRB	40	44
2	1-654-010089-15	SCREW SKT BTN CP 1/2-13 X 1-3/4	50	50
4	1-861-010032-15	WASHER FLAT 1/2	40	44
5	3-155-010013	CABLE 3/8 W/ THIMBLE 65 FT	5	5
6	3-481-010012	MOTOR HYDR 2.8 CI/R 2 BOLT	5	5
7	3-482-010026	MOUNT WINCH ASSEMBLY	2	2
8	3-482-010312	MOUNT WINCH ASSEMBLY	3	3
9	3-873-010147	WINCH 8000 ASSEMBLY TRAILER	1	1
10	1-512-010005-13	NUT HEX LOCK 5/8-11GRB	4	4
11	1-654-010059-05	SCREW HEX HEAD CAP 5/8-11X2	4	4
12	1-861-010032-19	WASHER FLAT 5/8	4	4
13	3-222-010165	COVER WINCH OPENING 336	-	1
14	1/2-13X1-1/2CB	SCREW RD HEAD SQ NECK	-	4
15	1-861-010034-13	WASHER LOCKING HELICAL SPRING 1/2	10	10



3m410-011523

Figure 1-36 Winch Assembly

## WINCH ASSEMBLY

ITEM	PART NO.	DESCRIPTION	QTY.
	3-873-010147	WINCH 8,000 ASSY TRL (INCLUDES 1 - 20)	
1	1-861-010032-18	WASHER FLAT 5/8	6
2	1-654-010059-03	SCREW HEX HD CAP 5/8-11UNCX1-1/2 GR5	2
3	1-512-010005-13	NUT HEX LOCK 5/8-11 GRB	6
4	1-861-010058-07	WASHER LOCK 3/8 CONICAL	8
5	1-654-010051-05	SCREW HEX CAP 3/8-16UNCX1 GR5	10
6	1-512-010005-05	NUT HEX LOCK 3/8-16 GRB	2
7	3-873-010073	WINCH 8000# WORM GEAR (SEE PAGE 1-59)	1
8	2068-8-10S	FITTING O-RING 90° 3/8 TO 7/8	2
9	3-481-010012	MOTOR HYDR 2.8 CI/R 2 BOLT (SEE PAGE 1-61)	1
10	3-311-013079	WINCH HOSE SHIELD	1
11	3-482-010543	MOUNT WINCH 336A WELDMENT	1
12	3-311-013068	WORM WINCH ANCHOR	2
13	3-155-010013	CABLE W/ THIMBLE	1
14	1-007-010026	PLUG PLASTIC 1/2	2
15	1-654-010089-15	SCREW, SKT BTM CAP 1/2-13X1-3/4	REF
16	1-861-010034-13	WASHER WINCH MOT.MNTG(INCL.W/ITEM 7)1/2	REF
17	RSR8999X1	KEY (INCLUDED W/ ITEM 7)	REF
18	SET SCREW	SOC SET SCREW (INCLUDED W/ ITEM 7)	REF
19	3-684-010031	SHIM WINCH	2
20	1-654-010051-06	SCREW HEX HEAD CAP 3/8-16X1-1/4	4
	3-482-010026***	MOUNT ASSY WINCH (INCLUDES ITEMS 21 - 24)	2
21	3-482-010005	MOUNT WINCH	2
22	3-873-010109*	WINCH WORM GEAR 8000# (SEE PAGE 1-59)	2
23	1-654-010141-04	SCREW HEX HD CAP 3/8-16UNCX1 GR8	8
24	1-861-010058-07	WASHER LOCK 3/8	16
25	1-654-010051-06	SCREW HEX HEAD CAP 3/8-16X1-1/4	8
	3-482-010312**	MOUNT ASSY WINCH (INCLUDES ITEMS 25 - 28)	
26	3-482-010005	MOUNT WINCH	3
27	3-873-010073	WINCH 8000# WORM GEAR (SEE PAGE 1-59)	3
28	1-654-010141-04	SCREW HEX HEAD CAP 3/8-16UNCX1 GR8	24
29	1-861-010058-07	WASHER LOCK 3/8	24
30	1-654-010051-06	SCREW HEX HEAD CAP 3/8-16X1-1/4	8

\* ITEM 27 IS THE SAME AS ITEM 7 EXCEPT THE MOTOR ADAPTER FLANGE IS MOUNTED ON THE OPPOSITE SIDE.

\*\* LOCATED AT REAR UPPER DECK MIDDLE UPPER DECK AND MIDDLE LOWER DECK.

\*\*\* LOCATED AT FRONT UPPER DECK AND REAR LOWER DECK.

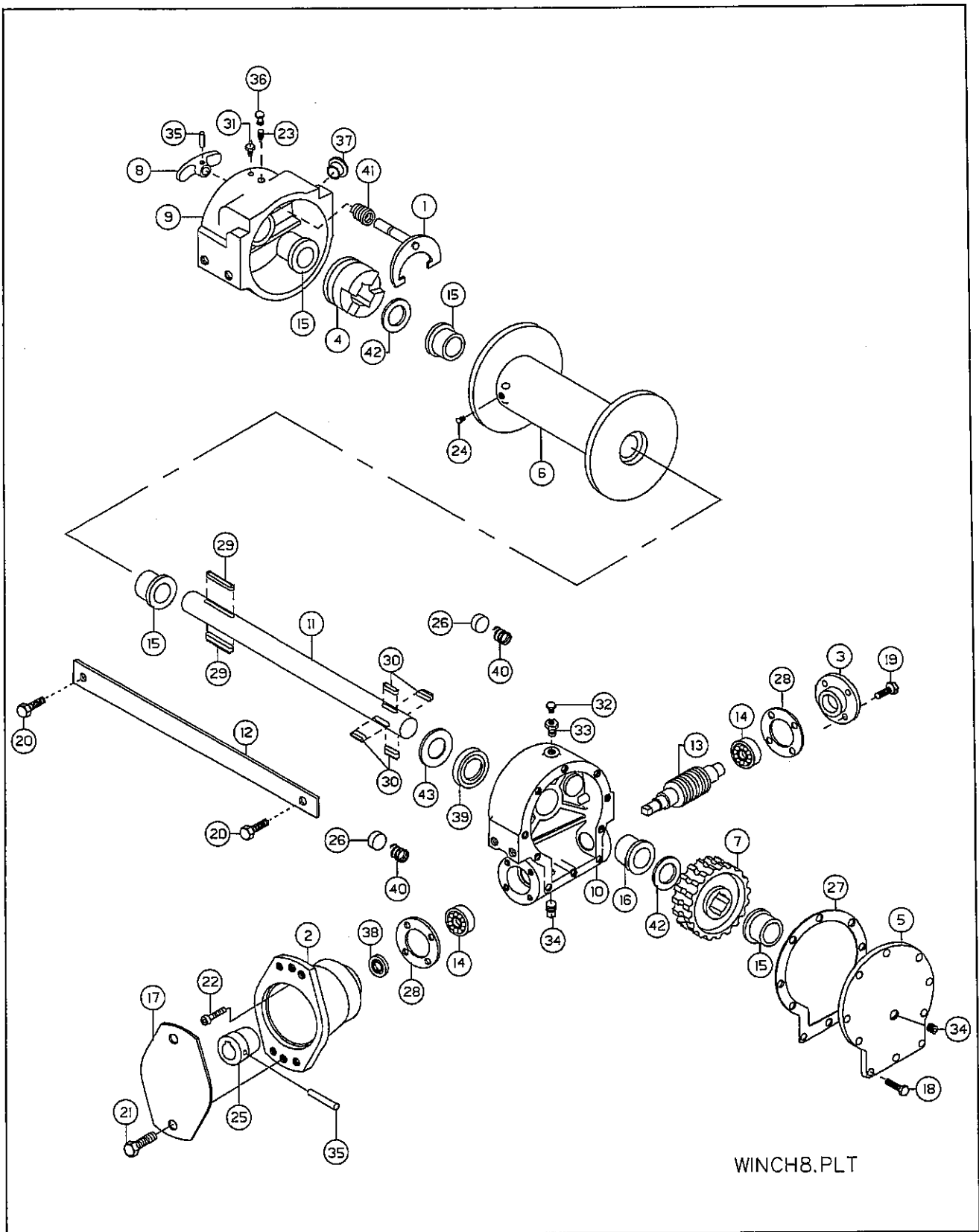


Figure 1-37 8,000# Winch Assembly

## 8,000# WINCH ASSEMBLY

ITEM	PART NO.	DESCRIPTION	QTY.
	3-873-010073	WINCH 8000# WORM GEAR (RAMSEY)(SHOWN)	1
	3-873-010109 *	WINCH 8000# WORM GEAR (RAMSEY)(SAME PARTS)	1
1	276028	SHIFTER ASSY	1
2	300039	ADAPTER	1
3	316083	BEARING CAP	1
4	324160	JAW CLUTCH	1
5	328134	COVER	1
6	332007	DRUM-"Y"	1
7	334163	GEAR RH 46:1	1
8	336A010	HANDLE	1
9	338208	HOUSING-CLUTCH	1
10	338273	HOUSING-GEAR	1
11	357481	SHAFT-DRUM-"Y"	1
12	364018	SHIP-STRAP	1
13	368017	WORM RH 46:1	1
14	402002	BEARING-BALL	2
15	412003	BUSHING	4
16	412045	BUSHING	1
17	413013	COVER-HYD ADAPTER	1
18	414038	CAPSCREW	10
19	414045	CAPSCREW	4
20	414279	CAPSCREW	2
21	414521	CAPSCREW	2
22	414835	CAPSCREW	4
23	416030	SETSCREW SOC HEADLESS	1
24	416059	SETSCREW SOC HEADLESS	1
25	431007	COUPLING	1
26	438014	DISC-BRAKE	2
27	442205	GASKET	1
28	442184	GASKET	2
29	450006	KEY-BARTH	2
30	450016	KEY-BARTH	4
31	456001	FITTING-LUB	1
32	456008	FITTING-RELIEF	1
33	468002	REDUCER	1
34	468011	PIPE PLUG	2
35	470033	SPIROL PIN	2
36	472012	PLUG-RUBBER	1
37	472013	PLASTIC PLUG	1
38	486009	OIL SEAL	1
39	486017	OIL SEAL	1
40	494002	PLASTIC PLUG	2
41	494053	OIL SEAL	1
42	518014	THRUST WASHER	1
43	518015	THRUST WASHER	2

\* THE MOTOR ADAPTER FLANGE IS MOUNTED ON THE OPPOSITE SIDE AS 3-873-010073.

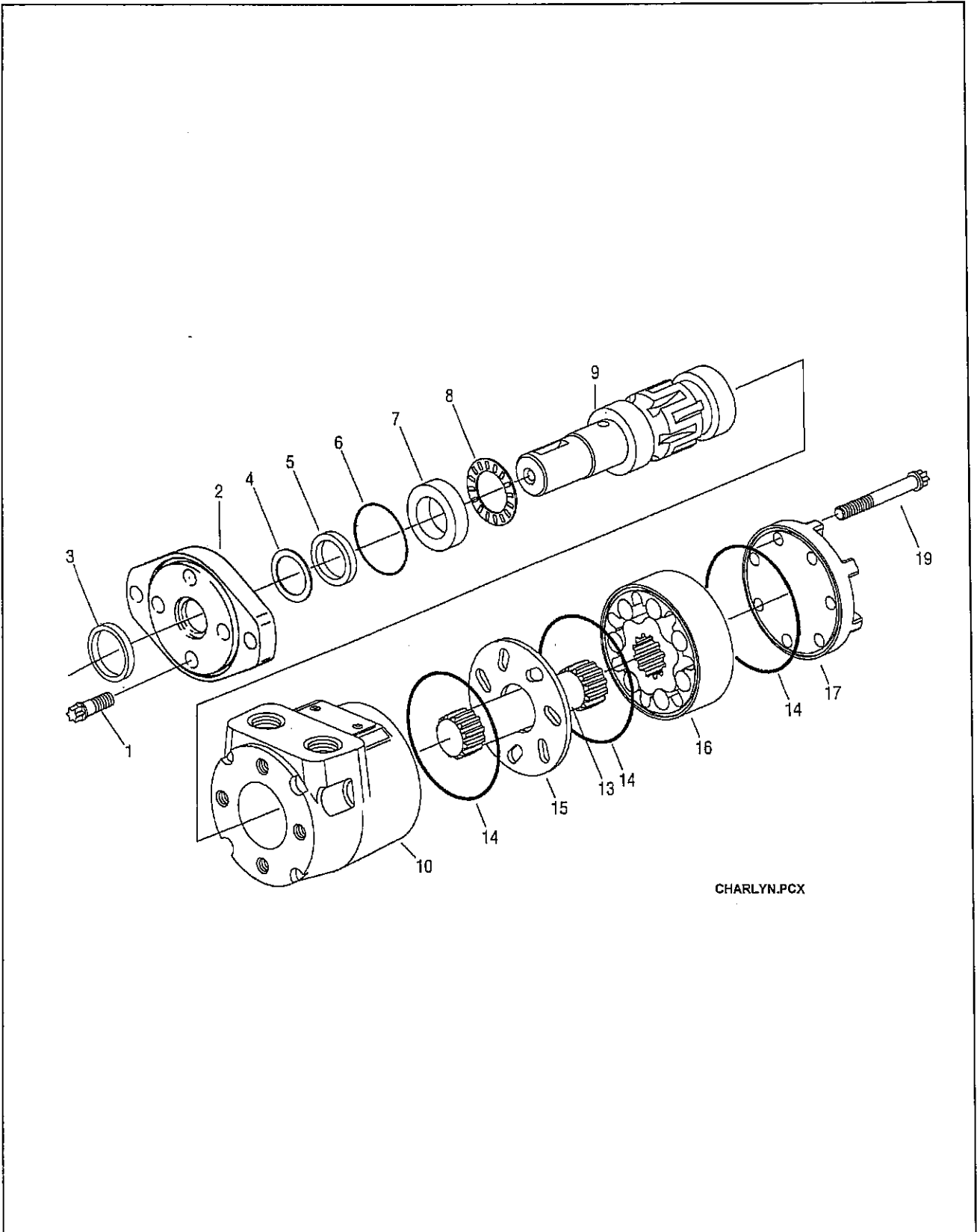


Figure 1-38 Winch Motor Assembly 8,000#

## WINCH MOTOR ASSEMBLY 8,000#

ITEM	PART NO.	DESCRIPTION	QTY.
	3-481-010012	MOTOR HYDR 2.8 CI/R 2 BOLT	1
	103-1034-011	CHAR-LYNN MOTOR -011 DESIGN	1
1	16292-088	SCREW CAP	4
2	22000-001	FLANGE MOUNTING (2 BOLT)	1
3	*9121-002	SEAL EXCLUSION	1
4	*22002-000	WASHER BACKUP	1
5	*9057-014	SEAL PRESSURE	1
6	*9091-001	SEAL	1
7	7462-000	RACE THRUST BEARING	1
8	7537-000	BEARING THRUST NEEDLE	1
9	7360-001	SHAFT STRAIGHT W/ WOODRUFF KEY	1
	14193-000	WOODRUFF KEY	1
10	201285-001	HOUSING O-RING PORTS	1
13	20111-002	DRIVE	1
14	*9086-005	SEAL	3
15	22808-000	PLATE SPACER	1
16	22801-004	GEROLER	1
17	23986-001	CAP END	1
19	1694-188	SCREW CAP	7
20	60564-000	SEAL KIT (INCLUDES ITEMS MARKED *)	1

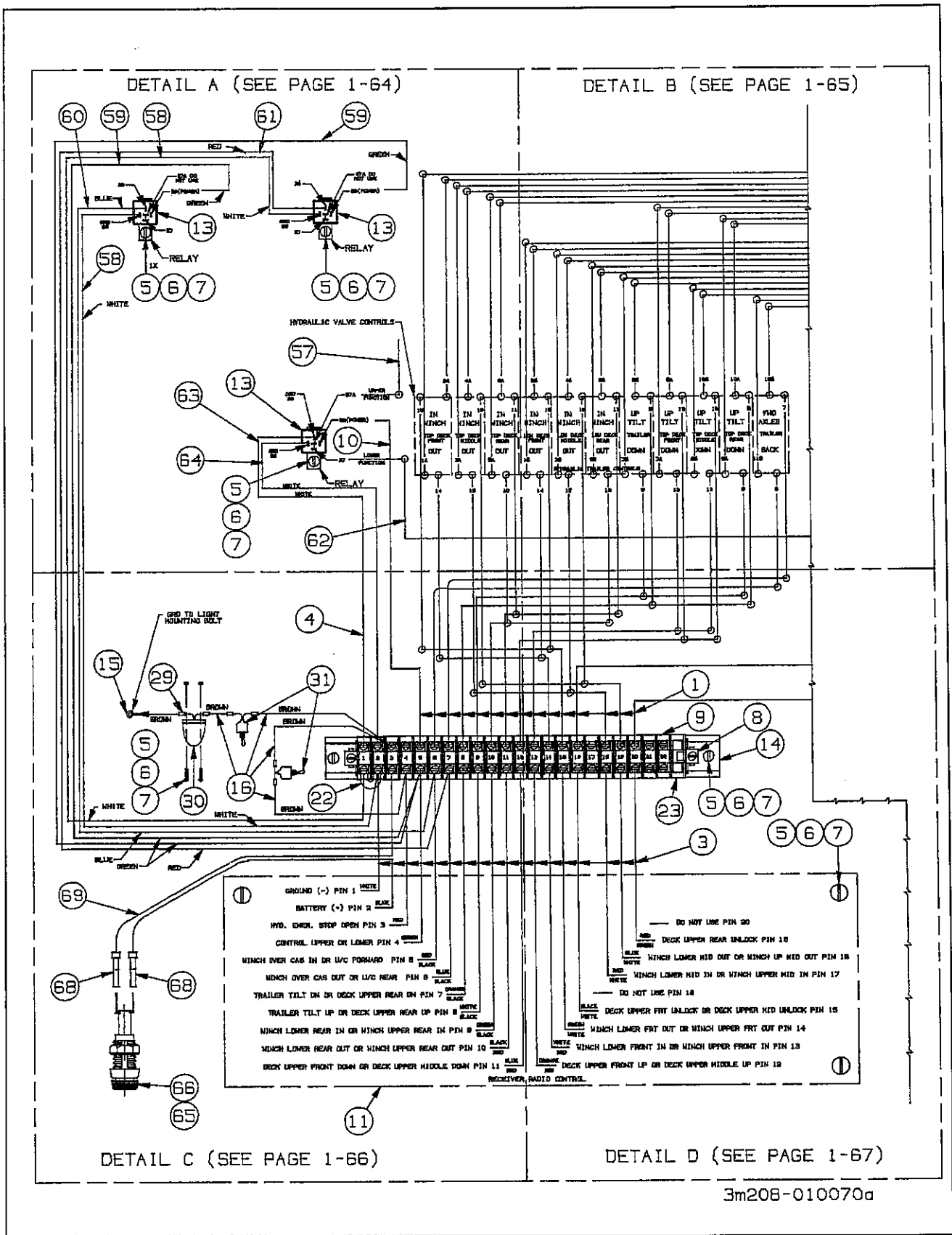


Figure 1-39 Electrical System, Remote Control



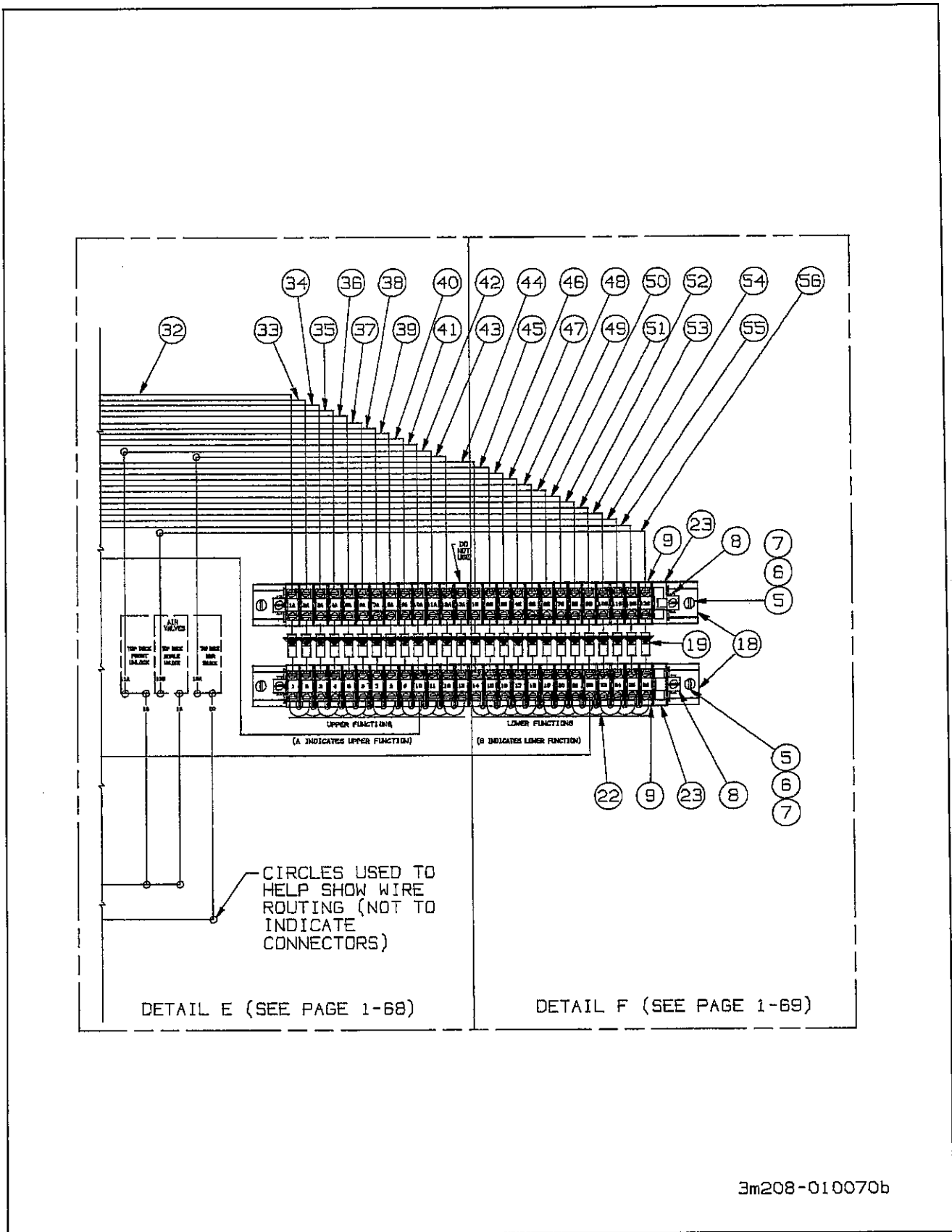
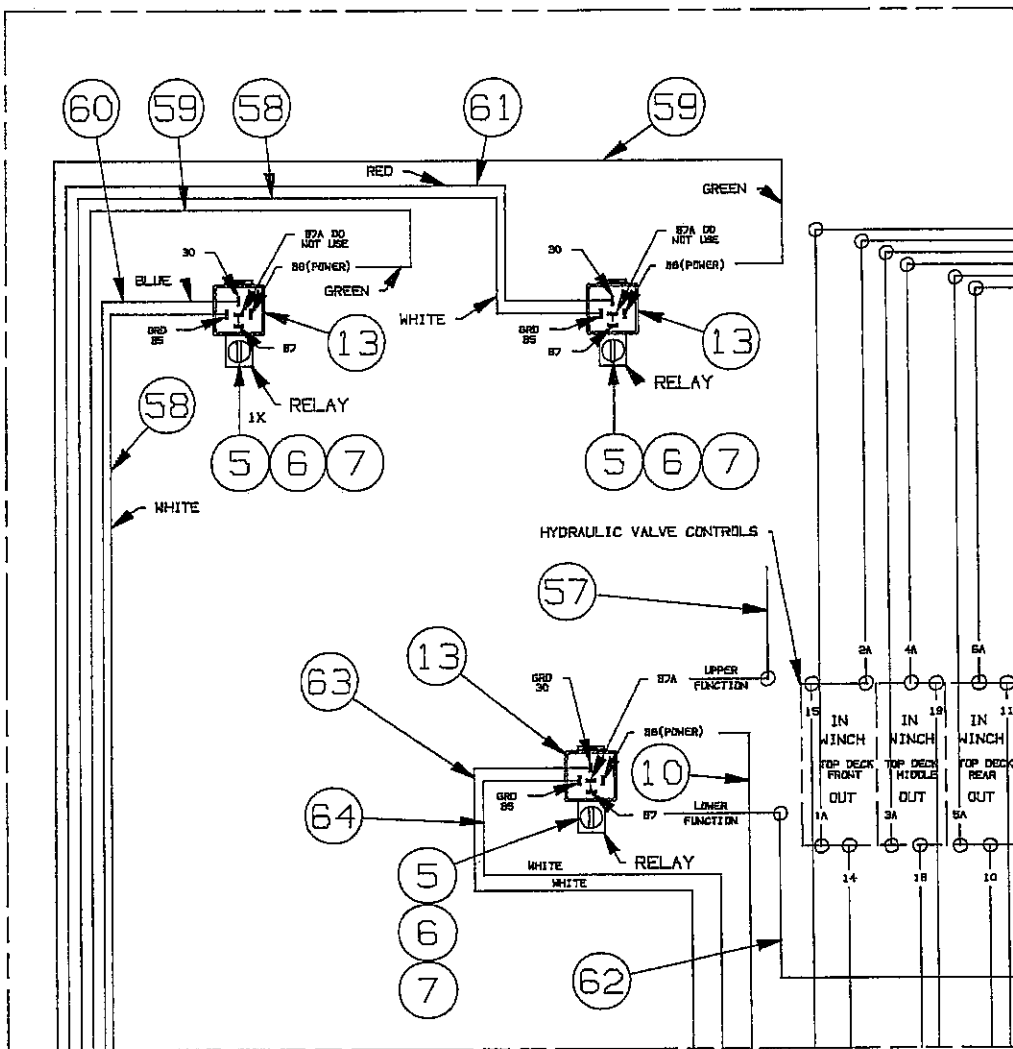
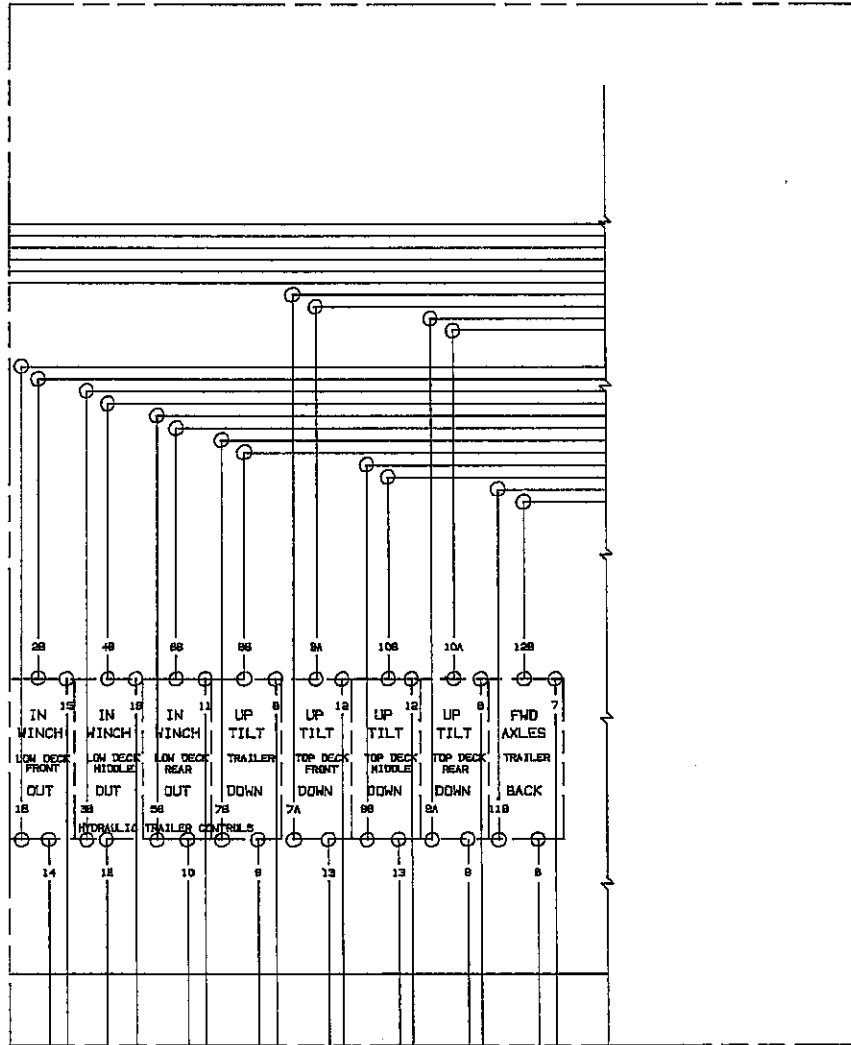


Figure 1-40 Electrical System, Remote Control



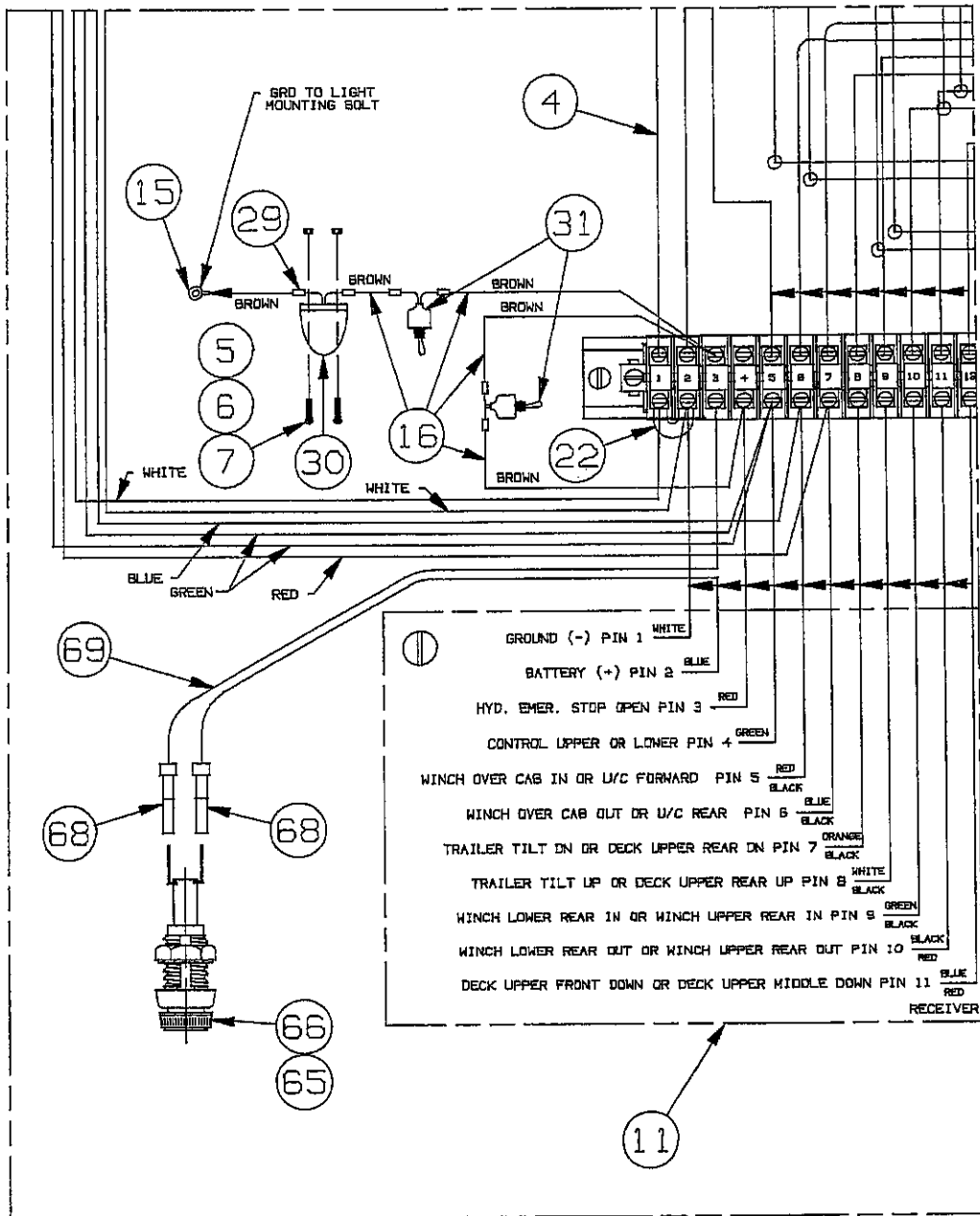
DETAIL A (3m208-010070a)

Figure 1-41 Electrical System, Remote Control Detail A



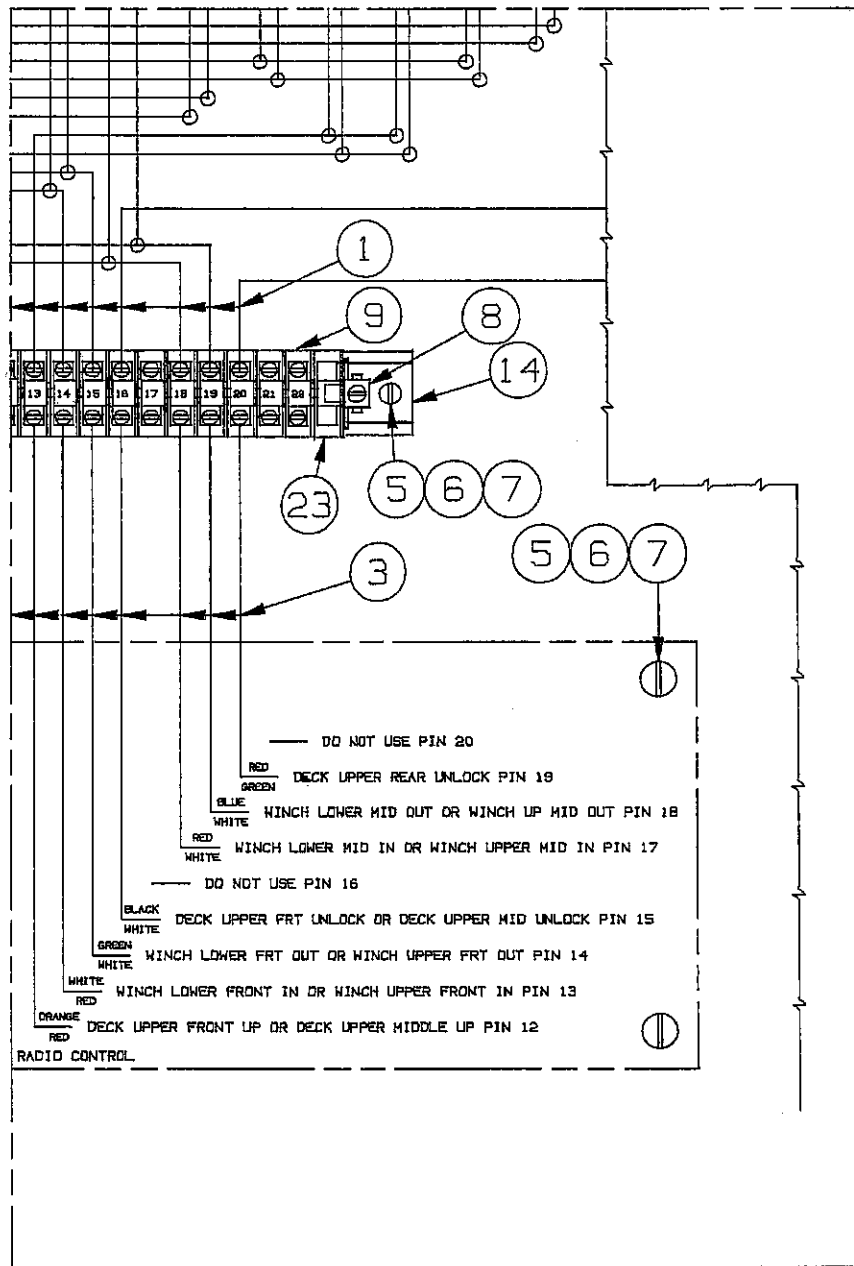
DETAIL B (3m208-010070a)

Figure 1-42 Electrical System, Remote Control Detail B



DETAIL C (3m208-010070a)

Figure 1-43 Electrical System, Remote Control Detail C



DETAIL D (3m208-010070a)

Figure 1-44 Electrical System, Remote Control Detail D

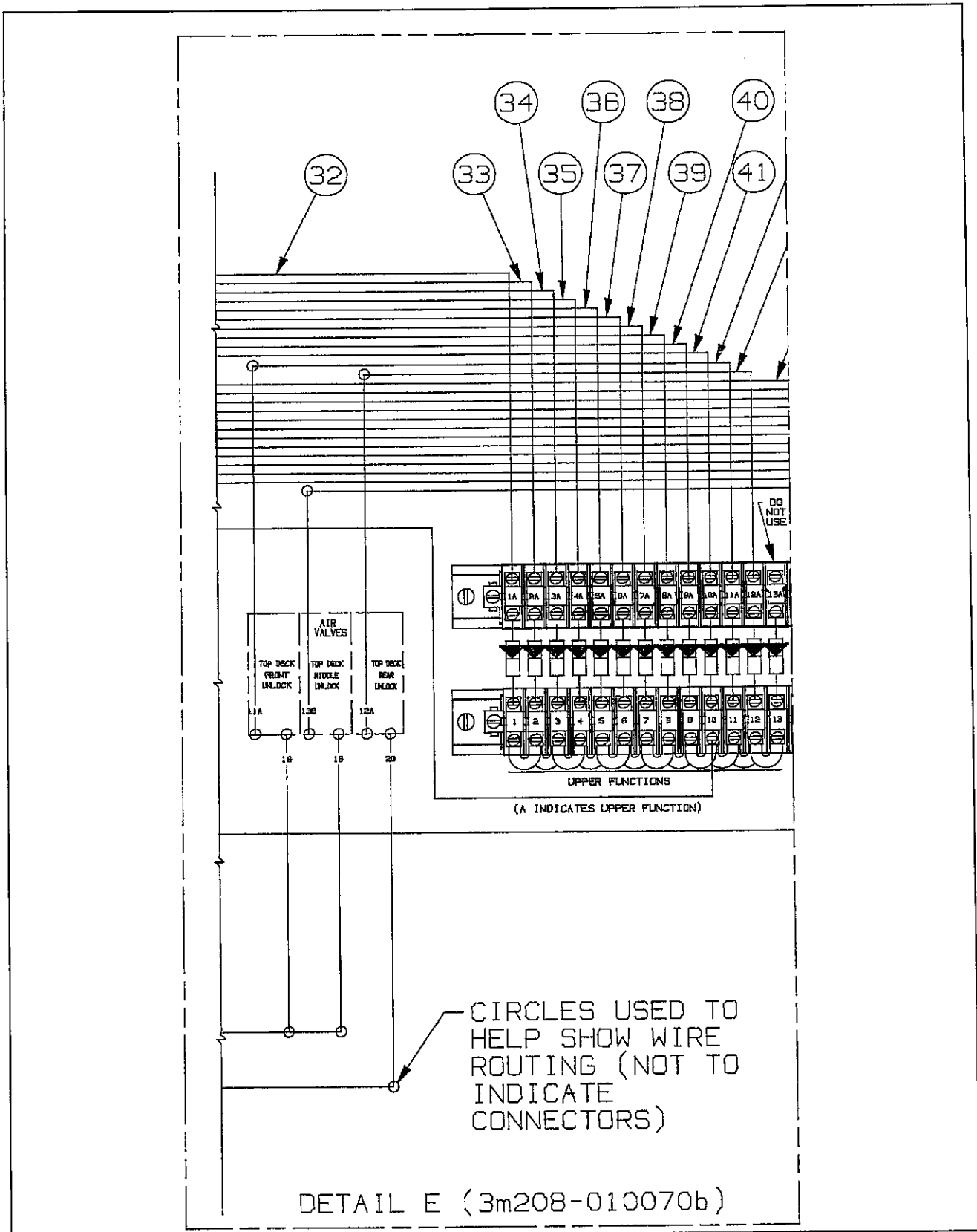


Figure 1-45 Electrical System, Remote Control Detail E

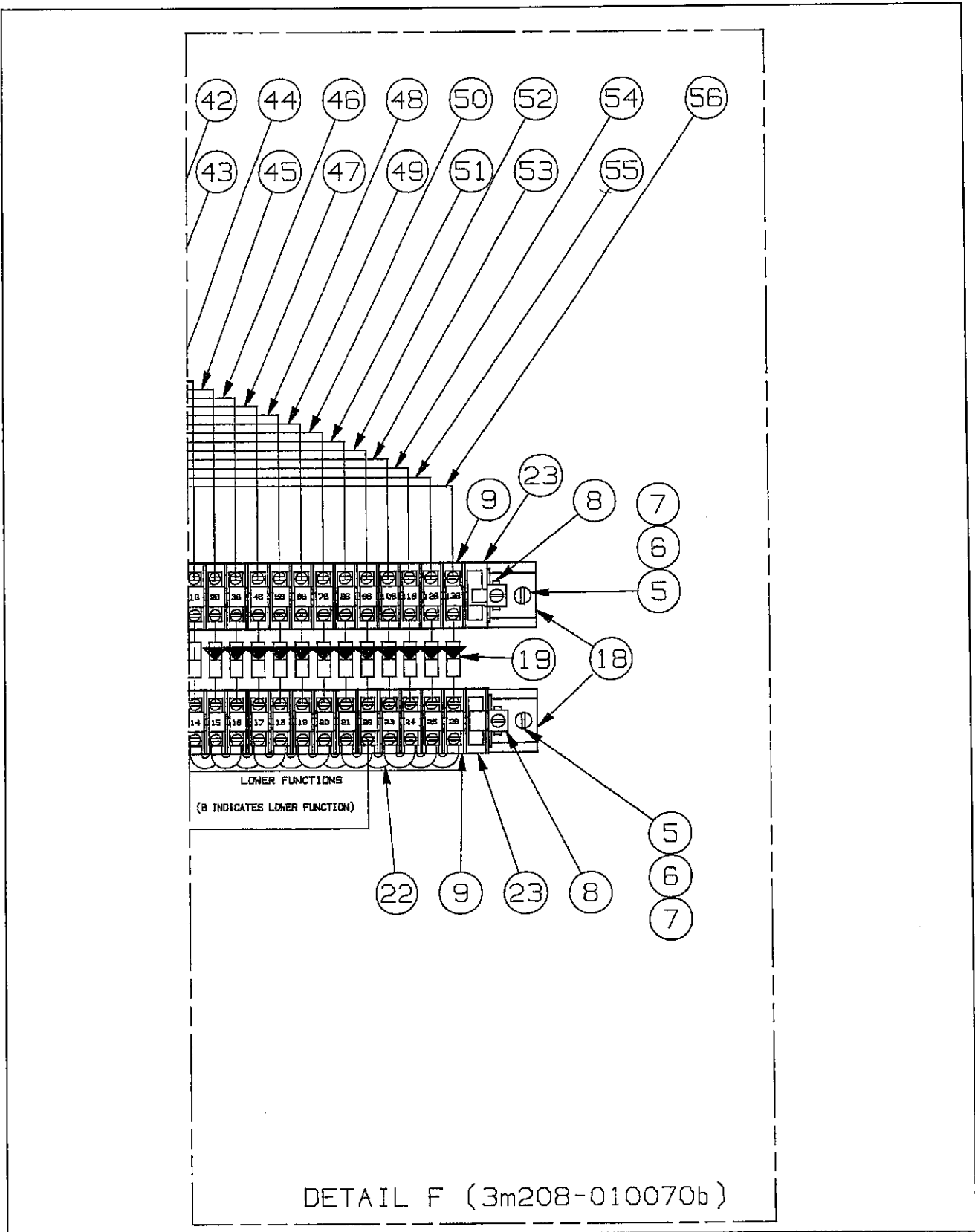


Figure 1-46 Electrical System, Remote Control Detail F

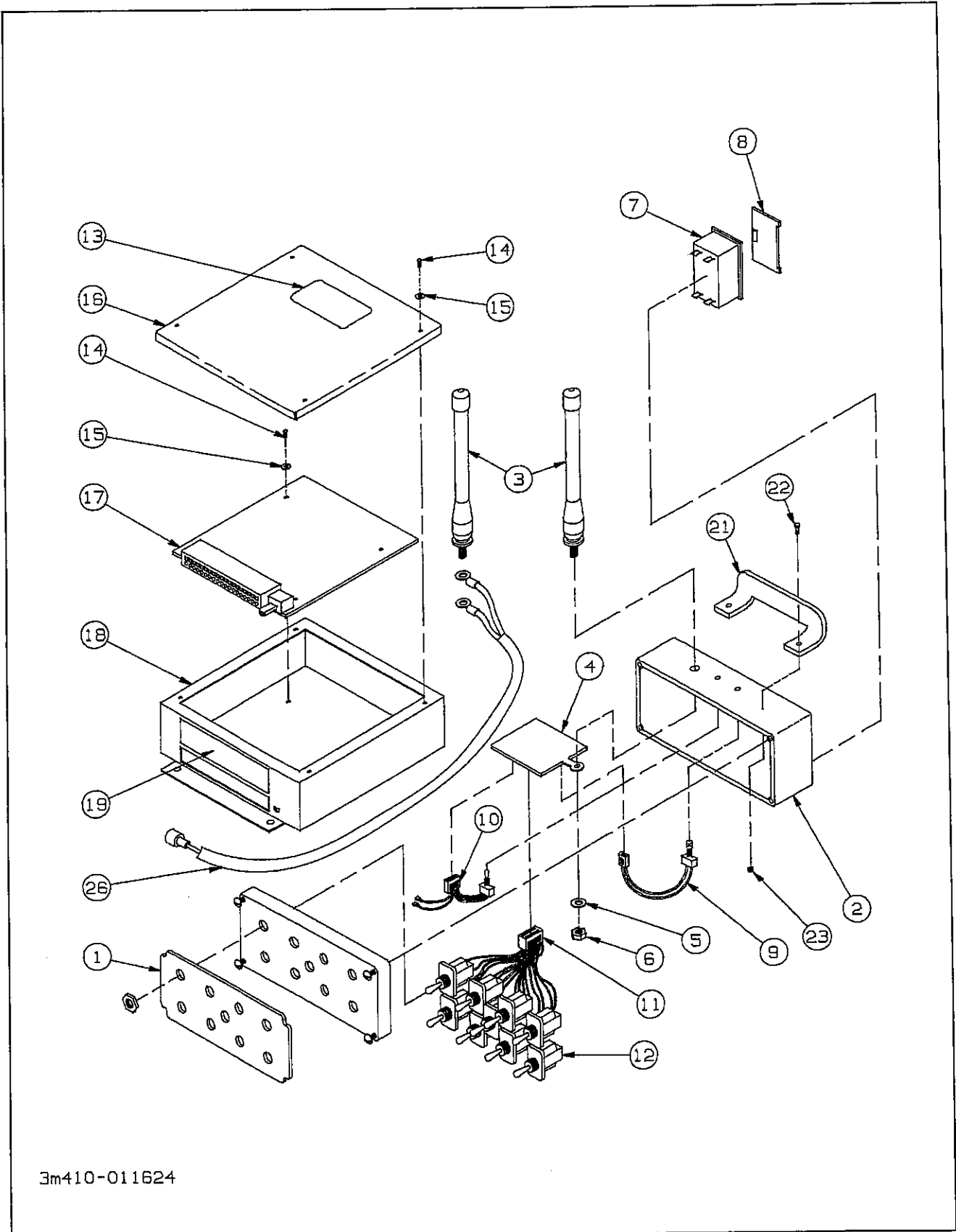
## ELECTRICAL ASSEMBLY REMOTE CONTROL

ITEM	PART NO.	DESCRIPTION	QTY.
	3-208-010070	CONTROL BOX ASSY 336B(ELECTRICAL ASSY ONLY)	
1	3-368-010204	HARNESS SOLENOID TO TERM BLK	1
2	1-879-010004	WIRE RED	12.5'
3	3-368-010206	HARNESS RAD RCVR TO TERM BLOCK	1
4	3-368-010239	HARNESS 4 POLE TO RELAYS	REF
5	103-0636	NUT ESNA THIN	18
6	107-0775	SCREW MACH PAN HD SLT	18
7	110-0253	WASHER FLAT	18
8	238-9030-12	CLAMP TERM BLOCK	6
9	238-9030-21	TERM BLOCK MEDIUM	74
10	1-879-010124-01	WIRE GRN LABELED PWR W/ SPADE	1
11	3-208-010056	RADIO CONTROL REMOTE (SEE PAGE 1-73)	1
12	3-368-010238	HARNESS JCT BOX TO TERM BLK	1
13	3-624-010008	RELAY SPDT QUICK CONNECT	3
14	514-5728-7	TERMINAL CHANNEL	1
15	3-203-010001	RING TERMINAL	1
16	1-879-010005	WIRE BROWN	10.5'
17	3-201-010001	CONDUIT FLEX PLASTIC	12.5'
18	514-5728-8	TERMINAL CHANNEL	2
19	238-6832	DIODE 6 AMP	26
21	3-348-010039	GUARD RADIO SWITCH	1
22	238-9030-23	JUMPER TERM BLOCK	25
23	238-9030-22	END TERMINAL BLOCK	3
24	1-512-010007-02	NUT HEX 8-32	2
25	1-656-010003026	SCREW RD HEAD MACH 1/2X8-32	2
26	1-512-010005-05	NUT HEX LOCK 3/8-16 GRB	2
27	1-861-010032-11	WASHER FLAT 3/8	1
28	514-1000	QUICK-EDGE TRIM	6'
29	3-272-010021	ELECT BUTT SPLICE W/ SEAA	6
30	15009	LICENSE LAMP	1
31	3-272-010017	TOGGLE SWITCH SEALED SPST	2
32	1-879-010129-01	WIRE LABELED 1A W/ SPADE	1
33	1-879-010129-02	WIRE LABELED 2A W/ SPADE	1
34	1-879-010129-03	WIRE LABELED 3A W/ SPADE	1
35	1-879-010129-04	WIRE LABELED 4A W/ SPADE	1
36	1-879-010129-05	WIRE LABELED 5A W/ SPADE	1
37	1-879-010129-06	WIRE LABELED 6A W/ SPADE	1
38	1-879-010129-07	WIRE LABELED 7A W/ SPADE	1
39	1-879-010129-08	WIRE LABELED 8A W/ SPADE	1
40	1-879-010129-09	WIRE LABELED 9A W/ SPADE	1
41	1-879-010129-10	WIRE LABELED 10A W/ SPADE	1
42	1-879-010129-11	WIRE LABELED 11A W/ SPADE	1
43	1-879-010129-12	WIRE LABELED 12A W/ SPADE	1
44	1-879-010129-13	WIRE LABELED 1B W/ SPADE	1
45	1-879-010129-14	WIRE LABELED 2B W/ SPADE	1
46	1-879-010129-15	WIRE LABELED 3B W/ SPADE	1
47	1-879-010129-16	WIRE LABELED 4B W/ SPADE	1
48	1-879-010129-17	WIRE LABELED 5B W/ SPADE	1
49	1-879-010129-18	WIRE LABELED 6B W/ SPADE	1
50	1-879-010129-19	WIRE LABELED 7B W/ SPADE	1



## ELECTRICAL ASSEMBLY REMOTE CONTROL

ITEM	PART NO.	DESCRIPTION	QTY.
51	1-879-010129-20	WIRE LABELED 8B W/ SPADE	1
52	1-879-010129-21	WIRE LABELED 9B W/ SPADE	1
53	1-879-010129-22	WIRE LABELED 10B W/ SPADE	1
54	1-879-010129-23	WIRE LABELED 11B W/ SPADE	1
55	1-879-010129-24	WIRE LABELED 12B W/ SPADE	1
56	1-879-010129-25	WIRE LABELED 13B W/ SPADE	1
57	1-879-010129-28	WIRE LABELED GRD W/ SPADE	1
58	1-879-010129-27	WIRE WHITE LABELED 85-2 W/ SPADE	1
59	1-879-010124-02	WIRE GRN LABELED 86-5 W/ SPADE	1
60	1-879-010125-1	WIRE BLUE LABELED 30-6 W/ SPADE	1
61	1-879-010126-01	WIRE RED LABELED 30-7 W/ SPADE	1
62	1-879-010129-29	WIRE LABELED 87A-22 W/ SPADE	1
63	1-879-010129-30	WIRE LABELED 30-1 W/ SPADE	1
64	1-879-010129-31	WIRE LABELED 85-2 W/ SPADE	1
65	2-318-010009	FUSE HOLDER PANEL MOUNT	1
66	3-318-010005	FUSE 12 VOLT 10 AMP	1
68	1-203-010040-5	CONNECTOR INSUL FEMALE PUSH ON	2
69	1-879-010008	WIRE BLUE	5'



3m410-011624

Figure 1-47 Remote Control

## REMOTE CONTROL

ITEM	PART NO.	DESCRIPTION	QTY.
	3-208-010056	CNTRL. RADIO REMOTE (MICROTRONICS 16H-LNDSP1-DF) (INCLUDES ITEMS 1 THROUGH 19)	
1	*	DECAL FACEPLATE	1
2	E006	ALUMINUM TRANSMITTER HOUSING	1
3	A001	ANTENNA	2
4	*	TRANSMITTER PC BOARD	1
5	H048	PLASTIC WASHER	1
6	H046	NUT BRASS	1
7	E002	BATTERY COMPARTMENT	1
8	H015	BATTERY DOOR	1
9	AY102	EMERGENCY STOP SWITCH W/ HARNESS	1
10	AY103	POWER SWITCH W/ HARNESS	1
11	AY109	TOGGLE WIRING HARNESS (SWITCHES TO PC BOARD)	AR
12	S005	TOGGLE SWITCH	9
13	LB004	FCC LABEL	1
14	H038	SCREW	8
15	H039	WASHER	8
16	E001	LID RECEIVER	1
17	*	RECEIVER PC BOARD	1
18	E001	LID RECEIVER	1
19	LB005	OUTPUT LABEL RECEIVER	1
20	AY115	ROD AND STRAP (NOT SHOWN)	1
21	3-348-010039	GUARD RADIO SWITCH	1
22	1-656-010003026	SCREW ROUND HEAD MACH 1/2X8-32	2
23	1-512-010007-02	NUT HEX 8-32	2
24	**3-208-010056-01	TRANSMITTER COMPLETE *	
25	**3-208-010056-02	RECEIVER COMPLETE *	
26	W001-15	ANTENNA CORD 15'	1

\* GIVE SERIAL NUMBER OF REMOTE CONTROL UNIT WHEN ORDERING REPLACEMENT PC BOARDS, FACEPLATE DECAL, TRANSMITTER, OR RECEIVER.

\*\* WHEN TRANSMITTER COMPLETE OR RECEIVER COMPLETE ARE REPLACED, THE 12 POSITION ADDRESS SWITCHES MUST MATCH EACH OTHER AND DO NOT USE SAME ADDRESS CODE AS ANOTHER UNIT IN THE AREA.

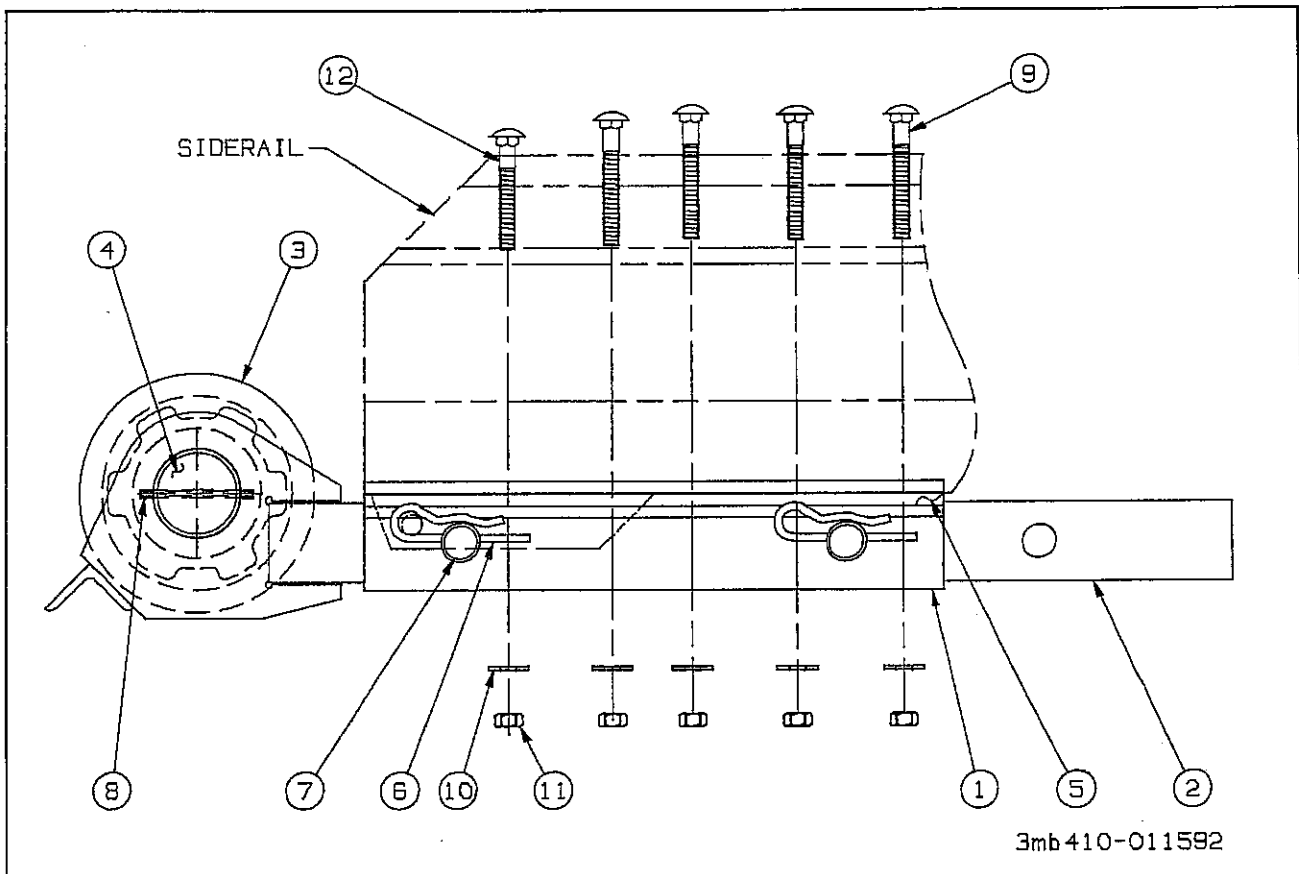


Figure 1-48 Cable Roller

## CABLE ROLLER

ITEM	PART NO.	DESCRIPTION	QTY.
	B3-645-006	ROLLER ASSY TRL 336A (3-410-011592)	
1	3-829-010278	TUBE OUTER WLDMT GUIDE	2
2	3-755-010275	SUPPORT CABLE ROLLER WLDMT	1
3	3-352-010055	GUIDE WINCH CABLE WLDMT	1
4	3-557-010508	PIN CABLE ROLLER TRL336A	1
5	RAF2903X18	BAR AL	2
6	1-557-010014	PIN HAIR	2
7	3-557-010131	PIN AFT HINGE BRKT	2
8	1-647-010004-227	SPRING PIN SLOTTED TYPE 1/4X3-1/2	2
9	1-654-010070-13	SCREW RD HD 1/2-13X4	8
10	1-861-010032-14	WASHER FLAT 1/2	10
11	1-512-010007-09	NUT HEX 1/2-13	10
12	1-654-010070-11	SCREW RD HD SQ NECK 1/2-13X3-1/2	2

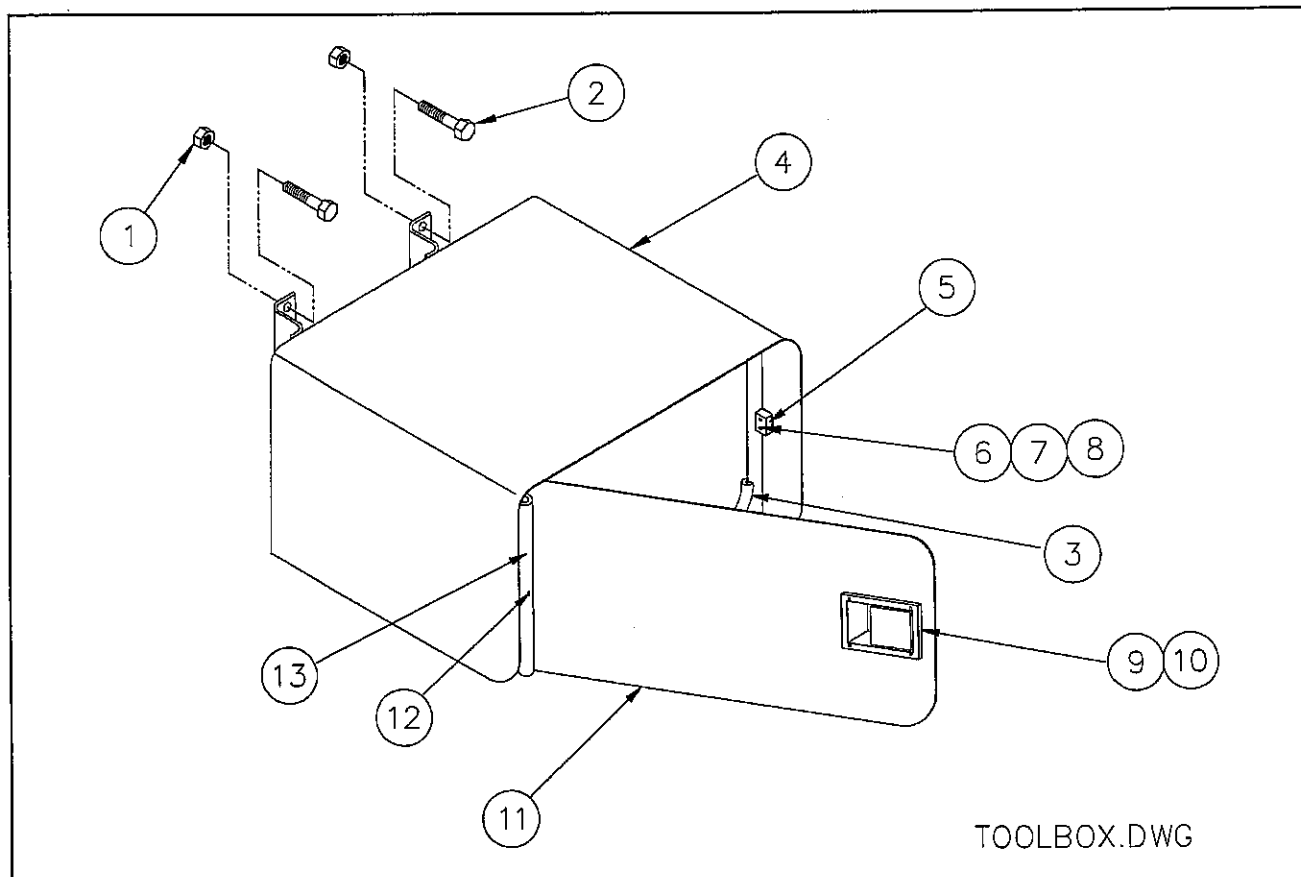


Figure 1-49 Tool Box

## TOOL BOX

ITEM	PART NO.	DESCRIPTION	QTY.
	B5-115-011	TOOL BOX LT	
	B5-115-012	TOOL BOX RT	
	B5-432-008	KIT BOLTS TOOL BOX (INCLUDES 1, 2, AND 3)	
1	1-512-010005-09	NUT HEX LOCK 1/2-13	4
2	1-654-010055-03	SCREW HEX HD CAP 1/2-13UNCX1-1/2 GR5	4
3	514-1000-056	TRIM QUICKEDGE CUT	2
	3-115-010139	TOOL BOX ASSY LT (INCLUDES 4 THROUGH 13)	
	3-115-010140	TOOL BOX ASSY RT (INCLUDES 4 THROUGH 13)	
4	3-115-010099	TOOL BOX WLDMT LT	1
	3-115-010097	TOOL BOX WLDMT RT	1
5	3-659-010013-1	SEAL NEOPRENE SPONGE	1
6	7-458-010009	PLATE STRIKER	1
7	110-0253	WASHER FLAT	2
8	118-7962	SCREW PAN HEAD MACH SLT	2
9	BSL-6-4	RIVET LG GRIP FLANGE	4
10	3-443-010010	LATCH	1
11	3-115-010096	DOOR TOOL BOX WLDMT	1
12	1-654-010147-03	SCREW SELF-TAP SLOT ROUND HD #6-20X.375	1
13	RPRB59004X11	NYLATRON RD	1

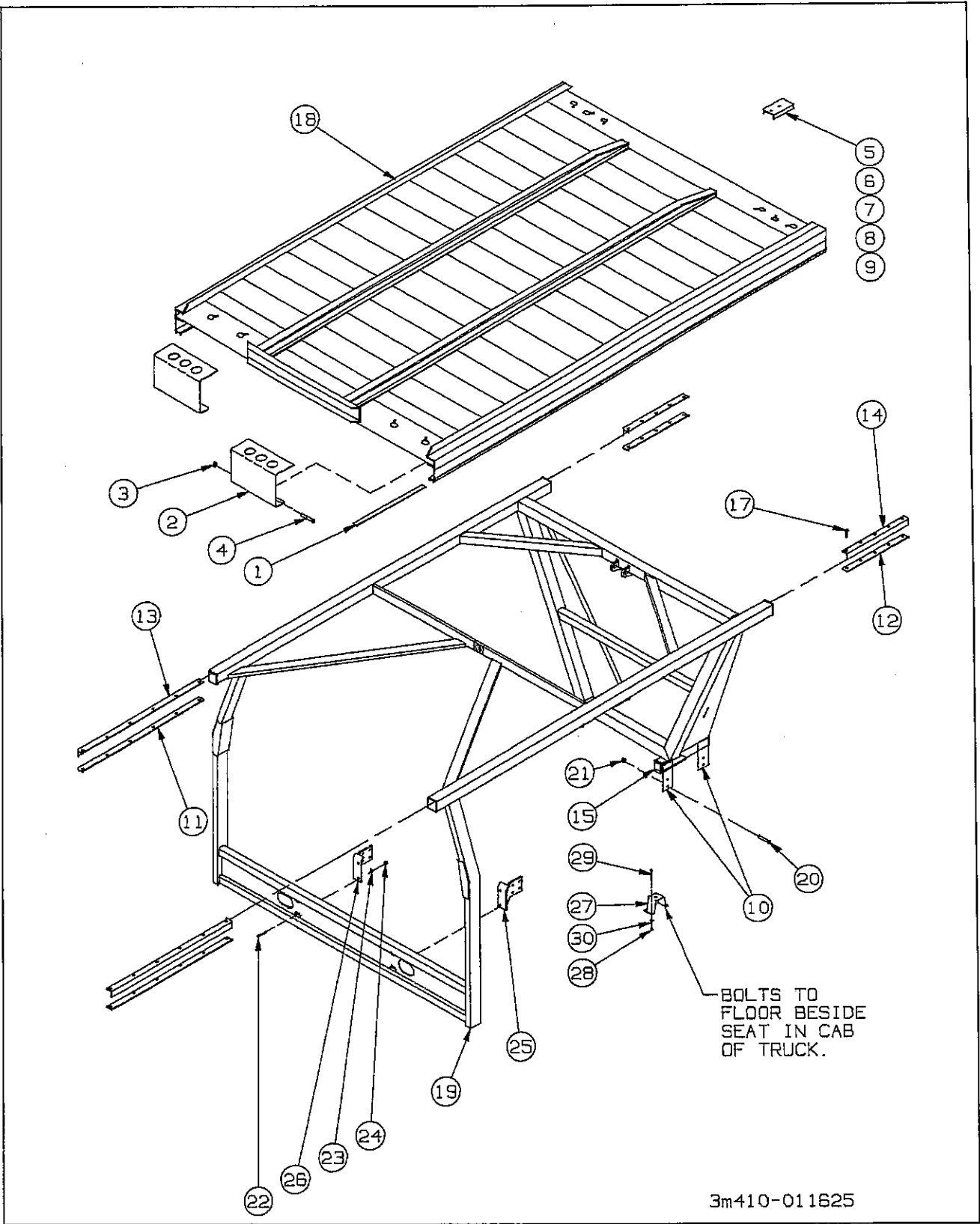


Figure 1-50 "Over-the-Cab" Frame and Bed

## “OVER-THE-CAB” FRAME AND BED

ITEM	PART NO./PAGE	DESCRIPTION	QTY.
1	3-080-010139	COVER WIRE CONCEALING	2
2	3-741-010004	STOP WLDMT WHEEL RIGID	2
3	1-512-010005-13	NUT HEX LOCK 5/8-11 GRB	4
4	1-654-010059-03	SCREW HEX HEAD CAP 5/8-11UNCX1-1/2 GR5	4
5	3-741-010015	STOP BED SAFETY	1
6	1-654-010051-09	SCREW HEX HEAD CAP 3/8-16UNCX2 GR5	1
7	1-654-010051-13	SCREW HEX HEAD CAP 3/8-16UNCX3 GR5	1
8	1-512-010005-05	NUT HEX LOCK 3/8-16 GRB	2
9	1-861-010032-11	WASHER FLAT 3/8	2
10	3-311-013619	ANCHOR FRAME MTG (WELDED TO FRAME)	4
11	3-334-010001	GLIDE BED STRIP	2
12	3-334-010002	GLIDE BED STRIP	2
13	3-334-010003	GLIDE BED ANGLE	2
14	3-334-010004	GLIDE BED ANGLE	2
15	3-755-010089	SUPPORT BASE FRAME (WELDED TO FRAME)	2
17	1-654-010146-04	SCREW SLOTTED FLAT HD 1/4-20UNCX3/4 GR5	44
18	SEE PAGE 1-78	BED WELDMENT	1
19	SEE PAGE 1-78	FRAME WELDMENT	1
20	1-654-010096-05	SCREW HEX HEAD CAP 1/2-20UNFX2 GR8	8
21	1-512-010005-01	NUT LOCK ESNA 1/4-20 GRB	8
22	1-654-010032-4	SCREW HEX HEAD CAP 3/4-10X1-3/4 GR8	7
23	1-861-010032-20	WASHER FLAT 3/4	4
24	1-512-010002-15	NUT HEX 3/4-10	4
25	SEE PAGE 1-78	MOUNT WELDMENT	1
26	SEE PAGE 1-78	MOUNT WELDMENT	1
	B3-482-001	MOUNT FOR PTO CABLE	
27	3-482-010107	MOUNT, PTO CABLE	1
28	5/16-24HFLN	NUT, HEX LOCK	4
29	5/16-24X1CS	SCREW, HEX HEAD CAP	4
30	1-861-010032-09	WASHER, FLAT	4

## GMC 7000 FRAME PARTS

ITEM	PART NO.	DESCRIPTION	QTY.
18	3-080-010126	BED WLDMT OVER CAB	1
19	3-311-015715	FRAME WLDMT OVER CAB (GMC-7000)	1

## FORD LS-8000 FRAME PARTS

ITEM	PART NO.	DESCRIPTION	QTY.
18	3-080-010278	BED WLDMT OVER CAB	1
19	3-311-015623	FRAME WLDMT OVER CAB FORD LS-8000	1
25	3-311-014910	MOUNT WLDMT BUMPER ADAPTER LH	1
26	3-482-010246	MOUNT WLDMT BUMPER ADAPTER RH	1

## MACK FRAME PARTS

ITEM	PART NO.	DESCRIPTION	QTY.
18	3-080-010278	BED WLDMT OVER CAB 2 CYL (RD688R)	1
19	3-311-016004	FRAME WLDMT OVER CAB MACK 2 CYL (RD688R)	1

## INTERNATIONAL HARVESTER FRAME PARTS

ITEM	PART NO.	DESCRIPTION	QTY.
18	3-080-010278	BED WLDMT OVER CAB 2 CYL	1
	3-080-010126	BED WLDMT OVER CAB (IH-4900)	1
19	3-311-015577	FRAME WLDMT OVER CAB (IH-7100)	1
	3-311-016218	FRAME WLDMT OVER CAB (IH-4900)	1
	3-311-015952	FRAME WLDMT OVER CAB (IH-8300) 2 CYL	1
25	3-311-014909	MOUNT WLDMT FRAME LH	1
26	3-311-014910	MOUNT WLDMT FRAME RH	1



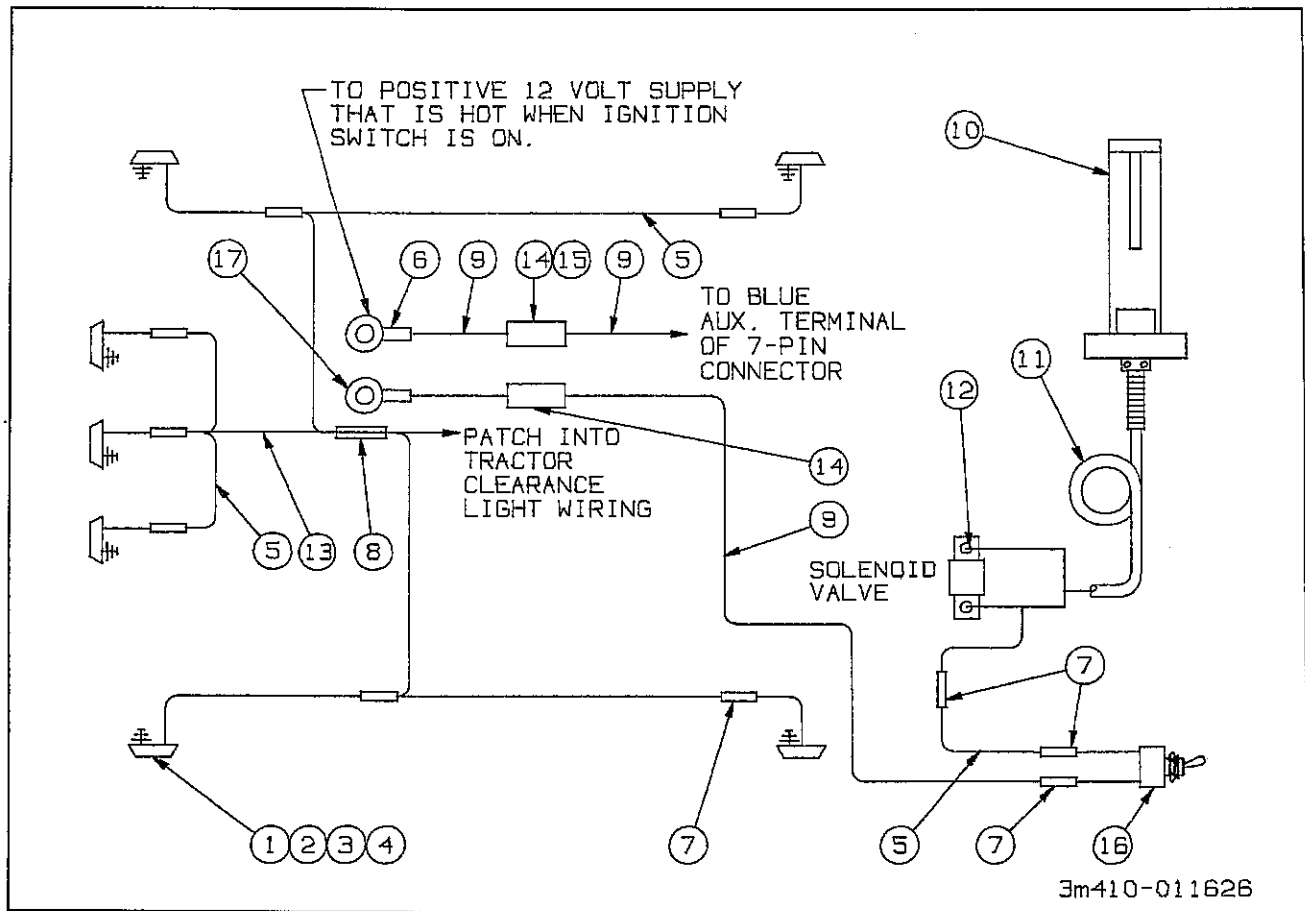


Figure 1-51 "Over-the-Cab" Electrical Assembly

### "OVER-THE-CAB" ELECTRICAL ASSEMBLY

ITEM	PART NO.	DESCRIPTION	QTY
	B3-272-060	ELEC 331 AUX POWER	
1	3-446-010006	LIGHT CLEARANCE YELLOW	7
2	1-656-010003056	SCREW ROUND HEAD MACHINE	14
3	1-512-010007-03	NUT 10-24	14
4	110-0240	WASHER SPLIT LOCK	14
5	1-879-010005	WIRE BROWN	47.6'
6	C01-412	RING TERMINAL	1
7	3-272-010021	ELECT BUTT SPLICE W/ SEAL	11
8	3-272-010022	ELECT BUTT SPLICE W/ SEAL	1
9	1-879-010008120	WIRE BLUE 14 AWG	10'
10	3-272-010010	CONNECTOR ELECT 4 POLE MALE	1
11	3-156-010008	CABLE TWO CONDUCTOR	13.5'
12	C29-1104X	CONN FEMALE SPADE INSULATED	2
13	3-156-010008	CABLE TWO CONDUCTOR	25'
14	3-318-010001	12 VOLT 15 AMP FUSE AGL-15	1
15	3-318-010002	12 VOLT 15 AMP FUSE HOLDER	1
16	3-272-010062	SWITCH TOGGLE SEALED SPDT	1
17	31506	TERMINAL	1

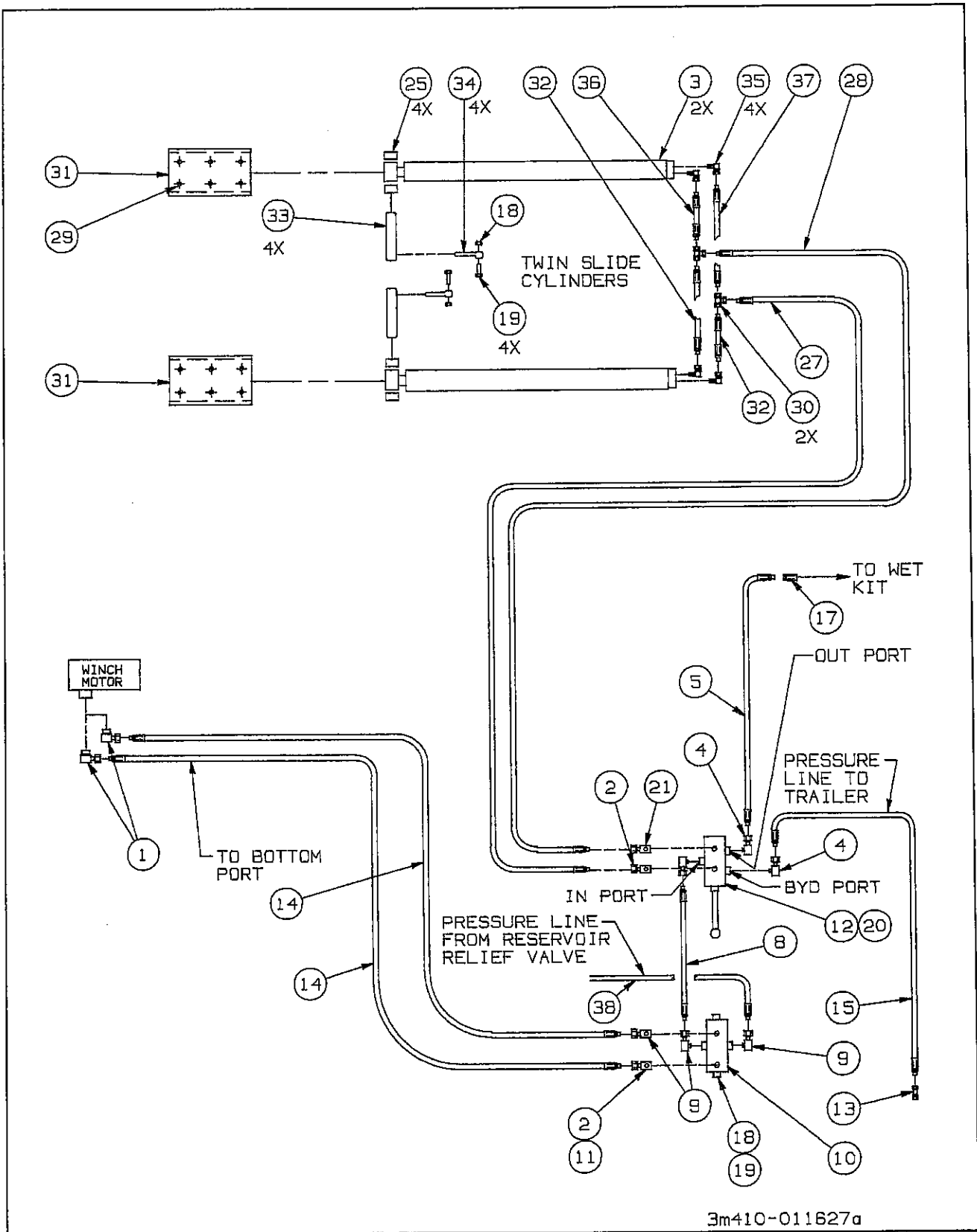


Figure 1-52 "Over-the-Cab" Hydraulic System

## “OVER-THE-CAB” HYDRAULIC SYSTEM (TWIN CYL)

ITEM	PART NO.	DESCRIPTION	QTY
	B3-407-167	HYD. SYS 331 TWIN CYLINDER	
1	2066-8-10S	FITTING O-RING TO PIPE (CALLED OUT IN B3-873-046)	2
2	2047-8-8S	ADAPTER	1
3	3-242-010049	CYL ASSY 2-1/2"X32" (SEE PAGE 1-85)	2
4	1-007-010013	ELBOW 90° SWIVEL	3
5	1-397-010311068	HOSE ASSEMBLY	1
8	1-397-010028	HOSE ASSEMBLY	1
9	1-007-010007	ELBOW 90°	3
10	3-846-010009	VALVE MULTI-PAK SOLENOID (SEE PAGE 1-87)	1
11	2066-8-8S	ADAPTER	1
12	3-846-010127	VALVE HYD SGL SPOOL PWR-BYD (SEE PAGE 1-86)	1
13	4050-4	COUP. BODY HALF FEMALE (CALLED OUT IN B3-407-124)	1
14	3-397-010124	HOSE ASSEMBLY	2
15	3-397-010011	HOSE ASSEMBLY (CALLED OUT IN B3-407-124)	1
17	3/4X1/2BUSH	BUSHING BLACK PIPE	2
18	1-512-010005-05	NUT HEX LOCK 3/8-16 GRB	11
19	1-654-010051-05	SCREW HEX HEAD CAP 3/8-16UNCX1 GR5	8
20	1-654-010051-09	SCREW HEX HEAD CAP 3/8-16UNCX2 GR5	3
21	1-007-010003	ADAPTER 90° W/ REST	2
25	RRT119X.75	TUBE RD	4
27	1-397-010315060	HOSE ASSEMBLY	1
28	1-397-010315064	HOSE ASSEMBLY	1
29	1-654-010112-10	SCREW RD HD SQ NECK 3/8-16X3-1/4 GR5	12
30	2255-6-6S	TEE INTERNAL PIPE SWIVEL	2
31	3-014-010096	ANCHOR CYL 331 BED	2
32	3-397-010246	HOSE ASSEMBLY	2
33	3-557-010260	PIN W/L TILT CYL 2 TN	4
34	3-642-010098	ROD END	4
35	1-007-010014	ELBOW	4
36	1-397-010312064	HOSE ASSEMBLY	1
37	1-397-010312060	HOSE ASSEMBLY	1
38	2-397-010003	HOSE ASSEMBLY	1

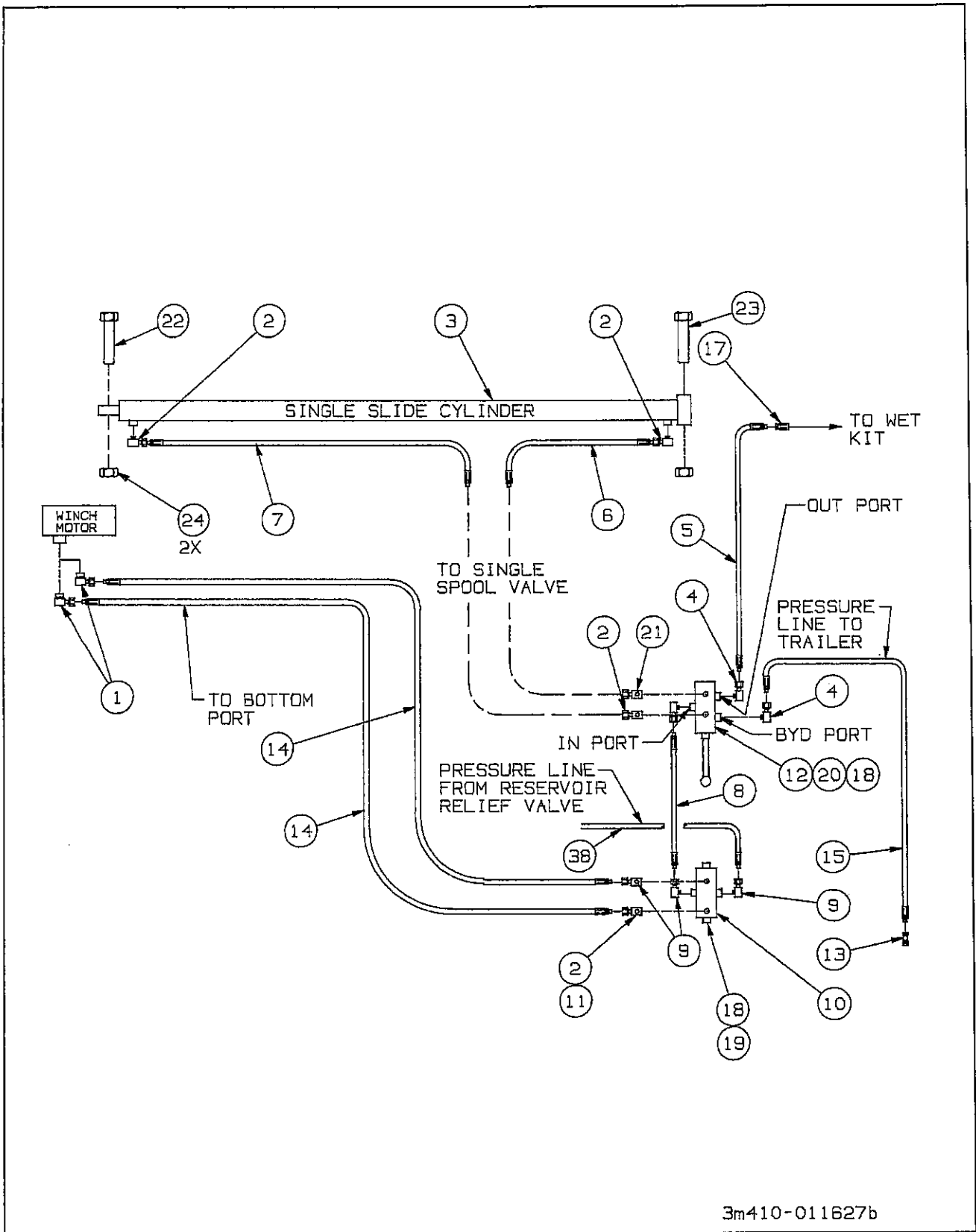


Figure 1-53 "Over-the-Cab" Hydraulic System

## "OVER-THE-CAB" HYDRAULIC SYSTEM (SINGLE CYL)

ITEM	PART NO.	DESCRIPTION	QTY
	B3-407-097	HYD SYSTEM 331SINGLE CYL	
1	2066-8-10S	FITTING O-RING TO PIPE (CALLED OUT IN B3-873-046)	2
2	2047-8-8S	ADAPTER	1
3	3-242-010091	CYL ASSY 3"X48" (SEE PAGE 1-84)	2
4	1-007-010013	ELBOW 90 SWIVEL	3
5	1-397-010311068	HOSE ASSEMBLY	1
6	6-397-010005	HOSE ASSEMBLY	1
7	1-397-010059	HOSE ASSEMBLY	1
8	1-397-010028	HOSE ASSEMBLY	1
9	1-007-010007	ELBOW 90 <sup>0</sup>	3
10	3-846-010009	VALVE MULTI-PAK SOLENOID (SEE PAGE 1-87)	1
11	2066-8-8S	ADAPTER	1
12	3-846-010127	VALVE HYD SGL SPOOL PWR-BYD (SEE PAGE 1-86)	1
13	4050-4	COUP. BODY HALF FEMALE (CALLED OUT IN B3-407-124)	1
14	3-397-010124	HOSE ASSEMBLY	2
15	3-397-010011	HOSE ASSEMBLY (CALLED OUT IN B3-407-124)	1
17	3/4X1/2BUSH	BUSHING BLACK PIPE	2
18	1-512-010005-05	NUT HEX LOCK 3/8-16 GRB	7
19	1-654-010051-05	SCREW HEX HEAD CAP 3/8-16UNCX1 GR5	4
20	1-654-010051-09	SCREW HEX HEAD CAP 3/8-16UNCX2 GR5	3
21	1-007-010003	ADAPTER 90 <sup>0</sup> W/ REST	2
22	1-654-010065-13	SCREW HEX CAP 1-8UNCX4 GR5	1
23	1-654-010065-19	SCREW HEX CAP 1-8UNCX7 GR5	1
24	1-512-010005-19	NUT HEX LOCK 1-8 GRB	2
38	2-397-010003	HOSE ASSEMBLY	1

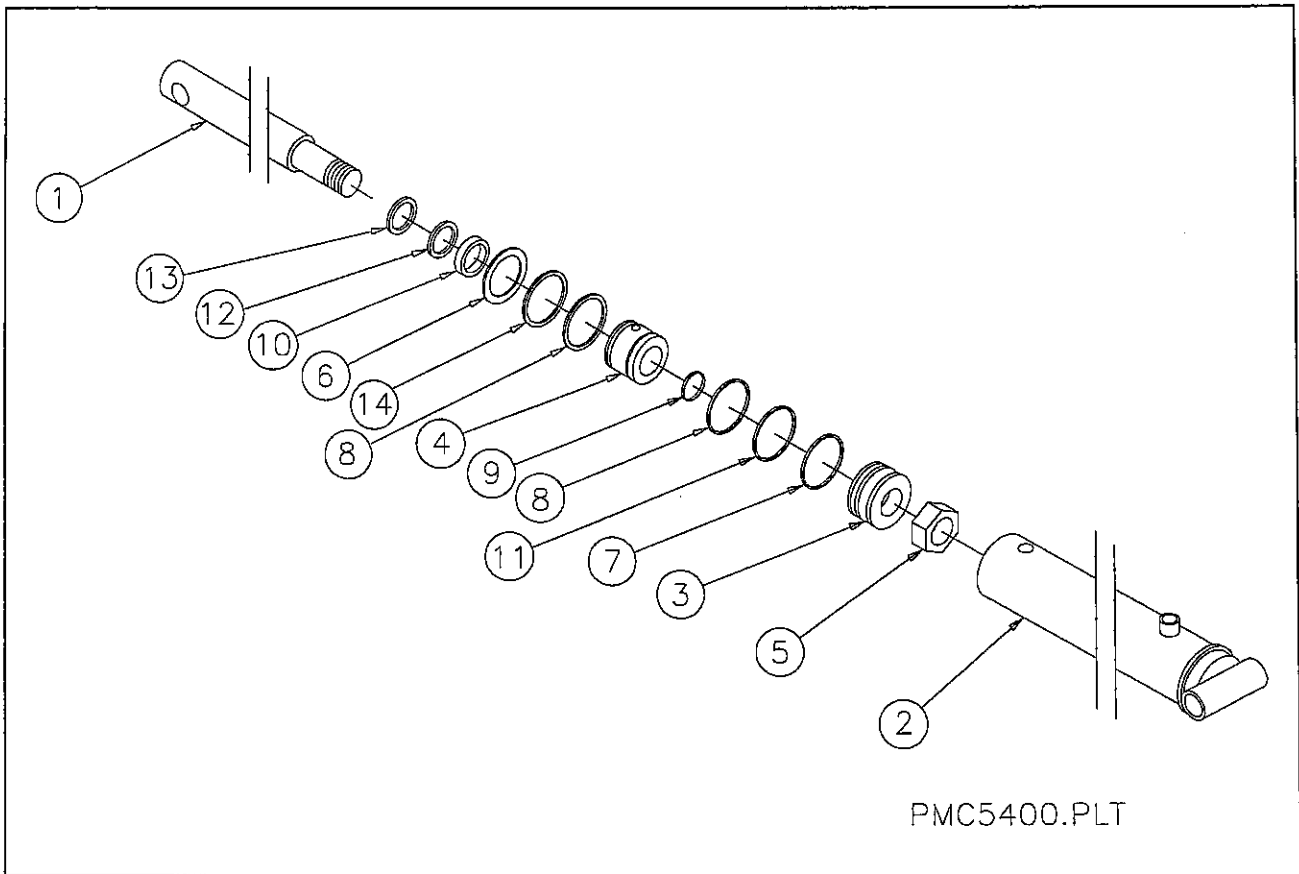


Figure 1-54 Hydraulic Cylinder 3" X 48"

**HYDRAULIC CYLINDER 3" X 48" (SINGLE CYL SYSTEM)**

ITEM	PART NO.	DESCRIPTION	QTY
	3-242-010091	HYDRAULIC CYLINDER 3" X 48" (PRINCE #PMC-8348)	
1	010800053	PISTON ROD	1
2	061500057	BUTT AND TUBE ASSY	1
3	071500021	PISTON	1
4	081500032	GLAND	1
5	220000210	LOCK NUT	1
6	230001300	SNAP RING	1
7	240004006	PISTON RING	1
8	240000334	O-RING	2
9	240000022	O-RING	1
10	240010222	QUAD RING	1
11	240034334	BU-WASHER	1
12	240005222	BU-WASHER	1
13	250001222	WIPER	1
14	240061334	BU-WASHER	1
	PMCK-8300	PACKING KIT (INCLUDES ITEMS 7 - 13) (CONTAINS ALL NECESSARY SEALS AND O-RINGS)	

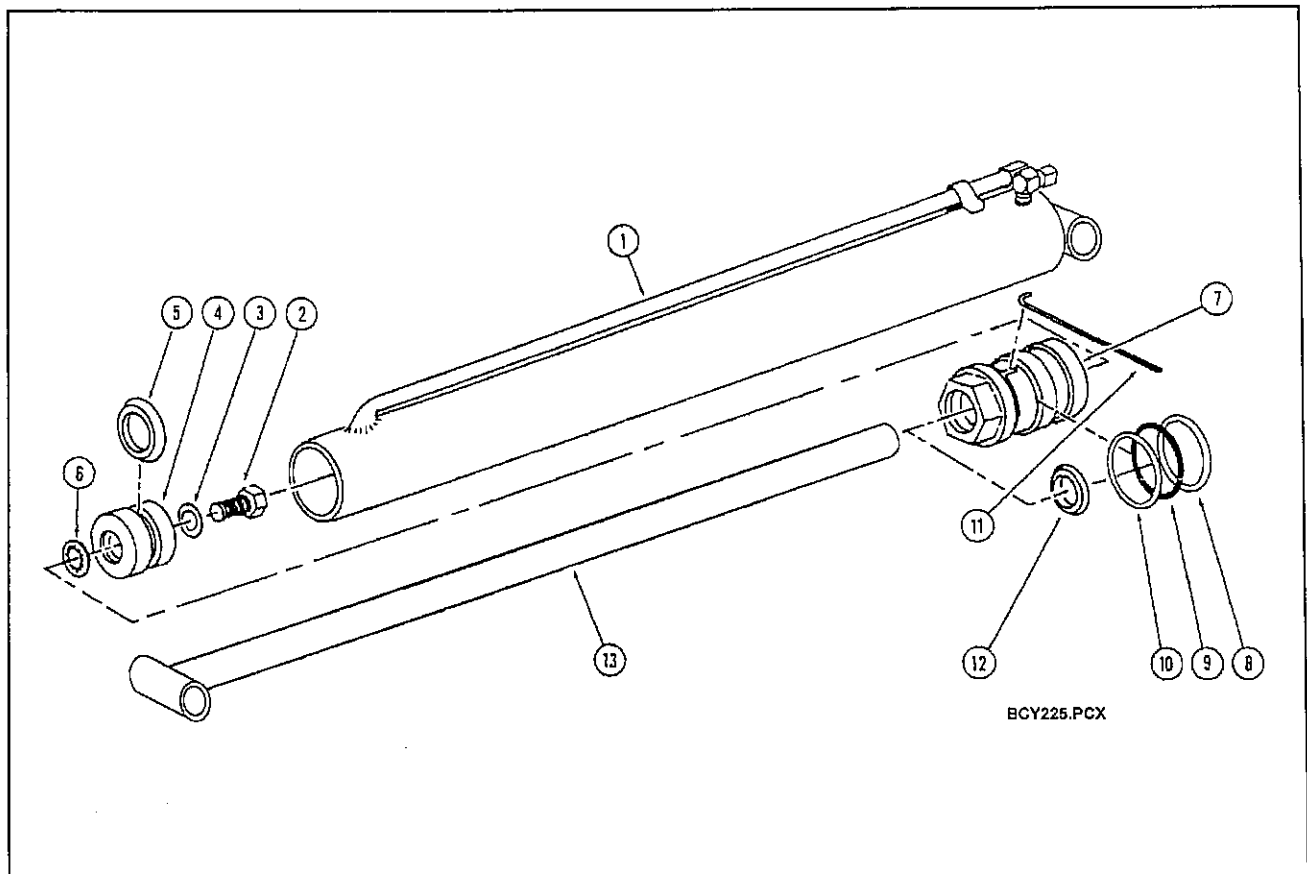


Figure 1-55 Hydraulic Cylinder 2-1/2" X 32"

**HYDRAULIC CYLINDER 2-1/2" X 32" (TWIN CYL SYSTEM)**

ITEM	PART NO.	DESCRIPTION	QTY
	3-242-010049	HYDRAULIC CYL. 2-1/2" X 32" (CC KELLEY #BCY225)	
1	SCY1079	BARREL ASSEMBLY	1
2	SBT1017	CAPSCREW	1
3	SCY1018	DYNA SEAL	1
4	SCY224	PISTON	1
5	SCY1019	PISTON SEAL	1
6	SWS245	INTERNAL LOCKWASHER	1
7	SCY223	RAM HEAD	1
8	SCY1070	BACK-UP RING	2
9	SCY1024	O-RING	1
11	SCY1026	LOCKWIRE	1
12	SCY 1006	ROD SEAL	1
13	SCY1079	ROD ASSEMBLY	1
	SCY222	SEAL KIT	1

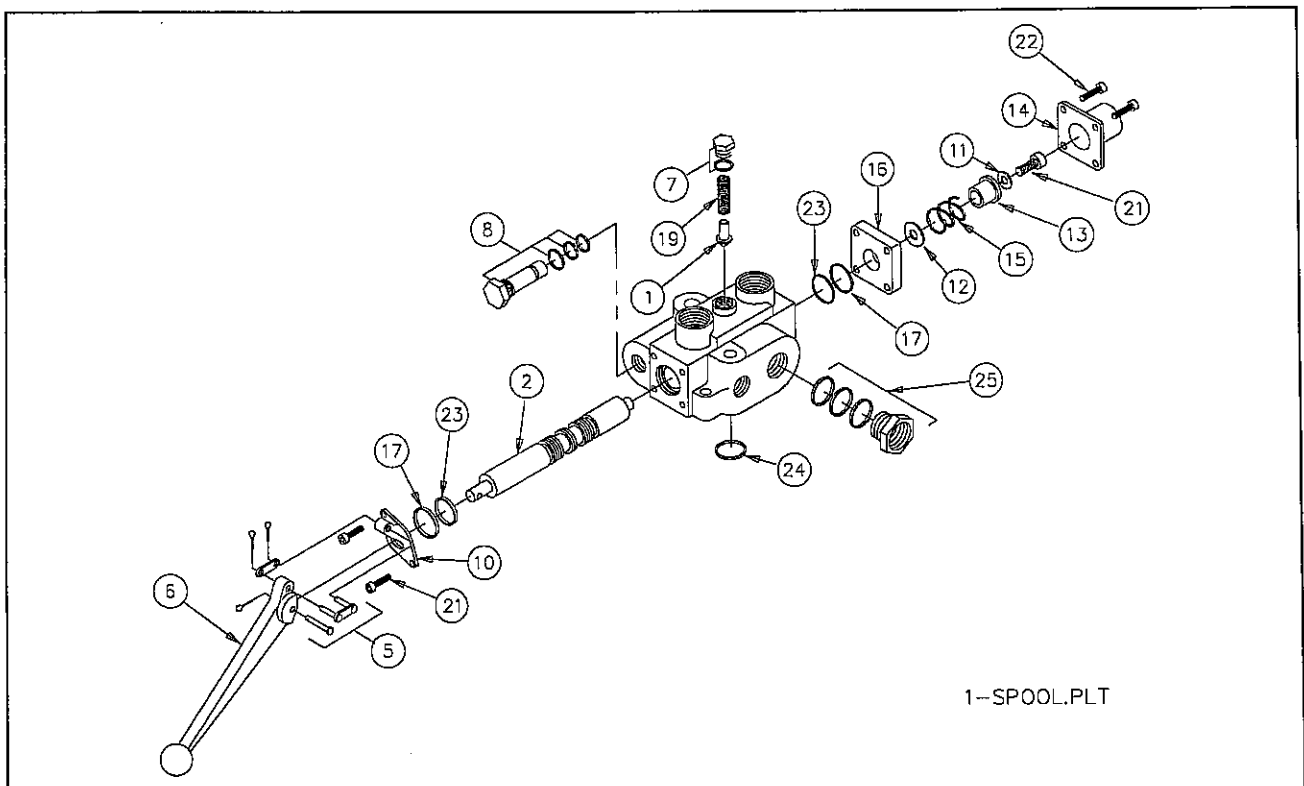


Figure 1-56 Hydraulic Single Spool Valve

## HYDRAULIC SINGLE SPOOL VALVE

ITEM	PART NO.	DESCRIPTION	QTY
	3-846-010127	VALVE HYD SINGLE SPOOL PWR-BYD	
1	1V0081	LOAD CHECK POPPET	1
2	*1V0090	4-WAY SPOOL	1
4	*1V0101	VALVE HOUSING	1
5	1V1701	PIN KIT	1
6	1V1703	HANDLE	1
7	1V1725	LOAD CHECK PLUG	1
8	1R0035	RELIEF PLUG ASSY	1
10	4Z4306	HANDLE BRACKET	1
11	1A0290	CENTERING SPRING WASHER	1
12	1A0291	STOP WASHER	1
13	1A0292	STOP COLLAR	1
14	1A294	END CAP	1
16	1A0709	END SPACER	1
17	1A0711	O-RING SPOOL WASHER	2
18	1A0744	CENTERING SPRING	1
19	1A0757	LOAD CHECK SPRING	1
21	2A0079-404	CAPSCREW	3
22	2A0079-406	CAPSCREW	4
23	2A283-7214	SPOOL SEAL	2
24	2V0008	SEAL KIT (CONT. ALL NECESSARY SEALS & O-RINGS)	1
25	1V0249	POWER BEYOND ASSY.	1

\* NOT SOLD SEPARATELY.



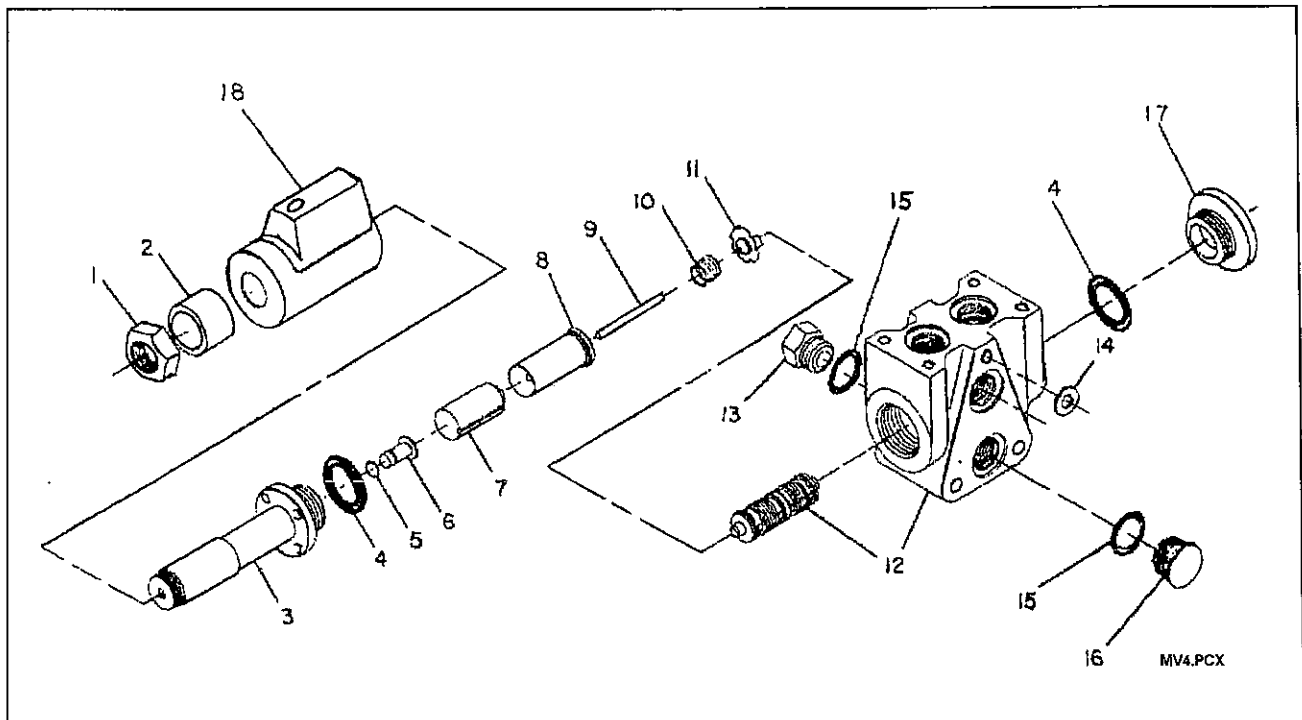


Figure 1-57 Hydraulic Solenoid Valve

## HYDRAULIC SOLENOID VALVE

ITEM	PART NO.	DESCRIPTION	QTY
	3-846-010009	VALVE MULTI-PAK SOLENOID(AMBAC)	
	MV4-43-12-TD	VALVE ASSEMBLY (ITEMS 1 THROUGH 12)	
1	1006024	NUT	1
2	4014550	SLEEVE	1
3	6006090	TUBE SUBASSEMBLY	1
4	0102916	O-RING	2
5	0101008	O-RING	1
6	4014130	BUTTON FLUSH	1
7	4019950	PLUNGER	1
8	4019960	PLUG	1
9	4020051	PIN	1
10	4015410	SPRING	2
11	6002880	RETAINER SPRING	2
12	*	SPOOL AND BODY (MATCHED SET)	1
13	1004005	PLUG	1
14	4023150	MYLAR SHIM	6
15	0102908	O-RING	2
16	4022030	SERIES PLUG	1
17	4014041	PLUG (SINGLE SOLENOID VALVE ASSY)	1
18	0101118	O-RING (BETWEEN SECTIONS AND ATTACHMENTS)	AR
19	6002790	SOLENOID COIL (12 VDC)	2
20	6008840	SEAL KIT (O-RINGS ONLY)	
21	6013080	TUBE KIT (ITEMS 3 THROUGH 9)	

\* TO ORDER SPOOL AND BODY SPECIFY VALVE ASSEMBLY PART NUMBER AND POSITION OF VALVE IN RELATION TO INLET.

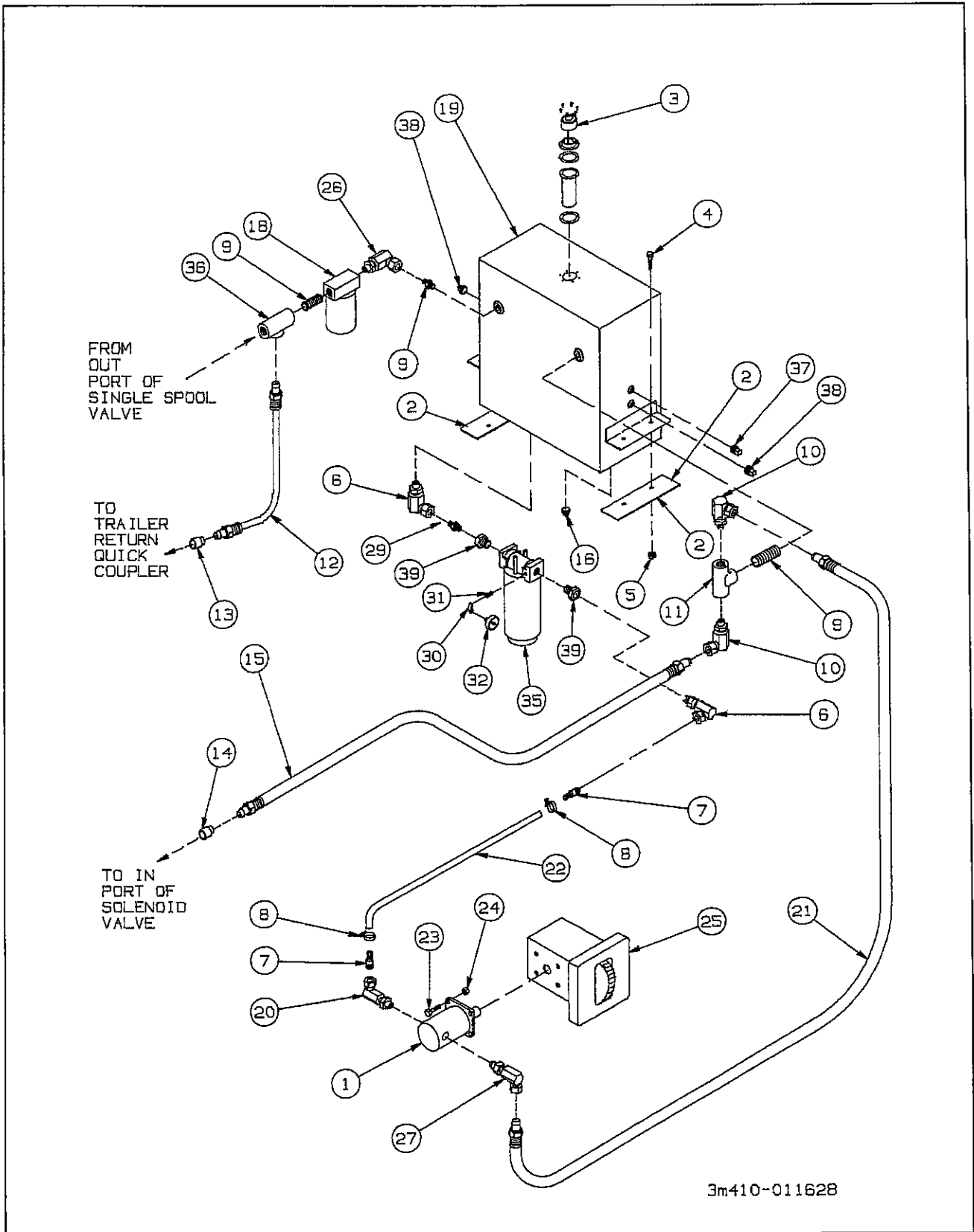


Figure 1-58 Wet Kit Assembly

## WET KIT ASSEMBLY

ITEM	PART NO.	DESCRIPTION	QTY
	B3-407-124	HYDR WET KIT	
1	3-591-010001	HYDRAULIC GEAR PUMP (SEE PAGE 1-90)	1
2	3-120-010103	CLAMP HYDRAULIC TANK	2
3	3-162-010001	FILLER BREATHER STRAINER ASSY.	1
4	1-654-010051-06	SCREW HEX HEAD CAP 3/8-16UNCX1-1/4 GR5	4
5	1-512-010006-03	NUT HEX LOCK 3/8-16 GR5	4
6	1-1/4ST ELL	PIPE ELBOW BLACK 90°	2
7	3-561-010001	HOSE BARB	1
8	6828	IDEAL HOSE CLAMP	5
9	1-560-010001123	NIPPLE ALL THREAD	2
10	1-007-010013	ELBOW 90° SWIVEL	2
11	125130	RD12D HYD BY PASS SRDD (SEE PAGE 1-91)	1
12	1-397-010075	HOSE ASSEMBLY	1
13	S21F-6	COUPLER MALE HALF	1
15	2-397-010003	HOSE ASSEMBLY (CALLED OUT IN B3-407-167)	1
16	1-560-010002-07	PLUG BLACK SQUARE HEAD	1
18	1-295-010001	FILTER RETURN LINE	1
	1-295-010002	FILTER ELEMENT	1
19	3-786-010043	TANK WELDMENT	1
20	1-007-010006	90° ELBOW	1
21	6-397-010005	HOSE ASSEMBLY	1
22	3-399-010001048	HOSE SUCTION	1
23	1-654-010055-03	SCREW HEX HEAD CAP 1/2-13UNCX1-1/2 GR5	4
24	1-512-010007-09	NUT 1/2-13	4
25	PTO	POWER TAKE OFF	1
26	3/4ST ELL	ELBOW BLK PIPE 90° ST	1
27	1-007-010009	ELBOW 90°	1
29	1-1/4X2PN	NIPPLE PIPE	1
30	110-5011	ELBOW 90°	1
31	118-1207	NIPPLE	1
32	238-2450-3	VACUUM INDICATOR GRESEN #K-FVAC	1
33	3-395-010001	CF FIRE HOSE (NOT SHOWN) PROTECTS HYDR. HOSES ABOVE HYDR. TANK),	1
35	514-1633-1	FILTER SUCTION GRESEN #FLR-215-5TD-2A	1
	K-25001	REPLACEMENT FILTER KIT	
	K-23001	REPLACEMENT FILTER KIT W/ SEALS	
	K-23022	REPLACEMENT RELIEF VALVE KIT	
	11918-001	VACUUM CONDITION INDICATOR	
36	2090-12-12S	PIPE TEE (CALLED OUT IN B3-407-167)	1
37	1-560-010002-04	PLUG BLACK PIPE	1
38	1-560-010002-05	PLUG BLACK PIPE	2
39	1-1/2X1-1/4BUSH	BUSHING BLACK PIPE	2
40	1-654-010047-04	SCREW 1/4-20X3/4 GR5(PHUG HOLES IN B/C) (NOT SHOWN)	3

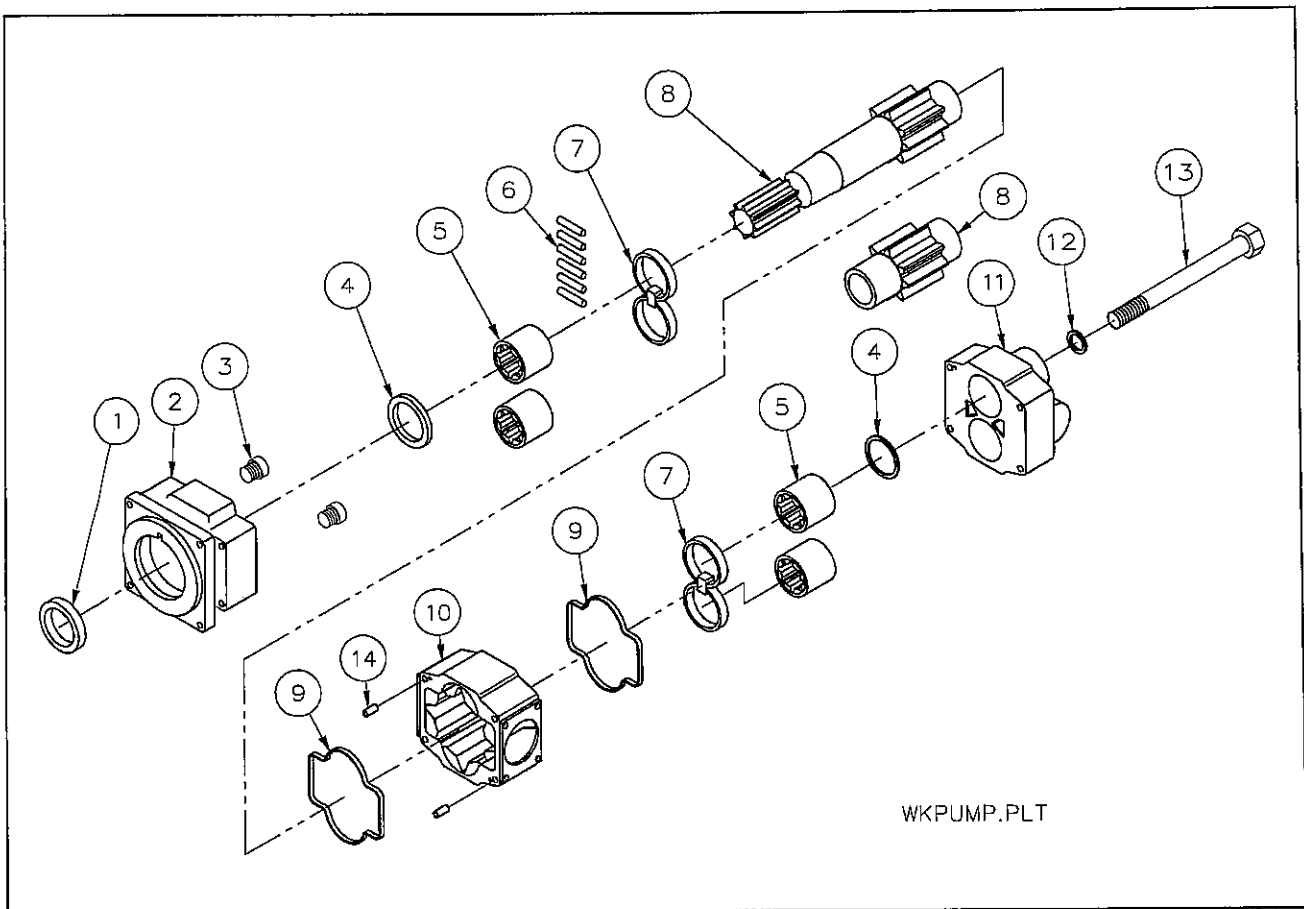


Figure 1-59 Wet Kit Pump

### WET KIT PUMP

ITEM	PART NO.	DESCRIPTION	QTY
	3-591-010001	HYD PUMP ASSY (COMM. INTERTECH 312-9610-394)	
1	391-2883-058	LIP SEAL	1
2	312-5037-201	HOUSING SEC	1
3	391-3681-001	CHECK ASSEMBLY	2
4	391-2585-006	SEAL RING	2
5	391-0381-068	BEARING ROLLER	4
6	391-2882-086	STRIP POCKET SEAL	12
7	391-2185-013	PLATE THRUST	2
8	312-2917-130	SHAFT AND GEAR SET	1
9	391-2884-050	SEAL SQ-R	2
10	312-8217-327	HOUSING GEAR	1
11	312-3220-327	HOUSING PEC	1
12	391-3784-028	WASHER	4
13	391-1401-025	CAP SCREW	4
14	391-2082-032	DOWEL PIN	4
15	391-1802-119	SEAL KIT	4

\* TO ORDER SPOOL AND BODY SPECIFY VALVE ASSEMBLY PART NUMBER AND POSITION OF VALVE IN RELATION TO INLET.

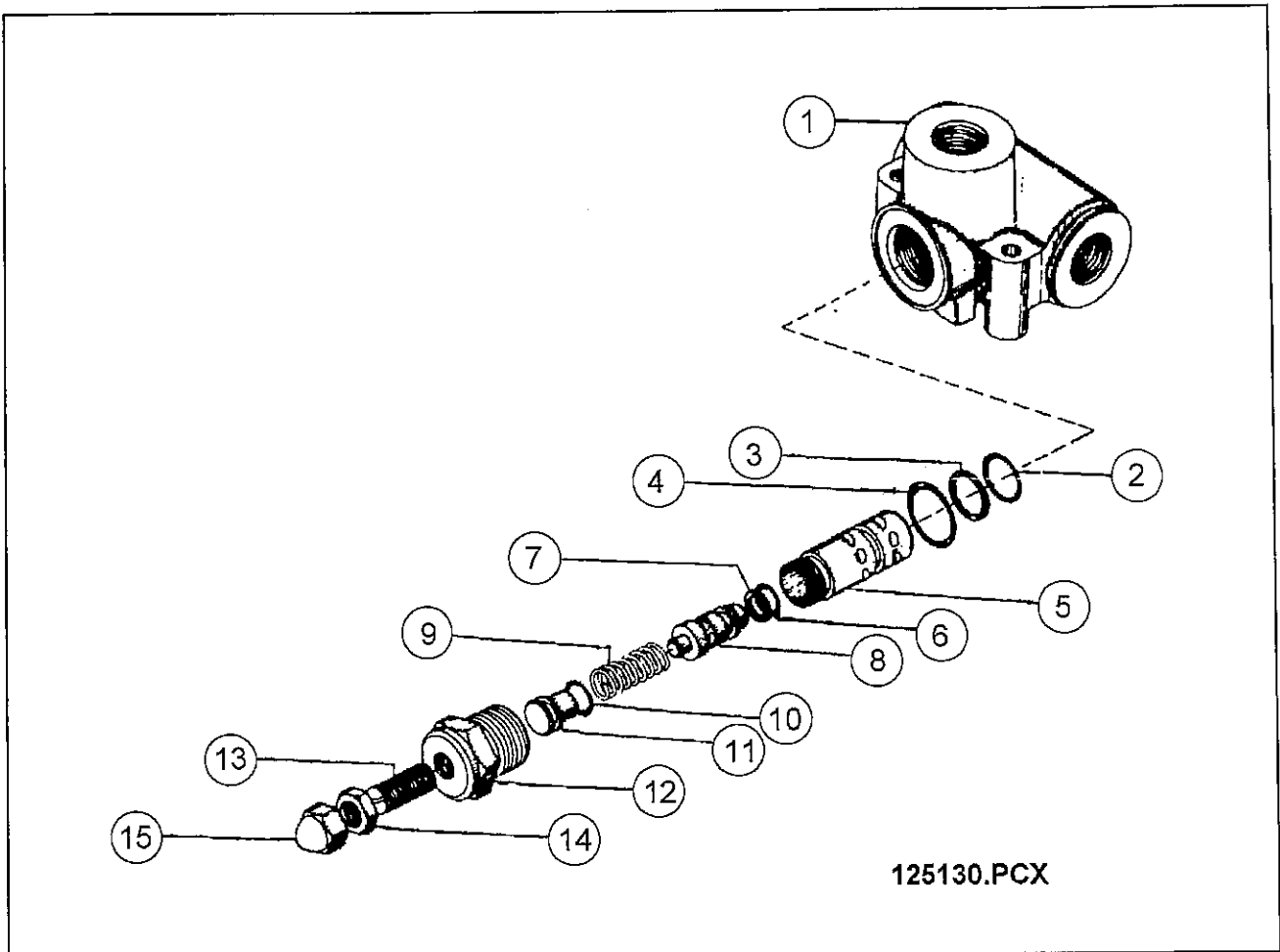


Figure 1-60 Pressure Relief Valve

### PRESSURE RELIEF VALVE

ITEM	PART NO.	DESCRIPTION	QTY
	125130	RD12D HYD BY PASS SRDD	
1	1R0024	HOUSING	1
2	2A0283-7015	O-RING LOWER BODY	1
3	2A0010-015	BACK UP SEAL LOWER BODY	1
4	2A0283-9910	O-RING PLUG	1
5	1R0019	RELIEF LOWER BODY	1
6	2A0283-7011	O-RING POPPET	1
7	2A0007-011	BACK UP SEAL POPPET	1
8	1R0020	RELIEF POPPET	1
9	2A9048-7	SPRING (1500-300 PSI)	1
10	1A0171	PISTON O-RING	1
11	1R0013	RELIEF PISTON	1
12	1R0018	RELIEF UPPER BODY	1
13	1R0015	ADJUSTMENT SCREW	1
14	1A0569	LOCK NUT	1
15	1A0570	ACORN NUT	1

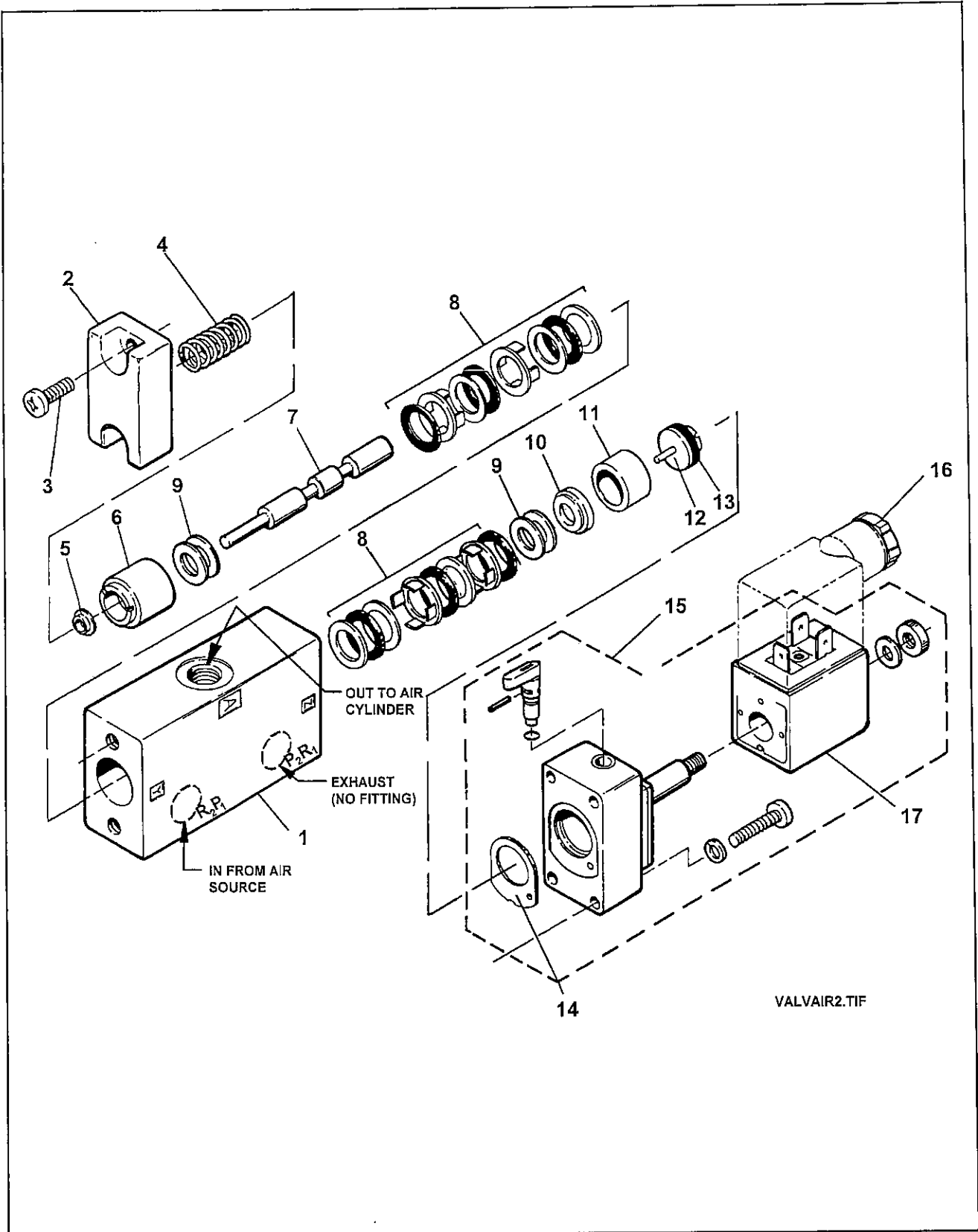


Figure 1-61 Valve, Air Solenoid 12 V

## VALVE, AIR SOLENOID 12V

ITEM	PART NO.	DESCRIPTION	QTY
	3-843-010009	VALVE AIR SOLENOID 12V	
1		BODY	
2	H563060-6584	SPRING END COVER	1
3	H810138-0684	END COVER SCREW	2
4	H896040-1504	RETURN SPRING	1
5	H895361-7204	SPRING WASHER	1
6	H563061-2004	SPRING GUIDE	1
7	H571002-7704	SPOOL - SIN AIR/SIN SOL 3 WAY	1
8	P68131	CARTRIDGE KIT - 3 WAY BODY	1
9	H895107-9204	WASHER	AR
10	H571004-0404	SPOOL GUIDE	1
11	H571002-3704	PISTON GUIDE	1
12	H571002-6204	PISTON	1
13	H897151-0094	PISTON SEAL	1
14	H897101-7804	SOLENOID END COVER GASKET	1
15	H542061-0410	SOLENOID COMPLETE	1
16	H894100-4702	SOLENOID CONNECTOR	1
17	H542061-7212	SOLENOID COIL	1
18	P67912	SEAL KIT (3 WAY BODY)	1
19	P68131	VALVE CARTRIDGE KIT (3 WAY BODY)	1
20	P67914-4	SOLENOID OPERATOR KITS	1

**NOTES:**

---



# NUMERICAL INDEX

<u>PART</u>	<u>PAGE</u>	<u>PART</u>	<u>PAGE</u>	<u>PART</u>	<u>PAGE</u>
005-073-00	47	069-019-00	47	107083	51
005-074-00	47	069-020-00	47	10SLW	20
005-075-00	47	071-124-00	51	110-0240	79
005-098-00	47	071-124-00	53	110-0253	20
005-099-00	47	071500021	84	110-0253	70
005-100-00	51	071800021	23	110-0253	75
006-114-00	47	071900019	21	110-5011	89
006-115-00	47	071900195	25	118-1207	89
007-157-00	51	071900273	23	118-7962	75
010-052-00	47	072000097	23	11918-001	89
010-055-01	51	081500032	84	1-1/2X1-1/4BUSH	89
0101008	87	081800022	23	1-1/4ST ELL	89
0101118	87	081900019	21	1-1/4X2PN	89
0102908	87	081900277	25	1-203-010040-5	71
0102916	87	081900374	23	125130	89
010700566	23	100000326	23	125130	91
010700566	23	100000330	23	1-295-010001	89
010800053	84	100000330	23	1-295-010002	89
011100077	21	10036	39	1-297-010007-05	9
011100744	23	1004005	87	1-297-010007-14	49
011300179	25	1006024	87	1-297-010008-05	9
014-056-00	47	1-007-010003	19	1-297-010008-07	43
014-057-00	47	1-007-010003	81	1-297-010008-07	9
014-058-00	47	1-007-010003	83	1-297-010008-18	49
014-068-00	47	1-007-010006	89	1-297-010008-18	9
021-038-001	51	1-007-010007	18	1-297-010008-20	49
021-038-01	53	1-007-010007	81	1-297-010008-21	49
034-058-05	47	1-007-010007	83	1-297-010008-21	9
034-188-00	47	1-007-010008	18	1-297-010008-22	49
034-189-00	47	1-007-010009	89	1-297-010008-23	49
040-175-02	47	1-007-010013	81	1-297-010008-24	49
040-175-03	47	1-007-010013	83	1-297-010009-04	49
046-092-00	47	1-007-010013	89	1-297-010009-04	9
055-040-07	47	1-007-010014	81	1-297-010010-01	43
056-010-00	47	1-007-010024	19	1-297-010010-01	9
056-012-00	47	1-007-010026	57	1-297-010010-03	49
056-017-00	47	101162	53	1-297-010010-04	43
0600-375-02000	15	10205R	35	1-297-010010-06	49
0600-375-04000	3	103-0636	20	1-297-010011-04	9
061-006-00	47	103-0636	70	1-297-010013-11	43
061500057	84	103-1034-011	61	1-297-010014-03	49
061800024	23	10404	35	1-297-010014-04	49
061900610	23	105-0150	36	1-297-010015-07	49
061900729	21	1056	51	1-297-010015-11	49
062000081	23	107-0775	20	1-297-010018-02	49
062000092	23	107-0775	70	1-297-010020-04	49
069-018-00	47	107082	51	1-297-010020-04	9

<u>PART</u>	<u>PAGE</u>	<u>PART</u>	<u>PAGE</u>	<u>PART</u>	<u>PAGE</u>
1-297-010022-02	9	1-397-010385307	19	1-512-010005-19	83
1-297-010033-02	49	1-397-010386102	19	1-512-010006-03	89
1-298-010001-1	7	1-397-010386130	19	1-512-010007-02	70
1-397-010028	81	1-397-010386289	19	1-512-010007-02	73
1-397-010028	83	1-397-010386293	19	1-512-010007-03	39
1-397-010059	83	139902	51	1-512-010007-03	79
1-397-010075	89	139913	51	1-512-010007-04	20
1-397-010311014	19	141800009	23	1-512-010007-05	41
1-397-010311025	20	141900037	23	1-512-010007-06	7
1-397-010311068	81	14193-000	61	1-512-010007-09	74
1-397-010311068	83	142000004	23	1-512-010007-09	89
1-397-010311108	19	15009	35	1-557-010014	74
1-397-010311126	19	15009	70	1-557-010362-51	19
1-397-010312060	81	1-510-010001	15	1-557-010362-51	7
1-397-010312064	81	1-510-010001	41	1-557-010362-54	18
1-397-010313021	20	1-512-010002-15	77	1-557-010362-54	19
1-397-010313028	19	1-512-010003-03	9	1-560-010001123	89
1-397-010313034	20	1-512-010005-01	36	1-560-010002-02	9
1-397-010313098	19	1-512-010005-01	36	1-560-010002-04	49
1-397-010315060	81	1-512-010005-01	77	1-560-010002-04	49
1-397-010315064	81	1-512-010005-03	36	1-560-010002-04	89
1-397-010332074	19	1-512-010005-05	18	1-560-010002-05	89
1-397-010332080	19	1-512-010005-05	19	1-560-010002-07	89
1-397-010332108	19	1-512-010005-05	2	1-573-010003	39
1-397-010332118	19	1-512-010005-05	20	1-573-010004	39
1-397-010332164	19	1-512-010005-05	36	1-573-010013	39
1-397-010332175	19	1-512-010005-05	43	16292-088	61
1-397-010332200	19	1-512-010005-05	57	1-647-010004221	18
1-397-010353045	19	1-512-010005-05	70	1-647-010004-227	74
1-397-010353102	19	1-512-010005-05	77	1-654-010032-4	77
1-397-010353200	19	1-512-010005-05	81	1-654-010034-03	41
1-397-010353236	19	1-512-010005-05	83	1-654-010047-04	1
1-397-010360024	20	1-512-010005-05	9	1-654-010047-04	18
1-397-010371126	19	1-512-010005-05	9	1-654-010047-04	89
1-397-010381051	19	1-512-010005-09	15	1-654-010047-06	36
1-397-010381055	18	1-512-010005-09	18	1-654-010049-05	36
1-397-010381072	18	1-512-010005-09	2	1-654-010049-06	36
1-397-010381169	18	1-512-010005-09	55	1-654-010051-05	18
1-397-010381202	18	1-512-010005-09	7	1-654-010051-05	20
1-397-010381252	18	1-512-010005-09	7	1-654-010051-05	57
1-397-010381307	18	1-512-010005-09	75	1-654-010051-05	81
1-397-010382024	20	1-512-010005-13	13	1-654-010051-05	83
1-397-010383024	20	1-512-010005-13	18	1-654-010051-06	2
1-397-010384024	20	1-512-010005-13	3	1-654-010051-06	35
1-397-010385055	19	1-512-010005-13	55	1-654-010051-06	57
1-397-010385072	19	1-512-010005-13	57	1-654-010051-06	57
1-397-010385169	19	1-512-010005-13	77	1-654-010051-06	57
1-397-010385183	19	1-512-010005-15	15	1-654-010051-06	89
1-397-010385202	19	1-512-010005-15	41	1-654-010051-06	9
1-397-010385252	19	1-512-010005-19	7	1-654-010051-08	15

<u>PART</u>	<u>PAGE</u>	<u>PART</u>	<u>PAGE</u>	<u>PART</u>	<u>PAGE</u>
1-654-010051-08	18	1694-188	61	1-861-010032-25	7
1-654-010051-08	2	170003017	29	1-861-010032-25	9
1-654-010051-08	43	170003017	29	1-861-010032-29	20
1-654-010051-08	9	170003017	31	1-861-010034-09	20
1-654-010051-09	2	170003017	31	1-861-010034-09	41
1-654-010051-09	77	170003037	29	1-861-010034-10	36
1-654-010051-09	81	170003037	31	1-861-010034-10	7
1-654-010051-09	83	170301212	23	1-861-010034-11	20
1-654-010051-11	36	170301212	23	1-861-010034-13	55
1-654-010051-13	19	170301215	23	1-861-010034-13	57
1-654-010051-13	77	178910	51	1-861-010058-07	57
1-654-010055-03	75	178921	51	1-861-010058-07	57
1-654-010055-03	89	179955	53	1-861-010058-07	57
1-654-010055-04	7	1-833-010001	43	1-879-010004	36
1-654-010059-03	57	1-833-010001	9	1-879-010004	70
1-654-010059-03	77	1-833-010002	43	1-879-010005	35
1-654-010059-05	55	1-833-010002	49	1-879-010005	70
1-654-010059-07	3	1-833-010003	49	1-879-010005	79
1-654-010059-09	18	1-833-010003	49	1-879-010008	71
1-654-010059-13	13	1-861-010032-02	9	1-879-010008120	79
1-654-010061-07	15	1-861-010032-03	35	1-879-010009012	36
1-654-010061-16	41	1-861-010032-04	39	1-879-010010	36
1-654-010065-13	83	1-861-010032-07	20	1-879-010124-01	70
1-654-010065-19	83	1-861-010032-07	36	1-879-010124-02	71
1-654-010070-11	15	1-861-010032-07	36	1-879-010125-1	71
1-654-010070-11	18	1-861-010032-07	41	1-879-010126-01	71
1-654-010070-11	2	1-861-010032-09	7	1-879-010129-01	70
1-654-010070-11	74	1-861-010032-09	77	1-879-010129-02	70
1-654-010070-13	7	1-861-010032-11	18	1-879-010129-03	70
1-654-010070-13	74	1-861-010032-11	19	1-879-010129-04	70
1-654-010070-16	7	1-861-010032-11	2	1-879-010129-05	70
1-654-010070-3	1	1-861-010032-11	20	1-879-010129-06	70
1-654-010070-3	7	1-861-010032-11	36	1-879-010129-07	70
1-654-010079-4	41	1-861-010032-11	43	1-879-010129-08	70
1-654-010089-15	55	1-861-010032-11	70	1-879-010129-09	70
1-654-010089-15	57	1-861-010032-11	77	1-879-010129-10	70
1-654-010096-05	77	1-861-010032-11	9	1-879-010129-11	70
1-654-010112-10	81	1-861-010032-14	74	1-879-010129-12	70
1-654-010133-08	7	1-861-010032-15	15	1-879-010129-13	70
1-654-010141-04	57	1-861-010032-15	18	1-879-010129-14	70
1-654-010141-04	57	1-861-010032-15	2	1-879-010129-15	70
1-654-010146-04	77	1-861-010032-15	55	1-879-010129-16	70
1-654-010147-03	75	1-861-010032-15	7	1-879-010129-17	70
1-654-0G10079-4	36	1-861-010032-18	57	1-879-010129-18	70
1-656-010003026	70	1-861-010032-19	13	1-879-010129-19	70
1-656-010003026	73	1-861-010032-19	18	1-879-010129-20	71
1-656-010003042	9	1-861-010032-19	55	1-879-010129-21	71
1-656-010003051	39	1-861-010032-20	77	1-879-010129-22	71
1-656-010003056	79	1-861-010032-21	41	1-879-010129-23	71
1-656-010003078	20	1-861-010032-25	49	1-879-010129-24	71

<u>PART</u>	<u>PAGE</u>	<u>PART</u>	<u>PAGE</u>	<u>PART</u>	<u>PAGE</u>
1-879-010129-25	71	200013107	27	220000102	27
1-879-010129-27	71	200013107	27	220000210	23
1-879-010129-28	71	200013107	27	220000210	23
1-879-010129-29	71	200018003	21	220000210	84
1-879-010129-30	71	200100189	29	220000211	23
1-879-010129-31	71	200100189	31	220000212	21
190100046	29	200300040	23	220000212	25
190100046	31	200300040	23	220001005	27
190400004	23	200300040	23	220001005	27
190400004	23	200300104	23	220001010	29
190400004	23	200300104	23	220001010	31
190600003	23	200300104	23	220001504	23
190600003	23	200400030	27	220001504	23
190600003	23	200400030	27	220001504	23
1A0171	91	200400030	27	220001512	27
1A0290	86	200400030	27	220001512	27
1A0291	86	20111-002	61	22002-000	61
1A0292	86	201285-001	61	2240-12-12S	18
1A0569	91	2027	53	2252-8-8S	19
1A0570	91	2045-8-8S	18	2255-12-12S	19
1A0709	86	2046-8-8S	19	2255-12-12S	20
1A0711	86	2047-8-8S	81	2255-6-6S	81
1A0744	86	2047-8-8S	83	2255-8-8S	19
1A0757	86	2049-8-8S	18	22801-004	61
1A294	86	2066-6-6S	20	22808-000	61
1R0013	91	2066-8-10S	19	230001300	84
1R0015	91	2066-8-10S	81	230001400	21
1R0018	91	2066-8-10S	83	230007400	25
1R0019	91	2066-8-8S	18	230010405	23
1R0020	91	2066-8-8S	81	230010405	23
1R0024	91	2066-8-8S	83	230010405	23
1R0035	86	2067-6-6S	20	230010407	23
1V0090	86	206801-8-8S	20	230010407	23
1V0081	86	2068-12-10S	20	230010407	23
1V0101	86	2068-12-12S	19	2-318-010009	71
1V0249	86	2068-8-10S	18	238-2450-3	89
1V1701	86	2068-8-10S	20	238-6832	70
1V1703	86	2068-8-10S	57	238-9030-12	70
1V1725	86	2083-8-4S	43	238-9030-21	70
1/2 X 3/8 BUSH	49	2083-8-4S	49	238-9030-22	70
1/2-13X1-1/2CB	55	2083-8-4S	9	238-9030-23	70
1/4-20X3/4CB	41	2090-12-12S	89	239-4899	20
200013105	29	210700077	23	2-397-010003	81
200013105	31	210700077	23	2-397-010003	83
200013106	23	211100272	23	2-397-010003	89
200013106	23	211300024	25	23986-001	61
200013106	23	2-181-010001	15	240000009	29
200013106	25	2-181-010006	18	240000009	31
200013107	27	22000-001	61	240000018	29
200013107	27	220000102	27	240000018	31

<u>PART</u>	<u>PAGE</u>	<u>PART</u>	<u>PAGE</u>	<u>PART</u>	<u>PAGE</u>
240000019	29	240035153	23	3-080-010465	1
240000019	29	240035155	23	3-115-010096	75
240000019	31	240044018	29	3-115-010097	75
240000019	31	240044018	31	3-115-010099	75
240000020	29	240044019	29	3-115-010139	75
240000020	31	240044020	29	3-115-010140	75
240000022	84	240044020	31	3-120-010103	89
240000024	23	240061238	23	312-2917-130	90
240000026	21	240061240	23	312-3220-327	90
240000028	23	240061244	23	312-5037-201	90
240000028	23	240061334	84	312-8217-327	90
240000113	29	240061342	21	3-146-010076	41
240000113	31	250001222	84	3-150-010046	7
240000152	23	250001329	21	3-150-010047	7
240000153	23	250002213	25	31506	79
240000155	23	250014137	23	3-155-010013	55
240000208	29	250014137	23	3-155-010013	57
240000208	31	250014200	23	3-156-010008	79
240000238	23	257	51	3-156-010008	79
240000240	23	2-573-010335	39	316083	59
240000244	23	270010002	21	3-162-010001	89
24000026	25	276028	59	3-181-010007	18
240000333	25	2A0007-011	91	3-181-010007	35
240000334	84	2A0010-015	91	3-181-010008	18
240000342	21	2A0079-404	86	3-181-010060	18
240000342	25	2A0079-406	86	3-181-010060	35
240000908	29	2A0283-7011	91	32002	35
240000908	31	2A0283-7015	91	3-201-010001	35
240004006	84	2A0283-9910	91	3-201-010001	70
240004008	21	2A283-7214	86	3-203-010001	35
240005222	84	2A9048-7	91	3-203-010001	70
240005329	21	2V0008	86	3-208-010056	70
240005333	25	300039	59	3-208-010056	73
240005342	25	3-014-010096	81	3-208-010056-01	73
240010222	84	3-014-010201	7	3-208-010056-02	73
240010329	21	3-014-010202	7	3-208-010070	18
240011098	23	3-014-010238	20	3-208-010070	70
240011105	23	3-027-010110	7	3-208-010070	9
240011112	23	3-027-010111	7	3-222-010160	1
240016230	29	3-042-010111-2	47	3-222-010160	18
240016230	31	3-042-010130-02	47	3-222-010163	7
240019014	29	3-080-010126	78	3-222-010165	1
240019014	31	3-080-010126	78	3-222-010165	55
240020009	23	3-080-010139	77	3-222-010168	20
240020015	25	3-080-010278	78	3-235-010208	45
240020185	23	3-080-010278	78	3-238-010007	12
240020185	23	3-080-010278	78	3-238-010007	9
240034334	84	3-080-010422	1	324160	59
240034342	21	3-080-010423	1	3-242-010049	81
240035152	23	3-080-010430	1	3-242-010049	85

<u>PART</u>	<u>PAGE</u>	<u>PART</u>	<u>PAGE</u>	<u>PART</u>	<u>PAGE</u>
3-242-010091	83	334163	59	3-443-010010	75
3-242-010091	84	3-348-010039	70	3-446-010006	36
3-242-010185	18	3-348-010039	73	3-446-010006	79
3-242-010199	18	3-352-010053	7	3-446-010007	36
3-242-010199	23	3-352-010055	74	346SL	1
3-242-010200	18	3-360-010111	18	3-481-010012	55
3-242-010201	19	3-360-010111	27	3-481-010012	57
3-242-010201	21	3-360-010111	27	3-481-010012	61
3-242-010202	18	3-368-010195	35	3-482-010005	57
3-242-10185	25	3-368-010195	36	3-482-010005	57
3-242-10200	23	3-368-010204	70	3-482-010026	55
3-242-10202	23	3-368-010206	70	3-482-010026	57
3-272-010003	35	3-368-010234	36	3-482-010107	77
3-272-010010	79	3-368-010235	36	3-482-010170	45
3-272-010017	70	3-368-010236	36	3-482-010246	78
3-272-010021	35	3-368-010237	36	3-482-010312	55
3-272-010021	70	3-368-010238	36	3-482-010312	57
3-272-010021	79	3-368-010238	70	3-482-010543	57
3-272-010022	35	3-368-010239	36	3-485-010001	41
3-272-010022	79	3-368-010239	70	3-557-010030	15
3-272-010062	79	336A010	59	3-557-010032	18
3-279-010043	20	3-372-010013	2	3-557-010033	19
328134	59	3-372-010014	2	3-557-010059	19
3-311-010578	15	3-372-010056	20	3-557-010131	74
3-311-013068	57	3-375-010582	15	3-557-010182	18
3-311-013079	57	3-375-010587	15	3-557-010186	3
3-311-013619	77	3-375-010588	15	3-557-010220	2
3-311-014622	36	3-375-010588	18	3-557-010221	2
3-311-014867	2	3-375-010588	35	3-557-010260	81
3-311-014868	2	3-375-010588	36	3-557-010498	7
3-311-014909	78	3-375-010588	49	3-557-010499	18
3-311-014910	78	338208	59	3-557-010500	18
3-311-014910	78	338273	59	3-557-010502	7
3-311-015577	78	3-384-010020	49	3-557-010503	7
3-311-015623	78	3-384-010031	49	3-557-010504	7
3-311-015715	78	3-395-010001	89	3-557-010508	74
3-311-015952	78	3-397-010011	81	3-561-010001	89
3-311-016004	78	3-397-010011	83	3-565-011742	15
3-311-016218	78	3-397-010124	81	3-573-010020	39
3-318-010001	79	3-397-010124	83	3-573-010031	39
3-318-010002	79	3-397-010246	81	3-573-010060	39
3-318-010005	71	3-399-010001048	89	3-573-010203	39
332007	59	3-3/4" X 16"	23	3-573-010210	39
3-334-010001	77	3-406-010044	51	3-573-010211	39
3-334-010002	77	3-406-010045	51	3-573-010377	39
3-334-010003	77	3-406-010061	53	3-573-010435	39
3-334-010004	77	3-410-011571	55	3-573-010437	39
3-334-010012	41	3-417-010003	18	3-573-010438	39
3-334-010015	41	3-417-010004	19	3-573-010461	39
3-334-010040	41	3-417-010005	18	3-573-010462	39

<u>PART</u>	<u>PAGE</u>	<u>PART</u>	<u>PAGE</u>	<u>PART</u>	<u>PAGE</u>
3-573-010463	39	3-762-010692	41	391-2883-058	90
3-573-010471	39	3-762-010698	35	391-2884-050	90
357481	59	3-762-010698	36	391-3681-001	90
3-591-010001	89	3-762-010698	43	391-3784-028	90
3-591-010001	90	3-762-010698	49	3/16HFLN	36
3-624-010008	70	3-762-010698-01	41	3/16X3/4 RHD STV	36
3-630-010002	7	3-780-010002	43	3/4ST ELL	89
364018	59	3-780-010002	49	3/4X1/2BUSH	81
3-642-010098	81	3-786-010043	89	3/4X1/2BUSH	83
3-659-010012	53	3-793-010018	13	40002R	36
3-659-010013-1	75	3-793-010044	13	4014041	87
368017	59	3-798-010038	51	4014130	87
3-681-010121	20	3-798-010038	53	4014550	87
3-684-010031	57	3-821-010005	36	4015410	87
3-684-010042	7	3-821-010005	41	4019950	87
3-684-010047	7	3-828-010002	36	4019960	87
3-684-010048	7	3-829-010278	74	402002	59
3-684-010049	7	3-831-010050	13	4020051	87
3-711-010101	7	3-843-010005	49	4022030	87
3-711-010102	7	3-843-010009	9	4023150	87
3-711-010103	18	3-843-010009	93	4050-4	81
3-720-010075	9	3-846-010009	81	4050-4	83
3-725-010077	1	3-846-010009	83	412003	59
3-741-010001	3	3-846-010009	87	412045	59
3-741-010004	77	3-846-010080-2	19	413013	59
3-741-010006	3	3-846-010113	19	414038	59
3-741-010007	3	3-846-010113	33	414045	59
3-741-010008	3	3-846-010127	81	414279	59
3-741-010015	77	3-846-010127	83	414521	59
3-741-010076	7	3-846-010127	86	414835	59
3-755-010003	18	3-846-010150	20	416030	59
3-755-010089	77	3-846-010150	27	416059	59
3-755-010189-02	36	3-846-010151	20	4-1/2" X 16"	23
3-755-010189-02	36	3-846-010151	27	431007	59
3-755-010189-02	41	3-870-010012	51	438014	59
3-755-010189-02	49	3-870-010097	53	442184	59
3-755-010218	7	3-873-010073	57	442205	59
3-755-010219	7	3-873-010073	57	450006	59
3-755-010253	20	3-873-010073	59	450016	59
3-755-010255	36	3-873-010109	57	456001	59
3-755-010275	74	3-873-010109	59	456008	59
3-755-010354	7	3-873-010147	55	468002	59
3-755-010355	7	3-873-010147	57	468011	59
3-755-010364	7	391-0381-068	90	470033	59
3-755-010365	7	391-1401-025	90	472012	59
3-755-010370	7	391-1802-119	90	472013	59
3-755-010371	7	391-2082-032	90	481-00-224	43
3-755-010372	9	391-2185-013	90	486009	59
3-762-010017	41	391-2585-006	90	486017	59
3-762-010264	45	391-2882-086	90	494002	59

<u>PART</u>	<u>PAGE</u>	<u>PART</u>	<u>PAGE</u>	<u>PART</u>	<u>PAGE</u>
494053	59	660180032	31	671600049	31
4Z4306	86	660180034	29	671600063	29
4" X 16"	23	660180034	31	671600063	31
5010	15	660250002	27	671700014	27
5010	20	660250006	27	671700014	27
514-1000	20	660263002	29	671800021	29
514-1000	70	660263002	31	671800021	31
514-1000-056	75	660280001	27	671900011	29
514-1633-1	89	660280003	29	671900011	31
514-5728-7	70	660280010	29	671900071	29
514-5728-8	70	660280018	27	671900071	31
518014	59	660401005	27	672201005	27
518015	59	660401006	27	672201006	27
55B11	49	660580002	27	6828	89
55B61	49	660580002	27	7360-001	61
55B61	9	660580003	27	7-458-010009	75
55B61-6	49	660580003	27	7462-000	61
55B61-7	49	660580004	27	750-029	36
56D4	49	660580004	27	7537-000	61
59S-7	36	660580004	29	75716	51
59W-2-3	36	660580004	31	758-012	11
5/16-18X3/4HHCS	53	660580005	29	758-012	49
5/16-24HFLN	77	660580005	31	758-012	9
5/16-24X1CS	77	670100008	29	758-013	11
5/16SLW	53	670100008	31	758-013	49
6002790	87	670300029	29	758-013	9
6002880	87	670300029	31	758-181	49
6006090	87	670300030	29	75-SP-2	12
6008840	87	670300030	31	7859	11
6013080	87	670500044	29	7/8MACH BUSH	18
60564-000	61	670500044	31	8010-4	18
610100011	29	670500045	29	805-2	43
610100011	31	670500045	31	900 01 082	45
612104001	29	671302003	29	900 08 139	45
612104001	31	671302003	31	900 08 147	45
61900539	25	671400033	29	900 23 002	45
625765001	27	671400033	31	900 28 047	45
625765001	27	671400076	29	900 28 075	45
625775001	27	671400076	31	900 31 443	45
625775001	27	671400077	29	900 36 177	45
625894008	29	671400077	31	900 41 878	45
625894008	31	671400078	29	900-01-006	45
626230001	29	671400078	31	900-10-032	45
626230001	31	671400079	29	900-44-162	45
6352012	33	671400079	31	900-54-113	43
63635	51	671400086	29	900598-10S	19
63680	53	671400086	31	900598-12S	19
6-397-010005	83	671400207	29	905 08 004	45
6-397-010005	89	671400207	31	905 15 857	45
660180032	29	671600049	29	905 15 858	45



<u>PART</u>	<u>PAGE</u>	<u>PART</u>	<u>PAGE</u>	<u>PART</u>	<u>PAGE</u>
905 19 361	45	C01-412	79	P7675	11
905 19 362	45	C29-1104X	79	P7710	11
905 19 425	45	CO-975-74-2000	3	P7724	11
905 57 129	45	CT-19	12	P7725	11
905-54-107	43	D01-412	35	P7739	11
905-54-107	49	D-2212-70.5TRACK	47	P7830	11
905-54-107	9	E001	73	P7833	11
9057-014	61	E001	73	P7848	11
9086-005	61	E002	73	P7856	11
9091-001	61	E006	73	P7857	11
9121-002	61	H015	73	P7870	11
930 03 599	45	H038	73	P7872	11
930-02-349	43	H039	73	PMCK-8300	84
930-02-361	43	H046	73	PMCK-AD-461	25
932 01 055	45	H048	73	PMCK-AM-2548	23
934 00 136	45	H542061-0410	93	PMCK-AM-2554	23
934 00 149	45	H542061-7212	93	PMCK-AM-2560	23
934 00 367	45	H563060-6584	93	PMCK-AR-210	21
934 00 492	45	H563061-2004	93	PMS-AM-2548	23
934 00 502	45	H571002-3704	93	PMS-AM-2554	23
934 00 506	45	H571002-6204	93	PMS-AM-2560	23
934-00-060	43	H571002-7704	93	PTO	89
936 00 072	45	H571004-0404	93	RAF2903X18	74
936 00 077	45	H810138-0684	93	RPRB59004X11	75
939 00 027	45	H894100-4702	93	RRT119X.75	81
A001	73	H895107-9204	93	RRT271X.375ZP	20
AC6400	43	H895361-7204	93	RSR8999X1	57
AY102	73	H896040-1504	93	RV10-22H-0-N-50	33
AY103	73	H897101-7804	93	S005	73
AY109	73	H897151-0094	93	S21F-6	89
AY115	73	HM212011	51	S25F-6	18
B3-120-011	2	HM212011	53	SBT1017	85
B3-128-081	9	HM212049	51	SCY 1006	85
B3-128-095	49	HM212049	53	SCY1018	85
B3-272-060	79	HM218210	51	SCY1019	85
B3-272-091	35	HM218210	53	SCY1024	85
B3-407-097	83	HM218248	51	SCY1026	85
B3-407-124	89	HM218248	53	SCY1070	85
B3-407-167	81	K-23001	89	SCY1079	85
B3-407-201	18	K-23022	89	SCY1079	85
B3-482-001	77	K-25001	89	SCY222	85
B3-573-053	39	K71-138-00	47	SCY223	85
B3-645-006	74	LB004	73	SCY224	85
B3-741-001	3	LB005	73	SET SCREW	57
B3-755-002	7	M10205-1	33	SRK-145	45
B5-115-011	75	MV4-43-12-TD	87	SRK-64	45
B5-115-012	75	P67912	93	SV121	27
B5-432-008	75	P67914-4	93	SV125	27
B5-793-001	13	P68131	93	SV16-20-0-N-00	33
BSL-6-4	75	P68131	93	SVA-S60	27

<b>PART</b>	<b>PAGE</b>
SVA-S60	27
SVA-S60	31
SVA-S61	27
SVA-S61	29
SVA-S86	27
SVA-S86	29
SVE22	27
SVE26	27
SWS245	85
T120R	36
TR573	51
TR573	53
W001-15	73