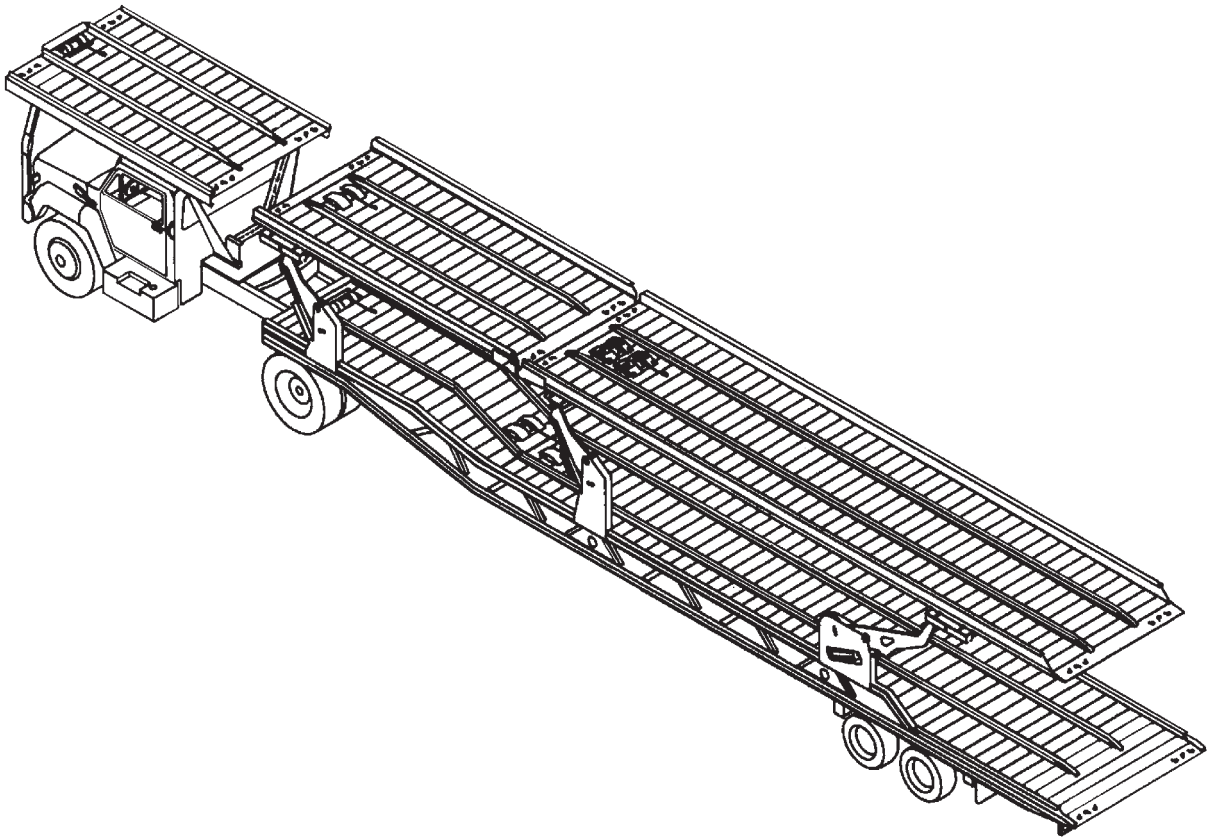




**MODEL 336C
CAR CARRIER**



PARTS LIST
1900 NORTH STREET
MARYSVILLE, KS 66508
(785)562-5381

ILLUSTRATED PARTS LIST

1

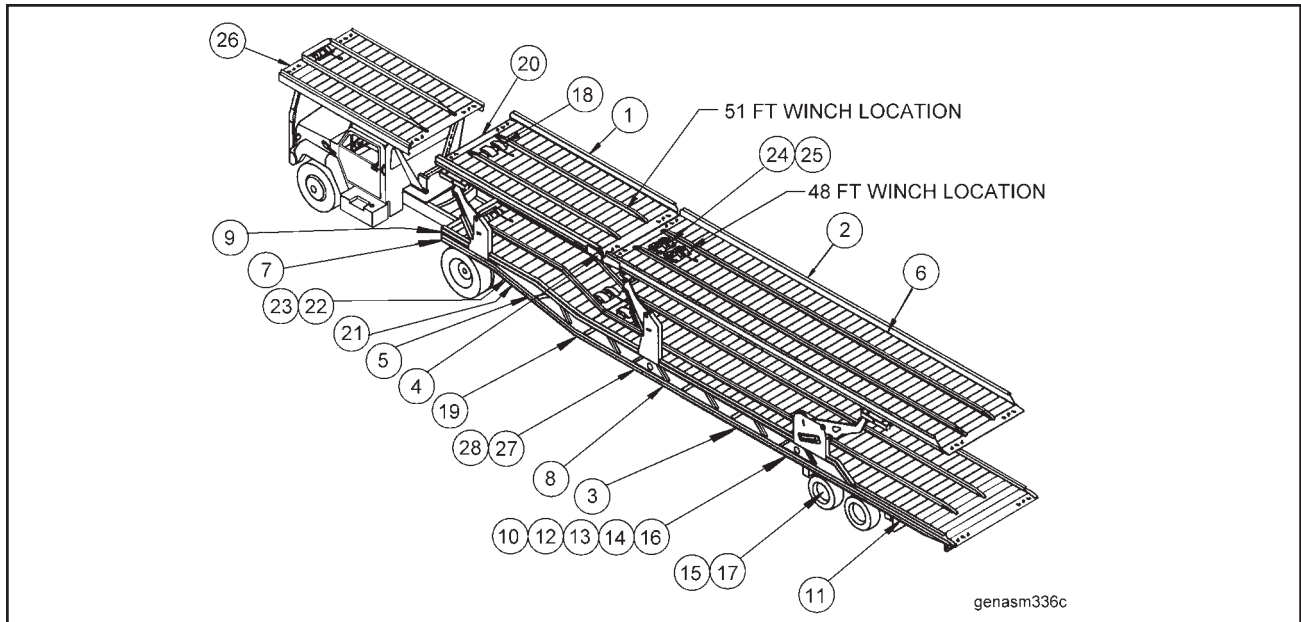


Figure 1-1 General Assembly

GENERAL ASSEMBLY

ITEM	PART/PAGE NO.	DESCRIPTION	QTY.
1	3-080-010422	BED WELDMENT UPPER FRONT (51')	1
	3-080-010430	BED WELDMENT UPPER FRONT (48')	1
2	3-080-010423	BED WELDMENT UPPER REAR	1
3	3-080-010465	BED LOWER 48' WLDMT 6 CAR (48')	1
4	1-2 - 1-7	UPPER DECK PARTS	1
5	1-8 - 1-12	DECK LOCK AIR SYSTEM	1
6	1-13	D-RING KIT	12
7	1-14 - 1-15	HYDRAULIC TILT ASSEMBLY	1
8	1-16 - 1-33	HYDRAULIC SYSTEM	1
9	1-34- 1-36	ELECTRICAL SYSTEM	1
10	1-37 - 1-39	DECAL INSTALLATION	1
11	1-40 - 1-41	UNDERCARRIAGE ASSEMBLY	1
12	1-43	AIR CONTROL KIT	1
13	1-44 - 1-45	SUSPENSION HANGER	1
14	1-46 - 1-47	AXLE AND BRAKE SYSTEM	2
15	1-48 - 1-49	AIR BRAKE SYSTEM	1
16	1-50 - 1-51	BRAKE KIT	
17	1-52 - 1-55	HUB AND DRUM ASSEMBLY	4
18	1-56 - 1-63	WINCH	1
19	1-64 - 1-73	REMOTE CONTROL	1
20	1-74	CABLE ROLLER	1
21	1-75	TOOL BOX	2
22	3-725-010077	LANDING GEAR PIN DROP	2
23	346SL	LOCK HITCH PIN	2
24	3-222-010165	COVER, WINCH OPENING, 336A (51')	1
25	1-654-010070-3	SCREW, RD HEAD SQ NECK 1/2-13 GR5	4
26	1-76 - 1-95	"OVER-THE-CAB" DECK AND SYSTEMS	1
27	3-222-010160	COVER, ACCESS	6
28	1-654-010047-04	SCREW 1/4-20 X 3/4	18

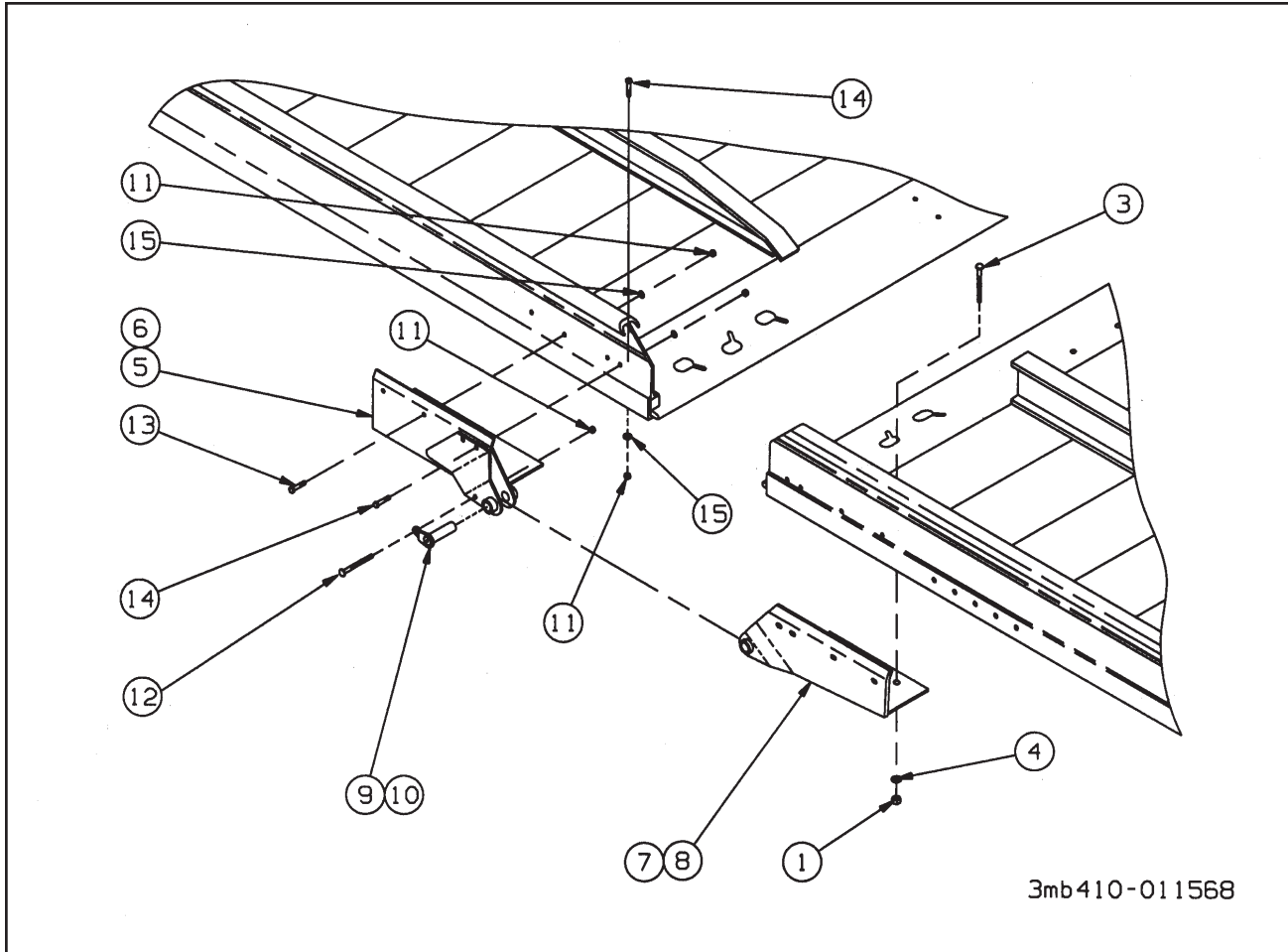


Figure 1-2 Upper Deck Connectors

UPPER DECK CONNECTORS

ITEM	PART NO.	DESCRIPTION	QTY.
	B3-120-011	BRACKETS TOP DECK CONNECTORS (3-410-011568)	
1	1-512-010005-09	NUT HEX LOCK 1/2-13 GRB	16
3	1-654-010070-11	SCREW RD HEAD SQ NECK 1/2-13 X 3-1/2 GR5	16
4	1-861-010032-15	WASHER FLAT 1/2	16
5	3-311-014867	HINGE FRONT WELDMENT LH	1
6	3-311-014868	HINGE FRONT WELDMENT RH	1
7	3-372-010013	HINGE UPPER DECK REAR LH	1
8	3-372-010014	HINGE UPPER DECK REAR RH	1
9	3-557-010220	PIN ARM CYL ROD END LH	1
10	3-557-010221	PIN ARM CYL ROD END RH	1
11	1-512-010005-05	NUT HEX LOCK 3/8-16 GRB	18
12	1-654-010051-06	SCREW HEX HEAD CAP 3/8-16UNCX1-1/4 GR5	2
13	1-654-010051-08	SCREW HEX HEAD CAP 3/8-16UNCX1-3/4 GR5	12
14	1-654-010051-09	SCREW HEX HEAD CAP 3/8-16UNCX2 GR5	4
15	1-861-010032-11	WASHER FLAT 3/8	18

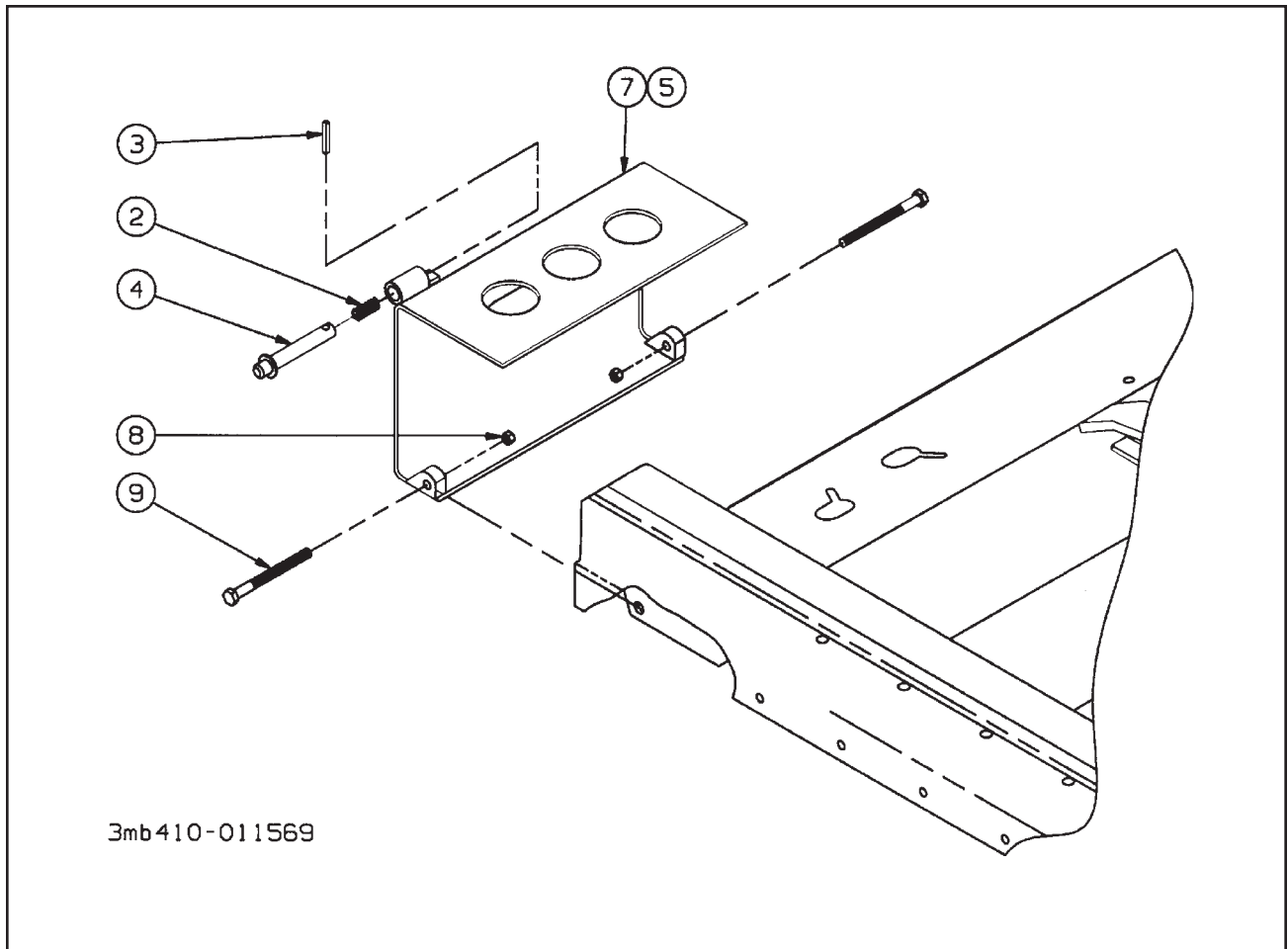


Figure 1-3 Wheel Stops

WHEEL STOPS

ITEM	PART NO.	DESCRIPTION	QTY.
	B3-741-001	STOP WHEELS CAR TRAILER (3-410-011569)	1
1	3-741-010007	STOP ASSY LEFT WHEEL (INCLUDES 2,3,4,AND 5)	1
2	CO-975-74-2000	SPRING COMPRESSION	1
3	0600-375-04000	ROLL PIN	1
4	3-557-010186	PIN W/ WASHER 3/4X5-3/8	1
5	3-741-010001	STOP LH WHEEL	1
6	3-741-010008	STOP ASSY RIGHT WHEEL (INCLUDES 2,3,4,AND 7)	1
7	3-741-010006	STOP RH WHEEL	1
8	1-512-010005-13	NUT HEX LOCK 5/8-11 GRB	4
9	1-654-010059-07	SCREW HEX HEAD CAP 5/8-11X2-1/2 GR5	4

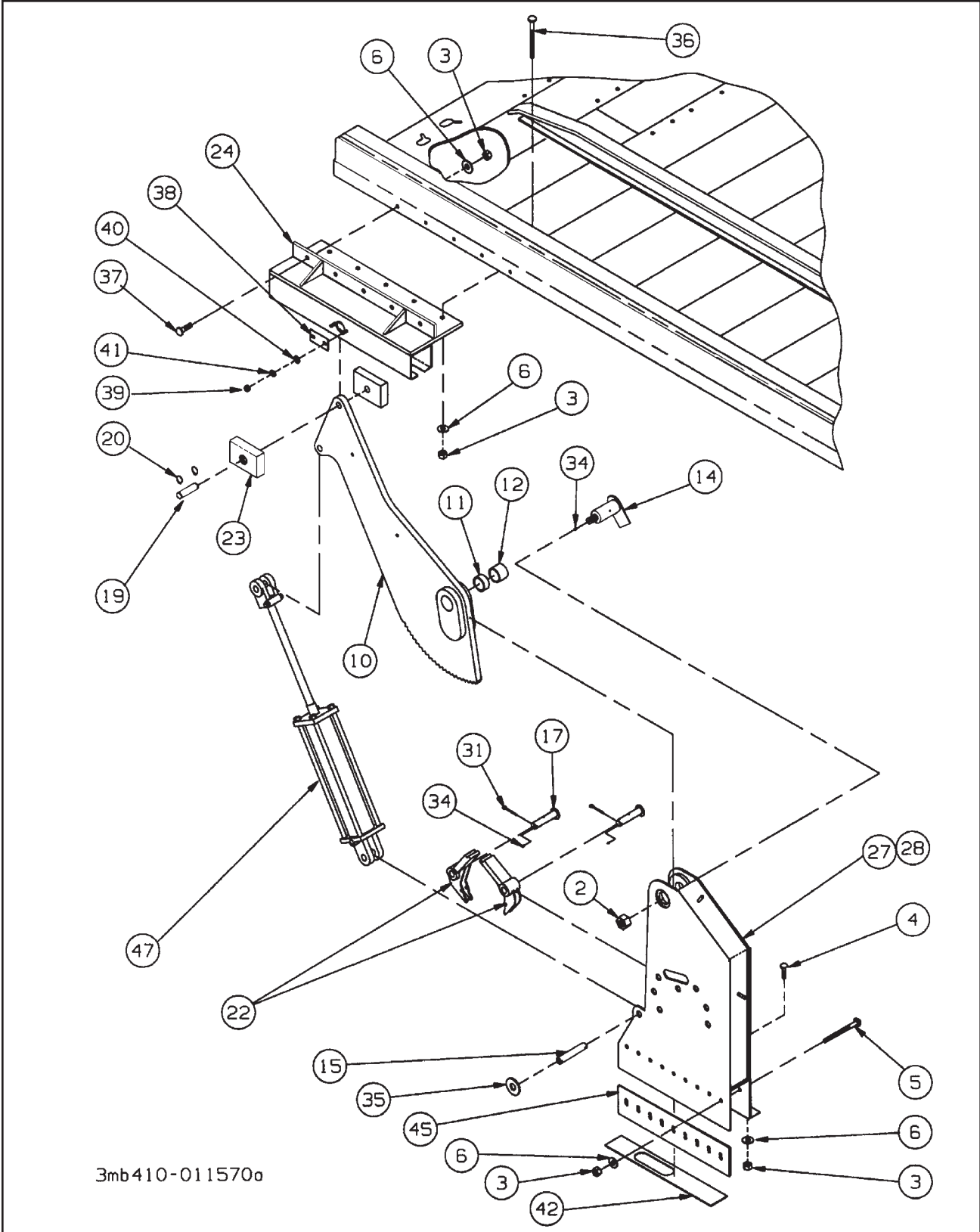


Figure 1-4 Front Upper Deck Support

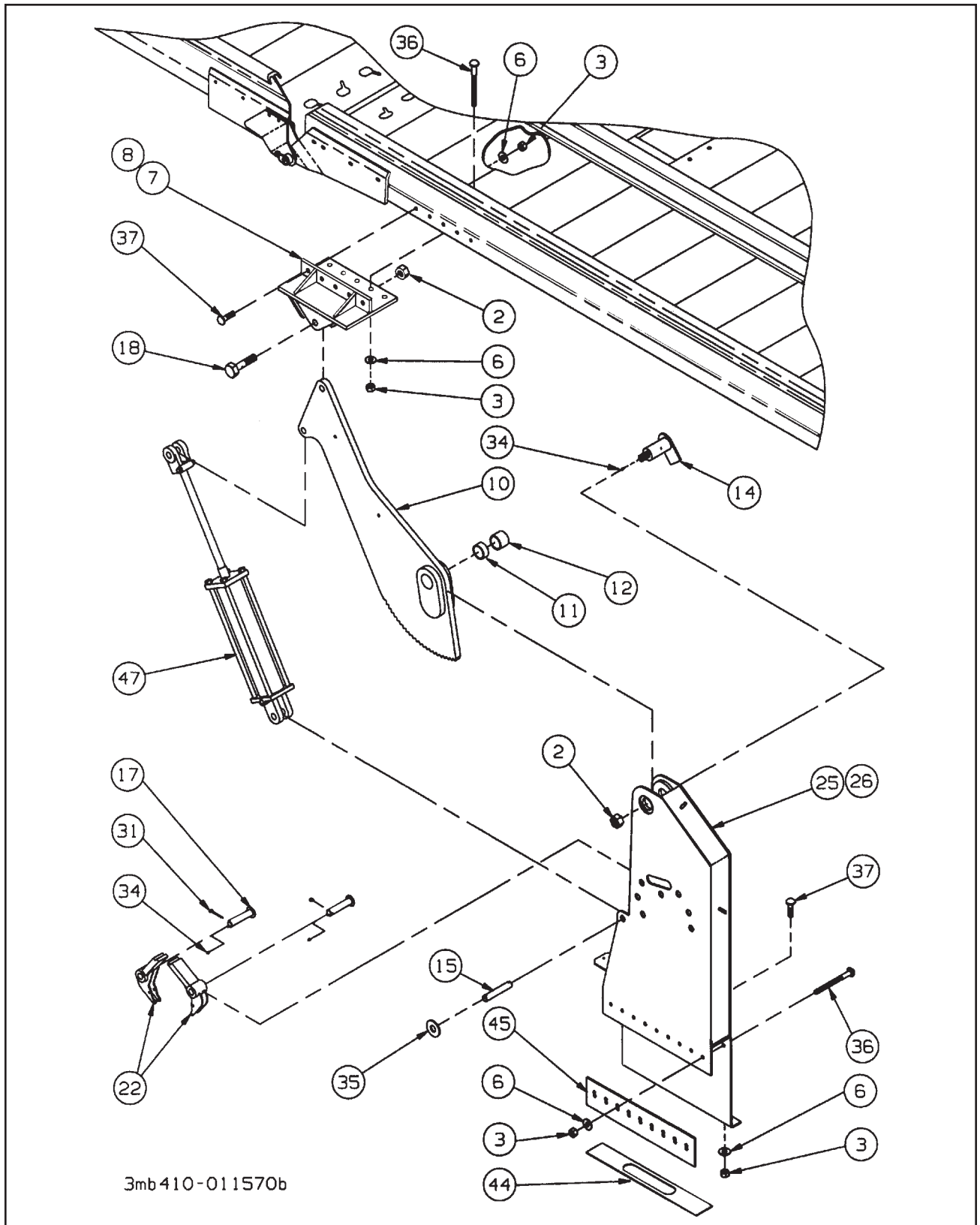
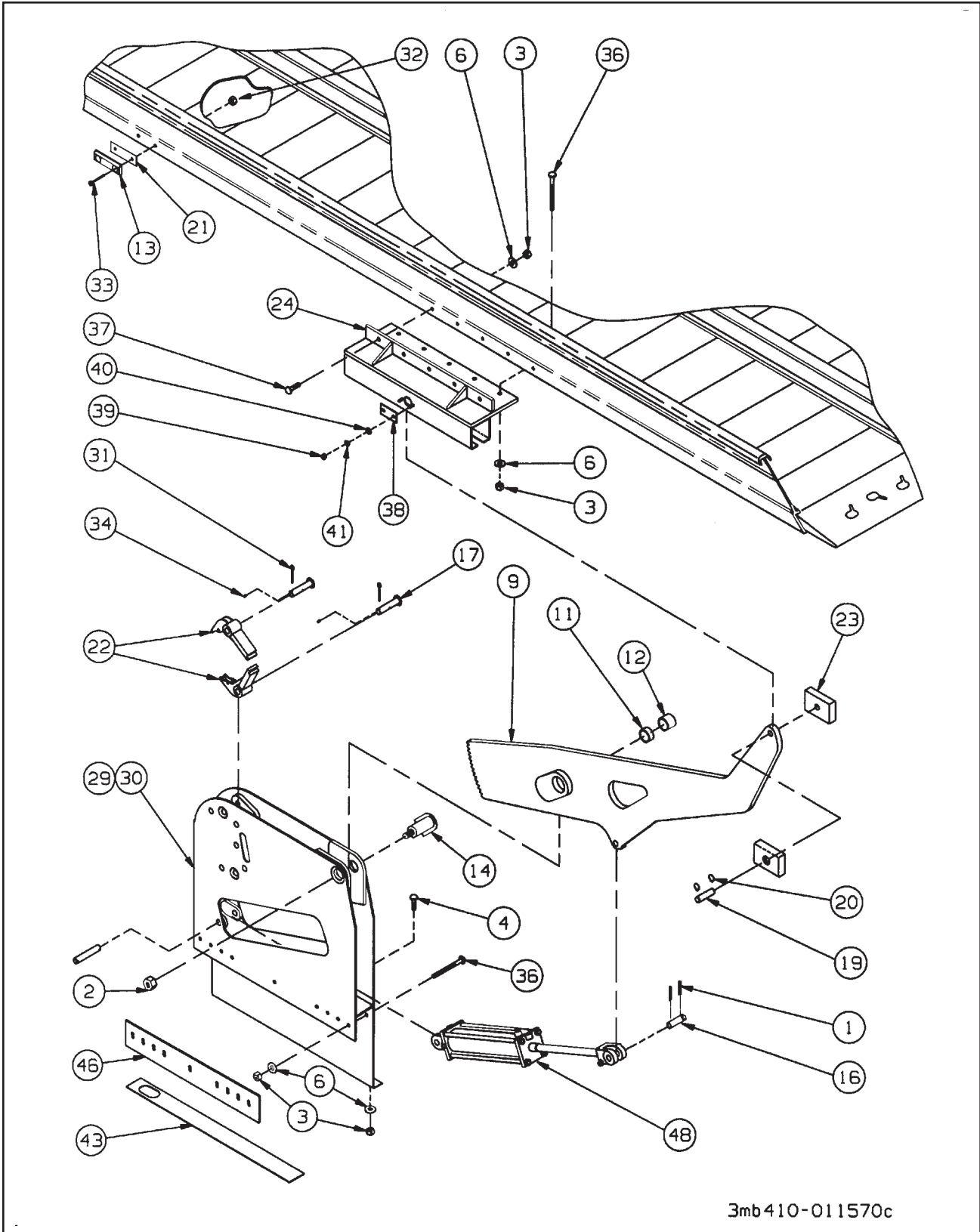


Figure 1-5 Middle Upper Deck Support



3mb410-011570c

Figure 1-6 Rear Upper Deck Support

UPPER DECK SUPPORTS

ITEM	PART NO.	DESCRIPTION	QTY.
	B3-755-002	SUPPORT UPPER DECKS (3-410-011570)	1
1	1-647-010004221	PIN, SPRING SLOTTED 1/4 X 2	2
2	1-512-010005-19	NUT HEX LOCK 1-8	8
3	1-512-010005-09	NUT HEX LOCK 1/2-13 GRB	141
4	1-654-010070-3	SCREW RD HEAD SQ NECK 1/2-13X1-1/2 GR5	36
5	1-654-010070-16	SCREW RD HEAD SQ NECK 1/2-13X5-1/2 GR5	54
6	1-861-010032-15	WASHER FLAT 1/2	148
7	3-014-010201	ANCHOR CENTER WLDMT LT	1
8	3-014-010202	ANCHOR CENTER WLDMT RT	1
9	3-027-010110	ARM LIFT REAR WLDMT	2
10	3-027-010111	ARM LIFT FRONT WLDMT	4
11	3-150-010046	BUSHING	6
12	3-150-010047	BUSHING	6
13	3-352-010053	GUIDE BED TOP REAR	2
14	3-557-010498	PIN MAIN LIFT PIVOT WLDMT	6
15	3-557-010499	PIN, CYL ROD END	REF
16	3-557-010500	PIN, CYL BUTT END	REF
17	3-557-010502	PIN STOP LIFT WLDMT	12
18	3-557-010503	PIN DECK MAIN	2
19	3-557-010504	PIN RETAINING RING 1X3-5/8	4
20	3-630-010002	RING RETAINING EXTERNAL	8
21	3-684-010042	SHIM GUIDE BED	4
22	3-741-010076	STOP LIFT WLDMT	12
23	3-755-010218	SUPPORT NYLATRON SLIDE	8
24	3-755-010219	SUPPORT SLIDER WLDMT	4
25	3-755-010365	SUPPORT LIFT ARM CTR. WLDMT. LT	1
26	3-755-010364	SUPPORT LIFT ARM CTR. WLDMT. RT	1
27	3-755-010371	SUPPORT LIFT ARM FRT LT WLDMT	1
28	3-755-010370	SUPPORT LIFT ARM FRT RT WLDMT	1
29	3-755-010354	SUPPORT ARM REAR WLDMT RT	1
30	3-755-010355	SUPPORT ARM REAR WLDMT LT	1
31	1-557-010362-51	COTTER PIN PLATED 3/16X1-1/2	24
32	1-512-010005-09	NUT HEX LOCK 1/2-13 GRB	4
33	1-654-010133-08	SCREW HEX SOC FL CTSK 1/2-13X2-1/4	4
34	1-298-010001-1	ZERK FITTING	20
35	1-861-010032-25	WASHER FLAT 1"	12
36	1-654-010070-13	SCREW RD HEAD SQ NECK 1/2-13X4 GR5	30
37	1-654-010055-04	SCREW HEX HEAD CAP 1/2-13 X1-3/4 GR5	25
38	3-222-010163	COVER ACCESS HOLE	4
39	1-512-010007-06	NUT HEX 5/16-18	8
40	1-861-010032-09	WASHER FLAT 5/16	8
41	1-861-010034-10	WASHER SPLIT LOCK 5/16	8
42	3-684-010047	SHIM FRT LIFT ARM 336	4
43	3-684-010048	SHIM REAR LIFT ARM 336	4
44	3-684-010049	SHIM MIDDLE LIFT ARM 336	4
45	3-711-010101	SPACER FRT AND MIDDLE LIFT ARM	4
46	3-711-010102	SPACER REAR LIFT ARM	2
47	3-242-010199	CYLINDER, HYD. 4 X 16 (LT. SIDE)(SEE PAGE 1-23)	REF
	3-242-010200	CYLINDER, HYD. 3-3/4 X 16 (RT. SIDE)(SEE PAGE 1-23)	REF
48	3-242-010216	CYLINDER, HYD. 4-3/4 X 16 (RT. SIDE)(SEE PAGE 1-25)	REF
	3-242-010217	CYLINDER, HYD. 5 X 16 (LT. SIDE)(SEE PAGE 1-25)	REF

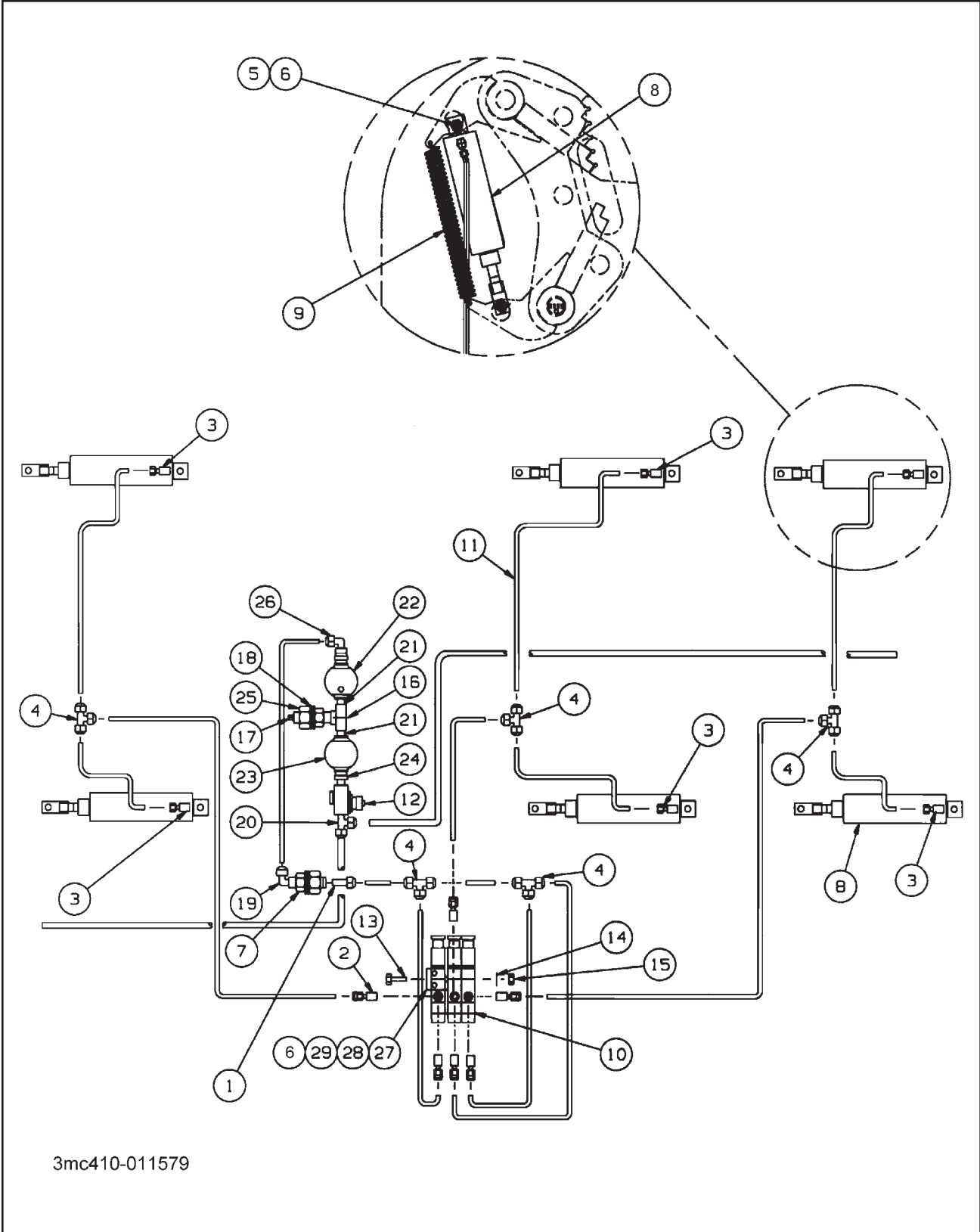


Figure 1-7 Deck Lock Air System

DECK LOCK AIR SYSTEM

ITEM	PART NO.	DESCRIPTION	QTY.
	B3-128-081	INSTALL AIR SYSTEM DECK LOCKS (3-410-011579)	
	3-208-010070	CONTROL BOX ASSEMBLY (AIR SYSTEM ONLY)	
1	1-297-010007-05	FITTING AIR	1
2	1-297-010008-05	FITTING AIR 90	6
3	1-297-010008-07	FITTING AIR 90	6
4	1-297-010010-01	FITTING AIR UNION TEE	5
5	1-654-010051-08	SCREW HEX HEAD CAP 3/8-16 X 1-3/4 GR5	12
6	1-512-010005-05	NUT HEX LOCK 3/8-16 GRB	14
7	1-297-010022-02	FITTING AIR ANCHOR CPLG	1
8	3-238-010007	CYLINDER AIR (SEE PAGE 1-12)	6
9	3-720-010075	SPRING EXTENSION	6
10	3-843-010009	VALVE AIR SOLENOID 12V (SEE PAGE 1-97)	3
11	1-833-010001	NYLON TUBING 1/4	76'
12	905-54-107	VALVE AND FILTER PRESSURE	1
13	1-656-010003042	SCREW RD HEAD MACH 8-32 X 3-1/2	2
14	1-861-010032-02	WASHER FLAT #8	2
15	1-512-010003-03	NUT HEX LOCK 8-32	2
16	1-297-010009-04	FITTING AIR PIPE TEE	1
17	1-560-010002-02	PLUG PIPE	1
18	1-861-010032-25	WASHER FLAT 1"	2
19	1-297-010008-18	FITTING AIR 90	1
20	1-297-010011-04	FITTING AIR M/RUN TEE	1
21	1-297-010020-04	FITTING BRS PIPE CL NIP 1/2	2
22	758-012	LUBRICATOR AIR (SEE FIGURE -)	1
23	758-013	FILTER AIR (SEE FIGURE -)	1
24	2083-8-4S	NIPPLE HEX	1
25	55B61	FRAME UNION	1
26	1-297-010008-21	FITTING AIR 90	1
27	3-755-010372	SUPPORT AIR SOLENOID TEE	1
28	1-654-010051-06	SCREW HEX HEAD CAP 3/8-16 X 1-1/4 GR5	2
29	1-861-010032-11	WASHER FLAT 3/8	4

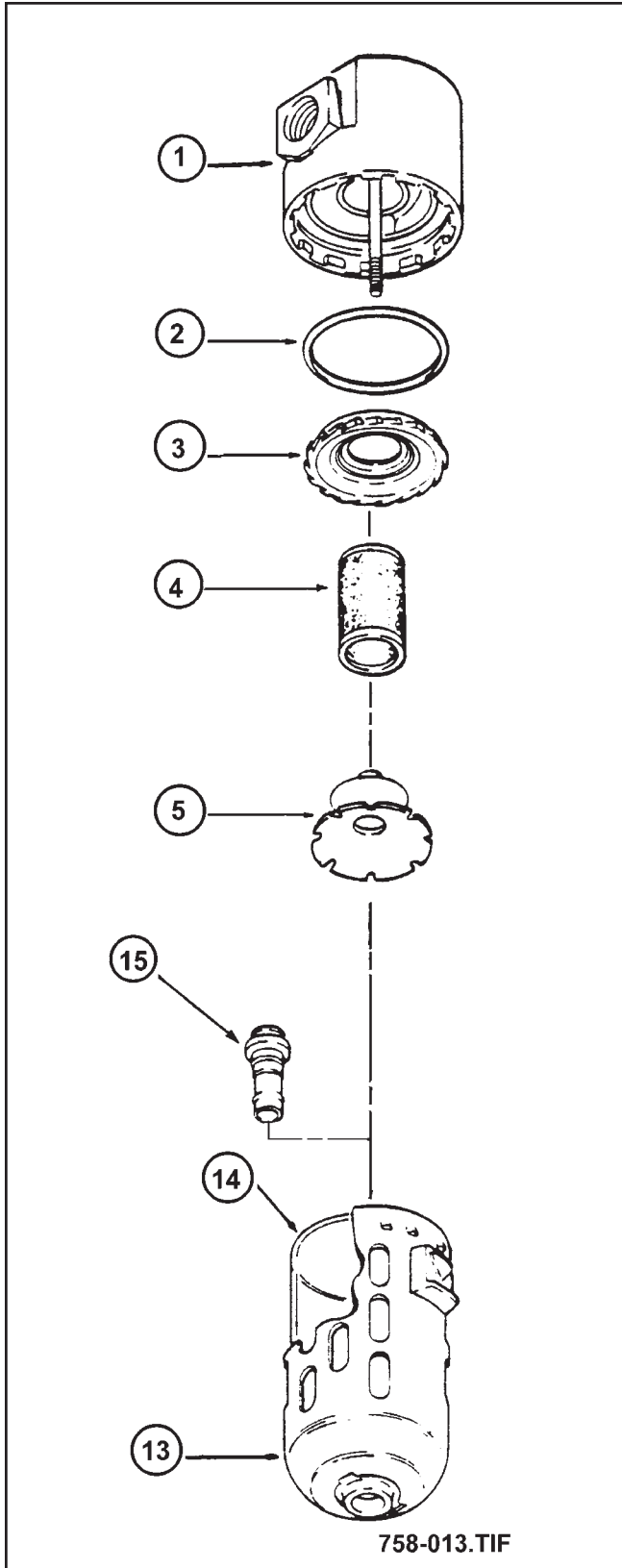


Figure 1-8 Air System Filter

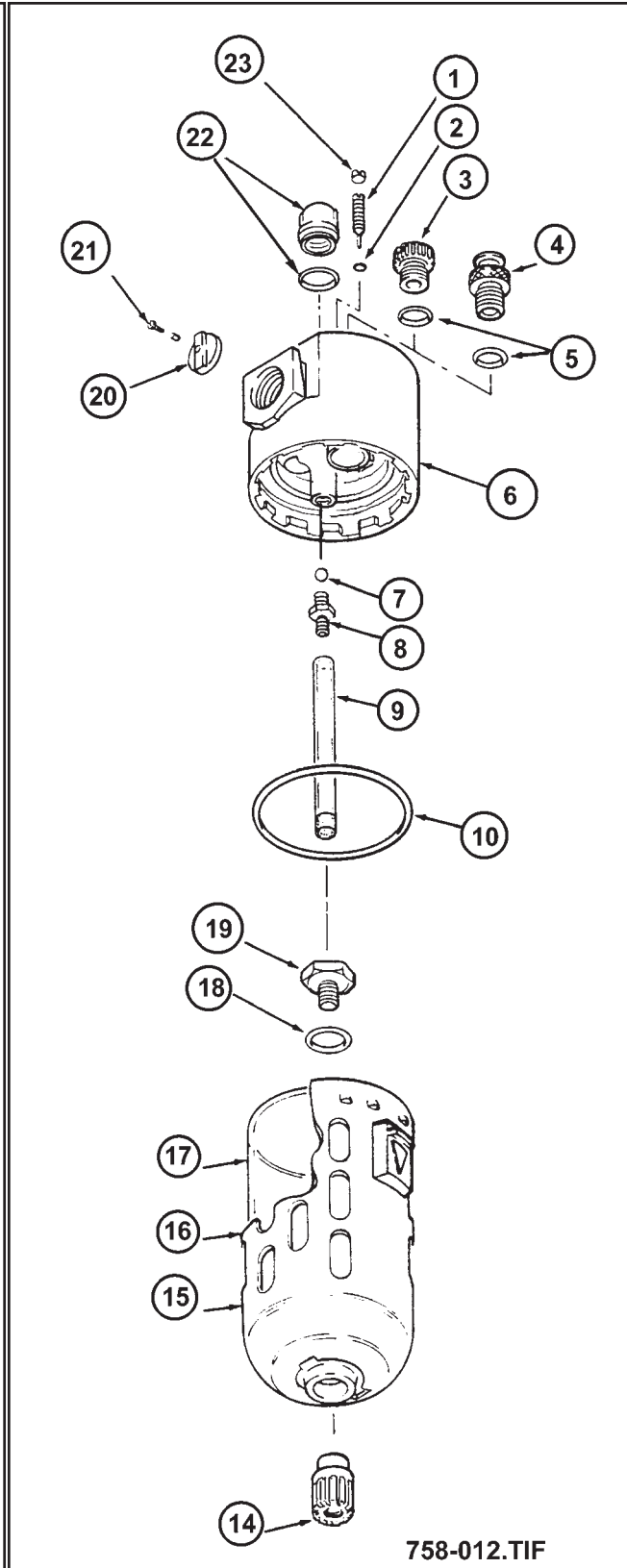


Figure 1-9 Air System Lubricator

AIR SYSTEM FILTER

ITEM	PART NO.	DESCRIPTION	QTY.
	758-013	FILTER AIR	
1	*	BODY	1
2	7859	BOWL O-RING KIT	1
3	*	LOUVER	1
4	P7833	FILTER ELEMENT W/ BOWL O-RING	1
5	*	BAFFLE	1
13	P7857	METAL BOWL GUARD	1
14	P7856	PLASTIC BOWL	1
	P7830	PLASTIC BOWL W/ FLEX DRAIN AND BOWL GUARD	1
15	P7710	PETCOCK ASSY (PLASTIC BOWLS ONLY)	1

* ITEMS NOT SOLD SEPARATELY.

AIR SYSTEM LUBRICATOR

ITEM	PART NO.	DESCRIPTION	QTY.
	758-012	AIR SYSTEM LUBRICATOR	
1	*	ADJUSTING SCREW	1
2	P7725	O-RING KIT	1
3	*	FILL PLUG KIT W/ O-RING	1
4	P7724	FORCE-FILL ADAPTER	1
5	*	O-RING	2
6	*	BODY	1
7	*	BALL	1
8	*	ADAPTER	1
9	P7739	SIPHON TUBE ASSY	1
10	P7872	O-RING	1
14	**	PLASTIC PETCOCK	1
15	P7848	PLASTIC BOWL W/ PETCOCK & METAL BOWL GUARD	1
16	**	METAL BOWL GUARD	1
17	**	PLASTIC BOWL ASSY	1
18	**	O-RING	1
19	**	RETAINING SCREW	1
20	P7870	VARIABLE ORIFICE (1/2" MODEL)	1
21	*	ORIFICE KIT (SCREW AND SPACER)	1
22	P7675	SIGHT DOME KIT	1
23	*	TAMPER RESISTANT CAP (OPTION)	1

* ITEMS NOT SOLD SEPARATELY.

** ITEMS SOLD SEPARATELY A PART NO. P7726.

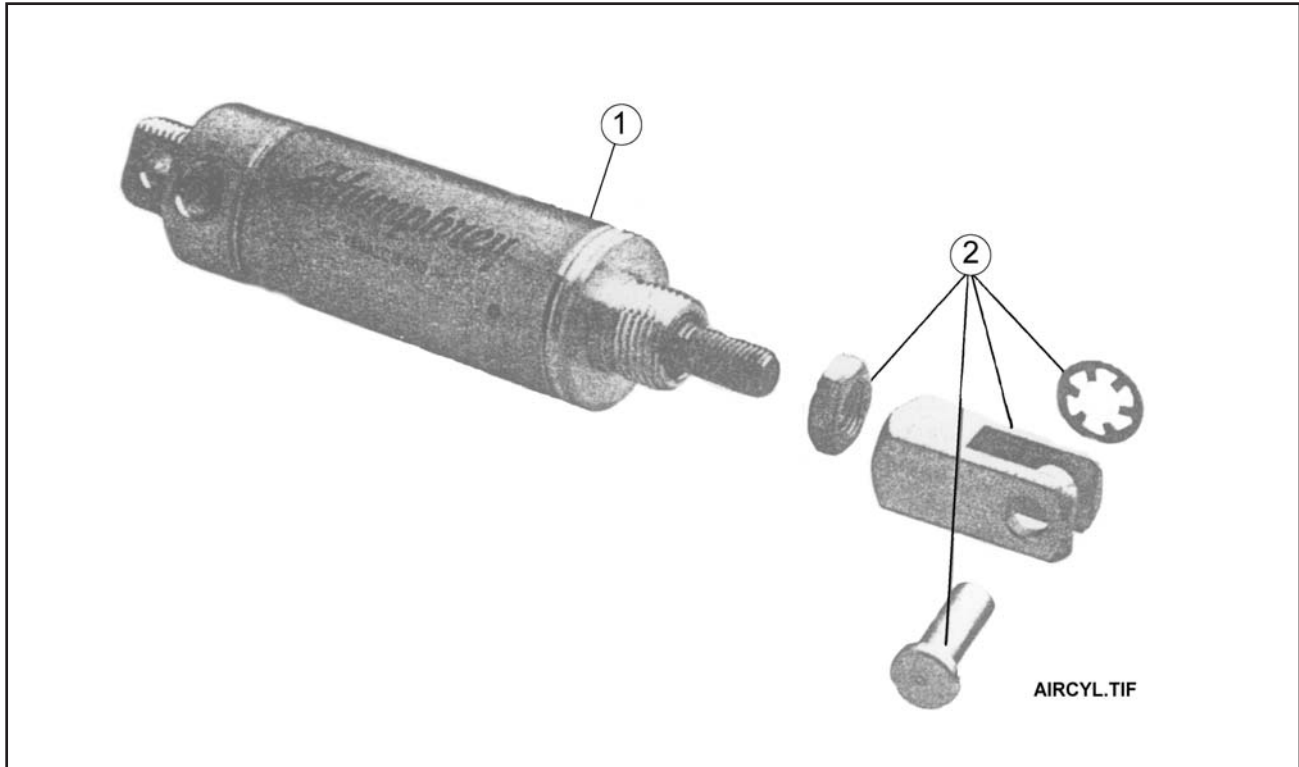


Figure 1-10 Cylinder, Air 1-3/4 Bore

CYLINDER, AIR 1-3/4 BORE

ITEM	PART NO.	SCRIPTIION	DE-	QTY
	3-238-010007	CYLINDER AIR 1-3/4 BORE		
1	75-SP-2	CYLINDER		1
2	CT-19	ROD CLEVIS		1

NOTE: INTERNAL PARTS NOT SOLD SEPARATELY.

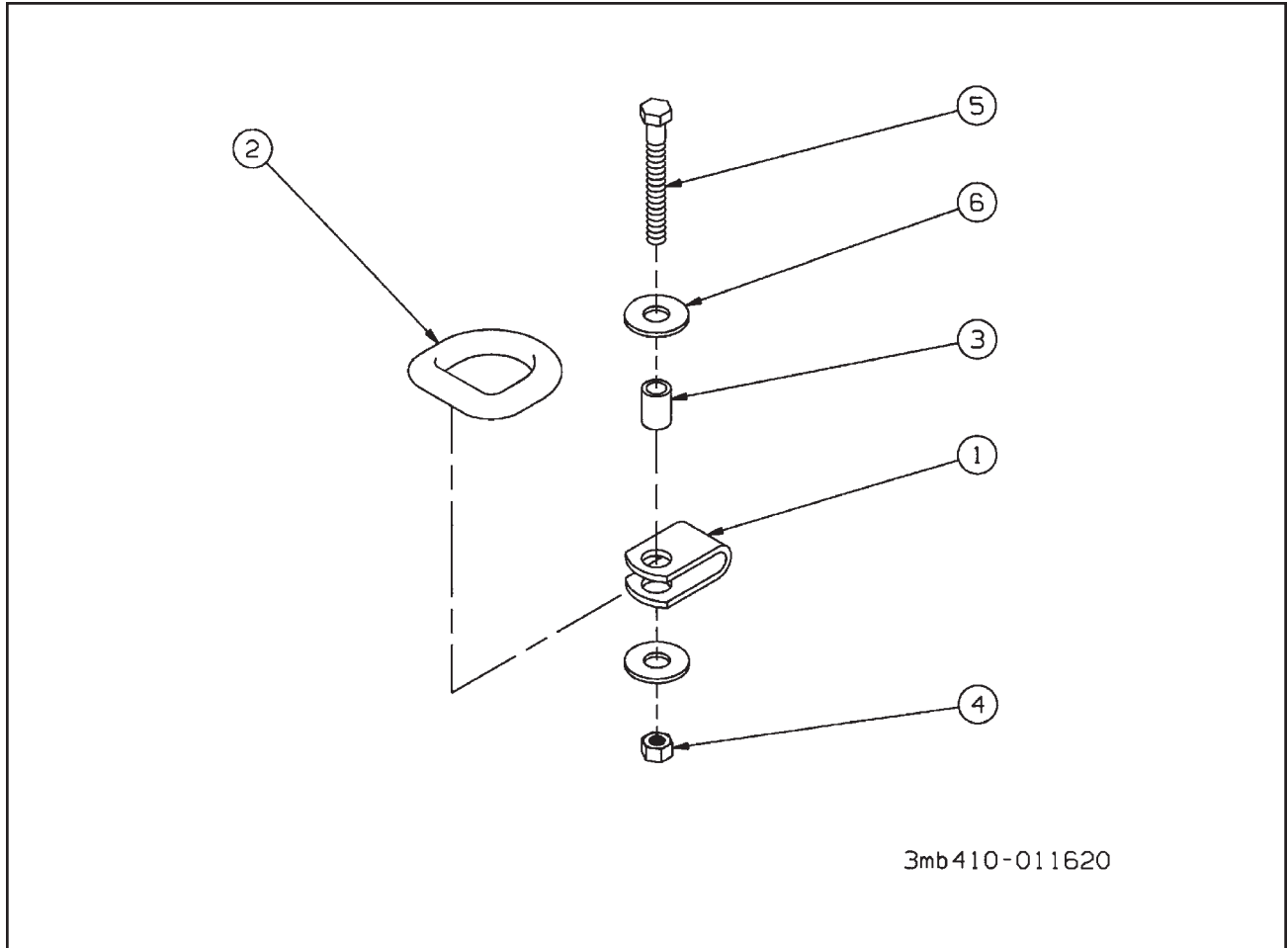
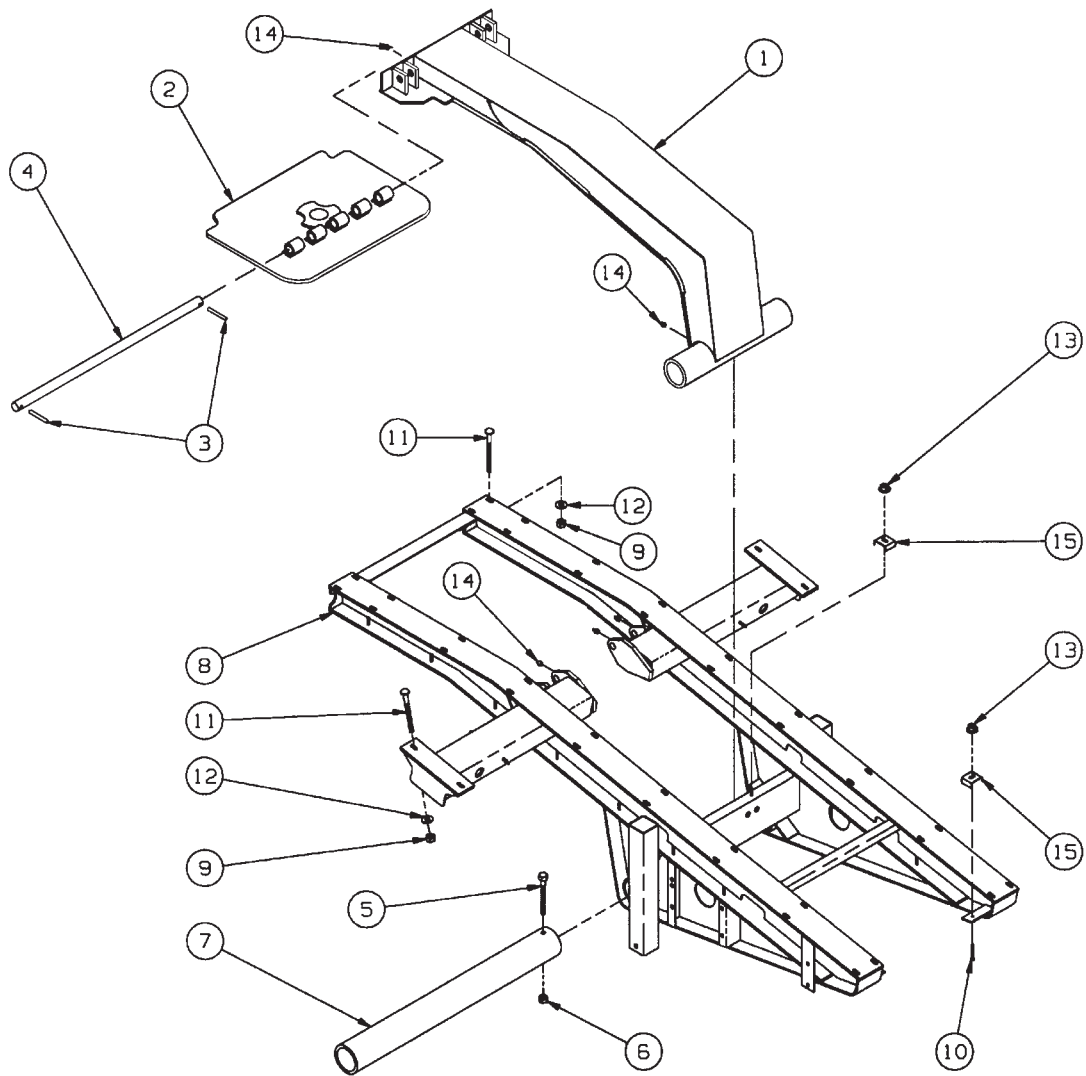


Figure 1-11 D-Ring Kit

D-RING KIT

ITEM	PART NO.	DESCRIPTION	QTY.
	B5-793-001	D-RING KIT	12
1	3-793-010018	D-RING SWIVEL	12
2	3-793-010044	D-RING	12
3	3-831-010050	TUBING	12
4	1-512-010005-13	NUT HEX LOCK 5/8-11 GRB	12
5	1-654-010059-13	SCREW HEX HEAD CAP 5/8-11 X 4 GR5	12
6	1-861-010032-19	WASHER FLAT 5/8	24



3mb 375-010588

Figure 1-12 Hydraulic Tilt Assembly

HYDRAULIC TILT ASSEMBLY

ITEM	PART NO.	DESCRIPTION	QTY.
	3-375-010588	HITCH TILT ASSY 336B (HITCH TILT ITEMS ONLY)	
1	3-375-010582	HITCH WLDMT 5TH WHEEL 336A HD	1
2	3-565-011742	PLATE WLDMT 5TH WHEEL 336B	1
3	1-647-010004255	ROLL PIN	2
4	3-557-010030	HINGE PIN FIFTH WHEEL	1
5	1-654-010061-07	SCREW HEX HEAD CAP 3/4-10 X 2-1/2 GR5	1
6	1-512-010005-15	NUT HEX 3/4-10 GRB	1
7	3-311-010578	HINGE TUBE MCKEE	1
8	3-375-010587	HITCH SUPPORT 336B TRL (INCLUDES 3-311-010578)	1
9	1-512-010005-09	NUT HEX LOCK 1/2-13 GRB	40
10	1-654-010051-08	SCREW HEX HEAD CAP 3/8-16 X 1-3/4 GR5	2
11	1-654-010070-11	SCREW RD HEAD SQ NECK 1/2-13 X 3-1/2 GR5	40
12	1-861-010032-15	WASHER FLAT 1/2	40
13	1-510-010001	NUT FLANGE LOCK 3/8-16	33
14	1-298-010001-1	ZERK FITTING 1/4	9
15	2-181-010001	CLAMP	33

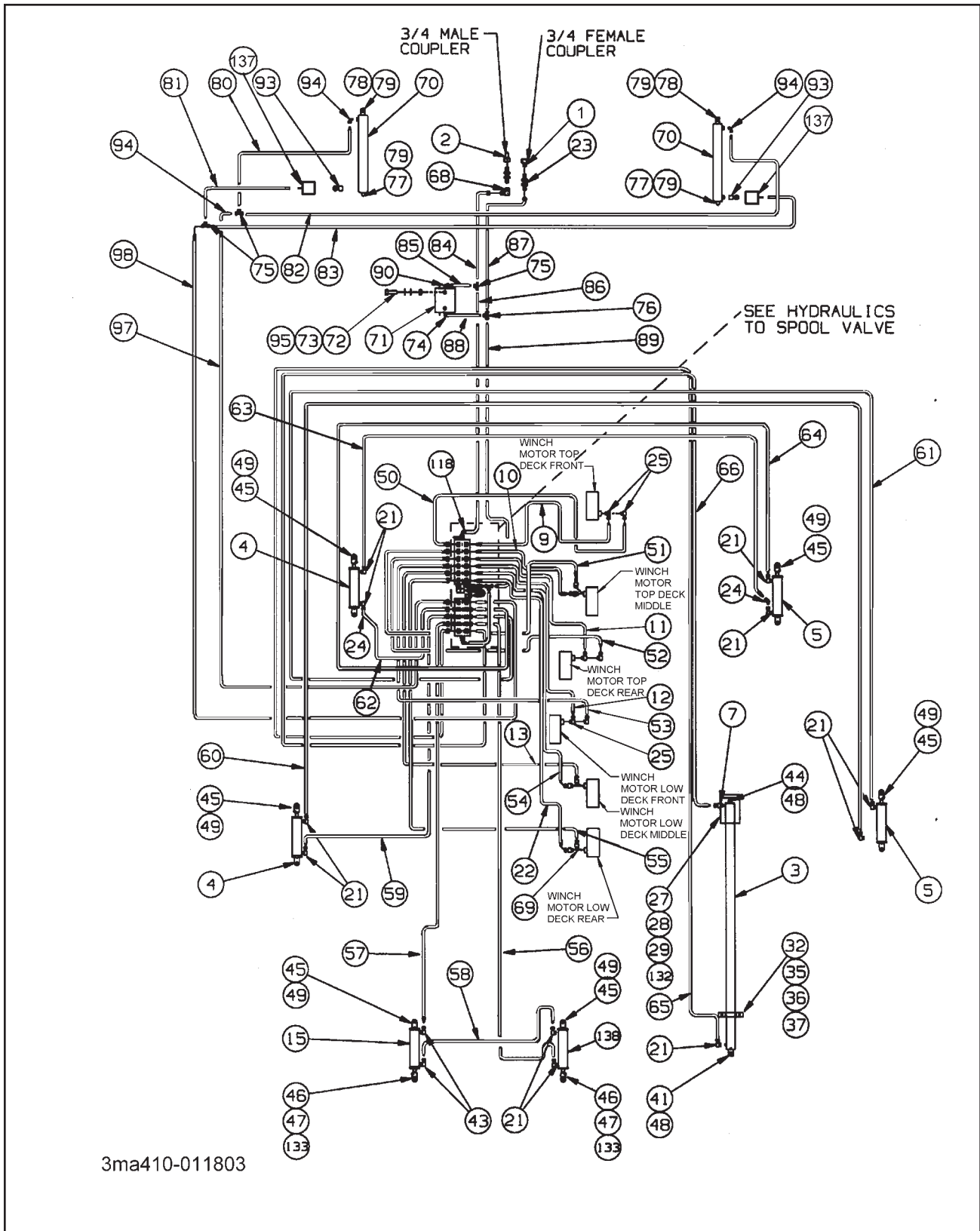


Figure 1-13 Hydraulic System

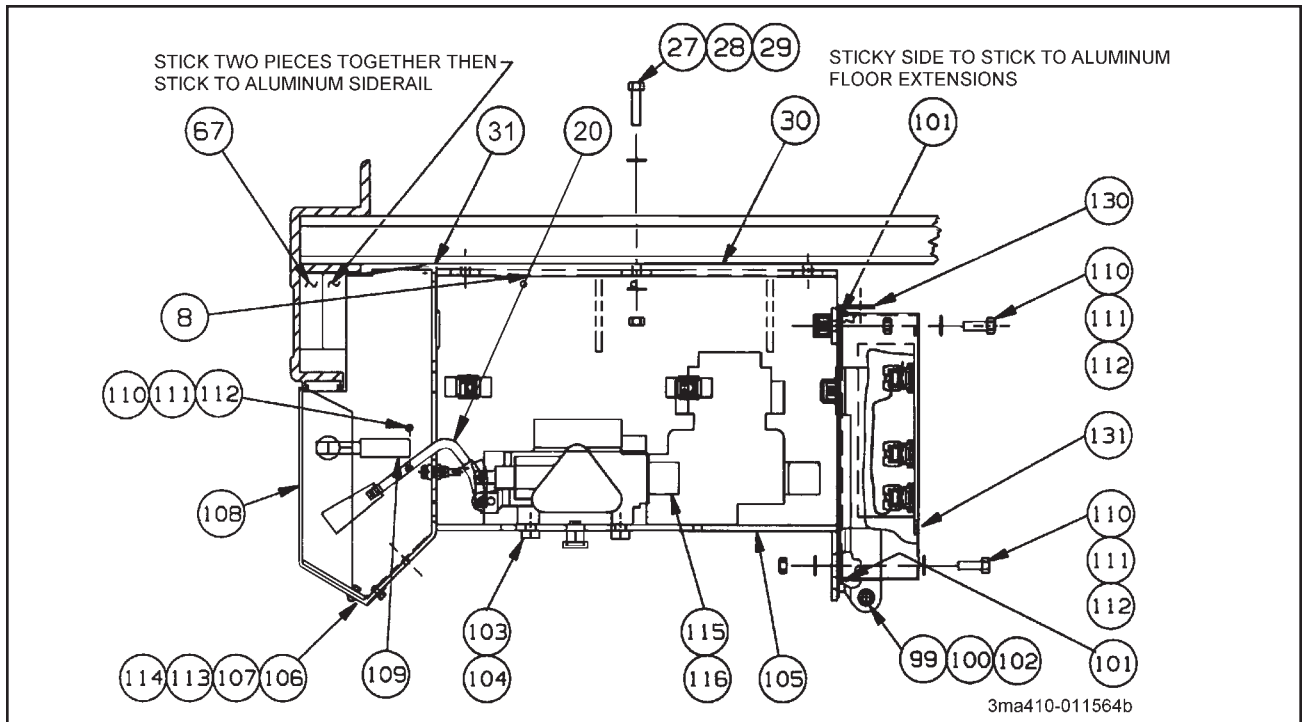


Figure 1-14 Valve Support Detail

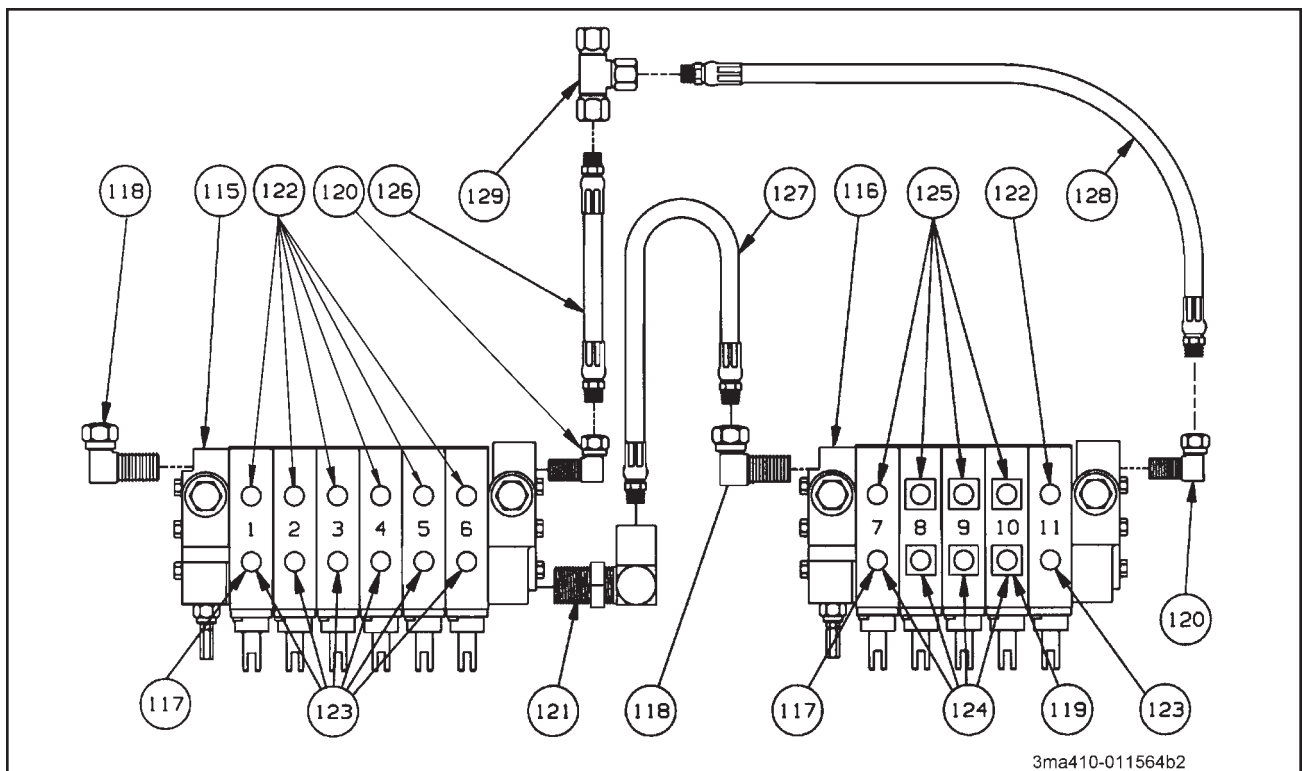


Figure 1-15 Hydraulics to Spool Valves

HYDRAULIC SYSTEM

ITEM	PART NO.	DESCRIPTION	QTY.
	B3-407-201	INSTALL. HYDR. SYSTEM TRL 336B (48') (3-410-011803)	
	3-375-010588	HITCH TILT ASSY 336B (HYDR COMPONENTS ONLY)	
	3-208-010070	CONTROL BOX ASSY 336B(HYDR COMPONENTS ONLY)	
1	105480	COUPLER FEMALE	1
	105482	DUST CAP FEMALE	1
2	105479	COUPLER MALE	1
	105481	DUST CAP MALE	1
3	3-242-010185	CYLINDER HYDR 4 X 126 (SEE PAGE -)	1
4	3-242-010199	CYLINDER HYDR 4 X 16 (SEE PAGE 1-23)	2
5	3-242-010200	CYLINDER HYDR 3-3/4 X 16 (SEE PAGE 1-23)	2
7	2066-8-8S	ADAPTER O-RING IN PIPE	1
8	3-711-010103	SPACER VALVE SUPPORT	2
9	1-397-010381307	HOSE ASSEMBLY 1/2 X 307	1
10	1-397-010381169	HOSE ASSEMBLY 1/2 X 169	1
11	1-397-010381202	HOSE ASSEMBLY 1/2 X 202	1
12	1-397-010381252	HOSE ASSEMBLY 1/2 X 252	1
13	1-397-010381072	HOSE ASSEMBLY 1/2 X 72	1
14	1-512-010005-05	NUT HEX LOCK 3/8-16 GRB (NOT SHOWN)	38
15	3-242-010217	CYLINDER HYDR 5 X 16 (SEE PAGE 1-25)	1
16	1-654-010051-08	SCREW HEX HEAD CAP 3/8-16X1-3/4 GR5(NOT SHOWN)	9
17	1-654-010051-05	SCREW HEX HEAD CAP 3/8-16X1 GR5(NOT SHOWN)	29
18	1-861-010032-11	WASHER FLAT 3/8 (NOT SHOWN)	18
20	3-360-010111	HANDLE VALVE FORMED	11
21	1-007-010007	ELBOW 90	14
22	1-397-010381055	HOSE ASSEMBLY 1/2 X 55	1
23	105483	ADAPTER BULKHEAD	1
24	2049-8-8S	ADAPTER 45 SWIVEL	2
25	2068-8-10S	ELBOW	6
27	1-654-010070-11	SCREW RD HEAD SQ NECK 1/2-13 X 3-1/2 GR5	16
28	1-512-010005-09	NUT HEX LOCK 1/2-13 GRB	16
29	1-861-010032-15	WASHER FLAT 1/2	16
30	3-417-010003	INSULATION VALVE SUPPORT	1
31	3-417-010005	INSULATION VALVE SUPPORT	2
32	3-755-010003	SUPPORT CYL MIDDLE	1
33	3-222-010160	COVER ACCESS (SHOWN ON PAGE 1-1)	REF
34	1-654-010047-04	SCREW HEX HEAD CAP 1/4-20X3/4 GR5 (NOT SHOWN)	18
35	1-654-010059-09	SCREW HEX HEAD CAP 5/8-11 X 2 GR5	2
36	1-861-010032-19	WASHER FLAT 5/8	4
37	1-512-010005-13	NUT HEX LOCK 5/8-11GRB	2
38	3-181-010007	HOSE CLAMP TOP PLATE (NOT SHOWN)	38
39	3-181-010008	BOTTOM HOSE CLAMP (NOT SHOWN)	13
40	2-181-010006	HOSE CLAMP (NOT SHOWN)	6
41	3-557-010032	PIN CYLINDER ROD END	1
42	3-181-010060	CLAMP CAGE NUT (NOT SHOWN)	21
43	1-007-010008	UNION ADAPTER W/ RESTRICTOR 90	2
44	3-557-010182	PIN CYLINDER END	1
45	3-557-010499	PIN CYLINDER BUTT END	6
46	3-557-010500	PIN CYLINDER ROD END	2

HYDRAULIC SYSTEM

ITEM	PART NO.	DESCRIPTION	QTY.
47	1-647-010006042	PIN SPRING 1/4 X 2 SLOTTED	2
48	1-557-010362-54	COTTER PIN 3/16 X 2-1/4	2
49	1-557-010362-51	COTTER PIN PLATED 3/16 X 1-1/2	12
50	1-397-010385307	HOSE ASSEMBLY 1/2 X 307	1
51	1-397-010385169	HOSE ASSEMBLY 1/2 X 169	1
52	1-397-010385202	HOSE ASSEMBLY 1/2 X 202	1
53	1-397-010385252	HOSE ASSEMBLY 1/2 X 252	1
54	1-397-010385072	HOSE ASSEMBLY 1/2 X 72	1
55	1-397-010385055	HOSE ASSEMBLY 3/8 X 236	1
56	1-397-010353236	HOSE ASSEMBLY 3/8 X 289	1
57	1-397-010386289	HOSE ASSEMBLY 3/8 X 236	1
58	1-397-010332175	HOSE ASSEMBLY 3/8 X 175	1
59	1-397-010353045	HOSE ASSEMBLY 3/8 X 45	1
60	1-397-010332200	HOSE ASSEMBLY 3/8 X 200	1
61	1-397-010386130	HOSE ASSEMBLY 3/8 X 130	1
62	1-397-010353200	HOSE ASSEMBLY 3/8 X 200	1
63	1-397-010332164	HOSE ASSEMBLY 3/8 X 164	1
64	1-397-010386293	HOSE ASSEMBLY 3/8 X 293	1
65	1-397-010385183	HOSE ASSEMBLY 1/2 X 183	1
66	1-397-010381051	HOSE ASSEMBLY 1/2 X 51	1
67	3-417-010004	INSULATION FILL VALVE SPT	2
68	2071-12-12S	ADAPTER 90	1
69	2066-8-10S	O-RING ADAPTER TP PT	6
70	3-242-010201	CYLINDER HYDR 4 X 32 (SEE PAGE 1-21)	2
71	3-846-010164	VALVE N.O. SOLENOID (SEE PAGE 1-35)	1
72	1-512-010005-05	NUT HEX LOCK 3/8-16 GRB	2
73	1-861-010032-11	WASHER FLAT 3/8	4
74	2068-12-12S	O-RING ADAPTER 90 ELBOW	1
75	2255-8-8S	INTERNAL PIPE SWIVEL TEE	3
76	2255-12-12S	SWIVEL BRANCH TEE	1
77	3-557-010033	PIN CYLINDER BUTT END	2
78	3-557-010059	PIN CYLINDER ROD END	2
79	1-557-010362-54	COTTER PIN 3/16 X 2-1/4	4
80	1-397-010332074	HOSE ASSEMBLY 1/2 X 74	1
81	102039	HOSE ASSEMBLY 3/8 X 80	1
82	102040	HOSE ASSEMBLY 3/8 X 18	1
83	1-397-010332108	HOSE ASSEMBLY 1/2 X 108	1
84	107403	HOSE ASSEMBLY 1/2 X 126	1
85	1-397-010311014	HOSE ASSEMBLY 1/2 X 14	1
86	1-397-010311108	HOSE ASSEMBLY 1/2 X 108	1
87	1-397-010371126	HOSE ASSEMBLY 3/4 X 126	1
88	1-397-010313028	HOSE ASSEMBLY 3/4 X 28	1
89	1-397-0101313122	HOSE ASSEMBLY 3/4 X 122	1
90	1-007-010024	PIPE TO O-RING 90	1
93	2021-8-8S	CONNECTOR HYDRAULIC	2
94	1-007-010003	ELBOW W/ RESTRICTOR SWIVEL 90	3
95	1-654-010051-13	SCREW HEX HEAD CAP 3/8-16 X 3 GR5	2
97	1-397-010386102	HOSE ASSEMBLY 3/8 X 102	1

HYDRAULIC SYSTEM

ITEM	PART NO.	DESCRIPTION	QTY.
98	1-397-010353102	HOSE ASSEMBLY 3/8 X 102	1
99	1-512-010005-05	NUT HEX LOCK 3/8-16 GRB	5
100	1-861-010032-11	WASHER FLAT 3/8	15
101	514-1000	QUICK EDGE TRIM	6FT
102	RRT271X.375ZP	TUBE ROUND	2
103	1-654-010051-05	SCREW HEX HEAD CAP 3/8-16 X 1 GR5	14
104	1-861-010034-11	WASHER LOCK 3/8	6
105	3-755-010253	SUPPORT VALVE WELDMENT	1
106	3-372-010056	HINGE	1
107	1-656-010003078	SCREW RD HEAD MACH 10-32 X 5/8	18
108	3-222-010168	COVER VALVE SUPPORT	1
109	239-4899	LATCH COVER	2
110	107-0775	SCREW MACH PAN HEAD SLOTTED	14
111	110-0253	WASHER FLAT	14
112	103-0636	ESNA NUT THIN	20
113	1-512-010007-04	NUT HEX 10-32	18
114	10SLW	WASHER LOCK	18
115	3-846-010150	VALVE HYDR 6 SPOOL 2500 PSI (SEE PAGE 1-29)	1
116	3-846-010151	VALVE HYDR 5 SPOOL 2500 PSI (SEE PAGE 1-29)	1
117	2066-6-6S	PIPE TO O-RING	16
118	2068-8-10S	FITTING 90 ELBOW	5
119	2067-6-6S	ADAPTER 45	6
120	2068-12-10S	ELBOW 90	2
121	206801-8-8S	ADAPTER 90	7
122	1-397-010360024	HOSE ASSEMBLY 1/2 X 24	7
123	1-397-010382024	HOSE ASSEMBLY 3/8 X 24	7
124	1-397-010383024	HOSE ASSEMBLY 3/8 X 24	4
125	1-397-010384024	HOSE ASSEMBLY 3/8 X 24	4
126	1-397-010313021	HOSE ASSEMBLY 3/4 X 21	1
127	1-397-010311025	HOSE ASSEMBLY 1/2 X 25	1
128	1-397-010313034	HOSE ASSEMBLY 3/4 X 34	1
129	2255-12-12S	SWIVEL BRANCH TEE	1
130	3-681-010121	SHIELD VALVE WELDMENT	1
131	3-279-010043	ENCLOSURE WELDMENT ELECT	1
132	3-014-010238	ANCHOR CYLINDER WELDMENT	1
133	1-298-010001-1	ZERK FITTING 1/4	4
134	1-861-010032-07	WASHER, FLAT 1/4 (NOT SHOWN)	18
135	1-861-010034-09	WASHER, SPLIT LOCK 1/4 (NOT SHOWN)	18
137	3-846-010156	VALVE ONE WAY (NO PARTS BREAKDOWN)	2
138	3-242-010216	CYLINDER HYDRAULIC 4-3/4 X 16 (SEE PAGE 1-25)	1

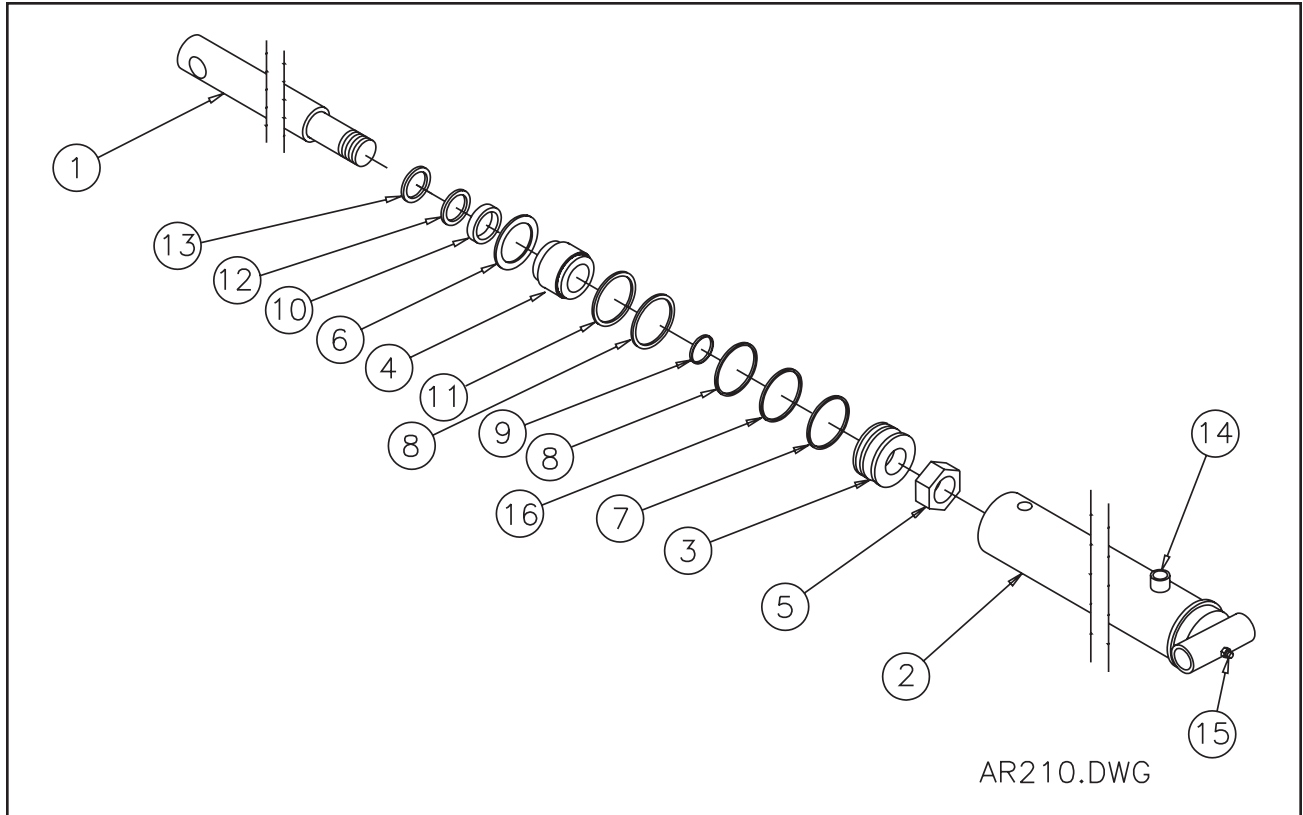


Figure 1-16 Hydraulic Cylinder Assembly, 4"x32"

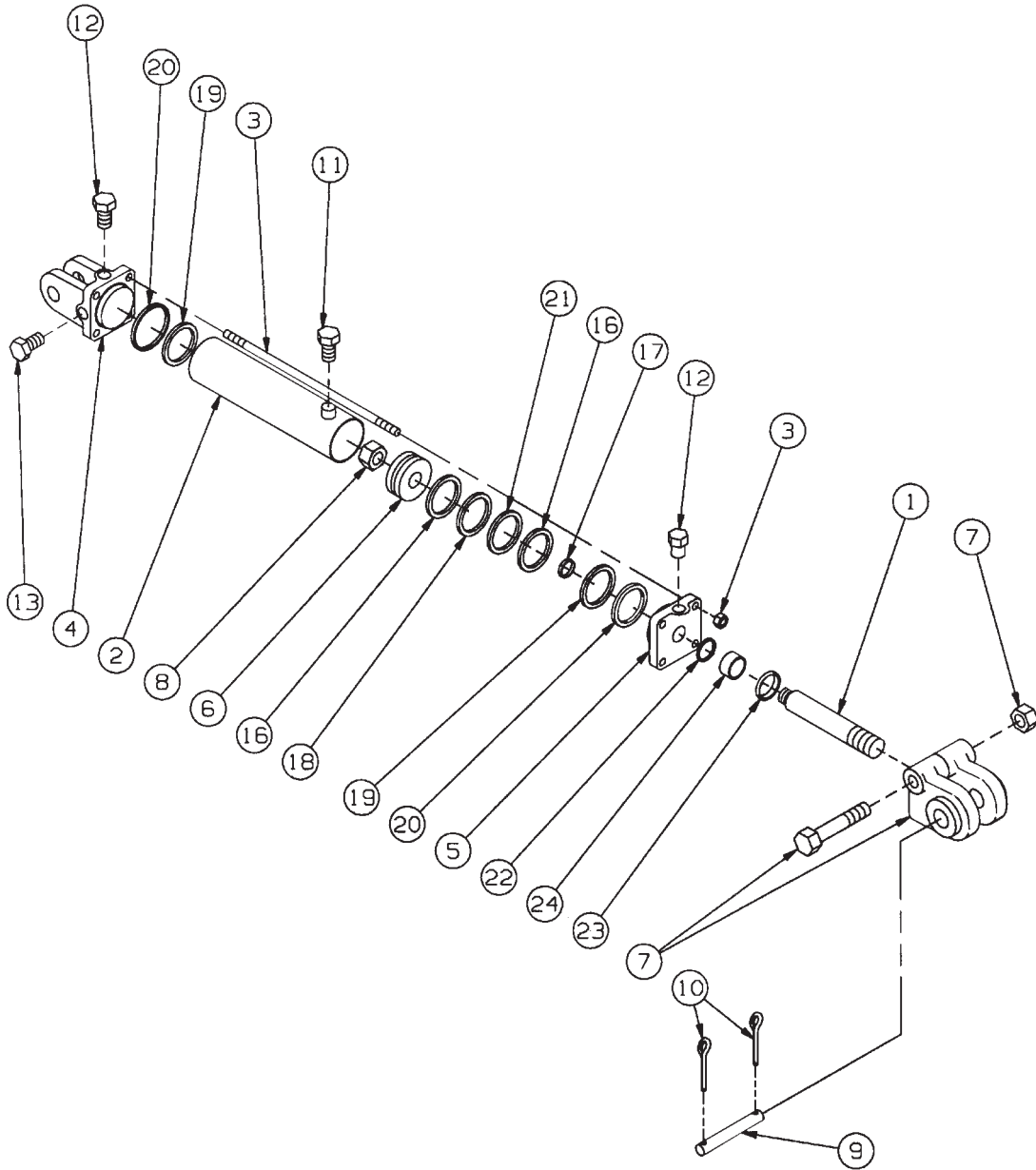
HYDRAULIC CYLINDER 4" X 32" (TRAILER TILT CYLINDER)

ITEM	PART NO.	DESCRIPTION	QTY.
	3-242-010201	CYLINDER HYD 4"X32" (PRINCE #AR-210)	1
1	011100077	PISTON ROD	1
2	061900729	BUTT AND TUBE ASSY	1
3	071900019	PISTON	1
4	081900019	GLAND	1
5	220000212	LOCKNUT	1
6	*	SNAP RING	1
7	*	PISTON RING	1
8	*	O-RING	2
9	*	O-RING	1
10	*	QUAD RING	1
11	*	B/U WASHER	1
12	*	B/U WASHER	1
13	*	WIPER	1
14	200018003	PIPE PLUG	2
15	270010002	GREASE ZERK	1
16	240034342	B/U WASHER	2
	PMCK-AR-210	PACKING KIT (ITEMS 6 - 13) (CONTAINS ALL NECESSARY SEALS AND O-RINGS)	1

* NOT SOLD SEPARATELY

NOTE: SEE PAGE 1-18 HYDRAULIC SYSTEM FOR CYLINDER PIN P/N'S.

NOTE: SEE FIGURE 1-13 HYDRAULIC SYSTEM FOR BUTT END CYLINDER PIN



1ma242-010169

Figure 1-17 Hydraulic Cylinder Assembly, 16"

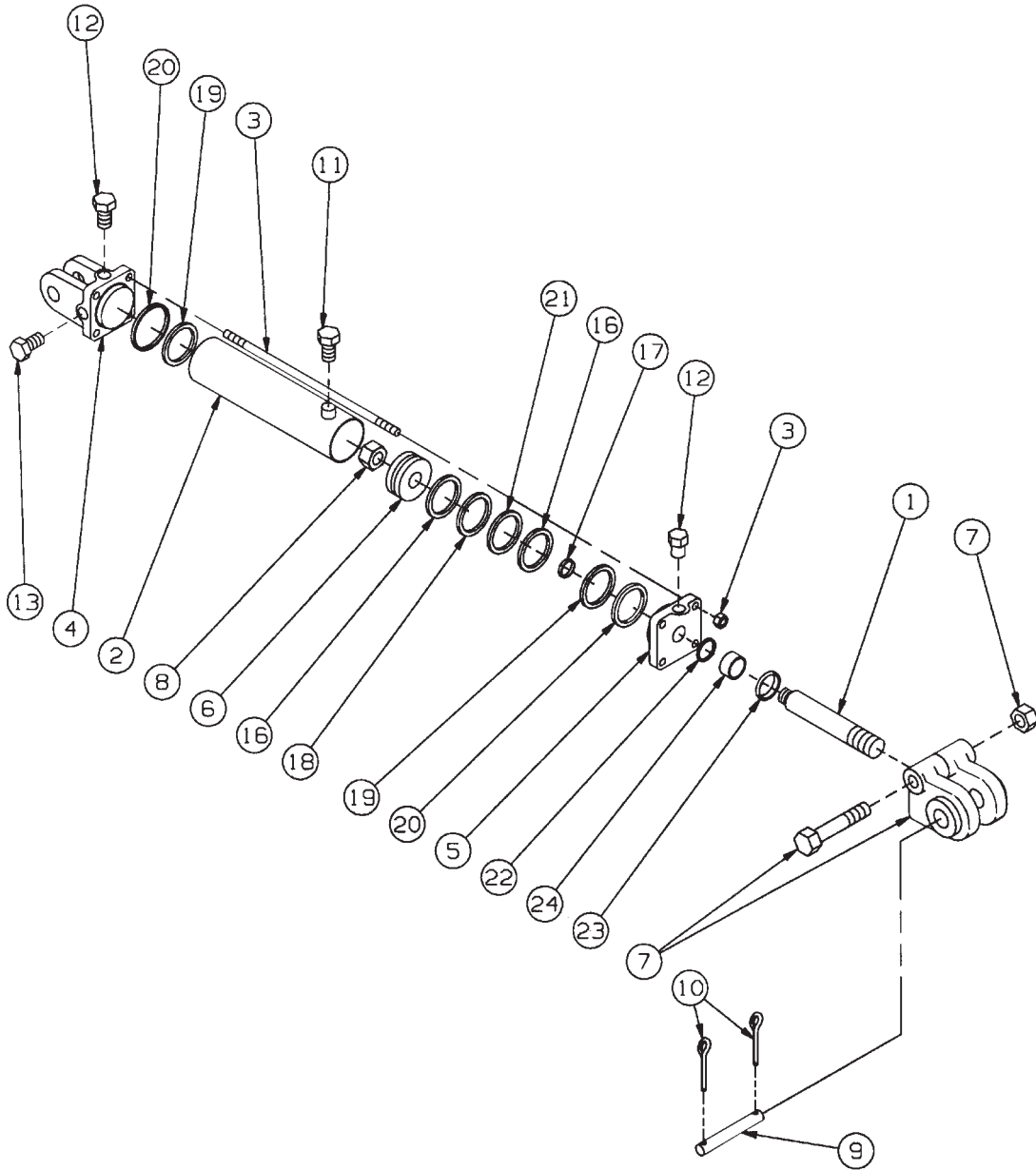
HYDRAULIC CYLINDER, 16"(UPPER DECK LIFT CYL)

ITEM	PART NO.	PART NO.	DESCRIPTION	QTY.
	3-242-010199	3-242-010200	CYLINDER, HYD.(PRINCE)	1
	4" X 16"	3-3/4" X 16"		
	PMS-AM-2554	PMS-AM-2560	(PRIOR 8/97)	
	PMS-AM-2554A	PMS-AM-2560A	(AFTER 8/97)	
1	010700566	010700566	PISTON ROD (PRIOR 8/97)	1
	010700699	010700699	PISTON ROD (AFTER 8/97)	
2	061900610	061800024	TUBE ASSY.	1
3	170301212	170301212	TIEROD ASSY.	4
4	141900037	141800009	BUTT	1
5	081900374	081800022	GLAND ASSY.	1
6	071900273	071800021	PISTON	1
7	100000330	100000330	CLEVIS ASSY. (PRIOR 8/97)	1
	100000577	100000577	CLEVIS ASSY. (AFTER 8/97)	
8	220000210	220000210	LOCKNUT	1
9	190400004	190400004	CLEVIS PIN	2
10	190600003	190600003	HAIRPIN CLIP	4
11	200300104	200300104	PORT PLUG	1
12	200013106	200013106	PLASTIC PLUG (PRIOR 8/97)	2
13	200300040	200300040	PORT PLUG 3/4-16	1
14	230010405	230010405	DECAL (NOT SHOWN)(PRIOR 8/97)	1
15	230010407	230010407	DECAL (NOT SHOWN)(PRIOR 8/97)	1
16	**	**	BEARING RING	2
17	**	**	O-RING	1
18	**	**	O-RING	1
19	**	**	O-RING	2
20	**	**	BU-WASHER	2
21	**	**	TEFLON SEAL	1
22	**	**	U-CUP	1
23	**	**	WIPER	1
24	210700077	210700077	BUSHING	1
25	220001504	220001504	COTTER PIN (NOT SHOWN)	4
	PMCK-AM-2554	PMCK-AM-2560	PACKING KIT* (PRIOR 8/97)	1
	PMCK-AM-2554A	PMCK-AM-2560A	PACKING KIT* (AFTER 8/97)	1

* PACKING KIT CONTAINS ITEMS 16 - 23.

** NOT SOLD SEPARATELY

NOTE: SEE FIGURE 1-13 HYDRAULIC SYSTEM FOR BUTT END CYLINDER PIN



1m242-010169

Figure 1-18 Hydraulic Cylinder Assembly, 16"

HYDRAULIC CYLINDER, 16"

ITEM	PART NO.	PART NO.	DESCRIPTION	QTY.
	3-242-010216 4-3/4" X 16" PMS-AM-2542	3-242-010217 5" X 16" PMS-AM-2536	CYLINDER, HYD.(PRINCE)	1
1	010800690	010800702	PISTON ROD	1
2	062100549	062100547	TUBE ASSY.	1
3	170301215	170301215	TIEROD ASSY.	4
4	142100019	142100020	BUTT	1
5	082100284	082100293	GLAND ASSY.	1
6	072100244	072100245	PISTON	1
7	100000326	100000326	CLEVIS ASSY.	1
8	220000211	220000211	LOCKNUT	1
9	190400004	190400004	CLEVIS PIN	2
10	190600003	190600003	HAIRPIN CLIP	4
11	200300104	200300104	PORT PLUG	1
12	200013106	200013106	PLASTIC PLUG	2
13	200300040	200300040	PORT PLUG 3/4-16	1
14	230010405	230010405	DECAL (NOT SHOWN)	1
15	230010407	230010407	DECAL (NOT SHOWN)	1
16	**	**	BEARING RING	2
17	**	**	O-RING	1
18	**	**	O-RING	1
19	**	**	O-RING	2
20	**	**	BU-WASHER	2
21	**	**	TEFLON SEAL	1
22	**	**	U-CUP	1
23	**	**	WIPER	1
24	210800205	210600205	BUSHING	1
25	220001504	220001504	COTTER PIN (NOT SHOWN)	4
26	230010606	230010606	WARNING DECAL (NOT SHOWN)	1
	PMCK-AM-2542	PMCK-AM-2536	PACKING KIT*	1

* PACKING KIT CONTAINS ITEMS 16 - 23.

** NOT SOLD SEPARATELY

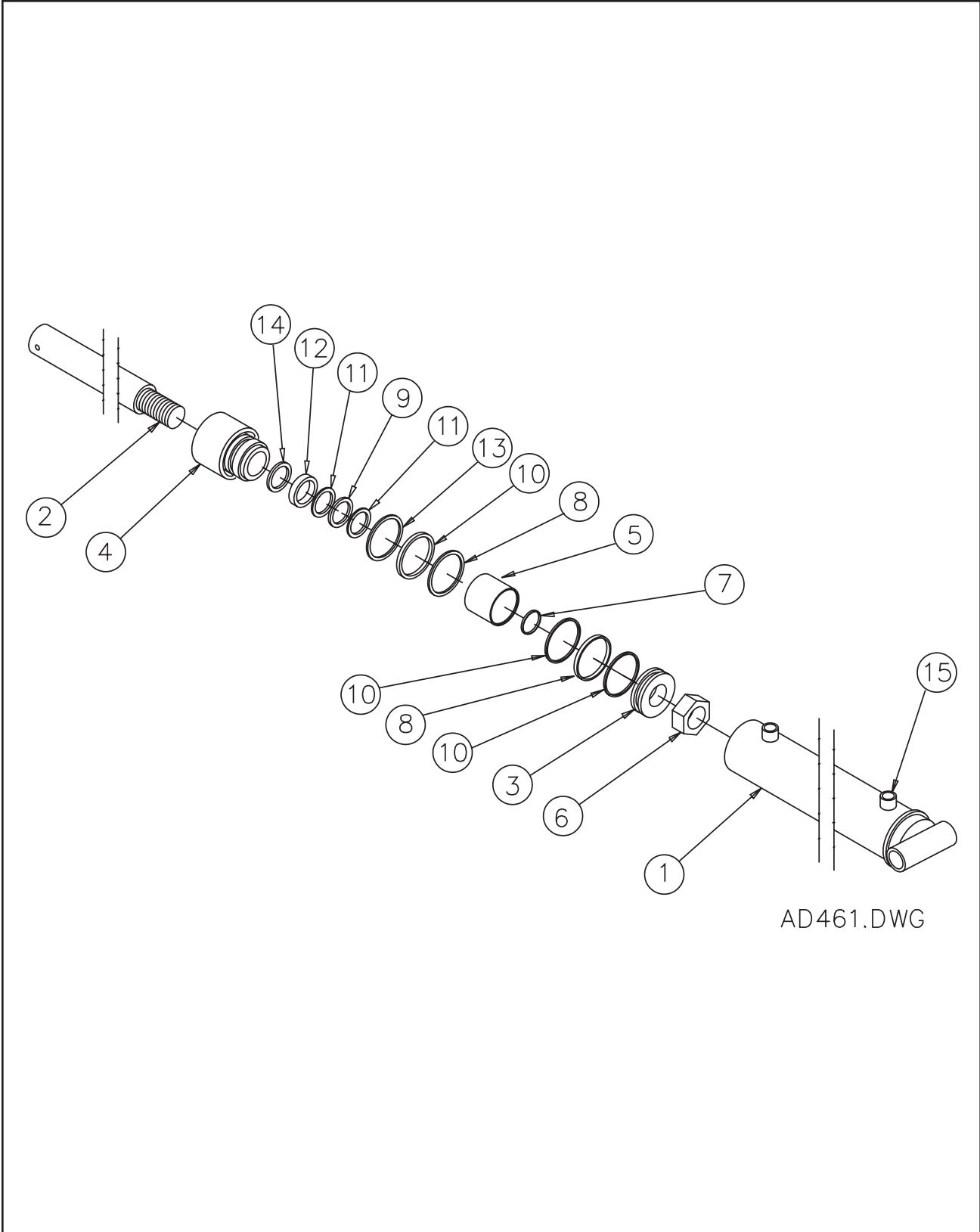


Figure 1-19 Hydraulic Cylinder Assembly

HYDRAULIC CYLINDER, 4"X126"(U/C SLIDE CYL.)

ITEM	PART NO.	DESCRIPTION	QTY.
	3-242-010185	CYLINDER, HYDR., 4"X126" (PRINCE #AD-461)	1
1	061900539	BUTT AND TUBE ASSEMBLY (ALTERED PER 3-242-010185)	1
2	011300179	PISTON ROD	1
3	071900195	PISTON	1
4	081900277	GLAND	1
5	211300024	SPACER	1
6	220000212	LOCKNUT (1-1/4 - 12) PISTON RING	1
7	*	O-RING	1
8	*	O-RING	2
9	*	O-RING	1
10	*	B/U WASHER	3
11	*	B/U WASHER	2
12	*	U-CUP	1
13	*	SQUARE RETAINING RING	1
14	*	WIPER	1
15	200013106	PLUG, SAE ORB	2
	PMCK-AD-461	PACKING KIT (ITEMS 7 - 14) (CONTAINS ALL NECESSARY SEALS AND O-RINGS)	1

* NOT SOLD SEPARATELY

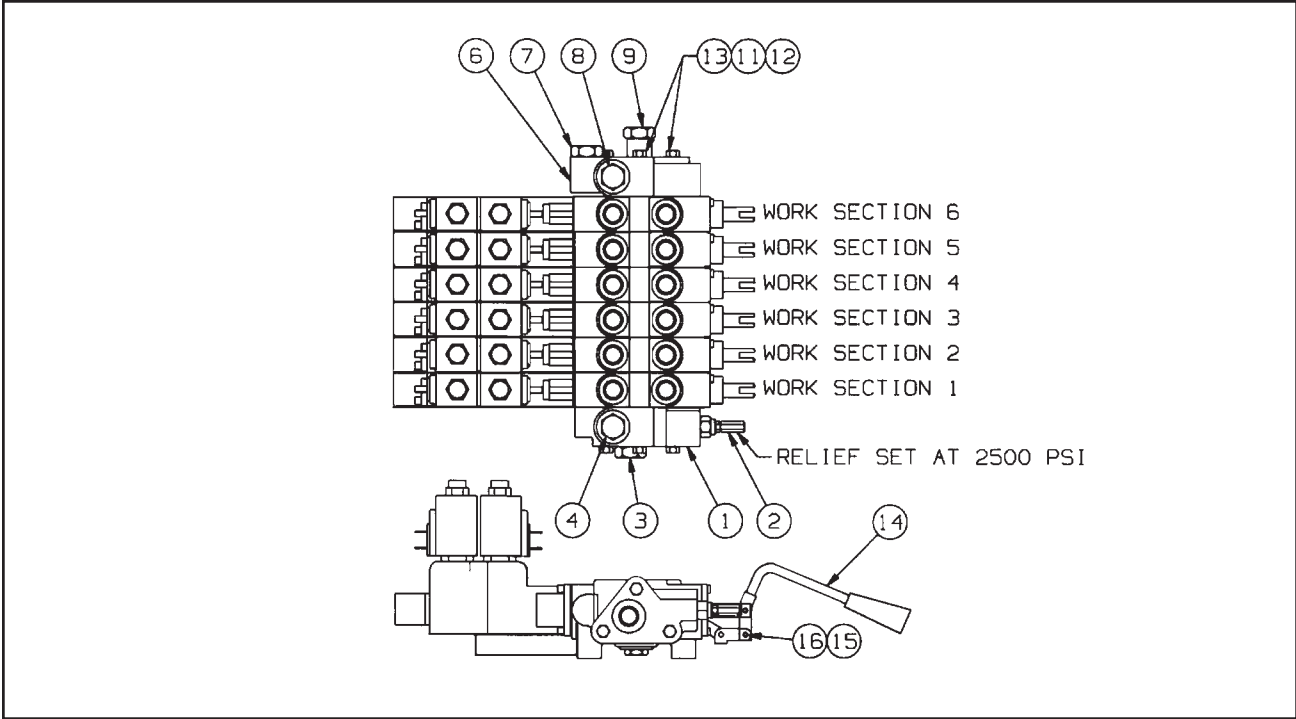


Figure 1-20 Six Spool Valve

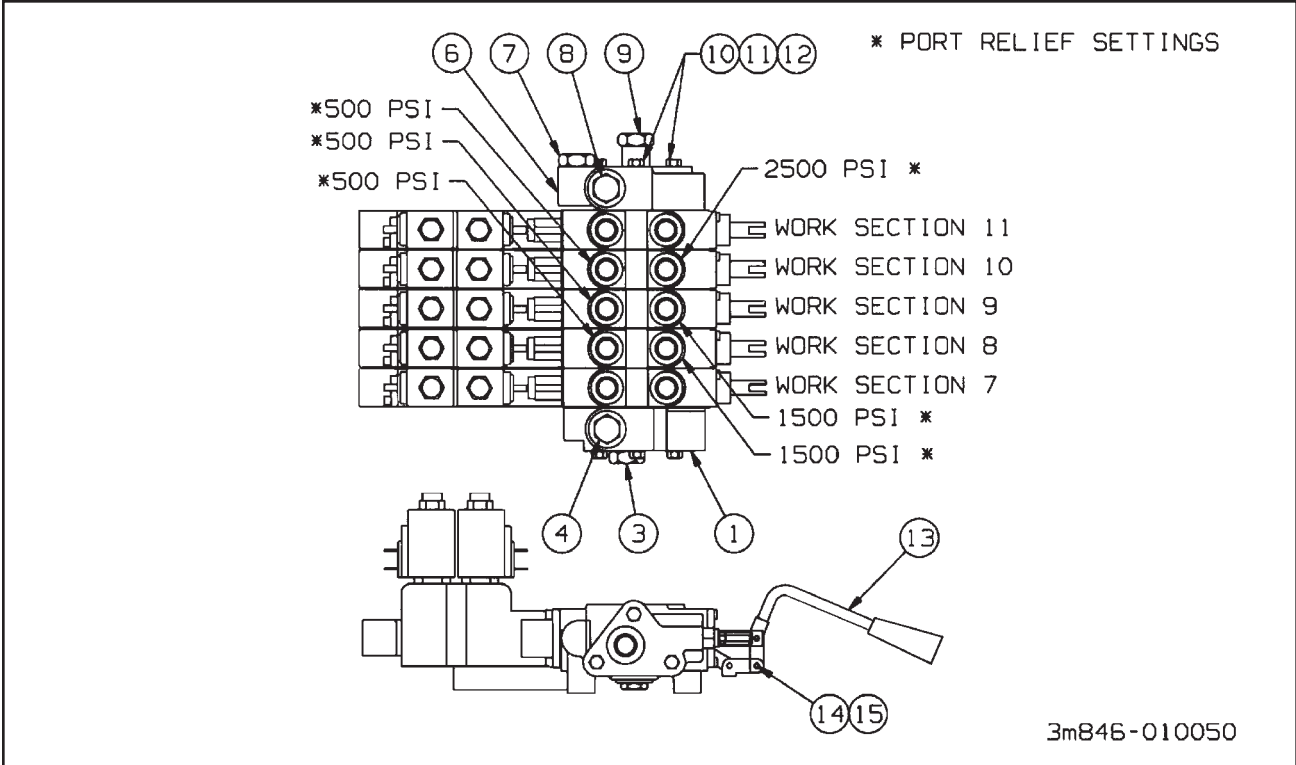


Figure 1-21 Five Spool Valve

3m846-010050

SIX SPOOL VALVE

ITEM	PART NO.	DESCRIPTION	QTY.
	3-846-010150	VALVE HYD 6 SPOOL (PRINCE #SVA-K45)	1
	SV125	INLET SECTION	1
1	625765001	MACHINED INLET	1
2	660250002	RELIEF CART	1
3	200400030	PLUG STEEL	1
4	-----	PORT PLUG PLASTIC	1
	660580002	SEAL KIT COMPLETE FOR INLET SECTION	1
	660580004	O-RING KIT (SEAL KIT BETWEEN SECTIONS)	7
	SVA-S60	WORK SECTIONS (SEE PAGE 1-33)	
	SVE22	OUTLET SECTION	
6	625775001	MACHINED OUTLET	1
7	200400030	PLUG STEEL	1
8	-----	PORT PLUG PLASTIC	1
9	660280001	OUTLET CART	1
10	-----	PORT PLUG PLASTIC	1
	660580003	SEAL KIT COMPLETE FOR OUTLET SECTION	1
	660401006	TIE ROD KIT	1
11	672201006	TIE ROD	3
12	220001005	LOCK WASHER	6
13	220000102	HEX NUT	6
14	3-360-010111	HANDLE	6
15	220001512	COTTER PIN	12
16	671700014	CLEVIS PIN	10

FIVE SPOOL VALVE

ITEM	PART NO.	DESCRIPTION	QTY.
	3-846-010151	VALVE HYD 5 SPOOL (PRINCE #SVA-K46)	1
	SV121	INLET SECTION	1
1	625765001	MACHINED INLET	1
2	660250006	RELIEF CART	1
3	200400030	PLUG STEEL	1
4	-----	PORT PLUG PLASTIC	1
	660580002	SEAL KIT COMPLETE FOR INLET SECTION	1
	660580004	O-RING KIT (SEAL KIT BETWEEN SECTIONS)	6
	SVA-S60	WORK SECTIONS 7 AND 11(SEE PAGE 1-33)	
	SVA-S86	WORK SECTIONS 8 AND 9(SEE PAGE 1-31)	
	SVA-S61	WORK SECTION 10(SEE PAGE 1-31)	
	SVE26	OUTLET SECTION	1
6	625775001	MACHINED OUTLET	1
7	200400030	PLUG STEEL	1
8	-----	PORT PLUG PLASTIC	1
9	660280018	OUTLET CART	1
	660580003	SEAL KIT COMPLETE FOR OUTLET SECTION	1
	660401005	TIE ROD KIT	1
10	672201005	TIE ROD	3
11	220001005	LOCK WASHER	6
12	220000102	HEX NUT	6
13	3-360-010111	HANDLE	5
14	220001512	COTTER PIN	10
15	671700014	CLEVIS PIN	10

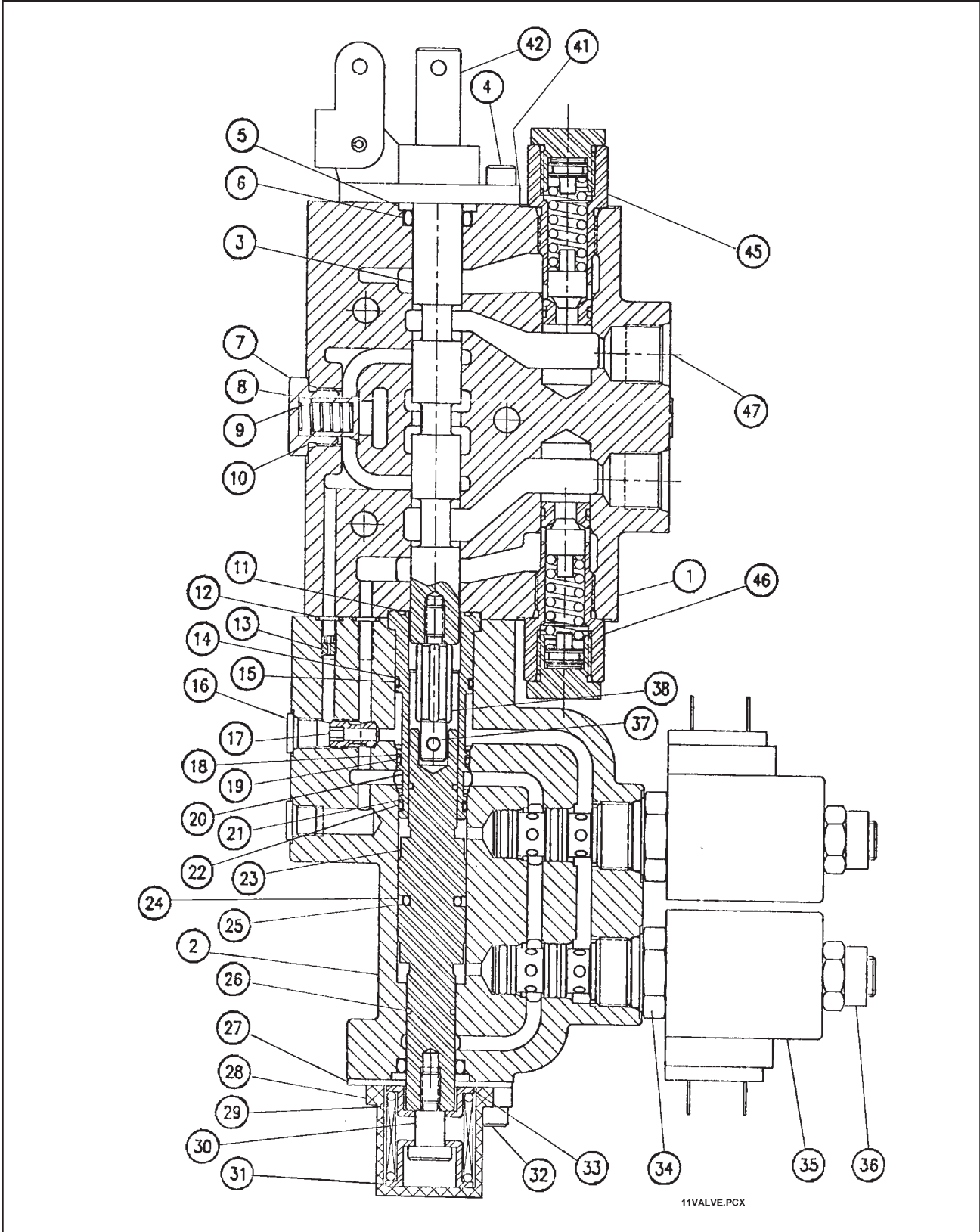


Figure 1-22 Spool Valve, Work Sections

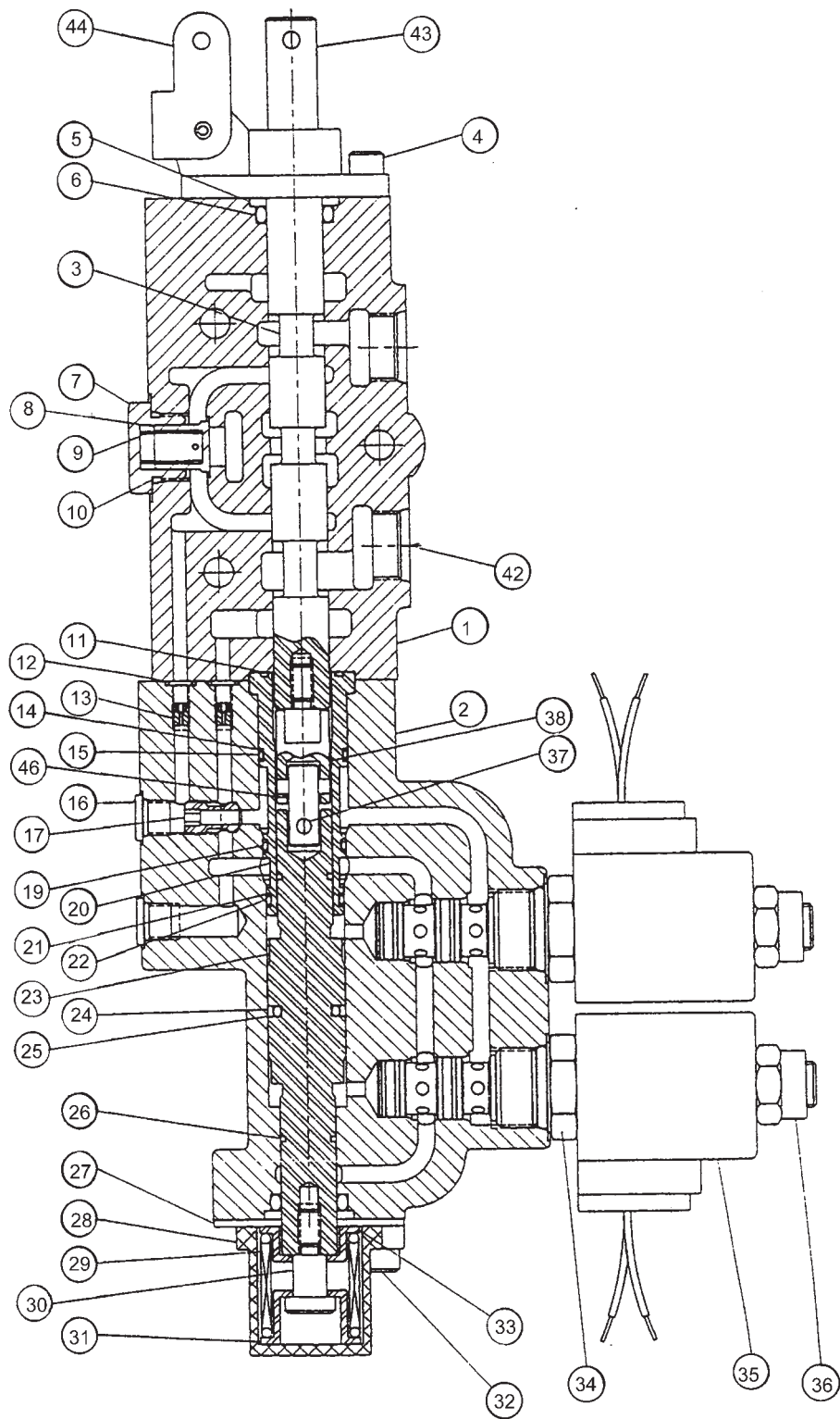
SPOOL VALVE WORK SECTIONS

ITEM	PART NO.	DESCRIPTION	QTY.
	SVA-S61	SOLENOID VALVE SECT. 10 OF 5 SPOOL VALVE **	
	SVA-S86	SOLENOID VALVE SECT. 8 & 9 OF 5 SPOOL VALVE***	
1	625894008	VALVE BODY (SVA-S60)	1
2	626230001	ACTUATOR BODY	1
3	612104001	SPOOL	1
4	170003017	CAP SCREW	2
5	670500045	SPOOL BACKUP WASHER	2
6	240000208	O-RING	2
7	671600049	LOAD CHECK PLUG	1
8	670100008	LOAD CHECK POPPET	1
9	670300029	LOAD CHECK SPRING	1
10	240000908	O-RING	1
11	240000019	O-RING	1
12	240000009	O-RING	2
13	671400086	ORIFICE PLUG	2
14	240044020	BACKUP WASHER	2
15	240000020	O-RING	1
16	200100189	STEEL PLUG	2
17	671600063	PLUG	1
18	240044019	BACKUP WASHER	2
19	240000019	O-RING	1
20	671400079	SLEEVE	1
21	240044018	BACKUP WASHER	2
22	240000018	O-RING	1
23	610100011	SPOOL	1
24	240016230	GLYD-RING	1
25	240000113	O-RING	1
26	240019014	BACKUP WASHER	1
27	670500044	RETAINER PLATE	1
28	671400033	END CAP	1
29	670300030	SPRING	1
30	671400078	ADAPTER	1
31	671400076	OUTER STOP CUP	1
32	170003017	CAP SCREW	2
33	671400077	INNER STOP CUP	1
34	660263002	SOLENOID CARTRIDGE	2
35	671302003	SOLENOID COIL	2
36	671800021	COIL NUT	2
37	190100046	PIN	2
38	671900071	ADAPTER	1
39	170003037	CAP SCREW (NOT SHOWN)	4
40	220001010	LOCK WASHER (NOT SHOWN)	4
41	660180032	O-RING KIT	1
42	671900011	SPOOL ADAPTER	1
43	660180034	CLEVIS SUB-ASSY (NOT SHOWN)	1
44	660580004	O-RING KIT (NOT SHOWN)	1
45	660280003	RELIEF CART	1
46	660280010	RELIEF CART	1
47	200013105	PORT PLUG	2
48	671400207	PIN (NOT SHOWN)	1
	660580005	SEAL KIT COMPLETE FOR WORK SECTION	*

* QUANTITY 1 IS FOR EACH WORK SECTION.

** FRONT PORT SET AT 2500 PSI. REAR PORT SET AT 500 PSI.

*** FRONT PORT SET AT 1500 PSI. REAR PORT SET AT 500 PSI.



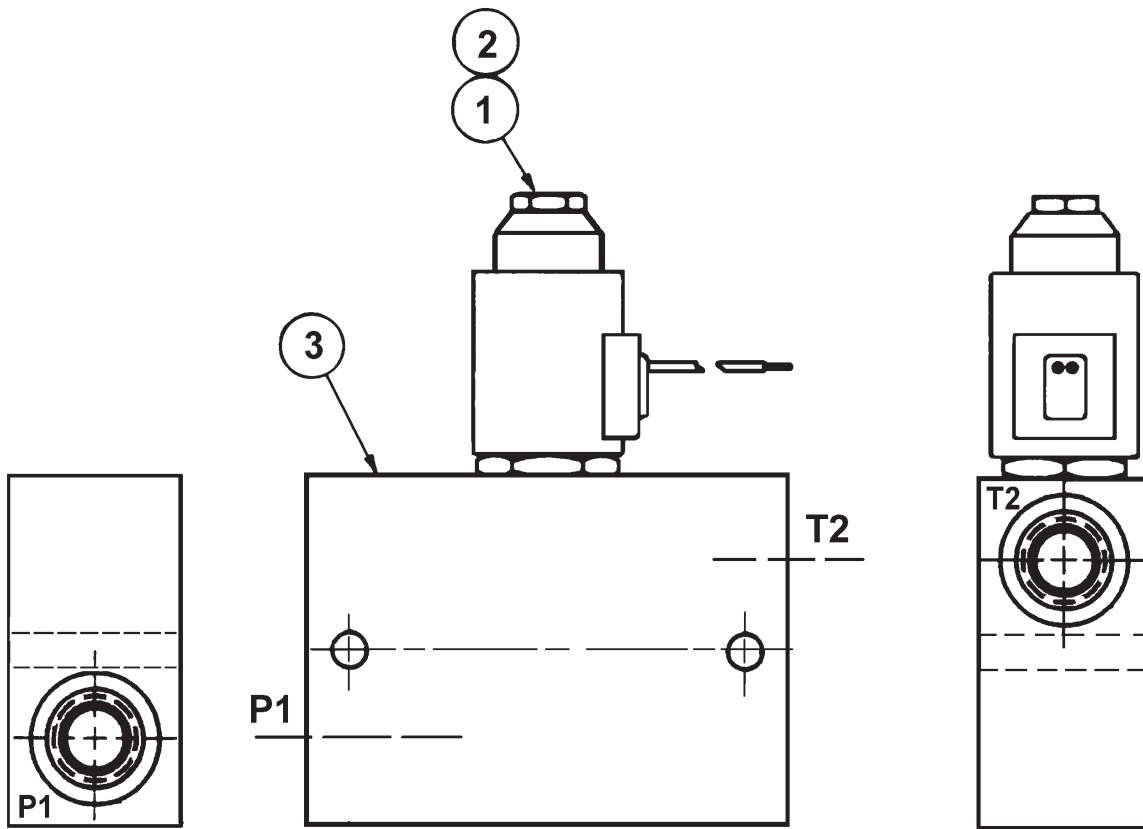
SVAS60.TIF

Figure 1-23 Spool Valve, Work Sections

SPOOL VALVE WORK SECTIONS

ITEM	PART NO.	DESCRIPTION	QTY.
	SVA-S60	SOLENOID VALVE SECT. 1 TO 6 OF 6 SPOOL VALVE AND SECTIONS 7 AND 11 OF 5 SPOOL VALVE	
1	625894008	VALVE BODY (SVA-A60)	1
2	626230001	ACTUATOR BODY	1
3	612104001	SPOOL	1
4	170003017	CAP SCREW	2
5	670500045	SPOOL BACKUP WASHER	2
6	240000208	O-RING	2
7	671600049	LOAD CHECK PLUG	1
8	670100008	LOAD CHECK POPPET	1
9	670300029	LOAD CHECK SPRING	1
10	240000908	O-RING	1
11	240000019	O-RING	1
12	240000009	O-RING	2
13	671400086	ORIFICE PLUG	2
14	240044020	BACKUP WASHER	2
15	240000020	O-RING	1
16	200100189	STEEL PLUG	2
17	671600063	PLUG	1
19	240000019	O-RING	1
20	671400079	SLEEVE	1
21	240044018	BACKUP WASHER	2
22	240000018	O-RING	1
23	610100011	SPOOL	1
24	240016230	GLYD-RING	1
25	240000113	O-RING	1
26	240019014	BACKUP WASHER	1
27	670500044	RETAINER PLATE	1
28	671400033	END CAP	1
29	670300030	SPRING	1
30	671400078	ADAPTER	1
31	671400076	OUTER STOP CUP	1
32	170003017	CAP SCREW	2
33	671400077	INNER STOP CUP	1
34	660263002	SOLENOID CARTRIDGE	2
35	671302003	SOLENOID COIL	2
36	671800021	COIL NUT	2
37	190100046	PIN	2
38	671900071	ADAPTER	1
39	170003037	CAP SCREW (NOT SHOWN)	4
40	220001010	LOCK WASHER (NOT SHOWN)	4
41	660580004	O-RING KIT (NOT SHOWN)	1
42	200013105	PORT PLUG	2
43	671900011	SPOOL ADAPTER	1
44	660180032	CLEVIS SUB-ASSY	1
45	660180034	HANDLE KIT (NOT SHOWN)	1
46	671400207	PIN	1
	660580005	SEAL KIT COMPLETE FOR WORK SECTION	*

* QUANTITY 1 IS FOR EACH WORK SECTION.



3-010164.TIF

Figure 1-24 Valve N.O. Solenoid Hydraulic

VALVE N.O. SOLENOID HYDRAULIC

ITEM	PART NO.	DESCRIPTION	QTY.
	3-846-010164	VALVE N.O. SOLENOID HYDRAULIC	
1	129452	N.C. SOLENOID VALVE CARTRIDGE	1
2	147161	12VDS DUAL LEAD COIL	1
3	M13299-1	VALVE BODY	1

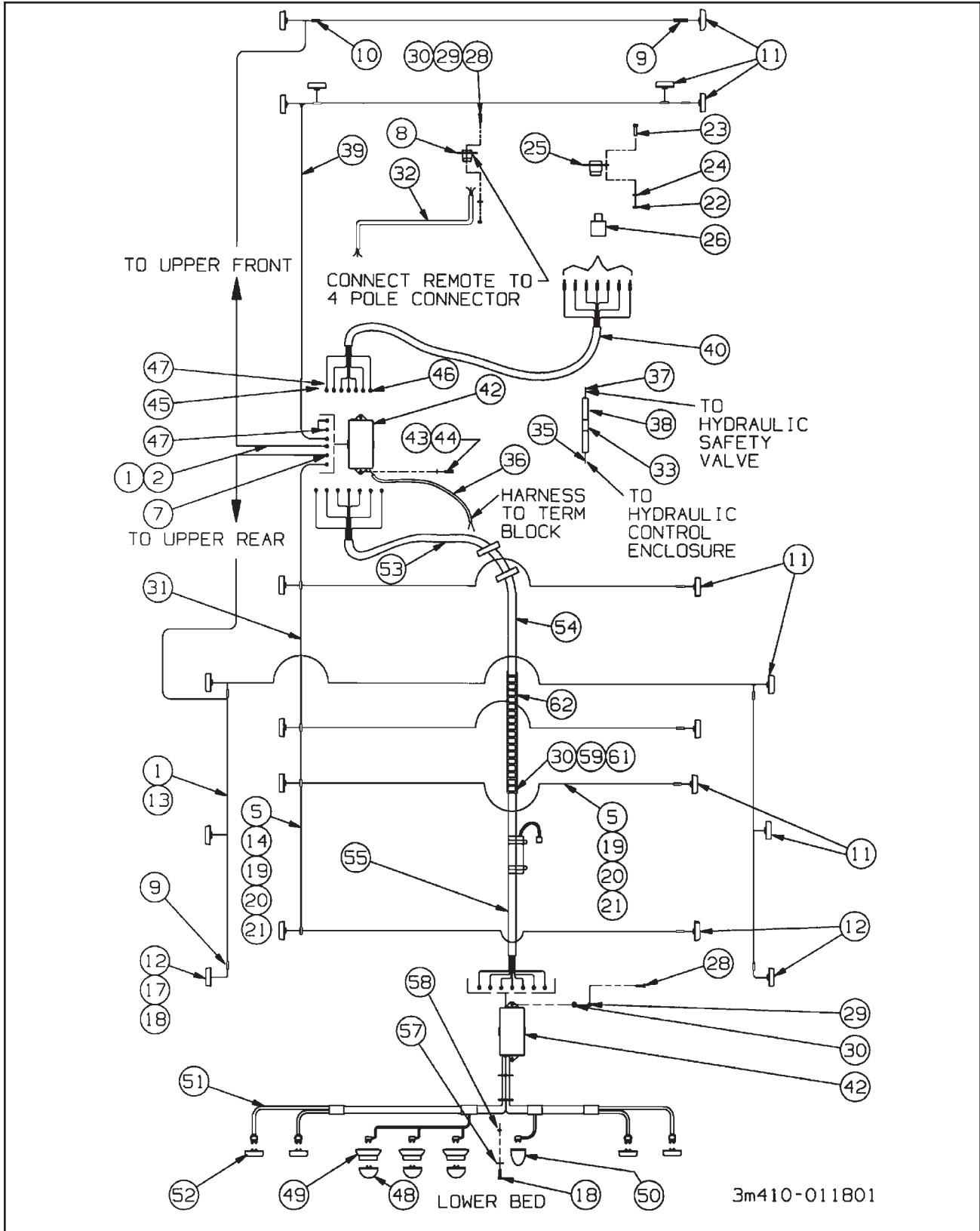


Figure 1-25 Electrical System

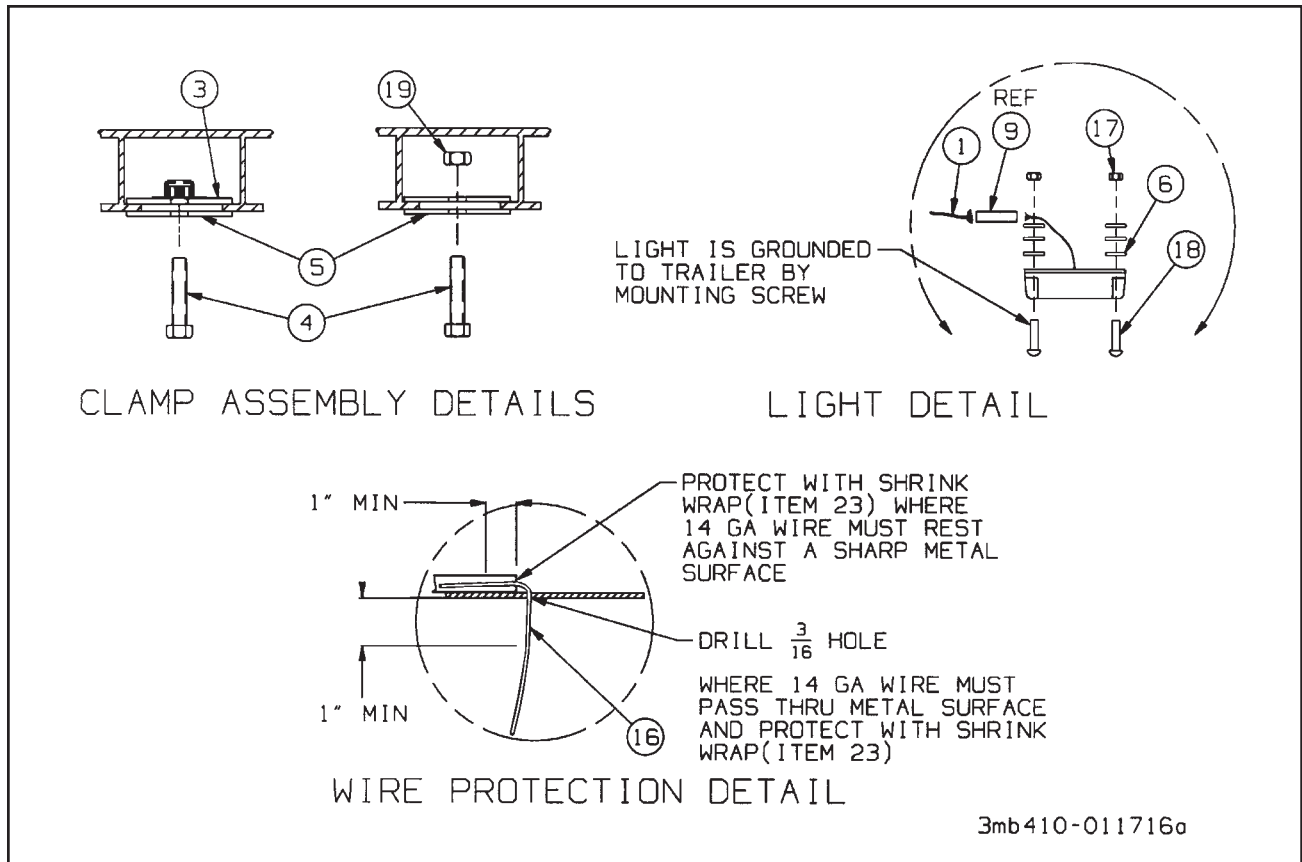


Figure 1-26 Electrical System - Miscellaneous Details

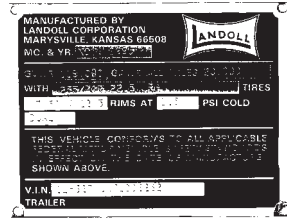
ELECTRICAL SYSTEM

ITEM	PART NO.	DESCRIPTION	QTY.
	B3-272-091	ELECTRICAL FOR BED 336B TRL (3-410-011801)	
	3-375-010588	HITCH TILT ASSY 336B (ELECT SYSTEM ITEMS ONLY)	
	104292	SUSPENSION U/C ASSY (ELECT SYSTEM ITEMS ONLY)	
1	1-879-010005	WIRE BROWN	115FT
2	3-201-010001	CONDUIT FLEX PLASTIC	40FT
3	3-181-010060	CLAMP CAGE NUT	11
4	1-654-010051-06	SCREW HEX HEAD CAP 3/8-16 X 1-1/4	33
5	3-181-010007	HOSE CLAMP TOP PLATE	55
6	1-861-010032-03	WASHER FLAT #10	98
7	3-203-010001	RING TERMINAL	4
8	3-272-010003	CONNECTOR ELECTRICAL 4 POLE FM	1
9	3-272-010021	ELECTRICAL BUTT SPLICE W/ SEAL	6
10	3-272-010022	ELECTRICAL BUTT SPLICE W/ SEAL	9
11	3-446-010007	LIGHT CLEARANCE YELLOW	12
12	3-446-010007	LIGHT CLEARANCE RED	4
13	3-311-014622	RETAINER WIRE	5
14	3-755-010255	SUPPORT WIRING FORMED	8
15	1-796-010003-02	TIE STRAP (NOT SHOWN)	100
16	3-828-010002	TUBING SHRINK-TO-FIT ELECTRICAL WIRE	80IN

ELECTRICAL SYSTEM

ITEM	PART NO.	DESCRIPTION	QTY.
17	3/16HFLN	NUT, HEX LOCK 3/16	40
18	1-656-010003051	SCREW HEX HEAD CAP 10-24 X 3/4	50
19	1-512-010005-05	NUT HEX LOCK 3/8-16 GRB	36
20	1-654-010051-11	SCREW HEX HEAD CAP 3/8-16 X 2-1/2	14
21	1-861-010032-11	WASHER FLAT 3/8	14
22	1-512-010007-06	NUT HEX 5/16-18	2
23	1-654-010049-06	SCREW HEX HEAD CAP 5/16-18 X 1-1/4 GR5	2
24	1-861-010034-10	WASHER SPLIT LOCK 5/16	2
25	59S7	RECEPTACLE PIN	1
26	59SW-2-3	RUBBER BOOT	1
27	105-0150	SEALANT RTV (CLEAR) (NOT SHOWN)	1
28	1-654-010047-06	SCREW HEX HEAD CAP 1/4-20 X 1 GR5	4
29	1-512-010005-01	NUT HEX LOCK 1/4-20 GRB	4
30	1-861-010032-07	WASHER FLAT 1/4	14
31	3-368-010237	HARNESS LWR BED REAR LIGHTS	1
32	3-368-010228	HARNESS 4 POLE TO RELAY	1
33	3-272-010021	ELECTRICAL BUTT SPLICE 16-14	1
35	1-879-010010	WIRE WHITE 14 AWG	1FT
36	3-368-010238	HARNESS, JCT BOX TO TERM BLOCK	1
37	1-879-010004	WIRE RED 14 GA	9FT
38	3-201-010001	CONDUIT PLASTIC FLEX 5/16	10FT
39	3-368-010235	HARNESS LWR BED FRONT LIGHTS	1
40	3-368-010236	HARNESS FRONT TO JUNCTION BOX	1
42	750-029	JUNCTION BOX 7 STUD	1
43	1-654-010049-05	SCREW, HEX HEAD CAP 5/16-18 X 1	2
44	1-512-010005-03	NUT, HEX LOCK 5/16-18	2
45	1-879-010009012	WIRE WHITE	1
46	D01-412	RING TERMINAL	1
47	32002	TERMINAL W/RING WAY	1
48	10205R	REFLECTOR LAMP RED	3
49	10404	GROMMET MOUNT	3
50	15009	LICENSE LAMP	1
51	3-368-010175	HARNESS REAR U/C BUMPER	1
52	40002R	LIGHT STOP TURN TAIL	4
53	104295	HARNESS JUNCTION BOX TO E-CHAIN	1
54	102730	HARNESS ASSEMBLY	1
55	102728	HARNESS ASSEMBLY U/C MAIN	1
57	1-861-010034-07	WASHER, SPLIT LOCK #10	2
58	1-512-010007-08	NUT, HEX 10-24	2
59	1-654-010158-1	SCREW, RD HEAD SQ NECK 1/4-20 X 3/4	8
61	1-512-010007-05	NUT, HEX 1/4-20	8
62	3-755-010189-02	SUPPORT E-CHAIN	REF

LANDOLL 2
HAULLOLL 3



1-800-428-5655
 1-800-HAULLOLL

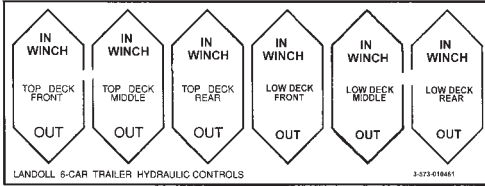
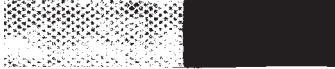


LANDOLL
 TRAILER
 DIVISION

IN KANSAS
 1-800-332-5655

3-573-010060

**NEGATIVE
 GROUND ONLY**
 3-573-010203



WARNING
 ASSURE STOPS ARE ENGAGED
 BEFORE TRANSIT
 3-573-010435

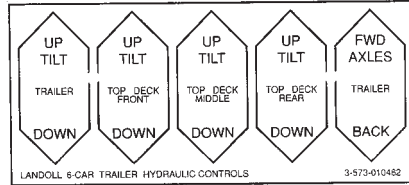
DANGER

To prevent serious injury or death from pinching:
 • Keep all persons and objects clear while any part of this machine is in motion.
 2-573-010335

LIGHT
 OFF ON
 3-573-010437

IMPORTANT
DO NOT HOOK WINCH LINE TO BUMPER. BUMPER MOVES WITH UNDERCARRIAGE.
 3-573-010031

REMOTE MANUAL
 3-573-010438



CAUTION
 LOCK
 MANUAL SWITCH ON AIR VALVES TO BE IN LOCK POSITION WHEN USING REMOTE.
 3-573-010463

CAUTION
DO NOT EXCEED 1000 ENGINE RPM WITH PTO ENGAGED
 3-573-010471

DANGER

TORQUE SPECIFICATIONS (FOR BALL SEAT MOUNTED DISC WHEELS)

8-10 STUD HUBS RECOMMENDED TORQUE: 110-120 AND 170-180 (CHAINS) AND 80-90 (V.I.N. 12 AND 17) 12 CHAIN 100-110 FT-LBS.

10 STUD HUBS RECOMMENDED TORQUE: 110-120 AND 170-180 (CHAINS) AND 80-90 (V.I.N. 12 AND 17) 12 CHAIN 100-110 FT-LBS.

WHEEL CAP TIGHTEN: Torque Cap Nuts to 10-15 FT-LBS. Torque Cap Nuts to 10-15 FT-LBS. Torque Cap Nuts to 10-15 FT-LBS. Torque Cap Nuts to 10-15 FT-LBS.

WHEEL CAP TIGHTEN: Torque Cap Nuts to 10-15 FT-LBS. Torque Cap Nuts to 10-15 FT-LBS. Torque Cap Nuts to 10-15 FT-LBS. Torque Cap Nuts to 10-15 FT-LBS.

ABS

WARNING
 IN THE EVENT OF COLLISION OR DAMAGE TO BUMPER OR ENERGY PACK, REPLACEMENT IS MANDATORY BEFORE FURTHER OPERATION OF THE TRAILER.
 103055

LANDOLL CORPORATION
 1200 NORTH
 MARYVILLE, KS 66508-0111
 MANUFACTURED IN: _____ (MO/YR)
 DOT
 103055

336

Figure 1-27 Decals

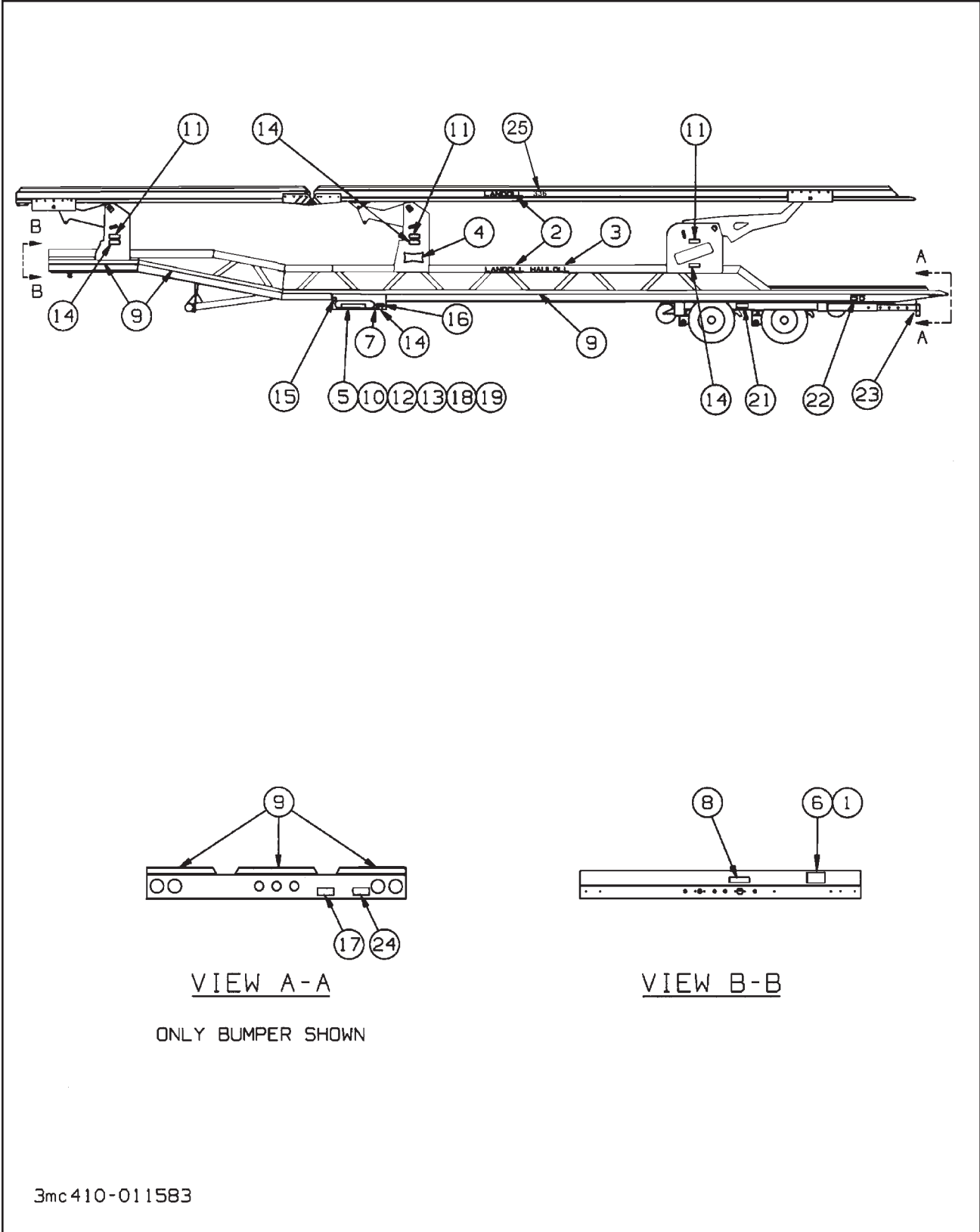


Figure 1-28 Decal Placement

DECAL PLACEMENT

ITEM	PART NO.	DESCRIPTION	QTY.
	B3-573-053	INSTALL. DECALS 336A TRL. (3-410-011583)	
1	10036	FASTENER SERIAL NUMBER PLATE	4
2	1-573-010477	DECAL LANDOLL BLACK	4
3	1-573-010488	DECAL HAULLOLL BLACK	2
4	1-573-010480	DECAL LANDOLL WHITE	1
5	1-656-010003051	SCREW STOVE HEAD MACH 3/16X3/4	4
6	3-573-010020	PLATE IDENTIFICATION	1
7	3-573-010060	DECAL TOLL FREE NO.	1
8	3-573-010203	DECAL NEGATIVE GROUND ONLY	1
9	3-573-010377	DECAL 2" REFLEXITE TAPE RD/WHT	AR*
10	3-573-010461	DECAL OPERATION 336B LG	1
11	3-573-010435	DECAL ENGAGE STOPS	6
12	1-512-010007-03	NUT HEX 3/16-24	4
13	1-861-010032-04	WASHER FLAT 3/16	4
14	2-573-010335	DECAL DANGER PINCHING	7
15	3-573-010437	DECAL LIGHT VALVE SUPPORT	1
16	3-573-010438	DECAL REMOTE MANUAL SWITCH	1
17	3-573-010031	DECAL TRAILER BUMPER	REF
18	3-573-010462	DECAL OPERATION 336B RH	1
19	3-573-010463	DECAL LOCK CAUTION	1
20	3-573-010471	DECAL 1000 RPM ENGINE **	1
21	3-573-010211	DECAL TORQUE SPEC 6-10 STUD HUB (FOR DISC BUDD WHEELS)	2
22	102810	DECAL ABS BLACK ON CLEAR	1
23	103055	DECAL ENERGY BUMPER CERT.	1
24	103056	DECAL ENERGY BUMPER WARNING	1
25	113855	DECAL 336 BLACK DC 2-1/2"	2

* TOTAL LENGTH OF REFLEXITE TAPE FOR A 51 FT. TRAILER IS 1200 FT.

* TOTAL LENGTH OF REFLEXITE TAPE FOR A 48 FT. TRAILER IS 900 FT.

** MOUNTS ON THE DASH OF THE CAB.

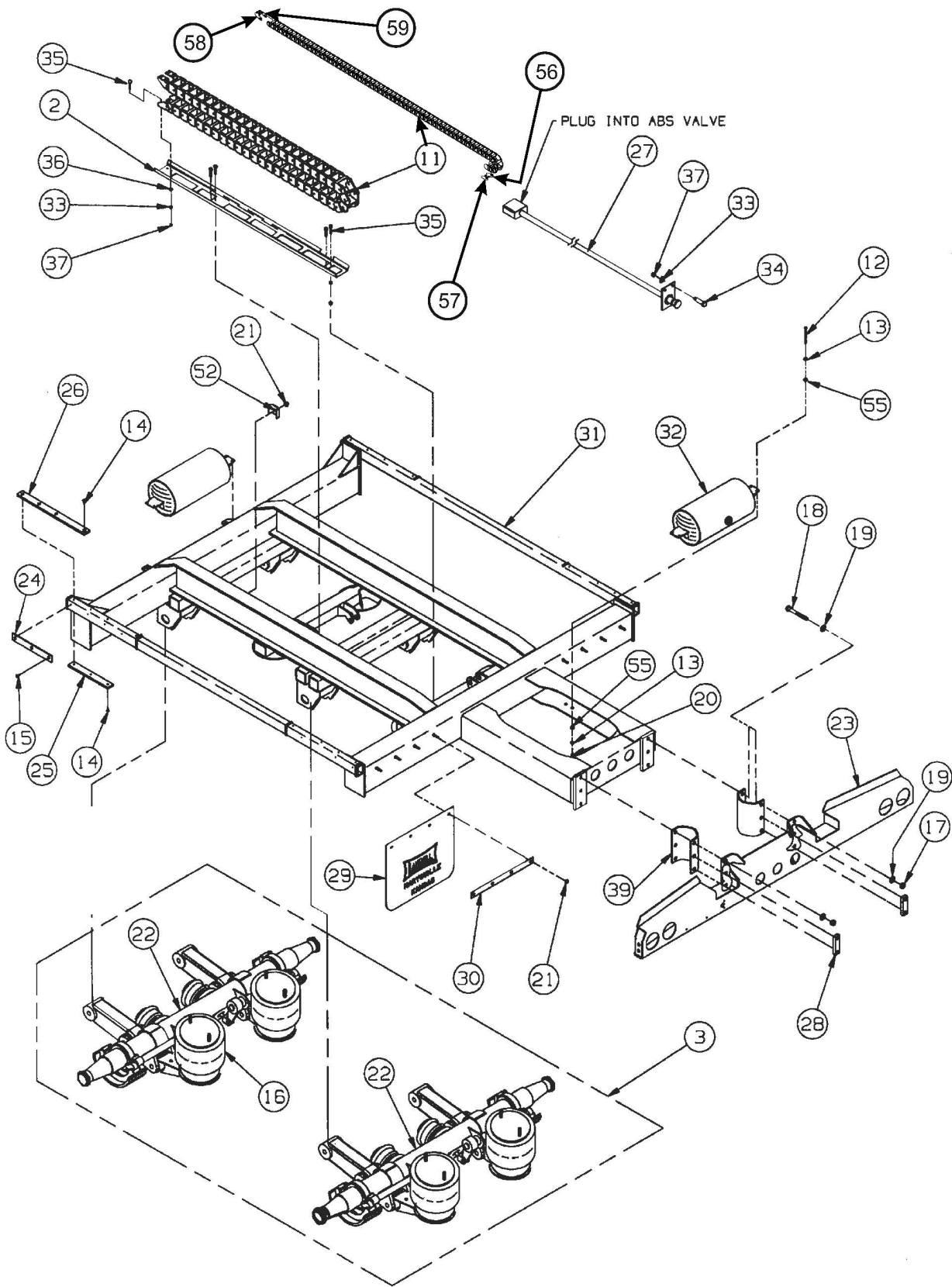


Figure 1-29 Undercarriage Assembly (1 of 2)

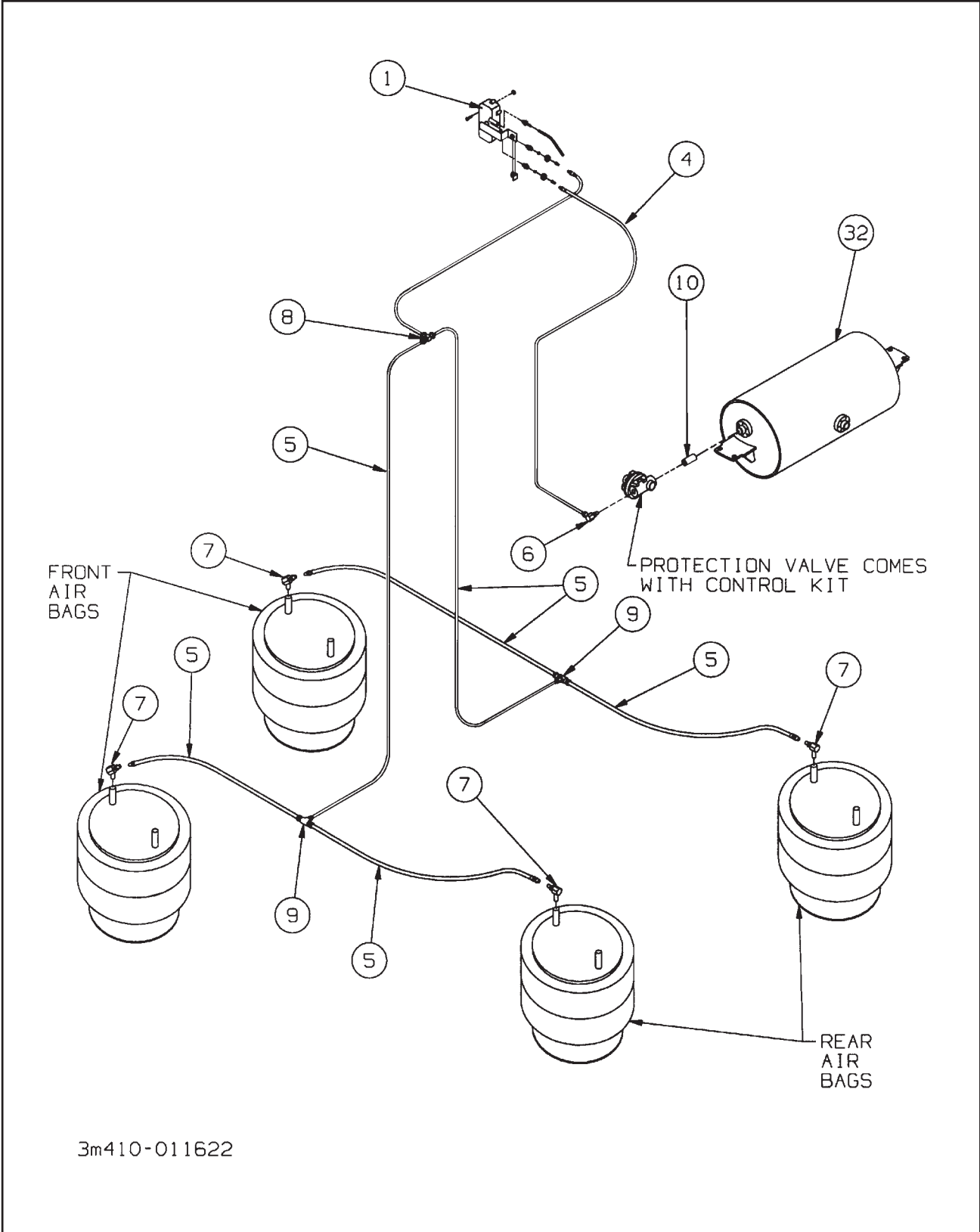


Figure 1-30 Undercarriage Assembly (2 of 2)

UNDERCARRIAGE AIR RIDE ASSEMBLY

ITEM	PART NO.	DESCRIPTION	QTY.
	104292	SUSPENSION U/C ASSEMBLY	
1	102732	AIR CONTROL KIT NEWAY (SEE PAGE 1-45)	1
2	3-821-010005	TRAY CAT-TRACK	1
3	104273	BRAKE ABS TANDEM AXLE (SEE PAGE 1-51)	1
4	1-833-010001	TUBING NYLON	5FT
5	1-833-010002	TUBING NYLON	13FT
6	1-297-010008-07	FITTING AIR 90	1
7	1-297-010013-11	FITTING AIR 45	4
8	1-297-010010-04	FITTING AIR UNION TEE	1
9	1-297-010010-03	FITTING AIR UNION TEE	2
10	2083-8-4S	NIPPLE HEX	1
11	3-755-010189-02	SUPPORT E-CHAIN (BEFORE 6-3-2015)	1
	189315	SUPPORT, E-CHAIN, 36 LINKS 3838 (AFTER 6-3-2015)	1
12	1-654-010051-08	SCREW HEX HEAD CAP 3/8-16 X 1-3/4	8
13	1-861-010032-11	WASHER FLAT 3/8	16
14	1-654-010034-03	SCREW HEX SOCKET FLAT HEAD CAP 5/16-18 X 3/4	28
15	1-654-010079-4	SCREW SLOTTED FLAT HEAD 1/4-20 X 3/4	12
16	102363	SUSPENSION ADJ. RLU-228-3.5 (SEE PAGE 1-47)	2
17	1-512-010002-15	NUT HEX LOCK 3/4-10 GRC	2
18	1-654-010032-4	SCREW HEX HEAD CAP 3/4-10 X 1-3/4 GR8	12
19	622-3511-008	WASHER 3/4MIL-CARB FL SAE A	14
20	1-512-010005-05	NUT HEX LOCK 3/8-16	8
21	1-510-010001	NUT FLANGE LOCK 3/8-16	11
22	102665	AXLE WELDMENT A/R D2212-SPG-70.5	2
23	101712	BUMPER WELDMENT E/P 102	1
24	3-334-010040	GLIDE 3/8 X 2 X 14 U/C	4
25	3-334-010012	GLIDE NYLATRON	4
26	3-334-010015	GLIDE 1/2 X 2 X 24 U/C	4
27	101852	DIAGNOSTIC CABLE W/ SWITCH/ABS	1
28	102283	BAR BUMPER	2
29	3-485-010001	FLAP MUD	2
30	3-762-010017	CLAMP MUD FLAP	2
31	104274	SUSPENSION WELDMENT	1
32	3-780-010002	TANK AIR	2
33	1-861-010034-09	WASHER SPLIT LOCK 1/4	10
34	1-654-010047-06	SCREW HEX HEAD CAP 1/4-20 X 1 GR5	2
35	1-654-010158-1	SCREW RD HEAD SQ NECK 1/4-20 X 3/4	8
36	1-861-010032-07	WASHER FLAT 1/4	8
37	1-512-010007-05	NUT HEX LOCK 1/4-20 GRB	10
39	101143	MOUNT BUMPER ENERGY PAK	2
52	2-181-010001	CLAMP	1
54	1-796-010004-02	TIE STRAP PLASTIC (NOT SHOWN)	10
55	805-2	BUSHING STEP	16
56	190701	BRACKET WLDMT, E-CHAIN LH (AFTER 6-3-2015)	1
57	190706	BRACKET WLDMT, E-CHAIN RH (AFTER 6-3-2015)	1
58	190700ZP	BRACKET, E-CHAIN LH (AFTER 6-3-2015)	1
59	190705ZP	BRACKET, E-CHAIN RH (AFTER 6-3-2015)	1
	189381	FIELD INSTALLATION KIT (ITEMS 11 & 56-59)	

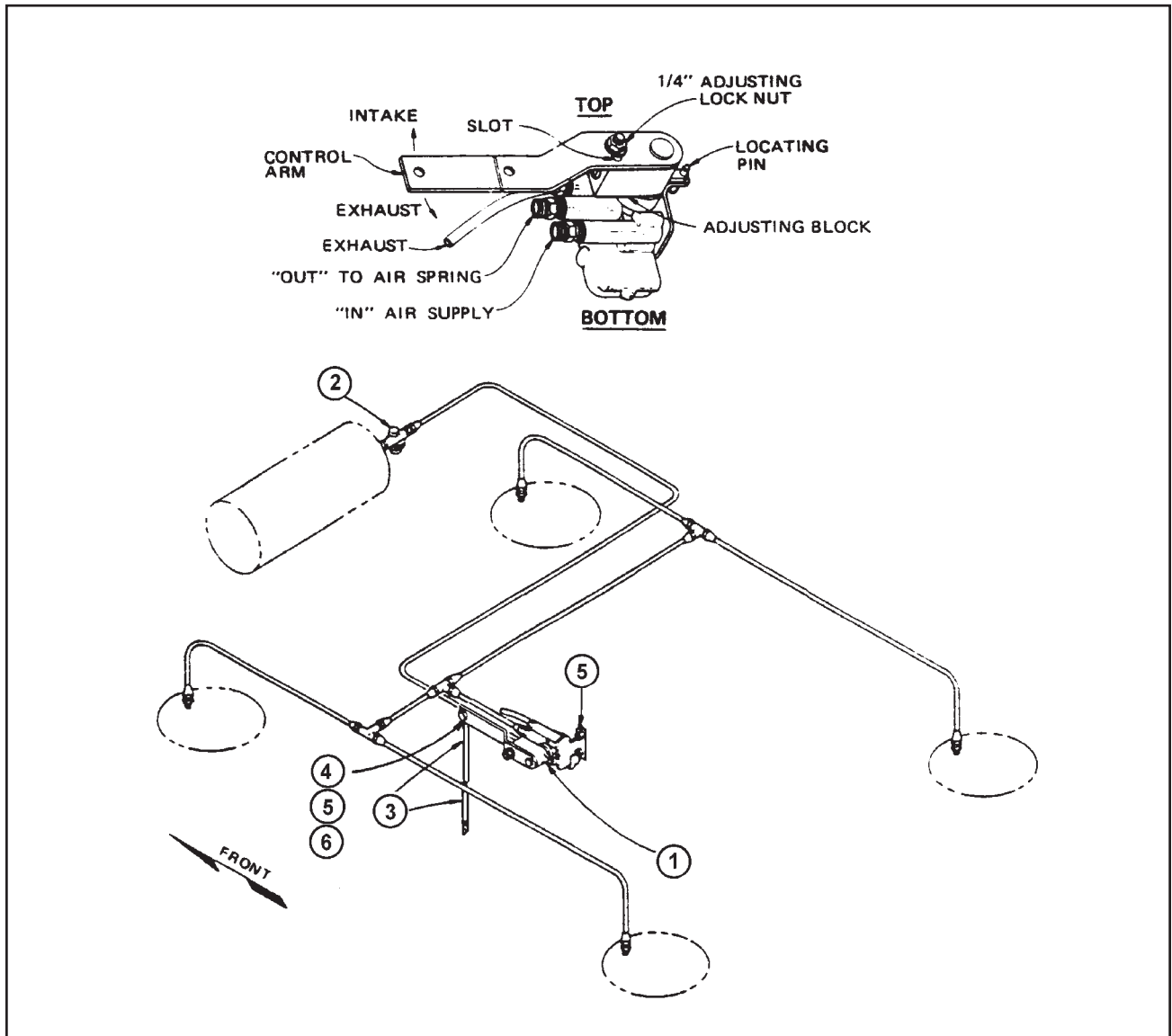
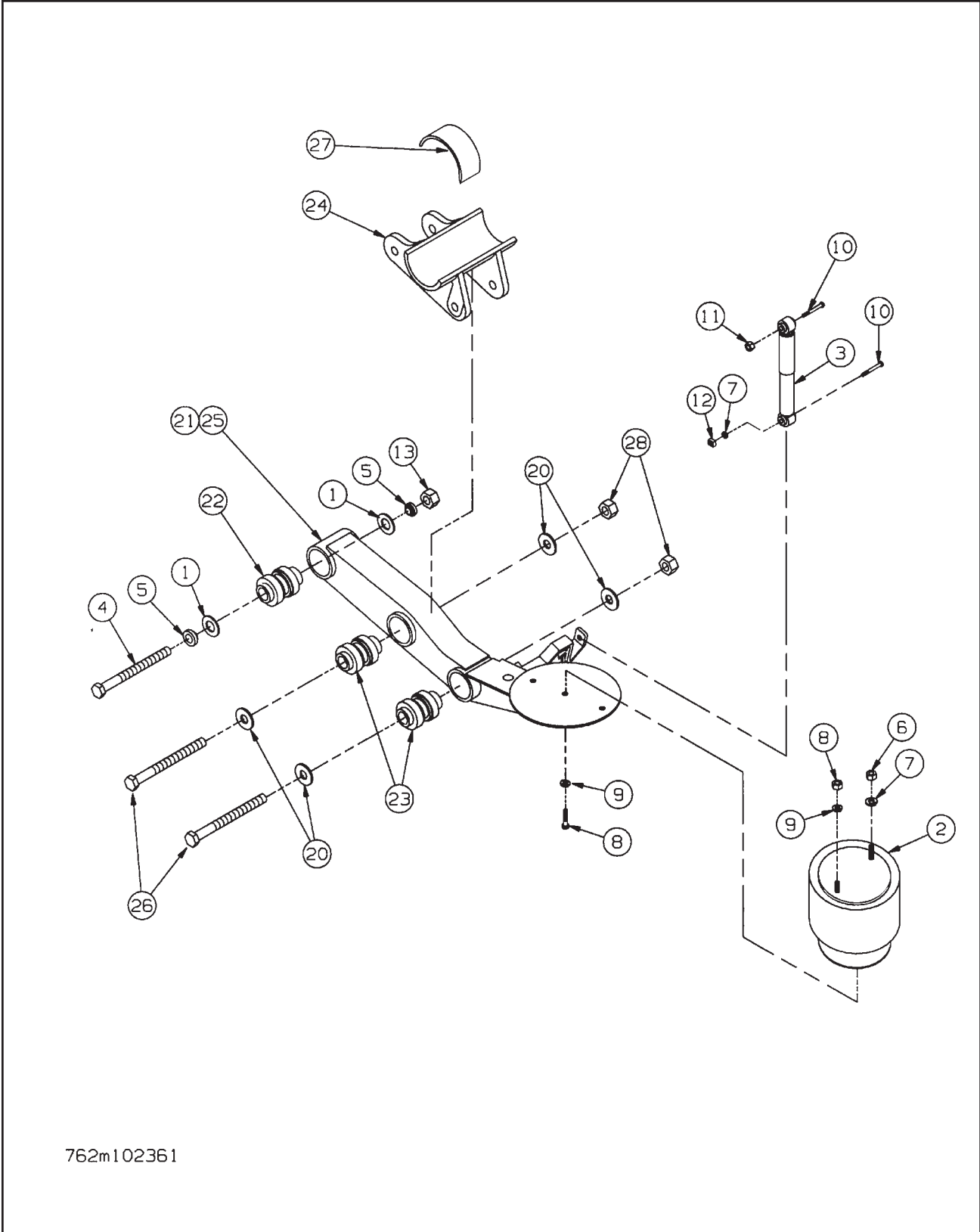


Figure 1-31 Air Control Kit RLU-228

AIR CONTROL KIT RLU-228

ITEM	PART NO.	DESCRIPTION	QTY.
	102732	AIR CONTROL KIT NEWAY	
1	900 54 446	HEIGHT CONTROL VALVE	1
2	905 54 107	AIR PRESSURE PROTECTION VALVE & FILTER	1
3	481 54 224	SRK - 167 KIT (ADJ. LINK ASSY)	1
4	930 02 349	CAP SCREW 1/4-20 X 3/4	2
5	934 00 060	LOCK NUT 1/20	2
6	941 00 119	DECAL (OPERATING)	1
7	941 00 466	HEIGHT CONTROL VALVE INSTRUCTIONS (NOT SHOWN)	1



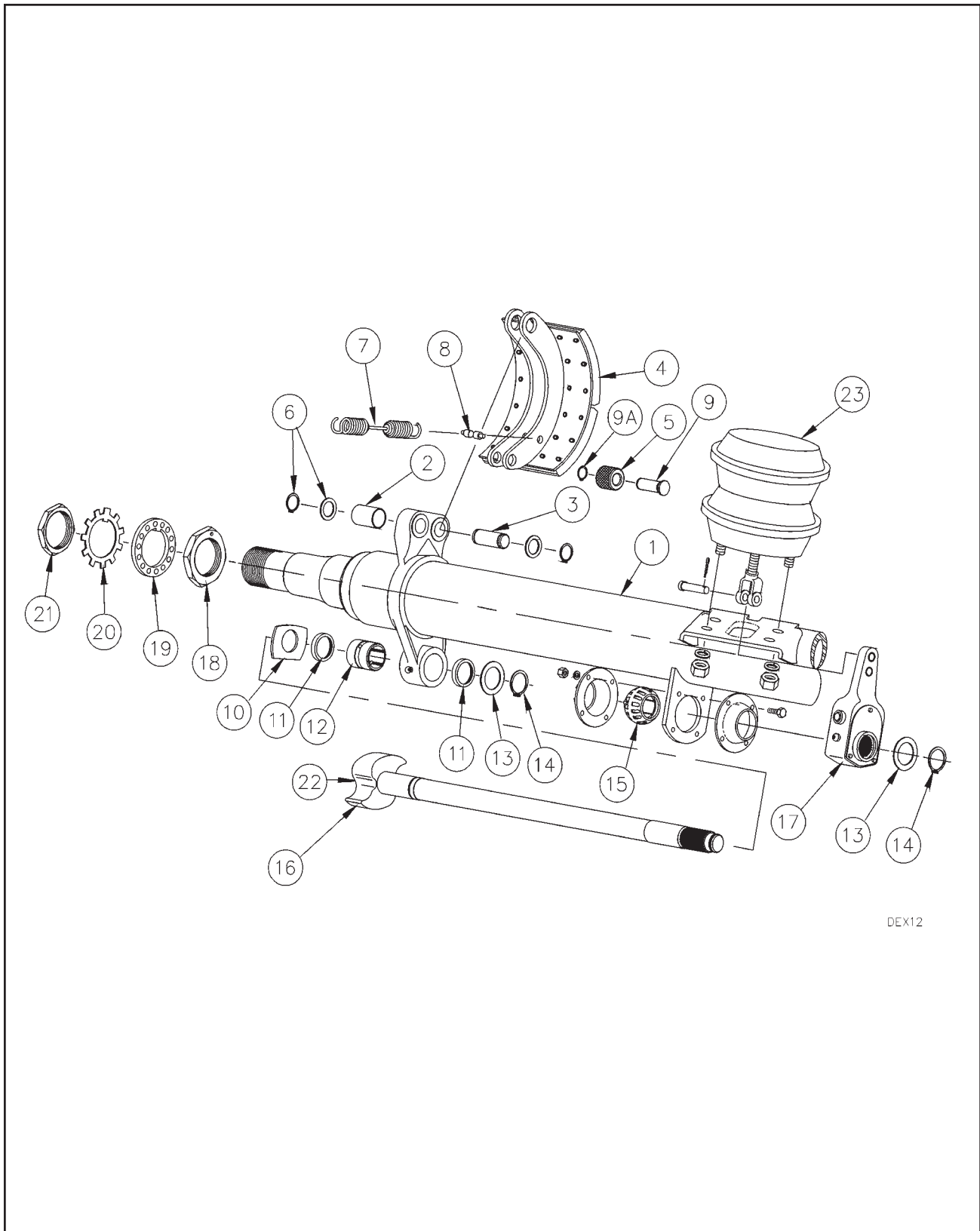
762m102361

Figure 1-32 Suspension Hanger RLU-228

SUSPENSION HANGER RLU-228

ITEM	PART NO.	DESCRIPTION	QTY.
	102363	SUSPENSION ADJ.-228-3.5 (INCLUDES ITEMS 1-19)	
	102361	SUSPENSION BEAM RLU-228 (INCLUDES ITEMS 20-28)	
1	90036177	FLAT WASHER	2
2	90557129	AIR SHOCK ASSEMBLY	2
3	90045040	SHOCK	2
4	93908009	ALIGN BUSH ASSEMBLY	2
	93201057	ROD BOLT	1
	90008184	ALIGN BLOCK	1
5	93408186	ALIGN BLOCK	2
6	93400149	3/4-16 HEX NUT GRB	2
7	93600077	LOCK WASHER 3/4"	4
8	93400136	HEX NUT 1/2-13	4
9	93600072	LOCK WASHER 1/2"	4
10	93003597	HEX HEAD CAP SCREW 3/4-10 X 3-1/2	4
11	93400492	LOCK NUT 3/4-10	2
12	93400367	3/4-10 SQUARE NUT	2
13	93400506	LOCK NUT 1-1/8-7	2
14	90054038	ANCHOR RIDE HEIGHT CONTROL VALVE (NOT SHOWN)	1
15	94100787	LITERATURE INSTRUCTIONS (NOT SHOWN)	1
16	94100685	LITERATURE SPEC (NOT SHOWN)	1
17	94100648	LITERATURE FORM (NOT SHOWN)	1
18	94100590	LITERATURE LABEL (NOT SHOWN)	1
19	94100790	LITERATURE LABEL (NOT SHOWN)	1
	11005053	FASTENER KIT (INCLUDES ITEMS 1,4-11,13,15)	1
20	90036177	FLAT WASHER	8
21	90516600	EQUALIZING BEAM ASSEMBLY	1
22	90008139	RUBBER BUSHING (FRONT PIVOT)	2
23	90008149	RUBBER BUSHING (AXLE CONNECTION)	4
24	90001200	AXLE ADAPTER ASSEMBLY	2
25	90516601	EQUALIZING BEAM ASSEMBLY RH	1
26	93201051	HEX HEAD CAP SCREW 1-1/8-7 X 8-1/2	4
27	90025288	SAFETY STRAP	2
28	93400506	LOCK NUT 1-1/8-7	4

NOTE: QUANTITIES LISTED ARE PER AXLE.



DEX12

Figure 1-33 Axle and Brake Assembly

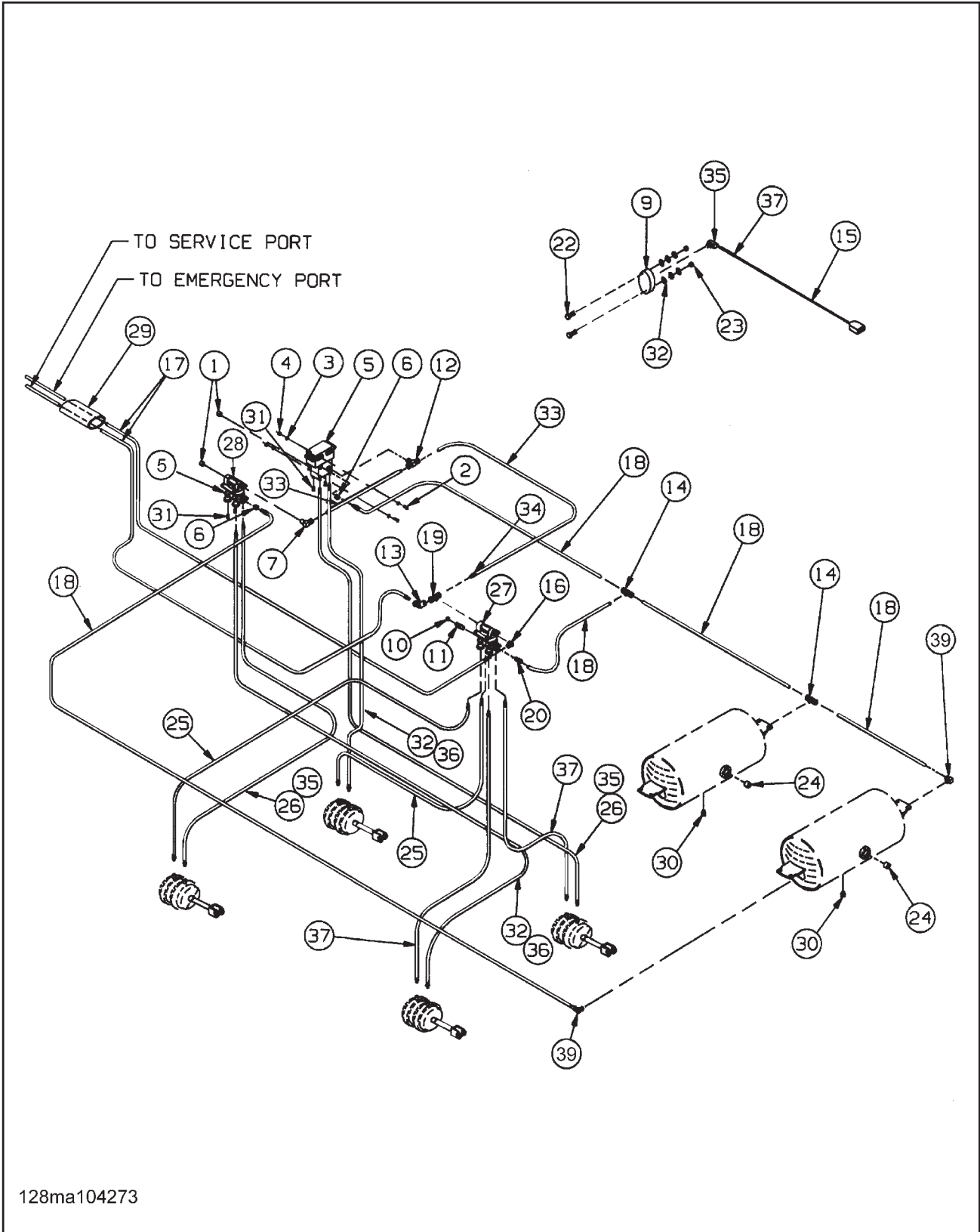
AXLE ASSEMBLY

ITEM	PART NO.	DESCRIPTION	QTY.
	3-042-010130-02	AXLE 70-1/2" 12-1/4"X7-1/2"SPGAS (DEXTER),2	
1*	D-2212-70.5TRACK	BEAM W/ BRACKETS (5/8" WALL)	
2**	014-068-00	BUSHING ANCHOR PIN	8
3**	056-017-00	PIN ANCHOR	4
4	040-175-02	BRAKE SHOE LINING AND ROLLER (ITEM 5) LH	2
	040-175-03	BRAKE SHOE LINING AND ROLLER (ITEM 5) RH	2
	K71-138-00	BRAKE BLOCK KIT - LINING AND RIVETS	4
5**	014-057-00	ROLLER KNURLED	4
6**	005-073-00	WASHER ANCHOR PIN	8
6A**	069-019-00	RETAINER ANCHOR PIN	8
7**	046-092-00	SPRING SHOE RETURN	4
8**	056-012-00	RETAINER PIN SHOE RETURN SPRING	4
9**	056-010-00	PIN SHOE KEEPER	4
9A**	069-018-00	RETAINER ROLLER PIN	4
10***	005-074-00	"D" WASHER	2
11***	010-052-00	SEAL GREASE	4
12***	014-056-00	BUSHING CAMSHAFT SPIDER	2
13***	005-075-00	WASHER CAMSHAFT	4
14***	069-020-00	RETAINER CAMSHAFT	2
15***	014-058-00	BUSHING CAMSHAFT SUPPORT	2
16	034-188-00	CAMSHAFT LEFT HAND (28 SPLINE)	1
	034-189-00	CAMSHAFT RIGHT HAND (28 SPLINE)	1
17	055-040-07	SLACK ADJUSTER AUTO (28 SPL-CREWSON BRUNNER)	2
18	006-114-00	NUT INNER SPINDLE	2
19	005-098-00	WASHER SPINDLE LOCK	2
20	005-099-00	WASHER TABBED SPINDLE LOCK	2
21	006-115-00	NUT OUTER SPINDLE	2
22***	061-006-00	FITTING GREASE 45	2
23	034-058-05	CHAMBER AIR BRAKE	2
	3-042-010111-2	AXLE WELDMENT WILL HAVE P/N 900 01 082 NEWAY AXLE ADAPTER (2) WELDED ONTO AXLE P/N 3-042-010130-02.	

* WHEN ORDERING THE BEAM WITH SPINDLE AND BRACKETS ATTACHED YOU WILL NEED THE BEAM NUMBER D2212: TRACK NUMBER 12-141/2 X 7-1/2 AND CAMSHAFT LENGTH

** THESE PARTS ARE AVAILABLE AS PART OF BRAKE SHOE HARDWARE KIT K71-098-0

*** THESE PARTS ARE AVAILABLE AS PART OF CAMSHAFT REPAIR KIT K71-101-0.



128ma104273

Figure 1-34 Air Brake System

AIR BRAKE SYSTEM TANDEM AXLE

ITEM	PART NO.	DESCRIPTION	QTY.
	104273	BRAKE ABS TANDEM AXLE	
1	1-560-010002-05	PLUG PIPE	2
2	1-654-010051-08	SCREW HEX HEAD CAP 3/8-16 X 1-3/4 GRB	2
3	1-861-010032-10	WASHER FLAT 3/8N	4
4	1-512-010005-05	NUT HEX LOCK 3/8-16 GRB	2
5	101420	BRAKE KIT ROCKWELL ABS 4S/2M (SEE PAGE 1-53)	1
6	3/4X1/2BUSH	BUSHING BLACK PIPE	2
7	1-297-010008-18	FITTING AIR 90	1
8	102810	DECAL ABS BLACK ON CLEAR (NOT SHOWN) (FOR LOCATION SEE PAGE 1-41)	1
9	3-446-010006	LIGHT CLEARANCE YELLOW	1
10	1-560-010002-02	PLUG PIPE	1
11	55B61	FRAME UNION	1
12	1-297-010011-05	FITTING AIR MALE RUN TEE	1
13	1-297-010011-06	FITTING AIR MALE RUN TEE	1
14	1-297-010010-06	FITTING AIR UNION TEE	1
15	102727	HARNES ABS LIGHT TO E-CHAIN	1
16	2089-6-6S	ADAPTER 90	1
17	100949	HOSE AIR 3/8 X 222	2
18	1-833-010003	NYLON TUBING	22FT
19	1-297-010017-03	FITTING BRASS PIPE M/ BRASS TEE	1
20	1-297-010007-16	FITTING AIR	2
22	1-656-010003051	SCREW RD HEAD MACH 10-24 X 3/4	2
23	1-512-010003-06	NUT HEX LOCK W/ NYLON 10-24	2
24	1-560-010002-04	PLUG PIPE	4
25	3-384-010020	HOSE AIR 3/8 X 32	2
26	3-384-010031	HOSE AIR 3/8 X 42	2
27	758-181	VALVE TASK 4 PORT	1
28	1-861-010034-10	WASHER SPLIT LOCK 5/16	2
29	1-394-010001	HOSE ABRASION SLEEVE X 2	4FT
30	56D4	COCK DRAIN AIR TANK	2
31	1-297-010033-03	FITTING BRASS PLUG HEX	4
32	1-861-010032-03	WASHER FLAT #10	6
33	1-833-010002	TUBING NYLON	3FT
34	1-297-010007-12	FITTING AIR	1
35	3-272-010021	ELECTRIC BUTT SPLICE W/SEAL	1
36	101003	HOSE AIR	4
37	3-828-010002	TUBE SHRINK-TO-FIT ELECTRICAL WIRE	6FT
38	1-796-010003-01	TIE STRAP PLASTIC (NOT SHOWN)	10
39	1-297-010008-24	FITTING, AIR 90	3

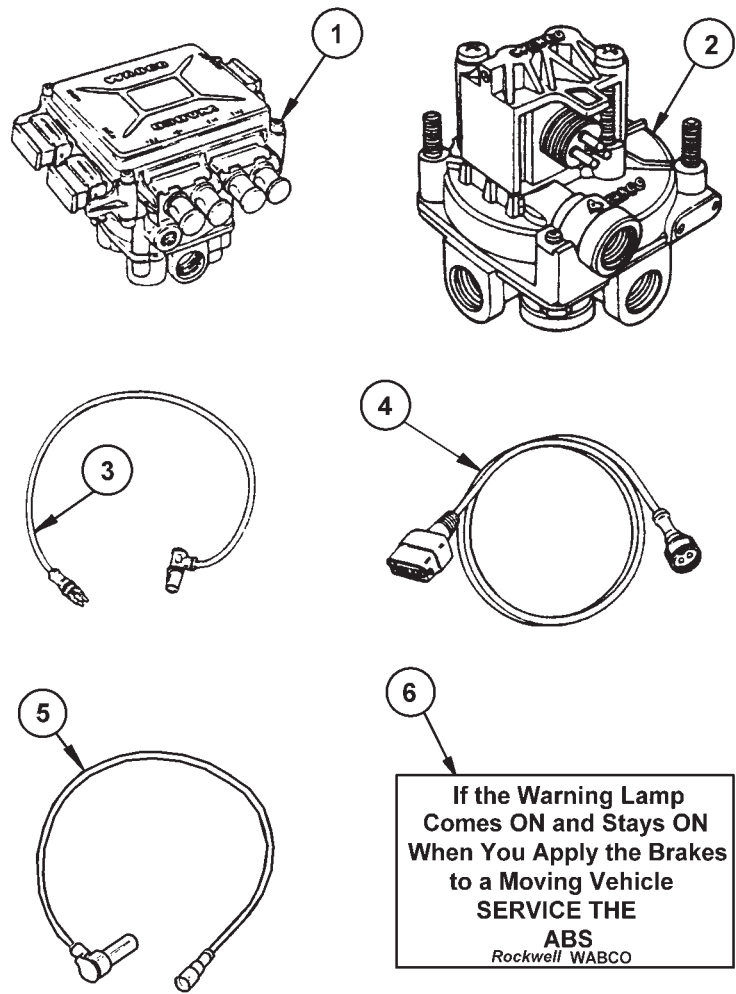


Figure 1-35 Brake Kit , Rockwell ABS 4S/2M

BRAKE KIT ROCKWELL ABS

ITEM	PART NO.	DESCRIPTION	QTY.
	101420	BRAKE KIT, ROCKWELL ABS 4S/2M	
1	101845	ECU / VALVE ASSEMBLY	1
2	101846	ABS RELAY VALVE	1
3	101848	SENSOR EXTENSION CABLE (6 FT)	4
4	101853	POWER CABLE (13 FT)	1
5	101854	CONNECTION CABLE FOR ABS RELAY 1.5M (5 FT)	1
6	101855	WARNING LAMP LABEL	1
7	*	INSTALLATION GUIDE (NOT SHOWN)	1

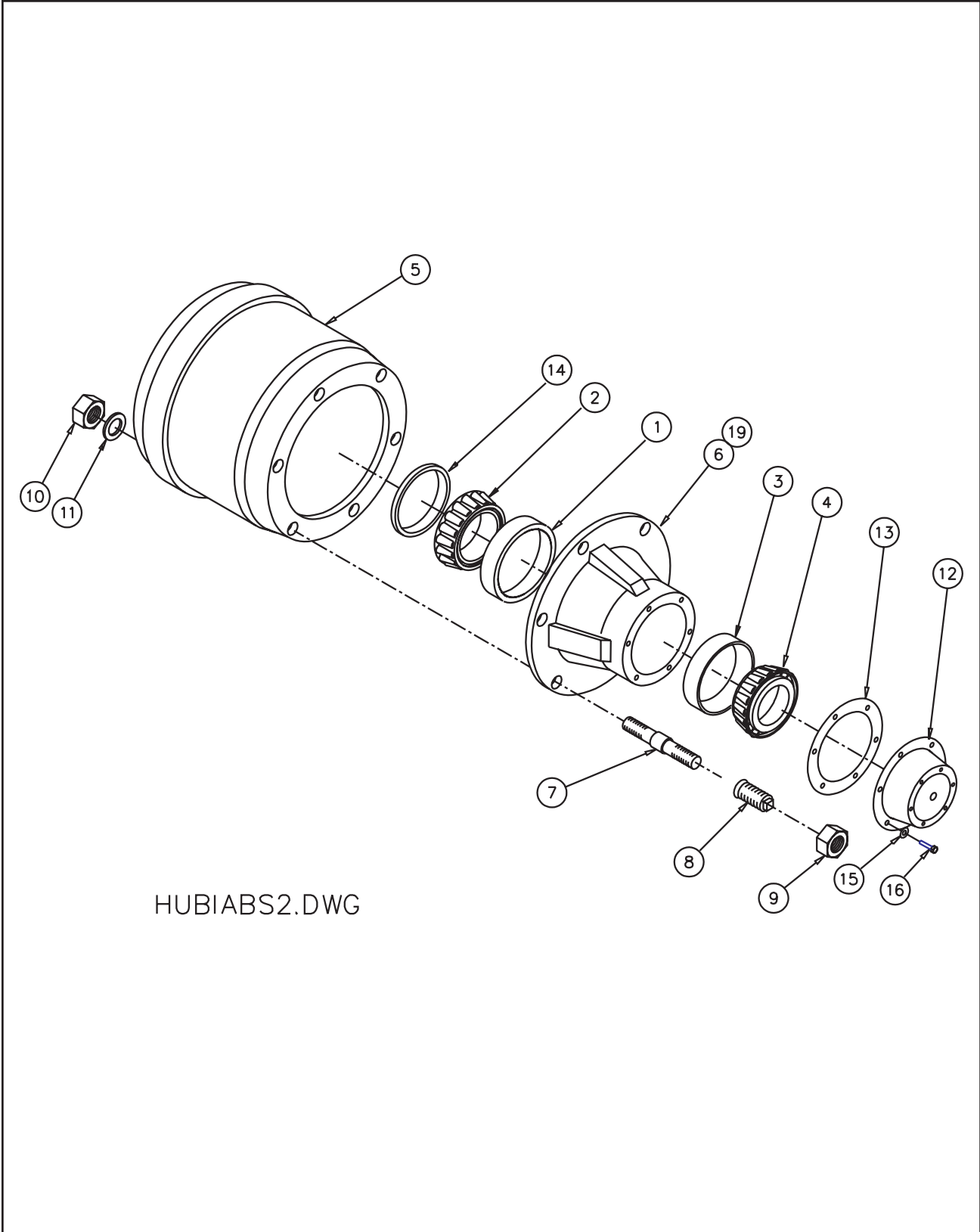


Figure 1-36 Inboard Ball Seat Mount Hub and Drum

INBOARD BALL SEAT MOUNT HUB AND DRUM

ITEM	PART NO.	DESCRIPTION	QTY.
	103245	HUB/DRUM ASSY. L.H. (BALL SEAT MNTD) (ITEMS 1-11)	1
	103246	HUB/DRUM ASSY. R.H. (BALL SEAT MNTD) (ITEMS 1-11)	1
1	HM218210	INNER BEARING CUP	1
2	HM218248	INNER BEARING CONE	1
3	HM212011	OUTER BEARING CUP	1
4	HM212049	OUTER BEARING CONE	1
5	63635	INBOARD MOUNTED BRAKE DRUM	1
6	1056	HUB	1
7	139913	STUD L.H.	6
	139902	STUD R.H.	6
8	107083	INNER CAPNUT L.H.	6
	107082	INNER CAPNUT R.H.	6
9	178921	OUTER CAPNUT L.H.	6
	178910	OUTER CAPNUT R.H.	6
10	75716	NUT HEX LOCK	6
11	257	FLAT WASHER	6
12	021-038-01 (4009)	CAP HUB	1
13	071-124-00 (3067)	GASKET OIL CAP	1
14	3-659-010012	SEAL	1
15	1-861-010034-10	WASHER, SPLIT LOCK 5/16	6
16	1-654-010049-03	SCREW, HEX HEAD CAP 5/16-18 X 3/4 GR5	6
17	3-870-010012	WHEEL, DISC 6.75 X 17.5 (NOT SHOWN)	2
18	TR573	VALVE STEM (NOT SHOWN)	2
19	*	ABS TONE RING	2

* THIS PART SHOULD BE REPLACED IN CONJUNCTION WITH THE BRAKE DRUM.
IT SHOULD NEVER BE SOLD SEPARATELY.

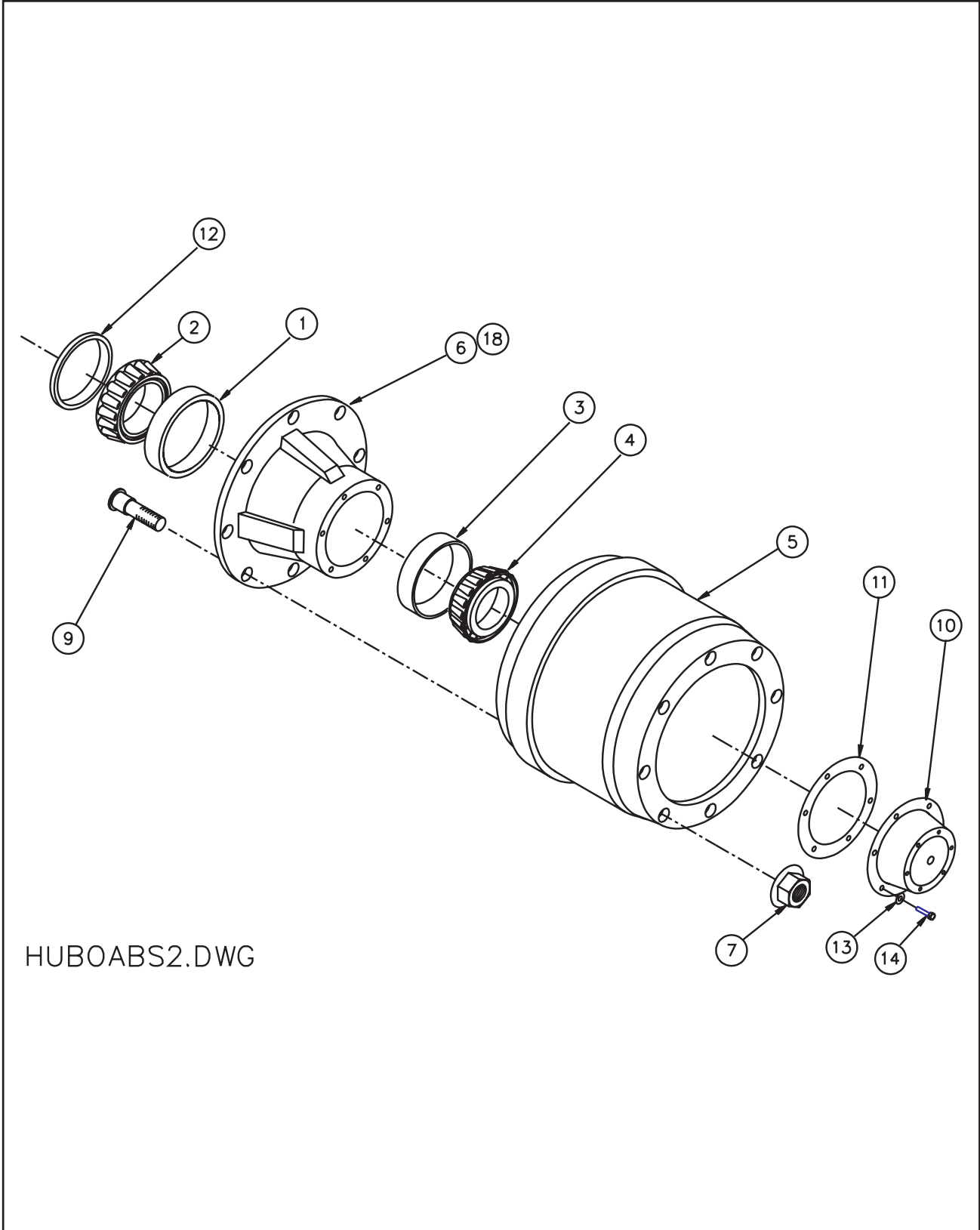


Figure 1-37 Outboard Pilot Mount Hub and Drum

OUTBOARD PILOT MOUNT HUB AND DRUM

ITEM	PART NO.	DESCRIPTION	QTY.
	3-406-010076	HUB/DRUM ASSY. 8 BOLT 12-1/4" PILOT MOUNT, ABS (L.H. AND R.H. ARE SAME)	1
1	HM218210	INNER BEARING CUP	1
2	HM218248	INNER BEARING CONE	1
3	HM212011	OUTER BEARING CUP	1
4	HM212049	OUTER BEARING CONE	1
5	63680	OUTBOARD MOUNTED BRAKE DRUM	1
6	2027	HUB IRON	1
7	179955	FLANGE NUT	8
9	101162	STUD	8
10	021-038-01 (4009)	CAP HUB	1
11	071-124-00 (3067)	GASKET OIL CAP	1
12	3-659-010012	SEAL	1
13	1-861-010034-10	WASHER SPRING LOCK 5/16	6
14	1-654-010049-03	SCREW HEX HEAD CAP 5/16-18 X 3/4 GR5	6
15*	3-870-010097	WHEEL 17.5X6.75 PILOT MOUNT (NOT SHOWN)	2
16	TR573	VALVE STEM (NOT SHOWN)	2
18	*	ABS TONE RING	2

* THIS PART SHOULD BE REPLACED IN CONJUNCTION WITH THE BRAKE DRUM.
IT SHOULD NEVER BE SOLD SEPARATELY.

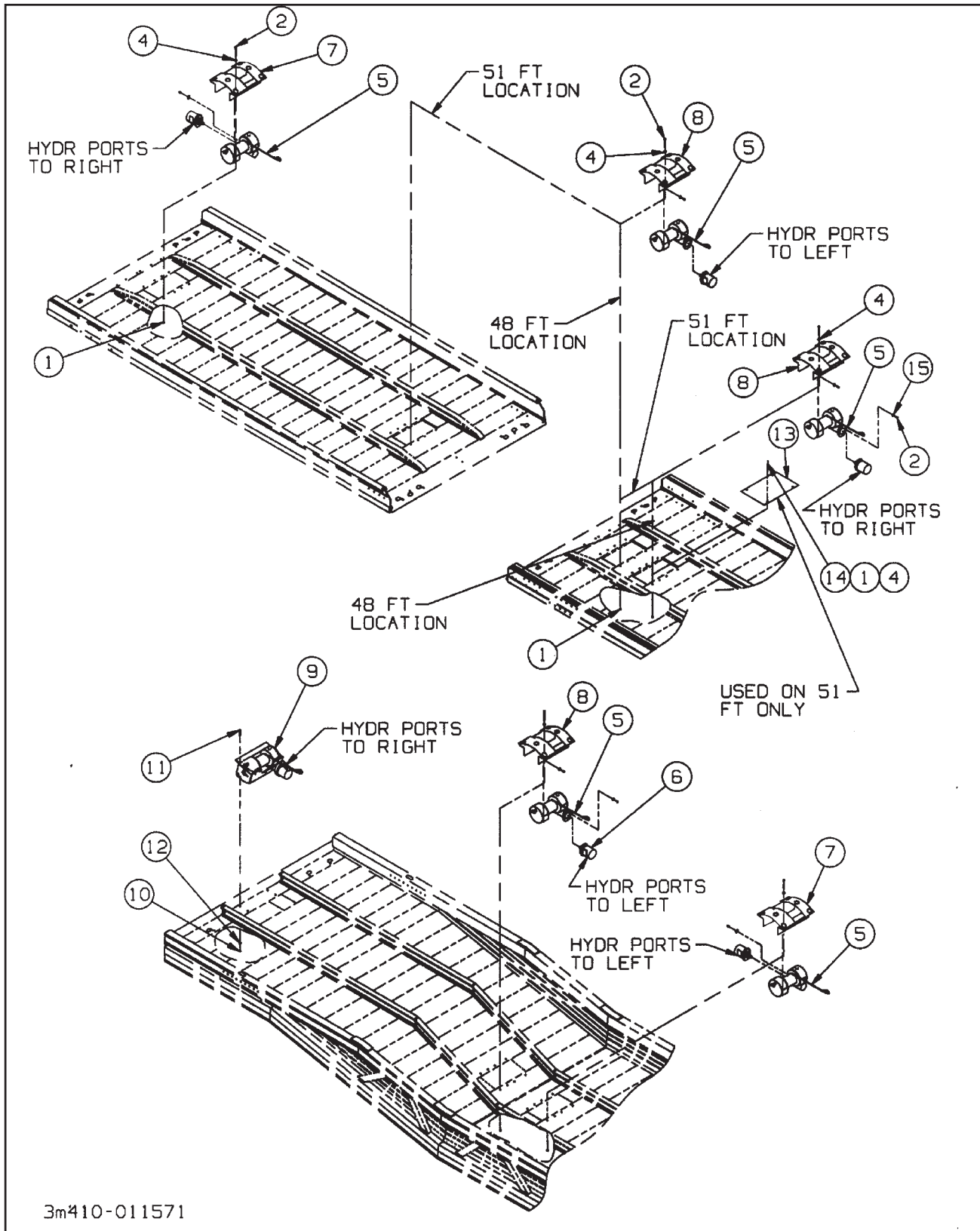


Figure 1-38 Winch Installation

WINCH INSTALLATION

ITEM	PART NO.	DESCRIPTION	QTY.	
	3-410-011571	WINCH 8,000 INSTALLATION	48'	51'
1	1-512-010005-09	NUT HEX LOCK 1/2-13 GRB	40	44
2	1-654-010089-15	SCREW SKT BTN CP 1/2-13 X 1-3/4	50	50
4	1-861-010032-15	WASHER FLAT 1/2	40	44
5	3-155-010013	CABLE 3/8 W/ THIMBLE 65 FT	5	5
6	3-481-010012	MOTOR HYDR 2.8 CI/R 2 BOLT	5	5
7	3-482-010026	MOUNT WINCH ASSEMBLY (SEE PAGE 1-61)	2	2
8	3-482-010312	MOUNT WINCH ASSEMBLY (SEE PAGE 1-61)	3	3
9	3-873-010147	WINCH 8000 ASSEMBLY TRAILER (SEE PAGE 1-61)	1	1
10	1-512-010005-13	NUT HEX LOCK 5/8-11GRB	4	4
11	1-654-010059-05	SCREW HEX HEAD CAP 5/8-11X2	4	4
12	1-861-010032-19	WASHER FLAT 5/8	4	4
13	3-222-010165	COVER WINCH OPENING 336	-	1
14	1/2-13X1-1/2CB	SCREW RD HEAD SQ NECK	-	4
15	1-861-010034-13	WASHER SPLIT LOCK 1/2	10	10

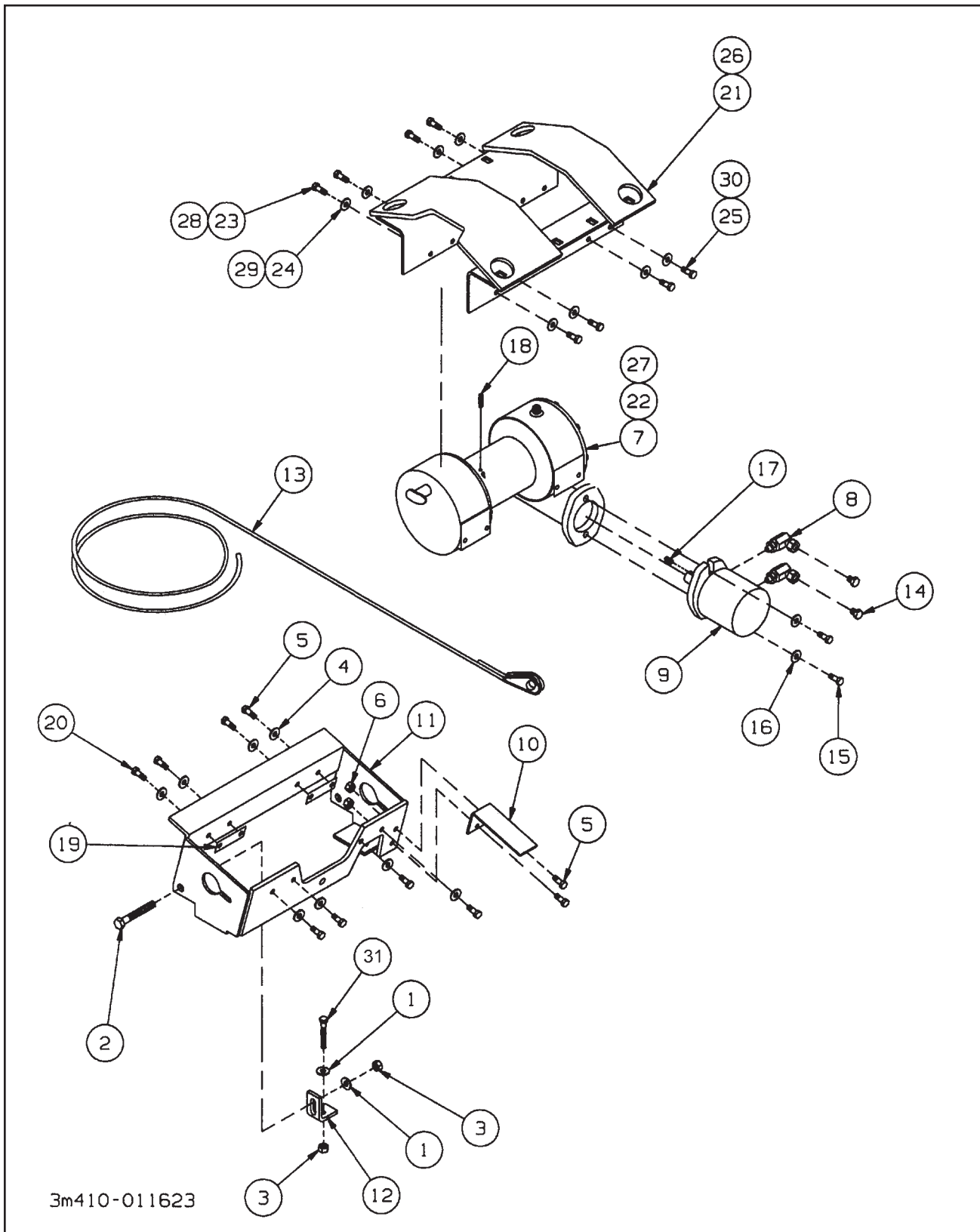


Figure 1-39 Winch Assembly

WINCH ASSEMBLY

ITEM	PART NO.	DESCRIPTION	QTY.
	3-873-010147	WINCH 8,000 ASSY TRL (INCLUDES 1 - 20)	
1	1-861-010032-19	WASHER FLAT 5/8	6
2	1-654-010059-03	SCREW HEX HEAD CAP 5/8-11 X 1-1/2 GR5	2
3	1-512-010005-13	NUT HEX LOCK 5/8-11 GRB	6
4	1-861-010034-11	WASHER LOCK 3/8 CONICAL	8
5	1-654-010051-05	SCREW HEX HEAD CAP 3/8-16UNCX1 GR5	10
6	1-512-010005-05	NUT HEX LOCK 3/8-16 GRB	2
7	3-873-010073	WINCH 8000# WORM GEAR (SEE PAGE 1-63)	1
8	2068-8-10S	FITTING O-RING 90 3/8 TO 7/8	2
9	3-481-010012	MOTOR HYDR 2.8 CI/R 2 BOLT (SEE PAGE 1-65)	1
10	3-311-013079	WINCH HOSE SHIELD	1
11	3-482-010543	MOUNT WINCH 336A WELDMENT	1
12	3-311-013068	WORM WINCH ANCHOR	2
13	3-155-010013	CABLE W/ THIMBLE	1
14	1-007-010026	PLUG PLASTIC 1/2	2
15	1-654-010089-15	SCREW, SKT BTM CAP 1/2-13 X 1-3/4	REF
16	1-861-010034-13	WASHER WINCH MOT. MNTG 1/2 (INCL.W/ITEM 7)	REF
17	RSR8999X1	KEY (INCLUDED W/ ITEM 7)	REF
18	SET SCREW	SOC SET SCREW (INCLUDED W/ ITEM 7)	REF
19	3-684-010031	SHIM WINCH	2
20	1-654-010051-06	SCREW HEX HEAD CAP 3/8-16 X 1-1/4 GR8	4
	3-482-010026***	MOUNT ASSY WINCH (INCLUDES ITEMS 21 - 24)	2
21	3-482-010005	MOUNT WINCH	2
22	3-873-010109*	WINCH WORM GEAR 8000# (SEE PAGE 1-63)	2
23	1-654-010151-05	SCREW HEX HEAD CAP 3/8-16 X 1 GR8	8
24	1-861-010034-11	WASHER LOCK 3/8	16
	3-482-010312**	MOUNT ASSY WINCH (INCLUDES ITEMS 25 - 28)	
25	1-654-010051-06	SCREW HEX HEAD CAP 3/8-16 X 1-1/4 GR8	
26	3-482-010005	MOUNT WINCH	3
27	3-873-010073	WINCH 8000# WORM GEAR (SEE PAGE 1-63)	3
28	1-654-010051-05	SCREW HEX HEAD CAP 3/8-16 X 1 GR8	24
29	1-861-010034-11	WASHER LOCK 3/8	24
30	1-654-010051-06	SCREW HEX HEAD CAP 3/8-16 X 1-1/4 GR8	8
31	1-654-010059-05	SCREW HEX HEAD CAP 5/8-11 X 2 GR5	REF

* ITEM 27 IS THE SAME AS ITEM 7 EXCEPT THE MOTOR ADAPTER FLANGE IS MOUNTED ON THE OPPOSITE SIDE.

** LOCATED AT REAR UPPER DECK MIDDLE DECK AND MIDDLE LOWER DECK.

*** LOCATED AT FRONT UPPER DECK AND REAR LOWER DECK.

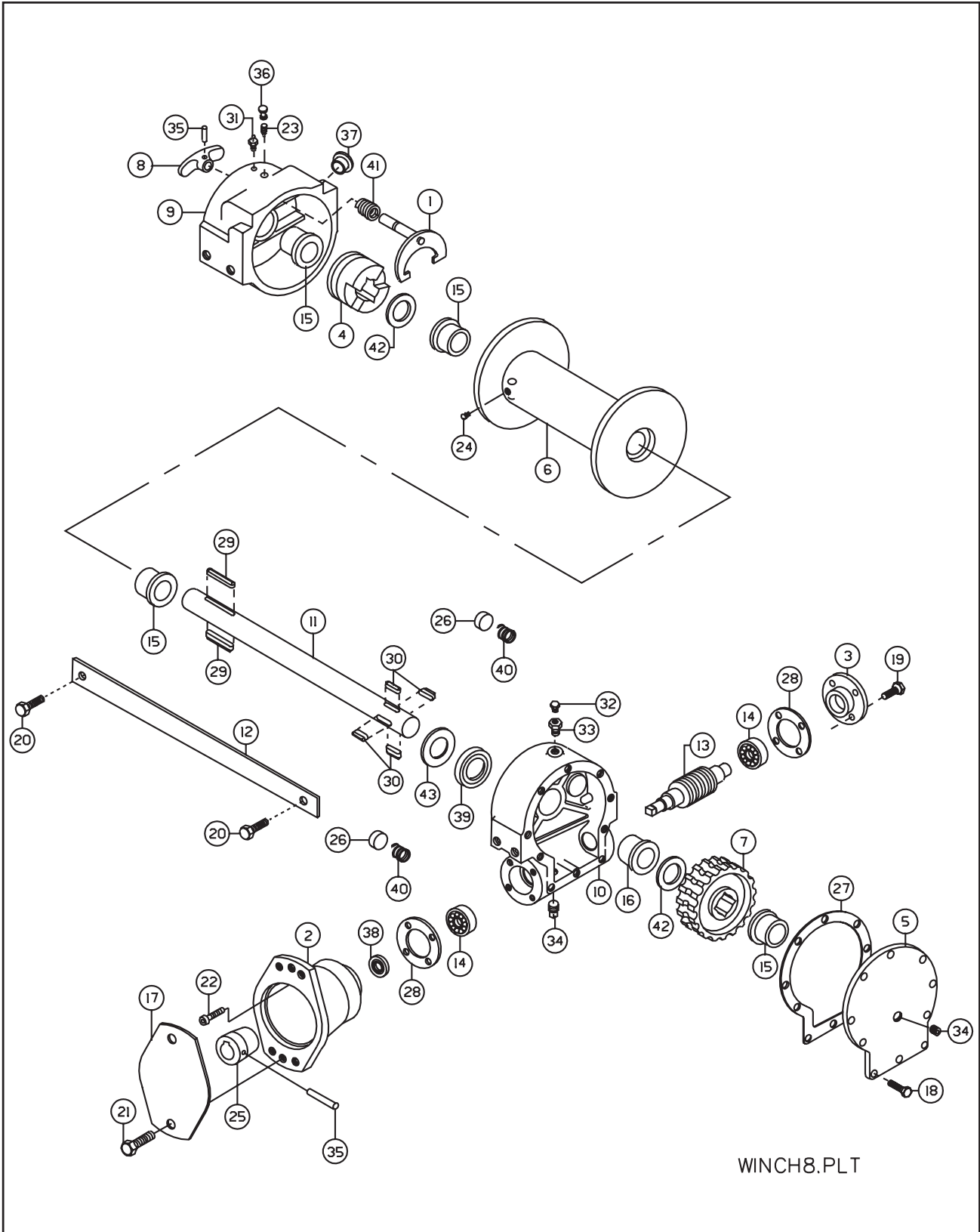


Figure 1-40 8,000# Winch Assembly

8,000# WINCH ASSEMBLY

ITEM	PART NO.	DESCRIPTION	QTY.
	3-873-010073	WINCH 8000# WORM GEAR (RAMSEY)(SHOWN)	1
	3-873-010109 *	WINCH 8000# WORM GEAR (RAMSEY)(SAME PARTS)	1
1	276028	SHIFTER ASSY	1
2	300039	ADAPTER	1
3	316083	BEARING CAP	1
4	324160	JAW CLUTCH	1
5	328134	COVER	1
6	332007	DRUM-"Y"	1
7	334163	GEAR RH 46:1	1
8	336A010	HANDLE	1
9	338208	HOUSING-CLUTCH	1
10	338273	HOUSING-GEAR	1
11	357481	SHAFT-DRUM-"Y"	1
12	364018	SHIP-STRAP	1
13	368017	WORM RH 46:1	1
14	402002	BEARING-BALL	2
15	412003	BUSHING	4
16	412045	BUSHING	1
17	413013	COVER-HYD ADAPTER	1
18	414038	CAPSCREW	10
19	414045	CAPSCREW	4
20	414279	CAPSCREW	2
21	414521	CAPSCREW	2
22	414835	CAPSCREW	4
23	416030	SETSCREW SOC HEADLESS	1
24	416059	SETSCREW SOC HEADLESS	1
25	431007	COUPLING	1
26	438014	DISC-BRAKE	2
27	442205	GASKET	1
28	442184	GASKET	2
29	450006	KEY-BARTH	2
30	450016	KEY-BARTH	4
31	456001	FITTING-LUB	1
32	456008	FITTING-RELIEF	1
33	468002	REDUCER	1
34	468011	PIPE PLUG	2
35	470033	SPIRAL PIN	2
36	472012	PLUG-RUBBER	1
37	472013	PLASTIC PLUG	1
38	486009	OIL SEAL	1
39	486017	OIL SEAL	1
40	494002	PLASTIC PLUG	2
41	494053	OIL SEAL	1
42	518014	THRUST WASHER	1
43	518015	THRUST WASHER	2

* THE MOTOR ADAPTER FLANGE IS MOUNTED ON THE OPPOSITE SIDE AS 3-873-010073.

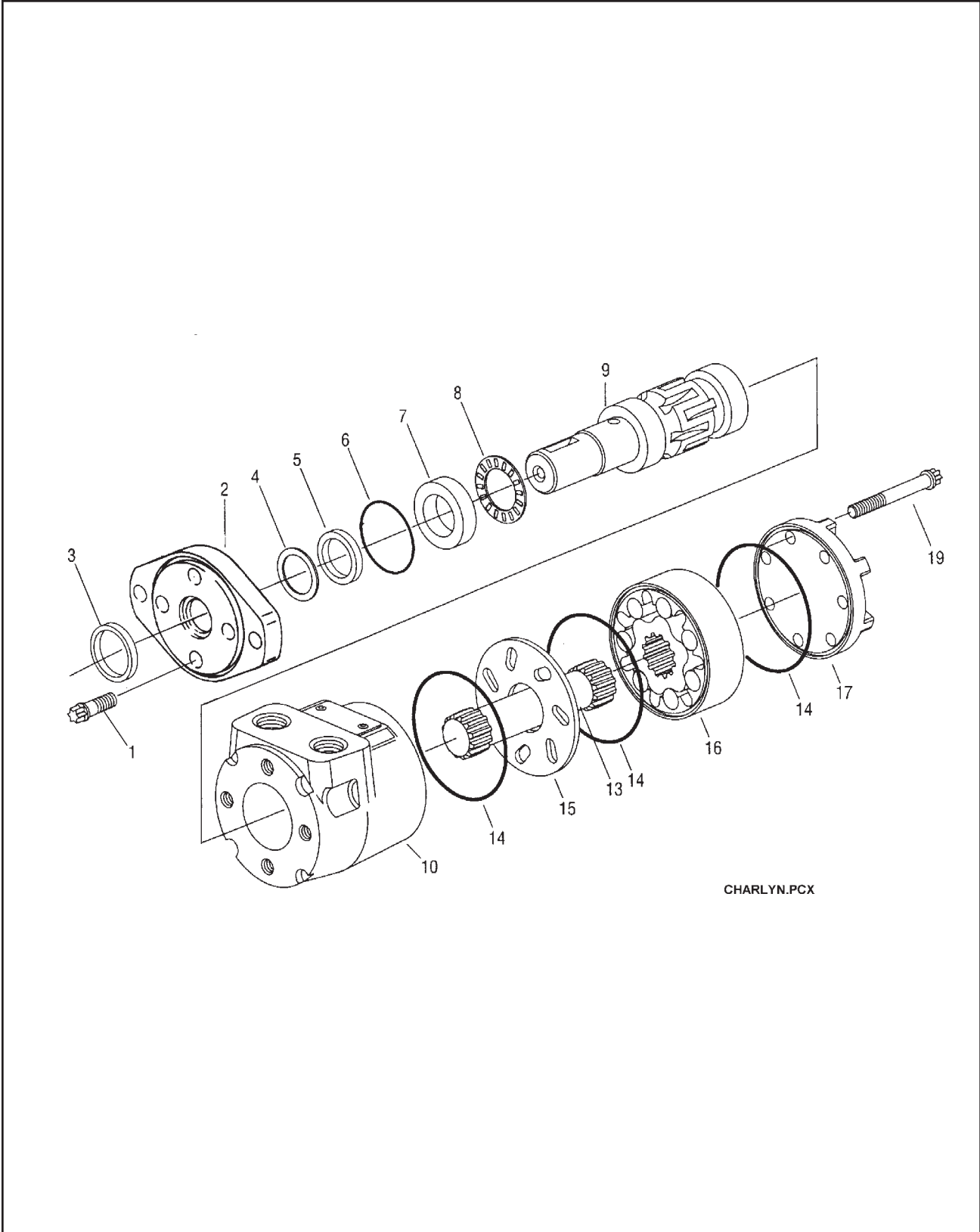
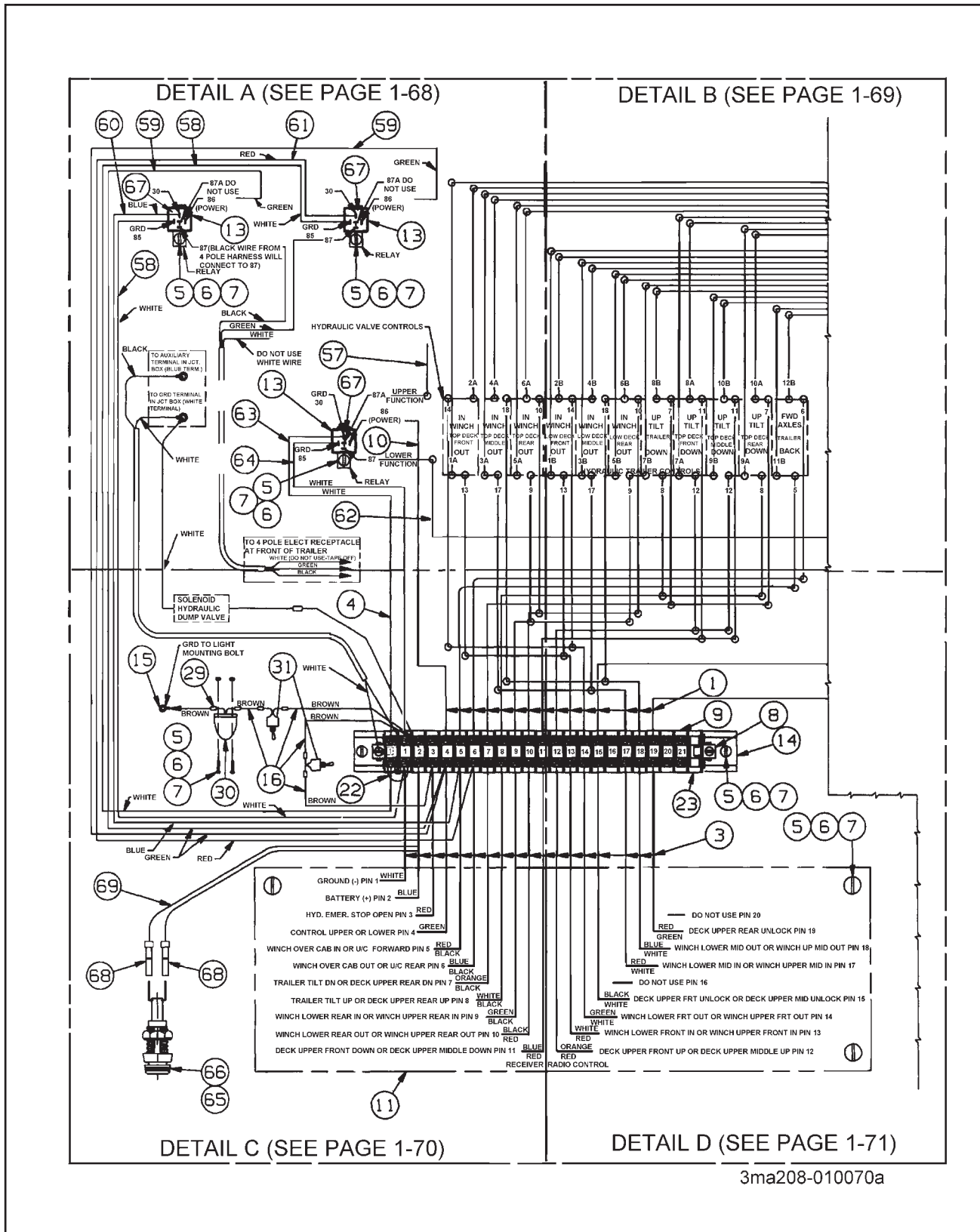


Figure 1-41 Winch Motor Assembly 8,000#

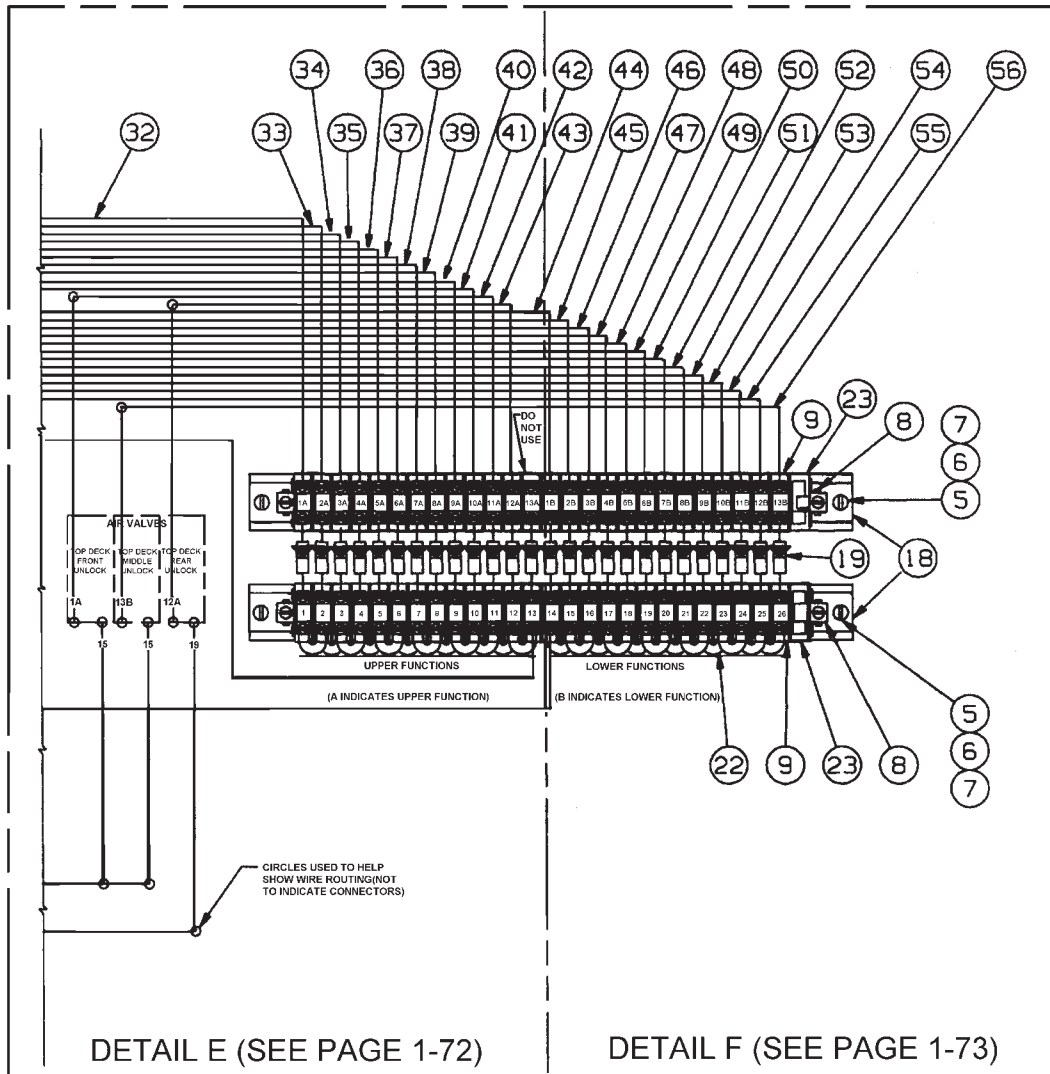
WINCH MOTOR ASSEMBLY 8,000#

ITEM	PART NO.	DESCRIPTION	QTY.
	3-481-010012	MOTOR HYDR 2.8 CI/R 2 BOLT	1
	103-1034-011	CHAR-LYNN MOTOR -011 DESIGN	1
1	16292-088	SCREW CAP	4
2	22000-001	FLANGE MOUNTING (2 BOLT)	1
3	*9121-002	SEAL EXCLUSION	1
4	*22002-000	WASHER BACKUP	1
5	*9057-014	SEAL PRESSURE	1
6	*9091-001	SEAL	1
7	7462-000	RACE THRUST BEARING	1
8	7537-000	BEARING THRUST NEEDLE	1
9	7360-001	SHAFT STRAIGHT W/ WOODRUFF KEY	1
	14193-000	WOODRUFF KEY	1
10	201285-001	HOUSING O-RING PORTS	1
13	20111-002	DRIVE	1
14	*9086-005	SEAL	3
15	22808-000	PLATE SPACER	1
16	22801-004	GEROLER	1
17	23986-001	CAP END	1
19	1694-188	SCREW CAP	7
	60564-000	SEAL KIT (INCLUDES ITEMS MARKED *)	1



3ma208-010070a

Figure 1-42 Electrical System, Remote Control



3ma208-010070b

Figure 1-43 Electrical System, Remote Control

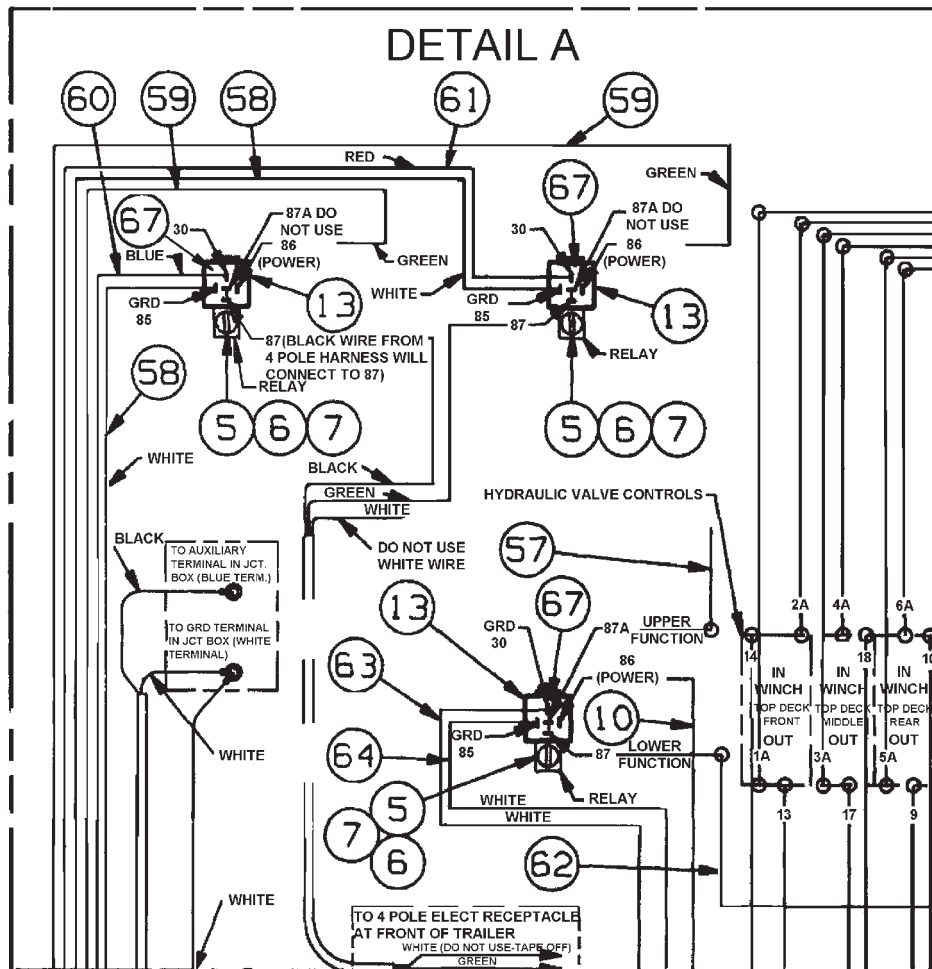
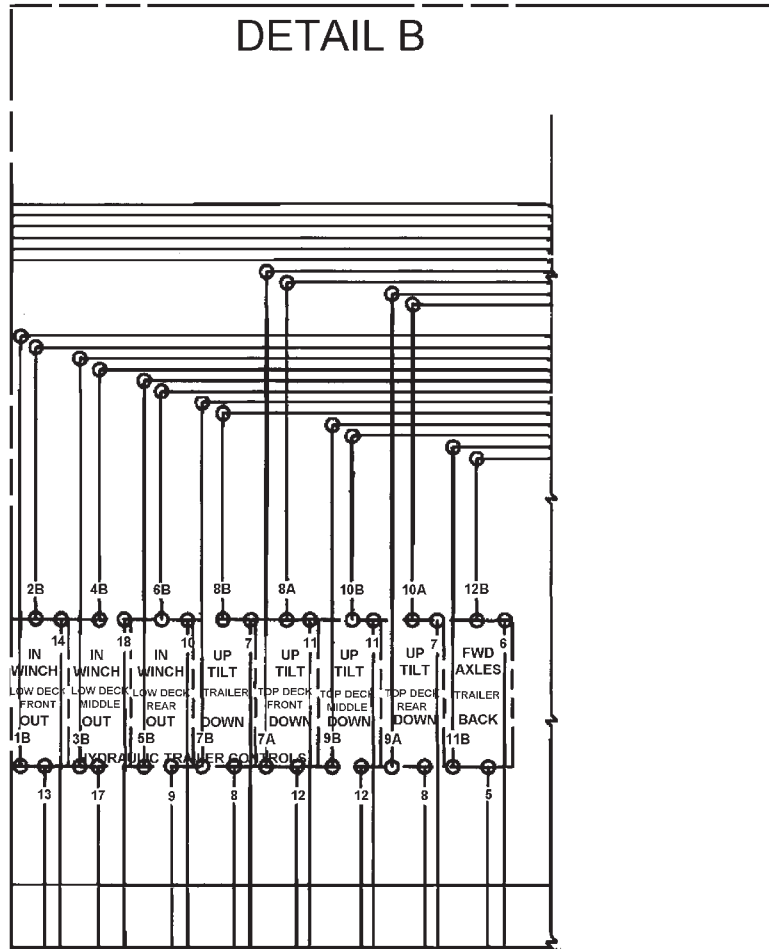
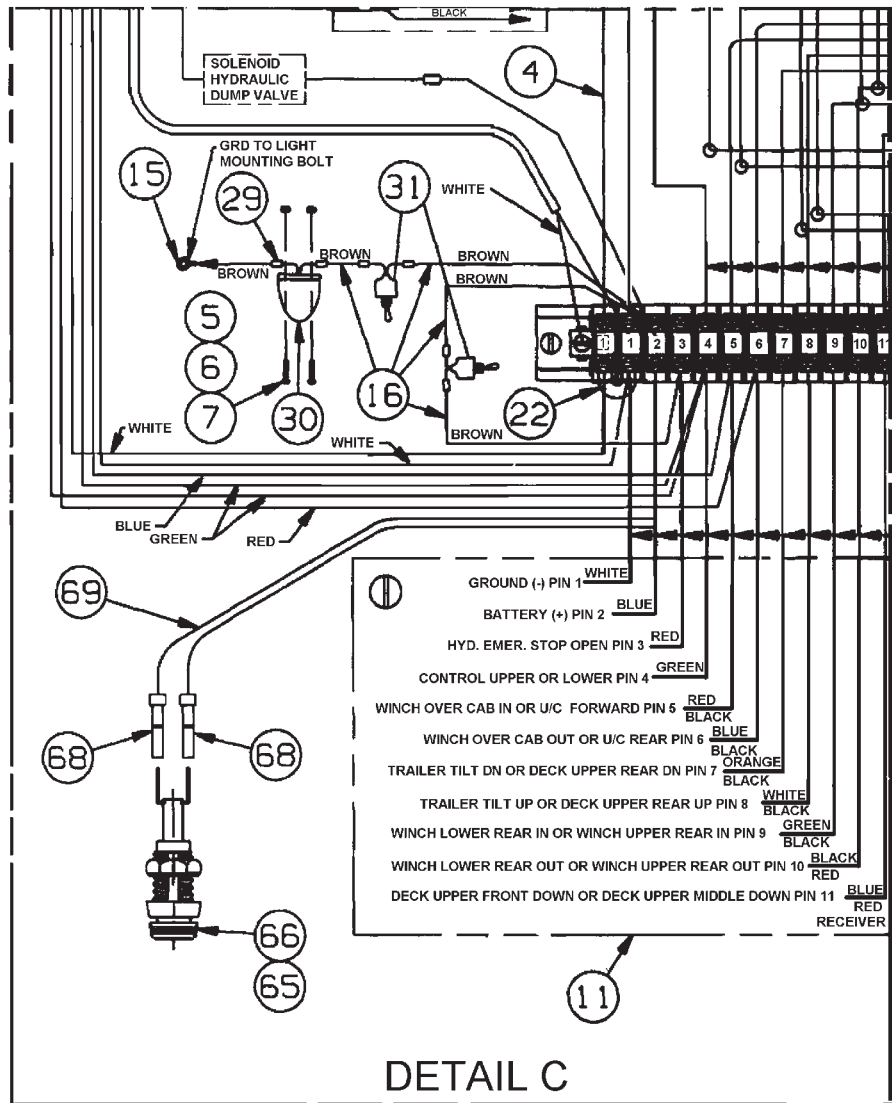


Figure 1-44 Electrical System, Remote Control Detail A



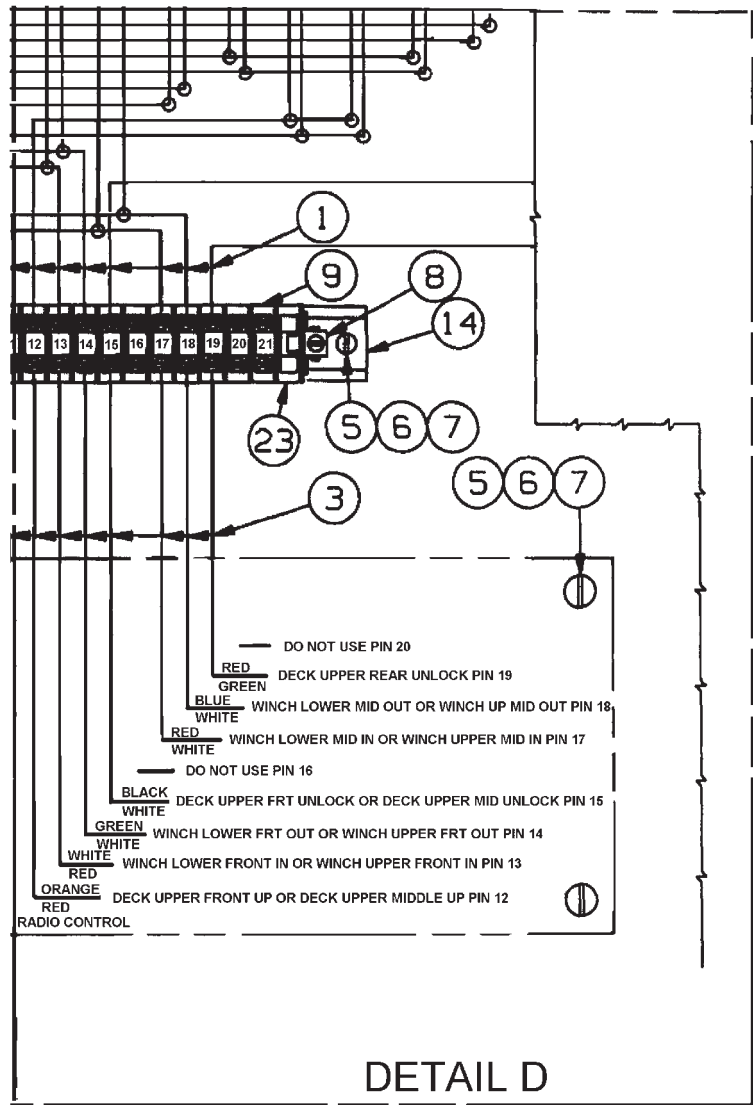
3ma208-010070a-b

Figure 1-45 Electrical System, Remote Control Detail B



3ma208-010070a-c

Figure 1-46 Electrical System, Remote Control Detail C



3ma208-010070a-d

Figure 1-47 Electrical System, Remote Control Detail D

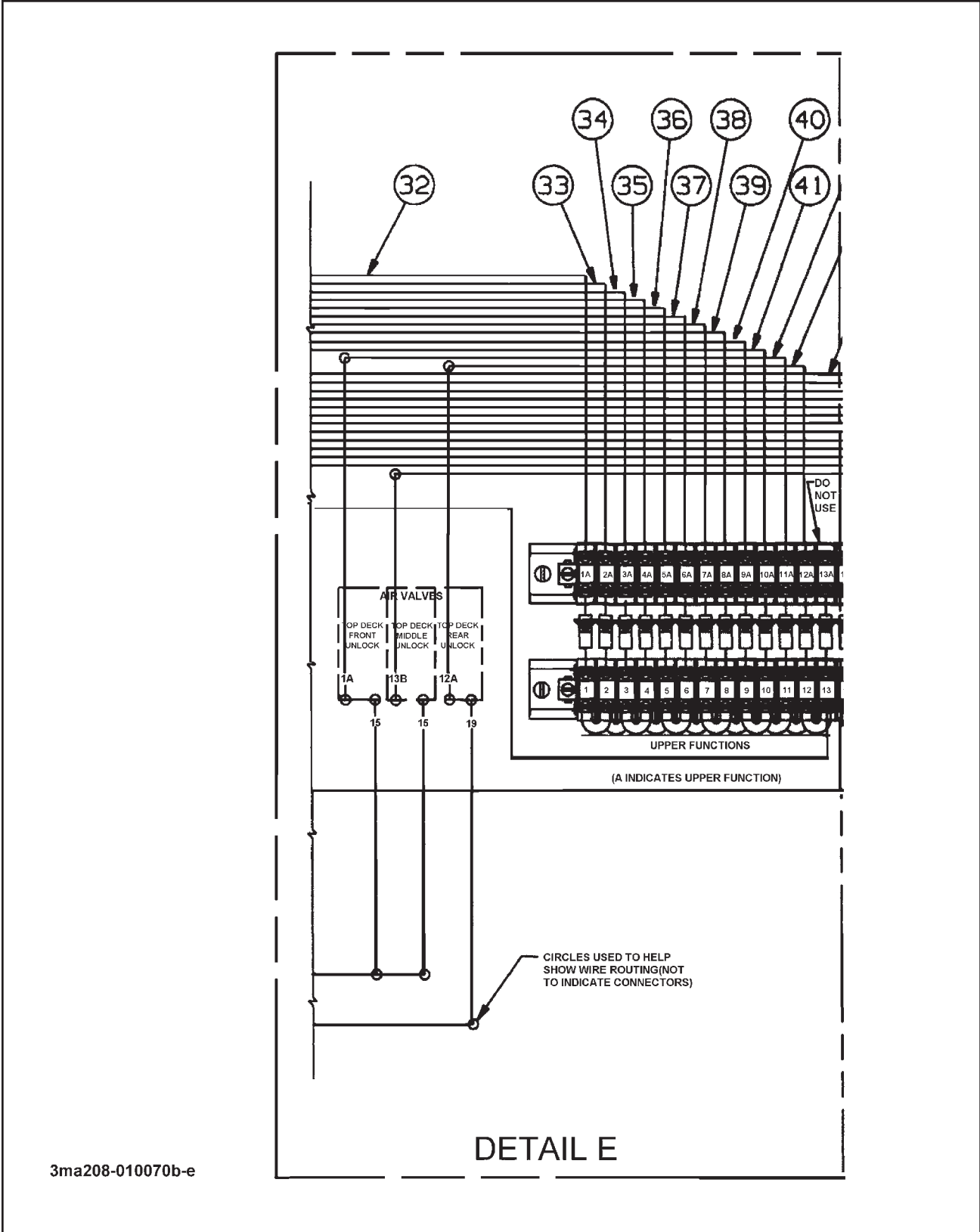
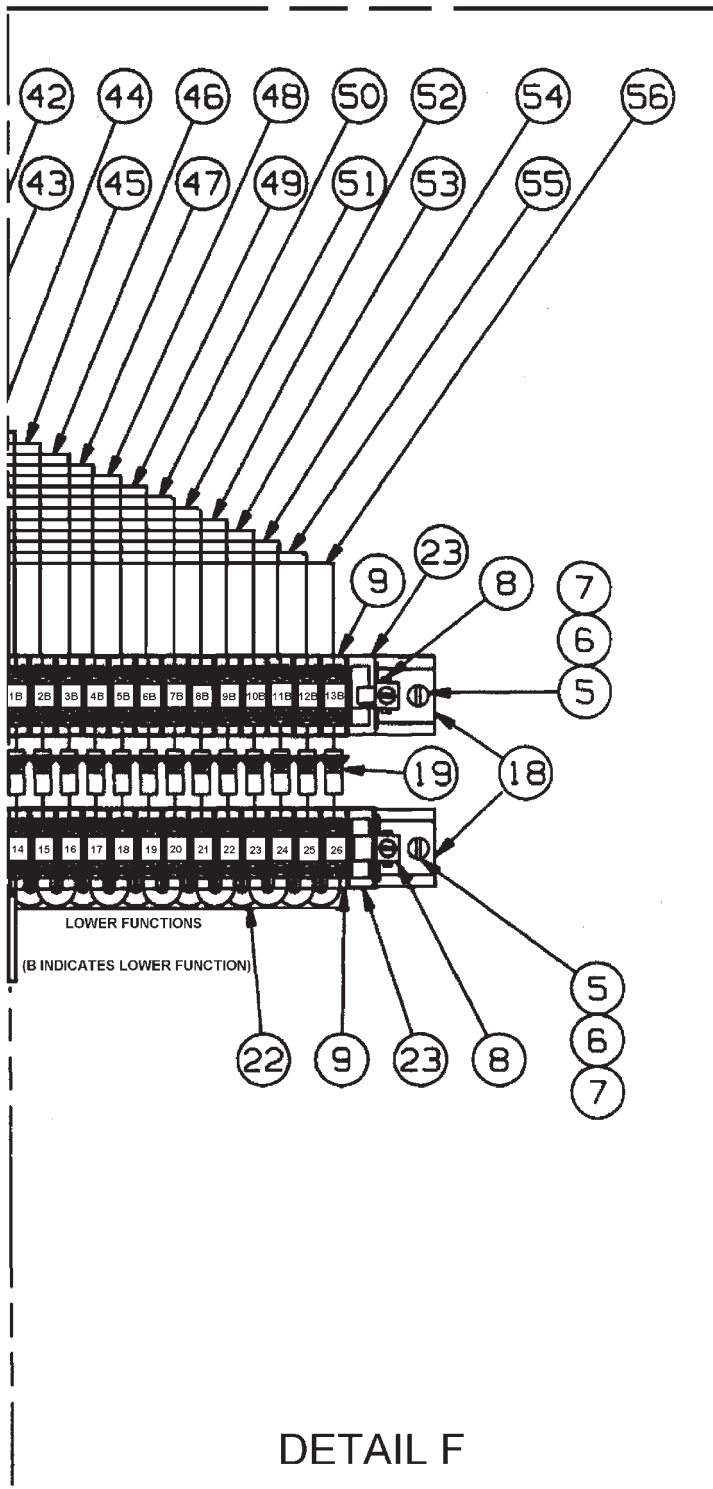


Figure 1-48 Electrical System, Remote Control Detail E



3ma208-010070b-f

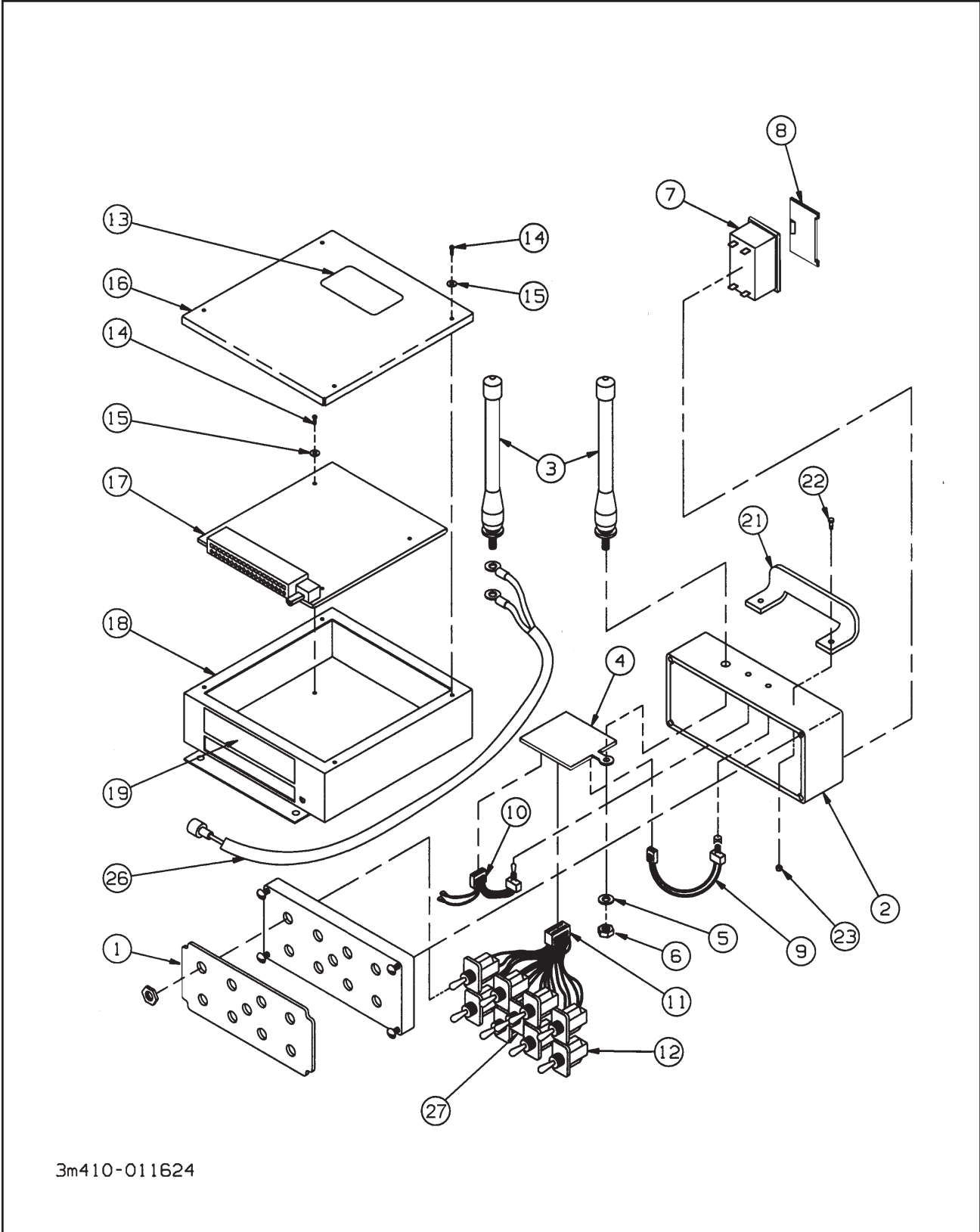
Figure 1-49 Electrical System, Remote Control Detail F

ELECTRICAL ASSEMBLY REMOTE CONTROL

ITEM	PART NO.	DESCRIPTION	QTY.
	3-208-010070	CONTROL BOX ASSY 336B (ELECTRICAL ASSY ONLY)	
1	3-368-010204	HARNESS SOLENOID TO TERM BLK	1
3	3-368-010206	HARNESS RAD RCVR TO TERM BLOCK	1
4	3-368-010239	HARNESS 4 POLE TO RELAYS	REF
5	103-0636	NUT ESNA THIN	18
6	107-0775	SCREW MACH PAN HD SLT	18
7	110-0253	WASHER FLAT	18
8	238-9030-12	CLAMP TERM BLOCK	6
9	238-9030-21	TERM BLOCK MEDIUM	74
10	1-879-010124-01	WIRE GREEN LABELED PWR W/ SPADE	1
11	3-208-010056	RADIO CONTROL REMOTE (SEE PAGE 1-77)	1
13	3-624-010008	RELAY SPDT QUICK CONNECT	3
14	514-5728-7	TERMINAL CHANNEL	1
15	3-203-010001	RING TERMINAL	1
16	1-879-010005	WIRE BROWN	10.5FT
18	514-5728-8	TERMINAL CHANNEL	2
19	238-6832	DIODE 6 AMP	26
22	238-9030-23	JUMPER TERM BLOCK	25
23	238-9030-22	END TERMINAL BLOCK	3
29	3-272-010021	ELECT BUTT SPLICE W/ SEAL	6
30	15009	LICENSE LAMP	1
31	3-272-010017	TOGGLE SWITCH SEALED SPST	2
32	1-879-010129-01	WIRE LABELED 1A W/ SPADE	1
33	1-879-010129-02	WIRE LABELED 2A W/ SPADE	1
34	1-879-010129-03	WIRE LABELED 3A W/ SPADE	1
35	1-879-010129-04	WIRE LABELED 4A W/ SPADE	1
36	1-879-010129-05	WIRE LABELED 5A W/ SPADE	1
37	1-879-010129-06	WIRE LABELED 6A W/ SPADE	1
38	1-879-010129-07	WIRE LABELED 7A W/ SPADE	1
39	1-879-010129-08	WIRE LABELED 8A W/ SPADE	1
40	1-879-010129-09	WIRE LABELED 9A W/ SPADE	1
41	1-879-010129-10	WIRE LABELED 10A W/ SPADE	1
42	1-879-010129-11	WIRE LABELED 11A W/ SPADE	1
43	1-879-010129-12	WIRE LABELED 12A W/ SPADE	1
44	1-879-010129-13	WIRE LABELED 1B W/ SPADE	1
45	1-879-010129-14	WIRE LABELED 2B W/ SPADE	1
46	1-879-010129-15	WIRE LABELED 3B W/ SPADE	1
47	1-879-010129-16	WIRE LABELED 4B W/ SPADE	1
48	1-879-010129-17	WIRE LABELED 5B W/ SPADE	1
49	1-879-010129-18	WIRE LABELED 6B W/ SPADE	1
50	1-879-010129-19	WIRE LABELED 7B W/ SPADE	1
51	1-879-010129-20	WIRE LABELED 8B W/ SPADE	1
52	1-879-010129-21	WIRE LABELED 9B W/ SPADE	1
53	1-879-010129-22	WIRE LABELED 10B W/ SPADE	1
54	1-879-010129-23	WIRE LABELED 11B W/ SPADE	1
55	1-879-010129-24	WIRE LABELED 12B W/ SPADE	1
56	1-879-010129-25	WIRE LABELED 13B W/ SPADE	1
57	1-879-010129-28	WIRE LABELED GRD W/ SPADE	1

ELECTRICAL ASSEMBLY REMOTE CONTROL

ITEM	PART NO.	DESCRIPTION	QTY.
58	1-879-010129-27	WIRE WHITE LABELED 85-2 W/ SPADE	1
59	1-879-010124-02	WIRE GREEN LABELED 86-5 W/ SPADE	1
60	1-879-010125-1	WIRE BLUE LABELED 30-6 W/ SPADE	1
61	1-879-010126-01	WIRE RED LABELED 30-7 W/ SPADE	1
62	1-879-010129-29	WIRE LABELED 87A-22 W/ SPADE	1
63	1-879-010129-30	WIRE LABELED 30-1 W/ SPADE	1
64	1-879-010129-31	WIRE LABELED 85-2 W/ SPADE	1
65	2-318-010009	FUSE HOLDER PANEL MOUNT	1
66	3-318-010005	FUSE 12 VOLT 10 AMP	1
67	3-272-010166	ELECTRICAL CONNECTOR FOR RELAY	3
68	1-203-010040-5	CONNECTOR INSUL FEMALE PUSH ON	2
69	1-879-010008	WIRE BLUE	5FT



3m410-011624

Figure 1-50 Remote Control

REMOTE CONTROL

ITEM	PART NO.	DESCRIPTION	QTY.
	3-208-010056	CNTRL. RADIO REMOTE (MICROTRONICS 16H-LNDSP1-DF) (INCLUDES ITEMS 1 THROUGH 19)	
1	*	DECAL FACEPLATE	1
2	E006	ALUMINUM TRANSMITTER HOUSING	1
3	A001	ANTENNA	2
4	*	TRANSMITTER PC BOARD	1
5	H048	PLASTIC WASHER	1
6	H046	NUT BRASS	1
7	E002	BATTERY COMPARTMENT	1
8	H015	BATTERY DOOR	1
9	AY102	EMERGENCY STOP SWITCH W/ HARNESS	1
10	AY103	POWER SWITCH W/ HARNESS	1
11	AY109	TOGGLE WIRING HARNESS (SWITCHES TO PC BOARD)	AR
12	S005	TOGGLE SWITCH MOMENTARY	8
13	LB004	FCC LABEL	1
14	H038	SCREW	8
15	H039	WASHER	8
16	E001	LID RECEIVER	1
*17	3-208-010056-03	RECEIVER PC BOARD "A" BAND	1
	3-208-010056-04	RECEIVER PC BOARD "C" BAND	1
18	E001	LID RECEIVER	1
19	LB005	OUTPUT LABEL RECEIVER	1
20	AY115	ROD AND STRAP (NOT SHOWN)	1
21	3-348-010039	GUARD RADIO SWITCH	1
22	1-656-010003026	SCREW ROUND HEAD MACH 1/2X8-32	2
23	1-512-010007-02	NUT HEX 8-32	2
*24	**3-208-010056-01	TRANSMITTER COMPLETE	1
*25	**3-208-010056-02	RECEIVER COMPLETE	1
26	W001-15	ANTENNA CORD 15'	1
27	128279	TOGGLE SWITCH LATCHING	1

* GIVE SERIAL NUMBER OF REMOTE CONTROL UNIT WHEN ORDERING REPLACEMENT PC BOARDS, FACEPLATE DECAL, TRANSMITTER, OR RECEIVER.

** WHEN TRANSMITTER COMPLETE OR RECEIVER COMPLETE ARE REPLACED, THE 12 POSITION ADDRESS SWITCHES MUST MATCH EACH OTHER AND DO NOT USE SAME ADDRESS CODE AS ANOTHER UNIT IN THE AREA.

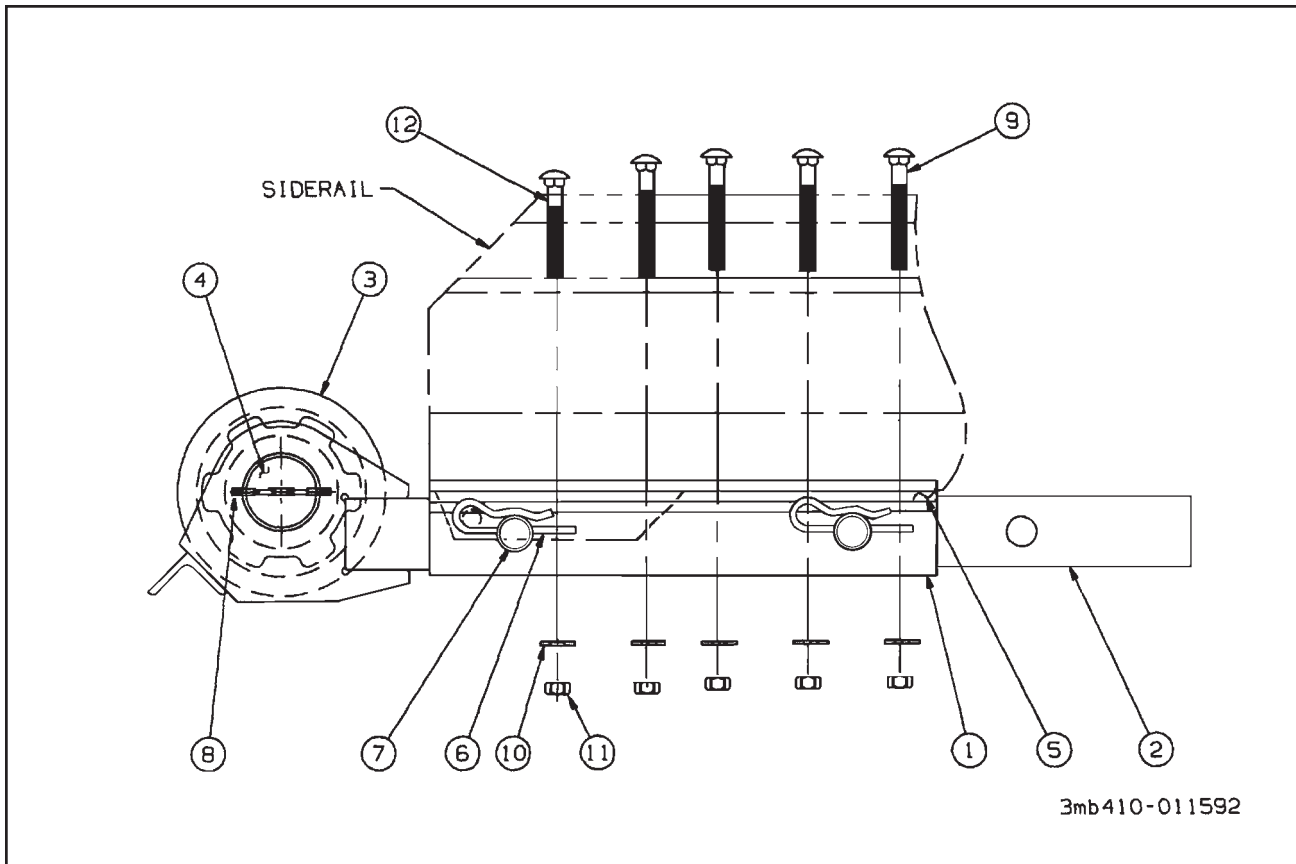


Figure 1-51 Cable Roller

CABLE ROLLER

ITEM	PART NO.	DESCRIPTION	QTY.
	B3-645-006	ROLLER ASSY TRL 336A (3-410-011592)	
1	3-829-010278	TUBE OUTER WLDMT GUIDE	2
2	3-755-010275	SUPPORT CABLE ROLLER WLDMT	1
3	3-352-010055	GUIDE WINCH CABLE WLDMT	1
4	3-557-010508	PIN CABLE ROLLER TRL336A	1
5	RAF2903X18	BAR AL	2
6	1-557-010014	PIN HAIR	2
7	3-557-010131	PIN AFT HINGE BRKT	2
8	1-647-010004-227	SPRING PIN SLOTTED TYPE 1/4 X 3-1/2	2
9	1-654-010070-13	SCREW ROUND HEAD SQUARE NECK 1/2-13 X 4	8
10	1-861-010032-14	WASHER FLAT 1/2	10
11	1-512-010007-09	NUT HEX 1/2-13	10
12	1-654-010070-11	SCREW ROUND HEAD SQUARE NECK 1/2-13 X 3-1/2	2

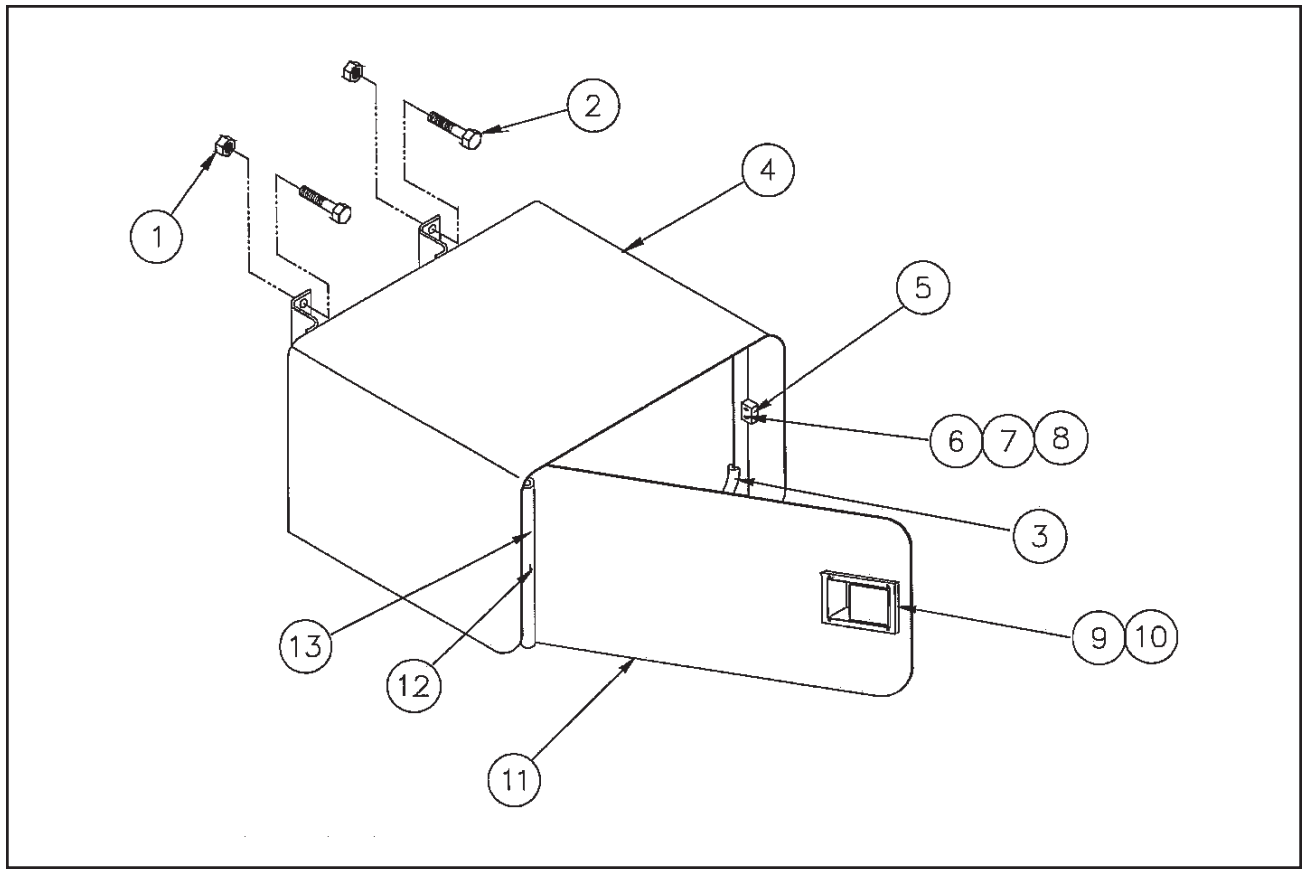


Figure 1-52 Tool Box

TOOL BOX

ITEM	PART NO.	DESCRIPTION	QTY.
	B5-115-011	TOOL BOX LT	
	B5-115-012	TOOL BOX RT	
	B5-432-008	KIT BOLTS TOOL BOX (INCLUDES 1, 2, AND 3)	
1	1-512-010005-09	NUT HEX LOCK 1/2-13	4
2	1-654-010055-03	SCREW HEX HD CAP 1/2-13 X 1-1/2 GR5	4
3	514-1000-056	TRIM QUICKEDGE CUT	2
	3-115-010139	TOOL BOX ASSY LT (INCLUDES 4 THROUGH 13)	
	3-115-010140	TOOL BOX ASSY RT (INCLUDES 4 THROUGH 13)	
4	3-115-010099	TOOL BOX WLDMT LT	1
	3-115-010097	TOOL BOX WLDMT RT	1
5	3-659-010013-1	SEAL NEOPRENE SPONGE	1
6	7-458-010009	PLATE STRIKER	1
7	110-0253	WASHER FLAT	2
8	118-7962	SCREW PAN HEAD MACH SLT	2
9	BSL-6-4	RIVET LG GRIP FLANGE	4
10	3-443-010010	LATCH	1
11	3-115-010096	DOOR TOOL BOX WLDMT	1
12	1-654-010147-03	SCREW SELF-TAP SLOT ROUND HD #6-20 X .375	1
13	RPRB59004X11	NYLATRON RD	1

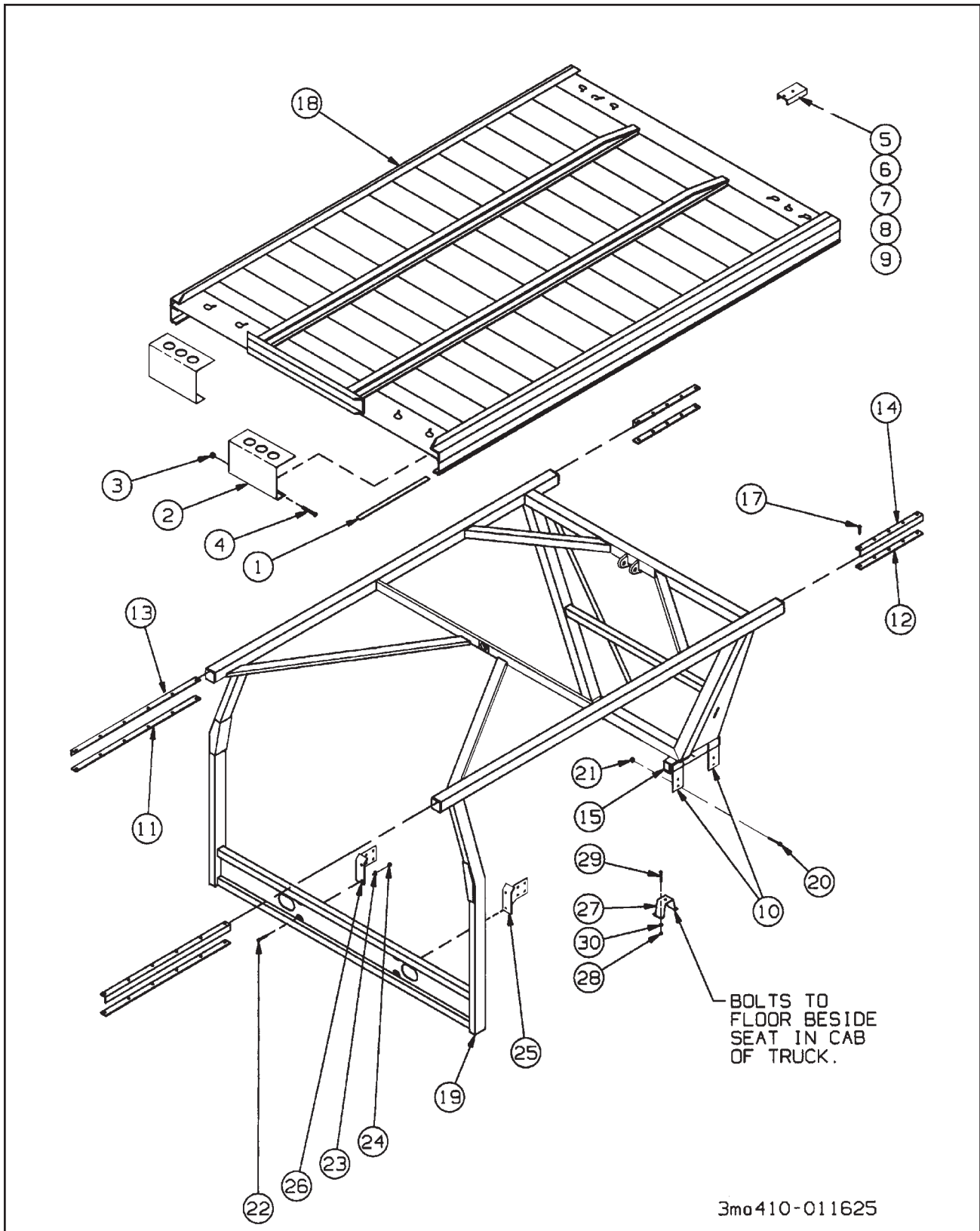


Figure 1-53 "Over-the-Cab" Frame and Bed

“OVER-THE-CAB” FRAME AND BED

ITEM	PART NO./PAGE	DESCRIPTION	QTY.
1	3-080-010139	COVER WIRE CONCEALING	2
2	3-741-010004	STOP WLDMT WHEEL RIGID	2
3	1-512-010005-13	NUT HEX LOCK 5/8-11 GRB	4
4	1-654-010059-03	SCREW HEX HEAD CAP 5/8-11 X 1-1/2 GR5	4
5	3-741-010015	STOP BED SAFETY	1
6	1-654-010051-09	SCREW HEX HEAD CAP 3/8-16 X 2 GR5	1
7	1-654-010051-13	SCREW HEX HEAD CAP 3/8-16 X 3 GR5	1
8	1-512-010005-05	NUT HEX LOCK 3/8-16 GRB	2
9	1-861-010032-11	WASHER FLAT 3/8	2
10	3-311-013619	ANCHOR FRAME MTG (WELDED TO FRAME)	4
11	3-334-010001	GLIDE BED STRIP	2
12	3-334-010002	GLIDE BED STRIP	2
13	3-334-010003	GLIDE BED ANGLE	2
14	3-334-010004	GLIDE BED ANGLE	2
15	3-755-010089	SUPPORT BASE FRAME (WELDED TO FRAME)	2
17	1-654-010146-04	SCREW SLOTTED FLAT HD 1/4-2 X 3/4 GR5	44
18	3-080-010126	BED WELDMNT (SEE PAGE 1-82)	1
	3-080-010278	BED WELDMNT (SEE PAGE 1-82)	1
19	3-311-015715	BED FRAME WELDMNT (SEE PAGE 1-82)	1
	3-311-015623	BED FRAME WELDMNT (SEE PAGE 1-82)	1
	3-311-016004	BED FRAME WELDMNT (SEE PAGE 1-82)	1
	3-311-015577	BED FRAME WELDMNT (SEE PAGE 1-82)	1
	3-311-016128	BED FRAME WELDMNT (SEE PAGE 1-82)	1
20	1-654-010096-05	SCREW HEX HEAD CAP 1/2-20 X 2 GR8	8
21	1-512-010005-10	NUT, HEX LOCK 1/2-20 GRB	8
22	1-654-010032-4	SCREW HEX HEAD CAP 3/4-10 X 1-3/4 GR8	7
23	1-861-010032-20	WASHER FLAT 3/4	4
24	1-512-010002-15	NUT HEX 3/4-10	4
25	3-311-014910	MOUNT WELDMNT (SEE PAGE 1-82)	1
	3-311-014909	MOUNT WELDMNT (SEE PAGE 1-82)	1
26	3-482-010246	MOUNT WELDMNT (SEE PAGE 1-82)	1
	3-311-014910	MOUNT WELDMNT (SEE PAGE 1-82)	1
	B3-482-001	MOUNT FOR PTO CABLE	
27	3-482-010107	MOUNT, PTO CABLE	1
28	5/16-24HFLN	NUT, HEX LOCK	4
29	5/16-24X1CS	SCREW, HEX HEAD CAP 5/16-24 X 1	4
30	1-861-010032-09	WASHER, FLAT	4

GMC 7000 FRAME PARTS

ITEM	PART NO.	DESCRIPTION	QTY.
18	3-080-010126	BED WLDMT OVER CAB	1
19	3-311-015715	FRAME WLDMT OVER CAB (GMC-7000)	1

FORD LS-8000 FRAME PARTS

ITEM	PART NO.	DESCRIPTION	QTY.
18	3-080-010278	BED WLDMT OVER CAB	1
19	3-311-015623	FRAME WLDMT OVER CAB FORD LS-8000	1
25	3-311-014910	MOUNT WLDMT BUMPER ADAPTER LH	1
26	3-482-010246	MOUNT WLDMT BUMPER ADAPTER RH	1

MACK FRAME PARTS

ITEM	PART NO.	DESCRIPTION	QTY.
18	3-080-010278	BED WLDMT OVER CAB 2 CYL (RD688R)	1
19	3-311-016004	FRAME WLDMT OVER CAB MACK 2 CYL (RD688R)	1

INTERNATIONAL HARVESTER FRAME PARTS

ITEM	PART NO.	DESCRIPTION	QTY.
18	3-080-010278	BED WLDMT OVER CAB 2 CYL	1
	3-080-010126	BED WLDMT OVER CAB (IH-4900)	1
19	3-311-015577	FRAME WLDMT OVER CAB (IH-7100)	1
	3-311-016218	FRAME WLDMT OVER CAB (IH-4900)	1
	3-311-015952	FRAME WLDMT OVER CAB (IH-8300) 2 CYL	1
25	3-311-014909	MOUNT WLDMT FRAME LH	1
26	3-311-014910	MOUNT WLDMT FRAME RH	1

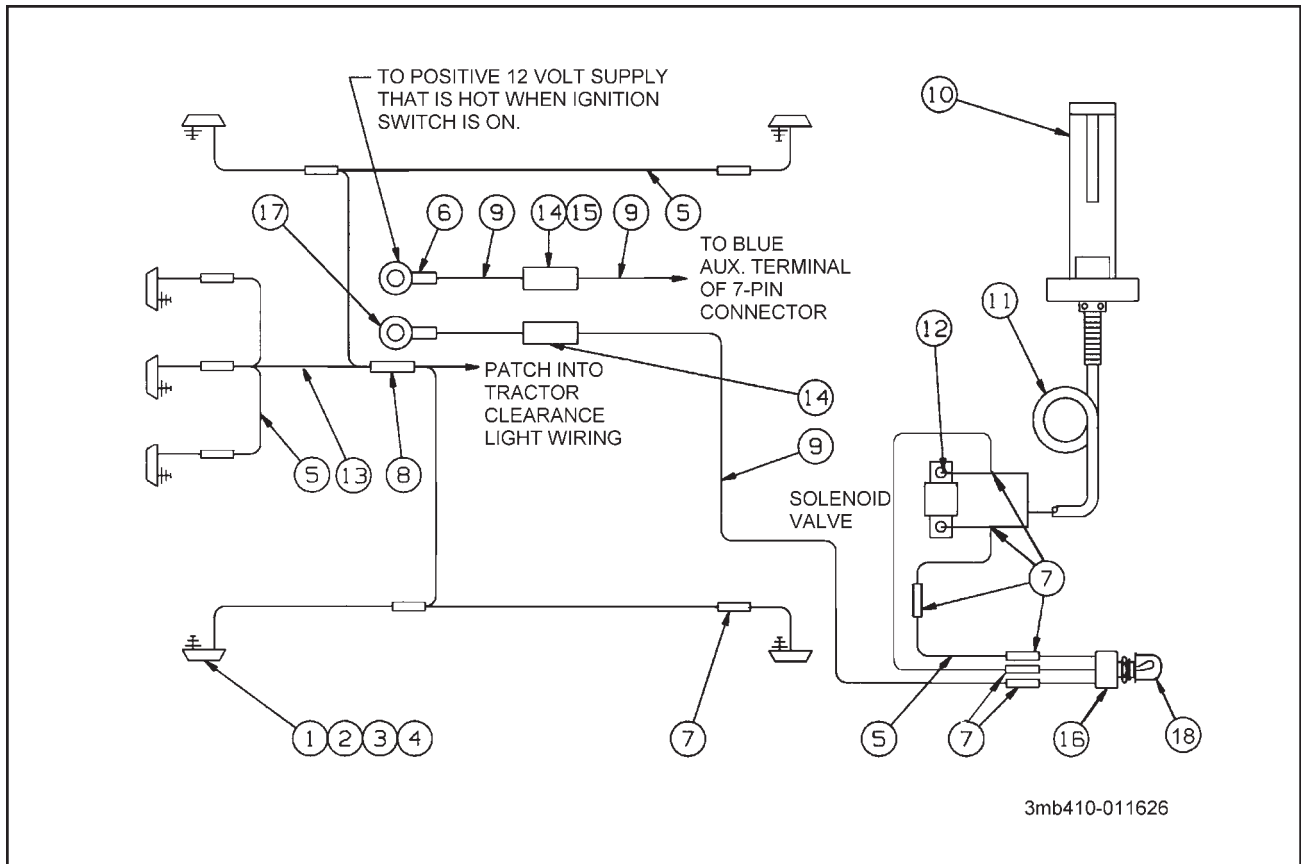


Figure 1-54 "Over-the-Cab" Electrical Assembly

"OVER-THE-CAB" ELECTRICAL ASSEMBLY

ITEM	PART NO.	DESCRIPTION	QTY
	B3-272-060	ELEC 331 AUX POWER	
1	3-446-010006	LIGHT CLEARANCE YELLOW	7
2	1-656-010003056	SCREW ROUND HEAD MACHINE	14
3	1-512-010007-03	NUT 10-24	14
4	110-0240	WASHER SPLIT LOCK	14
5	1-879-010005	WIRE BROWN	47.6'
6	C01-412	RING TERMINAL	1
7	3-272-010021	ELECT BUTT SPLICE W/ SEAL	11
8	3-272-010022	ELECT BUTT SPLICE W/ SEAL	1
9	1-879-010008	WIRE BLUE 14 AWG	10'
10	3-272-010010	CONNECTOR ELECT 4 POLE MALE	1
11	3-156-010008	CABLE TWO CONDUCTOR	13.5'
12	C29-1104X	CONN FEMALE SPADE INSULATED	2
13	3-156-010008	CABLE TWO CONDUCTOR	25'
14	3-318-010001	12 VOLT 15 AMP FUSE AGL-15	1
15	3-318-010002	12 VOLT 15 AMP FUSE HOLDER	1
16	3-272-010062	SWITCH TOGGLE SEALED SPDT	1
17	31506	TERMINAL	1
18	81264	RUBBER BOOT	1

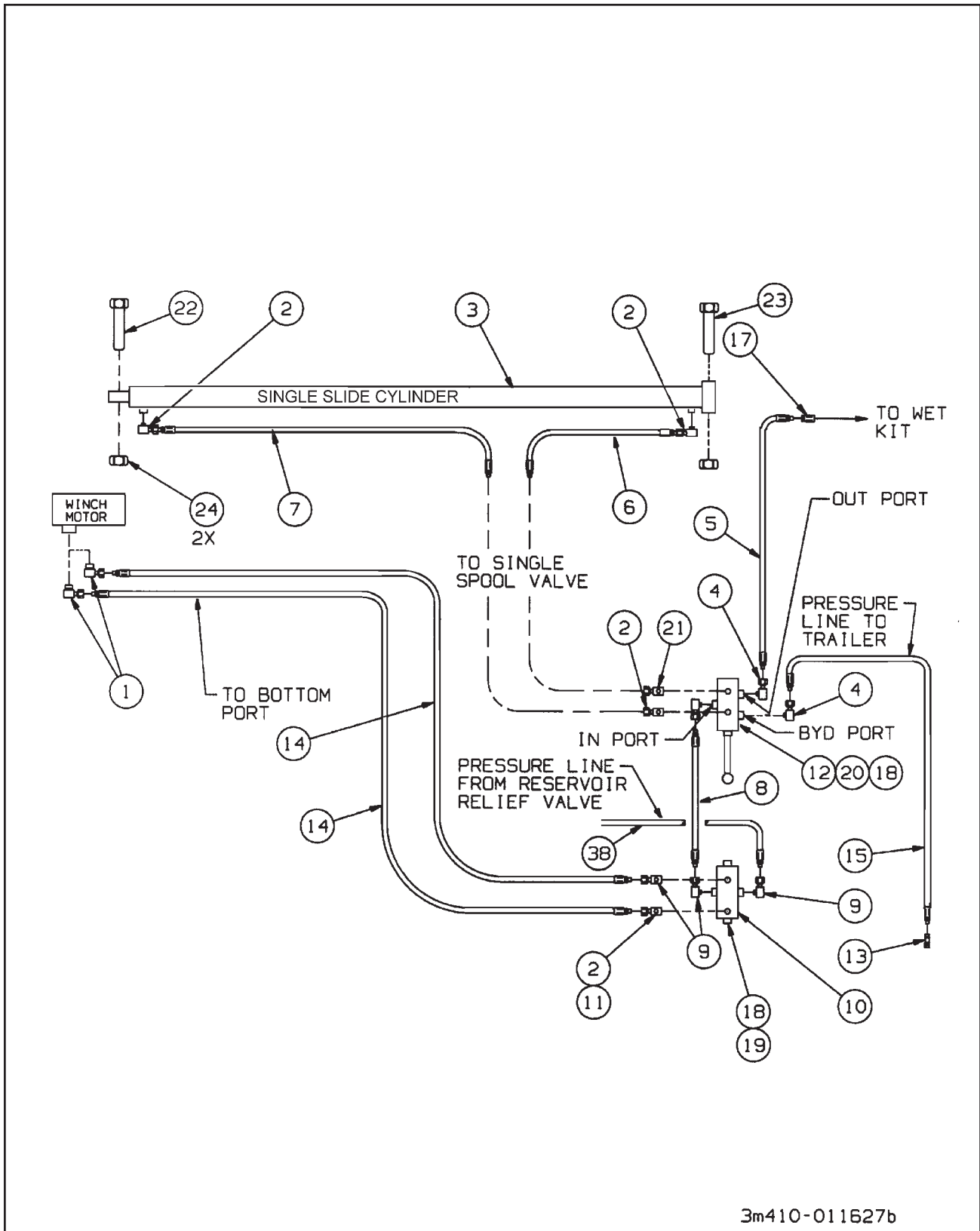


Figure 1-55 "Over-the-Cab" Hydraulic System (Sgl. Cyl.)

“OVER-THE-CAB” HYDRAULIC SYSTEM(SINGLE CYL)

ITEM	PART NO.	DESCRIPTION	QTY.
	B3-407-097	HYDRAULIC SYSTEM SINGLE CYLINDER	
1	2066-8-10S	FITTING O-RING TO PIPE (CALLED OUT IN B3-873-046)	2
2	2047-8-8S	ADAPTER	4
3	3-242-010091	CYLINDER ASSEMBLY 3" X 48" (SEE PAGE 1-88)	1
4	1-007-010013	ELBOW 90 SWIVEL	3
5	1-397-010311068	HOSE ASSEMBLY 1/2 X 68	1
6	6-397-010005	HOSE ASSEMBLY 1/2 X 74	1
7	1-397-010059	HOSE ASSEMBLY 1/2 X 142	1
8	1-397-010028	HOSE ASSEMBLY 1/2 X 16	1
9	1-007-010007	ELBOW 90	3
10	3-846-010009	VALVE MULTI-PAK SOLENOID (SEE PAGE 1-91)	1
11	2066-8-8S	ADAPTER	1
12	3-846-010127	VALVE HYD. SGL. SPOOL PWR-BYD (SEE PAGE 1-90)	1
13	105480	COUPLER BODY HALF FEMALE	1
	105482	COUPLER DUST CAP FEMALE	1
14	3-397-010124	HOSE ASSEMBLY W/ ENDS 1/2 X 96	2
15	106758	HOSE ASSEMBLY 3/4NPT TO O-RING	1
17	3/4X1/2BUSH	BUSHING BLK. PIPE	2
18	1-512-010005-05	NUT HEX LOCK 3/8-16 GRB	7
19	1-654-010051-05	SCREW HEX HEAD CAP 3/8-16 X 1 GR5	4
20	1-654-010051-09	SCREW HEX HEAD CAP 3/8-16 X 2 GR5	3
21	1-007-010003	ADAPTER 90° W/ 3/32 REST.	1
22	1-654-010065-13	SCREW HEX HEAD CAP 1-8 X 4 GR5	1
23	1-654-010065-19	SCREW HEX HEAD CAP 1-8 X 7 GR5	1
24	1-512-010005-19	NUT HEX LOCK 1-8 GRB	2
38	2-397-010003	HOSE ASSEMBLY 1/2 X 44	1

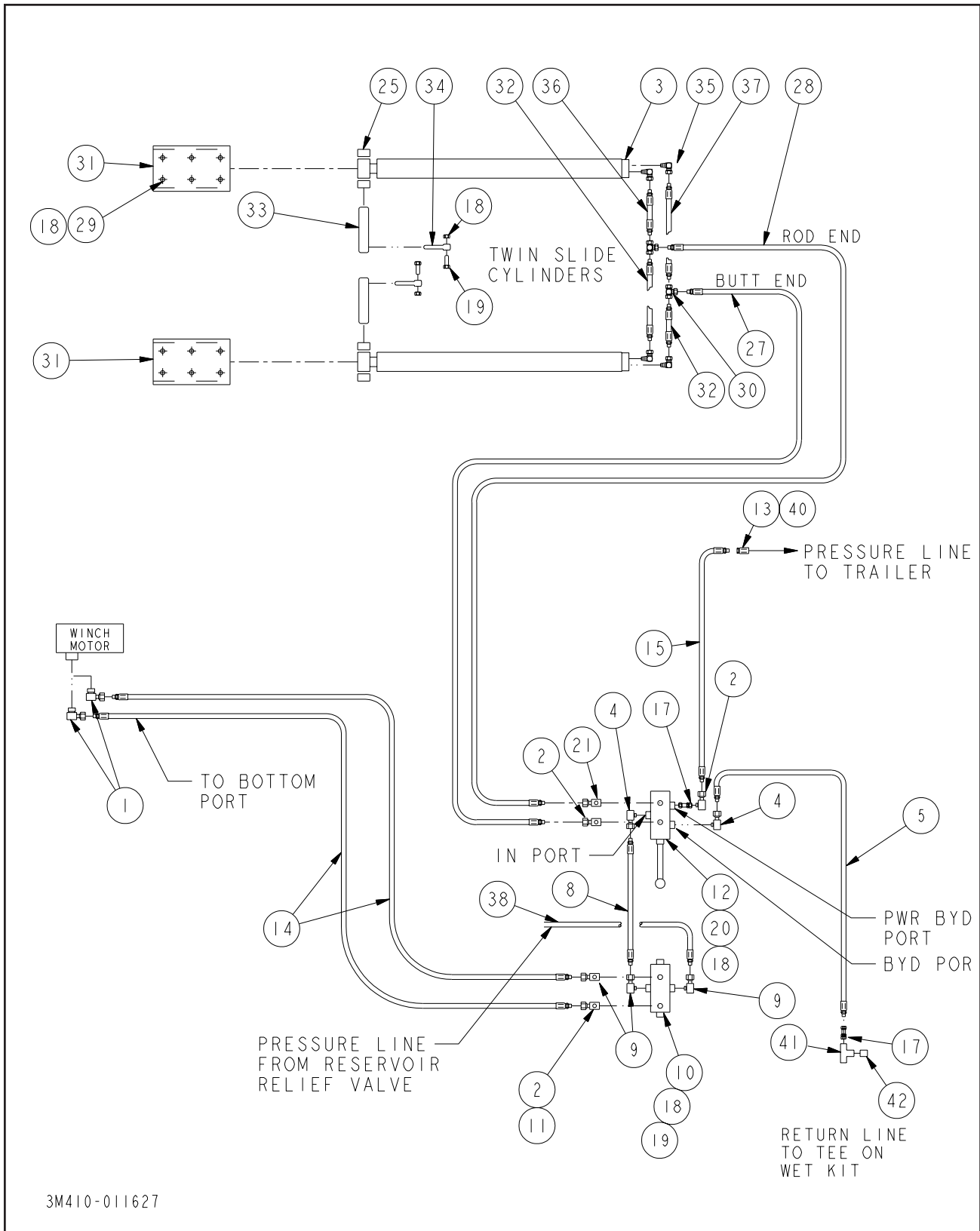


Figure 1-56 "Over-the-Cab" Hydraulic System (Twin Cyl.)

“OVER-THE-CAB” HYDRAULIC SYSTEM (TWIN CYL)

ITEM	PART NO.	DESCRIPTION	QTY.
	B3-407-167	OVER-CAB HYDRAULIC SYSTEM (3-410-011627)	
1	2066-8-10S	O-RING ADAPTER TO PT	REF
2	2047-8-8S	ADAPTER	1
3	3-242-010049	CYLINDER ASSEMBLY 2-1/2 X 32 (SEE PAGE 1-89)	2
4	1-007-010013	ELBOW SWIVEL 90	3
5	1-397-010311068	HOSE ASSEMBLY 1/2 X 68	1
8	1-397-010028	HOSE ASSEMBLY 1X2 X 16	1
9	1-007-010007	ELBOW 90 3/4 O-RING 1/2 PIPE	3
10	3-846-010009	VALVE MULTI-PAK SOLENOID (SEE PAGE 1-91)	1
11	2066-8-8S	ADAPTER 3/16 O-RING 1/2 PIPE	1
12	3-846-010127	VALVE HYD. SGL. SPOOL PWR-BYD (SEE PAGE 1-90)	1
13	105480	COUPLER FLAT FACE FEMALE BODY	REF
14	3-397-010124	HOSE ASSEMBLY 1/2 X 196	1
15	106757	HOSE ASSEMBLY 3/4NPT TO O-RING	REF
17	3/4X1/2BUSH	BUSHING BLACK PIPE	2
18	1-512-010005-05	NUT HEX LOCK 3/8-16 GRB	23
19	1-654-010051-06	SCREW HEX CAP 3/8-16 X 1 GR5	4
20	1-654-010051-09	SCREW HEX CAP 3/8-16 X 2 GR5	3
21	1-007-010003	SWIVEL ELBOW W/ RESTRICTOR	2
25	RRT119X.75	TUBE ROUND	4
27	1-397-010315060	HOSE ASSEMBLY 3/8 X 60	1
28	1-397-010315064	HOSE ASSEMBLY 3/8 X 64	1
29	1-654-010112-10	SCREW ROUND HEAD SQUARE NECK 3/8-16 X 3-1/4	12
30	2255-6-6S	INTERNAL PIPE SWIVEL TEE 3/8	2
31	3-014-010096	ANCHOR CYLINDER	2
32	3-397-010246	HOSE ASSEMBLY 3/8 X 16	2
33	3-557-0110260	PIN W/ TILT CYLINDER	4
34	3-642-010098	ROD END 3/8 (REPLACES WM-5)	4
35	1-007-010014	ELBOW 90	4
36	1-397-010312064	HOSE ASSEMBLY 3/8 X 64	1
37	1-397-010312060	HOSE ASSEMBLY 3/8 X 60	1
38	2-397-010003	HOSE ASSEMBLY 1/2 X 44	1
40	105482	COUPLER DUST CAP FEMALE	REF
41	2090-12-12S	TEE, 3/4-14 INT. PIPE	4
42	3/4NIPPLE	NIPPLE, ALL THREAD 3/4	1
43	2-181-010001	HOSE CLAMP (NOT SHOWN)	5
44	1-861-010032-11	WASHER, FLAT 3/8 (NOT SHOWN)	5
45	3-181-010034-1	CLAMP, CONDUIT STEEL 1/2 (NOT SHOWN)	4

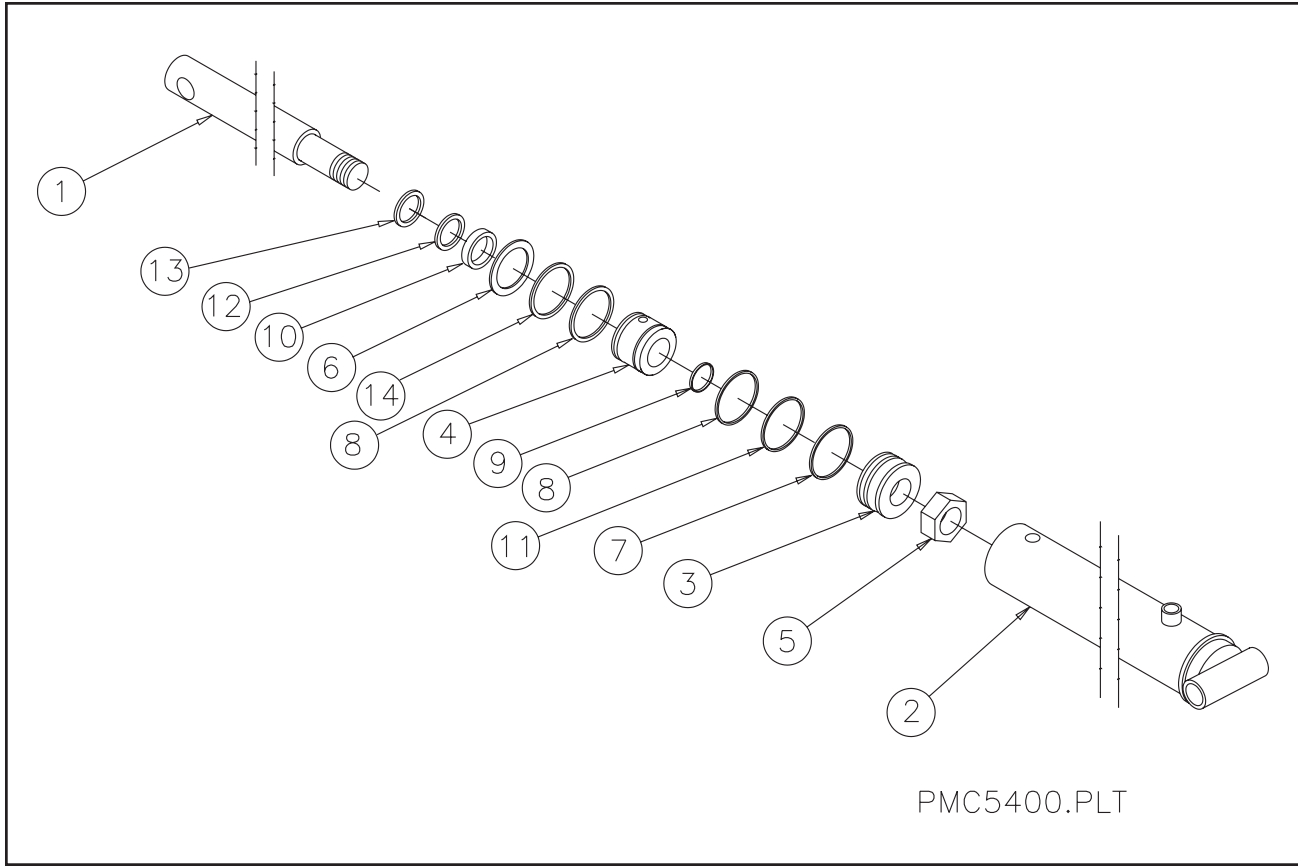


Figure 1-57 Hydraulic Cylinder 3" X 48"

HYDRAULIC CYLINDER 3" X 48" (SINGLE CYL SYSTEM)

ITEM	PART NO.	DESCRIPTION	QTY
	3-242-010091	HYDRAULIC CYLINDER 3" X 48" (PRINCE #PMC-8348)	
1	010800053	PISTON ROD	1
2	061500057	BUTT AND TUBE ASSY	1
3	071500021	PISTON	1
4	081500032	GLAND	1
5	220000210	LOCK NUT	1
6	230001300	SNAP RING	1
7	240004006	PISTON RING	1
8	240000334	O-RING	2
9	240000022	O-RING	1
10	240010222	QUAD RING	1
11	240034334	BU-WASHER	1
12	240005222	BU-WASHER	1
13	250001222	WIPER	1
14	240061334	BU-WASHER	1
	PMCK-8300	PACKING KIT (INCLUDES ITEMS 7 - 13) (CONTAINS ALL NECESSARY SEALS AND O-RINGS)	

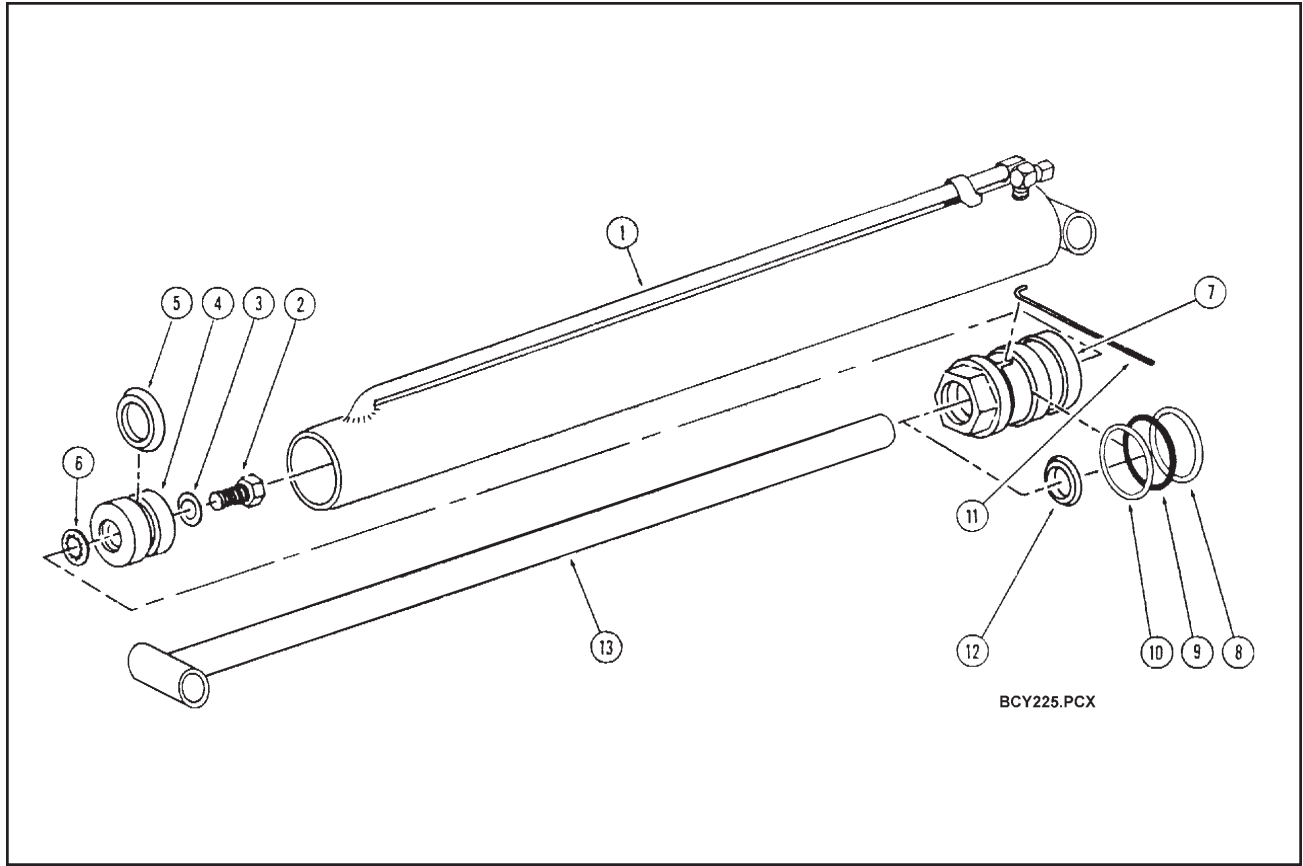


Figure 1-58 Hydraulic Cylinder 2-1/2" X 32"

HYDRAULIC CYLINDER 2-1/2" X 32" (TWIN CYL SYSTEM)

ITEM	PART NO.	DESCRIPTION	QTY
	3-242-010049	HYDRAULIC CYL. 2-1/2" X 32" (CC KELLEY #BCY225)	
1	SCY1079	BARREL ASSEMBLY	1
2	SBT1017	CAPSCREW	1
3	SCY1018	DYNA SEAL	1
4	SCY224	PISTON	1
5	SCY1019	PISTON SEAL	1
6	SWS245	INTERNAL LOCKWASHER	1
7	SCY223	RAM HEAD	1
8	SCY1070	BACK-UP RING	2
9	SCY1024	O-RING	1
11	SCY1026	LOCKWIRE	1
12	SCY 1006	ROD SEAL	1
13	SCY1079	ROD ASSEMBLY	1
	SCY222	SEAL KIT	1

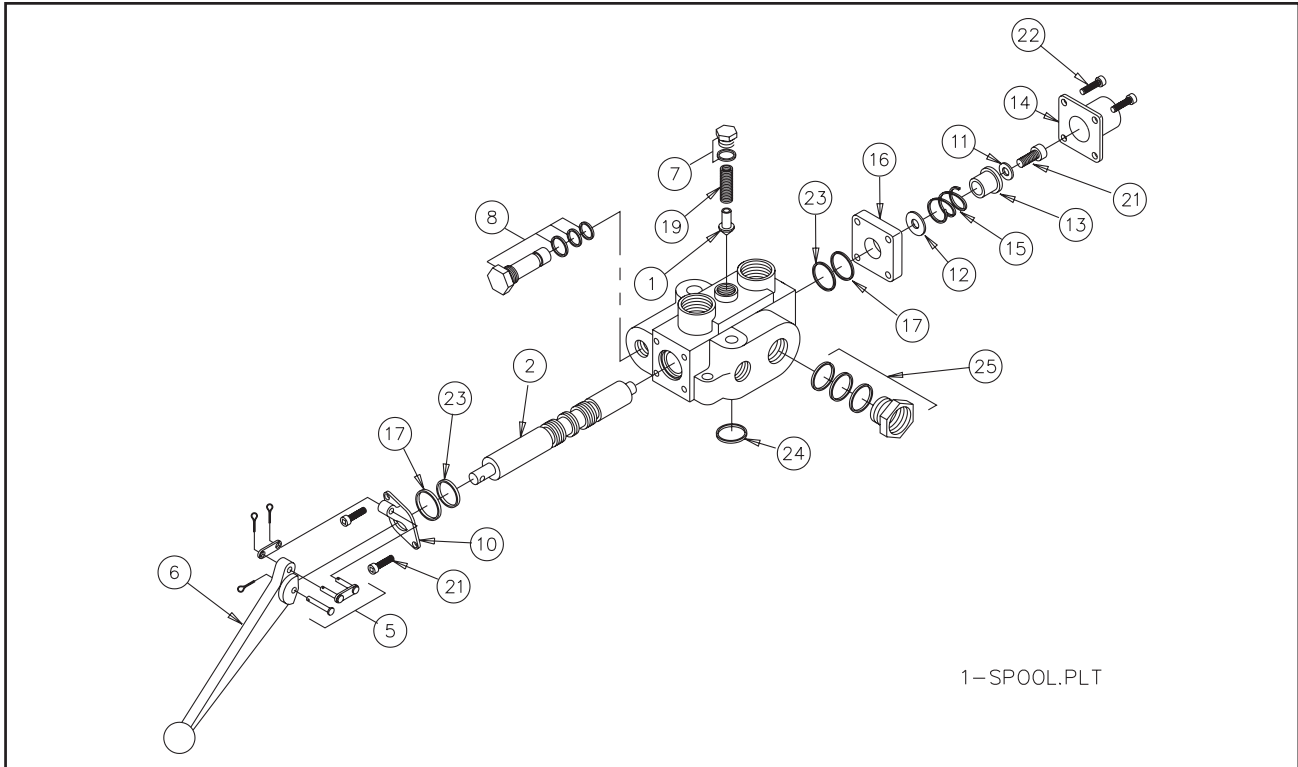


Figure 1-59 Hydraulic Single Spool Valve

HYDRAULIC SINGLE SPOOL VALVE

ITEM	PART NO.	DESCRIPTION	QTY
	3-846-010127	VALVE HYD SINGLE SPOOL PWR-BYD	
1	1V0081	LOAD CHECK POPPET	1
2	*1V0090	4-WAY SPOOL	1
4	*1V0101	VALVE HOUSING	1
5	1V1701	PIN KIT	1
6	1V1703	HANDLE	1
7	1V1725	LOAD CHECK PLUG	1
8	1R0035	RELIEF PLUG ASSY	1
10	4Z4306	HANDLE BRACKET	1
11	1A0290	CENTERING SPRING WASHER	1
12	1A0291	STOP WASHER	1
13	1A0292	STOP COLLAR	1
14	1A294	END CAP	1
15	1A0744	CENTERING SPRING	1
16	1A0709	END SPACER	1
17	1A0711	O-RING SPOOL WASHER	2
19	1A0757	LOAD CHECK SPRING	1
21	2A0079-404	CAPSCREW	3
22	2A0079-406	CAPSCREW	4
23	2A283-7214	SPOOL SEAL	2
24	2V0008	SEAL KIT (CONT. ALL NECESSARY SEALS & O-RINGS)	1
25	1V0249	POWER BEYOND ASSY.	1

* NOT SOLD SEPARATELY.

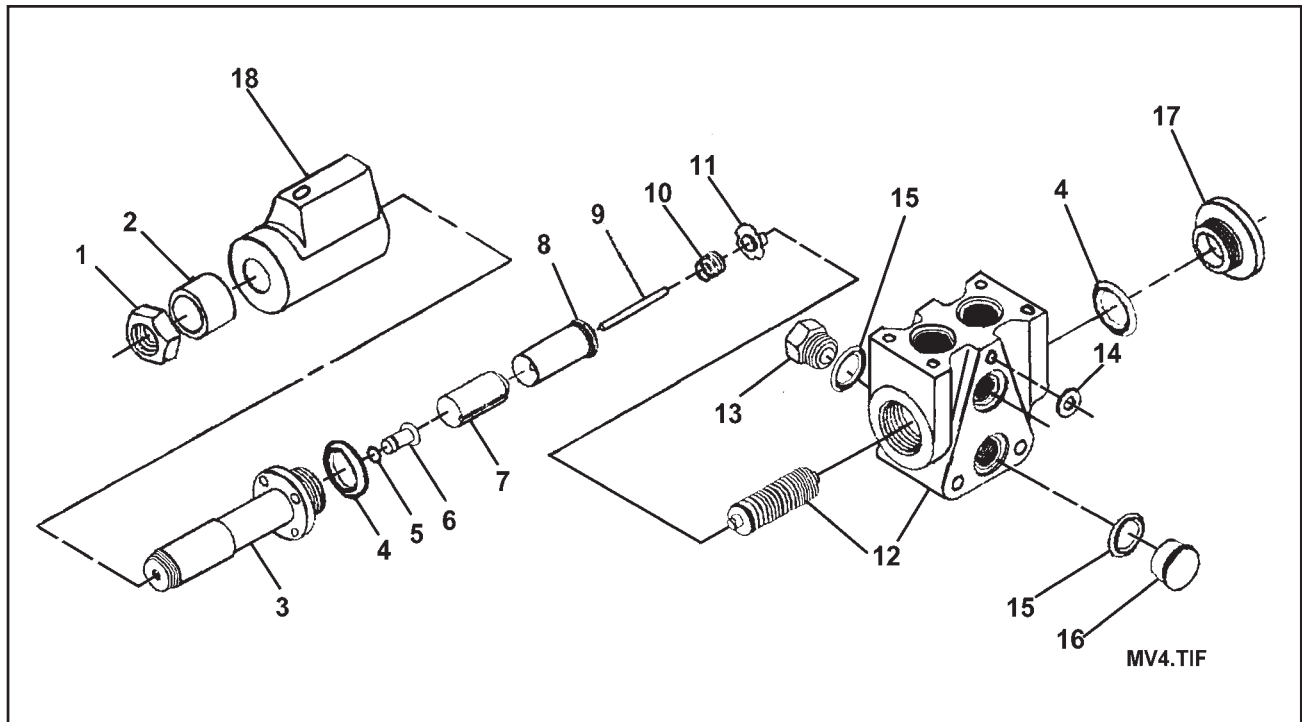
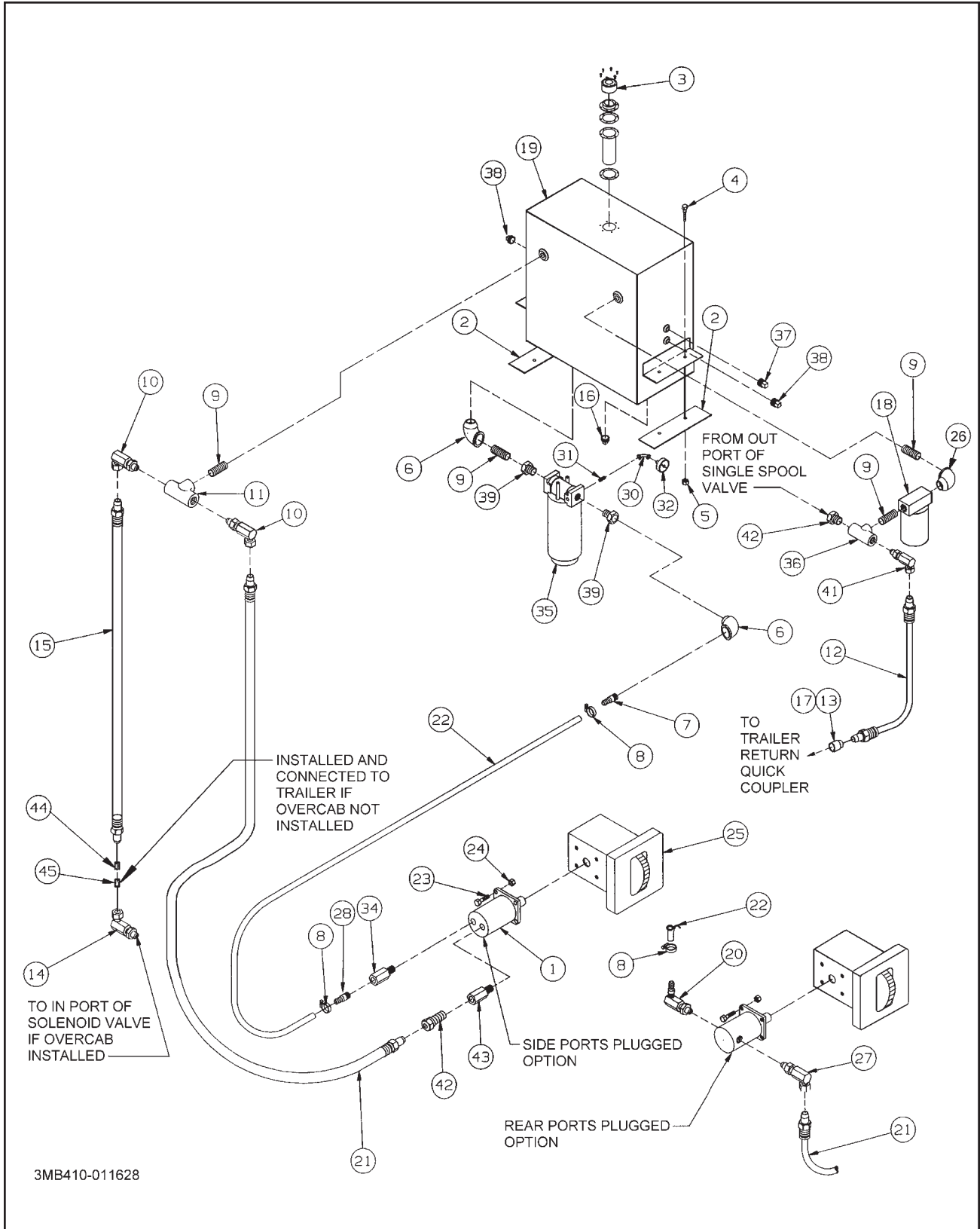


Figure 1-60 Hydraulic Solenoid Valve

HYDRAULIC SOLENOID VALVE

ITEM	PART NO.	DESCRIPTION	QTY
	3-846-010009	VALVE MULTI-PAK SOLENOID(AMBAC)	
	MV4-43-12-TD	VALVE ASSEMBLY (ITEMS 1 - 12)	
1	1006024	NUT	1
2	4014550	SLEEVE	1
3	6006090	TUBE SUBASSEMBLY	1
4	0102916	O-RING	2
5	0101008	O-RING	1
6	4014130	BUTTON FLUSH	1
7	4019950	PLUNGER	1
8	4019960	PLUG	1
9	4020051	PIN	1
10	4015410	SPRING	2
11	6002880	RETAINER SPRING	2
12	*	SPOOL AND BODY (MATCHED SET)	1
13	1004005	PLUG	1
14	4023150	MYLAR SHIM	6
15	0102908	O-RING	2
16	4022030	SERIES PLUG	1
17	4014041	PLUG (SINGLE SOLENOID VALVE ASSY)	1
18	0101118	O-RING (BETWEEN SECTIONS AND ATTACHMENTS)	AR
19	6002790	SOLENOID COIL (12 VDC)	2
20	6008840	SEAL KIT (O-RINGS ONLY)	
21	6013080	TUBE KIT (ITEMS 3 - 9)	

* TO ORDER SPOOL AND BODY SPECIFY VALVE ASSEMBLY PART NUMBER AND POSITION OF VALVE IN RELATION TO INLET.



WET KIT ASSEMBLY

ITEM	PART NO.	DESCRIPTION	QTY
	3-410-011628	HYDRAULIC WET KIT	
1	3-591-010001	HYDRAULIC GEAR PUMP (SEE PAGE 1-94)	1
2	3-120-010103	CLAMP HYDRAULIC TANK	2
3	3-162-010001	FILLER BREATHER STRAINER ASSY.	1
4	1-654-010051-06	SCREW HEX HEAD CAP 3/8-16 X 1-1/4 GR5	4
5	1-512-010005-05	NUT HEX LOCK 3/8-16 GR5	4
6	1-1/4ST ELL	PIPE ELBOW BLACK 90	2
7	3-561-010001	HOSE BARB	1
8	6828	IDEAL HOSE CLAMP	5
9	3/4NIPPLE	NIPPLE ALL THREAD	2
10	1-007-010013	ELBOW 90 SWIVEL	2
11	125130	RD12D HYD BY PASS SRDD (SEE PAGE 1-95)	1
12	106758	HOSE ASSEMBLY 3/4 X 152	1
13	105479	COUPLER MALE HALF	1
14	1-007-010007	ELBOW 90	REF
15	2-397-010003	HOSE ASSEMBLY	1
16	1-560-010002-07	PLUG BLACK SQUARE HEAD	1
17	105481	COUPLER DUST CAP MALE	1
18	1-295-010001	FILTER RETURN LINE	1
	1-295-010002	FILTER ELEMENT	1
19	3-786-010043	TANK WELDMENT	1
20	1-007-010006	ELBOW 90	1
21	6-397-010005	HOSE ASSEMBLY	1
22	3-399-010001048	HOSE SUCTION	1
23	1-654-010055-03	SCREW HEX HEAD CAP 1/2-13 X 1-1/2 GR5	4
24	1-512-010005-09	NUT HEX LOCK 1/2-13	4
25	PTO	POWER TAKE OFF	1
26	3/4ST ELL	ELBOW BLACK PIPE 90 ST	1
27	1-007-010009	ELBOW 90	1
28	3-561-010008	HOSE BARB	1
29	1-1/4X2PN	NIPPLE PIPE	1
30	110-5011	ELBOW 90	1
31	118-1207	NIPPLE	1
32	238-2450-3	VACUUM INDICATOR GRESEN #K-FVAC	1
33	3-395-010001	CF FIRE HOSE (NOT SHOWN) PROTECTS HYDR. HOSES ABOVE HYDR. TANK),	1
34	2216-16-16S	ADAPTER	1
35	514-1633-1	FILTER SUCTION GRESEN #FLR-215-5TD-2A	1
	1576-001	O-RING BETWEEN FILTER AND HEAD	1
	K-23001	REPLACEMENT FILTER KIT W/ SEALS	1
	K-23022	REPLACEMENT RELIEF VALVE KIT	1
	11918-001	VACUUM CONDITION INDICATOR	1
36	2090-12-12S	PIPE TEE	1
37	1-560-010002-04	PLUG BLACK PIPE	1
38	1-560-010002-05	PLUG BLACK PIPE	2
39	1-1/2X1-1/4BUSH	BUSHING BLACK PIPE	2
40	1-654-010047-04	SCREW 1/4-20 X 3/4 GR5 (PLUG HOLES IN B/C) (NOT SHOWN)	3
41	2047-12-12S	PIPE SWIVEL MALE 90	1
42	2045-8-12S	BUSHING BLACK PIPE	1
43	2216-12-16S	ADAPTER, O-RING	1
44	105480	COUPLER FLAT FACE FEMALE BODY	1
45	105482	COUPLER DUST CAP FEMALE	1

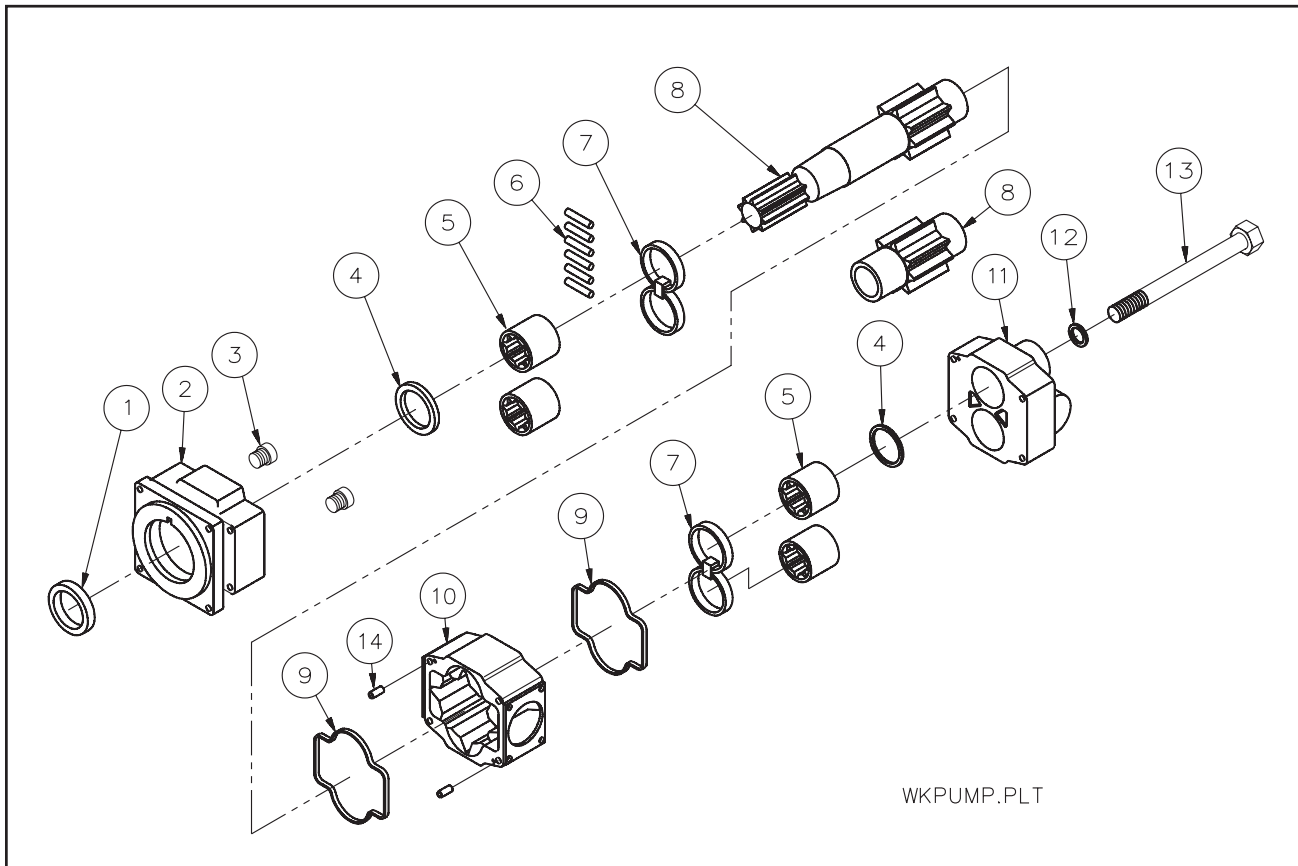


Figure 1-62 Wet Kit Pump

WET KIT PUMP

ITEM	PART NO.	DESCRIPTION	QTY
	3-591-010001	HYD PUMP ASSY (COMM. INTERTECH 312-9610-394)	
1	391-2883-058	LIP SEAL	1
2	312-5037-201	HOUSING SEC	1
3	391-3681-001	CHECK ASSEMBLY	2
4	391-2585-006	SEAL RING	2
5	391-0381-068	BEARING ROLLER	4
6	391-2882-086	STRIP POCKET SEAL	12
7	391-2185-013	PLATE THRUST	2
8	312-2917-130	SHAFT AND GEAR SET	1
9	391-2884-050	SEAL SQ-R	2
10	312-8217-327	HOUSING GEAR	1
11	312-3220-327	HOUSING PEC	1
12	391-3784-028	WASHER	4
13	391-1401-025	CAP SCREW	4
14	391-2082-032	DOWEL PIN	4
15	391-1802-119	SEAL KIT	4

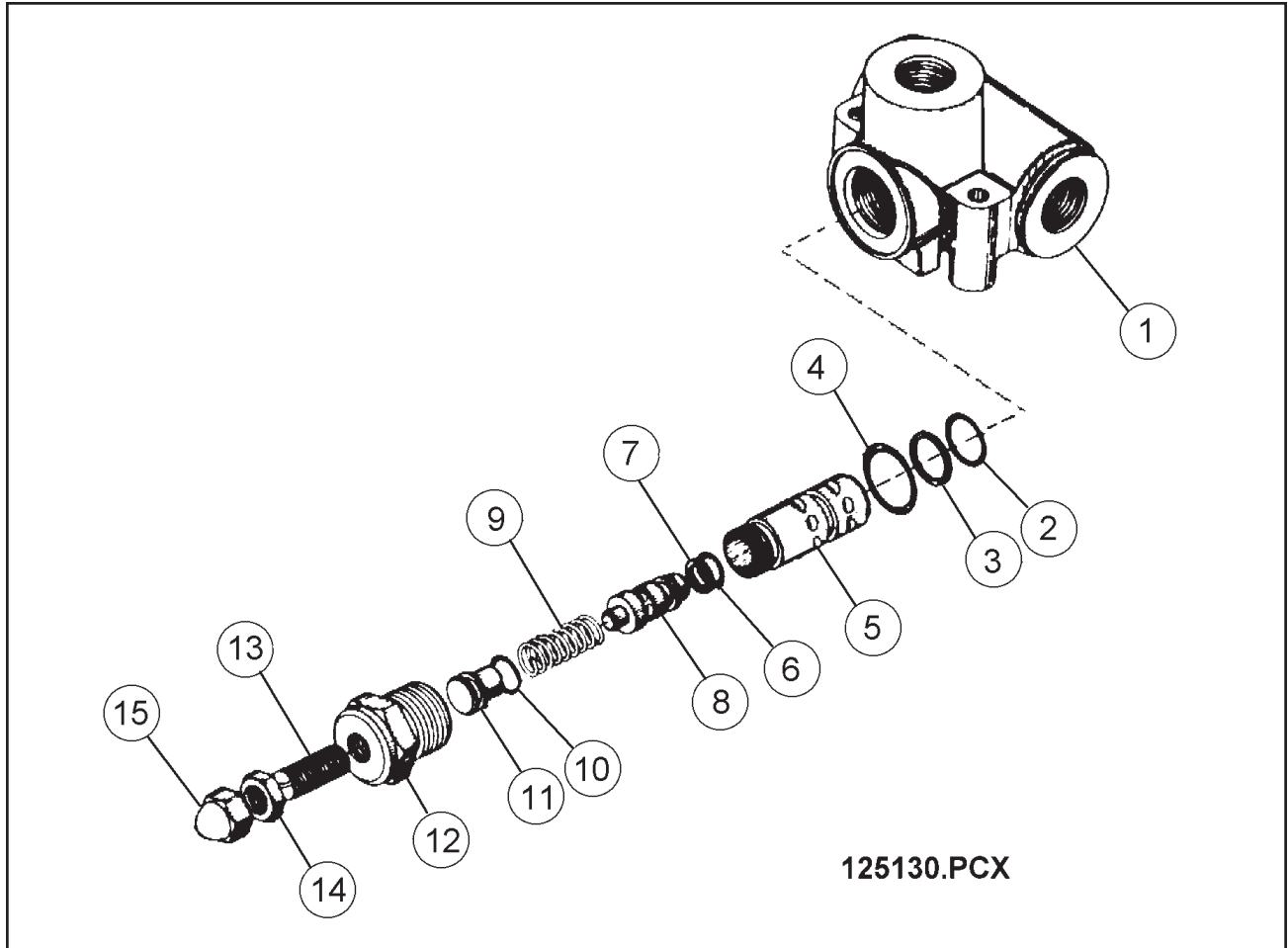


Figure 1-63 Pressure Relief Valve

PRESSURE RELIEF VALVE

ITEM	PART NO.	DESCRIPTION	QTY
	125130	RD12D HYD BY PASS SRDD	
1	1R0024	HOUSING	1
2	2A0283-7015	O-RING LOWER BODY	1
3	2A0010-015	BACK UP SEAL LOWER BODY	1
4	2A0283-9910	O-RING PLUG	1
5	1R0019	RELIEF LOWER BODY	1
6	2A0283-7011	O-RING POPPET	1
7	2A0007-011	BACK UP SEAL POPPET	1
8	1R0020	RELIEF POPPET	1
9	2A9048-7	SPRING (1500-300 PSI)	1
10	1A0171	PISTON O-RING	1
11	1R0013	RELIEF PISTON	1
12	1R0018	RELIEF UPPER BODY	1
13	1R0015	ADJUSTMENT SCREW	1
14	1A0569	LOCK NUT	1
15	1A0570	ACORN NUT	1

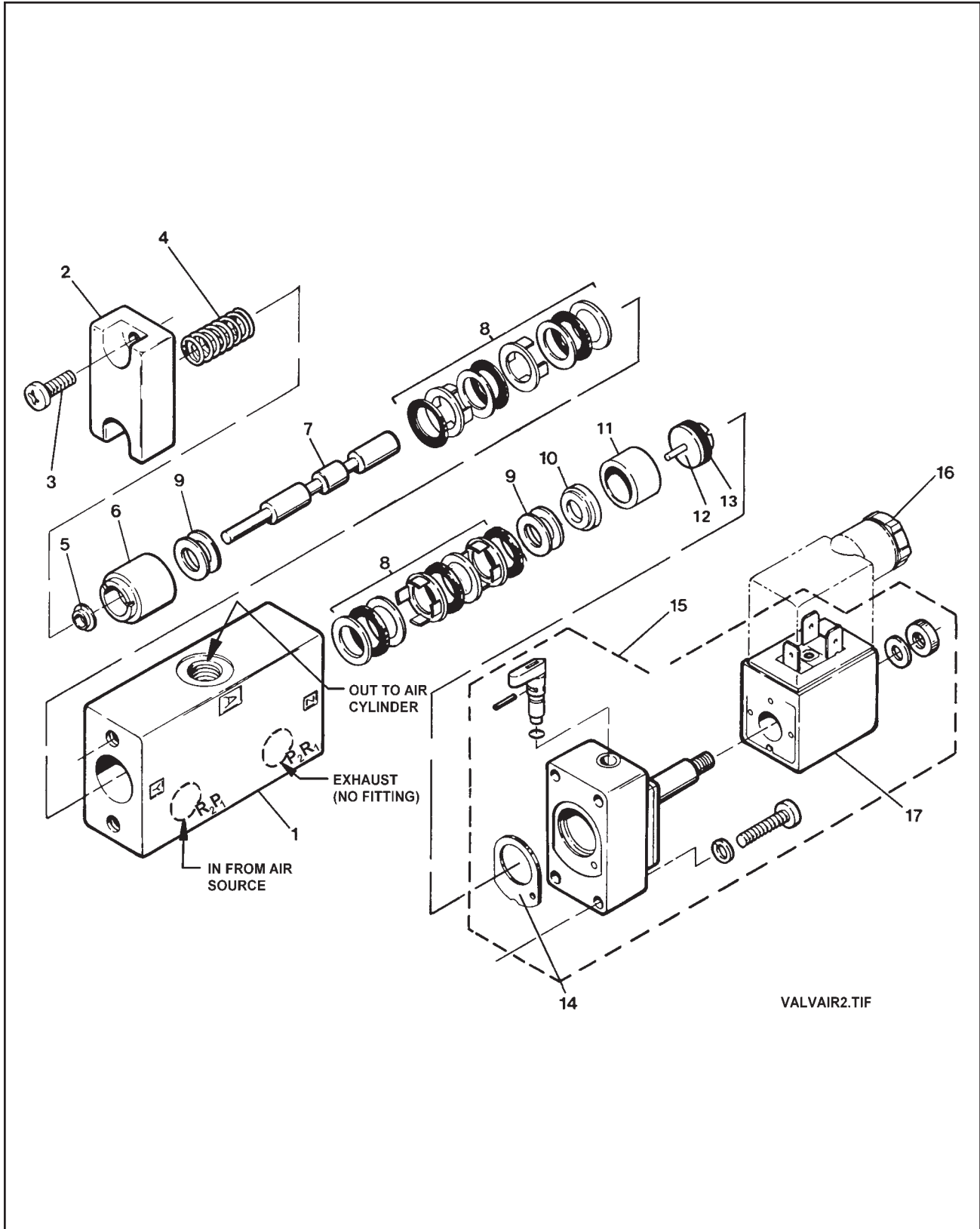


Figure 1-64 Valve, Air Solenoid 12 V

VALVE, AIR SOLENOID 12V

ITEM	PART NO.	DESCRIPTION	QTY
	3-843-010009	VALVE AIR SOLENOID 12V	
1		BODY	
2	H563060-6584	SPRING END COVER	1
3	H810138-0684	END COVER SCREW	2
4	H896040-1504	RETURN SPRING	1
5	H895361-7204	SPRING WASHER	1
6	H563061-2004	SPRING GUIDE	1
7	H571002-7704	SPOOL - SIN AIR/SIN SOL 3 WAY	1
8	P68131	CARTRIDGE KIT - 3 WAY BODY	1
9	H895107-9204	WASHER	AR
10	H571004-0404	SPOOL GUIDE	1
11	H571002-3704	PISTON GUIDE	1
12	H571002-6204	PISTON	1
13	H897151-0094	PISTON SEAL	1
14	H897101-7804	SOLENOID END COVER GASKET	1
15	H542061-0410	SOLENOID COMPLETE	1
16	H894100-4702	SOLENOID CONNECTOR	1
17	H542061-7212	SOLENOID COIL	1
	P67912	SEAL KIT (3 WAY BODY)	1
	P68131	VALVE CARTRIDGE KIT (3 WAY BODY)	1
	P67914-4	SOLENOID OPERATOR KITS	1

NOTES:

NUMERICAL INDEX

PART	PAGE	PART	PAGE	PART	PAGE
005-073-00	49	062100549	25	1-007-010026	61
005-074-00	49	069-018-00	49	100949	51
005-075-00	49	069-019-00	49	101003	51
005-098-00	49	069-020-00	49	101143	44
005-099-00	49	071-124-00 (3067)	55	101162	57
006-114-00	49	071-124-00 (3067)	57	101420	51
006-115-00	49	071500021	88	101420	53
010-052-00	49	071800021	23	101712	44
0101008	91	071900019	21	101845	53
0101118	91	071900195	27	101846	53
0102908	91	071900273	23	101848	53
0102916	91	072100244	25	101852	44
010700566	23	072100245	25	101853	53
010700566	23	081500032	88	101854	53
010700699	23	081800022	23	101855	53
010700699	23	081900019	21	102039	19
010800053	88	081900277	27	102040	19
010800690	25	081900374	23	10205R	38
010800702	25	082100284	25	102283	44
011100077	21	082100293	25	102361	47
011300179	27	1/2-13X1-1/2CB	59	102363	44
014-056-00	49	100000326	25	102363	47
014-057-00	49	100000326	25	102665	44
014-058-00	49	100000330	23	102727	51
014-068-00	49	100000330	23	102728	38
021-038-01 (4009)	55	100000577	23	102730	38
021-038-01 (4009)	57	100000577	23	102732	44
034-058-05	49	10036	41	102732	45
034-188-00	49	1004005	91	102810	41
034-189-00	49	1006024	91	102810	51
040-175-02	49	1-007-010003	19	103055	41
040-175-03	49	1-007-010003	85	103056	41
046-092-00	49	1-007-010003	87	103-0636	20
055-040-07	49	1-007-010006	93	103-0636	74
056-010-00	49	1-007-010007	18	103-1034-011	65
056-012-00	49	1-007-010007	85	103245	55
056-017-00	49	1-007-010007	87	103246	55
0600-375-04000	03	1-007-010007	93	10404	38
061-006-00	49	1-007-010008	18	104273	44
061500057	88	1-007-010009	93	104273	51
061800024	23	1-007-010013	85	104274	44
061900539	27	1-007-010013	87	104292	37
061900610	23	1-007-010013	93	104292	44
061900729	21	1-007-010014	87	104295	38
062100547	25	1-007-010024	19	105-0150	38

PART	PAGE	PART	PAGE	PART	PAGE
105479	18	1-297-010008-07	44	1-397-010371126	19
105479	93	1-297-010008-18	09	1-397-010381051	19
105480	18	1-297-010008-18	51	1-397-010381055	18
105480	85	1-297-010008-21	09	1-397-010381072	18
105480	87	1-297-010008-24	51	1-397-010381169	18
105480	93	1-297-010009-04	09	1-397-010381202	18
105481	18	1-297-010010-01	09	1-397-010381252	18
105481	93	1-297-010010-03	44	1-397-010381307	18
105482	18	1-297-010010-04	44	1-397-010382024	20
105482	85	1-297-010010-06	51	1-397-010383024	20
105482	87	1-297-010011-04	09	1-397-010384024	20
105482	93	1-297-010011-05	51	1-397-010385055	19
105483	18	1-297-010011-06	51	1-397-010385072	19
1056	55	1-297-010013-11	44	1-397-010385169	19
106757	87	1-297-010017-03	51	1-397-010385183	19
106758	85	1-297-010020-04	09	1-397-010385202	19
106758	93	1-297-010022-02	09	1-397-010385252	19
107-0775	20	1-297-010033-03	51	1-397-010385307	19
107-0775	74	1-298-010001-1	07	1-397-010386102	19
107082	55	1-298-010001-1	15	1-397-010386130	19
107083	55	1-298-010001-1	20	1-397-010386289	19
107403	19	1-394-010001	51	1-397-010386293	19
10SLW	20	1-397-010028	85	139902	55
1-1/2X1-1/4BUSH	93	1-397-010028	87	139913	55
1-1/4ST ELL	93	1-397-010059	85	141800009	23
1-1/4X2PN	93	1-397-0101313122	19	141900037	23
110-0240	83	1-397-010311014	19	14193-000	65
110-0253	20	1-397-010311025	20	142100019	25
110-0253	74	1-397-010311068	85	142100020	25
110-0253	79	1-397-010311068	87	147161	35
11005053	47	1-397-010311108	19	15009	38
110-5011	93	1-397-010312060	87	15009	74
113855	41	1-397-010312064	87	1-510-010001	15
118-1207	93	1-397-010313021	20	1-510-010001	44
118-7962	79	1-397-010313028	19	1-512-010002-15	44
11918-001	93	1-397-010313034	20	1-512-010002-15	81
1-203-010040-5	75	1-397-010315060	87	1-512-010003-03	09
125130	93	1-397-010315064	87	1-512-010003-06	51
125130	95	1-397-010332074	19	1-512-010005-01	38
128279	77	1-397-010332108	19	1-512-010005-03	38
129452	35	1-397-010332164	19	1-512-010005-05	02
1-295-010001	93	1-397-010332175	19	1-512-010005-05	09
1-295-010002	93	1-397-010332200	19	1-512-010005-05	18
1-297-010007-05	09	1-397-010353045	19	1-512-010005-05	19
1-297-010007-12	51	1-397-010353102	19	1-512-010005-05	19
1-297-010007-16	51	1-397-010353200	19	1-512-010005-05	38
1-297-010008-05	09	1-397-010353236	19	1-512-010005-05	44
1-297-010008-07	09	1-397-010360024	20	1-512-010005-05	51

PART	PAGE	PART	PAGE	PART	PAGE
1-512-010005-05	61	1576-001	93	1-654-010059-03	81
1-512-010005-05	81	16292-088	65	1-654-010059-05	59
1-512-010005-05	85	1-647-010004221	07	1-654-010059-05	61
1-512-010005-05	87	1-647-010004-227	78	1-654-010059-07	03
1-512-010005-05	93	1-647-010004255	15	1-654-010059-09	18
1-512-010005-09	02	1-647-010006042	18	1-654-010059-13	13
1-512-010005-09	07	1-654-010032-4	44	1-654-010061-07	15
1-512-010005-09	07	1-654-010032-4	81	1-654-010065-13	85
1-512-010005-09	15	1-654-010034-03	44	1-654-010065-19	85
1-512-010005-09	18	1-654-010047-04	01	1-654-010070-11	02
1-512-010005-09	59	1-654-010047-04	18	1-654-010070-11	15
1-512-010005-09	79	1-654-010047-04	93	1-654-010070-11	18
1-512-010005-09	93	1-654-010047-06	38	1-654-010070-11	78
1-512-010005-10	81	1-654-010047-06	44	1-654-010070-13	07
1-512-010005-13	03	1-654-010049-03	55	1-654-010070-13	78
1-512-010005-13	13	1-654-010049-03	57	1-654-010070-16	07
1-512-010005-13	18	1-654-010049-05	38	1-654-010070-3	01
1-512-010005-13	59	1-654-010049-06	38	1-654-010070-3	07
1-512-010005-13	61	1-654-010051-05	18	1-654-010079-4	44
1-512-010005-13	81	1-654-010051-05	19	1-654-010089-15	59
1-512-010005-15	15	1-654-010051-05	61	1-654-010089-15	61
1-512-010005-19	07	1-654-010051-05	61	1-654-010096-05	81
1-512-010005-19	85	1-654-010051-05	85	1-654-010112-10	87
1-512-010007-02	77	1-654-010051-06	02	1-654-010133-08	07
1-512-010007-03	41	1-654-010051-06	09	1-654-010146-04	81
1-512-010007-03	83	1-654-010051-06	37	1-654-010147-03	79
1-512-010007-04	20	1-654-010051-06	61	1-654-010151-05	61
1-512-010007-05	38	1-654-010051-06	61	1-654-010158-1	38
1-512-010007-05	44	1-654-010051-06	61	1-654-010158-1	44
1-512-010007-06	07	1-654-010051-06	87	1-656-010003026	77
1-512-010007-06	38	1-654-010051-06	93	1-656-010003042	09
1-512-010007-08	38	1-654-010051-08	02	1-656-010003051	38
1-512-010007-09	78	1-654-010051-08	09	1-656-010003051	41
1-557-010014	78	1-654-010051-08	15	1-656-010003051	51
1-557-010362-51	07	1-654-010051-08	18	1-656-010003056	83
1-557-010362-51	18	1-654-010051-08	44	1-656-010003078	20
1-557-010362-54	18	1-654-010051-08	51	1694-188	65
1-557-010362-54	19	1-654-010051-09	02	170003017	31
1-560-010002-02	09	1-654-010051-09	81	170003017	31
1-560-010002-02	51	1-654-010051-09	85	170003017	33
1-560-010002-04	51	1-654-010051-09	87	170003017	33
1-560-010002-04	93	1-654-010051-11	38	170003037	31
1-560-010002-05	51	1-654-010051-13	19	170003037	33
1-560-010002-05	93	1-654-010051-13	81	170301212	23
1-560-010002-07	93	1-654-010055-03	79	170301212	23
1-573-010477	41	1-654-010055-03	93	170301215	25
1-573-010480	41	1-654-010055-04	07	170301215	25
1-573-010488	41	1-654-010059-03	61	178910	55

PART	PAGE	PART	PAGE	PART	PAGE
178921	55	1-861-010034-10	57	1-879-010129-31	75
1-796-010003-01	51	1-861-010034-11	20	190100046	31
1-796-010003-02	37	1-861-010034-11	61	190100046	33
1-796-010004-02	44	1-861-010034-11	61	190400004	23
179955	57	1-861-010034-11	61	190400004	23
1-833-010001	09	1-861-010034-13	59	190400004	25
1-833-010001	44	1-861-010034-13	61	190400004	25
1-833-010002	44	1-879-010004	38	190600003	23
1-833-010002	51	1-879-010005	37	190600003	23
1-833-010003	51	1-879-010005	74	190600003	25
1-861-010032-02	09	1-879-010005	83	190600003	25
1-861-010032-03	37	1-879-010008	75	1A0171	95
1-861-010032-03	51	1-879-010008	83	1A0290	90
1-861-010032-04	41	1-879-010009012	38	1A0291	90
1-861-010032-07	20	1-879-010010	38	1A0292	90
1-861-010032-07	38	1-879-010124-01	74	1A0569	95
1-861-010032-07	44	1-879-010124-02	75	1A0570	95
1-861-010032-09	07	1-879-010125-1	75	1A0709	90
1-861-010032-09	81	1-879-010126-01	75	1A0711	90
1-861-010032-10	51	1-879-010129-01	74	1A0744	90
1-861-010032-11	02	1-879-010129-02	74	1A0757	90
1-861-010032-11	09	1-879-010129-03	74	1A294	90
1-861-010032-11	18	1-879-010129-04	74	1R0013	95
1-861-010032-11	19	1-879-010129-05	74	1R0015	95
1-861-010032-11	19	1-879-010129-06	74	1R0018	95
1-861-010032-11	38	1-879-010129-07	74	1R0019	95
1-861-010032-11	44	1-879-010129-08	74	1R0020	95
1-861-010032-11	81	1-879-010129-09	74	1R0024	95
1-861-010032-11	87	1-879-010129-10	74	1R0035	90
1-861-010032-14	78	1-879-010129-11	74	1V0081	90
1-861-010032-15	02	1-879-010129-12	74	1V0090	90
1-861-010032-15	07	1-879-010129-13	74	1V0101	90
1-861-010032-15	15	1-879-010129-14	74	1V0249	90
1-861-010032-15	18	1-879-010129-15	74	1V1701	90
1-861-010032-15	59	1-879-010129-16	74	1V1703	90
1-861-010032-19	13	1-879-010129-17	74	1V1725	90
1-861-010032-19	18	1-879-010129-18	74	200013105	31
1-861-010032-19	59	1-879-010129-19	74	200013105	33
1-861-010032-19	61	1-879-010129-20	75	200013106	23
1-861-010032-20	81	1-879-010129-21	75	200013106	23
1-861-010032-25	07	1-879-010129-22	75	200013106	25
1-861-010032-25	09	1-879-010129-23	75	200013106	25
1-861-010034-07	38	1-879-010129-24	75	200013106	27
1-861-010034-09	20	1-879-010129-25	75	200018003	21
1-861-010034-09	44	1-879-010129-27	75	200100189	31
1-861-010034-10	07	1-879-010129-28	75	200100189	33
1-861-010034-10	51	1-879-010129-29	75	200300040	23
1-861-010034-10	55	1-879-010129-30	75	200300040	23

PART	PAGE	PART	PAGE	PART	PAGE
200300040	25	22000-001	65	2-397-010003	85
200300040	25	220000102	29	2-397-010003	87
200300104	23	220000102	29	2-397-010003	93
200300104	23	220000210	23	23986-001	65
200300104	25	220000210	23	240000009	31
200300104	25	220000210	88	240000009	33
200400030	29	220000211	25	240000018	31
200400030	29	220000211	25	240000018	33
200400030	29	220000212	21	240000019	31
200400030	29	220000212	27	240000019	31
20111-002	65	220001005	29	240000019	33
201285-001	65	220001005	29	240000019	33
2021-8-8S	19	220001010	31	240000020	31
2027	57	220001010	33	240000020	33
2045-8-12S	93	220001504	23	240000022	88
2047-12-12S	93	220001504	23	240000113	31
2047-8-8S	85	220001504	25	240000113	33
2047-8-8S	87	220001504	25	240000208	31
2049-8-8S	18	220001512	29	240000208	33
2066-6-6S	20	220001512	29	240000334	88
2066-8-10S	19	22002-000	65	240000908	31
2066-8-10S	85	2216-12-16S	93	240000908	33
2066-8-10S	87	2216-16-16S	93	240004006	88
2066-8-8S	18	2255-12-12S	19	240005222	88
2066-8-8S	85	2255-12-12S	20	240010222	88
2066-8-8S	87	2255-6-6S	87	240016230	31
2067-6-6S	20	2255-8-8S	19	240016230	33
206801-8-8S	20	22801-004	65	240019014	31
2068-12-10S	20	22808-000	65	240019014	33
2068-12-12S	19	230001300	88	240034334	88
2068-8-10S	18	230010405	23	240034342	21
2068-8-10S	20	230010405	23	240044018	31
2068-8-10S	61	230010405	25	240044018	33
2071-12-12S	19	230010405	25	240044019	31
2083-8-4S	09	230010407	23	240044020	31
2083-8-4S	44	230010407	23	240044020	33
2089-6-6S	51	230010407	25	240061334	88
2090-12-12S	87	230010407	25	250001222	88
2090-12-12S	93	230010606	25	257	55
210600205	25	230010606	25	2-573-010335	41
210700077	23	2-318-010009	75	270010002	21
210700077	23	238-2450-3	93	276028	63
210800205	25	238-6832	74	2A0007-011	95
211300024	27	238-9030-12	74	2A0010-015	95
2-181-010001	15	238-9030-21	74	2A0079-404	90
2-181-010001	44	238-9030-22	74	2A0079-406	90
2-181-010001	87	238-9030-23	74	2A0283-7011	95
2-181-010006	18	239-4899	20	2A0283-7015	95

PART	PAGE	PART	PAGE	PART	PAGE
2A0283-9910	95	316083	63	3-242-010217	07
2A283-7214	90	3-162-010001	93	3-242-010217	18
2A9048-7	95	3-181-010007	18	3-242-010217	25
2V0008	90	3-181-010007	37	3-272-010003	37
3/16HFLN	38	3-181-010008	18	3-272-010010	83
3/4NIPPLE	87	3-181-010034-1	87	3-272-010017	74
3/4NIPPLE	93	3-181-010060	18	3-272-010021	37
3/4ST ELL	93	3-181-010060	37	3-272-010021	38
3/4X1/2BUSH	85	32002	38	3-272-010021	51
3/4X1/2BUSH	87	3-201-010001	37	3-272-010021	74
300039	63	3-201-010001	38	3-272-010021	83
3-014-010096	87	3-203-010001	37	3-272-010022	37
3-014-010201	07	3-203-010001	74	3-272-010022	83
3-014-010202	07	3-208-010056	74	3-272-010062	83
3-014-010238	20	3-208-010056	77	3-272-010166	75
3-027-010110	07	3-208-010056-01	77	3-279-010043	20
3-027-010111	07	3-208-010056-02	77	328134	63
3-042-010111-2	49	3-208-010056-03	77	3-311-010578	15
3-042-010130-02	49	3-208-010056-04	77	3-311-013068	61
3-080-010126	81	3-208-010070	09	3-311-013079	61
3-080-010126	82	3-208-010070	18	3-311-013619	81
3-080-010126	82	3-208-010070	74	3-311-014622	37
3-080-010139	81	3-222-010160	01	3-311-014867	02
3-080-010278	81	3-222-010160	18	3-311-014868	02
3-080-010278	82	3-222-010163	07	3-311-014909	81
3-080-010278	82	3-222-010165	01	3-311-014909	82
3-080-010278	82	3-222-010165	59	3-311-014910	81
3-080-010422	01	3-222-010168	20	3-311-014910	81
3-080-010423	01	3-238-010007	09	3-311-014910	82
3-080-010430	01	3-238-010007	12	3-311-014910	82
3-080-010465	01	324160	63	3-311-015577	81
3-115-010096	79	3-242-010049	87	3-311-015577	82
3-115-010097	79	3-242-010049	89	3-311-015623	81
3-115-010099	79	3-242-010091	85	3-311-015623	82
3-115-010139	79	3-242-010091	88	3-311-015715	81
3-115-010140	79	3-242-010185	18	3-311-015715	82
3-120-010103	93	3-242-010185	27	3-311-015952	82
312-2917-130	94	3-242-010199	07	3-311-016004	81
312-3220-327	94	3-242-010199	18	3-311-016004	82
312-5037-201	94	3-242-010199	23	3-311-016128	81
312-8217-327	94	3-242-010200	07	3-311-016218	82
3-150-010046	07	3-242-010200	18	3-318-010001	83
3-150-010047	07	3-242-010200	23	3-318-010002	83
31506	83	3-242-010201	19	3-318-010005	75
3-155-010013	59	3-242-010201	21	332007	63
3-155-010013	61	3-242-010216	07	3-334-010001	81
3-156-010008	83	3-242-010216	20	3-334-010002	81
3-156-010008	83	3-242-010216	25	3-334-010003	81

PART	PAGE	PART	PAGE	PART	PAGE
3-334-010004	81	3-446-010007	37	3-573-010462	41
3-334-010012	44	346SL	01	3-573-010463	41
3-334-010015	44	3-481-010012	59	3-573-010471	41
3-334-010040	44	3-481-010012	61	357481	63
334163	63	3-481-010012	65	3-591-010001	93
3-348-010039	77	3-482-010005	61	3-591-010001	94
3-352-010053	07	3-482-010005	61	3-624-010008	74
3-352-010055	78	3-482-010026	59	3-630-010002	07
3-360-010111	18	3-482-010026	61	364018	63
3-360-010111	29	3-482-010107	81	3-642-010098	87
3-360-010111	29	3-482-010246	81	3-659-010012	55
3-368-010175	38	3-482-010246	82	3-659-010012	57
3-368-010204	74	3-482-010312	59	3-659-010013-1	79
3-368-010206	74	3-482-010312	61	368017	63
3-368-010228	38	3-482-010543	61	3-681-010121	20
3-368-010235	38	3-485-010001	44	3-684-010031	61
3-368-010236	38	3-557-010030	15	3-684-010042	07
3-368-010237	38	3-557-010032	18	3-684-010047	07
3-368-010238	38	3-557-010033	19	3-684-010048	07
3-368-010239	74	3-557-010059	19	3-684-010049	07
336A010	63	3-557-010131	78	3-711-010101	07
3-372-010013	02	3-557-010182	18	3-711-010102	07
3-372-010014	02	3-557-010186	03	3-711-010103	18
3-372-010056	20	3-557-010220	02	3-720-010075	09
3-375-010582	15	3-557-010221	02	3-725-010077	01
3-375-010587	15	3-557-010498	07	3-741-010001	03
3-375-010588	15	3-557-010499	07	3-741-010004	81
3-375-010588	18	3-557-010499	18	3-741-010006	03
3-375-010588	37	3-557-010500	07	3-741-010007	03
338208	63	3-557-010500	18	3-741-010008	03
338273	63	3-557-010502	07	3-741-010015	81
3-384-010020	51	3-557-010503	07	3-741-010076	07
3-384-010031	51	3-557-010504	07	3-755-010003	18
3-395-010001	93	3-557-010508	78	3-755-010089	81
3-397-010124	85	3-557-0110260	87	3-755-010189-02	38
3-397-010124	87	3-561-010001	93	3-755-010189-02	44
3-397-010246	87	3-561-010008	93	3-755-010218	07
3-399-010001048	93	3-565-011742	15	3-755-010219	07
3-406-010076	57	3-573-010020	41	3-755-010253	20
3-410-011571	59	3-573-010031	41	3-755-010255	37
3-410-011628	93	3-573-010060	41	3-755-010275	78
3-417-010003	18	3-573-010203	41	3-755-010354	07
3-417-010004	19	3-573-010211	41	3-755-010355	07
3-417-010005	18	3-573-010377	41	3-755-010364	07
3-443-010010	79	3-573-010435	41	3-755-010365	07
3-446-010006	51	3-573-010437	41	3-755-010370	07
3-446-010006	83	3-573-010438	41	3-755-010371	07
3-446-010007	37	3-573-010461	41	3-755-010372	09

PART	PAGE	PART	PAGE	PART	PAGE
3-762-010017	44	4014550	91	56D4	51
3-780-010002	44	4015410	91	59S7	38
3-786-010043	93	4019950	91	59SW-2-3	38
3-793-010018	13	4019960	91	6002790	91
3-793-010044	13	402002	63	6002880	91
3-821-010005	44	4020051	91	6006090	91
3-828-010002	37	4022030	91	6008840	91
3-828-010002	51	4023150	91	6013080	91
3-829-010278	78	412003	63	60564-000	65
3-831-010050	13	412045	63	610100011	31
3-843-010009	09	413013	63	610100011	33
3-843-010009	97	414038	63	612104001	31
3-846-010009	85	414045	63	612104001	33
3-846-010009	87	414279	63	622-3511-008	44
3-846-010009	91	414521	63	625765001	29
3-846-010127	85	414835	63	625765001	29
3-846-010127	87	416030	63	625775001	29
3-846-010127	90	416059	63	625775001	29
3-846-010150	20	431007	63	625894008	31
3-846-010150	29	438014	63	625894008	33
3-846-010151	20	442184	63	626230001	31
3-846-010151	29	442205	63	626230001	33
3-846-010156	20	450006	63	63635	55
3-846-010164	19	450016	63	63680	57
3-846-010164	35	456001	63	6-397-010005	85
3-870-010012	55	456008	63	6-397-010005	93
3-870-010097	57	468002	63	660180032	31
3-873-010073	61	468011	63	660180032	33
3-873-010073	61	470033	63	660180034	31
3-873-010073	63	472012	63	660180034	33
3-873-010109	61	472013	63	660250002	29
3-873-010109	63	481 54 224	45	660250006	29
3-873-010147	59	486009	63	660263002	31
3-873-010147	61	486017	63	660263002	33
391-0381-068	94	494002	63	660280001	29
391-1401-025	94	494053	63	660280003	31
391-1802-119	94	4Z4306	90	660280010	31
391-2082-032	94	5/16-24HFLN	81	660280018	29
391-2185-013	94	5/16-24X1CS	81	660401005	29
391-2585-006	94	514-1000	19	660401006	29
391-2882-086	94	514-1000-056	79	660580002	29
391-2883-058	94	514-1633-1	93	660580002	29
391-2884-050	94	514-5728-7	74	660580003	29
391-3681-001	94	514-5728-8	74	660580003	29
391-3784-028	94	518014	63	660580004	29
40002R	38	518015	63	660580004	29
4014041	91	55B61	09	660580004	31
4014130	91	55B61	51	660580004	33

PART	PAGE	PART	PAGE	PART	PAGE
660580005	31	75716	55	94100685	47
660580005	33	758-012	09	94100787	47
670100008	31	758-012	11	94100790	47
670100008	33	758-013	09	A001	77
670300029	31	758-013	11	AY102	77
670300029	33	758-181	51	AY103	77
670300030	31	75-SP-2	12	AY109	77
670300030	33	7859	11	AY115	77
670500044	31	805-2	44	B3-120-011	02
670500044	33	81264	83	B3-128-081	09
670500045	31	900 54 446	45	B3-272-060	83
670500045	33	90001200	47	B3-272-091	37
671302003	31	90008139	47	B3-407-097	85
671302003	33	90008149	47	B3-407-167	87
671400033	31	90008184	47	B3-407-201	18
671400033	33	90025288	47	B3-482-001	81
671400076	31	90036177	47	B3-573-053	41
671400076	33	90036177	47	B3-645-006	78
671400077	31	90045040	47	B3-741-001	03
671400077	33	90054038	47	B3-755-002	07
671400078	31	905 54 107	45	B5-115-011	79
671400078	33	90516600	47	B5-115-012	79
671400079	31	90516601	47	B5-432-008	79
671400079	33	905-54-107	09	B5-793-001	13
671400086	31	90557129	47	BSL-6-4	79
671400086	33	9057-014	65	C01-412	83
671400207	31	9086-005	65	C29-1104X	83
671400207	33	9091-001	65	CO-975-74-2000	03
671600049	31	9121-002	65	CT-19	12
671600049	33	930 02 349	45	D01-412	38
671600063	31	93003597	47	D-2212-70.5TRACK	49
671600063	33	93201051	47	E001	77
671700014	29	93201057	47	E001	77
671700014	29	934 00 060	45	E002	77
671800021	31	93400136	47	E006	77
671800021	33	93400149	47	H015	77
671900011	31	93400367	47	H038	77
671900011	33	93400492	47	H039	77
671900071	31	93400506	47	H046	77
671900071	33	93400506	47	H048	77
672201005	29	93408186	47	H542061-0410	97
672201006	29	93600072	47	H542061-7212	97
6828	93	93600077	47	H563060-6584	97
7360-001	65	93908009	47	H563061-2004	97
7-458-010009	79	941 00 119	45	H571002-3704	97
7462-000	65	941 00 466	45	H571002-6204	97
750-029	38	94100590	47	H571002-7704	97
7537-000	65	94100648	47	H571004-0404	97

PART	PAGE	PART	PAGE
H810138-0684	97	PMS-AM-2542	25
H894100-4702	97	PMS-AM-2554	23
H895107-9204	97	PMS-AM-2554A	23
H895361-7204	97	PMS-AM-2560	23
H896040-1504	97	PMS-AM-2560A	23
H897101-7804	97	PTO	93
H897151-0094	97	RAF2903X18	78
HM212011	55	RPRB59004X11	79
HM212011	57	RRT119X.75	87
HM212049	55	RRT271X.375ZP	19
HM212049	57	RSR8999X1	61
HM218210	55	S005	77
HM218210	57	SBT1017	89
HM218248	55	SCY 1006	89
HM218248	57	SCY1018	89
K-23001	93	SCY1019	89
K-23022	93	SCY1024	89
K71-138-00	49	SCY1026	89
LB004	77	SCY1070	89
LB005	77	SCY1079	89
M13299-1	35	SCY1079	89
MV4-43-12-TD	91	SCY222	89
P67912	97	SCY223	89
P67914-4	97	SCY224	89
P68131	97	SET SCREW	61
P68131	97	SV121	29
P7675	11	SV125	29
P7710	11	SVA-S60	29
P7724	11	SVA-S60	29
P7725	11	SVA-S60	33
P7739	11	SVA-S61	29
P7830	11	SVA-S61	31
P7833	11	SVA-S86	29
P7848	11	SVA-S86	31
P7856	11	SVE22	29
P7857	11	SVE26	29
P7870	11	SWS245	89
P7872	11	TR573	55
PMCK-8300	88	TR573	57
PMCK-AD-461	27	W001-15	77
PMCK-AM-2536	25		
PMCK-AM-2542	25		
PMCK-AM-2554	23		
PMCK-AM-2554A	23		
PMCK-AM-2560	23		
PMCK-AM-2560A	23		
PMCK-AR-210	21		
PMS-AM-2536	25		