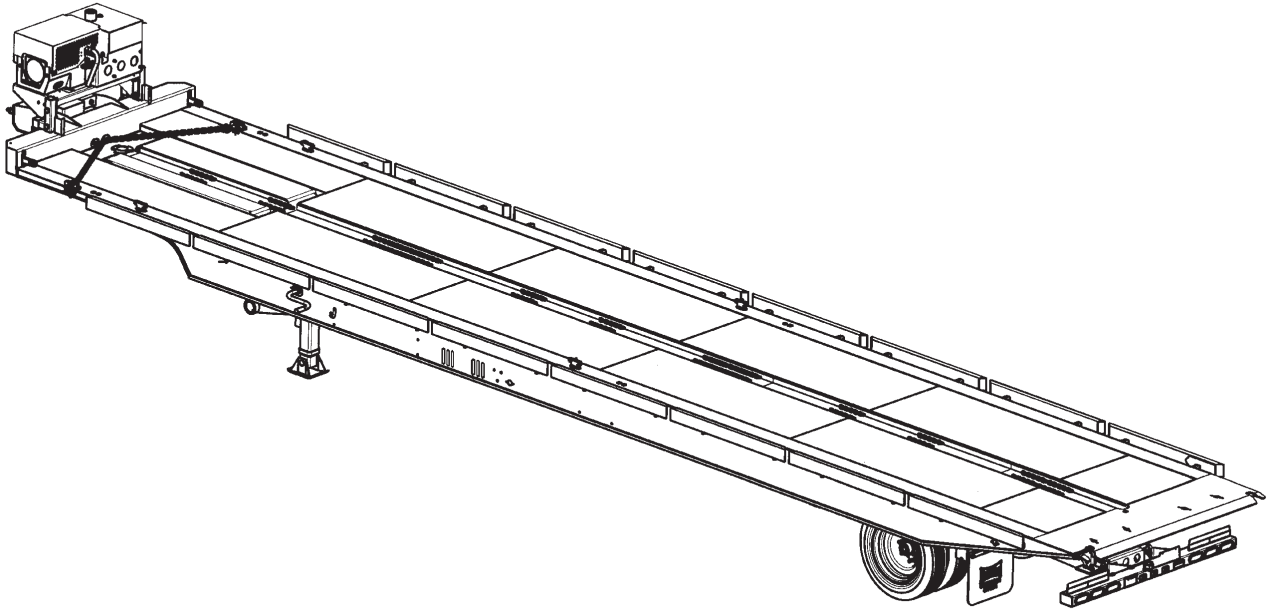




**MODEL 340
SEMITRAILER
PARTS MANUAL**



**1900 North Street
Marysville, KS 66508
(785)562-5381**

ILLUSTRATED PARTS LIST

1

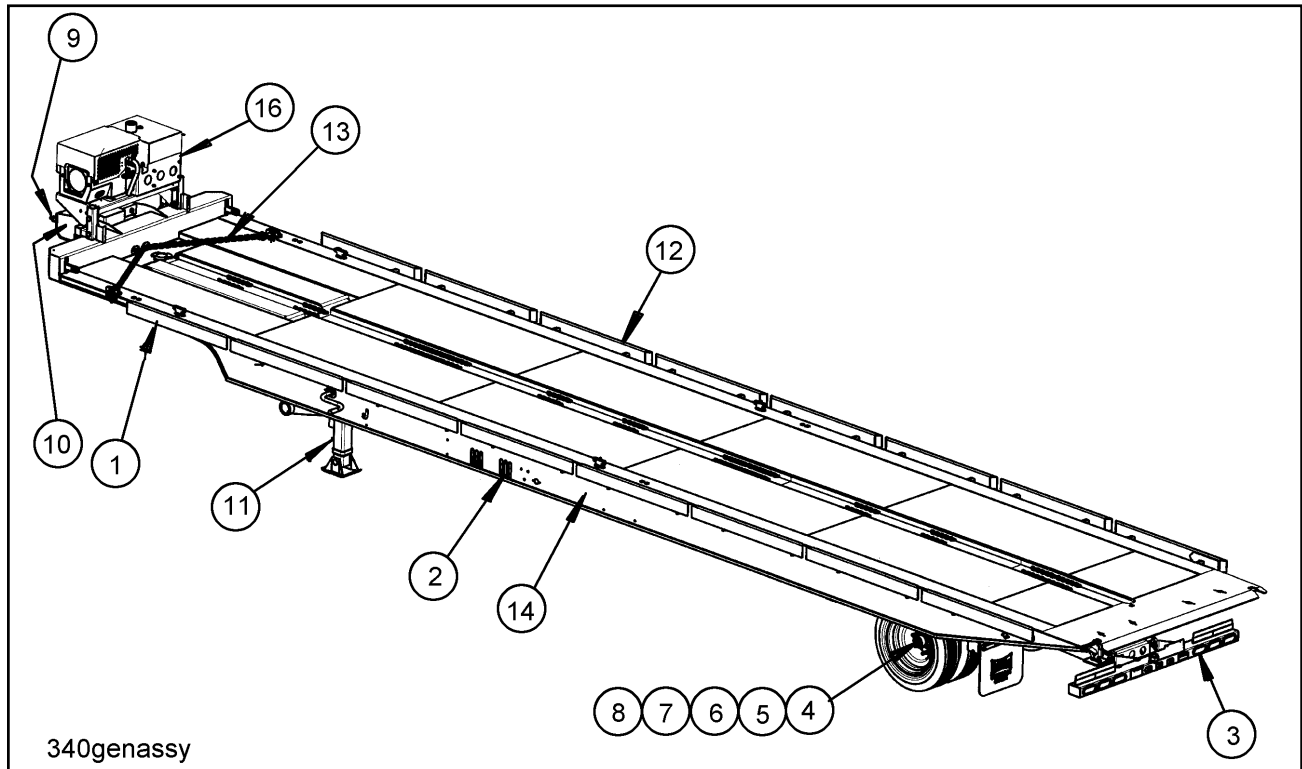
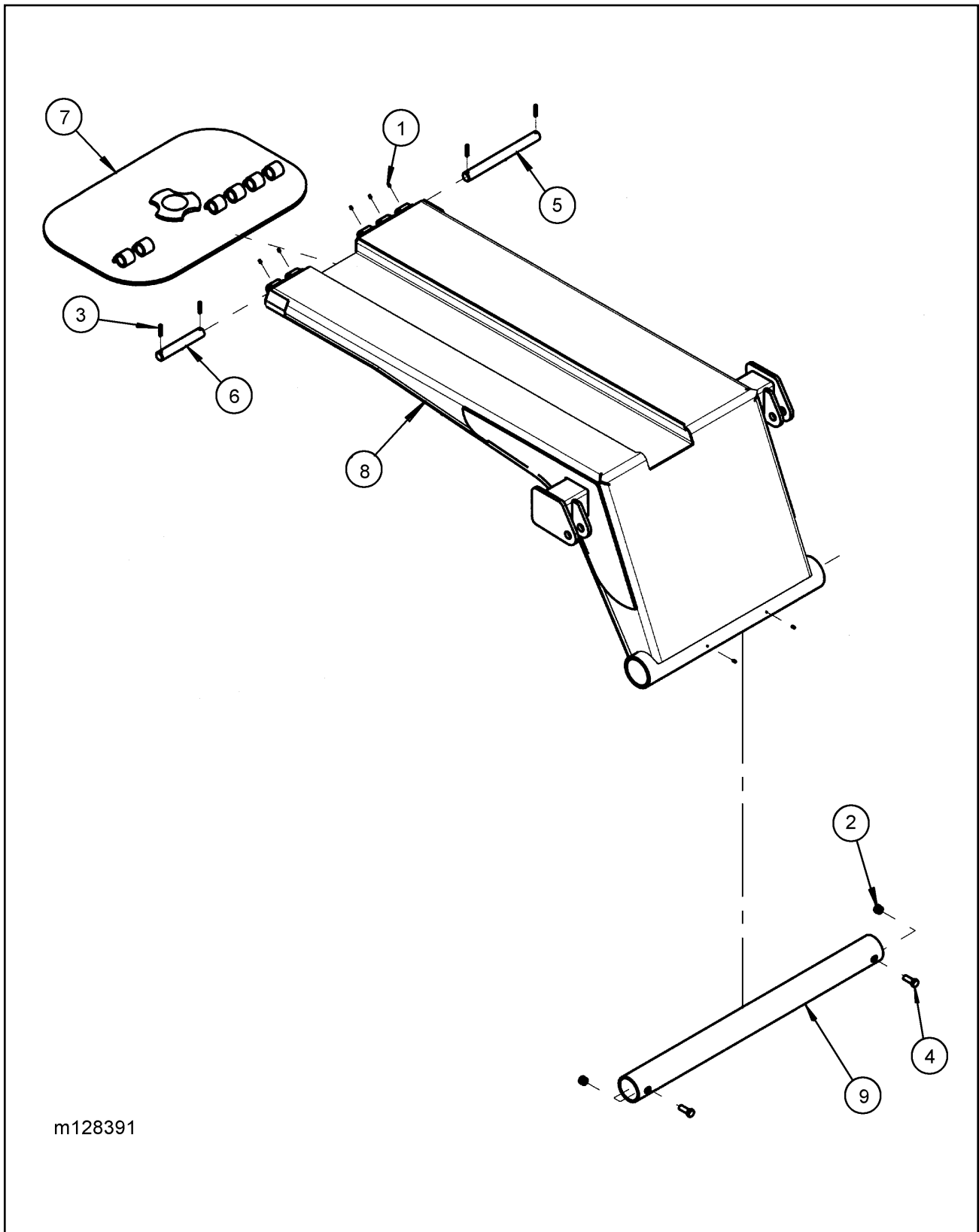


Figure 1-1 General Assembly

GENERAL ASSEMBLY

ITEM	PAGE NO.	DESCRIPTION	QTY.
1	1-2 - 1-3	HITCH INSTALLATION	1
2	1-4 - 1-11	HYDRAULIC ASSEMBLIES	1
3	1-12 - 1-13	ELECTRICAL ASSEMBLIES	1
4	1-14 - 1-17	UNDERCARRIAGE & SUSPENSION - SPRING RIDE	1
5	1-18 - 1-23	UNDERCARRIAGE & SUSPENSION - AIR RIDE	1
6	1-24 - 1-25	AXLE AND BRAKE ASSEMBLY	1
7	1-26 - 1-29	AIR BRAKE SYSTEM	1
8	1-30 - 1-31	HUB AND DRUM ASSEMBLY	1
9	1-32 - 1-33	AIR SYSTEM	1
10	1-34 - 1-36	GEAR BOX ASSEMBLIES	1
11	1-37 - 1-39	LANDING GEAR ASSEMBLIES	1
12	1-40	PULLOUT ASSEMBLY	1
13	1-41 - 1-46	CONTAINER LOADING ASSEMBLIES	1
14	1-47 - 1-49	DECAL INSTALLATION	AR
15	1-50 - 1-51	TOOLBOX INSTALLATION (OPTION) (NOT SHOWN)	1
16	1-52 - 1-57	AUXILIARY ENGINE DRIVE ASSEMBLIES (OPTION)	1
17	1-58 - 1-59	BULKHEAD INSTALLATION (OPTION) (NOT SHOWN)	1
18	1-60 - 1-61	RADIO REMOTE CONTROL ASSEMBLY (OPTION) (NOT SHOWN)	1
19	1-62 - 1-64	MISCELLANEOUS OPTIONS (NOT SHOWN)	1

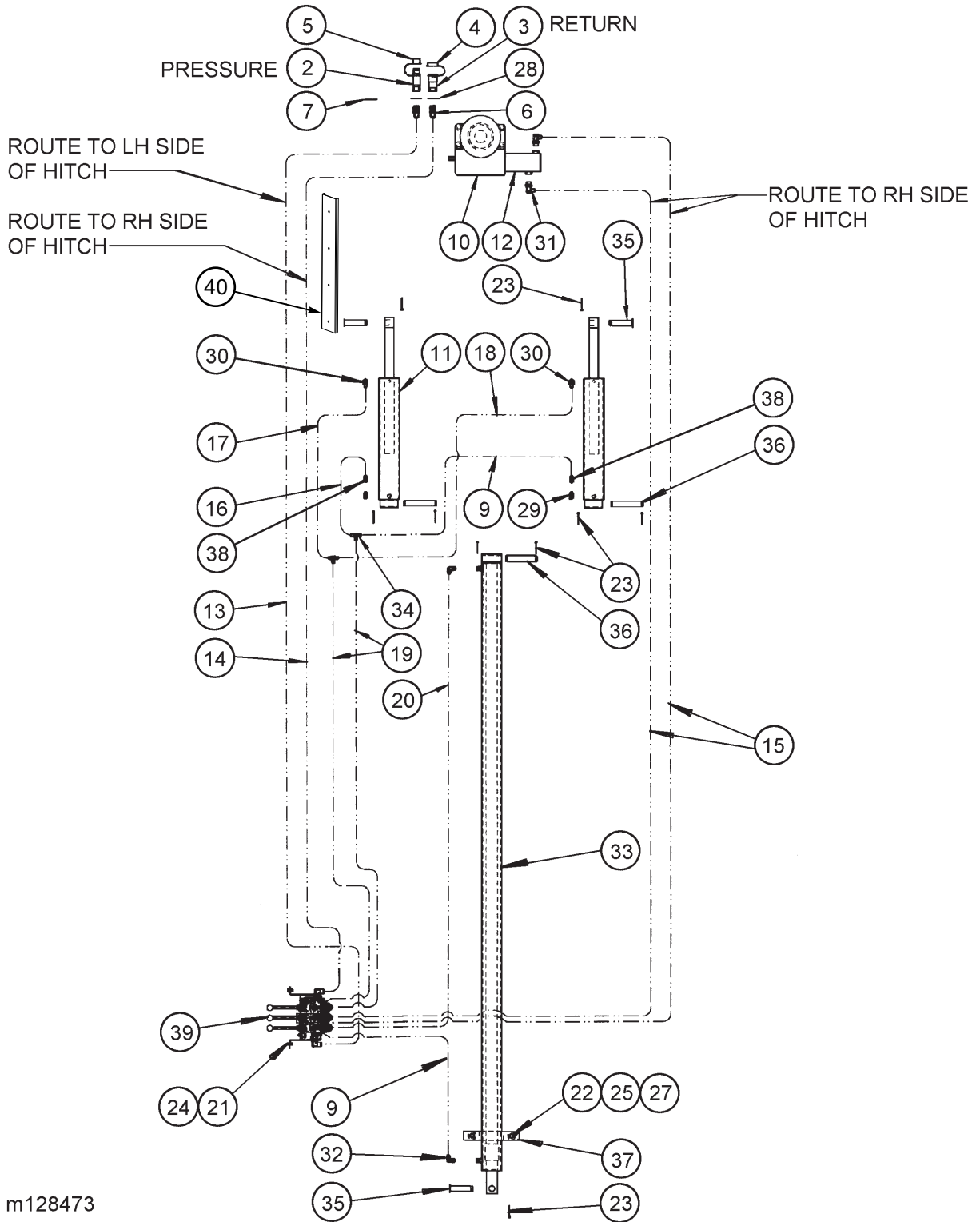


m128391

Figure 1-2 Hitch Installation

HITCH INSTALLATION

ITEM	PART NO.	DESCRIPTION	QTY.
	128391	HITCH INSTALLATION 18 PIN 340	
1	1-298-010001-1	FITTING GRS STR SHORT 1/4-28	7
2	1-512-010005-15	NUT, HEX LOCK 3/4-10 GRB	2
3	1-647-010004255	SPRING PIN SLOTTED 3/8 X 2	4
4	1-654-010061-05	SCREW, HEX HEAD CAP 3/4-10 X 2 GR5	2
5	128210	HINGE PIN FIFTH WHEEL, LONG	1
6	128211	HINGE PIN FIFTH WHEEL, SHORT	1
7	128212	HITCH PLATE, 18" KING PIN	1
8	128323	PIVOT ARM WELDMENT	1
9	128390	PIVOT TUBE	1



m128473

HYDRAULIC SYSTEM

ITEM	PART NO.	DESCRIPTION	QTY.
	128473	HYDRAULIC INSTALLATION CONTROLS	
1	43028	HOSE WRAP 3/8 (NOT SHOWN)	AR
2	105479	COUPLER, FLAT FACE MALE	1
3	105480	COUPLER, FLAT FACE FEMALE	1
4	105481	COUPLER, DUST CAP MALE	1
5	105482	COUPLER, DUST CAP FEMALE	1
6	105483	ADAPTER BULKHEAD 12JIC-12ORING	2
7	105822	DECAL, HYDRAULIC COUPLER	REF
8	118914	HOSE WRAP SPIRAL 1 ID (NOT SHOWN)	AR
9	121003	HOSE ASSEMBLY 1/2 X 80	2
10	126858	GEARBOX (SEE PAGE 1-36)	REF
11	126972	CYLINDER, WELDED 4 X 20 (SEE PAGE 1-6)	2
12	126973	MOTOR FOR GEARBOX (SEE PAGE 1-35)	REF
13	128470	HOSE ASSEMBLY 3/4 X 290	1
14	128471	HOSE ASSEMBLY 3/4 X 345	1
15	128472	HOSE ASSEMBLY 1/2 X 374	2
16	1-397-010301032	HOSE ASSEMBLY 1/2 X 32	1
17	1-397-010301042	HOSE ASSEMBLY 1/2 X 42	1
18	1-397-010301090	HOSE ASSEMBLY 1/2 X 90	1
19	1-397-010301136	HOSE ASSEMBLY 1/2 X 136	2
20	1-397-010301148	HOSE ASSEMBLY 1/2 X 148	1
21	1-510-010001	NUT, FLANGE LOCK 3/8-16	4
22	1-512-010005-13	NUT, HEX LOCK 5/8-11 GRB	2
23	1-557-010362-54	PIN, COTTER 3/16 X 2-1/4	9
24	1-654-010051-05	SCREW, HEX HEAD CAP 3/8-16 X 1 GR5	4
25	1-654-010059-14	SCREW, HEX HEAD CAP 5/8-11 X 4-1/2 GR5	2
26	1-796-010003-02	TY-WRAP (NOT SHOWN)	AR
27	1-861-010032-19	WASHER FLAT 5/8W	6
28	1-861-010059-21	WASHER, LOCKING INT TOOTH 1-1/8	2
29	2023-8-8S	ADAPTER, 45	2
30	2024-8-8S	ADAPTER, 90	2
31	2062-12-8S	ADAPTER, 90	2
32	2062-8-8S	ADAPTER, 90	2
33	3-242-010185	CYLINDER, HYDRAULIC 4X126 (SEE PAGE 1-7)	1
34	3-299-010016	ADAPTER TEE	2
35	3-557-010032	PIN, CYLINDER U/C	3
36	3-557-010182	PIN, CYLINDER END 1-1/4 X 7-1/8	3
37	3-755-010003	SUPPORT CYL MIDDLE	1
38	3-846-010156	VALVE RESTRICTOR 3/64-ONE WAY (DIRECT REPLACEMENT)	2
39	3-846-010152-01	VALVE ASSEMBLY 3 SPOOL (SEE PAGE 1-9)	1
40	128714	HOSE CLAMP, TRL 340	2

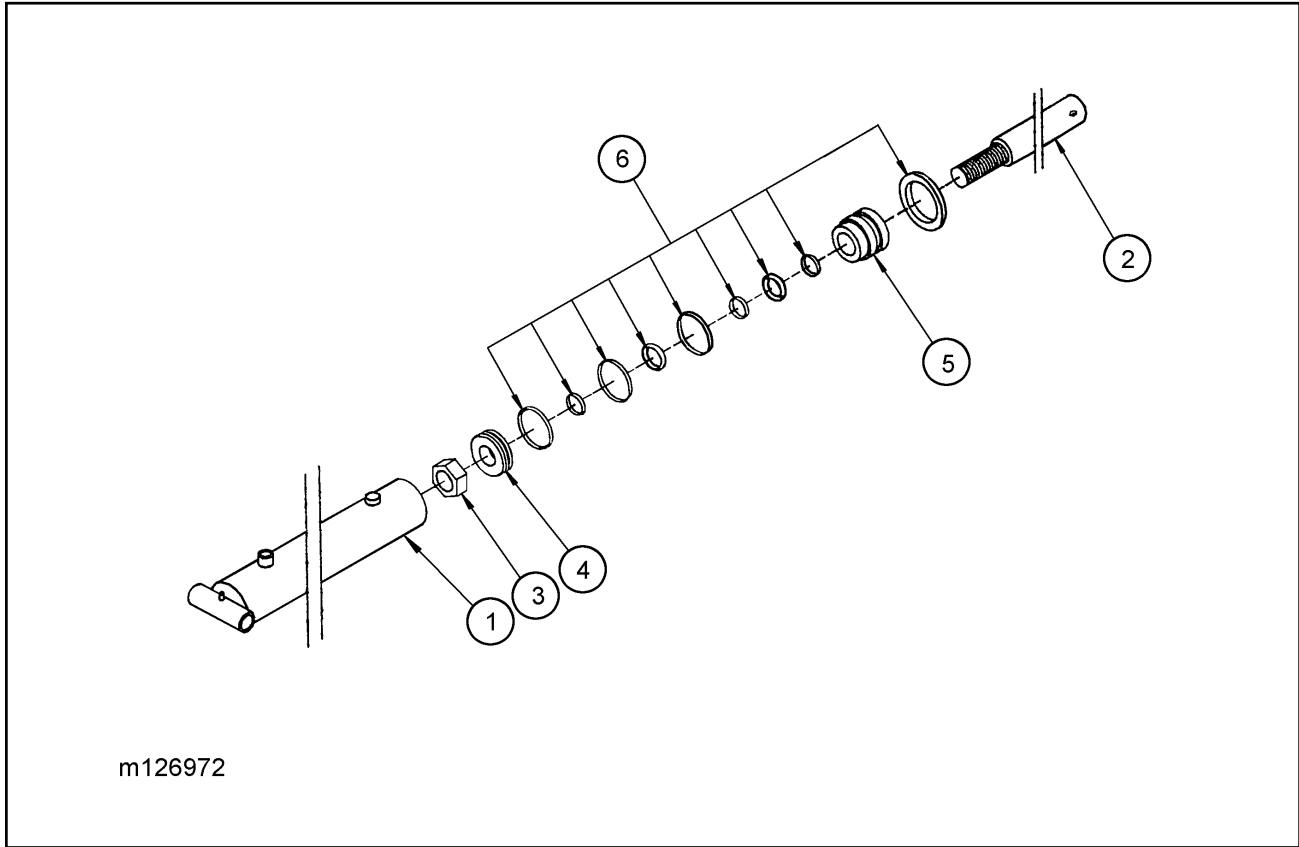


Figure 1-4 4 x 20 Hydraulic Cylinder Assembly

TRAILER TILT CYLINDER

ITEM	PART NO.	DESCRIPTION	QTY.
	126972	CYLINDER, HYDRAULIC 4X20 WELDED	1
1	*	BUTT AND TUBE ASSEMBLY	1
2	129901	PISTON ROD	1
3	220000212	LOCKNUT (1-1/4 - 12)	1
4	071900019	PISTON	1
5	081900019	GLAND	1
6	PMCK-5600	PACKING KIT (CONTAINS ALL NECESSARY SEALS AND O-RINGS)	AIR

* PART NOT SOLD SEPARATELY. REQUIRES PURCHASE OF ENTIRE ASSEMBLY.

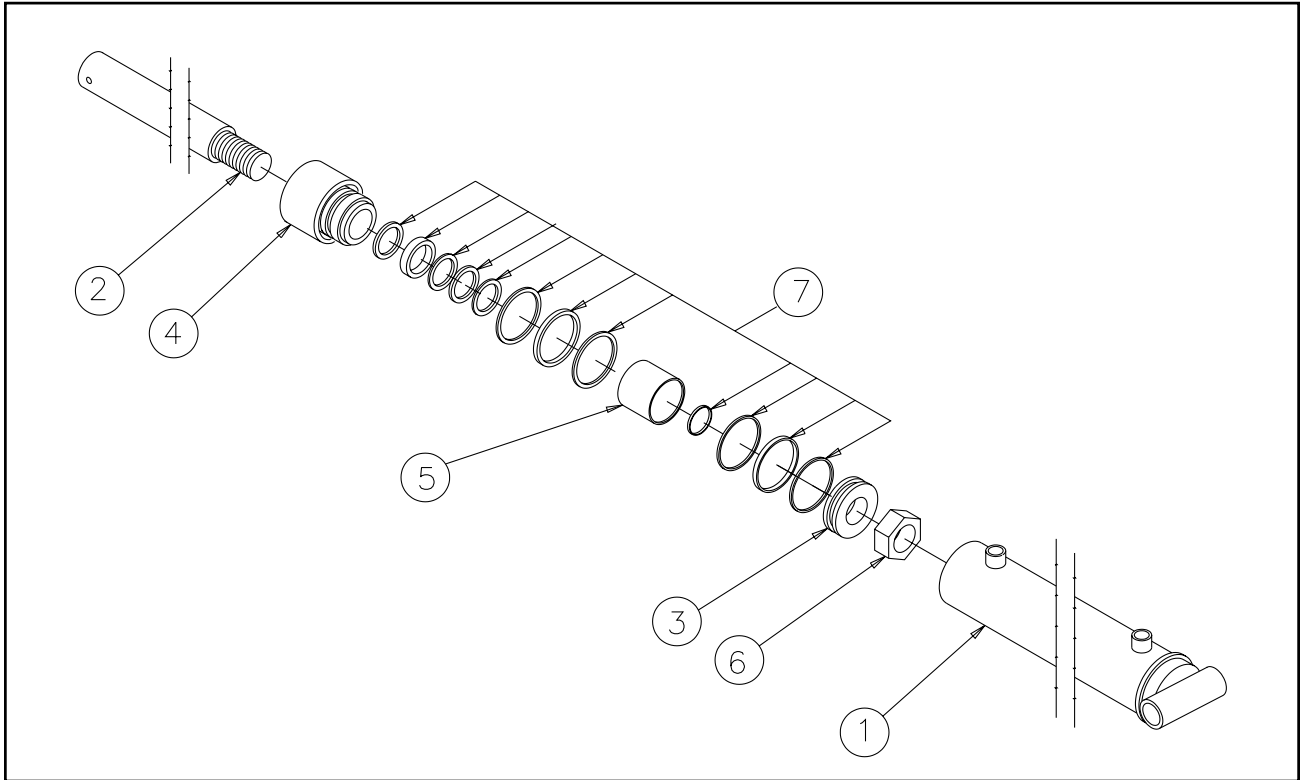
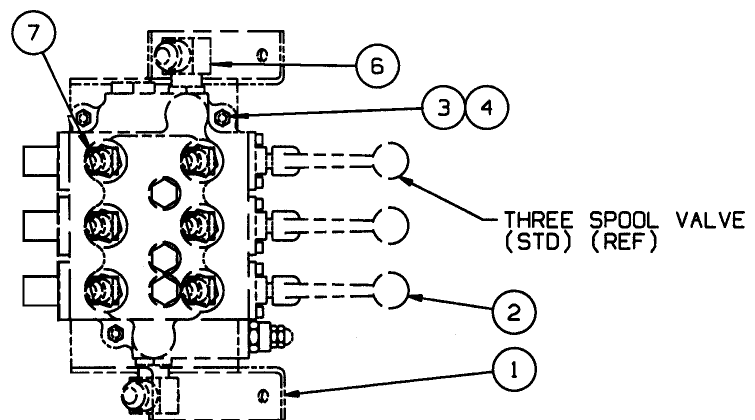
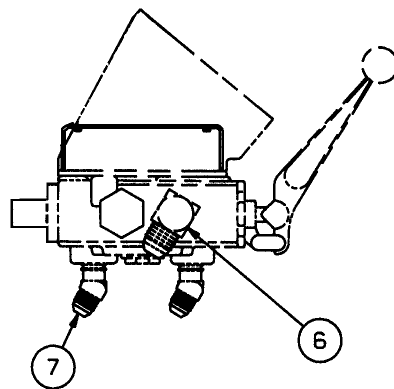
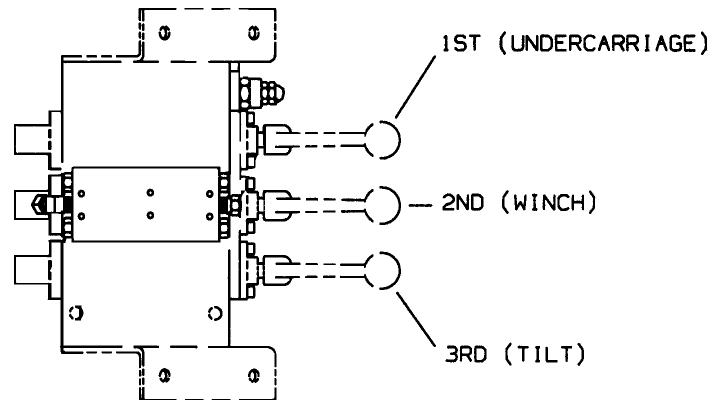


Figure 1-5 Undercarriage Slide Cylinder Assembly

UNDERCARRIAGE SLIDE CYLINDER

ITEM	PART NO.	DESCRIPTION	QTY.
	3-242-010185	CYLINDER, HYDRAULIC 4X126	1
1	*	BUTT AND TUBE ASSEMBLY	1
2	011300179	PISTON ROD	1
3	071900195	PISTON	1
4	081900277	GLAND	1
	230007400	RING SQUARE RETAINING	1
5	211300024	SPACER	1
6	220000212	LOCKNUT PISTON RING	1
7	PMCK-AD-461	PACKING KIT (CONTAINS ALL NECESSARY SEALS AND O-RINGS)	1

* PART NOT SOLD SEPARATELY, REQUIRES PURCHASE OF ENTIRE ASSEMBLY.

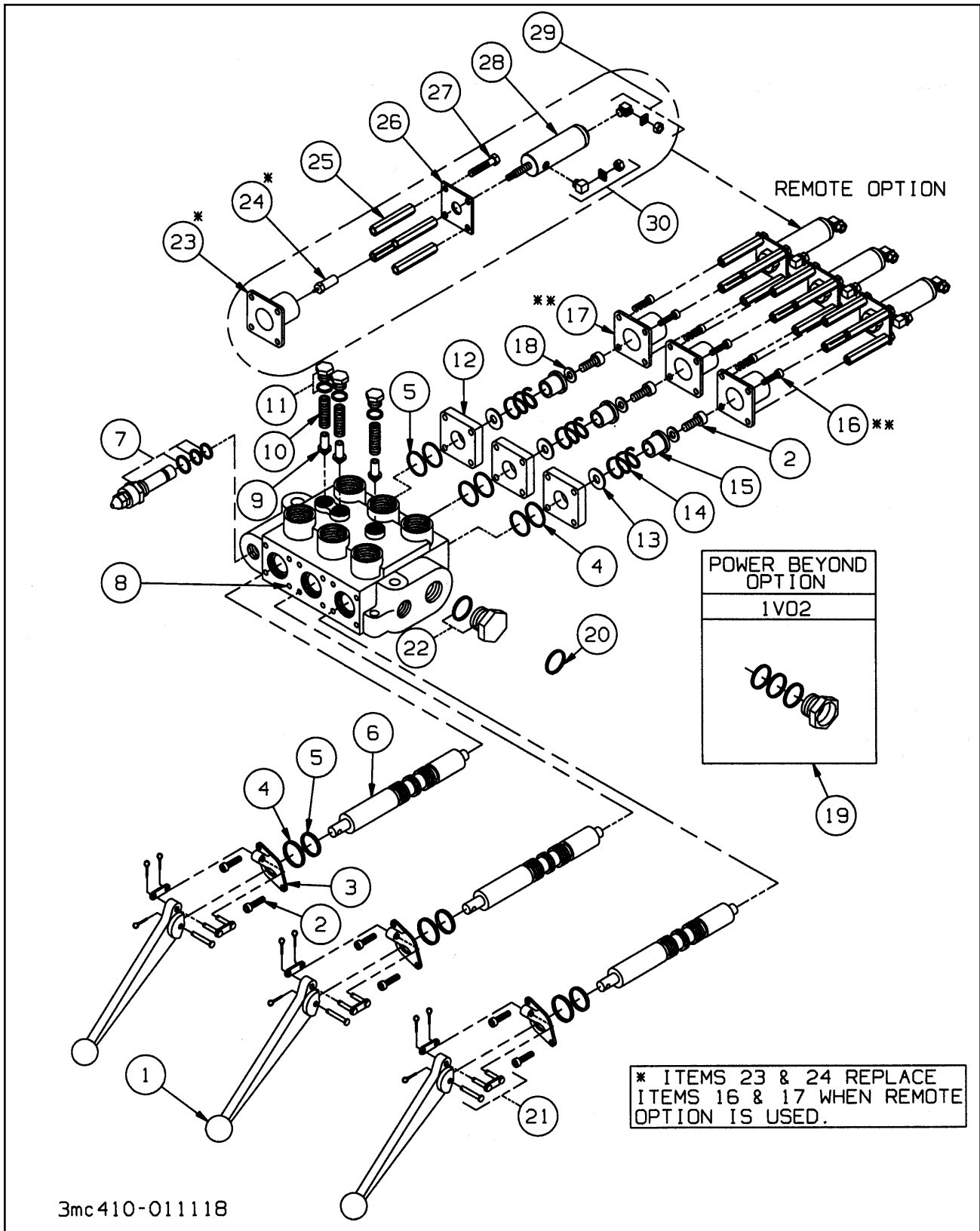


3mg846-010152-01

Figure 1-6 Valve Assembly, Three Spool

VALVE ASSEMBLY THREE SPOOL

ITEM	PART NO.	DESCRIPTION	QTY
	3-846-010152-01	VALVE ASSEMBLY 3-SPOOL STANDARD	*
1	3-482-010575	MOUNT WELDMENT VALVE	1
2	3-846-010008	VALVE 3-SPL 2500 PSI (SEE PAGE 1-11)	1
3	1-654-010051-09	SCREW HEX HEAD CAP 3/8-16 GR5	3
4	1-510-010001	NUT FLANGE LOCK 3/8-16	3
6	2062-12-12S	ADAPTER 90	2
7	2061-8-8S	ADAPTER 45	6



THREE SPOOL VALVE

ITEM	PART NO.	DESCRIPTION	QTY.
	3-846-010008	VALVE ASSEMBLY	
1	1V1703	VALVE HANDLE	3
2	2A0079-404	CAP SCREW (TIGHTEN TO 7-11 FT. LBS)	9
3	4Z4306	BRACKET HANDLE	3
4	1A0711	WASHER O-RING SPOOL	6
5	2A0283-7214	SEAL SPOOL	6
6	1V0090	*SPOOL 4-WAY	3
7	1R0017	RELIEF ASSEMBLY (1500-3000 PSI) (PRESET @2500 PSI)	1
8	1V0360	*HOUSING VALVE	1
9	1V0081	POPPET LOAD CHECK	3
10	1A0757	SPRING LOAD CHECK	3
11	1V1725	PLUG LOAD CHECK	3
12	1A0709	SPACER END	3
13	1A0291	WASHER STOP	3
14	1A0744	SPRING CENTERING	3
15	1A0292	COLLAR STOP	3
16**	2A0079-406	CAPSCREW (TIGHTEN TO 7-11 FT. LBS)	12
17**	1A0294	CAP END	3
18	1A0290	WASHER CENTERING SPRING	3
19	1V0208	ADAPTER ASSEMBLY REMOTE POWER BEYOND (CONTAINS ALL NECESSARY O-RING)	1
20	2A0283-7214	GROMMET RUBBER (BOTTOM OUTLET)	1
21	1V1701	PIN KIT	3
22	2A0354-121	PLUG CONVERSION	1
23**	3-161-010034	CAP MODIFIED VALVE SPOOL	3
24**	3-007-010039	ADAPTER AIR CYLINDER	3
25	3-711-010055	SPACER	12
26	3-482-010288	MOUNT AIR CYLINDER VALVE	3
27	104877	SCREW HEX CAP 1/4-20 GR5	12
28	3-238-010001	CYLINDER AIR	3
29	1-297-010008-01	FITTING AIR 90	3
30	68CA-2-2	CONNECTOR	3

* SOLD AS MATCHED SET ONLY.

** ITEMS 23 AND 24 REPLACE ITEMS 16 AND 17 WHEN REMOTE OPTION IS USED.

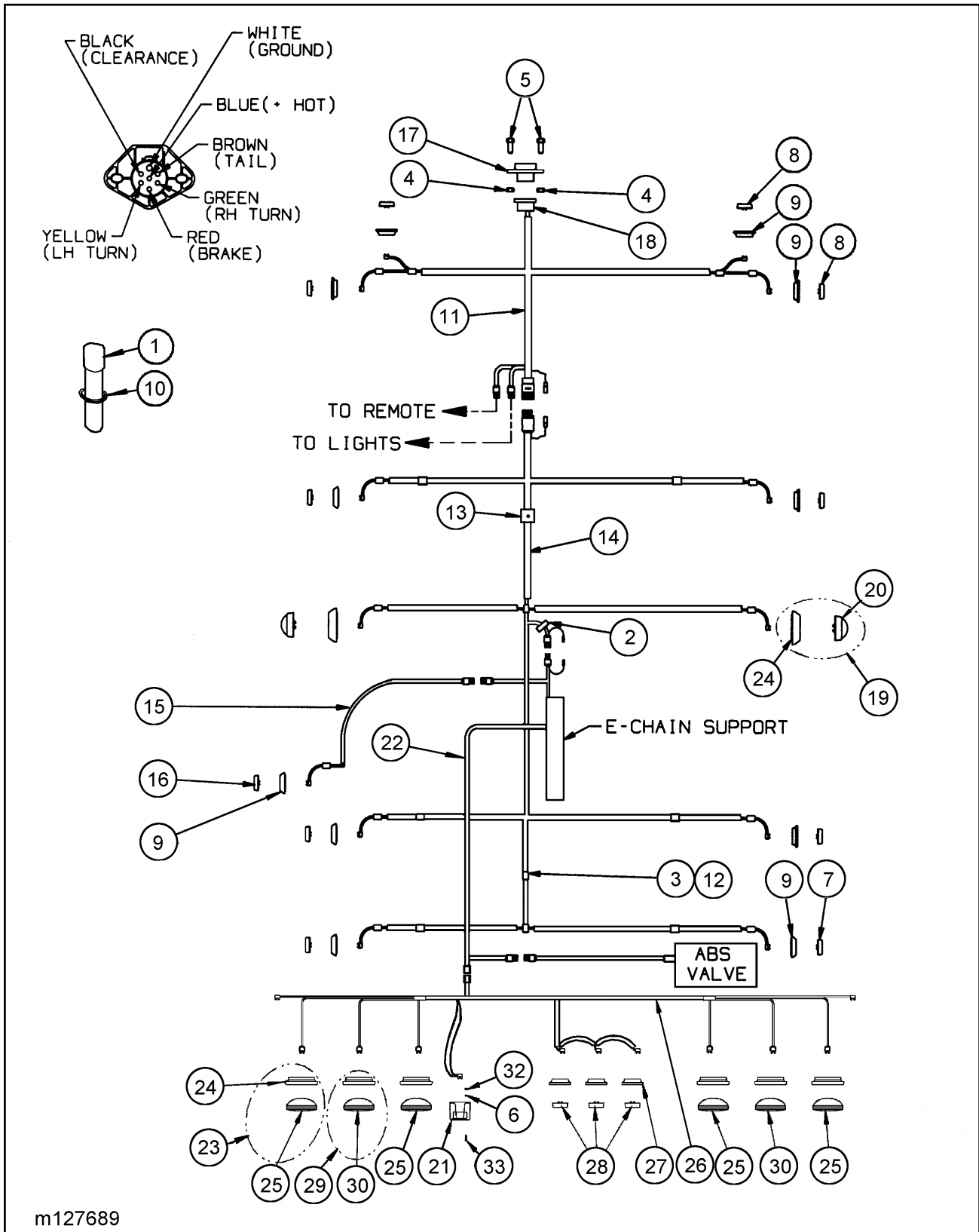


Figure 1-8 Electrical System Schematic

ELECTRICAL SYSTEM

ITEM	PART NO.	DESCRIPTION	QTY.
	127689	ELECTRICAL INSTALLATION STD	
	127690	ELECTRICAL INSTALLATION LED	
1	1-116-010019	BOX, MANUAL STORAGE	1
2	1-343-010007	GROMMET	1
3	1-510-010001	NUT FLANGE LOCK 3/8-16	6
4	1-512-010005-03	NUT HEX LOCK 5/16-18 GRB	2
5	1-654-010049-06	SCREW HEX HEAD CAP 5/16-18 X 1-1/4 GR5	2
6	1-861-010032-09	WASHER, FLAT 5/16W	4
7	10205R	REFLECTOR LAMP RED	2
	116139	LIGHT RED LED 2.5 CL/MKR	2
8	10205Y	REFLECTOR LAMP YELLOW	8
	116140	LIGHT AMBER LED 2.5 CL/MKR	8
9	10403	GROMMET MOUNT	11
10	105-0093	HOSE CLAMP 4-1/2	1
11	110416	HARNESS ASSEMBLY, FRONT, MAIN	1
12	2-181-010001	HOSE CLAMP	2
13	3-181-010006	HOSE CLAMP	4
14	3-368-010247	HARNESS ASSEMBLY BED	1
15	3-368-010294	HARNESS ABS LAMP	1
16	3-446-010046	LAMP ABS 2.5 DIA AMBER	1
17	59S-7	RECEPTACLE 7 PIN	1
18	59W-2-3	RUBBER BOOT	1
19	60015Y	LIGHT TURN AND CLR. W/ GROMMET (INCL. 20 & 24)	2
20	60215Y	LAMP, TRLR CENTER TURN INDICATOR	2
	94926	PLUG W/ PIGTAIL	2
	111925	LIGHT LED TURN MARKER YELLOW	2
21	15009	LICENSE LAMP	1
	15725	BRACKET	1
	15700	GROMMET	1
	15206	LAMP	1
22	102836	HARNESS ASSEMBLY, E-CHAIN, ABS	1
23	106371	LIGHT, TRN-TL-STOP W/ GROMMET (INCL. 24 & 25)	4
	116131	LIGHT RED STOP-TRN-TL LED	4
24	60700	GROMMET, LIGHT	2
25	60202R	LAMP STOP TAIL 3 X 7 RED	4
26	106652	HARNESS, BUMPER	1
27	107598	GROMMET, RECT. C./MKRLAMP	3
28	107599	LIGHT, RED CLEARANCE	3
	113374	LIGHT, RED LED CLEARANCE	3
29	108647	LIGHT, TRN YELLOW W/ GROMMET (INCL. 24 & 30)	2
	121377	LIGHT, YELLOW STOP/TRN/TL LED	2
30	60202Y	LAMP REAR AMBER TURN	2
	116134	LIGHT YELLOW OVAL TURN	2
	121377	LIGHT, YELLOW LED STT	2
31	114583	HARNESS, MOD LED (NOT SHOWN)	1
32	1-861-010034-07	WASHER SPLIT LOCK #10	2
33	1-656-010003051	SCREW ROUND HEAD MACH #10-24X3/4	2

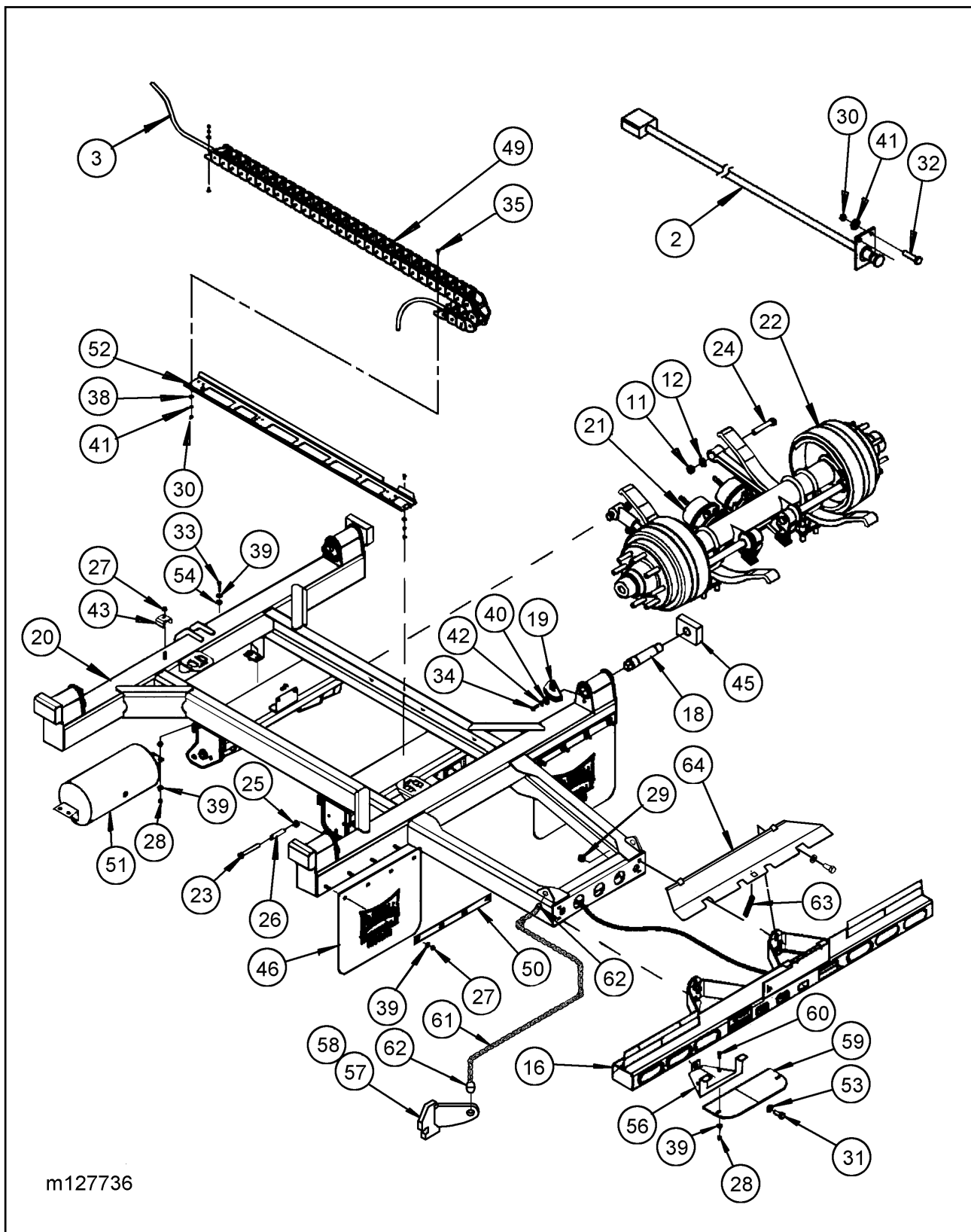
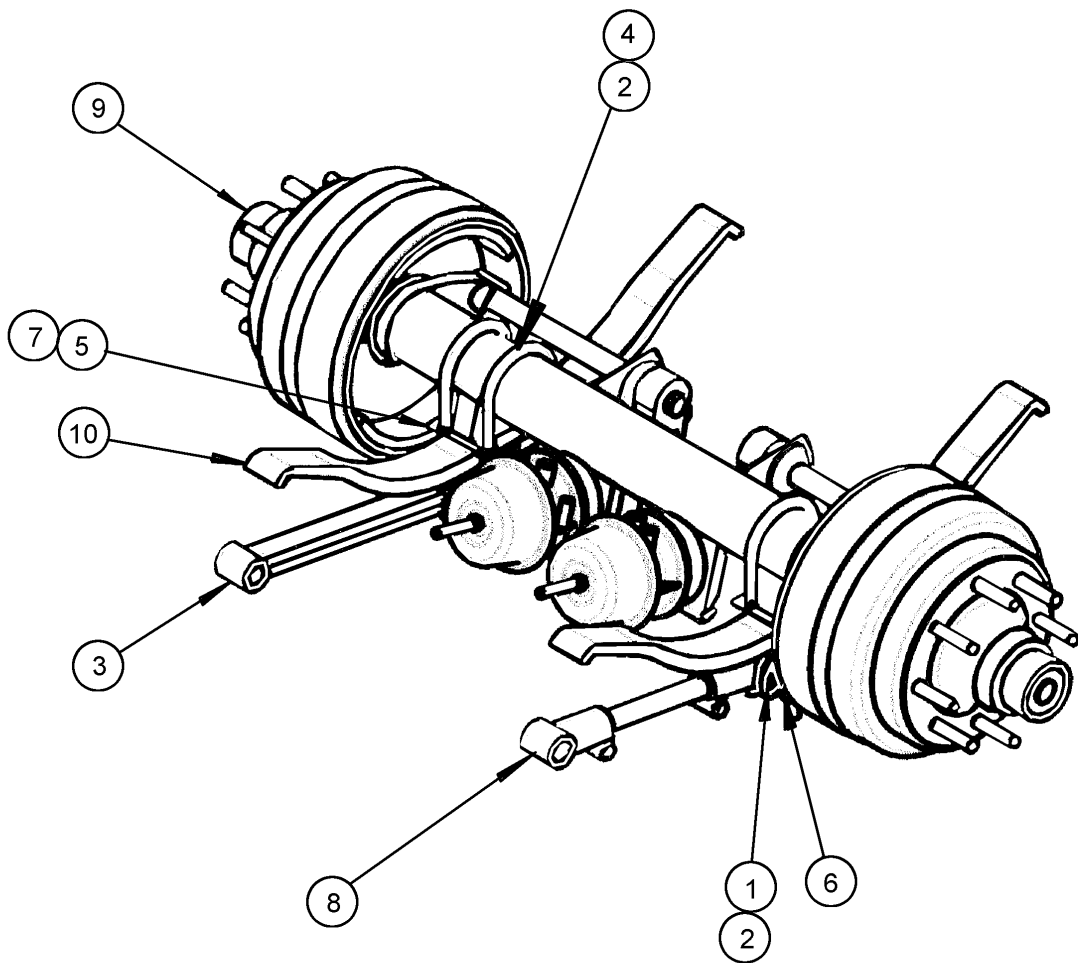


Figure 1-9 Undercarriage Assembly - Spring Ride
Single Axle

UNDERCARRIAGE ASSEMBLY - SPRING RIDE

ITEM	PART NO.	DESCRIPTION	QTY.
	127736	SUSPENSION ASSEMBLY S/R	
2	101852	DIAGNOSTIC CABLE W/ SWITCH	REF
3	102836	HARNESS ASSEMBLY, E-CHAIN ABS	REF
11	110990	LOCKNUT 7/8-14	2
12	110991	WASHER, FLAT HARDENED 7/8	2
16	121366	BUMPER WELDMENT 96"	1
18	126976	PIN, SUPPORT U/C NYLATRON	4
19	126982	STOP, PIN ROTATION U/C	4
20	127200	SUSPENSION WELDMENT 330-1S/R 96"	1
21	127461	BRAKE W/ ABS SINGLE (SEE PAGE 1-27)	1
22	127735	AXLE ASSEMBLY 330-96 (SEE PAGE 1-17)	1
23	0001-02	HEX HEAD CAP SCREW 5/8-18 X 5-1/8	2
24	0001-08	TORQUE ARM BOLT 7/8-14 X 5-1/4	2
25	0002-07	LOCKNUT 5/8-18	2
26	0741-01	SPRING ROLLER	2
27	1-510-010001	NUT FLANGE LOCK 3/8-16	16
28	1-512-010005-05	NUT HEX LOCK 3/8-16 GRB	6
29	1-512-010005-15	NUT HEX LOCK 3/4-10 GRB	4
30	1-512-010007-05	NUT HEX 1/4-20 GRB	13
31	1-654-010032-04	SCREW HEX HEAD CAP 3/4-10X1-3/4 GR5	4
32	1-654-010047-06	SCREW HEX HEAD CAP 1/4-20X1 GR5	2
33	1-654-010051-08	SCREW HEX HEAD CAP 3/8-16X1-3/4 GR5	4
34	1-654-010055-02	SCREW HEX HEAD CAP 1/2-13X1-1/4 GR5	4
35	1-654-010158-1	SCREW RD HEAD SQ NECK 1/4-20X3/4 GR5	11
37	1-796-010004-02	TIE STRAP (NOT SHOWN)	AR
38	1-861-010032-07	WASHER FLAT 1/4W	11
39	1-861-010032-11	WASHER FLAT 3/8W	18
40	1-861-010032-15	WASHER FLAT 1/2W	4
41	1-861-010034-09	WASHER SPLIT LOCK 1/4	13
42	1-861-010034-13	WASHER SPLIT LOCK 1/2	4
43	2-181-010001	CLAMP	8
45	3-311-013675	NYLATRON SLIDE PIVOT	4
46	3-485-010001	MUD FLAP	2
49	3-755-010189-03	SUPPORT E-CHAIN	1
	3-755-010189-1	LINK	1
	380-1	END MOUNTING BRACKET W/ HOLE	2
	380-2	END MOUNTING BRACKET W/ PIN	2
50	3-762-010017	CLAMP MUD FLAP	2
51	3-780-010002	TANK AIR	1
52	3-821-010005	TRAY CAT TRACK	1
53	622-3511-008	WASHER 3/4	4
54	805-2	STEP BUSHING	8
56	128732	BRACKET, CHAIN STORAGE	2
57	128973	CONNECTOR, CONTAINER REAR PULL, LH	1
58	128974	CONNECTOR, CONTAINER REAR PULL, RH	1
59	129213	CHAIN COMPARTMENT CENTER BOTTOM	1
60	1-654-010051-05	SCREW, HEX HEAD CAP 3/8-16 X 1 GR5	2
61	3-174-010026	CHAIN, TRANSPORT 3/8 GR 70	AR
62	3-174-010042	CHAIN LINK CONNECTING 3/8	4
63	129985	SPRING EXTENSION 7/8 X 6	1
64	130109	LID WELDMENT, BUMPER STORAGE	1

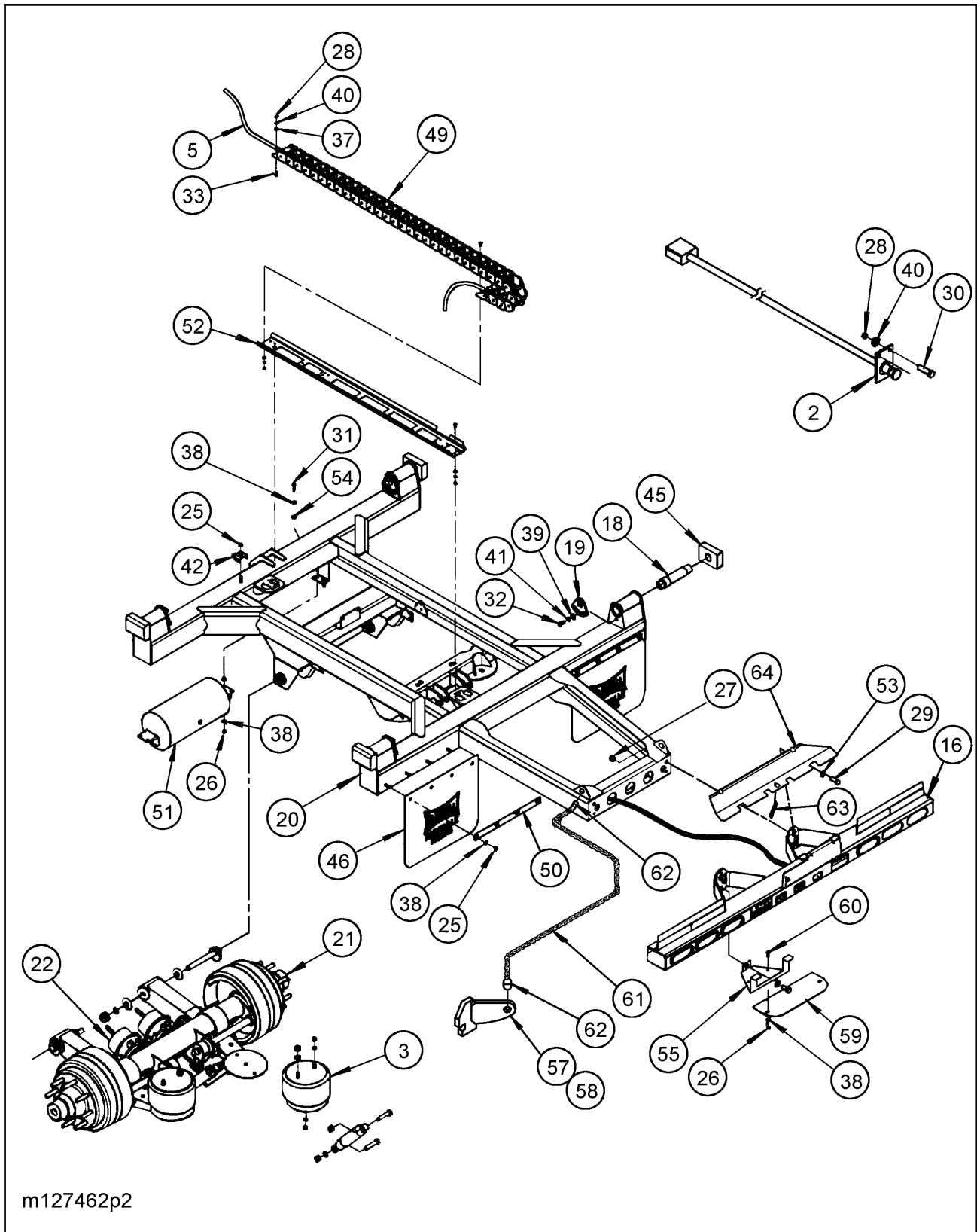


m127735

Figure 1-10 Single Leaf Spring Suspension

AXLE ASSEMBLY - SPRING RIDE

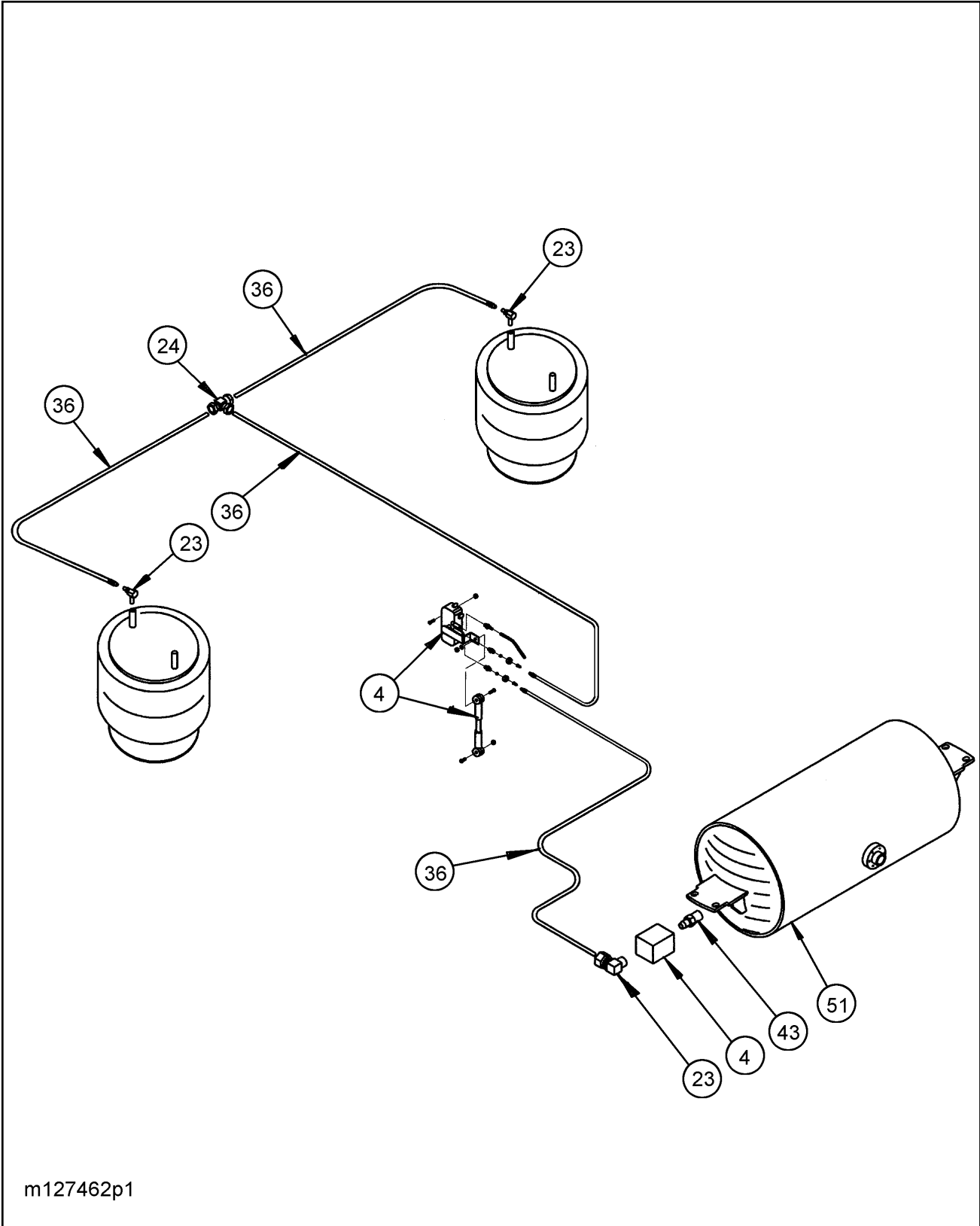
ITEM	PART NO.	DESCRIPTION	QTY
	127735	AXLE ASSEMBLY, SPRING 330-96	
1	0001-08	BOLT TORQUE ARM 7/8-14 X 5-1/4	2
2	0002-12	FLANGED LOCKNUT 7/8-14	10
3	0075-20	TORQUE ARM RIGID	1
4	0102-13	U-BOLT 13"	4
5	0375-00	DELRIN LINER	2
6	0508-00	BOTTOM PLATE UNDERSLUNG	2
7	0647-01	AXLE SEAT	2
8	1035-20	TORQUE ARM ADJUSTABLE	1
9	127451	AXLE 63 16.5 X 7 SPG BRK 25K (SEE PAGE 1-25)	1
10	3-720-010030	SPRING MONO LEAF HIGH ARCH	2
	3-432-010006	KIT AXLE SPRING ATTACHING PARTS (INCLUDES ITEMS 1-8)	



m127462p2

Figure 1-11 Undercarriage Assembly - Air Ride

(1 of 2)



m127462p1

Figure 1-12 Air Ride Suspension System
(2 of 2)

UNDERCARRIAGE ASSEMBLY - AIR RIDE

ITEM	PART NO.	DESCRIPTION	QTY.
	127462	SUSPENSION ASSEMBLY A/R SINGLE	
2	101852	DIAGNOSTIC CABLE W/ SWITCH	REF
3	102363	SUSPENSION ADJ RLU-228-3.5 (SEE PAGE 1-23)	1
4	102732	AIR CONTROL SYSTEM (SEE PAGE 1-21)	1
5	102838	HARNESS ASSEMBLY, E-CHAIN ABS	REF
16	121366	BUMPER WELDMENT 96"	1
18	126976	PIN, SUPPORT U/C NYLATRON	4
19	126982	STOP, PIN ROTATION U/C	4
20	127287	SUSPENSION WELDMENT 330-1A/R 96"	1
21	127452	AXLE WELDMENT 2516 SPG 63 (SEE PAGE 1-25)	1
22	127461	BRAKE W/ ABS SINGLE (SEE PAGE 1-27)	1
23	1-297-010008-07	FITTING AIR 90	3
24	1-297-010010-01	FITTING AIR UNION TEE	1
25	1-510-010001	NUT FLANGE LOCK 3/8-16	17
26	1-512-010005-05	NUT HEX LOCK 3/8-16 GRB	6
27	1-512-010005-15	NUT HEX LOCK 3/4-10 GRB	4
28	1-512-010007-05	NUT HEX 1/4-20 GRB	13
29	1-654-010032-04	SCREW HEX HEAD CAP 3/4-10X1-3/4 GR5	4
30	1-654-010047-06	SCREW, HEX HEAD CAP 1/4-20 X 1 GR5	2
31	1-654-010051-08	SCREW HEX HEAD CAP 3/8-16X1-3/4 GR5	4
32	1-654-010055-02	SCREW, HEX HEAD CAP 1/2-13 X 1-1/4 GR5	4
33	1-654-010158-1	SCREW RD HEAD SQ NECK 1/4-20X3/4 GR5	11
35	1-796-010004-02	TIE, STRAP (NOT SHOWN)	6
36	1-833-010001	TUBING NYLON 1/4 OD	AR
37	1-861-010032-07	WASHER FLAT 1/4	11
38	1-861-010032-11	WASHER FLAT 3/8	18
39	1-861-010032-15	WASHER FLAT 1/2W	4
40	1-861-010034-09	WASHER SPLIT LOCK 1/4	13
41	1-861-010034-13	WASHER SPLIT LOCK 1/2	4
42	2-181-010001	CLAMP	9
43	2083-8-4S	NIPPLE HEX	1
45	3-311-013675	NYLATRON SLIDE PIVOT	4
46	3-485-010001	MUD FLAP	2
49	3-755-010189-03	SUPPORT E-CHAIN	1
	3-755-010189-1	LINK	1
	380-1	END MOUNTING BRACKET W/ HOLE	2
	380-2	END MOUNTING BRACKET W/ PIN	2
50	3-762-010017	CLAMP MUD FLAP	2
51	3-780-010002	TANK AIR	1
52	3-821-010005	TRAY CAT TRACK	1
53	622-3511-008	WASHER 3/4	4
54	805-2	STEP BUSHING	8
55	128732	BRACKET, CHAIN STORAGE	2
57	128973	CONNECTOR, CONTAINER REAR PULL, LH	1
58	128974	CONNECTOR, CONTAINER REAR PULL, RH	1
59	129213	CHAIN COMPARTMENT CENTER BOTTOM	1
60	1-654-010051-05	SCREW, HEX HEAD CAP 3/8-16 X 1 GR5	2
61	3-174-010026	CHAIN, TRANSPORT 3/8 GR 70	AR
62	3-174-010042	CHAIN LINK CONNECTING 3/8	4
63	129985	SPRING EXTENSION 7/8 X 6	1
64	130109	LID WELDMENT, BUMPER STORAGE	1

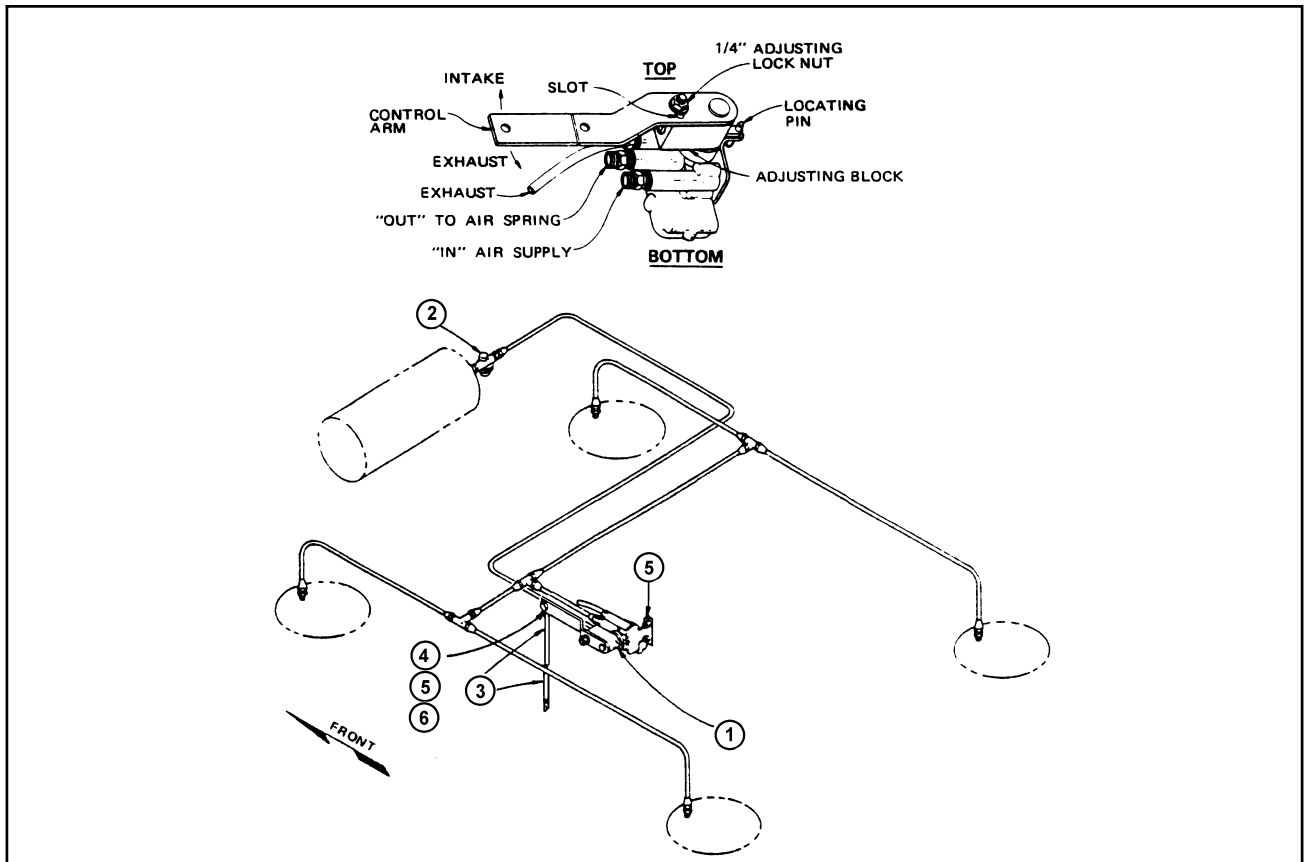


Figure 1-13 Air Control Kit

AIR CONTROL KIT

ITEM	PART NO.	DESCRIPTION	QTY.
	102732	AIR CONTROL KIT NEWAY	
1	900 54 007	HEIGHT CONTROL VALVE	1
2	900 54 107	AIR PRESSURE VALVE & FILTER	1
3	111021	SRK - 167 KIT (ADJ. LINK ASSY)	1
4	1-654-010047-04	CAP SCREW 1/4-20 X 3/4	2
5	1-512-010005-01	LOCK NUT 1/4-20	2
6	941 00 119	DECAL (OPERATING)	1

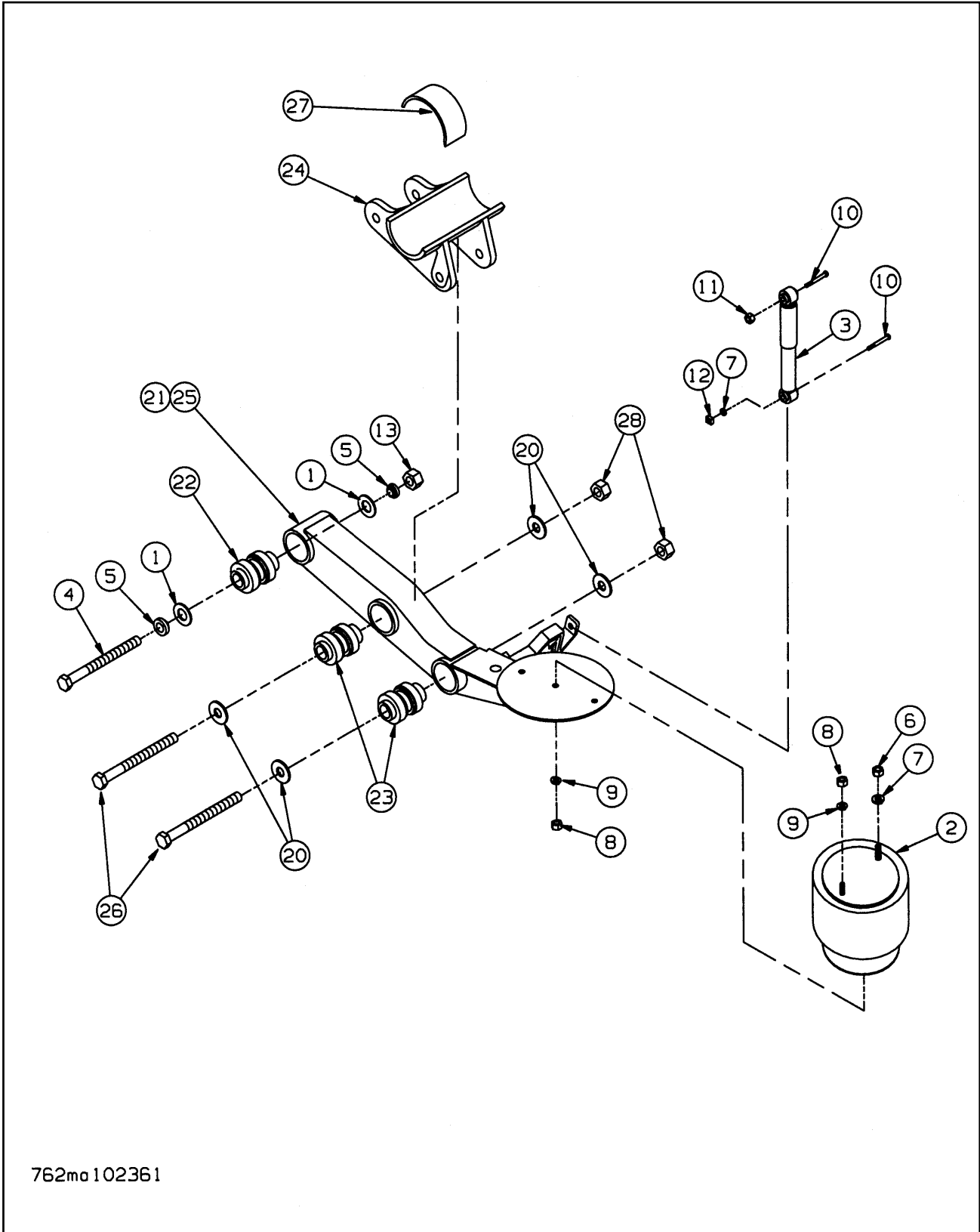


Figure 1-14 Suspension Hanger Assembly

SUSPENSION HANGER ASSEMBLY

ITEM	PART NO.	DESCRIPTION	QTY.
	102363	SUSPENSION, ADJ. RLU-228-3.5 (ITEMS 1-19)	
	102361	SUSPENSION BEAM, RLU-228 (ITEMS 20-28)	
1	111010	FLAT WASHER	2
2	905-57-129	AIR SPRING ASSEMBLY	2
3	900 45 040	SHOCK	2
4	111006	ALIGN BUSH ASSEMBLY (CONSISTS OF:)	2
	93201057	ROD BOLT	1
	90008184	ALIGN BLOCK	1
5	900 08 186	ALIGN BLOCK	2
6	934 00 149	3/4-16 HEX NUT GRB	2
7	936 00 077	LOCK WASHER, 3/4"	4
8	1-512-010007-09	NUT, HEX 1/2-13	4
9	1-816-010034-13	WASHER, SPLIT LOCK 1/2"	4
10	930 03 597	HEX HEAD CAP SCREW 3/4-10 X 3-1/2	4
11	934 00 492	LOCK NUT, 3/4" - 10	2
12	934-00-367	3/4-10 SQUARE NUT	2
13	934-00-506	LOCK NUT 1-1/8-7	2
14	111018	ANCHOR, RIDE HEIGHT CONTROL VALVE (NOT SHOWN)	1
15	94100787	LITERATURE INSTRUCTIONS (NOT SHOWN)	1
16	94100685	LITERATURE SPEC (NOT SHOWN)	1
17	94100648	LITERATURE FORM 864 (NOT SHOWN)	1
18	94100590	LITERATURE LABEL (NOT SHOWN)	1
19	94100790	LITERATURE LABEL (NOT SHOWN)	1
	111019	FASTENER KIT (INCL. 1, 4-11, 13, 15)	1
20	111010	FLAT WASHER	8
21	111013	EQUALIZING BEAM ASSEMBLY LH	1
22	90008139	RUBBER BUSHING (FRONT PIVOT)	2
23	111011	RUBBER BUSHING (AXLE CONNECTION)	4
24	111012	AXLE ADAPTER ASSEMBLY	2
25	111014	EQUALIZING BEAM ASSEMBLY RH	1
26	111023	HEX HEAD CAP SCREW 1-1/8-7 X 8-1/2	4
27	900-25-288	SAFETY STRAP	2
28	934-00-506	LOCK NUT 1-1/8-7	4

NOTE: QUANTITIES LISTED ARE PER AXLE.

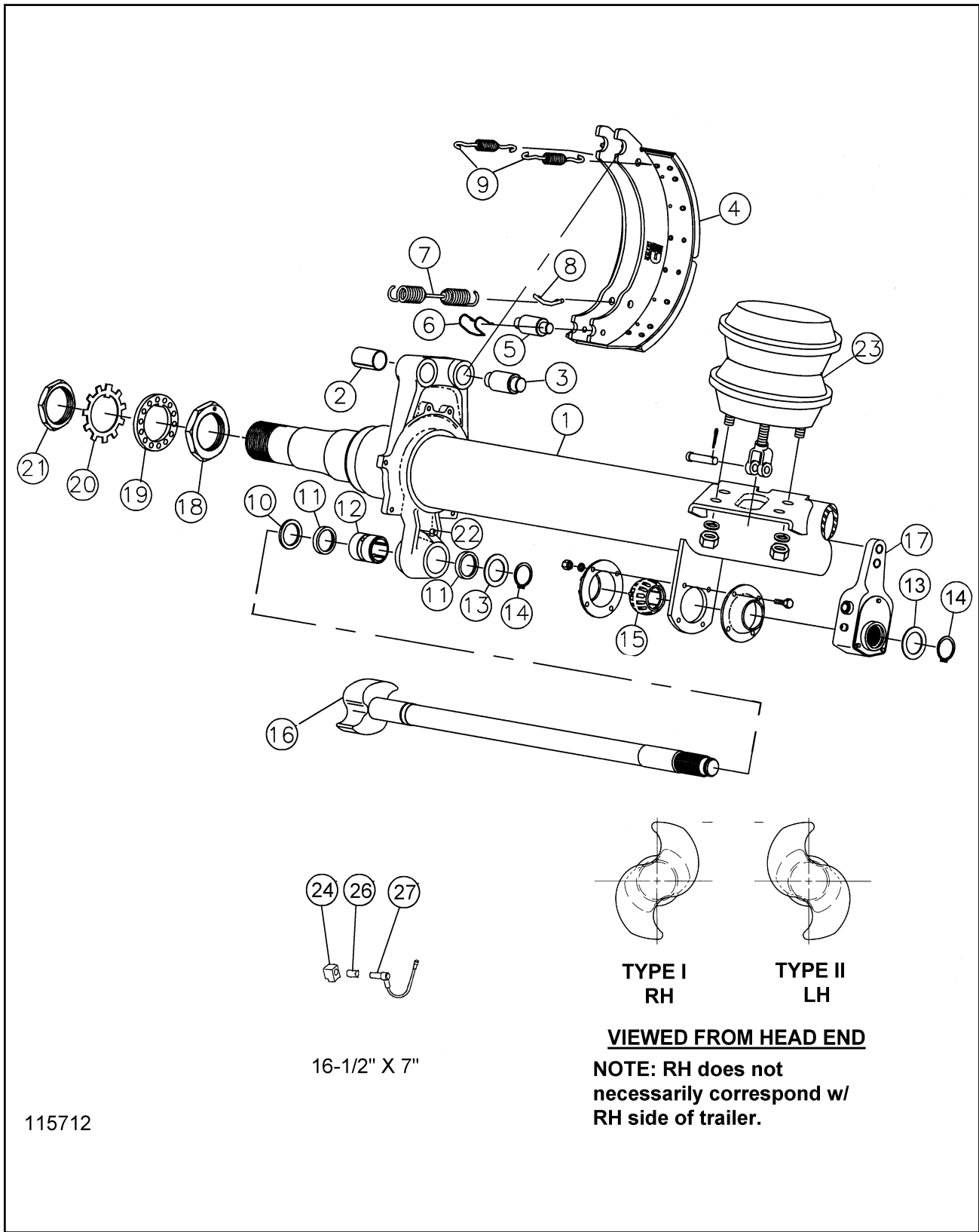


Figure 1-15 Axle and Brake Items

AXLE AND BRAKE ITEMS (DEXTER)

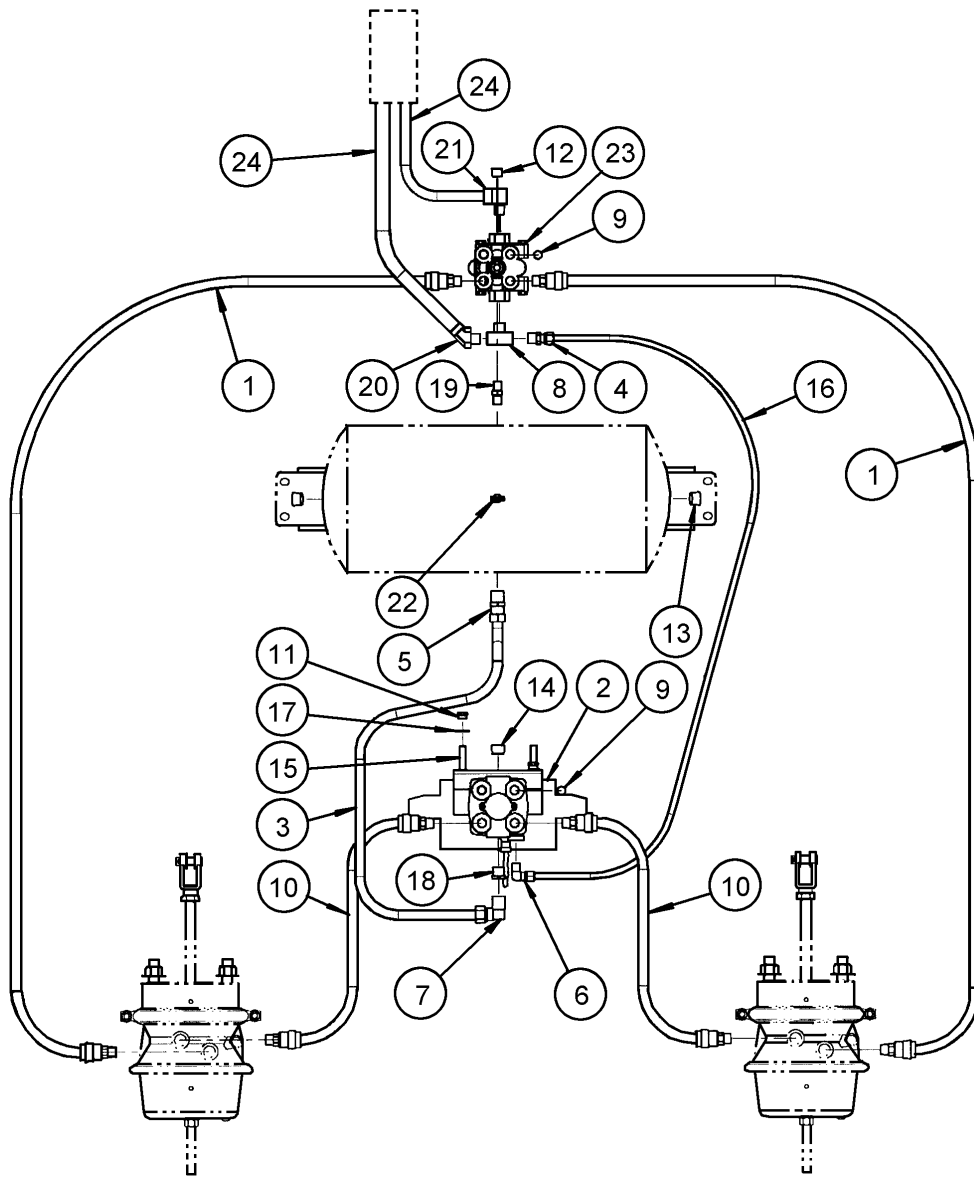
ITEM	PART NO.	DESCRIPTION	QTY.
	127451	AXLE 63, 16.5 X 7 SPG BRK 25K	
1*	D-2H16	BEAM W/ BRACKETS	1
	**K71-136-00	BRAKE SHOE HDWR KIT (ITEMS 2, 3, 5, 6, 7, 8, & 9)	
2**	014-068-00	BUSHING ANCHOR PIN	4
3**	056-017-00	PIN ANCHOR	4
4	040-180-00	BRAKE SHOE AND LINING	4
	041-058-01	LINING - BRAKE BLOCK CAM	4
	041-059-01	LINING - BRAKE BLOCK ANCHOR	4
	K71-138-00	BRAKE BLOCK KIT (ITEMS 4A,4B, & P/N 022-018-00 RIVETS)	2
5**	014-065-00	ROLLER KNURLED	4
6**	071-122-00	RETAINER ROLLER	4
7**	046-096-00	SPRING SHOE RETURN	2
8**	056-018-00	RETAINER RETRACTOR SPRING	4
9**	046-097-00	SPRING SHOE KEEPER	4
	***K71-135-00	CAMSHAFT REPAIR KIT (ITEMS 10-15, & 22)	
10***	005-096-00	WASHER CAMSHAFT	2
11***	010-052-00	SEAL GREASE	4
12***	014-056-00	BUSHING CAMSHAFT SPIDER	2
13***	005-134-00	WASHER CAMSHAFT (FOR 28 SPLINE CAMSHAFT)	2
14***	069-078-00	RETAINER CAMSHAFT (FOR 28 SPLINE CAMSHAFT)	2
15***	014-058-00	BUSHING CAMSHAFT SUPPORT	2
16	160160	CAMSHAFT LH 19-1/2 (63 TRACK)	1
	034-193-06	CAMSHAFT RH 19-1/2 (63 TRACK)	1
17	055-040-06	SLACK ADJUST, AUTOMATIC	2
18	006-114-00	NUT INNER SPINDLE	2
19	005-098-00	WASHER SPINDLE LOCK	2
20	005-099-00	WASHER TABBED SPINDLE LOCK	2
21	006-115-00	NUT OUTER SPINDLE	2
22***	061-006-00	FITTING GREASE 65°	2
23	034-058-01	AIR CHAMBER, SPRING BRAKE	4
24	024-100-00	SENSOR BLOCK	2
26	097-002-00	RETAINER CLIP	2
27	097-003-00	ABS SENSOR, 90	2

* WHEN ORDERING THE BEAM WITH SPINDLE, SPIDER AND BRACKETS ATTACHED, YOU WILL NEED THE BEAM NUMBER, TRACK LENGTH, BRAKE SIZE, AND CAMSHAFT LENGTH.

** THESE PARTS ARE AVAILABLE AS PART OF BRAKE SHOE HARDWARE KIT LISTED.

*** THESE PARTS ARE AVAILABLE AS PART OF CAMSHAFT REPAIR KIT P/N LISTED.

NOTE: FOR HUB AND DRUM INFORMATION, SEE PAGE 1-31.



m127461

Figure 1-16 Air Brake System, Single Axle

AIR BRAKE SYSTEM W/ ABS

ITEM	PART NO.	DESCRIPTION	QTY.
	127460	BRAKE W/ ABS SINGLE	
1	101003	HOSE, AIR 3/8 X 48	2
2	114585	BRAKE KIT ROCKWELL ABS (SEE PAGE 1-29)	1
3	117304	TUBING NYLON 5/8	AR
4	1-297-010007-12	FITTING AIR	1
5	1-297-010007-18	FITTING AIR	1
6	1-297-010008-18	FITTING AIR 90	1
7	1-297-010008-26	FITTING AIR 90	1
8	1-297-010017-03	FITTING, BRASS TEE	1
9	1-297-010033-03	FITTING PLUG, BRASS	4
10	1-384-010038024	HOSE AIR 24"	2
11	1-512-010005-05	NUT, HEX LOCK 3/8-16 GRB	2
12	1-560-010002-03	PLUG PIPE 3/8	1
13	1-560-010002-04	PLUG PIPE 1/2	2
14	1-560-010002-05	PLUG PIPE 3/4-14	1
15	1-654-010051-08	SCREW, HEX HEAD CAP 3/8-16 GR5	2
16	1-833-010002	TUBING NYLON 3/8	AR
17	1-861-010032-10	WASHER, FLAT 3/8	4
18	118-2659-9	BUSHING 1/2 X 3/4	1
19	2083-8-8S	NIPPLE, HEX	1
20	2088-6-6S	ADAPTER 45	1
21	2089-6-6S	ADAPTER 90	1
22	56D4	COCK DRAIN AIR TANK	1
23	758-181	VALVE TASK 4 PORT	1
24	107956	HOSE, AIR 3/8 X 136	2
25	1-796-01003-01	TIE STRAP PLASTIC (NOT SHOWN)	10

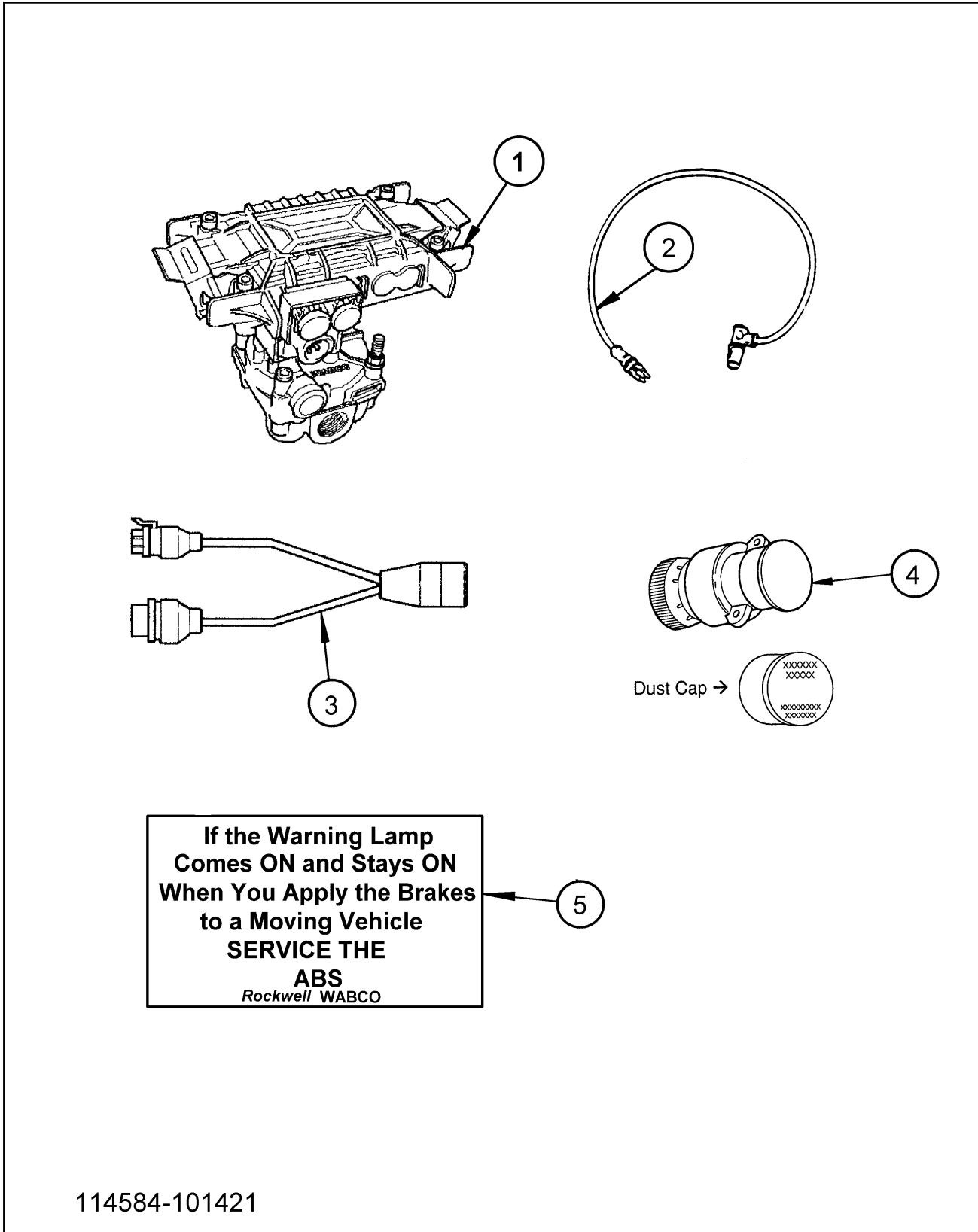


Figure 1-17 Brake Kit, Meritor WABCO (Rockwell) ABS

BRAKE KIT, ABS

ITEM	PART NO.	DESCRIPTION	QTY.
	114585	BRAKE KIT, ROCKWELL ABS, 2S/1M	
1	114589	ECU/VALVE ASSEMBLY 2S/1M	1
2	101848	SENSOR EXTENSION CABLE	2
3	114590	POWER/DIAGNOSTIC CABLE	4
4	101851	DIAGNOSTIC SWITCH	1
5	101855	WARNING LAMP LABEL	1
6	114587	MAINTENANCE MANUAL MM-180 (NOT SHOWN)	1

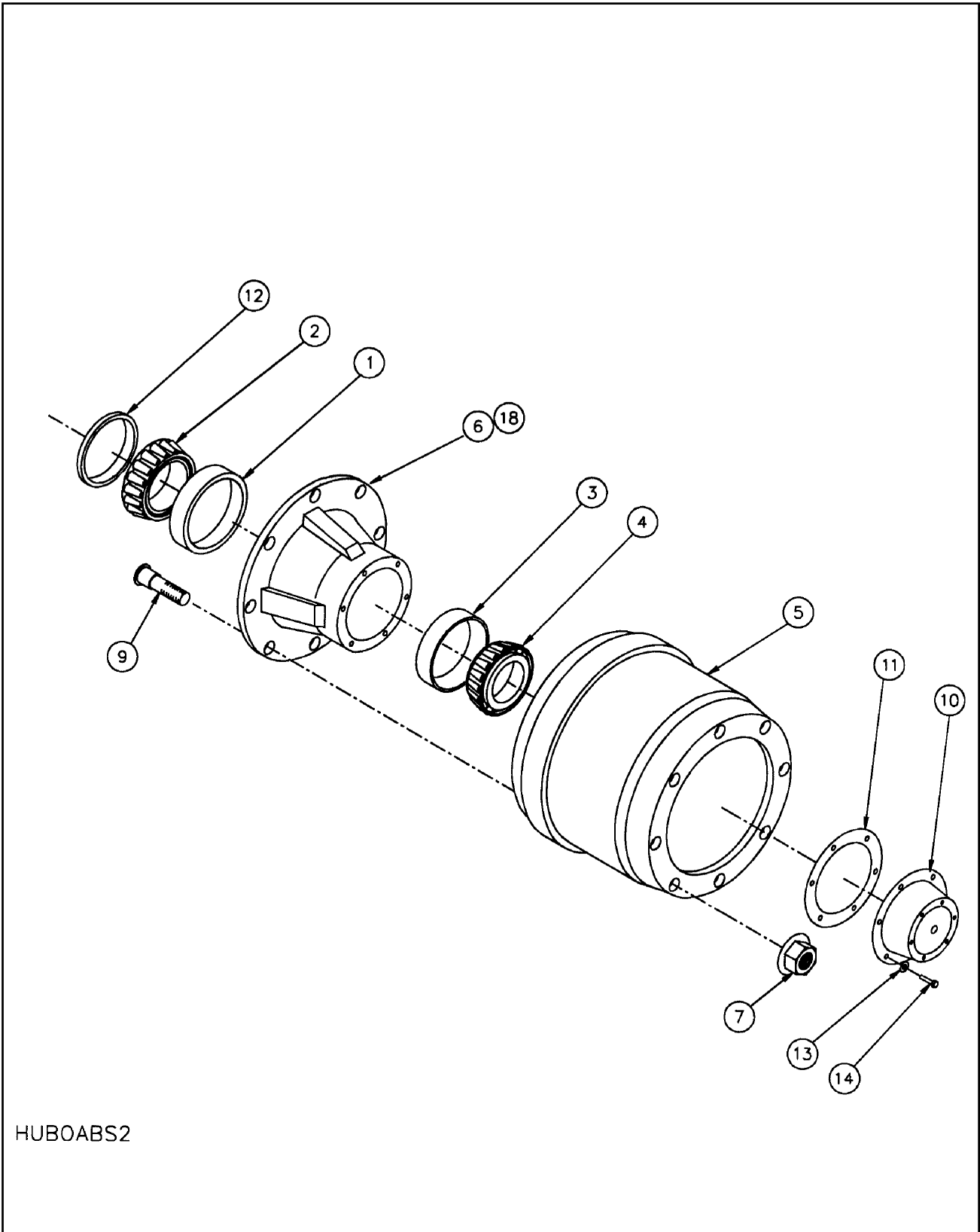


Figure 1-18 Outboard Pilot Mount Hub and Drum

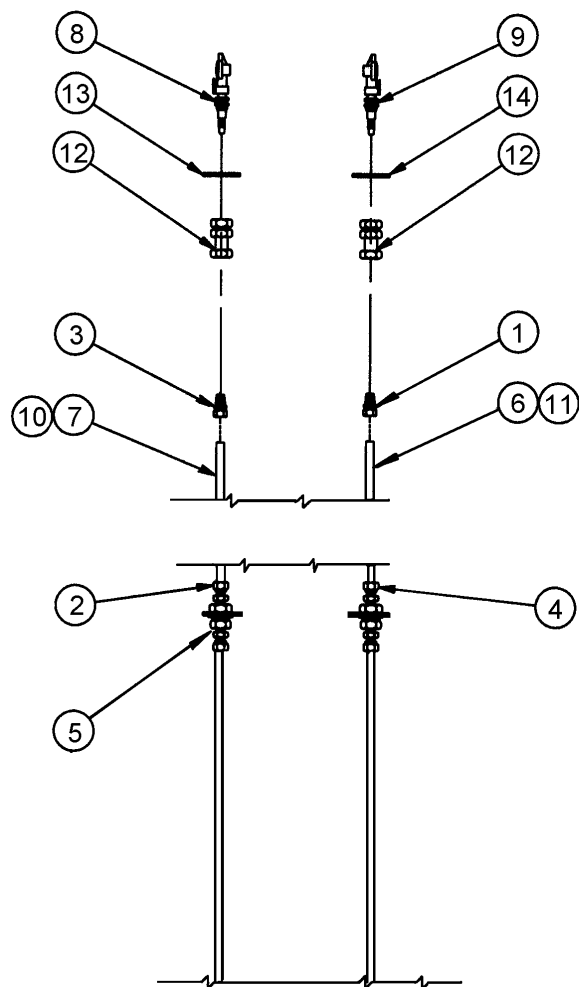
OUTBOARD PILOT MOUNT HUB AND DRUM

ITEM	PART NO.	DESCRIPTION	QTY.
	103783	HUB/DRUM 10 BOLT 16-1/2 PILOT ABS LONG STUD	
1	HM218210	INNER BEARING CUP	1
2	HM218248	INNER BEARING CONE	1
3	HM212011	OUTER BEARING CUP	1
4	HM212049	OUTER BEARING CONE	1
5	110976(66884)	OUTBOARD MOUNTED BRAKE DRUM	1
6	110975(2023----T)	HUB IRON	1
7	179933	FLANGE NUT	10
9	101160	STUD	10
10	021-038-01 (4009)	CAP HUB	1
11	071-124-00 (3067)	GASKET OIL CAP	1
12	3-659-010012	SEAL	1
13	1-861-010034-10	WASHER SPLIT LOCK 5/16	6
14	1-654-010049-03	SCREW HEX HEAD CAP 5/16-18X3/4 GR5	6
15	3-870-010110	WHEEL DISC PILOT MOUNT 22.5 X 8.25 (NOT SHOWN)	1
	111416	WHEEL ALUM, PILOT MOUNT 22.5 X 8.25 (NOT SHOWN)	1
16	TR573	VALVE STEM - STEEL WHEEL (NOT SHOWN)	1
	TR545D	VALVE STEM (NOT SHOWN)	1
18	*	ABS TONE RING	1

* THIS PART SHOULD BE REPLACED IN CONJUNCTION WITH THE HUB. IT IS NOT SOLD SEPARATELY.

EMERGENCY/SUPPLY

SERVICE/CONTROL



TO UNDERCARRIAGE

m128463

Figure 1-19 Air System

AIR SYSTEM

ITEM	PART NO.	DESCRIPTION	QTY.
	128463	AIR SYSTEM	
1	1-297-010007-11	FITTING, AIR	1
2	1-297-010007-12	FITTING, AIR	1
3	1-297-010007-14	FITTING, AIR	1
4	1-297-010007-15	FITTING, AIR	1
5	1-297-010022-03	FITTING, AIR	2
6	1-833-010002	NYLON TUBING, 3/8 OD	AR
7	1-833-010003	TUBING NYLON 1/2	AR
8	108801	GLADHAND RED AIR	1
9	108802	GLADHAND BLUE AIR	1
10	239-9008-3	CONDUIT PLASTIC 1/2	AR
11	3-201-010002	CONDUIT, PLASTIC FLEX 3/8	AR
12	55B61	FRAME UNION	2
13	55B61-6	TAG, EMERGENCY LINE	1
14	55B61-7	TAG, SERVICE LINE	1

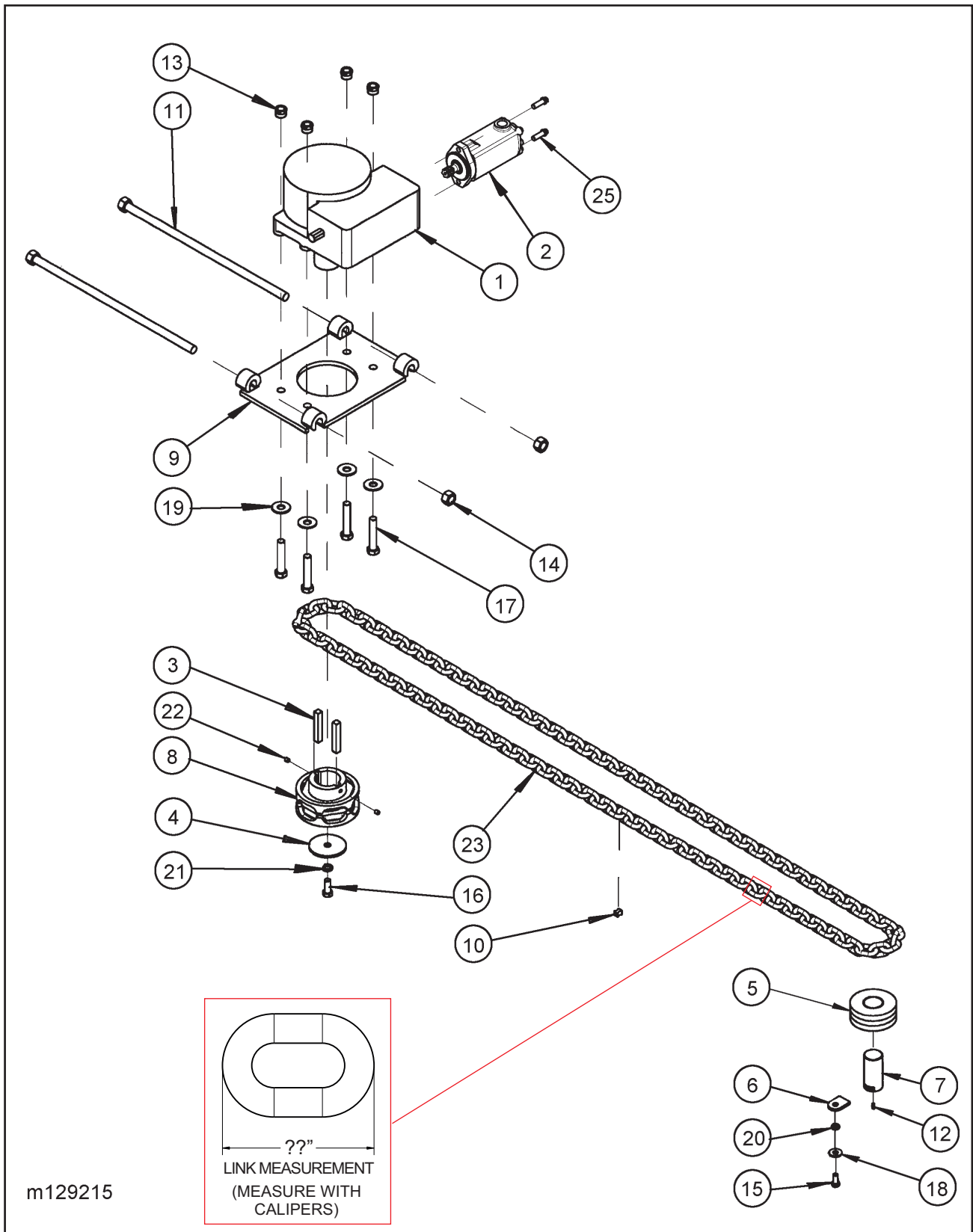


Figure 1-20 Gearbox Assembly

GEARBOX ASSEMBLY

ITEM	PART NO.	DESCRIPTION	QTY.
	129215	GEARBOX ASSEMBLY	
1	126858	GEARBOX (SEE PAGE 1-36)	1
2	126973	MOTOR FOR GEARBOX	1
	61258	SEAL KIT FOR MOTOR	1
3	127598	SQUARE ROD 5/8 X 3-3/4	2
4	128713	WASHER, KEEPER CHAIN GEAR	1
5	128801	IDLER, LOG CHAIN 1/2	1
6	128802	STOP, IDLER PIN	1
7	128803	PIN, IDLER LOG CHAIN	1
8	169359	BUSHING, CHAIN SPROCKET 1/2, 7" DIA (USER IF CHAIN LINK IS 2-11/16" LONG OR LONGER)	1
8	142164	BUSHING, CHAIN SPROCKET 1/2, 6-3/4" DIA (USE IF CHAIN LINK IS UNDER 2-11/16" LONG)	1
9	129203	ANCHOR WELDMENT, GEARBOX ADJ	1
10	129214	SPLICE, CHAIN 1/2	1
11	129217	ROD WELDMENT 7/8-9 X 25 (TORQUE TO 90 FT./LBS.)	2
12	1-298-010001-1	FITTING, GREASE 1/4-28	1
13	1-512-010005-15	NUT, HEX LOCK 3/4-10 GRB	2
14	1-512-010007-13	NUT, HEX 7/8-9 GRB	1
15	1-654-010055-01	SCREW, HEX HEAD CAP 1/2-13 X 1 GR5	1
16	1-654-010059-03	SCREW, HEX HEAD CAP 5/8-11 X 1-1/2 GR5	4
17	139345	SCREW, HEX HEAD CAP 12 PT. 3/4-10 X 4-1/2 GR5	4
18	1-861-010032-15	WASHER, FLAT 1/2W	4
19	1-861-010032-21	WASHER, FLAT 3/4W	4
20	1-861-010034-13	WASHER, SPLIT LOCK 1/2	1
21	1-861-010034-15	WASHER, SPLIT LOCK 5/8	1
22	110-3494	SET SCREW, SOCKET HEAD 3/8-16 X 1/2	2
23	3-174-010039	CHAIN, 1/2 GR7 (CHAIN THAT MEASURERS 2-11/16 TO 2-3/4 USES SPROCKET 169359) (CHAIN THAT MEASURERS 2-5/8 TO 2-11/16 SPROCKET 142164)	1,104"
25	130127	SCREW, 12 PT FLANGE 1/2-13 X 1-1/2	2

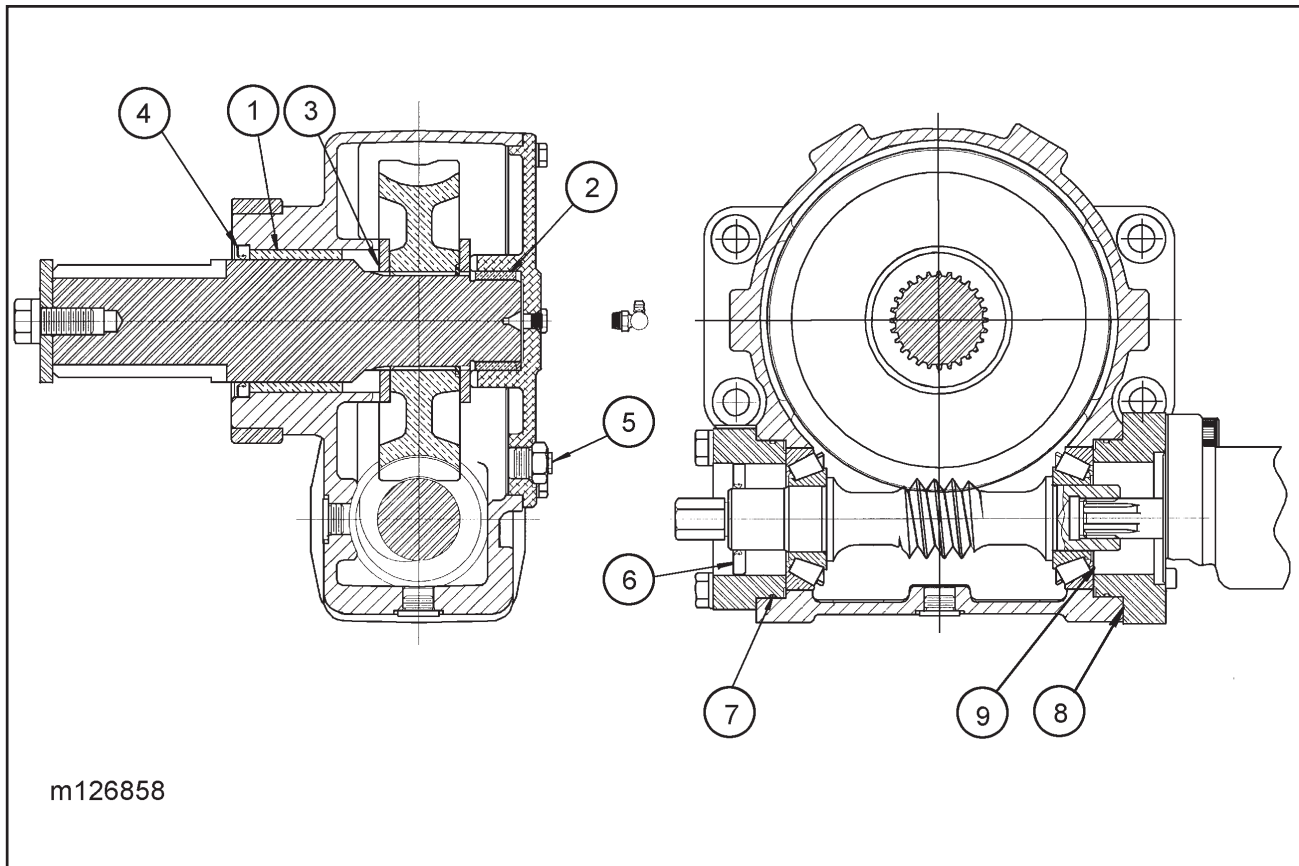
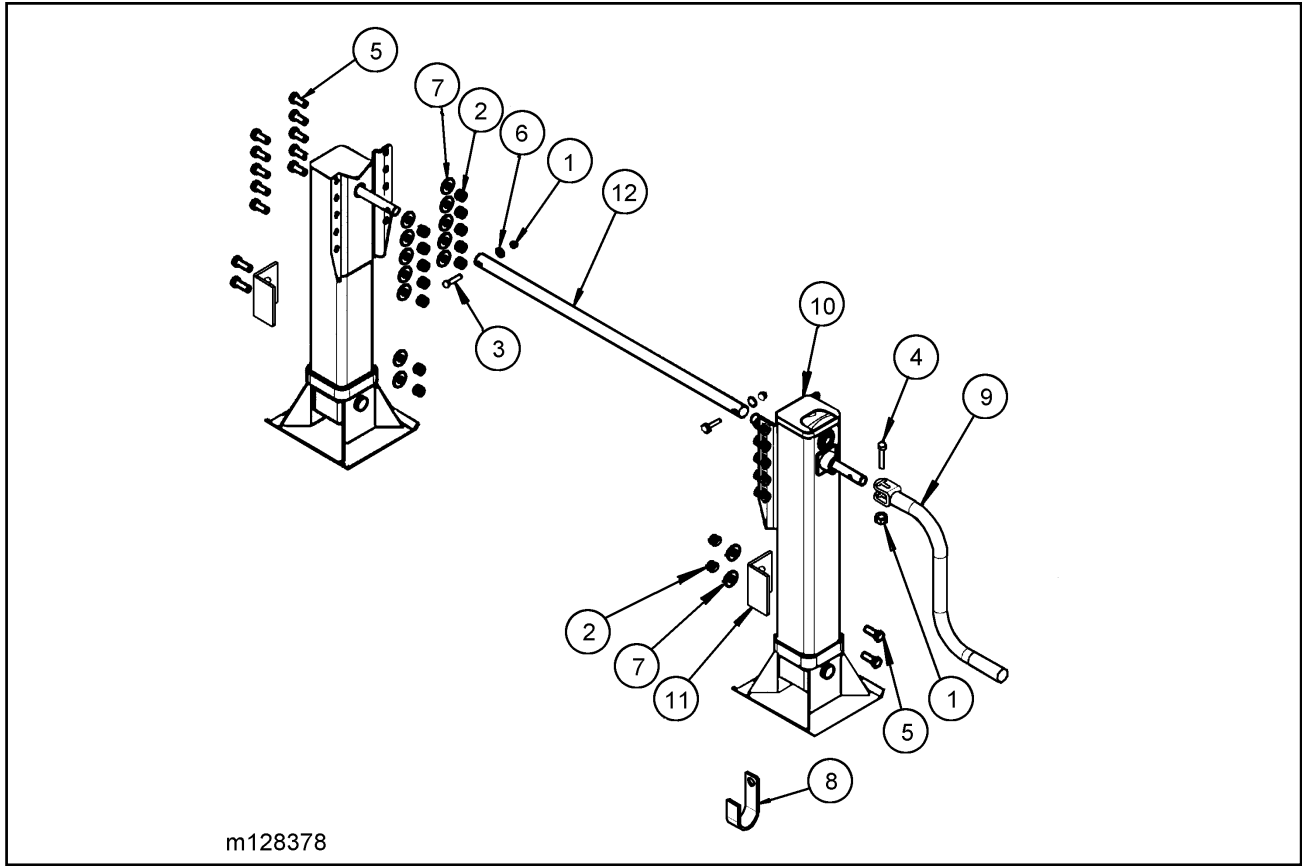


Figure 1-21 Gearbox Items

GEARBOX ITEMS

ITEM	PART NO.	DESCRIPTION	QTY.
1	126858	GEARBOX	1
1	130346	WORM HOUSING BUSHING	1
2	130347	WORM HOUSING COVER BUSHING	1
3	130348	THRUST WASHER	2
4	130349	SEAL	1
5	130350	RELIEF/VENT	1
6	130351	SEAL	1
7	130352	O-RING	2
8	130353	SHIM	2
9	137935	GASKET	1



m128378

Figure 1-22 Landing Gear Installation

LANDING GEAR INSTALLATION

ITEM	PART NO.	DESCRIPTION	QTY.
	128378	PARK STAND ASSEMBLY 2 SPEED JOST	
1	1-512-010005-05	NUT, HEX LOCK 3/8-16	3
2	1-512-010005-13	NUT, HEX LOCK 5/8-11	24
3	1-654-010051-09	SCREW, HEX HEAD CAP 3/8-16 X 2 GR5	2
4	1-654-010051-11	SCREW, HEX HEAD CAP 3/8-16 X 2-1/2 GR5	1
5	1-654-010059-03	SCREW, HEX HEAD CAP 5/8-11 X 1-1/2 GR5	24
6	1-861-010032-11	WASHER, FLAT 3/8W	2
7	1-861-010032-19	WASHER, FLAT 5/8W	24
8	117559	CLIP, LANDING GEAR HANDLE	1
9	119949	HANDLE, CRANK 2 SPEED LANDING GEAR	1
10	126985	LANDING GEAR (SEE PAGE 1-39)	1
11	127447	ANCHOR, BOTTOM ANGLE LANDING GEAR	2
12	128346	CROSS-SHAFT, LANDING GEAR	1

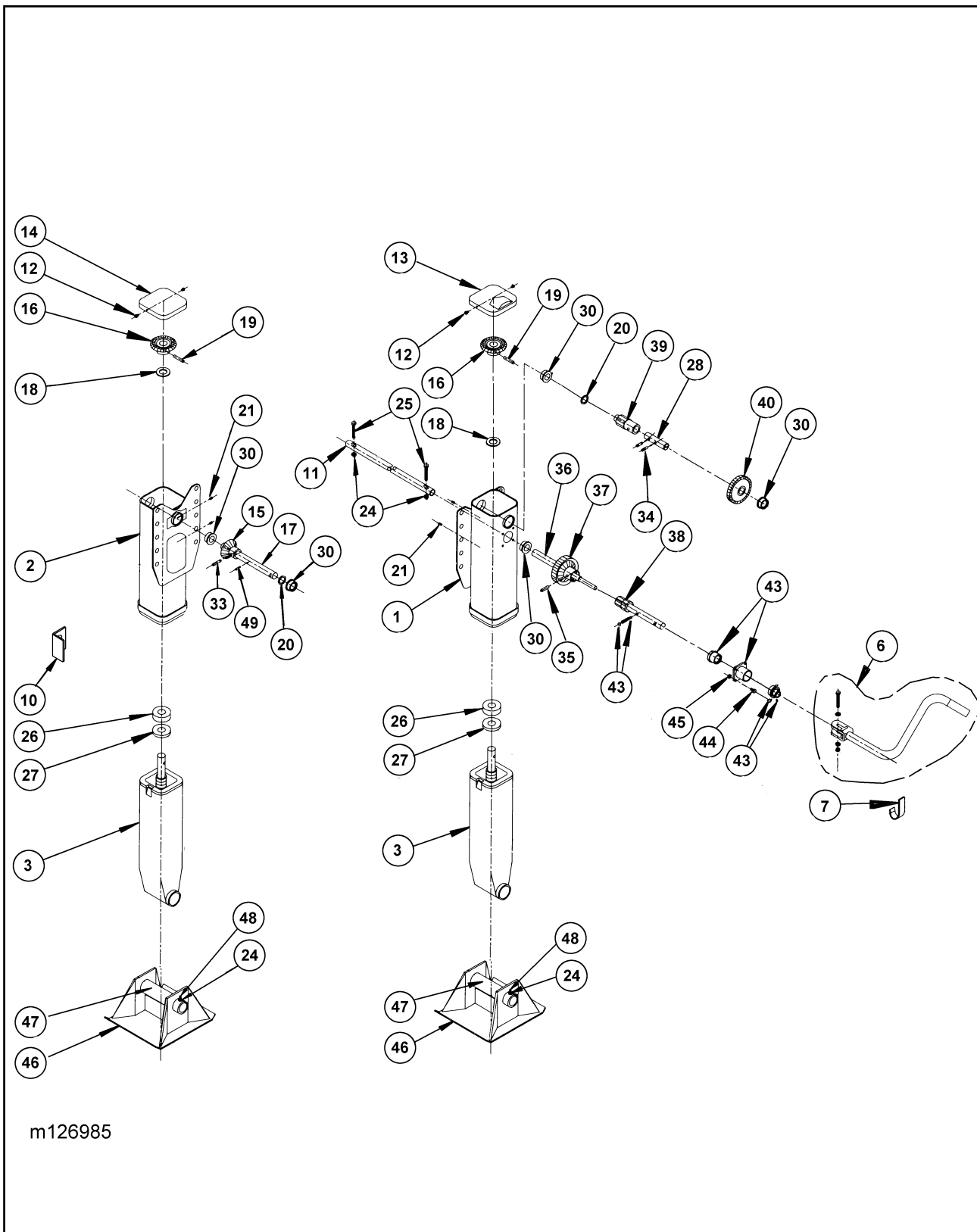
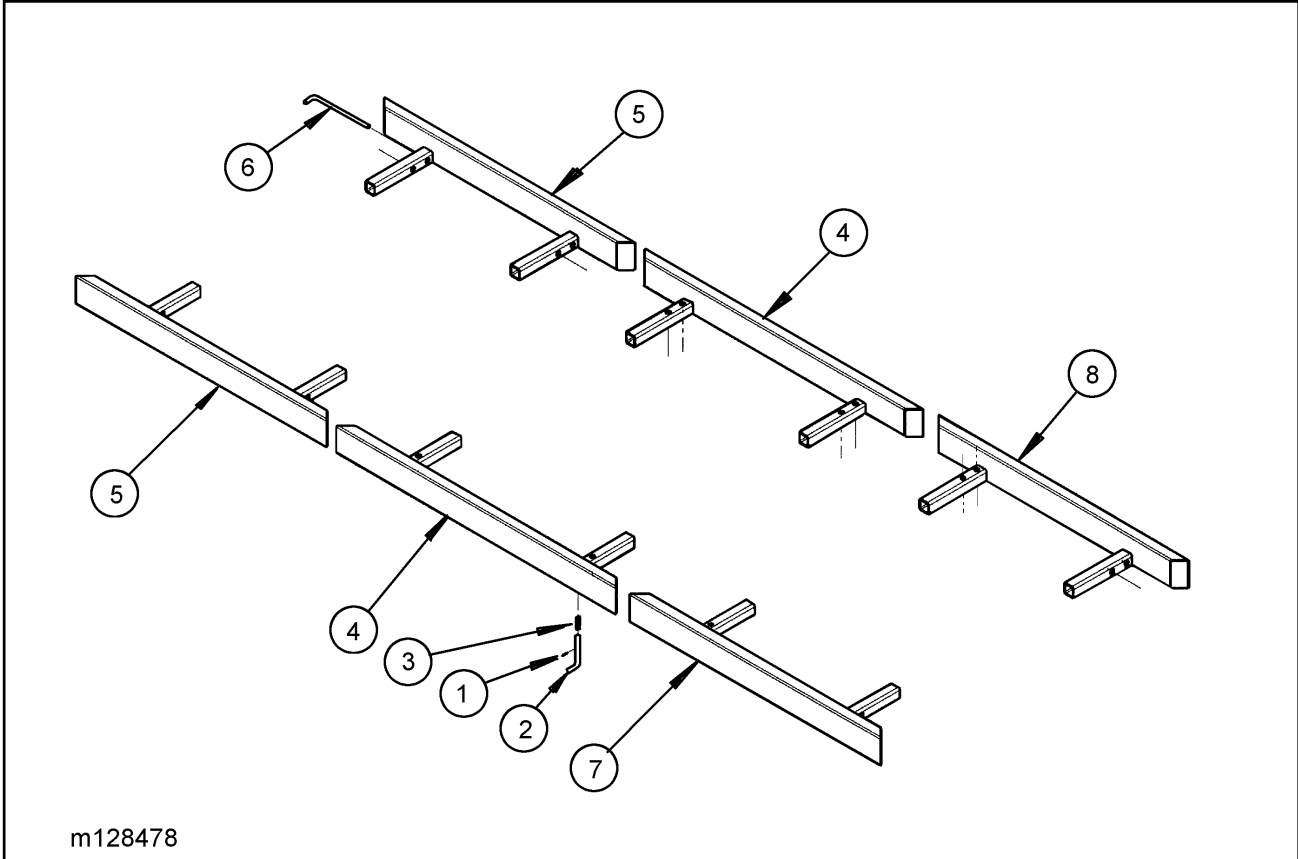


Figure 1-23 Crank Landing Gear

CRANK LANDING GEAR

ITEM	PART NO.	DESCRIPTION	QTY.
	126985	LANDING GEAR INSTALLATION	
1	D10201.2	OUTER HOUSING - 2 SPEED	1
2	D10116.2	OUTER HOUSING - 1 SPEED	1
3	C10140.2	INNER LEG ASSEMBLY - STANDARD	2
6	119949	HANDLE, CRANK	1
7	117559	CLIP, LANDING GEAR HANDLE	1
10	127447	ANCHOR, BOTTOM ANGLE LANDING GEAR	2
11	B10066	INTERMEDIATE CROSS SHAFT	1
12	A10059.1	COVER SCREW	4
13	C10217	COVER - 2 SPEED	1
14	C10259	COVER - 1 SPEED	1
15	C10177	PINION GEAR	1
16	C10155	BEVEL GEAR	2
17	B10130	PINION SHAFT - 1 SPEED	1
18	A10102	THRUST WASHER	2
19	A10052.3	GROOVED PIN	2
20	A10218	SPACER WASHER	2
21	A10040	GREASE FITTING	4
23	C10209	STRUT BRACE (NOT SHOWN)	4
24	A10038.7	SELF LOCKING NUT	2
25	A10037.1	CROSS SHAFT BOLT - 3/8 X 2 GR5	2
26	A10033	THRUST BEARING	2
27	A10101	COLLAR	2
28	A10212	OUTPUT SHAFT	1
30	A10255	BUSHING	5
33	A10054.3	ROLL PIN 3/8 X 1-1/2	1
34	A10260.1	SPIRAL PIN	2
35	A10054.7	ROLL PIN - 3/8 X 1-3/4	1
36	B10236	OUTPUT CLUSTER SHAFT	1
37	C10234	OUTPUT CLUSTER GEAR	1
38	214441	INPUT GEAR SHAFT	1
39	C10078	OUTPUT SPUR GEAR	1
40	C10085	INPUT SPUR GEAR	1
43	B10229.S	SHIFT HOUSING SERVICE KIT	1
44	A10230	SHIFT HOUSING BOLT	4
45	A10038.6	SELF LOCKING NUT	4
46	C10256	SHOE - 10 X 10 X 4-1/2	2
	129198	SHOE, LOW PROFILE (OPTION)	2
47	B10036	SHOE AXLE	2
48	A10037.3	HEX HEAD BOLT	2
49	A10054.6	ROLL PIN - 1/4 X 1-1/4	1



m128478

Figure 1-24 Pullout Assembly

PULLOUT ASSEMBLY

ITEM	PART NO.	DESCRIPTION	QTY.
	129212	PULLOUT ASSEMBLY	
1	1-647-010004117	SPRING PIN, SLOTTED 1/8 X 1	32
2	104252	PIN, P/O EXT LOCK	26
3	104253	SPRING, COMPRESSION P/O EXT LOCK	32
4	128354	PULLOUT WELDMENT	14
5	128360	PULLOUT WELDMENT, FRONT	2
6	128719	PIN, P/O EXT LOCK LONG	6
7	129205	PULLOUT WELDMENT, REAR LH	1
8	129206	PULLOUT WELDMENT, REAR RH	1

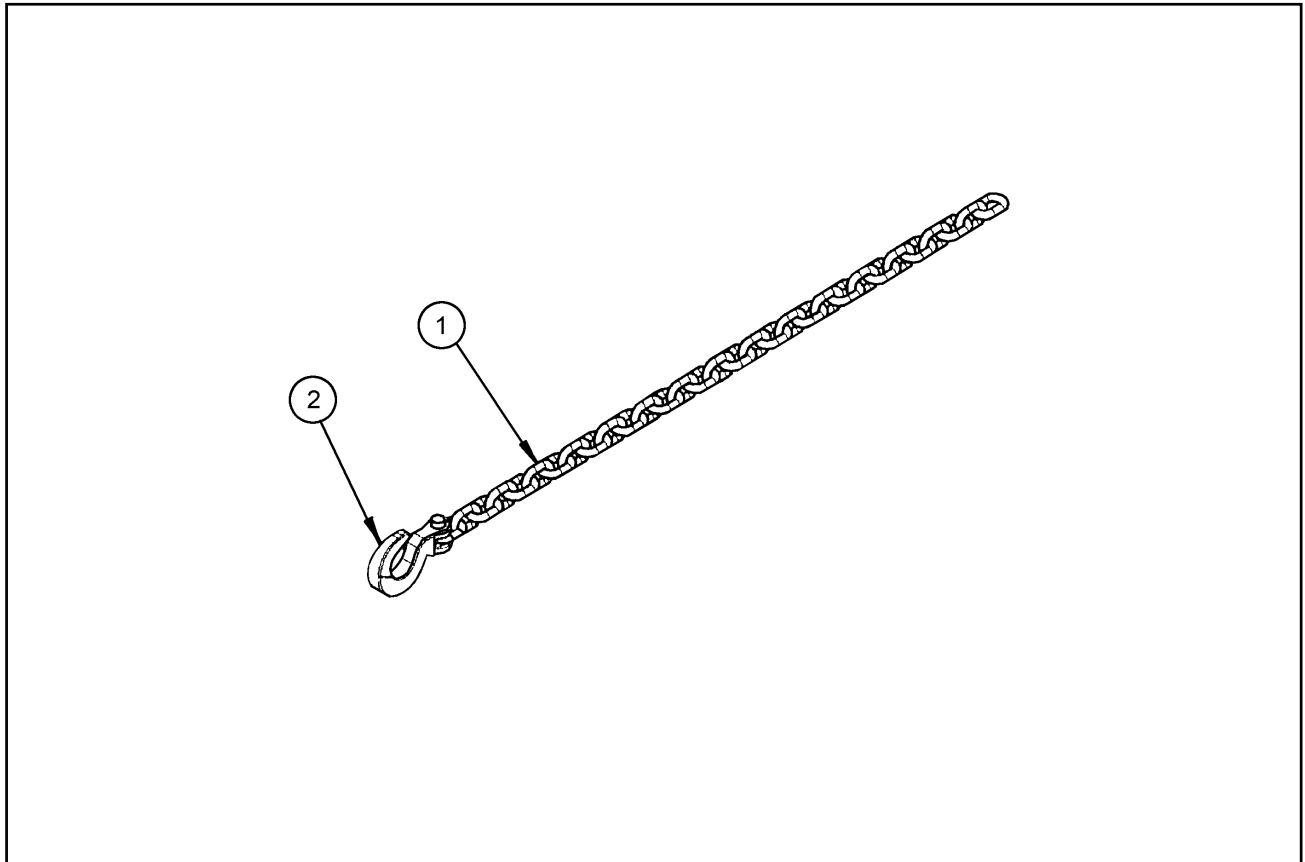


Figure 1-25 Chain and Hook Assembly

CHAIN AND HOOK ASSEMBLY

ITEM	PART NO.	DESCRIPTION	QTY.
	129938	CHAIN AND HOOK ASSEMBLY	
1	3-174-010039	CHAIN, 1/2" GR7	42"
2	7HCGHT500	HOOK, CLEVIS GRAB 1/2	1

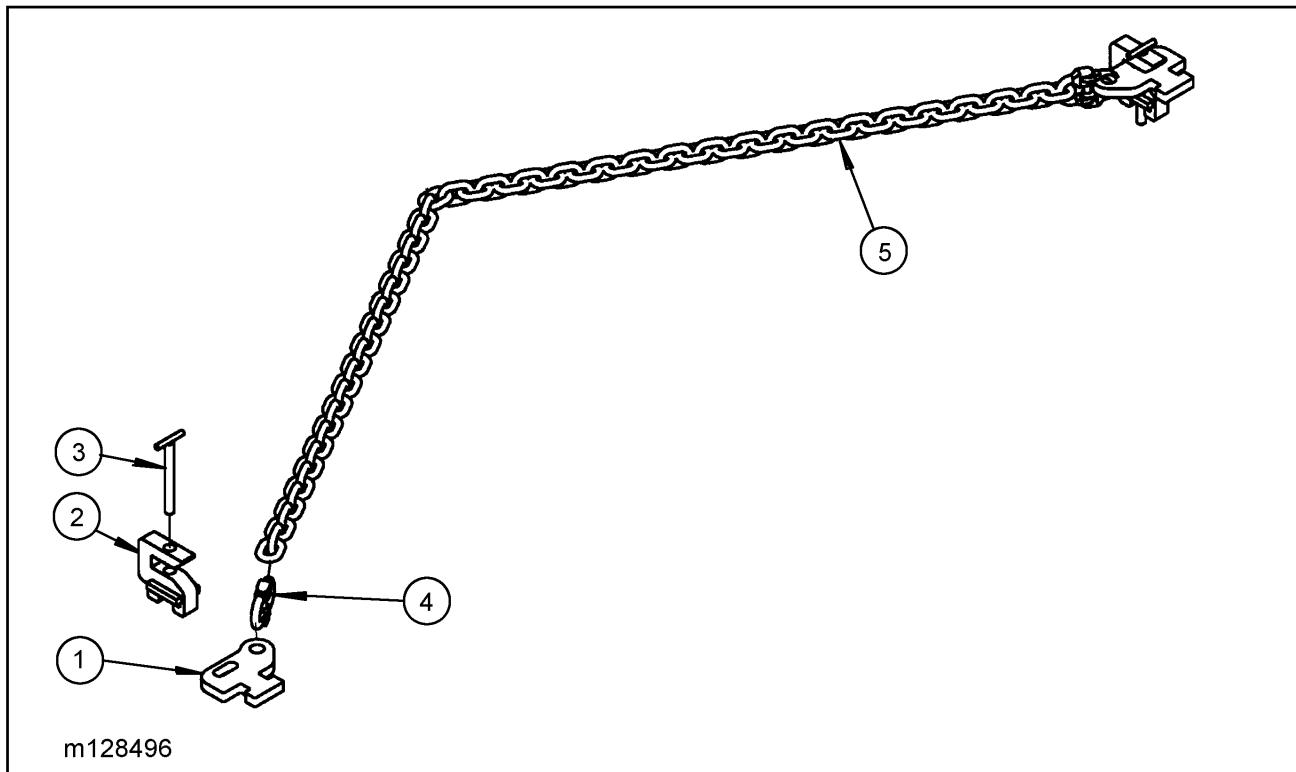


Figure 1-26 Container Load Chain Assembly

CONTAINER LOAD CHAIN ASSEMBLY

ITEM	PART NO.	DESCRIPTION	QTY.
	128496	CONTAINER LOAD CHAIN ASSEMBLY	
1	128480	PLATE, CONTAINER CONNECT	2
2	128482	CONTAINER STOP WELDMENT	2
3	128484	PIN WELDMENT, CONTAINER STOP	2
4	3-174-010038	CHAIN LINK CONNECTING 1/2	2
5	3-174-010039	CHAIN, 1/2" GR7	AR

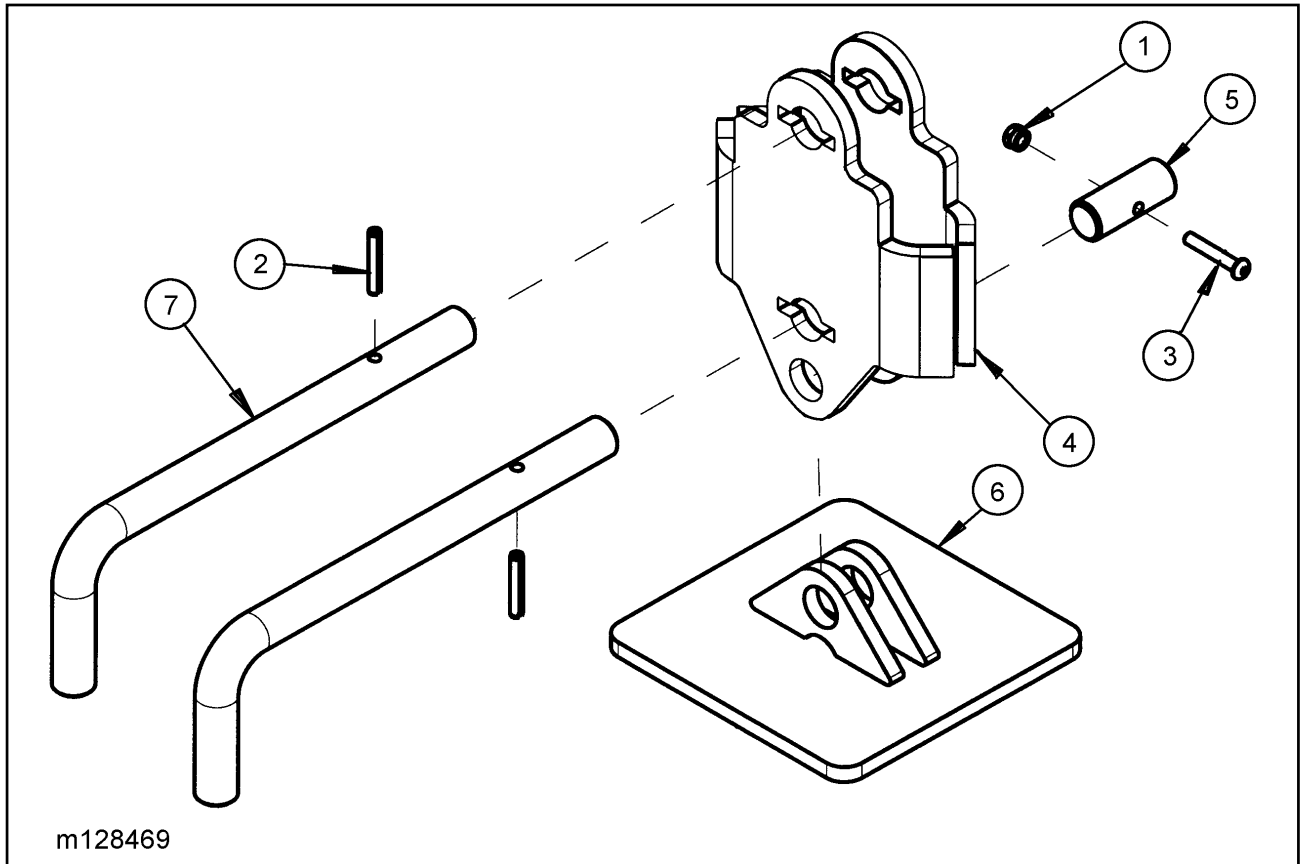


Figure 1-27 Shoe Lock Tiedown Assembly

SHOE LOCK TIEDOWN ASSEMBLY

ITEM	PART NO.	DESCRIPTION	QTY.
	128469	SHOE LOCK TIEDOWN ASSEMBLY	
1	1-512-010005-01	NUT, HEX LOCK 1/4-20	2
2	1-647-010004217	SPRING PIN, SLOTTED 1/4 X 1-1/2	4
3	108220	SCREW, BUTTON HEAD CAP 1/4-20 X 1-1/2	2
4	126111	FOOT WELDMENT, CONTAINER OFFLOAD	2
5	126114	PIN, BOTTOM OFFLOAD FOOT	2
6	126117	BASE WELDMENT, OFFLOAD FOOT	2
7	127843	PIN, TOP OFFLOAD FOOT	4

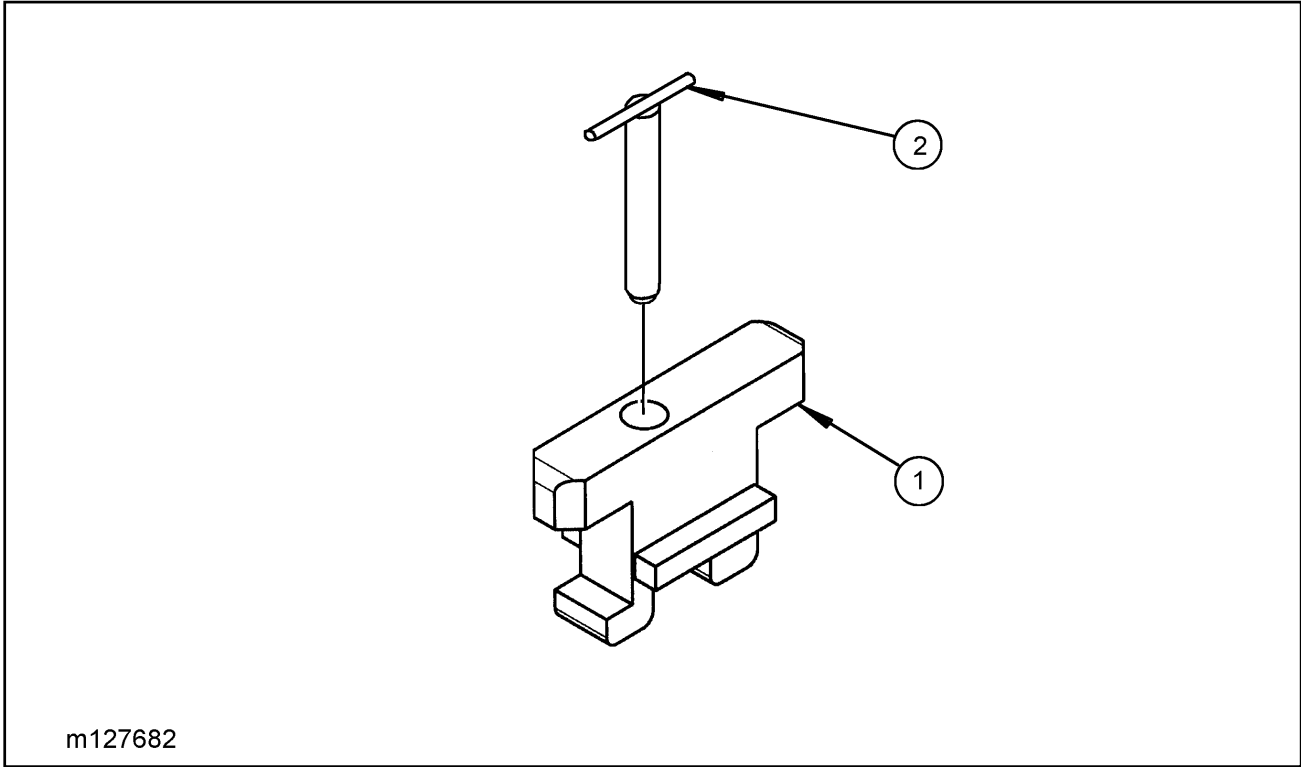


Figure 1-28 Container Stop Assembly

CONTAINER STOP ASSEMBLY

ITEM	PART NO.	DESCRIPTION	QTY.
	127682	SHOE LOCK TIEDOWN ASSEMBLY	
1	127320	STOP WELDMENT, CONTAINER	2
2	127450	PIN WELDMENT, CONTAINER STOP	2

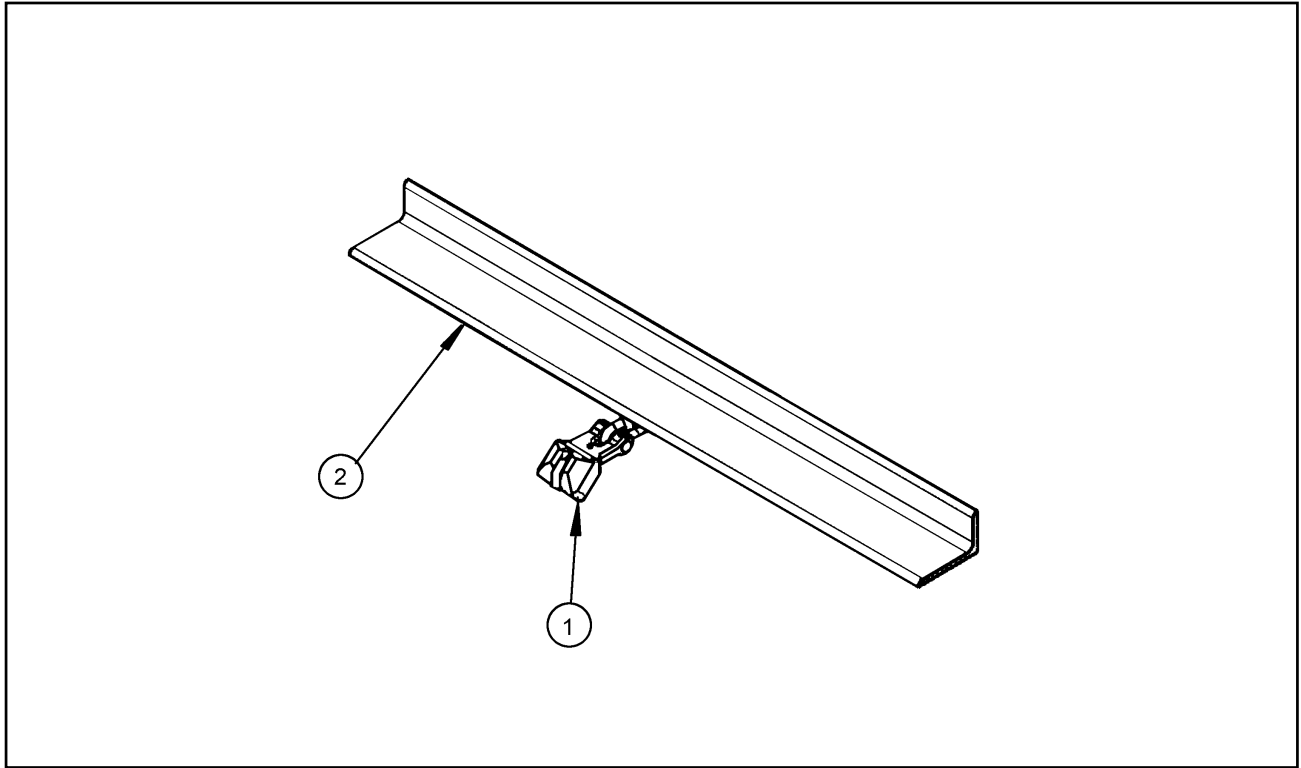


Figure 1-29 Container Pusher Assembly

CONTAINER PUSHER ASSEMBLY

ITEM	PART NO.	DESCRIPTION	QTY.
	129210	PUSHER, CONTAINER ASSEMBLY	
1	128500	CHAIN, SHORTENER LINK 1/2	1
2	128783	PUSHER, CONTAINER UNLOAD	1

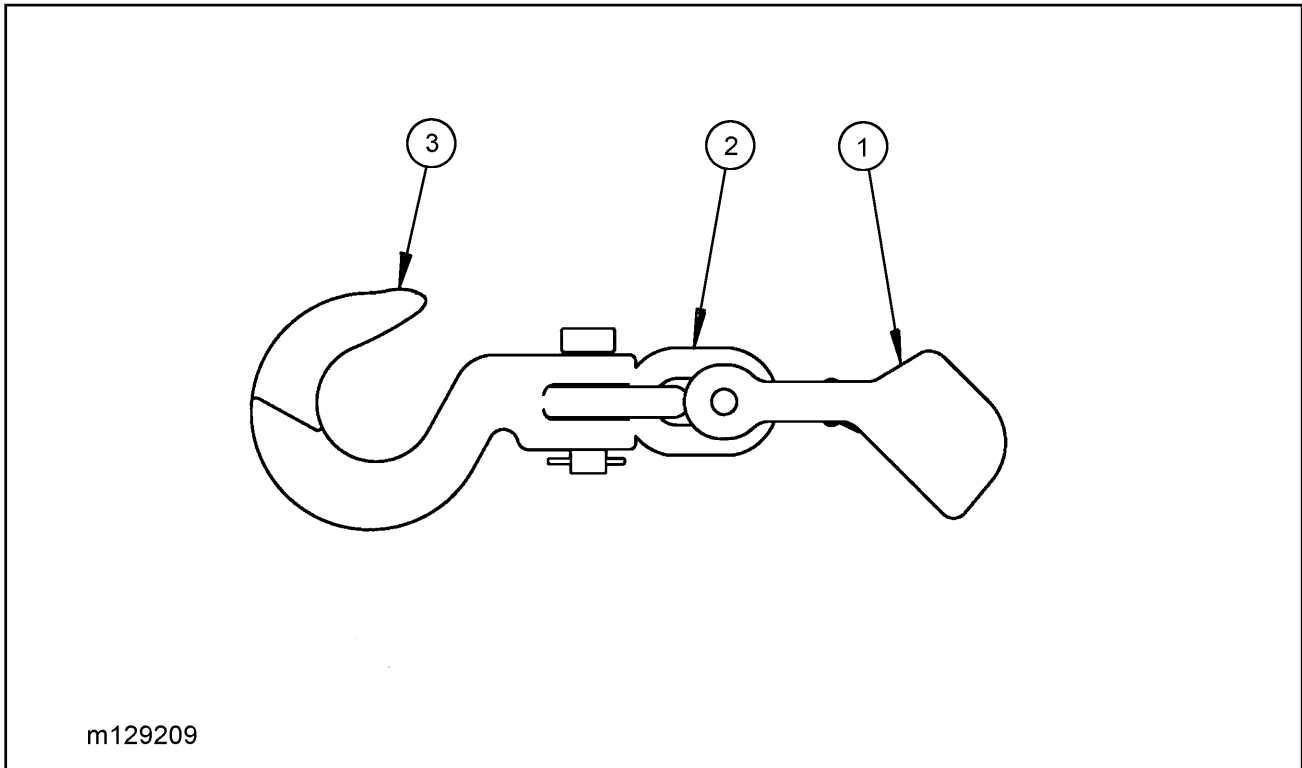


Figure 1-30 Chain Connect/ Container Assembly

CHAIN CONNECT/ CONTAINER ASSEMBLY

ITEM	PART NO.	DESCRIPTION	QTY.
	129209	CHAIN CONNECT/ CONTAINER ASSEMBLY	
1	128500	CHAIN SHORTENER LINK 1/2	1
2	3-174-010039	CHAIN 1/2" GR7	4"
3	7HCGHT500	HOOK CLEVIS GRAB 1/2	1

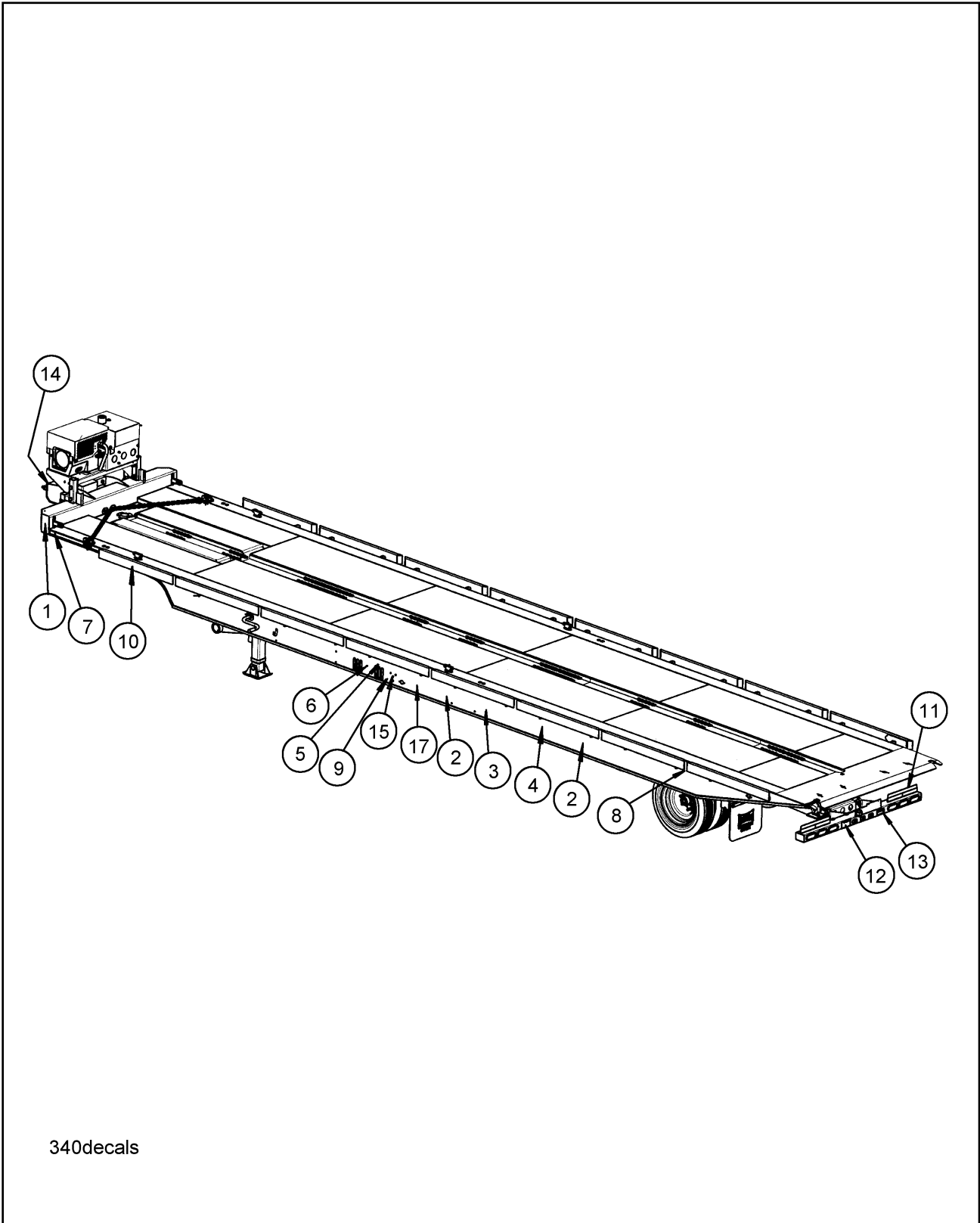


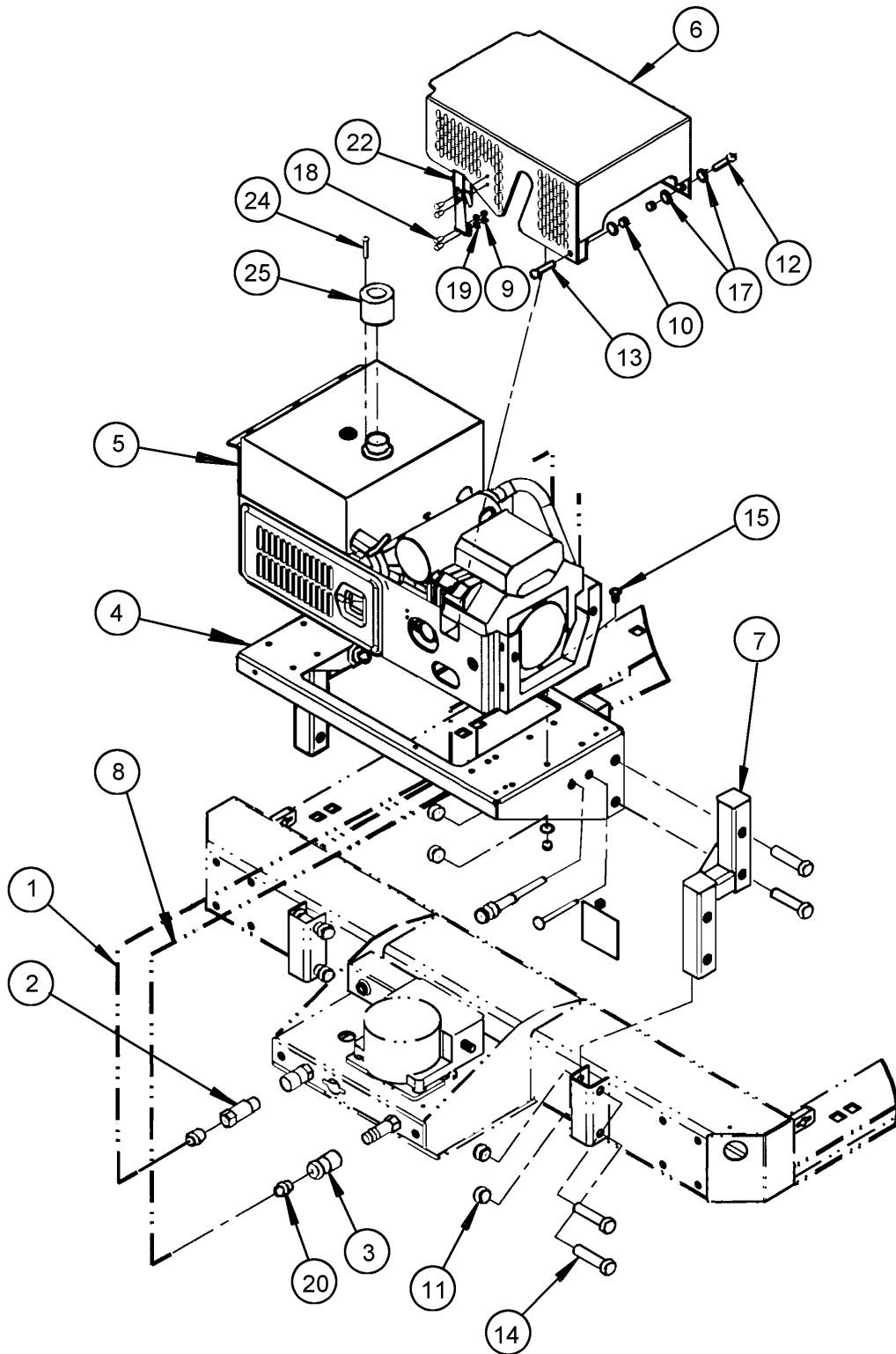
Figure 1-32 Decal Placement

DECAL PLACEMENT

ITEM	PART NO.	DESCRIPTION	QTY.
	128490	DECALS WHITE 340 SINGLE AXLE	
	128491	DECALS BLACK 340 SINGLE AXLE	
1	1-573-010017	DECAL, LANDOLL WHITE	2
	1-573-010007	DECAL, LANDOLL BLACK	2
2	1-573-010479	DECAL, L WHITE	4
	1-573-010475	DECAL, L BLACK	4
3	1-573-010481	DECAL, LANDOLL WHITE	2
	1-573-010477	DECAL, LANDOLL BLACK	2
4	128488	DECAL, 340 WHITE 2-1/2	2
	128487	DECAL, 340 BLACK 2-1/2	2
5	3-573-010057	DECAL, INSTRUCTION	1
6	3-573-010127	DECAL, OPERATION	1
7	3-573-010134	DECAL, CONC LOAD (SINGLE AXLE)	2
8	3-573-010210	DECAL, TORQUE SPEC 8-10 STUD HUB	2
9	3-573-010300	DECAL, WARNING RIDE POSITION	1
10	3-573-010377	DECAL, REFLEXITE TAPE RED/WHITE	AR
11	103055	DECAL, ENERGY BUMPER CERT.	1
12	103056	DECAL, ENERGY BUMPER WARNING	1
13	3-573-010031	DECAL, BUMPER	1
14	105822	DECAL, HYD COUPLER	1
15	3-573-010506	DECAL, ENGINE CONTROL	1
16	3-573-010378	DECAL, 2 X10 REFLEXITE WHITE (NOT SHOWN)	AR
17	113388	DECAL, ENGINE PACKAGE INSTRUCTIONS	1

TOOLBOX INSTALLATION (OPTION)

ITEM	PART NO.	DESCRIPTION	QTY.
	114807	TOOLBOX INSTALLATION STEEL DOOR	1
1	1-510-010003-09	NUT, FLANGE HEAD SERRATED 1/2-13	10
2	1-654-010055-03	SCREW, HEX HEAD CAP 1/2-13 X 1-1/2 GR5	4
3	1-861-010032-07	WASHER, FLAT 1/4W	4
4	1-861-010032-15	WASHER, FLAT 1/2W	16
5	1-861-010034-09	WASHER, SPLIT LOCK 1/4	4
6	107-0975	SCREW, SET LOCK 5/16-18 X 3/8	2
7	114808	TOOLBOX WELDMENT	1
8	114814	LATCH, FOLDING T LOCKABLE	1
9	114815	SEAL SPONGE RUBBER TRIM	7
10	115843	BAR, BACKUP TOOLBOX MOUNTING	2
11	115877	NUT, HEAVY HEX 1/4-20 GR5	4
12	116623	DOOR WELDMENT STEEL TOOLBOX	1
13	RPRB59004X3H	BAR ROUND, 3/4DIA X 3-1/2 NYLATRON	2
14	117860	BRACKET WELDMENT TOOLBOX MOUNTING	2
15	1-654-010055-01	SCREW, HEX HEAD CAP 1/2-13 X 1 GR5	6

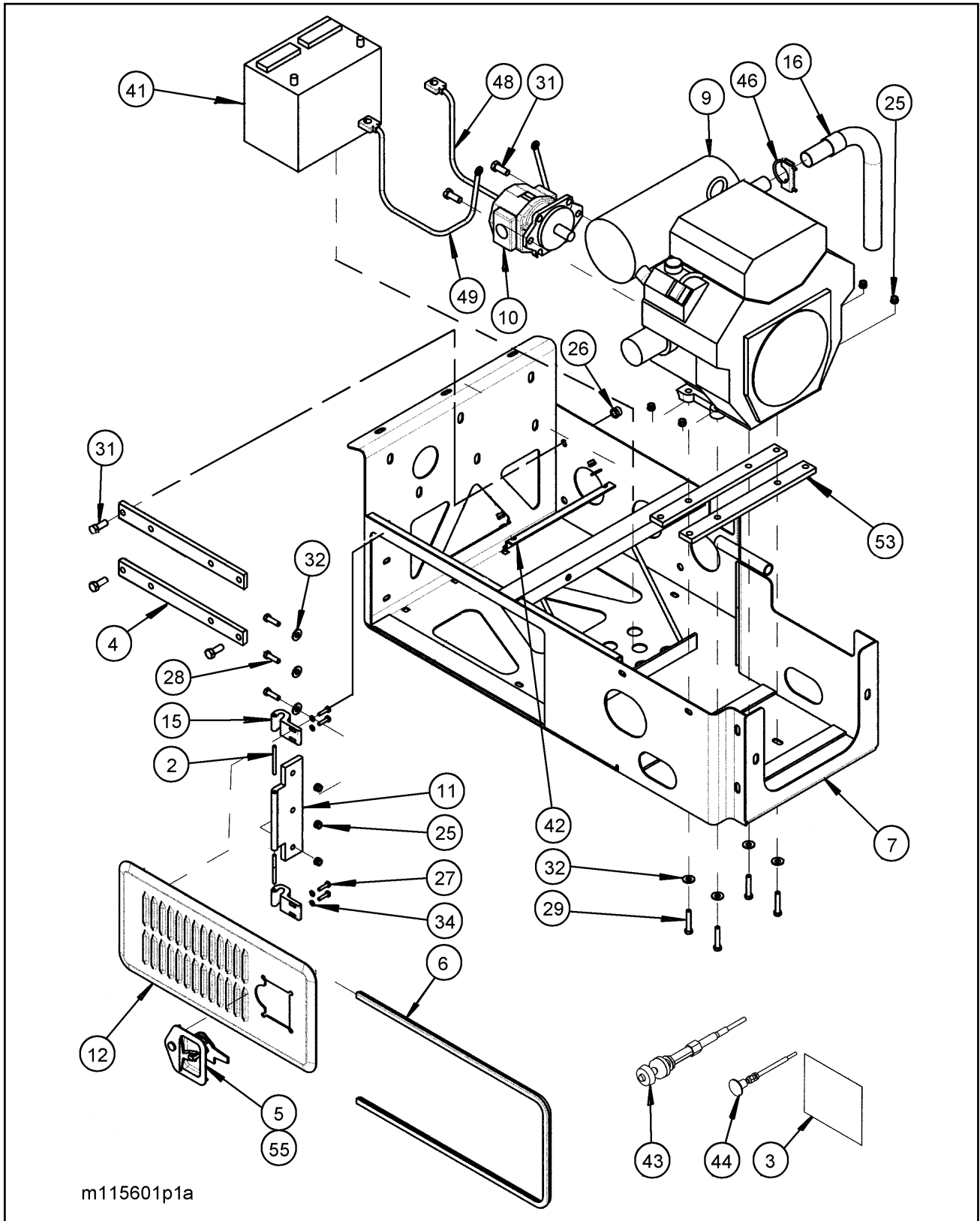


m127687

Figure 1-34 27HP Engine Drive Installation (Option)

27HP ENGINE DRIVE INSTALLATION (OPTION)

ITEM	PART NO.	DESCRIPTION	QTY.
	127687	25HP ENGINE DRIVE INSTALLATION	
1	105276	HOSE ASSEMBLY, 3/4 X 52	1
2	105479	COUPLER, FLAT FACE MALE NOSE	1
3	105480	COUPLER, FLAT FACE FEMALE BODY	1
4	112184	MOUNT WELDMENT	1
5	115601	27HP GAS ENGINE PACKAGE (SEE PAGE 1-56)	1
6	121396	COVER WELDMENT	1
7	127686	MOUNT WELDMENT	2
8	128953	HOSE ASSEMBLY 3/4 X 86	1
9	1-512-010004-03	NUT, HEX LOCK 10-24 GRA	4
10	1-512-010005-09	NUT, HEX LOCK 1/2-13 GRB	6
11	1-512-010005-19	NUT, HEX LOCK 1-8 GRB	8
12	1-654-010055-07	SCREW, HEX HEAD CAP 1/2-13 X 2-1/2 GR5	1
13	1-654-010055-09	SCREW, HEX HEAD CAP 1/2-13 X 3 GR5	1
14	1-654-010065-15	SCREW, HEX HEAD CAP 1-8 X 5 GR5	8
15	1-654-010070-02	SCREW, RD HEAD SQ NECK 1/2-13 X 1-1/4	3
16	1-822-010002	TRIM LOK 3/16 (NOT SHOWN)	AR
17	1-861-010032-15	WASHER, FLAT 1/2W	11
18	110-0116	SCREW, RD HEAD CAP #10-24 X 3/4	4
19	110-0253	WASHER, FLAT 3/16	4
20	202702-12-12S	ADAPTER STRAIGHT	2
21	128774	CABLE, THROTTLE 40' (NOT SHOWN)	2
22	3-443-010018	LATCH, FLEXIBLE DRAW, LEVER ASSIST	1
23	128781	HARNESS, ENG PACKAGE IGNITION (NOT SHOWN)	1
24	128806	SCREW, RD HEAD MACH #10-24 X 4	6
25	128809	FILLER EXTENSION OIL TANK	1
26	3-573-010506	DECAL, ENGINE CONTROL (NOT SHOWN)	1



m115601p1a

Figure 1-35 Engine Package Front Mount (1 of 2)

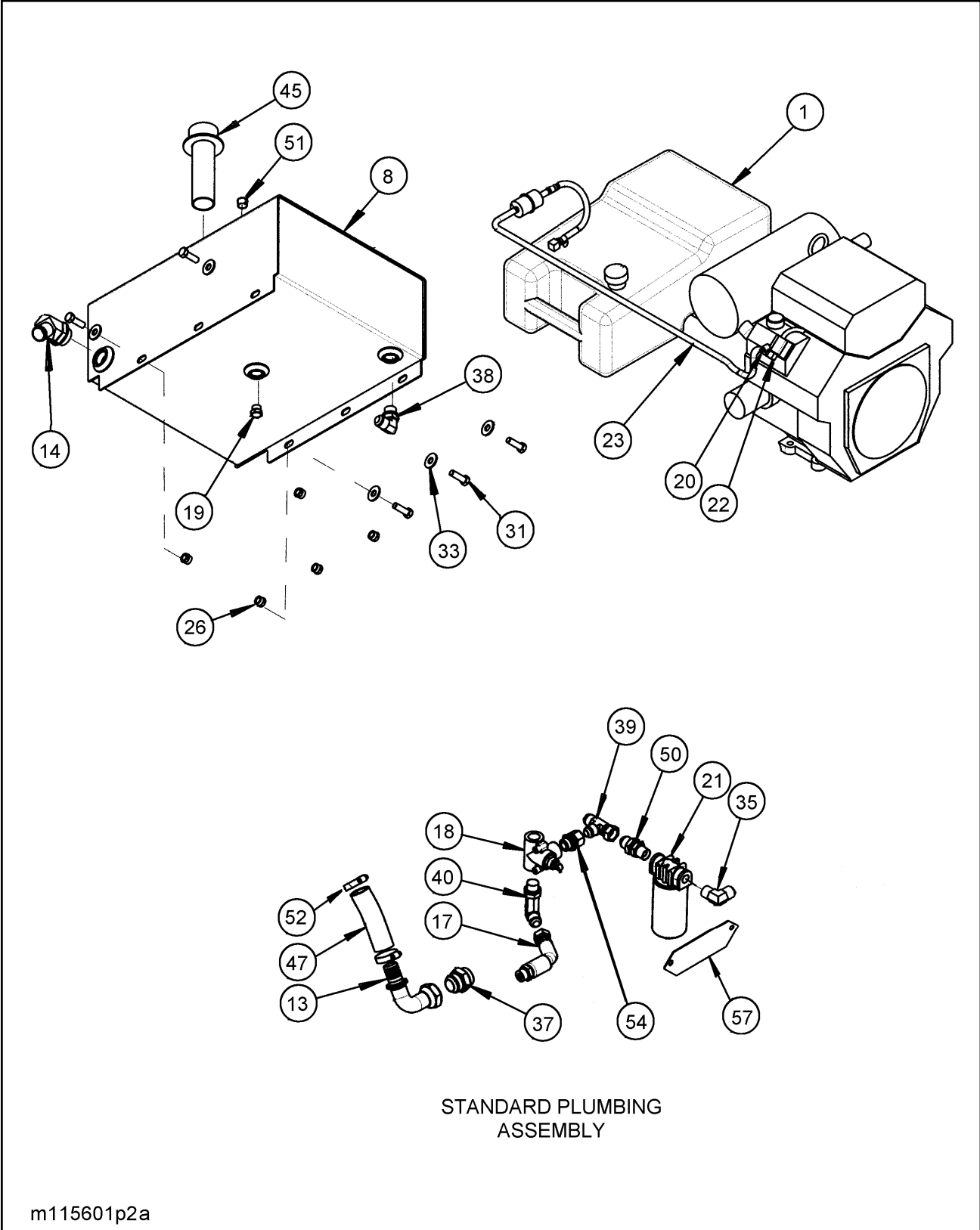


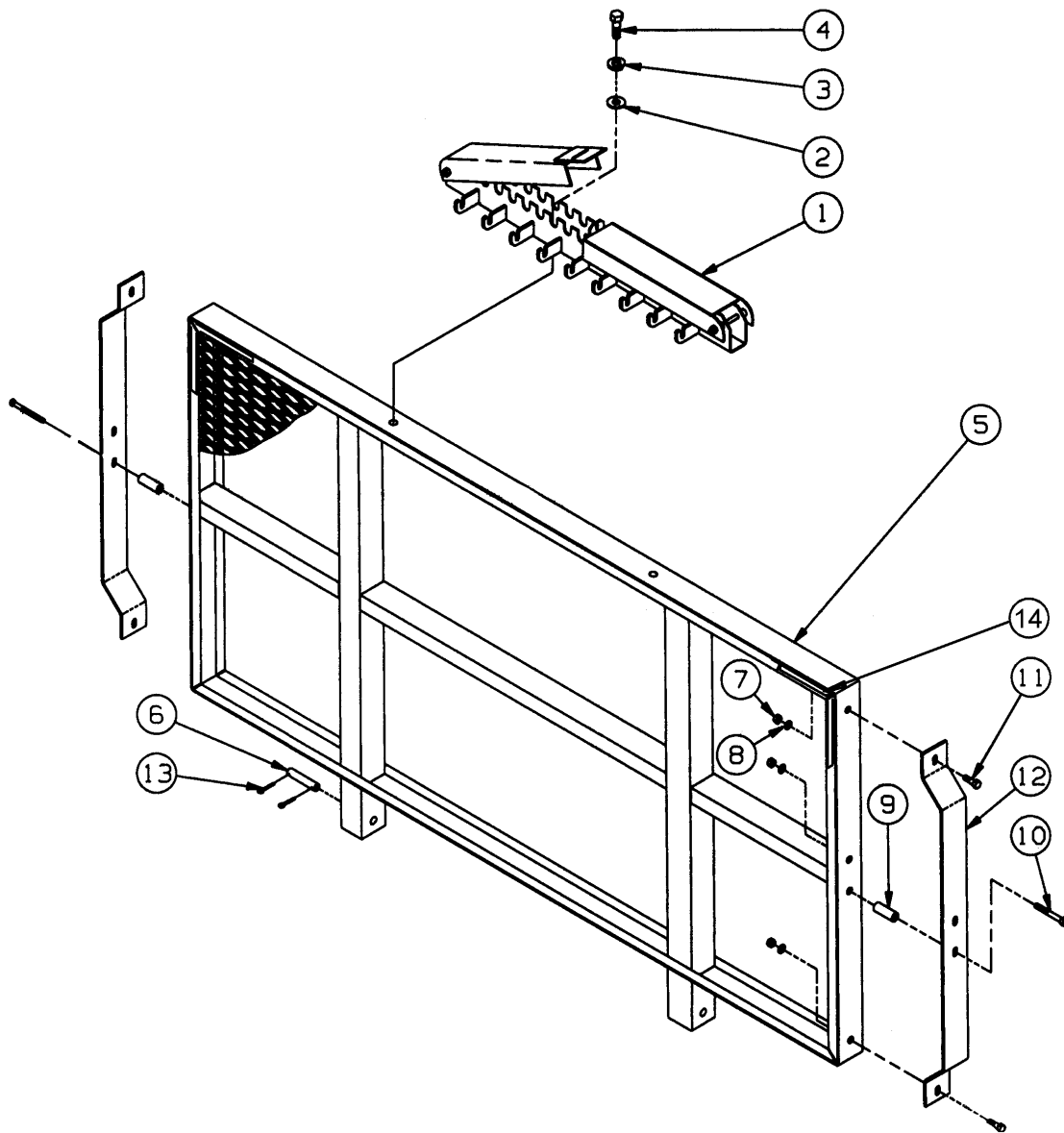
Figure 1-36 Engine Package Front Mount (2 of 2)

27HP GAS ENGINE PACKAGE (OPTION)

ITEM	PART NO.	DESCRIPTION	QTY.
	115601	27 HP GAS ENGINE PACKAGE	
1	104699	TANK, FUEL PLASTIC	1
2	108601	PIN, DOOR HINGE	2
3	113388	DECAL, ENG PKG INSTRUCTIONS	1
4	113856	MOUNT, ENGINE ISOLATOR, KOHLER CH25	2
5	114814	LATCH, FOLDING T LOCKABLE	1
6	114815	SEAL, SPONGE RUBBER TRIM	5
7	120654	MOUNT WELDMENT, ENG PKG 25 HP	1
8	120662	HYD TANK WELDMENT	1
9	115586	ENGINE, KOHLER 25 HP PUMP MOUNT (AFTER 8/10/2003)	1
	127813	ENGINE, KOHLER 27 HP PUMP MOUNT (AFTER 8/10/2003)	
10	115888	PUMP, HYDRAULIC	1
11	116326	HINGE, BASE MOUNT	1
12	116328	MOUNT, DOOR WELDMENT	1
13	116330	FITTING, 90	1
14	117873	FITTING	1
15	119206	HINGE, DOOR	2
16	119445	EXHAUST EXT WELDMENT	1
17	119577	HOSE 3/4 X 9-1/4	1
18	120661	VALVE, HYDR PRESSURE RELIEF	1
19	900598-12S	PLUG, O-RING	1
20	105-0105	CLAMP, HOSE	2
21	1-295-010001	RETURN LINE FILTER	1
22	1-297-010034-01	FITTING, BR 90 BARB	1
23	1-316-010013	HOSE, 1/4 LOW PRESSURE FUEL LINE	4
25	1-512-010005-05	NUT, HEX LOCK 3/8-16 GRB	9
26	1-512-010005-09	NUT, HEX LOCK 1/2-13 GRB	9
27	1-654-010047-06	SCREW, HEX HEAD CAP 1/4-20 X 1 GR5	4
28	1-654-010051-06	SCREW, HEX HEAD CAP 3/8-16 X 1-1/4 GR5	3
29	1-654-010051-09	SCREW, HEX HEAD CAP 3/8-16 X 2 GR5	4
31	1-654-010055-03	SCREW, HEX HEAD CAP 1/2-13 X 1-1/2 GR5	11
32	1-861-010032-11	WASHER, FLAT 3/8W	9
33	1-861-010032-15	WASHER, FLAT 1/2W	5
34	1-861-010034-09	WASHER, SPLIT LOCK 1/4	4
35	2024-12-12S	ELBOW, 90	1
36	202702-12-12S	ADAPTER, STRAIGHT	1
37	202702-20-20S	ADAPTER	1
38	2062-12-12S	ADAPTER, 90	1
39	203102-12-12S	ADAPTER, TEE	1
40	206209-12-12S	ADAPTER, 90	1
41	2481X	BATTERY 12V	1
42	3-120-010124	BATTERY CLAMP BRACKET	1
43	3-155-010012	CABLE, THROTTLE	1
44	3-155-010025	CABLE, UTILITY CHOKE	1
45	3-162-010001	FILLER-BREATH-ER-STRAINER ASSEMBLY	1
46	3-182-010028	CLAMP, MUFFLER	1
47	3-399-010001006	HOSE, 1-1/4 X 6" SUCTION	1
48	514-9045-26	CABLE ASSEMBLY, BATTERY POSITIVE	1
49	514-9073-18	CABLE ASSEMBLY, BATTERY NEGATIVE	1
50	2240-12-12S	ADAPTER, BULKHEAD	1

27HP GAS ENGINE PACKAGE (OPTION)

ITEM	PART NO.	DESCRIPTION	QTY.
51	1-560-010002-04	PLUG, PIPE 1/2	1
52	1-181-010046-7	CLAMP, HOSE	2
53	120569	ISOLATOR, KOHLER 25 HP MOUNT	2
54	120660	ADAPTER	1
55	115877	NUT, HEAVY HEX 1/4-20 GR5	4
57	123014	PLATE, MOTOR FRONT 25HP	1
58	113544	HARNESS, ENG PKG IGNITION (NOT SHOWN)	1

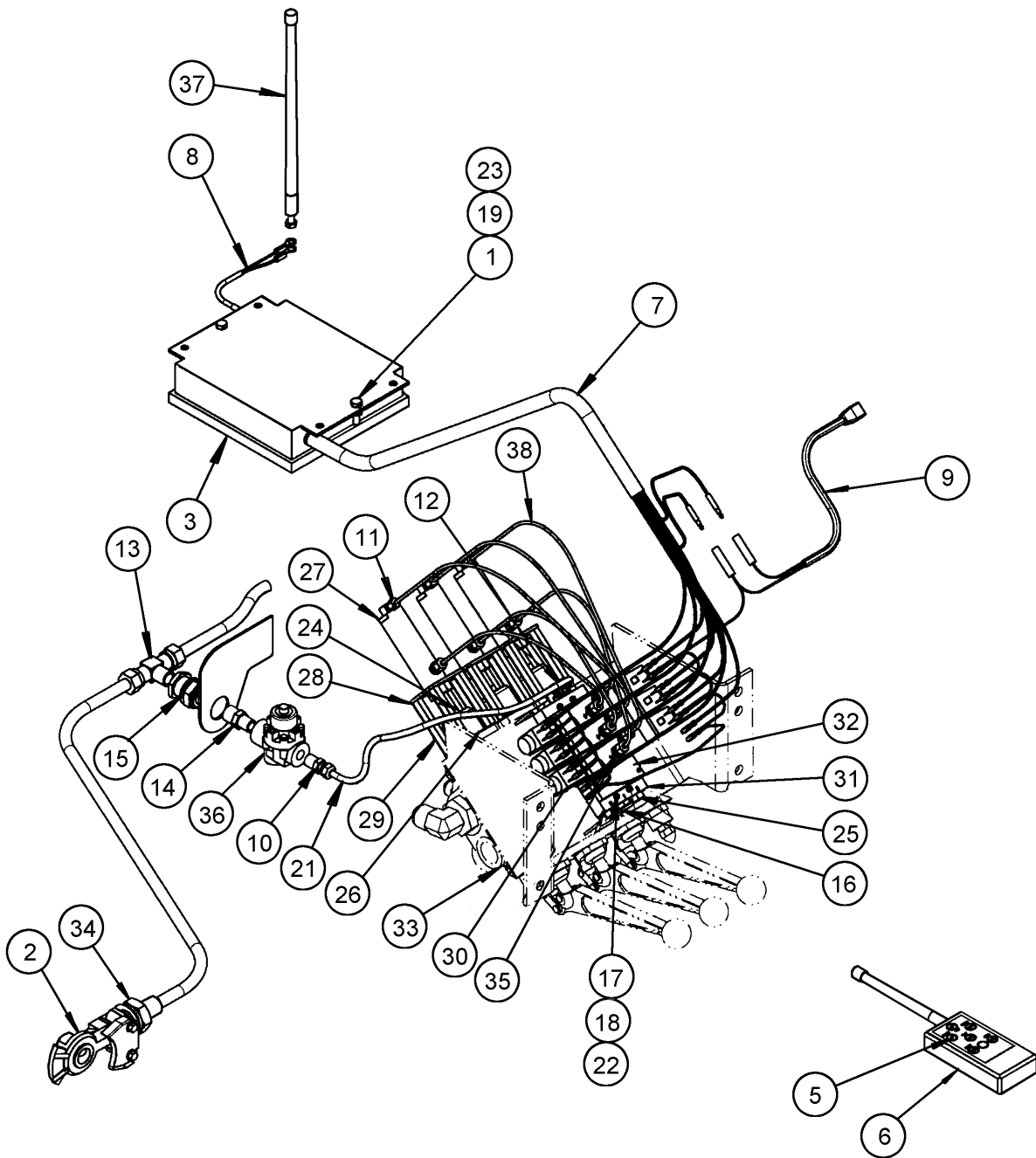


3m141-010121

Figure 1-37 Bulkhead Installation (Option)

BULKHEAD INSTALLATION (OPTION)

ITEM	PART NO.	DESCRIPTION	QTY.
	B7-141-003	BULKHEAD CHAIN BACK INSTALLATION (ITEMS 1-4)	
	3-141-010121	BULKHEAD INSTALLATION (ITEMS 5-13)	
1	3-141-010008	CHAIN HANGER LOCKING CHANNEL WELDMENT	1
2	1-861-010032-11	WASHER, FLAT 3/8	2
3	1-861-010034-11	WASHER, SPLIT LOCK 3/8	2
4	1-654-010051-06	SCREW, HEX HEAD CAP 3/8-16 X 1-1/4 GR5	2
5	3-141-010155	BULKHEAD WELDMENT 48 X 96 (96)	1
	3-141-010152	BULKHEAD WELDMENT 16 X 102 (102) (NOT SHOWN)	1
6	6-557-010163	PIN HITCH LEVEL LINK	2
7	1-512-010005-09	NUT HEX LOCK 1/2-13 GRB (102)	6
8	1-861-010032-15	WASHER PLAIN TYPE A 1/2 (102)	6
9	3-711-010025	SPACER (102)	2
10	1-654-010055-13	SCREW HEX HEAD CAP 1/2-13X4 GR5 (102)	2
11	1-654-010055-03	SCREW HEX HEAD CAP 1/2-13X1-1/2 GR5 (102)	4
12	3-054-010101	BAR SIDE BULKHEAD EXTENSION (102)	2
13	1-557-010362-63	COTTER PIN 1/4X2	4
14	3-573-010378	DECAL, 2 X 12 REFLEXITE WHITE	4



m127801

Figure 1-38 Radio Remote Control Assembly - 3 Function

3 FUNCTION RADIO REMOTE CONTROL ASSY (OPTION)

ITEM	PART NO.	DESCRIPTION	QTY.
	127802	REMOTE, RADIO WINCH/TILT/AXLE	
1	108417	NUT, HEX FLANGE SPIRALOCK 1/4-20	2
2	108801	GLAD HAND, RED AIR	REF
3	112691	RECEIVER CONTROL RADIO REMOTE	*REF
4	112948	BATTERY, 9 VOLT (NOT SHOWN)	1
5	113661	MEMBRANE OVERLAY REMOTE	1
6	119626	TRANSMITTER RADIO REMOTE	*REF
7	120696	HARNESS, RADIO REMOTE 5'	1
8	123129	CABLE, REMOTE ANTENNA 30'	1
9	127788	HARNESS, POWER JUMPER	1
10	1-297-010007-05	FITTING, AIR	1
11	1-297-010008-01	FITTING, AIR 90	3
12	1-297-010008-07	FITTING, AIR 90	1
13	1-297-010015-10	FITTING, AIR TEE	1
14	1-297-010019-05	FITTING, BRS PIPE HEX 3/8 X 1/4	1
15	1-297-010022-03	FITTING, AIR ANCHOR COUPLING 3/8	1
16	1-297-010033-02	FITTING, BRASS PLUG 1/4	3
17	1-512-010003-02	NUT, HEX LOCK #6-32	4
18	1-654-010024014	SCREW, MACH SLOTTED FIL HEAD #6-32 X 1-1/2	4
19	1-654-010047-06	SCREW, HEX HEAD CAP 1/4-20 X 1 GR5	2
20	1-796-010002-01	TIE STRAP, PLASTIC (NOT SHOWN)	5
21	1-833-010001	TUBING, NYLON 1/4	AR
22	1-861-010032-01	WASHER, FLAT #6	4
23	1-861-010032-06	WASHER, FLAT 1/4N	2
24	3-007-010039	ADAPTER, AIR CYLINDER	3
25	3-136-010001-02	BREATHER, PNEUMATIC EXH 1/4	2
26	3-161-010034	CAP, MODIFIED VALVE SPOOL	3
27	3-238-010001	CYLINDER, AIR	3
28	3-482-010288	MOUNT, AIR CYLINDER VALVE	3
29	3-711-010055	SPACER	12
30	3-843-010015	VALVE, PNEUMATIC 4 WAY, 3 POSITION	3
31	3-843-010023	VALVE, PNEUMATIC MANIFOLD 4 STATION	1
32	3-843-010024	VALVE, BLANK STATION COVER	1
33	3-846-010152-01	VALVE ASSEMBLY, 3 SPOOL	REF
34	55B61	FRAME UNION	REF
35	68CA-2-2	CONNECTOR	9
36	905-54-107	BRAKE PROTECTION VALVE	1
37	A001	ANTENNA, RADIO REMOTE	REF
38	NB-2-016	TUBING, NYLON FLEX	REF
*	119625	REMOTE, RADIO HANDHELD (INCLUDES RECEIVER AND TRANSMITTER)	

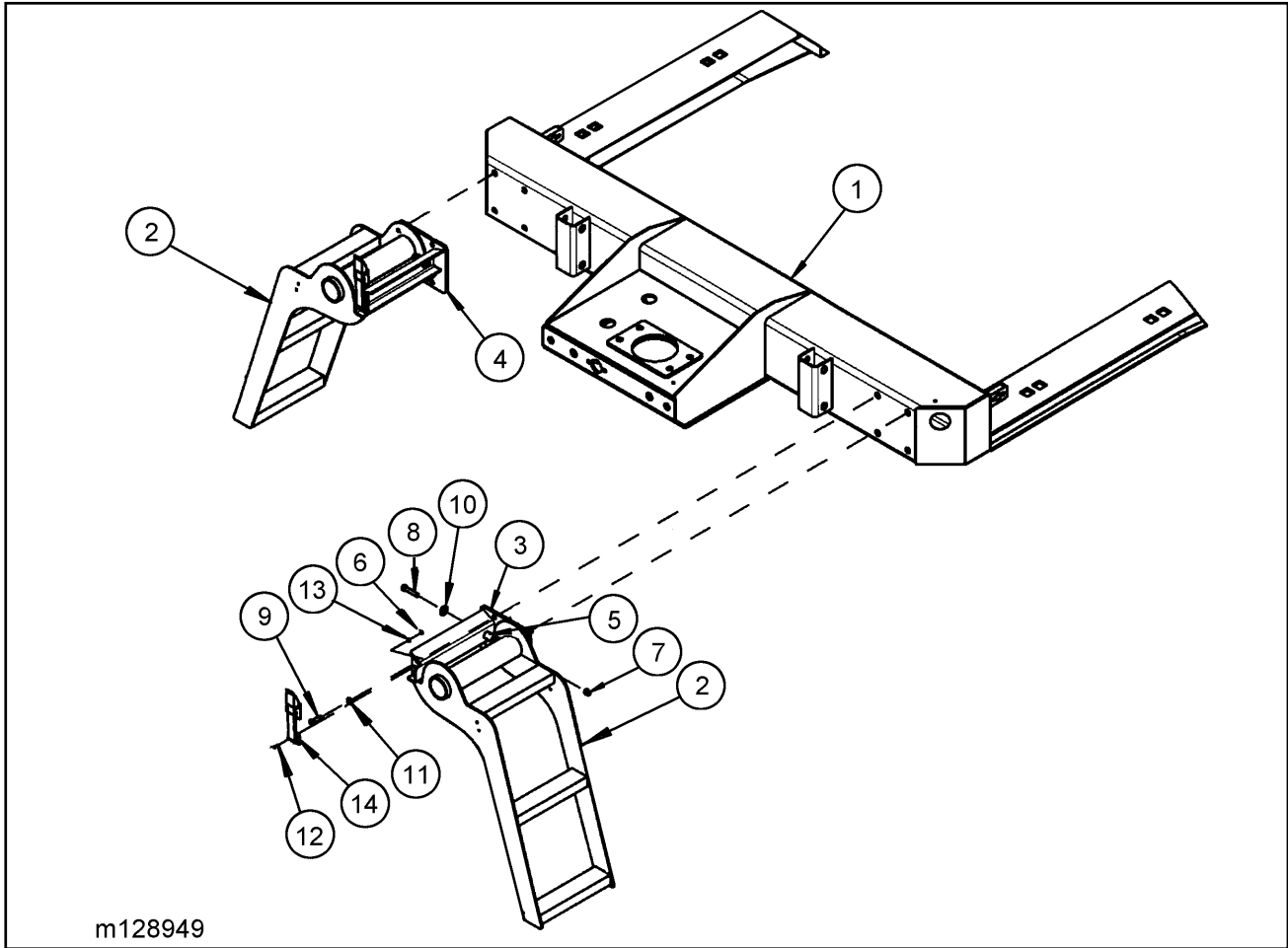


Figure 1-39 Ladder Assembly (Option)

LADDER ASSEMBLY (OPTION)

ITEM	PART NO.	DESCRIPTION	QTY.
	128950	LADDER ASSEMBLY LH	
	128951	LADDER ASSEMBLY RH	
1	128199	FRAME WELDMENT	REF
2	128819	LADDER, ALUMINUM	1
3	128942	SUPPORT WELDMENT, LADDER LH	1
4	128943	SUPPORT WELDMENT, LADDER RH	1
5	128952	TUBE, ROUND 1OD X 5/8ID X 1-1/2	1
6	1-512-010004-03	NUT, HEX LOCK #10-24 GRA	4
7	1-512-010005-09	NUT, HEX LOCK 1/2-13 GRB	1
8	1-654-010055-07	SCREW, HEX HEAD CAP 1/2-13 X 2-1/2 GR5	1
9	1-654-010089-15	SCREW, SOCKET BUTTON 1/2-13 X 1-3/4	4
10	1-861-010032-15	WASHER, FLAT 1/2W	1
11	1-861-010034-13	WASHER, SPLIT LOCK 1/2	4
12	110-0116	SCREW, RD HEAD CAP #10-24 X 3/4	4
13	110-0253	WASHER, FLAT 3/16	4
14	3-443-010018	LATCH, FLEXIBLE DRAW, LEVER ASSIST	1

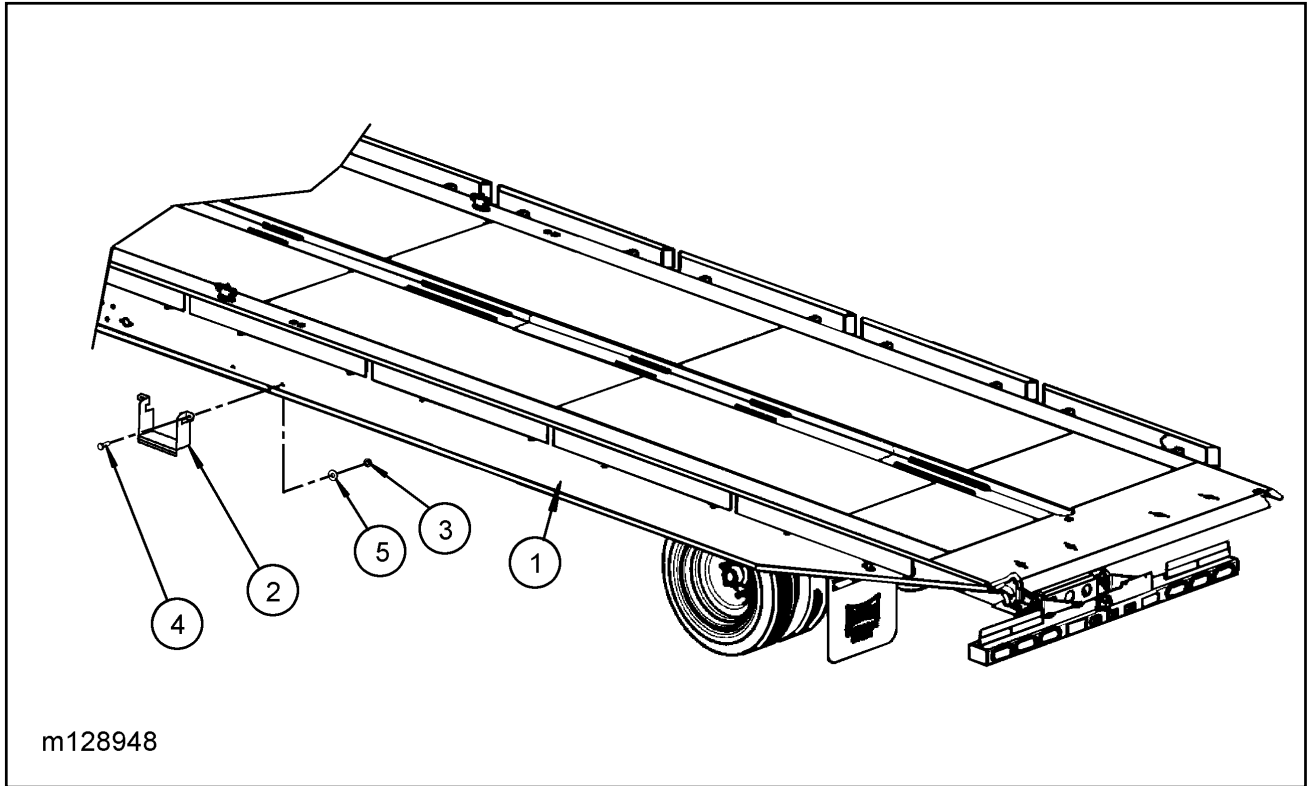


Figure 1-40 Step Assembly (Option)

STEP ASSEMBLY (OPTION)

ITEM	PART NO.	DESCRIPTION	QTY.
	128948	STEP ASSEMBLY	
1	128199	FRAME WELDMENT	REF
2	128812	STEP, MID	1
3	1-512-010005-09	NUT, HEX LOCK 1/2-13 GRB	2
4	1-654-010070-02	SCREW, RD HEAD SQ NECK 1/2-13 X 1-1/4	2
5	1-861-010032-15	WASHER, FLAT 1/2W	2

NOTES:

NUMERICAL INDEX

PART	PAGE	PART	PAGE	PART	PAGE
0001-02	15	0741-01	15	105822	05
0001-08	15	081900019	06	105822	49
0001-08	17	081900277	07	106371	13
0002-07	15	097-002-00	25	106652	13
0002-12	17	097-003-00	25	107-0975	51
005-096-00	25	1-007-010029	11	107598	13
005-098-00	25	101003	27	107599	13
005-099-00	25	101160	31	107956	27
005-134-00	25	101848	29	108220	43
006-114-00	25	101851	29	108417	61
006-115-00	25	101852	15	108601	56
0075-20	17	101852	20	108647	13
010-052-00	25	101855	29	108801	33
0102-13	17	10205R	13	108801	61
011300179	07	10205Y	13	108802	33
014-056-00	25	102361	23	110-0116	53
014-058-00	25	102363	20	110-0116	62
014-065-00	25	102363	23	110-0253	53
014-068-00	25	102732	20	110-0253	62
021-038-01 (4009)	31	102732	21	110-3494	35
024-100-00	25	102836	13	110416	13
034-058-01	25	102836	15	110975(2023—T)	31
034-192-06	25	102838	20	110976(66884)	31
034-193-06	25	103055	49	110990	15
0375-00	17	103056	49	110991	15
040-180-00	25	1035-20	17	111006	23
041-058-01	25	103783	31	111010	23
041-059-01	25	10403	13	111010	23
046-096-00	25	104252	40	111011	23
046-097-00	25	104253	40	111012	23
0508-00	17	104699	56	111013	23
055-040-06	25	105-0093	13	111014	23
056-017-00	25	105-0105	56	111018	23
056-018-00	25	105276	53	111019	23
061-006-00	25	105479	05	111021	21
0647-01	17	105479	53	111023	23
069-078-00	25	105480	05	111416	31
071-122-00	25	105480	53	1-116-010019	13
071-124-00 (3067)	31	105481	05	111925	13
071900019	06	105482	05	112184	53
071900195	07	105483	05	112691	61

PART	PAGE	PART	PAGE	PART	PAGE
112948	61	119577	56	127460	27
113374	13	119625	61	127461	15
113388	49	119626	61	127461	20
113388	56	119949	37	127462	20
113544	57	119949	39	127598	35
113661	61	120569	57	127682	44
113856	56	120654	56	127686	53
114583	13	120660	57	127687	53
114585	27	120661	56	127689	13
114585	29	120662	56	127690	13
114587	29	120696	61	127735	15
114589	29	121003	05	127735	17
114590	29	121366	15	127736	15
114807	51	121366	20	127788	61
114808	51	121377	13	127802	61
114814	51	121377	13	127813	56
114814	56	121396	53	127843	43
114815	51	123014	57	128199	62
114815	56	123129	61	128199	63
115586	56	126111	43	128210	03
115601	53	126114	43	128211	03
115601	56	126117	43	128212	03
115843	51	126858	05	128323	03
115877	51	126858	35	128346	37
115877	57	126858	36	128354	40
115888	56	126972	05	128360	40
116131	13	126972	06	128378	37
116134	13	126973	05	128390	03
116139	13	126973	35	128391	03
116140	13	126976	15	128463	33
116326	56	126976	20	128469	43
116328	56	126982	15	128470	05
116330	56	126982	20	128471	05
116623	51	126985	37	128472	05
117304	27	126985	39	128473	05
117559	37	127200	15	128480	42
117559	39	127287	20	128482	42
117860	51	127320	44	128484	42
117873	56	127447	37	128487	49
1-181-010046-7	57	127447	39	128488	49
118-2659-9	27	127450	44	128490	49
118914	05	127451	17	128491	49
119206	56	127451	25	128496	42
119445	56	127452	20	128500	45

PART	PAGE	PART	PAGE	PART	PAGE
128480	42	129213	15	130351	36
128482	42	129213	20	130352	36
128484	42	129214	35	130353	36
128487	49	129215	35	1-316-010013	56
128488	49	129217	35	1-343-010007	13
128490	49	129938	41	1-384-010038024	27
128491	49	129985	15	139345	35
128496	42	129985	20	1-397-010301032	05
128500	45	1-295-010001	56	1-397-010301042	05
128500	46	1-297-010007-05	61	1-397-010301090	05
128713	35	1-297-010007-11	33	1-397-010301136	05
128719	40	1-297-010007-12	27	1-397-010301148	05
128732	15	1-297-010007-12	33	142164	35
128732	20	1-297-010007-14	33	15009	13
128774	53	1-297-010007-15	33	1-510-010001	05
128781	53	1-297-010007-18	27	1-510-010001	09
128783	45	1-297-010008-01	11	1-510-010001	13
128801	35	1-297-010008-01	61	1-510-010001	15
128802	35	1-297-010008-07	20	1-510-010001	20
128803	35	1-297-010008-07	61	1-510-010003-09	51
128806	53	1-297-010008-18	27	1-512-010003-02	61
128809	53	1-297-010008-26	27	1-512-010004-03	53
128812	63	1-297-010010-01	20	1-512-010004-03	62
128813	35	1-297-010015-10	61	1-512-010005-01	21
128819	62	1-297-010017-03	27	1-512-010005-01	43
128942	62	1-297-010019-05	61	1-512-010005-03	13
128943	62	1-297-010022-03	33	1-512-010005-05	15
128948	63	1-297-010022-03	61	1-512-010005-05	20
128950	62	1-297-010033-02	61	1-512-010005-05	27
128951	62	1-297-010033-03	27	1-512-010005-05	37
128952	62	1-297-010034-01	56	1-512-010005-05	56
128953	53	1-298-010001-1	03	1-512-010005-09	53
128973	15	1-298-010001-1	35	1-512-010005-09	56
128973	20	129901	06	1-512-010005-09	59
128974	15	130109	15	1-512-010005-09	62
128974	20	130109	20	1-512-010005-09	63
129203	35	130127	35	1-512-010005-13	05
129205	40	130346	36	1-512-010005-13	37
129206	40	130347	36	1-512-010005-15	03
129209	46	130348	36	1-512-010005-15	15
129210	45	130349	36	1-512-010005-15	20
129212	40	130350	36	1-512-010005-15	35

PART	PAGE	PART	PAGE	PART	PAGE
1-512-010005-19	53	1-654-010051-09	09	1-861-010032-07	20
1-512-010007-05	15	1-654-010051-09	37	1-861-010032-07	51
1-512-010007-05	20	1-654-010051-09	56	1-861-010032-09	13
1-512-010007-09	23	1-654-010051-11	37	1-861-010032-10	27
1-512-010007-13	35	1-654-010055-01	35	1-861-010032-11	15
15206	13	1-654-010055-01	51	1-861-010032-11	20
1-557-010362-54	05	1-654-010055-02	15	1-861-010032-11	37
1-557-010362-63	59	1-654-010055-02	20	1-861-010032-11	56
1-560-010002-03	27	1-654-010055-03	51	1-861-010032-11	59
1-560-010002-04	27	1-654-010055-03	56	1-861-010032-15	15
1-560-010002-04	56	1-654-010055-03	59	1-861-010032-15	20
1-560-010002-05	27	1-654-010055-07	53	1-861-010032-15	35
15700	13	1-654-010055-07	62	1-861-010032-15	51
15725	13	1-654-010055-09	53	1-861-010032-15	53
1-573-010007	49	1-654-010055-13	59	1-861-010032-15	56
1-573-010017	49	1-654-010059-03	35	1-861-010032-15	59
1-573-010475	49	1-654-010059-03	37	1-861-010032-15	62
1-573-010477	49	1-654-010059-14	05	1-861-010032-15	63
1-573-010479	49	1-654-010061-05	03	1-861-010032-19	05
1-573-010481	49	1-654-010065-15	53	1-861-010032-19	37
1-647-010004117	40	1-654-010070-02	53	1-861-010032-21	35
1-647-010004217	43	1-654-010070-02	63	1-861-010034-07	13
1-647-010004255	03	1-654-010089-15	62	1-861-010034-09	15
1-654-010024014	61	1-654-010158-1	15	1-861-010034-09	20
1-654-010032-04	15	1-654-010158-1	20	1-861-010034-09	51
1-654-010032-04	20	1-656-010003051	13	1-861-010034-09	56
1-654-010047-02	11	1-796-010002-01	61	1-861-010034-10	31
1-654-010047-04	21	1-796-010003-02	05	1-861-010034-11	59
1-654-010047-06	15	1-796-010004-02	15	1-861-010034-13	15
1-654-010047-06	20	1-796-010004-02	20	1-861-010034-13	20
1-654-010047-06	56	1-796-010003-01	27	1-861-010034-13	35
1-654-010047-06	61	179933	31	1-861-010034-13	62
1-654-010049-03	31	1-816-010034-13	23	1-861-010034-15	35
1-654-010049-06	13	1-822-010002	53	1-861-010059-21	05
1-654-010051-05	05	1-833-010001	20	1A0290	11
1-654-010051-05	15	1-833-010001	61	1A0291	11
1-654-010051-05	20	1-833-010002	27	1A0292	11
1-654-010051-06	56	1-833-010002	33	1A0294	11
1-654-010051-06	59	1-833-010003	33	1A0709	11
1-654-010051-08	15	1-861-010032-01	61	1A0711	11
1-654-010051-08	20	1-861-010032-06	61	1A0744	11
1-654-010051-08	27	1-861-010032-07	15	1A0757	11

PART	PAGE	PART	PAGE	PART	PAGE
1R0017	11	3-120-010124	56	3-557-010032	05
1V0081	11	3-136-010001-02	61	3-557-010182	05
1V0090	11	3-141-010008	59	3-573-010031	49
1V0208	11	3-141-010121	59	3-573-010057	49
1V0360	11	3-141-010152	59	3-573-010127	49
1V1701	11	3-141-010155	59	3-573-010134	49
1V1703	11	3-155-010012	56	3-573-010210	49
1V1725	11	3-155-010025	56	3-573-010300	49
2023-8-8S	05	3-161-010034	11	3-573-010377	49
2024-12-12S	56	3-161-010034	61	3-573-010378	49
2024-8-8S	05	3-162-010001	56	3-573-010378	59
202702-12-12S	53	3-174-010026	15	3-573-010506	49
202702-12-12S	56	3-174-010026	20	3-573-010506	53
202702-20-20S	56	3-174-010038	42	3-659-010012	31
203102-12-12S	56	3-174-010039	35	3-711-010025	59
2061-8-8S	09	3-174-010039	41	3-711-010055	11
206209-12-12S	56	3-174-010039	42	3-711-010055	61
2062-12-12S	09	3-174-010039	46	3-720-010030	17
2062-12-12S	56	3-174-010042	15	3-755-010003	05
2062-12-8S	05	3-174-010042	20	3-755-010189-03	15
2062-8-8S	05	3-181-010006	13	3-755-010189-03	20
2083-8-4S	20	3-182-010028	56	3-755-010189-1	15
2083-8-8S	27	3-201-010002	33	3-755-010189-1	20
2088-6-6S	27	3-238-010001	11	3-762-010017	15
2089-6-6S	27	3-238-010001	61	3-762-010017	20
211300024	07	3-242-010185	05	3-780-010002	15
2-181-010001	13	3-242-010185	07	3-780-010002	20
2-181-010001	15	3-299-010016	05	380-1	15
2-181-010001	20	3-311-013675	15	380-1	20
220000212	06	3-311-013675	20	380-2	15
220000212	07	3-368-010247	13	380-2	20
2240-12-12S	56	3-368-010294	13	3-821-010005	15
230007400	07	3-399-010001006	56	3-821-010005	20
239-9008-3	33	3-432-010006	17	3-843-010015	61
2481X	56	3-443-010018	53	3-843-010023	61
2A0079-404	11	3-443-010018	62	3-843-010024	61
2A0079-406	11	3-446-010046	13	3-846-010008	09
2A0293-7214	11	3-482-010288	11	3-846-010008	11
2A0354-121	11	3-482-010288	61	3-846-010152-01	05
2A293-7214	11	3-482-010575	09	3-846-010152-01	09
3-007-010039	61	3-485-010001	15	3-846-010152-01	61
3-054-010101	59	3-485-010001	20	3-846-010156	05

PART	PAGE	PART	PAGE	PART	PAGE
3-870-010110	31	934-00-367	23	C10217	39
43028	05	934-00-506	23	C10233	39
4Z4306	11	934-00-506	23	C10234	39
514-9045-26	56	936 00 077	23	C10256	39
514-9073-18	56	941 00 119	21	C10259	39
55B61	33	94100590	23	D10116.2	39
55B61	61	94100648	23	D10201.2	39
55B61-6	33	94100685	23	D-2H16	25
55B61-7	33	94100787	23	HM212011	31
56D4	27	94100790	23	HM212049	31
59S-7	13	94926	13	HM218210	31
59W-2-3	13	A001	61	HM218248	31
60015Y	13	A10033	39	K71-135-00	25
60202R	13	A10037.1	39	K71-136-00	25
60202Y	13	A10037.3	39	K71-138-00	25
60215Y	13	A10038.6	39	NB-2-016	61
60700	13	A10038.7	39	PMCK-5600	06
61258	35	A10040	39	PMCK-AD-461	07
622-3511-008	15	A10052.3	39	RPRB59004X3H	51
622-3511-008	20	A10054.3	39	TR545D	31
6-557-010163	59	A10054.6	39	TR573	31
68CA-2-2	11	A10054.7	39		
68CA-2-2	61	A10059.1	39		
758-181	27	A10101	39		
7HCGHT500	41	A10102	39		
7HCGHT500	46	A10212	39		
805-2	15	A10218	39		
805-2	20	A10230	39		
900 08 186	23	A10255	39		
900 45 040	23	A10260.1	39		
900 54 007	21	B10036	39		
900 54 107	21	B10066	39		
90008139	23	B10130	39		
90008184	23	B10229.S	39		
900-25-288	23	B10236	39		
900598-12S	56	B7-141-003	59		
905-54-107	61	C10078	39		
905-57-129	23	C10085	39		
930 03 597	23	C10140.2	39		
93201057	23	C10155	39		
934 00 149	23	C10177	39		
934 00 492	23	C10209	39		



Intertek

Equipment from Landoll Corporation is built to exacting standards ensured by ISO 9001 registration at all Landoll manufacturing facilities.

Model 340
Semitrailer
Parts Manual

Re-Order Part Number F-375-0418

LANDOLL CORPORATION

1900 North Street

Marysville, Kansas 66508

(785) 562-5381

800-428-5655 ~ WWW.LANDOLL.COM



Copyright 2010. Landoll Corporation

"All rights reserved, including the right to reproduce this material or portions thereof in any form"