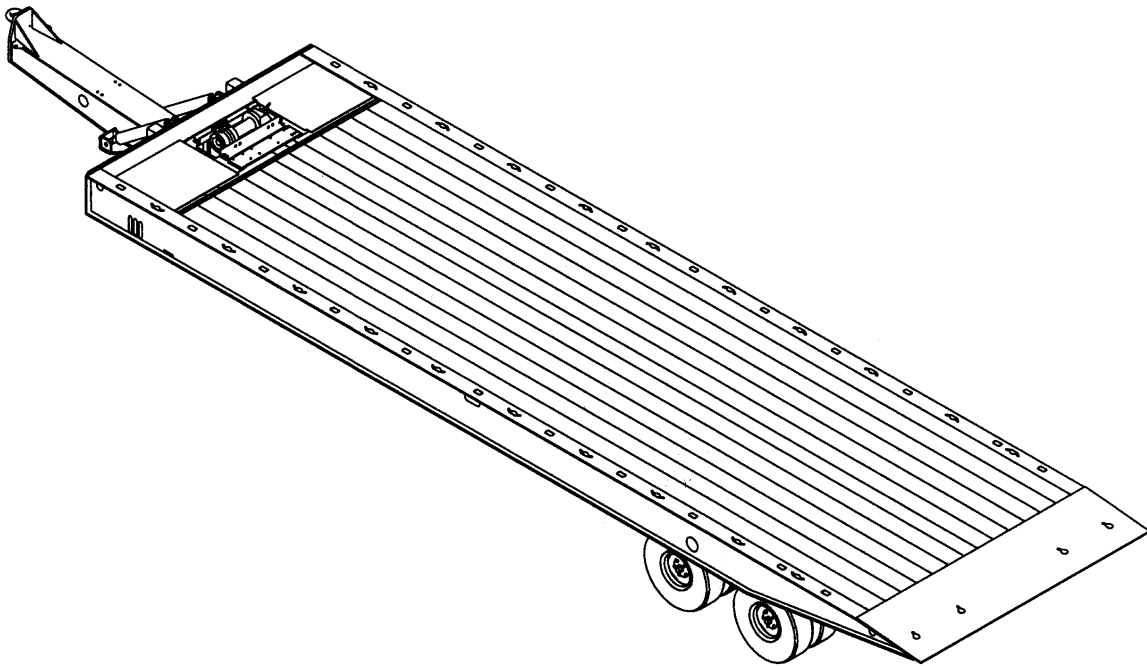




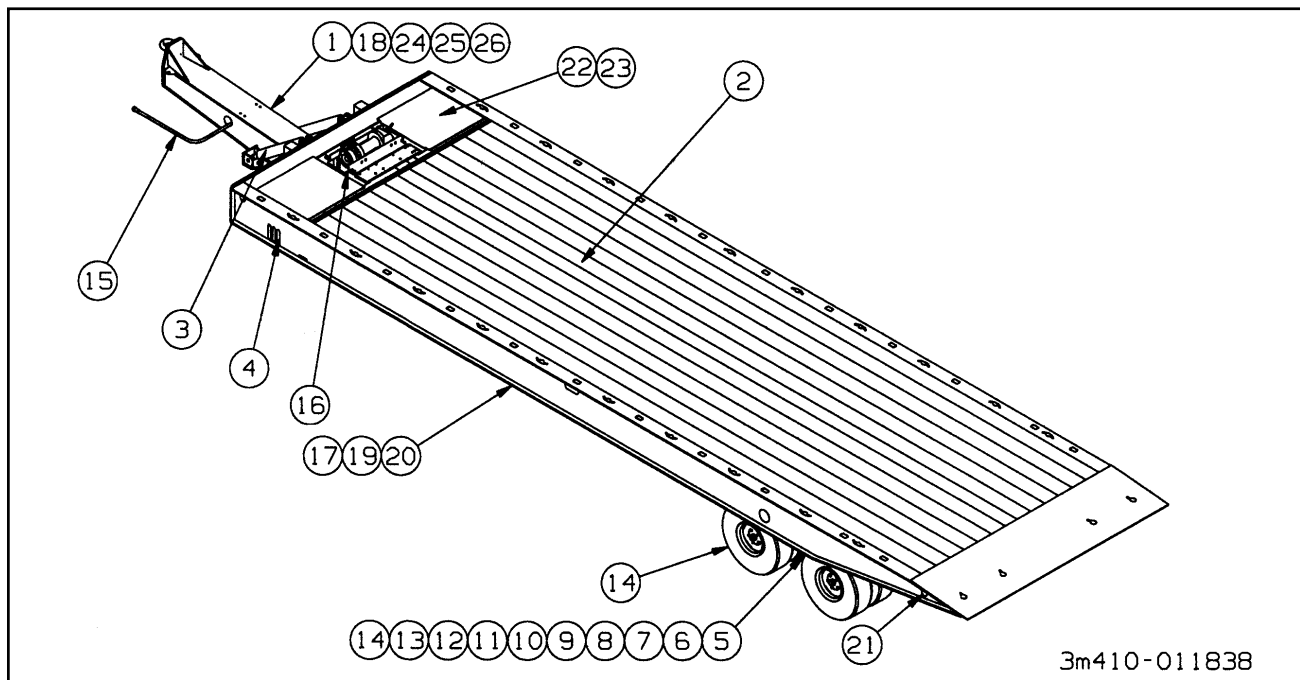
**MODEL 345B TRAILER
PARTS LIST**



**1900 North Street
Marysville, KS 66508
(785)562-5381**

ILLUSTRATED PARTS LIST

1



3m410-011838

Figure 1-1 General Assembly

GENERAL ASSEMBLY

ITEM	PAGE/PART NO.	DESCRIPTION
1	1-2 - 1-3	HITCH ASSEMBLY, PINTLE RIGID
2	1-4	FLOOR, WOOD (APITONG)
3	1-5 - 1-11; 1-56-1-57	HYDRAULIC ASSEMBLIES
4	1-12 - 1-19	ELECTRICAL ASSEMBLIES
5	1-20 - 1-21	UNDERCARRIAGE ASSEMBLY - SPRING RIDE
6	1-22 - 1-23	SUSPENSION ASSEMBLY - SPRING RIDE
7	1-24 - 1-26	UNDERCARRIAGE ASSEMBLY - AIR RIDE
8	1-27	AIR CONTROL KIT
9	1-28 - 1-29	AIR BRAKE SYSTEM
10	1-30 - 1-31	SUSPENSION HANGER ASSEMBLY
11	1-32 - 1-33	AXLE AND BRAKE ASSEMBLY
12	1-34 - 1-39	DOCK LEVELER ASSEMBLIES (OPTION)
13	1-40 - 1-41	BRAKE KIT ASSEMBLY
14	1-42 - 1-45	HUB AND DRUM ASSEMBLIES
15	1-46 - 1-47	AIR SYSTEM
16	1-48 - 1-54	WINCH ASSEMBLIES
17	1-55	ATTACHMENTS
18	1-58	HITCH LOCK INSTALLATION (OPTION)
19	1-59 - 1-61	DECAL INSTALLATION
20	1-62 - 1-63	EXTENSION INSTALLATION (OPTION)
21	1-64 - 1-65	WIRED REMOTE CONTROL (OPTION)
22	1-66 - 1-69	ENGINE DRIVE, 20HP
23	1-70 - 1-77	MISCELLANEOUS ASSEMBLIES (OPTION)
24	3-311-010145	PARKING STAND
25	346SL	LOCK HITCH PIN
26	3-406-010024	HUBODOMETER AND BRACKET (OPTION) (NO PARTS BREAKDOWN)

HITCH ASSEMBLY, PINTLE RIGID

ITEM	PART NO.	DESCRIPTION	QTY.
	3-375-010613-01	HITCH ASSEMBLY, PINTLE RIGID 7'	
	3-375-010613-02	HITCH ASSEMBLY, PINTLE RIGID 5'	
	3-375-010613-03	HITCH ASSEMBLY, PINTLE RIGID 4'	
	3-375-010613-04	HITCH ASSEMBLY, PINTLE INV PLATE 5'	
1	1-654-010032-09	SCREW HEX HEAD CAP 3/4-10X3 GR8	4
2	1-512-010007-12	NUT HEX 3/4-10 GR2	1
3	3-174-010039036	CHAIN 1/2X36 GRD 7	2
4	3-174-010038	CHAIN LINK CONNECTING 1/2	4
5	1385	PINTLE EYE	1
6	1-512-010010-12	NUT HEX 3/4-10 GR8	4
7	3-311-010578	HINGE TUBE	1
8	3-375-010147	HITCH ASSEMBLY 7FT	1
	3-375-010152	4 FT HITCH ASSEMBLY	1
	3-375-010140	5 FT HITCH ASSEMBLY	1
	3-375-010621	HITCH WELDMENT 5' INVERT FRONT PLATE	1
9	3-382-010019	HOOK, EYE W/ LATCH ASSEMBLY	2
10	1-654-010061-07	SCREW, HEX HEAD CAP 3/4-10X2-1/2 GR5	1
11	1-861-010034-17	WASHER, SPLIT LOCK 3/4	5

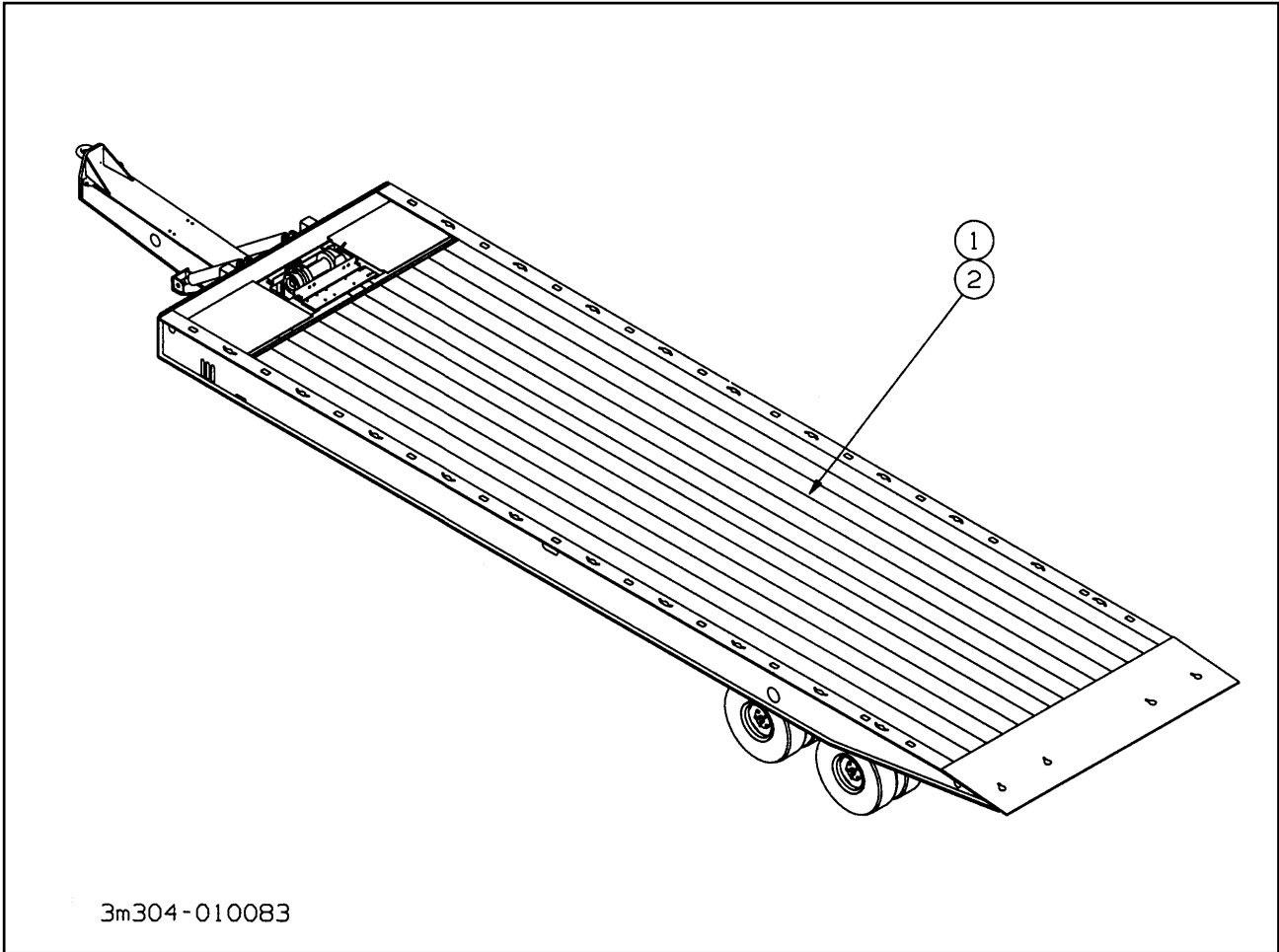


Figure 1-3 Floor, Wood (Apitong)

FLOOR, WOOD (APITONG)

ITEM	PART NO.	DESCRIPTION	QTY.	
			-01	-02
	3-304-010083-01	FLOOR WOOD APITONG - 96	*	
	3-304-010083-02	FLOOR WOOD APITONG - 102		*
1	RWD39000	APITONG 1-3/8 X 7.08	362	392
2	3-654-010129-1	SCREW TORQUE 5/16 X 3	314	340

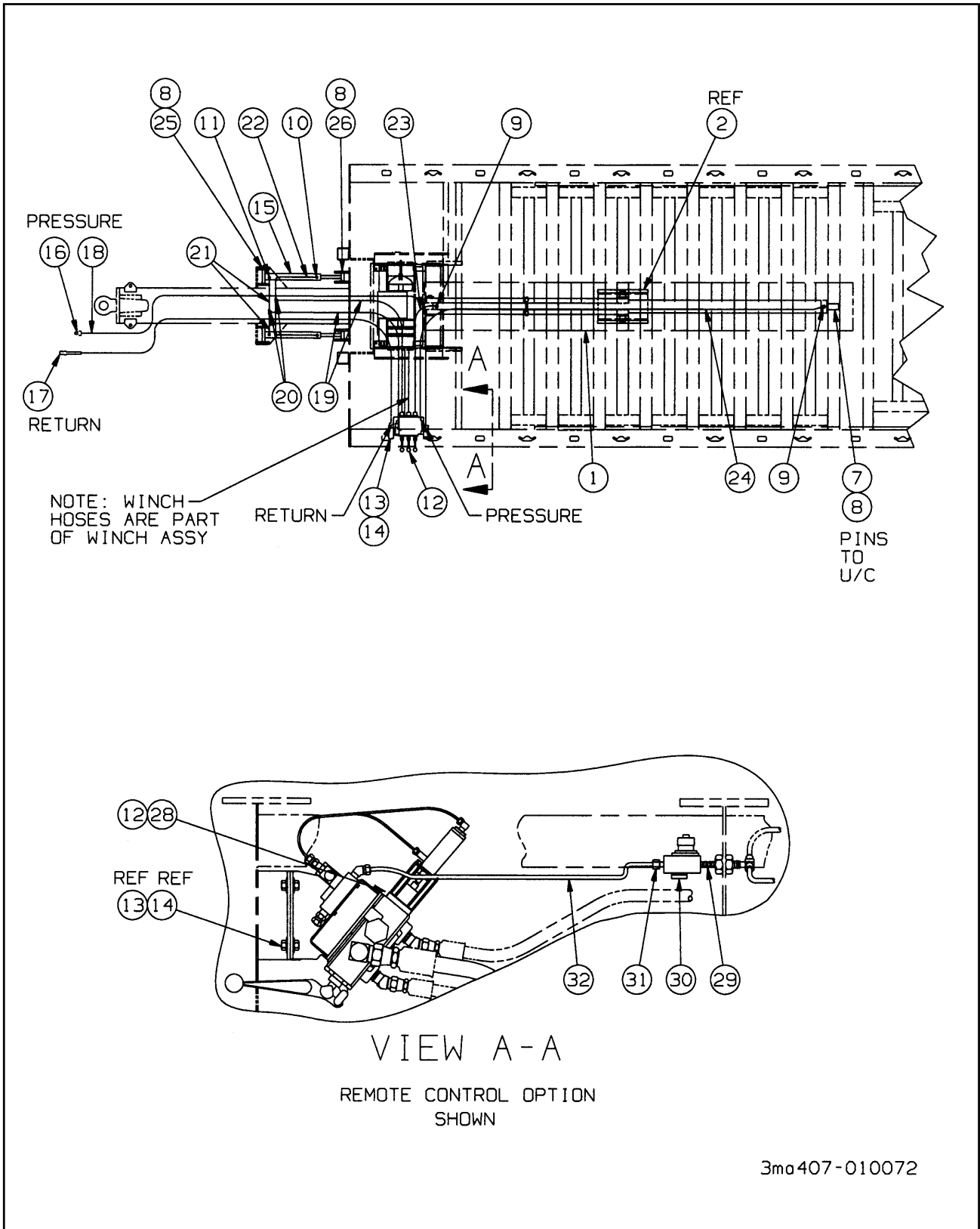


Figure 1-4 Hydraulic Assembly

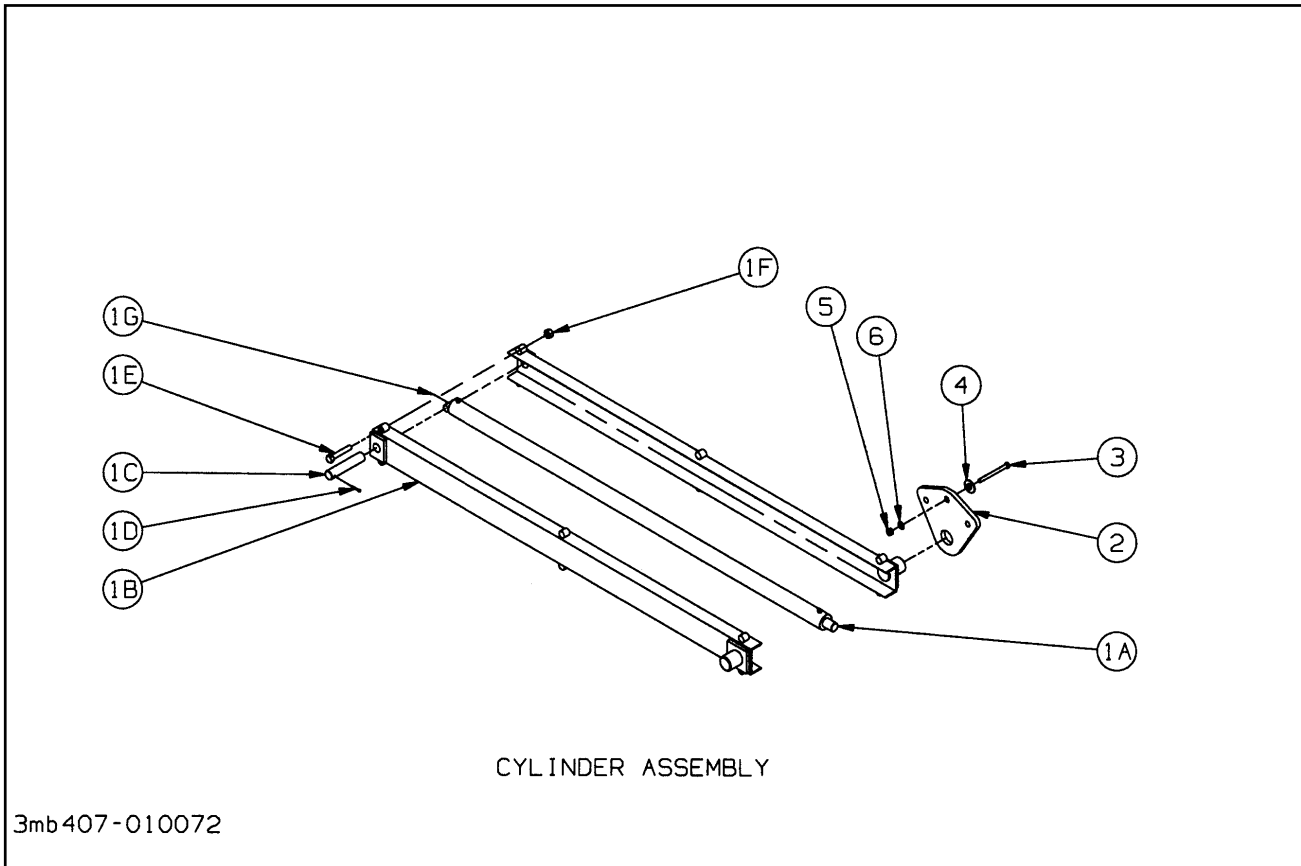


Figure 1-5 Hydraulic Assembly

HYDRAULIC ASSEMBLY

ITEM	PART NO.	DESCRIPTION	QTY.
	3-407-010072-01	HYDRAULIC ASSEMBLY STANDARD (4' OR 5')	
	3-407-010072-02	HYDRAULIC ASSEMBLY REMOTE WINCH (4' OR 5')	
	3-407-010072-03	HYDRAULIC ASSEMBLY REMOTE TRI (4' OR 5')	
	3-407-010072-04	HYDRAULIC ASSEMBLY REMOTE WINCH/TILT (4' OR 5')	
	104089	HYDRAULIC ASSEMBLY STANDARD (7')	
	104090	HYDRAULIC ASSEMBLY REMOTE WINCH (7')	
	104091	HYDRAULIC ASSEMBLY REMOTE TRI (7')	
	104092	HYDRAULIC ASSEMBLY REMOTE WINCH/TILT (7')	
1	3-242-010153	CYL ASSY STD LOAD ANGLE	1
1A	3-242-010102	CYL HYD 4X126 O-RING (SEE PAGE 1-56)	1
1B	3-120-010073	BRACKET ASSY CYL TRUNNION	2
1C	3-557-010033	PIN CYL BUTT END	1
1D	1-557-010362-54	PIN COTTER 3/16X2-1/4	1
1E	1-654-010055-17	SCREW HEX HEAD CAP 1/2-13X6 GR5	6
1F	1-512-010005-09	NUT HEX LOCK 1/2-13 GRB	6
1G	1-298-010001-1	FITTING GREASE 1/4-28	1
2	3-125-010241	BRACKET CYLINDER MOUNT	2
3	1-654-010061-06	SCREW HEX HEAD CAP 3/4-10X2-1/4 GR5	6
4	3-861-010038	WASHER STEP	6
5	1-512-010005-15	NUT HEX LOCK 3/4-10 GRB	6
6	1-861-010032-21	WASHER FLAT 3/4	6

HYDRAULIC ASSEMBLY

ITEM	PART NO.	DESCRIPTION	QTY.
7	3-557-010120	PIN UNDERCARRIAGE CYLINDER	1
8	1-557-010362-54	PIN COTTER 3/16X2-1/4	6
9	2062-8-8S	ADAPTER 90°	2
10	2024-8-8S	ADAPTER 90° FLARE 37°	2
11	2023-8-8S	ADAPTER 45°	2
12	3-846-010163-01	VALVE ASSY 3 SPL XT STD (SEE PAGE 1-9)	1
	3-846-010163-05	VALVE ASSY 3 SPL XT REM 2ND SPOOL (SEE PAGE 1-9)	1
	3-846-010163-10	VALVE ASSY 3 SPL XT REM 3 SPOOLS (SEE PAGE 1-9)	1
	3-846-010163-07	VALVE ASSY 3 SPL XT REM 1ST/2ND SPL(SEE PG 1-9)	1
13	1-510-010001	NUT FLANGE LOCK 3/8-16	4
14	1-654-010051-07	SCREW HEX HEAD CAP 3/8-16X1-1/2	4
15	PMC5624	CYLINDER 4X24 (SEE PAGE 1-57)	2
	104088	CYLINDER 4X20-1/4 (SEE PAGE 1-57)	**2
	104087	STOP, CYL 4" BORE	2
16	S21F-6	COUPLER MALE HALF 3/4	1
17	S25F-6	COUPLER FEMALE HALF 3/4	1
18	100604	HOSE ASSEMBLY 1/2X198	2
19	1-397-010301108	HOSE ASSEMBLY 1/2X108	2
20	3-299-010016	TEE 37 FLARE	2
21	1-397-010301025	HOSE ASSEMBLY 1/2X25	2
22	1-397-010301048	HOSE ASSEMBLY 1/2X48	2
23	1-397-010301054	HOSE ASSEMBLY 1/2X54	1
24	1-397-010301184	HOSE ASSEMBLY 1/2X184	1
25	3-557-010033	PIN CYLINDER BUTT END A	2
26	3-557-010032	PIN CYLINDER ROD END A	2
27	1-796-010003-02	TIE STRAP PLASTIC	25
29	1-297-010019-05	FITTING BRASS PIPE	1*
30	905-54-107	VALVE AND FILTER PRESSURE (NO PARTS BREAKDOWN)	1*
31	1-297-010007-05	FITTING AIR	1*
32	1-833-010001	NYLON TUBING	3*

* NOTE: THESE ITEMS ARE USED ON P/N'S 3-407-010072-02, 3-407-010072-03, AND 3-407-010072-04 ONLY.

** NOTE: THIS ITEM USED ON TRAILERS WITH A 7' HITCH.

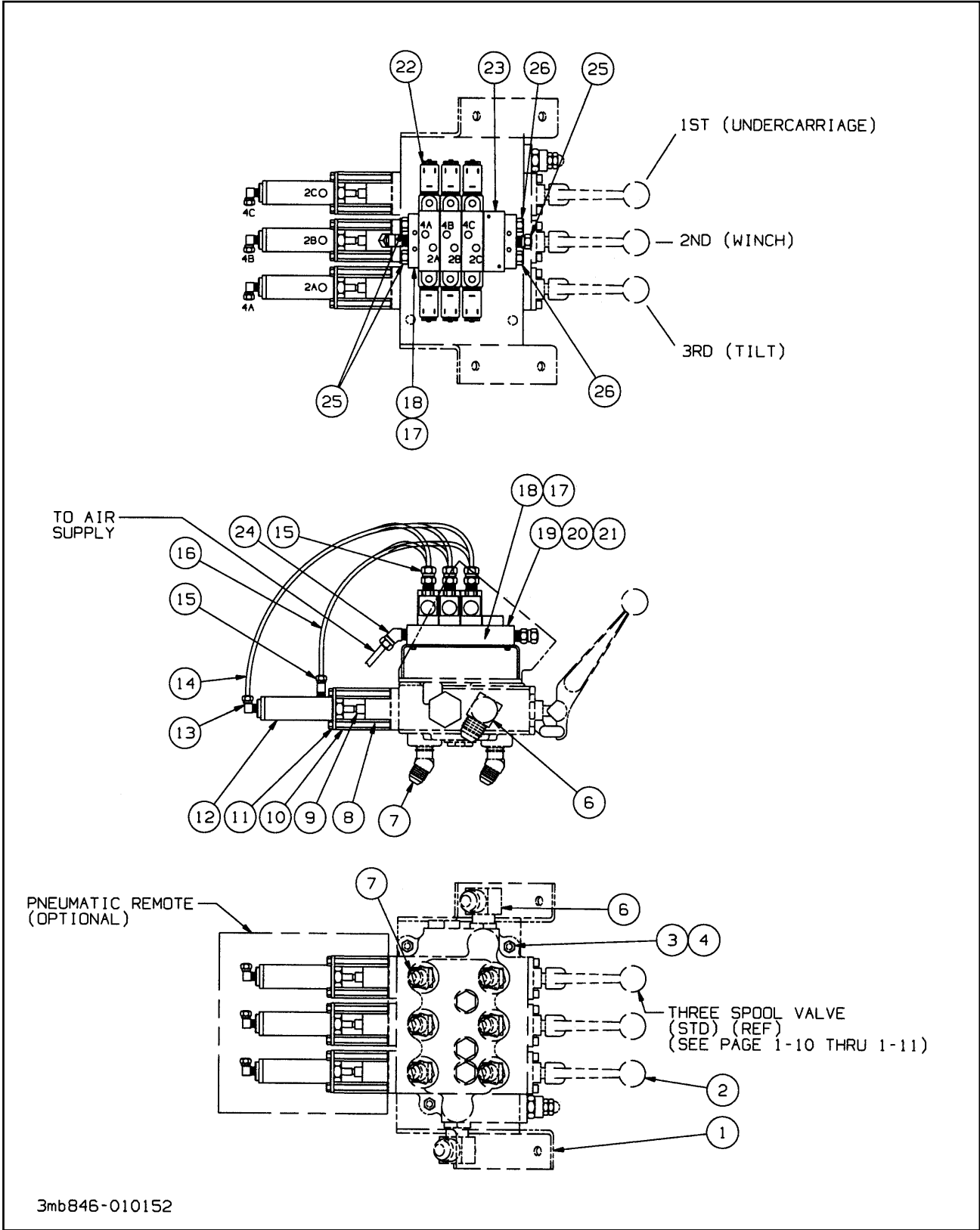


Figure 1-6 Valve Assembly - 3 Spool

VALVE ASSEMBLY - 3 SPOOL

ITEM	PAGE/PART NO.	DESCRIPTION	QTY.
	3-846-010163-01	VALVE ASSEMBLY - 3 SPOOL XT, STD(ITEMS 1-7 ONLY)	
	3-846-010163-05	VALVE ASSEMBLY - 3 SPOOL XT REMOTE 2ND SPOOL	
	3-846-010163-10	VALVE ASSEMBLY - 3 SPOOL XT REMOTE 3 SPOOL	
	3-846-010163-07	VALVE ASSY 3 SPL XT REM 1ST/2ND SPL	1
1	3-482-010575	MOUNT WELDMENT VALVE	1
2	3-846-010008	VALVE 3-SPOOL, 2500 PSI (SEE PAGE 1-11)	1
3	1-654-010051-09	SCREW, HEX HEAD CAP 3/8-16	3
4	1-510-010001	NUT FLANGE LOCK 3/8-16	3
6	2062-12-12S	ADAPTER 90	2
7	2061-8-8S	ADAPTER 45	6
8	3-161-010034	CAP MODIFIED VALVE SPOOL	*1,2,3
9	3-007-010039	ADAPTER, AIR CYLINDER	*1,2,3
10	3-711-010055	SPACER, MALE - FEMALE	*4,8,12
11	3-482-010288	MOUNT, AIR CYLINDER, VALVE	*1,2,3
12	3-238-010001	CYLINDER, AIR (NO PARTS BREAKDOWN)	*1,2,3
13	1-297-010008-01	FITTING, AIR 90	*1,2,3
14	NB-2-016	TUBING, NYLON FLEX	*1,2,3
15	68CA-2-2	CONNECTOR	*3,6,9
16	NB-2-016	TUBING, NYLON FLEX	*1,2,3
17	3-843-010025	VALVE, PNEUMATIC MANIFOLD - 2 STATION(NO PARTS)	*1,1,0
18	3-843-010023	VALVE, PNEUMATIC MANIFOLD - 4 STATION(NO PARTS)	*0,0,1
19	1-654-010024014	SCREW MACHINE FILLISTER #6-32 X 1-1/2	4
20	1-861-010032-01	WASHER FLAT #6	4
21	1-512-010003-02	NUT, HEX LOCK #6-32	4
22	3-843-010015	VALVE, PNEU 4-WAY, 3-POS(NO PARTS BREAKDOWN)	*1,2,3
23	3-843-010024	VALVE , BLANK STATION COVER(NO PARTS BREAKDOWN)	*1,0,1
24	1-297-010013-05	FITTING, AIR 45	1
25	1-297-010033-02	FITTING PLUG HEX PIPE 1/4	3
26	3-136-010001-02	BREATHER, PNEUMATIC EXHAUST	2

*NOTE: FIRST QUANTITY LISTED IS FOR PART NUMBER 3-846-010163-05, SECOND QUANTITY LISTED IS FOR PART NUMBER 3-846-010163-07, AND THIRD QUANTITY LISTED IS FOR PART NUMBER 3-846-010163-10.

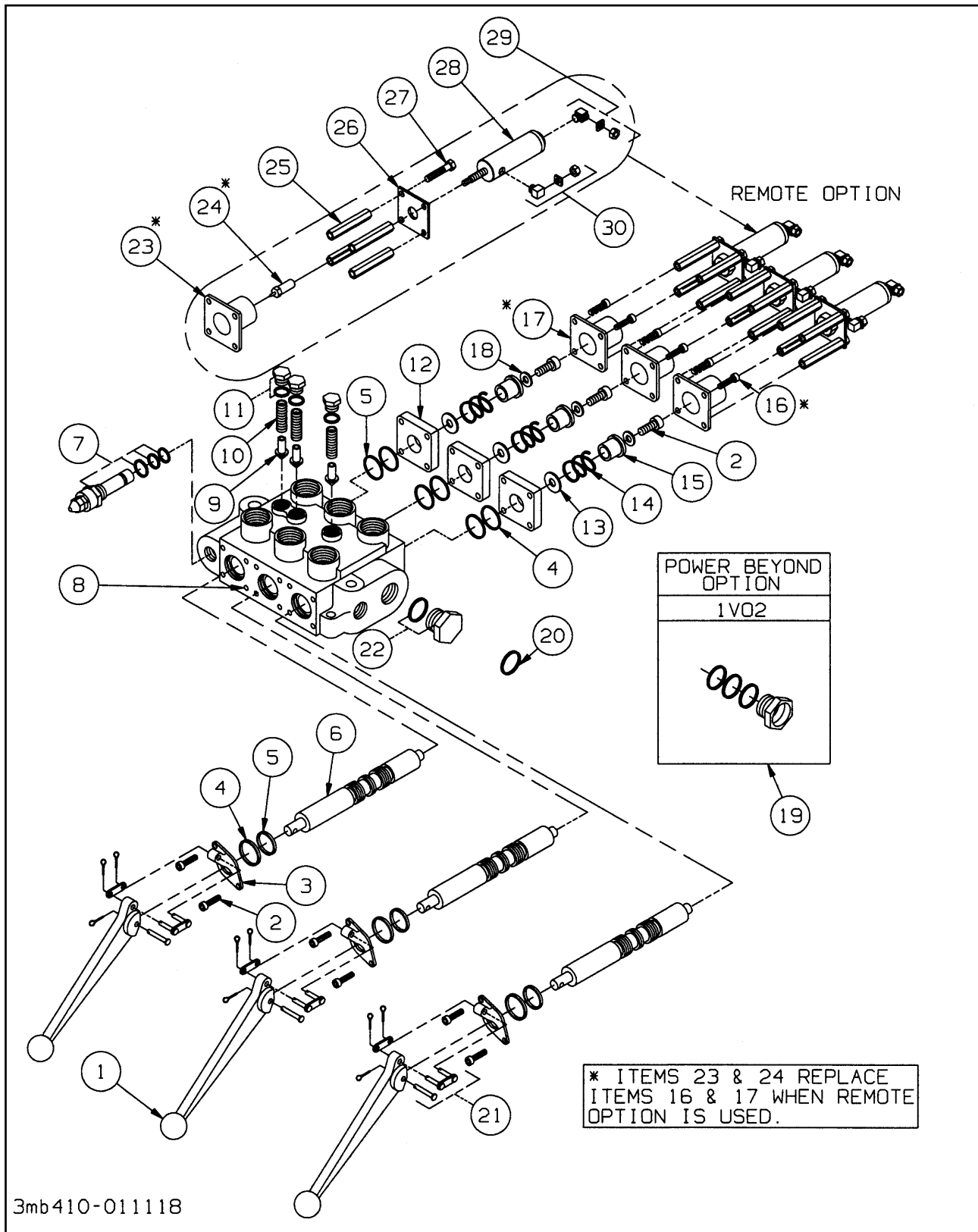


Figure 1-7 Three Spool Valve

VALVE, THREE SPOOL

ITEM	PAGE/PART NO.	DESCRIPTION	QTY.
	3-846-010008	VALVE ASSEMBLY, COMPLETE THREE SPOOL	
1	1V1703	VALVE HANDLE	3
2	2A0079-404	CAP SCREW (TIGHTEN TO 7-11 FT. - LBS.)	9
3	4Z4306	BRACKET, HANDLE	3
4	1A0711	WASHER, O-RING SPOOL	6
5	2A0283-7214	SEAL, SPOOL	6
6	1V0090	*SPOOL, 4-WAY	3
7	1R0017	RELIEF ASSEMBLY (1500-3000 PSI)(PRESET @ 2500 PSI)	1
8	1V0360	HOUSING, VALVE	1
9	1V0081	POPPET, LOAD CHECK	3
10	1A0757	SPRING, LOAD CHECK	3
11	1V1725	PLUG, LOAD CHECK	3
12	1A0709	SPACER, END	3
13	1A0291	WASHER, STOP	3
14	1A0744	SPRING, CENTERING	3
15	1A0292	COLLAR, STOP	3
16**	2A0079-406	CAP SCREW (TIGHTEN TO 7-11 FT.-LBS.)	12
17**	1A0294	CAP, END	3
18	1A0290	WASHER, CENTERING SPRING	3
19	1V0208	ADAPTER ASSEMBLY, REMOTE POWER BEYOND (CONTAINS ALL NECESSARY O-RINGS)	1
20	2A0283-7214	GROMMET, RUBBER (BOTTOM OUTLET)	1
21	1V1701	PIN KIT	3
22	2A0354-121	PLUG, CONVERSION	1
23**	3-161-010034	CAP, MODIFIED, VALVE SPOOL	1
24**	1-007-010029	ADAPTER, SWIVEL	1
25	3-711-010055	SPACER	4
26	3-482-010288	MOUNT, AIR CYLINDER VALVE	1
27	1-654-010047-02	SCREW, HEX CAP	4
28	3-238-010001	CYLINDER, AIR	1
29	1-297-010008-01	FITTING, AIR 90	1
30	68CA-2-2	CONNECTOR	1

* SOLD AS MATCHED SET ONLY.

**ITEMS 23 AND 24 REPLACE ITEMS 16 AND 17 WHEN REMOTE OPTION IS USED.

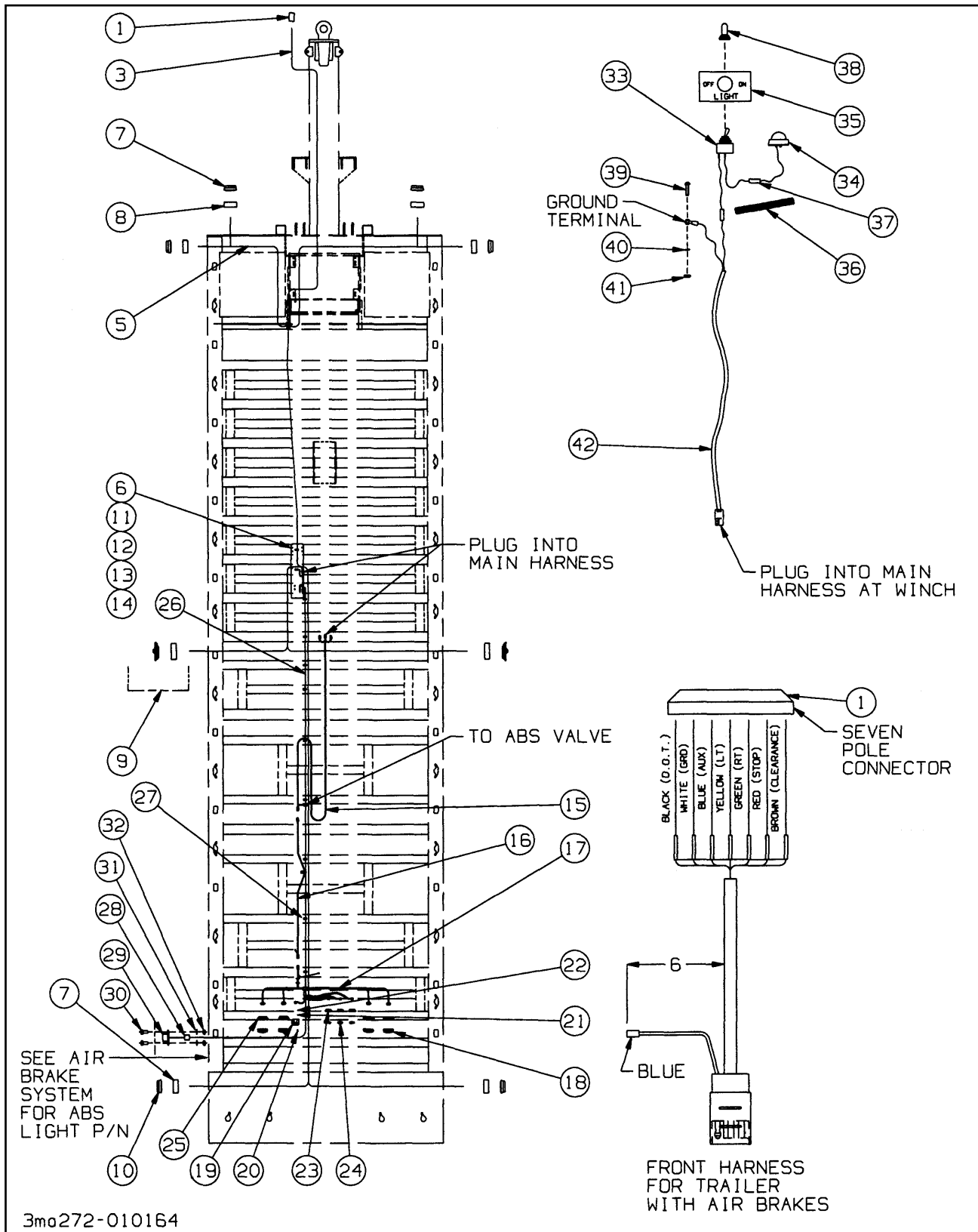


Figure 1-8 Electrical Assembly

ELECTRICAL ASSEMBLY

ITEM	PART NO.	DESCRIPTION	QTY
	104037	ELECTRICAL ASSEMBLY 7 POLE (ITEMS 1-14)	
	104152	U/C ASSY , SPRING, 96 W/O DOCK LEVEL (ITEMS 15-25)	
	104153	U/C ASSY , SPRING, 96 W/ DOCK LEVEL (ITEMS 15-25)	
	104083	U/C ASSY , SPRING, 102 W/O DOCK LEVEL (ITEMS 15-25)	
	104084	U/C ASSY , SPRING, 102 W/ DOCK LEVEL (ITEMS 15-25)	
	104179	U/C ASSY , A/R, 96 W/O DOCK LEVEL (ITEMS 15-25)	
	104180	U/C ASSY , A/R, 96 W/ DOCK LEVEL (ITEMS 15-25)	
	104181	U/C ASSY , A/R, 102 W/O DOCK LEVEL (ITEMS 15-25)	
	104182	U/C ASSY , A/R, 102 W/ DOCK LEVEL (ITEMS 15-25)	
	3-272-010169	ELECTRICAL 7-PIN REAR OPTION (ITEMS 26-32)	
	3-272-010170	ELECTRICAL COURTESY LIGHT OPTION (ITEMS 33-42)	
1	59P8	RECEPTACLE 7 PIN WITH GUARD	1
3	104035	HARNESS ASSEMBLY FRONT MAIN - 7 POLE ABS	1
5	104036	HARNESS ASSEMBLY CENTER MAIN ABS	1
6	3-181-010034-1	CLAMP CONDUIT STEEL 1/2	2
7	10403	GROMMET MOUNT	6
8	10205Y	REFLECTOR LAMP YELLOW	4
9	60015Y	LIGHT TURN AND CLEARANCE	2
10	10205R	REFLECTOR LAMP RED	2
11	1-656-010003051	SCREW ROUND HEAD MACHINE 10-24X3/4	2
12	1-861-010032-03	WASHER FLAT #10	2
13	1-861-010034-07	WASHER SPLIT LOCK #10	2
14	1-512-010007-03	NUT HEX #10-24	2
15	102836	HARNESS ASSEMBLY E-CHAIN ABS	1
16	102728	HARNESS ASSEMBLY, U/C MAIN	1
17	3-368-010175	HARNESS WIRE UNDERCARRIAGE REAR	1
18	104159	LAMP RED STOP/TURN/TAIL RECTANGLE (96")	4
	40002R	LIGHT 4" STOP TURN TAIL (102")	4
19	15009	LICENSE LAMP	1
20	1-656-010003051	SCREW ROUND HEAD MACHINE #10-24X3/4	2
21	1-861-010034-07	WASHER SPLIT LOCK #10	2
22	1-512-010007-03	NUT HEX #10-24	2
23	10404	GROMMET MOUNT 3IN	3
24	10205R	REFLECTOR LAMP RED	3
25	*104160	GROMMET RECT LAMP (96")	4
26	3-368-010289	HARNESS REAR ACC 7-PIN	1
27	3-181-010034-1	CLAMP CONDUIT STEEL 1/2	13
28	59W-2-3	RUBBER BOOT	1
29	59S-7	RECEPTACLE, 7 PIN	1
30	1-654-010049-06	SCREW, HEX HEAD CAP 5/16-18 X 1-1/4 GR5	2
31	1-861-010034-01	WASHER, SPLIT LOCK 5/16	2
32	1-512-010007-06	NUT, HEX 5/16-18	2
33	3-272-010017	TOGGLE SWITCH SEALED SPST	1
34	26331	LIGHT COURTESY	1
35	3-573-010437	DECAL LIGHT VALVE SUPPORT	1
36	3-201-010001	CONDUIT 5/16 PLASTIC FLEX	1'
37	3-272-010021	ELECT BUTT SPLICE 16-14 W/ SEAL	2
38	81264	RUBBER BOOT FOR ELECT SWITCH	1
39	1-656-010003051	SCREW, RD HEAD SQ NECK #10-24 X 3/4	1
40	1-861-010034-07	WASHER, SPLIT LOCK #10	1
41	1-512-010007-03	NUT, HEX #10-24	1
42	3-368-010290	HARNESS, COURTESY LIGHT	1

* GROMMET COMES WITH LIGHT ON 102" WIDE TRAILER.

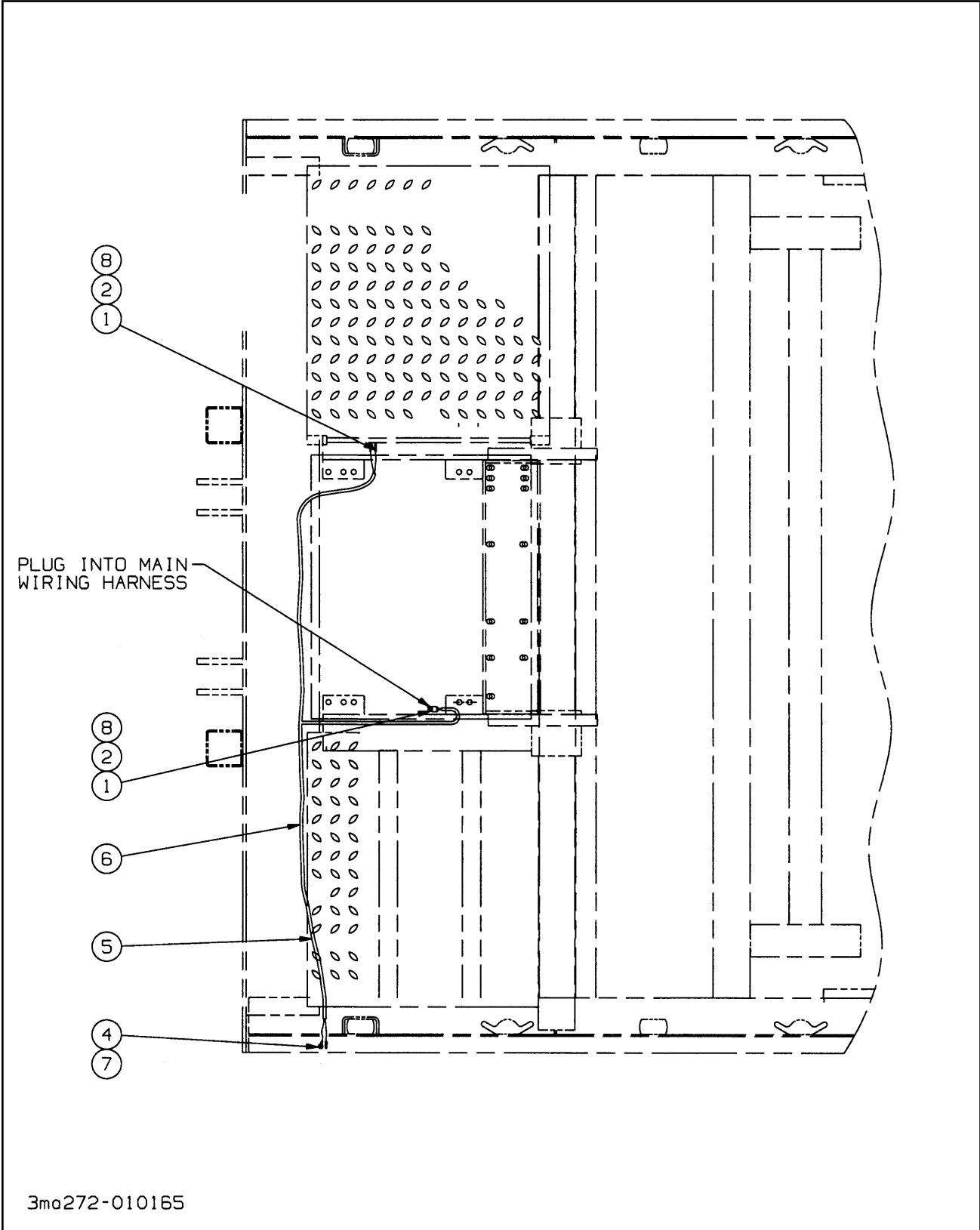
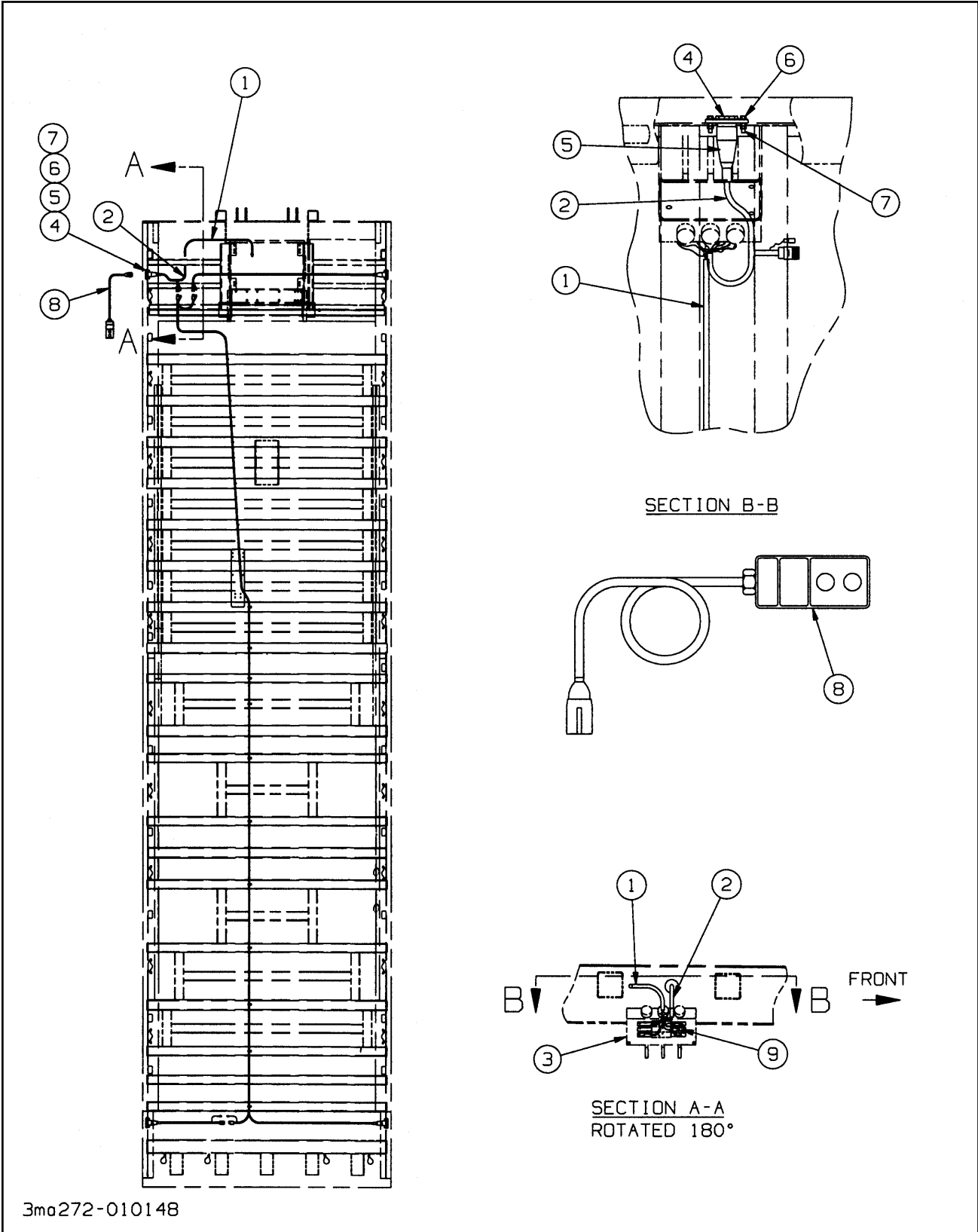


Figure 1-9 Winch Light Assembly (Option)

WINCH LIGHT ASSEMBLY (OPTION)

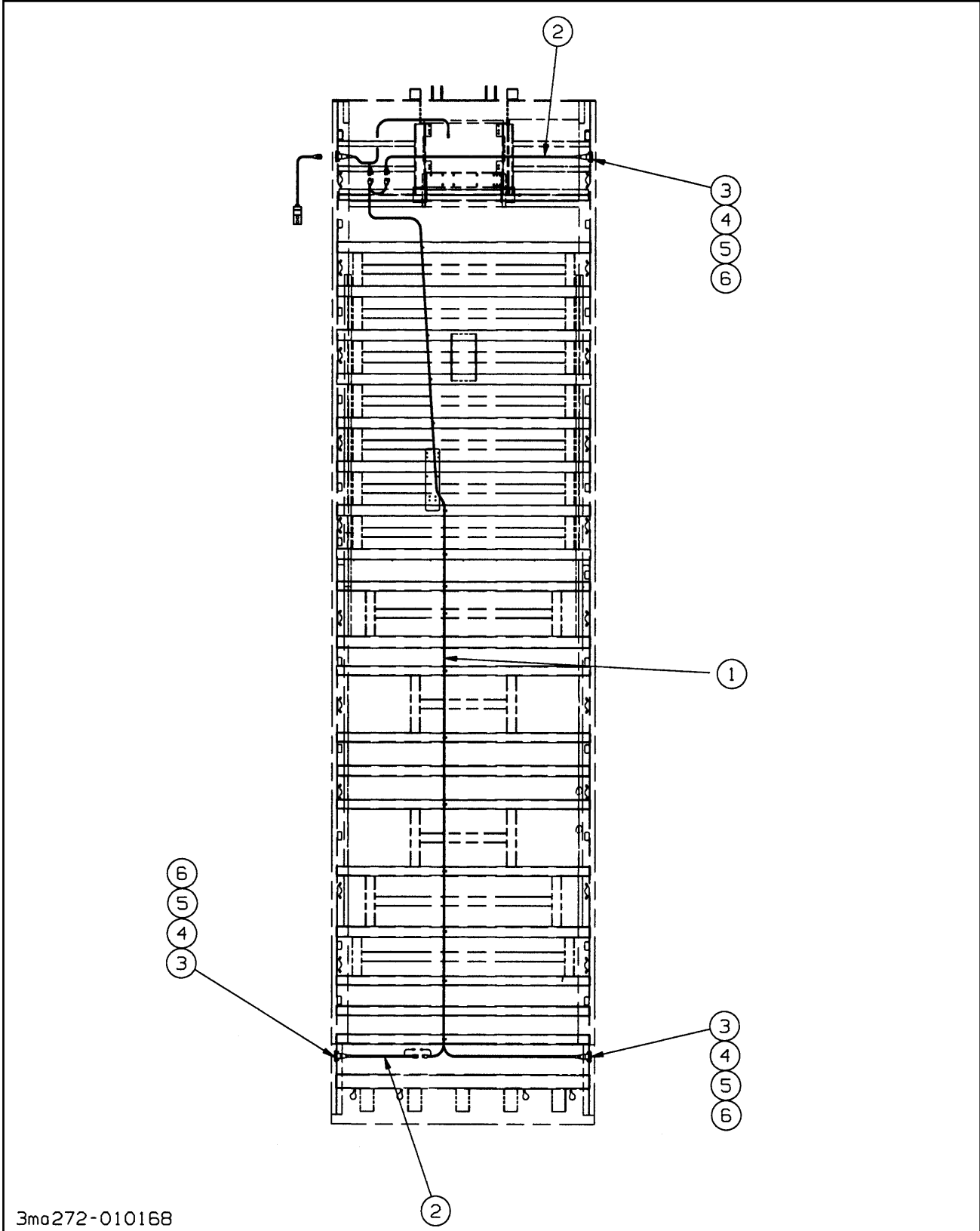
ITEM	PART NO.	DESCRIPTION	QTY.
	3-272-010165-01	LIGHT, WINCH SINGLE	
	3-272-010165-02	LIGHT, WINCH DUAL	
1	1-512-010005-05	NUT HEX LOCK GRB 3/8-16	*1, 2
2	1-654-010051-05	SCREW HEX HEAD CAP 3/8-16X1 GR5	*1, 2
3	1-796-010003-02	TIE STRAP PLASTIC 18X14.19 (NOT SHOWN)	6
4	3-272-010017	TOGGLE SWITCH SEALED	1
5	3-272-010021	ELECTRICAL BUTT SPLICE 16-14	2
6	3-368-010282	HARNESS ASSEMBLY WINCH LIGHT	1
7	3-573-010273	DECAL WINCH LIGHT	1
8	64181	RECTANGULAR QUARTZ HALOGEN LAMP	*1, 2

*NOTE: 1ST QUANTITY LISTED IS FOR P/N 3-272-010165-01, 2ND QUANTITY LISTED IS FOR P/N 3-272-010165-02.



ELECTRICAL INSTALLATION - REMOTE CONTROL (OPTION)

ITEM	PART NO.	DESCRIPTION	QTY.
	3-272-010148-01	ELECTRICAL INSTALLATION, SINGLE REMOTE WINCH	
	3-272-010148-03	ELECT. INST., DUAL REMOTE, WINCH/TILT	
	3-272-010148-06	ELECT. INST., TRIPLE REMOTE, WINCH/TILT/U/C	
1	3-368-010245-01	HARNESS POWER JUMPER	1
2	3-368-010246	HARNESS FRONT REMOTE	1
3		VALVE ASSY 3 SPL XT REM 2ND SPOOL (SEE PAGE 1-9)	REF
		VALVE ASSY 3 SPL XT REM 3 SPOOLS (SEE PAGE 1-9)	REF
		VALVE ASSY 3 SPL XT REM 1ST/2ND SPL(SEE PAGE 1-9)	REF
4	3-272-010125	RECEPTACLE 7 PIN	1
5	59W-2-3	RUBBER BOOT	1
6	1-654-010049-06	SCREW HEX HEAD 5/16-18 X 1-1/4 GR5	2
7	1-512-010005-03	NUT HEX LOCK 5/16-18 GRB	2
8	3-765-010001	SWITCH REMOTE CONTROL ASSY (SEE PAGE 1-65)	1
	3-209-010004-01	CONTROL ELECT DUAL FUNC RMT (SEE PAGE 1-65)	1
	3-209-010006-01	CONTROL REMOTE WINCH/TILT/U/C (SEE PAGE 1-65)	1
9	1-660-010006	SEALANT ELECTRICAL DOW CORNING	AR



3ma272-010168

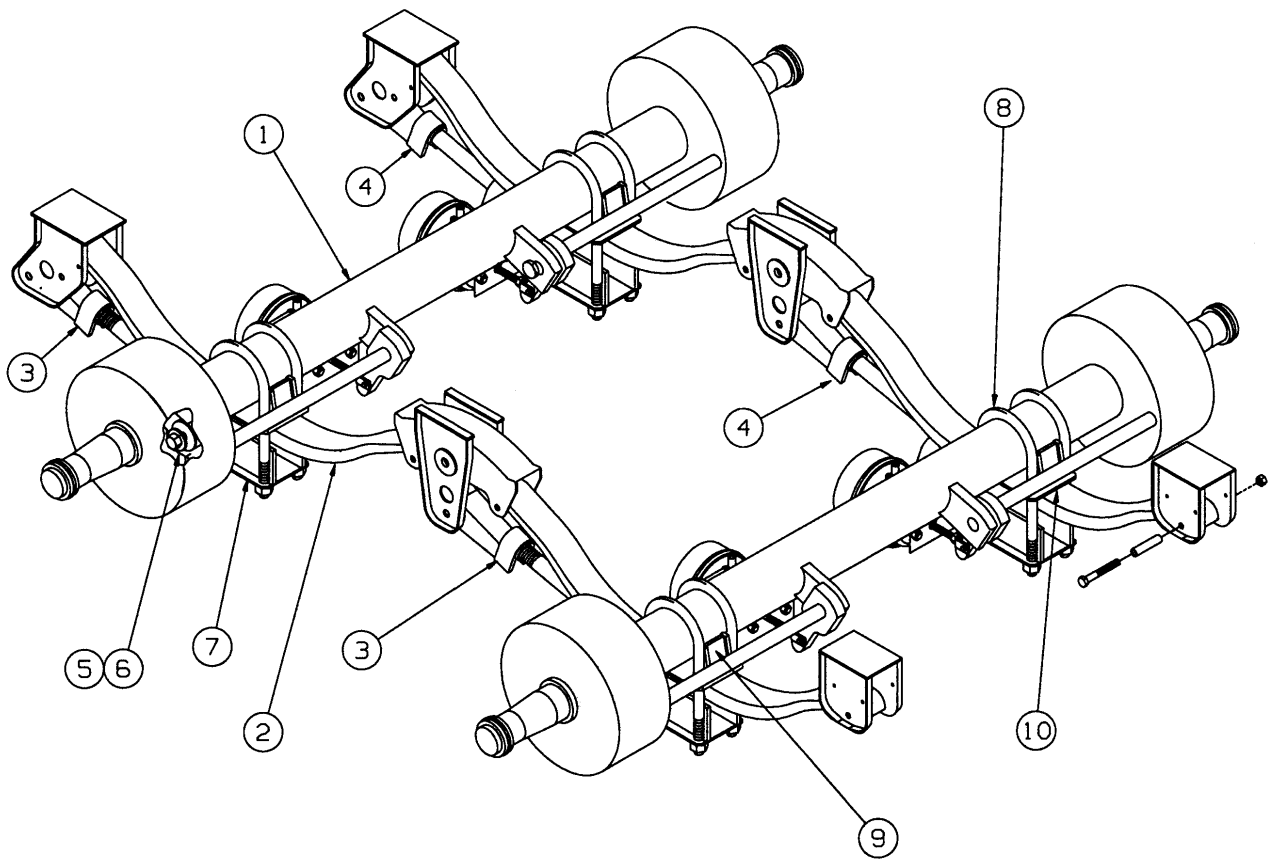
Figure 1-11 Electrical Remote - Accessory Location
(Option)

ELECTRICAL REMOTE - ACCESSORY LOCATION (OPTION)

ITEM	PART NO.	DESCRIPTION	QTY.			
	3-272-010168-01	ELECTRICAL REMOTE ACC REAR LH OR RH	*			
	3-272-010168-02	ELECTRICAL REMOTE ACC FRONT RH	*			
	3-272-010168-03	ELECTRICAL REMOTE ACC REAR LH AND RH	*			
	3-272-010168-04	ELECTRICAL REMOTE ACC	*			
1	3-368-010284	HARNESS REMOTE REAR	1	-	1	1
2	3-368-010283	HARNESS REMOTE SIDE	-	1	1	2
3	1-512-010005-03	NUT HEX LOCK 5/16-18 GRB	2	2	4	6
4	3-272-010125	RECEPTACLE 7 PIN	1	1	2	3
5	59W-2-3	RUBBER BOOT	1	1	2	3
6	1-654-010049-06	SCREW HEX HEAD CAP 5/16-18 X 1-1/4 GR5	2	2	4	6

UNDERCARRIAGE ASSY - SPRING RIDE

ITEM	PART NO.	DESCRIPTION	QTY.
	104152	U/C ASSEMBLY SPRING 96" W/O BRACKET	
	104153	U/C ASSEMBLY SPRING 96" W/ BRACKET	
	104083	U/C ASSEMBLY SPRING 102" W/O BRACKET	
	104084	U/C ASSEMBLY SPRING 102" W/ BRACKET	
1	3-076-010006	CAM FOLLOWER 1-1/2 DIA	REF
2	RRT159X0.5	TUBE ROUND 1X11/16 X 1/2	REF
3	5/8-18 HFN	NUT HEX	REF
4	104034	NUT HEX 2-12 GRB	4
5	3-076-010005	BEARING 4IN CAMFOLLOWER	4
6	104063	UNDERCARRIAGE W/O BRACKET - 102	1
	104139	UNDERCARRIAGE W/O BRACKET - 96	1
	104064	UNDERCARRIAGE W/ BRACKET - 102	1
	104141	UNDERCARRIAGE W/ BRACKET - 96	1
8	3-762-010017	CLAMP MUD FLAP	2
9	3-485-010001	FLAP MUD 21IN	2
10	1-510-010001	NUT FLANGE LOCK 3/8-16	10
11	101143	MOUNT BUMPER E/P	2
12	104157	BUMPER WELDMENT, E/P 96	1
	101712	BUMPER WELDMENT, E/P 102	1
13	102283	BAR BUMPER E/P TAPPED	2
14	101852	DIAGNOSTIC CABLE W/ SWITCH	1
15	0001-08	BOLT 7/8-14X5-1/4	4
16	0002-12	NUT LOCK U-BOLT 7/8-14	4
17	3-762-010691-1	SUSPENSION ASSEMBLY 70.5-39-1/2 (102")(SEE PAGE 1-23)	2
	3-762-010563-3	SUSPENSION ASSEMBLY 64.5 (96")(SEE PAGE 1-23)	2
18	0001-04	RETAINER 5/8-18X4-1/2 HEX HEAD	4
19	0002-07	LOCKNUT HEX CENTER 5/8-18	6
20	0741-01	SPRING ROLLER EQUALIZER TRANS	6
21	0001-02	CAPSCREW HEX HEAD 5/8-18X5-1/8	2
22	#242 LOCKTITE	LOCTITE 242 BLUE REMOVABLE	AR
23	5029	ZERK FITTING	4
24	622-3511-008	WASHER 3/4 MIL-CARB FL SA&A	14
25	1-654-010032-4	SCREW HEX HEAD CAP 3/4-10X1-3/4 GR8	12
26	1-512-010002-15	NUT, HEX LOCK 3/4-10 GRC	4
28	3-780-010002	TANK AIR	2
29	805-2	BUSHINGS STEP	16
30	1-654-010051-08	SCREW HEX HEAD CAP 3/8-16X1-3/4 GR5	8
31	1-861-010032-11	WASHER FLAT 3/8	16
32	3-821-010005	TRAY CAT-TRACK	1
33	3-755-010189-03	SUPPORT E-CHAIN	1
	3-755-010189-1	LINK	1
	380-1	END MOUNTING BRACKET WITH HOLE	2
	380-2	END MOUNTING BRACKET WITH PIN	2
34	1-654-010158-1	SCREW, RD HEAD SQ NECK 1/4-20 X 3/4 GR5	8
35	1-861-010032-07	WASHER FLAT 1/4	8
36	1-512-010007-05	NUT HEX 1/4-20 GRB	8
37	1-861-010034-09	WASHER SPLIT LOCK 1/4	8
38	1-654-010047-06	SCREW, HEX HEAD CAP 1/4-20 X 1 GR5	2
39	2-181-010001	CLAMP	3
40	104086	BRAKE, ABS TANDEM AXLE (NOT SHOWN)(SEE PAGE 1-29)	1
41	1-512-010005-05	NUT, HEX LOCK 3/8-16 GRB	8



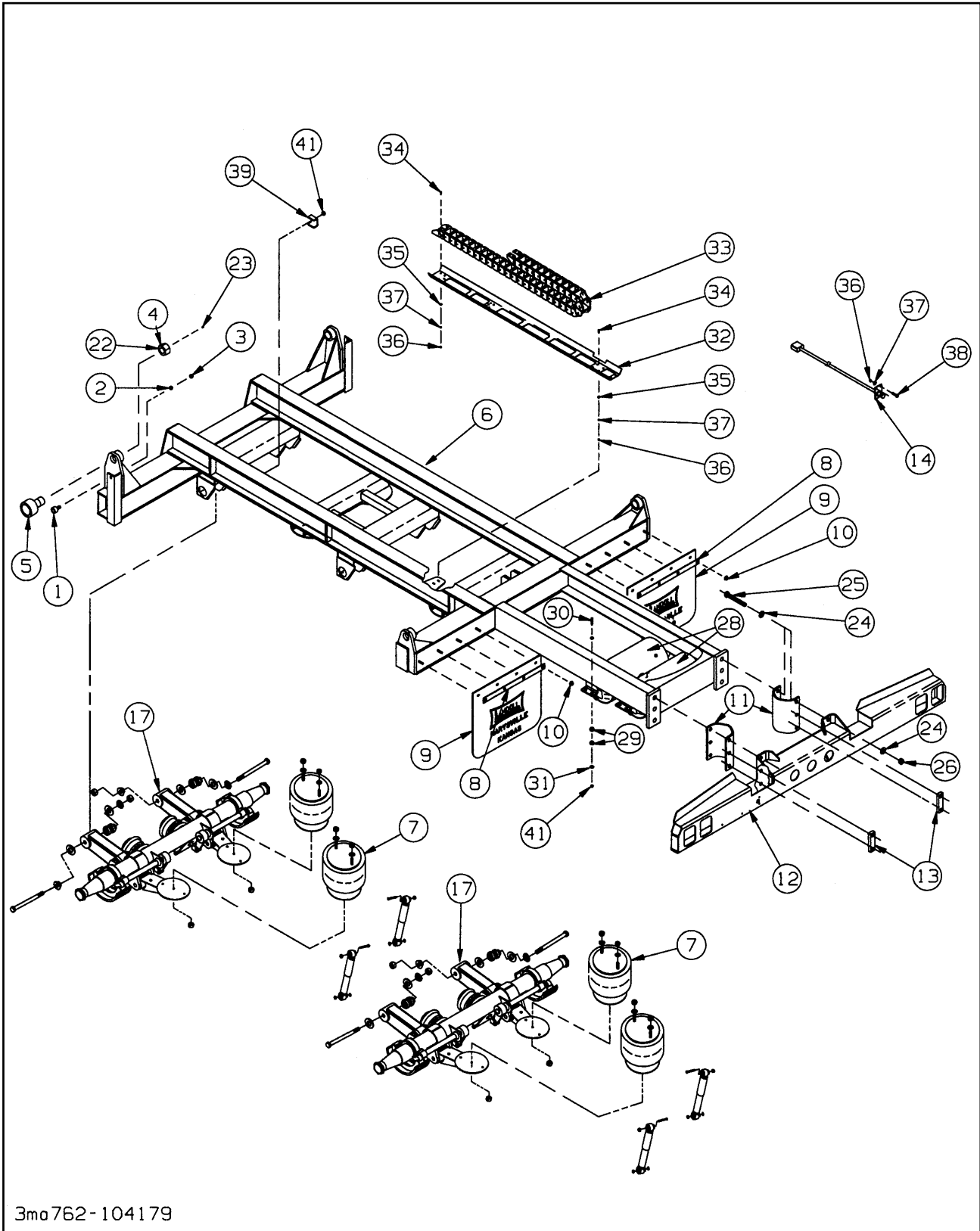
3mf 762-010725

Figure 1-13 Suspension Assembly - Spring Ride

SUSPENSION ASSEMBLY - SPRING RIDE

ITEM	PAGE/PART NO.	DESCRIPTION	QTY.
	3-762-010691-1	SUSPENSION ASSY S/R 70.5 39-1/2 SPG CTR	
	3-762-010563-3	SUSPENSION ASSY S/R 64.5 SPG	
1	3-042-010130-02	AXLE 70-1/2 12-1/4X7-1/2 BRAKE SPG22.5K(SEE PAGE 1-33)	2
	3-042-010130-01	AXLE 64-1/2 12-1/4X7-1/2 BRAKE SPG22.5K(SEE PAGE 1-33)	2
2	3-720-010030	SPRING, MONO LEAF HI ARCH	4
3	1035-20	ADJUSTABLE TORQUE ARM	2
4	0075-20	RIGID TORQUE ARM	2
5	0001-08	BOLT, 7/8-14 X 5-1/4 GR5	4
6	0002-12	LOCKNUT, 7/8-14	20
7	0508-00	BOTTOM PLATE, SINGLE LEAF	4
8	0102-13	U-BOLT, 13" LENGTH	8
9	0647-01	AXLE SEAT, 1" HIGH SINGLE LEAF	4
10	0375-00	DELRIN LINER, SINGLE LEAF	4

NOTE: IF AXLE WELDMENT IS DESIRED, CALL OUT 3-042-010130-02 QUANTITY 1 AND 0647-01 AXLE SEAT, QUANTITY 2 TO BE WELDED PER PRINT 3-762-010691.



3mo762-104179

Figure 1-14 Undercarriage Assembly - Air Ride (1 of 2)

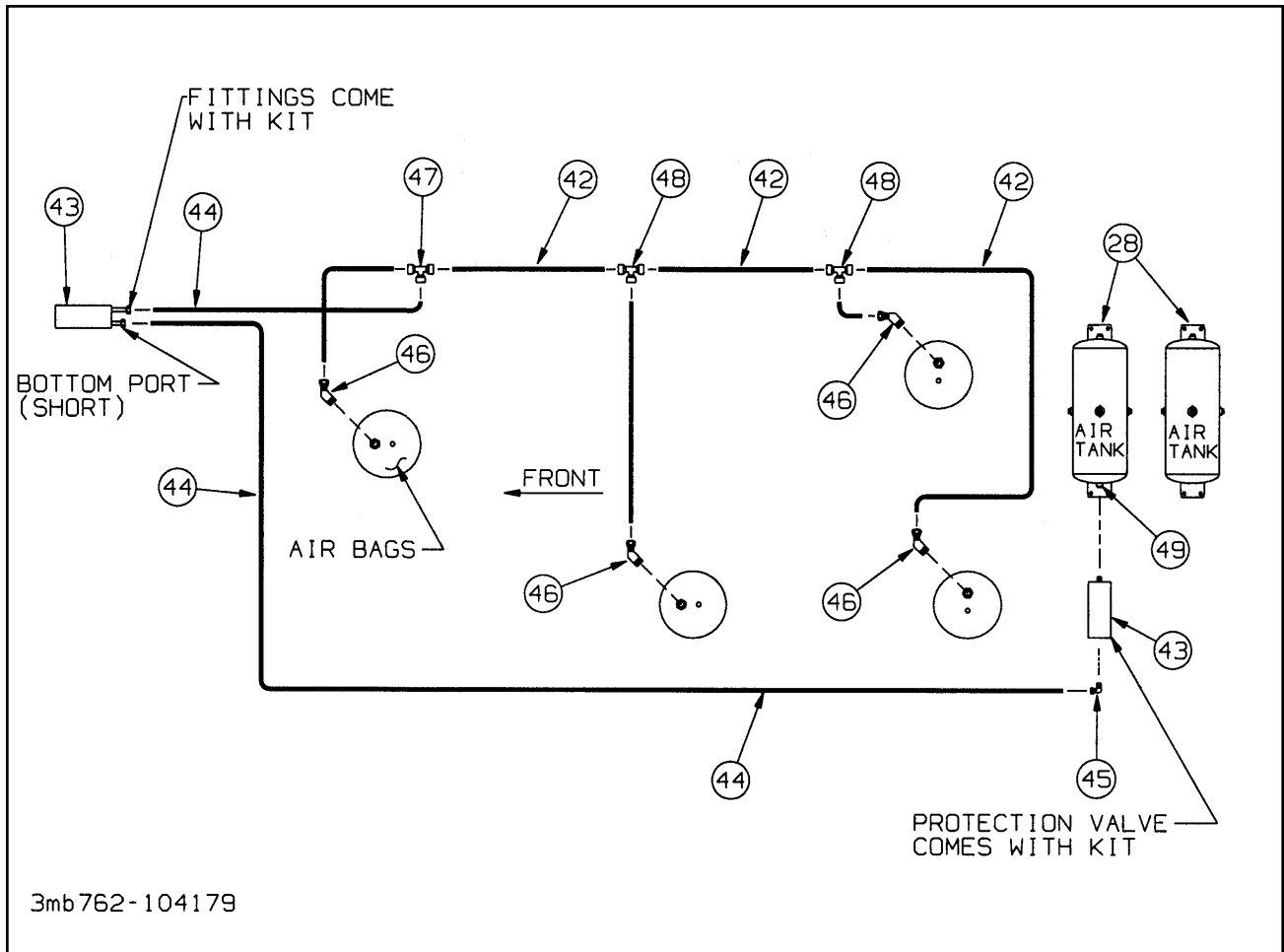


Figure 1-15 Undercarriage Assembly - Air Ride (2 of 2)

UNDERCARRIAGE ASSY - AIR RIDE

ITEM	PART NO.	DESCRIPTION	QTY.
	104179	UNDERCARRIAGE ASSY A/R 96 W/O D/L BRACKET	
	104180	UNDERCARRIAGE ASSY A/R 96 W/ DOCK LEVEL BRACKET	
	104181	UNDERCARRIAGE ASSY A/R 102 W/O D/L BRACKET	
	104182	UNDERCARRIAGE ASSY A/R 102 W/ D/L BRACKET	
1	3-076-010006	CAM FOLLOWER 1-1/2	REF
2	RRT159 X 0.5	TUBE ROUND 1 X 11/16 X 1/2	REF
3	5/8-18HFN	NUT HEX 5/8-18	REF
4	104034	NUT HEX 2-12 GRB	2
5	3-076-010005	BEARING 4 IN CAMFOLLOWER	2
6	104177	SUSPENSION WELDMNT 96 A/R	1
	104178	SUSPENSION WELDMNT 102 A/R	1
7	102363	SUSPENSION ADJ. RLU-228-3.5 (SEE PAGE 1-31)	2
8	3-762-010017	CLAMP MUD FLAP	2
9	3-485-010001	FLAP MUD 21IN	2
10	1-510-010001	NUT 3/8-16 FLANGE LOCK	11
11	101143	MOUNT BUMPER ENERGY PACK	2
12	104157	BUMPER WELDMNT E/P 96	1
	101712	BUMPER WELDMNT E/P 102	1

UNDERCARRIAGE ASSY - AIR RIDE

ITEM	PART NO.	DESCRIPTION	QTY.
13	102283	BAR BUMPER E/P TAPPED	2
14	101852	DIAGNOSTIC CABLE WITH SWITCH	1
17	102666	AXLE WELDMENT D22 AR-45 70.5 96	2
	102665	AXLE WELDMENT D2212-SPG-70.5 102 (FOR PARTS BREAKDOWNS, SEE PAGES 1-31 AND 1-33)	2
19	3-256-010006-01	DOCK LEVEL ASSEMBLY A/R 40K 96 W/ BRACKET (NOT SHOWN)(SEE PAGE 1-35)	1
	3-256-010006-07	DOCK LEVEL ASSEMBLY A/R 40K 102 W/ BRACKET (NOT SHOWN)(SEE PAGE 1-35)	1
22	#242 LOCTITE	LOCTITE BLUE REMOVABLE	AR
23	5029	ZERK FITTING	2
24	622-3511-008	WASHER 3/4 MIL-CARB FL 345A	14
25	1-654-010032-4	SCREW, HEX HEAD CAP 3/4-10 X 1-3/4 GR8	12
26	1-512-010002-15	NUT, HEX LOCK 3/4-10 GRC	2
28	3-780-010002	TANK AIR 9.5X22.5 5 PORTS	2
29	805-2	BUSHINGS STEP	16
30	1-654-010051-08	SCREW HEX HEAD CAP 3/8-16X1-3/4 GR5	8
31	1-861-010032-11	WASHER FLAT 3/8	16
32	3-821-010005	TRAY CAT-TRACK	1
33	3-755-010189-03	SUPPORT E-CHAIN	1
	3-755-010189-1	LINK	1
	380-1	END MOUNTING BRACKET WITH HOLE	2
	380-2	END MOUNTING BRACKET WITH PIN	2
34	1-654-010158-1	SCREW, RD HEAD SQ NECK 1/4-20 X 3/4 GR5	8
35	1-861-010032-07	WASHER FLAT 1/4	8
36	1-512-010007-05	NUT HEX 1/4-20 GRB	10
37	1-861-010034-09	WASHER SPLIT LOCK 1/4	10
38	1-654-010047-06	SCREW, HEX HEAD CAP 1/4-20X1 GR5	2
39	2-181-010001	CLAMP	3
40	104553	BRAKE, ABS TAN AXLE (NOT SHOWN)(SEE PAGE 1-29)	1
41	1-512-010005-05	NUT, HEX LOCK 3/8-16 GRB	8
42	1-833-010002	TUBING, NYLON 3/8	13
43	102732	AIR CONTROL KIT (SEE PAGE 1-27)	1
44	1-833-010001	TUBING, NYLON 1/4	13
45	1-297-010008-07	FITTING, AIR 90	1
46	1-297-010013-11	FITTING, AIR 45	4
47	1-297-010010-04	FITTING, AIR UNION TEE	1
48	1-297-010010-03	FITTING, AIR UNION TEE 3/8	2
49	2083-8-4S	NIPPLE, HEX	1

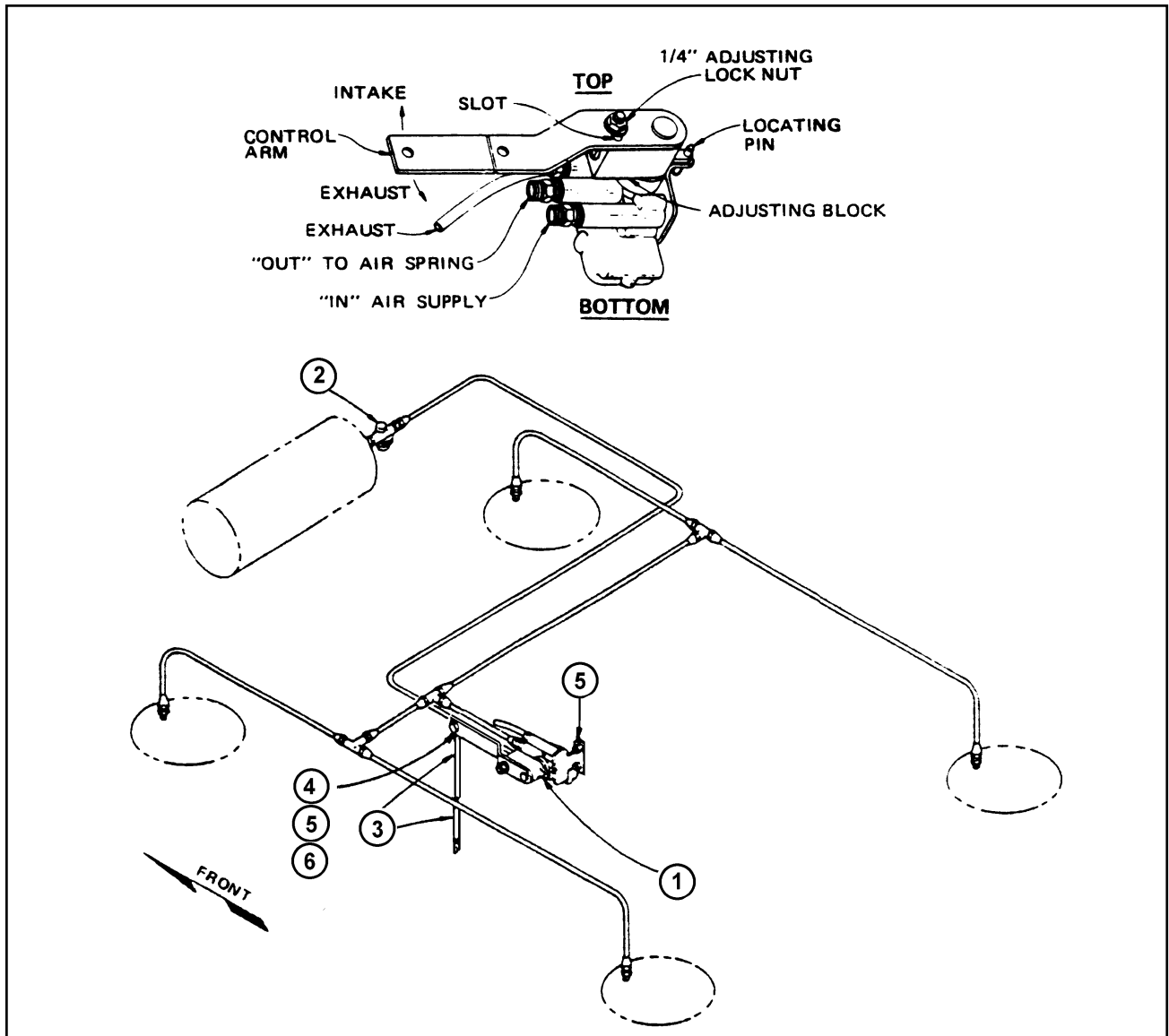
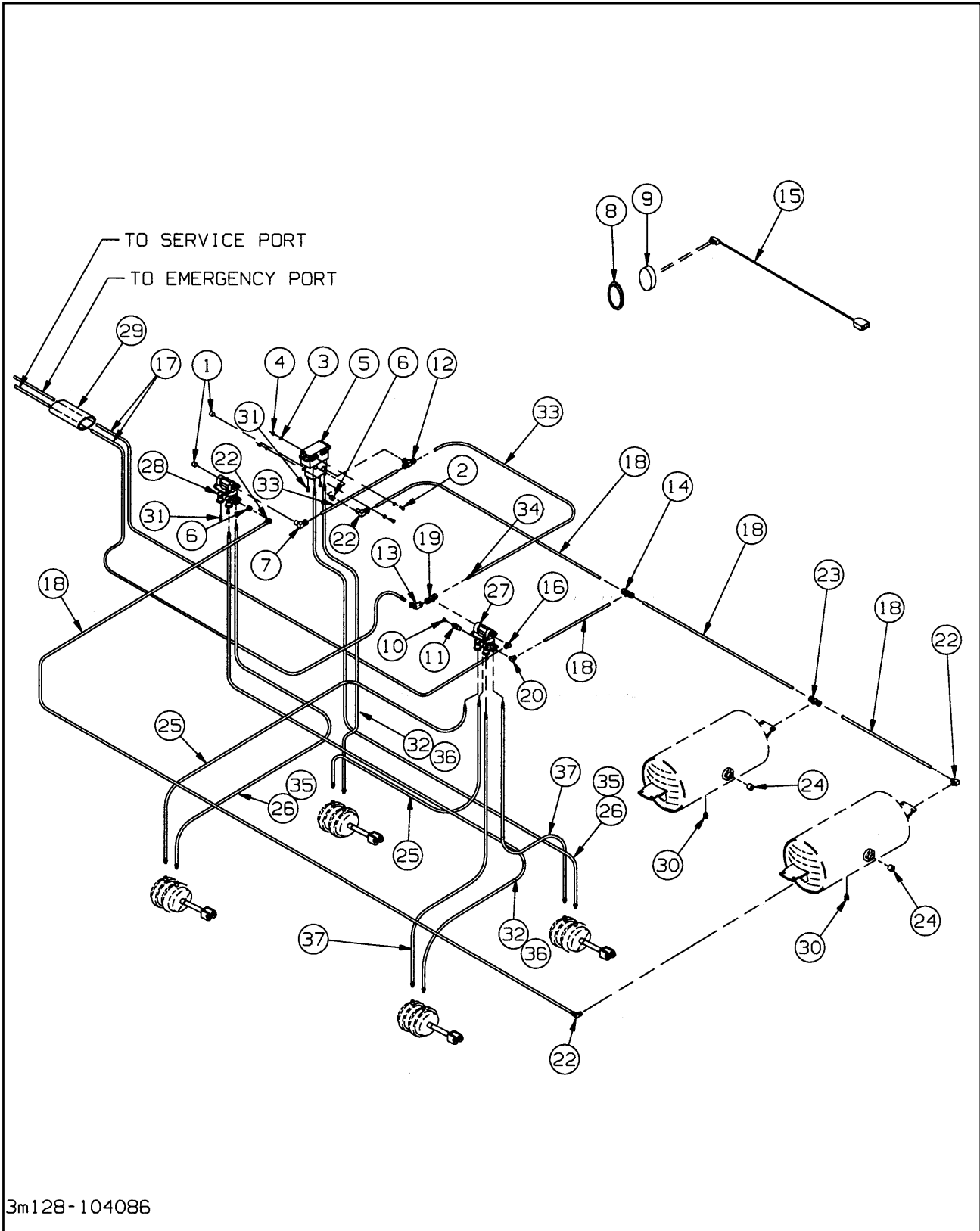


Figure 1-16 Air Control Kit

AIR CONTROL KIT

ITEM	PART NO.	DESCRIPTION	QTY.
	102732	AIR CONTROL KIT	
1	900 54 007	HEIGHT CONTROL VALVE	1
2	905 54 107	AIR PRESSURE PROTECTION VALVE & FILTER	1
3	481 00 224	SRK-167 KIT (ADJ. LINK ASSEMBLY)	1
4	930 02 349	CAP SCREW 1/4-20 X 3/4	2
5	934 00 060	LOCK NUT 1/4-20	2
6	941 00 119	DECAL (OPERATING)	1
7	941 00 466	HEIGHT CONTROL VALVE INSTRUCTIONS	1



3m128-104086

Figure 1-17 Air Brake System

AIR BRAKE SYSTEM

ITEM	PART NO.	DESCRIPTION	QTY.
	104086	BRAKE ABS TANDEM AXLE S/R	
	104553	BRAKE ABS TANDEM AXLE A/R	
1	1-560-010002-05	PLUG PIPE 3/4-14	2
2	1-654-010051-08	SCREW, HEX HEAD CAP 3/8-16X1-3/4 GR5	2
3	1-861-010032-10	WASHER FLAT 3/8N	4
4	1-512-010005-05	NUT HEX LOCK 3/8-16 GRB	2
5	101420	BRAKE KIT ROCKWELL ABS (SEE PAGE 1-41)	1
6	3/4 X 1/2 BUSH	BUSHING BLK PIPE	2
7	1-297-010008-20	FITTING AIR 90	1
8	10403	GROMMET MOUNT	1
9	3-446-010046	LIGHT ABS LAMP	1
10	1-560-010002-02	PLUG PIPE 1/4	1
11	55B61	FRAME UNION	1
12	1-297-010015-06	FITTING, AIR BR TEE	1
13	2088-6-6S	ADAPTER 45	1
14	1-297-010010-06	FITTING, AIR UNION TEE 1/2	1
15	3-368-010294	HARNESS, TAN ABS LAMP	1
16	2089-6-6S	ADAPTER 90	1
17	100948	HOSE, AIR 3/8 X 174	2
18	1-833-010003	TUBING NYLON 1/2	17'
19	1-297-010017-03	FITTING BRASS PIPE 3/8	1
20	1-297-010008-23	FITTING AIR 90	1
21	3-755-010189-03	SUPPORT E-CHAIN	REF
22	1-297-010008-24	FITTING AIR 90	4
23	1-297-010015-11	FITTING AIR BRANCH TEE	2
24	1-560-010002-04	PLUG PIPE 1/2	6
25	1-384-010038056	HOSE AIR 3/8 X 56	2
26	3-384-010020	HOSE AIR 3/8 X 32	*2,-
27	758-181	VALVE TASK 4 PORT	1
28	1-861-010034-10	WASHER, SPLIT LOCK 5/16	2
29	1-394-010001	HOSE ABRASION SLEEVE X 2	4'
30	56D4	COCK DRAIN AIR TANK	2
31	1-297-010033-03	FITTING, BRASS PLUG HEX	4
32	1-384-010038038	HOSE, AIR 3/8 X 38	*2,-
33	1-833-010002	TUBING NYLON 3/8	5.5'
34	1-297-010007-12	FITTING, AIR	1
35	3-384-010019	HOSE, AIR 3/8 X 24	*-,2
36	3-384-010025	HOSE, AIR 3/8 X 50	*-,2
37	1-384-010038024	HOSE AIR 3/8X24	2
38	1-796-010003-01	TIE STRAP PLASTIC (NOT SHOWN)	10

* 1ST QUANTITY LISTED IS FOR P/N 104086, 2ND QUANTITY LISTED IS FOR P/N 104553.

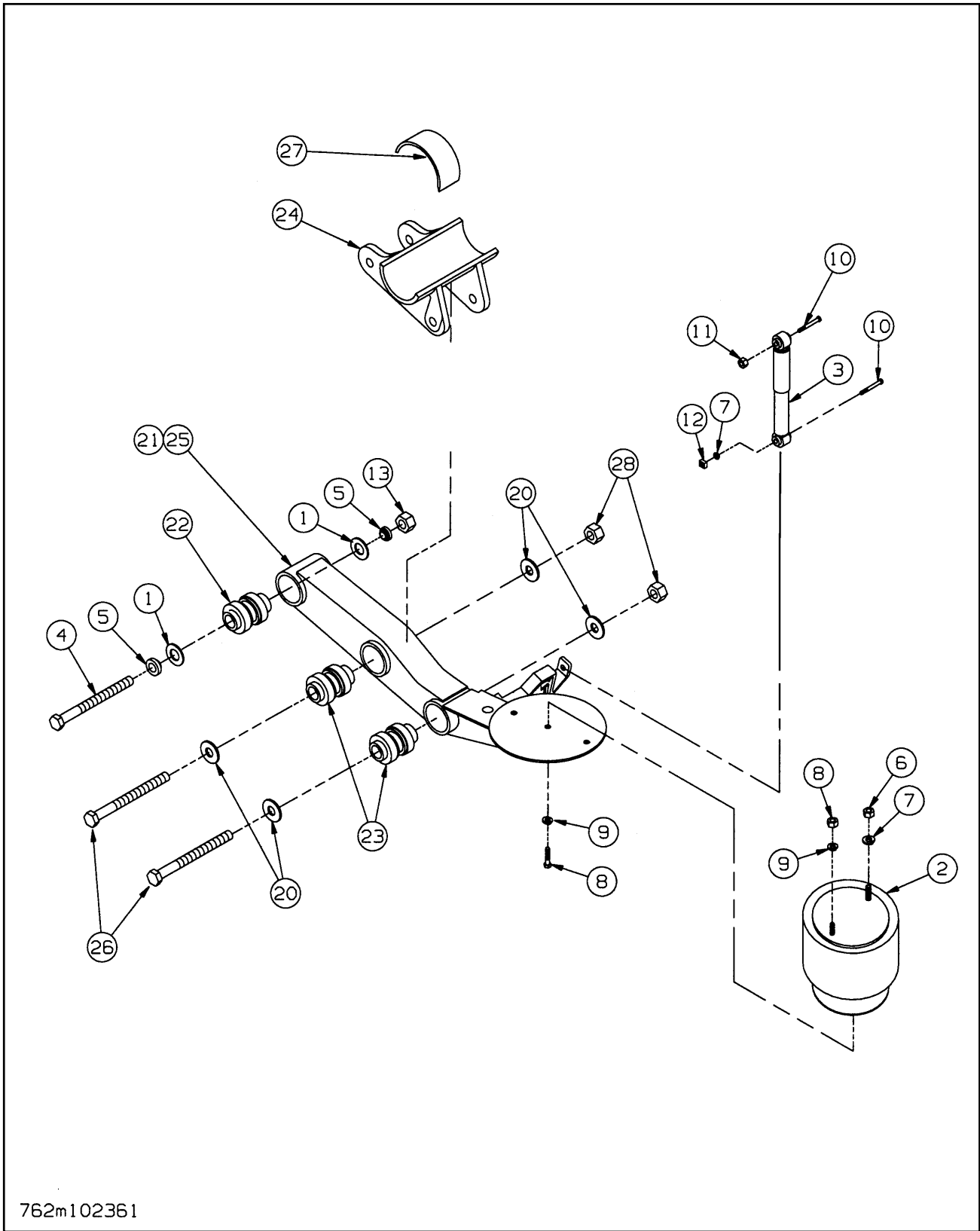


Figure 1-18 Suspension Hanger Assembly RLU-228

SUSPENSION HANGER RLU-228

ITEM	PAGE/PART NO.	DESCRIPTION	QTY.
	102363	SUSPENSION, ADJ. RLU-228-3.5 (INCL ITEMS 1-19)	
	102361	SUSPENSION, BEAM. RLU-228(INCL ITEMS 20-28)	
1	90036177	FLAT WASHER	2
2	90557129	AIR SPRING ASSEMBLY	2
3	90045040	SHOCK	2
4	93908009	ALIGN BUSH ASSEMBLY (CONSISTS OF:)	2
	93201057	ROD BOLT	1
	90008184	ALIGN BLOCK	1
5	93408186	ALIGN BLOCK	2
6	93400149	3/4-16 HEX NUT GRB	2
7	93600077	LOCK WASHER, 3/4"	4
8	93400136	HEX NUT, 1/2-13	4
9	93600072	LOCK WASHER, 1/2"	4
10	93003597	HEX HEAD CAP SCREW 3/4-10 X 3-1/2	4
11	93400492	LOCK NUT, 3/4" - 10	2
12	93400367	3/4-10 SQUARE NUT	2
13	93400506	LOCK NUT 1-1/8-7	2
14	90054038	ANCHOR, RIDE HEIGHT CONTROL VALVE (NOT SHOWN)	1
15	94100787	LITERATURE INSTRUCTIONS (NOT SHOWN)	1
16	94100685	LITERATURE SPEC (NOT SHOWN)	1
17	94100648	LITERATURE FORM 864 (NOT SHOWN)	1
18	94100590	LITERATURE LABEL (NOT SHOWN)	1
19	94100790	LITERATURE LABEL (NOT SHOWN)	1
	11005053	FASTENER KIT (INCL. 1, 4-11, 13, 15)	1
20	90036177	FLAT WASHER	8
21	90516600	EQUALIZING BEAM ASSEMBLY LH	1
22	90008139	RUBBER BUSHING (FRONT PIVOT)	2
23	90008149	RUBBER BUSHING (AXLE CONNECTION)	4
24	90001200	AXLE ADAPTER ASSEMBLY	2
25	90516601	EQUALIZING BEAM ASSEMBLY RH	1
26	93201051	HEX HEAD CAP SCREW 1-1/8-7 X 8-1/2	4
27	90025288	SAFETY STRAP	2
28	93400506	LOCK NUT 1-1/8-7	4

NOTE: QUANTITIES LISTED ARE PER AXLE.

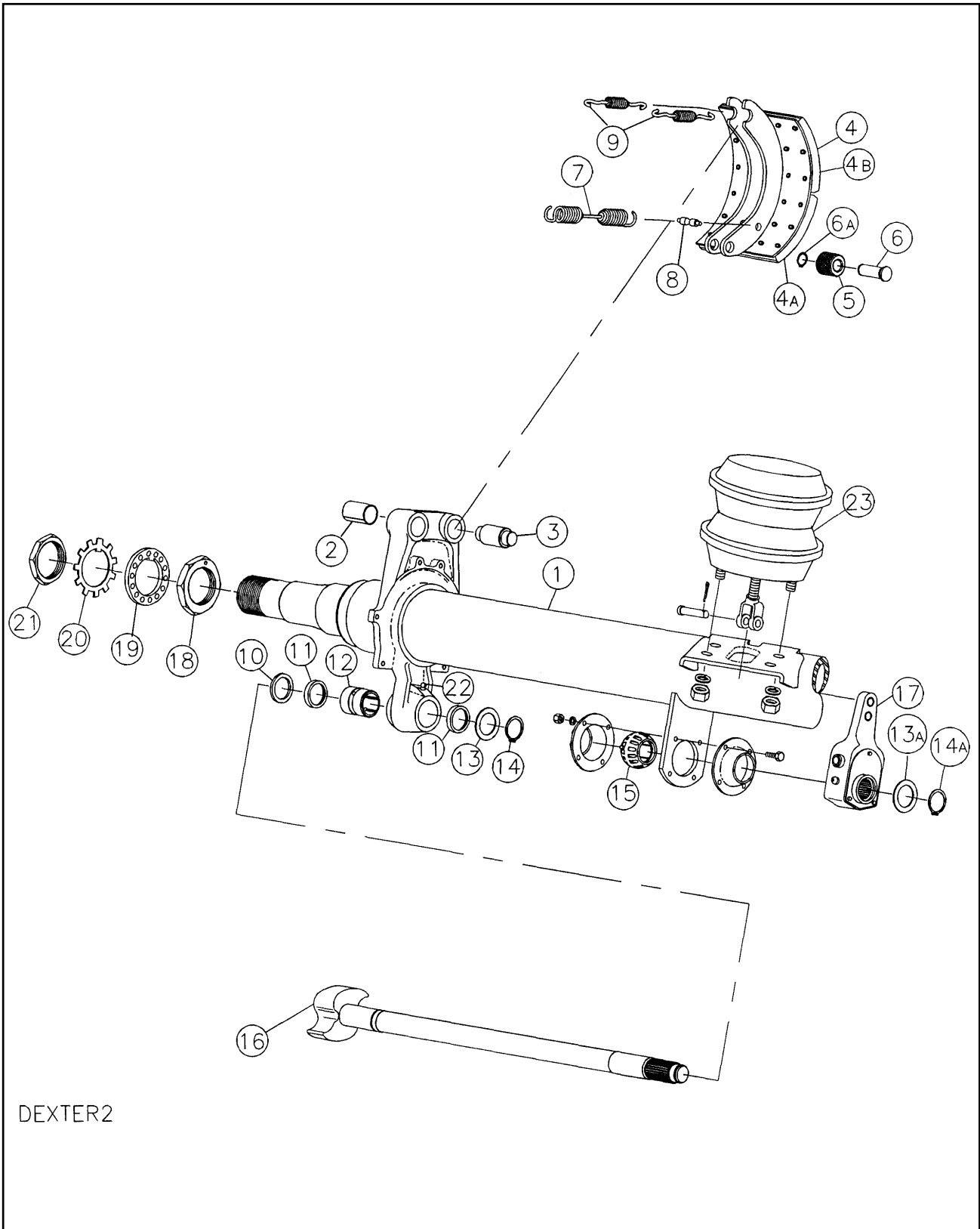


Figure 1-19 Axle and Brake Assembly

AXLE AND BRAKE ASSEMBLY

ITEM	PAGE/PART NO.	DESCRIPTION	QTY.
	3-042-010130-01	AXLE 64.5", 12.25 X 7.5 SPG BK 22.5K(INCL. ITEMS 1 - 23)	2
	3-042-010130-02	AXLE 70.5", 12.25 X 7.5 SPG BK 22.5K(INCL. ITEMS 1 - 23)	2
1	*	AXLE BEAM	1
**2	014-068-00	BUSHING -SPIDER ANCHOR PIN	4
**3	056-017-00	ANCHOR PIN	4
4	040-320-01	SHOE AND LINING ASSEMBLY	4
4A	041-060-01	LINING -BRAKE BLOCK CAM	4
4B	041-057-01	LINING -BRAKE BLOCK ANCHOR	4
**5	014-057-00	ROLLER	4
**6	056-010-00	PIN ROLLER	4
**6A	069-018-00	RETAINING PIN ROLLER	4
**7	046-092-00	SPRING -SHOE RETRACTOR	2
**8	056-018-00	RETAINER PIN - RETRACTOR SPRING	4
**9	046-097-00	KEEPER SPRING	4
***10	005-074-00	WASHER -CAMSHAFT "D"	2
***11	010-052-00	GREASE SEAL	4
***12	014-056-00	BUSHING -CAMSHAFT SPIDER	2
***13	005-075-00	WASHER -CAMSHAFT	2
***13A	005-134-00	WASHER- CAMSHAFT END	2
***14	069-020-00	RETAINER - CAMSHAFT	2
***14A	069-078-00	RETAINER - CAMSHAFT END	2
**15	014-058-00	BUSHING -CAMSHAFT SUPPORT	2
16	034-188-08	CAMSHAFT LH 64.5" AXLE	1
	034-189-08	CAMSHAFT RH 64.5" AXLE	1
	034-188-03	CAMSHAFT LH 70.5" AXLE	1
	034-189-03	CAMSHAFT RH 70.5" AXLE	1
17	055-040-07	SLACK ADJUSTER - AUTOMATIC	2
17A	055-053-00	CLEVIS	
17B	055-054-00	CLEVIS MOUNTING KIT	
18	006-114-00	NUT - INNER SPINDLE BEARING	2
19	005-098-00	LOCKWASHER - INDEXING	2
20	005-099-00	LOCKWASHER - TAB	2
21	006-115-00	NUT - OUTER SPINDLE	2
***22	061-006-00	GREASE FITTING 45°	2
23	034-058-07	AIR CHAMBER ASSEMBLY (INCL. CLEVIS, CLEVIS PIN, COTTER PIN, LOCKWASHER, AND MNTG NUT)	2

* WHEN ORDERING THE BEAM WITH SPINDLE SPIDER AND BRACKETS ATTACHED YOU WILL NEED THE BEAM NUMBER, D2212; TRACK LENGTH 70.5" OR 64.5"; BRAKE SIZE 12-1/4" X 7-1/2"; AND CAMSHAFT LENGTH 22-5/16".

** THESE PARTS ARE AVAILABLE AS PART OF BRAKE SHOE HARDWARE KIT K71-406-00

*** THESE PARTS ARE AVAILABLE AS PART OF CAMSHAFT REPAIR KIT K71-101-00

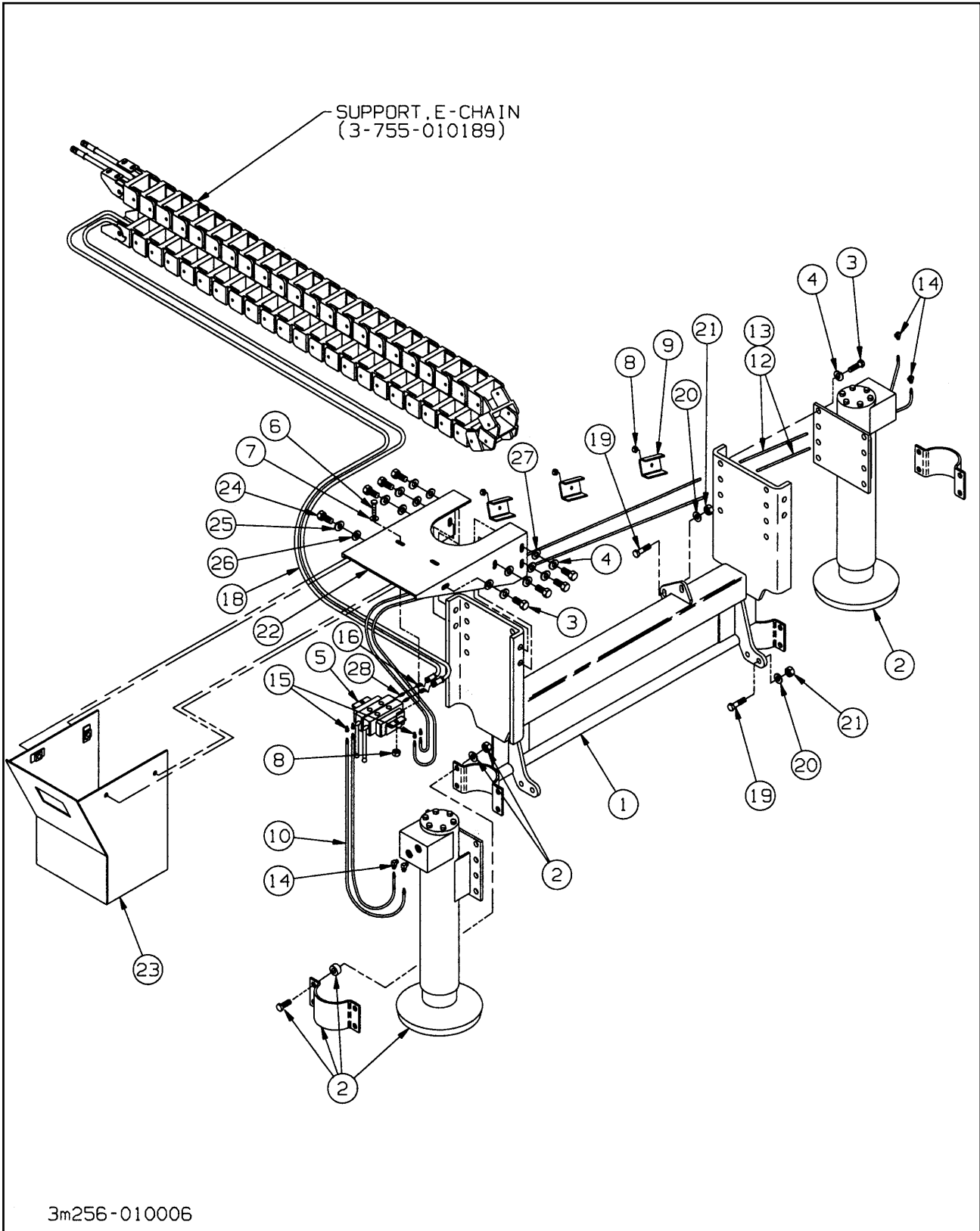


Figure 1-20 Dock Leveler Assembly

DOCK LEVELER ASSEMBLY (OPTION)

ITEM	PART NO.	DESCRIPTION	QTY
	3-256-010006-01	DOCK LEVELER ASSEMBLY A/R 40K 317A STD(96")	
	3-256-010006-07	DOCK LEVELER ASSEMBLY A/R 40K 345(102")	
1	3-482-010150	MOUNT WELDMENT, DOCK LEVEL 317A STD(96")	1
	3-482-010527	MOUNT WELDMENT, DOCK LEVEL 345(102")	1
2	3-242-010204	CYLINDER, HYD D/L 3.5 X 15 (SEE PAGE 1-37)	2
3	1-654-010059-01	SCREW, HEX HEAD CAP 5/8-11 X 1 GR5	*20,28
4	1-861-010034-15	WASHER, SPLIT LOCK 5/8	*20,28
5	3-846-010056	VALVE, DOUBLE SPOOL (SEE PAGE 1-39)	1
6	1-654-010051-05	SCREW, HEX HEAD CAP 3/8-16 X 1 GR5	2
7	1-861-010032-11	WASHER, FLAT 3/8	2
8	1-510-010001	NUT, FLANGE LOCK 3/8-16	6
9	2-181-010001	HOSE CLAMP	4
10	1-397-010262-4	HOSE ASSEMBLY 1/4 X 18	2
12	1-397-010262084	HOSE ASSEMBLY 1/4 X 84	2
13	1-397-010262-6	HOSE ASSEMBLY 1/4 X 82	*,2
14	2062-6-4S	ADAPTER, 90	4
15	202702-6-4S	ADAPTER, STR	4
16	2061-6-6S	ADAPTER, 45	REF
18	1-397-010307216	HOSE ASSEMBLY 3/8 X 216	2
19	1-654-010055-03	SCREW, HEX HEAD CAP 1/2-13 X 1-1/2 GR5	8
20	1-861-010032-14	WASHER, FLAT 1/2N	8
21	1-512-010005-09	NUT, HEX LOCK 1/2-13 GRB	8
22	3-120-010351	BRACKET, BOLT ON DOCK LEVEL	1
23	3-681-010098	SHIELD, D/L VALVE R22.5	1
24	1-654-010055-02	SCREW, HEX HEAD CAP 1/2-13 X 1-1/4 GR5	4
25	1-861-010034-13	WASHER, SPLIT LOCK 1/2	4
26	1-861-010032-15	WASHER, FLAT 1/2W	4
27	1-861-010032-18	WASHER, FLAT 5/8N	4
28	202702-6-6S	ADAPTER, STR #6 JIC	2

THE FIRST QUANTITY LISTED IS FOR P/N 3-256-010006-01; THE SECOND QUANTITY LISTED IS FOR P/N 3-256-010006-07.

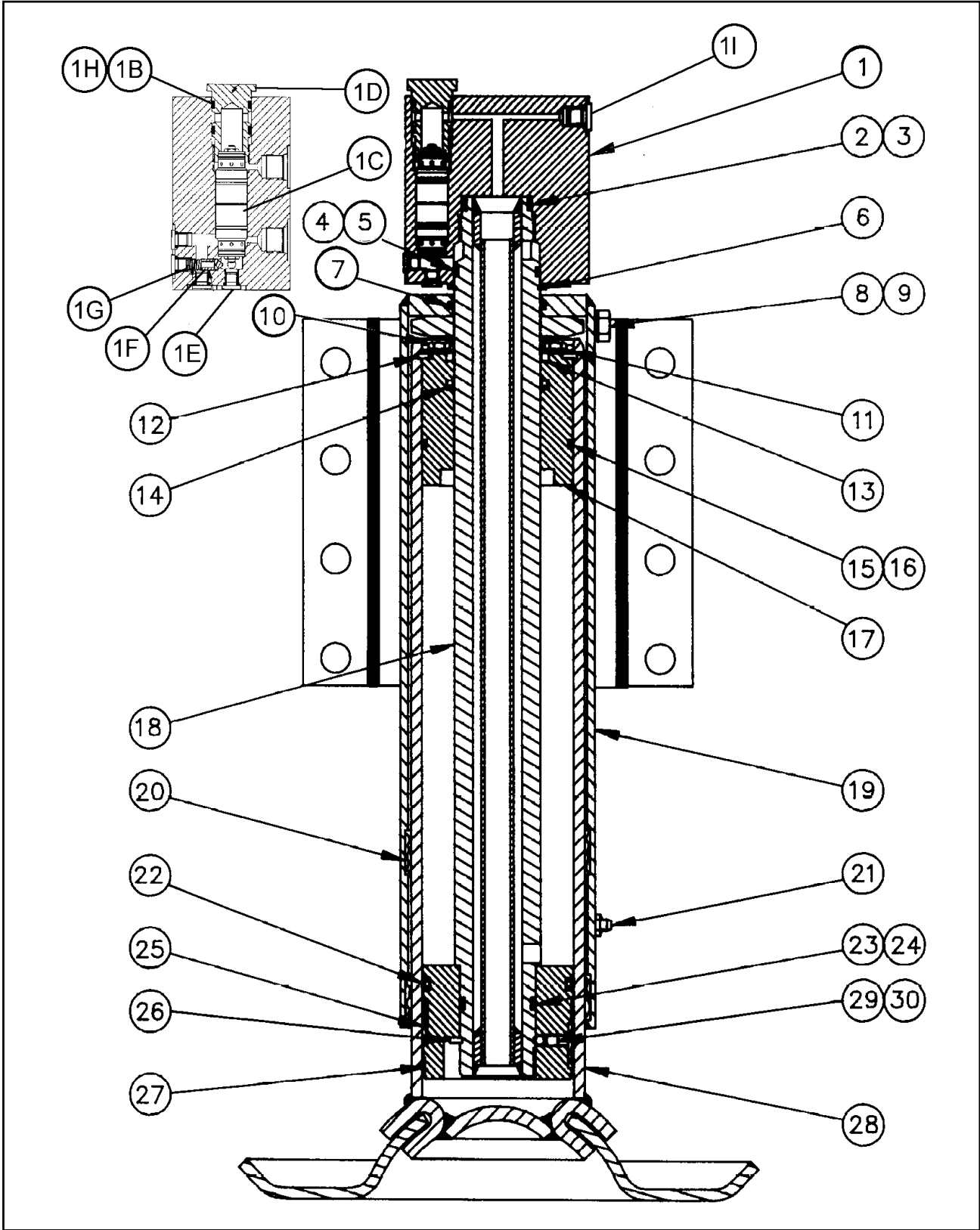


Figure 1-21 Dock Leveler Leg Assembly w/ Lock Valve

LEG ITEMS, DOCK LEVELER W/ LOCK VALVE

ITEM	PART NO.	DESCRIPTION	QTY.
	3-242-010204	COMPLETE ASSY LEG CYL(40,000# CAP. 3.50" BORE)	
1	3000092	4:1 LOCK VALVE ASSY	1
1A	300093	4:1 LOCK VALVE BODY	1
1B	01-1006	O-RING	2
1C	300427	PILOT OPERATED CHECK VALVE	2
1D	300022	RETAINING PLUG	1
1E	07-1061	HEX PLUG HOLLOW #02 SAE	5
1F	300003	POPPET	1
1G	31-1016	SPRING	1
1H	05-1009	BACK-UP WASHER	2
1I	07-1201	HEX PLUG HOLLOW #04 SAE	1
2	NSS**,**	O-RING	1
3	NSS**,**	BACK-UP WASHER	2
4	NSS**,**	O-RING	1
5	NSS**,**	BACK-UP WASHER	1
6	NSS**	SNAP RING 2" ROD	1
7	NSS**	O-RING	1
8	15-1004	SCREW HEX HEAD CAP	1
9	16-1002	LOCK WASHER	1
10	15-1012	SCREW HEX HEAD CAP	4
11	100278	CYLINDER HEAD RETAINER	1
12	NSS**	RETAINING RING	1
13	NSS**	OIL SEAL	1
14	NSS**	ROD SEAL	1
15	NSS**	O-RING	1
16	NSS**	BACK-UP WASHER	1
17	100216	CYLINDER HEAD	1
18	***	PISTON ROD	1
19	***	WELL TUBE	1
20	NSS**	WEAR RING	2
21	10-1001	GREASE FITTING	1
22	NSS**	PISTON SEAL	1
23	NSS**	O-RING	1
24	NSS**	BACK-UP WASHER	2
25	NSS**	WEAR RING	1
26	17-1003	SNAP RING	1
27	100217	PISTON (3-242-010204)	1
28	***	CYLINDER TUBE	1
29	NSS**	NYLON BALL	1
30	NSS**	SET SCREW	1
31	100346	SPLIT COLLAR ASSY	1

* - ITEMS ARE CONTAINED IN THE LOCK VALVE REPAIR KIT 300085 (NOT SOLD SEPARATELY).

** - ITEMS ARE CONTAINED IN LEG REPAIR KIT 101086 (3.50" BORE) OR LEG REPAIR KIT 100422 (4.00" BORE).

*** STATE MODEL NUMBER AND PART DESCRIPTION WHEN ORDERING.

NSS: NOT SOLD SEPARATELY.

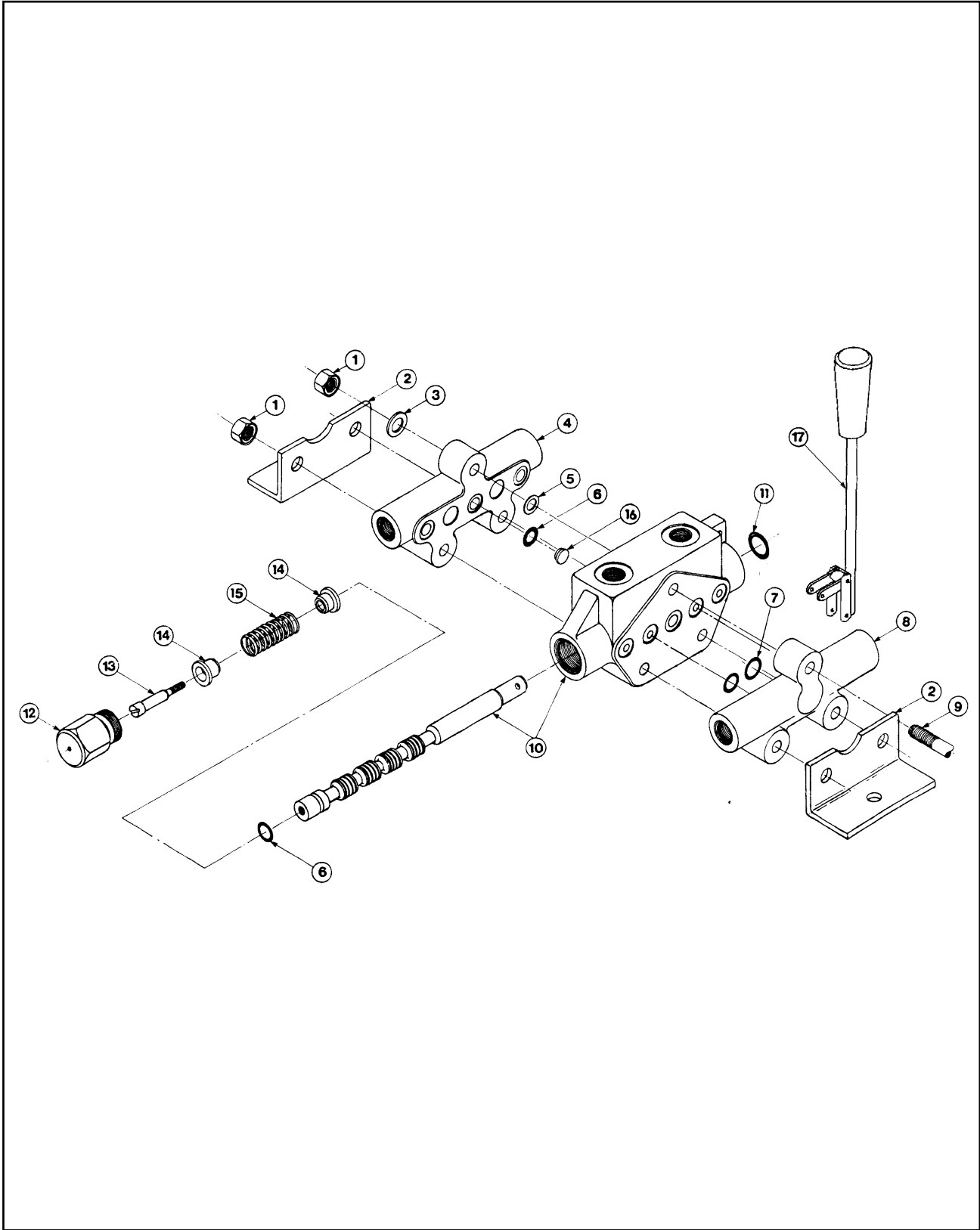


Figure 1-22 Dock Leveler Valve

DOCK LEVELER VALVE

ITEM	PART NO.	DESCRIPTION	QTY.
	3-846-010056	DOUBLE SPOOL STACK VALVE-PARALLEL	1
1	1005013	NUT	3
2	4014240	MOUNTING BRACKET	2
3	1008008	WASHER	2
4	6402000	OUTLET SECTION (INCLUDES SEALS)	1
	6029521	OUTLET SEAL KIT	
5	4023150	MYLAR SHIM (BETWEEN SECTIONS)	3
6	0101012	O-RING	1
7	0101013	O-RING	10
8	6401003	INLET SECTION (INCLUDES SEALS)	1
	6009250	INLET SEAL KIT	
9	4023774	TIE ROD	3
10	6400000	VALVE SECTION	2
	6029520	VALVE SECTION SEAL KIT (INCL ITEMS 5, 6, 7, & 11)	6
11	0101112	O-RING	2
12	4010500	SPRING CAP	2
13	4010520	SPRING SHAFT	2
14	4010530	SPRING GUIDE	4
15	_____	SPRING	2
16	4011702	CLOSED CENTER PLUG	1
17	6405000	HANDLE KIT	2
	6404002	BANKING KIT (INCLUDES ITEMS 1, 2, 3, & 9)	2

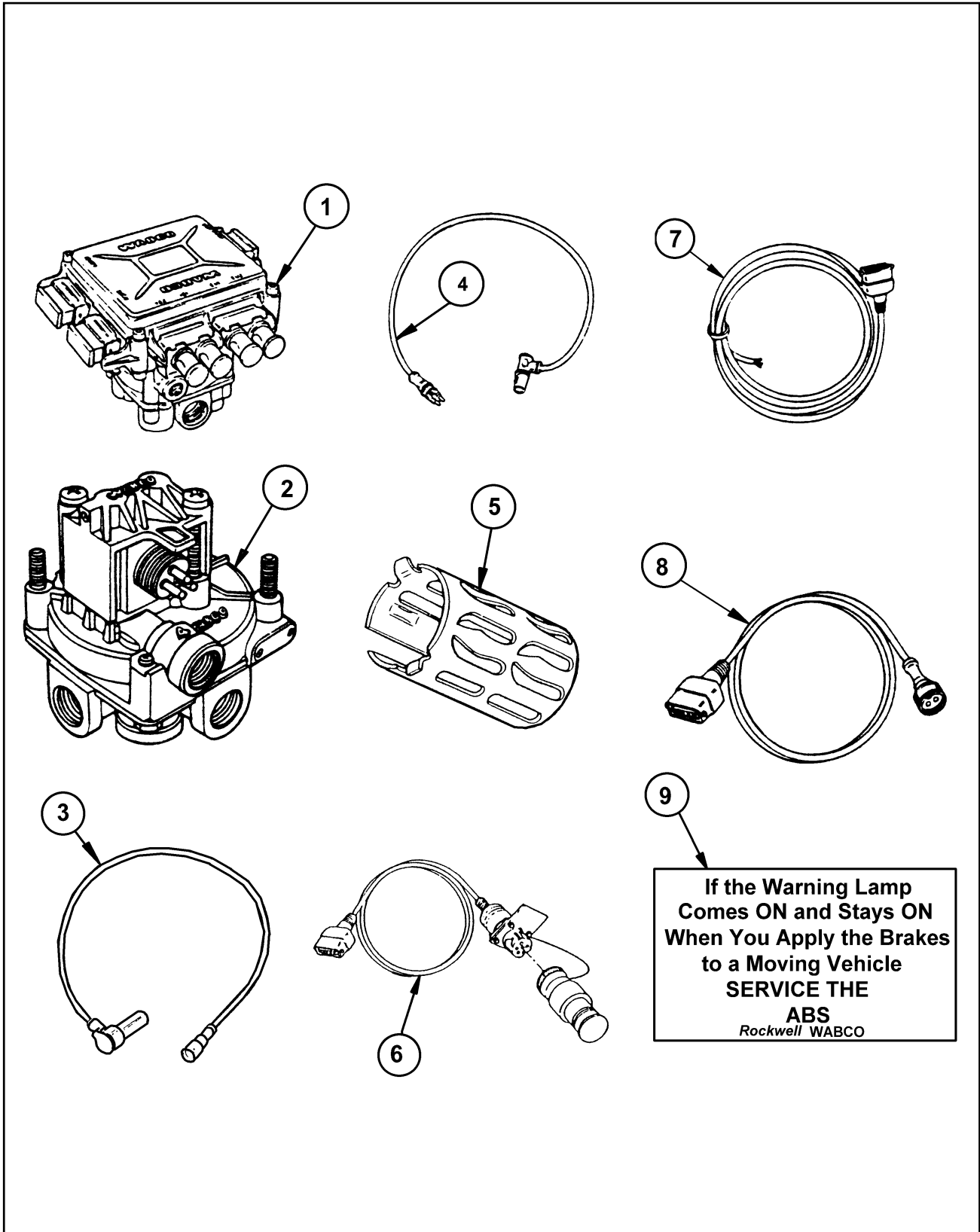


Figure 1-23 Brake Kit, Rockwell ABS 4S/2M

BRAKE KIT ROCKWELL ABS 4S/2M

ITEM	PART NO.	DESCRIPTION	QTY
	101420	BRAKE KIT, ROCKWELL ABS, 4S/2M (INCL ITEMS 1,2,4,7-10)	
1	101845	ECU/VALVE ASSEMBLY	1
2	101846	ABS RELAY VALVE	1
3	101847	ABS SENSOR CABLE	4
4	101848	SENSOR EXTENSION CABLE	4
5	101849	ABS SENSOR SPRING CLIP	4
6	101852	DIAGNOSTIC CABLE W/ SWITCH	1
7	101853	POWER CABLE 4 COND.	1
8	101854	CONNECTION CABLE FOR ABS RELAY	1
9	101855	WARNING LAMP LABEL	1
10	—	INSTALLATION GUIDE (NOT SHOWN)	1
11	104551	ABS MAINTENANCE MANUAL NO. 33 (NOT SHOWN)	1

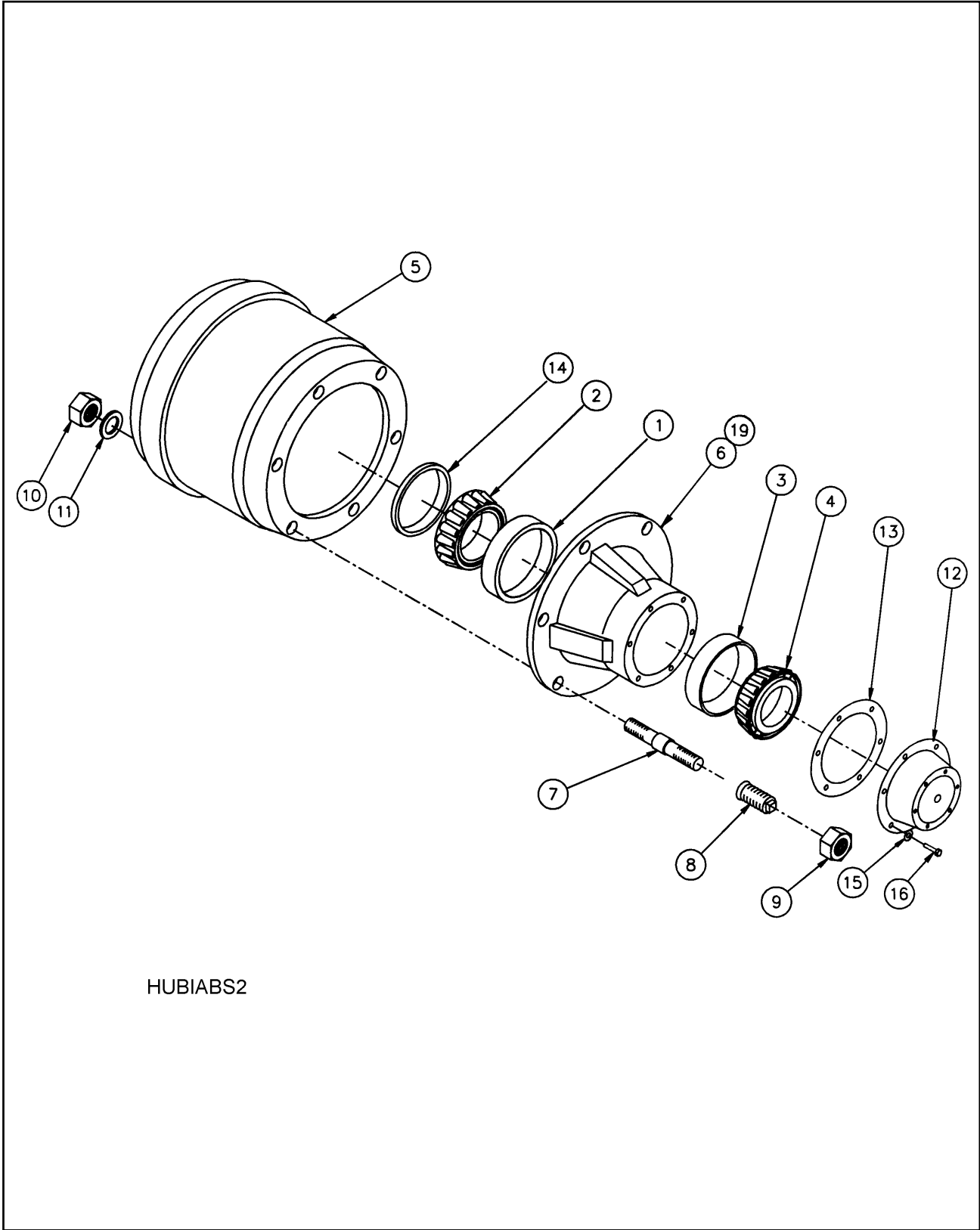


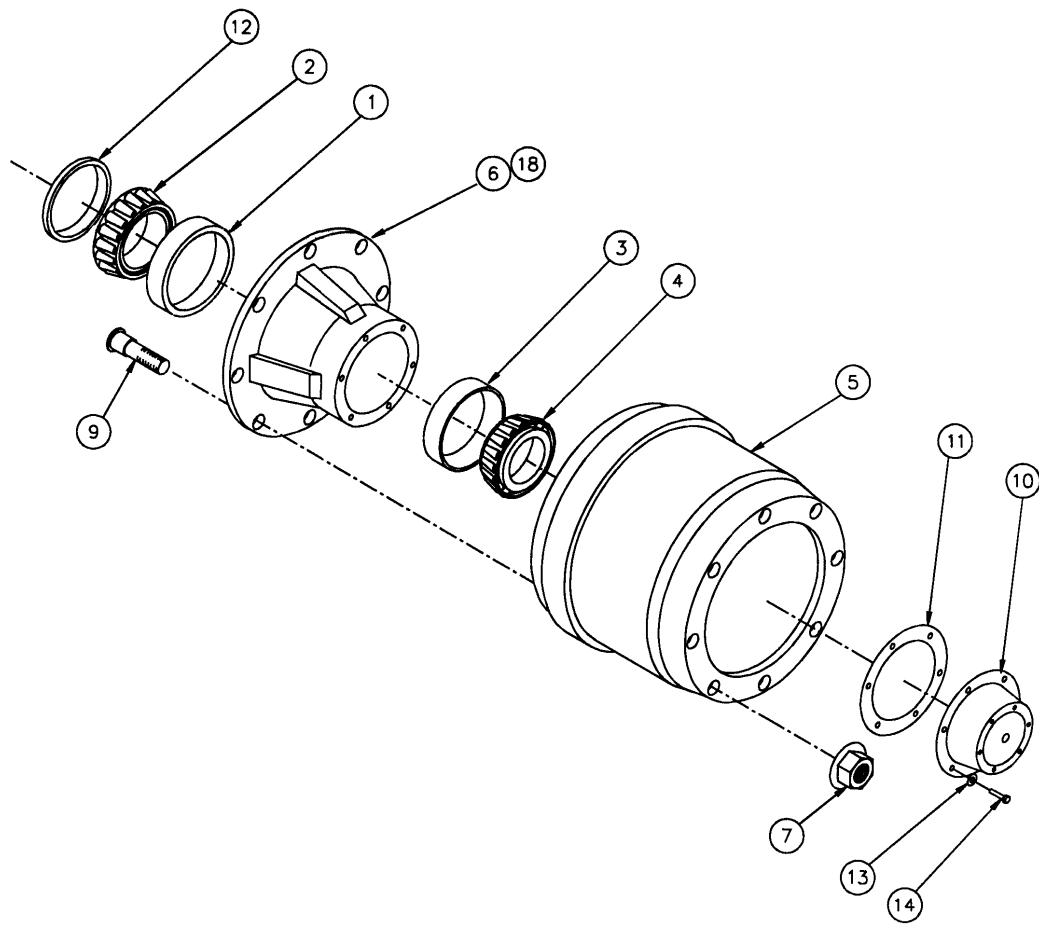
Figure 1-24 Inboard Hub and Drum Assembly

INBOARD HUB AND DRUM ASSEMBLY

ITEM	PART NO.	DESCRIPTION	QTY
	103245	HUB/DRUM 6 BOLT 12-1/4 BSN LH, ABS	*2
	103246	HUB/DRUM 6 BOLT 12-1/4 BSN RH, ABS	*2
1	HM218210	INNER BEARING CUP	1
2	HM218248	INNER BEARING CONE	1
3	HM212011	OUTER BEARING CUP	1
4	HM212049	OUTER BEARING CONE	1
5	63635	BRAKE DRUM	1
6	1056	HUB	1
7	139913	3/4-10 STUD LH	6
	139902	3/4-10 STUD RH	6
8	107083	INNER CAP NUT LH	6
	107082	INNER CAP NUT RH	6
9	178921	OUTER CAP NUT LH	6
	178910	OUTER CAP NUT RH	6
10	75716	NUT, HEX LOCK 3/4-16	6
11	257	WASHER, FLAT	6
12	021-038-01 (4009)	CAP, HUB	1
13	071-124-00 (3067)	GASKET, OIL CAP	1
14	3-659-010012	SEAL	1
15	5/16SLW	WASHER SPLIT LOCK	6
16	5/16-18X3/4HHCS	SCREW HEX HEAD CAP	6
17	3-870-010012	WHEEL DISC 6.75 X 17.5	1
18	TR573	VALVE STEM	1
19	*	ABS TONE RING	1

* THIS PART SHOULD BE REPLACED IN CONJUNCTION WITH BRAKE DRUM ONLY. IT SHOULD NEVER BE SOLD SEPARATELY.

** NOT SOLD SEPARATELY



HUBOABS2

Figure 1-25 Outboard Hub and Drum Assembly

OUTBOARD HUB AND DRUM ASSEMBLY

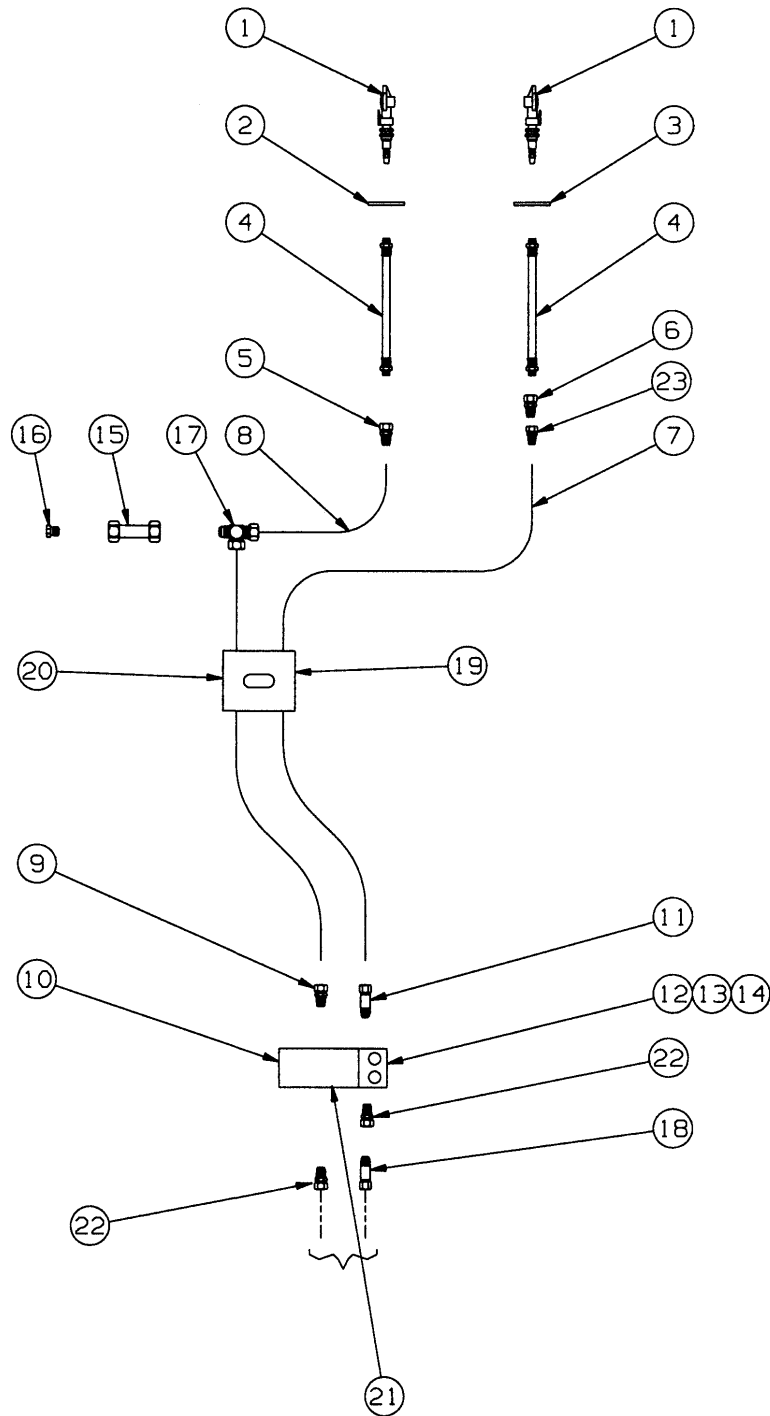
ITEM	PART NO.	DESCRIPTION	QTY
	3-406-010076	HUB/DRUM ASSY, 8 BOLT 12-1/4 PILOT, ABS	
1	HM218210	INNER BEARING CUP	1
2	HM218248	INNER BEARING CONE	1
3	HM212011	OUTER BEARING CUP	1
4	HM212049	OUTER BEARING CONE	1
5	63680	BRAKE DRUM	1
6	2027	HUB	1
7	101162	STUD	8
9	179955	FLANGE NUT	8
10	021-038-01 (4009)	CAP, HUB	1
11	071-124-00 (3067)	GASKET, OIL CAP	1
12	3-659-010012	SEAL	1
13	5/16SLW	WASHER SPLIT LOCK	6
14	5/16-18X3/4HHCS	SCREW HEX HEAD CAP	6
15	3-870-010097	WHEEL DISC PILOT MOUNT 17.5 X 6.75	1
16	TR573	VALVE STEM	1
18	*	ABS TONER RING	

* THIS PART SHOULD BE REPLACED IN CONJUNCTION WITH BRAKE DRUM ONLY. IT SHOULD NEVER BE SOLD SEPARATELY.

** NOT SOLD SEPARATELY

EMERGENCY/SUPPLY

SERVICE/CONTROL



3ma128-010042

Figure 1-26 Air System, Main

AIR SYSTEM, MAIN

ITEM	PART NO.	DESCRIPTION	QTY
	3-128-010042	AIR ASSEMBLY, MAIN	
1	55B11	GLAD HAND (PRIOR 03/00)	2
	108801	GLAD HAND RED AIR (AFTER 03/00)	
	108802	GLAD HAND BLUE AIR (AFTER 03/00)	
2	55B61-6	TAG EMERGENCY LINE	1
3	55B61-7	TAG SERVICE LINE	1
4	1-384-010041-2	HOSE AIR 1/2X102 WITH .50 ENDS	2
5	1-297-010012-16	FITTING AIR FEMALE CONN 1/2X1/2	1
6	1-297-010021-05	FITTING BRASS PIPE REDUCER COUPLING 1/2 TO 3/8	1
7	1-833-010002	NYLON TUBING 3/8	18
8	1-833-010003	NYLON TUBING 1/2	18
9	1-297-010007-16	FITTING AIR 1/2X1/2	1
10	1-560-010002-04	PLUG PIPE 1/2	1
11	1-297-010008-20	FITTING AIR 90 3/8X3/8	1
12	1-654-010049-06	SCREW HEX HEAD CAP 5/16-18X1-1/4	2
13	1-512-010005-03	NUT HEX LOCK GRB 5/16-18	2
14	1-861-010032-09	WASHER FLAT 5/16	2
15	1-297-010022-03	FITTING AIR 1-14 ANCHOR COUPLING	1
16	1-297-010033-03	FITTING BRASS PLUG HEX 3/8	1
17	1-297-010015-10	FITTING AIR MALE RUN TEE 1/2X3/8	1
18	2089-6-6S	FITTING AIR 90 3/8X1/2	1
19	2-181-010001	HOSE CLAMP	5
20	1-510-010001	NUT 3/8-16 FLANGE LOCK	5
21	3-843-010038	VALVE AIR RELAY FAST AIR BAL (NO PARTS BREAKDOWN)	1
22	2081-8-6S	REDUCER 1/2 X 3/8	2
23	1-297-010007-12	FITTING, AIR 3/8 X 3/8	1

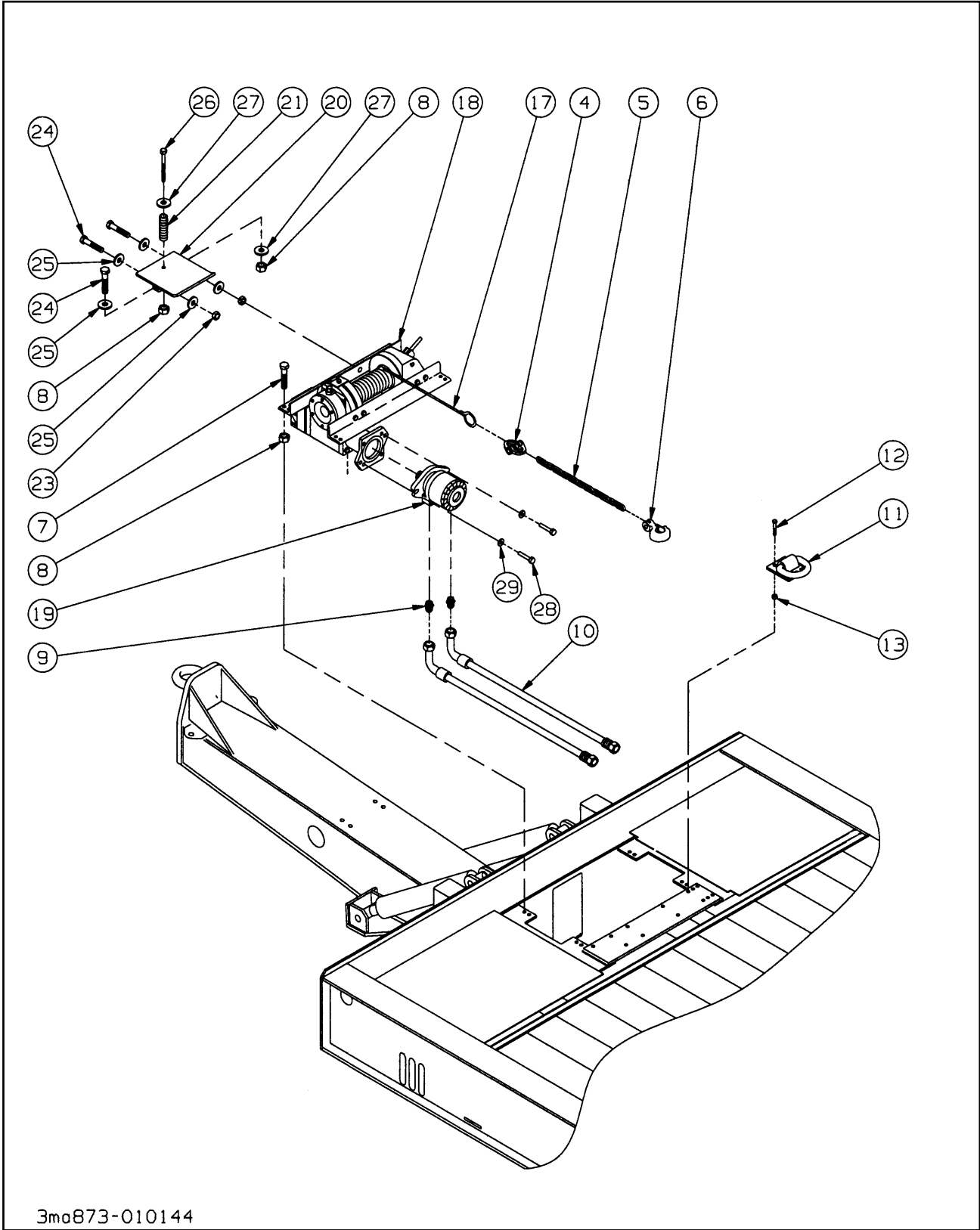


Figure 1-27 Winch Installation

WINCH INSTALLATION

ITEM	PART NO.	DESCRIPTION	QTY
	3-873-010165	WINCH INSTALLATION, 12,000 LB(ITEMS 4-10)	
	3-793-010041	TIE DOWN INST., WINCH D-RING OPT.(ITEMS 11-17)	
	3-873-010126-2	WINCH ASSY 12,000 LB PARKER(ITEMS 18-30)	1
4	3-174-010038	CHAIN LINK CONNECTING 1/2	1
5	3-174-010039036	CHAIN 1/2X36 GR7	1
6	7HCGHT500	1/2 CLEVIS GRAB HOOK	1
7	1-654-010055-03	SCREW HEX HEAD CAP 1/2-13X1-1/2 GR5	8
8	1-512-010005-09	NUT HEX LOCK 1/2-13 GRB	9
9	202702-10-8S	ADAPTER #10 O-RING #8 TUBE	2
10	1-397-010302050	HOSE ASSEMBLY	2
11	3-793-010040	TIE DOWN WINCH	1
12	1-654-010055-05	SCREW HEX HEAD CAP 1/2-13X2 GR5	6
13	1-512-010005-09	NUT HEX LOCK 1/2-13 GRB	7
17	3-155-010017-1	CABLE 1/2 W/ LOOP 60	1
	3-155-010017-4	CABLE 1/2 W/ LOOP 85	1
18	3-873-010122	WINCH WORM GEAR(SEE PAGE 1-51)	1
19	3-481-010006	MOTOR HYDRAULIC(SEE PAGE 1-53)	1
20	3-873-010124	WINCH TENSIONER WELDMENT	1
21	3-720-010010	SPRING COMP LEVEL WIND	1
23	1-512-010005-05	NUT HEX LOCK 3/8-16 GRB	3
24	1-654-010051-06	SCREW HEX CAP 3/8-16 X 1-1/4 GR5	3
25	1-861-010032-10	WASHER FLAT 3/8	6
26	1-654-010055-16	SCREW HEX HEAD CAP 1/2-13X5-1/2 GR5	1
27	1-861-010032-15	WASHER FLAT 1/2	1
28	1-654-010055-04	SCREW HEX HEAD CAP 1/2-13X1-3/4 GR5	2
29	1-861-010034-13	WASHER SPLIT LOCK 1/2	2
30	100600	DECAL, WARNING, WINCH (NOT SHOWN)	1

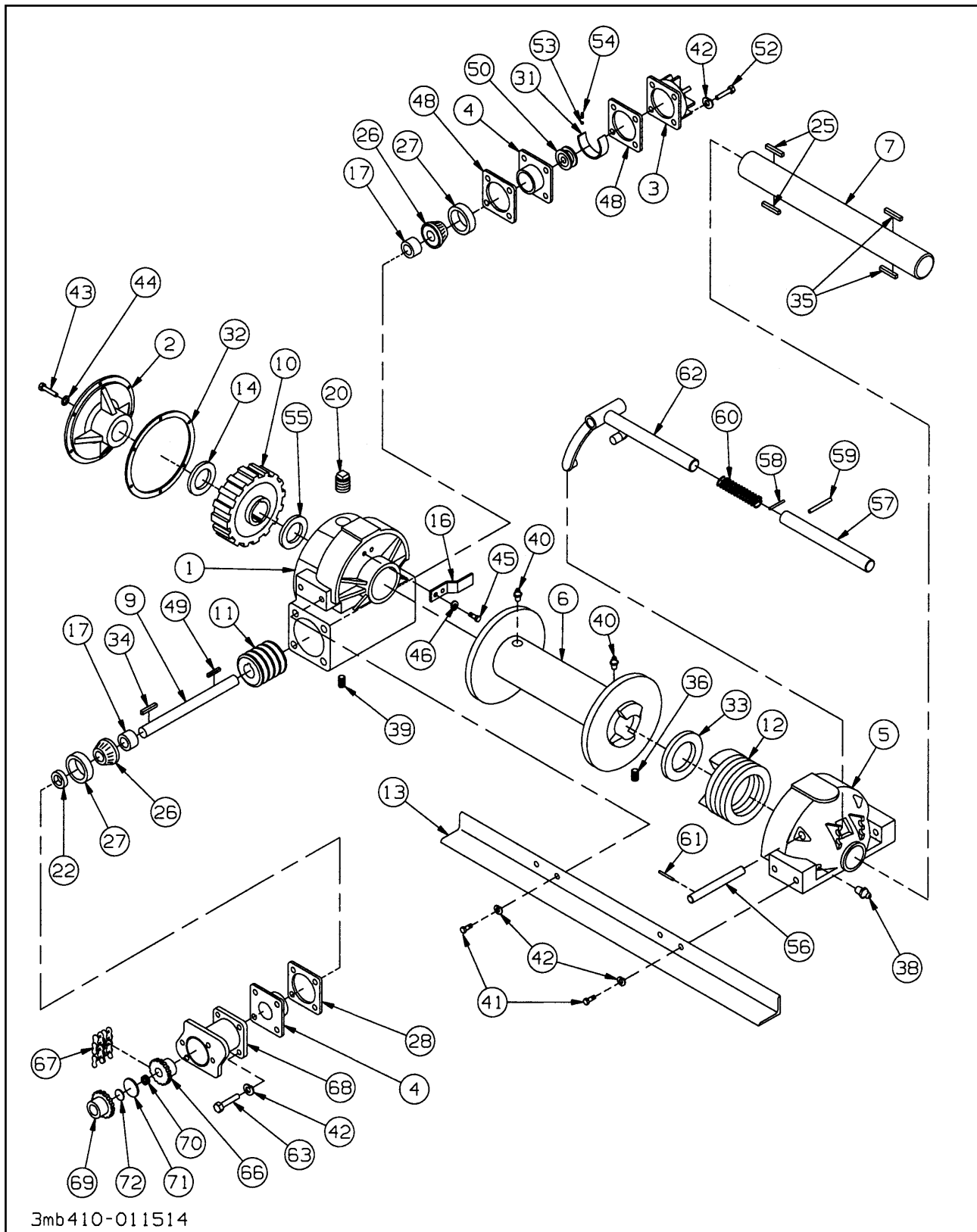


Figure 1-28 12,000 # Winch Items

12,000 # WINCH ITEMS

ITEM	PART NO.	DESCRIPTION	QTY
	3-873-010122	WINCH ASSEMBLY 12K	
1	81006	WORM HOUSING ASSEMBLY(INCLUDES ITEM 18)	1
2	81009	COVER ASSY WORM HOUSING(INCLUDES ITEM 19)	1
3	18032	HOUSING SAFETY BRAKE	1
4	23303	CONTAINER BEARING	2
5	81530	LEG ASSEMBLY BEARING(INCLUDES ITEM 47)	1
6	11128	DRUM CABLE	1
7	11129	DRUM SHAFT CABLE	1
9	23470	SHAFT WORM	1
10	11144	GEAR WORM LEFT HAND	1
11	11142	WORM LEFT HAND	1
12	18039	SLIDING CLUTCH	1
13	22752	ANGLE BASE	2
14	13680	THRUST RING	1
16	81025	BRAKE DRAG	1
17	11308	SPACER WORM	2
18	18078	BUSHING	1
19	11368	BUSHING	1
20	22775	PLUG PIPE	1
21	18009	PLUG PIPE	1
22	18026	SEAL GREASE	2
25	11117	KEY WORM GEAR	2
26	18015	CONE BEARING	2
27	18016	CUP BEARING	2
28	18027	GASKET	3
31	21925	BAND BRAKE	1
32	11133	WORM HOUSING COVER GASKET	3
33	18019	RETAINER RING	1
34	18030	KEY WORM	1
35	18020	KEY CLUTCH	2
36	24032	SETSCREW	1
38	18047	FITTING GREASE	1
39	19045	PLUG PIPE	1
40	11799	FITTING GREASE	2
41	21961	CAPSCREW	12
42	18003	WASHER LOCK	16
43	11767	CAPSCREW	6
44	11011	WASHER LOCK	6
45	13005	CAPSCREW	2
46	12780	WASHER LOCK	2
47	18078	BUSHING	1
48	18024	BEARING CONTAINER GASKET	3
49	10078	KEY	1
50	18028	DRUM BRAKE	1
51	12075	SCREWSET	1
52	22703	CAPSCREW	4
53	13468	JAM NUT	4
54	18029	BRAKE BAND SPRING	1
55	11240	RETAINER RING	1
56	11130	SHIFTER SHAFT	1

12,000 # WINCH ITEMS

ITEM	PART NO.	DESCRIPTION	QTY
57	12817	SHIFTER HANDLE	1
58	18056	ROLL PIN	1
59	13028	ROLL PIN	1
60	18002	SPRING	1
61	11837	ROLL PIN	2
62	13829	SHIFTER FORK	1
63	22704	CAPSCREW	4
65	18044	KEY	1
66	23081	COUPLING HALF (WORM SHAFT)	1
67	13424	ROLLER CHAIN	1
68	23079	MOTOR ADAPTER	1
69	23083	COUPLING HALF (MOTOR SHAFT)	1
70	23353	SPRING	1
71	23078	SPACER	1
72	23085	SPACER	1

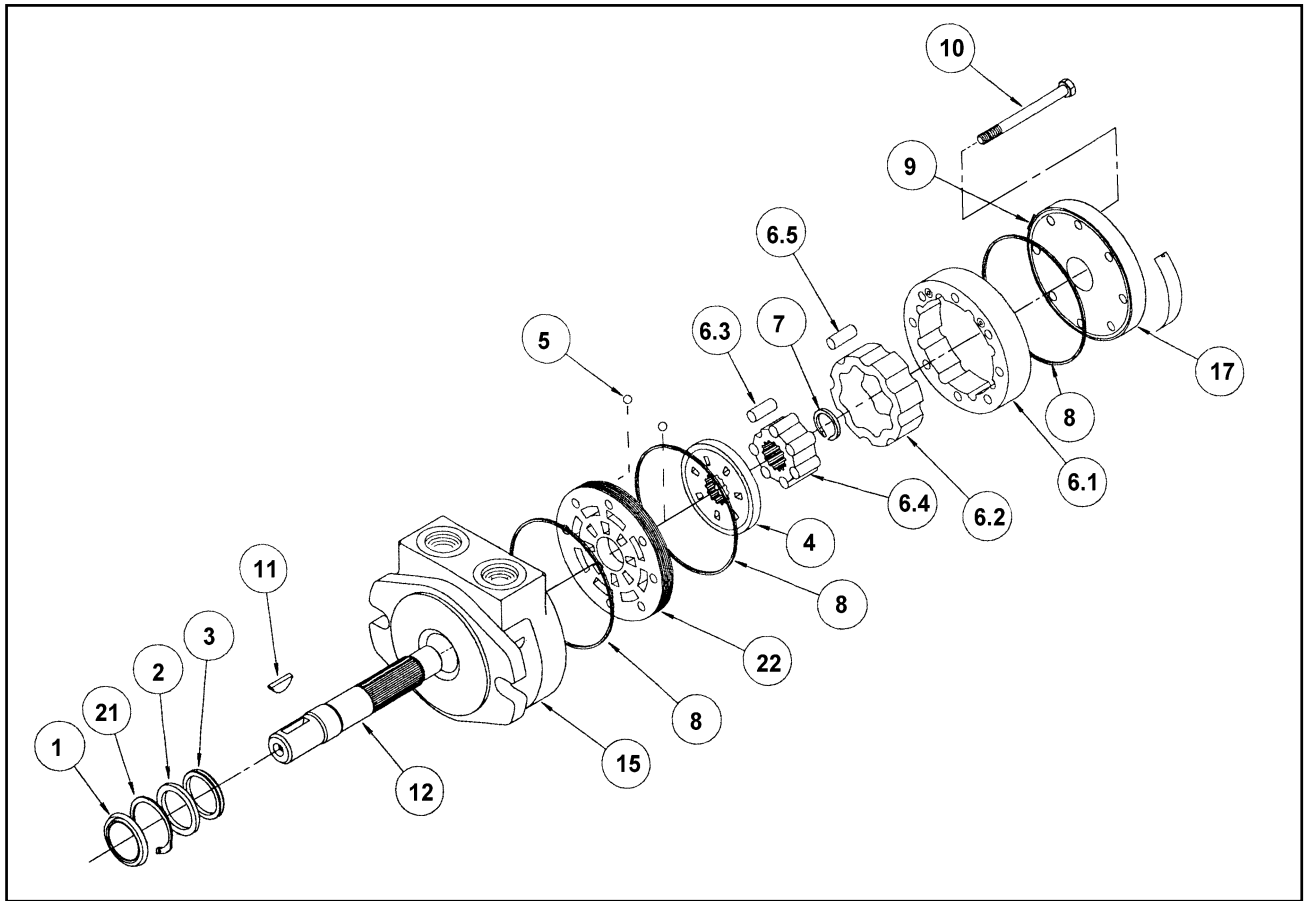


Figure 1-29 Winch Motor Assembly

WINCH MOTOR ASSEMBLY

ITEM	PART NO.	DESCRIPTION	QTY
	3-481-010006	MOTOR HYD (FOR 12K WINCH)	1
1	2183	SEAL DUST	1
2	2177	BACK-UP RING	1
3	2175	SEAL, LIP	1
4	1644	ROTARY VALVE	1
5	1021	CHECK VALVE BALL	2
*6	1004-3	IGR ASSEMBLY	1
7	1296	SNAP RING	1
8	1046	SQUARE RING SEAL	3
9	1019-4	PLUG, VENT W/O-RING 7/16-20	1
10	1114-5	BOLTS, HEX 5/16-24	8
11	1655	KEY, WOODRUFF	1
12	2109-3	SHAFT, 1" KEYED	1
15	PA-2328-2	BODY/BEARING ASSY	1
17	M110C-1	COVER/BEARING ASSY	1
21	2180	SNAP RING, SHAFT	1
22	1865	COMMUNTATOR PLATE	1
23	2263	SEAL KIT, BODY	1

* ITEM 6 INCLUDES BALLOONS 6.1, 6.2, 6.3, 6.4, AND 6.5 ON DRAWING.

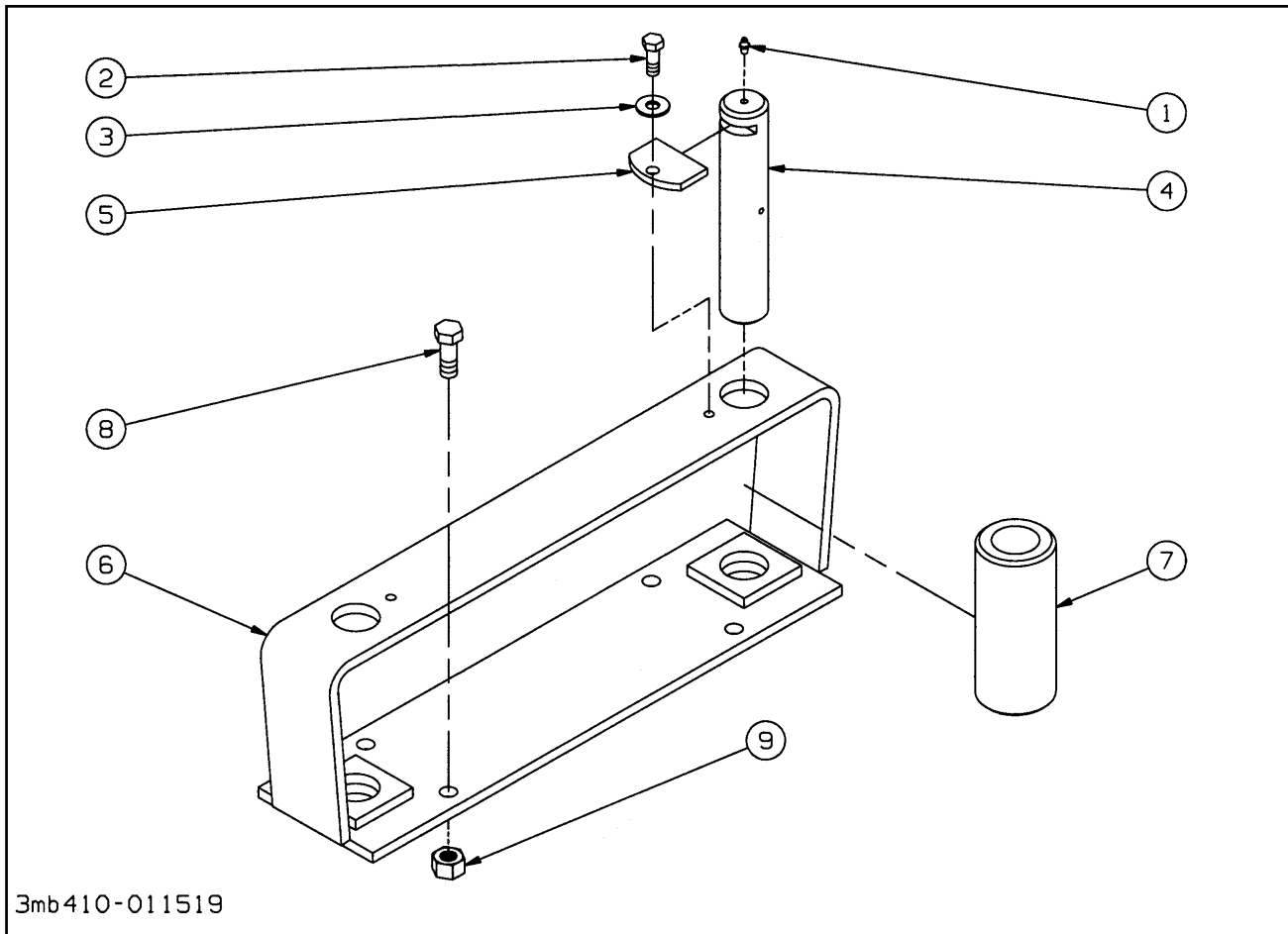
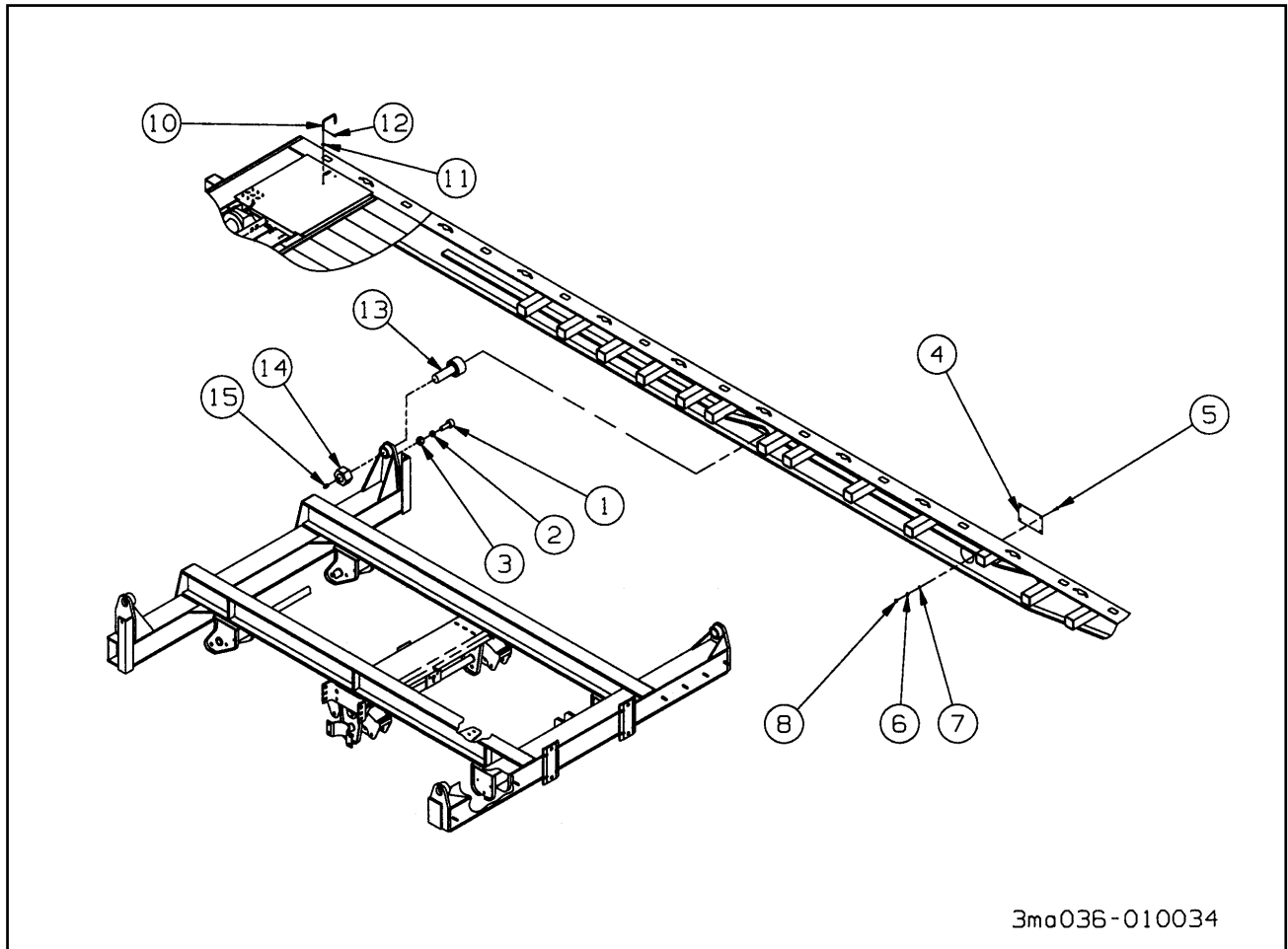


Figure 1-30 Winch Cable Roller Guide(Optional)

WINCH CABLE ROLLER GUIDE (OPTION)

ITEM	PART NO.	DESCRIPTION	QTY
	3-352-010017-1	GUIDE INSTALLATION WINCH CABLE 12K	
1	1-298-010001-1	FITTING GRS 1/4-28 STR SHORT	2
2	1-654-010051-03	SCREW HEX HEAD CAP 3/8-16 X 3/4 GR5	2
3	1-861-010034-11	WASHER SPLIT LOCK 3/8	2
4	3-557-010383	PIN CABLE GUIDE ROLLER	2
5	3-565-010770	PLATE CABLE GUIDE LOCK	2
6	3-120-010295	BRACKET WLDMT 12K ROLLER	1
7	3-645-010049	ROLLER WINCH CABLE GUIDE	2
8	1-654-010055-05	SCREW HEX HEAD CAP 1/2-13 X 2 GR5	4
9	1-512-010005-09	NUT HEX LOCK 1/2-13 GRB	4
	3-352-010015-1	GUIDE ASSY WINCH CABLE 12K (INCL. ITEMS 1-7)	1



3ma036-010034

Figure 1-31 Attachments

ATTACHMENTS

ITEM	PART NO.	DESCRIPTION	QTY
	3-036-010034	ATTACHMENTS 345A	
1	3-076-010006	CAM FOLLOWER 1-1/2"	2
2	RRT159X0.5	TUBE ROUND 1X11/16X1/2	2
3	5/8-18HFN	NUT HEX 5/8-18	2
4	3-311-010835	COVER ROLLER OPENING	2
5	1/4-20X3/4CB	SCREW RD HEAD SQ NECK 1/4-20X3/4 GR2	12
6	1-861-010032-07	WASHER FLAT 1/4	12
7	1-861-010034-09	WASHER SPLIT LOCK 1/4	12
8	1-512-010007-05	NUT HEX GRB 1/4-20	12
9	#242 LOCKTITE	LOCKTITE BLUE REMOVABLE	AR
10	3-360-010014	HANDLE TOOL COMP	1
11	1-861-010032-11	WASHER FLAT 3/8	2
12	1-557-010362-40	PIN COTTER 5/32X1-1/4	2
13	3-076-010005	BEARING 4 INCH CAMFOLLOWER	2
14	2-12 HFN	NUT HEX 2-12	2
15	5029	ZERK FITTING	2

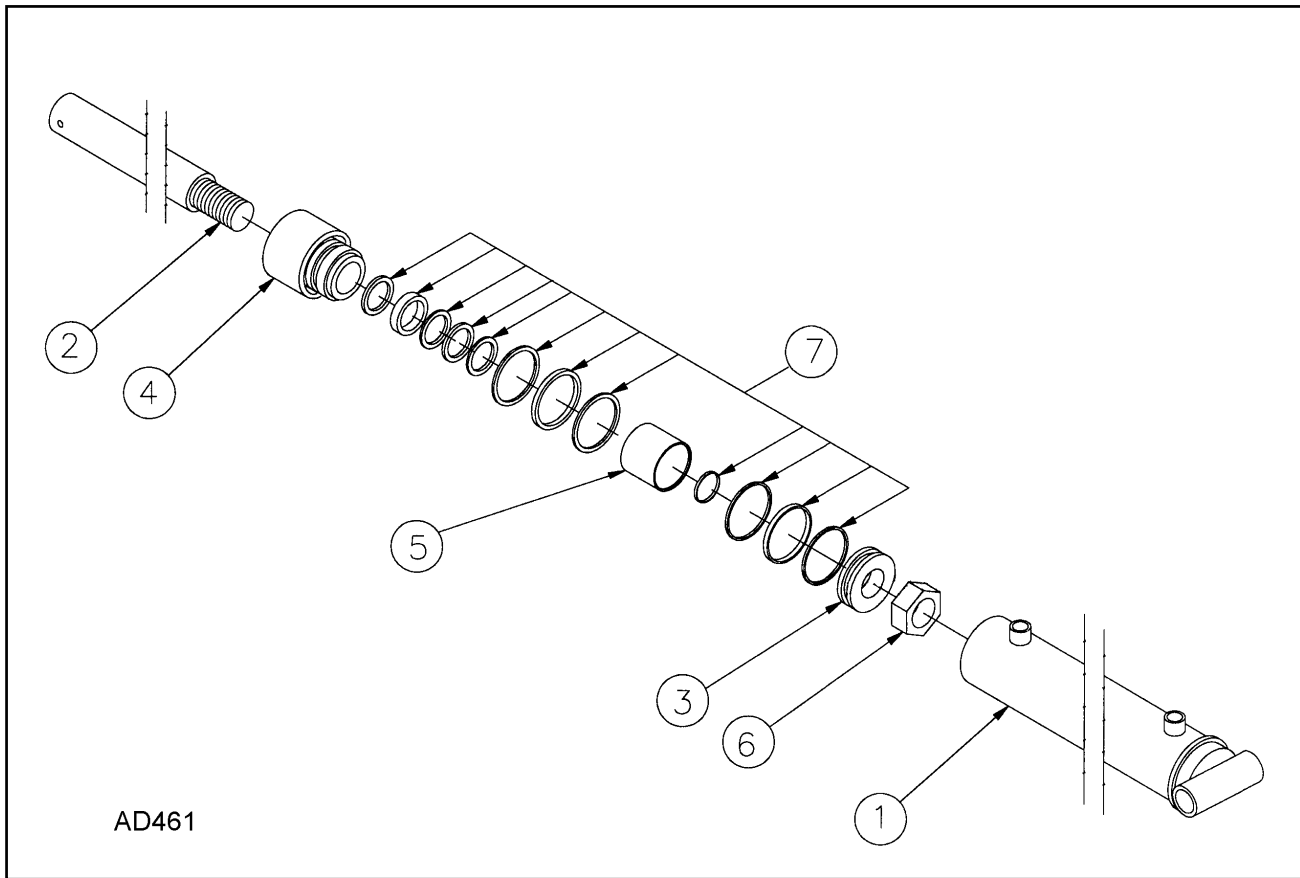


Figure 1-32 Cylinder, Hydraulic 4 X 126

CYLINDER, HYDRAULIC 4 X 126

ITEM	PART NO.	DESCRIPTION	QTY
	3-242-010102	CYLINDER, HYDRAULIC 4 X 126 (STD LOAD ANGLE)	
1	*	BUTT AND TUBE ASSY (ALTERED PER 3-242-010102)	1
2	011300179	PISTON ROD	1
3	071900195	PISTON	1
4	081900277	GLAND	1
5	211300024	SPACER	1
6	220000212	LOCKNUT (1-1/4-12)	1
7	240000026	O-RING	1
8	240000342	O-RING	2
9	240000333	O-RING	1
10	240005342	BU-WASHER	3
11	240005333	BU-WASHER	2
12	240020015	U-CUP	1
13	230007400	SQUARE RETAINING RING	1
14	250002213	WIPER	1
15	200013106	SAE ORB PLUG	2
	PMCK-AD-461	PACKING KIT (INCLUDES ITEMS 7-14) (CONTAINS ALL NECESSARY SEALS AND O-RINGS)	1

* PART NOT SOLD SEPARATELY. REQUIRES PURCHASE OF ENTIRE ASSEMBLY.

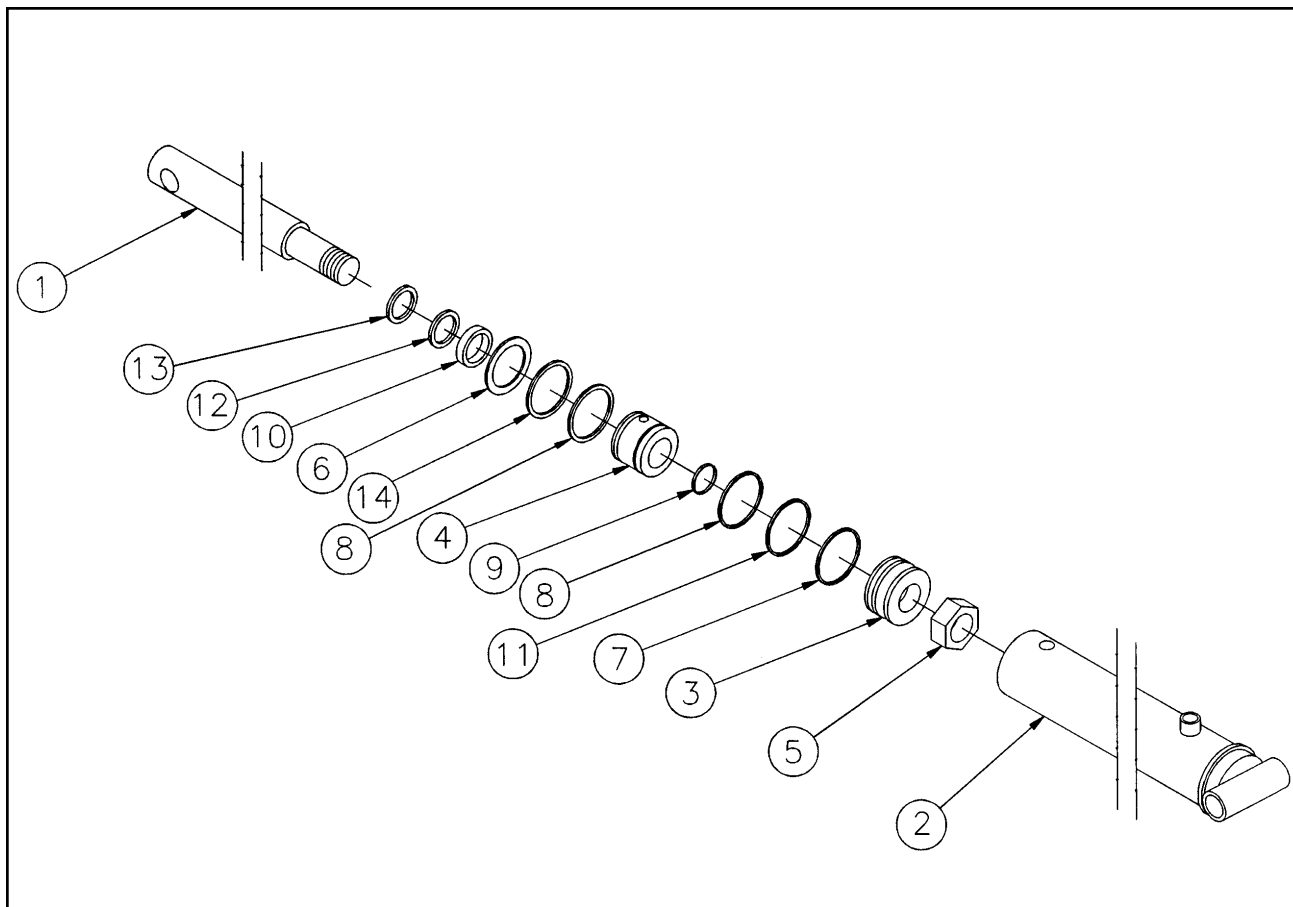


Figure 1-33 Cylinder, Hydraulic 4 X 24

CYLINDER, HYDRAULIC 4 X 24

ITEM	PART NO.	DESCRIPTION	QTY
	PMC5624	CYLINDER, HYDRAULIC 4 X 24	
	104088	CYLINDER 4X20-1/4	2
1	011100075	PISTON ROD	1
2	061900039	BUTT AND TUBE ASSEMBLY	1
3	071900019	PISTON	1
4	081900019	GLAND	1
5	220000212	LOCKNUT (1/4-12)	1
6	230001400	SNAP RING	1
7	240004008	PISTON RING	1
8	240000342	O-RING	2
9	240000026	O-RING	1
10	240010329	QUAD RING	1
11	240034342	BU-WASHER	2
12	240005329	BU-WASHER	1
13	250001329	WIPER	1
14	240061342	BU-WASHER	1
	PMCK-5600	PACKING KIT (ITEMS 8-14) (CONTAINS ALL NECESSARY SEALS AND O-RINGS)	

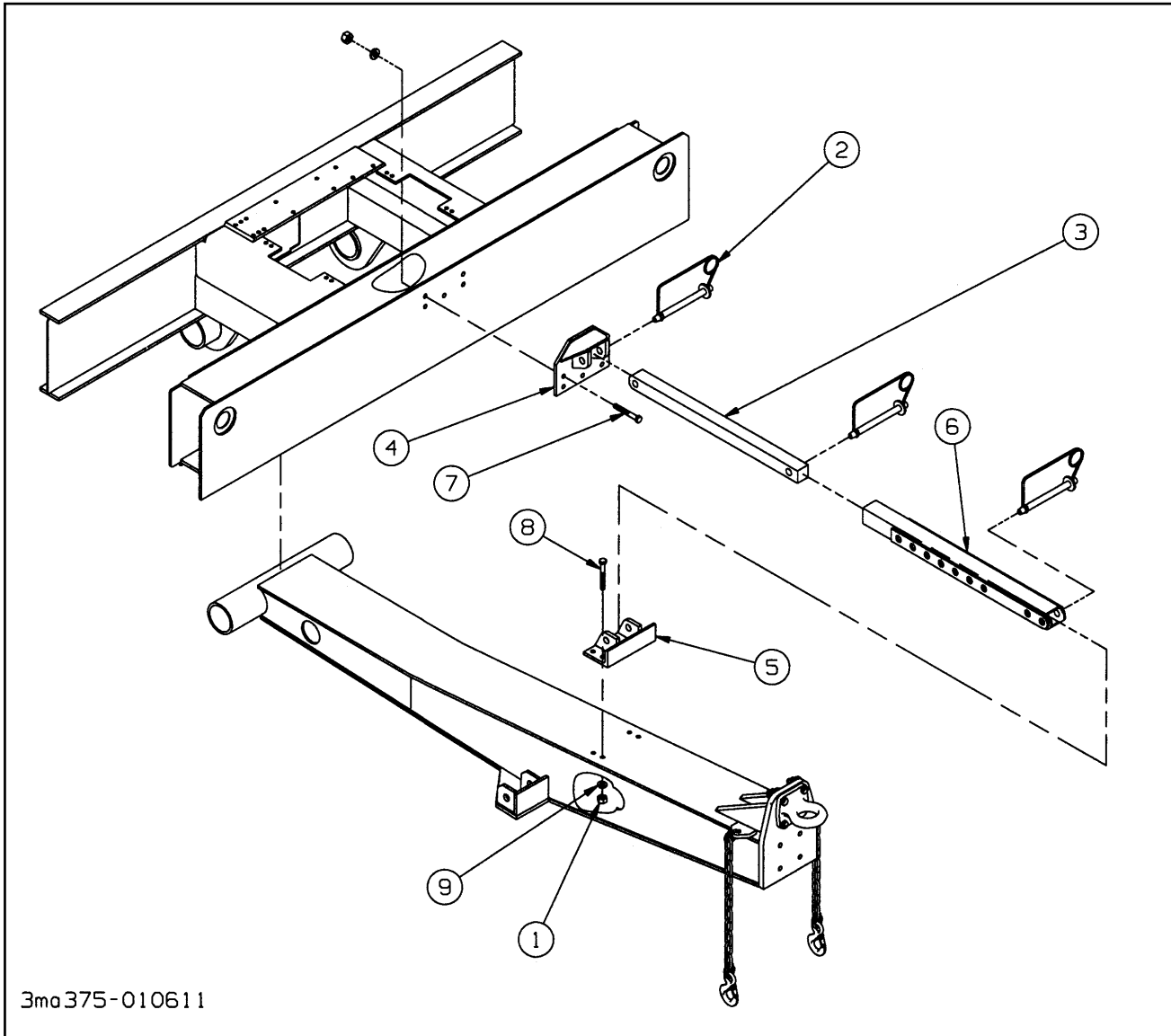


Figure 1-34 Hitch Lock Installation (Option)

HITCH LOCK INSTALLATION (OPTION)

ITEM	PART NO.	DESCRIPTION	QTY
	3-375-010611	HITCH LOCK INSTALLATION	
1	1-512-010007-11	NUT HEX 3/8-11 GR2	9
2	100SL	LOCK HITCH PIN 1X5-1/2	3
3	3-311-015070	SHAFT TILT LOCK	
4	3-311-015074	MOUNT WELDMNT UPPER	1
5	3-311-015075	MOUNT WELDMNT LOWER	1
6	3-311-015078	TUBE WELDMNT TILT LOCK	1
7	1-654-010059-04	SCREW HEX HEAD CAP 5/8-11X1-3/4 GR5	5
8	1-654-010059-05	SCREW HEX HEAD CAP 5/8-11X2 GR5	4
9	1-861-010034-15	WASHER SPLIT LOCK 5/8	9

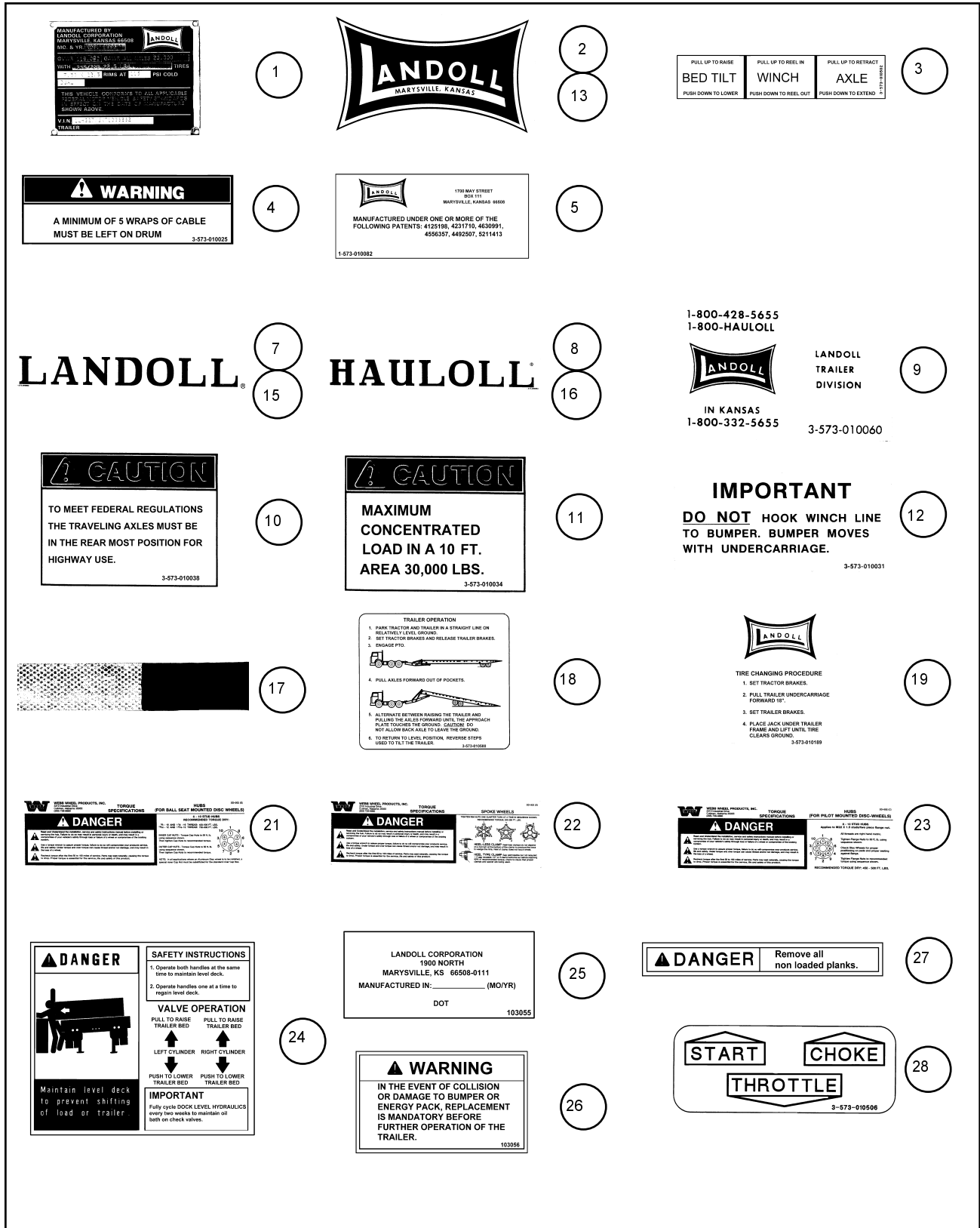


Figure 1-35 Decals

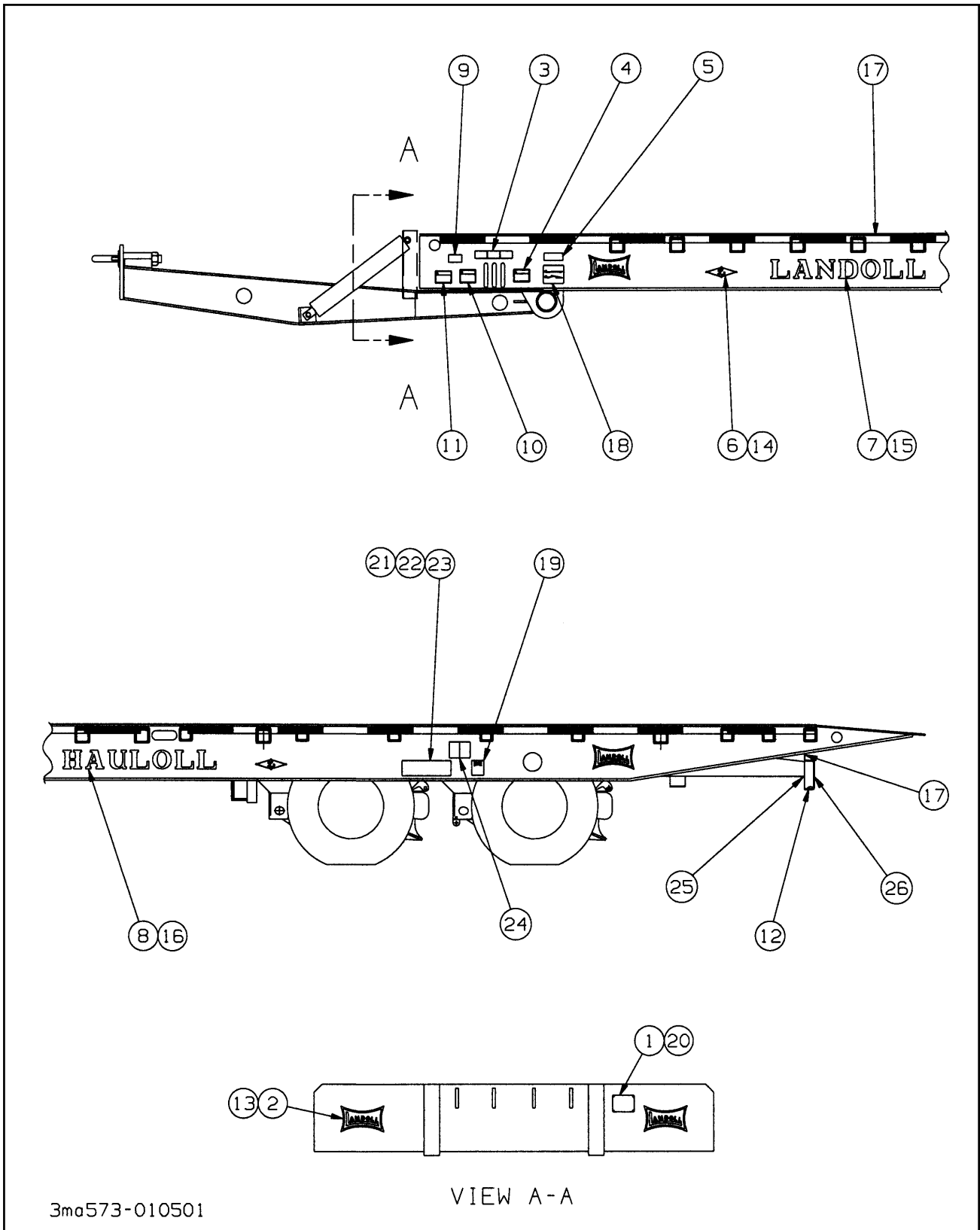


Figure 1-36 Decal Installation

DECAL INSTALLATION

ITEM	PART NO.	DESCRIPTION	QTY
	3-573-010501-01	DECAL INSTALLATION BLACK	
	3-573-010501-02	DECAL INSTALLATION WHITE	
1	3-573-010020	IDENTIFICATION PLATE	1
2	1-573-010476	DECAL BOW TIE (BLACK)	*6, -
3	3-573-010502	DECAL INSTRUCTION CONTROL	1
4	3-573-010025	DECAL WINCH WARNING	1
5	1-573-010082	DECAL PATENT TRAILERS	2
6	1-573-010475	DECAL "L" (BLACK) (PRIOR 7/00)	*4, -
7	3-573-010048	DECAL LANDOLL BLACK 5"	*2, -
8	113517	DECAL 345 BLACK 5"	*2, -
9	3-573-010060	DECAL TOLL FREE NUMBER	1
10	3-573-010038	DECAL CAUTION	1
11	3-573-010034	DECAL CONCENTRATED LOAD 30,000 LBS	2
12	3-573-010031	DECAL BUMPER	1
13	1-573-010480	DECAL BOW TIE (WHITE)	*-, 6
14	1-573-010479	DECAL "L" (WHITE) (PRIOR 7/00)	*-, 4
15	3-573-010049	DECAL LANDOLL WHITE 5"	*-, 2
16	113516	DECAL 345 WHITE 5"	*-, 2
17	3-573-010377	DECAL 2" REFLEXITE TAPE	800"
18	3-573-010500	DECAL OPERATION 2-AXLE	1
19	3-573-010189	DECAL TIRE CHANGING PROCEDURE	2
20	10036	FASTENER SERIAL NUMBER PLATE (NOT SHOWN)	4
21	3-573-010211	DECAL TORQUE SPEC 6-10 STUD HUB	REF
22	3-573-010209	DECAL TORQUE SPEC SPOKE WHEEL	REF
23	3-573-010210	DECAL TORQUE SPEC 8-10 STUD HUB	REF
24	3-573-010202	DECAL DANGER	1
25	103055	DECAL ENERGY BUMPER CERTIFICATION	1
26	103056	DECAL ENERGY BUMPER WARNING	1
27	101268	DECAL DANGER PLANK	REF
28	3-573-010506	(SEE PAGE 1-63 FOR LOCATION) DECAL, ENGINE CONTROLS (SEE PAGE 1-68 FOR LOCATION)	REF
29	3-573-010042	DECAL, FRONT STRIPE WHITE	2
	3-573-010040	DECAL, FRONT STRIPE BLACK	2
30	3-573-010043	DECAL, REAR STRIPE WHITE	2
	3-573-010041	DECAL, REAR STRIPE BLACK	2

* FIRST QUANTITY LISTED IS FOR P/N 3-573-010501-01; SECOND QUANTITY LISTED IS FOR P/N 3-573-010501-02

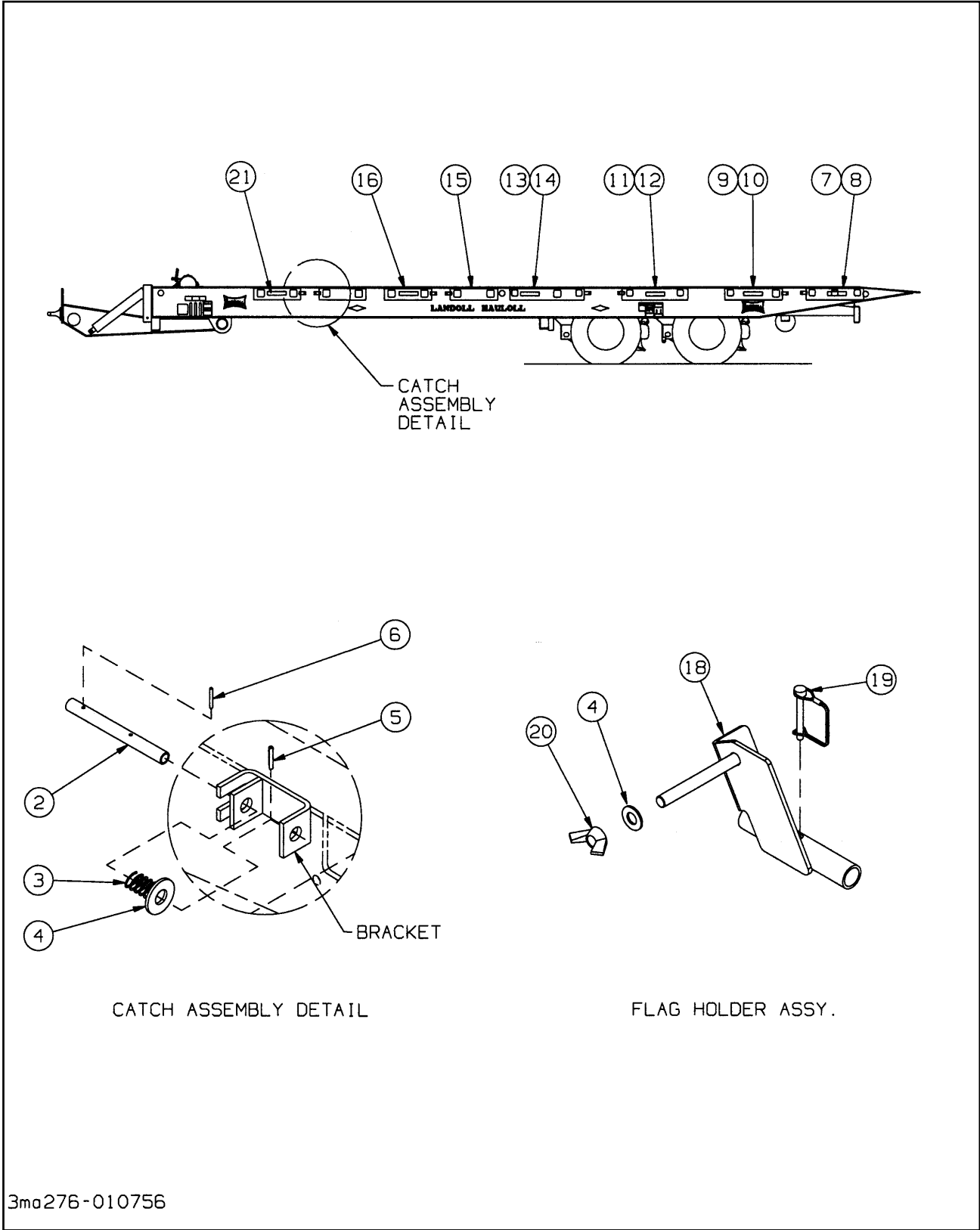
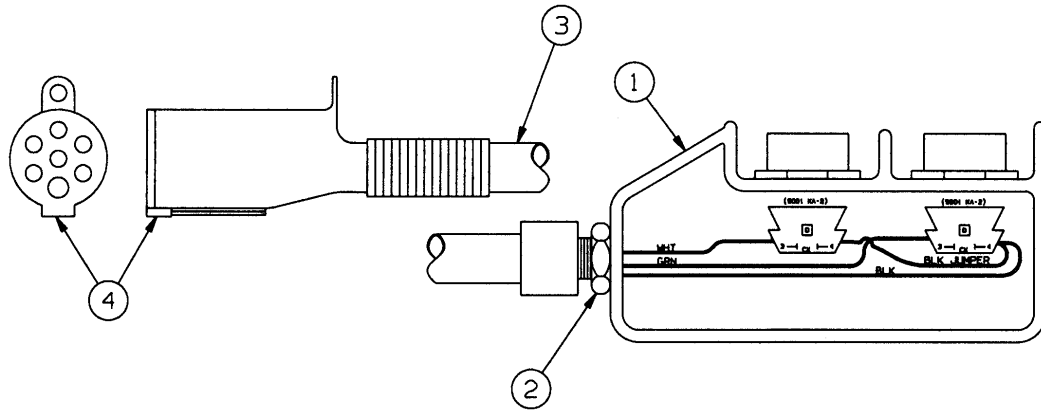


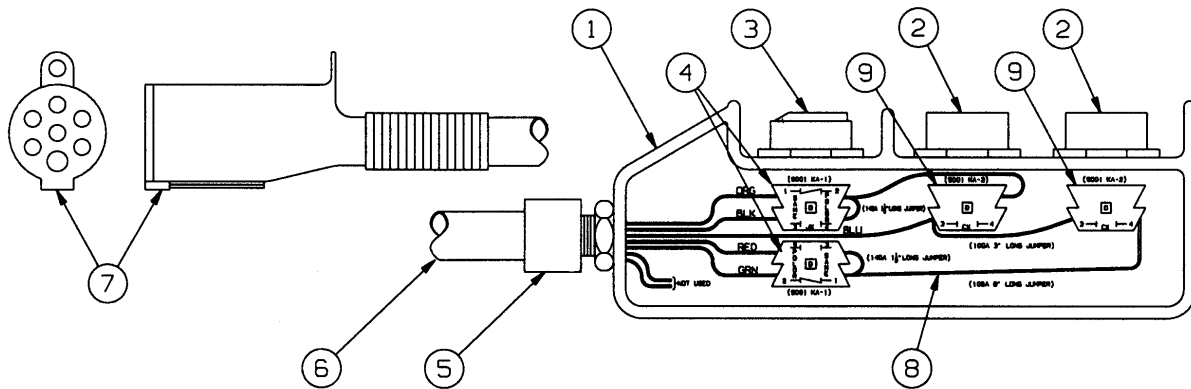
Figure 1-37 Extension Installation

EXTENSION INSTALLATION (OPTION)

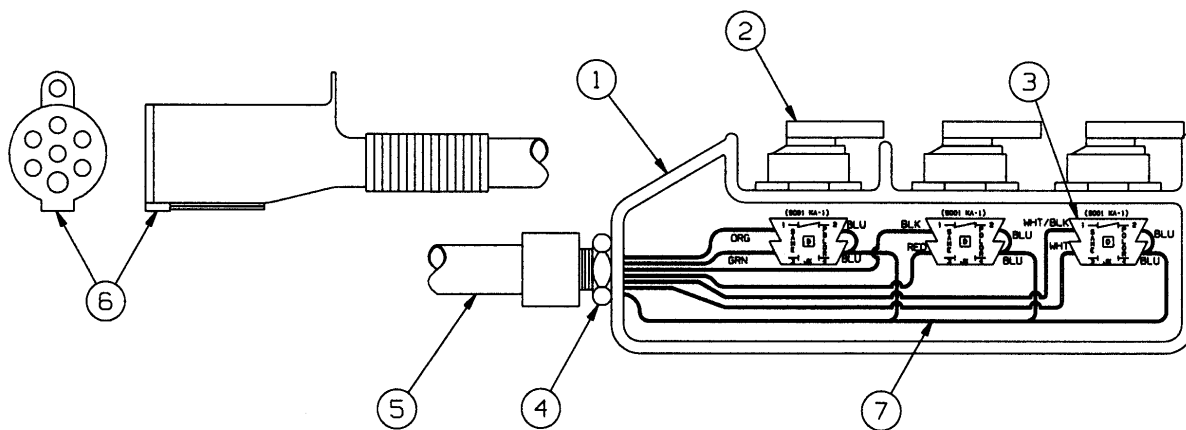
ITEM	PART NO.	DESCRIPTION	QTY
	3-276-010756-1	EXTENSION INSTALLATION 345 PULLOUTS	
2	3-557-010375	PIN SLIDE LOCK	16
3	CO-975-74-2000	SPRING COMPRESSION	16
4	1-861-010032-15	WASHER FLAT 1/2	16
5	1-647-010004117	ROLL PIN 1/8X1	16
6	0600-250-03000	ROLL PIN 1/4X3	16
7	3-276-010749	EXTENSION LEFT HAND PULL-OUT 28/ 3 TUBE	1
8	3-276-010748	EXTENSION RIGHT HAND PULL-OUT 28/ 3 TUBE	1
9	3-276-010751	EXTENSION LEFT HAND PULL-OUT 28	1
10	3-276-010750	EXTENSION RIGHT HAND PULL-OUT 28	1
11	3-276-010716	EXTENSION LEFT HAND PULL-OUT 32	1
12	3-276-010754	EXTENSION RIGHT HAND PULL-OUT 32	1
13	3-276-010753	EXTENSION LEFT HAND PULL-OUT 36/ 3 TUBE	1
14	3-276-010752	EXTENSION LEFT HAND PULL-OUT 36/3 TUBE	1
15	3-276-010715	EXTENSION LEFT HAND PULL-OUT 23	4
16	3-276-010755	EXTENSION RIGHT HAND PULL-OUT 23	4
17	3-573-010377	DECAL 2" REFLEXITE TAPE	432
18	101062	BRACKET FLAG HOLDER	6
19	516-22PTL	RETAINING PIN MUD FLAP	6
20	1-533-010001	NUT, WING 1/2	6
21	101268	DECAL DANGER PLANK	12



SINGLE FUNCTION REMOTE



DUAL FUNCTION REMOTE



TRIPLE FUNCTION REMOTE

3mb410-011470

Figure 1-38 Wired Remote Control

WIRED REMOTE CONTROL, SINGLE (OPTION)

ITEM	PART NO.	DESCRIPTION	QTY.
	3-765-010001	SWITCH REMOTE CONTROL ASSY	
1	3-209-010003	PUSH BUTTON STATION	1
A	9001-BW70YU	CONTROL STATION SQD(CONTACT BLKS INCL)	1
B	9001-B256	REVERSE LEGEND	1
C	9001-B255	FORWARD LEGEND	1
2	DB-10	STRAIN RELIEF CORD CONN.	1
3	3-156-010007	THREE CONDUCTOR WIRE	50
4	59P8	TRAILER CONN PLUG	1

WIRED REMOTE CONTROL, DUAL (OPTION)

ITEM	PART NO.	DESCRIPTION	QTY.
	3-209-010004-01	CONTROL ELECT DUAL FUNC. RMT	
1	3-279-010037	ENCLOSURE DUAL REMOTE	1
2	3-272-010080	ELECTRICAL PUSH BUTTON UNITS	2
3	3-272-010079	ELECTRICAL CONTACT OPERATOR	1
4	3-272-010078	ELECTRICAL CONTACT BLOCK	2
5	106-0079	CONNECTOR	1
6	3-156-010043	CABLE	50
7	59P8	TRAILER CONN PLUG	1
8	1-879-010011	WIRE BLACK	2
9	3-272-010095	ELECTRICAL CONTACT BLOCK	2

WIRED REMOTE CONTROL, TRIPLE (OPTION)

ITEM	PART NO.	DESCRIPTION	QTY.
	3-209-010006-01	CONTROL REMOTE WINCH/TILT/U/C	
1	3-279-010037	ENCLOSURE DUAL REMOTE	1
2	3-272-010121	ELECT. CONT. OPER. 3 WAY	3
3	3-272-010078	ELECTRICAL CONTACT BLOCK	3
4	106-0079	CONNECTOR	1
5	3-156-010043	CABLE	50
6	59P8	TRAILER CONN PLUG	1
7	1-879-010008	WIRE BLUE	2

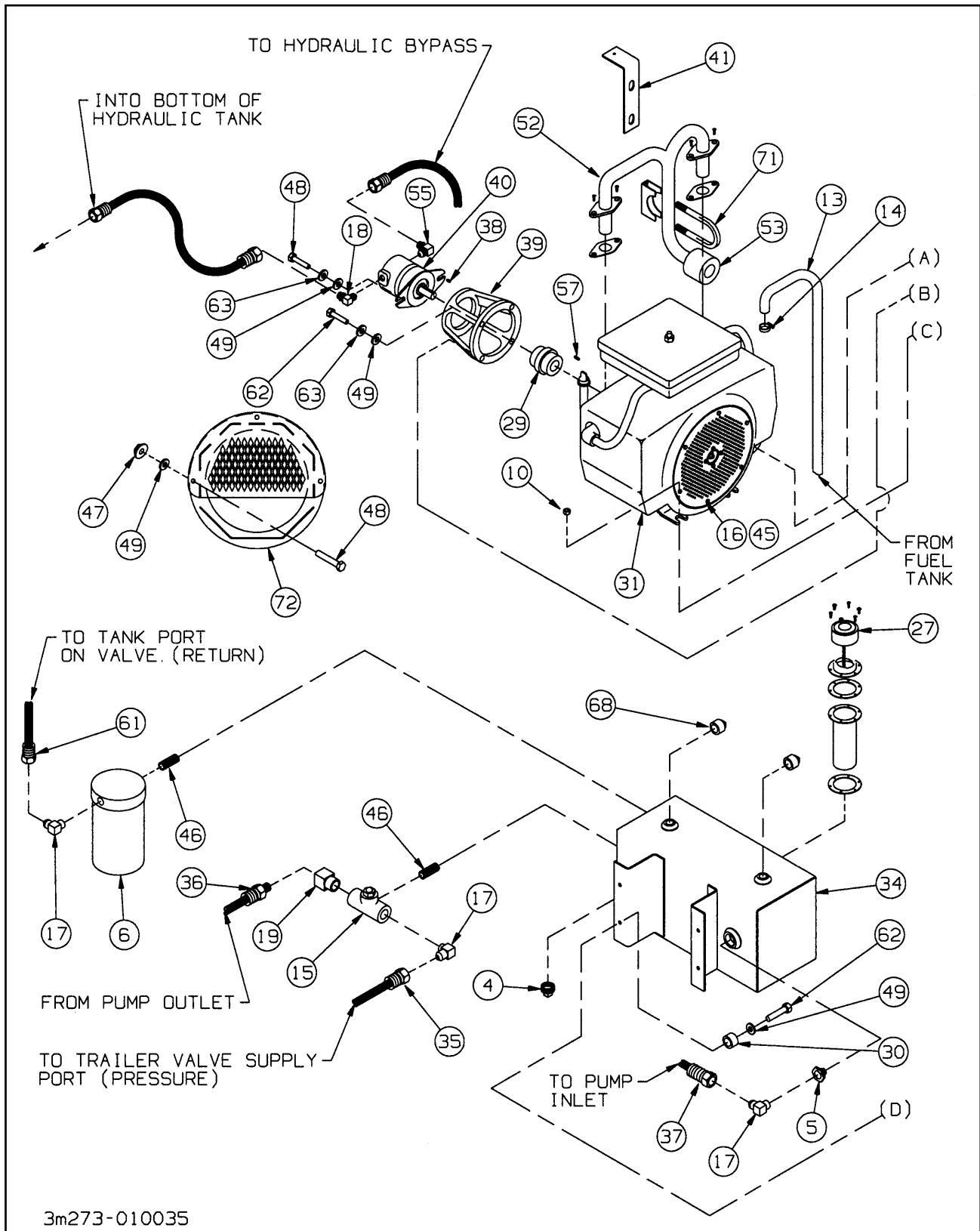
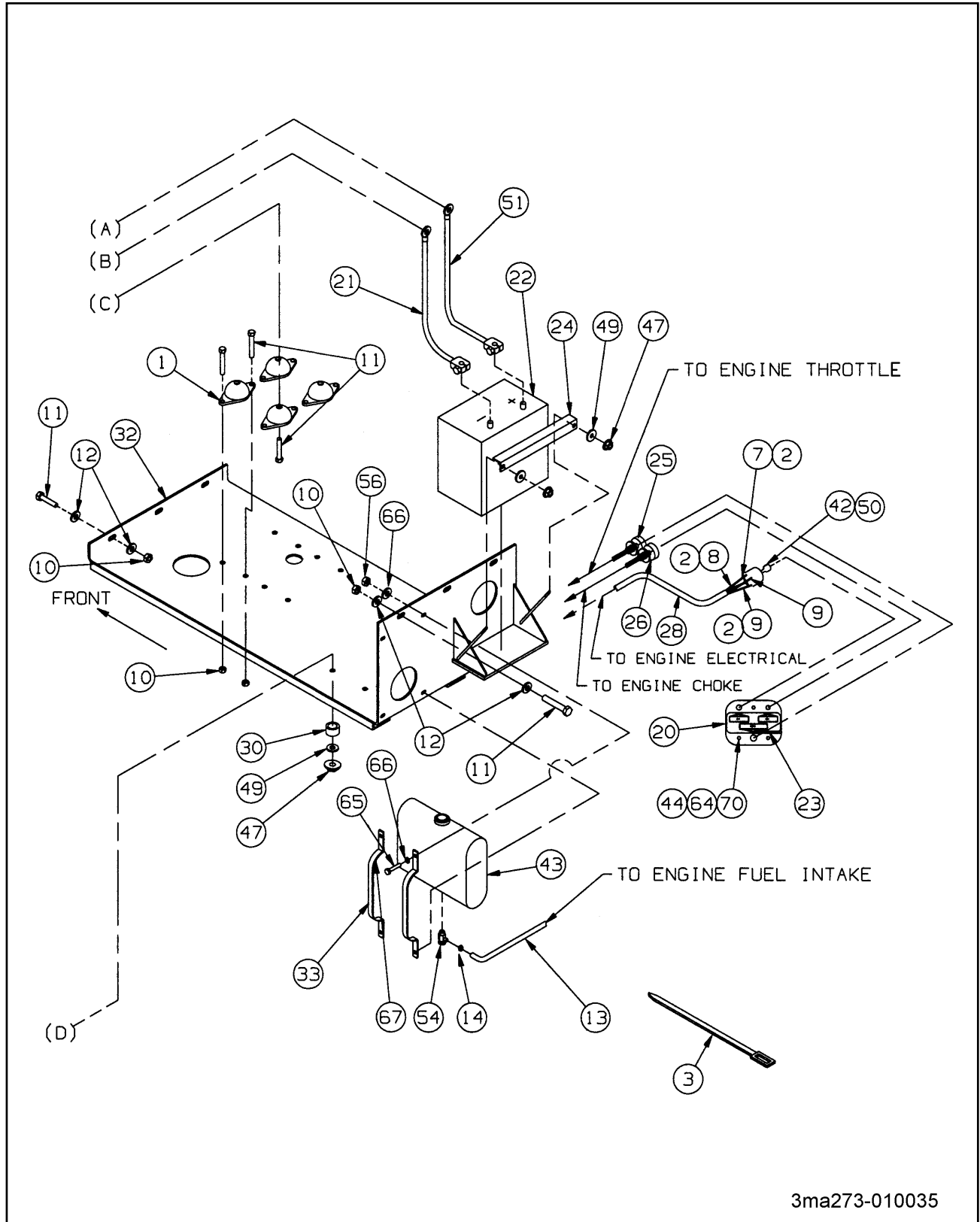


Figure 1-39 Engine Drive, 20 HP (1 of 2)



3ma273-010035

Figure 1-40 Engine Drive, 20 HP (2 of 2)

ENGINE DRIVE, 20HP

ITEM	PART NO.	DESCRIPTION	QTY.	
	3-273-010035	ENGINE DRIVE, 20HP	*	
	3-273-010035-01	ENGINE DRIVE, 20HP SUB-ASSEMBLY		*
1	CA-1595	MACHINE MOUNT 40 DUROMETER	-	4
2	3-203-010001	RING TERMINAL 3/16 16-14	3	-
3	1-796-010003-02	TIE STRAP, PLASTIC	10	10
4	1-560-010002-07	PLUG, PIPE 1-1/4X11-1/2	-	1
5	1-1/4X3/4BUSH	BUSHING, BLACK PIPE	-	1
6	1-295-010001	FILTER, RETURN LINE	-	1
	1-295-010002	REPLACEMENT, FILTER ONLY		
7	1-879-010004	WIRE, RED 14AWG	11	-
8	1-879-010006	WIRE, GREEN 14AWG	11	-
9	1-879-010010	WIRE, WHITE 14 AWG	11.5'	-
10	1-512-010005-09	NUT, HEX LOCK 1/2-13 GRB	6	12
11	1-654-010055-03	SCREW, HEX HEAD CAP 1/2-13 X 1-1/2	6	12
12	1-861-010032-15	WASHER, FLAT 1/2	12	-
13	1-316-010013	HOSE, 1/4 LOW PRESSURE FUEL	-	6'
14	105-0105	CLAMP, HOSE IDEAL 6203	-	2
15	125130	RD12D HYD BY PASS SRDD (NO PARTS BREAKDOWN)	-	1
16	134-4560	GUARD ONAN	-	1
17	2024-12-12S	ADAPTER 90 3/4 X 1/2	-	3
18	2062-12-12S	ADAPTER, 90 3/4 X 1/2	-	1
19	2045-8-12S	ST SWIVEL 1/2 - 3/4	-	1
20	3-547-010038	PANEL, ENGINE CONTROLS	1	-
21	239-8113-66	CABLE ASSEMBLY, BATTERY NEG 66"	-	1
22	2481X	BATTERY 12 VOLT	-	1
23	3-573-010506	DECAL, ENGINE CONTROLS	1	-
24	3-120-010124	BATTERY CLAMP BRACKET	-	1
25	3-155-010012	CABLE THROTTLE	1	-
26	3-155-010025	CABLE, UTILITY CHOKE	1	-
27	3-162-010001	FILLER BREATHER STRAINER ASSEMBLY	-	1
28	3-201-010002	CONDUIT 3/8 PLASTIC FLEX	10.5'	-
29	3-220-010003	FLEXIBLE COUPLING 1-1/8 X 3/4	-	1
30	805-2	BUSHINGS, STEP	-	8
31	3-273-010006	ENGINE 20HP ONAN (CONTACT LOCAL DEALER FOR SERVICE)	-	1
32	3-755-010406	SUPPORT WELDMENT ENGINE	-	1
33	3-744-010046	STRAP, 3 GAL FUEL TANK	-	2
34	3-786-010077	TANK WELDMENT HYD	-	1
35	1-397-010372120	HOSE ASSEMBLY 1/2 X 120	-	1
36	1-397-010361036	HOSE ASSEMBLY 1/2 X 36	-	1
37	1-397-010304048	HOSE ASSEMBLY 3/4 X 48	-	1
38	3-427-010003	KEY, WOODRUFF	REF	REF
39	3-482-010003	MOUNT HYDRAULIC PUMP 20HP	-	1
40	3-591-010022	PUMP HYDRAULIC (NO PARTS BREAKDOWN)	-	1
41	3-482-010360	MOUNT CHOKE CABLE WELDMENT	-	1
42	3-765-010005	IGNITION SWITCH	1	-
43	3-783-010013P	TANK FUEL 3 GAL PAINT	-	1
44	1-654-010047-06	SCREW, HEX HEAD CAP 1/4-20 X 1 GR5	3	-
45	3/16X3/4CS SELF	SCREW, HEX HEAD CAP 3/16X3/4 SELF DRILLED	-	4

ENGINE DRIVE, 20HP

ITEM	PART NO.	DESCRIPTION	QTY.	
46	3/4NIPPLE	NIPPLE, ALL THREAD	-	2
47	1-510-010001	NUT, FLANGE LOCK 3/8-16	3	6
48	1-654-010051-06	SCREW, HEX HEAD CAP 3/8-16 X 1-1/4 GR5	3	2
49	1-861-010032-11	WASHER, FLAT 3/8W	3	16
50	3-272-010022	ELECT BUTT SPLICE 12-10 W/ SEAL	1	-
51	514-9045-66	CABLE ASSEMBLY BATTERY POS 66"	-	1
52	541-0197	MANIFOLD, EXHAUST 20H DOWN	-	1
53	542-7101	ONAN MUFFLER KIT 25HP	-	5
54	6600	VALVE SHUT-OFF GAS	-	1
55	2062-8-8S	ADAPTER 90 #8	-	1
56	1-512-010005-03	NUT, HEX LOCK 5/16-18 GRB	-	4
57	110-4338	SQ KEY 1/4 X 1/4 X 2	REF	REF
61	1-397-010304135	HOSE ASSEMBLY 3/4X135	-	1
62	1-654-010051-08	SCREW HEX HEAD CAP 3/8-16 X 1-3/4 GR5	-	8
63	1-861-010034-11	WASHER SPLIT LOCK 1/4-20 GRB	-	6
64	1-512-010005-01	NUT, HEX LOCK 1/4-20 GRB	3	-
65	1-654-010049-07	SCREW, HEX HEAD CAP 5/16-18 X 1-1/2	-	4
66	1-861-010032-09	WASHER, FLAT 5/16W	-	8
67	10030	SEAL, BAR STOCK - NEOPRENE SPONGE	-	60"
68	1-560-010002-05	PLUG, PIPE 3/4-14	-	2
69	3-774-010002	TAG, ENGINE OIL	-	1
70	1-861-010032-07	WASHER, FLAT 1/4	6	-
71	3-182-010028	CLAMP, MUFFLER	-	1
72	3-120-010535	BRACKET WELDMENT, AIR INTAKE	1	-
73	*103716	COVER WELDMENT ENGINE DRIVE	2	-
74	*103717	PIN, COVER ACCESS ENGINE	2	-
75	*1-557-010362-40	PIN, COTTER 5/32 X 1-1/4	4	-

* THESE PARTS ARE SHOWN ON PAGE 1-70.

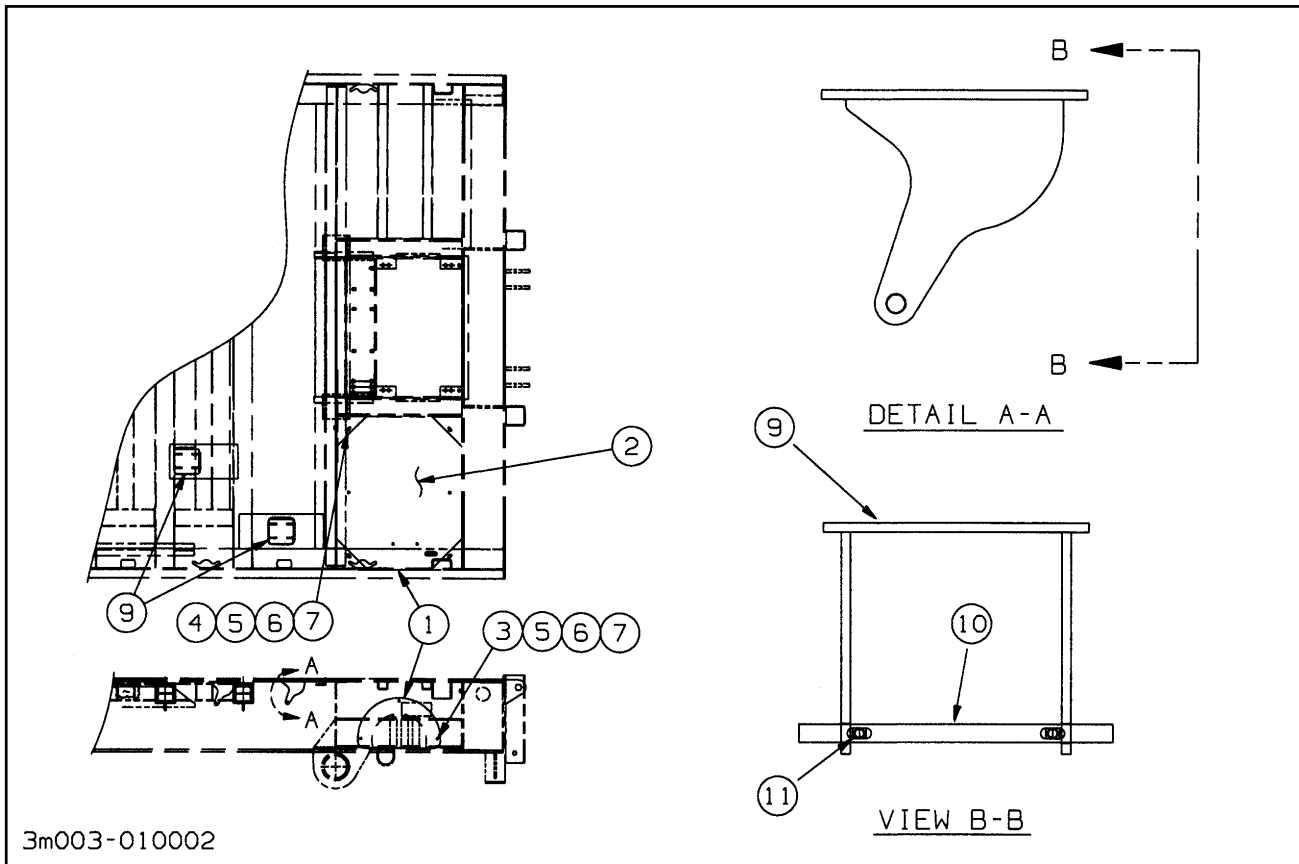


Figure 1-41 Accessories w/o Engine Drive

ACCESSORIES W/O ENGINE DRIVE

ITEM	PART NO.	DESCRIPTION	QTY.
	3-003-010002	ACCESSORY W/O ENGINE DRIVE 102	
	102374	ACCESSORY W/O ENGINE DRIVE 96	
1	3-222-010224	COVER, ENGINE AIR INTAKE	1
2	3-115-010185	TOOLBOX BOTTOM 102	1
	102373	TOOLBOX BOTTOM 96	1
3	1-654-010051-05	SCREW, HEX HEAD CAP 3/8-16 X 1 GR5	3
4	1-654-010051-06	SCREW, HEX HEAD CAP 3/8-16 X 1-1/4 GR5	4
5	1-861-010032-11	WASHER, FLAT 3/8	14
6	1-861-010034-11	WASHER, SPLIT LOCK 3/8	7
7	1-512-010007-07	NUT, HEX 3/8-16	7
9	103716	COVER WELDMENT ENGINE DRIVE	1
10	103717	PIN, COVER ACCESS ENGINE	2
11	1-557-010362-40	PIN, COTTER 5/32 X 1-1/4	4

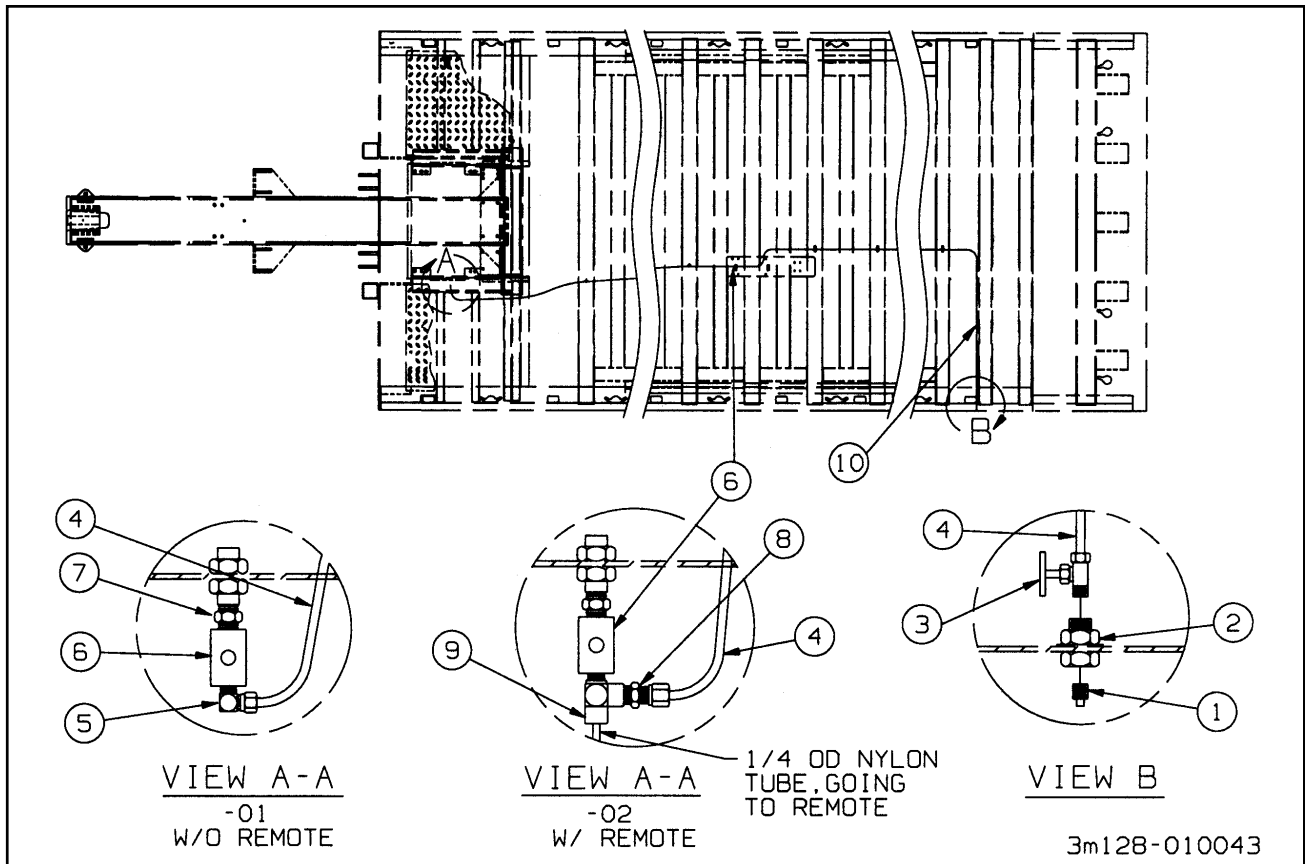
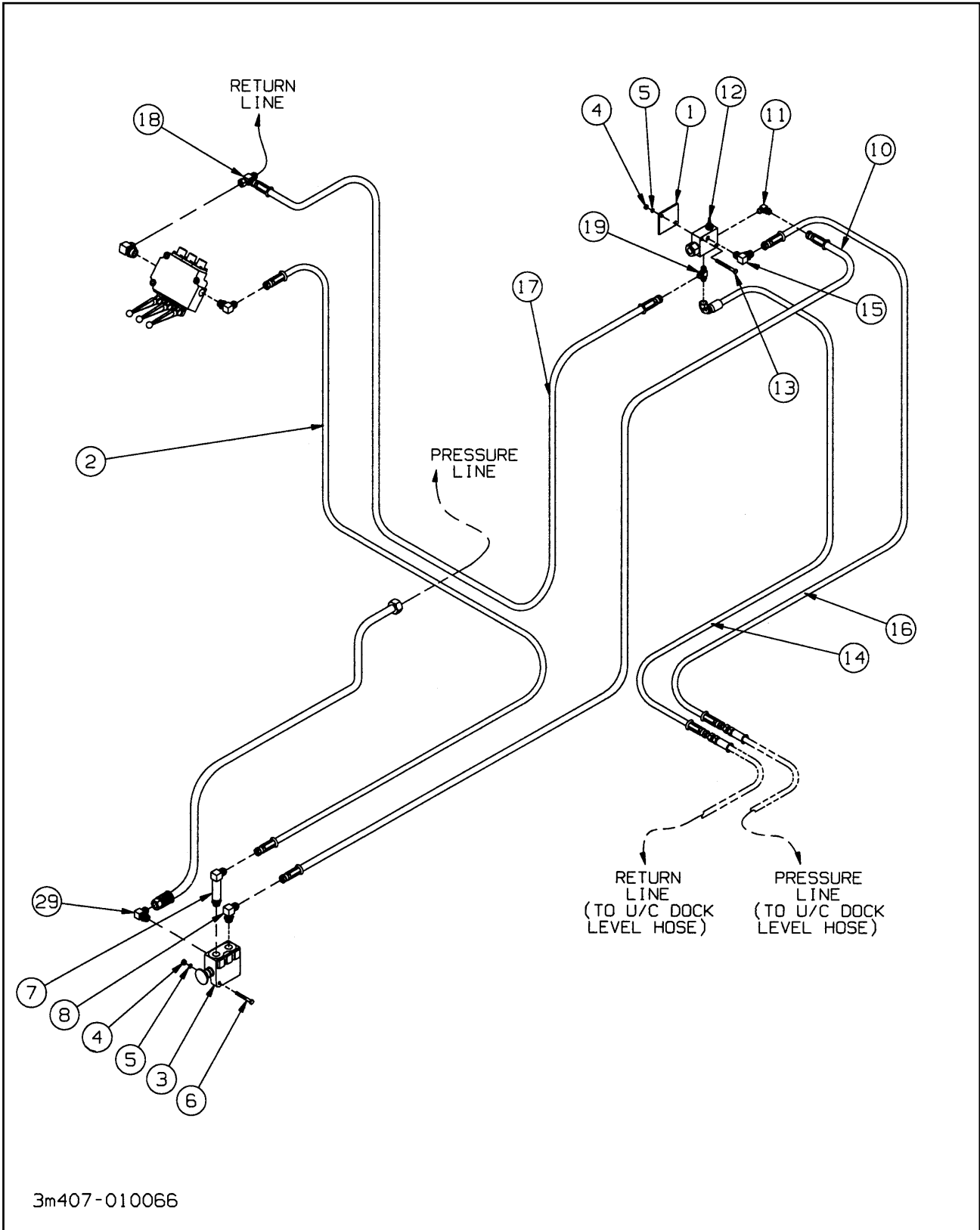


Figure 1-42 Air Outlet Accessory (Option)

AIR OUTLET ACCESSORY (OPTION)

ITEM	PART NO.	DESCRIPTION	QTY.
	3-128-010043-01	AIR OUTLET ACCESSORY W/O REMOTE	
	3-128-010043-02	AIR OUTLET ACCESSORY W/ REMOTE	
1	1-560-010002-01	PIPE PLUG 1/4	1
2	1-297-010022-02	BULKHEAD COUPLING	1
3	A6760S	SHUTOFF VALVE	1
4	1-833-010002	TUBING, NYLON 3/8	35'
5	1-297-010008-18	FITTING, AIR 90	*1,-
6	905-54-107	BRAKE PROTECTION VALVE	*1,-
7	1-297-010019-05	FITTING, BRS PIPE HEX	*1,-
8	1-297-010007-11	FITTING, AIR	*-,1
9	1-297-010018-02	FITTING, STREET TEE	*-,1
10	3-181-010034-1	CLAMP CONDUIT STEEL 1/2	13

* FIRST QUANTITY LISTED IS FOR P/N 3-128-010043-01; SECOND QUANTITY LISTED IS FOR P/N 3-128-010043-02.



**Figure 1-43 Hydraulic Installation
Dock Level w/ E-Chain**

HYD. INSTALL. DOCK LEVEL W/ E-CHAIN (OPTION)

ITEM	PART NO.	DESCRIPTION	QTY.
	3-407-010066-5	HYDRAULIC INSTALL. DOCK LEVELER W/ E-CHAIN	
1	3-482-010267	MOUNT, FLOW REGULATOR	1
2	1-397-010372030	HOSE ASSEMBLY 1/2 X 30-1/2	1
3	3-846-010120	VALVE, HYD SELECTOR, 3 WAY	1
4	1-512-010005-03	NUT, HEX LOCK 5/16-18 GRB	4
5	1-861-010032-09	WASHER, FLAT 5/16	4
6	1-654-010049-09	SCREW, HEX HEAD CAP 5/16-18 X 2 GR5	2
7	206209-12-12S	ADAPTER, 90 LONG	1
8	2062-12-8S	ADAPTER 90	1
10	1-397-010301028	HOSE ASSEMBLY 1/2 X 28	1
11	2062-8-8S	ADAPTER 90	1
12	1-626-010002	REGULATOR, FLOW 1/2 BYPASS ONLY	1
13	1-654-010049-11	SCREW, HEX HEAD CAP 5/16-18 X 2-1/2 GR5	2
14	1-397-010309110	HOSE ASSEMBLY 3/8 X 110	1
15	2062-8-6S	ELBOW 90	1
16	1-397-010307110	HOSE ASSEMBLY 3/8 X 110	1
17	1-397-010306032	HOSE ASSEMBLY 1/2 X 32	1
18	203102-12-12S	ADAPTER, TEE	1
19	203005-8-8S	ADAPTER, TEE	1
26	3-181-010006	HOSE CLAMP (USED W/ DOCK LEV.)(NOT SHOWN)	5
27	2-181-010001	HOSE CLAMP (USED W/O DOCK LEV.)(NOT SHOWN)	-5
29	2062-12-12S	ADAPTER 90	1

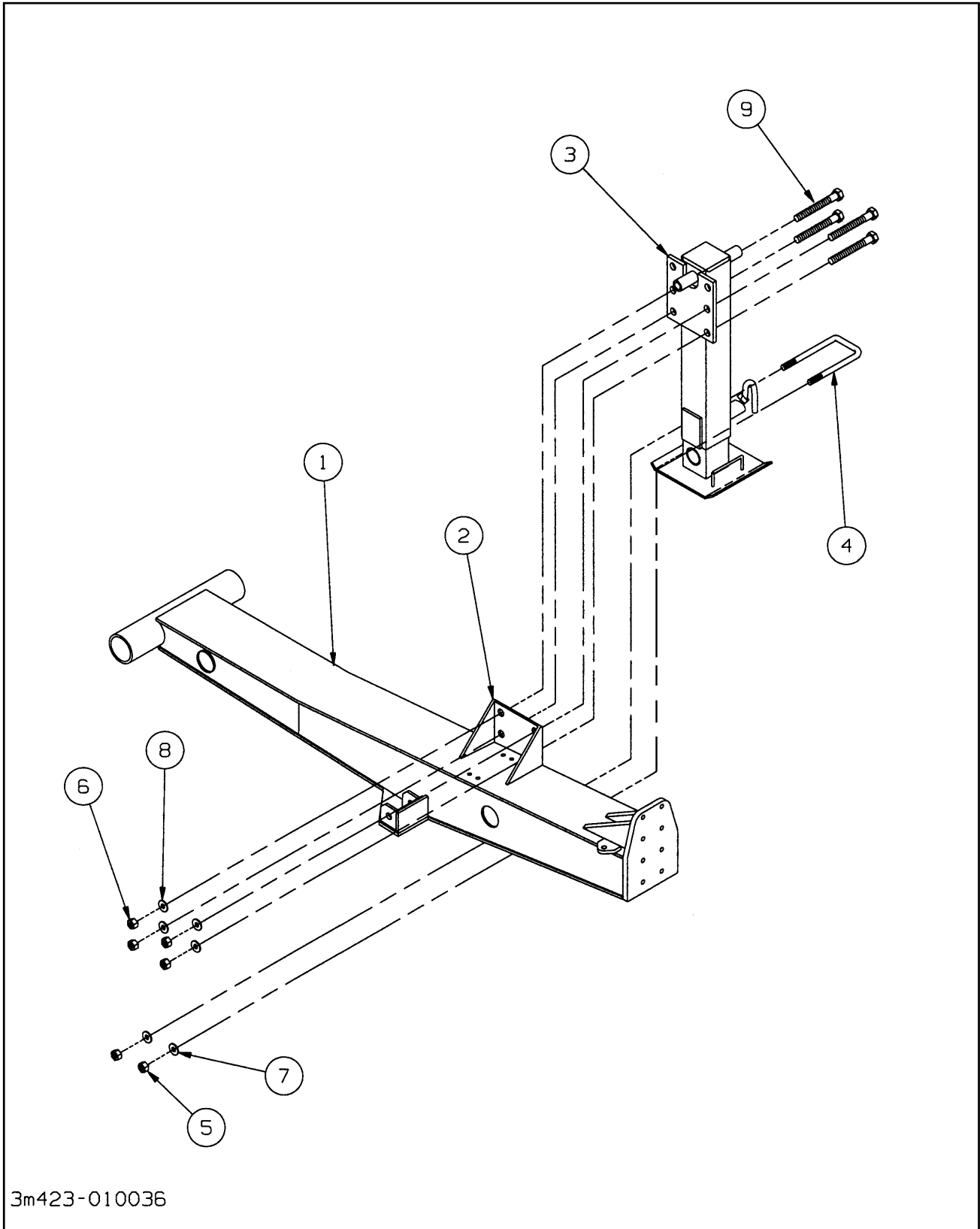


Figure 1-44 Jack Installation, 12K, 5' Hitch
 Dock Level w/ E-Chain

JACK INSTALLATION, 12K, 5FT HITCH (OPTION)

ITEM	PART NO.	DESCRIPTION	QTY.
	3-423-010036	JACK INSTALLATION, 12K, 5' HITCH	
1	3-375-010140	HITCH ASSEMBLY 5 FT	REF
2	3-125-010542	BRACKET, INSTALLATION 12K JACK	REF
3	3-423-010037	JACK WELDMENT 12K, 5' HITCH (SEE PAGE 1-77)	1
4	6-102-010009	U-BOLT RIGID GAUGE WHEEL	1
5	1-512-010005-13	NUT, HEX LOCK 5/8-11 GRB	2
6	1-512-010005-15	NUT, HEX LOCK 3/4-10 GRB	4
7	1-861-010032-19	WASHER, FLAT 5/8W	2
8	1-861-010032-21	WASHER, FLAT 3/4W	4
9	1-654-010061-03	SCREW, HEX HEAD CAP 3/4-10 X 1-1/2 GR5	4

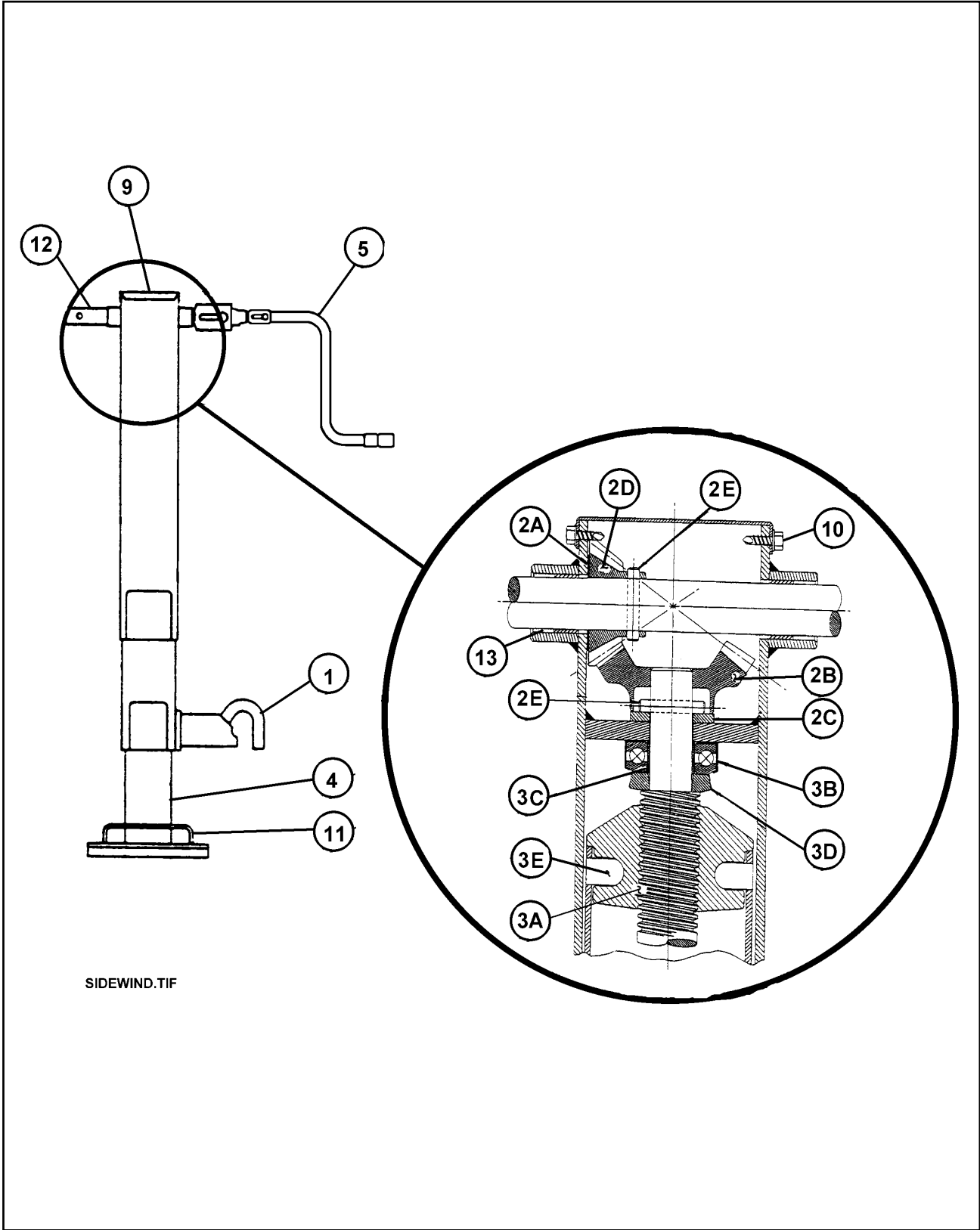


Figure 1-45 Jackstand Assembly
Dock Level w/ E-Chain

JACKSTAND ASSEMBLY (OPTION)

ITEM	PART NO.	DESCRIPTION	QTY.
	3-423-010035	JACK 12000 DROPLEG W/ CRANK (HAMMERBLOW P/N 182400)	
1	500177	PLUNGER KIT, W/ "J" PIN (INCL PLUNGER PIN, SPRING, WASHER, AND 3/16 X 1 COTTER PIN)	
2	500212	GEAR KIT, STYLE III JACKS CONSISTS OF THE FOLLOWING:	
2A	016013	WEAR PLATE 22 GAGE	
2B	020023	BEVEL GEAR LARGE 18 TEETH	
2C	016053	WEAR PLATE 7 GAGE	
2D	020022	BEVEL PINION GEAR SMALL 12 TEETH	
2E	009062	1/4" X 1-1/2" GROOVE PIN	
2F	011905	SERVICE BULLETIN	
3	500213	SCREW & NUT REPLACEMENT KIT CONSISTS OF THE FOLLOWING:	
3A	712205	SCREW AND NUT ASSEMBLY	
3B	001003	2.015" O.D. BEARING	
3C	021163	SPLIT BUSHING	
3D	016048	BEARING SEAT	
3E	009052	RETAINING PIN	
3F	011905	SERVICE BULLETIN	
4	701178	INNER RAM AND STANDARD DROP LEG ASSEMBLY (INCLUDES DROP LEG W/ BASE AND LIFT HANDLE, INNER RAM W/ NEW CAM-LOCK HOUSING AND "J" PIN)	
5	015181	CRANK ASSEMBLY FOR SIDEWIND SIDE MOUNT	
	701140	CRANK HANDLE NARROW VERT CLEVIS W/ RD CORN	
	015191	3/8" X 2-1/2" PLATED HEX BOLT	
	008008	3/8" PLATED LOCKNUT	
	015911	3/8" PLATED WASHER	
6	005120	HANDLE CLIP (NOT SHOWN)	
9	017802	SQUARE GEARBOX COVER	
10	017806	COVER SCREW	
11	021040	BASE PLATE LIFT HANDLE	
12	006098	NEW STYLE (CENTERED) CROSS SHAFT, STYLE III	
13	017012	SLEEVE BEARING ON CROSS SHAFT	

NUMERICAL INDEX

2

PART	PAGE	PART	PAGE	PART	PAGE
0001-02	21	069-078-00	33	10205R	13
0001-04	21	07-1061	37	10205R	13
0001-08	21	071-124-00 (3067)	43	10205Y	13
0001-08	23	071-124-00 (3067)	45	1021	53
0002-07	21	07-1201	37	102283	21
0002-12	21	0741-01	21	102283	26
0002-12	23	100216	37	102361	31
005-074-00	33	100217	37	102363	25
005-075-00	33	100278	37	102363	31
005-098-00	33	1003	77	102373	70
005-099-00	33	10030	69	102374	70
005-134-00	33	100346	37	102665	26
006-114-00	33	10036	61	102666	26
006-115-00	33	1004-3	53	102728	13
0075-20	23	1005013	39	102732	26
010-052-00	33	100600	49	102732	27
0102-13	23	100604	07	102836	13
01-1006	37	1-007-010029	11	103055	61
014-056-00	33	10078	51	103056	61
014-057-00	33	1008008	39	103245	43
014-058-00	33	100948	29	103246	43
014-068-00	33	100SL	58	1035-20	23
021-038-01 (4009)	43	10-1001	37	103716	69
021-038-01 (4009)	45	101012	39	103716	70
034-058-07	33	101013	39	103717	69
034-188-03	33	101062	63	103717	70
034-188-08	33	101112	39	10403	13
034-189-03	33	101143	21	10403	29
034-189-08	33	101143	25	104034	21
0375-00	23	101162	45	104034	25
040-320-01	33	101268	61	104035	13
041-057-01	33	101268	63	104036	13
041-060-01	33	101420	29	104037	13
046-092-00	33	101420	41	10404	13
046-097-00	33	101712	21	104063	21
0508-00	23	101712	25	104064	21
05-1009	37	101845	41	104083	13
055-040-07	33	101846	41	104083	21
055-053-00	33	101847	41	104084	13
055-054-00	33	101848	41	104084	21
056-010-00	33	101849	41	104086	21
056-017-00	33	101852	21	104086	29
056-018-00	33	101852	26	104087	07
0600-250-03000	63	101852	41	104088	07
061-006-00	33	101853	41	104088	57
0647-01	23	101854	41	104089	06
069-018-00	33	101855	41	104090	06
069-020-00	33	1019-4	53	104091	06

PART	PAGE	PART	PAGE	PART	PAGE
104092	06	11799	51	13680	51
104139	21	11837	52	13829	52
104141	21	11905	77	1-384-010038024	29
104152	13	11905	77	1-384-010038038	29
104152	21	1-1/4X3/4BUSH	68	1-384-010038056	29
104153	13	12075	51	1-384-010041-2	47
104153	21	125130	68	1385	03
104157	21	12780	51	1-394-010001	29
104157	25	12817	52	1-397-010262084	35
104159	13	1-295-010001	68	1-397-010262-4	35
104160	13	1-295-010002	68	1-397-010262-6	35
104177	25	1296	53	1-397-010301025	07
104178	25	1-297-010007-05	07	1-397-010301028	73
104179	13	1-297-010007-11	71	1-397-010301048	07
104179	25	1-297-010007-12	29	1-397-010301054	07
104180	13	1-297-010007-12	47	1-397-010301108	07
104180	25	1-297-010007-16	47	1-397-010301184	07
104181	13	1-297-010008-01	09	1-397-010302050	49
104181	25	1-297-010008-01	11	1-397-010304048	68
104182	13	1-297-010008-07	26	1-397-010304135	69
104182	25	1-297-010008-18	71	1-397-010306032	73
104551	41	1-297-010008-20	29	1-397-010307110	73
104553	26	1-297-010008-20	47	1-397-010307216	35
104553	29	1-297-010008-23	29	1-397-010309110	73
1046	53	1-297-010008-24	29	1-397-010361036	68
105-0105	68	1-297-010010-03	26	1-397-010372030	73
1056	43	1-297-010010-04	26	1-397-010372120	68
106-0079	65	1-297-010010-06	29	139902	43
106-0079	65	1-297-010012-16	47	139913	43
107082	43	1-297-010013-05	09	15009	13
107083	43	1-297-010013-11	26	1-510-010001	07
10RX17.5 GY	43	1-297-010015-06	29	1-510-010001	09
10RX17.5 GY	45	1-297-010015-10	47	1-510-010001	21
10RX17.5X	43	1-297-010015-11	29	1-510-010001	25
10RX17.5X	45	1-297-010017-03	29	1-510-010001	35
11005053	31	1-297-010018-02	71	1-510-010001	47
11011	51	1-297-010019-05	07	1-510-010001	69
110-4338	69	1-297-010019-05	71	15-1004	37
11100075	57	1-297-010021-05	47	15-1012	37
11117	51	1-297-010022-02	71	1-512-010002-15	21
11128	51	1-297-010022-03	47	1-512-010002-15	26
11129	51	1-297-010033-02	09	1-512-010003-02	09
11130	51	1-297-010033-03	29	1-512-010005-01	69
11133	51	1-297-010033-03	47	1-512-010005-03	17
11142	51	1-298-010001-1	06	1-512-010005-03	19
11144	51	1-298-010001-1	54	1-512-010005-03	47
1114-5	53	13005	51	1-512-010005-03	69
11240	51	13028	52	1-512-010005-03	73
11300179	56	1-316-010013	68	1-512-010005-05	15
11308	51	13424	52	1-512-010005-05	21
11368	51	134-4560	68	1-512-010005-05	26
11767	51	13468	51	1-512-010005-05	29

PART	PAGE	PART	PAGE	PART	PAGE
1-512-010005-05	49	1-647-010004117	63	17-1003	37
1-512-010005-09	06	1-654-010024014	09	17802	77
1-512-010005-09	35	1-654-010032-09	03	17806	77
1-512-010005-09	49	1-654-010032-4	21	178910	43
1-512-010005-09	49	1-654-010032-4	26	178921	43
1-512-010005-09	54	1-654-010047-02	11	1-796-010003-01	29
1-512-010005-09	68	1-654-010047-06	21	1-796-010003-02	07
1-512-010005-13	75	1-654-010047-06	26	1-796-010003-02	15
1-512-010005-15	06	1-654-010047-06	68	1-796-010003-02	68
1-512-010005-15	75	1-654-010049-06	13	179955	45
1-512-010007-03	13	1-654-010049-06	17	18002	52
1-512-010007-03	13	1-654-010049-06	19	18003	51
1-512-010007-03	13	1-654-010049-06	47	18009	51
1-512-010007-05	21	1-654-010049-07	69	18015	51
1-512-010007-05	26	1-654-010049-09	73	18016	51
1-512-010007-05	55	1-654-010049-11	73	18019	51
1-512-010007-06	13	1-654-010051-03	54	18020	51
1-512-010007-07	70	1-654-010051-05	15	18024	51
1-512-010007-11	58	1-654-010051-05	35	18026	51
1-512-010007-12	03	1-654-010051-05	70	18027	51
1-512-010010-12	03	1-654-010051-06	49	18028	51
15181	77	1-654-010051-06	69	18029	51
15191	77	1-654-010051-06	70	18030	51
1-533-010001	63	1-654-010051-07	07	18032	51
1-557-010362-40	55	1-654-010051-08	21	18039	51
1-557-010362-40	69	1-654-010051-08	26	18044	52
1-557-010362-40	70	1-654-010051-08	29	18047	51
1-557-010362-54	06	1-654-010051-08	69	18056	52
1-557-010362-54	07	1-654-010051-09	09	18078	51
1-560-010002-01	71	1-654-010055-02	35	18078	51
1-560-010002-02	29	1-654-010055-03	35	1-833-010001	07
1-560-010002-04	29	1-654-010055-03	49	1-833-010001	26
1-560-010002-04	47	1-654-010055-03	68	1-833-010002	26
1-560-010002-05	29	1-654-010055-04	49	1-833-010002	29
1-560-010002-05	69	1-654-010055-05	49	1-833-010002	47
1-560-010002-07	68	1-654-010055-05	54	1-833-010002	71
1-573-010082	61	1-654-010055-16	49	1-833-010003	29
1-573-010475	61	1-654-010055-17	06	1-833-010003	47
1-573-010476	61	1-654-010059-01	35	1-861-010032-01	09
1-573-010477	61	1-654-010059-04	58	1-861-010032-03	13
1-573-010478	61	1-654-010059-05	58	1-861-010032-07	21
1-573-010479	61	1-654-010061-03	75	1-861-010032-07	26
1-573-010480	61	1-654-010061-06	06	1-861-010032-07	55
1-573-010481	61	1-654-010061-07	03	1-861-010032-07	69
1-573-010482	61	1-654-010158-1	21	1-861-010032-09	47
15911	77	1-654-010158-1	26	1-861-010032-09	69
16013	77	1655	53	1-861-010032-09	73
16048	77	1-656-010003051	13	1-861-010032-10	29
16053	77	1-656-010003051	13	1-861-010032-10	49
16-1002	37	1-656-010003051	13	1-861-010032-11	21
1-626-010002	73	1-660-010006	17	1-861-010032-11	26
1644	53	17012	77	1-861-010032-11	35

PART	PAGE	PART	PAGE	PART	PAGE
1-861-010032-11	55	200013106	56	22775	51
1-861-010032-11	69	20022	77	230001400	57
1-861-010032-11	70	20023	77	230007400	56
1-861-010032-14	35	2023-8-8S	07	23078	52
1-861-010032-15	35	2024-12-12S	68	23079	52
1-861-010032-15	49	2024-8-8S	07	23081	52
1-861-010032-15	63	2027	45	23083	52
1-861-010032-15	68	202702-10-8S	49	23085	52
1-861-010032-18	35	202702-6-4S	35	23303	51
1-861-010032-19	75	202702-6-6S	35	23353	52
1-861-010032-21	06	203005-8-8S	73	23470	51
1-861-010032-21	75	203102-12-12S	73	239-8113-66	68
1-861-010034-01	13	2045-8-12S	68	240000026	56
1-861-010034-07	13	2061-6-6S	35	240000026	57
1-861-010034-07	13	2061-8-8S	09	240000333	56
1-861-010034-07	13	206209-12-12S	73	240000342	56
1-861-010034-09	21	2062-12-12S	09	240000342	57
1-861-010034-09	26	2062-12-12S	68	240004008	57
1-861-010034-09	55	2062-12-12S	73	240005329	57
1-861-010034-10	29	2062-12-8S	73	240005333	56
1-861-010034-11	54	2062-6-4S	35	240005342	56
1-861-010034-11	69	2062-8-6S	73	240010329	57
1-861-010034-11	70	2062-8-8S	07	240020015	56
1-861-010034-13	35	2062-8-8S	69	240034342	57
1-861-010034-13	49	2062-8-8S	73	240061342	57
1-861-010034-15	35	2081-8-6S	47	24032	51
1-861-010034-15	58	2083-8-4S	26	242 LOCKTITE	21
1-861-010034-17	03	2088-6-6S	29	242 LOCKTITE	55
1865	53	2089-6-6S	29	242 LOCTITE	26
1-879-010004	68	2089-6-6S	47	2481X	68
1-879-010006	68	21040	77	250001329	57
1-879-010008	65	2109-3	53	250002213	56
1-879-010010	68	211300024	56	257	43
1-879-010011	65	21163	77	26331	13
19045	51	2-12 HFN	55	2A0079-404	11
1A0290	11	2175	53	2A0079-406	11
1A0291	11	2177	53	2A0283-7214	11
1A0292	11	2180	53	2A0354-121	11
1A0294	11	2-181-010001	21	2A283-7214	11
1A0709	11	2-181-010001	26	300003	37
1A0711	11	2-181-010001	35	3000092	37
1A0744	11	2-181-010001	47	300022	37
1A0757	11	2-181-010001	73	300093	37
1R0017	11	2183	53	3-003-010002	70
1V0081	11	21925	51	300427	37
1V0090	11	21961	51	3-007-010039	09
1V0208	11	220000212	56	3-036-010034	55
1V0360	11	220000212	57	3-042-010130-01	23
1V1701	11	2263	53	3-042-010130-01	33
1V1703	11	22703	51	3-042-010130-02	23
1V1725	11	22704	52	3-042-010130-02	33
1/4-20X3/4CB	55	22752	51	3-076-010005	21

PART	PAGE	PART	PAGE	PART	PAGE
3-076-010005	25	3-242-010204	35	3-311-015070	58
3-076-010005	55	3-242-010204	37	3-311-015074	58
3-076-010006	21	3-256-010006-01	26	3-311-015075	58
3-076-010006	25	3-256-010006-01	35	3-311-015078	58
3-076-010006	55	3-256-010006-07	26	3-352-010015-1	54
31-1016	37	3-256-010006-07	35	3-352-010017-1	54
3-115-010185	70	3-272-010017	13	3-360-010014	55
3-120-010073	06	3-272-010017	15	3-368-010175	13
3-120-010124	68	3-272-010021	13	3-368-010245-01	17
3-120-010295	54	3-272-010021	15	3-368-010246	17
3-120-010351	35	3-272-010022	69	3-368-010282	15
3-120-010535	69	3-272-010078	65	3-368-010283	19
3-125-010241	06	3-272-010078	65	3-368-010284	19
3-125-010542	75	3-272-010079	65	3-368-010289	13
3-128-010042	47	3-272-010080	65	3-368-010290	13
3-128-010043-01	71	3-272-010095	65	3-368-010294	29
3-128-010043-02	71	3-272-010121	65	3-375-010140	03
3-136-010001-02	09	3-272-010125	17	3-375-010140	75
3-155-010012	68	3-272-010125	19	3-375-010147	03
3-155-010017-1	49	3-272-010148-01	17	3-375-010152	03
3-155-010017-4	49	3-272-010148-03	17	3-375-010611	58
3-155-010025	68	3-272-010148-06	17	3-375-010613-01	03
3-156-010007	65	3-272-010165-01	15	3-375-010613-02	03
3-156-010043	65	3-272-010165-02	15	3-375-010613-03	03
3-156-010043	65	3-272-010168-01	19	3-375-010613-04	03
3-161-010034	09	3-272-010168-02	19	3-375-010621	03
3-161-010034	11	3-272-010168-03	19	3-382-010019	03
3-162-010001	68	3-272-010168-04	19	3-384-010019	29
3-174-010038	03	3-272-010169	13	3-384-010020	29
3-174-010038	49	3-272-010170	13	3-384-010025	29
3-174-010039036	03	3-273-010006	68	3-406-010024	01
3-174-010039036	49	3-273-010035	68	3-406-010076	45
3-181-010006	73	3-273-010035-01	68	3-407-010066-5	73
3-181-010034-1	13	3-276-010715	63	3-407-010072-01	06
3-181-010034-1	13	3-276-010716	63	3-407-010072-02	06
3-181-010034-1	71	3-276-010748	63	3-407-010072-03	06
3-182-010028	69	3-276-010749	63	3-407-010072-04	06
3-201-010001	13	3-276-010750	63	3-423-010035	77
3-201-010002	68	3-276-010751	63	3-423-010036	75
3-203-010001	68	3-276-010752	63	3-423-010037	75
3-209-010003	65	3-276-010753	63	3-427-010003	68
3-209-010004-01	17	3-276-010754	63	3-446-010046	29
3-209-010004-01	65	3-276-010755	63	346SL	01
3-209-010006-01	17	3-276-010756-1	63	3-481-010006	49
3-209-010006-01	65	3-279-010037	65	3-481-01000	53
3-220-010003	68	3-279-010037	65	3-482-010003	68
3-222-010224	70	3-299-010016	07	3-482-010150	35
3-238-010001	09	3-304-010083-01	04	3-482-010267	73
3-238-010001	11	3-304-010083-02	04	3-482-010288	09
3-242-010102	06	3-311-010145	01	3-482-010288	11
3-242-010102	56	3-311-010578	03	3-482-010360	68
3-242-010153	06	3-311-010835	55	3-482-010527	35

PART	PAGE	PART	PAGE	PART	PAGE
3-482-010575	09	3-762-010563-3	23	3-873-010165	49
3-485-010001	21	3-762-010691-1	21	3/16X3/4CS SELF	68
3-485-010001	25	3-762-010691-1	23	3/4 X 1/2 BUSH	29
3-547-010038	68	3-765-010001	17	3/4NIPPLE	69
3-557-010032	07	3-765-010001	65	40002R	13
3-557-010033	06	3-765-010005	68	4010500	39
3-557-010033	07	3-774-010002	69	4010520	39
3-557-010120	07	3-780-010002	21	4010530	39
3-557-010375	63	3-780-010002	26	4011702	39
3-557-010383	54	3-783-010013P	68	4014240	39
3-565-010770	54	3-786-010077	68	4023150	39
3-573-010020	61	3-793-010040	49	4023774	39
3-573-010025	61	3-793-010041	49	481 00 224	27
3-573-010031	61	3-798-010027	43	4Z4306	11
3-573-010034	61	3-798-010027	45	500177	77
3-573-010038	61	3-798-010038	43	500212	77
3-573-010060	61	3-798-010038	45	500213	77
3-573-010189	61	3-798-010079	43	5029	21
3-573-010202	61	3-798-010079	45	5029	26
3-573-010209	61	3-798-010090	43	5029	55
3-573-010210	61	3-798-010090	45	5120	77
3-573-010211	61	380-1	21	514-9045-66	69
3-573-010273	15	380-1	26	516-22PTL	63
3-573-010377	61	380-2	21	541-0197	69
3-573-010377	63	380-2	26	542-7101	69
3-573-010437	13	3-821-010005	21	55B11	47
3-573-010500	61	3-821-010005	26	55B61	29
3-573-010501-01	61	3-843-010015	09	55B61-6	47
3-573-010501-02	61	3-843-010023	09	55B61-7	47
3-573-010502	61	3-843-010024	09	56D4	29
3-573-010506	61	3-843-010025	09	59P8	13
3-573-010506	68	3-843-010038	47	59P8	65
3-591-010022	68	3-846-010008	09	59P8	65
3-645-010049	54	3-846-010008	11	59P8	65
3-654-010129-1	04	3-846-010056	35	59S-7	13
3-659-010012	43	3-846-010056	39	59W-2-3	13
3-659-010012	45	3-846-010120	73	59W-2-3	17
3-681-010098	35	3-846-010163-01	07	59W-2-3	19
3-711-010055	09	3-846-010163-01	09	5/16-18X3/4HHCS	43
3-711-010055	11	3-846-010163-05	07	5/16-18X3/4HHCS	45
3-720-010010	49	3-846-010163-05	09	5/16SLW	43
3-720-010030	23	3-846-010163-07	07	5/16SLW	45
3-744-010046	68	3-846-010163-07	09	5/8-18 HFN	21
3-755-010189-03	21	3-846-010163-10	07	5/8-18HFN	25
3-755-010189-03	26	3-846-010163-10	09	5/8-18HFN	55
3-755-010189-03	29	3-861-010038	06	60015Y	13
3-755-010189-1	21	3-870-010012	43	6009250	39
3-755-010189-1	26	3-870-010097	45	6029520	39
3-755-010406	68	3-873-010122	49	6029521	39
3-762-010017	21	3-873-010122	51	6098	77
3-762-010017	25	3-873-010124	49	6-102-010009	75
3-762-010563-3	21	3-873-010126-2	49	61900039	57

PART	PAGE	PART	PAGE
622-3511-008	21	9062	77
622-3511-008	26	930 02 349	27
63635	43	93003597	31
63680	45	93201051	31
6400000	39	93201057	31
6401003	39	934 00 060	27
6402000	39	93400136	31
6404002	39	93400149	31
6405000	39	93400367	31
64181	15	93400492	31
6600	69	93400506	31
68CA-2-2	09	93400506	31
68CA-2-2	11	93408186	31
701140	77	93600072	31
701178	77	93600077	31
712205	77	93908009	31
71900019	57	941 00 119	27
71900195	56	941 00 466	27
75716	43	94100590	31
758-181	29	94100648	31
7HCGHT500	49	94100685	31
8008	77	94100787	31
805-2	21	94100790	31
805-2	26	A6760S	71
805-2	68	CA-1595	68
81006	51	CO-975-74-2000	63
81009	51	DB-10	65
81025	51	HM212011	43
81264	13	HM212011	45
81530	51	HM212049	43
81900019	57	HM212049	45
81900277	56	HM218210	43
900 54 007	27	HM218210	45
90001200	31	HM218248	43
90008139	31	HM218248	45
90008149	31	M11OC-1	53
90008184	31	NB-2-016	09
9001-B255	65	NB-2-016	09
9001-B256	65	PA-2328-2	53
9001-BW70YU	65	PMC5624	07
90025288	31	PMC5624	57
90036177	31	PMCK-5600	57
90036177	31	PMCK-AD-461	56
90045040	31	RRT159 X 0.5	25
90054038	31	RRT159X0.5	21
905 54 107	27	RRT159X0.5	55
90516600	31	RWD39000	04
90516601	31	S21F-6	07
9052	77	S25F-6	07
905-54-107	07	TR573	43
905-54-107	71	TR573	45
90557129	31		



Intertek

Equipment from Landoll Corporation is built to exacting standards ensured by ISO 9001:2008 registration at all Landoll manufacturing facilities.

345B Trailer

Parts Manual

Re-Order Part Number F-273-598

LANDOLL CORPORATION

1900 North Street

Marysville, Kansas 66508

(785) 562-5381

800-428-5655 ~ WWW.LANDOLL.COM



Copyright 2010. Landoll Corporation

"All rights reserved, including the right to reproduce this material or portions thereof in any form"