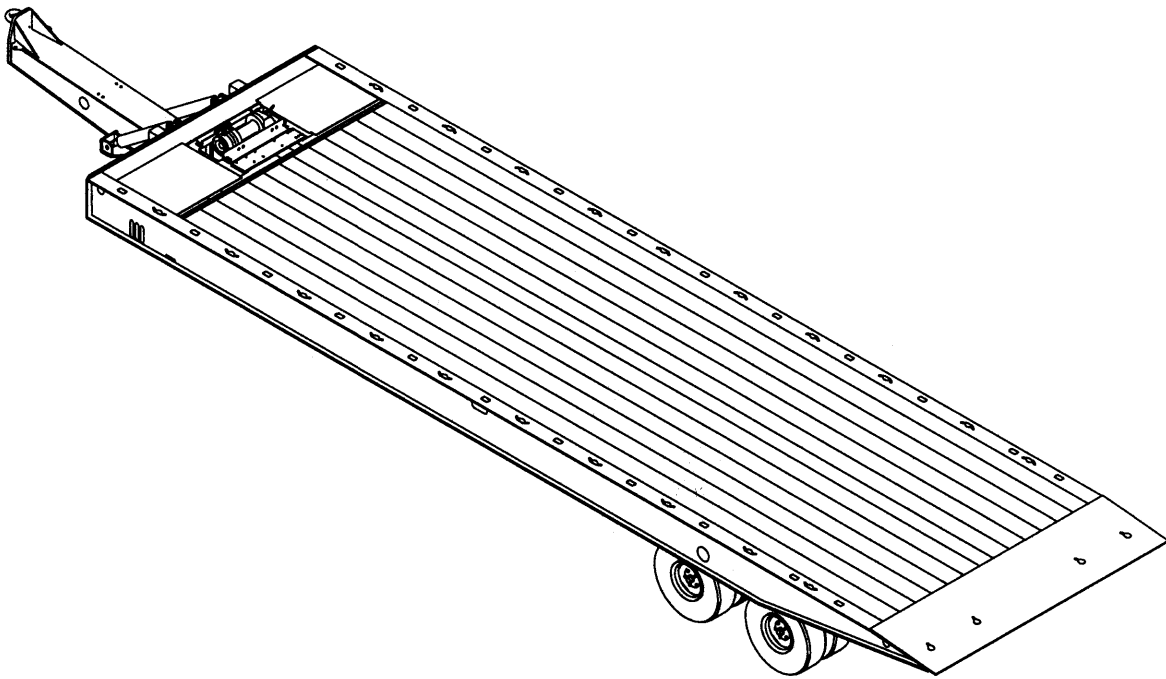




Model 345D Trailer Parts Manual



LANDOLL CORPORATION

1900 North Street
Marysville, Kansas 66508
(785) 562-5381

800-428-5655 ~ WWW.LANDOLL.COM

Table of Contents

1 Instructions for Ordering Parts

2 Illustrated Parts List

GENERAL ASSEMBLY	2-1
HITCH ASSEMBLY, PINTLE RIGID	2-3
HYDRAULIC ASSEMBLY	2-7
CYLINDER, HYDRAULIC 4 X 126	2-8
CYLINDER, HYDRAULIC 4 X 20-1/4	2-9
VALVE ASSEMBLY - 3 SPOOL, NO REMOTE	2-11
VALVE ASSEMBLY - 3 SPOOL, REMOTE	2-13
VALVE, THREE STACK	2-14
VALVE, THREE STACK SOLENOID	2-15
ELECTRICAL ASSEMBLY	2-17
UNDERCARRIAGE ASSY - SPRING RIDE	2-20
GREASE HOSE LOCATION, P/N, AND LENGTH	2-21
SUSPENSION ASSEMBLY - SPRING RIDE	2-23
UNDERCARRIAGE ASSY - AIR RIDE	2-27
GREASE HOSE LOCATION, P/N, AND LENGTH	2-28
AIR CONTROL KIT	2-29
AIR BRAKE SYSTEM	2-31
SUSPENSION HANGER RLU-228	2-33
AXLE AND BRAKE ASSEMBLY	2-35
ABS BRAKE KIT	2-37
OUTBOARD PILOT MOUNT HUB AND DRUM ASSEMBLY	2-39
AIR SYSTEM, MAIN	2-41
WINCH INSTALLATION	2-43
12,000# WINCH ITEMS	2-45
20,000# WINCH ITEMS	2-48
WINCH MOTOR ASSEMBLY	2-51
WINCH CABLE ROLLER GUIDE (OPTION)	2-52
DECAL INSTALLATION	2-55

EXTENSION INSTALLATION (OPTION)	2-57
ENGINE DRIVE, 27HP	2-62
DUAL HYDRAULIC PLUMBING (OPTION)	2-64
ACCESSORIES W/O ENGINE DRIVE	2-65
AIR OUTLET ACCESSORY (OPTION)	2-67
HYD. INSTALL. DOCK LEVEL W/ E-CHAIN (OPTION)	2-69
DOCK LEVELER ASSEMBLY (OPTION)	2-71
LEG ITEMS, DOCK LEVELER W/ LOCK VALVE	2-73
DOCK LEVELER VALVE	2-75
WINCH OPENING COVER ASSEMBLY (OPTION)	2-76
WINCH ASSEMBLY, 4" WEBBING SLIDING (OPTION)	2-77
JACK INSTALLATION, 12K, 5FT HITCH (OPTION)	2-79
JACKSTAND ASSEMBLY (OPTION)	2-81
SAND PAD INSTALLATION (OPTION)	2-82
STEEL DOOR TOOLBOX INSTALLATION (OPTION)	2-83
AIR DIGITAL SCALE (OPTION)	2-84
SPARE TIRE CARRIER ASSEMBLY (OPTION)	2-85
ENGINE PACKAGE STAND INSTALLATION (OPTION)	2-86
ROLLER, SLOPE SINGLE CORNER (OPTION)	2-87
HITCH LOCK INSTALLATION (OPTION)	2-88

3 Numerical Index

Instructions for Ordering Parts

ORDER PARTS FROM LANDOLL PARTS DISTRIBUTION CENTER

PHONE NO.: 1-800-423-4320 OR 1-800-428-5655 OR 1-785-562-5381

FAX NO.: 1-785-562-4892

ORDER ONLINE: companystore.landoll.com

IDENTIFICATION PLATE

The identification plate, which lists the model number and serial number, is located on the front of the frame (See Figure 1-1.)

SERIAL NUMBER NOMENCLATURE

The serial number for the 345D trailer is located on the identification plate.

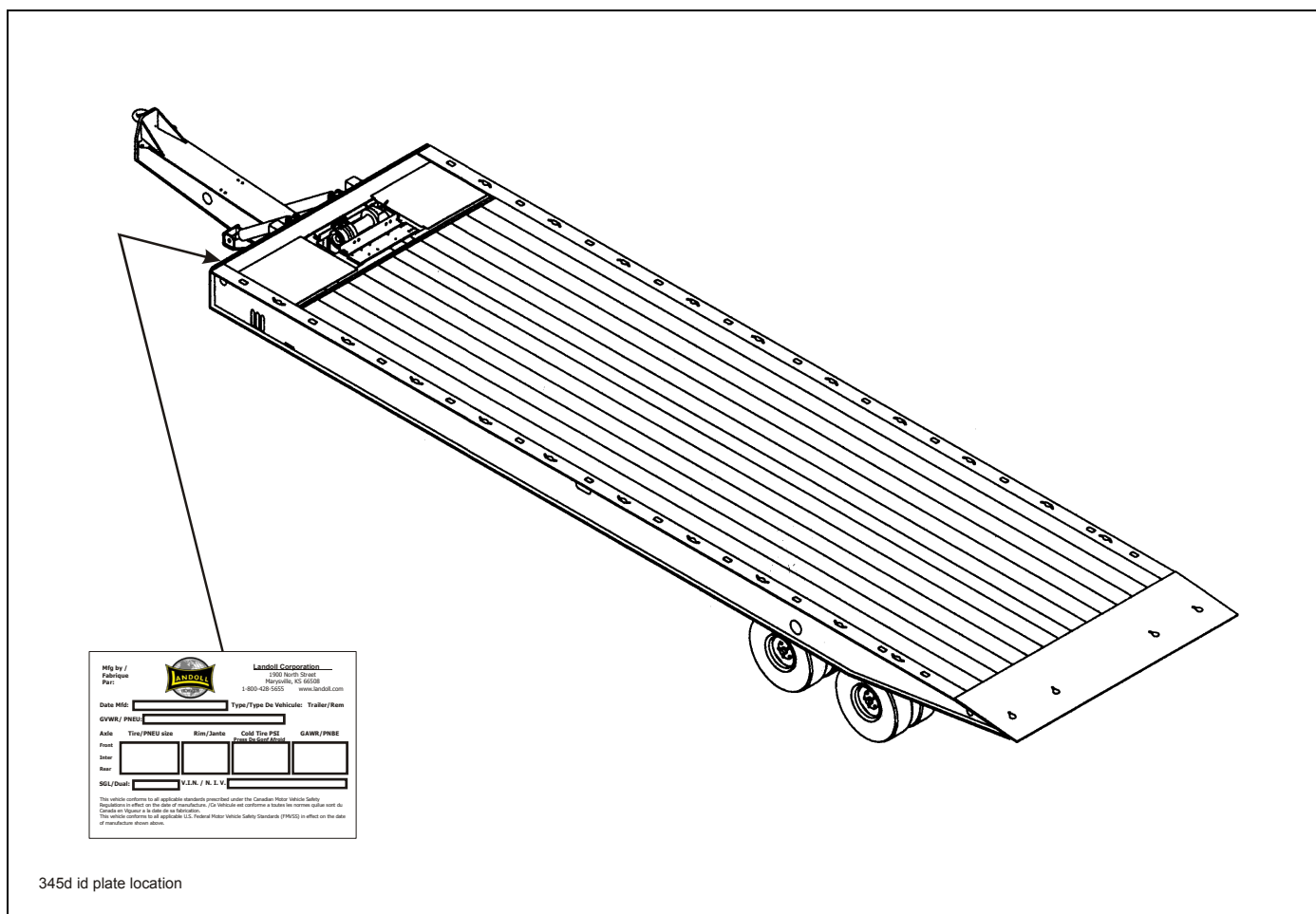


Figure 1-1: Identification Plate and Location

Page Intentionally Blank

Illustrated Parts List

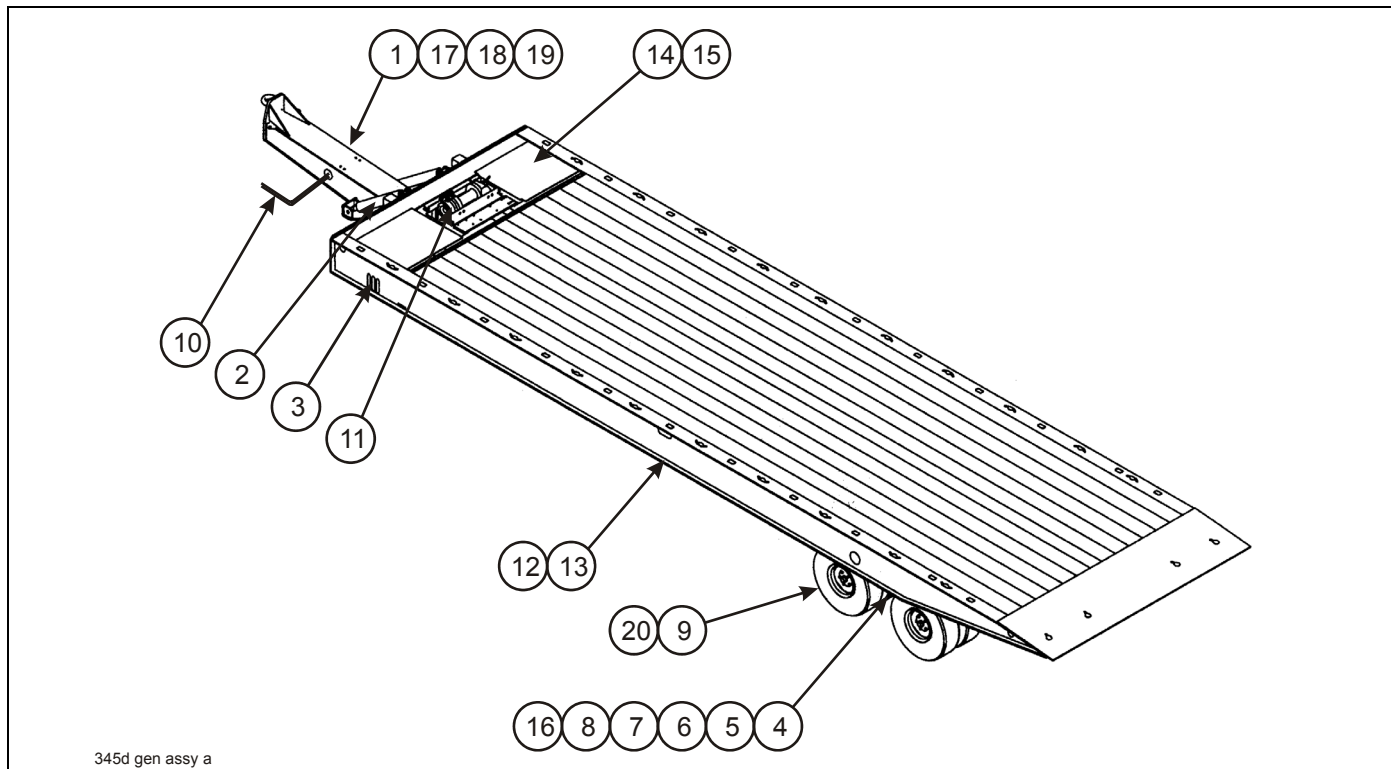
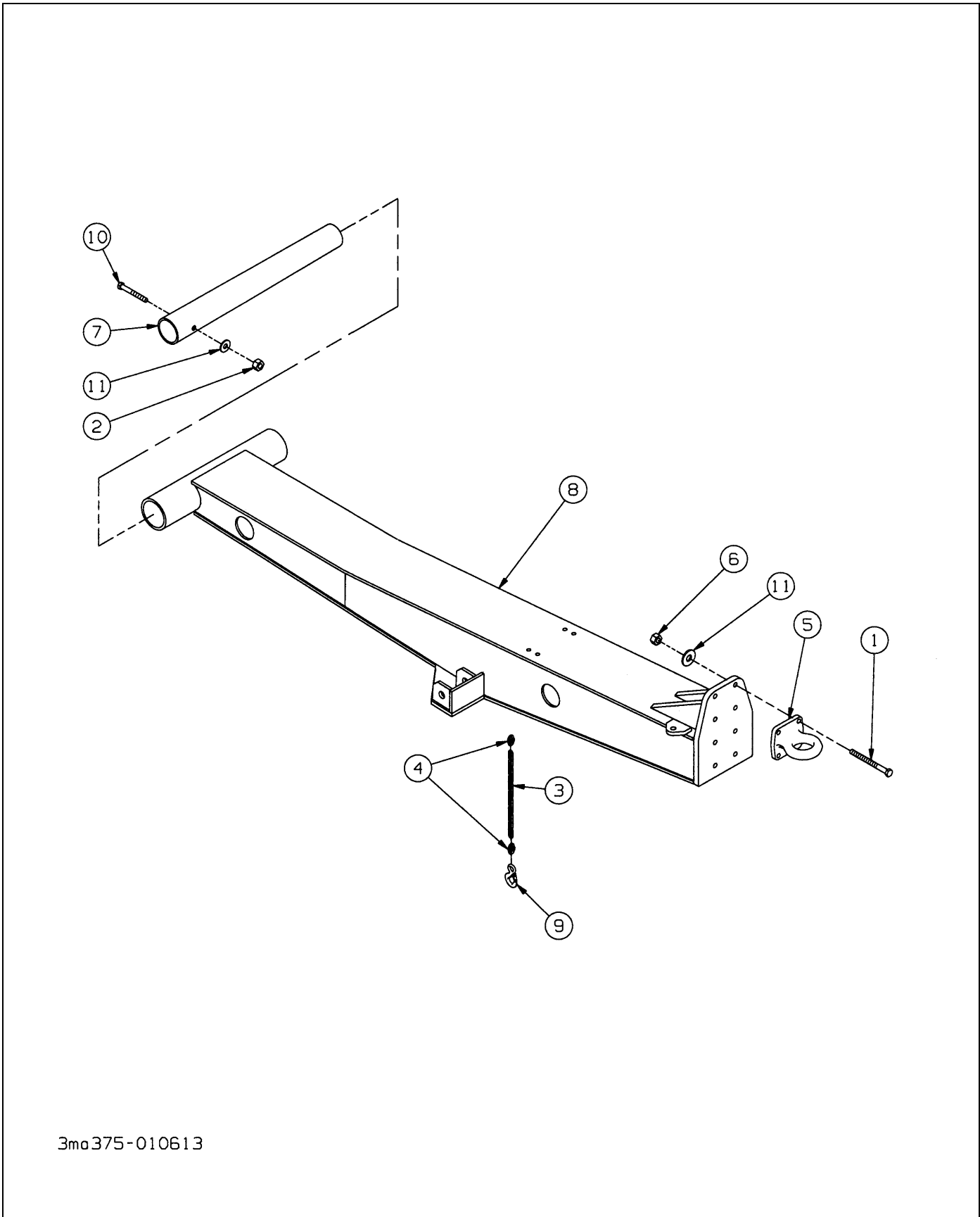


Figure 2-1: General Assembly

GENERAL ASSEMBLY

ITEM	PAGE NO.	DESCRIPTION	QTY.
1	2-2 - 2-3	HITCH ASSEMBLY, PINTLE RIGID	
2	2-4 - 2-15	HYDRAULIC ASSEMBLIES	
3	2-16 - 2-17	ELECTRICAL ASSEMBLIES	
4	2-18 - 2-23	UNDERCARRIAGE/SUSPENSION ASSEMBLIES - SPRING RIDE	
5	2-24 - 2-29	UNDERCARRIAGE ASSEMBLIES - AIR RIDE	
6	2-30 - 2-31;2-36-2-37	AIR BRAKE SYSTEM	
7	2-32 - 2-33	SUSPENSION HANGER ASSEMBLY	
8	2-34 - 2-35	AXLE AND BRAKE ASSEMBLIES	
9	2-38 - 2-39	HUB AND DRUM ASSEMBLIES	
10	2-40 - 2-41	AIR SYSTEM	
11	2-42 - 2-52	WINCH ASSEMBLIES	
12	2-53 - 2-55	DECAL INSTALLATION	
13	2-56 - 2-57	EXTENSION INSTALLATION (OPTION)	
14	2-58 - 2-62	ENGINE DRIVE, 27 HP	
15	2-64 - 2-67;2-76-2-87	MISCELLANEOUS ASSEMBLIES (OPTION)	
16	2-68 - 2-75	DOCK LEVELER ASSEMBLIES (OPTION)	
17	2-88	HITCH LOCK AND JACK INSTALLATIONS (OPTION)	
18	3-311-010145	PARKING STAND	
19	346SL	LOCK HITCH PIN	
20	3-406-010024	HUBODOMETER/BRACKET (OPTION)(NO PARTS BREAKDOWN)	

ILLUSTRATED PARTS LIST



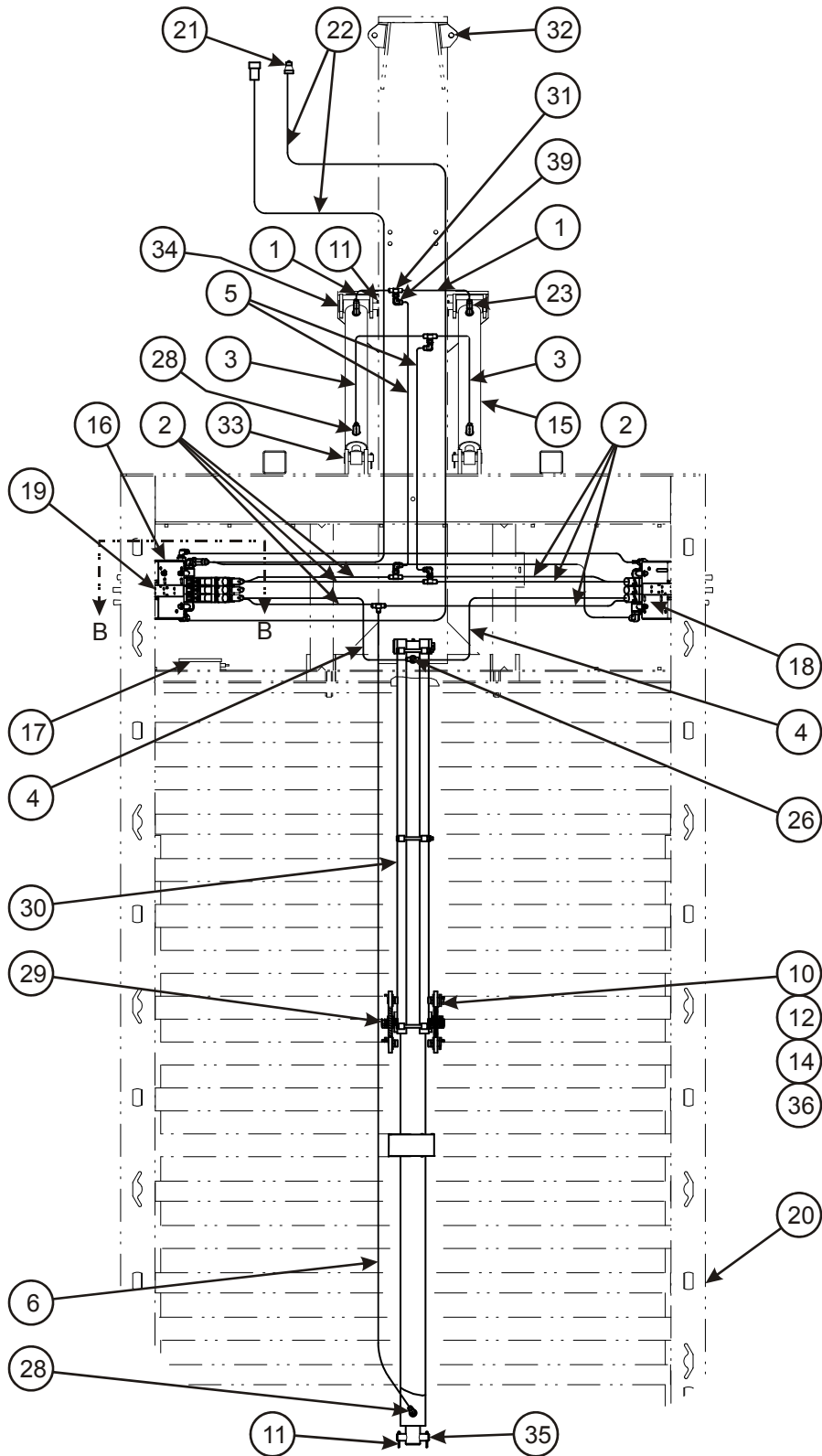
3mo375-010613

Figure 2-2: Hitch Assembly, Pintle Rigid

HITCH ASSEMBLY, PINTLE RIGID

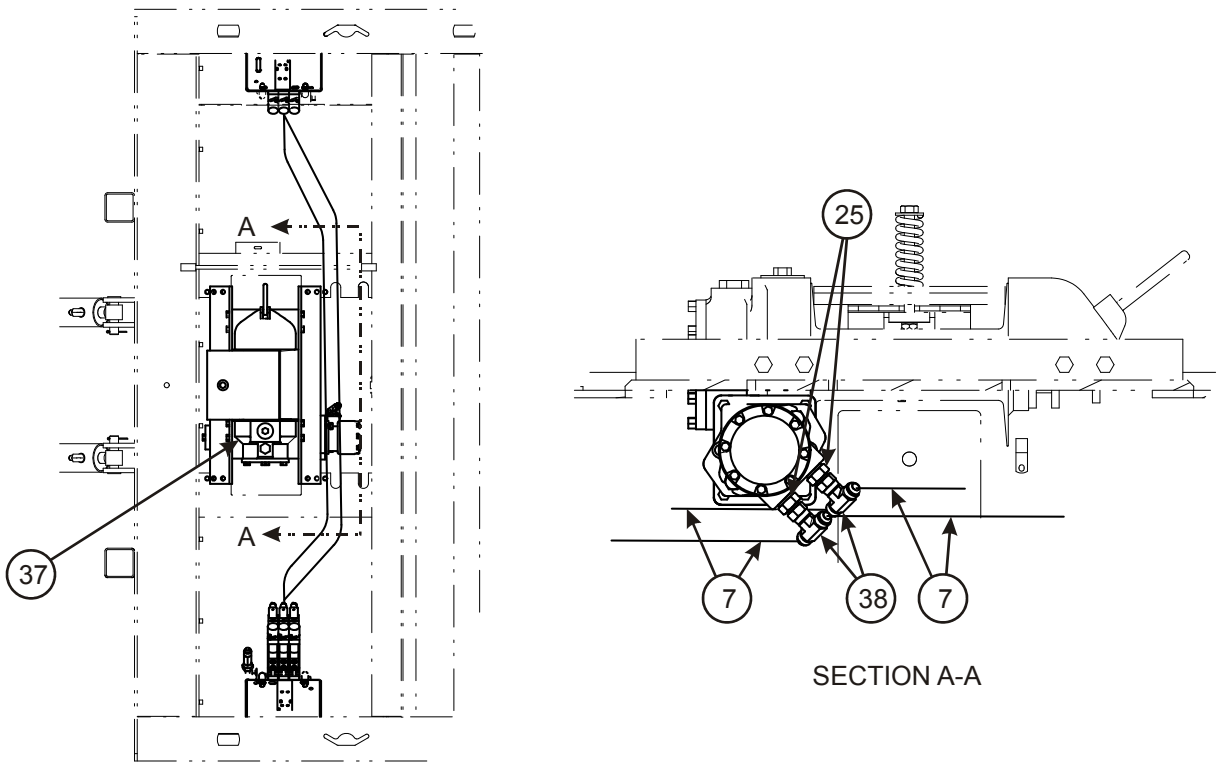
ITEM	PART NO.	DESCRIPTION	QTY.
	3-375-010613-01	HITCH ASSEMBLY, PINTLE RIGID 7'	
	3-375-010613-02	HITCH ASSEMBLY, PINTLE RIGID 5'	
	3-375-010613-03	HITCH ASSEMBLY, PINTLE RIGID 4'	
	3-375-010613-04	HITCH ASSEMBLY, PINTLE INV PLATE 5'	
	126890	HITCH ASSY, PINTLE RIGID 7' W/ GR8 CHAIN AND CONN.	
1	1-654-010032-09	SCREW, HEX HEAD CAP 3/4-10 X 3 GR8	4
2	1-512-010007-12	NUT, HEX 3/4-10 GR2	1
3	3-174-010039036	CHAIN, 1/2 X 36 GRD 7	2
	126888	CHAIN, 1/2 X 36 GR8	2
4	3-174-010038	CHAIN LINK, CONNECTING 1/2	4
	126889	CHAIN LINK, CONNECTING 1/2 GR8	2
5	1385	PINTLE EYE	1
6	1-512-010010-12	NUT, HEX 3/4-10 GR8	4
7	3-311-010578	HINGE TUBE	1
8	3-375-010147	HITCH ASSEMBLY, 7FT	1
	3-375-010152	4 FT HITCH ASSEMBLY	1
	3-375-010140	5 FT HITCH ASSEMBLY	1
	3-375-010621	HITCH WELDMENT 5' INVERT FRONT PLATE	1
9	3-382-010019	HOOK, EYE W/ LATCH ASSEMBLY	2
	126886	HOOK, CLEVIS 1/2 CHAIN W/ LATCH GR8	2
10	1-654-010061-07	SCREW, HEX HEAD CAP 3/4-10 X 2-1/2 GR5	1
11	1-861-010034-17	WASHER, SPLIT LOCK 3/4	5

ILLUSTRATED PARTS LIST



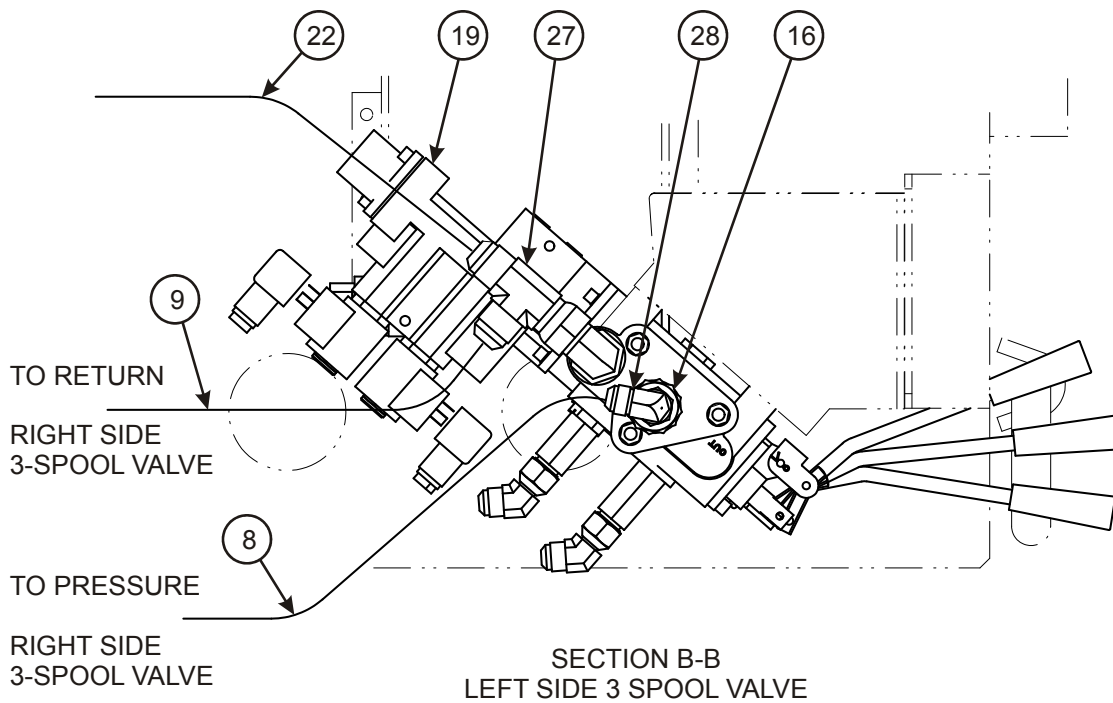
m143149p1

Figure 2-3: Hydraulic Assembly (1 of 3)



WINCH/HOSE ASSEMBLY

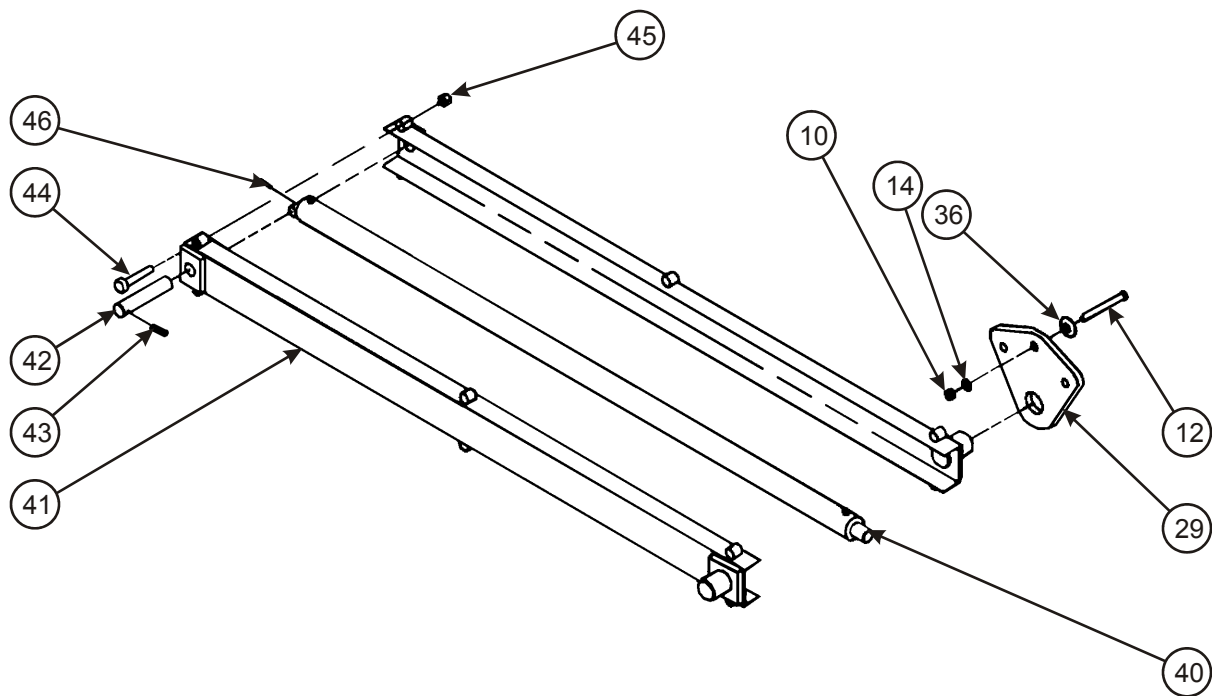
SECTION A-A



SECTION B-B
LEFT SIDE 3 SPOOL VALVE

m143149p2

Figure 2-4: Hydraulic Assembly (2 of 3)



3m242-010153

Figure 2-5: Hydraulic Assembly (3 of 3)

HYDRAULIC ASSEMBLY

ITEM	PART NO.	DESCRIPTION	QTY.
	145682	HYDRAULIC ELECTRICAL AIR	
1	1-397-010301025	HOSE ASSEMBLY 1/2 X 25	2
2	1-397-010301042	HOSE ASSEMBLY 1/2 X 42	6
3	1-397-010301048	HOSE ASSEMBLY 1/2 X 48	2
4	1-397-010301054	HOSE ASSEMBLY 1/2 X 54	2
5	1-397-010301070	HOSE ASSEMBLY 1/2 X 70	2
6	1-397-010301148	HOSE ASSEMBLY 1/2 X 148	1
7	1-397-010302060	HOSE ASSEMBLY 1/2 X 60	4
8	1-397-010306088	HOSE ASSEMBLY 1/2 X 88	1
9	1-397-010372088	HOSE ASSEMBLY 1/2 X 88	1
10	1-512-010005-15	NUT HEX LOCK 3/4-10 GRB	6
11	1-557-010362-54	PIN, COTTER 3/16 X 2-1/4	6
12	1-654-010061-06	SCREW HEX HEAD CAP 3/4-10 X 2-1/4 GR5	6
13	1-796-010003-02	TIE STRAP, PLASTIC 3/16 X 14 (NOT SHOWN)	25
14	1-861-010032-21	WASHER FLAT 3/4	6
15	159712	CYLINDER 4 X 20-1/4 (7') (SEE PAGE 2-9)	2
16	138179	CARTRIDGE, POWER BEYOND PRESSURE	1
17	140083	HARNESS ASSEMBLY	REF
18	143147	VALVE ASSEMBLY 3-SPOOL NO REMOTE (SEE PAGE 2-11)	1
19	149980	VALVE ASSEMBLY 3-SPOOL REMOTE (SEE PAGE 2-13)	1
20	----	FRAME WELDMENT	REF
21	143155	COUPLER, MALE/FEMALE	1
22	143158	HOSE ASSEMBLY 1/2 X 292	2
23	2061-8-8S	ADAPTER, 45°	2
25	202702-10-8S	ADAPTER	REF
26	203003-8-8S	ADAPTER TEE	1
27	203102-12-12S	ADAPTER, TEE	1
28	2062-8-8S	ADAPTER 90°	4
29	3-125-010241	BRACKET CYLINDER MOUNT	2
30	3-242-010153	CYLINDER ASSEMBLY, STD LOAD ANGLE (INCL ITEMS 40-46)	1
31	3-299-010016	TEE 37 FLARE	5
32	-----	HITCH ASSEMBLY	REF
33	3-557-010032	PIN, CYLINDER ROD END A	2
34	3-557-010033	PIN, CYLINDER BUTT END A	2
35	3-557-010120	PIN, UNDERCARRIAGE CYLINDER	1
36	3-861-010038	WASHER, STEP	6
37	-----	WINCH ASSEMBLY	REF
38	40-0669-01	TEE, SWIVEL NUT BRANCH	4
39	2071-8-8S	ADAPTER 90	2
40	3-242-010102	CYLINDER, HYD 4 X 126 O-RING (SEE PAGE 2-8)	1
41	3-120-010073	BRACKET ASSY CYL TRUNNION	2
42	3-557-010033	PIN, CYL BUTT END	1
43	1-557-010362-54	PIN, COTTER 3/16X2-1/4	1
44	1-654-010055-17	SCREW, HEX HEAD CAP 1/2-13 X 6 GR5	6
45	1-512-010005-09	NUT, HEX LOCK 1/2-13 GRB	6
46	1-298-010001-1	FITTING, GREASE 1/4-28	1

ILLUSTRATED PARTS LIST

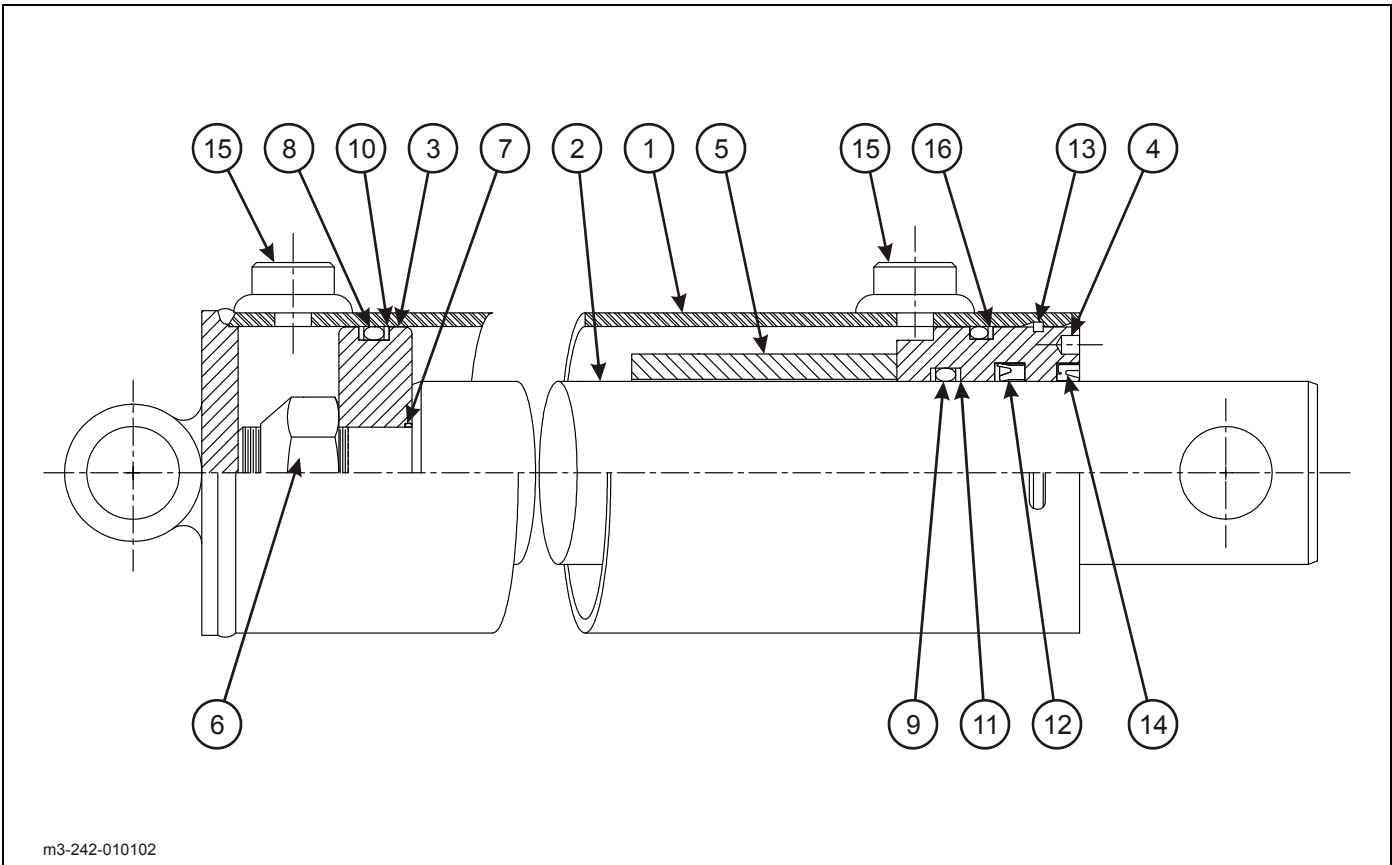


Figure 2-6: Cylinder, Hydraulic 4 X 126

CYLINDER, HYDRAULIC 4 X 126

ITEM	PART NO.	DESCRIPTION	QTY.
	3-242-010102	CYLINDER, HYDRAULIC 4 X 126 (STD LOAD ANGLE)	
1	160541	BUTT AND TUBE ASSEMBLY	1
2	011300179	PISTON ROD	1
3	071900195	PISTON	1
4	081900277	GLAND	1
5	211300024	SPACER	1
6	220000212	LOCKNUT (1-1/4-12)	1
7	----	O-RING	1
8	----	O-RING	2
9	----	O-RING	1
10	----	BU-WASHER	2
11	----	BU-WASHER	2
12	----	U-CUP	1
13	----	SQ. RETAINING RING	1
14	----	WIPER	1
15	200300040	SAE ORB PLUG	2
16	----	BU-WASHER	1
17	----	INSTALLATION RING (NOT SHOWN)	1
18	----	WIPER (NOT SHOWN)	1
	160542	PACKING KIT (INCL ITEMS 7-14)	

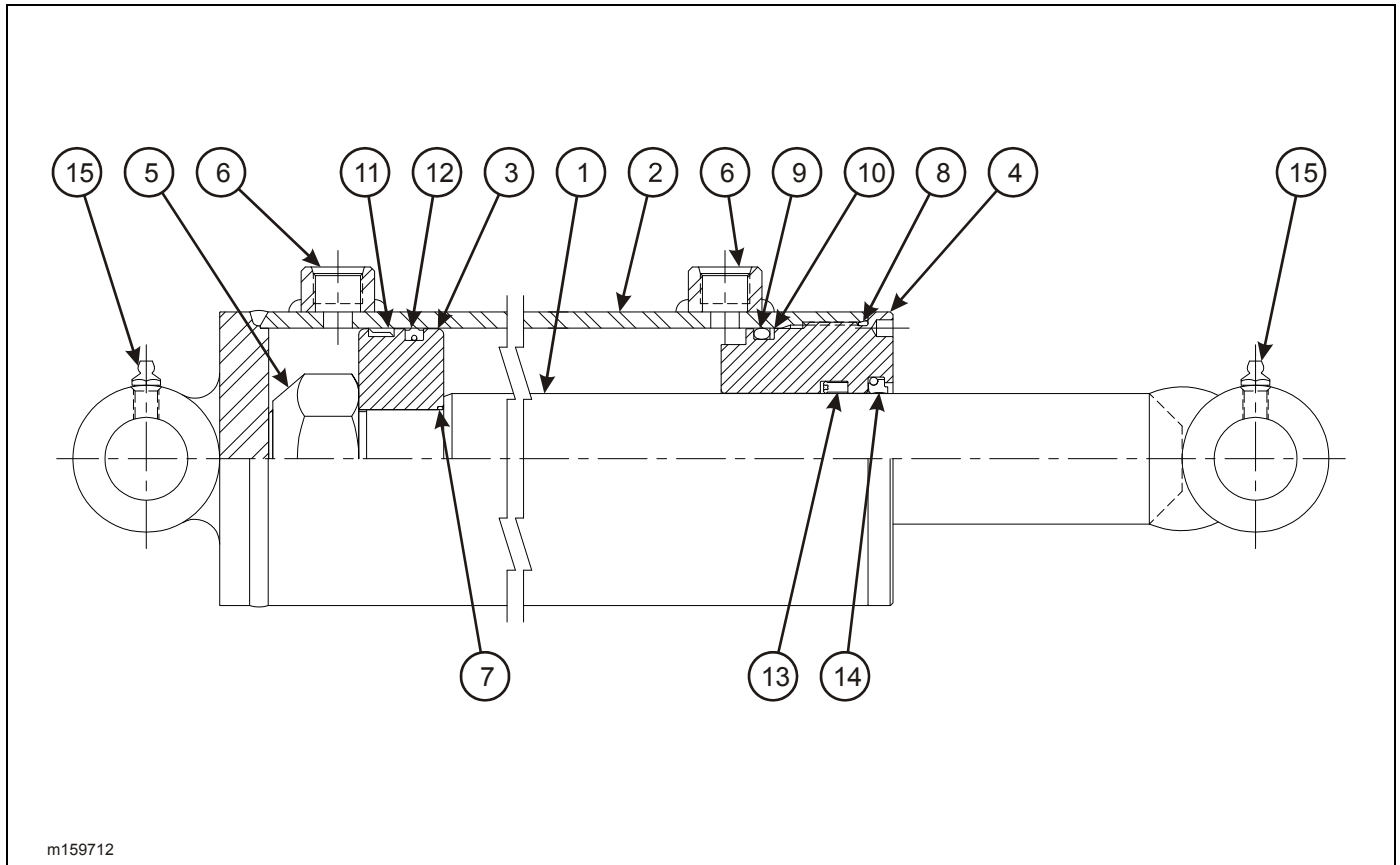
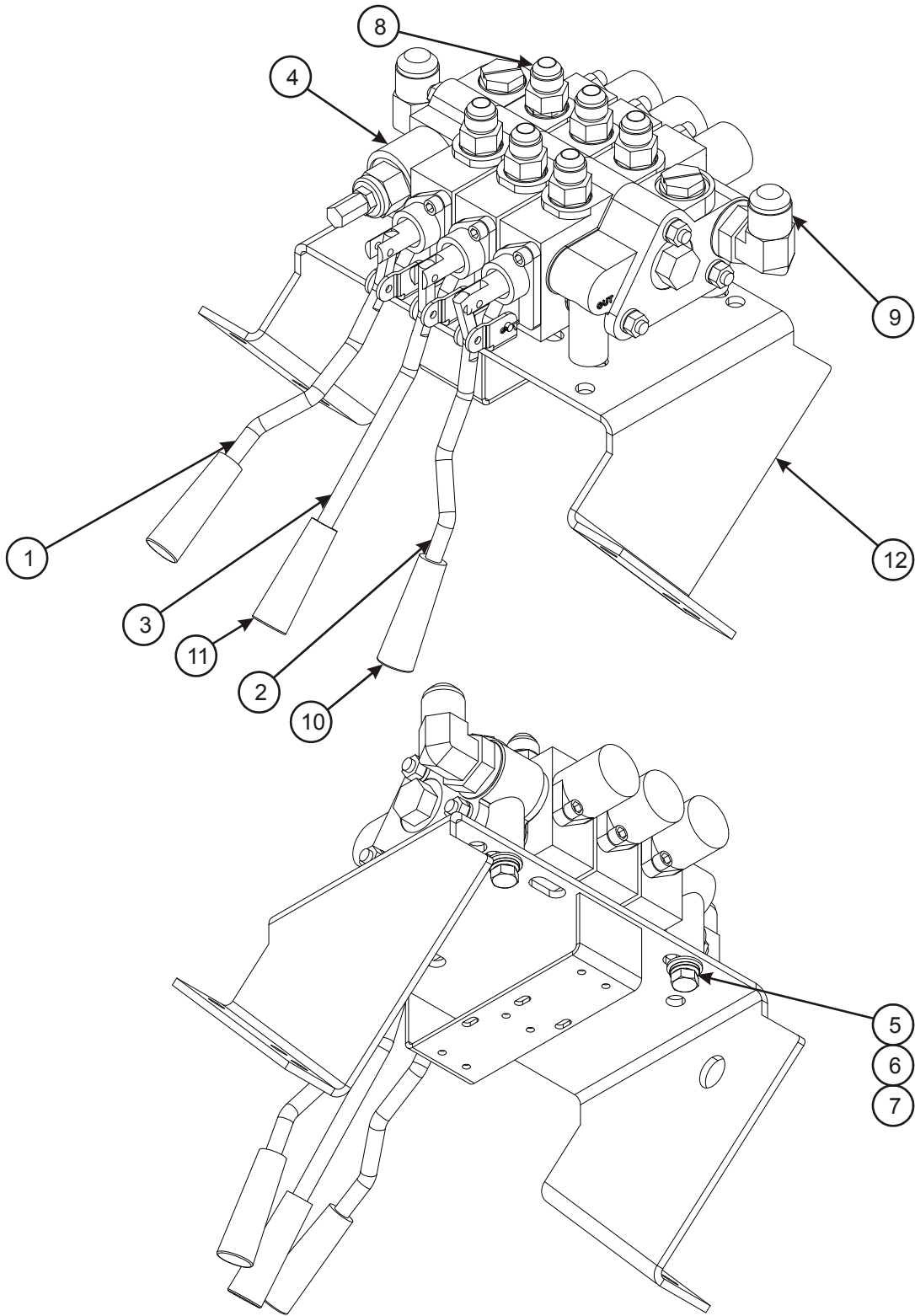


Figure 2-7: Cylinder, Hydraulic 4 X 20-1/4

CYLINDER, HYDRAULIC 4 X 20-1/4

ITEM	PART NO.	DESCRIPTION	QTY.
	159712	CYLINDER, HYDRAULIC 4 X 20-1/4	2
1	160534	PISTON ROD ASSEMBLY	1
2	160535	BUTT & TUBE ASSEMBLY	1
3	160536	PISTON	1
4	160537	GLAND	1
5	111908	LOCKNUT	1
6	200300040	SHIPPING PLUG	2
7	----	O-RING	1
8	----	O-RING	1
9	----	O-RING	1
10	----	BU-WASHER	1
11	----	BEARING RING	1
12	----	CROWN SEAL	1
13	----	U-CUP	1
14	----	WIPER	1
15	125565	GREASE ZERK	2
16	160538	WARNING DECAL (NOT SHOWN)	1
17	160539	PLAIN DECAL (NOT SHOWN)	1
	160540	PACKING KIT (INCLUDES ITEMS 7 -14)	

ILLUSTRATED PARTS LIST

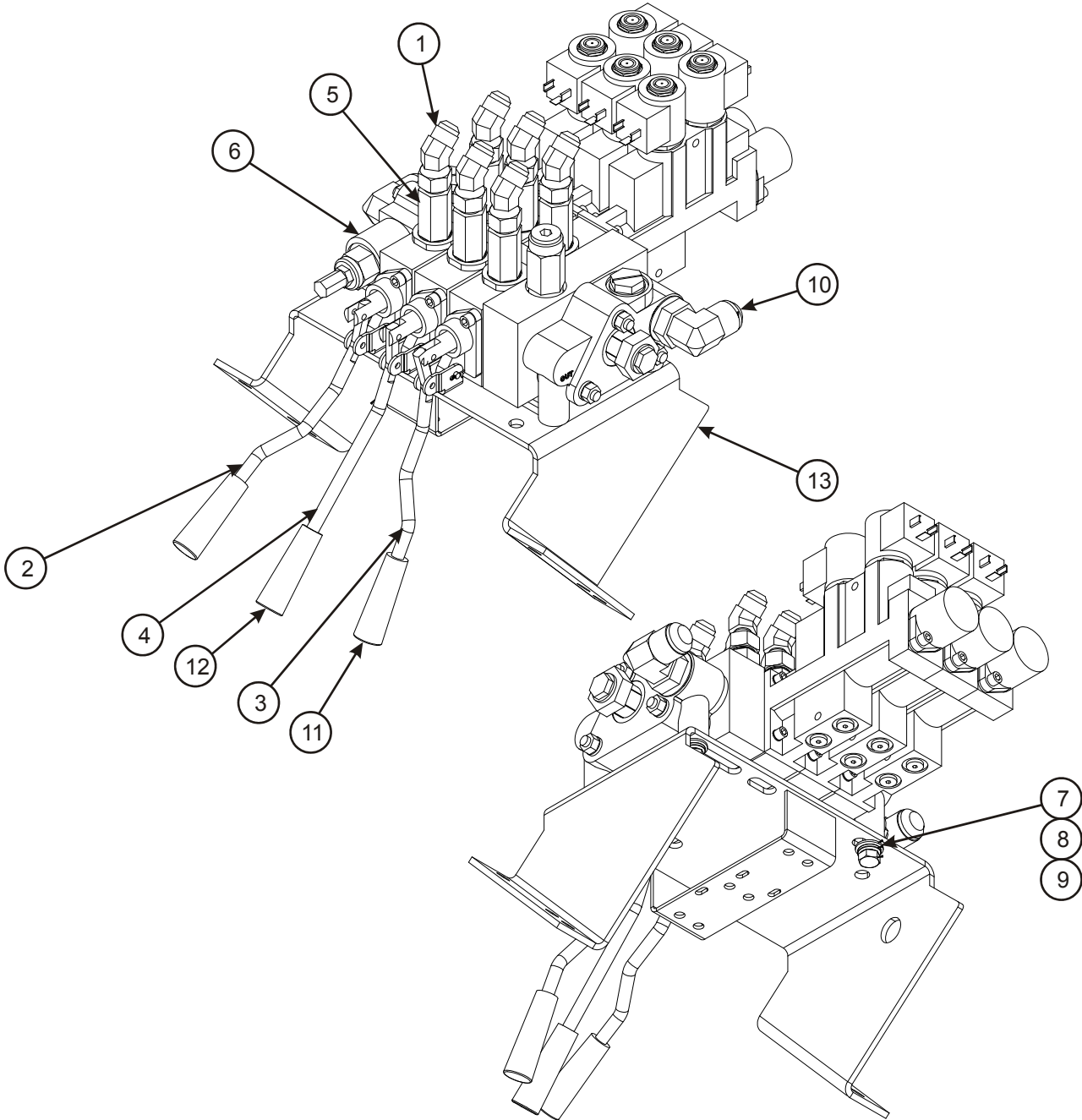


m143147

Figure 2-8: Valve Assembly - 3 Spool, No Remote

VALVE ASSEMBLY - 3 SPOOL, NO REMOTE

ITEM	PART NO.	DESCRIPTION	QTY.
	143147	VALVE ASSEMBLY - 3 SPOOL NO REMOTE	
1	136377	VALVE HANDLE, RH FORMED	1
2	136378	VALVE HANDLE, LH FORMED	1
3	139519	VALVE HANDLE, CENTER FORMED	1
4	143145	VALVE, 3 STACK (SEE PAGE 2-14)	1
5	1-654-010051-05	SCREW, HEX HEAD CAP 3/8-16 X 1 GR5	3
6	1-861-010032-10	WASHER, FLAT 3/8N	3
7	1-861-010034-11	WASHER, SPLIT LOCK 3/8	3
8	202702-8-8S	ADAPTER	6
9	2062-10-12S	ADAPTER, 90	2
10	3-360-010072	HANDLE, PLASTIC BLACK	2
11	3-360-010090	HANDLE, PLASTIC RED	1
12	3-482-010575	MOUNT WELDMENT, VALVE	1

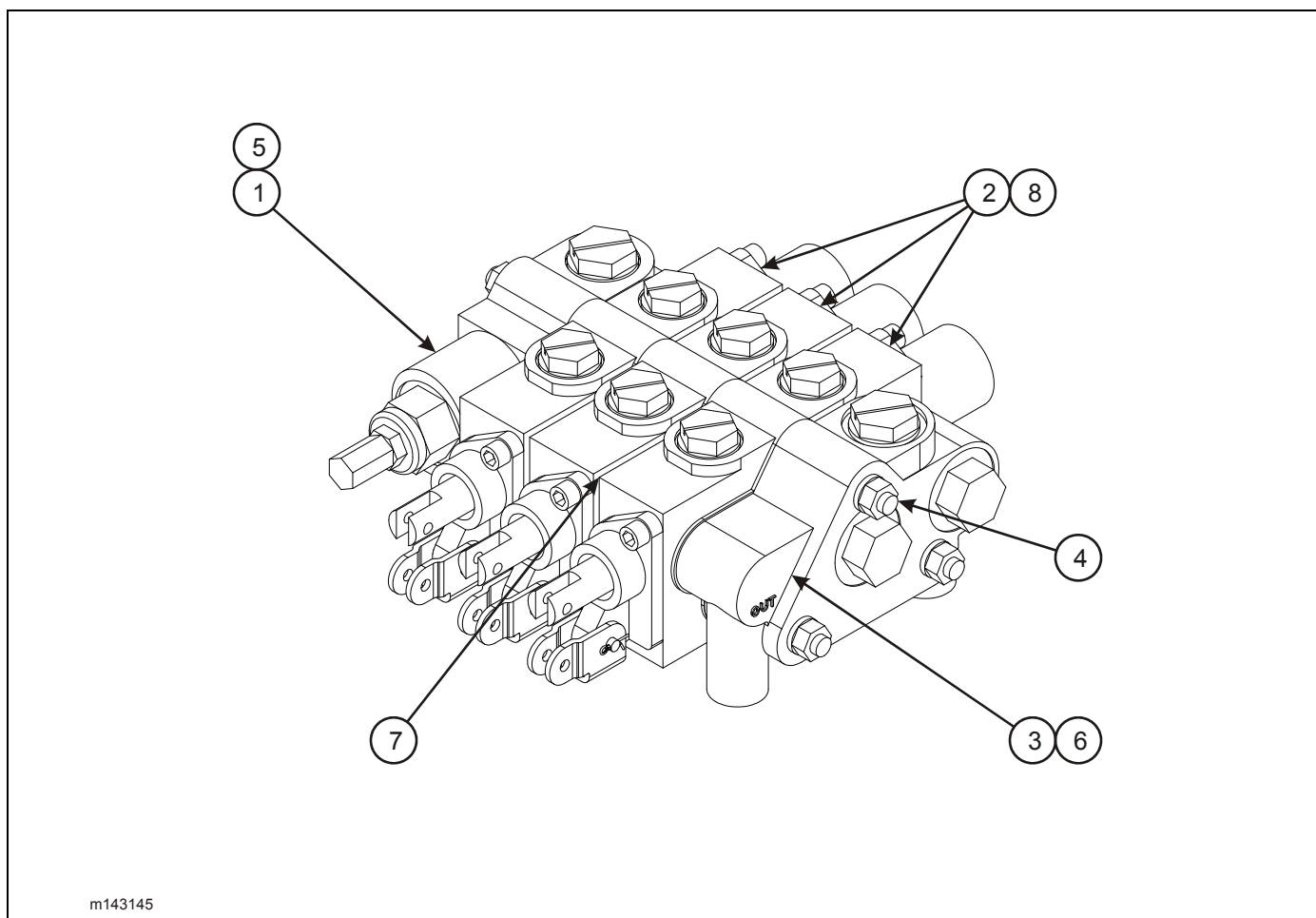


m149980

Figure 2-9: Valve Assembly - 3 Spool, Remote

VALVE ASSEMBLY - 3 SPOOL, REMOTE

ITEM	PART NO.	DESCRIPTION	QTY.
	149980	VALVE ASSEMBLY - 3 SPOOL REMOTE	
1	121031	ADAPTER, 45	6
2	136377	VALVE HANDLE, RH FORMED	1
3	136378	VALVE HANDLE, LH FORMED	1
4	139519	VALVE HANDLE, CENTER FORMED	1
5	140893	ADAPTER, STRAIGHT LONG	6
6	148239	VALVE, 3 STACK SOLENOID (SEE PAGE 2-15)	1
7	1-654-010051-05	SCREW, HEX HEAD CAP 3/8-16 X 1 GR5	3
8	1-861-010032-10	WASHER, FLAT 3/8N	3
9	1-861-010034-11	WASHER, SPLIT LOCK 3/8	3
10	2062-10-12S	ADAPTER, 90	2
11	3-360-010072	HANDLE, PLASTIC BLACK	2
12	3-360-010090	HANDLE, PLASTIC RED	1
13	3-482-010575	MOUNT WELDMENT, VALVE	1

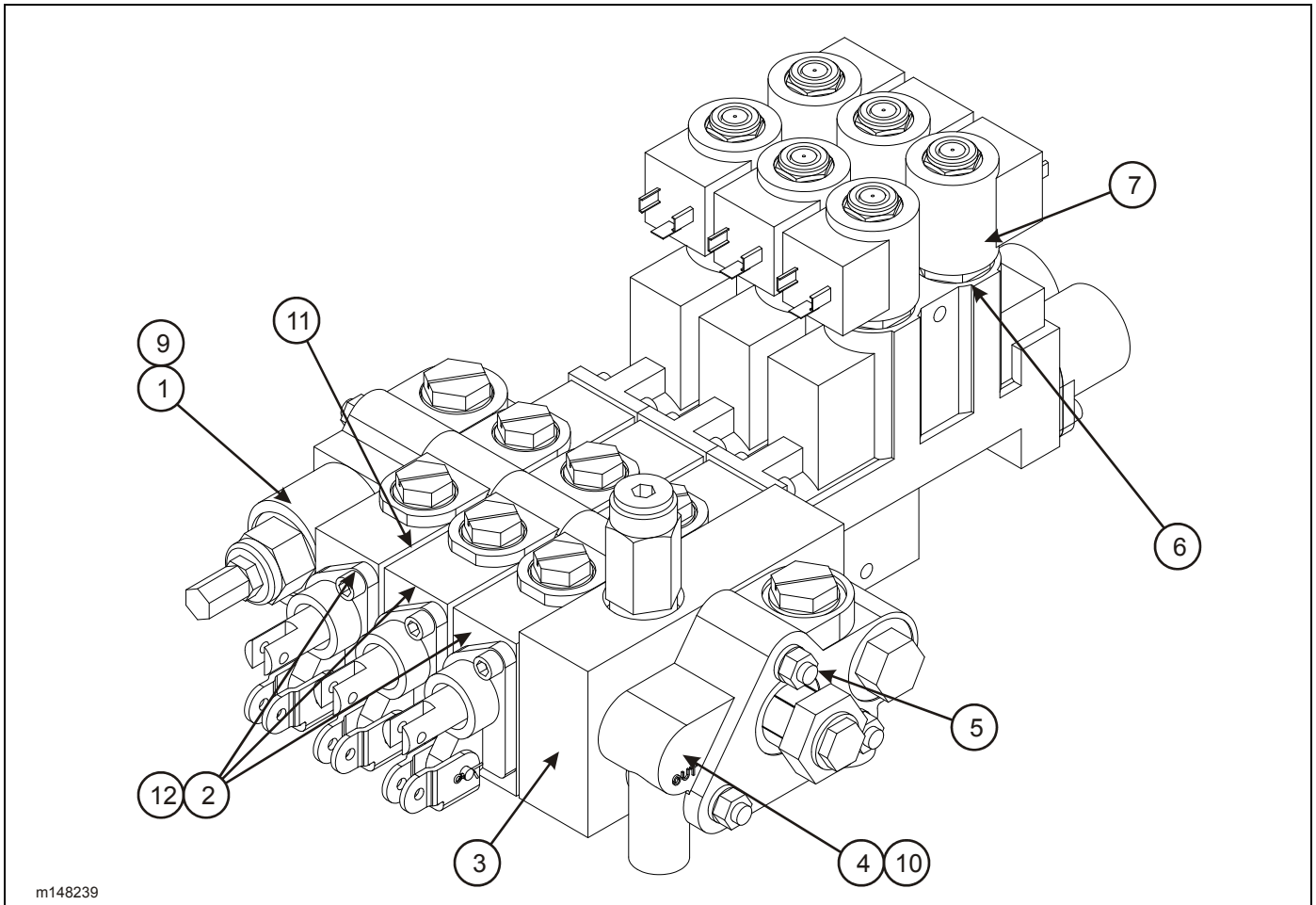


m143145

Figure 2-10: Three Stack Valve

VALVE, THREE STACK

ITEM	PART NO.	DESCRIPTION	QTY.
	143145	VALVE, THREE STACK	
1	120751	INLET SECTION KIT	
2	149152	VALVE SECTION KIT	
3	149153	OUTLET SECTION KIT	
4	147315	TIEROD KIT	
5	660580002	SEAL KIT FOR INLET SECTION	
6	660580003	SEAL KIT FOR OUTLET SECTION	
7	660580004	O-RING SEAL KIT FOR BETWEEN SECTIONS	
8	660580005	SEAL KIT FOR SOLENOID WORK SECTION	



m148239

Figure 2-11: Three Stack Valve

VALVE, THREE STACK SOLENOID

ITEM	PART NO.	DESCRIPTION	QTY.
	148239	VALVE, THREE STACK SOLENOID	
1	149526	INLET SECTION KIT	
2	149527	VALVE SECTION KIT	
3	149529	VALVE SECTION KIT	
4	142483	OUTLET SECTION KIT	
5	149530	TIEROD KIT	
6	142484	COIL	
7	142485	CARTRIDGE	
8	142486	COIL CARTRIDGE ASSEMBLY (INCL ITEMS 6 & 7)	
9	660580002	SEAL KIT FOR INLET SECTION	
10	660580003	SEAL KIT FOR OUTLET SECTION	
11	660580004	O-RING SEAL KIT FOR BETWEEN SECTIONS	
12	660580005	SEAL KIT FOR SOLENOID WORK SECTION	

ILLUSTRATED PARTS LIST

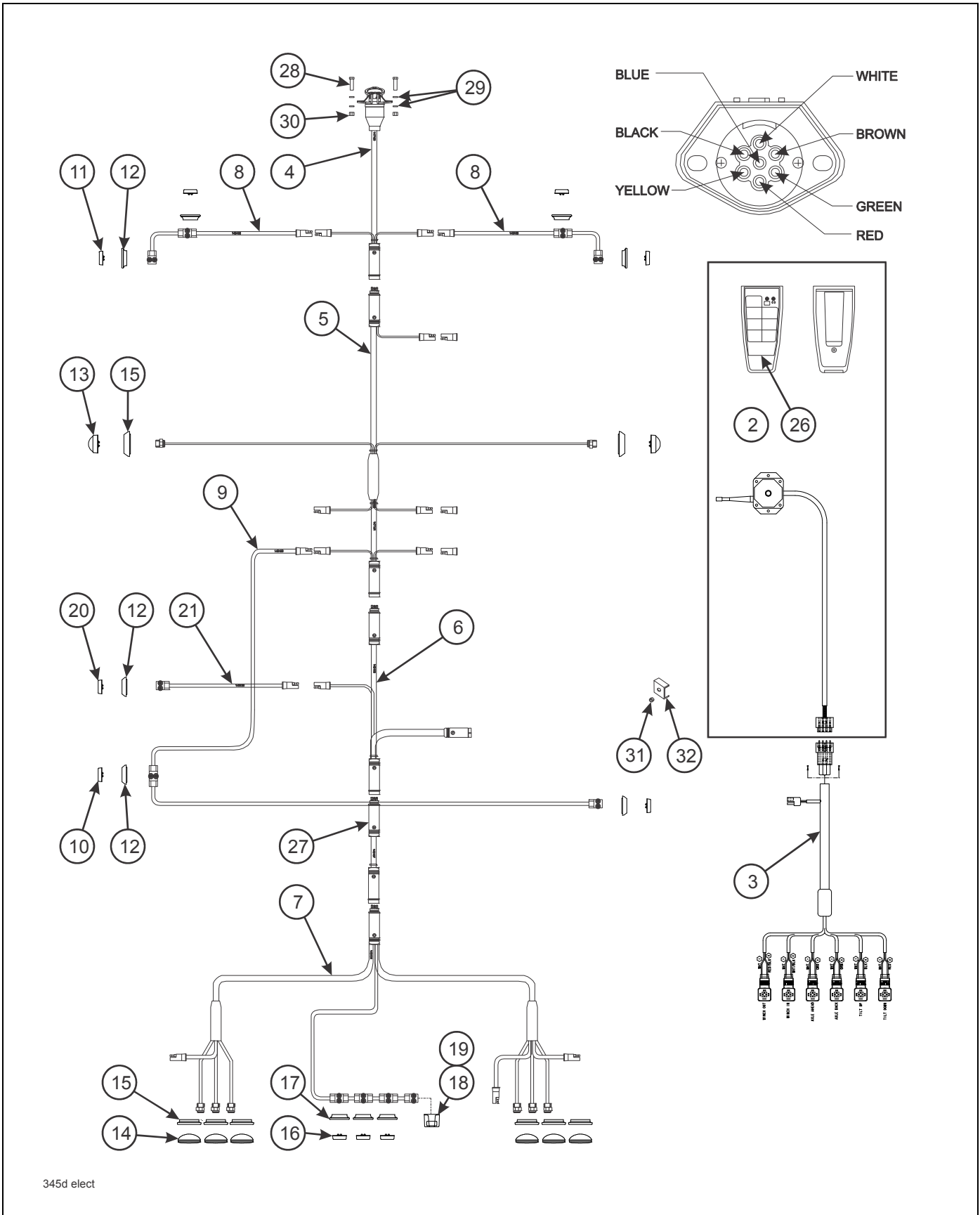


Figure 2-12: Electrical Assembly

ELECTRICAL ASSEMBLY

ITEM	PART NO.	DESCRIPTION	QTY.
1	1-796-010003-02	TIE WRAPS (NOT SHOWN)	AR
2	139537*	RECEIVER SUBASSEMBLY, KAR-TECH	REF
	143125*	TRANSMITTER, 6 FUNCTION	REF
	143127	POUCH, TRANSMITTER	REF
3	140083	HARNESS ASSEMBLY, KAR-TECH	REF
4	147190	HARNESS, 7 WAY RECEPTACLE	1
5	147191	HARNESS, BED MAIN	1
6	143103	HARNESS, E-CHAIN	1
7	143104	HARNESS, BUMPER	1
8	143105	HARNESS, MARKER FRONT CORNER	2
9	143106	HARNESS, MARKER FRONT BED	1
10	143108	LIGHT, RED LED 2.5 CL/MARKER	2
11	143109	LIGHT, YELLOW LED 2.5 CL/MARKER	8
12	143110	GROMMET, 2.5 SURFACE MOUNT	11
13	143112	LIGHT, YEL AUX TURN	2
14	143113	LIGHT, RED LED OVAL STT	6
15	143114	GROMMET, OVAL	8
16	143115	LIGHT, RED LED RECT CLEARANCE	3
17	143116	GROMMET, RECT	3
18	143117	LIGHT, CLEAR LED LICENSE	1
19	143118	BRACKET, LIGHT LICENSE	1
20	143119	LIGHT, YELLOW LED ABS	1
21	143120	HARNESS, ABS LAMP	1
22	143122	CLAMP, HARNESS (NOT SHOWN)	AR
26	143128	DECAL, 6 FUNCTION WINCH, TILT, AXLE	REF
27	143166	HARNESS EXTENSION 48"	1
28	1-654-010049-06	SCREW, HEX HEAD CAP 5/16-18 X 1 GR5	2
29	1-861-010032-09	WASHER, FLAT 5/16W	4
30	1-512-010005-03	NUT, HEX LOCK 5/16-18	2
31	1-510-010001	NUT, FLANGE 3/8-16	AR
32	2-181-010001	CLAMP, HOSE	AR

* ITEM 26 (DECAL) MUST BE PURCHASED WITH THE PURCHASE OF EITHER P/N 139537 (RECEIVER/TRANSMITTER) OR 143125 (TRANSMITTER)

ILLUSTRATED PARTS LIST

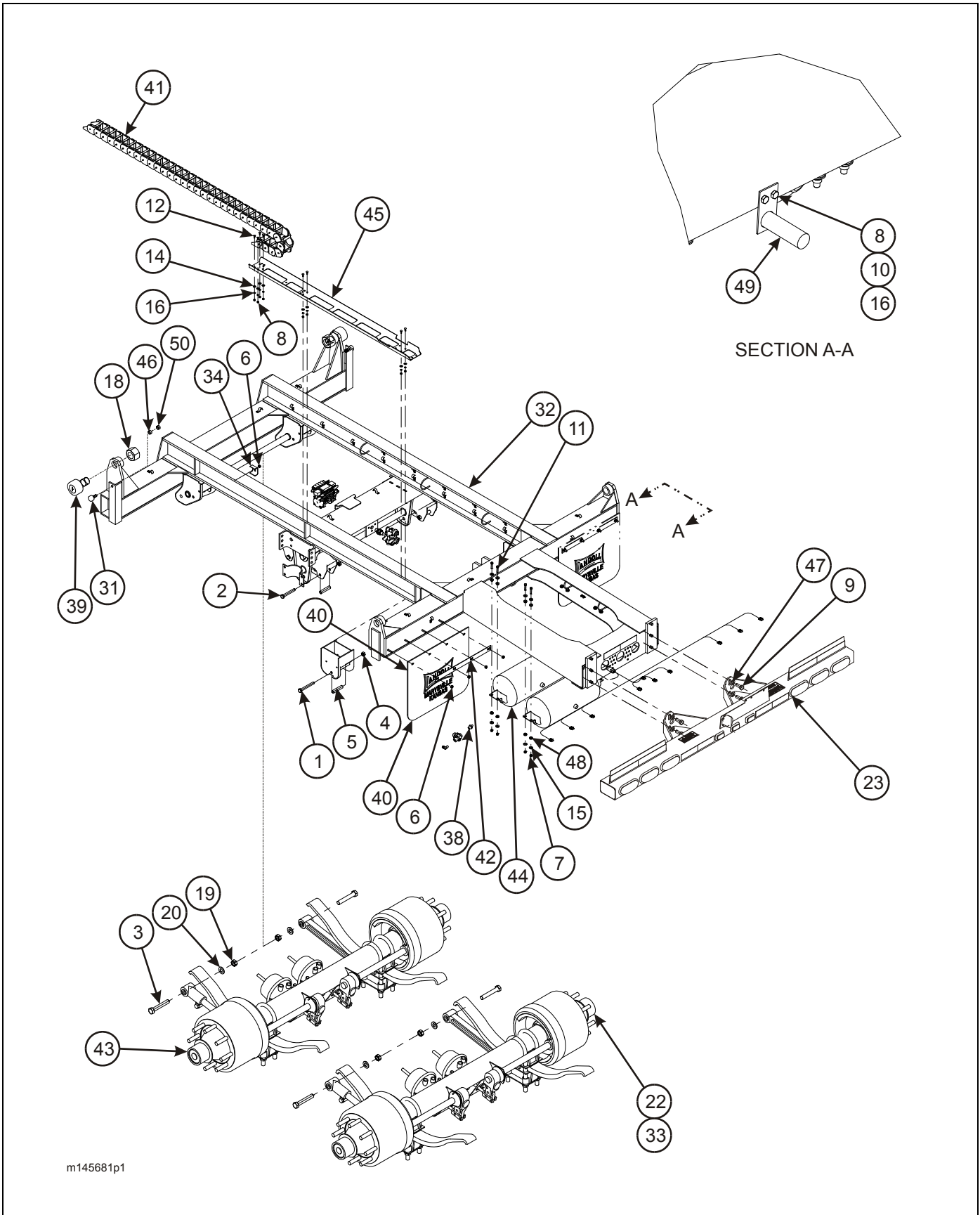


Figure 2-13: Undercarriage Assembly - Spring Ride (1 of 2)

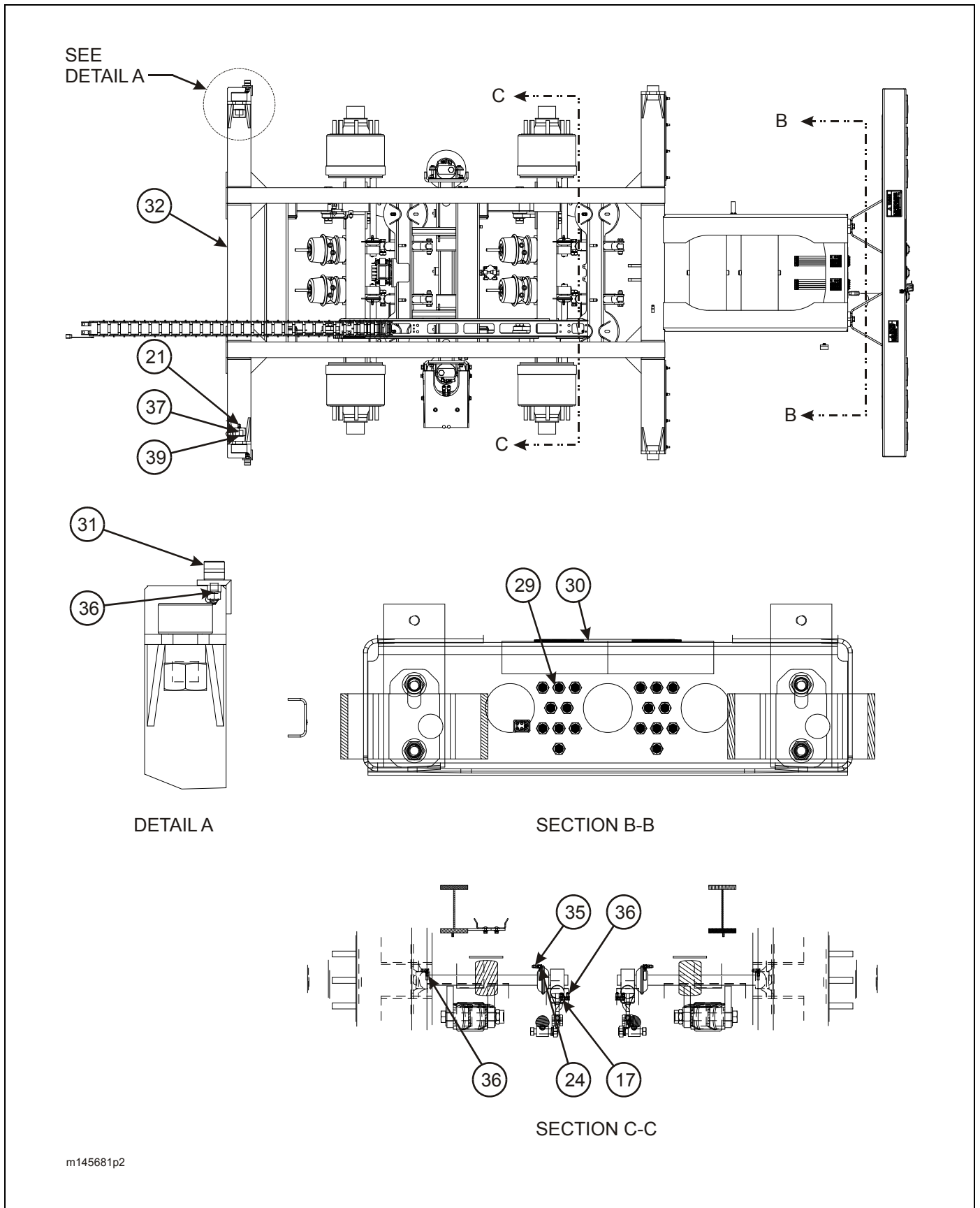


Figure 2-14: Undercarriage Assembly - Spring Ride (2 of 2)

ILLUSTRATED PARTS LIST

UNDERCARRIAGE ASSY - SPRING RIDE

ITEM	PART NO.	DESCRIPTION	QTY.
	145681	U/C ASSEMBLY SPRING 102"	
1	0001-02	CAPSCREW, HEX HEAD 5/8-18 X 5-1/8	2
2	0001-04	RETAINER, 5/8-18 X 4-1/2 HEX HEAD	4
3	0001-08	BOLT, 7/8-14 X 5-1/4	4
4	0002-07	LOCKNUT, HEX CENTER 5/8-18	6
5	0741-01	SPRING, ROLLER EQUALIZER TRANS	6
6	1-510-010001	NUT, FLANGE LOCK 3/8-16	10
7	1-512-010005-05	NUT, HEX LOCK 3/8-16 GRB	8
8	1-512-010007-05	NUT, HEX 1/4-20 GRB	8
9	1-654-010032-4	SCREW, HEX HEAD CAP 3/4-10 X 1-3/4 GR8	4
10	1-654-010047-06	SCREW, HEX HEAD CAP 1/4-20 X 1 GR5	2
11	1-654-010051-08	SCREW, HEX HEAD CAP 3/8-16 X 1-3/4 GR5	8
12	1-654-010158-1	SCREW, RD HEAD SQ NECK 1/4-20 X 3/4 GR5	8
13	1-796-010003-02	TIE STRAP, PLASTIC .18 X 14 (NOT SHOWN)	AR
14	1-861-010032-07	WASHER, FLAT 1/4	8
15	1-861-010032-11	WASHER, FLAT 3/8	16
16	1-861-010034-09	WASHER, SPLIT LOCK 1/4	8
17	101528	ELBOW, BRASS PIPE STREET	4
18	104034	NUT, HEX 2-12 GRB	2
19	110990	NUT, LOCK 7/8-14	4
20	110991	WASHER, FLAT 7/8 HARDENED	4
21	113268	ADAPTER 90	4
22	115723	SUSPENSION ASSEMBLY, SPRING REAR (SEE PAGE 2-23)	1
23	119580	BUMPER WELDMENT, E/P	1
24	121355	ELBOW ST, 90	4
25	*142445	HOSE ASSEMBLY, GREASE 1/4 X 102	6
26	*142450	HOSE ASSEMBLY, GREASE 1/4 X 144	6
27	*142455	HOSE ASSEMBLY, GREASE 1/4 X 217	4
28	*142466	HOSE ASSEMBLY, GREASE 1/4 X 94	2
29	142545	NUT, 7/16	18
30	142553	DECAL, GREASE TRAILER U/C	2
31	142555	CAM FOLLOWER 1-1/2 DIA MOD GREASE	REF
32	143152	SUSPENSION WELDMENT S/R	1
33	145689	BRAKE, ABS TANDEM S/R (SEE PAGE 2-31)	1
34	2-181-010001	CLAMP	3
35	2021-2-4	ADAPTER, STRAIGHT	4
36	2024-2-4S	ADAPTER, ELBOW	10
37	2045-4-4S	ADAPTER, SWIVEL	4
38	2083-8-4S	NIPPLE, HEX	1
39	3-076-010005	CAM FOLLOWER 4"	4
40	3-485-010001	FLAP MUD 21IN	2
41	3-755-010189-03	SUPPORT E-CHAIN	1
	3-755-010189-1	LINK	1
	380-1	END MOUNTING BRACKET WITH HOLE	2
	380-2	END MOUNTING BRACKET WITH PIN	2
42	3-762-010017	CLAMP, MUD FLAP	2
43	3-762-010691-1	SUSPENSION ASSEMBLY 70.5-39-1/2 (SEE PAGE 2-23)	2
44	3-780-010002	TANK, AIR	2
45	3-821-010005	TRAY CAT-TRACK	1

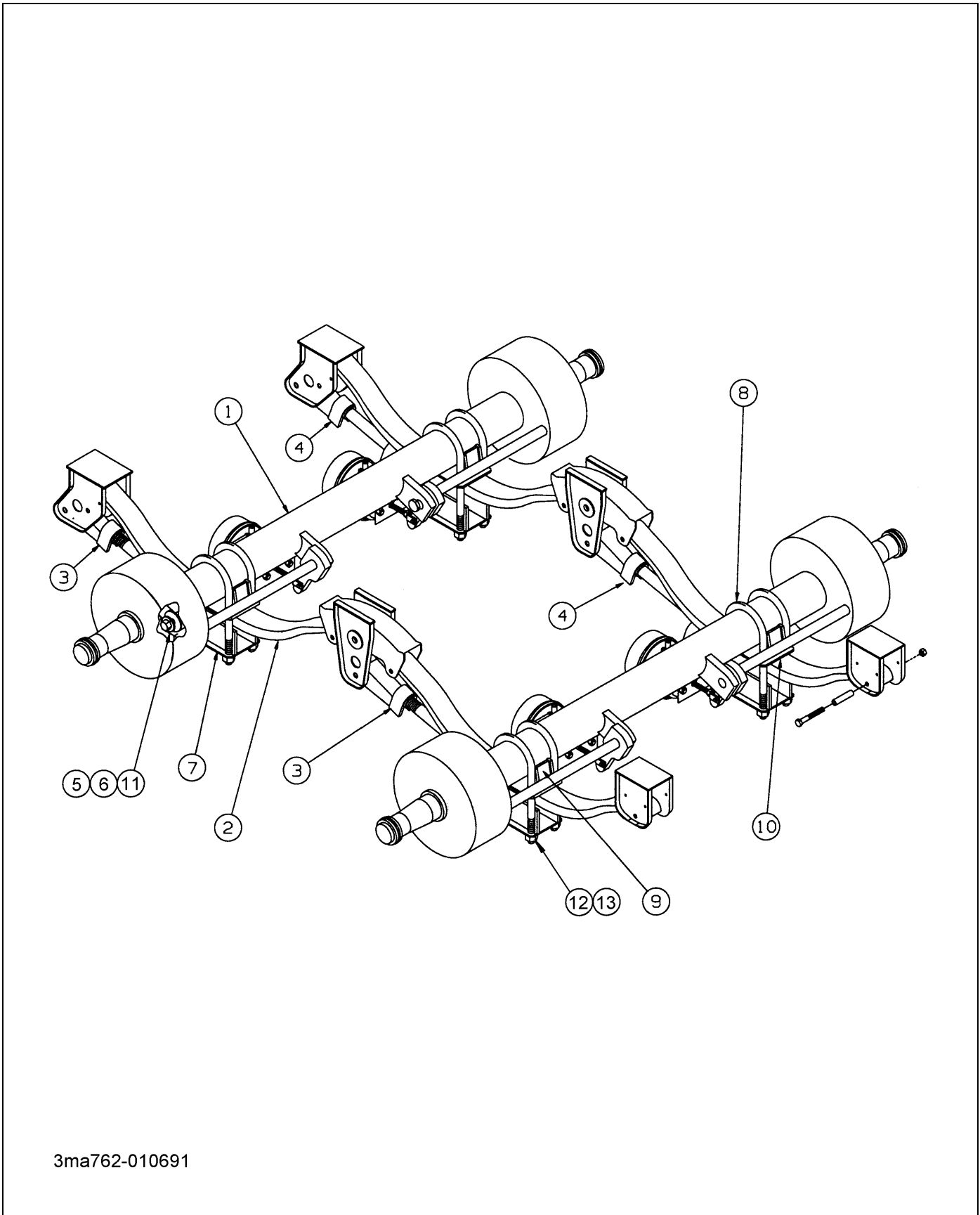
UNDERCARRIAGE ASSY - SPRING RIDE

ITEM	PART NO.	DESCRIPTION	QTY.
46	RRT159X0.5	TUBE, RD 1.0 X 11/16 X 1/2	REF
47	622-3511-008	WASHER 3/4 MIL-CARB FL SA&A	14
48	805-2	BUSHING, STEP	16
49	101852	DIAGNOSTIC CABLE	REF
50	134168	NUT, HEX 5/8-18 GRB	REF

* SEE TABLE BELOW FOR HOSE LOCATIONS

GREASE HOSE LOCATION, P/N, AND LENGTH

ITEM	HOSE LOCATION	RIGHT	LEFT	LENGTH
25	TO REAR SLACK	142445	142445	102"
	TO REAR INNER CAMSHAFT	142445	142445	102"
	TO REAR OUTER CAMSHAFT	142445	142445	102"
26	TO FRONT INNER CAMSHAFT	142450	142450	144"
	TO FRONT SLACK	142450	142450	144"
	TO FRONT OUTER CAMSHAFT	142450	142450	144"
27	TO FRONT FOLLOWER	142455	142455	217"
	HOLD DOWN FOLLOWER	142455	142455	217"
28	TO REAR FOLLOWER	142466	142466	94"



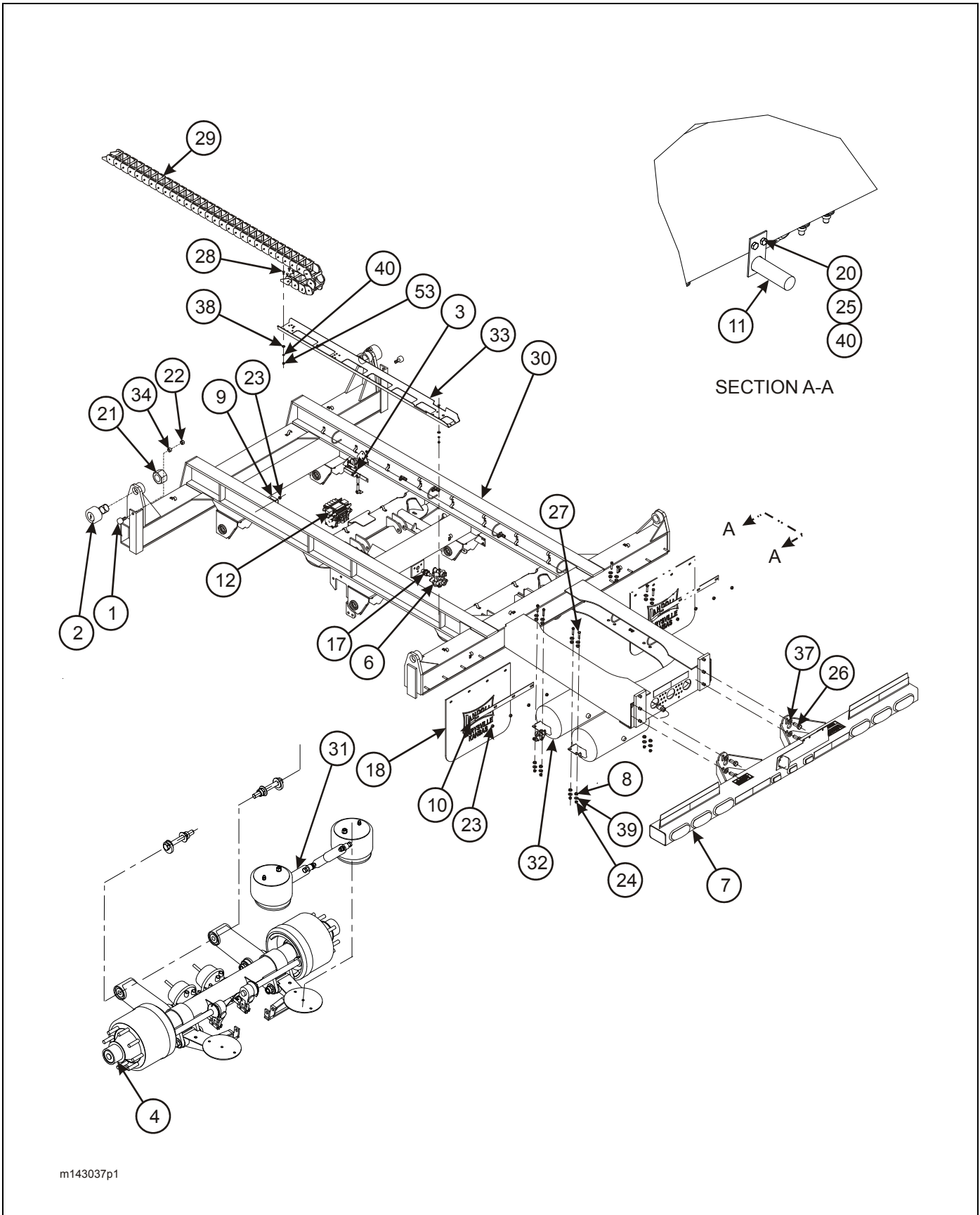
3ma762-010691

Figure 2-15: Suspension Assembly - Spring Ride

SUSPENSION ASSEMBLY - SPRING RIDE

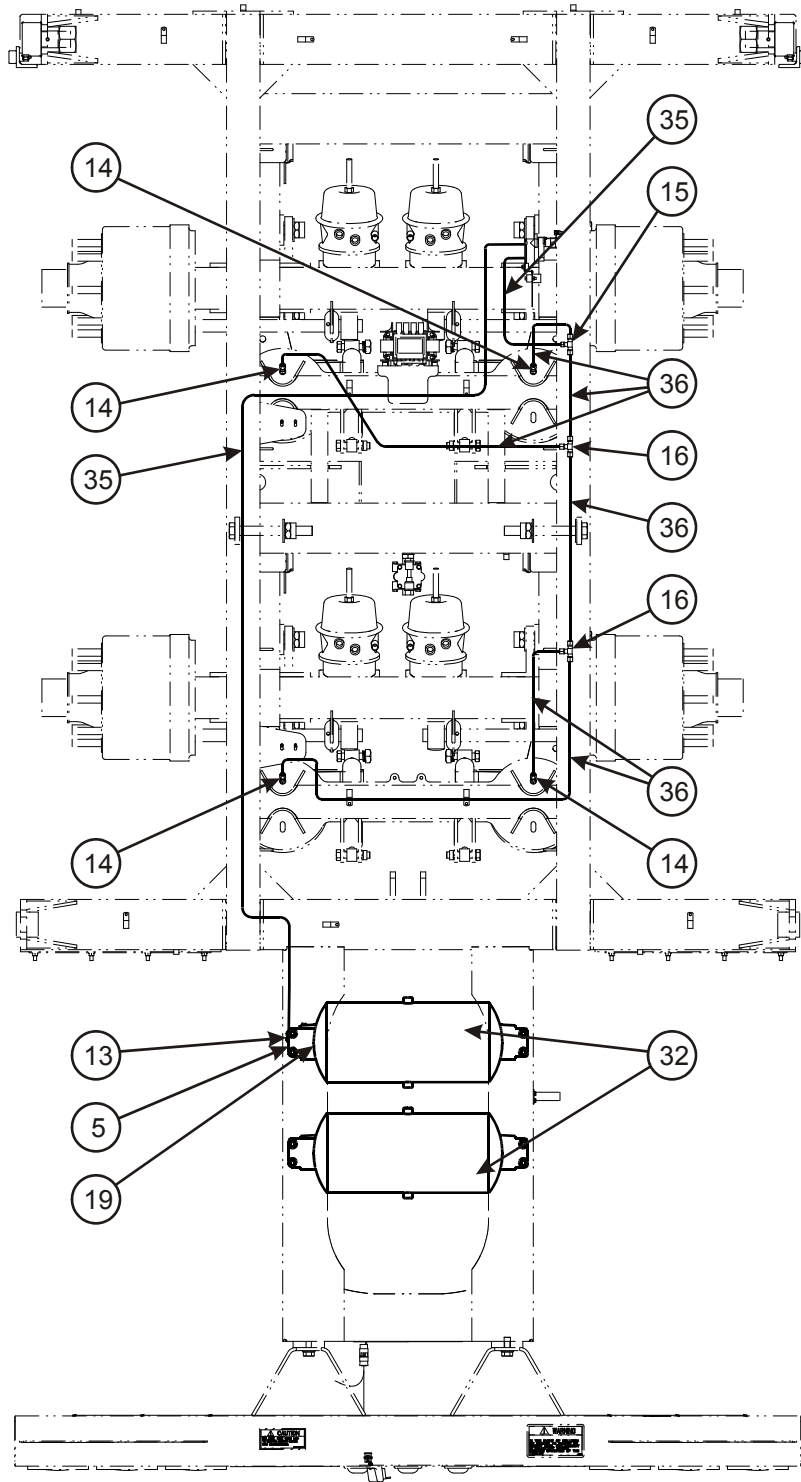
ITEM	PART NO.	DESCRIPTION	QTY.
	115723	SUSPENSION ASSEMBLY, SPRING REAR	
	3-762-010691-1	SUSPENSION ASSY S/R 70.5 39-1/2 SPG CTR	
1	115703	AXLE 70-1/2 12-1/4X7-1/2 BRAKE SPG25K (SEE PAGE 2-35)	2
2	3-720-010030	SPRING, MONO LEAF HI ARCH	4
3	1035-20	ADJUSTABLE TORQUE ARM	2
4	0075-20	RIGID TORQUE ARM	2
5	0001-08	BOLT, 7/8-14 X 5-1/4 GR5	4
6	14345-01	LOCKNUT, 7/8-14	4
7	0508-00	BOTTOM PLATE, SINGLE LEAF	4
8	24213-130	U-BOLT, 3/4 X 13	8
9	0647-01	AXLE SEAT, 1" HIGH SINGLE LEAF	4
10	0375-00	DELRIN LINER, SINGLE LEAF	4
11	T7292	WASHER, 7/8	4
12	14344-01	LOCKNUT, 3/4	16
13	20852-01	WASHER. 3/4	16
	3-432-010006	KIT, AXLE SPRING ATTACH. PARTS (INCL. ITEMS 3-13)	

ILLUSTRATED PARTS LIST



m143037p1

Figure 2-16: Undercarriage Assembly - Air Ride (1 of 3)



m143037p2

Figure 2-17: Undercarriage Assembly - Air Ride (2 of 3)

ILLUSTRATED PARTS LIST

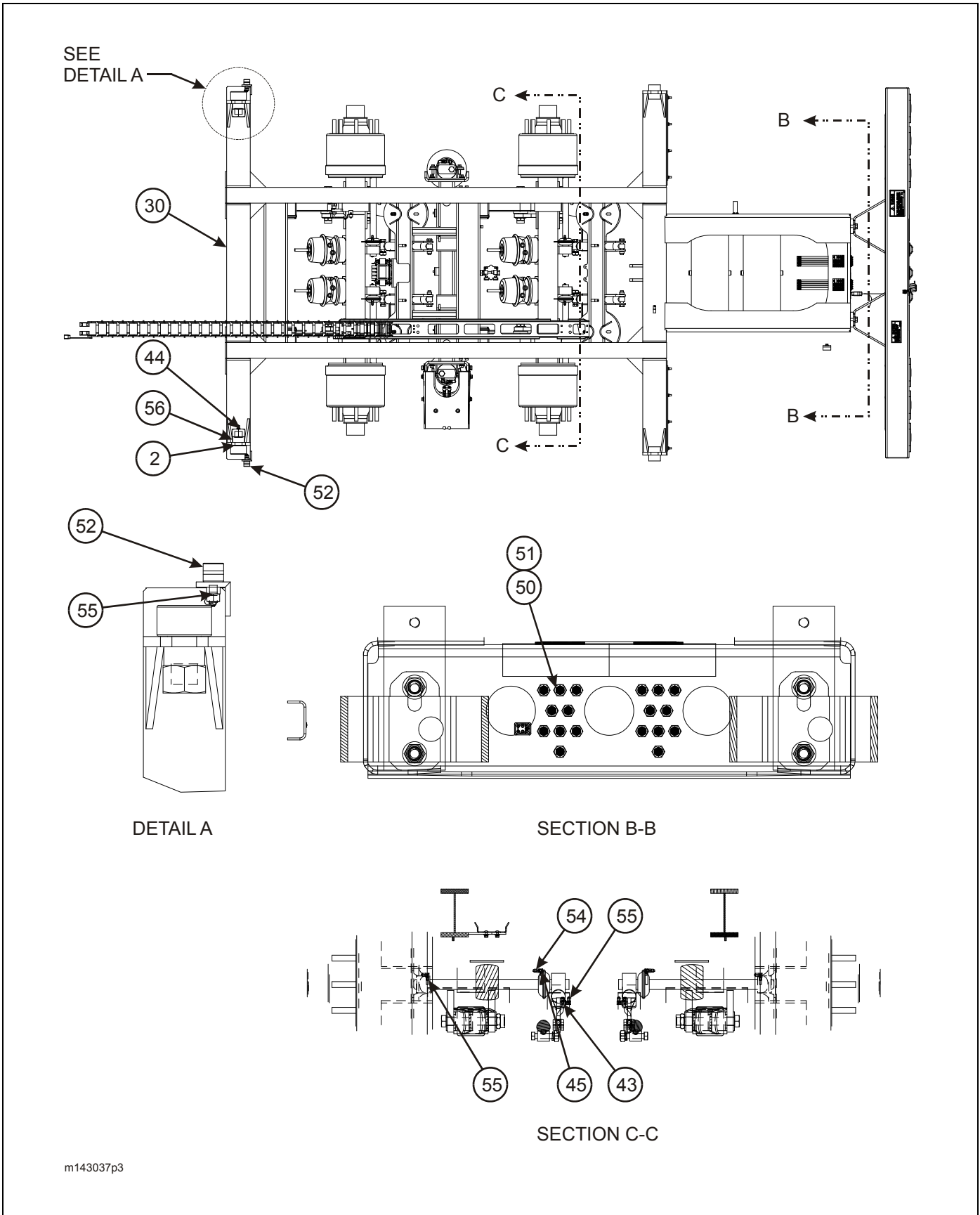


Figure 2-18: Undercarriage Assembly - Air Ride (3 of 3)

UNDERCARRIAGE ASSY - AIR RIDE

ITEM	PART NO.	DESCRIPTION	QTY.
	----	UNDERCARRIAGE ASSY A/R 102 W/O D/L BRACKET	
1	3-076-010006	CAM FOLLOWER 1-1/2	REF
2	3-076-010005	CAM FOLLOWER 4"	2
3	102732	AIR CONTROL KIT (SEE PAGE 2-29)	1
4	115742	AXLE WELDMENT D2212-SPG-70.5 (FOR PARTS BREAKDOWNS, SEE PAGES 2-33 AND 2-35)	2
5	905-54-107	BRAKE PROTECTION VALVE	REF
6	145689	BRAKE, ABS TANDEM A/R (SEE PAGE 2-31)	1
7	119580	BUMPER WELDMENT E/P	1
8	805-2	BUSHINGS STEP	16
9	2-181-010001	CLAMP	3
10	3-762-010017	CLAMP MUD FLAP	2
11	101852	DIAGNOSTIC CABLE WITH SWITCH	1
12	114588	ECU/VALVE ASSEMBLY 4S/2M	REF
13	1-297-010008-07	FITTING, AIR 90	1
14	1-297-010013-11	FITTING, AIR 45	4
15	1-297-010010-04	FITTING, AIR UNION TEE	1
16	1-297-010010-03	FITTING, AIR UNION TEE 3/8	2
17	55B61	FRAME UNION	REF
18	3-485-010001	FLAP MUD 21IN	2
19	2083-8-4S	NIPPLE, HEX	1
20	1-512-010007-05	NUT HEX 1/4-20 GRB	22
21	104034	NUT, HEX 2-12 GRB	2
22	134168	NUT, HEX 5/8-18 GRB	REF
23	1-510-010001	NUT 3/8-16 FLANGE LOCK	11
24	1-512-010005-05	NUT, HEX LOCK 3/8-16 GRB	8
25	1-654-010047-06	SCREW, HEX HEAD CAP 1/4-20 X 1 GR5	2
26	1-654-010032-4	SCREW, HEX HEAD CAP 3/4-10 X 1-3/4 GR8	12
27	1-654-010051-08	SCREW HEX HEAD CAP 3/8-16 X 1-3/4 GR5	8
28	1-654-010158-1	SCREW, RD HEAD SQ NECK 1/4-20 X 3/4 GR5	20
29	3-755-010189-03	SUPPORT E-CHAIN	1
	3-755-010189-1	LINK	1
	380-1	END MOUNTING BRACKET WITH HOLE	2
	380-2	END MOUNTING BRACKET WITH PIN	2
30	142395	SUSPENSION WELDMENT 102 A/R	1
31	102363	SUSPENSION ADJ. RLU-228-3.5 (SEE PAGE 2-33)	2
32	3-780-010002	TANK AIR 9.5X22.5 5 PORTS	2
33	3-821-010005	TRAY CAT-TRACK	1
34	RRT159X0.5	TUBE ROUND 1 X 11/16 X 1/2	REF
35	1-833-010001	TUBING, NYLON 1/4	13
36	1-833-010002	TUBING, NYLON 3/8	13
37	622-3511-008	WASHER 3/4 MIL-CARB FL 345A	14
38	1-861-010032-07	WASHER FLAT 1/4	20
39	1-861-010032-11	WASHER FLAT 3/8	16
40	1-861-010034-09	WASHER SPLIT LOCK 1/4	22
42	1-796-010003-02	TIE STRAP PLASTIC .18 X 14 (NOT SHOWN)	AR
43	101528	ELBOW, BRASS PIPE STREET	4
44	113268	ADAPTER 90	1
45	121355	ELBOW ST, 90	4

ILLUSTRATED PARTS LIST

UNDERCARRIAGE ASSY - AIR RIDE

ITEM	PART NO.	DESCRIPTION	QTY.
46	*142445	HOSE ASSEMBLY, GREASE 1/4 X 102	6
47	*142450	HOSE ASSEMBLY, GREASE 1/4 X 144	6
48	*142455	HOSE ASSEMBLY, GREASE 1/4 X 217	4
49	*142466	HOSE ASSEMBLY, GREASE 1/4 X 94	2
50	142545	NUT, 7/16	12
51	142553	DECAL, GREASE TRAILER U/C	2
52	142555	CAM FOLLOWER 1-1/2 DIA MOD GREASE	2
53	1-512-010007-05	NUT, HEX 1/4-20 GRB	3
54	2021-2-4	ADAPTER, STRAIGHT	4
55	2024-2-4S	ADAPTER, ELBOW	8
56	2045-4-4S	ADAPTER, SWIVEL	1

* SEE TABLE BELOW FOR HOSE LOCATIONS

GREASE HOSE LOCATION, P/N, AND LENGTH

ITEM	HOSE LOCATION	RIGHT	LEFT	LENGTH
46	TO REAR SLACK	142445	142445	102"
	TO REAR INNER CAMSHAFT	142445	142445	102"
	TO REAR OUTER CAMSHAFT	142445	142445	102"
47	TO FRONT INNER CAMSHAFT	142450	142450	144"
	TO FRONT SLACK	142450	142450	144"
	TO FRONT OUTER CAMSHAFT	142450	142450	144"
48	TO FRONT FOLLOWER	142455	142455	217"
	HOLD DOWN FOLLOWER	142455	142455	217"
49	TO REAR FOLLOWER	142466	142466	94"

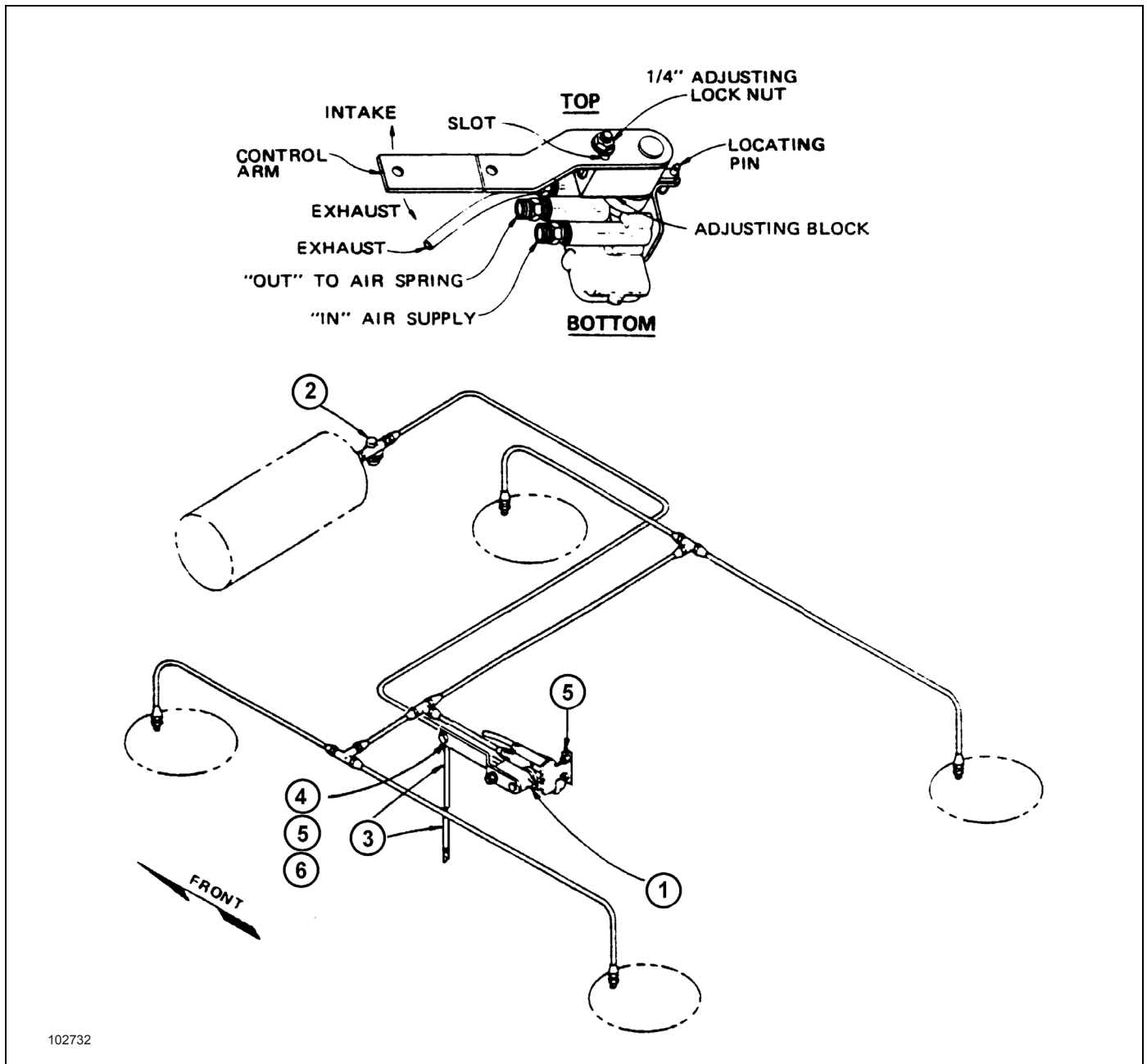
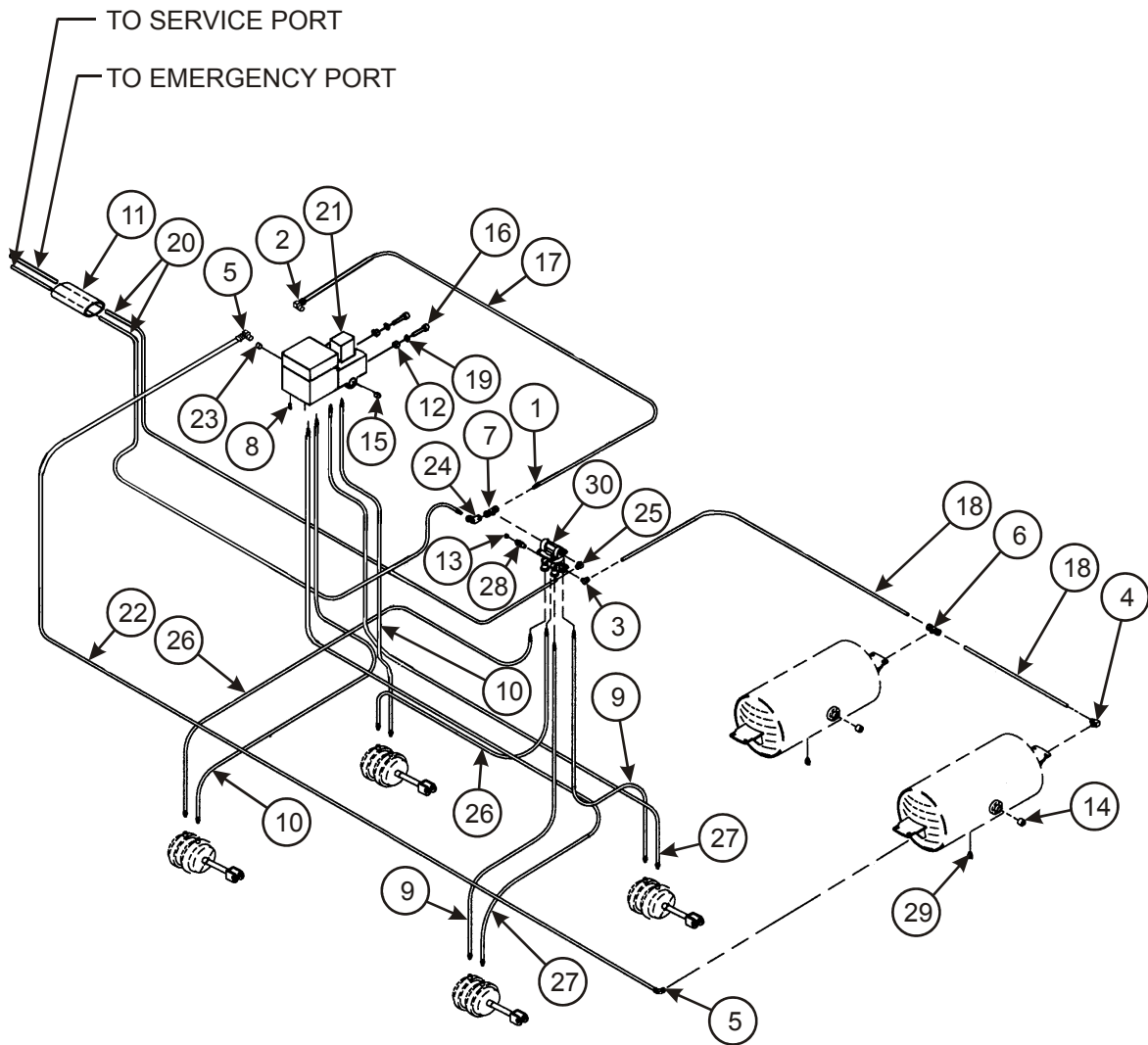


Figure 2-19: Air Control Kit

AIR CONTROL KIT

ITEM	PART NO.	DESCRIPTION	QTY.
	102732	AIR CONTROL KIT	
1	900 54 007	HEIGHT CONTROL VALVE	1
2	905-54-107	AIR PRESSURE PROTECTION VALVE & FILTER	1
3	111021	SRK-167 KIT (ADJ. LINK ASSEMBLY)	1
4	1-654-010047-04	CAP SCREW 1/4-20 X 3/4	2
5	1-512-010005-01	LOCK NUT 1/4-20	2
6	941 00 119	DECAL (OPERATING)	1

ILLUSTRATED PARTS LIST



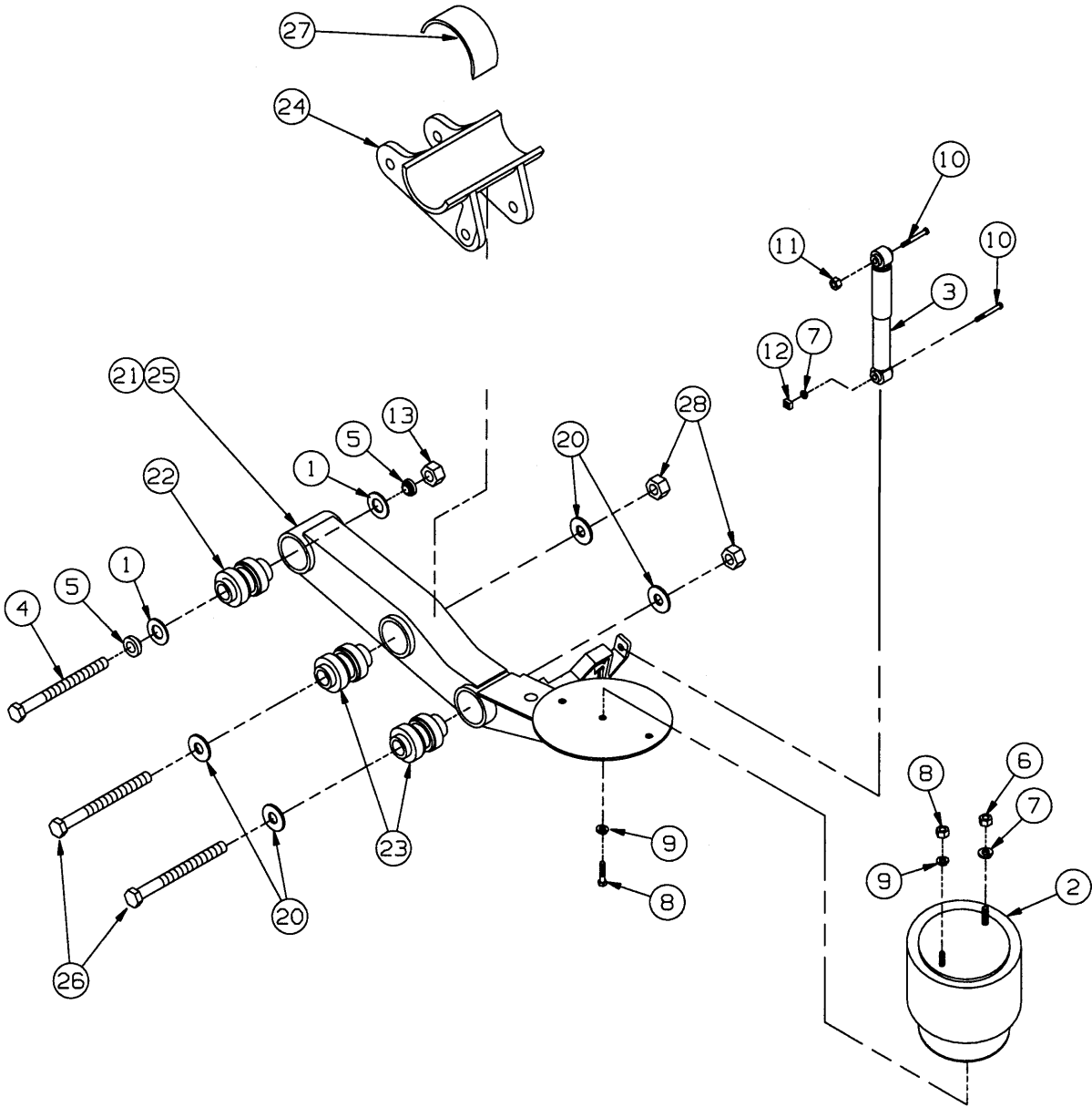
m145689

Figure 2-20: Air Brake System

AIR BRAKE SYSTEM

ITEM	PART NO.	DESCRIPTION	QTY.
	145689	BRAKE ABS TANDEM AXLE A/R	
1	1-297-010007-12	FITTING, AIR	1
2	1-297-010008-18	FITTING, AIR 90	1
3	1-297-010008-23	FITTING, AIR 90	1
4	1-297-010008-24	FITTING, AIR 90	1
5	1-297-010008-26	FITTING, AIR 90	2
6	1-297-010015-11	FITTING, AIR BRANCH TEE	21
7	1-297-010017-03	FITTING, BRASS PIPE 3/8	1
8	1-297-010033-03	FITTING, BRASS PLUG HEX	2
9	1-384-010038024	HOSE, AIR 3/8 X 24	2
10	1-384-010038038	HOSE, AIR 3/8 X 38	2
11	1-394-010001	HOSE ABRASION SLEEVE X 2	AR
12	1-512-010005-05	NUT, HEX LOCK 3/8-16 GRB	2
13	1-560-010002-02	PLUG, PIPE 1/4	1
14	1-560-010002-04	PLUG, PIPE 1/2	5
15	1-560-010002-05	PLUG, PIPE 3/4-14	1
16	1-654-010051-08	SCREW, HEX HEAD CAP 3/8-16 X 1-3/4 GR5	2
17	1-833-010002	TUBING, NYLON 3/8	AR
18	1-833-010003	TUBING, NYLON 1/2	AR
19	1-861-010032-10	WASHER, FLAT 3/8N	4
20	100948	HOSE, AIR 3/8 X 174	2
21	114584	ABS BRAKE KIT WABCO 4S/2M (SEE PAGE 2-37)	1
22	117304	TUBING NYLON 5/8	AR
23	118-2659-9	BUSHING 1/2 X 3/4	1
24	2088-6-6S	ADAPTER, 45	1
25	2089-6-6S	ADAPTER, 90	1
26	3-384-010020	HOSE, AIR 3/8 X 32	2
27	3-384-010025	HOSE, AIR 3/8 X 50	2
28	55B61	FRAME, UNION	1
29	56D4	COCK, DRAIN AIR TANK	2
30	758-181	VALVE, TASK 4 PORT	1

ILLUSTRATED PARTS LIST



762m102361

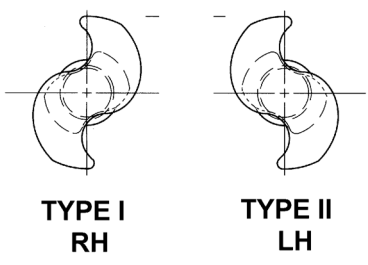
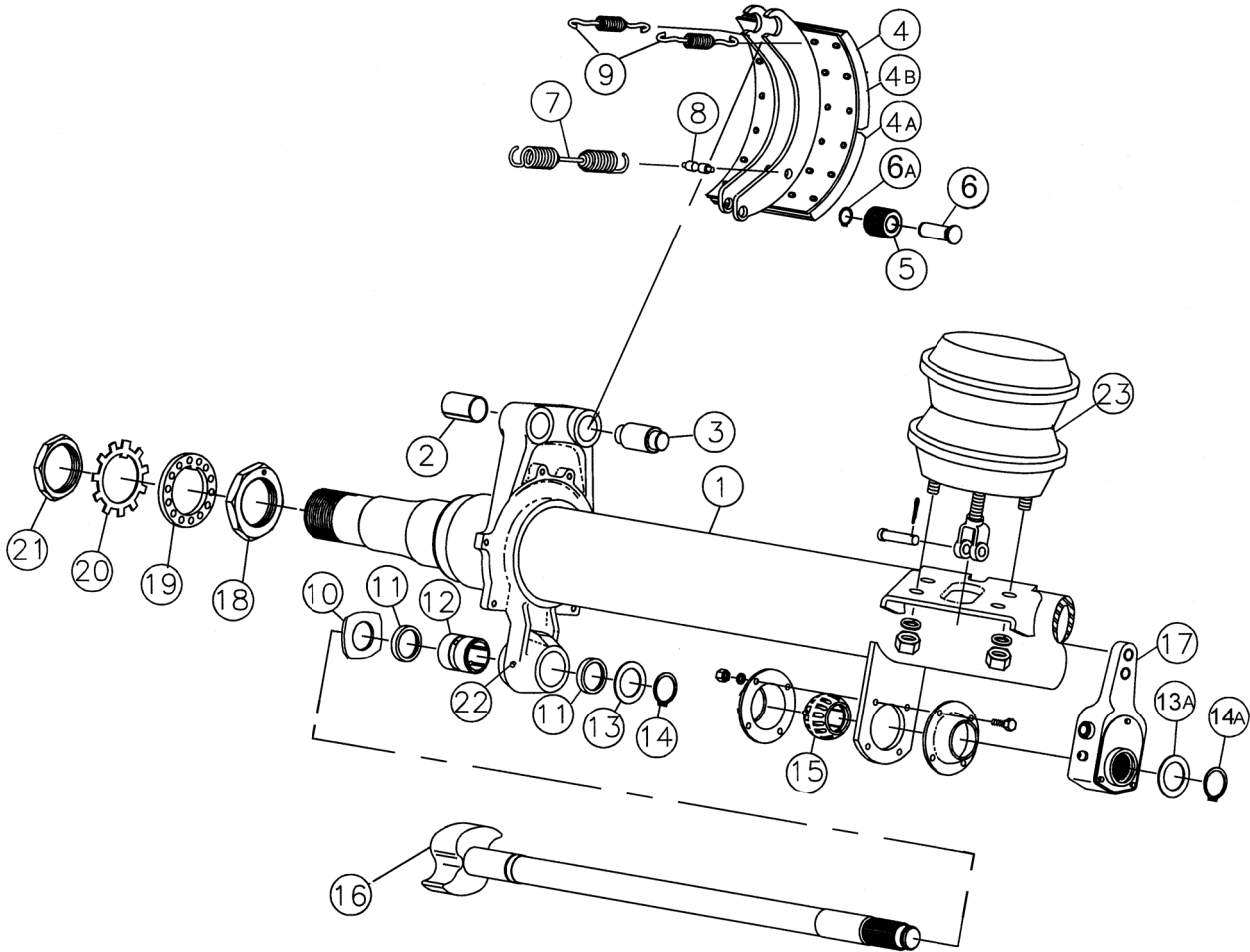
Figure 2-21: Suspension Hanger Assembly RLU-228

SUSPENSION HANGER RLU-228

ITEM	PART NO.	DESCRIPTION	QTY.
	102363	SUSPENSION, ADJ. RLU-228-3.5 (INCL ITEMS 1-19)	
	102361	SUSPENSION, BEAM. RLU-228 (INCL ITEMS 20-28)	
1	111010	WASHER, FLAT	2
2	111020	AIR SPRING ASSEMBLY	2
3	900 45 040	SHOCK	2
4	111006	ALIGN BUSH ASSEMBLY (CONSISTS OF:)	2
	93201057	ROD BOLT	1
	90008184	ALIGN BLOCK	1
5	111007	ALIGN BLOCK	2
6	934 00 149	NUT, HEX 3/4-16 GRB	2
7	936 00 077	WASHER, LOCK 3/4"	4
8	1-512-010007-09	NUT, HEX 1/2-13	4
9	1-861-010034-13	WASHER, SPLIT LOCK 1/2"	4
10	105408	SCREW, HEX HEAD CAP 3/4-10 X 3-1/2	4
11	934-00-492	LOCK NUT, 3/4" - 10	2
12	111022	SQUARE NUT 3/4-10	2
13	111008	LOCK NUT 1-1/8-7	2
14	111018	ANCHOR, RIDE HEIGHT CONTROL VALVE (NOT SHOWN)	1
15	94100787	LITERATURE INSTRUCTIONS (NOT SHOWN)	1
16	94100685	LITERATURE SPEC (NOT SHOWN)	1
17	94100648	LITERATURE FORM 864 (NOT SHOWN)	1
18	94100590	LITERATURE LABEL (NOT SHOWN)	1
19	94100790	LITERATURE LABEL (NOT SHOWN)	1
	111019	FASTENER KIT (INCL. 1, 4-11, 13, 15)	1
20	111010	FLAT WASHER	8
21	111013	EQUALIZING BEAM ASSEMBLY LH	1
22	900-08-139	RUBBER BUSHING (FRONT PIVOT)	2
23	111011	RUBBER BUSHING (AXLE CONNECTION)	4
24	111012	AXLE ADAPTER ASSEMBLY	2
25	111014	EQUALIZING BEAM ASSEMBLY RH	1
26	111023	HEX HEAD CAP SCREW 1-1/8-7 X 8-1/2	4
27	111015	SAFETY STRAP	2
28	111008	LOCK NUT 1-1/8-7	4
	109533	ALIGNMENT BLOCK ASSEMBLY (INCL. 1, 4-5, 13, 22) (ONE PER SIDE)	

NOTE: QUANTITIES LISTED ARE PER AXLE.

ILLUSTRATED PARTS LIST



VIEWED FROM HEAD END

NOTE: RH does not necessarily correspond w/ RH side of trailer.

m115703a

Figure 2-22: Axle and Brake Assembly

AXLE AND BRAKE ASSEMBLY

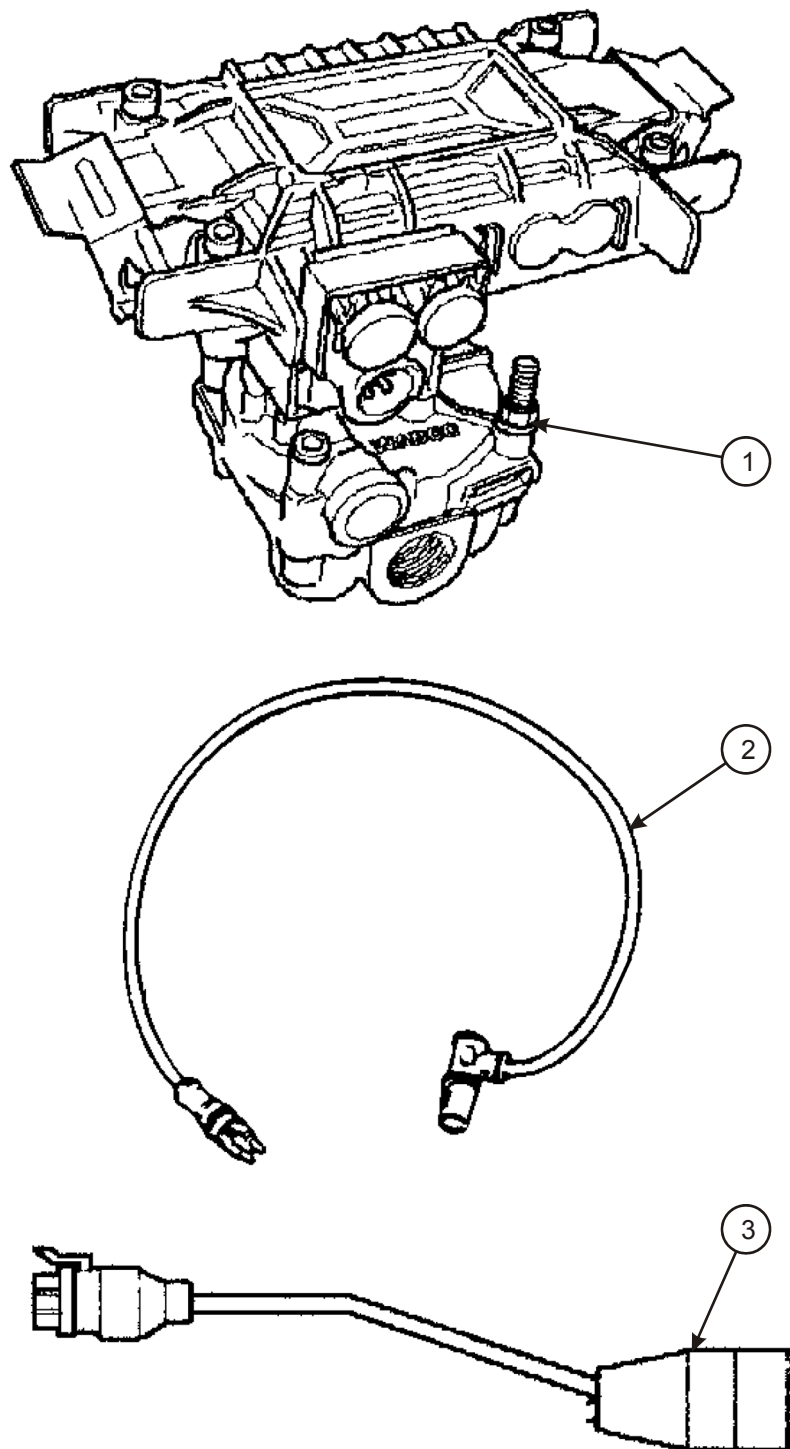
ITEM	PART NO.	DESCRIPTION	QTY.
	115703	AXLE 70.5", 12.25 X 7.5 SPG BK 25K (INCL. ITEMS 1 - 23)	2
1A*	D-2H12	BEAM W/ BRACKETS	1
	**K71-460-00	BRAKE SHOE HDWR KIT (ITEMS 2, 3, 5, 6, 6A, 7, & 8)	
**2	014-068-00	BUSHING -SPIDER ANCHOR PIN	4
**3	056-017-00	ANCHOR PIN	4
4	040-320-01	SHOE AND LINING ASSEMBLY	4
4A	041-060-01	LINING - BRAKE BLOCK CAM	4
4B	041-057-01	LINING - BRAKE BLOCK ANCHOR	4
	K71-133-00	BRAKE BLOCK KIT (ITEMS 4A AND 4B)	4
**5	014-057-00	ROLLER	4
**6	056-010-00	PIN ROLLER	4
**6A	069-018-00	RETAINING PIN ROLLER	4
**7	046-092-00	SPRING - SHOE RETRACTOR	2
**8	056-018-00	RETAINER PIN - RETRACTOR SPRING	4
**9	046-097-00	KEEPER SPRING	4
	***K71-101-00	CAMSHAFT REPAIR KIT (ITEMS 10-15, & 22)	
***10	005-074-00	WASHER - CAMSHAFT "D"	2
***11	010-052-00	GREASE SEAL	4
***12	014-056-00	BUSHING - CAMSHAFT SPIDER	2
***13	005-075-00	WASHER - CAMSHAFT	2
***13A	005-134-00	WASHER- CAMSHAFT END	2
***14	069-020-00	RETAINER - CAMSHAFT	2
***14A	069-078-00	RETAINER - CAMSHAFT END	2
**15	014-058-00	BUSHING - CAMSHAFT SUPPORT	2
16	034-188-03	CAMSHAFT LH 70.5" AXLE	1
	034-189-03	CAMSHAFT RH 70.5" AXLE	1
17	156655	SLACK ADJUSTER - AUTOMATIC	2
	127779	CLEVIS MOUNTING KIT	
18	006-114-00	NUT - INNER SPINDLE BEARING	2
19	005-098-00	LOCKWASHER - INDEXING	2
20	005-099-00	LOCKWASHER - TAB	2
21	006-115-00	NUT - OUTER SPINDLE	2
***22	061-006-00	GREASE FITTING 45°	2
23	034-058-07	AIR CHAMBER ASSEMBLY	2
25	103805	SENSOR BLOCK	2
26	097-002-00	RETAINER CLIP	2
27	128550	ABS SENSOR, 90	2

* WHEN ORDERING THE BEAM WITH SPINDLE, SPIDER, AND BRACKETS ATTACHED, YOU WILL NEED THE BEAM NUMBER, TRACK LENGTH, BRAKE SIZE, AND CAMSHAFT LENGTH

** THESE PARTS ARE AVAILABLE AS PART OF BRAKE SHOE REPAIR KIT LISTED.

*** THESE PARTS ARE AVAILABLE AS PART OF CAMSHAFT REPAIR KIT LISTED.

NOTE: FOR HUB AND DRUM INFORMATION, SEE PAGE 2-39.



ma114584

Figure 2-23: Brake Kit, Rockwell ABS 4S/2M

ABS BRAKE KIT

ITEM	PART NO.	DESCRIPTION	QTY.
	114584	ABS BRAKE KIT 4S/2M	
1	114588	ECU/VALVE ASSEMBLY	1
2	101848	SENSOR EXTENSION CABLE 6FT	4
3	114590	POWER/DIAGNOSTIC CABLE 4.0M/3.0M	1

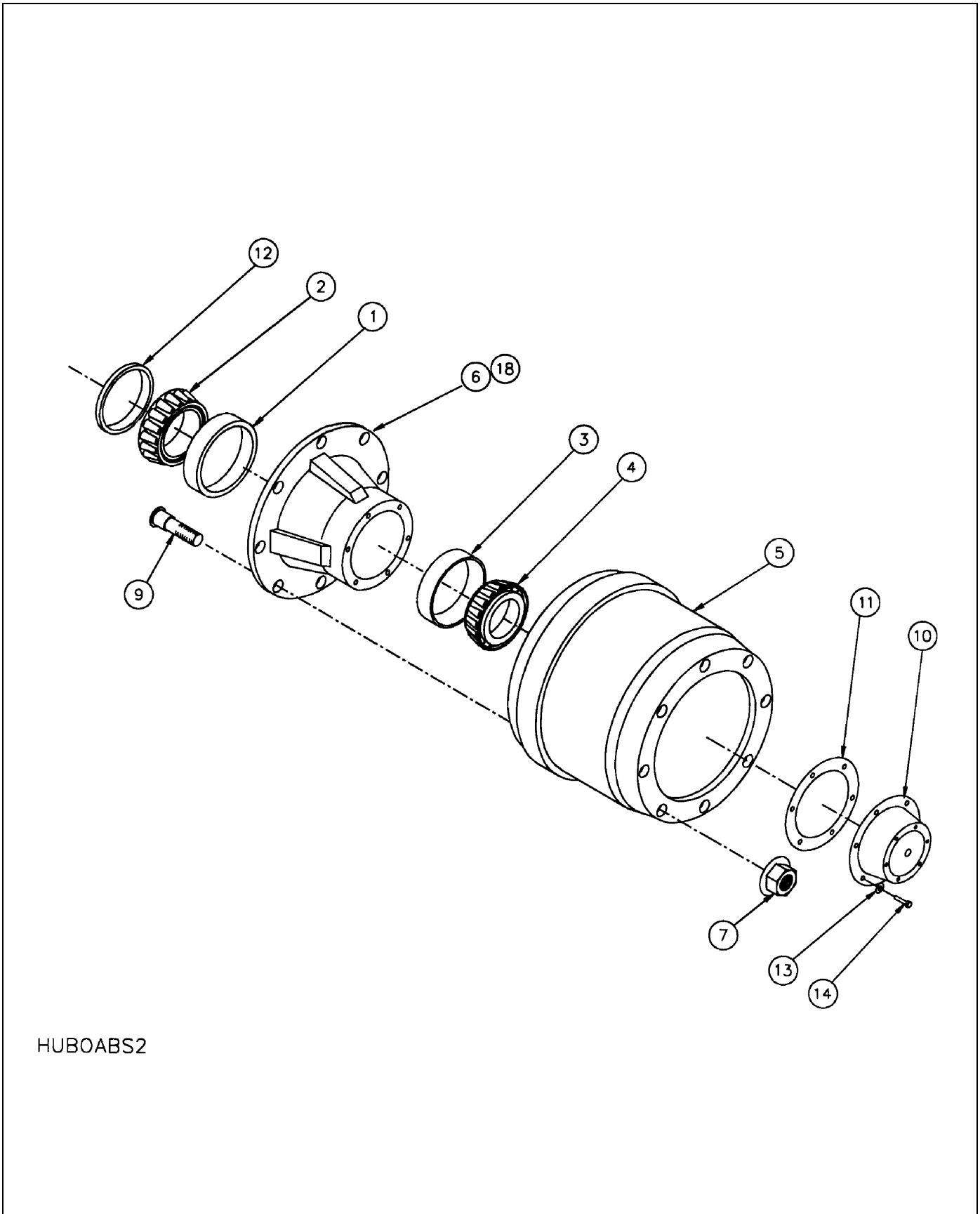


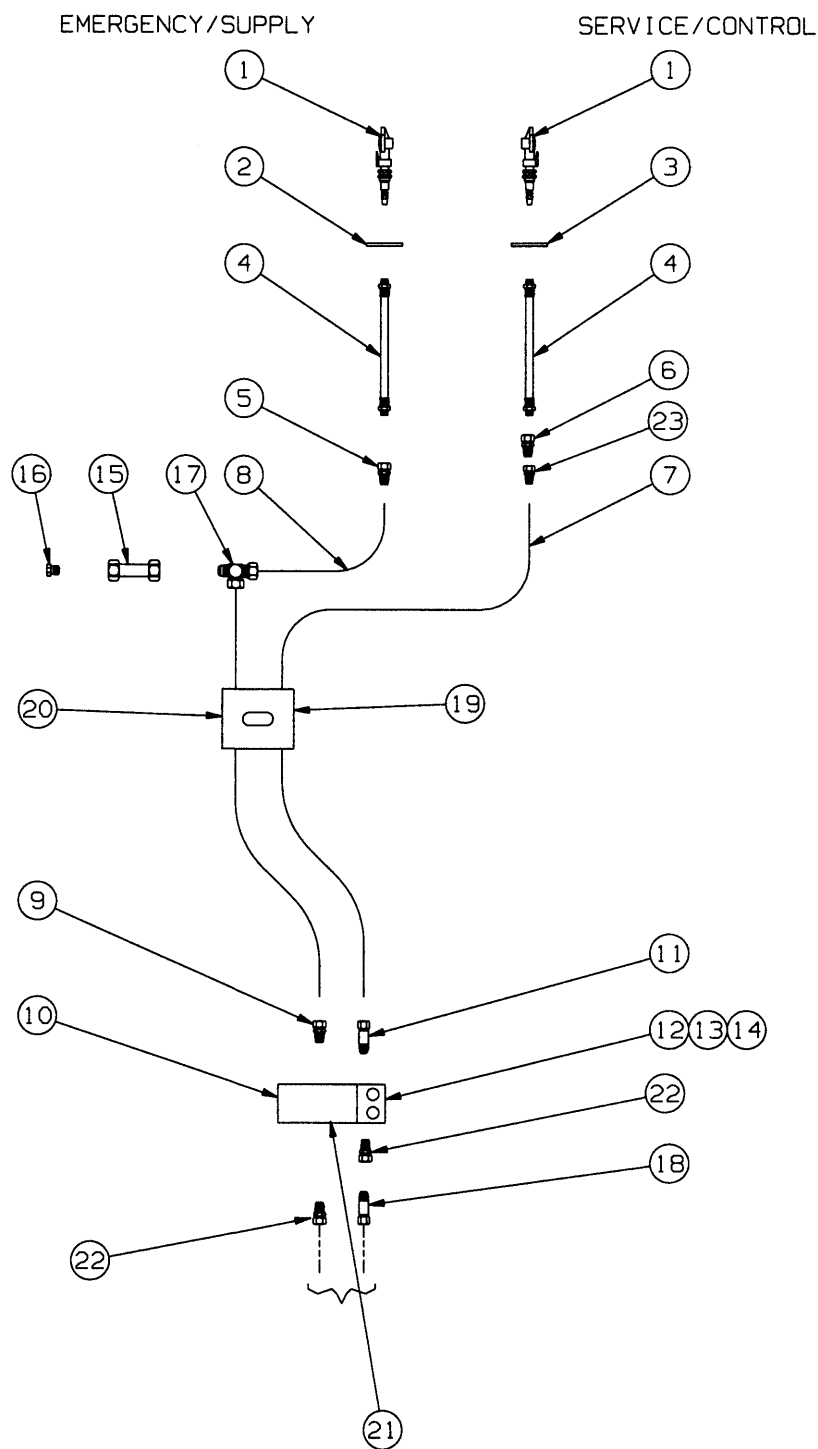
Figure 2-24: Outboard Hub and Drum Assembly

OUTBOARD PILOT MOUNT HUB AND DRUM ASSEMBLY

ITEM	PART NO.	DESCRIPTION	QTY.
1	HM218210	INNER BEARING CUP	1
2	HM218248	INNER BEARING CONE	1
3	HM212011	OUTER BEARING CUP	1
4	HM212049	OUTER BEARING CONE	1
5	63680	OUTBOARD MOUNTED BRAKE DRUM	1
6	112493	HUB IRON 80 TH TONER RING	1
7	179933	FLANGE NUT	8
9	113536	STUD	8
10	4009	CAP HUB	1
11	3067	GASKET OIL CAP	1
12	3-659-010012	SEAL	1
13	1-861-010034-10	WASHER SPLIT LOCK 5/16	6
14	1-654-010049-03	SCREW HEX HEAD CAP 5/16-18 X 3/4 GR5	6
15	100402	WHEEL, ALUM PILOT MOUNT 17.5 X 6.75 (8 BOLT)	1
	3-870-010097	WHEEL, DISC PILOT MOUNT 17.5 X 6.75 (8 BOLT)	1
	3-870-010012	WHEEL, ALUM PILOT MOUNT 17.5 X 6.75 (8 BOLT) (NOT SHOWN)	1
16	TR573	VALVE STEM - STEEL WHEEL (NOT SHOWN)	1
	100401	VALVE STEM TR543C - ALUMINUM WHEEL (NOT SHOWN)	1
17	1-843-010014	VALVE, EXTENSION, STEM 3" (USED W/ 12-1/4" BRAKES) (NOT SHOWN)	1
18	*	ABS TONE RING	1

* THIS PART SHOULD BE REPLACED IN CONJUNCTION WITH THE HUB. IT SHOULD NEVER BE SOLD SEPARATELY.

ILLUSTRATED PARTS LIST



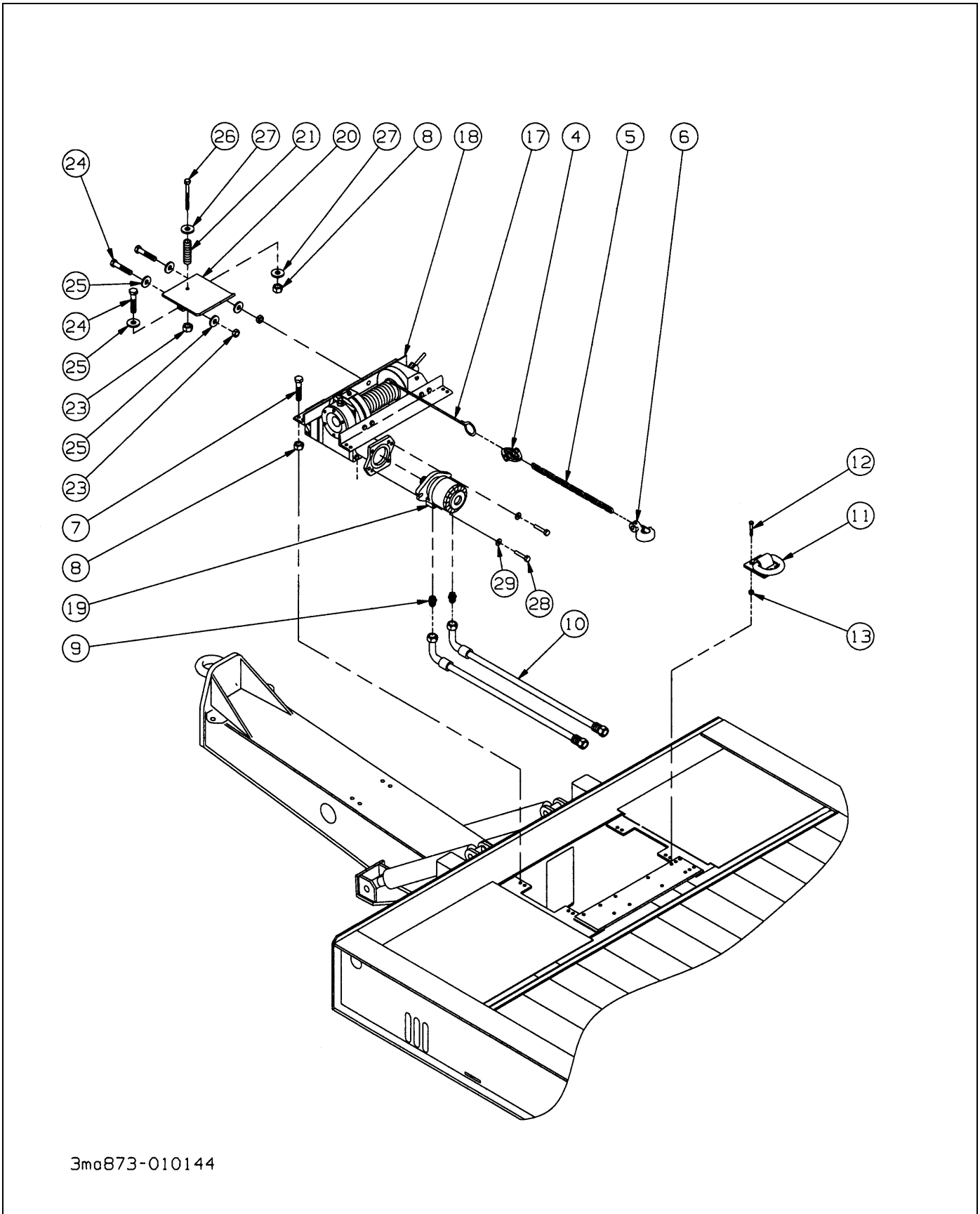
3ma128-010042

Figure 2-25: Air System, Main

AIR SYSTEM, MAIN

ITEM	PART NO.	DESCRIPTION	QTY.
1	108801	GLAD HAND RED AIR	1
	108802	GLAD HAND BLUE AIR	1
2	55B61-6	TAG EMERGENCY LINE	1
3	55B61-7	TAG SERVICE LINE	1
4	1-384-010041-2	HOSE, AIR 1/2X102 WITH .50 ENDS	2
5	1-297-010012-16	FITTING, AIR FEMALE CONN 1/2 X 1/2	1
6	1-297-010021-05	FITTING, BRASS PIPE REDUCER COUPLING 1/2 TO 3/8	1
7	1-833-010002	NYLON TUBING, 3/8	AR
8	1-833-010003	NYLON TUBING, 1/2	AR
9	1-297-010007-16	FITTING, AIR 1/2X1/2	1
10	1-560-010002-04	PLUG, PIPE 1/2	1
11	1-297-010008-20	FITTING, AIR 90 3/8X3/8	1
12	1-654-010049-06	SCREW, HEX HEAD CAP 5/16-18 X 1-1/4	2
13	1-512-010005-03	NUT, HEX LOCK GRB 5/16-18	2
14	1-861-010032-09	WASHER, FLAT 5/16	2
15	1-297-010022-03	FITTING, AIR 1-14 ANCHOR COUPLING	1
16	1-297-010033-03	FITTING, BRASS PLUG HEX 3/8	1
17	1-297-010015-10	FITTING, AIR MALE RUN TEE 1/2 X 3/8	1
18	2089-6-6S	FITTING, AIR 90 3/8X1/2	1
19	2-181-010001	HOSE CLAMP	5
20	1-510-010001	NUT, FLANGE LOCK 3/8-16	5
21	3-843-010038	VALVE AIR RELAY FAST AIR BAL (NO PARTS BREAKDOWN)	1
22	2081-8-6S	REDUCER 1/2 X 3/8	2
23	1-297-010007-12	FITTING, AIR 3/8 X 3/8	1

ILLUSTRATED PARTS LIST



3mo873-010144

Figure 2-26: Winch Installation

WINCH INSTALLATION

ITEM	PART NO.	DESCRIPTION	QTY.
	3-873-010165	WINCH INSTALLATION, 12,000 LB (ITEMS 4-10)	
	128607	WINCH INSTALLATION, 12,000 LB (ITEMS 4-10)	
	110910	WINCH INSTALLATION, 20,000 LB (ITEMS 4-10)	
	3-793-010041	TIE DOWN INST., WINCH D-RING OPT.(ITEMS 7-8, 11)	
	3-873-010126-2	WINCH ASSY, 12,000 LB PARKER(ITEMS 18-30)	
	3-873-010129-2	WINCH ASSY, 20,000 LB(ITEMS 18-30)	
4	3-174-010038	CHAIN LINK CONNECTING 1/2	1
5	3-174-010039036	CHAIN 1/2 X 36 GR7	1
6	7HCGHT500	1/2 CLEVIS GRAB HOOK	1
7	1-654-010055-03	SCREW, HEX HEAD CAP 1/2-13X1-1/2 GR5	8
8	1-512-010005-09	NUT, HEX LOCK 1/2-13 GRB	9
9	202702-10-8S	ADAPTER, #10 O-RING #8 TUBE	2
10	1-397-010302050	HOSE ASSEMBLY, 1/2 X 50 (3-873-010165)	2
	1-397-010302062	HOSE ASSEMBLY, 1/2 X 62 (128607)	2
	1-397-010302068	HOSE ASSEMBLY, 1/2 X 68 (110910)	2
11	3-793-010040	TIE DOWN, WINCH	1
12	1-654-010055-03	SCREW, HEX HEAD CAP 1/2-13 X 1-1/2 GR5	6
13	1-512-010005-09	NUT, HEX LOCK 1/2-13 GRB	7
17	3-155-010017-4	CABLE, 1/2 W/ LOOP 85 (12K)	1
	3-155-010018-6	CABLE, 5/8 X 60 (20K)	1
18	3-873-010122	WINCH, WORM GEAR (12K) (SEE PAGE 2-45)	1
	3-873-010123	WINCH, WORM GEAR (20K) (SEE PAGE 2-48)	1
19	3-481-010006	MOTOR, HYDRAULIC (12K) (SEE PAGE 2-51)	1
	3-481-010007	MOTOR, HYDRAULIC (20K) (SEE PAGE 2-51)	1
20	3-873-010124	WINCH TENSIONER WELDMENT (12K)	1
	102186	WINCH TENSIONER WELDMENT (20K)	1
21	3-720-010010	SPRING COMP LEVEL WIND	1
23	1-512-010005-05	NUT, HEX LOCK 3/8-16 GRB	3
24	1-654-010051-06	SCREW, HEX HEAD CAP 3/8-16 X 1-1/4 GR5	3
25	1-861-010032-10	WASHER, FLAT 3/8	6
26	1-654-010055-16	SCREW, HEX HEAD CAP 1/2-13 X 5-1/2 GR5 (12K)	1
	1-654-010055-17	SCREW, HEX HEAD CAP 1/2-13 X 6 GR5 (20K)	1
27	1-861-010032-15	WASHER, FLAT 1/2	1
28	1-654-010055-04	SCREW, HEX HEAD CAP 1/2-13 X 1-3/4 GR5	2
29	1-861-010034-13	WASHER, SPLIT LOCK 1/2	2
30	100600	DECAL, WARNING, WINCH (NOT SHOWN)	1

ILLUSTRATED PARTS LIST

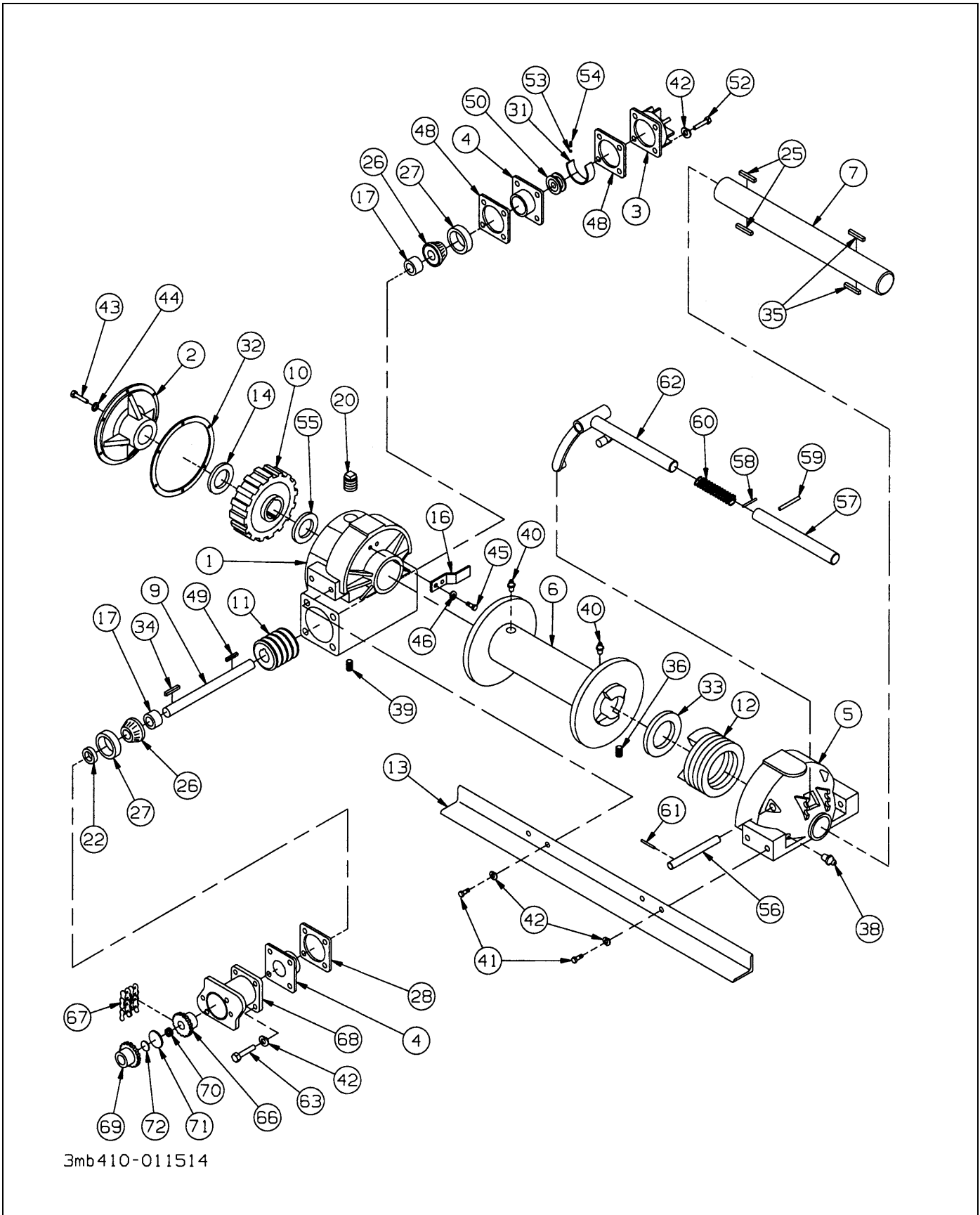


Figure 2-27: 12,000# Winch Items

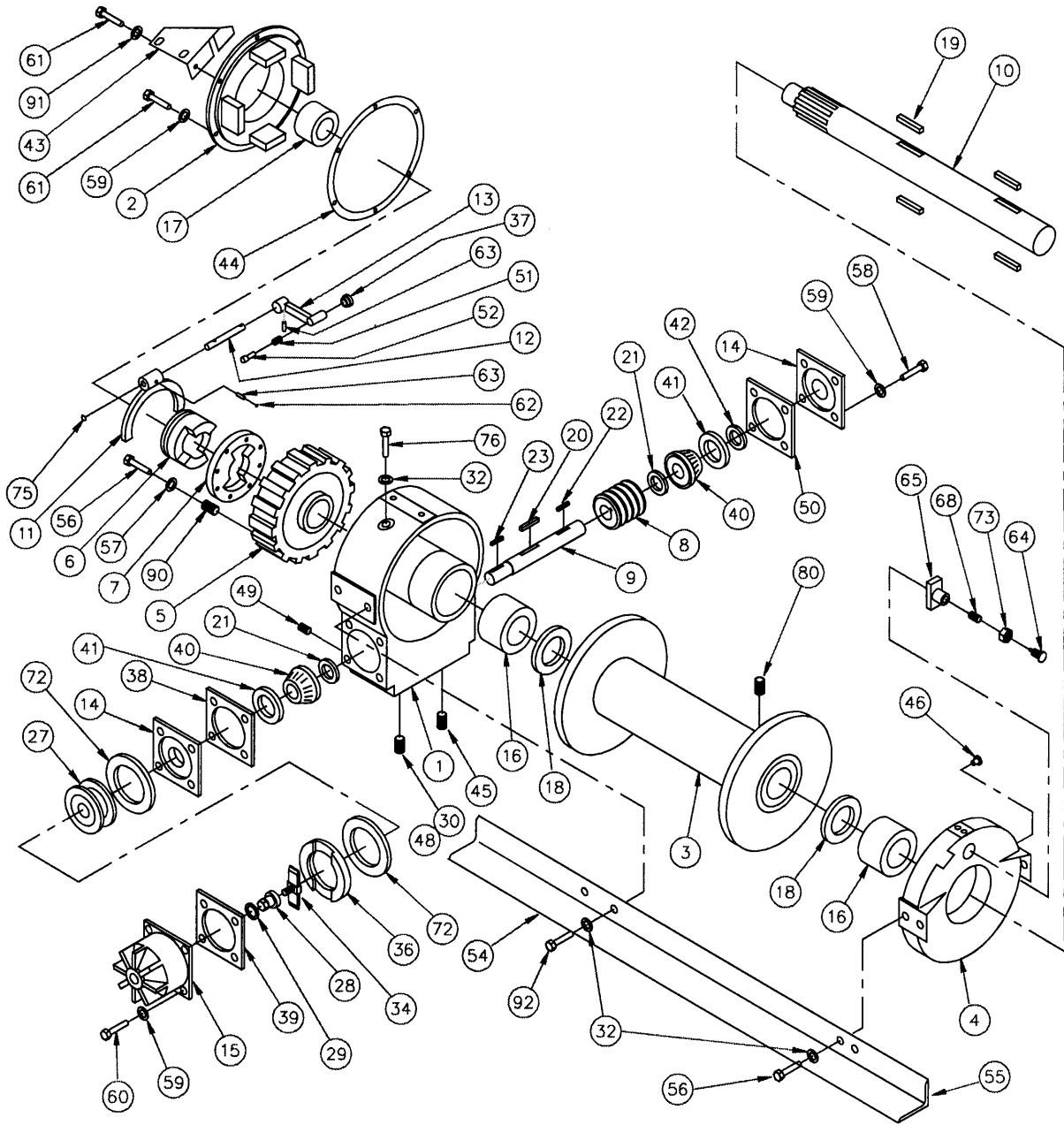
12,000# WINCH ITEMS

ITEM	PART NO.	DESCRIPTION	QTY.
	3-873-010122	WINCH ASSEMBLY 12K	
1	81006	WORM HOUSING ASSEMBLY(INCLUDES ITEM 18)	1
2	81009	COVER ASSY WORM HOUSING(INCLUDES ITEM 19)	1
3	18032	HOUSING SAFETY BRAKE	1
4	23303	CONTAINER BEARING	2
5	81530	LEG ASSEMBLY BEARING(INCLUDES ITEM 47)	1
6	11128	DRUM CABLE	1
7	11129	DRUM SHAFT CABLE	1
9	23470	SHAFT WORM	1
10	11144	GEAR WORM LEFT HAND	1
11	11142	WORM LEFT HAND	1
12	18039	SLIDING CLUTCH	1
13	22752	ANGLE BASE	2
14	13680	THRUST WASHER	1
16	81025	BRAKE DRAG	1
17	11308	SPACER WORM	2
18	18078	BUSHING (NOT SHOWN)	1
19	11368	BUSHING (NOT SHOWN)	1
20	22775	PLUG PIPE	1
21	18009	PLUG PIPE (NOT SHOWN)	1
22	18026	SEAL GREASE	2
25	11117	KEY WORM GEAR	2
26	18015	CONE BEARING	2
27	18016	CUP BEARING	2
28	18027	GASKET	3
31	21925	BAND BRAKE	1
32	11133	WORM HOUSING COVER GASKET	3
33	18019	RETAINER RING	1
34	18030	KEY WORM	1
35	18020	KEY CLUTCH	2
36	24032	SETSCREW	1
38	18047	FITTING GREASE	1
39	19045	PLUG PIPE	1
40	11799	FITTING GREASE	2
41	21961	CAPSCREW	12
42	18003	WASHER LOCK	16
43	11767	CAPSCREW	6
44	11011	WASHER LOCK	6
45	13005	CAPSCREW	2
46	12780	WASHER LOCK	2
47	18078	BUSHING (NOT SHOWN)	1
48	18024	BEARING CONTAINER GASKET	3
49	10078	BRAKE DRUM KEY	1
50	18028	DRUM BRAKE	1
51	12075	SCREWSET	1
52	22703	CAPSCREW	4
53	13468	JAM NUT	4
54	18029	BRAKE BAND SPRING	1
55	11240	RETAINER RING	1

ILLUSTRATED PARTS LIST

12,000# WINCH ITEMS

ITEM	PART NO.	DESCRIPTION	QTY.
56	11130	SHIFTER SHAFT	1
57	12817	SHIFTER HANDLE	1
58	18056	ROLL PIN	1
59	13028	ROLL PIN	1
60	18002	SPRING	1
61	11837	ROLL PIN	2
62	13829	SHIFTER FORK	1
63	22704	CAPSCREW	4
65	18044	KEY	1
66	23081	COUPLING HALF (WORM SHAFT)	1
67	13424	ROLLER CHAIN	1
68	23079	MOTOR ADAPTER	1
69	23083	COUPLING HALF (MOTOR SHAFT)	1
70	23353	SPRING	1
71	23078	SPACER	1
72	23085	SPACER	1



3m873-010123

Figure 2-28: 20,000# Winch Items

ILLUSTRATED PARTS LIST

20,000# WINCH ITEMS

ITEM	PART NO.	DESCRIPTION	QTY.
	3-873-010123	WINCH 20,000# W/BOLT-ON ANGLES	
1	81078	WORM HOUSING ASSEMBLY	1
2	81082	COVER ASSEMBLY WORM HOUSING	1
3	11449	DRUM CABLE	1
4	81077	LEG ASSEMBLY BEARING	1
5	11434	WORM GEAR RIGHT	1
6	11421	CLUTCH SLIDING	1
7	11419	DRIVE CLUTCH	1
8	11404	WORM RIGHT	1
9	11405	SHAFT WORM	1
10	11414	SHAFT CABLE DRUM	1
11	11440	FORK SHIFTER	1
12	11441	SHAFT SHIFTER	1
13	11442	HANDLE SHIFTER	1
14	11427	CONTAINER BEARING	2
15	11445	COVER WORM BRAKE	1
16	18035	BUSHING	2
17	11425	BUSHING	1
18	11420	RING RETAINING	2
19	22055	DRUM KEY CABLE	4
20	11402	KEY WORM	1
21	11407	SPACER WORM	2
22	23367	KEY SPROCKET	1
23	10078	KEY ROTOR	1
27	81080	ROTOR ASSEMBLY BRAKE	1
28	11599	ADJUSTING NUT WORM BRAKE	1
29	12465	O-RING	1
30	19014	PLUG FILLER	1
32	11026	WASHER LOCK	10
34	81081	SPRING ASSEMBLY SAFETY BRAKE	1
36	11431	PLATE PRESSURE	1
37	18022	KNOB SHIFTER	1
38	11429	GASKET	4
39	11446	GASKET	2
40	18033	BEARING CONE	2
41	18034	BEARING CUP	2
42	12073	SEAL GREASE	1
43	12783	BRACKET SHIFTER	1
44	11411	COVER GASKET HOUSING	1
45	19045	PLUG DRAIN	1
46	18047	FITTING GREASE	1
48	22775	PLUG VENT	1
49	18009	PLUG LEVEL	1
50	11430	GASKET	4
51	11310	SPRING SHIFTER KNOB	1
52	11309	STEM SHIFTER KNOB	1
54	28942	ANGLE FRONT BASE	1
55	28943	ANGLE REAR BASE	1
56	13938	CAPSCREW	16

20,000# WINCH ITEMS

ITEM	PART NO.	DESCRIPTION	QTY.
57	12781	WASHER LOCK	8
58	21044	CAPSCREW	4
59	11025	WASHER LOCK	4
60	22695	CAPSCREW	4
61	21964	CAPSCREW	6
62	12146	PLUG EXPANSION	A/R
63	13028	ROLLPIN	A/R
64	11398	SCREW ADJUSTING	1
65	88005	SHOE ASSEMBLY DRAG BRAKE	1
68	18002	DRAG BRAKE SPRING	1
72	11426	DISC FRICTION	2
73	11791	NUT JAM	1
75	12767	PLUG EXPANSION	A/R
76	22729	CAPSCREW	2
77	23245	SAE PLATE -AMU7-16F (NOT SHOWN)	1
78	23310	PLATE WARNING (NOT SHOWN)	1
79	11842	SCREW DRIVE (NOT SHOWN)	4
80	12228	SCREW SET	1
90	11435	INSERT THREAD	8
91	11014	LOCKWASHER	1
92	22697	CAPSCREW	5

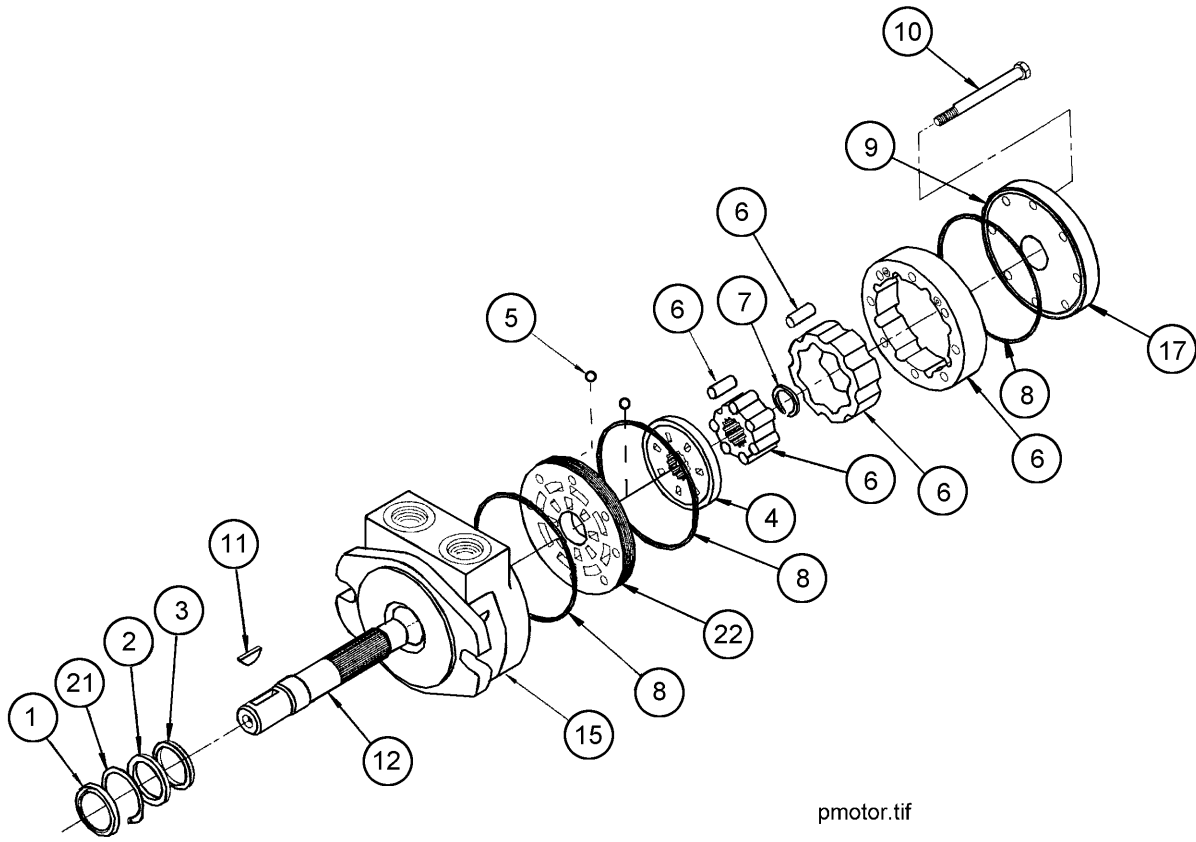


Figure 2-29: Winch Motor Assembly

WINCH MOTOR ASSEMBLY

ITEM	PART NO.	DESCRIPTION	QTY.
	3-481-010007	MOTOR, HYDRAULIC (20K WINCH)	1
	3-481-010006	MOTOR, HYDRAULIC (12K WINCH)	1
1	2183	SEAL DUST	1
2	2177	BACK-UP RING	1
3	2175	SEAL LIP	1
4	1644	ROTARY VALVE	1
5	1021	CHECK VALVE BALL	2
6	1004-6	IGR ASSY (20K WINCH)	1
	1004-3	IGR ASSY (12K WINCH)	1
7	1296	SNAP RING	1
8	1046	SQUARE RING SEAL	3
9	1019-4	PLUG, VENT W/O-RING	1
10	1014-4	BOLT, HEX (20K WINCH)	8
	1114-5	BOLT, HEX (12K WINCH)	8
11	1655	KEY, WOODRUFF	1
12	2265-6	SHAFT (20K WINCH)	1
	2109-3	SHAFT (12K WINCH)	1
15	M110AB-4	BODY/BEARING ASSY (20K WINCH)	1
	PA-2328-2	BODY/BEARING ASSY (12K WINCH)	1
17	M110C-1	COVER/BEARING ASSY	1
21	2180	SNAP RING SHAFT	1
22	1865	COMMUTATOR PLATE	1
	2263	SEAL KIT BODY	1
	2480	SEAL KIT BODY VITON	1

ILLUSTRATED PARTS LIST

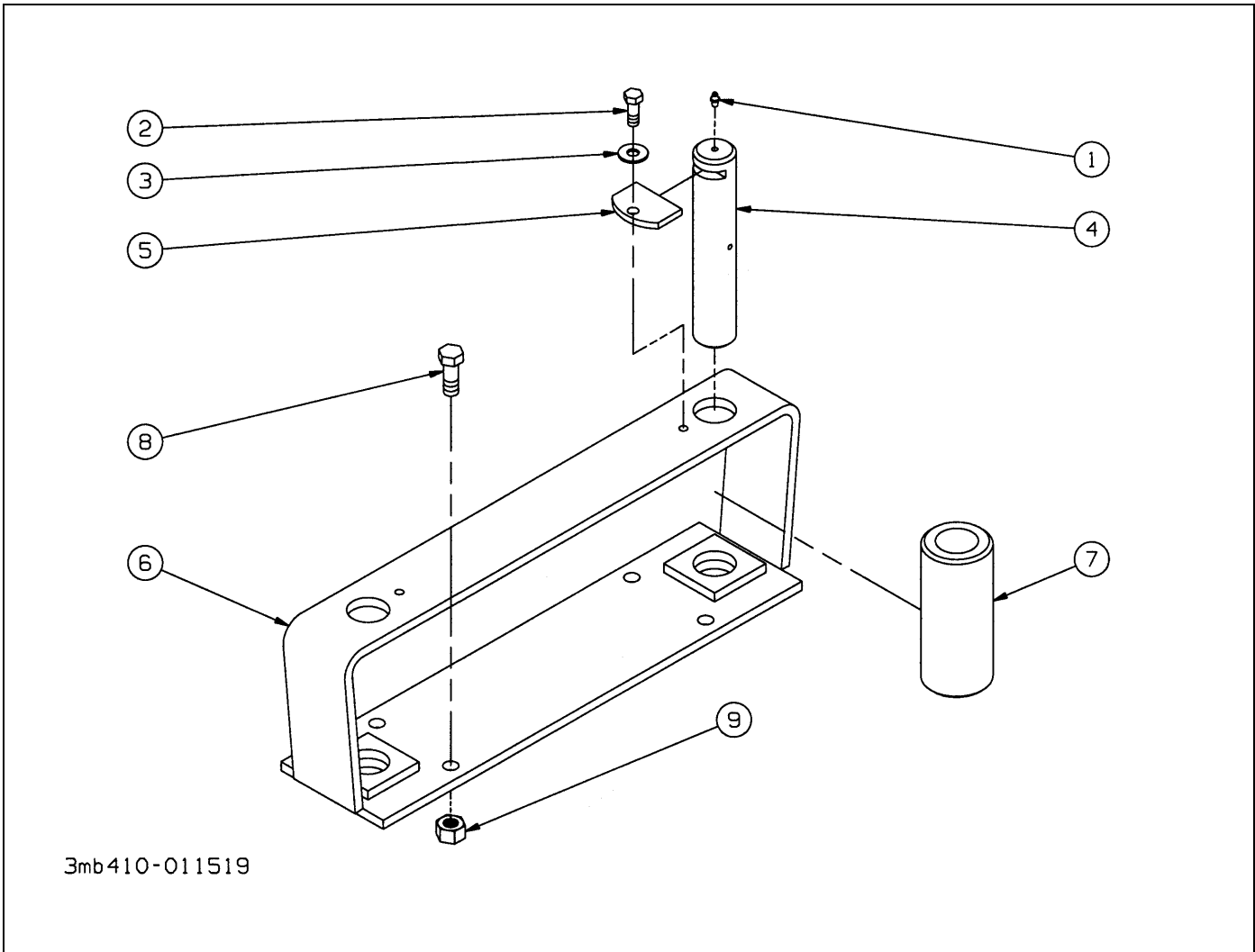


Figure 2-30: Winch Cable Roller Guide (Option)

WINCH CABLE ROLLER GUIDE (OPTION)

ITEM	PART NO.	DESCRIPTION	QTY.
	3-352-010017-1	GUIDE INSTALLATION, WINCH CABLE 12K	
	3-352-010017-2	GUIDE INSTALLATION, WINCH CABLE 20K	
1	1-298-010001-1	FITTING, GRS 1/4-28 STR SHORT	2
2	1-654-010051-03	SCREW, HEX HEAD CAP 3/8-16 X 3/4 GR5	2
3	1-861-010034-11	WASHER, SPLIT LOCK 3/8	2
4	3-557-010383	PIN, CABLE GUIDE ROLLER	2
5	3-565-010770	PLATE, CABLE GUIDE LOCK	2
6	3-120-010295	BRACKET WLDMT, 12K ROLLER	1
	3-120-010294	BRACKET WLDMT, 20K ROLLER	1
7	3-645-010049	ROLLER, WINCH CABLE GUIDE	2
8	1-654-010055-05	SCREW, HEX HEAD CAP 1/2-13 X 2 GR5	4
9	1-512-010005-09	NUT, HEX LOCK 1/2-13 GRB	4

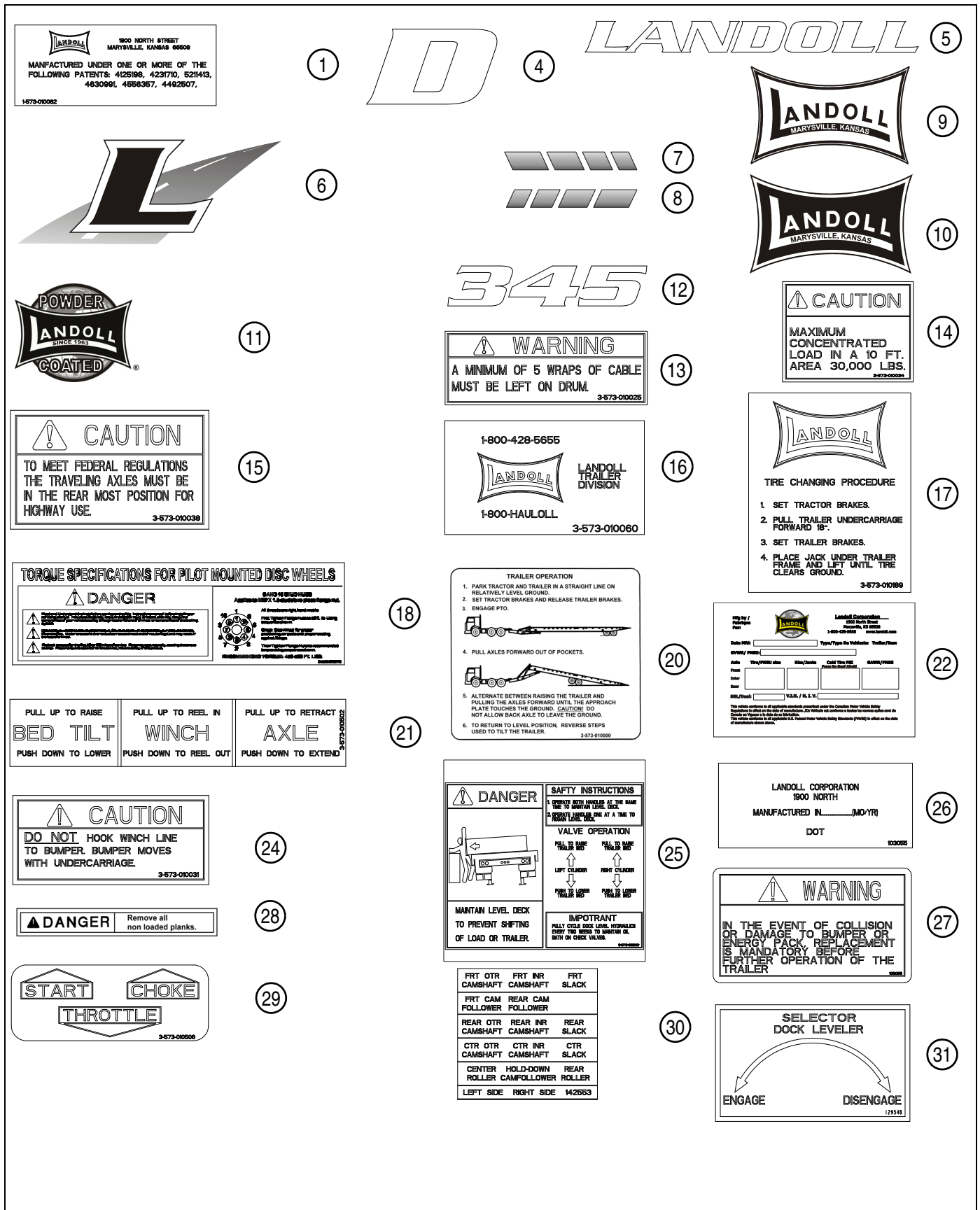
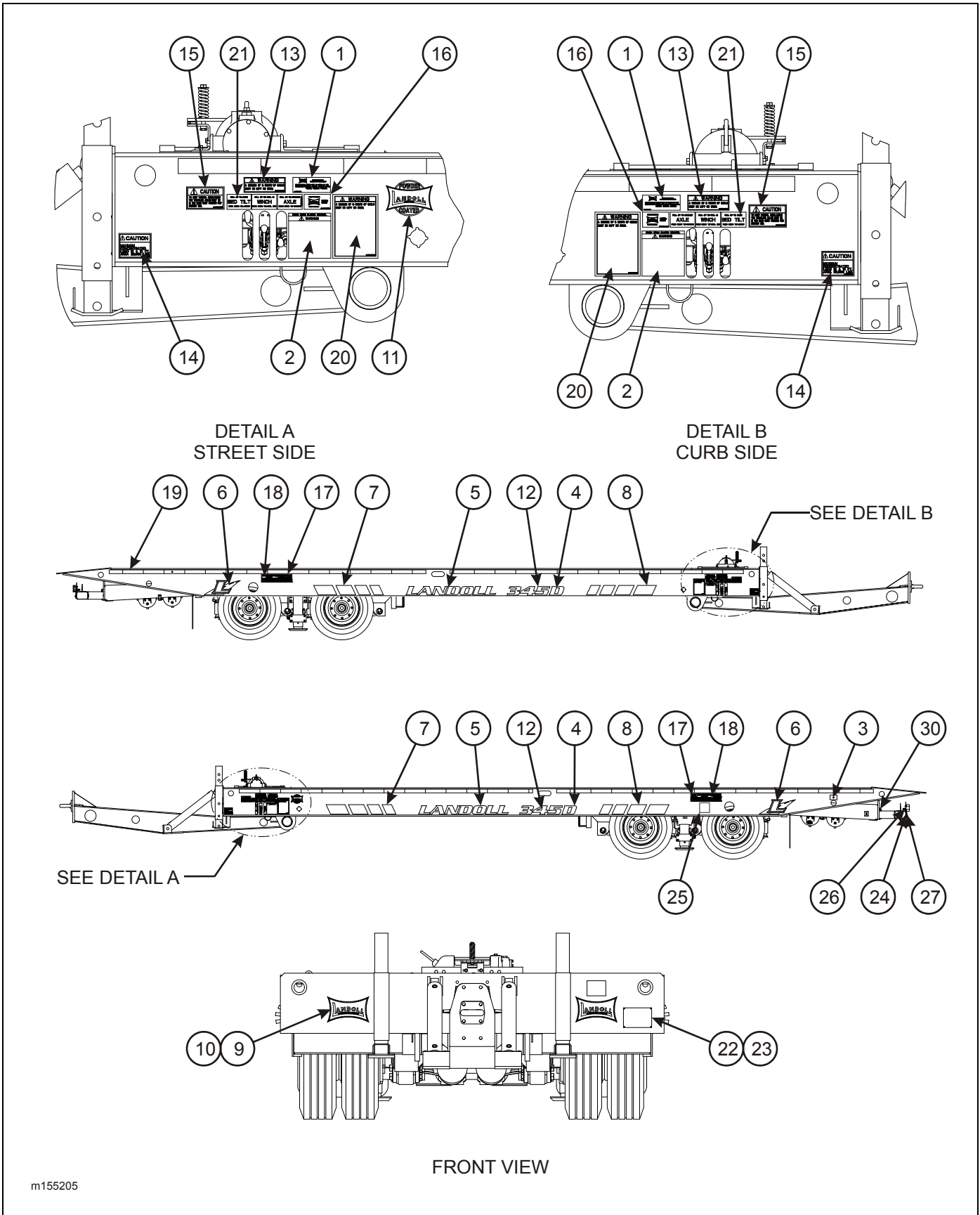


Figure 2-31: Decals

ILLUSTRATED PARTS LIST



m155205

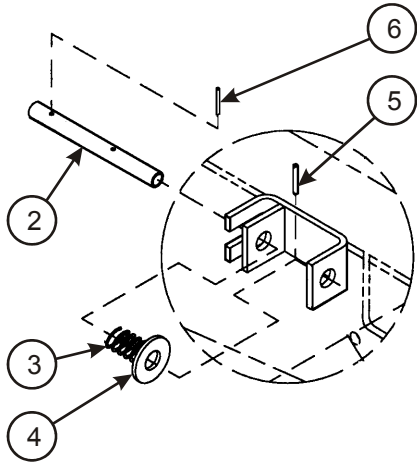
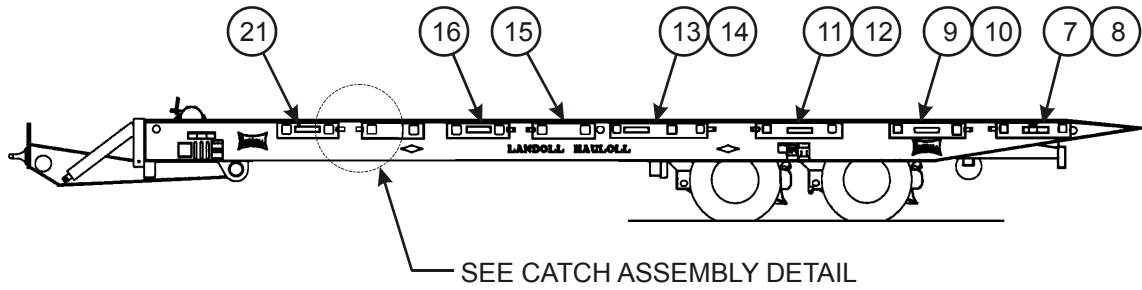
Figure 2-32: Decal Installation

DECAL INSTALLATION

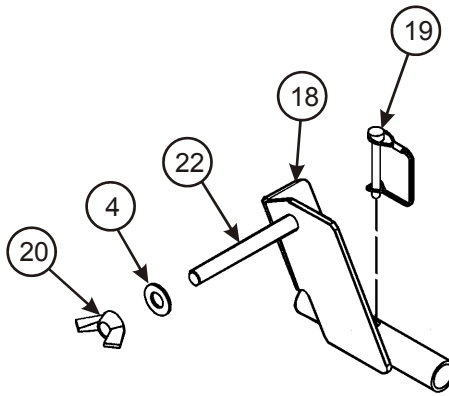
ITEM	PART NO.	DESCRIPTION	QTY.
	155203	DECAL INSTALLATION 345 BLK/LT REFLECTIVE	
	155204	DECAL INSTALLATION 345 WHT/DK REFLECTIVE	
	155271	DECALS WHITE, 345 DUAL CONTROL REFLECTIVE	
	155279	DECALS BLACK, 345 DUAL CONTROL REFLECTIVE	
1	1-573-010082	DECAL, PATENT TRAILERS	2
2	100600	DECAL, WARNING WINCH	REF
3	101855	WARNING LAMP LABEL, ABS	1
4	153746	DECAL, D 5" REFLECTIVE	2
5	153750	DECAL, LANDOLL 5" REFLECTIVE	2
6	153751	DECAL, HWY L 7" REFLECTIVE	2
7	153752	DECAL, CHEVRON LEFT REFLECTIVE	2
8	153753	DECAL, CHEVRON RIGHT REFLECTIVE	2
9	153754	DECAL, BOW-TIE 6" WHITE REFLECTIVE	2
10	153755	DECAL, BOW-TIE 6" BLACK REFLECTIVE	2
11	153798	DECAL, POWDER COATED REFLECTIVE	1
12	155197	DECAL, 345 REFLECTIVE	2
13	3-573-010025	DECAL, WINCH WARNING	*1, 2
14	3-573-010034	DECAL, CONCENTRATED LOAD 30,000 LBS	2
15	3-573-010038	DECAL, CAUTION	*1, 2
16	3-573-010060	DECAL, TOLL FREE NUMBER	*1, 2
17	3-573-010189	DECAL, TIRE CHANGING PROCEDURE	2
18	3-573-010210	DECAL, TORQUE SPEC 8-10 STUD HUB	REF
19	3-573-010377	DECAL, 2" REFLEXITE TAPE	AR
20	3-573-010500	DECAL, OPERATION 2-AXLE	*1, 2
21	3-573-010502	DECAL, INSTRUCTION CONTROL	*1, 2
22	155780	INFORMATION FOR TRAILER VIN	1
23	156010	RIVET, BLIND .156 X 1/2 GRIP	4
24	3-573-010031	DECAL, BUMPER	1
25	3-573-010202	DECAL, DANGER/OPER DK LEVEL	1
26	103055	DECAL, ENERGY BUMPER CERTIFICATION	1
27	103056	DECAL, ENERGY BUMPER WARNING	1
28	101268	DECAL, DANGER PLANK (SEE PAGE 2-57 FOR LOCATION)	REF
29	3-573-010506	DECAL, ENGINE CONTROLS (SEE PAGE 2-62 FOR LOCATION)	REF
30	142553	DECAL, GREASE TRAILER U/C	1
31	129548	DECAL, SELECTOR DK LEVEL	1

* 1ST QUANTITY USED W/ P/N'S 155203 AND 155204; 2ND QUANTITY USED W/ P/N'S 155271 AND 155279

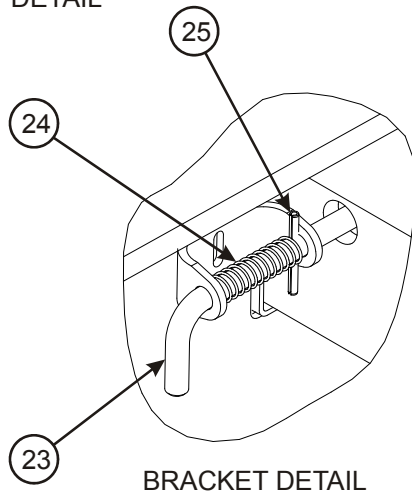
ILLUSTRATED PARTS LIST



CATCH ASSEMBLY DETAIL



FLAG HOLDER ASSEMBLY



BRACKET DETAIL

3mb276-010756

Figure 2-33: Extension Installation

EXTENSION INSTALLATION (OPTION)

ITEM	PART NO.	DESCRIPTION	QTY.
	3-276-010756-1 148194	EXTENSION INSTALLATION 345 PULLOUTS EXTENSION INSTALLATION, REAR	
2	3-557-010375	PIN, SLIDE LOCK	16
3	CO-975-74-2000	SPRING, COMPRESSION (3-276-010756-1)	16
4	1-861-010032-15	WASHER, FLAT 1/2	22
5	1-647-010004117	ROLL PIN 1/8 X 1	16
6	0600-250-03000	ROLL PIN 1/4 X 3	16
7	3-276-010749	EXTENSION, LEFT HAND PULL-OUT 28/ 3 TUBE	1
8	3-276-010748	EXTENSION, RIGHT HAND PULL-OUT 28/ 3 TUBE	1
9	3-276-010751	EXTENSION, LEFT HAND PULL-OUT 28	1
10	3-276-010750	EXTENSION, RIGHT HAND PULL-OUT 28	1
11	3-276-010716	EXTENSION, LEFT HAND PULL-OUT 32	1
12	3-276-010754	EXTENSION, RIGHT HAND PULL-OUT 32	1
13	3-276-010753	EXTENSION, LEFT HAND PULL-OUT 36/ 3 TUBE	1
14	3-276-010752	EXTENSION, RIGHT HAND PULL-OUT 36/3 TUBE	1
15	3-276-010715	EXTENSION, LEFT HAND PULL-OUT 23	4
16	3-276-010755	EXTENSION, RIGHT HAND PULL-OUT 23	4
17	3-573-010377	DECAL, 2" REFLEXITE TAPE (NOT SHOWN)	AR
18	101062	BRACKET, FLAG HOLDER	6
19	516-22PTL	RETAINING PIN, MUD FLAP	6
20	1-533-010001	NUT, WING 1/2	6
21	101268	DECAL, DANGER PLANK	12
22	1-654-010055-14	SCREW, HEX HEAD CAP 1/2-13 X 4-1/2 GR5	6
23	104252	PIN, P/O EXT LOCK (148194)	8
24	104253	SPRING, COMPRESSION P/O EXT LOCK (148194)	8
25	1-647-010004177	PIN, SPRING SLOTTED 3/16 X 1-1/2 (148194)	8

ILLUSTRATED PARTS LIST

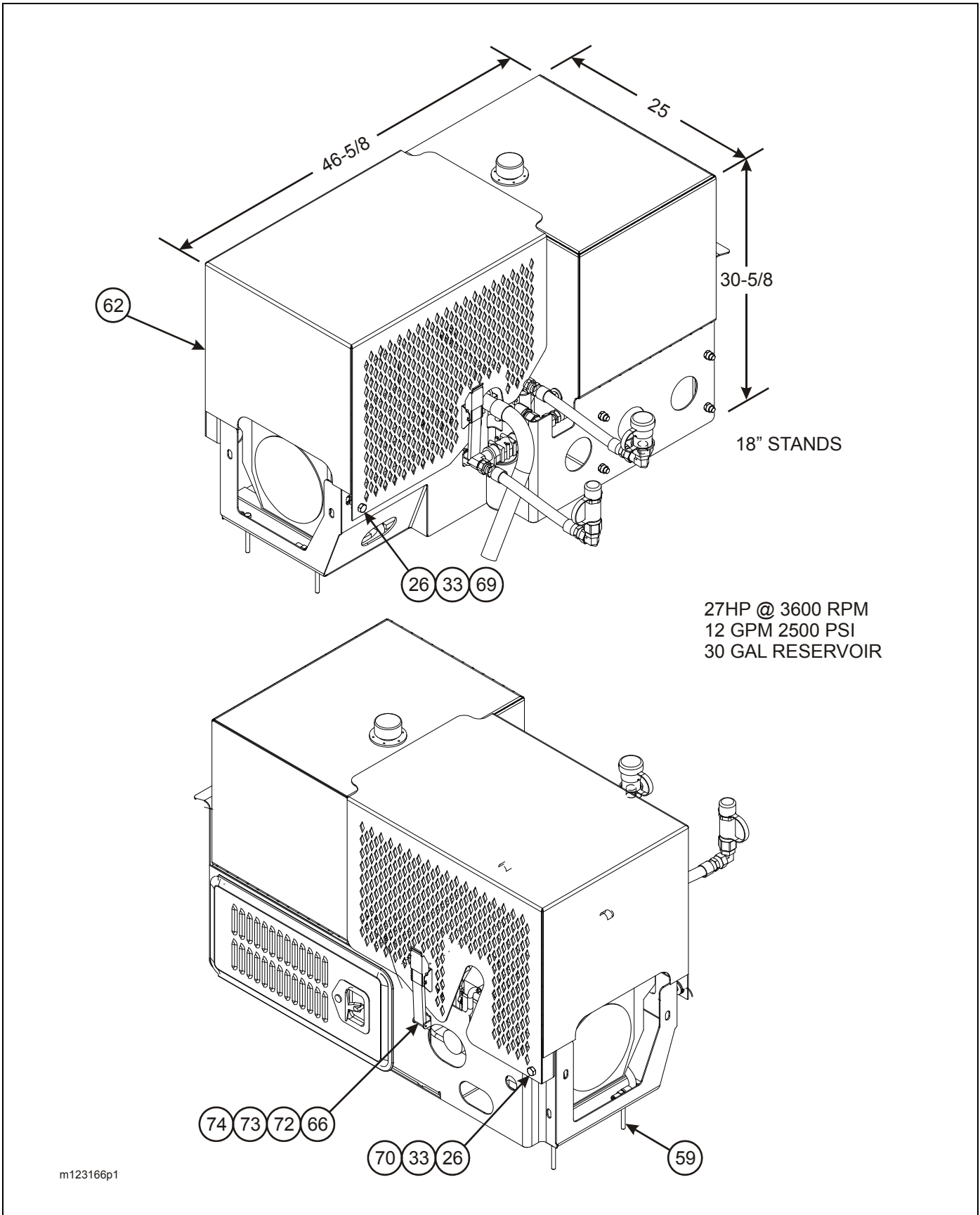


Figure 2-34: Engine Drive, 20 HP (1 of 4)

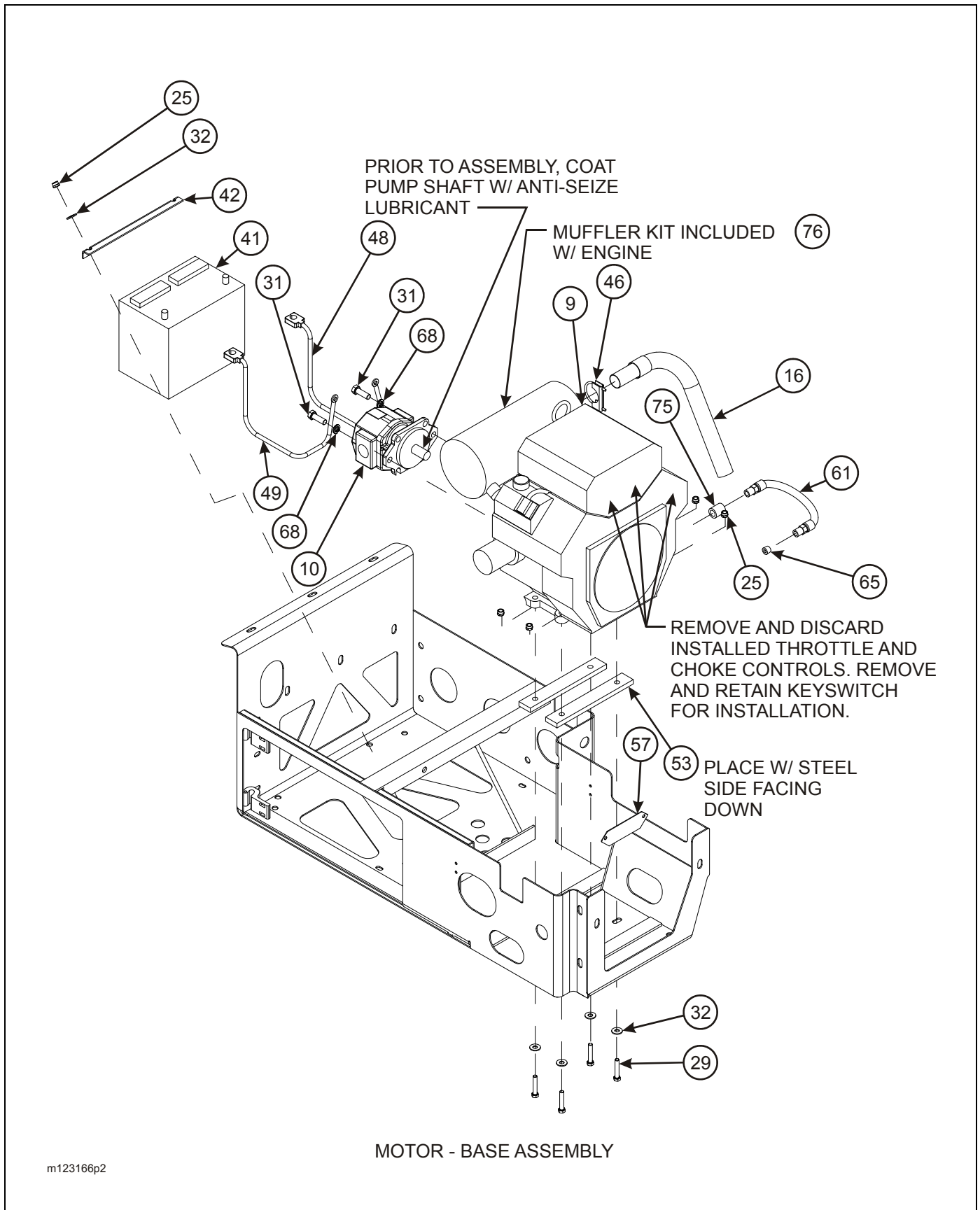
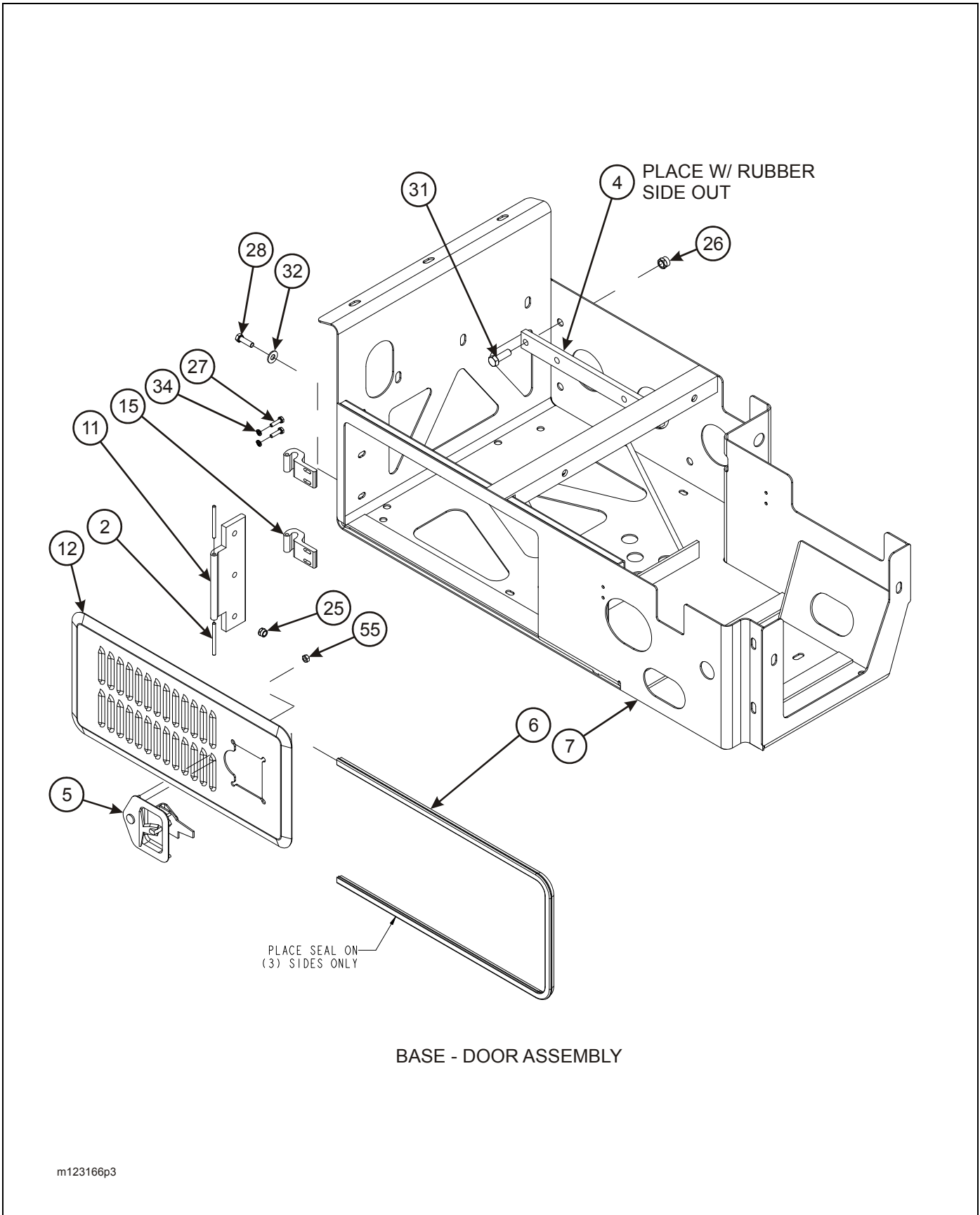


Figure 2-35: Engine Drive, 20 HP (2 of 4)

ILLUSTRATED PARTS LIST



m123166p3

Figure 2-36: Engine Drive, 20 HP (3 of 4)

ILLUSTRATED PARTS LIST

ENGINE DRIVE, 27HP

ITEM	PART NO.	DESCRIPTION	QTY.
	123166	ENGINE DRIVE, 27HP	
1	104699	TANK, FUEL PLASTIC	1
2	108601	PIN, DOOR HINGE	2
3	113388	DECAL, ENG PKG INSTRUCTIONS	1
4	113856	MOUNT, ENGINE ISOLATOR, KOHLER CH25	2
5	114814	LATCH, FOLDING T LOCKABLE	1
6	114815	SEAL, SPONGE RUBBER TRIM	5
7	120654	MOUNT WELDMENT, ENG PKG 25 HP	1
8	129264	HYD TANK WELDMENT	1
9	127813	ENGINE KOHLER 27 HP PUMP MOUNT	1
	3-765-010050	KOHLER IGNITION SWITCH	1
10	115888	PUMP, HYDRAULIC	1
11	116326	HINGE, BASE MOUNT	1
12	116328	MOUNT, DOOR WELDMENT	1
13	116330	FITTING, 90	1
14	117873	FITTING, 45	1
15	119206	HINGE, DOOR	2
16	119445	EXHAUST EXT WELDMENT	1
17	119577	HOSE	1
18	120661	VALVE, HYDR PRESSURE RELIEF	1
19	900598-12S	PLUG, O-RING	1
20	105-0105	CLAMP, HOSE	2
21	1-295-010001	RETURN LINE FILTER	1
	1-295-010002	FILTER ELEMENT	1
22	1-297-010034-01	FITTING, BR 90 BARB	1
23	1-316-010013	HOSE, 1/4 LOW PRESSURE FUEL LINE	4
24	105479	COUPLER FLAT FACE MALE NOSE	1
25	1-512-010005-05	NUT, HEX LOCK 3/8-16 GRB	13
26	1-512-010005-09	NUT, HEX LOCK 1/2-13 GRB	11
27	1-654-010047-06	SCREW, HEX HEAD CAP 1/4-20 X 1 GR5	6
28	1-654-010051-06	SCREW, HEX HEAD CAP 3/8-16 X 1-1/4 GR5	3
29	1-654-010051-09	SCREW, HEX HEAD CAP 3/8-16 X 2 GR5	6
30	105480	COUPLER, FLAT FACE FEMALE BODY	1
31	1-654-010055-03	SCREW, HEX HEAD CAP 1/2-13 X 1-1/2 GR5	11
32	1-861-010032-11	WASHER, FLAT 3/8W	17
33	1-861-010032-15	WASHER, FLAT 1/2W	13
34	1-861-010034-09	WASHER, SPLIT LOCK 1/4	4
35	2024-12-12S	ELBOW, 90	1
36	105481	COUPLER, DUST CAP MALE	1
37	202702-20-20S	ADAPTER	1
38	2062-12-12S	ADAPTER, 90	4
39	203102-12-12S	ADAPTER, TEE	1
40	206209-12-12S	ADAPTER, 90	1
41	2481X	BATTERY 12V	1
42	3-120-010124	BATTERY CLAMP BRACKET	1
43	128774	CABLE, THROTTLE	2
44	3-573-010506	DECAL, ENGINE CONTROL	1
45	3-162-010001	FILLER-BREATHER-STRAINER ASSEMBLY	1
46	3-182-010028	CLAMP, MUFFLER	1

ENGINE DRIVE, 27HP

ITEM	PART NO.	DESCRIPTION	QTY.
47	3-399-010001006	HOSE, 1-1/4 SUCTION	1
48	514-9045-26	CABLE ASSEMBLY, BATTERY POSITIVE	1
49	514-9073-18	CABLE ASSEMBLY, BATTERY NEGATIVE	1
50	2240-12-12S	ADAPTER, BULKHEAD	1
51	105482	COUPLER, DUST FEMALE	1
52	1-181-010046-7	CLAMP, HOSE	2
53	120659	ISOLATOR, KOHLER 25 HP MOUNT	2
54	120660	ADAPTER	1
55	115877	NUT, HEAVY HEX 1/4-20 GR5	4
57	123014	PLATE, MOTOR FRONT 25 HP	1
58	113544	HARNESS, ENG PKG IGNITION (NOT SHOWN)	2
59	108295	SCREW, HEX HEAD CAP 3/8-16 X 4 GR5	2
61	1-397-010312032	HOSE ASSEMBLY 3/8 X 32	1
62	129287	COVER WELDMENT	1
63	1-397-010304018	HOSE ASSEMBLY 3/4 X 18	1
64	1-397-010304060	HOSE ASSEMBLY 3/8 X 60	2
65	1-560-010002-03	PLUG, PIPE 3/8	1
66	1-512-010004-03	NUT, HEX LOCK 10-24 GRA	8
67	1-512-010005-01	NUT, HEX LOCK 1/4-20 GRB	2
68	1-861-010034-13	WASHER, SPLIT LOCK 1/2	2
69	1-654-010055-02	SCREW, HEX HEAD CAP 1/2-13 X 1-1/4 GR5	1
70	1-654-010055-09	SCREW, HEX HEAD CAP 1/2-13 X 3 GR5	1
71	1-861-010032-07	WASHER, FLAT 1/4W	2
72	110-0116	SCREW, RD HEAD CAP 10-24 X 3/4	8
73	110-0253	WASHER, FLAT 3/16	8
74	3-443-010018	LATCH, FLEXIBLE DRAW, LEVER ASSIST	2
75	3/8P COUPL	PIPE COUPLING 3/8 BLACK	1
76	128501	REPLACEMENT MUFFLER KIT	1
77	142270	FUEL FILTER	1

ILLUSTRATED PARTS LIST

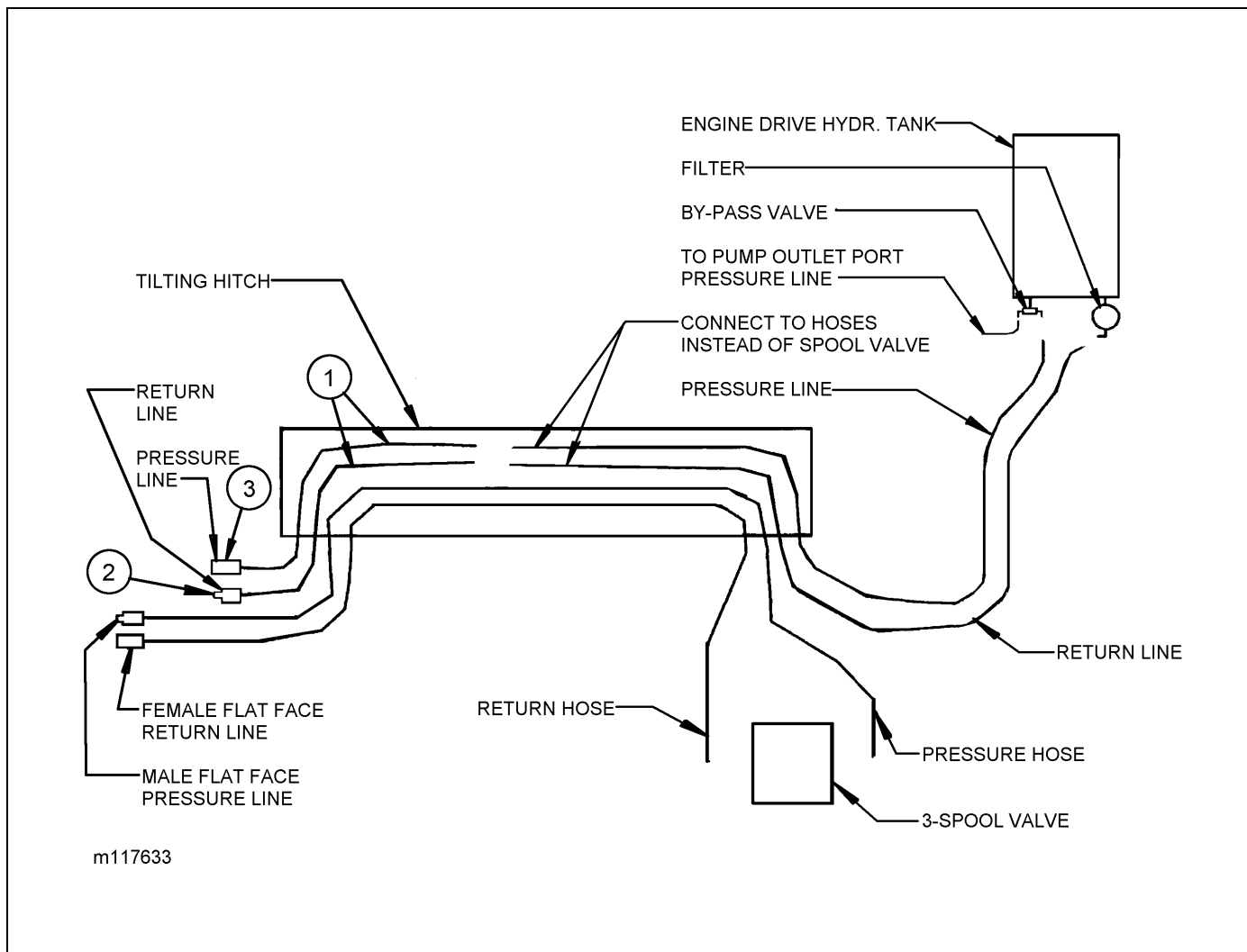


Figure 2-38: Dual Hydraulic Plumbing (Option)

DUAL HYDRAULIC PLUMBING (OPTION)

ITEM	PART NO.	DESCRIPTION	QTY.
	117633	DUAL HYDRAULIC PLUMBING	
1	117632	HOSE, 1/2 X 50	2
2	105479	COUPLER, FLAT FACE MALE NOSE	1
3	105480	COUPLER, FLAT FACE FEMALE BODY	1

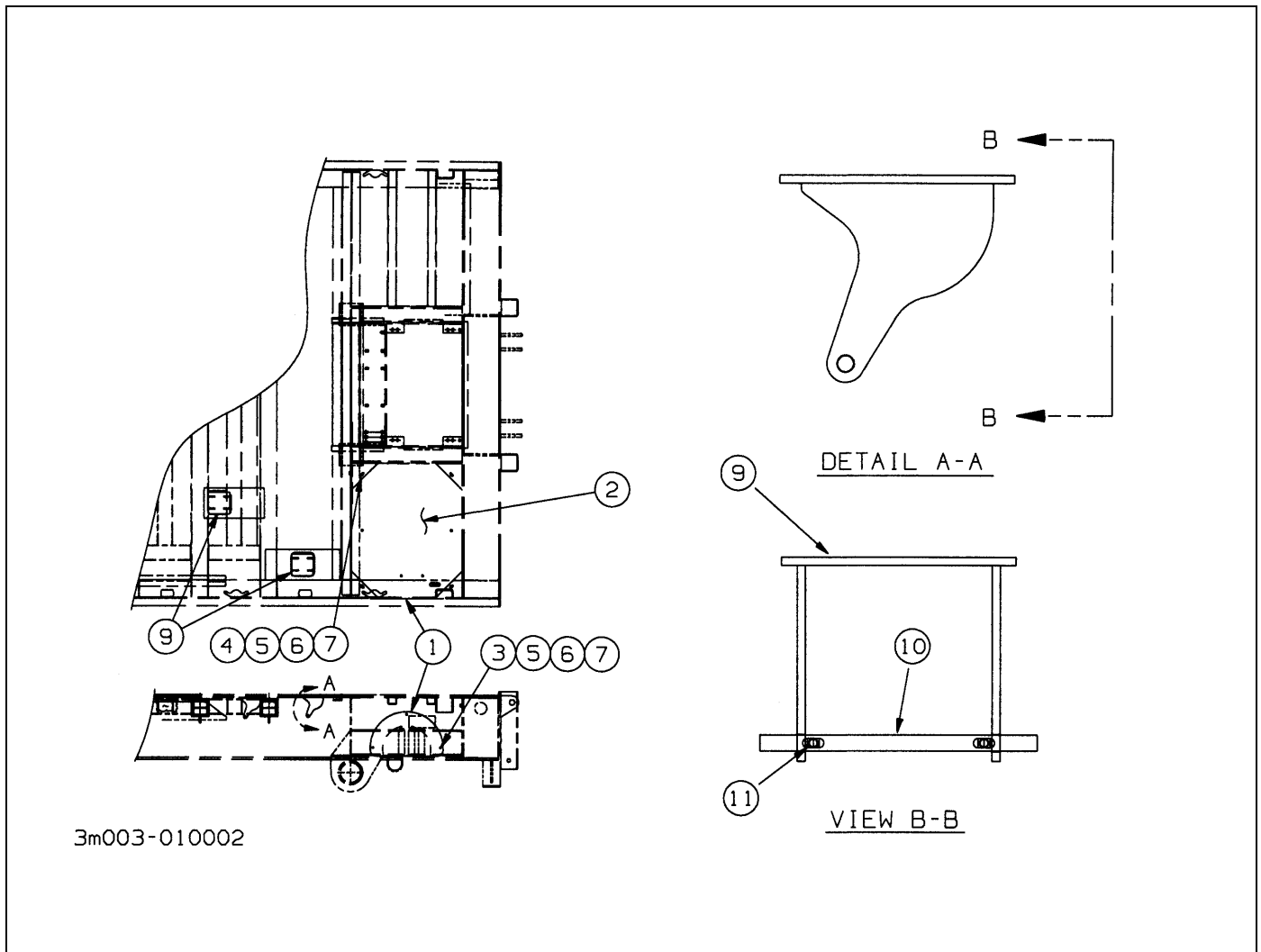
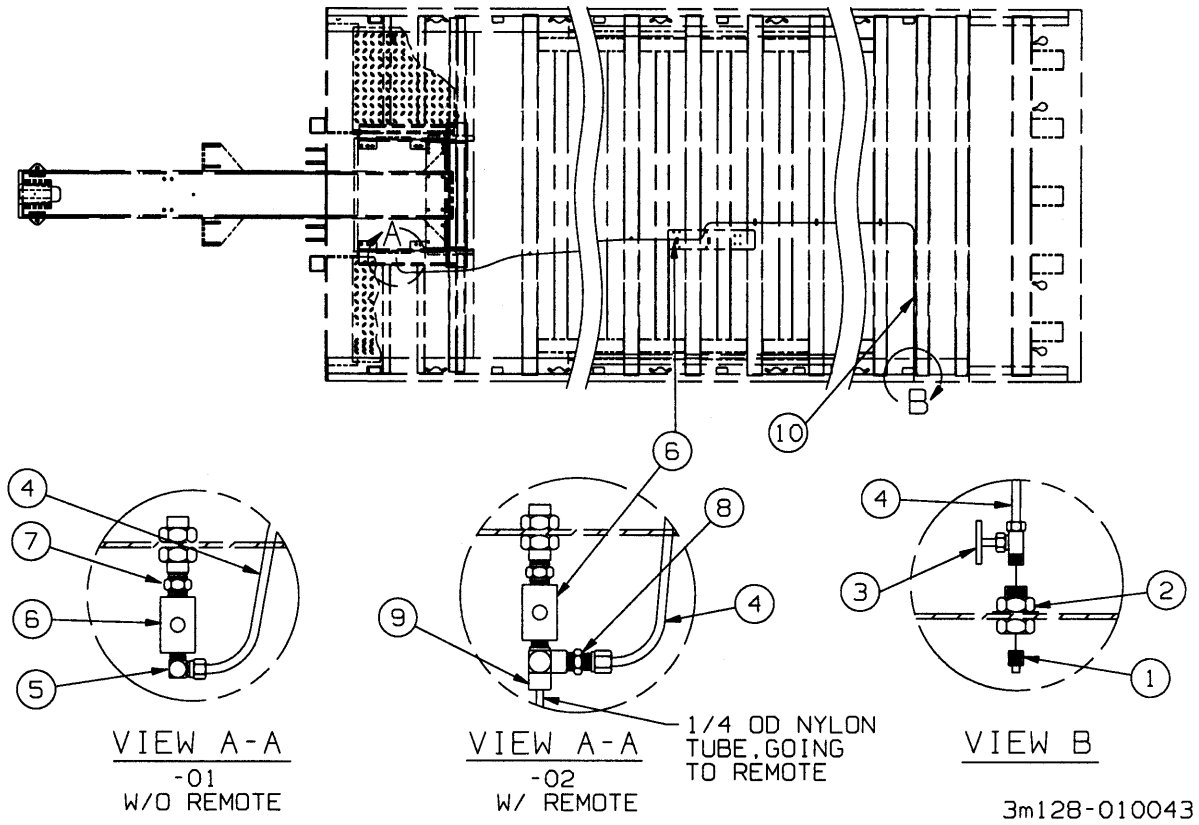


Figure 2-39: Accessories w/o Engine Drive

ACCESSORIES W/O ENGINE DRIVE

ITEM	PART NO.	DESCRIPTION	QTY.
	3-003-010002	ACCESSORY W/O ENGINE DRIVE 102	
	102374	ACCESSORY W/O ENGINE DRIVE 96	
1	3-222-010224	COVER, ENGINE AIR INTAKE	1
2	3-115-010185	TOOLBOX, BOTTOM 102	1
	102373	TOOLBOX, BOTTOM 96	1
3	1-654-010051-05	SCREW, HEX HEAD CAP 3/8-16 X 1 GR5	3
4	1-654-010051-06	SCREW, HEX HEAD CAP 3/8-16 X 1-1/4 GR5	4
5	1-861-010032-11	WASHER, FLAT 3/8	14
6	1-861-010034-11	WASHER, SPLIT LOCK 3/8	7
7	1-512-010007-07	NUT, HEX 3/8-16	7
9	103716	COVER WELDMENT, ENGINE DRIVE	1
10	103717	PIN, COVER ACCESS ENGINE	2
11	1-557-010362-40	PIN, COTTER 5/32 X 1-1/4	4



3m128-010043

Figure 2-40: Air Outlet Accessory (Option)

AIR OUTLET ACCESSORY (OPTION)

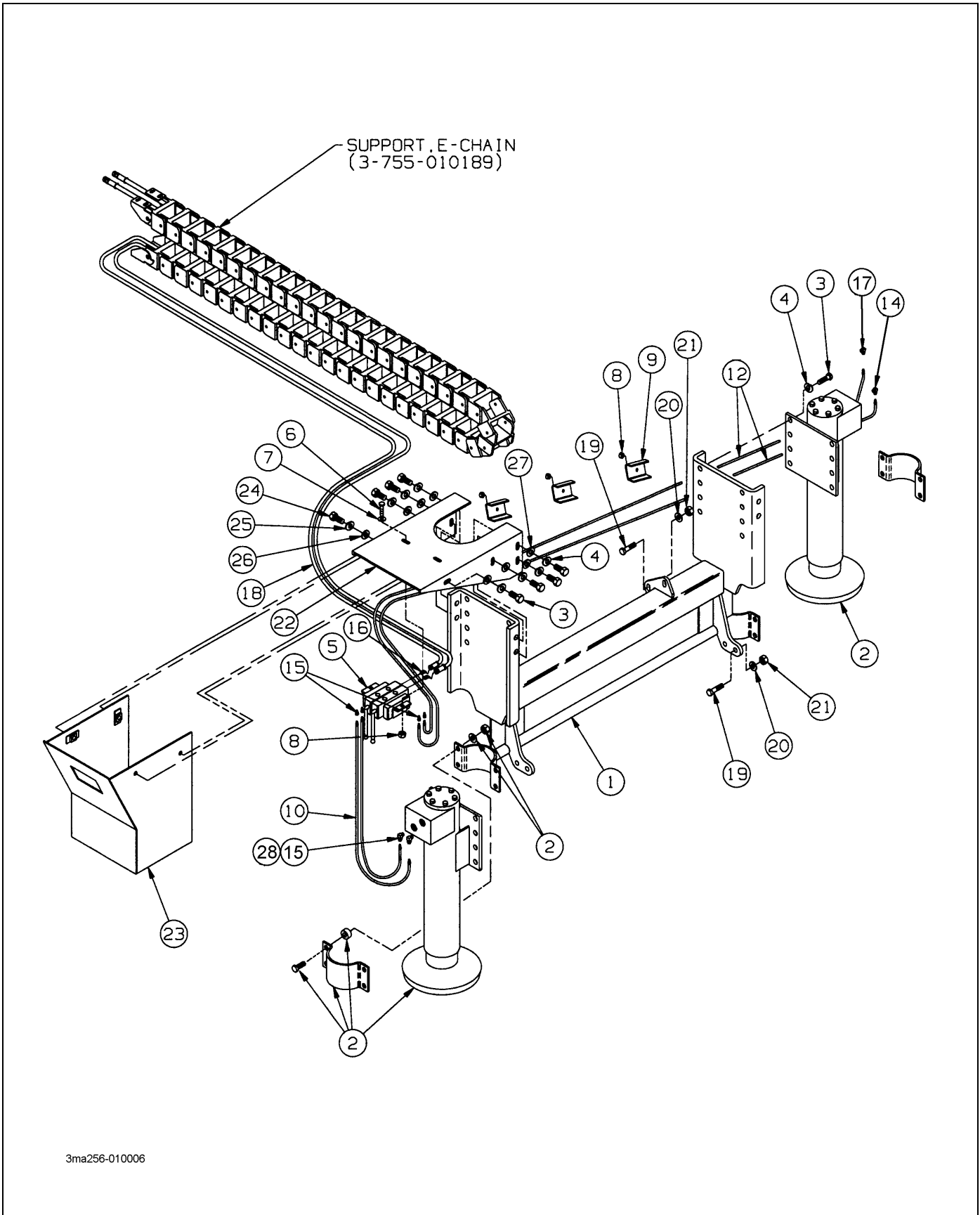
ITEM	PART NO.	DESCRIPTION	QTY.
	3-128-010043-01	AIR OUTLET ACCESSORY W/O REMOTE	
	3-128-010043-02	AIR OUTLET ACCESSORY W/ REMOTE	
1	1-560-010002-01	PIPE PLUG 1/4	1
2	1-297-010022-02	BULKHEAD COUPLING	1
3	A6760S	SHUTOFF VALVE	1
4	1-833-010002	TUBING, NYLON 3/8	35'
5	1-297-010008-18	FITTING, AIR 90	*1,-
6	905-54-107	BRAKE PROTECTION VALVE	*1,-
7	1-297-010019-05	FITTING, BRS PIPE HEX	*1,-
8	1-297-010007-11	FITTING, AIR	*-,1
9	1-297-010018-02	FITTING, STREET TEE	*-,1
10	3-181-010034-1	CLAMP CONDUIT STEEL 1/2	13

* FIRST QUANTITY LISTED IS FOR P/N 3-128-010043-01; SECOND QUANTITY LISTED IS FOR P/N 3-128-010043-02.

HYD. INSTALL. DOCK LEVEL W/ E-CHAIN (OPTION)

ITEM	PART NO.	DESCRIPTION	QTY.
	3-407-010066-5	HYDRAULIC INSTALL. DOCK LEVELER W/ E-CHAIN	
1	3-482-010267	MOUNT, FLOW REGULATOR	1
2	1-397-010372030	HOSE ASSEMBLY 1/2 X 30-1/2	1
3	111696	VALVE, HYD SELECTOR, 3 WAY	1
4	1-512-010005-03	NUT, HEX LOCK 5/16-18 GRB	4
5	1-861-010032-09	WASHER, FLAT 5/16	4
8	2062-12-8S	ADAPTER, 90	1
10	1-397-010301028	HOSE ASSEMBLY 1/2 X 28	1
11	2062-8-8S	ADAPTER, 90	1
12	1-626-010002-03	REGULATOR, FLOW 1/2 BYPASS ONLY	1
13	1-654-010049-11	SCREW, HEX HEAD CAP 5/16-18 X 2-1/2 GR5	2
14	1-397-010309110	HOSE ASSEMBLY 3/8 X 110	1
15	2062-8-6S	ELBOW, 90	1
16	1-397-010307110	HOSE ASSEMBLY 3/8 X 110	1
17	1-397-010306032	HOSE ASSEMBLY 1/2 X 32	1
18	203102-12-12S	ADAPTER, TEE	1
19	203005-8-8S	ADAPTER, TEE	1
26	3-181-010006	HOSE CLAMP (USED W/ DOCK LEV.)(NOT SHOWN)	5
27	2-181-010001	HOSE CLAMP (USED W/O DOCK LEV.)(NOT SHOWN)	-5
29	2062-12-12S	ADAPTER, 90	2
36	111024	SCREW, BUTTON HEAD CAP M6 X 14mm	4
37	1-861-010032-07	WASHER, FLAT 1/4	4
38	1-861-010034-09	WASHER, SPLIT LOCK 1/4	4

ILLUSTRATED PARTS LIST

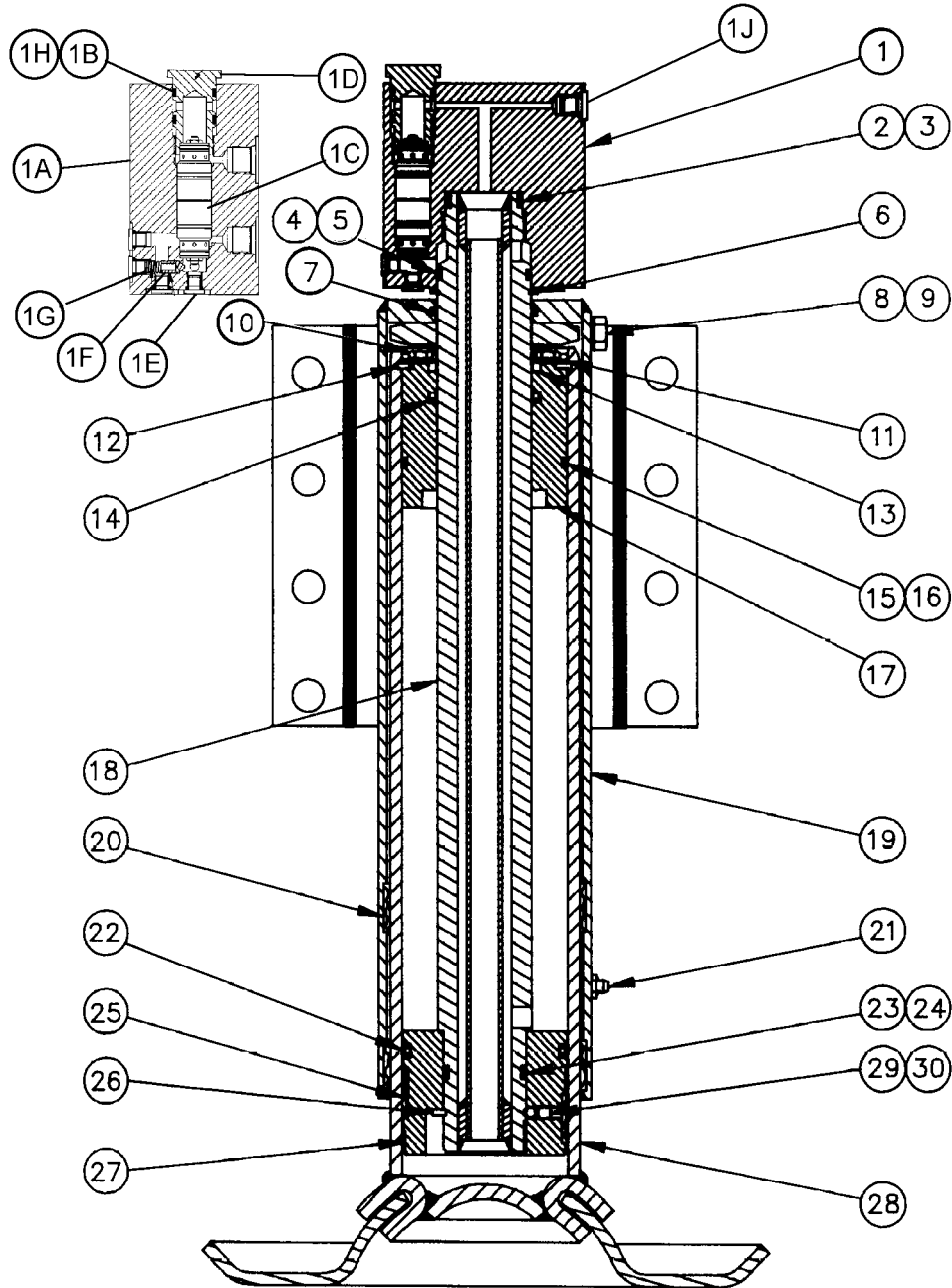


3ma256-010006

Figure 2-42: Dock Leveler Assembly

DOCK LEVELER ASSEMBLY (OPTION)

ITEM	PART NO.	DESCRIPTION	QTY.
	117493	DOCK LEVELER ASSEMBLY A/R 60K 345	
1	117489	MOUNT WELDMENT, DOCK LEVEL HD 345	1
2	3-242-010205	CYLINDER, HYD D/L 4 X 15 (SEE PAGE 2-73)	2
3	1-654-010059-01	SCREW, HEX HEAD CAP 5/8-11 X 1 GR5	24
4	1-861-010034-15	WASHER, SPLIT LOCK 5/8	24
5	3-846-010056	VALVE, DOUBLE SPOOL (SEE PAGE 2-75)	1
	179649	VALVE, DOUBLE SPOOL	1
6	1-654-010051-05	SCREW, HEX HEAD CAP 3/8-16 X 1 GR5	2
7	1-861-010032-11	WASHER, FLAT 3/8	2
8	1-510-010001	NUT, FLANGE LOCK 3/8-16	6
9	2-181-010001	HOSE CLAMP	4
10	1-397-010262-4	HOSE ASSEMBLY 1/4 X 18	2
12	105799	HOSE ASSEMBLY 1/4 X 88	2
14	2062-6-4S	ADAPTER, 90	4
15	202702-6-4S	ADAPTER, STR	6
16	2061-6-6S	ADAPTER, 45	REF
17	1-007-010058	ADAPTER, HYD	2
18	1-397-010307216	HOSE ASSEMBLY 3/8 X 216	2
19	1-654-010055-03	SCREW, HEX HEAD CAP 1/2-13 X 1-1/2 GR5	8
20	1-861-010032-14	WASHER, FLAT 1/2N	8
21	1-512-010005-09	NUT, HEX LOCK 1/2-13 GRB	8
22	3-120-010351	BRACKET, BOLT ON DOCK LEVEL	1
23	3-681-010098	SHIELD, D/L VALVE R22.5	1
24	1-654-010055-02	SCREW, HEX HEAD CAP 1/2-13 X 1-1/4 GR5	4
25	1-861-010034-13	WASHER, SPLIT LOCK 1/2	4
26	1-861-010032-15	WASHER, FLAT 1/2W	4
27	1-861-010032-18	WASHER, FLAT 5/8N	4
28	138155	ADAPTER, 90	4
29	1-394-010002	HOSE, ABRASION SLEEVE X 2-7/8 (NOT SHOWN)	1



dckleg2a

Figure 2-43: Dock Leveler Leg Assembly w/ Lock Valve

LEG ITEMS, DOCK LEVELER W/ LOCK VALVE

ITEM	PART NO.	DESCRIPTION	QTY.
	3-242-010205	COMPLETE ASSY LEG CYL (60,000# CAP. 4.00" BORE)	
1	300092	4:1 LOCK VALVE ASSY	1
1A	300093	4:1 LOCK VALVE BODY	1
1B	01-1006	O-RING	2
1C	300427	PILOT OPERATED CHECK VALVE	2
1D	300022	RETAINING PLUG	1
1E	07-1061	HEX PLUG HOLLOW #02 SAE	5
1F	300003	POPPET	1
1G	31-1016	SPRING	1
1H	05-1009	BACK-UP WASHER	2
1J	07-1201	HEX PLUG HOLLOW #04 SAE	1
2	NSS**,**	O-RING	1
3	NSS**,**	BACK-UP WASHER	2
4	NSS**,**	O-RING	1
5	NSS**,**	BACK-UP WASHER	1
6	NSS**	SNAP RING 2" ROD	1
7	NSS**	O-RING	1
8	15-1021	SCREW HEX HEAD CAP	1
9	16-1002	LOCK WASHER	1
10	15-1012	SCREW HEX HEAD CAP	4
11	100279	CYLINDER HEAD RETAINER	1
12	NSS**	RETAINING RING	1
13	NSS**	OIL SEAL	1
14	NSS**	ROD SEAL	1
15	NSS**	O-RING	1
16	NSS**	BACK-UP WASHER	1
17	100276	CYLINDER HEAD	1
18	***	PISTON ROD	1
19	***	WELL TUBE	1
20	NSS**	WEAR RING	2
21	10-1001	GREASE FITTING	1
22	NSS**	PISTON SEAL	1
23	NSS**	O-RING	1
24	NSS**	BACK-UP WASHER	2
25	NSS**	WEAR RING	1
26	17-1003	SNAP RING	1
27	***	PISTON	1
28	***	CYLINDER TUBE	1
29	NSS**	NYLON BALL	1
30	NSS**	SET SCREW	1
31	100348	SPLIT COLLAR ASSY (60,000 LB.)(NOT SHOWN)	1
	100140	SPLIT COLLAR HALF (60,000 LB.)	2
	101449	LEG COLLAR MOUNTING KIT(INCL. THE FOLLOWING:)	1
	15-1024	SCREW, HEX HEAD CAP 1/2-20 X 2 GR5	4
	15-1025	NUT, HEX LOCK 1/2-20	4
	101129-1	SPACER, SPLIT COLLAR	4

* - ITEMS ARE CONTAINED IN THE LOCK VALVE REPAIR KIT 300085 (NSS)

** - ITEMS ARE CONTAINED IN LEG REPAIR KIT 100422 (4.00" BORE) (NSS).

*** STATE MODEL NUMBER AND PART DESCRIPTION WHEN ORDERING.

NSS: NOT SOLD SEPARATELY

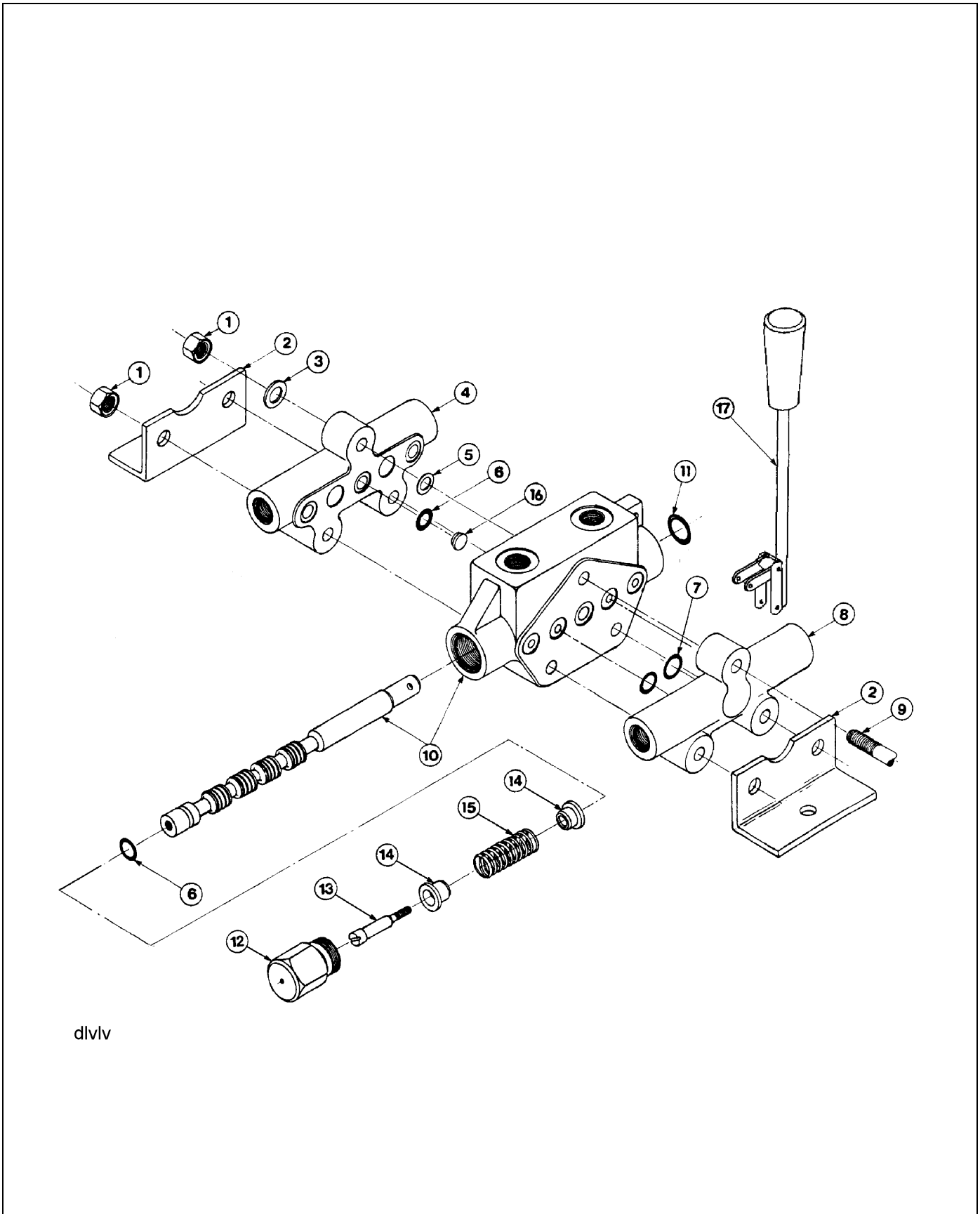
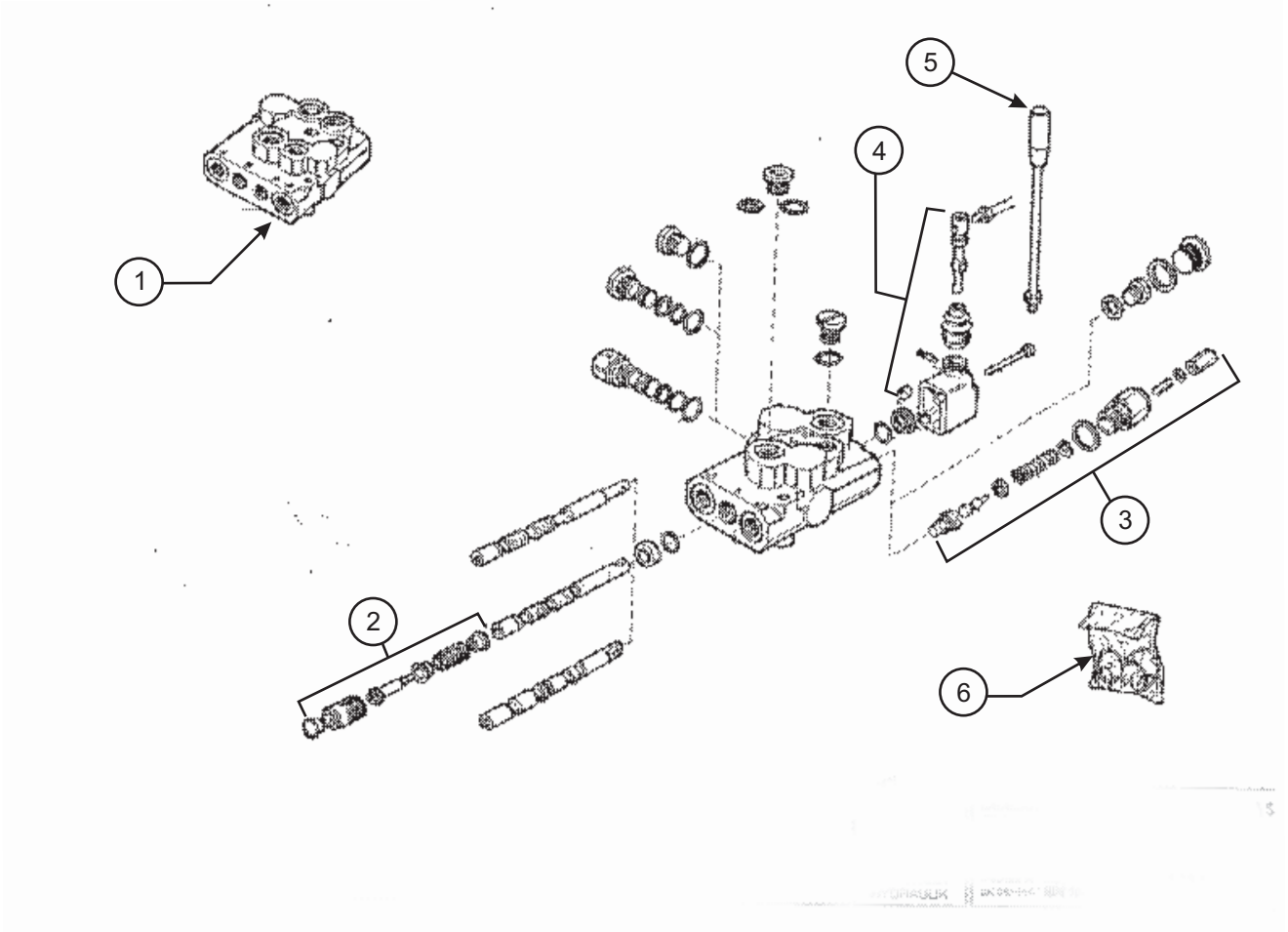


Figure 2-44: Dock Leveler Valve

DOCK LEVELER VALVE (Before 01/15/2014)

ITEM	PART NO.	DESCRIPTION	QTY.
	3-846-010056	DOUBLE SPOOL STACK VALVE-PARALLEL	1
1	1005013	NUT	3
2	4014240	MOUNTING BRACKET	2
3	1008008	WASHER	2
4	6402000	OUTLET SECTION (INCLUDES SEALS)	1
	6029521	OUTLET SEAL KIT	
5	4023150	MYLAR SHIM (BETWEEN SECTIONS)	3
6	0101012	O-RING	1
7	0101013	O-RING	10
8	6401003	INLET SECTION (INCLUDES SEALS)	1
	6009250	INLET SEAL KIT	
9	4023774	TIE ROD	3
10	6400000	VALVE SECTION	2
	6029520	VALVE SECTION SEAL KIT (INCL ITEMS 5, 6, 7, & 11)	6
11	0101112	O-RING	2
12	4010500	SPRING CAP	2
13	4010520	SPRING SHAFT	2
14	4010530	SPRING GUIDE	4
15	_____	SPRING	2
16	4011702	CLOSED CENTER PLUG	1
17	6405000	HANDLE KIT	2
	6404002	BANKING KIT (INCLUDES ITEMS 1, 2, 3, & 9)	2
	128865	SEAL KIT FOR 3-846-010056	



179649 valve

Figure 2-45: Dock Leveler Valve (After 01/15/2014)

DOCK LEVELER VALVE (After 01/15/2014)

ITEM	PART NO.	DESCRIPTION	QTY.
1	179649	DOUBLE SPOOL STACK VALVE-PARALLEL,	
2	20768510010	SPOOL POSITIONER SPRING CENTER	1
3	20787400710	RELIEF VALVE ASSEMBLY	1
5	200707010070	SPOOL OPERATOR	1
6	200702210230	HANDLE	1
7	200773800350	SEAL KIT	1

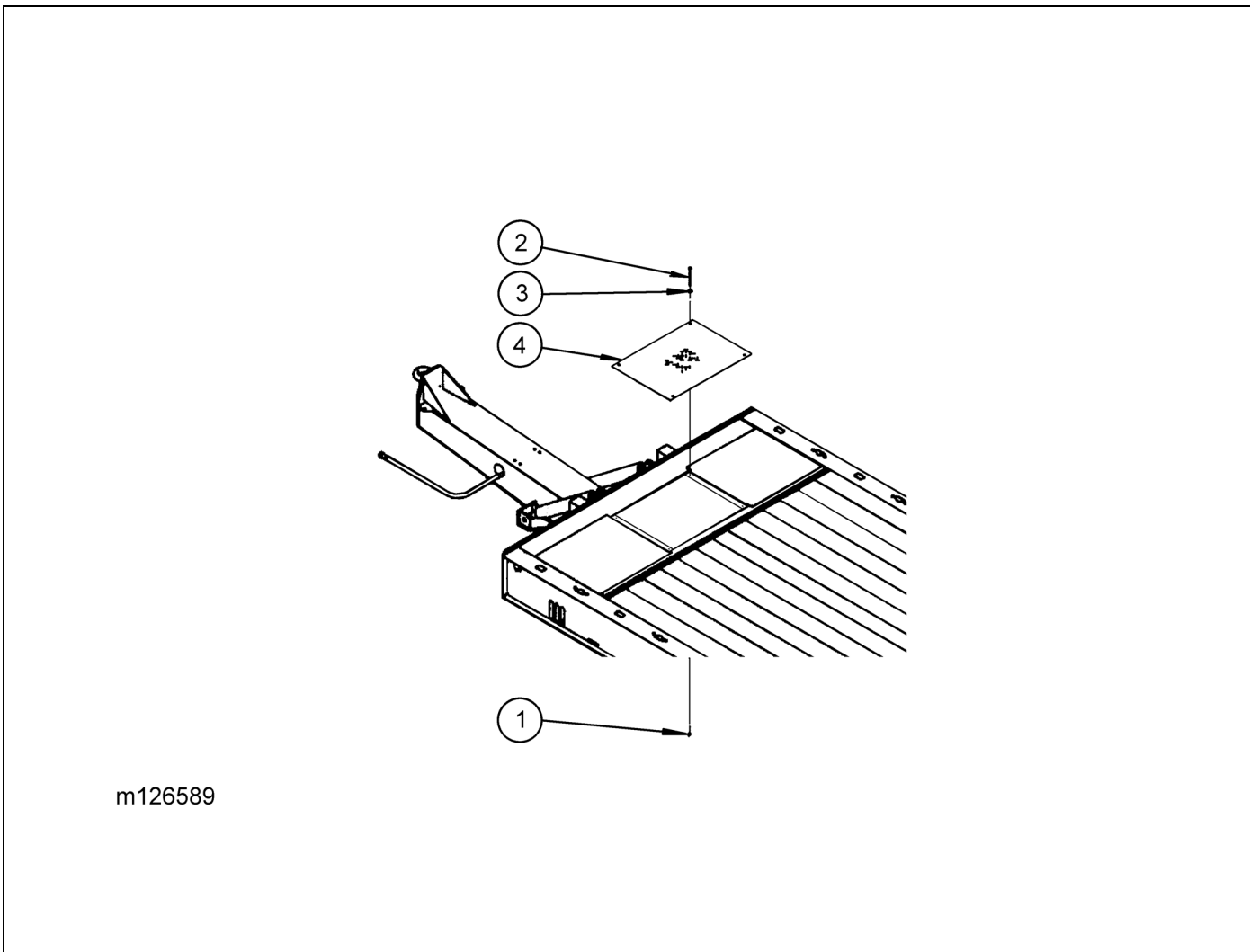


Figure 2-46: Winch Opening Cover Assembly (Option)

WINCH OPENING COVER ASSEMBLY (OPTION)

ITEM	PART NO.	DESCRIPTION	QTY.
	126589	COVER, WINCH OPENING ASSEMBLY	
1	1-512-010005-09	NUT, HEX LOCK 1/2-13 GRB	4
2	1-654-010055-04	SCREW, HEX HEAD CAP 1/2-13 X 1-3/4 GR5	4
3	1-861-010032-15	WASHER, FLAT 1/2W	4
4	126588	COVER, WINCH OPENING	1

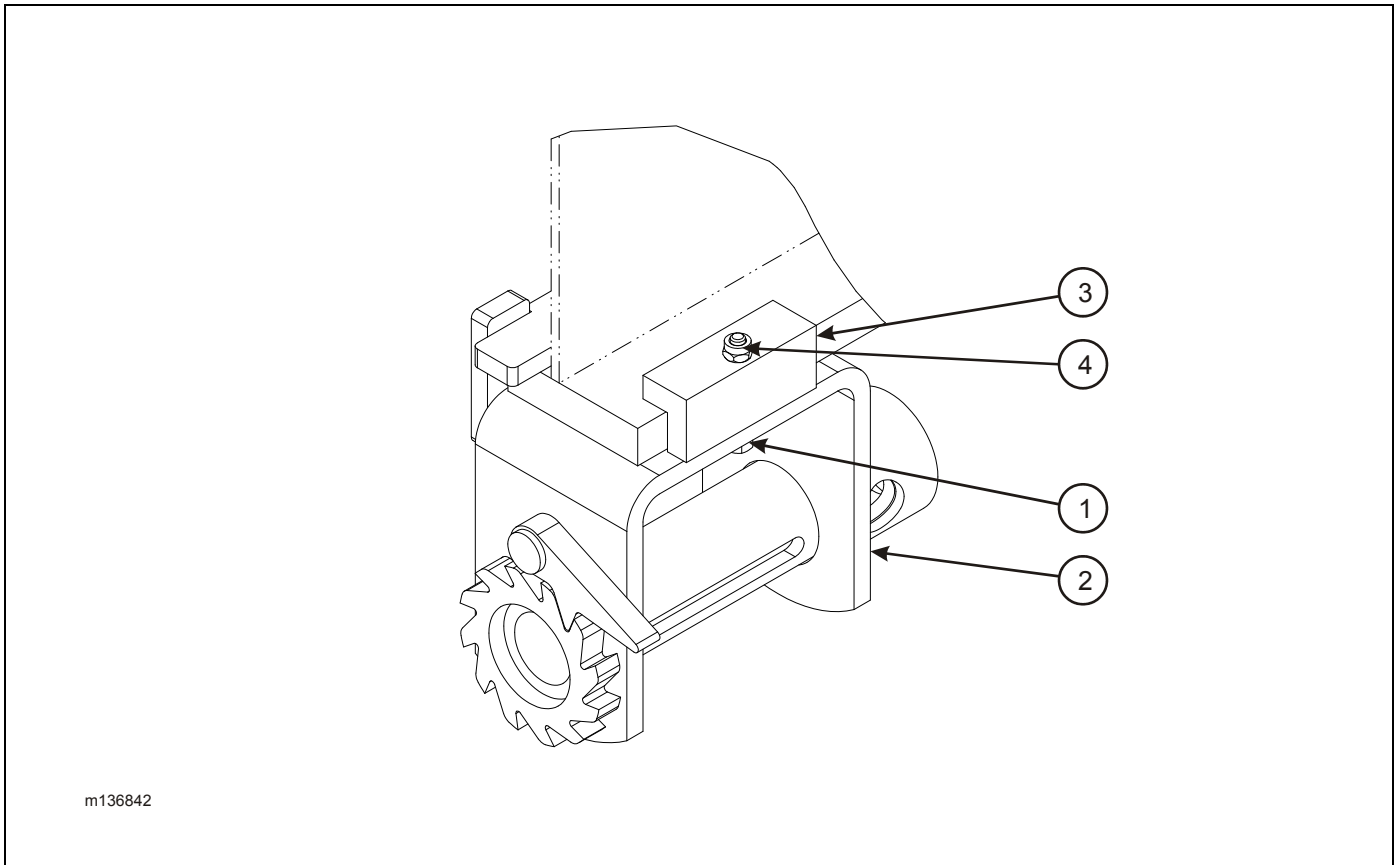
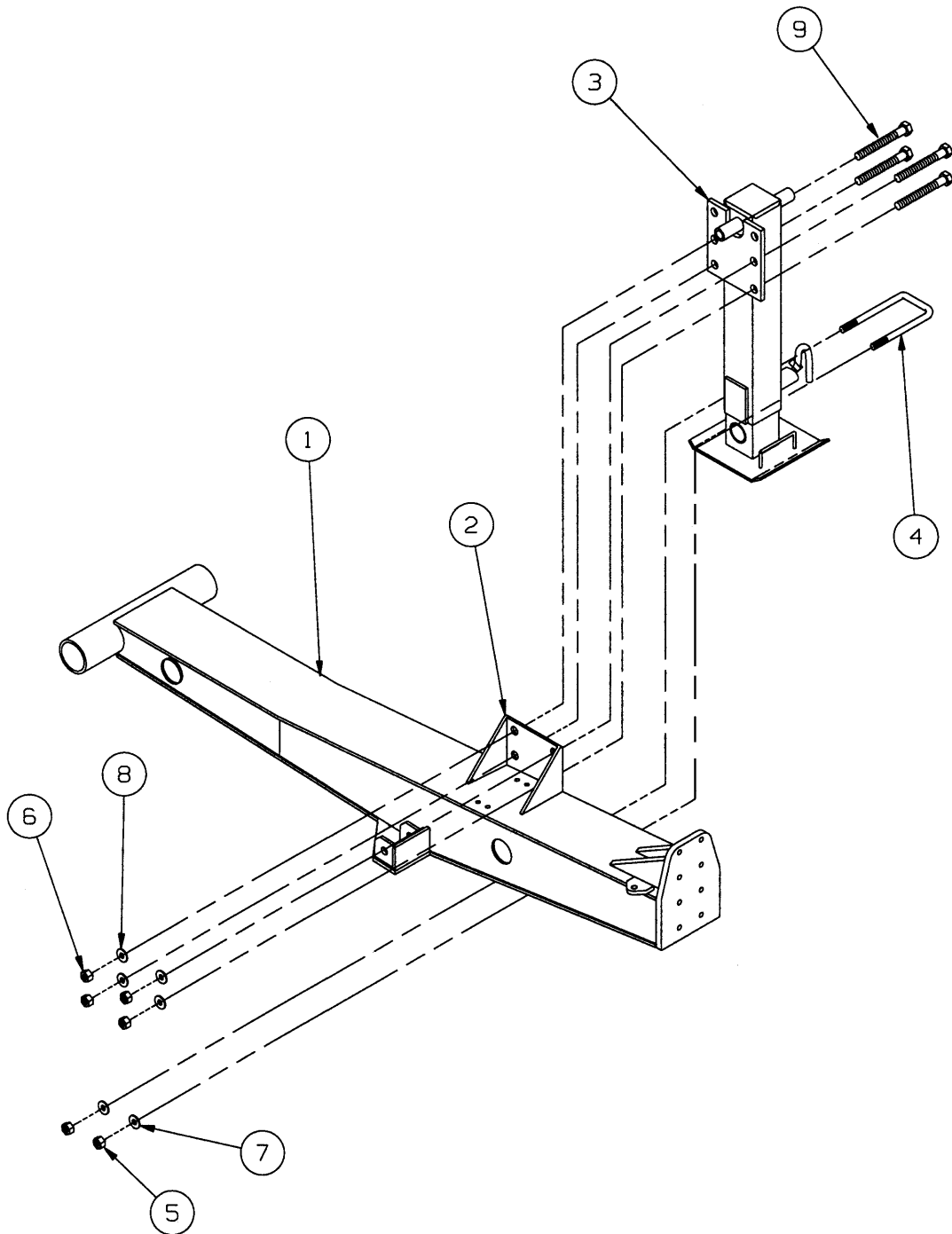


Figure 2-47: Winch Assembly, 4" Webbing Sliding (Option)

WINCH ASSEMBLY, 4" WEBBING SLIDING (OPTION)

ITEM	PART NO.	DESCRIPTION	QTY.
	136842	WINCH ASSEMBLY, 4" WEBBING SLIDING	
1	106046	SCREW, HEX HEAD CAP 1/4-20 X 2 GR8	1
2	136843	WINCH WEBBING SLIDE MOD.	1
3	136846	CLAMP, SLIDING WEB WINCH	1
4	1-512-010005-01	NUT, HEX LOCK 1/4-20 GRB	1

ILLUSTRATED PARTS LIST

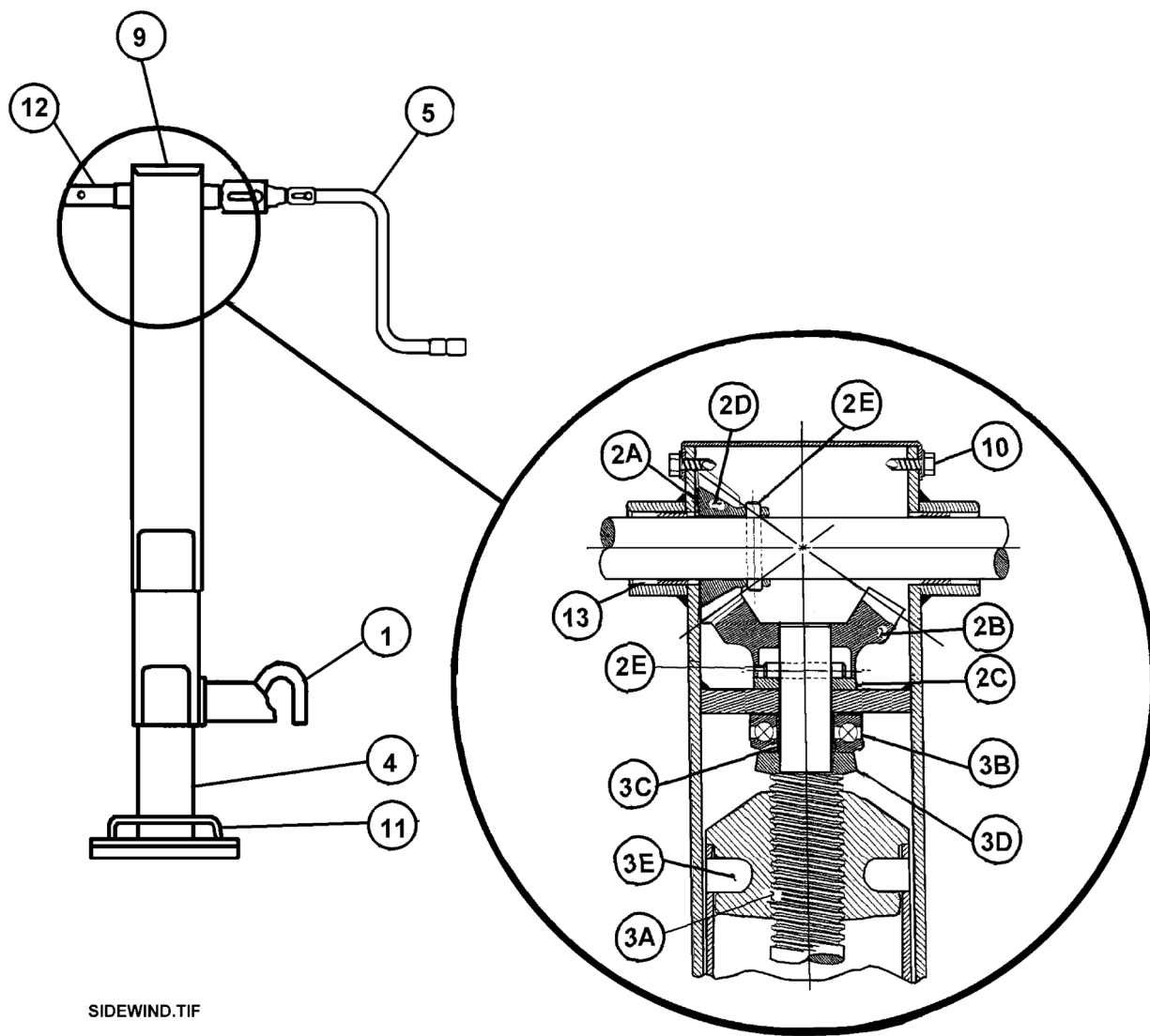


3m423-010036

Figure 2-48: Jack Installation, 12K, 5" Hitch Dock Level w/ E-Chain

JACK INSTALLATION, 12K, 5FT HITCH (OPTION)

ITEM	PART NO.	DESCRIPTION	QTY.
	3-423-010036	JACK INSTALLATION, 12K, 5' HITCH	
1	3-375-010140	HITCH ASSEMBLY 5 FT	REF
2	3-125-010542	BRACKET, INSTALLATION 12K JACK	REF
3	3-423-010037	JACK WELDMENT 12K, 5' HITCH (SEE PAGE 2-81)	1
4	6-102-010009	U-BOLT, RIGID GAUGE WHEEL	1
5	1-512-010005-13	NUT, HEX LOCK 5/8-11 GRB	2
6	1-512-010005-15	NUT, HEX LOCK 3/4-10 GRB	4
7	1-861-010032-19	WASHER, FLAT 5/8W	2
8	1-861-010032-21	WASHER, FLAT 3/4W	4
9	1-654-010061-03	SCREW, HEX HEAD CAP 3/4-10 X 1-1/2 GR5	4



SIDEWIND.TIF

Figure 2-49: Jackstand Assembly Dock Level w/ E-Chain

JACKSTAND ASSEMBLY (OPTION)

ITEM	PART NO.	DESCRIPTION	QTY.
	3-423-010035	JACK 12000 DROPLEG W/ CRANK (HAMMERBLOW P/N 182400)	
1	500177	PLUNGER KIT, W/ "J" PIN (INCL PLUNGER PIN, SPRING, WASHER, AND 3/16 X 1 COTTER PIN)	
2	500212	GEAR KIT, STYLE III JACKS CONSISTS OF THE FOLLOWING:	
2A	016013	WEAR PLATE 22 GAGE	
2B	020023	BEVEL GEAR LARGE 18 TEETH	
2C	016053	WEAR PLATE 7 GAGE	
2D	020022	BEVEL PINION GEAR SMALL 12 TEETH	
2E	009062	1/4" X 1-1/2" GROOVE PIN	
2F	011905	SERVICE BULLETIN (NOT SHOWN)	
3	500213	SCREW & NUT REPLACEMENT KIT (CONSISTS OF THE FOLLOWING:)	
3A	712205	SCREW AND NUT ASSEMBLY	
3B	001003	2.015" O.D. BEARING	
3C	021163	SPLIT BUSHING	
3D	016048	BEARING SEAT	
3E	009052	RETAINING PIN	
3F	011905	SERVICE BULLETIN (NOT SHOWN)	
4	701178	INNER RAM AND STANDARD DROP LEG ASSEMBLY (INCLUDES DROP LEG W/ BASE AND LIFT HANDLE, INNER RAM W/ NEW CAM-LOCK HOUSING AND "J" PIN)	
5	015181	CRANK ASSEMBLY FOR SIDEWIND SIDE MOUNT	
	701140	CRANK HANDLE NARROW VERT CLEVIS W/ RD CORN	
	015191	3/8" X 2-1/2" PLATED HEX BOLT	
	008008	3/8" PLATED LOCKNUT	
	015911	3/8" PLATED WASHER	
6	005120	HANDLE CLIP (NOT SHOWN)	
9	017802	SQUARE GEARBOX COVER	
10	017806	COVER SCREW	
11	021040	BASE PLATE LIFT HANDLE	
12	006098	NEW STYLE (CENTERED) CROSS SHAFT, STYLE III	
13	017012	SLEEVE BEARING ON CROSS SHAFT	

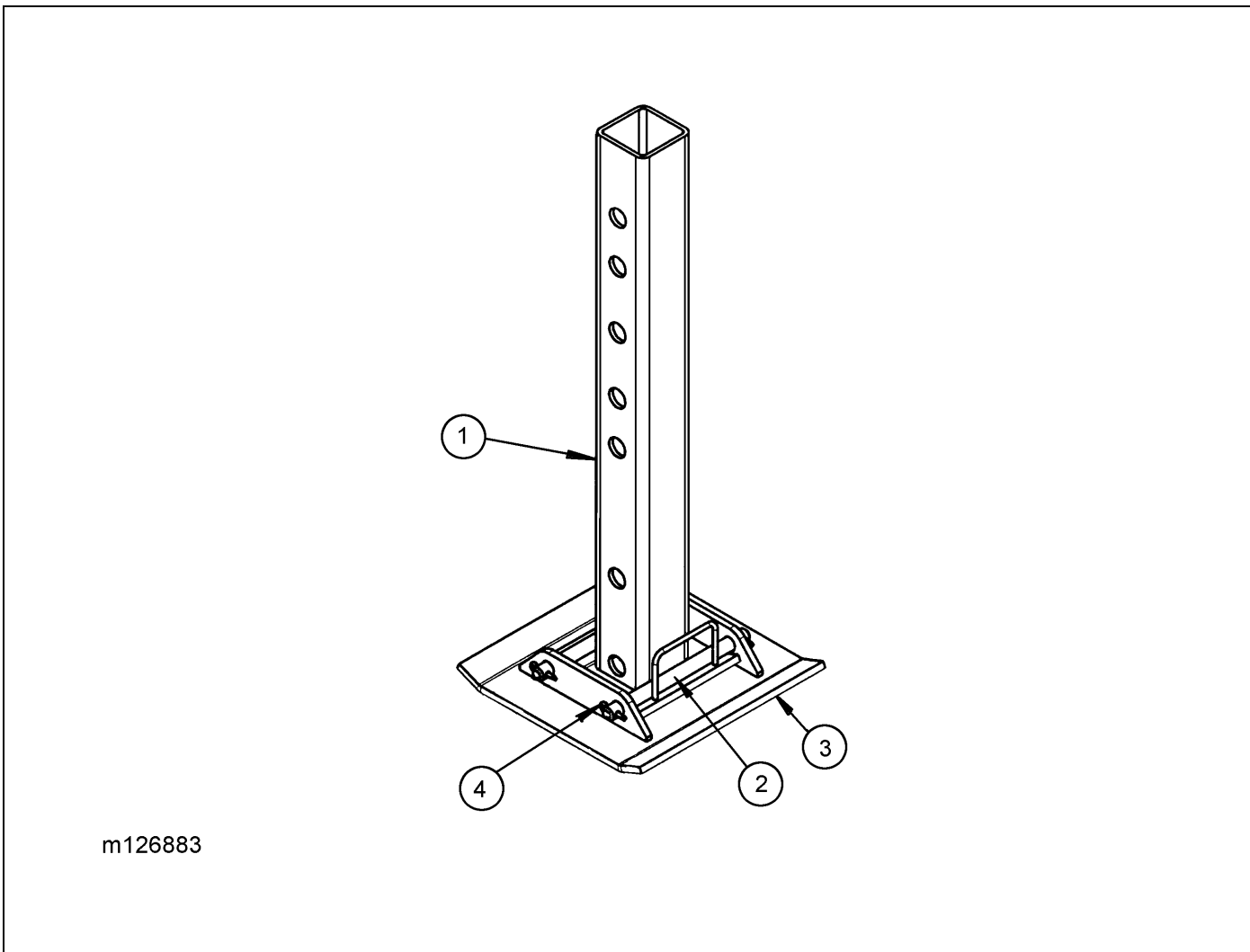


Figure 2-50: Sand Pad Installation (Option)

SAND PAD INSTALLATION (OPTION)

ITEM	PART NO.	DESCRIPTION	QTY.
	126883	SAND PAD INSTALLATION	
1	3-311-010145	PARKING STAND	REF
2	126881	PIN, SAND PAD	4
3	126879	SAND PAD WELDMENT	2
4	1-557-010362-59	PIN, COTTER 1/4 X 1	8

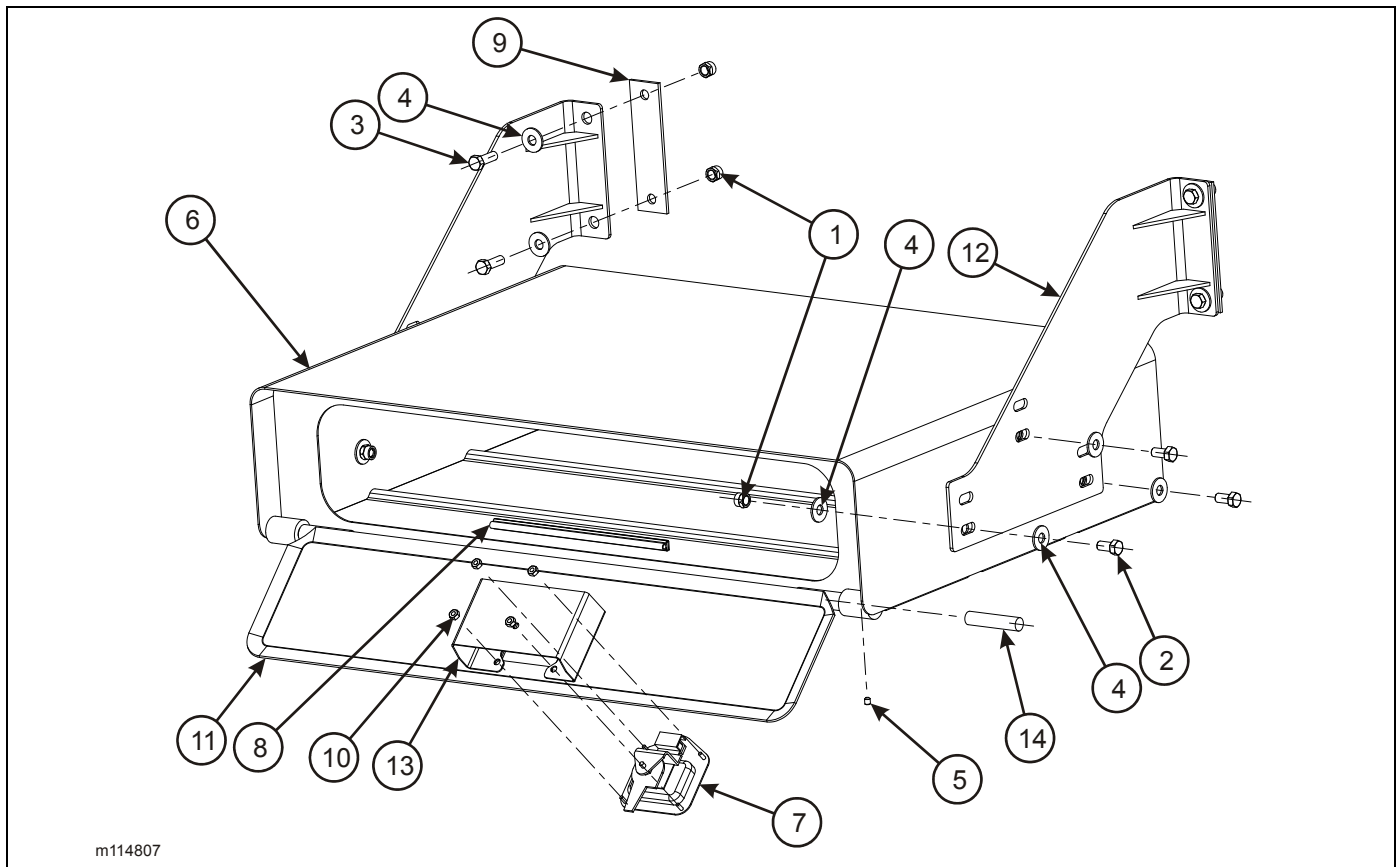


Figure 2-51: Steel Door Toolbox Installation (Option)

STEEL DOOR TOOLBOX INSTALLATION (OPTION)

ITEM	PART NO.	DESCRIPTION	QTY.
	114807	STEEL DOOR TOOLBOX INSTALLATION	
1	1-512-010005-09	NUT, HEX LOCK 1/2-13	10
2	1-654-010055-01	SCREW, HEX HEAD CAP 1/2-13 X 1 GR5	6
3	1-654-010055-03	SCREW, HEX HEAD CAP 1/2-13 X 1-1/2 GR5	4
4	1-861-010032-15	WASHER, FLAT 1/2W	16
5	107-0975	SCREW, SET LOCK 5/16-18 X 3/8	2
6	114808	TOOLBOX WELDMENT	1
7	114814	LATCH FOLDING T LOCKABLE	1
8	114815	SEAL SPONGE RUBBER TRIM	7
9	115843	BAR BACKUP TOOLBOX MOUNTING	2
10	115877	NUT, HEAVY HEX 1/4-20 GR5	4
11	116623	DOOR WELDMENT STEEL TOOLBOX	1
12	117860	BRACKET, WELDMENT TOOLBOX MOUNTING	2
13	153420	TOOLBOX LATCH SHIELD	1
14	RPRB59004X3H	BAR, ROUND 3/4 X 3-1/2 NYLATRON	2

ILLUSTRATED PARTS LIST

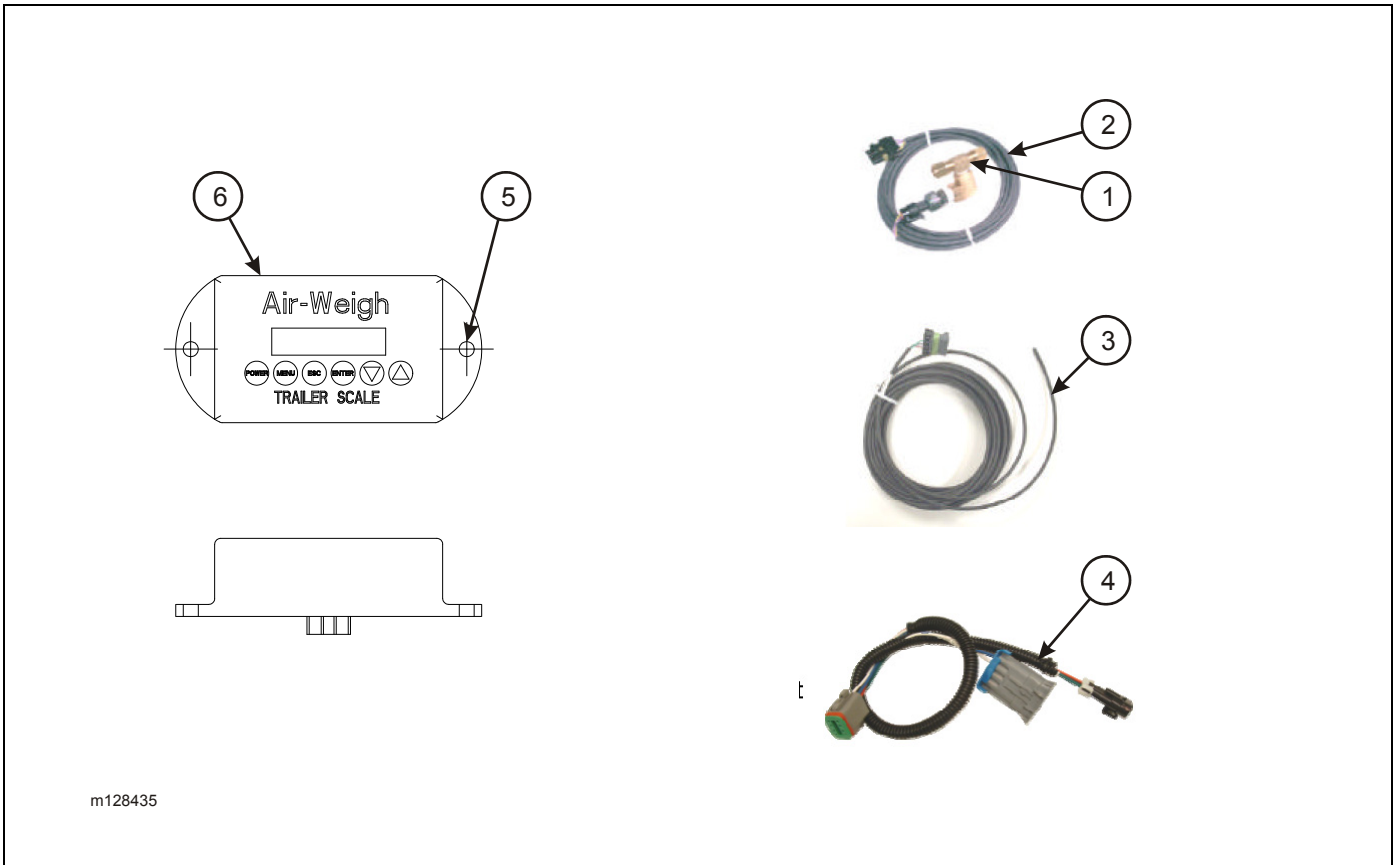


Figure 2-52: Air Digital Scale (Option)

AIR DIGITAL SCALE (OPTION)

ITEM	PART NO.	DESCRIPTION	QTY.
	128435	SCALE, AIR DIGITAL (TRAVELING AXLE)	
1	149543	SENSOR ASSEMBLY, 5V 3/8" BRASS	1
2	010-0025-000	CABLE, AW5800, 2 PART SENSOR 50'	1
3	012-1500-005	CABLE, AW5800 TRAILER POWER BLUNT CUT 15'	1
4	142895	CABLE, AW5800, TRAILER SCALE INTERFACE 2"	1
5	010-0026-000	HARDWARE KIT, AW 5800	1
6	050-5802-001	TRAILER SCALE AW5800	1
7	145-4552-001	NYLON TIE 7" T-50 NYLON (NOT SHOWN)	25
8	901-0029-001	MANUAL, TRAILER SCALE AW5800 (NOT SHOWN)	1
9	164-0009-000	DECAL, AW5800 TRAILER SIDE-M (NOT SHOWN)	1

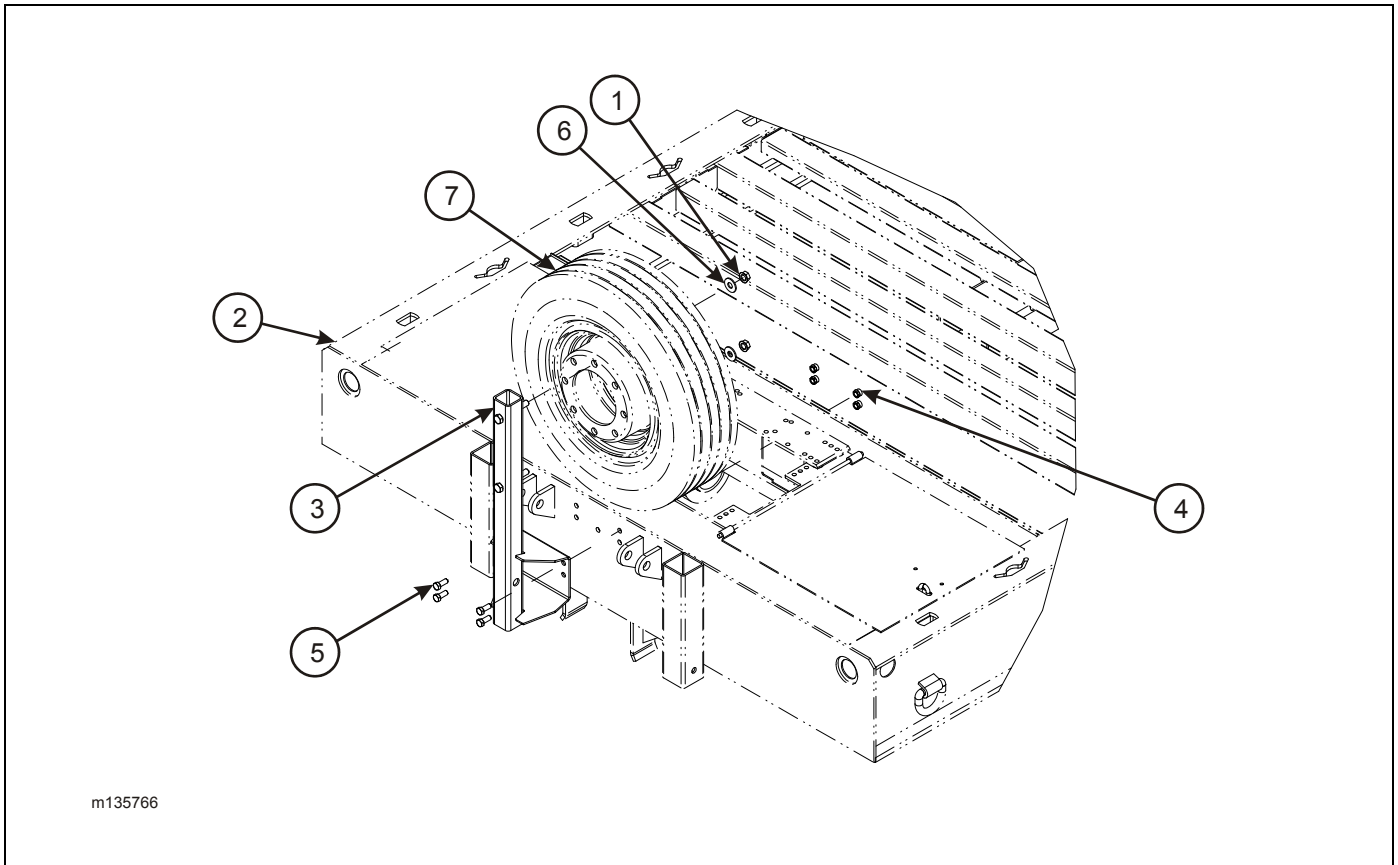
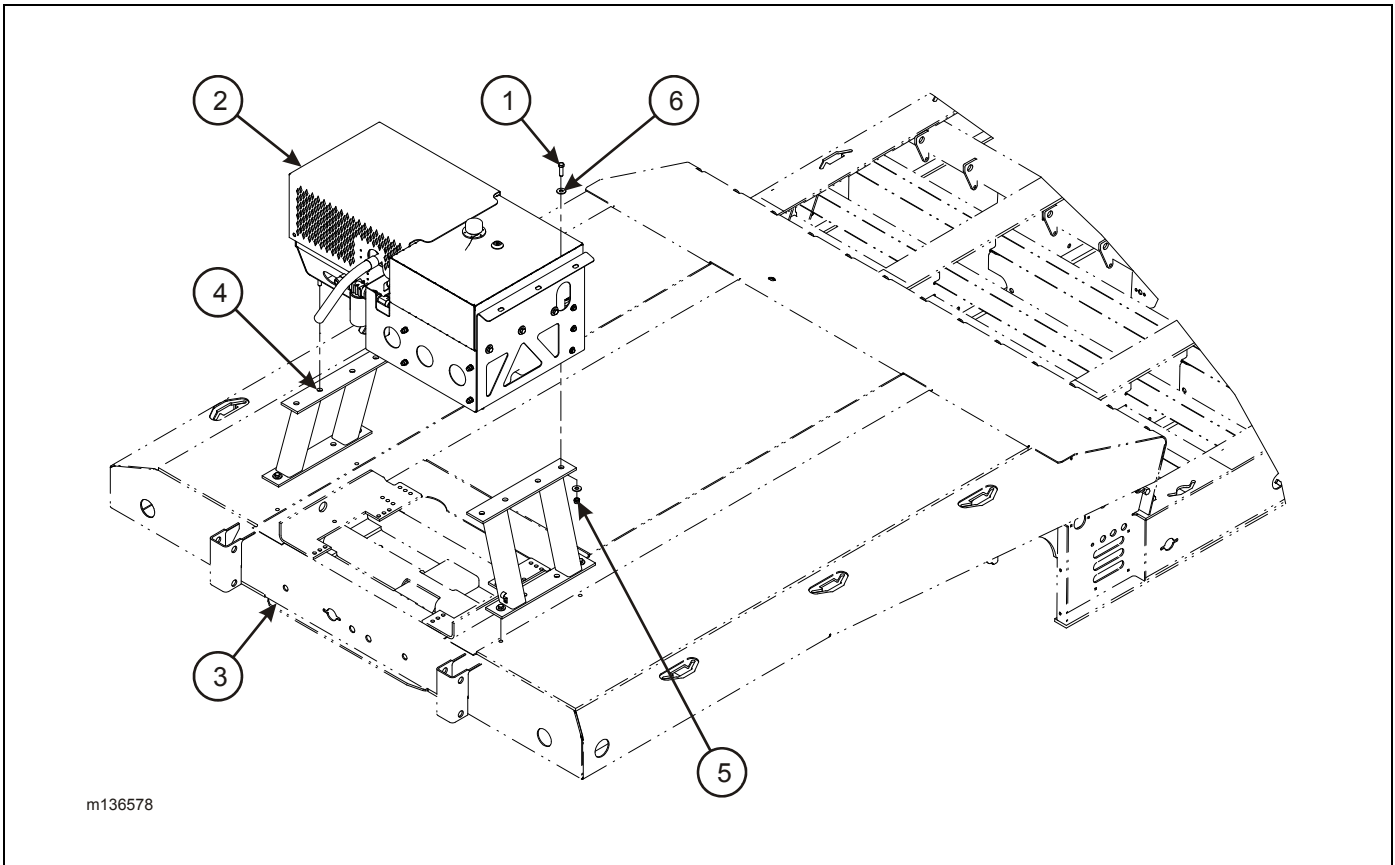


Figure 2-53: Spare Tire Carrier Assembly (Option)

SPARE TIRE CARRIER ASSEMBLY (OPTION)

ITEM	PART NO.	DESCRIPTION	QTY.
	135766	SPARE TIRE CARRIER ASSEMBLY (OPTION)	
1	103841	NUT, FLANGE PREVAILING TORQUE 3/4-10	2
2	----	FRAME WELDMENT	REF
3	135764	CARRIER WELDMENT, SPARE TIRE	1
4	1-512-010005-13	NUT, HEX LOCK 5/8-11 GRB	1
5	1-654-010059-03	SCREW, HEX HEAD CAP 5/8-11 X 1-1/2 GR5	4
6	1-861-010032-21	WASHER, FLAT 3/4W	2
7	3-798-010059	TIRE AND PILOT WHEEL ASSEMBLY	REF



m136578

Figure 2-54: Engine Package Stand Installation (Option)

ENGINE PACKAGE STAND INSTALLATION (OPTION)

ITEM	PART NO.	DESCRIPTION	QTY.
	136578	ENGINE PACKAGE STAND INSTALLATION	
1	1-654-010055-04	SCREW, HEX HEAD CAP 1/2-13 X 1-3/4 GR5	8
2	123166	ENGINE PACKAGE, 27 HP U/D	REF
3	-----	FRAME WELDMENT	REF
4	134857	MOUNT WELDMENT, ENGINE PACKAGE	2
5	1-512-010005-09	NUT, HEX LOCK 1/2-13 GRB	8
6	1-861-010032-15	WASHER, FLAT 1/2W	16

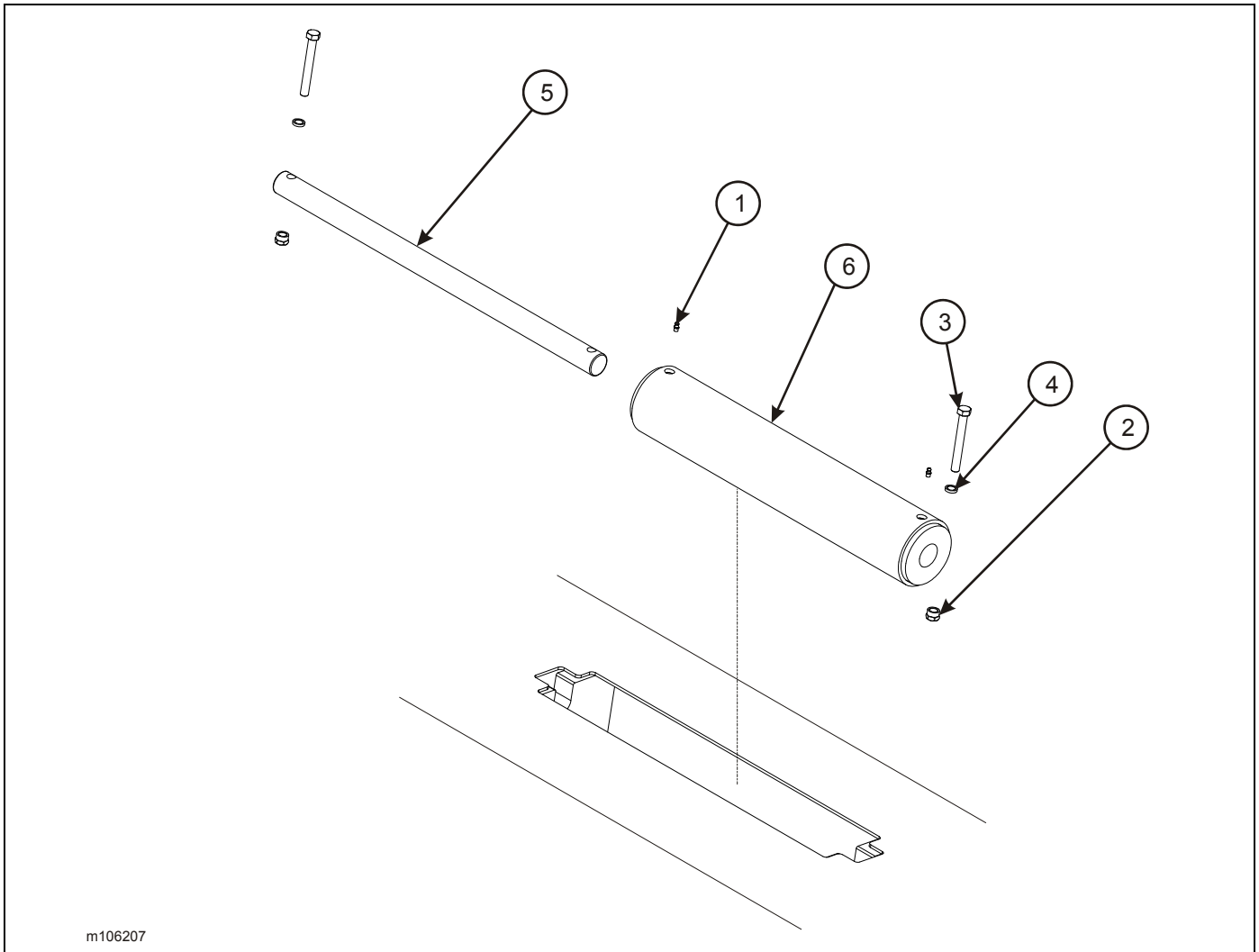


Figure 2-55: Roller, Slope Single Corner (Option)

ROLLER, SLOPE SINGLE CORNER (OPTION)

ITEM	PART NO.	DESCRIPTION	QTY.
	106207	ROLLER, SLOPE SINGLE CORNER	
1	1-298-010001-1	ZERK FITTING, 1/4	2
2	1-512-010005-09	NUT, HEX LOCK 1/2-13 GRB	2
3	1-654-010055-11	SCREW, HEX HEAD CAP 1/2-13 X 3-1/2 GR5	2
4	1-861-010032-15	WASHER, FLAT 1/2W	2
5	3-642-010134	ROD, ROLLER	1
6	3-645-010059	ROLLER WELDMENT, CABLE	1

ILLUSTRATED PARTS LIST

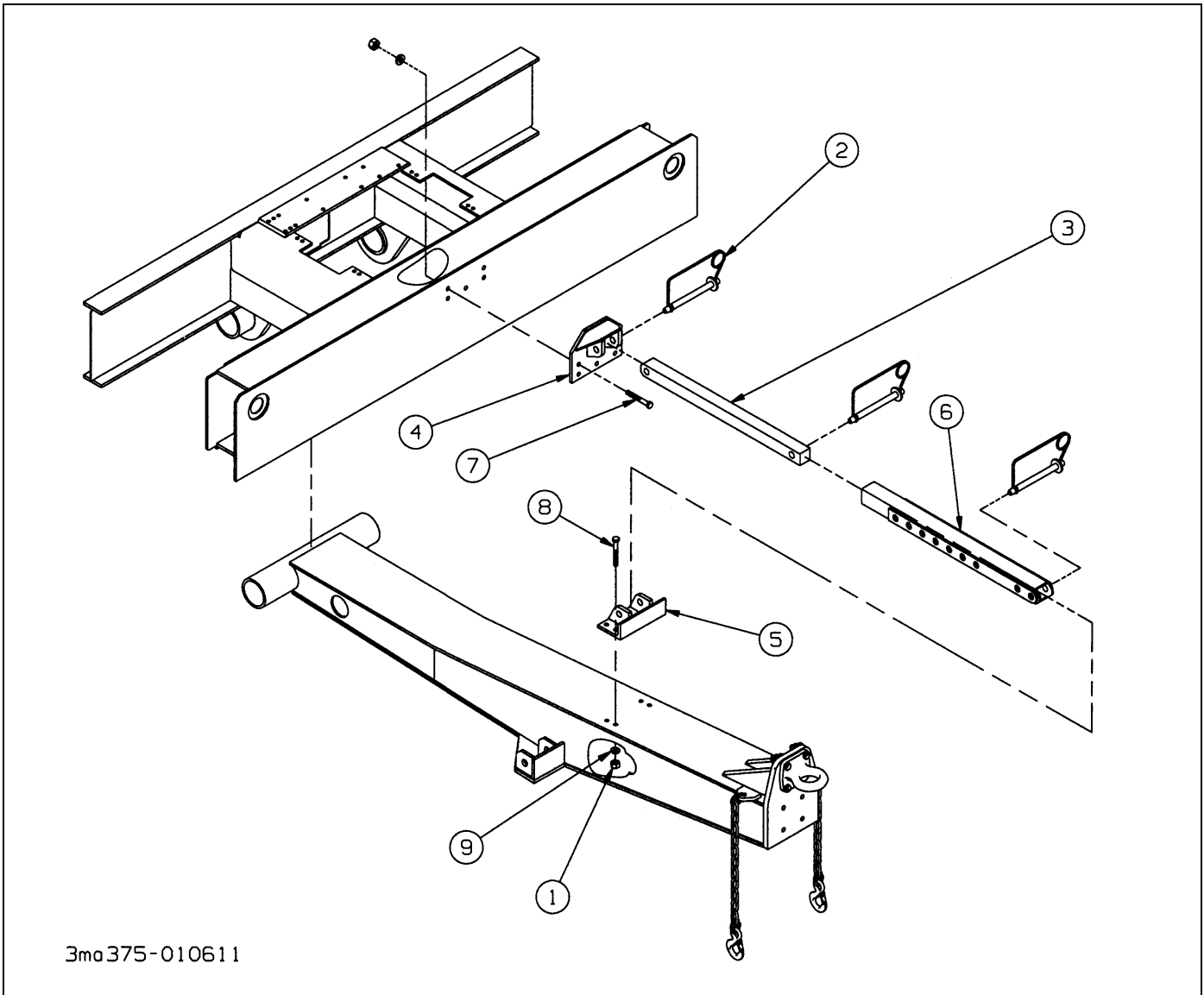


Figure 2-56: Hitch Lock Installation (Option)

HITCH LOCK INSTALLATION (OPTION)

ITEM	PART NO.	DESCRIPTION	QTY.
	3-375-010611	HITCH LOCK INSTALLATION	
1	1-512-010007-11	NUT, HEX 5/8-11 GR2	9
2	100SL	LOCK, HITCH PIN 1 X 5-1/2	3
3	3-311-015070	SHAFT, TILT LOCK	1
4	3-311-015074	MOUNT WELDMENT, UPPER	1
5	3-311-015075	MOUNT WELDMENT, LOWER	1
6	3-311-015078	TUBE WELDMENT, TILT LOCK	1
7	1-654-010059-04	SCREW, HEX HEAD CAP 5/8-11 X 1-3/4 GR5	5
8	1-654-010059-05	SCREW, HEX HEAD CAP 5/8-11 X 2 GR5	4
9	1-861-010034-15	WASHER, SPLIT LOCK 5/8	9

Numerical Index

Numerics

0001-02	2-20	014-056-00	2-35
0001-04	2-20	014-057-00	2-35
0001-08	2-20, 2-23	014-058-00	2-35
0002-07	2-20	014-068-00	2-35
001003	2-81	015181	2-81
005-074-00	2-35	015191	2-81
005-075-00	2-35	015911	2-81
005-098-00	2-35	016013	2-81
005-099-00	2-35	016048	2-81
005120	2-81	016053	2-81
005-134-00	2-35	017012	2-81
006098	2-81	017802	2-81
006-114-00	2-35	017806	2-81
006-115-00	2-35	020022	2-81
0075-20	2-23	020023	2-81
008008	2-81	021040	2-81
009052	2-81	021163	2-81
009062	2-81	034-058-07	2-35
010-0025-000	2-84	034-188-03	2-35
010-0026-000	2-84	034-189-03	2-35
010-052-00	2-35	0375-00	2-23
0101012	2-75	040-320-01	2-35
0101013	2-75	041-057-01	2-35
0101112	2-75	041-060-01	2-35
01-1006	2-73	046-092-00	2-35
011300179	2-8	046-097-00	2-35
011905	2-81	050-5802-001	2-84
012-1500-005	2-84	0508-00	2-23
		05-1009	2-73

NUMERICAL INDEX

056-010-00	2-35	101855	2-55
056-018-00	2-35	1019-4	2-51
0600-250-03000	2-57	1021	2-51
061-006-00	2-35	102186	2-43
0647-01	2-23	102361	2-33
069-018-00	2-35	102363	2-27, 2-33
069-020-00	2-35	102373	2-65
069-078-00	2-35	102374	2-65
07-1061	2-73	102732	2-27, 2-29
07-1201	2-73	103055	2-55
071900195	2-8	103056	2-55
0741-01	2-20	1035-20	2-23
081900277	2-8	103716	2-65
097-002-00	2-35	103717	2-65
100140	2-73	103805	2-35
100276	2-73	103841	2-85
100279	2-73	104034	2-20, 2-27
100348	2-73	104252	2-57
100401	2-39	104253	2-57
100402	2-39	1046	2-51
1004-3	2-51	104699	2-62
1004-6	2-51	105-0105	2-62
1005013	2-75	105408	2-33
100600	2-43, 2-55	105479	2-62, 2-64
1-007-010058	2-71	105480	2-62, 2-64
10078	2-45, 2-48	105481	2-62
1008008	2-75	105482	2-63
100948	2-31	105799	2-71
100SL	2-88	106046	2-77
10-1001	2-73	106207	2-87
101062	2-57	107-0975	2-83
101129-1	2-73	108295	2-63
101268	2-55	108601	2-62
1014-4	2-51	108801	2-41
101449	2-73	108802	2-41
101528	2-20, 2-27	109533	2-33
101848	2-37	110-0116	2-63
101852	2-21, 2-27	110-0253	2-63

<p>11011 2-45</p> <p>11014 2-49</p> <p>11025 2-49</p> <p>11026 2-48</p> <p>110910 2-43</p> <p>110990 2-20</p> <p>110991 2-20</p> <p>111006 2-33</p> <p>111007 2-33</p> <p>111008 2-33</p> <p>111010 2-33</p> <p>111011 2-33</p> <p>111012 2-33</p> <p>111013 2-33</p> <p>111014 2-33</p> <p>111015 2-33</p> <p>111018 2-33</p> <p>111019 2-33</p> <p>111020 2-33</p> <p>111021 2-29</p> <p>111022 2-33</p> <p>111023 2-33</p> <p>111024 2-69</p> <p>11117 2-45</p> <p>11128 2-45</p> <p>11129 2-45</p> <p>11130 2-46</p> <p>11133 2-45</p> <p>11142 2-45</p> <p>11144 2-45</p> <p>1114-5 2-51</p> <p>111696 2-69</p> <p>111908 2-9</p> <p>11240 2-45</p> <p>112493 2-39</p> <p>11308 2-45</p> <p>11309 2-48</p> <p>11310 2-48</p>	<p>113268 2-20, 2-27</p> <p>113388 2-62</p> <p>113536 2-39</p> <p>113544 2-63</p> <p>11368 2-45</p> <p>113856 2-62</p> <p>11398 2-49</p> <p>11402 2-48</p> <p>11404 2-48</p> <p>11405 2-48</p> <p>11407 2-48</p> <p>11411 2-48</p> <p>11414 2-48</p> <p>11419 2-48</p> <p>11420 2-48</p> <p>11421 2-48</p> <p>11425 2-48</p> <p>11426 2-49</p> <p>11427 2-48</p> <p>11429 2-48</p> <p>11430 2-48</p> <p>11431 2-48</p> <p>11434 2-48</p> <p>11435 2-49</p> <p>11440 2-48</p> <p>11441 2-48</p> <p>11442 2-48</p> <p>11445 2-48</p> <p>11446 2-48</p> <p>11449 2-48</p> <p>114584 2-31, 2-37</p> <p>114588 2-27, 2-37</p> <p>114590 2-37</p> <p>114807 2-83</p> <p>114808 2-83</p> <p>114814 2-62, 2-83</p> <p>114815 2-62, 2-83</p> <p>115703 2-23, 2-35</p>
---	--

NUMERICAL INDEX

115723	2-20, 2-23	12228	2-49
115742	2-27	123014	2-63
115843	2-83	123166	2-62, 2-86
115877	2-63, 2-83	12465	2-48
115888	2-62	125565	2-9
11599	2-48	126588	2-76
116326	2-62	126589	2-76
116328	2-62	126879	2-82
116330	2-62	126881	2-82
116623	2-83	126883	2-82
117304	2-31	126886	2-3
117489	2-71	126888	2-3
117493	2-71	126889	2-3
117632	2-64	126890	2-3
117633	2-64	12767	2-49
11767	2-45	127779	2-35
117860	2-83	12780	2-45
117873	2-62	12781	2-49
11791	2-49	127813	2-62
11799	2-45	12783	2-48
1-181-010046-7	2-63	12817	2-46
118-2659-9	2-31	128435	2-84
11837	2-46	128501	2-63
11842	2-49	128550	2-35
119206	2-62	128607	2-43
119445	2-62	128774	2-62
119577	2-62	128865	2-75
119580	2-20, 2-27	129264	2-62
120654	2-62	129287	2-63
120659	2-63	1-295-010001	2-62
120660	2-63	1-295-010002	2-62
120661	2-62	129548	2-55
12073	2-48	1296	2-51
12075	2-45	1-297-010007-11	2-67
120751	2-14	1-297-010007-12	2-31, 2-41
121031	2-13	1-297-010007-16	2-41
121355	2-20, 2-27	1-297-010008-07	2-27
12146	2-49	1-297-010008-18	2-31, 2-67

1-297-010008-20	2-41	1-384-010038024	2-31
1-297-010008-23	2-31	1-384-010038038	2-31
1-297-010008-24	2-31	1-384-010041-2	2-41
1-297-010008-26	2-31	1385	2-3
1-297-010010-03	2-27	13938	2-48
1-297-010010-04	2-27	1-394-010001	2-31
1-297-010012-16	2-41	1-394-010002	2-71
1-297-010013-11	2-27	139519	2-11, 2-13
1-297-010015-10	2-41	139537	2-17
1-297-010015-11	2-31	1-397-010262-4	2-71
1-297-010017-03	2-31	1-397-010301025	2-7
1-297-010018-02	2-67	1-397-010301028	2-69
1-297-010019-05	2-67	1-397-010301042	2-7
1-297-010021-05	2-41	1-397-010301048	2-7
1-297-010022-02	2-67	1-397-010301054	2-7
1-297-010022-03	2-41	1-397-010301070	2-7
1-297-010033-03	2-31, 2-41	1-397-010301148	2-7
1-297-010034-01	2-62	1-397-010302050	2-43
1-298-010001-1	2-7, 2-52, 2-87	1-397-010302060	2-7
13005	2-45	1-397-010302062	2-43
13028	2-46, 2-49	1-397-010302068	2-43
1-316-010013	2-62	1-397-010304018	2-63
134168	2-21, 2-27	1-397-010304060	2-63
13424	2-46	1-397-010306032	2-69
13468	2-45	1-397-010306088	2-7
134857	2-86	1-397-010307110	2-69
135764	2-85	1-397-010307216	2-71
135766	2-85	1-397-010309110	2-69
136377	2-11, 2-13	1-397-010312032	2-63
136378	2-11, 2-13	1-397-010372030	2-69
136578	2-86	1-397-010372088	2-7
13680	2-45	140083	2-7, 2-17
136842	2-77	140893	2-13
136843	2-77	142270	2-63
136846	2-77	142395	2-27
138155	2-71	142445	2-20, 2-28
138179	2-7	142450	2-20, 2-28
13829	2-46	142455	2-20, 2-28

NUMERICAL INDEX

142466	2-20, 2-28	145681	2-20
142483	2-15	145682	2-7
142484	2-15	145689	2-20, 2-27, 2-31
142485	2-15	147190	2-17
142486	2-15	147191	2-17
142545	2-20, 2-28	147315	2-14
142553	2-20, 2-55	148194	2-57
142555	2-20, 2-28	148239	2-13, 2-15
142895	2-84	149152	2-14
143103	2-17	149153	2-14
143104	2-17	149526	2-15
143105	2-17	149527	2-15
143106	2-17	149529	2-15
143108	2-17	149530	2-15
143109	2-17	149543	2-84
143110	2-17	149980	2-7, 2-13
143112	2-17	1-510-010001	2-17, 2-20, 2-27, 2-41, 2-71
143113	2-17	15-1012	2-73
143114	2-17	15-1021	2-73
143115	2-17	15-1024	2-73
143116	2-17	15-1025	2-73
143117	2-17	1-512-010004-03	2-63
143118	2-17	1-512-010005-01	2-29, 2-63, 2-77
143119	2-17	1-512-010005-03	2-17, 2-41, 2-69
143120	2-17	1-512-010005-05	2-20, 2-27, 2-31, 2-43, 2-62
143122	2-17	1-512-010005-09	2-7, 2-43, 2-52, 2-62, 2-71, 2-76, 2-83, 2-86, 2-87
143125	2-17	1-512-010005-13	2-79, 2-85
143127	2-17	1-512-010005-15	2-7, 2-79
143128	2-17	1-512-010007-05	2-20, 2-27, 2-28
143145	2-11, 2-14	1-512-010007-07	2-65
143147	2-7, 2-11	1-512-010007-09	2-33
143152	2-20	1-512-010007-11	2-88
143155	2-7	1-512-010007-12	2-3
143158	2-7	1-512-010010-12	2-3
143166	2-17	1-533-010001	2-57
14344-01	2-23	153420	2-83
14345-01	2-23	153746	2-55
145-4552-001	2-84		

153750	2-55	1-647-010004117	2-57
153751	2-55	1-647-010004177	2-57
153752	2-55	1-654-010032-09	2-3
153753	2-55	1-654-010032-4	2-20, 2-27
153754	2-55	1-654-010047-04	2-29
153755	2-55	1-654-010047-06	2-20, 2-27, 2-62
153798	2-55	1-654-010049-03	2-39
155197	2-55	1-654-010049-06	2-17, 2-41
155203	2-55	1-654-010049-11	2-69
155204	2-55	1-654-010051-03	2-52
155271	2-55	1-654-010051-05	2-11, 2-13, 2-65, 2-71
155279	2-55	1-654-010051-06	2-43, 2-62, 2-65
1-557-010362-40	2-65	1-654-010051-08	2-20, 2-27, 2-31
1-557-010362-54	2-7	1-654-010051-09	2-62
1-557-010362-59	2-82	1-654-010055-01	2-83
155780	2-55	1-654-010055-02	2-63, 2-71
1-560-010002-01	2-67	1-654-010055-03	2-43, 2-62, 2-71, 2-83
1-560-010002-02	2-31	1-654-010055-04	2-43, 2-76, 2-86
1-560-010002-03	2-63	1-654-010055-05	2-52
1-560-010002-04	2-31, 2-41	1-654-010055-09	2-63
1-560-010002-05	2-31	1-654-010055-11	2-87
156010	2-55	1-654-010055-14	2-57
156655	2-35	1-654-010055-16	2-43
1-573-010082	2-55	1-654-010055-17	2-7, 2-43
159712	2-7, 2-9	1-654-010059-01	2-71
160534	2-9	1-654-010059-03	2-85
160535	2-9	1-654-010059-04	2-88
160536	2-9	1-654-010059-05	2-88
160537	2-9	1-654-010061-03	2-79
160538	2-9	1-654-010061-06	2-7
160539	2-9	1-654-010061-07	2-3
160540	2-9	1-654-010158-1	2-20, 2-27
160541	2-8	1655	2-51
160542	2-8	17-1003	2-73
16-1002	2-73	1-796-010003-02	2-7, 2-17, 2-20, 2-27
1-626-010002-03	2-69	179933	2-39
164-0009-000	2-84	18002	2-46, 2-49
1644	2-51	18003	2-45

NUMERICAL INDEX

18009	2-45, 2-48	1-861-010034-13	2-33, 2-43, 2-63, 2-71
18015	2-45	1-861-010034-15	2-71, 2-88
18016	2-45	1-861-010034-17	2-3
18019	2-45	1865	2-51
18020	2-45	19014	2-48
18022	2-48	19045	2-45, 2-48
18024	2-45	200300040	2-8, 2-9
18026	2-45	2021-2-4	2-20, 2-28
18027	2-45	2024-12-12S	2-62
18028	2-45	2024-2-4S	2-20, 2-28
18029	2-45	202702-10-8S	2-7, 2-43
18030	2-45	202702-20-20S	2-62
18032	2-45	202702-6-4S	2-71
18033	2-48	202702-8-8S	2-11
18034	2-48	203003-8-8S	2-7
18035	2-48	203005-8-8S	2-69
18039	2-45	203102-12-12S	2-7, 2-62, 2-69
18044	2-46	2045-4-4S	2-20, 2-28
18047	2-45, 2-48	2061-6-6S	2-71
18056	2-46	2061-8-8S	2-7
18078	2-45	206209-12-12S	2-62
1-833-010001	2-27	2062-10-12S	2-11, 2-13
1-833-010002	2-27, 2-31, 2-41, 2-67	2062-12-12S	2-62, 2-69
1-833-010003	2-31, 2-41	2062-12-8S	2-69
1-843-010014	2-39	2062-6-4S	2-71
1-861-010032-07	2-20, 2-27, 2-63, 2-69	2062-8-6S	2-69
1-861-010032-09	2-17, 2-41, 2-69	2062-8-8S	2-7, 2-69
1-861-010032-10	2-11, 2-13, 2-31, 2-43	2071-8-8S	2-7
1-861-010032-11	2-20, 2-27, 2-62, 2-65, 2-71	2081-8-6S	2-41
1-861-010032-14	2-71	2083-8-4S	2-20, 2-27
1-861-010032-15	2-43, 2-57, 2-62, 2-71, 2-76, 2-83, 2-86, 2-87	20852-01	2-23
1-861-010032-18	2-71	2088-6-6S	2-31
1-861-010032-19	2-79	2089-6-6S	2-31, 2-41
1-861-010032-21	2-7, 2-79, 2-85	21044	2-49
1-861-010034-09	2-20, 2-27, 2-62, 2-69	2109-3	2-51
1-861-010034-10	2-39	211300024	2-8
1-861-010034-11	2-11, 2-13, 2-52, 2-65	2175	2-51
		2177	2-51

2180	2-51	300092	2-73
2-181-010001	2-17, 2-20, 2-27, 2-41, 2-69, 2-71	300093	2-73
2183	2-51	3-003-010002	2-65
21925	2-45	300427	2-73
21961	2-45	3067	2-39
21964	2-49	3-076-010005	2-20, 2-27
220000212	2-8	3-076-010006	2-27
22055	2-48	31-1016	2-73
2240-12-12S	2-63	3-115-010185	2-65
2263	2-51	3-120-010073	2-7
2265-6	2-51	3-120-010124	2-62
22695	2-49	3-120-010294	2-52
22697	2-49	3-120-010295	2-52
22703	2-45	3-120-010351	2-71
22704	2-46	3-125-010241	2-7
22729	2-49	3-125-010542	2-79
22752	2-45	3-128-010043-01	2-67
22775	2-45, 2-48	3-128-010043-02	2-67
23078	2-46	3-155-010017-4	2-43
23079	2-46	3-155-010018-6	2-43
23081	2-46	3-162-010001	2-62
23083	2-46	3-174-010038	2-3, 2-43
23085	2-46	3-174-010039036	2-3, 2-43
23245	2-49	3-181-010006	2-69
23303	2-45	3-181-010034-1	2-67
23310	2-49	3-182-010028	2-62
23353	2-46	3-222-010224	2-65
23367	2-48	3-242-010102	2-7, 2-8
23470	2-45	3-242-010153	2-7
24032	2-45	3-242-010205	2-71, 2-73
24213-130	2-23	3-276-010715	2-57
2480	2-51	3-276-010716	2-57
2481X	2-62	3-276-010748	2-57
28942	2-48	3-276-010749	2-57
28943	2-48	3-276-010750	2-57
3/8P COUPL	2-63	3-276-010751	2-57
300003	2-73	3-276-010752	2-57
300022	2-73	3-276-010753	2-57

NUMERICAL INDEX

3-276-010754	2-57	3-482-010575	2-11, 2-13
3-276-010755	2-57	3-485-010001	2-20, 2-27
3-276-010756-1	2-57	3-557-010032	2-7
3-299-010016	2-7	3-557-010033	2-7
3-311-010145	2-1, 2-82	3-557-010120	2-7
3-311-010578	2-3	3-557-010375	2-57
3-311-015070	2-88	3-557-010383	2-52
3-311-015074	2-88	3-565-010770	2-52
3-311-015075	2-88	3-573-010025	2-55
3-311-015078	2-88	3-573-010031	2-55
3-352-010017-1	2-52	3-573-010034	2-55
3-352-010017-2	2-52	3-573-010038	2-55
3-360-010072	2-11, 2-13	3-573-010060	2-55
3-360-010090	2-11, 2-13	3-573-010189	2-55
3-375-010140	2-3, 2-79	3-573-010202	2-55
3-375-010147	2-3	3-573-010210	2-55
3-375-010152	2-3	3-573-010377	2-55, 2-57
3-375-010611	2-88	3-573-010500	2-55
3-375-010613-01	2-3	3-573-010502	2-55
3-375-010613-02	2-3	3-573-010506	2-55, 2-62
3-375-010613-03	2-3	3-642-010134	2-87
3-375-010613-04	2-3	3-645-010049	2-52
3-375-010621	2-3	3-645-010059	2-87
3-382-010019	2-3	3-659-010012	2-39
3-384-010020	2-31	3-681-010098	2-71
3-384-010025	2-31	3-720-010010	2-43
3-399-010001006	2-63	3-720-010030	2-23
3-406-010024	2-1	3-755-010189-03	2-20, 2-27
3-407-010066-5	2-69	3-755-010189-1	2-20, 2-27
3-423-010035	2-81	3-762-010017	2-20, 2-27
3-423-010036	2-79	3-762-010691-1	2-20, 2-23
3-423-010037	2-79	3-765-010050	2-62
3-432-010006	2-23	3-780-010002	2-20, 2-27
3-443-010018	2-63	3-793-010040	2-43
346SL	2-1	3-793-010041	2-43
3-481-010006	2-43, 2-51	3-798-010059	2-85
3-481-010007	2-43, 2-51	380-1	2-20, 2-27
3-482-010267	2-69	380-2	2-20, 2-27

3-821-010005	2-20, 2-27	6401003	2-75
3-843-010038	2-41	6402000	2-75
3-846-010056	2-71, 2-75	6404002	2-75
3-861-010038	2-7	6405000	2-75
3-870-010012	2-39	660580002	2-14, 2-15
3-870-010097	2-39	660580003	2-14, 2-15
3-873-010122	2-43, 2-45	660580004	2-14, 2-15
3-873-010123	2-43, 2-48	660580005	2-14, 2-15
3-873-010124	2-43	701140	2-81
3-873-010126-2	2-43	701178	2-81
3-873-010129-2	2-43	712205	2-81
3-873-010165	2-43	758-181	2-31
40-0669-01	2-7	7HCGHT500	2-43
4009	2-39	805-2	2-21, 2-27
4010500	2-75	81006	2-45
4010520	2-75	81009	2-45
4010530	2-75	81025	2-45
4011702	2-75	81077	2-48
4014240	2-75	81078	2-48
4023150	2-75	81080	2-48
4023774	2-75	81081	2-48
500177	2-81	81082	2-48
500212	2-81	81530	2-45
500213	2-81	88005	2-49
514-9045-26	2-63	900 45 040	2-33
514-9073-18	2-63	900 54 007	2-29
516-22PTL	2-57	900-08-139	2-33
55B61	2-27, 2-31	90008184	2-33
55B61-6	2-41	900598-12S	2-62
55B61-7	2-41	901-0029-001	2-84
56D4	2-31	905-54-107	2-27, 2-29, 2-67
6009250	2-75	93201057	2-33
6029520	2-75	934 00 149	2-33
6029521	2-75	934-00-492	2-33
6-102-010009	2-79	936 00 077	2-33
622-3511-008	2-21, 2-27	941 00 119	2-29
63680	2-39	94100590	2-33
6400000	2-75	94100648	2-33

NUMERICAL INDEX

94100685 2-33
94100787 2-33
94100790 2-33

A

A6760S 2-67

C

CO-975-74-2000 2-57

D

D-2H12 2-35

H

HM212011 2-39
HM212049 2-39
HM218210 2-39
HM218248 2-39

K

K71-101-00 2-35
K71-133-00 2-35
K71-460-00 2-35

M

M110AB-4 2-51
M110C-1 2-51

P

PA-2328-2 2-51

R

RPRB59004X3H 2-83
RRT159X0.5 2-21, 2-27

T

T7292 2-23
TR573 2-39



Equipment from Landoll Corporation is built to exacting standards ensured by ISO 9001:2008 registration at all Landoll manufacturing facilities.

Model 345D Trailer

Parts Manual

Re-Order Part Number F-483-0610

LANDOLL CORPORATION

1900 North Street

Marysville, Kansas 66508

(785) 562-5381

800-428-5655 ~ WWW.LANDOLL.COM



Copyright 2010. Landoll Corporation

"All rights reserved, including the right to reproduce this material or portions thereof in any form"