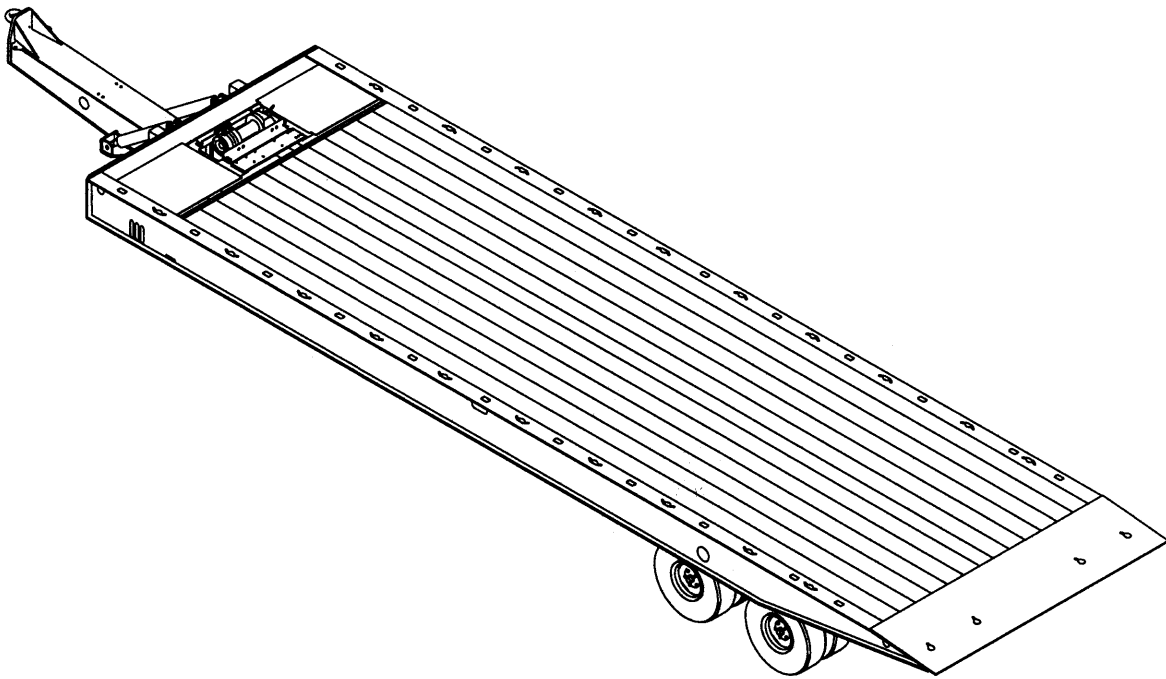




Model 345E Trailer Parts Manual



LANDOLL CORPORATION

1900 North Street
Marysville, Kansas 66508
(785) 562-5381

800-428-5655 ~ WWW.LANDOLL.COM

Table of Contents

GENERAL ASSEMBLY	2-1
DECAL INSTALLATION	2-5
HITCH ASSEMBLY, PINTLE RIGID	2-7
FRAME AND TOOLBOX ASSEMBLY	2-9
HYDRAULIC ASSEMBLY	2-12
CYLINDER, HYDRAULIC 4 X 126	2-14
CYLINDER, HYDRAULIC 4 X 20-1/4"	2-15
VALVE ASSEMBLY - 3 SPOOL	2-17
THREE STACK VALVE	2-19
ELECTRICAL ASSEMBLY	2-21
SUSPENSION ASSEMBLY - SPRING RIDE	2-25
AXLE/SPRING ASSEMBLY	2-27
UNDERCARRIAGE ASSEMBLY, AIR RIDE SUSPENSION	2-32
AIR RIDE SUSPENSION AIR SYSTEM	2-35
AIR CONTROL KIT	2-37
SUSPENSION HANGER RLU-228	2-39
AIR BRAKE SYSTEM	2-41
AXLE AND BRAKE ITEMS (DEXTER) (12-1/4" X 7-1/2")	2-43
ABS BRAKE KIT	2-45
OUTBOARD PILOT MOUNT HUB AND DRUM ASSEMBLY	2-47
AIR SYSTEM, MAIN	2-49
WINCH INSTALLATION	2-51
WINCH INSTALLATION	2-53
WINCH INSTALLATION	2-55
WINCH INSTALLATION, GUIDE AIR T/R	2-57
WINCH INSTALLATION, GUIDE AIR T/R - AIR	2-59
WINCH INSTALLATION, GUIDE AIR T/R - HYDRAULIC	2-61
WINCH INSTALLATION	2-63
12,000# WINCH ITEMS (BRADEN)	2-65
20,000# WINCH ITEMS (BRADEN)	2-68
WINCH MOTOR ASSEMBLY	2-71

WINCH AIR SHIFT CYLINDER	2-73
WINCH CABLE ROLLER GUIDE (OPTION)	2-74
WINCH OPENING COVER ASSEMBLY (OPTION)	2-75
WINCH ASSEMBLY, 4" WEBBING SLIDING (OPTION)	2-76
12K/20K WINCH GUARD INSTALLATION (OPTION)	2-77
RATCHET WINCH ASSEMBLY, MODIFIED (OPTION)	2-78
LANDING GEAR INSTALLATION	2-79
PARK STAND INSTALLATION (OPTION)	2-81
HYDRAULIC CYLINDER 3-1/2 X 20	2-83
CRANK LANDING GEAR	2-85
DOCK LEVELER HYDRAULIC INSTALLATION	2-87
DOCK LEVELER ASSEMBLY, SINGLE 60K	2-89
LEG ITEMS, DOCK LEVELER W/ LOCK VALVE	2-92
DOCK LEVELER VALVE (Before 01/15/2014)	2-95
DOCK LEVELER VALVE (After 01/15/2014)	2-97
ENGINE DRIVE, 27HP	2-102
HITCH LOCK INSTALLATION (OPTION)	2-104
CONTROL CABLE MOUNT ASSEMBLY	2-105
AIR DIGITAL SCALE (OPTION)	2-106
EXTENSION FRONT FLIP INSTALLATION (OPTION)	2-107
TRAILER DECK LADDER ASSEMBLY (OPTION)	2-108
ELECTRICAL ACCESSORY OUTLET INSTALLATION (OPTION)	2-109
TIRE INFLATION SYSTEM - 2AX (OPTION) (BEFORE 3-8-2013)	2-111
TIRE INFLATION SYSTEM - 2AX (OPTION) (AFTER 3-8-2013)	2-113

Instructions for Ordering Parts

ORDER PARTS FROM LANDOLL PARTS DISTRIBUTION CENTER

**** Repair parts must be ordered through an Authorized Dealer ****

PHONE NO.: 1-800-423-4320 OR 1-800-428-5655 OR 1-785-562-5381

FAX NO.: 888-527-3909

ORDER ONLINE: companystore.landoll.com

IDENTIFICATION PLATE

The identification plate, which lists the model number and serial number, is located on the front of the frame (See Figure 1-1.)

SERIAL NUMBER NOMENCLATURE

The serial number for the 345E trailer is located on the identification plate.

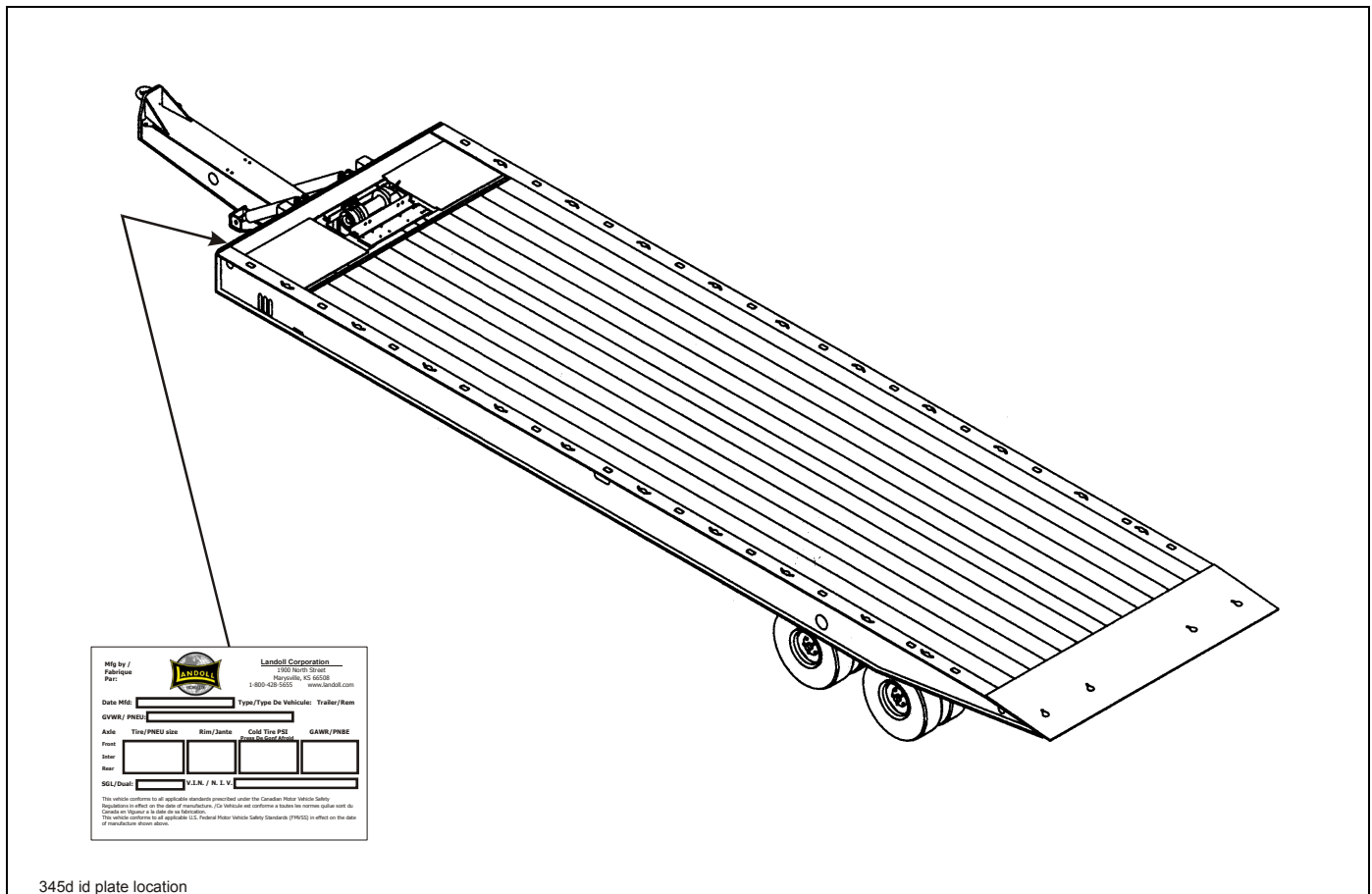
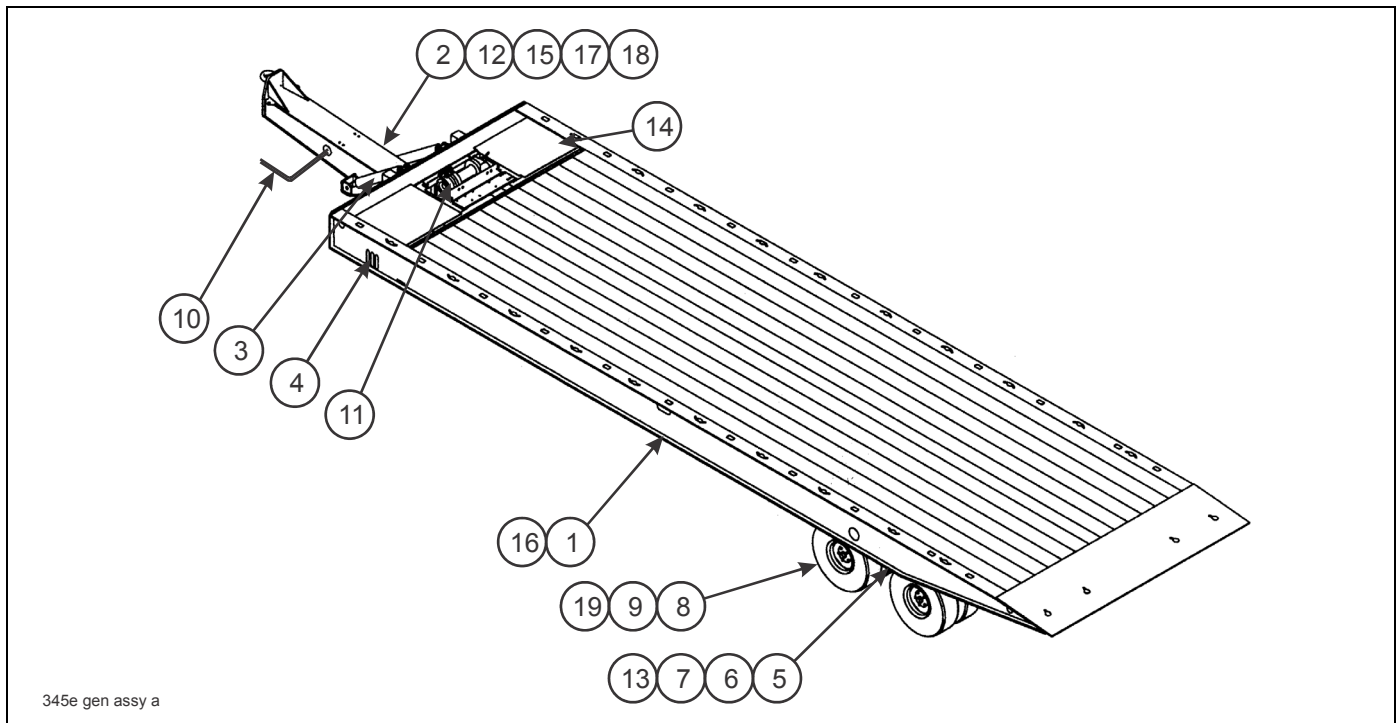


Figure 1-1: Identification Plate and Location

Page Intentionally Blank

Illustrated Parts List



345e gen assy a

Figure 2-1: General Assembly

GENERAL ASSEMBLY

ITEM	PAGE NO.	DESCRIPTION	QTY.
1	2-2 - 2-5	DECAL INSTALLATION	
2	2-6 - 2-9	HITCH, FRAME, AND TOOLBOX ASSEMBLIES	
3	2-10 - 2-19	HYDRAULIC ASSEMBLIES	
4	2-20 - 2-21	ELECTRICAL ASSEMBLIES	
5	2-22 - 2-27	UNDERCARRIAGE/SUSPENSION ASSEMBLIES - SPRING RIDE	
6	2-28 - 2-39	UNDERCARRIAGE/SUSPENSION ASSEMBLIES - AIR RIDE	
7	2-40 - 2-41	AIR BRAKE SYSTEM	
8	2-42 - 2-45	AXLE AND BRAKE ASSEMBLIES	
9	2-46 - 2-47	HUB AND DRUM ASSEMBLIES	
10	2-48 - 2-49	AIR SYSTEM	
11	2-50 - 2-78	WINCH ASSEMBLIES	
12	2-79 - 2-85	LANDING GEAR ASSEMBLIES	
13	2-86 - 2-95	DOCK LEVELER ASSEMBLIES (OPTION)	
14	2-98 - 2-102	ENGINE DRIVE, 27 HP	
15	2-104	HITCH LOCK AND JACK INSTALLATION (OPTION)	
16	2-105 - 2-111	MISCELLANEOUS ASSEMBLIES (OPTION)	
17	3-311-010145	PARKING STAND	
18	346SL	LOCK HITCH PIN	
19	3-406-010024	HUBODOMETER/BRACKET (OPTION)(NO PARTS BREAKDOWN)	

ILLUSTRATED PARTS LIST

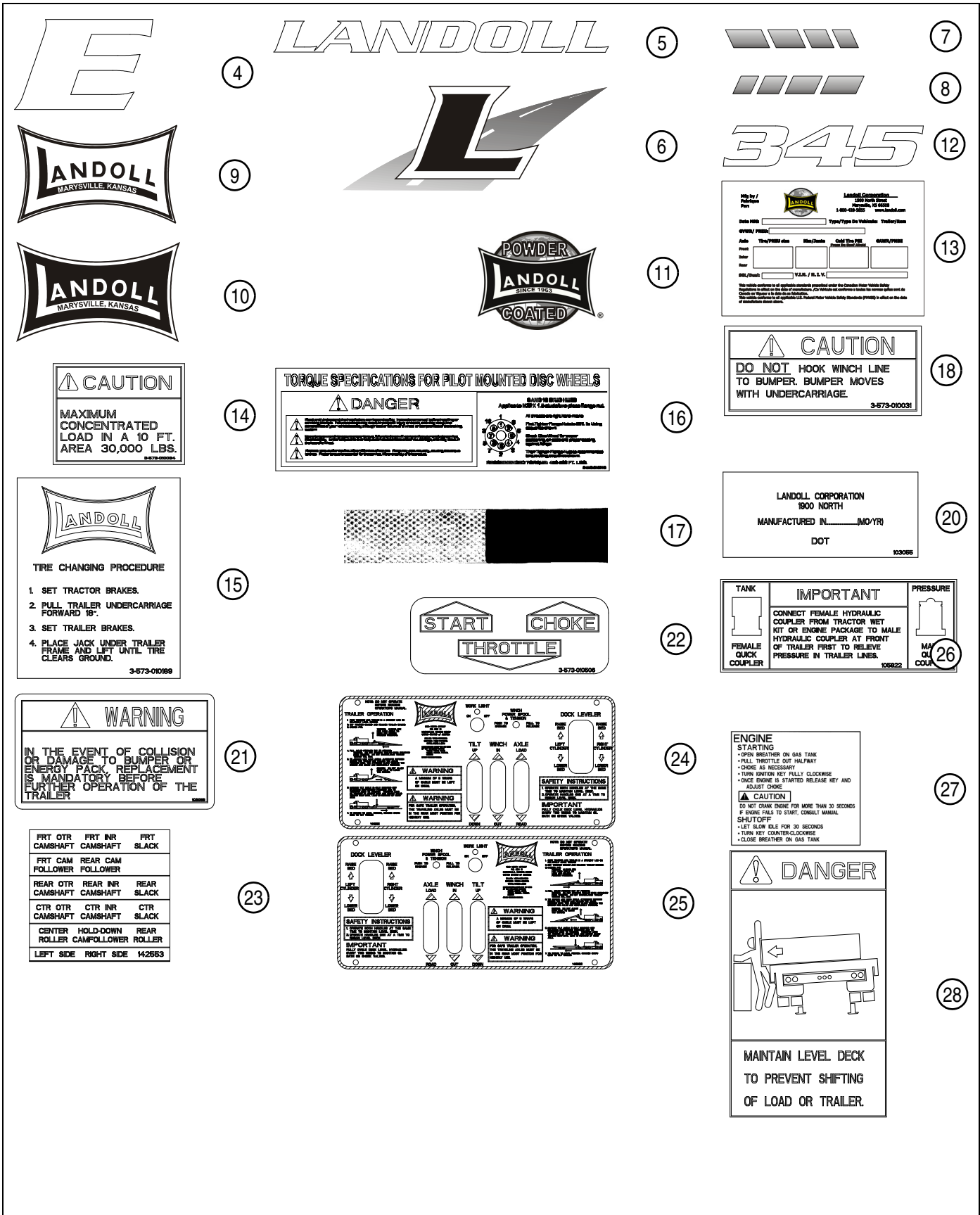
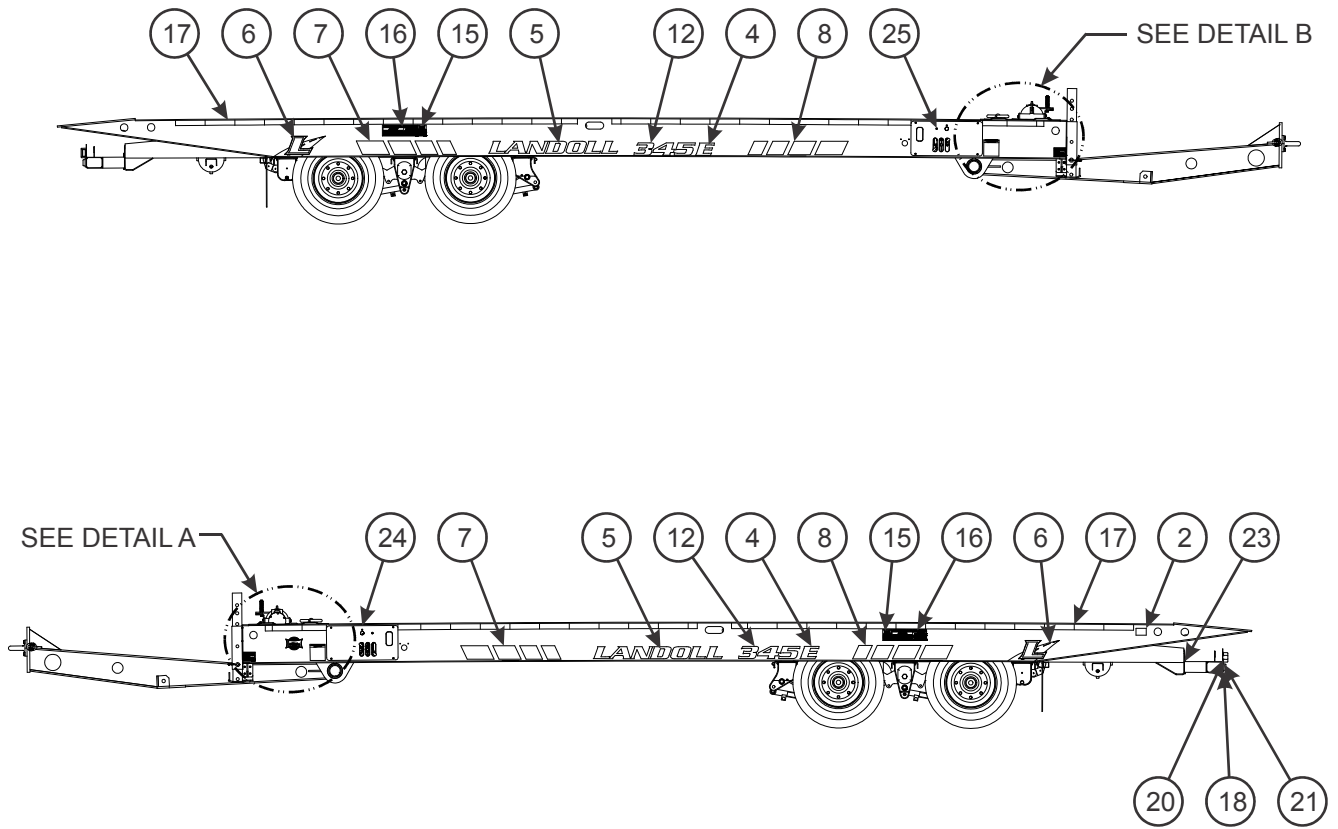
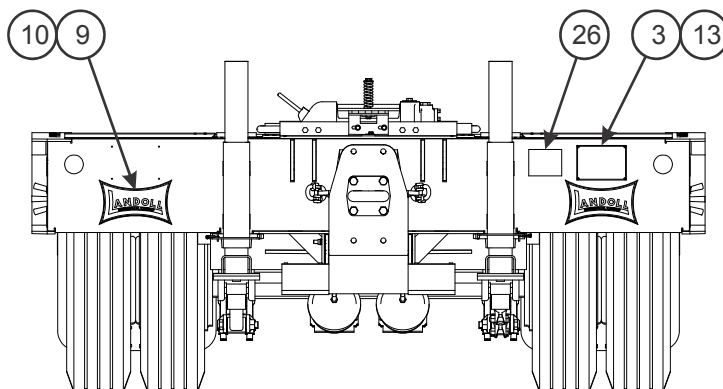
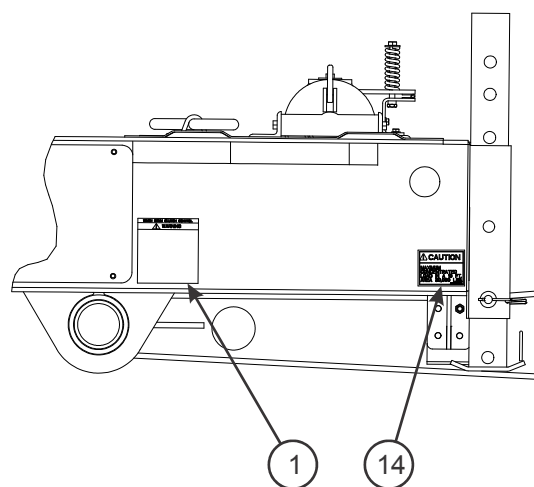
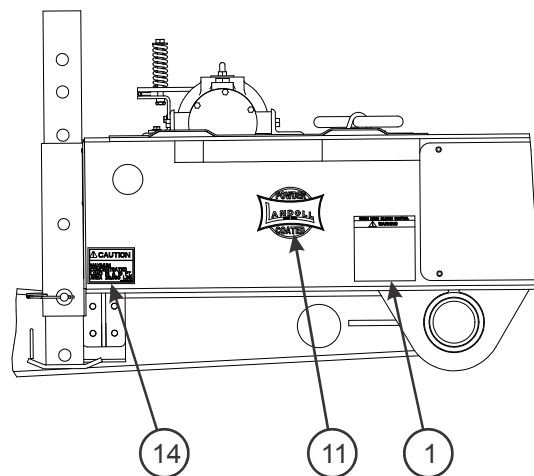


Figure 2-2: Decals (1 of 3)



m156631 p1

Figure 2-3: Decal Installation (2 of 3)



m156631 p2

Figure 2-4: Decal Installation (3 of 3)

DECAL INSTALLATION

ITEM	PART NO.	DESCRIPTION	QTY.
	156632	DECAL INSTALLATION 345 BLK/LT REFLECTIVE	
	156633	DECAL INSTALLATION 345 WHT/DK REFLECTIVE	
	163441	DECAL INSTALLATION, 345 NO LANDOLL WHITE	
	163442	DECAL INSTALLATION, 345 NO LANDOLL BLACK	
1	100600	DECAL, WARNING WINCH	REF
2	101855	WARNING LAMP LABEL, ABS	1
3	12420301-017	RIVET, BLIND .156 X 1/2 GRIP	4
4	153747	DECAL, E 5" REFLECTIVE	2
5	153750	DECAL, LANDOLL 5" REFLECTIVE	2
6	153751	DECAL, HWY L 7" REFLECTIVE	2
7	153752	DECAL, CHEVRON LEFT REFLECTIVE	2
8	153753	DECAL, CHEVRON RIGHT REFLECTIVE	2
9	153754	DECAL, BOW-TIE 6" WHITE REFLECTIVE	2
10	153755	DECAL, BOW-TIE 6" BLACK REFLECTIVE	2
11	153798	DECAL, POWDER COATED REFLECTIVE	1
12	155197	DECAL, 345 REFLECTIVE	2
13	155780	INFORMATION FOR TRAILER VIN	1
14	3-573-010034	DECAL, CONCENTRATED LOAD 30,000 LBS	2
15	3-573-010189	DECAL, TIRE CHANGING PROCEDURE	2
16	3-573-010210	DECAL, TORQUE SPEC 8-10 STUD HUB	REF
17	3-573-010377	DECAL, 2" REFLEXITE TAPE	AR
18	3-573-010031	DECAL, BUMPER	1
20	103055	DECAL, ENERGY BUMPER CERTIFICATION	1
21	103056	DECAL, ENERGY BUMPER WARNING	1
22	3-573-010506	DECAL, ENGINE CONTROLS (SEE PAGE 2-103 FOR LOCATION)	REF
23	142553	DECAL, GREASE TRAILER U/C	REF
24	149881	PLACARD, CONTROL PANEL	REF
25	149882	PLACARD, CONTROL PANEL RH	REF
26	105822	DECAL, HYD COUPLER	1
27	113388	DECAL, ENG PKG INSTRUCTION (SEE PAGE 2-102 FOR LOCATION)	REF
28	3-573-010202	DECAL, DANGER OP D/L (REAR) (SEE PAGE 2-87 FOR LOCATION)	REF

ILLUSTRATED PARTS LIST

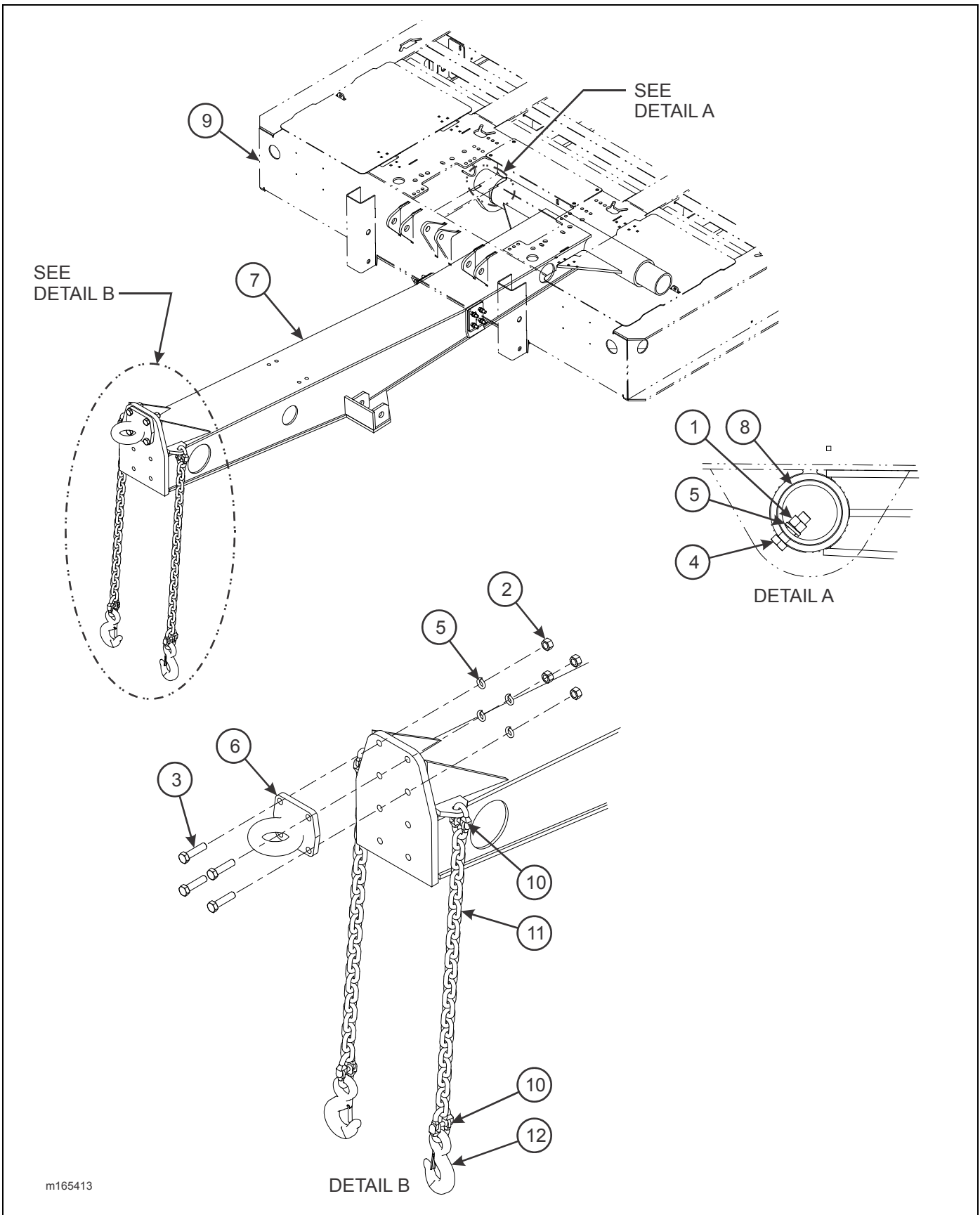


Figure 2-5: Hitch Assembly, Pintle Rigid

HITCH ASSEMBLY, PINTLE RIGID

ITEM	PART NO.	DESCRIPTION	QTY.
	149092	HITCH ASSEMBLY, PINTLE RIGID 7'	
	165404	HITCH ASSEMBLY, PINTLE RIGID 7' GALV.	
	165173	HITCH ASSEMBLY, PINTLE RIGID 7' 2 ADJ.	
	165174	HITCH ASSEMBLY, PINTLE RIGID 7' 2 ADJ. GALV.	
	166843	HITCH ASSEMBLY, PINTLE RIGID 4'	
	166846	HITCH ASSEMBLY, PINTLE RIGID 4' GALV.	
	3-375-010613-01	HITCH ASSEMBLY, PINTLE RIGID 7'	
1	1-512-010007-12	NUT, HEX 3/4-10 GR2	1
2	1-512-010010-12	NUT, HEX 3/4-10 GR8	4
3	1-654-010032-09	SCREW, HEX HEAD CAP 3/4-10 X 3 GR8	4
4	1-654-010061-07	SCREW, HEX HEAD CAP 3/4-10 X 2-1/2 GR5	1
5	1-861-010034-17	WASHER, SPLIT LOCK 3/4	5
6	1385	PINTLE EYE (15,000 LB. MAX. VERT. LOAD; 60,000 LB. MAX. GROSS TRAILER WEIGHT)	1
7	149093	HITCH WELDMENT, 7' (149092)	1
	165412	HITCH WELDMENT, 7' GALV. (165404)	1
	165169	HITCH WELDMENT 7' 2 ADJ. (165173)	1
	165172	HITCH WELDMENT 7' 2 ADJ. GALV. (165174)	1
	166844	HITCH WELDMENT 4' (166843)	1
	166845	HITCH WELDMENT 4' GALV. (166846)	1
	3-375-010147	HITCH ASSEMBLY, 7' (3-375-010613-01)	1
8	149096	HINGE TUBE (ALL EXCEPT 3-375-010613-01)	1
	3-311-010578	HINGE TUBE (3-375-010613-01) (96" WIDE TRAILER)	1
9	149100	FRAME WELDMENT	REF
10	3-174-010038	CHAIN LINK, CONNECTING 1/2	4
11	3-174-010039036	CHAIN, 1/2 X 36 GRD 7	2
12	3-382-010019	HOOK, EYE W/ LATCH ASSEMBLY	2

ILLUSTRATED PARTS LIST

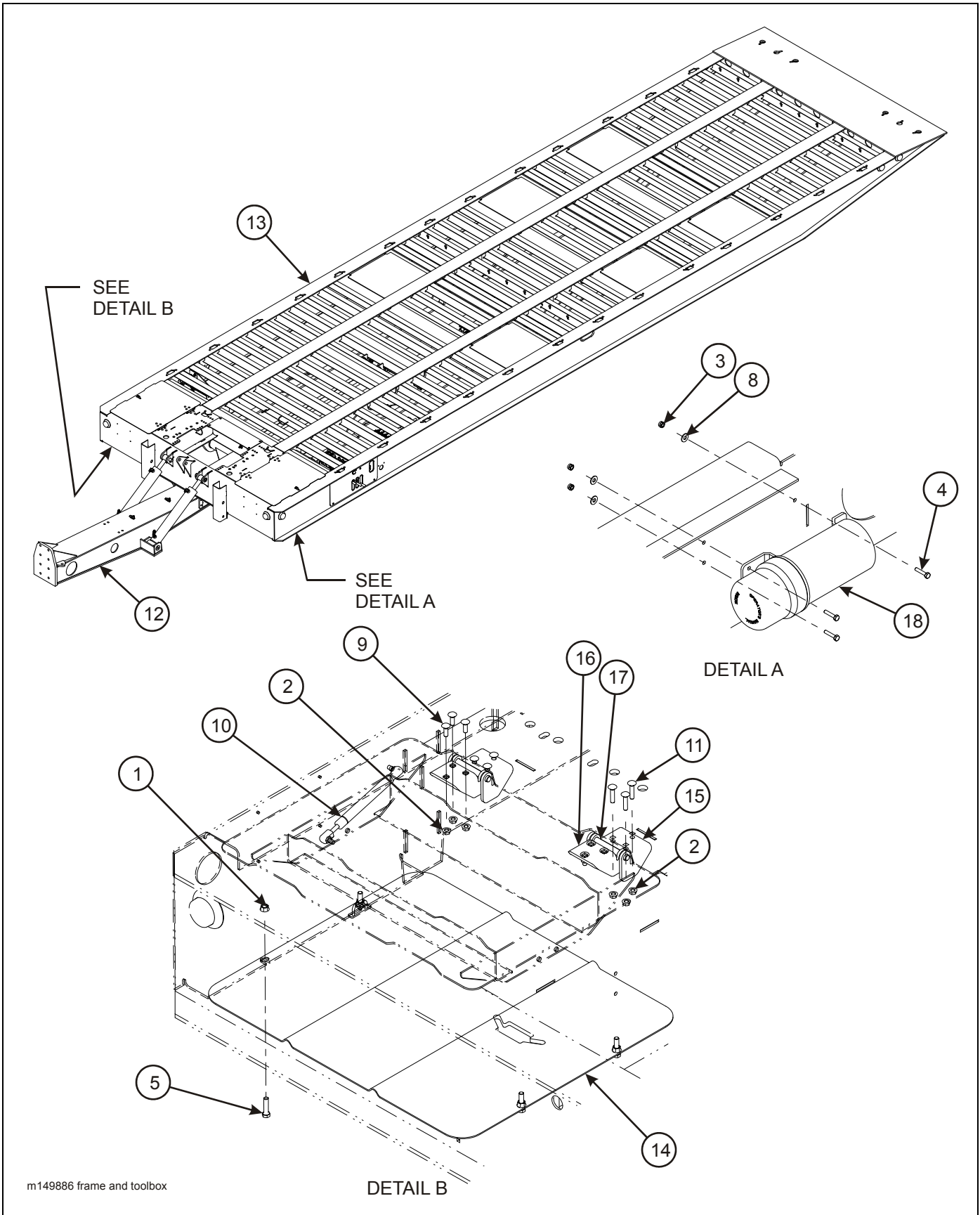
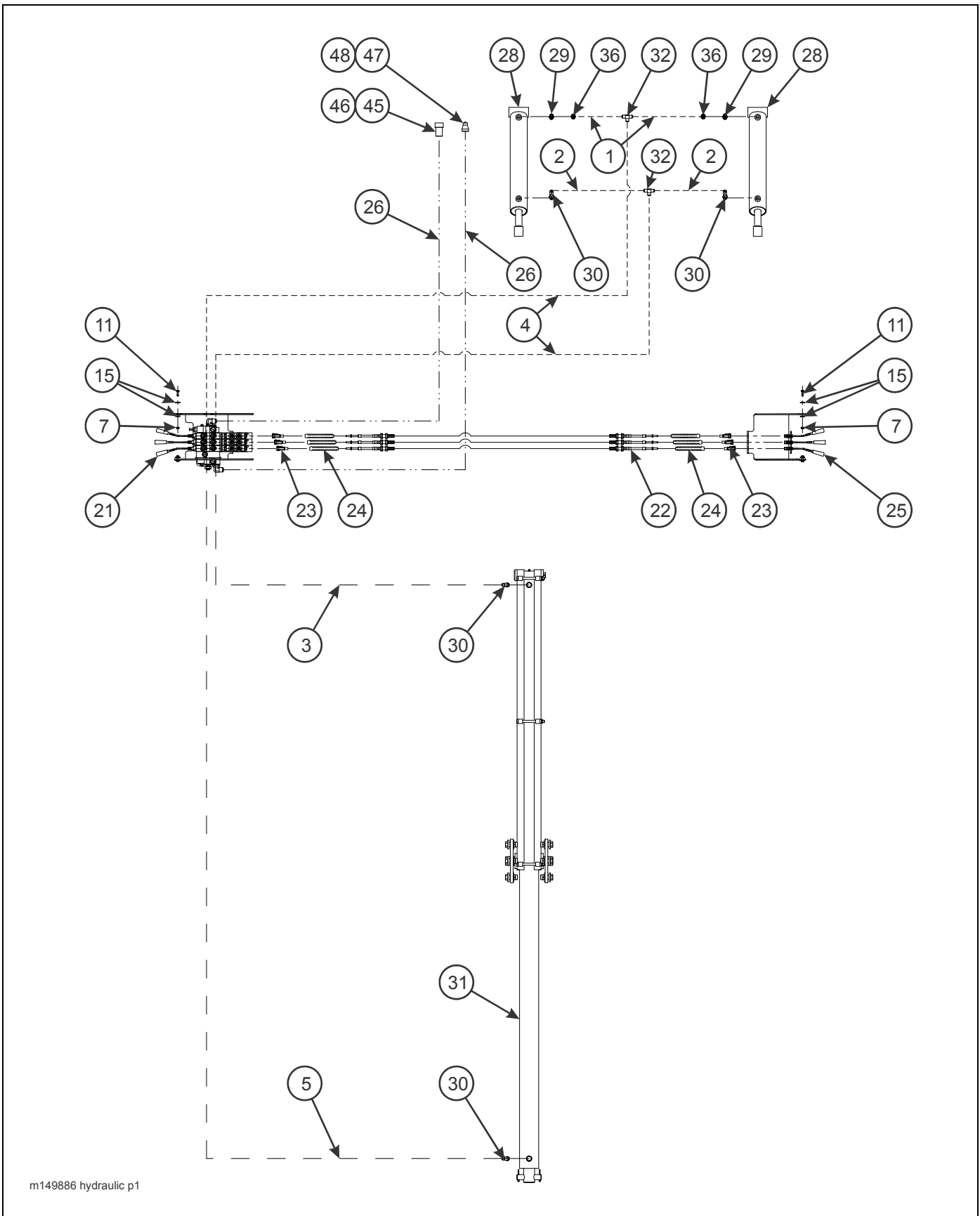


Figure 2-6: Frame and Toolbox Assembly

FRAME AND TOOLBOX ASSEMBLY

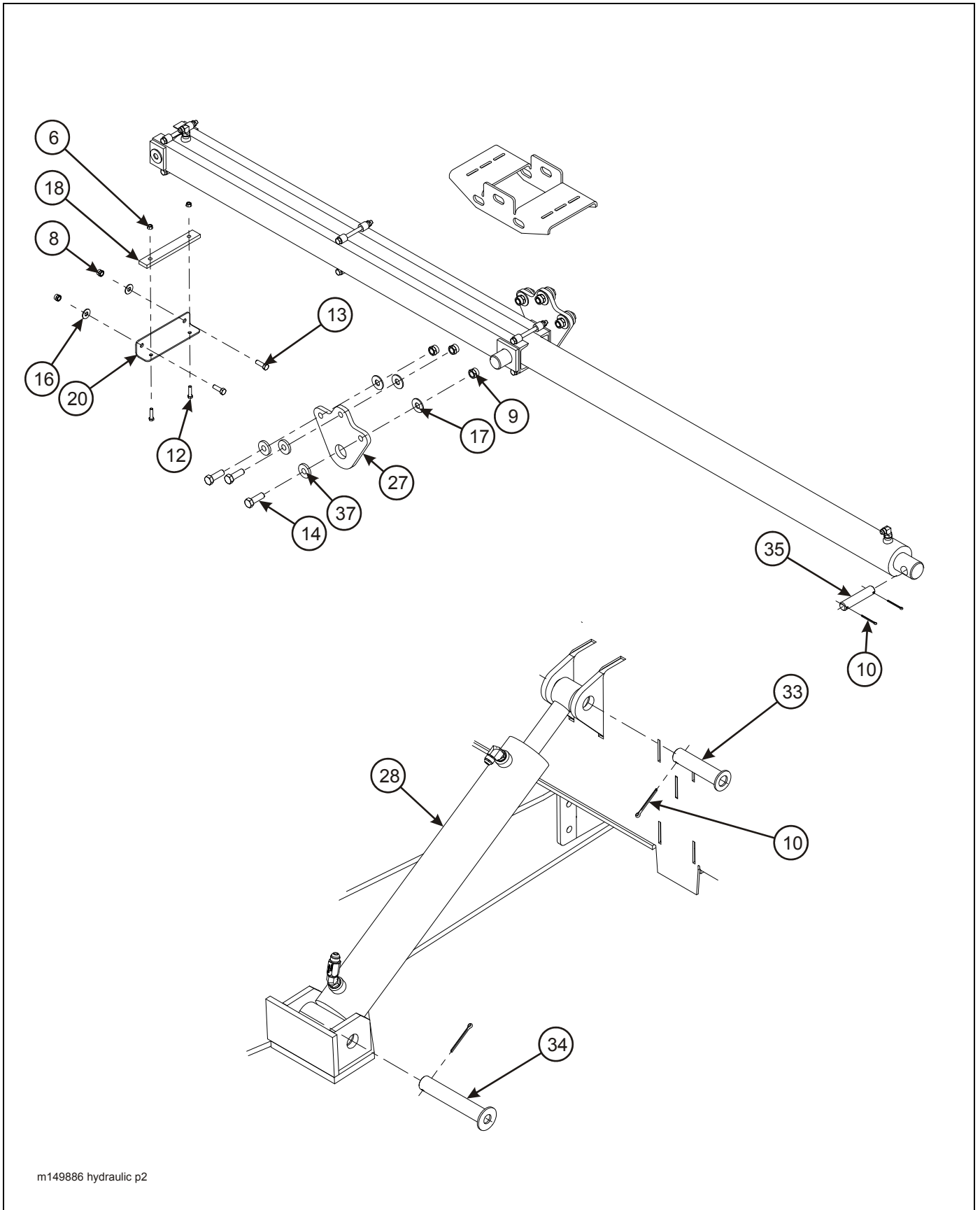
ITEM	PART NO.	DESCRIPTION	QTY.
	149886	HYDR ELECT AIR INSTALLATION	
1	1-510-010001	NUT, FLANGE HEAD SERRATED 3/8-16	4
2	1-510-010004-03	NUT, FLANGE HEAD SPIRALOCK 5/16-18	24
3	1-512-010005-01	NUT, HEX LOCK 1/4-20 GRB	3
4	1-654-010047-07	SCREW, HEX HEAD CAP 1/4-20 X 1-1/4 GR5	3
5	1-654-010051-07	SCREW, HEX HEAD CAP 3/8-16 X 1-1/2 GR5	4
6	1-796-010003-02	TIE, STRAP PLASTIC (NOT SHOWN)	6
7	1-822-010001	TRIM, FINE PEBBLE (NOT SHOWN)	AR
8	1-861-010032-07	WASHER, FLAT 1/4W	3
9	104031	SCREW, RD HEAD SQ NECK 5/16-18 X 1	12
10	110435	CONSOLE LIFT, GAS SPRING	2
11	110993	SCREW, RD HEAD SQ NECK 5/16-18 X 1-1/2	12
12	-----	HITCH WELDMENT, 7'	REF
13	-----	FRAME WELDMENT	REF
14	149891	PLATE, TOOLBOX BOTTOM	2
15	149926	HINGE, TOOLBOX OUTER	4
16	149927	HINGE, TOOLBOX INNER	4
17	149928	PIN, HINGE TOOLBOX	4
18	150076	MANUAL HOLDER	1

ILLUSTRATED PARTS LIST



m149886 hydraulic p1

Figure 2-7: Hydraulic Assembly (1 of 3)



m149886 hydraulic p2

Figure 2-8: Hydraulic Assembly (2 of 3)

ILLUSTRATED PARTS LIST

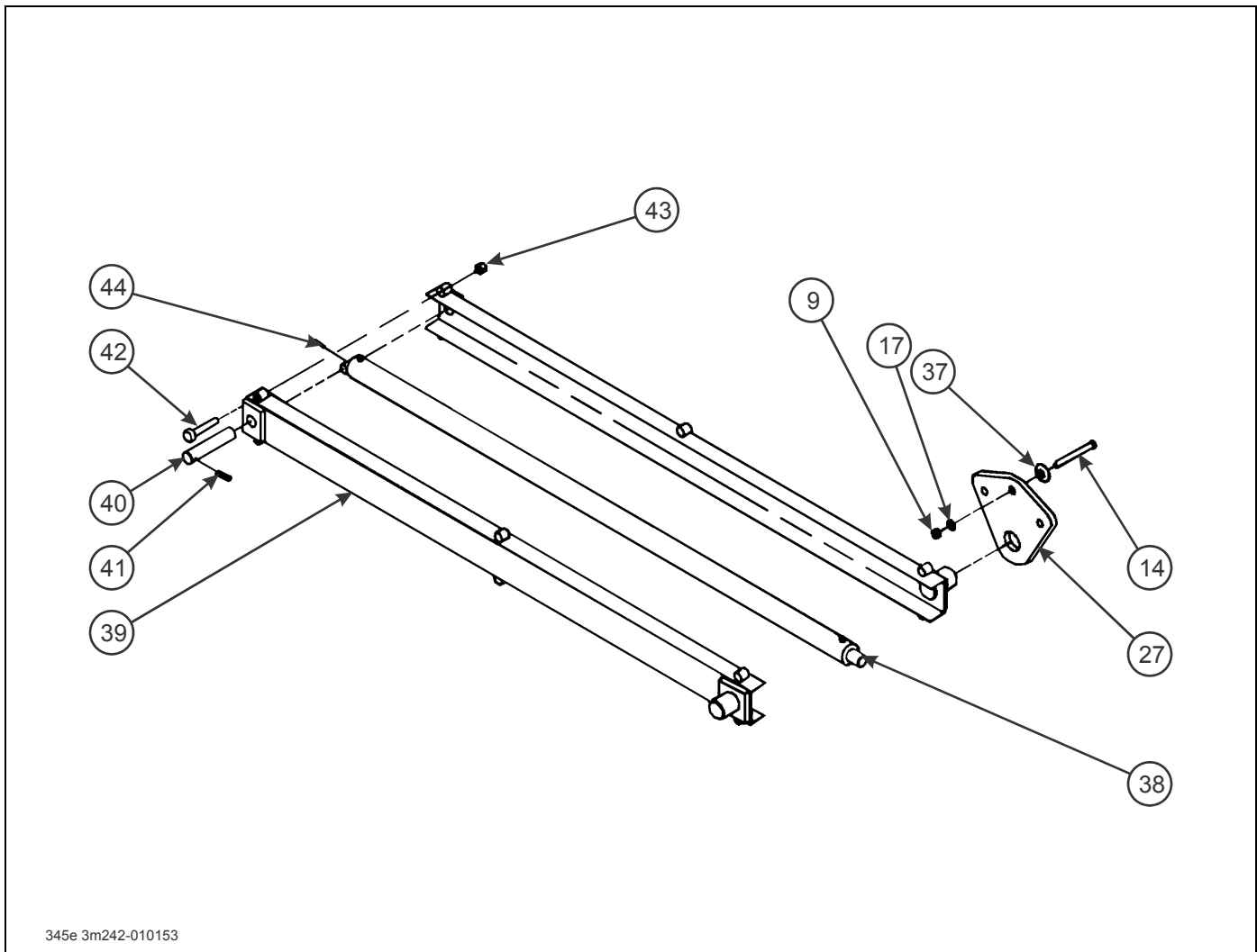


Figure 2-9: Hydraulic Assembly (3 of 3)

HYDRAULIC ASSEMBLY

ITEM	PART NO.	DESCRIPTION	QTY.
	149886	HYDRAULIC ELECTRICAL AIR (KDOT TRAILERS)	
	167534	HYDRAULIC ELECTRICAL AIR (4' HITCH)	
	163431	HYDRAULIC ELECTRICAL AIR (STD. 7' HITCH)	
1	1-397-010301025	HOSE ASSEMBLY 1/2 X 25	2
2	1-397-010301048	HOSE ASSEMBLY 1/2 X 48	2
3	1-397-010301054	HOSE ASSEMBLY 1/2 X 54	2
4	1-397-010301136	HOSE ASSEMBLY 1/2 X 136	2
5	1-397-010301160	HOSE ASSEMBLY 1/2 X 160	1
6	1-510-010001	NUT, FLANGE HEAD SERRATED 3/8-16	10
7	1-510-010004-03	NUT, FLANGE HEAD SPIRALOCK 5/16-18	8
8	1-512-010005-09	NUT, HEX LOCK 1/2-13 GRB	6
9	1-512-010005-15	NUT HEX LOCK 3/4-10 GRB	6
10	1-557-010362-54	PIN, COTTER 3/16 X 2-1/4	6
11	1-654-010049-05	SCREW, HEX HEAD CAP 5/16-18 X 1 GR5	8
12	1-654-010051-07	SCREW, HEX HEAD CAP 3/8-16 X 1-1/2 GR5	10
13	1-654-010055-03	SCREW, HEX HEAD CAP 1/2-13 X 1-1/2 GR5	2

HYDRAULIC ASSEMBLY

ITEM	PART NO.	DESCRIPTION	QTY.
14	1-654-010061-06	SCREW HEX HEAD CAP 3/4-10 X 2-1/4 GR5	6
15	1-861-010032-11	WASHER FLAT 3/8W	16
16	1-861-010032-15	WASHER FLAT 1/2W	2
17	1-861-010032-21	WASHER FLAT 3/4W	6
18	120659	ISOLATOR, MOUNT	1
19	143155	COUPLER, MALE/FEMALE (INCL. ITEMS 45 - 48)	1
20	149082	ANGLE, U/C CYL SUPPORT	1
21	149870	VALVE ASSEMBLY, 3 SPOOL (SEE PAGE 2-17)	1
22	149877	CABLE CONTROL PUSH-PULL	3
23	149878	CLEVIS KIT, CONTROL CABLE	6
24	149883	BOOT, CONTROL CABLE	6
25	149884	MOUNT ASSEMBLY, CONTROL CABLE (SEE PAGE 2-105)	1
26	149885	HOSE ASSEMBLY 1/2 X 316 (KDOT TRAILERS)	2
	167532	HOSE ASSEMBLY 1/2 X 184 (4' HITCH)	2
	110903	HOSE ASSEMBLY 1/2 X 220 (STD. 7' HITCH)	2
27	158576	BRACKET CYLINDER MOUNT	2
28	159712	CYLINDER 4 X 20-1/4 (SEE PAGE 2-15)	2
29	2061-8-8S	ADAPTER, 45°	2
30	2062-8-8S	ADAPTER 90°	4
31	3-242-010153	CYLINDER ASSEMBLY, STD LOAD ANGLE (INCL ITEMS 38-44)	1
32	3-299-010016	TEE, 37 FLARE	5
33	3-557-010032	PIN, CYLINDER ROD END A	2
34	3-557-010033	PIN, CYLINDER BUTT END A	2
35	3-557-010120	PIN, UNDERCARRIAGE CYLINDER	1
36	3-846-010156	VALVE, RESTR	2
37	3-861-010038	WASHER, STEP	6
38	3-242-010102	CYLINDER, HYD 4 X 126 O-RING (SEE PAGE 2-14)	1
39	3-120-010073	BRACKET ASSEMBLY CYL TRUNNION	2
40	3-557-010033	PIN, CYL BUTT END	1
41	1-557-010362-54	PIN, COTTER 3/16 X 2-1/4	1
42	1-654-010055-17	SCREW, HEX HEAD CAP 1/2-13 X 6 GR5	6
43	1-512-010005-09	NUT, HEX LOCK 1/2-13 GRB	6
44	1-298-010001-1	FITTING, GREASE 1/4-28	1
45	105479	COUPLER, MALE	1
46	105481	DUST CAP	1
47	105480	COUPLER, FEMALE	1
48	105482	DUST CAP	1

ILLUSTRATED PARTS LIST

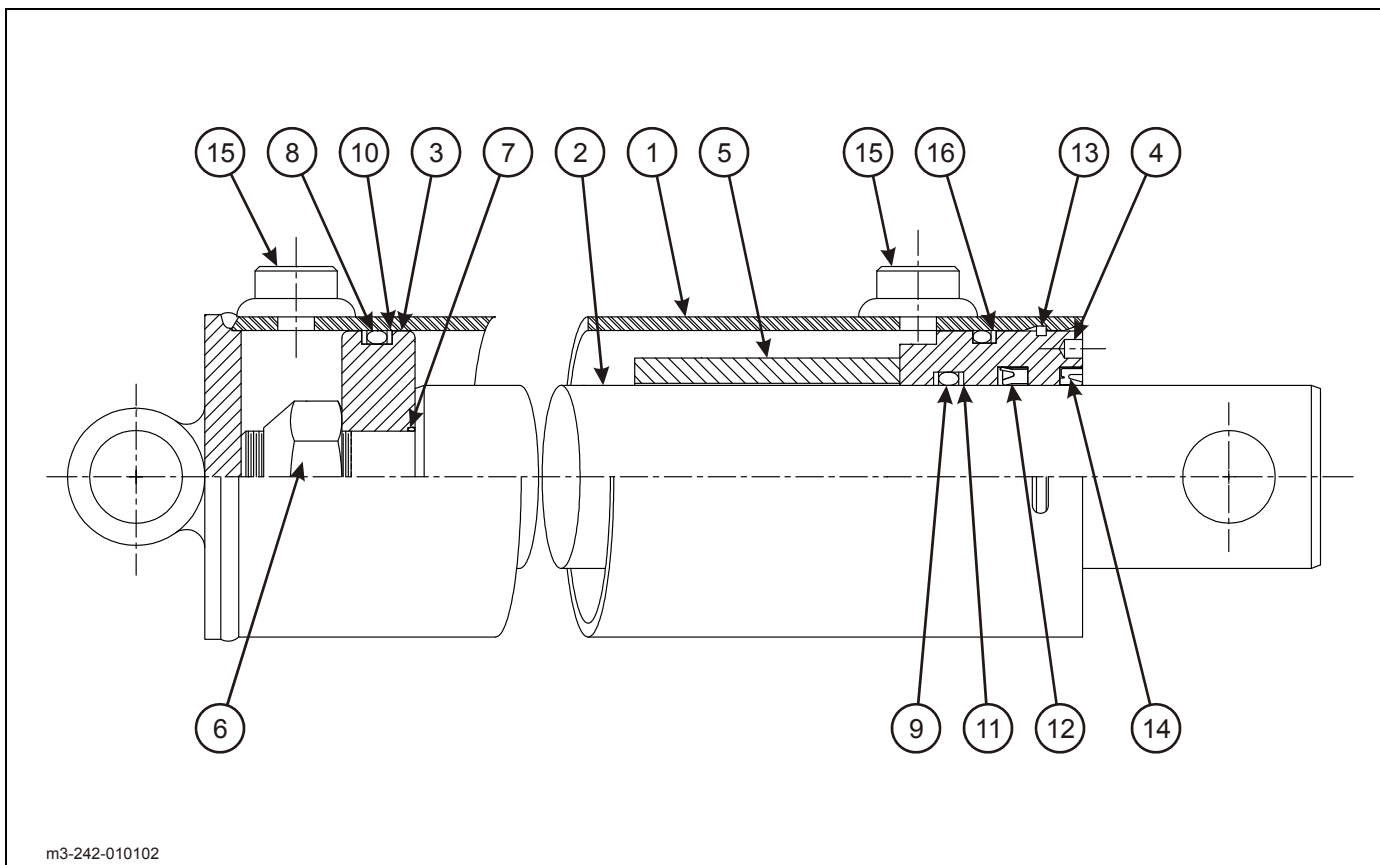


Figure 2-10: Cylinder, Hydraulic 4 X 126

CYLINDER, HYDRAULIC 4 X 126

ITEM	PART NO.	DESCRIPTION	QTY.
	3-242-010102	CYLINDER, HYDRAULIC 4 X 126 (STD LOAD ANGLE)	
1	----	BUTT AND TUBE ASSEMBLY	1
2	011300179	PISTON ROD	1
3	----	PISTON	1
4	081900277	GLAND	1
5	----	SPACER	1
6	----	LOCKNUT (1-1/4-12)	1
7	----	O-RING	1
8	----	O-RING	2
9	----	O-RING	1
10	----	BU-WASHER	2
11	----	BU-WASHER	2
12	----	U-CUP	1
13	----	SQ. RETAINING RING	1
14	----	WIPER	1
15	----	SAE ORB PLUG	2
16	----	BU-WASHER	1
17	----	INSTALLATION RING (NOT SHOWN)	1
18	----	WIPER (NOT SHOWN)	1
	160542	PACKING KIT (INCL ITEMS 7-14, 16-18)	

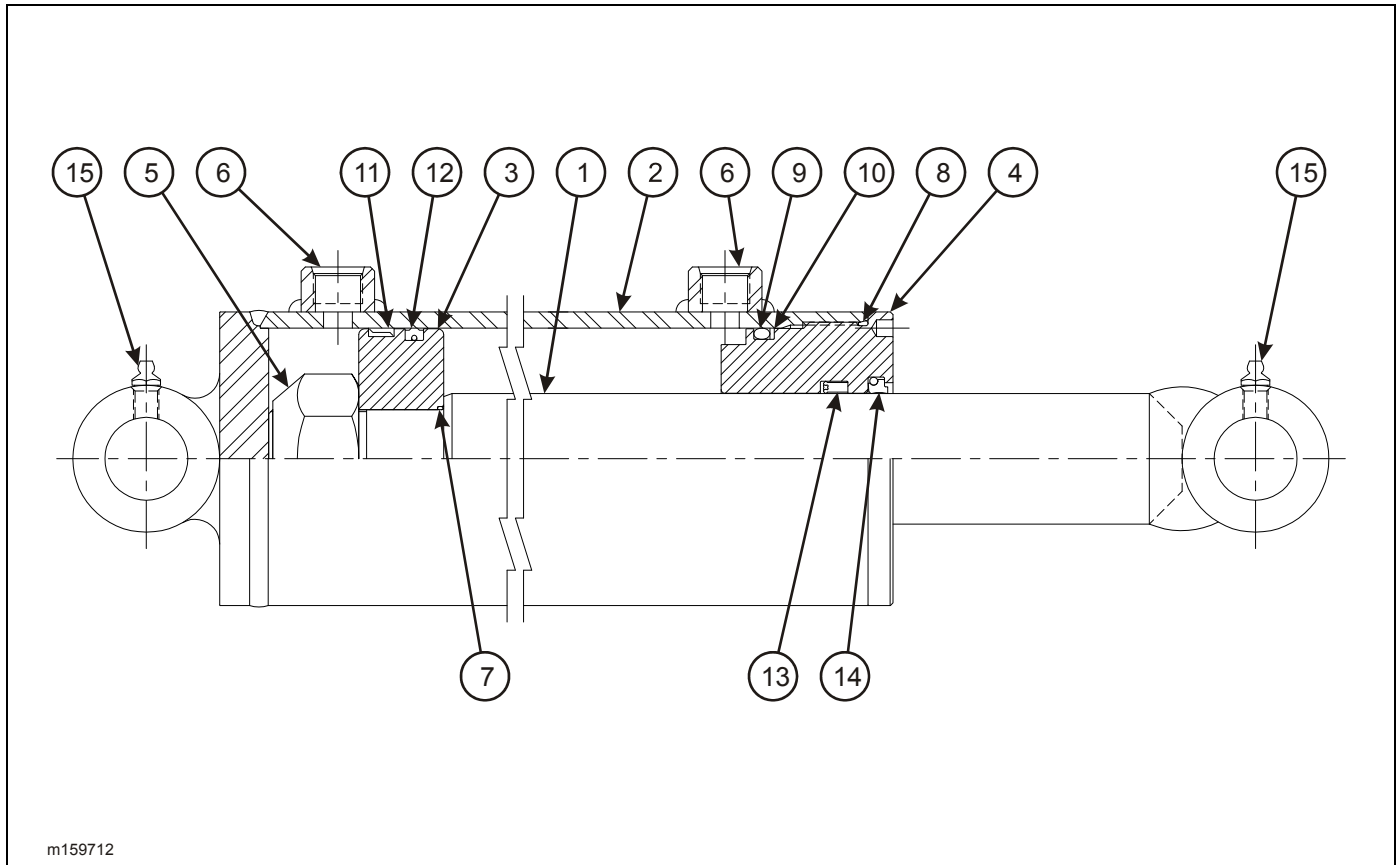
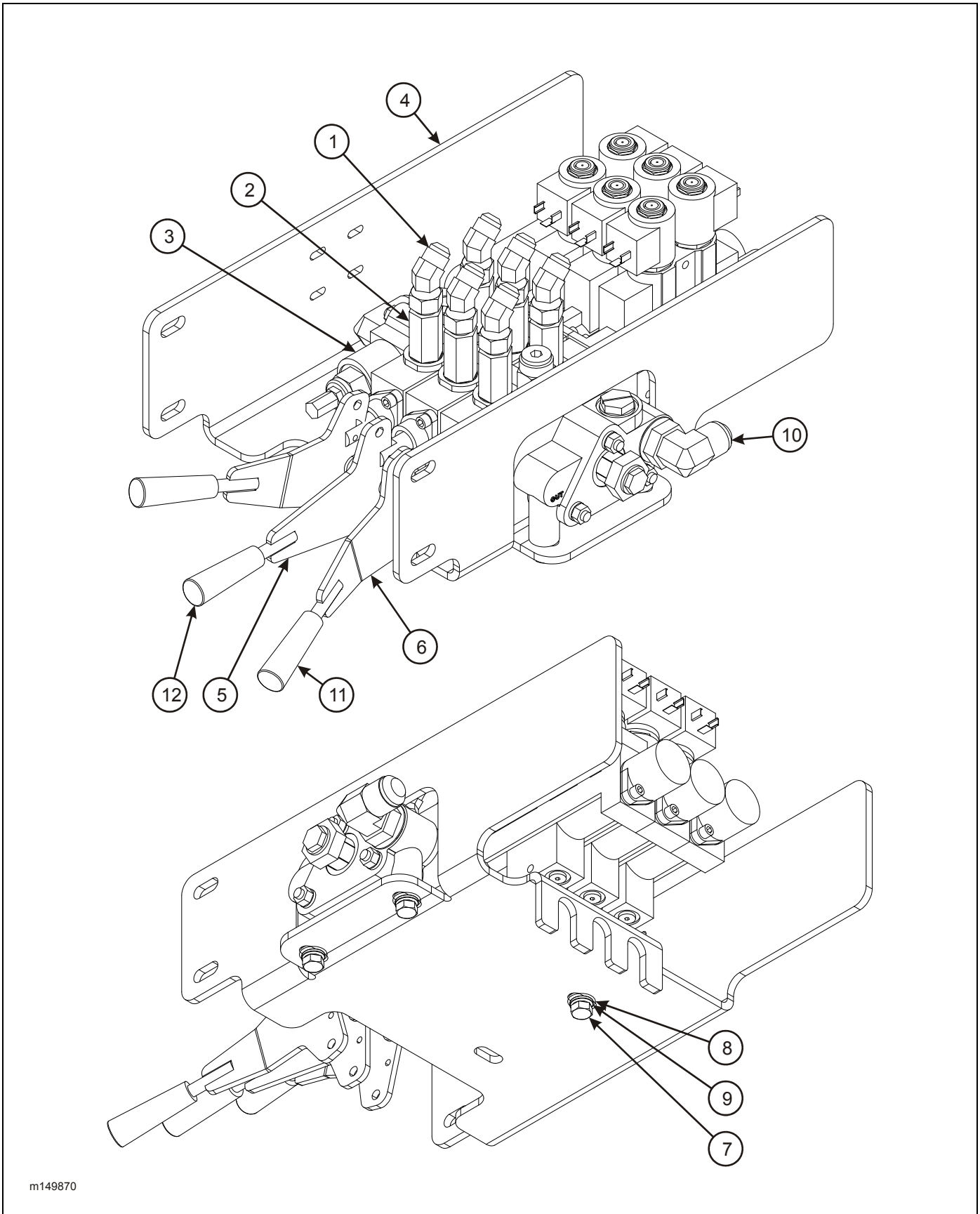


Figure 2-11: Cylinder, Hydraulic 4 X 20-1/4"

CYLINDER, HYDRAULIC 4 X 20-1/4"

ITEM	PART NO.	DESCRIPTION	QTY.
	159712	CYLINDER, HYDRAULIC 4 X 20-1/4	2
1	160534	PISTON ROD ASSEMBLY	1
2	----	BUTT & TUBE ASSEMBLY	1
3	----	PISTON	1
4	160537	GLAND	1
5	----	LOCKNUT	1
6	----	SHIPPING PLUG	2
7	----	O-RING	1
8	----	O-RING	1
9	----	O-RING	1
10	----	BU-WASHER	1
11	----	BEARING RING	1
12	----	CROWN SEAL	1
13	----	U-CUP	1
14	----	WIPER	1
15	----	GREASE ZERK	2
16	----	WARNING DECAL (NOT SHOWN)	1
17	----	PLAIN DECAL (NOT SHOWN)	1
	160540	PACKING KIT (INCLUDES ITEMS 7 -14)	



m149870

Figure 2-12: Valve Assembly - 3 Spool

VALVE ASSEMBLY - 3 SPOOL

ITEM	PART NO.	DESCRIPTION	QTY.
	149870	VALVE ASSEMBLY - 3 SPOOL	
1	121031	ADAPTER, 45	6
2	140893	ADAPTER, STR LONG	6
3	148240	VALVE, 3 STACK (SEE PAGE 2-19)	1
4	149869	MOUNT WELDMENT, VALVE	1
5	149873	HANDLE WELDMENT, INNER	1
6	149874	HANDLE WELDMENT, OUTER	2
7	1-654-010051-05	SCREW, HEX HEAD CAP 3/8-16 X 1 GR5	3
8	1-861-010032-10	WASHER, FLAT 3/8N	3
9	1-861-010034-11	WASHER, SPLIT LOCK 3/8	3
10	2062-10-12S	ADAPTER, 90°	2
11	3-360-010072	HANDLE, PLASTIC BLACK	2
12	3-360-010090	HANDLE, PLASTIC RED	1

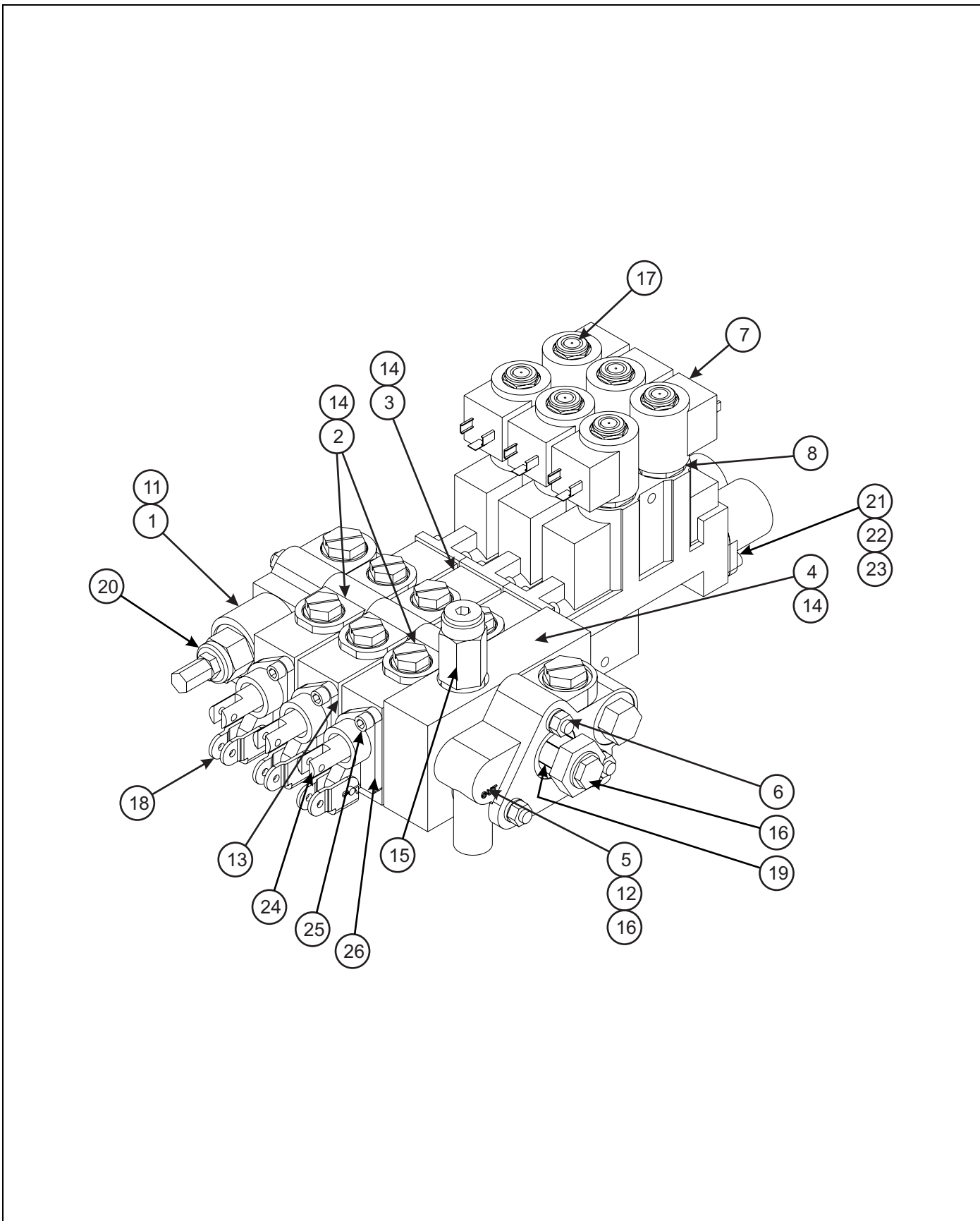
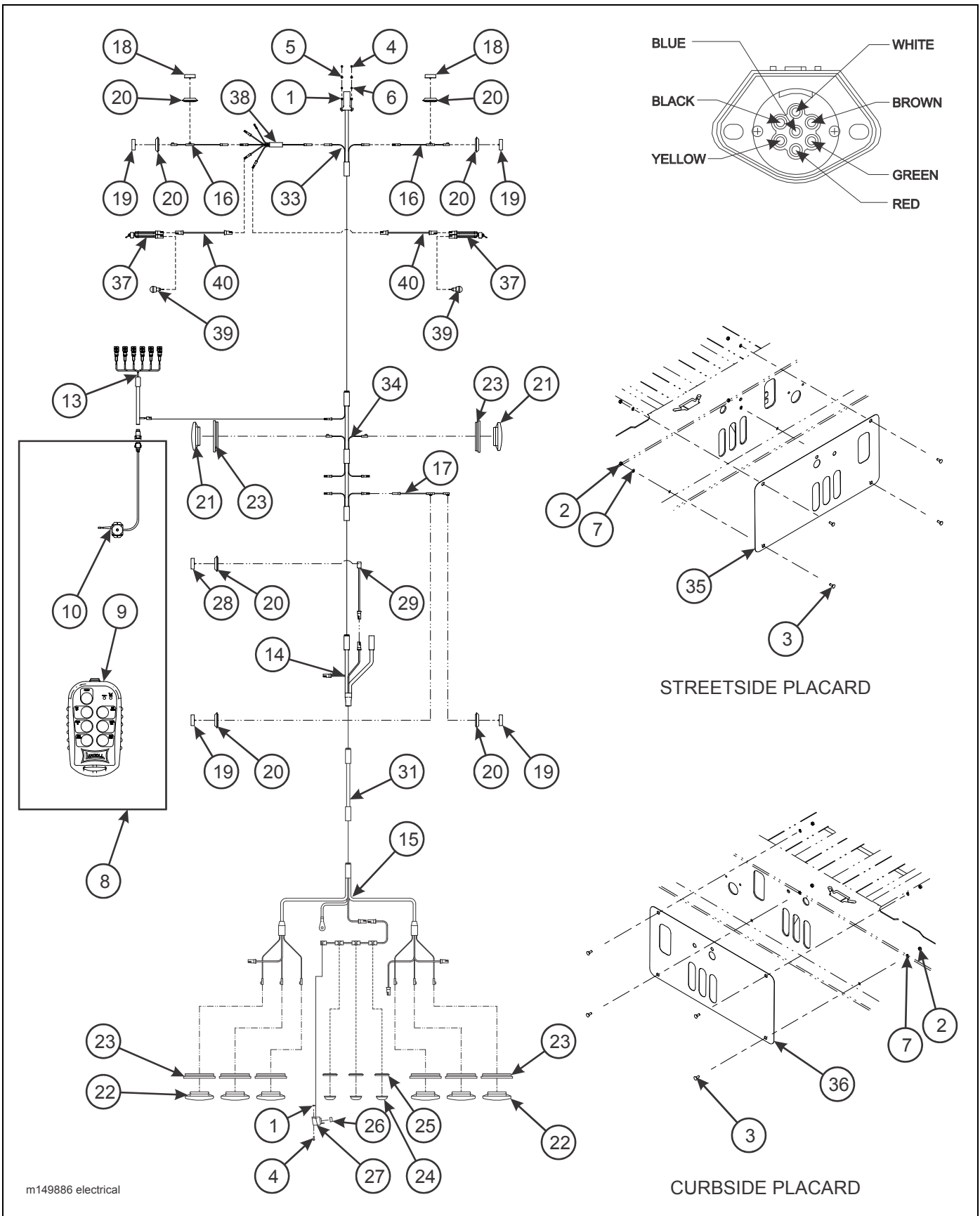


Figure 2-13: Three Stack Valve

THREE STACK VALVE

ITEM	PART NO.	DESCRIPTION	QTY.
	148240	THREE STACK VALVE	REF
1	149526	INLET SECTION KIT	1
2	149527	VALVE SECTION KIT	1
3	149528	VALVE SECTION KIT	1
4	149529	VALVE SECTION KIT	1
5	142483	OUTLET SECTION KIT	1
6	149530	TIEROD KIT (ONE PER VALVE ASSEMBLY)	1
7	142484	COIL (ONE PER SECTION)	1
8	142485	CARTRIDGE (ONE PER SECTION)	6
9	142486	COIL CARTRIDGE ASSEMBLY (TWO PER SECTION) (INCL ITEMS 7 & 8)	6
10	114553	SEAL KIT FOR PRINCE VALVE (ONE PER VALVE) (INCL ITEMS 11-14)	1
11	660580002	SEAL KIT FOR INLET SECTION (ONE PER SECTION)	REF
12	660580003	SEAL KIT FOR OUTLET SECTION (ONE PER SECTION)	REF
13	660580004	O-RING SEAL KIT FOR BETWEEN SECTIONS (ONE PER SECTION)	REF
14	660580005	SEAL KIT FOR SOLENOID WORK SECTION (ONE PER SECTION)	REF
15	149030	PRESSURE REDUCING CARTRIDGE IN UTILITY SECTION (149529)	1
16	151823	PRESSURE BUILD UP CARTRIDGE IN OUTLET SECTION (142483)	1
17	143141	COIL NUT	6
18	169843	PIN/CLEVIS KIT	3
19	138179	CARTRIDGE POWER BEYOND PRESSURE	1
20	182089	CARTRIDGE RELIEF 2500PSI	1
21	671400033	COVER, SPOOL END	3
22	670500045	SPOOL BACK UP WASHER	3
23	240000208	O-RING	3
24	671900011	BASE HANDLE	3
25	120749	SCREW 170003017 PDC	3
26	671400040	CLEVIS ASSEMBLY	3
27	660580024	O-RING KIT (SEAL KIT BETWEEN SECTIONS)(NOT SHOWN)	1
28	660585006	SEAL KIT PILOT BETWEEN SECTIONS (NOT SHOWN)	4

ILLUSTRATED PARTS LIST



m149886 electrical

Figure 2-14: Electrical Assembly

ELECTRICAL ASSEMBLY

ITEM	PART NO.	DESCRIPTION	QTY.
	149886	HYD ELECT AIR INSTALLATION	
	149090	SUSPENSION INSTALLATION, S/R	
1	1-512-010007-03	NUT, HEX #10-24	2
2	1-512-010007-05	NUT, HEX 1/4-20 GRB	8
3	1-654-010158-1	SCREW, RD HEAD SQ NECK 1/4-20 X 3/4	8
4	1-656-010003051	SCREW, RD HEAD MACH #10-24 X 3/4	2
5	1-861-010032-03	WASHER, FLAT #10	2
6	1-861-010034-07	WASHER, SPLIT LOCK #10	2
7	1-861-010034-09	WASHER, SPLIT LOCK 1/4	8
8	168648	REMOTE, KAR-TECH SLIDE AX (HARDWARE NOT INCLUDED) (INCL. ITEMS 9-12)	1
9	168975	MACRO TRANSMITTER W/ DECAL	1
10	143126	MINI AND MACRO RECEIVER, 6 FUNCTION W/ TEACH BUTTON	1
11	168976	CAR CHARGER 12V TO MICRO USB (NOT SHOWN)	1
12	168982	WALL CHARGER 120V TO MICRO USB (NOT SHOWN)	1
13	140083	HARNESS ASSEMBLY, KAR-TECH	REF
14	143103	HARNESS, E-CHAIN	1
15	143104	HARNESS, BUMPER	1
16	143105	HARNESS, MARKER FRONT CORNER	2
17	143106	HARNESS, MARKER FRONT BED	1
18	143108	LIGHT, RED LED 2.5 CL/MARKER	2
19	143109	LIGHT, YELLOW LED 2.5 CL/MARKER	8
20	143110	GROMMET, 2.5 SURFACE MOUNT	11
21	169410	LIGHT, YELLOW MID TURN	2
22	143113	LIGHT, RED LED OVAL STT	6
23	143114	GROMMET, OVAL	8
24	143115	LIGHT, RED LED RECT CLEARANCE	3
25	143116	GROMMET, RECT	3
26	143117	LIGHT, CLEAR LED LICENSE	1
27	143118	BRACKET, LIGHT LICENSE	1
28	143119	LIGHT, YELLOW LED ABS	1
29	143120	HARNESS, ABS LAMP	1
30	43029	HOSE, WRAP AEROQUIP 1/4" (NOT SHOWN)	AR
31	143166	HARNESS EXTENSION 48"	1
32	1-796-010003-02	TIE WRAPS (NOT SHOWN)	AR
33	147190	HARNESS, 7 WAY RECEPTACLE	1
34	147191	HARNESS, BED MAIN	1
35	149881	PLACARD, CONTROL PANEL	REF
36	149882	PLACARD, CONTROL PANEL RH	REF
37	150117	TOGGLE SWITCH, SEALED SPST	2
38	159731	HARNESS, 4 AUX/1GRD BRANCH	1
39	26331	LIGHT, UTILITY/LICENSE	2
40	3-368-010252	HARNESS ASSEMBLY, BULKHEAD LIGHT EXT	2

ILLUSTRATED PARTS LIST

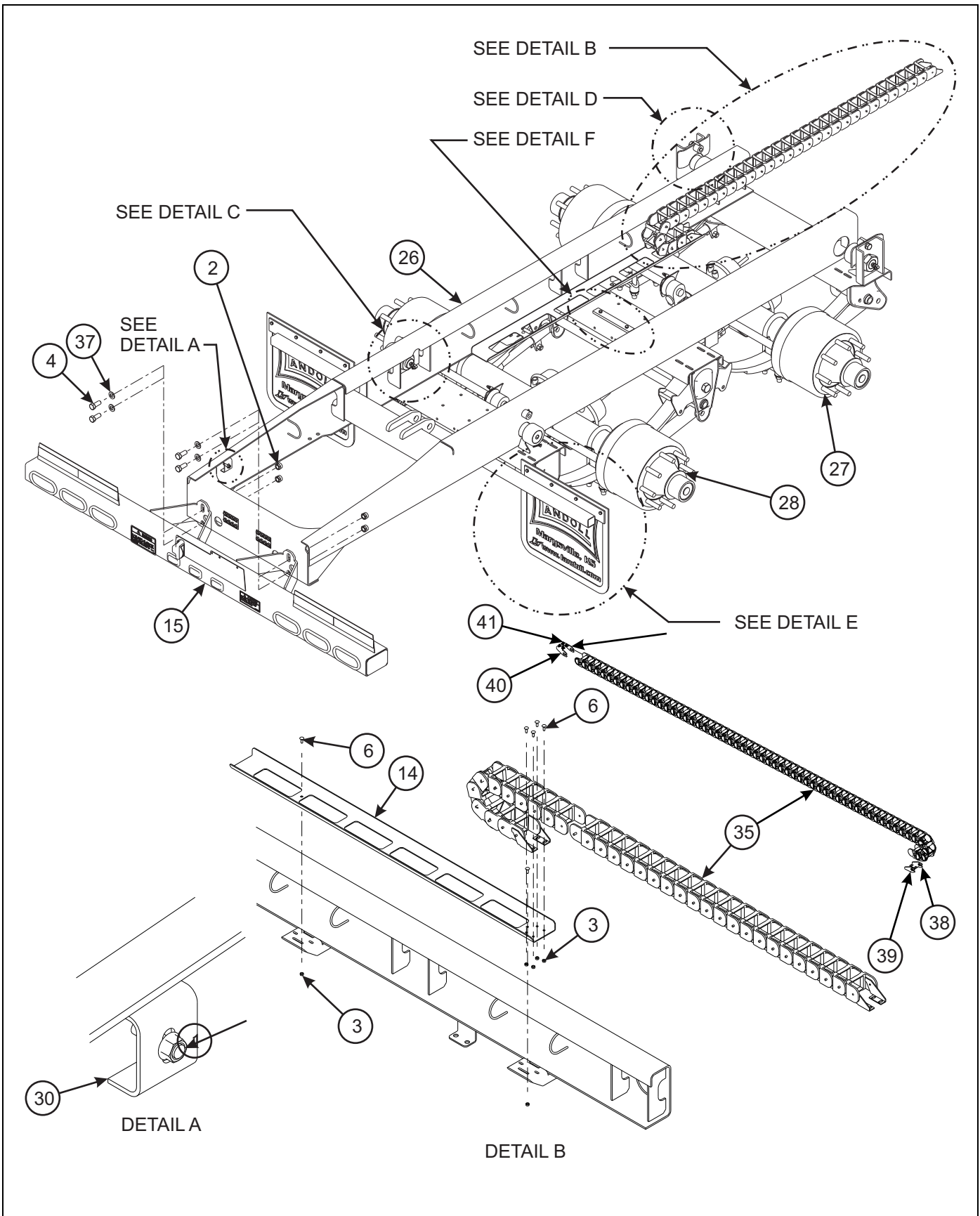
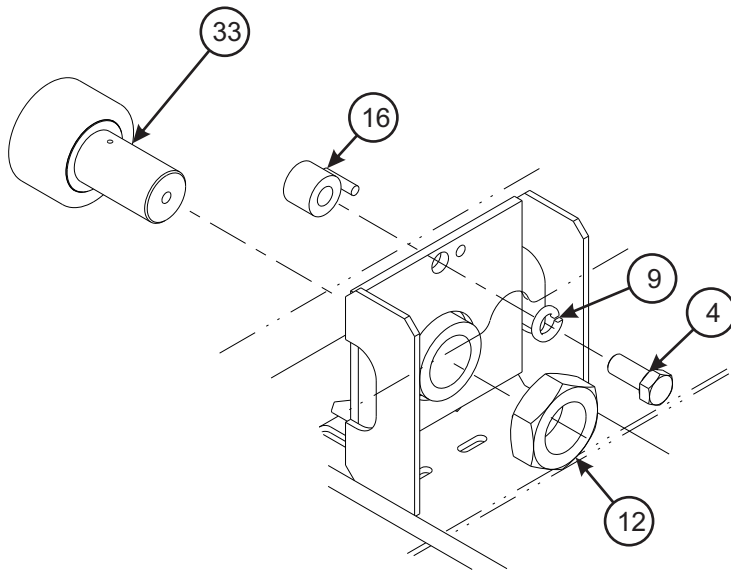
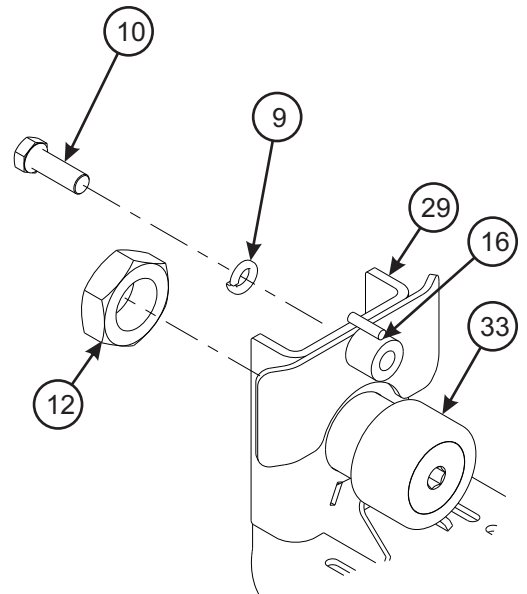


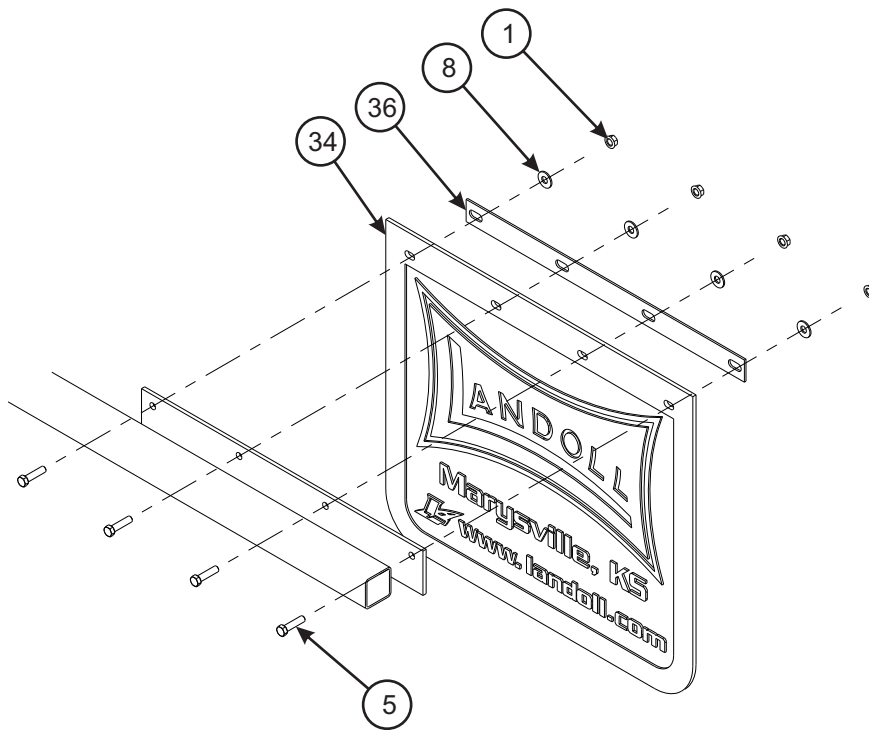
Figure 2-15: Undercarriage Assembly - Spring Ride (1 of 3)



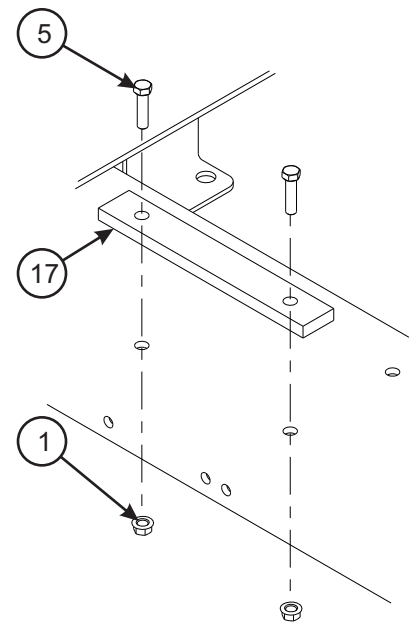
DETAIL C



DETAIL D



DETAIL E

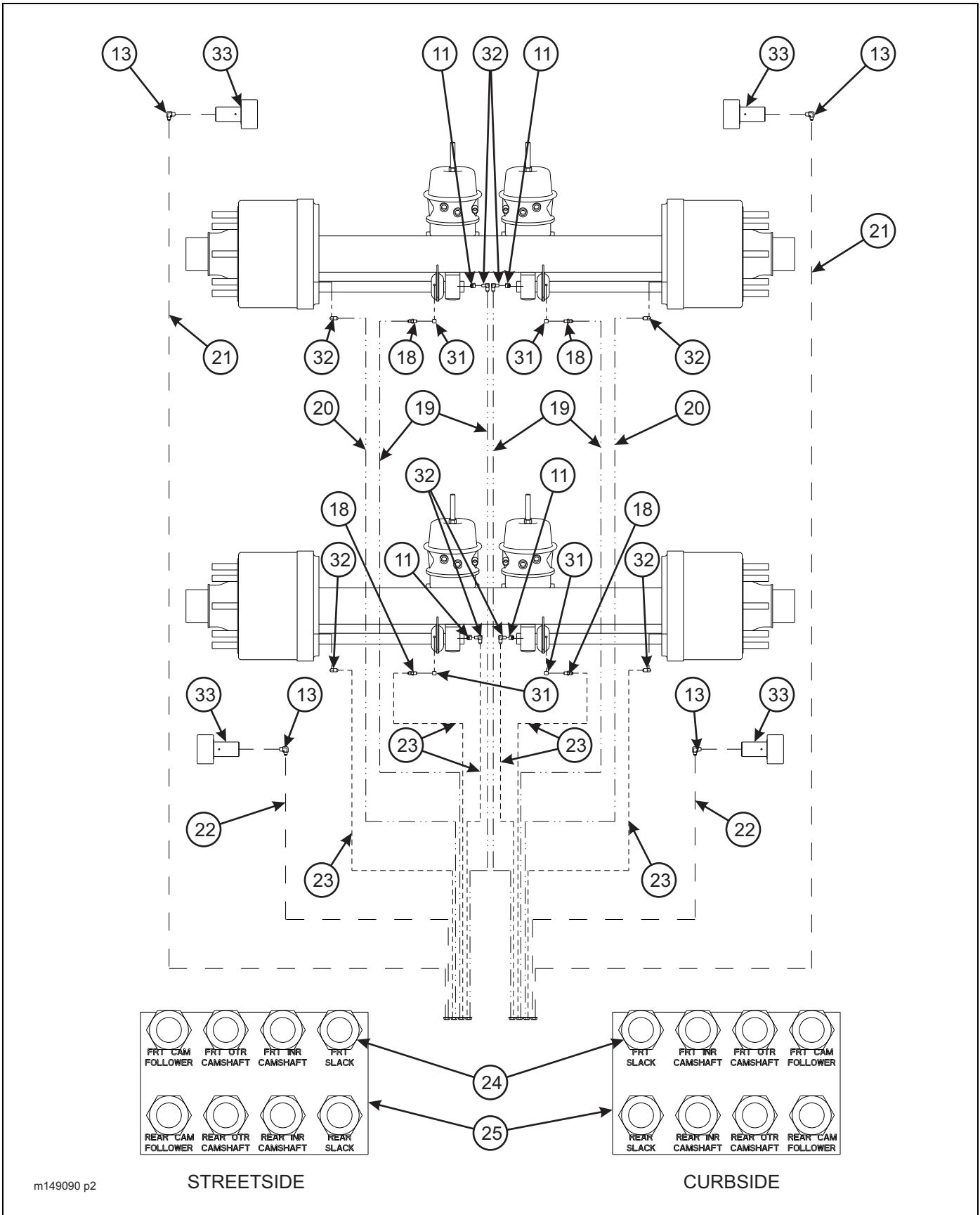


DETAIL F

m149090 p1b

Figure 2-16: Undercarriage Assembly - Spring Ride (2 of 3)

ILLUSTRATED PARTS LIST

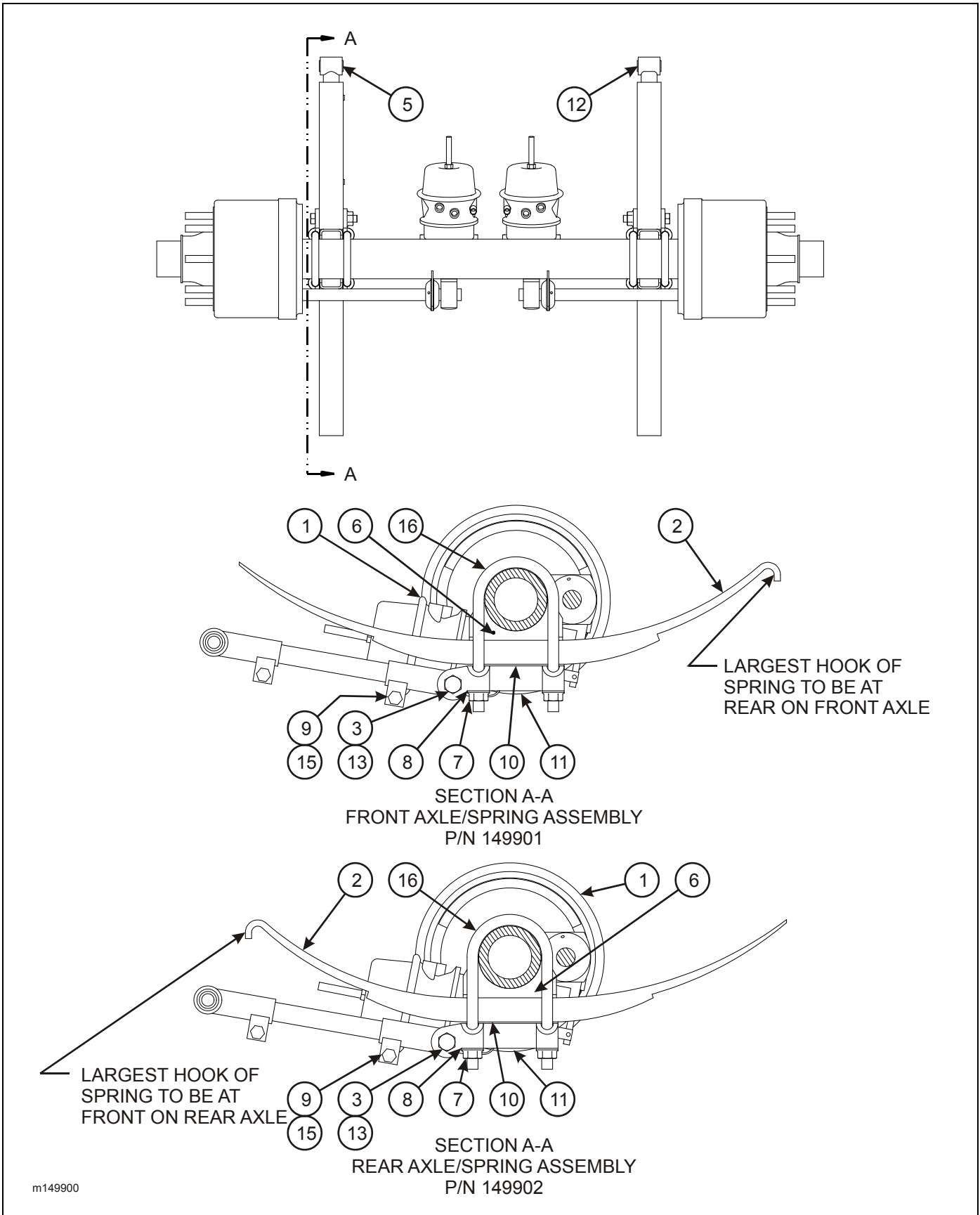


m149090 p2

Figure 2-17: Undercarriage Assembly - Spring Ride (3 of 3)

SUSPENSION ASSEMBLY - SPRING RIDE

ITEM	PART NO.	DESCRIPTION	QTY.
	149090	SUSPENSION ASSEMBLY, SPRING 2512-70.5	
1	1-510-010001	NUT, FLANGE LOCK 3/8-16	13
2	1-512-010005-15	NUT, HEX LOCK 3/4-10 GRB	4
3	1-512-010007-05	NUT, HEX 1/4-20 GRB	6
4	1-654-010032-4	SCREW, HEX HEAD CAP 3/4-10 X 1-3/4 GR8	6
5	1-654-010051-07	SCREW, HEX HEAD CAP 3/8-16 X 1-1/2 GR5	10
6	1-654-010158-1	SCREW, RD HEAD SQ NECK 1/4-20 X 3/4	6
7	1-796-010003-02	TIE STRAP, PLASTIC .18 X 14 (NOT SHOWN)	AR
8	1-861-010032-11	WASHER, FLAT 3/8	26
9	1-861-010034-17	WASHER, SPLIT LOCK 3/4	4
10	100941	SCREW, HEX HEAD CAP 3/4-10 X 2-1/4 GR8	2
11	101528	ELBOW, BRASS PIPE STREET	4
12	104034	NUT, HEX 2-12 GRB	4
13	113268	ADAPTER 90	4
14	118897	TRAY, E-CHAIN	1
15	119580	BUMPER WELDMENT, E/P	1
16	120451	HOLD DOWN, U/C	4
17	120659	ISOLATOR, MOUNT	1
18	138155	ELBOW ST, 90	4
19	142450	HOSE ASSEMBLY, GREASE 1/4 X 144	4
20	142451	HOSE ASSEMBLY, GREASE 1/4 X 156	2
21	144614	HOSE ASSEMBLY, GREASE 1/8 X 172	2
22	142443	HOSE ASSEMBLY, GREASE 1/4 X 72	2
23	142466	HOSE ASSEMBLY, GREASE 1/4 X 94	6
24	142545	NUT, 7/16	16
25	142553	DECAL, GREASE TRAILER U/C (SEE PAGE 2-5)	1
26	149091	UNDERCARRIAGE WELDMENT, S/R	1
27	149901	AXLE/SPRING ASSEMBLY, FRONT	1
29	149902	AXLE/SPRING ASSEMBLY, REAR	1
29	159732	PLATE, WEAR	2
30	2-181-010001	HOSE CLAMP	1
31	161797	ADAPTER, STRAIGHT	4
32	2024-2-4S	ADAPTER, ELBOW	8
33	3-076-010005	CAM FOLLOWER 4"	4
34	3-485-010001	FLAP, MUD 21IN	2
35	3-755-010189-03	SUPPORT E-CHAIN (BEFORE 6-3-2015)	1
	3-755-010189-1	LINK (BEFORE 6-3-2015)	1
	189316	SUPPORT, E-CHAIN, 34 LINKS, 3838 (AFTER 6-3-2015)	1
36	3-762-010017	CLAMP, MUD FLAP	2
37	622-3511-008	WASHER 3/4 MIL-CARB FL SA&A	4
38	190701	BRACKET WLDMT, E-CHAIN LH (AFTER 6-3-2015)	1
39	190706	BRACKET WLDMT, E-CHAIN RH (AFTER 6-3-2015)	1
40	190700ZP	BRACKET, E-CHAIN LH (AFTER 6-3-2015)	1
41	190705ZP	BRACKET, E-CHAIN RH (AFTER 6-3-2015)	1
	189380	FIELD INSTALLATION KIT (ITEM 35 & 38-41)	1



m149900

Figure 2-18: Axle/Spring Assembly

AXLE/SPRING ASSEMBLY

ITEM	PART NO.	REFERENCE NO.	DESCRIPTION	QTY.
	149901		SUSPENSION ASSEMBLY, SPRING REAR	
	149902		SUSPENSION ASSEMBLY S/R 70.5 39-1/2 SPG CTR	
1	115703		AXLE 70-1/2 12-1/4 X 7-1/2 BRAKE SPG 25K (SEE PAGE 2-43)	1
2	120584		SPRING, TWO LEAF HI ARCH	2
3	10562-00	10562-00	NUT, FLANGE HEAD SERRATED 1-14	2
4	-----	-----	DECAL (NOT SHOWN)	1
5	16398-04	16398-04	ADJUSTABLE TORQUE ARM 19.25	1
6	301-01	301-01	AXLE SEAT	2
7	34-04	34-04	NUT, FLANGE HEAD SERRATED 7/8-14	8
8	35-00	35-00	WASHER, PLAIN	8
9	37-03	37-03	NUT, HEX LOCK 5/8-18 GRB	1
10	7052-02	7052-02	DELTRIN LINER, SINGLE LEAF	2
11	-----	706-01	BOTTOM PLATE, SINGLE LEAF	2
12	715-00	715-00	RIGID TORQUE ARM	1
13	719-02	719-02	BOLT, 7/8-14 X 5-1/4 GR5	2
14	756-00	756-00	SLEEVE SPACER (NOT SHOWN)	1
15	759-00	759-00	HEX BOLT 5/8-18 X 4-1/2	1
16	7816-10	7816-10	U-BOLT	4
	3-762-010667-02		KIT, AXLE SPRING ATTACH. PARTS (INCL. ITEMS 5 - 18)	

ILLUSTRATED PARTS LIST

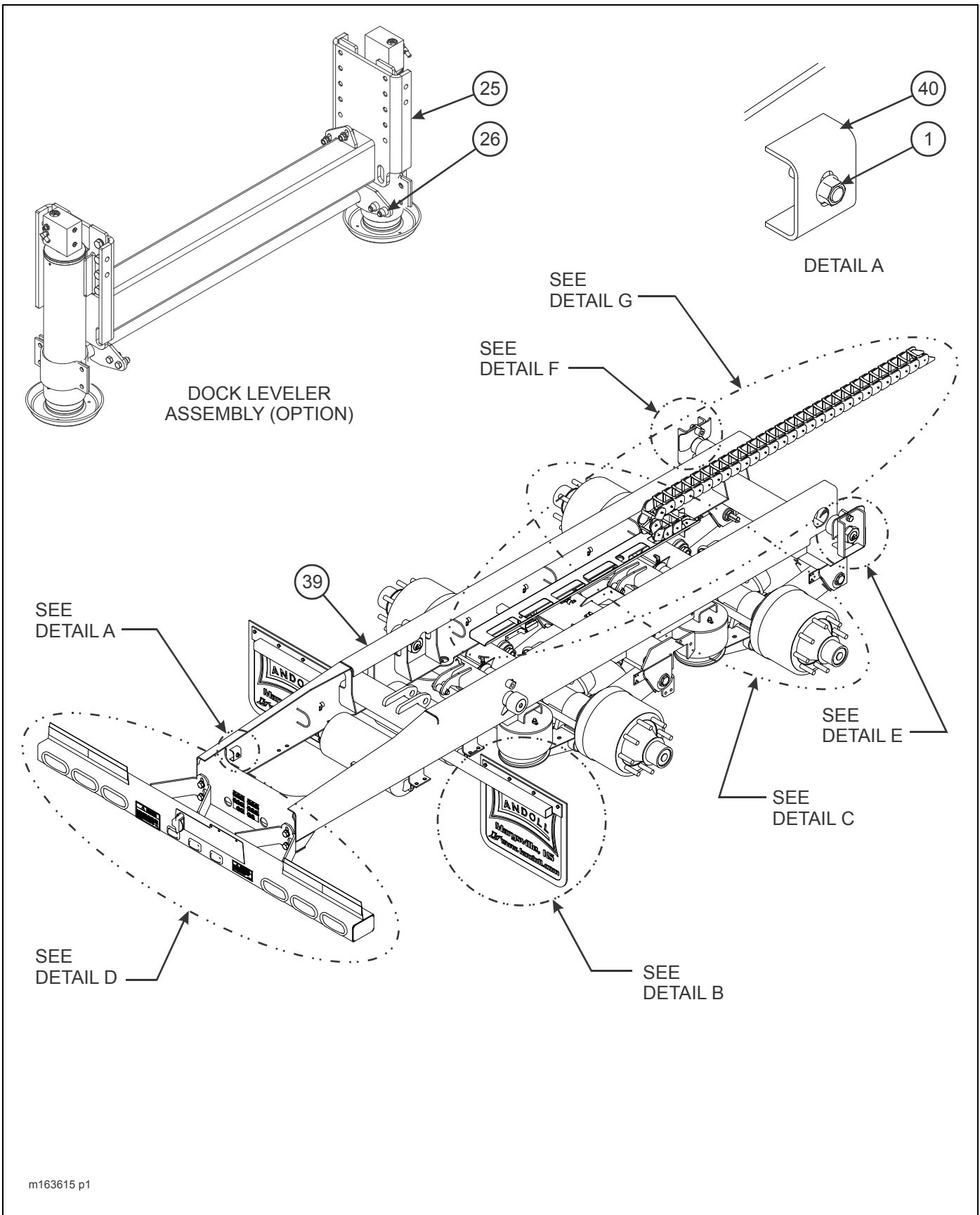


Figure 2-19: U/C Assembly, Air Ride Suspension (1 of 4)

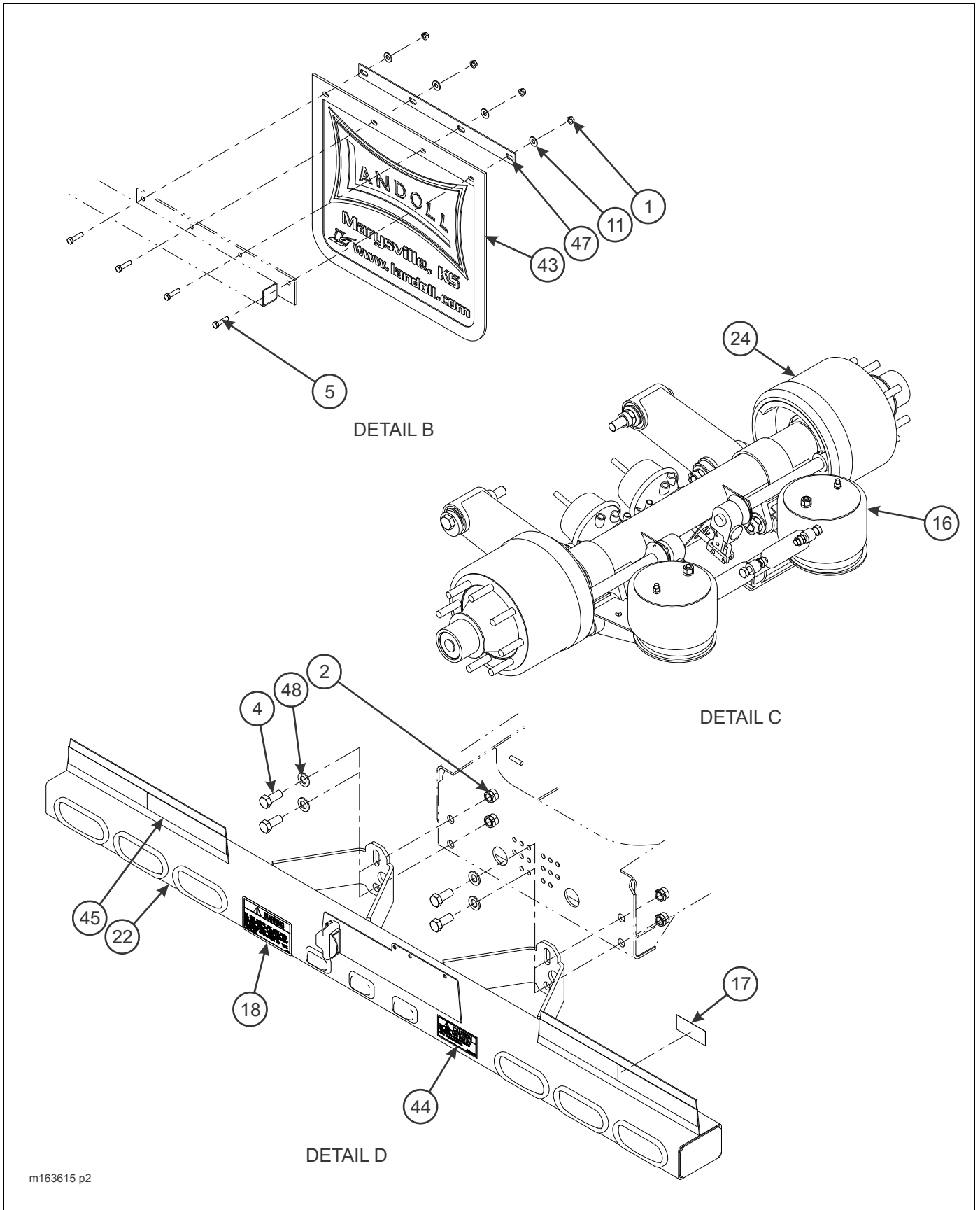


Figure 2-20: U/C Assembly, Air Ride Suspension (2 of 4)

ILLUSTRATED PARTS LIST

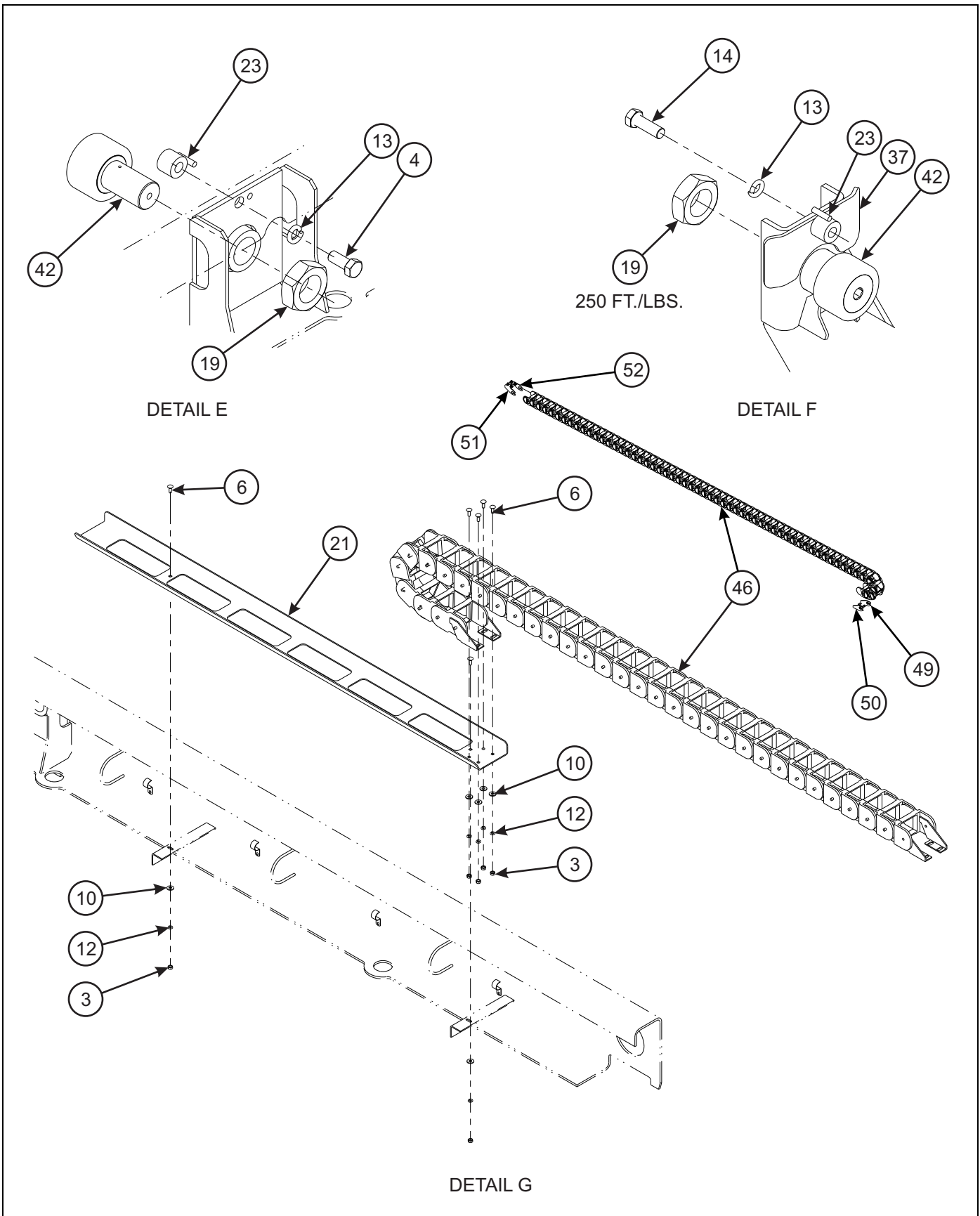
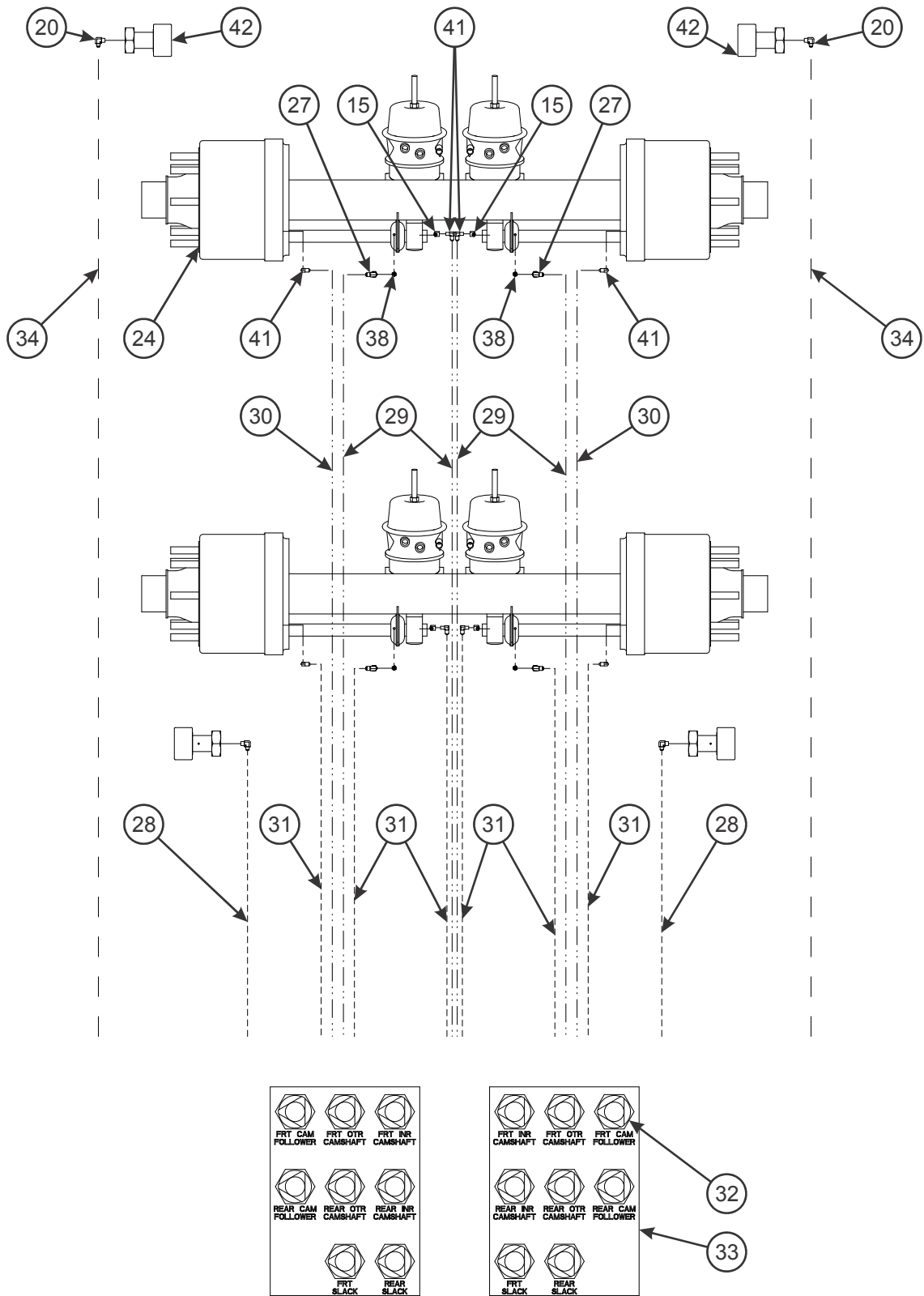


Figure 2-21: U/C Assembly, Air Ride Suspension (3 of 4)



m163615 p4

Figure 2-22: U/C Assembly, Air Ride Suspension (4 of 4)

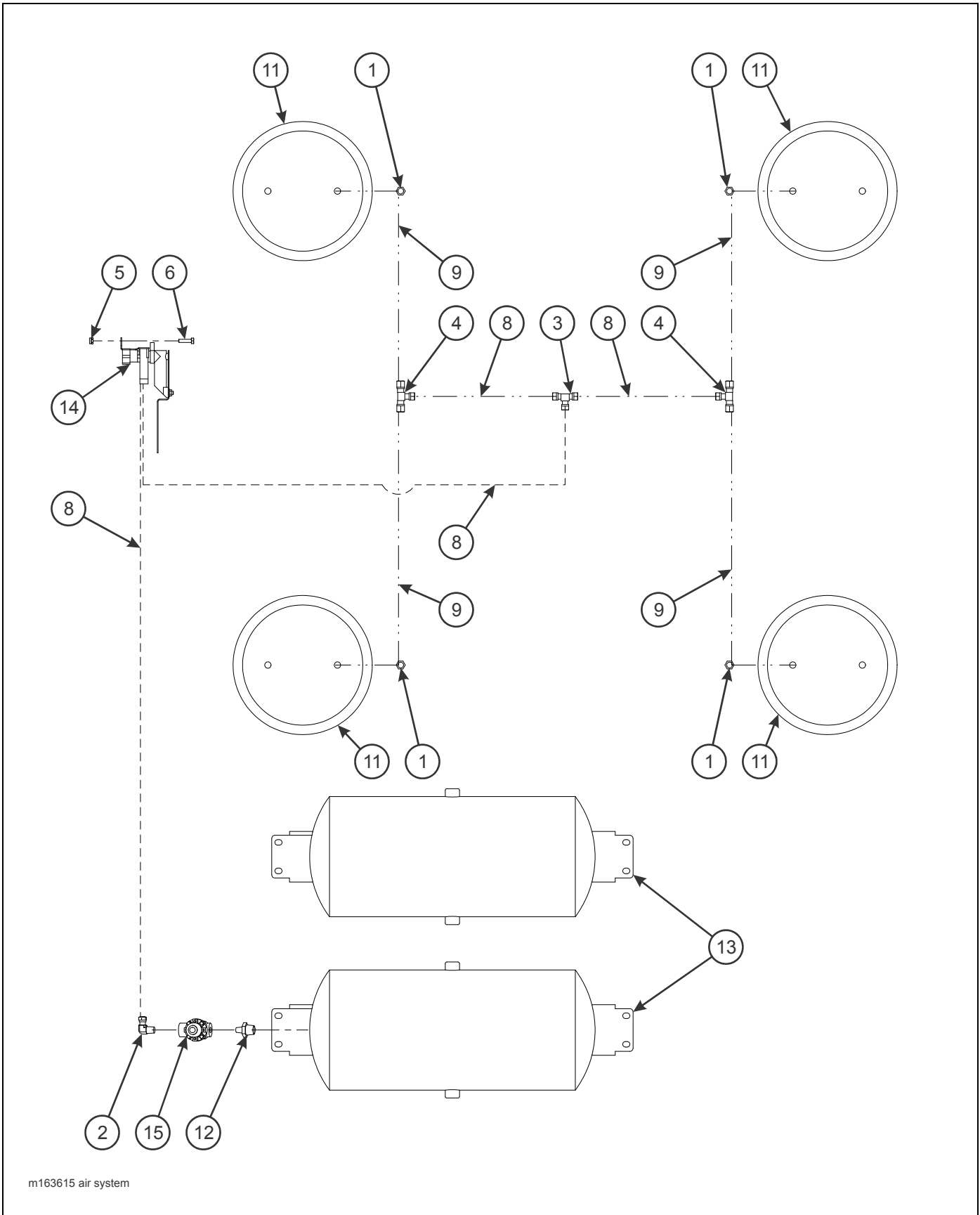
UNDERCARRIAGE ASSEMBLY, AIR RIDE SUSPENSION

ITEM	PART NO.	DESCRIPTION	QTY.					
	163615	SUSPENSION 345E A/R 25.12 - 64.5	*					
	161846	SUSPENSION 345E A/R 2512-70.5		*				
	171205	SUSPENSION 345E A/R 2512-70.5 62K D/L			*			
	161847	SUSPENSION 345E A/R 2512-70.5 TIS				*		
	171206	SUSPENSION 345E A/R 2512-70.5 62K D/L TIS					*	
1	1-510-010001	NUT, FLANGE LOCK 3/8-16	9	9	9	9	9	9
2	1-512-010005-15	NUT, HEX LOCK 3/4-10 GRB	4	4	4	4	4	4
3	1-512-010007-05	NUT, HEX 1/4-20 GRB	6	6	6	6	6	6
4	1-654-010032-4	SCREW, HEX HEAD CAP 3/4-10 X 1-3/4 GR8	6	6	6	6	6	6
5	1-654-010051-07	SCREW, HEX HEAD CAP 3/8-16 X 1-1/2 GR5	8	8	8	8	8	8
6	1-654-010158-1	SCREW, RD HEAD SQ NECK 1/4-20 X 3/4 GR2	6	6	6	6	6	6
7	1-796-010003-02	TIE STRAP, PLASTIC (NOT SHOWN)	10	10	10	10	10	10
8	1-796-010004-02	TIE STRAP, PLASTIC (NOT SHOWN)	4	4	4	4	4	4
9	1-843-010014	VALVE EXTENSION, STEM (NOT SHOWN) (SEE PAGE 2-47)	4	4	4	--	--	--
10	1-861-010032-07	WASHER, FLAT 1/4W	6	6	6	6	6	6
11	1-861-010032-11	WASHER, FLAT 3/8W	8	8	8	8	8	8
12	1-861-010034-09	WASHER, SPLIT LOCK 1/4	6	6	6	6	6	6
13	1-861-010034-17	WASHER, SPLIT LOCK 3/4	4	4	4	4	4	4
14	100941	SCREW, HEX HEAD CAP 3/4-10 X 2-1/4 GR8	2	2	2	2	2	2
15	101528	ELBOW, BRASS PIPE STREET	4	4	4	4	4	4
16	102363	SUSP ADJ RLU-228-3.5 (SEE PAGE 2-39)	2	2	2	2	2	2
17	103055	DECAL, ENERGY BUMPER CERT (SEE PAGE 2-5)	1	1	1	1	1	1
18	103056	DECAL, ENERGY BUMPER WARNING (SEE PAGE 2-5)	1	1	1	1	1	1
19	104034	NUT, HEX 2-12 GR2	4	4	4	4	4	4
20	113268	ADAPTER 90	4	4	4	4	4	4
21	118897	TRAY, E-CHAIN	1	1	1	1	1	1
22	119580	BUMPER WELDMENT E/P 102	--	1	1	1	1	1
	121366	BUMPER WELDMENT E/P 96	1	--	--	--	--	--
23	120451	HOLD DOWN 425 U/C	4	4	4	4	4	4
24	121077	AXLE WELDMENT A/R 2512 SPG 70.5 X 36	--	2	2	--	--	--
	136257	AXLE WELDMENT 2512 SPG 70.5 36 TIS	--	--	--	2	2	2
	115730	AXLE WELDMENT 2512 SPG 64.5 31 TIS (FOR BREAKDOWNS, SEE PAGES 2-42 - 2-43)	2	--	--	--	--	--
25	121498	DOCK LEVELER ASSEMBLY (OPTION)(SEE PAGE 2-89)	--	--	--	1	1	1
26	124559	SPACER, D/L MOUNT	--	--	--	4	4	4
27	138155	ADAPTER, 90	4	4	4	4	4	4
28	142443	HOSE ASSEMBLY GREASE 1/4 X 72	2	2	2	2	2	2
29	142450	HOSE ASSEMBLY GREASE 1/4 X 144	4	4	4	4	4	4
30	142451	HOSE ASSEMBLY GREASE 1/4 X 156	2	2	2	2	2	2
31	142466	HOSE ASSEMBLY GREASE 1/4 X 94	6	6	6	6	6	6
32	142545	NUT, 7/16	16	16	16	16	16	16
33	142553	DECAL, GREASE U/C (SEE PAGE 2-5)	2	2	2	2	2	2
34	144614	HOSE ASSEMBLY GREASE 1/4 X 172	2	2	2	2	2	2
35	163615	SUSPENSION 345E A/R 25.12 - 64.5 (SEE PAGE 2-41)	REF	REF	REF	REF	REF	REF

UNDERCARRIAGE ASSEMBLY, AIR RIDE SUSPENSION

ITEM	PART NO.	DESCRIPTION	QTY.				
	161846	SUSPENSION 345E A/R 2512-70.5	REF	REF	REF	REF	REF
	171205	SUSPENSION 345E A/R 2512-70.5 62K D/L	REF	REF	REF	REF	REF
	161847	SUSPENSION 345E A/R 2512-70.5 TIS	REF	REF	REF	REF	REF
	171206	SUSPENSION 345E A/R 2512-70.5 62K D/L TIS	REF	REF	REF	REF	REF
36	157702	TIRE INFLATION 2AX (NOT SHOWN) (SEE PAGE 2-111)	--	1	1	--	--
37	159732	PLATE, WEAR U/C	2	2	2	2	2
38	161797	ADAPTER, STRAIGHT	4	4	4	4	4
39	161848	UNDERCARRIAGE WELDMENT, A/R	--	1	1	1	1
	163605	UNDERCARRIAGE WELDMENT, A/R NARROW	1	--	--	--	--
40	2-181-010001	HOSE CLAMP	1	1	1	1	1
41	2024-2-4S	ADAPTER, ELBOW	8	8	8	8	8
42	3-076-010005	CAM FOLLOWER, 4" DIA	REF	REF	REF	REF	REF
43	3-485-010001	MUD FLAP, 21"	2	2	2	2	2
44	3-573-010031	DECAL, TRAILER BUMPER (SEE PAGE 2-5)	1	1	1	1	1
45	3-573-010377	DECAL, 2" REFLEXITE TAPE RED/WHITE (SEE PAGE 2-5)	AR	AR	AR	AR	AR
46	3-755-010189-03	SUPPORT E-CHAIN (BEFORE 6-3-2015)	1	1	1	1	1
	3-755-010189-1	LINK (BEFORE 6-3-2015)	58	58	58	58	58
	189316	SUPPORT, E-CHAIN, 34 LINKS, 3838 (AFTER 6-3-2015)	1	1	1	1	1
47	3-762-010017	CLAMP, MUD FLAP	2	2	2	2	2
48	622-3511-008	WASHER, 3/4N	4	4	4	4	4
49	190701	BRACKET WLDMT, E-CHAIN LH (AFTER 6-3-2015)	1	1	1	1	1
50	190706	BRACKET WLDMT, E-CHAIN RH (AFTER 6-3-2015)	1	1	1	1	1
51	190700ZP	BRACKET, E-CHAIN LH (AFTER 6-3-2015)	1	1	1	1	1
52	190705ZP	BRACKET, E-CHAIN RH (AFTER 6-3-2015)	1	1	1	1	1
	189380	FIELD INSTALLATION KIT (ITEM 46 & 49-52)	1	1	1	1	1

ILLUSTRATED PARTS LIST



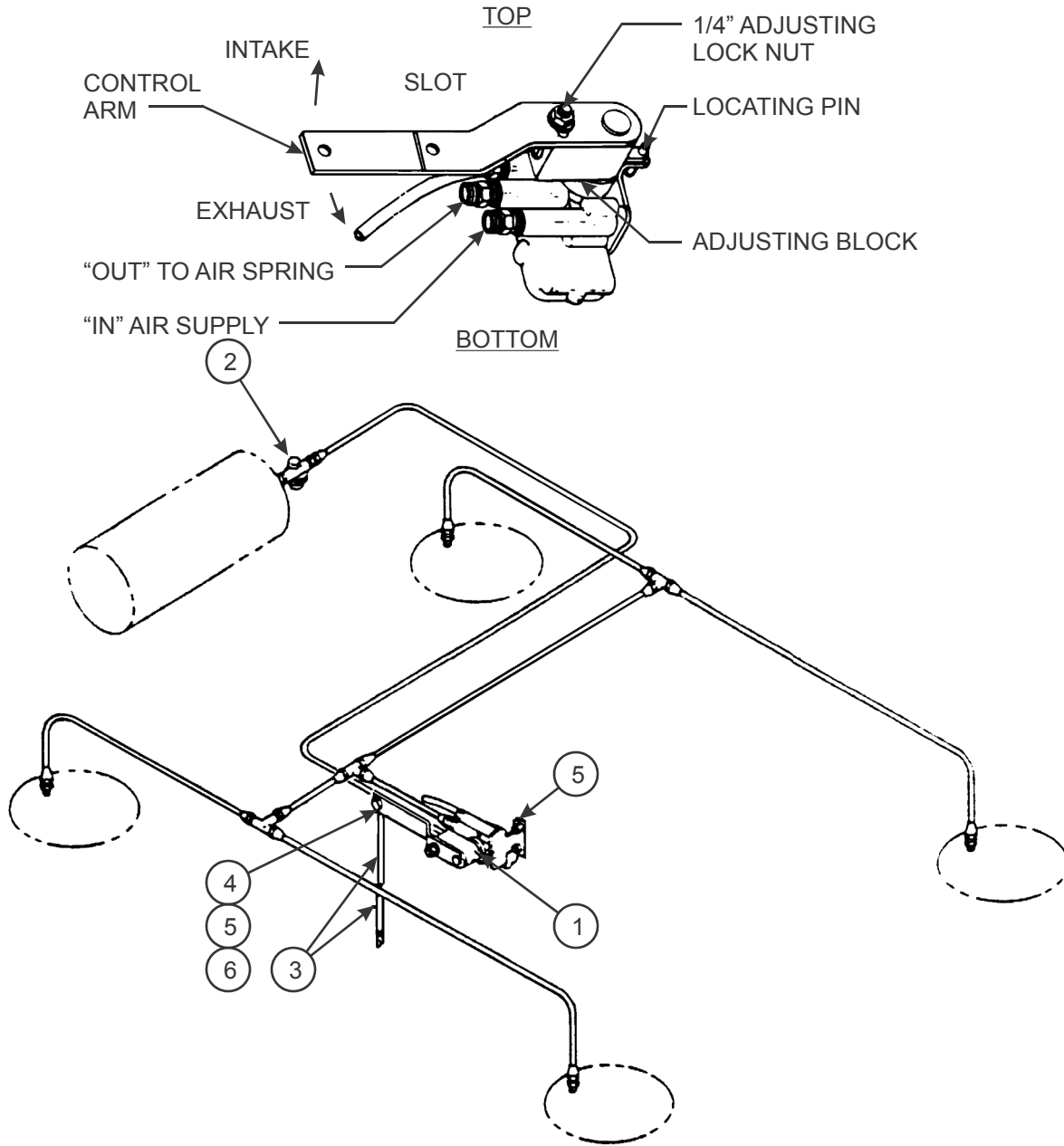
m163615 air system

Figure 2-23: Air Ride Suspension, Air System (Tandem)

AIR RIDE SUSPENSION AIR SYSTEM

ITEM	PART NO.	DESCRIPTION	QTY.
	163615	SUSPENSION 345E A/R 25.12 - 64.5	REF
	161846	SUSPENSION 345E A/R 2512-70.5	
	171205	SUSPENSION 345E A/R 2512-70.5 62K D/L	
	161847	SUSPENSION 345E A/R 2512-70.5 TIS	
	171206	SUSPENSION 345E A/R 2512-70.5 62K D/L TIS	
1	1-297-010007-11	FITTING, AIR	4
2	1-297-010008-07	FITTING, AIR 90	1
3	1-297-010010-01	FITTING, AIR UNION TEE	1
4	1-297-010010-04	FITTING, AIR UNION TEE	2
5	1-512-010005-01	NUT, HEX LOCK 1/4-20 GRB	2
6	1-654-010047-06	SCREW, HEX HEAD CAP 1/4-20 X 1 GR5	2
7	1-796-010004-02	TIE STRAP, PLASTIC (NOT SHOWN)	15
8	1-833-010001	TUBING, NYLON 1/4 OD	AR
9	1-833-010002	TUBING, NYLON 3/8 OD	AR
10	102363	SUSPENSION, ADJ RLU-228-3.5 (NOT SHOWN)(SEE PAGE 2-39)	REF
11	102732	AIR CONTROL KIT NEWAY (INCL ITEMS 14 & 15)(SEE PAGE 2-37)	1
12	2083-8-4S	NIPPLE, HEX 1/2 - 1/4	1
13	3-780-010002	TANK, AIR	REF
14	900 54 007	HEIGHT CONTROL VALVE	REF
15	905-54-107	BRAKE PROTECTION VALVE	REF
	167692	FILTER	1

ILLUSTRATED PARTS LIST



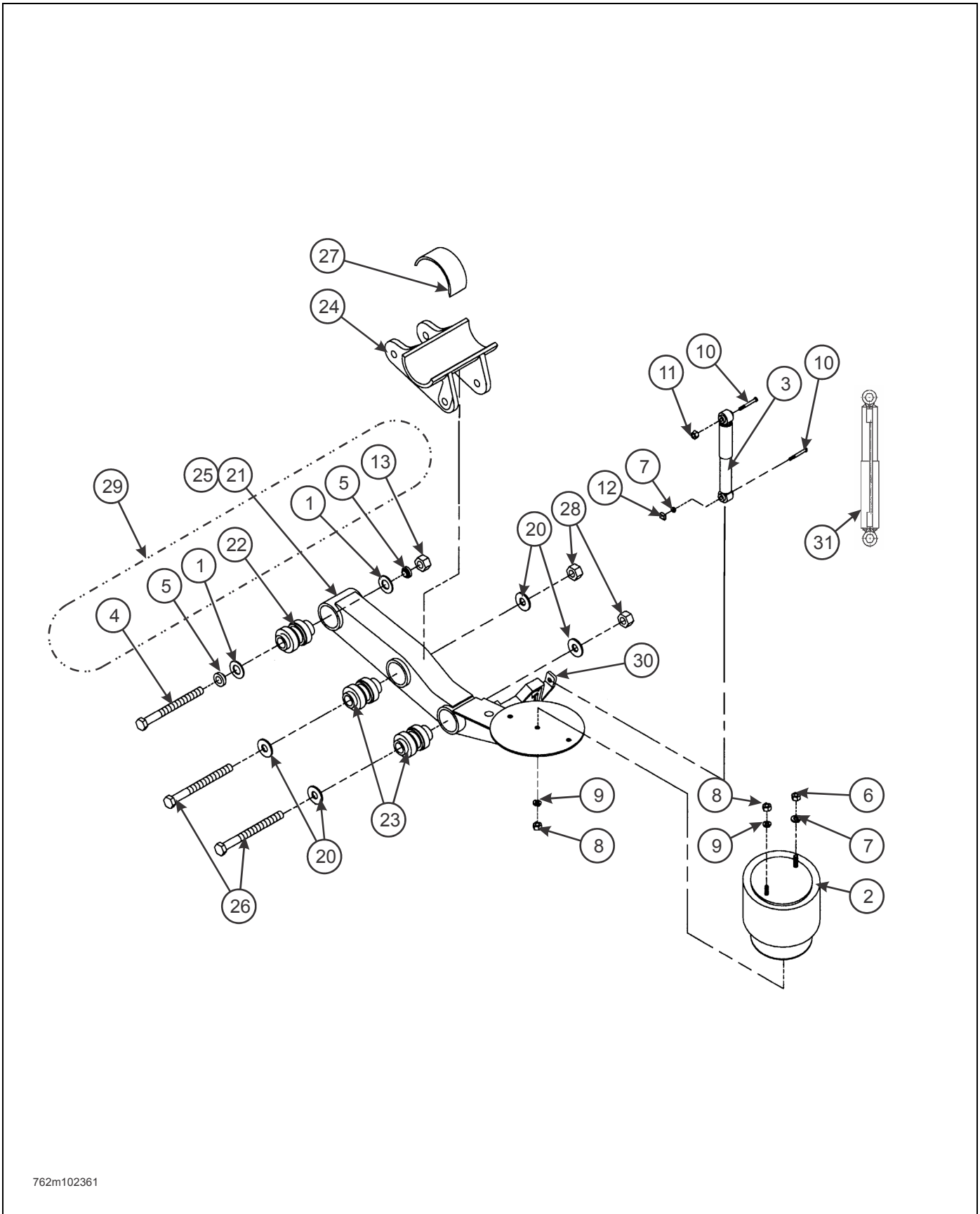
m102732

Figure 2-24: Air Control Kit

AIR CONTROL KIT

ITEM	PART NO.	DESCRIPTION	QTY.
	102732	AIR CONTROL KIT NEWAY	
1	900 54 007	HEIGHT CONTROL VALVE	1
2	905-54-107	AIR PRESSURE PROTECTION VALVE & FILTER	1
	167692	FILTER	1
3	111021	SRK - 167 KIT (ADJ. LINK ASSEMBLY)	1
4	1-654-010047-04	SCREW, HEX HEAD CAP 1/4-20 X 3/4 GR5	2
5	1-512-010005-01	LOCK NUT 1/4-20	2
6	-----	DECAL (OPERATING)	1

ILLUSTRATED PARTS LIST



762m102361

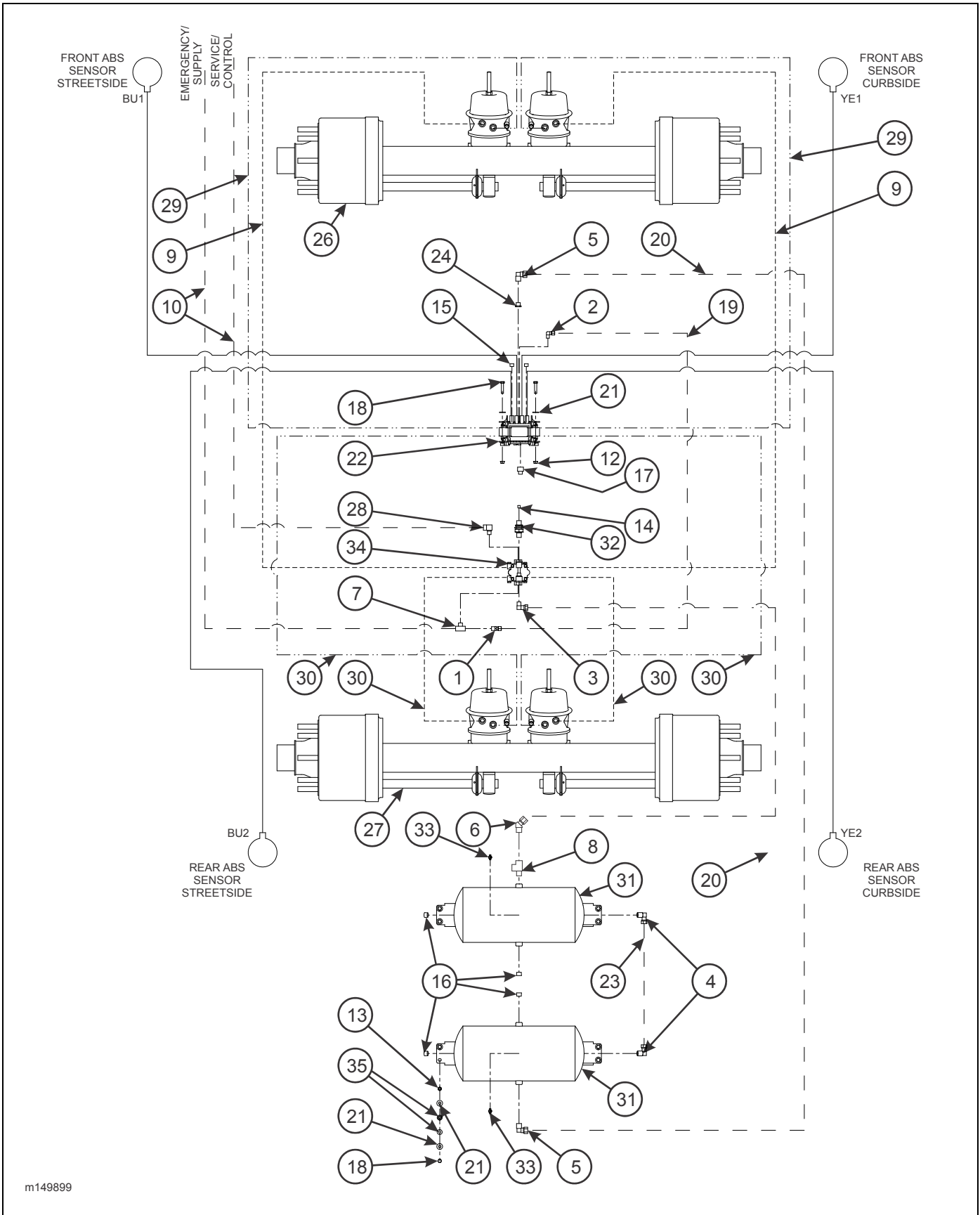
Figure 2-25: Suspension Hanger RLU-228

SUSPENSION HANGER RLU-228

ITEM	PART NO.	REFERENCE NO.	DESCRIPTION	QTY.
	102363		SUSPENSION, ADJ. RLU-228-3.5 (INCL ITEMS 1-19)	
	102361		SUSPENSION, BEAM. RLU-228 (INCL ITEMS 20-28)	
1	111010	900 36 177	FLAT WASHER	2
2	905-57-129	905 57 129	AIR SPRING ASSEMBLY	2
3	900 45 040	900 45 040	SHOCK	2
4	90508009	905 08 009	ALIGN BUSH ASSEMBLY	2
5	111007	900 08 186	ALIGN BLOCK (900 08 186)	2
6	934 00 149	934 00 149	3/4-16 HEX NUT GRB	2
7	936 00 077	936 00 077	LOCK WASHER, 3/4"	4
8	1-512-010007-09	934 00 136	HEX NUT, 1/2-13	4
9	1-861-010034-13	936 00 072	LOCK WASHER, 1/2"	4
10	105408	930 03 597	HEX HEAD CAP SCREW 3/4-10 X 3-1/2	4
11	934 00 492	934 00 492	LOCK NUT, 3/4-10	2
12	111022	934 00 367	3/4-10 SQUARE NUT	2
13	111008	934 00 506	LOCK NUT 1-1/8-7	2
14	111018	900 54 038	ANCHOR, RIDE HEIGHT CONTROL VALVE (NOT SHOWN)	1
15	-----	941 00 787	LITERATURE INSTRUCTIONS (NOT SHOWN)	1
16	-----	941 00 685	LITERATURE SPEC (NOT SHOWN)	1
17	-----	941 00 648	LITERATURE FORM 864 (NOT SHOWN)	1
18	-----	941 00 590	LITERATURE LABEL (NOT SHOWN)	1
19	-----	941 00 790	LITERATURE LABEL (NOT SHOWN)	1
	111019	110 05 053	FASTENER KIT (INCL. 1, 4-11, 13, 15)	1
20	111010	900 36 177	FLAT WASHER	8
21	111013	905 16 600	EQUALIZING BEAM ASSEMBLY LH	1
22	900-08-139	900 08 139	RUBBER BUSHING (FRONT PIVOT)	2
23	111011	900 08 149	RUBBER BUSHING (AXLE CONNECTION)	4
24	111012	900 01 200	AXLE ADAPTER ASSEMBLY	2
25	111014	905 16 601	EQUALIZING BEAM ASSEMBLY RH	1
26	111023	932 01 051	HEX HEAD CAP SCREW 1-1/8-7 X 8-1/2	4
27	900-25-288	900 25 288	SAFETY STRAP	2
28	934-00-506	934 00 506	LOCK NUT 1-1/8-7	4
29	109533	481 00 294	ALIGNMENT BLOCK KIT	1
30	126900	905 20 543	BRACKET BOTTOM SHOCK (RLU-228)	1
31	141708		WIRE ROPE STRAP KIT RLU228-3.5	1

NOTE: QUANTITIES LISTED ARE PER AXLE.

ILLUSTRATED PARTS LIST



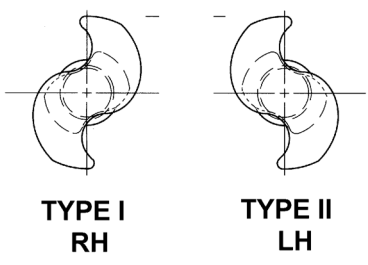
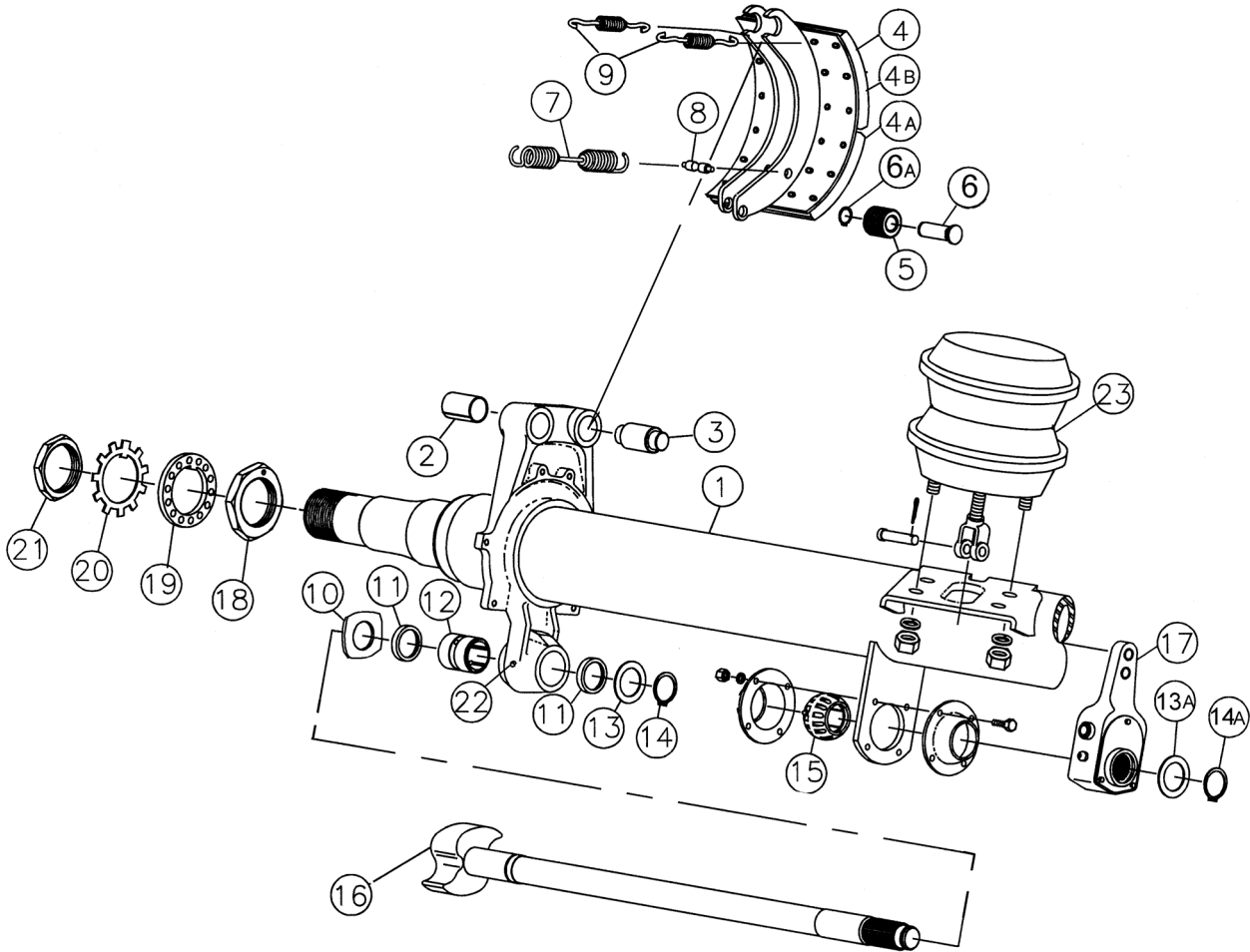
m149899

Figure 2-26: Air Brake System

AIR BRAKE SYSTEM

ITEM	PART NO.	DESCRIPTION	QTY.	
	163615	SUSPENSION 345E A/R 2512-64.5	*	
	161846	SUSPENSION 345E A/R 2512-70.5	*	
	171205	SUSPENSION 345E A/R 2512-70.5 62K D/L	*	
	161847	SUSPENSION 345E A/R 2512-70.5 TIS		*
	171206	SUSPENSION 345E A/R 2512-70.5 62K D/L TIS		*
1	1-297-010007-12	FITTING, AIR	1	1
2	1-297-010008-18	FITTING, AIR 90	1	1
3	1-297-010008-23	FITTING, AIR 90	1	1
4	1-297-010008-24	FITTING, AIR 90	2	2
5	1-297-010008-26	FITTING, AIR 90	2	2
6	1-297-010013-16	FITTING, AIR 45	1	1
7	1-297-010017-03	FITTING, BRASS PIPE TEE 3/8	1	1
8	1-297-010018-04	FITTING, BRASS PIPE ST TEE 1/4	1	1
9	1-384-010038056	HOSE, AIR 3/8 X 56	2	2
10	1-384-010038204	HOSE, AIR 3/8 X 204	2	2
11	1-394-010001	HOSE ABRASION SLEEVE X 2 (NOT SHOWN)	AR	AR
12	1-510-010001	NUT, FLANGE HEAD SERRATED 3/8-16	2	2
13	1-512-010005-05	NUT, HEX LOCK 3/8-16 GRB	8	8
14	1-560-010002-02	PLUG, PIPE 1/4	1	1
15	1-560-010002-03	PLUG, PIPE 3/8N	2	2
16	1-560-010002-04	PLUG, PIPE 1/2	4	3
17	1-560-010002-05	PLUG, PIPE 3/4-14	1	1
18	1-654-010051-08	SCREW, HEX HEAD CAP 3/8-16 X 1-3/4 GR5	10	10
19	1-833-010002	TUBING, NYLON 3/8	AR	AR
20	1-833-010003	TUBING, NYLON 1/2	AR	AR
21	1-861-010032-11	WASHER, FLAT 3/8W	18	18
22	114584	ABS BRAKE KIT WABCO 4S/2M (SEE PAGE 2-45)	1	1
23	117304	TUBING NYLON 5/8	AR	AR
24	118-2659-9	BUSHING 1/2 X 3/4	1	1
25	-----	UNDERCARRIAGE WELDMENT, S/R (NOT SHOWN)	REF	REF
26	149901	AXLE/SPRING ASSEMBLY, FRONT	REF	REF
27	149902	AXLE/SPRING ASSEMBLY, REAR	REF	REF
28	2089-6-6S	ADAPTER, 90	1	1
29	3-384-010020	HOSE, AIR 3/8 X 32	2	2
30	3-384-010031	HOSE, AIR 3/8 X 42	4	4
31	3-780-010002	TANK, AIR	2	2
32	55B61	FRAME, UNION	1	1
33	56D4	COCK, DRAIN AIR TANK	2	2
34	758-181	VALVE, TASK 4 PORT	1	1
35	805-2	BUSHING, STEP	16	16

ILLUSTRATED PARTS LIST



VIEWED FROM HEAD END

NOTE: RH does not necessarily correspond w/ RH side of trailer.

m115703a

Figure 2-27: Axle and Brake Assembly (12-1/4" x 7-1/2")

AXLE AND BRAKE ITEMS (DEXTER) (12-1/4" X 7-1/2")

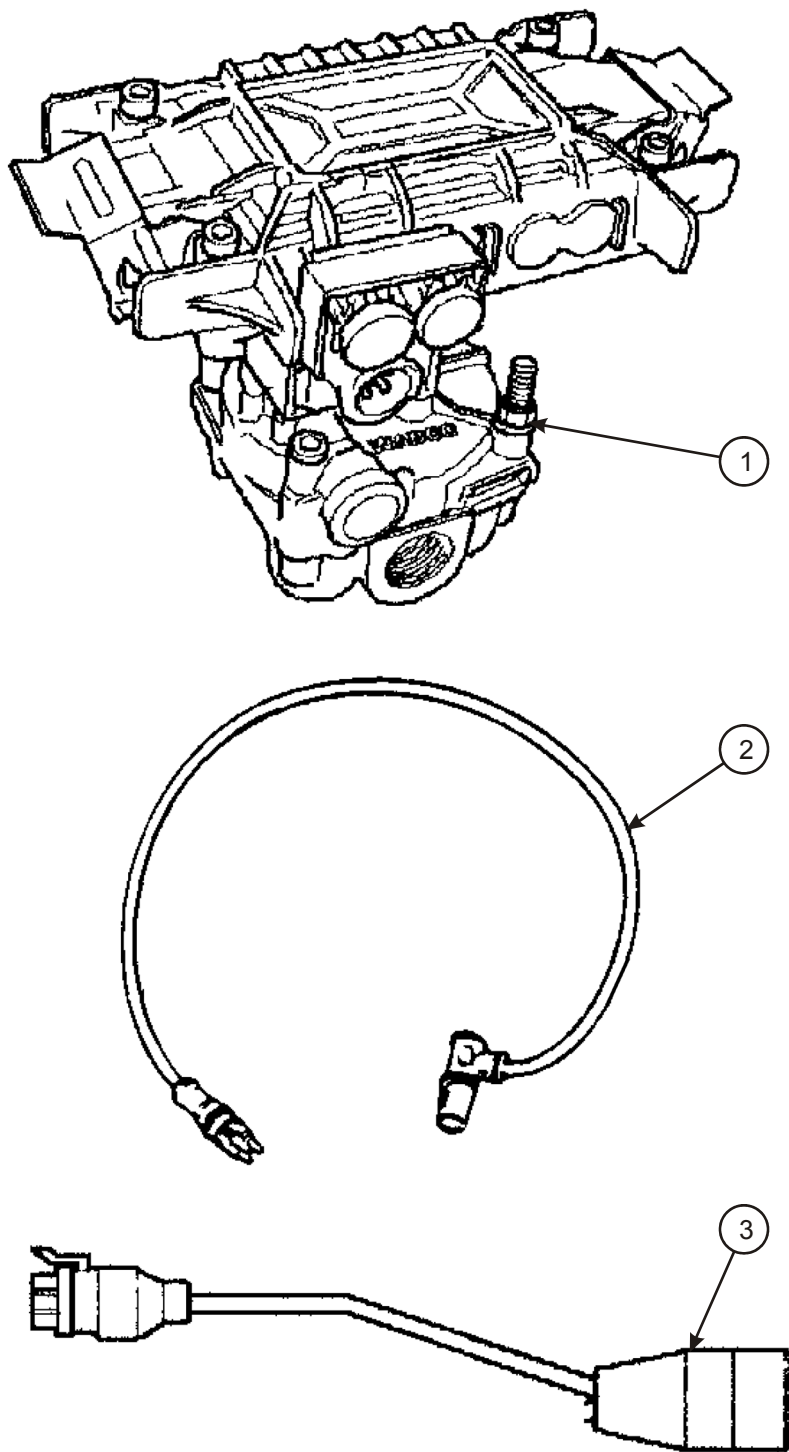
ITEM	PART NO.	REFERENCE NO.	DESCRIPTION	QTY.
	115701		AXLE 64-1/2, 12-1/4 X 7-1/2 SPG BRK (25K)	
	115703		AXLE 70-1/2, 12-1/4 X 7-1/2 SPG BRK (25K)	
	136202		AXLE 70-1/2, 12-1/4 X 7-1/2 SPG BRK TIS (25K)	
	**K71-460-00	**K71-460-00	BRAKE SHOE HARDWARE KIT (ITEMS 2, 3, 5, 6, 6A, 7, & 8)	
2**	----	014-068-00	BUSHING, SPIDER ANCHOR PIN	4
3**	----	056-017-00	PIN, ANCHOR	4
4	040-320-01	040-320-01	SHOE AND LINING ASSEMBLY	4
4A	----	041-060-01	LINING - BRAKE BLOCK CAM	2
4B	----	041-057-01	LINING - BRAKE BLOCK ANCHOR	4
	----	K71-133-00	BRAKE BLOCK KIT	4
5**	----	014-057-00	ROLLER	4
6**	----	056-010-00	RETAINER, ROLLER PIN	8
6A**	----	069-018-00	RETAINER RING	8
7**	----	046-092-00	SPRING, SHOE RETRACTOR	2
8**	056-018-00	056-018-00	RETAINER PIN RETRACTOR SPRING	4
9**	046-097-00	046-097-00	KEEPER SPRING	4
	***K71-101-00	**K71-101-00	CAMSHAFT REPAIR KIT (ITEMS 10-15, & 22)	
10***	005-074-00	005-074-00	D" WASHER - CAMSHAFT	2
11***	010-052-00	010-052-00	SEAL GREASE	4
12***	----	014-056-00	BUSHING CAMSHAFT SPIDER	2
13A***	----	005-134-00	WASHER CAMSHAFT END	2
14A***	069-078-00	069-078-00	RETAINER, CAMSHAFT END	2
15***	----	014-058-00	BUSHING CAMSHAFT SUPPORT	2
16	034-188-08	034-188-08	CAMSHAFT, 19-1/2" LH	1
	034-189-08	034-189-08	CAMSHAFT, 19-1/2" RH	1
	136991	034-188-03	CAMSHAFT, 22-5/16" LH	1
	136992	034-189-03	CAMSHAFT, 22-5/16" RH	1
17	156655	055-040-99	SLACK ADJUSTER, AUTOMATIC	2
18	006-114-00	006-114-00	NUT, INNER SPINDLE	2
19	005-098-00	005-098-00	WASHER, SPINDLE LOCK	2
20	005-099-00	005-099-00	WASHER, TABBED SPINDLE LOCK	2
21	006-115-00	006-115-00	NUT, OUTER SPINDLE	2
22***	----	061-006-00	FITTING, GREASE 45°	2
23	034-058-07	034-058-07	AIR CHAMBER, SPRING BRAKE	2
24	103805	024-100-00	SENSOR BLOCK	2
26	144979	097-002-00	RETAINER CLIP	2
27	139287	094-007-00	ABS SENSOR, 90	2

* WHEN ORDERING THE BEAM WITH SPINDLE, SPIDER, AND BRACKETS ATTACHED, YOU WILL NEED THE BEAM NUMBER, TRACK LENGTH, BRAKE SIZE, AND CAMSHAFT LENGTH.

** THESE PARTS ARE AVAILABLE AS PART OF THE BRAKE SHOE REPAIR KIT LISTED

*** THESE PARTS ARE AVAILABLE AS PART OF THE CAMSHAFT REPAIR KIT LISTED

NOTE: FOR HUB AND DRUM INFORMATION, SEE PAGE 2-47

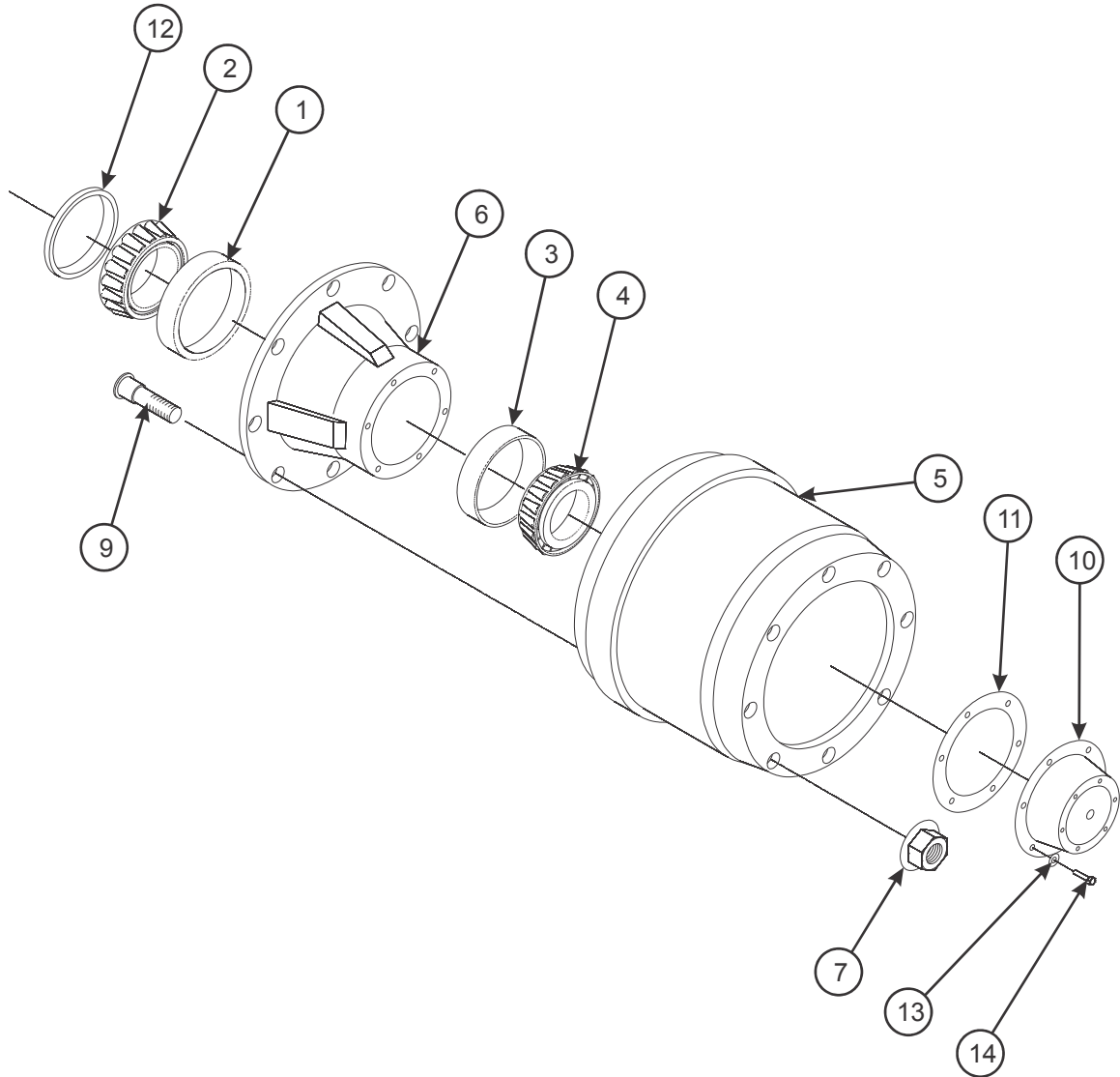


ma114584

Figure 2-28: Brake Kit, Rockwell ABS 4S/2M

ABS BRAKE KIT

ITEM	PART NO.	DESCRIPTION	QTY.
	114584	ABS BRAKE KIT 4S/2M	
1	114588	ECU/VALVE ASSEMBLY	1
2	101848	SENSOR EXTENSION CABLE 6FT	4
3	114590	POWER/DIAGNOSTIC CABLE 4.0M/3.0M	1



345e huboabs2

Figure 2-29: Outboard Hub and Drum Assembly

OUTBOARD PILOT MOUNT HUB AND DRUM ASSEMBLY

ITEM	PART NO.	DESCRIPTION	QTY.
1	HM218210	INNER BEARING CUP	1
2	HM218248	INNER BEARING CONE	1
3	HM212011	OUTER BEARING CUP	1
4	HM212049	OUTER BEARING CONE	1
5	63680	OUTBOARD MOUNTED BRAKE DRUM	1
6	112492	HUB IRON 100TH TONER RING	1
7	179955	FLANGE NUT	8
9	113536	STUD	8
10	4009	CAP, HUB	1
11	3067	GASKET OIL CAP	1
12	3-659-010012	SEAL	1
13	1-861-010034-10	WASHER, SPLIT LOCK 5/16	6
14	1-654-010049-03	SCREW, HEX HEAD CAP 5/16-18 X 3/4 GR5	6
15	100402	WHEEL, POLISHED ALUM PILOT MOUNT 17.5 X 6.75 (8 BOLT)	1
	3-870-010097	WHEEL, STEEL PILOT MOUNT 17.5 X 6.75 (8 BOLT)	1
	112047	WHEEL, MACHINED ALUM PILOT MOUNT 17.5 X 6.75 (8 BOLT) (NOT SHOWN)	1
16	TR573	VALVE STEM - STEEL WHEEL (NOT SHOWN)	1
	100401	VALVE STEM TR543C - ALUMINUM WHEEL (NOT SHOWN)	1
17	1-843-010014	VALVE, EXTENSION, STEM 3" (USED W/ 12-1/4" BRAKES) (NOT SHOWN)	1

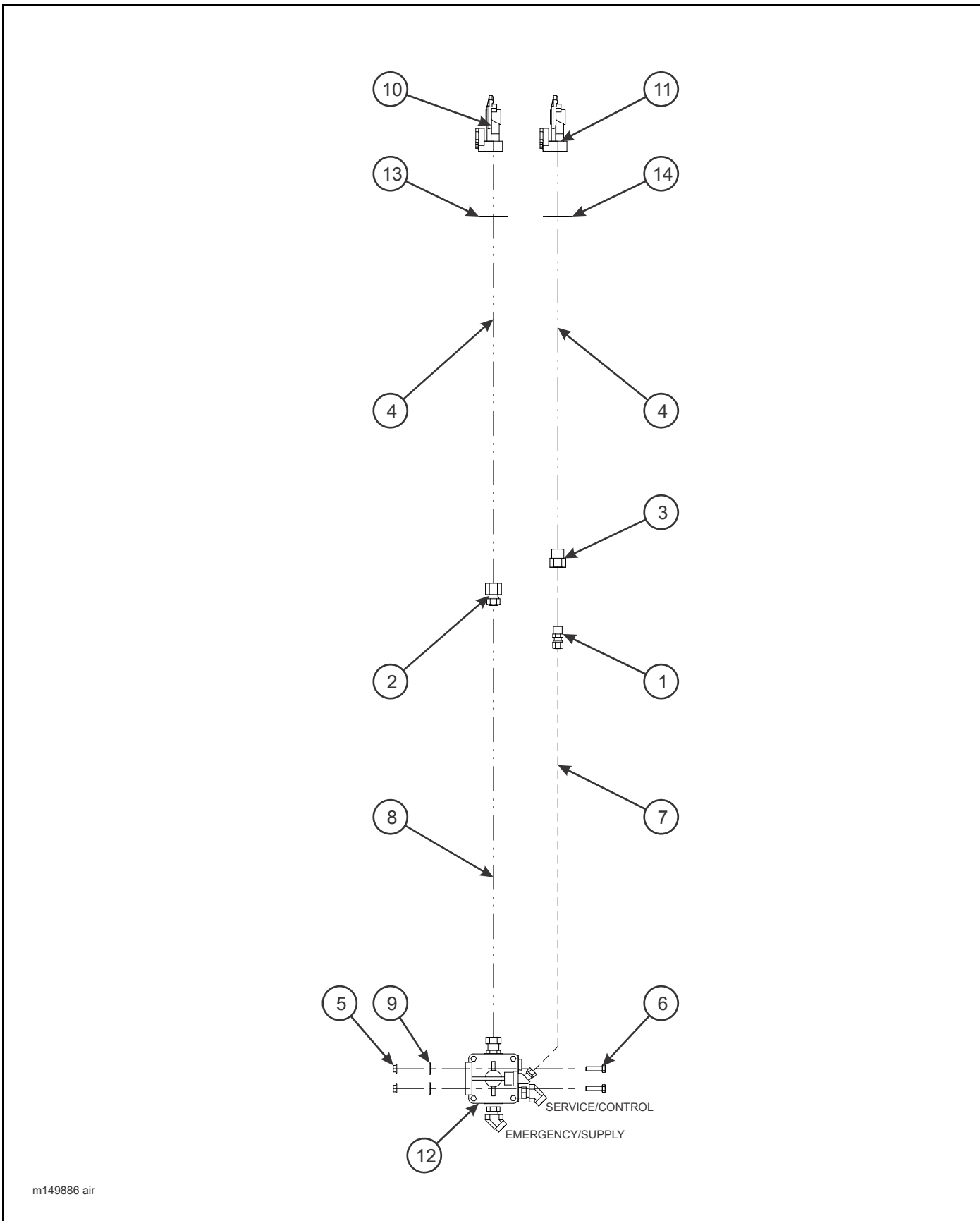


Figure 2-30: Air System, Main

AIR SYSTEM, MAIN

ITEM	PART NO.	DESCRIPTION	QTY.
	149886	HYD ELECT AIR INSTALLATION	
1	1-297-010007-12	FITTING, AIR 3/8 X 3/8	1
2	1-297-010012-16	FITTING, AIR FEMALE CONN 1/2 X 1/2	1
3	1-297-010021-05	FITTING, BRASS PIPE REDUCER COUPLING 1/2 TO 3/8	1
4	1-384-010041-2	HOSE, AIR 1/2X102 WITH .50 ENDS	2
5	1-510-010004-03	NUT, FLANGE HEAD SPIRALOCK 5/16-18	2
6	1-654-010049-06	SCREW, HEX HEAD CAP 5/16-18 X 1-1/4	2
7	1-833-010002	NYLON TUBING, 3/8	AR
8	1-833-010003	NYLON TUBING, 1/2	AR
9	1-861-010032-09	WASHER, FLAT 5/16	2
10	108801	GLAD HAND, RED AIR	1
11	108802	GLAD HAND, BLUE AIR	1
12	141607	VALVE ASSEMBLY, AIR BOOSTER	1
13	55B61-6	TAG, EMERGENCY LINE	1
14	55B61-7	TAG, SERVICE LINE	1

ILLUSTRATED PARTS LIST

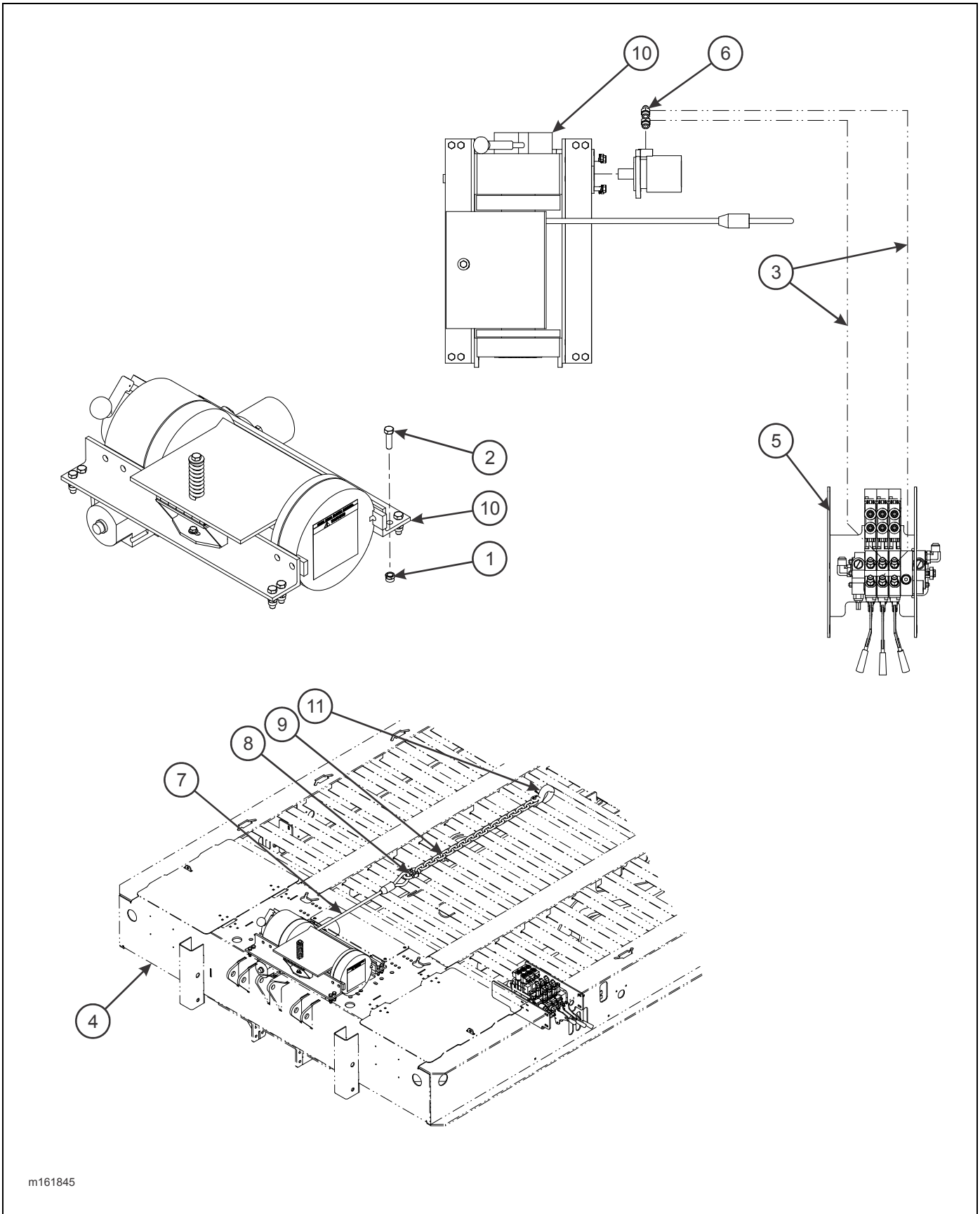


Figure 2-31: Winch Installation

WINCH INSTALLATION

ITEM	PART NO.	DESCRIPTION	QTY.
	161845	WINCH INSTALLATION, 20,000 LB	
1	1-512-010005-09	NUT, HEX LOCK 1/2-13 GRB	8
2	1-654-010055-04	SCREW, HEX HEAD CAP 1/2-13 X 1-3/4 GR5	8
3	107486	HOSE ASSEMBLY, 1/2 X 90	2
4	-----	FRAME WELDMENT	REF
5	-----	VALVE ASSEMBLY, 3 SPOOL	REF
6	202702-10-8S	ADAPTER, #10 O-RING #8 TUBE	2
7	3-155-010018-6	CABLE, 5/8 X 60 (20K)	1
8	3-174-010038	CHAIN LINK CONNECTING 1/2	1
9	3-174-010039036	CHAIN 1/2 X 36 GR7	1
10	3-873-010129-2	WINCH ASSEMBLY, 20,000 LB (SEE PAGE 2-55)	1
11	7HCGHT500	1/2 CLEVIS GRAB HOOK	1

ILLUSTRATED PARTS LIST

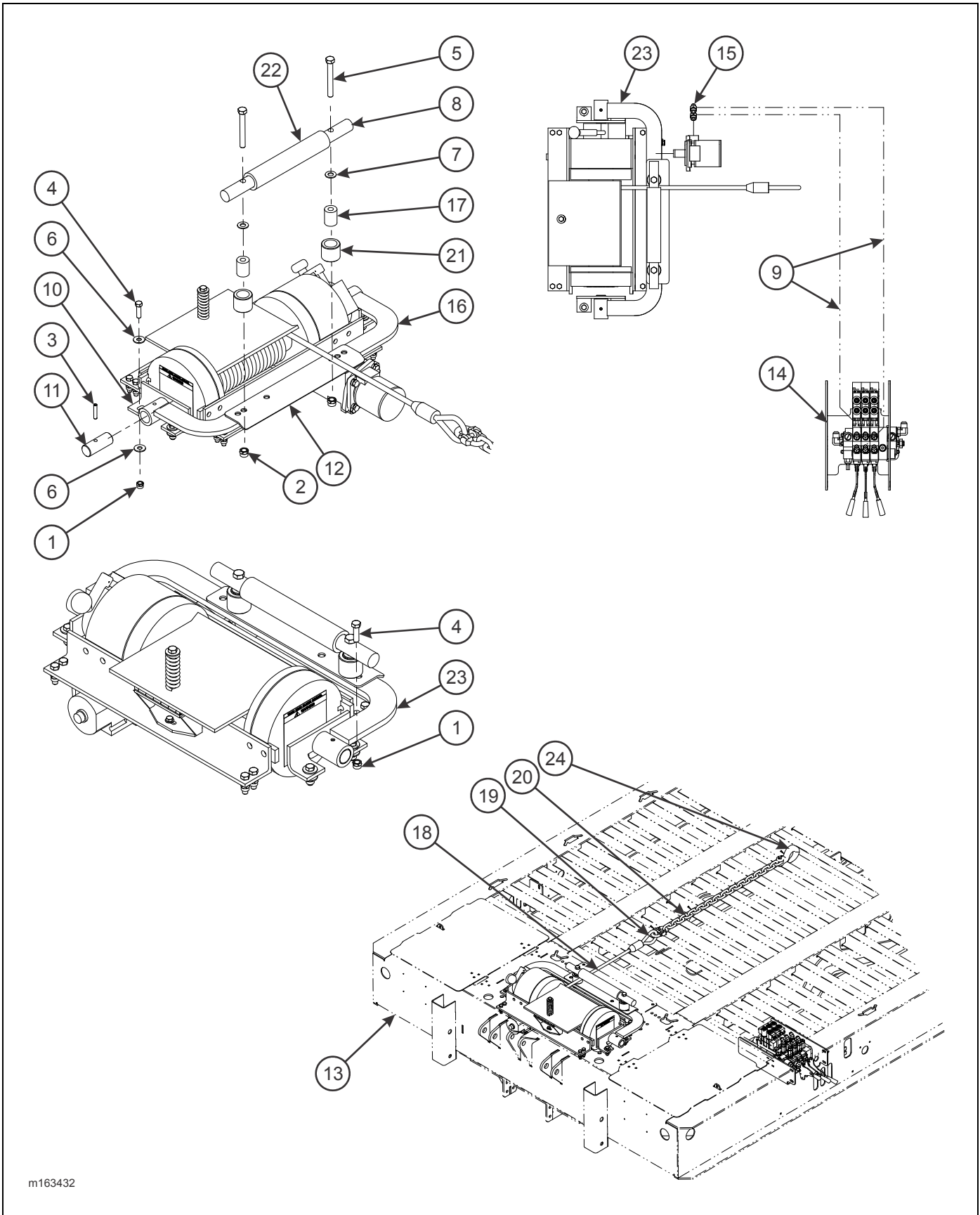
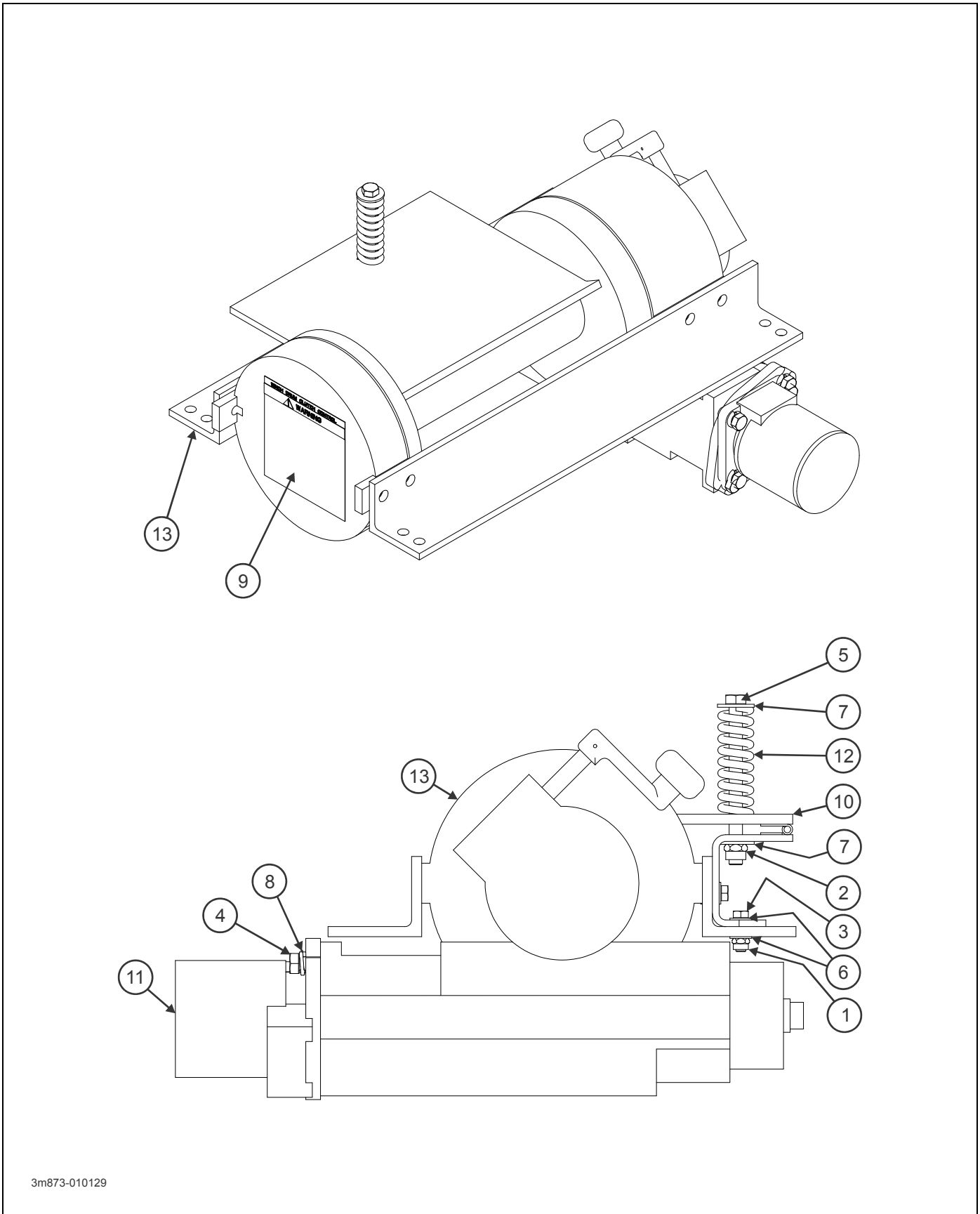


Figure 2-32: Winch Installation

WINCH INSTALLATION

ITEM	PART NO.	DESCRIPTION	QTY.
	163432	WINCH INSTALLATION, 20,000 LB	
1	1-512-010005-09	NUT, HEX LOCK 1/2-13 GRB	7
2	1-512-010005-13	NUT, HEX LOCK 5/8-11 GRB	2
3	1-647-010004255	ROLL PIN, SLOTTED 3/8 X 2	2
4	1-654-010055-04	SCREW, HEX HEAD CAP 1/2-13 X 1-3/4 GR5	2
5	1-654-010059-15	SCREW, HEX HEAD CAP 5/8-11 X 5 GR5	2
6	1-861-010032-15	WASHER, FLAT 1/2	1
7	1-861-010032-18	WASHER, FLAT 5/8N	2
8	102188	ROD, PIVOTING GUIDE	1
9	107486	HOSE ASSEMBLY, 1/2 X 90	2
10	119621	ANCHOR, CABLE GUIDE WINCH	2
11	119622	PIN, PIVOT WINCH ROLLER	2
12	143246	RUB BAR, CABLE GUIDE WINCH	1
13	-----	FRAME WELDMENT	REF
14	-----	VALVE ASSEMBLY, 3 SPOOL	REF
15	202702-10-8S	ADAPTER, #10 O-RING #8 TUBE	2
16	3-125-010464	BRACKET WELDMENT, WINCH ROLLER	1
17	3-150-010196	BUSHING, WINCH ROLLER SIDE	2
18	3-155-010018-6	CABLE, 5/8 X 60 (20K)	1
19	3-174-010038	CHAIN LINK CONNECTING 1/2	1
20	3-174-010039036	CHAIN 1/2 X 36 GR7	1
21	3-831-010172	TUBE, WINCH ROLLER SIDE	2
22	3-831-010182	TUBE, ROLLER TOP	1
23	3-873-010129-2	WINCH ASSEMBLY, 20,000 LB (SEE PAGE 2-55)	1
24	7HCGHT500	1/2 CLEVIS GRAB HOOK	1

ILLUSTRATED PARTS LIST

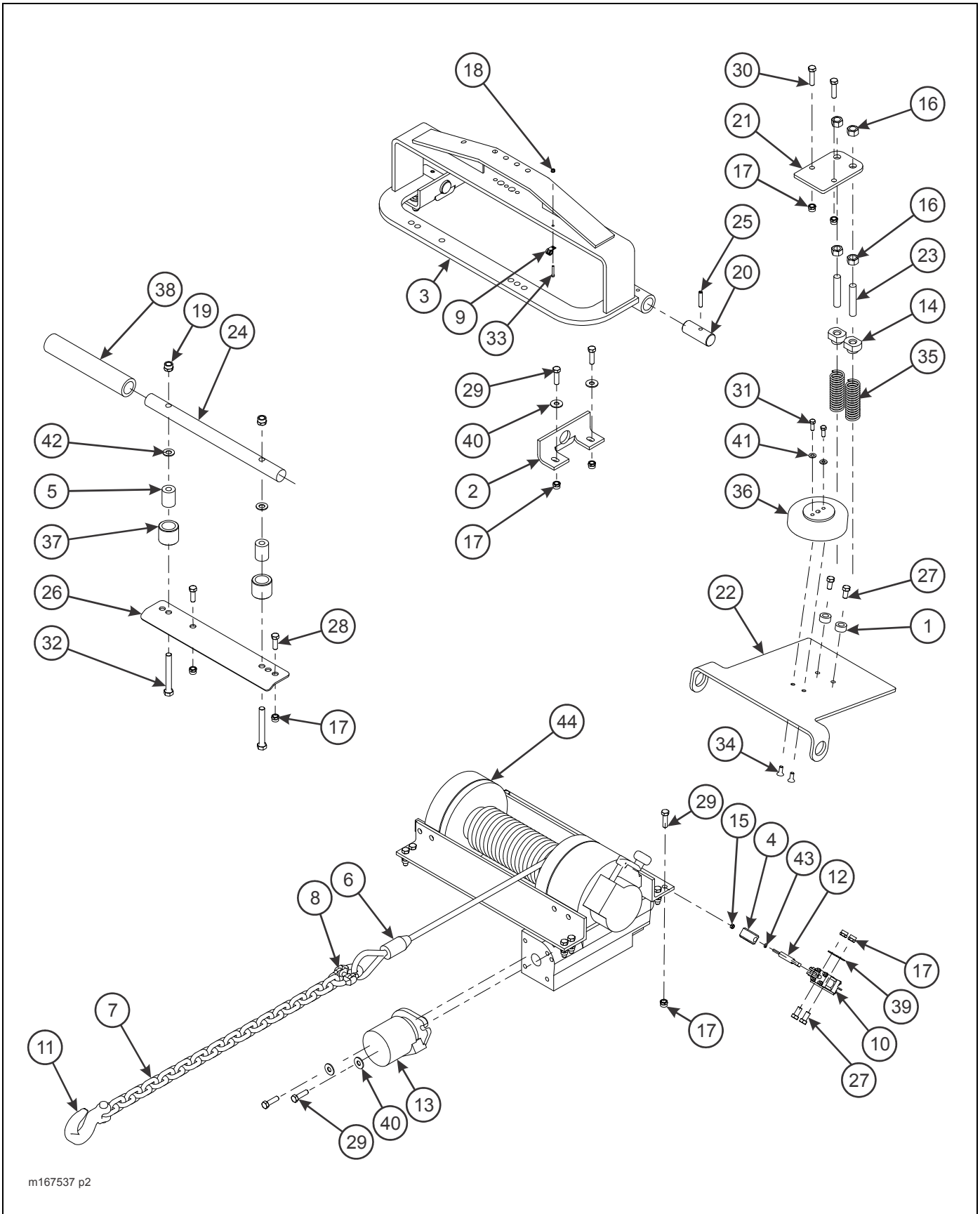


3m873-010129

Figure 2-33: Winch Installation

WINCH INSTALLATION

ITEM	PART NO.	DESCRIPTION	QTY.
	3-873-010129-2	WINCH ASSEMBLY, 20,000 LB	
1	1-512-010005-05	NUT, HEX LOCK 3/8-16 GRB	3
2	1-512-010005-09	NUT, HEX LOCK 1/2-13 GRB	7
3	1-654-010051-06	SCREW, HEX HEAD CAP 3/8-16 X 1-1/4 GR5	3
4	1-654-010055-04	SCREW, HEX HEAD CAP 1/2-13 X 1-3/4 GR5	2
5	1-654-010055-17	SCREW, HEX HEAD CAP 1/2-13 X 6 GR5	1
6	1-861-010032-10	WASHER, FLAT 3/8	6
7	1-861-010032-15	WASHER, FLAT 1/2	1
8	1-861-010034-13	WASHER, SPLIT LOCK 1/2	2
9	100600	DECAL, WARNING WINCH (NOT SHOWN)	1
10	102186	WINCH TENSIONER WELDMENT	1
11	3-481-010007	MOTOR, HYDRAULIC (SEE PAGE 2-71)	1
12	3-720-010010	SPRING, COMP LEVEL WIND	1
13	3-873-010123	WINCH, WORM GEAR (SEE PAGE 2-68)	1



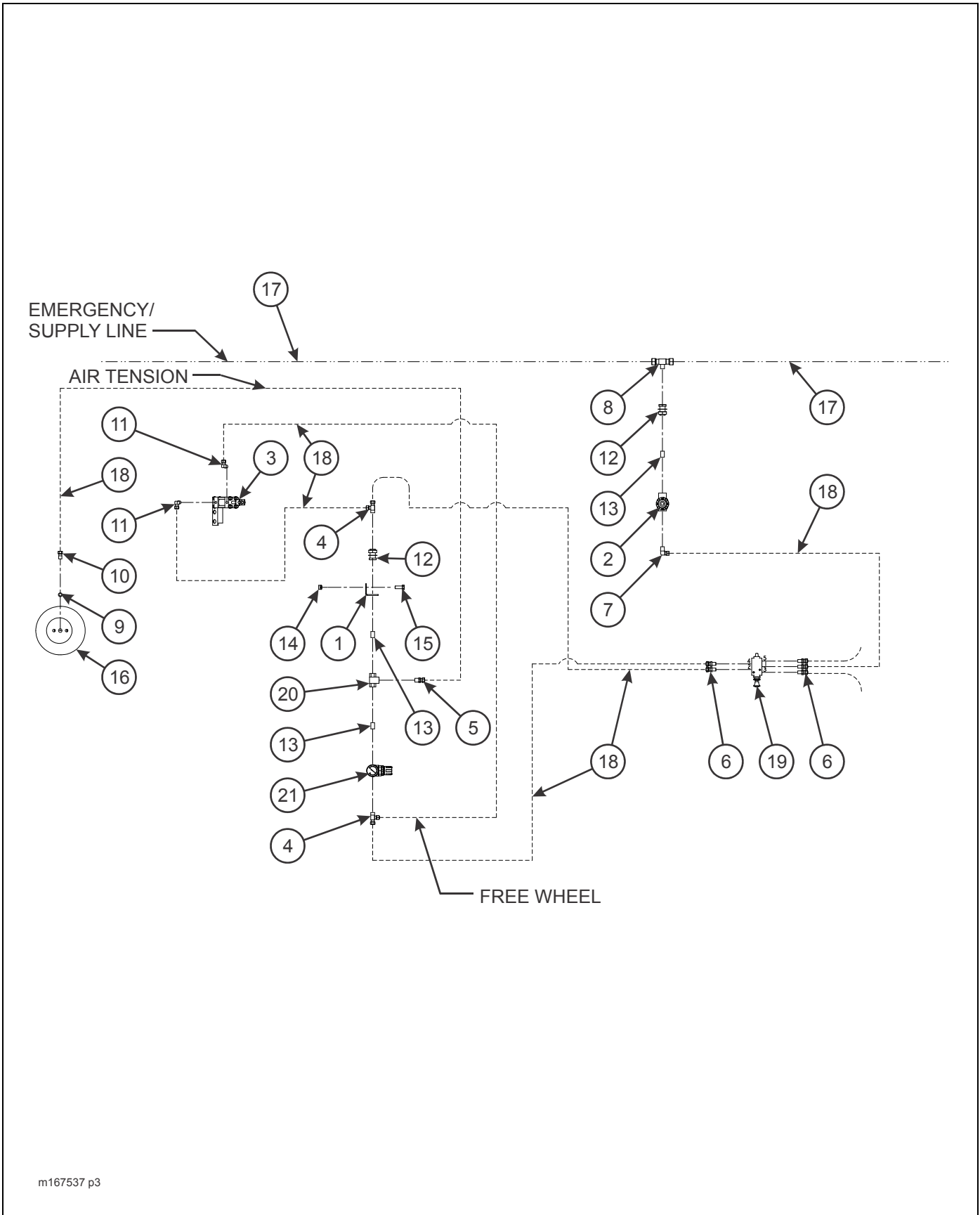
m167537 p2

Figure 2-34: Winch Installation, Guide Air T/R

WINCH INSTALLATION, GUIDE AIR T/R

ITEM	PART NO.	DESCRIPTION	QTY.
	167537	WINCH INSTALLATION, GUIDE AIR T/R 20K	
1	3-014-010255	ANCHOR BUSHING, F/W SPRING TENSION	2
2	119621	ANCHOR, CABLE GUIDE WINCH	2
3	3-125-010465	BRACKET WELDMENT, WINCH TENSIONER	1
4	3-150-010186	BUSHING, WINCH REMOTE LEVER	1
5	3-150-010196	BUSHING, WINCH ROLLER SIDE	2
6	3-155-010018-6	CABLE, 5/8 X 60 (20K)	1
7	3-174-010039036	CHAIN 1/2 X 36 GR7	1
8	3-174-010038	CHAIN LINK CONNECTING 1/2	1
9	125892	CLAMP, CABLE 3/8 SST	1
10	107368	CYLINDER, AIR W/ BRACKET WINCH FREE-SPOOL (SEE PAGE 2-73)	1
11	7HCGHT500	1/2 CLEVIS GRAB HOOK	1
12	107369	LEVER, WINCH FREE SPOOL	1
13	3-481-010007	MOTOR, HYDRAULIC (20K) (SEE PAGE 2-71)	1
14	3-522-010017	NUT, F/W SPRING TENSION	2
15	1-512-010007-05	NUT, HEX 1/4-20 GRB	1
16	1-512-010007-12	NUT, HEX 3/4-10 GR2	4
17	1-512-010005-09	NUT, HEX LOCK 1/2-13 GRB	18
18	1-512-010004-03	NUT, HEX LOCK 10-24 GRA	1
19	1-512-010005-13	NUT, HEX LOCK 5/8-11 GRB	2
20	119622	PIN, PIVOT WINCH ROLLER	2
21	3-565-011688	PLATE, F/W SPRING TENSION	1
22	102187	PLATE, WINCH TENSIONER AIR	1
23	RTR7999X4ZP	ROD, THREADED 3/4-10 X 4	2
24	102188	ROD, PIVOTING GUIDE	1
25	1-647-010004255	ROLL PIN, SLOTTED 3/8 X 2	2
26	143246	RUB BAR, CABLE GUIDE WINCH	1
27	1-654-010055-01	SCREW, HEX HEAD CAP 1/2-13 X 1 GR5	4
28	1-654-010055-03	SCREW, HEX HEAD CAP 1/2-13 X 1-1/2 GR5	2
29	1-654-010055-04	SCREW, HEX HEAD CAP 1/2-13 X 1-3/4 GR5	14
30	1-654-010055-05	SCREW, HEX HEAD CAP 1/2-13 X 2 GR5	2
31	1-654-010036-05	SCREW, HEX HEAD CAP 3/8-16 X 1 GR8	2
32	1-654-010059-15	SCREW, HEX HEAD CAP 5/8-11 X 5 GR5	2
33	1-654-010024055	SCREW, MACH SLOTTED FIL HEAD #10-24 X 1-1/4	1
34	1-654-010141-04	SCREW, HEX SOCKET CTSK 3/8-16 X 1	2
35	3-720-010035	SPRING, YOKE SHAFT	2
36	3-720-010042	SPRING, AIR 6-1/2	1
37	3-831-010172	TUBE, WINCH ROLLER SIDE	2
38	3-831-010182	TUBE, ROLLER TOP	1
39	1-861-010032-14	WASHER, FLAT 1/2N	2
40	1-861-010032-15	WASHER, FLAT 1/2W	6
41	1-861-010032-10	WASHER, FLAT 3/8N	2
42	1-861-010032-18	WASHER, FLAT 5/8N	2
43	1-861-010034-09	WASHER, SPLIT LOCK 1/4	1
44	3-873-010123	WINCH, WORM GEAR (20K) (SEE PAGE 2-68)	1
45	100600	DECAL, WARNING WINCH (NOT SHOWN) (SEE PAGE 2-5)	1

ILLUSTRATED PARTS LIST

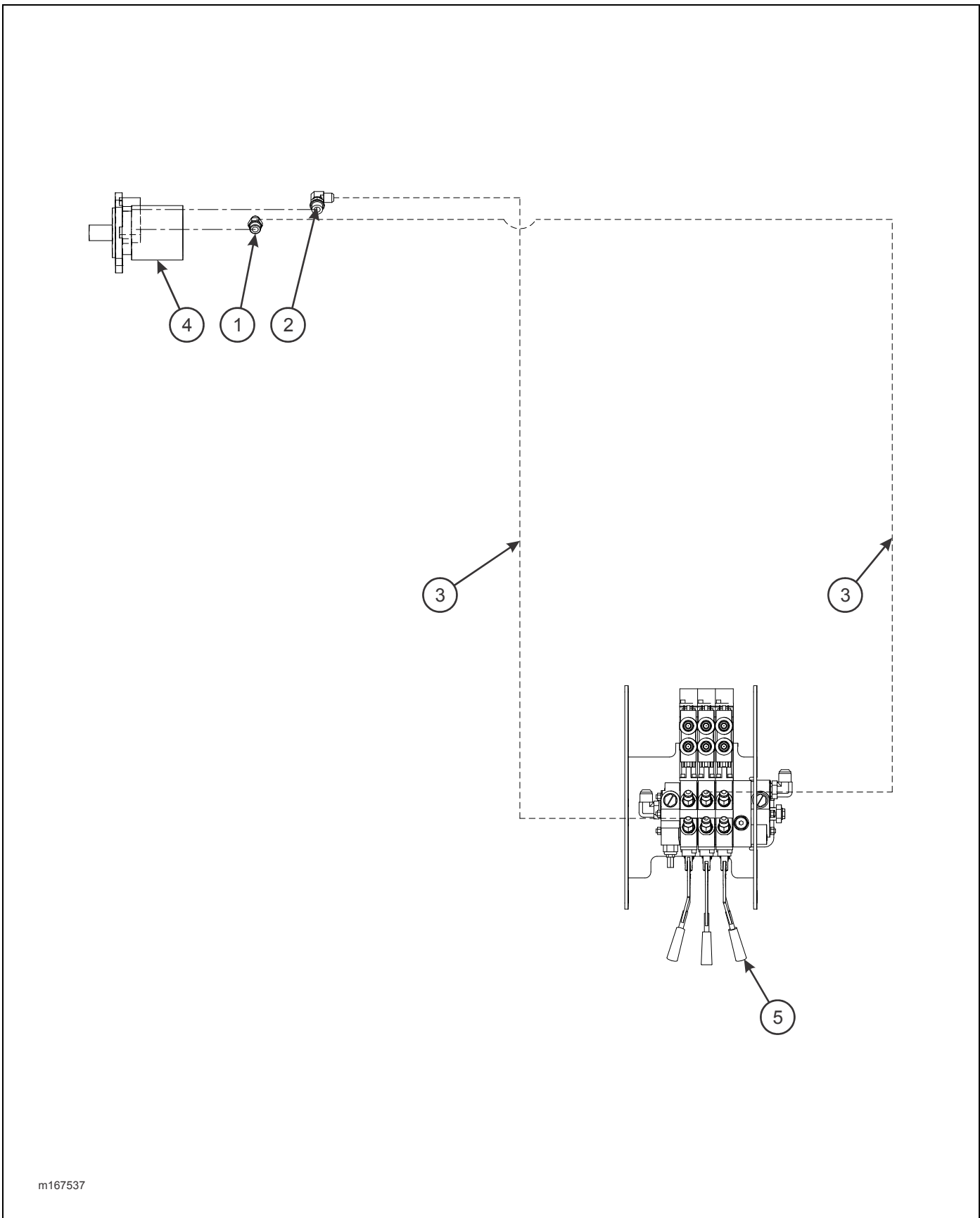


m167537 p3

Figure 2-35: Winch Installation, Guide Air T/R - Air

WINCH INSTALLATION, GUIDE AIR T/R - AIR

ITEM	PART NO.	DESCRIPTION	QTY.
	167537	WINCH INSTALLATION, GUIDE AIR T/R 20K	
1	3-120-010445	BRACKET, PRESSURE REGULATOR	1
2	905-54-107	BRAKE PROTECTION VALVE	1
3	107368	CYLINDER, AIR W/ BRACKET WINCH FREE SPOOL (SEE PAGE 2-73)	REF
4	1-297-010011-02	FITTING, AIR RUN TEE	2
5	1-297-010007-05	FITTING, AIR	1
6	1-297-010007-04	FITTING, AIR	5
7	1-297-010008-07	FITTING, AIR 90	1
8	1-297-010015-09	FITTING, AIR TEE	1
9	1-297-010031-02	FITTING, BRASS PIPE	1
10	1-297-010032-03	FITTING, AIR 90	1
11	1-297-010008-05	FITTING, AIR 90	2
12	1-297-010022-02	FITTING, AIR ANCHOR COUPLING	2
13	1-297-010020-02	FITTING, BRASS PIPE	3
14	1-512-010005-05	NUT, HEX LOCK 3/8-16 GRB	1
15	1-654-010036-05	SCREW, HEX HEAD CAP 3/8-16 X 1 GR8	2
16	3-720-010042	SPRING, AIR 6-1/2	1
17	1-833-010003	TUBING, NYLON 1/2	AR
18	1-833-010001	TUBING, NYLON 3/8	AR
19	139552	VALVE, AIR 5 WAY/ 2 POSITION	1
20	3-843-010039-02	VALVE, AIR SHUTTLE	1
21	3-626-010004	VALVE, REGULATING W/ GAUGE	1



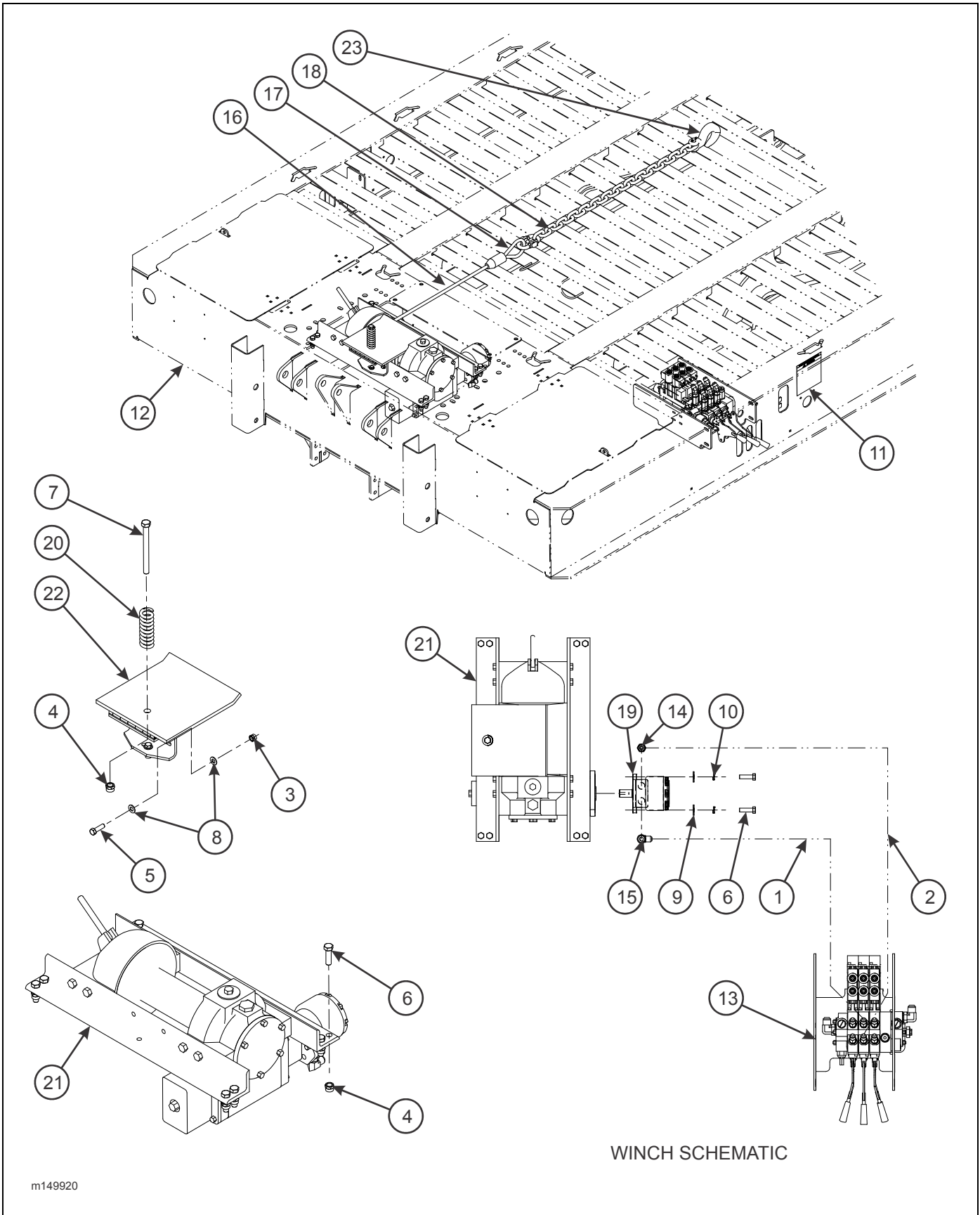
m167537

Figure 2-36: Winch Installation, Guide Air T/R - Hydraulic

WINCH INSTALLATION, GUIDE AIR T/R - HYDRAULIC

ITEM	PART NO.	DESCRIPTION	QTY.
	167537	WINCH INSTALLATION, GUIDE AIR T/R 20K	
1	202702-10-8S	ADAPTER, #10 O-RING #8 TUBE	1
2	2062-10-8S	ADAPTER, 90°	1
3	107486	HOSE ASSEMBLY 1/2 X 90	2
4	3-481-010007	MOTOR, HYDRAULIC (20K) (SEE PAGE 2-71)	1
5	-----	VALVE ASSEMBLY, 3 SPOOL (SEE PAGE 2-17)	REF

ILLUSTRATED PARTS LIST



m149920

WINCH SCHEMATIC

Figure 2-37: Winch Installation

WINCH INSTALLATION

ITEM	PART NO.	DESCRIPTION	QTY.
	149920	WINCH INSTALLATION, 12,000 LB	
1	1-397-010301070	HOSE ASSEMBLY 1/2 X 70	1
2	1-397-010302072	HOSE ASSEMBLY 1/2 X 72	1
3	1-512-010005-05	NUT, HEX LOCK 3/8-16 GRB	3
4	1-512-010005-09	NUT, HEX LOCK 1/2-13 GRB	9
5	1-654-010051-06	SCREW, HEX HEAD CAP 3/8-16 X 1-1/4 GR5	3
6	1-654-010055-04	SCREW, HEX HEAD CAP 1/2-13 X 1-3/4 GR5	2
7	1-654-010055-16	SCREW, HEX HEAD CAP 1/2-13 X 5-1/2 GR5	1
8	1-861-010032-10	WASHER, FLAT 3/8	6
9	1-861-010032-15	WASHER, FLAT 1/2	1
10	1-861-010034-13	WASHER, SPLIT LOCK 1/2	2
11	100600	DECAL, WARNING, WINCH	1
12	149100	FRAME WELDMENT	REF
13	149870	VALVE ASSEMBLY, 3 SPOOL (SEE PAGE 2-17)	REF
14	202702-10-8S	ADAPTER, #10 O-RING #8 TUBE	2
15	2062-10-8S	ADAPTER, 90°	1
16	3-155-010017-4	CABLE, 1/2 W/ LOOP 85	1
17	3-174-010038	CHAIN LINK CONNECTING 1/2	1
18	3-174-010039036	CHAIN 1/2 X 36 GR7	1
19	3-481-010006	MOTOR, HYDRAULIC (SEE PAGE 2-71)	1
20	3-720-010010	SPRING, COMP LEVEL WIND	1
21	3-873-010122	WINCH, WORM GEAR (SEE PAGE 2-65)	1
22	3-873-010124	WINCH TENSIONER WELDMENT	1
23	7HCGHT500	1/2 CLEVIS GRAB HOOK	1

ILLUSTRATED PARTS LIST

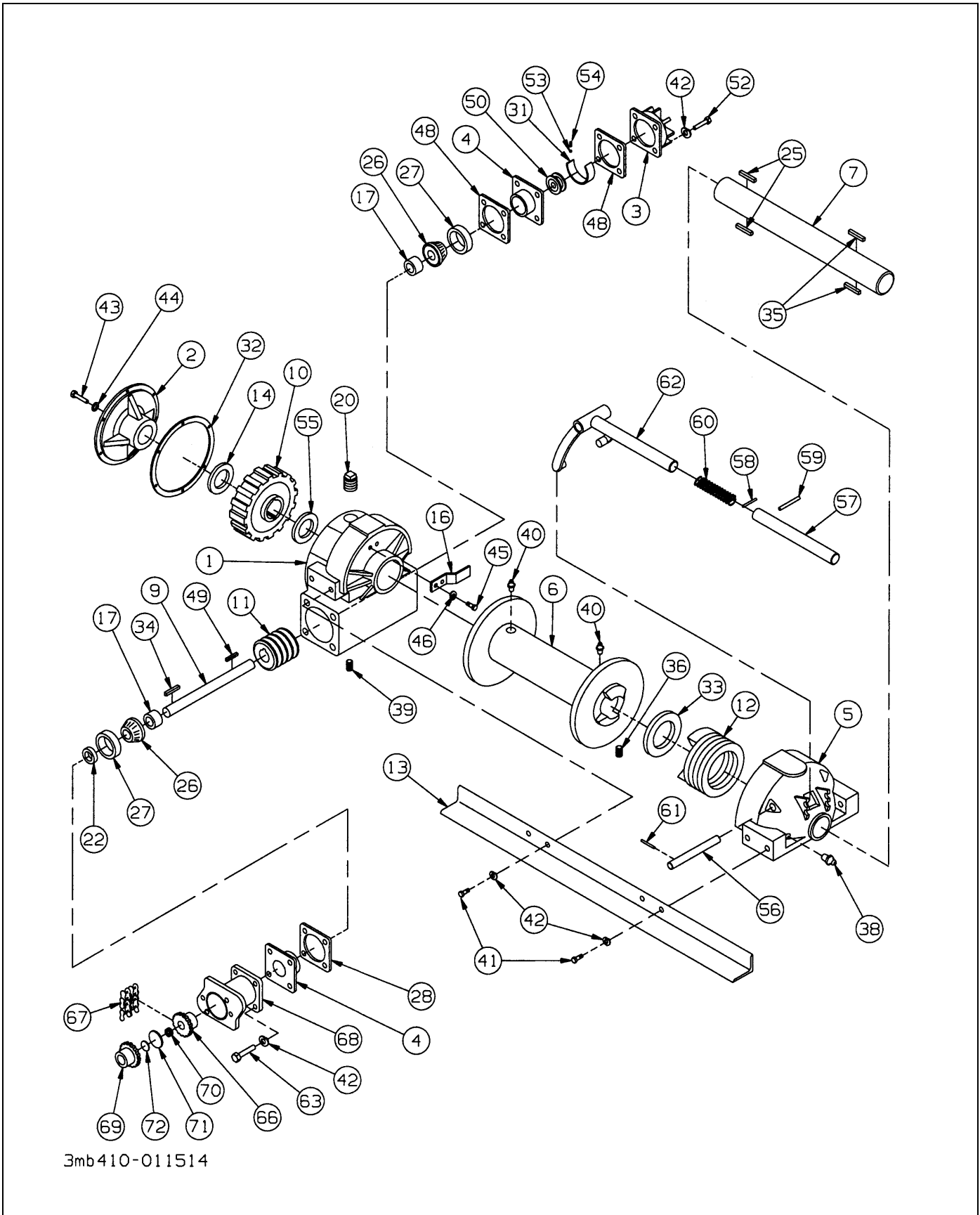


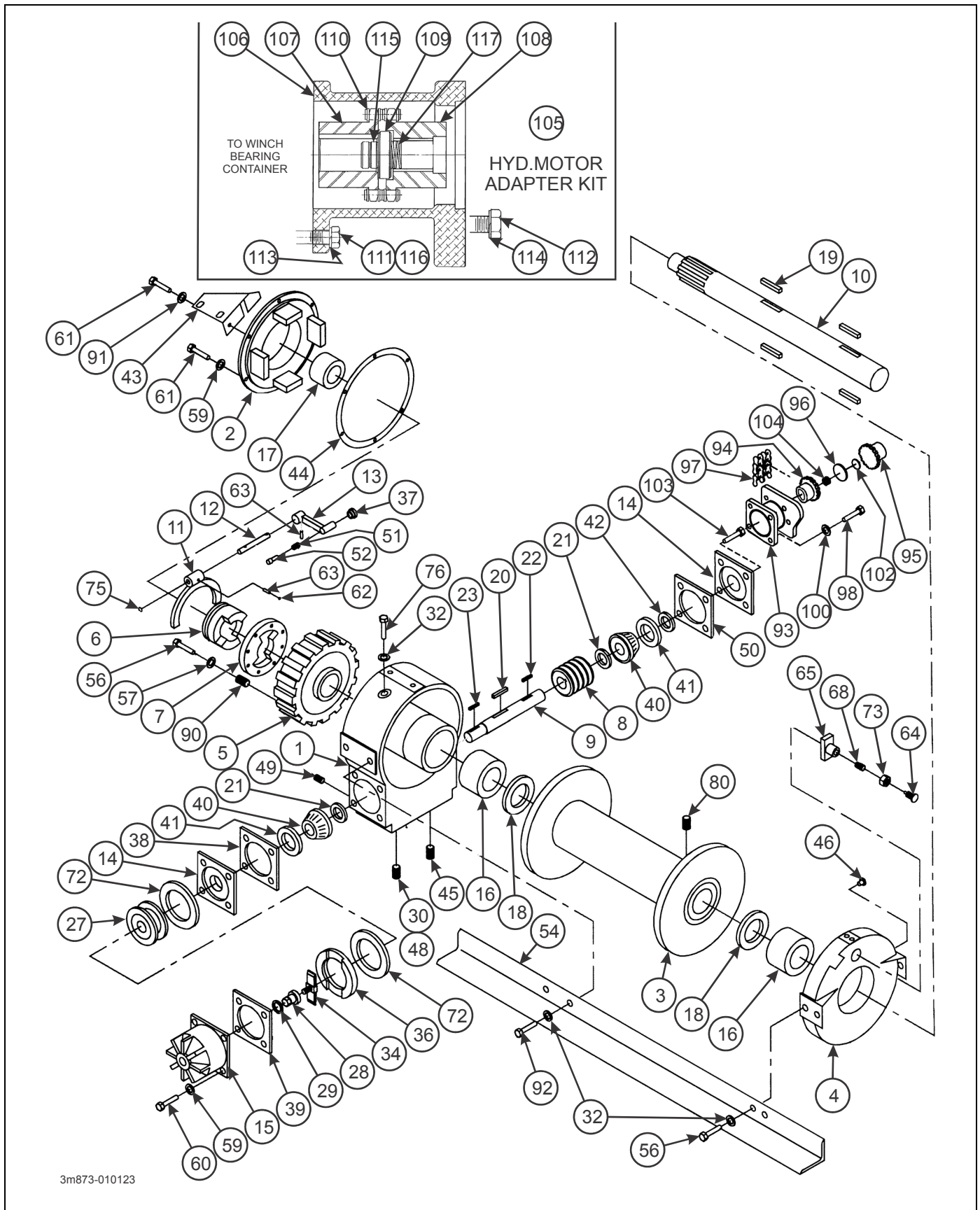
Figure 2-38: 12,000# Winch Items

12,000# WINCH ITEMS (BRADEN)

ITEM	PART NO.	REFERENCE NO.	DESCRIPTION	QTY.
	3-873-010122		WINCH ASSEMBLY 12K (BRADEN)	
1	81006	81006	WORM HOUSING ASSEMBLY	1
1A	18078	18078	BUSHING	1
2	81009	81009	COVER ASSEMBLY WORM HOUSING	1
2A	11368	11368	BUSHING	1
3	18032	18032	HOUSING SAFETY BRAKE	1
4	23303	23303	CONTAINER BEARING	2
5	81530	81530	LEG ASSEMBLY BEARING	1
6	11128	11128	DRUM CABLE	1
7	11129	11129	DRUM SHAFT CABLE	1
8	11130	11130	SHIFTER SHAFT	1
9	23470	23470	SHAFT WORM	1
10	11144	11144	GEAR WORM LEFT HAND	1
11	11142	11142	WORM LEFT HAND	1
12	18039	18039	SLIDING CLUTCH	1
13	22752	22752	ANGLE BASE	2
14	12817	12817	SHIFTER HANDLE	1
15	81025	81025	BRAKE DRAG	1
16	11308	11308	SPACER WORM	2
17	----	22775	PLUG PIPE	1
18	18009	18009	PLUG PIPE	1
19	18026	18026	SEAL GREASE	2
20	11117	11117	KEY WORM GEAR	2
21	18015	18015	CONE BEARING	2
22	18016	18016	CUP BEARING	2
23	18027	18027	GASKET	3
24	21925	21925	BAND BRAKE	1
25	11133	11133	WORM HOUSING COVER GASKET	3
26	18019	18019	RETAINER RING	1
27	18030	18030	KEY WORM	1
28	18020	18020	KEY CLUTCH	2
29	----	10009	CAPSCREW	2
30	11837	11837	ROLLPIN	2
31	18047	18047	FITTING GREASE	1
32	19045	19045	PLUG PIPE	1
33	----	11799	FITTING GREASE	2
34	13839	13839	SHIFTER FORK	1
35	----	18003	WASHER LOCK	16
36	----	11767	CAPSCREW	6
37	----	11011	WASHER LOCK	6
38	13005	13005	CAPSCREW	2
39	----	12780	WASHER LOCK	2
40	18024	18024	BEARING CONTAINER GASKET	3
41	18044	18044	KEY	1
42	18028	18028	DRUM BRAKE	1
43	12075	12075	SETSCREW	1
44	----	21961	CAPSCREW	12
45	13468	13468	JAM NUT	4

12,000# WINCH ITEMS (BRADEN)

ITEM	PART NO.	REFERENCE NO.	DESCRIPTION	QTY.
46	18029	18029	BRAKE BAND SPRING	1
47	11240	11240	RETAINER RING	1
48	----	23353	SPRING	1
49	10078	10078	KEY	1
50	23078	23078	SPACER	1
51	13680	13680	THRUST RING	1
52	----	22703	CAPSCREW	4
53	----	24032	SETSCREW	1
54	----	23310	WARNING PLATE	1
55	----	11842	DRIVE SCREW	2
56	23144	23144	MOTOR ADAPTER	1
57	23081	23081	COUPLING HALF (WORM SHAFT)	1
58	23083	23083	COUPLING HALF (MOTOR SHAFT)	1
59	13424	13424	ROLLER CHAIN	1
60	23085	23085	SPACER	1
61	----	21959	SHIPPING COVER	1
62	----	22704	CAPSCREW	4
63	13028	13028	ROLLPIN	1
64	18002	18002	SPRING	1
65	18056	18056	ROLLPIN	1
66	61333	61333	HYD. MOTOR ADAPTER KIT, 12,000# WINCH (INCL ITEMS 67- 78)	1
67	23144	23144	ADAPTER, MOTOR	1
68	23081	23081	COUPLING HALF, WINCH	1
69	23083	23083	COUPLING HALF, MOTOR	1
70	23078	23078	SPACER, CONSTANT	1
71	13424	13424	CHAIN ROLLER	1
72	----	----	CAPSCREW	4
73	----	----	CAPSCREW	4
74	----	27152	LOCKWASHER	4
75	----	11026	LOCKWASHER	4
76	----	23085	SPACER	1
77	----	----	CAPSCREW	4
78	110452	23353	SPRING SPACER	1



3m873-010123

Figure 2-39: 20,000# Winch Items

ILLUSTRATED PARTS LIST

20,000# WINCH ITEMS (BRADEN)

ITEM	PART NO.	REFERENCE NO.	DESCRIPTION	QTY.
	3-873-010123		WINCH 20,000# W/BOLT-ON ANGLES	
1	81078	81078	WORM HOUSING ASSEMBLY	1
2	106956	81082	COVER ASSEMBLY WORM HOUSING	1
3	----	101142	DRUM CABLE	1
4	81077	81077	LEG ASSEMBLY BEARING	1
5	11434	11434	WORM, GEAR RIGHT	1
6	11421	11421	CLUTCH, SLIDING	1
7	11419	11419	DRIVE, CLUTCH	1
8	154166	11404	WORM RIGHT	1
9	----	11405	SHAFT, WORM	1
10	139479	11414	SHAFT, CABLE DRUM	1
11	11440	11440	FORK SHIFTER	1
12	11441	11441	SHAFT SHIFTER	1
13	26976	26976	HANDLE SHIFTER	1
14	124549	11427	CONTAINER BEARING	2
15	----	11445	COVER WORM BRAKE	1
16	18035	18035	BUSHING	2
17	11425	11425	BUSHING	1
18	11420	11420	RING, RETAINING	2
19	163472	22055	DRUM, KEY CABLE	4
20	11402	11402	KEY, WORM	1
21	11407	11407	SPACER, WORM	2
22	23367	23367	KEY, SPROCKET	1
23	10078	10078	KEY, ROTOR	1
27	81080	81080	ROTOR ASSEMBLY, BRAKE	1
28	11599	11599	ADJUSTING NUT, WORM BRAKE	1
29	12465	12465	O-RING	1
30	----	19014	PLUG, FILLER	1
32	----	11026	WASHER, LOCK	10
34	81081	81081	SPRING ASSEMBLY, SAFETY BRAKE	1
36	11431	11431	PLATE, PRESSURE	1
37	18022	18022	KNOB, SHIFTER	1
38	11429	11429	GASKET	4
39	11446	11446	GASKET	2
40	18033	18033	BEARING CONE	2
41	18034	18034	BEARING CUP	2
42	12073	12073	SEAL GREASE	1
43	12783	12783	BRACKET SHIFTER	1
44	11411	11411	COVER GASKET HOUSING	1
45	19045	19045	PLUG DRAIN	1
46	18047	18047	FITTING GREASE	1
48	----	22775	PLUG VENT	1
49	----	18009	PLUG LEVEL	1
50	11430	11430	GASKET	4
51	11310	11310	SPRING SHIFTER KNOB	1
52	11309	11309	STEM SHIFTER KNOB	1
54	----	28942	ANGLE FRONT BASE	1
55	----	28943	ANGLE REAR BASE (NOT SHOWN)	1

20,000# WINCH ITEMS (BRADEN)

ITEM	PART NO.	REFERENCE NO.	DESCRIPTION	QTY.
56	----	13938	CAPSCREW	16
57	----	12781	WASHER, LOCK	8
58	----	21044	CAPSCREW	4
59	----	11025	WASHER, LOCK	3
60	----	22695	CAPSCREW	4
61	----	21964	CAPSCREW	6
62	12146	12146	PLUG, EXPANSION	A/R
63	13028	13028	ROLLPIN	A/R
64	11398	11398	SCREW, ADJUSTING	1
65	88005	88005	SHOE ASSEMBLY DRAG BRAKE	1
68	18002	18002	SHOE ASSEMBLY DRAG BRAKE	1
72	11426	11426	DISC, FRICTION	2
73	11791	11791	NUT, JAM	1
75	12767	12767	PLUG, EXPANSION	A/R
76	----	22729	CAPSCREW	2
77	----	23245	SAE PLATE-AMU7-16F (NOT SHOWN)	1
78	----	23310	PLATE, WARNING (NOT SHOWN)	1
79	----	11842	SCREW, DRIVE (NOT SHOWN)	4
80	139478	12228	SCREW, SET	1
90	----	11435	INSERT THREAD	8
91	----	11014	LOCKWASHER	1
92	----	22697	CAPSCREW (NOT SHOWN)	5
93	23079	23079	ADAPTER - MOTOR	1
94	23081	23081	COUPLING HALF-WINCH	1
95	----	23142	COUPLING HALF-MOTOR	1
96	23078	23078	SPACER - CONSTANT	1
97	13424	13424	ROLLER, CHAIN	1
98	----	22704	CAPSCREW	4
99	----	13413	CAPSCREW (NOT SHOWN)	4
100	----	18003	LOCKWASHER	4
101	----	11026	LOCKWASHER (NOT SHOWN)	4
102	----	23183	SPACER - VARIABLE	2
103	----	22703	CAPSCREW	4
104	----	23353	SPRING - SPACER	1
105	----	61344	HYD. MOTOR ADAPTER KIT, 20,000# WINCH (INCL ITEMS 106-117)	1
106	23079	23079	ADAPTER, MOTOR	1
107	23081	23081	COUPLING HALF, WINCH	1
108	110448	23142	COUPLING HALF, MOTOR	1
109	23078	23078	SPACER, CONSTANT	1
110	13424	13424	CHAIN ROLLER	1
111	----	----	CAPSCREW	4
112	----	----	CAPSCREW	4
113	----	27152	LOCKWASHER	4
114	----	11026	LOCKWASHER	4
115	110451	23183	SPACER	1
116	----	----	CAPSCREW	4
117	110452	23353	SPRING SPACER	1

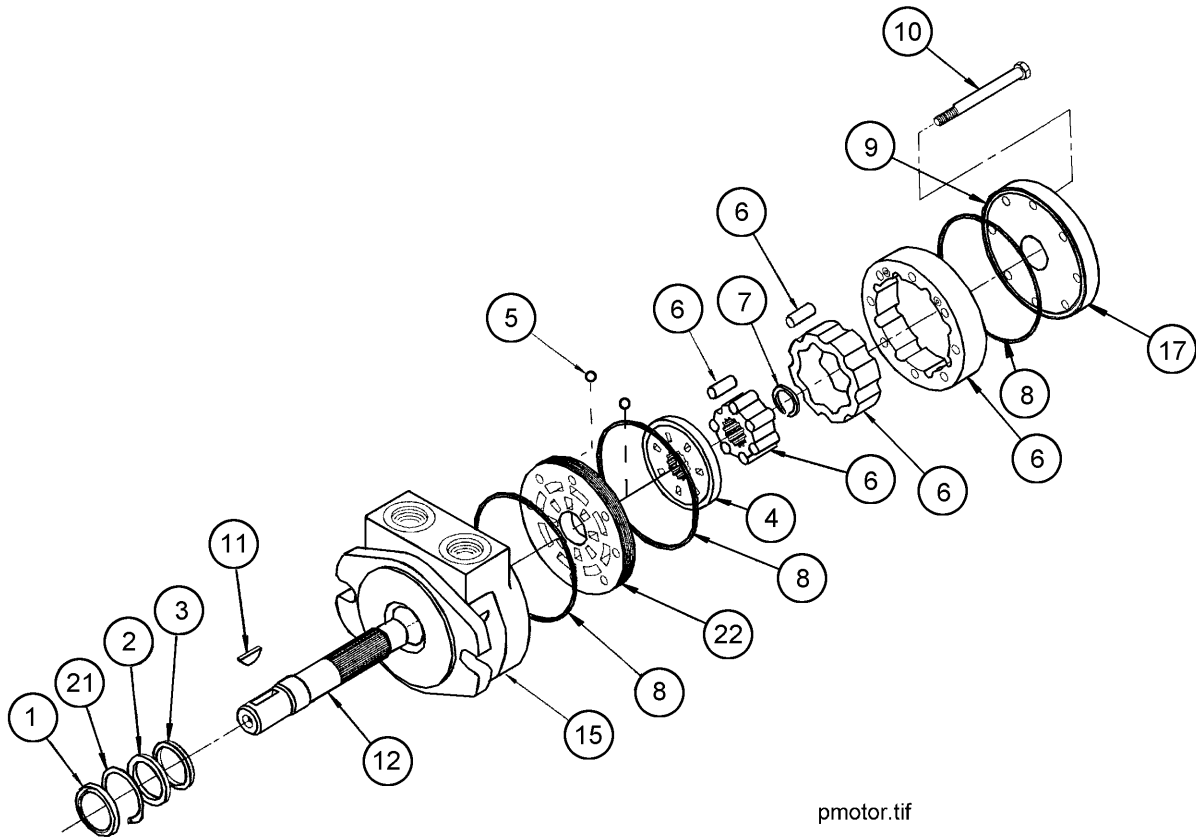
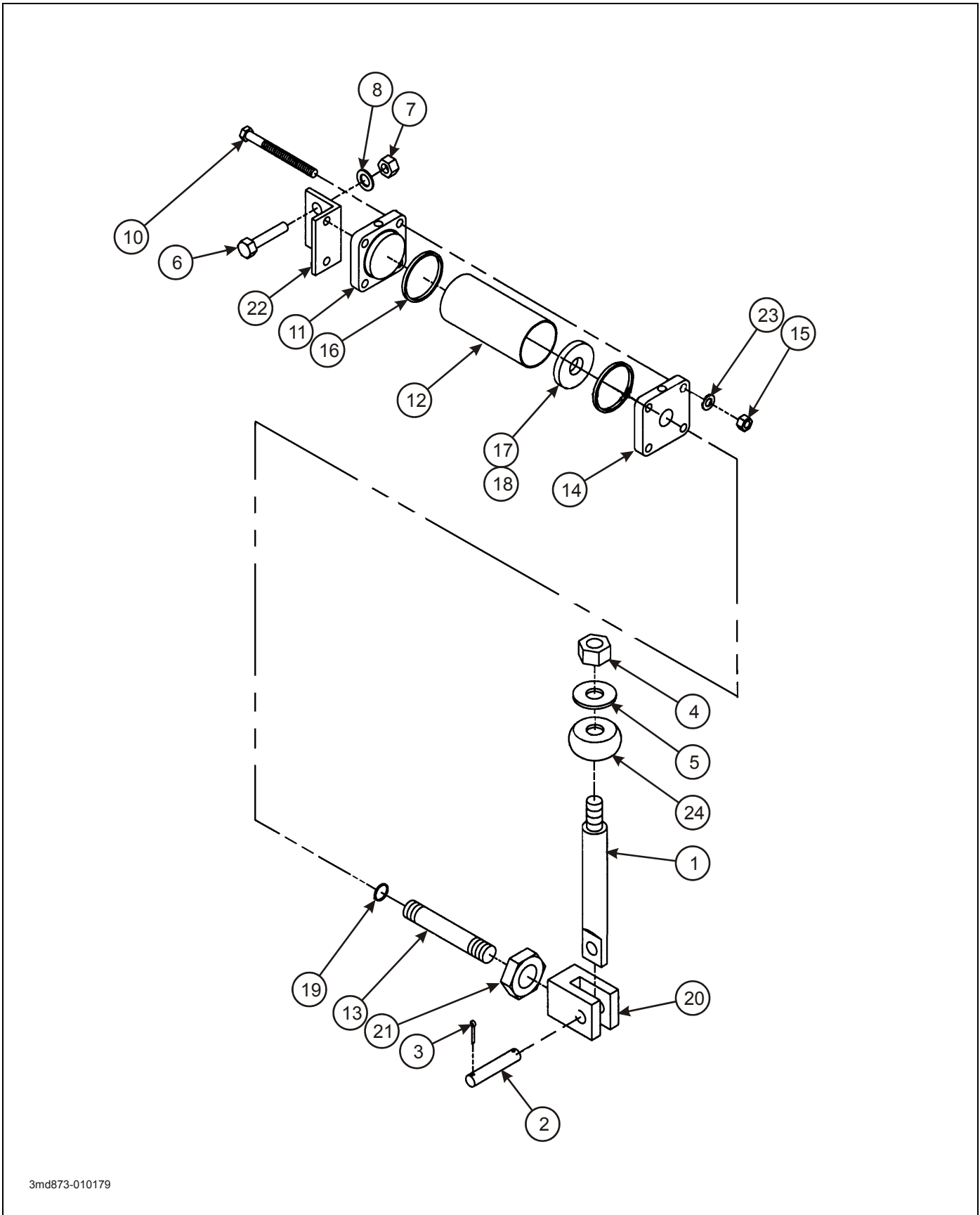


Figure 2-40: Winch Motor Assembly

WINCH MOTOR ASSEMBLY

ITEM	PART NO.	REFERENCE NO.	DESCRIPTION	QTY.
	3-481-010006		MOTOR, HYDRAULIC (FOR 12K WINCH)	
	3-481-010007		MOTOR, HYDRAULIC (FOR 20K WINCH)	
1	-----	2183	SEAL DUST	1
2	-----	2177	BACK-UP RING	1
3	-----	2175	SEAL LIP	1
4	-----	1644	ROTARY VALVE	1
5	-----	1021	CHECK VALVE BALL	2
6	-----	1004-6	IGR ASSEMBLY (FOR 20K WINCH)	1
	-----	1004-3	IGR ASSEMBLY (FOR 12K WINCH)	1
7	-----	1296	SNAP RING	1
8	1046	1046	SQUARE RING SEAL	3
9	-----	1019-4	PLUG VENT W/O-RING	1
10	-----	1014-4	BOLTS HEX (FOR 20K WINCH)	8
	-----	1114-5	BOLTS HEX (FOR 12K WINCH)	8
11	-----	1655	KEY WOODRUFF	1
12	-----	2265-6	SHAFT(FOR 20K WINCH)	1
	-----	2109-3	SHAFT(FOR 12K WINCH)	1
15	-----	M110AB-4	BODY/BEARING ASSEMBLY (FOR 20K WINCH)	1
	-----	PA-2328-2	BODY/BEARING ASSEMBLY (FOR 12K WINCH)	1
17	-----	M110C-1	COVER/BEARING ASSEMBLY	1
21	-----	2180	SNAP RING SHAFT	1
22	-----	1865	COMMUTATOR PLATE	1
	2263	2263	SEAL KIT BODY	1
	-----	2480	SEAL KIT BODY VITON	1

ILLUSTRATED PARTS LIST



3md873-010179

Figure 2-41: Winch Air Shift Cylinder

WINCH AIR SHIFT CYLINDER

ITEM	PART NO.	REFERENCE NO.	DESCRIPTION	QTY.
	107368		CYLINDER, AIR W/ BRACKET (INCLUDES ITEMS 1-23)	
1	107369		LEVER WINCH FREE SPOOL	1
2	-----	1976	PIN	1
3	-----	2356	COTTER PIN	1
4	1-512-010007-05	1-512-010007-05	NUT, HEX 1/4-20 GRB	1
5	1-861-010034-09	1-861-010034-09	WASHER, SPLIT LOCK 1/4	1
6	1-654-010055-01	1-654-010055-01	SCREW, HEX HEAD CAP 1/2-13 X 1 GR5	2
7	1-512-010005-09	1-512-010005-09	NUT, HEX LOCK 1/2-13 GRB	2
8	1-861-010032-14	1-861-010032-14	WASHER, FLAT 1/2	2
9	C2001	C2001	CYLINDER (INCLUDES ITEMS 10-23)	1
10	-----	1128	CAPSCREW	4
11	-----	1272	REAR COVER PLATE	1
12	-----	1277	TUBE	1
13	-----	2388	PISTON ROD	1
14	-----	1271	FRONT COVER PLATE	1
15	-----	1723	NUT	4
16	-----	1274	BACK-UP-RING	2
17	-----	1275	O-RING	1
18	-----	1273	PISTON	1
19	-----	1276	O-RING	1
20	1974	1974	CLEVIS	1
21	-----	1224	NUT	1
22	2389	2389	BRACKET	1
23	-----	1766	LOCKWASHER	4
24	3-150-010186	3-150-010186	BUSHING WINCH REMOTE LEVER	1
	-----	3109	O-RING KIT FOR CYLINDER	

ILLUSTRATED PARTS LIST

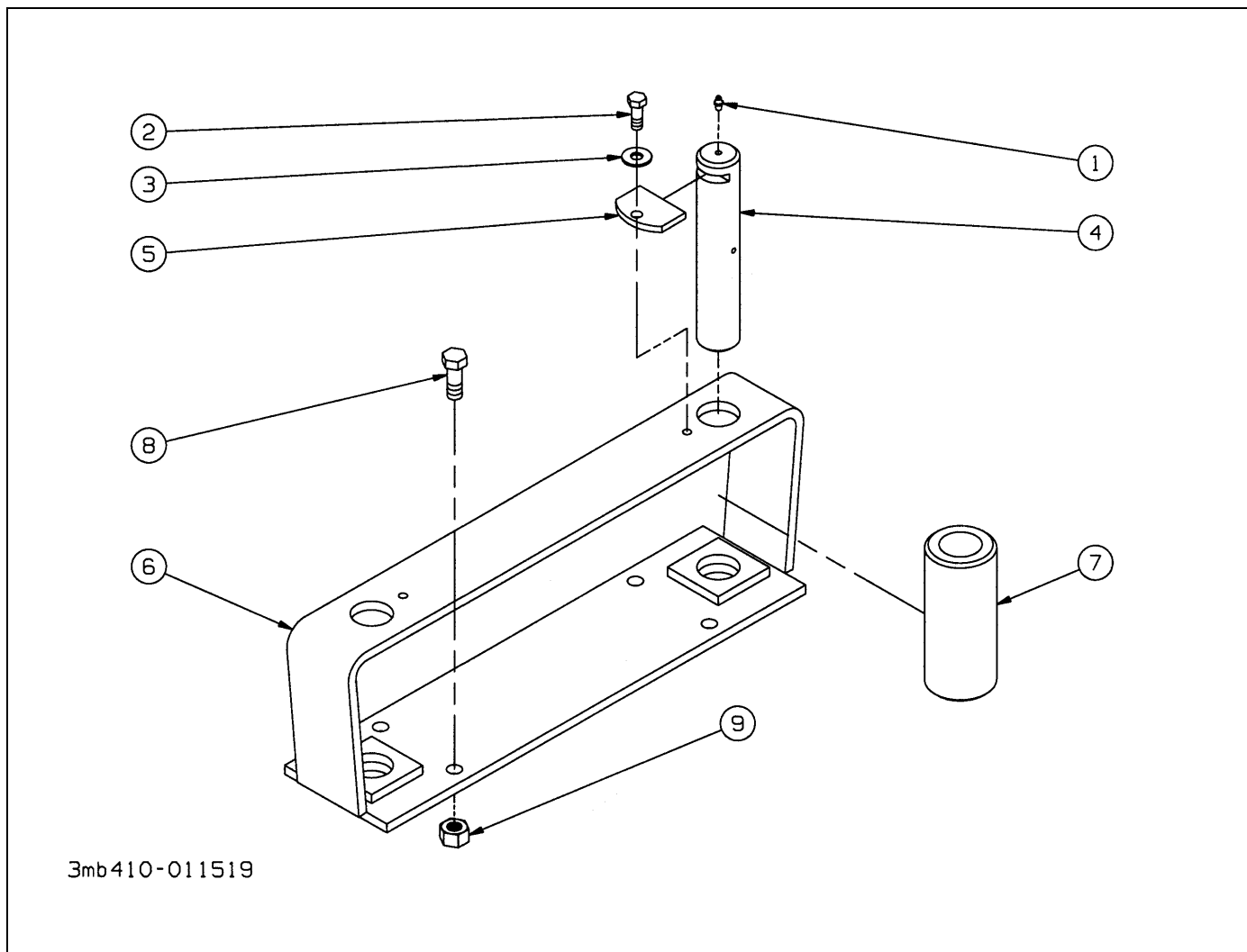


Figure 2-42: Winch Cable Roller Guide (Option)

WINCH CABLE ROLLER GUIDE (OPTION)

ITEM	PART NO.	DESCRIPTION	QTY.
	3-352-010017-1	GUIDE INSTALLATION, WINCH CABLE 12K	
	3-352-010017-2	GUIDE INSTALLATION, WINCH CABLE 20K	
1	1-298-010001-1	FITTING, GREASE 1/4-28 STR SHORT	2
2	1-654-010051-03	SCREW, HEX HEAD CAP 3/8-16 X 3/4 GR5	2
3	1-861-010034-11	WASHER, SPLIT LOCK 3/8	2
4	3-557-010383	PIN, CABLE GUIDE ROLLER	2
5	3-565-010770	PLATE, CABLE GUIDE LOCK	2
6	3-120-010295	BRACKET WLDMT, 12K ROLLER	1
	3-120-010294	BRACKET WLDMT, 20K ROLLER	1
7	3-645-010049	ROLLER, WINCH CABLE GUIDE	2
8	1-654-010055-05	SCREW, HEX HEAD CAP 1/2-13 X 2 GR5	4
9	1-512-010005-09	NUT, HEX LOCK 1/2-13 GRB	4

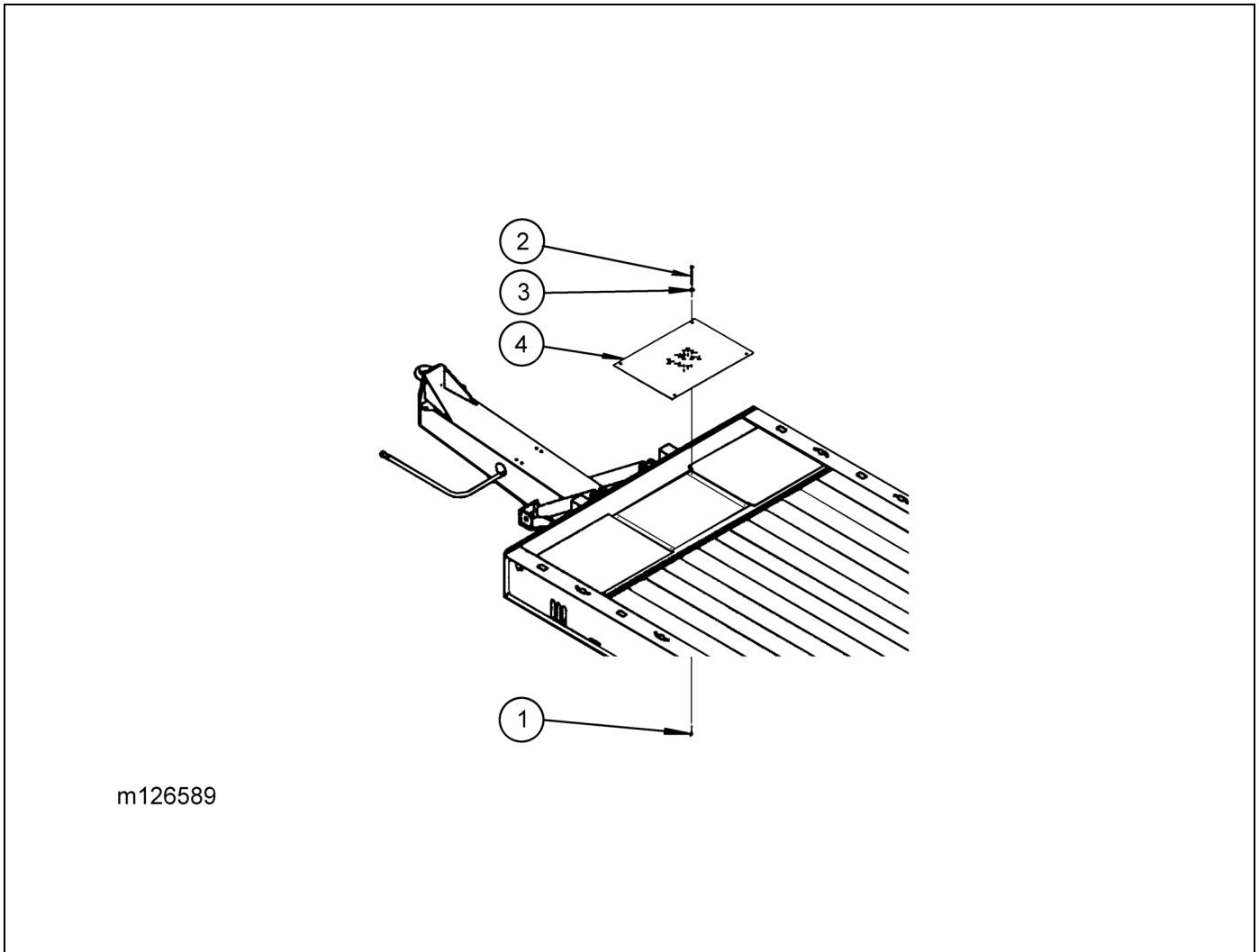


Figure 2-43: Winch Opening Cover Assembly (Option)

WINCH OPENING COVER ASSEMBLY (OPTION)

ITEM	PART NO.	DESCRIPTION	QTY.
	126589	COVER, WINCH OPENING ASSEMBLY	
1	1-512-010005-09	NUT, HEX LOCK 1/2-13 GRB	4
2	1-654-010055-04	SCREW, HEX HEAD CAP 1/2-13 X 1-3/4 GR5	4
3	1-861-010032-15	WASHER, FLAT 1/2W	4
4	126588	COVER, WINCH OPENING	1

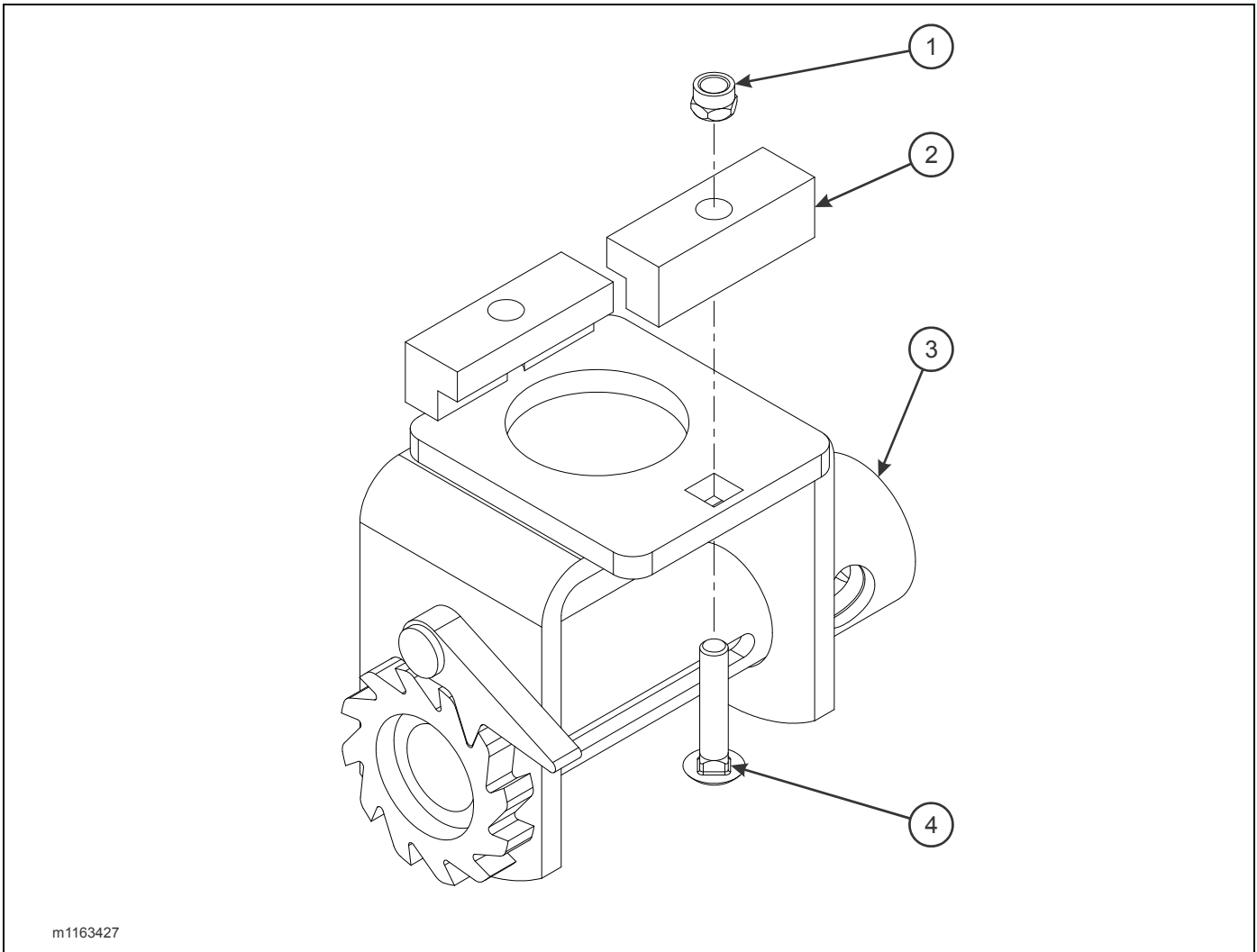


Figure 2-44: Winch Assembly, 4" Webbing Sliding (Option)

WINCH ASSEMBLY, 4" WEBBING SLIDING (OPTION)

ITEM	PART NO.	DESCRIPTION	QTY.
	163427	WINCH ASSEMBLY, 4" WEBBING SLIDING	
1	1-512-010005-05	NUT, HEX LOCK 3/8-16 GRB	1
2	134781	CLAMP, SLIDING WEB WINCH	1
3	163428	WINCH WEBBING SLIDE MOD.	1
4	163620	SCREW, RD HEAD SQ NECK 3/8-16 X 2 GR5	1

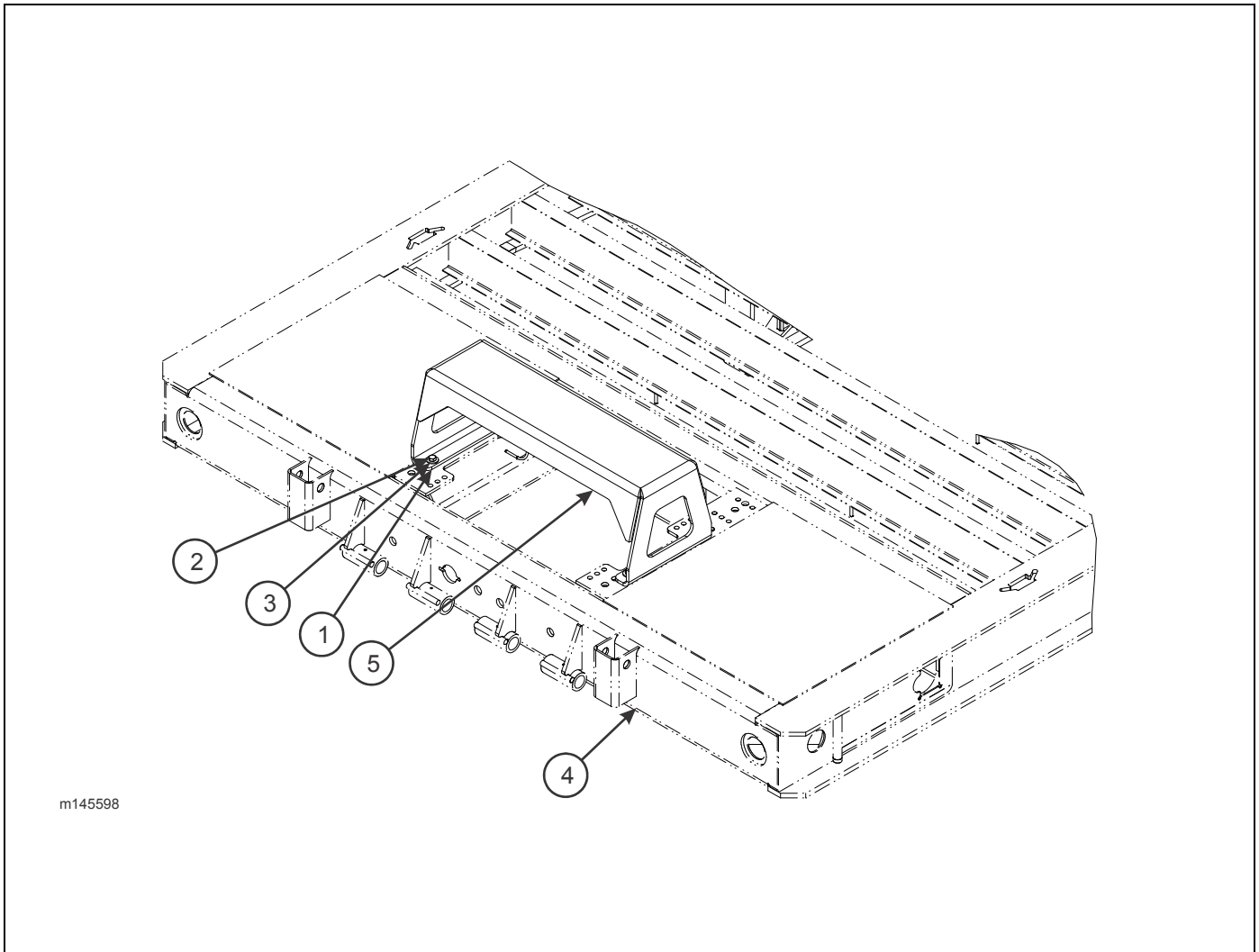


Figure 2-45: 12K/20K Winch Guard Installation (Option)

12K/20K WINCH GUARD INSTALLATION (OPTION)

ITEM	PART NO.	DESCRIPTION	QTY.
	145598	GUARD INSTALLATION, WINCH 12K/20K BRADEN	
1	1-512-010005-09	NUT, HEX LOCK 1/2-13 GRB	4
2	1-654-010055-05	SCREW, HEX HEAD CAP 1/2-13 X 2 GR5	4
3	1-861-010032-15	WASHER, FLAT 1/2W	8
4	----	GOOSENECK WELDMENT	REF
5	145599	GUARD, WINCH 12K/20K BRADEN	1

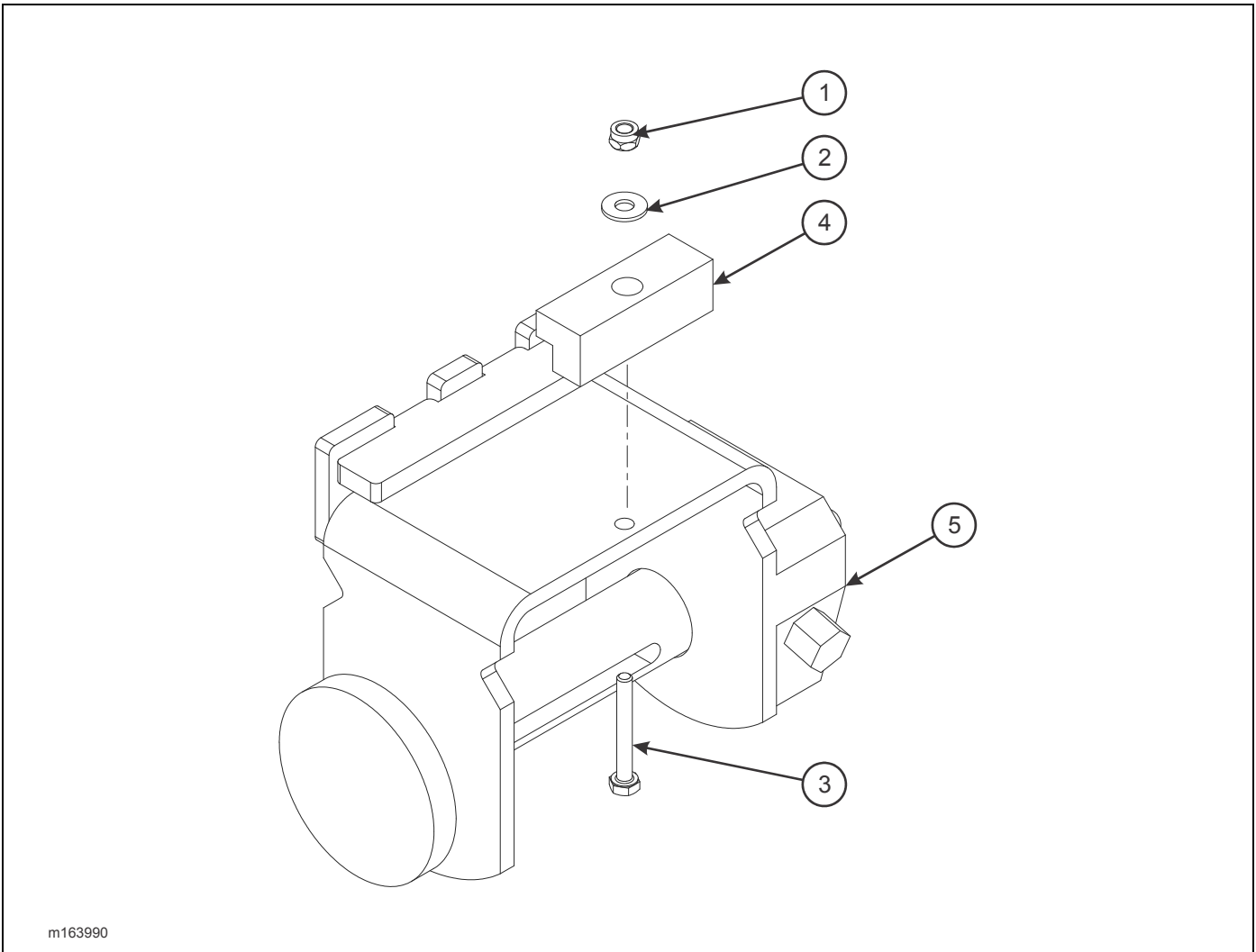
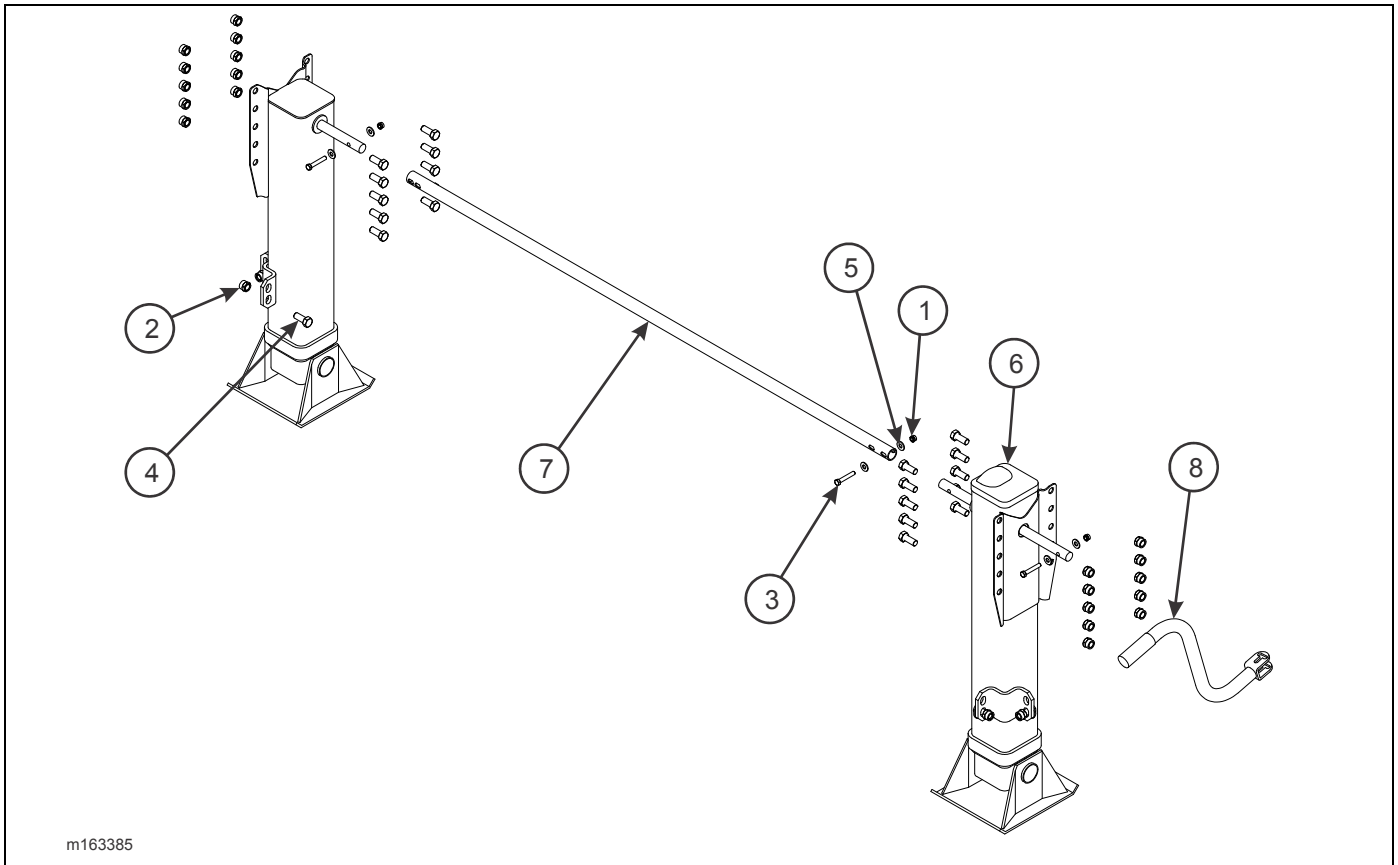


Figure 2-46: Ratchet Winch Assembly, Modified (Option)

RATCHET WINCH ASSEMBLY, MODIFIED (OPTION)

ITEM	PART NO.	DESCRIPTION	QTY.
	163990	RATCHET WINCH ASSEMBLY, MODIFIED	
1	1-512-010005-01	NUT, HEX LOCK 1/4-20 GRB	1
2	1-861-010032-07	WASHER, FLAT 1/4W	1
3	106046	SCREW, HEX HEAD CAP 1/4-20 X 2 GR8	1
4	134781	CLAMP, SLIDING WEB WINCH	1
5	163991	RATCHET, WINCH WELDMENT MODIFIED	1



m163385

Figure 2-47: Landing Gear Installation

LANDING GEAR INSTALLATION

ITEM	PART NO.	DESCRIPTION	QTY.
	163385	LANDING GEAR INSTALLATION	
1	1-512-010005-05	NUT, HEX LOCK 3/8-16 GRB	3
2	1-512-010005-13	NUT, HEX LOCK 5/8-11 GRB	20
3	1-654-010051-10	SCREW, HEX HEAD CAP 3/8-16 X 2-1/4 GR5	3
4	1-654-010059-03	SCREW, HEX HEAD CAP 5/8-11 X 1-1/2 GR5	20
5	1-861-010032-11	WASHER, FLAT 3/8W	6
6	163386	LANDING GEAR, MODIFIED (SEE PAGE 2-85)	1
7	163458	CROSS-SHAFT LANDING GEAR	1
8	163463	CRANK MOD. EXTEND	1

ILLUSTRATED PARTS LIST

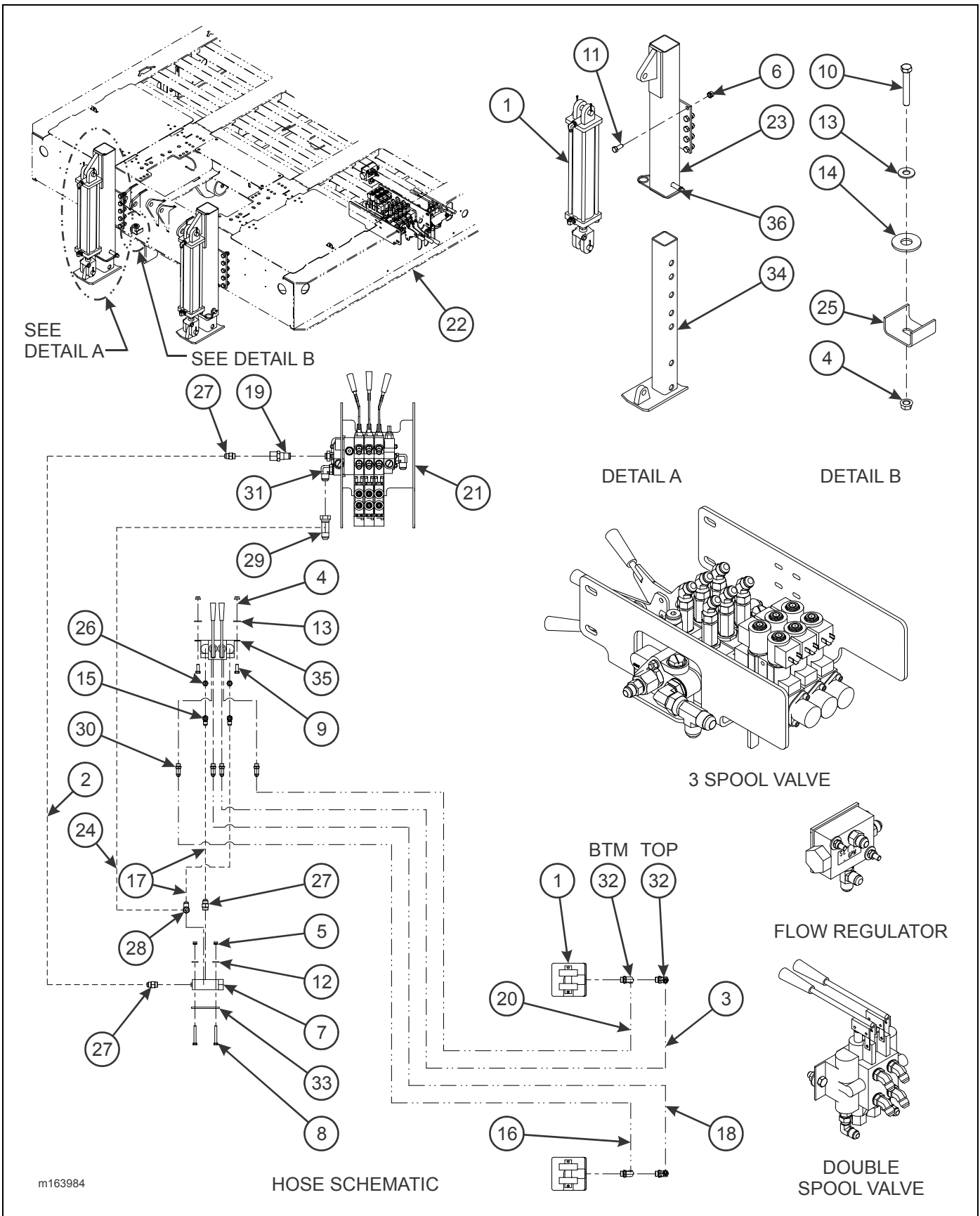
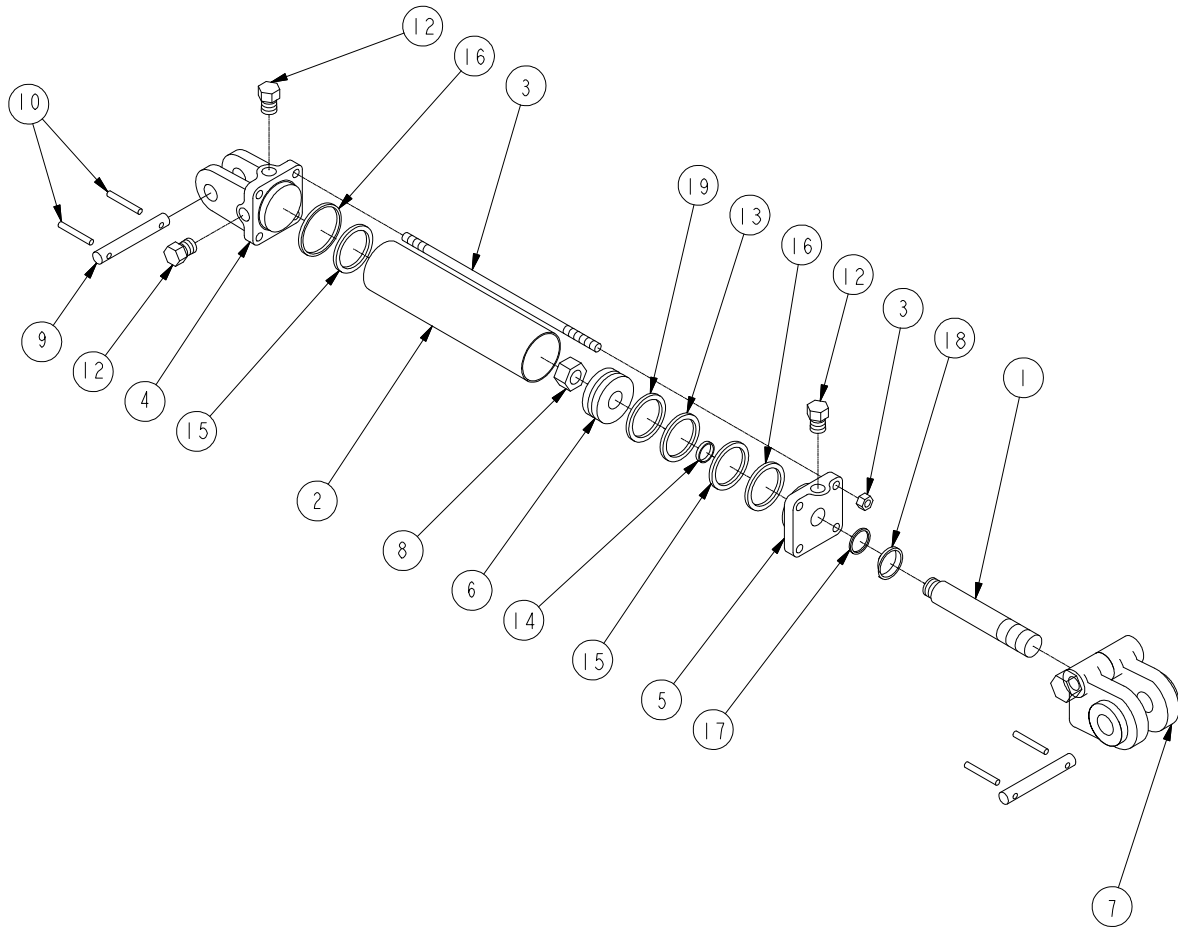


Figure 2-48: Park Stand Installation

PARK STAND INSTALLATION (OPTION)

ITEM	PART NO.	DESCRIPTION	QTY.
	163984	PARK STAND INSTALLATION, HYD	
1	1-242-010180-2	CYLINDER, HYD 3-1/2 X 20 3000 PSI (SEE PAGE 2-83)	2
2	1-397-010301024	HOSE ASSEMBLY 1/2 X 24	1
3	1-397-010307099	HOSE ASSEMBLY, 3/8 X 99	1
4	1-510-010001	NUT, FLANGE LOCK 3/8-16	2
5	1-512-010005-03	NUT, HEX LOCK 5/16-18 GRB	2
6	1-512-010005-13	NUT, HEX LOCK 5/8-11 GRB	20
7	1-626-010002-06	REGULATOR, FLOW 1/2-6 GPM	1
8	1-654-010049-11	SCREW, HEX HEAD CAP 5/16-18 X 2-1/2 GR5	2
9	1-654-010051-05	SCREW, HEX HEAD CAP 3/8-16 X 1 GR5	2
10	1-654-010051-11	SCREW, HEX HEAD CAP 3/8-16 X 2-1/2 GR5	2
11	1-654-010059-03	SCREW, HEX HEAD CAP 5/8-11 X 1-1/2 GR5	16
12	1-861-010032-09	WASHER, FLAT 5/16W	2
13	1-861-010032-11	WASHER, FLAT 3/8W	2
14	1-861-010032-19	WASHER, FLAT 5/8W	2
15	102-0031	ADAPTER, 90	2
16	112158	HOSE ASSEMBLY 3/8 X 132	1
17	116429	HOSE ASSEMBLY 3/8 X 25	1
18	121333	HOSE ASSEMBLY 3/8 X 140	1
19	138179	POWER BEYOND REMOTE	1
20	142738	HOSE ASSEMBLY 3/8 X 90	1
21	-----	VALVE ASSEMBLY, 3 SPOOL	REF
22	-----	FRAME ASSEMBLY (NOT SHOWN)	REF
23	163985	PARK STAND WELDMENT, HYD	2
24	163993	HOSE ASSEMBLY 1/2 X 15	1
25	2-181-010001	HOSE CLAMP	2
26	202702-6-6S	ADAPTER, STRAIGHT	6
27	202702-8-8S	ADAPTER, STRAIGHT	6
28	203005-8-8S	ADAPTER, TEE	1
29	203102-12-12S	ADAPTER, TEE	1
30	2061-6-6S	ADAPTER, 45	4
31	2062-10-12S	ADAPTER, 90°	REF
32	2062-8-6S	ADAPTER, 90°	4
33	3-482-010267	MOUNT, FLOW REGULATOR	1
34	3-725-010036	HYDRAULIC PARK STAND, MODIFIED	2
35	3-846-010056	VALVE, DOUBLE SPOOL STACK PARALLEL, PRIOR TO 01/15/2014	1
	179649	VALVE, DOUBLE SPOOL, AFTER 01/15/2014	
36	346SL	LOCK, HITCH PIN	2

ILLUSTRATED PARTS LIST



1mb242-010180

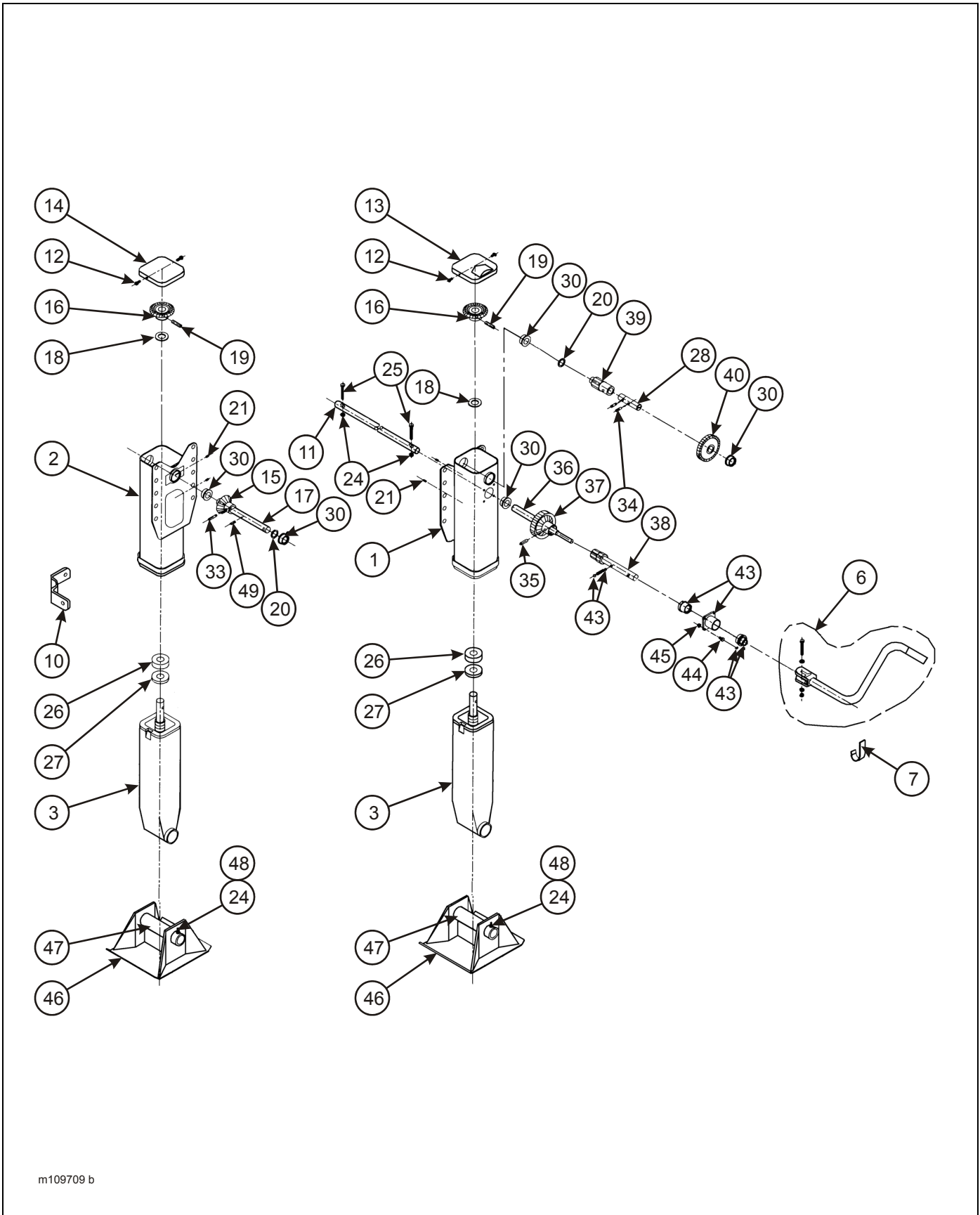
Figure 2-49: Hydraulic Cylinder 3-1/2 x 20

HYDRAULIC CYLINDER 3-1/2 X 20

ITEM	PART NO.	DESCRIPTION	QTY.
	1-242-010180-2	CYLINDER 3-1/2" X 20" (PRINCE SAE 33520)	
1	010700437	PISTON ROD	1
2	-----	TUBE	1
3	-----	TIEROD ASSEMBLY	4
4	-----	BUTT	1
5	111870	GLAND ASSEMBLY	1
6	-----	PORT PLUG	1
7	-----	PISTON	1
8	-----	CLEVIS ASSEMBLY	1
9	-----	LOCKNUT	1
10	-----	CLEVIS PIN	2
11	-----	CLEVIS PIN RETAINER	4
12	*	CROWN SEAL	1
13	*	O-RING	1
14	*	O-RING	2
15	*	BU-WASHER	2
16	*	U-CUP	1
17	*	WIPER	1
	1-242-010178-2	PACKING KIT (CONTAINS ALL NECESSARY SEALS AND O-RINGS) (ITEMS 13 - 18)	1

*PARTS AVAILABLE IN PACKING KIT ONLY.

ILLUSTRATED PARTS LIST



m109709 b

Figure 2-50: Crank Landing Gear

CRANK LANDING GEAR

ITEM	PART NO.	REFERENCE NO.	DESCRIPTION	QTY.
	163386		LANDING GEAR MOD.	
	109709		LANDING GEAR	
1	----	D10201.2	OUTER HOUSING - 2 SPEED	1
2	----	D10116.2	OUTER HOUSING - 1 SPEED	1
3	----	C10140.2	INNER LEG ASSEMBLY - STANDARD	2
6	163463	----	CRANK 930 MODIFICATION	1
7	109711	B10261	CRANK HANGER	1
10	109712	C10108	BRACE LUG - W	2
11	163458	B10066	INTERMEDIATE CROSS SHAFT	1
12	----	A10059.1	COVER SCREW	4
13	----	C10217	COVER - 2 SPEED	1
14	----	C10259	COVER - 1 SPEED	1
15	----	C10177	PINION GEAR	1
16	----	C10155	BEVEL GEAR	2
17	----	B10130	PINION SHAFT - 1 SPEED	1
18	----	A10102	THRUST WASHER	2
19	----	A10052.3	GROOVED PIN	2
20	----	A10218	SPACER WASHER	2
21	----	A10040	GREASE FITTING	4
23	----	C10209	STRUT BRACE (NOT SHOWN)	4
24	----	A10038.7	SELF LOCKING NUT	2
25	----	A10037.1	CROSS SHAFT BOLT - 3/8 X 2 GR5	2
26	----	A10033	THRUST BEARING	2
27	----	A10101	COLLAR	2
28	----	A10212	OUTPUT SHAFT	1
30	----	A10255	BUSHING	5
33	----	A10054.3	ROLL PIN 3/8 X 1-1/2	1
34	----	A10260.1	SPIRAL PIN	2
35	----	A10054.7	ROLL PIN - 3/8 X 1-3/4	1
36	----	B10236	OUTPUT CLUSTER SHAFT	1
37	----	C10234	OUTPUT CLUSTER GEAR	1
38	----	C10233	INPUT GEAR SHAFT	1
39	----	C10078	OUTPUT SPUR GEAR	1
40	----	C10085	INPUT SPUR GEAR	1
43	163502	B10229S	SHIFT HOUSING SERVICE KIT	1
44	----	A10230	SHIFT HOUSING BOLT	4
45	----	A10038.6	SELF LOCKING NUT	4
46	----	C10256	SHOE - 10 X 10 X 4-1/2	2
47	114983	B10036	SHOE AXLE	2
48	----	A10037.3	HEX HEAD BOLT	2
49	----	A10054.6	ROLL PIN - 1/4 X 1-1/4	1

ILLUSTRATED PARTS LIST

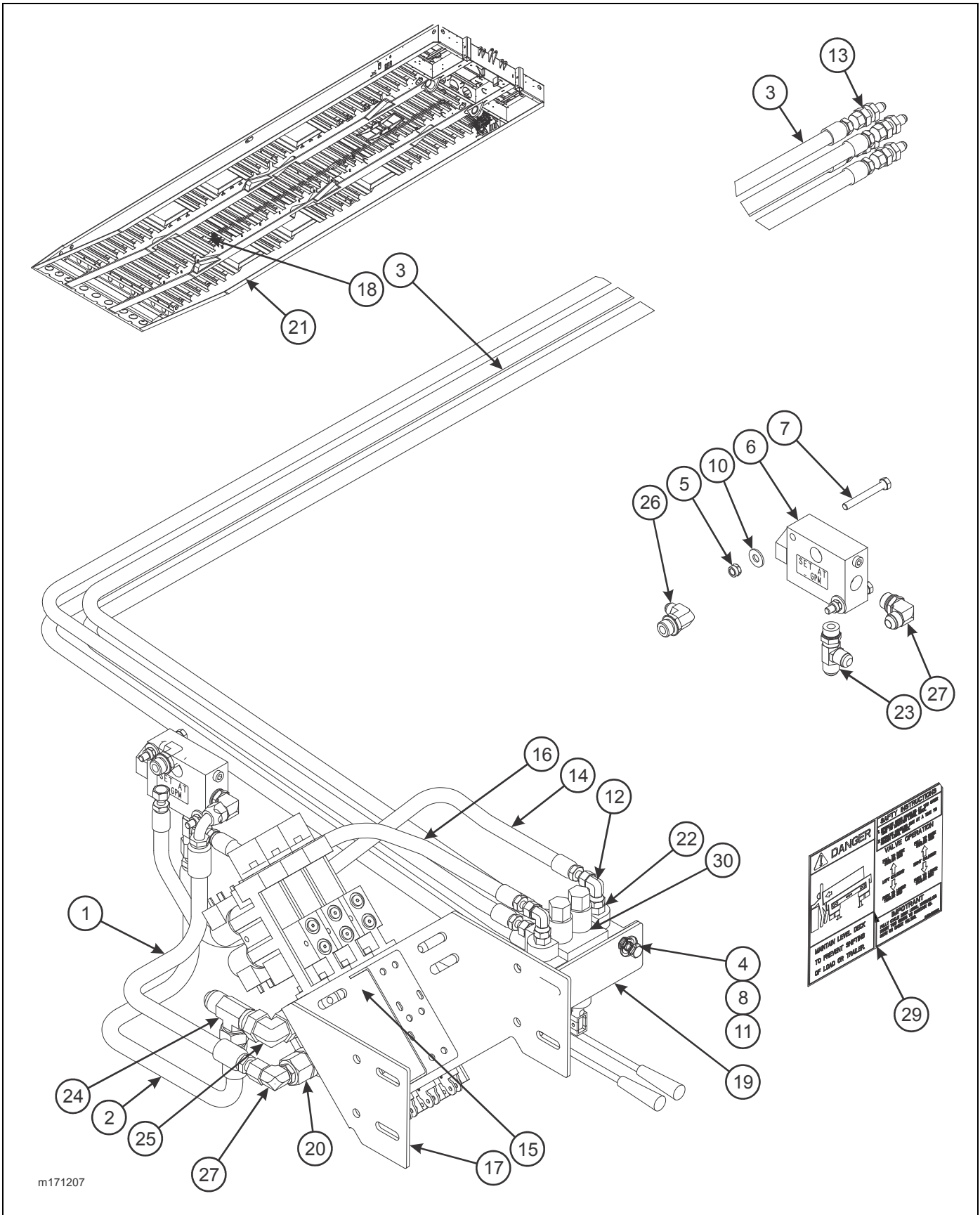
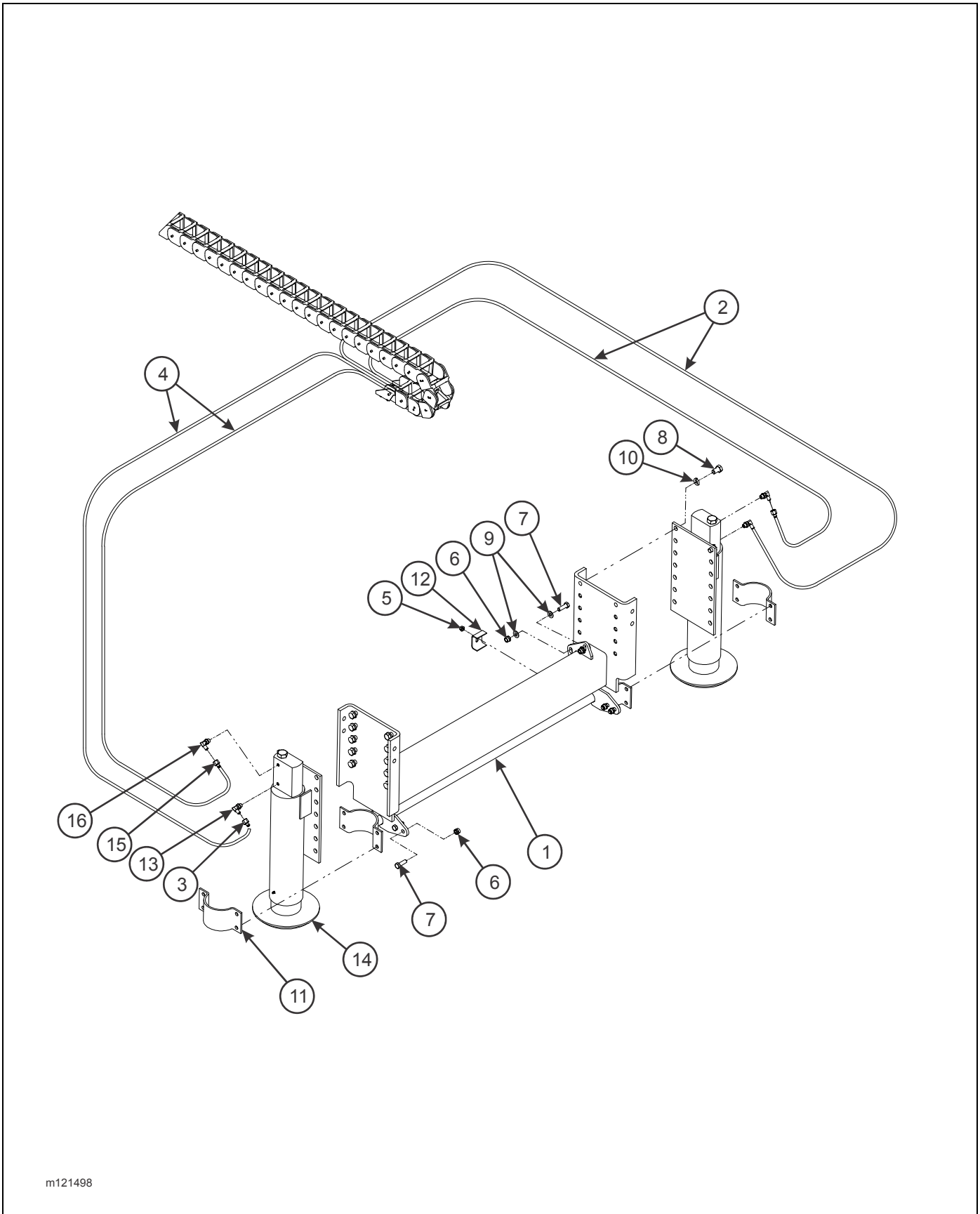


Figure 2-51: Dock Leveler Hydraulic Installation (Option)

DOCK LEVELER HYDRAULIC INSTALLATION

ITEM	PART NO.	DESCRIPTION	QTY.
	171207	DOCK LEVELER HYDRAULIC INST, FRONT CONTROL	
1	1-397-010302018	HOSE ASSEMBLY 1/2 X 18	1
2	1-397-010306028	HOSE ASSEMBLY 1/2 X 28	1
3	1-397-010307210	HOSE ASSEMBLY 3/8 X 210	4
4	1-510-010001	NUT, FLANGE LOCK 3/8-16	2
5	1-512-010005-03	NUT HEX LOCK 5/16-18 GRB	2
6	1-626-010002-03	REGULATOR FLOW 1/2 BYPASS ONLY	1
7	1-654-010049-11	SCREW, HEX HEAD CAP 5/16-18 X 2-1/2 GR5	2
8	1-654-010051-05	SCREW, HEX HEAD CAP 3/8-16 X 1 GR5	2
9	1-796-010003-02	TIE, STRAP PLASTIC (NOT SHOWN)	AR
10	1-861-010032-09	WASHER FLAT 5/16W	2
11	1-861-010032-11	WASHER, FLAT 3/8W	2
12	102-0031	ADAPTER, 90	2
13	102-1097	37 FLARE BULKHEAD/ 37 FLARE	4
14	111302	HOSE ASSEMBLY 3/8 X 24	1
15	-----	VALVE, 3 SPOOL 2500 PSI	REF
16	116429	HOSE ASSEMBLY 3/8 X 25	1
17	116837	VALVE MOUNT WELDMENT, CONTROLS	REF
18	120560	MOUNT, E-CHAIN	REF
19	121124	BRACKET, VALVE DOCK LEVEL CONTROL	1
20	138179	POWER BEYOND REMOTE	1
21	-----	FRAME WELDMENT	REF
22	202702-6-6S	ADAPTER STRAIGHT	6
23	203005-8-8S	ADAPTER, TEE	1
24	203102-12-12S	ADAPTER TEE	1
25	2062-10-12S	ADAPTER 90°	REF
26	2062-8-6S	ADAPTER 90°	1
27	2062-8-8S	ADAPTER 90°	2
28	3-201-010002	CONDUIT FLEX PLASTIC 3/8 (NOT SHOWN)	3
29	3-573-010202	DECAL, DANGER OP D/L (REAR) (SEE PAGE 2-87)	1
30	3-846-010056	VALVE, DOUBLE SPOOL STACK (SEE PAGE 2-95)K PRIOR TO 01/15/2014	1
	179649	VALVE DOUBLE SPOOL, AFTER 01/15/2014	

ILLUSTRATED PARTS LIST

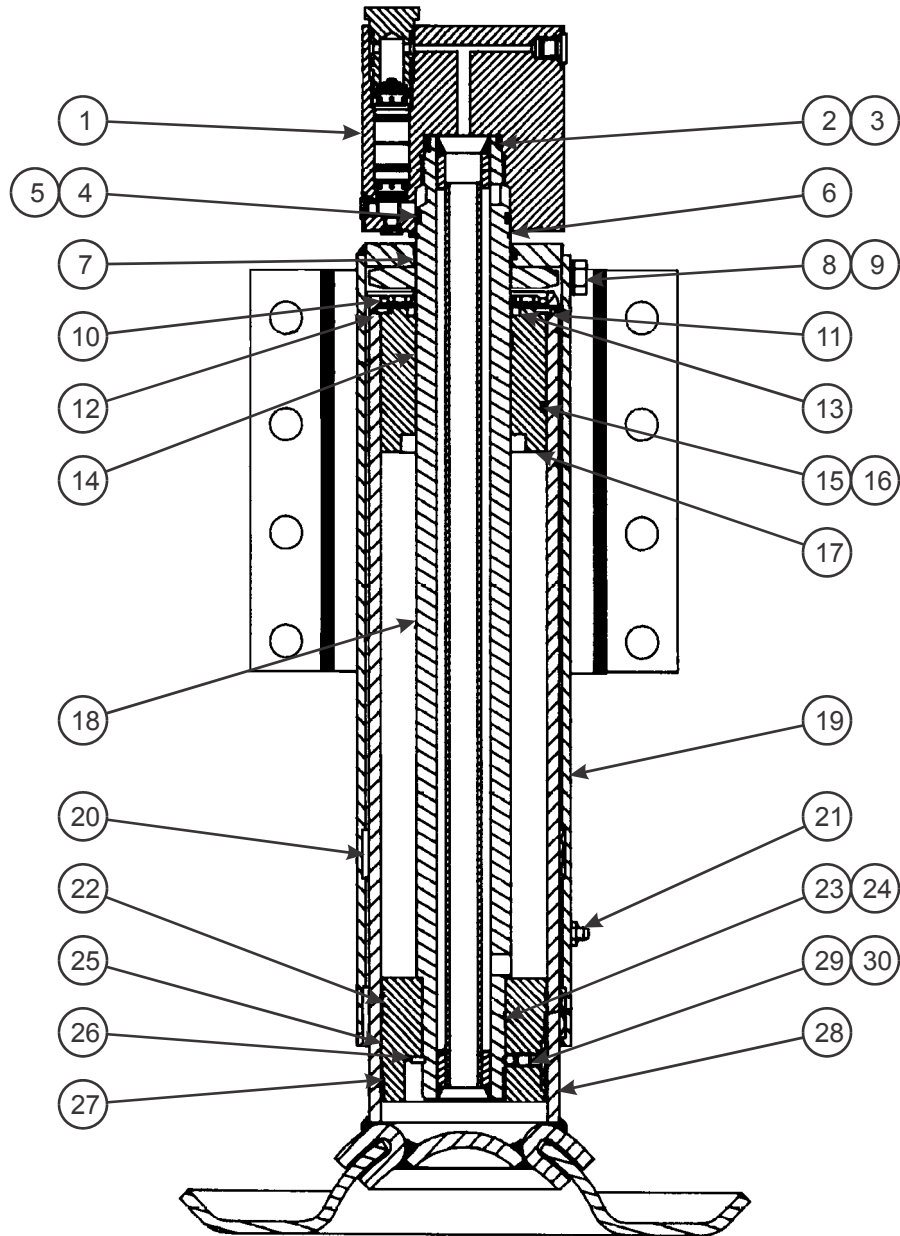


m121498

Figure 2-52: Dock Leveler Assembly, Single 60K

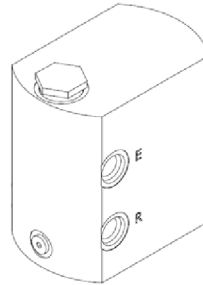
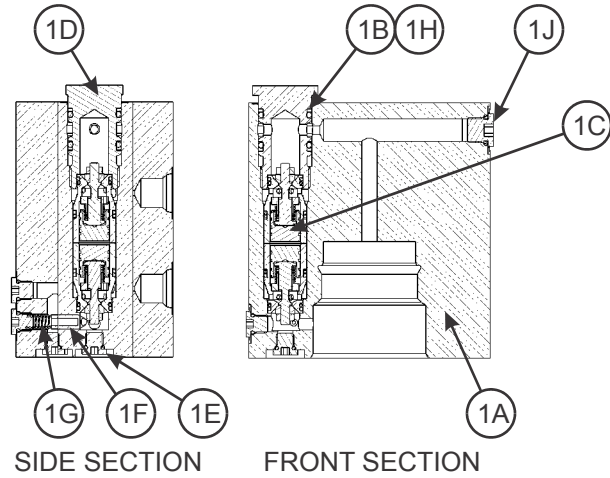
DOCK LEVELER ASSEMBLY, SINGLE 60K

ITEM	PART NO.	DESCRIPTION	QTY.
	121498	DOCK LEVEL ASSEMBLY SINGLE 60K	
1	121402	MOUNT WELDMENT, D/L	1
2	122540	HOSE ASSEMBLY 1/4 X 240	2
3	1-007-010058	ADAPTER 90° 3/8 ELBOW W/ RESTR	2
4	1-397-010262-5	HOSE ASSEMBLY 1/4 X 216	2
5	1-510-010001	NUT FLANGE LOCK 3/8-16 GRB	5
6	1-512-010005-09	NUT HEX LOCK 1/2-13 GRB	8
7	1-654-010055-03	SCREW HEX HEAD CAP 1/2-13 X 1-1/2 GR5	8
8	1-654-010059-01	SCREW HEX HEAD CAP 5/8-11 X 1 GR5	24
9	1-861-010032-14	WASHER FLAT 1/2N	8
10	1-861-010034-15	WASHER SPLIT LOCK 5/8	24
11	100348	MOUNTING BRACKET FOR CYLINDER	
12	2-181-010001	HOSE CLAMP	3
13	2062-6-4S	ADAPTER 90°	4
14	3-242-010205	CYLINDER, HYD 4X15 (W/ COLLAR) (SEE PAGE 2-92)	2
15	202702-6-4S	ADAPTER, STRAIGHT	
16	138155	ADAPTER, 90	
17	1-394-010002	HOSE, ABRASION SLEEVE X 2-7/8 (NOT SHOWN)	AR

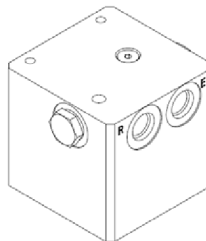
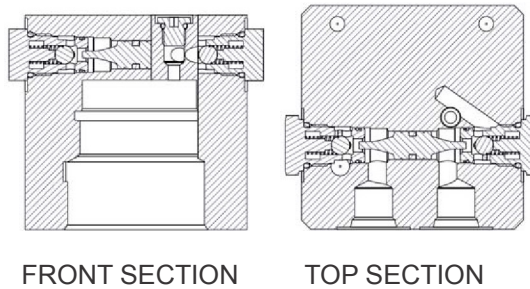


dock leg op p1

Figure 2-53: Dock Leveler Leg Assembly w/ Lock Valve (1 of 2)



STABILIZER LEG
CHECK VALVE
(PRIOR TO 03/19/2010)



STABILIZER LEG
CHECK VALVE
(AFTER 03/19/2010)

dock leg op p2

Figure 2-54: Dock Leveler Leg Assembly w/ Lock Valve (2 of 2)

ILLUSTRATED PARTS LIST

LEG ITEMS, DOCK LEVELER W/ LOCK VALVE

ITEM	PART NO.	REFERENCE NO.	DESCRIPTION	QTY.
	3-242-010205		COMPLETE ASSEMBLY LEG CYL (60,000# CAP. 4.00" BORE)	
1	165769		VALVE SERVICE KIT (AFTER 03/19/2010)	1
	165768		VALVE RETROFIT KIT (AFTER 03/19/2010)	1
	300092	300092	VALVE SERVICE KIT (PRIOR TO 03/19/2010) (INCL. ITEMS 1A - 1I)	1
1A	----	300093	4:1 LOCK VALVE BODY	1
1B	----	01-1006	O-RING	2
1C	----	300427	PILOT OPERATED CHECK VALVE	2
1D	----	300022	RETAINING PLUG	1
1E	----	07-1061	HEX PLUG HOLLOW #02 SAE	5
1F	----	300003	POPPET	1
1G	----	31-1016	SPRING	1
1H	----	05-1009	BACK-UP WASHER	2
1J	----	07-1201	HEX PLUG HOLLOW #04 SAE	1
2	----	NSS**,**	O-RING	1
3	----	NSS**,**	BACK-UP WASHER	2
4	----	NSS**,**	O-RING	1
5	----	NSS**,**	BACK-UP WASHER	1
6	----	NSS**	SNAP RING 2" ROD	1
7	----	NSS**	O-RING	1
8	----	15-1021	SCREW HEX HEAD CAP	1
9	----	16-1002	LOCK WASHER	1
10	----	15-1012	SCREW HEX HEAD CAP	4
11	----	100279	CYLINDER HEAD RETAINER	1
12	----	NSS**	RETAINING RING	1
13	----	NSS**	OIL SEAL	1
14	----	NSS**	ROD SEAL	1
15	----	NSS**	O-RING	1
16	----	NSS**	BACK-UP WASHER	1
17	----	100276	CYLINDER HEAD	1
18	----	***	PISTON ROD	1
19	----	***	WELL TUBE	1
20	----	NSS**	WEAR RING	2
21	----	10-1001	GREASE FITTING	1
22	----	NSS**	PISTON SEAL	1
23	----	NSS**	O-RING	1
24	----	NSS**	BACK-UP WASHER	2
25	----	NSS**	WEAR RING	1
26	----	17-1003	SNAP RING	1
27	----	***	PISTON	1
28	----	***	CYLINDER TUBE	1
29	----	NSS**	NYLON BALL	1
30	----	NSS**	SET SCREW	1
31	100348		SPLIT COLLAR ASSEMBLY (60,000 LB.)(NOT SHOWN) (INCL. THE FOLLOWING:)	1
	----	NSS	SPLIT COLLAR HALF (60,000 LB.)	2
	----	NSS	LEG COLLAR MOUNTING KIT	1
	----	NSS	SCREW, HEX HEAD CAP 1/2-20 X 2 GR5	4
	----	NSS	NUT, HEX LOCK 1/2-20	4

LEG ITEMS, DOCK LEVELER W/ LOCK VALVE

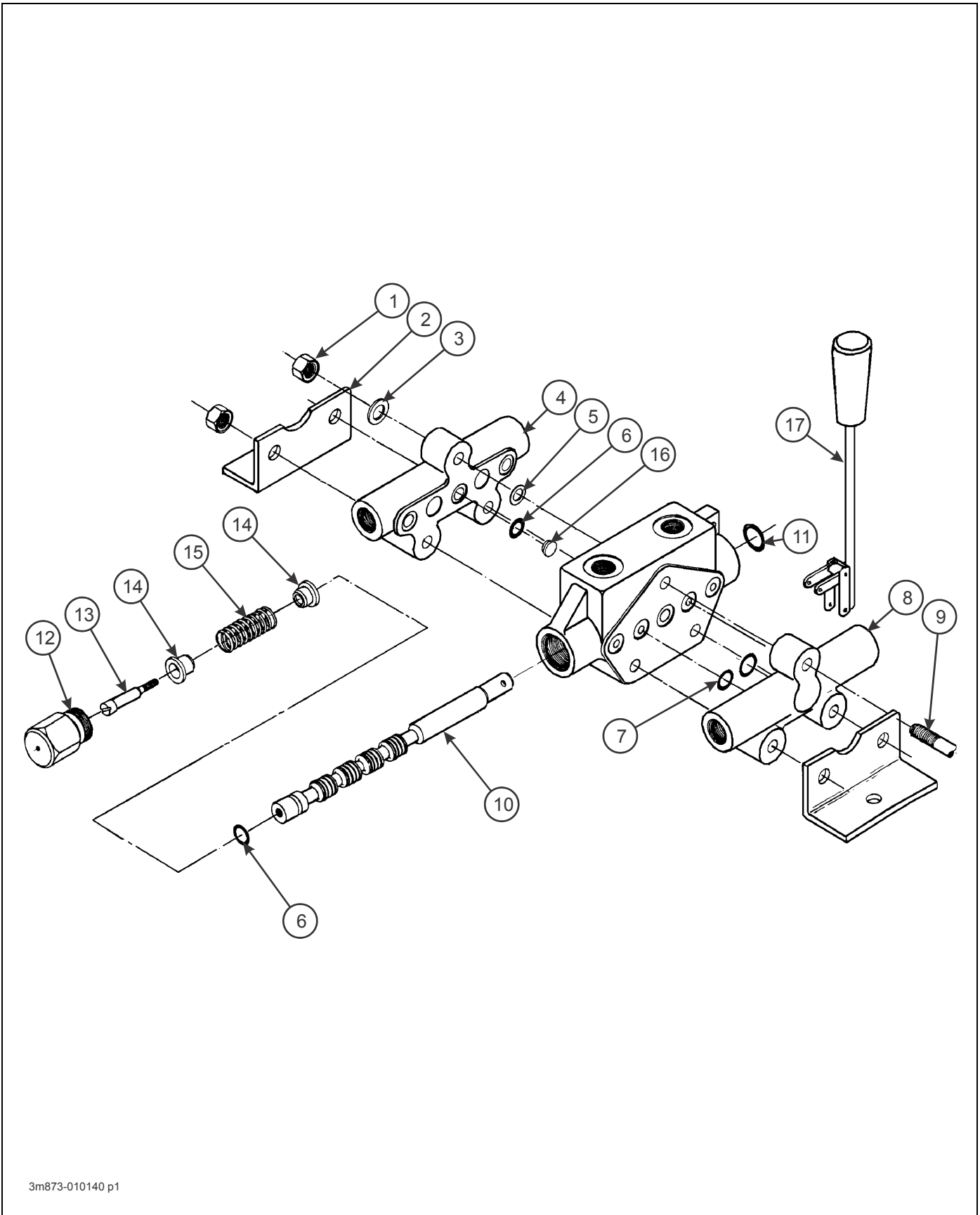
ITEM	PART NO.	REFERENCE NO.	DESCRIPTION	QTY.
------	----------	---------------	-------------	------

* - THESE ITEMS ARE CONTAINED IN THE LOCK VALVE REPAIR KIT 300085 (NSS).

** - ITEMS ARE CONTAINED IN LEG REPAIR KIT 100422 (4.00" BORE) (NSS).

*** STATE MODEL NUMBER AND PART DESCRIPTION WHEN ORDERING.

NSS: NOT SOLD SEPARATELY

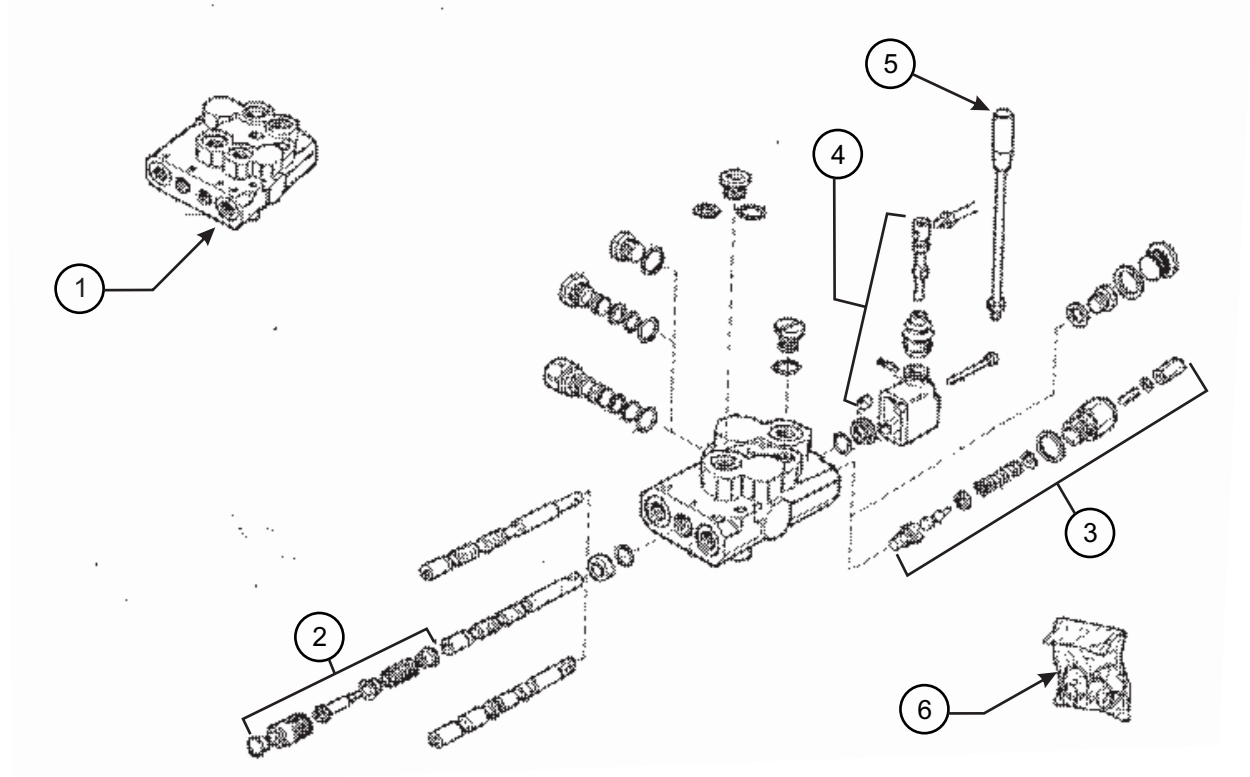


3m873-010140 p1

Figure 2-55: Dock Leveler Valve (Before 01/15/2014)

DOCK LEVELER VALVE (Before 01/15/2014)

ITEM	PART NO.	REFERENCE NO.	DESCRIPTION	QTY.
	3-846-010056		DOUBLE SPOOL STACK VALVE-PARALLEL	1
1	-----	1005013	NUT	3
2	-----	4014240	MOUNTING BRACKET	2
3	-----	1008008	WASHER	2
4	-----	6402000	OUTLET SECTION (INCLUDES SEALS)	1
	-----	6029521	OUTLET SEAL KIT	
5	-----	4023150	MYLAR SHIM (BETWEEN SECTIONS)	3
6	-----	0101012	O-RING	1
7	-----	0101013	O-RING	10
8	-----	6401003	INLET SECTION (INCLUDES SEALS)	1
	-----	6009250	INLET SEAL KIT	
9	-----	4023774	TIE ROD	3
10	-----	6400000	VALVE SECTION	2
	-----	6029520	VALVE SECTION SEAL KIT (INCLUDES ITEMS 5, 6, 7, & 11)	6
11	-----	0101112	O-RING	2
12	-----	4010500	SPRING CAP	2
13	4010520	4010520	SPRING SHAFT	2
14	4010530	4010530	SPRING GUIDE	4
15	-----	-----	SPRING	2
16	-----	4011702	CLOSED CENTER PLUG	1
17	6405000	6405000	HANDLE KIT	2
	-----	6404002	BANKING KIT (INCLUDES ITEMS 1, 2, 3, & 9)	2



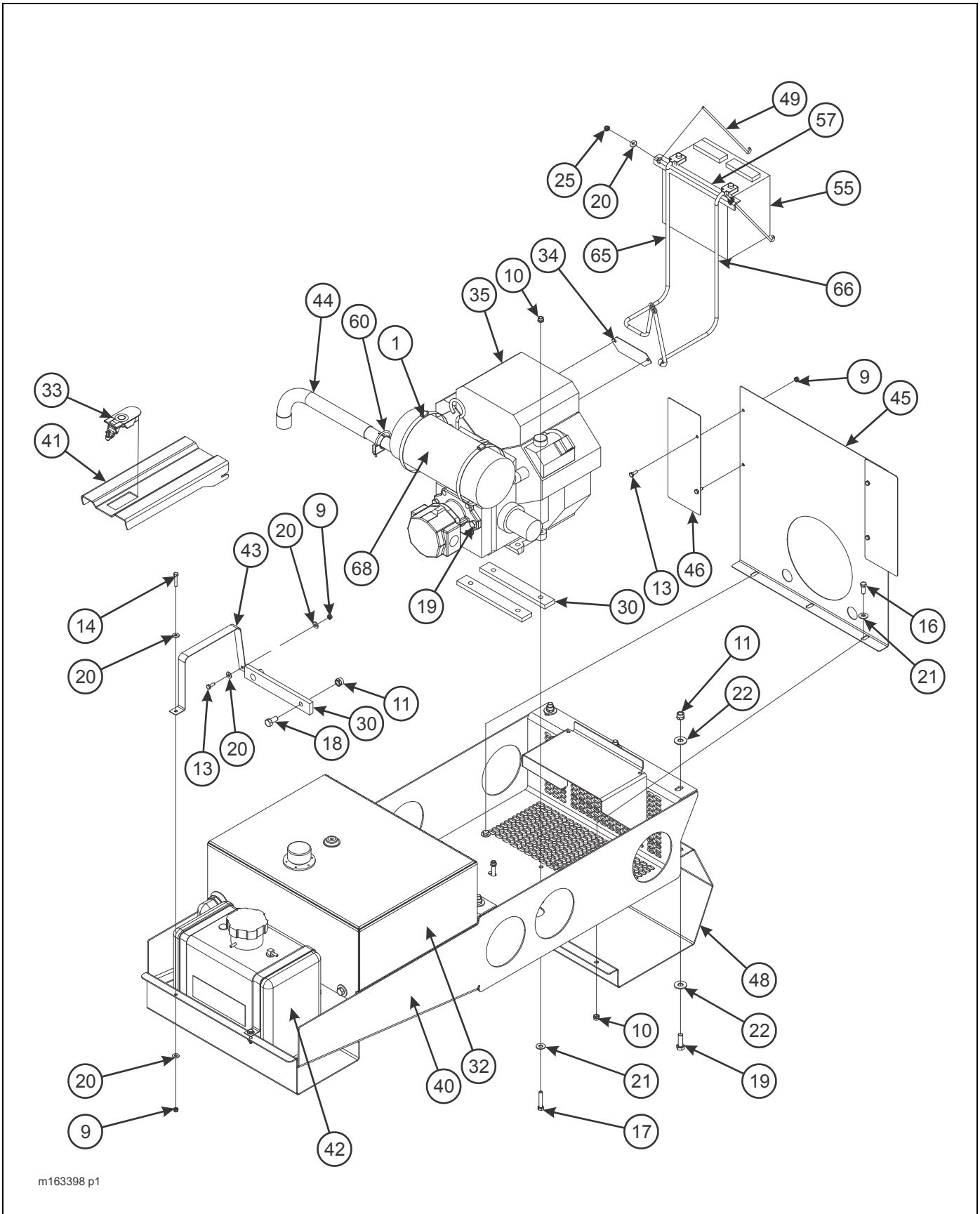
179649 valve

Figure 2-56: Dock Leveler Valve (After 01/15/2014)

DOCK LEVELER VALVE (After 01/15/2014)

ITEM	PART NO.	DESCRIPTION	QTY.
1	179649	DOUBLE SPOOL STACK VALVE-PARALLEL,	
2	20768510010	SPOOL POSITIONER SPRING CENTER	1
3	20787400710	RELIEF VALVE ASSEMBLY	1
5	200707010070	SPOOL OPERATOR	1
6	200702210230	HANDLE	1
7	200773800350	SEAL KIT	1

ILLUSTRATED PARTS LIST



m163398 p1

Figure 2-57: Engine Drive, 27 HP (1 of 4)

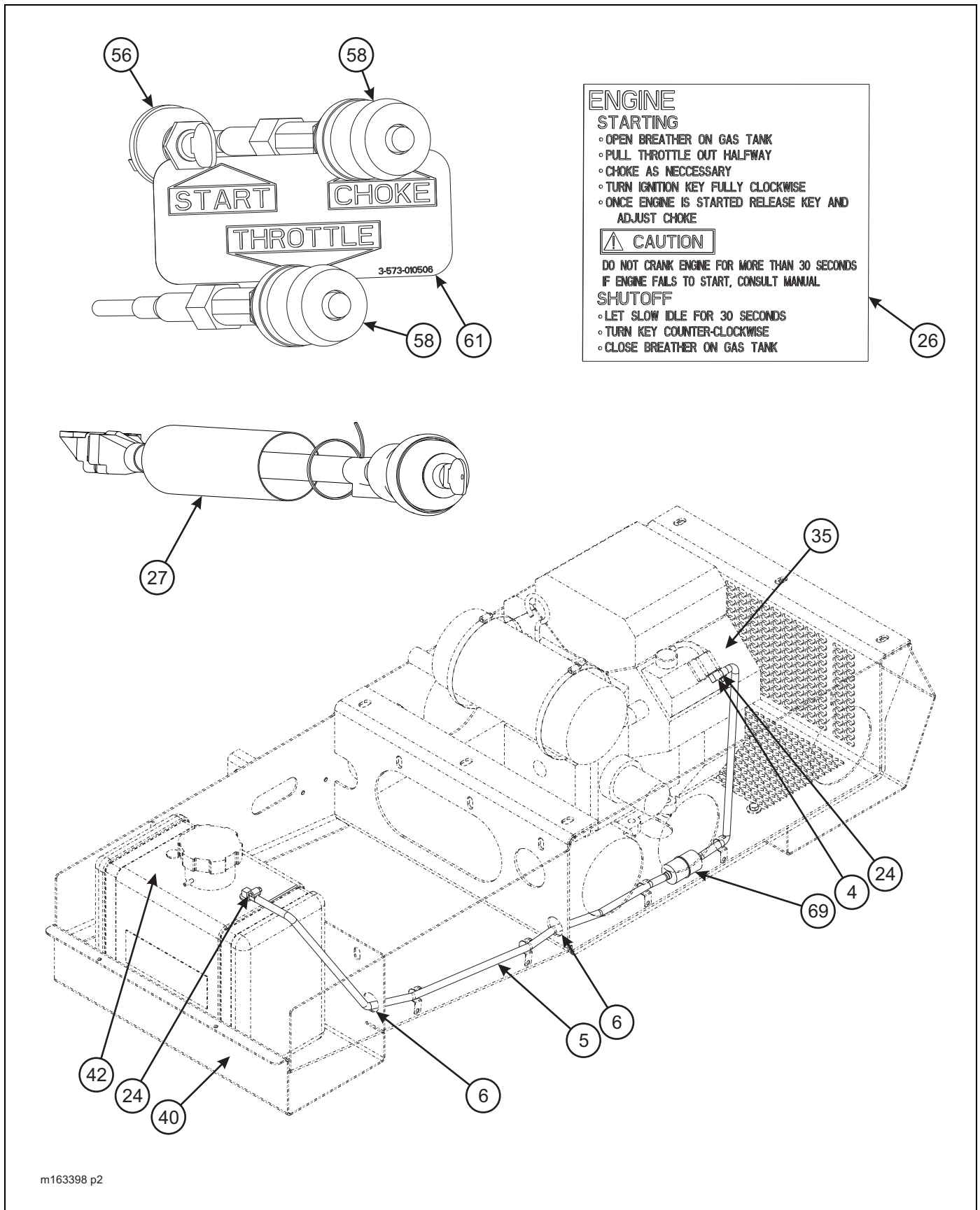
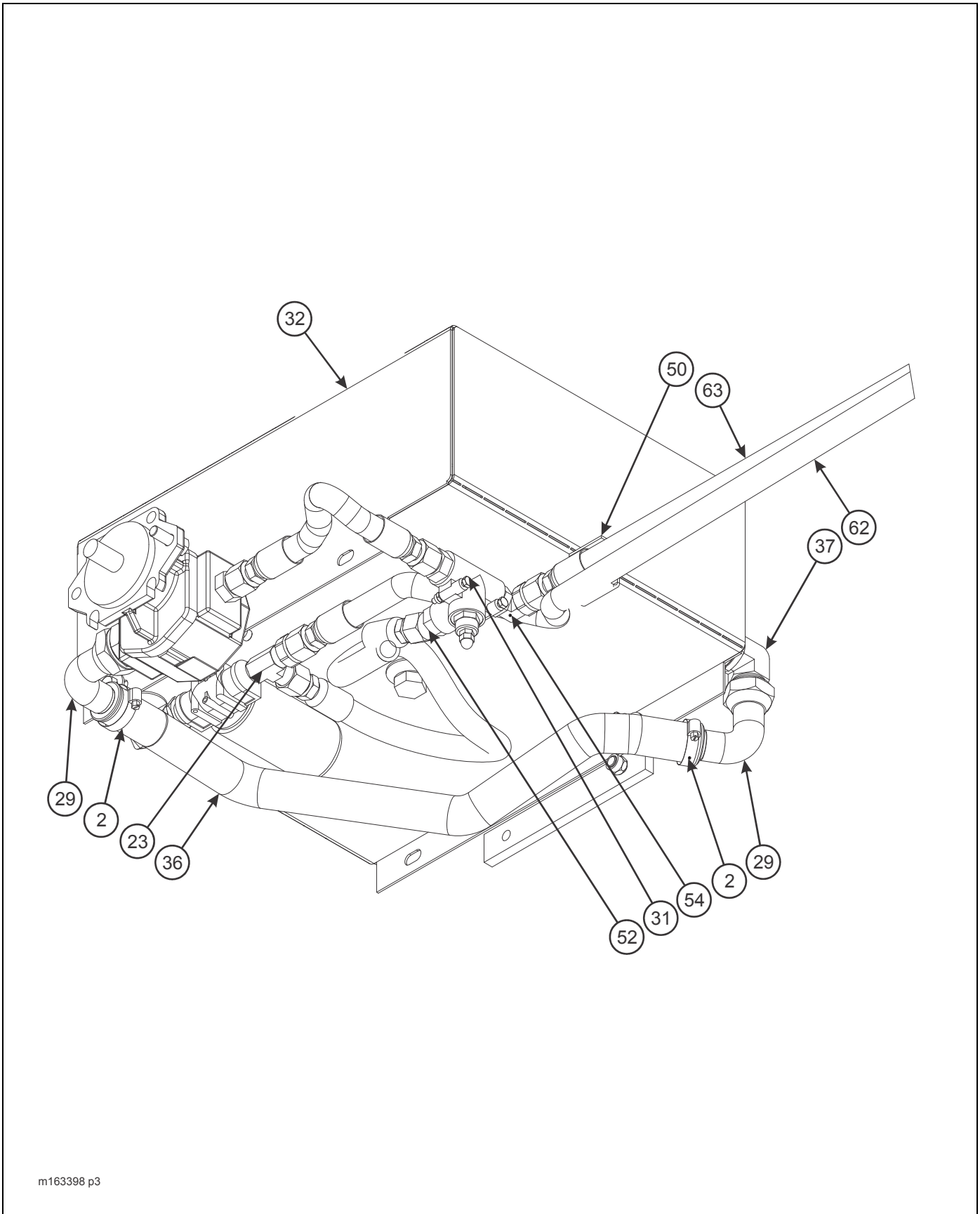
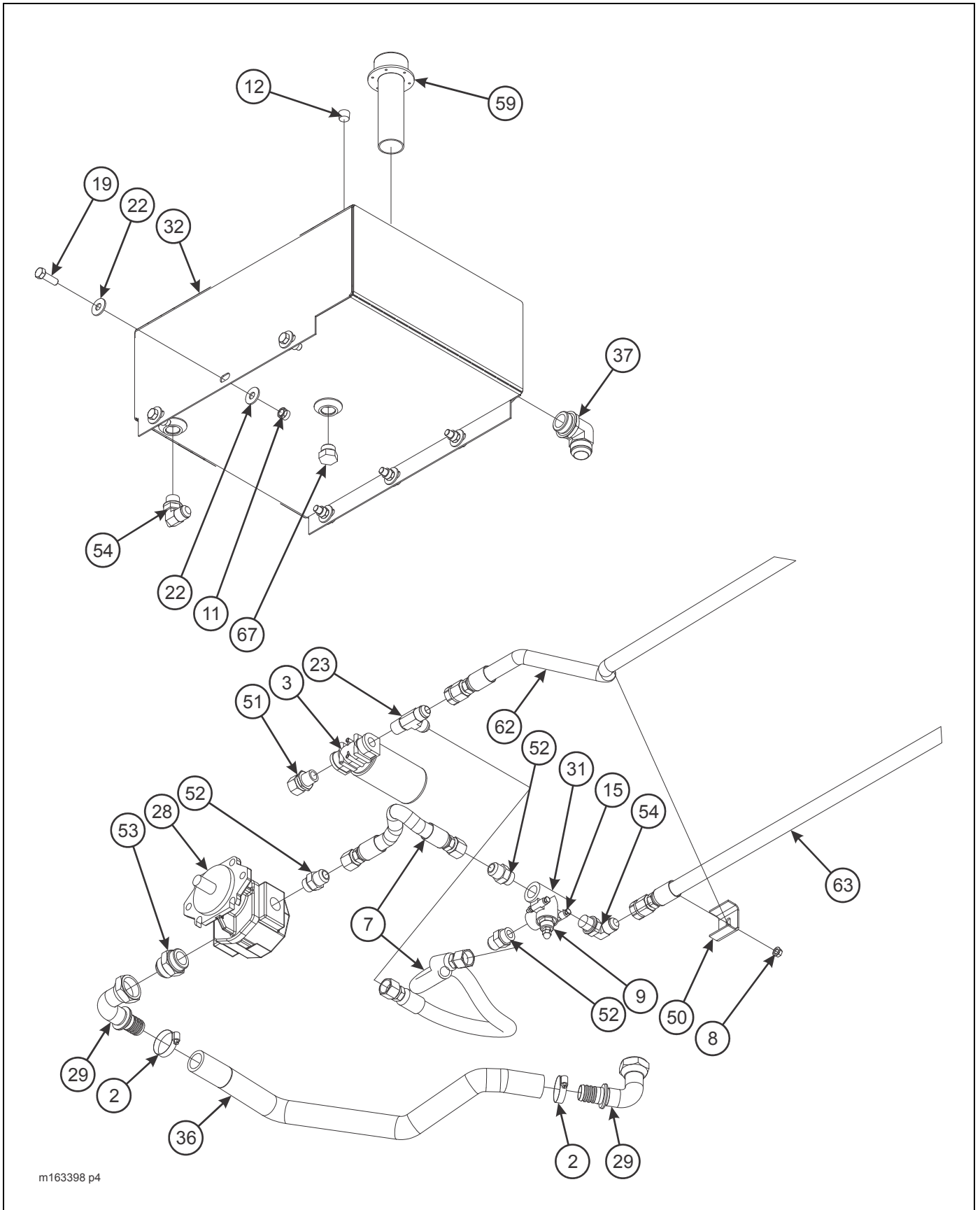


Figure 2-58: Engine Drive, 27 HP (2 of 4)



m163398 p3

Figure 2-59: Engine Drive, 27 HP (3 of 4)



m163398 p4

Figure 2-60: Engine Drive, 27 HP (4 of 4)

ILLUSTRATED PARTS LIST

ENGINE DRIVE, 27HP

ITEM	PART NO.	DESCRIPTION	QTY.
	163398	ENGINE DRIVE, 27HP	
1	1-181-010046-21	CLAMP, HOSE	2
2	1-181-010046-7	CLAMP, HOSE	2
3	1-295-010001	RETURN LINE FILTER	1
	1-295-010002	FILTER ELEMENT	1
4	1-297-010034-01	FITTING, BR 90 BARB	1
5	1-316-010013	HOSE, 1/4 LOW PRESSURE FUEL LINE	4
6	1-343-010007	GROMMET	2
7	1-397-010304025	HOSE ASSEMBLY 3/4 X 25	2
8	1-510-010001	NUT, FLANGE HEAD SERRATED 3/8-16	4
9	1-512-010005-01	NUT, HEX LOCK 1/4-20 GRB	3
10	1-512-010005-05	NUT, HEX LOCK 3/8-16 GRB	13
11	1-512-010005-09	NUT, HEX LOCK 1/2-13 GRB	11
12	1-560-010002-04	PLUG, PIPE 1/2	4
13	1-654-010047-04	SCREW, HEX HEAD CAP 1/4-20 X 3/4 GR5	2
14	1-654-010047-08	SCREW, HEX HEAD CAP 1/4-20 X 1-1/2 GR5	2
15	1-654-010047-10	SCREW, HEX HEAD CAP 1/4-20 X 2 GR5	2
16	1-654-010051-05	SCREW, HEX HEAD CAP 3/8-16 X 1 GR5	3
17	1-654-010051-09	SCREW, HEX HEAD CAP 3/8-16 X 2 GR5	6
18	1-654-010055-01	SCREW, HEX HEAD CAP 1/2-13 X 1 GR5	6
19	1-654-010055-03	SCREW, HEX HEAD CAP 1/2-13 X 1-1/2 GR5	11
20	1-861-010032-07	WASHER, FLAT 1/4W	3
21	1-861-010032-11	WASHER, FLAT 3/8W	17
22	1-861-010032-15	WASHER, FLAT 1/2W	13
23	102-0204	ADAPTER, TEE	1
24	105-0105	CLAMP, HOSE	2
25	108417	NUT, HEX FLANGE SPIRALOCK 1/4-20	2
26	113388	DECAL, ENG PKG INSTRUCTIONS	1
27	113544	HARNESS, ENG PKG IGNITION (NOT SHOWN) (BEFORE 4-10-2015)	2
	178428	SWITCH & HARNESS KIT, HOLHER U/D (AFTER 4-10-2015)	1
28	115888	PUMP, HYDRAULIC	1
29	116330	FITTING, 90	1
30	120659	ISOLATOR, KOHLER 25 HP MOUNT	2
31	120661	VALVE, HYDR PRESSURE RELIEF	1
32	120662	HYD. TANK WELDMENT 15G	1
33	121526	LATCH, COMPRESSION	1
34	123014	PLATE, MOTOR FRONT 25 HP	1
35	127813	ENGINE, KOHLER 27 HP PUMP MOUNT	1
36	139073	HOSE, SUCTION 1-1/4 X 33	1
37	141029	FITTING, 90	1
40	163400	MOUNT WELDMENT, ENG	1
41	163404	LID ACCESS, HYD TANK/FUEL	1
42	163425	TANK, FUEL PLASTIC 6 GAL	1
43	163426	STRAP, FUEL TANK	2
44	164005	EXTENSION, EXHAUST	1
45	164015	SHIELD, ENG HEAT	1
46	164016	SHIELD, SIDE EXTENSION	2
47	164017	LID WELDMENT, ENGINE PACKAGE (NOT SHOWN)	1
48	164804	SHIELD, ENGINE DRIVE	1

ENGINE DRIVE, 27HP

ITEM	PART NO.	DESCRIPTION	QTY.
49	1709AS669-01	J-BOLT 1/4-20 X 12 BATTERY HOLD-DOWN	2
50	2-181-010001	HOSE CLAMP	3
51	2018-12-12S	ADAPTER, HYDRAULIC	1
52	202702-12-12S	ADAPTER	1
53	202702-20-20S	ADAPTER	1
54	2062-12-12S	ADAPTER, 90°	4
55	2481X	BATTERY 12V	1
56	2509904	KOHLER IGNITION SWITCH	REF
57	3-120-010124	BATTERY CLAMP BRACKET	1
58	3-155-010012	CABLE, THROTTLE	2
59	3-162-010001	FILLER-BREATHER-STRAINER ASSEMBLY	1
60	3-182-010028	CLAMP, MUFFLER	1
61	3-573-010506	DECAL, ENGINE CONTROL	1
62	51073-16	HOSE ASSEMBLY 3/4 X 76.88	1
63	51073-36	HOSE ASSEMBLY 3/4 X 86	1
64	51325	TAPE, SILICA INSULATING (NOT SHOWN)	AR
65	514-9045-26	CABLE ASSEMBLY, BATTERY POSITIVE 26"	1
66	514-9073-30	CABLE ASSEMBLY, BATTERY NEGATIVE 18"	1
67	900598-12S	PLUG, O-RING	1
68	128501	REPLACEMENT MUFFLER KIT	1
69	142270	FUEL FILTER	1
70	142269	OIL FILTER	1
71	199105	FUEL FILTER KOHLER, 25-050-42-S (NOT SHOWN)	1
72	210377	FUEL PUMP KOHLER (NOT SHOWN)	1

ILLUSTRATED PARTS LIST

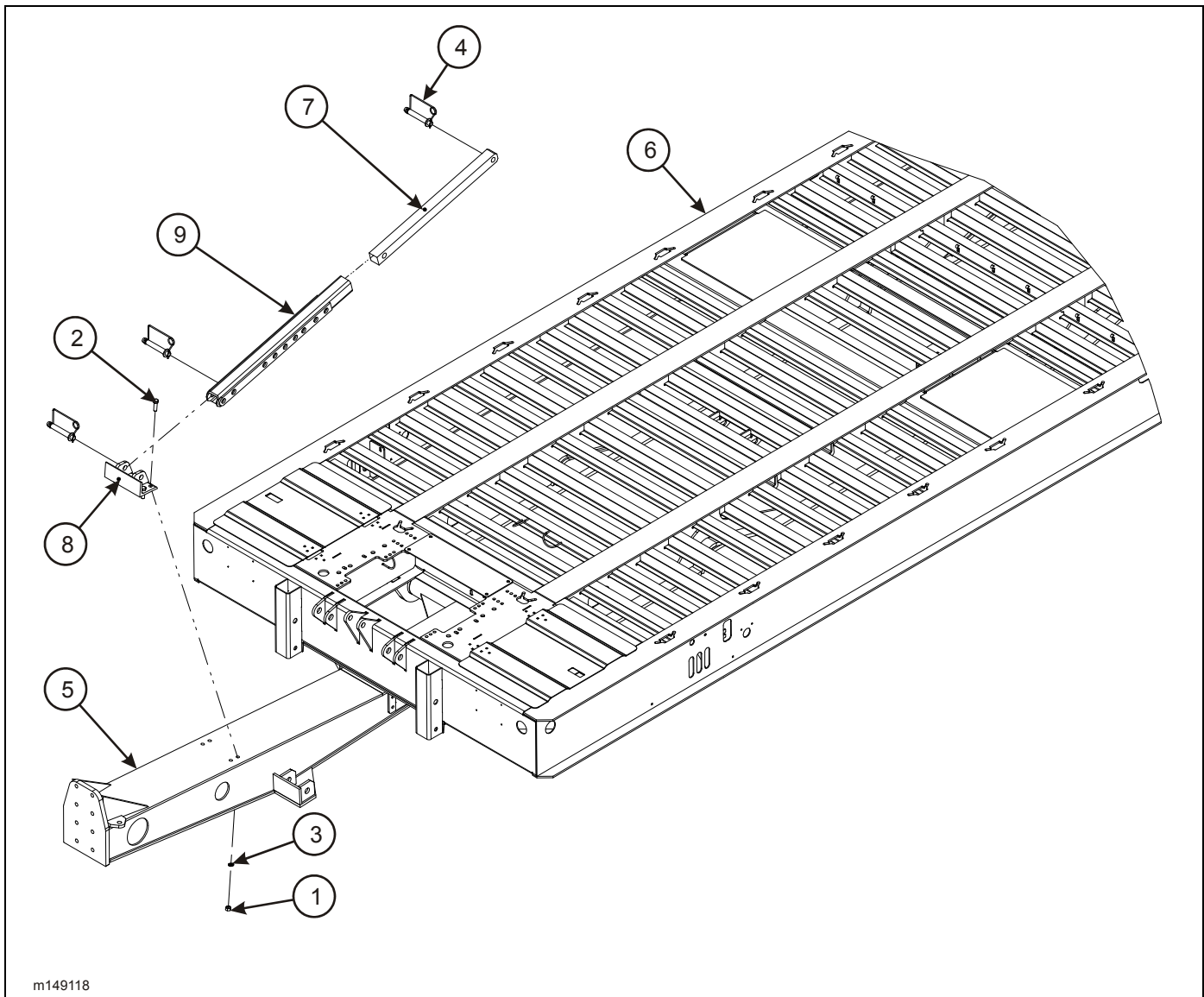


Figure 2-61: Hitch Lock Installation (Option)

HITCH LOCK INSTALLATION (OPTION)

ITEM	PART NO.	DESCRIPTION	QTY.
	149118	HITCH LOCK INSTALLATION	
1	1-512-010007-11	NUT, HEX 5/8-11 GR2	4
2	1-654-010059-05	SCREW, HEX HEAD CAP 5/8-11 X 2 GR5	4
3	1-861-010034-15	WASHER, SPLIT LOCK 5/8	4
4	100SL	LOCK, HITCH PIN 1 X 5-1/2	3
5	----	HITCH WELDMENT, 7'	REF
6	----	FRAME WELDMENT	REF
7	3-311-015070	SHAFT, TILT LOCK	1
8	3-311-015075	MOUNT WELDMENT, LOWER	1
9	3-311-015078	TUBE WELDMENT, TILT LOCK	1

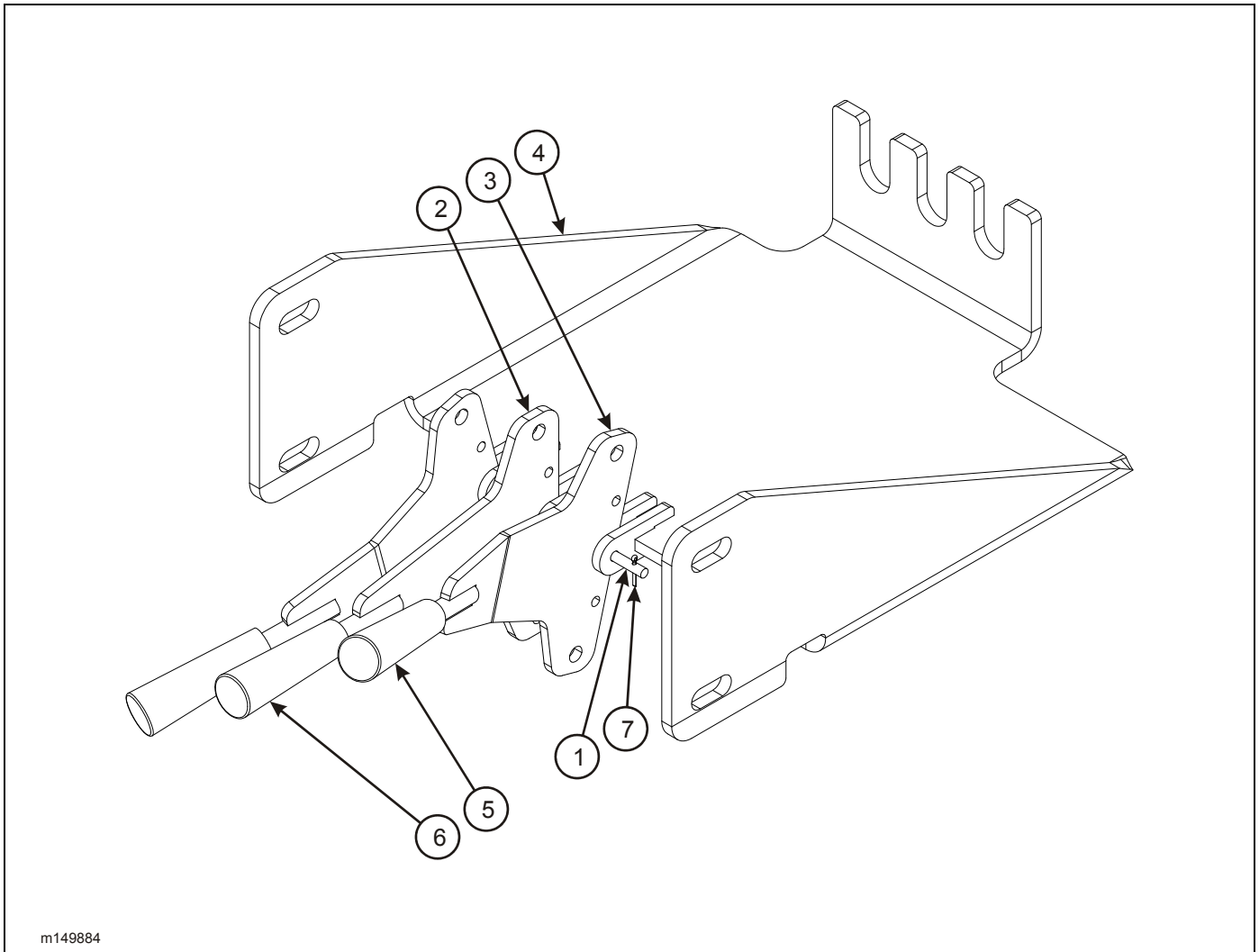


Figure 2-62: Control Cable Mount Assembly

CONTROL CABLE MOUNT ASSEMBLY

ITEM	PART NO.	DESCRIPTION	QTY.
	149884	CONTROL CABLE MOUNT ASSEMBLY	
1	114067	PIN, COTTER 1/16 X 1/2	2
2	149873	HANDLE WELDMENT, INNER	1
3	149874	HANDLE WELDMENT, OUTER	2
4	149876	MOUNT WELDMENT, CONTROL CABLE	1
5	3-360-010072	HANDLE, PLASTIC BLACK	2
6	3-360-010090	HANDLE, PLASTIC RED	1
7	3-557-010251	PIN, VALVE HANDLE	1

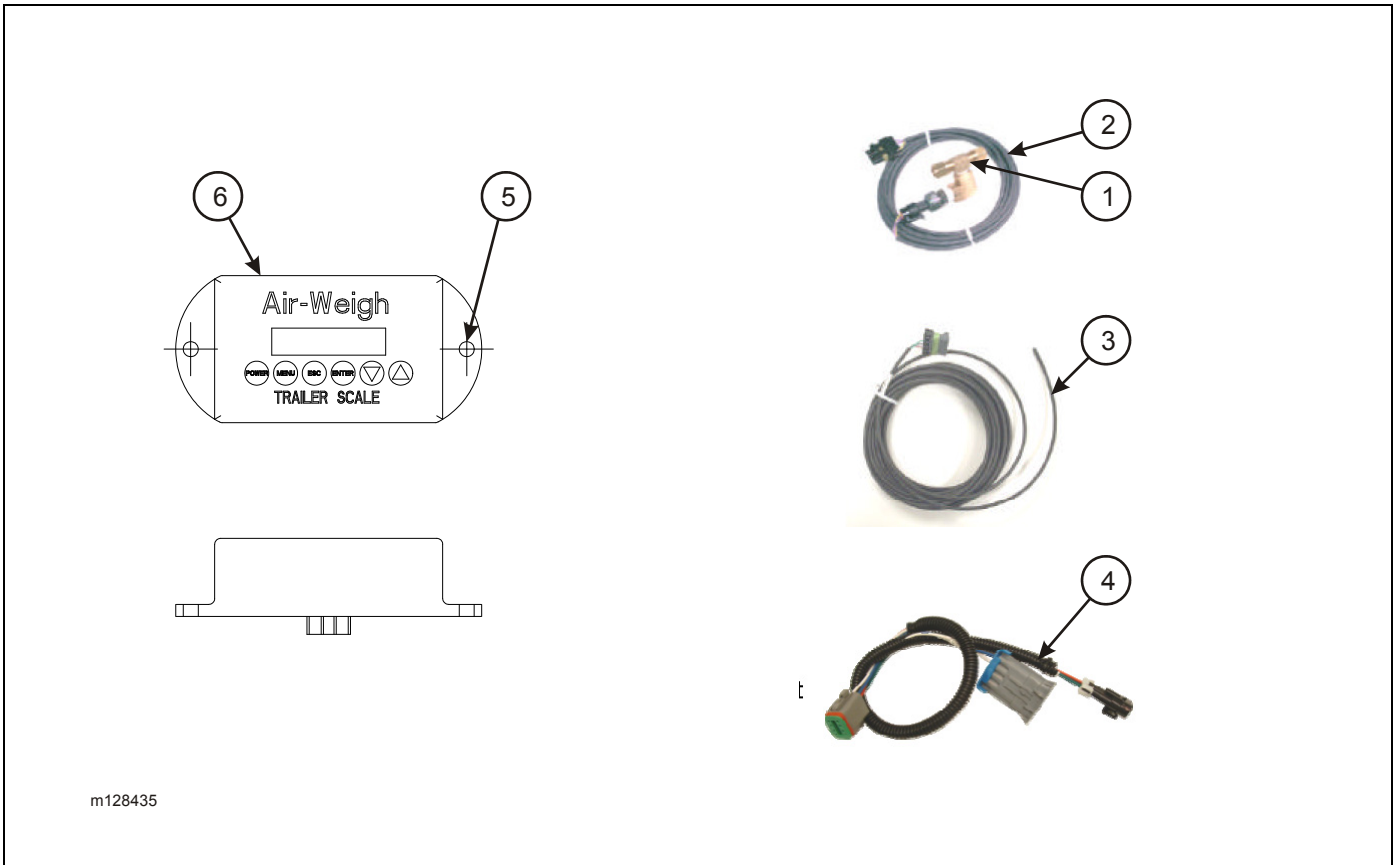


Figure 2-63: Air Digital Scale (Option)

AIR DIGITAL SCALE (OPTION)

ITEM	PART NO.	DESCRIPTION	QTY.
	172437	SCALE, AIR DIGITAL (TRAVELING AXLE)	
1	149543	SENSOR ASSEMBLY, 5V 3/8" BRASS	1
2	166001	CABLE, AW5800, 2 PART SENSOR 50'	1
3	184393	CABLE, AW5800 TRAILER POWER BLUNT CUT 15'	1
4	142895	CABLE, AW5800, TRAILER SCALE INTERFACE 2"	1
5	-----	HARDWARE KIT, AW 5800	1
6	166000	TRAILER SCALE AW5800	1
7	-----	NYLON TIE 7" T-50 NYLON (NOT SHOWN)	25
8	-----	MANUAL, TRAILER SCALE AW5800 (NOT SHOWN)	1
9	166924	DECAL, AW5800 TRAILER SIDE-M (NOT SHOWN)	1

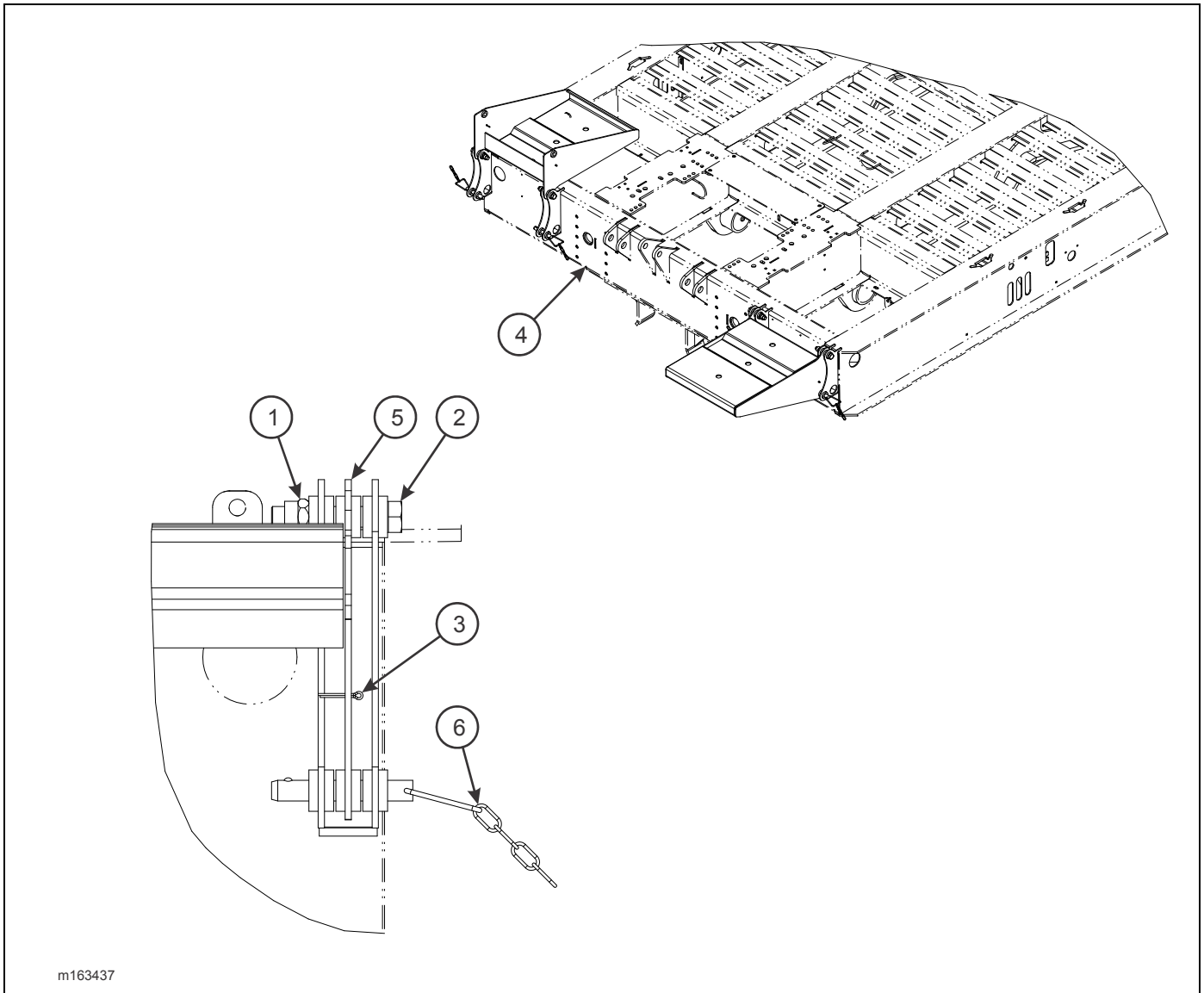


Figure 2-64: Extension Front Flip Installation (Option)

EXTENSION FRONT FLIP INSTALLATION (OPTION)

ITEM	PART NO.	DESCRIPTION	QTY.
	163437	EXTENSION FRONT FLIP INSTALLATION	
1	1-512-010005-13	NUT, HEX LOCK 5/8-11 GRB	4
2	1-654-010059-11	SCREW, HEX HEAD CAP 5/8-11 X 3-1/2 GR5	4
3	101386	PIN, COTTER 1/8 X 1	4
4	163438	FRAME, MODIFIED FRONT FLIP	1
5	163439	EXTENSION WELDMENT, FRONT FLIP	2
6	2-557-010426	PIN, DETENT W/ CHAIN 5/8	4

ILLUSTRATED PARTS LIST

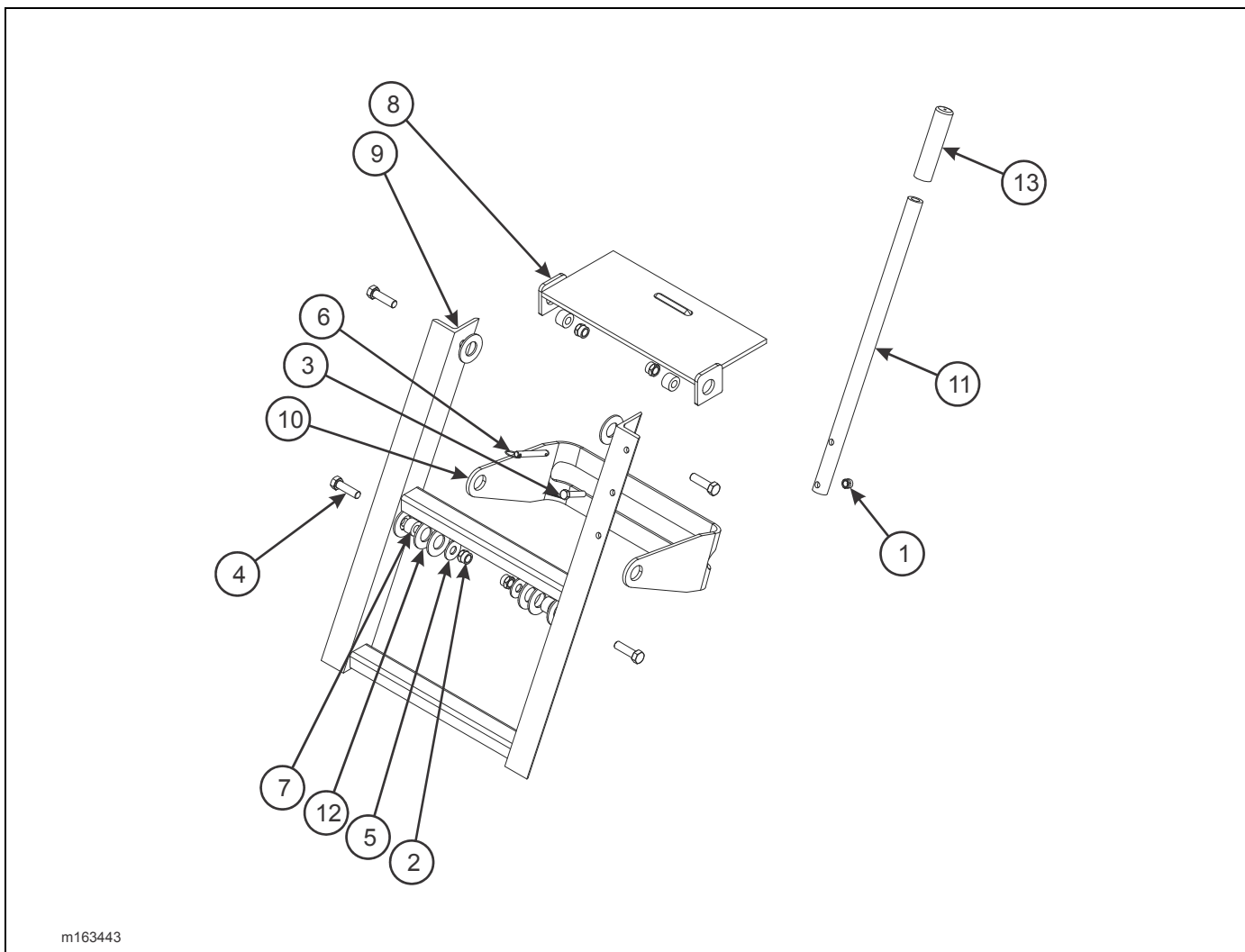


Figure 2-65: Trailer Deck Ladder Assembly (Option)

TRAILER DECK LADDER ASSEMBLY (OPTION)

ITEM	PART NO.	DESCRIPTION	QTY.
	163443	LADDER ASSEMBLY, TRAILER DECK	
1	1-512-010005-05	NUT, HEX LOCK 3/8-16 GRB	13
2	1-512-010005-09	NUT, HEX LOCK 1/2-13 GRB	11
3	1-654-010051-08	SCREW, HEX HEAD CAP 3/8-16 X 1-3/4 GR5	10
4	1-654-010055-04	SCREW, HEX HEAD CAP 1/2-13 X 1-3/4 GR5	8
5	1-861-010032-15	WASHER FLAT 1/2W	2
6	125532	PIN, SELF-LOCKING 3/8 X 2.5	1
7	125799	SPACER, 1 OD X 1/2 ID X .632	4
8	163444	MOUNT WELDMENT, LADDER ANCHOR	1
9	163448	LADDER, TRAILER DECK	1
10	163452	SUPPORT, LADDER	1
11	163453	HANDLE, LADDER ASSIST	1
12	163465	WASHER, RUBBER 2 OD X 1 ID X 1/8	8
13	519-9967	GRIP, HANDLE	1

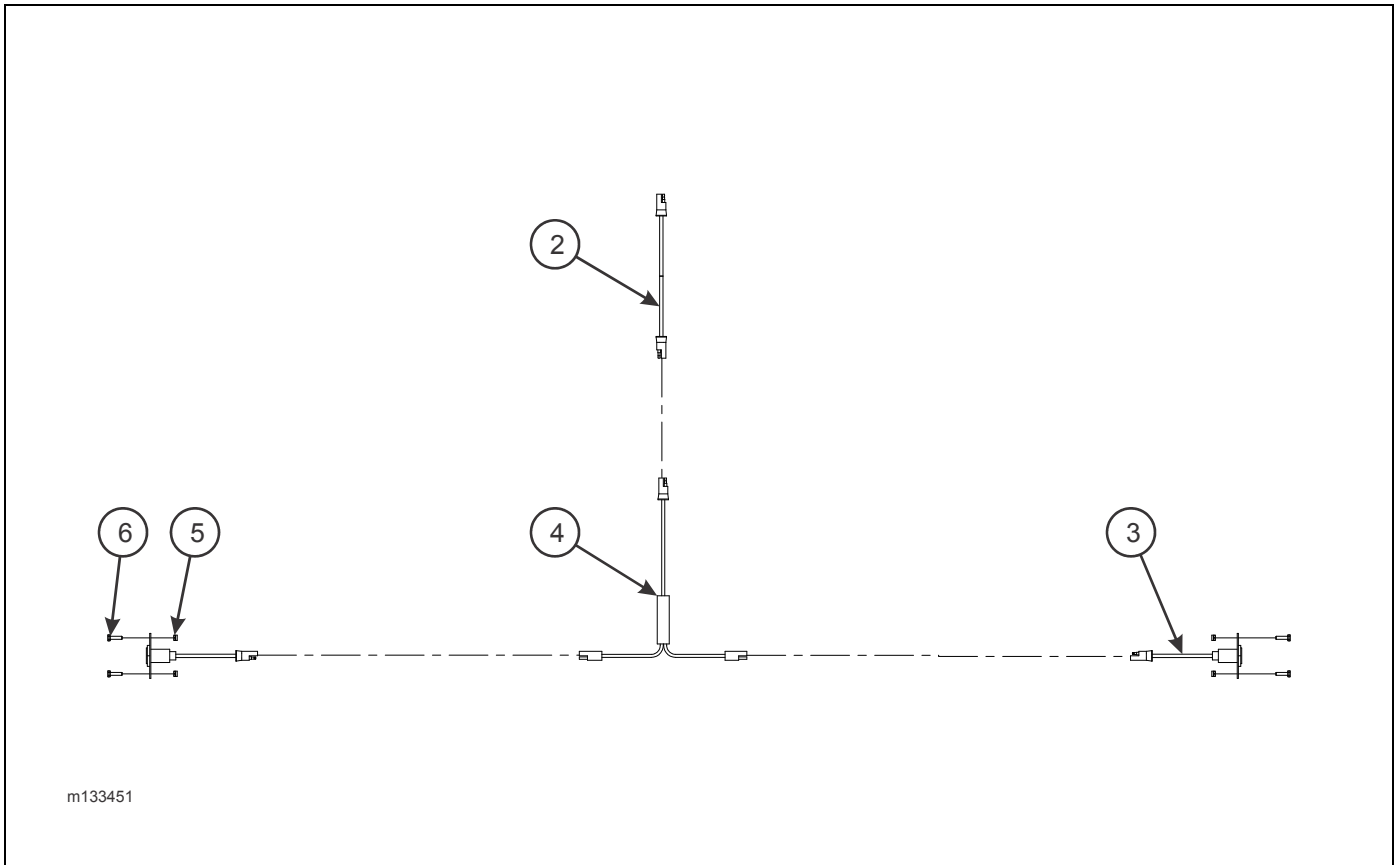
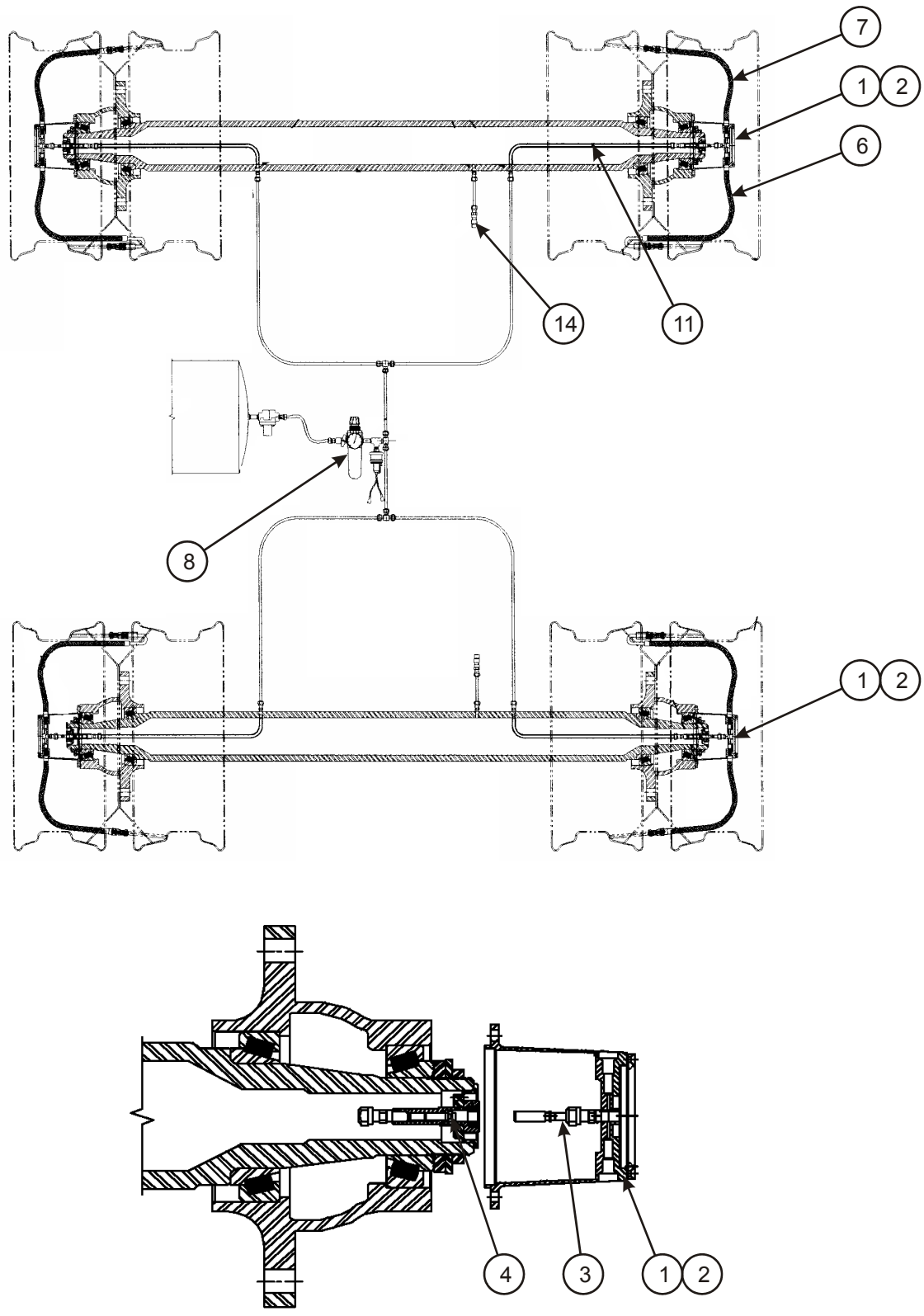


Figure 2-66: Electrical Accessory Outlet Installation (Option)

ELECTRICAL ACCESSORY OUTLET INSTALLATION (OPTION)

ITEM	PART NO.	DESCRIPTION	QTY.
	133451	ELECTRICAL ASSESSOR OUTLET INSTALLATION	
2	150111	HARNESS, 300"	1
3	150116	HARNESS/RECEPTACLE ASSEMBLY	2
4	167965	HARNESS, JUMPER T-POWER	1
5	1-512-010005-01	NUT, HEX LOCK 1/4-20 GRB	4
6	1-654-010047-06	SCREW, HEX HEAD CAP 1/4-20 X 1 GR5	4



m157703

Figure 2-67: Tire Inflation System - 2AX (Option) (BEFORE 3-8-2013)

TIRE INFLATION SYSTEM - 2AX (OPTION) (BEFORE 3-8-2013)

ITEM	PART NO.	DESCRIPTION	QTY.
	157702	TIRE INFLATION SYSTEM 2AX	
1	139529	HUB CAP ASSEMBLY, LOW PROFILE 5.5" OIL	4
2	157704	GASKET, HUB CAP	4
3	157705	ROTATING SHAFT, UNIVERSAL	4
4	157706	SPINDLE PLUG, 1.75"	4
5	157707	AIR CYLINDER ASSEMBLY (NOT SHOWN)	4
6	159338	HOSE ASSEMBLY, OUTER TIRE	4
7	159337	HOSE ASSEMBLY, INNER TIRE	4
8	148416	REGULATOR ASSEMBLY W/ BALL VALVE	1
9	-----	WARNING LIGHT WIRE (NOT SHOWN)	1
10	-----	NYLON AIR TUBE (NOT SHOWN)	1
11	-----	CHAFE GUARD	1
12	-----	LARGE WIRE TIES (NOT SHOWN)	3
13	148417	TRIPLE AXLE HARDWARE KIT (NOT SHOWN)	1
	148413	DUAL AXLE HARDWARE KIT (NOT SHOWN)	1
14	-----	AXLE VENT	1
15	145677	LIGHT PRESSURE GUARD (NOT SHOWN)	1
16	154653	PRESSURE SWITCH (NOT SHOWN)	1

ILLUSTRATED PARTS LIST

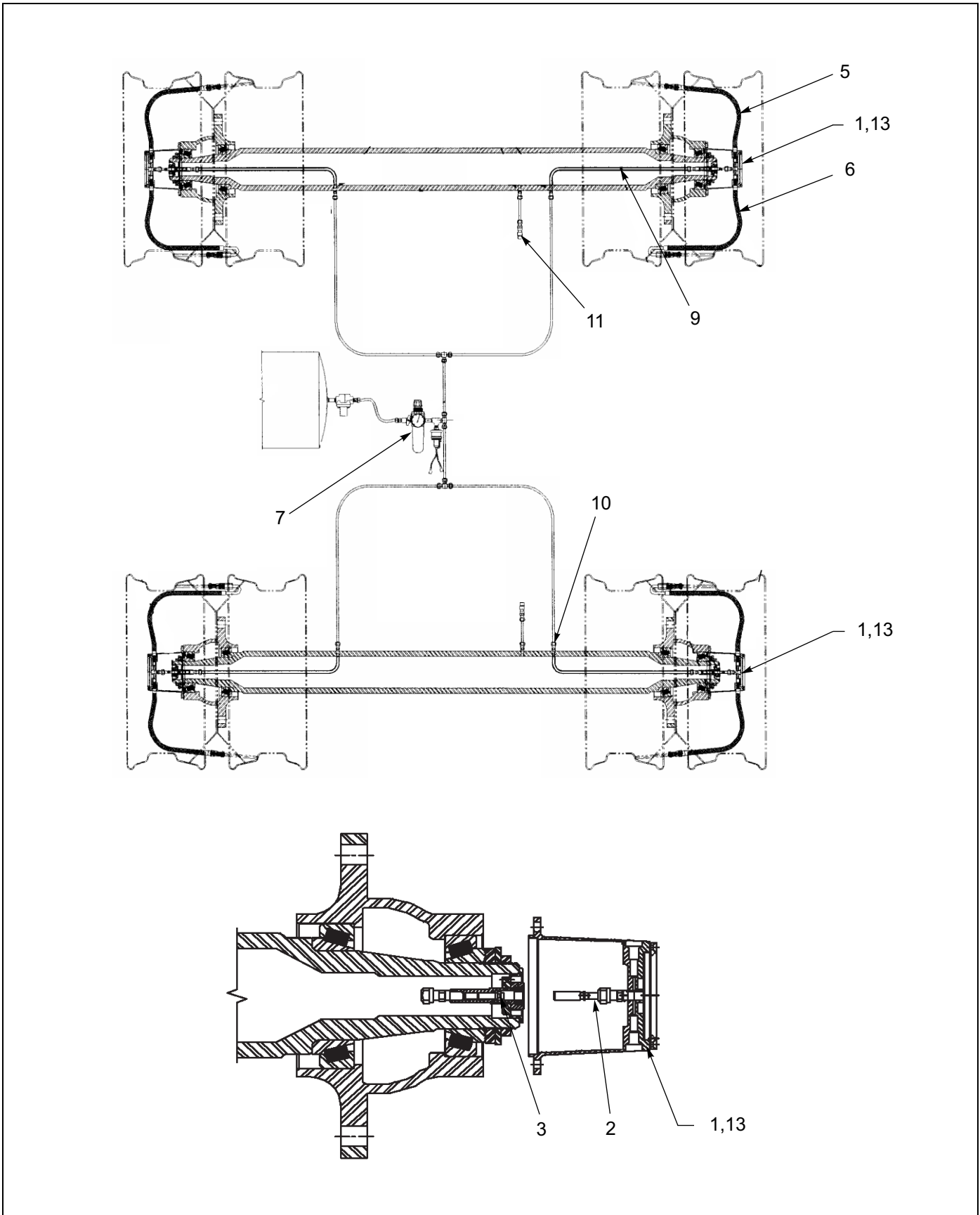


Figure 2-68: Tire Inflation System - 2AX (OPTION) (AFTER 3-8-2013)

TIRE INFLATION SYSTEM - 2AX (OPTION) (AFTER 3-8-2013)

ITEM	PART NO.	DESCRIPTION	QTY.
	157702	TIRE INFLATION SYSTEM 2AX	
1	139529	HUB CAP ASSEMBLY, LOW PROFILE 5.5" OIL	4
2	157705	ROTATING SHAFT, UNIVERSAL	4
3	157706	SPINDLE PLUG, 1.75"	4
4	194159	SPINDLE PLUG W/ ROTATING SHAFT KIT (NOT SHOWN) (ITEMS 2 & 3)	4
5	159337	HOSE ASSEMBLY, INNER TIRE	4
6	159338	HOSE ASSEMBLY, OUTER TIRE	4
7	178749	REGUALTOR ASSY, PSI (BEFORE 1-23-2018)	1
	212347	REGULATOR TIS W/ CONNECTOR LEAD (AFTER 1-23-2018)	1
8	-----	NYLON AIR TUBE (NOT SHOWN)	1
9	-----	CHAFE GUARD	1
10	-----	AXLE PLUMBING KIT	1
11	182086	VENT TUBE ASSEMBLY	1
12	178751	AIR TANK PLUMING KIT (NOT SHOWN)	1
13	085-002-02	RUBBER PLUG	4
14	169832	DECAL, LIGHT PRESSURE GUARD (NOT SHOWN)	1

Page Intentionally Blank

Numerical Index

Numerics

005-074-00	2-43	101855	2-5
005-098-00	2-43	102-0031	2-81, 2-87
005-099-00	2-43	102-0204	2-102
006-114-00	2-43	102-1097	2-87
006-115-00	2-43	102186	2-55
010-052-00	2-43	102187	2-57
010700437	2-83	102188	2-53, 2-57
011300179	2-14	102361	2-39
034-058-07	2-43	102363	2-32, 2-35, 2-39
034-188-08	2-43	102732	2-35, 2-37
034-189-08	2-43	103055	2-5, 2-32
040-320-01	2-43	103056	2-5, 2-32
046-097-00	2-43	103805	2-43
056-018-00	2-43	104031	2-9
069-078-00	2-43	104034	2-25, 2-32
081900277	2-14	1046	2-71
085-002-02	2-113	105-0105	2-102
100348	2-89, 2-92	105408	2-39
100401	2-47	105479	2-13
100402	2-47	105480	2-13
100600	2-5, 2-55, 2-57, 2-63	105481	2-13
1-007-010058	2-89	105482	2-13
10078	2-66, 2-68	10562-00	2-27
100941	2-25, 2-32	105822	2-5
100SL	2-104	106046	2-78
101386	2-107	106956	2-68
101528	2-25, 2-32	107368	2-57, 2-59, 2-73
101848	2-45	107369	2-57, 2-73
		107486	2-51, 2-53, 2-61

NUMERICAL INDEX

108417	2-102	11308	2-65
108801	2-49	11309	2-68
108802	2-49	11310	2-68
109533	2-39	113268	2-25, 2-32
109709	2-85	113388	2-5, 2-102
109711	2-85	113536	2-47
109712	2-85	113544	2-102
110435	2-9	11368	2-65
110448	2-69	11398	2-69
110451	2-69	11402	2-68
110452	2-66, 2-69	114067	2-105
110903	2-13	11407	2-68
110993	2-9	11411	2-68
111007	2-39	11419	2-68
111008	2-39	11420	2-68
111010	2-39	11421	2-68
111011	2-39	11425	2-68
111012	2-39	11426	2-69
111013	2-39	11429	2-68
111014	2-39	11430	2-68
111018	2-39	11431	2-68
111019	2-39	11434	2-68
111021	2-37	11440	2-68
111022	2-39	11441	2-68
111023	2-39	11446	2-68
11117	2-65	114553	2-19
11128	2-65	114584	2-41, 2-45
11129	2-65	114588	2-45
11130	2-65	114590	2-45
111302	2-87	114983	2-85
11133	2-65	115701	2-43
11142	2-65	115703	2-27, 2-43
11144	2-65	115730	2-32
111870	2-83	115888	2-102
112047	2-47	11599	2-68
112158	2-81	116330	2-102
11240	2-66	116429	2-81, 2-87
112492	2-47	116837	2-87

117304	2-41	125892	2-57
11791	2-69	126588	2-75
1-181-010046-21	2-102	126589	2-75
1-181-010046-7	2-102	126900	2-39
118-2659-9	2-41	12767	2-69
11837	2-65	127813	2-102
118897	2-25, 2-32	12783	2-68
119580	2-25, 2-32	12817	2-65
119621	2-53, 2-57	128501	2-103
119622	2-53, 2-57	1-295-010001	2-102
120451	2-25, 2-32	1-295-010002	2-102
120560	2-87	1-297-010007-04	2-59
120584	2-27	1-297-010007-05	2-59
120659	2-13, 2-25, 2-102	1-297-010007-11	2-35
120661	2-102	1-297-010007-12	2-41, 2-49
120662	2-102	1-297-010008-05	2-59
12073	2-68	1-297-010008-07	2-35, 2-59
120749	2-19	1-297-010008-18	2-41
12075	2-65	1-297-010008-23	2-41
121031	2-17	1-297-010008-24	2-41
121077	2-32	1-297-010008-26	2-41
121124	2-87	1-297-010010-01	2-35
121333	2-81	1-297-010010-04	2-35
121366	2-32	1-297-010011-02	2-59
121402	2-89	1-297-010012-16	2-49
12146	2-69	1-297-010013-16	2-41
121498	2-32, 2-89	1-297-010015-09	2-59
121526	2-102	1-297-010017-03	2-41
122540	2-89	1-297-010018-04	2-41
123014	2-102	1-297-010020-02	2-59
1-242-010178-2	2-83	1-297-010021-05	2-49
1-242-010180-2	2-81, 2-83	1-297-010022-02	2-59
12420301-017	2-5	1-297-010031-02	2-59
124549	2-68	1-297-010032-03	2-59
124559	2-32	1-297-010034-01	2-102
12465	2-68	1-298-010001-1	2-13, 2-74
125532	2-108	13005	2-65
125799	2-108	13028	2-66, 2-69

NUMERICAL INDEX

1-316-010013	2-102	1-397-010307099	2-81
133451	2-109	1-397-010307210	2-87
13424	2-66, 2-69	140083	2-21
1-343-010007	2-102	140893	2-17
13468	2-65	141029	2-102
134781	2-76, 2-78	141607	2-49
136202	2-43	141708	2-39
136257	2-32	142269	2-103
13680	2-66	142270	2-103
136991	2-43	142443	2-25, 2-32
136992	2-43	142450	2-25, 2-32
138155	2-25, 2-32, 2-89	142451	2-25, 2-32
138179	2-19, 2-81, 2-87	142466	2-25, 2-32
13839	2-65	142483	2-19
1-384-010038056	2-41	142484	2-19
1-384-010038204	2-41	142485	2-19
1-384-010041-2	2-49	142486	2-19
1385	2-7	142545	2-25, 2-32
139073	2-102	142553	2-5, 2-25, 2-32
139287	2-43	142738	2-81
1-394-010001	2-41	142895	2-106
1-394-010002	2-89	143103	2-21
139478	2-69	143104	2-21
139479	2-68	143105	2-21
139529	2-111, 2-113	143106	2-21
139552	2-59	143108	2-21
1-397-010262-5	2-89	143109	2-21
1-397-010301024	2-81	143110	2-21
1-397-010301025	2-12	143113	2-21
1-397-010301048	2-12	143114	2-21
1-397-010301054	2-12	143115	2-21
1-397-010301070	2-63	143116	2-21
1-397-010301136	2-12	143117	2-21
1-397-010301160	2-12	143118	2-21
1-397-010302018	2-87	143119	2-21
1-397-010302072	2-63	143120	2-21
1-397-010304025	2-102	143126	2-21
1-397-010306028	2-87	143141	2-19

143155	2-13	149883	2-13
143166	2-21	149884	2-13, 2-105
143246	2-53, 2-57	149885	2-13
144614	2-25, 2-32	149886	2-9, 2-12, 2-21, 2-49
144979	2-43	149891	2-9
145598	2-77	149901	2-25, 2-27, 2-41
145599	2-77	149902	2-25, 2-27, 2-41
145677	2-111	149920	2-63
147190	2-21	149926	2-9
147191	2-21	149927	2-9
148240	2-17, 2-19	149928	2-9
148413	2-111	150076	2-9
148416	2-111	150111	2-109
148417	2-111	150116	2-109
149030	2-19	150117	2-21
149082	2-13	1-510-010001	2-9, 2-12, 2-25, 2-32, 2-41, 2-81, 2-87, 2-89, 2-102
149090	2-21, 2-25	1-510-010004-03	2-9, 2-12, 2-49
149091	2-25	1-512-010004-03	2-57
149092	2-7	1-512-010005-01	2-9, 2-35, 2-37, 2-78, 2-102, 2-109
149093	2-7	1-512-010005-03	2-81, 2-87
149096	2-7	1-512-010005-05	2-41, 2-55, 2-59, 2-63, 2-76, 2-79, 2-102, 2-108
149100	2-7, 2-63	1-512-010005-09	2-12, 2-13, 2-51, 2-53, 2-55, 2-57, 2-63, 2-73, 2-74, 2-75, 2-77, 2-89, 2-102, 2-108
149118	2-104	1-512-010005-13	2-53, 2-57, 2-79, 2-81, 2-107
149526	2-19	1-512-010005-15	2-12, 2-25, 2-32
149527	2-19	1-512-010007-03	2-21
149528	2-19	1-512-010007-05	2-21, 2-25, 2-32, 2-57, 2-73
149529	2-19	1-512-010007-09	2-39
149530	2-19	1-512-010007-11	2-104
149543	2-106	1-512-010007-12	2-7, 2-57
149869	2-17	1-512-010010-12	2-7
149870	2-13, 2-17, 2-63	151823	2-19
149873	2-17, 2-105	153747	2-5
149874	2-17, 2-105	153750	2-5
149876	2-105	153751	2-5
149877	2-13	153752	2-5
149878	2-13	153753	2-5
149881	2-5, 2-21		
149882	2-5, 2-21		

NUMERICAL INDEX

153754	2-5	163386	2-79, 2-85
153755	2-5	163398	2-102
153798	2-5	163400	2-102
154166	2-68	163404	2-102
154653	2-111	163425	2-102
155197	2-5	163426	2-102
1-557-010362-54	2-12, 2-13	163427	2-76
155780	2-5	163428	2-76
1-560-010002-02	2-41	163431	2-12
1-560-010002-03	2-41	163432	2-53
1-560-010002-04	2-41, 2-102	163437	2-107
1-560-010002-05	2-41	163438	2-107
156632	2-5	163439	2-107
156633	2-5	163441	2-5
156655	2-43	163442	2-5
157702	2-33, 2-111, 2-113	163443	2-108
157704	2-111	163444	2-108
157705	2-111, 2-113	163448	2-108
157706	2-111, 2-113	163452	2-108
157707	2-111	163453	2-108
158576	2-13	163458	2-79, 2-85
159337	2-111, 2-113	163463	2-79, 2-85
159338	2-111, 2-113	163465	2-108
159712	2-13, 2-15	163472	2-68
159731	2-21	163502	2-85
159732	2-25, 2-33	163605	2-33
160534	2-15	163615	2-32, 2-35, 2-41
160537	2-15	163620	2-76
160540	2-15	16398-04	2-27
160542	2-14	163984	2-81
161797	2-25, 2-33	163985	2-81
161845	2-51	163990	2-78
161846	2-32, 2-33, 2-35, 2-41	163991	2-78
161847	2-32, 2-33, 2-35, 2-41	163993	2-81
161848	2-33	164005	2-102
1-626-010002-03	2-87	164015	2-102
1-626-010002-06	2-81	164016	2-102
163385	2-79	164017	2-102

1-647-010004255	2-53, 2-57	1-654-010059-15	2-53, 2-57
164804	2-102	1-654-010061-06	2-13
165169	2-7	1-654-010061-07	2-7
165172	2-7	1-654-010141-04	2-57
165173	2-7	1-654-010158-1	2-21, 2-25, 2-32
165174	2-7	165404	2-7
1-654-010024055	2-57	165412	2-7
1-654-010032-09	2-7	1-656-010003051	2-21
1-654-010032-4	2-25, 2-32	165768	2-92
1-654-010036-05	2-57, 2-59	165769	2-92
1-654-010047-04	2-37, 2-102	166000	2-106
1-654-010047-06	2-35, 2-109	166001	2-106
1-654-010047-07	2-9	166843	2-7
1-654-010047-08	2-102	166844	2-7
1-654-010047-10	2-102	166845	2-7
1-654-010049-03	2-47	166846	2-7
1-654-010049-05	2-12	166924	2-106
1-654-010049-06	2-49	167532	2-13
1-654-010049-11	2-81, 2-87	167534	2-12
1-654-010051-03	2-74	167537	2-57, 2-59, 2-61
1-654-010051-05	2-17, 2-81, 2-87, 2-102	167692	2-35, 2-37
1-654-010051-06	2-55, 2-63	167965	2-109
1-654-010051-07	2-9, 2-12, 2-25, 2-32	168648	2-21
1-654-010051-08	2-41, 2-108	168975	2-21
1-654-010051-09	2-102	168976	2-21
1-654-010051-10	2-79	168982	2-21
1-654-010051-11	2-81	169410	2-21
1-654-010055-01	2-57, 2-73, 2-102	169832	2-113
1-654-010055-03	2-12, 2-57, 2-89, 2-102	169843	2-19
1-654-010055-04	2-51, 2-53, 2-55, 2-57, 2-63, 2-75, 2-108	1709AS669-01	2-103
1-654-010055-05	2-57, 2-74, 2-77	171205	2-32, 2-33, 2-35, 2-41
1-654-010055-16	2-63	171206	2-32, 2-33, 2-35, 2-41
1-654-010055-17	2-13, 2-55	171207	2-87
1-654-010059-01	2-89	172437	2-106
1-654-010059-03	2-79, 2-81	178428	2-102
1-654-010059-05	2-104	178749	2-113
1-654-010059-11	2-107	178751	2-113
		1-796-010003-02	2-9, 2-21, 2-25, 2-32, 2-87

NUMERICAL INDEX

1-796-010004-02	2-32, 2-35	1-861-010032-11	2-13, 2-25, 2-32, 2-41, 2-79, 2-81, 2-87, 2-102
179649	2-81, 2-87, 2-97	1-861-010032-14	2-57, 2-73, 2-89
179955	2-47	1-861-010032-15	2-13, 2-53, 2-55, 2-57, 2-63, 2-75, 2-77, 2-102, 2-108
18002	2-66, 2-69	1-861-010032-18	2-53, 2-57
18009	2-65	1-861-010032-19	2-81
18015	2-65	1-861-010032-21	2-13
18016	2-65	1-861-010034-07	2-21
18019	2-65	1-861-010034-09	2-21, 2-32, 2-57, 2-73
18020	2-65	1-861-010034-10	2-47
18022	2-68	1-861-010034-11	2-17, 2-74
18024	2-65	1-861-010034-13	2-39, 2-55, 2-63
18026	2-65	1-861-010034-15	2-89, 2-104
18027	2-65	1-861-010034-17	2-7, 2-25, 2-32
18028	2-65	189316	2-25, 2-33
18029	2-66	189380	2-25, 2-33
18030	2-65	19045	2-65, 2-68
18032	2-65	190700ZP	2-25, 2-33
18033	2-68	190701	2-25, 2-33
18034	2-68	190705ZP	2-25, 2-33
18035	2-68	190706	2-25, 2-33
18039	2-65	194159	2-113
18044	2-65	1974	2-73
18047	2-65, 2-68	199105	2-103
18056	2-66	200702210230	2-97
18078	2-65	200707010070	2-97
182086	2-113	200773800350	2-97
182089	2-19	2018-12-12S	2-103
1-822-010001	2-9	2024-2-4S	2-25, 2-33
1-833-010001	2-35, 2-59	202702-10-8S	2-51, 2-53, 2-61, 2-63
1-833-010002	2-35, 2-41, 2-49	202702-12-12S	2-103
1-833-010003	2-41, 2-49, 2-59	202702-20-20S	2-103
1-843-010014	2-32, 2-47	202702-6-4S	2-89
184393	2-106	202702-6-6S	2-81, 2-87
1-861-010032-03	2-21	202702-8-8S	2-81
1-861-010032-07	2-9, 2-32, 2-78, 2-102	203005-8-8S	2-81, 2-87
1-861-010032-09	2-49, 2-81, 2-87	203102-12-12S	2-81, 2-87
1-861-010032-10	2-17, 2-55, 2-57, 2-63		

2061-6-6S	2-81	3-076-010005	2-25, 2-33
2061-8-8S	2-13	3-120-010073	2-13
2062-10-12S	2-17, 2-81, 2-87	3-120-010124	2-103
2062-10-8S	2-61, 2-63	3-120-010294	2-74
2062-12-12S	2-103	3-120-010295	2-74
2062-6-4S	2-89	3-120-010445	2-59
2062-8-6S	2-81, 2-87	3-125-010464	2-53
2062-8-8S	2-13, 2-87	3-125-010465	2-57
20768510010	2-97	3-150-010186	2-57, 2-73
20787400710	2-97	3-150-010196	2-53, 2-57
2083-8-4S	2-35	3-155-010012	2-103
2089-6-6S	2-41	3-155-010017-4	2-63
210377	2-103	3-155-010018-6	2-51, 2-53, 2-57
212347	2-113	3-162-010001	2-103
2-181-010001	2-25, 2-33, 2-81, 2-89, 2-103	3-174-010038	2-7, 2-51, 2-53, 2-57, 2-63
21925	2-65	3-174-010039036	2-7, 2-51, 2-53, 2-57, 2-63
2263	2-71	3-182-010028	2-103
22752	2-65	3-201-010002	2-87
23078	2-66, 2-69	3-242-010102	2-13, 2-14
23079	2-69	3-242-010153	2-13
23081	2-66, 2-69	3-242-010205	2-89, 2-92
23083	2-66	3-299-010016	2-13
23085	2-66	3-311-010578	2-7
23144	2-66	3-311-015070	2-104
23303	2-65	3-311-015075	2-104
23367	2-68	3-311-015078	2-104
23470	2-65	3-352-010017-1	2-74
2389	2-73	3-352-010017-2	2-74
240000208	2-19	3-360-010072	2-17, 2-105
2481X	2-103	3-360-010090	2-17, 2-105
2509904	2-103	3-368-010252	2-21
2-557-010426	2-107	3-375-010147	2-7
26331	2-21	3-375-010613-01	2-7
26976	2-68	3-382-010019	2-7
300092	2-92	3-384-010020	2-41
301-01	2-27	3-384-010031	2-41
3-014-010255	2-57	34-04	2-27
3067	2-47	346SL	2-81

NUMERICAL INDEX

3-481-010006	2-63, 2-71	3-861-010038	2-13
3-481-010007	2-55, 2-57, 2-61, 2-71	3-870-010097	2-47
3-482-010267	2-81	3-873-010122	2-63, 2-65
3-485-010001	2-25, 2-33	3-873-010123	2-55, 2-57, 2-68
35-00	2-27	3-873-010124	2-63
3-522-010017	2-57	3-873-010129-2	2-51, 2-53, 2-55
3-557-010032	2-13	4009	2-47
3-557-010033	2-13	4010520	2-95
3-557-010120	2-13	4010530	2-95
3-557-010251	2-105	43029	2-21
3-557-010383	2-74	51073-16	2-103
3-565-010770	2-74	51073-36	2-103
3-565-011688	2-57	51325	2-103
3-573-010031	2-5, 2-33	514-9045-26	2-103
3-573-010034	2-5	514-9073-30	2-103
3-573-010189	2-5	519-9967	2-108
3-573-010202	2-5, 2-87	55B61	2-41
3-573-010210	2-5	55B61-6	2-49
3-573-010377	2-5, 2-33	55B61-7	2-49
3-573-010506	2-5, 2-103	56D4	2-41
3-626-010004	2-59	61333	2-66
3-645-010049	2-74	622-3511-008	2-25, 2-33
3-659-010012	2-47	63680	2-47
37-03	2-27	6405000	2-95
3-720-010010	2-55, 2-63	660580002	2-19
3-720-010035	2-57	660580003	2-19
3-720-010042	2-57, 2-59	660580004	2-19
3-725-010036	2-81	660580005	2-19
3-755-010189-03	2-25, 2-33	670500045	2-19
3-755-010189-1	2-25, 2-33	671400033	2-19
3-762-010017	2-25, 2-33	671400040	2-19
3-762-010667-02	2-27	671900011	2-19
3-780-010002	2-35, 2-41	7052-02	2-27
3-831-010172	2-53, 2-57	715-00	2-27
3-831-010182	2-53, 2-57	719-02	2-27
3-843-010039-02	2-59	756-00	2-27
3-846-010056	2-81, 2-87, 2-95	758-181	2-41
3-846-010156	2-13	759-00	2-27

7816-10	2-27
7HCGHT500	2-51, 2-53, 2-57, 2-63
805-2	2-41
81006	2-65
81009	2-65
81025	2-65
81077	2-68
81078	2-68
81080	2-68
81081	2-68
81530	2-65
88005	2-69
900 45 040	2-39
900 54 007	2-35, 2-37
900-08-139	2-39
900-25-288	2-39
900598-12S	2-103
90508009	2-39
905-54-107	2-35, 2-37, 2-59
905-57-129	2-39
934 00 149	2-39
934 00 492	2-39
934-00-506	2-39
936 00 077	2-39

C

C2001	2-73
-------	------

H

HM212011	2-47
HM212049	2-47
HM218210	2-47
HM218248	2-47

K

K71-101-00	2-43
K71-460-00	2-43

R

RTR7999X4ZP	2-57
-------------	------

T

TR573	2-47
-------	------



Intertek

Equipment from Landoll Corporation is built to exacting standards ensured by ISO 9001 registration at all Landoll manufacturing facilities.

345E Trailer

Parts Manual

Re-Order Part Number F-564-1112

LANDOLL CORPORATION

1900 North Street

Marysville, Kansas 66508

(785) 562-5381

800-428-5655 ~ WWW.LANDOLL.COM



Copyright 2018. Landoll Corporation

"All rights reserved, including the right to reproduce this material or portions thereof in any form"