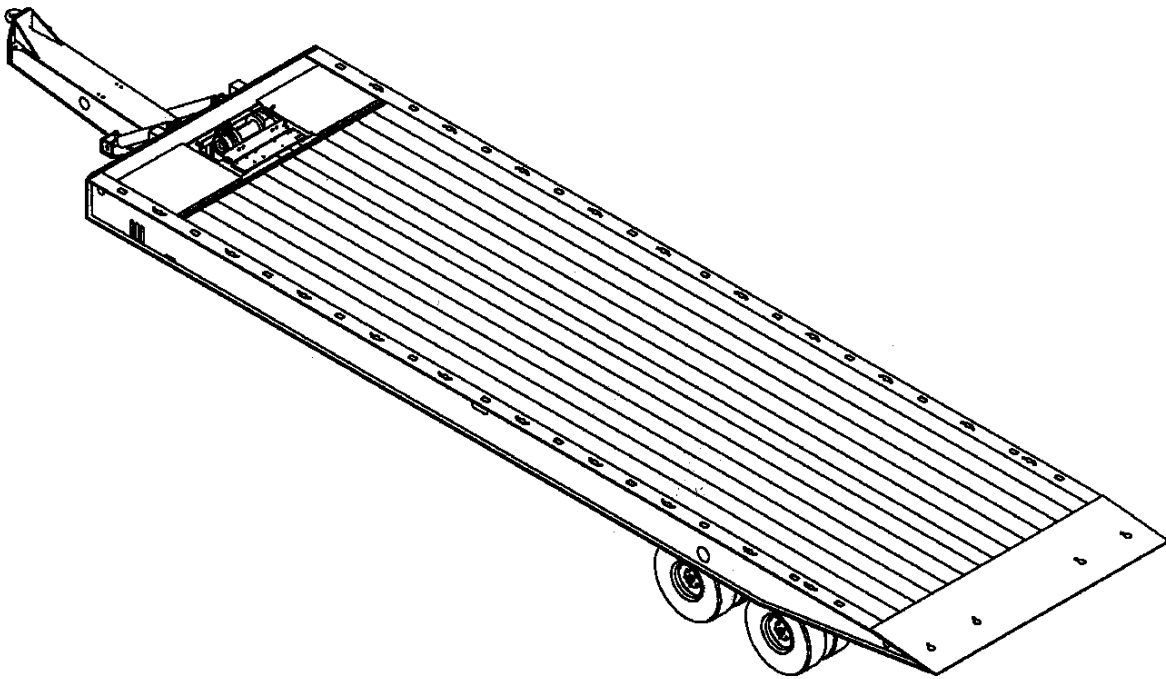




Model 345F Trailer Parts Manual



LANDOLL CORPORATION

1900 North Street
Marysville, Kansas 66508
(785) 562-5381

800-428-5655 ~ WWW.LANDOLL.COM

Table of Contents

1 Illustrated Parts List

Instructions For Ordering Parts	1-1
Decals	1-2
Decal Locations & Arrangement	1-2
Hitch Assembly	1-6
Hitch Assembly - Pintle Rigid	1-6
Hydraulic Electrical air	1-8
General Assembly	1-8
Hydraulic Assembly - SINGLE CONTROL	1-12
Hydraulic Assembly - DUAL CONTROL	1-14
Air System	1-16
Cylinders & Valves	1-18
Hydraulic Cylinder - 4 X 126	1-18
Hydraulic Cylinder 4 X 20-1/4"	1-19
Valve Assembly - Three Spool	1-20
Valve Assembly - Three Stack	1-23
Electrical	1-24
Electrical System	1-24
Undercarriage	1-26
General Items - Spring Ride	1-26
General Items - Air Ride	1-30
Grease System	1-32
Suspensions	1-34
Spring Ride Suspension	1-34
Air Ride Suspension	1-36
Air Control Kit	1-38
Suspension Hanger RLU-228	1-40
Axle and Brakes	1-42
Axle and Brake Items - Dexter 12-1/4" X 7-1/2"	1-43
Outboard Pilot Mount Hub and Drum Assembly	1-45
Air Brake System	1-46
ABS Brake Kit - Rockwell	1-48
Tire Inflation System	1-50
Tire Inflation System	1-50
Tire Inflation System - 2AX	1-52
Winches	1-54
Winch Installation - 12K Spring Tension (BRADEN)	1-54
Winch Items - 12,000Lb. (BRADEN)	1-56
Winch Installation - 20K Spring Tension (BRADEN)	1-59
Winch Installation - 20K Spring Tension W/ Pivoting Roller Guide (BRADEN)	1-60
Winch Assembly - 20,000Lb. (BRADEN)	1-62

Winch Installation - 20K Air T/R (BRADEN)	1-64
Winch Installation Air - 20K Air T/R Air (BRADEN)	1-66
Winch Installation Hydraulic - 20K Air T/R (BRADEN)	1-68
Winch Items - 20,000Lb. (BRADEN)	1-70
Winch - Motor Assembly	1-73
Winch - Air Shift Cylinder	1-74
Winch - 4" Webbing Sliding Assembly (Option)	1-75
Winch - 12K/20K Guard Installation (Option) (BRADEN)	1-76
Winch - Cable Roller Guide (Option)	1-77
Winch - Opening Cover Assembly (Option)	1-78
Winch - Ratchet Assembly Modified (Option)	1-79
Landing Gear	1-80
Landing Gear Installation	1-80
Park Stand Installation	1-82
Landing Gear Installation - Jost #A401T19	1-84
Hydraulic Cylinder 3-1/2 X 20	1-86
Dock Levelers	1-88
Dock Leveler Hydraulic Installation (Option)	1-88
Dock Leveler Assembly - Single 60K	1-90
Dock Leveler Leg Assembly - W/ Lock Valve	1-92
Dock Leveler Valve	1-95
Engines	1-96
Engine - 25 HP	1-96
Misc Options	1-102
Air Digital Scale - Quickload System	1-102
Control Cable Mount Assembly	1-103
Electrical Accessory Outlet Installation (Option)	1-104
Extension - Front Flip Installation (Option)	1-105
Hitch Lock Installation (Option)	1-106
Trailer Deck Ladder Assembly (Option)	1-107

Illustrated Parts List

Instructions For Ordering Parts

ORDER PARTS FROM LANDOLL PARTS DISTRIBUTION CENTER

**** Repair parts must be ordered through an Authorized Dealer ****

PHONE NO: 1-800-423-4320 OR 1-785-562-5381
ORDER ONLINE: Dealer.landoll.com

FAX NO: 888-527-3909

IDENTIFICATION PLATE

The identification plate, which lists the model number and serial number, is located on the front of the frame. (See Figure 1-1.)

SERIAL NUMBER NOMENCLATURE

The serial number for the Model 345F is located on the identification plate.

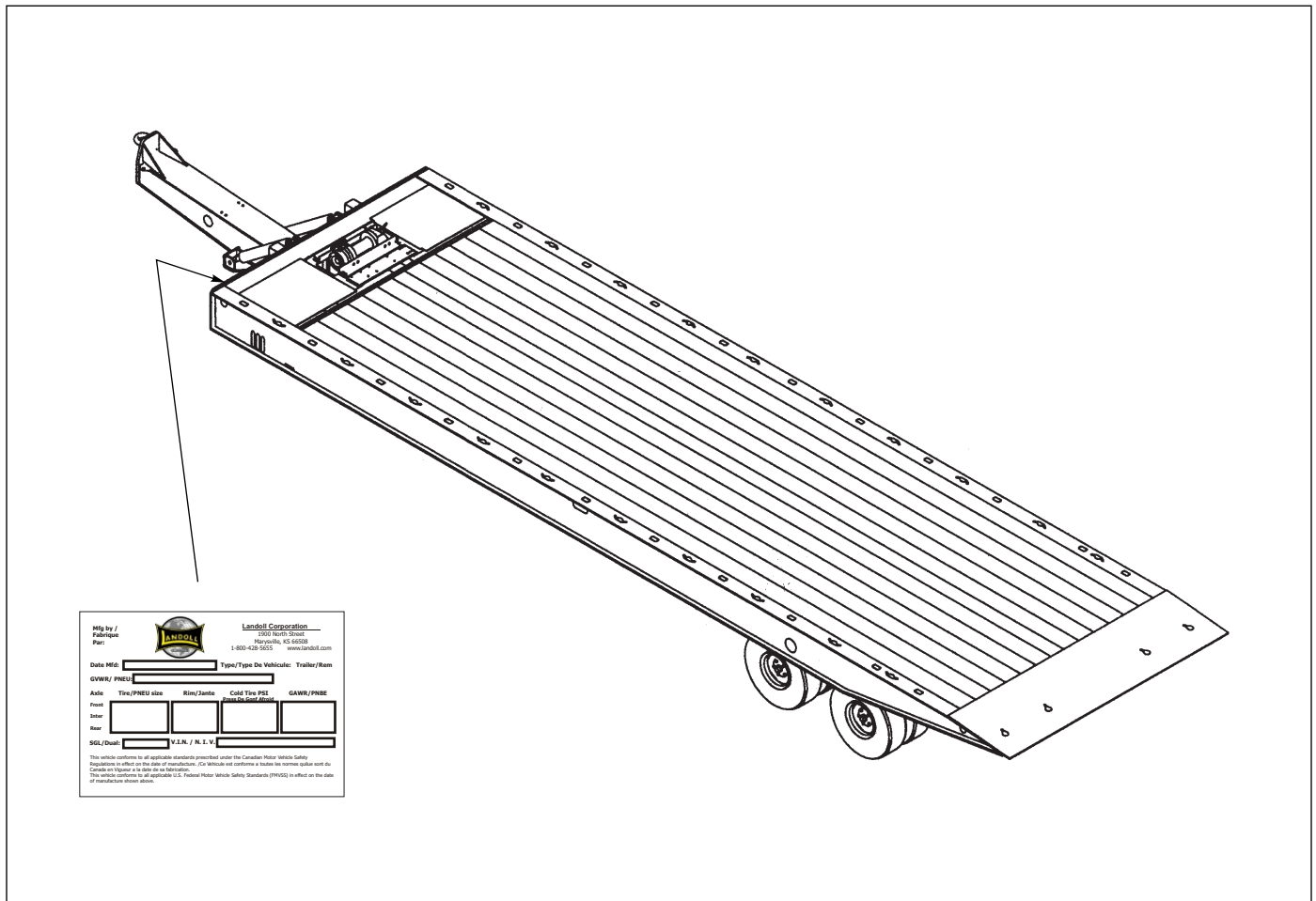


Figure 1-1: Identification Plate and Location

Decals

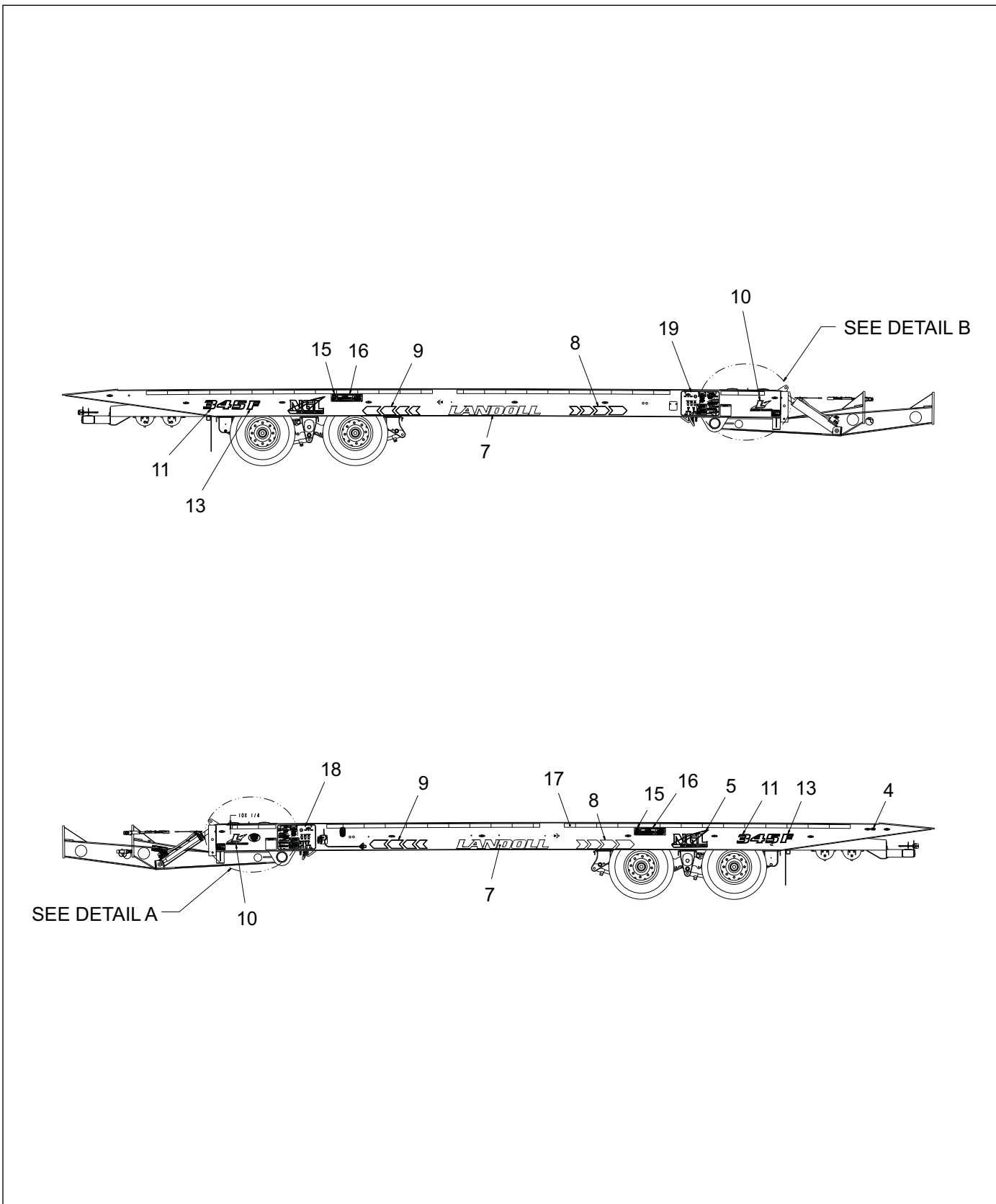
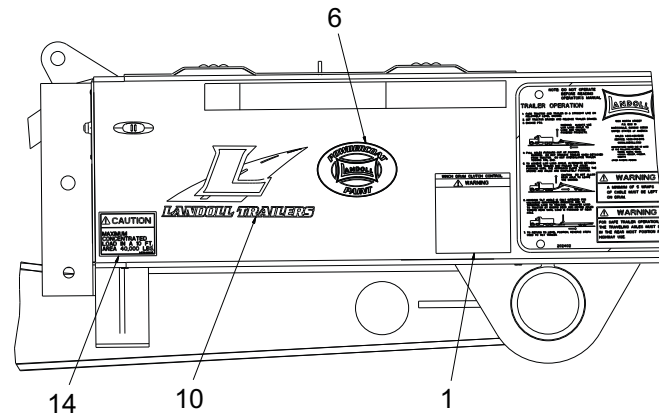
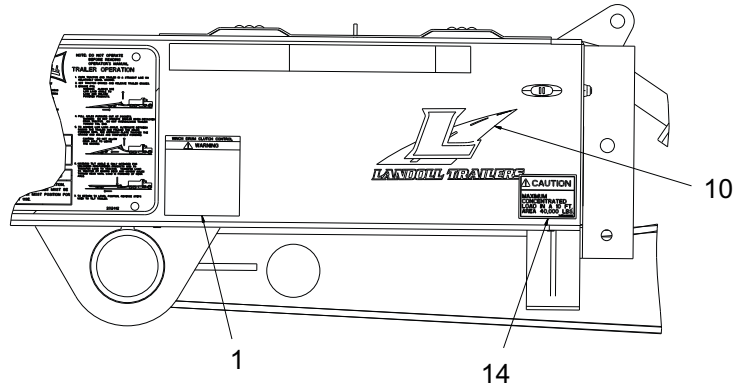


Figure 1-2: Decal Locations (1 of 3)



DETAIL A



DETAIL B

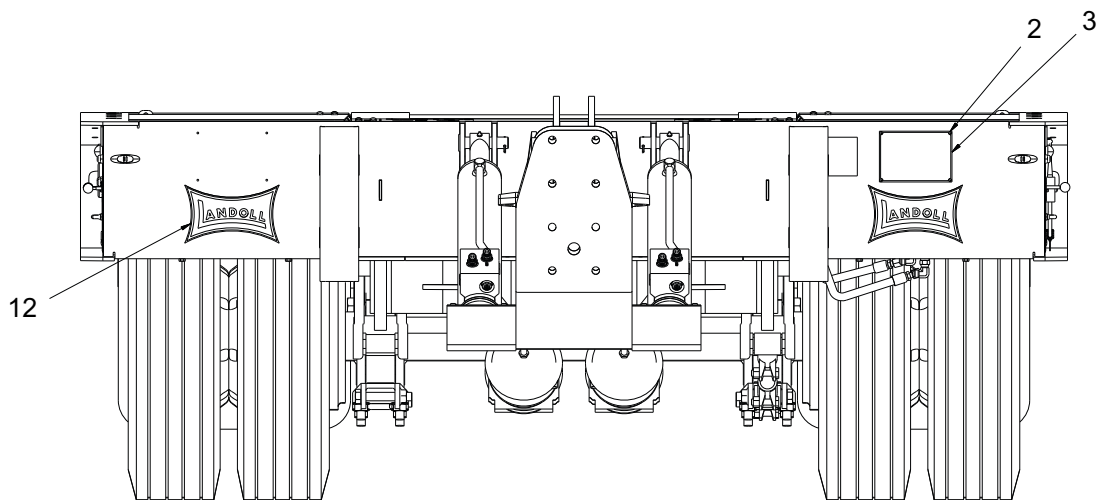
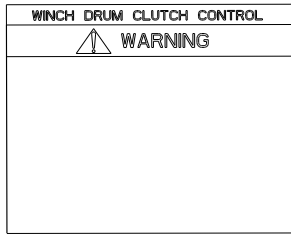
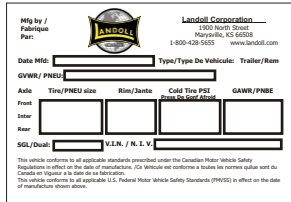


Figure 1-3: Decal Locations (2 of 3)



1



3



4



5



6



7



8



9



10



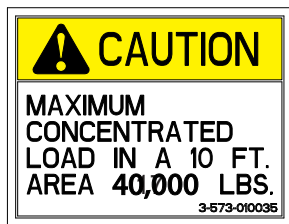
11



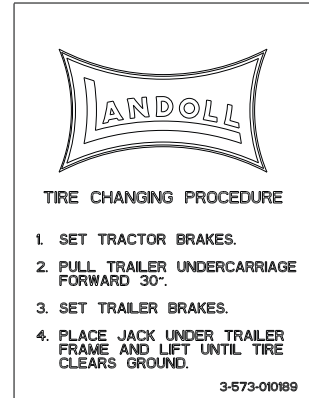
12



13



14



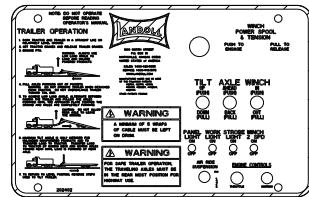
15



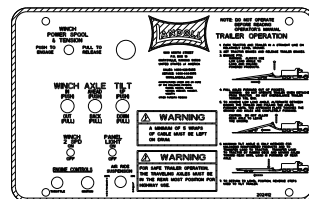
16



17



18



19

Figure 1-4: Decal Arrangement (3 of 3)

Decal Locations & Arrangement

ITEM	PART NO.	DESCRIPTION	QTY.	
	202417	DECAL INSTL, 345F REFLECTIVE	*	
	202418	DECAL INSTL 345F NO LANDOLL	*	
1	100600	DECAL WARNING BRADEN WINCH	REF	REF
2	12420301-017	RIVET,BLIND .156 X 1/4 GRIP	4	4
3	155780	TRAILER VIN PLATE B	1	1
4	189292	DECAL, ABS, WHITE	1	1
5	196171	DECAL NEXT GENERATION	2	2
6	196173	DECAL POWDERCOAT SMALL	1	1
7	196174	DECAL LANDOLL LARGE	2	--
8	196175	DECAL ARROW LARGE 4RH	2	--
9	196176	DECAL ARROW LARGE 4LH	2	--
10	196177	DECAL HIGHWAY L LARGE	2	2
11	199198	DECAL 345 TRAILER	2	--
12	200373	DECAL, BLACK BOWTIE, 6 X 9-3/4	2	2
13	202416	DECAL, LETTER F	2	--
14	3-573-010035	DECAL, 40000 LBS, CONC LOAD	2	2
15	3-573-010189	DECAL, TIRE CHANGING PROCED	2	2
16	3-573-010210	DECAL TORQUE SPEC 8-10STU HUB	2	2
17	3-573-010377	DECAL,2"REFLEXITE TAPE,RD/WHT	2	2
18	202402	PLACARD CONTROL PANEL 345F	1	1
19	202412	PLACARD CONTROL PANEL RH 345F	1	1

Hitch Assembly

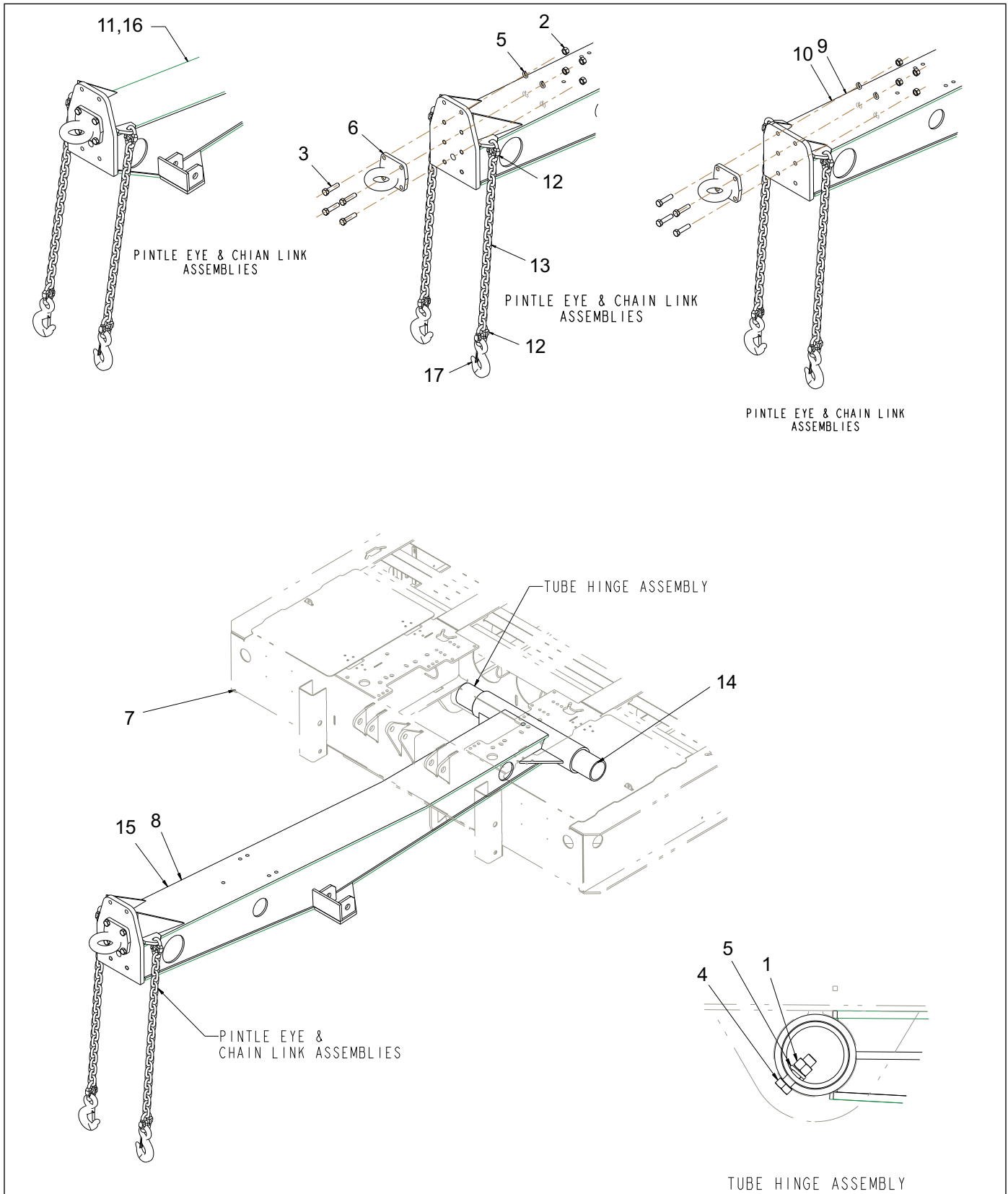


Figure 1-5: Hitch Assembly - Pintle Rigid

Hitch Assembly - Pintle Rigid

ITEM	PART NO.	DESCRIPTION	QTY.						
	3-375-010613-01	HITCH ASSY PINTLE RIGID 345A	*						
	167544	HITCH ASSY 345 7' 96" GALV		*					
	174086	HITCH ASSY 7FT 345 2ADJ			*				
	174087	HITCH ASSY 7FT 345 2ADJ GALV				*			
	3-375-010613-03	HITCH ASSY PTL RIGID 345A-4FT					*		
	185577	HITCH ASSY 4FT 345 2ADJ GALV						*	
1	1-512-010007-12	NUT, HEX 3/4-10 GR2 ZP	1	1	1	1	1	1	1
2	1-512-010010-12	NUT HEX 3/4-10 GR8 ZP	4	4	4	4	4	4	4
3	1-654-010032-09	SCREW HEX CAP 3/4-10X3 GR8	4	4	4	4	4	4	4
4	1-654-010061-07	SCREW,HX CP 3/4-10UNCX2-1/2G5	1	1	1	1	1	1	1
5	1-861-010034-17	WASHER,LKG,HLCL SPR,3/4	5	5	5	5	5	5	5
6	1385	PINTLE EYE	1	1	1	1	1	1	1
7	149100	FRAME WLDMT 345E-31	REF	REF	REF	REF	REF	REF	REF
8	167543	GALVANIZING HITCH ASSY345 7FT	--	1	--	--	--	--	--
9	174084	HITCH WLDMT 7FT 345 2ADJ	--	--	1	--	--	--	--
10	174088	GALVANIZING OF 174084	--	--	--	1	--	--	--
11	185576	GALV OF 3-375-010152 HITCH	--	--	--	--	--	--	1
12	3-174-010038	CHAIN LINK CONNECTING 1/2	4	4	4	4	4	4	4
13	3-174-010039036	CHAIN 1/2X36" GRD 7 21LINKS	2	2	2	2	2	2	2
14	3-311-010578	HINGE TUBE MCKEE	1	1	1	1	1	1	1
15	3-375-010147	HITCH WLDMT 345 7'	1	--	--	--	--	--	--
16	3-375-010152	4 HITCH ASSY 345	--	--	--	--	--	1	--
17	3-382-010019	HOOK,EYE, W/LATCH ASSY	2	2	2	2	2	2	2

Hydraulic Electrical air

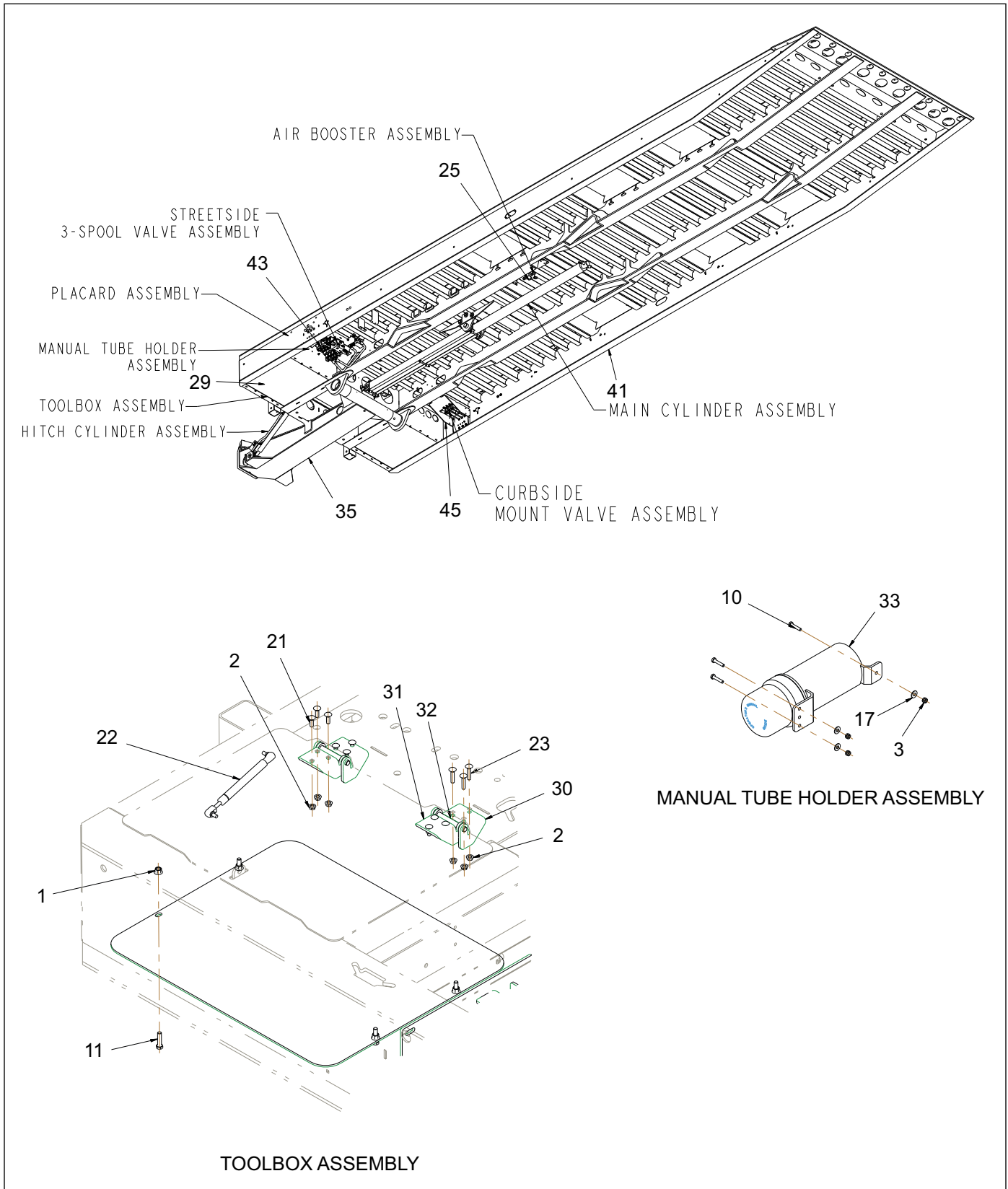
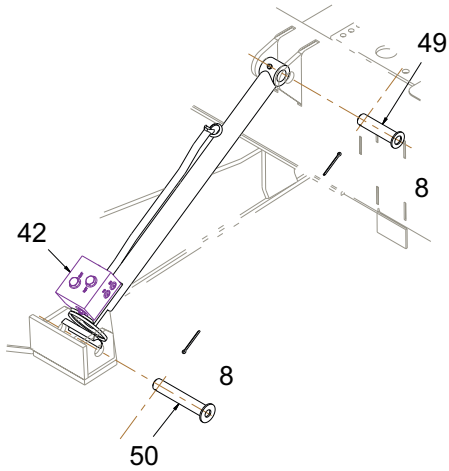
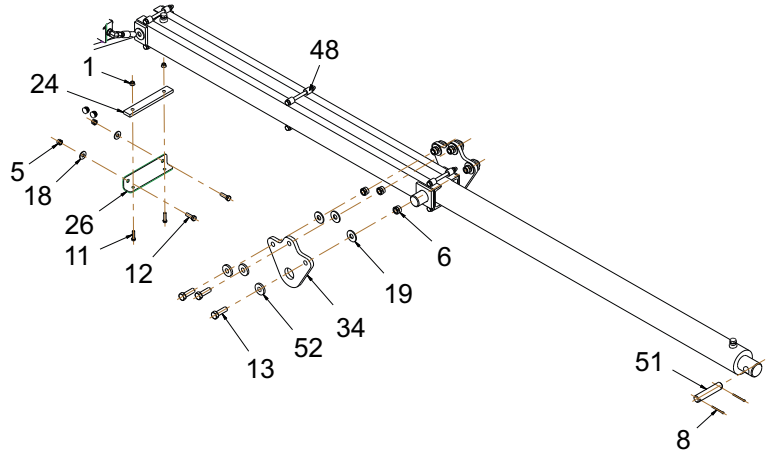


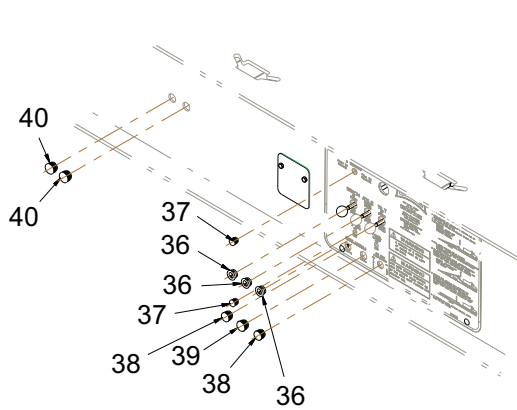
Figure 1-6: General Assembly (1 of 2)



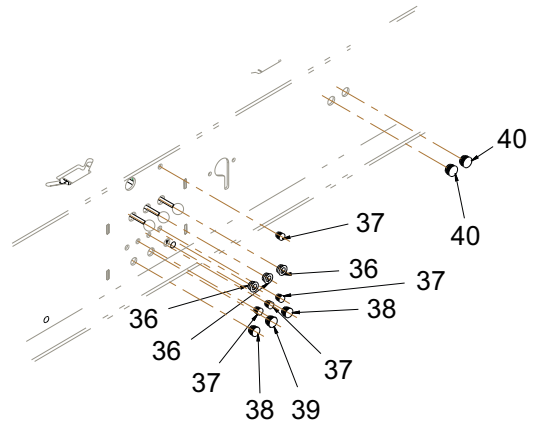
HITCH CYLINDER ASSEMBLY



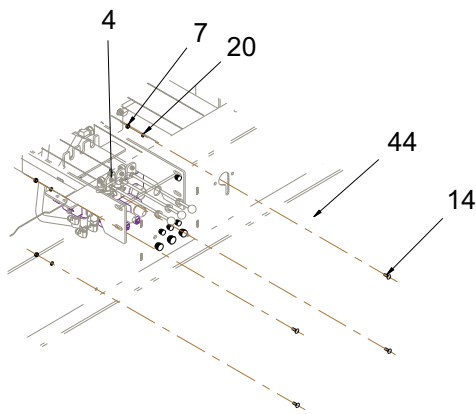
MAIN CYLINDER ASSEMBLY



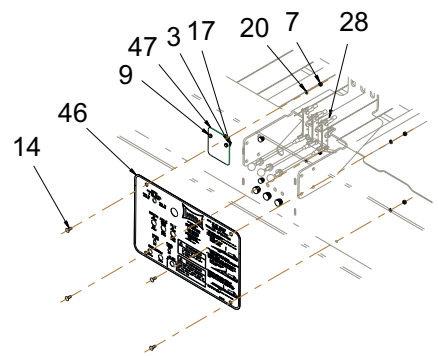
CURB SIDE PLUGS



STREETSIDE PLUGS



STREETSIDE PLACARD



CURBSIDE PLACARD

Figure 1-7: General Assembly (2 of 2)

General Assembly

ITEM	PART NO.	DESCRIPTION	QTY.
	202413	HYD EL AIR DUAL CTRL RMT 7'SFY	
	202414	HYD EL AIR DUAL CTRL RMT 4'SFY	
	202415	HYD EL AIR DUAL CTRL NO RMT 4'	
1	1-510-010001	NUT, 3/8-16 UNC FLANGE LOCK	10
2	1-510-010004-03	NUT HX FLANGE, 5/16-18 GR8	24
3	1-512-010005-01	NUT,HEX,SLFLKG GRB 1/4-20	5
4	1-512-010005-02	NUT,HEX SLF-LKG,GRB 1/4-28	REF
5	1-512-010005-09	NUT,HEX,SLFLKG, 1/2-13 GRB	2
6	1-512-010005-15	NUT,HEX,SLFLKG GRB 3/4-10	6
7	1-512-010007-05	NUT, HEX 1/4-20	8
8	1-557-010362-54	PIN, COTTER 3/16X2-1/4	6
9	1-654-010047-04	SCREW,HEX CAP,1/4-20X3/4 GR5	2
10	1-654-010047-07	SCREW,HX CP 1/4-20UNCX1-1/4G5	3
11	1-654-010051-07	SCREW,HEX CAP,3/8-16UNCX1-1/2	10
12	1-654-010055-03	SCREW,HEX CAP,1/2-13UNCX1-1/2	2
13	1-654-010061-06	SCREW,HXCP,3/4-10UNCX2-1/4GR5	6
14	1-654-010158-1	SCREW,RHD,SQ NCK,1/4-20UNCX3/4	8
15	1-796-010003-02	TIE, STRAP, PLASTIC .18X14.0 (NOT SHOWN)	25
16	1-822-010001	TRIM 1350 3/8BLK FINE PEBBLE (NOT SHOWN)	6
17	1-861-010032-07	WASHER,FLAT 1/4 ZP	5
18	1-861-010032-15	WASHER, FLAT 1/2 W ZP/CD	2
19	1-861-010032-21	WASHER, FLAT 3/4 W ZP/CD	6
20	1-861-010034-09	WASHER, LKG HLCL SPR, 1/4	8
21	104031	SCREW,RDHD,SQNK 5/16-18X1 GR5	12
22	110435	BT CONSOLE LIFT,GAS SPRING	2
23	110993	SCREW RDHD SQNK 5/16-18X1-1/2	12
24	120659	ISOLATOR, KOHLER 25HP MOUNT	1
25	218126	VALVE ASSY AIR BOOSTER	REF
26	149082	ANGLE U/C CYL SUPPORT 345E	1
27	149093	HITCH WLDMT 7FT 345E	REF
28	149878	CLEVIS KIT CONTROL CABLE	REF
29	149891	PLATE TOOLBOX BOTTOM 345E	2
30	149926	HINGE TOOLBOX OTR 345E	4
31	149927	HINGE TOOLBOX INR 345E	4
32	149928	PIN HINGE TOOLBOX 345E	4
33	150076	MANUAL TUBE 4-1/4"ID	1
34	158576	BRACKET CYL MT 345E	2
35	166844	HITCH WLDMT 4FT 345E	REF
36	178444	BUSHING NYLON INSERT 9/16ID	REF
37	189278	PLUG, PLASTIC PANEL 1/2 & 9/16	6
38	189280	PLUG, PLASTIC PANEL 3/4	4
39	189281	PLUG, PLASTIC PANEL 13/16	2
40	189282	PLUG, PLASTIC PANEL 7/8	4
41	202373	FRAME WLDMT 345F-31	REF
42	202393	CYLINDER, 4X20-1/4 W/CB (SEE PAGE 1-19)	REF
43	202398	VALVE ASSY 345F (SEE PAGE 1-20)	REF
44	202402	PLACARD CONTROL PANEL 345F	1
45	202408	MOUNT ASSY CONTROL CABLE	REF

General Assembly

ITEM	PART NO.	DESCRIPTION	QTY.
46	202412	PLACARD CONTROL PANEL RH 345F	1
47	202825	PLATE, REMOTE CUTOUT COVER	1
48	3-242-010153	CYLINDER ASSY,STD LOAD ANGLE	1
49	3-557-010032	PIN CYL ROD END	2
50	3-557-010033	PIN CYL BUTT END	2
51	3-557-010120	PIN UNDERCARRIAGE CYL	1
52	3-861-010038	WASHER, STEP	6

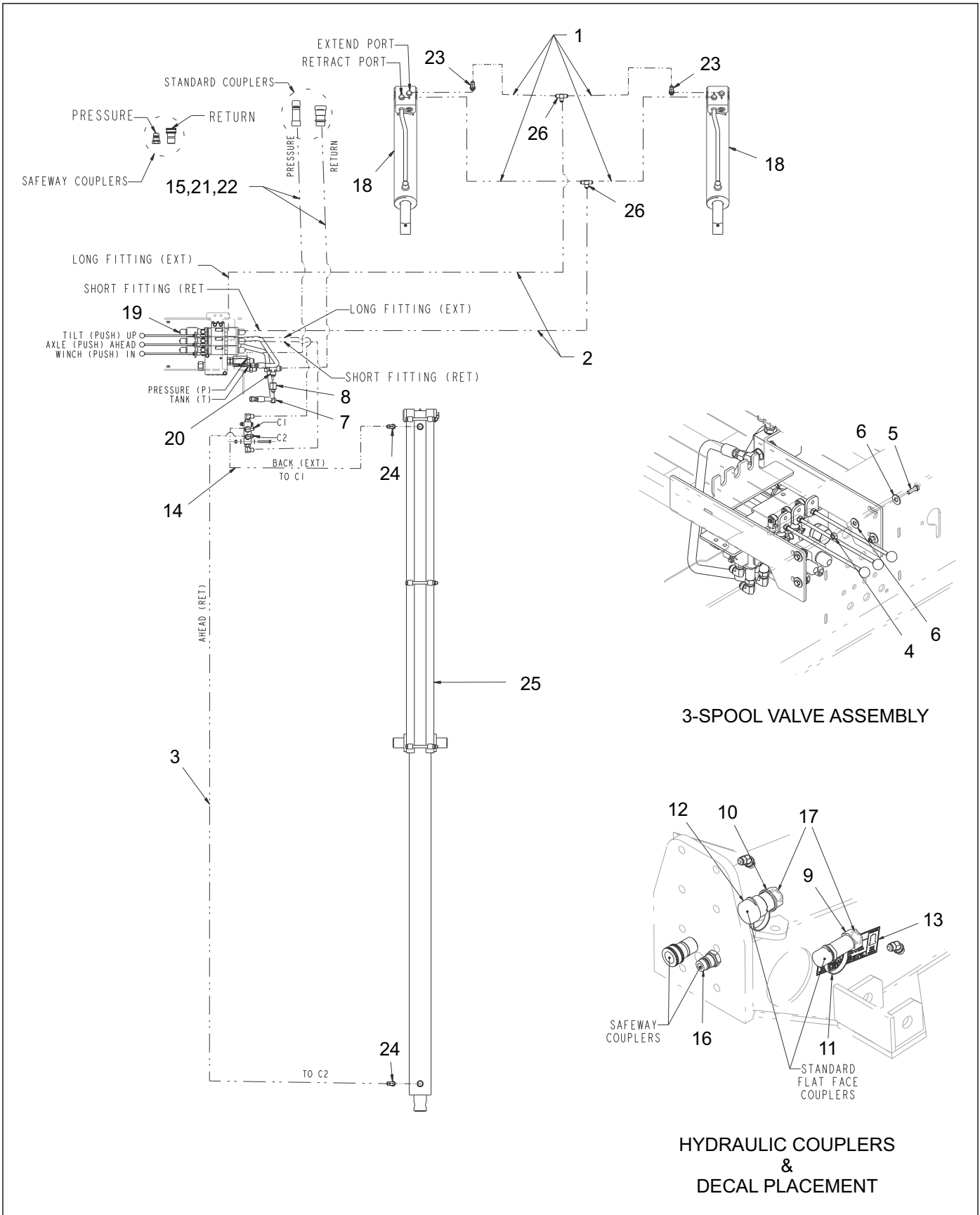


Figure 1-8: Hydraulic Assembly - SINGLE CONTROL

Hydraulic Assembly - SINGLE CONTROL

ITEM	PART NO.	DESCRIPTION	QTY.		
	202826	HYD EL AIR ST CTRL RMT 7'HITCH	*		
	202829	HYD EL AIR STCTRL NORMT 7'HITC		*	
	202827	HYD EL AIR ST CTRL NORMT 4'HTC			*
1	1-397-010301030	HOSE ASSY 1/2X30 SAE37,STR	4	4	4
2	1-397-010301136	HOSE ASSY,1/2X136 SAE 37 STR	2	2	2
3	1-397-010301148	HOSE ASSY, 1/2X148,SAE 37	1	1	1
4	1-510-010004-03	NUT HX FLANGE, 5/16-18 GR8	4	4	4
5	1-654-010049-05	SCREW HX CP 5/16-18UNCX1 GR5	4	4	4
6	1-861-010032-11	WASHER, FLAT 3/8 W ZP/CD	8	8	8
7	102-0323	ADAPTER, #8 JIC CAP NUT	1	1	1
8	102-1112	REDUCER 12X8 JIC	1	1	1
9	105479	COUPLER FLAT FACE MALE NOSE	1	1	--
10	105480	COUPLER FLAT FACE FEMALE BODY	1	1	--
11	105481	COUPLER DUST CAP MALE	1	1	--
12	105482	COUPLER DUST CAP FEMALE	1	1	--
13	105822	DECAL, HYD COUPLER	1	1	--
14	121002	HOSE ASSY1/2X45,SAE37,STR-STR	1	1	1
15	132150	HOSE 3/4,1-1/16 O-RING TO12SA	2	--	--
16	143155	COUPLER MALE/FEM S 20F-6	--	--	1
17	169365	SPACER HYDR COUPLERS	2	2	--
18	202393	CYLINDER, 4X20-1/4 W/CB (SEE PAGE 1-19)	2	2	2
19	202398	VALVE ASSY 345F (SEE PAGE 1-20)	1	1	1
20	203102-12-12S	ADAPTER,TEE, #12, SAE37 SWIVL	1	1	1
21	204650	HOSE ASSY3/4X184 #12O/RX#12JIC	--	2	--
22	204651	HOSE ASSY3/4X316 #12O/RX#12JIC	--	--	2
23	2061-8-8S	ADAPTER, 45, #8 O-RING-TUBE	4	4	4
24	2062-8-8S	ADAPTER, 90, #8 O-RING-TUBE	2	2	2
25	3-242-010153	CYLINDER ASSY,STD LOAD ANGLE	REF	REF	REF
26	3-299-010016	TEE JIC 37 FLARE 3/4-16	2	2	2

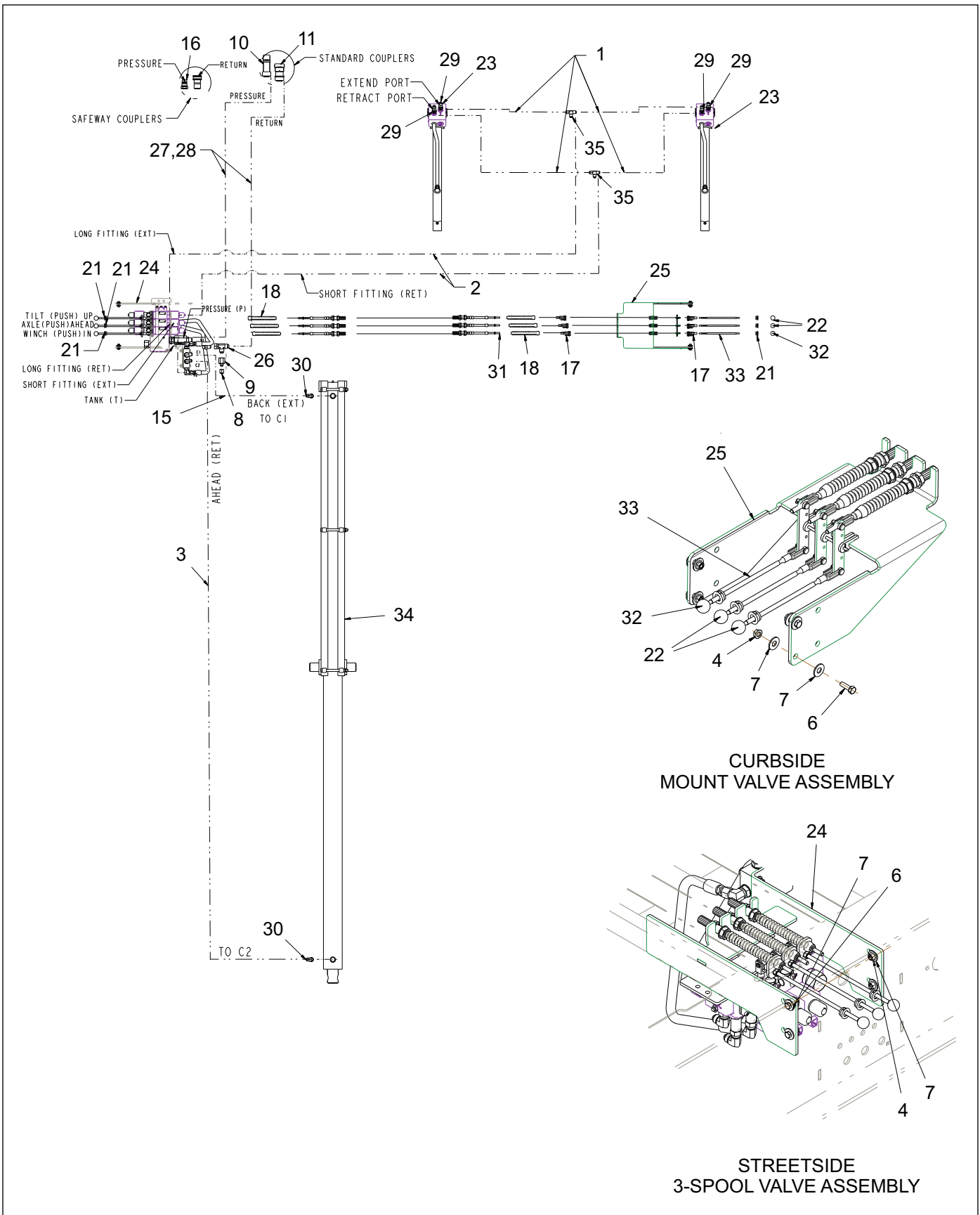


Figure 1-9: Hydraulic Assembly - DUAL CONTROL

Hydraulic Assembly - DUAL CONTROL

ITEM	PART NO.	DESCRIPTION	QTY.		
	202413	HYD EL AIR DUAL CTRL RMT 7'SFY	*		
	202414	HYD EL AIR DUAL CTRL RMT 4'SFY		*	
	202415	HYD EL AIR DUAL CTRL NO RMT 4'			*
1	1-397-010301030	HOSE ASSY 1/2X30 SAE37,STR	4	4	4
2	1-397-010301136	HOSE ASSY,1/2X136 SAE 37 STR	2	2	2
3	1-397-010301148	HOSE ASSY, 1/2X148,SAE 37	1	1	1
4	1-510-010004-03	NUT HX FLANGE, 5/16-18 GR8	8	8	8
5	1-512-010005-02	NUT,HEX SLF-LKG,GRB 1/4-28 (NOT SHOWN)	3	3	3
6	1-654-010049-05	SCREW HX CP 5/16-18UNCX1 GR5	8	8	8
7	1-861-010032-11	WASHER, FLAT 3/8 W ZP/CD	16	16	16
8	102-0323	ADAPTER, #8 JIC CAP NUT	1	1	1
9	102-1112	REDUCER 12X8 JIC	1	1	1
10	105479	COUPLER FLAT FACE MALE NOSE	--	--	1
11	105480	COUPLER FLAT FACE FEMALE BODY	--	--	1
12	105481	COUPLER DUST CAP MALE	--	--	1
13	105482	COUPLER DUST CAP FEMALE	--	--	1
14	105822	DECAL, HYD COUPLER (NOT SHOWN)	--	--	1
15	121002	HOSE ASSY1/2X45,SAE37,STR-STR	1	1	1
16	143155	COUPLER MALE/FEM S 20F-6	1	1	--
17	149878	CLEVIS KIT CONTROL CABLE	6	6	6
18	149883	BOOT CONTROL CABLE	6	6	6
19	166844	HITCH WLDMT 4FT 345E	REF	REF	REF
20	169365	SPACER HYDR COUPLERS (NOT SHOWN)	--	--	2
21	178444	BUSHING NYLON INSERT 9/16ID	6	6	6
22	186877	KNOB BLACK 1" ROUND M8X1.25THD	2	2	2
23	202393	CYLINDER, 4X20-1/4 W/CB (SEE PAGE 1-19)	2	2	2
24	202398	VALVE ASSY 345F (SEE PAGE 1-20)	1	1	1
25	202408	MOUNT ASSY CONTROL CABLE	1	1	1
26	203102-12-12S	ADAPTER,TEE, #12, SAE37 SWIVL	1	1	1
27	204650	HOSE ASSY3/4X184 #12O/RX#12JIC	--	2	2
28	204651	HOSE ASSY3/4X316 #12O/RX#12JIC	2	--	--
29	2061-8-8S	ADAPTER, 45, #8 O-RING-TUBE	4	4	4
30	2062-8-8S	ADAPTER, 90, #8 O-RING-TUBE	2	2	2
31	208385	CABLE CONTROL PUSH-PULL 84IN	3	3	3
32	208386	KNOB RED 1" ROUND,M8X1.25 THD	1	1	1
33	209877	ROD HANDLE 9-3/8 LONG	3	3	3
34	3-242-010153	CYLINDER ASSY,STD LOAD ANGLE	REF	REF	REF
35	3-299-010016	TEE JIC 37 FLARE 3/4-16	2	2	2

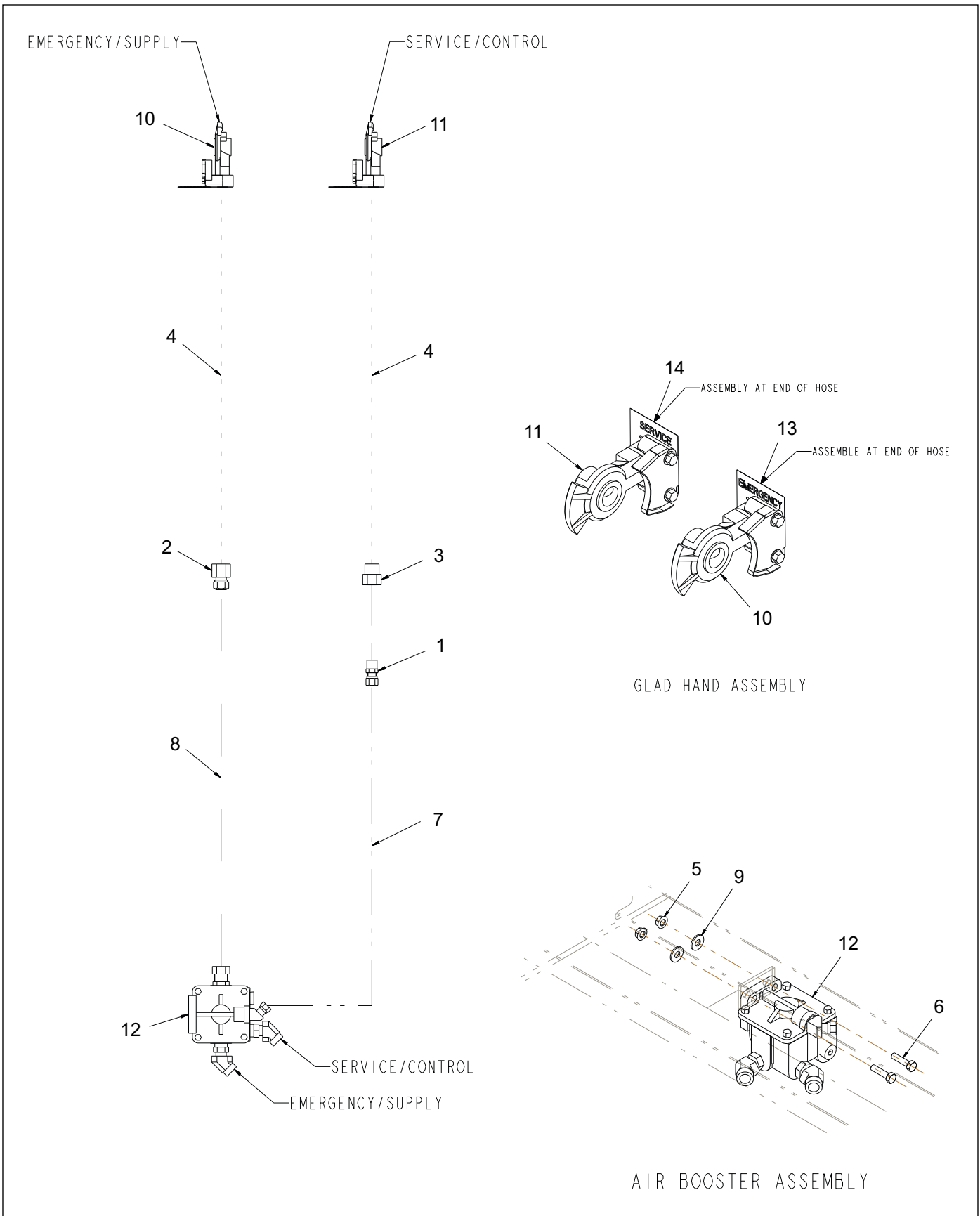


Figure 1-10: Air System

Air System

ITEM	PART NO.	DESCRIPTION	QTY.	
	202413	HYD EL AIR DUAL CTRL RMT 7'SFY	*	
	202414	HYD EL AIR DUAL CTRL RMT 4'SFY		*
	202415	HYD EL AIR DUAL CTRL NO RMT 4'		*
1	1-297-010007-12	FITTING AIR 3/8TUBE X 3/8NPT	1	1
2	1-297-010012-16	FITTING,AIR,FEM CONN1/2T-1/2P	1	1
3	1-297-010021-05	FITTING,BRS PIPE,CPLG 1/2X3/8	1	1
4	1-384-010041-2	HOSE AIR 1/2X104 1/2ENDS	2	2
5	1-510-010004-03	NUT HX FLANGE, 5/16-18 GR8	2	2
6	1-654-010049-06	SCREW,H/CAP,5/16-18UNCX1-1/4	2	2
7	1-833-010002	TUBING NYLON 3/8 OD	19	16
8	1-833-010003	TUBING NYLON 1/2 OD	19	16
9	1-861-010032-09	WASHER, FLAT 5/16 W ZP/CD	2	2
10	108801	GLAD HAND-RED-AIR	1	1
11	108802	GLAD HAND-BLUE-AIR	1	1
12	141607	VALVE ASSY AIR BOOSTER	1	1
13	55B61-6	TAG EMER LINE VELVAC 035025	1	1
14	55B61-7	TAG SERVICE LINE VELVC 035026	1	1

Cylinders & Valves

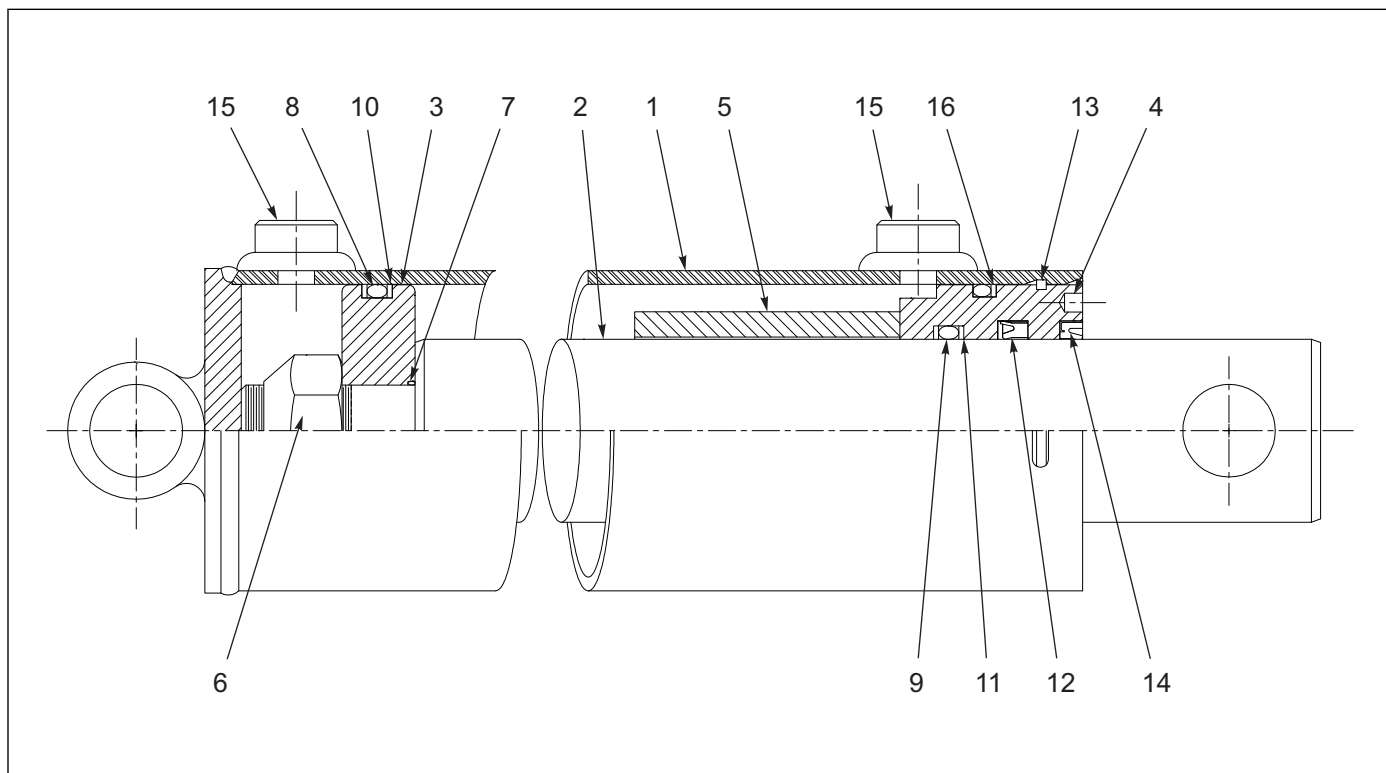


Figure 1-11: Hydraulic Cylinder - 4 X 126

Hydraulic Cylinder - 4 X 126

ITEM	PART NO.	DESCRIPTION	QTY.
	3-242-010102	CYLINDER, HYDRAULIC 4 X 126, STD LOAD ANGLE	
1	----	BUTT AND TUBE ASSEMBLY	1
2	011300179	PISTON ROD	1
3	----	PISTON	1
4	081900277	GLAND	1
5	----	SPACER	1
6	----	LOCKNUT 1-1/4-12	1
7	----	O-RING	1
8	----	O-RING	2
9	----	O-RING	1
10	----	BU-WASHER	2
11	----	BU-WASHER	2
12	----	U-CUP	1
13	----	SQ. RETAINING RING	1
14	----	WIPER	1
15	----	SAE ORB PLUG	2
16	----	BU-WASHER	1
17	----	INSTALLATION RING (NOT SHOWN)	1
18	----	WIPER (NOT SHOWN)	1
	160542	PACKING KIT (ITEMS 7-14 & 16-18)	

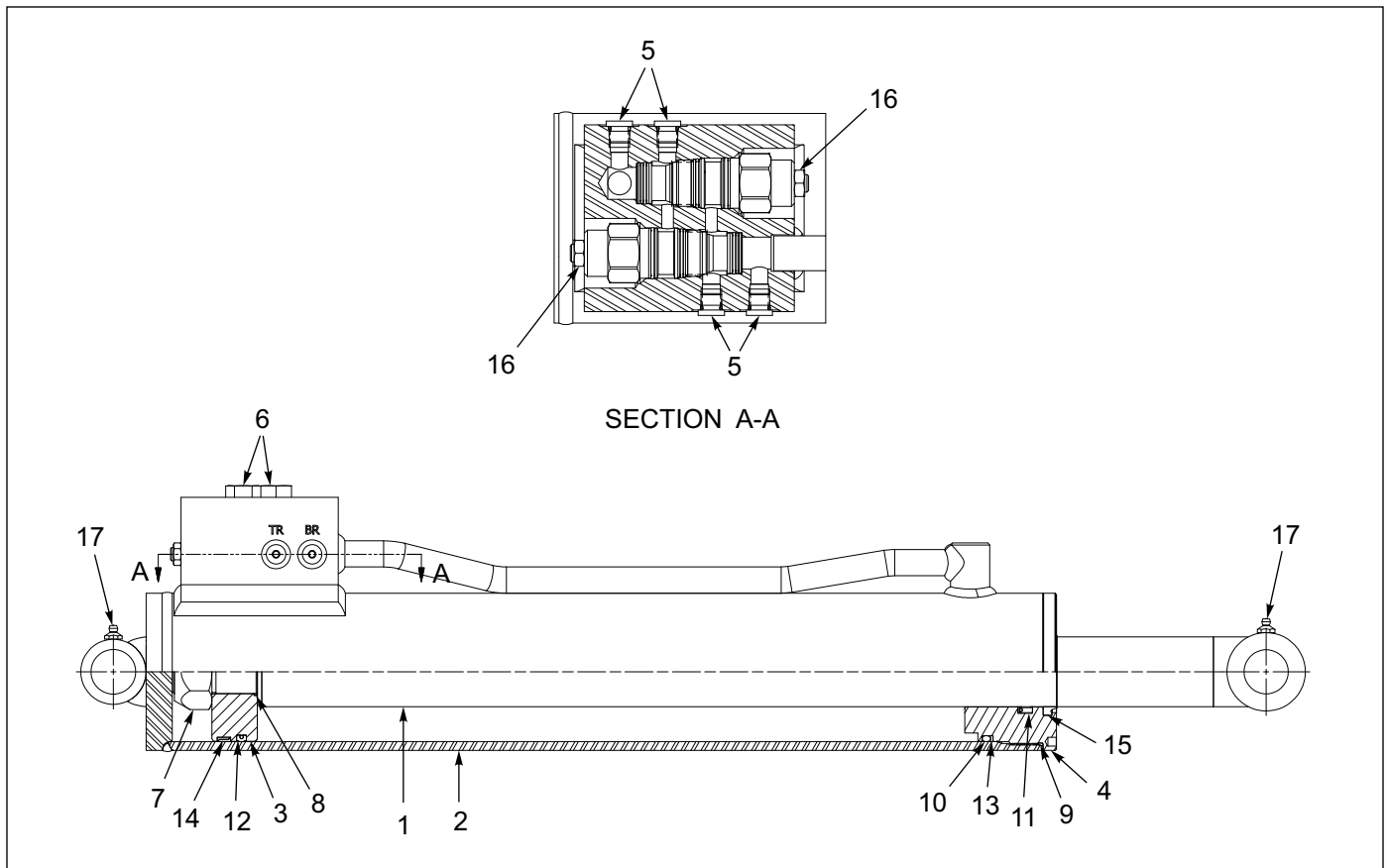


Figure 1-12: Hydraulic Cylinder - 4 X 20-1/4"

Hydraulic Cylinder 4 X 20-1/4"

ITEM	PART NO.	DESCRIPTION	QTY.
	202393	CYLINDER, HYDRAULIC 4 X 20-1/4	
1	201646	PISTON ROD ASSEMBLY	1
2	201647	BUTT AND TUBE ASSEMBLY	1
3	201648	PISTON	1
4	160537	GLAND	1
5	-----	#4 SAE HOLLOW HEX PLUG	4
6	200300040	#8 SAE HEX HED PLUG	2
7	220000212	LOCKNUT	1
8*	111791	O-RING	1
9*	-----	O-RING	1
10*	-----	O-RING	1
11*	-----	U-CUP	1
12*	111794	CROWN SEAL	1
13*	-----	BU-WASHER	1
14*	-----	BEARING RING	1
15*	-----	WIPER	1
16	197587	COUNTERBALANCE VALVE	2
17	125564	GREASE ZERK	2
	201649	PACKING KIT (ITEMS 8-15)	1

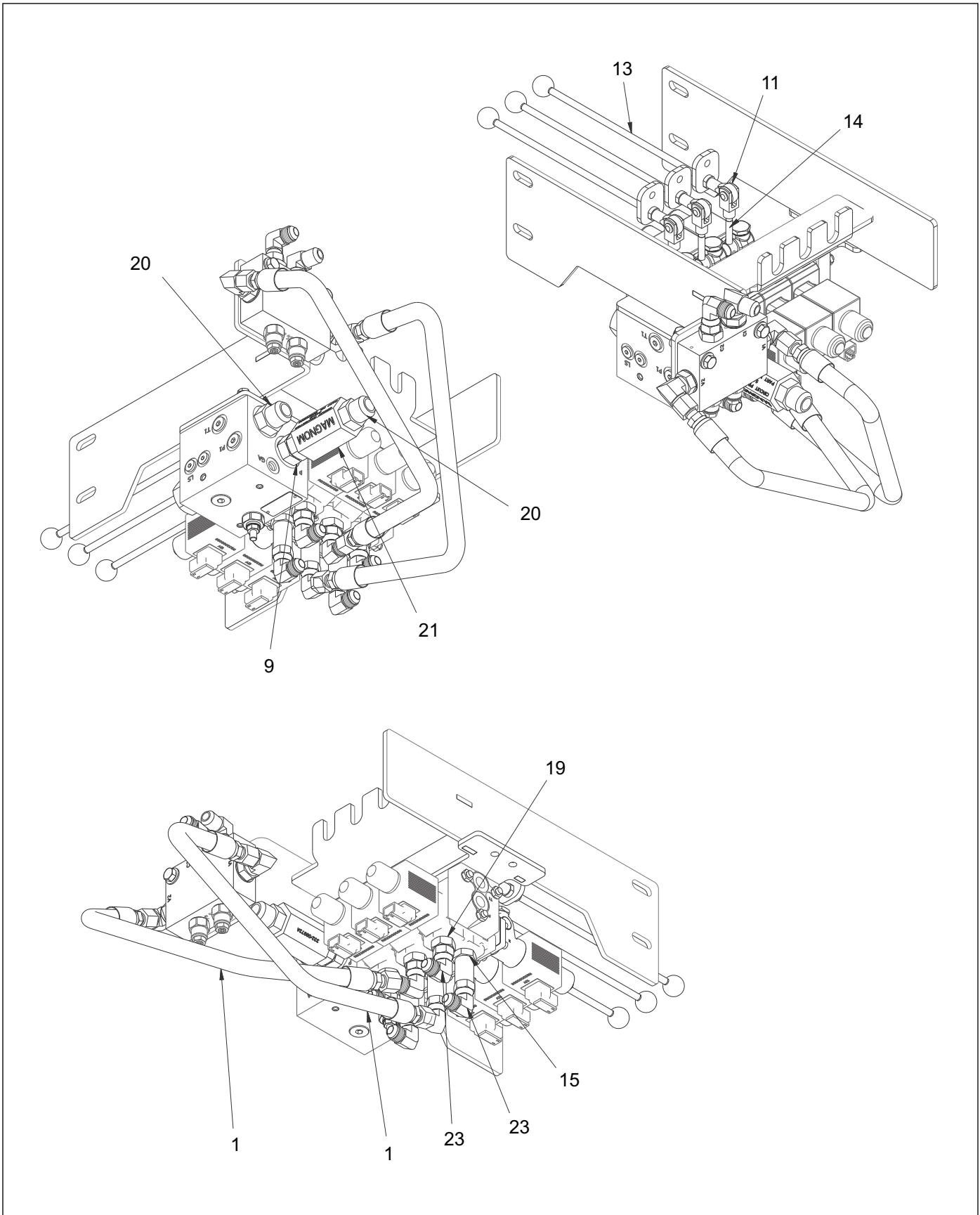


Figure 1-13: Valve Assembly - Three Spool (1 of 2)

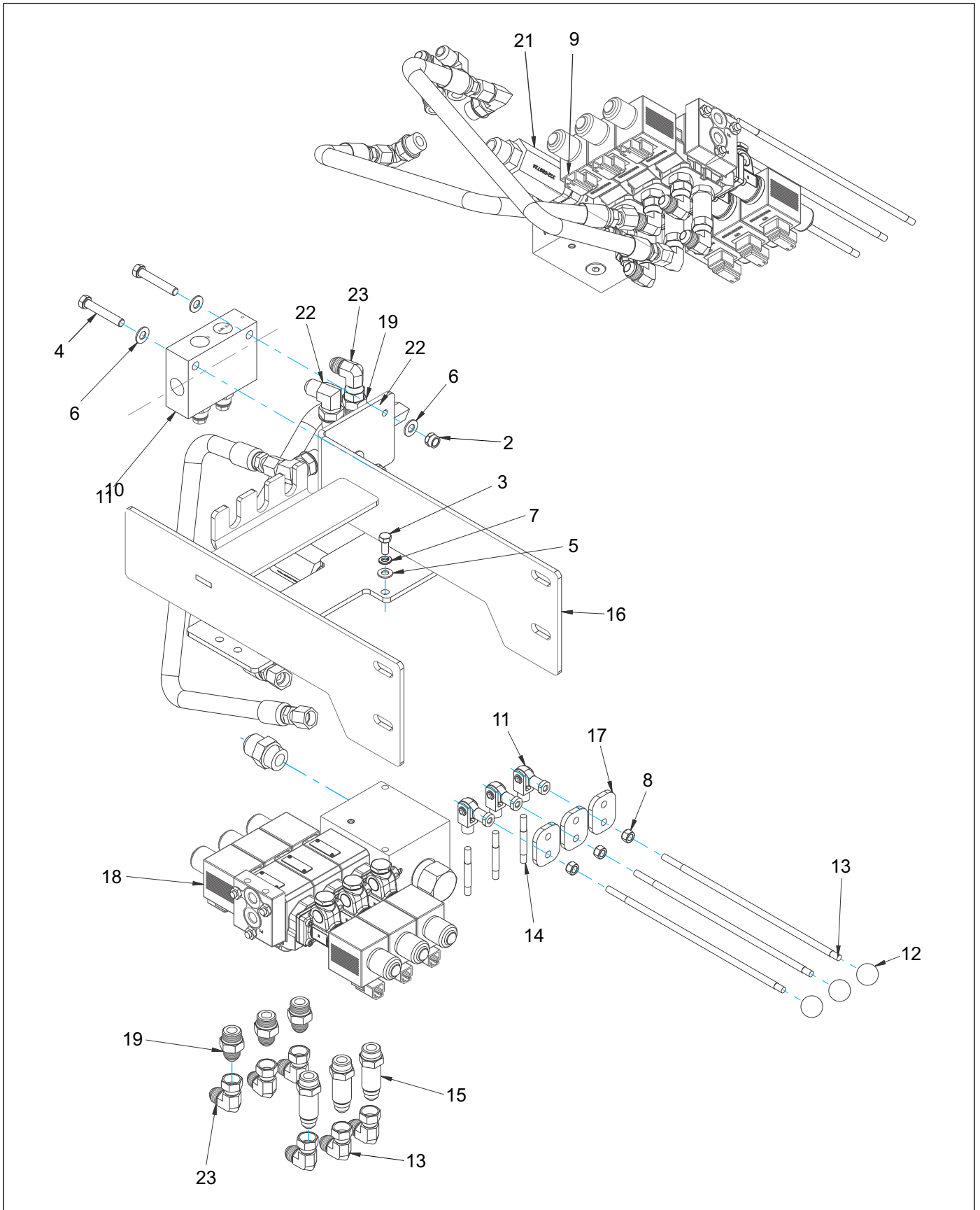


Figure 1-14: Valve Assembly - Three Spool (2 of 2)

Valve Assembly - Three Spool

ITEM	PART NO.	DESCRIPTION	QTY.
	202398	VALVE ASSY 345F	
1	1-397-010301024	HOSE ASSY1/2X24 SAE37,STR-STR	2
2	1-512-010005-05	NUT, HEX, SLFLKG GRB 3/8-16	2
3	1-654-010049-03	SCREW HX CP 5/16-18UNCX3/4GR5	4
4	1-654-010051-10	SCREW,HX CP3/8-16X2-1/4 GR5	2
5	1-861-010032-08	WASHER,FLAT 5/16 N ZP	4
6	1-861-010032-10	WASHER, FLAT 3/8" N ZP/CD	4
7	1-861-010034-10	WASHER,LKG 5/16	4
8	125904	LOCKNUT M8-1.25 CLASS 10 ZP	3
9	158581	ADAPTER STR #12 ORB - #12 ORB	1
10	184585	VALVE,DUAL COUNTER BALANCE,30G	1
11	186875	CLEVIS JOINT,ROD ENDS M8.1.25	3
12	186877	KNOB BLACK 1" ROUND M8X1.25THD	REF
13	186885	VALVE, 3 SP, 35 GPM, SOLENOID (SEE PAGE 1-23)	REF
14	186902	STUD M8X1.25X65MM,DBL THD	3
15	189285	ADAPTER STR LONG #10 ORB#8MJIC	3
16	202394	MOUNT WLDMT CONTROL VALVE	1
17	202400	PLATE, PUSH PULL MOUNT	3
18	202430	VALVE 3 SPOOL 35 GPM W/ORIF	1
19	202702-10-8S	ADAPTER, #10 O-RING #8 TUBE	4
20	202702-12-12S	ADAPTER,#12 O-RING X #12 TUBE	2
21	204124	FILTER HYD IN-LINE MAGNETIC	1
22	2062-10-8S	ADAPTER,90, #10 O-RING-TUBE	3
23	2071-8-8S	ADAPTER90 #8 FLR SWIVEL #8JIC	7

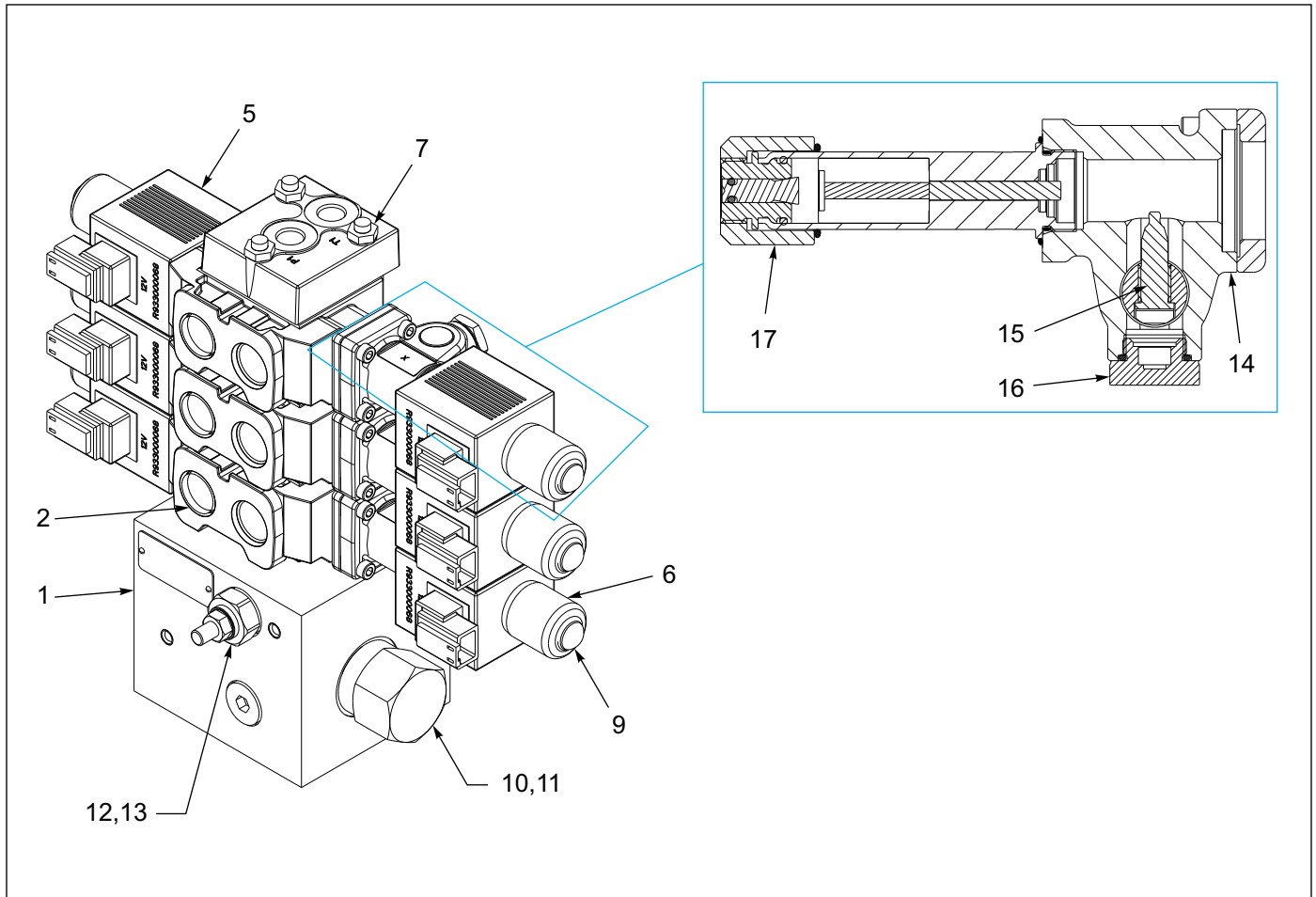


Figure 1-15: Valve Assembly - Three Stack

Valve Assembly - Three Stack

ITEM	PART NO.	DESCRIPTION	QTY.
	186885	VALVE, 3 SPOOL, SOLENOID, 35 GPM	
1	191847	INLET SECTION KIT	1
2	191848	VALVE SECTION KIT	3
3	191849	HANDLE ASSY (NOT SHOWN)	1
4	191850	HANDLE ASSY (NOT SHOWN)	2
5	193400	COIL	1
6	193401	RUBBER BOOT	1
7	193402	BOLT KIT	1
8	193442	VALVE SECTION SEAL KIT (NOT SHOWN)	1
9	193443	COIL NUT SEAL KIT	1
10	193444	BY-PASS COMENSATOR	1
11	193445	SEAL KIT FOR COMPENSATOR	1
12	193446	LOAD SENSE RELIEF	1
13	193447	LOAD SENSE RELIEF SEAL KIT	1
14	208390	KIT COMPLETE LEVER BOX, K-22144	1
15	204189	SET SCREW HANDLE ACTUATOR BALL	1
16	208391	PLUG	1
17	208392	COIL NUT LEVER BOX	1

Electrical

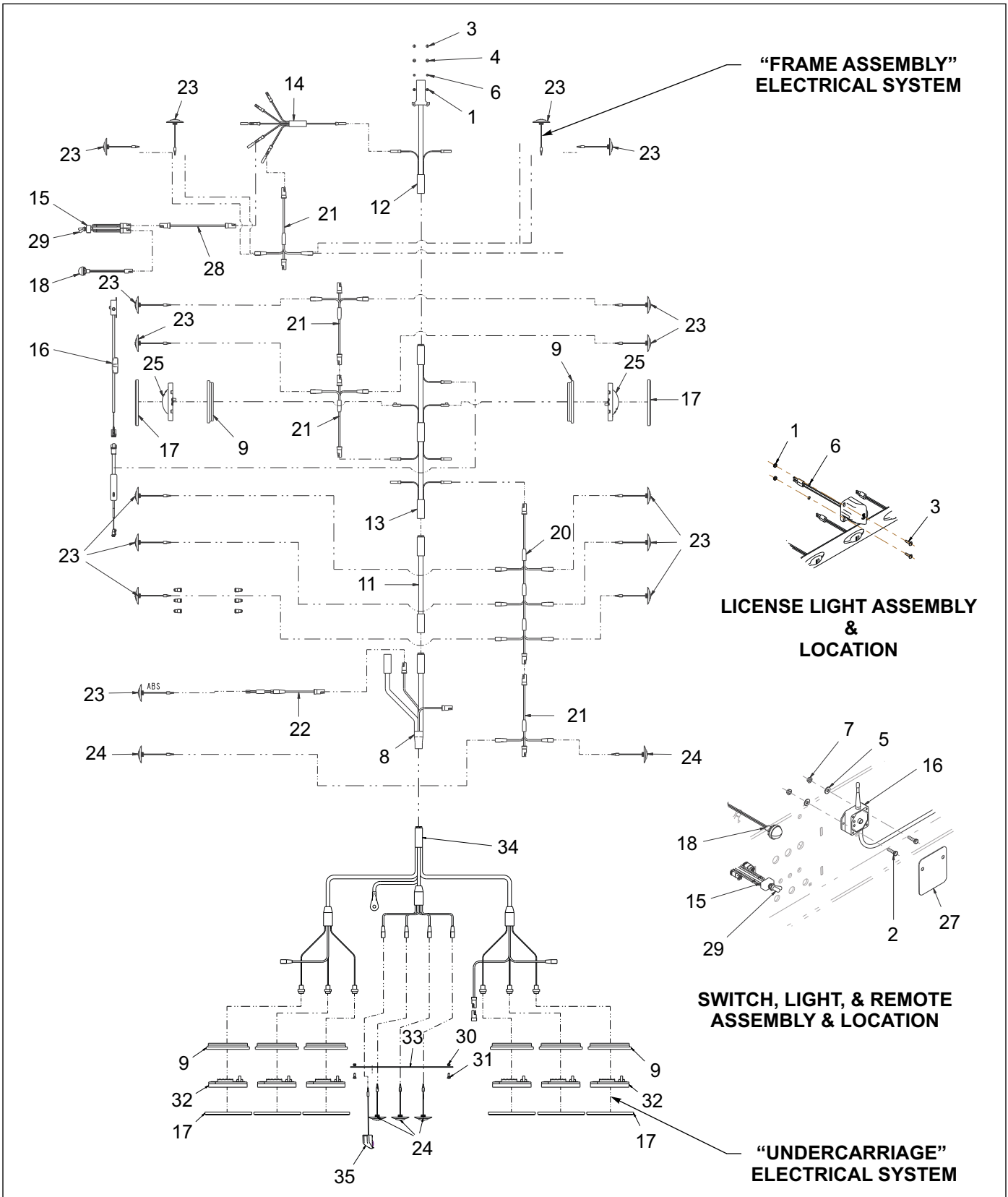


Figure 1-16: Electrical System

Electrical System

ITEM	PART NO.	DESCRIPTION	QTY.					
	202828	HYD EL AIR ST.CTRL RMT4'HITCH	*					
	202827	HYD EL AIR ST CTRL NORMT 4'HTC		*				
	202826	HYD EL AIR ST CTRL RMT 7'HITCH			*			
	202830	HYD EL AIR STCTRL RMT 7' SWY			*			
	202829	HYD EL AIR STCTRL NORMT 7'HITC				*		
	202429	SUSP 345F A/R 2512-70.5						*
	202428	SUSP 345F A/R 2512-70.5 TIS						*
	202427	SUSP, 345F, 70.5, D/L, GROTE						*
	202426	SUSP, 345F, 70.5,D/L,TIS,GROTE						*
	202372	SUSP, 345F S/R 2512-70.5						*
1	1-512-010007-03	NUT, HEX 10-24	4	4	4	4	4	4
2	1-654-010047-06	SCREW,HX CP 1/4-20UNCX1 GR5	2	2	2	2	2	--
3	1-656-010003051	SCREW,RH HD MACH 10-24X3/4	4	4	4	4	4	4
4	1-861-010032-03	WASHER, FLAT #10 ZP/CD	2	2	2	2	2	--
5	1-861-010032-07	WASHER,FLAT 1/4 ZP	2	2	2	2	2	--
6	1-861-010034-07	WASHER,LKG,HLCL SPR, NO 10	4	4	4	4	4	4
7	108417	NUT SPIRAL 1/4-20HX FG	2	2	2	2	2	--
8	143103	HARNESS ECHAIN GROTE	REF	REF	REF	REF	REF	REF
9	143114	GROMMET OVAL GROTE	8	8	8	8	8	8
10	143123	GREASE DIELECTRIC 4 OZ TUBE (NOT SHOWN)	.5	.5	.5	.5	.5	--
11	143166	HARNESS EXT 48IN GROTE	--	--	1	1	--	--
12	147190	HARNESS 7WAY PLUG 345 GROTE	1	1	1	1	--	--
13	147191	HARNESS BED MAIN 345 GROTE	1	1	1	1	--	--
14	150993	INLET GUIDE .035	1	1	1	1	--	--
15	150117	SWITCH ASSY LIGHT GROTE	1	1	1	1	--	--
16	168648	RECEIVER/TRANS MACRO KAR SL AX	1	--	1	--	--	--
17	180570	COVER CHROME OBLONG GROMMET	8	8	8	8	8	8
18	185059	LIGHT,LED COURTESY, GROTE	1	1	1	1	--	--
19	186882	HARNESS,CNTRL VALVE,DUETSCH (NOT SHOWN)	1	--	1	--	--	--
20	187856	HARNESS MARKER MID DECK	1	1	1	1	--	--
21	187587	REEL ASSY, 12 X 60 DOUBLE	4	4	4	4	--	--
22	187858	HARNESS ABS LAMP MICRONOVA	1	1	1	1	--	--
23	187863	LIGHT YEL LED.75CL/MK CLEAR CB	15	15	15	15	--	--
24	187864	LIGHT RED LED.75CL/MK CLEAR CB	5	5	5	5	5	5
25	187868	LIGHT MID-TURN LED CLEAR LENS	2	2	2	2	--	--
26	194407	PLUG ASSY DUMMY DEUTSCH 2 PIN (NOT SHOWN)	--	6	--	6	--	--
27	202825	PLATE, REMOTE CUTOUT COVER	--	1	--	1	--	--
28	3-368-010252	HARNESS ASSY BKHD LIGHT EXT	1	1	1	1	--	--
29	81264	RUBBER BOOT FOR ELECT SWITCH	1	1	1	1	--	--
30	1-512-010005-01	NUT,HEX,SLFLKG GRB 1/4-20	--	--	--	--	--	2
31	1-654-010158-1	SCREW,RHD,SQ NCK,1/4-20UNCX3/4	--	--	--	--	--	2
32	179902	LIGHT S/T/T RED CLEAR LENS GRT	--	--	--	--	--	6
33	179906	PLATE MTG MICRO ID LIGHTS	--	--	--	--	--	1
34	187859	HARNESS BUMPER MICRONOVA GROTE	--	--	--	--	--	1
35	187860	LIGHT ASSY LICENSE LED GROTE	--	--	--	--	--	1
36	43029	HOSE WRAP AEROQUIP 1/4 (NOT SHOWN)	--	--	--	--	--	3

Undercarriage

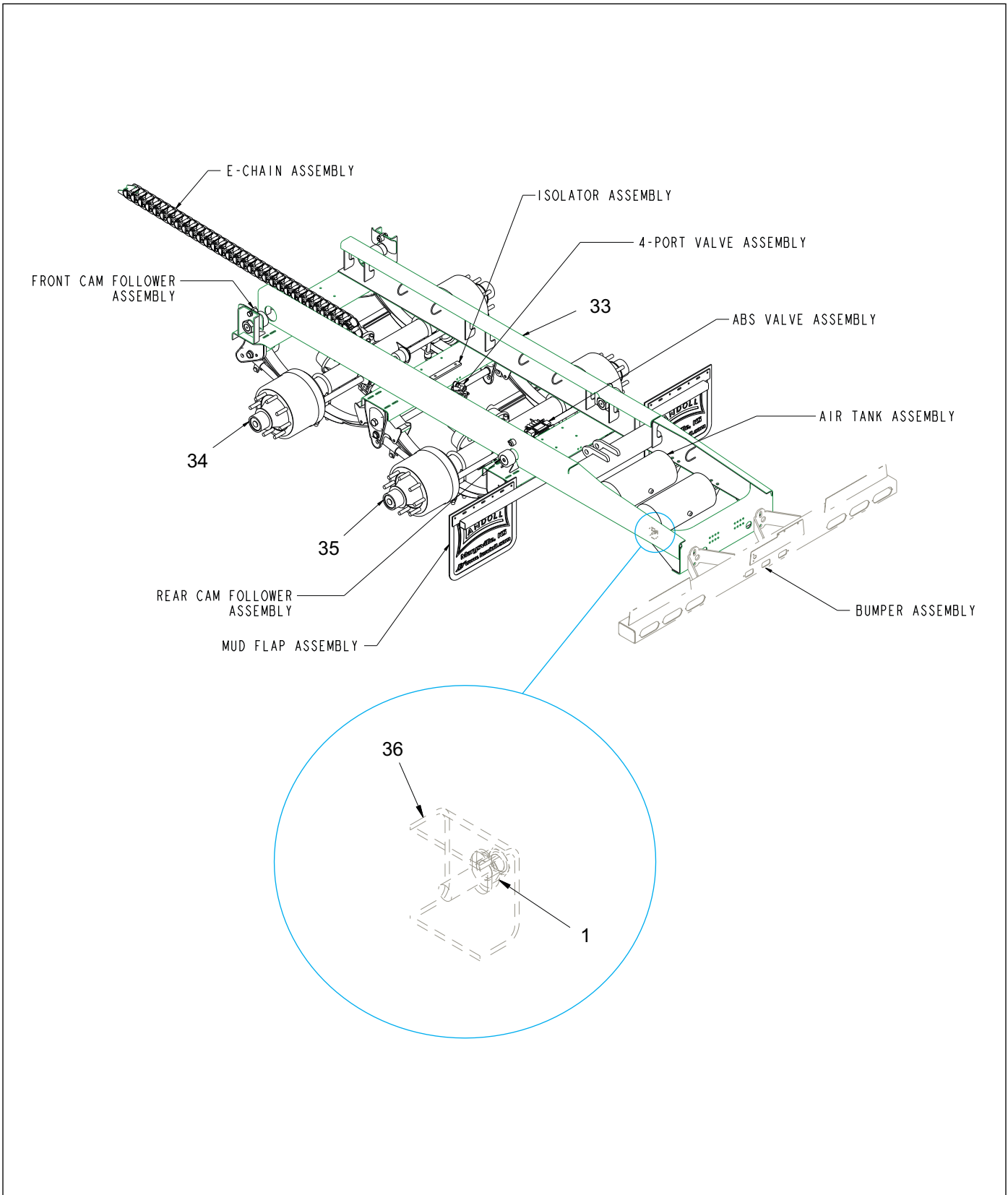


Figure 1-17: General Items - Spring Ride (1 of 2)

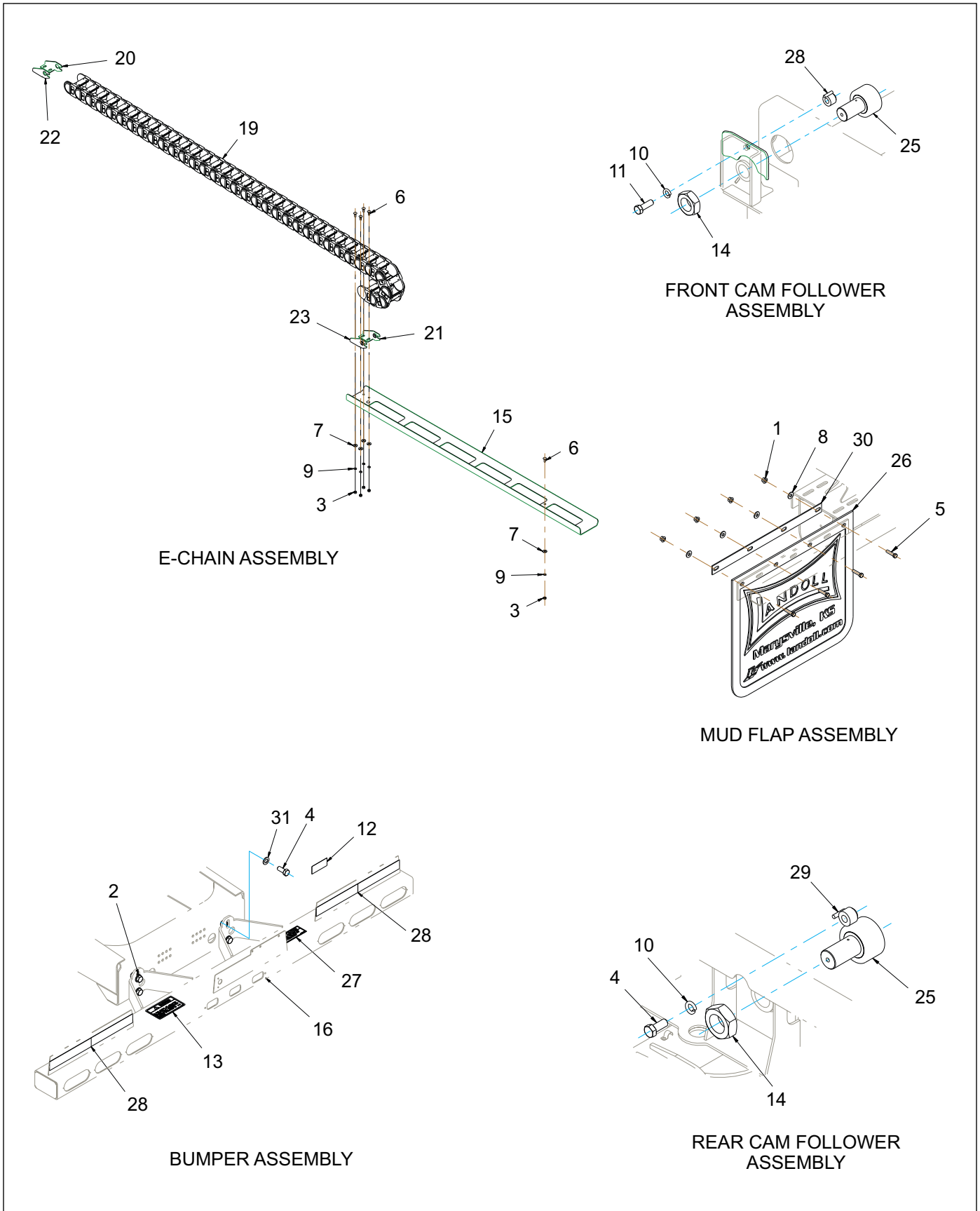


Figure 1-18: General Items - Spring Ride (2 of 2)

General Items - Spring Ride

ITEM	PART NO.	DESCRIPTION	QTY.
	202372	SUSP 345F S/R 2512-70.5	
1	1-510-010001	NUT, 3/8-16 UNC FLANGE LOCK	11
2	1-512-010005-15	NUT,HEX,SLFLKG GRB 3/4-10	4
3	1-512-010007-05	NUT, HEX 1/4-20	6
4	1-654-010032-4	SCREW 3/4-10X1-3/4 HX CP ZPG8	6
5	1-654-010051-07	SCREW,HEX CAP,3/8-16UNCX1-1/2	10
6	1-654-010158-1	SCREW,RHD,SQ NCK,1/4-20UNCX3/4	6
7	1-861-010032-07	WASHER,FLAT 1/4 ZP	6
8	1-861-010032-11	WASHER, FLAT 3/8 W ZP/CD	8
9	1-861-010034-09	WASHER, LKG HLCL SPR, 1/4	6
10	1-861-010034-17	WASHER,LKG,HLCL SPR,3/4	4
11	100941	SCREW,HEXCAP,3/4-10X2-1/4G8ZP	2
12	103055	PLACARD, ENERGY BUMPER CERT	1
13	103056	DECAL, ENERGY BUMPER WARNING	1
14	104034	NUT, HEX 2-12UN, GRB, ZP	4
15	118897	TRAY E-CHAIN 425	1
16	119580	BUMPER WLDMT 660 TUBE W/EP	REF
17	120659	ISOLATOR, KOHLER 25HP MOUNT (NOT SHOWN)	1
18	159732	PLATE WEAR 345 U/C	2
19	189316	SUPPORT, E-CHAIN,34 LINKS,3838	REF
20	190700ZP	ZINC PLATE BRACKET E-CHAIN LH	REF
21	190701	BRACKET WLDMT E-CHAIN LH	REF
22	190705ZP	ZINC PLATE BRACKET E-CHAIN RH	REF
23	190706	BRACKET WLDMT E-CHAIN RH	REF
24	#242 LOCKTITE	LOCKTITE 242 BLUE REMOVABLE (NOT SHOWN)	1
25	3-076-010005	CAM FOLLOWER 4 IN DIA	4
26	3-485-010001	FLAP, MUD 21 IN	2
27	3-573-010031	DECAL TRAILER BUMPER	1
29	3-573-010377	DECAL,2"REFLEXITE TAPE,RD/WHT	84
29	3-762-010016	HOLDDOWN UNDCARR WLDMT	4
30	3-762-010017	CLAMP MUD FLAP	2
31	622-3511-008	WASHER, FLAT 3/4 MIL-CARB SAE	4
32	1-843-010014	VALVE EXTENSION,STEM	4
33	149091	UNDERCARRIAGE WLDMT 345E S/R	1
34	149901	AXLE/SPRING ASSY FRT 345E (SEE PAGE 1-34)	1
35	149902	AXLE/SPRING ASSY REAR 345E (SEE PAGE 1-34)	1
36	2-181-010001	HOSE CLAMP	1

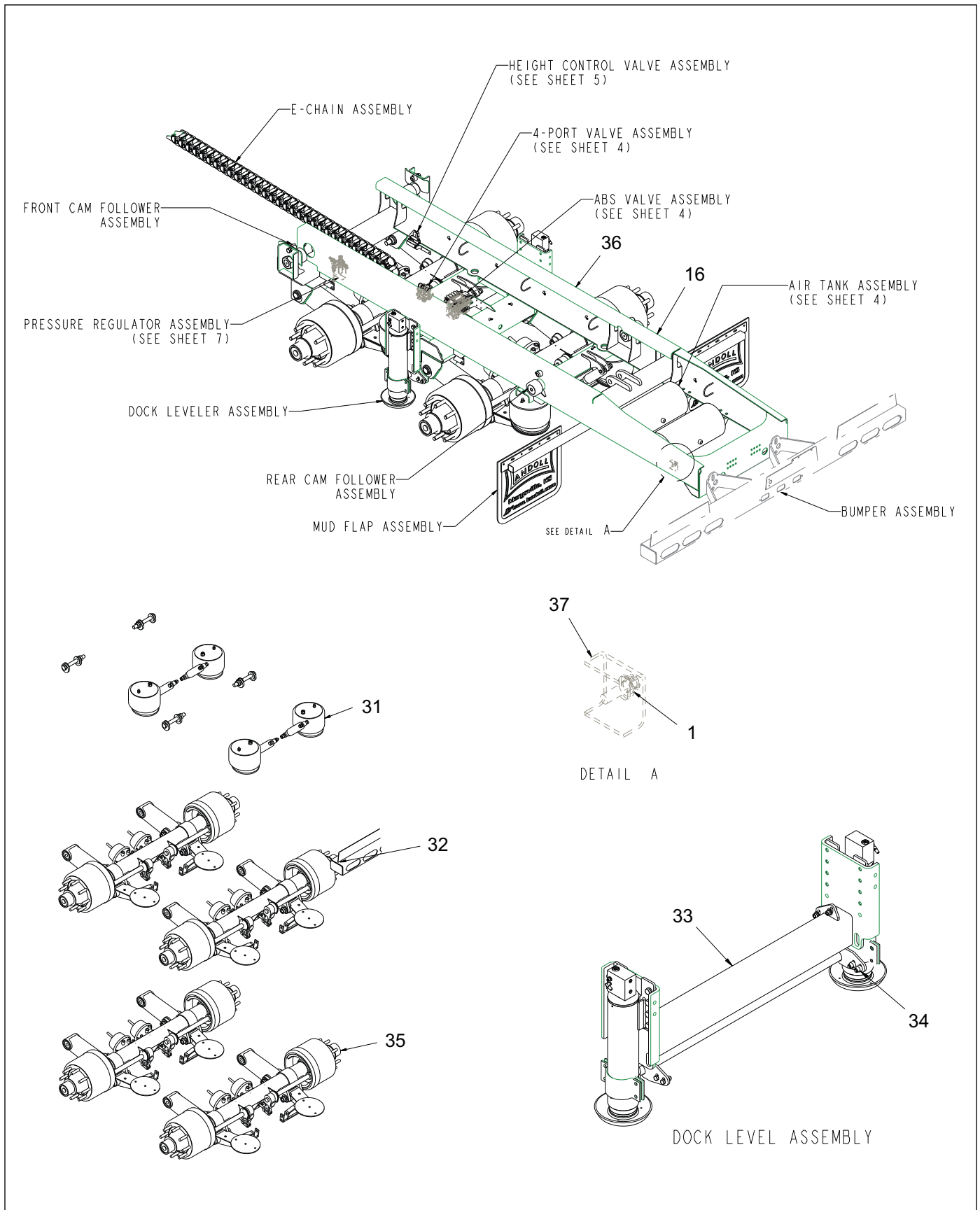


Figure 1-19: General Items - Air Ride (1 of 2)

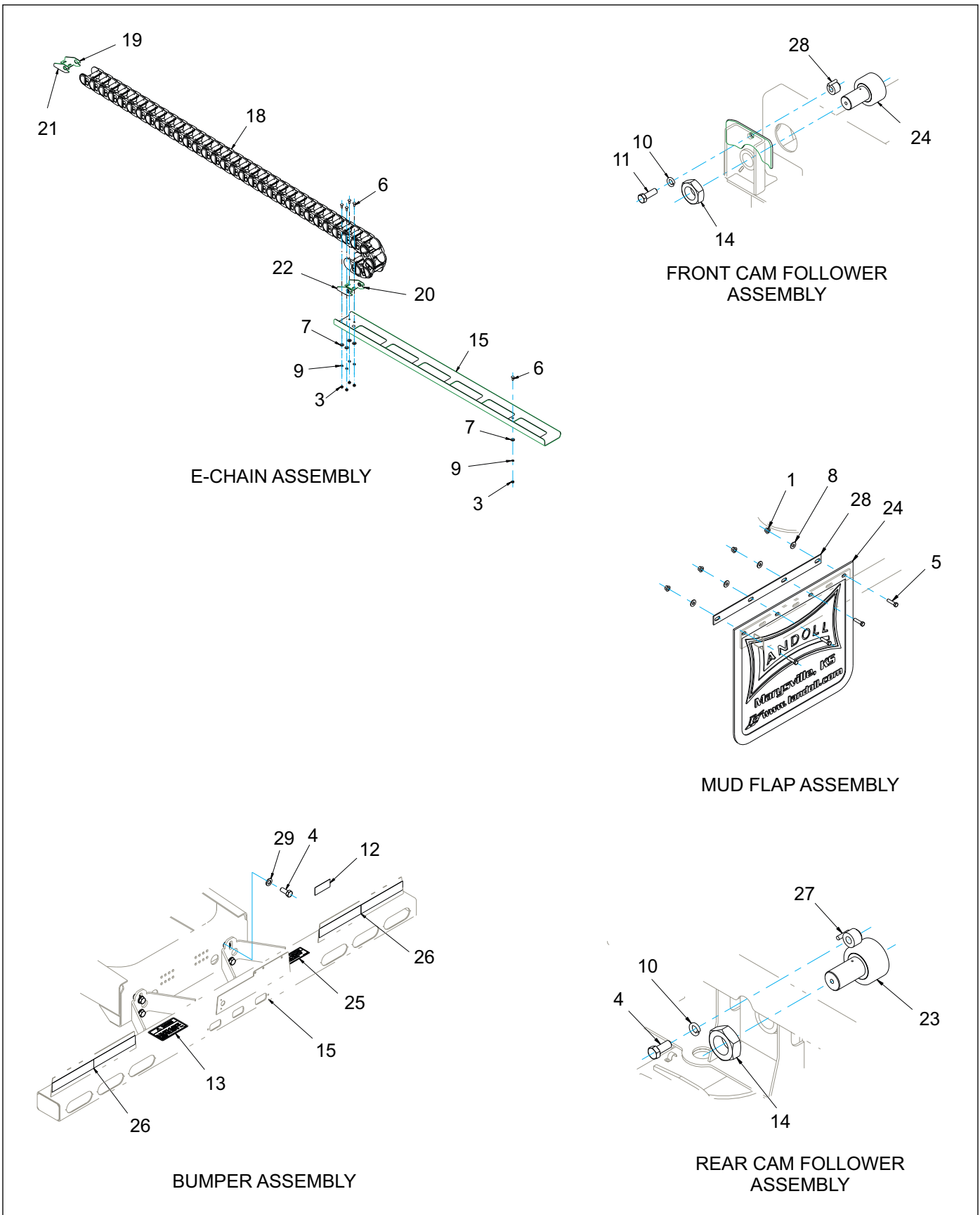


Figure 1-20: General Items - Air Ride (2 of 2)

General Items - Air Ride

ITEM	PART NO.	DESCRIPTION	QTY.			
	202429	SUSP 345F A/R 2512-70.5	*			
	202428	SUSP 345F A/R 2512-70.5 TIS		*		
	202427	SUSP, 345F, 70.5, D/L, GROTE			*	
	202426	SUSP, 345F, 70.5,D/L,TIS,GROTE				*
1	1-510-010001	NUT, 3/8-16 UNC FLANGE LOCK	9	9	9	9
2	1-512-010005-15	NUT,HEX,SLFLKG GRB 3/4-10	4	4	4	4
3	1-512-010007-05	NUT, HEX 1/4-20	6	6	6	6
4	1-654-010032-4	SCREW 3/4-10X1-3/4 HX CP ZPG8	6	6	6	6
5	1-654-010051-07	SCREW,HEX CAP,3/8-16UNCX1-1/2	8	8	8	8
6	1-654-010158-1	SCREW,RHD,SQ NCK,1/4-20UNCX3/4	6	6	6	6
7	1-861-010032-07	WASHER,FLAT 1/4 ZP	6	6	6	6
8	1-861-010032-11	WASHER, FLAT 3/8 W ZP/CD	8	8	8	8
9	1-861-010034-09	WASHER, LKG HLCL SPR, 1/4	6	6	6	6
10	1-861-010034-17	WASHER,LKG,HLCL SPR,3/4	4	4	4	4
11	100941	SCREW,HEXCAP,3/4-10X2-1/4G8ZP	2	2	2	2
12	103055	PLACARD, ENERGY BUMPER CERT	1	1	1	1
13	103056	DECAL, ENERGY BUMPER WARNING	1	1	1	1
14	104034	NUT, HEX 2-12UN, GRB, ZP	4	4	4	4
15	118897	TRAY E-CHAIN 425	1	1	1	1
16	119580	BUMPER WLDMT 660 TUBE W/EP	REF	REF	REF	REF
17	159732	PLATE WEAR 345 U/C	2	2	2	2
18	189316	SUPPORT, E-CHAIN,34 LINKS,3838	1	1	1	1
19	190700ZP	ZINC PLATE BRACKET E-CHAIN LH	1	1	1	1
20	190701	BRACKET WLDMT E-CHAIN LH	1	1	1	1
21	190705ZP	BRACKET E-CHAIN RH	1	1	1	1
22	190706	BRACKET WLDMT E-CHAIN RH	1	1	1	1
23	3-076-010005	CAM FOLLOWER 4 IN DIA	4	4	4	4
24	3-485-010001	FLAP, MUD 21 IN	2	2	2	2
25	3-573-010031	DECAL TRAILER BUMPER	1	1	1	1
26	3-573-010377	DECAL,2"REFLEXITE TAPE,RD/WHT	84	84	84	84
27	3-762-010016	HOLDDOWN UNDCARR WLDMT	4	4	4	4
28	3-762-010017	CLAMP MUD FLAP	2	2	2	2
29	622-3511-008	WASHER, FLAT 3/4 MIL-CARB SAE	4	4	4	4
30	1-843-010014	VALVE EXTENSION,STEM	4	--	4	--
31	102363	SUSPENSION,ADJ RLU-228-3.5 (SEE PAGE 1-40)	2	2	2	2
32	121077	AXLE WLDMT 2512-SPG-70.5X36	2	--	2	--
33	121498	DOCK LEVEL ASSY US410 SGL 60K (SEE PAGE 1-90)	--	--	1	1
34	124559	SPACER D/L MOUNT 425	--	--	4	4
35	136257	AXLE WLDMT 2512SPG 70.5 36TIS	--	2	--	2
36	161848	UNDERCARRIAGE WLDMT 345E A/R	1	1	1	1
37	2-181-010001	HOSE CLAMP	1	1	1	1

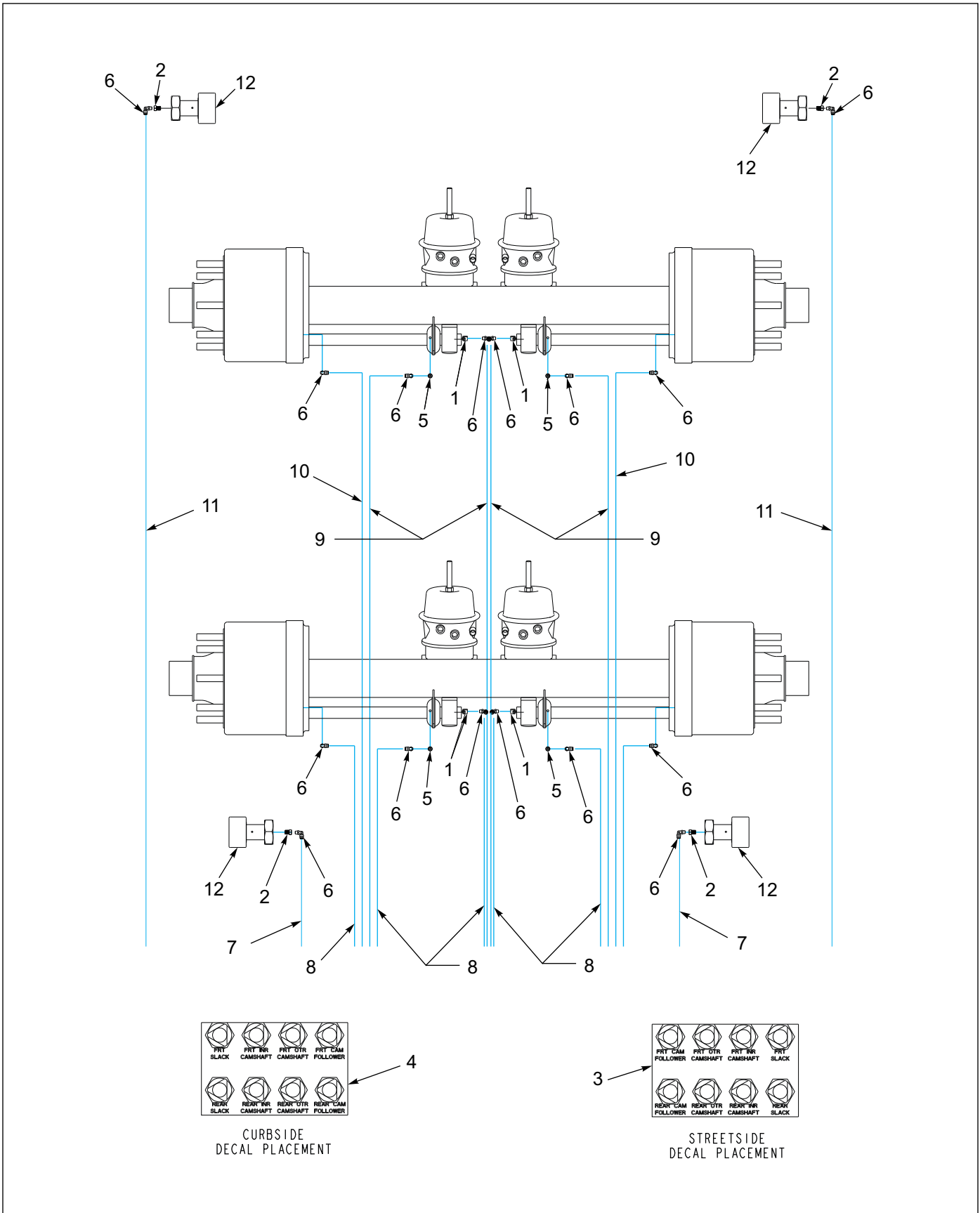


Figure 1-21: Grease System

Grease System

ITEM	PART NO.	DESCRIPTION	QTY.
	202429	SUSP 345F A/R 2512-70.5	
	202428	SUSP 345F A/R 2512-70.5 TIS	
	202427	SUSP, 345F, 70.5, D/L, GROTE	
	202426	SUSP, 345F, 70.5,D/L,TIS,GROTE	
	202372	SUSP 345F S/R 2512-70.5	
1	101528	ELBOW,BRASS PIPE STREET	4
2	118-2659-1	BUSHING 1/4 X 1/8 NPT STL	4
3	142545	NUT 7/16 FOR BULKHEAD	16
4	142553	DECAL, GREASE TRL U/C	2
5	202094	ADAPTER 5/16--18X1/8NPT F	4
6	202099	FITTING GREASE 90 SWIV PTC 1/8	16
7	202106	HOSE ASSY GREASE 1/8 X 72	2
8	202109	HOSE ASSY GREASE 1/8 X 94	6
9	202116	HOSE ASSY GREASE 1/8 X 144	4
10	202118	HOSE ASSY GREASE 1/8 X 156	2
11	202121	HOSE ASSY GREASE 1/8 X 172	2
12	3-076-010005	CAM FOLLOWER 4 IN DIA	REF

Suspensions

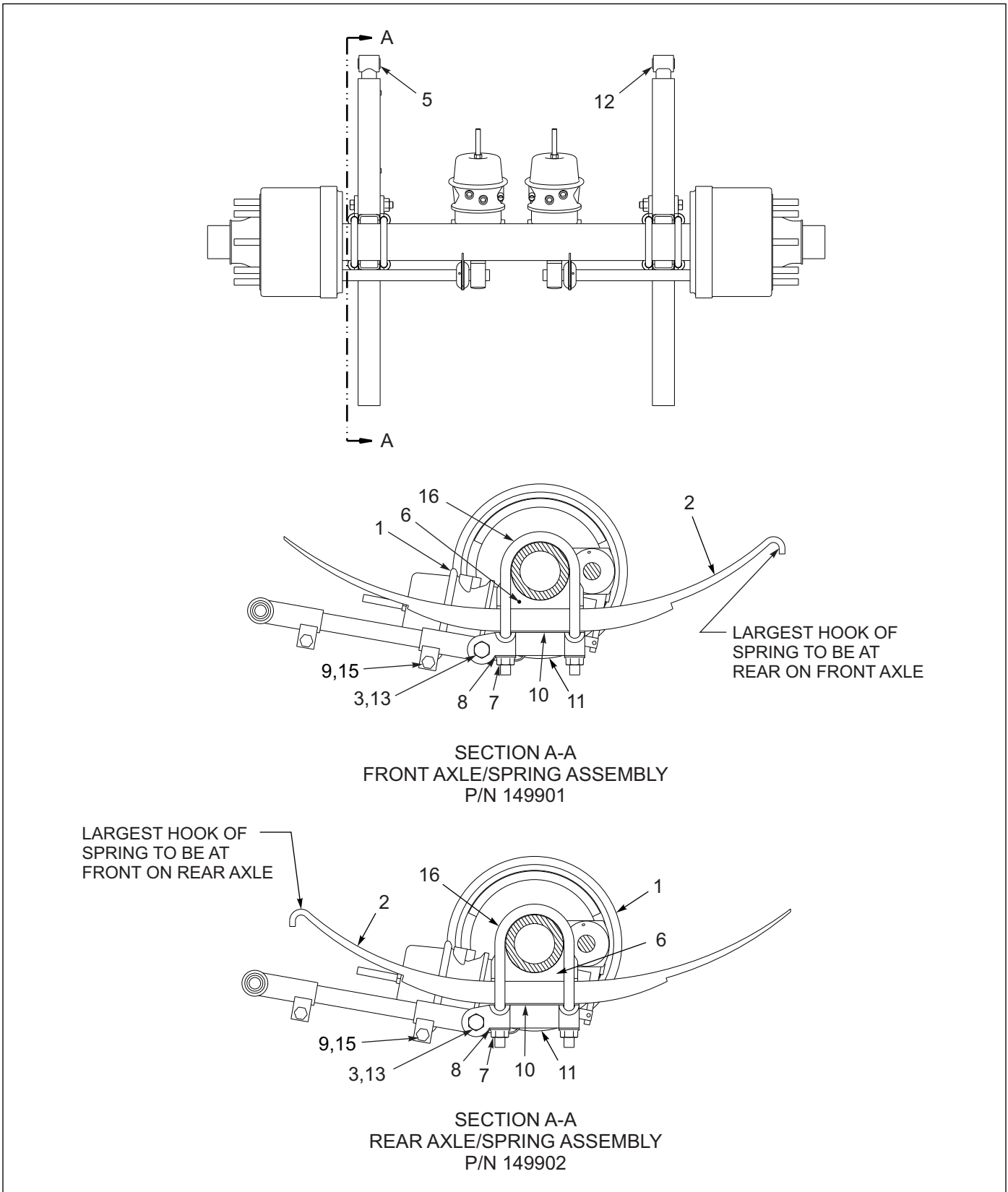


Figure 1-22: Spring Ride Suspension

Spring Ride Suspension

ITEM	PART NO.	REFERENCE NO.	DESCRIPTION	QTY.
	149901		SUSPENSION ASSEMBLY, SPRING REAR	
	149902		SUSPENSION ASSEMBLY S/R 70.5 39-1/2 SPG CTR	
1	115703		AXLE 70-1/2 12-1/4 X 7-1/2 BRAKE SPG 25K (SEE PAGE 1-42)	1
2	120584		SPRING, TWO LEAF HI ARCH	2
3	10562-00	10562-00	NUT, FLANGE HEAD SERRATED 1-14	2
4	-----	-----	DECAL (NOT SHOWN)	1
5	16398-04	16398-04	ADJUSTABLE TORQUE ARM 19.25	1
6	301-01	301-01	AXLE SEAT	2
7	34-04	34-04	NUT, FLANGE HEAD SERRATED 7/8-14	8
8	35-00	35-00	WASHER, PLAIN	8
9	37-03	37-03	NUT, HEX LOCK 5/8-18 GRB	1
10	7052-02	7052-02	DELTRIN LINER, SINGLE LEAF	2
11	-----	706-01	BOTTOM PLATE, SINGLE LEAF	2
12	715-00	715-00	RIGID TORQUE ARM	1
13	719-02	719-02	BOLT, 7/8-14 X 5-1/4 GR5	2
14	756-00	756-00	SLEEVE SPACER (NOT SHOWN)	1
15	759-00	759-00	HEX BOLT 5/8-18 X 4-1/2	1
16	7816-10	7816-10	U-BOLT	4
	3-762-010667-02		KIT, AXLE SPRING ATTACH. PARTS (ITEMS 5 - 18)	

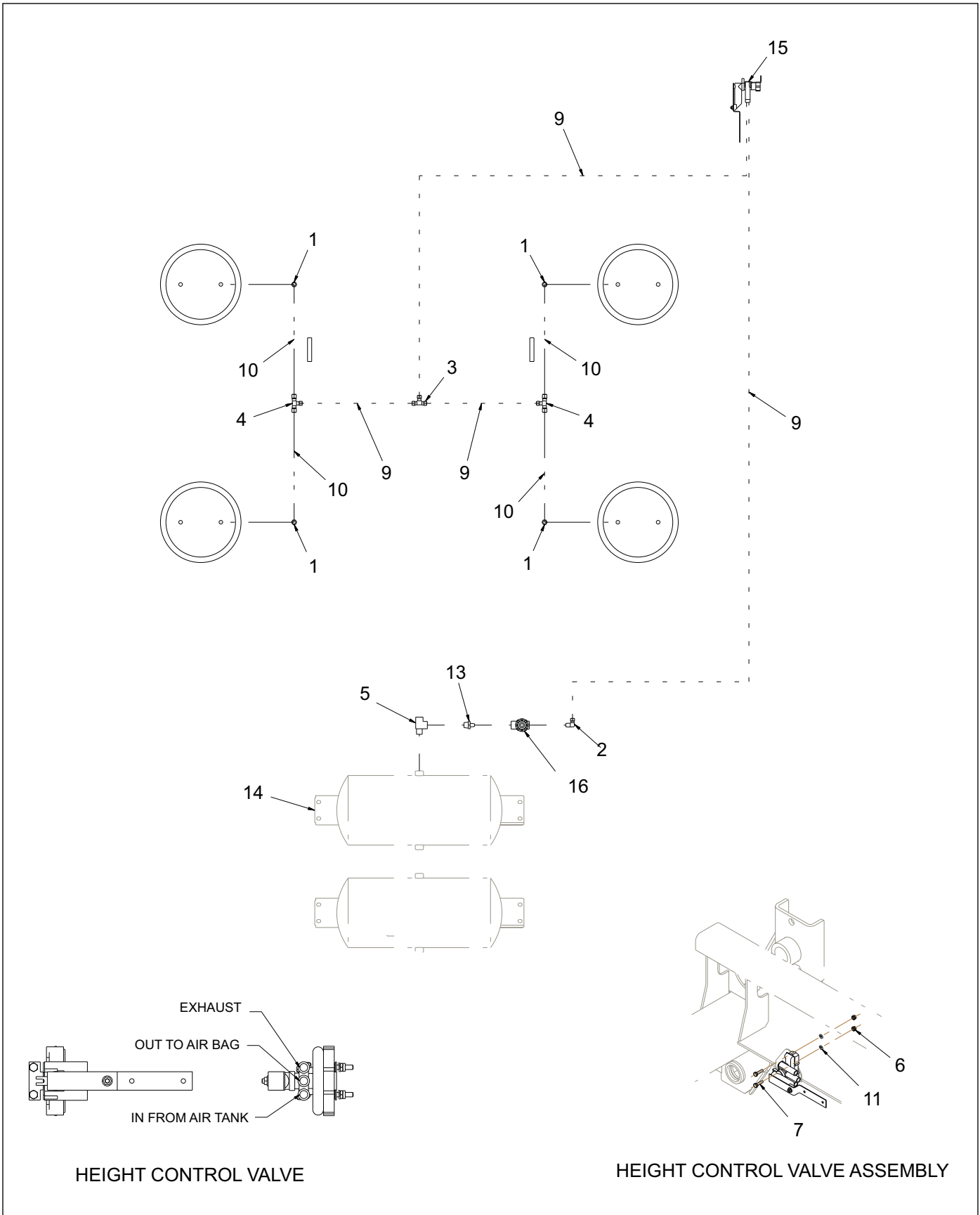


Figure 1-23: Air Ride Suspension

Air Ride Suspension

ITEM	PART NO.	DESCRIPTION	QTY.
	202429	SUSP 345F A/R 2512-70.5	
	202428	SUSP 345F A/R 2512-70.5 TIS	
	202427	SUSP, 345F, 70.5, D/L, GROTE	
	202426	SUSP, 345F, 70.5,D/L,TIS,GROTE	
1	1-297-010007-11	FITTING,AIR,3/8TUBE TO 1/4NPT	4
2	1-297-010008-07	FITTING AIR 90 1/4TUBEX1/4NPT	1
3	1-297-010010-01	FITTING,AIR,UNION TEE 1/4	1
4	1-297-010010-04	FITTING,AIR,UN/TEE3/8X3/8X1/4	2
5	1-297-010018-04	FITTING 1/2 BRASS PIPE ST TEE	REF
6	1-512-010005-01	NUT,HEX,SLFLKG GRB 1/4-20	2
7	1-654-010047-06	SCREW,HX CP 1/4-20UNCX1 GR5	2
8	1-796-010004-02	TIE, STRAP,PLASTIC .301X13.38	4
9	1-833-010001	TUBING NYLON 1/4 OD	11
10	1-833-010002	TUBING NYLON 3/8 OD	13
11	1-861-010034-09	WASHER, LKG HLCL SPR, 1/4	2
12	102732	AIR CONTROL KIT (SEE PAGE 1-38)	1
13	2083-8-4S	NIPPLE HEX 1/2PIPE - 1/4PIPE	1
14	3-780-010002	TANK AIR 9.5X22.5 .5NPT PORTS	REF
15	900 54 007	HEIGHT CONTROL VALVE	REF
16	905-54-107	BRAKE PROTECTION VALVE	REF

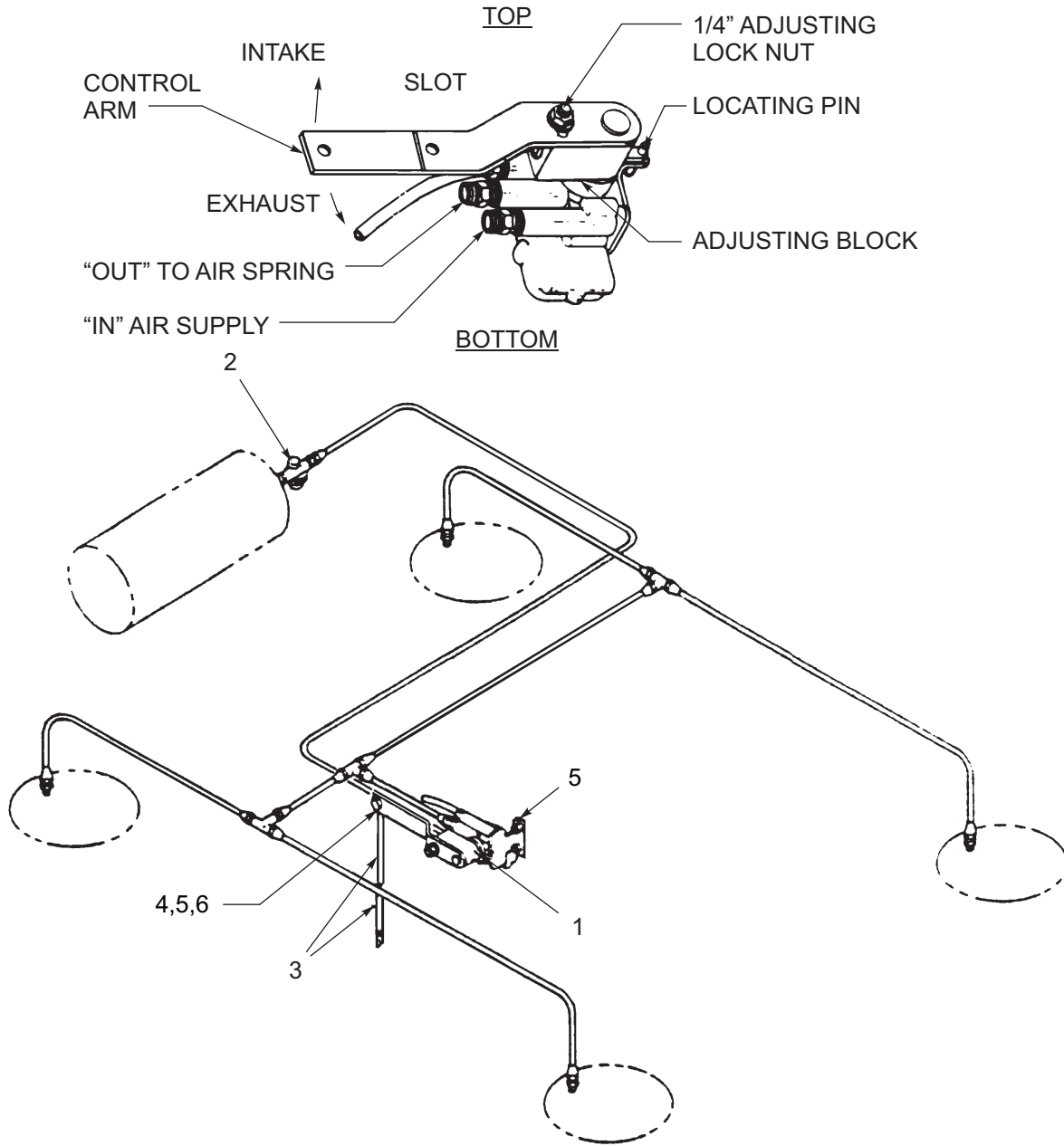


Figure 1-24: Air Control Kit

Air Control Kit

ITEM	PART NO.	DESCRIPTION	QTY.
	102732	AIR CONTROL KIT NEWAY	
1	900 54 007	HEIGHT CONTROL VALVE	1
2	905-54-107	AIR PRESSURE PROTECTION VALVE & FILTER	1
	167692	FILTER	1
3	111021	SRK - 167 KIT (ADJ. LINK ASSEMBLY)	1
4	1-654-010047-04	SCREW, HEX HEAD CAP 1/4-20 X 3/4 GR5	2
5	1-512-010005-01	LOCK NUT 1/4-20	2
6	-----	DECAL OPERATING	1

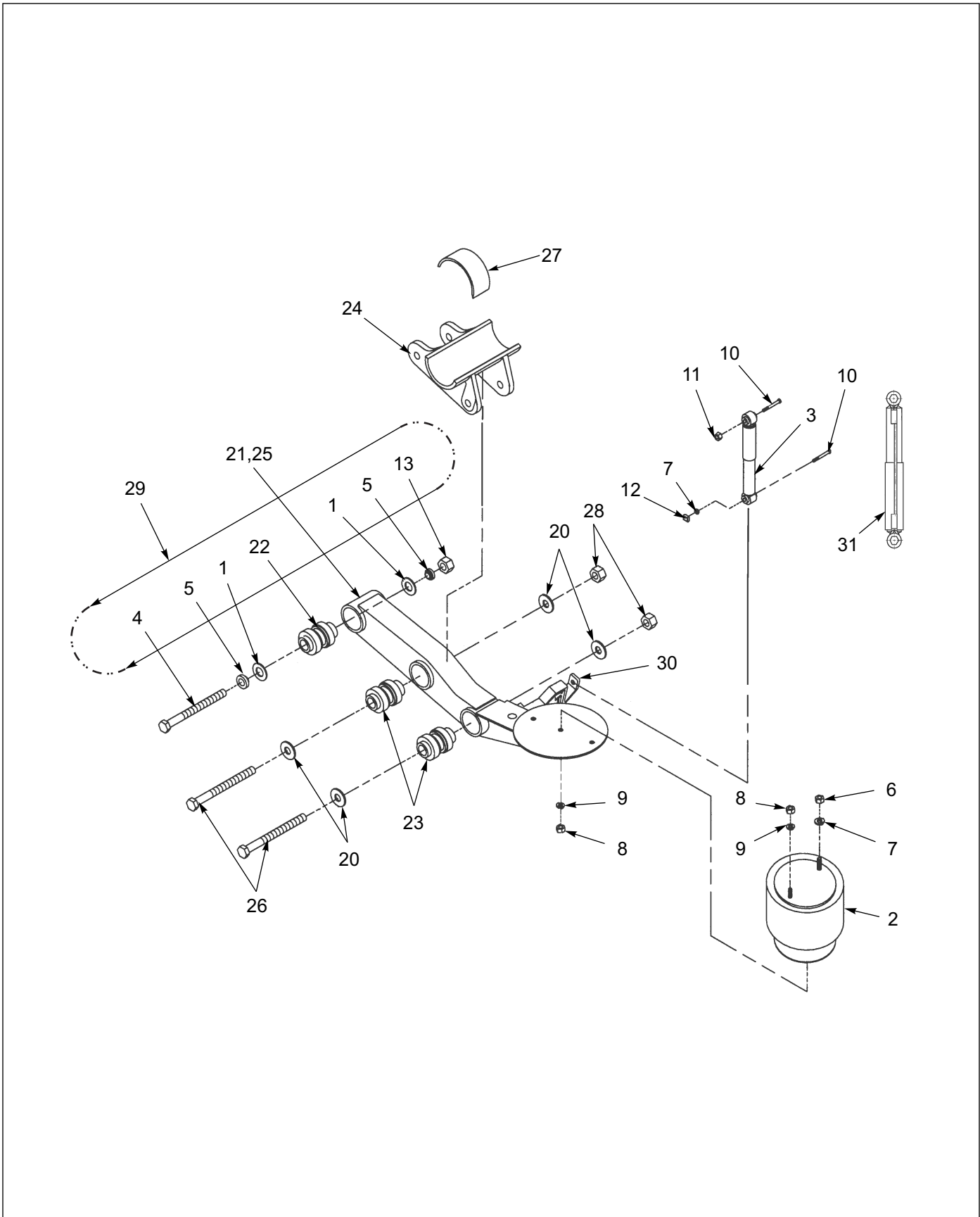


Figure 1-25: Suspension Hanger RLU-228

Suspension Hanger RLU-228

ITEM	PART NO.	REFERENCE NO.	DESCRIPTION	QTY.
	102363		SUSPENSION, ADJ. RLU-228-3.5 (ITEMS 1-19)	
	102364		SUSPENSION, ADJ. RLU-228-5.5 (ITEMS 1-19)	
	102361		SUSPENSION, BEAM. RLU-228 (ITEMS 20-28)	
1	111010	900 36 177	FLAT WASHER	2
2	905-57-129	905 57 129	AIR SPRING ASSEMBLY - 102363	2
	111016	905 57 159	AIR SPRING ASSEMBLY - 102364	2
3	900 45 040	900 45 040	SHOCK - 102363	2
	111017	900 44 642	SHOCK - 102364	2
4	90508009	905 08 009	ALIGN BUSH ASSEMBLY	2
5	129006	900 08 186	ALIGN BLOCK (900 08 186)	2
6	934 00 149	934 00 149	3/4-16 HEX NUT GRB	2
7	936 00 077	936 00 077	LOCK WASHER, 3/4"	4
8	1-512-010007-09	934 00 136	HEX NUT, 1/2-13	4
9	1-861-010034-13	936 00 072	LOCK WASHER, 1/2"	4
10	105408	930 03 597	HEX HEAD CAP SCREW 3/4-10 X 3-1/2	4
11	934-00-492	934-00-492	LOCK NUT, 3/4-10	2
12	111022	934 00 367	3/4-10 SQUARE NUT	2
13	111008	934 00 506	LOCK NUT 1-1/8-7	2
14	111018	900 54 038	ANCHOR, RIDE HEIGHT CONTROL VALVE (NOT SHOWN)	1
15	-----	941 00 787	LITERATURE INSTRUCTIONS (NOT SHOWN)	1
16	-----	941 00 685	LITERATURE SPEC (NOT SHOWN)	1
17	-----	941 00 648	LITERATURE FORM 864 (NOT SHOWN)	1
18	-----	941 00 590	LITERATURE LABEL (NOT SHOWN)	1
19	-----	941 00 790	LITERATURE LABEL (NOT SHOWN)	1
	111019	110 05 053	FASTENER KIT (ITEMS 1, 4-11, 13 & 15)	1
20	111010	900 36 177	FLAT WASHER	8
21	111013	905 16 600	EQUALIZING BEAM ASSEMBLY LH	1
22	900-08-139	900 08 139	RUBBER BUSHING - FRONT PIVOT	2
23	111011	900 08 149	RUBBER BUSHING - AXLE CONNECTION	4
24	111012	900 01 200	AXLE ADAPTER ASSEMBLY	2
25	111014	905 16 601	EQUALIZING BEAM ASSEMBLY RH	1
26	111023	932 01 051	HEX HEAD CAP SCREW 1-1/8-7 X 8-1/2	4
27	111015	90025288	SAFETY STRAP	2
28	934-00-506	934 00 506	LOCK NUT 1-1/8-7	4
29	109533	481 00 294	ALIGNMENT BLOCK KIT	1
30	126900	905 20 543	BRACKET BOTTOM SHOCK - RLU-228	1
31	141708		WIRE ROPE STRAP KIT RLU 228-3.5	1
	127708		WIRE ROPE STRAP KIT RLU 228-5.5	1

NOTE: QUANTITIES LISTED ARE PER AXLE.

Axle and Brakes

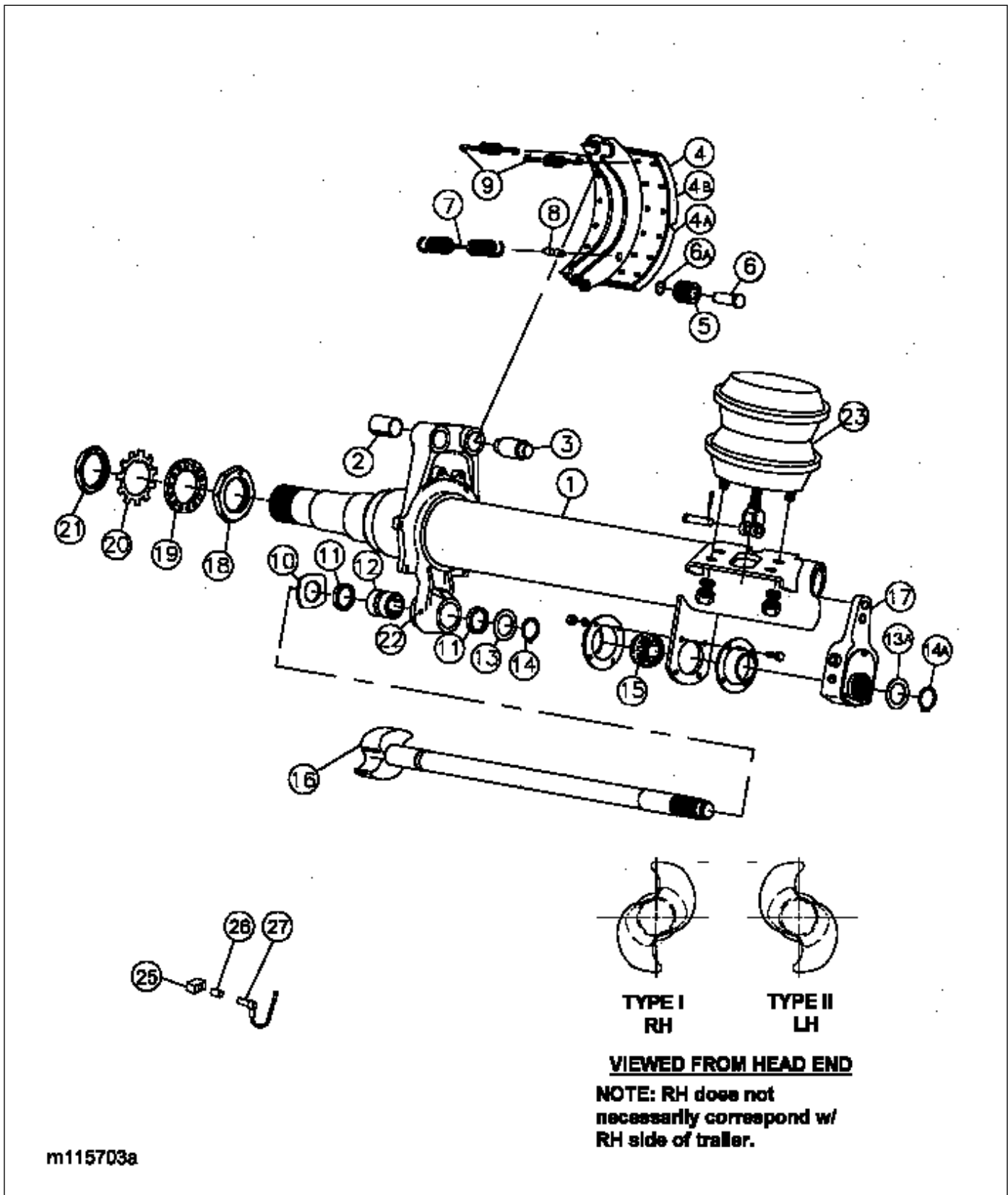


Figure 1-26: Axle and Brake Assembly - Dexter 12-1/4" X 7-1/2"

Axle and Brake Items - Dexter 12-1/4" X 7-1/2"

ITEM	PART NO.	REFERENCE NO.	DESCRIPTION	QTY.
	115701		AXLE 64-1/2, 12-1/4 X 7-1/2 SPG BRK 25K	
	115703		AXLE 70-1/2, 12-1/4 X 7-1/2 SPG BRK 25K	
	136202		AXLE 70-1/2, 12-1/4 X 7-1/2 SPG BRK TIS 25K	
	**K71-460-00	**K71-460-00	BRAKE SHOE HARDWARE KIT (ITEMS 2, 3, 5, 6, 6A, 7, & 8)	
2**	-----	014-068-00	BUSHING, SPIDER ANCHOR PIN	4
3**	-----	056-017-00	PIN, ANCHOR	4
4	040-320-01	040-320-01	SHOE AND LINING ASSEMBLY	4
4A	-----	041-060-01	LINING - BRAKE BLOCK CAM	2
4B	-----	041-057-01	LINING - BRAKE BLOCK ANCHOR	4
	-----	K71-133-00	BRAKE BLOCK KIT	4
5**	-----	014-057-00	ROLLER	4
6**	-----	056-010-00	RETAINER, ROLLER PIN	8
6A**	-----	069-018-00	RETAINER RING	8
7**	-----	046-092-00	SPRING, SHOE RETRACTOR	2
8**	056-018-00	056-018-00	RETAINER PIN RETRACTOR SPRING	4
9**	046-097-00	046-097-00	KEEPER SPRING	4
	***K71-101-00	**K71-101-00	CAMSHAFT REPAIR KIT (ITEMS 10-15, & 22)	
10***	005-074-00	005-074-00	D" WASHER - CAMSHAFT	2
11***	010-052-00	010-052-00	SEAL GREASE	4
12***	-----	014-056-00	BUSHING CAMSHAFT SPIDER	2
13A***	-----	005-134-00	WASHER CAMSHAFT END	2
14A***	069-078-00	069-078-00	RETAINER, CAMSHAFT END	2
15***	-----	014-058-00	BUSHING CAMSHAFT SUPPORT	2
16	034-188-08	034-188-08	CAMSHAFT, 19-1/2" LH	1
	034-189-08	034-189-08	CAMSHAFT, 19-1/2" RH	1
	136991	034-188-03	CAMSHAFT, 22-5/16" LH	1
	136992	034-189-03	CAMSHAFT, 22-5/16" RH	1
17	156655	055-040-99	SLACK ADJUSTER, AUTOMATIC	2
18	006-114-00	006-114-00	NUT, INNER SPINDLE	2
19	005-098-00	005-098-00	WASHER, SPINDLE LOCK	2
20	005-099-00	005-099-00	WASHER, TABBED SPINDLE LOCK	2
21	006-115-00	006-115-00	NUT, OUTER SPINDLE	2
22***	-----	061-006-00	FITTING, GREASE 45°	2
23	034-058-07	034-058-07	AIR CHAMBER, SPRING BRAKE	2
24	103805	024-100-00	SENSOR BLOCK	2
26	144979	097-002-00	RETAINER CLIP	2
27	139287	094-007-00	ABS SENSOR, 90	2

* WHEN ORDERING THE BEAM WITH SPINDLE, SPIDER, AND BRACKETS ATTACHED, YOU WILL NEED THE BEAM NUMBER, TRACK LENGTH, BRAKE SIZE, AND CAMSHAFT LENGTH.

** THESE PARTS ARE AVAILABLE AS PART OF THE BRAKE SHOE REPAIR KIT LISTED

*** THESE PARTS ARE AVAILABLE AS PART OF THE CAMSHAFT REPAIR KIT LISTED

NOTE: FOR HUB AND DRUM INFORMATION, (SEE PAGE 1-44)

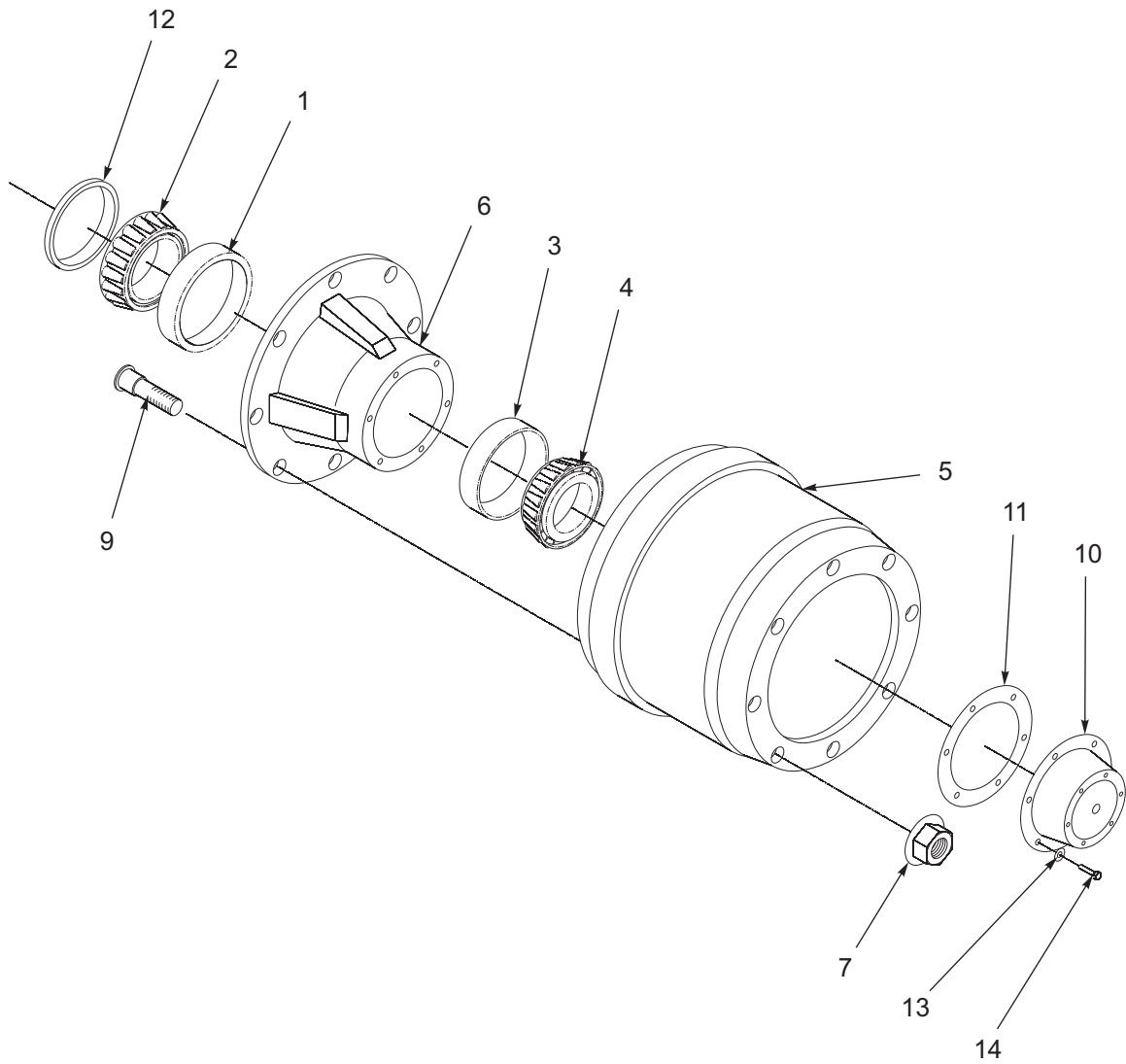


Figure 1-27: Outboard Hub and Drum Assembly

Outboard Pilot Mount Hub and Drum Assembly

ITEM	PART NO.	DESCRIPTION	QTY.
1	HM218210	INNER BEARING CUP	1
2	HM218248	INNER BEARING CONE	1
3	HM212011	OUTER BEARING CUP	1
4	HM212049	OUTER BEARING CONE	1
5	63680	OUTBOARD MOUNTED BRAKE DRUM	1
6	112492	HUB IRON 100TH TONER RING	1
7	179955	FLANGE NUT	8
9	113536	STUD	8
10	4009	CAP, HUB	1
11	3067	GASKET OIL CAP	1
12	3-659-010012	SEAL	1
13	1-861-010034-10	WASHER, SPLIT LOCK 5/16	6
14	1-654-010049-03	SCREW, HEX HEAD CAP 5/16-18 X 3/4 GR5	6
15	100402	WHEEL, POLISHED ALUM PILOT MOUNT 17.5 X 6.75 (8 BOLT)	1
	3-870-010097	WHEEL, STEEL PILOT MOUNT 17.5 X 6.75 (8 BOLT)	1
	112047	WHEEL, MACHINED ALUM PILOT MOUNT 17.5 X 6.75 (8 BOLT) (NOT SHOWN)	1
16	TR573	VALVE STEM - STEEL WHEEL (NOT SHOWN)	1
	100401	VALVE STEM TR543C - ALUMINUM WHEEL (NOT SHOWN)	1
17	1-843-010014	VALVE, EXTEN STEM 3" (USED W/ 12-1/4" BRAKES) (NOT SHOWN)	1

Air Brake System

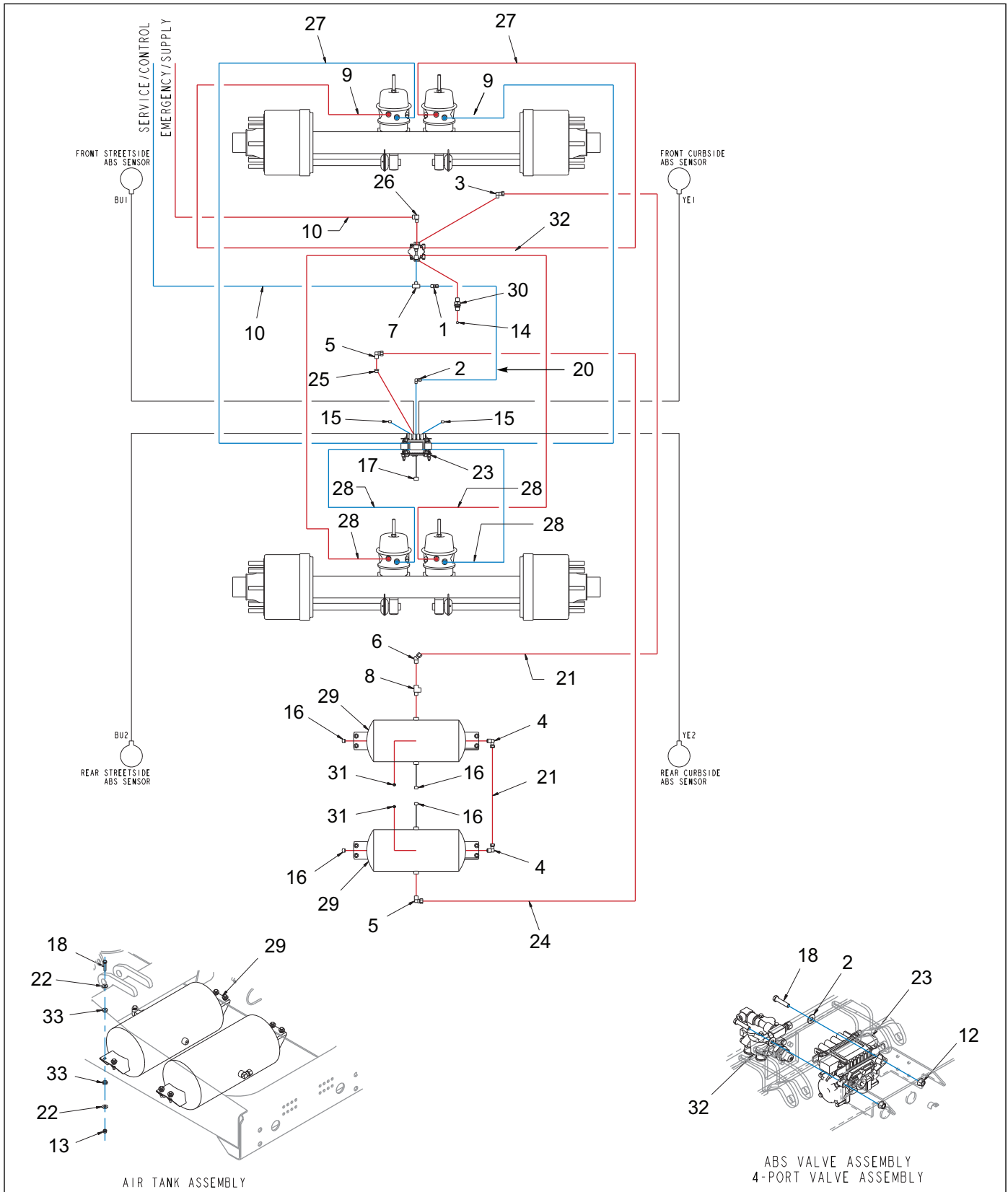


Figure 1-28: Air Brake System

Air Brake System

ITEM	PART NO.	DESCRIPTION	QTY.
	202429	SUSP 345F A/R 2512-70.5	
	202427	SUSP, 345F, 70.5, D/L, GROTE	
	202428	SUSP 345F A/R 2512-70.5 TIS	
	202426	SUSP, 345F, 70.5,D/L,TIS,GROTE	
	202372	SUSP 345F S/R 2512-70.5	
1	1-297-010007-12	FITTING AIR 3/8TUBE X 3/8NPT	1
2	1-297-010008-18	FITTING,AIR 90 3/8TUBEX1/4NPT	1
3	1-297-010008-23	FITTING,AIR 90 1/2TUBEX3/8NPT	1
4	1-297-010008-24	FITTING,AIR 90 1/2TUBEX1/2NPT	2
5	1-297-010008-26	FITTING AIR 5/8TUBE X1/2NPT90	2
6	1-297-010013-16	FITTING,AIR 1/2X1/2 45 M/ELB	1
7	1-297-010017-03	FITTING,BRS PIPE M/BR TEE 3/8	1
8	1-297-010018-04	FITTING 1/2 BRASS PIPE ST TEE	1
9	1-384-010038056	HOSE ASM AIR 3/8X56,W/3/8 END	2
10	1-384-010038204	HOSE ASM AIR 3/8X204,W/3/8 END	2
11	1-394-010001	HOSE ABRASION SLEEVE X2 (NOT SHOWN)	2
12	1-510-010001	NUT, 3/8-16 UNC FLANGE LOCK	2
13	1-512-010005-05	NUT, HEX, SLFLKG GRB 3/8-16	8
14	1-560-010002-02	PLUG, PIPE, 1/4NPT	1
15	1-560-010002-03	PLUG, PIPE, 3/8NPTF	2
16	1-560-010002-04	PLUG, PIPE, 1/2NPT	4
17	1-560-010002-05	PLUG,PIPE, 3/4-14NPTF	1
18	1-654-010051-08	SCREW,HEX CAP,3/8-16X1-3/4 G	10
19	1-796-010003-02	TIE, STRAP, PLASTIC .18X14.0 (NOT SHOWN)	10
20	1-833-010002	TUBING NYLON 3/8 OD	7
21	1-833-010003	TUBING NYLON 1/2 OD	15
22	1-861-010032-11	WASHER, FLAT 3/8 W ZP/CD	18
23	114584	ABS KIT WABCO 4S/2M TAB (SEE PAGE 1-48)	1
24	117304	TUBING NYLON 5/8	7
25	118-2659-9	BUSHING 1/2NPTX3/4NPT STL	1
26	2089-6-6S	ADAPTER 90 3/8MPTX3/8FPT	1
27	3-384-010020	HOSE AIR 3/8X32 .38NPT ENDS	2
28	3-384-010031	HOSE, AIR 3/8X42, .38 NPT END	4
29	3-780-010002	TANK AIR 9.5X22.5 .5NPT PORTS	2
30	55B61	FRAME UNION	1
31	56D4	COCK,DRAIN AIR TANK VEL036019	2
32	758-181	VALVE TASK 4 PORT	1
33	805-2	BUSHINGS, STEP	16

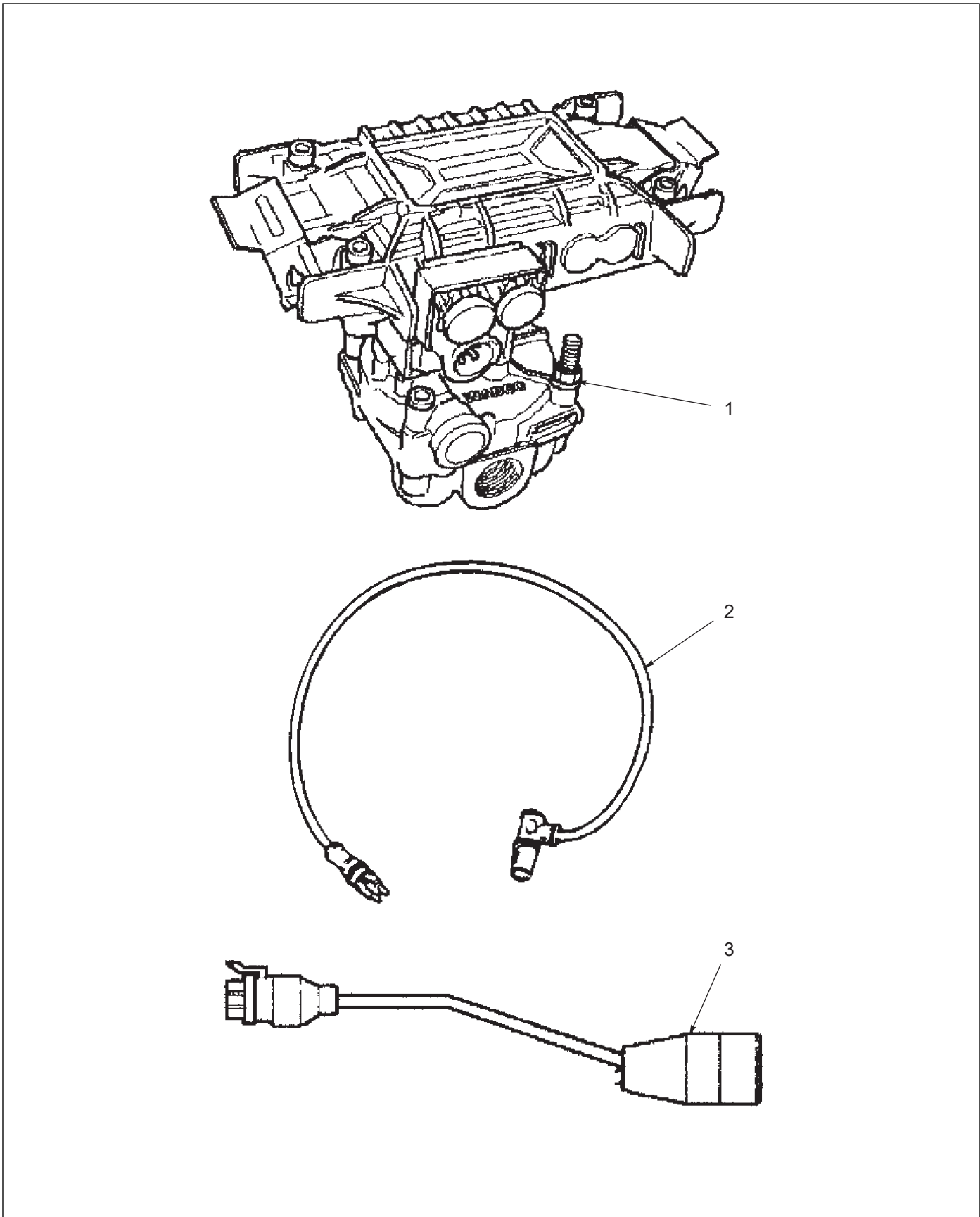


Figure 1-29: ABS Brake Kit - Rockwell

ABS Brake Kit - Rockwell

ITEM	PART NO.	DESCRIPTION	QTY.
	114584	ABS BRAKE KIT 4S/2M	
1	114588	ECU/VALVE ASSEMBLY	1
2	101848	SENSOR EXTENSION CABLE 6FT	4
3	114590	POWER/DIAGNOSTIC CABLE 4.0M/3.0M	1

Tire Inflation System

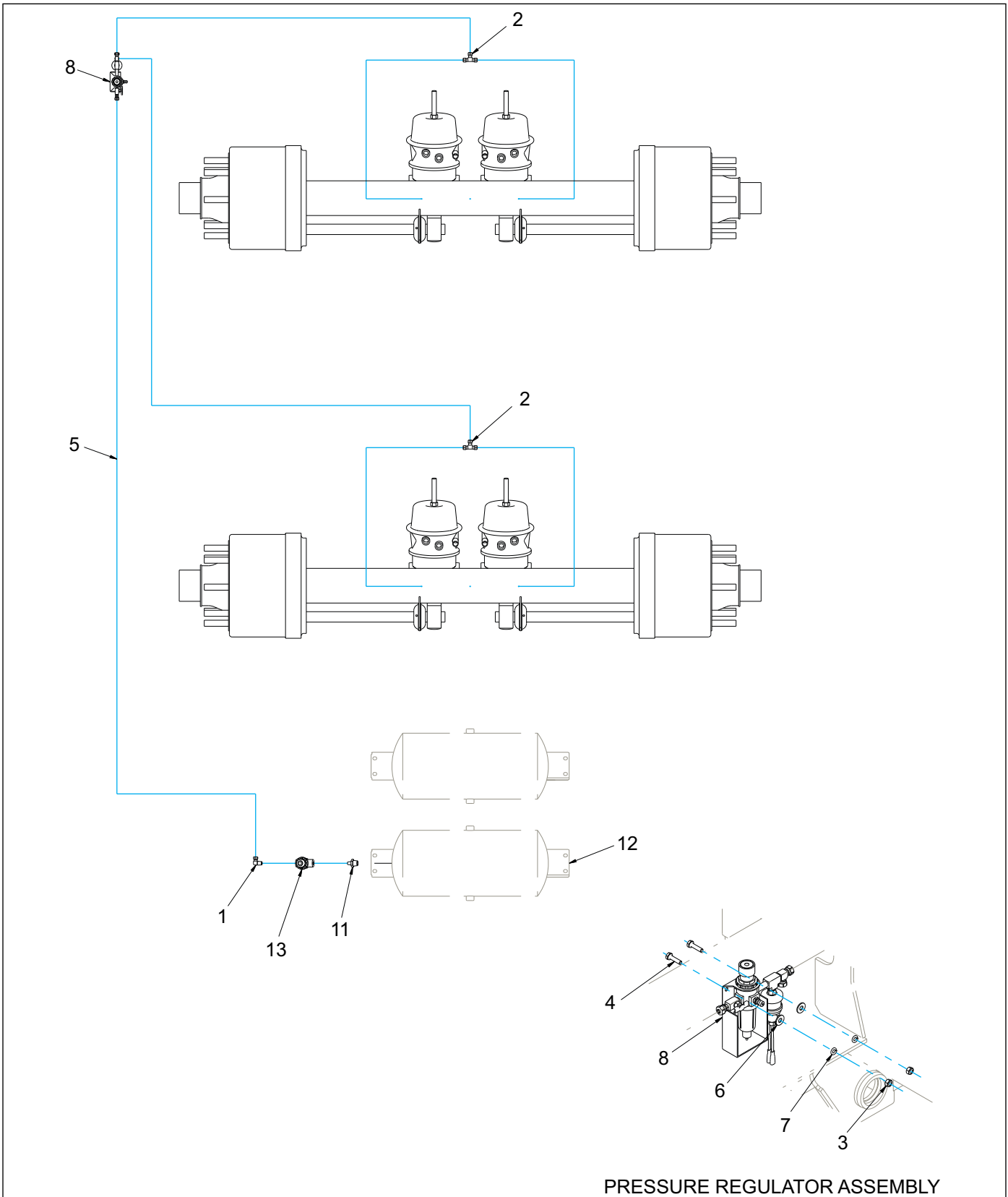


Figure 1-30: Tire Inflation System

Tire Inflation System

ITEM	PART NO.	DESCRIPTION	QTY.
	202428	SUSP 345F A/R 2512-70.5 TIS	
	202426	SUSP, 345F, 70.5,D/L,TIS,GROTE	
1	1-297-010008-07	FITTING AIR 90 1/4TUBEX1/4NPT	REF
2	1-297-010010-01	FITTING,AIR,UNION TEE 1/4	REF
3	1-512-010007-05	NUT, HEX 1/4-20	REF
4	1-654-010047-06	SCREW,HX CP 1/4-20UNCX1 GR5	REF
5	1-833-010001	TUBING NYLON 1/4 OD	REF
6	1-861-010032-07	WASHER,FLAT 1/4 ZP	REF
7	1-861-010034-09	WASHER, LKG HLCL SPR, 1/4	REF
8	157702	TIRE INFLATION SYSTEM 2AX	1
9	176473	HARNESS KIT TIRE INFL 400/900 (NOT SHOWN)	1
10	183413	LIGHT,WHT LED .75 CL/MK GROTE (NOT SHOWN)	1
11	2083-8-4S	NIPPLE HEX 1/2PIPE - 1/4PIPE	REF
12	3-780-010002	TANK AIR 9.5X22.5 .5NPT PORTS	REF
13	905-54-107	BRAKE PROTECTION VALVE	REF

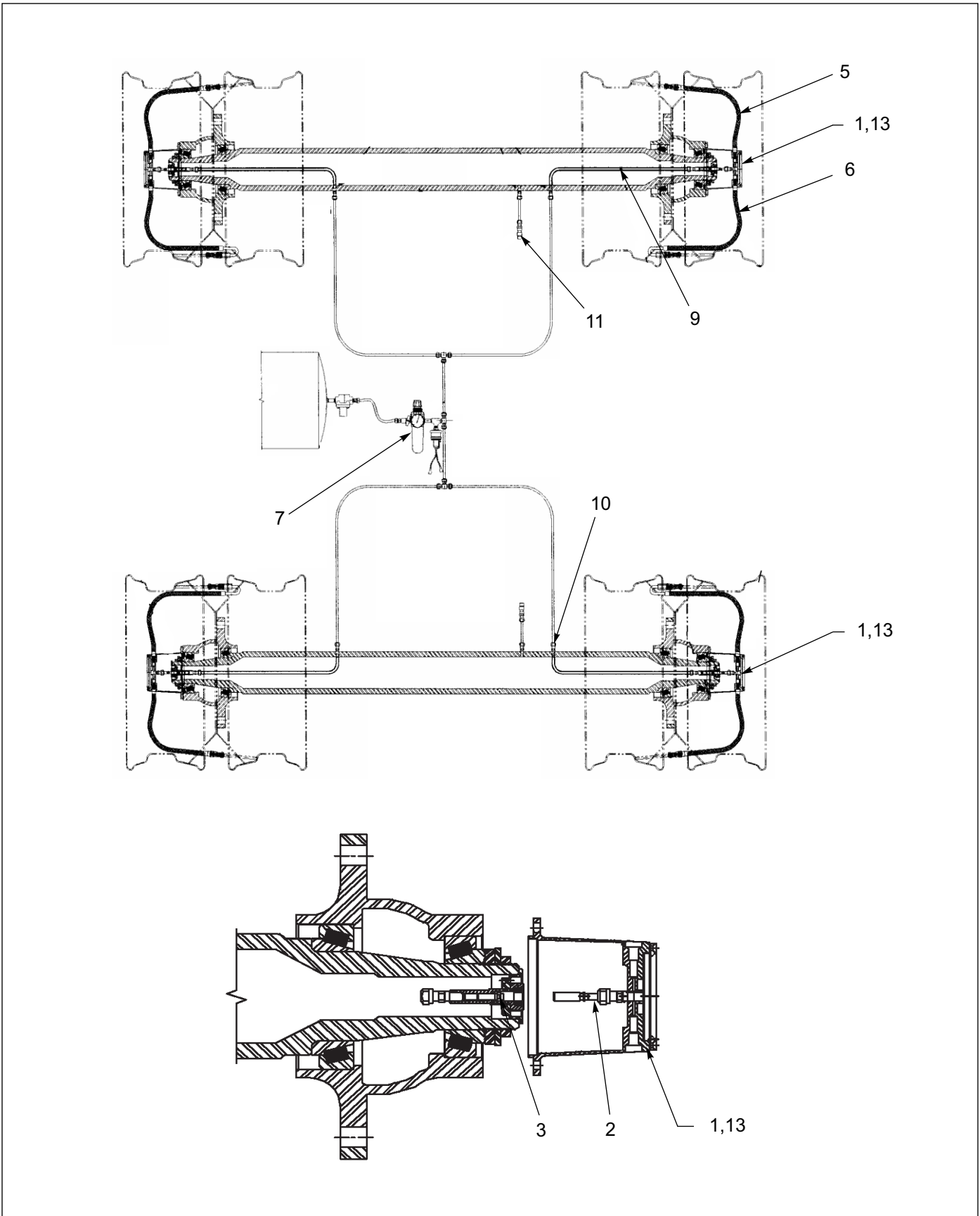


Figure 1-31: Tire Inflation System - 2AX

Tire Inflation System - 2AX

ITEM	PART NO.	DESCRIPTION	QTY.
	157702	TIRE INFLATION SYSTEM 2AX	
1	139529	HUB CAP ASSEMBLY, LOW PROFILE 5.5" OIL	4
2	157705	ROTATING SHAFT, UNIVERSAL	4
3	157706	SPINDLE PLUG, 1.75"	4
4	194159	SPINDLE PLUG W/ ROTATING SHAFT KIT (NOT SHOWN) (ITEMS 2 & 3)	4
5	159337	HOSE ASSEMBLY, INNER TIRE	4
6	159338	HOSE ASSEMBLY, OUTER TIRE	4
7	178749	REGUALTOR ASSY, PSI (BEFORE 1-23-2018)	1
	212347	REGULATOR TIS W/ CONNECTOR LEAD (AFTER 1-23-2018)	1
8	-----	NYLON AIR TUBE (NOT SHOWN)	1
9	-----	CHAFE GUARD	1
10	-----	AXLE PLUMBING KIT	1
11	182086	VENT TUBE ASSEMBLY	1
12	178751	AIR TANK PLUMING KIT (NOT SHOWN)	1
13	085-002-02	RUBBER PLUG	4
14	169832	DECAL, LIGHT PRESSURE GUARD (NOT SHOWN)	1

Winches

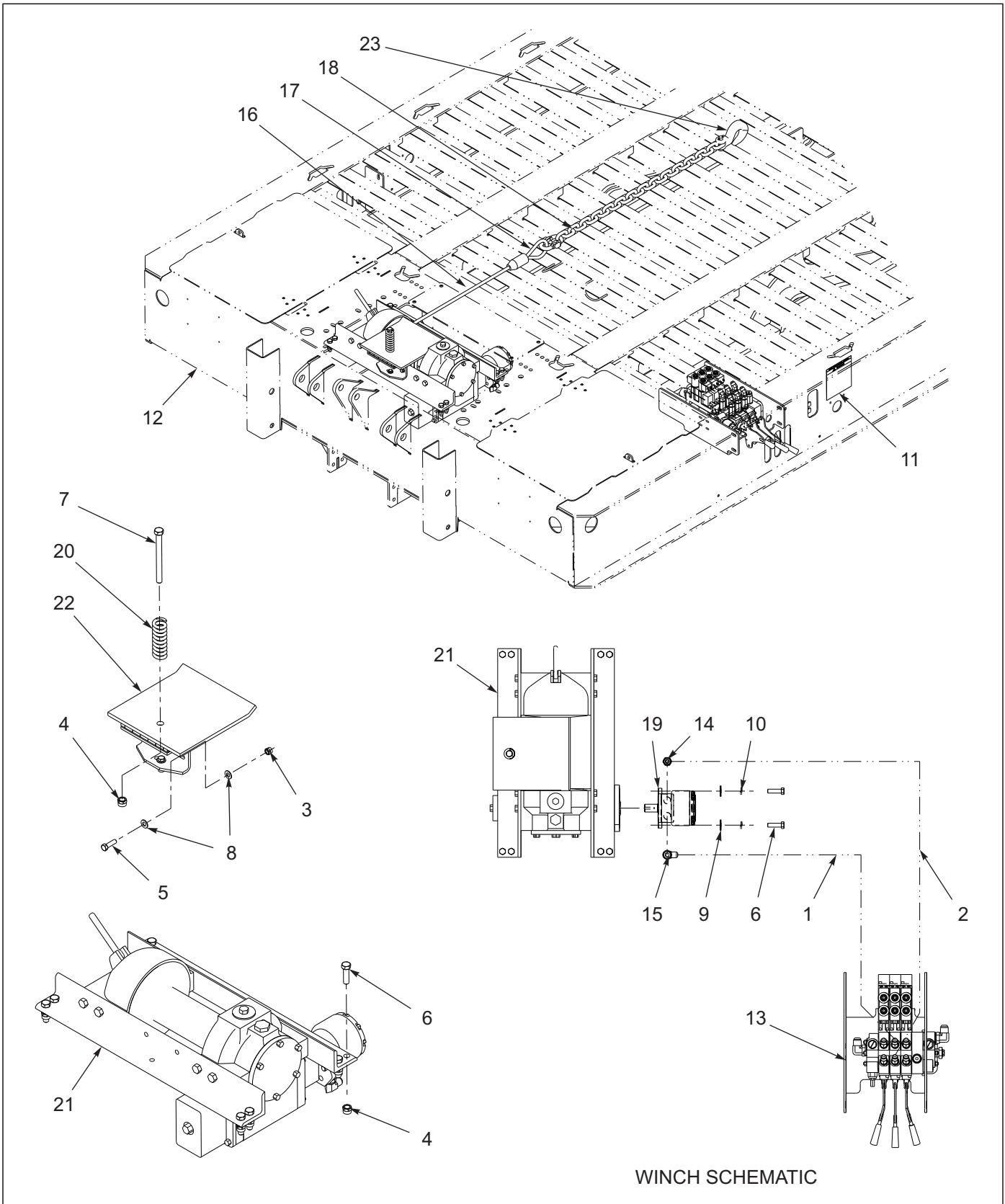


Figure 1-32: Winch Installation - 12K Spring Tension (BRADEN)

Winch Installation - 12K Spring Tension (BRADEN)

ITEM	PART NO.	DESCRIPTION	QTY.
	149920	WINCH 12K SPG TEN 345E	
1	1-397-010301070	HOSE ASSY,1/2X70,SAE37,STR-ST	1
2	1-397-010302072	HOSE ASSY,1/2X72,SAE37,STR-90	1
3	1-512-010005-05	NUT, HEX, SLFLKG GRB 3/8-16	3
4	1-512-010005-09	NUT,HEX,SLFLKG, 1/2-13 GRB	9
5	1-654-010051-06	SCREW,HEX CAP 3/8-16UNCX1-1/4	3
6	1-654-010055-04	SCREW,HEX CAP,1/2-13UNCX1-3/4	2
7	1-654-010055-16	SCREW HEX CAP 1/2-13X5-1/2GR5	1
8	1-861-010032-10	WASHER, FLAT 3/8" N ZP/CD	6
9	1-861-010032-15	WASHER, FLAT 1/2 W ZP/CD	1
10	1-861-010034-13	WASHER, LKG HLCL SPR, 1/2	2
11	100600	DECAL WARNING BRADEN WINCH	1
12	149100	FRAME WLDMT 345E-31	REF
13	-----	VALVE ASSEMBLY, 3 SPOOL (SEE PAGE 1-20)	REF
14	202702-10-8S	ADAPTER, #10 O-RING #8 TUBE	2
15	2062-10-8S	ADAPTER, 90°	1
16	3-155-010017-4	CABLE, 1/2 W/ LOOP 85	1
17	3-174-010038	CHAIN LINK CONNECTING 1/2	1
18	3-174-010039036	CHAIN 1/2 X 36 GR7	1
19	3-481-010006	MOTOR, HYDRAULIC (SEE PAGE 1-73)	1
20	3-720-010010	SPRING, COMP LEVEL WIND	1
21	3-873-010122	WINCH, WORM GEAR (SEE PAGE 1-56)	1
22	3-873-010124	WINCH TENSIONER WELDMENT	1
23	7HCGHT500	1/2 CLEVIS GRAB HOOK	1

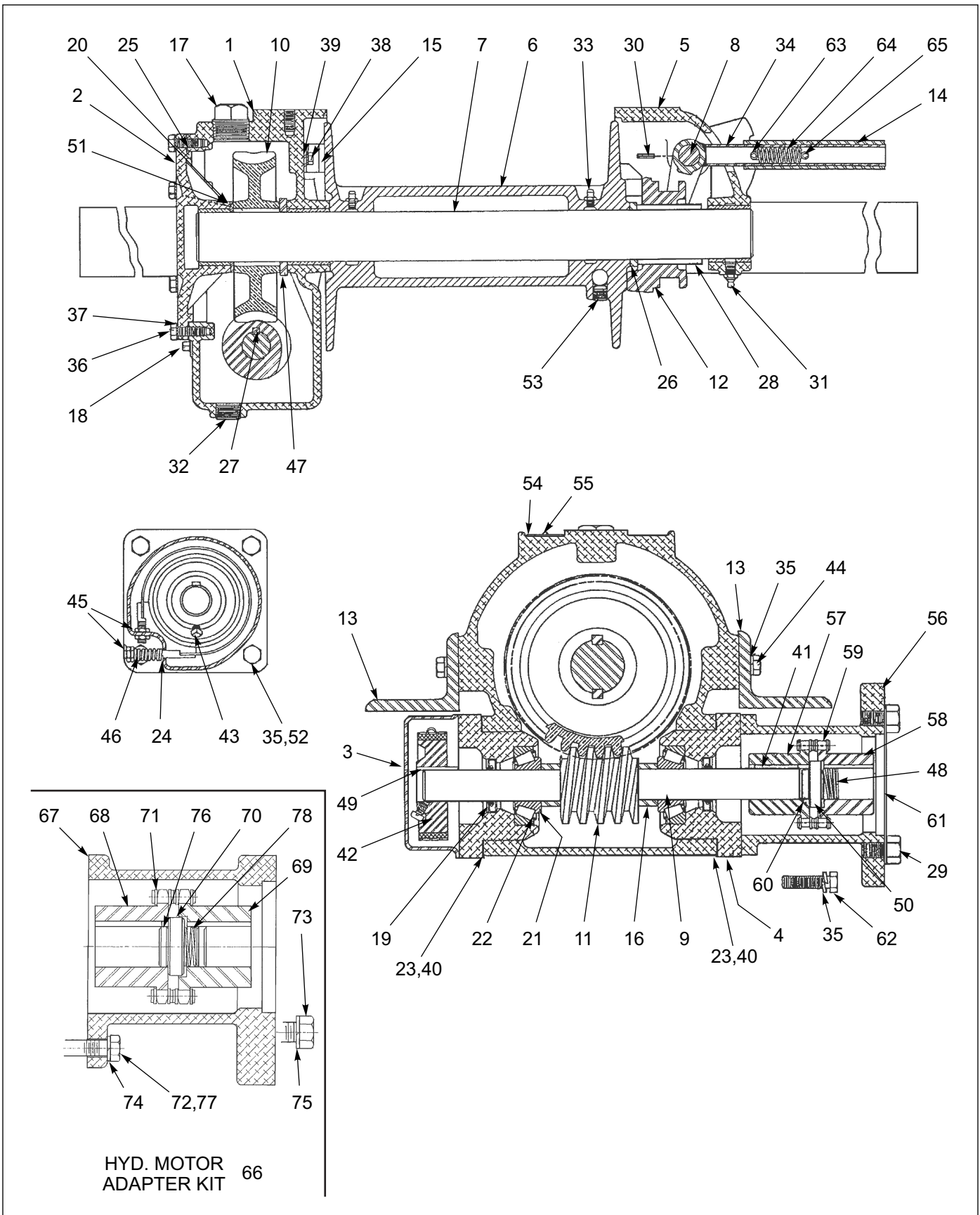


Figure 1-33: Winch Items - 12,000 Lb. (BRADEN)

Winch Items - 12,000Lb. (BRADEN)

ITEM	PART NO.	REFERENCE NO.	DESCRIPTION	QTY.
	3-873-010122		WINCH ASSEMBLY 12K - BRADEN	
1	81006	81006	WORM HOUSING ASSEMBLY	1
1A	18078	18078	BUSHING	1
2	81009	81009	COVER ASSEMBLY WORM HOUSING	1
2A	11368	11368	BUSHING	1
3	18032	18032	HOUSING SAFETY BRAKE	1
4	23303	23303	CONTAINER BEARING	2
5	81530	81530	LEG ASSEMBLY BEARING	1
6	11128	11128	DRUM CABLE	1
7	11129	11129	DRUM SHAFT CABLE	1
8	11130	11130	SHIFTER SHAFT	1
9	23470	23470	SHAFT WORM	1
10	11144	11144	GEAR WORM LEFT HAND	1
11	11142	11142	WORM LEFT HAND	1
12	18039	18039	SLIDING CLUTCH	1
13	22752	22752	ANGLE BASE	2
14	12817	12817	SHIFTER HANDLE	1
15	81025	81025	BRAKE DRAG	1
16	11308	11308	SPACER WORM	2
17	----	22775	PLUG PIPE	1
18	18009	18009	PLUG PIPE	1
19	18026	18026	SEAL GREASE	2
20	11117	11117	KEY WORM GEAR	2
21	18015	18015	CONE BEARING	2
22	18016	18016	CUP BEARING	2
23	18027	18027	GASKET	3
24	21925	21925	BAND BRAKE	1
25	11133	11133	WORM HOUSING COVER GASKET	3
26	18019	18019	RETAINER RING	1
27	18030	18030	KEY WORM	1
28	18020	18020	KEY CLUTCH	2
29	----	10009	CAPSCREW	2
30	11837	11837	ROLLPIN	2
31	18047	18047	FITTING GREASE	1
32	19045	19045	PLUG PIPE	1
33	----	11799	FITTING GREASE	2
34	13839	13839	SHIFTER FORK	1
35	----	18003	WASHER LOCK	16
36	----	11767	CAPSCREW	6
37	----	11011	WASHER LOCK	6
38	13005	13005	CAPSCREW	2
39	----	12780	WASHER LOCK	2
40	18024	18024	BEARING CONTAINER GASKET	3
41	18044	18044	KEY	1
42	18028	18028	DRUM BRAKE	1
43	12075	12075	SETSCREW	1
44	----	21961	CAPSCREW	12
45	13468	13468	JAM NUT	4

Winch Items - 12,000Lb. (BRADEN)

ITEM	PART NO.	REFERENCE NO.	DESCRIPTION	QTY.
46	18029	18029	BRAKE BAND SPRING	1
47	11240	11240	RETAINER RING	1
48	----	23353	SPRING	1
49	10078	10078	KEY	1
50	23078	23078	SPACER	1
51	13680	13680	THRUST RING	1
52	----	22703	CAPSCREW	4
53	218058	-----	SETSCREW	1
54	----	23310	WARNING PLATE	1
55	----	11842	DRIVE SCREW	2
56	23079	23079	MOTOR ADAPTER	1
57	23081	23081	COUPLING HALF - WORM SHAFT	1
58	23083	23083	COUPLING HALF - MOTOR SHAFT	1
59	13424	13424	ROLLER CHAIN	1
60	23085	23085	SPACER	1
61	----	21959	SHIPPING COVER	1
62	----	22704	CAPSCREW	4
63	13028	13028	ROLLPIN	1
64	18002	18002	SPRING	1
65	18056	18056	ROLLPIN	1
66	61333	61333	HYD. MOTOR ADAPTER KIT, 12,000# WINCH (ITEMS 67- 78)	1
67	23079	23079	ADAPTER, MOTOR	1
68	23081	23081	COUPLING HALF, WINCH	1
69	23083	23083	COUPLING HALF, MOTOR	1
70	23078	23078	SPACER, CONSTANT	1
71	13424	13424	CHAIN ROLLER	1
72	----	----	CAPSCREW	4
73	----	----	CAPSCREW	4
74	----	27152	LOCKWASHER	4
75	----	11026	LOCKWASHER	4
76	----	23085	SPACER	1
77	----	----	CAPSCREW	4
78	110452	23353	SPRING SPACER	1

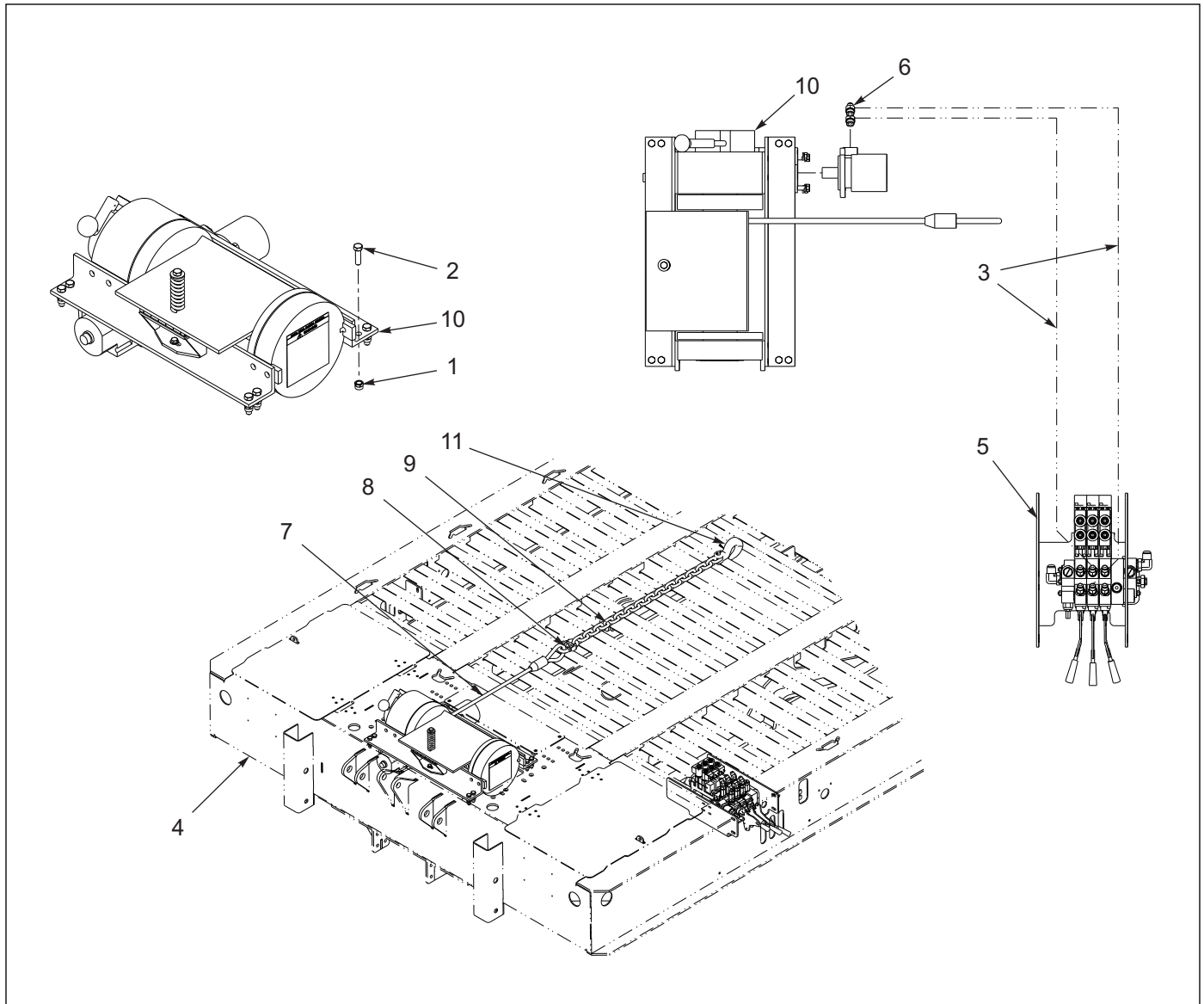


Figure 1-34: Winch Installation - 20K Spring Tension (BRADEN)

Winch Installation - 20K Spring Tension (BRADEN)

ITEM	PART NO.	DESCRIPTION	QTY.
	161845	WINCH INSTL 20K 345E	
1	1-512-010005-09	NUT,HEX,SLFLKG, 1/2-13 GRB	8
2	1-654-010055-04	SCREW,HEX CAP,1/2-13UNCX1-3/4	8
3	107486	HOSE 1/2X90,SAE 37, STR-90	2
4	-----	FRAME WELDMENT	REF
5	-----	VALVE ASSEMBLY, 3 SPOOL (SEE PAGE 1-20)	REF
6	202702-10-8S	ADAPTER, #10 O-RING #8 TUBE	2
7	3-155-010018-6	CABLE 5/8 W/LOOP 85FT	1
8	3-174-010038	CHAIN LINK CONNECTING 1/2	1
9	3-174-010039036	CHAIN 1/2X36" GRD 7 21LINKS	1
10	3-873-010129-2	WINCH ASSY,20000 LB, PARKER (SEE PAGE 1-59)	1
11	7HCGHT500	HOOK CLEVIS GRAB 1/2 GR70	1

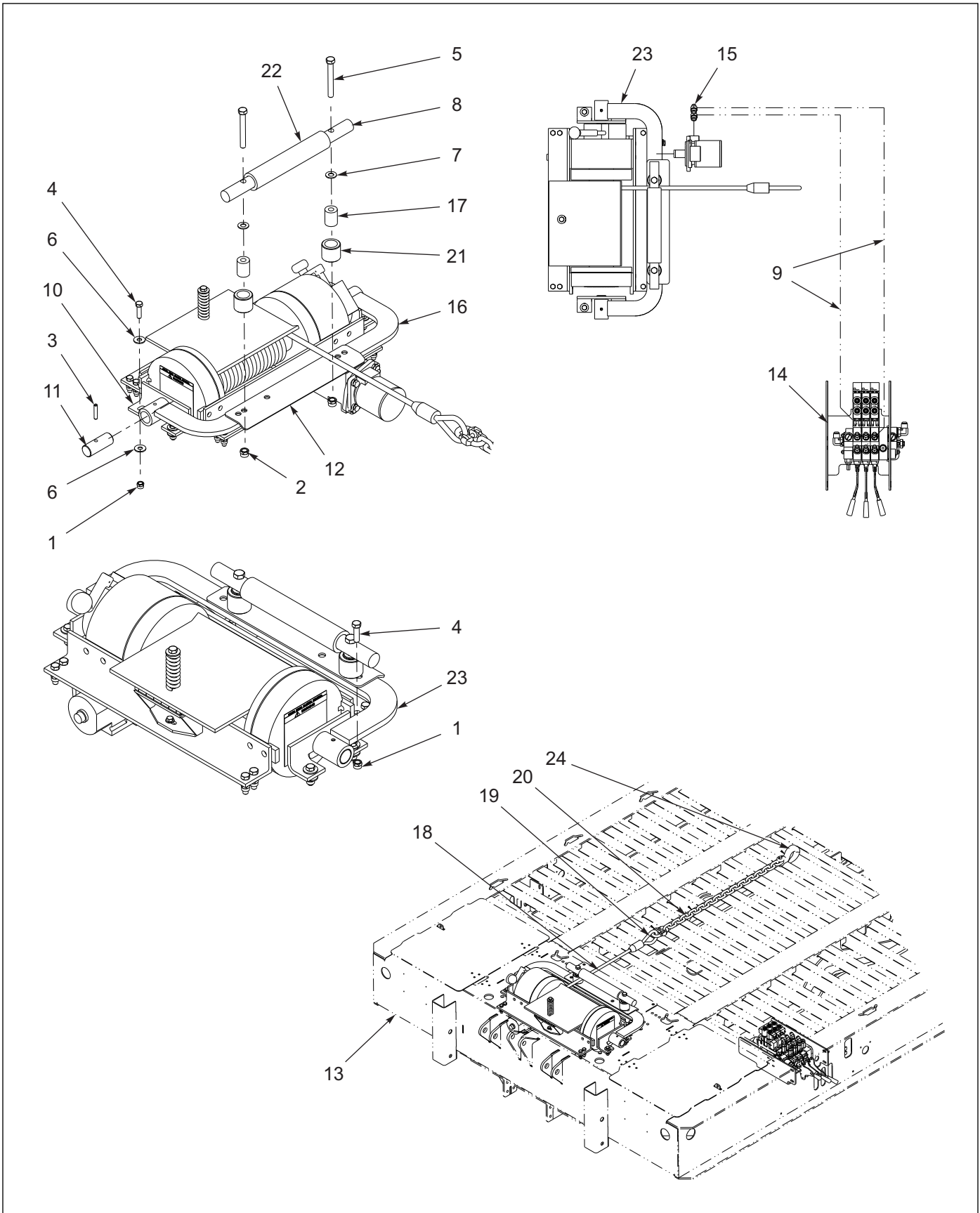


Figure 1-35: Winch Installation - 20K Spring Tension W/ Pivoting Roller Guide (BRADEN)

Winch Installation - 20K Spring Tension W/ Pivoting Roller Guide (BRADEN)

ITEM	PART NO.	DESCRIPTION	QTY.
	163432	WINCH INSTALLATION, 20,000 LB	
1	1-512-010005-09	NUT, HEX LOCK 1/2-13 GRB	7
2	1-512-010005-13	NUT, HEX LOCK 5/8-11 GRB	2
3	1-647-010004255	ROLL PIN, SLOTTED 3/8 X 2	2
4	1-654-010055-04	SCREW, HEX HEAD CAP 1/2-13 X 1-3/4 GR5	2
5	1-654-010059-15	SCREW, HEX HEAD CAP 5/8-11 X 5 GR5	2
6	1-861-010032-15	WASHER, FLAT 1/2	1
7	1-861-010032-18	WASHER, FLAT 5/8N	2
8	102188	ROD, PIVOTING GUIDE	1
9	107486	HOSE ASSEMBLY, 1/2 X 90	2
10	119621	ANCHOR, CABLE GUIDE WINCH	2
11	119622	PIN, PIVOT WINCH ROLLER	2
12	143246	RUB BAR, CABLE GUIDE WINCH	1
13	-----	FRAME WELDMENT	REF
14	-----	VALVE ASSEMBLY, 3 SPOOL (SEE PAGE 1-20)	REF
15	202702-10-8S	ADAPTER, #10 O-RING #8 TUBE	2
16	3-125-010464	BRACKET WELDMENT, WINCH ROLLER	1
17	3-150-010196	BUSHING, WINCH ROLLER SIDE	2
18	3-155-010018-6	CABLE, 5/8 X 60 (20K)	1
19	3-174-010038	CHAIN LINK CONNECTING 1/2	1
20	3-174-010039036	CHAIN 1/2 X 36 GR7	1
21	3-831-010172	TUBE, WINCH ROLLER SIDE	2
22	3-831-010182	TUBE, ROLLER TOP	1
23	3-873-010129-2	WINCH ASSEMBLY, 20,000 LB (SEE PAGE 1-62)	1
24	7HCGHT500	1/2 CLEVIS GRAB HOOK	1

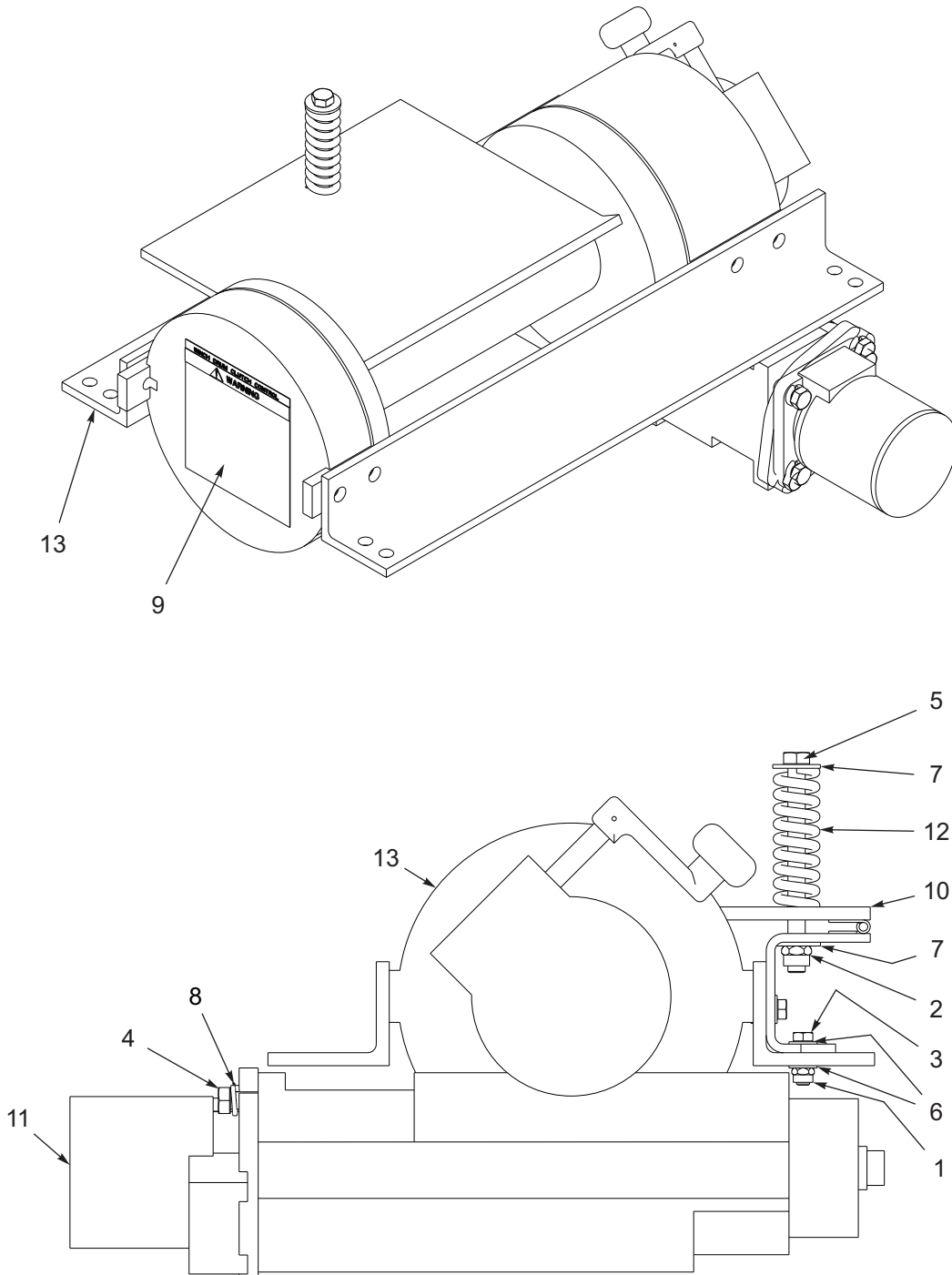


Figure 1-36: Winch Assembly - 20,000Lb. (BRADEN)

Winch Assembly - 20,000Lb. (BRADEN)

ITEM	PART NO.	DESCRIPTION	QTY.
	3-873-010129-2	WINCH ASSEMBLY, 20,000 LB	
1	1-512-010005-05	NUT, HEX LOCK 3/8-16 GRB	3
2	1-512-010005-09	NUT, HEX LOCK 1/2-13 GRB	7
3	1-654-010051-06	SCREW, HEX HEAD CAP 3/8-16 X 1-1/4 GR5	3
4	1-654-010055-04	SCREW, HEX HEAD CAP 1/2-13 X 1-3/4 GR5	2
5	1-654-010055-17	SCREW, HEX HEAD CAP 1/2-13 X 6 GR5	1
6	1-861-010032-10	WASHER, FLAT 3/8	6
7	1-861-010032-15	WASHER, FLAT 1/2	1
8	1-861-010034-13	WASHER, SPLIT LOCK 1/2	2
9	100600	DECAL, WARNING WINCH (NOT SHOWN)	1
10	102186	WINCH TENSIONER WELDMENT	1
11	3-481-010007	MOTOR, HYDRAULIC (SEE PAGE 1-73)	1
12	3-720-010010	SPRING, COMP LEVEL WIND	1
13	3-873-010123	WINCH, WORM GEAR (SEE PAGE 1-70)	1

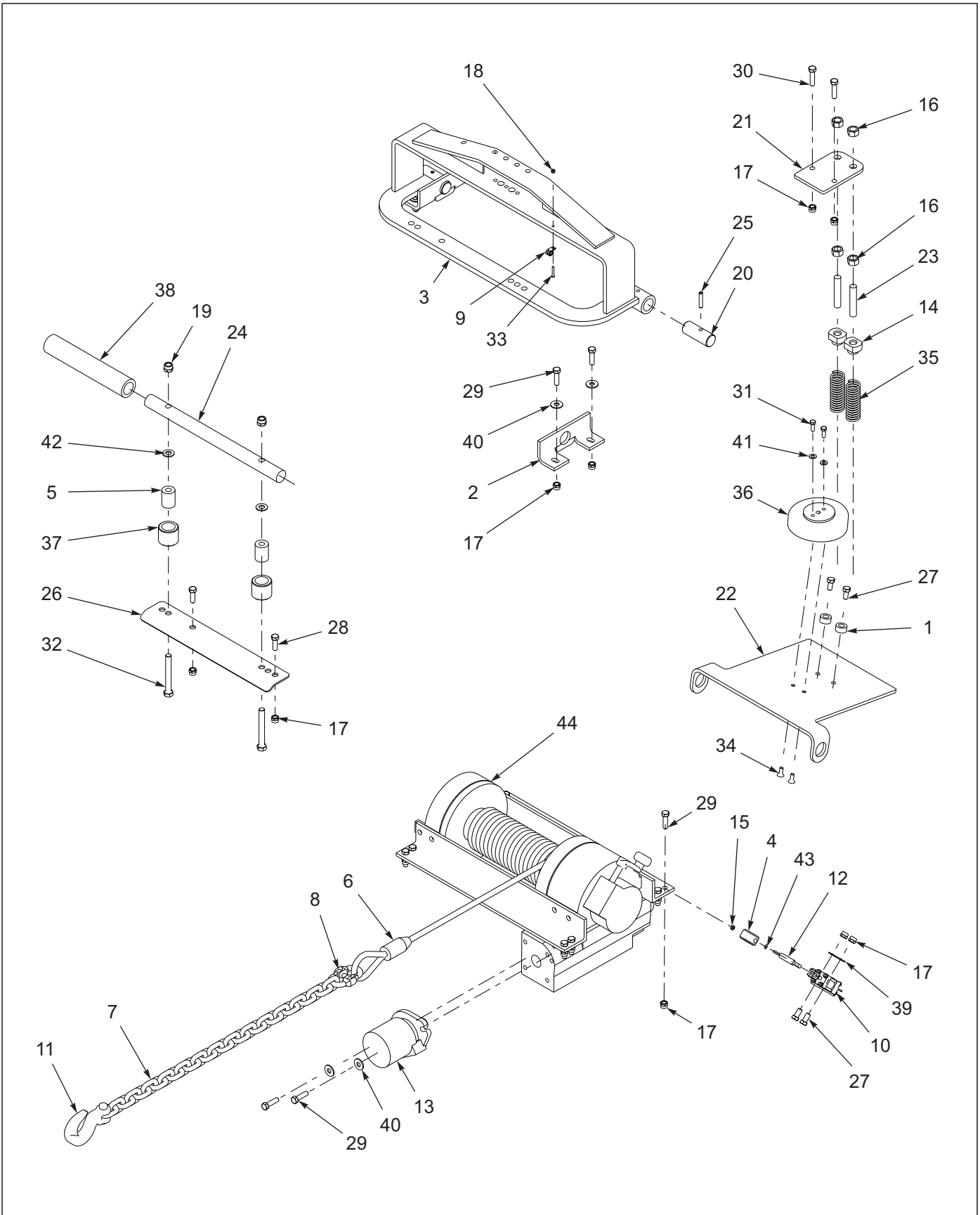


Figure 1-37: Winch Installation - 20K Air T/R (BRADEN)

Winch Installation - 20K Air T/R (BRADEN)

ITEM	PART NO.	DESCRIPTION	QTY.
	167537	WINCH INSTALLATION, GUIDE AIR T/R 20K	
1	3-014-010255	ANCHOR BUSHING, F/W SPRING TENSION	2
2	119621	ANCHOR, CABLE GUIDE WINCH	2
3	3-125-010465	BRACKET WELDMENT, WINCH TENSIONER	1
4	3-150-010186	BUSHING, WINCH REMOTE LEVER	1
5	3-150-010196	BUSHING, WINCH ROLLER SIDE	2
6	3-155-010018-6	CABLE, 5/8 X 60 (20K)	1
7	3-174-010039036	CHAIN 1/2 X 36 GR7	1
8	3-174-010038	CHAIN LINK CONNECTING 1/2	1
9	125892	CLAMP, CABLE 3/8 SST	1
10	107368	CYLINDER, AIR W/ BRACKET WINCH FREE-SPOOL (SEE PAGE 1-74)	1
11	7HCGHT500	1/2 CLEVIS GRAB HOOK	1
12	107369	LEVER, WINCH FREE SPOOL	1
13	3-481-010007	MOTOR, HYDRAULIC 20K (SEE PAGE 1-73)	1
14	3-522-010017	NUT, F/W SPRING TENSION	2
15	1-512-010007-05	NUT, HEX 1/4-20 GRB	1
16	1-512-010007-12	NUT, HEX 3/4-10 GR2	4
17	1-512-010005-09	NUT, HEX LOCK 1/2-13 GRB	18
18	1-512-010004-03	NUT, HEX LOCK 10-24 GRA	1
19	1-512-010005-13	NUT, HEX LOCK 5/8-11 GRB	2
20	119622	PIN, PIVOT WINCH ROLLER	2
21	3-565-011688	PLATE, F/W SPRING TENSION	1
22	102187	PLATE, WINCH TENSIONER AIR	1
23	RTR7999X4ZP	ROD, THREADED 3/4-10 X 4	2
24	102188	ROD, PIVOTING GUIDE	1
25	1-647-010004255	ROLL PIN, SLOTTED 3/8 X 2	2
26	143246	RUB BAR, CABLE GUIDE WINCH	1
27	1-654-010055-01	SCREW, HEX HEAD CAP 1/2-13 X 1 GR5	4
28	1-654-010055-03	SCREW, HEX HEAD CAP 1/2-13 X 1-1/2 GR5	2
29	1-654-010055-04	SCREW, HEX HEAD CAP 1/2-13 X 1-3/4 GR5	14
30	1-654-010055-05	SCREW, HEX HEAD CAP 1/2-13 X 2 GR5	2
31	1-654-010036-05	SCREW, HEX HEAD CAP 3/8-16 X 1 GR8	2
32	1-654-010059-15	SCREW, HEX HEAD CAP 5/8-11 X 5 GR5	2
33	1-654-010024055	SCREW, MACH SLOTTED FIL HEAD #10-24 X 1-1/4	1
34	1-654-010141-04	SCREW, HEX SOCKET CTSK 3/8-16 X 1	2
35	3-720-010035	SPRING, YOKE SHAFT	2
36	3-720-010042	SPRING, AIR 6-1/2	1
37	3-831-010172	TUBE, WINCH ROLLER SIDE	2
38	3-831-010182	TUBE, ROLLER TOP	1
39	1-861-010032-14	WASHER, FLAT 1/2N	2
40	1-861-010032-15	WASHER, FLAT 1/2W	6
41	1-861-010032-10	WASHER, FLAT 3/8N	2
42	1-861-010032-18	WASHER, FLAT 5/8N	2
43	1-861-010034-09	WASHER, SPLIT LOCK 1/4	1
44	3-873-010123	WINCH, WORM GEAR 20K (SEE PAGE 1-70)	1
45	100600	DECAL, WARNING WINCH	1

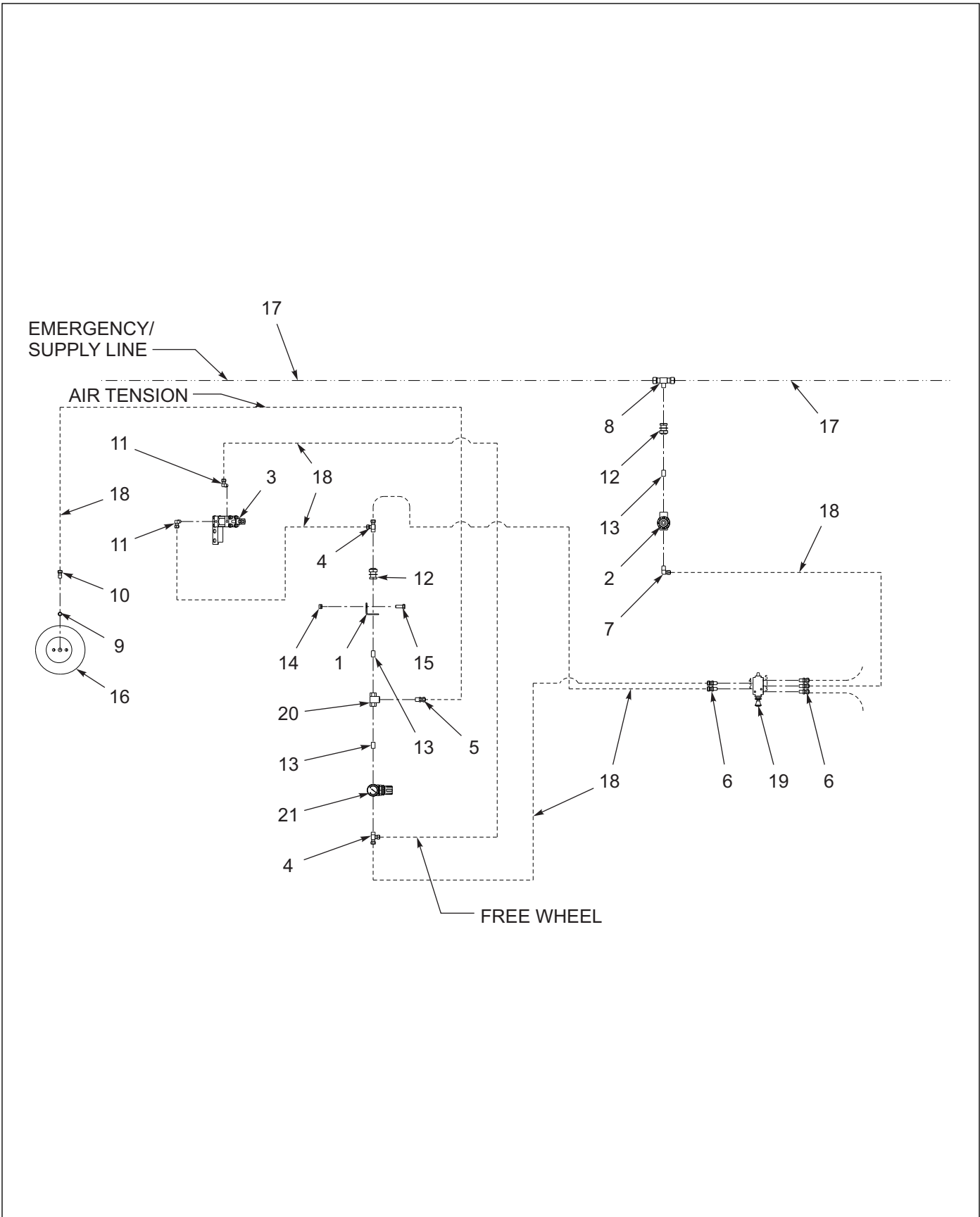


Figure 1-38: Winch Installation Air - 20K Air T/R (BRADEN)

Winch Installation Air - 20K Air T/R Air (BRADEN)

ITEM	PART NO.	DESCRIPTION	QTY.
	167537	WINCH INSTALLATION, GUIDE AIR T/R 20K	
1	3-120-010445	BRACKET, PRESSURE REGULATOR	1
2	905-54-107	BRAKE PROTECTION VALVE	1
3	107368	CYLINDER, AIR W/ BRACKET WINCH FREE SPOOL (SEE PAGE 1-74)	REF
4	1-297-010011-02	FITTING, AIR RUN TEE	2
5	1-297-010007-05	FITTING, AIR	1
6	1-297-010007-04	FITTING, AIR	5
7	1-297-010008-07	FITTING, AIR 90	1
8	1-297-010015-09	FITTING, AIR TEE	1
9	1-297-010031-02	FITTING, BRASS PIPE	1
10	1-297-010032-03	FITTING, AIR 90	1
11	1-297-010008-05	FITTING, AIR 90	2
12	1-297-010022-02	FITTING, AIR ANCHOR COUPLING	2
13	1-297-010020-02	FITTING, BRASS PIPE	3
14	1-512-010005-05	NUT, HEX LOCK 3/8-16 GRB	1
15	1-654-010036-05	SCREW, HEX HEAD CAP 3/8-16 X 1 GR8	2
16	3-720-010042	SPRING, AIR 6-1/2	1
17	1-833-010003	TUBING, NYLON 1/2	AR
18	1-833-010001	TUBING, NYLON 3/8	AR
19	139552	VALVE, AIR 5 WAY/ 2 POSITION	1
20	3-843-010039-02	VALVE, AIR SHUTTLE	1
21	3-626-010004	VALVE, REGULATING W/ GAUGE	1

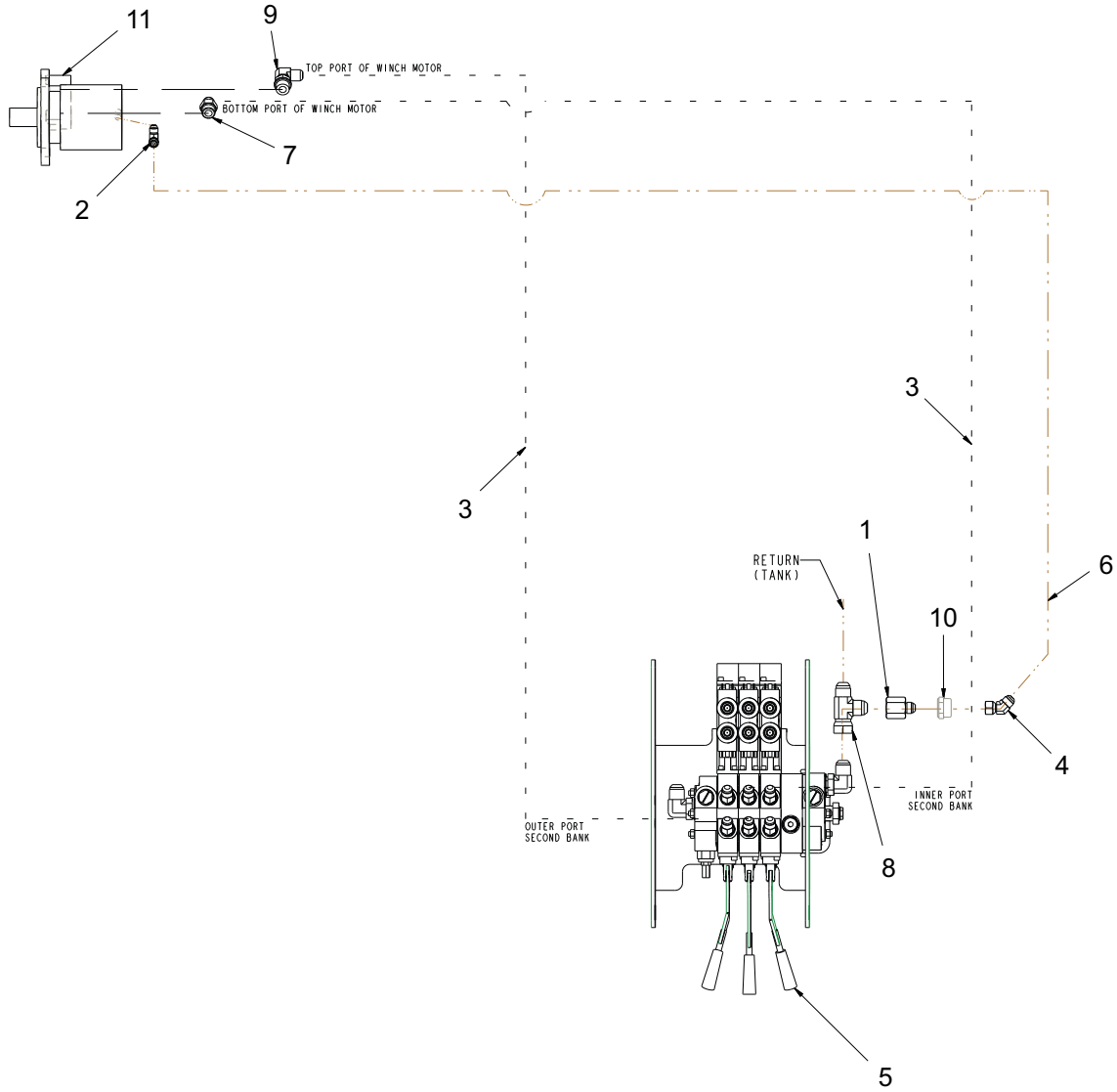


Figure 1-39: Winch Installation Hydraulic - 20K Air T/R (BRADEN)

Winch Installation Hydraulic - 20K Air T/R (BRADEN)

ITEM	PART NO.	DESCRIPTION	QTY.
	167537	WINCH20K GUIDE AIR T/R 345	
1	102-1112	REDUCER 12X8 JIC	REF
2	102-1238	ADAPTER,90-#4 O-RING/#6 JIC	1
3	107486	HOSE 1/2X90,SAE 37, STR-90	2
4	121031	FITTING,45EL #8M X #8F 37SWVL	1
5	-----	VALVE ASSY 3-SPOOL 345 (SEE PAGE 1-20)	REF
6	152674	HOSE ASSY 3/8X141,#6JICX#8JIC	1
7	202702-10-8S	ADAPTER, #10 O-RING #8 TUBE	1
8	203102-12-12S	ADAPTER,TEE, #12, SAE37 SWIVL	REF
9	2062-10-8S	ADAPTER,90, #10 O-RING-TUBE	1
10	210292-12S	JIC CAP NUT #12	1
11	3-481-010007	MOTOR HYD 12.9CU IN/REV,SAE B (SEE PAGE 1-73)	REF

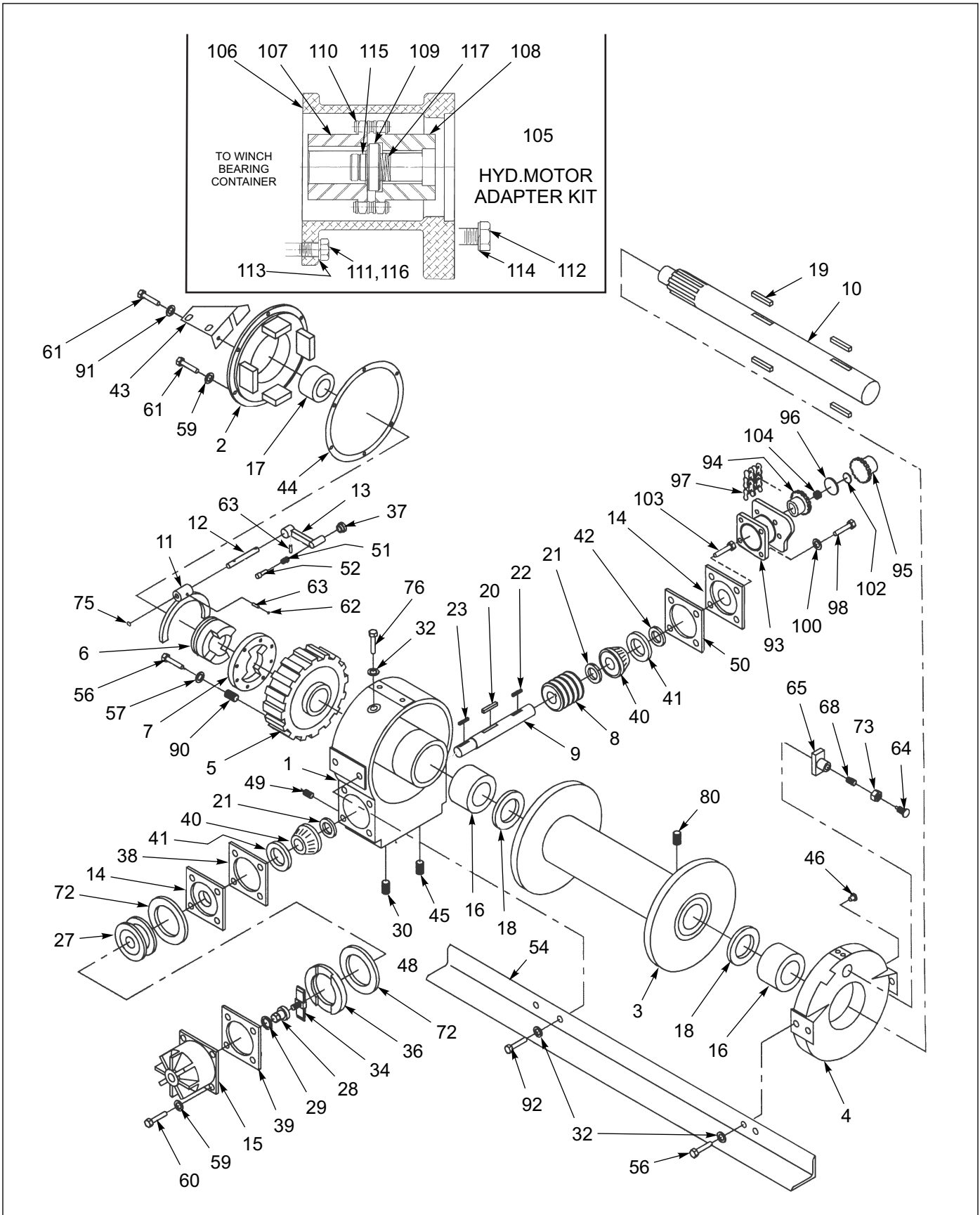


Figure 1-40: Winch Items - 20,000Lb. (BRADEN)

Winch Items - 20,000Lb. (BRADEN)

ITEM	PART NO.	REFERENCE NO.	DESCRIPTION	QTY.
	3-873-010123		WINCH 20,000# W/BOLT-ON ANGLES	
1	81078	81078	WORM HOUSING ASSEMBLY	1
2	106956	81082	COVER ASSEMBLY WORM HOUSING	1
3	----	101142	DRUM CABLE	1
4	81077	81077	LEG ASSEMBLY BEARING	1
5	11434	11434	WORM, GEAR RIGHT	1
6	11421	11421	CLUTCH, SLIDING	1
7	11419	11419	DRIVE, CLUTCH	1
8	154166	11404	WORM RIGHT	1
9	----	11405	SHAFT, WORM	1
10	139479	11414	SHAFT, CABLE DRUM	1
11	11440	11440	FORK SHIFTER	1
12	11441	11441	SHAFT SHIFTER	1
13	26976	26976	HANDLE SHIFTER	1
14	124549	11427	CONTAINER BEARING	2
15	----	11445	COVER WORM BRAKE	1
16	18035	18035	BUSHING	2
17	11425	11425	BUSHING	1
18	11420	11420	RING, RETAINING	2
19	163472	22055	DRUM, KEY CABLE	4
20	11402	11402	KEY, WORM	1
21	11407	11407	SPACER, WORM	2
22	23367	23367	KEY, SPROCKET	1
23	10078	10078	KEY, ROTOR	1
27	81080	81080	ROTOR ASSEMBLY, BRAKE	1
28	11599	11599	ADJUSTING NUT, WORM BRAKE	1
29	12465	12465	O-RING	1
30	----	19014	PLUG, FILLER	1
32	----	11026	WASHER, LOCK	10
34	81081	81081	SPRING ASSEMBLY, SAFETY BRAKE	1
36	11431	11431	PLATE, PRESSURE	1
37	18022	18022	KNOB, SHIFTER	1
38	11429	11429	GASKET	4
39	11446	11446	GASKET	2
40	18033	18033	BEARING CONE	2
41	18034	18034	BEARING CUP	2
42	12073	12073	SEAL GREASE	1
43	12783	12783	BRACKET SHIFTER	1
44	11411	11411	COVER GASKET HOUSING	1
45	19045	19045	PLUG DRAIN	1
46	18047	18047	FITTING GREASE	1
48	----	22775	PLUG VENT	1
49	----	18009	PLUG LEVEL	1
50	11430	11430	GASKET	4
51	11310	11310	SPRING SHIFTER KNOB	1
52	11309	11309	STEM SHIFTER KNOB	1
54	----	28942	ANGLE FRONT BASE	1
55	----	28943	ANGLE REAR BASE (NOT SHOWN)	1

Winch Items - 20,000Lb. (BRADEN)

ITEM	PART NO.	REFERENCE NO.	DESCRIPTION	QTY.
56	----	13938	CAPSCREW	16
57	----	12781	WASHER, LOCK	8
58	----	21044	CAPSCREW	4
59	----	11025	WASHER, LOCK	3
60	----	22695	CAPSCREW	4
61	----	21964	CAPSCREW	6
62	12146	12146	PLUG, EXPANSION	A/R
63	13028	13028	ROLLPIN	A/R
64	11398	11398	SCREW, ADJUSTING	1
65	88005	88005	SHOE ASSEMBLY DRAG BRAKE	1
68	18002	18002	SHOE ASSEMBLY DRAG BRAKE	1
72	11426	11426	DISC, FRICTION	2
73	11791	11791	NUT, JAM	1
75	12767	12767	PLUG, EXPANSION	A/R
76	----	22729	CAPSCREW	2
77	----	23245	SAE PLATE-AMU7-16F (NOT SHOWN)	1
78	----	23310	PLATE, WARNING (NOT SHOWN)	1
79	----	11842	SCREW, DRIVE (NOT SHOWN)	4
80	139478	12228	SCREW, SET	1
90	----	11435	INSERT THREAD	8
91	----	11014	LOCKWASHER	1
92	----	22697	CAPSCREW (NOT SHOWN)	5
93	23144	23144	ADAPTER - MOTOR	1
94	23081	23081	COUPLING HALF-WINCH	1
95	110448	23142	COUPLING HALF-MOTOR	1
96	23078	23078	SPACER - CONSTANT	1
97	13424	13424	ROLLER, CHAIN	1
98	----	22704	CAPSCREW	4
99	----	13413	CAPSCREW (NOT SHOWN)	4
100	----	18003	LOCKWASHER	4
101	----	11026	LOCKWASHER (NOT SHOWN)	4
102	----	23183	SPACER - VARIABLE	2
103	----	22703	CAPSCREW	4
104	----	23353	SPRING - SPACER	1
105	61344	61344	HYD. MOTOR ADAPTER KIT, 20,000# WINCH (ITEMS 106-117)	1
106	23144	23144	ADAPTER, MOTOR	1
107	23081	23081	COUPLING HALF, WINCH	1
108	110448	23142	COUPLING HALF, MOTOR	1
109	23078	23078	SPACER, CONSTANT	1
110	13424	13424	CHAIN ROLLER	1
111	----	----	CAPSCREW	4
112	----	----	CAPSCREW	4
113	----	27152	LOCKWASHER	4
114	----	11026	LOCKWASHER	4
115	110451	23183	SPACER	1
116	----	----	CAPSCREW	4
117	110452	23353	SPRING SPACER	1

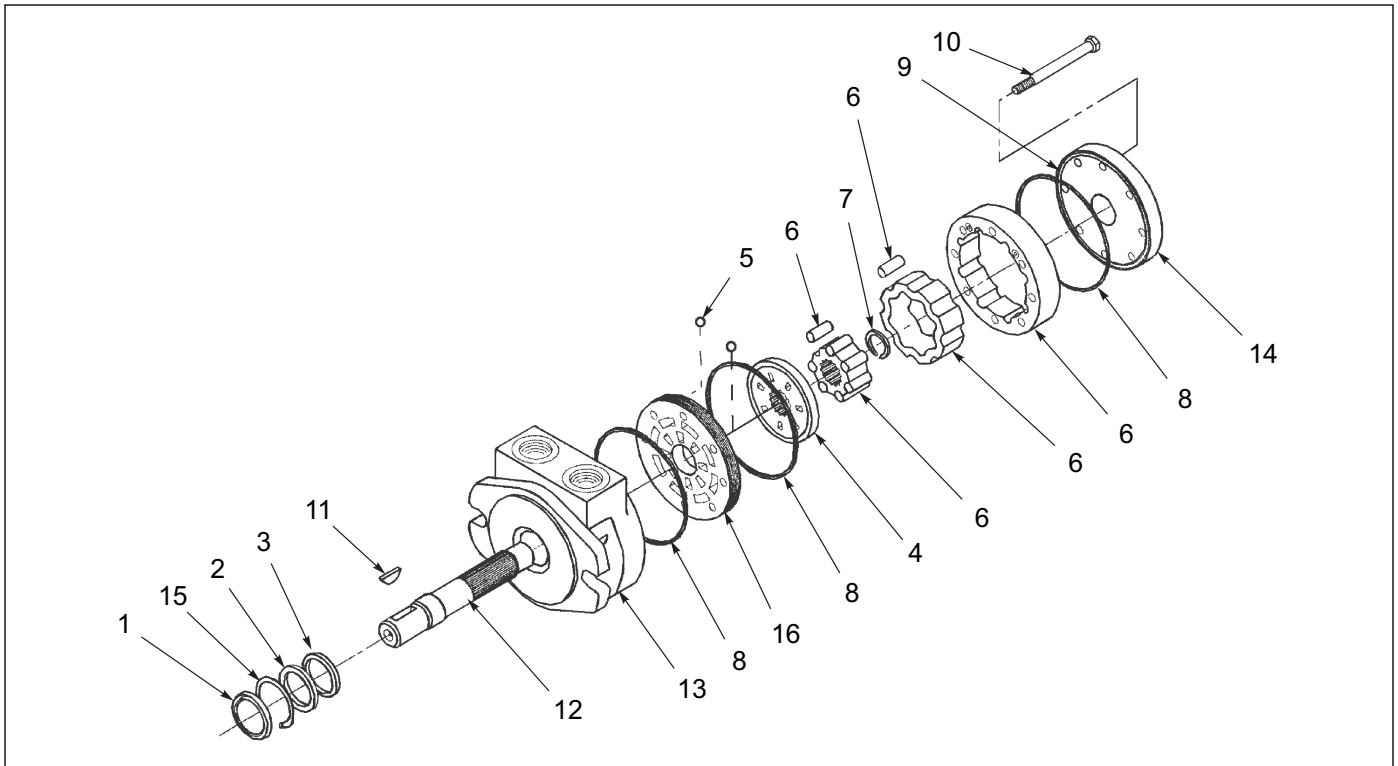


Figure 1-41: Winch - Motor Assembly

Winch - Motor Assembly

ITEM	PART NO.	REFERENCE NO.	DESCRIPTION	QTY.
	3-481-010006		MOTOR, HYDRAULIC - 12K WINCH	
	3-481-010007		MOTOR, HYDRAULIC - 20K WINCH	
1	----	2183	SEAL DUST	1
2	----	2177	BACK-UP RING	1
3	----	2175	SEAL LIP	1
4	----	1644	ROTARY VALVE	1
5	----	1021	CHECK VALVE BALL	2
6	----	1004-6	IGR ASSEMBLY - 20K WINCH	1
	----	1004-3	IGR ASSEMBLY - 12K WINCH	1
7	----	1296	SNAP RING	1
8	1046	1046	SQUARE RING SEAL	3
9	----	1019-4	PLUG VENT W/O-RING	1
10	----	1014-4	BOLTS HEX - 20K WINCH	8
	----	1114-5	BOLTS HEX - 12K WINCH	8
11	----	1655	KEY WOODRUFF	1
12	----	2265-6	SHAFTFOR - 20K WINCH	1
	----	2109-3	SHAFTFOR - 12K WINCH	1
13	----	M110AB-4	BODY/BEARING ASSEMBLY - 20K WINCH	1
	----	PA-2328-2	BODY/BEARING ASSEMBLY - 12K WINCH	1
14	----	M110C-1	COVER/BEARING ASSEMBLY	1
15	----	2180	SNAP RING SHAFT	1
16	----	1865	COMMUTATOR PLATE	1
	2263	2263	SEAL KIT BODY	1
	----	2480	SEAL KIT BODY VITON	1

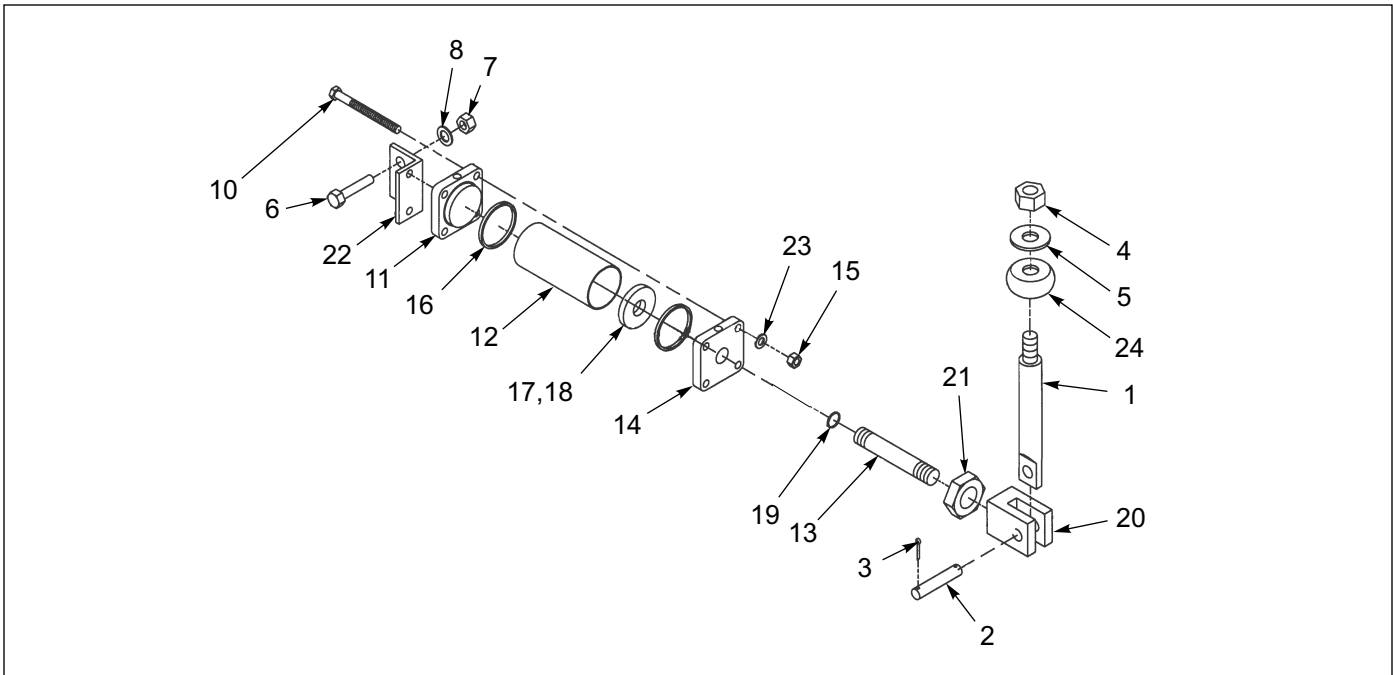
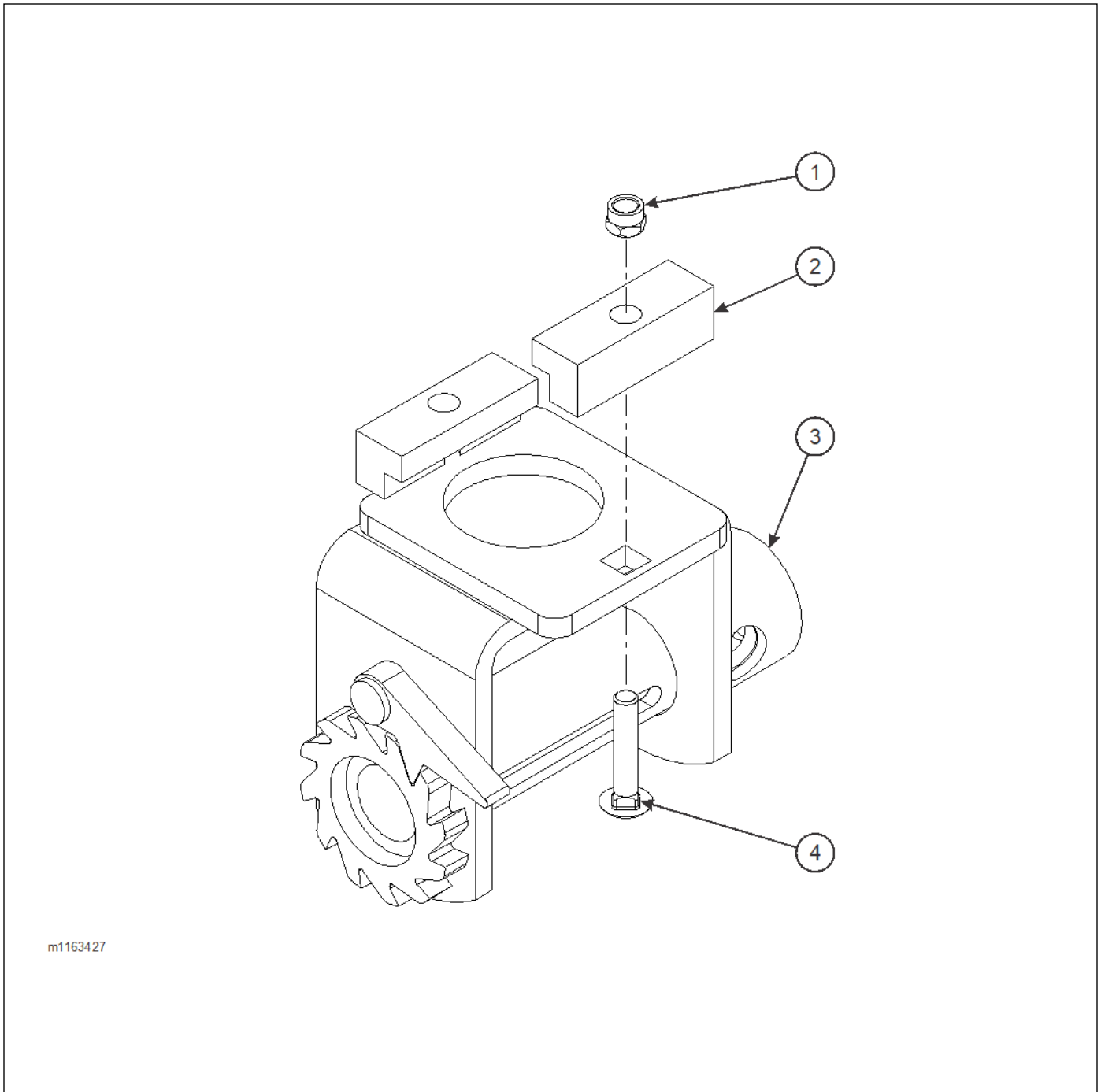


Figure 1-42: Winch - Air Shift Cylinder

Winch - Air Shift Cylinder

ITEM	PART NO.	REFERENCE NO.	DESCRIPTION	QTY.
	107368		CYLINDER, AIR W/ BRACKET (ITEMS 2, 3 & 6-23)	
1	107369		LEVER WINCH FREE SPOOL	1
2	-----	1976	PIN	1
3	-----	2356	COTTER PIN	1
4	1-512-010007-05	1-512-010007-05	NUT, HEX 1/4-20 GRB	1
5	1-861-010034-09	1-861-010034-09	WASHER, SPLIT LOCK 1/4	1
6	1-654-010055-01	1-654-010055-01	SCREW, HEX HEAD CAP 1/2-13 X 1 GR5	2
7	1-512-010005-09	1-512-010005-09	NUT, HEX LOCK 1/2-13 GRB	2
8	1-861-010032-14	1-861-010032-14	WASHER, FLAT 1/2	2
9	C2001	C2001	CYLINDER (ITEMS 10-23)	1
10	-----	1128	CAPSCREW49	4
11	-----	1272	REAR COVER PLATE	1
12	-----	1277	TUBE	1
13	-----	2388	PISTON ROD	1
14	-----	1271	FRONT COVER PLATE	1
15	-----	1723	NUT	4
16	-----	1274	BACK-UP-RING	2
17	-----	1275	O-RING	1
18	-----	1273	PISTON	1
19	-----	1276	O-RING	1
20	1974	1974	CLEVIS	1
21	-----	1224	NUT	1
22	2389	2389	BRACKET	1
23	-----	1766	LOCKWASHER	4
24	3-150-010186	3-150-010186	BUSHING WINCH REMOTE LEVER	1
	-----	3109	O-RING KIT FOR CYLINDER	

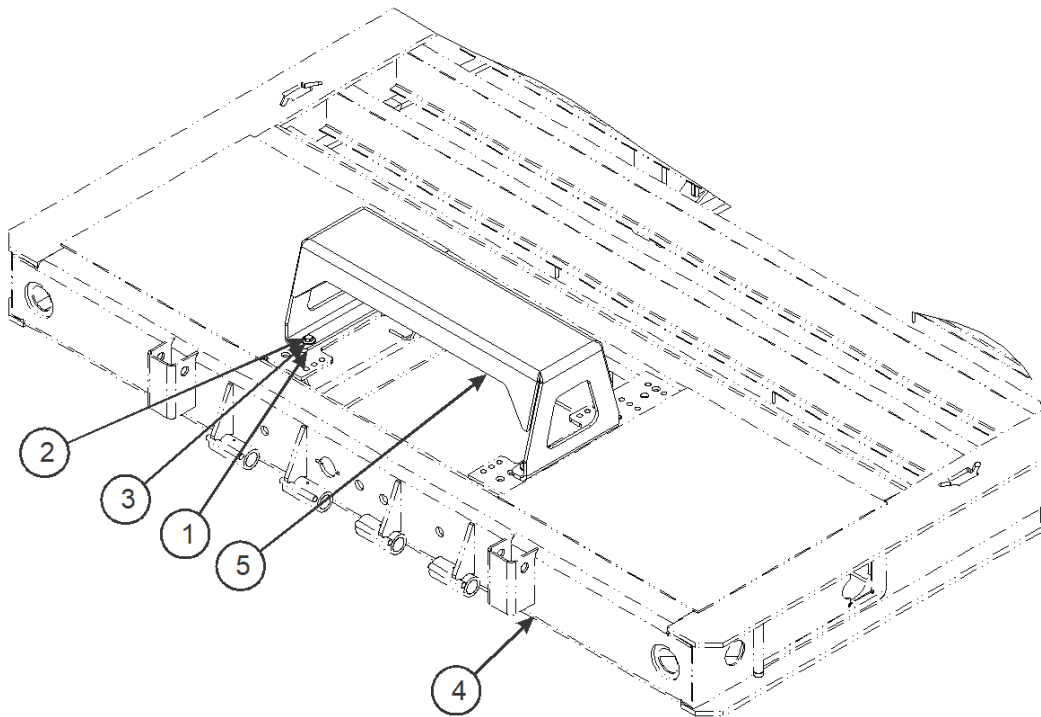


m1163427

Figure 1-43: Winch - 4" Webbing Sliding Assembly (Option)

Winch - 4" Webbing Sliding Assembly (Option)

ITEM	PART NO.	DESCRIPTION	QTY.
	163427	WINCH ASSEMBLY, 4" WEBBING SLIDING	
1	1-512-010005-05	NUT, HEX LOCK 3/8-16 GRB	1
2	134781	CLAMP, SLIDING WEB WINCH	1
3	163428	WINCH WEBBING SLIDE MOD.	1
4	163620	SCREW, RD HEAD SQ NECK 3/8-16 X 2 GR5	1



m145598

Figure 1-44: 12K/20K Winch Guard Installation (Option) (BRADEN)

Winch - 12K/20K Guard Installation (Option) (BRADEN)

ITEM	PART NO.	DESCRIPTION	QTY.
	145598	GUARD INSTALLATION, WINCH 12K/20K BRADEN	
1	1-512-010005-09	NUT, HEX LOCK 1/2-13 GRB	4
2	1-654-010055-05	SCREW, HEX HEAD CAP 1/2-13 X 2 GR5	4
3	1-861-010032-15	WASHER, FLAT 1/2W	8
4	-----	GOOSENECK WELDMENT	REF
5	145599	GUARD, WINCH 12K/20K BRADEN	1

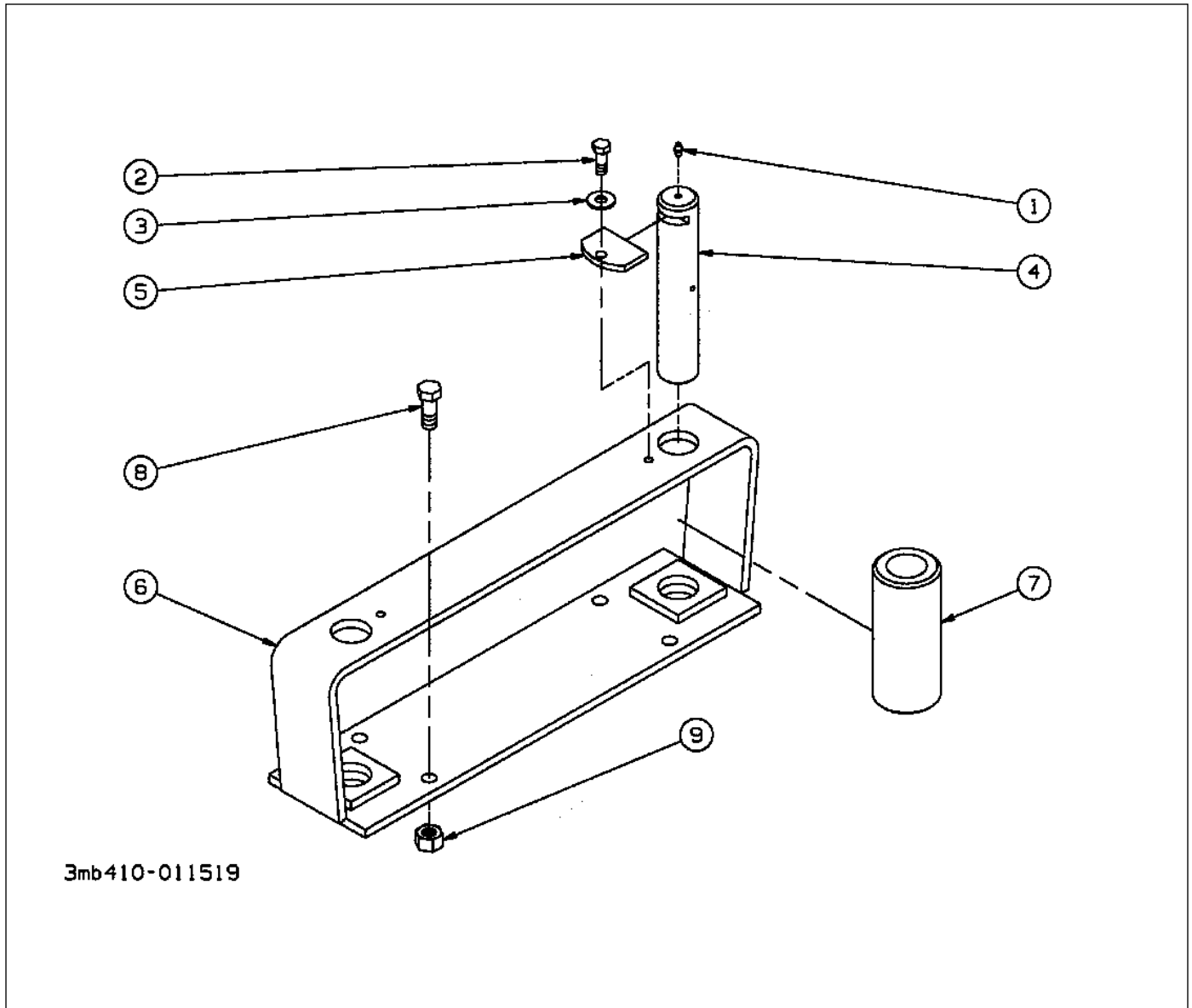
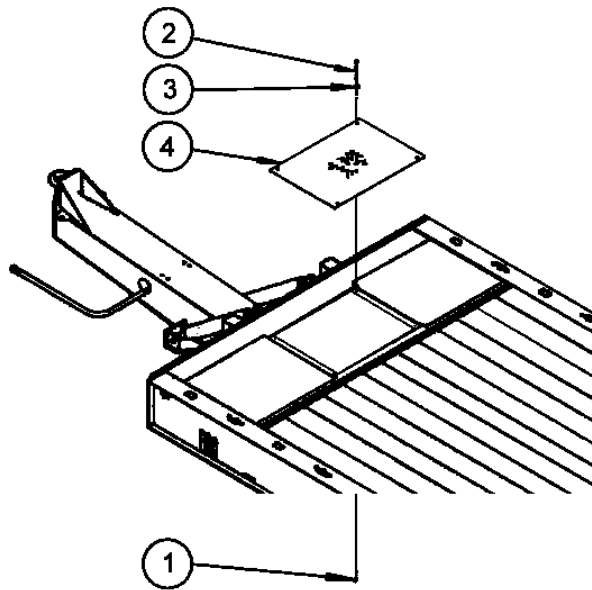


Figure 1-45: Winch - Cable Roller Guide (Option)

Winch - Cable Roller Guide (Option)

ITEM	PART NO.	DESCRIPTION	QTY.
	3-352-010017-1	GUIDE INSTALLATION, WINCH CABLE 12K	
	3-352-010017-2	GUIDE INSTALLATION, WINCH CABLE 20K	
1	1-298-010001-1	FITTING, GREASE 1/4-28 STR SHORT	2
2	1-654-010051-03	SCREW, HEX HEAD CAP 3/8-16 X 3/4 GR5	2
3	1-861-010034-11	WASHER, SPLIT LOCK 3/8	2
4	3-557-010383	PIN, CABLE GUIDE ROLLER	2
5	3-565-010770	PLATE, CABLE GUIDE LOCK	2
6	3-120-010295	BRACKET WLDMT, 12K ROLLER	1
	3-120-010294	BRACKET WLDMT, 20K ROLLER	1
7	3-645-010049	ROLLER, WINCH CABLE GUIDE	2
8	1-654-010055-05	SCREW, HEX HEAD CAP 1/2-13 X 2 GR5	4
9	1-512-010005-09	NUT, HEX LOCK 1/2-13 GRB	4



m126589

Figure 1-46: Winch - Opening Cover Assembly (Option)

Winch - Opening Cover Assembly (Option)

ITEM	PART NO.	DESCRIPTION	QTY.
	126589	COVER, WINCH OPENING ASSEMBLY	
1	1-512-010005-09	NUT, HEX LOCK 1/2-13 GRB	4
2	1-654-010055-04	SCREW, HEX HEAD CAP 1/2-13 X 1-3/4 GR5	4
3	1-861-010032-15	WASHER, FLAT 1/2W	4
4	126588	COVER, WINCH OPENING	1

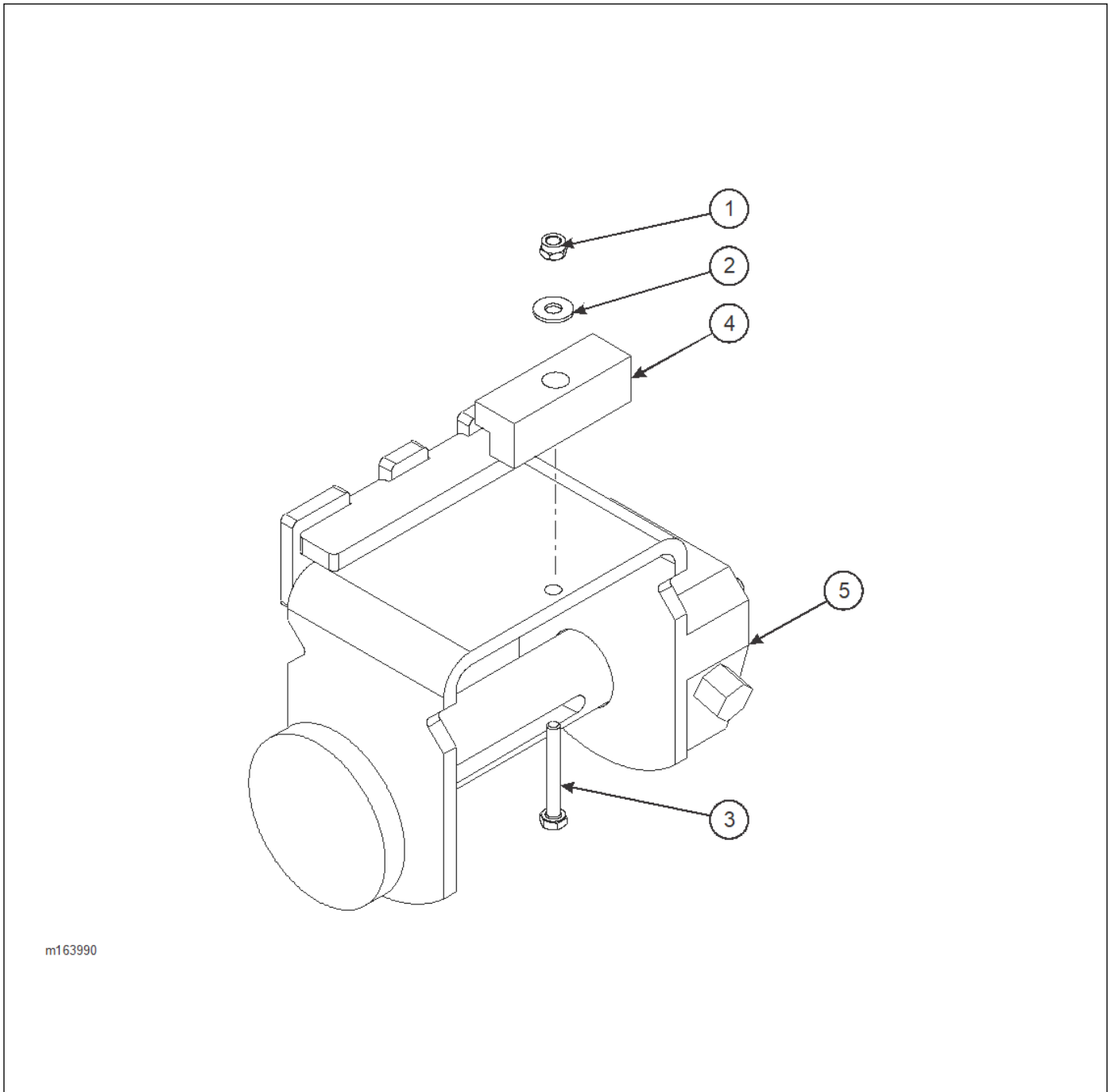
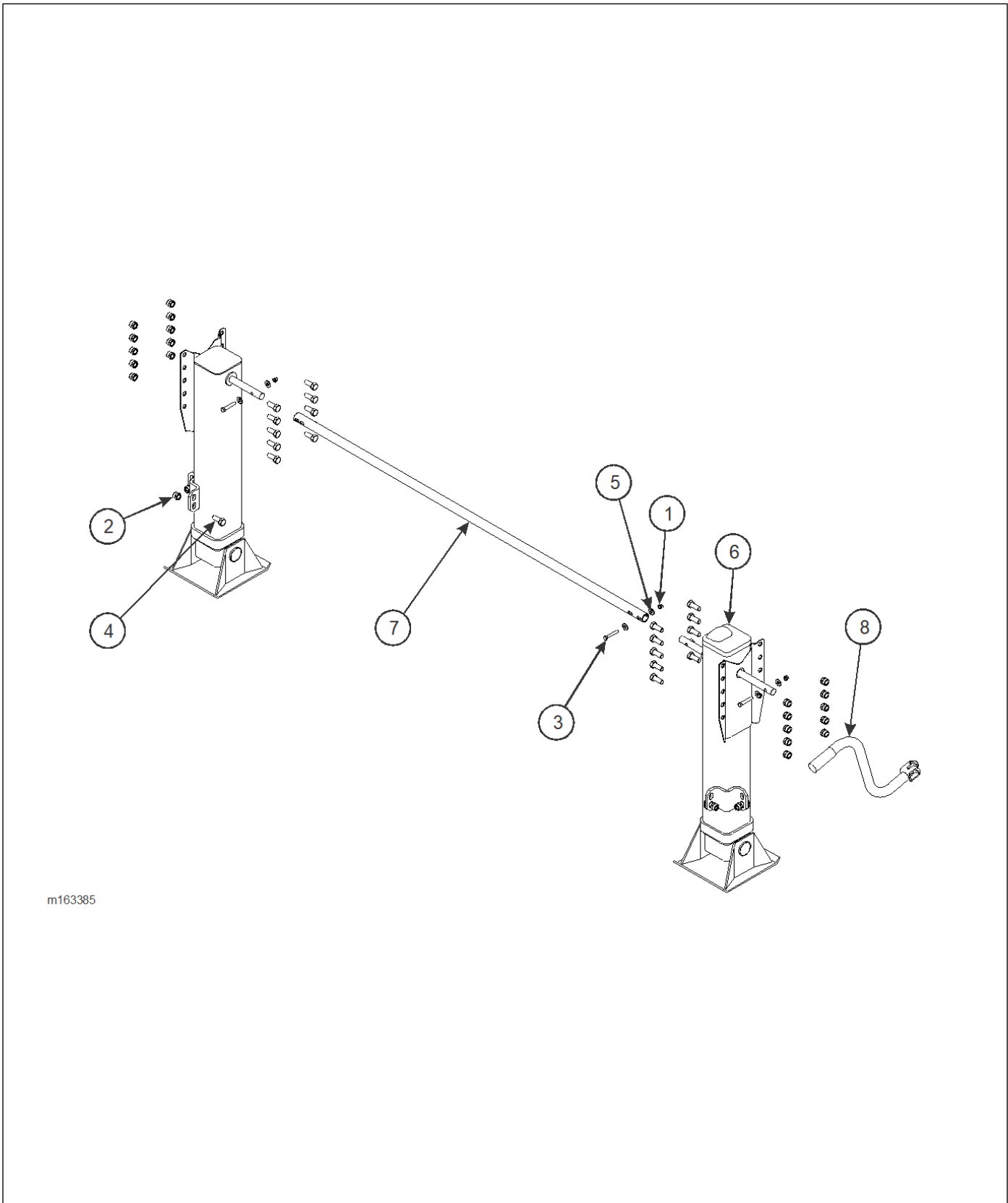


Figure 1-47: Winch - Ratchet Assembly Modified (Option)

Winch - Ratchet Assembly Modified (Option)

ITEM	PART NO.	DESCRIPTION	QTY.
	163990	RATCHET WINCH ASSEMBLY, MODIFIED	
1	1-512-010005-01	NUT, HEX LOCK 1/4-20 GRB	1
2	1-861-010032-07	WASHER, FLAT 1/4W	1
3	106046	SCREW, HEX HEAD CAP 1/4-20 X 2 GR8	1
4	134781	CLAMP, SLIDING WEB WINCH	1
5	163991	RATCHET, WINCH WELDMENT MODIFIED	1

Landing Gear



m163385

Figure 1-48: Landing Gear Installation

Landing Gear Installation

ITEM	PART NO.	DESCRIPTION	QTY.
	163385	LANDING GEAR INSTALLATION	
1	1-512-010005-05	NUT, HEX LOCK 3/8-16 GRB	3
2	1-512-010005-13	NUT, HEX LOCK 5/8-11 GRB	20
3	1-654-010051-10	SCREW, HEX HEAD CAP 3/8-16 X 2-1/4 GR5	3
4	1-654-010059-03	SCREW, HEX HEAD CAP 5/8-11 X 1-1/2 GR5	20
5	1-861-010032-11	WASHER, FLAT 3/8W	6
6	163386	LANDING GEAR, MODIFIED (SEE PAGE 1-84)	1
7	163458	CROSS-SHAFT LANDING GEAR	1
8	163463	CRANK MOD. EXTEND	1

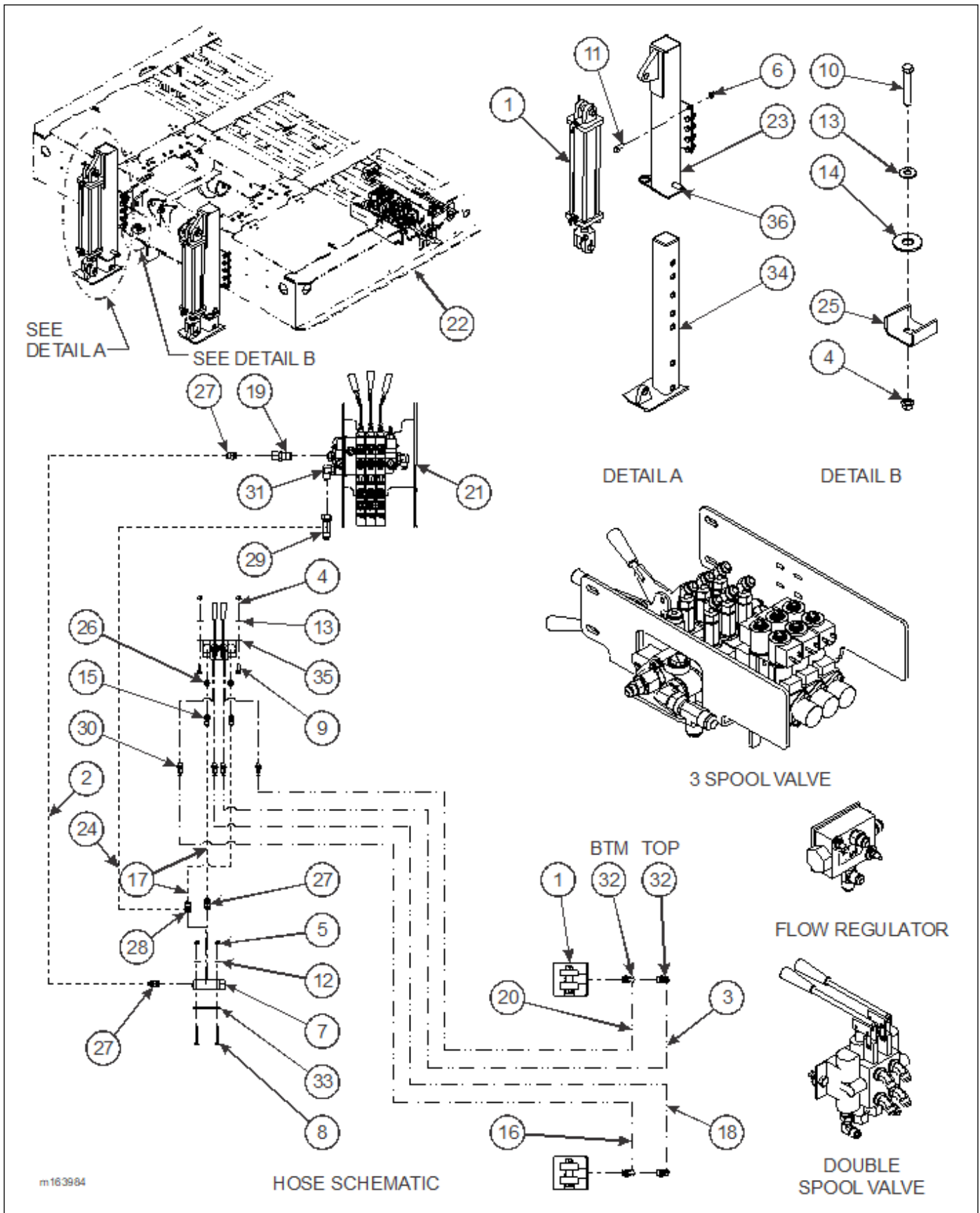


Figure 1-49: Park Stand Installation

Park Stand Installation

ITEM	PART NO.	DESCRIPTION	QTY.
	163984	PARK STAND INSTALLATION, HYD	
1	1-242-010180-2	CYLINDER, HYD 3-1/2 X 20 3000 PSI (SEE PAGE 1-86)	2
2	1-397-010301024	HOSE ASSEMBLY 1/2 X 24	1
3	1-397-010307099	HOSE ASSEMBLY, 3/8 X 99	1
4	1-510-010001	NUT, FLANGE LOCK 3/8-16	2
5	1-512-010005-03	NUT, HEX LOCK 5/16-18 GRB	2
6	1-512-010005-13	NUT, HEX LOCK 5/8-11 GRB	20
7	1-626-010002-06	REGULATOR, FLOW 1/2-6 GPM	1
8	1-654-010049-11	SCREW, HEX HEAD CAP 5/16-18 X 2-1/2 GR5	2
9	1-654-010051-05	SCREW, HEX HEAD CAP 3/8-16 X 1 GR5	2
10	1-654-010051-11	SCREW, HEX HEAD CAP 3/8-16 X 2-1/2 GR5	2
11	1-654-010059-03	SCREW, HEX HEAD CAP 5/8-11 X 1-1/2 GR5	16
12	1-861-010032-09	WASHER, FLAT 5/16W	2
13	1-861-010032-11	WASHER, FLAT 3/8W	2
14	1-861-010032-19	WASHER, FLAT 5/8W	2
15	102-0031	ADAPTER, 90	2
16	112158	HOSE ASSEMBLY 3/8 X 132	1
17	116429	HOSE ASSEMBLY 3/8 X 25	1
18	121333	HOSE ASSEMBLY 3/8 X 140	1
19	138179	POWER BEYOND REMOTE	1
20	142738	HOSE ASSEMBLY 3/8 X 90	1
21	-----	VALVE ASSEMBLY, 3 SPOOL	REF
22	-----	FRAME ASSEMBLY (NOT SHOWN)	REF
23	163985	PARK STAND WELDMENT, HYD	2
24	163993	HOSE ASSEMBLY 1/2 X 15	1
25	2-181-010001	HOSE CLAMP	2
26	202702-6-6S	ADAPTER, STRAIGHT	6
27	202702-8-8S	ADAPTER, STRAIGHT	6
28	203005-8-8S	ADAPTER, TEE	1
29	203102-12-12S	ADAPTER, TEE	1
30	2061-6-6S	ADAPTER, 45	4
31	2062-10-12S	ADAPTER, 90°	REF
32	2062-8-6S	ADAPTER, 90°	4
33	3-482-010267	MOUNT, FLOW REGULATOR	1
34	3-725-010036	HYDRAULIC PARK STAND, MODIFIED	2
35	179649	VALVE, DOUBLE SPOOL	REF
36	346SL	LOCK, HITCH PIN	2

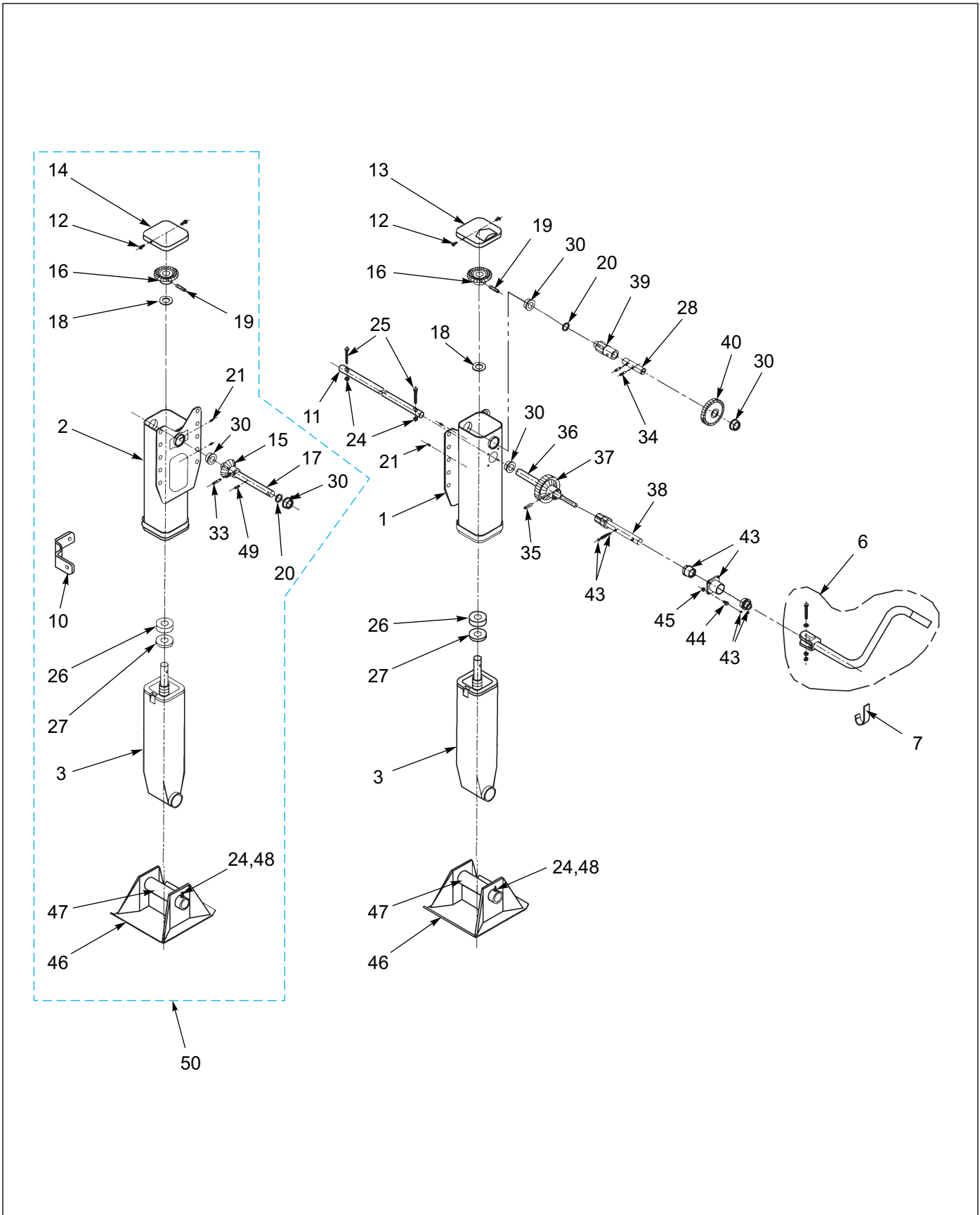
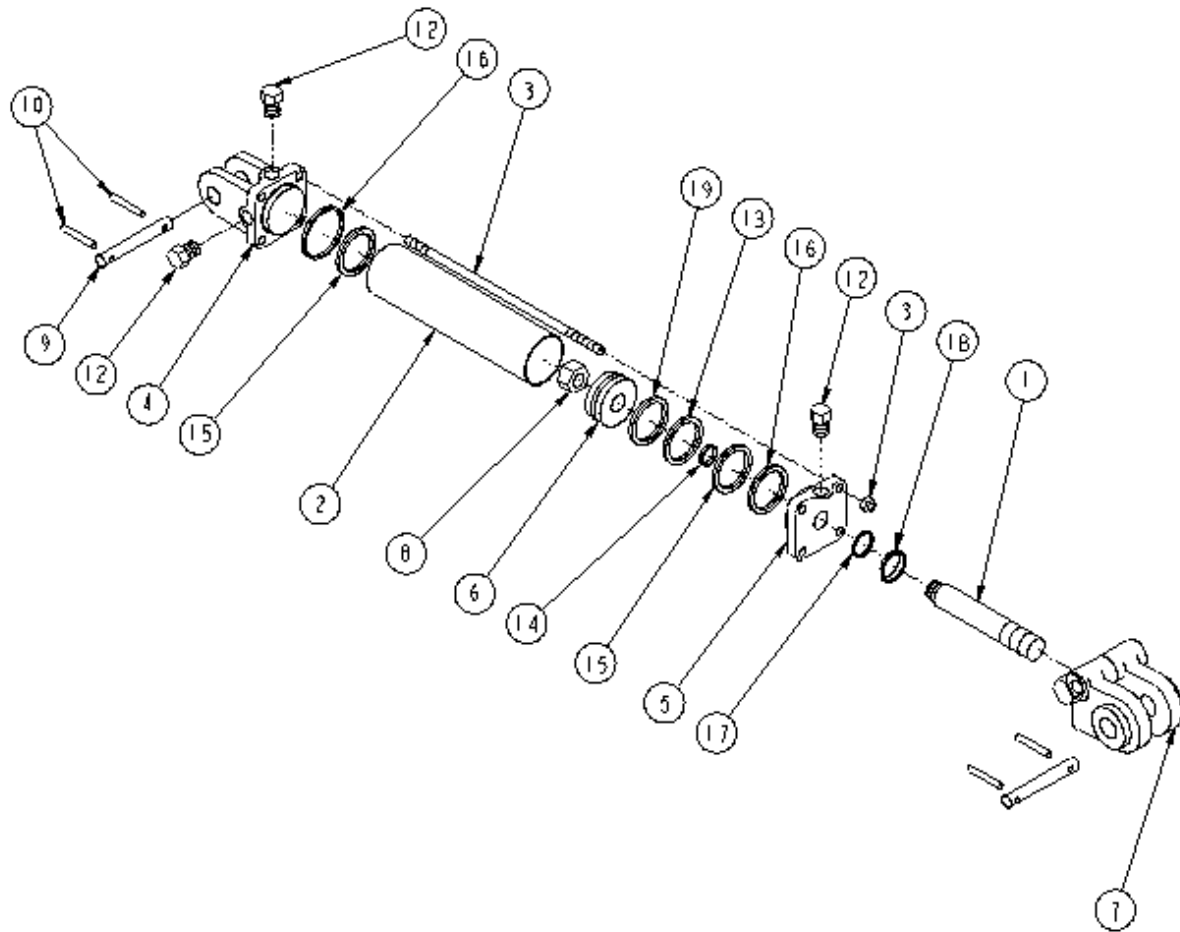


Figure 1-50: Landing Gear Installation - Jost #A401T19

Landing Gear Installation - Jost #A401T19

ITEM	PART NO.	REFERENCE NO.	DESCRIPTION	QTY.
	116800		LANDING GEAR JOST #A401T19	
1	----	D10201.3	OUTER HOUSING - 2 SPEED	1
2	----	D10116.3	OUTER HOUSING - 1 SPEED	1
3	----	C10140.3	INNER LEG ASSEMBLY - STANDARD	2
6	109161	----	CRANK 930 MODIFICATION	1
7	109711	B10261	CRANK HANGER	1
10	109712	C10108	BRACE LUG - W	2
11	----	B10066	INTERMEDIATE CROSS SHAFT	1
12	----	A10059.1	COVER SCREW	4
13	----	C10217	COVER - 2 SPEED	1
14	----	C10259	COVER - 1 SPEED	1
15	----	C10177	PINION GEAR	1
16	----	C10155	BEVEL GEAR	2
17	----	B10130	PINION SHAFT - 1 SPEED	1
18	----	A10102	THRUST WASHER	2
19	----	A10052.3	GROOVED PIN	2
20	----	A10218	SPACER WASHER	2
21	----	A10040	GREASE FITTING	4
23	----	C10209	STRUT BRACE (NOT SHOWN)	4
24	----	A10038.7	SELF LOCKING NUT	2
25	----	A10037.1	CROSS SHAFT BOLT - 3/8 X 2 GR5	2
26	----	A10033	THRUST BEARING	2
27	----	A10101	COLLAR	2
28	----	A10212	OUTPUT SHAFT	1
30	----	A10255	BUSHING	5
33	----	A10054.3	ROLL PIN 3/8 X 1-1/2	1
34	----	A10260.1	SPIRAL PIN	2
35	----	A10054.7	ROLL PIN - 3/8 X 1-3/4	1
36	----	B10236	OUTPUT CLUSTER SHAFT	1
37	----	C10234	OUTPUT CLUSTER GEAR	1
38	----	C10233	INPUT GEAR SHAFT	1
39	----	C10078	OUTPUT SPUR GEAR	1
40	----	C10085	INPUT SPUR GEAR	1
43	163502	B10229S	SHIFT HOUSING SERVICE KIT	1
44	----	A10230	SHIFT HOUSING BOLT	4
45	----	A10038.6	SELF LOCKING NUT	4
46	----	C10256	SHOE - 10 X 10 X 4-1/2	2
47	114983	B10036	SHOE AXLE	2
48	----	A10037.3	HEX HEAD BOLT	2
49	----	A10054.6	ROLL PIN - 1/4 X 1-1/4	1
50	137974	A401LT19	RH LANDING LEG ASSEMBLY	1



1mb242-010180

Figure 1-51: Hydraulic Cylinder 3-1/2 x 20

Hydraulic Cylinder 3-1/2 X 20

ITEM	PART NO.	DESCRIPTION	QTY.
	1-242-010180-2	CYLINDER 3-1/2" X 20" PRINCE SAE 33520	
1	010700437	PISTON ROD	1
2	-----	TUBE	1
3	-----	TIEROD ASSEMBLY	4
4	-----	BUTT	1
5	111870	GLAND ASSEMBLY	1
6	-----	PORT PLUG	1
7	-----	PISTON	1
8	-----	CLEVIS ASSEMBLY	1
9	-----	LOCKNUT	1
10	-----	CLEVIS PIN	2
11	-----	CLEVIS PIN RETAINER	4
12	*	CROWN SEAL	1
13	*	O-RING	1
14	*	O-RING	2
15	*	BU-WASHER	2
16	*	U-CUP	1
17	*	WIPER	1
	1-242-010178-2	PACKING KIT (CONTAINS SEALS & O-RINGS) (ITEMS 13 - 18)	1

*PARTS AVAILABLE IN PACKING KIT ONLY.

Dock Levelers

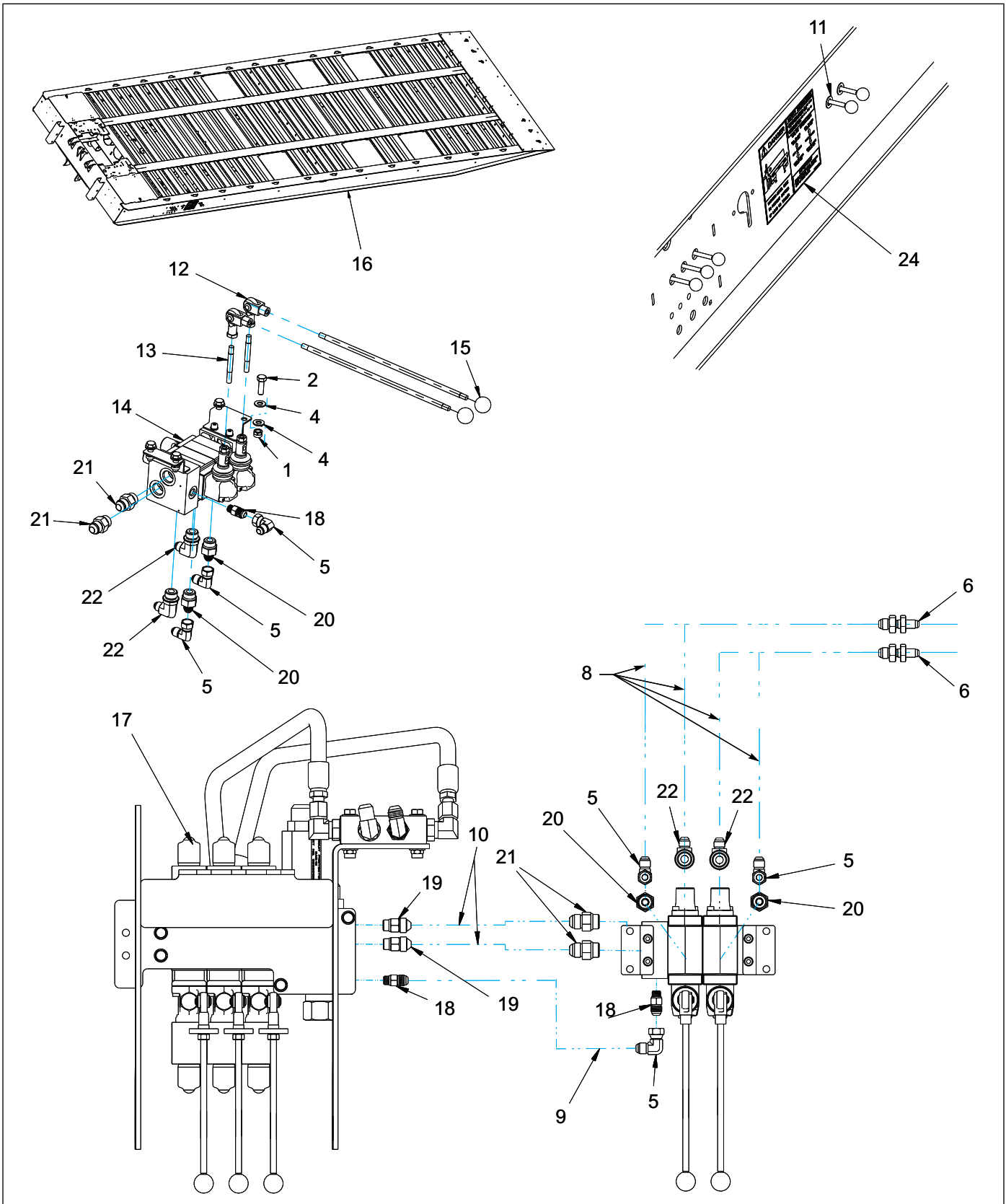


Figure 1-52: Dock Leveler Hydraulic Installation (Option)

Dock Leveler Hydraulic Installation (Option)

ITEM	PART NO.	DESCRIPTION	QTY.
	201580	HYD INSTL D/L FT CTRL 345F	
1	1-512-010005-03	NUT HEX SLFLKG GRB 5/16-18	4
2	1-654-010049-05	SCREW HX CP 5/16-18UNCX1 GR5	4
3	1-796-010003-02	TIE, STRAP, PLASTIC .18X14.0 (NOT SHOWN)	14
4	1-861-010032-08	WASHER,FLAT 5/16 N ZP	8
5	102-0031	ADAPTER,90 JIC SWIVEL #6	3
6	102-1097	37 FLARE BULKHEAD/37 FLARE	4
7	118914	HOSE WRAP SPIRAL 1 ID (NOT SHOWN)	2
8	123490	HOSE ASSY 3/8X113 SAE37 STR	4
9	1406053	HOSE ASSY 3/8X17SAE37 STR-STR	1
10	1422896	HOSE ASSY OUTLET LOOP	2
11	178444	BUSHING NYLON INSERT 9/16ID	2
12	186875	CLEVIS JOINT,ROD ENDS M8.1.25	2
13	186902	STUD M8X1.25X65MM,DBL THD	2
14	189260	VALVE, 2 SPOOL, MOTOR, MANUAL (SEE PAGE 1-95)	1
15	191850	HANDLE,BLACK,12",M8-125 THREAD	REF
16	202373	FRAME WLDMT 345F-31	REF
17	202398	VALVE ASSY 345F (SEE PAGE 1-20)	REF
18	202702-4-6S	ADAPTER, #4 O-RING TO #6 JIC	2
19	202702-6-8S	ADAPTER, #6 SAE X #8 JIC	2
20	202702-8-6S	ADAPTER #8 O-RING TO #6 TUBE	2
21	202702-8-8S	ADAPTER #8 O-RING TO #8 TUBE	2
22	2062-8-6S	ELBOW,90,#8 SAE X #6 JIC	2
23	3-201-010002	CONDUIT 3/8 PLASTIC FLEX (NOT SHOWN)	2
24	3-573-010202	DECAL,DANGER/OPERATION,DKLVL	1

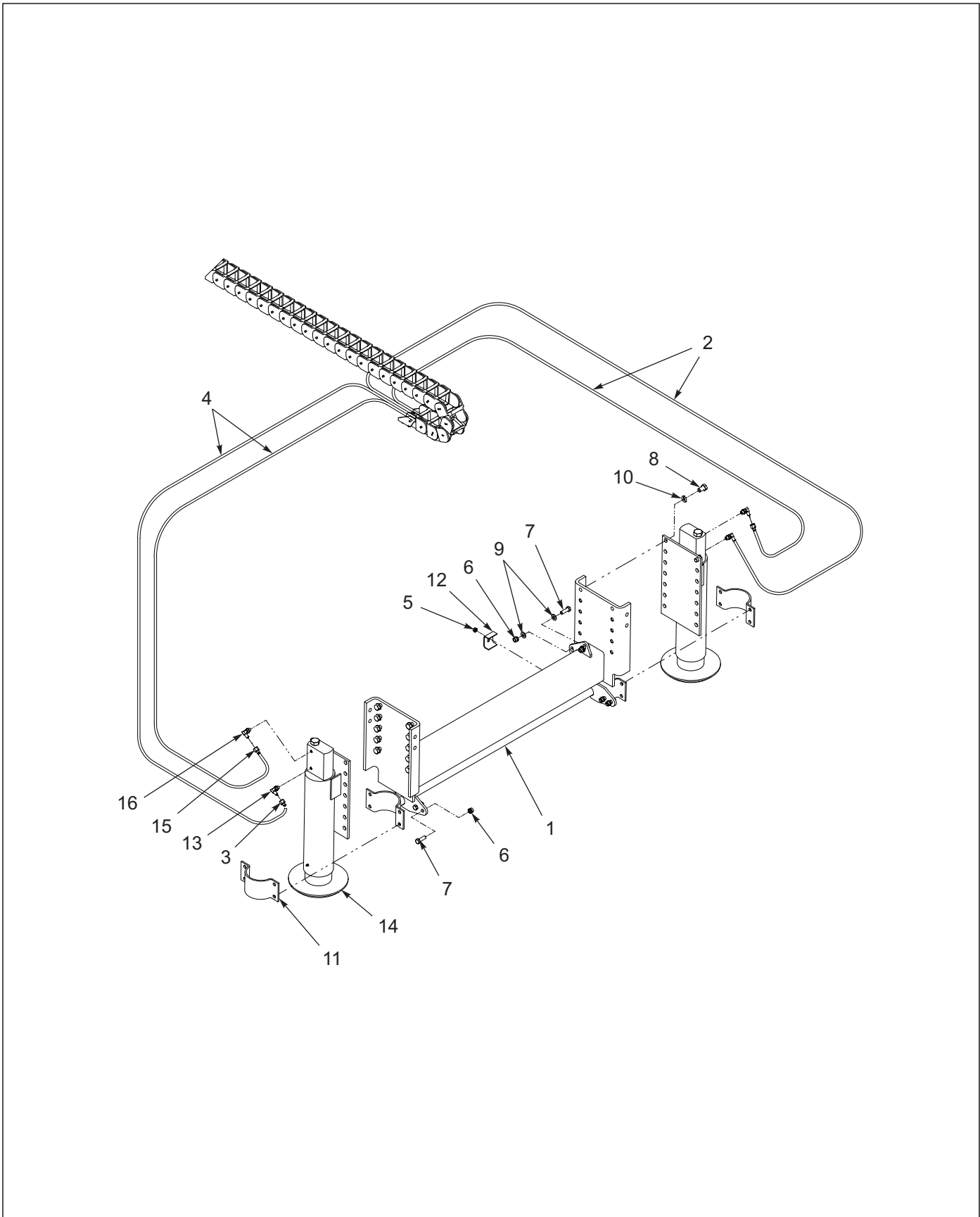


Figure 1-53: Dock Leveler Assembly - Single 60K

Dock Leveler Assembly - Single 60K

ITEM	PART NO.	DESCRIPTION	QTY.
	121498	DOCK LEVEL ASSEMBLY SINGLE 60K	
1	121402	MOUNT WELDMENT, D/L	1
2	122540	HOSE ASSEMBLY 1/4 X 240	2
3	1-007-010058	ADAPTER HYD #4 JIC W/ 3/32 RESTRICTOR	2
4	1-397-010262-5	HOSE ASSEMBLY 1/4 X 216	2
5	1-510-010001	NUT, FLANGE LOCK 3/8-16 GRB	5
6	1-512-010005-09	NUT, HEX LOCK 1/2-13 GRB	8
7	1-654-010055-03	SCREW, HEX HEAD CAP 1/2-13 X 1-1/2 GR5	8
8	1-654-010059-01	SCREW, HEX HEAD CAP 5/8-11 X 1 GR5	24
9	1-861-010032-14	WASHER, FLAT 1/2N	8
10	1-861-010034-15	WASHER, SPLIT LOCK 5/8	24
11	100348	MOUNTING BRACKET FOR CYLINDER	REF
12	2-181-010001	CLAMP, HOSE	3
13	2062-6-4S	ADAPTER, 90	4
14	3-242-010205	CYLINDER, HYDRAULIC 4X15 (W/ COLLAR) (SEE PAGE 1-92)	2
15	202702-6-4S	ADAPTER, STRAIGHT	2
16	138155	ADAPTER, 90	2
17	1-394-010002	HOSE, ABRASION SLEEVE X 2-7/8 (NOT SHOWN)	AR

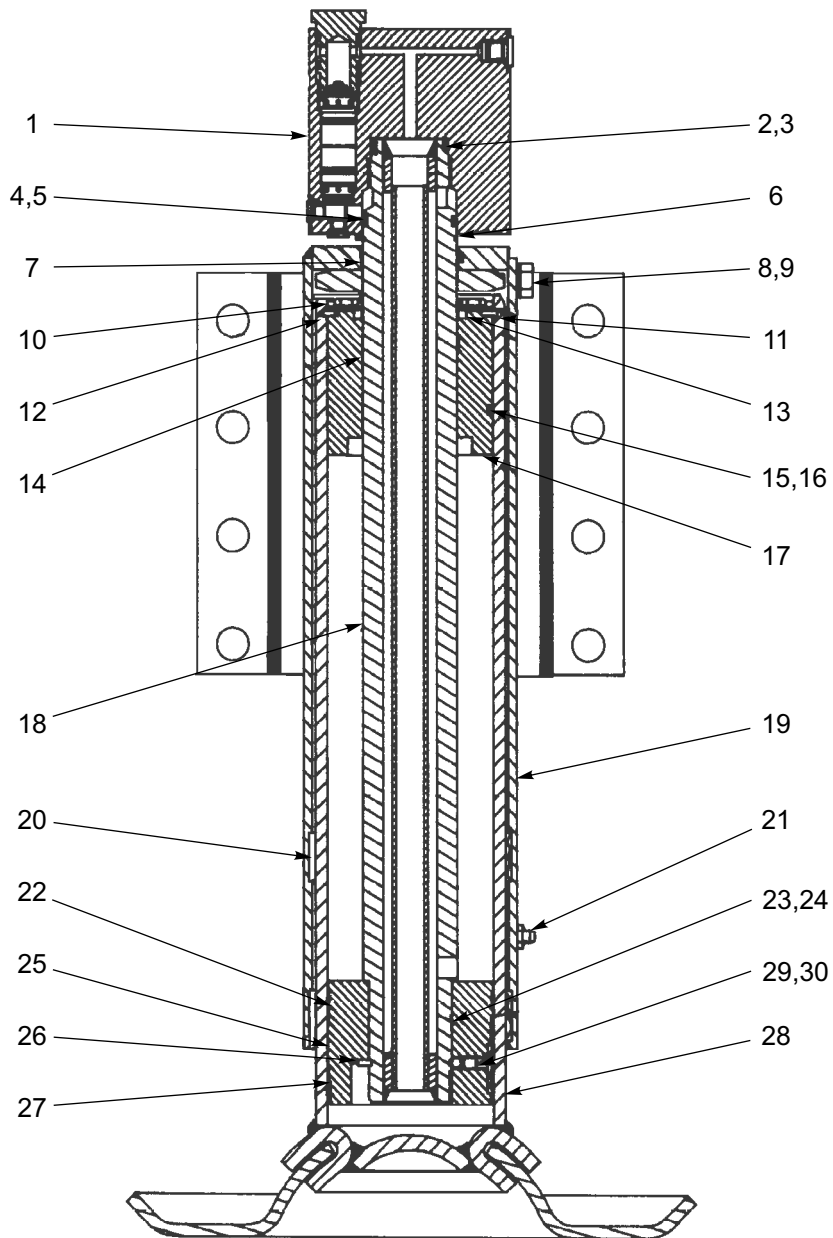
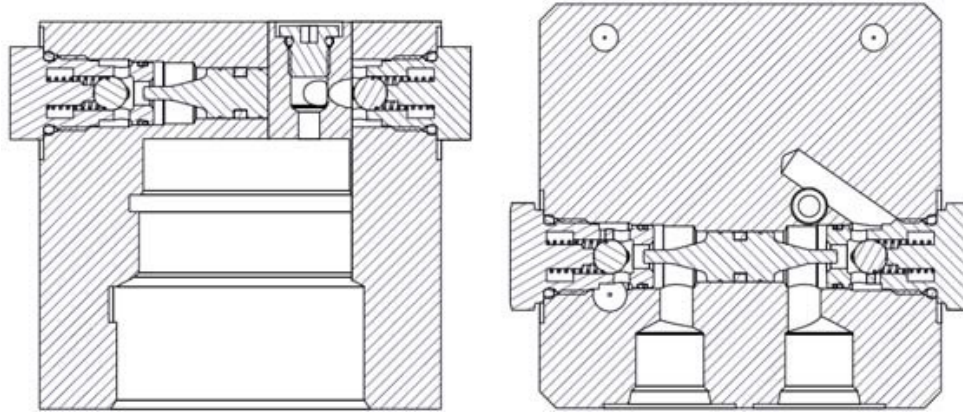
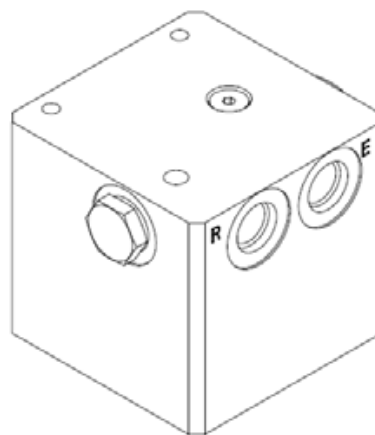


Figure 1-54: Dock Leveler Leg Assembly - W/ Lock Valve (1 of 2)



FRONT SECTION

TOP SECTION



STABILIZER LEG
COUNTER BALANCE VALVE

Figure 1-55: Dock Leveler Leg Assembly - W/ Lock Valve (2 of 2)

Dock Leveler Leg Assembly - W/ Lock Valve

ITEM	PART NO.	REFERENCE NO.	DESCRIPTION	QTY.
	3-242-010205		COMPLETE ASSEMBLY LEG CYL (60,000LB. CAP. 4.00" BORE)	
1	165769		VALVE SERVICE KIT	1
	165768		VALVE RETROFIT KIT	1
2	----	NSS*,**	O-RING	1
3	----	NSS*,**	BACK-UP WASHER	2
4	----	NSS*,**	O-RING	1
5	----	NSS*,**	BACK-UP WASHER	1
6	----	NSS**	SNAP RING 2" ROD	1
7	----	NSS**	O-RING	1
8	----	15-1021	SCREW, HEX HEAD CAP	1
9	----	16-1002	LOCK WASHER	1
10	----	15-1012	SCREW, HEX HEAD CAP	4
11	100279		CYLINDER HEAD RETAINER	1
12	----	NSS**	RETAINING RING	1
13	----	NSS**	OIL SEAL	1
14	----	NSS**	ROD SEAL	1
15	----	NSS**	O-RING	1
16	----	NSS**	BACK-UP WASHER	1
17	100276		CYLINDER HEAD	1
18	----	***	PISTON ROD	1
19	----	***	WELL TUBE	1
20	----	NSS**	WEAR RING	2
21	----	10-1001	GREASE FITTING	1
22	----	NSS**	PISTON SEAL	1
23	----	NSS**	O-RING	1
24	----	NSS**	BACK-UP WASHER	2
25	----	NSS**	WEAR RING	1
26	----	17-1003	SNAP RING	1
27	----	***	PISTON	1
28	----	***	CYLINDER TUBE	1
29	----	NSS**	NYLON BALL	1
30	----	NSS**	SET SCREW	1
31	100348		SPLIT COLLAR ASSEMBLY (60,000 LB.) (NOT SHOWN)	1

NOTE: P/N 100348 IS A NON SERVICABLE PART.

* - THESE ITEMS ARE CONTAINED IN THE LOCK VALVE REPAIR KIT 300085 NSS.

** - ITEMS ARE CONTAINED IN LEG REPAIR KIT 100422 4.00" BORE NSS.

*** STATE MODEL NUMBER AND PART DESCRIPTION WHEN ORDERING.

NSS: NOT SOLD SEPARATELY

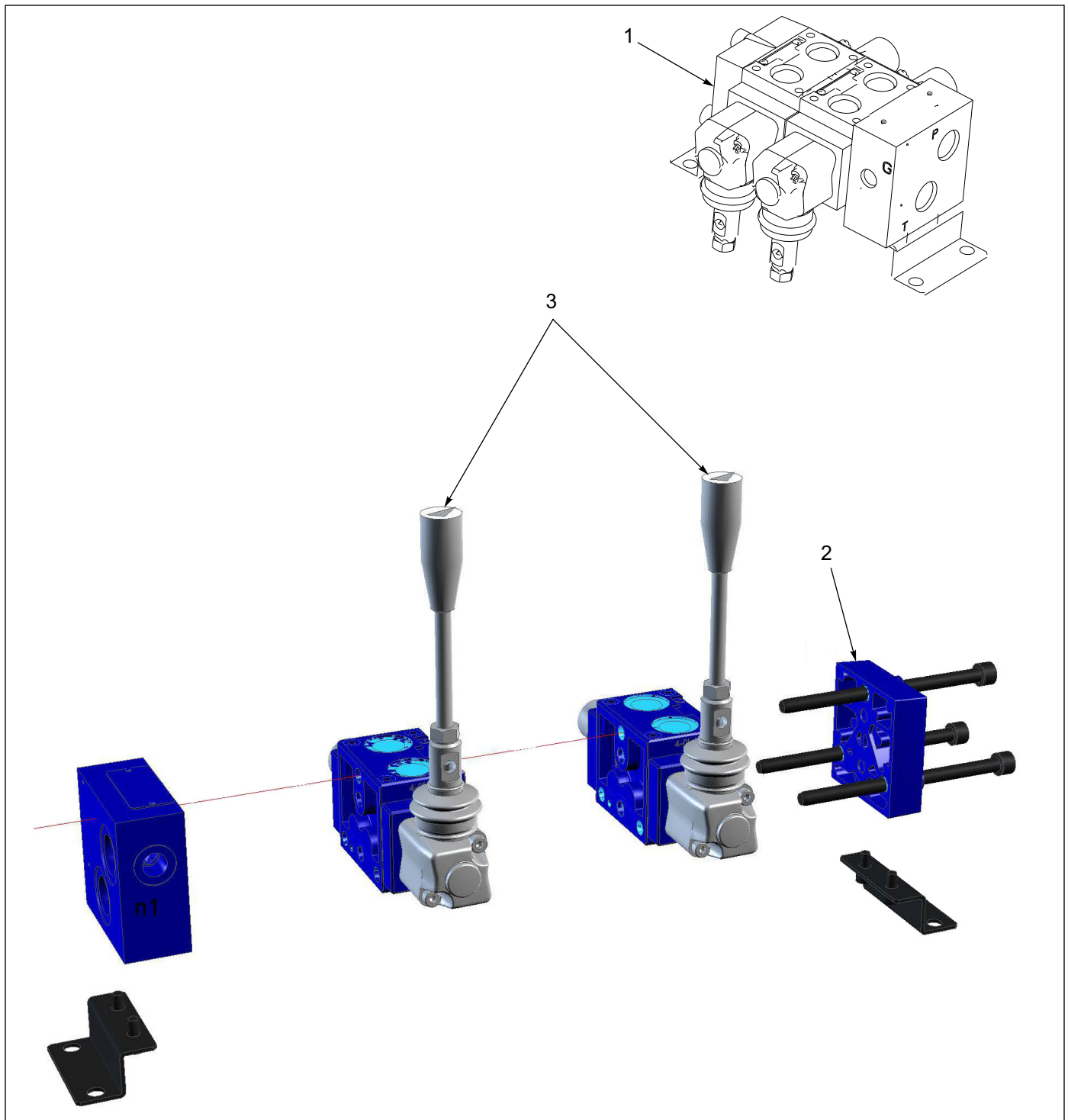


Figure 1-56: Dock Leveler Valve

Dock Leveler Valve

ITEM	PART NO.	REFERENCE NO.	DESCRIPTION	QTY.
1	189260	-----	DOUBLE SPOOL STACK VALVE-PARALLEL,	1
2	193448	R933009220	SPOOL POSITIONER SPRING CENTER	1
3	-----	-----	HANDLE	1
4	193342	R987367243	SEAL KIT (NOT SHOWN)	1

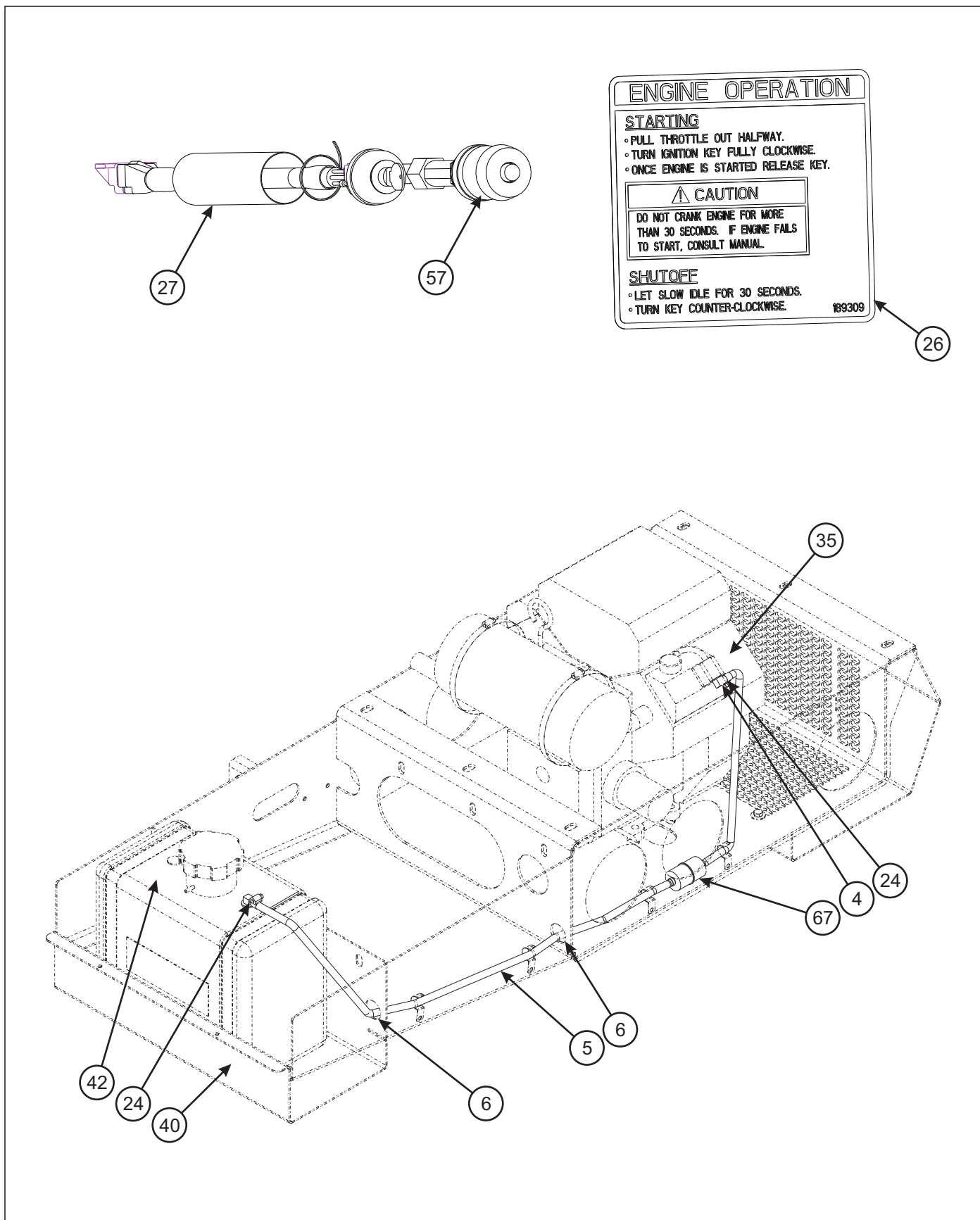


Figure 1-58: Engine - 25 HP (2 of 4)

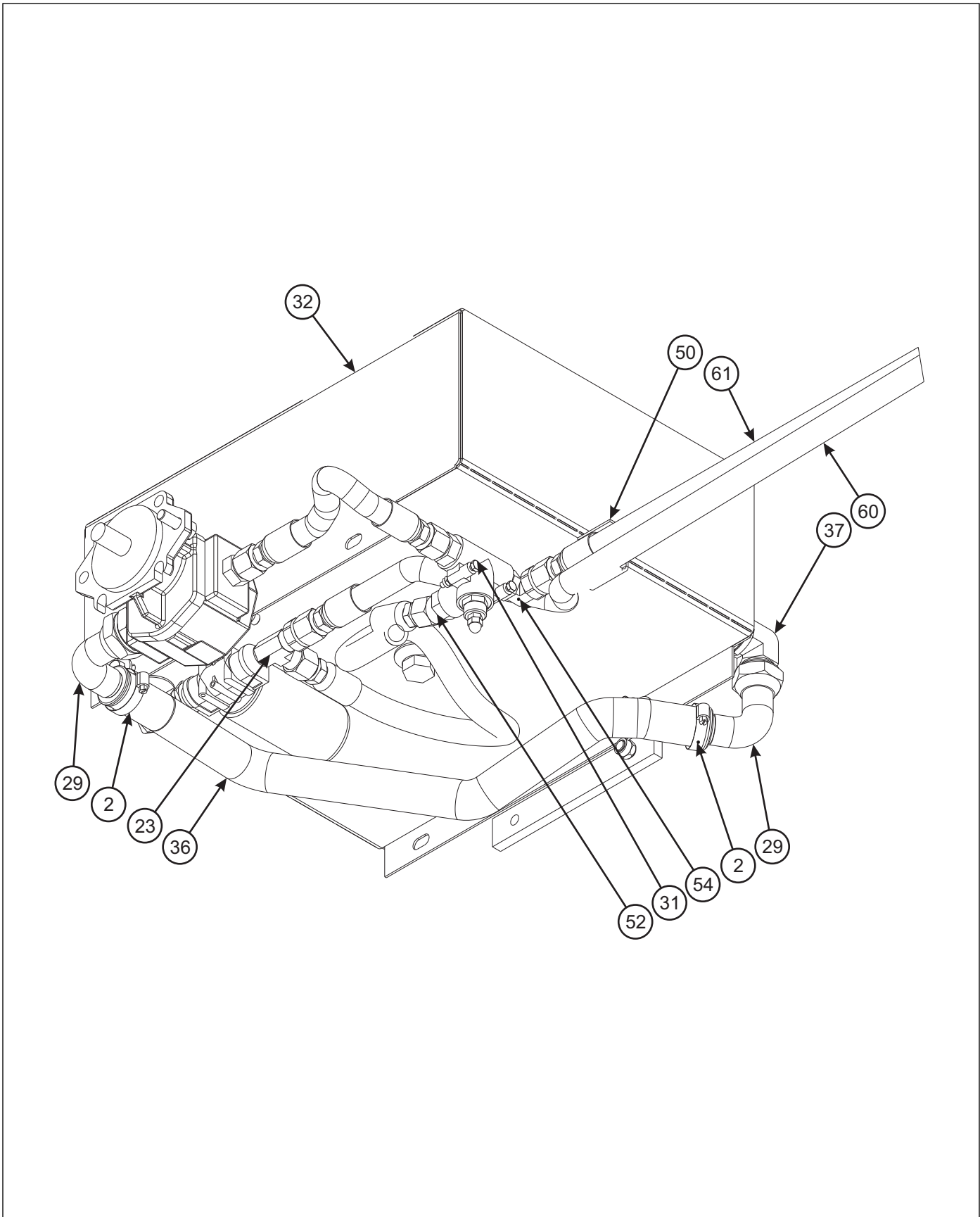


Figure 1-59: Engine Drive, 27 HP (3 of 4)

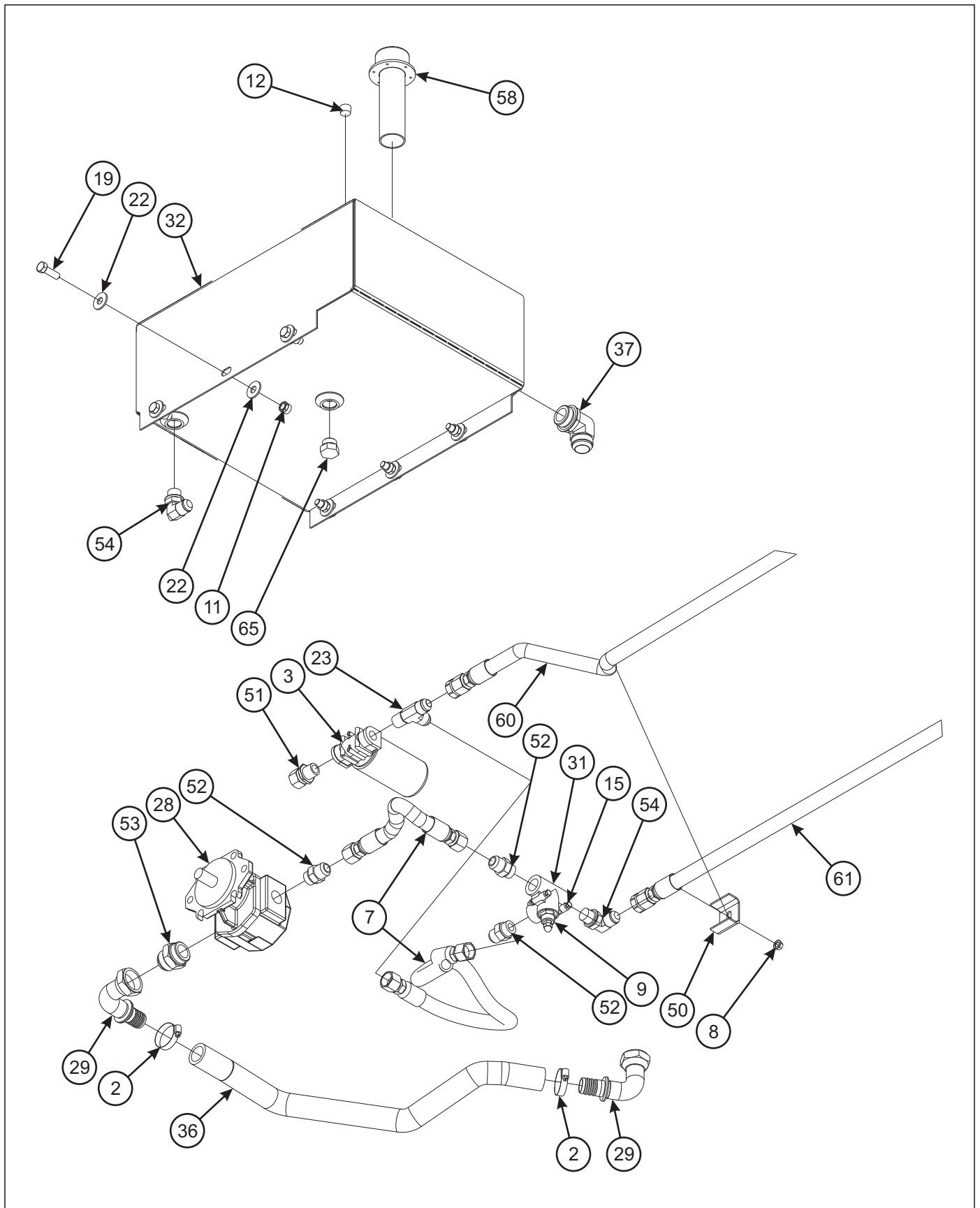


Figure 1-60: Engine - 25 HP (4 of 4)

Engine - 25 HP

ITEM	PART NO.	DESCRIPTION	QTY.
	163398	ENGINE DRIVE, 25HP EFI	
1	1-181-010046-21	CLAMP, HOSE	2
2	1-181-010046-7	CLAMP, HOSE	2
3	1-295-010001	RETURN LINE FILTER	1
	1-295-010002	FILTER ELEMENT	1
4	1-297-010034-01	FITTING, BR 90 BARB	1
5	1-316-010013	HOSE, 1/4 LOW PRESSURE FUEL LINE	4
6	1-343-010007	GROMMET	2
7	1-397-010304025	HOSE ASSEMBLY 3/4 X 25	2
8	1-510-010001	NUT, FLANGE HEAD SERRATED 3/8-16	4
9	1-512-010005-01	NUT, HEX LOCK 1/4-20 GRB	3
10	1-512-010005-05	NUT, HEX LOCK 3/8-16 GRB	13
11	1-512-010005-09	NUT, HEX LOCK 1/2-13 GRB	11
12	1-560-010002-04	PLUG, PIPE 1/2	4
13	1-654-010047-04	SCREW, HEX HEAD CAP 1/4-20 X 3/4 GR5	2
14	1-654-010047-08	SCREW, HEX HEAD CAP 1/4-20 X 1-1/2 GR5	2
15	1-654-010047-10	SCREW, HEX HEAD CAP 1/4-20 X 2 GR5	2
16	1-654-010051-05	SCREW, HEX HEAD CAP 3/8-16 X 1 GR5	3
17	1-654-010051-09	SCREW, HEX HEAD CAP 3/8-16 X 2 GR5	6
18	1-654-010055-01	SCREW, HEX HEAD CAP 1/2-13 X 1 GR5	6
19	1-654-010055-03	SCREW, HEX HEAD CAP 1/2-13 X 1-1/2 GR5	11
20	1-861-010032-07	WASHER, FLAT 1/4W	3
21	1-861-010032-11	WASHER, FLAT 3/8W	17
22	1-861-010032-15	WASHER, FLAT 1/2W	13
23	102-0204	ADAPTER, TEE	1
24	105-0105	CLAMP, HOSE	2
25	108417	NUT, HEX FLANGE SPIRALOCK 1/4-20	2
26	189309	DECAL, EFI ENG PKG INST.	1
27	178428	SWITCH & HARNESS KIT, HOLHER U/D	1
28	115888	PUMP, HYDRAULIC	1
29	116330	FITTING, 90	1
30	120659	ISOLATOR, KOHLER 25 HP MOUNT	2
31	120661	VALVE, HYDR PRESSURE RELIEF	1
32	120662	HYD. TANK WELDMENT 15G	1
33	121526	LATCH, COMPRESSION	1
34	123014	PLATE, MOTOR FRONT 25 HP	1
35	127813	ENGINE, KOHLER 27 HP PUMP MOUNT	1
36	139073	HOSE, SUCTION 1-1/4 X 33	1
37	141029	FITTING, 90	1
40	163400	MOUNT WELDMENT, ENG	1
41	163404	LID ACCESS, HYD TANK/FUEL	1
42	163425	TANK, FUEL PLASTIC 6 GAL	1
43	163426	STRAP, FUEL TANK	2
44	164005	EXTENSION, EXHAUST	1
45	164015	SHIELD, ENG HEAT	1
46	164016	SHIELD, SIDE EXTENSION	2
47	164017	LID WELDMENT, ENGINE PACKAGE (NOT SHOWN)	1
48	164804	SHIELD, ENGINE DRIVE	1

Engine - 25 HP

ITEM	PART NO.	DESCRIPTION	QTY.
49	1709AS669-01	J-BOLT 1/4-20 X 12 BATTERY HOLD-DOWN	2
50	2-181-010001	HOSE CLAMP	3
51	2018-12-12S	ADAPTER, HYDRAULIC	1
52	202702-12-12S	ADAPTER	1
53	202702-20-20S	ADAPTER	1
54	2062-12-12S	ADAPTER, 90°	4
55	2481X	BATTERY 12V	1
56	3-120-010124	BATTERY CLAMP BRACKET	1
57	3-155-010012	CABLE, THROTTLE	2
58	3-162-010001	FILLER-BREATHER-STRAINER ASSEMBLY	1
59	3-182-010028	CLAMP, MUFFLER	1
60	51073-16	HOSE ASSEMBLY 3/4 X 76.88	1
61	51073-36	HOSE ASSEMBLY 3/4 X 86	1
62	51325	TAPE, SILICA INSULATING (NOT SHOWN)	AR
63	514-9045-48	CABLE ASSEMBLY, BATTERY POSITIVE 48 INCH	1
64	514-9073-48	CABLE ASSEMBLY, BATTERY NEGATIVE 48 INCH	1
65	900598-12S	PLUG, O-RING	1
66	128501	REPLACEMENT MUFFLER KIT	1
67	142270	FUEL FILTER	1
68	142269	OIL FILTER	1
69	199105	FUEL FILTER KOHLER, 25-050-42-S (NOT SHOWN)	1
70	210377	FUEL PUMP KOHLER (NOT SHOWN)	1
71	10109	DECAL, HYDRAULIC FLUID ONLY	REF
72	218046	DECAL, GASOLINE ONLY	REF

Misc Options

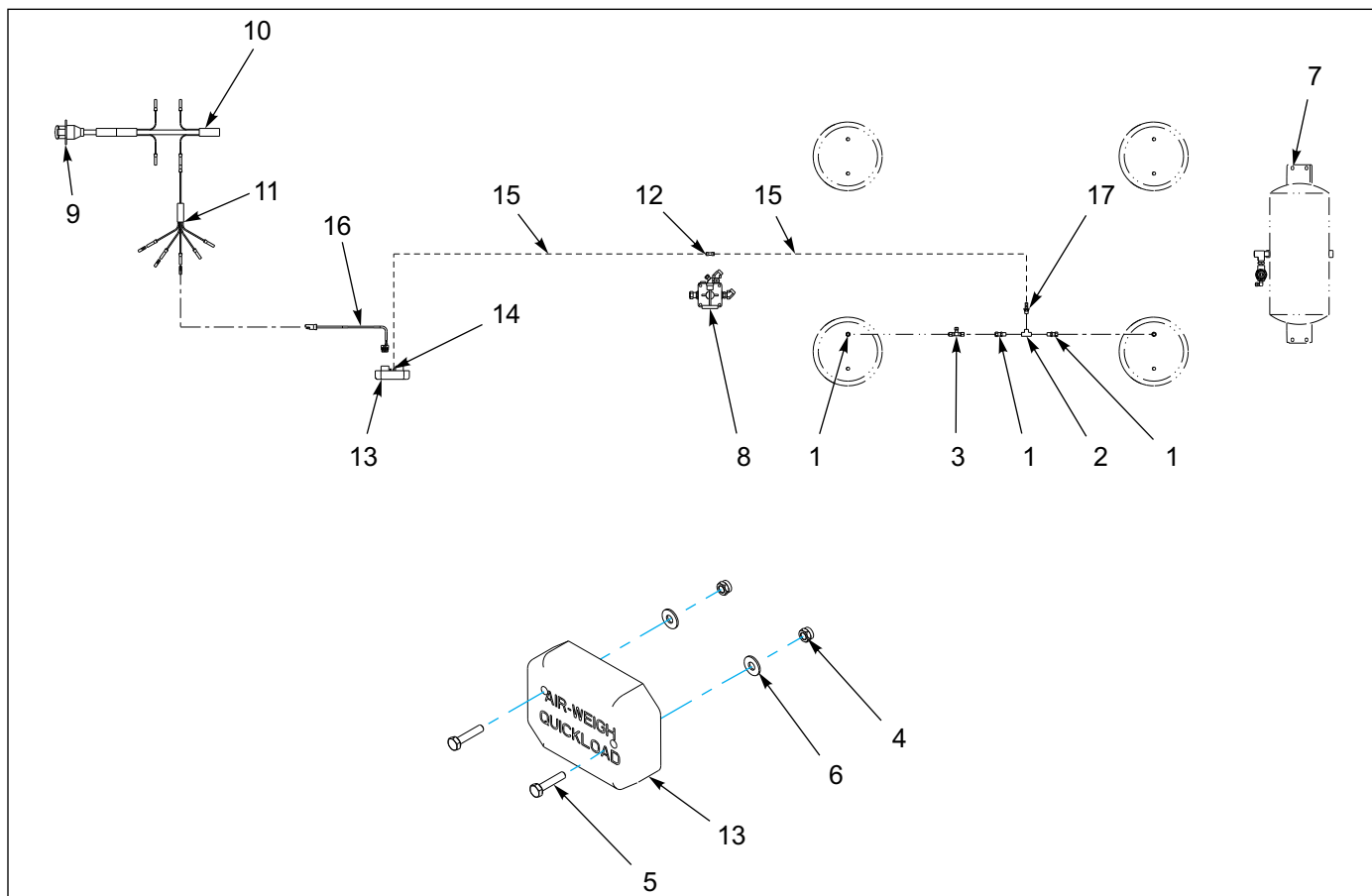


Figure 1-61: Air Digital Scale - Quickload System

Air Digital Scale - Quickload System

ITEM	PART NO.	DESCRIPTION	QTY.
	175358	SCALE INSTALLATION, QUICKLOAD SYSTEM	
1	1-297-010007-11	FITTING AIR	2
2	1-297-010009-02	FITTING, AIR PIPE TEE	1
3	1-297-010010-04	FITTING AIR UNION TEE	REF
4	1-512-010005-01	NUT HEX LOCK 1/4-20 GRB	REF
5	1-654-010047-07	SCREW, HEX HEAD CAP 1/4-20 X 1-1/4 GR5	REF
6	1-861-010032-07	WASHER, FLAT 1/4	REF
7	-----	SUSPENSION, AIR RLU A/R	REF
8	141607	AIR BOOSTER VALVE ASSEMBLY	REF
9	143100	HARNES, 7 WAY RECEPTACLE	REF
10	143101	HARNES, FRONT MAIN	REF
11	150093	HARNES, 5 AUXILIARY BRANCHES	REF
12	175359	UNION, AIR HOSE	1
13	175360	SCALE, AIR QL ,TRAVEL AXLE MODIFIED (ITEMS 14-17)	1
14	175363	SPRING HOSE CLAMP	1
15	175365	AIR LINE	1
16	184392	CABLE, TRAILER, POWER, BLUNT CUT, 15'	1
17	180221	HOSE BARB FITTING, BRASS	1

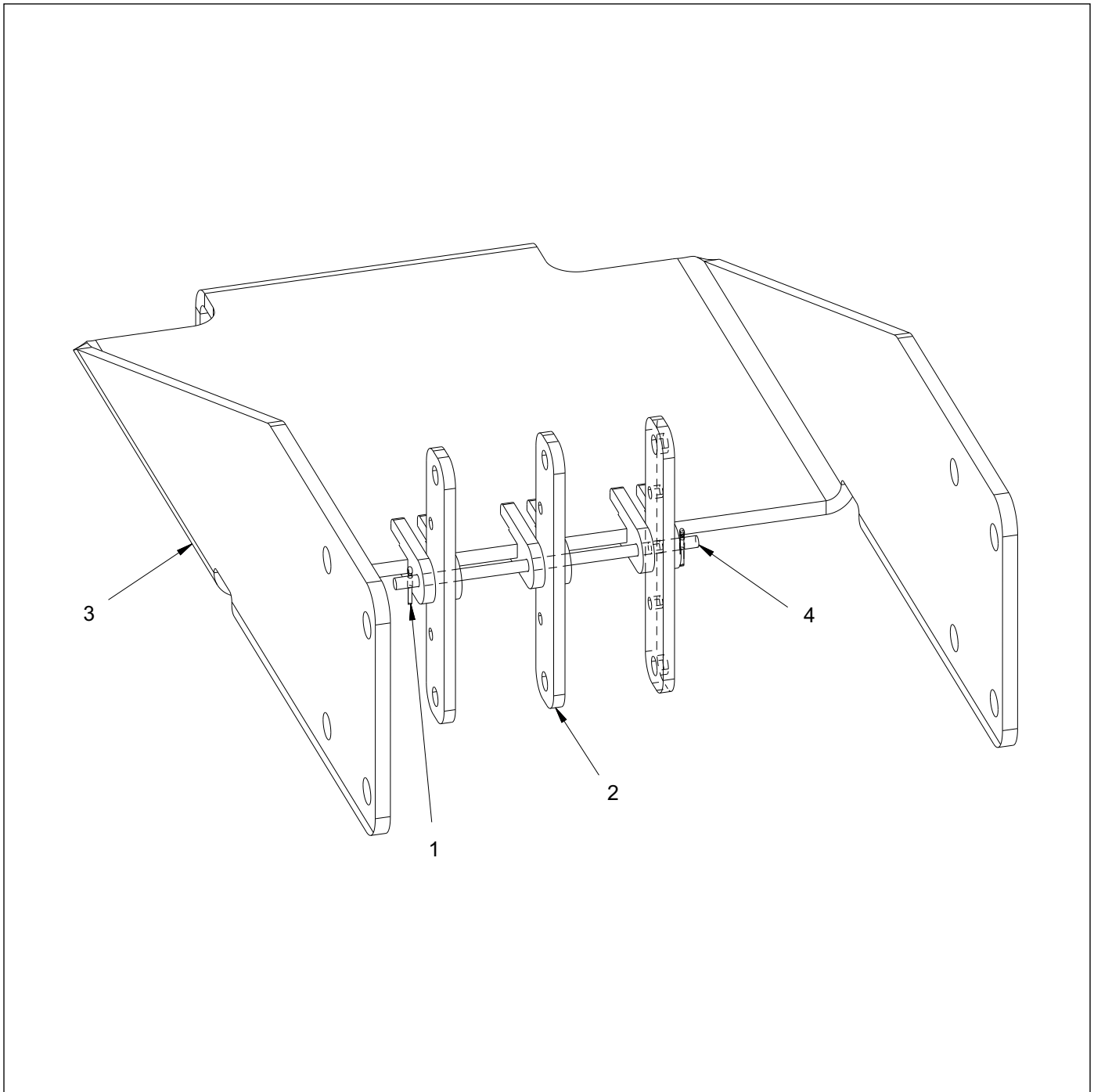


Figure 1-62: Control Cable Mount Assembly

Control Cable Mount Assembly

ITEM	PART NO.	DESCRIPTION	QTY.
	202408	CONTROL CABLE MOUNT ASSEMBLY	
1	114067	PIN, COTTER 1/16 X 1/2	2
2	202406	HANDLE VALVE CONTROL	3
3	202407	MOUNT WLDMT CONTROL CABLE	2
5	3-557-010251	PIN, VALVE HANDLE	1

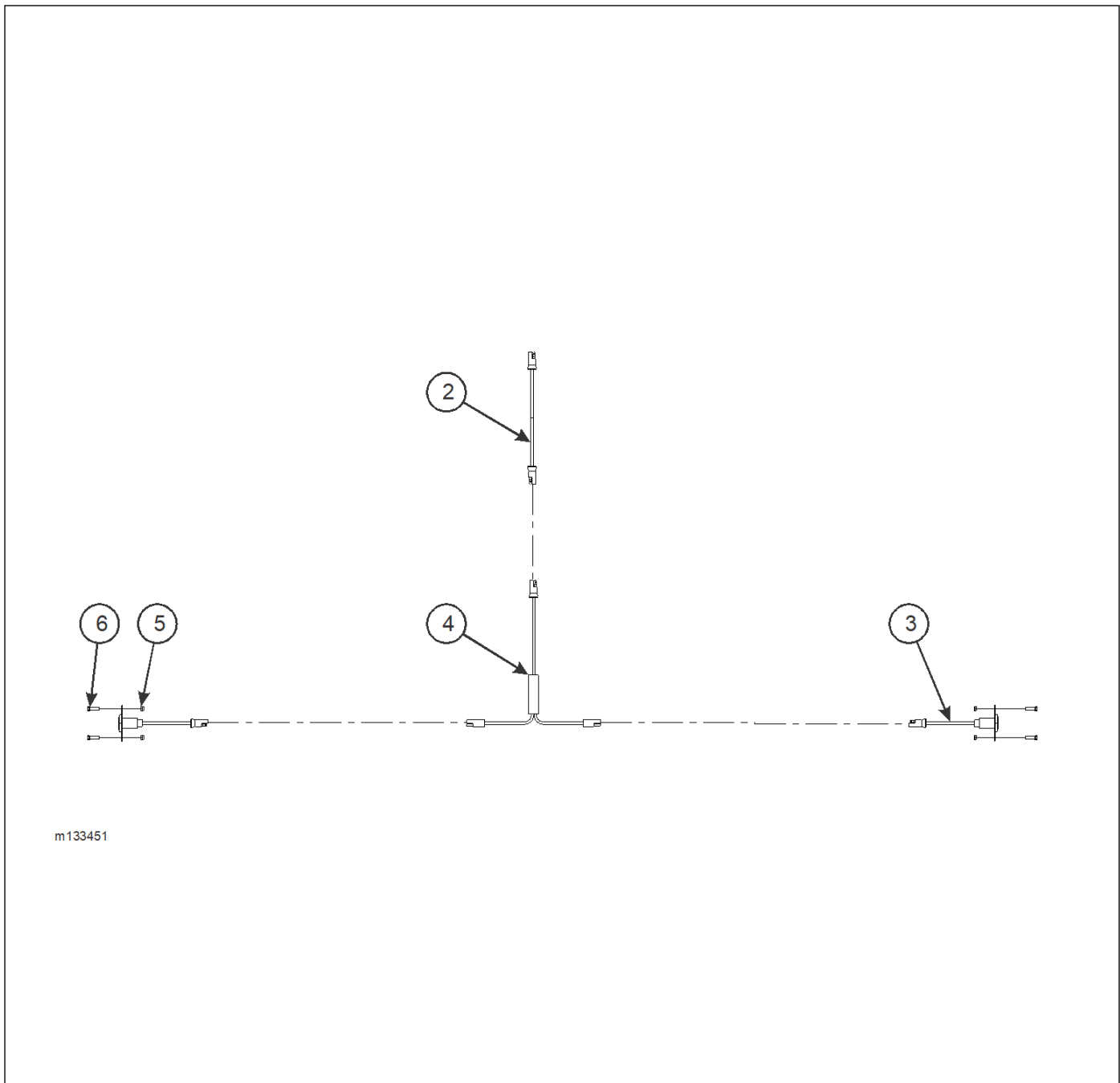


Figure 1-63: Electrical Accessory Outlet Installation (Option)

Electrical Accessory Outlet Installation (Option)

ITEM	PART NO.	DESCRIPTION	QTY.
	133451	ELECTRICAL ASSESSORY OUTLET INSTALLATION	
2	150111	HARNESS, 300"	1
3	150116	HARNESS/RECEPTACLE ASSEMBLY	2
4	167965	HARNESS, JUMPER T-POWER	1
5	1-512-010005-01	NUT, HEX LOCK 1/4-20 GRB	4
6	1-654-010047-06	SCREW, HEX HEAD CAP 1/4-20 X 1 GR5	4

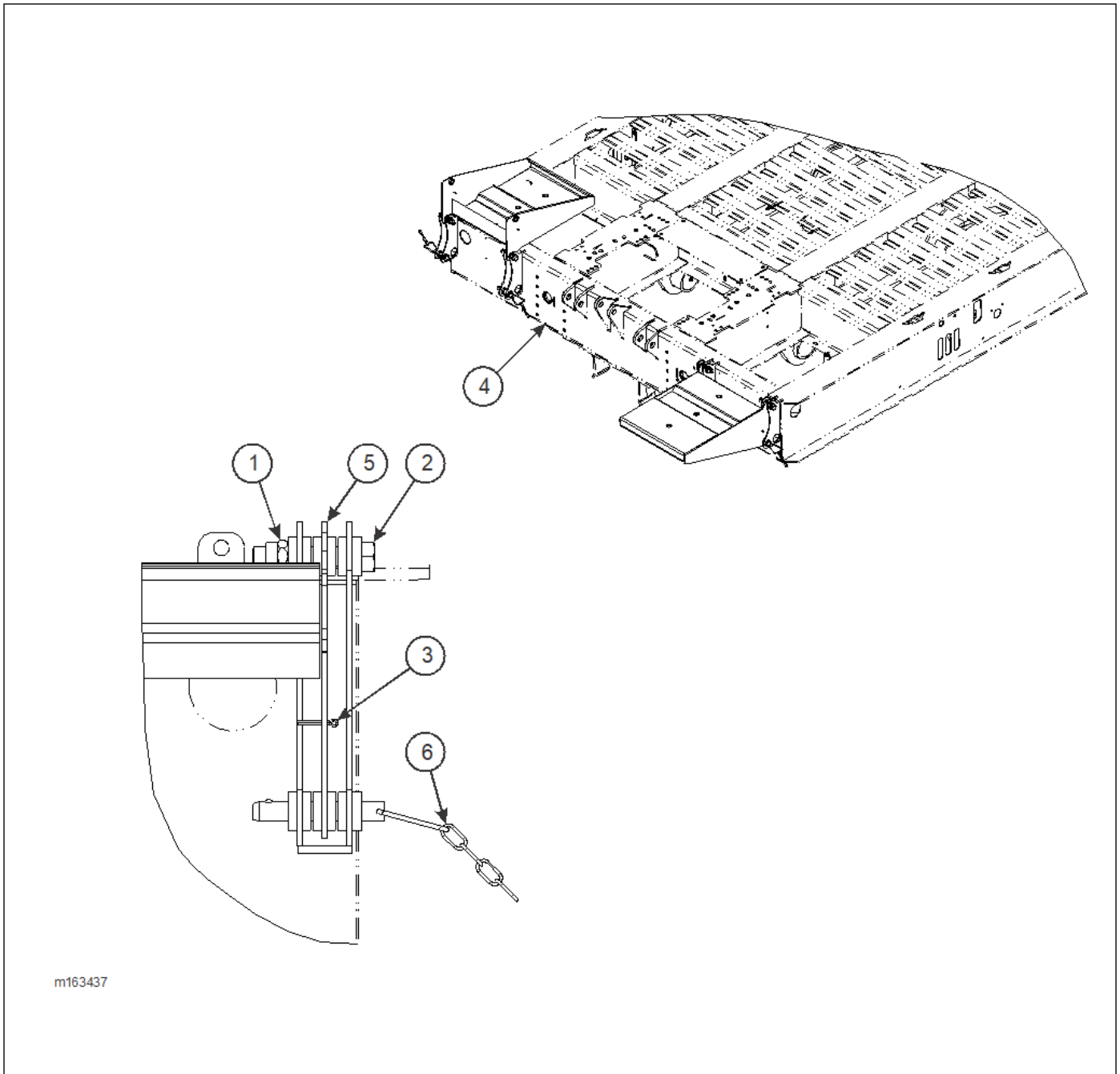


Figure 1-64: Extension - Front Flip Installation (Option)

Extension - Front Flip Installation (Option)

ITEM	PART NO.	DESCRIPTION	QTY.
	163437	EXTENSION FRONT FLIP INSTALLATION	
1	1-512-010005-13	NUT, HEX LOCK 5/8-11 GRB	4
2	1-654-010059-11	SCREW, HEX HEAD CAP 5/8-11 X 3-1/2 GR5	4
3	101386	PIN, COTTER 1/8 X 1	4
4	163438	FRAME, MODIFIED FRONT FLIP	1
5	163439	EXTENSION WELDMENT, FRONT FLIP	2
6	2-557-010426	PIN, DETENT W/ CHAIN 5/8	4

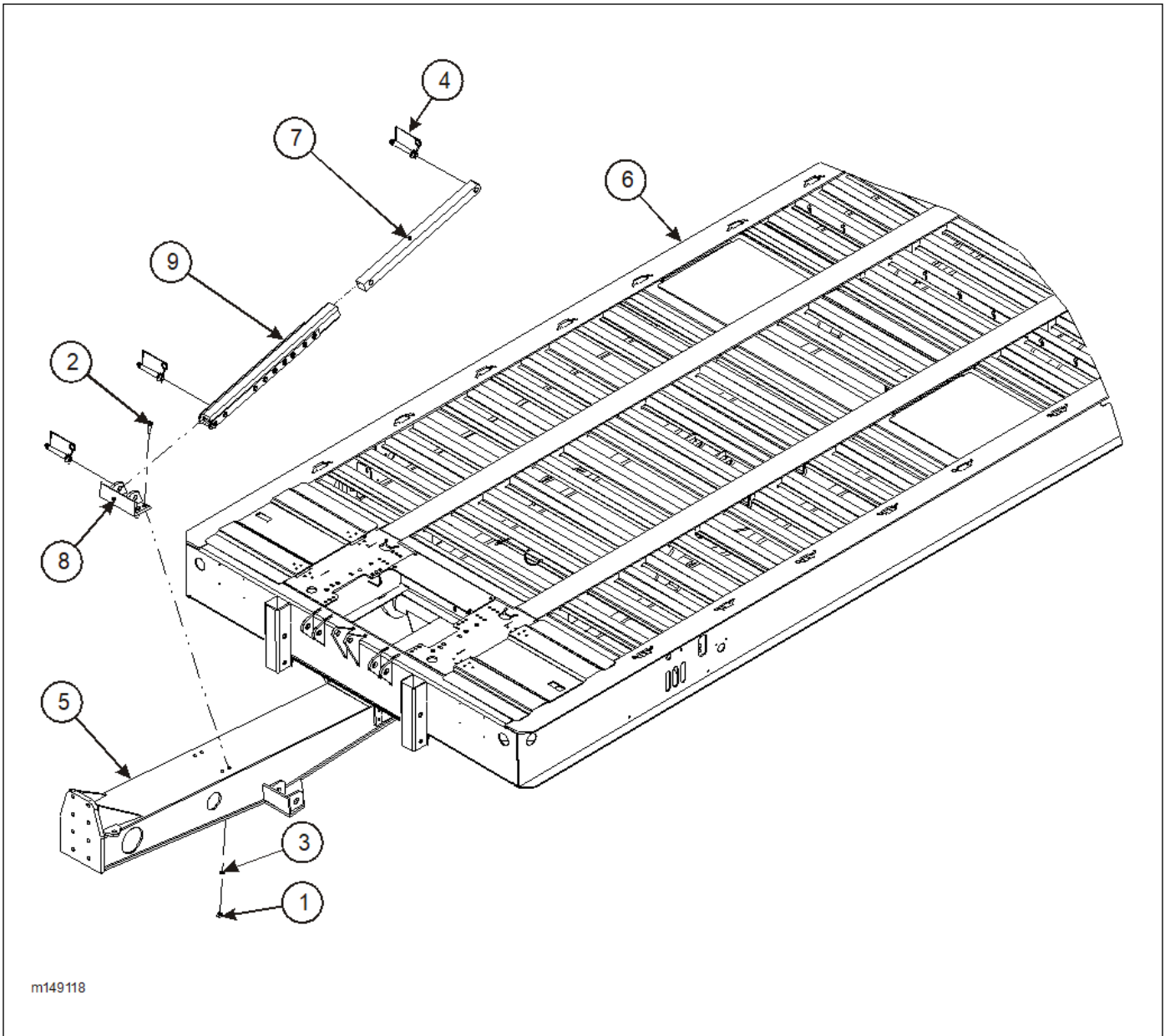


Figure 1-65: Hitch Lock Installation (Option)

Hitch Lock Installation (Option)

ITEM	PART NO.	DESCRIPTION	QTY.
	149118	HITCH LOCK INSTALLATION	
1	1-512-010007-11	NUT, HEX 5/8-11 GR2	4
2	1-654-010059-05	SCREW, HEX HEAD CAP 5/8-11 X 2 GR5	4
3	1-861-010034-15	WASHER, SPLIT LOCK 5/8	4
4	100SL	LOCK, HITCH PIN 1 X 5-1/2	3
5	----	HITCH WELDMENT, 7'	REF
6	----	FRAME WELDMENT	REF
7	3-311-015070	SHAFT, TILT LOCK	1
8	3-311-015075	MOUNT WELDMENT, LOWER	1
9	3-311-015078	TUBE WELDMENT, TILT LOCK	1

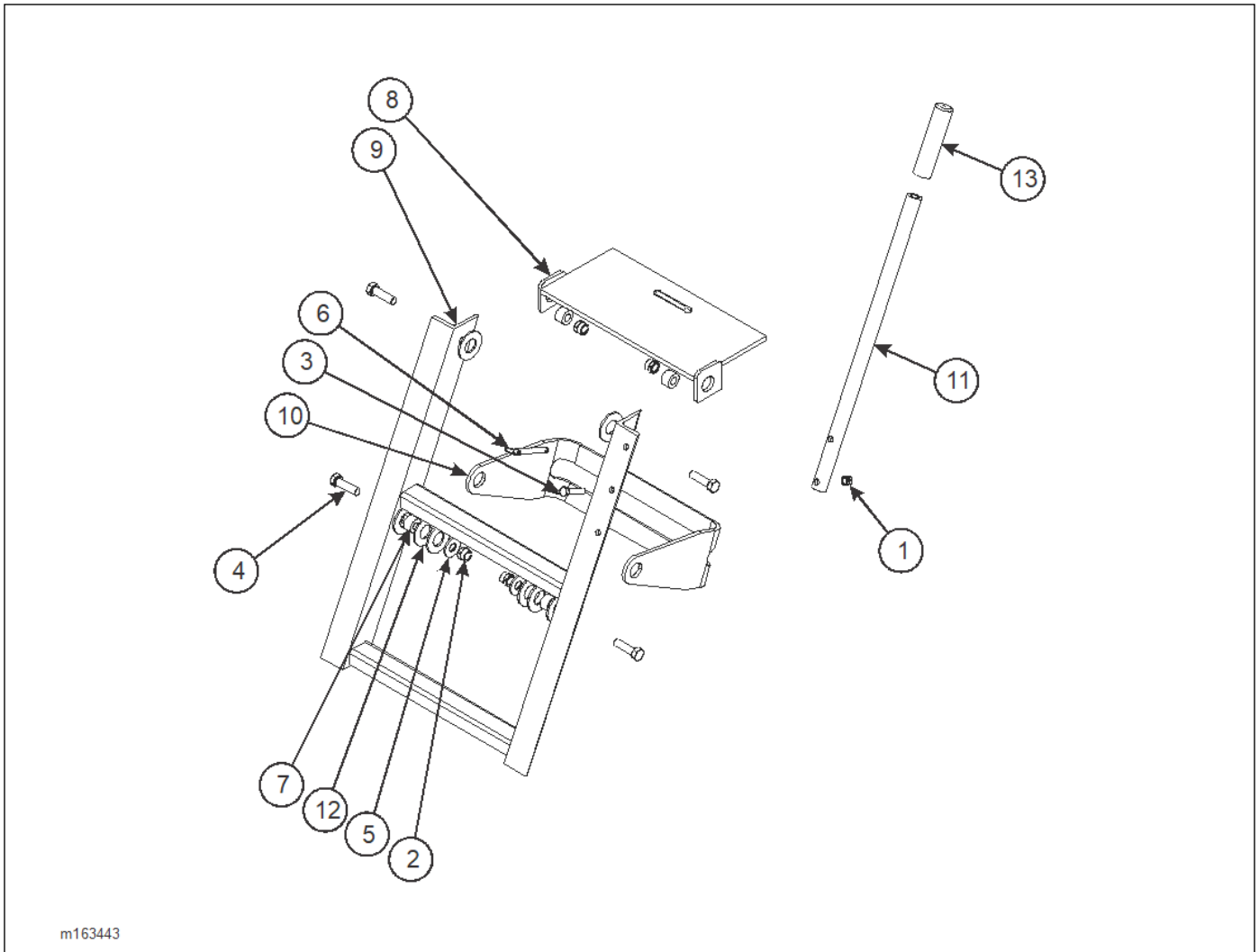


Figure 1-66: Trailer Deck Ladder Assembly (Option)

Trailer Deck Ladder Assembly (Option)

ITEM	PART NO.	DESCRIPTION	QTY.
	163443	LADDER ASSEMBLY, TRAILER DECK	
1	1-512-010005-05	NUT, HEX LOCK 3/8-16 GRB	13
2	1-512-010005-09	NUT, HEX LOCK 1/2-13 GRB	11
3	1-654-010051-08	SCREW, HEX HEAD CAP 3/8-16 X 1-3/4 GR5	10
4	1-654-010055-04	SCREW, HEX HEAD CAP 1/2-13 X 1-3/4 GR5	8
5	1-861-010032-15	WASHER FLAT 1/2W	2
6	125532	PIN, SELF-LOCKING 3/8 X 2.5	1
7	125799	SPACER, 1 OD X 1/2 ID X .632	4
8	163444	MOUNT WELDMENT, LADDER ANCHOR	1
9	163448	LADDER, TRAILER DECK	1
10	163452	SUPPORT, LADDER	1
11	163453	HANDLE, LADDER ASSIST	1
12	163465	WASHER, RUBBER 2 OD X 1 ID X 1/8	8
13	519-9967	GRIP, HANDLE	1

Page Intentionally Blank

TABLE OF CONTENTS

Index

Symbols

#242 LOCKTITE 1-28

Numerics

005-074-00 1-43

005-098-00 1-43

005-099-00 1-43

006-114-00 1-43

006-115-00 1-43

010-052-00 1-43

010700437 1-87

011300179 1-18

034-058-07 1-43

034-188-08 1-43

034-189-08 1-43

040-320-01 1-43

046-097-00 1-43

056-018-00 1-43

069-078-00 1-43

081900277 1-18

085-002-02 1-53

100276 1-94

100279 1-94

100348 1-91, 1-94

100401 1-45

100402 1-45

100600 1-5, 1-55, 1-63, 1-65

1-007-010058 1-91

10078 1-58, 1-71

100941 1-28, 1-31

100SL 1-106

10109 1-101

101386 1-105

101528 1-33

101848 1-49

102-0031 1-83, 1-89

102-0204 1-100

102-0323 1-13, 1-15

102-1097 1-89

102-1112 1-13, 1-15, 1-69

102-1238 1-69

102186 1-63

102187 1-65

102188 1-61, 1-65

102361 1-41

102363 1-31, 1-41

102364 1-41

102732 1-37, 1-39

103055 1-28, 1-31

103056 1-28, 1-31

103805 1-43

104031 1-10

104034 1-28, 1-31

1046 1-73

105-0105 1-100

105408 1-41

105479 1-13, 1-15

105480 1-13, 1-15

105481 1-13, 1-15

105482 1-13, 1-15

10562-00 1-35

105822 1-13, 1-15

106046 1-79

106956 1-71

107368 1-65, 1-67, 1-74

TABLE OF CONTENTS

107369	1-65, 1-74	111870	1-87
107486	1-59, 1-61, 1-69	112047	1-45
108417	1-25, 1-100	112158	1-83
108801	1-17	11240	1-58
108802	1-17	112492	1-45
109161	1-85	11308	1-57
109533	1-41	11309	1-71
109711	1-85	11310	1-71
109712	1-85	113536	1-45
110435	1-10	11368	1-57
110448	1-72	11398	1-72
110451	1-72	11402	1-71
110452	1-58, 1-72	114067	1-103
110993	1-10	11407	1-71
111008	1-41	11411	1-71
111010	1-41	11419	1-71
111011	1-41	11420	1-71
111012	1-41	11421	1-71
111013	1-41	11425	1-71
111014	1-41	11426	1-72
111015	1-41	11429	1-71
111016	1-41	11430	1-71
111017	1-41	11431	1-71
111018	1-41	11434	1-71
111019	1-41	11440	1-71
111021	1-39	11441	1-71
111022	1-41	11446	1-71
111023	1-41	114584	1-47, 1-49
11117	1-57	114588	1-49
11128	1-57	114590	1-49
11129	1-57	114983	1-85
11130	1-57	115701	1-43
11133	1-57	115703	1-35, 1-43
11142	1-57	115888	1-100
11144	1-57	11599	1-71
111791	1-19	116330	1-100
111794	1-19	116429	1-83

TABLE OF CONTENTS

116800	1-85	125799	1-107
117304	1-47	125892	1-65
11791	1-72	125904	1-22
1-181-010046-21	1-100	126588	1-78
1-181-010046-7	1-100	126589	1-78
118-2659-1	1-33	126900	1-41
118-2659-9	1-47	12767	1-72
11837	1-57	127708	1-41
118897	1-28, 1-31	127813	1-100
118914	1-89	12783	1-71
119580	1-28, 1-31	12817	1-57
119621	1-61, 1-65	128501	1-101
119622	1-61, 1-65	129006	1-41
120584	1-35	1-295-010001	1-100
120659	1-10, 1-28, 1-100	1-295-010002	1-100
120661	1-100	1-297-010007-04	1-67
120662	1-100	1-297-010007-05	1-67
12073	1-71	1-297-010007-11	1-37, 1-102
12075	1-57	1-297-010007-12	1-17, 1-47
121002	1-13, 1-15	1-297-010008-05	1-67
121031	1-69	1-297-010008-07	1-37, 1-51, 1-67
121077	1-31	1-297-010008-18	1-47
121333	1-83	1-297-010008-23	1-47
121402	1-91	1-297-010008-24	1-47
12146	1-72	1-297-010008-26	1-47
121498	1-31, 1-91	1-297-010009-02	1-102
121526	1-100	1-297-010010-01	1-37, 1-51
122540	1-91	1-297-010010-04	1-37, 1-102
123014	1-100	1-297-010011-02	1-67
123490	1-89	1-297-010012-16	1-17
1-242-010178-2	1-87	1-297-010013-16	1-47
1-242-010180-2	1-83, 1-87	1-297-010015-09	1-67
12420301-017	1-5	1-297-010017-03	1-47
124549	1-71	1-297-010018-04	1-37, 1-47
124559	1-31	1-297-010020-02	1-67
12465	1-71	1-297-010021-05	1-17
125532	1-107	1-297-010022-02	1-67
125564	1-19	1-297-010031-02	1-67

TABLE OF CONTENTS

1-297-010032-03	1-67	1-397-010301136	1-13, 1-15
1-297-010034-01	1-100	1-397-010301148	1-13, 1-15
1-298-010001-1	1-77	1-397-010302072	1-55
13005	1-57	1-397-010304025	1-100
13028	1-58, 1-72	1-397-010307099	1-83
1-316-010013	1-100	1406053	1-89
132150	1-13	141029	1-100
133451	1-104	141607	1-10, 1-17, 1-102
13424	1-58, 1-72	141708	1-41
1-343-010007	1-100	142269	1-101
13468	1-57	142270	1-101
134781	1-75, 1-79	1422896	1-89
136202	1-43	142545	1-33
136257	1-31	142553	1-33
13680	1-58	142738	1-83
136991	1-43	143100	1-102
136992	1-43	143101	1-102
137974	1-85	143103	1-25
138155	1-91	143114	1-25
138179	1-83	143123	1-25
13839	1-57	143155	1-13, 1-15
1-384-010038056	1-47	143166	1-25
1-384-010038204	1-47	143246	1-61, 1-65
1-384-010041-2	1-17	144979	1-43
1385	1-7	145598	1-76
139073	1-100	145599	1-76
139287	1-43	147190	1-25
1-394-010001	1-47	147191	1-25
1-394-010002	1-91	149082	1-10
139478	1-72	149091	1-28
139479	1-71	149093	1-10
139529	1-53	149100	1-7, 1-55
139552	1-67	149118	1-106
1-397-010262-5	1-91	149878	1-10, 1-15
1-397-010301024	1-22, 1-83	149883	1-15
1-397-010301030	1-13, 1-15	149891	1-10
1-397-010301070	1-55	149901	1-28, 1-35

TABLE OF CONTENTS

149902	1-28, 1-35	156655	1-43
149920	1-55	157702	1-51, 1-53
149926	1-10	157705	1-53
149927	1-10	157706	1-53
149928	1-10	158576	1-10
150076	1-10	158581	1-22
150093	1-102	159337	1-53
150111	1-104	159338	1-53
150116	1-104	159732	1-28, 1-31
150117	1-25	160537	1-19
150993	1-25	160542	1-18
1-510-010001	1-10, 1-28, 1-31, 1-47, 1-83, 1-91, 1-100	161845	1-59
1-510-010004-03	1-10, 1-13, 1-15, 1-17	161848	1-31
1-512-010004-03	1-65	1-626-010002-06	1-83
1-512-010005-01	1-10, 1-25, 1-37, 1-39, 1-79, 1-100, 1-102, 1-104	163385	1-81
1-512-010005-02	1-10, 1-15	163386	1-81
1-512-010005-03	1-83, 1-89	163398	1-100
1-512-010005-05	1-22, 1-47, 1-55, 1-63, 1-67, 1-75, 1-81, 1-100, 1-107	163400	1-100
1-512-010005-09	1-10, 1-55, 1-59, 1-61, 1-63, 1-65, 1-74, 1-76, 1-77, 1-78, 1-91, 1-100, 1-107	163404	1-100
1-512-010005-13	1-61, 1-65, 1-81, 1-83, 1-105	163425	1-100
1-512-010005-15	1-10, 1-28, 1-31	163426	1-100
1-512-010007-03	1-25	163427	1-75
1-512-010007-05	1-10, 1-28, 1-31, 1-51, 1-65, 1-74	163428	1-75
1-512-010007-09	1-41	163432	1-61
1-512-010007-11	1-106	163437	1-105
1-512-010007-12	1-7, 1-65	163438	1-105
1-512-010010-12	1-7	163439	1-105
152674	1-69	163443	1-107
154166	1-71	163444	1-107
1-557-010362-54	1-10	163448	1-107
155780	1-5	163452	1-107
1-560-010002-02	1-47	163453	1-107
1-560-010002-03	1-47	163458	1-81
1-560-010002-04	1-47, 1-100	163463	1-81
1-560-010002-05	1-47	163465	1-107
		163472	1-71
		163502	1-85
		163620	1-75

TABLE OF CONTENTS

16398-04	1-35	1-654-010055-16	1-55
163984	1-83	1-654-010055-17	1-63
163985	1-83	1-654-010059-01	1-91
163990	1-79	1-654-010059-03	1-81, 1-83
163991	1-79	1-654-010059-05	1-106
163993	1-83	1-654-010059-11	1-105
164005	1-100	1-654-010059-15	1-61, 1-65
164015	1-100	1-654-010061-06	1-10
164016	1-100	1-654-010061-07	1-7
164017	1-100	1-654-010141-04	1-65
1-647-010004255	1-61, 1-65	1-654-010158-1	1-10, 1-25, 1-28, 1-31
164804	1-100	1-656-010003051	1-25
1-654-010024055	1-65	165768	1-94
1-654-010032-09	1-7	165769	1-94
1-654-010032-4	1-28, 1-31	166844	1-10, 1-15
1-654-010036-05	1-65, 1-67	167537	1-65, 1-67, 1-69
1-654-010047-04	1-10, 1-39, 1-100	167543	1-7
1-654-010047-06	1-25, 1-37, 1-51, 1-104	167544	1-7
1-654-010047-07	1-10, 1-102	167692	1-39
1-654-010047-08	1-100	167965	1-104
1-654-010047-10	1-100	168648	1-25
1-654-010049-03	1-22, 1-45	169365	1-13, 1-15
1-654-010049-05	1-13, 1-15, 1-89	169832	1-53
1-654-010049-06	1-17	1709AS669-01	1-101
1-654-010049-11	1-83	174084	1-7
1-654-010051-03	1-77	174086	1-7
1-654-010051-05	1-83, 1-100	174087	1-7
1-654-010051-06	1-55, 1-63	174088	1-7
1-654-010051-07	1-10, 1-28, 1-31	175358	1-102
1-654-010051-08	1-47, 1-107	175359	1-102
1-654-010051-09	1-100	175360	1-102
1-654-010051-10	1-22, 1-81	175363	1-102
1-654-010051-11	1-83	175365	1-102
1-654-010055-01	1-65, 1-74, 1-100	176473	1-51
1-654-010055-03	1-10, 1-65, 1-91, 1-100	178428	1-100
1-654-010055-04	1-55, 1-59, 1-61, 1-63, 1-65, 1-78, 1-107	178444	1-10, 1-15, 1-89
1-654-010055-05	1-65, 1-76, 1-77	178749	1-53

TABLE OF CONTENTS

178751	1-53	184392	1-102
1-796-010003-02	1-10, 1-47, 1-89	184585	1-22
1-796-010004-02	1-37	185059	1-25
179649	1-83	185576	1-7
179902	1-25	185577	1-7
179906	1-25	1-861-010032-03	1-25
179955	1-45	1-861-010032-07	1-10, 1-25, 1-28, 1-31, 1-51, 1-79, 1-100, 1-102
18002	1-58, 1-72	1-861-010032-08	1-22, 1-89
18009	1-57	1-861-010032-09	1-17, 1-83
18015	1-57	1-861-010032-10	1-22, 1-55, 1-63, 1-65
18016	1-57	1-861-010032-11	1-13, 1-15, 1-28, 1-31, 1-47, 1-81, 1-83, 1-100
18019	1-57	1-861-010032-14	1-65, 1-74, 1-91
18020	1-57	1-861-010032-15	1-10, 1-55, 1-61, 1-63, 1-65, 1-76, 1-78, 1-100, 1-107
18022	1-71	1-861-010032-18	1-61, 1-65
180221	1-102	1-861-010032-19	1-83
18024	1-57	1-861-010032-21	1-10
18026	1-57	1-861-010034-07	1-25
18027	1-57	1-861-010034-09	1-10, 1-28, 1-31, 1-37, 1-51, 1-65, 1-74
18028	1-57	1-861-010034-10	1-22, 1-45
18029	1-58	1-861-010034-11	1-77
18030	1-57	1-861-010034-13	1-41, 1-55, 1-63
18032	1-57	1-861-010034-15	1-91, 1-106
18033	1-71	1-861-010034-17	1-7, 1-28, 1-31
18034	1-71	186875	1-22, 1-89
18035	1-71	186877	1-15, 1-22
18039	1-57	186882	1-25
18044	1-57	186885	1-22, 1-23
18047	1-57, 1-71	186902	1-22, 1-89
18056	1-58	187587	1-25
180570	1-25	187856	1-25
18078	1-57	187858	1-25
182086	1-53	187859	1-25
1-822-010001	1-10	187860	1-25
1-833-010001	1-37, 1-51, 1-67	187863	1-25
1-833-010002	1-17, 1-37, 1-47	187864	1-25
1-833-010003	1-17, 1-47, 1-67		
183413	1-51		
1-843-010014	1-28, 1-31, 1-45		

TABLE OF CONTENTS

187868	1-25	196177	1-5
189260	1-89, 1-95	1974	1-74
189278	1-10	197587	1-19
189280	1-10	199105	1-101
189281	1-10	199198	1-5
189282	1-10	200300040	1-19
189285	1-22	200373	1-5
189292	1-5	201580	1-89
189309	1-100	201646	1-19
189316	1-28, 1-31	201647	1-19
19045	1-57, 1-71	201648	1-19
190700ZP	1-28, 1-31	201649	1-19
190701	1-28, 1-31	2018-12-12S	1-101
190705ZP	1-28, 1-31	202094	1-33
190706	1-28, 1-31	202099	1-33
191847	1-23	202106	1-33
191848	1-23	202109	1-33
191849	1-23	202116	1-33
191850	1-23, 1-89	202118	1-33
193342	1-95	202121	1-33
193400	1-23	202372	1-25, 1-28, 1-33, 1-47
193401	1-23	202373	1-10, 1-89
193402	1-23	202393	1-10, 1-13, 1-15, 1-19
193442	1-23	202394	1-22
193443	1-23	202398	1-10, 1-13, 1-15, 1-22, 1-89
193444	1-23	202400	1-22
193445	1-23	202402	1-5, 1-10
193446	1-23	202406	1-103
193447	1-23	202407	1-103
193448	1-95	202408	1-10, 1-15, 1-103
194159	1-53	202412	1-5, 1-11
194407	1-25	202413	1-10, 1-15, 1-17
196171	1-5	202414	1-10, 1-15, 1-17
196173	1-5	202415	1-10, 1-15, 1-17
196174	1-5	202416	1-5
196175	1-5	202417	1-5
196176	1-5	202418	1-5

TABLE OF CONTENTS

202426	1-25, 1-31, 1-33, 1-37, 1-47, 1-51	208390	1-23
202427	1-25, 1-31, 1-33, 1-37, 1-47	208391	1-23
202428	1-25, 1-31, 1-33, 1-37, 1-47, 1-51	208392	1-23
202429	1-25, 1-31, 1-33, 1-37, 1-47	2089-6-6S	1-47
202430	1-22	209877	1-15
202702-10-8S	1-22, 1-55, 1-59, 1-61, 1-69	210292-12S	1-69
202702-12-12S	1-22, 1-101	210377	1-101
202702-20-20S	1-101	212347	1-53
202702-4-6S	1-89	218046	1-101
202702-6-4S	1-91	218058	1-58
202702-6-6S	1-83	2-181-010001	1-28, 1-31, 1-83, 1-91, 1-101
202702-6-8S	1-89	21925	1-57
202702-8-6S	1-89	220000212	1-19
202702-8-8S	1-83, 1-89	2263	1-73
202825	1-11, 1-25	22752	1-57
202826	1-13, 1-25	23078	1-58, 1-72
202827	1-13, 1-25	23079	1-58
202828	1-25	23081	1-58, 1-72
202829	1-13, 1-25	23083	1-58
202830	1-25	23085	1-58
203005-8-8S	1-83	23144	1-72
203102-12-12S	1-13, 1-15, 1-69, 1-83	23303	1-57
204124	1-22	23367	1-71
204189	1-23	23470	1-57
204650	1-13, 1-15	2389	1-74
204651	1-13, 1-15	2481X	1-101
2061-6-6S	1-83	2-557-010426	1-105
2061-8-8S	1-13, 1-15	26976	1-71
2062-10-12S	1-83	301-01	1-35
2062-10-8S	1-22, 1-55, 1-69	3-014-010255	1-65
2062-12-12S	1-101	3067	1-45
2062-6-4S	1-91	3-076-010005	1-28, 1-31, 1-33
2062-8-6S	1-83, 1-89	3-120-010124	1-101
2062-8-8S	1-13, 1-15	3-120-010294	1-77
2071-8-8S	1-22	3-120-010295	1-77
2083-8-4S	1-37, 1-51	3-120-010445	1-67
208385	1-15	3-125-010464	1-61
208386	1-15	3-125-010465	1-65

TABLE OF CONTENTS

3-150-010186	1-65, 1-74	3-557-010033	1-11
3-150-010196	1-61, 1-65	3-557-010120	1-11
3-155-010012	1-101	3-557-010251	1-103
3-155-010017-4	1-55	3-557-010383	1-77
3-155-010018-6	1-59, 1-61, 1-65	3-565-010770	1-77
3-162-010001	1-101	3-565-011688	1-65
3-174-010038	1-7, 1-55, 1-59, 1-61, 1-65	3-573-010031	1-28, 1-31
3-174-010039036	1-7, 1-55, 1-59, 1-61, 1-65	3-573-010035	1-5
3-182-010028	1-101	3-573-010189	1-5
3-201-010002	1-89	3-573-010202	1-89
3-242-010102	1-18	3-573-010210	1-5
3-242-010153	1-11, 1-13, 1-15	3-573-010377	1-5, 1-28, 1-31
3-242-010205	1-91, 1-94	3-626-010004	1-67
3-299-010016	1-13, 1-15	3-645-010049	1-77
3-311-010578	1-7	3-659-010012	1-45
3-311-015070	1-106	37-03	1-35
3-311-015075	1-106	3-720-010010	1-55, 1-63
3-311-015078	1-106	3-720-010035	1-65
3-352-010017-1	1-77	3-720-010042	1-65, 1-67
3-352-010017-2	1-77	3-725-010036	1-83
3-368-010252	1-25	3-762-010016	1-28, 1-31
3-375-010147	1-7	3-762-010017	1-28, 1-31
3-375-010152	1-7	3-762-010667-02	1-35
3-375-010613-01	1-7	3-780-010002	1-37, 1-47, 1-51
3-375-010613-03	1-7	3-831-010172	1-61, 1-65
3-382-010019	1-7	3-831-010182	1-61, 1-65
3-384-010020	1-47	3-843-010039-02	1-67
3-384-010031	1-47	3-861-010038	1-11
34-04	1-35	3-870-010097	1-45
346SL	1-83	3-873-010122	1-55, 1-57
3-481-010006	1-55, 1-73	3-873-010123	1-63, 1-65, 1-71
3-481-010007	1-63, 1-65, 1-69, 1-73	3-873-010124	1-55
3-482-010267	1-83	3-873-010129-2	1-59, 1-61, 1-63
3-485-010001	1-28, 1-31	4009	1-45
35-00	1-35	43029	1-25
3-522-010017	1-65	51073-16	1-101
3-557-010032	1-11	51073-36	1-101

TABLE OF CONTENTS

51325	1-101	934 00 149	1-41
514-9045-48	1-101	934-00-492	1-41
514-9073-48	1-101	934-00-506	1-41
519-9967	1-107	936 00 077	1-41
55B61	1-47		
55B61-6	1-17		
55B61-7	1-17		
56D4	1-47		
61333	1-58		
61344	1-72		
622-3511-008	1-28, 1-31		
63680	1-45		
7052-02	1-35		
715-00	1-35		
719-02	1-35		
756-00	1-35		
758-181	1-47		
759-00	1-35		
7816-10	1-35		
7HCGHT500	1-55, 1-59, 1-61, 1-65		
805-2	1-47		
81006	1-57		
81009	1-57		
81025	1-57		
81077	1-71		
81078	1-71		
81080	1-71		
81081	1-71		
81264	1-25		
81530	1-57		
88005	1-72		
900-08-139	1-41		
900 45 040	1-41		
900 54 007	1-37, 1-39		
900598-12S	1-101		
90508009	1-41		
905-54-107	1-37, 1-39, 1-51, 1-67		
905-57-129	1-41		
		C	
		C2001	1-74
		H	
		HM212011	1-45
		HM212049	1-45
		HM218210	1-45
		HM218248	1-45
		K	
		K71-101-00	1-43
		K71-460-00	1-43
		N	
		NOTE	1-41
		R	
		RTR7999X4ZP	1-65
		T	
		TR573	1-45

TABLE OF CONTENTS



Intertek

Equipment from Landoll Corporation is built to exacting standards ensured by ISO 9001 registration at all Landoll manufacturing facilities.

345F Trailer Parts Manual

Re-Order Part Number F-945-1017

LANDOLL CORPORATION

1900 North Street

Marysville, Kansas 66508

(785) 562-5381

800-428-5655 ~ WWW.LANDOLL.COM



Copyright 2018. Landoll Corporation

"All rights reserved, including the right to reproduce this material or portions thereof in any form"