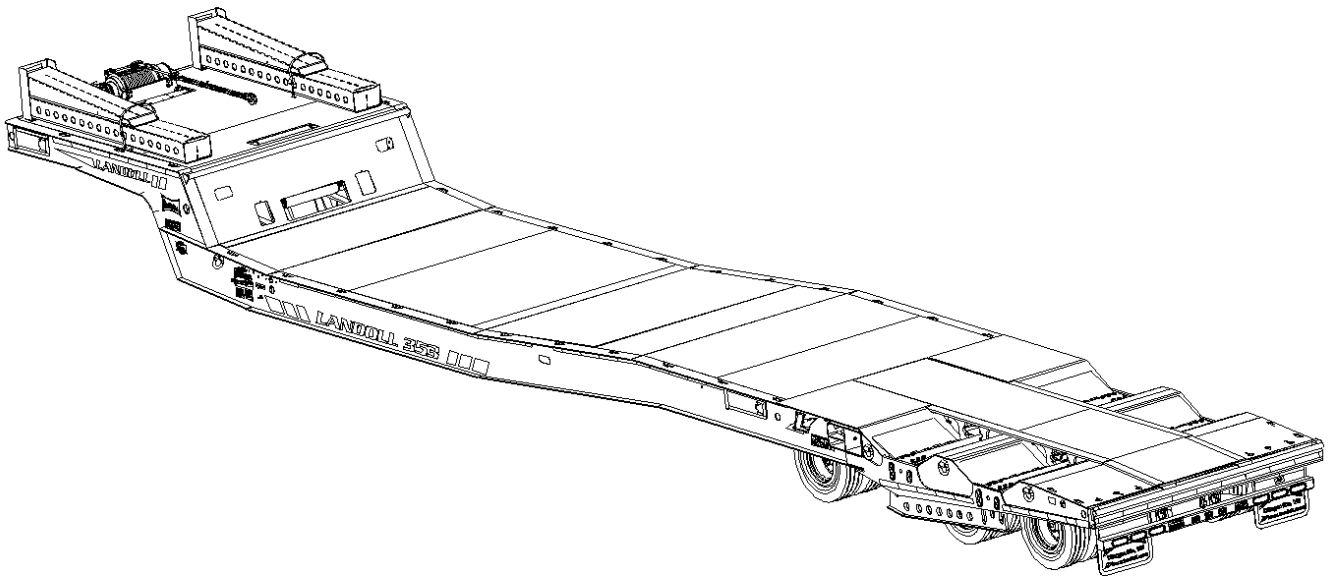




# Model 353 Bus Hauler Parts Manual



## **LANDOLL CORPORATION**

1900 North Street  
Marysville, Kansas 66508  
(785) 562-5381

**800-428-5655 ~ WWW.LANDOLL.COM**



# Table of Contents

---

## 1 Instructions for Ordering Parts

## 2 Illustrated Parts List

GENERAL ASSEMBLY .....	2-1
HITCH INSTALLATION .....	2-3
DOOR LATCH AND TOOLBOX ASSEMBLY .....	2-5
LIFT WELL GROUP .....	2-7
HYDRAULIC SYSTEM .....	2-13
VALVE ASSEMBLY, 7 SPOOL .....	2-16
BUS HAULER ACCESSORIES .....	2-20
VALVE, 7 SPOOL .....	2-23
CYLINDER, HYDRAULIC 4" X 42" .....	2-24
CYLINDER, 5" LIFT HYDRAULIC .....	2-25
CYLINDER, HYDRAULIC 3" X 42" .....	2-27
ELECTRICAL SYSTEM .....	2-29
WORK LIGHT INSTALLATION, LED SLOPE .....	2-30
STROBE INSTALLATION, BUMPER .....	2-31
WORK LIGHT ASSEMBLY, BULKHEAD (OPTION) .....	2-33
AIR SYSTEM, MAIN .....	2-35
SUSPENSION ASSEMBLY, AIR RIDE .....	2-40
AIR CONTROL KIT .....	2-43
SUSPENSION HANGER RLU-228 .....	2-45
AIR BRAKE SYSTEM W/ ABS .....	2-47
ABS BRAKE KIT .....	2-49
AXLE AND BRAKE ITEMS (DEXTER) (12-1/4" X 7-1/2") .....	2-51
OUTBOARD PILOT MOUNT HUB AND DRUM .....	2-53
WINCH INSTALLATION, 20K WARN .....	2-55
20K WINCH ITEMS (WARN) .....	2-57
WINCH INSTALLATION UPPER DECK (12K & 20K BRADEN) .....	2-59
12,000# WINCH ITEMS (BRADEN) .....	2-61
20,000# WINCH ITEMS (BRADEN) .....	2-64

---

WINCH MOTOR ASSEMBLY .....	2-67
WINCH AIR SHIFT CYLINDER .....	2-69
WINCH INSTALLATION, 30K WARN .....	2-71
30K WINCH ITEMS (WARN) .....	2-73
30K UPPER DECK WINCH INSTALLATION (DP) .....	2-77
30,000# WINCH ITEMS (DP) .....	2-79
WINCH CABLE AIR TENSION 30K .....	2-83
WINCH ROLLER GUIDE - 30K .....	2-85
WINCH INSTALLATION 30K, AIR NO REMOTE .....	2-87
30,000# WINCH ITEMS (DP) .....	2-89
WINCH CABLE ROLLER GUIDE (OPTION) .....	2-93
27 HP GAS ENGINE PACKAGE, UPPER DECK (OPTION) .....	2-98
UPPER DECK ENGINE STAND INSTALLATION .....	2-101
FRONT EXTENSION AND BULKHEAD ASSEMBLY (OPTION) .....	2-103
HYDRAULIC WET KIT (OPTION) .....	2-105
ALUMINUM RAMP ASSEMBLY .....	2-107
AIR OUTLET INSTALLATION .....	2-109
LANDING GEAR INSTALLATION .....	2-111
CRANK LANDING GEAR .....	2-113
LANDING GEAR INSTALLATION BOLT - ON .....	2-115
TIRE INFLATION SYSTEM .....	2-117
HYDRAULIC CYLINDER 3-1/2 X 20 .....	2-118
SPARE TIRE CARRIER (OPTION) .....	2-119
AIR DIGITAL SCALE (OPTION) .....	2-120
DECAL INSTALLATION .....	2-123

### **3 Numerical Index**

## Instructions for Ordering Parts

### ORDER PARTS FROM LANDOLL PARTS DISTRIBUTION CENTER

**\*\* Repair parts must be ordered through an Authorized Dealer \*\***

PHONE NO.: 1-800-423-4320 OR 1-800-428-5655 OR 1-785-562-5381

FAX NO.: 888-527-3909

ORDER ONLINE: [companystore.landoll.com](http://companystore.landoll.com)

### IDENTIFICATION PLATE

The identification plate, which lists the model number and serial number, is located on the front of the frame (See Figure 1-1.)

### SERIAL NUMBER NOMENCLATURE

The serial number for the 353 Bus Hauler is located on the identification plate.

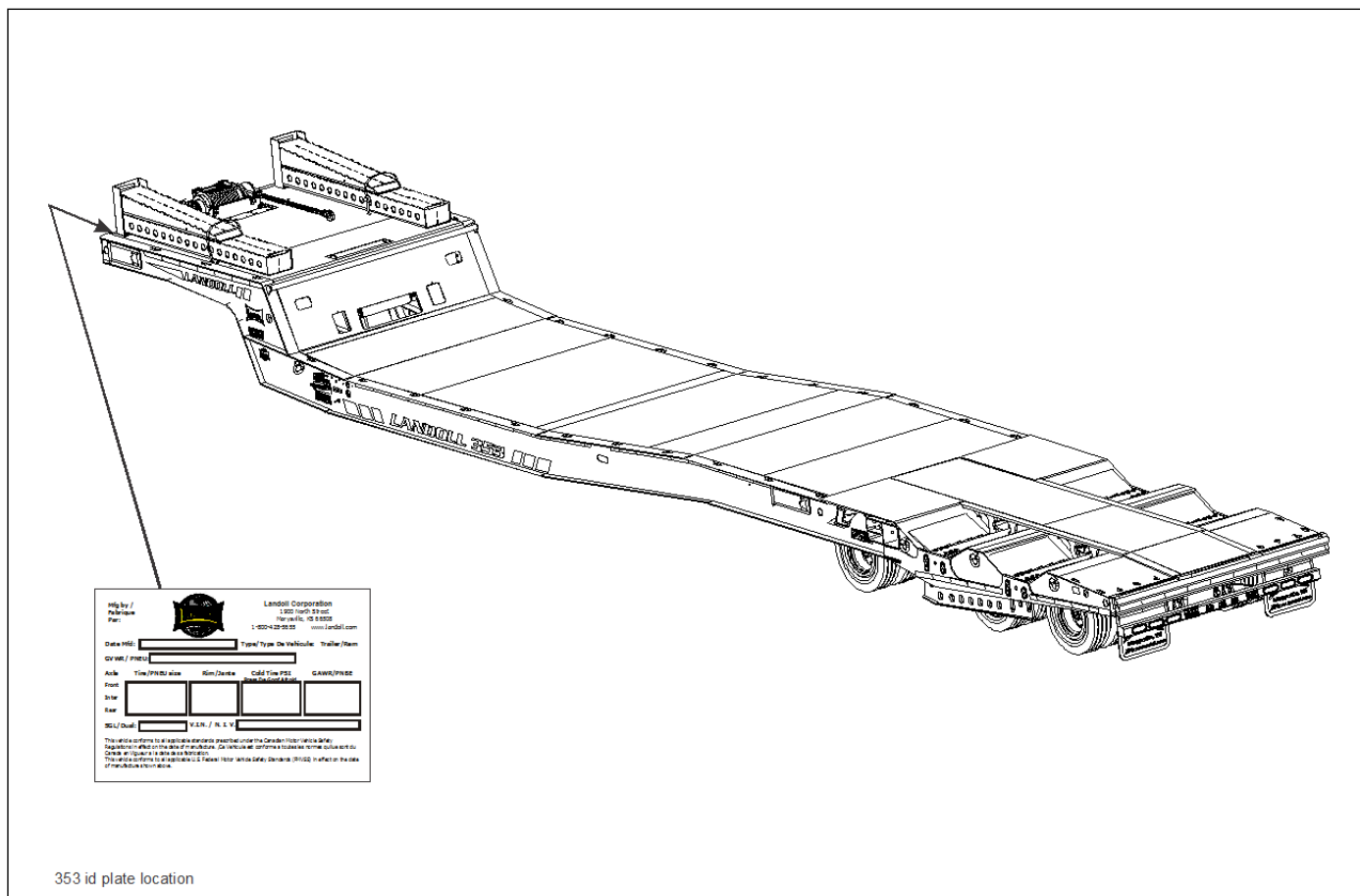


Figure 1-1: Identification Plate and Location

Page Intentionally Blank

# Illustrated Parts List

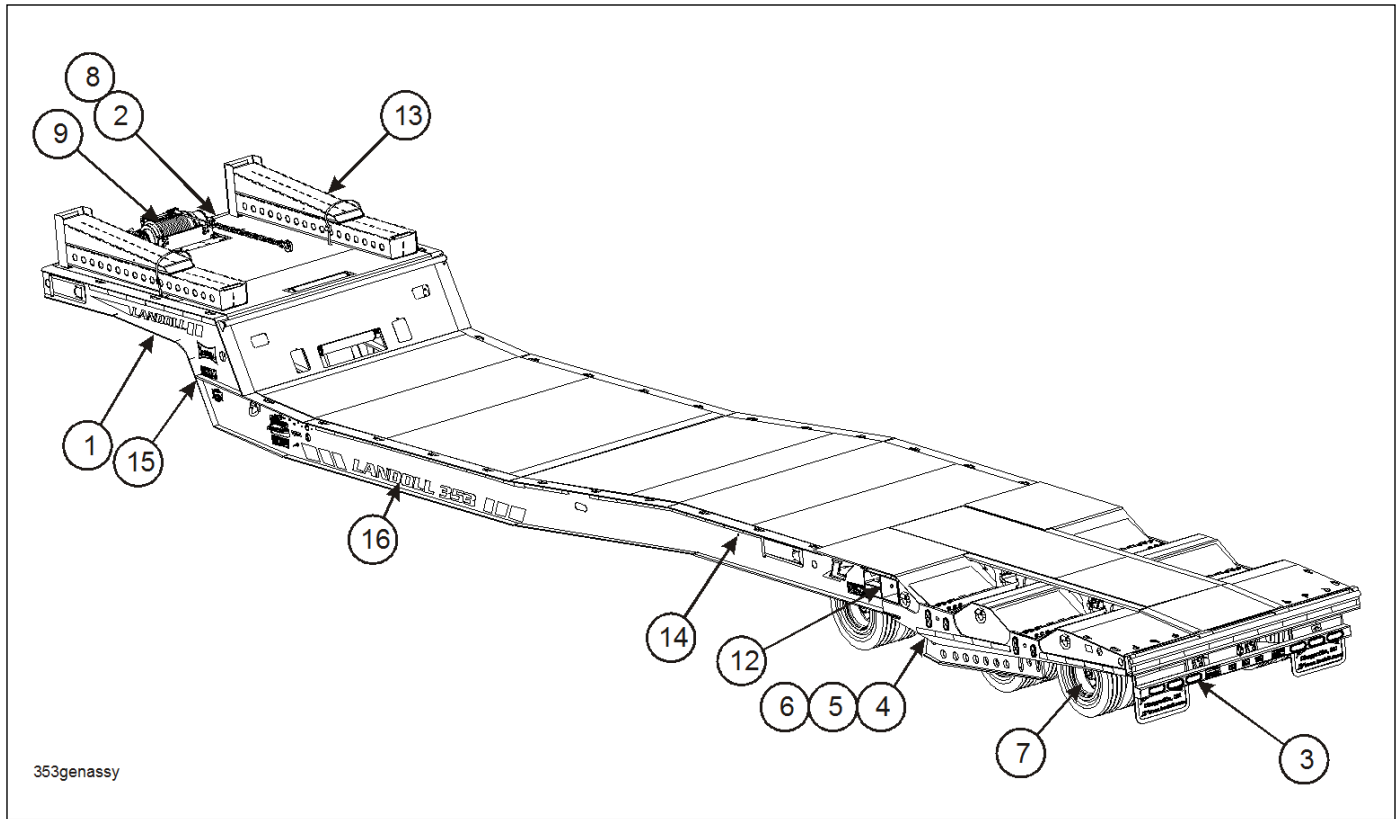


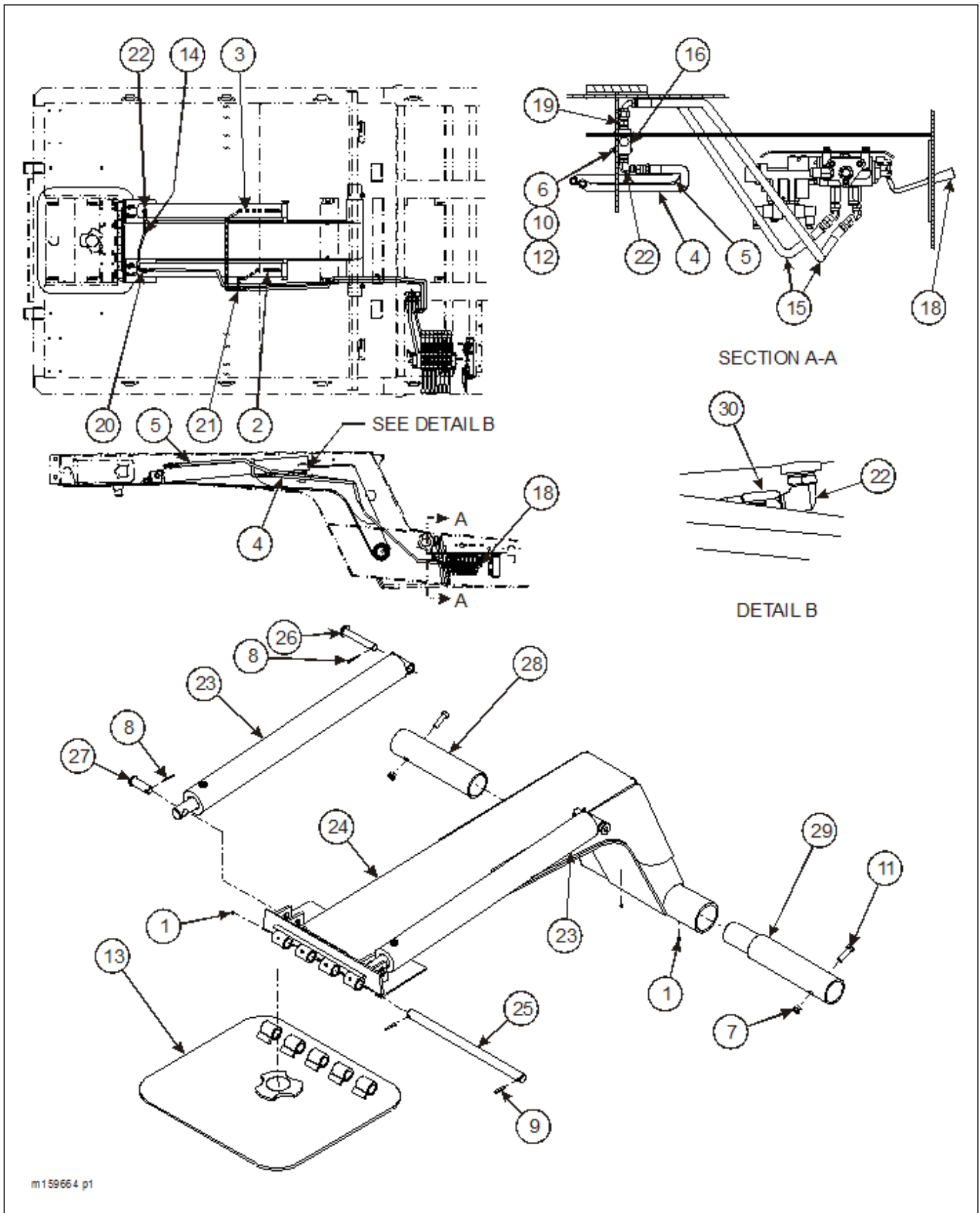
Figure 2-1: General Assembly

## GENERAL ASSEMBLY

ITEM	PAGE NO.	DESCRIPTION	QTY.
1	2-2 - 2-7	HITCH, TOOLBOX, AND WHEEL WELL ASSEMBLIES	
2	2-8 - 2-27	HYDRAULIC ASSEMBLIES	
3	2-28 - 2-33	ELECTRICAL ASSEMBLIES	
4	2-36 - 2-45	UNDERCARRIAGE/SUSPENSION ASSEMBLIES - AIR RIDE	
5	2-46-2-47; 2-48-2-49	AIR BRAKE SYSTEM	
6	2-50 - 2-51	AXLE AND BRAKE ASSEMBLIES	
7	2-52 - 2-53	HUB AND DRUM ASSEMBLIES	
8	2-34 - 2-35	AIR SYSTEM, MAIN	
9	2-54 - 2-93	WINCH ASSEMBLIES	
10	2-94 - 2-101	ENGINE DRIVE AND BRACKET ASSEMBLIES (NOT SHOWN)	
11	2-102 - 2-105; 2-119 - 2-120	MISCELLANEOUS OPTIONS (NOT SHOWN)	
12	2-18 - 2-20	BUS HAULER ACCESSORIES	
13	2-106 - 2-107	ALUMINUM RAMP ASSEMBLY	
14	2-108 - 2-109	AIR OUTLET INSTALLATION	
15	2-110 - 2-118	LANDING GEAR ASSEMBLIES	
16	2-121 - 2-123	DECAL INSTALLATION	



**ILLUSTRATED PARTS LIST**



**Figure 2-2: Hitch Installation, 18KP (1 of 2)**



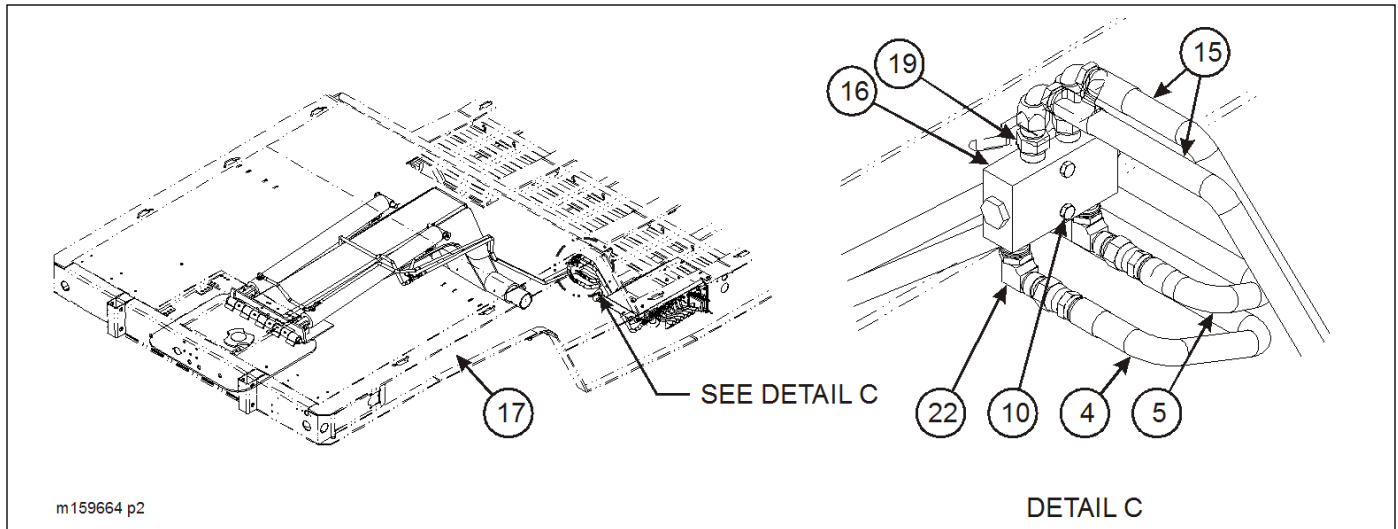


Figure 2-3: Hitch Installation, 18KP (2 of 2)

## HITCH INSTALLATION

ITEM	PART NO.	DESCRIPTION	QTY.
	159664	HITCH INSTALLATION, 18KP	
1	1-298-010001-1	FITTING, GREASE 1/4-28 STR SHORT	6
2	1-397-010301040	HOSE ASSEMBLY, 1/2 X 40	1
3	1-397-010301042	HOSE ASSEMBLY, 1/2 X 42	1
4	1-397-010301122	HOSE ASSEMBLY, 1/2 X 122	1
5	1-397-010301148	HOSE ASSEMBLY, 1/2 X 148	1
6	1-512-010005-01	NUT, HEX LOCK 1/4-20 GRB	2
7	1-512-010005-15	NUT, HEX LOCK 3/4-10 GRB	2
8	1-557-010362-54	PIN, COTTER 3/16 X 2-1/4	4
9	1-647-010004255	ROLL PIN, SLOTTED 3/8 X 2	2
10	1-654-010047-10	SCREW, HEX HEAD CAP 1/4-20 X 2 GR5	2
11	1-654-010061-07	SCREW, HEX HEAD CAP 3/4-10 X 2-1/2 GR5	2
12	1-861-010032-07	WASHER, FLAT 1/4W	2
13	104248	HITCH WELDMENT	1
14	107756	HOSE ASSEMBLY, 1/2 X 24	1
15	125872	HOSE ASSEMBLY, 1/2 X 31	2
16	156699	VALVE, DOUBLE CHECK SEALED PILOT	1
17	159158	FRAME WELDMENT	REF
18	159272	VALVE ASSEMBLY 7 SPOOL (SEE PAGE 2-16)	REF
19	202702-8-8S	ADAPTER	2
20	203003-8-8S	ADAPTER, TEE	1
21	2033-8-8S	ADAPTER, TEE	1
22	2062-8-8S	ADAPTER, 90	5
23	3-242-010099	CYLINDER, TILT 4 X 42 (SEE PAGE 2-24)	2
24	3-375-010337	FIFTH WHEEL HITCH	1
25	3-557-010030	HINGE PIN, FIFTH WHEEL	1
26	3-557-010033	PIN, CYLINDER BUTT END	2
27	3-557-010059	PIN, CYLINDER ROD	2
28	3-826-010014	TUBE, INNER	1
29	3-826-010015	TUBE, WELDMENT, INNER	1
30	3-846-010156	VALVE, RESTRICTOR ONE WAY	2

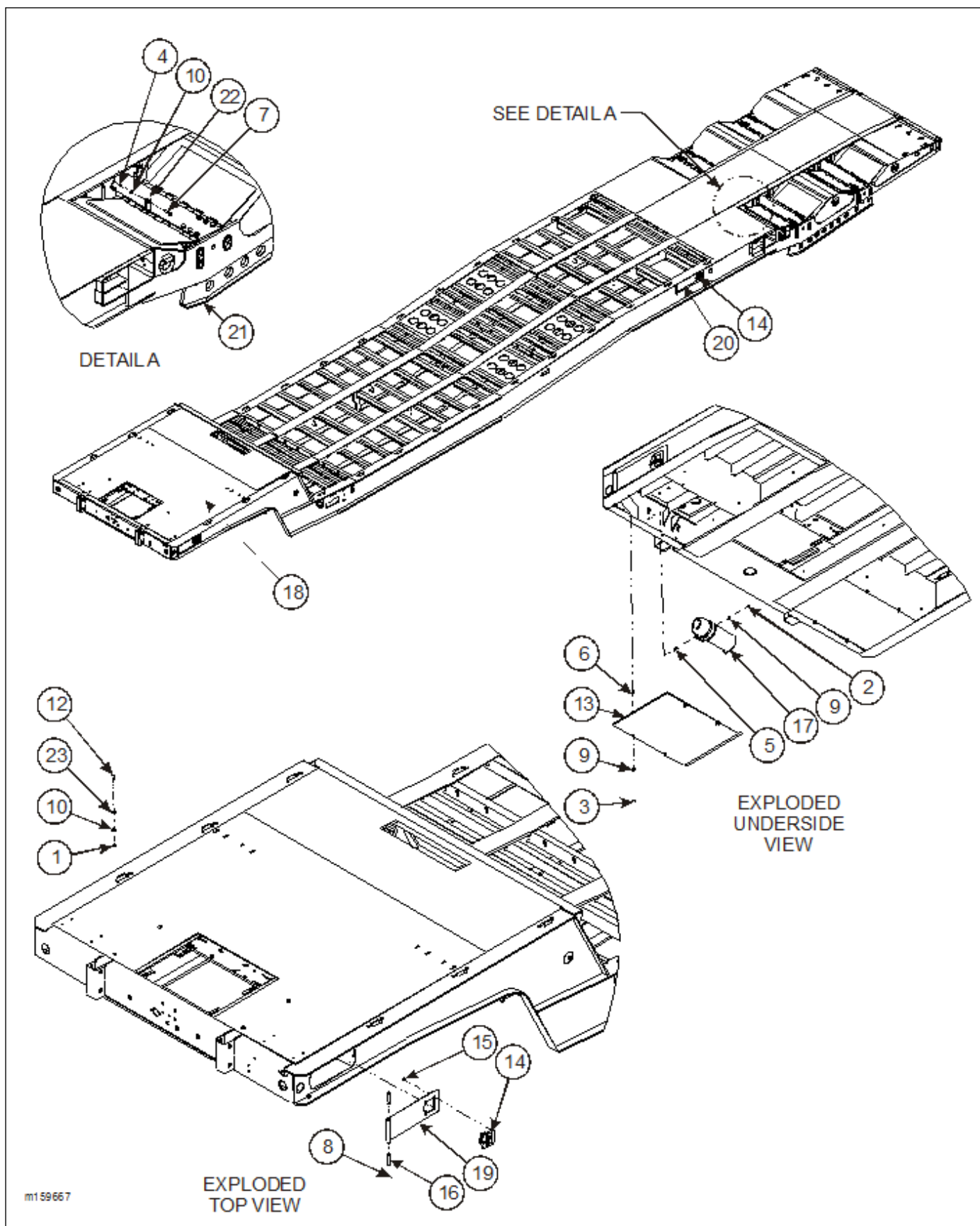


Figure 2-4: Door Latch and Toolbox Assembly

## DOOR LATCH AND TOOLBOX ASSEMBLY

ITEM	PART NO.	DESCRIPTION	QTY.
	159667	DOOR LATCH AND TOOLBOX ASSEMBLY	
1	1-510-010001	NUT, FLANGE HEAD SERRATED 3/8-16	4
2	1-512-010005-01	NUT, HEX LOCK 1/4-20 GRB	3
3	1-512-010005-03	NUT, HEX LOCK 5/16-18 GRB	8
4	1-512-010005-05	NUT, HEX LOCK 3/8-16 GRB	16
5	1-654-010047-06	SCREW, HEX HEAD CAP 1/4-20 X 1 GR5	3
6	1-654-010049-05	SCREW, HEX HEAD CAP 5/16-18 X 1 GR5	8
7	1-654-010051-09	SCREW, HEX HEAD CAP 3/8-16 X 2 GR5	16
8	1-654-010147-06	SCREW, RD HEAD SELF TAP #6-20 X 3/4	16
9	1-861-010032-07	WASHER, FLAT 1/4W	11
10	1-861-010032-11	WASHER, FLAT 3/8W	20
11	101299	KEY CHAIN (NOT SHOWN)	1
12	108336	SCREW, BUTTON HEAD CAP 3/8-16 X 1	4
13	111689	PLATE, TOOLBOX BOTTOM	2
14	114814	LATCH FOLDING T LOCKABLE	4
15	115877	NUT, HEAVY HEX 1/4-20 GR5	16
16	135181	BUSHING, NYLATRON TOOLBOX	8
17	150076	MANUAL HOLDER, 4-1/4" ID	1
18	159158	FRAME WELDMENT	REF
19	159265	DOOR WELDMENT, TOOLBOX UPPER DECK	2
20	159274	DOOR WELDMENT, TOOLBOX	2
21	159490	LIFT WELL GROUP (SEE PAGE 2-7)	1
22	159495	STRAP, GUIDE	8
23	805-2	BUSHING, STEP	4

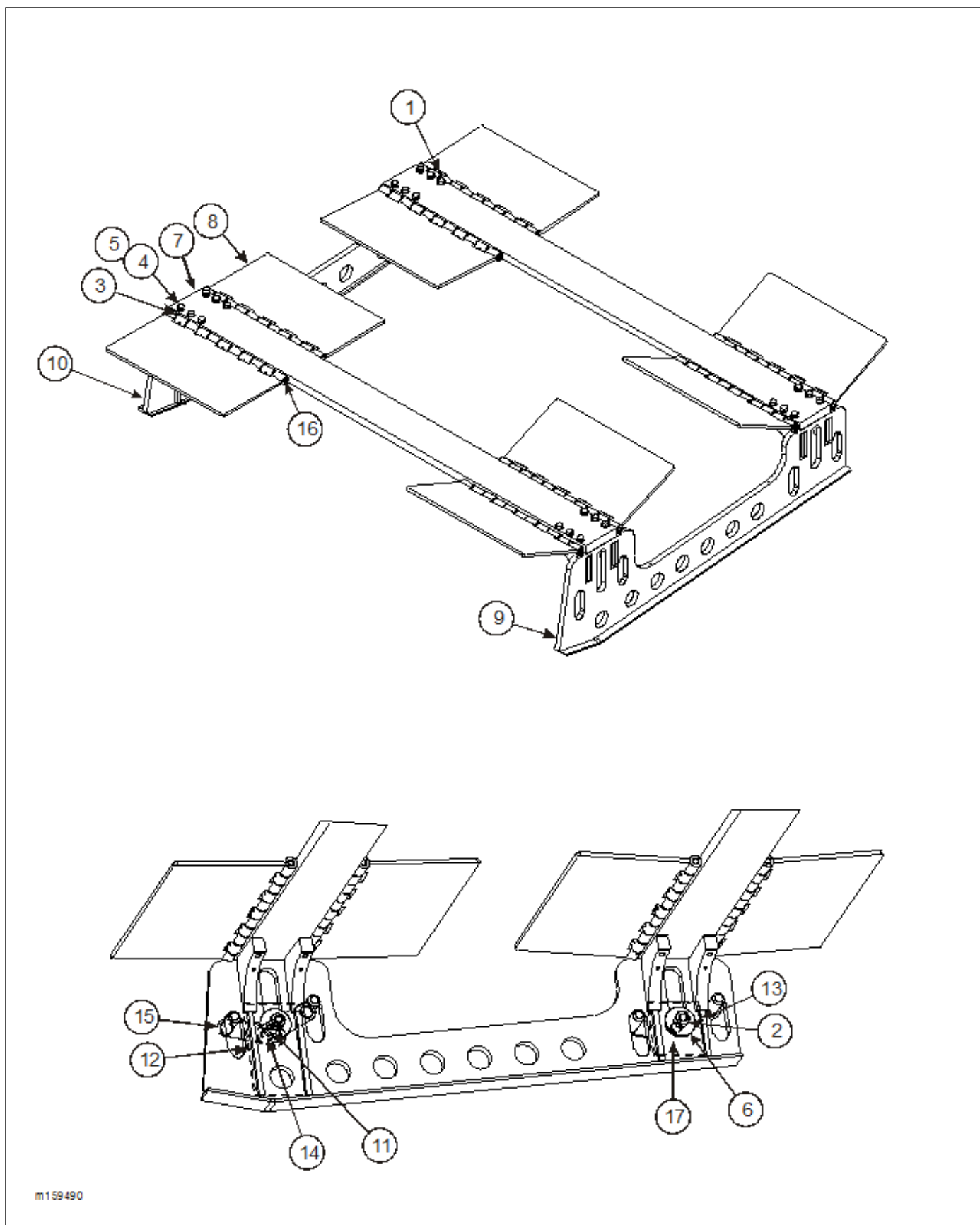


Figure 2-5: Lift Well Group

## LIFT WELL GROUP

ITEM	PART NO.	DESCRIPTION	QTY.
	159490	LIFT WELL GROUP	
1	1-298-010001-1	FITTING, GREASE STR SHORT 1/4-28	1
2	1-512-010006-10	NUT, HEAVY HEX 1-8 GR5	2
3	1-647-010004217	ROLL PIN, SLOTTED 1/4 X 1-1/2	8
4	1-861-010034-17	WASHER, SPLIT LOCK 3/4	24
5	105408	SCREW, HEX HEAD CAP 3/4-10 X 3-1/2 GR8	24
6	119125	WASHER, N-SERIES NYLATRON THRUST	2
7	159195	LIFT CROSS MEMBER WELDMENT	2
8	159197	FLAP WELDMENT, WHEEL WELL	8
9	159201	LIFT WELDMENT, LH PUSH-UP	1
10	159202	LIFT WELDMENT, RH PUSH-UP	1
11	159213	PIN, SECURING LOCK/NYLATRON	2
12	159214	PAD, NYLATRON FRONT LIFT WELL	1
13	159215	PAD, NYLATRON REAR LIFT WELL	1
14	159216	BUSHING, NYLATRON SPACER	2
15	159218	PIN WELDMENT, LOCK LIFT WELL	4
16	159494	PIN, HINGE LIFT FLAP	8
17	2-557-010417	PIN, LYNCH CAT III	1

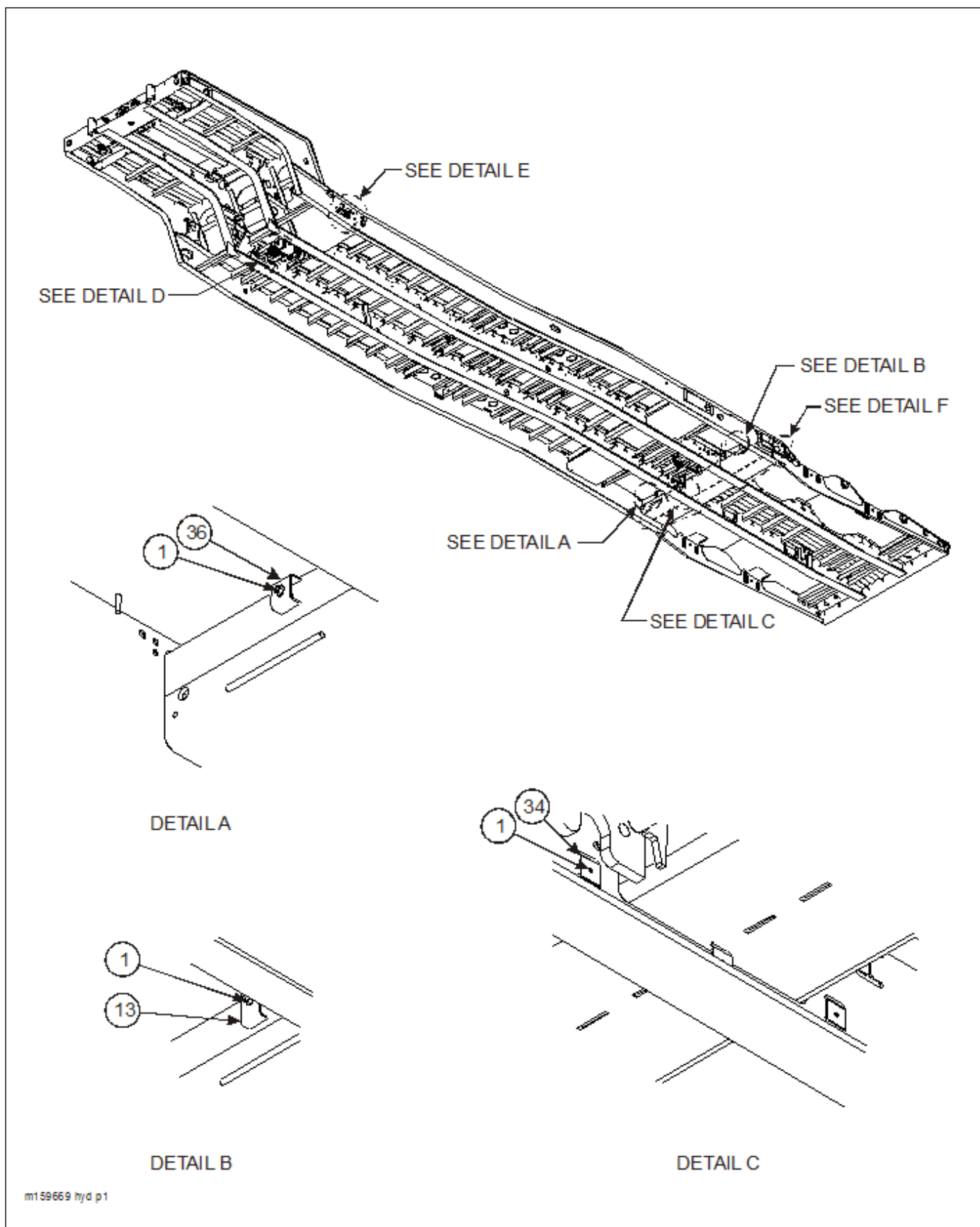
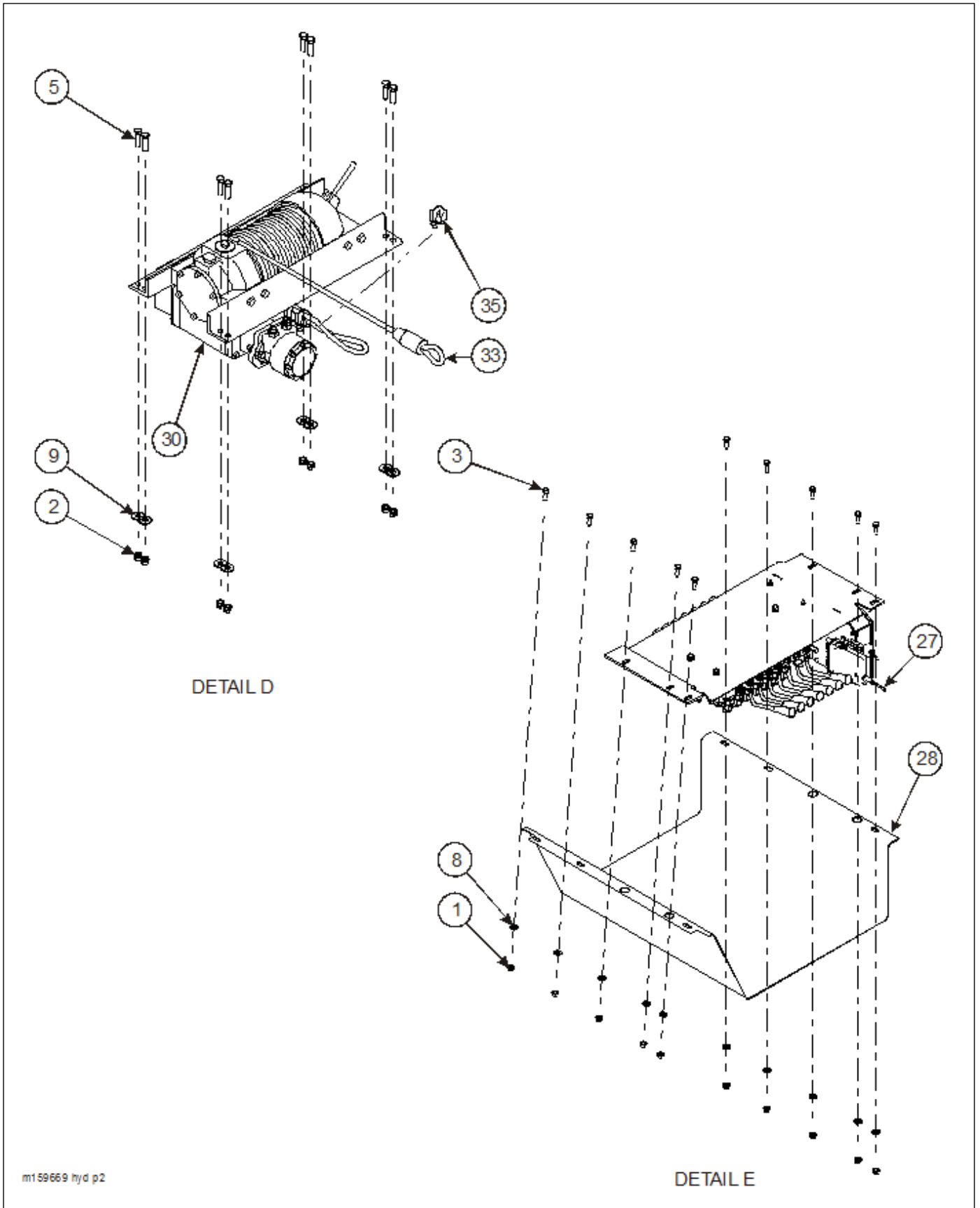


Figure 2-6: Hydraulic System (1 of 5)

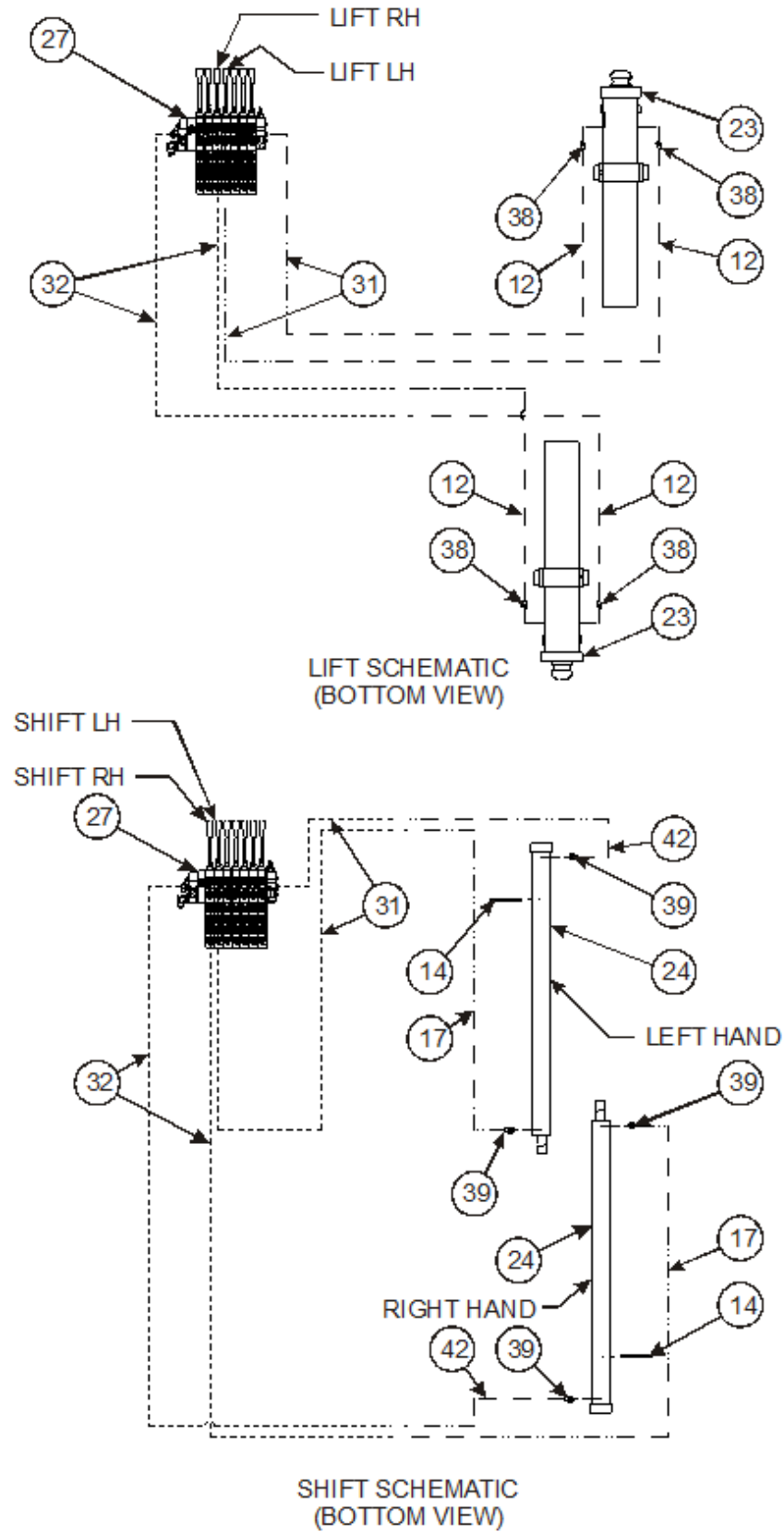


m159669 hyd p2

Figure 2-7: Hydraulic System (2 of 5)







m159669 hyd p4

Figure 2-9: Hydraulic System (4 of 5)

# ILLUSTRATED PARTS LIST

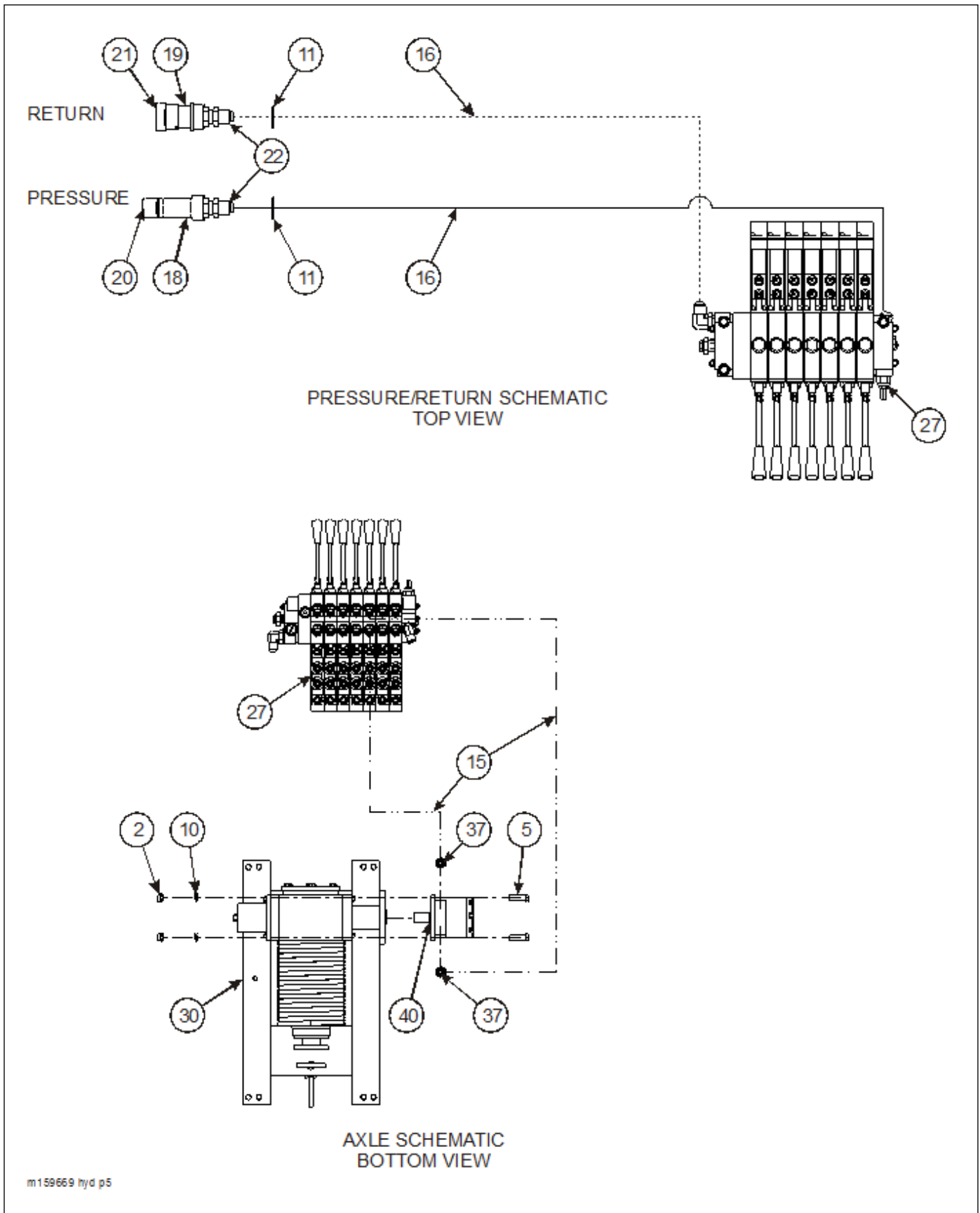


Figure 2-10: Hydraulic System (5 of 5)

## HYDRAULIC SYSTEM

ITEM	PART NO.	DESCRIPTION	QTY.
	159669	HYDRAULIC ELECTRICAL AIR	
1	1-510-010001	NUT, FLANGE LOCK 3/8-16	4
2	1-512-010005-09	NUT, HEX LOCK 1/2-13 GRB	2
3	1-654-010051-05	SCREW, HEX HEAD CAP 3/8-16 X 1 GR5	4
4	1-647-010004255	PIN, SPRING SLOTTED 3/8 X 2	2
5	1-654-010055-04	SCREW, HEX HEAD CAP 1/2-13 X 1-3/4 GR5	10
6	1-796-010003-02	TIE STRAP, PLASTIC (NOT SHOWN)	6
7	1-822-010001	TRIM LOK (NOT SHOWN)	AR
8	1-861-010032-10	WASHER, FLAT 3/8N	10
9	1-861-010032-15	WASHER, FLAT 1/2W	4
10	1-861-010034-13	WASHER, SPLIT LOCK 1/2	2
11	1-861-010059-21	WASHER LOCKING INTERNAL TOOTH	2
12	103165	HOSE ASSEMBLY 3/8 X 189	4
13	103817	CLAMP, HOSE	3
14	105-0094	CLAMP, HOSE 4-1/8 - 5	2
15	121002	HOSE ASSEMBLY 1/2 X 45	2
16	137794	HOSE ASSEMBLY 3/4 X 196	2
17	142733	HOSE ASSEMBLY 3/8 X 54	2
18	105479	COUPLER, FLAT FACE MALE	1
19	105480	COUPLER, FLAT FACE FEMALE	1
20	105481	COUPLER, DUST CAP MALE	1
21	105482	COUPLER, DUST CAP FEMALE	1
22	105483	ADAPTER, BULKHEAD	2
23	159111	CYLINDER HYDRAULIC 5" LIFT (SEE PAGE 2-25)	2
24	159130	CYLINDER HYDRAULIC 3 X 42 (SEE PAGE 2-27)	2
25	159134	PIN, CYLINDER TELE ROD	2
26	159697	PIN, CYLINDER TELE BUTT	2
27	159272	VALVE ASSEMBLY, 7 SPOOL (SEE PAGE 2-16)	1
28	159438	SHIELD, VALVE SPOOL	1
29	159670	ACCESSORIES, BUS HAULER (SEE PAGE 2-20)	1
30	159675	WINCH, 12K W/ 7" DRUM (SEE PAGE 2-61)	1
31	159677	HOSE ASSEMBLY, 3/8 X 395	4
32	159678	HOSE ASSEMBLY, 3/8 X 460	4
33	160347	CABLE ASSEMBLY, 1/2 X 85'	1
34	160349	CLAMP, HOSE	6
35	1/2 W R CLAMP	CLAMP, WIRE ROPE 1/2 GALV	3
36	2-181-010001	HOSE CLAMP	2
37	202702-10-8S	ADAPTER	2
38	202702-6-6S	ADAPTER, STR	4
39	2062-6-6S	ADAPTER 90	4
40	3-481-010006	MOTOR, HYD 7.1 CU IN/REV (SEE PAGE 2-67)	1
41	3-630-010002	RING, RETAINING EXT 1"	4
42	51031-65	HOSE ASSEMBLY, 3/8 X 11-1/2	2



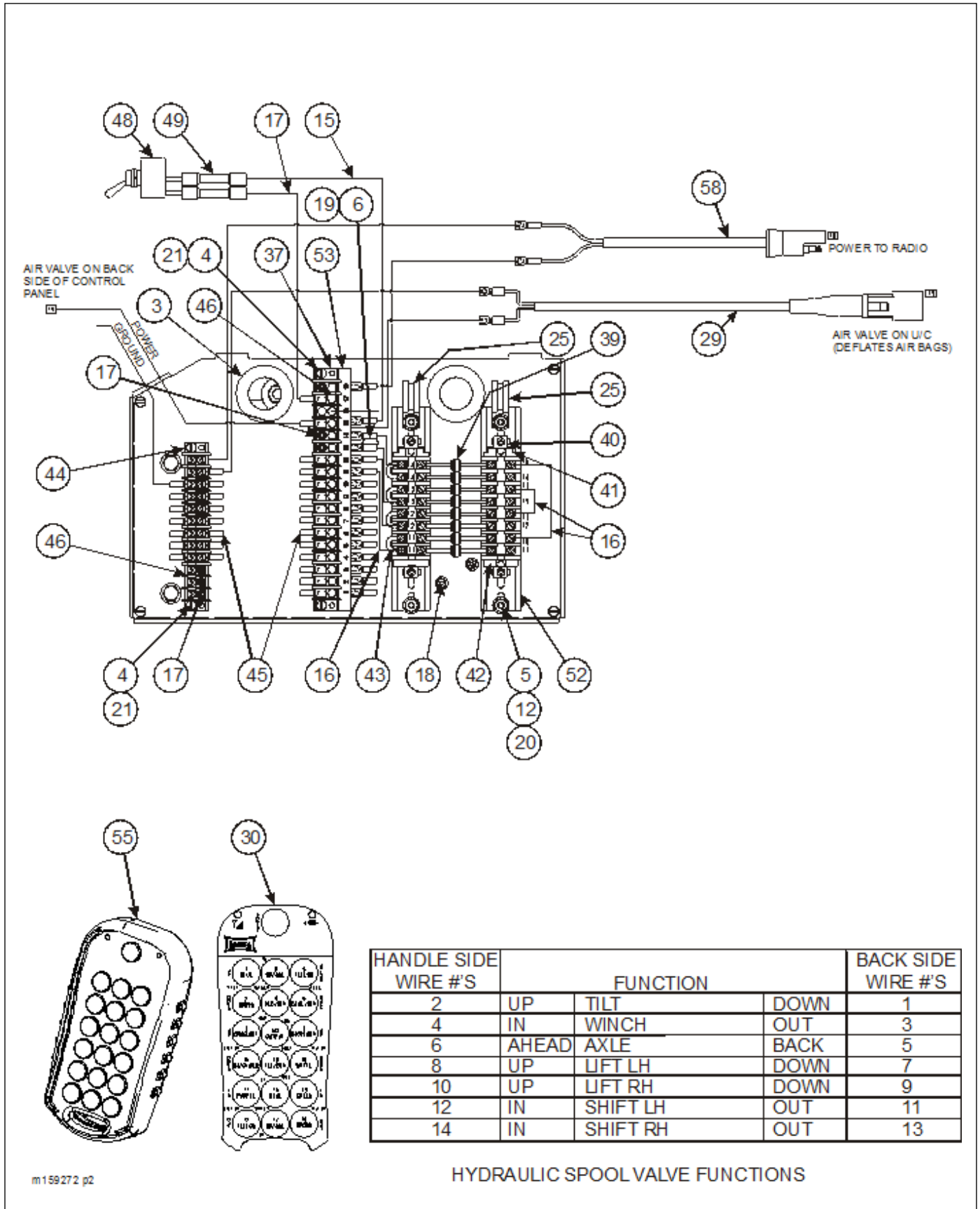


Figure 2-12: Valve Assembly, 7 Spool (2 of 2)

## ILLUSTRATED PARTS LIST

### VALVE ASSEMBLY, 7 SPOOL

ITEM	PART NO.	DESCRIPTION	QTY.
	159272	VALVE ASSEMBLY, 7 SPOOL	
1	1-297-010007-04	FITTING, AIR	2
2	1-297-010008-05	FITTING, AIR 90	2
3	1-343-010007	GROMMET	2
4	1-512-010003-03	NUT, HEX LOCK #8-32	4
5	1-512-010003-06	NUT, HEX LOCK #10-24	10
6	1-512-010005-01	NUT, HEX LOCK 1/4-20 GRB	3
7	1-654-010047-07	SCREW, HEX HEAD CAP 1/4-20 X 1-1/4 GR5	2
8	1-654-010051-05	SCREW, HEX HEAD CAP 3/8-16 X 1 GR5	3
10	1-833-010001	TUBING, NYLON 1/4	AR
11	1-861-010032-01	WASHER, FLAT #6	8
12	1-861-010032-03	WASHER, FLAT #10	4
13	1-861-010032-06	WASHER, FLAT 1/4N	4
14	1-861-010034-11	WASHER, SPLIT LOCK 3/8	3
15	1-879-010015	WIRE, 16AWG WHITE (NOT SHOWN)	AR
16	1-879-010017	WIRE, 16AWG RED	AR
17	101552	SNAP SPADE	6
18	103-0633	NUT, ESNA #4-40	2
19	104877	SCREW, HEX HEAD CAP 1/4-20 X 1/2 GR5	1
20	109410	SCREW, BUTTON HEAD CAP 10-24 X 3/4	6
21	111-0600	SCREW, RD HEAD MACH #8-32 X 3/4	4
22	114546	STRAIN RELIEF	14
23	121031	ADAPTER 45	14
24	125892	CLAMP, CABLE 3/8 SST	1
25	125894	CLAMP, CABLE 5/8 SST	3
26	125895	CLAMP, CABLE 7/8 SST	1
27	140893	ADAPTER, STR LONG	14
28	153718	TUBING, HEAT SHRINK 1/8 CLEAR (NOT SHOWN)	AR
29	157431	HARNESS, U/C AIR VALVE	1
30	157434	DECAL, MEGA 18 FUNCTION	1
31	157436	RECEIVER, MEGA	1
32	159271	VALVE, 7 SPOOL (SEE PAGE 2-23)	1
33	159429	VALVE, AIR SOLENOID	1
34	159498	MOUNT WELDMENT, VALVE	1
35	159500	COVER, TERMINAL DIODE STRIPS	1
36	159501	SCREW, MACH SLOTTED FIL HEAD 10-24 X 2-3/4	4
37	20119	BOARD, TERMINAL	1
38	2062-10-12S	ADAPTER, 90	2
39	238-6832	DIODE, 6 AMP	8
40	238-9030-12	CLAMP, TERMINAL BLOCK	4
41	238-9030-21	CLAMP, TERMINAL BLOCK MEDIUM	16
42	238-9030-22	END, TERMINAL BLOCK	2
43	238-9030-23	JUMPER, TERMINAL BLOCK	4
44	25161	TERMINAL BOARD	1
45	25233	TERMINAL, FORK	47
46	25438	JUMPER	12
47	25618	COVER, TERMSTRIP RUBBER	AR
48	3-272-010017	TOGGLE SWITCH, SEALED SPST	1
49	3-272-010021	ELECT BUTT SPLICE 16/14 W/ SEAL	2

**VALVE ASSEMBLY, 7 SPOOL**

ITEM	PART NO.	DESCRIPTION	QTY.
50	3-360-010072	HANDLE, PLASTIC BLACK	7
51	3-360-010111	HANDLE, VALVE FORMED	7
52	514-5728-3	TERMINAL, CHANNEL 6-1/4	2
53	52900-9	INSULATION MS 140 SERIES	1
54	85G424E	SCREW, PAN HEAD #4-40 X 1-1/2	2
55	157435	TRANSMITTER, MEGA	1
56	159652	HARNESS (NOT SHOWN)	1
57	159651	RADIO CONTROL, MEGA 18 (INCLUDES ITEMS 30-31, 55-56)	1
58	162406	HARNESS, POWER JUMPER REMOTE	1

# ILLUSTRATED PARTS LIST

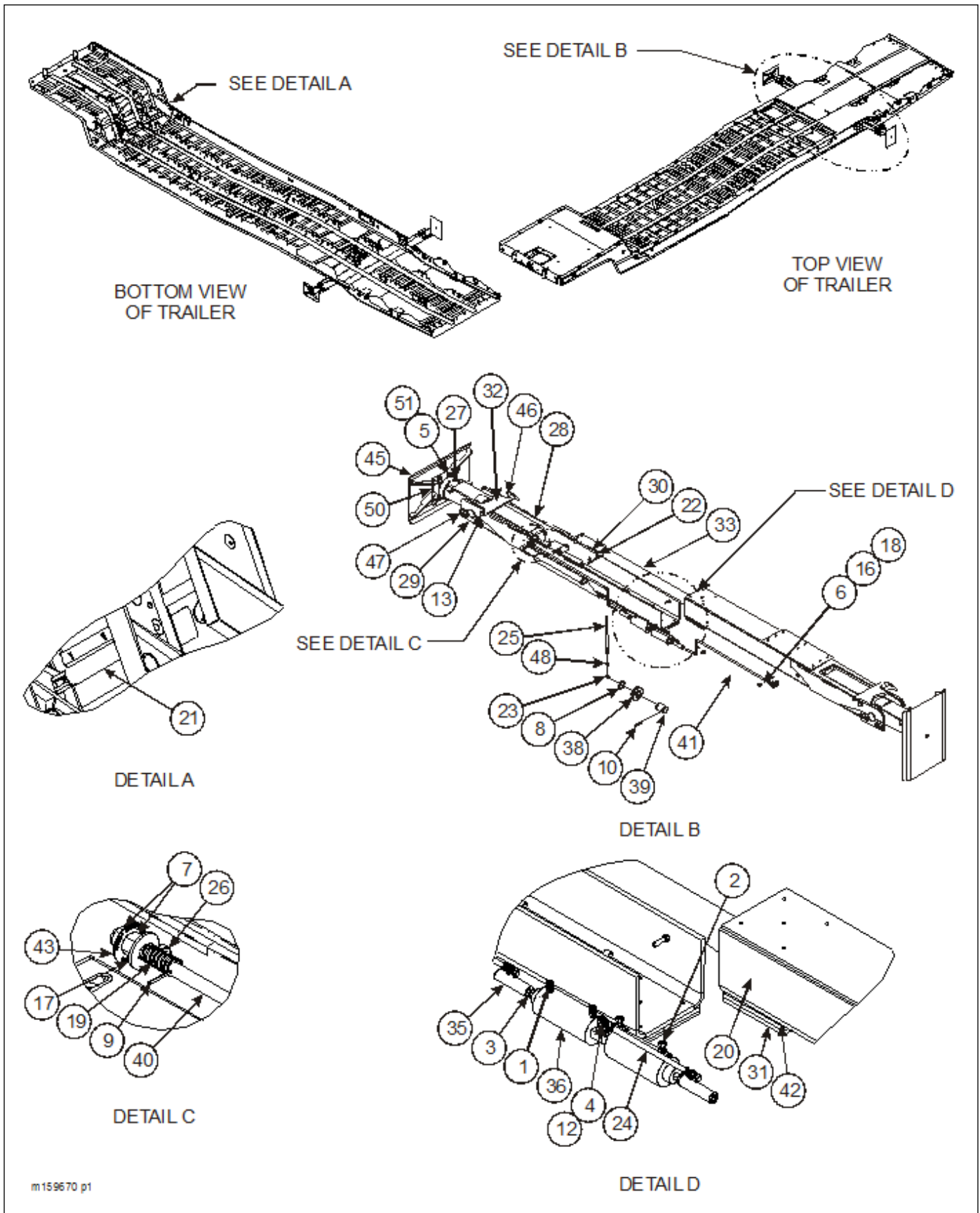
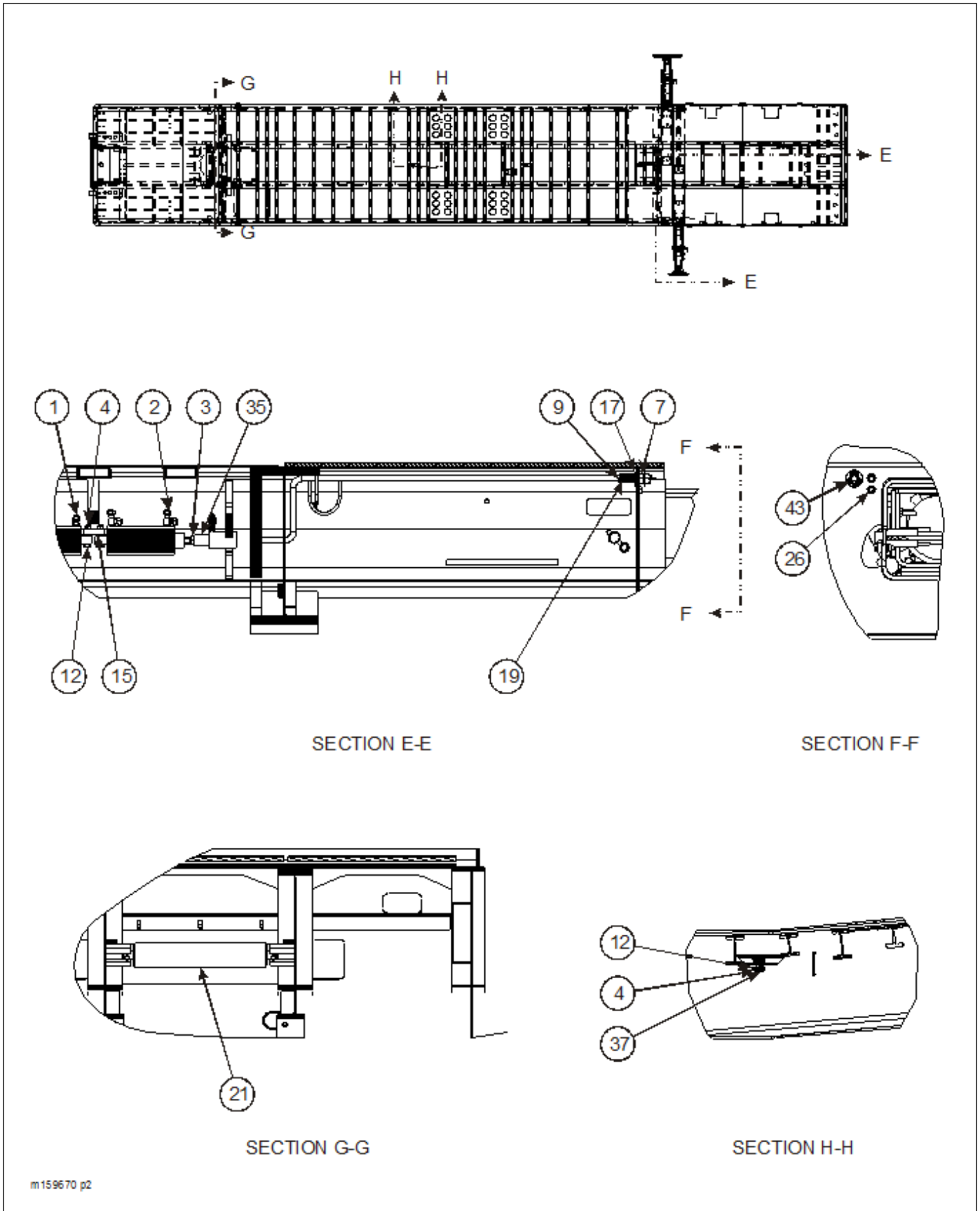


Figure 2-13: Bus Hauler Accessories (1 of 3)





m159670 p2

Figure 2-14: Bus Hailer Accessories (2 of 3)

# ILLUSTRATED PARTS LIST

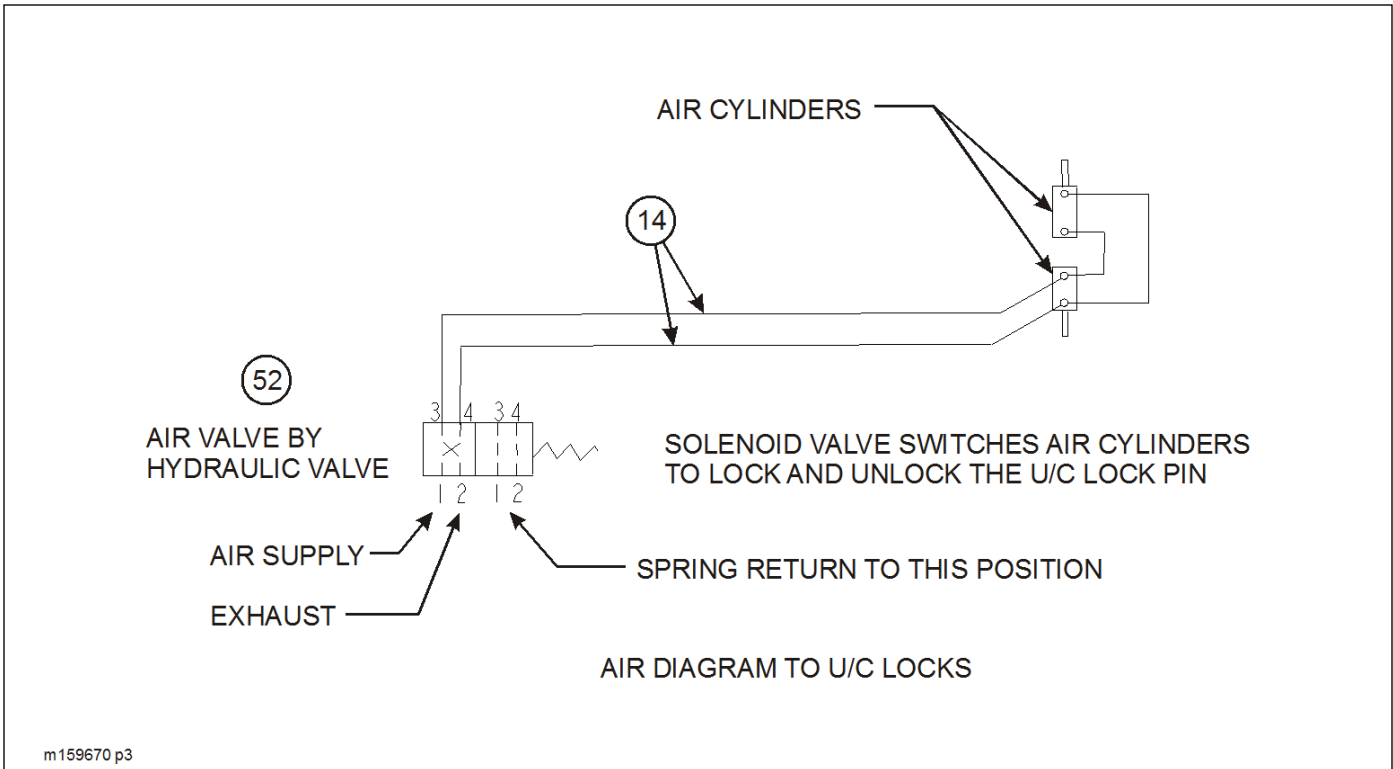


Figure 2-15: Bus Hauler Accessories (3 of 3)

## BUS HAULER ACCESSORIES

ITEM	PART NO.	DESCRIPTION	QTY.
	159670	BUS HAULER ACCESSORIES	
1	1-297-010007-05	FITTING, AIR	2
2	1-297-010011-02	FITTING, AIR TEE	2
3	1-511-010002-05	NUT, HEX JAM 1/2-20 X GRB	2
4	1-512-010005-05	NUT, HEX LOCK 3/8-16 GRB	8
5	1-512-010005-15	NUT, HEX LOCK 3/4-10 GRB	2
6	1-512-010007-07	NUT, HEX 3/8-16 GRB	4
7	1-512-010007-09	NUT, HEX 1/2-13 GRB	4
8	1-630-010021-02	RING, RETAINING HEAVY DUTY	1
9	1-647-010004117	ROLL PIN, SLOTTED 1/8 X 1	2
10	1-647-010004259	ROLL PIIN, SLOTTED 3/8 X 3	1
12	1-654-010051-08	SCREW, HEX HEAD CAP 3/8-16 X 1-3/4 GR5	8
13	1-654-010061-25	SCREW, HEX HEAD CAP 3/4-10 X 10 GR5	2
14	1-833-010001	TUBING, NYLON 1/4	AR
15	1-861-010032-10	WASHER, FLAT 3/8N	4
16	1-861-010032-11	WASHER, FLAT 3/8W	4
17	1-861-010032-15	WASHER, FLAT 1/2W	2
18	1-861-010034-11	WASHER, SPLIT LOCK 3/8	4
19	104253	SPRING, COMPRESSION P/O EXT LOCK	2
20	104984	SCREW, HEX SOCKET CTSK 5/16 X 1	10
21	106207	ROLLER SLOPE SINGLE CORNER	2
22	111311	SCREW, HEX SOCKET CTSK 5/16 X 3/4	18
23	121355	ELBOW 90	3
24	142442	HOSE ASSEMBLY, GREASE X 60	2
25	142465	HOSE ASSEMBLY, GREASE X 67	1

**BUS HAULER ACCESSORIES**

ITEM	PART NO.	DESCRIPTION	QTY.
26	142545	NUT, HEX JAM LOCK	3
27	159111	CYLINDER, LIFT 5" (SEE PAGE 2-25)	REF
28	159118	TUBE WELDMENT, INNER LIFT SLIDER	2
29	159123	KEEPER PLATE LIFT CYL	4
30	159125	NYLATRON SLIDE OUTER LIFT	2
31	159126	NYLATRON SLIDE INNER LIFT	2
32	129129	STOP WELDMENT, CYL ROTATION	2
33	159130	CYLINDER, 3 X 42 (SEE PAGE 2-27)	REF
34	-----	FRAME WELDMENT	REF
35	159397	PIN, STOP U/C	2
36	159401	CYLINDER, AIR 2-1/2 X 2-1/4	2
37	159410	NYLATRON CABLE GUIDE	2
38	159413	PULLEY NYLATRON 3-1/2	1
39	159414	PIN, NYLATRON PIVOT	1
40	159426	ROD, U/C LOCK INDICATOR	2
41	159427	SHIELD, WHEEL WELL	2
42	159679	SPACER, NYLATRON PAD INNER LIFT	2
43	159682	PLACARD, U/C LOCK	2
44	159697	PIN, CYLINDER TELE BUTT	REF
45	159701	FOOTPAD WELDMENT, ALUM	2
46	159716	NUT, 3/4 W/ EXT	2
47	159718	SCREW, HEX SOCKET CTSK 3/8-16 X 3/4	24
48	2021-2-4	ADAPTER, STRAIGHT	3
50	346SL	LOCK HITCH PIN	2
51	W908409-4	SCREW, HEX HEAD CAP 3/4-10 X 6 GR5	2
52	159429	VALVE, AIR SOLENOID	1

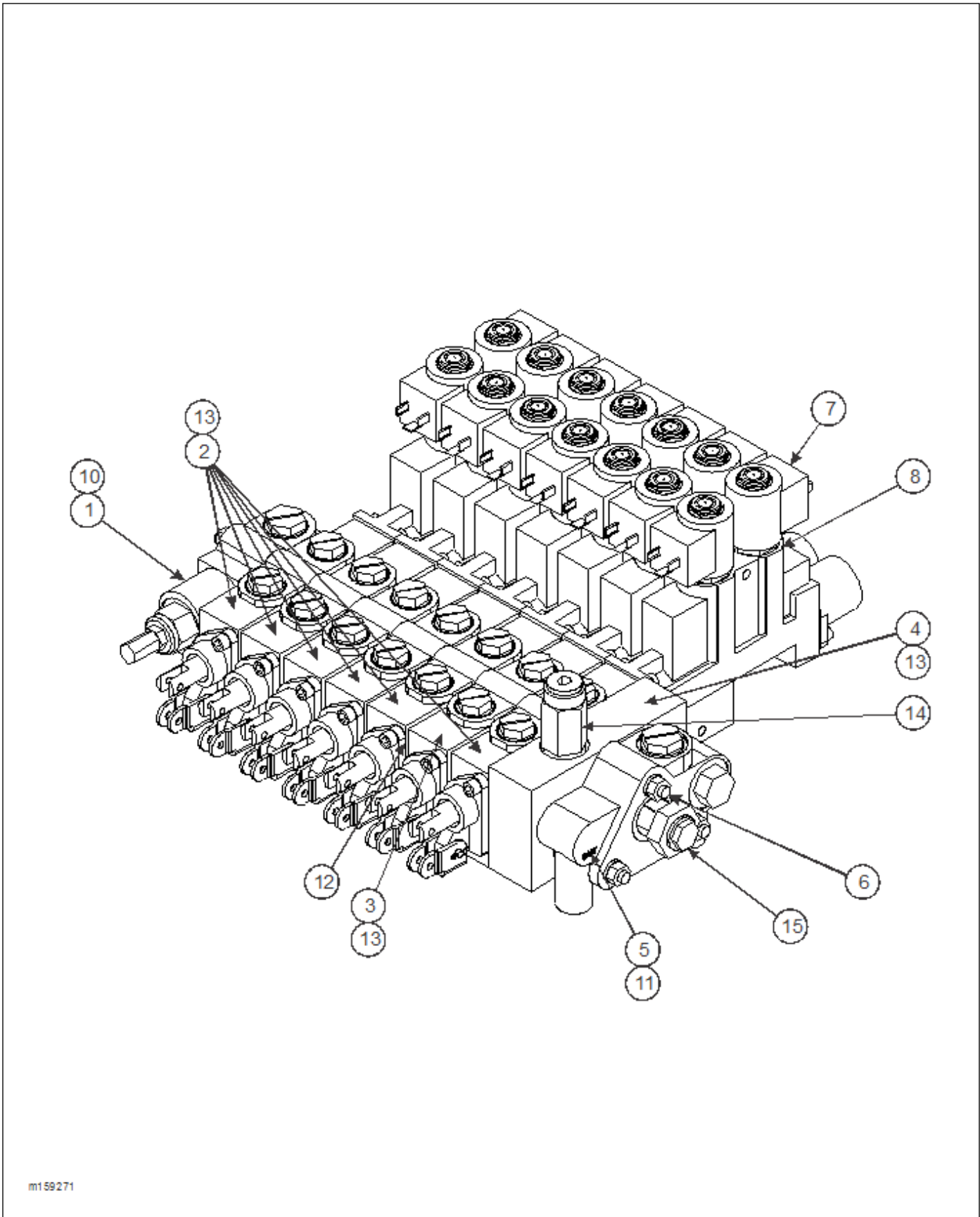


Figure 2-16: Valve, 7 Spool

**VALVE, 7 SPOOL**

ITEM	PART NO.	DESCRIPTION	QTY.
	159271	VALVE, 7 SPOOL	
1	149526	INLET SECTION KIT	
2	149527	VALVE SECTION KIT (BANKS 1, 2, 3, 4, 5, 7)	
3	149528	VALVE SECTION KIT (BANK 6)	
4	149529	VALVE SECTION KIT	
5	142483	OUTLET SECTION KIT	
6	163340	TIEROD KIT	
7	142484	COIL	
8	142485	CARTRIDGE	
9	142486	COIL CARTRIDGE ASSEMBLY (INCL ITEMS 7 & 8)	
10	660580002	SEAL KIT FOR INLET SECTION	
11	660580003	SEAL KIT FOR OUTLET SECTION	
12	660580004	O-RING SEAL KIT FOR BETWEEN SECTIONS	
13	660580005	SEAL KIT FOR SOLENOID WORK SECTION	
14	149030	CARTRIDGE, PRESSURE REDUCING	
15	151823	CARTRIDGE, PRESSURE BUILD UP	

## ILLUSTRATED PARTS LIST

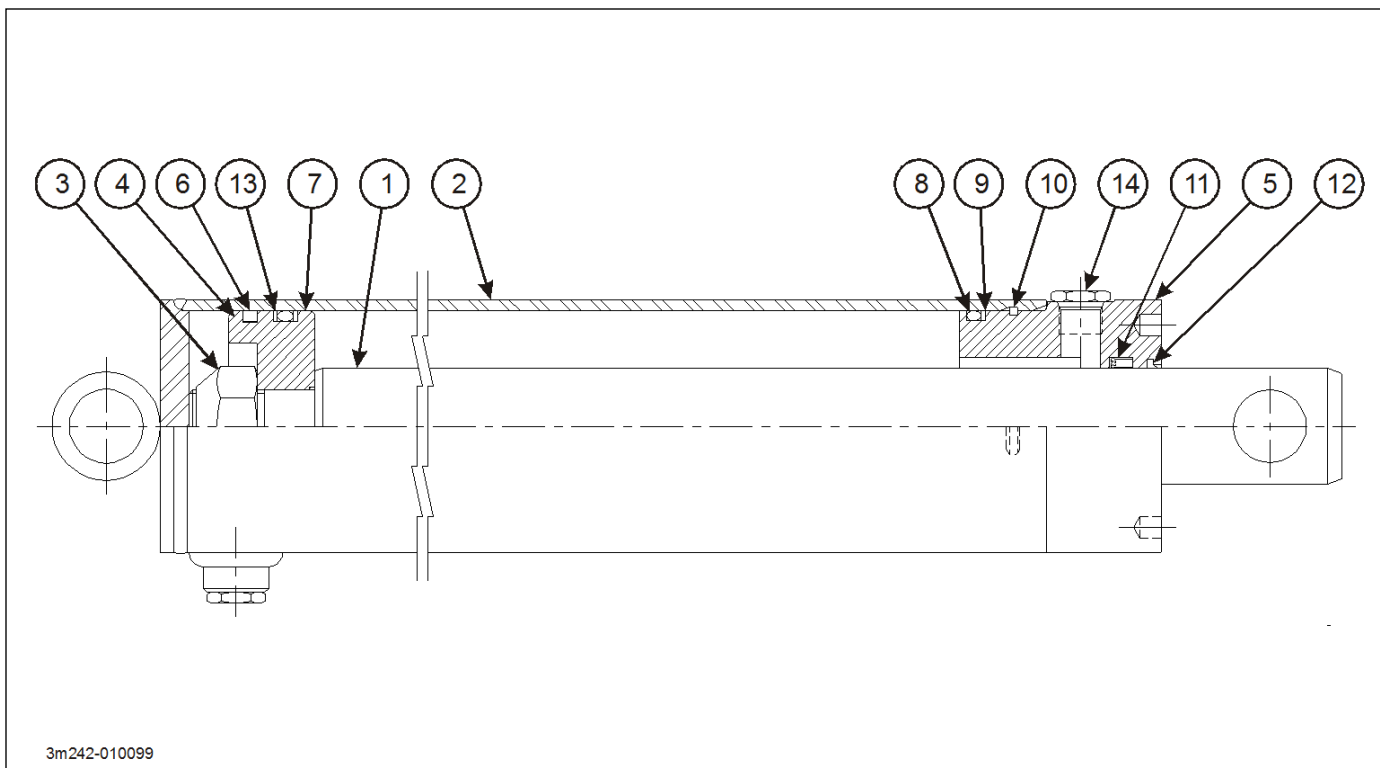


Figure 2-17: Cylinder, Hydraulic 4" x 42"

### CYLINDER, HYDRAULIC 4" X 42"

ITEM	PART NO.	DESCRIPTION	QTY.
	3-242-010099	CYLINDER HYDRAULIC 4 X 42	
1	011100550	PISTON ROD	1
2	*	BUTT AND TUBE ASSEMBLY	1
3	----	LOCKNUT (1-1/4 - 12)	1
4	----	PISTON	1
5	081900295	GLAND	1
6	*	PISTON RING	1
7	*	O-RING	1
8	*	O-RING	2
9	*	BU-WASHER	1
10	*	SQ. WIRE RETAINER	1
11	*	U-CUP	1
12	*	WIPER	1
13	*	BU-WASHER	2
14	----	SHIPPING PLUG	2
	162205	PACKING KIT (CONTAINS ALL NECESSARY SEALS AND O-RINGS)	

\* PART NOT SOLD SEPARATELY. REQUIRES PURCHASE OF ENTIRE ASSEMBLY.

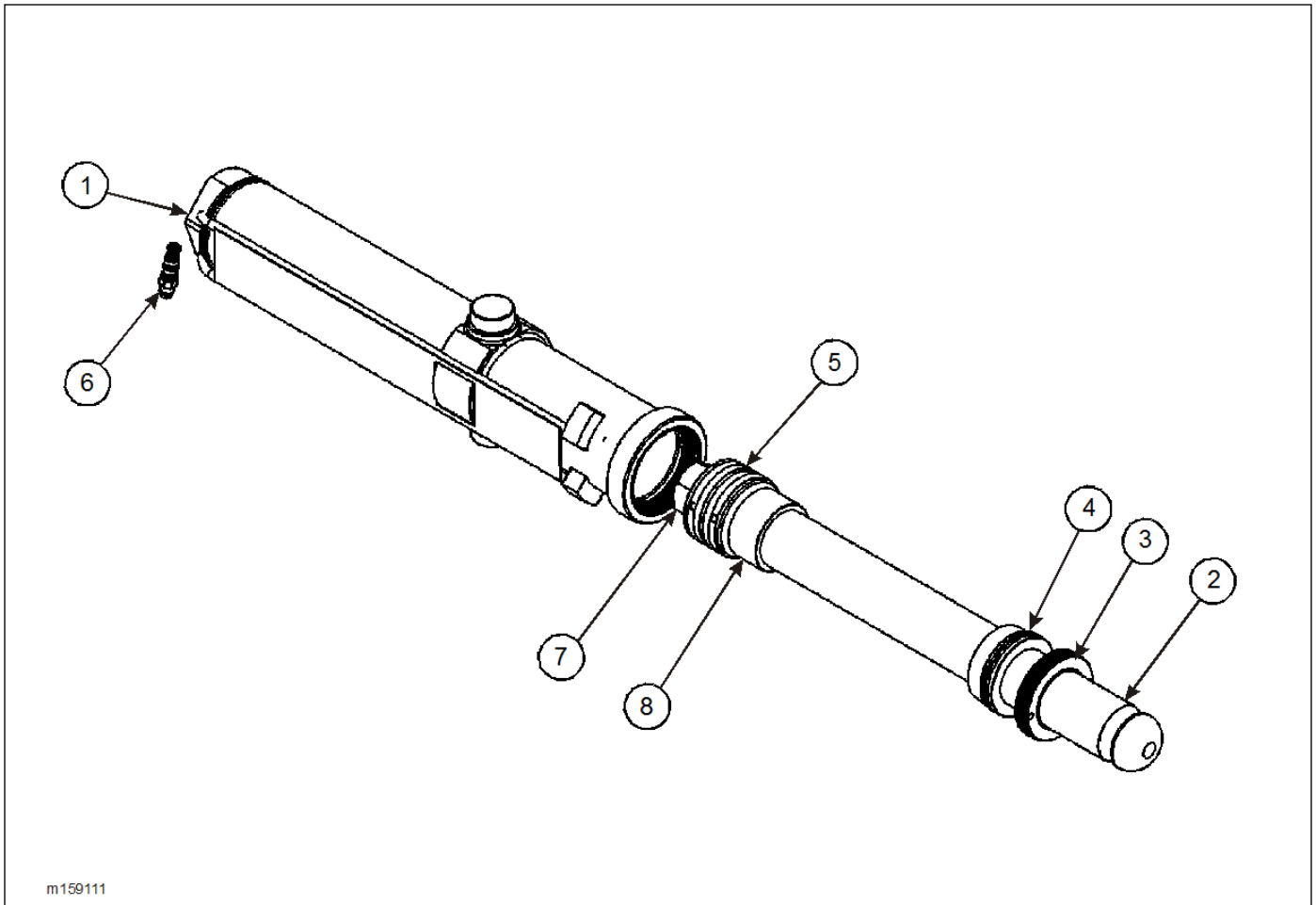


Figure 2-18: Cylinder, Hydraulic 5" Lift

### CYLINDER, 5" LIFT HYDRAULIC

ITEM	PART NO.	DESCRIPTION	QTY.
	159111	CYLINDER, 5" LIFT HYDRAULIC	
1	162453	5" BARREL ASSEMBLY	1
2	162454	3-1/2" ROD	1
3	162455	5" X 3-1/2" RETAINER	1
4	162456	5" X 3-1/2" BEARING	1
5	162457	5" DOUBLE WR/TFE PISTON	1
6	162458	CKCB-SCN CARTRIDGE VALVE	1
7	162459	2" NYLOCK NUT	1
8	162460	3-1/2" X 4" X 2-1/4" STOP TUBE	1
	162461	SEAL KIT (CONTAINS ALL O-RINGS AND SEALS)	1

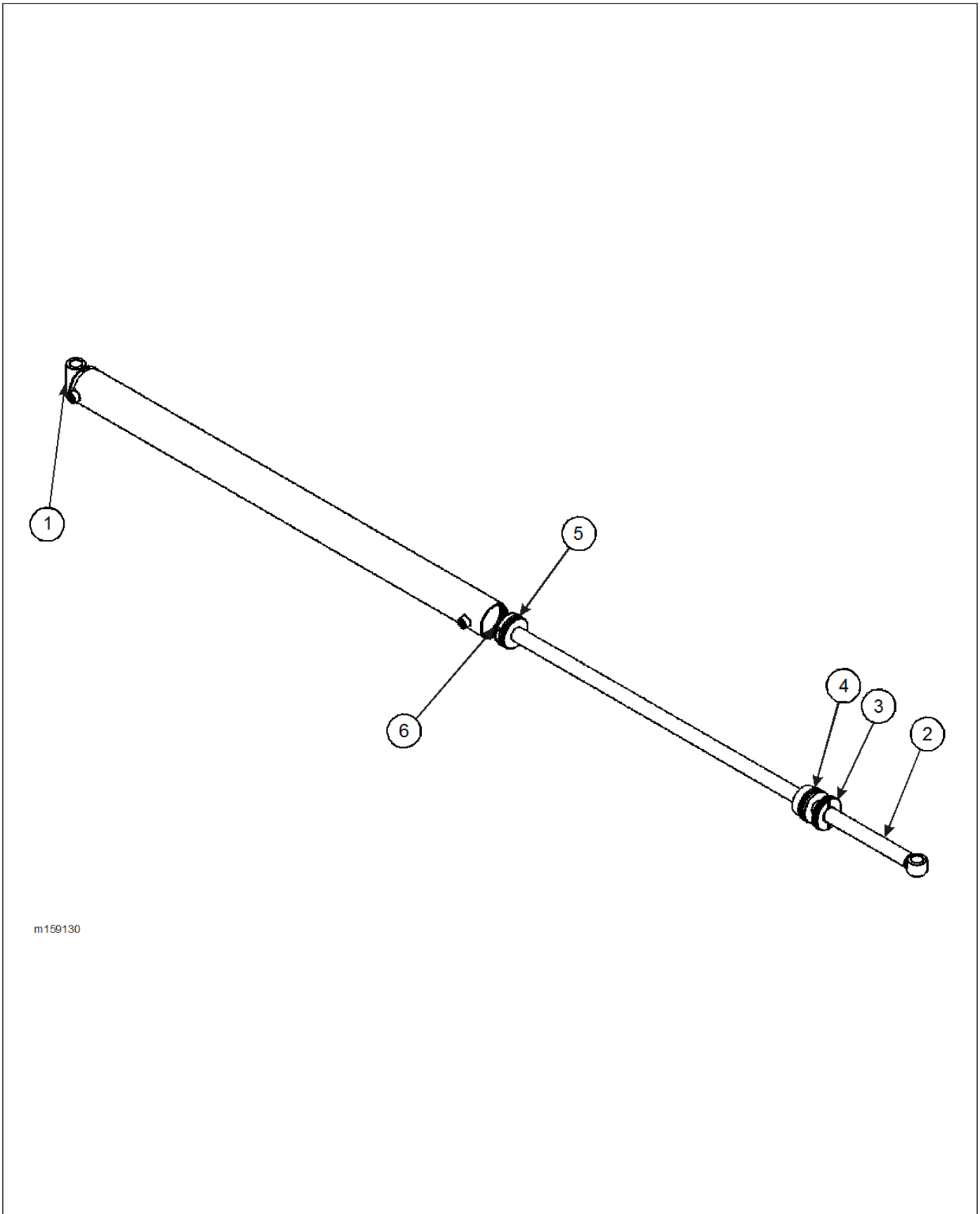


Figure 2-19: Cylinder, Hydraulic 3" X 42"



**CYLINDER, HYDRAULIC 3" X 42"**

ITEM	PART NO.	DESCRIPTION	QTY.
	159130	CYLINDER HYDRAULIC 3" X 42"	
1	162462	BARREL ASSEMBLY 3"	1
2	162463	ROD ASSEMBLY 1-1/2"	1
3	157132	RETAINER 3" X 1-1/2"	1
4	162464	POLY U-BEARING 3" X 1-1/2"	1
5	162465	WR/CR PISTON 3"	1
6	157026	NYLOCK NUT 7/8"	1
	162466	SEAL KIT (CONTAINS ALL O-RINGS AND SEALS)	1

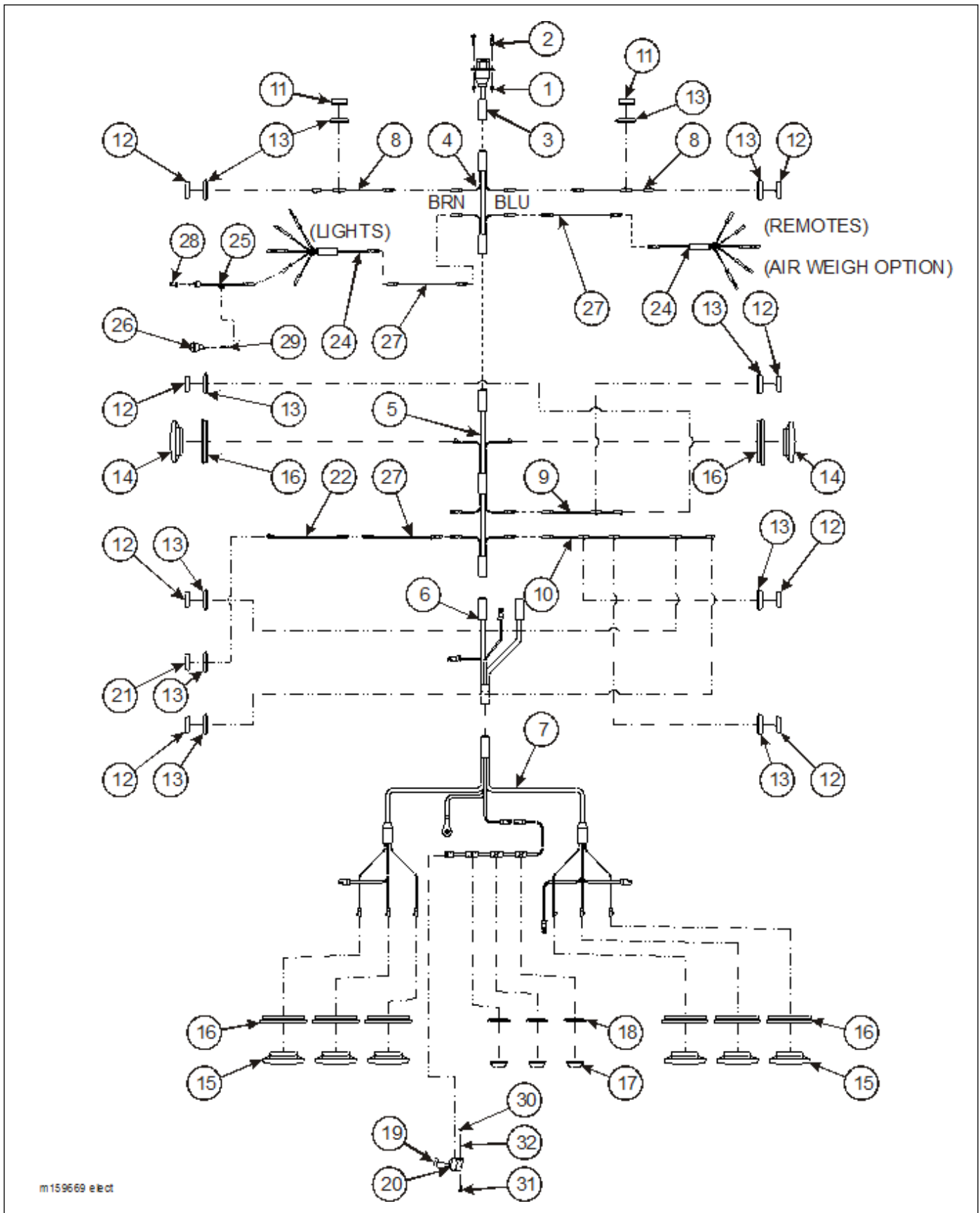


Figure 2-20: Electrical System

**ELECTRICAL SYSTEM**

ITEM	PART NO.	DESCRIPTION	QTY.
	159669	HYDRAULIC ELECTRICAL AIR	
	159668	SUSPENSION ASSEMBLY	
1	1-512-010005-03	NUT, HEX LOCK 5/16-18 GRB	2
2	1-654-010049-06	SCREW, HEX HEAD CAP 5/16-18 X 1-1/4 GR5	2
3	143100	HARNESS, 7 WAY RECEPTACLE	1
4	143101	HARNESS, FRONT MAIN	1
5	143102	HARNESS, BED MAIN	1
6	143103	HARNESS, E-CHAIN	1
7	143104	HARNESS, BUMPER	1
8	143105	HARNESS, MARKER FRONT CORNER	2
9	143106	HARNESS, MARKER FRONT BED	1
10	143107	HARNESS, MARKER REAR BED	1
11	143108	LIGHT, RED LED 2.5 CL/MARKER	2
12	143109	LIGHT, YELLOW LED 2.5 CL/MARKER	8
13	143110	GROMMET, 2.5 SURFACE MOUNT	11
14	143112	LIGHT, YEL AUX TURN	2
15	143113	LIGHT, RED LED OVAL STT	6
16	143114	GROMMET, OVAL	8
17	143115	LIGHT, RED LED RECT CLEARANCE	3
18	143116	GROMMET, RECT	3
19	143117	LIGHT, CLEAR LED LICENSE	1
20	143118	BRACKET, LIGHT LICENSE	1
21	143119	LIGHT, YELLOW LED ABS	1
22	143120	HARNESS, ABS LAMP	1
23*	143122	HARNESS CONNECTOR CLAMP (NOT SHOWN)	AR
24	150093	HARNESS, 5 AUX BRANCHES	2
25	150117	TOGGLE SWITCH SEALED SPST	1
26	26331	LIGHT, PANEL	1
27	3-368-010252	HARNESS ASSY, BULKHEAD LIGHT EXT	3
28	81264	RUBBER BOOT FOR ELECT SWITCH	1
29	STP-147	CONNECTOR, BULLET MALE	2
30	1-512-010007-03	NUT, HEX #10-24 GRB	2
31	1-656-010003051	SCREW, RD HEAD MACH #10-24 X 3/4	2
32	1-861-010034-07	WASHER, SPLIT LOCK #10	4
33	1-796-010003-02	TIE WRAPS (NOT SHOWN)	AR

\* USED TO CLAMP AND HOLD HARNESS CONNECTORS TOGETHER AND FILLED WITH DIELECTRIC GREASE TO SEAL.

## ILLUSTRATED PARTS LIST

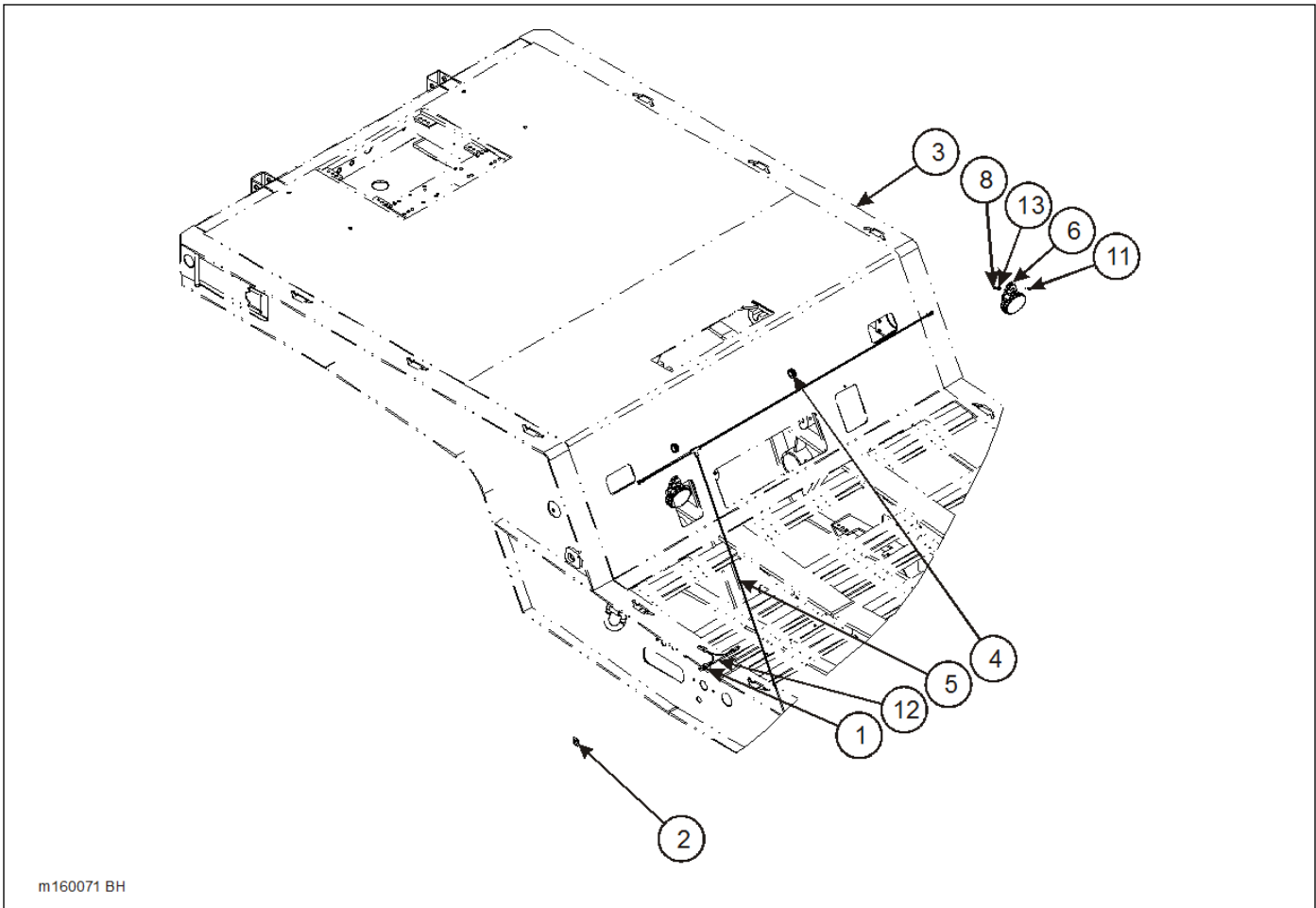


Figure 2-21: Work Light Installation, LED Slope

### WORK LIGHT INSTALLATION, LED SLOPE

ITEM	PART NO.	DESCRIPTION	QTY.
	160071	WORK LIGHT INSTALLATION, LED SLOPE	
1	81264	RUBBER BOOT FOR ELECT SWITCH	1
2	130116	DECAL, ON/OFF LIGHT	1
3	-----	FRAME WELDMENT	REF
4	1-343-010007	GROMMET	2
5	160072	HARNESS, LED WORK LIGHT	1
6	145816	LIGHT, 3 X 5 LED HORIZONTAL OVAL	2
8	1-512-010005-01	NUT, HEX LOCK 1/4-20 GRB	2
11	1-654-010047-05	SCREW, HEX HEAD CAP 1/4-20 X 7/8 GR5	2
12	150117	TOGGLE SWITCH SEALED SPST	1
13	1-861-010032-07	WASHER, FLAT 1/4W	2

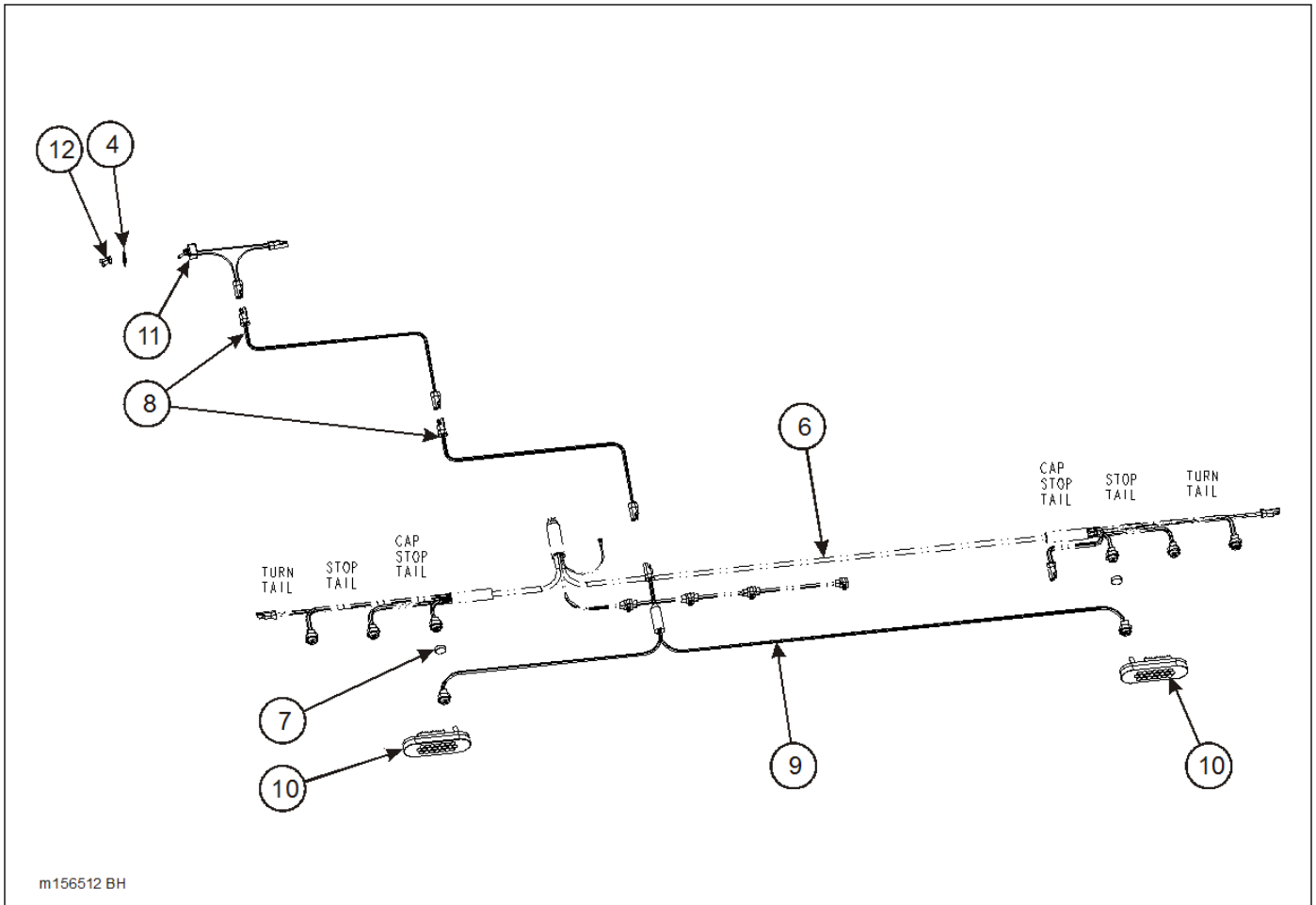
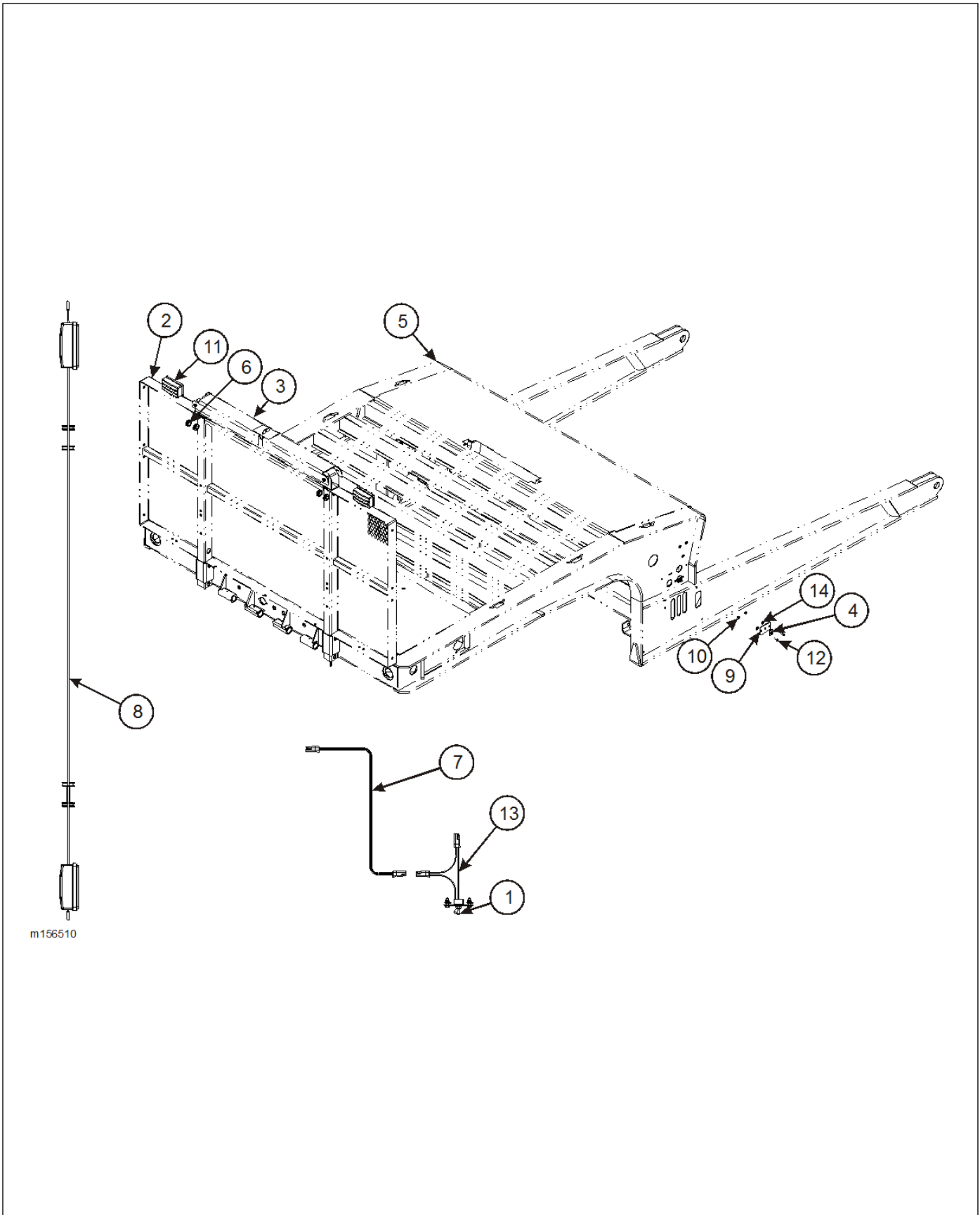


Figure 2-22: Strobe Installation, Bumper

## STROBE INSTALLATION, BUMPER

ITEM	PART NO.	DESCRIPTION	QTY.
	156512	WORK LIGHT INSTALLATION, LED SLOPE	
4	130116	DECAL, ON/OFF LIGHT	1
6	143104	HARNESS, REAR LED	REF
7	144608	DUMMY PLUG FOR FEMALE PLUG	2
8	150111	HARNESS	2
9	150114	HARNESS, BUMPER STROBE	1
10	150115	LIGHT, YELLOW STROBE OVAL	2
11	150117	TOGGLE SWITCH SEALED SPST	1
12	81264	RUBBER BOOT FOR ELECT SWITCH	1

# ILLUSTRATED PARTS LIST



m156510

Figure 2-23: Work Light Assembly, Bulkhead (Option)

**WORK LIGHT ASSEMBLY, BULKHEAD (OPTION)**

ITEM	PART NO.	DESCRIPTION	QTY.
	156510	WORK LIGHT ASSEMBLY, BULKHEAD (OPTION)	
1	81264	RUBBER BOOT FOR ELECT SWITCH	1
2	-----	BULKHEAD WELDMENT	REF
3	B7-141-003	CHAIN RACK INSTALLATION	REF
4	130116	DECAL, ON/OFF LIGHT	1
5	-----	GOOSENECK WELDMENT	REF
6	1-343-010007	GROMMET	4
7	3-368-010252	HARNESS ASSEMBLY, BULKHEAD LIGHT EXT	1
8	3-368-010250	HARNESS, BULKHEAD LIGHTS	1
9	137987	MOUNT, ELECTRICAL SWITCH	1
10	1-512-010005-03	NUT, HEX LOCK 5/16-18 GRB	2
11	64181	RECT QUARTZ HALOGEN LAMP	2
12	1-654-010049-05	SCREW, HEX HEAD CAP 5/16-18 X 1 GR5	2
13	150117	TOGGLE SWITCH SEALED SPST	1
14	1-861-010032-09	WASHER, FLAT 5/16W	2

# ILLUSTRATED PARTS LIST

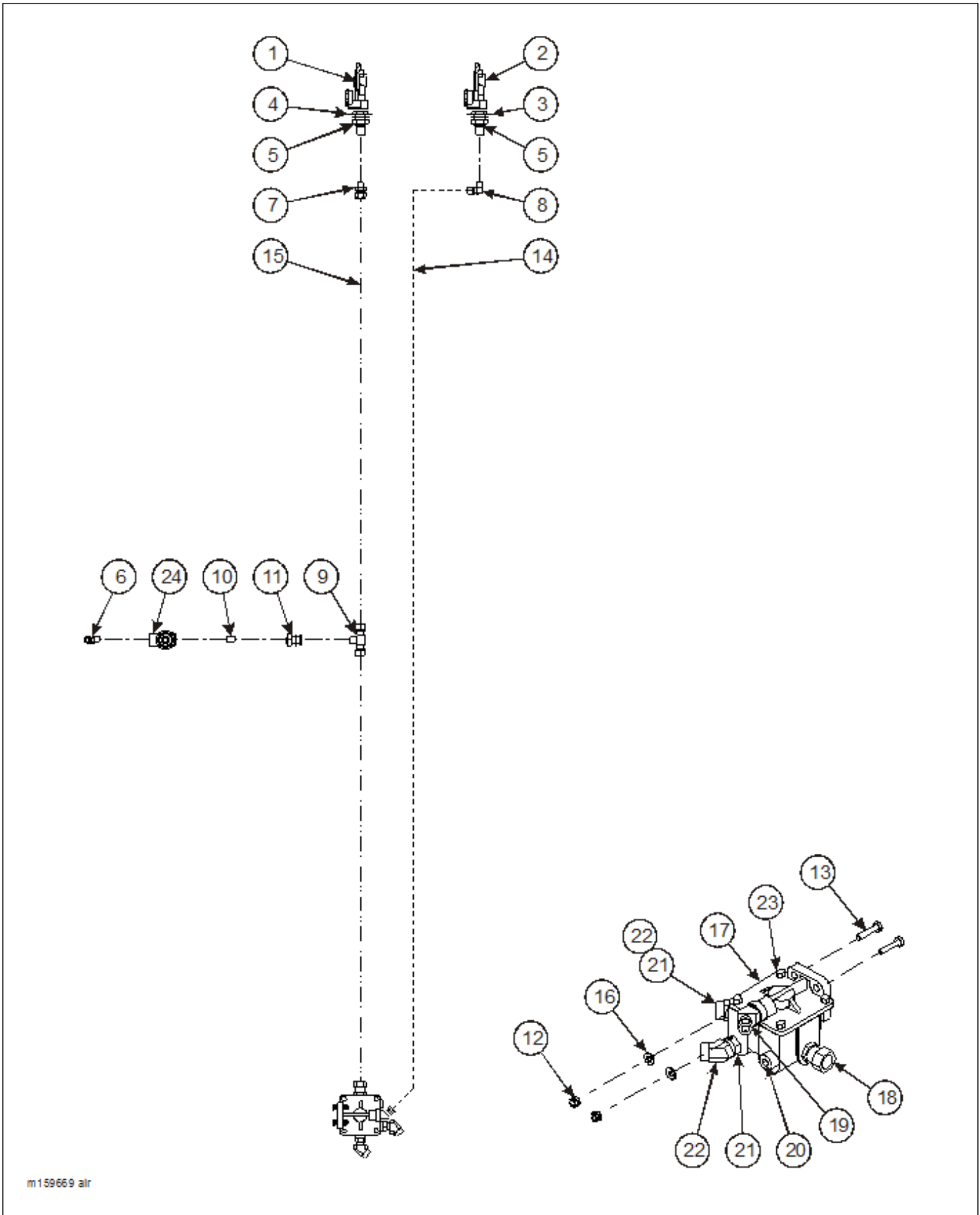


Figure 2-24: Air System, Main



**AIR SYSTEM, MAIN**

ITEM	PART NO.	DESCRIPTION	QTY.
	159669	HYDRAULIC, ELECTRICAL, AIR INSTALLATION	
1	108801	GLADHAND RED AIR	1
2	108802	GLADHAND BLUE AIR	1
3	55B61-7	TAG, SERVICE LINE	1
4	55B61-6	TAG, EMERGENCY LINE	1
5	55B61	FRAME, UNION	2
6	1-297-010007-05	FITTING, AIR	1
7	1-297-010007-14	FITTING, AIR 1/2TUBE X 1/4NPT	1
8	1-297-010008-18	FITTING, AIR 90 3/8TUBE X 1/4NPT	1
9	1-297-010015-09	FITTING, AIR BR TEE	1
10	1-297-010020-02	FITTING, BRS PIPE	1
11	1-297-010022-02	FITTING, AIR ANCHOR COUPLING	1
12	1-512-010005-01	NUT, HEX LOCK 1/4-20	2
13	1-654-010027-7	SCREW, HEX HEAD CAP 1/4-23 X 1-1/4	2
14	1-833-010002	NYLON TUBING 3/8OD	A/R
15	1-833-010003	TUBING, NYLON 1/2OD	A/R
16	1-861-010032-06	WASHER, FLAT 1/4N	2
17	141607	VALVE ASSEMBLY, AIR BOOSTER (INCL ITEMS 18-23)	1
18	1-297-010007-16	FITTING, AIR	1
19	1-297-010013-12	FITTING, AIR 45	1
20	1-560-010002-04	PLUG, PIPE 1/2	1
21	2081-8-6S	REDUCER 1/2 X 3/8	2
22	2088-6-6S	ADAPTER, 45	2
23	3-843-010038	VALVE, AIR RELAY-FAST AIR BALANCE	1
24	905-54-107	BRAKE PROTECTION VALV E	1

# ILLUSTRATED PARTS LIST

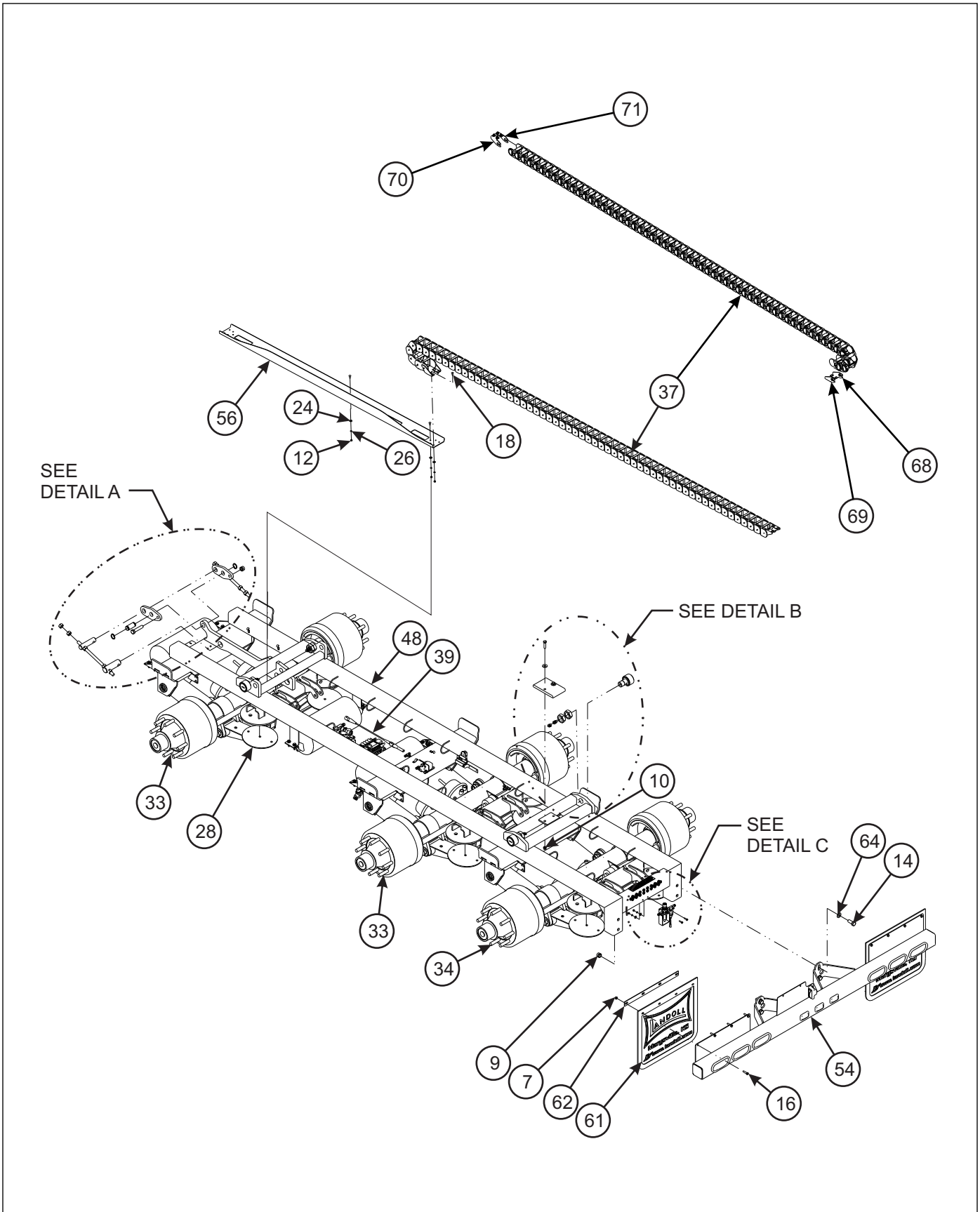


Figure 2-25: Suspension Assembly, Air Ride (1 of 4)

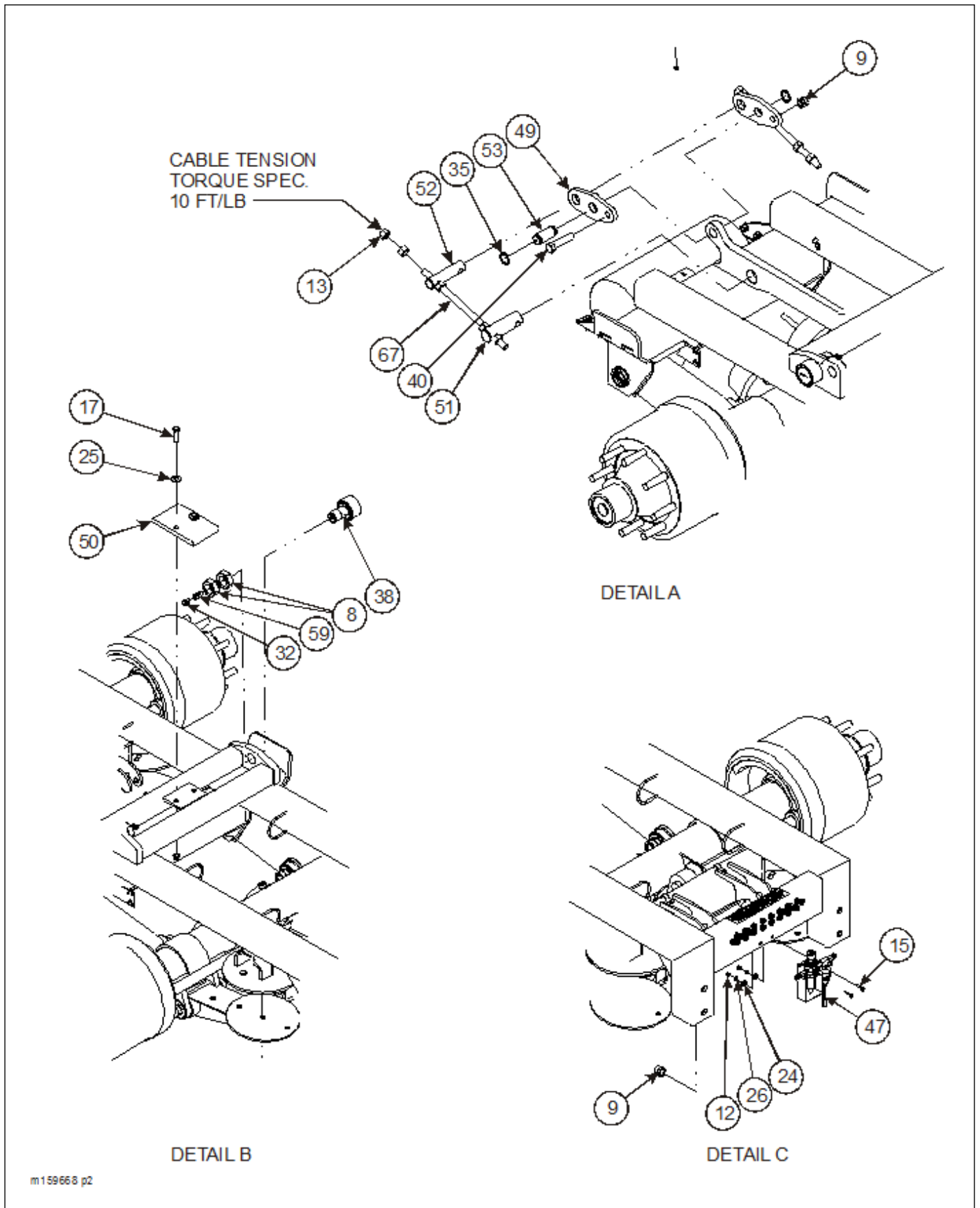
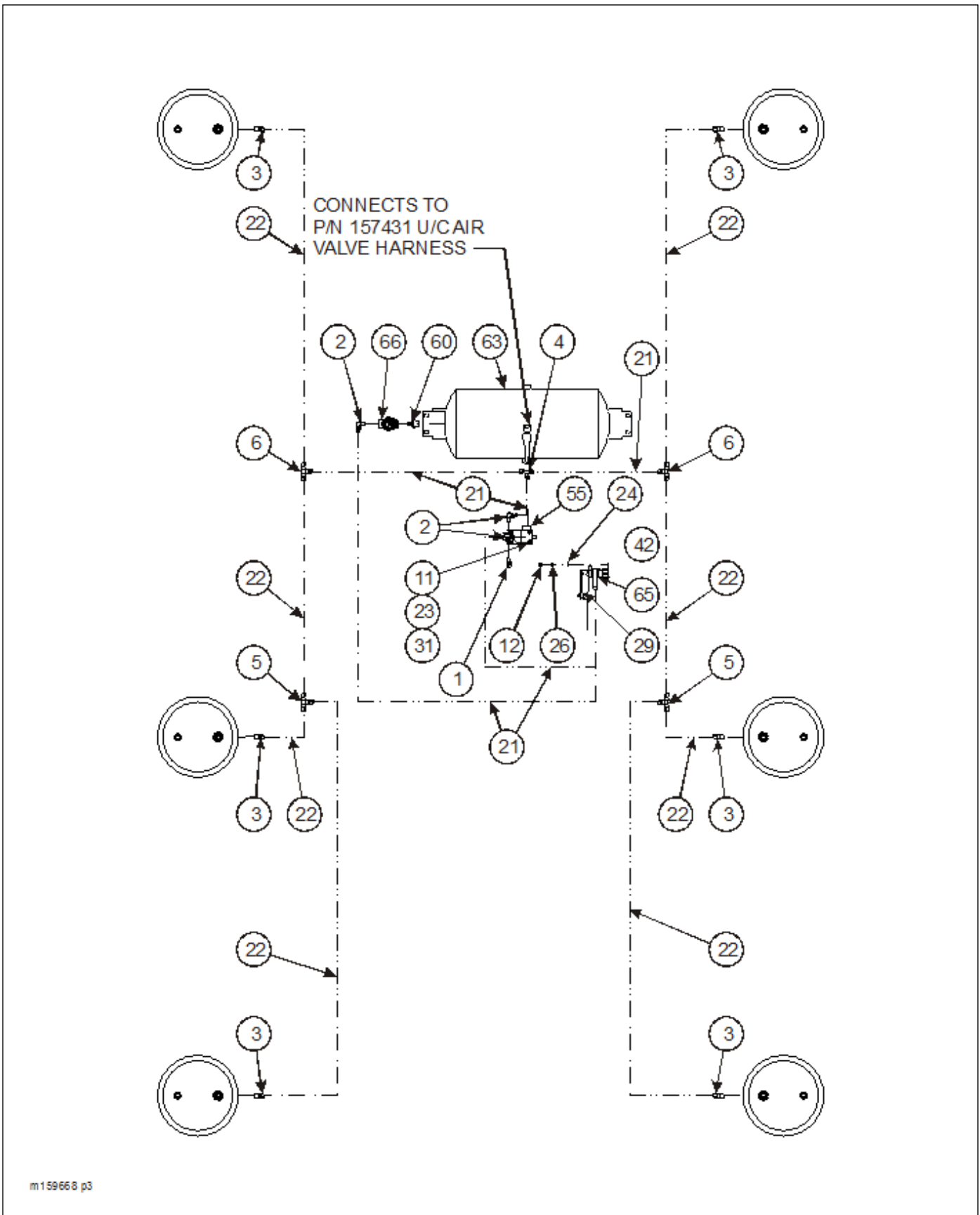


Figure 2-26: Suspension Assembly, Air Ride (2 of 4)



m159668 p3

Figure 2-27: Suspension Assembly, Air Ride (3 of 4)



## ILLUSTRATED PARTS LIST

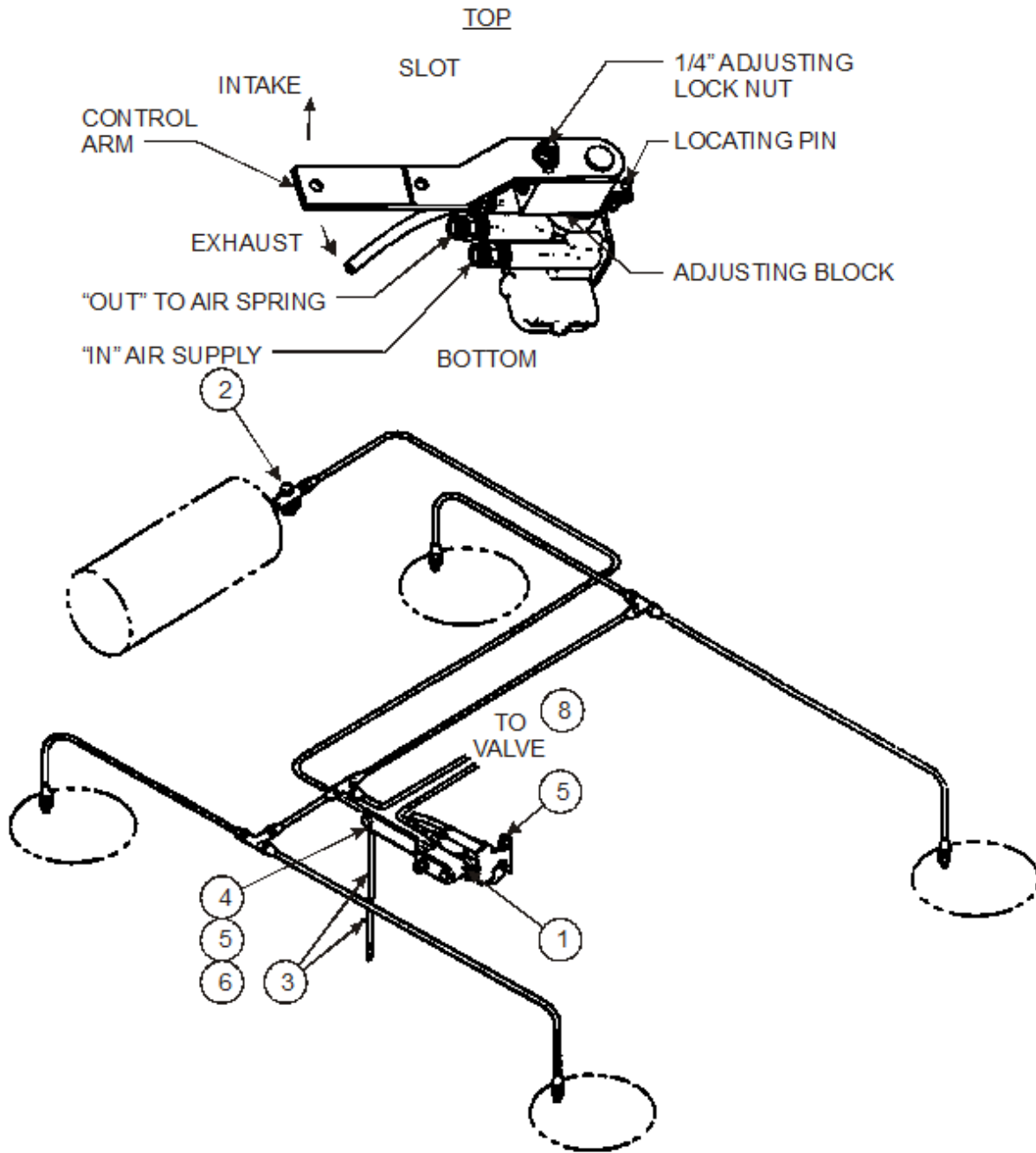
### SUSPENSION ASSEMBLY, AIR RIDE

ITEM	PART NO.	DESCRIPTION	QTY.
	159668	SUSPENSION ASSEMBLY, AIR RIDE	
1	1-297-010007-05	FITTING, AIR	1
2	1-297-010008-07	FITTING, AIR 90	3
3	1-297-010008-18	FITTING, AIR 90	6
4	1-297-010010-01	FITTING, AIR UNION TEE 1/4	1
5	1-297-010010-03	FITTING, AIR UNION TEE 3/8	2
6	1-297-010010-04	FITTING, AIR UNION TEE	2
7	1-510-010001	NUT, FLANGE LOCK 3/8-16	8
8	1-511-010001-14	NUT, HEX JAM 1-1/2-12	8
9	1-512-010002-15	NUT, HEX LOCK 3/4-10 GRC	5
10	1-512-010005-09	NUT, HEX LOCK 1/2-13 GRB	2
11	1-512-010007-04	NUT, HEX #10-32 GRB	2
12	1-512-010007-05	NUT, HEX 1/4-20 GRB	10
13	1-512-010007-12	NUT, HEX 3/4-10 GRB	10
14	1-654-010032-4	SCREW, HEX HEAD CAP 3/4-10 X 1-3/4 GR8	4
15	1-654-010047-06	SCREW, HEX HEAD CAP 1/4-20 X 1 GR5	2
16	1-654-010051-07	SCREW, HEX HEAD CAP 3/8-16 X 1-1/2 GR5	8
17	1-654-010055-05	SCREW, HEX HEAD CAP 1/2-13 X 2 GR5	2
18	1-654-010158-1	SCREW, RD HEAD SQ NECK 1/4-20 X 3/4	6
19	1-796-010003-02	TIE STRAP, PLASTIC .18 X 14 (NOT SHOWN)	10
20	1-796-010004-02	TIE STRAP, PLASTIC (NOT SHOWN)	15
21	1-833-010001	TUBING, NYLON 1/4	AR
22	1-833-010002	TUBING, NYLON 3/8	AR
23	1-861-010032-03	WASHER, FLAT #10	2
24	1-861-010032-07	WASHER, FLAT 1/4W	10
25	1-861-010032-15	WASHER, FLAT 1/2W	2
26	1-861-010034-09	WASHER, SPLIT LOCK 1/4	10
27	101528	ELBOW, BRASS PIPE STREET	6
28	102363	SUSPENSION ADJ RLU-228-3.5 (SEE PAGE 2-45)	3
29	102732	AIR CONTROL KIT NEWAY (SEE PAGE 2-43)	1
31	105914	SCREW, RD HEAD MACH #10-32 X 2-1/2	2
32	113268	ADAPTER 90	4
33	136256	AXLE WELDMENT 2512 SPG-70.5 X 31 TIS (SEE PAGE 2-51)	2
34	138199	AXLE WELDMENT 2512 SER-70.5 X 31 TIS (SEE PAGE 2-51)	1
35	120454	RING, RETAINING HEAVY DUTY	2
36	138155	ELBOW, 90	4
37	122536	SUPPORT, E-CHAIN ( <b>BEFORE 6-3-2015</b> )	1
	3-755-010189-1	E-CHAIN LINK ASSEMBLY (38-06-075-0) ( <b>BEFORE 6-3-2015</b> )	AR
	189318	E-CHAIN LINK ASSEMBLY (38-06-075-0) ( <b>BEFORE 6-3-2015</b> )	1
38	139764	CAMFOLLOWER 3" MOD GREASE	4
39	141759	UMBILICAL CORD BRAKES	1
40	141776	SCREW, HEX HEAD CAP 3/4-10 X 3-1/2 GR5	1
41	142441	HOSE ASSEMBLY, GREASE 1/4 X 45	8
42	142451	HOSE ASSEMBLY, GREASE 1/4 X 156	2
43	142453	HOSE ASSEMBLY, GREASE 1/4 X 180	6
44	142466	HOSE ASSEMBLY, GREASE 1/4 X 94	2
45	142545	NUT, 7/16	22
46	143688	DECAL, GREASE TRAILER U/C	2
47	157703	TIRE INFLATION SYSTEM	1

**SUSPENSION ASSEMBLY, AIR RIDE**

ITEM	PART NO.	DESCRIPTION	QTY.
48	159152	SUSPENSION WELDMENT A/R	1
49	159400	SWIVEL, CABLE TIGHTENER	2
50	159404	NYLATRON CABLE RUB U/C	1
51	159405	PIN, U/C CABLE TIGHTEN	1
52	159406	PIN, SWIVEL ARM	1
53	159407	PIN, U/C SWIVEL PIVOT	1
54	159415	BUMPER WELDMENT	1
55	159681	VALVE, AIR SOLENOID	1
56	160345	GUIDE, E-CHAIN TRAY	1
57	161797	ADAPTER, STRAIGHT	6
58	2024-2-4S	ADAPTER, ELBOW	12
59	2045-4-4S	ADAPTER, STR SWIVEL	4
60	2083-8-4S	NIPPLE, HEX 1/2PIPE - 1/4PIPE	1
61	3-485-010001	FLAP, MUD	2
62	3-762-010017	CLAMP, MUD FLAP	2
63	3-780-010002	TANK, AIR	3
64	622-3511-008	WASHER, FLAT 3/4 SAE	4
65	900 54 007	HEIGHT CONTROL VALVE	REF
66	905-54-107	BRAKE PROTECTION VALVE	REF
67	RTR7999X15	ROD, THREADED 3/4-10 X 15	2
68	190701	BRACKET WLDMT, E-CHAIN LH <b>(AFTER 6-3-2015)</b>	1
69	190706	BRACKET WLDMT, E-CHAIN RH <b>(AFTER 6-3-2015)</b>	1
70	190700ZP	BRACKET, E-CHAIN LH <b>(AFTER 6-3-2015)</b>	1
71	190705ZP	BRACKET, E-CHAIN RH <b>(AFTER 6-3-2015)</b>	1

# ILLUSTRATED PARTS LIST



m102732 bh

Figure 2-29: Air Control Kit, RLU-228

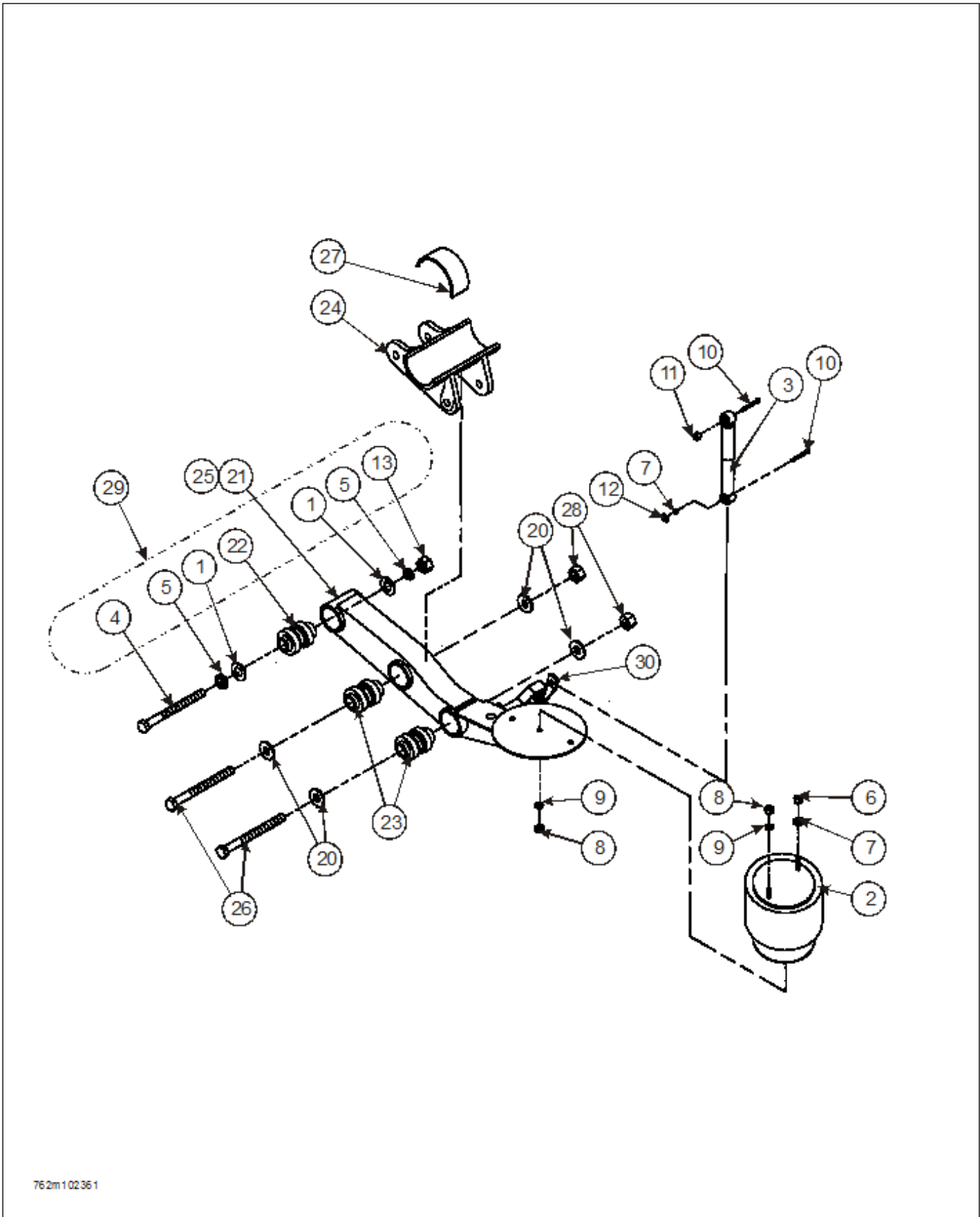


---

**AIR CONTROL KIT**

---

<b>ITEM</b>	<b>PART NO.</b>	<b>DESCRIPTION</b>	<b>QTY.</b>
	102732	AIR CONTROL KIT NEWAY	
1	900 54 007	HEIGHT CONTROL VALVE	1
2	905-54-107	AIR PRESSURE PROTECTION VALVE & FILTER	1
3	111021	SRK - 167 KIT (ADJ. LINK ASSEMBLY)	1
4	1-654-010047-04	SCREW, HEX HEAD CAP 1/4-20 X 3/4 GR5	2
5	1-512-010005-01	LOCK NUT 1/4-20	2
6	-----	DECAL (OPERATING)	1



762m102361

Figure 2-30: Suspension Hanger Assembly RLU-228

## SUSPENSION HANGER RLU-228

ITEM	PART NO.	REFERENCE NO.	DESCRIPTION	QTY.
	102363		SUSPENSION, ADJ. RLU-228-3.5 (INCL ITEMS 1-19)	
	102361		SUSPENSION, BEAM. RLU-228 (INCL ITEMS 20-28)	
1	111010	900 36 177	FLAT WASHER	2
2	905-57-129	905 57 129	AIR SPRING ASSEMBLY	2
3	900 45 040	900 45 040	SHOCK	2
4	90508009	905 08 009	ALIGN BUSH ASSEMBLY	2
5	111007	900 08 186	ALIGN BLOCK (900 08 186)	2
6	934 00 149	934 00 149	3/4-16 HEX NUT GRB	2
7	936 00 077	936 00 077	LOCK WASHER, 3/4"	4
8	1-512-010007-09	934 00 136	HEX NUT, 1/2-13	4
9	1-861-010034-13	936 00 072	LOCK WASHER, 1/2"	4
10	105408	930 03 597	HEX HEAD CAP SCREW 3/4-10 X 3-1/2	4
11	934 00 492	934 00 492	LOCK NUT, 3/4-10	2
12	111022	934 00 367	3/4-10 SQUARE NUT	2
13	111008	934 00 506	LOCK NUT 1-1/8-7	2
14	111018	900 54 038	ANCHOR, RIDE HEIGHT CONTROL VALVE (NOT SHOWN)	1
15	-----	941 00 787	LITERATURE INSTRUCTIONS (NOT SHOWN)	1
16	-----	941 00 685	LITERATURE SPEC (NOT SHOWN)	1
17	-----	941 00 648	LITERATURE FORM 864 (NOT SHOWN)	1
18	-----	941 00 590	LITERATURE LABEL (NOT SHOWN)	1
19	-----	941 00 790	LITERATURE LABEL (NOT SHOWN)	1
	111019	110 05 053	FASTENER KIT (INCL. 1, 4-11, 13, 15)	1
20	111010	900 36 177	FLAT WASHER	8
21	111013	905 16 600	EQUALIZING BEAM ASSEMBLY LH	1
22	900-08-139	900 08 139	RUBBER BUSHING (FRONT PIVOT)	2
23	111011	900 08 149	RUBBER BUSHING (AXLE CONNECTION)	4
24	111012	900 01 200	AXLE ADAPTER ASSEMBLY	2
25	111014	905 16 601	EQUALIZING BEAM ASSEMBLY RH	1
26	111023	932 01 051	HEX HEAD CAP SCREW 1-1/8-7 X 8-1/2	4
27	900-25-288	900 25 288	SAFETY STRAP	2
28	934-00-506	934 00 506	LOCK NUT 1-1/8-7	4
29	109533	481 00 294	ALIGNMENT BLOCK KIT	1
30	126900	905 20 543	BRACKET BOTTOM SHOCK (RLU-228)	1
31	141708		WIRE ROPE STRAP KIT RLU228-3.5	1
	127708		WIRE ROPE STRAP KIT RLU228-5.5	1

NOTE: QUANTITIES LISTED ARE PER AXLE.

# ILLUSTRATED PARTS LIST

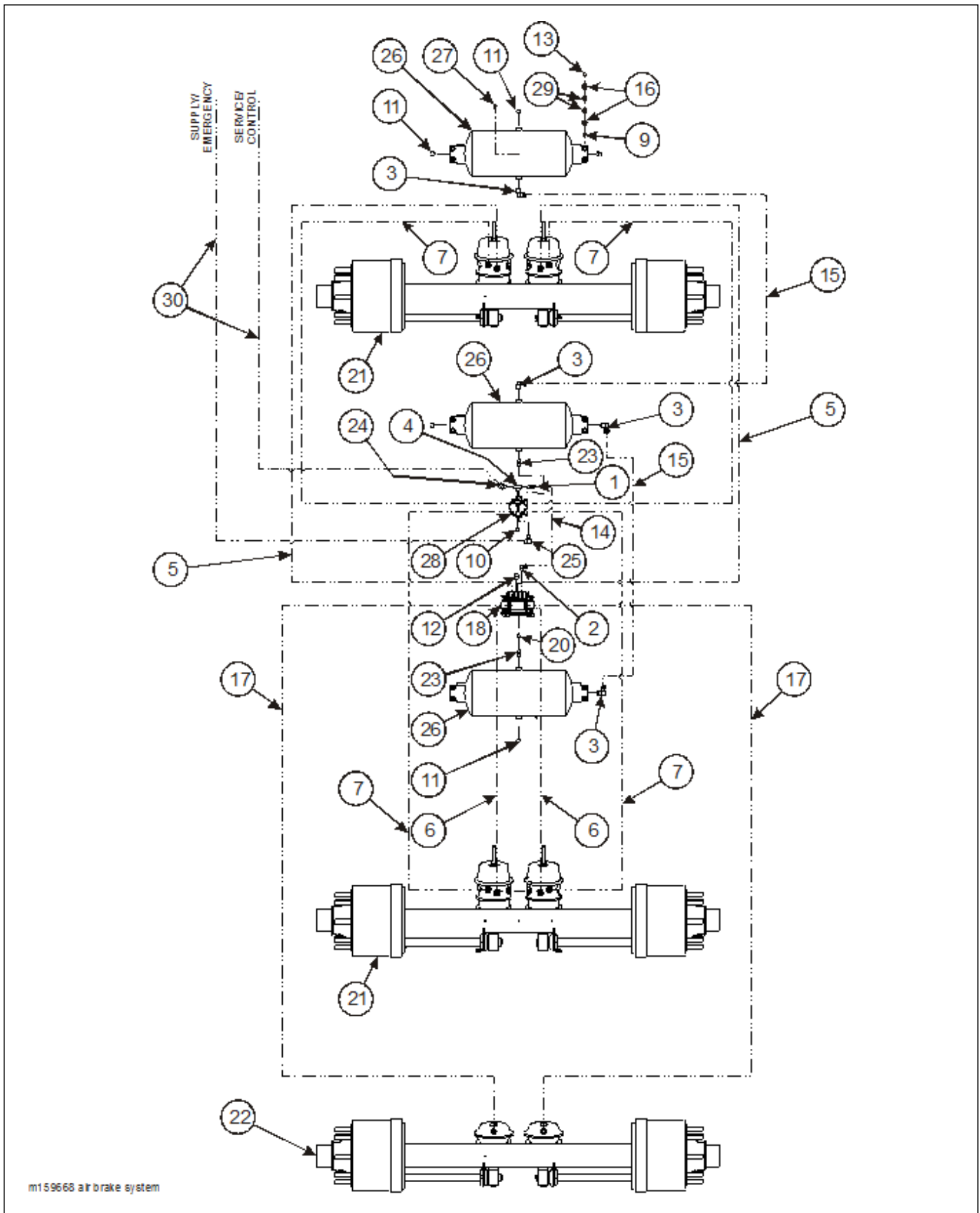
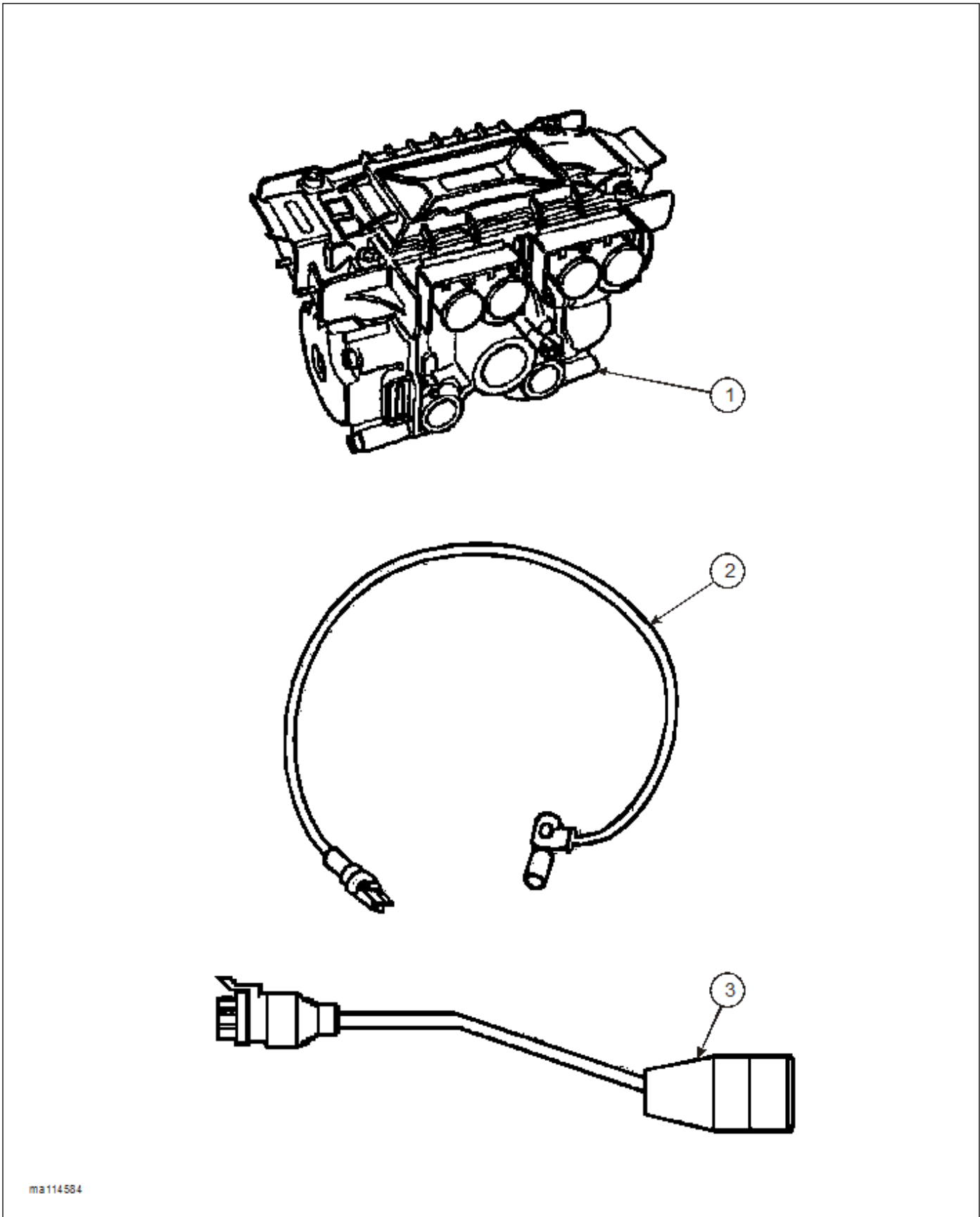


Figure 2-31: Air Brake System w/ ABS

**AIR BRAKE SYSTEM W/ ABS**

ITEM	PART NO.	DESCRIPTION	QTY.
	159668	SUSPENSION ASSEMBLY, AIR RIDE	
1	1-297-010007-12	FITTING, AIR	1
2	1-297-010008-18	FITTING, AIR 90	1
3	1-297-010008-24	FITTING, AIR 90	4
4	1-297-010017-03	FITTING, AIR M/ BRASS TEE	1
5	1-384-010038-2	HOSE, AIR 3/8 X 66	2
6	1-384-010038042	HOSE, AIR 3/8 X 42	2
7	1-384-010038054	HOSE, AIR 3/8 X 54	4
8	1-394-010001	HOSE, ABRASION SLEEVE X 2 (NOT SHOWN)	2'
9	1-512-010005-05	NUT, HEX LOCK 3/8-16 GRB	12
10	1-560-010002-03	PLUG, PIPE 3/8	1
11	1-560-010002-04	PLUG, PIPE 1/2	5
12	1-560-010002-05	PLUG, PIPE 3/4	1
13	1-654-010051-08	SCREW, HEX HEAD CAP 3/8-16 X 1-3/4 GR5	12
14	1-833-010002	TUBING, NYLON 3/8	AR
15	1-833-010003	TUBING, NYLON 1/2	AR
16	1-861-010032-11	WASHER, FLAT 3/8W	24
17	103738	HOSE, AIR 3/8 X 100	2
18	114586	ABS BRAKE KIT (SEE PAGE 2-49)	1
19	103817	CLAMP, HOSE (NOT SHOWN)	2
20	118-2659-9	BUSHING	1
21	136256	AXLE WELDMENT 2512 SPG-70.5 X 31 TIS (SEE PAGE 2-51)	REF
22	138199	AXLE WELDMENT 2512 SER-70.5 X 31 TIS (SEE PAGE 2-51)	REF
23	2083-8-8S	NIPPLE, HEX	2
24	2088-6-6S	ADAPTER, 45	1
25	2089-6-6S	ADAPTER, 90	1
26	3-780-010002	TANK, AIR	3
27	56D4	AIR TANK DRAIN COCK	3
28	758-181	VALVE, RELAY EMERGENCY	1
29	805-2	STEP BUSHING	24
30	103699	HOSE, AIR 3/8 X 230	2



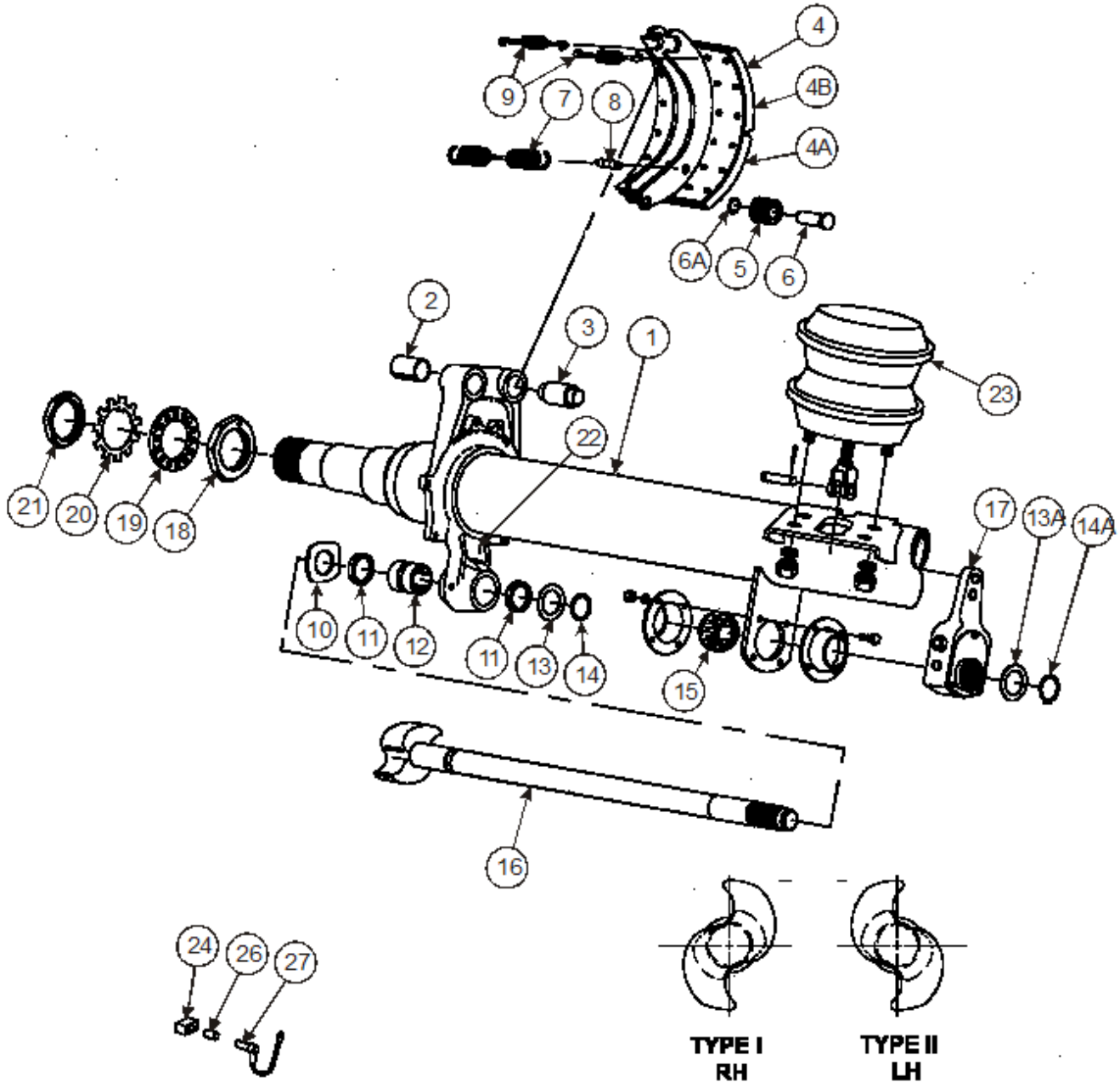
ma114584

Figure 2-32: ABS Brake Kit

**ABS BRAKE KIT**

<b>ITEM</b>	<b>PART NO.</b>	<b>DESCRIPTION</b>	<b>QTY.</b>
	114586	ABS BRAKE KIT 4S/2M-TRI	
1	114588	ECU/VALVE ASSEMBLY	1
2	103861	SENSOR EXTENSION CABLE (10 FT)	2
3	147464	POWER/DIAGNOSTIC CABLE 4.0M/3.0M	1

ILLUSTRATED PARTS LIST



**VIEWED FROM HEAD END**

**NOTE: RH does not necessarily correspond w/ RH side of trailer.**

m115703

Figure 2-33: Axle and Brake Items



**AXLE AND BRAKE ITEMS (DEXTER) (12-1/4" X 7-1/2")**

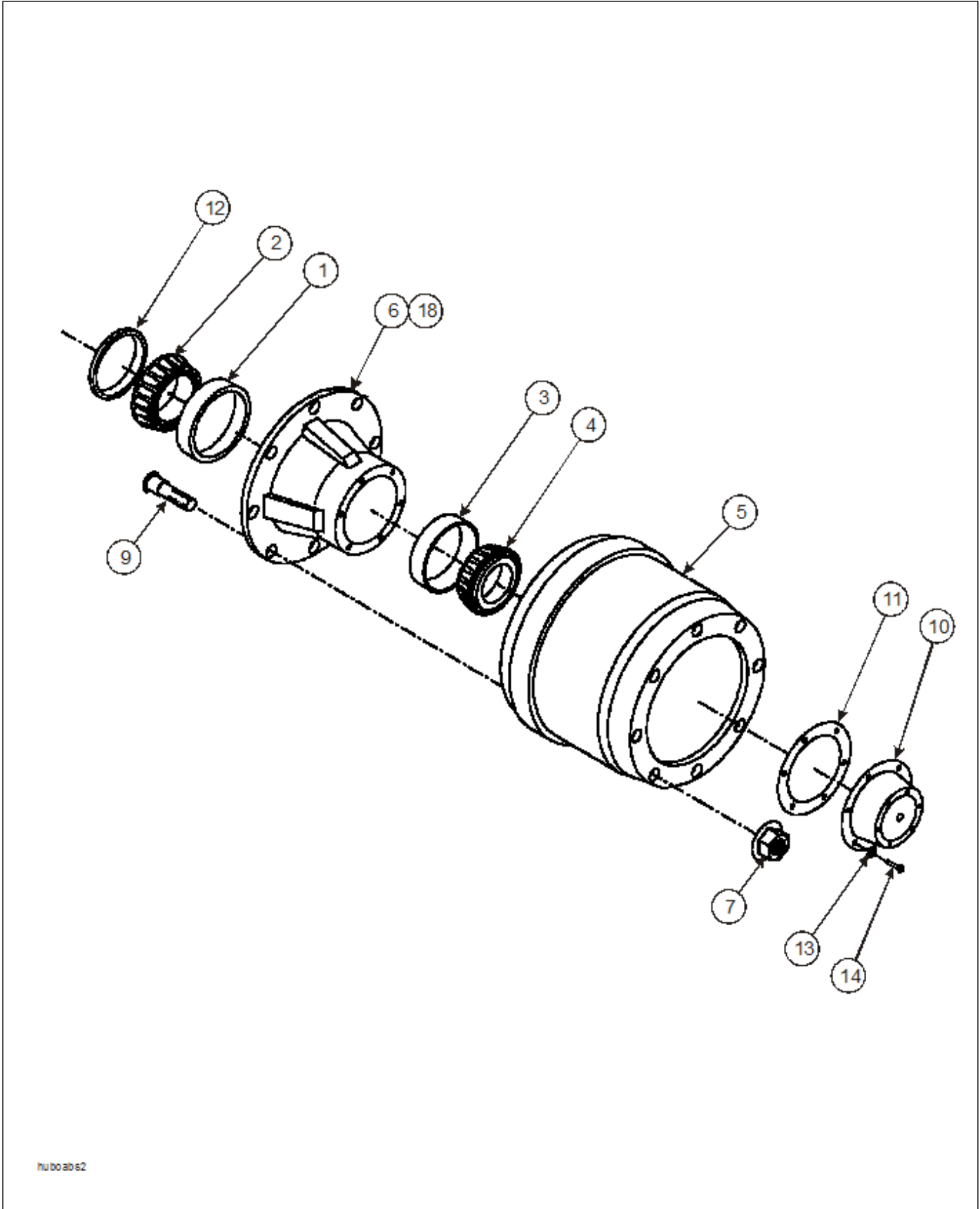
ITEM	PART NO.	REFERENCE NO.	DESCRIPTION	QTY.
	136202		AXLE, 70.5, 12-1/4" X 7-1/2 SPR BRK 25K	
	138197		AXLE, 70.5, 12-1/4" X 7-1/2 SER BRK 25K	
1A*	-----	D-2H12	BEAM W/ BRACKETS	1
	**K71-460-00	**K71-460-00	BRAKE SHOE HARDWARE KIT (ITEMS 2, 3, 5, 6, 6A, 7, & 8)	
2**	-----	014-068-00	BUSHING, SPIDER ANCHOR PIN	4
3**	-----	056-017-00	PIN, ANCHOR	4
4	040-320-01	040-320-01	SHOE AND LINING ASSEMBLY	4
4A	-----	041-060-01	LINING - BRAKE BLOCK CAM	2
4B	-----	041-057-01	LINING - BRAKE BLOCK ANCHOR	4
	-----	K71-133-00	BRAKE BLOCK KIT	4
5**	-----	014-057-00	ROLLER	4
6**	-----	056-010-00	RETAINER, ROLLER PIN	8
6A**	-----	069-018-00	RETAINER RING	8
7**	-----	046-092-00	SPRING, SHOE RETRACTOR	2
8**	056-018-00	056-018-00	RETAINER PIN RETRACTOR SPRING	4
9**	046-097-00	046-097-00	KEEPER SPRING	4
	***K71-101-00	**K71-101-00	CAMSHAFT REPAIR KIT (ITEMS 10-15, & 22)	
10***	005-074-00	005-074-00	D" WASHER - CAMSHAFT	2
11***	010-052-00	010-052-00	SEAL GREASE	4
12***	-----	014-056-00	BUSHING CAMSHAFT SPIDER	2
13A***	-----	005-134-00	WASHER CAMSHAFT END	2
14A***	069-078-00	069-078-00	RETAINER, CAMSHAFT END	2
15***	-----	014-058-00	BUSHING CAMSHAFT SUPPORT	2
16	034-188-03	034-188-03	CAMSHAFT, 22-5/16" LH	1
	034-189-03	034-189-03	CAMSHAFT, 22-5/16" RH	1
17	055-040-07	055-040-07	SLACK ADJUSTER, AUTOMATIC	2
18	006-114-00	006-114-00	NUT, INNER SPINDLE	2
19	005-098-00	005-098-00	WASHER, SPINDLE LOCK	2
20	005-099-00	005-099-00	WASHER, TABBED SPINDLE LOCK	2
21	006-115-00	006-115-00	NUT, OUTER SPINDLE	2
22***	-----	061-006-00	FITTING, GREASE 45°	2
23	034-058-07	034-058-07	AIR CHAMBER, SPRING BRAKE	2
	034-057-07	034-057-07	AIR CHAMBER, SERVICE BRAKE	2
24	141931	024-101-01	SENSOR BLOCK	2
26	101849	899 759 815 4	RETAINER CLIP	2
27	101847	441 032 808 0	ABS SENSOR, 90	2

\* WHEN ORDERING THE BEAM WITH SPINDLE, SPIDER, AND BRACKETS ATTACHED, YOU WILL NEED THE BEAM NUMBER, TRACK LENGTH, BRAKE SIZE, AND CAMSHAFT LENGTH.

\*\* THESE PARTS ARE AVAILABLE AS PART OF THE BRAKE SHOE REPAIR KIT LISTED

\*\*\* THESE PARTS ARE AVAILABLE AS PART OF THE CAMSHAFT REPAIR KIT LISTED

NOTE: FOR HUB AND DRUM INFORMATION, SEE PAGE 2-53



huboabs2

Figure 2-34: Outboard Pilot Mount Hub and Drum

## OUTBOARD PILOT MOUNT HUB AND DRUM

ITEM	PART NO.	DESCRIPTION	QTY.
1	HM218210	INNER BEARING CUP	1
2	HM218248	INNER BEARING CONE	1
3	HM212011	OUTER BEARING CUP	1
4	HM212049	OUTER BEARING CONE	1
5	63680	OUTBOARD MOUNTED BRAKE DRUM	1
6	112493	HUB IRON (8 BOLT) 80 TH TONER RING	1
7	179933	NUT, HEX M22 X 1.5	8
9	113536	STUD	8
10	4009	CAP HUB	1
11	3067	GASKET OIL CAP	1
12	3-659-010012	SEAL	1
13	1-861-010034-10	WASHER, SPLIT LOCK 5/16	6
14	1-654-010049-03	SCREW, HEX HEAD CAP 5/16-18 X 3/4 GR5	6
15	100402	WHEEL, ALUM PILOT MOUNT 17.5 X 6.75	1
	3-870-010097	WHEEL, DISC PILOT MOUNT 17.5 X 6.75	1
	112047	WHEEL, ALUMINUM PILOT 17.5 X 6.75 MACH (NOT SHOWN)	1
16	TR573	VALVE STEM - STEEL WHEEL	1
	100401	VALVE STEM TR543C (NOT SHOWN)	1
17	1-843-010014	VALVE, EXTENSION, STEM 3" (NOT SHOWN)	1
18	*	ABS TONE RING	1
19	**114619	WHEEL GUARD 8 HOLE 275 MM BC (NOT SHOWN)(USED W/ ALUMINUM WHEELS)	

\*THIS PART SHOULD BE REPLACED IN CONJUNCTION WITH THE HUB. IT SHOULD NEVER BE SOLD SEPARATELY.

\*\*USE BETWEEN STEEL DRUM OR WHEEL AND ALUMINUM WHEEL.

# ILLUSTRATED PARTS LIST

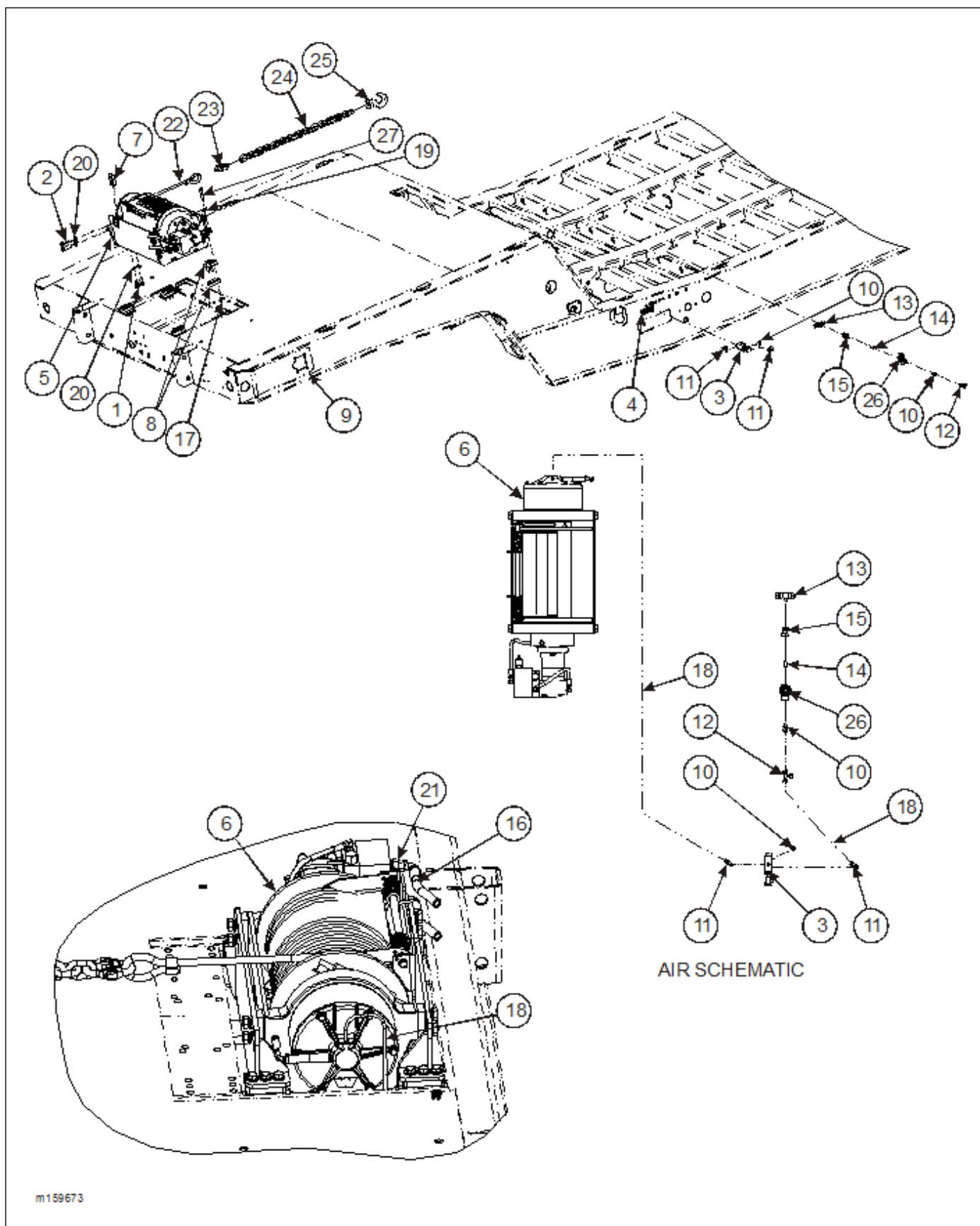


Figure 2-35: Winch Installation, 20K (1 of 2)

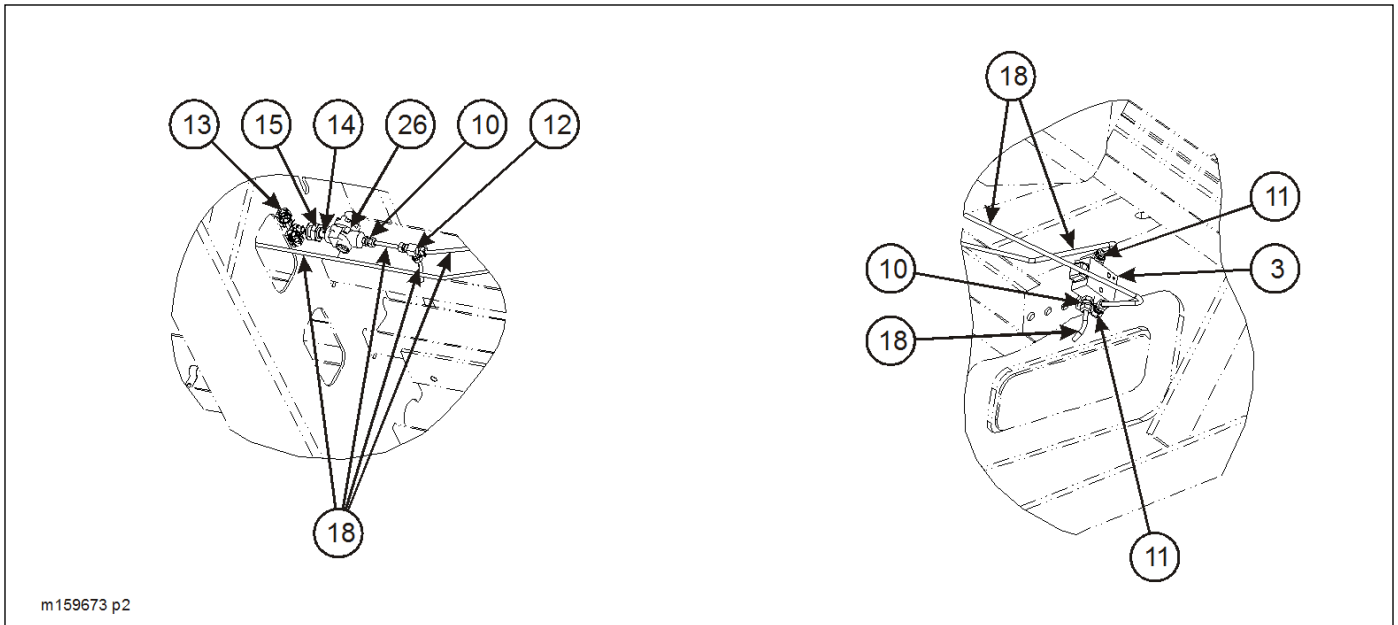
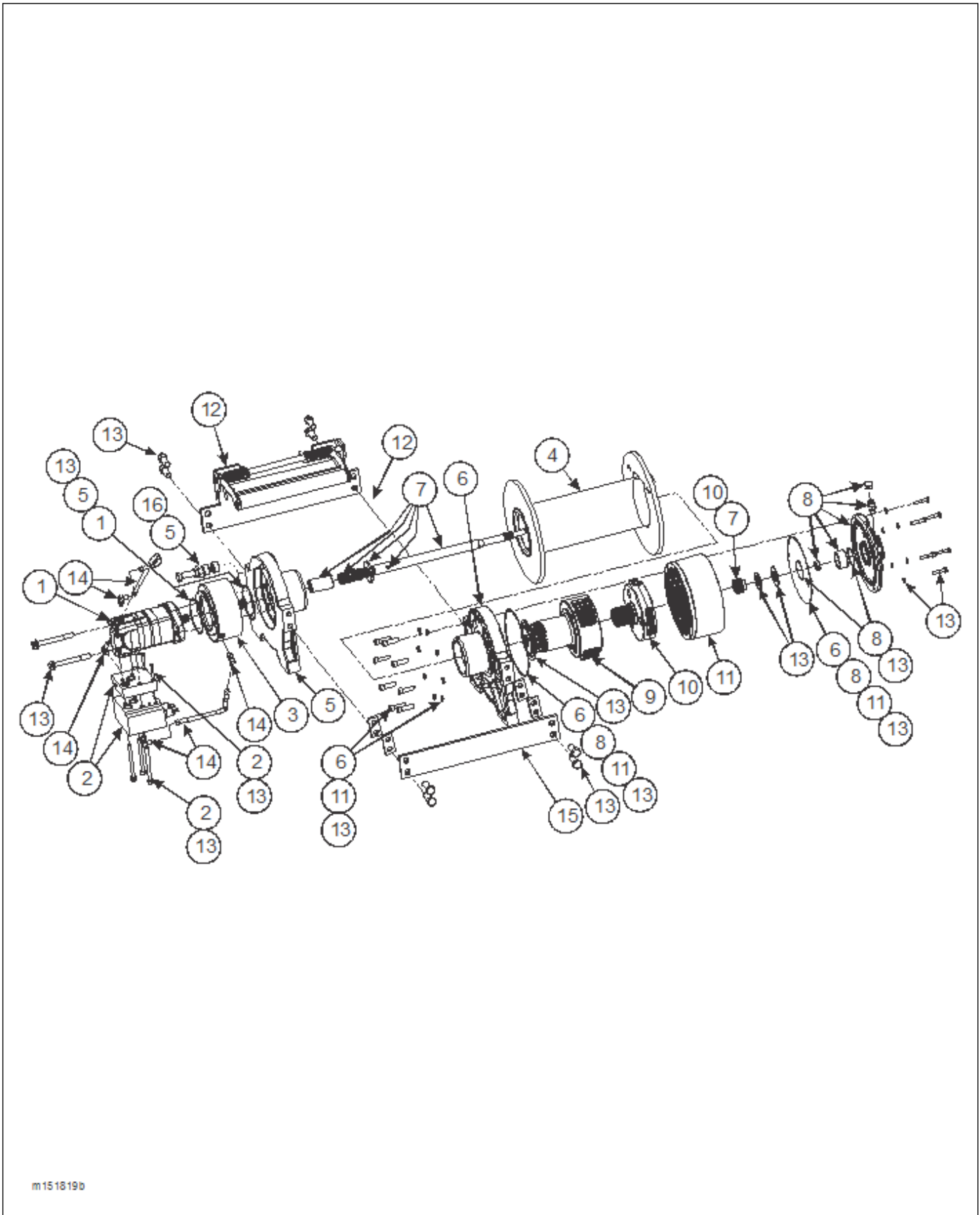


Figure 2-36: Winch Installation, 20K (2 of 2)

## WINCH INSTALLATION, 20K WARN

ITEM	PART NO.	DESCRIPTION	QTY.
	159673	WINCH INSTALLATION, 20K	
1	109740	SCREW, HEX HEAD CAP 5/8-11 X 1-3/4 GR8	8
2	113299	SCREW, HEX HEAD CAP 5/8-11 X 2-1/2 GR8	8
3	134657	VALVE, AIR 3 WAY/2 POS	1
4	135184	DECAL, WINCH FREE SPOOL	1
5	151817	MOUNT WELDMENT, WINCH WARN	1
6	151819	WINCH, 20K WARN AR KO (SEE PAGE 2-57)	1
7	154234	SPACER, WINCH	4
8	159117	SPACER, WARN WINCH	8
9	----	FRAME WELDMENT	REF
10	1-297-010007-05	FITTING, AIR	1
11	1-297-010008-07	FITTING, AIR 90	2
12	1-297-010010-01	FITTING, AIR UNION TEE	1
13	1-297-010015-09	FITTING, AIR BR TEE	REF
14	1-297-010020-02	FITTING, BRS PIPE	REF
15	1-297-010022-02	FITTING, AIR ANCHOR COUPLING	REF
16	1-397-010302192	HOSE ASSEMBLY 1/2 X 192	2
17	1-512-010002-09	NUT, HEX LOCK 1/2-13 GRC	12
18	1-833-010001	TUBING, NYLON 1/4 OD	AR
19	1-861-010032-14	WASHER, FLAT 1/2	12
20	1-861-010034-15	WASHER, SPLIT LOCK 5/8	16
21	202702-10-8S	ADAPTER	2
22	3-155-010018-6	CABLE, 5/8 X 85'	REF
23	3-174-010038	CHAIN LINK, CONNECTING 1/2	1
24	3-174-010039036	CHAIN, 1/2 X 36	1
25	7HCGHT500	HOOK, CLEVIS GRAB 1/2	1
26	905-54-107	BRAKE PROTECTION VALVE	REF
27	B1821BH050C300N	SCREW, HEX HEAD CAP 1/2-13 X 3 GR8	12

**ILLUSTRATED PARTS LIST**

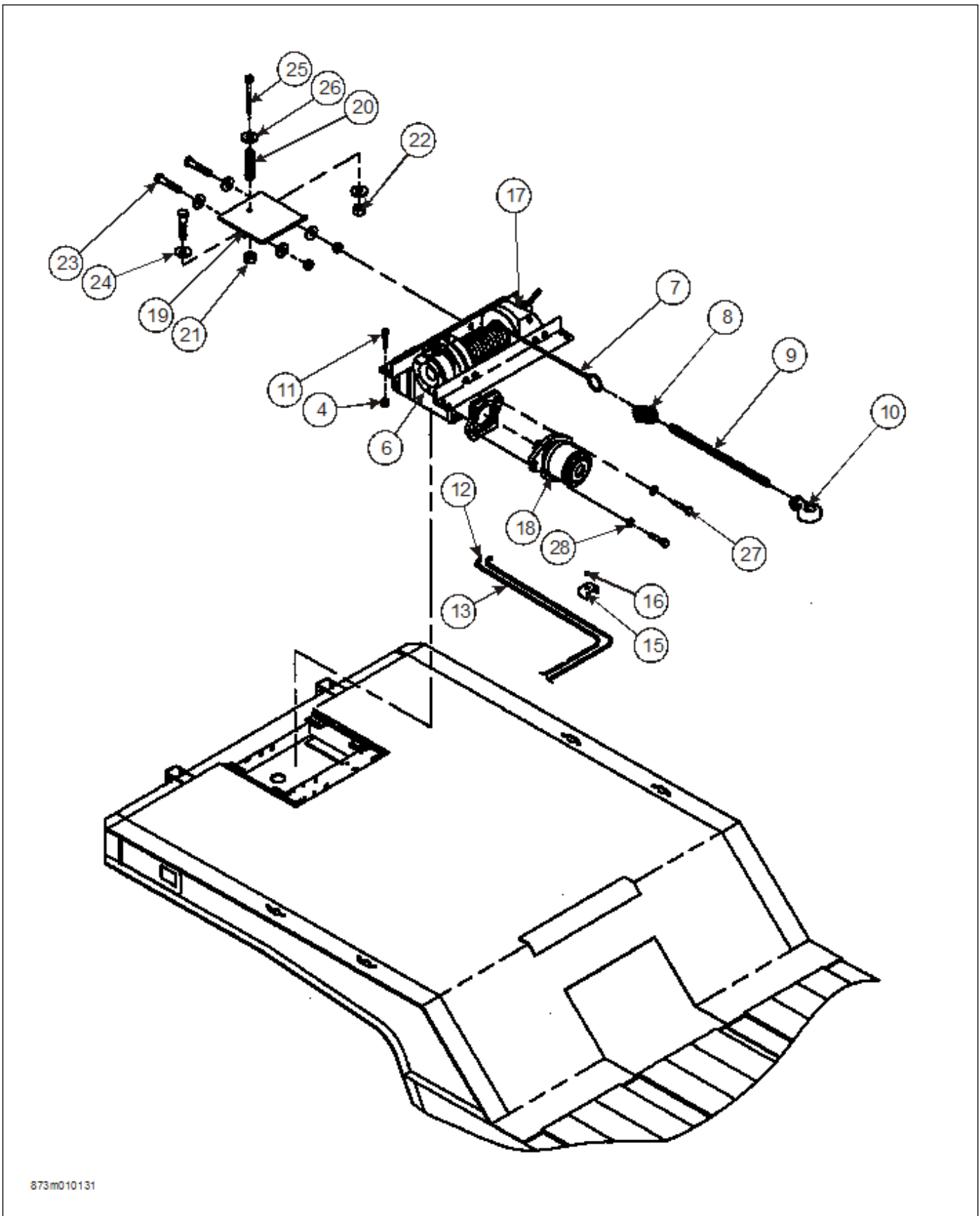


m151819b

**Figure 2-37: 20K Winch Items**

**20K WINCH ITEMS (WARN)**

ITEM	PART NO.	DESCRIPTION	QTY.
	151819	WINCH, 20K WARN AIR KICKOUT	
1	167818	SERVICE KIT - MOTOR HYD 11.9CI	1
2	161590	SERVICE KIT - MANIFOLD HYD	1
3	162207	SERVICE KIT - BRAKE ASSEMBLY	1
4	162208	SERVICE KIT - DRUM ASSEMBLY 20K LONG	1
5	167819	SERVICE KIT - DRUM RETARDER DRUM SUPPORT	1
6	162210	SERVICE KIT - DRUM SUPPORT, GEAR END	1
7	162211	SERVICE KIT - DRIVE SHAFT, LONG	1
8	167820	SERVICE KIT - END HSG ASSY AIR	1
9	162213	SERVICE KIT - CARRIER, STAGE 2 6.0-4.75	1
10	162214	SERVICE KIT - CARRIER, STAGE 1 6.0-4.75	1
11	162215	SERVICE KIT - RING GEAR	1
12	162216	SERVICE KIT - TENSIONER LONG	1
13	162217	SERVICE KIT - HARDWARE SEAL	1
14	162218	SERVICE KIT - HOSE HYD	1
15	162219	SERVICE KIT - TIE PLATE LONG	1
16	167821	SERVICE KIT - DRUM RETARDER	1
17	162220	WIRE ROPE ASSEMBLY 9/16 X 245' (NOT SHOWN)	1



873m010131

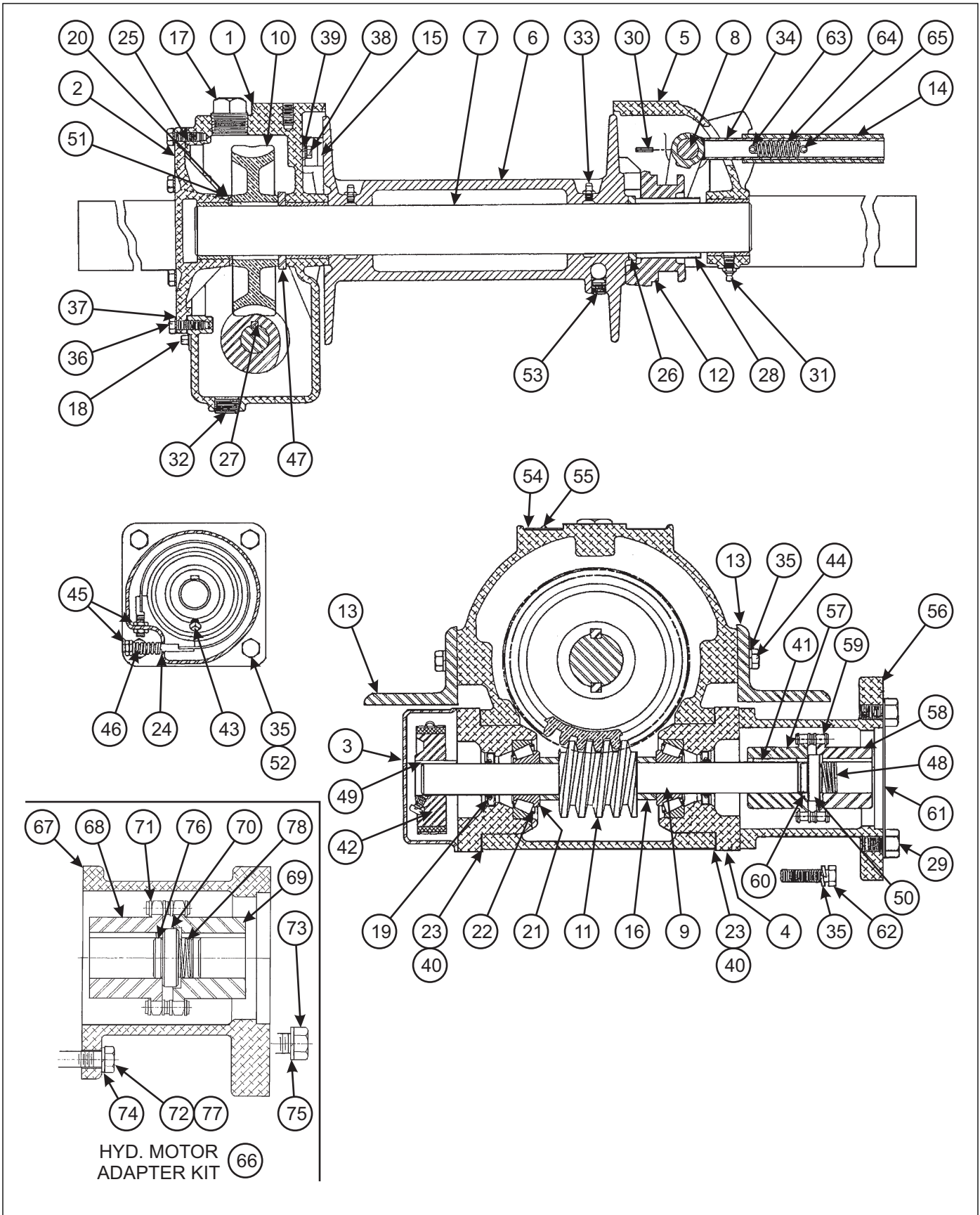
Figure 2-38: Winch Installation, Upper Deck



**WINCH INSTALLATION UPPER DECK (12K & 20K BRADEN)**

ITEM	PART NO.	DESCRIPTION	QTY.
	3-873-010131	WINCH INSTALLATION 12K UPPERDECK	REF
	3-873-010130	WINCH INSTALLATION 20K UPPERDECK	REF
4	1-512-010005-09	NUT, HEX LOCK 1/2-13 GRB	8
6	3-873-010126-2	WINCH ASSY, 12,000 LB PARKER (SEE ITEMS 17-29)	1
	3-873-010129-2	WINCH ASSY, 20,000 LB PARKER (SEE ITEMS 17-29)	1
7	3-155-010017-4	CABLE 1/2 W/LOOP, 85FT (12K)	REF
	3-155-010018-6	CABLE 5/8 W/LOOP, 85FT (20K)	REF
8	3-174-010038	CHAIN LINK, CONNECTING	1
9	3-174-010039036	CHAIN	1
10	7HCGHT500	CLEVIS, GRAB HOOK	1
11	1-654-010055-03	SCREW, HEX HEAD CAP 1/2-13 X 1-1/2 GR5	8
12	202702-10-8S	ADAPTER	2
13	1-397-010302216	HOSE ASSEMBLY 1/2 X 216	2
15	2-181-010001	HOSE CLAMP	REF
16	1-510-010001	NUT, FLANGE LOCK 3/8-16	REF
17	3-873-010122	WINCH, WORM GEAR 12,000 LB PARKER (SEE PAGE 2-61)	1
	3-873-010123	WINCH, WORM GEAR 20,000 LB PARKER (SEE PAGE 2-64)	1
18	3-481-010006	MOTOR, HYDRAULIC 12,000 LB (SEE PAGE 2-67)	1
	3-481-010007	MOTOR, HYDRAULIC 20,000 LB (SEE PAGE 2-67)	1
19	3-873-010124	WINCH TENSIONER (12K)	1
	102186	WINCH TENSIONER BRADEN (20K)	1
20	3-720-010010	SPRING, COMP LEVEL WIND	1
21	1-512-010005-09	NUT, HEX LOCK 1/2-13 GRB	1
22	1-512-010005-05	NUT, HEX LOCK 3/8-16 GRB	3
23	1-654-010051-06	SCREW, HEX HEAD CAP 3/8-16 X 1-1/4 GR5	3
24	1-861-010032-10	WASHER, FLAT 3/8N	6
25	1-654-010055-16	SCREW, HEX HEAD CAP 1/2-13 X 5-1/2 GR5 (12K)	1
	1-654-010055-17	SCREW, HEX HEAD CAP 1/2-13 X 6 GR5 (20K)	1
26	1-861-010032-15	WASHER, FLAT 1/2W	1
27	1-654-010055-04	SCREW, HEX HEAD CAP 1/2-13 X 1-3/4 GR5	2
28	1-861-010034-13	WASHER, SPLIT LOCK 1/2	2
29	100600	DECAL, WARNING WINCH (NOT SHOWN)	1

**ILLUSTRATED PARTS LIST**



**Figure 2-39: 12K Winch Items**

**12,000# WINCH ITEMS (BRADEN)**

ITEM	PART NO.	REFERENCE NO.	DESCRIPTION	QTY.
	3-873-010122		WINCH ASSEMBLY 12K (BRADEN)	
1	81006	81006	WORM HOUSING ASSEMBLY	1
1A	18078	18078	BUSHING	1
2	81009	81009	COVER ASSEMBLY WORM HOUSING	1
2A	11368	11368	BUSHING	1
3	18032	18032	HOUSING SAFETY BRAKE	1
4	23303	23303	CONTAINER BEARING	2
5	81530	81530	LEG ASSEMBLY BEARING	1
6	11128	11128	DRUM CABLE	1
7	11129	11129	DRUM SHAFT CABLE	1
8	11130	11130	SHIFTER SHAFT	1
9	23470	23470	SHAFT WORM	1
10	11144	11144	GEAR WORM LEFT HAND	1
11	11142	11142	WORM LEFT HAND	1
12	18039	18039	SLIDING CLUTCH	1
13	22752	22752	ANGLE BASE	2
14	12817	12817	SHIFTER HANDLE	1
15	81025	81025	BRAKE DRAG	1
16	11308	11308	SPACER WORM	2
17	----	22775	PLUG PIPE	1
18	18009	18009	PLUG PIPE	1
19	18026	18026	SEAL GREASE	2
20	11117	11117	KEY WORM GEAR	2
21	18015	18015	CONE BEARING	2
22	18016	18016	CUP BEARING	2
23	18027	18027	GASKET	3
24	21925	21925	BAND BRAKE	1
25	11133	11133	WORM HOUSING COVER GASKET	3
26	18019	18019	RETAINER RING	1
27	18030	18030	KEY WORM	1
28	18020	18020	KEY CLUTCH	2
29	----	10009	CAPSCREW	2
30	11837	11837	ROLLPIN	2
31	18047	18047	FITTING GREASE	1
32	19045	19045	PLUG PIPE	1
33	----	11799	FITTING GREASE	2
34	13839	13839	SHIFTER FORK	1
35	----	18003	WASHER LOCK	16
36	----	11767	CAPSCREW	6
37	----	11011	WASHER LOCK	6
38	13005	13005	CAPSCREW	2
39	----	12780	WASHER LOCK	2
40	18024	18024	BEARING CONTAINER GASKET	3
41	18044	18044	KEY	1
42	18028	18028	DRUM BRAKE	1
43	12075	12075	SETSCREW	1
44	----	21961	CAPSCREW	12
45	13468	13468	JAM NUT	4
46	18029	18029	BRAKE BAND SPRING	1

## 12,000# WINCH ITEMS (BRADEN)

ITEM	PART NO.	REFERENCE NO.	DESCRIPTION	QTY.
47	11240	11240	RETAINER RING	1
48	----	23353	SPRING	1
49	10078	10078	KEY	1
50	23078	23078	SPACER	1
51	13680	13680	THRUST RING	1
52	----	22703	CAPSCREW	4
53	----	24032	SETSCREW	1
54	----	23310	WARNING PLATE	1
55	----	11842	DRIVE SCREW	2
56	23079	23079	MOTOR ADAPTER	1
57	23081	23081	COUPLING HALF (WORM SHAFT)	1
58	23083	23083	COUPLING HALF (MOTOR SHAFT)	1
59	13424	13424	ROLLER CHAIN	1
60	23085	23085	SPACER	1
61	----	21959	SHIPPING COVER	1
62	----	22704	CAPSCREW	4
63	13028	13028	ROLLPIN	1
64	18002	18002	SPRING	1
65	18056	18056	ROLLPIN	1
66	61333	61333	HYD. MOTOR ADAPTER KIT, 12,000# WINCH (INCL ITEMS 67- 78)	1
67	23079	23079	ADAPTER, MOTOR	1
68	23081	23081	COUPLING HALF, WINCH	1
69	23083	23083	COUPLING HALF, MOTOR	1
70	23078	23078	SPACER, CONSTANT	1
71	13424	13424	CHAIN ROLLER	1
72	----	----	CAPSCREW	4
73	----	----	CAPSCREW	4
74	----	27152	LOCKWASHER	4
75	----	11026	LOCKWASHER	4
76	----	23085	SPACER	1
77	----	----	CAPSCREW	4
78	110452	23353	SPRING SPACER	1

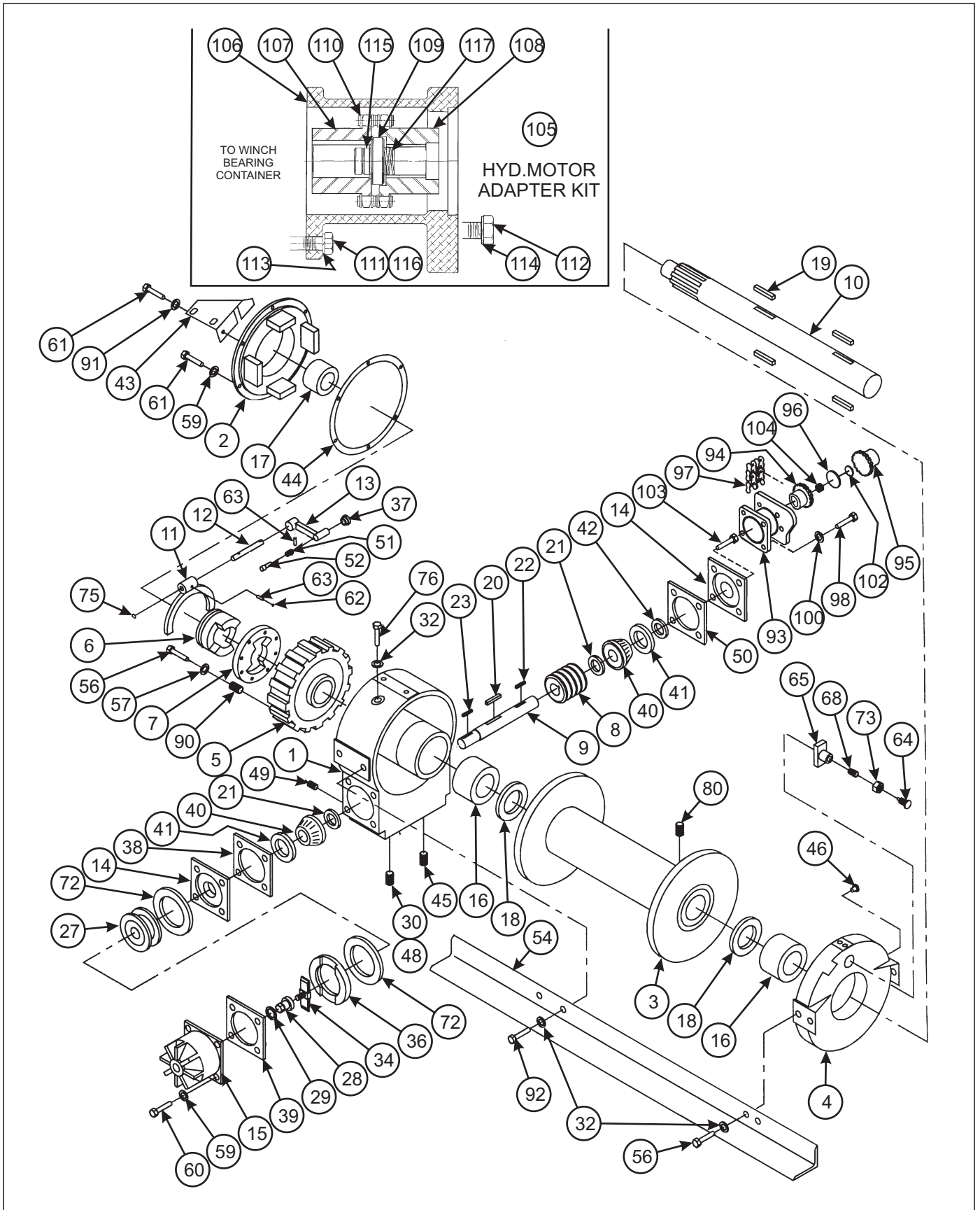


Figure 2-40: 20K Winch Items

**20,000# WINCH ITEMS (BRADEN)**

ITEM	PART NO.	REFERENCE NO.	DESCRIPTION	QTY.
	3-873-010123		WINCH 20,000# W/BOLT-ON ANGLES	
1	81078	81078	WORM HOUSING ASSEMBLY	1
2	106956	81082	COVER ASSEMBLY WORM HOUSING	1
3	----	101142	DRUM CABLE	1
4	81077	81077	LEG ASSEMBLY BEARING	1
5	11434	11434	WORM, GEAR RIGHT	1
6	11421	11421	CLUTCH, SLIDING	1
7	11419	11419	DRIVE, CLUTCH	1
8	154166	11404	WORM RIGHT	1
9	----	11405	SHAFT, WORM	1
10	139479	11414	SHAFT, CABLE DRUM	1
11	11440	11440	FORK SHIFTER	1
12	11441	11441	SHAFT SHIFTER	1
13	26976	26976	HANDLE SHIFTER	1
14	124549	11427	CONTAINER BEARING	2
15	----	11445	COVER WORM BRAKE	1
16	18035	18035	BUSHING	2
17	11425	11425	BUSHING	1
18	11420	11420	RING, RETAINING	2
19	163472	22055	DRUM, KEY CABLE	4
20	11402	11402	KEY, WORM	1
21	11407	11407	SPACER, WORM	2
22	23367	23367	KEY, SPROCKET	1
23	10078	10078	KEY, ROTOR	1
27	81080	81080	ROTOR ASSEMBLY, BRAKE	1
28	11599	11599	ADJUSTING NUT, WORM BRAKE	1
29	12465	12465	O-RING	1
30	----	19014	PLUG, FILLER	1
32	----	11026	WASHER, LOCK	10
34	81081	81081	SPRING ASSEMBLY, SAFETY BRAKE	1
36	11431	11431	PLATE, PRESSURE	1
37	18022	18022	KNOB, SHIFTER	1
38	11429	11429	GASKET	4
39	11446	11446	GASKET	2
40	18033	18033	BEARING CONE	2
41	18034	18034	BEARING CUP	2
42	12073	12073	SEAL GREASE	1
43	12783	12783	BRACKET SHIFTER	1
44	11411	11411	COVER GASKET HOUSING	1
45	19045	19045	PLUG DRAIN	1
46	18047	18047	FITTING GREASE	1
48	----	22775	PLUG VENT	1
49	----	18009	PLUG LEVEL	1
50	11430	11430	GASKET	4
51	11310	11310	SPRING SHIFTER KNOB	1
52	11309	11309	STEM SHIFTER KNOB	1
54	----	28942	ANGLE FRONT BASE	1
55	----	28943	ANGLE REAR BASE (NOT SHOWN)	1

**20,000# WINCH ITEMS (BRADEN)**

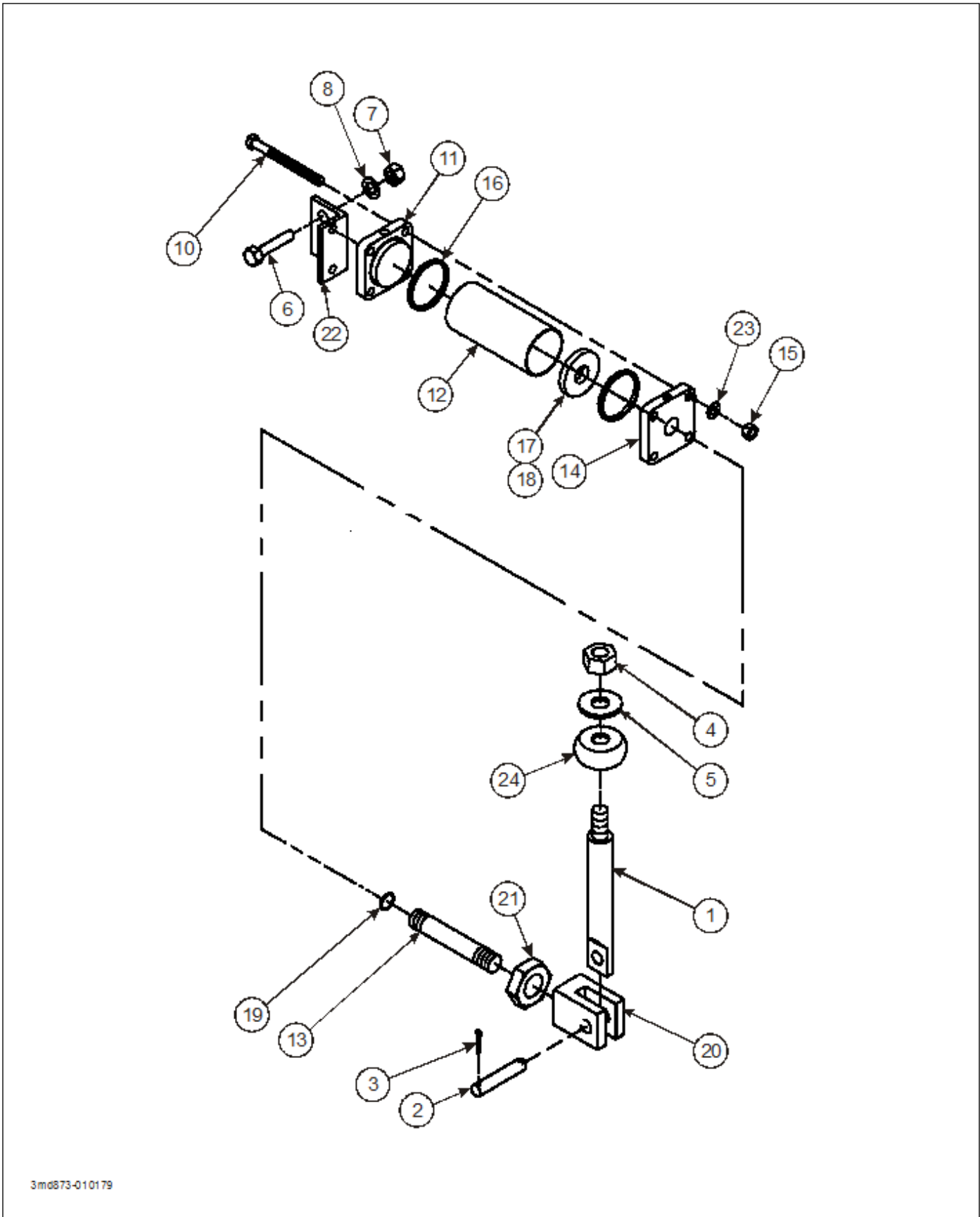
ITEM	PART NO.	REFERENCE NO.	DESCRIPTION	QTY.
56	----	13938	CAPSCREW	16
57	----	12781	WASHER, LOCK	8
58	----	21044	CAPSCREW	4
59	----	11025	WASHER, LOCK	3
60	----	22695	CAPSCREW	4
61	----	21964	CAPSCREW	6
62	12146	12146	PLUG, EXPANSION	A/R
63	13028	13028	ROLLPIN	A/R
64	11398	11398	SCREW, ADJUSTING	1
65	88005	88005	SHOE ASSEMBLY DRAG BRAKE	1
68	18002	18002	SHOE ASSEMBLY DRAG BRAKE	1
72	11426	11426	DISC, FRICTION	2
73	11791	11791	NUT, JAM	1
75	12767	12767	PLUG, EXPANSION	A/R
76	----	22729	CAPSCREW	2
77	----	23245	SAE PLATE-AMU7-16F (NOT SHOWN)	1
78	----	23310	PLATE, WARNING (NOT SHOWN)	1
79	----	11842	SCREW, DRIVE (NOT SHOWN)	4
80	139478	12228	SCREW, SET	1
90	----	11435	INSERT THREAD	8
91	----	11014	LOCKWASHER	1
92	----	22697	CAPSCREW (NOT SHOWN)	5
93	23144	23144	ADAPTER - MOTOR	1
94	23081	23081	COUPLING HALF-WINCH	1
95	----	23142	COUPLING HALF-MOTOR	1
96	23078	23078	SPACER - CONSTANT	1
97	13424	13424	ROLLER, CHAIN	1
98	----	22704	CAPSCREW	4
99	----	13413	CAPSCREW (NOT SHOWN)	4
100	----	18003	LOCKWASHER	4
101	----	11026	LOCKWASHER (NOT SHOWN)	4
102	----	23183	SPACER - VARIABLE	2
103	----	22703	CAPSCREW	4
104	----	23353	SPRING - SPACER	1
105	61344	61344	HYD. MOTOR ADAPTER KIT, 20,000# WINCH (INCL ITEMS 106-117)	1
106	23144	23144	ADAPTER, MOTOR	1
107	23081	23081	COUPLING HALF, WINCH	1
108	110448	23142	COUPLING HALF, MOTOR	1
109	23078	23078	SPACER, CONSTANT	1
110	13424	13424	CHAIN ROLLER	1
111	----	----	CAPSCREW	4
112	----	----	CAPSCREW	4
113	----	27152	LOCKWASHER	4
114	----	11026	LOCKWASHER	4
115	110451	23183	SPACER	1
116	----	----	CAPSCREW	4
117	110452	23353	SPRING SPACER	1





## WINCH MOTOR ASSEMBLY

ITEM	PART NO.	REFERENCE NO.	DESCRIPTION	QTY.
	3-481-010006		MOTOR, HYDRAULIC (FOR 12K WINCH)	
	3-481-010007		MOTOR, HYDRAULIC (FOR 20K WINCH)	
1	-----	2183	SEAL DUST	1
2	-----	2177	BACK-UP RING	1
3	-----	2175	SEAL LIP	1
4	-----	1644	ROTARY VALVE	1
5	-----	1021	CHECK VALVE BALL	2
6	-----	1004-6	IGR ASSEMBLY (FOR 20K WINCH)	1
	-----	1004-3	IGR ASSEMBLY (FOR 12K WINCH)	1
7	-----	1296	SNAP RING	1
8	1046	1046	SQUARE RING SEAL	3
9	-----	1019-4	PLUG VENT W/O-RING	1
10	-----	1014-4	BOLTS HEX (FOR 20K WINCH)	8
	-----	1114-5	BOLTS HEX (FOR 12K WINCH)	8
11	-----	1655	KEY WOODRUFF	1
12	-----	2265-6	SHAFT(FOR 20K WINCH)	1
	-----	2109-3	SHAFT(FOR 12K WINCH)	1
15	-----	M110AB-4	BODY/BEARING ASSEMBLY (FOR 20K WINCH)	1
	-----	PA-2328-2	BODY/BEARING ASSEMBLY (FOR 12K WINCH)	1
17	-----	M110C-1	COVER/BEARING ASSEMBLY	1
21	-----	2180	SNAP RING SHAFT	1
22	-----	1865	COMMUTATOR PLATE	1
	2263	2263	SEAL KIT BODY	1
	-----	2480	SEAL KIT BODY VITON	1



3m0873-010179

Figure 2-42: Winch Air Shift Cylinder

## WINCH AIR SHIFT CYLINDER

ITEM	PART NO.	REFERENCE NO.	DESCRIPTION	QTY.
	107368		CYLINDER, AIR W/ BRACKET (INCLUDES ITEMS 1-23)	
1	107369		LEVER WINCH FREE SPOOL	1
2	-----	1976	PIN	1
3	-----	2356	COTTER PIN	1
4	1-512-010007-05	1-512-010007-05	NUT, HEX 1/4-20 GRB	1
5	1-861-010034-09	1-861-010034-09	WASHER, SPLIT LOCK 1/4	1
6	1-654-010055-01	1-654-010055-01	SCREW, HEX HEAD CAP 1/2-13 X 1 GR5	2
7	1-512-010005-09	1-512-010005-09	NUT, HEX LOCK 1/2-13 GRB	2
8	1-861-010032-14	1-861-010032-14	WASHER, FLAT 1/2	2
9	C2001	C2001	CYLINDER (INCLUDES ITEMS 10-23)	1
10	-----	1128	CAPSCREW	4
11	-----	1272	REAR COVER PLATE	1
12	-----	1277	TUBE	1
13	-----	2388	PISTON ROD	1
14	-----	1271	FRONT COVER PLATE	1
15	-----	1723	NUT	4
16	-----	1274	BACK-UP-RING	2
17	-----	1275	O-RING	1
18	-----	1273	PISTON	1
19	-----	1276	O-RING	1
20	1974	1974	CLEVIS	1
21	-----	1224	NUT	1
22	2389	2389	BRACKET	1
23	-----	1766	LOCKWASHER	4
24	3-150-010186	3-150-010186	BUSHING WINCH REMOTE LEVER	1
	-----	3109	O-RING KIT FOR CYLINDER	

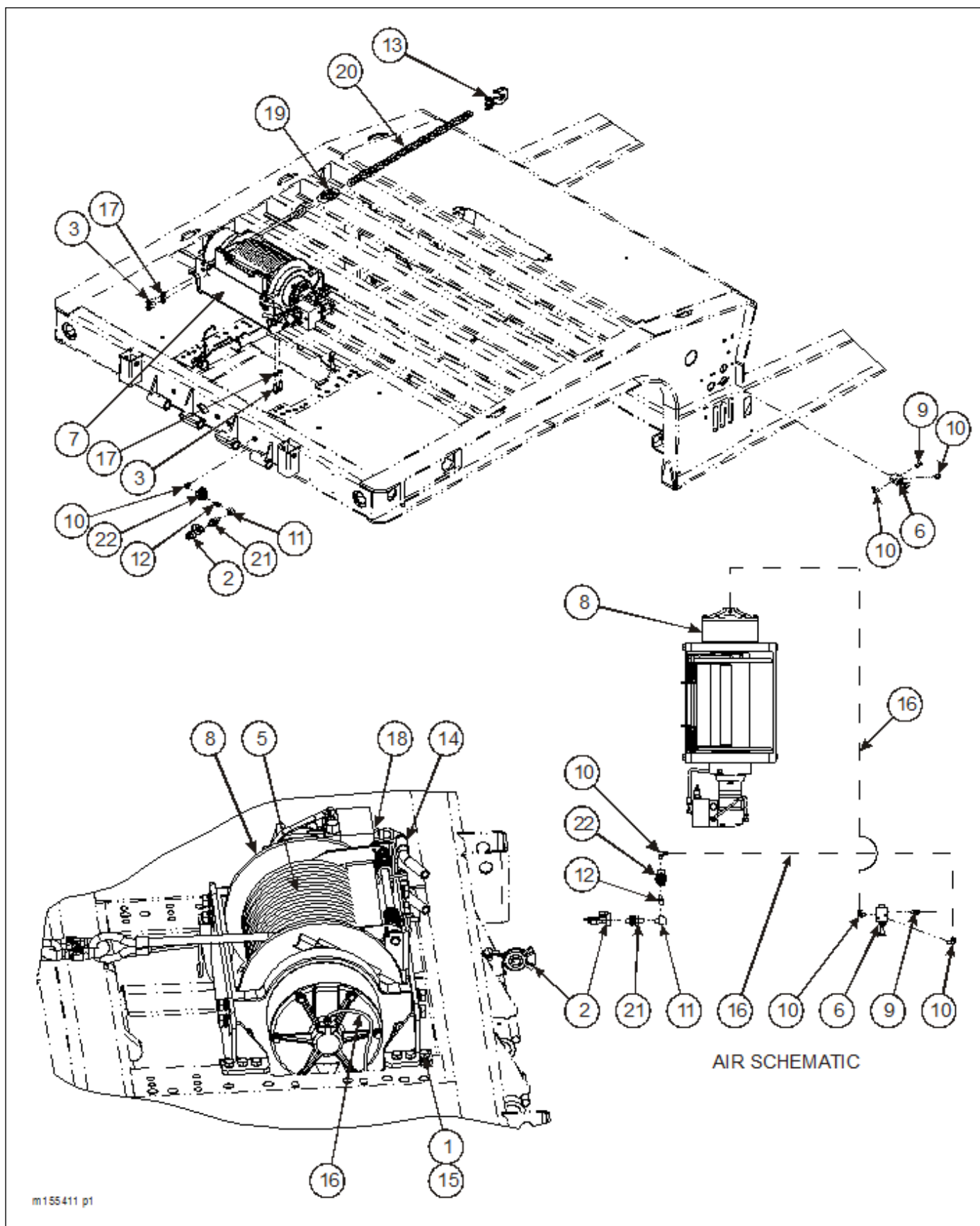


Figure 2-43: Winch Installation, 30K (1 of 2)

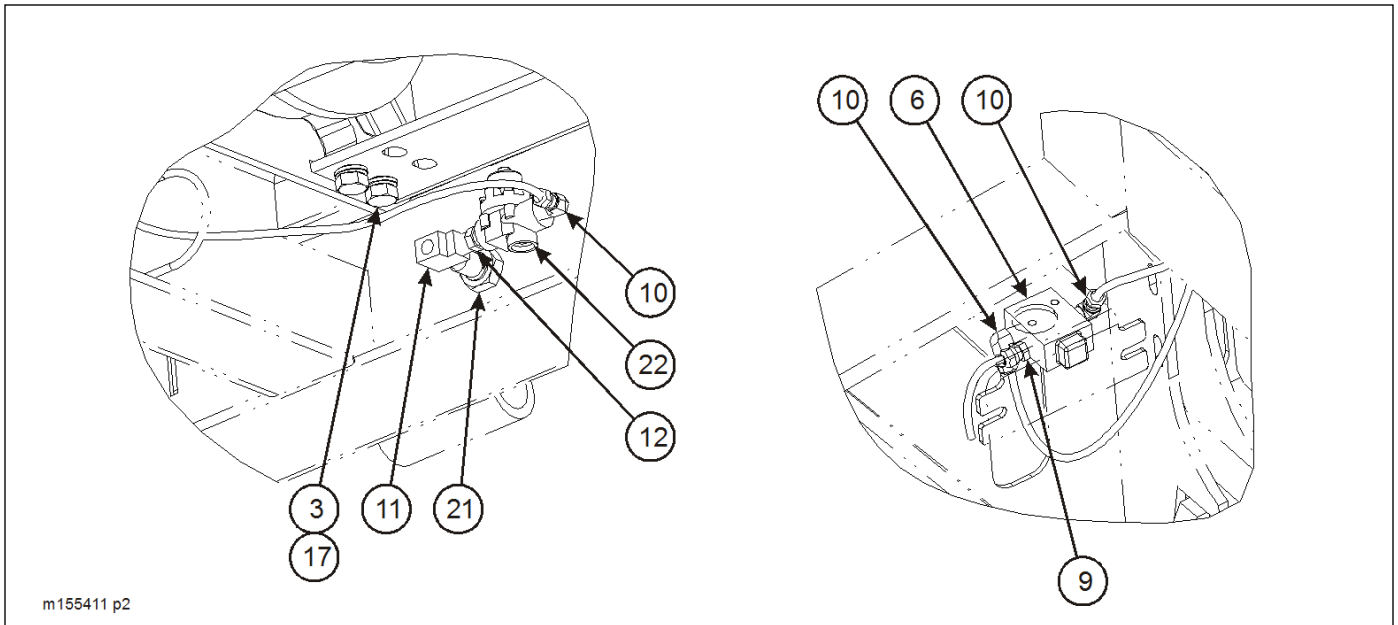


Figure 2-44: Winch Installation, 30K (2 of 2)

## WINCH INSTALLATION, 30K WARN

ITEM	PART NO.	DESCRIPTION	QTY.
	155411	WINCH INSTALLATION, 30K WARN	
1	108439	SCREW, HEX HEAD CAP 1/2-13 X 1-1/2 GR8	12
2	108801	GLAD HAND, RED AIR	REF
3	109740	SCREW, HEX HEAD CAP 5/8-11 X 1-3/4 GR8	8
4	-----	GOOSENECK WELDMENT	REF
5	132833	CABLE ASSEMBLY, 5/8 X 85 FLEX-X9	REF
6	134657	VALVE, AIR 3 WAY/2 POS	1
7	151817	MOUNT WELDMENT, WINCH WARN	1
8	155410	WINCH, 30K WARN AIR KO (SEE PAGE 2-73)	1
9	1-297-010007-05	FITTING, AIR	1
10	1-297-010008-07	FITTING, AIR 90	2
11	1-297-010018-03	FITTING, BRASS PIPE TEE	REF
12	1-297-010019-05	FITTING BRASS PIPE HEX	1
13	1-382-010035-06	HOOK, CLEVIS GRAB 5/8 GRD80	1
14	1-397-010302220	HOSE ASSEMBLY 1/2 X 220	2
15	1-512-010002-09	NUT, HEX LOCK 1/2-13 GRC	12
16	1-833-010001	TUBING, NYLON 1/4 OD	AR
17	1-861-010034-15	WASHER, SPLIT LOCK 5/8	16
18	202702-8-8S	ADAPTER	2
19	3-174-010059	CHAIN LINK CONNECTING 5/8	1
20	3-174-010039036	CHAIN, 1/2 X 36	1
21	55B61	FRAME UNION	REF
22	905-54-107	BRAKE PROTECTION VALVE	REF

# ILLUSTRATED PARTS LIST

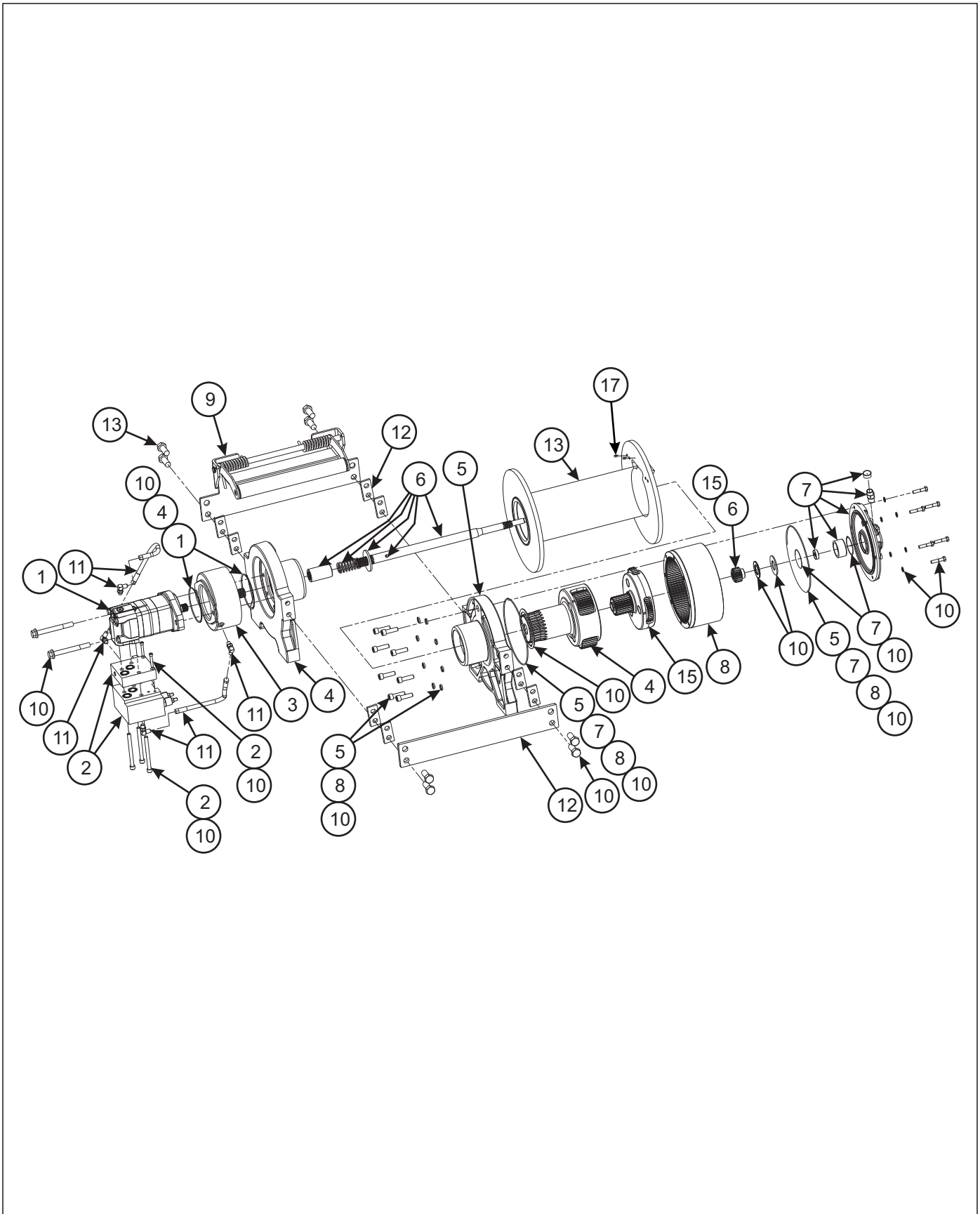
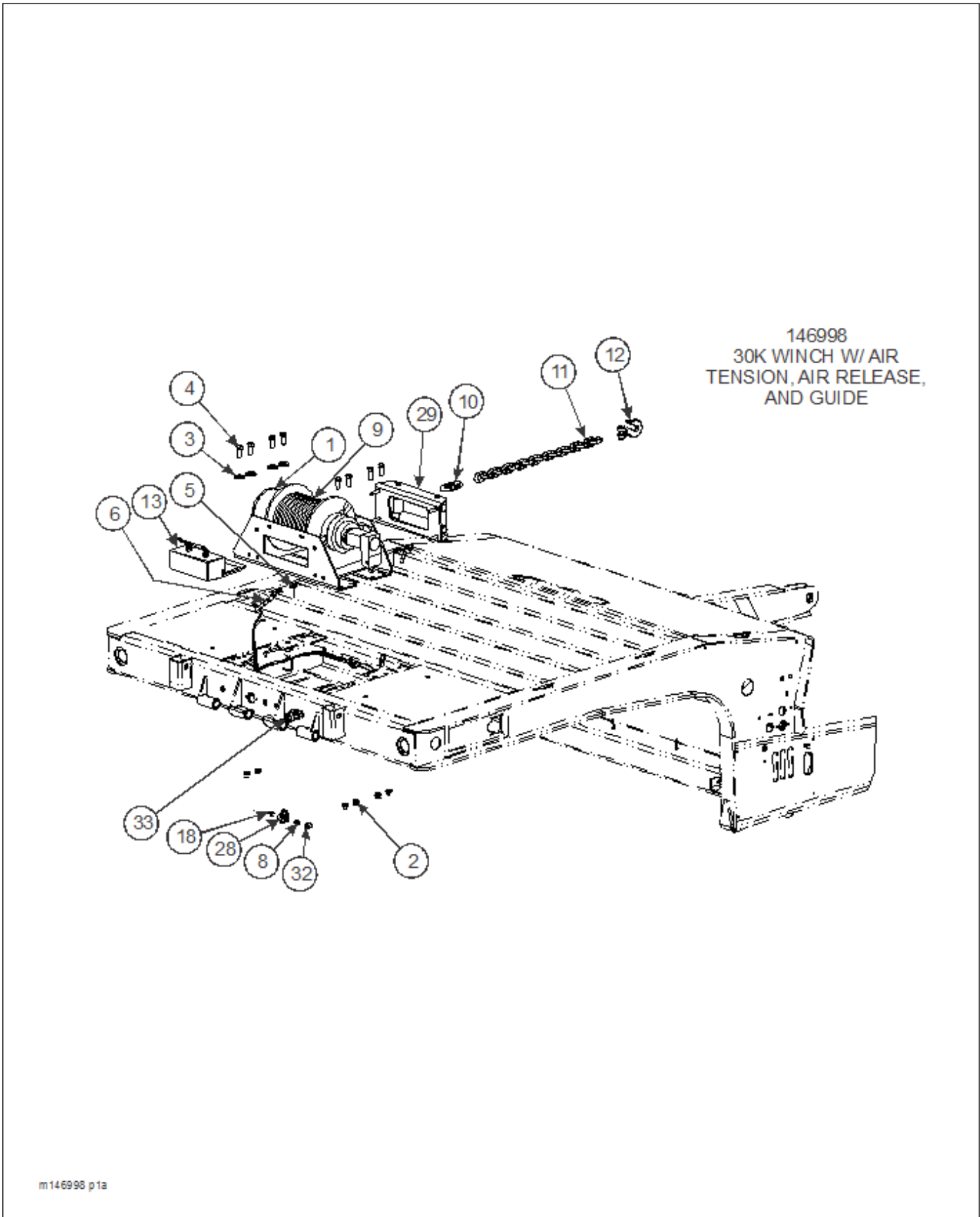


Figure 2-45: 30K Winch Items

**30K WINCH ITEMS (WARN)**

ITEM	PART NO.	DESCRIPTION	QTY.
	155410	WINCH, 30K WARN AIR KICKOUT	
1	162940	SERVICE KIT - MOTOR HYD 14.9CI	1
2	161590	SERVICE KIT - MANIFOLD HYD	1
3	162207	SERVICE KIT - BRAKE ASSEMBLY	1
4	162209	SERVICE KIT - DRUM SUPPORT, MOTOR END	1
5	162210	SERVICE KIT - DRUM SUPPORT, GEAR END	1
6	162211	SERVICE KIT - DRIVE SHAFT, LONG	1
7	162941	SERVICE KIT - END HSG ASSY AIR	1
8	162215	SERVICE KIT - RING GEAR	1
9	162216	SERVICE KIT - TENSIONER LONG	1
10	162217	SERVICE KIT - HARDWARE SEAL	1
11	162218	SERVICE KIT - HOSE HYD	1
12	162219	SERVICE KIT - TIE PLATE LONG	1
13	162942	SERVICE KIT - DRUM ASSEMBLY 30K LONG	1
14	162943	SERVICE KIT - CARRIER, STAGE 2 6.0-6.0	1
15	162944	SERVICE KIT - CARRIER, STAGE 1 6.0-6.0	1
16	162945	WIRE ROPE ASSEMBLY 5/8 EIPS X 245 FT <b>(NOT SHOWN)</b>	1
17	201650	SET SCREW	2

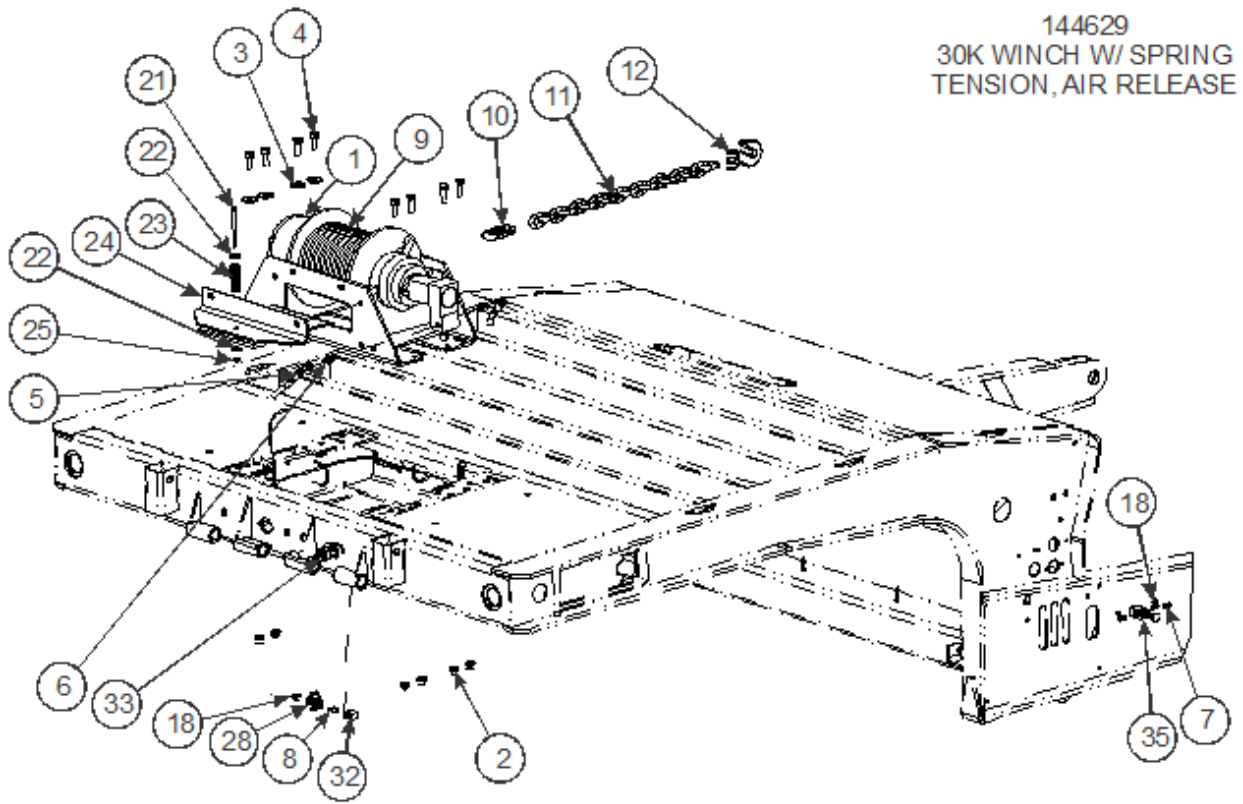


146998  
30K WINCH W/ AIR  
TENSION, AIR RELEASE,  
AND GUIDE

m146998 p1a

Figure 2-46: 30K Upper Deck Winch Installation (Option) (1 of 2)





m146998 p10

Figure 2-47: 30K Upper Deck Winch Installation (Option) (2 of 3)

# ILLUSTRATED PARTS LIST

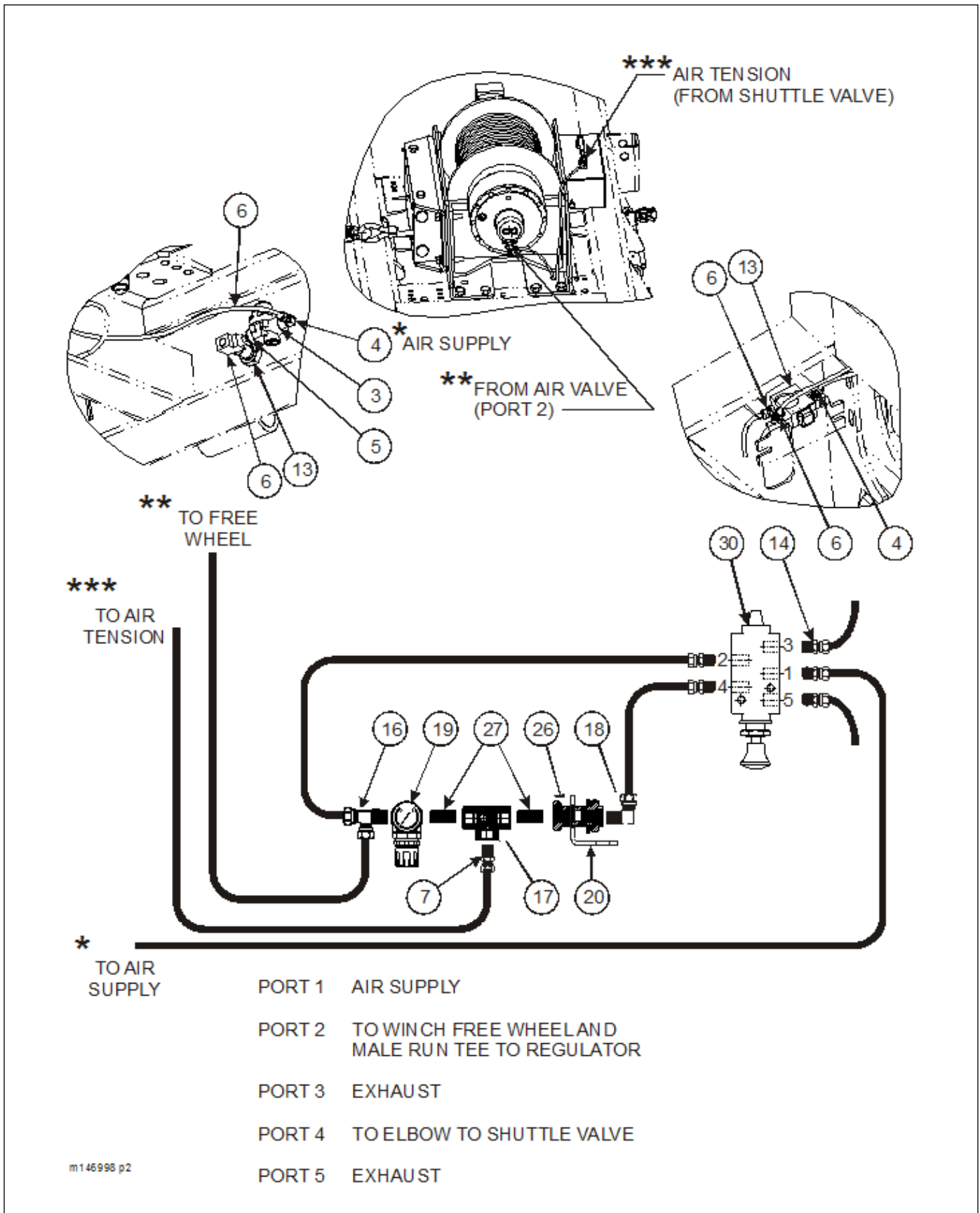
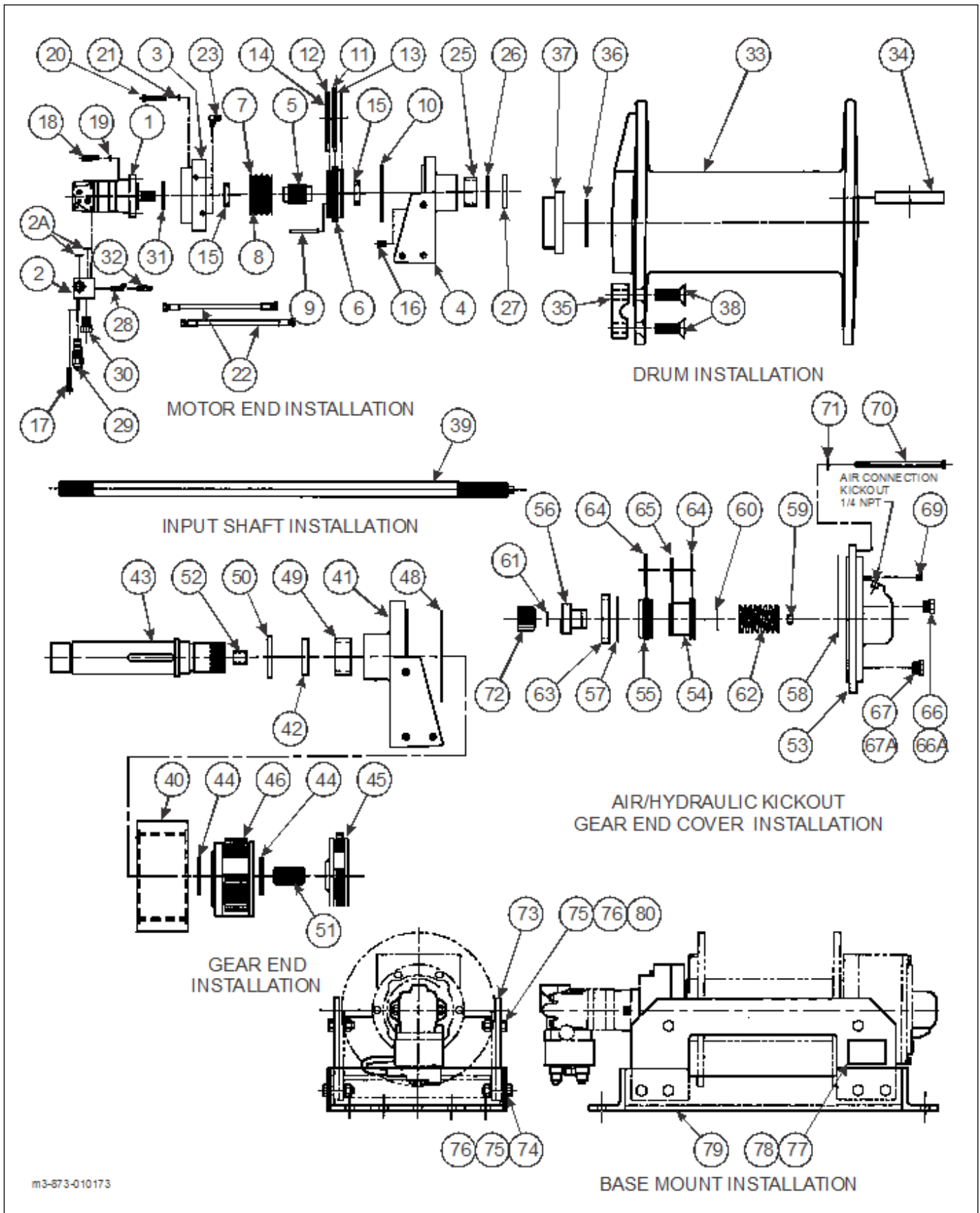


Figure 2-48: 30K Upper Deck Winch Installation (Option) (3 of 3)

**30K UPPER DECK WINCH INSTALLATION (DP)**

ITEM	PART NO.	DESCRIPTION	QTY.
	146998	WINCH, 30K W/ AT, AR, & GUIDED (INCL ITEMS 1,2,4,6-8,10-20,26-31)	
	147193	WINCH, 30K SPG TENS NO FREE (INCL ITEMS 1-6,10-13,21-25)	
	144629	WINCH INST, 30K SPG TENS (INCL ITEMS 1-4, 6-8, 12-13, 15, 18, 21-25, 28)	
1	3-873-010173	WINCH, 30K ITEMS (SEE PAGE 2-79)	1
2	1-512-010005-15	NUT, HEX LOCK 3/4-10 GRB	10
3	1-861-010034-17	WASHER, SPLIT LOCK 3/4	10
4	1-654-010061-07	SCREW, HEX HEAD CAP 3/4-10 X 2-1/2 GR5	10
5	202702-8-8S	ADAPTER #8 O-RING TO #8 TUBE	2
6	1-397-010302220	HOSE ASSEMBLY	2
7	1-297-010007-05	FITTING, AIR	1
8	1-297-010019-05	FITTING, BRS PIPE HEX 3/8 X 1/4	1
9	132833	CABLE ASSEMBLY 5/8 X 85 W/ LOOP	REF
	132834	CABLE ASSEMBLY 5/8 X 150 W/ LOOP	REF
10	3-174-010059	CHAIN LINK 5/8	1
11	3-174-010060036	CHAIN GR 80	1
12	1-382-010035-06	HOOK, CLEVIS	1
13	3-873-010172	WINCH, CABLE AIR TENSION 30K (SEE PAGE 2-83)	1
14	1-297-010007-04	FITTING AIR	5
15	1-833-010001	NYLON TUBING 1/4 OD	AR
16	1-297-010011-02	FITTING, AIR TEE	1
17	3-843-010039-02	VALVE AIR SHUTTLE 1/4	1
18	1-297-010008-07	FITTING, AIR 90	3
19	3-626-010004	REGULATOR, AIR PRESSURE	1
20	3-120-010445	BRACKET, PRESSURE REGULATOR	1
21	1-654-010055-17	SCREW, HEX HEAD CAP 1/2-13 X 6 GR5	1
22	1-861-010032-15	WASHER FLAT 1/2	2
23	3-720-010010	SPRING COMP LEVEL WIND	1
24	111641	WINCH TENSIONER WLDMT 30K	1
25	1-512-010005-09	NUT, HEX LOCK 1/2-13 GRB	1
26	1-297-010022-02	FITTING, AIR ANCHOR	1
27	1-297-010020-02	FITTING, BRASS PIPE	2
28	905-54-107	BRAKE PROTECTION VALVE	1
	167692	FILTER	1
29	122333	WINCH ROLLER GUIDE 30K PLNTY DP (SEE PAGE 2-85)	1
30	139552	VALVE, AIR SWAY	1
31	125892	CLAMP, CABLE 3/8	1
32	1-297-010018-03	FITTING, TEE	REF
33	108801	GLAD HAND, RED AIR	REF
34	116837	VALVE, MOUNT WELDMENT	REF

**ILLUSTRATED PARTS LIST**



m3-873-010173

**Figure 2-49: 30,000# Winch Items (Option)**

**30,000# WINCH ITEMS (DP)**

ITEM	PART NO.	REFERENCENO.	DESCRIPTION	QTY.
	3-873-010173		WINCH 30K ITEMS	
<b>MOTOR END INSTALLATION</b>				
1	----	73076	MOTOR, HYDRAULIC	1
2	137888	11604	VALVE, COUNTERBALANCE	1
2A	----	9817	O-RING, 13/16 I.D. X 3/32 SECTION	2
3	----	11535	BRAKE HOUSING	1
4	----	13299	SUPPORT MOTOR END	1
5	----	11750	SHAFT BRAKE	1
6	----	11443	PISTON BRAKE	1
7	----	11603	PLATE DISC FRICTION	10
8	----	3159	PLATE DRIVE BRAKE	9
9	----	3263	PIN DOWEL 5/16 DIA. X 3-1/2	2
10	137993	9844	O-RING, 7 O.D. X 6-3/4 I.D.	1
11	137994	9853	O-RING, 6-1/2 I.D. X 3/16 SECTION	1
12	137421	9851	O-RING, 5-3/8 I.D. X 5-3/4 O.D. X 3/16	2
13	----	9854	RING, BACK-UP	1
14	137422	9852	RING, BACK-UP 5-3/8 I.D.	1
15	----	81434	BEARING BALL 1-3/4 I.D.	2
16	----	2319	SPRING COMPRESSION	12
17	----	1345	CAP SCREW, SOCKET HEAD 3/8-16 X 2-1/2	2
18	----	1143	CAP SCREW, SOCKET HEAD 1/2-13 X 1-1/2	2
19	----	1144	WASHER, LOCK HI COLLAR 1/2	6
20	----	1376	CAP SCREW, HEX HEAD 7/16 X 2-1/2	6
21	----	1388	WASHER, LOCK 7/16	4
22	----	75038	HOSE 1/4R1 X 12"	1
23	----	76017	ADAPTER 90	1
24	----	10708	TAG WARNING (NOT SHOWN)	1
25	----	81454	BEARING -TORRINGTON	1
26	----	13288	WASHER THRUST BRONZE	1
27	137880	9890	SEAL SHAFT	1
28	137641	76029	ADAPTER 45	
29	137883	3177	CARTRIDGE COUNTERBALANCE	1
30	137884	70035	PLUG ASSEMBLY - VALVE COUNTERBALANCE	2
31	137882	9880	O-RING 3 ID X 1/8 SECTION	1
32	----	76027	ADAPTER STRAIGHT	
	137885	9400	DISC PLATE KIT (INCL ITEMS 7-8 & 16)	
	137886	9406	SEAL KIT (INCL ITEMS 10-14)	
<b>DRUM INSTALLATION</b>				
33	----	13285	DRUM	1
34	----	13293	KEY DRUM	2
35	137569	12518	CLIP CABLE THREADED	1
36	----	9602	O-RING 2-5/8 ID X 1/8 W	1
37	----	13286	SPACER	1
38	137570	1587	CAP SCREW, FLAT SKT HEAD 5/8-11 X 1-3/4	

**ILLUSTRATED PARTS LIST**

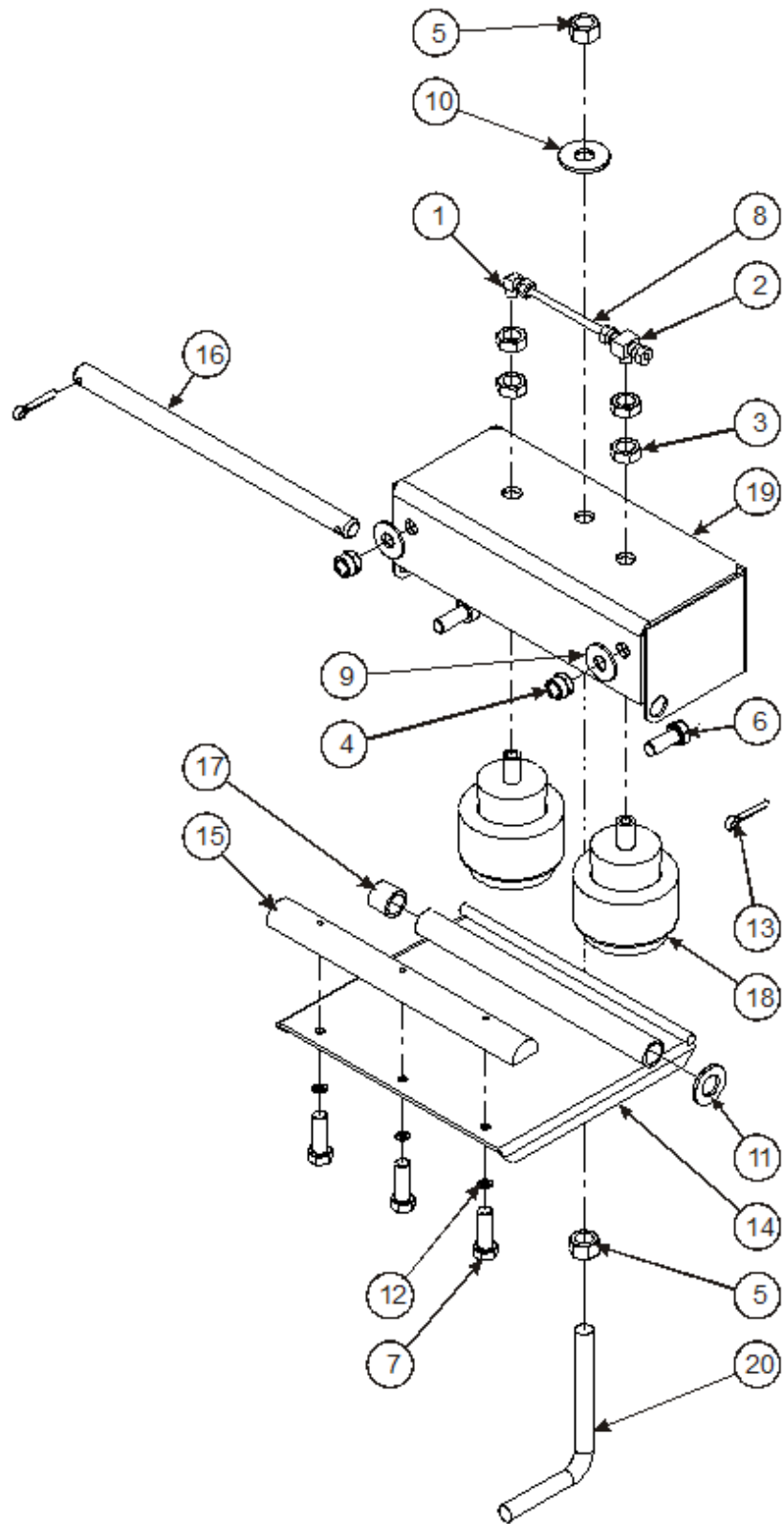
**30,000# WINCH ITEMS (DP)**

ITEM	PART NO.	REFERENCENO.	DESCRIPTION	QTY.
<b>INPUT SHAFT INSTALLATION</b>				
39	----	13317	SHAFT INPUT	1
<b>GEAR END INSTALLATION</b>				
40	----	3126	GEAR RING	1
41	----	13300	SUPPORT GEAR END	1
42	----	13288	WASHER THRUST	1
43	----	13301	SHAFT OUTPUT	1
44	----	13164	WASHER THRUST NYLON 3-1/2 OD X 3/16	2
45	----	12486	CARRIER ASSEMBLY PRIMARY	1
46	----	12516	CARRIER ASSEMBLY SECONDARY	1
47	----	10848	LABEL WARNING (NOT SHOWN)	1
48	137879	9695	O-RING 8-3/4 I.D. X 1/8 SECTION	1
49	----	81454	BEARING	1
50	137880	9890	SEAL SHAFT	1
51	----	13306	GEAR SUN	1
52	----	81608	BUSHING ID 1-1/4 OD X 1 LG	1
<b>AIR/HYD. KICKOUT GEAR END COVER INSTALLATION</b>				
53	----	13675	COVER GEAR END	1
54	----	13295	PISTON AKO B/C/D	1
55	----	13296	CYLINDER PISTON	1
56	----	13297	COUPLING DRIVE	1
57	----	3632	RING RETAINING RD SEC 3 O.D. X .10 SEC	1
58	137879	9695	O-RING 8-3/4 I.D. X 1/8 SECTION	1
59	----	81612	BUSHING BRONZE 3/8 I.D. X 3/8 L	1
60	----	3303	RING RETAINING 1-1/4	1
61	----	3321	RING RETAINING RD SEC .805 I.D.	1
62	----	2309	SPRING COMPRESSION	1
63	----	13288	WASHER THRUST BRONZE 3.81 X .406 W	1
64	137881	9672	O-RING 2-5/8 I.D. X 1/8 SECTION	2
65	----	9704	O-RING 2-1/8 I.D. X 2-3/8 O.D.	1
66	105967	76344	PLUG SKT HD O-RING #10 7/8 - 14	1
66A	----	9992	O-RING .755 I.D. X .097 W 3-910	1
67	105954	76343	PLUG SKT HD O-RING MAG #10	1
67A	----	9992	O-RING .755 I.D. X .097 W 3-910	1
68	----	1157	CAPLUG #4 RED (NOT SHOWN)	1
69	105953	3059	RELIEF VENT	1
70	----	1317	SCREW CAP HEX HEAD 3/8 X 16 X 5-1/2	12
71	----	1395	WASHER LOCK 3/8	12
72	----	13235	GEAR SUN AKO	1
<b>BASE MOUNT INSTALLATION</b>				
73	----	14068	BASE MOUNT CUSTOM - B SERIES - A LENGTH	2
74	----	1506	SCREW CAP HEX HEAD 5/8-11 X 2-1/2 GR5	12
75	----	1590	NUT HEX 5/8 - 11 GR2	12
76	----	1595	WASHER LOCK 5/8 MEDIUM PLAIN	12

**30,000# WINCH ITEMS (DP)**

ITEM	PART NO.	REFERENCENO.	DESCRIPTION	QTY.
77	-----	1165	RIVET DRIVE U TYPE #2 X 1/4 LONG	4
78	-----	10466	PLATE INFORMATION	1
79	-----	14073	BASE SUPPORT	
80	-----	1504	CAP SCREW, HEX HEAD 5/8-11 X 2 GR5	

NOTE: WHEN ORDERING WINCH PARTS, CUSTOMER MUST GIVE SERIAL NO. FOR WINCH. SERIAL NO. IS LOCATED ON SERIAL NO. TAG ON WINCH BASE AND STAMPED INTO TOP OF MOTOR END SUPPORT.



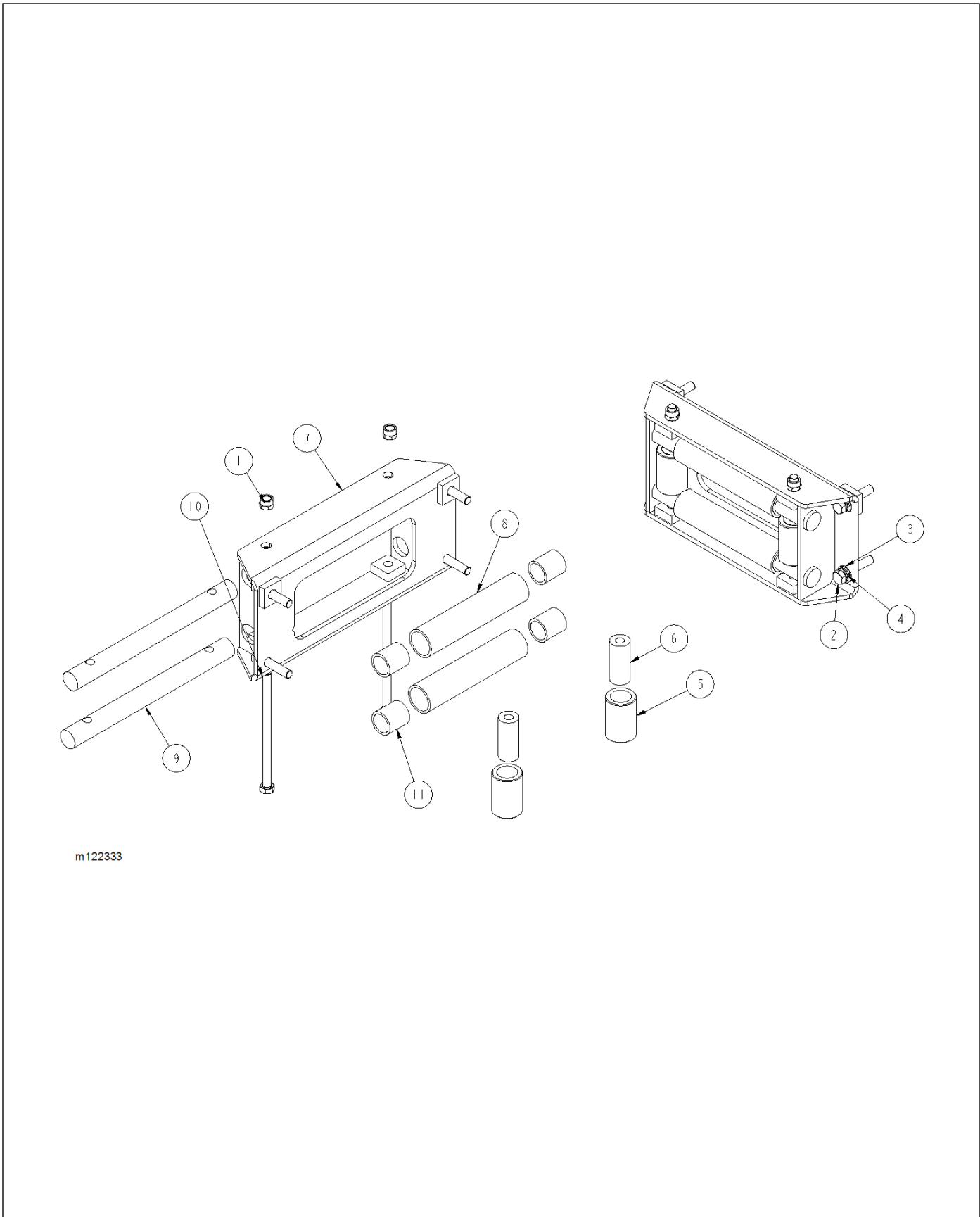
3m873-010172

Figure 2-50: Winch Cable Air Tension 30K



## WINCH CABLE AIR TENSION 30K

ITEM	PART NO.	DESCRIPTION	QTY.
	3-873-010172	WINCH CABLE AIR TENSION 30K	
1	1-297-010008-05	FITTING, AIR 90	1
2	1-297-010015-02	FITTING, AIR TEE	1
3	1-511-010001-07	NUT, HEX JAM 5/8-11	4
4	1-512-010005-09	NUT, HEX LOCK 1/2-13 GRB	2
5	1-512-010007-11	NUT, HEX 5/8-11 GRB	2
6	1-654-010055-02	SCREW, HEX HEAD CAP 1/2-13 X 1-1/4 GR5	2
7	1-654-010055-03	SCREW, HEX HEAD CAP 1/2-13 X 1-1/2 GR5	3
8	1-833-010001	TUBING, NYLON 1/4OD	1
9	1-861-010032-15	WASHER, FLAT 1/2W	2
10	1-861-010032-19	WASHER, FLAT 5/8W	1
11	1-861-010032-20	WASHER, FLAT 3/4N	1
12	1-861-010034-09	WASHER, SPLIT LOCK 1/4	3
13	119084	PIN, COTTER 1/4 X 1-1/2	2
14	132103	ARM WELDMENT, LEVEL WIND	1
15	132104	RUB BAR	1
16	133938	PIVOT PIN	1
17	133941	SPACER	1
18	137028	AIR SPRING, 30K WINCH TENSION	2
19	160094	MOUNTING BRACKET, LEVEL WIND	1
20	161573	ADJUSTMENT BOLT LEVEL WIND	1



m122333

Figure 2-51: Winch Roller Guide - 30K

**WINCH ROLLER GUIDE - 30K**

ITEM	PART NO.	DESCRIPTION	QTY.
	122333	WINCH ROLLER GUIDE - 30K PLNTY DP-600	
1	1-512-010005-13	NUT, HEX LOCK 5/8-11 GRB	2
2	1-861-010032-18	WASHER, FLAT 5/8N	4
3	1-861-010034-15	WASHER, SPLIT LOCK 5/8	4
4	1-654-010059-09	SCREW, HEX HEAD CAP 5/8-11 X 3 GR5	4
5	111385	TUBE VERTICAL ROLLER FAIRLEAD	2
6	111386	BUSHING FAIRLEAD VERT ROLLER	2
7	122334	MOUNT WELDMENT	1
8	122336	TUBE, HORIZ ROLLER	2
9	122337	ROD, ROLLER	2
10	122458	SCREW, HEX HEAD CAP 5/8-11 X 10 GR8	2
11	AA-1807	SLEEVE, BEARING 1-1/2D X 1-7/8OD X 2	4

ILLUSTRATED PARTS LIST

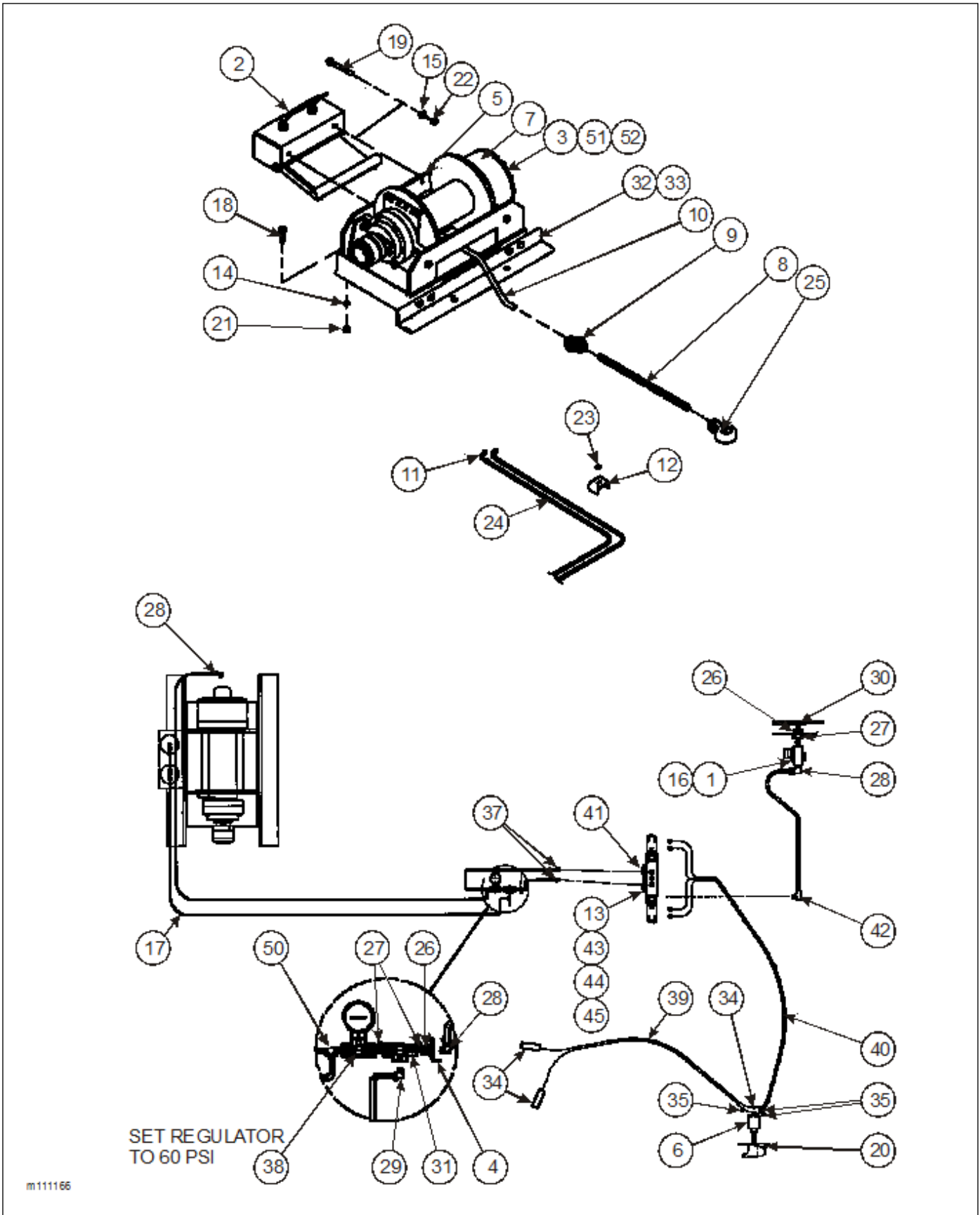
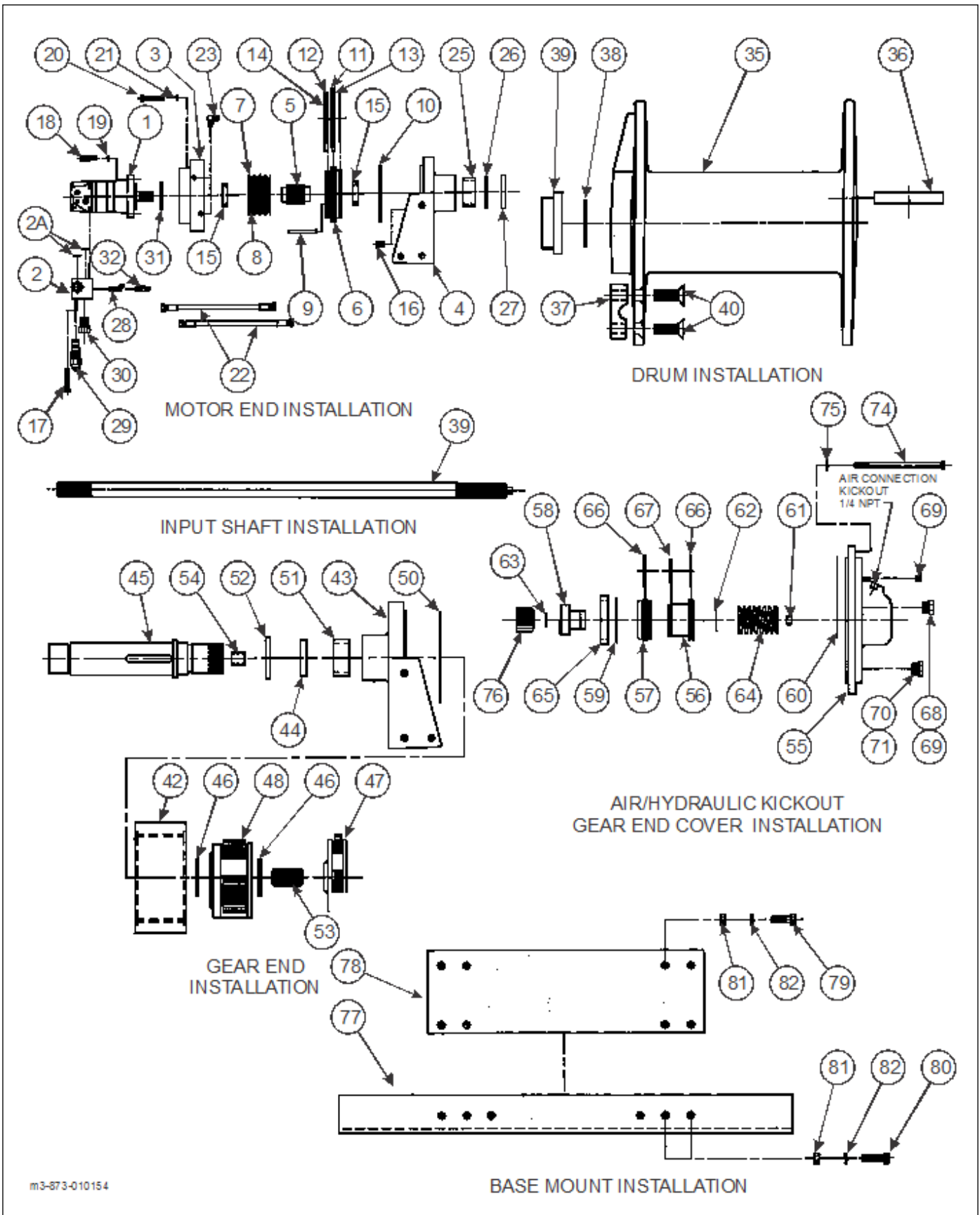


Figure 2-52: Winch Installation, 30K, Air, No Remote (Option)

## WINCH INSTALLATION 30K, AIR NO REMOTE

ITEM	PART NO.	DESCRIPTION	QTY.
	111166	WINCH INSTALLATION 30K AIR NO REMOTE	
1	905-54-107	BRAKE PROTECTION VALVE	1
2	3-873-010172	WINCH CABLE, AIR TENSION 30K (SEE PAGE 2-83)	1
3	3-873-010155	WINCH MODIFICATION (ITEMS 51 & 52)	1
4	3-120-010445	BRACKET, PRESSURE REGULATOR	1
5	111252	MOUNT, DP30 AIR TENSION	1
6	1-765-010065	TOGGLE SWITCH SPDT	1
7	3-573-010025	DECAL, WINCH MOTOR	1
8	3-174-010060036	CHAIN GR80	1
9	3-174-010059	CHAIN LINK CONNECTING 5/8	1
10	3-153-010016-02	CABLE ASSEMBLY 3/4 X 85' W/ LOOP	REF
11	2062-8-8S	ADAPTER, 90	2
12	2-181-010001	HOSE CLAMP	1
13	3-843-010022	VALVE, PNEUMATIC 4 WAY 2 POSITION	1
14	1-861-010032-18	WASHER, FLAT 5/8N	4
15	1-861-010032-15	WASHER, FLAT 1/2W	2
16	3-573-010442	DECAL, WINCH TENSION	1
17	1-833-010001	TUBING, NYLON 1/4OD	AR
18	1-654-010059-05	SCREW, HEX HEAD CAP 5/8-11 X 2 GR5	2
19	1-654-010055-03	SCREW, HEX HEAD CAP 1/2-13 X 1-1/2 GR5	2
20	3-348-010048	GUARD, SWITCH 3 POSITION	1
21	1-512-010005-13	NUT, HEX LOCK 5/8-11 GRB	2
22	1-512-010005-09	NUT, HEX LOCK 1/2-13 GRB	2
23	1-510-010001	NUT, FLANGE LOCK 3/8-16	1
24	1-397-010301208	HOSE ASSEMBLY 1/2 X 208	2
25	1-382-010035-06	HOOK, CLEVIS GRAB	1
26	1-297-010022-02	FITTING, AIR ANCHOR COUPLING	2
27	1-297-010020-02	FITTING, BRASS PIPE	3
28	1-297-010008-07	FITTING, AIR 90 1/4TUBE TO 1/4NPT	3
29	1-297-010007-05	FITTING, AIR 1/4PIPE TO 1/4TUBE	1
30	1-297-010015-09	FITTING, AIR BRANCH TEE	1
31	3-843-010039-02	VALVE, AIR SHUTTLE	1
32	RSP956X5X5	PLATE, STEEL 1/2 X 5 X 5	4
33	RFB722X4	BAR, FLAT 1/2 X 1-1/2 X 4	1
34	3-272-010021	ELECT BUTT SPLICE	3
35	32002	TERMINAL	1
37	1-297-010007-04	FITTING, AIR 90	2
38	3-626-010004	REGULATOR, AIR PRESSURE	1
39	3-156-010008	CABLE, 14-2 SO TWO CONDUCTOR	AR
40	3-368-010129	HARNESS, REMOTE SWITCH	1
41	3-136-010001-01	BREATHER, PNEUMATIC EXHAUST	2
42	1-297-010008-05	FITTING, AIR 90	1
43	1-654-010024014	SCREW, MACH FIL #6-32 X 1-1/2	3
44	1-861-010032-01	WASHER, FLAT #6	6
45	1-512-010003-02	NUT, HEX LOCK #6-32	3
50	1-297-010011-02	FITTING, AIR TEE	1
51	3-873-010154	WINCH 30,000 LB DP (SEE PAGE 2-89)	1
52	1-297-010008-07	FITTING, AIR 90	2

**ILLUSTRATED PARTS LIST**



m3-873-010154

**Figure 2-53: 30,000# Winch Items (Option)**

**30,000# WINCH ITEMS (DP)**

ITEM	PART NO.	REFERENCE NO.	DESCRIPTION	QTY.
	3-873-010154	-----	MOTOR END INSTALLATION	
1	137887	73067	MOTOR, HYDRAULIC	1
2	137888	11604	VALVE, COUNTERBALANCE	1
2A	-----	9817	O-RING, 1/8 I.D. X 3/32 SECTION	2
3	-----	11535	BRAKE, HOUSING	1
4	-----	13299	SUPPORT, MOTOR END	1
5	-----	11750	SHAFT, BRAKE	1
6	-----	11443	PISTON, BRAKE	1
7	-----	11603	PLATE, DISC FRICTION	10
8	-----	3159	PLATE, DRIVE BRAKE	9
9	-----	3263	PIN, DOWEL 5/16 DIA. X 3-1/2	2
10	137993	9844	O-RING, 6-3/4 I.D. X 7 O.D. X 1/8 SECTION	1
11	137994	9853	O-RING, 6-1/2 I.D. X 3/16 SECTION	1
12	137421	9851	O-RING, 5-3/8 I.D. X 5-3/4 O.D. X 3/16 SECTION	2
13	-----	9854	RING, BACK-UP 6-1/4 X .183	1
14	137422	9852	RING, BACK-UP 5.278 ID X .076	1
15	-----	81434	BEARING BALL 1-3/4 I.D.	2
16	-----	2319	SPRING, COMPRESSION	12
17	-----	1345	SCREW, HEX HEAD CAP 3/8-16 X 2-1/2	3
18	-----	1143	SCREW, HEX HEAD CAP 1/2-13 X 1-1/2	2
19	-----	1144	WASHER, LOCK HI COLLAR 1/2	2
20	-----	1376	SCREW, HEX HEAD CAP 7/16 X 2-1/2	6
21	-----	1388	WASHER, LOCK 7/16	6
22	-----	75038	HOSE, 1/4R1 X 12"	2
23	-----	76017	ADAPTER, 90	2
24	-----	10708	TAG WARNING (NOT SHOWN)	1
25	-----	81454	BEARING, ROLLER TORRINGTON	1
26	-----	13288	WASHER, THRUST BRONZE 3.81 X .406	1
27	137880	9890	SEAL SHAFT 3-1/8 I.D. X 4 O.D. X 3/8 THICK	1
28	137641	76029	ADAPTER, 45	1
29	137883	3177	CARTRIDGE, COUNTERBALANCE	1
30	137884	70035	PLUG ASSEMBLY - VALVE COUNTERBALANCE	1
31	137882	9880	O-RING 3 I.D. X 1/8 SECTION	1
32	137642	76027	ADAPTER, STRAIGHT #4 O-RING	1
33	137885	9400	DISC BRAKE KIT (INCLUDES ITEMS 7-8, 16)	1
34	137886	9406	BRAKE PISTON MOTOR END KIT (INCLUDES ITEMS 10-14)	1
			DRUM INSTALLATION	
35	-----	13285	DRUM	1
36	-----	13293	KEY DRUM	2
37	137569	12518	CLIP, CABLE THREADED	1
38	-----	9602	O-RING 2-3/4 ID X 3 O.D. X 1/8 SECTION	1
39	-----	13286	SPACER	1
40	137570	1587	SCREW, FLAT SOCKET HEAD CAP 5/8-11 X 1-3/4	2

## ILLUSTRATED PARTS LIST

### 30,000# WINCH ITEMS (DP)

ITEM	PART NO.	REFERENCE NO.	DESCRIPTION	QTY.
INPUT SHAFT INSTALLATION				
41	----	13317	SHAFT, INPUT	1
GEAR END INSTALLATION				
42	----	3126	GEAR, RING	1
43	----	13300	SUPPORT, GEAR END	1
44	----	13288	WASHER, THRUST	1
45	----	13301	SHAFT, OUTPUT	1
46	----	13164	WASHER, THRUST NYLON 3-1/2 OD X 3/16 SECTION	2
47	----	12486	CARRIER ASSEMBLY PRIMARY	1
48	----	12516	CARRIER ASSEMBLY SECONDARY	1
49	----	10848	LABEL WARNING (NOT SHOWN)	1
50	137879	9695	O-RING 8-3/4 I.D. X 1/8 SECTION	1
51	----	81454	BEARING	1
52	137880	9890	SEAL SHAFT	1
53	----	13306	GEAR SUN	1
54	----	81608	BUSHING ID 1-1/4 OD X 1 LG	1
AIR/HYD. KICKOUT GEAR END COVER INSTALLATION				
55	----	13675	COVER, GEAR END	1
56	----	13295	PISTON AKO B/C/D	1
57	----	13296	CYLINDER, PISTON	1
58	----	13297	COUPLING, DRIVE	1
59	----	3632	RING, RETAINING RD SEC 3 O.D. X .10 SEC	1
60	137879	9695	O-RING 8-3/4 I.D. X 1/8 SECTION	1
61	----	81612	BUSHING, BRONZE 3/8 I.D. X 3/8 L	1
62	----	3303	RING, RETAINING 1-1/4	1
63	----	3321	RING, RETAINING RD SEC .805 I.D.	1
64	----	2309	SPRING, COMPRESSION	1
65	----	13288	WASHER, THRUST BRONZE 3.81 X .406 W	1
66	137881	9672	O-RING 2-5/8 I.D. X 1/8 SECTION	2
67	----	9704	O-RING 2-1/8 I.D. X 2-3/8 O.D.	1
68	105967	76344	PLUG, SKT HD O-RING #10 7/8 - 14	1
69	----	9992	O-RING .755 I.D. X .097 W 3-910	1
70	105954	76343	PLUG, SKT HD O-RING MAG #10	1
71	----	9992	O-RING .755 I.D. X .097 W 3-910	1
72	----	1157	CAPLUG #4 RED (NOT SHOWN)	1
73	105953	3059	RELIEF VENT	1
74	----	1317	SCREW, HEX HEAD CAP 3/8-16 X 5-1/2	12
75	----	1395	WASHER, LOCK 3/8	12
76	----	13235	GEAR, SUN 15 TEETH	1
BASE MOUNT INSTALLATION				
77	----	11990	BASE ANGLE	2
78	----	12005	PLATE, SIDE	2
79	----	1504	SCREW, HEX HEAD CAP 5/8-11 X 2 GR5	4
80	----	1505	SCREW, HEX HEAD CAP 5/8-11 X 2-1/4 GR5	8



**30,000# WINCH ITEMS (DP)**

ITEM	PART NO.	REFERENCE NO.	DESCRIPTION	QTY.
81	-----	1590	NUT, HEX 5/8 - 11 GR2	12
82	-----	1595	WASHER, LOCK 5/8 MEDIUM PLAIN	12
83	-----	10466	PLATE, INFORMATION (NOT SHOWN)	1
84	-----	1165	RIVET, DRIVE U TYPE #2 X 1/4 LONG (NOT SHOWN)	4

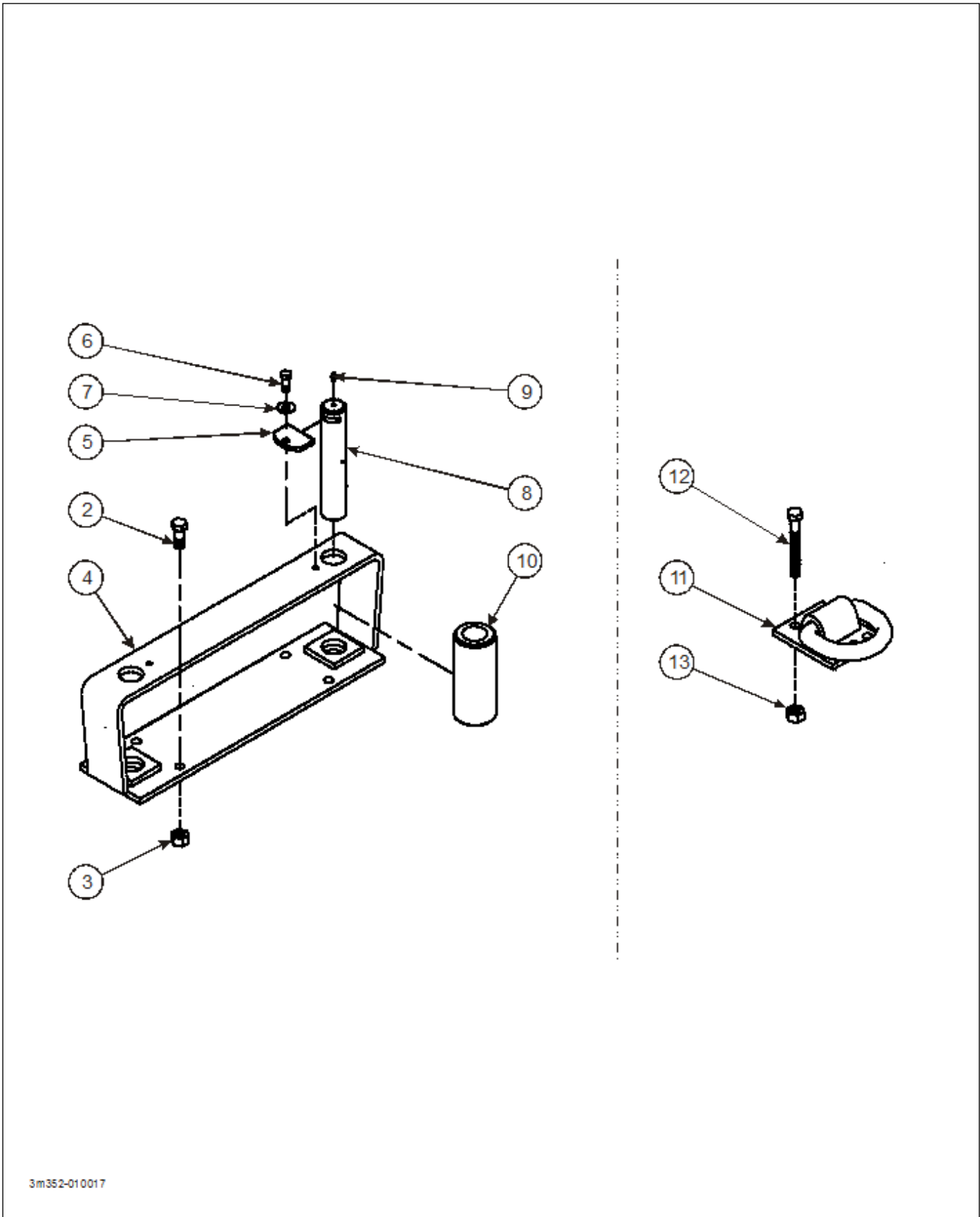


Figure 2-54: Winch Cable Roller Guide (Option)

**WINCH CABLE ROLLER GUIDE (OPTION)**

ITEM	PART NO.	DESCRIPTION	QTY.
	3-352-010017-1	GUIDE INSTALLATION WINCH 12K	
	3-352-010017-2	GUIDE INSTALLATION WINCH 20K	
	3-352-010062	GUIDE INSTALLATION WINCH 30K	
2	1-654-010055-05	SCREW, HEX HEAD CAP 1/2-13 X 2 GR5	4
	1-654-010059-05	SCREW, HEX HEAD CAP 5/8-11 X 2 GR5 (30K ONLY)	2
3	1-512-010005-09	NUT, HEX LOCK 1/2-13 GRB	4
	1-512-010005-13	NUT, HEX LOCK 5/8-11 GRB (30K ONLY)	2
4	3-120-010295	BRACKET WELDMENT 12K ROLLER GUIDE	1
	3-120-010294	BRACKET WELDMENT 20K ROLLER GUIDE	1
	3-120-010478	BRACKET WELDMENT 30K ROLLER GUIDE	1
5	3-565-010770	PLATE, CABLE GUIDE LOCK	2
6	1-654-010051-03	SCREW, HEX HEAD CAP 3/8-16 X 3/4 GR5	2
7	1-861-010034-11	WASHER, SPLIT LOCK 3/8	2
8	3-557-010383	PIN, CABLE GUIDE ROLLER	2
9	1-298-010001-1	FITTING, GREASE 1/4-28	2
10	3-645-010049	ROLLER, WINCH CABLE GUIDE	2

**D-RING BOLT-ON**

	3-793-010041	TIE DOWN INSTALLATION WINCH D-RING	
11	3-793-010040	TIE DOWN, WINCH	1
12	1-654-010055-03	SCREW, HEX HEAD CAP 1/2-13 X 1-1/2 GR5	6
13	1-512-010005-09	NUT, HEX LOCK 1/2-13 GRB	6

# ILLUSTRATED PARTS LIST

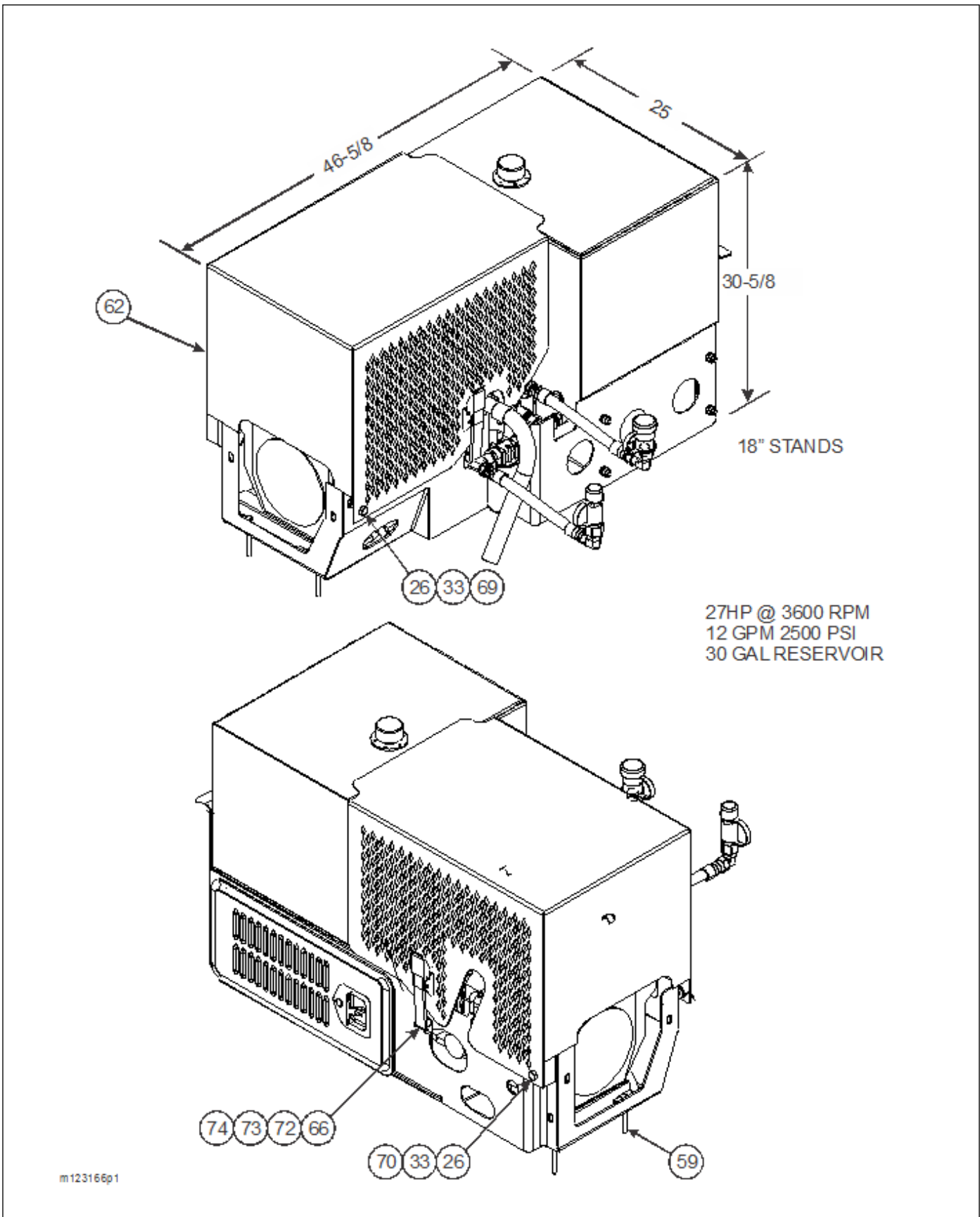
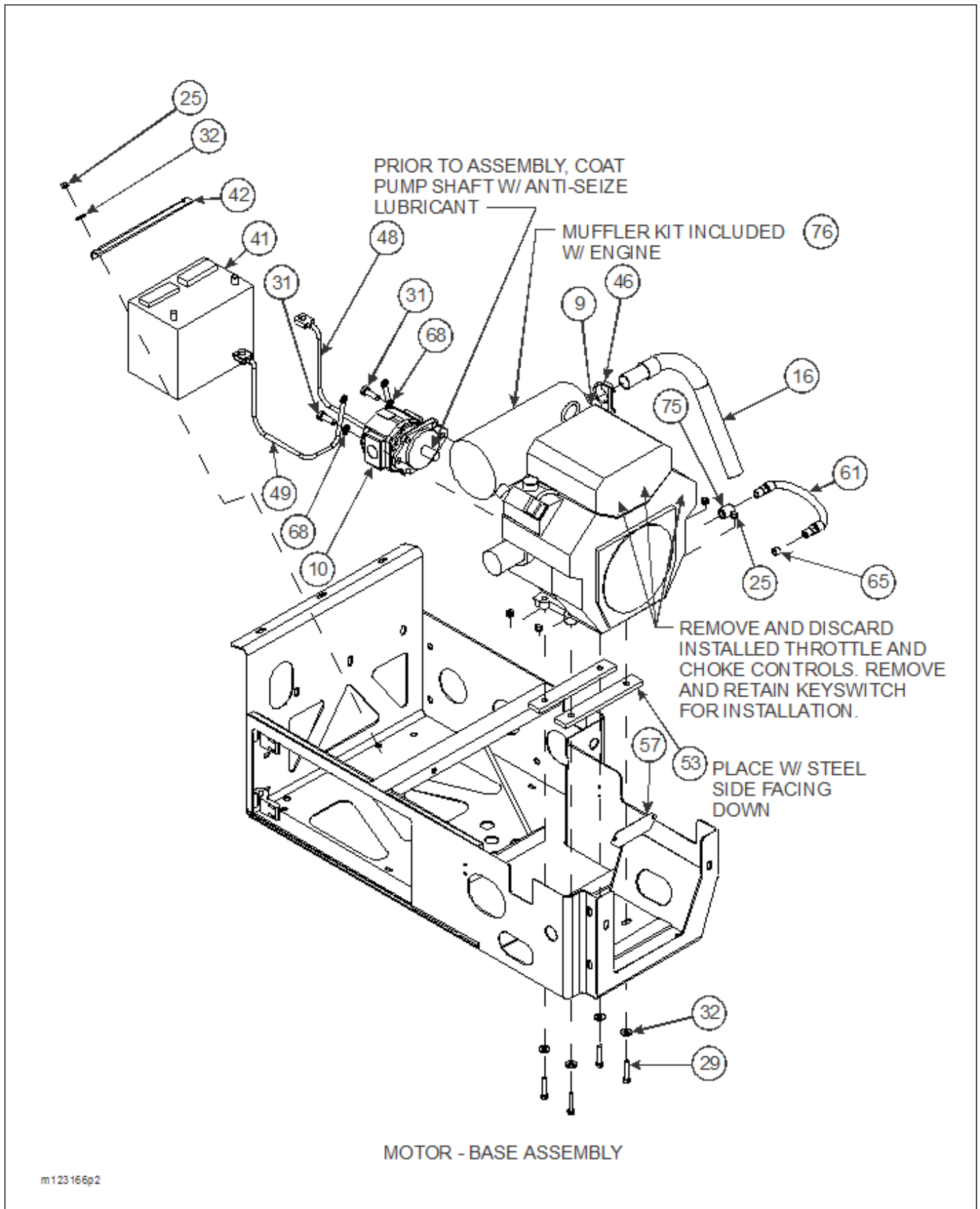


Figure 2-55: Hydraulic Engine, 27 HP Upper Deck (Option) (1 of 4)



m123166p2

Figure 2-56: Hydraulic Engine, 27 HP Upper Deck (Option) (2 of 4)

# ILLUSTRATED PARTS LIST

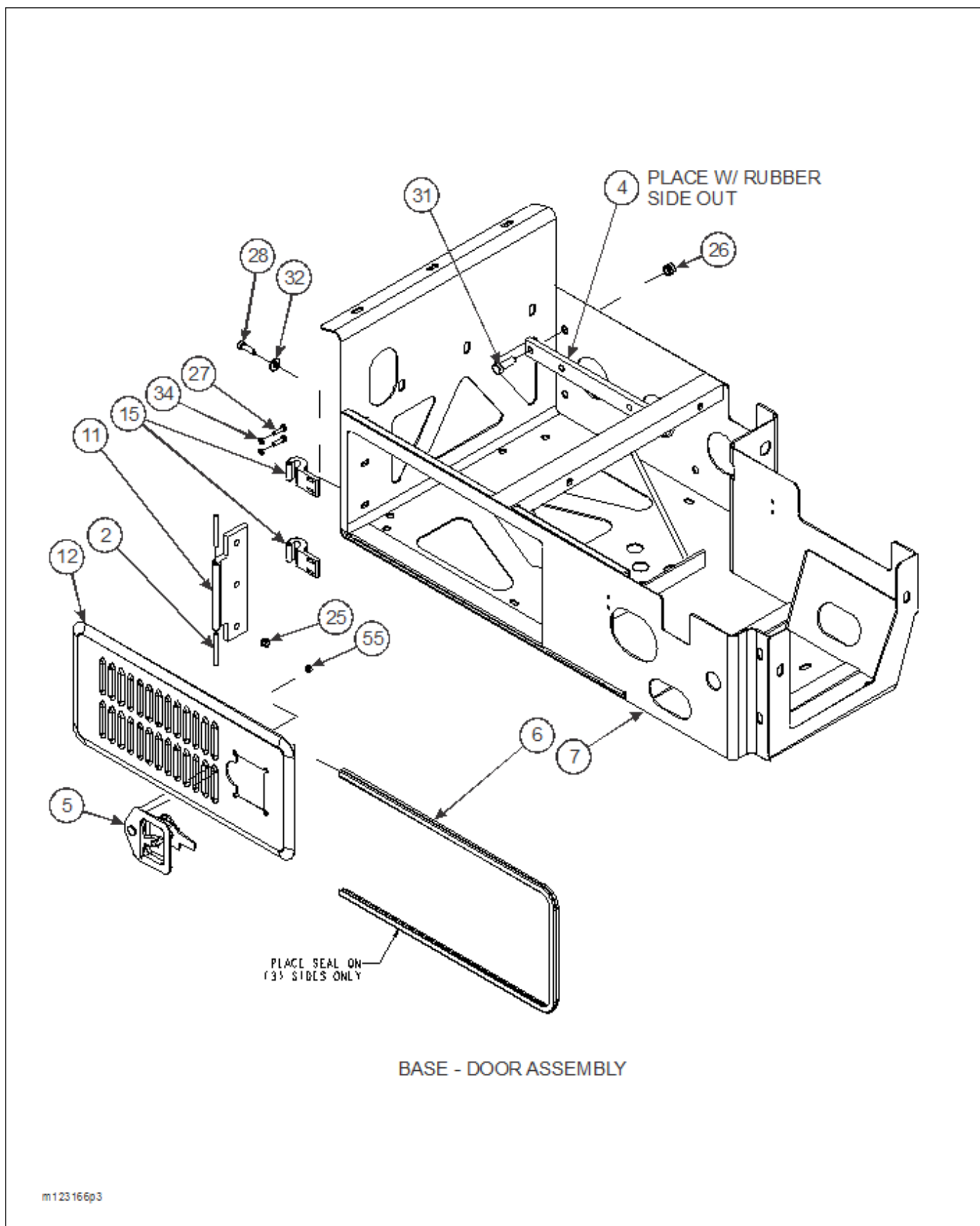


Figure 2-57: Hydraulic Engine, 27 HP Upper Deck (Option) (3 of 4)

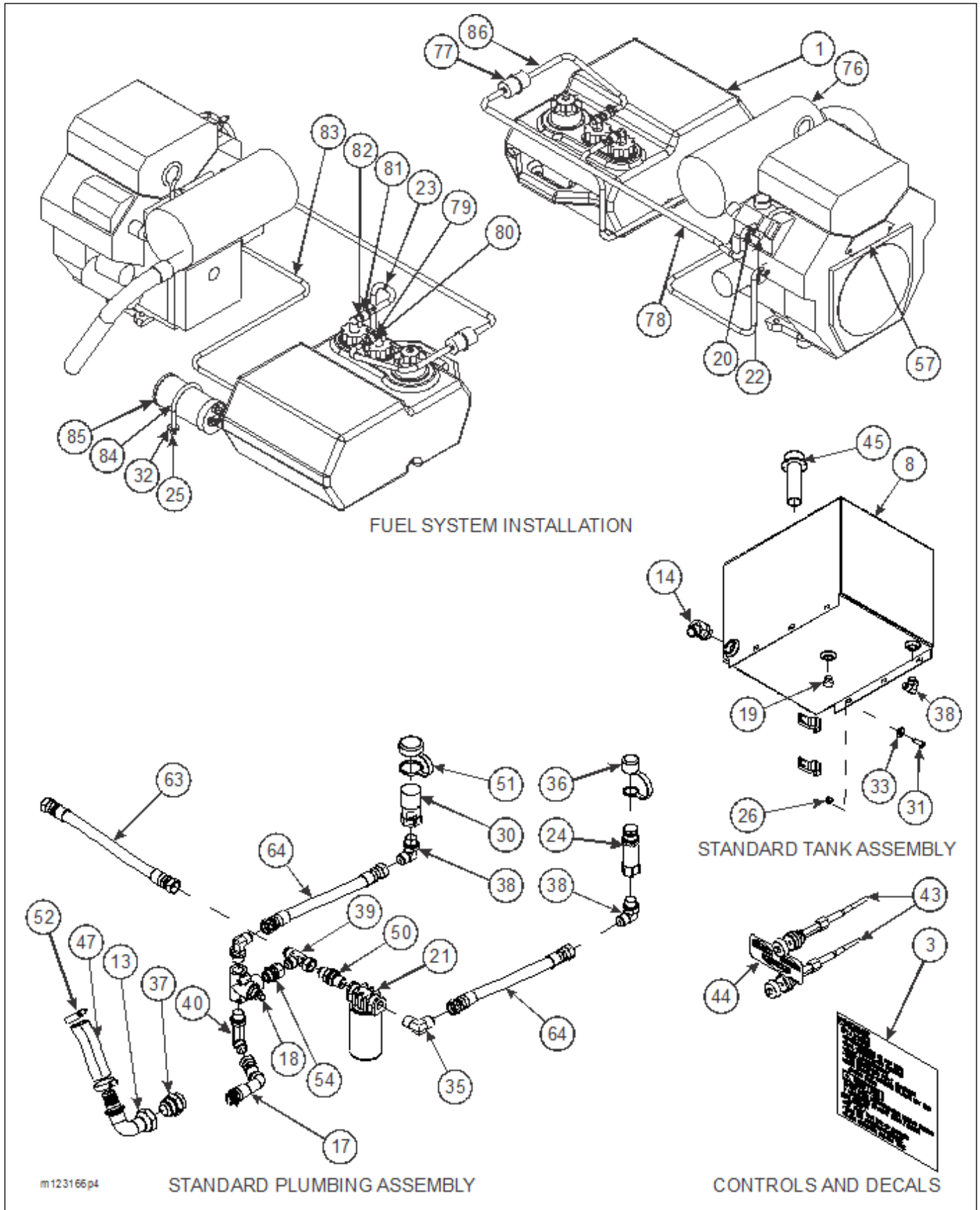


Figure 2-58: Hydraulic Engine, 27 HP Upper Deck (Option) (4 of 4)

## ILLUSTRATED PARTS LIST

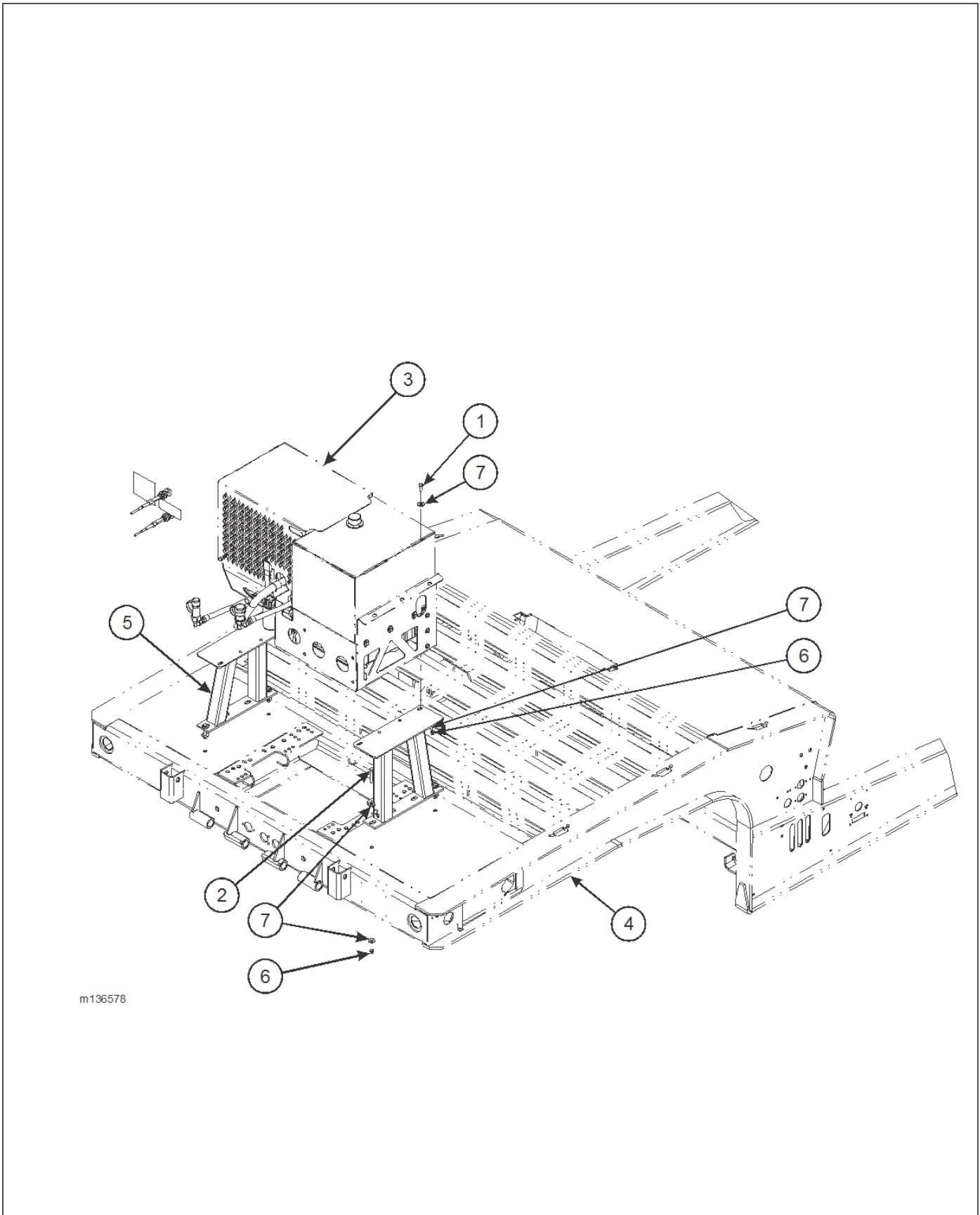
### 27 HP GAS ENGINE PACKAGE, UPPER DECK (OPTION)

ITEM	PART NO.	DESCRIPTION	QTY.
	123166	27HP GAS ENGINE PACKAGE	
1	169531	TANK, FUEL PLASTIC 6 GAL LOW PERM	1
2	108601	PIN, DOOR HINGE	2
3	113388	DECAL, ENGINE PACKAGE INSTRUCTIONS	1
4	113856	MOUNT, ENGINE ISOLATOR, KOHLER CH25	2
5	114814	LATCH, FOLDING T LOCKABLE	1
6	114815	SEAL, SPONGE RUBBER TRIM	5
7	120654	MOUNT WELDMENT, ENGINE PACKAGE 25 HP	1
8	129264	HYDRAULIC TANK WELDMENT	1
9	127813	ENGINE, KOHLER 27 HP PUMP MOUNT	1
	3-765-010050	KOHLER IGNITION SWITCH	1
10	115888	PUMP, HYDRAULIC	1
11	116326	HINGE, BASE MOUNT	1
12	116328	MOUNT, DOOR WELDMENT	1
13	116330	FITTING, 90	1
14	117873	FITTING, 45	1
15	119206	HINGE, DOOR	2
16	119445	EXHAUST EXT WELDMENT	1
17	119577	HOSE	1
18	120661	VALVE, HYDRAULIC PRESSURE RELIEF	1
19	900598-12S	PLUG, O-RING	1
20	105-0105	CLAMP, HOSE	6
21	1-295-010001	RETURN LINE FILTER	1
	1-295-010002	FILTER ELEMENT	1
22	1-297-010034-01	FITTING, BR 90 BARB	1
23	1-316-010013	HOSE, 1/4 LOW PRESSURE FUEL LINE	5
24	105479	COUPLER FLAT FACE MALE NOSE	1
25	1-512-010005-05	NUT, HEX LOCK 3/8-16 GRB	15
26	1-512-010005-09	NUT, HEX LOCK 1/2-13 GRB	11
27	1-654-010047-06	SCREW, HEX HEAD CAP 1/4-20 X 1 GR5	4
28	1-654-010051-06	SCREW, HEX HEAD CAP 3/8-16 X 1-1/4 GR5	3
29	1-654-010051-09	SCREW, HEX HEAD CAP 3/8-16 X 2 GR5	6
30	105480	COUPLER, FLAT FACE FEMALE BODY	1
31	1-654-010055-03	SCREW, HEX HEAD CAP 1/2-13 X 1-1/2 GR5	11
32	1-861-010032-11	WASHER, FLAT 3/8W	19
33	1-861-010032-15	WASHER, FLAT 1/2W	13
34	1-861-010034-09	WASHER, SPLIT LOCK 1/4	4
35	2024-12-12S	ELBOW, 90	1
36	105481	COUPLER, DUST CAP MALE	1
37	202702-20-20S	ADAPTER	1
38	2062-12-12S	ADAPTER, 90	4
39	203102-12-12S	ADAPTER, TEE	1
40	206209-12-12S	ADAPTER, 90	1
41	2481X	BATTERY 12V	1
42	3-120-010124	BATTERY CLAMP BRACKET	1
43	128774	CABLE, THROTTLE	2
44	3-573-010506	DECAL, ENGINE CONTROL	1
45	3-162-010001	FILLER-BREATHER-STRAINER ASSEMBLY	1
46	3-182-010028	CLAMP, MUFFLER	1



**27 HP GAS ENGINE PACKAGE, UPPER DECK (OPTION)**

ITEM	PART NO.	DESCRIPTION	QTY.
47	3-399-010001006	HOSE, 1-1/4 SUCTION	1
48	514-9045-26	CABLE ASSEMBLY, BATTERY POSITIVE	1
49	514-9073-18	CABLE ASSEMBLY, BATTERY NEGATIVE	1
50	2240-12-12S	ADAPTER, BULKHEAD	1
51	105482	COUPLER, DUST FEMALE	1
52	1-181-010046-7	CLAMP, HOSE	2
53	120659	ISOLATOR, KOHLER 25 HP MOUNT	2
54	120660	ADAPTER	1
55	115877	NUT, HEAVY HEX 1/4-20 GR5	4
57	123014	PLATE, MOTOR FRONT 25 HP	1
58	113544	HARNESS, ENGINE PACKAGE IGNITION (NOT SHOWN)	2
59	108295	SCREW, HEX HEAD CAP 3/8-16 X 4 GR5	2
61	1-397-010312032	HOSE ASSEMBLY 3/8 X 32	1
62	129287	COVER WELDMENT	1
63	1-397-010304018	HOSE ASSEMBLY 3/4 X 18	1
64	1-397-010304060	HOSE ASSEMBLY 3/8 X 60	2
65	1-560-010002-03	PLUG, PIPE 3/8	1
66	1-512-010004-03	NUT, HEX LOCK 10-24 GRA	8
68	1-861-010034-13	WASHER, SPLIT LOCK 1/2	2
69	1-654-010055-02	SCREW, HEX HEAD CAP 1/2-13 X 1-1/4 GR5	1
70	1-654-010055-09	SCREW, HEX HEAD CAP 1/2-13 X 3 GR5	1
72	110-0116	SCREW, RD HEAD CAP 10-24 X 3/4	8
73	110-0253	WASHER, FLAT 3/16	8
74	3-443-010018	LATCH, FLEXIBLE DRAW, LEVER ASSIST	2
75	3/8P COUPL	PIPE COUPLING 3/8 BLACK	1
76	128501	REPLACEMENT MUFFLER KIT	1
77	142270	FUEL FILTER	1
78	169532	HOSE, FUEL 1/4 LOW PERM CARB	5
79	170109	FITTING	1
80	170110	FITTING	1
81	170111	FITTING	1
82	170112	FITTING	1
83	3-316-010008	FUEL HOSE 3/16 ID	5
84	110578	U-BOLT, FENDER MOUNT	1
85	166766	CARBON CANISTER, FUEL TANK	1
86	139553	COUPLER, FUEL TANK	1



m136578

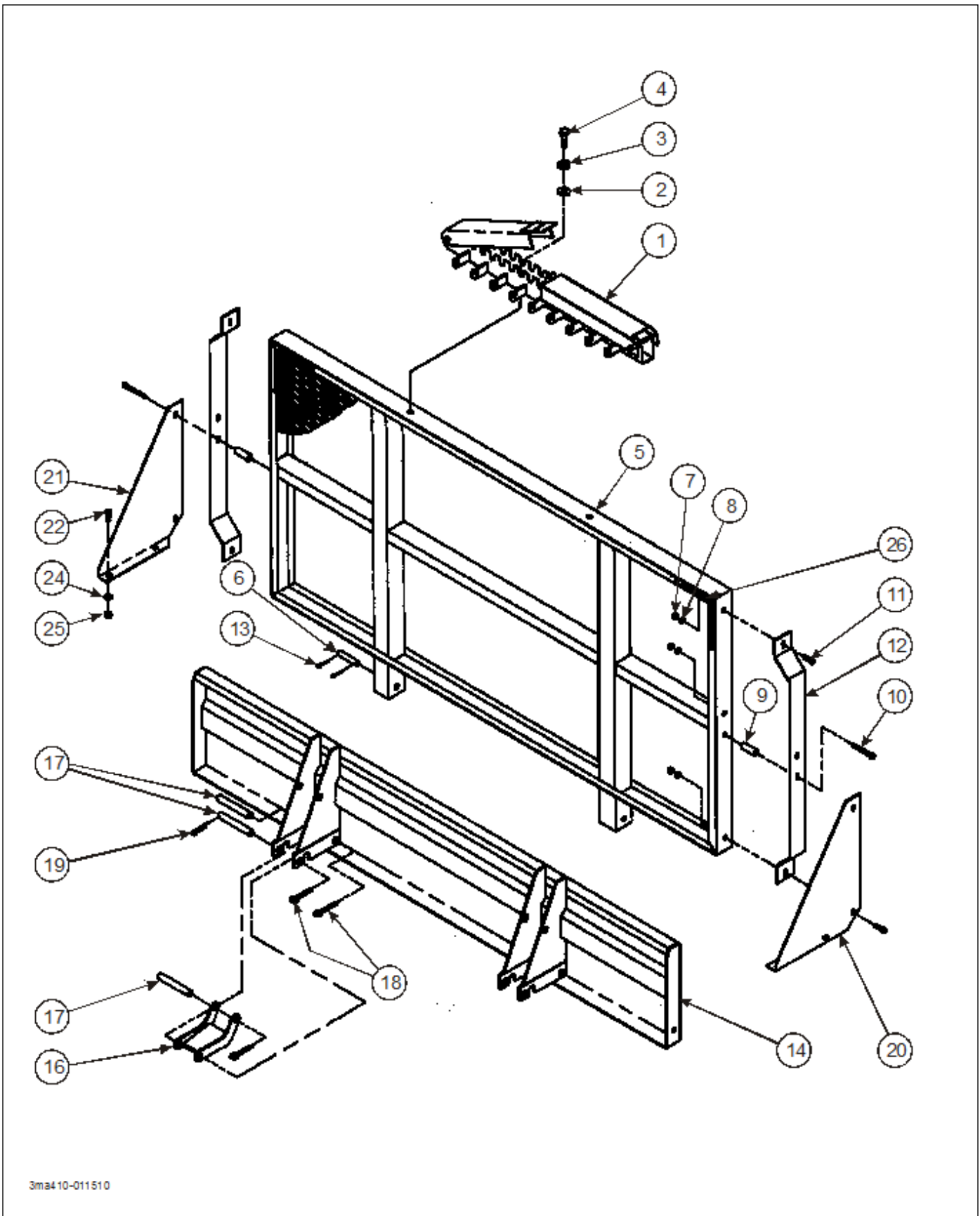
Figure 2-59: Upper Deck Stand Installation (Option)

---

**UPPER DECK ENGINE STAND INSTALLATION**

---

ITEM	PART NO.	DESCRIPTION	QTY.
	136578	UPPER DECK STAND INSTALLATION	
1	1-654-010055-02	SCREW, HEX HEAD CAP 1/2-13 X 1-1/4 GR5	4
2	1-654-010055-09	SCREW, HEX HEAD CAP 1/2-13 X 3 GR5	4
3	123166	ENGINE PACKAGE, 27 HP GAS (SEE PAGE 2-98)	REF
4	-----	UPPER DECK FRAME WELDMENT	REF
5	134857	MOUNT WELDMENT, ENGINE PACKAGE	2
6	1-512-010005-09	NUT, HEX LOCK 1/2-13 GRB	8
7	1-861-010032-15	WASHER, FLAT 1/2W	16



3m3410-011510

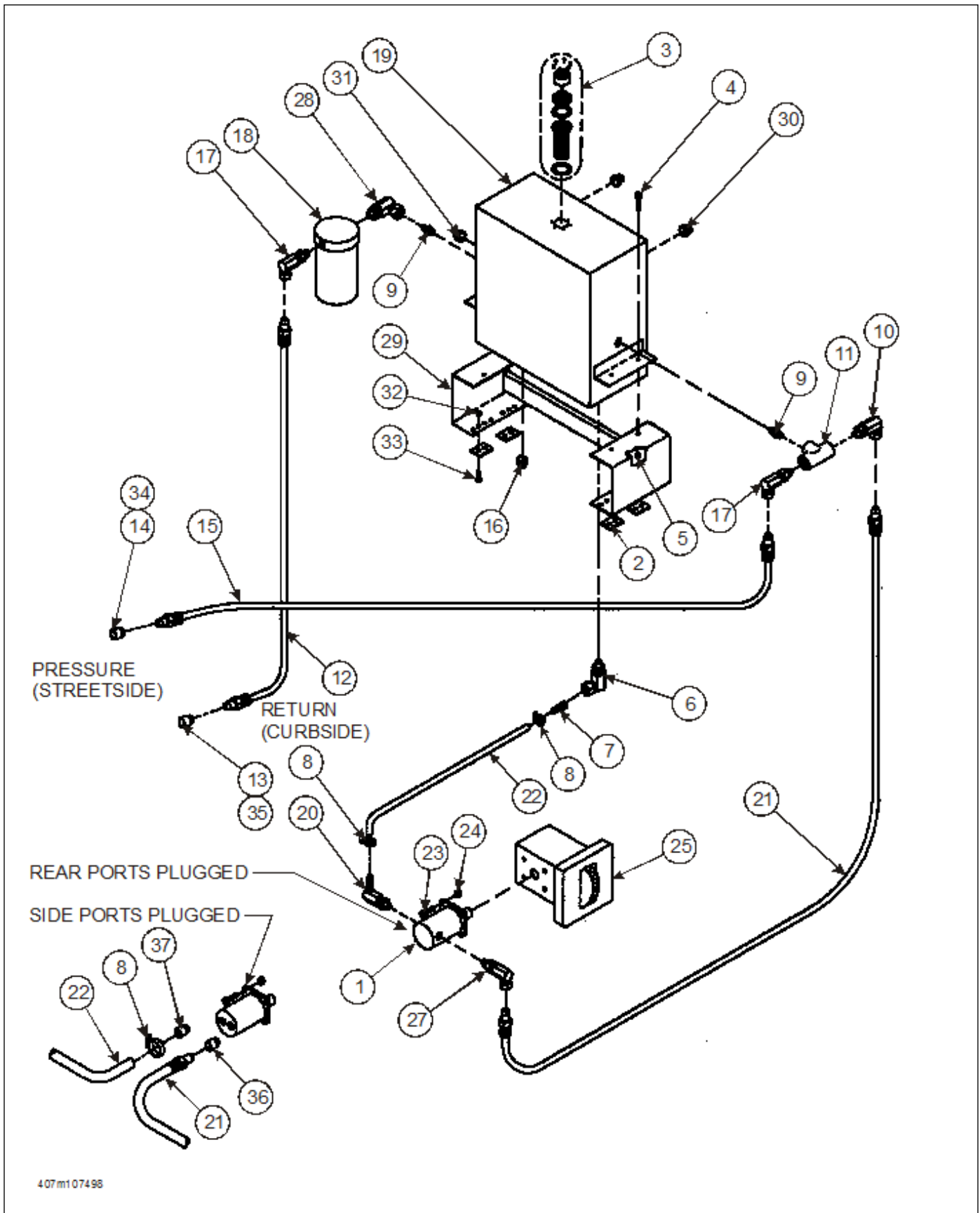
Figure 2-60: Front Extension and Bulkhead (Option)

**FRONT EXTENSION AND BULKHEAD ASSEMBLY (OPTION)**

ITEM	PART NO.	DESCRIPTION	QTY.
	B7-141-003	BULKHEAD CHAIN RACK INSTALLATION (ITEMS 1-4)	
	3-141-010121	BULKHEAD INSTALLATION (ITEMS 5-13, 26)	REF
	3-141-010123	BULKHEAD INSTALLATION 2 POSITION (ITEMS 14-19, 26)	REF
	3-117-010071-1	BRACE INST. STABILIZING 48" BULKHEAD (ITEMS 20-25)	
1	3-141-010008	CHAIN HANGER LOCKING CHANNEL WLDMT	1
2	1-861-010032-11	WASHER, FLAT 3/8	2
3	1-861-010034-11	WASHER, SPLIT LOCK 3/8	2
4	1-654-010051-06	SCREW, HEX HEAD CAP 3/8-16 X 1-1/4 GR5	2
5	3-141-010155	BULKHEAD WELDMENT 48 X 96 (96)	1
	3-141-010152	BULKHEAD WELDMENT 16 X 102 (102) (NOT SHOWN)	1
6	6-557-010163	PIN, HITCH LEVEL LINK	2
7	1-512-010005-09	NUT, HEX LOCK 1/2-13 GRB (102)	6
8	1-861-010032-15	WASHER, PLAIN TYPE A 1/2 (102)	6
9	3-711-010025	SPACER (102)	2
10	1-654-010055-13	SCREW, HEX HEAD CAP 1/2-13 X 4 GR5 (102)	2
11	1-654-010055-03	SCREW, HEX HEAD CAP 1/2-13 X 1-1/2 GR5 (102)	4
12	3-054-010101	BAR, SIDE BULKHEAD EXTENSION (102)	2
13	1-557-010362-63	COTTER PIN 1/4 X 2	4
14	3-141-010119	BULKHEAD WELDMENT 16 X 102	1
	3-141-010147	BULKHEAD WELDMENT 16/24 X 102	1
	3-141-010153	BULKHEAD WELDMENT 12 X 102	1
	3-141-010154	BULKHEAD WELDMENT 30 X 102	1
	150088	BULKHEAD WELDMENT 16 (CLIP CORNER)	1
16	3-755-010080	SUPPORT WELDMENT BULKHEAD	2
17	3-557-010380	SUPPORT PIN	6
18	1-557-010362-63	COTTER PIN 1/4X2	10
19	1-557-010014	HAIRPIN	2
20	3-117-010069	BRACE LH STABILIZING 48" BULKHEAD	1
21	3-117-010070	BRACE RH STABILIZING 48" BULKHEAD	1
22	1-654-010055-03	SCREW, HEX HEAD CAP 1/2-13 X 1-1/2 GR5	8,4*
24	1-861-010032-15	WASHER, FLAT 1/2W	8
25	1-512-010005-09	NUT, HEX LOCK 1/2-13 GRB	8
26	3-573-010378	DECAL, 2" REFLEXITE TAPE, WHITE	2

\* 1ST QUANTITY LISTED IS FOR STABILIZING BRACE INSTALLATION 96" WIDE TRAILER; 2ND QUANTITY LISTED IS FOR STABILIZING BRACE INSTALLATION 102" TRAILER

**ILLUSTRATED PARTS LIST**

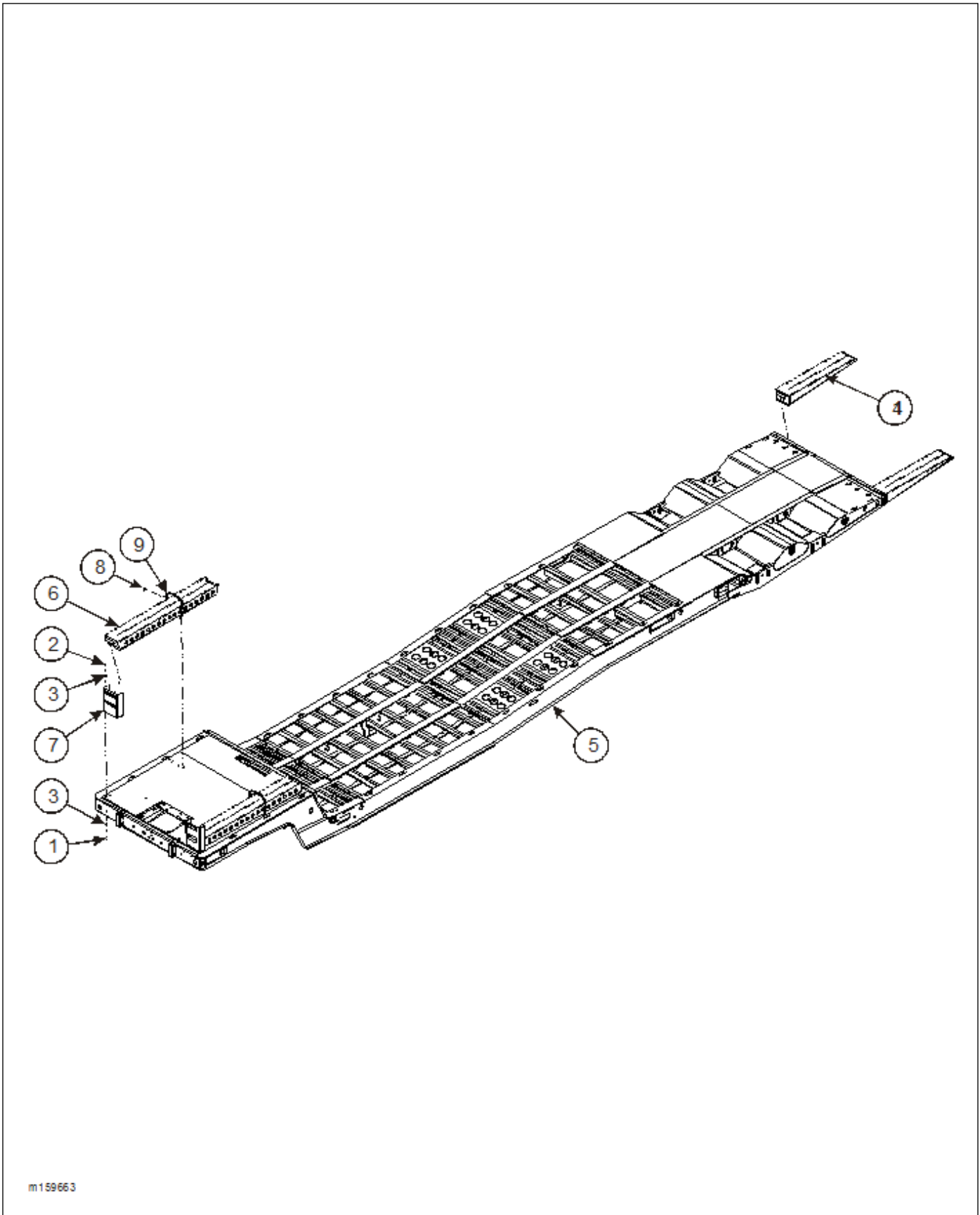


**Figure 2-61: Hydraulic Wet Kit (Option)**

**HYDRAULIC WET KIT (OPTION)**

ITEM	PART NO.	DESCRIPTION	QTY.
	107498	HYDRAULIC WET KIT W/ PTO INSTALLED	
	107499	HYDRAULIC WET KIT W/ PTO NOT INSTALLED	
	107500	HYDRAULIC WET KIT W/O PTO NOT INSTALLED	
1	3-591-010001	HYDRAULIC GEAR PUMP	1
2	3-120-010461	BRACKET, HYD TANK MOUNT SUPPORT	4
3	3-162-010001	FILLER-BREATH-ER-STRAINER ASSEMBLY	1
4	1-654-010051-06	SCREW, HEX HEAD CAP 3/8-16 X 1-1/4 GR5	4
5	1-512-010005-05	NUT, HEX LOCK 3/8-16 GRB	4
6	1-1/4ST ELL	BLACK PIPE ELBOW 90 ST	1
7	3-561-010001	HOSE BARB 1-1/4	1
8	6828	IDEAL HOSE CLAMP	2
9	C3069X12	NIPPLE, HEX	2
10	2024-12-8S	ADAPTER, 90	1
11	125130	RD12D HYD BY PASS SRDD	1
12	106760	HOSE 3/4 X 164	1
13	105479	COUPLER, FLAT FACE MALE NOSE	1
14	105480	COUPLER, FLAT FACE FEMALE BODY	1
15	106759	HOSE ASSEMBLY 1/2 X 164	1
16	1-560-010002-07	PLUG, BLACK PIPE 1-1/4 SQ HEAD	1
17	2024-12-12S	ADAPTER 90	2
18	1-295-010001	FILTER, RETURN	1
	1-295-010002	FILTER ELEMENT	1
19	3-786-010043	TANK, HYDRAULIC	1
20	1-007-010006	ELBOW 90, 1-5/16 O-RING 1-1/4 HOSE	1
21	1-397-010301100	HOSE ASSEMBLY 1/2 X 100	1
22	3-399-010001	HOSE 1-1/4 X 4 - 0" SUCTION	8'
23	1-654-010055-03	SCREW, HEX HEAD CAP 1/2-13 X 1-1/2 GR5	4
24	1-861-010034-13	WASHER, SPLIT LOCK 1/2	4
25	PTO	POWER TAKE OFF	*1,0
27	2062-16-8S	ADAPTER, 90	1
28	2047-12-12S	ELBOW, 90 SWIVEL	1
29	3-482-010503	TANK MOUNT	1
30	1-560-010002-05	PIPE PLUG 3/4	2
31	1-560-010002-04	PIPE PLUG 1/2	1
32	1-512-010005-09	NUT, HEX LOCK 1/2-13 GRB	8
33	1-654-010055-04	SCREW, HEX HEAD CAP 1/2-13 X 1-3/4 GR5	8
34	105482	COUPLER, DUST CAP FEMALE	1
35	105481	COUPLER, DUST CAP MALE	1
36	12-16 070120	ADAPTER	1
37	107513	ADAPTER	1

\* FIRST QUANTITY LISTED IS FOR P/N'S 107498 AND 107499 HYDRAULIC WET KIT W/ PTO; SECOND QUANTITY LISTED IS FOR P/N 107500 HYDRAULIC WET KIT W/O PTO.



m159663

Figure 2-62: Aluminum Ramp Assembly



**ALUMINUM RAMP ASSEMBLY**

ITEM	PART NO.	DESCRIPTION	QTY.
	159663	RAMP ASSEMBLY, ALUMINUM	
1	1-512-010005-05	NUT, HEX LOCK 3/8-16 GRB	8
2	1-654-010051-05	SCREW, HEX HEAD CAP 3/8-16 X 1 GR5	8
3	1-861-010032-11	WASHER, FLAT 3/8W	16
4	159142	RAMP WELDMENT, REAR	2
5	159158	FRAME WELDMENT	REF
6	159711	RAMP WELDMENT, FRONT	2
7	160351	SUPPORT RAMP STORAGE	2
8	160353	HOLDER 1" STRAP ADJ	2
9	160354	STRAP 1" HOLDOWN ASSEMBLY	2

# ILLUSTRATED PARTS LIST

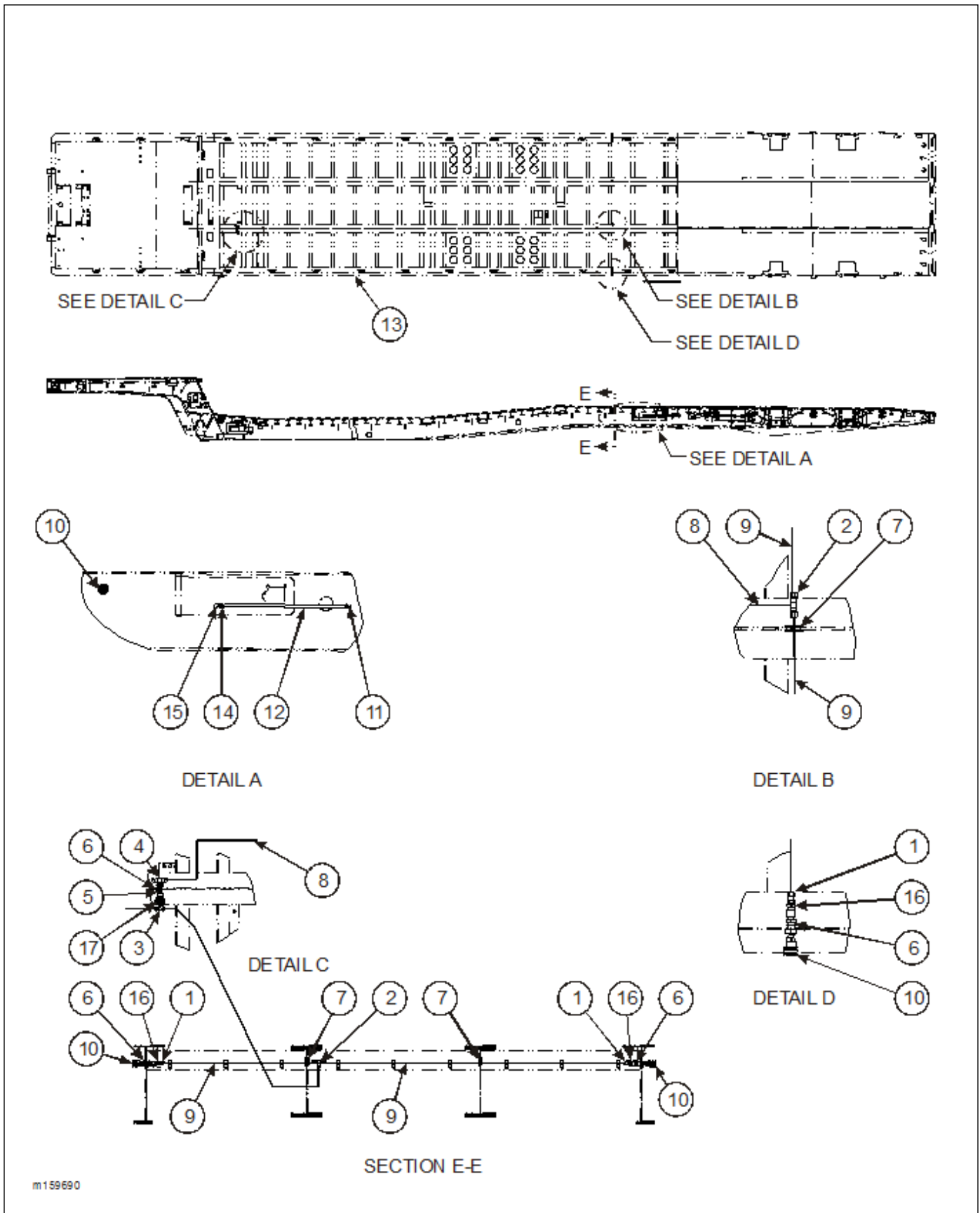
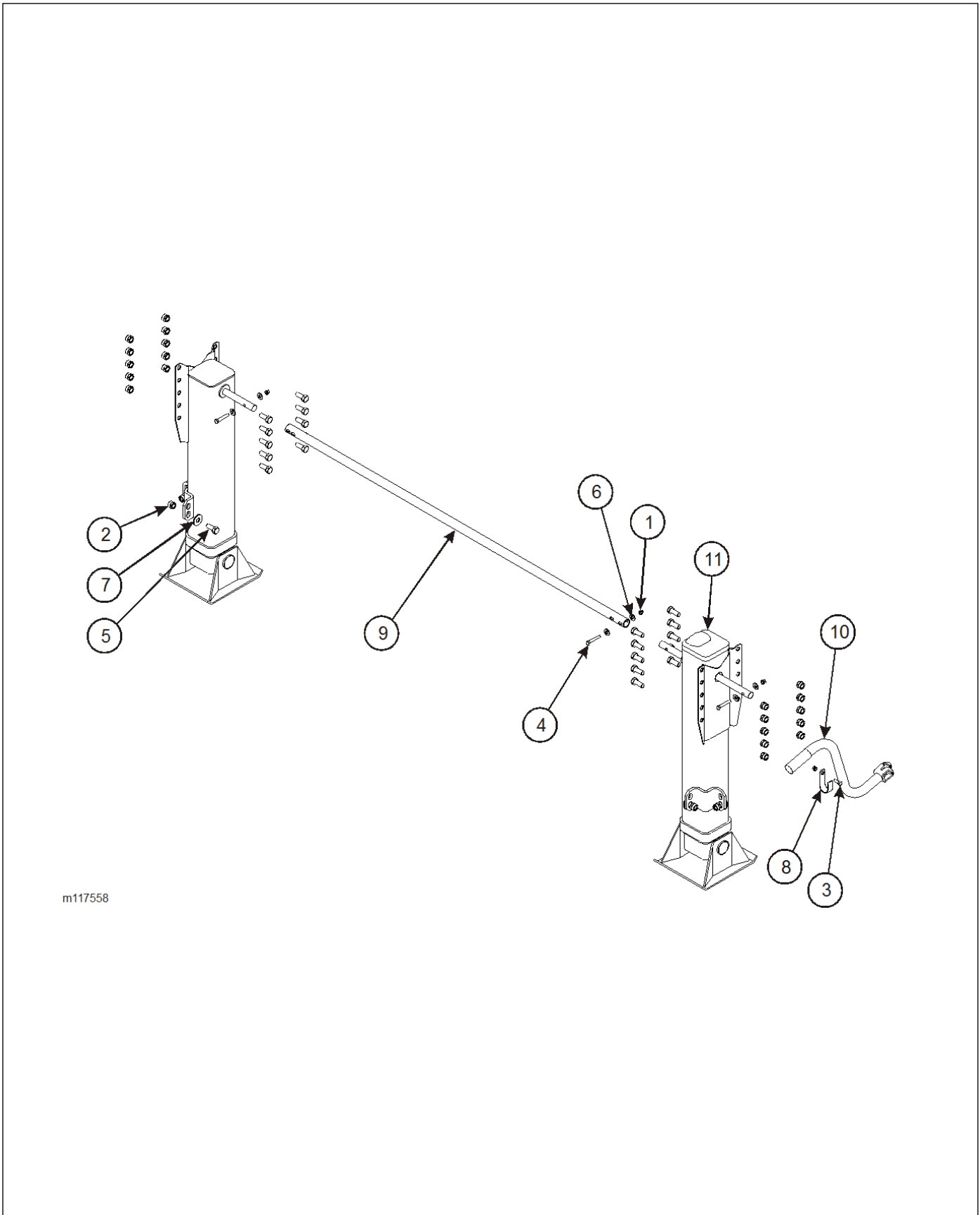


Figure 2-63: Air Outlet Installation

## AIR OUTLET INSTALLATION

ITEM	PART NO.	DESCRIPTION	QTY.
	159690	AIR OUTLET INSTALLATION	
1	1-297-010007-11	FITTING, AIR	2
2	1-297-010010-04	FITTING, AIR TEE	1
3	1-297-010015-03	FITTING, AIR TEE	1
4	1-297-010015-09	FITTING, AIR TEE	REF
5	1-297-010020-02	FITTING, BRS PIPE	REF
6	1-297-010022-02	FITTING, AIR ANCHOR COUPLING	REF
7	1-343-010007	GROMMET	2
8	1-833-010001	TUBING, NYLON 1/4	AR
9	1-833-010002	TUBING, NYLON 3/8	AR
10	133855	COUPLER, AIR FEMALE	2
11	133857	COUPLER, AIR MALE	1
12	133858	HOSE, AIR, 3/8 PUSH-LOK	25'
13	-----	FRAME WELDMENT	REF
14	159691	FITTING, HOSE BARB	1
15	159695	AIR CHUCK	1
16	159696	AIR BALL VALVE	2
17	905-54-107	BRAKE PROTECTION VALVE	REF



m117558

Figure 2-64: Landing Gear Installation

---

**LANDING GEAR INSTALLATION**

---

<b>ITEM</b>	<b>PART NO.</b>	<b>DESCRIPTION</b>	<b>QTY.</b>
	117558	LANDING GEAR INSTALLATION	
1	1-512-010005-05	NUT, HEX LOCK 3/8-16 GRB	4
2	1-512-010005-13	NUT, HEX LOCK 5/8-11 GRB	24
3	1-654-010051-05	SCREW, HEX HEAD CAP 3/8-16 X 1 GR5	1
4	1-654-010051-10	SCREW, HEX HEAD CAP 3/8-16 X 2-1/4 GR5	3
5	1-654-010059-03	SCREW, HEX HEAD CAP 5/8-11 X 1-1/2 GR5	24
6	1-861-010032-11	WASHER, FLAT 3/8W	6
7	1-861-010032-19	WASHER, FLAT 5/8W	4
8	117559	CLIP, LANDING GEAR HANDLE	1
9	117561	CROSS-SHAFT LANDING GEAR	1
10	119949	HANDLE, CRANK 2 SPEED LANDING GEAR	1
11	139256	LANDING GEAR WLDMT 2 SPEED (SEE PAGE 2-113)	1

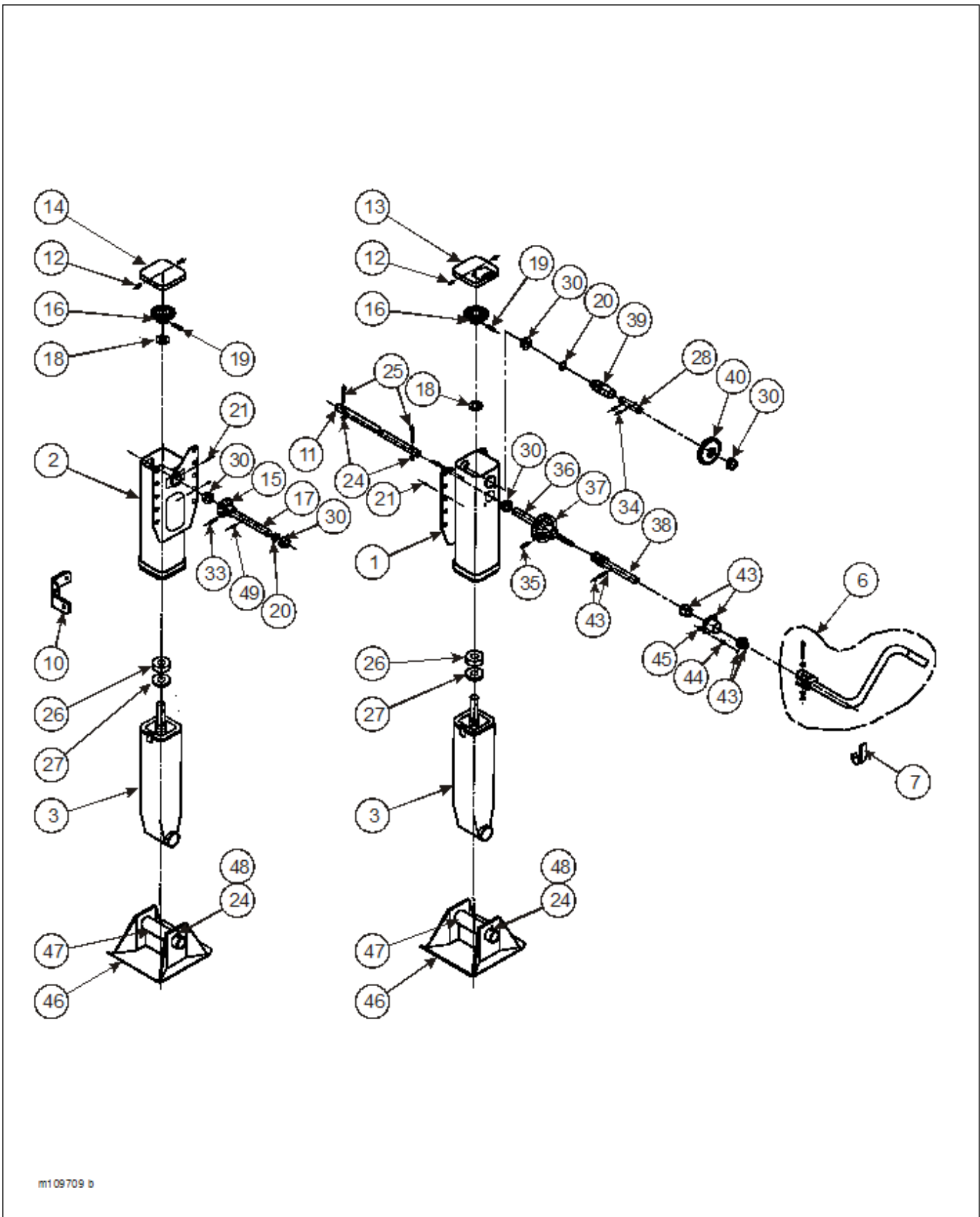


Figure 2-65: Crank Landing Gear

## CRANK LANDING GEAR

ITEM	PART NO.	REFERENCE NO.	DESCRIPTION	QTY.
	116800		LANDING GEAR (JOST #A401T19)	
1	----	D10201.3	OUTER HOUSING - 2 SPEED	1
2	----	D10116.3	OUTER HOUSING - 1 SPEED	1
3	----	C10140.3	INNER LEG ASSEMBLY - STANDARD	2
6	109161	----	CRANK 930 MODIFICATION	1
7	109711	B10261	CRANK HANGER	1
10	109712	C10108	BRACE LUG - W	2
11	----	B10066	INTERMEDIATE CROSS SHAFT	1
12	----	A10059.1	COVER SCREW	4
13	----	C10217	COVER - 2 SPEED	1
14	----	C10259	COVER - 1 SPEED	1
15	----	C10177	PINION GEAR	1
16	----	C10155	BEVEL GEAR	2
17	----	B10130	PINION SHAFT - 1 SPEED	1
18	----	A10102	THRUST WASHER	2
19	----	A10052.3	GROOVED PIN	2
20	----	A10218	SPACER WASHER	2
21	----	A10040	GREASE FITTING	4
23	----	C10209	STRUT BRACE (NOT SHOWN)	4
24	----	A10038.7	SELF LOCKING NUT	2
25	----	A10037.1	CROSS SHAFT BOLT - 3/8 X 2 GR5	2
26	----	A10033	THRUST BEARING	2
27	----	A10101	COLLAR	2
28	----	A10212	OUTPUT SHAFT	1
30	----	A10255	BUSHING	5
33	----	A10054.3	ROLL PIN 3/8 X 1-1/2	1
34	----	A10260.1	SPIRAL PIN	2
35	----	A10054.7	ROLL PIN - 3/8 X 1-3/4	1
36	----	B10236	OUTPUT CLUSTER SHAFT	1
37	----	C10234	OUTPUT CLUSTER GEAR	1
38	214441	C10233	INPUT GEAR SHAFT	1
39	----	C10078	OUTPUT SPUR GEAR	1
40	----	C10085	INPUT SPUR GEAR	1
43	163502	B10229S	SHIFT HOUSING SERVICE KIT	1
44	----	A10230	SHIFT HOUSING BOLT	4
45	----	A10038.6	SELF LOCKING NUT	4
46	----	C10256	SHOE - 10 X 10 X 4-1/2	2
47	114983	B10036	SHOE AXLE	2
48	----	A10037.3	HEX HEAD BOLT	2
49	----	A10054.6	ROLL PIN - 1/4 X 1-1/4	1
50	137974	A401LT19	RH LANDING LEG ASSEMBLY	1

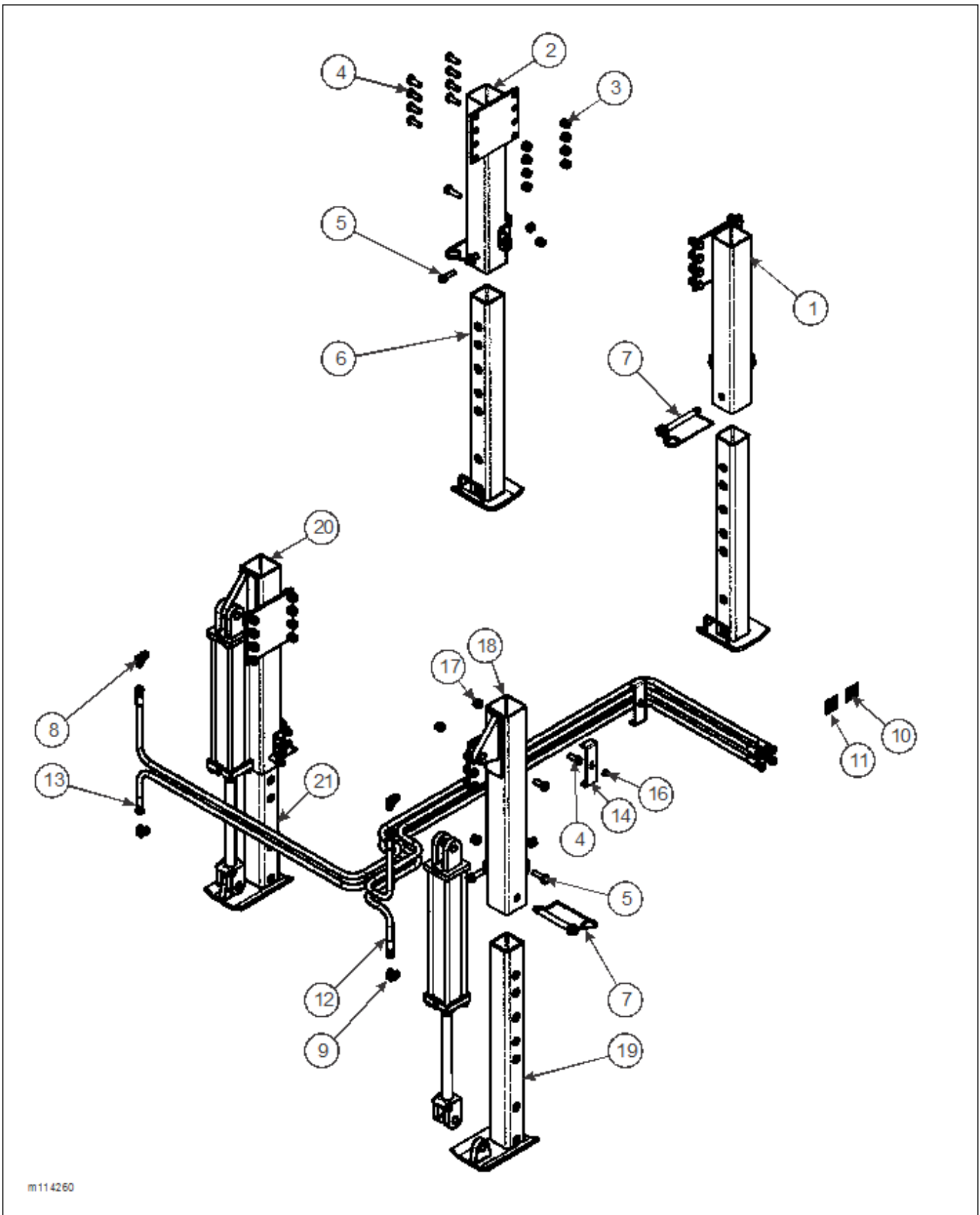
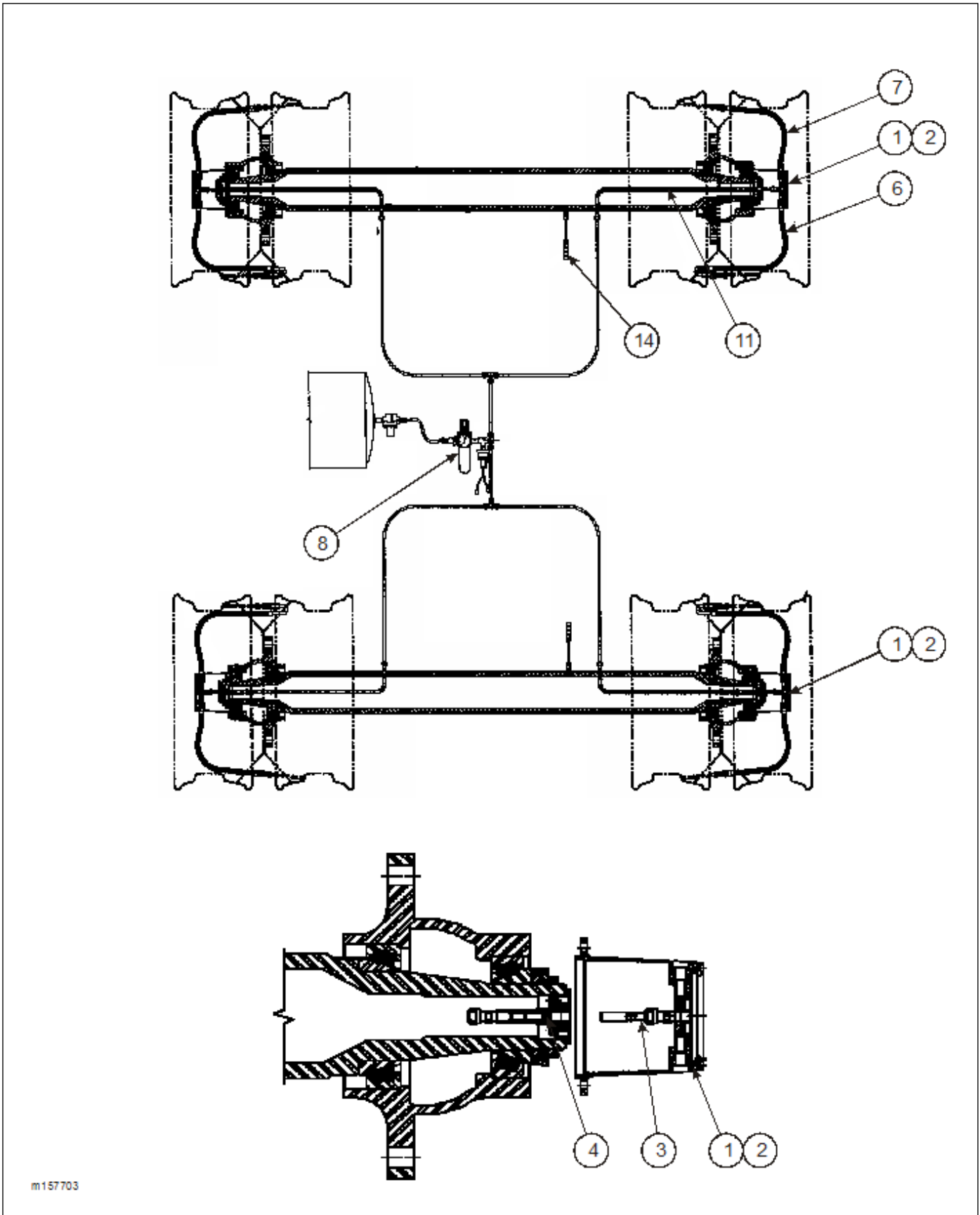


Figure 2-66: Landing Gear Installation - Bolt-On



## LANDING GEAR INSTALLATION BOLT - ON

ITEM	PART NO.	DESCRIPTION	QTY.
	104243	PARK STAND INST., BOLT-ON (ITEMS 1-7)	
	104244	PARK STAND INST., BOLT-ON (ITEMS 4, 5, 7-21)	
1	112678	PARK STAND WELDMENT, LH FRONT PIN	1
2	112679	PARK STAND WELDMENT, RH FRONT PIN	1
3	1-512-010005-13	NUT, HEX LOCK 5/8-11 GRB	20
4	1-654-010059-03	SCREW, HEX HEAD CAP 5/8-11 X 1-1/2 GR5	16
5	1-654-010059-05	SCREW, HEX HEAD CAP 5/8-11 X 2 GR5	4
6	3-725-010058	STAND, PARK INSIDE WELDMENT	2
7	346SL	LOCK HITCH PIN	2
8	2062-8-8S	ADAPTER, 90 #8 O-RING TUBE	4
9	1-242-010180-2	CYLINDER, HYDRAULIC 3000 PSI (SEE PAGE 2-118)	2
10	3-573-010465	DECAL HYDRAULIC PARK STAND LH	1
11	3-573-010466	DECAL HYDRAULIC PARK STAND RH	1
12	1-397-010301084	HOSE ASSEMBLY 1/2 X 84	2
13	1-397-010301124	HOSE ASSEMBLY 1/2 X 124	2
14	3-181-010006	HOSE CLAMP 350	2
16	1-510-010001	NUT, FLANGE LOCK 3/8-16	2
17	1-512-010005-13	NUT, HEX LOCK 5/8-11 GRB	20
18	104239	PARK STAND WELDMENT HYD LH BOLT-ON	1
19	104241	PARK STAND WELDMENT HYD LH LEG	1
20	104240	PARK STAND WELDMENT HYD RH BOLT-ON	1
21	104242	PARK STAND WELDMENT HYD RH LEG	1



m157703

Figure 2-67: Tire Inflation System

## TIRE INFLATION SYSTEM

ITEM	PART NO.	DESCRIPTION	QTY.
	157703	TIRE INFLATION SYSTEM	
1	139529	HUB CAP ASSEMBLY, LOW PROFILE 5.5" OIL	6
2	157704	GASKET, HUB CAP	6
3	157705	ROTATING SHAFT, UNIVERSAL	6
4	157706	SPINDLE PLUG, 1.75"	6
5	157707	AIR CYLINDER ASSEMBLY (NOT SHOWN)	6
6	159338	HOSE ASSEMBLY, OUTER TIRE	6
7	159337	HOSE ASSEMBLY, INNER TIRE	6
8	148416	REGULATOR ASSEMBLY W/ BALL VALVE	1
9	-----	WARNING LIGHT WIRE (NOT SHOWN)	1
10	-----	NYLON AIR TUBE (NOT SHOWN)	1
11	-----	CHAFE GUARD	1
12	-----	LARGE WIRE TIES (NOT SHOWN)	3
13	148417	TRIPLE AXLE HARDWARE KIT (NOT SHOWN)	1
14	-----	AXLE VENT	1
15	145677	LIGHT PRESSURE GUARD (NOT SHOWN)	1
16	154653	PRESSURE SWITCH (NOT SHOWN)	1

# ILLUSTRATED PARTS LIST

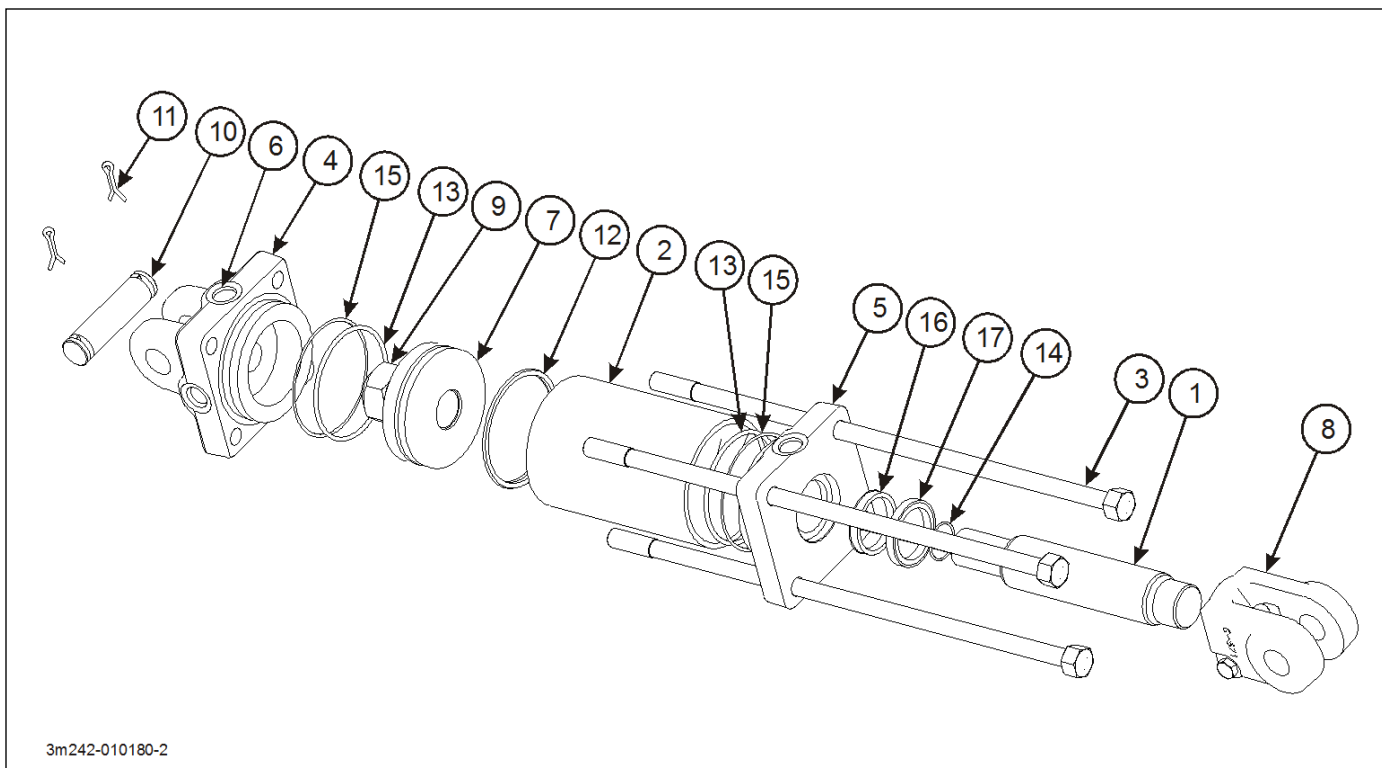


Figure 2-68: Hydraulic Cylinder 3-1/2 x 20

## HYDRAULIC CYLINDER 3-1/2 X 20

ITEM	PART NO.	DESCRIPTION	QTY.
	1-242-010180-2	CYLINDER 3-1/2" X 20" (PRINCE SAE 33520)	
1	----	PISTON ROD	1
2	----	TUBE	1
3	----	TIEROD ASSEMBLY	4
4	1408084	BUTT	1
5	----	GLAND ASSEMBLY	1
6	200300040	PORT PLUG	1
7	111866	PISTON	1
8	118241	CLEVIS ASSEMBLY	1
9	220000210	LOCKNUT	1
10	190400004	CLEVIS PIN	2
11	106120	CLEVIS PIN RETAINER	4
12	*	CROWN SEAL	1
13	*	O-RING	1
14	*	O-RING	2
15	*	BU-WASHER	2
16	*	U-CUP	1
17	*	WIPER	1
	1-242-010178-2	PACKING KIT (CONTAINS ALL NECESSARY SEALS AND O-RINGS) (ITEMS 13 - 18)	1

\*PARTS AVAILABLE IN PACKING KIT ONLY.

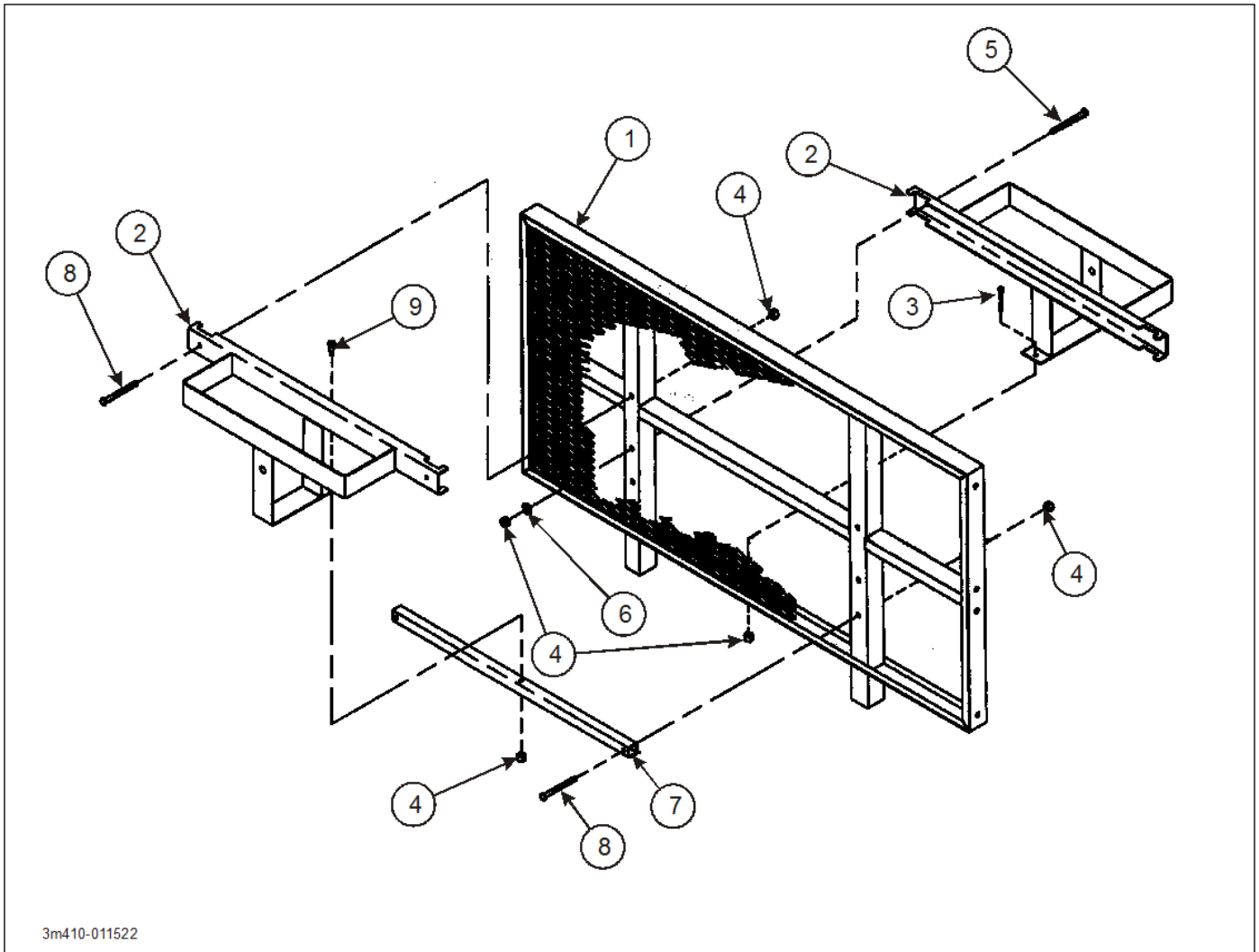


Figure 2-69: Spare Tire Carrier (Option)

## SPARE TIRE CARRIER (OPTION)

ITEM	PART NO.	DESCRIPTION	QTY.
	3-612-010015-1	RACK INSTALLATION BHD, FRONT MOUNT (ITEMS 2-6)	
	3-612-010015-2	RACK INSTALLATION BHD, REAR MOUNT (ITEMS 2, 4, 7-9)	
1	----	BULKHEAD WELDMENT	REF
2	3-612-010016	RACK WELDMENT, BULKHEAD MOUNT	1
3	1-654-010055-01	SCREW, HEX HEAD CAP 1/2-13 X 1 GR5	1
4	1-512-010005-09	NUT, HEX LOCK 1/2-13 GRB	3,5*
5	1-654-010055-15	SCREW, HEX HEAD CAP 1/2-13 X 5 GR5	2
6	1-861-010032-15	WASHER, FLAT 1/2W	2
7	3-829-010337	TUBE W/ TAB MOUNTED BULKHEAD SPARE RACK	1
8	1-654-010055-18	SCREW, HEX HEAD CAP 1/2-13 X 6-1/2 GR5	4
9	1-654-010055-09	SCREW, HEX HEAD CAP 1/2-13 X 3 GR5	1

\* 1ST QUANTITY IS FOR P/N 3-612-010015-1; 2ND QUANTITY IS FOR P/N 3-612-010015-2.

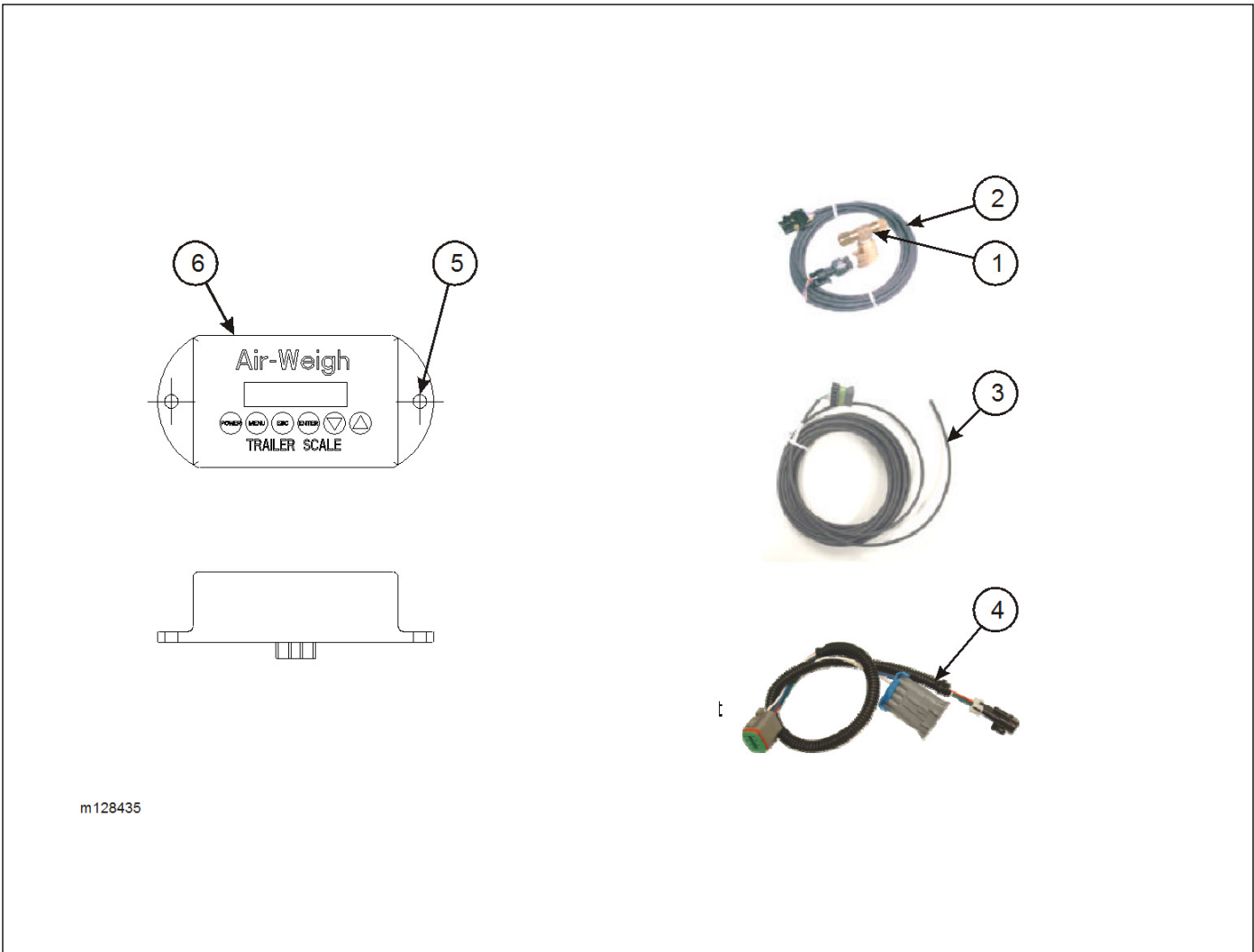


Figure 2-70: Air Digital Scale (Option)

## AIR DIGITAL SCALE (OPTION)

ITEM	PART NO.	DESCRIPTION	QTY.
	172437	SCALE, AIR DIGITAL (TRAVELING AXLE)	
1	149543	SENSOR ASSEMBLY, 5V 3/8" BRASS	1
2	166001	CABLE, AW5800, 2 PART SENSOR 50'	1
3	184393	CABLE, AW5800 TRAILER POWER BLUNT CUT 15'	1
4	142895	CABLE, AW5800, TRAILER SCALE INTERFACE 2"	1
5	-----	HARDWARE KIT, AW 5800	1
6	166000	TRAILER SCALE AW5800	1
7	-----	NYLON TIE 7" T-50 NYLON (NOT SHOWN)	25
8	-----	MANUAL, TRAILER SCALE AW5800 (NOT SHOWN)	1
9	166924	DECAL, AW5800 TRAILER SIDE-M (NOT SHOWN)	1

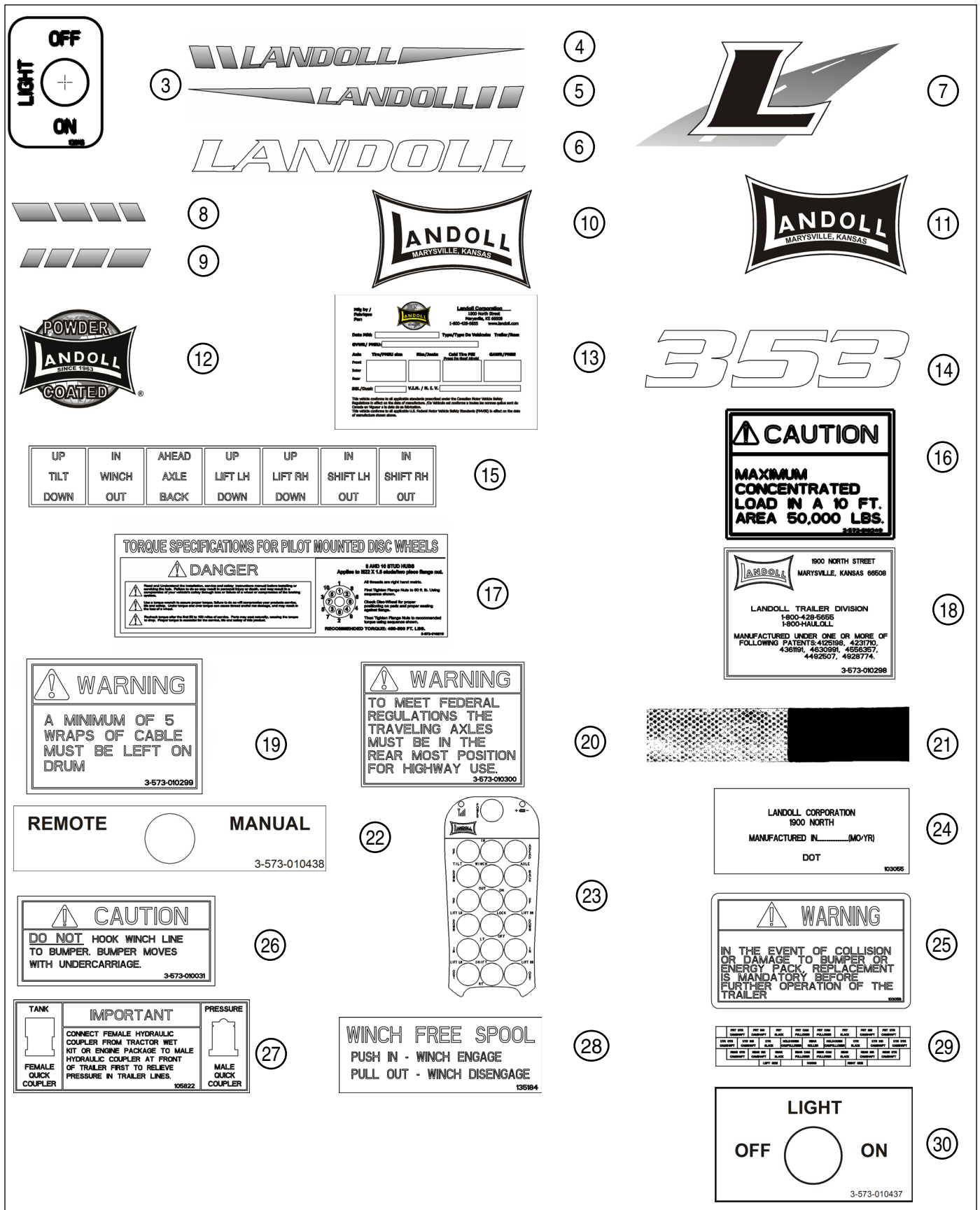
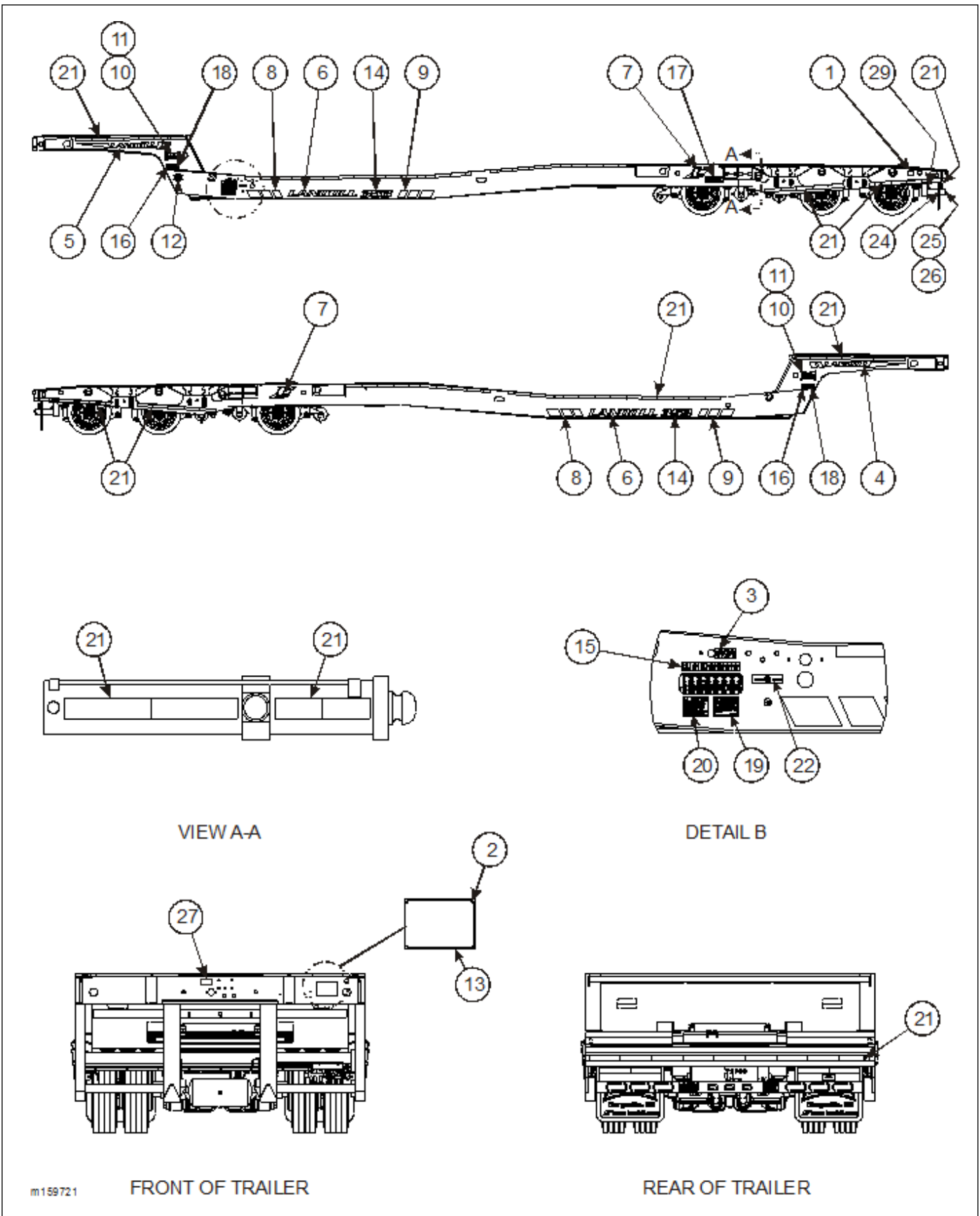


Figure 2-71: Decals

**ILLUSTRATED PARTS LIST**



**Figure 2-72: Decal Installation (2 of 2)**



## DECAL INSTALLATION

ITEM	PART NO.	DESCRIPTION	QTY.
	159665	DECAL INSTALLATION, 353 BLK/LT	
	159666	DECAL INSTALLATION, 353 WHT/DK	
	156012	DECAL INSTALLATION, 353 NO LANDOLL BLK/LT	
	156013	DECAL INSTALLATION, 353 NO LANDOLL WHT/DK	
1	101855	WARNING LAMP LABEL, ABS	1
2	12420301-017	RIVET, BLIND .156 X 1/2 GRIP	4
3	130116	DECAL, ON/OFF LIGHT	1
4	153748	DECAL, TAPERED STRIPE RH REFLECTIVE	1
5	153749	DECAL, TAPERED STRIPE LH REFLECTIVE	1
6	153750	DECAL, LANDOLL 5" REFLECTIVE	2
7	153751	DECAL, HWY L 7" REFLECTIVE	2
8	153752	DECAL, CHEVRON LEFT REFLECTIVE	2
9	153753	DECAL, CHEVRON RIGHT REFLECTIVE	2
10	153754	DECAL, BOW-TIE 6" WHITE REFLECTIVE	2
11	153755	DECAL, BOW-TIE 6" BLACK REFLECTIVE	2
12	153798	DECAL, POWDER COATED REFLECTIVE	1
13	155780	TRAILER VIN PLATE	1
14	156011	DECAL, 353 REFLECTIVE	2
15	159430	DECAL, BUS HAULER INSTRUCTIONS	1
16	3-573-010349	DECAL, CONCENTRATED LOAD 50,000 LBS	2
17	3-573-010210	DECAL, TORQUE SPEC 8-10 STUD HUB	1
18	3-573-010298	DECAL, PATENT	2
19	3-573-010299	DECAL, WARNING WINCH CABLE	1
20	3-573-010300	DECAL, WARNING RIDE POSITION UNDERCARRIAGE	1
21	3-573-010377	DECAL, 2" REFLEXITE TAPE	AR
22	3-573-010438	DECAL, REMOTE MANUAL SWITCH	1
23	157434	DECAL, MEGA 18 FUNCTION (LOCATED ON REMOTE CONTROL)	REF
24	103055	DECAL, ENERGY BUMPER CERTIFICATION	1
25	103056	DECAL, ENERGY BUMPER WARNING	1
26	3-573-010031	DECAL, BUMPER	1
27	105822	DECAL, HYDRAULIC COUPLER	1
28	135184	DECAL, WINCH FREE SPOOL (SEE PAGE 2-55 FOR LOCATION)	REF
29	143688	DECAL, GREASE U/C	REF
30	3-573-010437	DECAL, LIGHT	REF

\*IF TRAILER IS REPAINTED OR IF DECALS BECOME ILLEGIBLE, ORDER NEW ONES FROM THE FACTORY AND REPLACE.



## Numerical Index

### Numerics

005-074-00	2-51	101855	2-123
005-098-00	2-51	102186	2-59
005-099-00	2-51	102361	2-45
006-114-00	2-51	102363	2-40, 2-45
006-115-00	2-51	102732	2-40, 2-43
010-052-00	2-51	103055	2-123
011100550	2-24	103056	2-123
034-057-07	2-51	103-0633	2-16
034-058-07	2-51	103165	2-13
034-188-03	2-51	103699	2-47
034-189-03	2-51	103738	2-47
040-320-01	2-51	103817	2-13, 2-47
046-097-00	2-51	103861	2-49
055-040-07	2-51	104239	2-115
056-018-00	2-51	104240	2-115
069-078-00	2-51	104241	2-115
081900295	2-24	104242	2-115
1/2 W R CLAMP	2-13	104243	2-115
100401	2-53	104244	2-115
100402	2-53	104248	2-3
100600	2-59	104253	2-20
1-007-010006	2-105	1046	2-67
10078	2-62, 2-64	104877	2-16
101299	2-5	104984	2-20
101528	2-40	105-0094	2-13
101552	2-16	105-0105	2-98
101847	2-51	105408	2-7, 2-45
101849	2-51	105479	2-13, 2-98, 2-105
		105480	2-13, 2-98, 2-105

## NUMERICAL INDEX

---

105481	2-13, 2-98, 2-105	110578	2-99
105482	2-13, 2-99, 2-105	111007	2-45
105483	2-13	111008	2-45
105822	2-123	111010	2-45
105914	2-40	111011	2-45
105953	2-80, 2-90	111012	2-45
105954	2-80, 2-90	111013	2-45
105967	2-80, 2-90	111014	2-45
106120	2-118	111018	2-45
106207	2-20	111019	2-45
106759	2-105	111021	2-43
106760	2-105	111022	2-45
106956	2-64	111023	2-45
107368	2-69	111-0600	2-16
107369	2-69	111166	2-87
107498	2-105	11117	2-61
107499	2-105	111252	2-87
107500	2-105	11128	2-61
107513	2-105	11129	2-61
107756	2-3	11130	2-61
108295	2-99	111311	2-20
108336	2-5	11133	2-61
108439	2-71	111385	2-85
108601	2-98	111386	2-85
108801	2-35, 2-71, 2-77	11142	2-61
108802	2-35	11144	2-61
109161	2-113	111641	2-77
109410	2-16	111689	2-5
109533	2-45	111866	2-118
109711	2-113	112047	2-53
109712	2-113	11240	2-62
109740	2-55, 2-71	112493	2-53
1-1/4ST ELL	2-105	112678	2-115
110-0116	2-99	112679	2-115
110-0253	2-99	11308	2-61
110448	2-65	11309	2-64
110451	2-65	11310	2-64
110452	2-62, 2-65	113268	2-40

113299	2-55	117559	2-111
113388	2-98	117561	2-111
113536	2-53	117873	2-98
113544	2-99	11791	2-65
11368	2-61	1-181-010046-7	2-99
113856	2-98	118241	2-118
11398	2-65	118-2659-9	2-47
11402	2-64	11837	2-61
11407	2-64	119084	2-83
11411	2-64	119125	2-7
11419	2-64	119206	2-98
11420	2-64	119445	2-98
11421	2-64	119577	2-98
11425	2-64	119949	2-111
11426	2-65	120454	2-40
11429	2-64	120654	2-98
11430	2-64	120659	2-99
11431	2-64	120660	2-99
11434	2-64	120661	2-98
11440	2-64	12073	2-64
11441	2-64	12075	2-61
11446	2-64	121002	2-13
114546	2-16	121031	2-16
114586	2-47, 2-49	121355	2-20
114588	2-49	12146	2-65
114619	2-53	12-16 070120	2-105
114814	2-5, 2-98	122333	2-77, 2-85
114815	2-98	122334	2-85
114983	2-113	122336	2-85
115877	2-5, 2-99	122337	2-85
115888	2-98	122458	2-85
11599	2-64	122536	2-40
116326	2-98	123014	2-99
116328	2-98	123166	2-98, 2-101
116330	2-98	1-242-010178-2	2-118
116800	2-113	1-242-010180-2	2-115, 2-118
116837	2-77	12420301-017	2-123
117558	2-111	124549	2-64

## NUMERICAL INDEX

---

12465	2-64	1-297-010017-03	2-47
125130	2-105	1-297-010018-03	2-71, 2-77
125872	2-3	1-297-010019-05	2-71, 2-77
125892	2-16, 2-77	1-297-010020-02	2-35, 2-55, 2-77, 2-87, 2-109
125894	2-16	1-297-010022-02	2-35, 2-55, 2-77, 2-87, 2-109
125895	2-16	1-297-010034-01	2-98
126900	2-45	1-298-010001-1	2-3, 2-7, 2-93
12767	2-65	13005	2-61
127708	2-45	130116	2-30, 2-31, 2-33, 2-123
127813	2-98	13028	2-62, 2-65
12783	2-64	1-316-010013	2-98
12817	2-61	132103	2-83
128501	2-99	132104	2-83
128774	2-98	132833	2-71, 2-77
129129	2-21	132834	2-77
129264	2-98	133855	2-109
129287	2-99	133857	2-109
1-295-010001	2-98, 2-105	133858	2-109
1-295-010002	2-98, 2-105	133938	2-83
1-297-010007-04	2-16, 2-77, 2-87	133941	2-83
1-297-010007-05	2-20, 2-35, 2-40, 2-55, 2-71, 2-77, 2-87	13424	2-62, 2-65
1-297-010007-11	2-109	1-343-010007	2-16, 2-30, 2-33, 2-109
1-297-010007-12	2-47	134657	2-55, 2-71
1-297-010007-14	2-35	13468	2-61
1-297-010007-16	2-35	134857	2-101
1-297-010008-05	2-16, 2-83, 2-87	135181	2-5
1-297-010008-07	2-40, 2-55, 2-71, 2-77, 2-87	135184	2-55, 2-123
1-297-010008-18	2-35, 2-40, 2-47	136202	2-51
1-297-010008-24	2-47	136256	2-40, 2-47
1-297-010010-01	2-40, 2-55	136578	2-101
1-297-010010-03	2-40	13680	2-62
1-297-010010-04	2-40, 2-109	137028	2-83
1-297-010011-02	2-20, 2-77, 2-87	137421	2-79, 2-89
1-297-010013-12	2-35	137422	2-79, 2-89
1-297-010015-02	2-83	137569	2-79, 2-89
1-297-010015-03	2-109	137570	2-79, 2-89
1-297-010015-09	2-35, 2-55, 2-87, 2-109	137641	2-79, 2-89
		137642	2-89

137794 .....	2-13	1-397-010302192 .....	2-55
137879 .....	2-80, 2-90	1-397-010302216 .....	2-59
137880 .....	2-79, 2-80, 2-89, 2-90	1-397-010302220 .....	2-71, 2-77
137881 .....	2-80, 2-90	1-397-010304018 .....	2-99
137882 .....	2-79, 2-89	1-397-010304060 .....	2-99
137883 .....	2-79, 2-89	1-397-010312032 .....	2-99
137884 .....	2-79, 2-89	139764 .....	2-40
137885 .....	2-79, 2-89	1408084 .....	2-118
137886 .....	2-79, 2-89	140893 .....	2-16
137887 .....	2-89	141607 .....	2-35
137888 .....	2-79, 2-89	141708 .....	2-45
137974 .....	2-113	141759 .....	2-40
137987 .....	2-33	141776 .....	2-40
137993 .....	2-79, 2-89	141931 .....	2-51
137994 .....	2-79, 2-89	142270 .....	2-99
138155 .....	2-40	142441 .....	2-40
138197 .....	2-51	142442 .....	2-20
138199 .....	2-40, 2-47	142451 .....	2-40
1-382-010035-06 .....	2-71, 2-77, 2-87	142453 .....	2-40
13839 .....	2-61	142465 .....	2-20
1-384-010038042 .....	2-47	142466 .....	2-40
1-384-010038054 .....	2-47	142483 .....	2-23
1-384-010038-2 .....	2-47	142484 .....	2-23
139256 .....	2-111	142485 .....	2-23
1-394-010001 .....	2-47	142486 .....	2-23
139478 .....	2-65	142545 .....	2-21, 2-40
139479 .....	2-64	142733 .....	2-13
139529 .....	2-117	142895 .....	2-120
139552 .....	2-77	143100 .....	2-29
139553 .....	2-99	143101 .....	2-29
1-397-010301040 .....	2-3	143102 .....	2-29
1-397-010301042 .....	2-3	143103 .....	2-29
1-397-010301084 .....	2-115	143104 .....	2-29, 2-31
1-397-010301100 .....	2-105	143105 .....	2-29
1-397-010301122 .....	2-3	143106 .....	2-29
1-397-010301124 .....	2-115	143107 .....	2-29
1-397-010301148 .....	2-3	143108 .....	2-29
1-397-010301208 .....	2-87	143109 .....	2-29

## NUMERICAL INDEX

---

143110	2-29	1-512-010002-09	2-55, 2-71
143112	2-29	1-512-010002-15	2-40
143113	2-29	1-512-010003-02	2-87
143114	2-29	1-512-010003-03	2-16
143115	2-29	1-512-010003-06	2-16
143116	2-29	1-512-010004-03	2-99
143117	2-29	1-512-010005-01	2-3, 2-5, 2-16, 2-30, 2-35, 2-43
143118	2-29	1-512-010005-03	2-5, 2-29, 2-33
143119	2-29	1-512-010005-05	2-5, 2-20, 2-47, 2-59, 2-98, 2-105, 2-107, 2-111
143120	2-29	1-512-010005-09	2-13, 2-40, 2-59, 2-69, 2-77, 2-83, 2-87, 2-93, 2-98, 2-101, 2-103, 2-105, 2-119
143122	2-29	1-512-010005-13	2-85, 2-87, 2-93, 2-111, 2-115
143688	2-40, 2-123	1-512-010005-15	2-3, 2-20, 2-77
144608	2-31	1-512-010006-10	2-7
144629	2-77	1-512-010007-03	2-29
145677	2-117	1-512-010007-04	2-40
145816	2-30	1-512-010007-05	2-40, 2-69
146998	2-77	1-512-010007-07	2-20
147193	2-77	1-512-010007-09	2-20, 2-45
147464	2-49	1-512-010007-11	2-83
148416	2-117	1-512-010007-12	2-40
148417	2-117	151817	2-55, 2-71
149030	2-23	151819	2-55, 2-57
149526	2-23	151823	2-23
149527	2-23	153718	2-16
149528	2-23	153748	2-123
149529	2-23	153749	2-123
149543	2-120	153750	2-123
150076	2-5	153751	2-123
150088	2-103	153752	2-123
150093	2-29	153753	2-123
150111	2-31	153754	2-123
150114	2-31	153755	2-123
150115	2-31	153798	2-123
150117	2-29, 2-30, 2-31, 2-33	154166	2-64
1-510-010001	2-5, 2-13, 2-40, 2-59, 2-87, 2-115	154234	2-55
1-511-010001-07	2-83	154653	2-117
1-511-010001-14	2-40		
1-511-010002-05	2-20		



---

155410	2-71, 2-73	159195	2-7
155411	2-71	159197	2-7
1-557-010014	2-103	159201	2-7
1-557-010362-54	2-3	159202	2-7
1-557-010362-63	2-103	159213	2-7
155780	2-123	159214	2-7
1-560-010002-03	2-47, 2-99	159215	2-7
1-560-010002-04	2-35, 2-47, 2-105	159216	2-7
1-560-010002-05	2-47, 2-105	159218	2-7
1-560-010002-07	2-105	159265	2-5
156011	2-123	159271	2-16, 2-23
156012	2-123	159272	2-3, 2-13, 2-16
156013	2-123	159274	2-5
156510	2-33	159337	2-117
156512	2-31	159338	2-117
156699	2-3	159397	2-21
157026	2-27	159400	2-41
157132	2-27	159401	2-21
157431	2-16	159404	2-41
157434	2-16, 2-123	159405	2-41
157435	2-17	159406	2-41
157436	2-16	159407	2-41
157703	2-40, 2-117	159410	2-21
157704	2-117	159413	2-21
157705	2-117	159414	2-21
157706	2-117	159415	2-41
157707	2-117	159426	2-21
159111	2-13, 2-21, 2-25	159427	2-21
159117	2-55	159429	2-16, 2-21
159118	2-21	159430	2-123
159123	2-21	159438	2-13
159125	2-21	159490	2-5, 2-7
159126	2-21	159494	2-7
159130	2-13, 2-21, 2-27	159495	2-5
159134	2-13	159498	2-16
159142	2-107	159500	2-16
159152	2-41	159501	2-16
159158	2-3, 2-5, 2-107	159651	2-17

---

## NUMERICAL INDEX

---

159652	2-17	162207	2-57, 2-73
159663	2-107	162208	2-57
159664	2-3	162209	2-73
159665	2-123	162210	2-57, 2-73
159666	2-123	162211	2-57, 2-73
159667	2-5	162213	2-57
159668	2-29, 2-40, 2-47	162214	2-57
159669	2-13, 2-29, 2-35	162215	2-57, 2-73
159670	2-13, 2-20	162216	2-57, 2-73
159673	2-55	162217	2-57, 2-73
159675	2-13	162218	2-57, 2-73
159677	2-13	162219	2-57, 2-73
159678	2-13	162220	2-57
159679	2-21	162406	2-17
159681	2-41	162453	2-25
159682	2-21	162454	2-25
159690	2-109	162455	2-25
159691	2-109	162456	2-25
159695	2-109	162457	2-25
159696	2-109	162458	2-25
159697	2-13, 2-21	162459	2-25
159701	2-21	162460	2-25
159711	2-107	162461	2-25
159716	2-21	162462	2-27
159718	2-21	162463	2-27
160071	2-30	162464	2-27
160072	2-30	162465	2-27
160094	2-83	162466	2-27
160345	2-41	162940	2-73
160347	2-13	162941	2-73
160349	2-13	162942	2-73
160351	2-107	162943	2-73
160353	2-107	162944	2-73
160354	2-107	162945	2-73
161573	2-83	1-630-010021-02	2-20
161590	2-57, 2-73	163340	2-23
161797	2-41	163472	2-64
162205	2-24	163502	2-113

1-647-010004117	2-20	1-654-010061-25	2-20
1-647-010004217	2-7	1-654-010147-06	2-5
1-647-010004255	2-3, 2-13	1-654-010158-1	2-40
1-647-010004259	2-20	1-656-010003051	2-29
1-654-010024014	2-87	166000	2-120
1-654-010027-7	2-35	166001	2-120
1-654-010032-4	2-40	166766	2-99
1-654-010047-04	2-43	166924	2-120
1-654-010047-05	2-30	167692	2-77
1-654-010047-06	2-5, 2-40, 2-98	167818	2-57
1-654-010047-07	2-16	167819	2-57
1-654-010047-10	2-3	167820	2-57
1-654-010049-03	2-53	167821	2-57
1-654-010049-05	2-5, 2-33	169531	2-98
1-654-010049-06	2-29	169532	2-99
1-654-010051-03	2-93	170109	2-99
1-654-010051-05	2-13, 2-16, 2-107, 2-111	170110	2-99
1-654-010051-06	2-59, 2-98, 2-103, 2-105	170111	2-99
1-654-010051-07	2-40	170112	2-99
1-654-010051-08	2-20, 2-47	172437	2-120
1-654-010051-09	2-5, 2-98	1-765-010065	2-87
1-654-010051-10	2-111	1-796-010003-02	2-13, 2-29, 2-40
1-654-010055-01	2-69, 2-119	1-796-010004-02	2-40
1-654-010055-02	2-83, 2-99, 2-101	179933	2-53
1-654-010055-03	2-59, 2-83, 2-87, 2-93, 2-98, 2-103, 2-105	18002	2-62, 2-65
1-654-010055-04	2-13, 2-59, 2-105	18009	2-61
1-654-010055-05	2-40, 2-93	18015	2-61
1-654-010055-09	2-99, 2-101, 2-119	18016	2-61
1-654-010055-13	2-103	18019	2-61
1-654-010055-15	2-119	18020	2-61
1-654-010055-16	2-59	18022	2-64
1-654-010055-17	2-59, 2-77	18024	2-61
1-654-010055-18	2-119	18026	2-61
1-654-010059-03	2-111, 2-115	18027	2-61
1-654-010059-05	2-87, 2-93, 2-115	18028	2-61
1-654-010059-09	2-85	18029	2-61
1-654-010061-07	2-3, 2-77	18030	2-61
		18032	2-61

## NUMERICAL INDEX

---

18033	2-64	189318	2-40
18034	2-64	190400004	2-118
18035	2-64	19045	2-61, 2-64
18039	2-61	190700ZP	2-41
18044	2-61	190701	2-41
18047	2-61, 2-64	190705ZP	2-41
18056	2-62	190706	2-41
18078	2-61	1974	2-69
1-822-010001	2-13	200300040	2-118
1-833-010001	2-16, 2-20, 2-40, 2-55, 2-71, 2-77, 2-83, 2-87, 2-109	20119	2-16
1-833-010002	2-35, 2-40, 2-47, 2-109	201650	2-73
1-833-010003	2-35, 2-47	2021-2-4	2-21
1-843-010014	2-53	2024-12-12S	2-98, 2-105
184393	2-120	2024-12-8S	2-105
1-861-010032-01	2-16, 2-87	2024-2-4S	2-41
1-861-010032-03	2-16, 2-40	202702-10-8S	2-13, 2-55, 2-59
1-861-010032-06	2-16, 2-35	202702-20-20S	2-98
1-861-010032-07	2-3, 2-5, 2-30, 2-40	202702-6-6S	2-13
1-861-010032-09	2-33	202702-8-8S	2-3, 2-71, 2-77
1-861-010032-10	2-13, 2-20, 2-59	203003-8-8S	2-3
1-861-010032-11	2-5, 2-20, 2-47, 2-98, 2-103, 2-107, 2-111	203102-12-12S	2-98
1-861-010032-14	2-55, 2-69	2033-8-8S	2-3
1-861-010032-15	2-13, 2-20, 2-40, 2-59, 2-77, 2-83, 2-87, 2-98, 2-101, 2-103, 2-119	2045-4-4S	2-41
1-861-010032-18	2-85, 2-87	2047-12-12S	2-105
1-861-010032-19	2-83, 2-111	206209-12-12S	2-98
1-861-010032-20	2-83	2062-10-12S	2-16
1-861-010034-07	2-29	2062-12-12S	2-98
1-861-010034-09	2-40, 2-69, 2-83, 2-98	2062-16-8S	2-105
1-861-010034-10	2-53	2062-6-6S	2-13
1-861-010034-11	2-16, 2-20, 2-93, 2-103	2062-8-8S	2-3, 2-87, 2-115
1-861-010034-13	2-13, 2-45, 2-59, 2-99, 2-105	2081-8-6S	2-35
1-861-010034-15	2-55, 2-71, 2-85	2083-8-4S	2-41
1-861-010034-17	2-7, 2-77	2083-8-8S	2-47
1-861-010059-21	2-13	2088-6-6S	2-35, 2-47
1-879-010015	2-16	2089-6-6S	2-47
1-879-010017	2-16	214441	2-113
		2-181-010001	2-13, 2-59, 2-87
		21925	2-61

220000210	2-118	3-120-010478	2-93
2240-12-12S	2-99	3-136-010001-01	2-87
2263	2-67	3-141-010008	2-103
22752	2-61	3-141-010119	2-103
23078	2-62, 2-65	3-141-010121	2-103
23079	2-62	3-141-010123	2-103
23081	2-62, 2-65	3-141-010147	2-103
23083	2-62	3-141-010152	2-103
23085	2-62	3-141-010153	2-103
23144	2-65	3-141-010154	2-103
23303	2-61	3-141-010155	2-103
23367	2-64	3-150-010186	2-69
23470	2-61	3-153-010016-02	2-87
238-6832	2-16	3-155-010017-4	2-59
2389	2-69	3-155-010018-6	2-55, 2-59
238-9030-12	2-16	3-156-010008	2-87
238-9030-21	2-16	3-162-010001	2-98, 2-105
238-9030-22	2-16	3-174-010038	2-55, 2-59
238-9030-23	2-16	3-174-010039036	2-55, 2-59, 2-71
2481X	2-98	3-174-010059	2-71, 2-77, 2-87
25161	2-16	3-174-010060036	2-77, 2-87
25233	2-16	3-181-010006	2-115
25438	2-16	3-182-010028	2-98
2-557-010417	2-7	32002	2-87
25618	2-16	3-242-010099	2-3, 2-24
26331	2-29	3-272-010017	2-16
26976	2-64	3-272-010021	2-16, 2-87
3/8P COUPL	2-99	3-316-010008	2-99
3-054-010101	2-103	3-348-010048	2-87
3067	2-53	3-352-010017-1	2-93
3-117-010069	2-103	3-352-010017-2	2-93
3-117-010070	2-103	3-352-010062	2-93
3-117-010071-1	2-103	3-360-010072	2-17
3-120-010124	2-98	3-360-010111	2-17
3-120-010294	2-93	3-368-010129	2-87
3-120-010295	2-93	3-368-010250	2-33
3-120-010445	2-77, 2-87	3-368-010252	2-29, 2-33
3-120-010461	2-105	3-375-010337	2-3

## NUMERICAL INDEX

---

3-399-010001	2-105	3-711-010025	2-103
3-399-010001006	2-99	3-720-010010	2-59, 2-77
3-443-010018	2-99	3-725-010058	2-115
346SL	2-21, 2-115	3-755-010080	2-103
3-481-010006	2-13, 2-59, 2-67	3-755-010189-1	2-40
3-481-010007	2-59, 2-67	3-762-010017	2-41
3-482-010503	2-105	3-765-010050	2-98
3-485-010001	2-41	3-780-010002	2-41, 2-47
3-557-010030	2-3	3-786-010043	2-105
3-557-010033	2-3	3-793-010040	2-93
3-557-010059	2-3	3-793-010041	2-93
3-557-010380	2-103	3-826-010014	2-3
3-557-010383	2-93	3-826-010015	2-3
3-561-010001	2-105	3-829-010337	2-119
3-565-010770	2-93	3-843-010022	2-87
3-573-010025	2-87	3-843-010038	2-35
3-573-010031	2-123	3-843-010039-02	2-77, 2-87
3-573-010210	2-123	3-846-010156	2-3
3-573-010298	2-123	3-870-010097	2-53
3-573-010299	2-123	3-873-010122	2-59, 2-61
3-573-010300	2-123	3-873-010123	2-59, 2-64
3-573-010349	2-123	3-873-010124	2-59
3-573-010377	2-123	3-873-010126-2	2-59
3-573-010378	2-103	3-873-010129-2	2-59
3-573-010437	2-123	3-873-010130	2-59
3-573-010438	2-123	3-873-010131	2-59
3-573-010442	2-87	3-873-010154	2-87, 2-89
3-573-010465	2-115	3-873-010155	2-87
3-573-010466	2-115	3-873-010172	2-77, 2-83, 2-87
3-573-010506	2-98	3-873-010173	2-77, 2-79
3-591-010001	2-105	4009	2-53
3-612-010015-1	2-119	51031-65	2-13
3-612-010015-2	2-119	514-5728-3	2-17
3-612-010016	2-119	514-9045-26	2-99
3-626-010004	2-77, 2-87	514-9073-18	2-99
3-630-010002	2-13	52900-9	2-17
3-645-010049	2-93	55B61	2-35, 2-71
3-659-010012	2-53	55B61-6	2-35

55B61-7	2-35
56D4	2-47
61333	2-62
61344	2-65
622-3511-008	2-41
63680	2-53
64181	2-33
6-557-010163	2-103
660580002	2-23
660580003	2-23
660580004	2-23
660580005	2-23
6828	2-105
758-181	2-47
7HCGHT500	2-55, 2-59
805-2	2-5, 2-47
81006	2-61
81009	2-61
81025	2-61
81077	2-64
81078	2-64
81080	2-64
81081	2-64
81264	2-29, 2-30, 2-31, 2-33
81530	2-61
85G424E	2-17
88005	2-65
900 45 040	2-45
900 54 007	2-41, 2-43
900-08-139	2-45
900-25-288	2-45
900598-12S	2-98
90508009	2-45
905-54-107	2-35, 2-41, 2-43, 2-55, 2-71, 2-77, 2-87, 2-109
905-57-129	2-45
934 00 149	2-45
934 00 492	2-45

934-00-506	2-45
936 00 077	2-45

**A**

AA-1807	2-85
---------	------

**B**

B1821BH050C300N	2-55
B7-141-003	2-33, 2-103

**C**

C2001	2-69
C3069X12	2-105

**H**

HM212011	2-53
HM212049	2-53
HM218210	2-53
HM218248	2-53

**K**

K71-101-00	2-51
K71-460-00	2-51

**P**

PTO	2-105
-----	-------

**R**

RFB722X4	2-87
RSP956X5X5	2-87
RTR7999X15	2-41

## NUMERICAL INDEX

---

### S

---

STP-147 ..... 2-29

### T

---

TR573 ..... 2-53

### W

---

W908409-4 ..... 2-21







---

**Intertek**

Equipment from Landoll Corporation is built to exacting standards ensured by ISO 9001 registration at all Landoll manufacturing facilities.

# Model 353 Bus Hauler

## Parts Manual

Re-Order Part Number F-555-0211

**LANDOLL CORPORATION**

1900 North Street

Marysville, Kansas 66508

(785) 562-5381

**800-428-5655 ~ WWW.LANDOLL.COM**



Copyright 2018. Landoll Corporation

"All rights reserved, including the right to reproduce this material or portions thereof in any form"