

MODEL 360

LANDOLL HAULLOLL



CONTENTS

	PAGE
Final Inspection	1
Safety Information	2
Operation	3
Lubrications & Maintenance	5
Parts Lists	22
Index	61



LANDOLL CORP.
1700 May Street
Marysville, Kansas 66508

Sold To _____
 Address _____
 Phone _____
 Distributor _____ Phone _____

FINAL INSPECTION SHEET

Trailer VIN. _____ Model No. _____
 Axle S/N _____ Vendor _____
 Pump S/N _____ Model No. _____
 Valve S/N _____ Vendor _____
 PTO S/N _____
 Winch S/N _____
 Front Combine Well Cylinders S/N _____
 Traveling Axle Cylinder S/N _____
 Lift Cylinders S/N _____
 Auxiliary Motor S/N _____ Vendor _____
 Tire Brand _____ Size _____
 Tire S/N _____

Brakes adjusted and tested
Clearance lights
Brake lights
Turn signals
License plate bracket and light
Grease fittings in place and lubricated
Oil level in hubs
Lug nuts tight (Check after a 100 miles) to 200 Foot Pounds
Proper air pressure in tires
Name plate filled in properly
Rear axle stops
Main pivot tube locked in place (5th wheel)
King pin plate hinge pin locked (5th wheel)
Wheel alignment (explain to driver to check again at 1,000 miles)
Undercarriage hold down in place and tight
Hydraulic relief valve set at 2,500 psi
Demonstrate to driver proper way to lower front of 5th wheel trailer to prevent damage to locking rod
Combine lowering wells (adj. chain nuts tight)
Proper number of hold down rings
Oil level in winch
Service manual

Original—Customer _____ Inspection Complete By _____ Date _____
 Yellow—File _____
 Customer Signature _____ Date _____

SAFETY SUGGESTIONS



This safety alert symbol indicates important safety messages in this manual when you see this symbol. Carefully read the message that follows and be alert to the possibility of personal injury or death.

For your safety, and those working with you, follow these safety rules:

WARNING: denotes a hazard to personal safety.

CAUTION: denotes a general reminder of good safety practices or directs attention to unsafe practice.

WARNING

The winch is not designed for use in the lifting or moving of persons! The winches described herein are neither designed nor intended for use or application to equipment used in the lifting or moving of persons.

WARNING

The cable clamp alone on winches is not designed to hold rated loads. Therefore, a minimum of 5 wraps of cable must be left on drum barrel to achieve rated load. Any damage resulting when less than 5 wraps are used will void the warranty.

WARNING

Rim and tire servicing can be dangerous. To protect life and limbs, be sure you understand and follow all mounting and demounting procedures and safety practices.

CAUTION

Do Not exceed the gross axle weight ratings for any axle on your vehicle.

CAUTION

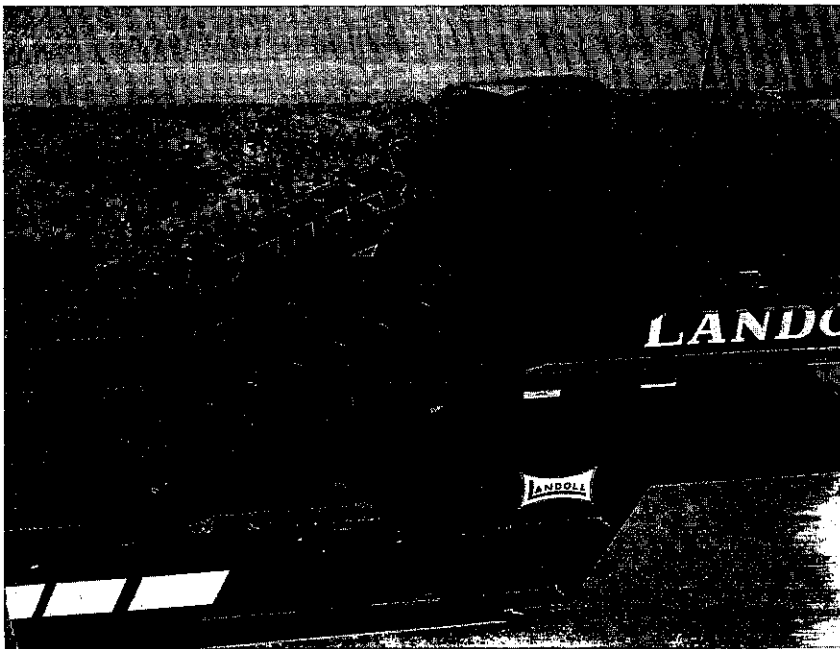
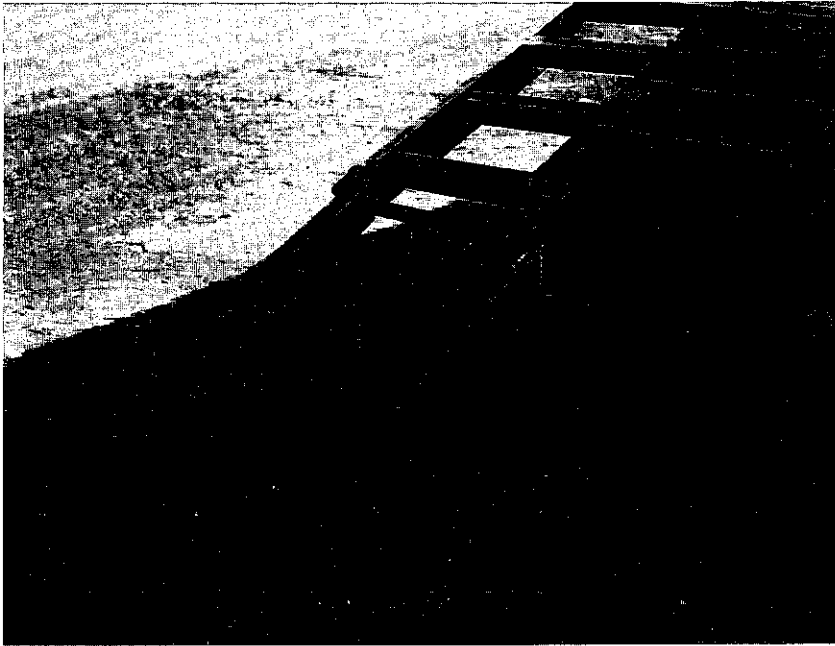
The combined weight of the tractor, trailer and cargo must not exceed the gross vehicle weight rating (GVWR) of the tractor.

CAUTION

All valve, pump, motor, and cylinder castings are not covered under warranty when using teflon tape sealant.

360 RAMPS

THE RAMPS ARE DESIGNED SO THAT THEY MAY BE USED AT THE REAR OF THE TRAILER OR FROM MAIN DECK TO UPPER DECK AT THE FRONT OF THE MAIN DECK. WHEN RAMPS ARE USED AT THE REAR OF THE TRAILER, THE OUTER HOOK ON THE RAMP MAY BE HOOKED ON THE SUPPORT ON THE REAR OVERWIDTH EXTENSION. THE SPRING LOADED PINS ON THE RAMPS ARE TO PREVENT THE RAMPS FROM BECOMING UNHOOKED.



NOTES

TRAILER MAINTENANCE AND LUBRICATION SCHEDULE	FIRST 100 MILES	SERVICE INTERVALS								RECOM. LUB.	
		FIRST 1000 MILES	DAILY	WEEKLY	30 DAYS	90 DAYS	180	YEARLY	30,000 40,000 MILES		
AXLE & SUSPENSION											
Rim Nuts	T										
Fasteners		T									
Axle Alignment		I			I						
Wheel Bearing Oil										R	3
Air Tank					I						
Brake Linings										I	
Cam Rollers										I, L	5
Retainer Springs										I, L	5
Anchor Pins										I, L	5
Slack Adjusters										I, L	4
Cam Brackets										I, L	4
Brake Spider Bushing										I, L	4

TRAILER MAINTENANCE AND LUBRICATION SCHEDULE	FIRST 100 MILES	SERVICE INTERVALS										RECOM. LUB.	
		FIRST 1000 MILES	DAILY	WEEKLY	30 DAYS	90 DAYS	180	YEARLY	30,000 40,000 MILES				
GENERAL													
Tires			V	I									
Lights			V										
Hydraulic Oil					I					R			1
Hydraulic Oil Filter										R			
WINCH													
Oil				I						R			2
Bearing Leg				L									4
Cable Drum				L									4
Worm Gear										V			
Fasteners							V						

- A — Adjust.
- I — Inspect (correct, clean, or replace if necessary).
- L — Lubricate.
- R — Replace or change.
- T — Tighten or Re-torque.
- V — Visually inspect and if necessary, diagnose, correct, remove or replace.

TRANSPRO HEAVYWEIGHT TRAILER SUSPENSION

Maintenance Recommendations

The Heavyweight trailer suspension, by design, requires an absolute minimum of maintenance. However, suspensions in "over the road operations" require periodic checks to assure continued trouble-free performance. We recommend, after an initial loaded run-in period of at least 1,000 miles, the trailer alignment should be rechecked and corrected. Furthermore, all fasteners, especially u-bolts, should be retorqued to specifications below,

1. Check u-bolt nuts to assure that 300 ft. lbs. torque is maintained.
2. Check equalizer thru-bolt to assure that 480-500 ft. lbs. torque is maintained.
3. Check torque arm bolts to assure that 250 ft. lbs. torque is maintained.
4. Check torque arm tube clamp nuts to assure that 55-60 ft. lbs. torque is maintained.

We recommend further inspections at 90 day intervals on the above items.

HUTCHENS

Suspension Torque Requirements 1200 SERIES

After initial break in period (up to 1000 miles) and at least every 4 months, thereafter; all bolts and nuts should be checked to insure recommended torque is being maintained.

Minimum torque values for bolts with clean, dry threads:

AIR SPRINGS AND	1/2" - 20 UNF.55 pound feet
SHOCK ABSORBERS	3/4" - 16 UNF. . . .	150 pound feet
FRONT BEARING PLATE	1-1/8" - 7 UNF. . . .	800 pound feet
U-BOLTS	7/8" - 14 UNF. . . .	*375 pound feet

* U-Bolts must be tightened until axle clamp is closed metal to metal, front and back and torque is at or above recommended value.

ADJUSTMENT PROCEDURE FOR 360 AIR RIDE

1. POSITION THE TRAILER ON A FLAT SURFACE, WITH THE UPPER COUPLER AT THE DESIRED 5th WHEEL HEIGHT.
2. CONNECT A 100 PSI AIR SUPPLY TO THE TRAILER. THE BRAKE PROTECTION VALVE WILL NOT SUPPLY AIR TO THE SUSPENSION UNTIL THE BRAKE SYSTEM PRESSURE EXCEEDS 65 PSI.
3. CHECK THE SYSTEM FOR LEAKS AND CORRECT AS NECESSARY.
4. THE AXLE SUSPENSION, MOUNTING HEIGHT SHOULD BE SET AND LEVELED AT THE DIMENSION SHOWN ON THE INSTALLATION DRAWING. (6-3/4" FROM CENTER LINE AXLE TO TRAILER BEAM)
 - 4.1 WITH THE LINKS REMOVED, RAISE THE CONTROL VALVE ARM TO RAISE THE BODY OR LOWER THE ARM TO LOWER THE BODY. TO HOLD POSITION, CENTER THE VALVE. A TIME DELAY IN THE VALVE WILL REQUIRE 2 TO 5 SECONDS AFTER ARM MOVEMENT TO START AIR FLOW.
 - 4.2 INSERT WOODEN PIN INTO THE HOLES IN THE PLASTIC BLOCK AND VALVE BODY.
 - 4.3 LOOSEN THE ADJUSTMENT NUT ON THE CONTROL ARM AND ATTACH LINK.
 - 4.4 WITH LINK IN PLACE, TIGHTEN THE ADJUSTMENT NUT AND REMOVE WOODEN PIN.
5. ON LIGHT WEIGHT EMPTY TRAILER, THE FRAME MAY NOT BE LEVEL OR THE AIR SPRINGS ON ONLY ONE SIDE MAY BE INFLATED. LOADED, BOTH L H AND R H SPRINGS MUST BE INFLATED.
6. IF THE LOADED TRAILER REQUIRES ADDITIONAL TRIM ADJUSTMENT, THE FOLLOWING PROCEDURE IS RECOMMENDED:
 - 6.1 INITIAL CONDITIONS AS SET IN PARAGRAPHS 1 THROUGH 3.
 - 6.2 DISCONNECT LINKS AT VALVE ARM BOTH LEFT AND RIGHT SIDE. LOWER BODY EVENLY TO HEIGHT BELOW DESIGN INSTALLATION HEIGHT.
 - 6.3 LOOSEN ADJUSTMENT NUT ON RIGHT-HAND SIDE AND CONNECT RIGHT-HAND LINK. MOVE BLOCK UPWARD TO RAISE BODY TO CORRECT HEIGHT AND TIGHTEN ADJUSTMENT NUT.
 - 6.4 DETACH RIGHT-HAND LINK AND REPEAT PARAGRAPH 6.3 ADJUSTMENT AT LEFT-HAND VALVE.
 - 6.5 RE-ATTACH BOTH LINKS AND CHECK TRIM HEIGHT ON BOTH SIDES.
 - 6.6 REPEAT SEQUENCE 6.2, 6.3, 6.4 REQUIRED. IT IS IMPORTANT TO ADJUST NYLON BLOCK ON EACH VALVE IN UPWARD DIRECTION. IF IT IS NECESSARY TO LOWER BODY, GO BELOW DESIRED HEIGHT AND MOVE UPWARD TO TRIM HEIGHT.
7. IF THE CORRECT HEIGHT CANNOT BE ATTAINED BY THE ABOVE PROCEDURE, CHECK AND CORRECT ONE OR MORE OF THE FOLLOWING:
 - 7.1 SYSTEM LEAKAGE.
 - 7.2 ADEQUATE AIR SUPPLY PRESSURE, 100 PSI.
 - 7.3 VALVE SUPPORT ANGLE, STRAIGHT.
 - 7.4 VALVE CONNECTING LINK, CORRECT LENGTH STRAIGHT.
 - 7.5 LOWER ANGLE LOCATED ON AXLE.

TIRE-LOAD AND INFLATION DATA @ 55 MPH

*Gross Axle Weight Rating ~ 16,520 LBS.

8,25 x 15 ~ 14 Ply Rated, Michelin Radial @ 105 PSI

8,25 x 15 ~ 18 Ply Rated, Michelin Radial @ 105 PSI

*Gross Axle Weight Rating ~ 14,280 LBS.

8,25 x 15 ~ 14 Ply Rated, Goodyear Bias @ 105 PSI

*Gross Axle Weight Rating ~ 13,040 LBS.

8,25 x 15 ~ 12 Ply Rated, Goodyear @ 90 PSI

**Gross Axle Weight Rating ~ 17,993 LBS.

10R17.5X ~ 14 Ply Rated, Michelin Tubeless @ 110 PSI

***Gross Axle Weight Rating ~ 17,200 LBS.

10:00 x 15 ~ 14 Ply Rated, Goodyear @ 95 PSI

***Gross Axle Weight Rating ~ 18,720 LBS.

10:00 x 15 ~ 14 Ply Rated, Michelin @ 105 PSI

1. Visually inspect tires daily. Always examine your tires for any damage that may shorten the life of the tire.
2. Check inflation pressures on all your tires at least once a week, including spares, before driving home when tires are cold.
3. Check how your tires are wearing. If your tires show signs of irregular wear, check the following:
 - a. Inflation
 - b. Proper tire alignment.
 - c. Correct axle alignment.
 - d. Worn or loose wheel bearings.
 - e. Worn or loose suspension bushings.

CAUTION

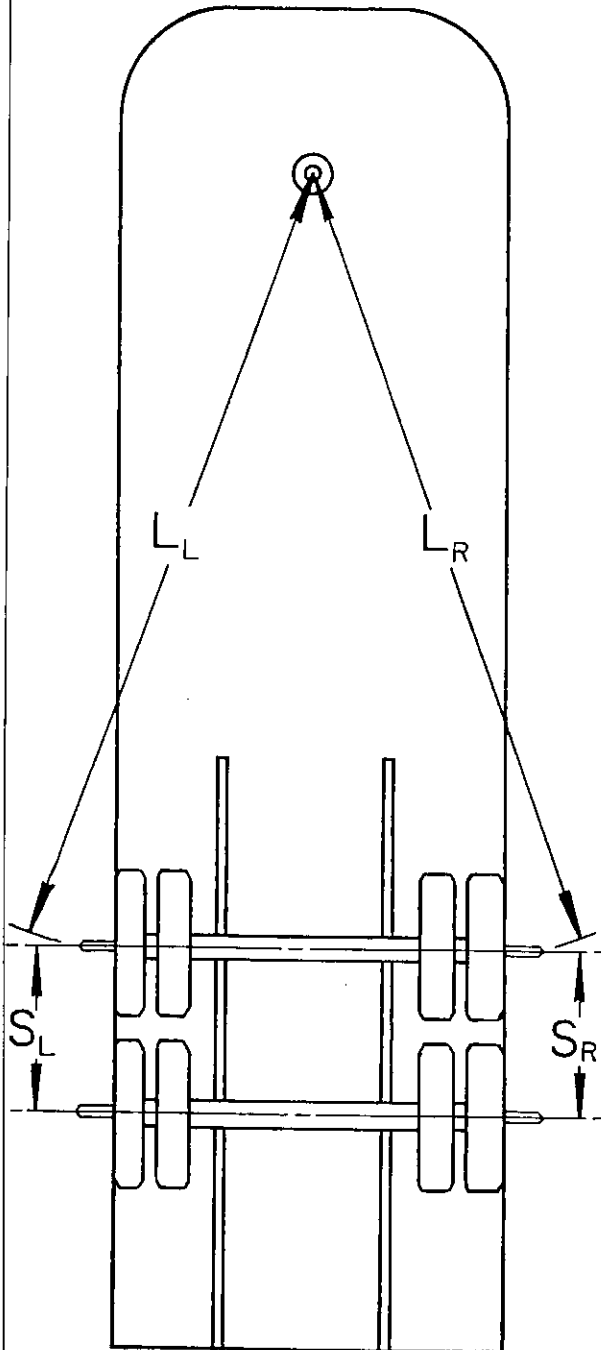
The maximum load that can be put on a trailer tire is dependent upon the speed at which the tire will be used. Consult tire dealer for complete information on the allowable loads for your tires in your application.

*Installed on Goodyear 6,50 x 15 Tube Type Rim

**Installed on Goodyear 675175 RTD Tubeless Rims

***Installed on Goodyear 7015LWD Tube Type Rim

AXLE ALIGNMENT INSTRUCTIONS
TRANSPRO HEAVYWEIGHT



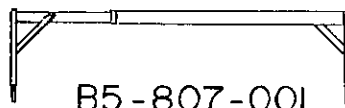
AFTER SUSPENSION INSTALLATION, AND PERIODICALLY THEREAFTER, AXLES SHOULD BE ALIGNED TO INSURE PROPER TRACKING OF TRAILER AND TO AVOID EXCESSIVE TIRE WEAR. FOR BEST RESULTS THE USE OF AXLE AND KING-PIN EXTENSIONS, OR A SUITABLE OPTICAL ALIGNMENT DEVICE, IS RECOMMENDED.

1. Level the empty trailer and bleed air reservoir.
2. Make certain that the equalizers are level and that all spring ends are bearing on wear pads.
3. Align the front axle with the king-pin by adjustment of the forward adjustable torque arm. When properly aligned L_L will equal L_R .
4. In like manner align the rear axle with front axle so that $S_L = S_R$.
5. Tighten adjustable torque arm clamp bolts to 50 lb. ft. torque.
6. After loaded run-in period of 1,000-2,000 miles the axle alignment should be checked and corrected if necessary.

NOTE:

The above procedure is recommended by the suspension manufacturer, however, experience has shown that the L_L dimension (left side) must be approximately $\frac{1}{4}$ inch longer for the trailer to track properly.

ALIGNMENT TOOL



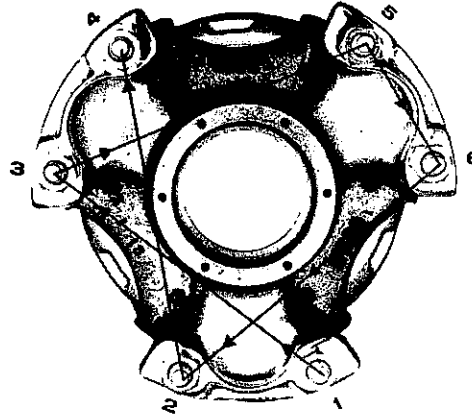
B5-807-001

$$L_L = L_R \pm \frac{1}{16}$$

$$S_L = S_R \pm \frac{1}{16}$$

INSTRUCTIONS FOR PROPER RIM AND TIRE ALIGNMENT

3-SPOKE WHEEL



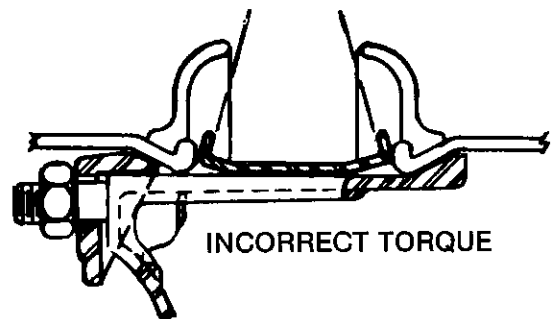
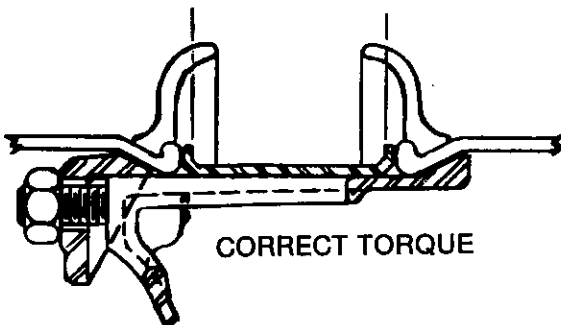
3-SPOKE WHEEL

1. Lightly tighten hex nuts on studs 1, 3, and 5 until rims are properly seated and tires are aligned.
2. Lightly tighten hex nuts on studs 2, 4, and 6.
3. Tighten all hex nuts on studs to recommended torque as listed below.
4. Recheck tire alignment.

RECOMMENDED TORQUE FOR RIM NUTS

Stud Size	Torque Foot/Pounds
3/4-10	175-200

IMPORTANT NOTICE: The rim clamps are **NOT** designed to “heel” against the face of the spoke. Over-torquing can deform rim spacer and rim lugs. **DO NOT OVER TORQUE.** Check and retorque after unit has been in service for approximately 100 miles. This **MUST** be done after each tire change.



BRAKE ADJUSTMENT

Prior to shipping, Standard Forge axles with brakes and drums have the brakes adjusted to provide maximum braking. However, if after the axle is installed on the trailer, or when linings are later replaced and the brakes require re-adjusting, the following procedure should be followed:

1. Have the wheel raised off the ground-

While many people attempt to adjust brakes with the wheel on the ground, it is very unlikely that satisfactory adjustment can be made in this manner. Bearing and drum wear, lining radius tolerances, and the relationship of the radial dimensions of component parts with the weight of the trailer on the axle, will not allow for true alignment to afford maximum braking without brake "drag".

2. Adjusting slack-

- A. With the wheel turning slightly (by hand), rotate the adjusting screw on the slack adjuster until the wheel is locked by the brakes.
- B. Back off the adjusting screw until the wheel turns freely with no evidence of brake "drag". Usually two (2) "clicks" of the slack adjuster screw is sufficient to provide the proper clearance.

3. Brake lining-

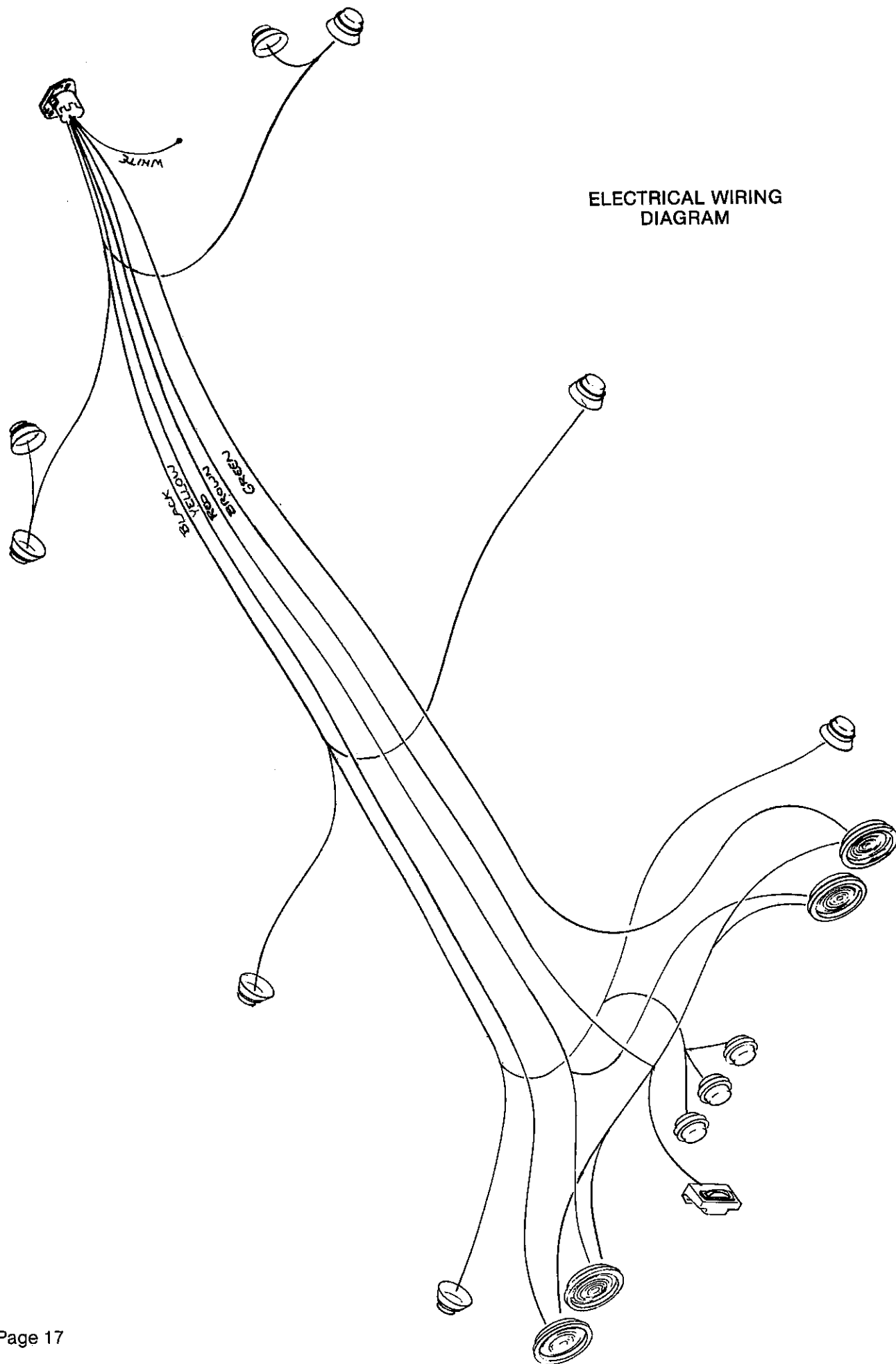
- A. Linings should be inspected for wear at least every 30,000 to 40,000 miles.
- B. Lining wear, "Rule of Thumb"
After adjusting brakes, if the brake will not release (cam returns to closed position), the linings should be replaced.

Under no circumstances should linings be used to the point where the rivets or screws are above or level with the lining surface.

WHEEL BEARING ADJUSTMENT

Tighten inner nut while turning the wheel in both directions, until there is a slight bind so all bearing surfaces are in contact. Then back off inner nut 1/3 turn to allow the wheel to rotate freely. Install lockwasher and tongue washer. Tighten jam or outer nut to 250 to 300 foot-pounds torque. Final bearing adjustment should be with .001" to .010" end play. Lock nuts in this position.

ELECTRICAL WIRING
DIAGRAM



COMMON REPLACEMENT ITEMS

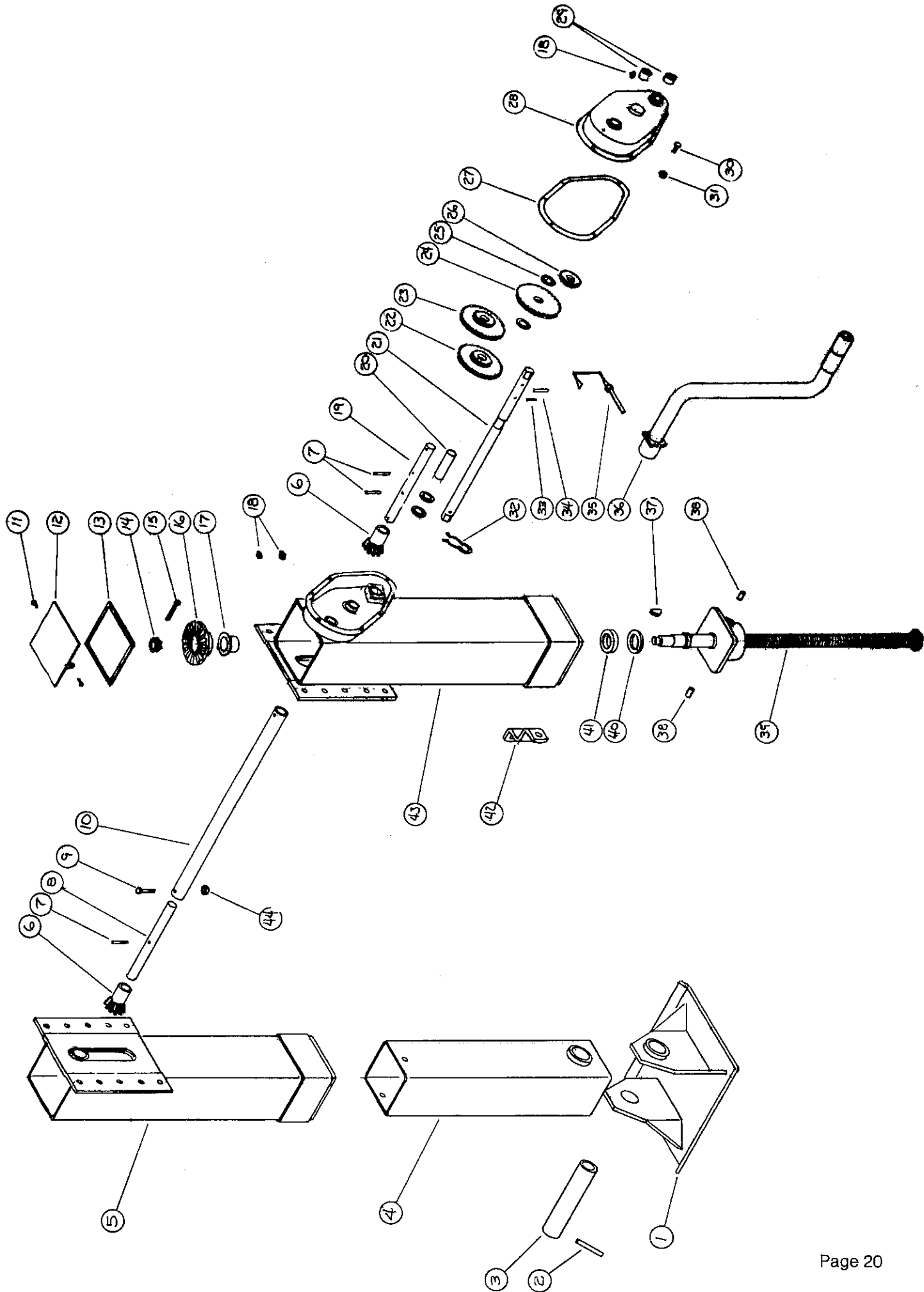
<u>ITEM</u>	<u>PART NO.</u>	<u>DESCRIPTION</u>	<u>QUANTITY</u>
1	1/2-6 x 25	Wire rope 1/2"	Spec. lgth. req.
2	1426-562-02	3/8" High test chain	3 ft.
3	6470-431-00	3/8 Clevis grab hook	1
4	1/2 W R clamp	Wire rope clamp	2
5	3-793-010001	Tie down loop	1
6	2-557-010009	Lynch pin	1
7	1-DSL Latch	Tool box latch	1
8	BSL-6-4	Rivet	4

DECALS

9	1-573-010001	Decal, Landoll Black (6½ x 11½)
10	3-573-010057	Instruction Decal, hyd. controls
11	1-573-010013	Decal, Landoll White (6½ x 11½)
12	3-573-010025	Decal, Winch warning
13	3-573-010031	Decal, Bumper
14	3-573-010035	Decal, Concentrated load
15	3-573-010036	Patent Decal
16	3-573-010038	Decal, Caution, axle position
17	3-573-010039	Decal, Trailer operation
18	3-573-010042	Decal, Front Stripe White (Left)
19	3-573-010043	Decal, Front Stripe White (Right)
20	3-573-010046	Decal, Tapered Stripe White (Left)
21	3-573-010047	Decal, Tapered Stripe White (Right)
22	3-573-010049	Decal, Landoll White
23	3-573-010051	Decal, Hauloll White
24	3-573-010040	Decal, Front Stripe Black (Left)
25	3-573-010041	Decal, Front Stripe Black (Right)
26	3-573-010044	Decal, Tapered Stripe Black (Left)
27	3-573-010045	Decal, Tapered Stripe Black (Right)
28	3-573-010048	Decal, Landoll Black
29	3-573-010050	Decal, Hauloll Black

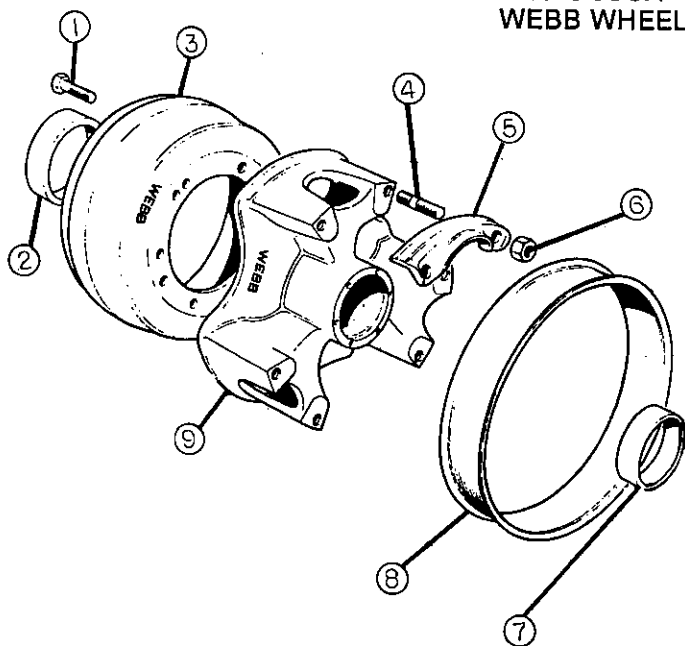
LANDING GEAR

<u>ITEM</u>	<u>PART NUMBER</u>	<u>DESCRIPTION</u>	<u>QTY.</u>
1	V-796-B1	Skid Foot	2
2	21-S-375-3000	Roll Pin 3/8 x 3	4
3	V-1901-1	Hinge Tube	2
4	V-1963-3	Inner Leg	2
5	V-1950-3	Outer Leg (Single Speed)	1
6	V-1961	Bevel Pinion (11 Teeth)	2
7	21-S-375-1500	Roll Pin 3/8 x 1-1/2 (Spiral)	5
8	V-1939	Drive Gear Shaft (Single Speed)	1
9	V-444-1	Hex Head Bolt 3/8-16 x 1-3/4	4
10	V-1910-TAB	Cross Shaft	1
11	MSR-316-C-500	Self Tapping Screw	4
12	V-1966-2	Metal Leg Cover	2
13	V-1966	Gasket	2
14	V-649	Slotted Hex Nut 7/8-14 NF	2
15	129	Cotter Pin	2
16	V-1962	Bevel Gear (22 Teeth)	2
17	V-643-A2	Polyethylene Bushing	2
18	767	Grease Zerk	5
19	V-1918	Drive Gear Shaft (2 Speed)	1
20	V-1957	Idler Gear Shaft	1
21	V-1919	Crankshaft	1
22	V-1928-1	Step Gear (Undrilled)	1
23	V-1928	Step Gear (Drilled)	1
24	V-1927	Idler Gear	1
25	H-36	Shims	4 (or as req'd)
26	V-1929	Shifter Gear	1
27	V-1926	Gear Box Gasket	1
28	V-1920	Gear Box Cover Assembly	1
29	V-851	Bushing	9
30	CX-14-28F-58	Bolt	6
31	3103	Locknut	6
32	V-1949	Shifter Spring	1
33	21-S-218-1250	Roll Pin 7/32 x 1-1/4 (Spiral)	1
34	CRP-V-1917	Pin 3/8 x 1-7/16	1
35	516-22PTL	Retaining Pin	1
36	3-360-010015	Tubular Crank	1
37	H-32-2	Woodruff Key 1/4 x 1 Heat Treated	2
38	CRP-V-1916	Non-Threaded Studs 1/2 x 3/4	4
39	V-1965-3	Elevating Screw and Nut	2
40	V-1913	Thrust Washer	2
41	V-647	Thrust Bearing	2
42	V-1938	Brace Bar	2
43	V-1925-3	2 Speed Outer Leg	1
44	338	Locknut 3/8-16	4



NOTES

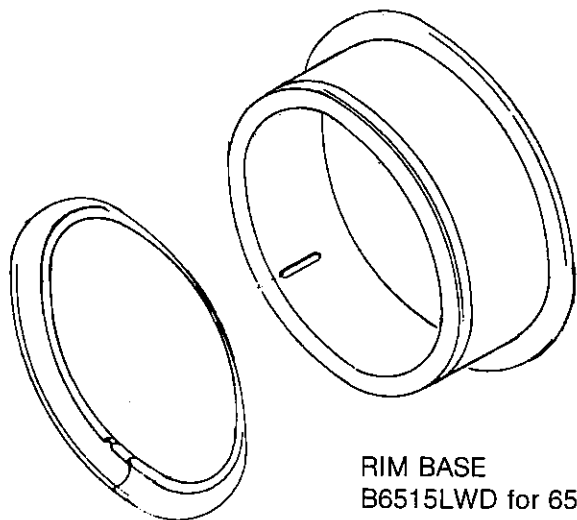
8315-3CCA
WEBB WHEEL



Item	Part No.	Des.	Qty.
1	96218	5/8-18 Hex C.S.	6
2	653	Inner Cup	1
3	63617	Brake Drum	1
4	171027	3/4-10 Stud	6
5	3314	Rim Clamp	3
6	74710	3/4-10 Hex Nut	6
7	HM212011	Outer Cup	1
8	41540	Rim Spacer	1
9	8315	Wheel	1

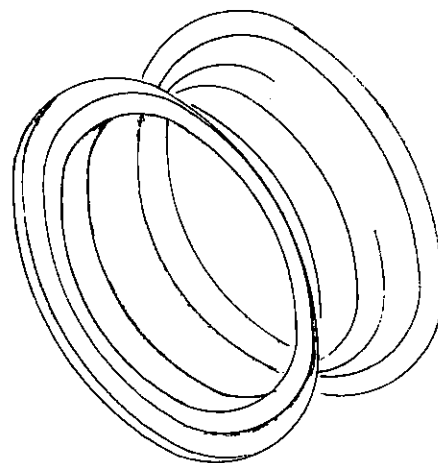
GOODYEAR TUBE TYPE
6515LWD for 8.25x15 Tire
7015LWD for 10:00x15 Tire

GOODYEAR
TUBELESS RIM



SIDE RING
R6515LW for. Both Rims

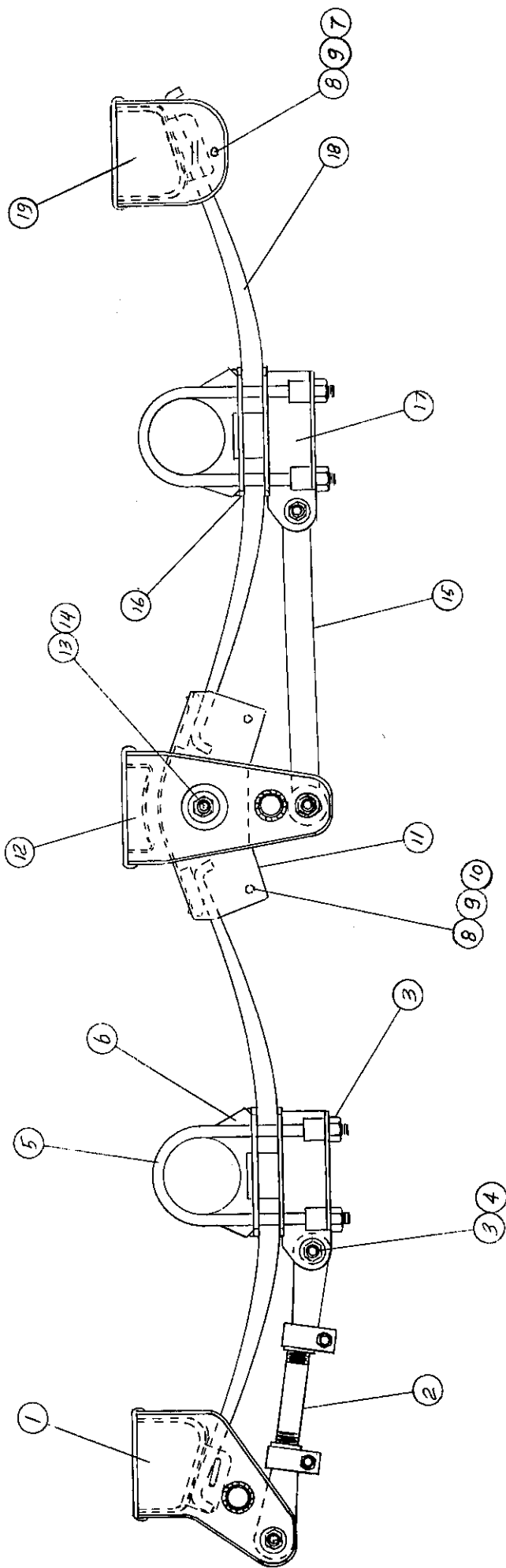
RIM BASE
B6515LWD for 6515LWD
B7015LWD for 7015LWD



675175 RTD

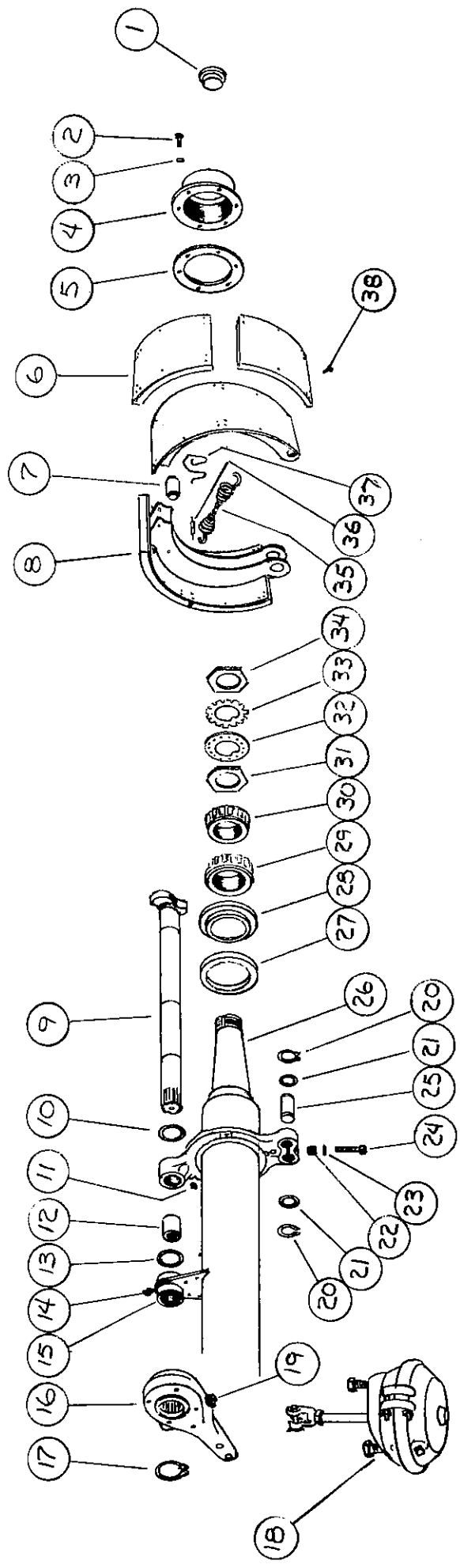
**SUSPENSION, SINGLE LEAF
(HW-UM-2-5R-1-U-1H)**

ITEM	PART NUMBER	DESCRIPTION	QUANTITY
1	0049-00	Hanger, front, undermount	2
2	0030-20	Torq. arm adjust, complete assy., includes the following:	2
	0032-01	eye end, L.H. adj. torq. arm	
	0032-02	eye end, R.H. adj. torq. arm	
	0029-20	adjusting screw	
	0022-00	torque arm bushing	
	000-19	bolt, 1/2-20 x 3	
	0002-10	nut, hex, 1/2"-20	
3	0002-09	Lock nut 7/8-14	24
4	0001-08	Bolt 7/8-14 x 5 1/4, Gr. 5	8
5	0102-12	U-Bolt	8
6	0647-01	Axle Seat	4
7	0379-00	Spring roller, rear hanger	2
8	0001-10	Hex bolt 1/2-20 x 5	6
9	0002-05	Hex Nut 1/2-20	6
10	0378-00	Spring roller, eq. hanger	4
11	0058-00	Equalizer beam assy. w/bushing & shaft includes the following:	2
	0106-01	Equalizer bushing	
	0106-03	Equalizer shaft	
12	0065-00	Hanger, equalizer, undermount	2
13	0001-14	Bolt, hex 1"-14 x 6 1/4, Gr. 5	2
14	0274-01	Lock nut 1-14	2
15	0575-00	Rigid torque arm	2
16	0375-00	Spring liner, delrim	4
17	0508-00	Bottom plate underslung	4
18	0179-01	Spring, one leaf, high arch	4
19	0053-00	Rear hanger, undermount	2



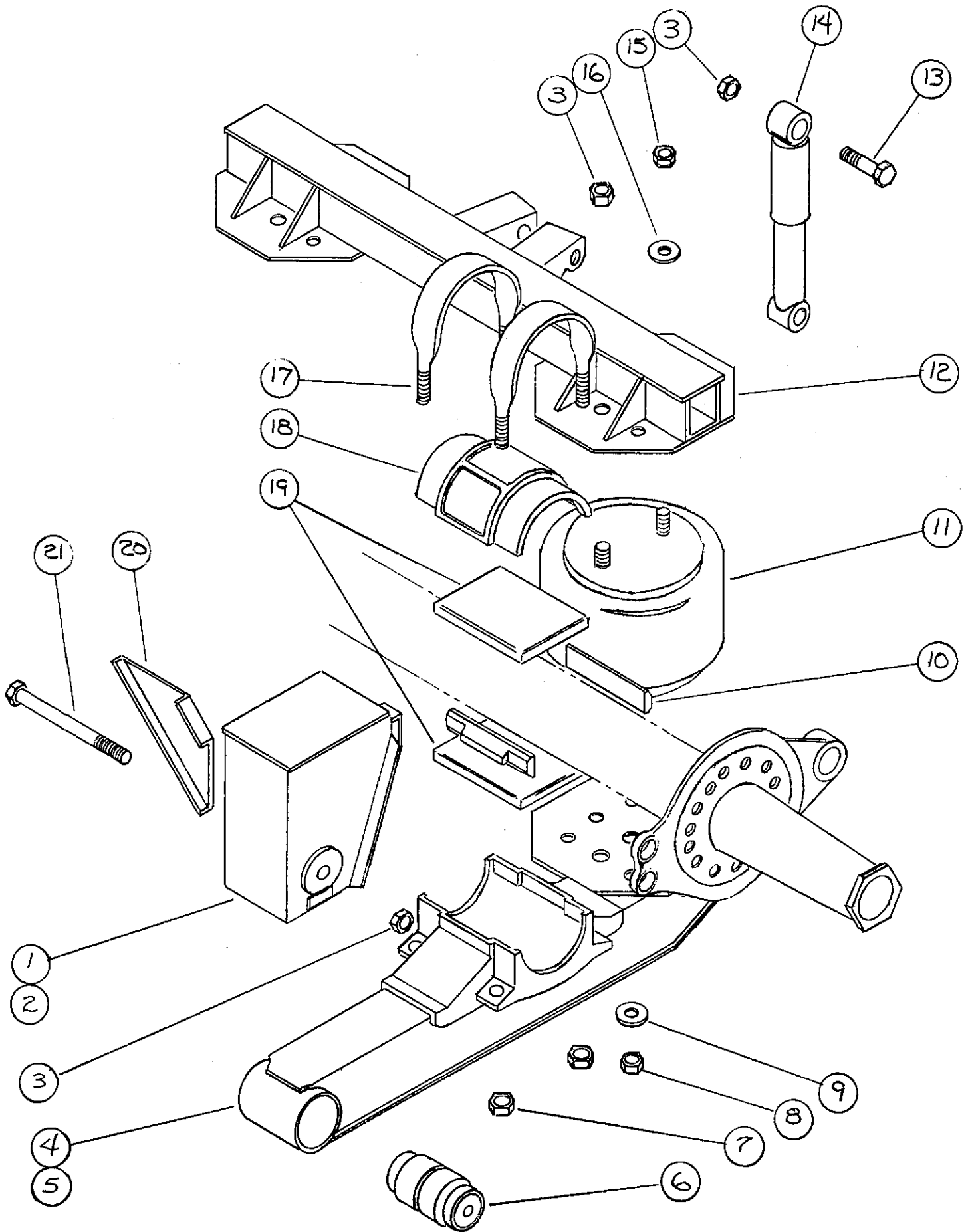
A 19S Axles

Item	Part No.	Description
1	5990	Plug
2	400128	Bolt, hub cap
3	403115	Lock washer
4	4009	Hub cap
5	3067	Gasket, hub cap
6	4591D-MIF-65	Lining set, one set/axle
7	204108-001	Roller
8	201999-042-1	Brake shoe assy.
9	202103-184	Cam shaft (specify left or right)
10	403149-403150	Washer
11	407101	Grease fitting
12	405129	Spider bushing
13	408101-001	Spider seal
14	407107	Grease fitting
15	209999-019	Cam bracket assy.
16	212128	Slack adjuster
17	214104	Cam lock ring
18	217024-040	Air chamber
19	407110	Zerk fitting
20	214107	Anchor lock ring
21	403147	Washer
22	402102	Clamp nut
23	403113	Clamp bolt washer
24	401101	Clamp bolt
25	203108	Anchor pin
26	A19S-NBLHD	Axle bar assy. 64½" track
27	1507	Ring-Stemco
28	2109	Seal-Stemco
29	104107	Inner bearing cone
30	104108	Outer bearing cone
31	103103-002	Inner spindle nut
32	105107	Lock washer
33	105106	Tongue washer
34	103102-001	Outer spindle nut
35	208106	Retract spring
36	207100	Retract spring pin
37	214102	Roller retainer
38	404101-001	Rivet



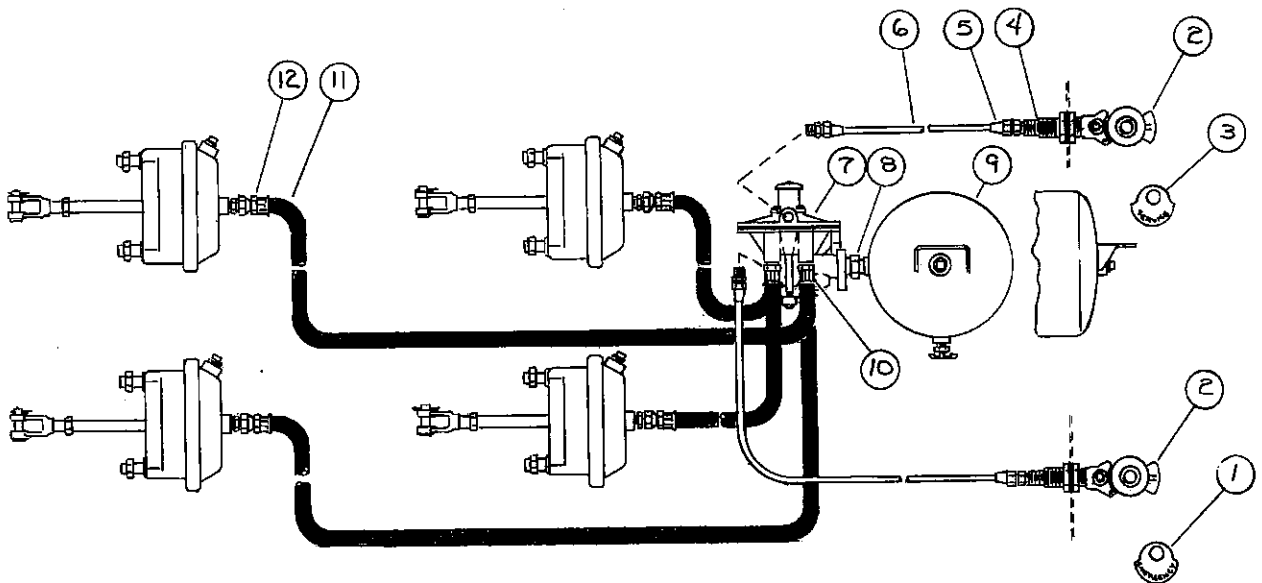
AIR RIDE SUSPENSION

<u>ITEM</u>	<u>PART NUMBER</u>	<u>DESCRIPTION</u>	<u>QTY. PER AXLE</u>
1		Bracket Assembly LH	1
2		Bracket Assembly RH	1
3	841-00	Hex Nut-Self Locking 3/4-16 UNF	10
4	10250-01	Beam Assembly-US, 1200E& F, LH	1
5	10250-02	Beam Assembly-US, 1200E& F, RH	1
6	9323-00	Bushing (Included in the Beam Assembly)	2
7	10880-03	Flanged Lock Nut 7/8-14 UNF-2B	8
8	10628-00	Flanged Lock Nut 3/4-10 UNC-2B	2
9	541-00	Lock Washer 3/4	2
10	10340-00	Reaction Bar - Clamp	4
11	9424-00	Air Spring 7-7 1/2 HI	2
12		Support - Upper Assembly	1
13	9422-00	Hex Cap Screw 3/4-16 UNF x 3 lg	4
14	9423-00	Shock Absorber	2
15	845-00	Hex Nut 1/2-13 UNC - 2B	2
16	32-00	Lock Washer 3/4	2
17	10339-00	U-Bolt Axle Clamp	4
18	10338-00	Cap Axle Clamp	2
19	10341-00	Rubber Pad Axle Clamp	4
20	9412-00	Channel Front Bracket Support	2
21	9420-00	Hex Head Bolt 3/4-16 UNF x 7-1/4 lg	2
22	10263-00	Air Control System-1200 E & F (not shown)	1



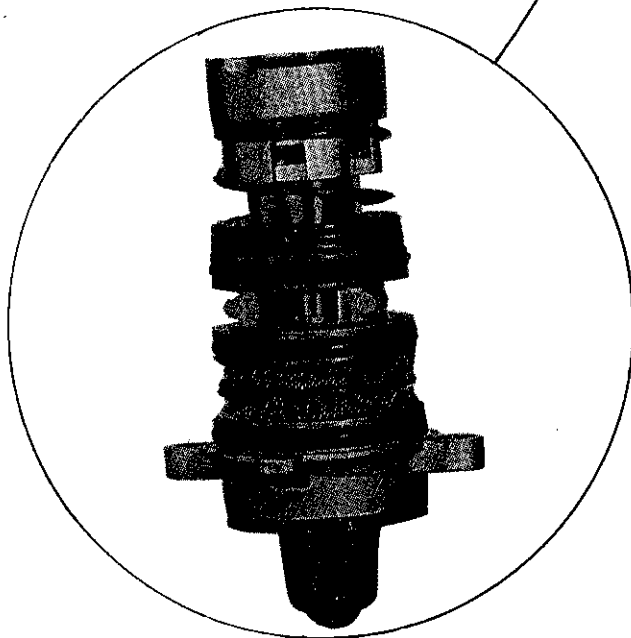
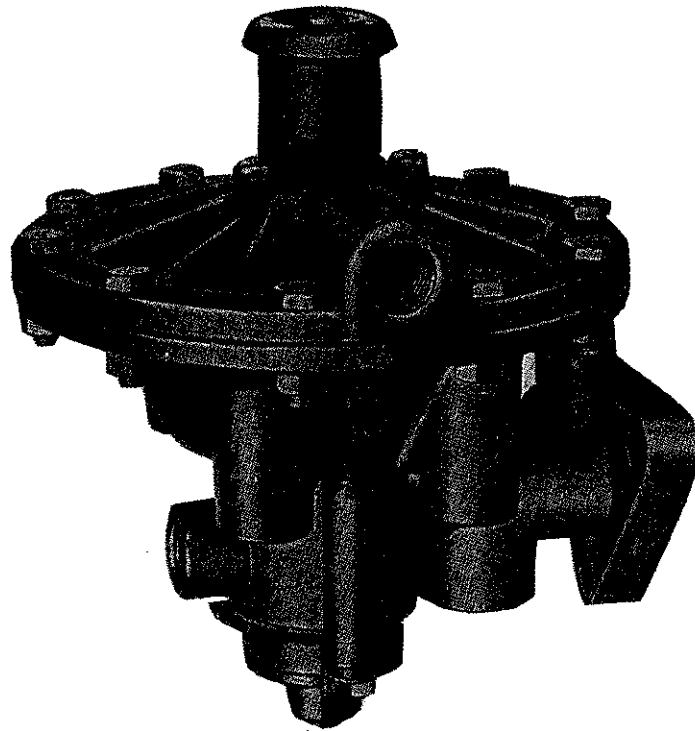
AIR BRAKE SYSTEM

<u>ITEM</u>	<u>PART NUMBER</u>	<u>DESCRIPTION</u>	<u>QTY.</u>
1	55 B 61-6	Tag, Emergency	1
2	55 B 11	Glad Hand	2
3	55 B 61-7	Tag, Service	1
4	55 B 61	Frame Union	2
5	H0168-6 x 4	Fitting 3/8 Tube x 1/4 MPT	4
6	62P6 3/8	3/8" Tubing	as required
7	90 W 101	Valve	1
8	61T-G-12 x 2-1/4	Hex Nipple	1
9	55D-74	Air Tank, 1488 Cu. In.	1
10	55 C 31	Hose Fitting 1/4 MPT	4
11	54 A 6 x 250S	Hose, Air 3/8	as required
12	55 C 21	Hose Fitting 3/8 MPT	4



90W-101 VALVE

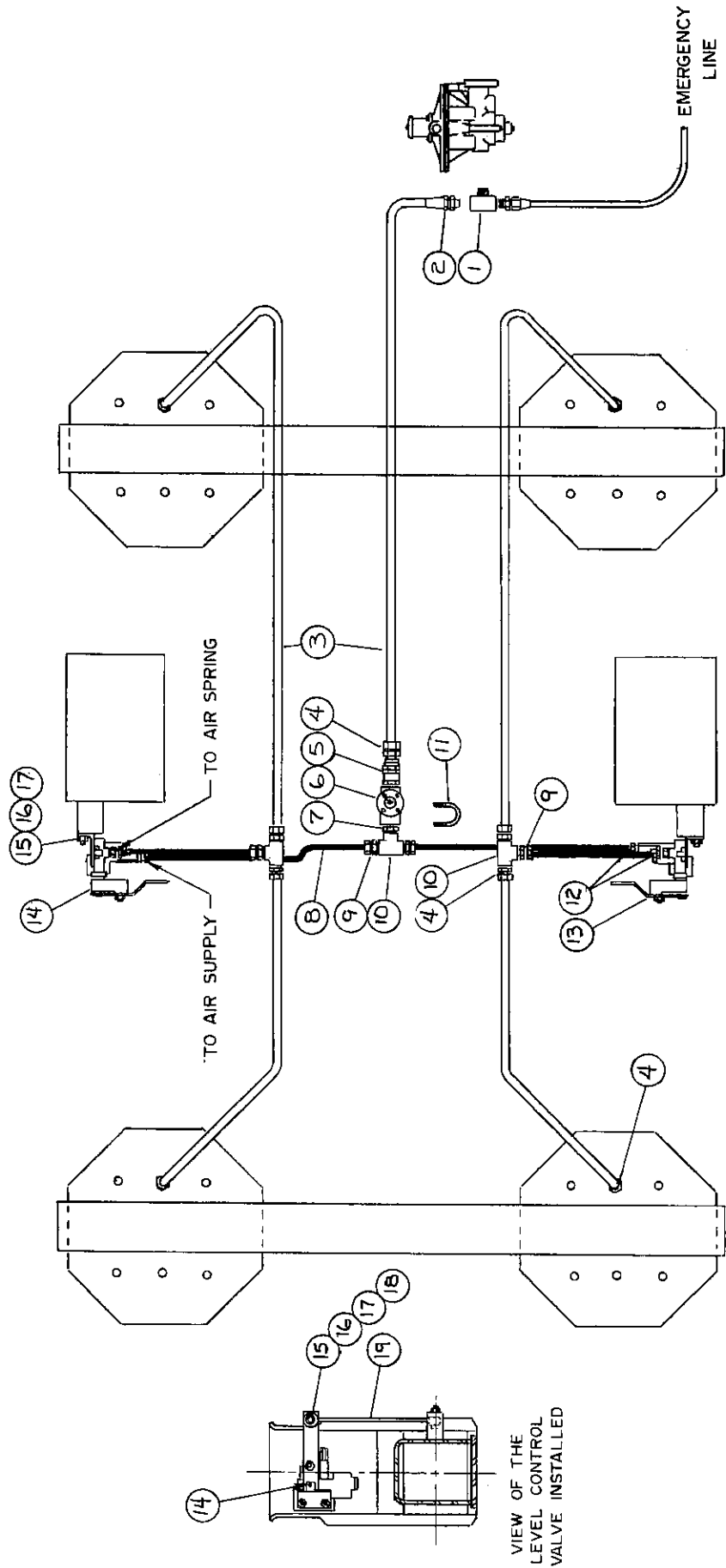
R90W-101 KIT
VALVE REPAIR



90W-101-4 CARTRIDGE
R90W-101-4 KIT CART. REPAIR

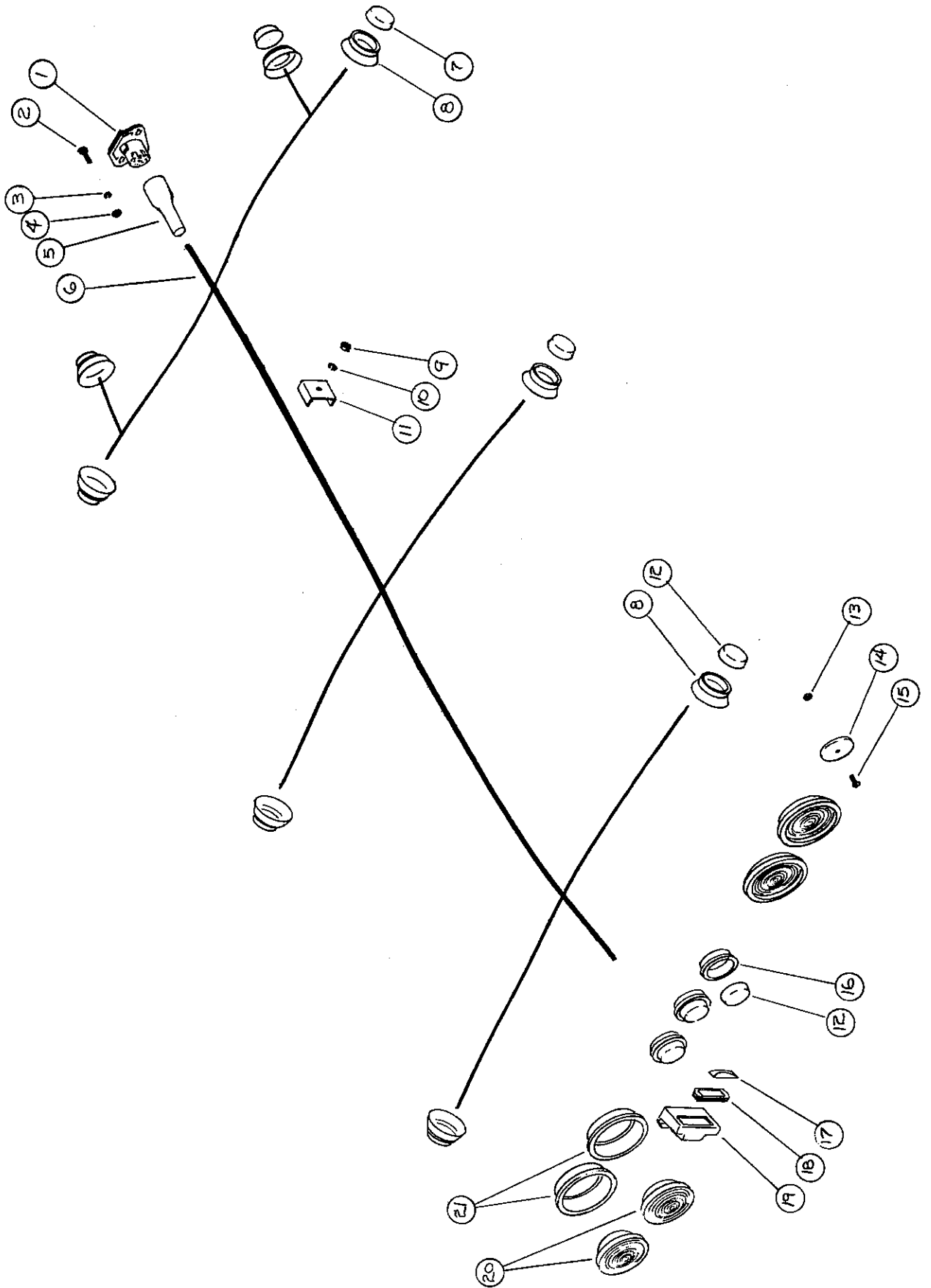
AIR RIDE SYSTEM

<u>ITEM</u>	<u>PART NUMBER</u>	<u>DESCRIPTION</u>	<u>QTY.</u>
1	3600 x 6	Male Branch TEE Brass	1
2	40-168-8 x 6	Male Conn 1/2 Tube 3/8 NPT	1
3	62P8	1/2" Tubing	as required
4	10553-07	Connector 1/2 Tube - 1/4 NPT	9
5	10500-01	Filter with Check Valve	1
6	1062-00	Valve-Pressure Protection 65 PSI	1
7	10555-03	Hex Nipple - 1/4 NPT	1
8	62P4	1/4" Tubing	as required
9	10553-03	Connector 1/4 Tube - 1/4 NPT	4
10	10554-03	Tee - 1/4 NPT	3
11	3-102-010010	U-Bolt	3
12	10686-01	Connector 1/4 Tube - 1/4 IFT	4
13	10262-04	Valve-Delco-4950856 RH	1
14	10262-03	Valve-Delco-4950857 LH	1
15	1053-00	Hex Bolt 1/4-28UNF x 1 GR2	8
16	1054-00	Hex Nut 1/4 -28UNF GR2	8
17	1055-00	Lock Washer 1/4	14
18	1142-00	Flat Washer 1/4	4
19	1/4-20 HFN	Hex Nut 1/4 GR2	6



360 ELECTRICAL SYSTEM

<u>ITEM</u>	<u>PART NUMBER</u>	<u>DESCRIPTION</u>
1	59S7	Electrical Socket 7 Pole
2	5/16-18 x 1-1/4 CS	Hex Capscrew GR2
3	5/16 SLW	Lock Washer
4	5/16-18 HFN	Hex Nut GR2
5	59W-2-3	Rubber Boot
6	59A-7	Multi Conduct Cable
7	10205Y	Reflector Lamp Yellow
8	10403	Grommet Mount
9	3/8-16 HFN	Hex Nut GR2
10	3/8 SLW	Lock Washer
11	2-181-010001	Hose Clamp
12	10205R	Reflector Lamp Red
13	3/16-24 HFN	Hex Nut GR2
14	B477R	Red Reflector
15	3/16 x 3/4 RHD STV	Round Head Stove Bolt
16	10404	3" Grommet Mount
17	15206	License Lamp
18	15700	Grommet Mount
19	15725	Mounting Bracket
20	40002R	4" Stop-Turn Lamp Red
21	40700	4" Grommet Mount

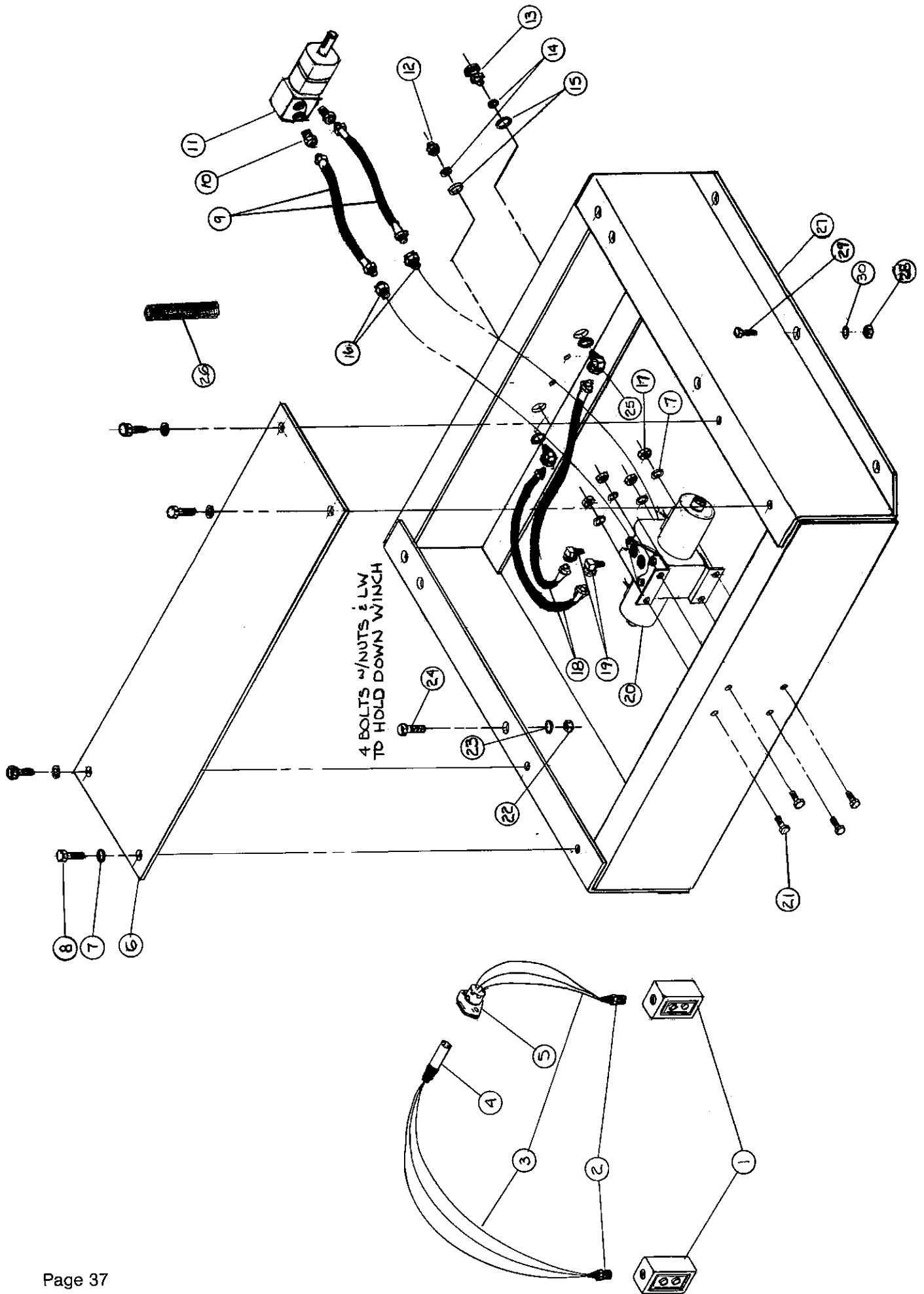


360 EXTENSIONS

<u>ITEM</u>	<u>PART NUMBER</u>	<u>DESCRIPTION</u>
1	3-276-010309	Front Extension
2	3-276-010311	Support Assy. Ft. Ext.
3	3-557-010052	Pin
4	3/16 x 1-1/4	Cotter Pin
5	7637	Lynch Pin
6	0600-250-01000	1/4 x 1 Roll Pin
7	3/8-16 HFLN	3/8 Lock Nut
8	3/8 FW	Flat Washer
9	3/8-16 x 1 HHCS	3/8 x 1 Cap Screw
10	516-22 PTL	Retaining Pin
11	See Chart	Front Extension
12	3-276-010349	Center Extension W/Light
13	3-557-010115	Pin Extension Lock
14	0600-375-0400	3/8 x 4 Roll Pin
15	3-276-010350	Extension STD 72"
16	3-276-010351	Extension Slope
17	3-276-010352	Extension Between Axles
18	3-276-010353	Extension Rear Beaver Tail
19	3-276-010354	Extension Rear West Coast
20	3-557-010116	Lock Pin, Ramp
21	0600-375-02000	3/8 x 2 Roll Pin
22	CO-975-74-2000	Spring
23	3-619-010031	Ramp 360
24	3-276-010303	Cover Wheel Opening

FRONT EXTENSION CHART

<u>TRAILER LENGTH</u>	<u>STYLE</u>	<u>PART NUMBER</u>	
		<u>Left</u>	<u>Right</u>
43	B.T.	3-276-010355	3-276-010356
	W.C.	3-276-010363	3-276-010364
44	B.T.	3-276-010357	3-276-010358
	W.C.	3-276-010365	3-276-010366
45	B.T.	3-276-010359	3-276-010360
	W.C.	3-276-010367	3-276-010368
46	B.T.	3-276-010361	3-276-010362



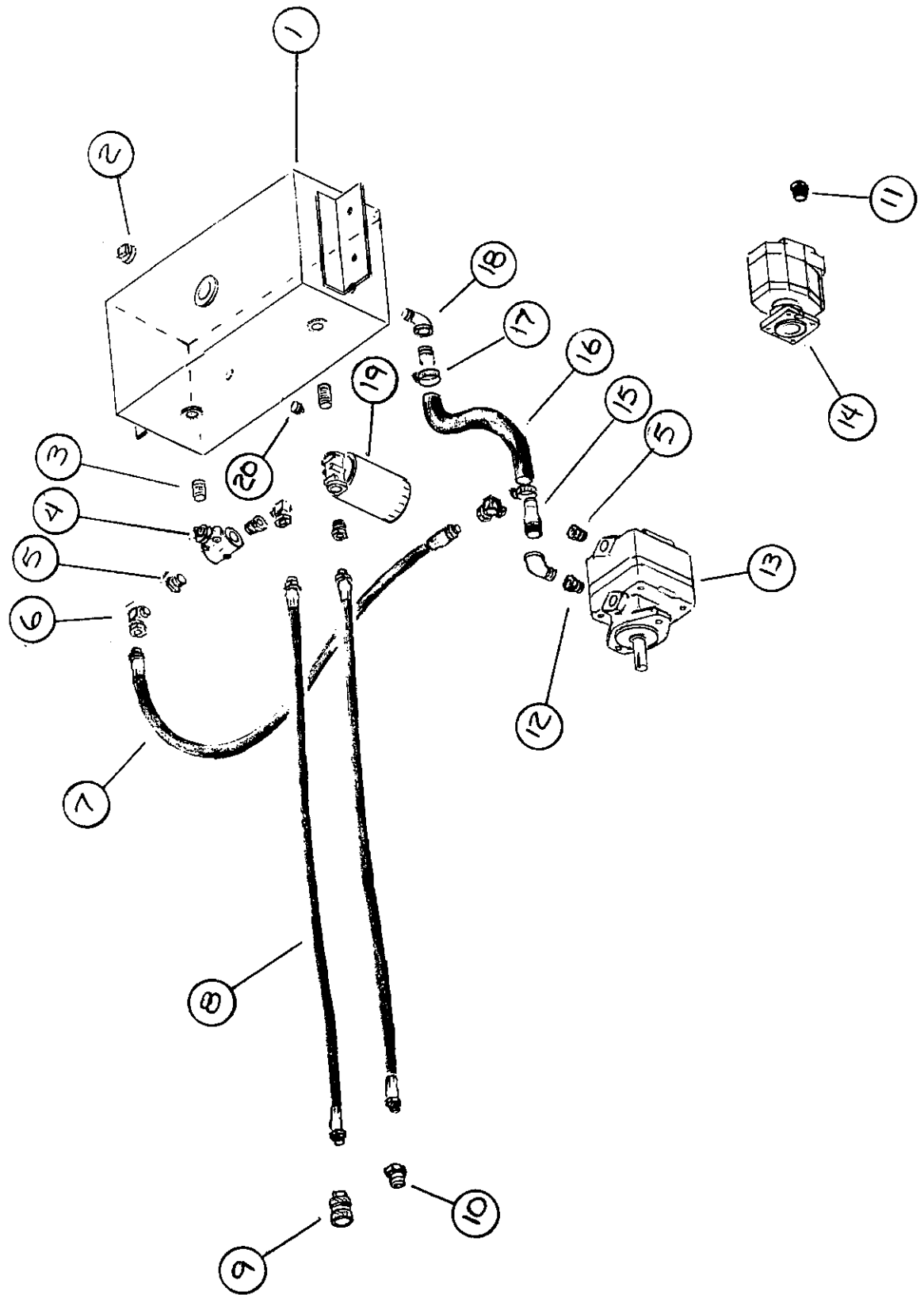
WINCH INSTALLATION 360

<u>ITEM</u>	<u>PART NUMBER</u>	<u>DESCRIPTION</u>
1	0991-BW73Y	Push Button Station
2	DB-10	Strain Relief Cord Conn
3	14-3 SO	Three Conductor Wire
4	59P8	Trailer Conn. Plug
5	59S7	Trailer Elect. Socket
6	3-873-010048	Cover, Winch Support
7	3/8 SLW	3/8 Lock Washer
8	3/8-16 x 1-1/4 CS	3/8 x 1-1/4 Bolt
9	2-397-010006	Hose Assembly 30"
10	2066-8-10S	O-Ring Adapter
11	104-1003	Hyd. Motor 12,000 lb. Winch
11	109-1116	Hyd. Motor 20,000 lb. Winch
12	8010-4	Male Tip
13	4050-4	Coupler Body Half
14	7/8 Mach Bush	7/8 Machinery Bushing
15	1/2 Hose Washer	Garden Hose Washer
16	2066-8-8S	3/4-16 O-Ring to 1/2 NPT Adapter
17	3/8-16 HFN	3/8 Nut
18	2-397-010006	Hose Assembly 30"
19	2068-8-8S	3/4-16 O-Ring Adapter 90° el.
20	4813-12VDC-1GS	Solenoid Valve
21	3/8-16 x 2 CS GR5	3/8 x 2 Bolt
22	3/4-10 HFN	3/4 Nut
23	3/4 SLW	3/4 Lock Washer
24	3/4-10 x 2-1/2 CS	3/4 x 2-1/2 Bolt
25	2047-8-8S	Adapter
26	3-720-010010	Spring Winch Level Wind
27	3-873-010041	Support Assembly Winch 360
28	5/8-11 HFN	5/8 Nut
29	5/8-11 x 1-1/2 CS	5/8 x 1-1/2 Bolt
30	5/8 SLW	5/8 Lock Washer

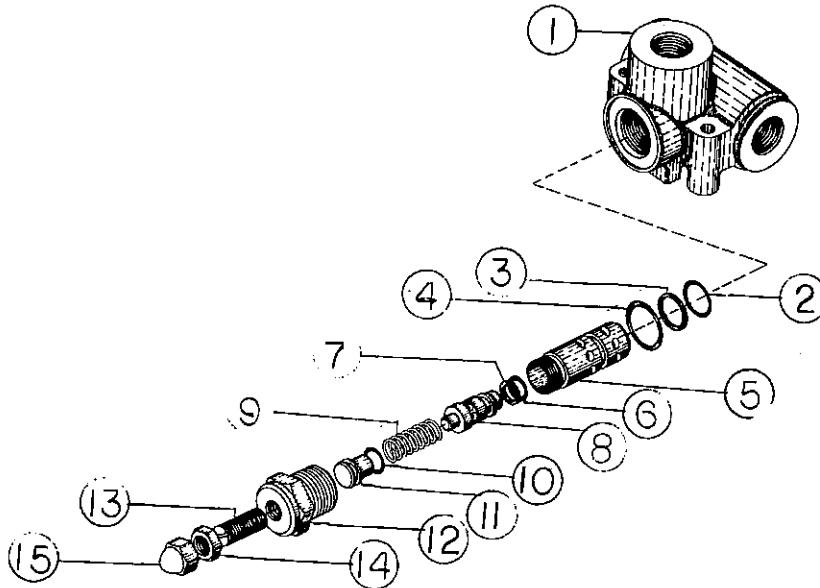
TRUCK WET KIT

Item	Part No.	Description	Qty.
1	3-786-010005	Hyd. Tank	1
2	2 Pipe Plug	2" Pipe Plug	1
3	3/4 x 2 Nipple	3/4" Close Nipple	2
4	125130	Pressure Relief Valve	1
5	3/4 x 1/2 Bush	Reducer Bushing	4
6	2047-8-8S	90° Swivel Elbow	4
7	6-397-010005	Hose Assy. 6'	1
8	3-397-010011	Hose Assy. 12' 6"	2
9	4050-4	Coupler Body Half	1
10	8010-4	Male Tip	1
11	1 x 1/2 Bush	Reducer Bushing	1
12	1 1/4 x 1 Bush	Reducer Bushing	1
13	V-201P13P1C11	Vane pump, Vickers	1
14	*1438-0015-E3RPX	Gear pump, Chelsea	1
15	3-561-010001	1" Pipe Coupling	2
16	19B	1 1/4 Hose	4 ft.
17	4-1203	Hose Clamp	2
18	1 St. Ell	1" 90° St. Elbow	2
19	CFRS 3012 x 10	Filter	1
20	1 1/4 Pipe Plug RSE3010	1 1/4 Pipe Plug Filter Element	1

*Used when gear pump is mounted directly to P.T.O. 1431-0015-E1RPX gear pump will be used in remote mounted installation.

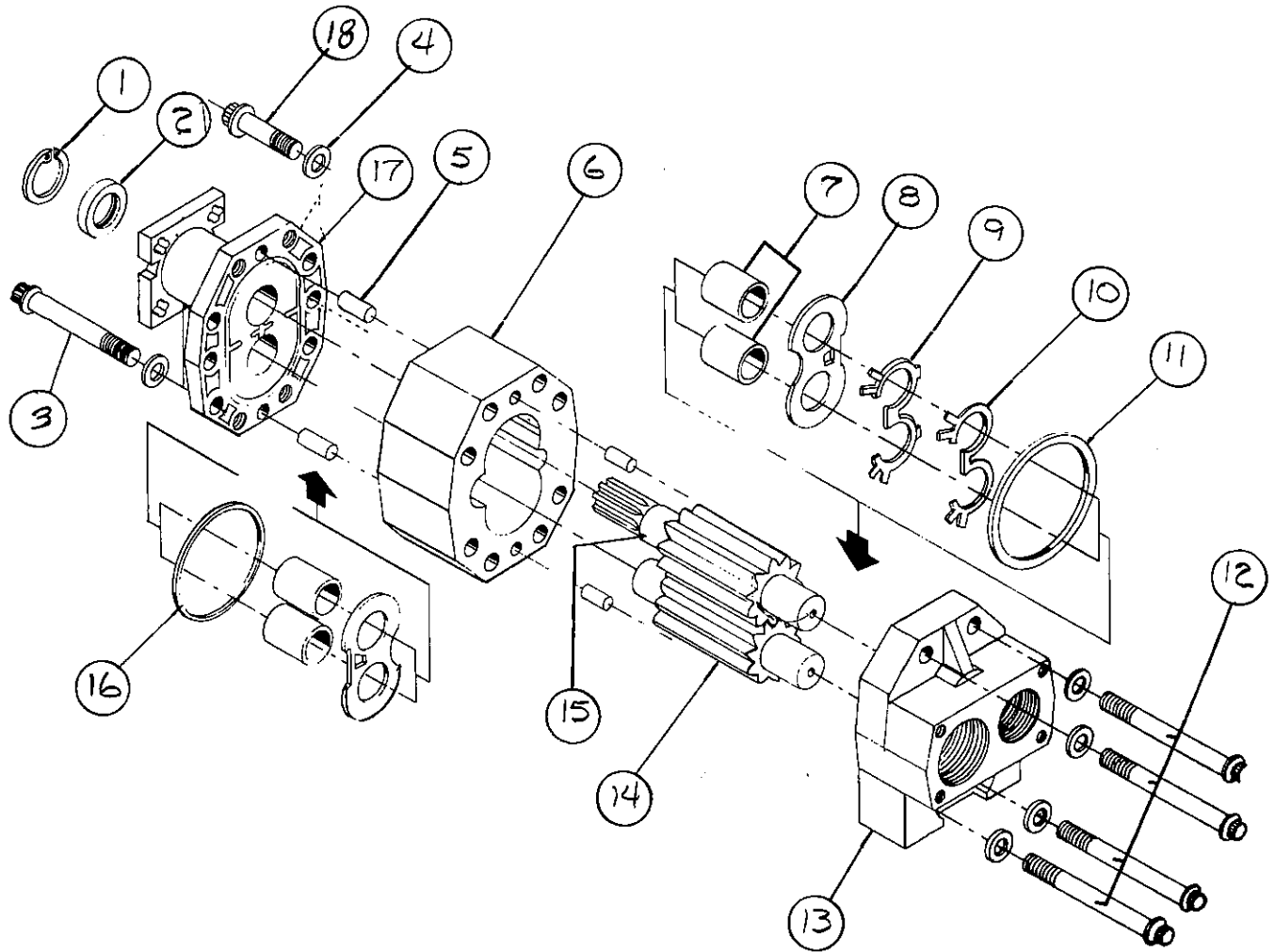


125130
PRESSURE RELIEF VALVE



Item	Part No.	Des.	Qty.
1	1R0024	Housing	1
2	2A0283-7015	O-Ring, Lower Body	1
3	2A0010-015	Back Up Seal, Lower Body	1
4	2A0283-9910	O-Ring, Plug	1
5	1R0019	Relief Lower Body	1
6	2A0283-7011	O-Ring, Poppet	1
7	2A0007-011	Back Up Seal, Poppet	1
8	1R0020	Relief Poppet	1
9	2A9048-7	Spring (1500-300 PSI)	1
10	1A0171	Piston O-Ring	1
11	1R0013	Relief Piston	1
12	1R0018	Relief Upper Body	1
13	1R0015	Adjustment Screw	1
14	1A0569	Lock Nut	1
15	1A0570	Acorn Nut	1

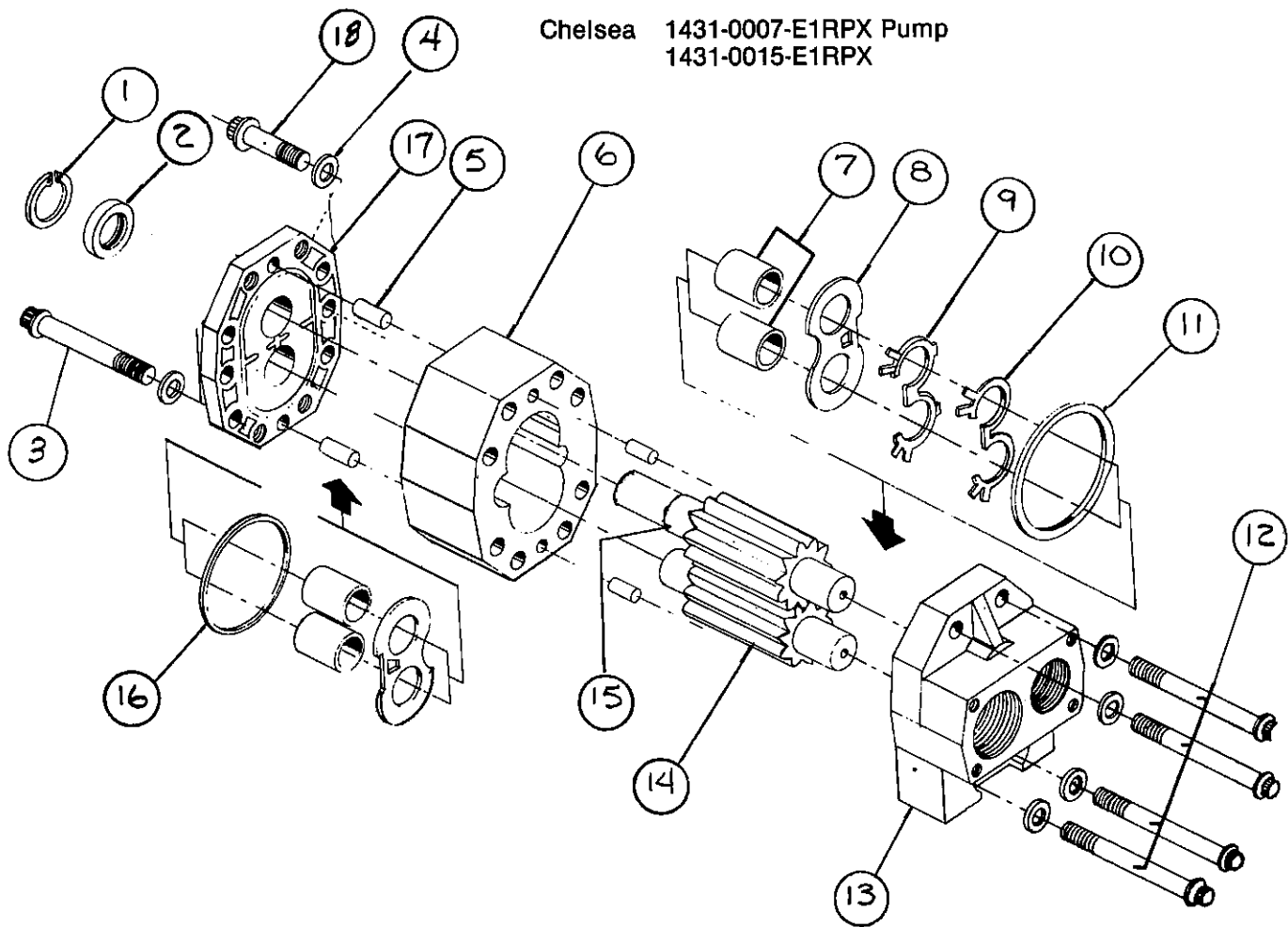
1438 - 0017 - E3RPX



CHELSEA 1438-0015-E3RPX PUMP

Item	Part No.	Description	Qty.
1	175-1031-9	Retainer Ring	1
2	165-1210	Shaft Seal	1
3	155-1061-21	Capscrew	4
4	150-1010-4	Washer	9
5	195-375-16-02	Dowel Pin	4
6	100-2403-3	Housing	1
7	125-1050	Bearing Bushing	4
8	140-1391	Thrust Plate	2
9	154-1051	Seal, Backup	1
10	160-1121	Seal, Balance	1
11	160-01-044-02	Gasket, Rear	1
12	155-1061-31	Capscrew	4
13	105-2023	Cover, Rear	1
14	112-1963-3	Driven Gear	1
15	112-1953-3	Drive Gear	1
16	160-01-043-02	Gasket, Front	1
17	105-2033	Front Cover	1
18	155-1061-3	Capscrew	1
		Seal Kit 5000-1160	

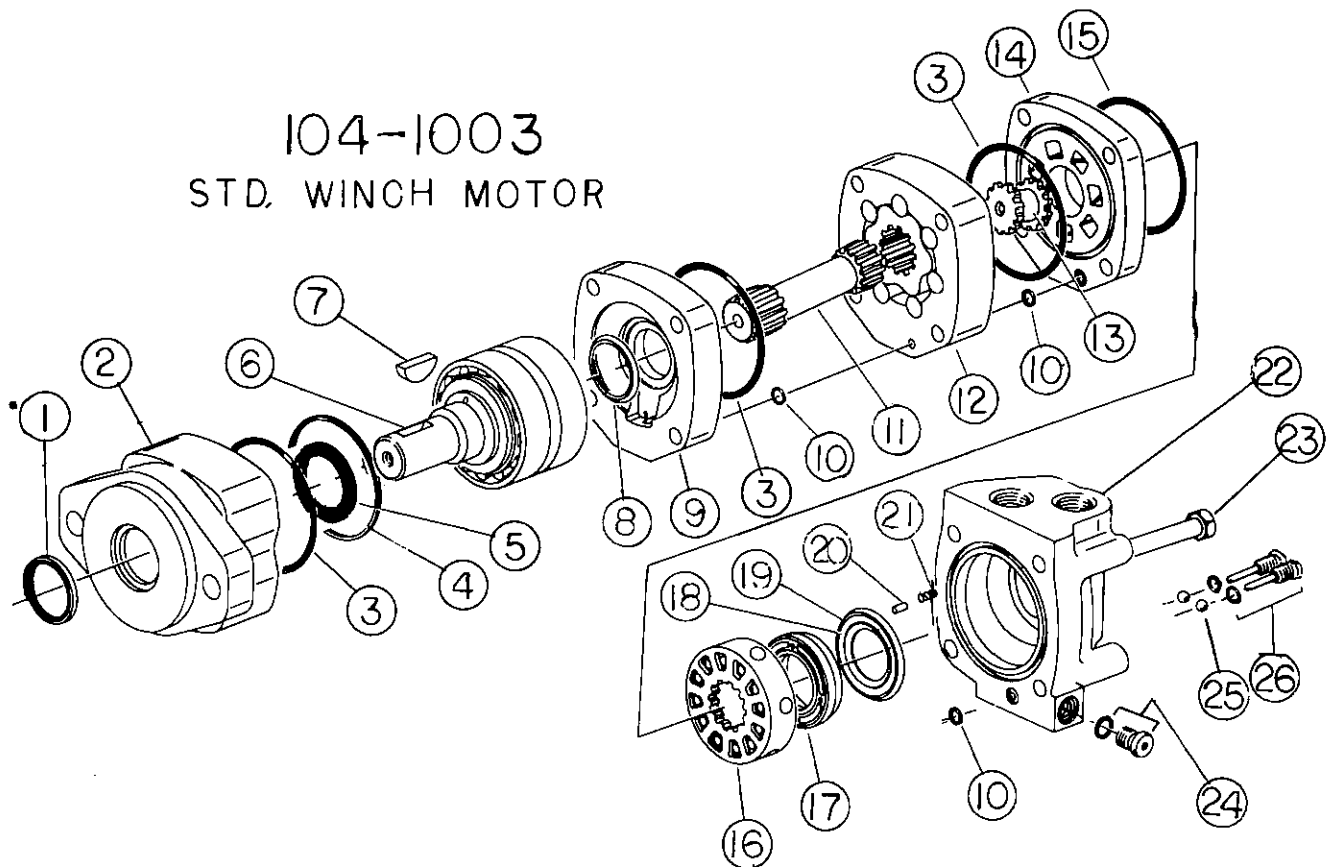
Chelsea 1431-0007-E1RPX Pump
1431-0015-E1RPX



Item	Part No.	Description	Qty.
1	175-1031-9	Retainer Ring	2
2	165-1210	Seal, Shaft	1
3	*155-1061-41	Capscrew	4
	**155-1061-31	Capscrew	4
4	150-1010-4	Washer	9
5	195-375-16-02	Dowel Pin	4
6	*100-2043-8	Pump Body	1
	**100-2043-3	Pump Body	1
7	125-1050	Bushing, Bearing	4
8	140-1391	Thrust Plate	2
9	154-1051	Seal, Backup	1
10	160-1121	Seal, Balance	1
11	160-01-044-02	Gasket, Rear	1
12	*155-1061-20	Capscrew	4
	**155-1061-22	Capscrew	4
13	105-2023	Rear Cover	1
14	*112-1963-9	Driven Shaft	1
	**112-1963-3	Driven Shaft	1
15	*112-2093-1	Drive Shaft	1
	**112-2093-4	Drive Shaft	1
16	160-01-043-02	Gasket, Front	1
17	105-2243	Front Cover	1
18	155-1061-3	Capscrew	1

* 1431-0007-E1RPX Gear Pump—Engine Drive Hyd.
**1431-0015-E1RPX Gear Pump—P.T.O. Remount Mount.

104-1003 STD. WINCH MOTOR



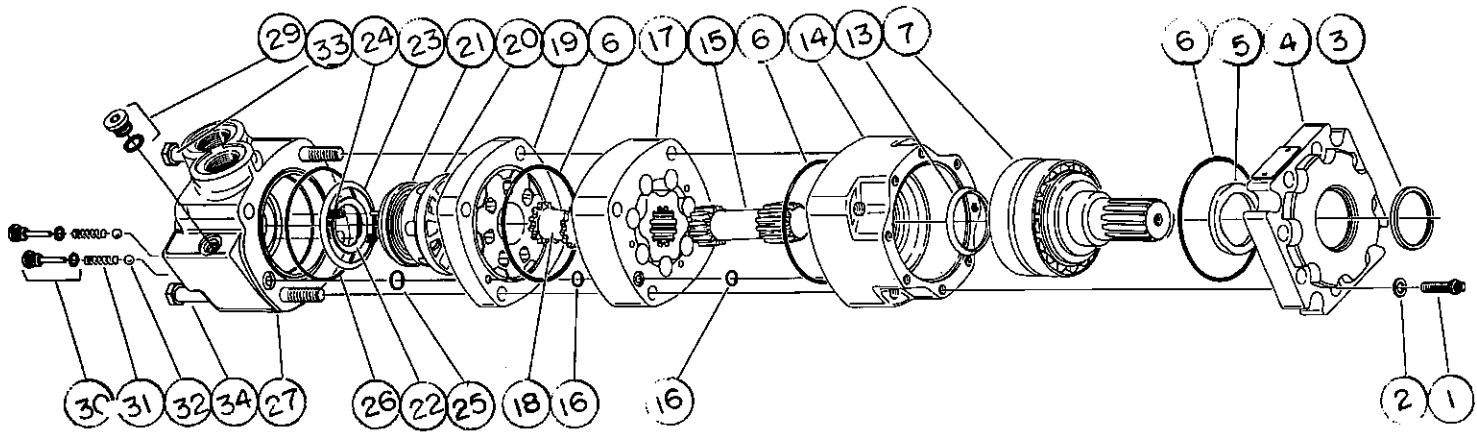
104-1003 WINCH MOTOR

Item	Part No.	Des.	Qty.
1	9044-1	O Seal, Dust	1
2	7385	* Housing, Bearing	1
3	9022-6	Seal, O-Ring	3
4	61023	XO Spacer Bearing Kit	1
5	9075-1	O Seal Shaft	1
6	61204	Shaft & Bearing Kit	1
7	14193	Key	1
8	9050	O Seal, Shaft Face	1
9	7390	* Plate, Wear	1
10	9022-12	X Seal, O-Ring	3
11	8434-3	Drive	1
12	7403-3	Geroler	1
13	8433	Drive, Valve	1
14	8 4 3 2	Plate, Valve	1
15	9022-2	X Seal	1
16	8435	Valve	1
17	7379	Balance Plate	1
18	9049-1	X Seal, Face, Inner	1
19	9048-1	X Seal, Face, Outer	1
20	14351	Pin *	2
21	7383	Spring	2
22	8356-1	Housing, Valve	1
23	14300	Bolt	4
24	9072-3	Plug Assembly	1
	9071-3	Plug	1
	250003-904	X O-Ring	1
25	18026	Ball, Steel	2
26	8350	Check Plug Assembly	2
	8349	Plug	2
	250003-903	O-Ring	2

X 61200 Seal kit, motor rear, contains parts indicated by X

O 61201 Seal kit, shaft, contains parts indicated by O

* Order 61203 bearing spacer kit whenever you replace the bearing housing, shaft and bearing kit or wear plate.

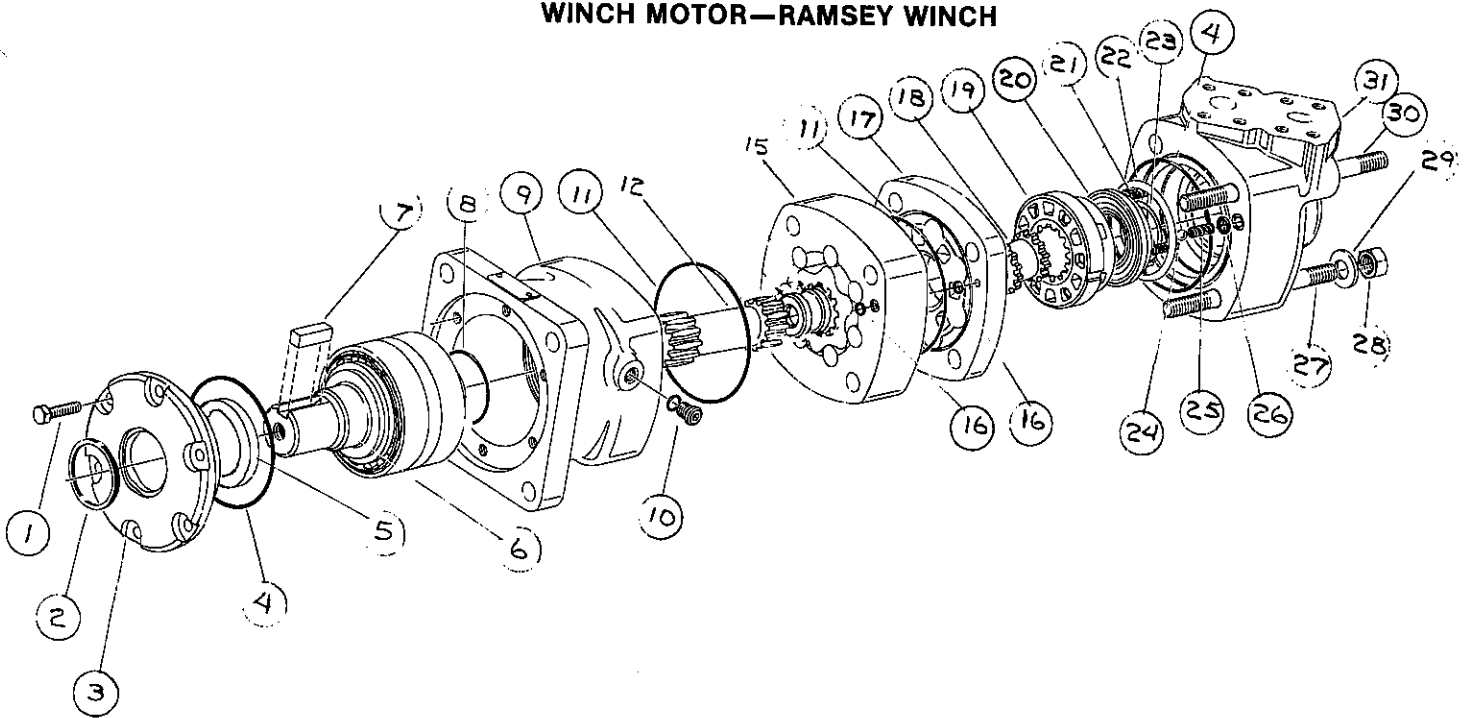


109-1116 MOTOR FOR AMU7 WINCH

Ref. No.	Part Number	Description	Quantity
1	5389-27	Screw, Cap	8
+ 2	6049	Washer	8
+ 3	9031-1	Seal, Dust	1
4	8559	Retainer, Front	1
+ 5	9068-2	Seal, Shaft	1
x + 6	9022-8	Seal, 3-1/2" ID	3
7	8709-1	Shaft (Straight) & Bearing Kit	1
8	8709-2	Shaft (Tapered) & Bearing Kit	1
9	8709-3	Shaft (Splined) & Bearing Kit	1
		(above shaft & bearing kit includes the following parts)	1
	NSS	Shaft	1
	NSS	Cone, Bearing	2
	NSS	Cup, Bearing	2
	NSS	Spacer, Bearing	1
	NSS	Retainer, Ring	1
10	14392-11	Key, (for straight shaft)	1
11	14230	Nut, Hex	1
12	14232	Key, (for tapered shaft)	1
+ 13	9070-1	Seal, Shaft Face	1
14	8487	Housing, Bearing	1
15	6947	Drive	1
x16	9022-3	Seal, 1/4" ID	2
17	7960-2	Geroler 7/8 Width	1
18	8510	Drive, Valve	1
19	8504	Plate, Valve	1
20	8500	Valve	1
21	6942	Plate, Balance Assembly	1
x22	6961	Seal, Face, Inner	1
x23	6962	Seal, Face, Outer	1
24	6203	Spring	2
x25	15006	Seal, 5/16" ID	1
x26	9022-7	SEal, 3-1/4" ID	1
27	8501-3	Housing, Valve, 1 1/16" Str. Thd—O-Ring Ports	1
29	9072-3	Plug Assembly	1
	NSS	Plug	1
x	250003-904	O-Ring	1
30	8350	Check Plug Assembly	2
	NSS	Plug	2
x	250003-903	O-Ring	2
31	6464	Spring	2
32	18026	Ball, Steel	2
33	14247	Bolt 5/14"	2
34	14243	Bolt 4 1/4"	2
X	61234	Seal Kit, Motor, Rear Contains Parts Ind. By X	
+	61236	Seal Kit, Shaft, Contains Parts Indicated By +	

NSS—Not Sold Separately

112-1001
WINCH MOTOR—RAMSEY WINCH



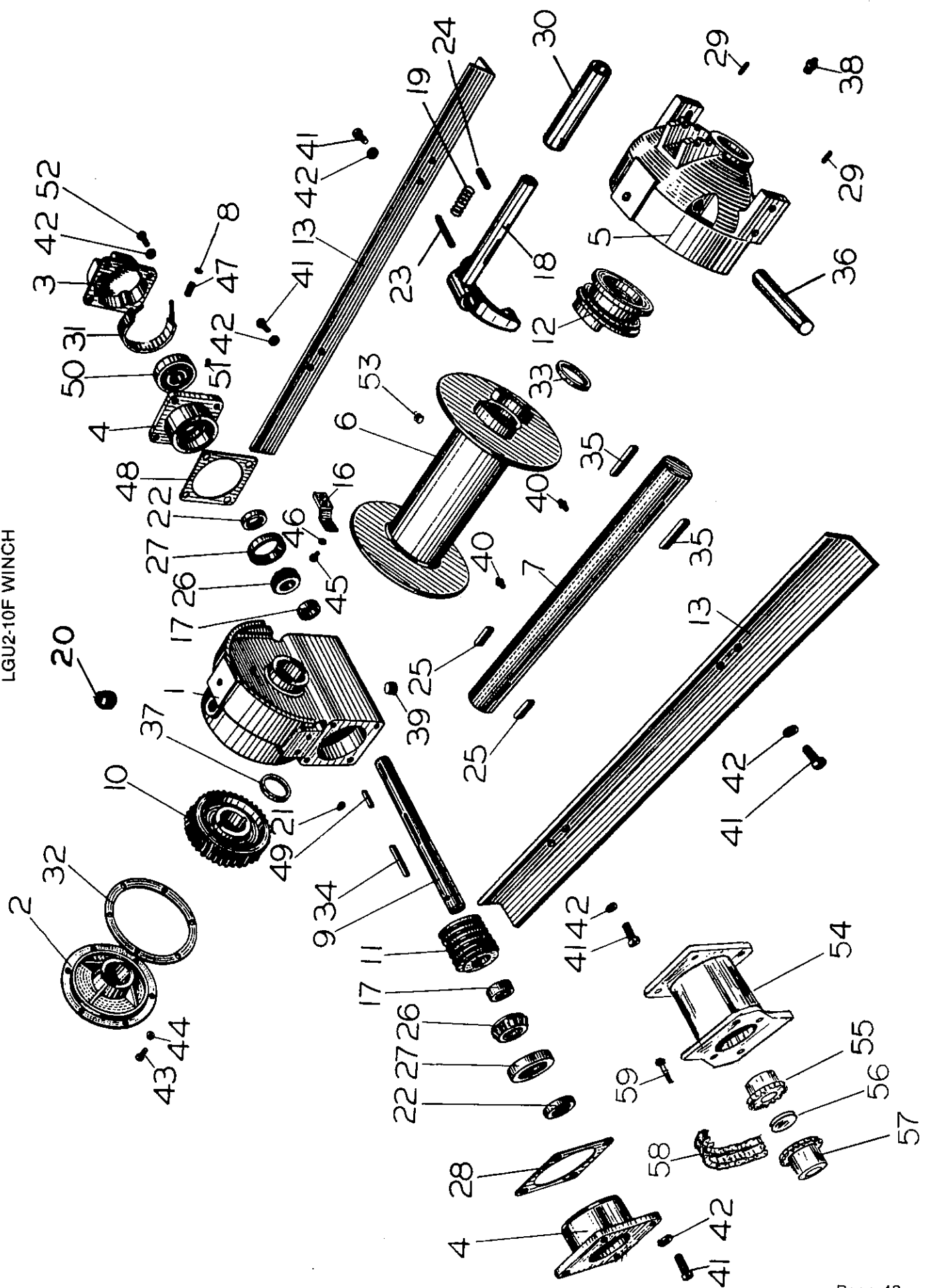
Item	Part No.		Des.	Qty.
1	14253		Bolt, Retainer	6
2	9039-1	O	Seal, Dust	1
3	7547		Retainer, Front	1
4	15062	XO	Seal	2
5	9068-1	O	Seal, Shaft	1
6	61,107		Shaft and Bearing Kit	1
7	14254		Key	1
8	15079	O	Seal	1
9	7568		Housing, Bearing	1
10	9072-3		Plug Assembly	2
	9071-3		Plug	2
	250003-903	X	Seal, O-Ring	2
11	9022-9	X	Seal	2
12	7004		Drive	1
15	7962-1		Geroler	1
16	9022-3	X	Seal	4
17	8282		Plate, Valve	1
18	8253		Drive, Valve	1
19	8248		Valve	1
20	6981		Balance Plate Assy.	1
21	6203		Spring	3
22	6992	X	Seal, Face, Outer	1
23	6993	X	Seal, Face, Inner	1
24	18026		Ball, Steel	2
25	6464		Spring	2
26	9022-4	X	Seal	2
27	9033-1		Stud	2
28	14213		Nut, Hex	4
29	14082		Washer	4
30	9033-6		Stud	2
31	8012		Housing, Valve	1

X—61,105 Seal Kit, Motor, Rear
O—61,104 Seal Kit, Shaft

LGU2-10F WINCH

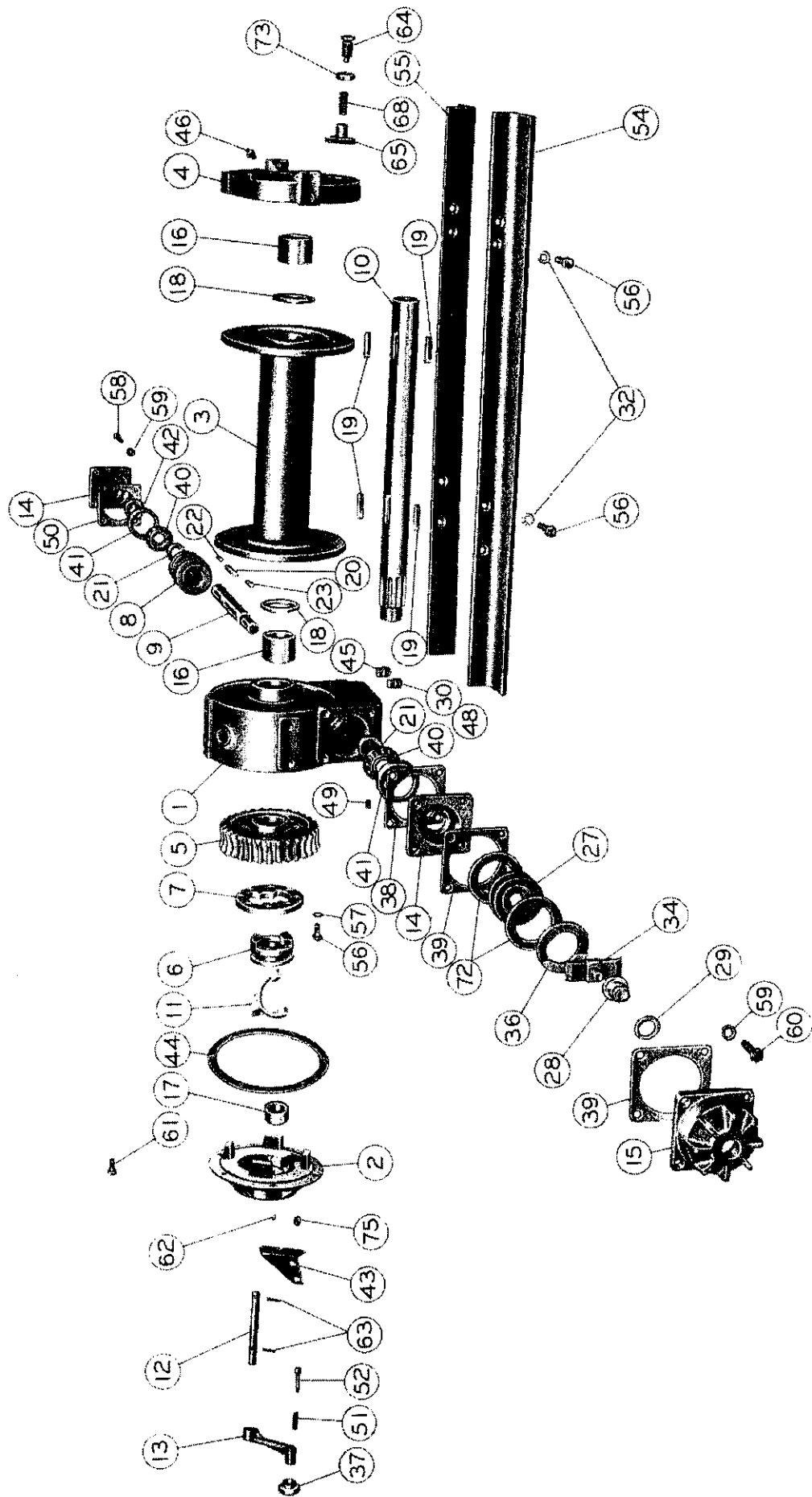
Item	Part No.	Des.	Qty.
1	81006	LU2-1340-0 Worm Housing Assy.	1
2	81009	LU2-144-0 Worm Housing Cover	1
3	18032	MU-248 Safety Brake Housing	1
4	23303	Bearing Container	2
5	81530	Bearing Leg Assy.	1
6	11128	LU2-135 Cable Drum	1
7	11129	LU2-136 Cable Drum Shaft	1
8	13468	BO25J Jam Nut	4
9	23470	Worm Shaft	1
10	11144	LU2-201L Worm Gear	1
11	11142	LU2-200L Worm	1
12	18039	M2-141 Clutch	1
13	22752	ALU-2-146 Base Angle	2
16	81025	LU4-131-0 Drag Brake	1
17	11308	MU-1025 Worm Spacer	2
18	13839	LU2-143 Shifter Fork	1
19	18002	A-143S Spring	1
20	22775	E100TD Pipe Plug	1
21	18009	E012T Pipe Plug	1
22	18026	MU-149A Grease Seal	2
23	13028	R25-175 Roll Pin	1
24	18056	R25-075 Roll Pin	1
25	11117	LU2-101A Worm Gear Key	2
26	18015	MU-103A Bearing Cone	2
27	18016	MU-103B Bearing Cup	2
28	18027	MU-149G Gasket	3
29	11837	R12-062 Roll Pin	2
30	12817	LU2-143-3 Shifter Handle	1
31	21925	MU-152-0 Brake Band	1
32	11133	LU2-144G Gasket	3
33	18019	MU-139 Retainer Pin	1
34	18030	MU-200A Worm Key	1
35	18020	MU-141A Clutch Key	2
36	11130	LU2-143A Shifter Fork	1
37	11240	MS3-139 Thrust Ring	1
38	18047	Z525 Grease Fitting	1
39	19045	E05OW Pipe Plug	1
40	11799	Z1652 Grease Fitting	2
41	21961	S037-10PH5 Capscrew	8
42	18003	A037 Lock Washer	16
43	11767	S031-10PH5 Capscrew	6
44	11011	AK031 Lock Washer	6
45	13005	S025-06PH5 Capscrew	2
46	12780	AK025 Lock Washer	2
47	18029	MU-156 Spring	1
48	18024	MU-148G Gasket	3
49	18044	M5-151A Key	2
50	18028	MU-151 Brake Drum	1
51	12075	S025-03STK Set Screw	1
52	22694	S037-15PH5 Capscrew	4
53	24032	S050-055AK Set Screw	1
54	23079	Motor Adapter	1
55	23081	Coupler Half-Winch	1
56	23078	Spacer-Constant	1
57	23083	Coupling Half-Motor	1
58	13424	701180 Chain	1
59	13413	S050-15PH5 Capscrew	2

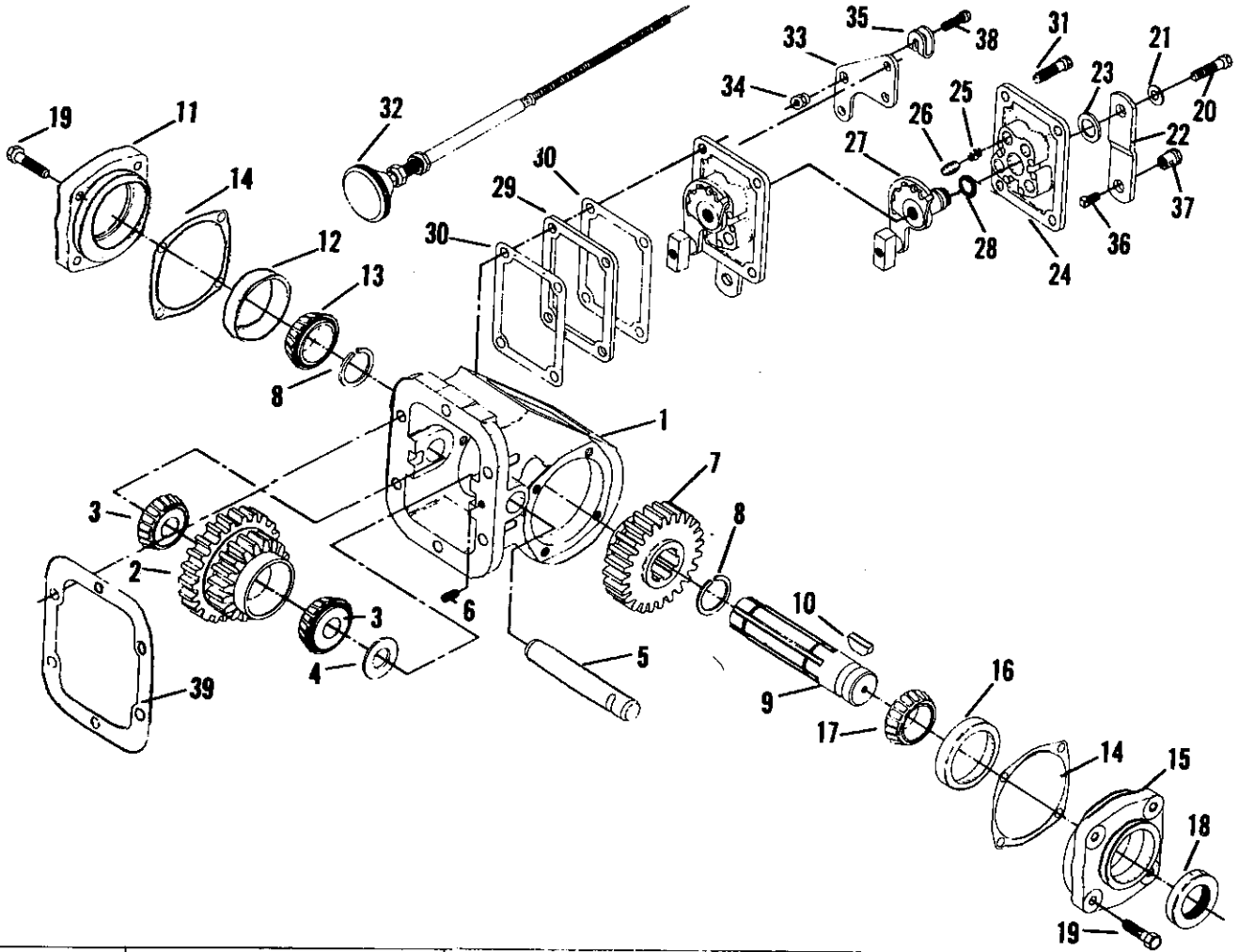
LGU2-10F WINCH



AMU7-16F WINCH

Item	Description	Part Number	Quantity
1	Worm Housing Assy.	81078	1
3	Cable Drum	11449	1
4	Bearing Leg Assy.	81077	1
5	Worm Gear, Right	11434	1
	Worm Gear, Left	11433	1
6	Sliding Clutch	11421	1
7	Clutch Drive	11419	1
8	Worm, Right	11404	1
	Worm, Left	11403	1
9	Worm Shaft	11405	1
10	Cable Drum Shaft	11414	1
14	Bearing Container	11427	2
15	Worm Brake Cover	11445	1
16	Bushing	18035	2
17	Bushing	11425	1
18	Retaining Ring	11420	2
19	Cable Drum Kit	11641	4
20	Worm Key	11402	1
21	Worm Spacer	11407	2
22	Sprocket Key	11586	1
23	Rotor Key	18044	1
27	Brake Rotor Assy.	81080	1
28	Worm Brake Adjusting Nut	11599	1
29	O-Ring	12465	1
30	Filler Plug	19014	1
32	Lockwasher	11026	10
34	Safety Brake Spring Assy.	81081	1
36	Pressure Plate	11431	1
38	Gasket	11429	4
39	Gasket	11446	2
40	Bearing Cone	18033	2
41	Bearing Cup	18034	2
42	Grease Seal	12073	1
44	Housing Cover Gasket	11411	1
45	Drain Plug	19045	1
46	Grease Fitting	18047	1
48	Vent Plug	18053	1
49	Level Plug	18009	1
50	Gasket	11430	4
51	Shifter Knob Spring	11310	1
52	Shifter Knob Stem	11309	1
56	Capscrew	13938	16
57	Lockwasher	12781	8
58	Capscrew	21044	4
59	Lockwasher	11025	3
60	Capscrew	22695	4
61	Capscrew	22047	6
64	Adjusting Screw	11398	1
65	Drag Brake Shoe Assy.	88005	1
68	Drag Brake Shoe Assy.	18002	1
72	Friction Disc	11426	2
73	Jam Nut	11791	1
76	Capscrew (Not Shown)	22729	2
Item	Description	Part Number	Quantity
2	Worm Housing Cover Assy.	81213	1
11	Shifter Fork	11422	1
12	Shifter Shaft	11423	1
13	Shifter Handle	11496	1
37	Shifter Knob		
43	Shifter Bracket		
54	Base Angle-Front	12921	1
55	Base Angle-Rear	12922	1
62	Expansion Plug		
63	Rollpin		
75	Expansion Plug		





Item	Part Number	Description	Quantity
1	1-P-195 1-P-196	CASE, p.t.o.—Standard Mount CASE, p.t.o.—Deep Mount	1 1
2	See Chart Pg. 4	GEAR, input cluster	1
3	550439	CONE, input gear bearing	2
4	328017X	KIT, input gear spacer—Consists of one 14— 1 thru 14-P-15-5.	1
	14-P-15-1	SPACER, input gear—.055" Thick	1
	14-P-15-2	SPACER, input gear—.060" Thick	1
	14-P-15-3	SPACER, input gear—.065" Thick	1
	14-P-15-4	SPACER, input gear—.070" Thick	1
	14-P-15-5	SPACER, input gear—.075" Thick	1
5	9-P-60	SHAFT, idler	1
	3 7 8 4 5 2 - 7	SET SCREW—For Standard Mount— 1/4"-20x 1/2"	1
7	378452-3	SET SCREW—For Deep Mount—1/4"-20x 1/4"	1
	2-P-291	GEAR, output sliding—24 Teeth	1
8	378391	RING, output shaft snap	2
9	3-P-352	SHAFT, std. p.t.o. output 1-1/4" Round—5/16" Keyway	1
10	500007-29	KEY, woodruff—Shipped Loose—5/16"	1
11	328278X	BEARING CUP ASSEMBLY—Closed End— (Includes Cup 550221)	1
12	550221	CUP, bearing—For Closed End	1
13	550532	CONE, bearing—For Closed End	1

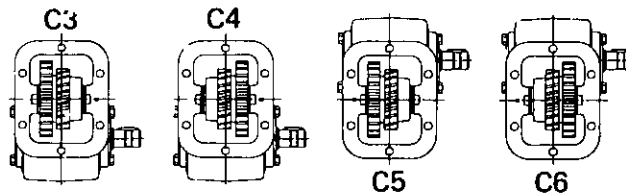
(148) - From SPACER KIT, select SPACER of proper thickness to provide end play of gear.

**42 SERIES
PARTS LIST & SPECIFICATIONS**

Chelsea®

Item	Part Number	Description	Quantity
14	22-P-24-1	GASKET, bearing cup—.014" ThickAR	
	22-P-24-2	GASKET, bearing cap—.020" ThickAR	
15	328277X	BEARING CAP ASSEMBLY—Output End— (Includes Cup 550221)1	
16	550221	CUP, bearing—For Output End1	
17	550397	CONE, bearing—For Output End1	
18	28-P-2	SEAL, output shaft oil1	
19	378430	CAPSCREW, hex. head eslock—5/16"-18x1" . . .8	
	328290-1X	SHIFTER ASSEMBLY—For Wire Control1 (Use with Assemblies C3 & C6)	
	328290-2X	SHIFTER ASSEMBLY—For Wire Control1 (Use with Assemblies C4 & C5)	
20	500409-6	CAPSCREW, hex. head—5/16"-24x5/8"1	
21	378003	LOCKWASHER, eslock capscrew—5/16"1	
22	51-P-22	LEVER, shifter1	
23	378004	WASHER, shifter lever—1" O.D.1	
24	34-P-17	COVER, shifter1	
25	37-P-20	SPRING, shifter ball1	
26	63-P-6	PIN, poppet1	
27	328289-1X	PLATE SUB-ASSEMBLY—For C3 & C61	
	328289-2X	PLATE SUB-ASSEMBLY—For C4 & C51	
28	28-P-49	"O" RING, shifter post—3/4" O.D.1	
29	5A-062	SPACER, shifter cover fiber1	
30	35-P-8	GASKET, shifter coverAR	
31	378430-9	CAPSCREW, hex. head eslock—5/16"-18 x 1" . . .4	
PARTS SHIPPED LOOSE			
32	328346-10X	WIRE CONTROL ASSEMBLY—Wire & Knob1	
	328380X	WIRE CONTROL MOUNTING PARTS KIT1	
33	50-P-17	WIRE CONTROL MOUNTING PARTS KIT BRACKET, wire control1	
34	378326	NUT, hex1	
35	50-P-19	BRACKET, swivel1	
36	500568-4	SETSCREW—1/4"-10x1/2"1	
37	378019	PIN, pivot1	
38	500396-8	CAPSCREW, hex. head—1/4"-20 x 3/4"1	
39	35-P-9-1	GASKET, p.t.o. mounting—.010" ThickAR	
	35-P-9-2	GASKET, p.t.o. mounting—.020" ThickAR	
P.T.O. MOUNTING STUD KIT			
	328170-76X	STUD KIT—For Standard Mount1	
	328170-77X	STUD KIT—For Deep Mount1	
GASKET & SEAL KIT			
	328356-13X	GASKET & SEAL KIT—Must Be Ordered (Contains 4 each of Item 14, 18, & 28; 2 pieces Item 30; 1 piece each Item 8 & 39)1	

ASSEMBLY ARRANGEMENT

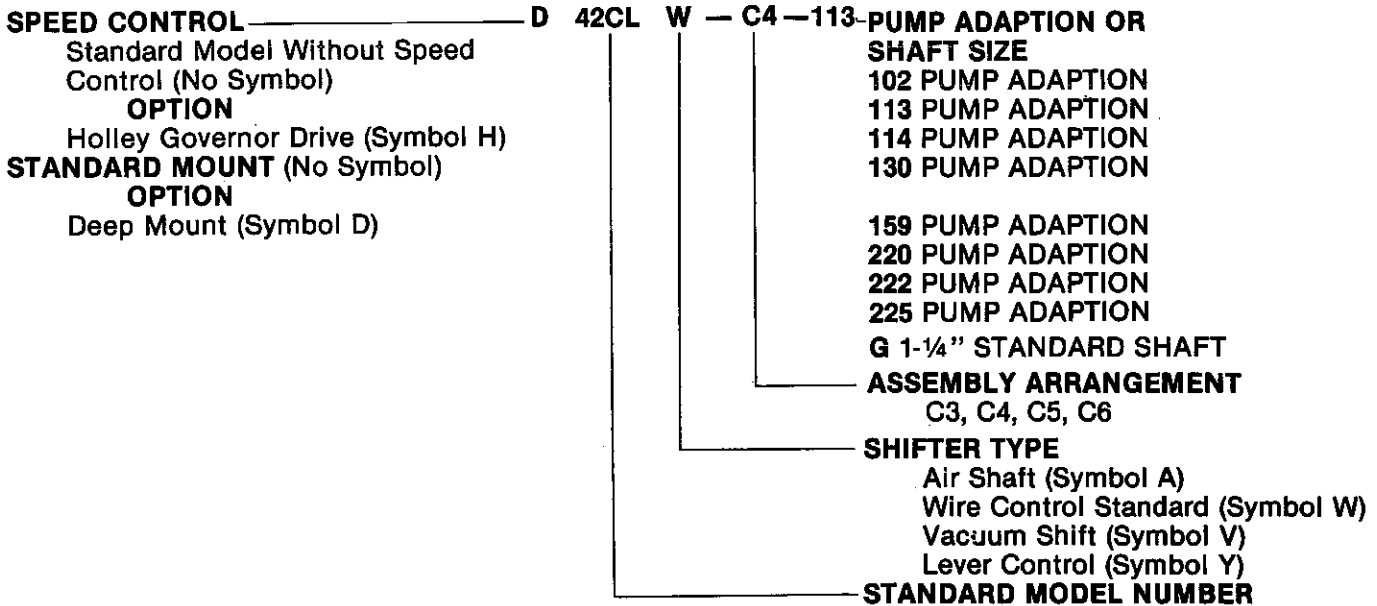


42 SERIES PITCH MODELS & GEAR DATA

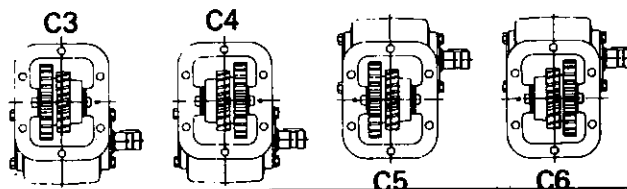
P.T.O. Model	Input Gear Item No. 2	Teeth	Transmission Application	Pitch & Pressure Angle
42ARL	5-P-432	25-19	New Process 4 Speed 435L Series & Others	8.1160NP-20° L.H.
42CFL	5-P-426	26-19	Warner T98-A (Left Hand Helix)	8.0829NP-20° L.H.
42CL	5-P-428	19-19	General—All 5 or 5/7	5 or 5/7-20°
42D17L	5-P-427	22-19	Spicer 5650, 5750 & 5850 Series	6/7-17 1/2°
42F6	5-P-535	22-19	Fuller T-1056-A	6.2418-19° 17'
42F8	5-P-537	33-19	Fuller TS1312A & TS1308-A	8.35-20°
42GDL	5-P-466	25-19	New Process 4 Speed 435-D Series	8-2559NP-20° L.H.
42HCL	5-P-348	25-19	Chevrolet 4 Speed & Spicer 3150, 3550 & 3850 Series	7NP-20° L.H.
42HEL	5-P-425	21-19	Spicer 5831 Auxilliary & Watson Auxilliary	6 or 6/8NP-17 1/2° L.H.
42L	5-P-326	22-19	General—All 6 or 6/8	6 or 6/8-20°
42LDH	5-P-411	26-19	Clark 5 Speed	7.6168NP-18° 29'22" L.H.
42LKH	5-P-466	22-19	New Process NP-205 T.C. (Left Side)	7NP-20° R.H.
42LMH	5-P-358	25-19	Chevrolet CH-465 4 Speed & GMC	7.3449NP-20° L.H.
42LNB6	5-P-526	18-19	Clark 397V	6.100-25° L.H.
42LNE7	5-P-495	23-29	New Process Model 203 Transfer Case	7-20° L.H.
42LNO5	5-P-499	17-19	Spicer R-8031 & R-8341	5-17 1/2° L.H.
42LRH	5-P-386	26-19	New Process 4 Speed Synchro-Shift (420)	7.6168NP-18° 29'22" R.H.
42LUH	5-P-420	23-19	Spicer 5000 Series (Right Side 8 Hole)	7NP-17 1/2° L.H.
42L7R	5-P-433	27-19	Spicer 1350 Series (Right Side 8 Hole)	8.0829NP-20° L.H.
42N10	5-P-542	33-19	Spicer 480010-20° R.H.	
D42HPL	5-P-434	21-19	Spicer 6350, 6450 & 6850 Series	6NP-17 1/2° L.H.

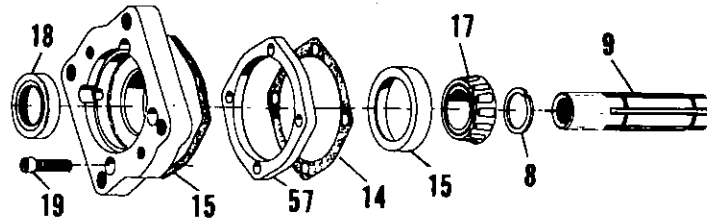
CHELSEA MODEL NUMBER CONSTRUCTION

42 SERIES EXTRA HEAVY DUTY LOW SPEED P.T.O.



ASSEMBLY ARRANGEMENT





Pump Mounting Suffix	NEW Flange Item No. 15	Output Shaft Item No.	Capscrew & Dimensions Quantity Required—Four Item No. 19	Conversion Kit▶
102	328580X	3-P-385	378447-9 (5/16"-18x1.750")	328593-5X
113	328333X	3-P-351	378447-9 (5/16"-18x1.750")	328593-9X
114	328580X	3-P-452	378447-9 (5/16"-18x1.750")	328593-11X
130	328583X	3-P-385	378447-8 (5/16"-18x1.500")	328593-13X
159	328584X	3-P-351	378447-9 (5/16"-18x1.750")	328593-14X
220	328328X	3-P-351	378447-8 (5/16"-18x1.500")	328593-15X
222†	328589X	3-P-351	378447-9 (5/16"-18x1.750")	328593-10X
225	328710X	3-P-452	378922 Studs, 378919 Washer and 500963-1 Hex (Locknut (4 each))	328593-16X

▶ Conversion Kits consist of all Items listed plus Oil SEal 28-P-52 Item 18, Lockring 378391 (Qt. 2) Item 8, Gaskets 22-P-24-1 and 22-P-24-2 Item 14, and Spacer 378336 Item 57.

† Flange Assembly 328589X interferes with Base on Deep Mount Housing Assembly C-3 only.

All Flange Assemblies consist of Pump Flange and Bearing Cup 550221.

INDEX

	PAGE
Alignment, axle	14
Alignment, rim and tire	15
Brake Adjustment	16
Bearing, Wheel, Adjustment	16
Inspection Sheet, Final	1
Operation, Front Extension	4
Operation, Overwidths	3
Operation, Ramps	5
Safety Suggestions	2
Service and Lubrication	7
Suspension Maintenance	11
Tire Load and Inflation Data	13
Wiring Diagram Electrical	17

SERVICE PARTS

	PAGE
Air System	27
Common Items	18
Electrical System	33
Front Extension	35
Hydraulic Pumps	42
Hydraulic System for Winch	37
Landing Gear	20
Motors, Hydraulic	44
Overwidth Extensions	35
P.T.O.	51
Ramps	35
Undercarriages and Axles	24
Winch	47



**Our company
proudly displays the
FEMA Seal of Quality
on this equipment.**

**We were awarded this
registered trademark because:**

- **We provide complete operating instructions.**
- **We provide complete repair parts lists.**
- **We provide written warranty protection.**
- **We agree to provide ten year
parts availability.**

**Look for the Seal of Quality
when purchasing your next shortline equipment.**

Landoll Corporation, whose policy is one of continuous improvement, reserves the right to make changes without obligation to modify previously produced equipment.

LIMITED WARRANTY

ALL LANDOLL PRODUCTS ARE WARRANTED FOR ONE YEAR AGAINST DEFECTS IN MATERIALS AND WORKMANSHIP AND TO PERFORM ACCORDING TO SPECIFICATIONS FURNISHED, WHEN SUCH PRODUCTS ARE PROPERLY ASSEMBLED, INSTALLED, USED AND MAINTAINED.

Should any part prove defective within one year from date of purchase, the part will be replaced f.o.b. our factory without charge, provided the part is returned to us, transportation charges prepaid. No allowance will be made for labor, transportation or other charges incurred in the replacement of the defective part. Landoll will not be responsible for labor charges, loss or damage caused by a defective part. Component parts, equipment, accessories and items not manufactured by Landoll are warranted only to the extent of the original manufacturer's warranty. Consequential damages, if any, are specifically excluded from this warranty.