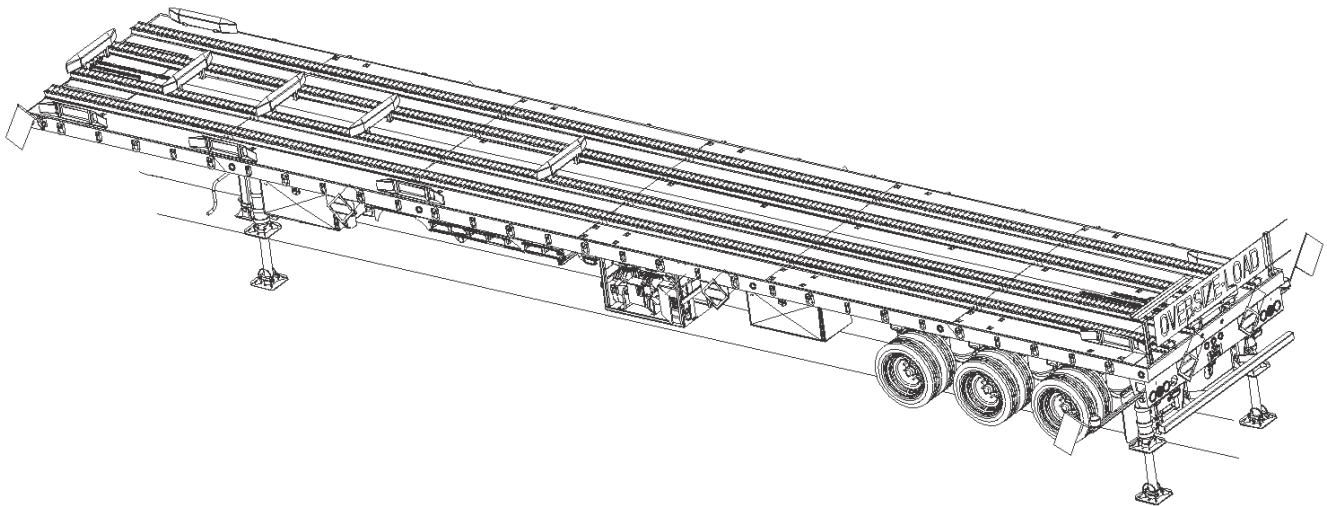




Model 380 Level Load Roller Trailer Parts Manual



LANDOLL CORPORATION

1900 North Street
Marysville, Kansas 66508
(785) 562-5381

800-428-5655 ~ WWW.LANDOLL.COM

Table of Contents

GENERAL ASSEMBLY	2-1
DECAL PLACEMENT	2-3
FRAME ASSEMBLY	2-5
FRAME ELECTRICAL ASSEMBLY	2-7
BACKUP ALARM/LIGHT INSTALLATION	2-9
STROBE LIGHT INSTALLATION	2-10
UNDERDECK WORK LIGHT INSTALLATION	2-11
PULLOUT BEACON LIGHT INSTALLATION	2-13
POWER CENTER GENERAL ASSEMBLY	2-15
POWER CENTER ELECTRICAL ASSEMBLY	2-17
CONTROL BOX ASSEMBLY	2-19
POWER CENTER ENGINE ASSEMBLY	2-21
POWER CENTER HYDRAULIC ASSEMBLY	2-24
FIVE STACK SOLENOID VALVE	2-27
UNDERCARRIAGE GENERAL ASSEMBLY	2-29
UNDERCARRIAGE GREASE ASSEMBLY	2-31
UNDERCARRIAGE AIR BRAKE ASSEMBLY	2-33
BRAKE KIT, ABS (ROCKWELL)	2-35
AXLE ASSEMBLY (DEXTER)	2-37
OUTBOARD PILOT MOUNT HUB AND DRUM ASSEMBLY	2-39
FRAME ASSEMBLY - AIR	2-41
VALVE ASSEMBLY, AIR BOOSTER	2-43
UNDERCARRIAGE AIR RAISE LOWER ASSEMBLY	2-45
LIFT AXLE CONTROL ASSEMBLY	2-47
CONTROL ASSEMBLY, SUSPENSION AIR DUMP	2-49
AIR CONTROL KIT (USED W/ RLU-250 SUSPENSION)	2-51
SUSPENSION HANGER RL-250-17	2-53
LIFT AXLE FASTENER KIT	2-55
SPARE TIRE RACK ASSEMBLY	2-56
LANDING GEAR ASSEMBLY, 2 SPEED	2-57
CRANK LANDING GEAR	2-59

CHAIN DRIVE ASSEMBLY	2-61
DECK ROLLERS, GUIDES, AND STOPS INSTALLATION	2-63
LADDER ASSEMBLY	2-65
STORAGE BOX INSTALLATION	2-66
TOOL BOX ASSEMBLY	2-67
OUTRIGGER INSTALLATION, LIFT LEG	2-69
OUTRIGGER ASSEMBLY, LIFT LEG	2-71
CYLINDER, HYDRAULIC 4 X 20	2-72
CYLINDER, HYDRAULIC WELDED 3 X 12	2-73
CYLINDER, HYDRAULIC DOCK LEVELER HD (CARLSON)	2-75

Instructions for Ordering Parts

ORDER PARTS FROM LANDOLL PARTS DISTRIBUTION CENTER

**** Repair parts must be ordered through an Authorized Dealer ****

PHONE NO.: 1-800-423-4320 OR 1-800-428-5655 OR 1-785-562-5381

FAX NO.: 888-527-3909

ORDER ONLINE: companystore.landoll.com

IDENTIFICATION PLATE

The identification plate, which lists the model number and serial number, is located on the front of the frame (See Figure 1-1.)

SERIAL NUMBER NOMENCLATURE

The serial number for the Model 380 semitrailer is located on the identification plate.

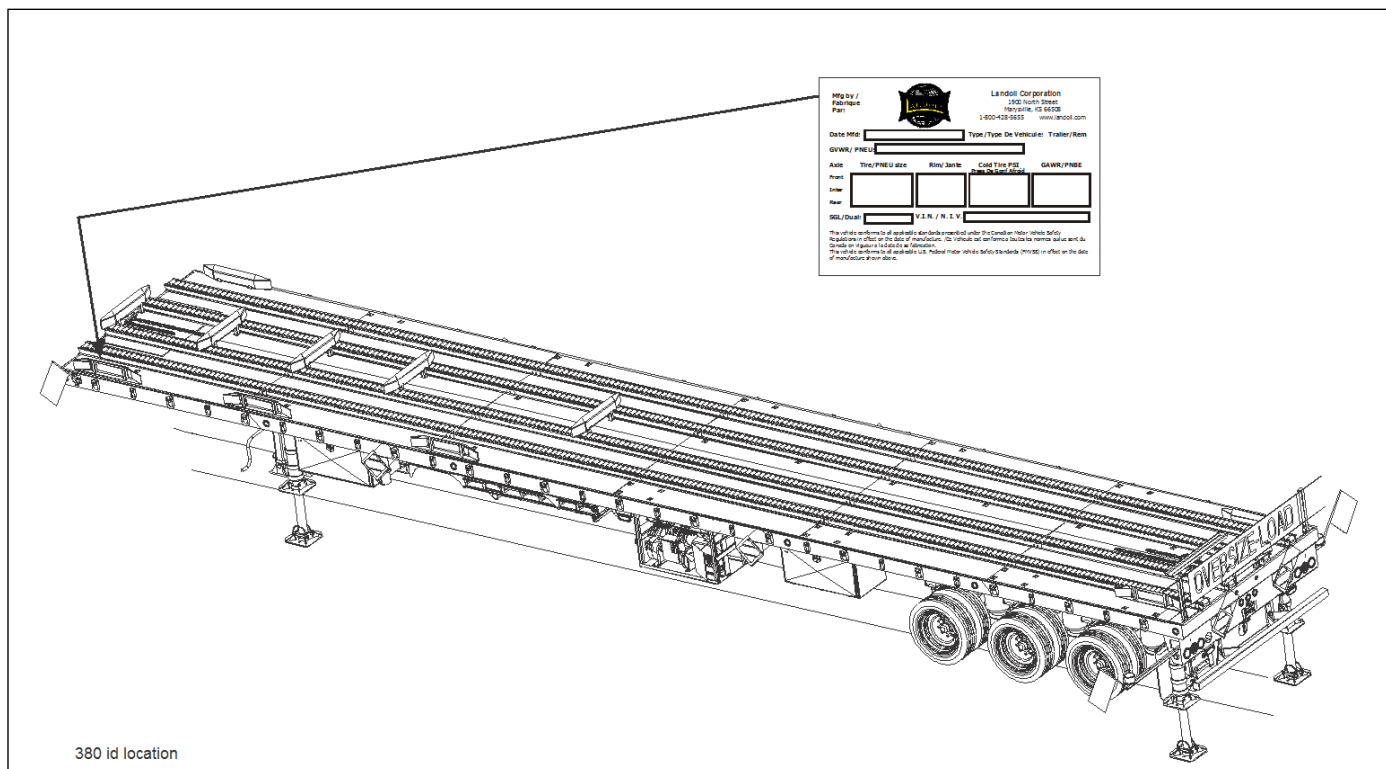


Figure 1-1: Identification Plate and Location

Page Intentionally Blank

Illustrated Parts List

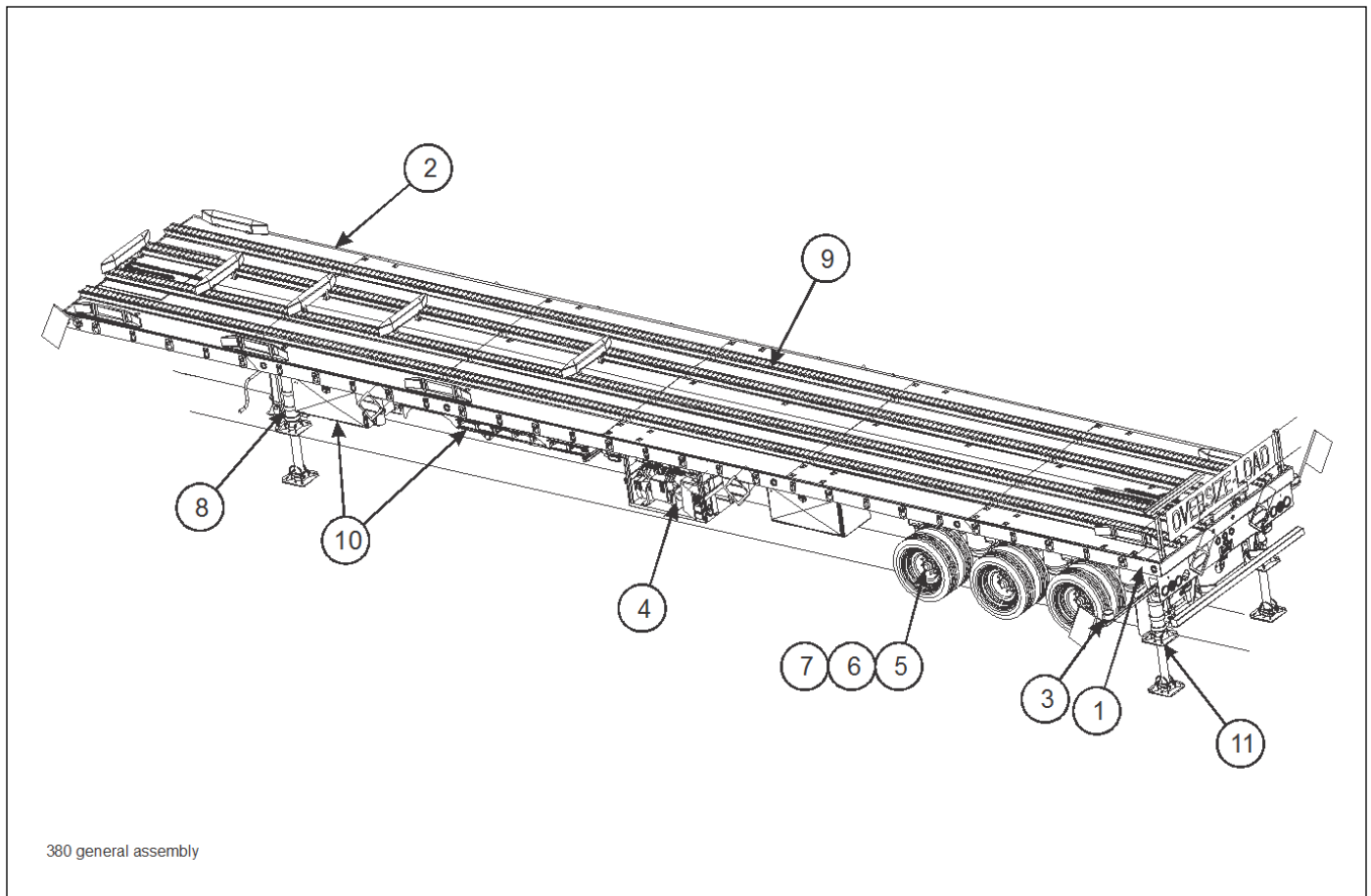


Figure 2-1: General Assembly

GENERAL ASSEMBLY

ITEM	PAGE NO.	DESCRIPTION	QTY.
1	2-2 - 2-3	DECAL INSTALLATION	
2	2-4 - 2-5	FRAME ASSEMBLY	
3	2-6 - 2-13	ELECTRICAL AND AUXILIARY LIGHTING ASSEMBLIES	
4	2-14 - 2-27	POWER CENTER AND CONTROL BOX ASSEMBLIES	
5	2-28 - 2-35	UNDERCARRIAGE, GREASE, AIR BRAKE ASSEMBLIES	
6	2-36 - 2-39	AXLE AND HUB AND DRUM ASSEMBLIES	
7	2-40 - 2-55	SUSPENSION AND AIR CONTROL ASSEMBLIES	
8	2-56 - 2-59	SPARE TIRE RACK AND LANDING GEAR ASSEMBLIES	
9	2-60 - 2-63	CHAIN DRIVE AND DECK ROLLER ASSEMBLIES	
10	2-64 - 2-67	LADDER AND STORAGE ASSEMBLIES	
11	2-68 - 2-75	OUTRIGGER ASSEMBLIES	



ILLUSTRATED PARTS LIST

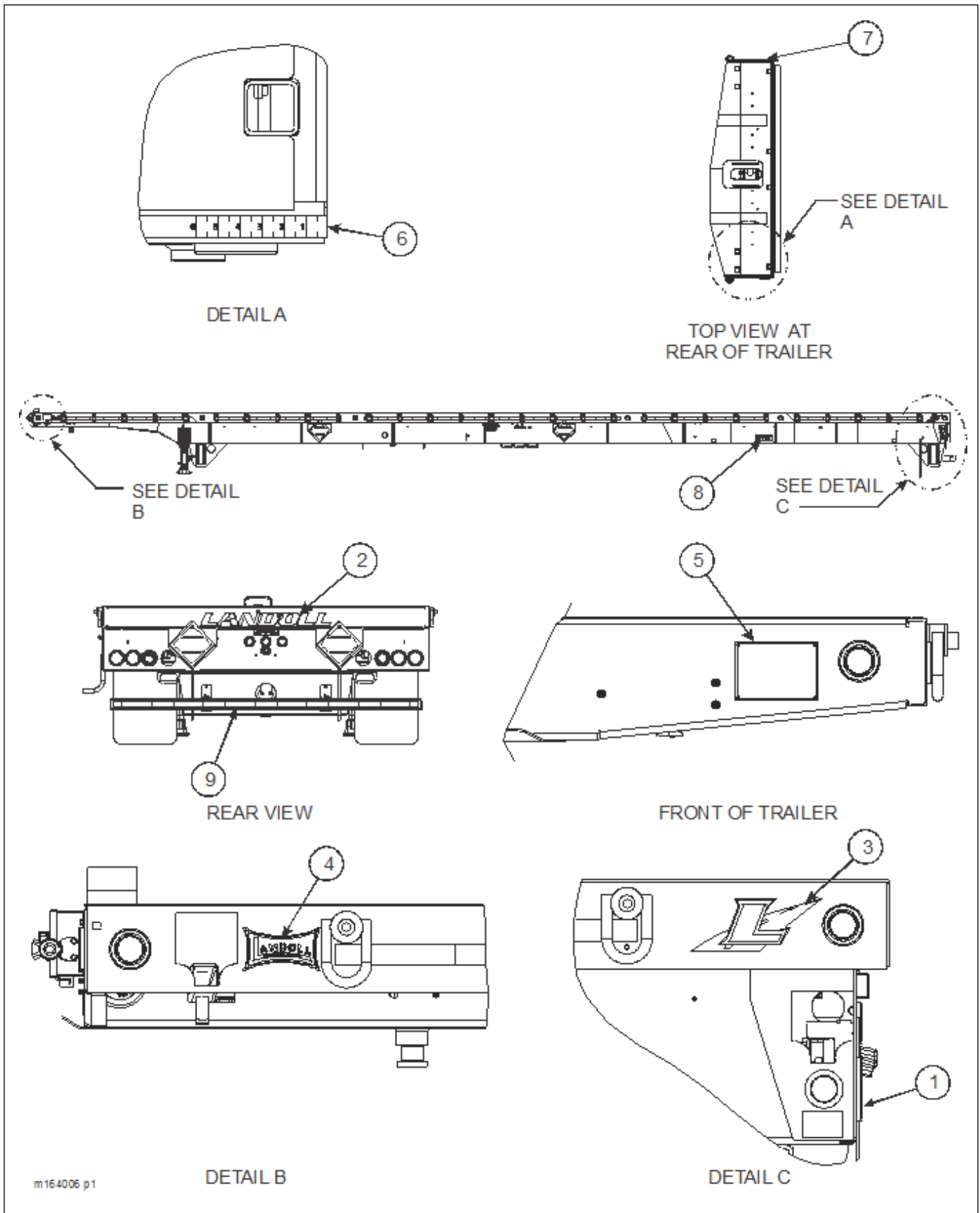


Figure 2-2: Decal Placement

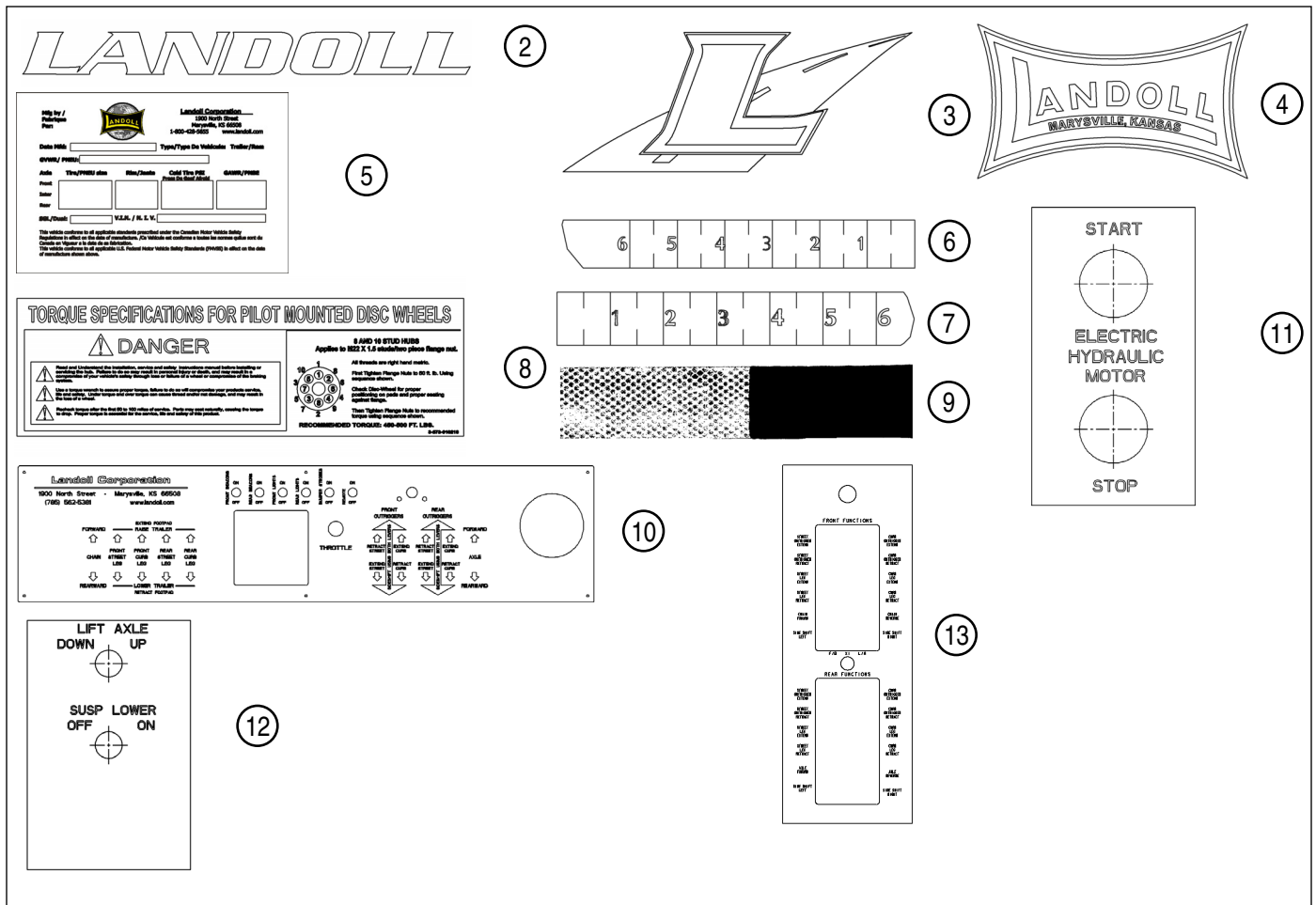


Figure 2-3: Decals

DECAL PLACEMENT

ITEM	PART NO.	DESCRIPTION	QTY.
	164006	DECAL INSTALLATION 380 LOCKHEED	
1	101855	WARNING LAMP LABEL, ABS	1
2	153750	DECAL, LANDOLL 5" REFLECTIVE	1
3	153797	DECAL, HIGHWAY L 5" REFLECTIVE	2
4	153799	DECAL, BOW-TIE 4" WHITE RELECTIVE	2
5	155780	INFORMATION FOR TRL VIN	1
6	165781	RULER, ADHESIVE 720" R TO L	1
7	165782	RULER, ADHESIVE 720" L TO R	1
8	3-573-010210	DECAL, TORQUE SPEC 8-10 STUD HUB	1
9	3-573-010377	DECAL, 2" REFLEXITE TAPE RED/WHITE	AR
10	156496	PLACARD, CONTROL PANEL (SEE PAGE 2-15)	REF
11	166888	PLACARD, ELEC MOTOR START/STOP (SEE PAGE 2-17)	REF
12	166889	PLACARD, SUSP LOWER/LIFT AXLE (SEE PAGE 2-15)	REF
13	166925	DECAL, REMOTE FUNCTION (SEE PAGE 2-19)	REF

ILLUSTRATED PARTS LIST

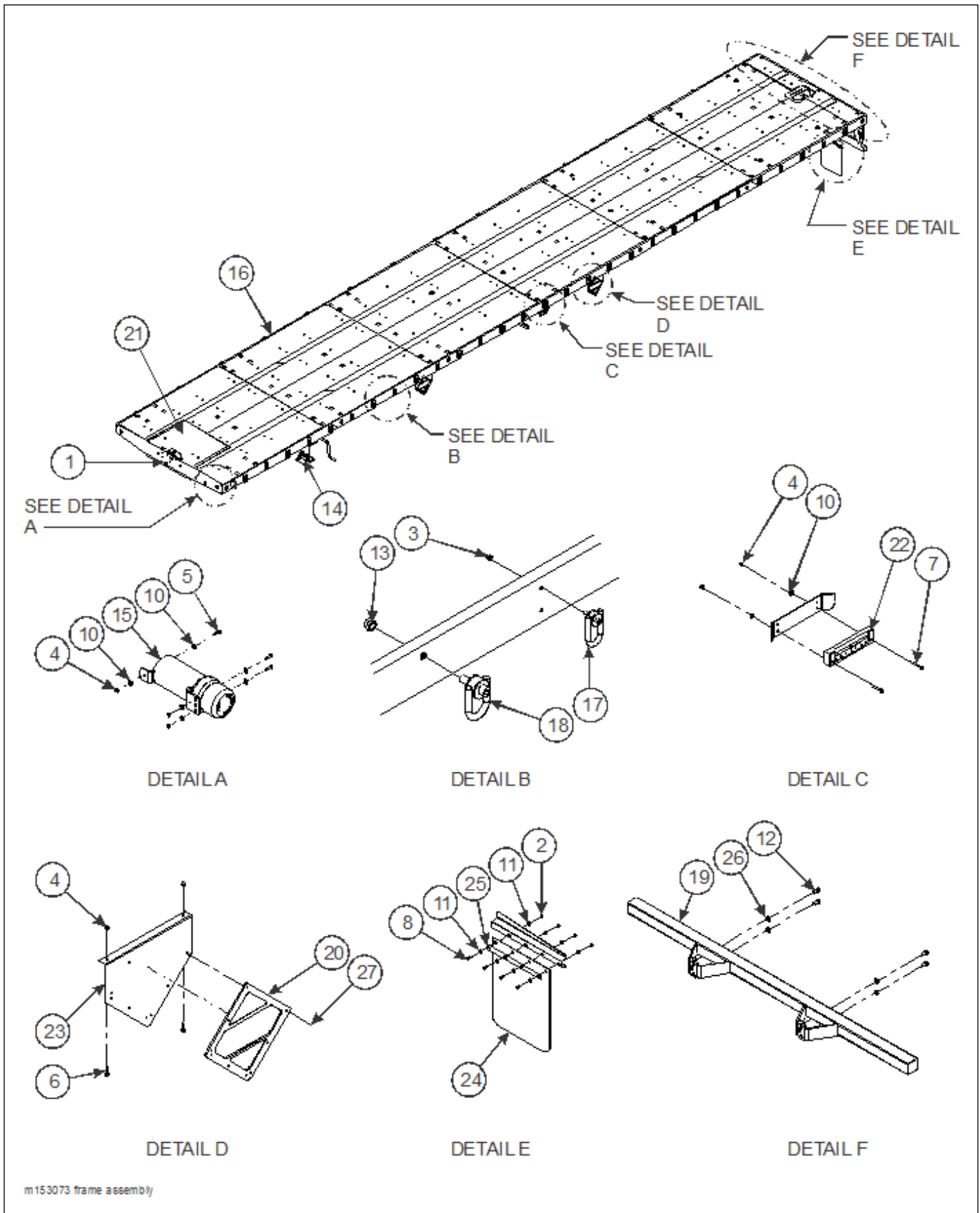


Figure 2-4: Frame Assembly

FRAME ASSEMBLY

ITEM	PART NO.	DESCRIPTION	QTY.
	153073	FRAME ASSEMBLY	
1	1-343-010007	GROMMET	1
2	1-510-010001	NUT, FLANGE LOCK 3/8-16	12
3	1-512-010002-09	NUT, HEX LOCK 1/2-13 GRA	28
4	1-512-010005-01	NUT, HEX LOCK 1/4-20 GRB	23
5	1-654-010047-06	SCREW, HEX HEAD CAP 1/4-20 X 1 GR5	3
6	1-654-010047-07	SCREW, HEX HEAD CAP 1/4-20 X 1-1/4 GR5	12
7	1-654-010047-10	SCREW, HEX HEAD CAP 1/4-20 X 2 GR5	8
8	1-654-010051-06	SCREW, HEX HEAD CAP 3/8-16 X1-1/4 GR5	8
9	1-796-010001	TIE WIRE 22 PLASTIC (NOT SHOWN)	5
10	1-861-010032-07	WASHER, FLAT 1/4	3
11	1-861-010032-11	WASHER, FLAT 3/8 W	36
12	108705	SCREW, HEX HEAD CAP 3/4-10 X 1-1/2 GR8	4
13	114462	NUT, HEX LOCK 1-8 GRC	30
14	148640	LANDING GEAR, 2 SP MACK 35T (SEE PAGE 2-57)	REF
15	150076	MANUAL TUBE (4-1/4"ID)	1
16	153074	FRAME WELDMENT	1
17	154445	TIE-DOWN 2,500#	28
18	154446	TIE-DOWN 10,000#	30
19	154452	BUMPER WELDMENT 4 SQ X 114	1
20	155011	PLACARD HOLDER, DOT	6
21	156494	COVER, DECK SECTION	1
22	163987	LEVEL BUBBLE	4
23	166890	BRACKET, HAZMAT PLACARD	6
24	3-485-010002	MUD FLAP, 30" TRUCK BED	2
25	3-762-010017	CLAMP MUD FLAP	2
26	622-3511-008	WASHER - 3/4 MIL-CARB FL	4
27	BSL-6-4	RIVET, ALUMINUM GRIP LG FLANGE 3/16 X 1/4	54

ILLUSTRATED PARTS LIST

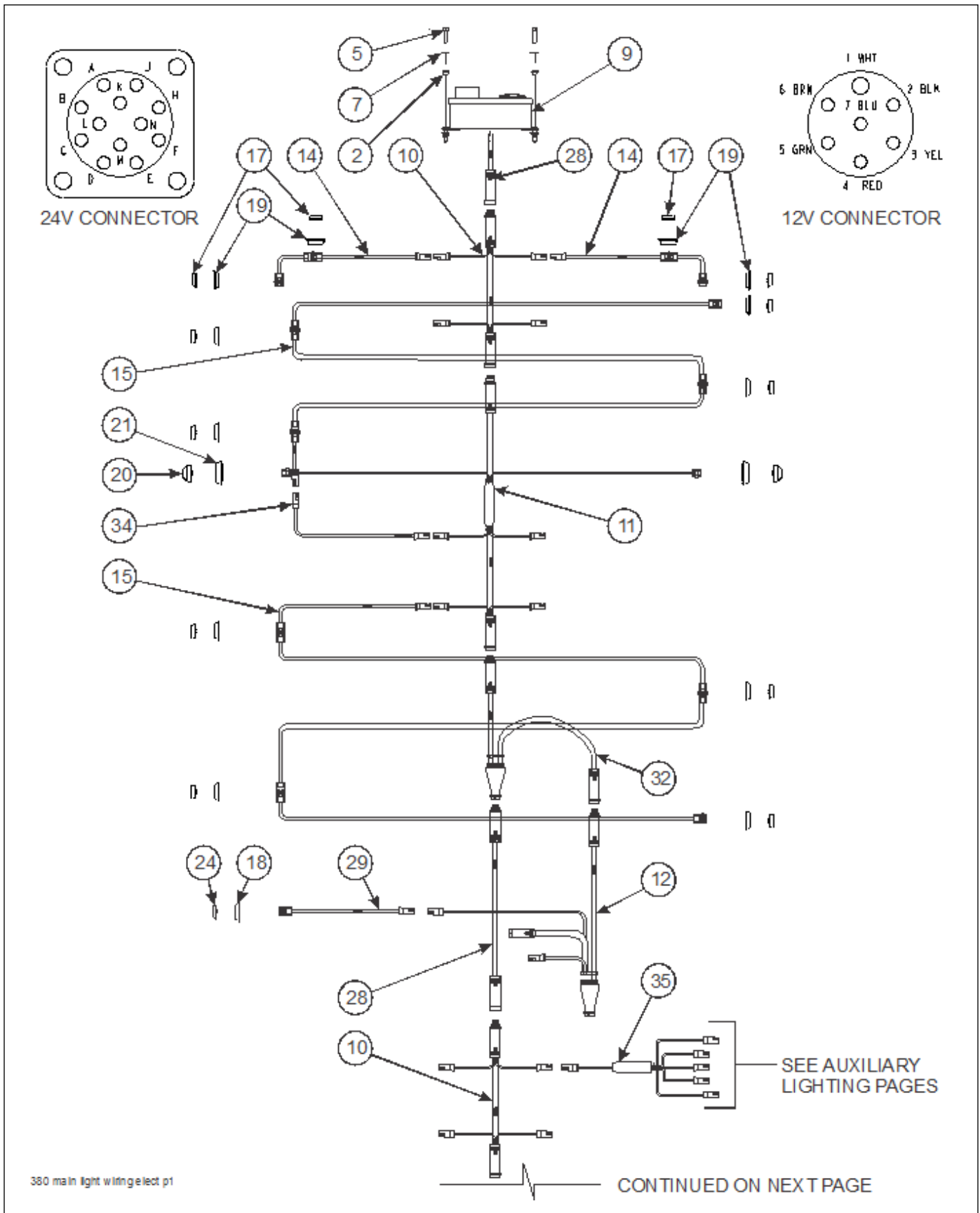


Figure 2-5: Frame Electrical Assembly (1 of 3)

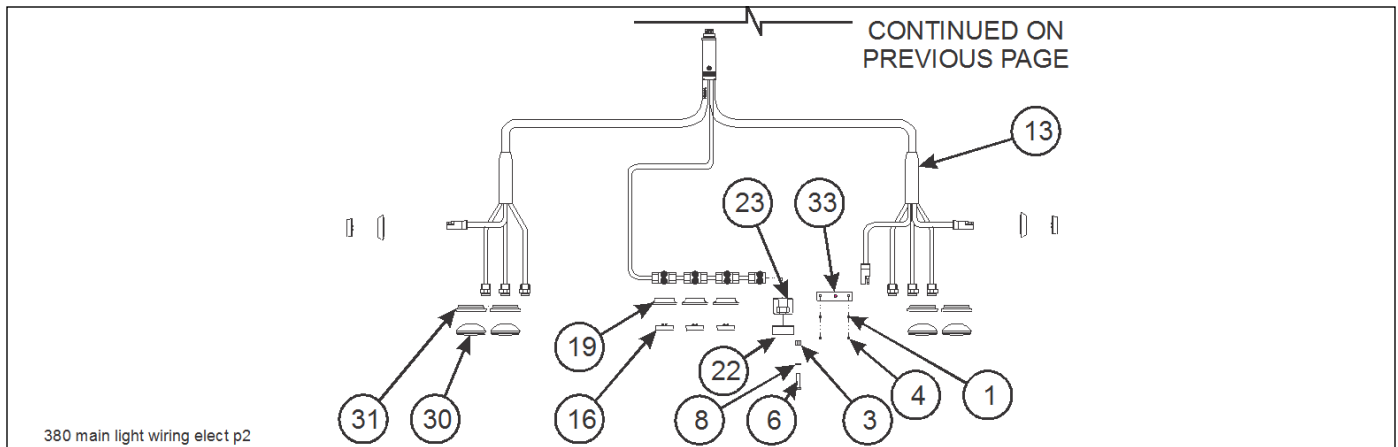


Figure 2-6: Frame Electrical Assembly (2 of 2)

FRAME ELECTRICAL ASSEMBLY

ITEM	PART NO.	DESCRIPTION	QTY.
	153073	FRAME ASSEMBLY	
1	1-512-010005-01	NUT, HEX LOCK 1/4-20 GRB	4
2	1-512-010005-03	NUT, HEX LOCK 5/16-18 GRB	4
3	1-512-010007-03	NUT, HEX 10-24	2
4	1-654-010047-07	SCREW, HEX HEAD CAP 1/4-20 X 1-1/4 GR5	4
5	1-654-010049-06	SCREW, HEX HEAD CAP 5/16-18 X 1-1/4 GR5	4
6	1-656-010003051	SCREW, ROUND HEAD MACH 10-24 X 3/4	2
7	1-861-010032-09	WASHER,FLAT 5/16W	4
8	1-861-010034-07	WASHER, SPLIT LOCK #10	2
9	137107	VOLTAGE CONVERSION BOX 12/24V	1
10	143101	HARNESS FRONT MAIN	2
11	143102	HARNESS BED MAIN	1
12	143103	HARNESS E-CHAIN	1
13	143104	HARNESS BUMPER	1
14	143105	HARNESS MARKER FRT CORNER	2
15	143107	HARNESS MARKER REAR BED	2
16	143108	LIGHT, RED LED 2.5CL/MK	5
17	143109	LIGHT, YELLOW LED 2.5 CL/MK	12
18	143110	GROMMET MOUNT	1
19	143111	GROMMET 2.5 RECESSED MT	17
20	169410	LIGHT YELLOW MID TURN	2
21	143114	GROMMET, OVAL	2
22	143117	LIGHT, CLEAR LED LICENSE	1
23	143118	BRACKET, LIGHT LICENSE	1
24	143119	LIGHT, YELLOW LED ABS	1
25	143122	CLAMP, HARNESS (NOT SHOWN)	3
28	143166	HARNESS EXT 48IN	2
29	144609	MARKER LAMP PIGTAIL HARNESS	3
30	144679	LIGHT RED LED 4IN S/T/T	4
31	144680	GROMMET 4IN ROUND	6
32	146929	HARNESS Y SPLITTER	1
33	165786	BRACKET, TURN/CLEARANCE LIGHT	2
34	3-368-010252	HARNESS ASSEMBLY BUKHEAD LIGHT EXT	1
35	150093	HARNESS, 5 AUX BRANCHES	1

ILLUSTRATED PARTS LIST

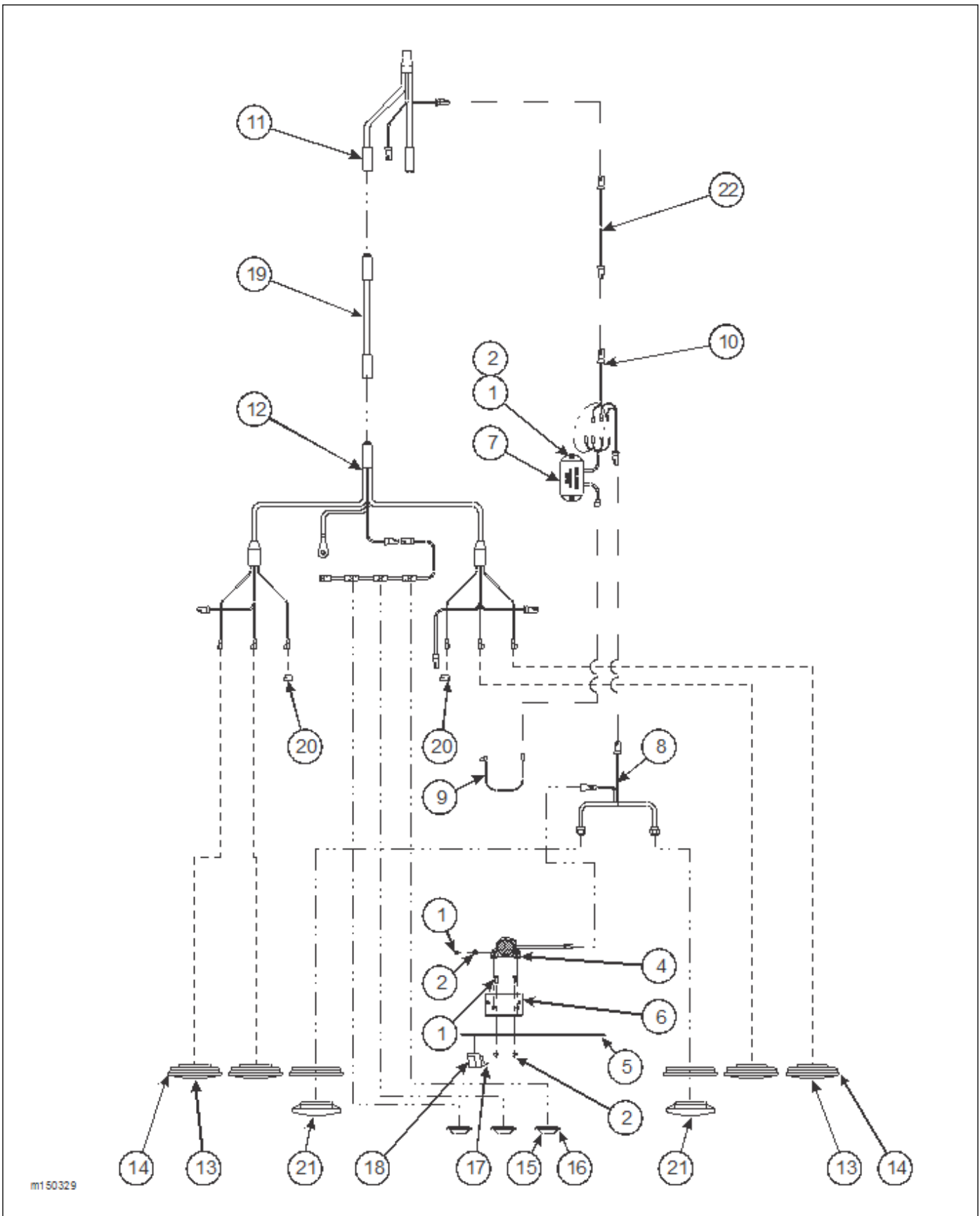


Figure 2-7: Backup Alarm/Light Installation (Option)

BACKUP ALARM/LIGHT INSTALLATION

ITEM	PART NO.	DESCRIPTION	QTY.
	150329	BACKUP ALARM/LIGHT INSTALLATION	
1	1-654-010047-04	SCREW, HEX HEAD CAP 1/4-20 X 3/4 GR5	6
2	108417	NUT, HEX FLANGE SPIRALOCK 1/4-20	6
4	117997	ALARM, dB ADJUSTING SMART BACKUP	1
5	119531	PLATE, TAG MOUNT	REF
6	127991	BRACKET, BACKUP ALARM MOUNT	1
7	150072	REVERSE DETN MODULE AND SENSOR (INCL. ITEM 9)	1
8	166872	HARNESS, BACKUP LIGHT/ALARM	1
9	137559	SENSOR, DIRECTIONAL CABLE BACKUP	1
10	150074	HARNESS, MODULE/ALARM	1
11	143103	HARNESS, E-CHAIN	REF
12	143104	HARNESS, BUMPER	REF
13	143113	LIGHT, RED LED OVAL STT	REF
14	143114	GROMMET, OVAL	REF
15	143115	LIGHT, RED LED RECTANGLE CLEARANCE	REF
16	143116	GROMMET, RECTANGLE	REF
17	143117	LIGHT, CLEAR LED LICENSE	REF
18	143118	BRACKET, LIGHT LICENSE	REF
19	143166	HARNESS, EXT 48"	REF
20	144608	DUMMY PLUG FOR FEMALE PLUG	2
21	150330	GROTE LED BACKUP CLEAR	2
22	3-368-010252	HARNESS ASSEMBLY, BULKHEAD EXT	1

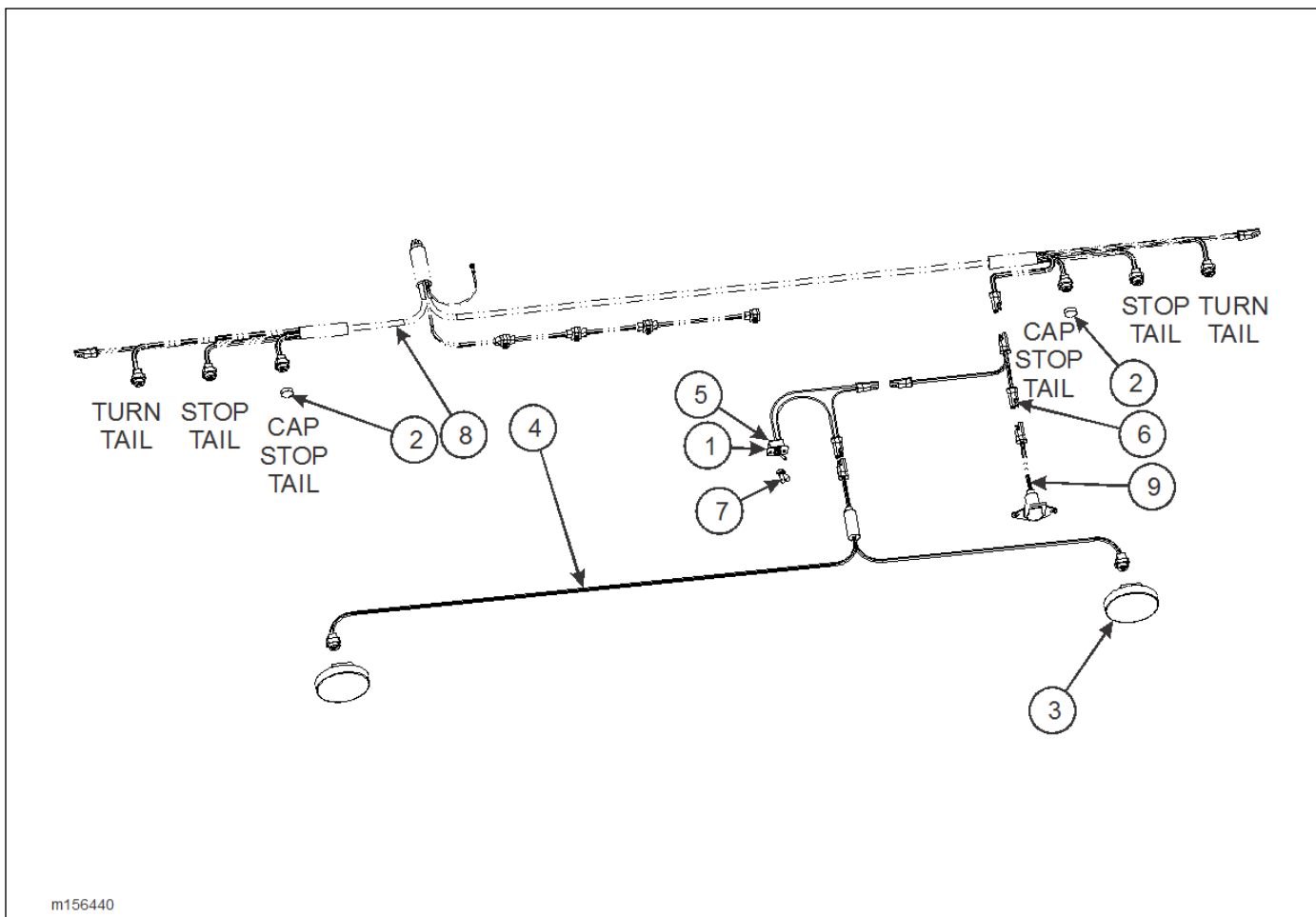


Figure 2-8: Strobe Light Installation

STROBE LIGHT INSTALLATION

ITEM	PART NO.	DESCRIPTION	QTY.
	156440	STROBE INSTALLATION BUMPER	
1	130116	DECAL, ON/OFF LIGHT	1
2	144608	DUMMY PLUG FOR FEMALE PLUG	2
3	149060	LIGHT, YELLOW STROBE 4IN	2
4	150114	HARNESS, BUMPER STROBE	1
5	150117	SWITCH ASSEMBLY, LIGHT (SEE PAGES 2-14 & 2-15)	1
6	150118	HARNESS, JUMPER BRANCH	1
7	81264	RUBBER BOOT FOR ELECT SWITCH	1
8	143104	HARNESS, REAR LED	REF
9	150116	HARNESS, RECEPTACLE ASSEMBLY	REF

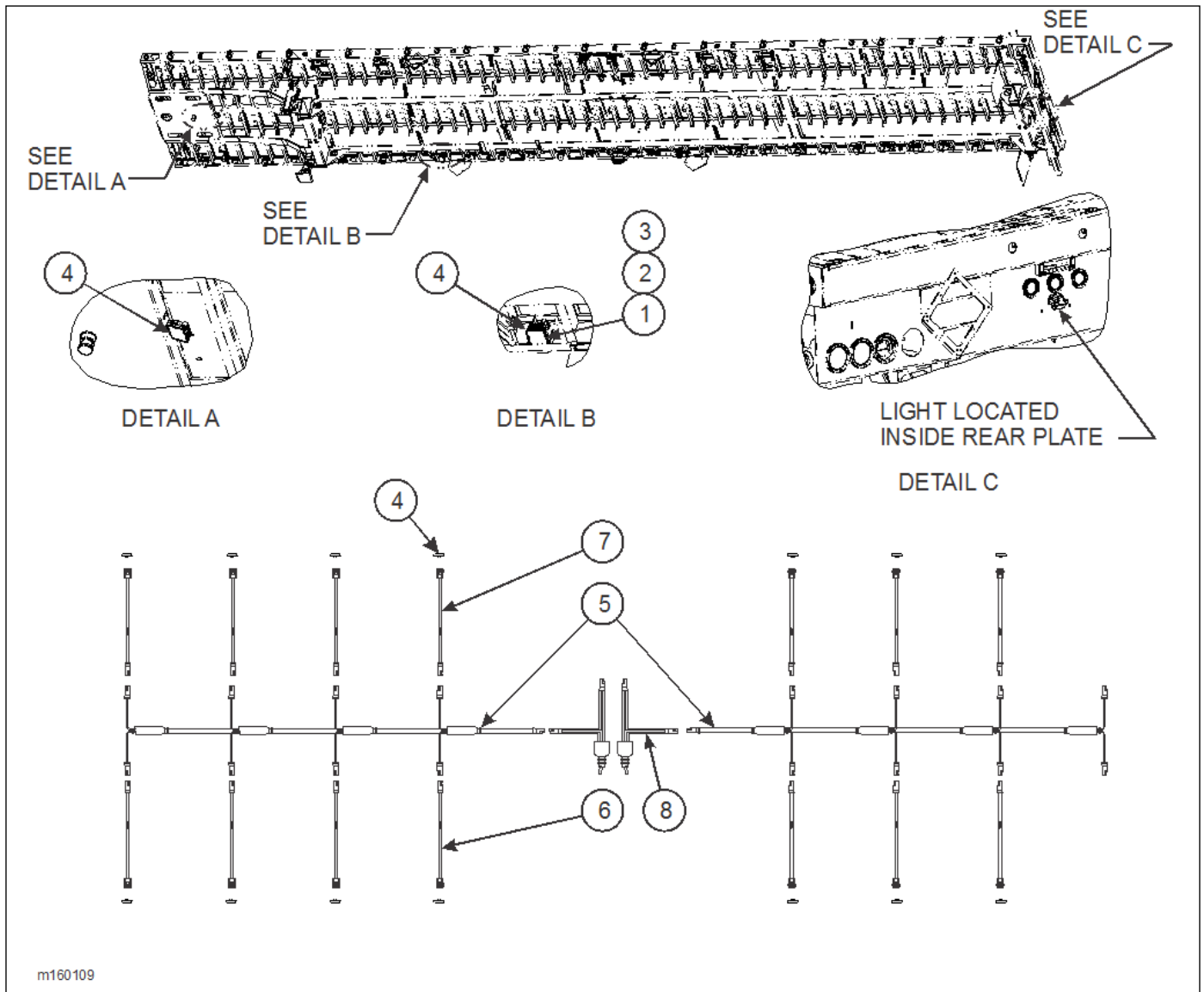


Figure 2-9: Underdeck Work Light Installation

UNDERDECK WORK LIGHT INSTALLATION

ITEM	PART NO.	DESCRIPTION	QTY.
	160109	LIGHT INSTALLATION, UNDERDECK WORK	
1	1-654-010053-03	SCREW, HEX HEAD CAP 7/16-14 X 1 GR5	14
2	1-861-010032-13	WASHER, FLAT 7/16	14
3	101988	NUT, HEX LOCK 7/16-14 GRB	14
4	163996	LIGHT, LED WHITE FLOOD LAMP	14
5	164012	HARNESS, WORK LIGHT	2
6	164052	HARNESS, BRANCH WORK LIGHT 60"	6
7	164053	HARNESS, BRANCH WORK LIGHT 102"	8
8	150117	TOGGLE SWITCH, SEALED SPST (SEE PAGES 2-14 & 2-15)	REF

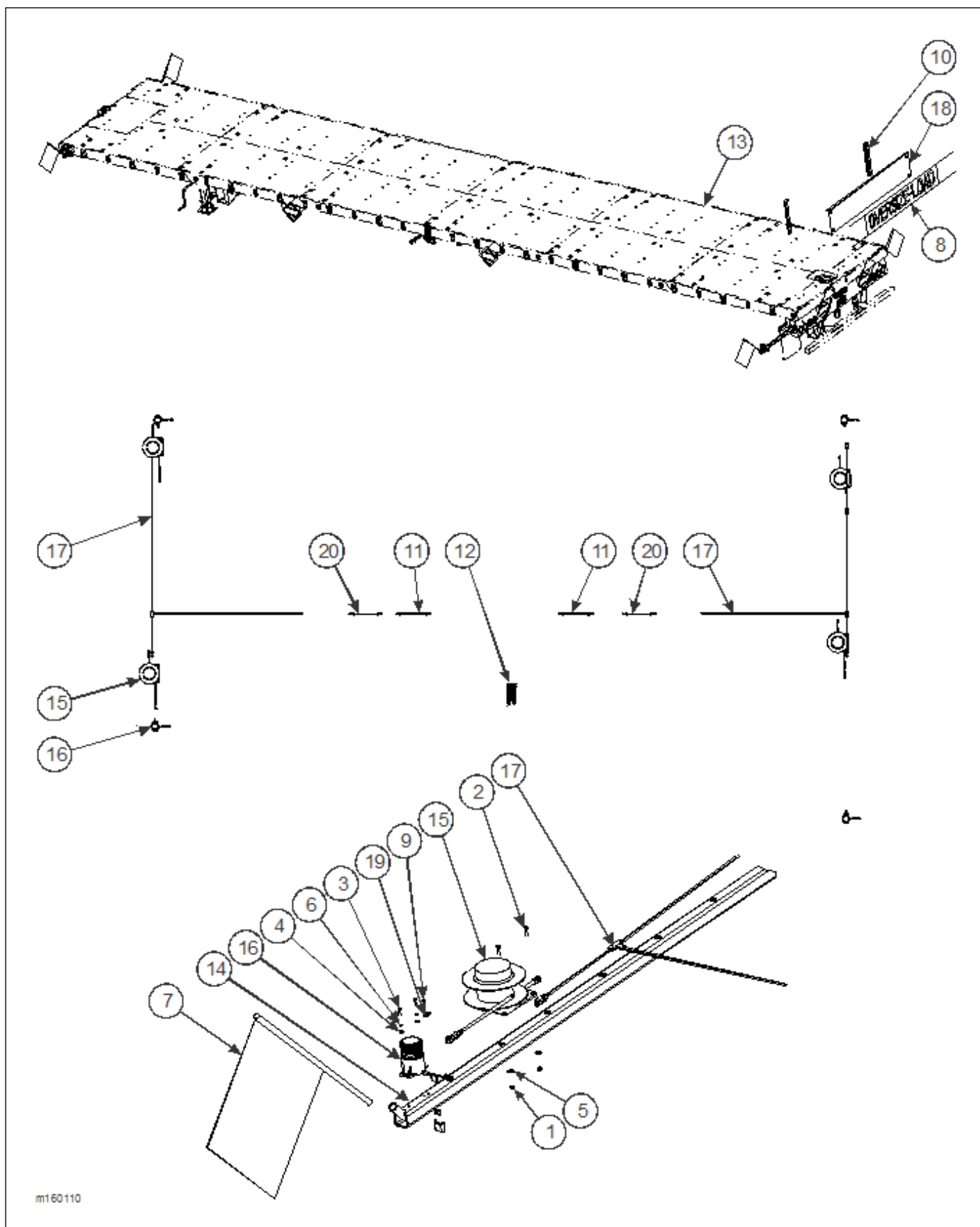
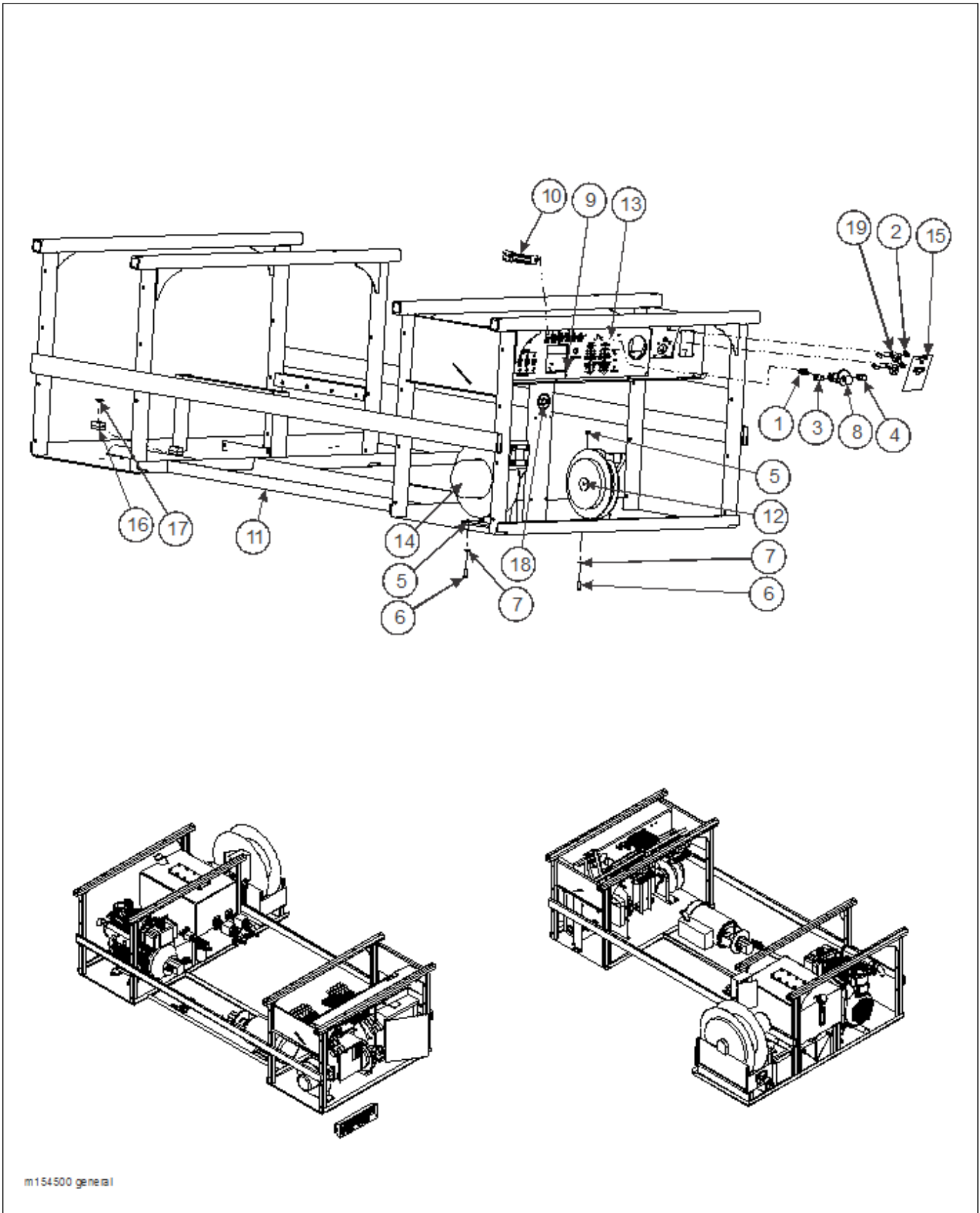


Figure 2-10: Pullout Beacon Light Installation

PULLOUT BEACON LIGHT INSTALLATION

ITEM	PART NO.	DESCRIPTION	QTY.
	160110	LIGHT INSTALLATION, P/O BEACON	
1	1-512-010005-01	NUT, HEX LOCK 1/4-20 GRB	8
2	1-654-010047-06	SCREW, HEX HEAD CAP 1/4-20 X 1 GR5	8
3	1-656-010003051	SCREW, RD HEAD MACH #10-24 X 3/4	8
4	1-861-010032-03	WASHER, FLAT #10	8
5	1-861-010032-06	WASHER, FLAT 1/4N	8
6	1-861-010034-07	WASHER, SPLIT LOCK #10	8
7	106654	FLAG, OVERWIDTH	4
8	106655	BANNER, WIDE/OVERSIZE LOAD	1
9	107-0039	SCREW, SELF TAP #10-24 X 3/4 TYPE B	4
10	137388	SUPPORT, WELDMENT BANNER	2
11	150111	HARNESS, 300"	2
12	150117	TOGGLE SWITCH SEALED SPST (SEE PAGES 2-14 & 2-15)	REF
13	-----	FRAME ASSEMBLY	REF
14	154474	PULLOUT WELDMENT, STROBE BEACON	4
15	165787	MODIFIED REEL ASSEMBLY	4
16	165788	MODIFIED STROBE LIGHT ASSEMBLY	4
	40-0917-5	FUSE, ATO/ATC 5 AMP	1
17	165789	HARNESS ASSEMBLY, STROBE BEACON	2
18	166901	SUPPORT, WIDE LOAD BANNER	1
19	239-9076-1	CLAMP SUPPORT 1/4ID	4
20	3-368-010252	HARNESS ASSEMBLY, BULKHEAD LIGHT EXTENSION	2



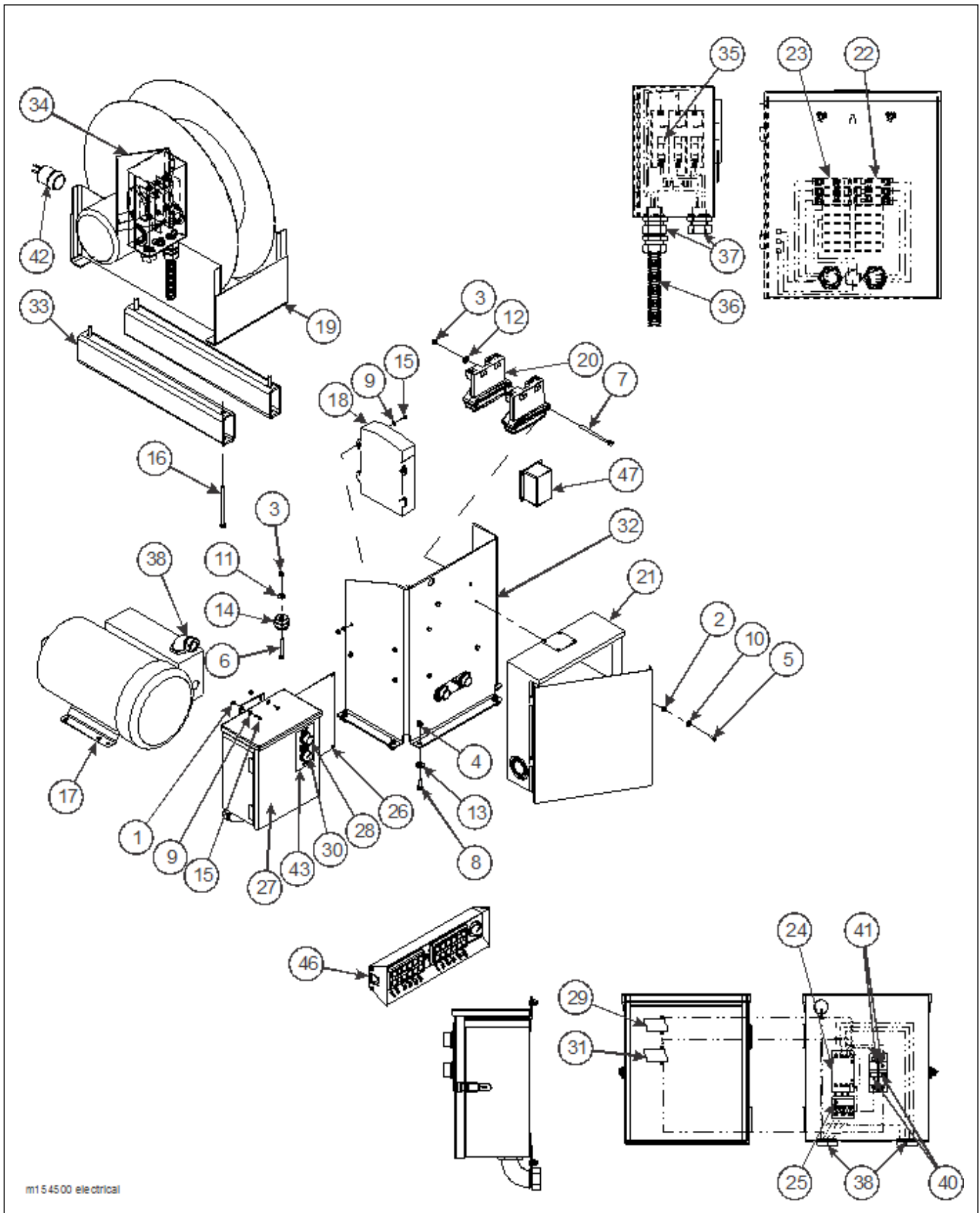
m154500 general

Figure 2-11: Power Center General Assembly

POWER CENTER GENERAL ASSEMBLY

ITEM	PART NO.	DESCRIPTION	QTY.
	154500	POWER CENTER ASSEMBLY	
1	1-297-010007-14	FITTING, AIR	1
2	1-297-010008-05	FITTING, AIR 90	4
3	1-297-010008-07	FITTING, AIR 90	1
4	1-297-010008-22	FITTING, AIR 90	1
5	1-512-010005-05	NUT, HEX LOCK 3/8-16 GRB	6
6	1-654-010051-05	SCREW, HEX HEAD CAP 3/8-16 X 1 GR5	10
7	1-861-010032-11	WASHER, FLAT 3/8W	10
8	111201	VALVE, AIR PARKING RELEASE	1
9	12420301-017	RIVET, BLIND .156 X 1/4 GRIP	6
10	150117	TOGGLE SWITCH SEALED SPST (SEE PAGES 2-10, 2-11, & 2-13)	6
11	154496	BASE WELDMENT, CONTROL/POWER CENTER	1
12	156453	REEL STATIC GRD 50FT SST	1
13	156496	PLACARD, CONTROL PANEL	1
14	164036	REEL REMOTE CORD	1
15	166889	PLACARD, SUSP LOWER/LIFT AXLE	1
16	166893	FUSE, 70 AMP M1D1	2
17	166894	HOLDER, HIGH AMP FUSE	2
18	51420	PLATE, FACE	1
19	900-54-088	VALVE, MANUAL OPERATED	2

ILLUSTRATED PARTS LIST



m154500 electrical

Figure 2-12: Power Center Electrical Assembly

POWER CENTER ELECTRICAL ASSEMBLY

ITEM	PART NO.	DESCRIPTION	QTY.
	154500	POWER CENTER ASSEMBLY	
1	1-512-010003-06	NUT, HEX LOCK #10-24	8
2	1-512-010005-01	NUT, HEX LOCK 1/4-20 GRB	4
3	1-512-010005-03	NUT, HEX LOCK 5/16-18 GRB	3
4	1-512-010005-05	NUT, HEX LOCK 3/8-16 GRB	6
5	1-654-010047-04	SCREW, HEX HEAD CAP 1/4-20 X 3/4 GR5	4
6	1-654-010049-11	SCREW, HEX HEAD CAP 5/16-18 X 2-1/2 GR5	1
7	1-654-010049-19	SCREW, HEX HEAD CAP 5/16-18 X 5 GR5	2
8	1-654-010051-05	SCREW, HEX HEAD CAP 3/8-16 X 1 GR5	6
9	1-861-010032-03	WASHER, FLAT #10	12
10	1-861-010032-07	WASHER, FLAT 1/4W	4
11	1-861-010032-09	WASHER, FLAT 5/16W	1
12	1-861-010032-10	WASHER, FLAT 3/8N	2
13	1-861-010032-11	WASHER, FLAT 3/8W	6
14	105494	INSULATOR, 600V STANDOFF	1
15	107-1001	SCREW, HEX HEAD CAP #10-24 X 5/8	8
16	139603	SCREW, HEX HEAD CAP 3/8-16 X 5-1/2 GR5	4
17	164027	MOTOR, ELECTRIC 7.5HP	1
18	164029	CHARGER 12VOLT BATTERY	1
19	164035	REEL POWER CORD	1
20	164040	CONTROLLER, MC2420	1
21	164054	LOADCENTER CB 16.7X14.3X3.8	1
22	164055	BREAKER 3P 50A 240V PLUG IN	1
23	164056	BREAKER 3P 20A 240V PLUG IN	1
24	164057	CONTACTOR 3P FVNR 32A FRAME	1
25	164058	RELAY ELECTRIC OVERLOAD 6.4-32A	1
26	164059	PANEL J BOX 10.75X8.88	1
27	164061	ENCLOSURE TYPE 3R 12X10X6	1
28	164063	SWITCH PUSHBUTTON GREEN	1
29	164064	CONTACT BLOCK NO	1
30	164065	SWITCH PUSHBUTTON RED	1
31	164066	CONTACT BLOCK NC	1
32	165784	MOUNT, LOADCENTER/CHARGE	1
33	165785	SPACER, POWER CORD REEL	2
34	165790	LOADCENTER CB 16.75 X 14.31 X 3.88	1
35	165792	FUSE FLNR 30 AMP-250 VOLT AC RK5	3
36	165793	STRAIN RELIEF GRIP 1-1/4	1
37	165794	CONNECTOR SEALTIGHT 1" STR	4
38	165795	CONNECTOR SEALTIGHT 1" 90	3
39	165796	CONDUIT 1" GRAY THERMOPLASTIC (NOT SHOWN)	AR
40	165797	FUSE CCMR-1 CLASS CC 600V	2
41	165799	FUSEHOLDER MIDGET 2P	2
42	166885	PLUG 30A 4P/5W 120/208 VAC	1
43	166888	PLACARD, ELECT MOTOR START/STOP	1
44	166929	WIRE DIAGRAM (NOT SHOWN)	1
45	166930	HARNESS, POWER CENTER (NOT SHOWN)	1
46	167121	CONTROL BOX ASSEMBLY (SEE PAGE 2-19)	1
47	46077	BUSSMAN MINI FUSE PANEL	1

ILLUSTRATED PARTS LIST

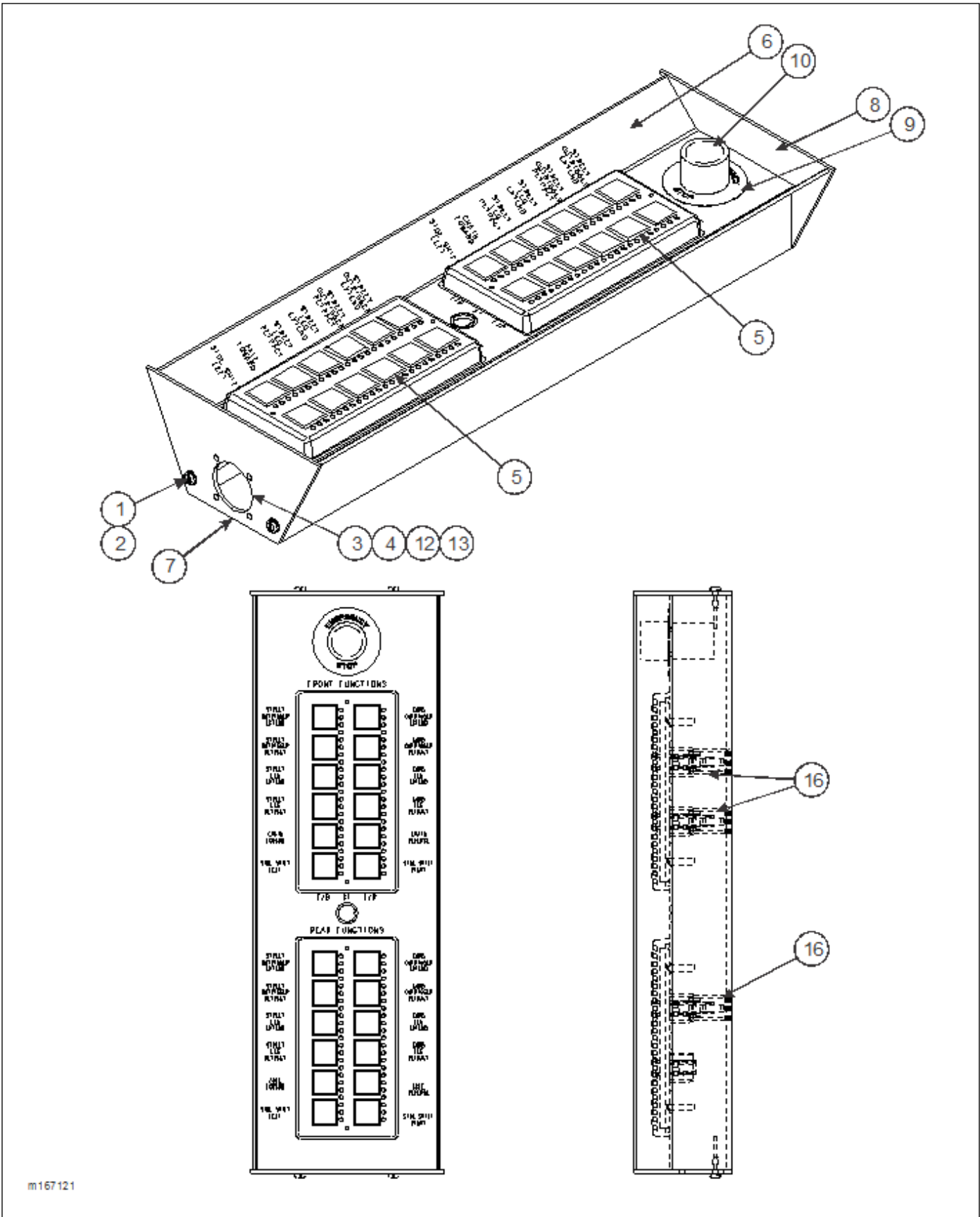


Figure 2-13: Control Box Assembly

CONTROL BOX ASSEMBLY

ITEM	PART NO.	DESCRIPTION	QTY.
	167121	CONTROL BOX ASSEMBLY	
1	107-0762	SCREW, SLOTTED PAN HEAD #8-32 X 1/2	4
2	13E8ER	WASHER, LOCK INTERNAL TOOTH #8	4
3	150658	PLUG, CONNECTOR 9 PIN	1
4	150659	RECEPTACLE, CONNECTOR 9 PIN	1
5	164039	KEYPAD, 2X6 CAN J1939	2
6	166925	DECAL, REMOTE FUNCTION	1
7	167116	CHANNEL, CONTROL BOX	1
8	167120	CONTROL BOX WELDMENT	1
9	168698	E-STOP COVER LABEL	1
10	168699	E-STOP SWITCH	1
11	142665	DUST CAP (NOT SHOWN)	1
12	168701	BACK SHELL	1
13	168702	BACK SHELL NUT	1
14	168703	4 PIN WEDGE A (NOT SHOWN)	2
15	168704	4 OUB WEDGE B (NOT SHOWN)	1
16	622-2967-006	DEUTSCH PLUG, 4 POS FEMALE	3

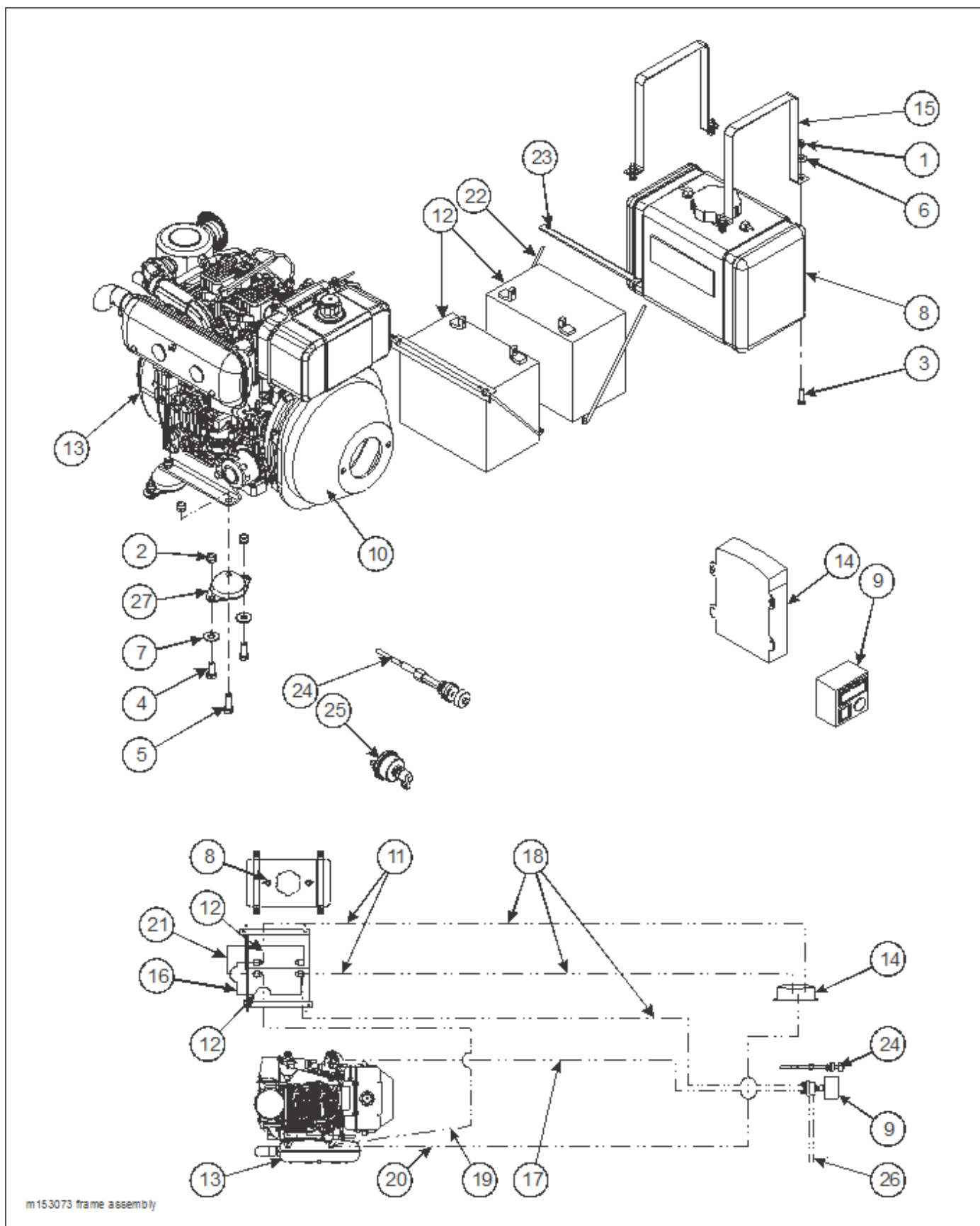


Figure 2-14: Power Center Engine Assembly

POWER CENTER ENGINE ASSEMBLY

ITEM	PART NO.	DESCRIPTION	QTY.
	154500	POWER CENTER ASSEMBLY	
1	1-512-010005-05	NUT, HEX LOCK 3/8-16 GRB	6
2	1-512-010005-09	NUT, HEX LOCK 1/2-13 GRB	8
3	1-654-010051-06	SCREW, HEX HEAD CAP 3/8-16 X 1-1/4 GR5	10
4	1-654-010055-02	SCREW, HEX HEAD CAP 1/2-13 X 1-1/4 GR5	8
5	1-654-010055-03	SCREW, HEX HEAD CAP 1/2-13 X 1-1/2 GR5	8
6	1-861-010032-11	WASHER, FLAT 3/8W	10
7	1-861-010032-15	WASHER, FLAT 1/2W	8
8	144899	TANK, PLASTIC 5 GALLON FUEL	1
9	-----	CONTROL OF DIESEL ENGINE	REF
10	-----	BELL OF DIESEL ENGINE	REF
11	148734	JUMP KIT, POWER CABLE - NEGATIVE	2
12	164025	BATTERY, 12VOLT SEALED GEL	2
13	164026	ENGINE, DIESEL 17.2 HP	1
	167501	OIL FILTER	1
	167502	FUEL FILTER	1
	167503	AIR CLEANER FILTER ELEMENT	1
	167504	AIR CLEANER GASKET	1
14	164029	CHARGER 12VOLT BATTERY	1
15	165771	STRAP FUEL TANK	2
16	166916	CABLE ASSEMBLY - POS 2AWG X 12"	1
17	166917	CABLE ASSEMBLY - POS 2AWG X 96"	1
18	166918	CABLE ASSEMBLY - POS 2AWG X 120"	3
19	166919	CABLE ASSEMBLY - NEG 2AWG X 36"	1
20	166920	CABLE ASSEMBLY - NEG 2AWG X 96"	1
21	166921	CABLE ASSEMBLY - NEG 2AWG X 12"	1
22	1709AS669-01	J-BOLT, 1/4-20 X12 BATTERY HOLD DOWN	4
23	3-120-010124	BATTERY CLAMP BRACKET	2
24	3-155-010012	CABLE THROTTLE	1
25	514119-01	SWITCH, MASTER DISCONNECT	1
26	519-0685-12	CABLE ASSEMBLY 12"	1
27	CA-1595	MACHINE MOUNT 40 DUROMETER	4

ILLUSTRATED PARTS LIST

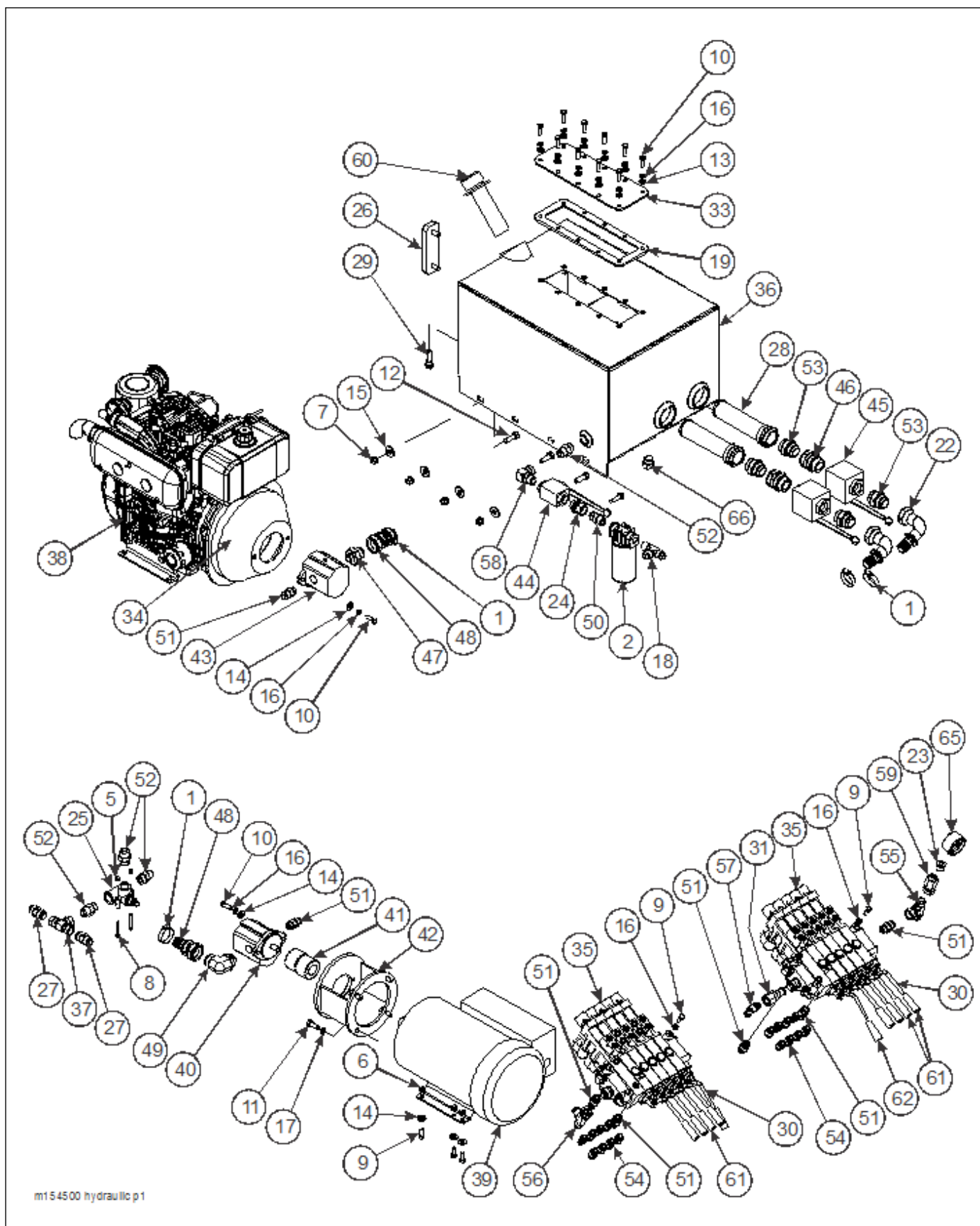
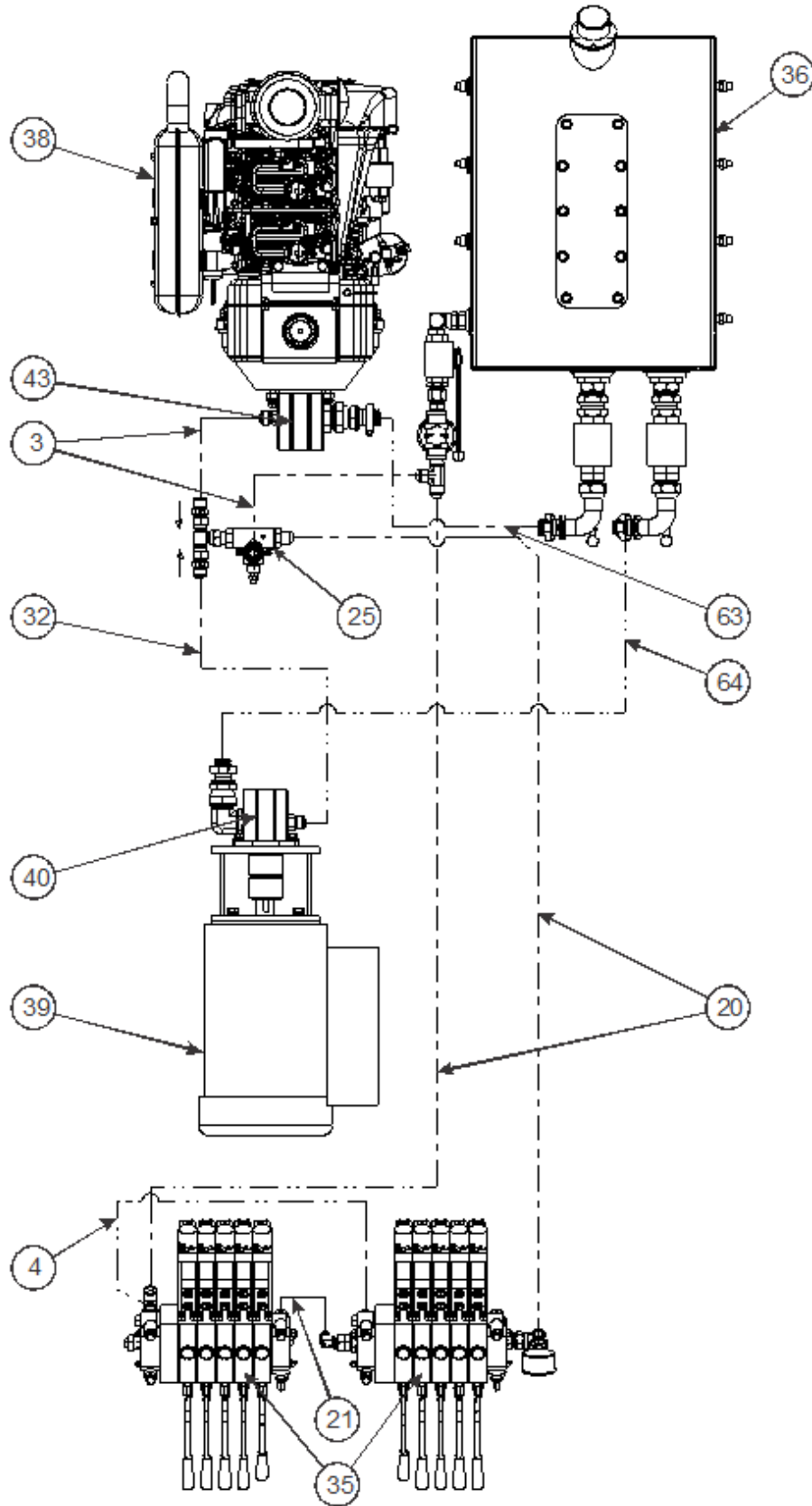


Figure 2-15: Power Center Hydraulic Assembly (1 of 2)



m 154500 hydraulic p2

Figure 2-16: Power Center Hydraulic Assembly (2 of 2)

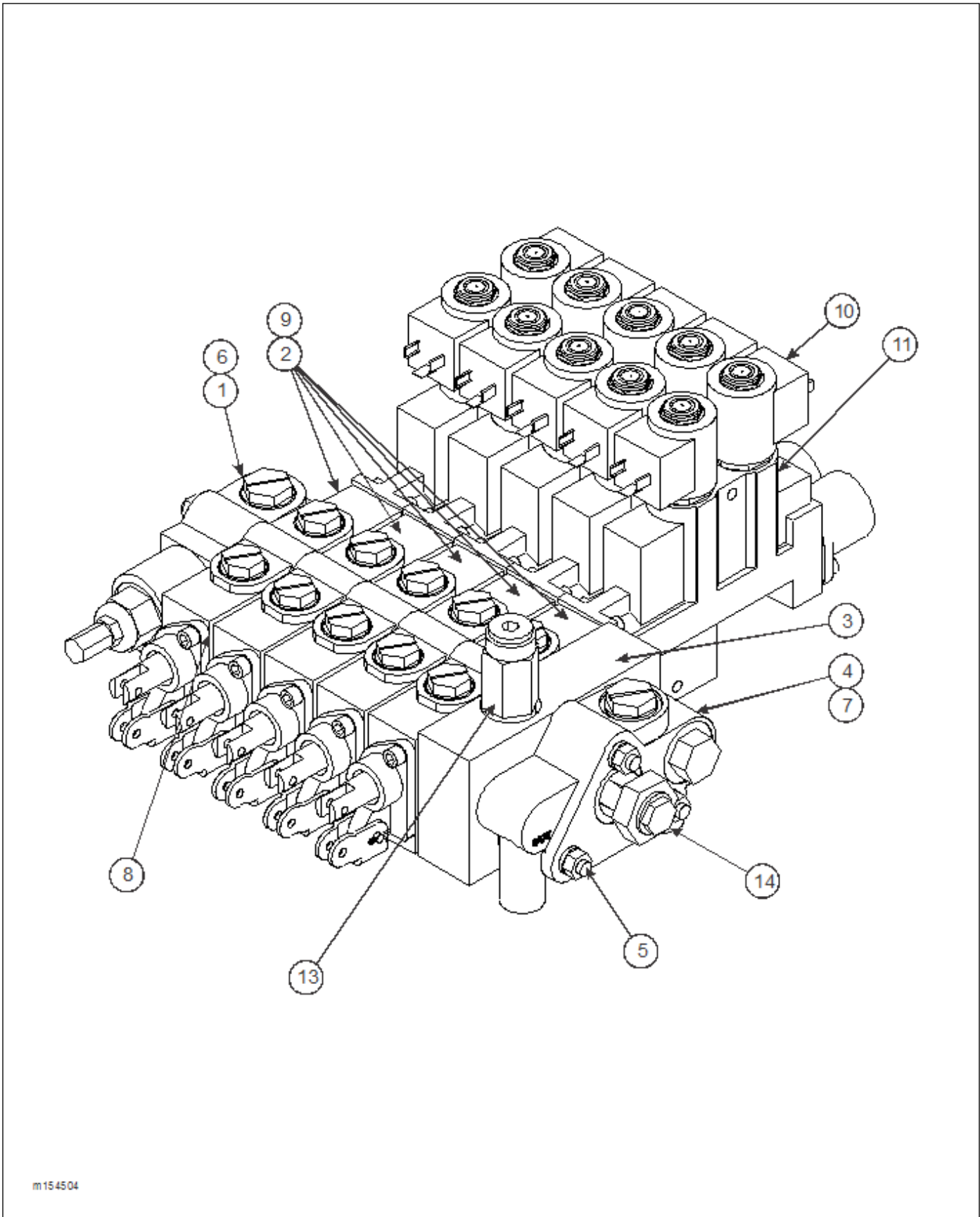
ILLUSTRATED PARTS LIST

POWER CENTER HYDRAULIC ASSEMBLY

ITEM	PART NO.	DESCRIPTION	QTY.
	154500	POWER CENTER ASSEMBLY	
1	1-181-010046-7	CLAMP, HOSE 1-1/16 TO 2" DIA	4
2	1-295-010001	RETURN LINE FILTER	1
3	1-397-010304026	HOSE ASSEMBLY 3/4 X 26	2
4	1-397-010304032	HOSE ASSEMBLY 3/4 X 32	1
5	1-512-010005-01	NUT, HEX LOCK 1/4-20 GRB	8
6	1-512-010005-05	NUT, HEX LOCK 3/8-16 GRB	8
7	1-512-010005-09	NUT, HEX LOCK 1/2-13 GRB	8
8	1-654-010047-10	SCREW, HEX HEAD CAP 1/4-20 X 2 GR5	2
9	1-654-010051-05	SCREW, HEX HEAD CAP 3/8-16 X 1 GR5	12
10	1-654-010051-06	SCREW, HEX HEAD CAP 3/8-16 X 1-1/4 GR5	14
11	1-654-010055-02	SCREW, HEX HEAD CAP 1/2-13 X 1-1/4 GR5	4
12	1-654-010055-03	SCREW, HEX HEAD CAP 1/2-13 X 1-1/2 GR5	8
13	1-861-010032-10	WASHER, FLAT 3/8W	10
14	1-861-010032-11	WASHER, FLAT 3/8W	10
15	1-861-010032-15	WASHER, FLAT 1/2W	8
16	1-861-010034-11	WASHER, SPLIT LOCK 3/8	20
17	1-861-010034-13	WASHER, SPLIT LOCK 1/2	4
18	102-0204	ADAPTER, SWIVEL TEE	1
19	109029	GASKET, HYDRAULIC TANK	1
20	111918	HOSE ASSEMBLY 3/4 X 98	2
21	113354	HOSE ASSEMBLY 1/2 X 15	1
22	116330	FITTING, 90	3
23	118-2659-7	BUSHING, STEEL	1
24	120660	ADAPTER	1
25	120661	VALVE, HYDRAULIC PRESSURE 2500 PSI	1
26	12412295	GAUGE, FLUID LEVEL	1
27	12412443	CHECK VALVE	2
28	126088	STRAINER, TANK	2
29	127759	PLUG, MAGNETIC	1
30	135358	HANDLE, VALVE FORMED	10
31	138179	CARTRIDGE, POWER BEYOND PRESSURE	1
32	1406013	HOSE ASSEMBLY 3/8"	1
33	147223	COVER, ITEU HYDRAULIC TANK	1
34	148001	BELL OF DIESEL ENGINE	REF
35	154504	VALVE, FIVE STACK SOLENOID (SEE PAGE 2-27)	1
36	155018	HYDRAULIC TANK WELDMENT	1
37	160116	ADAPTER, TEE	1
38	164026	ENGINE, DIESEL 17.2 HP	1
	167501	OIL FILTER	1
	167502	FUEL FILTER	1
	167503	AIR CLEANER FILTER ELEMENT	1
	167504	AIR CLEANER GASKET	1
39	164027	MOTOR, ELECTRIC 7.5HP	1
40	164028	PUMP, HYDRAULIC .677 CID	1
41	164030	COUPLING, FLEXIBLE 3-3/8 X 9 TOOTH	1
42	164037	PUMP MOUNT, ELECT MOTOR	1
43	164042	PUMP, HYDRAULIC	1
44	164043	VALVE, BALL SHUTOFF HYDRAULIC	1

POWER CENTER HYDRAULIC ASSEMBLY

ITEM	PART NO.	DESCRIPTION	QTY.
45	164044	VALVE, BALL SHUTOFF HYDRAULIC	2
46	164045	ADAPTER	2
47	164046	ADAPTER	1
48	164047	FITTING, ST	2
49	164048	ADAPTER, 90	1
50	2021-12-12S	ADAPTER	1
51	202702-10-12S	ADAPTER	4
52	202702-12-12S	ADAPTER	6
53	202702-20-20S	ADAPTER	3
54	202702-8-8S	ADAPTER	18
55	203101-12-12S	ADAPTER, TEE	1
56	203102-12-12S	ADAPTER, TEE SWIVEL	1
57	2062-8-8S	ADAPTER, 90	1
58	2068-12-12S	O-RING ADAPTER, 90	1
59	2242-12-12S	ADAPTER	1
60	3-162-010001	FILLER BREATHER STRAINER ASSEMBLY	1
61	3-360-010072	HANDLE ,PLASTIC BLACK	6
62	3-360-010090	HANDLE, PLASTIC RED	4
63	3-399-010001036	HOSE, SUCTION 1-1/4 X 36"	1
64	3-399-010001048	HOSE, SUCTION 1-1/4 X 48"	1
65	621-2597	GAUGE, 0-3000 PSI	1
66	900598-12S	PLUG, O-RING BOSS	1



m154504

Figure 2-17: Five Stack Solenoid Valve

FIVE STACK SOLENOID VALVE

ITEM	PART NO.	DESCRIPTION	QTY.
	154504	VALVE, FIVE STACK SOLENOID	
1	149526	INLET VALVE SECTION	
2	149527	WORK VALVE SECTION (SECTIONS 1-5)	
3	149529	UTILITY VALVE SECTION (SECTION 6)	
4	142483	OUTLET SECTION KIT	
5	660401006	TIEROD KIT	
6	660580002	SEAL KIT FOR INLET SECTION	
7	660580003	SEAL KIT FOR OUTLET SECTION	
8	660580004	O-RING SEAL KIT FOR BETWEEN SECTIONS	
9	660580005	SEAL KIT FOR SOLENOID WORK SECTION	
10	142484	COIL	
11	142485	CARTRIDGE	
12	142486	COIL CARTRIDGE ASSEMBLY (INCL ITEMS 10-11)	
13	149030	PRESSURE REDUCING CARTRIDGE IN UTILITY SECTION (SIXTH)	
14	151823	PRESSURE BUILD UP CARTRIDGE IN OUTLET SECTION	

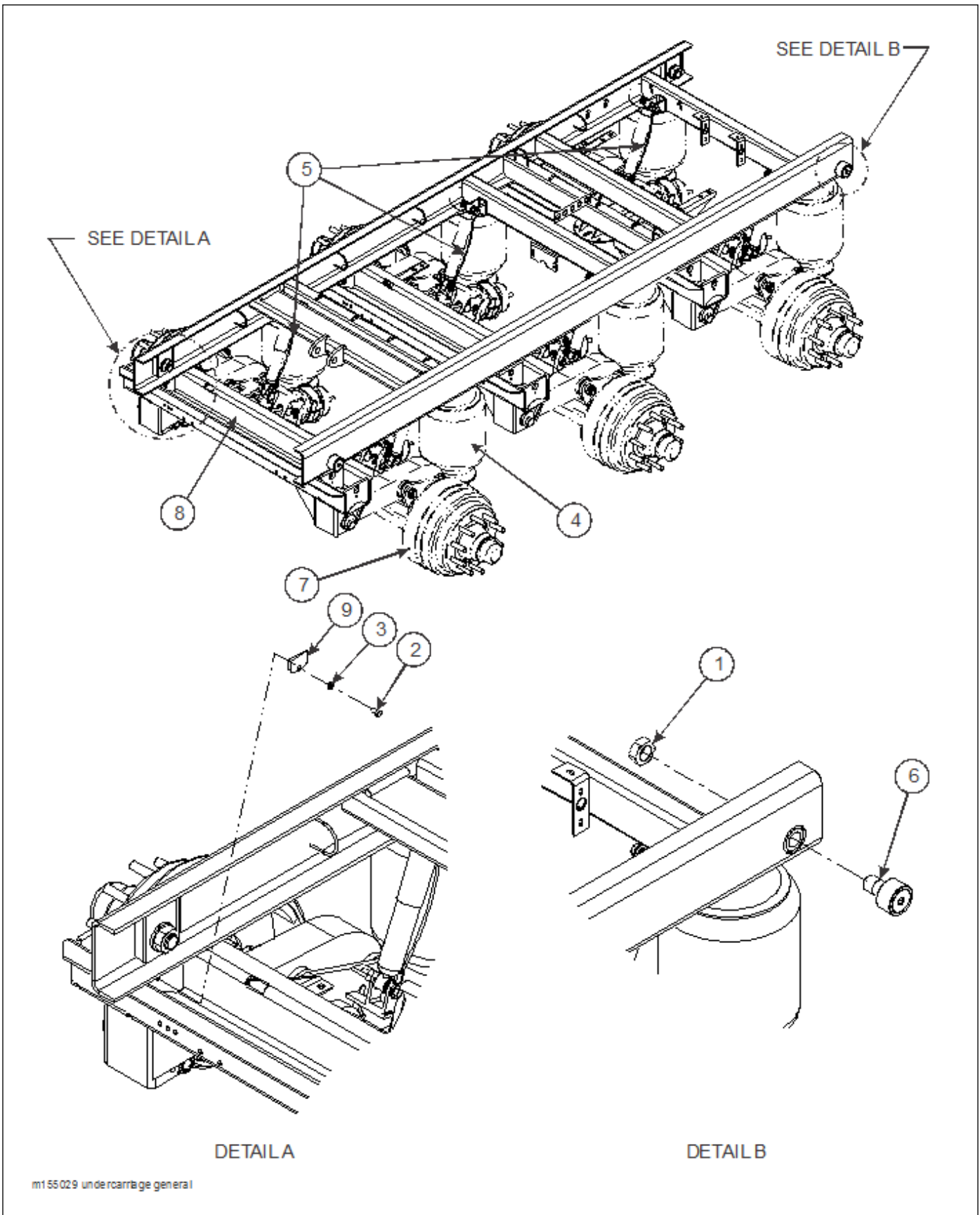


Figure 2-18: Undercarriage General Assembly

UNDERCARRIAGE GENERAL ASSEMBLY

ITEM	PART NO.	DESCRIPTION	QTY.
	155029	U/C ASSEMBLY 380 3AX LIFT 3RD	
1	1-511-010001-14	NUT, HEX JAM 1-1/2-12	4
2	1-654-010051-03	SCREW, HEX HEAD CAP 3/8-16 X 3/4 GR5	1
3	1-861-010034-11	WASHER, SPLIT LOCK 3/8	1
4	119482	SUSPENSION, FASTENER RL-250-17 (SEE PAGE 2-53)	3
5	119498	STRAP, LIMIT TRAVEL RL-250-17	3
6	145532	CAM FOLLOWER, 3 IN SEALED	4
7	154450	AXLE WELDMENT 2516 87 TRK RL250 (SEE PAGE 2-37)	3
8	155030	U/C WELDMENT 380	1
9	3-565-010770	PLATE, CABLE GUIDE LOCK	6

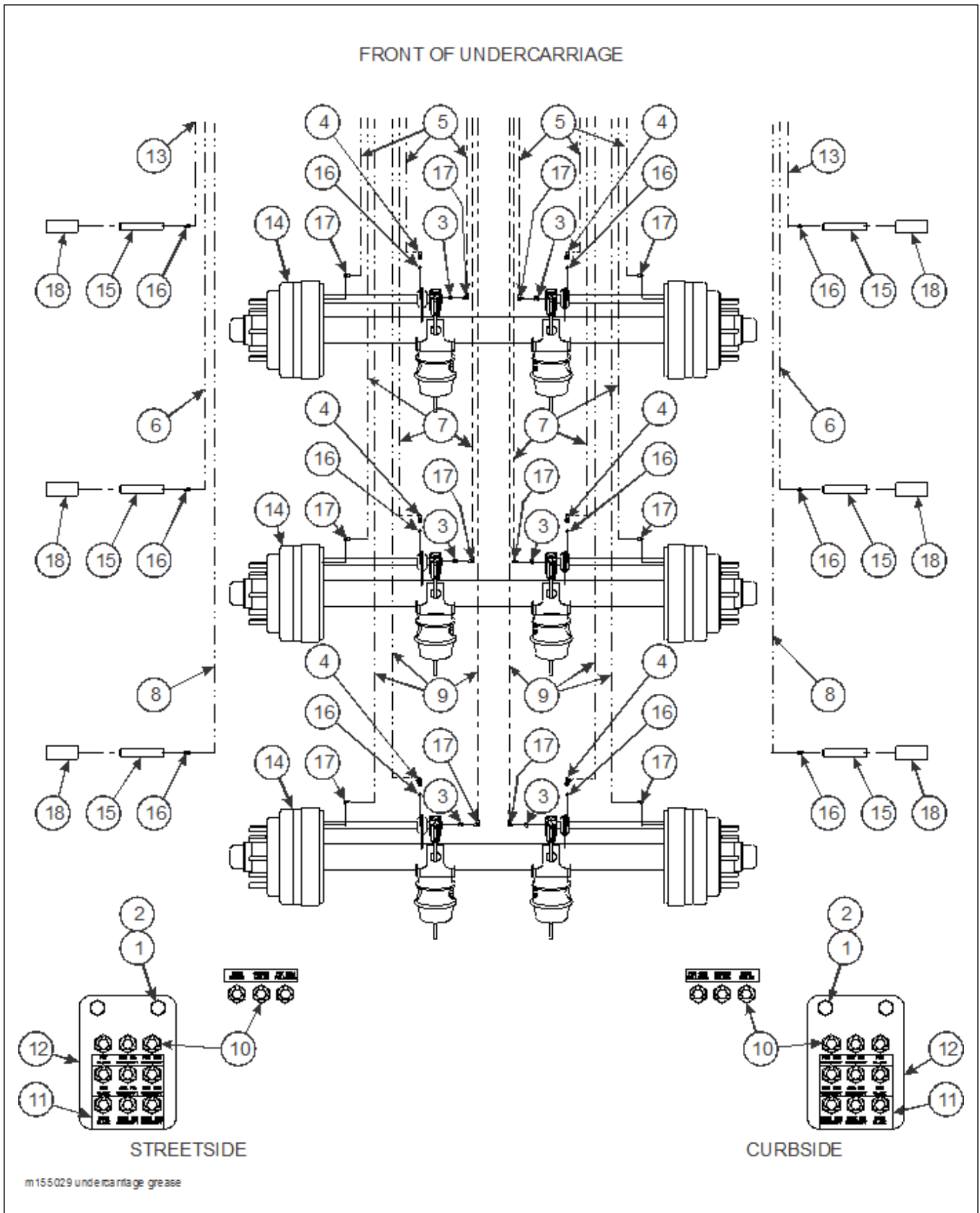


Figure 2-19: Undercarriage Grease Assembly

UNDERCARRIAGE GREASE ASSEMBLY

ITEM	PART NO.	DESCRIPTION	QTY.
	155029	U/C ASSEMBLY 380 3AX LIFT 3RD	
1	1-510-010001	NUT, HEX FLANGE LOCK 3/8-16	4
2	1-654-010051-05	SCREW, HEX HEAD CAP 3/8-16 X 1 GR5	4
3	101528	ELBOW, BRASS PIPE STREET	6
4	138155	ADAPTER, 90	6
5	142442	HOSE ASSEMBLY, GREASE 1/4 X 60	6
6	142443	HOSE ASSEMBLY, GREASE 1/4 X 72	2
7	142445	HOSE ASSEMBLY, GREASE 1/4 X 102	6
8	142446	HOSE ASSEMBLY, GREASE 1/4 X 118	2
9	142451	HOSE ASSEMBLY, GREASE 1/4 X 156	6
10	142545	NUT, 7/16 FOR BULKHEAD	24
11	142553	DECAL, GREASE TRL U/C	2
12	146922	BRACKET, BULKHEAD GREASE LINE	2
13	146923	HOSE ASSEMBLY, GREASE 1/4 X 20	2
14	154450	AXLE WELDMENT 2516 87TRK RL250 (SEE PAGE 2-37)	3
15	156482	PIN, U/C ROLLER	6
16	161797	ADAPTER, STR 5-16-18	6
17	2024-2-4S	ADAPTER, ELBOW	12
18	RRT114X6	TUBE, RD 2-1/2 X 1-1/2 X 6	6

ILLUSTRATED PARTS LIST

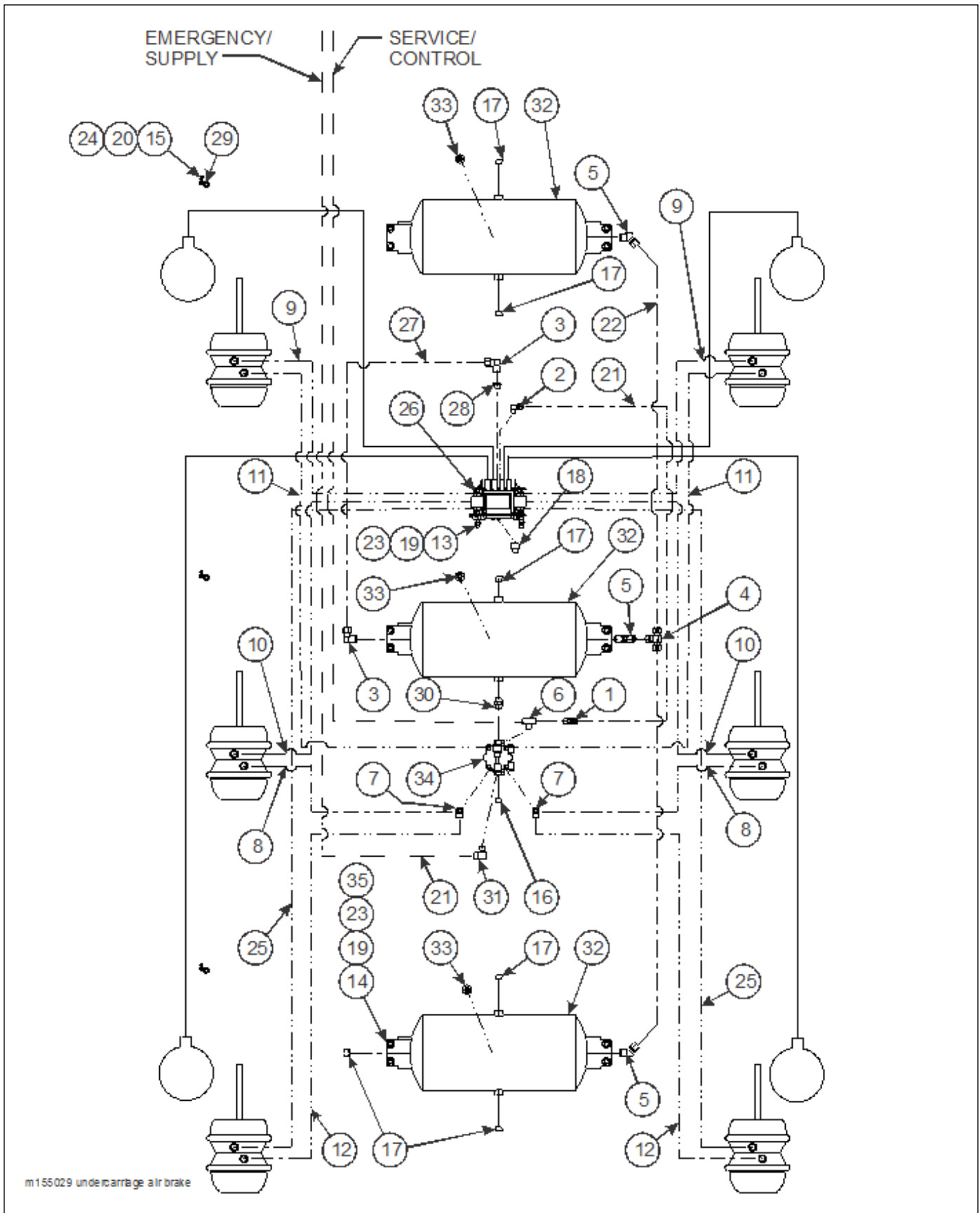


Figure 2-20: Undercarriage Air Brake Assembly

UNDERCARRIAGE AIR BRAKE ASSEMBLY

ITEM	PART NO.	DESCRIPTION	QTY.
	155029	U/C ASSEMBLY 380 3AX LIFT 3RD	
1	1-297-010007-12	FITTING, AIR	1
2	1-297-010008-18	FITTING, AIR 90	2
3	1-297-010008-26	FITTING, AIR 90	2
4	1-297-010010-06	FITTING, AIR UNION TEE	1
5	1-297-010013-16	FITTING, AIR 45	3
6	1-297-010017-03	FITTING, TEE	1
7	1-297-010018-03	FITTING, TEE	2
8	1-384-010038024	HOSE, AIR 3/8 X 24	4
9	1-384-010038038	HOSE, AIR 3/8 X 38	2
10	1-384-010038056	HOSE, AIR 3/8 X 56	2
11	1-384-010038060	HOSE, AIR 3/8 X 60	2
12	1-384-010038076	HOSE, AIR 3/8 X 76	2
13	1-510-010001	NUT, HEX FLANGE LOCK 3/8-16	2
14	1-512-010005-05	NUT, HEX LOCK 3/8-16 GRB	12
15	1-512-010007-03	NUT, HEX 10-24	3
16	1-560-010002-03	PLUG, PIPE, 3/8	1
17	1-560-010002-04	PLUG, PIPE, 1/2	6
18	1-560-010002-05	PLUG, PIPE, 3/4-14	1
19	1-654-010051-08	SCREW, HEX HEAD CAP 3/8-16 X 1-3/4 GR5	14
20	1-656-010003051	SCREW, RD HD MACH 10-24 X 3/4	3
21	1-833-010002	TUBING, NYLON 3/8	50
22	1-833-010003	TUBING, NYLON 1/2	58
23	1-861-010032-11	WASHER, FLAT 3/8 W	26
24	1-861-010034-07	WASHER, SPLIT LOCK NO 10	3
25	103738	HOSE, AIR 3/8 X 100	2
26	114588	ECU/VALVE ASSEMBLY 4S/2M (SEE PAGE 2-35)	1
27	117304	TUBING, NYLON 5/8	2
28	118-2659-9	BUSHING, STEEL	1
29	125892	CLAMP, CABLE 3/8 SST	3
30	2083-8-8S	NIPPLE	1
31	2089-6-6S	ADAPTER, 90	1
32	3-780-010002	TANK, AIR	3
33	757-363	VALVE, CABLE PULL DRAIN	3
34	758-181	VALVE, TASK 4 PORT	1
35	805-2	BUSHING, STEP	24

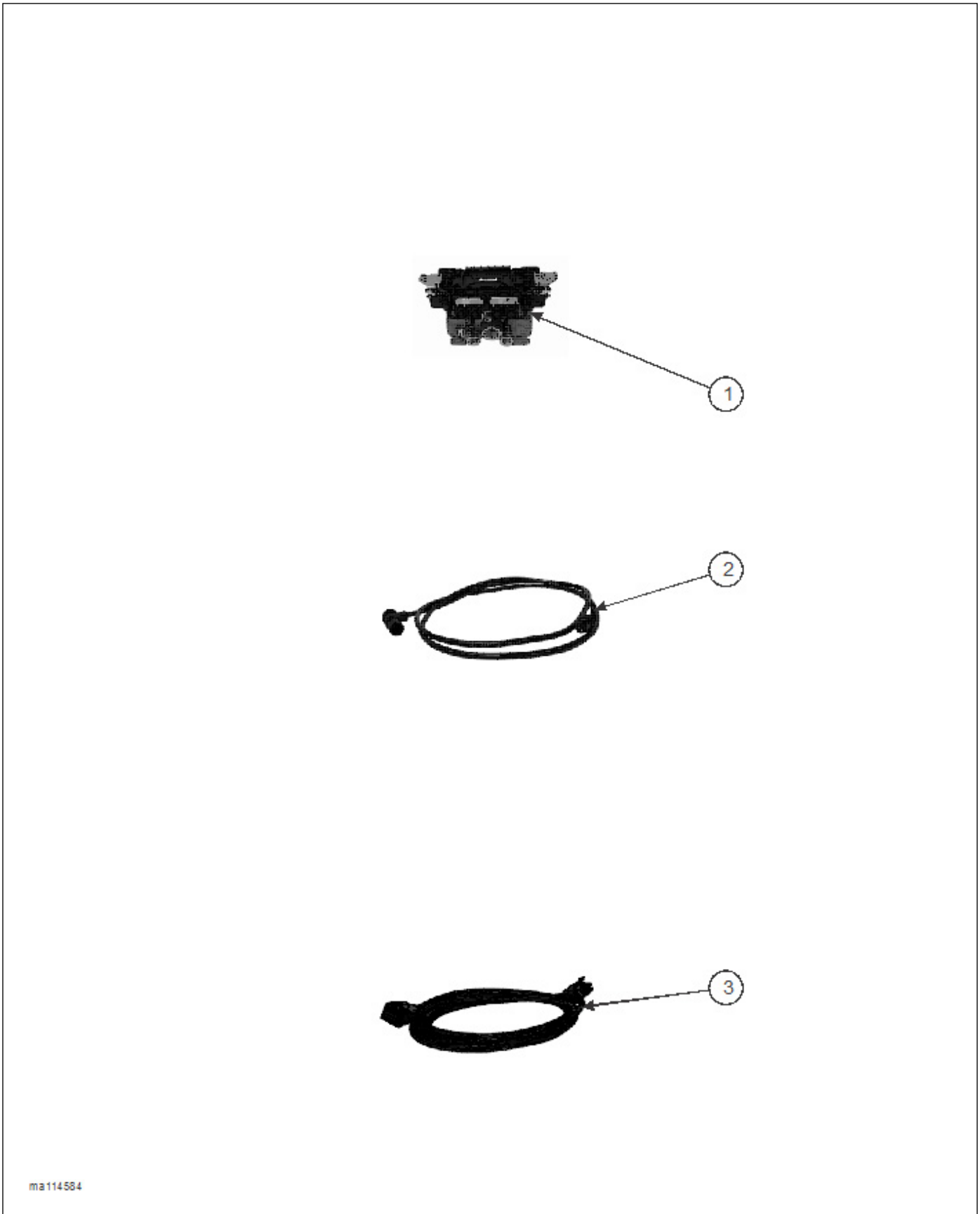


Figure 2-21: Brake Kit, ABS (Rockwell)

BRAKE KIT, ABS (ROCKWELL)

ITEM	PART NO.	DESCRIPTION	QTY.
	114586	BRAKE KIT, ROCKWELL ABS, 4S/2M TRI/SPD	
1	114588	ECU/VALVE ASSEMBLY	1
2	103861	SENSOR EXTENSION CABLE 3M (10 FT)	1
3	147464	POWER/DIAGNOSTIC CABLE	1

ILLUSTRATED PARTS LIST

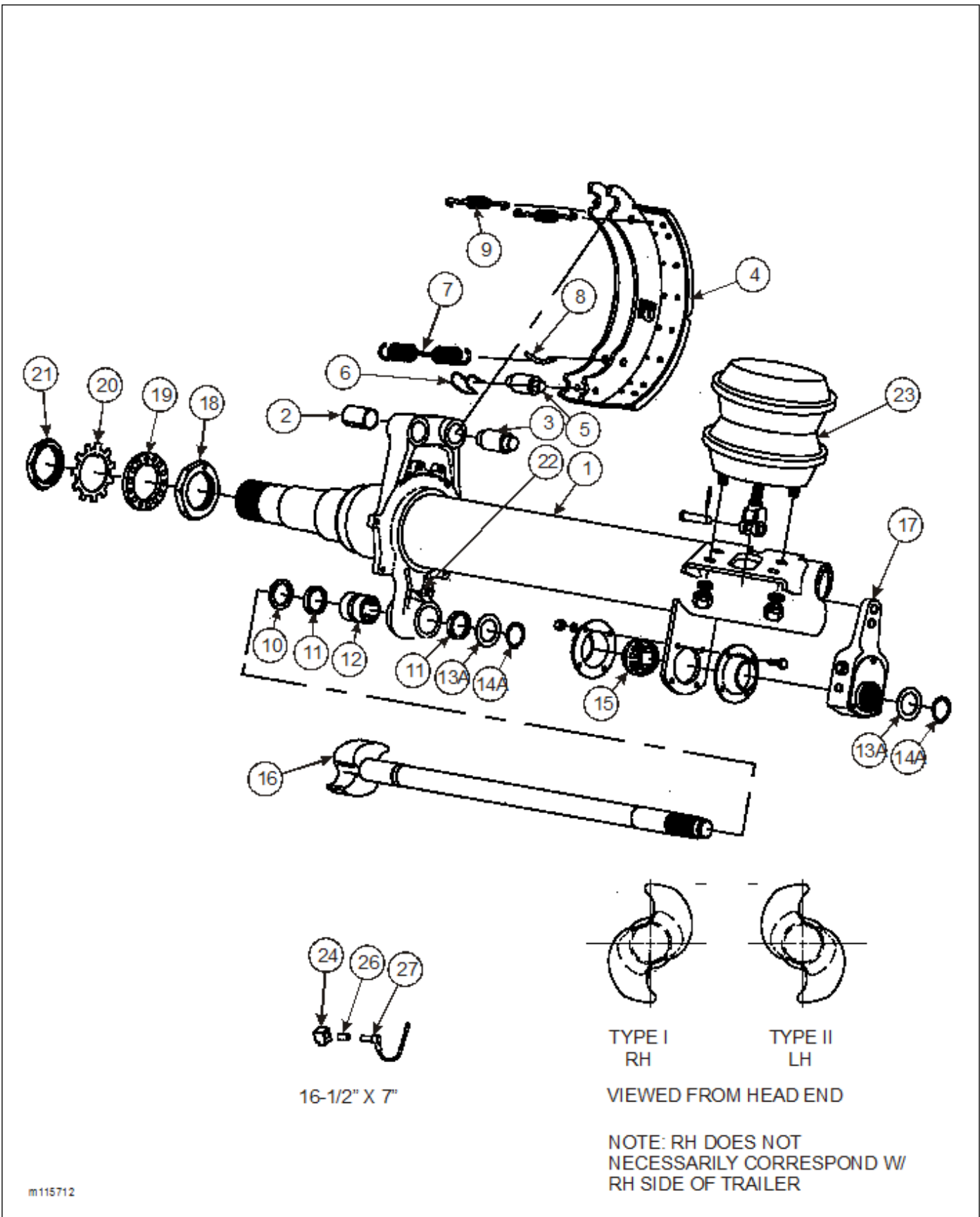


Figure 2-22: Axle and Brake Assembly

AXLE ASSEMBLY (DEXTER)

ITEM	PART NO.	DESCRIPTION	QTY.
	163995	AXLE 87" TRK, 16.5 X 7 SPG BRK 25K	
1	*D-2H16	BEAM	1
	**K71-136-00	BRAKE SHOE HARDWARE KIT (ITEMS 2, 3, 5, 6, 7, 8, & 9)	
2**	014-068-00	BUSHING - SPIDER ANCHOR PIN	4
3**	056-017-00	ANCHOR PIN	4
4	040-180-00	SHOE AND LINING ASSEMBLY	4
4A	041-058-01	LINING - BRAKE BLOCK CAM	4
4B	041-059-01	LINING - BRAKE BLOCK ANCHOR	4
	K71-138-00	BRAKE BLOCK KIT (ITEMS 4A, 4B, & P/N 022-018-00 RIVETS)	2
5**	014-065-00	ROLLER	4
6**	071-122-00	RETAINER - ROLLER	4
7**	046-096-00	SPRING - SHOE RETRACTOR	2
8**	056-018-00	RETAINER PIN - RETRACTOR SPRING	4
9**	046-097-00	SPRING - SHOE KEEPER	4
	***K71-135-00	CAMSHAFT REPAIR KIT (ITEMS 10-15, & 22)	1
10***	005-096-00	WASHER - CAMSHAFT	2
11***	010-052-00	GREASE SEAL	4
12***	014-056-00	BUSHING - CAMSHAFT SPIDER	2
13A***	005-134-00	WASHER - CAMSHAFT END	2
14A***	069-078-00	RETAINER CAMSHAFT END	2
15***	014-058-00	BUSHING - CAMSHAFT SUPPORT	2
16	034-192-08	CAMSHAFT, 25" LH	2
	034-193-08	CAMSHAFT, 25" RH	2
17	055-040-06	SLACK ADJUSTER - AUTOMATIC	2
18	006-114-00	NUT - INNER SPINDLE BEARING	2
19	005-098-00	LOCKWASHER - INDEXING	2
20	005-099-00	LOCKWASHER - TAB	2
21	006-115-00	NUT - OUTER SPINDLE	2
22***	061-006-00	GREASE FITTING 45°	2
23	034-058-01	AIR CHAMBER ASSEMBLY - SPRING BRAKE	2
24	144980	SENSOR BLOCK	2
26	144979	RETAINER CLIP	2
27	128550	ABS SENSOR 90	2

* WHEN ORDERING THE BEAM WITH SPINDLE, SPIDER AND BRACKETS ATTACHED, YOU WILL NEED THE BEAM NUMBER, TRACK LENGTH, BRAKE SIZE, AND CAMSHAFT LENGTH.

** THESE PARTS ARE AVAILABLE AS PART OF BRAKE SHOE HARDWARE KIT LISTED

*** THESE PARTS ARE AVAILABLE AS PART OF CAMSHAFT REPAIR KIT P/N LISTED.

NOTE: FOR HUB AND DRUM INFORMATION, SEE PAGE .

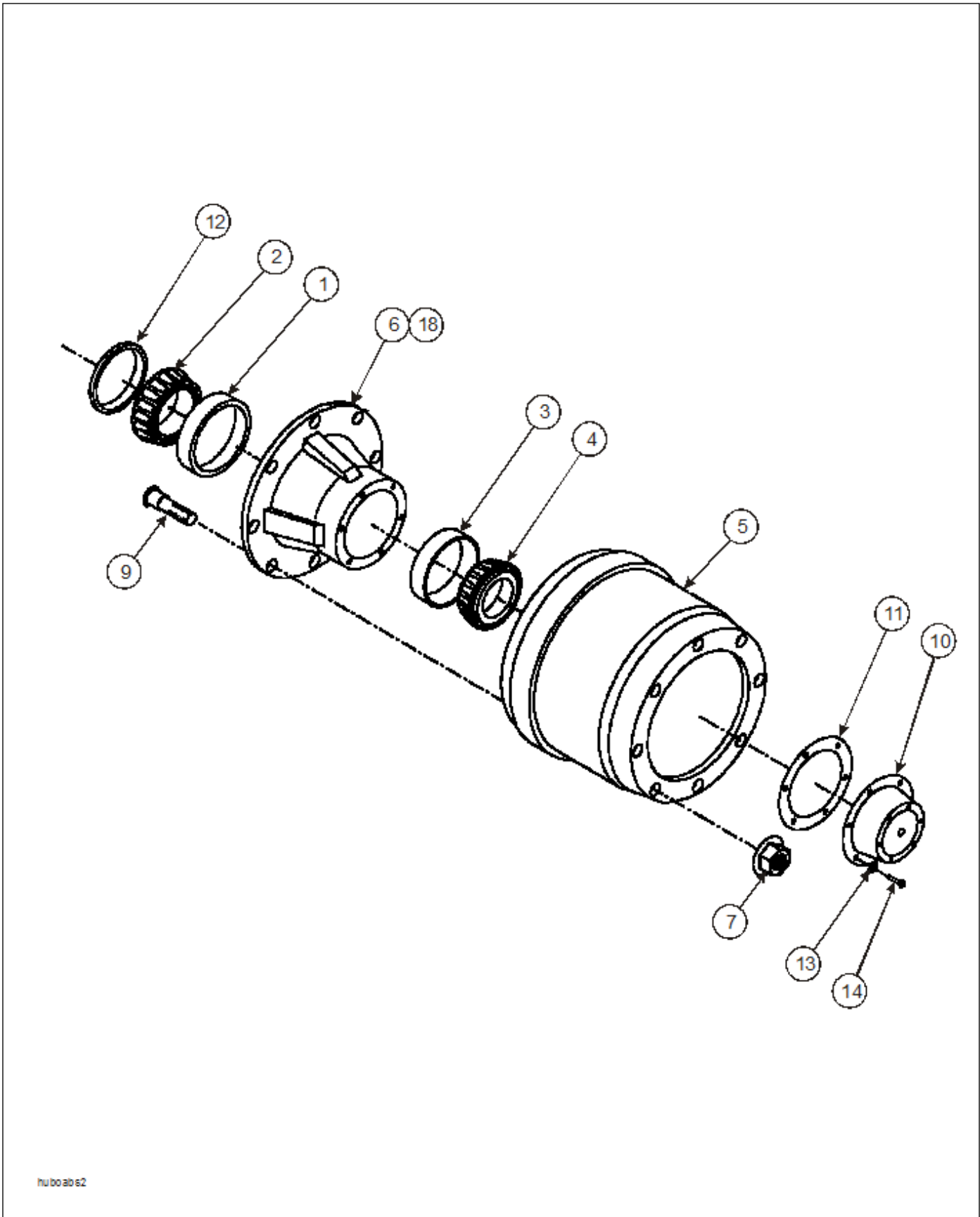


Figure 2-23: Outboard Pilot Mount Hub and Drum

OUTBOARD PILOT MOUNT HUB AND DRUM ASSEMBLY

ITEM	PART NO.	DESCRIPTION	QTY.
1	HM218210	INNER BEARING CUP	1
2	HM218248	INNER BEARING CONE	1
3	HM212011	OUTER BEARING CUP	1
4	HM212049	OUTER BEARING CONE	1
5	110976	OUTBOARD MOUNTED BRAKE DRUM (66884)	1
6	110975	HUB W/ STUDS (2023---T)	1
7	179933	NUT FLANGE MM22X1.5	10
9	113536	STUD R.H. 22MM 3.5 STANDOUT	10
10	021-038-01	CAP, HUB (4009)	1
11	071-124-00	GASKET, OIL CAP (3067)	1
12	3-659-010012	SEAL	1
13	1-861-010034-10	WASHER, SPLIT LOCK 5/16	6
14	1-654-010049-03	SCREW, HEX HEAD CAP 5/16-18 GR5	6
15	3-870-010110	WHEEL, DISC PILOT MNT 22.5 X 8.25 (10 BOLT)(STD. STEEL)	1
16	TR573	VALVE STEM (NOT SHOWN)	1
18	*	ABS TONE RING	1
19	**3-870-010107	WHEEL GUARD 10 HOLE 285.75MM BC (NOT SHOWN)	
20	137108	HUBODOMETER 255/70R22.5 TIRE (NOT SHOWN)	1

* THIS PART SHOULD BE REPLACED IN CONJUNCTION WITH HUB ONLY. IT SHOULD NEVER BE SOLD SEPARATELY.

** USE BETWEEN STEEL DRUM OR WHEEL AND ALUMINUM WHEEL.

ILLUSTRATED PARTS LIST

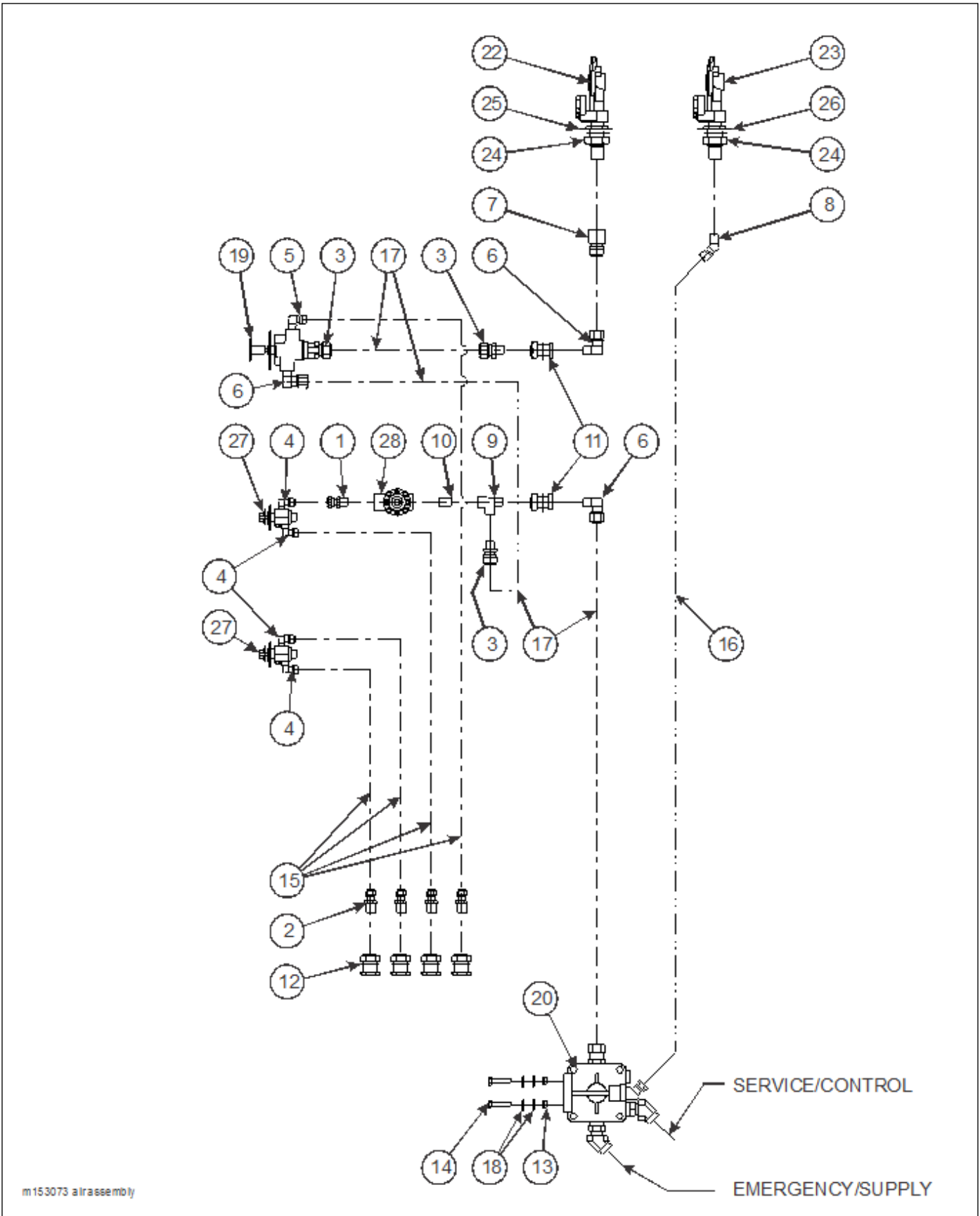


Figure 2-24: Frame Assembly - Air

FRAME ASSEMBLY - AIR

ITEM	PART NO.	DESCRIPTION	QTY.
	153073	FRAME ASSEMBLY	
1	1-297-010007-05	FITTING, AIR	1
2	1-297-010007-06	FITTING, AIR	4
3	1-297-010007-14	FITTING, AIR	3
4	1-297-010008-05	FITTING, AIR 90	4
5	1-297-010008-07	FITTING, AIR 90	1
6	1-297-010008-22	FITTING, AIR 90	3
7	1-297-010012-16	FITTING, AIR	1
8	1-297-010013-11	FITTING, AIR 45	1
9	1-297-010018-02	FITTING, ST TEE	1
10	1-297-010020-02	FITTING, BRS PIPE	1
11	1-297-010022-02	FITTING, AIR ANCHOR COUPLING	2
12	1-297-010022-03	FITTING, AIR ANCHOR COUPLING	4
13	1-512-010005-01	NUT, HEX LOCK 1/4-20 GRB	2
14	1-654-010047-07	SCREW, HEX HEAD CAP 1/4-20 X 1-1/4 GR5	2
15	1-833-010001	TUBING, NYLON 1/4 OD	AR
16	1-833-010002	TUBING NYLON 3/8 OD	AR
17	1-833-010003	TUBING NYLON 1/2 OD	AR
18	1-861-010032-07	WASHER, FLAT 1/4	4
19	111201	VALVE, AIR PARKING RELEASE	REF
20	141607	VALVE ASSEMBLY, AIR BOOSTER (SEE PAGE 2-43)	1
21	145531	CONNECTORS FRONT AIR ONLY (INCL ITEMS 22 - 26)	1
22	108801	GLAD HAND-RED-AIR	1
23	108802	GLAD HAND-BLUE-AIR	1
24	55B61	FRAME UNION	2
25	55B61-6	TAG, EMERGENCY LINE	1
26	55B61-7	TAG, SERVICE LINE	1
27	900-54-088	VALVE, AIR RIDE CONTROL	REF
28	905-54-107	BRAKE PROTECTION VALVE	1

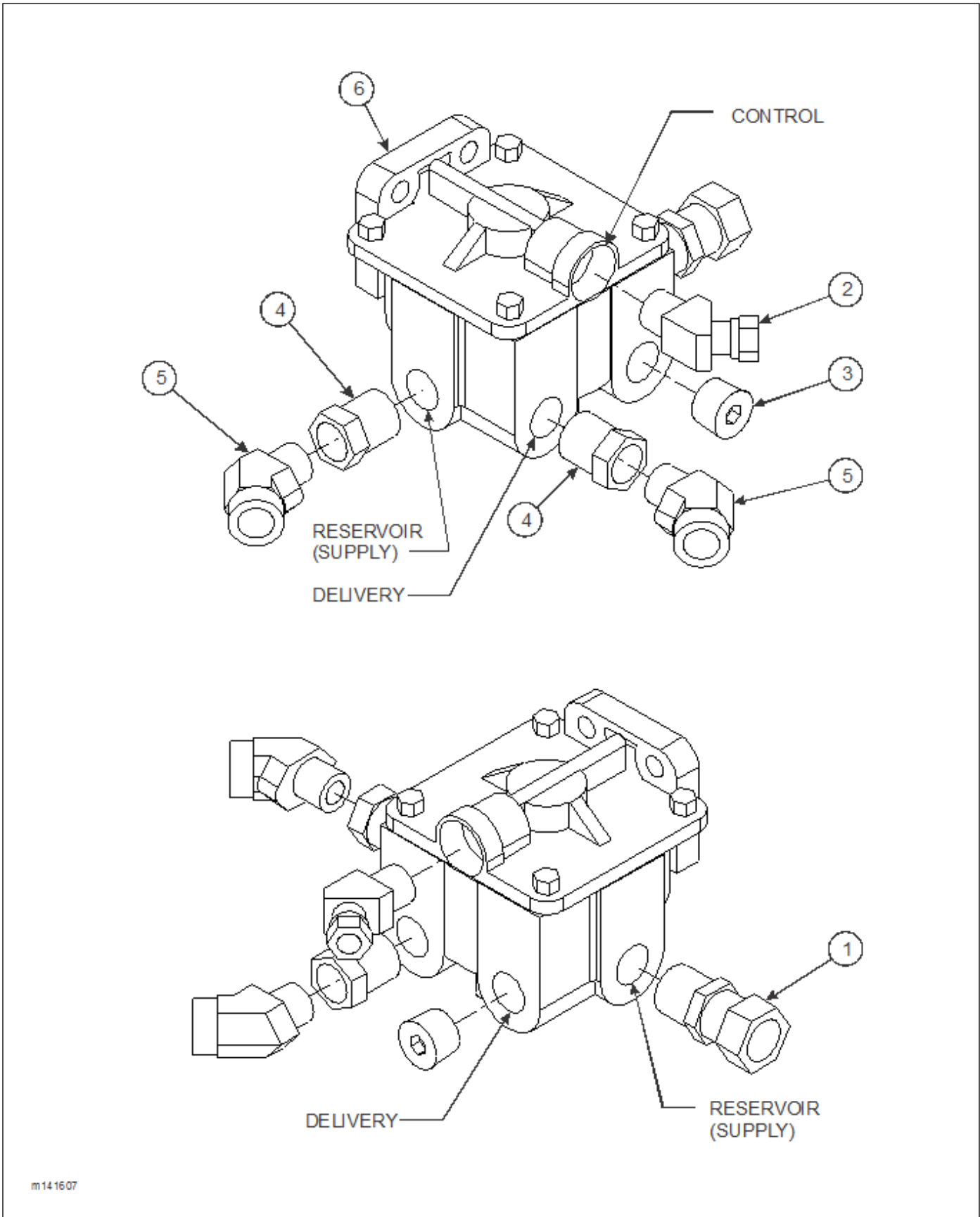


Figure 2-25: Valve Assembly, Air Booster

VALVE ASSEMBLY, AIR BOOSTER

ITEM	PART NO.	DESCRIPTION	QTY.
	141607	VALVE ASSEMBLY, AIR BOOSTER	
1	1-297-010007-16	FITTING, AIR	1
2	1-297-010013-12	FITTING, AIR 45	1
3	1-560-010002-04	PLUG, PIPE, 1/2	1
4	2081-8-6S	REDUCER	2
5	2088-6-6S	ADAPTER, 45	2
6	3-743-010038	VALVE, AIR RELAY-FAST AIR BALANCE	1

ILLUSTRATED PARTS LIST

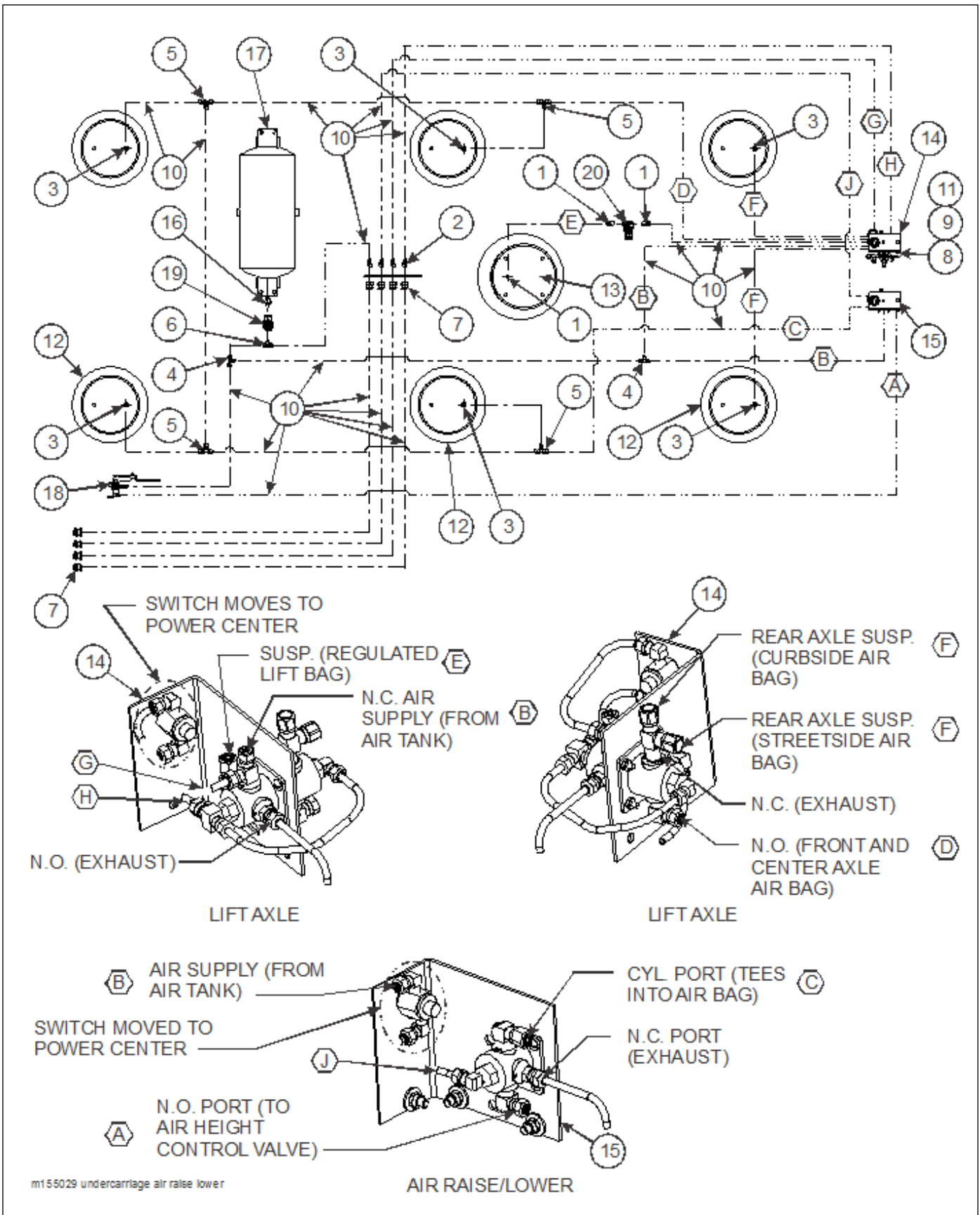


Figure 2-26: Undercarriage Air Raise Lower Assembly

UNDERCARRIAGE AIR RAISE LOWER ASSEMBLY

ITEM	PART NO.	DESCRIPTION	QTY.
	155029	U/C ASSEMBLY 380 3AX LIFT 3RD	
1	1-297-010007-05	FITTING, AIR	3
2	1-297-010007-06	FITTING, AIR	3
3	1-297-010007-11	FITTING, AIR	6
4	1-297-010010-01	FITTING, AIR UNION TEE	2
5	1-297-010010-03	FITTING, AIR UNION TEE	4
6	1-297-010015-03	FITTING, AIR BR TEE	2
7	1-297-010022-03	FITTING, AIR	3
8	1-512-010005-03	NUT, HEX LOCK 5/16-18 GRB	6
9	1-654-010049-05	SCREW, HEX HEAD CAP 5/16-18 X 1 GR5	6
10	1-833-010001	TUBING, NYLON 1/4	20
11	1-861-010032-09	WASHER, FLAT 5/16W	6
12	119482	SUSPENSION, FASTENER RL-250-17 (SEE PAGE 2-53)	3
13	119497	LIFT AXLE FASTENER KIT (SEE PAGE 2-55)	1
14	140369	CONTROL ASSEMBLY, LIFT-AXLE (SEE PAGE 2-47)	1
15	165777	CONTROL ASSEMBLY, SUSP AIR DUMP (SEE PAGE 2-49)	1
16	2083-8-4S	NIPPLE, HEX	1
17	3-780-010002	TANK, AIR	3
18	900-54-007	HEIGHT CONTROL VALVE	REF
19	905-54-107	BRAKE PROTECTION VALVE	REF
20	905-54-676	REGULATING VALVE	REF

ILLUSTRATED PARTS LIST

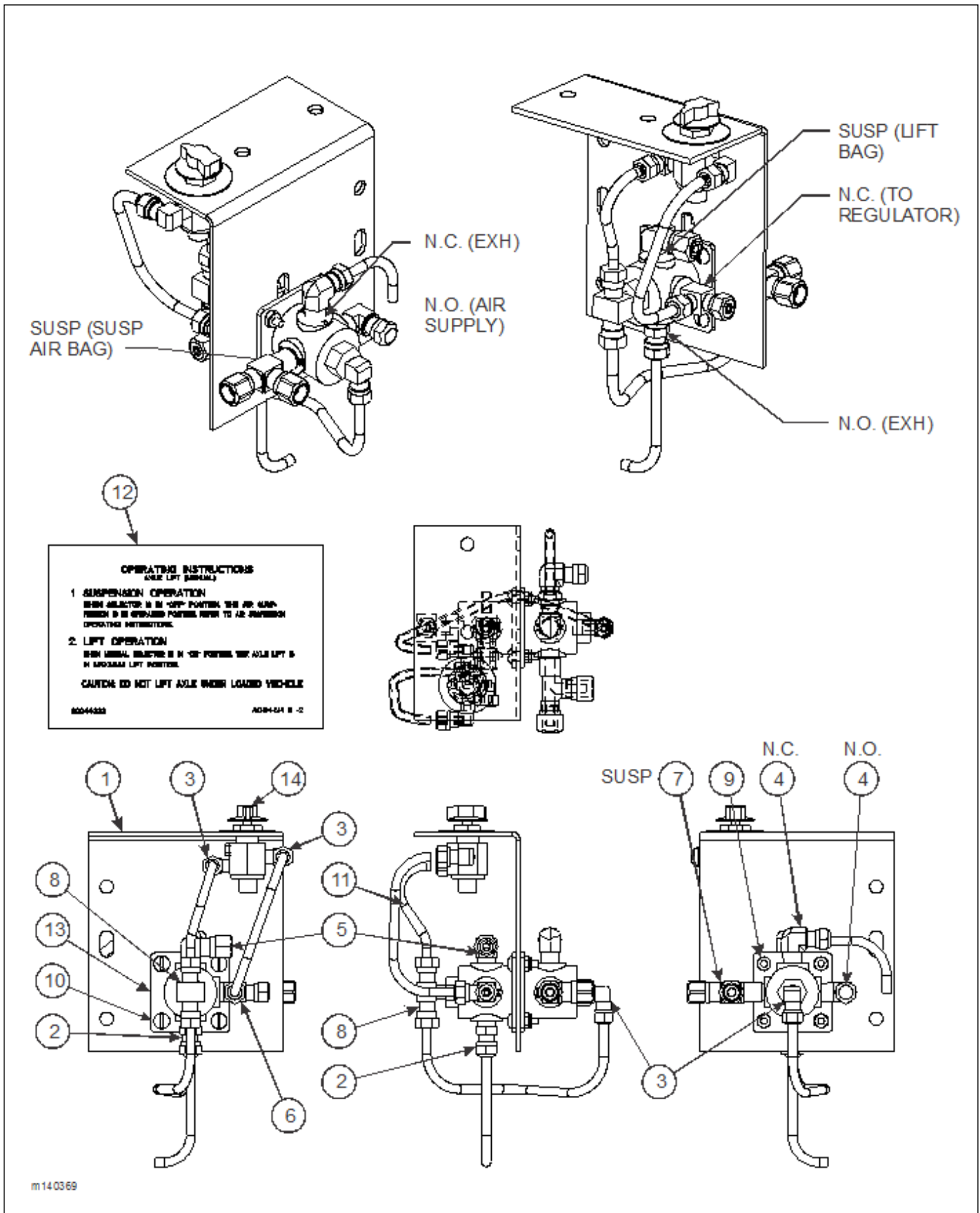


Figure 2-27: Lift Axle Control Assembly (Option)

LIFT AXLE CONTROL ASSEMBLY

ITEM	PART NO.	DESCRIPTION	QTY.
	140369	CONTROL ASSEMBLY, LIFT AXLE	
1	112324	PLATE, MOUNTING AIR LIFT KIT	1
2	1-297-010007-05	FITTING, AIR	1
3	1-297-010008-05	FITTING, AIR 90	3
4	1-297-010008-07	FITTING, AIR 90	2
5	1-297-010008-18	FITTING, AIR 90	1
6	1-297-010011-02	FITTING, AIR M/RUN TEE	1
7	1-297-010011-04	FITTING, AIR M/RUN TEE	1
8	1-297-010015-02	FITTING, AIR BR TEE	1
9	1-512-010003-06	NUT, HEX LOCK #10-24	4
10	1-656-010003051	SCREW, RD HEAD MACH #10-24 X 3/4	4
11	1-833-010001	TUBING, NYLON 1/4OD	AR
12	900-44-233	DECAL, AXLE LIFT OPERATING INSTRUCTIONS	REF
13	900-54-079	PILOT VALVE	2
14	900-54-088	VALVE, AIR RIDE CONTROL	REF
15	112953	AIR CONTROL KIT FOR LIFT AXLE (NOT SHOWN)	1

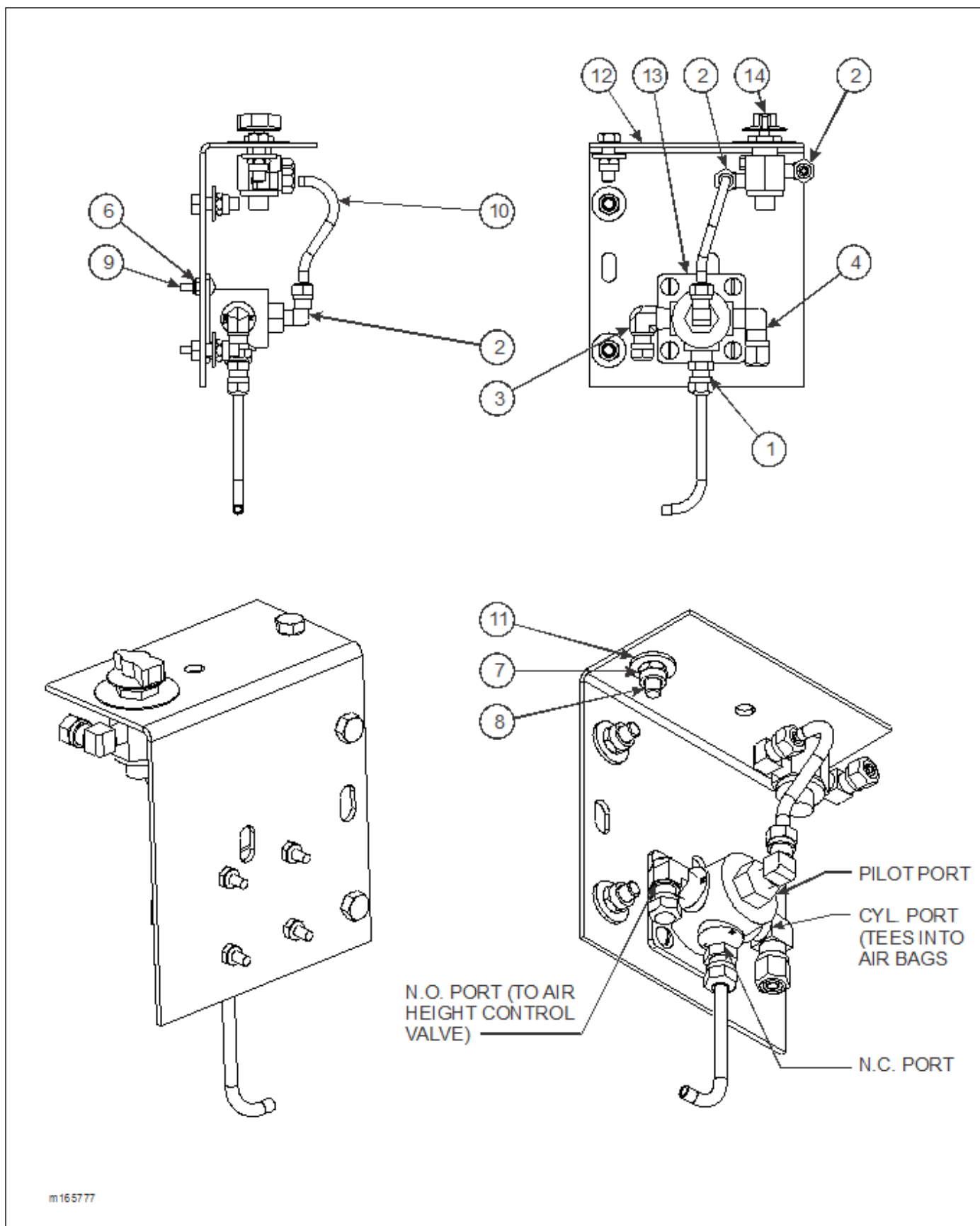
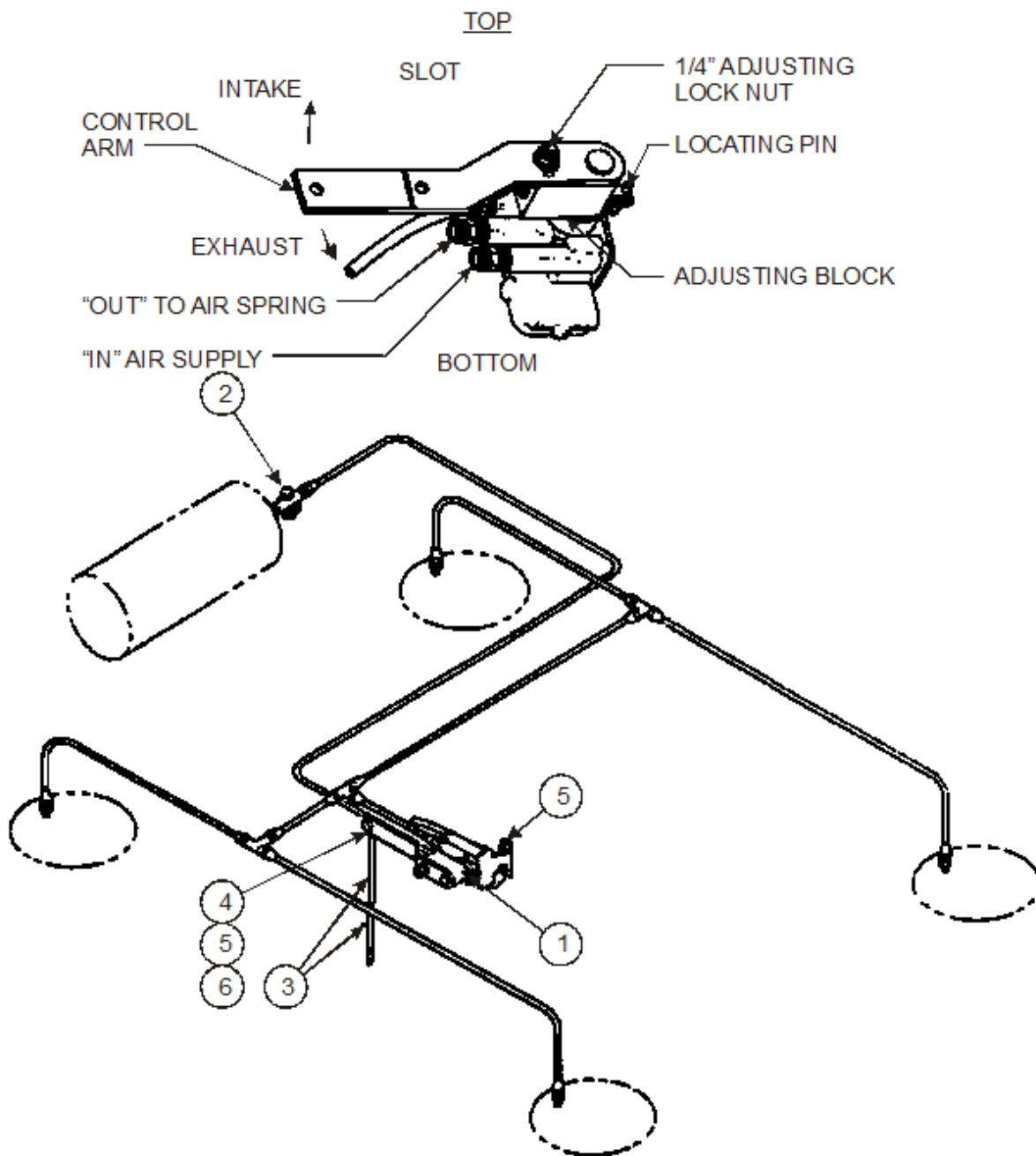


Figure 2-28: Control Assembly, Suspension Air Dump

CONTROL ASSEMBLY, SUSPENSION AIR DUMP

ITEM	PART NO.	DESCRIPTION	QTY.
	165777	CONTROL ASSEMBLY, SUSPENSION AIR DUMP	
1	1-297-010007-05	FITTING, AIR	1
2	1-297-010008-05	FITTING, AIR 90	3
3	1-297-010008-07	FITTING, AIR 90	1
4	1-297-010008-18	FITTING, AIR 90	1
5	1-297-010010-01	FITTING, AIR UNION TEE (NOT SHOWN)	1
6	1-512-010003-06	NUT, HEX LOCK 10-24	4
7	1-512-010005-03	NUT, HEX LOCK 5/16-18 GRB	3
8	1-654-010049-05	SCREW, HEX HEAD CAP 5/16-18 X 1 GR5	3
9	1-656-010003051	SCREW, RH HD MACH 10-24 X 3/4	4
10	1-833-010001	TUBING, NYLON 1/4	15
11	1-861-010032-09	WASHER, FLAT 5/16W	3
12	112324	PLATE, MOUNTING AIR LIFT KIT	1
13	900-54-079	PILOT VALVE	REF
14	900-54-088	VALVE, AIR RIDE CONTROL	REF

ILLUSTRATED PARTS LIST



m102732

Figure 2-29: Air Control Kit

AIR CONTROL KIT (USED W/ RLU-250 SUSPENSION)

ITEM	PART NO.	DESCRIPTION	QTY.
	102732	AIR CONTROL KIT NEWAY	
1	900 54 007	HEIGHT CONTROL VALVE	1
2	905 54 107	AIR PRESSURE PROTECTION VALVE & FILTER	1
3	111021	SRK - 167 KIT (ADJ. LINK ASSY)	1
4	1-654-010047-04	SCREW, HEX HEAD CAP 1/4-20 X 3/4 GR5	2
5	1-512-010005-01	NUT, HEX LOCK 1/4-20 GRB	2
6	941 00 119	DECAL (OPERATING)	1
7	941 00 466	HEIGHT CONTROL INSTRUCTIONS (NOT SHOWN)	1

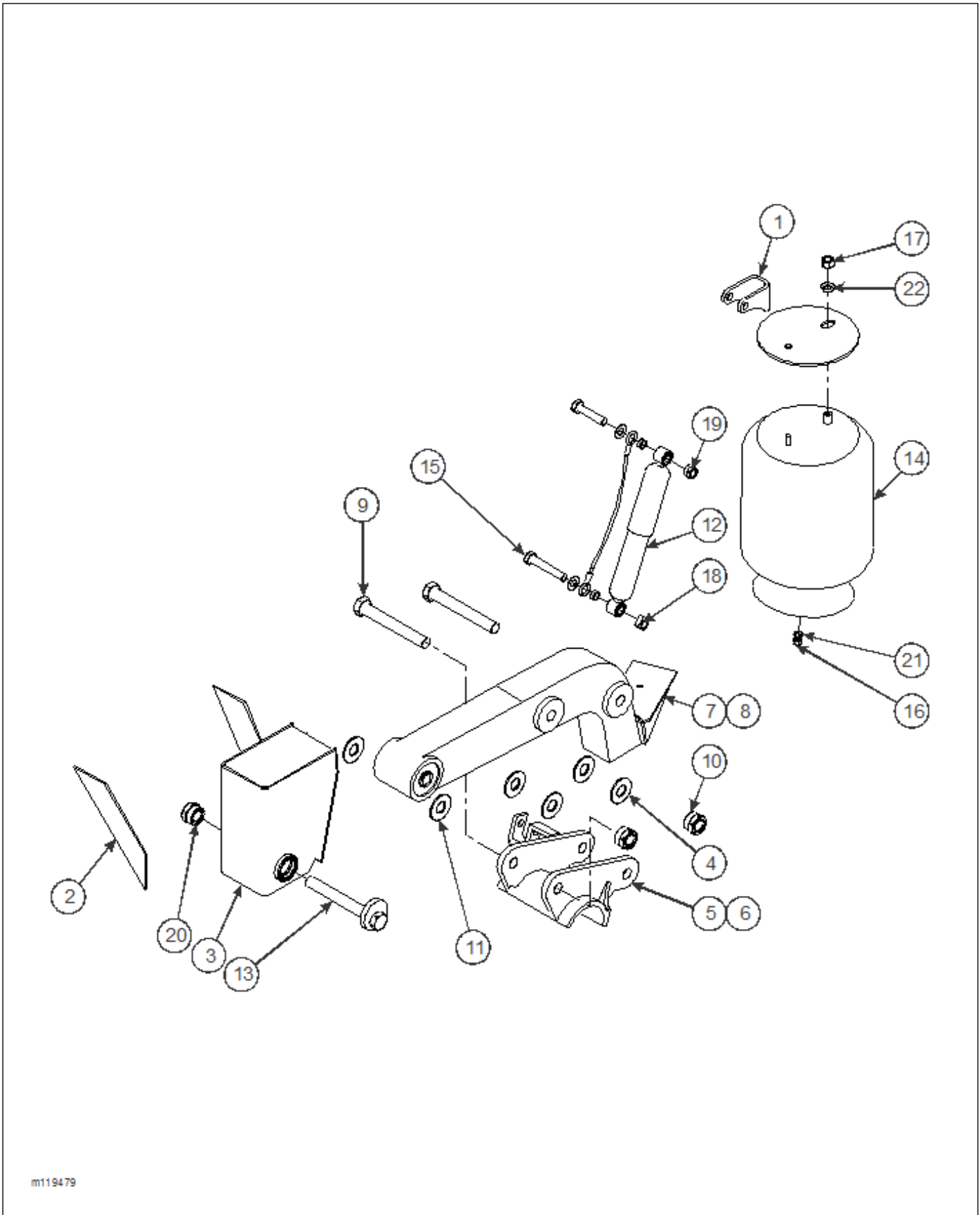
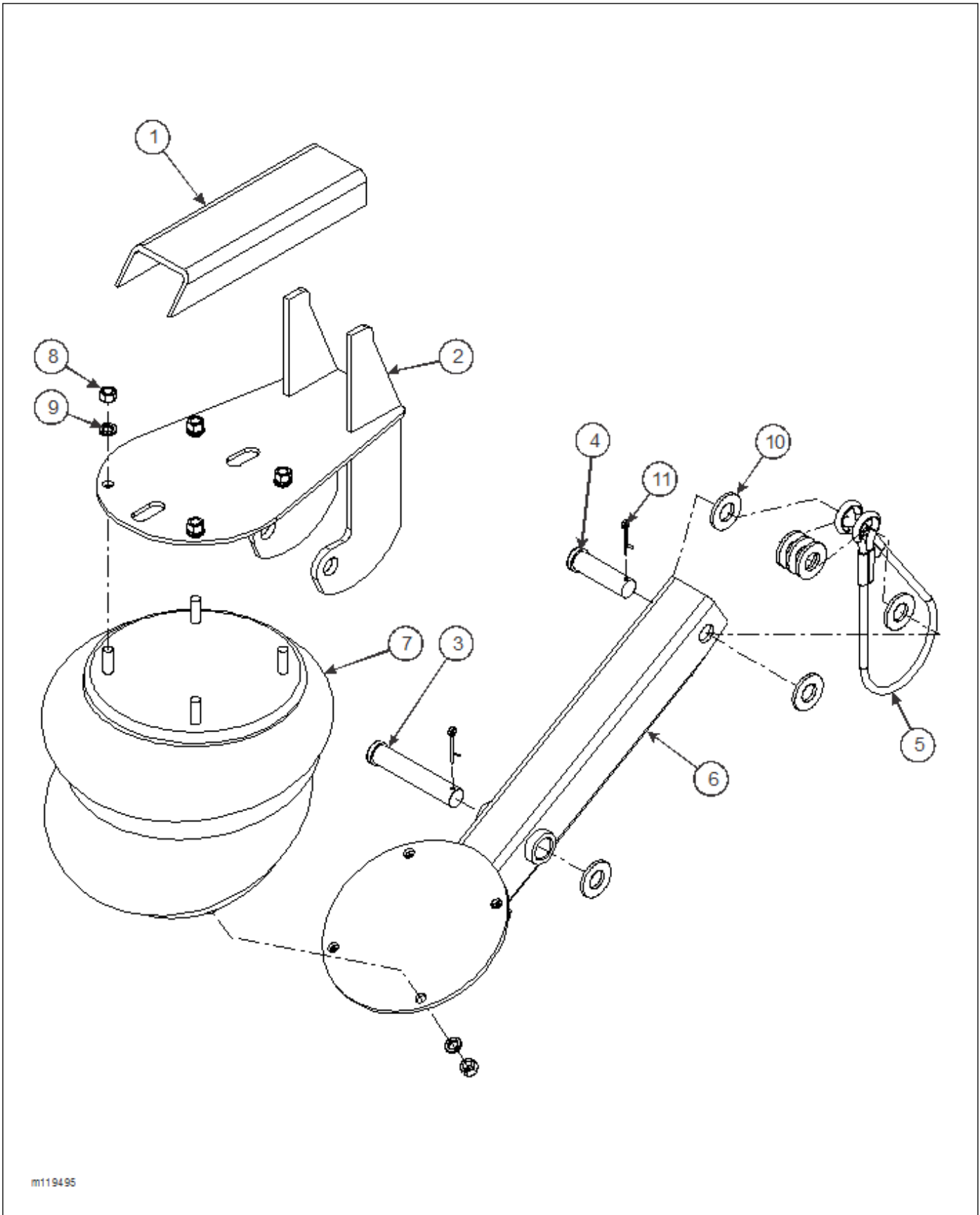


Figure 2-30: Suspension, Fastener RL-250-17

SUSPENSION HANGER RL-250-17

ITEM	PART NO.	DESCRIPTION	QTY.
	119481	SUSPENSION, FASTENER RL-250-17	
	119482	SUSPENSION, BEAM RL-250-17 (ITEMS 11-22)	
1	90018515	MOUNT	2
2	90023001	ANGLE BRACE	4
3	90521152	BRACKET, FRAME EZ ALIGN	2
4	111010	WASHER, FLAT 1-1/8	8
5	90501289	AXLE ADAPTER LH	1
6	90501290	AXLE ADAPTER RH	1
7	90516587	BEAM EQUALIZING ASSEMBLY LH	1
8	90516588	BEAM EQUALIZING ASSEMBLY RH	1
9	111023	SCREW, HEX HEAD CAP	4
10	934-00-506	NUT, HEX LOCK 1-1/8-7 GRB	4
11	111010	WASHER, FLAT 1.141	4
12	110680	SHOCK ABSORBER	2
13	90508009	SCREW, HEX HEAD CAP 1-1/4-7 X 9-1/2 GR8	2
14	169035	AIR SPRING	2
15	129004	SCREW, HEX HEAD CAP 3/4-10 X 4	2
16	12486400-521	NUT, HEX 1/2-13	2
17	1-654-010061-13	SCREW, HEX HEAD CAP 3/4-10 X 4 GR5	2
18	934-00-367	NUT, SQUARE 3/4-10	2
19	900 00 492	NUT, HEX LOCK 3/4-10	2
20	934-00-506	NUT, HEX LOCK 1-1/8-7 GRB	2
21	12486400-520	WASHER, SPLIT LOCK 1/2	2
22	936 00 077	WASHER, SPLIT LOCK 3/4	2



m119495

Figure 2-31: Lift Axle Fastener Kit

LIFT AXLE FASTENER KIT

ITEM	PART NO.	DESCRIPTION	QTY.
	119497	LIFT AXLE FASTENER KIT	
1	90025616	CHANNEL	1
2	90545981	LIFT SUPPORT ASSEMBLY	1
3	90006450	PIN	1
4	90006455	CLEVIS	1
5	90045291	STRAP	1
6	90516718	BEAM, EQUALIZING	1
7	90557257	AIR SPRING ASSEMBLY	1
8	12486400-521	NUT, HEX 1/2-13	8
9	12486400-520	WASHER, SPLIT LOCK 1/2	8
10	93600166	WASHER, FLAT	7
11	93800069	PIN, COTTER	2
	11005065	FASTENER KIT	1
	164092	REGULATOR VALVE ASSEMBLY	1

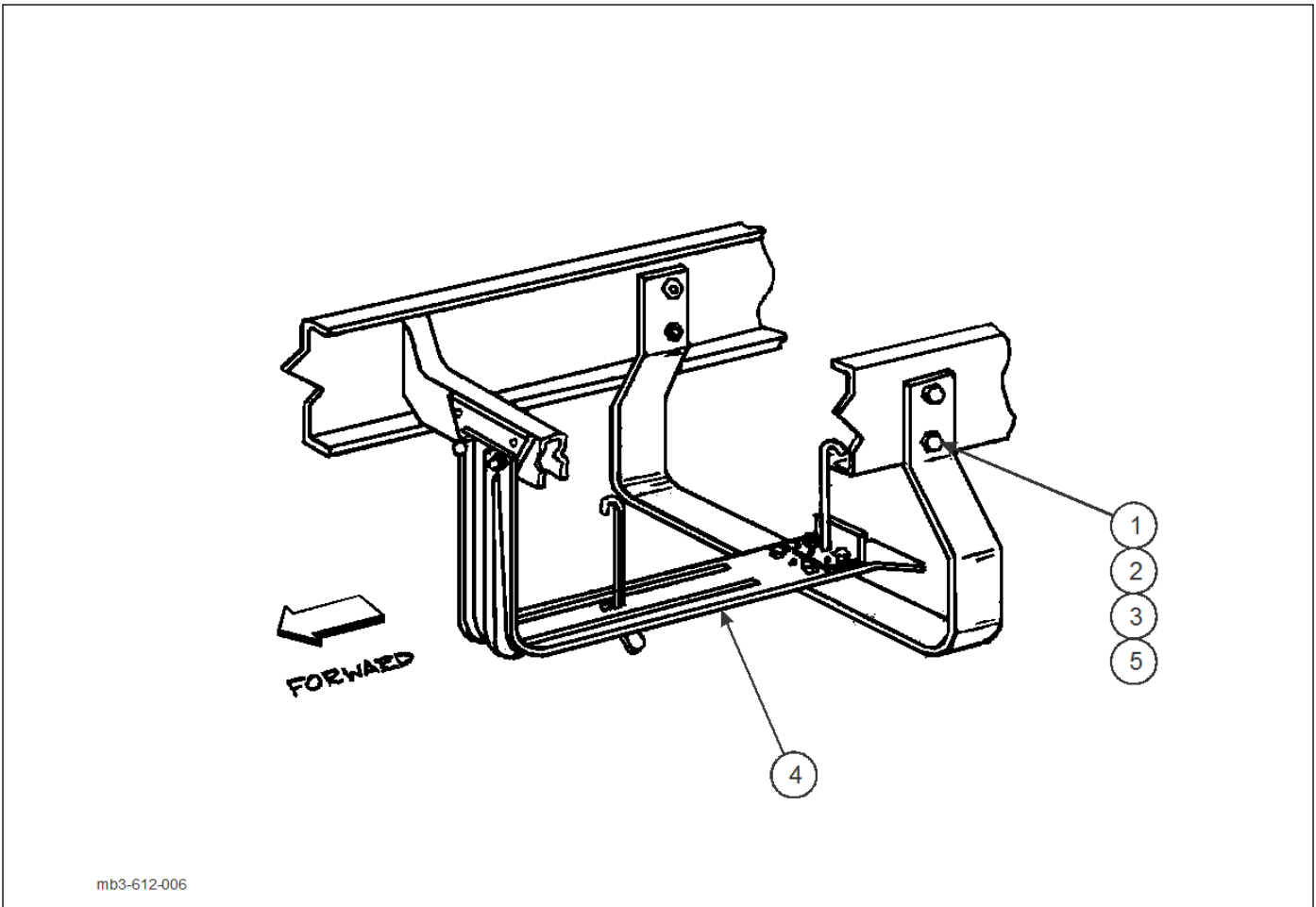


Figure 2-32: Spare Tire Rack Assembly)

SPARE TIRE RACK ASSEMBLY

ITEM	PART NO.	DESCRIPTION	QTY.
	B3-612-006	SPARE TIRE RACK	
1	1-512-010007-06	NUT, HEX 5/16-18	11
2	1-861-010032-09	WASHER, FLAT 5/16W	11
3	1-861-010034-10	WASHER, SPLIT LOCK 5/16	11
4	3-164-010001	CARRIER, TIRE UNIVERSAL	1
5	5/16-18X3/4HHCS	SCREW, HEX HEAD CAP 5/16-18X3/4 GR5	11

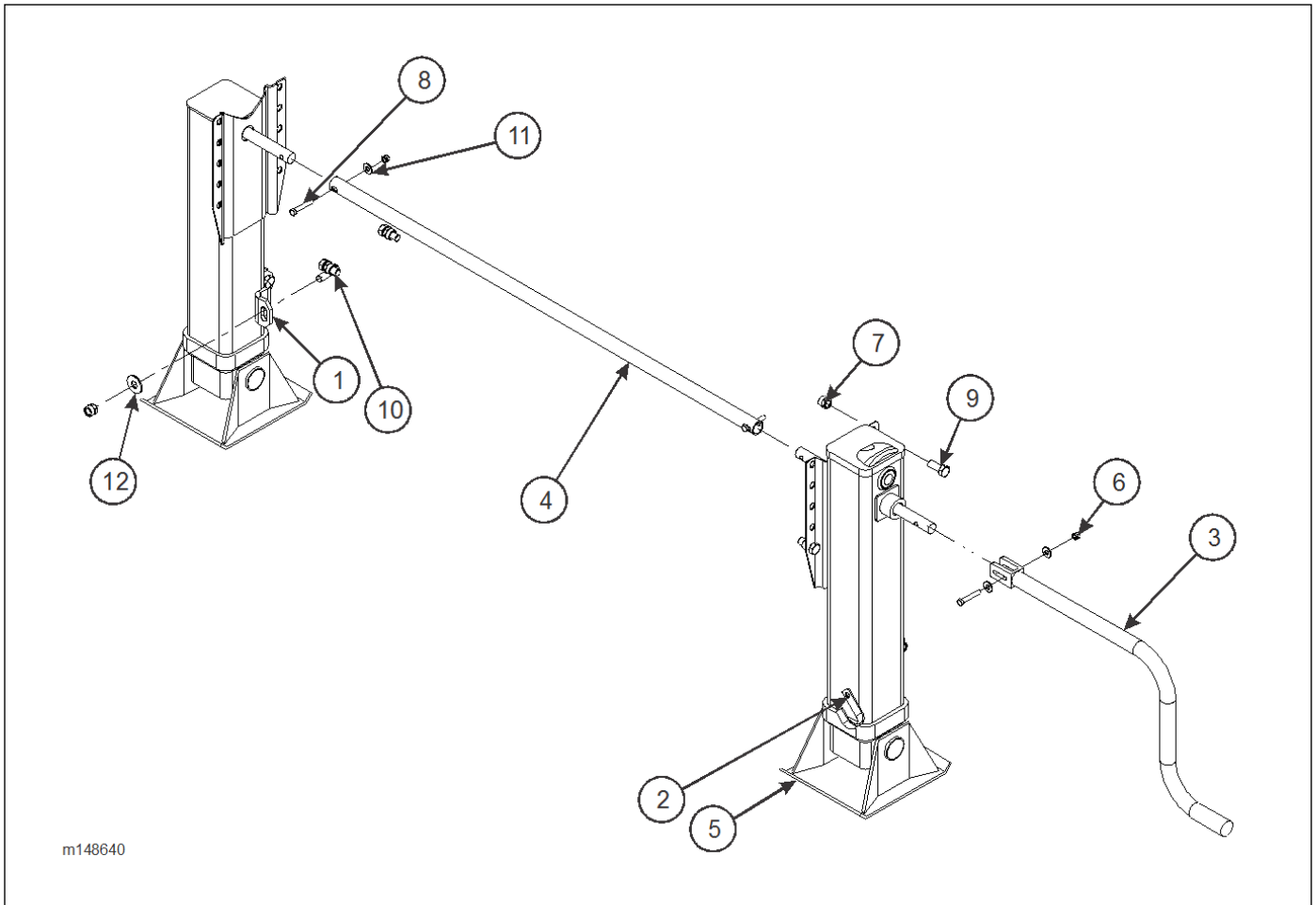
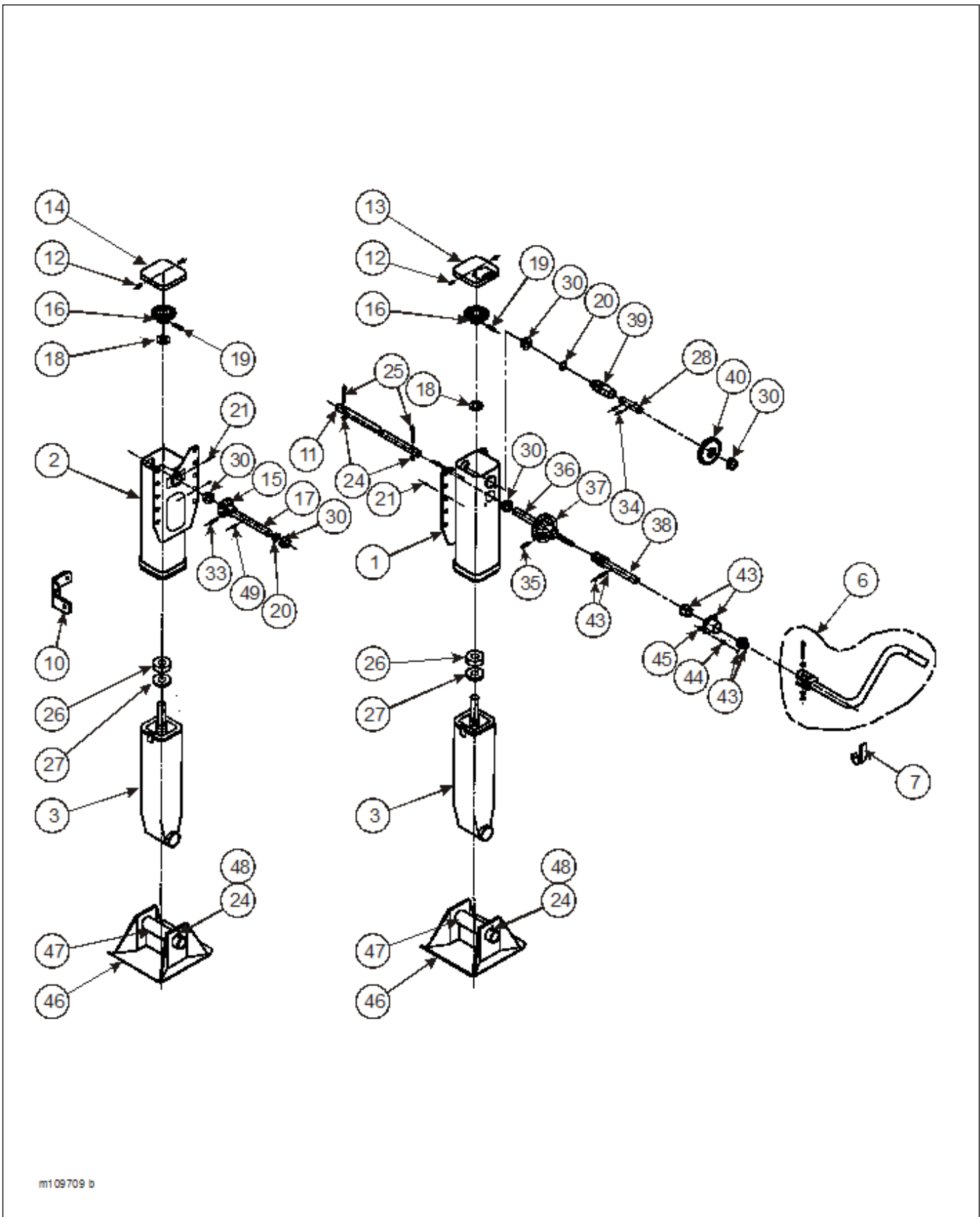


Figure 2-33: Landing Gear Assembly, 2 Speed

LANDING GEAR ASSEMBLY, 2 SPEED

ITEM	PART NO.	DESCRIPTION	QTY.
	148640	LANDING GEAR INSTALLATION, 2 SPEED	
1	104238	ANCHOR, LOWER, BOLT-ON	2
2	109711	CRANK, HANGER	1
3	164074	CRANK, LANDING GEAR LONG	1
4	148641	CROSS-SHAFT LANDING GEAR	1
5	109709	LANDING GEAR 2 SPEED JOST (SEE PAGE 2-59)	1
6	1-512-010005-05	NUT, HEX LOCK 3/8-16 GRB	6
7	1-512-010005-13	NUT, HEX LOCK 5/8-11 GRB	20
8	1-654-010051-10	SCREW, HEX HEAD CAP 3/8-16 X 2-1/4 GR5	3
9	1-654-010059-03	SCREW, HEX HEAD CAP 5/8-11 X 1-1/2 GR5	16
10	1-654-010059-04	SCREW, HEX HEAD CAP 5/8-11 X 1-3/4 GR5	4
11	1-861-010032-11	WASHER, FLAT 3/8	6
12	1-861-010032-19	WASHER, FLAT 5/8	4
	156661	LANDING GEAR SUBWELDMENT (INCL ITEMS 1, 2, & 5)	



m109709 b

Figure 2-34: Crank Landing Gear

CRANK LANDING GEAR

ITEM	PART NO.	DESCRIPTION	QTY.
	109709	LANDING GEAR INSTALLATION-	
1	D10201.2	OUTER HOUSING - 2 SPEED	1
2	D10116.2	OUTER HOUSING - 1 SPEED	1
3	C10140.2	INNER LEG ASSEMBLY - STANDARD	2
6	164074	CRANK, LANDING GEAR LONG	1
7	109711	CRANK HANGER	1
10	109712	BRACE LUG - W	2
11	B10066	INTERMEDIATE CROSS SHAFT	1
12	A10059.1	COVER SCREW	4
13	C10217	COVER - 2 SPEED	1
14	C10259	COVER - 1 SPEED	1
15	C10177	PINION GEAR	1
16	C10155	BEVEL GEAR	2
17	B10130	PINION SHAFT - 1 SPEED	1
18	A10102	THRUST WASHER	2
19	A10052.3	GROOVED PIN	2
20	A10218	SPACER WASHER	2
21	A10040	GREASE FITTING	4
23	C10209	STRUT BRACE (NOT SHOWN)	4
24	A10038.7	SELF LOCKING NUT	2
25	A10037.1	CROSS SHAFT BOLT - 3/8 X 2 GR5	2
26	A10033	THRUST BEARING	2
27	A10101	COLLAR	2
28	A10212	OUTPUT SHAFT	1
30	A10255	BUSHING	5
33	A10054.3	ROLL PIN 3/8 X 1-1/2	1
34	A10260.1	SPIRAL PIN	2
35	A10054.7	ROLL PIN - 3/8 X 1-3/4	1
36	B10236	OUTPUT CLUSTER SHAFT	1
37	C10234	OUTPUT CLUSTER GEAR	1
38	214441	INPUT GEAR SHAFT	1
39	C10078	OUTPUT SPUR GEAR	1
40	C10085	INPUT SPUR GEAR	1
43	B10229.S	SHIFT HOUSING SERVICE KIT	1
44	A10230	SHIFT HOUSING BOLT	4
45	A10038.6	SELF LOCKING NUT	4
46	C10256	SHOE - 10 X 10 X 4-1/2	2
47	B10036	SHOE AXLE	2
48	A10037.3	HEX HEAD BOLT	2
49	A10054.6	ROLL PIN - 1/4 X 1-1/4	1

ILLUSTRATED PARTS LIST

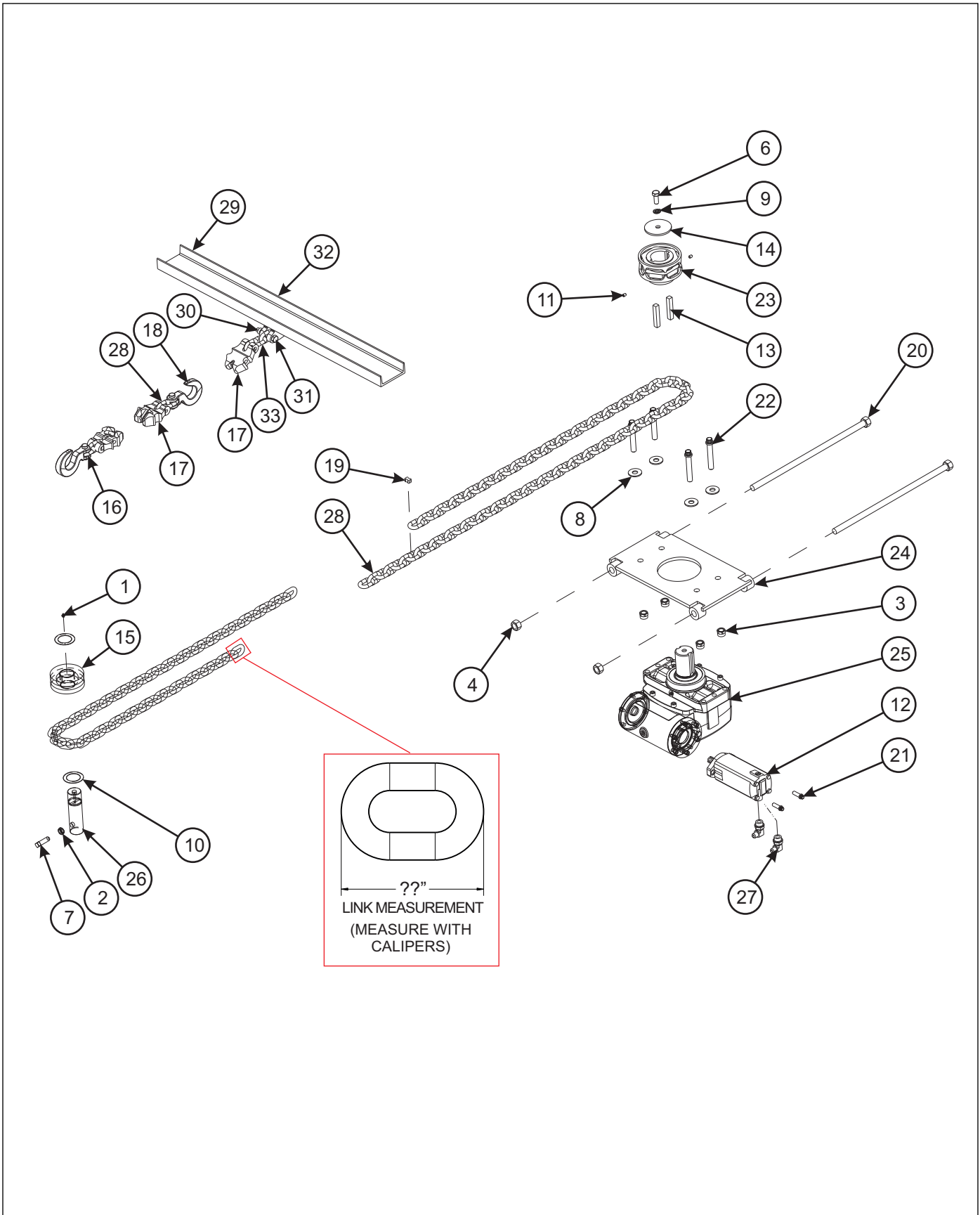


Figure 2-35: Chain Drive Assembly

CHAIN DRIVE ASSEMBLY

ITEM	PART NO.	DESCRIPTION	QTY.
	156474	CHAIN DRIVE ASSEMBLY	
1	1-298-010001-1	ZERK FITTING 1/4	1
2	1-511-010001-07	NUT, HEX JAM 5/8-11	1
3	1-512-010005-15	NUT, HEX LOCK 3/4-10 GRB	4
4	1-512-010007-13	NUT, HEX 7/8-9 GR2	2
5	166911	HOSE ASSEMBLY, 1/2 X 432 (NOT SHOWN)	2
6	1-654-010059-03	SCREW, HEX HEAD CAP 5/8-11 X 1-1/2 GR5	1
7	1-654-010150-05	SCREW, SET SQ HD CP POINT 5/8 X 2	1
8	1-861-010032-21	WASHER, FLAT 3/4 W	4
9	1-861-010034-15	WASHER, SPLIT LOCK 5/8	1
10	109895	WASHER, 3OD X 2-1/16 X 14GA	2
11	110-3494	SETSCREW, SOC HD 3/8-16 X 1/2	2
12	126973	MOTOR FOR BRADEN GEARBOX	1
	61258	SEAL KIT, MOTOR	1
13	127598	ROD, SQ 5/8 X 3-3/4	2
14	128713	WASHER, KEEPER CHAIN GEAR	1
15	128801	IDLER, LOG CHAIN 1/2	1
16	129209	CHAIN CONNECT/ CONTAINER ASSEMBLY (INCL ITEMS 17-18, 28)	2
17	128500	CHAIN SHORTENER LINK 1/2	AR
18	7HCGHT500	HOOK, CLEVIS GRAB	1
19	129214	SPLICE, CHAIN 1/2	1
20	129217	ROD WELDMENT 7/8-9 X 24	2
21	130127	SCREW, 12PT 1/2-13 X 1-1/2	2
22	139345	SCREW, 12PT 3/4-10 X 4-1/2	4
23	169359	BUSHING, CHAINSPROCKET 1/2, 7 IN DIA, USED W/ 2-11/16 IN OR LONGER CHAIN LINKS (CONTACT PDC FOR SPECIFIC DETAILS)	1
	142164	BUSHING, CHAINSPROCKET 1/2, 6-3/4 IN DIA, USED W/ 2-11/16 IN OR SHORTER CHAIN LINKS (CONTACT PDC FOR SPECIFIC DETAILS)	1
24	156472	ANCHOR, WELDMENT GEARBOX ADJ	1
25	156475	GEAR BOX	1
26	156492	PIN ANCHOR CHAIN ROLLER	1
27	2062-12-8S	ADAPTER, 90	2
28	3-174-010039	CHAIN, 1/2 GR7 (CHAIN THAT MEASURERS 2-11/16 TO 2-3/4 USES SPROCKET 169359) (CHAIN THAT MEASURERS 2-5/8 TO 2-11/16 SPROCKET 142164)	AR
29	166899	PUSH BAR ASSEMBLY (INCL. ITEMS 17, 30-33)	1
30	1-512-010002-14	NUT, HEX LOCK 5/16-18 GRC	1
31	1-654-010090-11	SCREW, HEX HEAD CAP 5/8-18 X 3-1/2 GR8	1
32	166895	PUSH BAR WELDMENT	1
33	166900	CHAIN, 1/2 3 LINKS	1

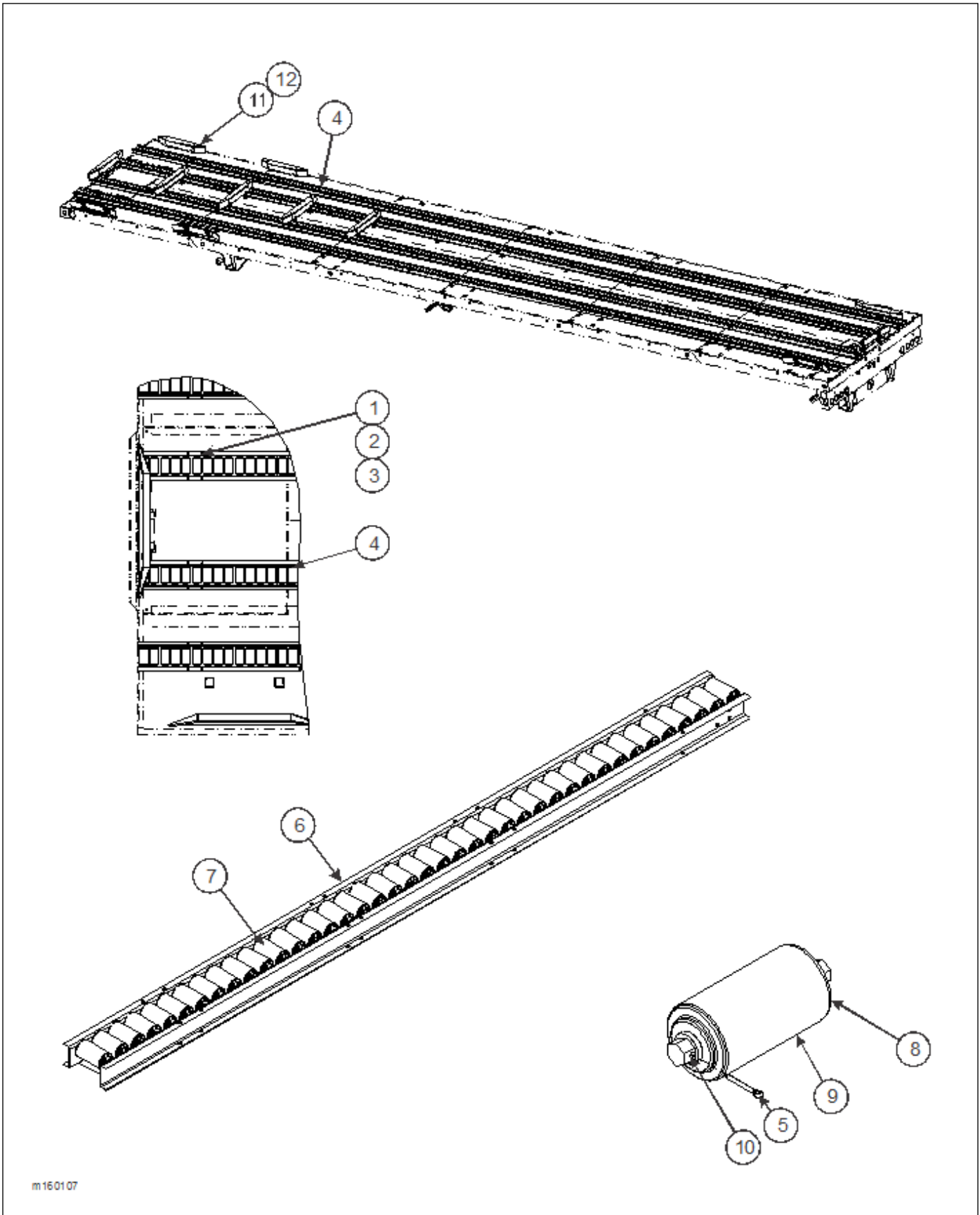


Figure 2-36: Deck Rollers, Guides, and Stops Installation

DECK ROLLERS, GUIDES, AND STOPS INSTALLATION

ITEM	PART NO.	DESCRIPTION	QTY.
	160107	DECK ROLLERS, GUIDES & STOPS	
1	1-512-010005-05	NUT, HEX LOCK 3/8-16 GRB	192
2	1-654-010051-06	SCREW, HEX HEAD CAP 3/8-16 X 1-1/4	192
3	1-861-010032-11	WASHER, FLAT 3/8 W	192
4	154447	ROLLER ASSEMBLY 10FT (INCL ITEMS 5 - 7)	24
5	1-557-010362-51	PIN, COTTER 3/16 X1-1/2	960
6	154448	CONVEYOR WELDMENT 21	24
7	515-4511	ROLLER ASSEMBLY, 5-1/4 (INCL ITEMS 8 - 10)	960
8	2532	BEARING, HEX	1920
9	515-4511-1	ROLLER, 4-5/16	960
10	515-4511-2	AXLE, 5-1/4 ROLLER	960
11	154510	GUIDE/STOP WELDMENT, PALLET	12
12	516-22PTL	RETAINING PIN	12

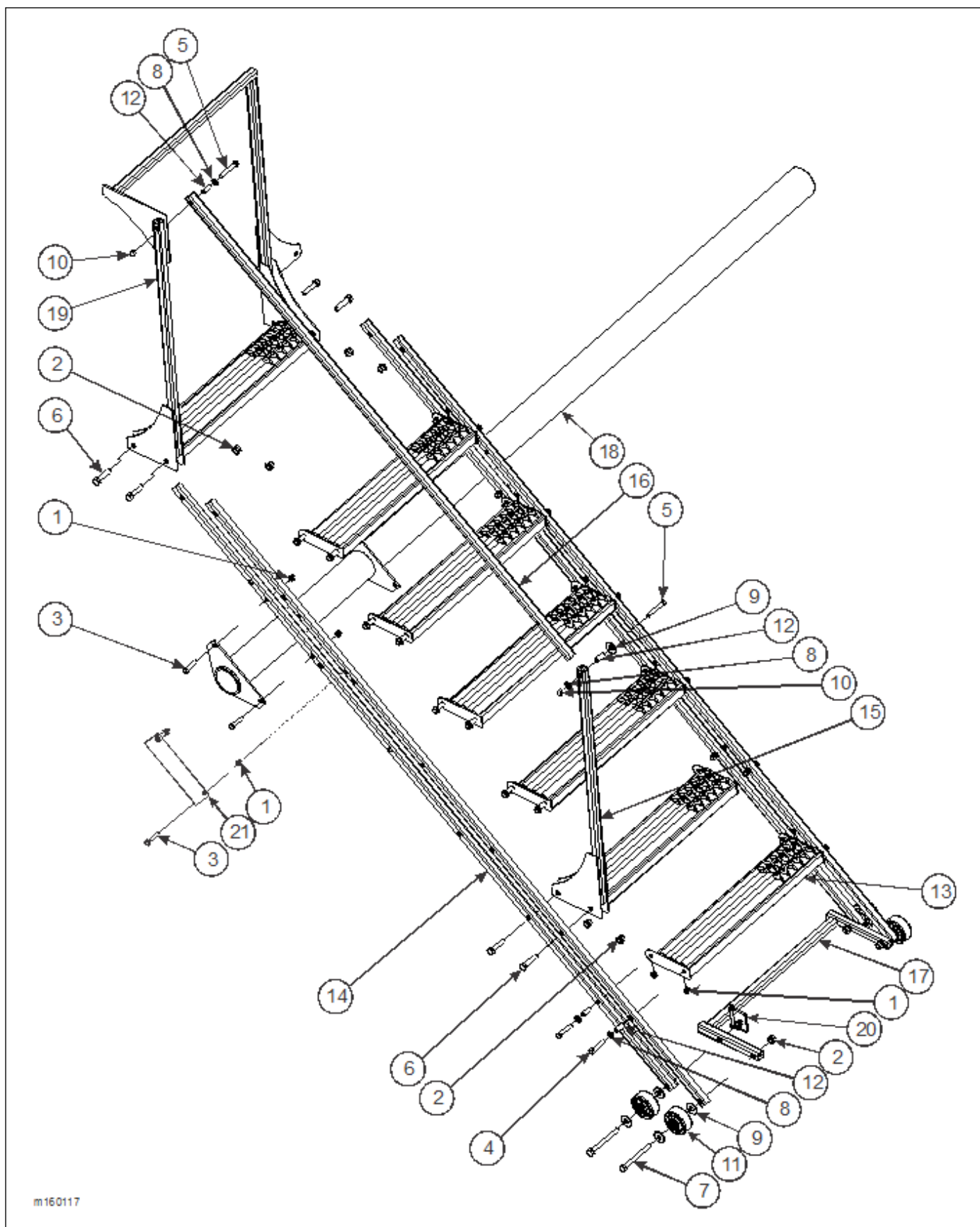


Figure 2-37: Ladder Assembly

LADDER ASSEMBLY

ITEM	PART NO.	DESCRIPTION	QTY.
	160117	LADDER ASSEMBLY	
1	1-512-010005-05	NUT, HEX LOCK 3/8-16 GRB	30
2	1-512-010005-09	NUT, HEX LOCK 1/2-13 GRB	10
3	1-654-010051-08	SCREW, HEX HEAD CAP 3/8-16 X 1-3/4 GR5	8
4	1-654-010051-09	SCREW, HEX HEAD CAP 3/8-16 X 2 GR5	22
5	1-654-010051-11	SCREW, HEX HEAD CAP 3/8-16 X 2-1/2 GR5	2
6	1-654-010055-05	SCREW, HEX HEAD CAP 1/2-1 X 2 GR5	6
7	1-654-010055-14	SCREW, HEX HEAD CAP 1/2-13 X 4-1/2 GR5	4
8	1-861-010032-10	WASHER, FLAT 3/8N	24
9	1-861-010032-15	WASHER, FLAT 1/2W	9
10	122154	NUT, HEX ACORN 3/8-16	2
11	130387	WHEEL 3 DIA X 1-1/4	4
12	1410233	TUBE, RD .50D X .402 X 1.13	24
13	160118	LADDER RUNG WELDMENT	5
14	160120	SIDE TUBE, LADDER	4
15	160121	POST WELDMENT, SECOND STEP	1
16	160125	HAND RAIL, LADDER	1
17	160128	X-MBR LINK, LADDER	1
18	160129	ANCHOR WELDMENT, LADDER RAIL PIVOT	1
19	164076	POST WELDMENT, TOP STEP	1
20	516-22PTL	RETAINING PIN, MUD FLAP	1
21	166887	STOP, LADDER PIVOT	2

ILLUSTRATED PARTS LIST

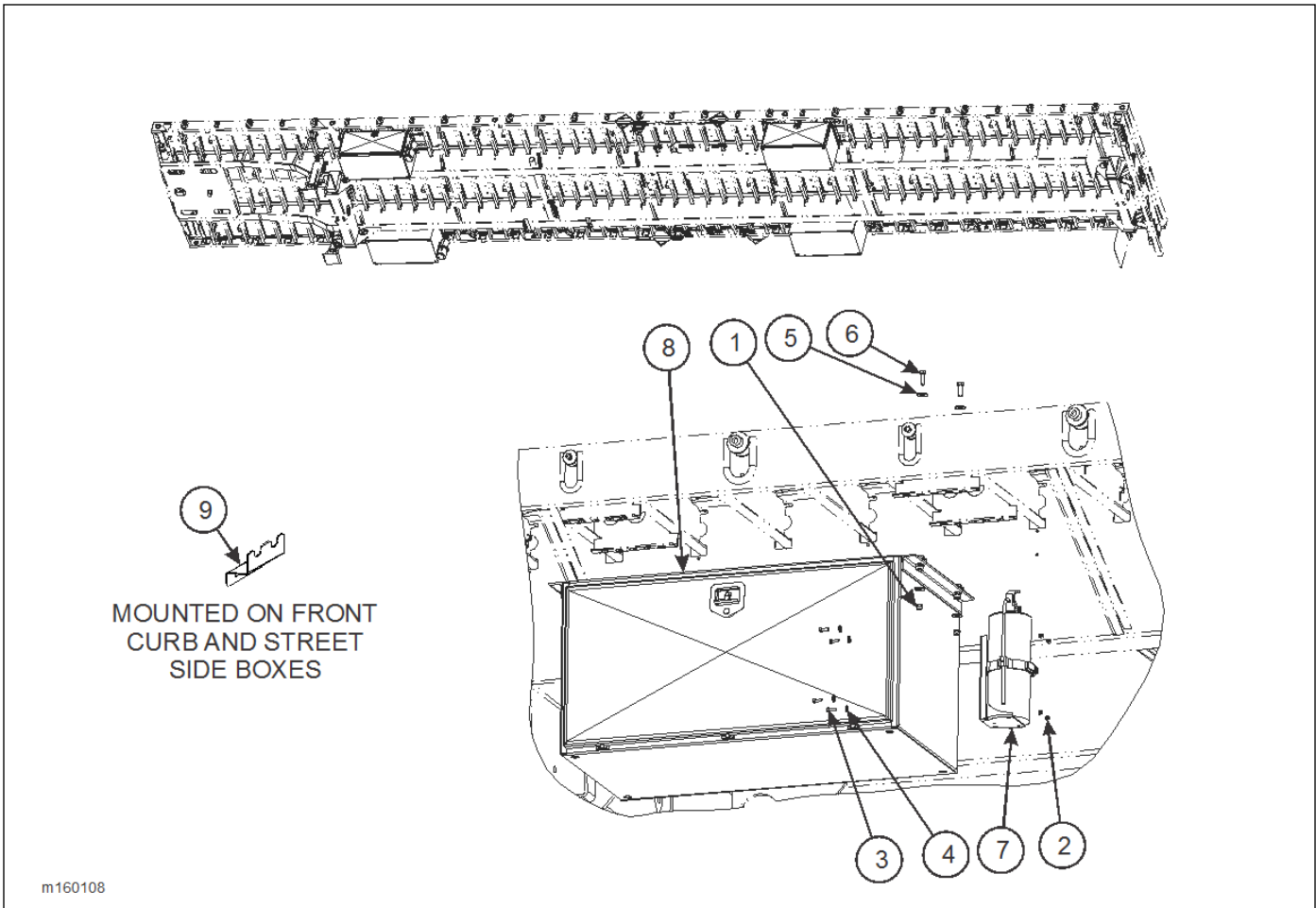


Figure 2-38: Storage Box Installation

STORAGE BOX INSTALLATION

ITEM	PART NO.	DESCRIPTION	QTY.
	160108	STORAGE BOX INSTALLATION	
1	1-512-010002-09	NUT, HEX LOCK 1/2-13 GRC	16
2	1-512-010005-03	NUT, HEX LOCK 5/16-18 GRB	14
3	1-654-010049-05	SCREW, HEX HEAD CAP 5/16-18 X 1 GR5	14
4	1-861-010032-09	WASHER, FLAT 5/16W	8
5	1-861-010032-15	WASHER, FLAT 1/2W	32
6	108439	SCREW, HEX HEAD CAP 1/2-13 X 1-1/2 GR8	16
7	151840	FIRE EXTINGUISHER 10LB ABC	2
8	154490	TOOLBOX ASSEMBLY 24 X 24 X 48 (SEE PAGE 2-67)	4
9	166892	BRACKET, STORAGE CONNECTOR/REMOTE CONTROL	4

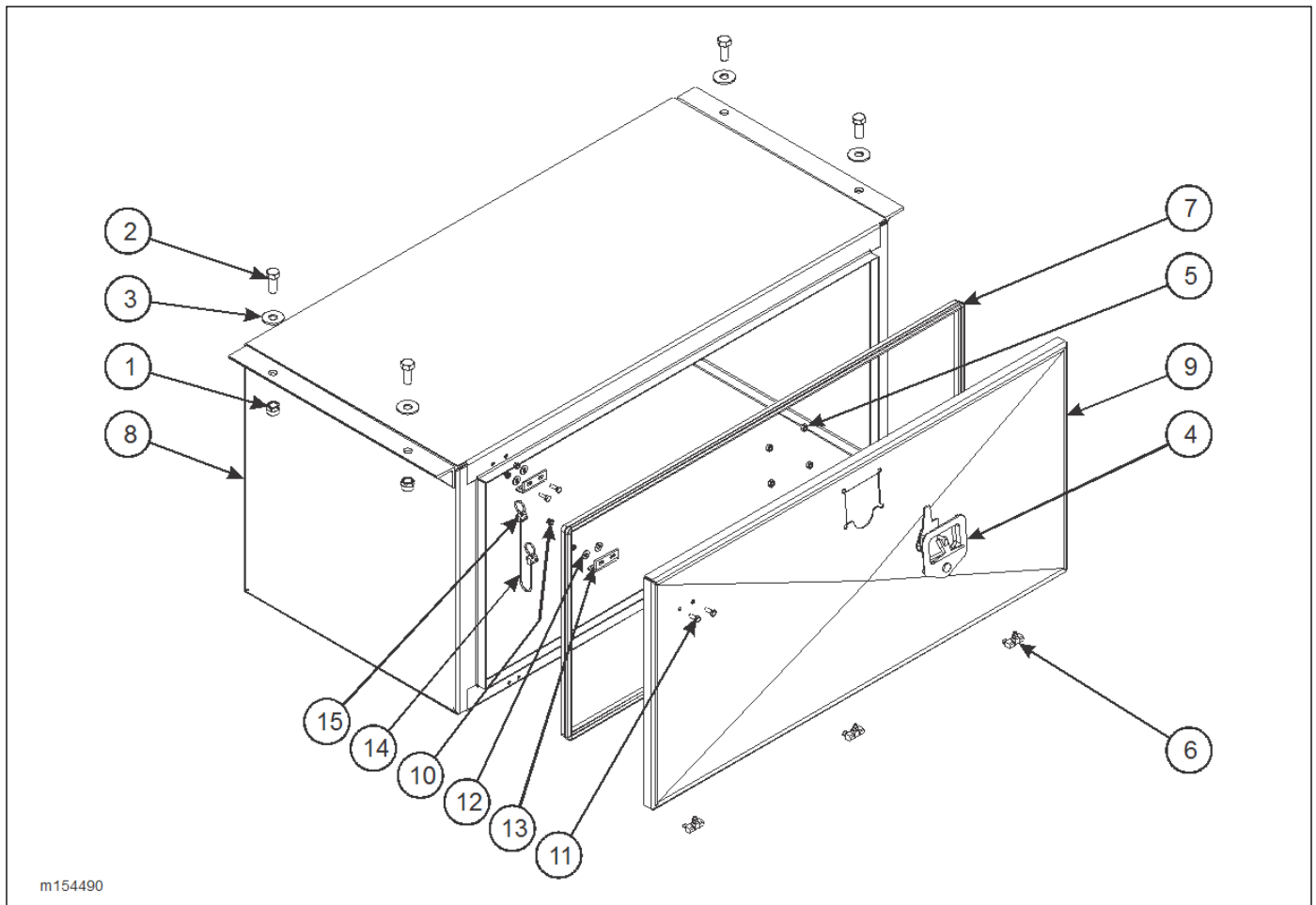


Figure 2-39: Tool Box Assembly

TOOL BOX ASSEMBLY

ITEM	PART NO.	DESCRIPTION	QTY.
	154490	TOOLBOX ASSEMBLY 24 X 24 X 48	
1	1-512-010005-13	NUT, HEX LOCK 5/8-11 GRB	16
2	1-654-010059-03	SCREW, HEX HEAD CAP 5/8-11 X1-1/2 GR5	16
3	1-861-010032-19	WASHER, FLAT 5/8W	16
4	114814	LATCH FOLDING T LOCKABLE	4
5	115877	NUT, HEAVY HEX 1/4-20 GR5	16
6	12412408	HINGE, TOOL BOX DOOR	12
7	12412409	SEAL, FLEXIBLE SELF-GRIPPING	4
8	154491	TOOLBOX WELDMENT 24 X 24 X 48	4
9	154495	LID, TOOLBOX	4
10	1-512-010004-05	NUT, HEX LOCK 1/4-20 GRA	16
11	1-654-010047-04	SCREW, HEX HEAD CAP 1/4-20 X 3/4 GR5	16
12	1-861-010032-07	WASHER, FLAT 1/4	16
13	3-120-010463	BRACKET, HOOD STRAP	8
14	3-153-010024040	CABLE, VINYL COATED 1/8 X 40	4
15	3-182-010034	CLAMP, WIRE ROPE 1/8	8

ILLUSTRATED PARTS LIST

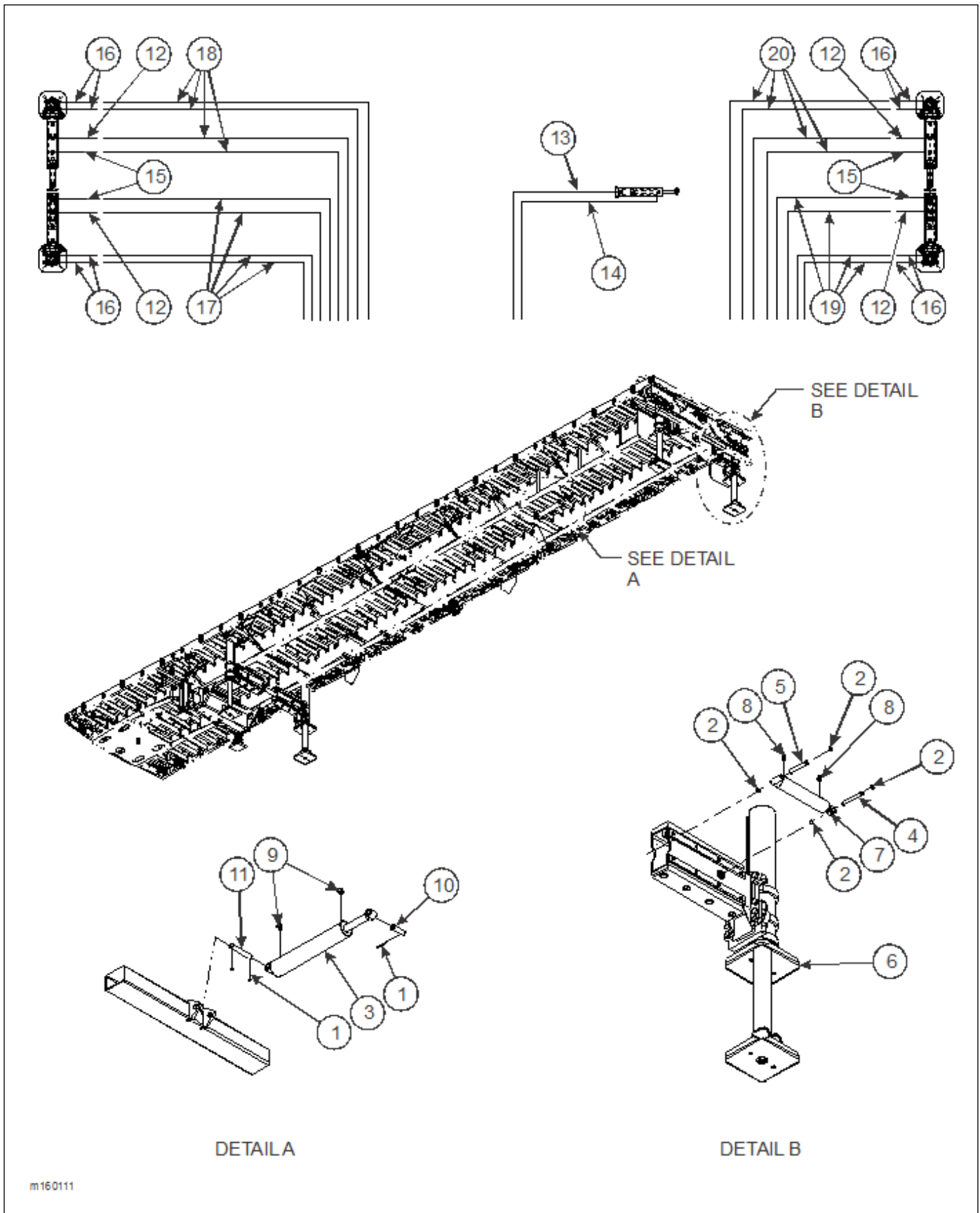


Figure 2-40: Outrigger Installation, Lift Leg

OUTRIGGER INSTALLATION, LIFT LEG

ITEM	PART NO.	DESCRIPTION	QTY.
	160111	OUT-RIGGER INSTALLATION LIFT LEGS	
1	1-557-010362-65	PIN, COTTER 1/4 X 2-1/2	3
2	1-630-010021-03	RING, RETAINING 1.0 HD	16
3	126972	CYLINDER, WELDED 4 X 20 (SEE PAGE 2-72)	1
4	154529	PIN, SNAP-RING 1 X 7	4
5	155008	PIN, SNAP-RING 1 X 6-9/32	4
6	164001	OUTRIGGER ASSEMBLY, LIFT LEGS (SEE PAGE 2-71)	4
7	164002	CYLINDER, WELDED 3 X12 (SEE PAGE 2-73)	4
8	202702-8-8S	ADAPTER	8
9	2062-8-8S	ADAPTER, 90	2
10	3-557-010059	PIN, CYL ROD END	1
11	3-557-010182	PIN, CYL END 1-1/4 X 7-1/8	1
12	1-397-010301028	HOSE ASSEMBLY 1/2 X 28	4
13	1-397-010301244	HOSE ASSEMBLY 1/2 X 244	1
14	1-397-010301268	HOSE ASSEMBLY 1/2 X 268	1
15	123968	HOSE ASSEMBLY 1/2 X 14	4
16	166910	HOSE ASSEMBLY 1/2 X 58	8
17	166912	HOSE ASSEMBLY 1/2 X 312	4
18	166913	HOSE ASSEMBLY 1/2 X 374	4
19	166914	HOSE ASSEMBLY 1/2 X 428	4
20	166915	HOSE ASSEMBLY 1/2 X 468	4

ILLUSTRATED PARTS LIST

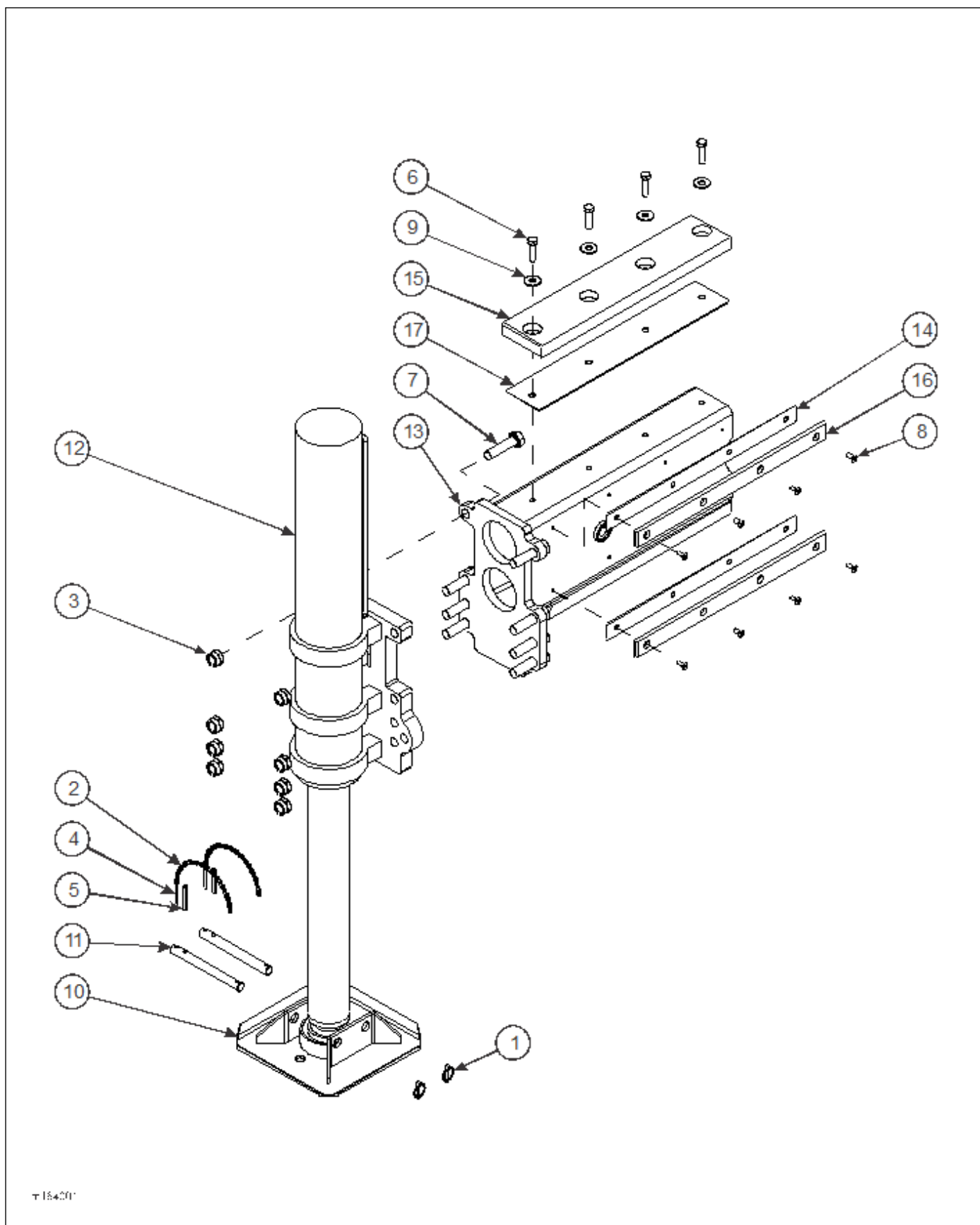


Figure 2-41: Outrigger Assembly, Lift Leg

OUTRIGGER ASSEMBLY, LIFT LEG

ITEM	PART NO.	DESCRIPTION	QTY.
	164001	OUTRIGGER ASSEMBLY, LIFT LEGS	4
1	E10317	KLIK PIN - 1/4"	8
2	1-174-010035020	CHAIN, MACH STR LINK #4 X 20"	8
3	1-512-010005-19	NUT, HEX LOCK 1-8 GRB	32
4	1-557-010362-65	PIN, COTTER 1/4 X 2-1/2	4
5	1-647-010004259	SPRING PIN, SLOTTED 3/8 X 3	8
6	1-654-010059-06	SCREW, HEX HEAD CAP 5/8-11 X 2-1/4	32
7	1-654-010125-13	SCREW, HEX HEAD CAP 1-8 X 4 GR8	32
8	1-654-010141-04	SCREW, HEX SOCKET CTSK 3/8-16 X 1 GR8	64
9	1-861-010032-19	WASHER, FLAT 5/8W	32
10	118777	FOOTPAD WELDMENT, U/C	4
11	129045	PIN FOOT PAD	8
12	134890	CYLINDER, HYD DOCK LVLR HD (SEE PAGE 2-75)	4
13	154479	TUBE WLDMT, RIGGER/SIDESHIFT	4
14	154521	SHIM, SIDE O/R SLIDE	16
15	154522	GLIDE, TOP/BTM RIGGER ARM	8
16	154523	GLIDE, OUTRIGGER, 1/2 X 2	16
17	154526	SHIM, TOP/BTM O/R SLIDE	8

ILLUSTRATED PARTS LIST

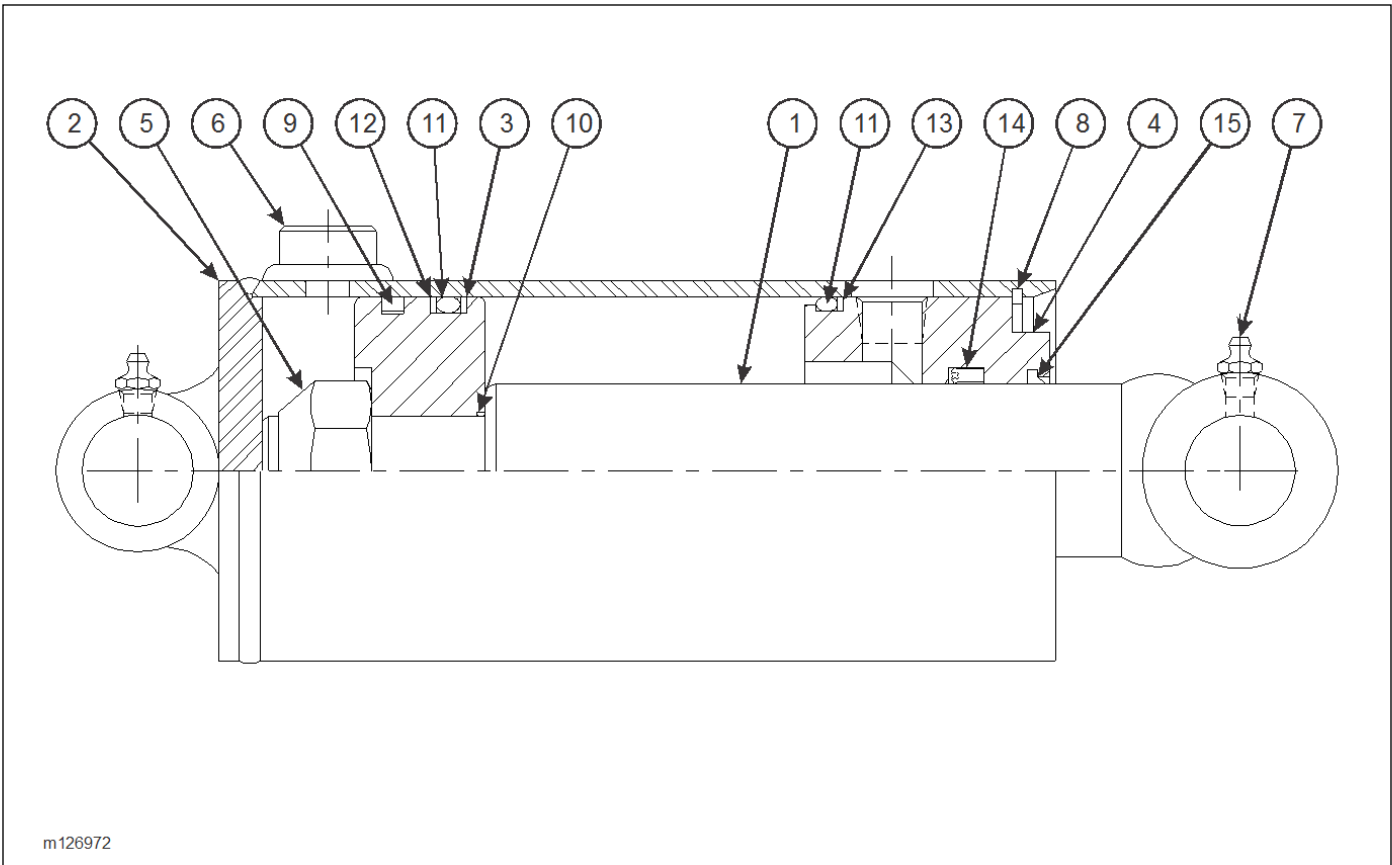


Figure 2-42: Cylinder, Hydraulic 4 x 20

CYLINDER, HYDRAULIC 4 X 20

ITEM	PART NO.	DESCRIPTION	QTY.
	126972	CYLINDER HYDRAULIC 4 X 20 WELDED	
1	166730	PISTON ROD ASSEMBLY	1
2	----	BUTT AND TUBE ASSEMBLY	1
3	----	PISTON	1
4	166731	GLAND	1
5	----	LOCKNUT	1
6	----	PORT PLUG	2
7	----	GREASE ZERK	2
8	----	SNAP RING RETAINER	1
9	----	PISTON RING	1
10	----	O-RING	1
11	----	O-RING	2
12	----	BU-WASHER	2
13	----	BU-WASHER	1
14	----	U-CUP	1
15	----	WIPER	1
16	----	BU-WASHER	1
17	----	QUAD RING	1
	PMCK5600	PACKING KIT (CONTAINS ITEMS 8 - 17)	

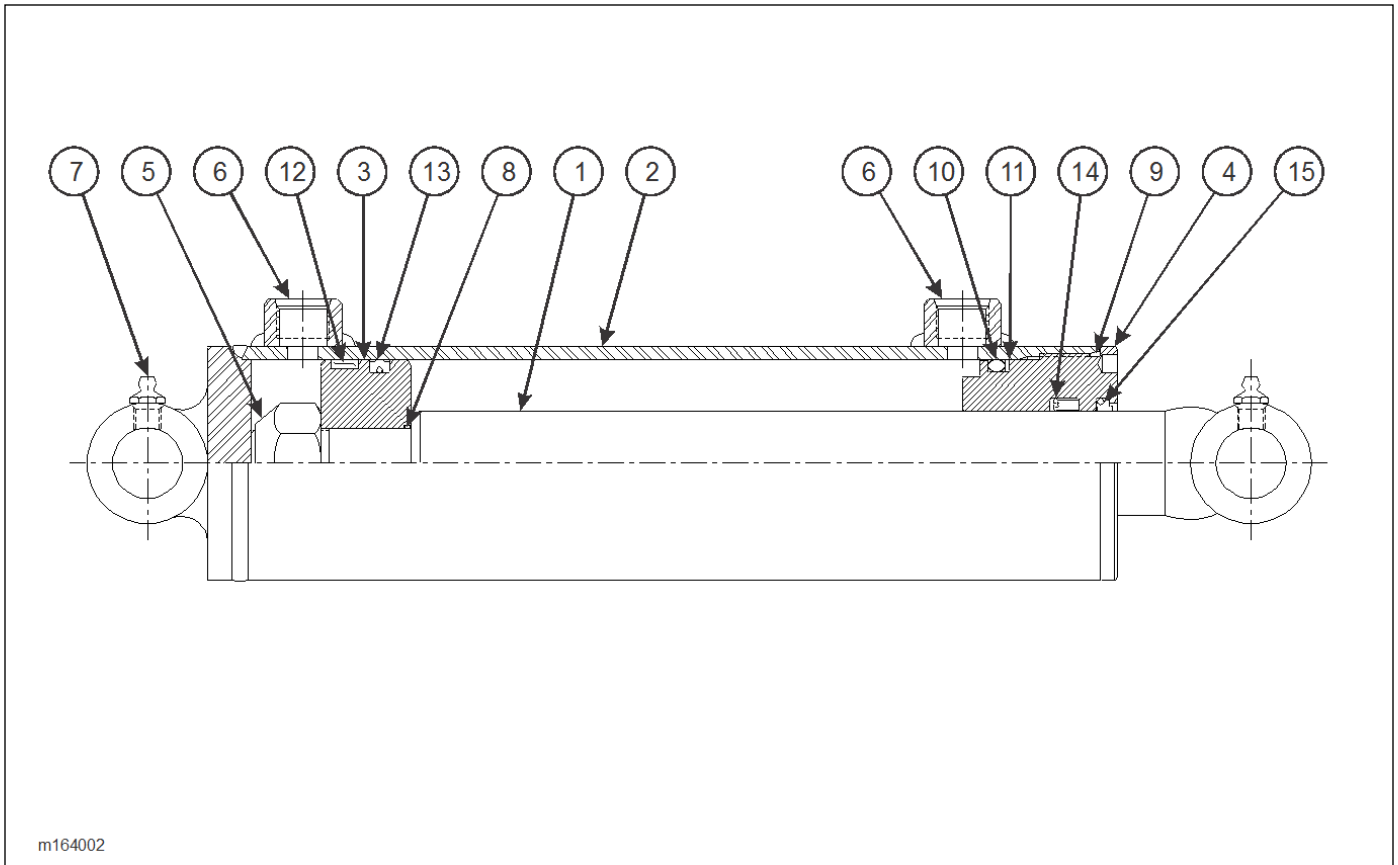
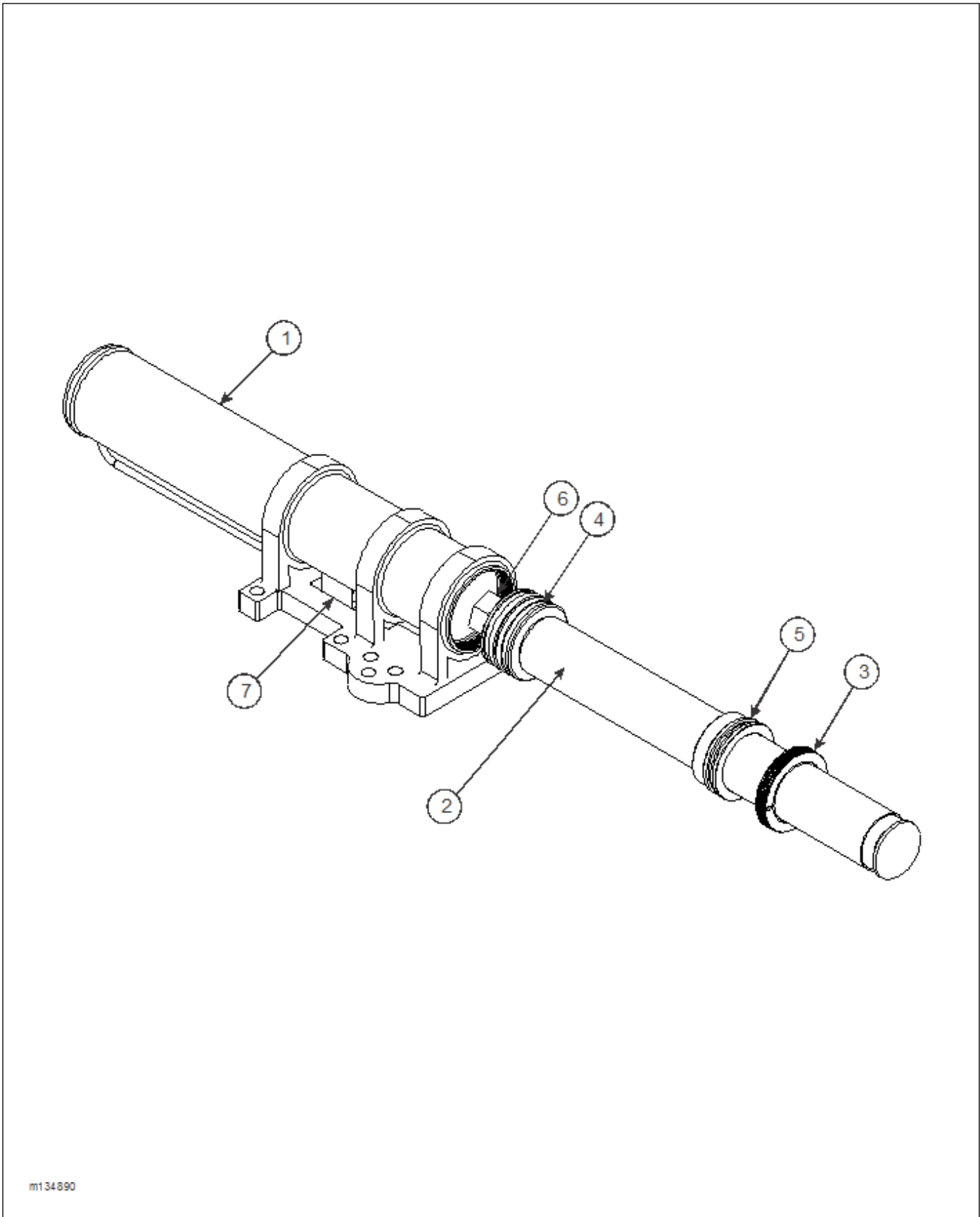


Figure 2-43: Cylinder, Hydraulic Welded 3 x 12

CYLINDER, HYDRAULIC WELDED 3 X 12

ITEM	PART NO.	DESCRIPTION	QTY.
	164002	CYLINDER, WELDED 3 X 12	
1	166732	PISTON ROD ASSEMBLY	1
2	----	BUTT AND TUBE ASSEMBLY	1
3	----	PISTON	1
4	166733	GLAND	1
5	----	LOCKNUT	1
6	----	PORT PLUG	2
7	----	GREASE ZERK	2
8	----	O-RING	1
9	----	O-RING	1
10	----	O-RING	1
11	----	BU-WASHER	2
12	----	BEARING RING	2
13	----	CROWN SEAL	1
14	----	U-CUP	1
15	----	WIPER	1
16	----	WARNING DECAL	1
17	----	STANDARD DECAL	1
17	----	PLAIN DECAL	1
	166734	PACKING KIT (CONTAINS ITEMS 8 - 15)	



m134890

Figure 2-44: Cylinder, Hydraulic Dock Leveler HD

CYLINDER, HYDRAULIC DOCK LEVELER HD (CARLSON)

ITEM	PART NO.	DESCRIPTION	QTY.
	134890	CYLINDER, HYD DOCK LVLR HD	
1	167828	6" BARREL ASSEMBLY	1
2	167829	4-1/2" ROD	1
3	167830	6" X 4-1/2" RETAINER	1
4	167831	6" 2WR/TFE PISTON	1
5	167832	6" X 4-1/2" POLY-U BEARING	1
6	167833	2" LOCK NUT	1
7	167834	SUN CARTRIDGE VALVE	1
	167835	SEAL KIT	1

Notes

Numerical Index

Numerics

005-096-00	2-37	101855	2-3
005-098-00	2-37	101988	2-11
005-099-00	2-37	102-0204	2-24
005-134-00	2-37	102732	2-51
006-114-00	2-37	103738	2-33
006-115-00	2-37	103861	2-35
010-052-00	2-37	104238	2-57
014-056-00	2-37	105494	2-17
014-058-00	2-37	106654	2-13
014-065-00	2-37	106655	2-13
014-068-00	2-37	107-0039	2-13
021-038-01	2-39	107-0762	2-19
034-058-01	2-37	107-1001	2-17
034-192-08	2-37	108417	2-9
034-193-08	2-37	108439	2-66
040-180-00	2-37	108705	2-5
041-058-01	2-37	108801	2-41
041-059-01	2-37	108802	2-41
046-096-00	2-37	109029	2-24
046-097-00	2-37	109709	2-57, 2-59
055-040-06	2-37	109711	2-57, 2-59
056-017-00	2-37	109712	2-59
056-018-00	2-37	109895	2-61
061-006-00	2-37	11005065	2-55
069-078-00	2-37	110-3494	2-61
071-122-00	2-37	110680	2-53
071-124-00	2-39	110975	2-39
101528	2-31	110976	2-39
		111010	2-53



NUMERICAL INDEX

111021	2-51	126088	2-24
111023	2-53	126972	2-69, 2-72
111201	2-15, 2-41	126973	2-61
111918	2-24	127598	2-61
112324	2-47, 2-49	127759	2-24
112953	2-47	127991	2-9
113354	2-24	128500	2-61
113536	2-39	128550	2-37
114462	2-5	128713	2-61
114586	2-35	128801	2-61
114588	2-33, 2-35	129004	2-53
114814	2-67	129045	2-71
115877	2-67	129209	2-61
116330	2-24	129214	2-61
117304	2-33	129217	2-61
1-174-010035020	2-71	1-295-010001	2-24
117997	2-9	1-297-010007-05	2-41, 2-45, 2-47, 2-49
1-181-010046-7	2-24	1-297-010007-06	2-41, 2-45
118-2659-7	2-24	1-297-010007-11	2-45
118-2659-9	2-33	1-297-010007-12	2-33
118777	2-71	1-297-010007-14	2-15, 2-41
119481	2-53	1-297-010007-16	2-43
119482	2-29, 2-45, 2-53	1-297-010008-05	2-15, 2-41, 2-47, 2-49
119497	2-45, 2-55	1-297-010008-07	2-15, 2-41, 2-47, 2-49
119498	2-29	1-297-010008-18	2-33, 2-47, 2-49
119531	2-9	1-297-010008-22	2-15, 2-41
120660	2-24	1-297-010008-26	2-33
120661	2-24	1-297-010010-01	2-45, 2-49
122154	2-65	1-297-010010-03	2-45
123968	2-69	1-297-010010-06	2-33
12412295	2-24	1-297-010011-02	2-47
12412408	2-67	1-297-010011-04	2-47
12412409	2-67	1-297-010012-16	2-41
12412443	2-24	1-297-010013-11	2-41
12420301-017	2-15	1-297-010013-12	2-43
12486400-520	2-53, 2-55	1-297-010013-16	2-33
12486400-521	2-53, 2-55	1-297-010015-02	2-47
125892	2-33	1-297-010015-03	2-45

1-297-010017-03	2-33	142445	2-31
1-297-010018-02	2-41	142446	2-31
1-297-010018-03	2-33	142451	2-31
1-297-010020-02	2-41	142483	2-27
1-297-010022-02	2-41	142484	2-27
1-297-010022-03	2-41, 2-45	142485	2-27
1-298-010001-1	2-61	142486	2-27
130116	2-10	142545	2-31
130127	2-61	142553	2-31
130387	2-65	142665	2-19
1-343-010007	2-5	143101	2-7
134890	2-71, 2-75	143102	2-7
135358	2-24	143103	2-7, 2-9
137107	2-7	143104	2-7, 2-9, 2-10
137108	2-39	143105	2-7
137388	2-13	143107	2-7
137559	2-9	143108	2-7
138155	2-31	143109	2-7
138179	2-24	143110	2-7
1-384-010038024	2-33	143111	2-7
1-384-010038038	2-33	143113	2-9
1-384-010038056	2-33	143114	2-7, 2-9
1-384-010038060	2-33	143115	2-9
1-384-010038076	2-33	143116	2-9
139345	2-61	143117	2-7, 2-9
139603	2-17	143118	2-7, 2-9
1-397-010301028	2-69	143119	2-7
1-397-010301244	2-69	143122	2-7
1-397-010301268	2-69	143166	2-7, 2-9
1-397-010304026	2-24	144608	2-9, 2-10
1-397-010304032	2-24	144609	2-7
13E8ER	2-19	144679	2-7
140369	2-45, 2-47	144680	2-7
1406013	2-24	144899	2-21
1410233	2-65	144979	2-37
141607	2-41, 2-43	144980	2-37
142442	2-31	145531	2-41
142443	2-31	145532	2-29

NUMERICAL INDEX

146922	2-31	1-512-010005-05	2-15, 2-17, 2-21, 2-24, 2-33, 2-57, 2-63, 2-65
146923	2-31	1-512-010005-09	2-21, 2-24, 2-65
146929	2-7	1-512-010005-13	2-57, 2-67
147223	2-24	1-512-010005-15	2-61
147464	2-35	1-512-010005-19	2-71
148001	2-24	1-512-010007-03	2-7, 2-33
148640	2-5, 2-57	1-512-010007-06	2-56
148641	2-57	1-512-010007-13	2-61
148734	2-21	151823	2-27
149030	2-27	151840	2-66
149060	2-10	153073	2-5, 2-7, 2-41
149526	2-27	153074	2-5
149527	2-27	153750	2-3
149529	2-27	153797	2-3
150072	2-9	153799	2-3
150074	2-9	154445	2-5
150076	2-5	154446	2-5
150093	2-7	154447	2-63
150111	2-13	154448	2-63
150114	2-10	154450	2-29, 2-31
150116	2-10	154452	2-5
150117	2-10, 2-11, 2-13, 2-15	154474	2-13
150118	2-10	154479	2-71
150329	2-9	154490	2-66, 2-67
150330	2-9	154491	2-67
150658	2-19	154495	2-67
150659	2-19	154496	2-15
1-510-010001	2-5, 2-31, 2-33	154500	2-15, 2-17, 2-21, 2-24
1-511-010001-07	2-61	154504	2-24, 2-27
1-511-010001-14	2-29	154510	2-63
1-512-010002-09	2-5, 2-66	154521	2-71
1-512-010002-14	2-61	154522	2-71
1-512-010003-06	2-17, 2-47, 2-49	154523	2-71
1-512-010004-05	2-67	154526	2-71
1-512-010005-01	2-5, 2-7, 2-13, 2-17, 2-24, 2-41, 2-51	154529	2-69
1-512-010005-03	2-7, 2-17, 2-45, 2-49, 2-66	155008	2-69
		155011	2-5

155018	2-24	164002	2-69, 2-73
155029	2-29, 2-31, 2-33, 2-45	164006	2-3
155030	2-29	164012	2-11
1-557-010362-51	2-63	164025	2-21
1-557-010362-65	2-69, 2-71	164026	2-21, 2-24
155780	2-3	164027	2-17, 2-24
1-560-010002-03	2-33	164028	2-24
1-560-010002-04	2-33, 2-43	164029	2-17, 2-21
1-560-010002-05	2-33	164030	2-24
156440	2-10	164035	2-17
156453	2-15	164036	2-15
156472	2-61	164037	2-24
156474	2-61	164039	2-19
156475	2-61	164040	2-17
156482	2-31	164042	2-24
156492	2-61	164043	2-24
156494	2-5	164044	2-25
156496	2-3, 2-15	164045	2-25
156661	2-57	164046	2-25
160107	2-63	164047	2-25
160108	2-66	164048	2-25
160109	2-11	164052	2-11
160110	2-13	164053	2-11
160111	2-69	164054	2-17
160116	2-24	164055	2-17
160117	2-65	164056	2-17
160118	2-65	164057	2-17
160120	2-65	164058	2-17
160121	2-65	164059	2-17
160125	2-65	164061	2-17
160128	2-65	164063	2-17
160129	2-65	164064	2-17
161797	2-31	164065	2-17
1-630-010021-03	2-69	164066	2-17
163987	2-5	164074	2-57, 2-59
163995	2-37	164076	2-65
163996	2-11	164092	2-55
164001	2-69, 2-71	1-647-010004259	2-71

NUMERICAL INDEX

1-654-010047-04	2-9, 2-17, 2-51, 2-67	165788	2-13
1-654-010047-06	2-5, 2-13	165789	2-13
1-654-010047-07	2-5, 2-7, 2-41	165790	2-17
1-654-010047-10	2-5, 2-24	165792	2-17
1-654-010049-03	2-39	165793	2-17
1-654-010049-05	2-45, 2-49, 2-66	165794	2-17
1-654-010049-06	2-7	165795	2-17
1-654-010049-11	2-17	165796	2-17
1-654-010049-19	2-17	165797	2-17
1-654-010051-03	2-29	165799	2-17
1-654-010051-05	2-15, 2-17, 2-24, 2-31	166730	2-72
1-654-010051-06	2-5, 2-21, 2-24, 2-63	166731	2-72
1-654-010051-08	2-33, 2-65	166732	2-73
1-654-010051-09	2-65	166733	2-73
1-654-010051-10	2-57	166734	2-73
1-654-010051-11	2-65	166872	2-9
1-654-010053-03	2-11	166885	2-17
1-654-010055-02	2-21, 2-24	166887	2-65
1-654-010055-03	2-21, 2-24	166888	2-3, 2-17
1-654-010055-05	2-65	166889	2-3, 2-15
1-654-010055-14	2-65	166890	2-5
1-654-010059-03	2-57, 2-61, 2-67	166892	2-66
1-654-010059-04	2-57	166893	2-15
1-654-010059-06	2-71	166894	2-15
1-654-010061-13	2-53	166895	2-61
1-654-010090-11	2-61	166899	2-61
1-654-010125-13	2-71	166900	2-61
1-654-010141-04	2-71	166901	2-13
1-654-010150-05	2-61	166910	2-69
1-656-010003051	2-7, 2-13, 2-33, 2-47, 2-49	166911	2-61
165771	2-21	166912	2-69
165777	2-45, 2-49	166913	2-69
165781	2-3	166914	2-69
165782	2-3	166915	2-69
165784	2-17	166916	2-21
165785	2-17	166917	2-21
165786	2-7	166918	2-21
165787	2-13	166919	2-21

166920	2-21	1-861-010032-09 ..	2-7, 2-17, 2-45, 2-49, 2-56, 2-66
166921	2-21	1-861-010032-10	2-17, 2-24, 2-65
166925	2-3, 2-19	1-861-010032-11 ..	2-5, 2-15, 2-17, 2-21, 2-24, 2-33, 2-57, 2-63
166929	2-17	1-861-010032-13	2-11
166930	2-17	1-861-010032-15	2-21, 2-24, 2-65, 2-66
167116	2-19	1-861-010032-19	2-57, 2-67, 2-71
167120	2-19	1-861-010032-21	2-61
167121	2-17, 2-19	1-861-010034-07	2-7, 2-13, 2-33
167501	2-21, 2-24	1-861-010034-10	2-39, 2-56
167502	2-21, 2-24	1-861-010034-11	2-24, 2-29
167503	2-21, 2-24	1-861-010034-13	2-24
167504	2-21, 2-24	1-861-010034-15	2-61
167828	2-75	2021-12-12S	2-25
167829	2-75	2024-2-4S	2-31
167830	2-75	202702-10-12S	2-25
167831	2-75	202702-12-12S	2-25
167832	2-75	202702-20-20S	2-25
167833	2-75	202702-8-8S	2-25, 2-69
167834	2-75	203101-12-12S	2-25
167835	2-75	203102-12-12S	2-25
168698	2-19	2062-12-8S	2-61
168699	2-19	2062-8-8S	2-25, 2-69
168701	2-19	2068-12-12S	2-25
168702	2-19	2081-8-6S	2-43
168703	2-19	2083-8-4S	2-45
168704	2-19	2083-8-8S	2-33
169035	2-53	2088-6-6S	2-43
169359	2-61	2089-6-6S	2-33
169410	2-7	214441	2-59
1709AS669-01	2-21	2242-12-12S	2-25
1-796-010001	2-5	239-9076-1	2-13
179933	2-39	2532	2-63
1-833-010001	2-41, 2-45, 2-47, 2-49	3-120-010124	2-21
1-833-010002	2-33, 2-41	3-120-010463	2-67
1-833-010003	2-33, 2-41	3-153-010024040	2-67
1-861-010032-03	2-13, 2-17	3-155-010012	2-21
1-861-010032-06	2-13	3-162-010001	2-25
1-861-010032-07	2-5, 2-17, 2-41, 2-67		

NUMERICAL INDEX

3-164-010001	2-56	660580002	2-27
3-174-010039	2-61	660580003	2-27
3-182-010034	2-67	660580004	2-27
3-360-010072	2-25	660580005	2-27
3-360-010090	2-25	757-363	2-33
3-368-010252	2-7, 2-9, 2-13	758-181	2-33
3-399-010001036	2-25	7HCGHT500	2-61
3-399-010001048	2-25	805-2	2-33
3-485-010002	2-5	81264	2-10
3-557-010059	2-69	900 00 492	2-53
3-557-010182	2-69	900 54 007	2-51
3-565-010770	2-29	90006450	2-55
3-573-010210	2-3	90006455	2-55
3-573-010377	2-3	90018515	2-53
3-659-010012	2-39	90023001	2-53
3-743-010038	2-43	90025616	2-55
3-762-010017	2-5	900-44-233	2-47
3-780-010002	2-33, 2-45	90045291	2-55
3-870-010107	2-39	900-54-007	2-45
3-870-010110	2-39	900-54-079	2-47, 2-49
40-0917-5	2-13	900-54-088	2-15, 2-41, 2-47, 2-49
46077	2-17	900598-12S	2-25
5/16-18X3/4HHCS	2-56	905 54 107	2-51
514119-01	2-21	90501289	2-53
51420	2-15	90501290	2-53
515-4511	2-63	90508009	2-53
515-4511-1	2-63	90516587	2-53
515-4511-2	2-63	90516588	2-53
516-22PTL	2-63, 2-65	90516718	2-55
519-0685-12	2-21	90521152	2-53
55B61	2-41	90545981	2-55
55B61-6	2-41	905-54-107	2-41, 2-45
55B61-7	2-41	905-54-676	2-45
61258	2-61	90557257	2-55
621-2597	2-25	934-00-367	2-53
622-2967-006	2-19	934-00-506	2-53
622-3511-008	2-5	936 00 077	2-53
660401006	2-27	93600166	2-55

93800069 2-55
 941 00 119 2-51
 941 00 466 2-51

A

A10033 2-59
 A10037.1 2-59
 A10037.3 2-59
 A10038.6 2-59
 A10038.7 2-59
 A10040 2-59
 A10052.3 2-59
 A10054.3 2-59
 A10054.6 2-59
 A10054.7 2-59
 A10059.1 2-59
 A10101 2-59
 A10102 2-59
 A10212 2-59
 A10218 2-59
 A10230 2-59
 A10255 2-59
 A10260.1 2-59

B

B10036 2-59
 B10066 2-59
 B10130 2-59
 B10229.S 2-59
 B10236 2-59
 B3-612-006 2-56
 BSL-6-4 2-5

C

C10078 2-59

C10085 2-59
 C10140.2 2-59
 C10155 2-59
 C10177 2-59
 C10209 2-59
 C10217 2-59
 C10234 2-59
 C10256 2-59
 C10259 2-59
 CA-1595 2-21

D

D10116.2 2-59
 D10201.2 2-59
 D-2H16 2-37

E

E10317 2-71

H

HM212011 2-39
 HM212049 2-39
 HM218210 2-39
 HM218248 2-39

K

K71-135-00 2-37
 K71-136-00 2-37
 K71-138-00 2-37

P

PMCK5600 2-72

NUMERICAL INDEX

R

RRT114X6 2-31

T

TR573 2-39



Intertek

Equipment from Landoll Corporation is built to exacting standards ensured by ISO 9001:2008 registration at all Landoll manufacturing facilities.

Model 380
Level Load Roller Trailer
Parts Manual

Re-Order Part Number F-619-0418

LANDOLL CORPORATION

1900 North Street

Marysville, Kansas 66508

(785) 562-5381

800-428-5655 ~ WWW.LANDOLL.COM



Copyright 2010. Landoll Corporation

"All rights reserved, including the right to reproduce this material or portions thereof in any form"