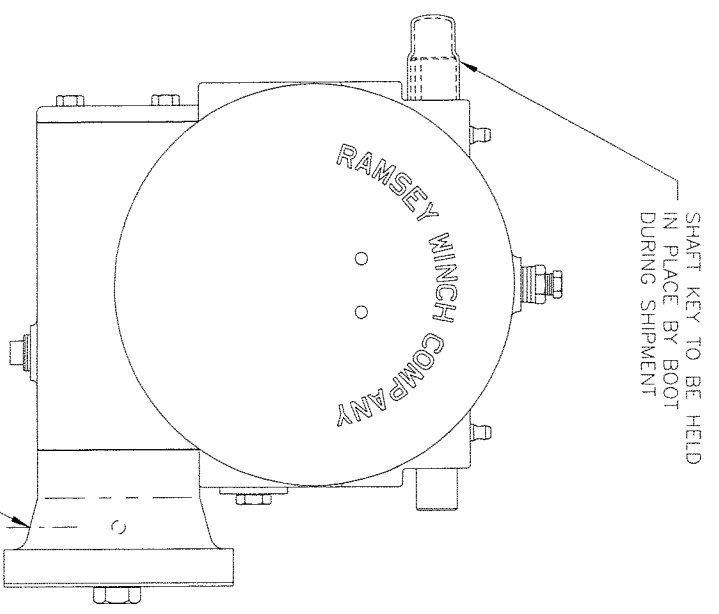
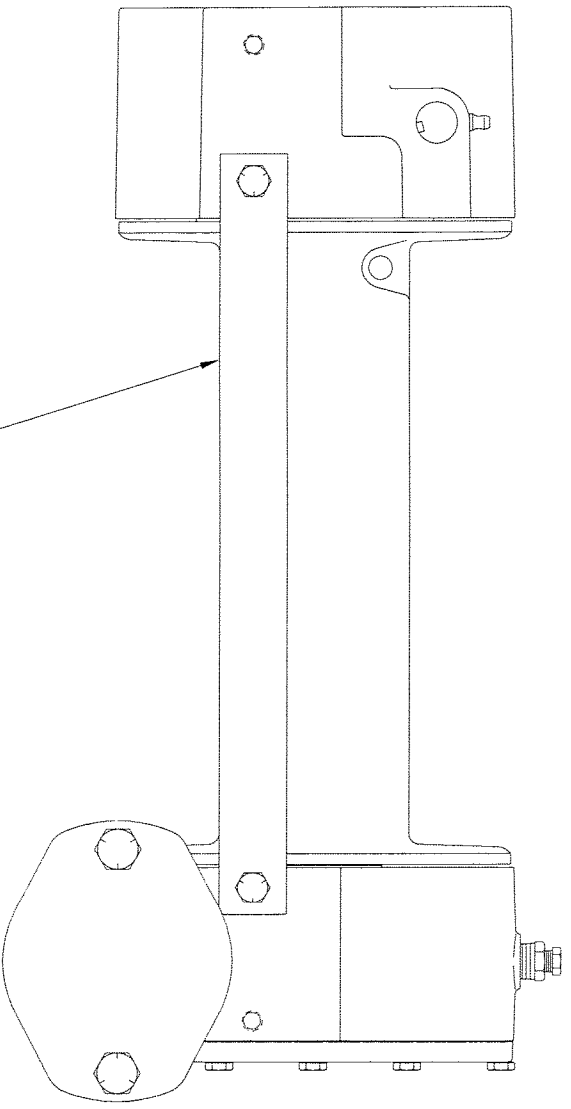


THIS PRINT IS PROVIDED ON A RESTRICTED BASIS AND IS NOT TO BE USED IN ANY WAY DETRIMENTAL TO THE INTERESTS OF THE RAMSEY WINCH COMPANY.

REVISIONS			
SYM	DESCRIPTION	ECN	DATE DR.
A	RELEASE FOR PRODUCTION	14219	11-9-07 BD




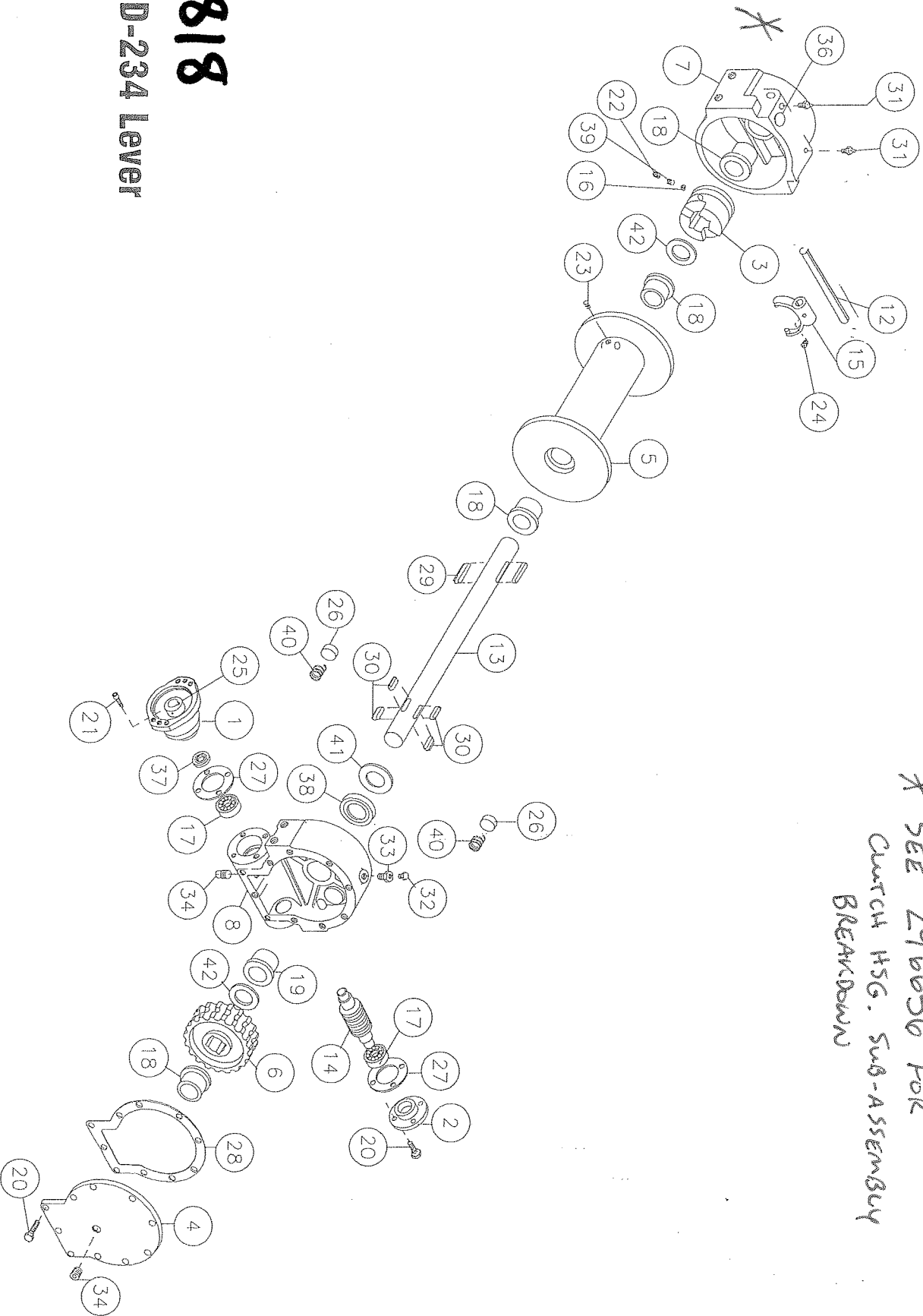
ASSEMBLE MOTOR ADAPTER WITH WEEP HOLE DOWN



SHIPPING STRAP # 364017

- NOTES:
1. SEE BILL OF MATERIAL FOR COMPONENTS.
  2. MASK ALL BREATHER VENTS AND LUBE FITTINGS BEFORE PAINTING.
  3. REMOVE ALL BREATHER VENT AND LUBE FITTING MASKING BEFORE SHIPMENT.

INCH TOLERANCE UNLESS OTHERWISE SPECIFIED		NAME	DATE	TITLE
X	DECIMALS	BD	11-9-07	ASSEMBLY - HD224 WINCH FORS MOUNTING LESS MTR, ANGLES, LEVER W/ TORSON SPRING (CHAMPION)
XX	XX	APPROVED BY	SEE ECN	
XXX	XXX	SCALE		
±.06	±.030	GO AND SEAL	NONE	
ANGULAR - 40° 30' DEGREES		NEXT ASSY		
UNLESS OTHERWISE SPECIFIED, ALL DIMENSIONS ARE IN INCHES.				
 RAMSEY WINCH COMPANY TULSA, OKLAHOMA		SHEET	1	OF 1
		REV	A	
		121818		



\* SEE 296656 FOR  
 SWITCH HSG. SUB-ASSEMBLY  
 BREAKDOWN

# 121818

## Model HD-234 Lever

# 121818

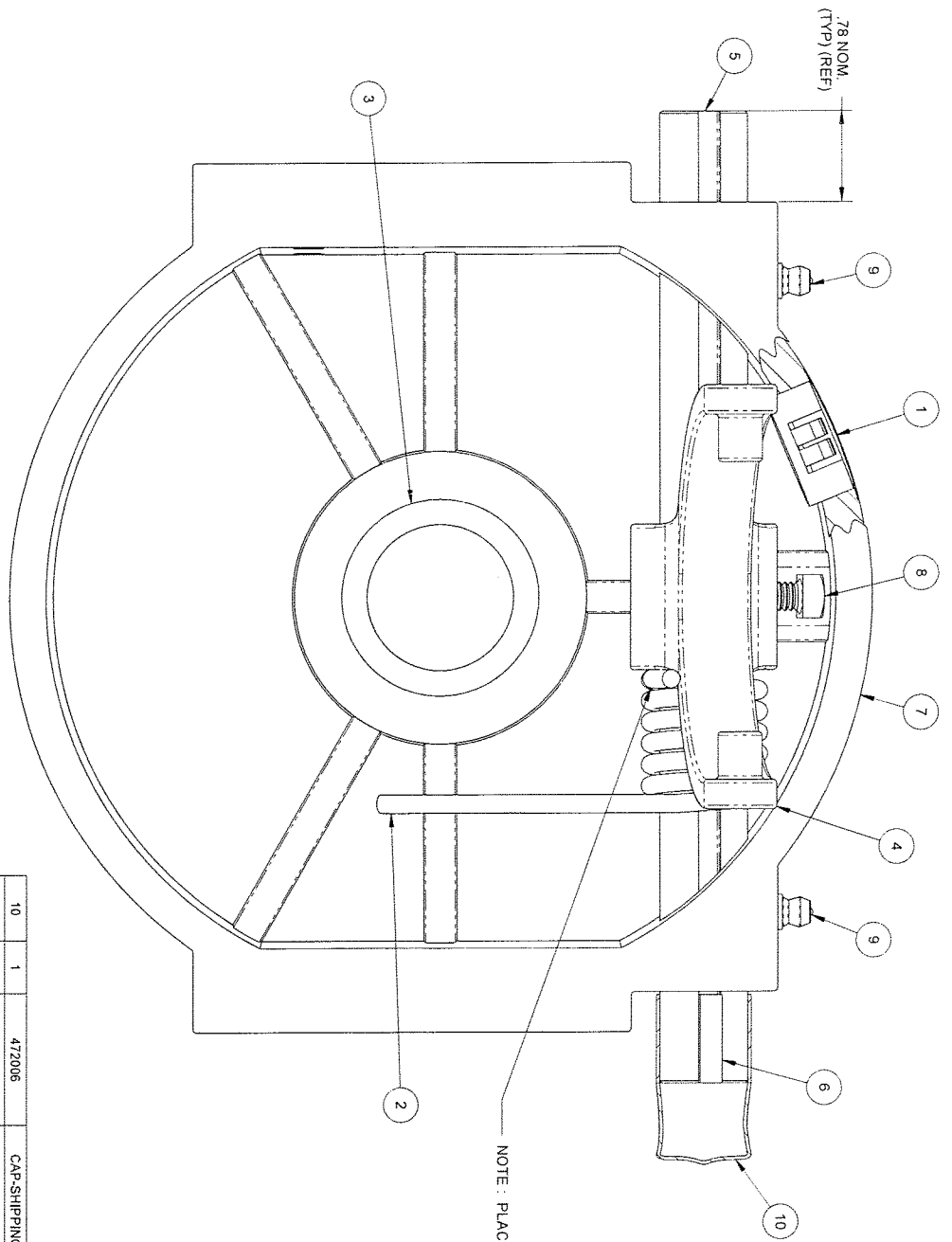
## PARTS LIST MODEL HD-234

Item No.	Qty.	Parts No.	Description	Item No.	Qty.	Parts No.	Description
1	1	300039	ADAPTER	21	2	414521	CAPSCREW - 1/2-13NC X 1 HX HD LOCAR BR
2	1	316083	BEARING CAP	22	1	416040	SETSCREW - 5/16-18NC X 1/4 HX SOC HD
3	1	324161	CLUTCH - JAW	23	1	416059	SETSCREW - 3/8-16NC X 1/2 HX SOCK HD CUP
4	1	328134	COVER	24	2	416084	SETSCREW - 1/4-20NC X 1/2 SQHD CUP
5	1	332105	DRUM - STD	25	1	431007	COUPLING - HYDRAULIC MOTOR
6	1	334183	GEAR - R.H. WORM	26	2	438014	DISC BRAKE
7	1	338003	CLUTCH HOUSING	27	2	442184	GASKET
8	1	338273	GEAR HOUSING	28	1	442205	GASKET
9			NOT USED	29	2	450006	KEY
				30	4	450016	KEY
				31	2	456006	FITTING - LUBRICATION
12	1	356902	SHIFTER SHAFT	32	1	456008	RELIEF FITTING
13	1	357479	DRUM SHAFT - STD.	33	1	468002	REDUCER
				34	1	468011	PIPE PLUG
14	1	368205	WORM - R.H.	36	1	472013	PLUG
15	1	370055	YOKE	37	1	486009	OIL SEAL
16	1	400001	BALL POPPET	38	1	486017	OIL SEAL
17	2	402002	BEARING	39	1	494001	SPRING POPPET
18	4	412003	BUSHING	40	2	494002	SPRING
19	1	412045	BUSHING	41	1	518014	THRUST WASHER
20	14	414038	CAPSCREW - 1/4-20NC X 3/4 HX HD GR5 Z/P	42	2	518015	THRUST WASHER

THIS PRINT IS PROVIDED ON A RESTRICTED BASIS AND IS NOT TO BE USED IN ANY WAY DETRIMENTAL TO THE INTERESTS OF THE RAMSEY MACH COMPANY.

REVISIONS

SYM	DESCRIPTION	ECN	DATE	DR
A	RELEASE FOR PRODUCTION	14219	9/29/2007	BD



ITEM #	QTY.	PART NUMBER	DESCRIPTION	STOCK SIZE	MATERIAL	R S N.
10	1	472006	CAP-SHIPING			
9	2	456001	FITTING-LUBE			
8	1	418084	SETSCREW	1/4-20NC X 1/2 LG.	SO. HD. CUP PT. NYLON	
7	1	338003	HOUSING-CLUTCH			
6	1	342024	KEY	.19 X .19 X .75 LG.	SQUARE ENDS	
5	1	356902	SHAFT-SHIFTER			
4	1	370055	YOKE			
3	1	412003	BUSHING			
2	1	494130	SPRING-TORSION			
1	1	472013	PLUG			

LIST OF MATERIAL

INCH TOLERANCE UNLESS OTHERWISE SPECIFIED	NAME	DATE	TITLE
DECIMALS	Drawn by	06-20-07	ASSY-CLUTCH HSG.
X .XX .XXX	BD		SUB-UP
±.06 ±.030 ±.010	APPROVED BY	SEE ECN	LEVER (WITH TORSION SPRING)
ANGULAR ±3° DEGREES	DATE	NONE	
	SCALE		
	UNIT		
	DO NOT SCALE		
	TEXT ASSY		

UNLESS OTHERWISE SPECIFIED, ALL DIMENSIONS ARE IN INCHES.

RAMSEY MACH COMPANY  
TULSA, OKLAHOMA

296656

SHEET 1 OF 1

REV A