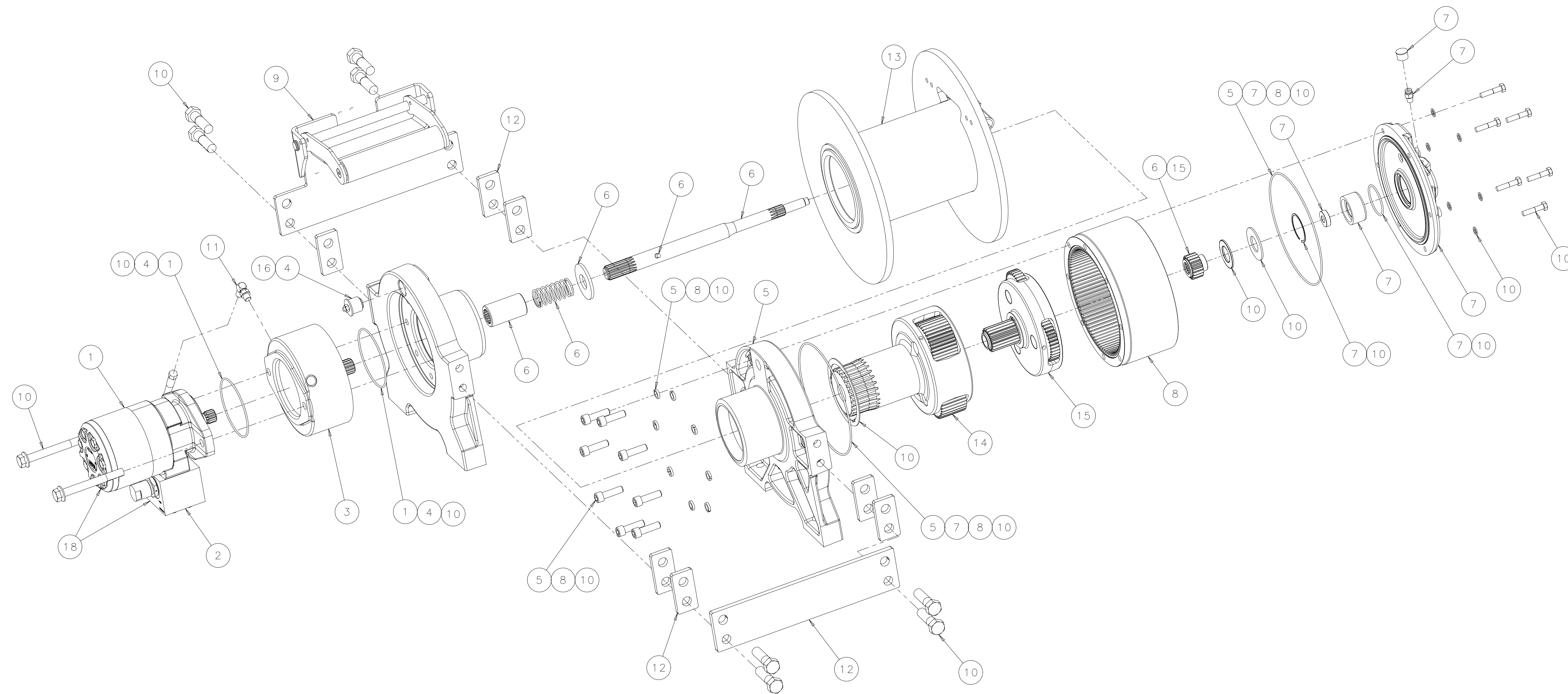


CONFIDENTIAL  
 THIS DOCUMENT CONTAINS PROPRIETARY INFORMATION OF WARN INDUSTRIES. NEITHER THIS DOCUMENT, NOR THE INFORMATION IT CONTAINS, MAY BE USED, DISCLOSED TO OTHERS, OR COPIED, WHOLE OR IN PART, WITHOUT THE WRITTEN CONSENT OF WARN INDUSTRIES.



ITEM	QTY	DESCRIPTION	PART NO.
1	1	SVC KIT-MOTOR-HYD-TG0170	87018
2	1	SVC KIT-CB VALVE-HYD-PARKER 410125	87019
3	1	SVC KIT-BRAKE ASSY	77436
4	1	SVC KIT-DRUM SUPPORT-MTR END-RETARDER	86174
5	1	SVC KIT-DRUM SUPPORT-GEAR END	77439
6	1	SVC KIT-DRIVESHAFT-STD	77440
7	1	SVC KIT-END HSG ASSY-AIR	77441
8	1	SVC KIT-RING GEAR	77444
9	1	SVC KIT-TENSIONER-STD	77445
10	1	SVC KIT-HARDWARE-SEAL	87057
11	1	SVC KIT-HOSE-HYD	77447
12	1	SVC KIT-TIE PLATE-STD	77448
13	1	SVC KIT-DRUM ASSY-30K-STD	80922
14	1	SVC KIT-CARRIER-STG2-6.0-6.0	80924
15	1	SVC KIT-CARRIER-STG1-6.0-6.0	80925
16	1	SVC KIT-EXPANSION PLUG-1IN-RUBBER	86202
17	1	SVC KIT-WIRE ROPE ASSY-5/8 EIPS X 140FT	77453
18	1	SVC KIT-HYD-MTR-MANF-TG0170	87288

NOTES:  
 1. WARN P/N 77900.  
 2. ITEM 16- WIRE ROPE ASSY NOT SHOWN ON THIS DRAWING.

CO	24698	TRANSITION MOTOR & CBV FROM EATON TO PARKER.	KIP
BO	24488	REPLACED PN 77438 WITH PN 86174, ADDED PN 86202	VAMA
AO	23936	RELEASE	PL
REV	E.N. NO.	DESCRIPTION OF CHANGE	PROJ. ENGR.
REVISIONS			
		<b>WARN INDUSTRIES, INC.</b> 12900 S.E. CAPPS ROAD, CLACKAMAS, OREGON USA 97015-8903	
DIMENSIONS & TOLERANCES IN ACCORDANCE WITH ANSI/ASME Y14.5M-1994			
THIRD ANGLE PROJECTION		SEE BOM	
DIMENSIONS ARE IN	<input type="checkbox"/> MILLIMETERS <input checked="" type="checkbox"/> INCHES		
UNSPECIFIED TOLERANCES	ONE PLACE DEC. (X.X) ± TWO PLACE DEC. (X.XX) ± THREE PLACE DEC. (X.XXX) ± FOUR PLACE DEC. (X.XXXX) ± ANGULAR ±		
SCALE	1:4	SHEET 1 OF 1	D 986679
DRAWN	V-SRINIVAS	DATE	2009/04/24
PROJECT ENGR	LINES		