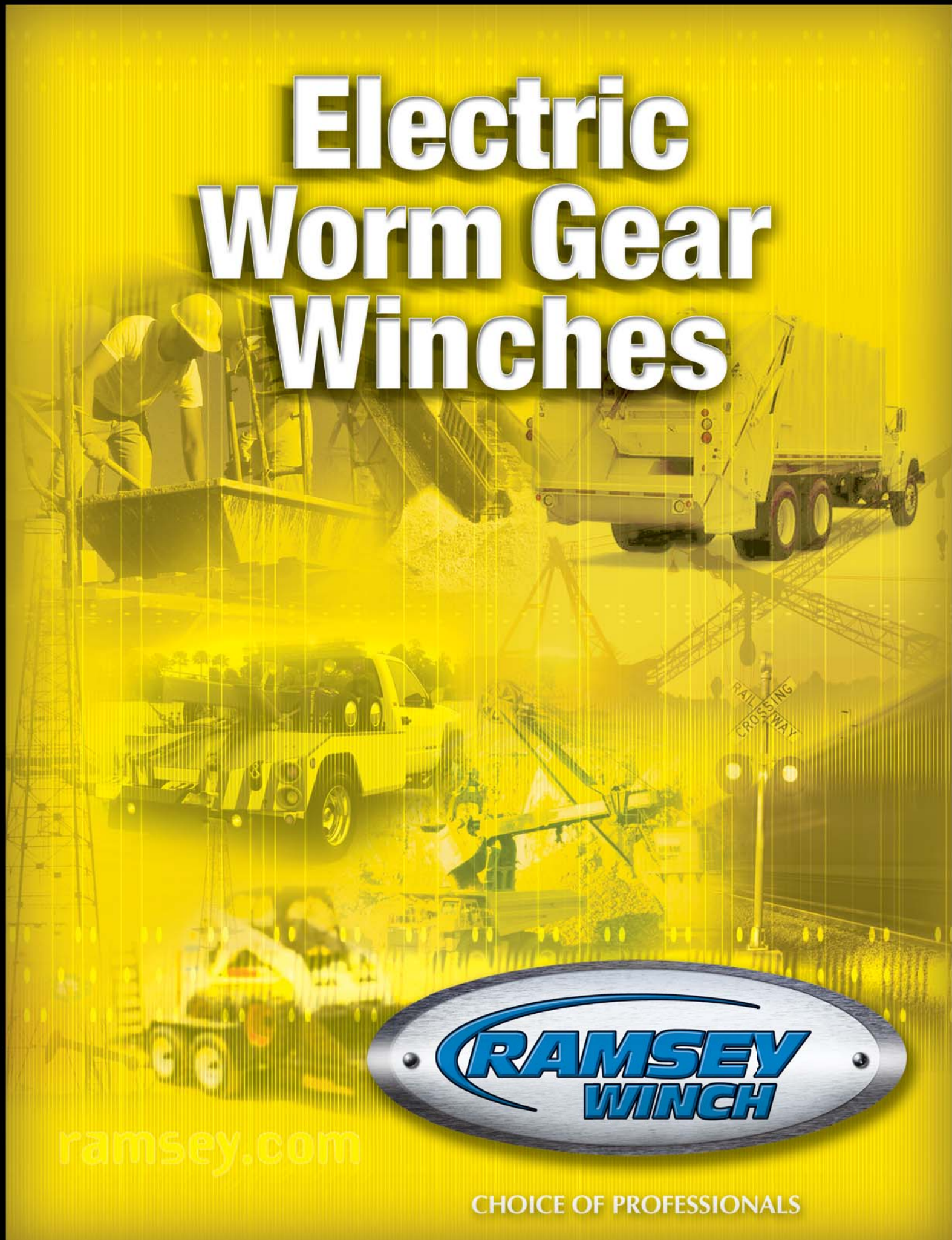


Electric Worm Gear Winches



ramsey.com

CHOICE OF PROFESSIONALS



Table of Contents

Table of contents and limited warranty excerpt.....	2
Performance data tables.....	3
DC-7/DC-7B Series winches.....	4
DC-200 Lever Style and Ram-Lok® Series winches.....	5-6
DC-300 Lever Style and Ram-Lok® Series winches.....	6-7
Options for DC Electric Worm Gear winches.....	8

How to Select a Winch

1. Determine the line pull required.
2. Determine the size (diameter) and length of cable required.
3. Where will the line load occur—on the first layer of cable on the drum barrel? The second? The third? Refer to the Line Pull and Cable Capacity Per Layer charts in Ramsey performance data on page 3 to determine the proper size winch to meet these line size, length and load requirements.
4. Select the proper winch model and determine the first layer rating required (all performance charts in this brochure are based on the first layer line pull ratings. All winches are rated based on first layer).

EXAMPLE: Customer "A" has a load that requires a 4,000 lb. line pull and has selected 140 ft. of 3/8" cable as the optimum length covering most of his use.

Referring to the charts in the performance data, he notes that 140 ft. of 3/8" cable will build up to four layers on a Model DC-200R and that the winch provides 5,000 lbs. maximum allowable line pull on the fourth layer.

NOTE: For information on custom designed winches and for performance data using wire sizes other than the recommended diameters, contact the factory.

WARNING

Winches are not to be used to lift, support or otherwise transport personnel. A minimum of five (5) wraps of cable around the drum is necessary to support the rated load. Cable clamp is not designed to hold the load.

Limited Warranty Excerpt

Ramsey Winch warrants each new winch and speed reducer to be free from defects in workmanship for a period of one (1) year from date of purchase. The obligation under this warranty, statutory or otherwise, is limited to the replacement or repair at our factory of such part or parts as shall appear to us upon inspection to be defective in materials and workmanship. Complete warranty statement packed with each item.

Performance Data

Cable Size & Line Pull

	Volts	Recommended Cable Size (INCH) (MM)	1st Layer		2nd Layer		3rd Layer		4th Layer		5th Layer	
			Line Pull (LBS) (KGS)	Cable Cap. (FT) (M)	Line Pull (LBS) (KGS)	Cable Cap. (FT) (M)	Line Pull (LBS) (KGS)	Cable Cap. (FT) (M)	Line Pull (LBS) (KGS)	Cable Cap. (FT) (M)	Line Pull (LBS) (KGS)	Cable Cap. (FT) (M)
* DC-7 DC-24-7	12 24	1/4 6	3000 1350	10 3	2600 1170	20 6	2200 990	35 10	2000 900	50 15	1800 810	70 21
* DC-7B DC-24-7B	12 24	1/4 6	3000 1350	10 3	2600 1170	20 6	2200 990	35 10	2000 900	50 15	1800 810	70 21
* DCX-7 DC-24-X7	12 24	1/4 6	3000 1350	15 4	2600 1170	40 12	2200 990	65 19	2000 900	95 28	1800 810	125 38
* DCX-7B DC-24X-7B	12 24	1/4 6	3000 1350	15 4	2600 1170	40 12	2200 990	65 19	2000 900	95 28	1800 810	125 38
** DC-200 DC-24-246	12 24	3/8 9	8000 3620	25 7	6700 3030	60 18	5700 2580	95 28	5000 2260	140 42		
** DC-246 DC-24-246	12 24	3/8 9	8000 3620	25 7	6700 3030	60 18	5700 2580	95 28	5000 2260	140 42		
** DCY-200 DCY-24-200	12 24	3/8 9	8000 3620	15 4	6700 3030	30 9	5700 2580	55 16	5000 2260	75 22		
** DCY-246 DCY-24-246	12 24	3/8 9	8000 3620	15 4	6700 3030	30 9	5700 2580	55 16	5000 2260	75 22		
** DC-300 DC-24-300	12 24	3/8 9	9000 4070	25 7	7500 3390	60 18	6400 2890	95 28	5600 2530	140 42		
** DC-346 DC-24-346	12 24	3/8 9	9000 4070	25 7	7500 3390	60 18	6400 2890	95 28	5600 2530	140 42		
** DCY-300 DCY-24-300	12 24	3/8 9	9000 4070	15 4	7500 3390	30 9	6400 2890	55 16	5600 2530	75 22		
** DCY-346 DCY-24-346	12 24	3/8 9	9000 4070	15 4	7500 3390	30 9	6400 2890	55 16	5600 2530	75 22		

* Last layer does not conform to SAE Standard J706.

** Winch only conforms to SAE J706. For SAE qualifications of mounting angles, if applicable, consult Ramsey Engineering.

First Layer Line Speed & Amps

Winch Model	Volts	Recommended Wire Rope Size (INCH) (MM)	First Layer															
			No Load		1000 Load		2000 Load		3000 Load		4000 Load		6000 Load		8000 Load		9000 Load	
			Line Speed (FPM) (MPM)	Amps	Line Speed (FPM) (MPM)	Amps	Line Speed (FPM) (MPM)	Amps	Line Speed (FPM) (MPM)	Amps	Line Speed (FPM) (MPM)	Amps	Line Speed (FPM) (MPM)	Amps	Line Speed (FPM) (MPM)	Amps	Line Speed (FPM) (MPM)	Amps
DC-7 DC-24-7	12 24	1/4 6	17 5.2	80 40	12 3.7	110 60	8 2.4	150 75	6.5 2.0	180 90								
DC-7B DC-24-7B	12 24	1/4 6	17 5.2	80 40	12 3.7	110 60	8 2.4	150 75	6.5 2.0	180 90								
DCX-7 DC-24-X7	12 24	1/4 6	17 5.2	80 40	12 3.7	110 60	8 2.4	150 75	6.5 2.0	180 90								
DCX-7B DC-24X-7B	12 24	1/4 6	17 5.2	80 40	12 3.7	110 60	8 2.4	150 75	6.5 2.0	180 90								
DC-200 DC-24-200	12 24	3/8 9	14 4.3	65 30	10 3.0	90 40	7 2.1	110 50	6 1.8	150 70	5 1.5	180 90	4 1.2	220 110	3 1.1	280 140		
DC-246 DC-24-246	12 24	3/8 9	16.5 5.0	70 35	12 3.6	105 50	8.5 2.5	140 70	7 2.1	170 85	5 1.7	200 100	4 1.3	270 135	3 1.1	330 165		
DCY-200 DCY-24-200	12 24	3/8 9	14 4.3	65 30	10 3.0	90 40	7 2.1	100 50	6 1.8	140 70	5 1.5	180 90	4 1.2	220 110	3 1.1	280 140		
DCY-246 DCY-24-246	12 24	3/8 9	16.5 5.0	70 35	12 3.6	105 50	8.5 2.5	140 70	7 2.1	170 85	5 1.7	200 100	4 1.3	270 135	3 1.1	330 170		
DC-300 DC-24-300	12 24	3/8 9	14 4.3	65 30	10 3.0	90 40	7 2.1	110 50	6 1.8	150 70	5 1.5	180 90	4 1.2	220 110	3.5 1.1	280 140	2.5 .7	310 155
DC-346 DC-24-346	12 24	3/8 9	16.5 5.0	70 35	12 3.6	105 50	8.5 2.5	140 70	7 2.1	170 85	5.5 1.5	200 100	4.5 1.3	270 135	3.5 1.1	330 165	2.5 .7	360 180
DCY-300 DCY-24-300	12 24	3/8 9	14 4.3	65 30	10 3.0	90 40	7 2.1	110 50	6 1.8	150 70	5 1.5	180 90	4 1.2	220 110	3.5 1.1	280 140	2.5 .7	310 155
DCY-346 DCY-24-346	12 24	3/8 9	16.5 5.0	70 35	12 3.6	105 50	8.5 2.5	140 70	7 2.1	170 85	5.5 1.5	200 100	4.5 1.3	270 135	3.5 1.1	340 170	2.5 .7	360 180

Note: Ramsey winches are designed and built for heavy duty intermittent usage only.



DC-7B and DC-7 Series



- Rated Line pull 3,000lbs
- Recommended cable 1/4"
- Blocked Clutch
- Meets SAE-J706
- 12' remote included
- Made in the USA

Applications

- Towing & Recovery
- Petroleum
- Forestry
- Mining
- Construction
- Refuse

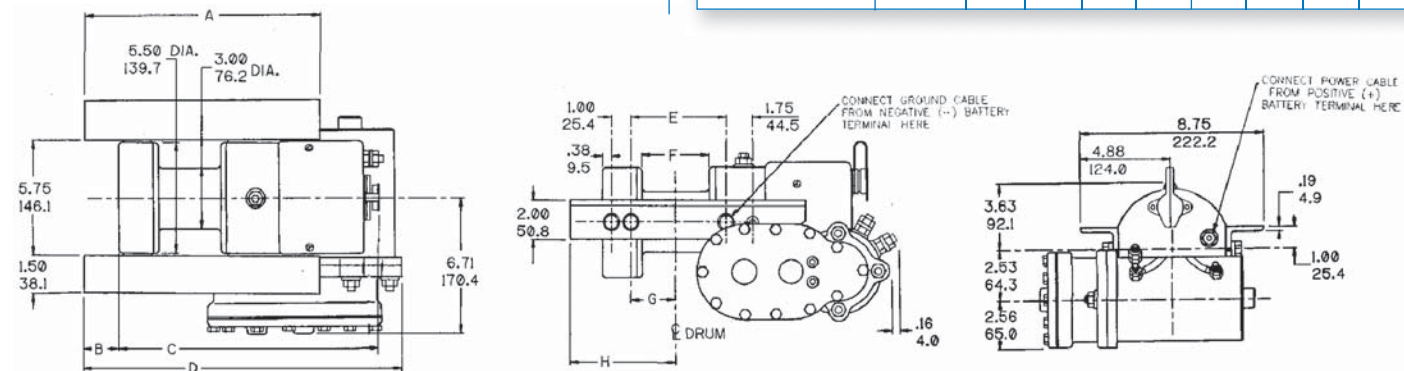
Specifications

Rated Line Pull	3,000 lbs..... (1,350 kgs)
Gear Reduction	DC-7/7B, DCX-7/7B (12 Volt).....298:1 DC-24-7/7B, DCX-24-7/7B (24 Volt)...298:1
Weight	DC-7..... 70 lbs. (32 kgs) DCX-7..... 75 lbs. (34 kgs) DC-7B 60 lbs. (27 kgs) DCX-7B 65 lbs. (29 kgs)

Winch Dimensions

WINCH MODEL	A INCHES MM	B INCHES MM	C INCHES MM	D INCHES MM	E INCHES MM	F INCHES MM
DC-7B	12.00 304.8	16.30 414.0	4.94 125.5	3.50 88.9	2.41 61.2	5.54 140.7
DCX-7B	18.00 457.2	20.88 530.3	7.88 200.2	6.44 163.5	3.88 98.6	8.50 215.9

LAYER OF CABLE		1	2	3	4	5			
RATED LINE PULL PER LAYER	Lbs. Kgs.	3,000 1,350	2,600 1,170	2,200 990	2,000 900	1,800 810			
DC-7/7B CAPACITY PER LAYER 3 1/2" DRUM	Ft. M.	10 3	20 6	35 10	50 15	70 21			
DCX-7/7B CAPACITY PER LAYER 6 7/16" Y DRUM	Ft. M.	15 4	40 12	65 19	95 28	125 38			
LINE SPEED	VOLTS	NO LOAD		1,000 LBS		2,000 LBS		3,000 LBS	
		FPM (MPM)	AMPS	FPM (MPM)	AMPS	FPM (MPM)	AMPS	FPM (MPM)	AMPS
ALL MODELS	12	17 (5.2)	80 40	12 (3.7)	110 60	8 (2.4)	150 7.5	7 (2)	180 90



DIMENSIONS SHOWN ARE INCHES OVER MILLIMETERS
WINCH MOUNTING CAPSCREWS MUST MEET OR EXCEED SAE GRADE 5 SPECIFICATION
*NOTE: THESE HOLE LOCATIONS MUST BE HELD WITHIN .03" (0.8 MM) OF TRUE POSITION. RECOMMENDED MOUNTING HOLE DIAMETER IS .53" (13.5 MM).



DC-200 Series



- Rated Line pull 8,000 lbs.
- Recommended cable 3/8"
- Meets SAE J706
- 12' remote included
- Made in the USA

Applications

- Towing & Recovery
- Petroleum
- Forestry
- Mining
- Construction
- Refuse

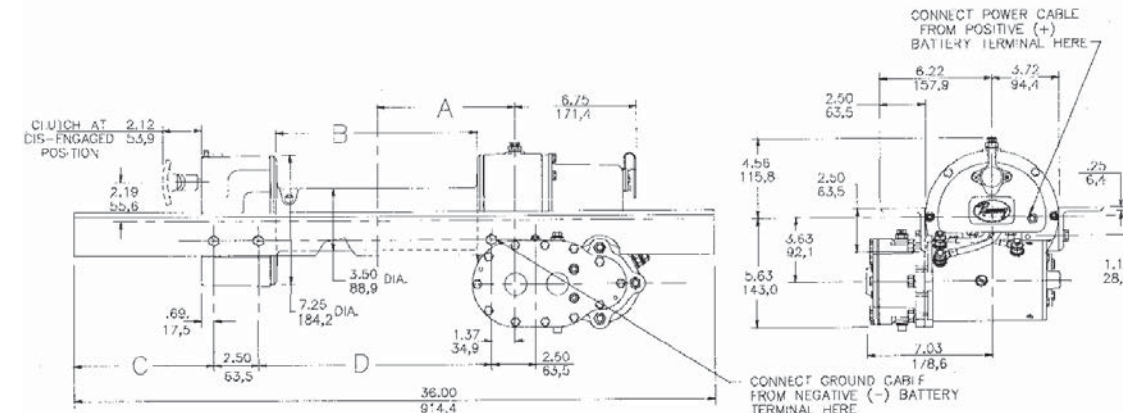
Winch Dimensions

DC-200 WINCH MODEL	A INCHES MM	B INCHES MM	C INCHES MM	D INCHES MM
DCY-200	7.78 197.6	11.31 287.3	8.94 227.0	13.12 333.3
	5.28 134.1	6.31 160.3	11.44 290.5	8.12 206.3

DC-200 Ram-Lok and Lever Style Specifications

Rated Line Pull	DC-200 Ram-Lok and lever Style..8,000 lbs. (3,630 kgs.)
Gear Reduction	DC-200.....470:1 DC-246.....360:1
Weight (without cable)	DC-200..... 116 lbs. (52.6 kgs.) DC-246..... 116 lbs. (52.6 kgs.) DCY-200..... 105 lbs. (47.6 kgs.) DCY-246..... 105 lbs. (47.6 kgs.)

LAYER OF CABLE		1	2	3	4				
DC-200 SERIES LEVER AND RAM-LOK RATED LINE PULL PER LAYER	Lbs. Kgs.	8,000 3,630	6,700 3,030	5,700 2,580	5,000 2,260				
STANDARD DRUM CABLE CAPACITY PER LAYER 11 5/16" DRUM	Ft. M.	25 7	60 18	95 28	140 42				
SHORT "Y" DRUM CABLE CAPACITY PER LAYER 6 5/16" DRUM	Ft. M.	15 4	30 9	55 16	75 22				
LINE SPEED	VOLTS	NO LOAD		2,000 LBS		4,000 LBS		8,000 LBS	
		FPM (MPM)	AMPS	FPM (MPM)	AMPS	FPM (MPM)	AMPS	FPM (MPM)	AMPS
DC-200/DCY-200	12	14 (4.3)	65 30	7 (2.1)	110 50	5 (1.5)	180 90	3.5 (1.1)	280 140
DC-246/DCY-246	12	16.5 (5)	70 35	8.5 (2.5)	140 70	5.5 (1.7)	200 100	3 (1.1)	330 160



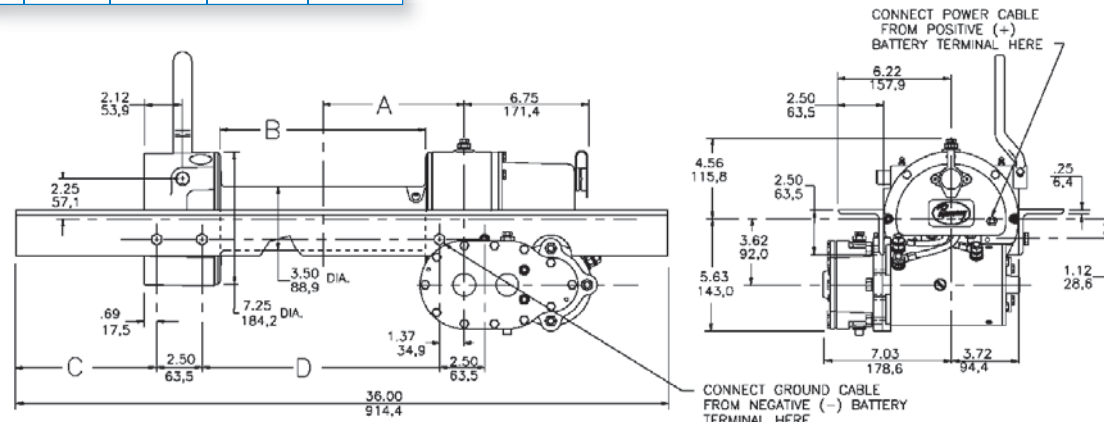
DIMENSIONS SHOWN ARE INCHES OVER MILLIMETERS
WINCH MOUNTING CAPSCREWS MUST MEET OR EXCEED SAE GRADE 5 SPECIFICATION
*NOTE: THESE HOLE LOCATIONS MUST BE HELD WITHIN .03" (0.8 MM) OF TRUE POSITION. RECOMMENDED MOUNTING HOLE DIAMETER IS .53" (13.5 MM).



Winch Dimensions

WINCH MODEL	A INCHES MM	B INCHES MM	C INCHES MM	D INCHES MM
DC-200	7.78 197.6	11.31 287.3	8.94 227.0	13.12 333.3
DCY-200	5.28 134.1	6.31 160.3	11.44 290.5	8.12 206.3

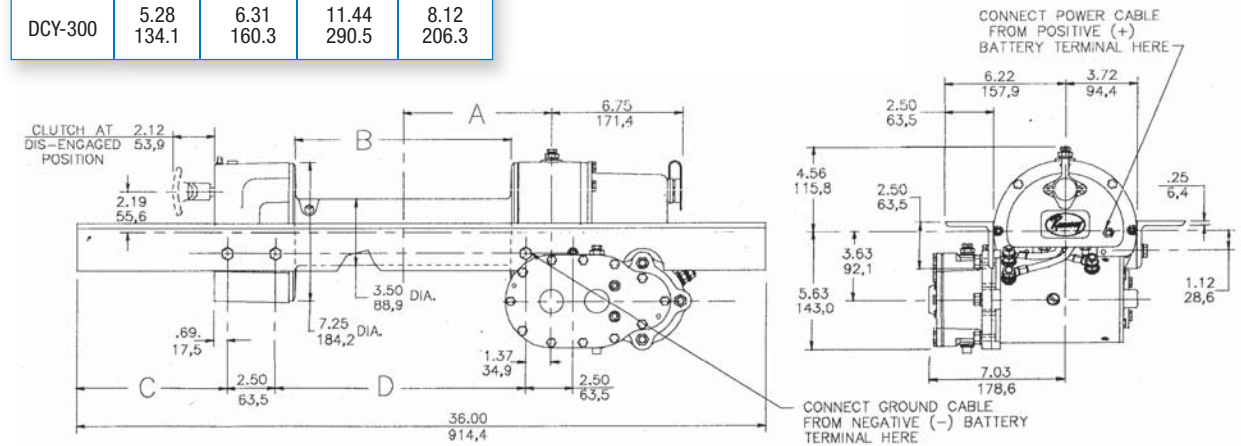
DC-200 Series



DIMENSIONS SHOWN ARE INCHES OVER MILLIMETERS
WINCH MOUNTING CAPSCREWS MUST MEET OR EXCEED SAE GRADE 5 SPECIFICATION
*NOTE: THESE HOLE LOCATIONS MUST BE HELD WITHIN .03" (0.8 MM) OF TRUE POSITION. RECOMMENDED MOUNTING HOLE DIAMETER IS .53" (13.5 MM).

Winch Dimensions DC-300 Ram Lok Style

WINCH MODEL	A INCHES MM	B INCHES MM	C INCHES MM	D INCHES MM
DC-300	7.78 197.6	11.31 287.3	8.94 227.0	13.12 333.3
DCY-300	5.28 134.1	6.31 160.3	11.44 290.5	8.12 206.3



DIMENSIONS SHOWN ARE INCHES OVER MILLIMETERS
WINCH MOUNTING CAPSCREWS MUST MEET OR EXCEED SAE GRADE 5 SPECIFICATION
*NOTE: THESE HOLE LOCATIONS MUST BE HELD WITHIN .03" (0.8 MM) OF TRUE POSITION. RECOMMENDED MOUNTING HOLE DIAMETER IS .53" (13.5 MM).

DC-300 Series

- Rated Line pull 9,000 lbs.
- Recommended cable 3/8"
- Meets SAE J706
- 12' remote included
- Made in the USA

DC-300 Ram-Lok and Lever Style Specifications

LAYER OF CABLE		NO LOAD				2,000 LBS				4,000 LBS				8,000 LBS			
		1	2	3	4	FPM (MPM)	AMPS	FPM (MPM)	AMPS	FPM (MPM)	AMPS	FPM (MPM)	AMPS	FPM (MPM)	AMPS		
DC-200 SERIES LEVER AND RAM LOK RATED LINE PULL PER LAYER	Lbs. Kgs.	8,000 3,630	6,700 3,030	5,700 2,580	5,000 2,260												
STANDARD DRUM CABLE CAPACITY PER LAYER 11 5/16" DRUM	Ft. M.	25 7	60 18	95 28	140 42												
SHORT "Y" DRUM CABLE CAPACITY PER LAYER 6 5/16" DRUM	Ft. M.	15 4	30 9	55 16	75 22												

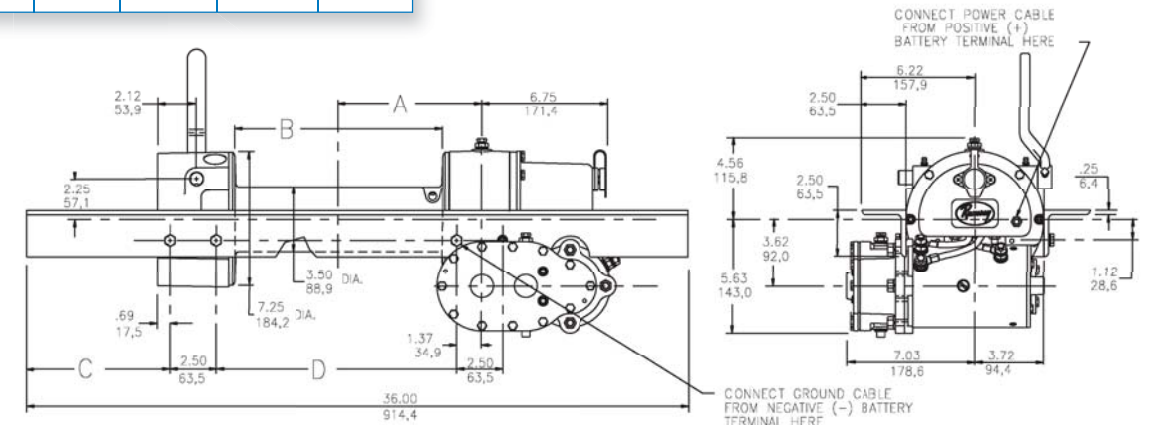
Applications

- Towing & Recovery
- Mining
- Petroleum
- Construction
- Forestry
- Refuse

Rated Line Pull	DC-300 Ram-Lok and Lever Style .9,000 lbs. (4,070 kgs.)
Gear Reduction	DC-300.....470:1 DC-346.....360:1
Weight (without cable)	DC-300.....116 lbs. (52.6 kgs.) DC-346.....116 lbs. (52.6 kgs.) DCY-300.....105 lbs. (47.6 kgs.) DCY-346.....105 lbs. (47.6 kgs.)

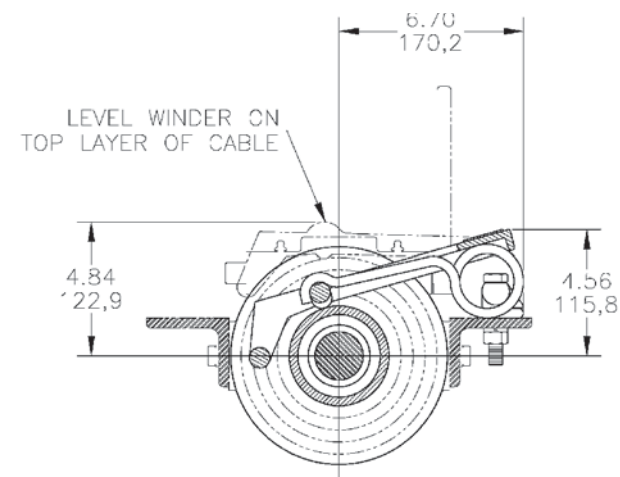
Winch Dimensions DC-300 Lever Style

WINCH MODEL	A INCHES MM	B INCHES MM	C INCHES MM	D INCHES MM
DC-300	7.78 197.6	11.31 287.3	8.94 227.0	13.12 333.3
DCY-300	5.28 134.1	6.31 160.3	11.44 290.5	8.12 206.3



DIMENSIONS SHOWN ARE INCHES OVER MILLIMETERS
WINCH MOUNTING CAPSCREWS MUST MEET OR EXCEED SAE GRADE 5 SPECIFICATION
*NOTE: THESE HOLE LOCATIONS MUST BE HELD WITHIN .03" (0.8 MM) OF TRUE POSITION. RECOMMENDED MOUNTING HOLE DIAMETER IS .53" (13.5 MM).

Options For Ramsey DC Electric Worm Gear Winches



Dimensions shown is Level Winder

Level Winders

Part # 256048	Model 1 Level Winder for use with 11 5/16" drum
Part # 256052	Model 2 Level Winder for use with 6 5/16" drum

Roller Guide and Fairleads

Part # 256049	Roller Guide for Model 1 Level Winder (Required for use of model 1 Level Winder on car carrier)
Part # 256053	Roller Guide for Model 2 Level Winder (Required for use of model 2 Level Winder on car carrier)
Part # 274021	Roller Fairlead for DCX-7/7B 6 7/16" drum
Part # 274007	Roller Fairlead for DC200, DC-300 with 11 5/16" drum
Part # 274015	Roller Fairlead for DCY-200, DCY-300 with 6 5/16" drum



P.O. Box 581510 • Tulsa, OK 74158-1510 U.S.A • Phone: (918) 438-2760 • Fax: (918) 438-6688

For more information visit:

ramsey.com

