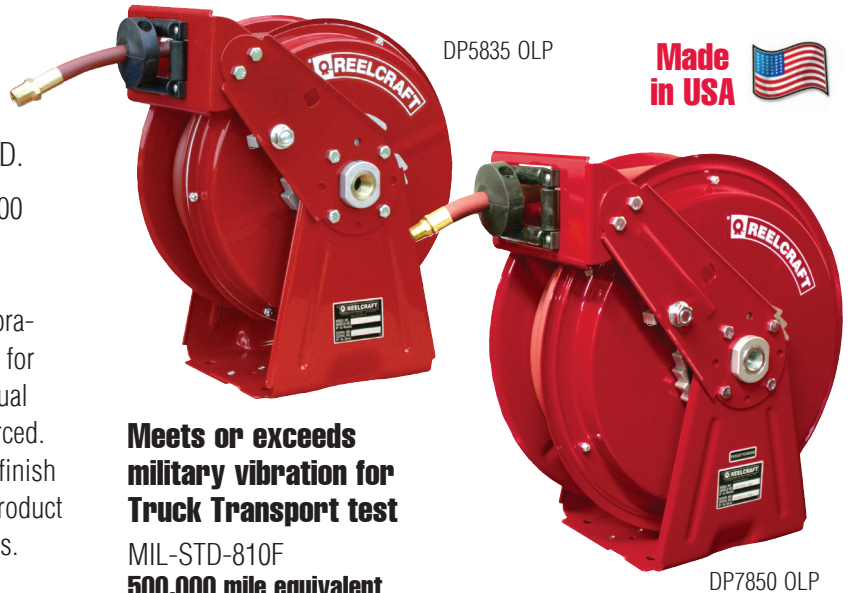


Heavy Duty Compact, Dual Pedestal Reels | Series DP5000 / DP7000

Heavy Duty Spring Retractable Hose Reels

Air/Water/Oil/Grease - 1/4", 3/8", 1/2" I.D.

Reelcraft's new compact dual pedestal Series DP5000 and DP7000 feature an innovative, non-welded, interlocking base. Independent testing to military standards has proven the reel stand up to heavy vibration, which makes them especially strong and ideal for truck-mounted applications. Superbly engineered dual pedestal base and guide arm are structurally reinforced. All-steel construction and a baked-on powder coat finish combine to produce a rugged corrosion-resistant product suitable for a wide variety of heavy duty applications.



DP5835 OLP

Made in USA 

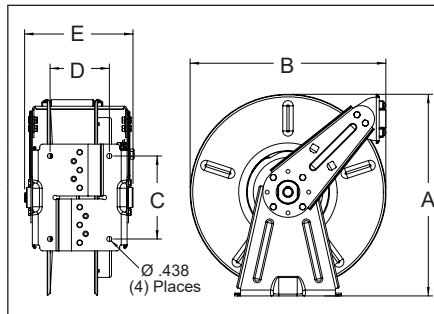
Meets or exceeds military vibration for Truck Transport test

**MIL-STD-810F
500,000 mile equivalent**

DP7850 OLP

Features

- **Superior corrosion-resistance** - A double adhesive gasket seals the spring case.
- **Ease of operation** - The latch pawl is mounted on the guide arm to prevent latch out at full extension.



Dimensions - Size Index				
	1	2	3	4
	in mm	in mm	in mm	in mm
A	16 ³ / ₈ 416	16 ³ / ₈ 416	17 432	17 432
B	14 ³ / ₈ 365	14 ³ / ₈ 365	16 ¹ / ₂ 419	16 ¹ / ₂ 419
C	7 178	7 178	7 178	7 178
D	4 102	5 127	4 102	5 127
E	8 203	9 229	8 203	9 229

Model with Hose	Shipping Weight lbs kg	Hose I.D. in mm	Hose O.D. in mm	Hose Length ft m	**Max Pressure psi bar	NPT(M) Hose Outlet in	NPT(F) Reel Inlet in	Model without hose & bumper	Shipping Weight lbs kg	Pressure psi bar	Size Index #
Low Pressure Air/Water Reels Maximum temperature 150 °F (65 °C) w/hose / 210 °F (99 °C) w/o hose **Maximum working pressure at 70 °F (20 °C)											
DP5435 OLP	34 15	1/4 6	.475 12	35 11	300 21	1/4	1/2	DP5400 OLP	29 13	500 35	1
DP5450 OLP	37 17	1/4 6	.475 12	50 15	300 21	1/4	1/2	DP5400 OLP	29 13	500 35	1
DP7450 OLP	46 21	1/4 6	.475 12	50 15	300 21	1/4	1/2	DP7400 OLP	44 20	500 35	3
DP5635 OLP	41 19	3/8 10	.600 15	35 11	300 21	1/4	1/2	DP5600 OLP	37 17	500 35	1
DP5650 OLP	44 20	3/8 10	.600 15	50 15	300 21	1/4	1/2	DP5605 OLP	38 17	500 35	2
DP7650 OLP	50 23	3/8 10	.600 15	50 15	300 21	1/4	1/2	DP7600 OLP	44 20	500 35	3
DP5835 OLP	52 24	1/2 13	.750 19	35 11	300 21	3/8	1/2	DP5800 OLP	38 17	500 35	2
DP7850 OLP	53 24	1/2 13	.750 19	50 15	300 21	3/8	1/2	DP7800 OLP	45 20	500 35	4
DP7850 OLP121	53 24	1/2 13	.750 19	50 15	300 21	1/2	1/2	DP7800 OLP	45 20	500 35	4
Medium Pressure Oil Reels Maximum temperature 210 °F (99 °C)											
DP7650 OMP	55 25	3/8 10	.690 18	50 15	2600 179	3/8	1/2	DP7600 OMP	45 20	3000 207	3
DP5835 OMP	54 24	1/2 13	.820 21	35 11	3000 207	1/2	1/2	DP5800 OMP	40 18	3000 207	2
DP7850 OMP	64 29	1/2 13	.820 21	50 15	3000 207	1/2	1/2	DP7800 OMP	45 20	3000 207	4
High Pressure Grease Reels Maximum temperature 210 °F (99 °C)											
DP7450 OHP	59 27	1/4 6	.580 15	50 15	5000 345	1/4	1/2	DP7400 OHP	44 20	5000 345	3
DP5635 OHP	43 20	3/8 10	.730 19	35 11	4800 331	3/8	1/2	DP5600 OHP	40 18	5000 345	2
DP7650 OHP	65 29	3/8 10	.730 19	50 15	4800 331	1/4	1/2	DP7600 OHP	46 21	5000 345	3

Low pressure reels furnished standard with PVC hose. Medium pressure reels furnished standard with S.A.E. 100R1-AT (3/8") or S.A.E. 100R17 (1/2") one wire braid hose. High pressure reels furnished standard with S.A.E. 100 R2T two wire braid hose. Reference page 6 for guide arm positions.



Visit reelcraft.com/quick-ship for a complete list of Quick Ship Reels - models that can be shipped same day when the order is received by 1:00 PM Eastern Time for quantities of 10 or fewer.



Interactive Reel Catalog

Visit www.reelcraft.com/catalog for complete product specifications, available parts and accessories.

Prop 65: ⚠ WARNING:
Cancer and Reproductive Harm
www.P65Warnings.ca.gov.

Customer Service: 1.855.634.9109
All Other Calls: 1.800.444.3134

