



OWNER'S MANUAL

EXTREME ANGLE CARRIER

INSTALLATION, OPERATION, MAINTENANCE & PARTS

**NOTE: MANUAL including SPECIFICATIONS, subject to change without notice
All ratings specified are based on structural factors only,
not vehicle capacities or capabilities.**



8503 Hilltop Drive
Ooltewah, Tennessee 37363
Phone (423) 238-7227 • FAX (423) 238-7237

FORM NO. 0500837
08/05
PRICE \$25.00

LIMITED WARRANTY

VULCAN warrants to the original purchaser that each new VULCAN Carrier will be free from defects in material and workmanship for a period of one (1) year from the date of purchase. The purchaser must promptly notify VULCAN in writing of any failure in material or workmanship. In no event shall such notification be received by VULCAN later than thirteen (13) months from date of delivery.

The obligation under this warranty, statutory or otherwise, is limited to the repair or replacement at our factory, or at a point designated by us, of such part or parts as shall appear to us upon inspection to be defective in material or workmanship. New or remanufactured parts will be used for any replacement.

This warranty does not obligate VULCAN to bear the cost of labor or transportation charges in connection with the replacement or repair of any parts found to be defective, nor shall it apply to a product upon which repairs or alterations have been made unless authorized by us.

VULCAN shall in no event be liable for any incidental or consequential damages or contingent arising out of the failure of any parts or products to operate properly. NO IMPLIED, EXPRESS, OR STATUTORY WARRANTY OTHER THAN STATED HEREIN IS MADE OR AUTHORIZED TO BE MADE BY OR FOR US, INCLUDING, BUT NOT LIMITED TO, THE IMPLIED WARRANTIES OF MERCHANTABILITY AND FITNESS FOR A PARTICULAR PURPOSE.

VULCAN makes no warranty, express or implied, as to finished products manufactured or supplied by another manufacturer or supplier by VULCAN to purchaser, including, but not limited to, any vehicle to which a VULCAN product may be affixed or accessories or wire rope (cable), and expressly disclaims any implied warranties of merchantability or fitness for a particular purpose as to such equipment or products. This language shall in no way affect or diminish the rights of purchaser to rely on such warranties as are extended by such manufacturers or suppliers.

VULCAN, whose policy is one of continuous improvement, reserves the right to improve its product through changes in design or materials as it may deem desirable without being obligated to incorporate such changes in products of prior manufacture.

IT IS EXPRESSLY UNDERSTOOD THAT THERE IS NO IMPLIED WARRANTY THAT VULCAN CARRIERS SHALL BE FIT FOR THE PURPOSE OF LIFTING OR MOVING PERSONS OR OTHER IMPROPER USE. THIS WARRANTY IS NOT TRANSFERABLE.



8503 Hilltop Drive
Ooltewah, Tennessee 37363
Telephone (423) 238-4171

SERIAL NUMBER

| |
|--|
| |
|--|

Section VI - PARTS

This Section is provided by the manufacturer for the purpose of ordering any component part of the **Extreme Angle Car Carrier** that may be required when part replacement is necessary. Be certain to use only original equipment replacement parts for warranty purposes as well as for keeping your **Extreme Angle Car Carrier** in its original state and optimum operating capacities.

When ordering replacement or spare parts be sure to provide the following information to your carrier manufacturer authorized representative.

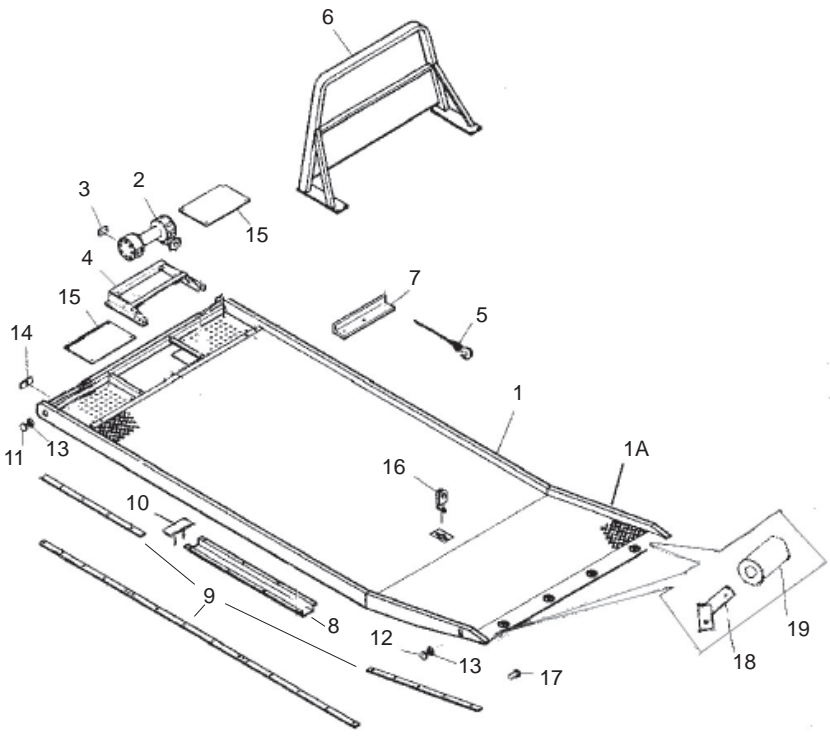
1. **Manual Number & Date of Publication**
2. **Manual Page Number**
3. **Page Title**
4. **Reference Number of Part Desired**
5. **Part Number**
6. **Part Description**
7. **Quantity of Part Desired**

Providing this information will help ensure that the correct parts will be delivered to you in an expedient manner without delay. Should additional information be required for repair or replacement of certain components, contact **Miller Industries, Hermitage, PA, Phone: 724-981-3328, FAX 724-981-5260.**

The Manufacturer reserves the right, without notice or obligation, to improve or modify their products, which may change the specifications, models and feature availability.

Section VI - PARTS (cont'd)

EXTREME ANGLE BED ASSEMBLY



Section VI - PARTS (cont'd)

EXTREME ANGLE BED ASSEMBLY

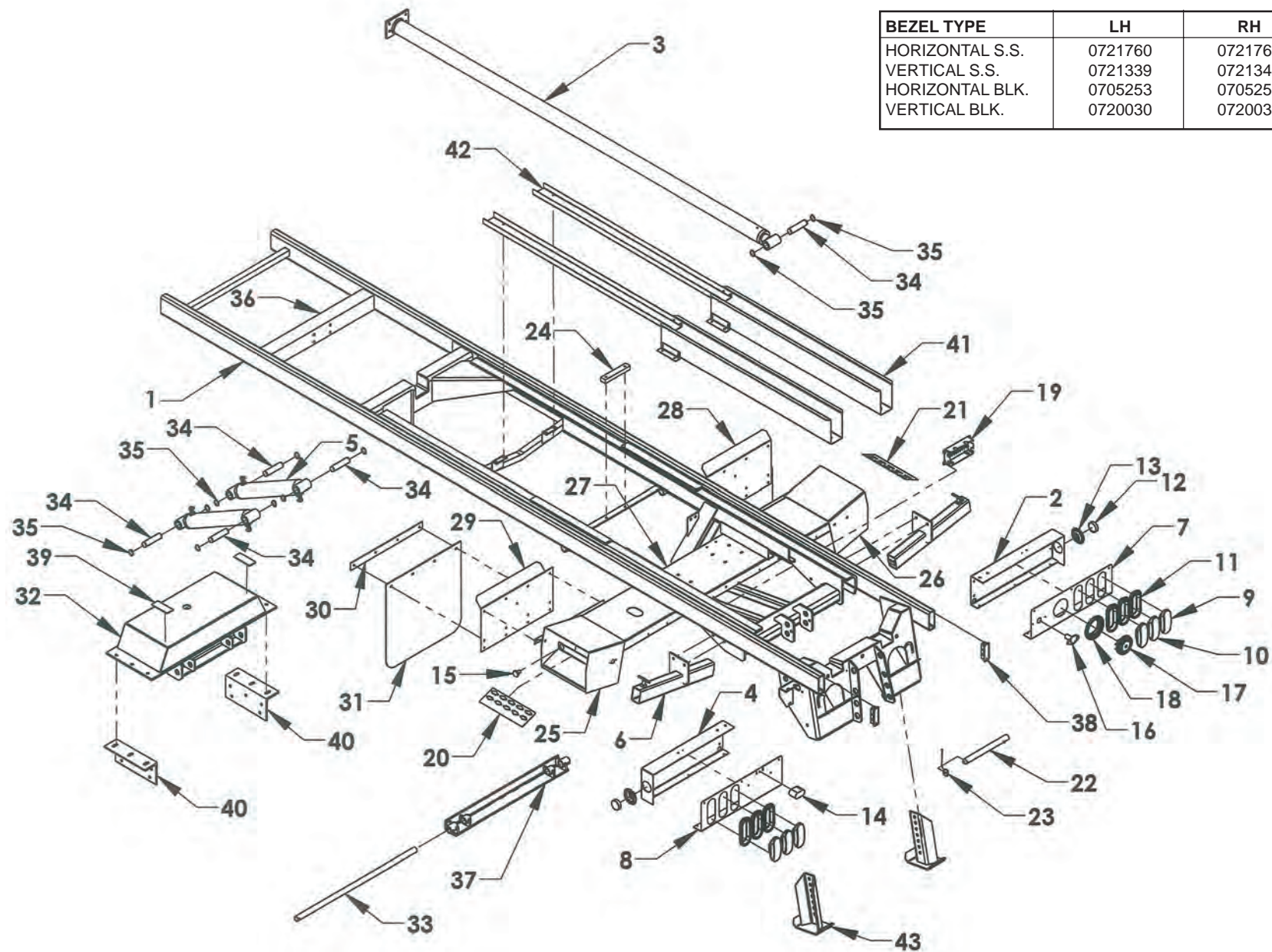
| REF. NO. | NO. REQ'D | PART NUMBER | DESCRIPTION |
|-------------|--------------|----------------|------------------------------------------|
| 1 | 1 | * | CARRIER BED WELDMENT |
| 1A | 1 | 0805682 | BED WELDMENT, SECTION, REAR |
| 2 | 1 | 0300250 | WINCH - 4 TON WORM |
| | | 0303273 | WINCH - 4 TON PLANETARY - OPTION |
| 3 | 2 | 0701172 | SPACER, WINCH BRACKET |
| 4 | 1 | 0801482 | WINCH FRAME - 4 TON WORM |
| | 1 | 0805272 | WINCH FRAME - 4 TON PLANETARY |
| 5 | 1 | 0301669 | WINCH CABLE ASSEMBLY |
| 6 | 1 | * | CAB PROTECTOR WELDMENT - SPECIFY CHASSIS |
| 7 | 1 | 0303385 | JUNCTION BOX |
| 8 | 1 | 0720283 | HOSE TRAY - 19' |
| | 1 | 0710777 | HOSE TRAY - 21' |
| 9 | 1 | 0905667 | BEARING PAD KIT - 19' |
| | 1 | 0905526 | BEARING PAD KIT - 21' |
| | | * | BEARING PAD KIT |
| 10 | 1 | 0805207 | HOSE CLAMP WELDMENT |
| 11 | 2 | 0301742 | MARKER LIGHT, AMBER (10205Y) |
| 12 | 2 | 0301741 | MARKER LIGHT, RED (10205R) |
| 13 | 4 | 0301740 | GROMMET, ROUND RUBBER |
| 14 | 2 | GP132 | MARKER LIGHT, AMBER (RECT) |
| 15 | 2 | 0306054 | STORAGE TRAY MAT |
| 16 | 1 | 0805324 | CABLE GUIDE WELDMENT (HOOK STYLE) |
| 17 | 5 | 0720023 | HINGE PIN |
| 18 | 2 | 0806252 | ROLLER PIN WELDMENT |
| 19 | 2 | 0721483 | ROLLER |

* CONTACT DISTRIBUTOR FOR ADDITIONAL INFORMATION

Section VI - PARTS (cont'd)

TILT FRAME ASSEMBLY

| BEZEL TYPE | LH | RH |
|-----------------|---------|---------|
| HORIZONTAL S.S. | 0721760 | 0721761 |
| VERTICAL S.S. | 0721339 | 0721340 |
| HORIZONTAL BLK. | 0705253 | 0705254 |
| VERTICAL BLK. | 0720030 | 0720031 |



Section VI - PARTS (cont'd)

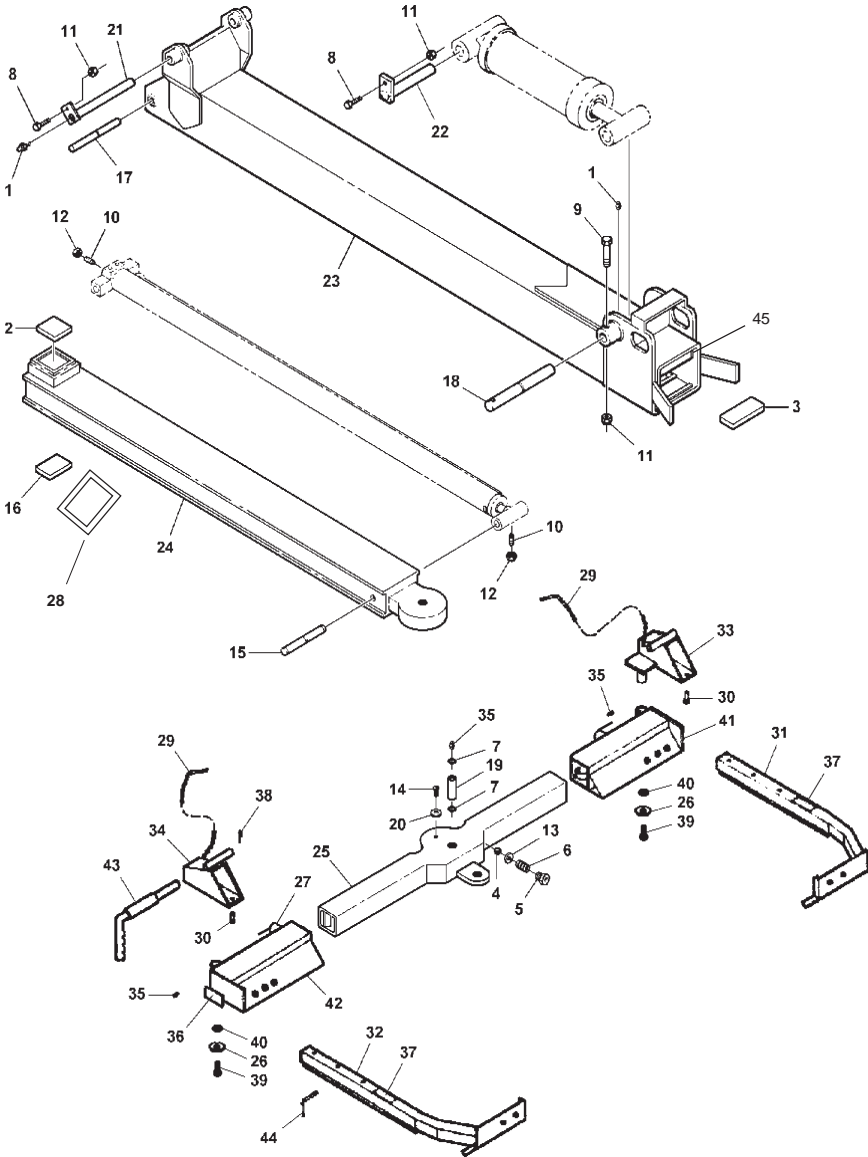
TILT FRAME ASSEMBLY

| REF. NO. | NO. REQ'D | PART NUMBER | DESCRIPTION |
|-------------|--------------|----------------|--------------------------------------------|
| 1 | 1 | 0805677 | TILT FRAME - W/L |
| 2 | 1 | 0809092 | TAIL LIGHT HOUSING (RH) |
| 3 | 1 | 0710784 | TAIL LIGHT MTG. BRACKET (RH) ALL SERIES |
| 4 | 1 | 0809093 | TAIL LIGHT HOUSING (LH) |
| 5 | 1 | 0710783 | TAIL LIGHT MTG. BRACKET (LH) ALL SERIES |
| 6 | 2 | 0805022 | L-ARM STORAGE TUBE BRACKET |
| 7 | 1 | 0720031 | PLATE, LIGHT MOUNTING (RH) |
| 8 | 1 | 0720030 | PLATE, LIGHT MOUNTING (LH) |
| 9 | 4 | 0301390 | STOP & TURN LIGHT |
| 10 | 2 | 0302201 | BACK-UP LIGHT |
| 11 | 6 | 0304127 | OVAL GROMMET (NOT SHOWN) |
| 12 | 2 | 0301741 | MARKER LIGHT, RED |
| 13 | 2 | 0301740 | MARKER LIGHT GROMMET |
| 14 | 1 | 0300273 | LICENSE PLATE ILLUMINATOR |
| 15 | 2 | 0300867 | CONTROL PANEL ILLUMINATOR |
| 16 | 1 | 0301671 | TOW LIGHT SOCKET |
| 17 | 1 | 0306385 | BACK-UP ALARM |
| 18 | 1 | 0306386 | BACK-UP ALARM GROMMET |
| 19 | 1 | 0303385 | JUNCTION BOX |
| 20 | 1 | 0500425 | CONTROL STA. DECAL, 5 SPOOL (LH) |
| 21 | 1 | 0500426 | CONTROL STA. DECAL, 5 SPOOL (RH) |
| 22 | 1 | 0709867 | SAFETY PIN (1-1/4" x 14" CR) |
| 23 | 1 | 0905895 | SAFETY PIN HDW. (0709867) |
| 24 | 1 | 0306052 | CYLINDER PAD |
| 25 | 1 | 0801557 | CONTROL BOX HOOD WELDMENT (LH) |
| 26 | 1 | 0801558 | CONTROL BOX HOOD WELDMENT (RH) |
| 27 | 1 | 0720437 | CONTROL BOX SUPP. CHANNEL (LONG) |
| | 1 | 0909417 | ITEMS #25, 26, 27 COMPLETE |
| 28 | 1 | 0720080 | MUD FLAP MTG. BRACKET, STD. LONG (RH) |
| 29 | 1 | 0720081 | MUD FLAP MTG. BRACKET, STD. LONG (LH) |
| 30 | 2 | 0750340 | BAR, MUD FLAP SUPPORTS (S.S.) |
| 31 | 2 | 9033233 | MUDFLAP 24" x 24" |
| 32 | | * | MOUNTING FRAME |
| 33 | 1 | 0704792 | PIN, PIVOT (HINGE) |
| 34 | 5 | 0702434 | PIN, LIFT CYL & BED EXTENDED |
| 35 | 10 | 0301642 | SNAP RING 1-1/4" |
| 36 | 1 | 0801395 | CYLINDER MTG. CROSSMEMBER-EXTEND CYL |
| 37 | 1 | 0801554 | CYLINDER MTG. CROSSMEMBER-MTG. FRAME |
| 38 | 2 | 0308093 | SUBFRAME END CAP |
| 39 | 2 | 0809122 | EXTENSION STAND (LONG) - WHEN NEEDED |
| | 2 | 0802666 | EXTENSION STAND (SHORT) - WHEN NEEDED |
| | 1 | 0805235 | CYL. MTG. CROSSMEMBER-TILTCYL. (NOT SHOWN) |
| 40 | 2 | 0306267 | RED REFLECTOR (NOT SHOWN) |

* CONTACT DISTRIBUTOR FOR ADDITIONAL INFORMATION

Section VI - PARTS (cont'd)

WHEEL LIFT & WHEEL RETAINER ASSEMBLY



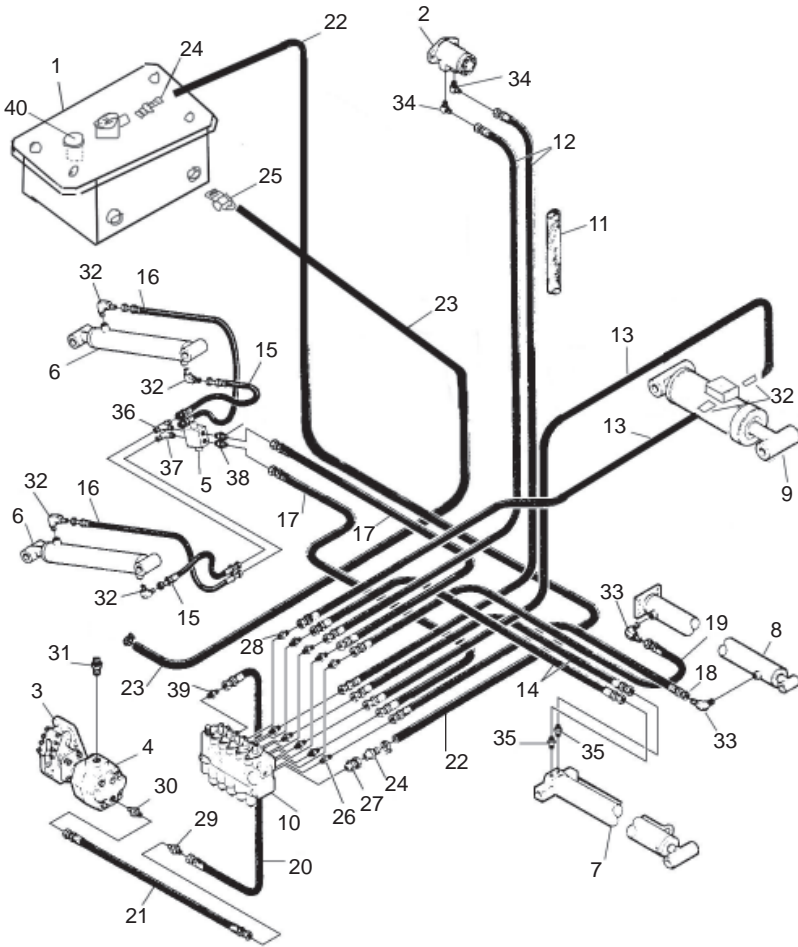
Section VI - PARTS (cont'd)

WHEEL LIFT & WHEEL RETAINER ASSEMBLY

| REF. NO. | NO. REQ'D | PART NUMBER | DESCRIPTION |
|-------------|--------------|----------------|----------------------------------------|
| 1 | 5 | 0300113 | GREASE FITTING |
| 2 | 1 | 0301850 | BEARING PAD |
| 3 | 1 | 0302183 | BEARING PAD |
| 4 | 1 | 0308129 | DETENT BALL |
| 5 | 1 | 0308130 | PIPE PLUG |
| 6 | 1 | 0308131 | DETENT SPRING |
| 7 | 2 | 0308132 | "O" RING |
| 8 | 2 | 0400148 | SCREW, 3/8"-16 X 1-1/4" HEX HD CAP |
| 9 | 1 | 0400150 | SCREW, 3/8"-16 X 2-1/2" HEX HD CAP |
| 10 | 2 | 0400221 | SCREW, 3/8"-16 X 1" CUP POINT ALLEN HD |
| 11 | 3 | 0400392 | NUT, 3/8"-16 HEX NYLOK |
| 12 | 2 | 0400393 | NUT, 3/8"-16 HEX JAM |
| 13 | 1 | 0721632 | WASHER, 3/8" FLAT |
| 14 | 1 | 0403004 | SCREW, 3/8"-16 X 3/4" BUTTON ALLEN HD |
| 15 | 1 | 0702131 | SHAFT, INNER TUBE CYLINDER |
| 16 | 1 | 0750319 | SLIDER, PAD |
| 17 | 1 | 0705524 | SHAFT, EXTEND CYLINDER |
| 18 | 1 | 0705238 | PIVOT PIN |
| 19 | 1 | 0720460 | PIN, CROSSBEAM PIVOT |
| 20 | 1 | 0720463 | WASHER, 1" O.D. X 3/8" I.D. FLAT |
| 21 | 1 | 0801009 | SHAFT, PIN ASSEMBLY, UPPER BOOM |
| 22 | 1 | 0801012 | SHAFT, LIFT CYLINDER |
| 23 | 1 | 0805319 | OUTER BOOM |
| 24 | 1 | 0805245 | INNER BOOM |
| 25 | 1 | 0808506 | INNER CROSSTUBE WELDMENT |
| 26 | 2 | 8600404 | WASHER, 11/16" I.D. X 2" O.D. FLAT |
| 27 | 2 | 0306424 | CAMLOCK |
| 28 | 1 | 0720060 | ENCAPSULATING CAGE |
| 29 | 2 | 8602001 | LOCK PIN WITH CHAIN |
| 30 | 2 | 8700109 | LOCK PIN, SCOOP |
| 31 | 1 | 8700180 | WHEEL RETAINER, RIGHT |
| 32 | 1 | 8700190 | WHEEL RETAINER, LEFT |
| 33 | 1 | 8701500 | SCOOP BRACKET, RIGHT |
| 34 | 1 | 8701600 | SCOOP BRACKET, LEFT |
| 35 | 1 | 9012501 | GREASE NIPPLE |
| 36 | 2 | 9025068 | REFLECTOR |
| 37 | 2 | 9033198 | DECAL, SAFETY CHAIN WARNING |
| 38 | 2 | 9046310 | ROLL PIN, 3/16" X 1-1/8" |
| 39 | 2 | 9043950 | SCREW, 5/8" NC X 1-1/2" HEX HD CAP |
| 40 | 2 | 9045259 | WASHER, 5/8" FLAT |
| 41 | 1 | 8800900 | WHEEL GRID, RIGHT |
| 42 | 1 | 8800800 | WHEEL GRID, LEFT |
| 43 | 2 | 880411500 | STOP PIN ASSEMBLY |
| 44 | 2 | 890440003 | LOCKING PIN |
| 45 | 1 | 0750482 | STINGER STOP BLOCK |

Section VI - PARTS (cont'd)

HYDRAULICS



Section VI - PARTS (cont'd)

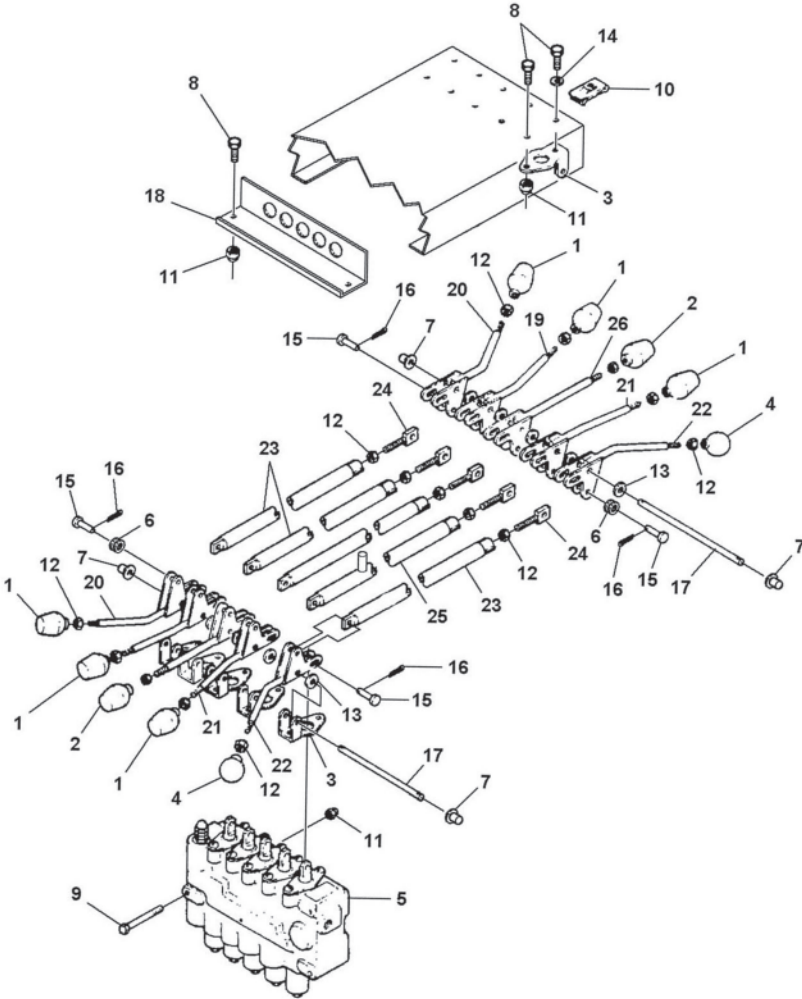
HYDRAULICS

| REF. NO. | NO. REQ'D | PART NUMBER | DESCRIPTION |
|-------------|--------------|----------------|---------------------------------------|
| 1 | 1 | 0806594 | OIL RESERVOIR W/FILTER |
| 2 | 1 | 0306157 | WINCH MOTOR, 4 TON |
| 3 | 1 | * | PTO |
| 4 | 1 | 0306031 | PUMP - 15 GPM |
| 5 | 1 | 0301640 | BED TILT CYLINDER LOCK VALVE |
| 6 | 2 | 0302867 | BED TILT CYLINDER |
| 7 | 1 | 0302178 | WHEEL LIFT EXTEND CYLINDER |
| 8 | 1 | 0301970 | BED EXTEND CYLINDER |
| 9 | 1 | 0308372 | WHEEL LIFT CYLINDER |
| 10 | 1 | 0302179 | 5 SPOOL VALVE BODY |
| 11 | 1 | 0306182 | HEAT SHRINK, BLACK 2" x 72" LG. |
| 12 | 2 | * | WINCH HOSES |
| 13 | 2 | 0301403 | HOSE ASSEMBLY 80-1/2" |
| 14 | 2 | 0301478 | HOSE ASSEMBLY 60" |
| 15 | 2 | 0301524 | HOSE ASSEMBLY 14" |
| 16 | 2 | 0301660 | HOSE ASSEMBLY 21" |
| 17 | 2 | 0301878 | HOSE ASSEMBLY 137" |
| 18 | 1 | 0306071 | HOSE ASSEMBLY 58" |
| 19 | 1 | 0301658 | HOSE ASSEMBLY 128" |
| 20 | 1 | * | HOSE ASSEMBLY |
| 21 | 1 | * | HOSE ASSEMBLY |
| 22 | 1 | 0704802 | HOSE, RETURN 3/4" x 192" |
| 23 | 1 | 0306080 | HOSE, SUCTION 1" x 11' |
| 24 | 2 | 0308296 | LOCK ON STEM 3/4" MALE NPT |
| 25 | 1 | 0300056 | HYDRAULIC FITTING 1" HOSE BARB |
| 26 | 2 | 0300041 | HYDRAULIC FITTING 8MJ-8MB |
| 27 | 1 | 0300065 | HYDRAULIC FITTING 12FPX-12MB |
| 28 | 8 | 0300044 | HYDRAULIC FITTING 6MJ-8MB |
| 29 | 1 | 0300865 | HYDRAULIC COUPLING 8MJ-8MJ |
| 30 | 1 | 0302757 | HYDRAULIC FITTING 8MJ-16MB |
| 31 | 1 | 0300492 | HYDRAULIC FITTING 1" HOSE BARB (16MB) |
| 32 | 6 | 0306143 | HYDRAULIC FITTING 6MJ-6MB 90 DEG. |
| 33 | 2 | 0300229 | HYDRAULIC FITTING 8MJ-8MP 90 DEG. |
| 34 | 2 | 0301470 | HYDRAULIC FITTING 6MJ-8MB 90 DEG. |
| 35 | 2 | 0301522 | HYDRAULIC FITTING 6MJ-6MB |
| 36 | 1 | 0300206 | HYDRAULIC FITTING 6MJ-6MBP BRANCH TEE |
| 37 | 1 | 0301694 | HYDRAULIC FITTING (ORIFICE TEE) |
| 38 | 2 | 0301424 | HYDRAULIC FITTING 6MJ-4MP |
| 39 | 1 | 0300789 | HYDRAULIC FITTING 8MJ-10MB |
| 40 | 1 | 9018399 | IMMERSION FILTER ASSEMBLY |
| | 1 | 9018309 | IMMERSION FILTER ELEMENT |

* CONTACT DISTRIBUTOR FOR ADDITIONAL INFORMATION

Section VI - PARTS (cont'd)

CONTROL & CROSSROD ASSEMBLY



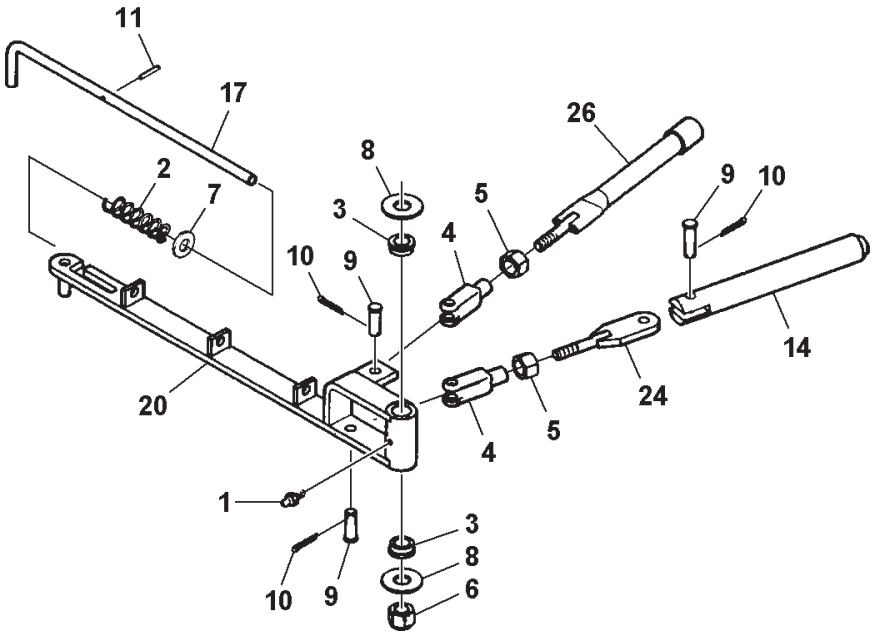
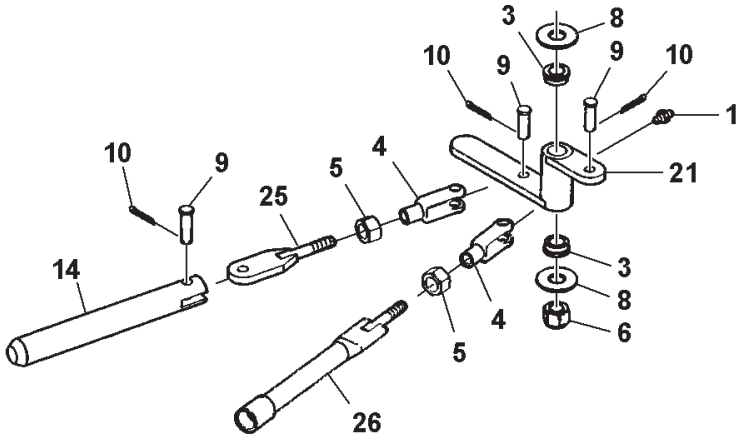
Section VI - PARTS (cont'd)

CONTROL & CROSSROD ASSEMBLY

| REF. NO. | NO. REQ'D | PART NUMBER | DESCRIPTION |
|-------------|--------------|----------------|------------------------------------|
| 1 | 6 | 0300341 | KNOB, BLACK (FLAT) |
| 2 | 2 | 0300834 | KNOB, RED |
| 3 | 10 | 0301638 | BRACKET, CONTROL HANDLE |
| 4 | 2 | 0301720 | KNOB, BALL |
| 5 | 1 | 0302179 | 5-SPOOL CONTROL VALVE |
| 6 | 10 | 0306006 | SPRING, ANTI-RATTLE |
| 7 | 4 | 0306122 | END CAP, CONTROL HANDLE ROD |
| 8 | 12 | 0400121 | 3/8-16 x 3/4" HHCS GR5 Z |
| 9 | 3 | 0400140 | 3/8-16 x 4" HHCS GR5 Z |
| 10 | 5 | 0400243 | 3/8-16, J-NUT TINNEMAN |
| 11 | 10 | 0400392 | 3/8-16 NYLON LOCK NUT Z |
| 12 | 10 | 0400393 | 3/8-16 HEX JAM NUT Z |
| 13 | 15 | 0400465 | 5/16" SAE FLAT WASHER Z |
| 14 | 5 | 0400482 | 3/8" LOCK WASHER Z |
| 15 | 10 | 0400532 | 5/16" x 1" CLEVIS PIN Z |
| 16 | 10 | 0403067 | BOWTIE - Z |
| 17 | 2 | 0705242 | ROD, CONT. HANDLE 5 SPOOL |
| 18 | 1 | 0720456 | UHMW ANGLE |
| 19 | 2 | 0809135 | CONTROL HANDLE (FWD. INNER) LONG |
| 20 | 2 | 0809138 | CONTROL HANDLE (FWD. OUTER) LONG |
| 21 | 2 | 0809136 | CONTROL HANDLE (REAR INNER) LONG |
| 22 | 2 | 0809137 | CONTROL HANDLE (REAR OUTER) LONG |
| 23 | 4 | 0806111 | CONTROL ROD WELDMENT |
| 24 | 5 | 0800800 | CONTROL ROD LINK |
| 25 | 1 | 0806112 | CONTROL ROD WELDMENT (ANTI-TILT) |
| 26 | 2 | 0809134 | CONTROL HANDLE WELDMENT (CTR) LONG |

Section VI - PARTS (cont'd)

EXTREME ANGLE LOCK MECHANISM



Section VI - PARTS (cont'd)

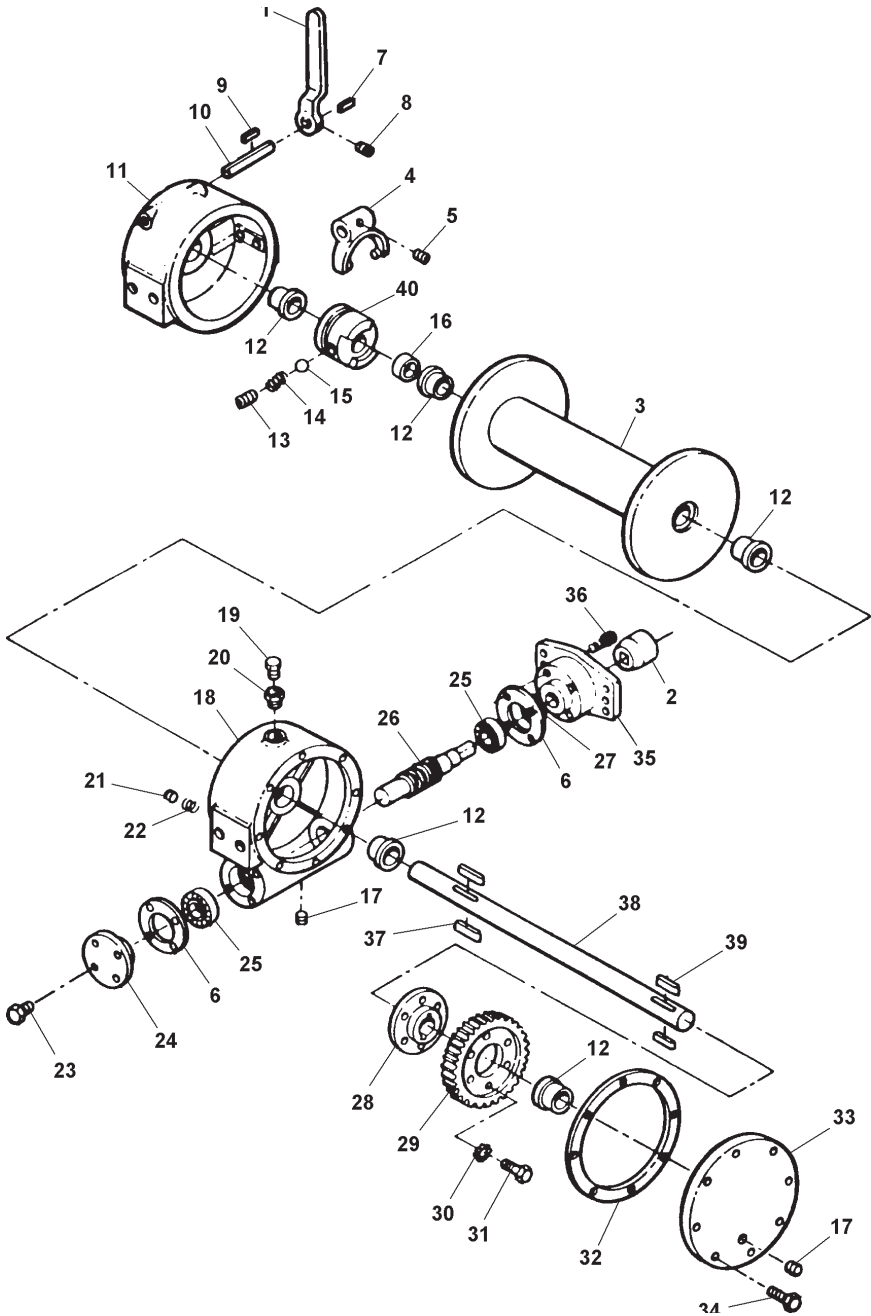
EXTREME ANGLE LOCK MECHANISM

| REF. NO. | NO. REQ'D | PART NUMBER | DESCRIPTION |
|----------|-----------|-------------|----------------------------------------|
| 1 | 6 | 0300113 | GREASE FITTING, STRAIGHT |
| 2 | 1 | 0300845 | COMPRESSION SPRING |
| 3 | 4 | 0301670 | BRONZE BUSHING |
| 4 | 4 | 0301588 | CLEVIS, 1/2"-13 THREADS |
| 5 | 4 | 0400410 | NUT, 1/2"-13 HEX JAM |
| 6 | 2 | 0400430 | NUT, 3/4"-10 HEX NYLOK |
| 7 | 5 | 0400492 | WASHER, 1/2" FLAT |
| 8 | 4 | 0400510 | WASHER, 3/4" FLAT |
| 9 | 6 | 0400537 | CLEVIS PIN, 1/2" X 1-1/2" |
| 10 | 6 | 0400549 | COTTER PIN, 1/8" X 1" |
| 11 | 1 | 0400560 | ROLL PIN, 5/32" X 1" |
| 12* | 1 | 0720083 | LOCK HOUSING BRACKET (DRIVER SIDE) |
| 13* | 1 | 0720084 | LOCK HOUSING BRACKET (PASSENGER SIDE) |
| 14 | 2 | 0720120 | LOCK PIN |
| 15* | 1 | 0720121 | LOCK PIN HOUSING |
| 16* | 2 | 0720122 | LOCK PIN HOUSING GUSSET |
| 17 | 1 | 0720132 | POSITION PIN, LOCK / UNLOCK |
| 18* | 1 | 0805213 | LOCK PLATE WELDMENT (DRIVER SIDE) |
| 19* | 1 | 0805214 | LOCK PLATE WELDMENT (PASSENGER SIDE) |
| 20 | 1 | 0805247 | LINKAGE CONTROL ARM (DRIVER SIDE) |
| 21 | 1 | 0805248 | LINKAGE CONTROL ARM (PASSENGER SIDE) |
| 22* | 1 | 0805249 | PIVOT PIN MOUNTING PLATE (DRIVER SIDE) |
| 23* | 1 | 0805250 | PIVOT PIN MOUNTING PLATE (PASS. SIDE) |
| 24 | 1 | 0805251 | LOCK PIN LINKAGE (DRIVER SIDE) |
| 25 | 1 | 0805252 | LOCK PIN LINKAGE (PASSENGER SIDE) |
| 26 | 2 | 0805253 | CENTER LINKAGE |

*NOT SHOWN

Section VI - PARTS (cont'd)

4 TON HYDRAULIC WINCH



Section VI - PARTS (cont'd)

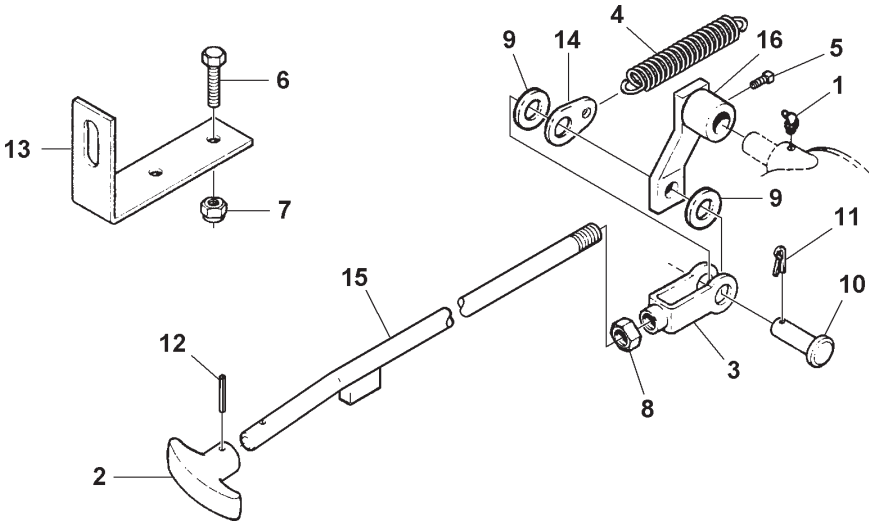
4 TON HYDRAULIC WINCH

| REF. NO. | NO. REQ'D | PART NUMBER | DESCRIPTION |
|-------------|--------------|----------------|----------------------------------|
| 1 | 1 | 0300261 | LEVER |
| 2 | 1 | 0300290 | COUPLING |
| 3 | 1 | 0300381 | DRUM |
| 4 | 1 | 0300398 | YOKE |
| 5 | 1 | 0300399 | SCREW |
| 6 | 2 | 0300447 | GASKET |
| 7 | 1 | 0300448 | KEY |
| 8 | 1 | 0300449 | SCREW |
| 9 | 1 | 0300450 | KEY |
| 10 | 1 | 0300451 | SHAFT |
| 11 | 1 | 0300452 | CLUTCH HOUSING |
| 12 | 5 | 0300453 | BUSHING |
| 13 | 1 | 0300454 | SCREW |
| 14 | 1 | 0300455 | SPRING |
| 15 | 1 | 0300456 | BALL |
| 16 | 1 | 0300458 | SPACER |
| 17 | 2 | 0300459 | PLUG |
| 18 | 1 | 0300460 | HOUSING |
| 19 | 1 | 0300461 | PLUG |
| 20 | 1 | 0300462 | REDUCER |
| 21 | 1 | 0300463 | DRAG BRAKE |
| 22 | 1 | 0300464 | SPRING |
| 23 | 16 | 0300465 | SCREW |
| 24 | 1 | 0300466 | CAP |
| 25 | 2 | 0300467 | BEARING |
| 26 | 1 | 0300468 | WORM |
| 27 | 1 | 0300471 | SEAL |
| 28 | 1 | 0300472 | HUB |
| 29 | 1 | 0300473 | GEAR |
| 30 | 6 | 0300474 | WASHER |
| 31 | 6 | 0300475 | SCREW |
| 32 | 1 | 0300476 | GASKET |
| 33 | 1 | 0600477 | COVER |
| 34 | 4 | 0300569 | SCREW |
| 35 | 1 | 0300694 | CAP ADAPTER |
| 36 | 1 | 0300695 | SCREW |
| 37 | 2 | -- | KEY |
| 38 | 1 | -- | SHAFT |
| 39 | 2 | -- | KEY |
| 40 | 1 | -- | CLUTCH |
| | 1 | 0300250 | 4 TON WORM WINCH ASSEMBLY |

* When ordering specify which serial number.

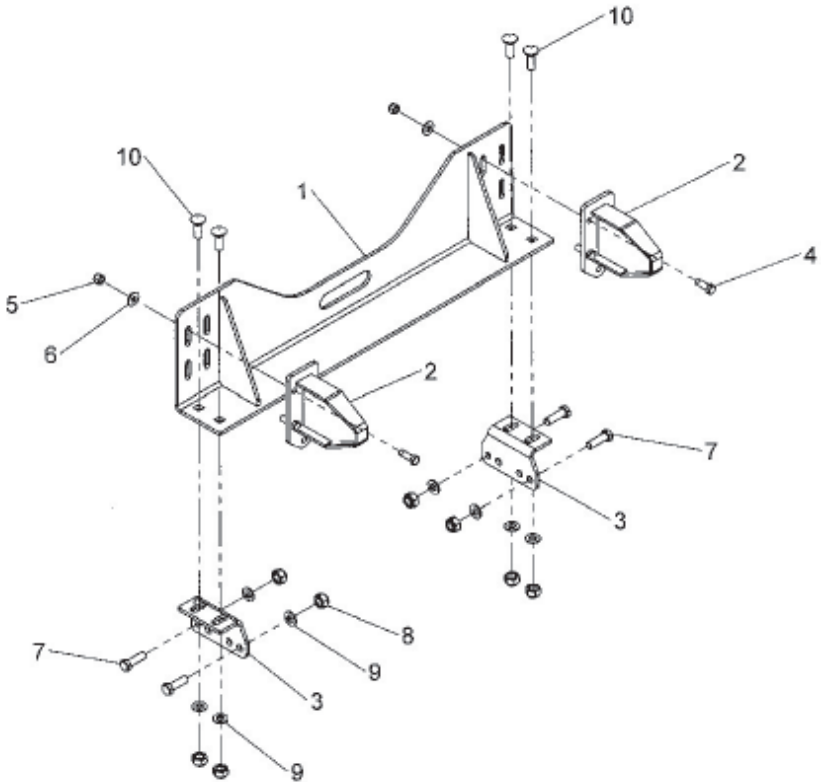
Section VI - PARTS (cont'd)

WINCH CLUTCH CONTROL



| REF. NO. | NO. REQ'D | PART NUMBER | DESCRIPTION |
|----------|-----------|-------------|----------------------------------|
| 1 | 1 | 0301397 | GREASE FITTING, 90° |
| 2 | 1 | 0301532 | "T" HANDLE |
| 3 | 1 | 0301588 | ADJUSTING YOKE |
| 4 | 1 | 0306015 | SPRING COMPRESSION |
| 5 | 1 | 0400116 | SCREW, 5/16"-18 X 1/2" SQ HD SET |
| 6 | 2 | 0400126 | SCREW, 3/8"-16 X 1" HEX HD CAP |
| 7 | 2 | 0400392 | NUT, 3/8"-16 NYLOK |
| 8 | 1 | 0400410 | NUT, 1/2"-13 JAM |
| 9 | 4 | 0400492 | WASHER, 1/2" FLAT |
| 10 | 1 | 0400537 | PIN, 1/2" X 1-1/2" CLEVIS |
| 11 | 1 | 0400546 | PIN, 1/8" X 1-1/4" COTTER |
| 12 | 2 | 0400560 | PIN, 5/32" X 1" ROLL |
| 13 | 1 | 0710918 | MOUNTING ANGLE |
| 14 | 1 | 0710919 | SPRING HOLDER |
| 15 | 1 | 0805170 | CONTROL ROD |
| 16 | 1 | 0805151 | BELL CRANK |

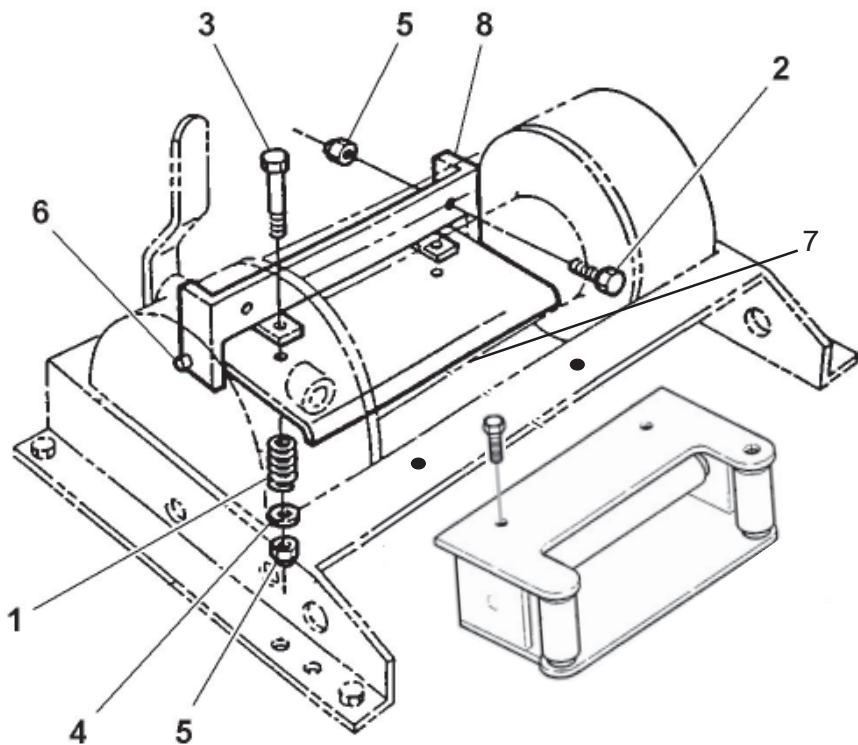
Section VI - PARTS (cont'd) BED LOCK ASSEMBLY



| REF. NO. | NO. REQ'D | PART NUMBER | DESCRIPTION |
|----------|-----------|-------------|-----------------------------------------|
| 1 | 1 | 0809181 | BED LOCK WELDMENT |
| 2 | 2 | 0809182 | BED LOCK HOLD-DOWN |
| 3 | 2 | 0809183 | MOUNTING BRACKET |
| 4 | 8 | 0400181 | BOLT, 1/2-13 x 1-1/2 HHCS ZP GRADE 5 |
| 5 | 8 | 0400408 | NYLON LOCK NUT, 1/2-13 ZP |
| 6 | 8 | 0403040 | FLAT WASHER, 1/2 ZP |
| 7 | 4 | 0400260 | BOLT, HHCS 5/8-11 x 2 ZP GRADE 5 |
| 8 | 8 | 0400421 | NUT, 5/8-11 NYLON LOCK ZP |
| 9 | 8 | 0400505 | FLAT WASHER 5/8 ZP |
| 10 | 4 | 0403068 | CARRIAGE BOLT 5/8-11 x 1-3/4 ZP GRADE 5 |

Section VI - PARTS (cont'd)

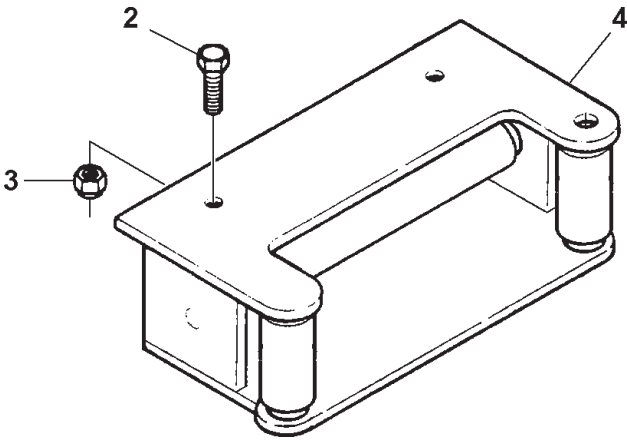
CABLE TENSIONER ASSEMBLY (STANDARD 4-TON WINCH)



| REF. NO. | NO. REQ'D | PART NUMBER | DESCRIPTION |
|----------|-----------|-------------|------------------------------------|
| 1 | 2 | 0301729 | TENSIONING SPRING |
| 2 | 2 | 0400126 | SCREW, 3/8"-16 X 1" HEX HD CAP |
| 3 | 2 | 0400130 | SCREW, 3/8"-16 X 3-1/2" HEX HD CAP |
| 4 | 2 | 0400480 | WASHER, 3/8" FLAT |
| 5 | 4 | 0400392 | NUT, 3/8"-16 HEX NYLOK |
| 6 | 2 | 0400554 | ROLL PIN, 3/8" X 1" |
| 7 | 1 | 0800908 | TENSIONING PLATE |
| 8 | 1 | 0800909 | CABLE TENSIONER BRACKET |

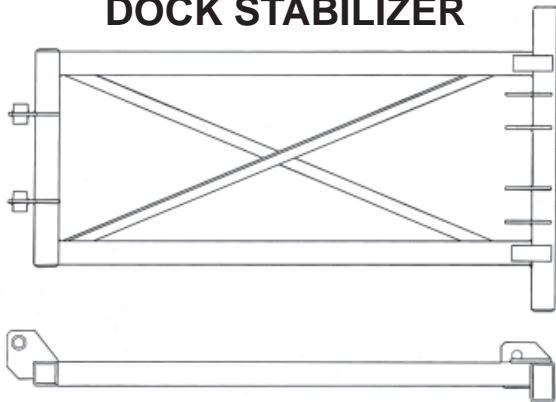
Section VI - PARTS (cont'd)

CABLE ROLLER ASSEMBLY



| REF. NO. | NO. REQ'D | PART NUMBER | DESCRIPTION |
|----------|-----------|-------------|--------------------------------|
| 1 | -- | 0900892 | CABLE ROLLER ASSEMBLY |
| 2 | 2 | 0400177 | SCREW, 1/2"-13 X 1-1/4" HEX HD |
| 3 | 2 | 0400408 | NUT, 1/2"-13 NYLOK |
| 4 | 1 | 0805037 | CABLE ROLLER GUIDE WELDMENT |

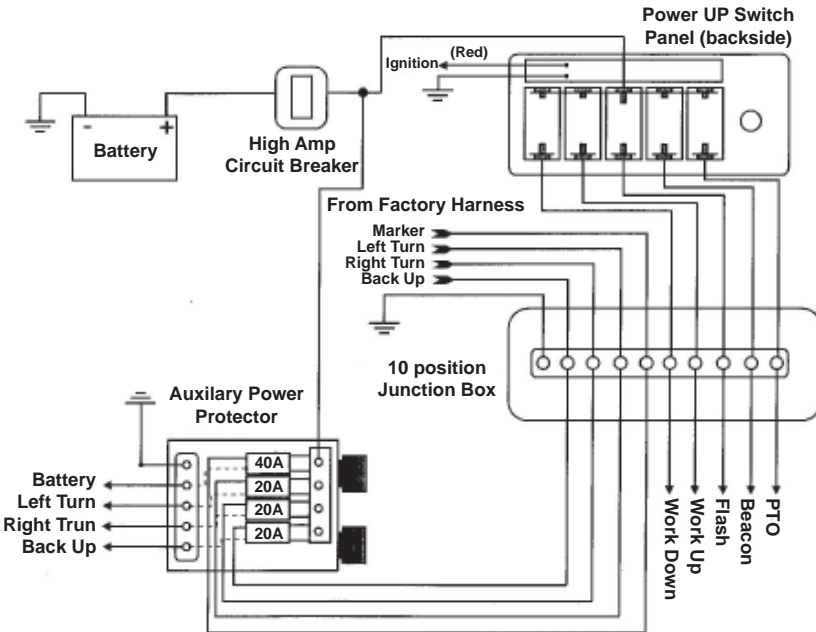
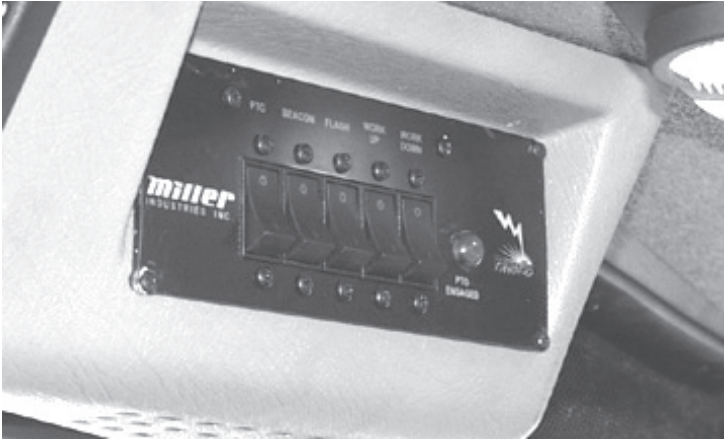
DOCK STABILIZER



| REF. NO. | PART NUMBER | DESCRIPTION |
|----------|-------------|--------------------------|
| 1 | 0805273 | DOCK STABILIZER WELDMENT |

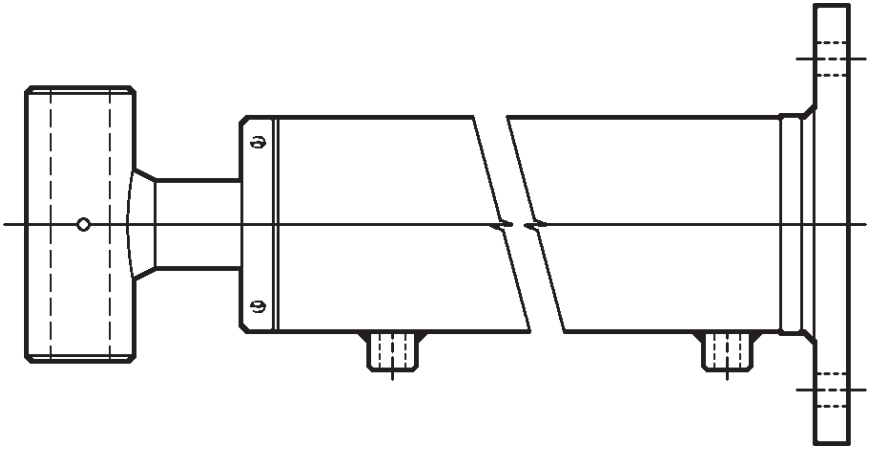
Section VI - PARTS (cont'd)

OPTIONAL DASHBOARD PANEL

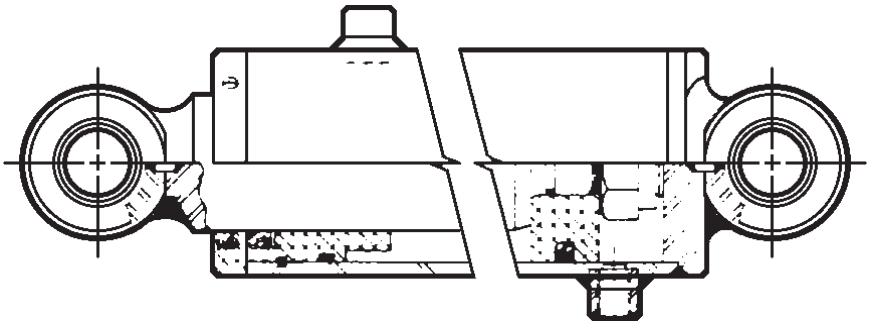


Section VI - PARTS (cont'd)

HYDRAULIC CYLINDERS



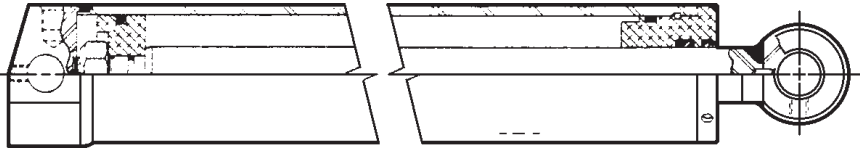
| REF. NO. | NO. REQ'D | PART NUMBER | DESCRIPTION |
|----------|-----------|-------------|----------------------|
| 1 | 1 | 0301970 | CYLINDER, BED EXTEND |
| 2 | -- | 0308385 | SEAL KIT, BED EXTEND |



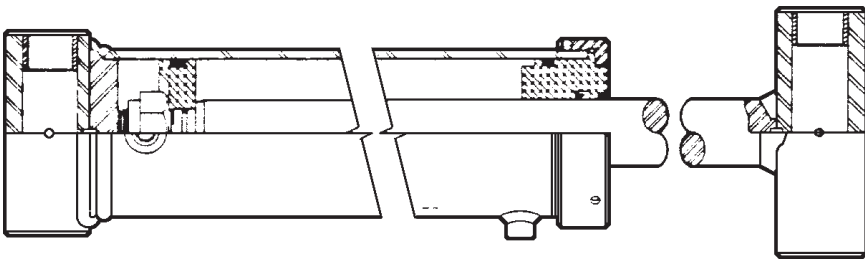
| REF. NO. | NO. REQ'D | PART NUMBER | DESCRIPTION |
|----------|-----------|-------------|--------------------|
| 1 | 2 | 0302867 | CYLINDER, BED TILT |
| 2 | -- | 0308385 | SEAL KIT, BED TILT |

Section VI - PARTS (cont'd)

HYDRAULIC CYLINDERS



| REF. NO. | NO. REQ'D | PART NUMBER | DESCRIPTION |
|----------|-----------|-------------|-----------------------------|
| 1 | 1 | 0302178 | CYLINDER, WHEEL LIFT EXTEND |
| 2 | -- | 0308388 | SEAL KIT, WHEEL LIFT EXTEND |

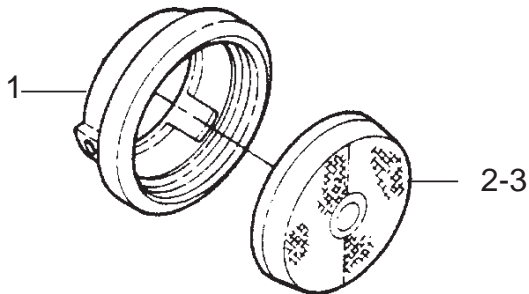


| REF. NO. | NO. REQ'D | PART NUMBER | DESCRIPTION |
|----------|-----------|-------------|------------------------------|
| 1 | 1 | 0308372 | CYLINDER, WHEEL LIFT UP/DOWN |
| 2 | -- | 0308389 | SEAL KIT, WHEEL LIFT UP/DOWN |

Section VI - PARTS (cont'd) LIGHT KIT



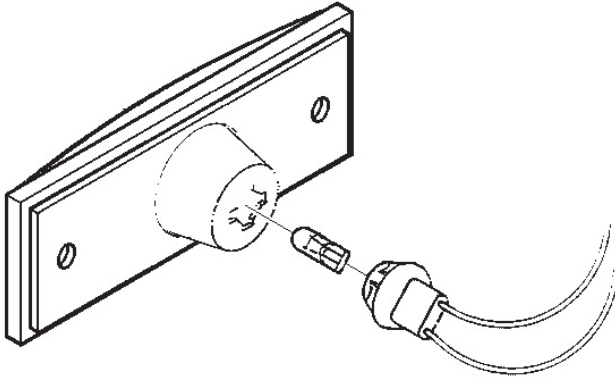
| REF. NO. | PART NUMBER | DESCRIPTION |
|----------|-------------|---------------------------------|
| 1 | 0301390 | LIGHT, SEALED RED (STOP & TURN) |
| 2 | 0302201 | LIGHT, SEALED WHITE (BACK-UP) |
| 3 | 0304127 | TAIL LIGHT GROMMET |



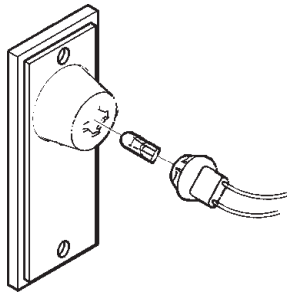
| REF. NO. | PART NUMBER | DESCRIPTION |
|----------|-------------|------------------------------|
| 1 | 0301740 | TAIL LIGHT GROMMET |
| 2 | 0301741 | LIGHT, SEALED RED (MARKER) |
| 3 | 0301742 | LIGHT, SEALED AMBER (MARKER) |

Section VI - PARTS (cont'd)

LIGHT KIT



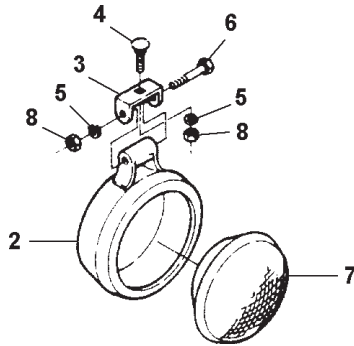
| REF. NO. | PART NUMBER | DESCRIPTION |
|----------|----------------|------------------------------------------------------------------------------------------|
| 1 | GP132 GP131 | LIGHT, AMBER MARKER, RECTANGULAR (COMPLETE) LIGHT, RED MARKER, RECTANGULAR (COMPLETE) |



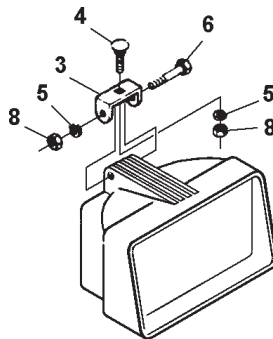
| REF. NO. | PART NUMBER | DESCRIPTION |
|----------|------------------|------------------------------------------------------------------------------------------|
| 1 | LT0118 LT0119 | LIGHT, AMBER MARKER, RECTANGULAR (COMPLETE) LIGHT, RED MARKER, RECTANGULAR (COMPLETE) |

Section VI - PARTS (cont'd)

LIGHT KIT



| REF. NO. | PART NUMBER | DESCRIPTION |
|----------|-------------|-----------------------|
| 1 | 0303109 | WORK LIGHT (COMPLETE) |
| 2 | 0304146 | HOUSING, WORK LIGHT |
| 3 | 0304148 | MOUNTING BRACKET |
| 4 | 0304149 | MOUNTING SCREW |
| 5 | 0304150 | LOCKWASHER |
| 6 | 0304151 | PIVOT SCREW |
| 7 | 0304152 | BULB, WORK LIGHT |
| 8 | 0304153 | NUT |

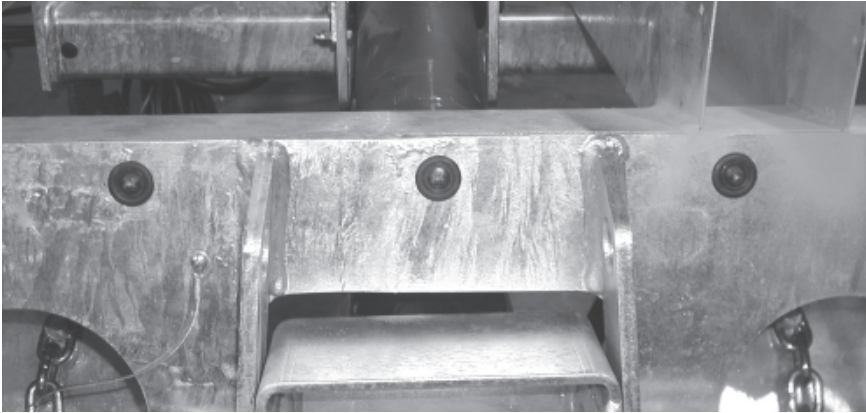


| REF. NO. | PART NUMBER | DESCRIPTION |
|----------|-------------|-----------------------------------|
| 1 | 174008003 | RECTANGULAR WORK LIGHT (COMPLETE) |
| 2 | 0304146 | HOUSING, WORK LIGHT |
| 3 | 0304148 | MOUNTING BRACKET |
| 4 | 0304149 | MOUNTING SCREW |
| 5 | 0304150 | LOCKWASHER |
| 6 | 0304151 | PIVOT SCREW |
| 7 | 0304152 | BULB, WORK LIGHT |
| 8 | 0304153 | NUT |

Section VI - PARTS (cont'd) LIGHT KIT

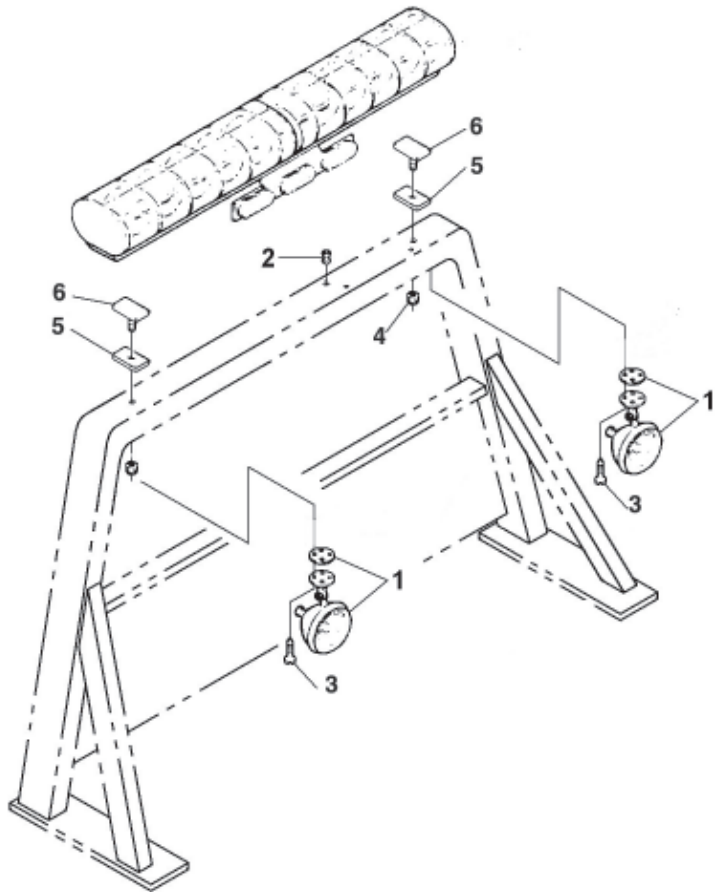


| REF. NO. | PART NUMBER | DESCRIPTION |
|----------|-------------|------------------|
| 1 | 0308502 | LED MARKER LIGHT |
| 2 | 0308503 | GROMMET |



Section VI - PARTS (cont'd)

OPTIONAL LIGHTING ACCESSORIES



| REF. NO. | NO. REQ'D | PART NUMBER | DESCRIPTION |
|----------|-----------|-------------|---------------------------|
| 1 | 2 | 124001001 | SPOT LIGHT W/GASKET |
| 2 | 2 | 0300897 | GROMMET, RUBBER |
| 3 | 8 | 0400043 | #10-24 X 1" MACHINE SCREW |
| 4 | 2 | 0400392 | NUT, 3/8"-16 HEX NYLOK |
| 5 | 2 | 0709872 | RUBBER CUSHION |
| 6 | 2 | 0801777 | "T" BOLT ADAPTER |



8503 Hilltop Drive • Ooltewah, Tennessee 37363 • (423) 238-7227
www.millerind.com