

///HARPER INDUSTRIES, INC.

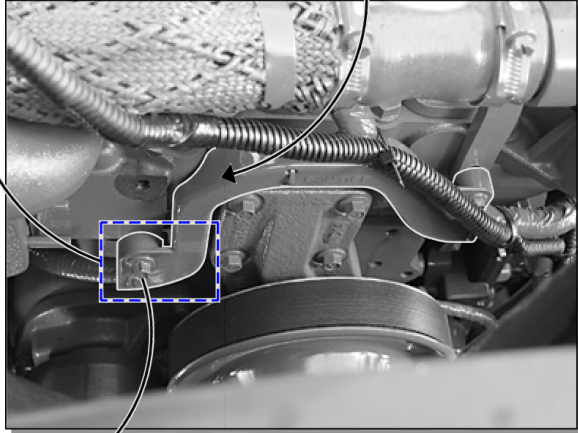
700536

Images and 2D Drawings

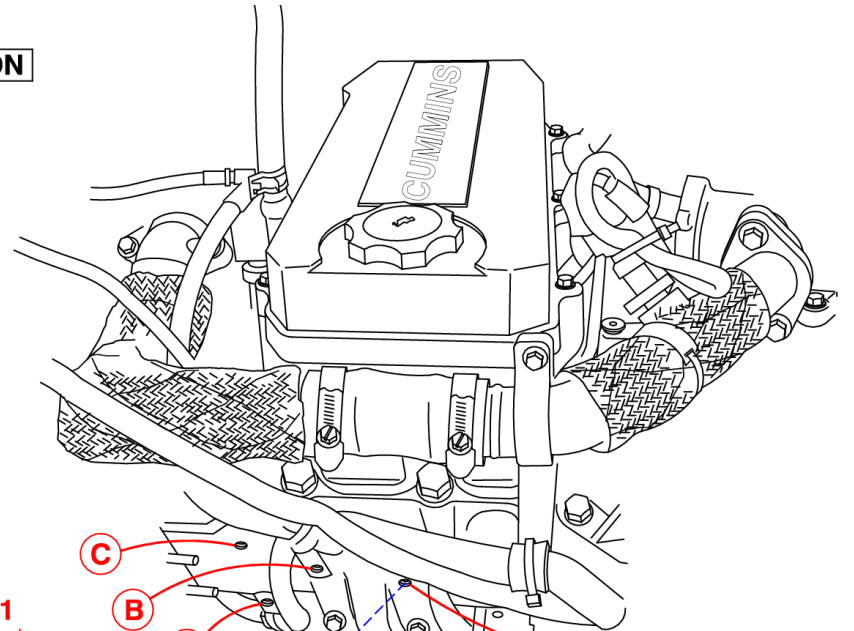
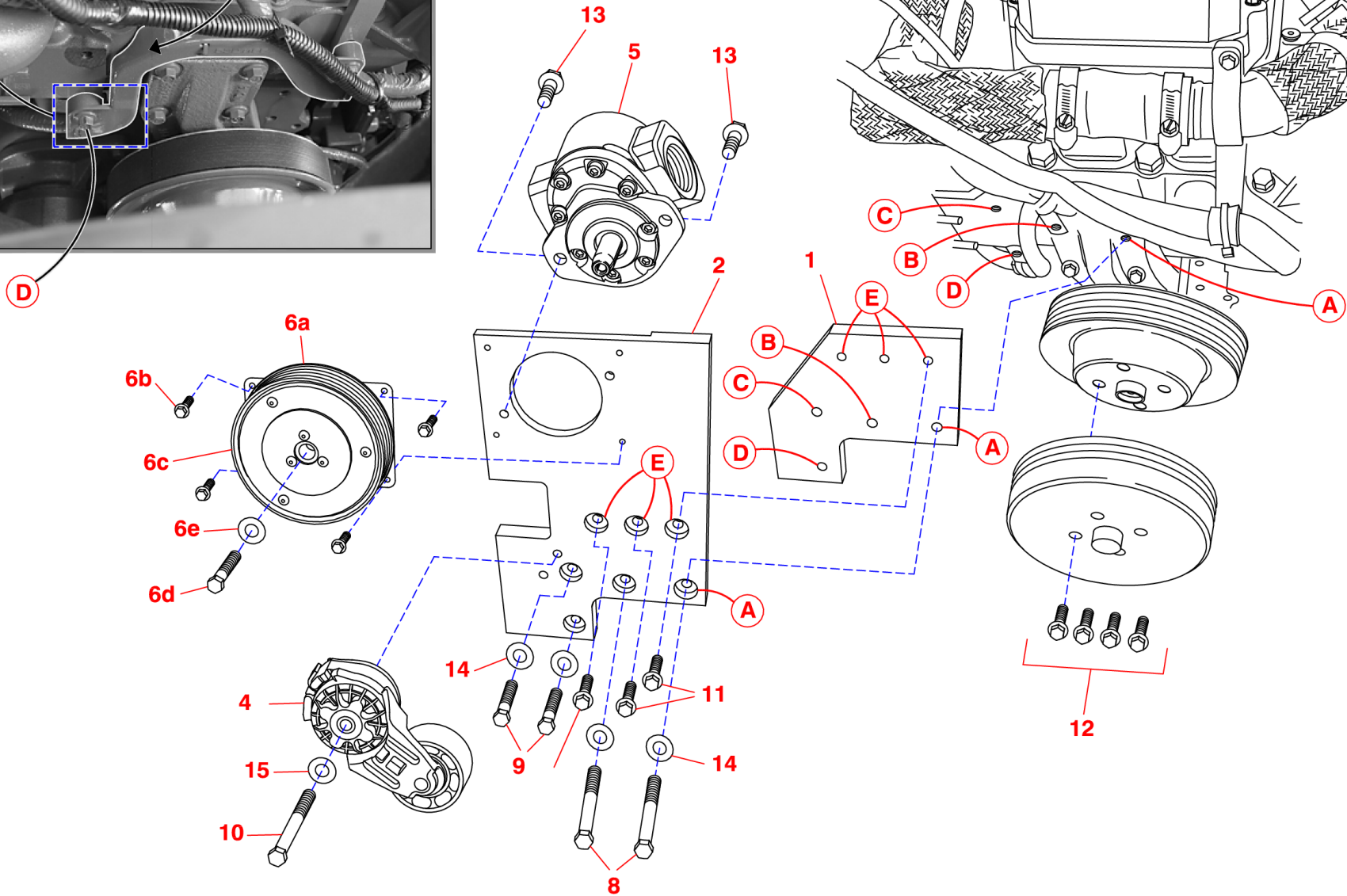


**ON TRUCKS WITH THIS
PLASTIC WIRING COVER,**

**THIS END NEEDS TO BE
CUT AND REMOVED.**



BRACKET INSTALLATION



Assembly Details:

Assembly Number: '700536'

Assembly Description: Engine-Driven PTO

Item	Assembly	Part Number	Description	Quantity	UOM	Order Multiple
5.2	No	720294	Pump 12gpm A Mount Parker PH14 3049110003 Side Port S20mb P12mb	1	EA	1
5.1	No	720295	Pump 17gpm A Mount Parker PH14 3049110004 Side Port S20mb P12mb	1	EA	1
5.4	No	720300	Pump 7gpm A Mount Parker PH14 3049110005 Side Port S16mb P12mb	1	EA	1
5.3	No	720301	Pump 9gpm A Mount Parker PH14 3049110006 Side Port S16mb P12mb	1	EA	1
6.2	No	740144	Clutch Assy 6 Groove A Mount Tapered 6in 12vdc Warner 141711	1	EA	1
6.1	No	742016	Clutch Assy 6 Groove A Mount Tapered 6in 12vdc Ogura MAMG011V MAEMG129	1	EA	1
1	No	715035	Base Plate	1	EA	1
2	No	716101	Pump Mount Plate	1	EA	1
3	No	740434	Drive Pulley	1	EA	1
4	No	743011	Tensioner Assy	1	EA	1
7	No	742090	Serpentine Belt 6 Rib 53.2"	1	EA	1
8	No	110108	Bolt M8-1.25 X 85 HHCS 10.9 Zinc	1	EA	1
9	No	110140	Bolt M8-1.25 X 60 HHCS Gr 10.9 Plain	1	EA	1
10	No	110262	Bolt M10-1.5 X 75 HHCS	1	EA	1
11	No	110161	Bolt 3/8-16 X 1.25 HHCS Wiz Gr 5 Zinc	1	EA	1
12	No	110989	Bolt M10-1.5 X 50 Flange	1	EA	1
13	No	110437	Bolt 3/8-16 X .75 Wiz Flange Gr 5 Zinc	1	EA	1

Item	Assembly	Part Number	Description	Quantity	UOM	Order Multiple
14	No	110703	Washer M8 Flat Zinc	1	EA	1
15	No	110955	Washer M10 Flat	1	EA	1