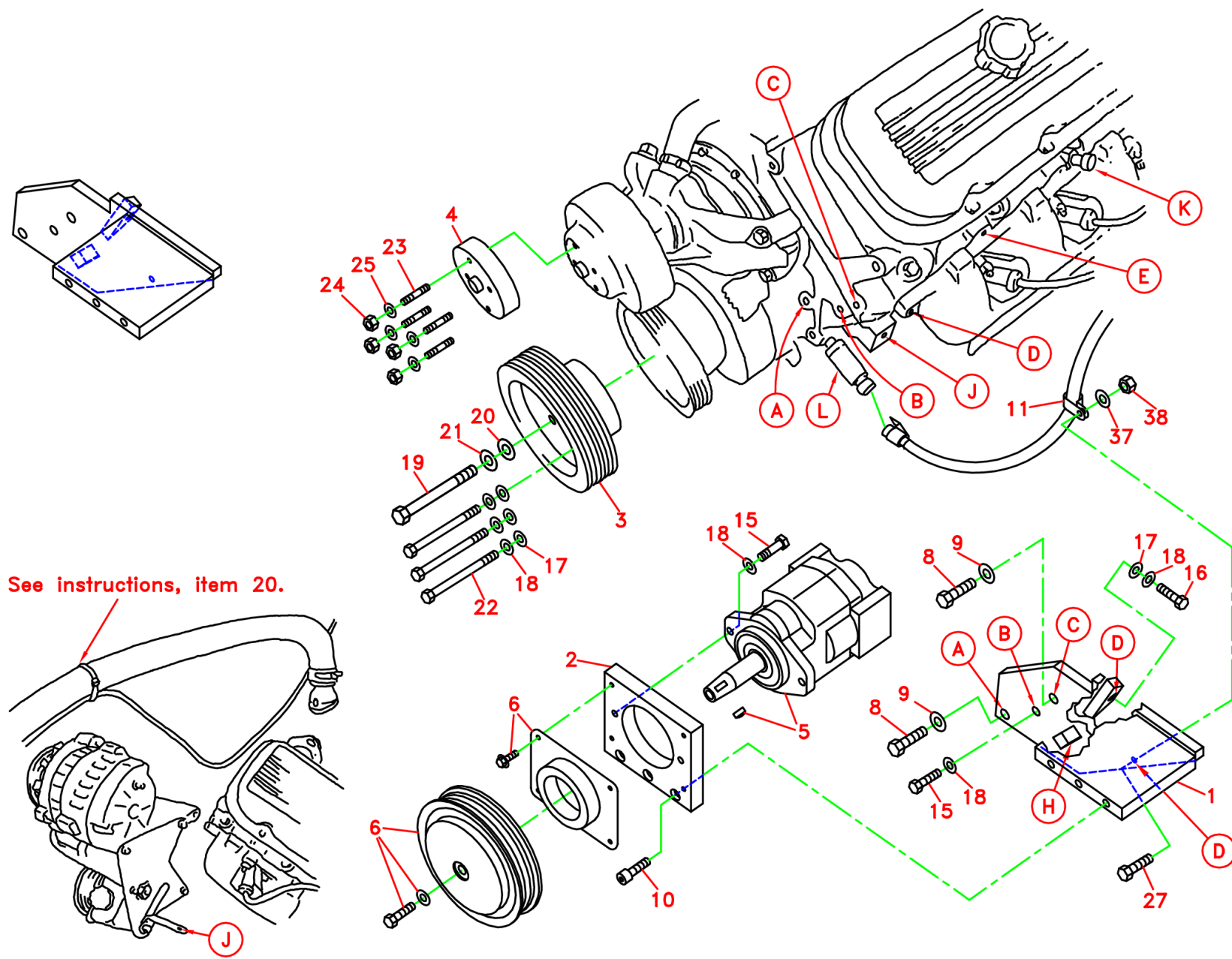


///HARPER INDUSTRIES, INC.

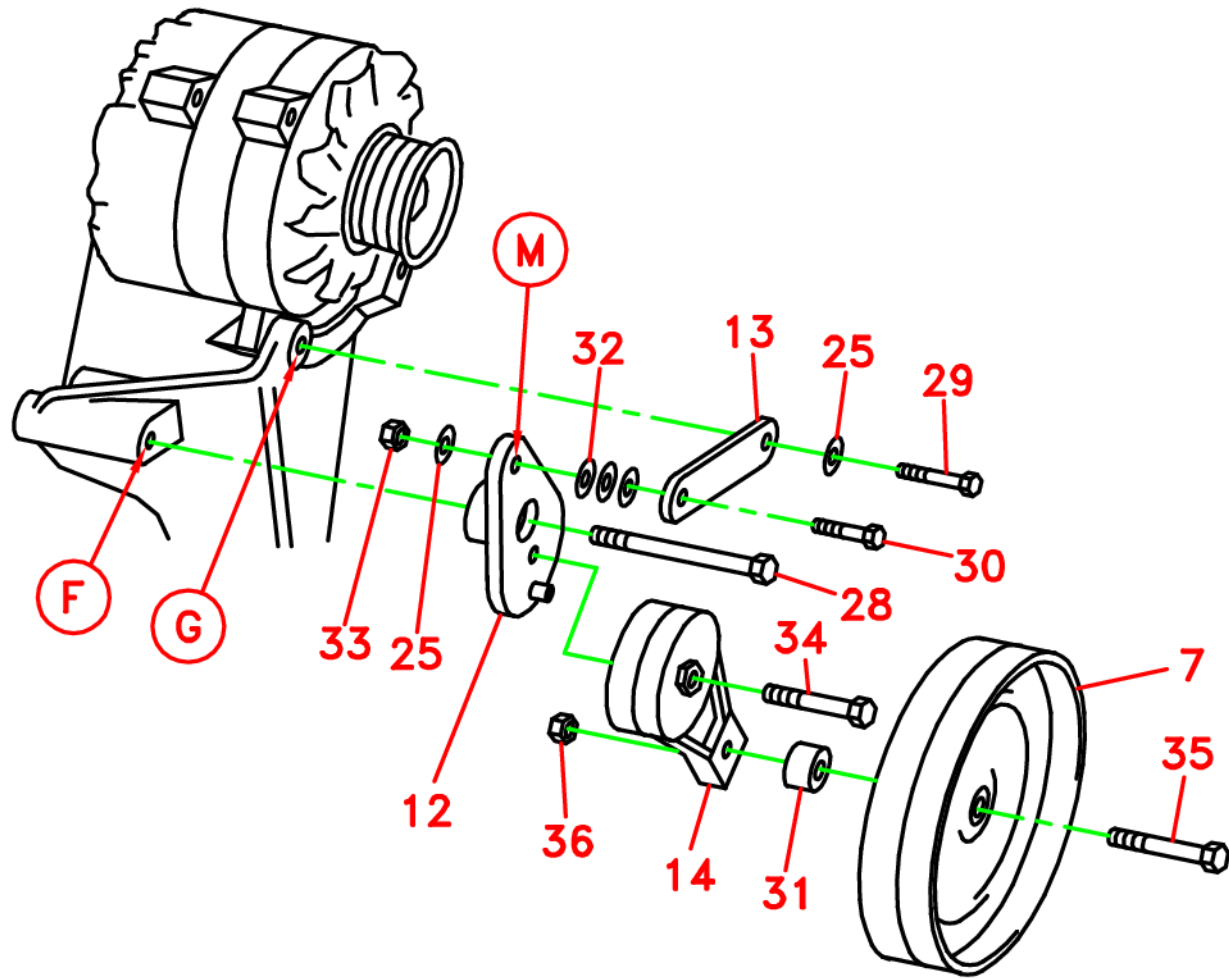
700082

Images and 2D Drawings





(A) Denotes bolt holes in engine to locate corresponding holes in Pump Brkt.



Assembly Details:

Assembly Number: '700082'

Assembly Description: Engine-Driven PTO

Item	Assembly	Part Number	Description	Quantity	UOM	Order Multiple
5.4	No	720172	Pump 7gpm A Mount Parker P315 3269110116 Rear Port S16mb P12mb	1	EA	1
5.3	No	720173	Pump 9gpm A Mount Parker P315 3269110214 Rear Port S16mb P12mb	1	EA	1
5.2	No	720174	Pump 12gpm A Mount Parker P315 3269110215 Rear Port S20mb P16mb	1	EA	1
5.1	No	720175	Pump 17gpm A Mount Parker P315 3269110216 Rear Port S20mb P16mb	1	EA	1
6.2	No	740148	Clutch Assy 8 Groove A Mount Tapered 6in 12vdc Warner 141742	1	EA	1
6.1	No	742009	Clutch Assy 8 Groove A Mount Tapered 6in 12vdc Ogura MAMG02DE	1	EA	1
5.5	No	720170	Pump 5gpm A Mount Parker P315 3269110115 Rear Port S16mb P12mb	1	EA	1
5.7	No	720286	Pump 9gpm A Mount Parker P415 3269110214 Rear Port S16mb P12mb High Pressure	1	EA	1
5.6	No	720288	Pump 12gpm A Mount Parker P415 3269110215HP Rear Port S20mb P16mb High Pressure	1	EA	1
5.8	No	720302	Pump 7gpm A Mount Parker P415 3269110116 Rear Port S16mb P12mb High Pressure	1	EA	1
1	No	710934	Bracket Assy	1	EA	1

Item	Assembly	Part Number	Description	Quantity	UOM	Order Multiple
2	No	710936	Pump Mount Plate	1	EA	1
3	No	740169	Crank Pulley	1	EA	1
4	No	700126	Fan Spacer	1	EA	1
7	No	740171	Idler Assy	1	EA	1
8	No	110535	Bolt 7/16-14 X 1.50 HHCS Gr 5 Zinc	1	EA	1
9	No	110671	Washer 7/16" Lock	1	EA	1
10	No	110395	Bolt 3/8-16 X 1.00 SHCS Plain	1	EA	1
11	No	200019	Adel Clamp .625	1	EA	1
12	No	710940	Tensioner Plate Assy	1	EA	1
13	No	710945	Tensioner Link	1	EA	1
14	No	740173	Tensioner	1	EA	1
15	No	110425	Bolt 3/8-16 X 1.25 HHCS Gr 5 Zinc	1	EA	1
16	No	110404	Bolt 3/8-16 X 1.75 HHCS Gr 5 Zinc	1	EA	1
17	No	110676	Washer 3/8" Flat Zinc	1	EA	1
18	No	110672	Washer 3/8" Lock	1	EA	1
19	No	110145	Bolt 1/2-20 X 5.75 HHCS Gr 5 Zinc	1	EA	1
20	No	110658	Washer 1/2" Flat Zinc	1	EA	1
21	No	110666	Washer 1/2" Lock	1	EA	1
22	No	110146	Bolt 3/8-24 X 5.00 HHCS Gr 5 Zinc	1	EA	1
23	No	110144	Stud M8 X 1.25 X 35 45 OL	1	EA	1
24	No	110643	Nut M8-1.25 Hex Gr 8.8 Zinc	1	EA	1
25	No	110674	Lock Washer 5/16in Zinc	1	EA	1
26	No	740172	Serpentine Belt 8 Rib 59.0in	1	EA	1
27	No	110464	Bolt 1/4-20 X 1.00 HHCS Gr 5 Zinc	1	EA	1

Item	Assembly	Part Number	Description	Quantity	UOM	Order Multiple
28	No	110514	Bolt 7/16-14 X 5.25 HHCS Gr 5 Zinc	1	EA	1
29	No	110559	Bolt M8-1.25 X 40 HHCS Gr 10.9 Zinc	1	EA	1
30	No	110377	Bolt 5/16-18 X 1.50 HHCS Gr 5 Zinc	1	EA	1
31	No	710948	Idler Spacer	1	EA	1
32	No	110665	Flat Washer 5/16in Standard	1	EA	1
33	No	110608	Nut 5/16-18	1	EA	1
34	No	110125	Bolt 1/2-13 X 2.25 HHCS Gr 5 Zinc	1	EA	1
35	No	110403	Bolt 1/2-13 X 2.50 HHCS Gr 5 Zinc	1	EA	1
36	No	110610	Nut 1/2-13	1	EA	1
37	No	110667	Washer 1/4" Lock	1	EA	1
38	No	110609	Nut 1/4-20	1	EA	1