

Figure 1

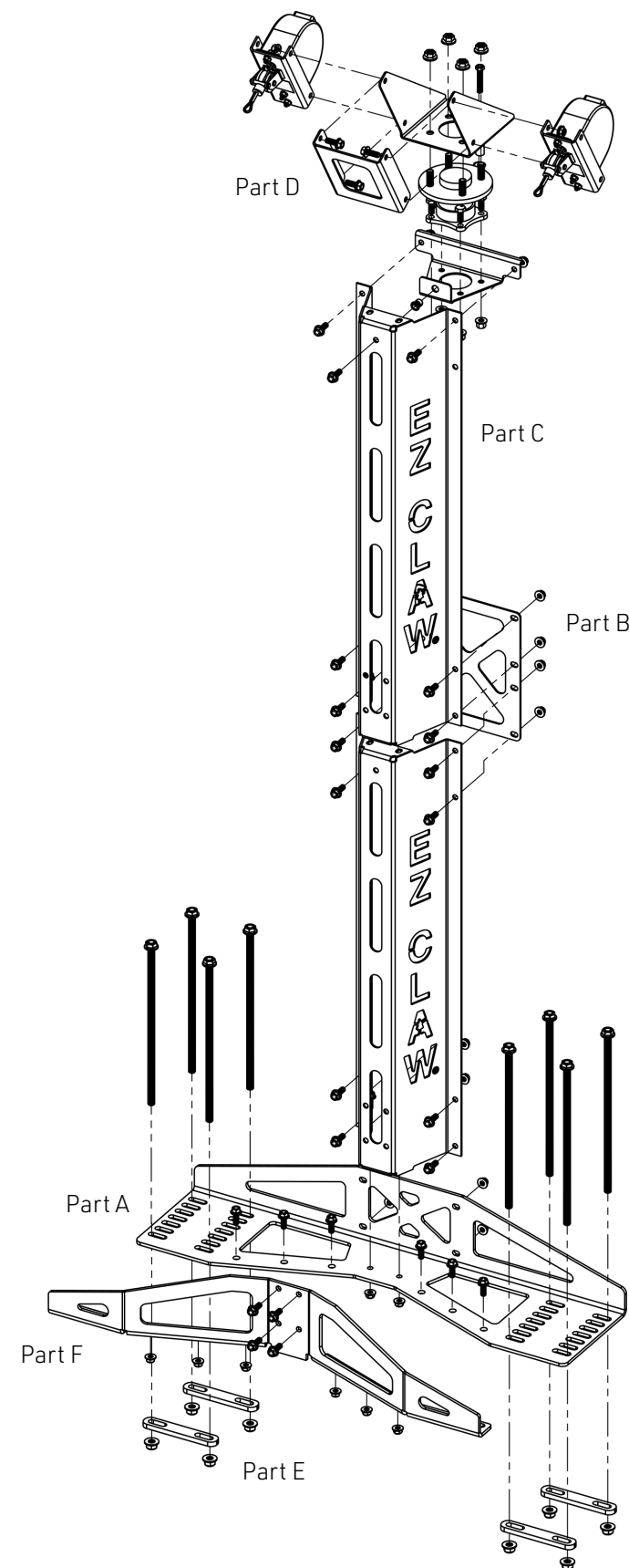
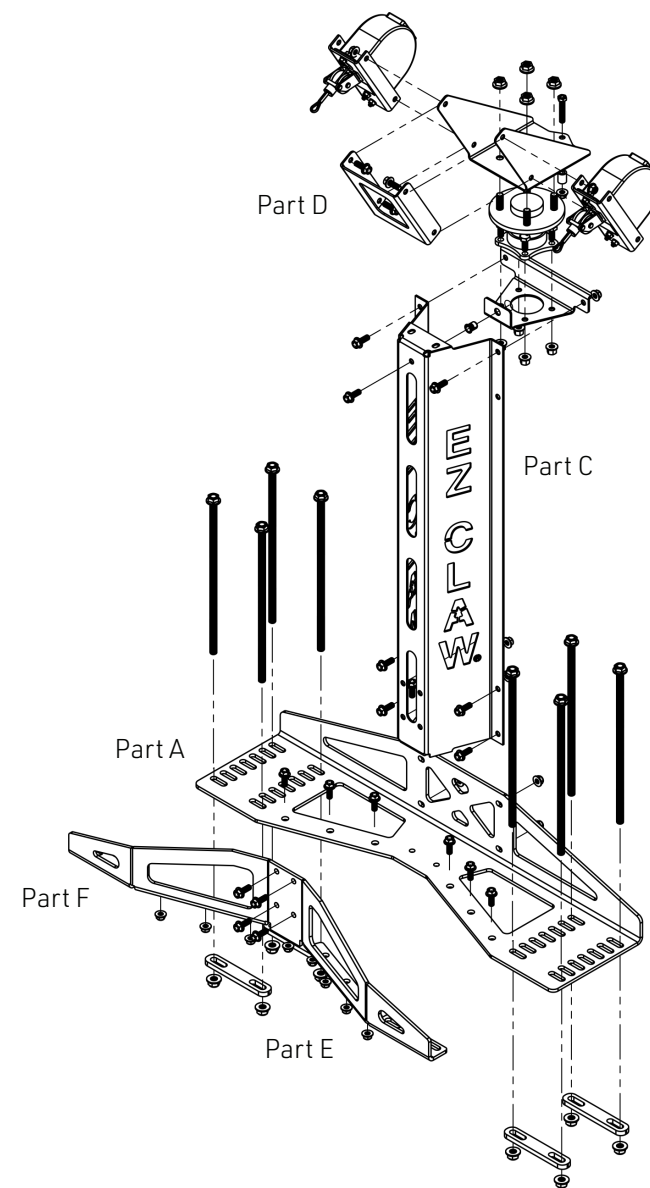


Figure 2



The Smart Solution to Line Management | 704-896-8867 | EZClaw.com

# Pivoting Center Post Mount

## Installation Instructions

Item #EZC-SCPM | The **EZ Claw Pivoting Center Post Mount** swivels 80 degrees for improved hose travel. The CPM can be mounted with one or two 3' sections, depending on wheelbase distance and trailer clearance concerns.

### Kit Includes:

- (1) Base Plate Member (Part A)
- (1) Upright Support (Part B)
- (2) Center Post (Part C)
- (1) Swivel Head Mount (Part D)
- (4) Frame Anchor (Part E)
- (1) Base Support Member (Part F)
- (8) 1/2-13 x 13-1/2" L G8 Flange Bolt
- (8) 1/2-13 G8 Flange Lock Nut-YZN
- (36) 3/8-16 x 1" L G8 Flange Bolt
- (36) 3/8-16 Flange Lock Nut

### Recommended Tools for Installation:

- (1) Battery-Powered Impact Driver
- (1) 3/4" Socket
- (1) 3/4" Open End Wrench
- (1) 9/16" Socket
- (1) 9/16" Open End Wrench



## Parts List



### Part A

Base Plate Member  
#EZ-0241 | Qty: 1



### Part B

Upright Support  
#EZ-0242 | Qty: 1



### Part C

Center Post  
#EZ-0243 | Qty: 2



### Part D

Swivel Head Mount  
#EZC-SCPM-RETRO | Qty: 1



### Part E

Frame Anchor  
#EZ-0245 | Qty: 4



### Part F

Base Support Member  
#EZ-0248 | Qty: 1



### Mounting Hardware

1/2-13 x 13-1/2" L G8 FLANGE BOLT-YZN  
Qty: 8  
1/2-13 G8 FLANGE LOCK NUT-YZN  
Qty: 8



### Assembly Hardware

3/8-16 x 1" L G8 FL BOLT  
Qty: 36  
3/8-16 FL LOCKNUT  
Qty: 36

## Installation Instructions

### 1. Attach Part A to Part C.

Locate Base Plate Member (Part A) and Center Post (Part C). Set Part C on Part A and install nuts and bolts loosely through the four holes in the back and two holes in the bottom. Ensure head of the bolts are oriented as shown in Fig. 1 for proper frame rail clearance. After all nuts and bolts are installed, tighten all bolts.

### 2. Install Nuts and Bolts on Part F.

Locate Base Support Member (Part F). Install on assembly from Step 1. Loosely install four bolts and nuts through the front of Part F and six bolts from the bottom as shown. After all bolts are installed, proceed with tightening, making sure slotted holes for the frame are aligned. Determine preferred height of Center Post installation. If taller unit desired, continue to Step 3. If shorter unit is desired, continue to Step 5.

### 3. Connect Upright Support to Center Post.

Locate Upright Support (Part B) and connect to back side of Center Post (Part C) with (2) nuts and bolts. Do not tighten bolts at this time.

### 4. Install second Center Post

Set second center post (Part C) on assembly and connect to Upright Support (Part B) with (6) nuts and bolts. Tighten all nuts and bolts.

### 5. Combine Head Assembly and Base Assembly.

Set the Swivel Head Assembly on top of the Base Assembly. Loosely install the bolt in the front using 1 bolt and the already installed rivet nut. Then loosely mount the 2 nuts and 2 bolts into the back of the head mount and Center Post. After all nuts and bolts are installed, tighten all bolts.

### 6. Upright Center Post Mount in Desired Position.

Stand assembled Center Post Mount in the desired location on the frame rails of the truck. Watch for any obstructions that may be in the way.

### 7. Install Mounting Bolts.

Locate 1/2" Mounting Bolts from the included Mounting Hardware Kit. Install 13-1/2" bolts down through the base of the Center Post Mount, avoiding any frame hardware that may exist on the truck.

### 8. Install Part E.

Locate Frame Anchor (Part E) and 1/2" flange nuts. Install Part E on two of the bolt assemblies, making sure it crosses under the frame. Install 1/2" lock nuts. Repeat for the other three frame anchors.

### 9. Special Case.

If 1/2" mounting bolts are not used in the front hole of the Base Support Member (Part F), extra 3/8" bolts and nuts are included to secure these components.

### 10. Install the EZ Claw Line Saver.

Locate the EZ Claw Line Saver(s) (sold separately) and install on the Swivel Head Mount, utilizing mounting hardware that is already in the existing head mount. Ensure the Line Saver(s) is mounted so the cable extends from the top, guiding over the stainless steel guide roller as shown.

### 11. Attach Hose Assembly.

Using an EZ Claw Sling (EZCS) or Hose & Cable Block (EZCHCH38), attach the EZ Claw Line Saver cable to the hose assembly.