


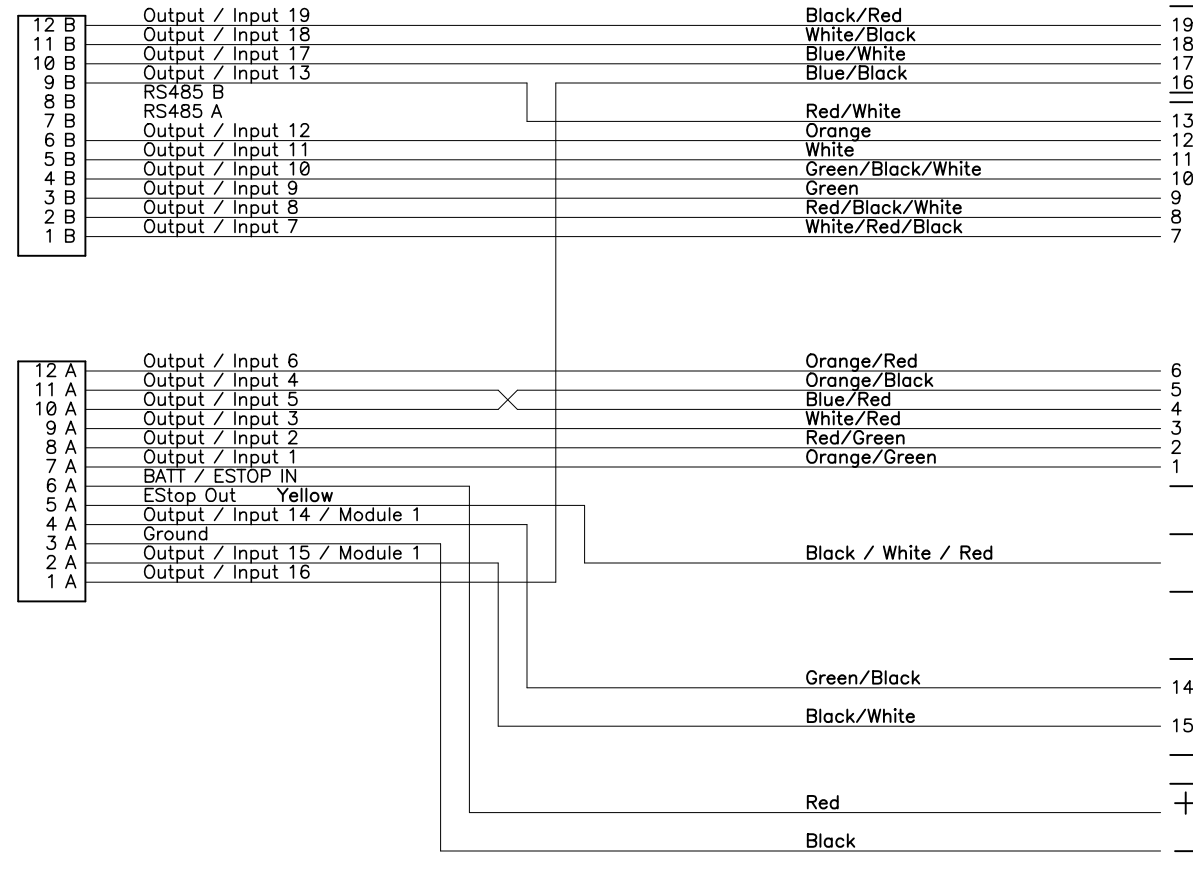
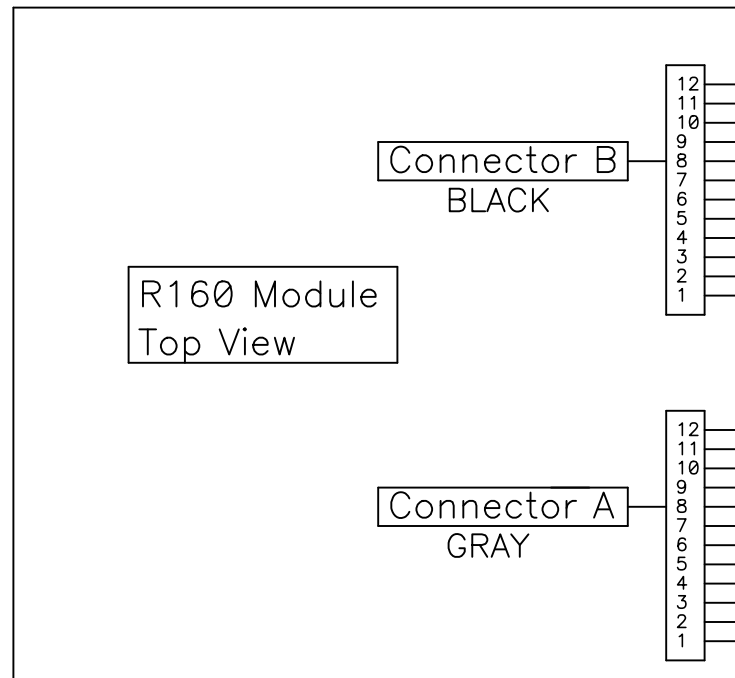
A	B	C	D	E	F	G	H	I	J	K	L	M	N	O	P
1															1
2															2
3															3
4															4
5															5
6															6
7															7
8															8
9															9
10															10
A	B	C	D	E	F	G	H	I	J	K	L	M	N	O	P

Issue	Description	Date	Approval
1	Release	08/01/2014	RT

<p>This document, submitted in confidence, contains proprietary information which shall not be reproduced or transferred to other documents or disclosed to others or used for manufacturing or any other purpose without prior written permission of EATON, Controls & Power Conversion Division, Wireless Business Unit.</p>			Controls and Power Conversion Division		<h2>Wireless solutions</h2>		
	Description R160 Output Cable, Generic		Drawing Number DSCA-2493-01 (Service)		Rev. 1	Size B	Sheet Number 1 of 2
	Filename DSCA-2493-01r02 (Service).sch		Modified Date Fri Aug 01, 2014		Engineer JB / ADD		Approval RT

R160 Module Cable Diagram

All Wires Unterminated



Output / Inputs 16-19

Output / Inputs 1-13

ESTOP OUT

I/O Module / Output / Inputs 14-15

INPUT POWER
10 - 30V DC

DESCRIPTION	OMNEX P/N	DEUTSCH P/N
PIN	J0417	0462-201-20141
PLUG PSN A	J0418	DTM06-12SA
PLUG PSN B	J0419	DTM06-12SB
WEDGE	J0420	WM12S

This document, submitted in confidence, contains proprietary information which shall not be reproduced or transferred to other documents or disclosed to others or used for manufacturing or any other purpose without prior written permission of EATON, Controls & Power Conversion Division, Wireless Business Unit.



Controls and Power Conversion Division

Wireless solutions

Description	Drawing Number	Rev.	Size	Sheet Number
R160 Output Cable, Generic	DSCA-2493-01 (Service)	1	B	2 of 2
Filename	Modified Date	Engineer	Approval	
DSCA-2493-01r02 (Service).sch	Fri Aug 01, 2014	JB / ADD	RT	