



BEACONS



7960 Pulse™ SAE Class I or II LED

7960 Series Pulse® LED beacons offer SAE Class I light output and double or quad flash operation combined with a long maintenance free service life and low amp draw, making this beacon a cost effective choice for many applications. The thread-on polycarbonate lens allows easy flash mode selection without tools (via circuit board mounted microswitch). Easily replaces old rotating or strobe beacons with the latest technology so no ongoing maintenance is required.

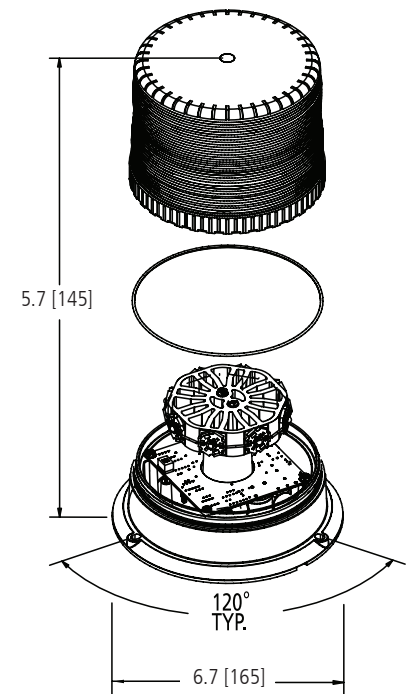
Models

PART NO.	MOUNT	LENS COLOR	LED COLOR OPTIONS
7960X	3 Bolt / 1" Pipe	■ ■ ■	<input type="checkbox"/>
7960CC	3 Bolt / 1" Pipe	<input type="checkbox"/>	<input type="checkbox"/>
7960X-VM	Vacuum-Magnet	■ ■ ■	<input type="checkbox"/>
7960CC-VM	Vacuum-Magnet	<input type="checkbox"/>	<input type="checkbox"/>

Replace "X" in part number with desired color: A = amber, B = blue, C = clear, R = red

Features and Benefits

- 12-24 VDC, 2.5 Amps
- 16 3-watt LEDs provide unrivalled flash intensity
- 11 flash patterns with hi/lo intensity control
- Die-cast aluminum base is coated against corrosion and designed for vibration resistance and heat dissipation (permanent mount versions are epoxy filled)
- Thread-on polycarbonate lens
- Reverse polarity, voltage spike and surge protected
- Temperature Range: -22°F to +122°F (-30°C to +50°C)



Parts & Accessories

- Lenses: Amber - R7960LA
Clear - R7960LC