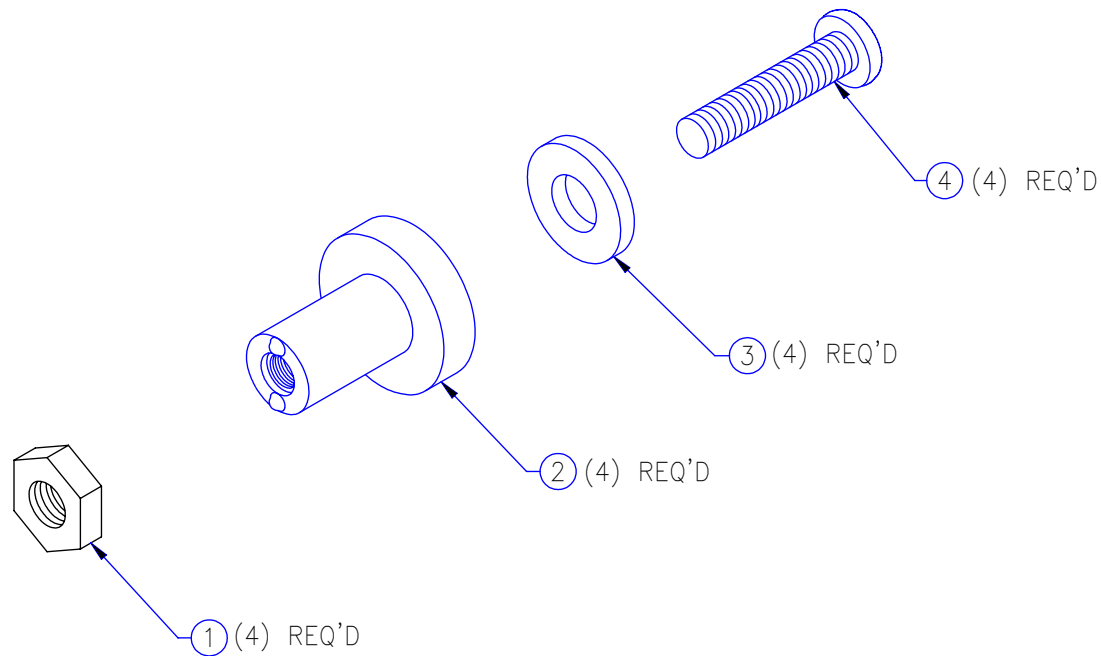


MATERIALS

ITEM	QTY	DESCRIPTION	PART NO.
1	4	#10-32 HEX NUT	HDW-640
2	4	DAMPENER, VIBRATION	420-1010-00
3	4	WASHER, #10 FLAT	HDW-644D
4	4	#10-32 x 1-1/4 PHILLIPS	HDW-644B
*5	1	BOX	BOX-358X
*6	1	INST. INSTRUCTIONS	920-6600-00

*- ITEMS NOT SHOWN



C	4-2-97	CORRECTED ITEM 1 P/N
B	2-13-97	ADDED INST. SHEET TO MAT'L'S LIST
A	2-6-97	ADD NONDISCLOSURE, CHGED TITLE, REVISE KIT PER ECN-0117
REV	DATE	DESCRIPTION

NONDISCLOSURE AGREEMENT THIS DRAWING AND THE DESIGN IT DISCLOSES ARE THE PROPERTY OF ECCO AND IT IS ISSUED IN CONFIDENCE FOR ENGINEERING INFORMATION ONLY. THE DRAWING AND OR DESIGN MAY NOT BE REPRODUCED, DISCLOSED TO OUTSIDERS, OR USED FOR ANY OTHER PURPOSE WITHOUT THE PRIOR EXPRESS CONSENT OF ECCO. THE DRAWING IS SUBJECT TO RECALL AT ANY TIME. YOUR POSSESSION OF THIS DOCUMENT CONSTITUTES ACCEPTANCE OF THESE TERMS.		TOLERANCES <small>UNLESS OTHERWISE NOTED</small> DECIMAL: ONE PLACE ± 0.1 TWO PLACE ± 0.01 THREE PLACE ± 0.005 FOUR PLACE ± 0.003 ANGULAR: ± 0.5' FRACTIONAL ± 1/64		ECCO ELECTRONIC CONTROLS CO. 208-376-0707 P. O. BOX 7246, BOISE, ID 83707 SCALE: NONE DATE: 2-23-95 DRAWN: _____ CHK'D: _____ APP'D: _____	
		VIBRATION DAMPENING KIT P/N A6600VDK		SHT 1 OF 1 DRAWING NO. KIT\A6600VDK	