

# **SUPPLEMENTAL FRONT ASSEMBLY MANUAL**

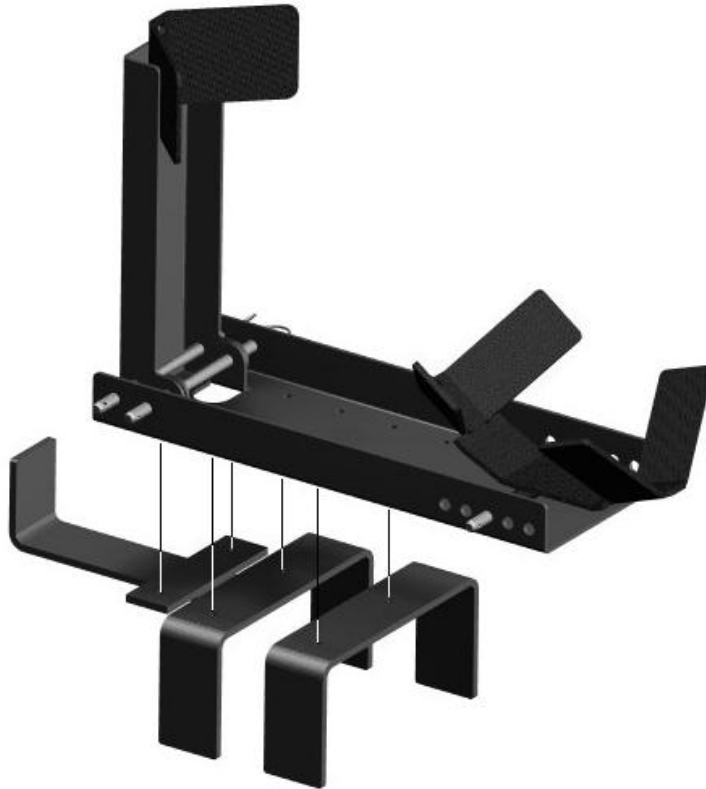
## **FOR THE CONDOR® SELF-LOADER (SL-7000)**

---

### **STOP! WARNING: READ THIS FIRST!**

First Read and Understand the Instruction manual and product labels for important safety, set-up and troubleshooting information. If you have problems setting up or using the Condor® Self-Loader, contact customer service @ 1-800-461-1344 or contact us via e-mail @ [www.condor-lift.com](http://www.condor-lift.com). Condor® Motorcycle products are not intended for use by children.

**Front Assembly Instructions:** Some Self Loaders require additional support to prevent the unit from sliding forward on the boom of the truck. If you have received an SL-7000 front assembly for one of these trucks, your unit may require additional assembly. Please refer to the diagram below for placement of the bracket on your SL-7000 Front Assembly. Attach the bracket in the following configuration using the 5/16"-18 x 1/2" Butthead Socket Cap Screws provided.



**Self-Loader (SL-7000) Bracket & Hole Placement Illustration**

**Caution:**

Always make sure that all fasteners are tight and all pins are in place prior to use. Understand the limitations of this product and do not exceed these limitations. Technical Components Development & Design is not responsible for any damage incurred by exceeding this product's limitations in structure and/or functionality.

**One Year Limited Warranty:**

This Condor® SL-7000 Self-Loader product warranty extends to the original consumer purchaser of the product. All illustrations and specifications contained in this manual are based on the latest product information available at the time of printing. Technical Components Development & Design, Inc. reserves the right to make changes at any time, without notice, in color, materials, equipment, options, specifications and models. Models may be shown with optional equipment. Further information may be obtained by contacting Technical Components Development & Design, Inc. @ #815-754-7418.

**Warranty Duration:**

This product is warranted to the original consumer purchase for a period of one (1) year from original purchase date.

**What is not covered:**

Our warranty for your product will not cover abnormal wear of parts, damage resulting from negligent use or misuse of the product, use contrary to operating instructions, or disassembly, repair or alteration by any person other than an authorized service station. We shall not be liable for any incidental or consequential damages for breach of by express or implied warranty on your product.

**How your state's law may apply:**

Some states do not allow limitations on how long any implied warranty lasts or the exclusion or limitation of incidental or consequential damages. So the above limitation may not apply to you. This warranty gives you specific legal rights, and you may also have other rights, which may vary from state to state.

**Thank you for purchasing Condor® Products.**

**Condor® is a trademark of Technical Components Development & Design, Inc.**

**The Condor® SL-7000 Self-Loader has US & International Patents**

210 W. Stephenie Drive  
Cortland, IL 60112  
Phone: 815-754-7418  
Fax: 815-754-7419