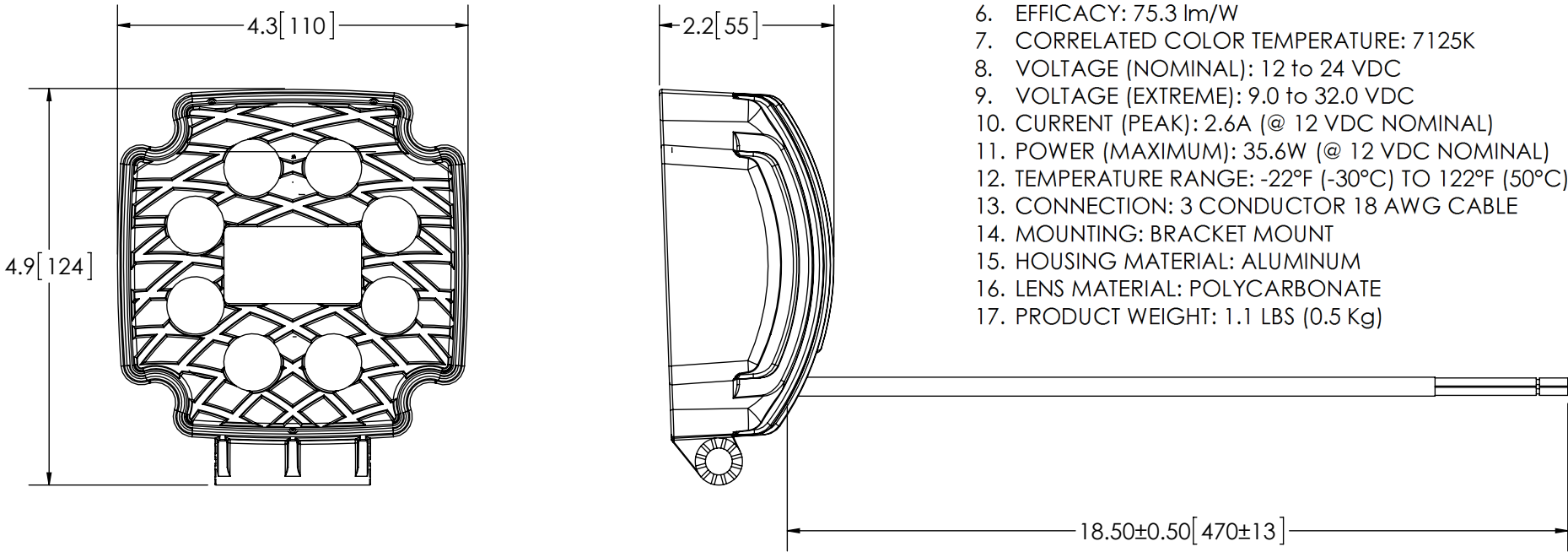



REVISION HISTORY		
REV.	DESCRIPTION	DATE
A	INITIAL RELEASE PER P12007	2013-11-11
B	REVISE PER P12007	2014-08-19
C	REVISE PER P12007	2014-11-04

### SPECIFICATIONS

- CERTIFICATIONS: IP-67D, Category 2, Restricted  
 Note: Unique components, accessories, and hardware kits are not typically Included in the Product Certification Test Protocols. Unless otherwise Specified, the Product Certifications referred to herein are predicated upon the base product model configuration.
- RAW LUMENS: 2000 lumens
- EFFECTIVE LUMENS: 1600 lumens
- ILLUMINANCE: 8.6 lux
- PEAK BEAM INTENSITY: 8020 Candela
- EFFICACY: 75.3 lm/W
- CORRELATED COLOR TEMPERATURE: 7125K
- VOLTAGE (NOMINAL): 12 to 24 VDC
- VOLTAGE (EXTREME): 9.0 to 32.0 VDC
- CURRENT (PEAK): 2.6A (@ 12 VDC NOMINAL)
- POWER (MAXIMUM): 35.6W (@ 12 VDC NOMINAL)
- TEMPERATURE RANGE: -22°F (-30°C) TO 122°F (50°C)
- CONNECTION: 3 CONDUCTOR 18 AWG CABLE
- MOUNTING: BRACKET MOUNT
- HOUSING MATERIAL: ALUMINUM
- LENS MATERIAL: POLYCARBONATE
- PRODUCT WEIGHT: 1.1 LBS (0.5 Kg)



NOTES:  
 1. DIMENSIONS IN INCHES[MILLIMETERS(FOR REFERENCE)]

SCALE 1:2		APPROVALS	DATE	 <b>Electronic Controls Co.</b> 833 West Diamond Street, Boise, ID 83705 800-635-5900 www.eccolink.com
CAD GENERATED DRAWING DO NOT MANUALLY UPDATE. MODEL REFERENCED:C		DRAWN BY JDT2	2014-11-03	
TOLERANCES ARE IN INCHES, AND MILLIMETERS TOLERANCES ARE:		CHECKED MDH	2014-11-04	
MILLIMETERS DECIMALS XX. ± 1.0mm XX.X ± 0.5mm		MECH. ENG. JLA	2014-11-03	
INCHES DECIMALS X.X ± 0.1 X.XX ± 0.04 X.XXX ± 0.02		ELEC. ENG. TJT	2014-11-03	<b>WORKLAMP, 8LED, SQUARE, FLOOD, 12-24VDC</b> CUSTOMER PART NO. <b>EW2102</b> PRODUCT SERIES: <b>EW2102</b>
ANGLES ± 0.5°		TEST ENG. JRT	2014-11-04	
FRACTIONS ± 1/64		SALES. JPT	2014-11-04	
THIRD ANGLE PROJECTION		SIZE: A DWG. NO. <b>EW2102</b> REV. C SHEET 1 OF 1 Project: P12007 Date Created: 2013-08-29		
NON DISCLOSURE AGREEMENT <small>THIS DRAWING AND THE DESIGN IT DISCLOSES ARE THE PRIVATE PROPERTY OF ECCO AND IS ISSUED IN CONFIDENCE FOR ENGINEERING INFORMATION ONLY. THE DRAWING AND / OR DESIGN MAY NOT BE USED, COPIED, REPRODUCED, OR OTHERWISE DISCLOSED IN PART OR AS A WHOLE TO OUTSIDERS OR USED FOR ANY OTHER PURPOSE WITHOUT THE PRIOR WRITTEN CONSENT OF ECCO. THE DRAWING IS SUBJECT TO RECALL AT ANY TIME. YOUR POSSESSION OF THIS DOCUMENT CONSTITUTES ACCEPTANCE OF THESE TERMS. © 2013 ECCO</small>		Electronically Controlled Use Latest Copy		