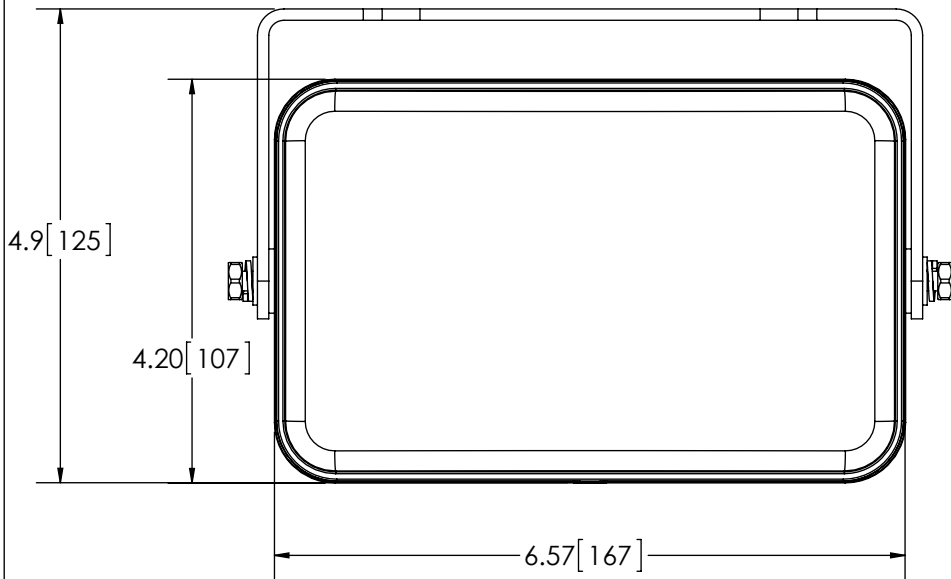
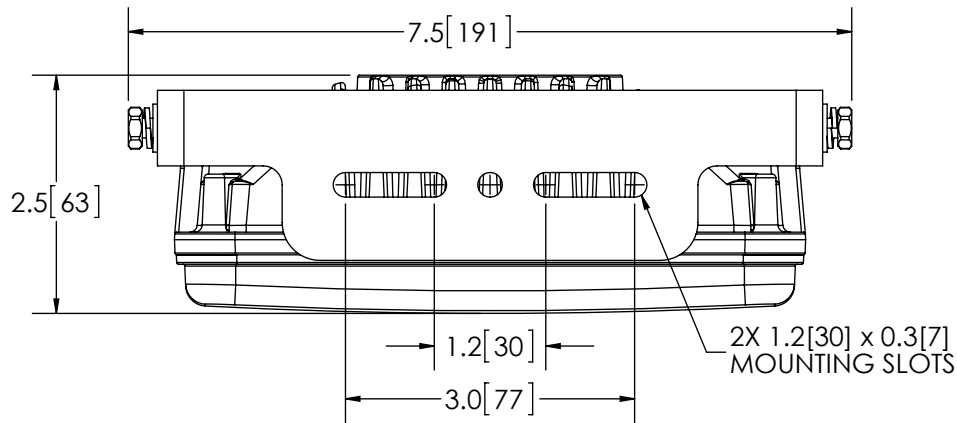


REVISION HISTORY		
REV.	DESCRIPTION	DATE
02	REVISED PER EC3410	2013-02-27
03	REVISED PER EC3410	2013-03-04
A	INITIAL RELEASE PER EC3410	2013-03-13



SPECIFICATIONS

- CERTIFICATIONS:
Note: Unique components, accessories, and hardware kits are not typically included in the Product Certification Test Protocols. Unless otherwise Specified, the Product Certifications referred to herein are predicated upon the base product model configuration.
- LUMINOUS FLUX: 3000 lumens
- ILLUMINANCE: lux
- PEAK BEAM INTENSITY: Candela
- EFFICACY: 87.4 lm/W
- CORRELATED COLOR TEMPERATURE: 7030K
- VOLTAGE (NOMINAL): 12 to 24 VDC
- VOLTAGE (EXTREME): 10 to 30 VDC
- CURRENT (PEAK): 2.6A (@ 12 VDC NOMINAL)
- POWER (MAXIMUM): 35.6W (@ 12 VDC NOMINAL)
- TEMPERATURE RANGE: -22°F (-30°C) TO 122°F (50°C)
- CONNECTION: 2 CONDUCTOR CABLE
- MOUNTING: BRACKET MOUNT
- HOUSING MATERIAL: ALUMINUM
- LENS MATERIAL: POLYCARBONATE
- PRODUCT WEIGHT: LBS (0.0 Kg)

NOTES:
1. DIMENSIONS IN INCHES[MILLIMETERS (FOR REFERENCE)]

SCALE 1:2		APPROVALS	DATE	Electronic Controls Co. 833 West Diamond Street, Boise, ID 83705 800-635-5900 www.eccolink.com	
CAD GENERATED DRAWING DO NOT MANUALLY UPDATE. MODEL REFERENCED:01		DRAWN BY MDH	2013-03-04		
TOLERANCES ARE IN INCHES, AND MILLIMETERS TOLERANCES ARE:		CHECKED BND	2013-03-11		
MILLIMETERS DECIMALS XX. ± 1.0mm XX.X ± 0.5mm		MECH. ENG. JLA	2013-03-04		
INCHES DECIMALS X.X ± 0.1 X.XX ± 0.04 X.XXX ± 0.02		ELEC. ENG. TJT	2013-03-04	WORK LAMP, 6 LED, RECTANGLE, FLOOD, 10-30V CUSTOMER PART NO. EW2300 PRODUCT SERIES:	
ANGLES ± 0.5° FRACTIONS ± 1/64		TEST ENG. JRT	2013-03-07		
THIRD ANGLE PROJECTION		SALES. WNH	2013-03-04		
NON DISCLOSURE AGREEMENT		SIZE: A		DWG. NO. EW2301	REV. A
<small>THIS DRAWING AND THE DESIGN IT DISCLOSES ARE THE PRIVATE PROPERTY OF ECCO AND IS ISSUED IN CONFIDENCE FOR ENGINEERING INFORMATION ONLY. THE DRAWING AND / OR DESIGN MAY NOT BE USED, COPIED, REPRODUCED, OR OTHERWISE DISCLOSED IN PART OR AS A WHOLE TO OUTSIDERS OR USED FOR ANY OTHER PURPOSE WITHOUT THE PRIOR WRITTEN CONSENT OF ECCO. THE DRAWING IS SUBJECT TO RECALL AT ANY TIME. YOUR POSSESSION OF THIS DOCUMENT CONSTITUTES ACCEPTANCE OF THESE TERMS. © 2013 ECCO</small>		Electronically Controlled Use Latest Copy		SHEET 1 OF 1	Project: EC3410
		Date Created: 2013-02-08			