



HOOKLOK P/N 1001

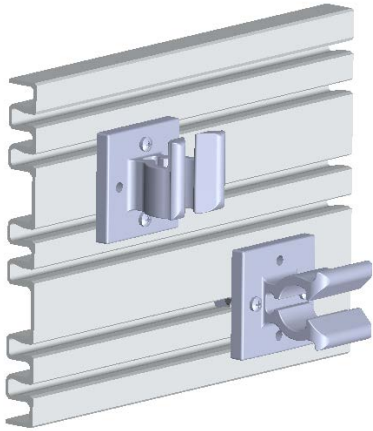
INSTALLATION INSTRUCTIONS

For additional assistance call 888-514-0083 between 8AM-5PM EST or email: info@pactoolmounts.com

CAUTION



To avoid the risk of personal injury, property damage or product damage, please use the included fasteners for mounting.

- * The bracket must be securely mounted to a stable surface and material.
- * When mounting bracket to PAC TRAC aluminum products **P/N 7000**, **P/N 7020**, **P/N 7040**, **P/N 7050** with the included Trac Lok inserts **P/N 7016**, torque the screws to a maximum 15 in-lbs.
- * PAC recommends regular and frequent inspections to be certain of proper operation and installation.

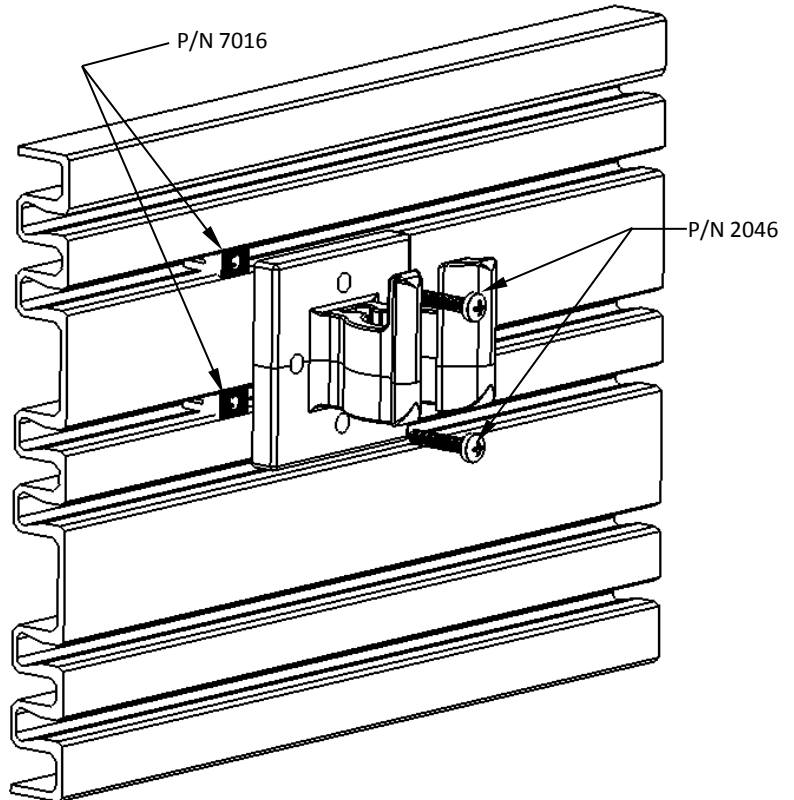


SOLD IN PAIRS

HORIZONTAL OR VERTICAL MOUNTING

MTG. HARDWARE			QTY For 2
	P/N 2046	#10-24 x 1 S.S. Pan Head Screw	4
	P/N 7016	Trac Lok Insert	4

(PAC TRAC Mounting)



(Optional Mounting Method)
Fasteners Not Included

