



COIL-LOK P/N 1021

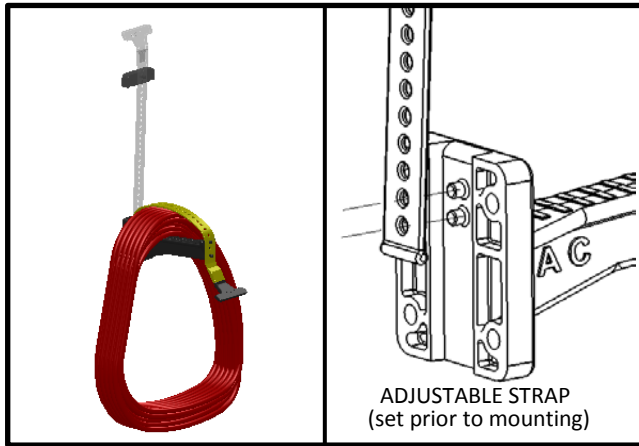
INSTALLATION INSTRUCTIONS



For additional assistance call 888-514-0083 between 8AM-5PM EST or email: info@pactoolmounts.com


CAUTION

To avoid the risk of personal injury, property damage or product damage, please use the included fasteners for mounting.

- * The bracket must be securely mounted to a stable surface and material.
- * When mounting bracket to PAC TRAC aluminum products **P/N 7000, P/N 7020, P/N 7040, P/N 7050** with the included Trac Lok inserts **P/N 7016**, torque the screws to a maximum 15 in-lbs.
- * PAC recommends regular and frequent inspections to be certain of proper operation and installation.



STANDARD MTG. HARDWARE		QTY
PAC Fastener Packet P/N 1021-9402 includes:		
 P/N 3017	¼-20 x 1 S.S. Pan Head Screw	6
 P/N 2069LN	¼-20 Nylon Locking Nut	6

PAC TRAC MTG. HARDWARE		QTY
PAC Fastener Packet P/N 1021-9401 includes:		
 P/N 2047	#10-24 x 1-1/4 S.S. Pan Head Screw	6
 P/N 7016	Trak Lok Insert	6

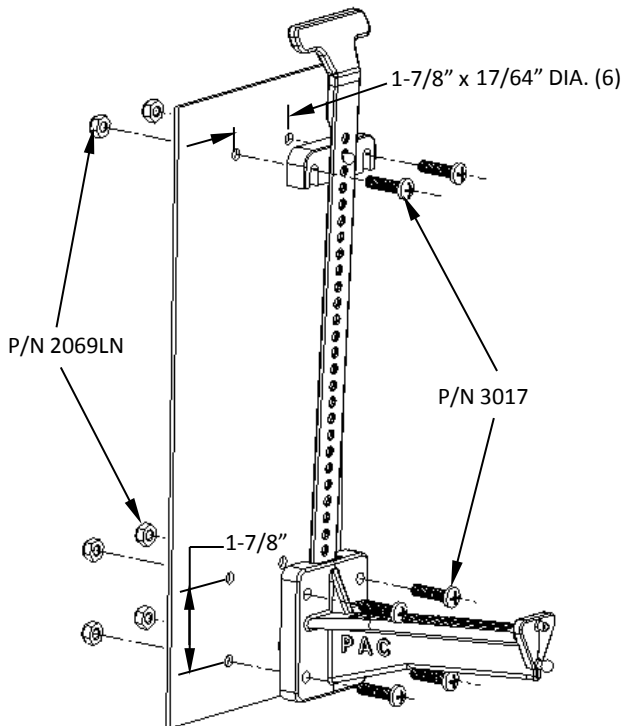


FIGURE 1
(Standard Thru Mounting Method)

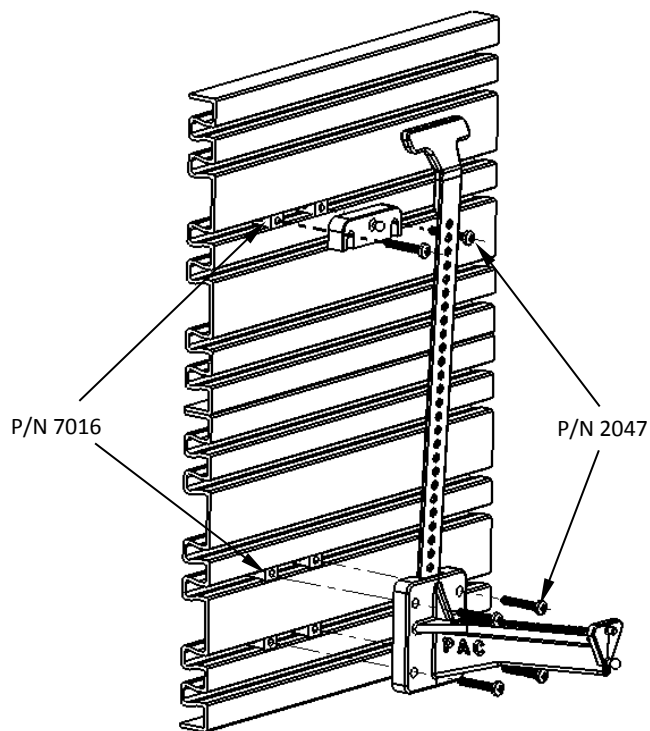


FIGURE 2
(Pac Trac Mounting Method)