



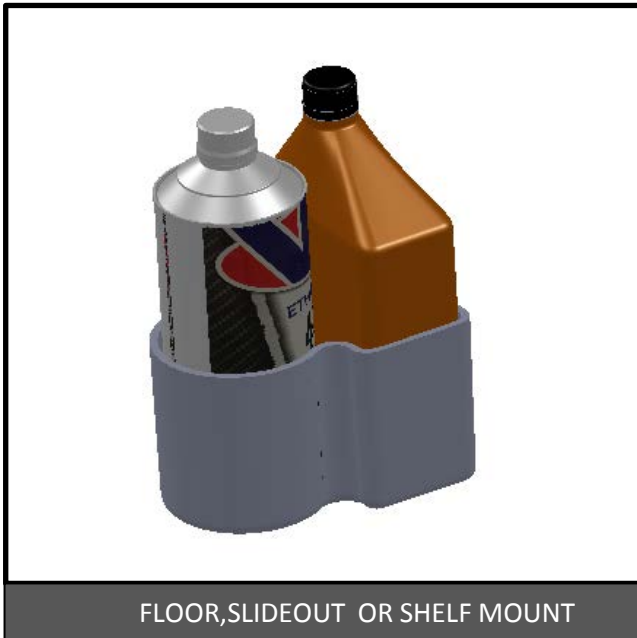
# GAS/OIL POCKET MOUNT P/N 1041 INSTALLATION INSTRUCTIONS



For additional assistance call 888-514-0083 between 8AM-5PM EST or email: info@pactoolmounts.com



## CAUTION

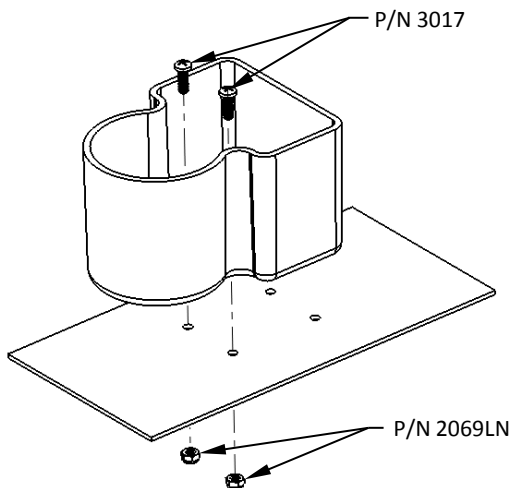
To avoid the risk of personal injury, property damage or product damage, please use the included fasteners for mounting.

- \* The bracket must be securely mounted to a stable surface and material.
- \* When mounting bracket to PAC TRAC aluminum products **P/N 7000, P/N 7020, P/N 7040, P/N 7050** with the included Trac Lok inserts **P/N 7016**, torque the screws to a maximum 15 in-lbs.
- \* PAC recommends regular and frequent inspections to be certain of proper operation and installation.

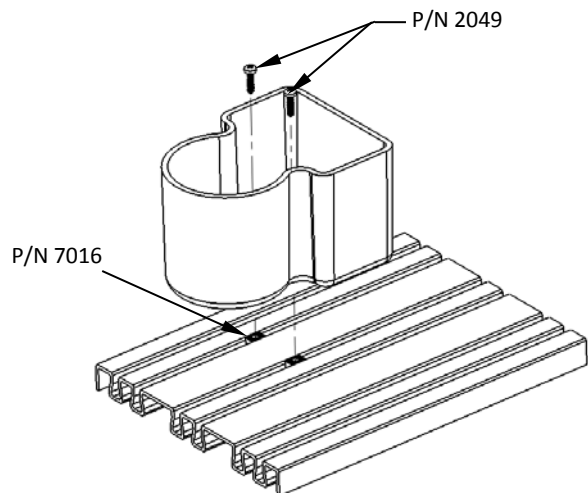


MTG. HARDWARE for PAC TRAC P/N 7029		QTY
 P/N 2049	#10-24 x 3/4 S.S. S.S. Pan Head Screw	2
 P/N 7016	Trac Lok Insert	2

STANDARD MTG. HARDWARE P/N 2035		QTY
 P/N 3017	1/4-20 x 1 S.S. S.S. Pan Head Screw	2
 P/N 2069LN	1/4-20 Nylon Locking Nut	2



**FIGURE 1**  
(Thru Mounting Method)



**FIGURE 2**  
(PAC TRAC Mounting)