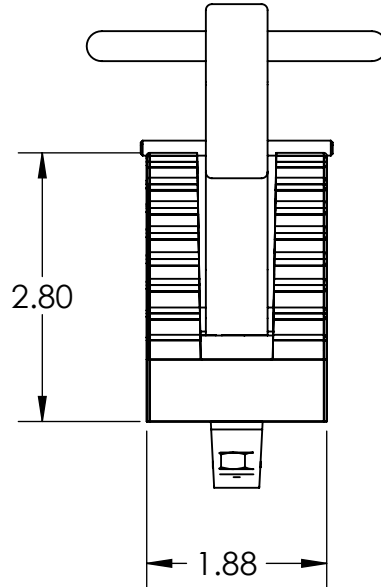
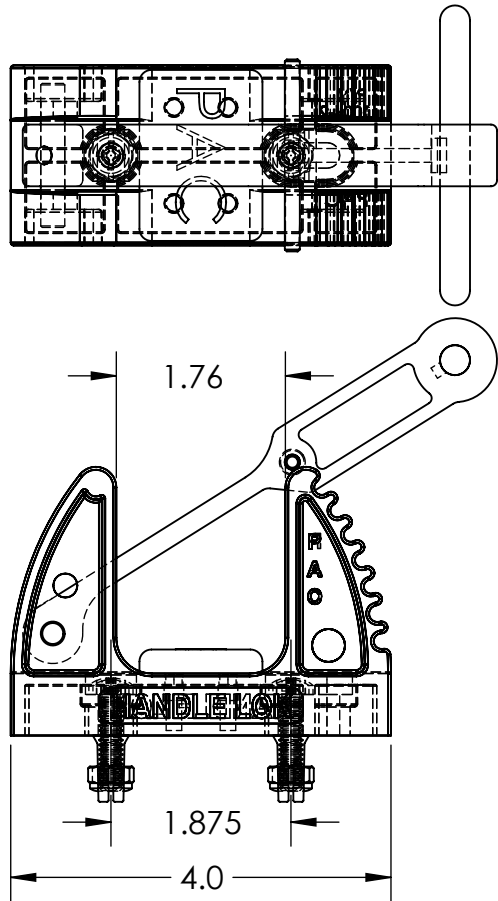
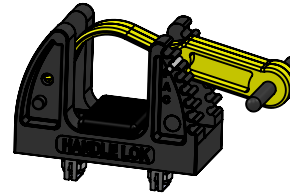


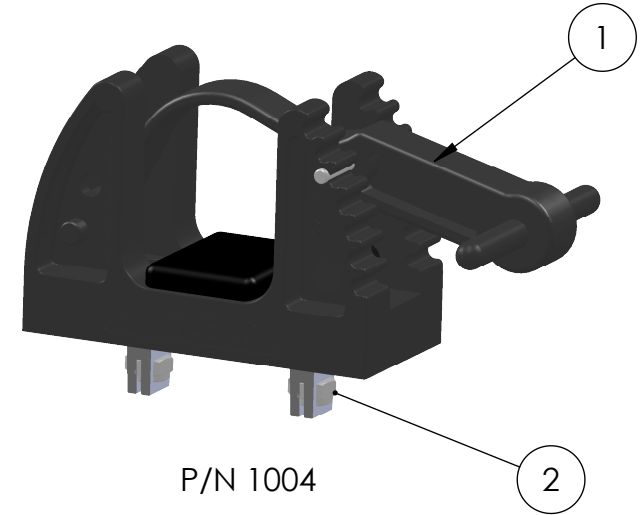
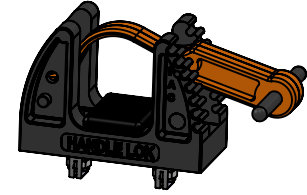
REV	DESCRIPTION	DATE	APPR
2	CHANGED BASE FOR NEW MOUNTING & APPEARANCE (SEE 1004-201A)	10/4/18	JPG



P/N 1004Y



P/N 1004OR



P/N 1004

GRIP RANGE: 1/8" - 1-3/4"

HANDELOK VERSIONS:

P/N 1004 - BLACK STRAP,
P/N 1004-Y - YELLOW STRAP,
P/N 1004-OR - ORANGE STRAP

NOTES:

ITEM NO.	PAC P/N	PART NAME	REV	QTY
2	7049	FASTENER KIT		1
1	1004BP	HANDELOK ASSEMBLY	A	1

PERFORMANCE
ADVANTAGE
COMPANY



TOLERANCES UNLESS OTHERWISE SPECIFIED

.X = ±.03
.XX = ±.010
.XXX = ±.005
.XXXX = ±0.0005
ANGLES ±0.5°
FRACTIONAL ±1/64

THIRD ANGLE PROJECTION



COLOR

NAME	DATE
DRAWN BY JPG	
APPR. BY	
MFG BY	
MFG. P/N	
ENG APPR.	
MATERIAL	
ALT. MATERIAL	
FINISH	

THE INFORMATION CONTAINED IN THIS DRAWING IS THE SOLE PROPERTY OF PERFORMANCE ADVANTAGE CO. ANY REPRODUCTION IN PART OR AS A WHOLE WITHOUT THE WRITTEN PERMISSION OF PERFORMANCE ADVANTAGE CO. IS PROHIBITED.

TITLE:

HANDELOK

PART NUMBER	REV
1004	2