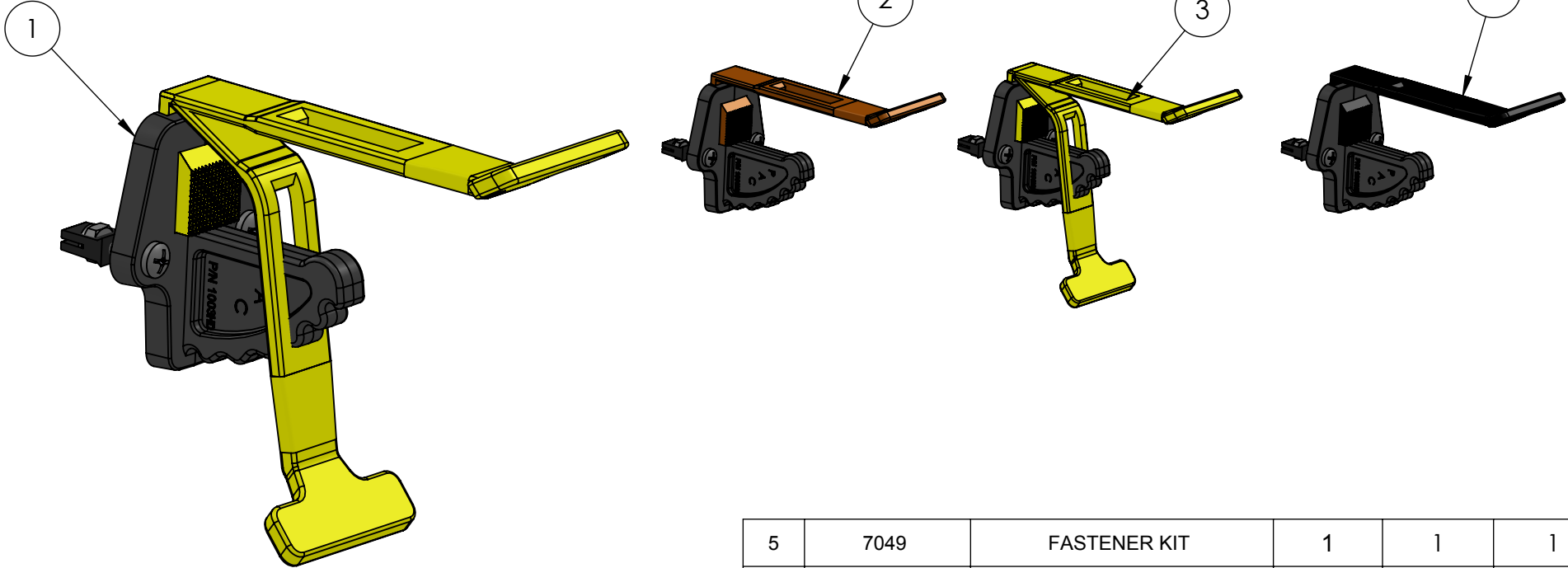


REV	DESCRIPTION	DATE	APPR



5	7049	FASTENER KIT	1	1	1
4	1003HD-201B	TOOLOK STRAP (BLACK)	-	1	-
3	1003HD-201Y	TOOLOK STRAP (YELLOW)	1	-	-
2	1003HD-201OR	TOOLOK STRAP (ORANGE)	-	-	1
1	1003HD-202	TOOLOK HD BASE	1	1	1
ITEM NO.	PAC P/N	PART NAME	1003HD-Y	1003HD-B	1003HD-OR

NOTES:

GRIP RANGE:

1/8"(3.2MM)-1-1/2" (38.1MM)

VERSIONS:

1003HD Y (YELLOW STRAP)
 1003HD B (BLACK STRAP)
 1003HD OR (ORANGE STRAP)

PERFORMANCE
ADVANTAGE
COMPANY



TOLERANCES UNLESS OTHERWISE SPECIFIED

.X= ± .03
 .XX= ± .010
 .XXX= ± .005
 .XXXX= ± 0.0005
 ANGLES ± 0.5 °
 FRACTIONAL ± 1/64

THIRD ANGLE PROJECTION



COLOR

NAME DATE

DRAWN BY

APPR. BY

MFG BY

MFG. P/N

ENG APPR.

MATERIAL

ALT. MATERIAL

FINISH

THE INFORMATION CONTAINED IN THIS DRAWING IS THE SOLE PROPERTY OF PERFORMANCE ADVANTAGE CO. ANY REPRODUCTION IN PART OR AS A WHOLE WITHOUT THE WRITTEN PERMISSION OF PERFORMANCE ADVANTAGE CO. IS PROHIBITED.

TITLE:

TOOLOK HD

PART NUMBER

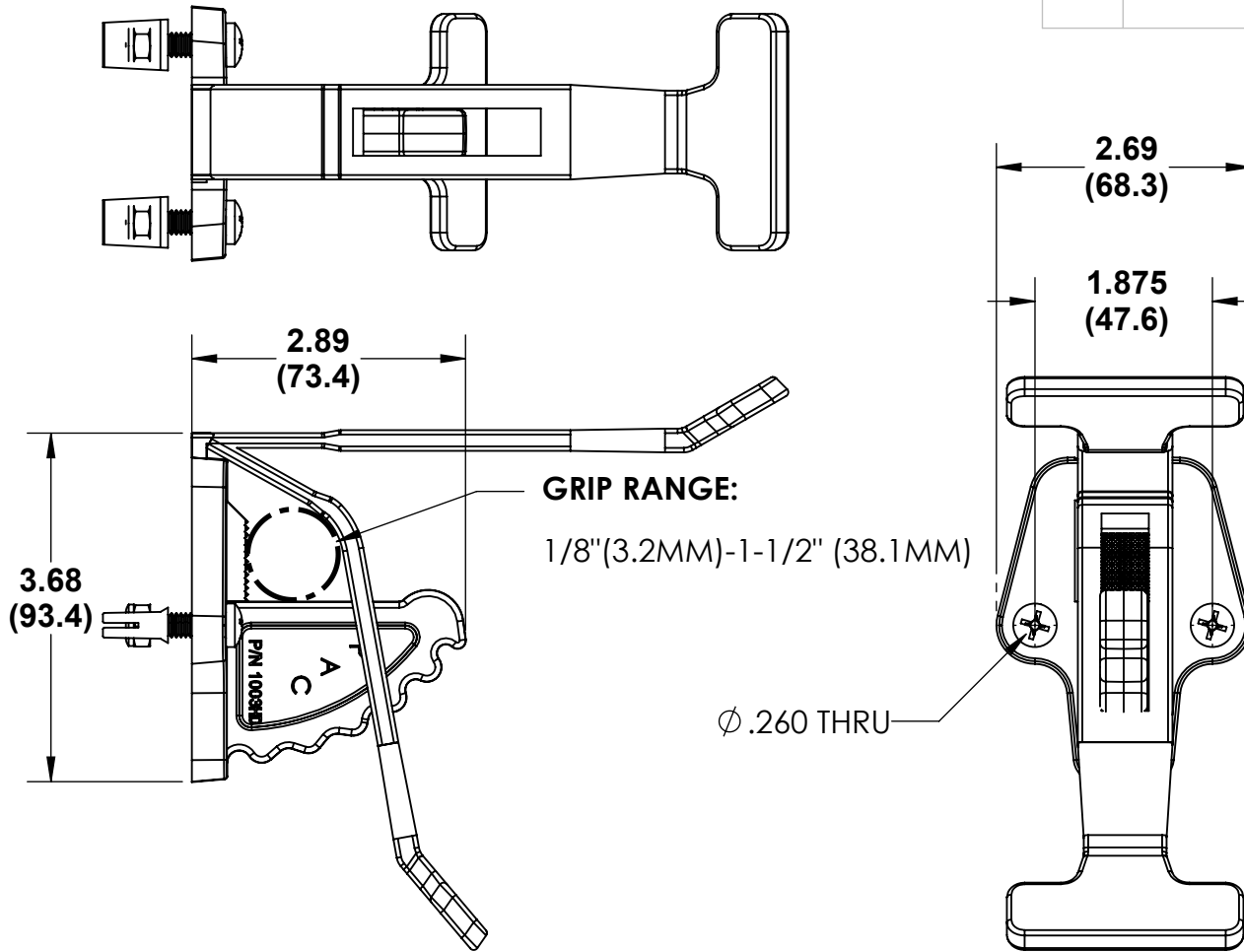
1003HD

REV

SCALE: 1:2

SHEET 1 OF 3

REV	DESCRIPTION	DATE	APPR



NOTES:

PERFORMANCE
ADVANTAGE
COMPANY



TOLERANCES UNLESS OTHERWISE SPECIFIED

.X= ± .03
.XX= ± .010
.XXX= ± .005
.XXXX= ± 0.0005
ANGLES ± 0.5 °
FRACTIONAL ± 1/64

THIRD ANGLE PROJECTION



COLOR

NAME DATE

DRAWN BY

APPR. BY

MFG BY

MFG. P/N

ENG APPR.

MATERIAL

ALT. MATERIAL

FINISH

THE INFORMATION CONTAINED IN THIS DRAWING IS THE SOLE PROPERTY OF **PERFORMANCE ADVANTAGE CO.** ANY REPRODUCTION IN PART OR AS A WHOLE WITHOUT THE WRITTEN PERMISSION OF PERFORMANCE ADVANTAGE CO. IS PROHIBITED.

TITLE:

**TOOLOK HD
DIMENSIONAL INFORMATION**

PART NUMBER

1003HD

REV

SCALE: 1:2

SHEET 2 OF 3