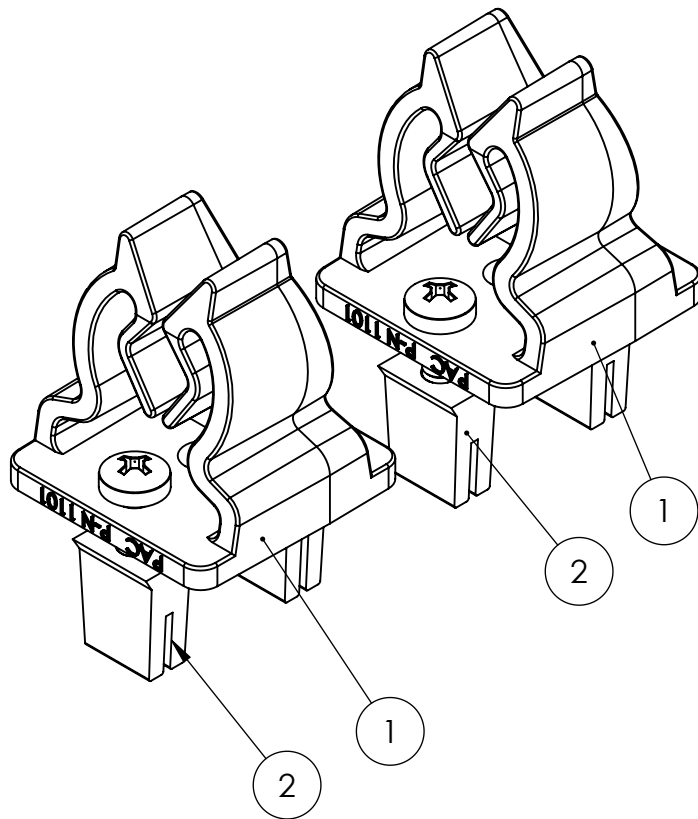


REV	DESCRIPTION	DATE	APPR



ITEM NO.	PAC P/N	PART NAME	QTY.	REV
2	7029	FASTENER KIT	2	
1	1101P	MINI LOK - SMALL	2	

NOTES:

GRIP RANGE : 3/8" - 3/4" DIA.

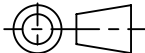
PERFORMANCE
ADVANTAGE
COMPANY



TOLERANCES UNLESS OTHERWISE SPECIFIED

.X= ± .03
.XX= ± .010
.XXX= ± .005
.XXXX= ± 0.0005
ANGLES ± 0.5 °
FRACTIONAL ± 1/64

THIRD ANGLE PROJECTION



COLOR

	NAME	DATE
DRAWN BY		
APPR. BY		
MFG BY		
MFG. P/N		
ENG APPR.		
MATERIAL		
ALT. MATERIAL		
FINISH		

THE INFORMATION CONTAINED IN THIS DRAWING IS THE SOLE PROPERTY OF PERFORMANCE ADVANTAGE CO. ANY REPRODUCTION IN PART OR AS A WHOLE WITHOUT THE WRITTEN PERMISSION OF PERFORMANCE ADVANTAGE CO. IS PROHIBITED.

TITLE:
MINI LOKS - SMALL

PART NUMBER
1101

SCALE: 1:1 **SHEET 1 OF 1**