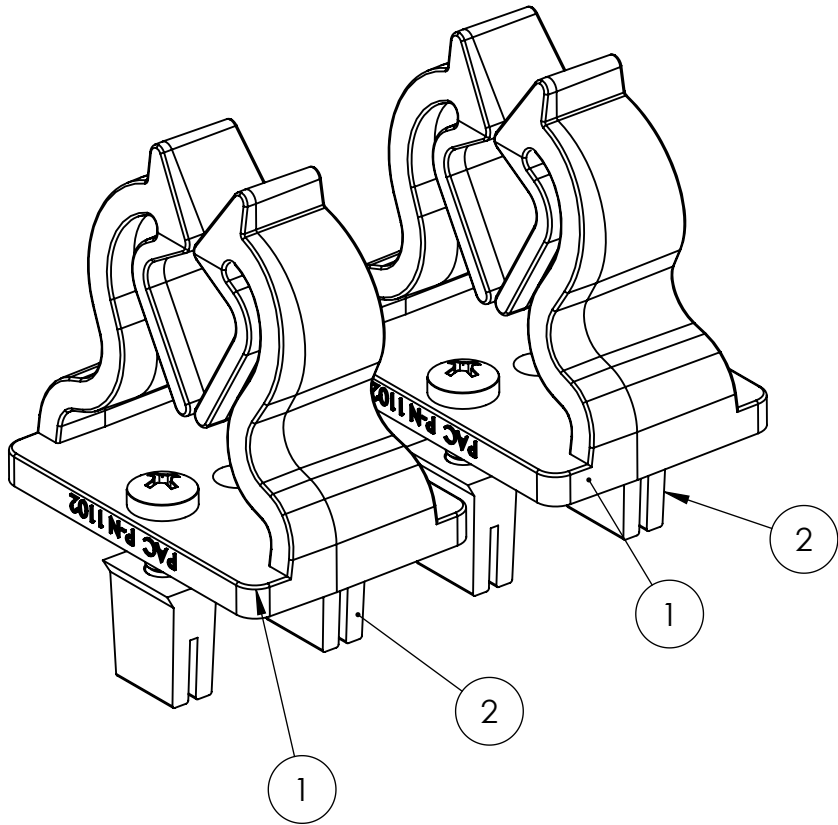


REV	DESCRIPTION	DATE	APPR



2	7029	FASTENER KIT	2	
1	1102P	MINI LOK - LARGE	2	
ITEM NO.	PAC P/N	PART NAME	QTY.	REV

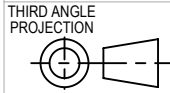
NOTES:

GRIP RANGE: 3/4" - 1-1/8" DIA

PERFORMANCE
ADVANTAGE
COMPANY



TOLERANCES UNLESS OTHERWISE SPECIFIED
.X= ± .03
.XX= ± .010
.XXX= ± .005
.XXXX= ± 0.0005
ANGLES ± 0.5 °
FRACTIONAL ± 1/64



COLOR

NAME	DATE
DRAWN BY	
APPR. BY	
MFG BY	
MFG. P/N	
ENG APPR.	
MATERIAL	
ALT. MATERIAL	
FINISH	

THE INFORMATION CONTAINED IN THIS DRAWING IS THE SOLE PROPERTY OF PERFORMANCE ADVANTAGE CO. ANY REPRODUCTION IN PART OR AS A WHOLE WITHOUT THE WRITTEN PERMISSION OF PERFORMANCE ADVANTAGE CO. IS PROHIBITED.

TITLE:
MINI LOKS - LARGE

PART NUMBER
1102

SCALE: 1:1 SHEET 1 OF 1