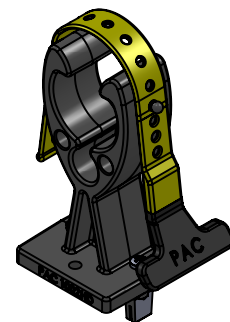
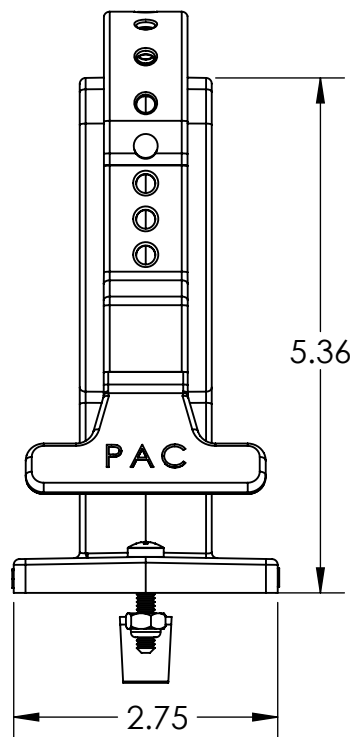
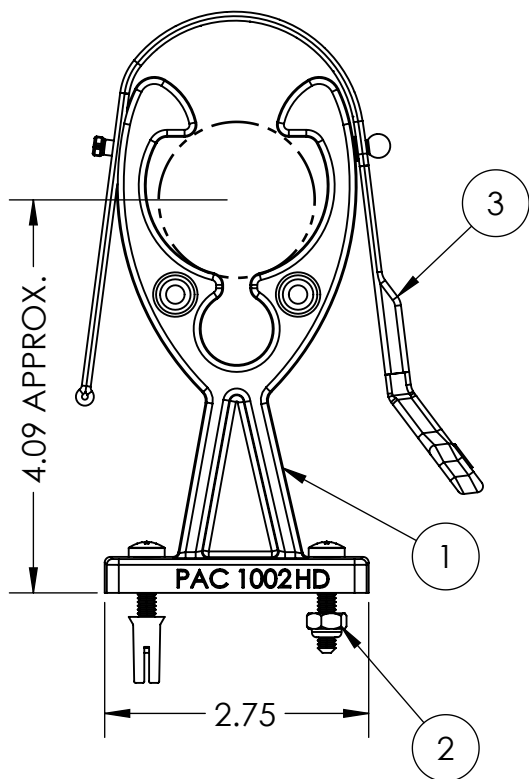
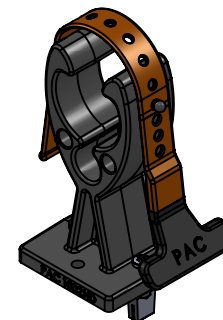


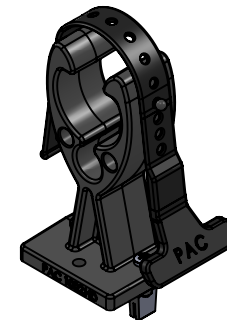
REV	DESCRIPTION	DATE	APPR



1002HD-Y
YELLOW STRAP



1002HD-OR
ORANGE STRAP



1002HD-B
BLACK STRAP

3	4016	UNIVERSAL STRAP YELLOW	1
2	7028	FASTENER KIT	1
1	1002HDP	FLEXMOUNT HD PART	1
ITEM NO.	PAC P/N	PART NAME	QTY.

NOTES:

GRIP RANGE: 1-3/4 - 2-3/8"

GRIP RANGE W/STRAP: 1-1/2" - 2-3/8"

PERFORMANCE
ADVANTAGE
COMPANY



TOLERANCES UNLESS OTHERWISE SPECIFIED

.X= ± .03
.XX= ± .010
.XXX= ± .005
.XXXX= ± 0.0005
ANGLES ± 0.5 °
FRACTIONAL ± 1/64

THIRD ANGLE PROJECTION



COLOR

NAME	DATE
DRAWN BY	12/12/17
APPR. BY	
MFG BY	
MFG. P/N	
ENG APPR.	
MATERIAL	
ALT. MATERIAL	
FINISH	

THE INFORMATION CONTAINED IN THIS DRAWING IS THE SOLE PROPERTY OF PERFORMANCE ADVANTAGE CO. ANY REPRODUCTION IN PART OR AS A WHOLE WITHOUT THE WRITTEN PERMISSION OF PERFORMANCE ADVANTAGE CO. IS PROHIBITED.

TITLE:

FLEXMOUNT HD

PART NUMBER

1002HD

REV

SCALE: 1:2

SHEET 1 OF 2