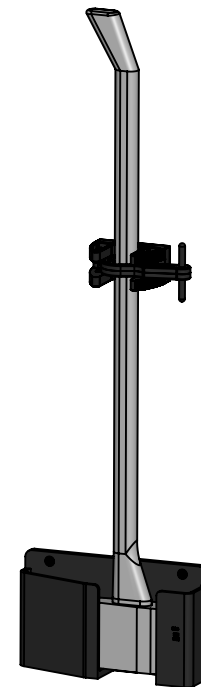
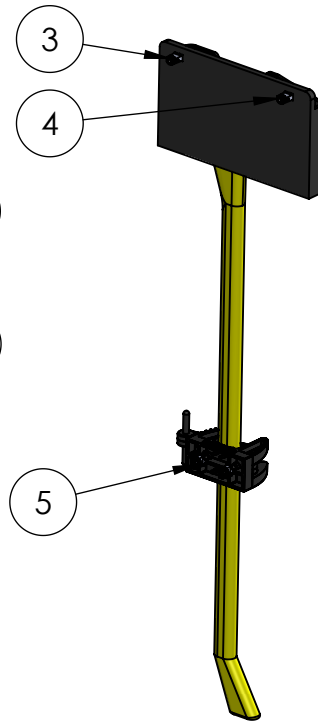
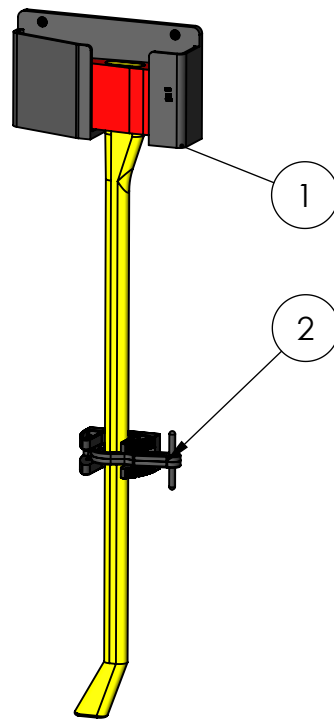
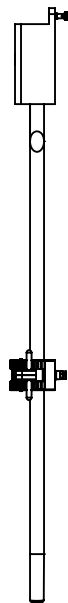
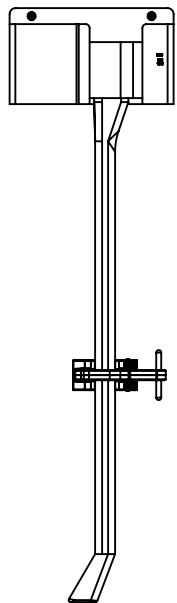
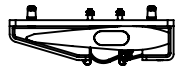


REV	DESCRIPTION	DATE	APPR
2	UPDATED HANDLELOK BASE AND H/W P/N 7049	10/11/18	



5	7049	FASTENER KIT		1
4	2032	FASTENER KIT		1
3	7021	FASTENER KIT		1
2	1004BP	HANDLELOK ASSEMBLY	A	1
1	1011	FLATHEAD AXE POCKET		1
ITEM NO.	PAC P/N	PART NAME	rev	QTY

NOTES:

P/N K5011 BLACK STRAP
P/N K5011-OR ORANGE STRAP
P/N K5011-Y YELLOW STRAP

PERFORMANCE
ADVANTAGE
COMPANY



TOLERANCES UNLESS OTHERWISE SPECIFIED

.X= ± .03
.XX= ± .010
.XXX= ± .005
.XXXX= ± 0.0005
ANGLES ± 0.5 °
FRACTIONAL ± 1/64

THIRD ANGLE PROJECTION



COLOR

	NAME	DATE
DRAWN BY	JIM GONZALEZ	8/23/2010
APPR. BY		
MFG BY		
MFG. P/N		
ENG APPR.		
MATERIAL		
ALT. MATERIAL		
FINISH		

THE INFORMATION CONTAINED IN THIS DRAWING IS THE SOLE PROPERTY OF PERFORMANCE ADVANTAGE CO. ANY REPRODUCTION IN PART OR AS A WHOLE WITHOUT THE WRITTEN PERMISSION OF PERFORMANCE ADVANTAGE CO. IS PROHIBITED.

TITLE:

FLATHEAD AXE HANGER KIT
BLACK STRAP

PART NUMBER	REV
K5011	2

SCALE: 1:10

SHEET 1 OF 3