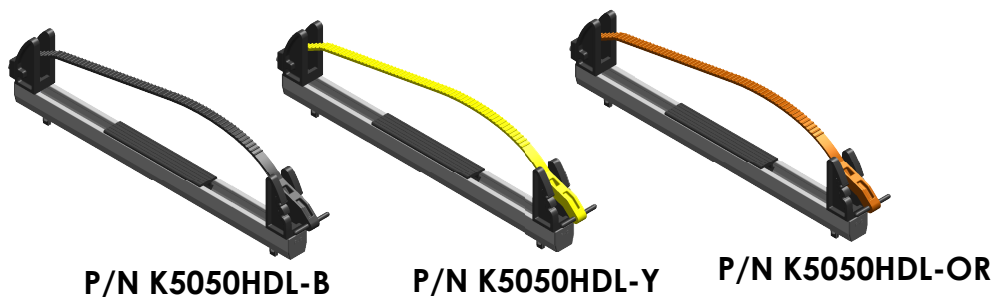
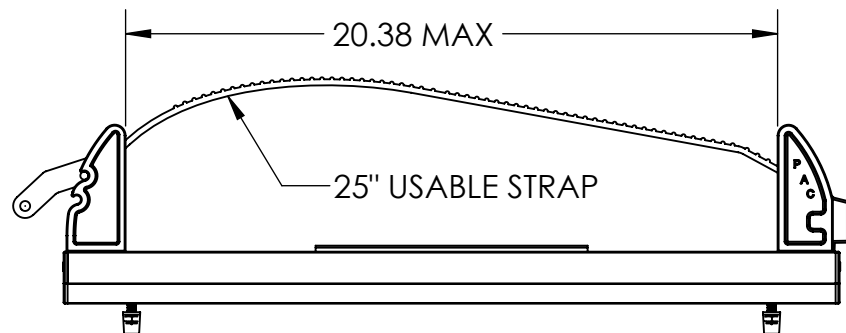
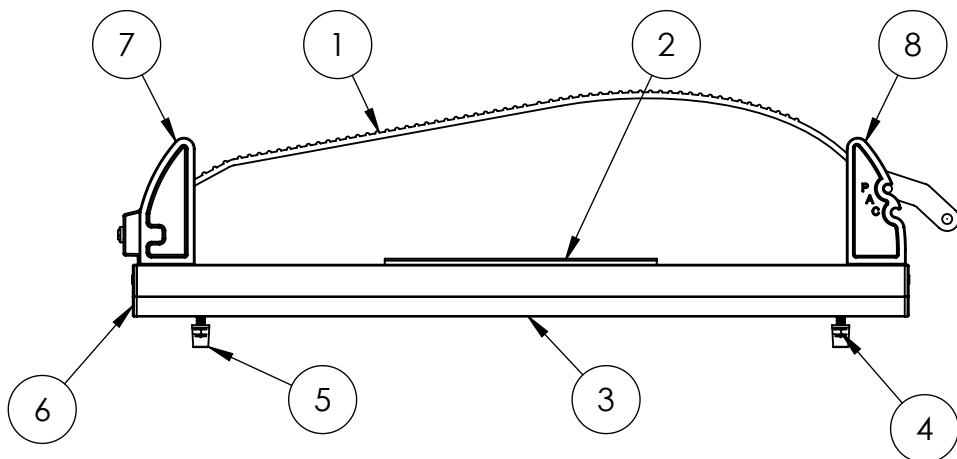


REV	DESCRIPTION	DATE	APPR
A	ADDED END CAPS	9-6-19	
B	UPDATED MODULE ASSEMBLIES	2/26/20	



8	1050-906	SUPER ADJ. LOCK END ASSEMBLY	1	
7	1050-905	SUPER ADJ. CLAMP END ASSEMBLY	1	A
6	2020EC	END CAP PAC STRUT HD	2	
5	7029	FASTENER KIT-ADJUSTAMOUNT PT	1	
4	2035	FASTENER PACK	1	
3	2020-24	PAC STRUT HD	1	
2	1006-3	CHANNEL CUSHION	1	
1	2008-1	LOCKING STRAP	1	
ITEM NO.	PAC P/N	PART NAME	QTY.	REV

NOTES:

PERFORMANCE
ADVANTAGE
COMPANY



TOLERANCES UNLESS OTHERWISE SPECIFIED

.X= ±.03
.XX= ±.010
.XXX= ±.005
.XXXX= ±0.0005
ANGLES ±0.5 °
FRACTIONAL ±1/64

THIRD ANGLE PROJECTION



COLOR

NAME	DATE
DRAWN BY	
APPR. BY	
MFG BY	
MFG. P/N	
ENG APPR.	
MATERIAL	
ALT. MATERIAL	
FINISH	

THE INFORMATION CONTAINED IN THIS DRAWING IS THE SOLE PROPERTY OF PERFORMANCE ADVANTAGE CO. ANY REPRODUCTION IN PART OR AS A WHOLE WITHOUT THE WRITTEN PERMISSION OF PERFORMANCE ADVANTAGE CO. IS PROHIBITED.

TITLE:

**SUPER ADJUSTAMOUNT
HD LONG KIT**

PART NUMBER

K5050HDL

REV

B

SCALE: 1:6

SHEET 1 OF 1